



# SUBMITTAL SHEETS

## PREFAB AND STEEL PRODUCTS - A

2018

## SPECIFICATION & FEATURES

## SIMPLE SUPPORT BRACKET & UNIVERSAL MOUNTING ADAPTER

### DESCRIPTION:

Orbit's latest innovation, the Simple Support Bracket, SSB, works alongside Orbit's Universal Mounting Adapter, UMA, and Stud Mounting Adjustable Ring Series, WBAR1G and 2G to form a versatile Stud Bracket System. This system provides the installer with a solution for mounting boxes and devices between studs.

### CERTIFICATION:

UL file E310661, conforms to UL514A

### FEATURES:

- Telescoping bracket adjusts from 15" to 25"
- SSB can be preassembled to save time and reduce injury on the job site
- UMA can either mount-to-stud directly or clip onto bracket
- Rigidity eliminates need for far-side back support
- Markings on Bracket allow for quick and consistent adjustability



SSB-4S



SSB



UMA



### CONFIGURATION DATA:

Part No.	Description	Sides K.O.	Bottom K.O.	Std.Pkg.
SSB	Simple Support Bracket adjusts from 15" to 25" for mounting boxes horizontally between stud	-	-	25
SSB-4S	Preassembled SSB with UMA and 4" (4S) 2-1/8" Deep Box with 10" Ground Pigtail	(8) - 1/2", (4) - 3/4"	(2) - 1/2", (2) - 3/4"	12
SSB-4S-MKO	Preassembled SSB with UMA and 4" (4S) 2-1/8" Deep Box with 10" Ground Pigtail	(8) - 1/2", (4) - MKO	(2) - 1/2", (2) - MKO	12
SSB-5S-MKO	Preassembled SSB with UMA and 4-11/16" (5S) 2-1/8" Deep Box with MKO and 10" Ground Pigtail	(2) - 1/2", (10) - MKO	(2) - 1/2", (2) - MKO	12
UMA	Universal Mounting Adapter for mounting 4S and 5S boxes to SSB, USB, and directly to stud	-	-	25

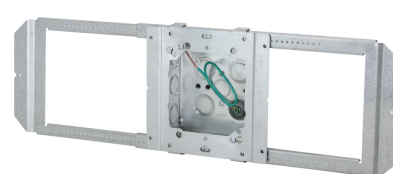
\*SSB must be accompanied with either UMA, WBAR1G or WBAR2G mounting brackets to attach a steel box



SSB



SSB-4S  
SSB-4S-MKO



SSB-5S-MKO



UMA





## SPECIFICATION & FEATURES

## TELESCOPING SUPPORT BRACKET

### DESCRIPTION:

Orbit's Telescoping Support Bracket (TSB) is an adjustable stud-to-stud mounting bracket for mounting boxes between wood or metal studs. It has an adjustable range of 16" to 27", fitting most stud spacing at any height. The TSB is rigid and ships preassembled, increasing efficiency on the job site.



### CERTIFICATION:

UL file E310661, conforms to UL514A

### FEATURES:

- Telescoping bracket adjusts from 16" to 27"
- Accepts 4" (4S), 4-11/16" (5S), and Multi-gang junction boxes
- Easily adjust position of boxes in field
- Packaged preassembled and ready to use
- Markings on bracket allow for quick and consistent adjustability



### CONFIGURATION DATA:

Part No.	Description	Std.Pkg.
TSB	Telescoping Support Bracket adjusts from 16" to 27" for mounting 4S and 5S boxes horizontally between studs	25



## SPECIFICATION & FEATURES

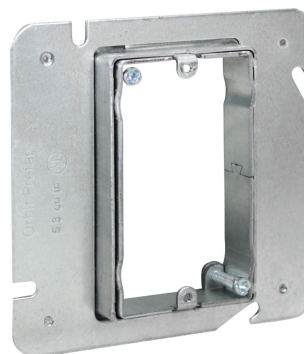
## UL-APPROVED ADJUSTABLE RINGS FOR 5S BOXES

### DESCRIPTION:

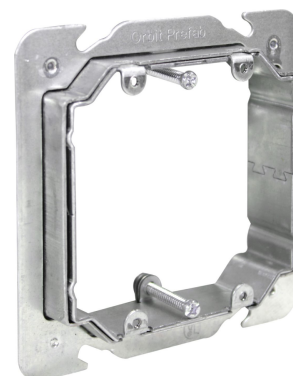
Orbit Industries features the Industry's ONLY UL-Listed 5S Adjustable Rings. Available for 1-Gang and 2-Gang applications, each ring is used with 4-11/16" Square Boxes for mounting electrical devices when finished wall depths are unknown. Rings can be adjusted from 5/8" up to 1-1/4", providing flexibility during installation and helping achieve a flush finish every time.

### CERTIFICATION:

UL File E227970 Listed



5AR1G-58



5AR2G-58



### FEATURES:

- Industry's ONLY UL-Listed 5S Adjustable Rings
- For use with 4-11/16" Square Boxes
- 5/8" to 1-1/4" adjustability range
- Adjusts to achieve a flush finish every time
- Adjustable on the job site to adapt to different wall depths
- Can be pre-adjusted before arriving to the field for a quicker installation

### CONFIGURATION DATA:

Cat. No.	Description	Adjustability Range	Std.Pkg.
5AR1G-58	1-Gang Adjustable ring for 5S Boxes	5/8" to 1-1/4"	25
5AR2G-58	2-Gang Adjustable ring for 5S Boxes	5/8" to 1-1/4"	25



## SPECIFICATION & FEATURES

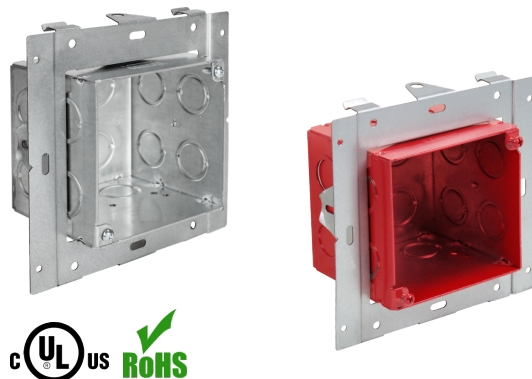
## UNIVERSAL MOUNTING ADJUSTABLE BOXES

### DESCRIPTION:

Orbit's Universal Mounting Adjustable Box is a 4" Square, 3-1/2" Deep Box with a built-in adapter for mounting and adjusting the box to fit various applications.

### CERTIFICATION:

Meet UL Standard 514A  
Patent Pending



### FEATURES:

- The Best Way to mount Extra Deep 4" Square Boxes
- Built-In Adapter allows UMAB to be adjusted from Flush up to 1-1/2"
- Guided-slots on each side allow the box to be easily adjusted and secured by simply loosening the screws
- Can be mounted direct-to-stud or used with the SSB for between stud or ceiling installation
- Available in a Red Finish as the FA-UMAB for Fire Alarm Installations

### SPECIFICATION:

Width: 4"  
Height: 4"  
Depth: 3-1/2"  
Cu. In.: 46.0  
KO Sides: (12) - CKO  
KO Bottom: (4) - CKO  
Material: 16 GA Sheet Steel

### CONFIGURATION DATA:

Cat. No.	Description	Std.Pkg.
UMAB	4S Box 3-1/2" Deep, Adjustable Up to 1-1/2"	10
FA-UMAB	Fire Alarm 4S Box 3-1/2 Deep, Adjustable Up to 1-1/2"	10



UMAB



FA-UMAB



## SPECIFICATION & FEATURES

## UL-APPROVED 3-GANG ADJUSTABLE RING

### DESCRIPTION:

Orbit's patented 3-Gang adjustable prefab ring provides labor-saving solutions when finished wall depths are unknown. It ensures flush installations with finished walls.

### CERTIFICATION:

UL Listed, UL Standard 514A  
Patented Design



### FEATURES:

- 3/4" to 1-1/2" Adjustablility Range
- Can be adjusted on the job site for a quick installation
- Adjusts to achieve a flush finish every time
- Patented design provides strong electrical and mechanical connections to meet UL requirements



### CONFIGURATION DATA:

Cat. No.	Description	Adjustability Range	Std.Pkg.
3GAR-34	3-Gang Adjustable ring	3/4" to 1-1/2"	25



## SPECIFICATION & FEATURES

## UL-APPROVED ADJUSTABLE RINGS FOR 4S BOXES

### DESCRIPTION:

Orbit Industries' patented UL-Listed 4S Adjustable Rings provide labor-saving solutions when finished wall depths are unknown. Available for 1-Gang, 2-Gang and Round applications, each ring is used with a 4" Square Box for mounting electrical devices. Rings can be adjusted from 5/8" up to 1-1/4" or from 3/4" up to 1-1/2".

### CERTIFICATION:

UL Listed, UL Standard 514A  
Patented Design



### FEATURES:

- For use with 4" Square Boxes
- Adjusts to achieve a flush finish every time
- Adjustable on the job site to adapt to different wall depths
- Can be pre-adjusted before arriving to the field for a quicker installation
- Patented design provides strong electrical and mechanical connections to meet UL requirements

### CONFIGURATION DATA:

Cat. No.	Description	Adjustability Range	Std.Pkg.
4AR1G-58	1-Gang Adjustable ring for 4S Boxes	5/8" to 1-1/4"	25
4AR1G-34	1-Gang Adjustable ring for 4S Boxes	3/4" to 1-1/2"	25
4AR2G-58	2-Gang Adjustable ring for 4S Boxes	5/8" to 1-1/4"	25
4ARR-34	Round Adjustable ring for 4S Boxes	3/4" to 1-1/2"	25



4AR1G-58



4AR1G-34



4AR2G-58



4ARR-34

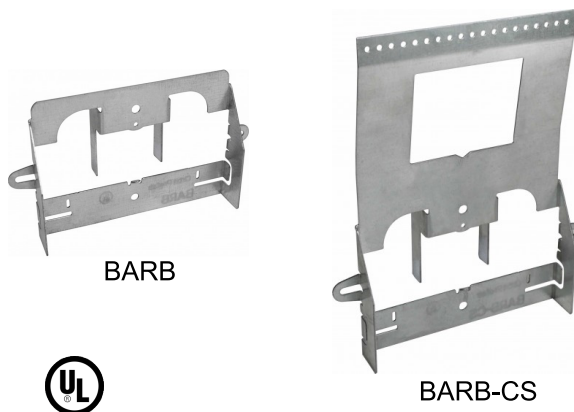


## SPECIFICATION & FEATURES

## DROP-ON-BAR SLIDER BRACKETS

### DESCRIPTION:

Orbit's Drop-On-Bar Slider Brackets, the BARB and BARB-CS, allow 4" and 4-11/16" boxes to be quickly dropped onto Orbit's Adjustable Bar Hangers, BHA-16 & BHA-24, even after the Hangers are installed. Boxes can then be fully adjusted along the Bar Hanger before securing.



### CERTIFICATION:

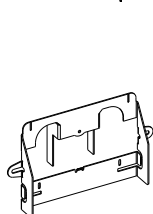
UL Listed  
Patent Pending

### FEATURES:

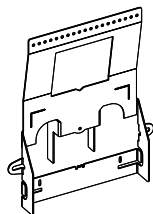
- Quickly attaches to any 4" or 4-11/16" Square Box with just one tek screw.
- Easily drops onto BHA-16 & BHA-24 Adjustable Bar Hangers, which accomodates 1-1/2", 2-1/8" and 2-1/2" deep boxes
- Once on a BHA, the BARB and box assembly can be repositioned along the hanger
- A full box assembly can be prefabricated onto the Bar Hanger by bending the locking tabs.
- Multiple box assemblies can be easily added before and after the Bar Hanger is installed.
- Allows for the installation of up to 2 boxes between 16" studs and 4 between 24" studs
- BARB-CS comes complete with cable support pin holes
- Patent Pending

### CONFIGURATION DATA:

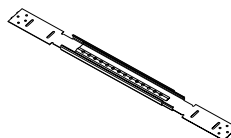
Cat. No.	Description	Std.Pkg.
BARB	Drop-On-Bar Slider Bracket	50
BARB-CS	Drop-On-Bar Slider Bracket With Cable Support Pin Holes	50
BHA-16	11" to 18" Adjustable Box Bracket. Accomodates 1-1/2", 2-1/8" or 2-1/2" deep boxes	50
BHA-24	17" to 26" Adjustable Box Bracket. Accomodates 1-1/2", 2-1/8" or 2-1/2" deep boxes	50



BARB



BARB-CS



BHA-16



BHA-24

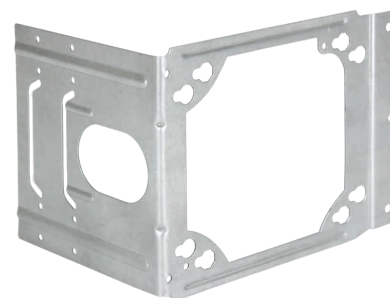
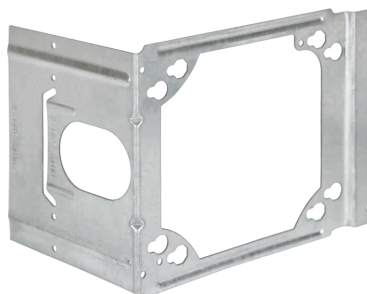


## SPECIFICATION & FEATURES

## BOX MOUNTING ADAPTERS

### DESCRIPTION:

Orbit Industries' Box Mounting Adapter mounts 4" or 4-11/16" square boxes directly-to-studs. The brackets features far side support for up to 4" deep studs, eliminating most of the box movement. Mounting holes allow for the use of a 4" ring, removing the need for an electrical box on low voltage applications.



### CERTIFICATION:

UL file E310661

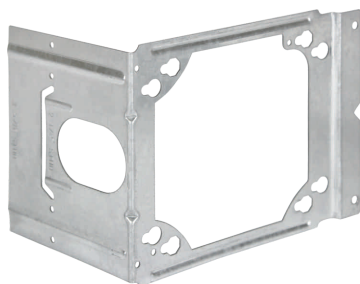
### FEATURES:

- Mounts to 4" and 4-11/16" square boxes
- Mounting holes allow for the installation of a 4" ring for low voltage applications
- Adjustable Back Support helps maintain rigidity once installed
- Low profile design limits drywall bulging
- For use with metal or wood studs

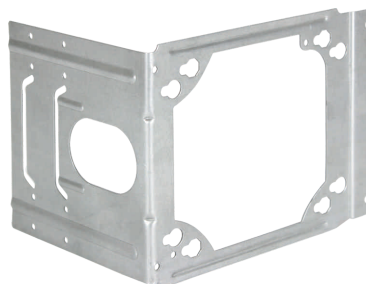


### CONFIGURATION DATA:

Part No.	Description	Std.Pkg.
BMA-23	Box Mounting Adapter with 3-1/2" and 2-1/2" Far Side Support	25
BMA-4	Box Mounting Adapter with Far Side Support up to 4"	25



BMA-23



BMA-4





## SPECIFICATION & FEATURES

## EXCLUSIVE ADJUSTABLE RINGS

### DESCRIPTION:

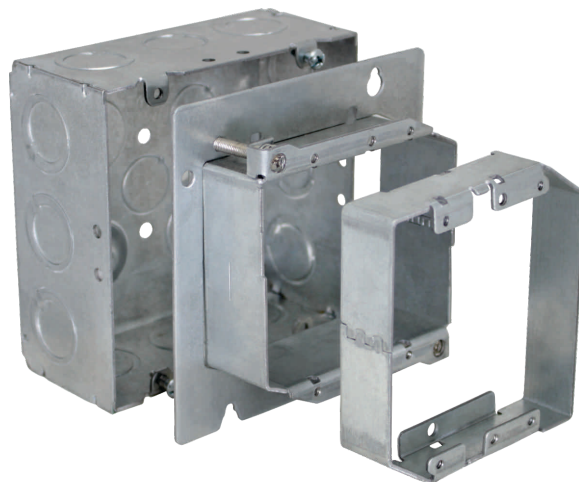
Orbit Industries' Patented, Exclusive, Adjustable Rings provide labor-saving solutions when finished wall depths are unknown. Rings are available for 4" and 4-11/16" square boxes.

### CERTIFICATION:

ETL File 3033655, U.S. Patent No.: 7,468,486  
Patented Design

### FEATURES:

- For use with 4" or 4-11/16" square boxes
- Rings have 1/4" to 1-1/4" adjustability ranges
- Universal Box Brackets (WBAR) accept 4" or 4-11/16" square boxes or can be used standalone for low voltage applications
- Universal Box Brackets mount to any stud, shear wall, 6" x 6" NEMA Enclosure, Simple Support Bracket or Ultimate Support Bracket
- Extensions attach to rings for additional 3/4" of depth



### CONFIGURATION DATA:

Cat. No.	Description	Standard	+1GX75	+2GX75	Std.Pkg.
4SAR1G	1-Gang Adjustable ring for 4" Square Boxes	1/4" to 1-1/4"	1" to 2"	-	25
4SAR2G	2-Gang Adjustable ring for 4" Square Boxes	1/4" to 1-1/4"	-	1" to 2"	25
5SAR1G	1-Gang Adjustable ring for 4-11/16" Square Boxes	1/4" to 1-1/4"	1" to 2"	-	25
5SAR2G	2-Gang Adjustable ring for 4-11/16" Square Boxes	1/4" to 1-1/4"	-	1" to 2"	25
WBAR1G	1-Gang Universal Box Bracket	1/4" to 1-1/4"	1" to 2"	-	25
WBAR2G	2-Gang Universal Box Bracket	1/4" to 1-1/4"	-	1" to 2"	25
1GX75	1-Gang 3/4" Extension	-	-	-	50
2GX75	2-Gang 3/4" Extension	-	-	-	50



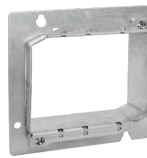
4SAR1G



4SAR2G



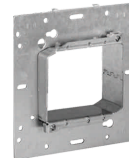
5SAR1G



5SAR2G



WBAR1G



WBAR2G



1GX75



2GX75





## SPECIFICATION & FEATURES

## FIRESTOP PUTTY STICK & PAD

### DESCRIPTION:

Orbit Industries' Firestop Putty Pads and Sticks are hand-moldable, non-curing, fire rated material used to prevent the spread of hazards in the event of a fire. Fire Rated for up to 3 hours, the products expand when exposed to fire, preventing the passage of flame, smoke and toxic gases. Both pads and sticks will not dry out or crumble, and can be reused as penetrating items are installed or removed. *Putty Pads* are used on electrical boxes to maintain the hourly rating of fire-rated walls. In addition they help reduce sound transmission and feature a STC rating of 60. *Putty Sticks* are used to seal around penetration items such as cables, electrical conduits and metal pipes, through fire-rated walls, floors and blank openings.



FSPPP67  
FSPPP77

FSPS18

### FEATURES:

- Applied by hand with no curing time
- Pad - Soundproof with STC Rating 60\*
- Intumescent @ 220 °F
- No Asbestos fillers or Volatile Solvents include
- Will not dry out or crumble, reusable
- Adheres to all common building surfaces
- Fire rated up to 3 hours in accordance with ASTM E814, UL 1479 and ULC/CAN4-S115-M Standards

\* Tested in a UL 411 wall assembly/section to ASTM E90

### CERTIFICATION:



### CONFIGURATION DATA:

Part No.	Description	Std Qty
FSPS18	FireStop Putty Stick, 18 Cu.In., Red	12
FSPPP67	FireStop Putty Pad, 6"x7"x1/8", Red	20
FSPPP77	FireStop Putty Pad, 7"x7"x1/8", Red	20

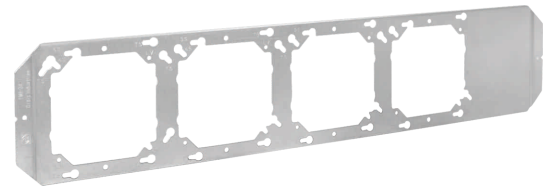
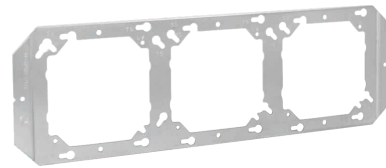


## SPECIFICATION & FEATURES

## FIXED POSITION BOX MOUNTING BRACKETS

### DESCRIPTION:

Orbit Industries' Fixed Position Box Mounting Brackets are available for mounting boxes and rings between studs. Brackets are available for 16" and 24" studs. Each bracket fits 4", 4-11/16" and 5" square boxes. Mounting holes allow 4" rings to mount on all size boxes or on their own for low voltage applications.



### CERTIFICATION:

UL file E310661

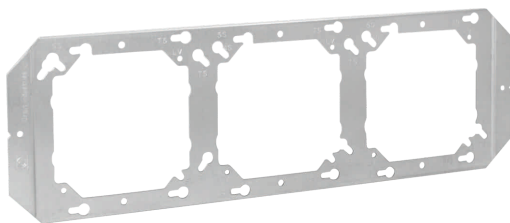
### FEATURES:

- Available for 16" and 24" studs
- Compatible with 4", 4-11/16" and 5" square boxes
- Mounting holes allow 4" rings to mount on all size boxes or on their own for low voltage applications
- FMB-16 accommodates up to 3 boxes and/or rings
- FMB-24 accommodates up to 4 boxes and/or rings
- Low profile design limits drywall bulging

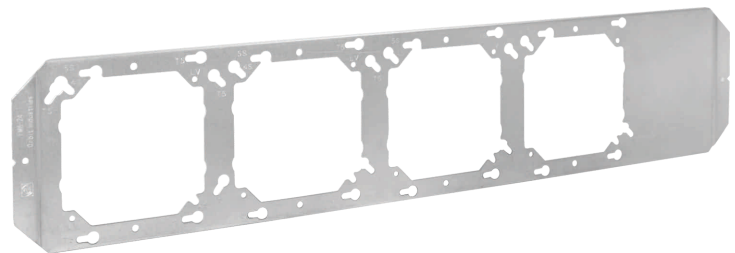


### CONFIGURATION DATA:

Part No.	Description	Std.Pkg.
FMB-16	Fixed Position Box Mounting Bracket for 16" Studs	25
FMB-24	Fixed Position Box Mounting Bracket for 24" Studs	25



FMB-16



FMB-24



## SPECIFICATION & FEATURES

## HEIGHT ADJUSTABLE BOX INSTALLATION TEMPLATE

### DESCRIPTION:

Orbit's Height Adjustable Box Installation Template (HABIT) is the first-of-its-kind! This unique tool, using its adjustable and magnetic platform, allows for the seamless mounting of many different bracket assemblies at a uniform height.

### CERTIFICATION:

Patented

### FEATURES:

- Adjustable, magnetic platform allows for the seamless mounting of different bracket assemblies at a uniform height
- Platform is adjustable up to a box center height of ~21"
- Hand nuts lock and unlock the adjustable platform
- Magnets hold the brackets steady on the platform during the entire installation process
- Bubble level ensures an even installation
- A pair of HABITs can be stacked via a screw on the top plate and through holes in the base
- When stacked, the top platform adjusts up to a box center height of ~49"
- Compatible with all Orbit stud brackets



Front

Back

### CONFIGURATION DATA:

Part No.	Description	Std.Pkg.	Master Ctn
HABIT	Adjustable Height Box Installation Template	1	4



## SPECIFICATION & FEATURES

## FLAT BRACKET FAMILY

### DESCRIPTION:

Orbit's exclusive Flat Bracket Family features a host of brackets for between stud or kick applications. With the industry's only kick bracket that fits a 5" square box, Orbit's new family is also the most versatile!

### CERTIFICATION:

UL file E310661, conforms to UL514A

### FEATURES:

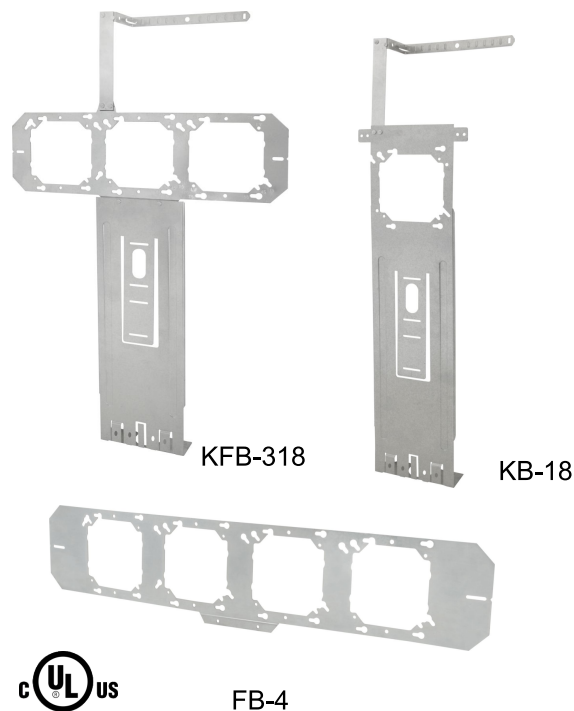
- Compatible with 4", 4-11/16" and 5" square boxes
- Mounting holes allow 4" rings to mount on all size boxes or on their own for low voltage applications

#### **KB-18, KFB-318, KFB-418:**

- Measures at a standard height of 18"
- Up to 6" Back Support for additional stability
- Bottom tabs allow for mounting inside of studs
- Bendable bottom center mark indicates bracket placement after drywall installation
- Pre-installed CS-CJ6 for cable support (KB-18, KFB-318)

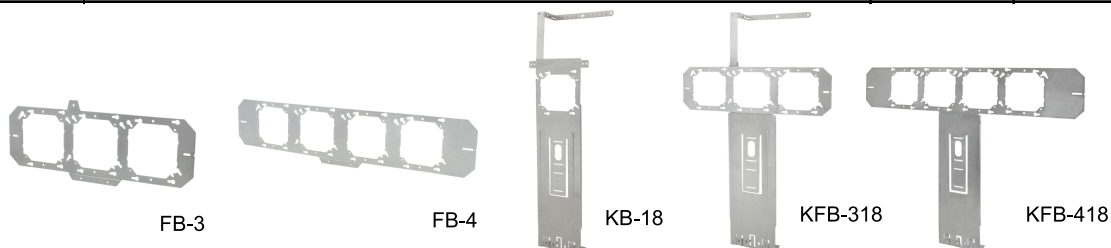
#### **FB-3, FB-4:**

- Additional width and slotted mounting holes give extra flexibility on studs before securing



### CONFIGURATION DATA:

Part No.	Description	Std.Pkg.	Faspower Xref.
FB-3	Flat Box Mounting Bracket, 3 Box Positions for 16" stud	25	W3
FB-4	Flat Box Mounting Bracket 4 Box Positions for 24" stud	25	W4
KB-18	Kick Bracket 1 Box Position, 18" height	10	F118
KFB-318	Flat Bracket 3 Box Positions with 18" height Kick Stand for 16" stud	10	F318
KFB-418	Flat Bracket 4 Box Positions with 18" height Kick Stand for 24" stud	10	F418



## SPECIFICATION & FEATURES

## LOW VOLTAGE STUD MOUNTING BRACKETS

### DESCRIPTION:

Orbit Industries' Low Voltage Stud Mounting Brackets eliminate the need for an electrical box for low voltage applications. Available in a 1 and 2-Gang model, the LVSBs rigidly attach to any wood or metal stud as well as Orbit's Simple Support Bracket and Ultimate Support Bracket for between stud installations.

### CERTIFICATION:

ETL / RoHS

### FEATURES:

- 1/2" raise ensures a flush finish, minimizing drywall lumps
- Attaches to wooden or metal studs with the use of self-tapping screws or nails
- Can install onto the front or side of wooden or metal studs
- Mounts vertically or horizontally
- Compatible with Orbit's Simple Support Bracket (SSB) and Ultimate Support Bracket (USB) for between stud installations



LVSB1



LVSB2



### CONFIGURATION DATA:

Part No.	Material	Description	Std.Pkg.
LVSB1	Sheet Steel	1-Gang Low Voltage Stud Mounting Bracket	50
LVSB2	Sheet Steel	2-Gang Low Voltage Stud Mounting Bracket	25



## SPECIFICATION & FEATURES

### DESCRIPTION:

Orbit's Recessed Light Adapter Plates (RAP) are a fast and convenient solution for installing recessed lighting fixtures. With multiple CKOs, the RAP is the Industry's First One-Size-Fits-All Plate, allowing for a wide range of different sized recessed lighting fixtures.

### CERTIFICATION:

Patented  
Meets UL 1598 as  
"Recognized Component for Downlight Luminaries"

### FEATURES:

#### Material:

20 GA Galvanized Sheet Steel

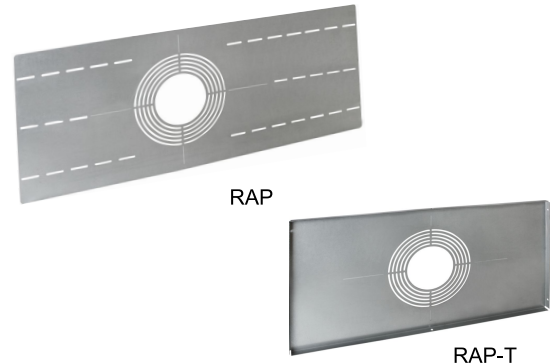
#### General

- Plates feature multiple CKOs to accommodate most 4" to 8" recessed lighting housings
- Center marking allow for an easy positioning and installing of fixtures onto plates with tek screws
- RAP features slotted openings for mounting in up to 24" stud spacings
- RAP is offset, allowing for adjustability with irregular stud spacings
- RAP-T fits standard 2' x 4' or 2' x 2' T-Bar grid
- RAP-T's flanges provide rigidity when installed and feature pre-drilled holes for tek screws
- RAP-T can be flipped over for an additional 1/2" of depth if fixtures are blocked by the flanges
- RAP-T features holes on each side which allow for fixture wiring to comply with fire and seismic codes

### CONFIGURATION DATA:

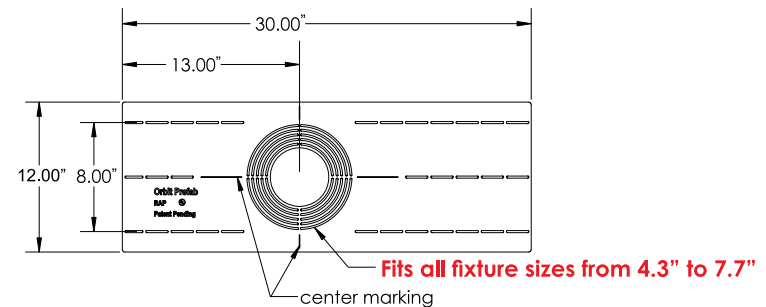
Cat. No.	Description	Std.Pkg.
RAP	Recessed Lighting Fixture Adapter Plate For Hard Lid Applications	10
RAP-T	Recessed Lighting Fixture Adapter Plate For T-Bar Applications	10

## RECESSED LIGHT ADAPTER PLATES

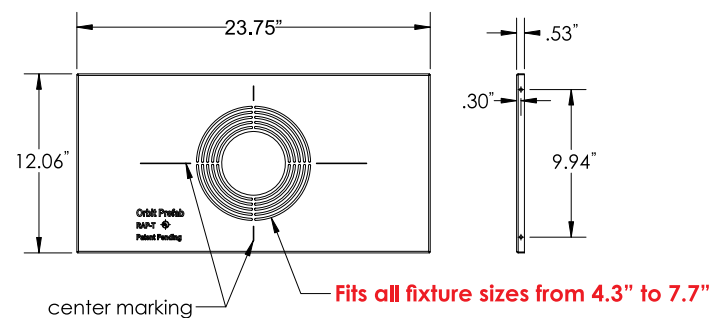


### LINE DRAWINGS:

#### RAP



#### RAP-T





## SPECIFICATION & FEATURES

## ROOF COUPLING PLATE

### DESCRIPTION:

Orbit's Roof Coupling Plates (RCP) are the ultimate solution for supporting conduit studs on building roofs. Plates can be fastened, eliminating the conduit movement for up to 5' above or below the roof line. Perfect for electrical and HVAC power or control.



### CERTIFICATION:

cETLus / RoHS

Patent Pending



RCP-75

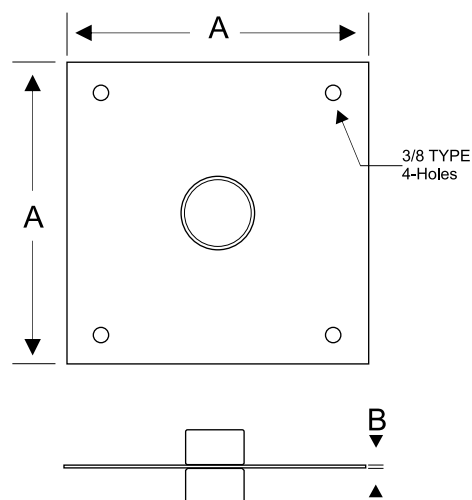
### FEATURES:

**Material:** Galvanized Steel

**General:**

- Allows for easy transition of different conduit types
- Suitable in any type of roof construction for new and old work applications
- Eliminates derating of conductors due to heat by allowing conduit to run below the roof line
- Allows different conduit stub types to be prefabbed to the plate, reducing material handling and installation time
- Eliminates need for additional material and time spent providing bracing at roof
- Helps maintain roof integrity by eliminating additional support brace penetrations
- Can be used for through floor conduit penetrations inside buildings

### LINE DRAWINGS:



### CONFIGURATION DATA:

Cat. No.	Trade Size	Base Plate Size (A)	Base Plate Thickness (B)	Std.Pkg.
RCP-50	1/2"	6" x 6"	16 GA	20
RCP-75	3/4"	6" x 6"	16 GA	20
RCP-100	1"	6" x 6"	16 GA	20
RCP-125	1-1/4"	6" x 6"	16 GA	10
RCP-150	1-1/2"	8" x 8"	15 GA	10
RCP-200	2"	8" x 8"	15 GA	10



## SPECIFICATION & FEATURES

## ADJUSTABLE RINGS EXTENSIONS AND ACCESSORIES

### DESCRIPTION:

Orbit Industries features various accessories compatible with our exclusive adjustable rings. Extensions provide an additional 3/4" of depth and can be stacked infinitely. Protective Covers shield devices during drywall, painting, routing, muddling and plastering

### CERTIFICATION:

ETL File 3033655, U.S. Patent No.: 7,468,486  
Patented Design



### FEATURES:

- Extensions ensure a flush finish regardless of wall thickness
- Attaches to Orbit's Exclusive Adjustable Ring for an additional 3/4" of depth
- Easily mounted onto ring via two 8-32 screws
- Multiple extensions can be installed on one ring
- Universal Protective Cover protects any device during drywall, painting, routing, muddling and plastering



### CONFIGURATION DATA:

Cat. No.	Description	For Use With	Std.Pkg.
1GX75	1-Gang 3/4" Extension	4SAR1G, 5SAR1G or WBAR1G	50
2GX75	2-Gang 3/4" Extension	4SAR2G, 5SAR2G or WBAR2G	50
UPC	Universal Protective Cover	-	25
UPCTS	Option Plastic Insert for UPC for Toggle Switch	-	25



1GX75



2GX75



UPC



UPCTS





## SPECIFICATION & FEATURES

### DESCRIPTION:

FIREBLOK's Universal Firestop Insert is intumescent thermoplastic pad used as a membrane penetration fire stop in electrical boxes maintaining the fire-resistant ratings of wall assemblies and when the horizontal separation between metallic boxes on opposite sides of the wall is less than 24" apart. The insert is certified for both 1 & 2 hour, U300, U400, V400 and U411 wall assemblies with metal electrical boxes with plastic or metal cover plates. UFSI can be used in different box sizes from single gang boxes, 4" Square boxes to 4-11/16" Square boxes.

## UNIVERSAL FIREBLOK FIRESTOP INSERT FOR METAL ELECTRICAL BOXES



UFSI



**FireBlok**

### FEATURES:

- 3-3/4" x 3-3/4" x 3/8"
- Volume: 2.1 Cu. In
- Easily applied by hand
- Expansion begins @ 300°F / 148°C
- Highly Intumescent (20+ times its original size)
- Certified for both 1 & 2 Hour fire rated wall
- Soundproof with a STC Rating 52\*
- Pre-Molded Ground Screw Openings
- Certified for both Plastic and Metal faceplates in all fire-rated walls
- Pre-Scored on the back for easy snapping and installation
- Warranted for the life of the building when stored below 130°F / 54°C
- Adheres to back of electrical box

\* Tested to ASTM E90 Standard

### APPLICATION:

#### 1-Gang Box:

Use half insert for max 2-1/8" x 4" x 2-1/8" in deep 1-Gang box, adheres into back of box

#### 4S Box:

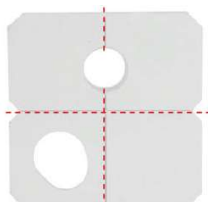
Use one insert for max 4" x 4" x 2-1/8" in deep 4S box, adheres into back of box

#### 5S Box:

Use one and a half insert for max 4-11/16" x 4-11/16" x 2-1/8" in deep 5S box, one covering the inside back of the box and half insert on an internal side of the box

### CONFIGURATION DATA:

Part No.	Description
UFSI	UNIVERSAL FIRESTOP INSERT FOR 1-GANG, 4" & 4-11/16" METAL ELECTRICAL BOXES



Break-apart Design



UFSI Shown Installed



[www.orbitelectric.com](http://www.orbitelectric.com)

Application and Performance Specification Information is Subject to Change Without Notification

LOS ANGELES, CA 1-800-90-ORBIT



## SPECIFICATION & FEATURES

## UL-APPROVED ADJUSTABLE RINGS

### DESCRIPTION:

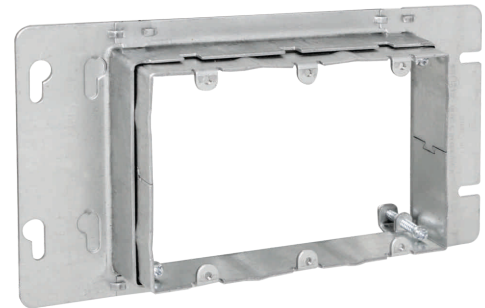
Orbit Industries' patented UL-Listed Adjustable Rings provide labor-saving solutions when finished wall depths are unknown. Available for 4" and 4-11/16" square boxes, as well as 3-Gang boxes. Rings can be adjusted from 5/8" up to 1-1/4" or from 3/4" up to 1-1/2".

### CERTIFICATION:

UL Listed, UL Standard 514A  
Patented Design

### FEATURES:

- Adjusts to achieve a flush finish every time
- Adjustable on the job site to adapt to different wall depths
- Can be pre-adjusted before arriving to the field for a quicker installation
- Patented design provides strong electrical and mechanical connections to meet UL requirements



### CONFIGURATION DATA:

Cat. No.	Description	Adjustability Range	Std.Pkg.
4AR1G-58	1-Gang Adjustable ring for 4" Square Boxes	5/8" to 1-1/4"	25
4AR1G-34	1-Gang Adjustable ring for 4" Square Boxes	3/4" to 1-1/2"	25
4AR2G-58	2-Gang Adjustable ring for 4" Square Boxes	5/8" to 1-1/2"	25
5AR1G-58	1-Gang Adjustable ring for 4-11/16" Square Boxes	5/8" to 1-1/4"	25
5AR2G-58	2-Gang Adjustable ring for 4-11/16" Square Boxes	5/8" to 1-1/4"	25
4ARR-34	Round Adjustable ring for 4S Boxes	3/4" to 1-1/2"	25
3GAR-34	3-Gang Adjustable ring	3/4" to 1-1/2"	25



4AR1G-58



4AR1G-34



4AR2G-58



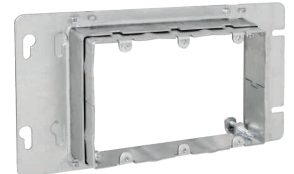
5AR1G-58



5AR2G-58



4ARR-34



3GAR-34



## SPECIFICATION & FEATURES

## UNIVERSAL MOUNTING ADAPTER WITH BACK SUPPORT

### DESCRIPTION:

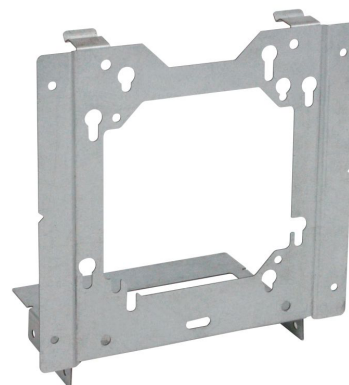
Orbit Industries' Universal Mounting Adapter with Back Support (UMA-LVBS) supports 4", 4-11/16" or 5" square boxes on either side of the stud. Unique key-hole pattern allows box to be turned 90° - and use 4" Rings with any size box! Top notch provides easy access to set screw fittings. Snaps onto SSB for between stud applications. Patent Pending.

### CERTIFICATION:

UL Listed

### FEATURES:

- Stud Mounts 4", 4-11/16" or 5" square boxes on either side of bracket
- Unique key-hole pattern allows box to be turned 90° and use of 4" Rings on any size box
- Easily snaps onto SSB for stud-to-stud mounting
- Top notch provides easy access to set screw fittings
- Compatible with Orbit's patented Adjustable Rings
- Patent Pending



### CONFIGURATION DATA:

Part No.	Description	Std.Pkg.
UMA-LVBS	UNIVERSAL MOUNTING ADAPTER W/ BACK SUPPORT. FITS 4", 4-11/16" or 5" SQUARE BOXES	25



T5 Box Installed



Side by Side Install



Installed on SSB



## SPECIFICATION & FEATURES

## 5" SQUARE BOXES AND COVERS

### DESCRIPTION:

Orbit Industries' selection of 5" Square Boxes and Accessories provides the capacity needed to handle modern-day hospital, commercial, government, university and other data installations. Up to 75 cubic inches of capacity allow for an easier installation of high-speed cable, resulting in reduced labor costs and cable stress.

### CERTIFICATION:

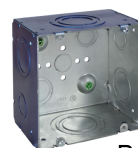
\*UL File E227970 Listed



T5B-50/200



T5B-200



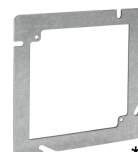
B-T5B



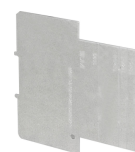
\*B-T5C



\*T5C



\*T5R



T5P-200



T5P-100

### FEATURES:

- More than double the capacity of standard 4" square boxes
- Increased capacity easily meets minimum bend radius requirements for an easier installation
- Extra space in the box reduces the chance of short circuits and ground faults due to cramped spaces and cable stress
- Can store the BICSI-recommended slack cable loop, allowing for easy access and cable termination by a single technician
- Supports all current copper CAT and fiber optic cables in addition to predicted cable size increases
- Suitable brackets allow the T5B to use a 4" ring, reducing material costs
- Available in blue for data applications

### DIMENSIONS:

T5 Box:

**Width:** 5"

**Height:** 5"

**Depth:** 3-1/4"

**Cu.In.:** 75.6

T5 Cover:

**Width:** 5"

**Height:** 5"

### CONFIGURATION DATA:

Cat. No.	Description	K.O. on Sides	K.O. on Bottom	Std.Pkg.
T5B-50/200	TRUE 5" SQUARE BOX, 1/2" KO & 2" MKO	(2) 1" to 2" C.K.O.'s (4) 1/2" & 3/4" C.K.O.'s (8) 1/2" K.O.'s	(1) 1/2" & 3/4" M.K.O.'s (1) 3/4" & 1" M.K.O.'s & (1) 1/2" K.O.'s (2) Ground Screws	12
T5B-200	TRUE 5" SQUARE BOX	(2) 1" to 2" C.K.O.'s, (2) 1" & 1-1/4" M.K.O.'s (2) 1/2" & 3/4" M.K.O.'s	(1) 1/2" & 3/4" M.K.O.'s (1) 3/4" & 1" M.K.O.'s & (1) 1/2" K.O.'s (2) Ground Screws	12
T5C	TRUE 5" BLANK COVER	-	-	50
T5R	TRUE 5" REDUCER COVER, 4" SQUARE OPENING	-	-	50
T5P-100	TRUE 5" SQUARE BOX PARTITION, FOR USE WITH 3-1/4" DEEP BOXES, FLAT TO 1" 2-GANG RINGS	-	-	25
T5P-200	TRUE 5" SQUARE BOX PARTITION, FOR USE WITH 3-1/4" DEEP BOXES, 5/8", 1-1/4" TO 2" 2-GANG RINGS	-	-	25
B-T5B	BLUE TRUE 5" SQUARE BOX	(2) 1" to 2" C.K.O.'s, (2) 1" & 1-1/4" M.K.O.'s (2) 1/2" & 3/4" M.K.O.'s	(1) 1/2" & 3/4" M.K.O.'s (1) 3/4" & 1" M.K.O.'s & (1) 1/2" K.O.'s (2) Ground Screws	12
B-T5C	BLUE TRUE 5" BLANK COVER	-	-	50

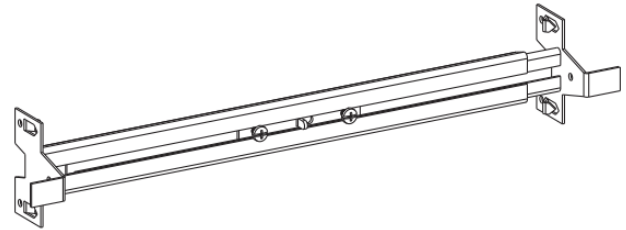


## SPECIFICATION & FEATURES

## FAN SUPPORT BAR HANGERS

### DESCRIPTION:

Orbit Industries' Fan Support Bar Hangers support boxes in ceiling fan and light fixture installations. New construction bar hangers telescope to adjust and fit joist spacing ranging from 16" to 24". Old work bar hangers install securely with joist-embedding teeth on the mounting feet and are adjustable with a threaded design. No extra tools required.



### CERTIFICATION:

RoHS Compliant

### FEATURES

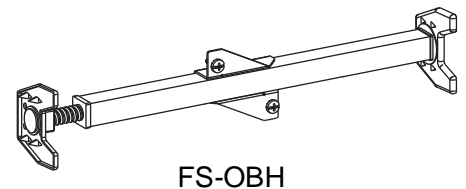
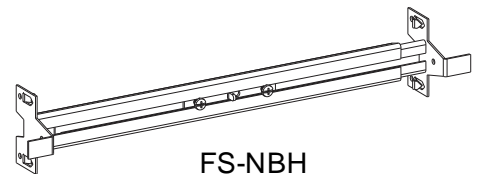
#### Bar Hanger:

**NBH:** New Construction Bar Hanger slides apart to fit joist spacing from 16" to 24"

**OBH:** Old Work Bar Hanger for joist spacing from 16" to 24", No tools necessary for expansion of the bar

### CONFIGURATION DATA

Catalog No.	Description	Std. Pkg.
FS-NBH	16" to 24" Adjustable New Construction Bar Hanger for use with Fan Support Boxes	10
FS-OBH	16" to 24" Adjustable Old Work Bar Hanger for use with Fan Support Boxes	10





## SPECIFICATION & FEATURES

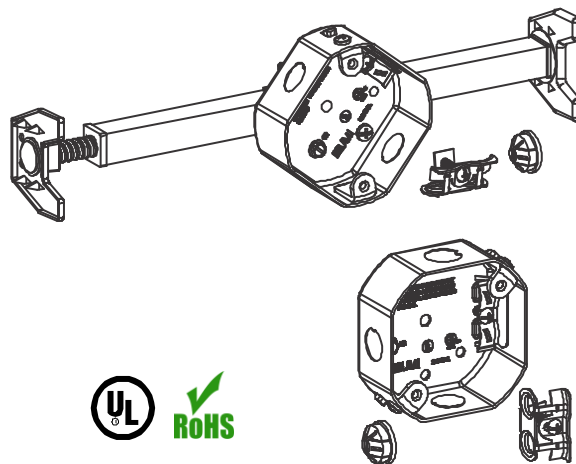
## 4" CEILING FAN & LIGHT FIXTURE SUPPORT PRODUCTS

### DESCRIPTION:

Orbit Industries' Ceiling fan and light fixture support boxes are used to install ceiling fans, lighting fixtures, and other electrical devices. The various models include octagon and pancake box types and bar hangers for new construction and old work. Also included is a plastic non-metallic sheathed cable connector and a hardware pack with a variety of fasteners for all installation types.

### CERTIFICATION:

UL file E227970, conforms to UL514A. acceptable for use in 2-hour fire rated walls.



### FEATURES

#### General:

Easy-to-follow Instruction Sheet (A)(C)(D); Complies with NEC 314.27 for up to 70 lbs. of ceiling fan load or 70 lbs. of fixture load.

#### Bar Hanger:

**NBH:** New Construction Bar Hanger slides apart to fit joist spacing from 16" to 24"

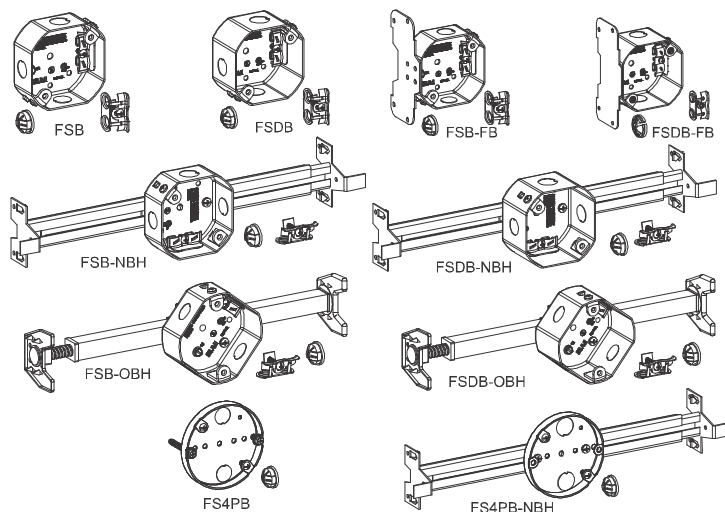
**OBH:** Old Work Bar Hanger for joist spacing from 16" to 24", No tools necessary for expansion of the bar

#### BX/MC Clamp:

All MC series boxes are suitable for use with MCAP™ - Aluminum (MCAP is a trademark of Southwire Company)

#### Bracket:

**FB:** Flush-Mounts on flat side of stud or joist



### CONFIGURATION DATA

Catalog No.	Depth	Clamp Type	Bracket & Setback	Knockouts	Cu.In.	Std. Pkg.
FSB	1-1/2"	BX/MC,NM	-	(3)-1/2", (2)-Loom	15.5	20
FSDB	2-1/8"	BX/MC,NM	-	(3)-1/2", (2)-Loom	21.5	20
FSB-FB	1-1/2"	BX/MC,NM	FB,1/2"	(2)-1/2", (2)-Loom	15.5	20
FSDB-FB	2-1/8"	BX/MC,NM	FB,1/2"	(2)-1/2", (2)-Loom	21.5	20
FSB-NBH	1-1/2"	BX/MC,NM	NBH,16" TO 24"	(3)-1/2", (2)-Loom	15.5	10
FSDB-NBH	2-1/8"	BX/MC,NM	NBH,16" TO 24"	(3)-1/2", (2)-Loom	21.5	10
FSB-OBH	1-1/2"	BX/MC,NM	OBH,16" TO 24"	(3)-1/2", (2)-Loom	15.5	10
FSDB-OBH	2-1/8"	BX/MC,NM	OBH,16" TO 24"	(3)-1/2", (2)-Loom	21.5	10
FS4PB	1/2"	-	-	(2)-1/2"	5.8	20
FS4PB-NBH	1/2"	-	NBH,16" TO 24"	(2)-1/2"	5.8	10



## SPECIFICATION & FEATURES

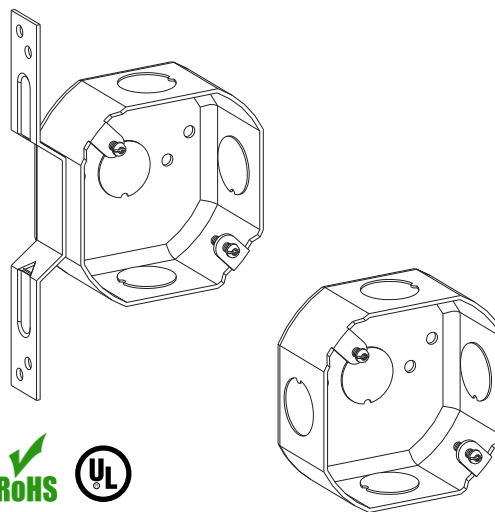
### 3-1/2" OCTAGON (30) DRAWN BOXES & EXTENSION RING 1-1/2" DEEP

#### DESCRIPTION:

Orbit Industries' Octagon (30) Drawn Boxes and Extension Rings are used in the installation of light fixtures and other electrical devices in walls and ceilings. Selected models include an FB bracket for direct mounts on the flat side of a stud.

#### CERTIFICATION:

UL file E227970, conforms to UL514A. acceptable for use in 2-hour fire rated walls.



#### FEATURES

##### Knockout:

50: 1/2" K.O.

##### Bracket:

FB: (L: 7-1/4", W: 3/4") Offset (1/2") Mounts on flat side of stud or joist

##### Mfg. Process:

DRAWN

#### DIMENSIONS

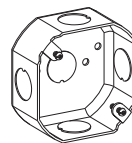
Diameter: 3-1/2"

Depth: 1-1/2"

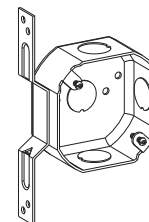
Cu.In.: 9.0

#### CONFIGURATION DATA

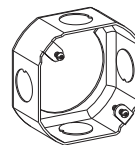
Catalog No.	Bracket & Setback	Knockouts		Std. Pkg.
		Sides	Bottom	
3RB-50	-	(4)-1/2"	(1)-1/2"	50
3RB-50-FB	FB, 1/2"	(3)-1/2"	(1)-1/2"	50
3RB-50-EXT	-	(4)-1/2"	-	50



3RB-50



3RB-50-FB



3RB-50-EXT



## SPECIFICATION & FEATURES

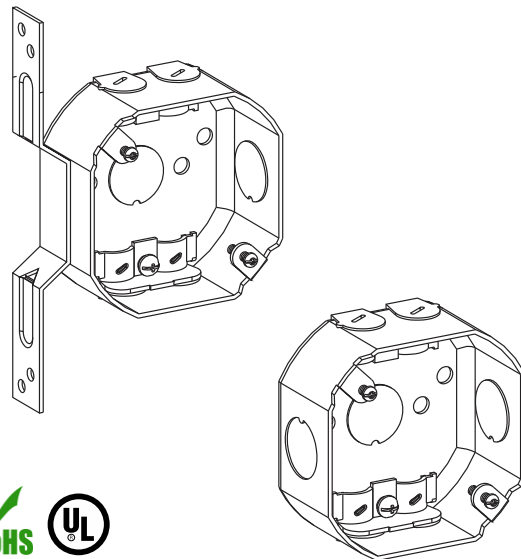
### 3-1/2" OCTAGON (30) DRAWN BOXES 1-1/2" DEEP

#### DESCRIPTION:

Orbit Industries' Octagon (30) Boxes are used in the installation of light fixtures and other electrical devices in walls and ceilings. The included non-metallic sheathed cable clamps allow for easy installation. Selected models include an FB bracket for direct mounts on the flat side of a stud or joist.

#### CERTIFICATION:

UL file E227970, conforms to UL514A. acceptable for use in 2-hour fire rated walls.



#### FEATURES

##### Knockout:

50: 1/2" K.O.

Loom: Loom Pryouts

##### Bracket:

FB: (L: 7-1/4", W: 3/4") Offset (1/2") Mounts on flat side of stud or joist

E: Ears

##### Clamp:

NM: Accommodates #14-2 to #10-3 Non-Metallic Cables with ground

##### Mfg. Process:

DRAWN

#### DIMENSIONS

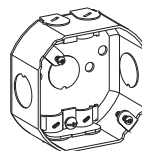
Diameter: 3-1/2"

Depth: 1-1/2"

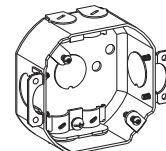
Cu.In.: 9.0

#### CONFIGURATION DATA

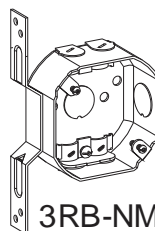
Catalog No.	Bracket & Setback	Knockouts		Std. Pkg.
		Sides	Bottom	
3RB-NM	-	(2)-1/2", (4)-Loom	(1)-1/2"	50
3RB-NM-E	Ears	(2)-1/2", (4)-Loom	(1)-1/2"	50
3RB-NM-FB	FB, 1/2"	(1)-1/2", (4)-Loom	(1)-1/2"	50



3RB-NM



3RB-NM-E



3RB-NM-FB





## SPECIFICATION & FEATURES

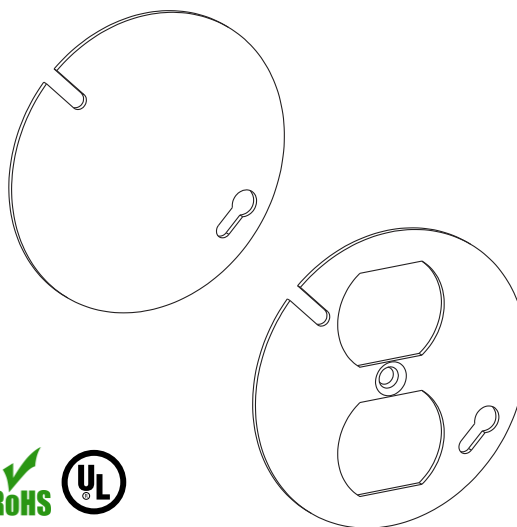
## 3-1/2" ROUND COVERS

### DESCRIPTION:

Orbit Industries' Round Covers are used to cover protect wires. It is constructed from 16 gauge galvanized steel. Orbit's selection includes variety types of covers for many devices.

### CERTIFICATION:

UL file E227970, conforms to UL514A. acceptable for use in 2-hour fire rated walls.



### FEATURES

**K:** 1/2" K.O.

**TS:** Toggle Switch

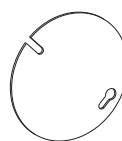
**DR:** Duplex Receptacle

**SR:** 15A Single Receptacle

**PO:** 20A Power Outlet

### CONFIGURATION DATA

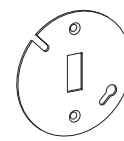
Catalog No.	Description	Std. Pkg.
3RBC	Flat, Blank	50
3RBCK	Flat, 1/2" KO	50
3RC-TS	Flat, Toggle Switch	50
3RC-DR	Flat, Duplex Receptacle	50
3RC-SR	Flat, 1.406" Diameter, 15A Single Receptacle	50
3RC-PO	Flat, 1.594" Diameter, 20A, Power Outlet	50



3RBC



3RBCK



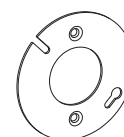
3RC-TS



3RC-DR



3RC-SR



3RC-PO



## SPECIFICATION & FEATURES

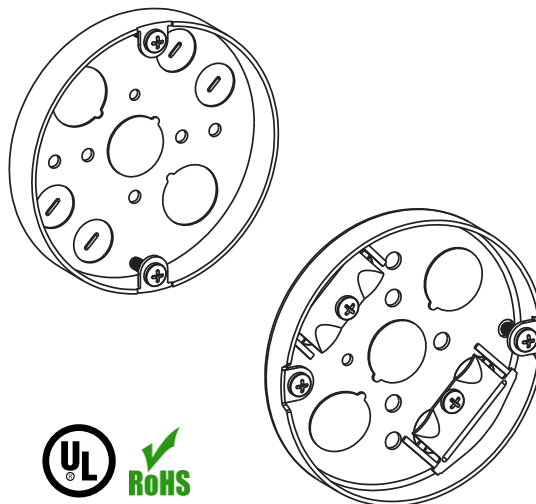
## 3-3/8" & 4" ROUND PANCAKE BOXES

### DESCRIPTION:

Orbit Industries' Round Pancake Boxes with shallow depths of 1/2" or 3/4" are used to mount lighting fixtures on walls and ceilings. They include conduit knockouts and non-metallic clamps on selected models for easy installation. Do not use as a ceiling fan support box.

### CERTIFICATION:

UL file E227970, conforms to UL514A. acceptable for use in 2-hour fire rated walls.



### FEATURES

#### Clamp:

**NM:** Accommodates #14-2 Non-Metallic Sheathed Cables with ground

### CONFIGURATION DATA

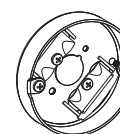
Catalog No.	Depth	Clamp Type	Knockouts	Box Diameter	Cu. In	Std. Pkg.
3PB	1/2"	-	(3)-1/2", (4)-Circ. Pryouts	3-3/8"	3.9	50
3PB-NM	1/2"	NM	(1)-1/2", (4)-Circ. Pryouts	3-3/8"	3.9	50
3PDB-NM	3/4"	NM	(1)-1/2", (4)-Circ. Pryouts	3-3/8"	5.0	50
4PB	1/2"	-	(5)-1/2"	4"	5.8	50
4PB-NM	1/2"	NM	(3)-1/2", (4)-Circ. Pryouts	4"	5.8	50



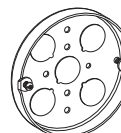
3PB



3PB-NM



3PDB-NM



4PB



4PB-NM



## SPECIFICATION & FEATURES

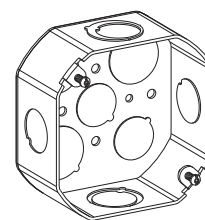
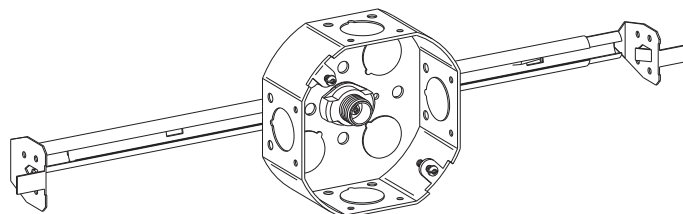
## 4" OCTAGON (40) WELDED BOXES & EXTENSION RINGS 1-1/2" DEEP

### DESCRIPTION:

Orbit Industries' 4" Octagon (40) Boxes and Extension Rings are used in the installation of light fixtures and other electrical devices in walls and ceilings. They are constructed from 16 gauge galvanized steel. The multiple knockouts allow for easy installation. Our selection includes side brackets, bar hangers, and sliding brackets to suit specific needs.

### CERTIFICATION:

UL file E227970, conforms to UL514A. acceptable for use in 2-hour fire rated walls.



### FEATURES

#### Knockout:

50: 1/2" K.O.

MKO: Moon K.O. (1/2" and 3/4" K.O.)

#### Bracket:

FB: (L: 7-1/4", W: 3/4") Offset (1/2") Mounts on flat side of stud or joist

LB: (L: 2-3/8", W: 2-23/32") With spurs, slotted holes for toe-nailing.

#### Bar Hanger:

BHA: Adjustable Bar Hanger allows installation of box anywhere along length of stud. Cables with ground

#### Mfg. Process:

WELDED

### DIMENSIONS

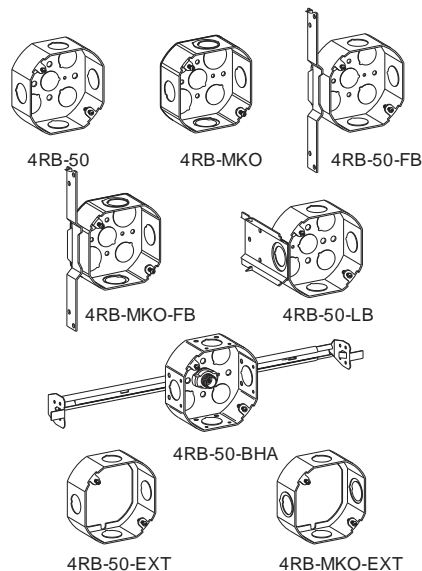
Diameter: 4"

Depth: 1-1/2"

Cu.In.: 15.5

### CONFIGURATION DATA

Catalog No.	Bracket & Setback	Knockouts		Std. Pkg.
		Sides	Bottom	
4RB-50	-	(4)-1/2"	(5)-1/2"	50
4RB-MKO	-	(2)-1/2", (2)-MKO	(3)-1/2", (2)-3/4"	50
4RB-50-FB	FB, 1/2"	(3)-1/2"	(5)-1/2"	50
4RB-MKO-FB	FB, 1/2"	(1)-1/2", (2)-MKO	(3)-1/2", (2)-3/4"	50
4RB-50-LB	LB, Flush	(4)-1/2"	(5)-1/2"	50
4RB-50-BHA	BHA, 14-1/2" to 22-1/2"	(4)-1/2"	(4)-1/2"	25
4RB-50-EXT	-	(4)-1/2"	-	50
4RB-MKO-EXT	-	(2)-1/2", (2)-MKO	-	50



\*4RB-50-BHA includes 3/8" - 18 NPS trade sized stud to accommodate fixture stem



## SPECIFICATION & FEATURES

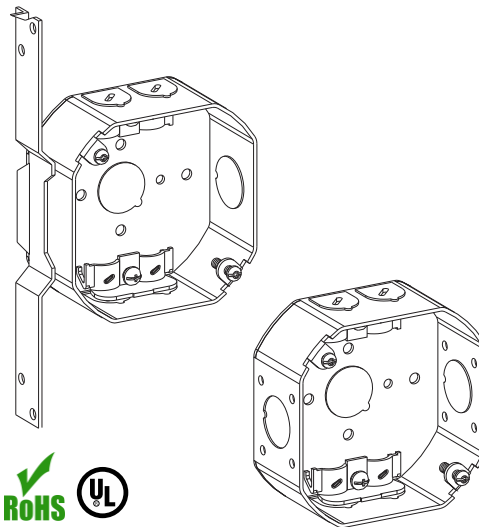
## 4" OCTAGON (40) WELDED BOXES 1-1/2" DEEP WITH NM

### DESCRIPTION:

Orbit Industries' 4" Octagon (40) Welded Boxes are used in the installation of light fixtures and other electrical devices in walls and ceilings. They are constructed from 16 gauge galvanized steel. The 1-1/2" deep boxes include non-metallic sheathed cable clamps allow for easy installation. Selected models include a bracket or ears for a range of applications.

### CERTIFICATION:

UL file E227970, conforms to UL514A. acceptable for use in 2-hour fire rated walls.



### FEATURES

#### Knockout:

50: 1/2" K.O.

Loom: Loom Pryouts

#### Bracket:

FB: (L: 7-1/4", W: 3/4") Offset (1/2") Mounts on flat side of stud or joist

LB: (L: 2-3/8", W: 2-23/32") With spurs, slotted holes for toe-nailing

SG: Swing Bracket, Old Work

E: Ears

#### Bar Hanger:

BHA: Adjustable Bar Hanger allows installation of box anywhere along length of stud. Cables with ground

#### Mfg. Process:

WELDED

### DIMENSIONS

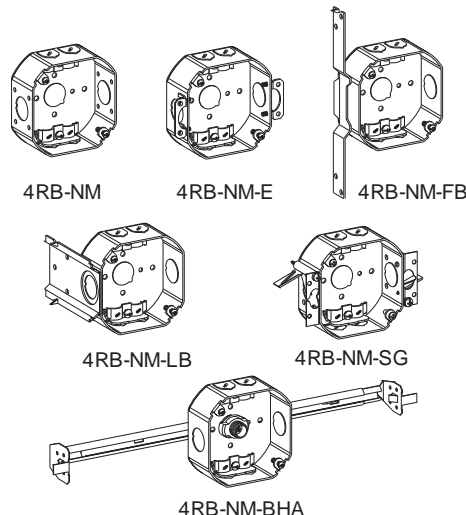
Diameter: 4"

Depth: 1-1/2"

Cu.In.: 15.5

### CONFIGURATION DATA

Catalog No.	Bracket & Setback	Knockouts		Std. Pkg.
		Sides	Bottom	
4RB-NM	-	(2)-1/2", (4)-Loom	(1)-1/2"	50
4RB-NM-E	Ears	(2)-1/2", (4)-Loom	(1)-1/2"	50
4RB-NM-FB	FB, 1/2"	(1)-1/2", (4)-Loom	(1)-1/2"	50
4RB-NM-LB	LB, Flush	(2)-1/2", (4)-Loom	(1)-1/2"	50
4RB-NM-SG	Swing Bracket, Old Work	(4)-Loom	(1)-1/2"	50
4RB-NM-BHA	BHA, 14-1/2" to 22-1/2"	(2)-1/2", (4)-Loom	-	25



## SPECIFICATION & FEATURES

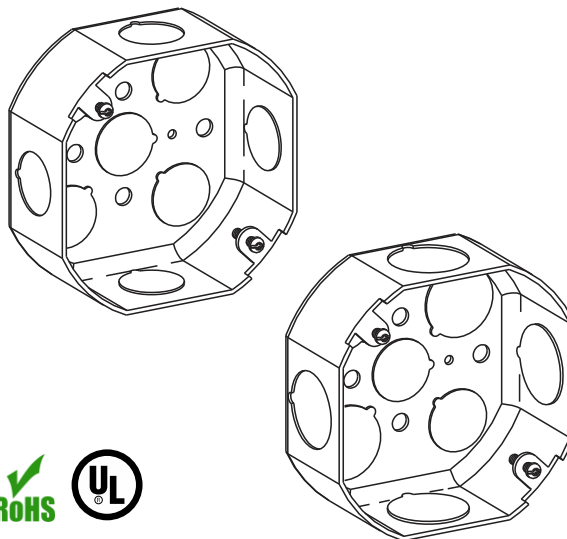
### 4" OCTAGON (40) DRAWN BOXES 1-1/2" DEEP

#### DESCRIPTION:

Orbit Industries' 4" Octagon (40) Drawn Boxes are used in the installation of light fixtures and other electrical devices in walls and ceilings. It is constructed from 16 gauge galvanized steel. The multiple knockouts in sizes 1/2" and 3/4" allow for easy installation.

#### CERTIFICATION:

UL file E227970, conforms to UL514A. acceptable for use in 2-hour fire rated walls.



#### FEATURES

##### Knockout:

50: 1/2" K.O.

75: 3/4" K.O.

##### Mfg. Process:

DRAWN

#### DIMENSIONS

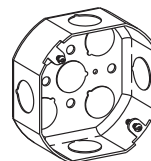
Diameter: 4"

Depth: 1-1/2"

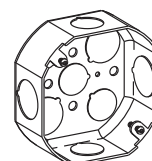
Cu.In.: 15.5

#### CONFIGURATION DATA

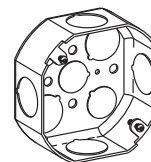
Catalog No.	Knockouts		Std. Pkg.
	Sides	Bottom	
D4RB-50	(4)-1/2"	(5)-1/2"	50
D4RB-50/75	(2)-1/2", (2)-3/4"	(3)-1/2", (2)-3/4"	50
D4RB-75	(4)-3/4"	(3)-1/2", (2)-3/4"	50



D4RB-50



D4RB-50/75



D4RB-75



## SPECIFICATION & FEATURES

### 4" OCTAGON (40) WELDED BOXES 1-1/2" DEEP WITH BX/MC

#### DESCRIPTION:

Orbit Industries' 4" Octagon (40) Welded Boxes are used in the installation of light fixtures and other electrical devices in walls and ceilings. They are constructed from 16 gauge galvanized steel. The 1-1/2" deep, welded boxes include Metal Clad Clamps for ease of installation. Selected models include a bracket or bar hanger for a range of applications.

#### CERTIFICATION:

UL file E227970, conforms to UL514A. acceptable for use in 2-hour fire rated walls.

#### FEATURES

##### Knockout:

50: 1/2" K.O.

Loom: Loom Pryouts

##### Bracket:

**FB:** (L: 7-1/4", W: 3/4") Offset (1/2") Mounts on flat side of stud or joist

**LB:** (L: 2-3/8", W: 2-23/32") With spurs, slotted holes for toe-nailing

**E:** Ears

##### Bar Hanger:

**BHA:** Adjustable Bar Hanger allows installation of box anywhere along length of stud. Cables with ground

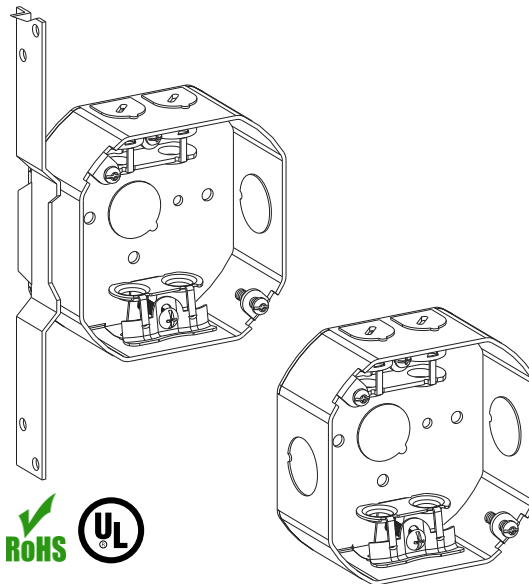
##### BX/MC Clamp:

Accommodates Metal Clad Cables from size #14-2 to #10-4.

All MC series boxes are suitable for use with MCAP™-Aluminum (MCAP is a trademark of Southwire Company)

##### Mfg. Process:

WELDED



#### DIMENSIONS

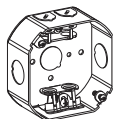
**Diameter:** 4"

**Depth:** 1-1/2"

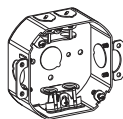
**Cu.In.:** 15.5

#### CONFIGURATION DATA

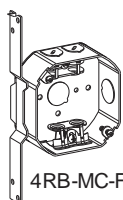
Catalog No.	Bracket & Setback	Knockouts		Std. Pkg.
		Sides	Bottom	
4RB-MC	-	(2)-1/2", (4)-Loom	(1)-1/2"	50
4RB-MC-E	Ears	(2)-1/2", (4)-Loom	(1)-1/2"	50
4RB-MC-FB	FB, 1/2"	(1)-1/2", (4)-Loom	(1)-1/2"	50
4RB-MC-LB	LB, Flush	(2)-1/2", (4)-Loom	(1)-1/2"	50
4RB-MC-BHA	BHA, 14-1/2" to 22-1/2"	(2)-1/2", (4)-Loom	-	25



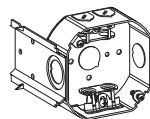
4RB-MC



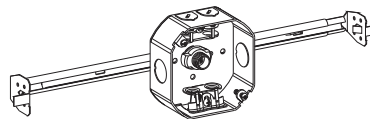
4RB-MC-E



4RB-MC-FB



4RB-MC-LB



4RB-MC-BHA



## SPECIFICATION & FEATURES

### 4" OCTAGON (40) WELDED DEEP BOXES 2-1/8" DEEP WITH BX/MC

#### DESCRIPTION:

Orbit Industries' 4" Octagon (40) Welded Boxes are used in the installation of light fixtures, and other electrical devices. They are constructed from 16 gauge galvanized steel. The 2-1/8" deep, welded boxes provide extra space for wires and devices, and a metal clad cable clamp is included for ease of installation. Selected models include an FB Bracket for direct mounts on studs or an LB bracket with spurs.

#### CERTIFICATION:

UL file E227970, conforms to UL514A. acceptable for use in 2-hour fire rated walls.

#### FEATURES

##### Knockout:

50: 1/2" K.O.

Loom: Loom Pryouts

MKO: Moon K.O. (1/2" and 3/4" K.O.)

##### Bracket:

FB: (L: 7-1/4", W: 3/4") Offset (1/2") Mounts on flat side of stud or joist

LB: (L: 2-3/8", W: 2-23/32") Offset (1/4") With spurs, slotted holes for toe-nailing.

##### BX/MC Clamp:

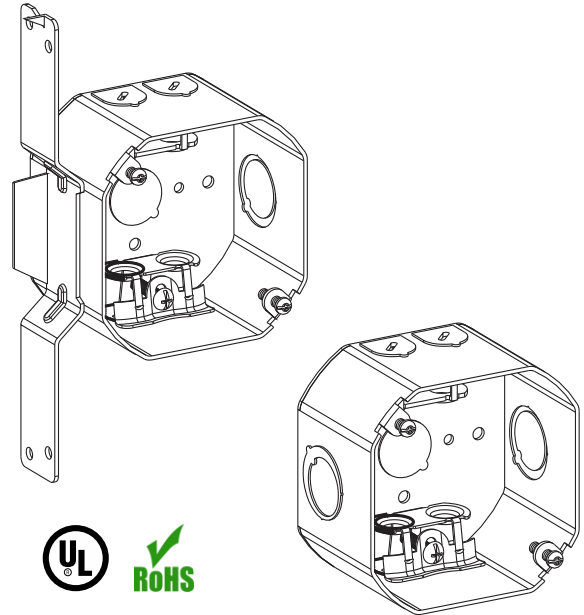
Accommodates Metal Clad Cables from size #14-2 to #10-4.

All MC series boxes are suitable for use with MCAP™-

Aluminum (MCAP is a trademark of Southwire Company)

##### Mfg. Process:

WELDED



#### DIMENSIONS

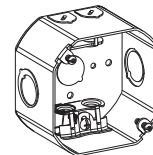
Diameter: 4"

Depth: 2-1/8"

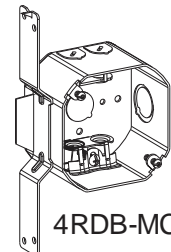
Cu.In.: 21.5

#### CONFIGURATION DATA

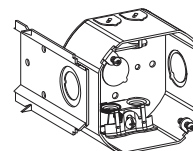
Catalog No.	Bracket & Setback	Knockouts		Std. Pkg.
		Sides	Bottom	
4RDB-MC	-	(2)-MKO, (4)-Loom	(1)-1/2"	50
4RDB-MC-FB	FB, 1/2"	(1)-MKO, (4)-Loom	(1)-1/2"	25
4RDB-MC-LB	LB, 1/2"	(2)-MKO, (4)-Loom	(1)-1/2"	25



4RDB-MC



4RDB-MC-FB



4RDB-MC-LB





## SPECIFICATION & FEATURES

### 4" OCTAGON (40) WELDED DEEP BOXES 2-1/8" DEEP WITH NM

#### DESCRIPTION:

Orbit Industries' 4" Octagon (40) Welded Boxes are used in the installation of light fixtures, and other electrical devices. They are constructed from 16 gauge galvanized steel. The 2-1/8" deep, welded boxes provide extra space for wires and devices, and non-metallic sheathed cable clamp is included for ease of installation. Selected models include an FB Bracket for direct mounts on studs or an LB bracket with spurs.

#### CERTIFICATION:

UL file E227970, conforms to UL514A. acceptable for use in 2-hour fire rated walls.

#### FEATURES

##### Knockout:

50: 1/2" K.O.

Loom: Loom Pryouts

MKO: Moon K.O. (1/2" and 3/4" K.O.)

##### Bracket:

FB: (L: 7-1/4", W: 3/4") Offset (1/2") Mounts on flat side of stud or joist

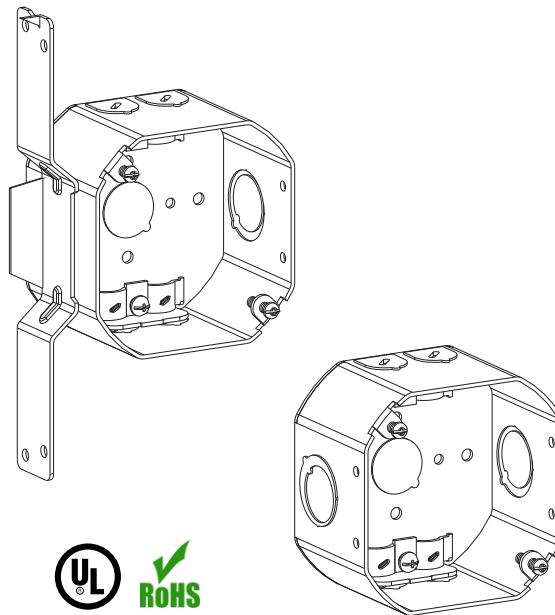
LB: (L: 2-3/8", W: 2-23/32") Offset (1/4") With spurs, slotted holes for toe-nailing.

##### Clamp:

NM: Accommodates #14-2 to #10-3 Non-Metallic Cables with ground

##### Mfg. Process:

WELDED



#### DIMENSIONS

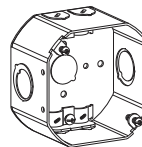
Diameter: 4"

Depth: 2-1/8"

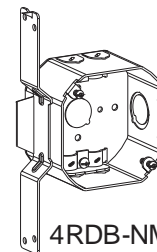
Cu.In.: 21.5

#### CONFIGURATION DATA

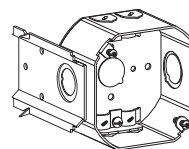
Catalog No.	Bracket & Setback	Knockouts		Std. Pkg.
		Sides	Bottom	
4RDB-NM	-	(2)-MKO, (4)-Loom	(1)-1/2"	50
4RDB-NM-FB	FB, 1/2"	(1)-MKO, (4)-Loom	(1)-1/2"	25
4RDB-NM-LB	LB, 1/2"	(2)-MKO, (4)-Loom	(1)-1/2"	25



4RDB-NM



4RDB-NM-FB



4RDB-NM-LB





## SPECIFICATION & FEATURES

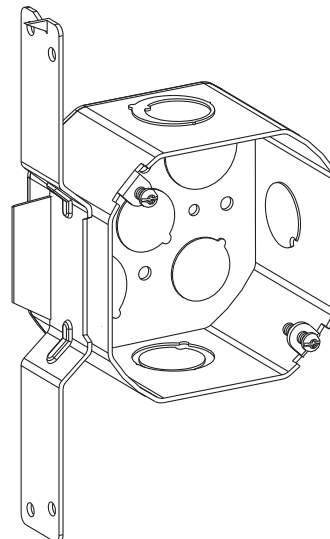
### 4" OCTAGON (40) WELDED DEEP BOXES 2-1/8" DEEP

#### DESCRIPTION:

Orbit Industries' 4" Octagon (40) Boxes are used in the installation of light fixtures and other electrical devices in walls and ceilings. They are constructed from 16 gauge galvanized steel. The 2-1/8" deep, welded boxes provide extra space for wires and devices. Selected models include an FB bracket for direct installations on studs.

#### CERTIFICATION:

UL file E227970, conforms to UL514A. acceptable for use in 2-hour fire rated walls.



#### FEATURES

##### Knockout:

50: 1/2" K.O.

75: 3/4" K.O.

MKO: Moon K.O. (1/2" and 3/4" K.O.)

##### Bracket:

FB: (L: 7-1/4", W: 3/4") Offset (1/2") Mounts on flat side of stud or joist

##### Mfg. Process:

WELDED

#### DIMENSIONS

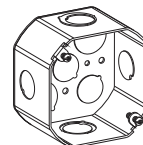
Diameter: 4"

Depth: 2-1/8"

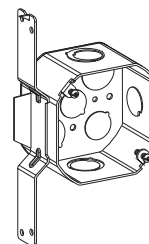
Cu.In.: 21.5

#### CONFIGURATION DATA

Catalog No.	Bracket & Setback	Knockouts		Std. Pkg.
		Sides	Bottom	
4RDB-MKO	-	(2)-1/2", (2)-MKO	(3)-1/2", (2)-3/4"	50
4RDB-MKO-FB	FB, 1/2"	(1)-1/2", (2)-MKO	(3)-1/2", (2)-3/4"	25



4RDB-MKO



4RDB-MKO-FB



## SPECIFICATION & FEATURES

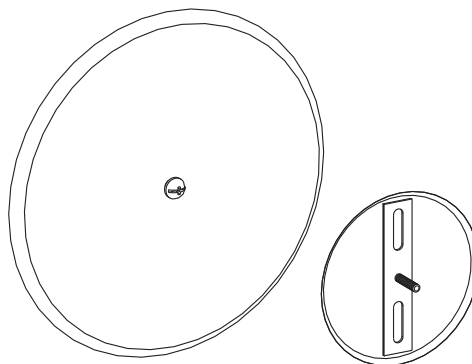
### 5" ROUND CLOSURE PLATES WITH UNIVERSAL-MOUNT STRAP

#### DESCRIPTION:

Orbit Industries' 5" Round Closure Plates are used to protect wiring and cover up unused 3-1/2" or 4" octagonal boxes. The hard aluminum plates include a universal-mount strap for ease of installation.

#### CERTIFICATION:

UL file E227970, conforms to UL514A.



#### FEATURES

##### General:

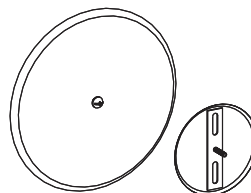
For covering up to 4" Round and Octagonal Boxes

#### DIMENSIONS

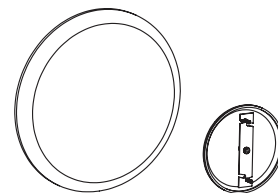
Diameter: 5" or 5-3/8"

#### CONFIGURATION DATA

Catalog No.	Description	Color	Std. Pkg.
CP-5	Hard Aluminum 5" dia. Blank Cover Plate	White	50
CP-5NM	Non-metallic 5-3/8" dia. Blank Cover Plate	White	50



CP-5



CP-5NM



## SPECIFICATION & FEATURES

## 4" ROUND COVERS FLAT OR DRAWN

### DESCRIPTION:

Orbit Industries' Round Covers are used to cover and protect wires in the box. Orbit Industries offers a variety of designs to accommodate many types of electrical devices. Selected models are raised, with open covers and ears.

### CERTIFICATION:

UL file E227970, conforms to UL514A. acceptable for use in 2-hour fire rated walls.

### FEATURES

**K:** 1/2" K.O.

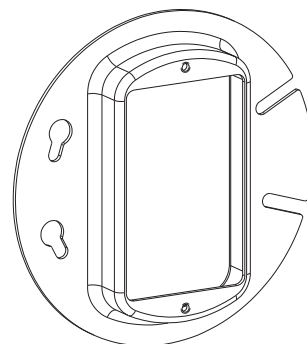
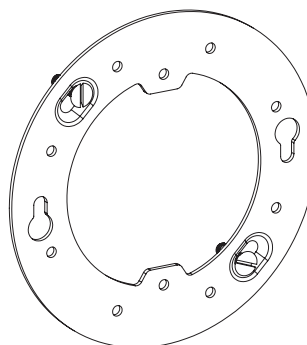
**MKO:** Moon K.O. (1/2" and 3/4" K.O.)

**TS:** Toggle Switch

**DR:** Duplex Receptacle

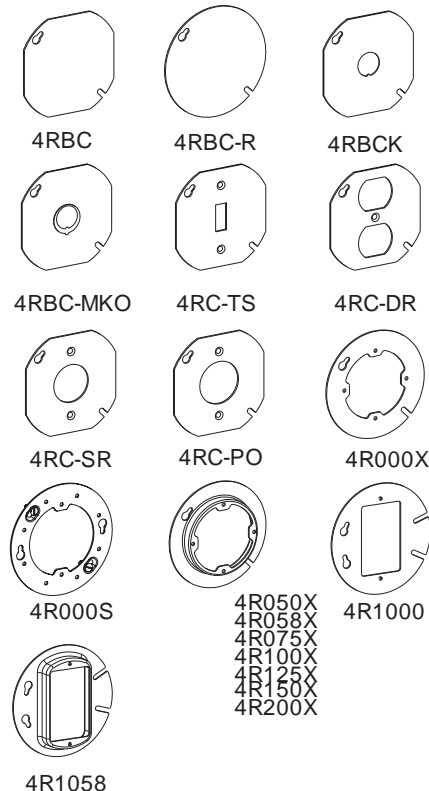
**SR:** Single Receptacle

**PO:** Power Outlet



### CONFIGURATION DATA

Catalog No.	Description	Cu. In	Std. Pkg.
4RBC	Flat, Blank (Octagonal)	-	50
4RBC-R*	Flat, Blank (Round)	-	50
4RBCK	Flat, 1/2" KO	-	50
4RBC-MKO	Flat, MKO	-	50
4RC-TS	Flat, Toggle Switch	-	50
4RC-DR	Flat, Duplex Receptacle	-	50
4RC-SR	Flat, 1.4" Dia. Single Receptacle	-	50
4RC-PO	Flat, 1.6" Dia. Power Outlet	-	50
4R000X*	Flat, Open, Ears 2-3/4" O.C., Dual Dir.	-	50
4R000S*	Flat, Open, Ears 2-3/4" O.C. Universal Mounting	-	25
4R050X*	Raised 1/2", Open, Ears 2-3/4" O.C., Dual Dir.	3.0	50
4R058X*	Raised 5/8", Open, Ears 2-3/4" O.C., Dual Dir.	4.0	50
4R075X*	Raised 3/4", Open, Ears 2-3/4" O.C., Dual Dir.	5.0	50
4R100X*	Raised 1", Open, Ears 2-3/4" O.C., Dual Dir.	6.8	25
4R125X*	Raised 1-1/4", Open, Ears 2-3/4" O.C., Dual Dir.	8.5	25
4R150X*	Raised 1-1/2", Open, Ears 2-3/4" O.C., Dual Dir.	9.7	25
4R200X*	Raised 2", Open, Ears 2-3/4" O.C., Dual Dir.	12.9	25
4R1000*	Flat, 1-Gang Device Ring	-	50
4R1058*	Raised 5/8", 1-Gang Device Ring	3.5	50



Covers use with 40 boxes (Except 4R000S)

\* Also fits 4" Concrete Boxes



## SPECIFICATION & FEATURES

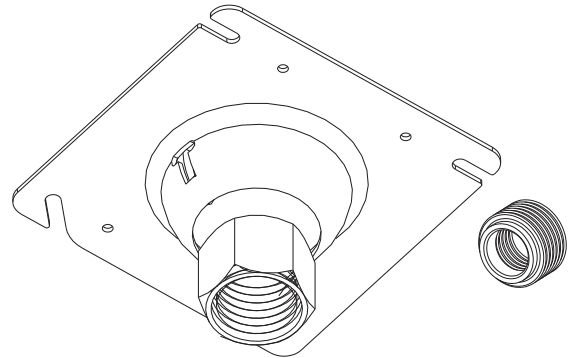
## 4" SWIVEL-TYPE COVER PLATES

### DESCRIPTION:

Orbit Industries' 4" Swivel-Type Cover Plates are rated to hold up to 35 lbs. of ceiling fan load or 50 lbs. of fixture load when mounted to 3-1/4" and 4" octagonal boxes and 4" square boxes. The plates allow a maximum swivel angle of 20 degrees. Optional 1/2" Conduit Adapter Included.

### CERTIFICATION:

UL file E227970, conforms to UL514A. acceptable for use in 2-hour fire rated walls.



### FEATURES

#### General:

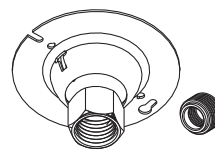
- 20° Swivel Angle
- Optional 1/2" Conduit Adapter Included

### DIMENSIONS

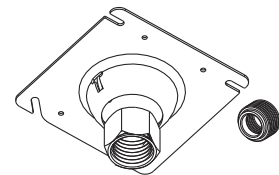
4" Round or 4" Square

### CONFIGURATION DATA

Catalog No.	Description	Swivel Thread Size	Std. Pkg.
SCR-75	4" Round Swivel-Type Cover	3/4" Plus 1/2" Reducing Bushing	25
SCS-75	4" Square Swivel-Type Cover	3/4" Plus 1/2" Reducing Bushing	25



SCR-75



SCS-75



## SPECIFICATION & FEATURES

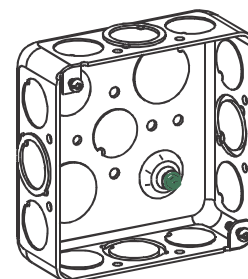
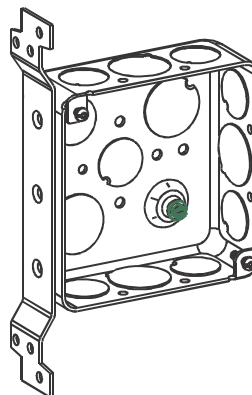
## 4" SQUARE (4S) DRAWN BOXES 1-1/2" DEEP

### DESCRIPTION:

Orbit Industries' 4" Square (4S) Drawn Boxes are used to install lighting fixtures, switches, and receptacles in ceilings and walls. They are constructed from 16 gauge galvanized steel. The 1-1/2" deep, drawn steel boxes include a pre-installed raised ground emboss at the bottom and 10-32 ground screw. Models have multiple 1/2" and 3/4" knockouts, and selected models include a side bracket to mount on stud walls or a 7" long solid #12AWG pigtail for secure grounding.

### CERTIFICATION:

UL file E227970, conforms to UL514A. acceptable for use in 2-hour fire rated walls.



### FEATURES

#### **Pigtail Features:**

7" Solid Cu. #12AWG Pigtail Pre-assembled with Ground Emboss and 10-32 Ground Screw

#### **Knockout:**

50: 1/2" K.O.

75: 3/4" K.O.

CKO: Concentric K.O. (1/2" and 3/4" K.O.)

#### **Bracket:**

FB: (L: 7-3/8", W: 1-9/16") Offset (Flush) Mounts on flat side of stud

#### **Mfg. Process:**

DRAWN

### DIMENSIONS

Width: 4"

Height: 4"

Depth: 1-1/2"

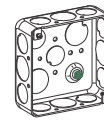
Cu.In.: 21.0

### CONFIGURATION DATA

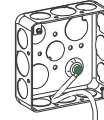
Catalog No.	Bracket & Setback	Knockouts		Std. Pkg.
		Sides	Bottom	
D4SB-50	-	(12)-1/2"	(4)-1/2"	50
D4SB-50/75	-	(8)-1/2", (4)-3/4"	(2)-1/2", (2)-3/4"	50
D4SB-50/75-PT	-	(8)-1/2", (4)-3/4"	(2)-1/2", (2)-3/4"	50
D4SB-75	-	(8)-3/4"	(2)-1/2", (2)-3/4"	50
D4SB-75-PT	-	(8)-3/4"	(2)-1/2", (2)-3/4"	50
D4SB-CKO	-	(8)-1/2", (4)-CKO	(2)-1/2", (2)-3/4"	50
D4SB-50-FB	FB, Flush	(9)-1/2"	(4)-1/2"	24
D4SB-50/75-FB	FB, Flush	(6)-1/2", (3)-3/4"	(2)-1/2", (2)-3/4"	24
D4SB-CKO-FB	FB, Flush	(6)-1/2", (3)-CKO	(2)-1/2", (2)-3/4"	24



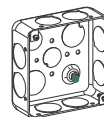
D4SB-50



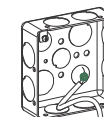
D4SB-50/75



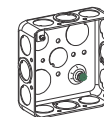
D4SB-50/75-PT



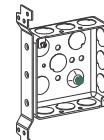
D4SB-75



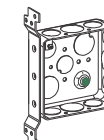
D4SB-75-PT



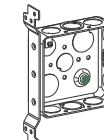
D4SB-CKO



D4SB-50-FB



D4SB-50/75-FB



D4SB-CKO-FB



## SPECIFICATION & FEATURES

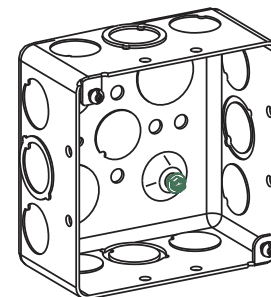
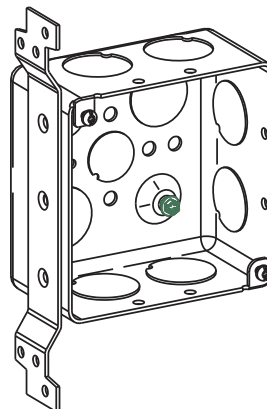
### 4" SQUARE (4S) DRAWN DEEP BOXES 2-1/8" DEEP

#### DESCRIPTION:

Orbit Industries' 4" Square (4S) Deep Boxes are used to install lighting fixtures, switches, and receptacles in ceilings and walls. They are constructed from 16 gauge galvanized steel. The 2-1/8" deep, drawn steel boxes include a pre-installed raised ground emboss at the bottom and 10-32 ground screw. Selected models include a side bracket to mount on stud walls for easy installation.

#### CERTIFICATION:

UL file E227970, conforms to UL514A. acceptable for use in 2-hour fire rated walls.



#### FEATURES

##### General:

With Raised Ground Emboss & 10-32 Ground Screw

##### Knockout:

50: 1/2" K.O.

75: 3/4" K.O.

CKO: Concentric K.O. (1/2" and 3/4" K.O.)

##### Bracket:

FB: (L: 7-3/8", W: 1-9/16") Offset (Flush) Mounts on flat side of stud

##### Mfg. Process:

DRAWN

#### DIMENSIONS

Width: 4"

Height: 4"

Depth: 2-1/8"

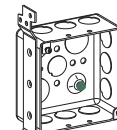
Cu.In.: 30.3

#### CONFIGURATION DATA

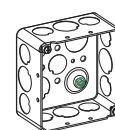
Catalog No.	Bracket & Setback	Knockouts		Std. Pkg.
		Sides	Bottom	
D4SDB-50	-	(12)-1/2"	(2)-1/2", (2)-3/4"	24
D4SDB-50-FB	FB, Flush	(9)-1/2"	(2)-1/2", (2)-3/4"	24
D4SDB-50/75	-	(8)-1/2", (4)-3/4"	(2)-1/2", (2)-3/4"	24
D4SDB-75	-	(8)-3/4"	(2)-1/2", (2)-3/4"	24
D4SDB-75-FB	FB, Flush	(6)-3/4"	(2)-1/2", (2)-3/4"	24
D4SDB-CKO	-	(8)-1/2", (4)-CKO	(2)-1/2", (2)-3/4"	24
D4SDB-CKO-FB	FB, Flush	(6)-1/2", (3)-CKO	(2)-1/2", (2)-3/4"	24



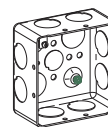
D4SDB-50



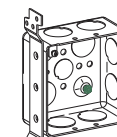
D4SDB-50-FB



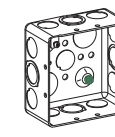
D4SDB-50/75



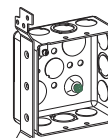
D4SDB-75



D4SDB-75-FB



D4SDB-CKO



D4SDB-CKO-FB

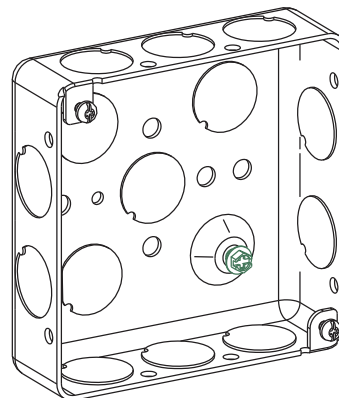


## SPECIFICATION & FEATURES

### 4" SQUARE (4S) SHALLOW DRAWN BOX 1-1/4" DEEP

#### DESCRIPTION:

Orbit Industries' 4" Square (4S) Shallow Boxes are used to install lighting fixtures, switches, and receptacles in ceilings and walls. It is constructed from 16 gauge galvanized steel. The drawn steel, shallow 1-1/4" deep boxes include a pre-installed, raised ground emboss and 10-32 ground screw. Models have multiple 1/2" and 3/4" knockouts.



#### CERTIFICATION:

UL file E227970, conforms to UL514A. acceptable for use in 2-hour fire rated walls.



#### FEATURES

##### General:

With Raised Ground Emboss & 10-32 Ground Screw

##### Knockout:

50: 1/2" K.O.

##### Mfg. Process:

DRAWN

#### DIMENSIONS

Width: 4"

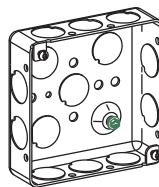
Height: 4"

Depth: 1-1/4"

Cu.In.: 18.0

#### CONFIGURATION DATA

Catalog No.	Knockouts		Std. Pkg.
	Sides	Bottom	
D4SSB-50	(10)-1/2"	(4)-1/2"	50



D4SSB-50





## SPECIFICATION & FEATURES

### DESCRIPTION:

Orbit Industries' 4" Square (4S) Boxes and Extension Rings are used in the installation of lighting fixtures, switches, and receptacles. They are constructed from 16 gauge galvanized steel. The 1-1/2" deep, welded boxes have multiple 1/2" and 3/4" knockouts. Selected models include a bracket, such as the FB bracket for offset mounts on the sides of studs, the B bracket for face mounts, or the AB brackets for side and face mounts. Non-bracketed boxes have a raised ground emboss.

### CERTIFICATION:

UL file E227970, conforms to UL514A. acceptable for use in 2-hour fire rated walls.

### FEATURES

#### General:

With Raised Ground Emboss & 10-32 Ground Screw (Except for Bracketed and Ext Boxes)

#### Pigtail Features:

PT: 7" Solid Cu. #12AWG Pigtail Pre-assembled with Ground Emboss and 10-32 Ground Screw

#### Knockout:

50: 1/2" K.O.; 75: 3/4" K.O.; MKO: Moon K.O. (1/2" and 3/4" K.O.)

#### Bracket:

FB: (L: 7-3/8", W: 1-9/16") Offset (Flush) Mounts on flat side of stud

B: (L: 3", W: 2") Offset (Flush) Face mounts on front edge of wood stud

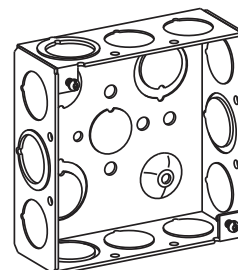
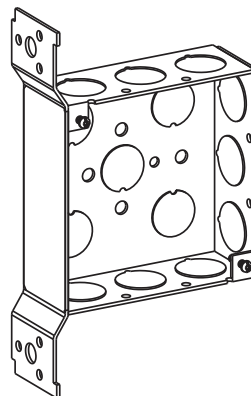
AB: 90° (L: 5-7/8", W: 7/8") Offset (Flush) Positions box against face and side of stud

WB: (L: 7-1/2", W: 1-9/16") Offset (Flush) With positioning spurs to mount box on side of stud

OB: (L: 6-3/4", W: 1-3/16") Offset (1-5/16") Positions box away from side of stud for door frame trim clearance

MS: (L: 2-1/2", W: 1-3/8") Offset (Flush) Self-Gripping Metal Stud Bracket with Box Support Clip. Engages on either side of metal stud. U.S. Patent No.: 8,262,043

## 4" SQUARE (4S) WELDED BOXES & EXTENSION RINGS 1-1/2" DEEP



### DIMENSIONS

Width: 4"

Height: 4"

Depth: 1-1/2"

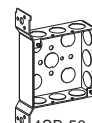
Cu.in.: 21.0

### CONFIGURATION DATA

Catalog No.	Bracket & Setback	Knockouts		Std. Pkg.
		Sides	Bottom	
4SB-50	-	(12)-1/2"	(4)-1/2"	50
4SB-50-FB	FB, Flush	(9)-1/2"	(5)-1/2"	24
4SB-50/75	-	(8)-1/2", (4)-3/4"	(2)-1/2", (2)-3/4"	50
4SB-50/75-PT	-	(8)-1/2", (4)-3/4"	(2)-1/2", (2)-3/4"	50
4SB-50/75-FB	FB, Flush	(6)-1/2", (3)-3/4"	(3)-1/2", (2)-3/4"	24
4SB-50/75-MS	MS, Self-Gripping+Box support clip	(6)-1/2", (3)-3/4"	(3)-1/2", (2)-3/4"	24
4SB-75	FB, Flush	(8)-3/4"	(2)-1/2", (2)-MKO	50
4SB-75-FB	FB, Flush	(6)-3/4"	(1)-1/2", (4)-3/4"	24
4SB-MKO	-	(8)-1/2", (4)-MKO	(2)-1/2", (2)-MKO	50
4SB-MKO-PT	-	(8)-1/2", (4)-MKO	(2)-1/2", (2)-MKO	50
4SB-MKO-FB	FB, Flush	(6)-1/2", (3)-MKO	(3)-1/2", (2)-MKO	24
4SB-MKO-B	B, Flush	(6)-1/2", (3)-MKO	(3)-1/2", (2)-MKO	24
4SB-MKO-AB	AB, Flush	(6)-1/2", (3)-MKO	(3)-1/2", (2)-MKO	24
4SB-MKO-MS	MS, Self-Gripping+Box support clip	(6)-1/2", (3)-MKO	(3)-1/2", (2)-MKO	24
4SB-MKO-OB	OB, 1-5/16"	(6)-1/2", (3)-MKO	(3)-1/2", (2)-MKO	24
4SB-MKO-WB	WB, Flush	(6)-1/2", (3)-MKO	(3)-1/2", (2)-MKO	24
4SB-50-EXT	-	(12)-1/2"	-	50
4SB-50/75-EXT	-	(8)-1/2", (4)-3/4"	-	50
4SB-MKO-EXT	-	(8)-1/2", (4)-MKO	-	50
4SB-MKO-EHB	Extension Ring to Handy Box	(8)-1/2", (4)-MKO	-	50



4SB-50



4SB-50-FB



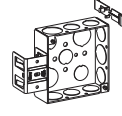
4SB-50/75



4SB-50/75-PT



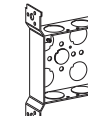
4SB-50/75-FB



4SB-50/75-MS



4SB-75



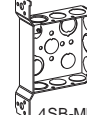
4SB-75-FB



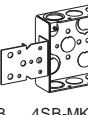
4SB-MKO



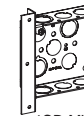
4SB-MKO-PT



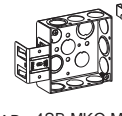
4SB-MKO-FB



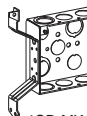
4SB-MKO-B



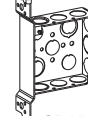
4SB-MKO-AB



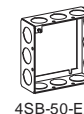
4SB-MKO-MS



4SB-MKO-OB



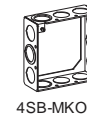
4SB-MKO-WB



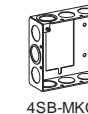
4SB-50-EXT



4SB-50/75-EXT



4SB-MKO-EXT



4SB-MKO-EHB



## SPECIFICATION & FEATURES

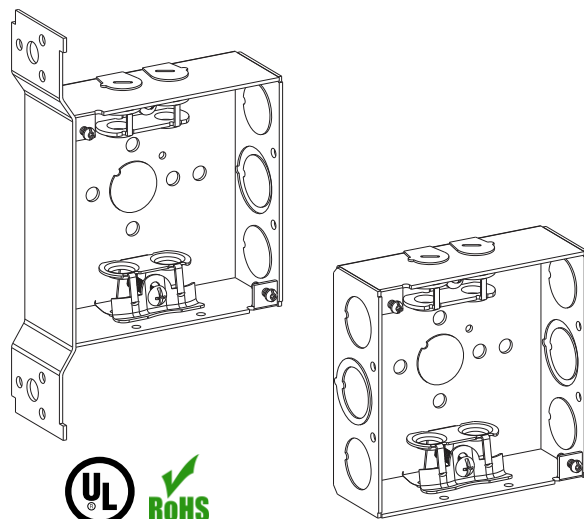
## 4" SQUARE (4S) WELDED BOXES 1-1/2" DEEP WITH BX/MC

### DESCRIPTION:

Orbit Industries' 4" Square (4S) Boxes are used to install lighting fixtures, switches, and receptacles in ceilings and walls. They are constructed from 16 gauge galvanized steel. These 1-1/2" deep, welded boxes include metal clad cable clamps for ease of installation. Selected Orbit Industries models include brackets to directly mount on a stud or a raised ground emboss and pre-assembled 3-way, with a 10-32 ground screw and a solid #12AWG pigtail.

### CERTIFICATION:

UL file E227970, conforms to UL514A. acceptable for use in 2-hour fire rated walls.



### FEATURES

#### Knockout:

**50:** 1/2" K.O. ; **Loom:** Loom Pryouts ; **MKO:** Moon K.O. (1/2" and 3/4" K.O.)

#### Pigtail Features:

**PT:** 7" Solid Cu. #12AWG Pigtail Pre-assembled with Ground Emboss and 10-32 Ground Screw

#### Bracket:

**FB:** (L: 7-3/8", W: 1-9/16") Offset (Flush) Mounts on flat side of stud

**B:** (L: 3", W: 2") Offset (Flush) Face mounts on front edge of wood stud

**WB:** (L: 7-1/2", W: 1-9/16") Offset (Flush) With positioning spurs to mount box on side of stud

**MS:** (L: 2-1/2", W: 1-3/8") Offset (Flush) Self-Gripping Metal Stud Bracket with Box Support Clip. Engages on either side of metal stud. U.S. Patent No.: 8,262,043

#### BX/MC Clamp:

Accommodates Metal Clad Cables from size #14-2 to #10-4. All MC series boxes are suitable for use with MCAP™-Aluminum (MCAP is a trademark of Southwire Company)

### DIMENSIONS

**Width:** 4"

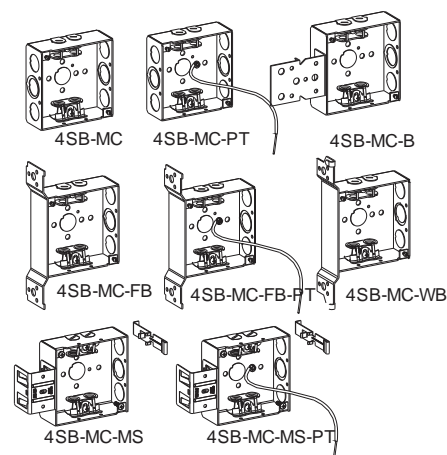
**Height:** 4"

**Depth:** 1-1/2"

**Cu.In.:** 21.0

### CONFIGURATION DATA

Catalog No.	Bracket & Setback	Knockouts		Std. Pkg.
		Sides	Bottom	
4SB-MC	-	(4)-1/2", (2)-MKO, (4)-Loom	(1)-1/2"	50
4SB-MC-PT	-	(4)-1/2", (2)-MKO, (4)-Loom	(1)-1/2"	50
4SB-MC-B	B, Flush	(2)-1/2", (1)-MKO, (4)-Loom	(1)-1/2"	24
4SB-MC-FB	FB, Flush	(2)-1/2", (1)-MKO, (4)-Loom	(1)-1/2"	24
4SB-MC-FB-PT	FB, Flush	(2)-1/2", (1)-MKO, (4)-Loom	(1)-1/2"	24
4SB-MC-WB	WB, Flush	(2)-1/2", (1)-MKO, (4)-Loom	(1)-1/2"	24
4SB-MC-MS	MS, Box Support Clip	(2)-1/2", (1)-MKO, (4)-Loom	(1)-1/2"	24
4SB-MC-MS-PT	MS, Box Support Clip	(2)-1/2", (1)-MKO, (4)-Loom	(1)-1/2"	24



## SPECIFICATION & FEATURES

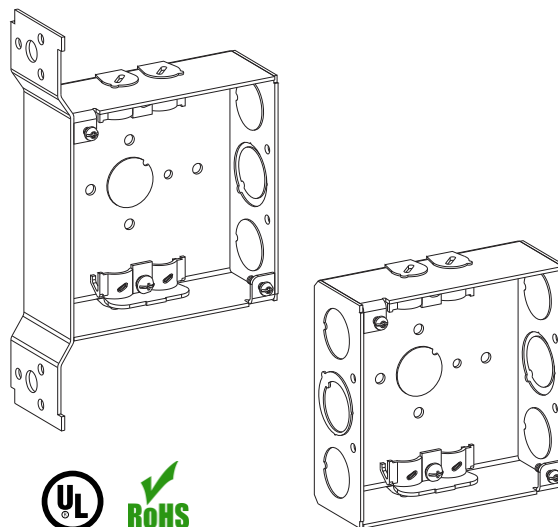
## 4" SQUARE (4S) WELDED BOXES 1-1/2" DEEP WITH NM

### DESCRIPTION:

Orbit Industries' 4" Square (4S) Boxes are used to install lighting fixtures, switches, and receptacles in ceilings and walls. They are constructed from 16 gauge galvanized steel. The 1-1/2" deep, welded boxes include non-metallic sheathed cable clamps for ease of installation. Selected models include metal stud brackets that engage on either side of a metal stud or a bracket to directly mount on a stud.

### CERTIFICATION:

UL file E227970, conforms to UL514A. acceptable for use in 2-hour fire rated walls.



### FEATURES

#### Knockout:

**50:** 1/2" K.O. ; **Loom:** Loom Pryouts ;  
**MKO:** Moon K.O. (1/2" and 3/4" K.O.)

#### Bracket:

**FB:** (L: 7-3/8", W: 1-9/16") Offset (Flush) Mounts on flat side of stud  
**B:** (L: 3", W: 2") Offset (Flush) Face mounts on front edge of wood stud

**WB:** (L: 7-1/2", W: 1-9/16") Offset (Flush) With positioning spurs to mount box on side of stud

**MS:** (L: 2-1/2", W: 1-3/8") Offset (Flush) Self-Gripping Metal Stud Bracket with Box Support Clip. Engages on either side of metal stud. U.S. Patent No.: 8,262,043

#### Clamp:

**NM:** Accommodates #14-2 to #10-3 Non-Metallic Cables with ground

#### Mfg. Process:

WELDED

### DIMENSIONS

**Width:** 4"

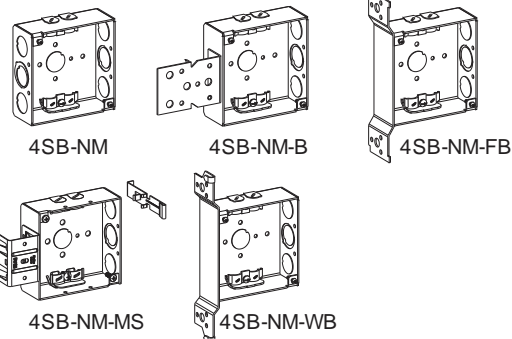
**Height:** 4"

**Depth:** 1-1/2"

**Cu.In.:** 21.0

### CONFIGURATION DATA

Catalog No.	Bracket & Setback	Knockouts		Std. Pkg.
		Sides	Bottom	
4SB-NM	-	(4)-1/2", (2)-MKO, (4)-Loom	(1)-1/2"	50
4SB-NM-B	B, Flush	(2)-1/2", (1)-MKO, (4)-Loom	(1)-1/2"	24
4SB-NM-FB	FB, Flush	(2)-1/2", (1)-MKO, (4)-Loom	(1)-1/2"	24
4SB-NM-MS	MS, Self-Gripping+Box Support Clip	(2)-1/2", (1)-MKO, (4)-Loom	(1)-1/2"	24
4SB-NM-WB	WB, Flush	(2)-1/2", (1)-MKO, (4)-Loom	(1)-1/2"	24



# SPECIFICATION & FEATURES

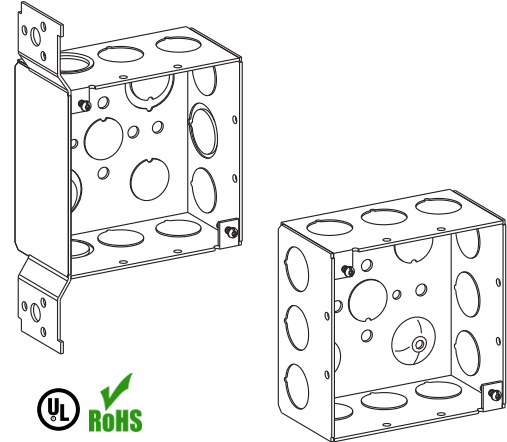
## 4" SQUARE (4S) WELDED DEEP BOXES 2-1/8" DEEP

### DESCRIPTION:

Orbit Industries' 4" Square (4S) Deep Boxes are used to install lighting fixtures, switches, and receptacles in ceilings and walls. They are constructed from 16 gauge galvanized steel. These 2-1/8" deep, welded boxes include metal clad cable clamps for ease of installation. Selected Orbit Industries models include brackets to directly mount on a stud or a raised ground emboss and pre-assembled 3-way, with a 10-32 ground screw and a solid #12AWG 7" pigtail.

### CERTIFICATION:

UL file E227970, conforms to UL514A. acceptable for use in 2-hour fire rated walls.



### FEATURES

#### General:

With Raised Ground Emboss & 10-32 Ground Screw (Except for Bracketed and Ext Boxes)

#### Pigtail Features:

PT: 7" Solid Cu. #12AWG Pigtail Pre-assembled with Ground Emboss and 10-32 Ground Screw

#### Knockout:

50: 1/2" K.O.; 75: 3/4" K.O.; 100: 1" K.O.

MKO: Moon K.O. (1/2" and 3/4" K.O.)

#### Bracket:

FB: (L: 7-3/8", W: 1-9/16") Offset (Flush) Mounts on flat side of stud

WB: (L: 7-1/2", W: 1-9/16") Offset (Flush) With positioning spurs to mount box on side of stud

MS: (L: 2-1/2", W: 1-3/8") Offset (Flush) Self-Gripping Metal Stud Bracket with Box Support Clip. Engages on either side of metal stud. U.S. Patent No.: 8,262,043

#### Mfg. Process:

WELDED

### DIMENSIONS

Width: 4"

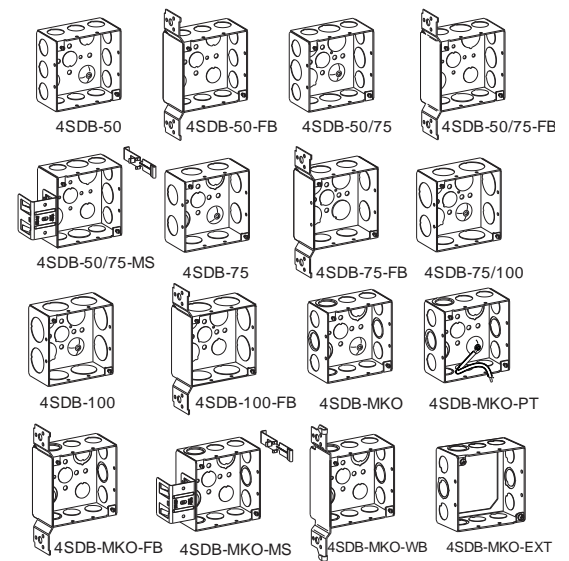
Height: 4"

Depth: 2-1/8"

Cu.in.: 30.3

### CONFIGURATION DATA

Catalog No.	Bracket & Setback	Knockouts		Std. Pkg.
		Sides	Bottom	
4SDB-50	-	(12)-1/2"	(4)-1/2"	24
4SDB-50-FB	FB, Flush	(9)-1/2"	(5)-1/2"	24
4SDB-50/75	-	(8)-1/2", (4)-3/4"	(2)-1/2", (2)-3/4"	24
4SDB-50/75-FB	FB, Flush	(6)-1/2", (3)-3/4"	(3)-1/2", (2)-3/4"	24
4SDB-50/75-MS	MS, Self-Gripping+Box support clip	(6)-1/2", (3)-3/4"	(3)-1/2", (2)-3/4"	24
4SDB-75	-	(8)-3/4"	(2)-1/2", (2)-MKO	24
4SDB-75-FB	FB, Flush	(6)-3/4"	(1)-1/2", (4)-3/4"	24
4SDB-75/100	-	(4)-3/4", (4)-1"	(2)-1/2", (2)-3/4"	24
4SDB-100	-	(8)-1"	(2)-1/2", (2)-3/4"	24
4SDB-100-FB	FB, Flush	(6)-1"	(3)-1/2", (2)-3/4"	24
4SDB-MKO	-	(8)-1/2", (4)-MKO	(2)-1/2", (2)-MKO	24
4SDB-MKO-PT	-	(8)-1/2", (4)-MKO	(2)-1/2", (2)-MKO	24
4SDB-MKO-FB	FB, Flush	(6)-1/2", (3)-MKO	(3)-1/2", (2)-MKO	24
4SDB-MKO-MS	MS, Self-Gripping+Box support clip	(6)-1/2", (3)-MKO	(3)-1/2", (2)-MKO	24
4SDB-MKO-WB	WB, Flush	(6)-1/2", (3)-MKO	(3)-1/2", (2)-MKO	24
4SDB-MKO-EXT	-	(8)-1/2", (4)-MKO	-	24



## SPECIFICATION & FEATURES

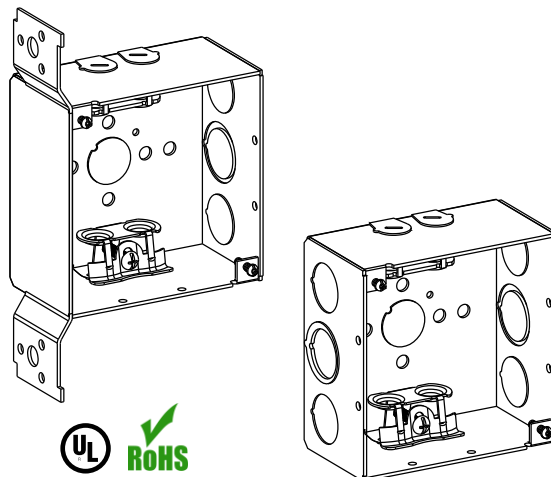
## 4" SQUARE (4S) WELDED DEEP BOXES 2-1/8" DEEP WITH BX/MC

### DESCRIPTION:

Orbit Industries' 4" Square (4S) Deep Boxes are used to install lighting fixtures, switches, and receptacles in ceilings and walls. They are constructed from 16 gauge galvanized steel. These 2-1/8" deep, welded boxes include metal clad cable clamps and knockouts for easy installation. Selected Orbit Industries models include brackets to directly mount on a stud or a raised ground emboss and pre-assembled 3-way, with a 10-32 ground screw and a 7" long, solid #12AWG pigtail.

### CERTIFICATION:

UL file E227970, conforms to UL514A. acceptable for use in 2-hour fire rated walls.



### FEATURES

#### Knockout:

**50:** 1/2" K.O. ; **Loom:** Loom Pryouts ; **MKO:** Moon K.O. (1/2" and 3/4" K.O.)

#### Pigtail Features:

**PT:** 7" Solid Cu. #12AWG Pigtail Pre-assembled with Ground Emboss and 10-32 Ground Screw

#### Bracket:

**FB:** (L: 7-3/8", W: 1-9/16") Offset (Flush) Mounts on flat side of stud

**B:** (L: 3", W: 2") Offset (Flush) Face mounts on front edge of wood stud

**WB:** (L: 7-1/2", W: 1-9/16") Offset (Flush) With positioning spurs to mount box on side of stud

**MS:** (L: 2-1/2", W: 1-3/8") Offset (Flush) Self-Gripping Metal Stud Bracket with Box Support Clip. Engages on either side of metal stud. U.S. Patent No.: 8,262,043

#### BX/MC Clamp:

Accommodates Metal Clad Cables from size #14-2 to #10-4. All MC series boxes are suitable for use with MCAP™-Aluminum (MCAP is a trademark of Southwire Company)

### DIMENSIONS

**Width:** 4"

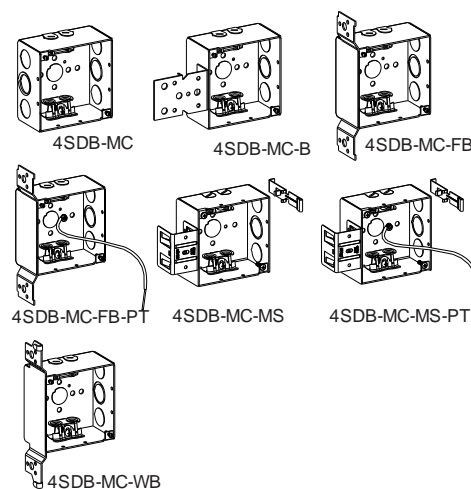
**Height:** 4"

**Depth:** 2-1/8"

**Cu.In.:** 30.3

### CONFIGURATION DATA

Catalog No.	Bracket & Setback	Knockouts		Std. Pkg.
		Sides	Bottom	
4SDB-MC	-	(4)-1/2", (2)-MKO, (4)-Loom	(1)-1/2"	24
4SDB-MC-B	B, Flush	(2)-1/2", (1)-MKO, (4)-Loom	(1)-1/2"	24
4SDB-MC-FB	FB, Flush	(2)-1/2", (1)-MKO, (4)-Loom	(1)-1/2"	24
4SDB-MC-FB-PT	FB, Flush	(2)-1/2", (1)-MKO, (4)-Loom	(1)-1/2"	24
4SDB-MC-MS	MS, Self-Gripping	(2)-1/2", (1)-MKO, (4)-Loom	(1)-1/2"	24
4SDB-MC-MS-PT	MS, Self-Gripping	(2)-1/2", (1)-MKO, (4)-Loom	(1)-1/2"	24
4SDB-MC-WB	WB, Flush	(2)-1/2", (1)-MKO, (4)-Loom	(1)-1/2"	24





## SPECIFICATION & FEATURES

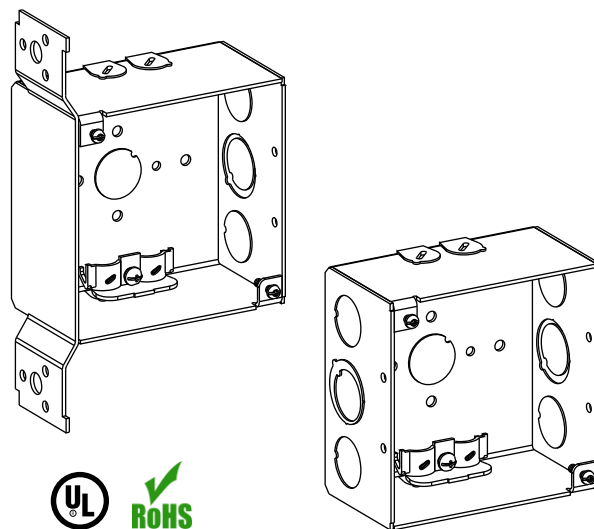
### 4" SQUARE (4S) WELDED DEEP BOXES 2-1/8" DEEP WITH NM

#### DESCRIPTION:

Orbit Industries' 4" Square (4S) Deep Boxes are used to install lighting fixtures, switches, and receptacles in ceilings and walls. They are constructed from 16 gauge galvanized steel. These 2-1/8" deep, welded boxes include non-metallic sheathed cable clamps for ease of installation. Selected models include brackets to directly mount on a stud.

#### CERTIFICATION:

UL file E227970, conforms to UL514A. acceptable for use in 2-hour fire rated walls.



#### FEATURES

##### Knockout:

**50:** 1/2" K.O. ; **Loom:** Loom Pryouts ;

**MKO:** Moon K.O. (1/2" and 3/4" K.O.)

##### Bracket:

**FB:** (L: 7-3/8", W: 1-9/16") Offset (Flush) Mounts on flat side of stud

**B:** (L: 3", W: 2") Offset (Flush) Face mounts on front edge of wood stud

**WB:** (L: 7-1/2", W: 1-9/16") Offset (Flush) With positioning spurs to mount box on side of stud

##### Clamp:

**NM:** Accommodates #14-2 to #10-3 Non-Metallic Cables with ground

##### Mfg. Process:

WELDED

#### DIMENSIONS

**Width:** 4"

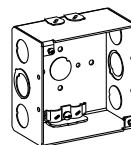
**Height:** 4"

**Depth:** 2-1/8"

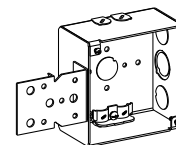
**Cu.In.:** 30.3

#### CONFIGURATION DATA

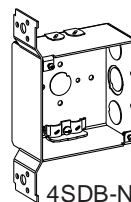
Catalog No.	Bracket & Setback	Knockouts		Std. Pkg.
		Sides	Bottom	
4SDB-NM	-	(4)-1/2", (2)-MKO, (4)-Loom	(1)-1/2"	24
4SDB-NM-B	B, Flush	(2)-1/2", (1)-MKO, (4)-Loom	(1)-1/2"	24
4SDB-NM-FB	FB, Flush	(2)-1/2", (1)-MKO, (4)-Loom	(1)-1/2"	24
4SDB-NM-WB	WB, Flush	(2)-1/2", (1)-MKO, (4)-Loom	(1)-1/2"	24



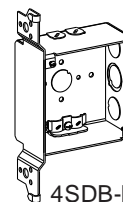
4SDB-NM



4SDB-NM-B



4SDB-NM-FB



4SDB-NM-WB





## SPECIFICATION & FEATURES

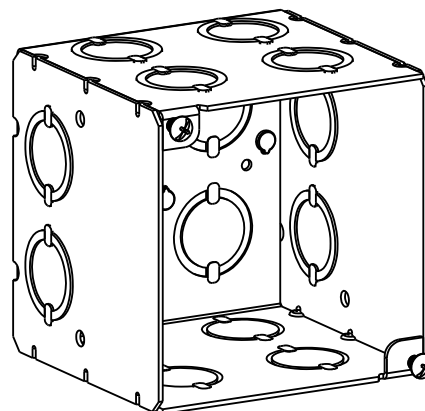
### 4" SQUARE (4S) WELDED EXTRA DEEP BOXES 3-1/2" DEEP

#### DESCRIPTION:

Orbit Industries' 4" Square (4S) Extra Deep Boxes are used to install lighting fixtures, switches, and receptacles in ceilings and walls. They are constructed from 16 gauge galvanized steel. These welded, 3-1/2" deep boxes provide extra space for wires and devices, and they include metal clad cable clamps for ease of installation. Selected models include an FB bracket that mount on the flat side of a stud.

#### CERTIFICATION:

UL file E227970, conforms to UL514A. acceptable for use in 2-hour fire rated walls.



#### FEATURES

##### Knockout:

**CKO:** Concentric K.O. (1/2" and 3/4" K.O.)

##### Bracket:

**FB:** (L: 7-3/8", W: 1-9/16") Offset Mounts on flat side of stud

##### Mfg. Process:

WELDED

#### DIMENSIONS

**Width:** 4"

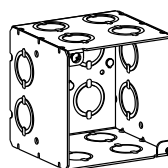
**Height:** 4"

**Depth:** 3-1/2"

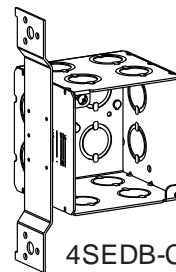
**Cu.In.:** 46.0

#### CONFIGURATION DATA

Catalog No.	Bracket & Setback	Knockouts		Std. Pkg.
		Sides	Bottom	
4SEDB-CKO	-	(12)-CKO	(4)-CKO	24
4SEDB-CKO-FB	FB, 1/2" thru 1-1/4"	(10)-CKO	(4)-CKO	10



4SEDB-CKO



4SEDB-CKO-FB



## SPECIFICATION & FEATURES

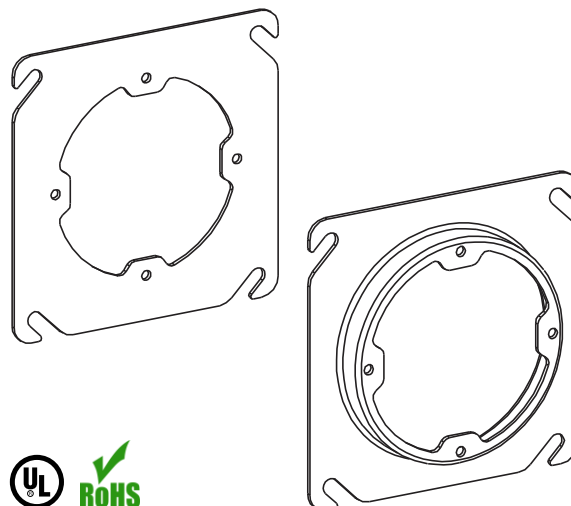
### 4" SQUARE (4S) COVERS FLAT OR DRAWN

#### DESCRIPTION:

Orbit Industries' 4" Square (4S) Covers are used to cover and protect wires inside the box. They are constructed from 16 gauge galvanized steel. Selections include flat covers with various knockouts or raised covers for a range of lighting fixtures and other devices.

#### CERTIFICATION:

UL file E227970, conforms to UL514A. acceptable for use in 2-hour fire rated walls.



#### FEATURES

**K:** 1/2" K.O.

**MKO:** Moon K.O. (1/2" and 3/4" K.O.)

**050:** Raised 1/2"

**058:** Raised 5/8"

**075:** Raised 3/4"

**100:** Raised 1"

**125:** Raised 1-1/4"

**150:** Raised 1-1/2"

**200:** Raised 2"

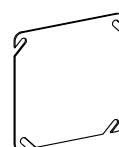
#### DIMENSIONS

**Width:** 4"

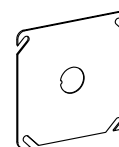
**Height:** 4"

#### CONFIGURATION DATA

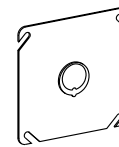
Catalog No.	Description	Cu.In	Std. Pkg.
4BC	Flat, Blank	-	50
4BCK	Flat, 1/2" KO	-	50
4BC-MKO	Flat, MKO	-	50
43000X	Flat, Open, Ears 2-3/4" O.C., dual dir.	-	50
43050X	Raised 1/2", Open, Ears 2-3/4" O.C., dual dir.	3.0	50
43058X	Raised 5/8", Open, Ears 2-3/4" O.C., dual dir.	4.0	50
43075X	Raised 3/4", Open, Ears 2-3/4" O.C., dual dir.	5.0	50
43100X	Raised 1", Open, Ears 2-3/4" O.C., dual dir.	6.8	25
43125X	Raised 1-1/4", Open, Ears 2-3/4" O.C., dual dir.	8.5	25
43150X	Raised 1-1/2", Open, Ears 2-3/4" O.C., dual dir.	9.7	25
43200X	Raised 2", Open, Ears 2-3/4" O.C., dual dir.	12.9	25



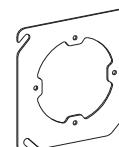
4BC



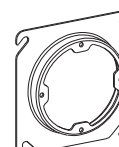
4BCK



4BC-MKO



43000X



43050X  
43058X  
43075X  
43100X  
43125X  
43150X  
43200X



## SPECIFICATION & FEATURES

### DESCRIPTION:

Orbit Industries' 4" Square (4S) Deep Boxes are used to install lighting fixtures, switches, and receptacles in ceilings and walls. They are constructed from 16 gauge galvanized steel. These welded, 2-1/8" deep boxes include metal clad cable clamps and knockouts for easy installation. All models include a UMI back support arm to support studs up to 6" deep and a 10" long, solid #12AWG pigtail. Selected models include an adjustable ring. They are great for pre-fab applications.

### CERTIFICATION:

UL file E227970, conforms to UL514A. acceptable for use in 2-hour fire rated walls.

### FEATURES

#### Pigtail Features:

**PT:** 10" Solid Cu. #12AWG Pigtail Pre-assembled with Ground Emboss and 10-32 Ground Screw

#### Knockout:

**50:** 1/2" K.O.; **75:** 3/4" K.O.; **MKO:** Moon K.O. (1/2" and 3/4" K.O.)

#### Bracket:

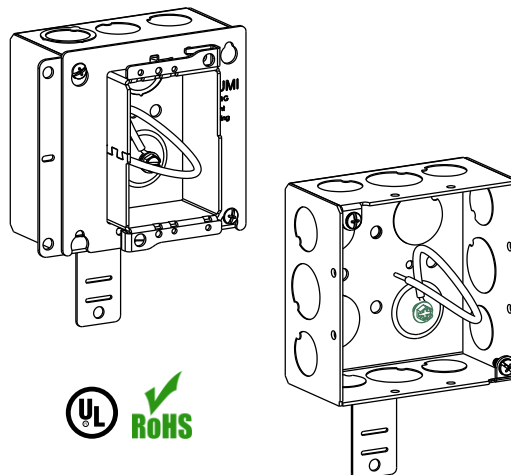
**AB:** 90° (L: 5-7/8", W: 7/8") Offset (Flush) Positions box against face and side of stud

#### Back Support:

**BSA:** UMI Back Support Arm installed on this box provides support for studs up to 6" deep

#### Mfg. Process:

WELDED



### DIMENSIONS

**Width:** 4"

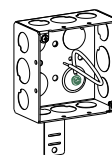
**Height:** 4"

**Depth:** 2-1/8"

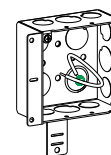
**Cu.In.:** 30.3

### CONFIGURATION DATA

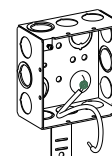
Catalog No.	Bracket & Setback	Knockouts		Std. Pkg.
		Sides	Bottom	
4SDB-50/75-PT-BSA	With Back Support Arm	(8)-1/2", (4)-3/4"	(1)-1/2", (2)-3/4"	24
4SDB-50/75-AB-PT-BSA	With AB, Flush, Back Support Arm	(6)-1/2", (3)-3/4"	(1)-1/2", (2)-3/4"	24
4SDB-MKO-PT-BSA	With Back Support Arm	(8)-1/2", (4)-MKO	(1)-1/2", (2)-MKO	24
4SDB-MKO-AB-PT-BSA	With AB, Flush, Back Support Arm	(6)-1/2", (3)-MKO	(1)-1/2", (2)-MKO	24
4SDB-MKO-AR1G	AB, Flush, Back Support Arm w/ 4SA1RG	(6)-1/2", (3)-MKO	(1)-1/2", (2)-MKO	24
4SDB-MKO-AR2G	AB, Flush, Back Support Arm w/ 4SA2RG	(6)-1/2", (3)-MKO	(1)-1/2", (2)-MKO	24



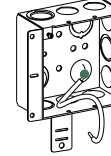
4SDB-50/75-PT-BSA



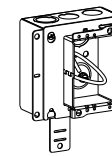
4SDB-50/75-AB-PT-BSA



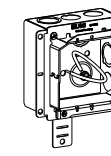
4SDB-MKO-PT-BSA



4SDB-MKO-AB-PT-BSA



4SDB-MKO-AR1G



4SDB-MKO-AR2G



## SPECIFICATION & FEATURES

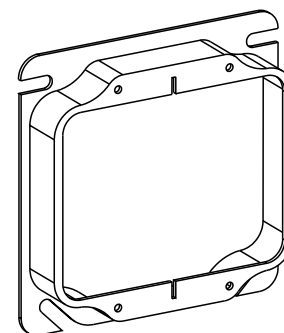
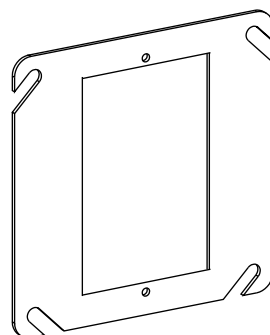
### 4" SQUARE (4S) 1-GANG & 2-GANG DEVICE RINGS FLAT, DRAWN & TILE(T)

#### DESCRIPTION:

Orbit Industries' 4" Square (4S) 1-Gang and 2-Gang Device Rings are used with 4" Square (4S) boxes to mount electrical fixtures, switches, and other devices. They are constructed from 16 gauge galvanized steel. Raised rings ranging from 1/4" to 2" accommodate drywall and added wall thicknesses. Orbit Industries' selection includes flat, drawn and tile rings with various types of slots for most devices.

#### CERTIFICATION:

UL file E227970, conforms to UL514A. acceptable for use in 2-hour fire rated walls.



#### FEATURES

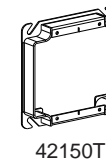
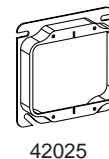
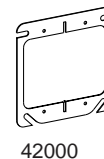
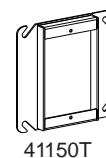
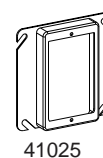
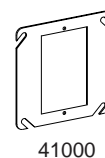
- 000: Flat
- 025: Raised 1/4"
- 050: Raised 1/2"
- 058: Raised 5/8"
- 075: Raised 3/4"
- 100: Raised 1"
- 125: Raised 1-1/4"
- 150: Raised 1-1/2"
- 200: Raised 2"

#### DIMENSIONS

Width: 4"  
Height: 4"

#### CONFIGURATION DATA

Catalog No.	Catalog No.	Description	Gangs	Cu.In	Std. Pkg.
41000	-	Flat	1	-	50
41025	-	Raised 1/4"	1	1.8	50
41050	41050T	Raised 1/2"	1	3.8	50
41058	-	Raised 5/8"	1	4.3	50
41075	41075T	Raised 3/4"	1	5.5	50
41100	41100T	Raised 1"	1	7.5	25
41125	41125T	Raised 1-1/4"	1	9.4	25
41150	41150T	Raised 1-1/2"	1	11.2	25
41200	41200T	Raised 2"	1	14.4	25
42000	-	Flat	2	-	50
42025	-	Raised 1/4"	2	3.0	50
42050	42050T	Raised 1/2"	2	5.8	50
42058	-	Raised 5/8"	2	7.5	50
42075	42075T	Raised 3/4"	2	8.8	50
42100	42100T	Raised 1"	2	11.8	25
42125	42125T	Raised 1-1/4"	2	14.5	25
42150	42150T	Raised 1-1/2"	2	15.5	25
42200	42200T	Raised 2"	2	20.7	25



## SPECIFICATION & FEATURES

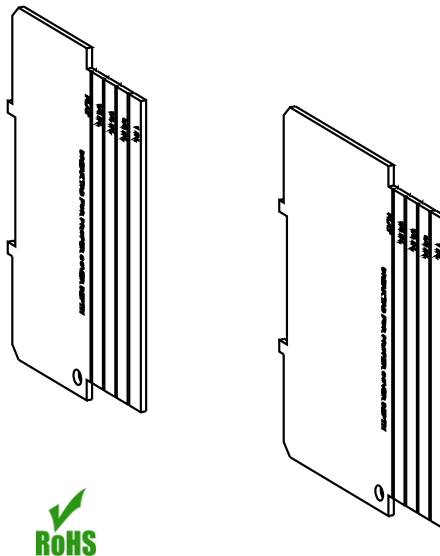
## 4" SQUARE (4S) BOXES LOW-VOLTAGE PARTITIONS

### DESCRIPTION:

Orbit Industries' 4" Square (4S) Box Low-Voltage Partitions are used with 4" Square boxes to divide boxes into compartments for low voltage and power devices. Parts can be easily installed with the breakout tabs for a flush finish with the box. Selected models are to be used with 1-1/2" or 2-1/8" deep boxes and with various 2-Gang rings.

### CERTIFICATION:

RoHS Compliant

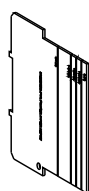


## CONFIGURATION DATA

Catalog No.	Description	For Use with 2-Gang Rings	Std. Pkg.
4SP-100	For Use With 1-1/2" Deep Boxes	Flat, 1/4", 1/2", 3/4" 1"	25
4SP-200	For Use With 1-1/2" Deep Boxes	5/8", 1-1/4", 1-1/2", 1-3/4" 2"	25
4SDP-100	For Use With 2-1/8" Deep Boxes	Flat, 1/4", 1/2", 3/4" 1"	25
4SDP-200	For Use With 2-1/8" Deep Boxes	5/8", 1-1/4", 1-1/2", 1-3/4" 2"	25



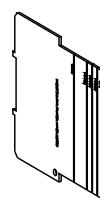
4SP-100



4SP-200



4SDP-100



4SDP-200



## SPECIFICATION & FEATURES

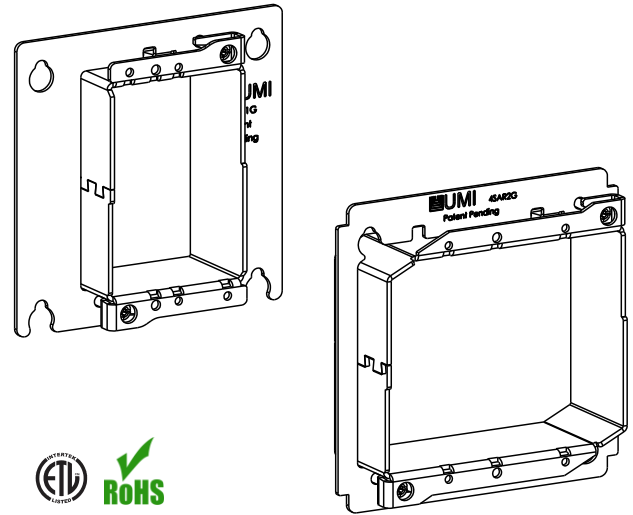
## 4S ADJUSTABLE RINGS

### DESCRIPTION:

Orbit Industries' Patented Adjustable Rings for 1-Gang and 2-Gang applications are used with 4" Square boxes to mount electrical fixtures and other devices. Rings are used with 2-1/8" or deeper boxes and can be adjusted from 1/4" to 1-1/4". Orbit Industries' time-saving design provides flexibility during installation and replaces other non-adjustable device rings.

### CERTIFICATION:

ETL File 3033655, U.S. Patent No.:7,468,486



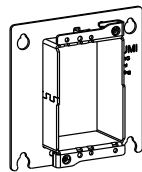
### FEATURES

#### General:

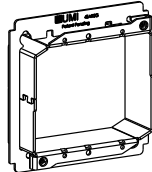
For use with 4" Square 2-1/8" or deeper boxes  
 1/4" to 1-1/4" adjustability range  
 Solution to stocking multiple items  
 Provide flexibility at the job site

### CONFIGURATION DATA

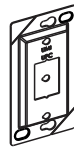
Catalog No.	Description	Standard	With 1GX75	With 2GX75	Std. Pkg.
4SAR1G	1-Gang Adjustable ring for 4S deep boxes	1/4" to 1-1/4"	1" to 2"	-	25
4SAR2G	2-Gang Adjustable ring for 4S deep boxes	1/4" to 1-1/4"	-	1" to 2"	25
UPC	Gangable, Steel Universal Protective Cover protects any device during drywall, painting, routing, mudding & plastering.	-	-	-	25
UPCTS	Optional Plastic Insert for UPC to protect Toggle Switch.	-	-	-	25



4SAR1G



4SAR2G



UPC



UPCTS





## SPECIFICATION & FEATURES

## EXTENSIONS

### DESCRIPTION:

Orbit Industries' 1-Gang and 2-Gang Extensions install on 4S adjustable rings and add 3/4" of depth for a flush finish regardless of wall material thickness. The extensions easily mount on the ring with two 8-32 screws. Multiple extensions may be stacked on one ring.

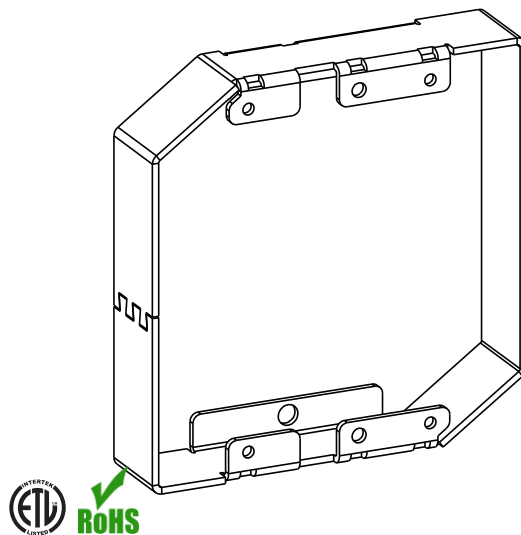
### CERTIFICATION:

ETL File 3033655, U.S. Patent No.:7,468,486

### FEATURES

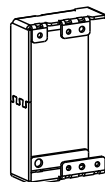
#### General:

Extensions ensure flush finish regardless of wall thickness  
 Attach to adjustable ring for additional 3/4" of depth  
 Mount easily to ring with two 8-32 screws  
 Multiple extensions can be installed on one ring

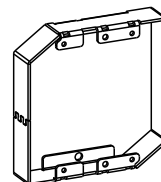


### CONFIGURATION DATA

Catalog No.	Description	For Use With	Std. Pkg.
1GX75	1-Gang 3/4" Extension	4SAR1G or 5SAR1G	50
2GX75	2-Gang 3/4" Extension	4SAR2G or 5SAR2G	50



1GX75



2GX75



## SPECIFICATION & FEATURES

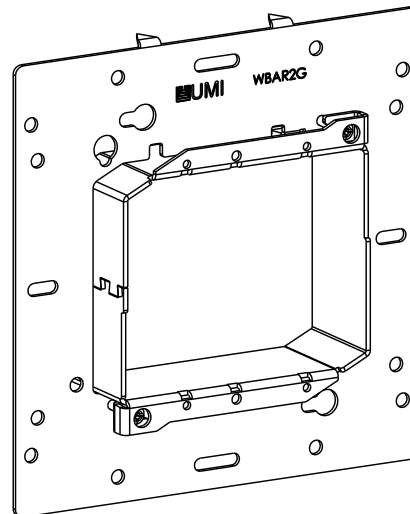
## UNIVERSAL BOX BRACKETS

### DESCRIPTION:

Orbit Industries' Universal Box Brackets fit 4S and 5S boxes and support boxes in a line voltage application or as a standalone for low voltage communication applications. The brackets mount to any stud, shear wall, 6" X 6" NEMA 1 enclosure, or USB wall and floor brackets. Available selections include 1-Gang and 2-Gang.

### CERTIFICATION:

ETL File 3033655, U.S. Patent No.:7,468,486



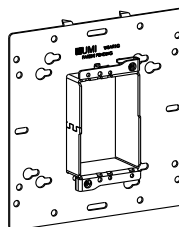
### FEATURES

#### General:

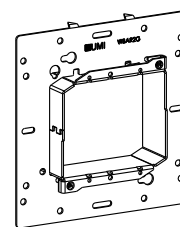
- Accept 4S or 5S boxes in line voltage application
- 1/4" to 1-1/4" Adjustability Range
- Mount to any stud, shear wall, 6" X 6" NEMA 1 enclosure, or USB wall and floor brackets.
- Can be used standalone for low voltage communications applications

### CONFIGURATION DATA

Catalog No.	Description	To Extend Use	Std. Pkg.
WBAR1G	1-Gang Universal Box Bracket	1GX75	25
WBAR2G	2-Gang Universal Box Bracket	2GX75	25



WBAR1G



WBAR2G

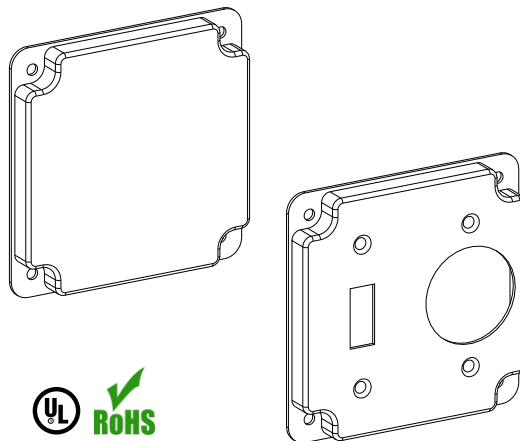


## SPECIFICATION & FEATURES

### 4" SQUARE (4S) INDUSTRIAL COVERS RAISED 1/2"

#### DESCRIPTION:

Orbit Industries' 4" Square (4S) Industrial covers, raised 1/2" are used to protect wires inside the box for switches, receptacles, and outlets. They are constructed from 16 gauge galvanized steel. Orbit Industries offers various cover designs for most applications. Selected models feature crushed corners.



#### CERTIFICATION:

UL file E227970, conforms to UL514A. acceptable for use in 2-hour fire rated walls.

#### FEATURES

##### General:

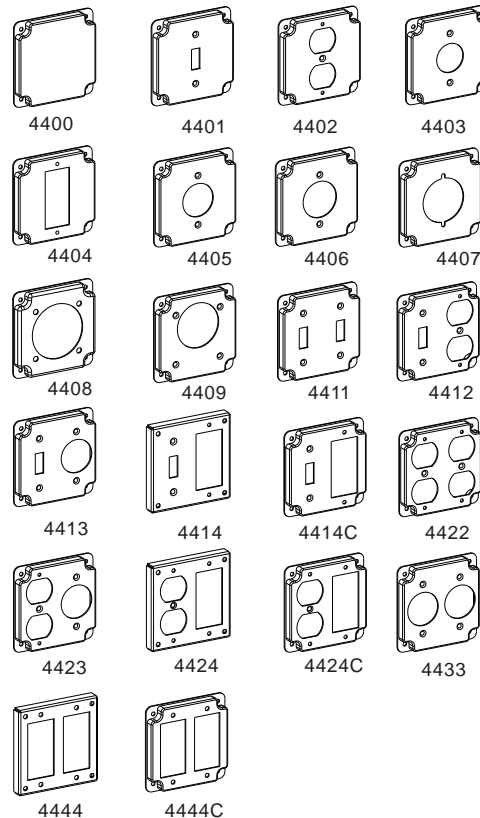
With Crushed Corners (Except for 4414, 4424, 4444)

#### DIMENSIONS

Width: 4"      Raised: 1/2"  
Height: 4"      Cu. In.: 7.0

#### CONFIGURATION DATA

Catalog No.	Description	Std. Pkg.
4400	Blank	50
4401	Toggle Switch	50
4402	Duplex Receptacle	50
4403	Single Receptacle, 15A, 1.406" Diameter	50
4404	GFCI or Decorative Switch	50
4405	Power Outlet, 20A, 1.60" Diameter	50
4406	Power Outlet, 30A Locking, 1.750" Diameter	50
4407	Power Outlet, 40 to 50A, 2.155" Diameter	50
4408	Power Outlet, 30 to 60A, 2.625" Diameter	50
4409	Power Outlet, 40 to 50A, 2.155" Diameter, Off Centered	50
4411	2 Toggle Switch	50
4412	Toggle Switch/Duplex	50
4413	Toggle Switch/Single Receptacle, 1.406" diameter	50
4414	Toggle Switch/GFCI	50
4414C	Toggle Switch/GFCI With Crushed Corners	50
4422	2 Duplex Receptacles	50
4423	Duplex/Single Receptacle, 1.406" diameter	50
4424	Duplex/GFCI	50
4424C	Duplex/GFCI With Crushed Corners	50
4433	2 Single Receptacles, 1.406" Dia. Each	50
4444	2 GFCIs or 2 Decorative Switches	50
4444C	2 GFCIs or 2 Decorative Switches With Crushed Corners	50



## SPECIFICATION & FEATURES

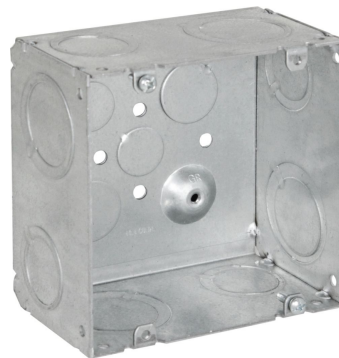
### DESCRIPTION:

Orbit Industries' 4-11/16" Square (5S) Large Capacity Boxes are suitable for Datacom and electrical applications. They are constructed from 16 gauge galvanized steel. The 2-1/2" deep, welded boxes include a pre-assembled raised ground emboss multiple and two #8-32 x 1/2" mounting screws. Knockouts are in sizes 1/2", 3/4", 1", and 1-1/4".

### CERTIFICATION:

UL file E227970, conforms to UL514A. acceptable for use in 2-hour fire rated walls.

## 4 -11/16" SQUARE (5S) WELDED LARGE CAPACITY BOXES 2-1/2" DEEP



5SLB-2MKO

### FEATURES:

#### General:

With Raised Ground Emboss & TWO #8-32 x 1/2" MOUNTING SCREWS  
Suitable for Datacom & Electrical Applications  
Blue Color available for Data Application

#### Knockout:

50: 1/2" K.O.  
75: 3/4" K.O.

**MKO:** Moon K.O. (See sizes below)

**Mfg. Process:** WELDED



### DIMENSIONS:

Width: 4-11/16"  
Height: 4-11/16"  
Depth: 2-1/2"  
Cu.In.: 49.4

### CONFIGURATION DATA:

Cat. No.	Description	K.O. on Sides	K.O. on Bottom	Std.Pkg.
5SLB-2MKO	2-1/2" DEEP, 4-11/16" SQUARE (5S) LARGE CAPACITY BOX	(4) - 3/4" & 1" MKO, (4) - 1" & 1-1/4" MKO	(2) - 1/2", (2) - 3/4"	24
B-5SLB	2-1/2" DEEP, 4-11/16" SQUARE (5S) LARGE CAPACITY BOX, PAINTED BLUE	(4) - 3/4" & 1" MKO, (4) - 1" & 1-1/4" MKO	(2) - 1/2", (2) - 3/4"	24



## SPECIFICATION & FEATURES

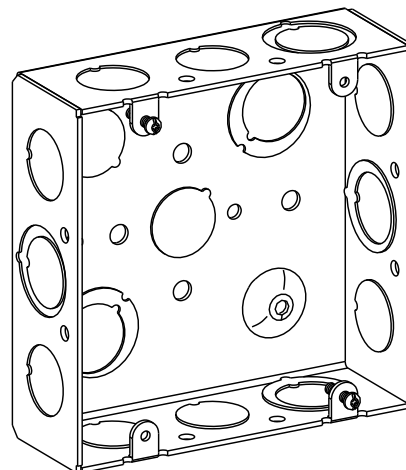
### 4 -11/16" SQUARE (5S) WELDED SUPER SHALLOW BOX & EXTENSION RING 1-1/2" DEEP

#### DESCRIPTION:

Orbit Industries' 4-11/16" Square (5S) Boxes and Extensions Rings are used to install lighting fixtures, switches, and receptacles in ceilings and walls. They are constructed from 16 gauge galvanized steel. These 1-1/2" deep, welded boxes are extra shallow to suit specific needs. They include a pre-assembled raised ground emboss and multiple knockouts in 1/2" and 3/4" for ease of installation.

#### CERTIFICATION:

UL file E227970, conforms to UL514A. acceptable for use in 2-hour fire rated walls.



#### FEATURES

##### General:

With Raised Ground Emboss (Except for extension ring)

##### Knockout:

**50:** 1/2" K.O.

**MKO:** Moon K.O. (1/2" and 3/4" K.O.)

##### Mfg. Process:

WELDED

#### DIMENSIONS

**Width:** 4-11/16"

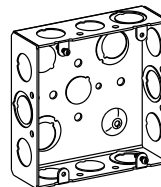
**Height:** 4-11/16"

**Depth:** 1-1/2"

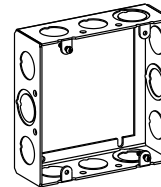
**Cu.In.:** 29.5

#### CONFIGURATION DATA

Catalog No.	Knockouts		Std. Pkg.
	Sides	Bottom	
5SSB-MKO	(8)-1/2",(4)-MKO	(2)-1/2",(2)-MKO	24
5SSB-MKO-EXT	(8)-1/2",(4)-MKO	-	24



5SSB-MKO



5SSB-MKO-EXT



## SPECIFICATION & FEATURES

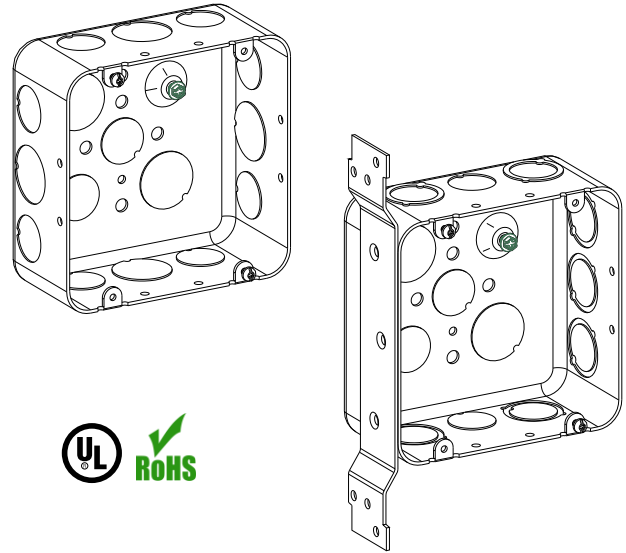
### 4-11/16" SQUARE (5S) DRAWN BOXES 2-1/8" DEEP

#### DESCRIPTION:

Orbit Industries' 4-11/16" Square (5S) Boxes are used to install lighting fixtures, switches, and receptacles in ceilings and walls. They are constructed from 16 gauge galvanized steel. These 2-1/8" deep, drawn steel boxes provide extra space for wires and devices. Models include raised ground emboss and pre-assembled 3-way, with 10-32 ground screw. Selected models include an FB bracket that mounts to the flat side of a stud.

#### CERTIFICATION:

UL file E227970, conforms to UL514A. acceptable for use in 2-hour fire rated walls.



#### FEATURES

##### General:

With Raised Ground Emboss & 10-32 Ground Screw

##### Knockout:

50: 1/2" K.O.

75: 3/4" K.O.

CKO: Concentric K.O. (1/2" and 3/4" K.O.)

##### Bracket:

FB: (L: 7-3/8", W: 1-9/16") Offset (Flush) Mounts on flat side of stud

##### Mfg. Process:

DRAWN

#### DIMENSIONS

Width: 4-11/16"

Height: 4-11/16"

Depth: 2-1/8"

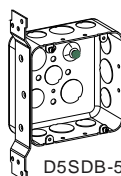
Cu.In.: 42.0

#### CONFIGURATION DATA

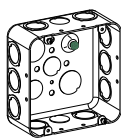
Catalog No.	Bracket & Setback	Knockouts		Std. Pkg.
		Sides	Bottom	
D5SDB-50/75	-	(8)-1/2", (4)-3/4"	(2)-1/2", (2)-3/4"	24
D5SDB-50/75-FB	FB, Flush	(6)-1/2", (3)-3/4"	(2)-1/2", (2)-3/4"	24
D5SDB-CKO	-	(2)-1/2", (10)-CKO	(2)-1/2", (2)-3/4"	24
D5SDB-CKO-FB	FB, Flush	(2)-1/2", (7)-CKO	(2)-1/2", (2)-3/4"	24
D5SDB-CKO-S	-	(2)-1/2", (10)-CKO	(3)-3/4", 0.27" Dia. Center Hole	24



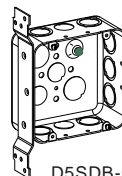
D5SDB-50/75



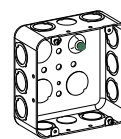
D5SDB-50/75-FB



D5SDB-CKO



D5SDB-CKO-FB



D5SDB-CKO-S





## SPECIFICATION & FEATURES

### DESCRIPTION:

Orbit Industries' 4-11/16" Square (5S) Boxes are used to install lighting fixtures, switches, and receptacles in ceilings and walls. They are constructed from 16 gauge galvanized steel. These 2-1/8" deep, welded boxes have multiple knockouts in sizes 1/2" and 3/4". Models include either a bracket for direct mounts on studs, a back support arm, support clips, or a raised ground emboss and pre-assembled 3-way, with a 10-32 ground screw and a solid #12AWG pigtail.

### CERTIFICATION:

UL file E227970, conforms to UL514A. acceptable for use in 2-hour fire rated walls.

### FEATURES

#### General:

With Raised Ground Emboss (Except for Bracketed Boxes and Extension Rings)

#### Pigtail Features:

PT: 7" Solid Cu. #12AWG Pigtail Pre-assembled with Ground Emboss and 10-32 Ground Screw (10" Pigtail for BSA Series and 5SDB-MKO-A-PT)

#### Knockout:

50: 1/2" K.O.; 75: 3/4" K.O.; 100: 1" K.O.; 125: 1-1/4" K.O.

MKO: Moon K.O. (1/2" and 3/4" K.O.)

#### Bracket:

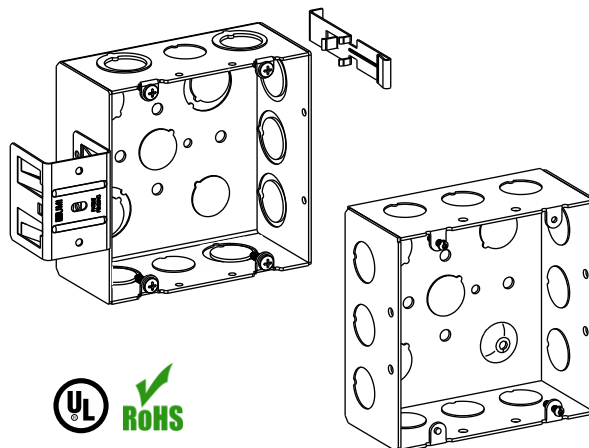
FB: (L: 7-3/8", W: 1-9/16") Offset (Flush) Mounts on flat side of stud

AB: 90° (L: 5-7/8", W: 7/8") Offset (Flush) Positions box against face and side of stud

MS: (L: 2-1/2", W: 1-3/8") Offset (Flush) Self-Gripping Metal Stud Bracket with Box Support Clip. Engages on either side of metal stud. U.S. Patent No.: 8,262,043

#### Back Support:

BSA: UMI Back Support Arm installed on this box provides support for studs up to 6" deep



### DIMENSIONS

Width: 4-11/16"

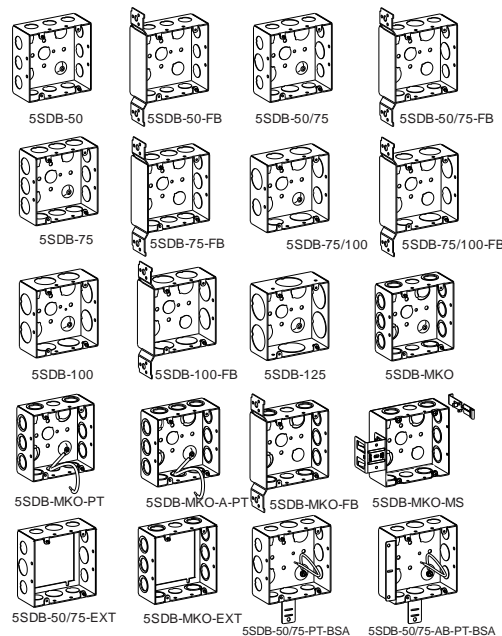
Height: 4-11/16"

Depth: 2-1/8"

Cu.In.: 42.0

### CONFIGURATION DATA

Catalog No.	Bracket & Setback	Knockouts		Std. Pkg.
		Sides	Bottom	
5SDB-50	-	(12)-1/2"	(4)-1/2"	24
5SDB-50-FB	FB, Flush	(9)-1/2"	(5)-1/2"	24
5SDB-50/75	-	(8)-1/2", (4)-3/4"	(2)-1/2", (2)-3/4"	24
5SDB-50/75-FB	FB, Flush	(6)-1/2", (3)-3/4"	(3)-1/2", (2)-3/4"	24
5SDB-75	-	(12)-3/4"	(2)-1/2", (2)-3/4"	24
5SDB-75-FB	FB, Flush	(9)-3/4"	(3)-1/2", (2)-3/4"	24
5SDB-75/100	-	(4)-3/4", (4)-1"	(2)-1/2", (2)-3/4"	24
5SDB-75/100-FB	FB, Flush	(3)-3/4", (3)-1"	(3)-1/2", (2)-3/4"	24
5SDB-100	-	(8)-1"	(2)-1/2", (2)-3/4"	24
5SDB-100-FB	FB, Flush	(6)-1"	(3)-1/2", (2)-3/4"	24
5SDB-125	-	(6)-1-1/4"	(2)-1/2", (2)-3/4"	24
5SDB-MKO	-	(2)-1/2", (10)-MKO	(2)-1/2", (2)-MKO	24
5SDB-MKO-PT	-	(2)-1/2", (10)-MKO	(2)-1/2", (2)-MKO	24
5SDB-MKO-A-PT	-	(12)-MKO	(1)-1/2", (3)-MKO	24
5SDB-MKO-FB	FB, Flush	(2)-1/2", (7)-MKO	(3)-1/2", (2)-MKO	24
5SDB-MKO-MS	MS, Self-Gripping+Box support clip	(2)-1/2", (7)-MKO	(3)-1/2", (2)-MKO	24
5SDB-50/75-EXT	-	(8)-1/2", (4)-3/4"	-	24
5SDB-MKO-EXT	-	(2)-1/2", (10)-MKO	-	24
5SDB-50/75-PT-BSA	Back Support Arm	(8)-1/2", (4)-3/4"	(3)-3/4"	24
5SDB-50/75-AB-PT-BSA	AB, Flush, Back Support Arm	(6)-1/2", (3)-3/4"	(3)-3/4"	24



## SPECIFICATION & FEATURES

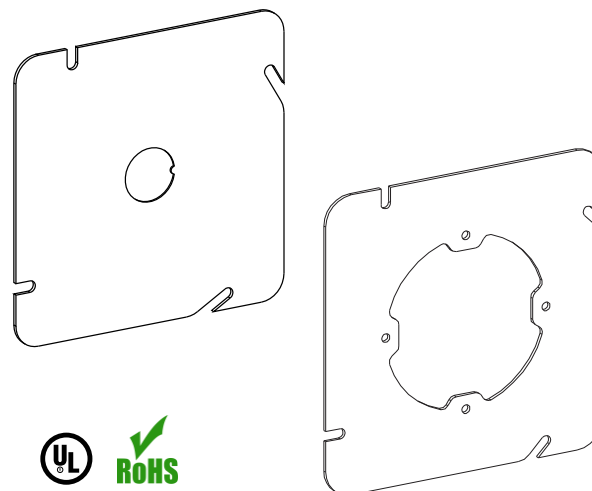
## 4-11/16" SQUARE (5S) COVERS FLAT OR DRAWN

### DESCRIPTION:

Orbit Industries' 4-11/16" Square (5S) Covers are used to cover and protect wires inside the box. They are constructed from 16 gauge galvanized steel. Selections include flat covers with various knockouts or raised covers for a range of lighting fixtures and other devices.

### CERTIFICATION:

UL file E227970, conforms to UL514A. acceptable for use in 2-hour fire rated walls.



### FEATURES

**K:** 1/2" K.O.

**MKO:** Moon K.O. (1/2" and 3/4" K.O.)

**000:** Flat

**050:** Raised 1/2"

**058:** Raised 5/8"

**075:** Raised 3/4"

**100:** Raised 1"

**125:** Raised 1-1/4"

**150:** Raised 1-1/2"

**200:** Raised 2"

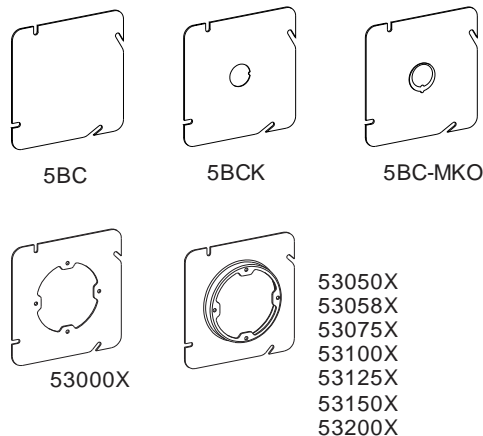
### DIMENSIONS

**Width:** 4-11/16"

**Height:** 4-11/16"

### CONFIGURATION DATA

Catalog No.	Description	Cu.In	Std. Pkg.
5BC	Flat, Blank	-	50
5BCK	Flat, 1/2" KO	-	50
5BC-MKO	Flat, MKO	-	50
53000X	Flat, Open, Ears 2-3/4" O.C., dual Dir.	-	50
53050X	Raised 1/2", Open, Ears 2-3/4" O.C., dual Dir.	3.0	50
53058X	Raised 5/8", Open, Ears 2-3/4" O.C., dual Dir.	4.0	50
53075X	Raised 3/4", Open, Ears 2-3/4" O.C., dual Dir.	5.0	50
53100X	Raised 1", Open, Ears 2-3/4" O.C., dual Dir.	6.8	25
53125X	Raised 1-1/4", Open, Ears 2-3/4" O.C., dual Dir.	8.5	25
53150X	Raised 1-1/2", Open, Ears 2-3/4" O.C., dual Dir.	9.7	25
53200X	Raised 2", Open, Ears 2-3/4" O.C., dual Dir.	12.9	25



## SPECIFICATION & FEATURES

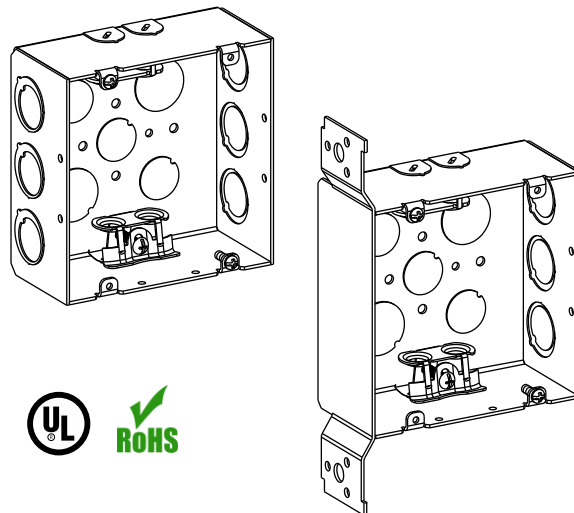
### 4-11/16" SQUARE (5S) WELDED BOXES 2-1/8" DEEP WITH BX/MC

#### DESCRIPTION:

Orbit Industries' 4-11/16" Square (5S) Boxes are used to install lighting fixtures, switches, and receptacles in ceilings and walls. They are constructed from 16 gauge galvanized steel. These 2-1/8" deep, welded boxes include metal clad cable clamps for ease of installation. Selected models include brackets to directly mount on studs or self-gripping metal stud brackets with box support clips.

#### CERTIFICATION:

UL file E227970, conforms to UL514A. acceptable for use in 2-hour fire rated walls.



#### FEATURES

##### Knockout:

50: 1/2" K.O. ; 75: 3/4" K.O.;

Loom: Loom Pryouts

MKO: Moon K.O. (1/2" and 3/4" K.O.)

##### Bracket:

FB: (L: 7-3/8", W: 1-9/16") Offset (Flush) Mounts on flat side of stud

MS: (L: 2-1/2", W: 1-3/8") Offset (Flush) Self-Gripping Metal Stud Bracket with Box Support Clip. Engages on either side of metal stud.

U.S. Patent No.: 8,262,043

##### BX/MC Clamp:

Accommodates Metal Clad Cables from size #14-2 to #10-4. All MC series boxes are suitable for use with MCAP™-Aluminum (MCAP is a trademark of Southwire Company)

##### Mfg. Process:

WELDED

#### DIMENSIONS

Width: 4-11/16"

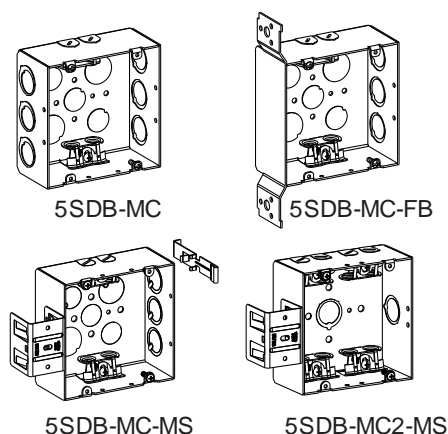
Height: 4-11/16"

Depth: 2-1/8"

Cu.In.: 42.0

#### CONFIGURATION DATA

Catalog No.	Bracket & Setback	Knockouts		Std. Pkg.
		Sides	Bottom	
5SDB-MC	-	(6)-MKO, (4)-Loom	(3)-1/2", (2)-3/4"	24
5SDB-MC-FB	FB, Flush	(3)-MKO, (4)-Loom	(3)-1/2", (2)-3/4"	24
5SDB-MC-MS	MS, Self-Gripping+Box Support Clip	(3)-MKO, (4)-Loom	(3)-1/2", (2)-3/4"	24
5SDB-MC2-MS	MS, Self-Gripping+Box Support Clip	(1)-MKO, (8)-Loom	(1)-MKO	24



## SPECIFICATION & FEATURES

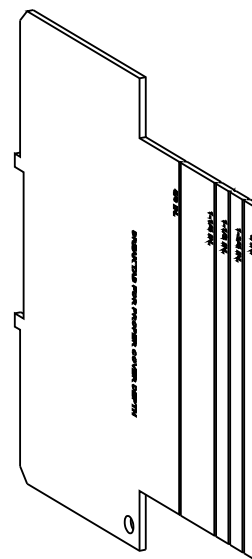
## 4-11/16" SQUARE (5S) BOXES LOW-VOLTAGE PARTITIONS

### DESCRIPTION:

Orbit Industries' 4-11/16" Square (5S) Box Low-Voltage Partitions are used with 4-11/16" Square Boxes to divide boxes into compartments for low voltage and power devices. Parts can be easily installed with breakaway tabs. They are used with 2-1/8" and 2-1/2" deep boxes and with various 2-Gang rings.

### CERTIFICATION:

RoHS Compliant



## CONFIGURATION DATA

Catalog No.	Description	For Use with 2-Gang Rings	Std. Pkg.
5SDP-100	For Use With 2-1/8" Deep Boxes	Flat, 1/4", 1/2", 3/4" 1"	25
5SDP-200	For Use With 2-1/8" Deep Boxes	5/8", 1-1/4", 1-1/2", 1-3/4" 2"	25
5SLP-100	For Use With 2-1/2" Deep Boxes	Flat, 1/4", 1/2", 3/4" 1"	25
5SLP-200	For Use With 2-1/2" Deep Boxes	5/8", 1-1/4", 1-1/2", 1-3/4" 2"	25



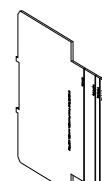
5SDP-100



5SDP-200



5SLP-100



5SLP-200



## SPECIFICATION & FEATURES

### DESCRIPTION:

Orbit Industries' 4-11/16" Square (5S) 1-Gang and 2-Gang Device Rings are used with 4-11/16" Square (5S) boxes to mount electrical fixtures, switches, and other devices. They are constructed from 16 gauge galvanized steel. Raised rings ranging from 1/4" to 2" accommodate drywall and added wall thicknesses. Orbit Industries' selection includes flat, drawn and tile rings with various types of slots for most devices.

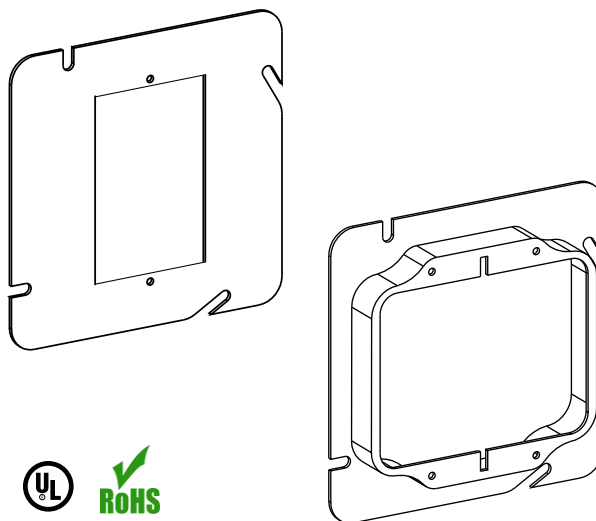
### CERTIFICATION:

UL file E227970, conforms to UL514A. acceptable for use in 2-hour fire rated walls.

### FEATURES

- 000: Flat
- 025: Raised 1/4"
- 050: Raised 1/2"
- 058: Raised 5/8"
- 075: Raised 3/4"
- 100: Raised 1"
- 125: Raised 1-1/4"
- 150: Raised 1-1/2"
- 200: Raised 2"

## 4-11/16" SQUARE (5S) 1-GANG & 2-GANG DEVICE RINGS FLAT OR DRAWN

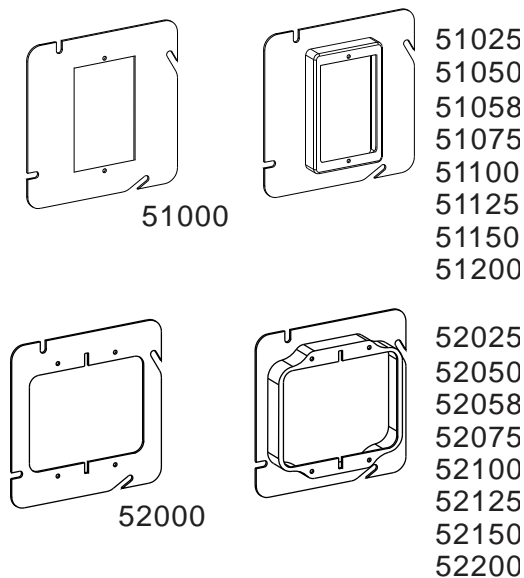


### DIMENSIONS

Width: 4-11/16"  
Height: 4-11/16"

### CONFIGURATION DATA

Catalog No.	Description	Gangs	Cu.In	Std. Pkg.
51000	Flat	1	-	50
51025	Raised 1/4"	1	1.8	50
51050	Raised 1/2"	1	3.8	50
51058	Raised 5/8"	1	4.3	50
51075	Raised 3/4"	1	5.5	50
51100	Raised 1"	1	7.5	25
51125	Raised 1-1/4"	1	9.4	25
51150	Raised 1-1/2"	1	11.2	25
51200	Raised 2"	1	14.4	25
52000	Flat	2	-	50
52025	Raised 1/4"	2	3.0	50
52050	Raised 1/2"	2	5.8	50
52058	Raised 5/8"	2	7.5	50
52075	Raised 3/4"	2	8.8	50
52100	Raised 1"	2	11.8	25
52125	Raised 1-1/4"	2	14.5	25
52150	Raised 1-1/2"	2	15.5	25
52200	Raised 2"	2	20.7	25



## SPECIFICATION & FEATURES

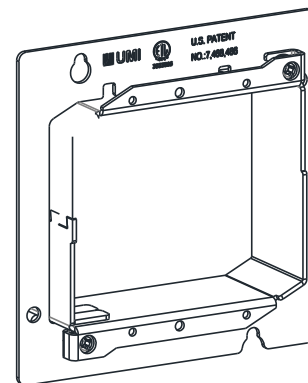
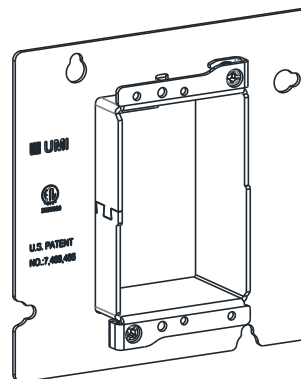
## 5S ADJUSTABLE RINGS

### DESCRIPTION:

Orbit Industries' Patented Adjustable Rings for 1-Gang and 2-Gang applications are used with 4-11/16" Square boxes to mount electrical fixtures and other devices. Rings are used with 2-1/8" or deeper boxes and can be adjusted from 1/4" to 1-1/4". Orbit Industries' time-saving design provides flexibility during installation and replaces other non-adjustable device rings.

### CERTIFICATION:

ETL File 3033655, U.S. Patent No.:7,468,486



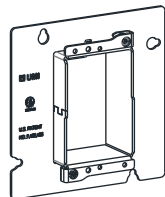
### FEATURES

#### General:

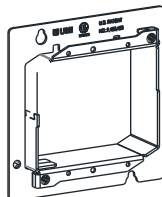
For use with 4-11/16" Square 2-1/8" or deeper boxes  
 1/4" to 1-1/4" adjustability range  
 Solution to stocking multiple items  
 Provide flexibility at the job site

### CONFIGURATION DATA

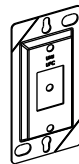
Catalog No.	Description	Standard	With 1GX75	With 2GX75	Std. Pkg.
5SAR1G	1-Gang Adjustable ring for 5S deep boxes	1/4" to 1-1/4"	1" to 2"	-	25
5SAR2G	2-Gang Adjustable ring for 5S deep boxes	1/4" to 1-1/4"	-	1" to 2"	25
UPC	Gangable, Steel Universal Protective Cover protects any device during drywall, painting, routing, mudding & plastering.	-	-	-	25
UPCTS	Optional Plastic Insert for UPC to protect Toggle Switch.	-	-	-	25



5SAR1G



5SAR2G



UPC



UPCTS





## SPECIFICATION & FEATURES

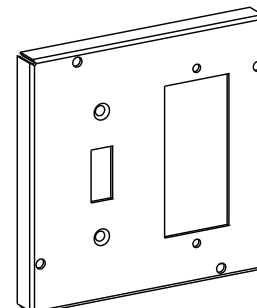
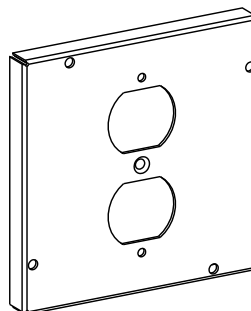
### 4-11/16" SQUARE (5S) INDUSTRIAL COVERS RAISED 1/2"

#### DESCRIPTION:

Orbit Industries' 4-11/16" Square (5S) Industrial Covers, raised 1/2" are used to protect wires inside the box for switches, receptacles, and outlets. They are constructed from 16 gauge galvanized steel. Orbit Industries offers various cover designs for a range of applications.

#### CERTIFICATION:

UL file E227970, conforms to UL514A. acceptable for use in 2-hour fire rated walls.



#### DIMENSIONS

Width: 4-11/16"

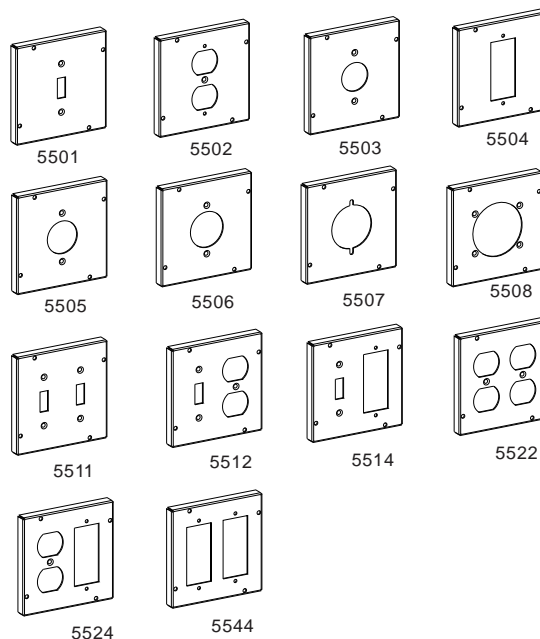
Height: 4-11/16"

Raised: 1/2"

Cu. In.: 10.0

#### CONFIGURATION DATA

Catalog No.	Description	Std. Pkg.
5501	Toggle Switch	25
5502	Duplex Receptacle	25
5503	Single Receptacle, 15A, 1.406" Diameter	25
5504	GFCI or Decorative Switch	25
5505	Power Outlet, 20A, 1.60" Diameter	25
5506	Power Outlet, 30A Locking, 1.750" Diameter	25
5507	Power Outlet, 40 to 50A, 2.156" Diameter	25
5508	Power Outlet, 30 to 60A, 2.625" Diameter	25
5511	2 Toggle Switches	25
5512	Toggle Switch/Duplex Receptacle	25
5514	Toggle Switch/GFCI or Decorative Switches	25
5522	2 Duplex Receptacles	25
5524	Duplex Receptacle/GFCI or Decorative Switches	25
5544	2 GFCIs or 2 Decorative Switches	25



## SPECIFICATION & FEATURES

## FIRE ALARM BOXES & COVERS

### DESCRIPTION:

Orbit Industries' Fire Alarm Boxes and Covers provide easy identification of products containing cabling of Fire Alarm Systems for industrial, commercial or residential use. They are constructed from 16 gauge galvanized steel. The durable red powder finish prevents the need to repaint.

### CERTIFICATION:

UL file E227970, conforms to UL514A. acceptable for use in 2-hour fire rated walls.

### FEATURES

- Provide easy identification of products containing cabling of Fire Alarm Systems
- Prevent need for repainting
- Industrial, Commercial or Residential Use
- Durable Red Powder Coat Finish
- Additional specs located with corresponding models without red finish in catalog



### DIMENSIONS

See Details Below

### CONFIGURATION DATA

Catalog No.	Description	Std. Pkg.
FA-4RBC	4" Octagon Cover	50
FA-4RDB-MKO	4" Octagon Box, MKO	50
FA-4BC	4" Square Blank Cover	50
FA-4SB-MKO	4" Square Blank with MKOs	50
FA-4SB-MKO-EXT	4" Square Extension Ring with MKOs	50
FA-4SDB-MKO	4" Square 2-1/8" Deep Box with MKOs	24
FA-4SDB-MKO-FB	4" Square 2-1/8" Deep Box with FB Bracket, MKO	24
FA-5BC	4-11/16" Square Blank Cover	50
FA-5SDB-MKO	4-11/16" Square 2-1/8" Deep Box with MKO	24
FA-4SEDB-CKO	4" Square 3-1/2" Deep Box with CKO, For Oversized Alarm Devices	24
FA-4SEDB-CKO-FB	4" Square 3-1/2" Deep Box with CKO and FB Bracket with set-back marks for 1/2" through 1-1/4" drywall	10
FA-5SXB-5075	5-1/2" Square 3-1/2" Deep Box, 1/2" & 3/4" K.O.s	24



## SPECIFICATION & FEATURES

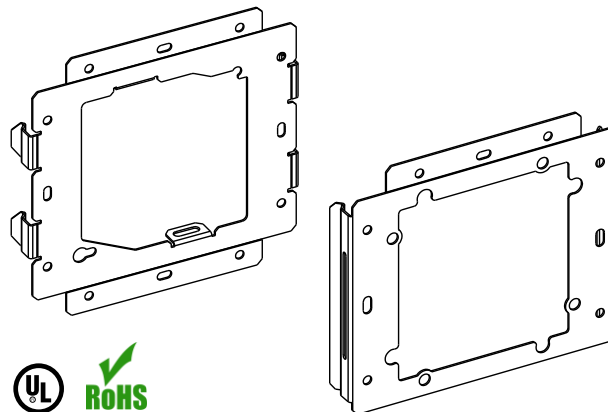
## FLOOR/WALL SUPPORT BRACKET

### DESCRIPTION:

Orbit Industries' Floor/Wall Support Brackets can be mounted on wood or metal studs in floors or walls and are used to support conduit boxes. They are constructed from 16 gauge galvanized steel. They provide flexibility with infinite height and width combinations. An Ultimate Support Bracket (USB) must be accompanied by either an US4SB or an US5SB mounting bracket to attach on a steel box.

### CERTIFICATION:

UL file E227970, conforms to UL514A. acceptable for use in 2-hour fire rated walls.

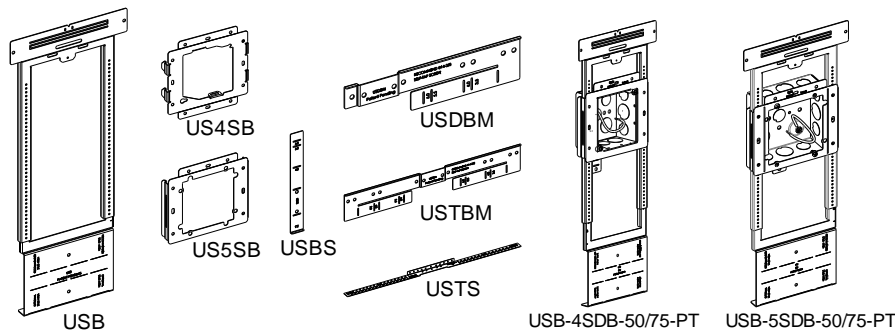


### FEATURES

- Can be floor or wall mounted on wooden or metal studs
- Infinite height and width combinations
- Provides flexibility at the job site
- US4SB or US5SB must be used to attach steel box to USB

### CONFIGURATION DATA

Catalog No.	Description	Std. Pkg.
USB	Ultimate Support Bracket, Adj. 8"-24" as a floor bracket or 14"-24" as wall bracket	24
US4SB	Mounting Bracket for 4"(4S)Box, snaps to USB	24
US5SB	Mounting Bracket for 4-11/16"(5S)Box, snaps to USB	50
USBS	Far-Side Back Support for 4"(4S) and 4-11/16"(5S) Boxes	50
USDBM	For Use with USB to create a double box in floor mount assembly with built-in back support	50
USTBM	For Use with USB to create a triple box in floor mount assembly with built-in back support	50
USTS	USB floor mount stud to stud top support	50
USB-4SDB-50/75-PT	Complete Pre-Assembled Floor Bracket with a 4"(4S)2-1/8" Deep Box mounted, Includes installed Far-Side Back Support and Ground Pigtail	12
USB-5SDB-50/75-PT	Complete Pre-Assembled Floor Bracket with a 4-11/16"(5S)2-1/8" Deep Box mounted, Includes installed Far-Side Back Support and Ground Pigtail	12



## SPECIFICATION & FEATURES

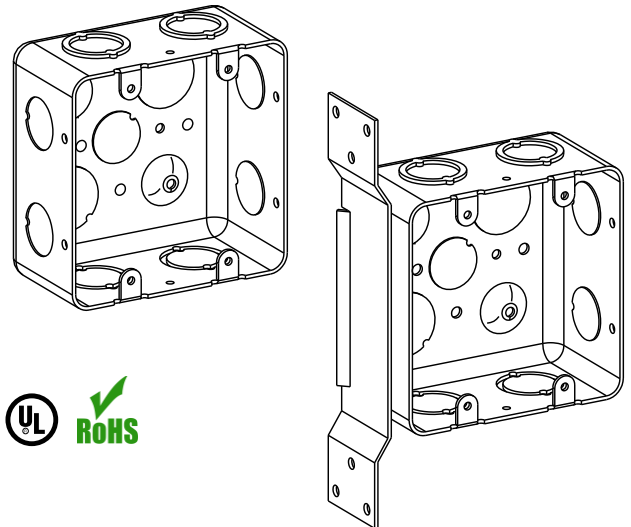
## MULTIGANG SWITCH DRAWN BOXES 2-1/8" DEEP

### DESCRIPTION:

Orbit Industries' Multigang Switch Boxes are used in the installation of lighting fixtures, switches, and other devices. They are constructed from 16 gauge galvanized steel. They feature raised ground emboss, and the device ears allow easy installation of electrical devices. Models support multiple gangs ranging from 2-4 gangs. Selected models include a B bracket to directly mount on the front face of a wood stud, or an FB bracket to mount on the flat side of a stud.

### CERTIFICATION:

UL file E227970, conforms to UL514A. acceptable for use in 2-hour fire rated walls.



### FEATURES

#### General:

With Raised Ground Emboss & Device Ears

#### Pigtail Features:

PT: 7" Solid Cu. #12AWG Pigtail Pre-assembled with Ground Emboss and 10-32 Ground Screw

#### Knockout:

50: 1/2" K.O.; 75: 3/4" K.O.

CKO: Concentric K.O. (1/2" and 3/4" K.O.)

#### Bracket:

FB: (L: 7-3/8", W: 1-9/16") Offset (9/16") Mounts on flat side of stud

B: (L: 3", W: 2") Offset (9/16") Face mounts on front edge of wood stud

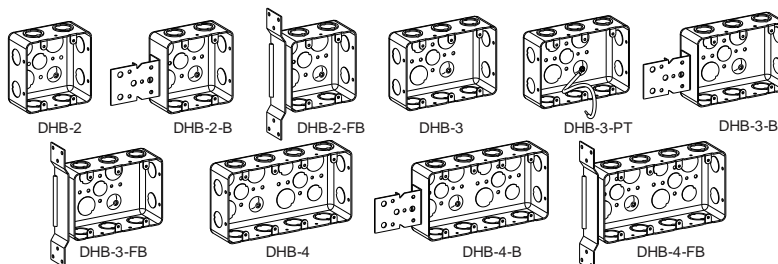
### DIMENSIONS

Depth: 2-1/8"

Other Dimensions see below

### CONFIGURATION DATA

Catalog No.	No. of Gangs	Bracket & Setback	Knockouts		WxH	Cu.In.	Std. Pkg.
			Sides	Bottom			
DHB-2	2	-	(4)-1/2", (4)-CKO	(2)-1/2", (2)-3/4"	4"x4"	30.3	25
DHB-2-B	2	B, 9/16"	(2)-1/2", (4)-CKO	(2)-1/2", (2)-3/4"	4"x4"	30.3	25
DHB-2-FB	2	FB, 9/16"	(2)-1/2", (4)-CKO	(2)-1/2", (2)-3/4"	4"x4"	30.3	25
DHB-3	3	-	(4)-1/2", (6)-CKO	(2)-1/2", (2)-3/4"	5-3/4"x4"	44.0	25
DHB-3-PT	3	-	(4)-1/2", (6)-CKO	(2)-1/2", (2)-3/4"	5-3/4"x4"	44.0	25
DHB-3-B	3	B, 9/16"	(2)-1/2", (6)-CKO	(2)-1/2", (2)-3/4"	5-3/4"x4"	44.0	20
DHB-3-FB	3	FB, 9/16"	(2)-1/2", (6)-CKO	(2)-1/2", (2)-3/4"	5-3/4"x4"	44.0	20
DHB-4	4	-	(4)-1/2", (8)-CKO	(5)-1/2", (4)-3/4"	7-1/2"x4"	57.8	20
DHB-4-B	4	B, 9/16"	(2)-1/2", (8)-CKO	(5)-1/2", (4)-3/4"	7-1/2"x4"	57.8	20
DHB-4-FB	4	FB, 9/16"	(2)-1/2", (8)-CKO	(5)-1/2", (4)-3/4"	7-1/2"x4"	57.8	20



## SPECIFICATION & FEATURES

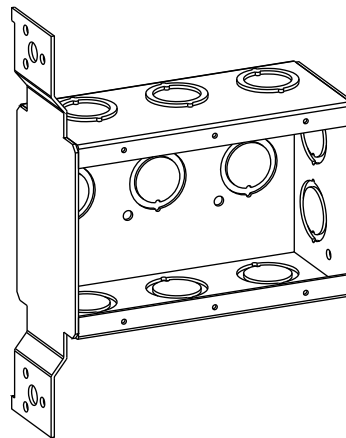
## MASONRY BOXES WITH DEVICE EARS 2-1/2" DEEP

### DESCRIPTION:

Orbit Industries' Masonry Boxes are used in the installation of electrical fittings and other devices in masonry walls. They are constructed from 16 gauge galvanized steel. These 2-1/2" deep, welded boxes with device ears include an FB bracket to directly mount on the flat side of a stud. Models range from 3 to 5 gang switch boxes.

### CERTIFICATION:

UL file E227970, conforms to UL514A. acceptable for use in 2-hour fire rated walls.



### FEATURES

#### Knockout:

CKO: Concentric K.O. (1/2" and 3/4" K.O.)

#### Bracket:

FB: (L: 7-3/8", W: 1-9/16") Offset (9/16") Mounts on flat side of stud

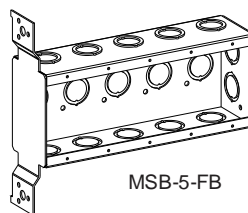
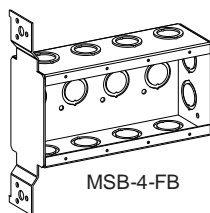
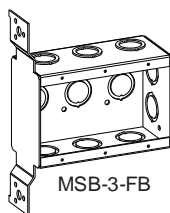
### DIMENSIONS

Depth: 2-1/2"

Other Dimensions see below

### CONFIGURATION DATA

Catalog No.	No. of Gangs	Bracket & Setback	Knockouts		WxH	Cu.In.	Std. Pkg.
			Sides	Bottom			
MSB-3-FB	3	FB, 9/16"	(8)-CKO	(3)-CKO	5-1/2"x3-3/4"	47.9	20
MSB-4-FB	4	FB, 9/16"	(10)-CKO	(4)-CKO	7-3/8"x3-3/4"	63.6	20
MSB-5-FB	5	FB, 9/16"	(12)-CKO	(5)-CKO	9-1/8"x3-3/4"	79.6	20



## SPECIFICATION & FEATURES

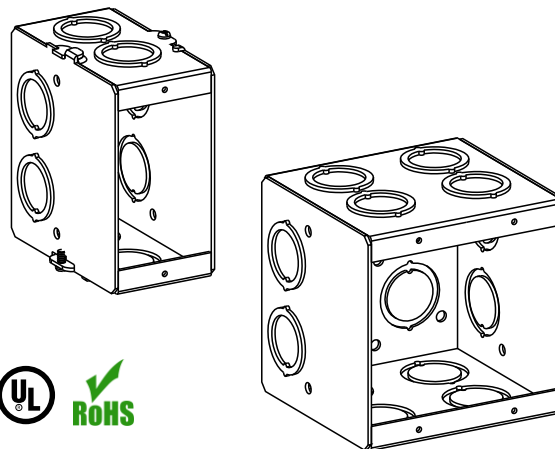
## MASONRY BOXES WITH CONCENTRIC KNOCKOUTS 3-1/2" DEEP

### DESCRIPTION:

Orbit Industries' 3-1/2" Deep Masonry Boxes With Concentric Knockouts (CKO) are used in the installation of electrical fittings and other devices in masonry walls. They are constructed from 16 gauge galvanized steel. Orbit's selection includes multigang boxes ranging from 1(gangable) to 6 gang boxes.

### CERTIFICATION:

UL file E227970, conforms to UL514A. acceptable for use in 2-hour fire rated walls.



### FEATURES

#### Knockout:

CKO: Concentric K.O. (1/2" and 3/4" K.O.)

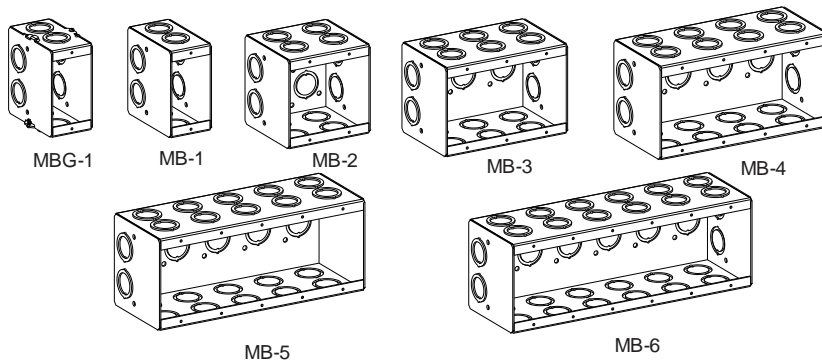
### DIMENSIONS

Depth: 3-1/2"

Other Dimensions see below

### CONFIGURATION DATA

Catalog No.	No. of Gangs	Knockouts			WxH	Cu.In.	Std. Pkg.
		Ends	Bottom	Sides			
MBG-1	1,Gangable	(4)-CKO	(1)-CKO	(4)-CKO	1-7/8"x3-3/4"	23.5	25
MB-1	1	(4)-CKO	(1)-CKO	(4)-CKO	1-7/8"x3-3/4"	23.5	25
MB-2	2	(8)-CKO	(2)-CKO	(4)-CKO	3-3/4"x3-3/4"	46.9	10
MB-3	3	(12)-CKO	(3)-CKO	(4)-CKO	5-1/2"x3-3/4"	69.3	10
MB-4	4	(16)-CKO	(4)-CKO	(4)-CKO	7-3/8"x3-3/4"	92.1	10
MB-5	5	(20)-CKO	(5)-CKO	(4)-CKO	9-1/8"x3-3/4"	116.1	10
MB-6	6	(24)-CKO	(6)-CKO	(4)-CKO	11"x3-3/4"	139.0	1





## SPECIFICATION & FEATURES

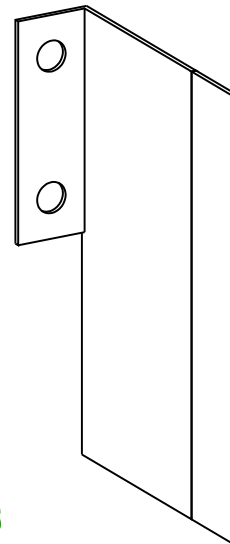
## MASONRY BOX PARTITION

### DESCRIPTION:

The Masonry Box Partition fits 2-1/2" and 3-1/2" Masonry boxes and divides multigang boxes into compartments. It is constructed from 16 gauge galvanized steel.

### CERTIFICATION:

RoHS Certification



### FEATURES

Fits 2-1/2" & 3-1/2" Masonry Boxes

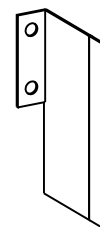
### DIMENSIONS

**Width:** 3-1/4"

**Height:** 3-1/2"

### CONFIGURATION DATA

Catalog No.	Description	Std. Pkg.
MB-D	2-1/2" / 3-1/2" Partition for MSB and MB Boxes	25



MB-D



## SPECIFICATION & FEATURES

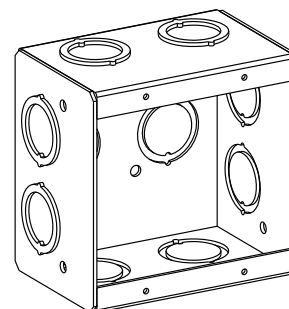
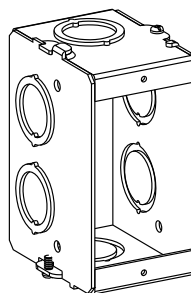
## MASONRY BOXES WITH CONCENTRIC KNOCKOUTS 2-1/2" DEEP

### DESCRIPTION:

Orbit Industries' 2-1/2" Deep Masonry Boxes With Concentric Knockouts (CKO) are used in the installation of electrical fittings and other devices in masonry walls. They are constructed from 16 gauge galvanized steel. Orbit's selection include multigang boxes ranging from 1 (gangable) to 6 gang boxes.

### CERTIFICATION:

UL file E227970, conforms to UL514A. acceptable for use in 2-hour fire rated walls.



### FEATURES

#### Knockout:

CKO: Concentric K.O. (1/2" and 3/4" K.O.)

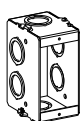
### DIMENSIONS

Depth: 2-1/2"

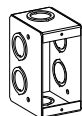
Other Dimensions see below

### CONFIGURATION DATA

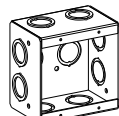
Catalog No.	No. of Gangs	Knockouts			WxH	Cu.In.	Std. Pkg.
		Ends	Bottom	Sides			
MSBG-1	1, Gangable	(2)-CKO	(1)-CKO	(4)-CKO	1-7/8" x 3-3/4"	16.1	25
MSB-1	1	(2)-CKO	(1)-CKO	(4)-CKO	1-7/8" x 3-3/4"	16.1	25
MSB-2	2	(4)-CKO	(2)-CKO	(4)-CKO	3-3/4" x 3-3/4"	31.9	10
MSB-3	3	(6)-CKO	(3)-CKO	(4)-CKO	5-1/2" x 3-3/4"	47.9	10
MSB-4	4	(8)-CKO	(4)-CKO	(4)-CKO	7-3/8" x 3-3/4"	63.6	10
MSB-5	5	(10)-CKO	(5)-CKO	(4)-CKO	9-1/8" x 3-3/4"	79.6	10
MSB-6	6	(12)-CKO	(6)-CKO	(4)-CKO	11" x 3-3/4"	95.3	1



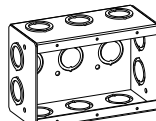
MSBG-1



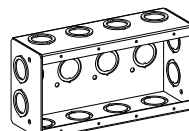
MSB-1



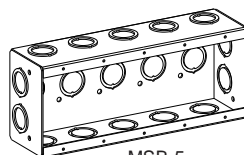
MSB-2



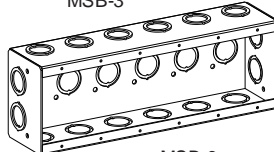
MSB-3



MSB-4



MSB-5



MSB-6



## SPECIFICATION & FEATURES

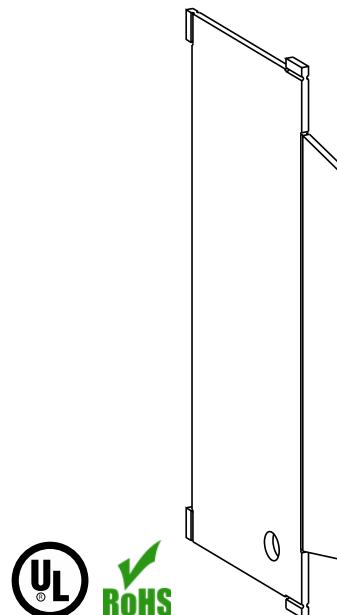
## LOW VOLTAGE PARTITION

### DESCRIPTION:

Partition for 1-5/8" Deep SB Boxes & 2-1/2" Deep SDB Boxes with raised or flat Covers. It is constructed from 16 gauge galvanized steel.

### CERTIFICATION:

UL file E227970, conforms to UL514A. acceptable for use in 2-hour fire rated walls.

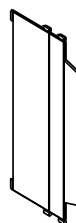


## CONFIGURATION DATA

Catalog No.	Description	Std. Pkg.
SB-D	Partition for 1-5/8" SB Boxes, flat or raised cover	25
SDB-D	Partition for 1-5/8" Deep SB Boxes, flat, and 2-1/2" SDB Boxes, flat or raised cover	25



SB-D



SDB-D



## SPECIFICATION & FEATURES

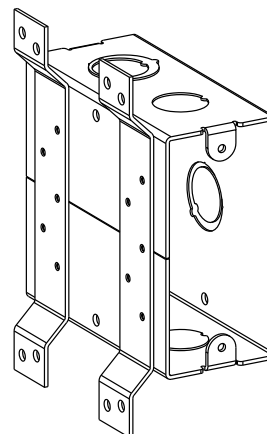
### 4" THRU BOX WITH BRACKET 4-5/16" DEEP

#### DESCRIPTION:

Orbit Industries' 4" Thru Boxes with Moon Knockouts are used in the installation of switches, receptacles, and other electrical devices. It is constructed from 16 gauge galvanized steel. Orbit Industries' selection includes thru boxes with depth of 4-5/16" with multiple Moon knockouts on the ends and sides of the box and with two FB brackets.

#### CERTIFICATION:

UL file E227970, conforms to UL514A. acceptable for use in 2-hour fire rated walls.



#### FEATURES

##### Knockout:

MKO: Moon K.O. (1/2" and 3/4" K.O.)

#### DIMENSIONS

Width: 2-1/8"

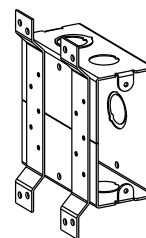
Height: 4"

Depth: 4-5/16"

Cu.In.: 33.0

#### CONFIGURATION DATA

Catalog No.	Bracket & Setback	Knockouts		Std. Pkg.
		Ends	Sides	
HTB-FB	2-FB, 3/8"	(2)-1/2", (2)-MKO	(1)-MKO	25



HTB-FB



## SPECIFICATION & FEATURES

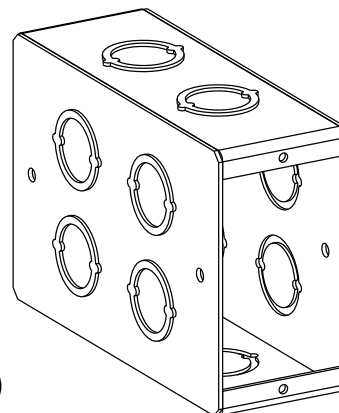
## MASONRY THRU BOXES WITH CONCENTRIC KNOCKOUTS

### DESCRIPTION:

Orbit Industries' Masonry Thru Boxes with Concentric Knockouts are used in the installation of switches, receptacles, and other electrical devices. They are constructed from 16 gauge galvanized steel. Orbit Industries' selection includes thru boxes with depths of 3-1/2", 5-1/2" and 7-1/2" with multiple concentric knockouts on the ends and sides of the box.

### CERTIFICATION:

UL file E227970, conforms to UL514A. acceptable for use in 2-hour fire rated walls.



### FEATURES

#### Knockout:

CKO: Concentric K.O. (1/2" and 3/4" K.O.)

### DIMENSIONS

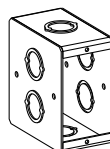
Width: 2"

Height: 3-3/4"

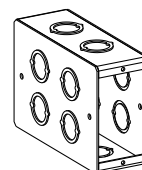
Depth Varies, see below

### CONFIGURATION DATA

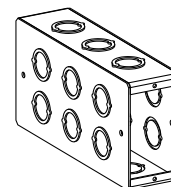
Catalog No.	Depth	Knockouts		Cu.In.	Std. Pkg.
		Ends	Sides		
MTB-350	3-1/2"	(2)-CKO	(4)-CKO	24.0	25
MTB-550	5-1/2"	(4)-CKO	(8)-CKO	38.0	25
MTB-750	7-1/2"	(6)-CKO	(12)-CKO	52.3	25



MTB-350



MTB-550



MTB-750

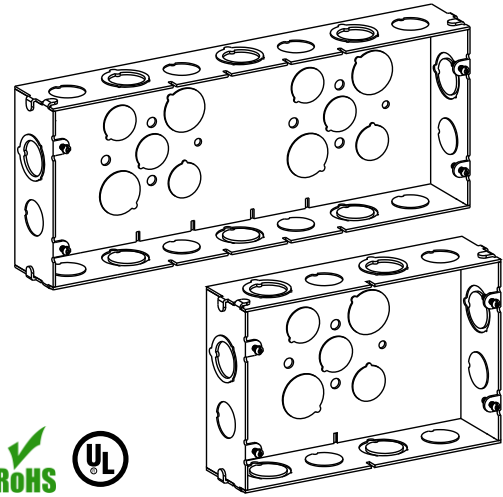


## SPECIFICATION & FEATURES

## MULTIGANG SWITCH BOXES 1-13/16" DEEP

### DESCRIPTION:

Orbit Industries' Multigang Switch Boxes are used in the installation of lighting fixtures, switches, and other electrical devices with a 1-13/16" depth. The featured device ears simplify installation of electrical devices. They are constructed from 16 gauge galvanized steel. Models support multiple gangs ranging from 2-10 gangs. The low voltage partition is used to divide boxes into compartments.



### CERTIFICATION:

UL file E227970, conforms to UL514A. acceptable for use in 2-hour fire rated walls.



### FEATURES

#### Knockout:

50: 1/2" K.O.

75: 3/4" K.O.

MKO: Moon K.O. (1/2" and 3/4" K.O.)

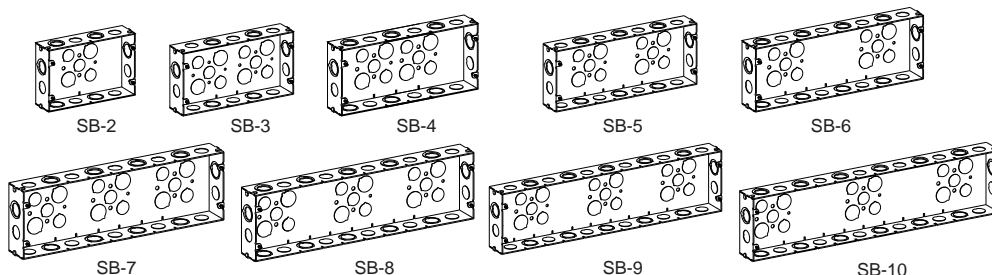
### DIMENSIONS

Depth: 1-13/16"

Other Dimensions see below

### CONFIGURATION DATA

Catalog No.	No. of Gangs	Knockouts		WxH	Cu.In.	Std. Pkg.
		Sides	Bottom			
SB-2	2	(6)-1/2", (6)-MKO	(3)-1/2", (2)-3/4"	6-13/16"x4-9/16"	56.3	5
SB-3	3	(8)-1/2", (6)-MKO	(6)-1/2", (4)-3/4"	8-5/8"x4-9/16"	65.0	5
SB-4	4	(8)-1/2", (8)-MKO	(6)-1/2", (4)-3/4"	10-7/16"x4-9/16"	80.0	5
SB-5	5	(10)-1/2", (8)-MKO	(6)-1/2", (4)-3/4"	12-1/4"x4-9/16"	94.8	5
SB-6	6	(10)-1/2", (10)-MKO	(6)-1/2", (4)-3/4"	14-1/16"x4-9/16"	111.1	1
SB-7	7	(12)-1/2", (10)-MKO	(9)-1/2", (6)-3/4"	15-7/8"x4-9/16"	127.0	1
SB-8	8	(12)-1/2", (12)-MKO	(9)-1/2", (6)-3/4"	17-11/16"x4-9/16"	142.1	1
SB-9	9	(14)-1/2", (12)-MKO	(9)-1/2", (6)-3/4"	19-1/2"x4-9/16"	157.9	1
SB-10	10	(14)-1/2", (14)-MKO	(9)-1/2", (6)-3/4"	21-3/8"x4-9/16"	172.1	1





## SPECIFICATION & FEATURES

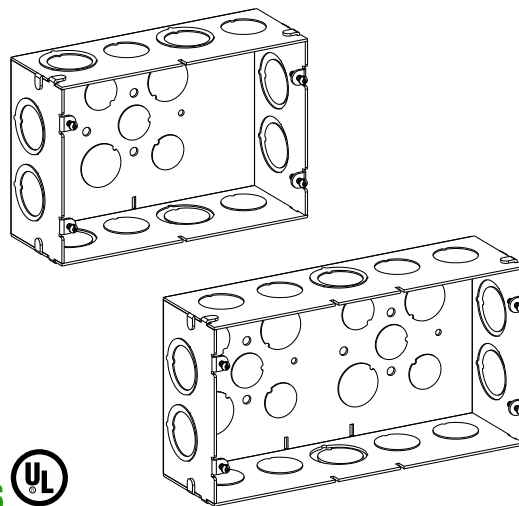
## MULTIGANG DEEP SWITCH BOXES 2-1/2" DEEP

### DESCRIPTION:

Orbit Industries' Multigang Switch Boxes are used in the installation of lighting fixtures, switches, and other devices with a 2-1/2" depth. They are constructed from 16 gauge galvanized steel. Models support multiple gangs ranging from 2 to 6 gang. Bottom knockouts fit 1/2" and 3/4" conduits; side knockouts fit 1/2" and 3/4" conduits or 3/4" and 1" conduits. The low voltage partition is used to divide boxes into compartments.

### CERTIFICATION:

UL file E227970, conforms to UL514A. acceptable for use in 2-hour fire rated walls.



### FEATURES

#### Knockout:

50: 1/2" K.O.

75: 3/4" K.O.

MKO: Moon K.O.

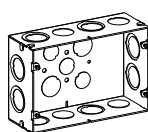
### DIMENSIONS

Depth: 2-1/2"

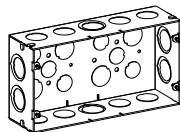
Other Dimensions see below

### CONFIGURATION DATA

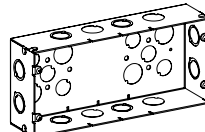
Catalog No.	No. of Gangs	Knockouts		W x H	Cu.In.	Std. Pkg.
		Sides	Bottom			
SDB-2	2	4)-3/4", (8)-1/2"&3/4" MKO	(3)-1/2", (2)-3/4"	6-13/16"x4-9/16"	70.0	5
SDB-3	3	(8)-3/4", (6)-1/2"&3/4" MKO	(6)-1/2", (4)-3/4"	8-5/8"x4-9/16"	90.0	5
SDB-4	4	(4)-3/4", (8)-1/2"&3/4" MKO	(6)-1/2", (4)-3/4"	10-7/16"x4-9/16"	110.0	5
SDB-5	5	(6)-3/4", (8)-1/2"&3/4" MKO	(6)-1/2", (4)-3/4"	12-1/4"x4-9/16"	130.0	5
SDB-6	6	(6)-3/4", (8)-1/2"&3/4" MKO	(6)-1/2", (4)-3/4"	14-1/16"x4-9/16"	150.0	1
SDBL-2	2	(4)-3/4", (8)-3/4" & 1" MKO	(3)-1/2", (2)-3/4"	6-13/16"x4-9/16"	70.0	5
SDBL-3	3	(8)-3/4", (6)-3/4" & 1" MKO	(6)-1/2", (4)-3/4"	8-5/8"x4-9/16"	90.0	5
SDBL-4	4	(4)-3/4", (8)-3/4" & 1" MKO	(6)-1/2", (4)-3/4"	10-7/16"x4-9/16"	110.0	5
SDBL-5	5	(6)-3/4", (8)-3/4" & 1" MKO	(6)-1/2", (4)-3/4"	12-1/4"x4-9/16"	130.0	5
SDBL-6	6	(6)-3/4", (8)-3/4" & 1" MKO	(6)-1/2", (4)-3/4"	14-1/16"x4-9/16"	150.0	1



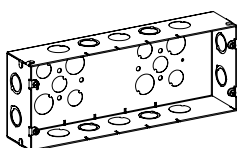
SDB-2  
SDBL-2



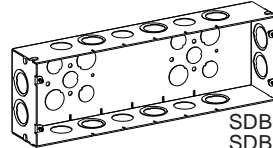
SDB-3  
SDBL-3



SDB-4  
SDBL-4



SDB-5  
SDBL-5



SDB-6  
SDBL-6



## SPECIFICATION & FEATURES

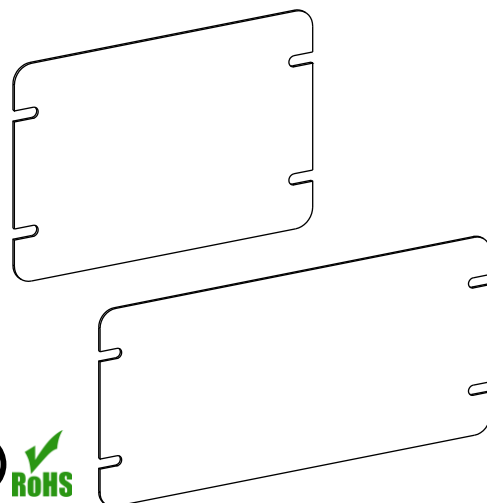
## STEEL FLAT BLANK COVERS FOR MULTIGANG BOXES 2 TO 10 GANGS

### DESCRIPTION:

Orbit Industries' Steel Flat Blank Covers for Multigang Boxes protect wires inside electrical junction boxes. Orbit Industries' selections fit boxes with multiple gangs ranging from 2 to 10 gang. They are constructed from 16 gauge galvanized steel

### CERTIFICATION:

UL file E227970, conforms to UL514A. acceptable for use in 2-hour fire rated walls.

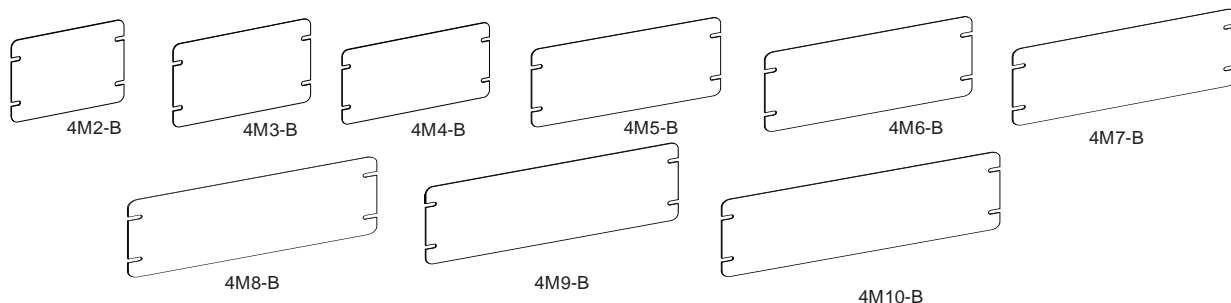


### FEATURES

Flat, Blank Cover

### CONFIGURATION DATA

Catalog No.	No. of Gangs	Description	WxH	Std. Pkg.
4M2-B	2	Flat, Blank Cover	6-13/16"x4-9/16"	5
4M3-B	3	Flat, Blank Cover	8-5/8"x4-9/16"	5
4M4-B	4	Flat, Blank Cover	10-7/16"x4-9/16"	5
4M5-B	5	Flat, Blank Cover	12-1/4"x4-9/16"	5
4M6-B	6	Flat, Blank Cover	14-1/16"x4-9/16"	1
4M7-B	7	Flat, Blank Cover	15-7/8"x4-9/16"	1
4M8-B	8	Flat, Blank Cover	17-11/16"x4-9/16"	1
4M9-B	9	Flat, Blank Cover	19-1/2"x4-9/16"	1
4M10-B	10	Flat, Blank Cover	21-3/8"x4-9/16"	1



## SPECIFICATION & FEATURES

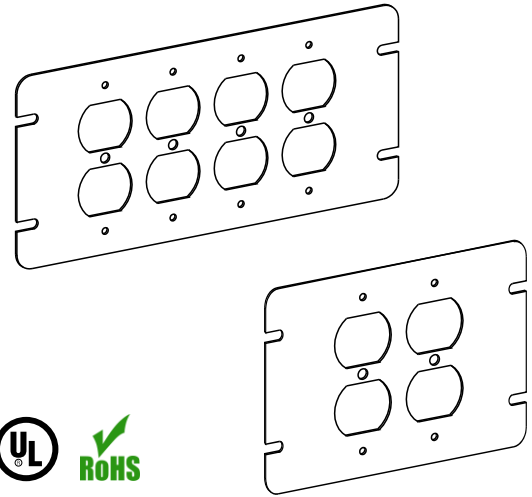
## STEEL FLAT DEVICE (DR) COVERS FOR MULTIGANG BOXES 2 TO 10 GANGS

### DESCRIPTION:

Orbit Industries' Steel Flat Device Covers for Multigang Boxes protect wires inside electrical junction boxes. Orbit Industries' selections include covers for various devices and fit boxes with multiple gangs ranging from 2 to 10 gang. They are constructed from 16 gauge galvanized steel.

### CERTIFICATION:

UL file E227970, conforms to UL514A. acceptable for use in 2-hour fire rated walls.

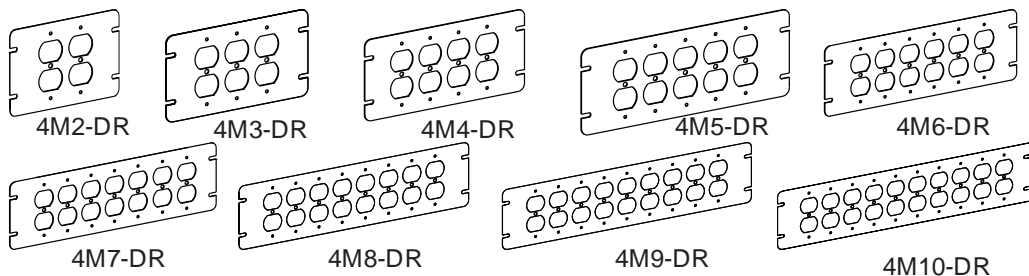


### FEATURES

Flat, Duplex Receptacle Cover

### CONFIGURATION DATA

Catalog No.	No. of Gangs	Description	WxH	Std. Pkg.
4M2-DR	2	Flat, Duplex Receptacle Cover	6-13/16" x 4-9/16"	5
4M3-DR	3	Flat, Duplex Receptacle Cover	8-5/8" x 4-9/16"	5
4M4-DR	4	Flat, Duplex Receptacle Cover	10-7/16" x 4-9/16"	5
4M5-DR	5	Flat, Duplex Receptacle Cover	12-1/4" x 4-9/16"	5
4M6-DR	6	Flat, Duplex Receptacle Cover	14-1/16" x 4-9/16"	1
4M7-DR	7	Flat, Duplex Receptacle Cover	15-7/8" x 4-9/16"	1
4M8-DR	8	Flat, Duplex Receptacle Cover	17-11/16" x 4-9/16"	1
4M9-DR	9	Flat, Duplex Receptacle Cover	19-1/2" x 4-9/16"	1
4M10-DR	10	Flat, Duplex Receptacle Cover	21-3/8" x 4-9/16"	1

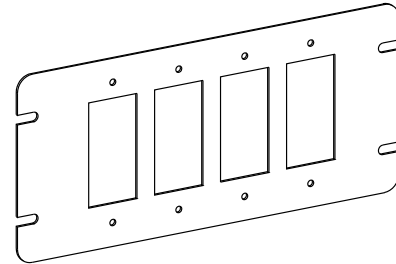


## SPECIFICATION & FEATURES

## STEEL FLAT DEVICE (GFI) COVERS FOR MULTIGANG BOXES 2 TO 10 GANGS

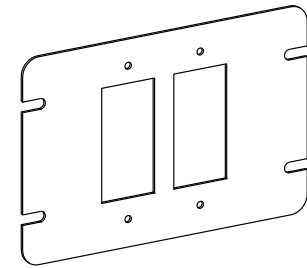
### DESCRIPTION:

Orbit Industries' Steel Flat Device Covers for Multigang Boxes protect wires inside electrical junction boxes. Orbit Industries' selections include covers for various devices and fit boxes with multiple gangs ranging from 2 to 10 gang. They are constructed from 16 gauge galvanized steel.



### CERTIFICATION:

UL file E227970, conforms to UL514A. acceptable for use in 2-hour fire rated walls.

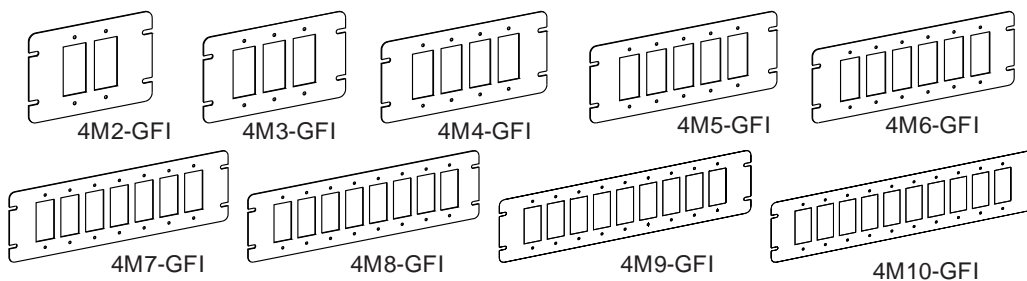


### FEATURES

Flat, Decorative or GFCI Cover

### CONFIGURATION DATA

Catalog No.	No. of Gangs	Description	WxH	Std. Pkg.
4M2- GFI	2	Flat, Decorative or GFCI Cover	6-13/16" x 4-9/16"	5
4M3- GFI	3	Flat, Decorative or GFCI Cover	8-5/8" x 4-9/16"	5
4M4- GFI	4	Flat, Decorative or GFCI Cover	10-7/16" x 4-9/16"	5
4M5- GFI	5	Flat, Decorative or GFCI Cover	12-1/4" x 4-9/16"	5
4M6- GFI	6	Flat, Decorative or GFCI Cover	14-1/16" x 4-9/16"	1
4M7- GFI	7	Flat, Decorative or GFCI Cover	15-7/8" x 4-9/16"	1
4M8- GFI	8	Flat, Decorative or GFCI Cover	17-11/16" x 4-9/16"	1
4M9- GFI	9	Flat, Decorative or GFCI Cover	19-1/2" x 4-9/16"	1
4M10- GFI	10	Flat, Decorative or GFCI Cover	21-3/8" x 4-9/16"	1



## SPECIFICATION & FEATURES

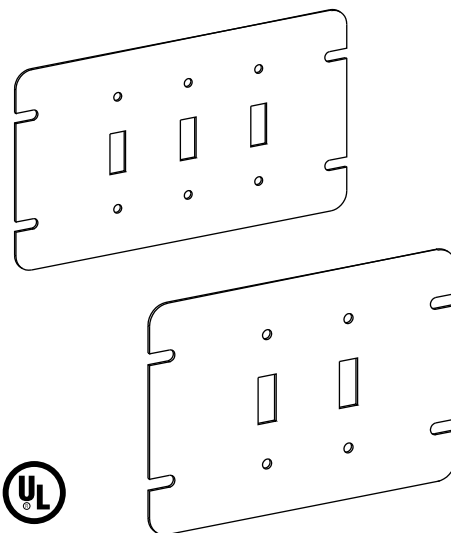
## STEEL FLAT DEVICE (TS) COVERS FOR MULTIGANG BOXES 2 TO 10 GANGS

### DESCRIPTION:

Orbit Industries' Steel Flat Device Covers for Multigang Boxes protect wires inside electrical junction boxes. Orbit Industries' selections include covers for various devices and fit boxes with multiple gangs ranging from 2 to 10 gang. They are constructed from 16 gauge galvanized steel.

### CERTIFICATION:

UL file E227970, conforms to UL514A. acceptable for use in 2-hour fire rated walls.

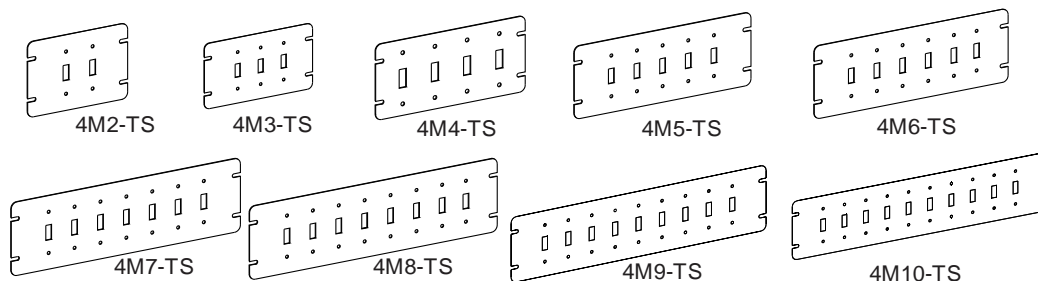


### FEATURES

Flat, Toggle Switch Cover

### CONFIGURATION DATA

Catalog No.	No. of Gangs	Description	WxH	Std. Pkg.
4M2- TS	2	Flat, Toggle Switch Cover	6-13/16" x 4-9/16"	5
4M3- TS	3	Flat, Toggle Switch Cover	8-5/8" x 4-9/16"	5
4M4- TS	4	Flat, Toggle Switch Cover	10-7/16" x 4-9/16"	5
4M5- TS	5	Flat, Toggle Switch Cover	12-1/4" x 4-9/16"	5
4M6- TS	6	Flat, Toggle Switch Cover	14-1/16" x 4-9/16"	1
4M7- TS	7	Flat, Toggle Switch Cover	15-7/8" x 4-9/16"	1
4M8- TS	8	Flat, Toggle Switch Cover	17-11/16" x 4-9/16"	1
4M9- TS	9	Flat, Toggle Switch Cover	19-1/2" x 4-9/16"	1
4M10- TS	10	Flat, Toggle Switch Cover	21-3/8" x 4-9/16"	1



## SPECIFICATION & FEATURES

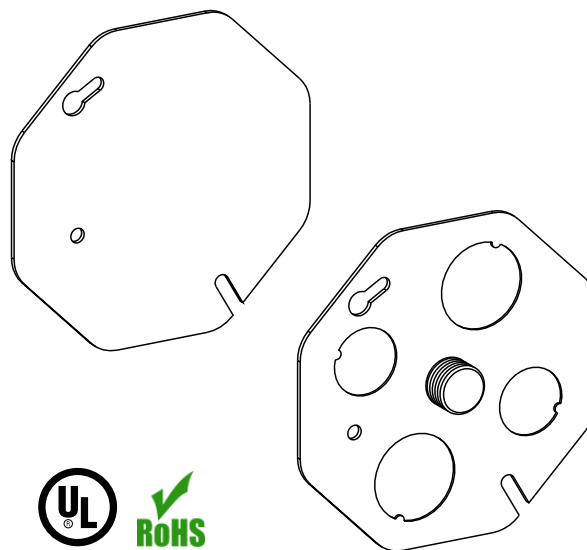
## 4" OCTAGONAL CONCRETE BOX COVERS

### DESCRIPTION:

Orbit Industries' 4" Octagonal Concrete Boxes Covers are used with 4" octagonal concrete rings to protect wires inside the box. Selected models include knockouts, #3/8-18 Threaded Fixture Stud and 12" #12AWG Pigtail. They are constructed from 16 gauge galvanized steel.

### CERTIFICATION:

UL file E227970, conforms to UL514A. acceptable for use in 2-hour fire rated walls.



### FEATURES

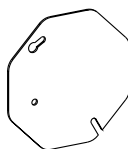
**K:** 1/2" K.O. & 3/4" K.O.

**PT:** 12" Solid Cu. #12AWG Pigtail Pre-assembled with 10-32 Ground Screw

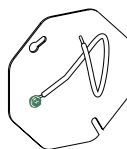
**STUD:** #3/8-18 threaded fixture stud

### CONFIGURATION DATA

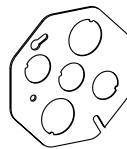
Catalog No.	Description	Std. Pkg.
CB-B	Flat, Blank	25
CB-B-PT	Flat, Blank-With 12" #12AWG Solid Pigtail	25
CB-BK	Flat With (3)-1/2" KOs & (2)-3/4" KOs	25
CB-BK-STUD	(2)-1/2" KOs & (2)-3/4" KOs-With #3/8-18 threaded fixture stud	25



CB-B



CB-B-PT



CB-BK



CB-BK-STUD





## SPECIFICATION & FEATURES

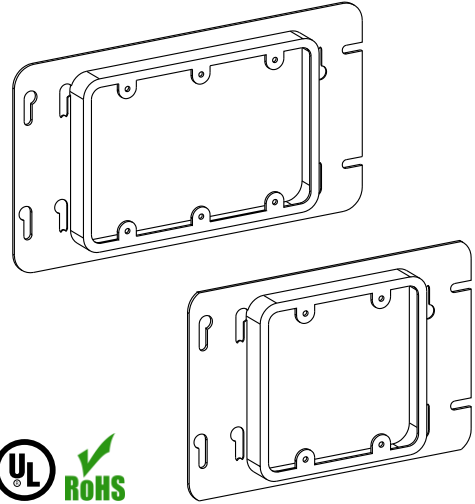
## DEVICE RINGS FOR MULTIGANG BOXES 2 TO 10 GANGS RAISED 3/4"

### DESCRIPTION:

Orbit Industries' Device Rings for Multigang Boxes are used to mount electrical fixtures, switches, and other electrical devices. They are constructed from 16 gauge galvanized steel. They are raised 3/4" to accommodate extra wall thickness and fit boxes with multiple gangs ranging from 2 to 10 gangs.

### CERTIFICATION:

UL file E227970, conforms to UL514A. acceptable for use in 2-hour fire rated walls.



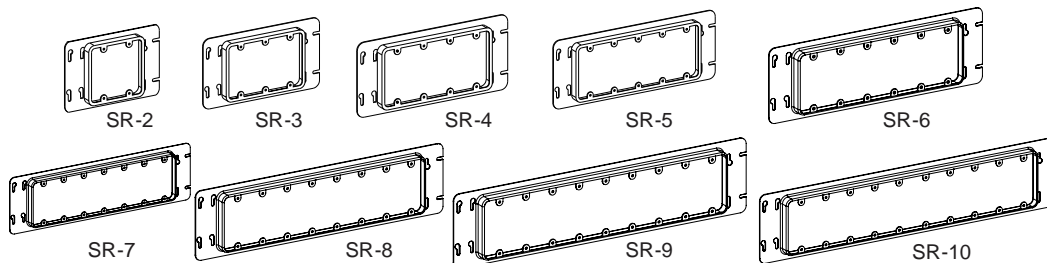
### DIMENSIONS

Raised: 3/4"

Other Dimensions see below

### CONFIGURATION DATA

Catalog No.	No. of Gangs	WxH	Cu.In.	Std. Pkg.
SR-2	2	6-13/16"x4-9/16"	9.1	5
SR-3	3	8-5/8"x4-9/16"	14.9	5
SR-4	4	10-7/16"x4-9/16"	21.0	5
SR-5	5	12-1/4"x4-9/16"	25.5	5
SR-6	6	14-1/16"x4-9/16"	30.8	1
SR-7	7	15-7/8"x4-9/16"	36.1	1
SR-8	8	17-11/16"x4-9/16"	41.1	1
SR-9	9	19-1/2"x4-9/16"	46.4	1
SR-10	10	21-3/8"x4-9/16"	51.3	1



## SPECIFICATION & FEATURES

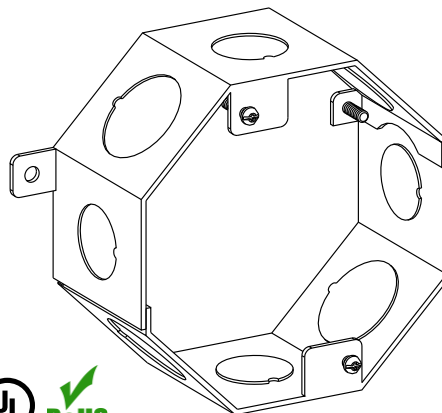
## 4" OCTAGONAL CONCRETE BOXES

### DESCRIPTION:

Orbit Industries' 4" Octagonal Concrete Boxes are used for concrete constructions. The 1/2", 3/4", 1" side knockouts and mounting tabs allow for easy installation. They are constructed from 16 gauge galvanized steel. Orbit Industries' selection includes concrete rings with depths ranging from 2" to 6".

### CERTIFICATION:

UL file E227970, conforms to UL514A. acceptable for use in 2-hour fire rated walls.



### FEATURES

#### Knockout:

50: 1/2" K.O.

75: 3/4" K.O.

100: 1" K.O.

### DIMENSIONS

Diameter: 4"

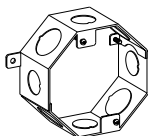
Other Dimensions see below

### CONFIGURATION DATA

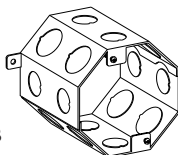
Catalog No.	Depth	Knockouts		Cu.In.	Std. Pkg.
		Sides 1,3,5,7	Sides 2,4,6,8		
2CB	2"	(1)-1/2"	(1)-3/4"	24.4	25
25CB	2-1/2"	(1)-1/2"	(1)-3/4"	30.5	25
3CB	3"	(1)-1/2"	(1)-3/4"	37.0	25
3CB-75/100	3"	(1)-3/4"	(1)-1"	37.0	25
35CB	3-1/2"	(2)-1/2"	(2)-3/4"	43.0	25
35CB-75/100	3-1/2"	(1)-3/4"	(1)-1"	43.0	25
4CB	4"	(2)-1/2"	(2)-3/4"	49.2	25
4CB-75/100	4"	(2)-3/4"	(2)-1"	49.2	25
4CB-F*	4"	Side 1, 5: (1)-1/2" Side 3, 7: (2)-1/2"	Side 2, 6: (1)-3/4" Side 4, 8: (2)-3/4"	49.2	25
5CB	5"	(2)-1/2"	(2)-3/4"	61.7	10
6CB	6"	(2)-1/2"	(2)-3/4"	73.5	10

S

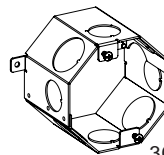
\*Fan Rated



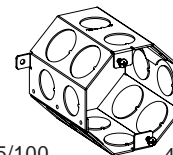
2CB  
25CB  
3CB



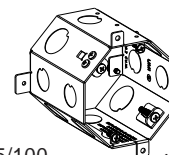
35CB  
4CB  
5CB  
6CB



3CB-75/100  
35CB-75/100



4CB-75/100



4CB-F



## SPECIFICATION & FEATURES

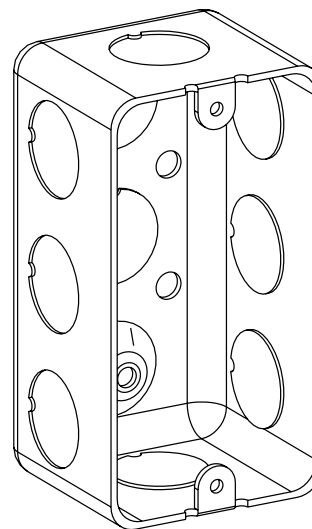
## DRAWN HANDY BOXES 1-7/8" DEEP

### DESCRIPTION:

Orbit Industries' Handy Boxes mount on the surface of the wall and are used in the installation of switches, receptacles, and other devices. They are constructed from 16 gauge galvanized steel. The drawn steel, 1-7/8" deep boxes with raised ground emboss include 1/2" and 3/4" knockouts.

### CERTIFICATION:

UL file E227970, conforms to UL514A. acceptable for use in 2-hour fire rated walls.



### FEATURES

#### General:

With Raised Ground Emboss

#### Knockout:

50: 1/2" K.O.

75: 3/4" K.O.

#### Mfg. Process:

DRAWN

### DIMENSIONS

Width: 2"

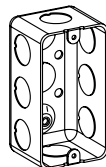
Height: 4"

Depth: 1-7/8"

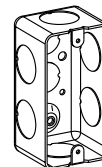
Cu.In.: 13.0

### CONFIGURATION DATA

Catalog No.	Knockouts		Std. Pkg.
	Sides	Bottom	
DHB-1-50	(8)-1/2"	(2)-1/2"	50
DHB-1-75	(6)-3/4"	(2)-1/2"	50



DHB-1-50



DHB-1-75



## SPECIFICATION & FEATURES

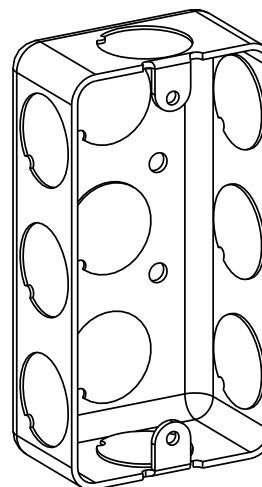
## SUPER SHALLOW DRAWN HANDY BOX 1-1/4" DEEP

### DESCRIPTION:

Orbit Industries' Super Shallow Handy Boxes mount on the surface of the wall and are used in the installation of switches, receptacles, and other electrical devices. It is constructed from 16 gauge galvanized steel. The drawn steel, 1-1/4" deep boxes are extra shallow to suit specific needs.

### CERTIFICATION:

UL file E227970, conforms to UL514A. acceptable for use in 2-hour fire rated walls.



### FEATURES

**Knockout:**

50: 1/2" K.O.

**Mfg. Process:**

DRAWN

### DIMENSIONS

**Width:** 2"

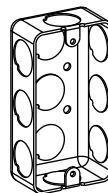
**Height:** 4"

**Depth:** 1-1/4"

**Cu.In.:** 8.5

### CONFIGURATION DATA

Catalog No.	Knockouts		Std. Pkg.
	Sides	Bottom	
DHSSB-1-50	(8)-1/2"	(3)-1/2"	50



DHSSB-1-50



## SPECIFICATION & FEATURES

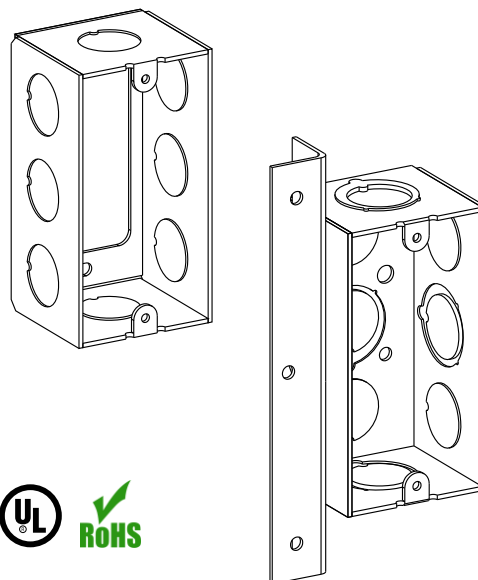
## WELDED HANDY BOXES AND EXTENSION RINGS 1-7/8" DEEP

### DESCRIPTION:

Orbit Industries' Handy Boxes and extension rings mount on the surface of the wall and are used in the installation of switches, receptacles, and other electrical devices. They are constructed from 16 gauge galvanized steel. The welded, 1-7/8" deep boxes include 1/2" knockouts. Selected models include an FB bracket to mount on the flat side of the stud and an AB bracket to mount on the face and side of the stud.

### CERTIFICATION:

UL file E227970, conforms to UL514A. acceptable for use in 2-hour fire rated walls.



### FEATURES

#### Knockout:

**50:** 1/2" K.O.;

**MKO:** Moon K.O. (1/2" and 3/4" K.O.)

#### Bracket:

**FB:** (L: 7", W: 1") Offset (9/16") Mounts on flat side of stud

**AB:** 90° (L: 5-7/8", W: 7/8") Offset (9/16") Positions box against face and side of stud

#### Mfg. Process:

WELDED

### DIMENSIONS

**Width:** 2"

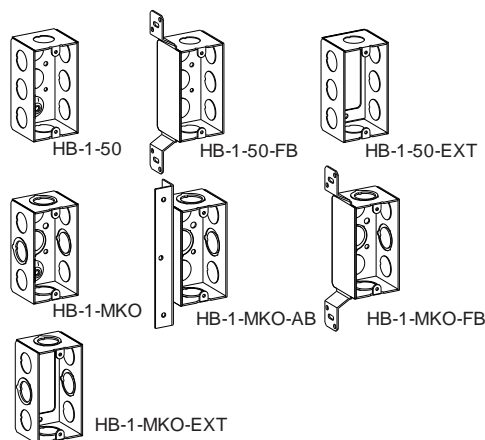
**Height:** 4"

**Depth:** 1-7/8"

**Cu.In.:** 13.0

### CONFIGURATION DATA

Catalog No.	Bracket & Setback	Knockouts		Std. Pkg.
		Sides	Bottom	
HB-1-50	-	(8)-1/2"	(2)-1/2"	50
HB-1-50-FB	FB, 9/16"	(5)-1/2"	(3)-1/2"	50
HB-1-50-EXT	-	(8)-1/2"	-	50
HB-1-MKO	-	(4)-1/2", (4)-MKO	(1)-1/2", (1)-MKO	50
HB-1-MKO-AB	AB, 9/16"	(2)-1/2", (3)-MKO	(2)-1/2", (1)-MKO	50
HB-1-MKO-FB	FB, 9/16"	(2)-1/2", (3)-MKO	(2)-1/2", (1)-MKO	50
HB-1-MKO-EXT	-	(4)-1/2", (4)-MKO	-	50



## SPECIFICATION & FEATURES

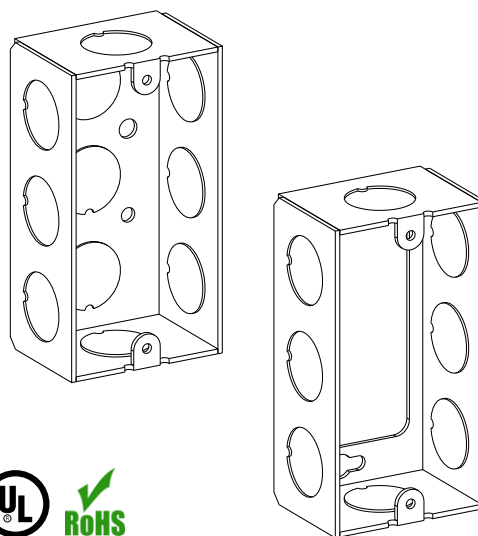
## SHALLOW WELDED HANDY BOXES AND EXTENSION RING 1-1/2" DEEP

### DESCRIPTION:

Orbit Industries' Shallow Handy Boxes and extension rings mount to the surface of the wall and are used to install receptacles, and other electrical devices. They are constructed from 16 gauge galvanized steel. The welded, 1-1/2" deep boxes are shallow to suit specific needs. Selected models include a B bracket to directly mount on the face of the stud.

### CERTIFICATION:

UL file E227970, conforms to UL514A. acceptable for use in 2-hour fire rated walls.



### FEATURES

#### Knockout:

50: 1/2" K.O.

#### Bracket:

B: (L: 3", W: 2") Offset (1/4") Face mounts on front edge of wood stud

### DIMENSIONS

Width: 2"

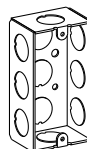
Height: 4"

Depth: 1-1/2"

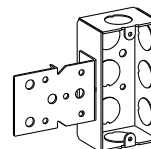
Cu.In.: 11.5

### CONFIGURATION DATA

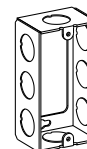
Catalog No.	Bracket & Setback	Knockouts		Std. Pkg.
		Sides	Bottom	
HSB-1-50	-	(8)-1/2"	(3)-1/2"	50
HSB-1-50-B	B, 1/4"	(5)-1/2"	(3)-1/2"	50
HSB-1-50-EXT	-	(8)-1/2"	-	50



HSB-1-50



HSB-1-50-B



HSB-1-50-EXT





## SPECIFICATION & FEATURES

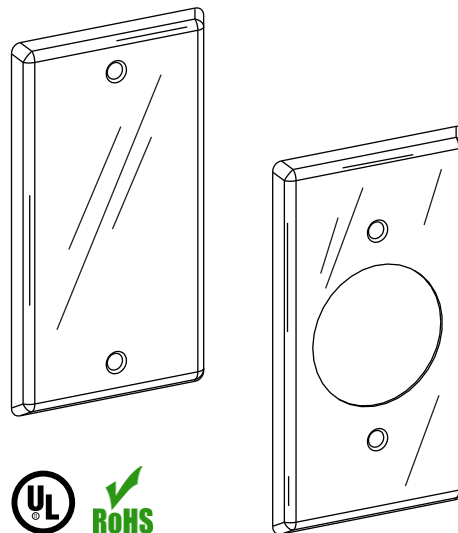
## HANDY BOX COVERS

### DESCRIPTION:

Orbit Industries' Handy Box Covers are used with handy boxes to protect wiring inside the box. They are constructed from galvanized steel. Orbit Industries offers various designs for receptacles, switches, and other devices.

### CERTIFICATION:

UL file E227970, conforms to UL514A. acceptable for use in 2-hour fire rated walls.



### FEATURES

**B:** Blank

**K:** 1/2" K.O.

**GFI:** GFCI / Decorative Switch

**TS:** Toggle Switch

**DR:** Duplex Receptacle

**SR:** Single Receptacle

**PO:** Power Outlet

### DIMENSIONS

**Width:** 2-5/16"

**Height:** 4-3/16"

### CONFIGURATION DATA

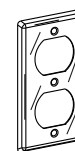
Catalog No.	Description	Std. Pkg.
HBC-B	Blank	25
HBC-BK	1/2" KO	25
HBC-DR	Duplex Receptacle	25
HBC-GFI	GFCI / Decorative Switch	25
HBC-SR	Single Receptacle, 15A, 1.406" diameter	25
HBC-PO	Power Outlet, 20A, 1.60" diameter	25
HBC-TS	Toggle Switch	25



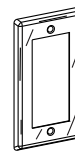
HBC-B



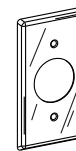
HBC-BK



HBC-DR



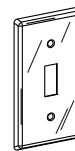
HBC-GFI



HBC-SR



HBC-PO



HBC-TS



## SPECIFICATION & FEATURES

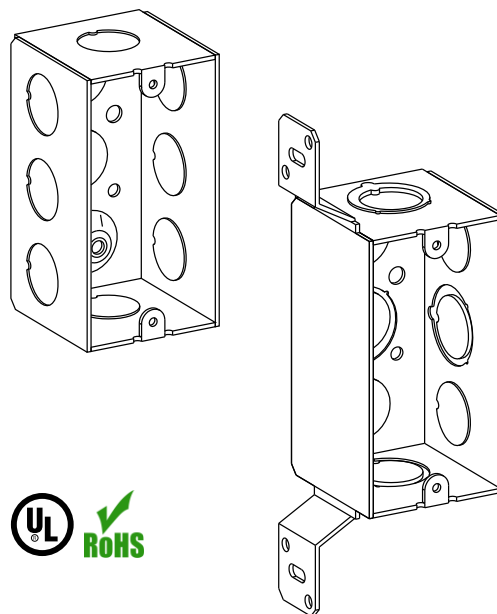
## WELDED DEEP HANDY BOXES 2-1/8" DEEP

### DESCRIPTION:

Orbit Industries' Deep Handy Boxes mount on the surface of the wall and are used in the installation of switches, receptacles, and other devices. They are constructed from 16 gauge galvanized steel. The welded, 2-1/8" deep boxes are deep to suit specific needs and include 1/2" knockouts. Selected models include an FB bracket to mount on the flat side of the stud and an AB bracket to mount on the face and side of the stud.

### CERTIFICATION:

UL file E227970, conforms to UL514A. acceptable for use in 2-hour fire rated walls.



### FEATURES

#### Knockout:

**50:** 1/2" K.O.;

**MKO:** Moon K.O. (1/2" and 3/4" K.O.)

#### Bracket:

**FB:** (L: 7", W: 1") Offset (9/16") Mounts on flat side of stud

**AB:** 90° (L: 5-7/8", W: 7/8") Offset (9/16") Positions box against face and side of stud

#### Mfg. Process:

WELDED

### DIMENSIONS

**Width:** 2"

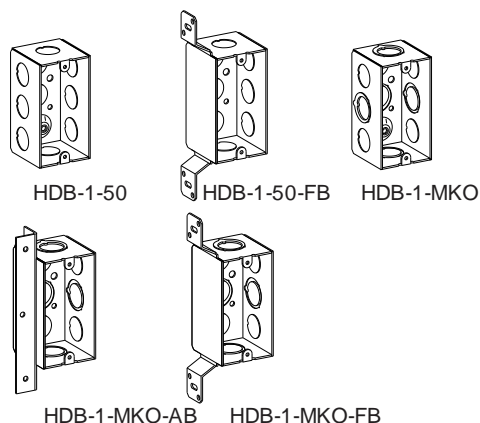
**Height:** 4"

**Depth:** 2-1/8"

**Cu.In.:** 16.5

### CONFIGURATION DATA

Catalog No.	Bracket & Setback	Knockouts		Std. Pkg.
		Sides	Bottom	
HDB-1-50	-	(8)-1/2"	(2)-1/2"	50
HDB-1-50-FB	FB, 9/16"	(5)-1/2"	(3)-1/2"	50
HDB-1-MKO	-	(4)-1/2", (4)-MKO	(1)-1/2", (1)-MKO	50
HDB-1-MKO-AB	AB, 9/16"	(2)-1/2", (3)-MKO	(2)-1/2", (1)-MKO	50
HDB-1-MKO-FB	FB, 9/16"	(2)-1/2", (3)-MKO	(2)-1/2", (1)-MKO	50



## SPECIFICATION & FEATURES

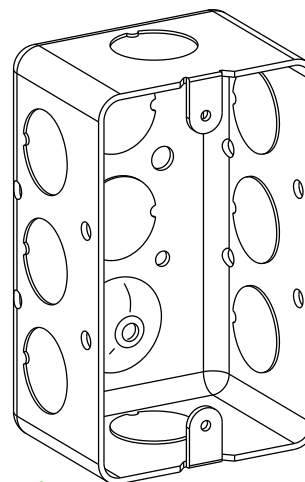
## SPECIAL APPLICATION UTILITY BOX

### DESCRIPTION:

Orbit Industries' Special Application Utility Box with ground emboss are used for receptacles, switches, and other devices. It is constructed from 16 gauge galvanized steel. The 1-7/8" deep, drawn steel box includes a ground emboss and 1/2" knockouts for ease of installation.

### CERTIFICATION:

UL file E227970, conforms to UL514A. acceptable for use in 2-hour fire rated walls.



### FEATURES

#### General:

With Raised Ground Emboss

#### Knockout:

50: 1/2" K.O.

#### Mfg. Process:

DRAWN

### DIMENSIONS

Width: 2-1/2"

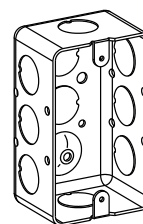
Height: 4-1/8"

Depth: 1-7/8"

Cu.In.: 17.0

### CONFIGURATION DATA

Catalog No.	Description	Std. Pkg.
WDHB-1-50	1-7/8" Raised Deep Drawn Box w/ Ground Emboss, 17.0 Cu. In., (10) - 1/2" K.O.s	25



WDHB-1-50



## SPECIFICATION & FEATURES

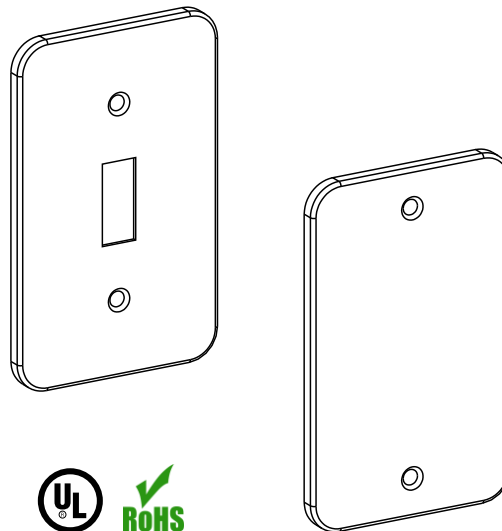
## SPECIAL APPLICATION UTILITY COVERS

### DESCRIPTION:

Orbit Industries' Special Application Utility Box Covers are used with handy boxes to protect wiring inside the box. They are raised-style covers, which are suitable to mount lighting fixtures. They are constructed from galvanized steel. Orbit Industries offers various designs for receptacles, switches, GFCI, and other devices.

### CERTIFICATION:

UL file E227970, conforms to UL514A. acceptable for use in 2-hour fire rated walls.



### FEATURES

**B:** Blank

**K:** 1/2" K.O.

**GFI:** GFCI / Decorative Switch

**TS:** Toggle Switch

**DR:** Duplex Receptacle

**SR:** Single Receptacle

### DIMENSIONS

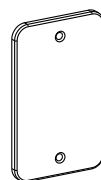
**Width:** 2-1/2"

**Height:** 4-1/8"

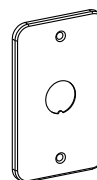
**Raised:** 3/16"

### CONFIGURATION DATA

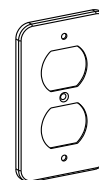
Catalog No.	Description	Std. Pkg.
WHBC-B	3/16" Raised Cover, Blank	25
WHBC-BK	3/16" Raised Cover, 1/2" KO	25
WHBC-DR	3/16" Raised Cover, Duplex Receptacle	25
WHBC-GFI	3/16" Raised Cover, GFCI / Decorative Switch	25
WHBC-SR	3/16" Raised Cover, Single Receptacle, 15A, 1.406" diameter	25
WHBC-TS	3/16" Raised Cover, Toggle Switch	25



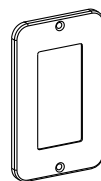
WHBC-B



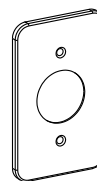
WHBC-BK



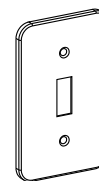
WHBC-DR



WHBC-GFI



WHBC-SR



WHBC-TS



## SPECIFICATION & FEATURES

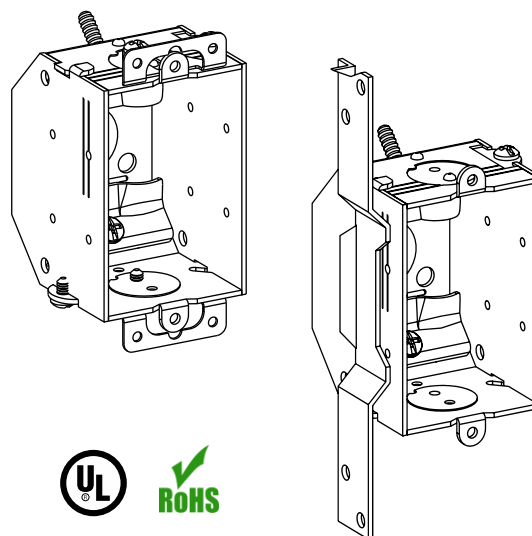
## GANGABLE SWITCH BOXES BEVELED CORNERS 2-1/4" DEEP

### DESCRIPTION:

Orbit Industries' Gangable Switch Boxes with Beveled Corners are used in the installation of switches and other devices in shallow walls. They are constructed from 16 gauge galvanized steel. Non-metallic clamps are installed through the beveled corners for ease of installation. Selected models include brackets for direct installations on stud, leveling bumps, or locking grips for old work.

### CERTIFICATION:

UL file E227970, conforms to UL514A. acceptable for use in 2-hour fire rated walls.



### FEATURES

#### General:

With NM Clamps installed through beveled corners

#### Knockout:

50: 1/2" K.O.

Loom: Loom Pryouts

#### Bracket:

FB: (L: 7-1/4", W: 3/4") Offset (9/16") Mounts on flat side of stud or joist

B: (L: 3", W: 2") Offset (9/16") Face mounts on front edge of wood stud

#### Clamp:

NM: Accommodates #14-2 to #10-3 Non-Metallic Sheathed Cables with ground. 45° & 90° Screw Mounting.

### DIMENSIONS

Width: 2"

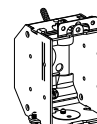
Height: 3"

Depth: 2-1/4"

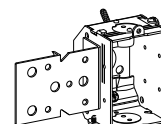
Cu.In.: 10.5

### CONFIGURATION DATA

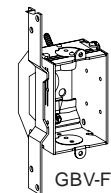
Catalog No.	Description	Knockouts			Std. Pkg.
		Bevels	Ends	Bottom	
GBV	Ears only	(4)-Loom	(2)-1/2"	(1)-1/2"	50
GBV-B	With 9/16" Setback B Bracket	(4)-Loom	(2)-1/2"	(1)-1/2"	50
GBV-FB	With 9/16" Setback FB Bracket	(4)-Loom	(2)-1/2"	(1)-1/2"	50
GBV-NE	No ears, with Leveling Bumps	(4)-Loom	(2)-1/2"	(1)-1/2"	50
GBV-OW	For Old Work, with Locking Grips	(4)-Loom	(2)-1/2"	(1)-1/2"	50



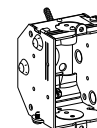
GBV



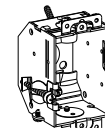
GBV-B



GBV-FB



GBV-NE



GBV-OW



## SPECIFICATION & FEATURES

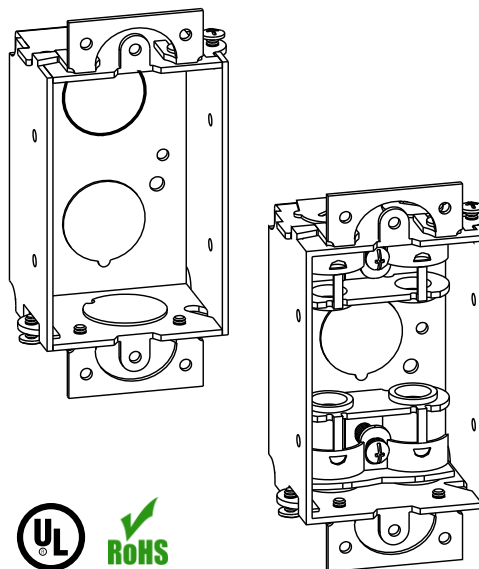
## EXTRA SHALLOW GANGABLE SWITCH BOXES 1-1/2" DEEP

### DESCRIPTION:

Orbit Industries' Extra Shallow Gangable Switch Boxes are used in the installation of switches, receptacles, and other electrical devices. They are constructed from 16 gauge galvanized steel. These 1-1/2" deep boxes are extra shallow to suit specific needs. Selected models include non-metallic cable clamps or metal clad cable clamps for ease of installation.

### CERTIFICATION:

UL file E227970, conforms to UL514A. acceptable for use in 2-hour fire rated walls.



### FEATURES

#### Knockout:

50: 1/2" K.O.

Loom: Loom Pryouts

#### BX/MC Clamp:

Accommodates Metal Clad Cables from size #14-2 to #10-4. All MC series boxes are suitable for use with MCAP™-Aluminum (MCAP is a trademark of Southwire Company)

#### Clamp:

NM: Accommodates #14-2 to #10-3 Non-Metallic Cables with ground

### DIMENSIONS

Width: 2"

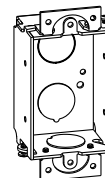
Height: 3"

Depth: 1-1/2"

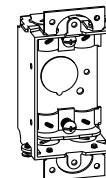
Cu.In.: 7.5

### CONFIGURATION DATA

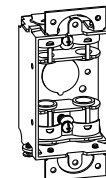
Catalog No.	Description	Knockouts		Std. Pkg.
		Ends	Bottom	
GESB-1	Ears only	(2)-1/2"	(2)-1/2"	50
GESB-1-NM	With NM Cable Clamps	(4)-Loom	(1)-1/2"	50
GESB-1-MC	With BX/MC Cable Clamps	(4)-Loom	(1)-1/2"	50



GESB-1



GESB-1-NM



GESB-1-MC





## SPECIFICATION & FEATURES

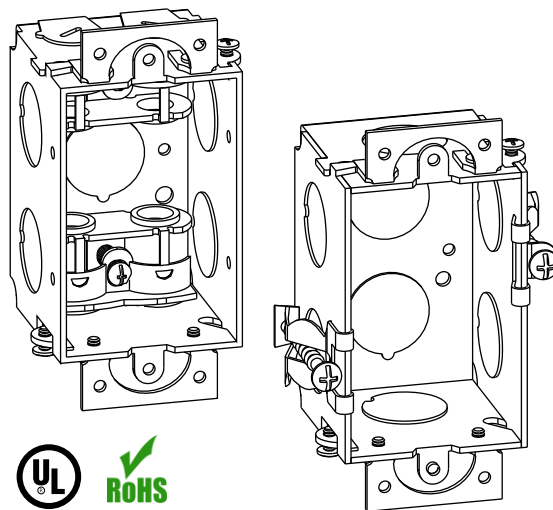
## SHALLOW GANGABLE SWITCH BOXES 2" DEEP

### DESCRIPTION:

Orbit Industries' Shallow Gangable Switch Boxes are used in the installation of switches, receptacles and other electrical devices. They are constructed from 16 gauge galvanized steel. These 2" deep boxes are shallow to suit specific needs. The ears on the top and bottom of the box assist in old work applications. Selected models include non-metallic cable clamps, metal clad cable clamps, and locking grips for old work.

### CERTIFICATION:

UL file E227970, conforms to UL514A. acceptable for use in 2-hour fire rated walls.



### FEATURES

#### Knockout:

50: 1/2" K.O.

Loom: Loom Pryouts

#### BX/MC Clamp:

Accommodates Metal Clad Cables from size #14-2 to #10-4. All MC series boxes are suitable for use with MCAP™-Aluminum (MCAP is a trademark of Southwire Company)

#### Clamp:

NM: Accommodates #14-2 to #10-3 Non-Metallic Cables with ground

### DIMENSIONS

Width: 2"

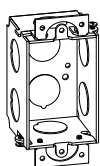
Height: 3"

Depth: 2"

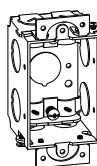
Cu.In.: 10

### CONFIGURATION DATA

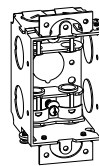
Catalog No.	Description	Knockouts			Std. Pkg.
		Sides	Ends	Bottom	
GSB-1	Ears only	(4)-1/2"	(2)-1/2"	(2)-1/2"	50
GSB-1-NM	With NM Cable Clamps	(4)-1/2"	(4)-Loom	(1)-1/2"	50
GSB-1-MC	With BX/MC Cable Clamps	(4)-1/2"	(4)-Loom	(1)-1/2"	50
GSB-1-OW	For Old Work, With Locking Grips	(4)-1/2"	(2)-1/2"	(2)-1/2"	50



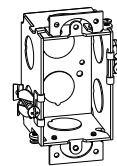
GSB-1



GSB-1-NM



GSB-1-MC



GSB-1-OW



## SPECIFICATION & FEATURES

### DESCRIPTION:

Orbit Industries' 2-1/2" Deep Gangable Switch Boxes are used in the installation of switches. Orbit Industries includes a variety of gangable switch boxes with non-metallic cable clamps, metal clad cable clamps, and old work tigergrrips. The wide tigergrip design is a non-gangable, wide old-work switch box for easy installation of GFCI or other large devices. Use with a Midi or Oversized switch plate.

### CERTIFICATION:

UL file E227970, conforms to UL514A. acceptable for use in 2-hour fire rated walls.

### FEATURES

#### Knockout:

**50:** 1/2" K.O.; **Loom:** Loom Pryouts; **MKO:** Moon K.O. (1/2" and 3/4" K.O.)

#### Bracket:

**FB:** (L: 7-1/4", W: 3/4") Offset (9/16") Mounts on flat side of stud or joist

**B:** (L: 3", W: 2") Offset (9/16") Face mounts on front edge of wood stud

#### Clamp:

**BX/MC :**Accommodates Metal Clad Cables from size #14-2 to #10-4. All MC series boxes are suitable for use with MCAP™-Aluminum (MCAP is a trademark of Southwire Company)

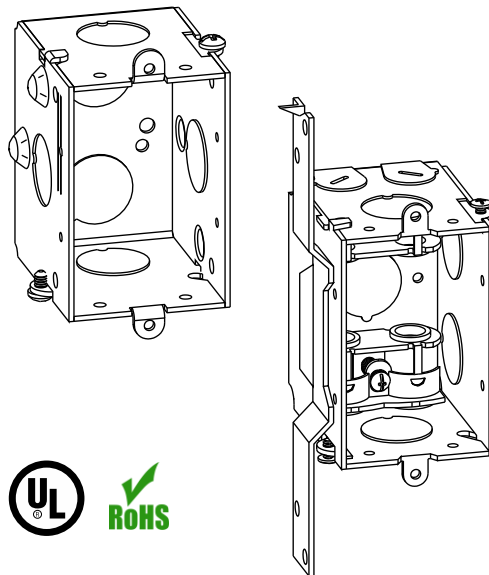
**NM:** Accommodates #14-2 to #10-3 Non-Metallic Cables with ground

#### TGW Features:

Non-gangable wide old-work switch box for easy installation of GFCI or other large devices

Use with Mid-Size or Jumbo Wallplates

## GANGABLE SWITCH BOXES 2-1/2" DEEP



### DIMENSIONS

**Width:** 2"

**Height:** 3"

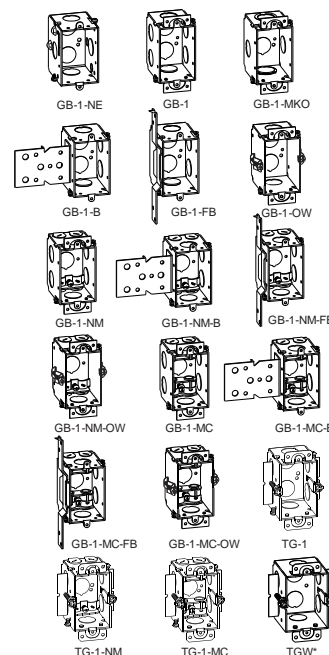
**Depth:** 2-1/2"

**Cu.In.:** 12.5

(For TGW 2-1/4" W x 3" H, 15.0 Cu.In.)

### CONFIGURATION DATA

Catalog No.	Description	Knockouts			Std. Pkg.
		Sides	Ends	Bottom	
GB-1-NE	No Ears, With Leveling Bumps	(2)-1/2"	(2)-1/2"	(2)-1/2"	50
GB-1	Ears Only	(4)-1/2"	(2)-1/2"	(2)-1/2"	50
GB-1-MKO	Ears Only, M.K.O	(2)-1/2"	(2)-MKO	(1)-1/2"	50
GB-1-B	With B Bracket(9/16" Setback)	(2)-1/2"	(2)-1/2"	(2)-1/2"	50
GB-1-FB	With FB Bracket(9/16" Setback)	(2)-1/2"	(2)-1/2"	(2)-1/2"	50
GB-1-OW	For Old Work, With Locking Grips	-	(2)-1/2"	(2)-1/2"	50
GB-1-NM	With NM Cable Clamps	(4)-1/2"	(2)-1/2", (4)-Loom	(1)-1/2"	50
GB-1-NM-B	With NM Cable Clamps & B Bracket	(2)-1/2"	(2)-1/2", (4)-Loom	(1)-1/2"	50
GB-1-NM-FB	With NM Cable Clamps & FB Bracket	(2)-1/2"	(2)-1/2", (4)-Loom	(1)-1/2"	50
GB-1-NM-OW	With NM Cable Clamps, For Old Work, With Locking Grips	-	(2)-1/2", (4)-Loom	(1)-1/2"	50
GB-1-MC	With BX/MC Cable Clamps	(4)-1/2"	(2)-1/2", (4)-Loom	(1)-1/2"	50
GB-1-MC-B	With BX/MC Cable Clamps & B Bracket	(2)-1/2"	(2)-1/2", (4)-Loom	(1)-1/2"	50
GB-1-MC-FB	With BX/MC Cable Clamps & FB Bracket	(2)-1/2"	(2)-1/2", (4)-Loom	(1)-1/2"	50
GB-1-MC-OW	With BX/MC Cable Clamps, For Old Work, With Locking Grips	-	(2)-1/2", (4)-Loom	(1)-1/2"	50
TG-1	Old Work Tigergrip	(4)-1/2"	(2)-1/2"	(2)-1/2"	50
TG-1-NM	Old Work Tigergrip, NM Cable Clamps	(4)-1/2"	(2)-1/2", (4)-Loom	(1)-1/2"	50
TG-1-MC	Old Work Tigergrip, BX/MC Cable Clamps	(4)-1/2"	(2)-1/2", (4)-Loom	(1)-1/2"	50
TGW	Wide Old Work Tigergrip(Non-Gangable), Must be used with Mid-Size or Jumbo Wall Plate	(4)-1/2"	(2)-1/2"	(2)-1/2"	50



## SPECIFICATION & FEATURES

### DESCRIPTION:

Orbit Industries' 2-3/4" Gangable Switch Boxes are used in the installation of switches. Models include a pre-assembled 10-32 ground screw and a solid #12AWG 7" Pigtail for ground applications. The 2-Gang gangable switch boxes can be expanded to multigangs by adding one or more GMB-1-NE units to the non-bracketed side. Orbit Industries' selection includes a variety of gangable switch boxes with non-metallic cable clamps, metal clad cable clamps, and old work tigergrrips. The wide tigergrip design is a non-gangable wide old-work switch box for easy installation of GFCI or other large devices. Use with a Midi or Oversized switch plate.

### CERTIFICATION:

UL file E227970, conforms to UL514A. acceptable for use in 2-hour fire rated walls.

### FEATURES

#### Pigtail Features:

**PT:** 7" Solid Cu. #12AWG Pigtail Pre-assembled with Ground Emboss and 10-32 Ground Screw

#### Knockout:

**50:** 1/2" K.O.; **Loom:** Loom Pryouts; **MKO:** Moon K.O. (1/2" and 3/4" K.O.)

#### Bracket:

**FB:** (L: 7-1/4", W: 3/4") Offset (9/16") Mounts on flat side of stud or joist

**B:** (L: 3", W: 2") Offset (9/16") Face mounts on front edge of wood stud

#### Clamp:

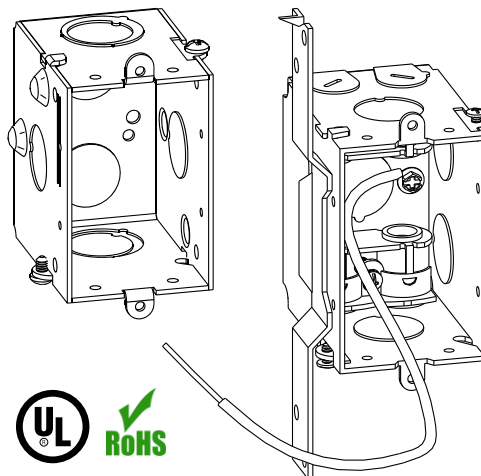
**BX/MC:** Accommodates Metal Clad Cables from size #14-2 to #10-4. All MC series boxes are suitable for use with MCAP™-Aluminum (MCAP is a trademark of Southwire Company)

**NM:** Accommodates #14-2 to #10-3 Non-Metallic Cables with ground

#### TGMW Features:

Non-gangable wide old-work switch box for easy installation of GFCI or other large devices  
Use with Mid-Size or Jumbo Wallplates

## GANGABLE SWITCH BOXES 2-3/4" DEEP



### DIMENSIONS

**Width:** 2" OR 4"

**Height:** 3"

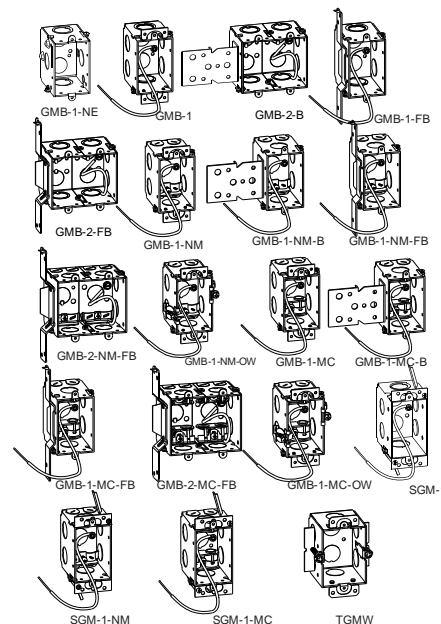
**Depth:** 2-3/4"

**Cu.In.:** 14.0 OR 28.0

(For TGMW 2-1/4" W x 3" H, 18.5 Cu.In.)

### CONFIGURATION DATA

Catalog No.	Description	Knockouts			Std. Pkg.
		Sides	Ends	Bottom	
GMB-1-NE	No Ears, With Leveling Bumps	(2)-1/2"	(2)-MKO	(2)-1/2"	50
GMB-1	Ears Only	(4)-1/2"	(2)-MKO	(2)-1/2"	50
GMB-2-B	With B Bracket	(2)-1/2"	(4)-MKO	(4)-1/2"	25
GMB-1-FB	With FB Bracket(9/16" Setback)	(2)-1/2"	(2)-MKO	(2)-1/2"	50
GMB-2-FB	With FB Bracket(9/16" Setback)	(2)-1/2"	(4)-MKO	(4)-1/2"	25
GMB-1-NM	With NM Cable Clamps	(4)-1/2"	(2)-1/2", (4)-Loom	(1)-1/2"	50
GMB-1-NM-B	NM Cable Clamps & B Bracket (9/16" Setback)	(2)-1/2"	(2)-1/2", (4)-Loom	(1)-1/2"	50
GMB-1-NM-FB	NM Cable Clamps & FB Bracket (9/16" Setback)	(2)-1/2"	(2)-1/2", (4)-Loom	(1)-1/2"	50
GMB-2-NM-FB	NM Cable Clamps & FB Bracket (9/16" Setback)	(2)-1/2"	(4)-1/2", (8)-Loom	(2)-1/2"	25
GMB-1-NM-OW	With NM Cable Clamps, Old Work Grips	(4)-1/2"	(2)-1/2", (4)-Loom	(1)-1/2"	50
GMB-1-MC	With BX/MC Cable Clamps	(4)-1/2"	(2)-1/2", (4)-Loom	(1)-1/2"	50
GMB-1-MC-B	BX/MC Clamps & B Bracket (9/16" Setback)	(2)-1/2"	(2)-1/2", (4)-Loom	(1)-1/2"	50
GMB-1-MC-FB	BX/MC Clamps & FB Bracket (9/16" Setback)	(2)-1/2"	(2)-1/2", (4)-Loom	(1)-1/2"	50
GMB-2-MC-FB	With BX/MC Cable Clamps, Old Work Grips	(2)-1/2"	(4)-1/2", (8)-Loom	(2)-1/2"	25
GMB-1-MC-OW	Gangable Old Work switch box	(4)-1/2"	(2)-1/2", (4)-Loom	(1)-1/2"	50
SGM-1	Gangable Old Work switch box	(4)-1/2"	(2)-MKO	(2)-1/2"	50
SGM-1-NM	Gangable Old Work NM switch box	(4)-1/2"	(2)-1/2", (4)-Loom	(1)-1/2"	50
SGM-1-MC	Gangable Old Work BX/MC Switch Box	(4)-1/2"	(2)-1/2", (4)-Loom	(1)-1/2"	50
TGMW	Wide Old Work Tigergrip (Non-Gangable) Must be used with Mid-Size or Jumbo Wall Plate	(4)-1/2"	(2)-1/2"	(2)-1/2"	50



## SPECIFICATION & FEATURES

## GANGABLE SWITCH BOXES 3-1/2" DEEP

### DESCRIPTION:

Orbit Industries' 3-1/2" Deep Gangable Switch Boxes are used in the installation of switches. Models include a pre-assembled 10-32 grounds screw and a solid #12AWG 7" Pigtail for ground applications. They are constructed from 16 gauge galvanized steel. Orbit Industries' selection includes a variety of gangable switch boxes with non-metallic cable clamps, metal clad cable clamps, and old work tigergrrips.

### CERTIFICATION:

UL file E227970, conforms to UL514A. acceptable for use in 2-hour fire rated walls.

### FEATURES

#### Pigtail Features:

7" Solid Cu. #12AWG Pigtail Pre-assembled with Ground Emboss and 10-32 Ground Screw (Except for GDB-1-NE)

#### Knockout:

**50:** 1/2" K.O.; **Loom:** Loom Pryouts;  
**MKO:** Moon K.O. (1/2" and 3/4" K.O.)

#### Bracket:

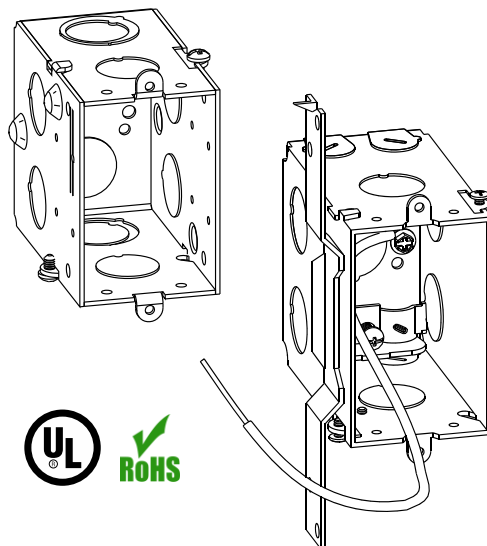
**FB:** (L: 7-1/4", W: 3/4") Offset (9/16") Mounts on flat side of stud or joist  
**B:** (L: 3", W: 2") Offset (9/16") Face mounts on front edge of wood stud

#### Clamp:

**NM:** Accommodates #14-2 to #10-3 Non-Metallic Sheathed Cables with ground. 45° & 90° Screw Mounting.

#### BX/MC Clamp:

Accommodates Metal Clad Cables from size #14-2 to #10-4. All MC series boxes are suitable for use with MCAP™-Aluminum (MCAP is a trademark of Southwire Company)



### DIMENSIONS

**Width:** 2"

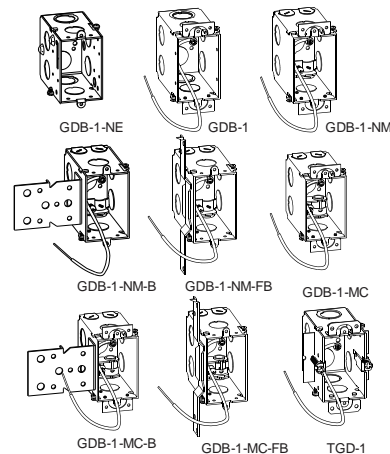
**Height:** 3"

**Depth:** 3-1/2"

**Cu.In.:** 18.0

### CONFIGURATION DATA

Catalog No.	Description	Knockouts			Std. Pkg.
		Sides	Ends	Bottom	
GDB-1-NE	No Ears, with Leveling Bumps	(4)-1/2"	(2)-1/2", (2)-MKO	(2)-1/2"	50
GDB-1	Ears only	(4)-1/2"	(2)-1/2", (2)-MKO	(2)-1/2"	50
GDB-1-NM	With NM Cable Clamps	(4)-1/2"	(2)-1/2", (4)-Loom	(1)-1/2"	50
GDB-1-NM-B	With NM Cable Clamps & B Bracket	(4)-1/2"	(2)-1/2", (4)-Loom	(1)-1/2"	50
GDB-1-NM-FB	With NM Cable Clamps & FB Bracket	(4)-1/2"	(2)-1/2", (4)-Loom	(1)-1/2"	50
GDB-1-MC	With BX/MC Cable Clamps	(4)-1/2"	(2)-1/2", (4)-Loom	(1)-1/2"	50
GDB-1-MC-B	With BX/MC Cable Clamps & B Bracket	(4)-1/2"	(2)-1/2", (4)-Loom	(1)-1/2"	50
GDB-1-MC-FB	With BX/MC Cable Clamps & FB Bracket	(4)-1/2"	(2)-1/2", (4)-Loom	(1)-1/2"	50
TGD-1	Gangable Old Work Tigergrip	(4)-1/2"	(2)-1/2", (2)-MKO	(2)-1/2"	50



## SPECIFICATION & FEATURES

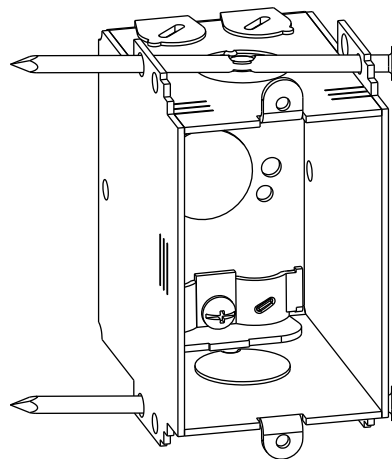
## NON-GANGABLE NAIL-ON SWITCH BOXES 2-3/4" DEEP

### DESCRIPTION:

Orbit Industries' 2-3/4" Non-Gangable Switch Boxes are used in the installation of switches. Orbit Industries' selection includes a variety of switch boxes with non-metallic cable clamps, metal clad cable clamps, and Mounting Nails. They are constructed from 16 gauge galvanized steel.

### CERTIFICATION:

UL file E227970, conforms to UL514A. acceptable for use in 2-hour fire rated walls.



### FEATURES

#### General:

With two mounting nails

#### Knockout:

50: 1/2" K.O.

Loom: Loom Pryouts

#### BX/MC Clamp:

Accommodates Metal Clad Cables from size #14-2 to #10-4. All MC series boxes are suitable for use with MCAP™-Aluminum (MCAP is a trademark of Southwire Company)

#### Clamp:

NM: Accommodates #14-2 to #10-3 Non-Metallic Cables with ground

### DIMENSIONS

Width: 2-1/8"

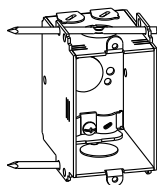
Height: 3"

Depth: 2-3/4"

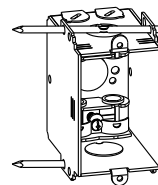
Cu.In.: 15.9

### CONFIGURATION DATA

Catalog No.	Description	Knockouts		Std. Pkg.
		Ends	Bottom	
GMB-NM-NO	Nail-On Non-Gangable, with NM Clamps	(2)-1/2", (4)-Loom	(1)-1/2"	50
GMB-MC-NO	Nail-On Non-Gangable, with BX/MC Clamps	(2)-1/2", (4)-Loom	(1)-1/2"	50



GMB-NM-NO



GMB-MC-NO



## SPECIFICATION & FEATURES

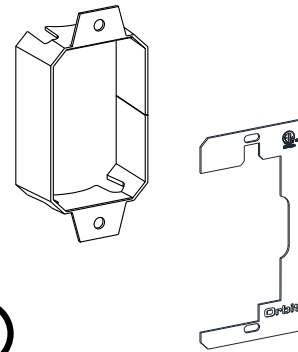
## ACCESSORIES

### DESCRIPTION:

Orbit Industries' accessories for switch box and device.

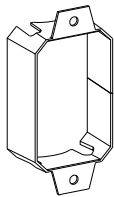
### CERTIFICATION:

UL file E227970, conforms to UL514A.

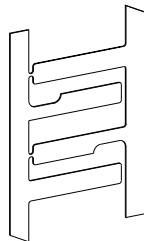


## CONFIGURATION DATA

Catalog No.	Description	Std. Pkg.
SB-EXT	Switch Box Extension fits any 1-Gang Box, adjustable from 1/4" to 1" to shield combustible wall surfaces from wiring system, 3.5 Cu. In	25
SBS	Switch Box Support with bendable tabs, 20GA	100
DLR-1G	Device Leveler and Retainer, 1-Gang	50



SB-EXT



SBS



DLR-1G



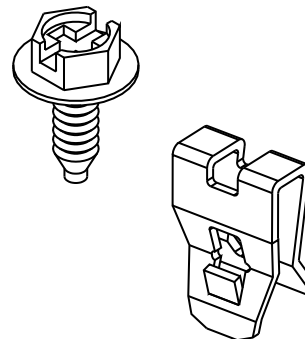


## SPECIFICATION & FEATURES

## GROUND SCREWS & CLIP

### DESCRIPTION:

Orbit Industries' Ground Screws and Grounding Clip



### CERTIFICATION:

UL file E227970, conforms to UL514A.

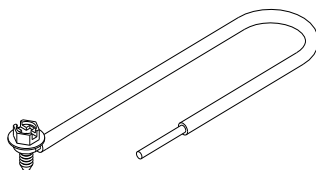


## CONFIGURATION DATA

Catalog No.	Description	Std. Pkg.	Master Carton
GS-1032	Ground Screw 10-32 x 3/8", Green, Slotted/Philips/Hex Washer Head	100	1000
GS-1032-PT	GS-1032 with 7" Solid Cu. #12AWG Pigtail	50	250
GS-1032-PT-10	GS-1032 with 10" Solid Cu. #12AWG Pigtail	50	1000
GS-1032-PT-12	GS-1032 with 12" Solid Cu. #12AWG Pigtail	50	250
GC	Grounding Clip, for #14 - #10 AWG Copper	100	1000



GS-1032



GS-1032-PT  
GS-1032-PT-10  
GS-1032-PT-12



GC



## SPECIFICATION & FEATURES

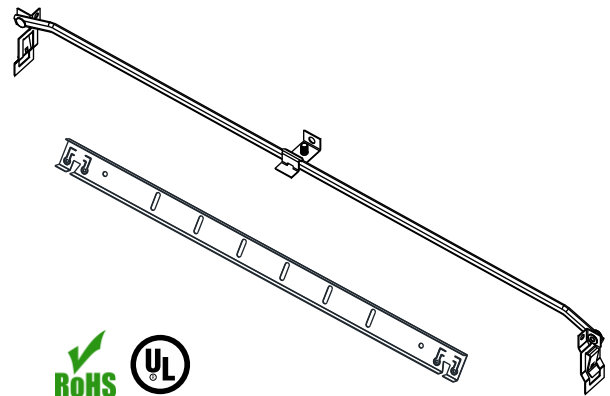
## FIXED BAR HANGERS

### DESCRIPTION:

Orbit Industries' Fixed Bar Hangers are used to securely install electrical and ceiling boxes that are offset from studs or joists. Orbit Industries offers a variety of designs, including T-bar brackets, straight bar hangers, offset bar hangers, and more. The T-bar bracket allows the ceiling box to slide along the bar after mounting. The BHT-1A model include height adjustment of the bracket up to 8" for a flush finish with the ceiling. Selected models include slots, BH-C box clips, or rings for ease of installation.

### CERTIFICATION:

UL file E227970, conforms to UL514A. acceptable for use in 2-hour fire rated walls.

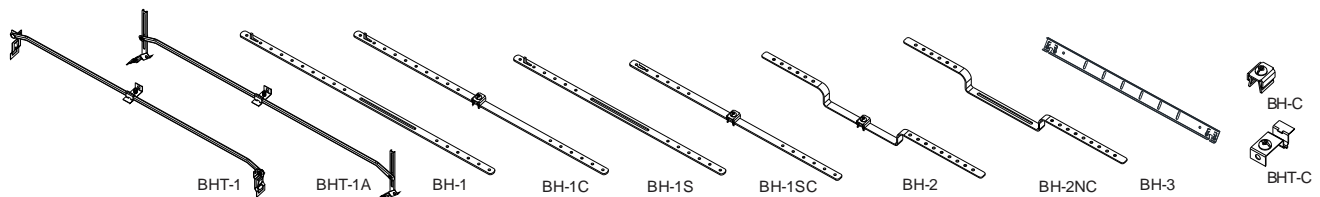


### FEATURES

For Stud and T-Bar

### CONFIGURATION DATA

Catalog No.	Description	Std. Pkg.
BHT-1	24" T-Bar bracket for use with boxes 1-1/2" or 2-1/8" Deep	50
BHT-1A	24" T-Bar bracket - 8" height adjustable	50
BH-1	24" Straight bar hanger for mounting ceiling boxes, Slotted, Includes 2 Stove Bolts per Unit	50
BH-1C	24" Straight bar hanger for mounting ceiling boxes, with BH-C Box Clip	50
BH-1S	20" Straight bar hanger for mounting ceiling boxes, Slotted, Includes 2 Stove Bolts per Unit	50
BH-1SC	20" Straight bar hanger for mounting ceiling boxes, With Box Clip BH-C	50
BH-2	21" Offset(1-1/2")bar hanger for mounting boxes with ring	50
BH-2NC	21" Offset(1-1/2")bar hanger for mounting boxes with ring, Slotted, Includes 2 Stove Bolts per Unit	50
BH-C	Additional box clip & screw set for use with BH-1, BH-1S & BH-2NC	100
BH-3	Straight bracket for mounting architectural recess lights 25-1/4" long with notches 24" apart for use on T-Bar	50
BHT-C	Additional box clip & screw set for use with BHT-1& BHT-1A	100

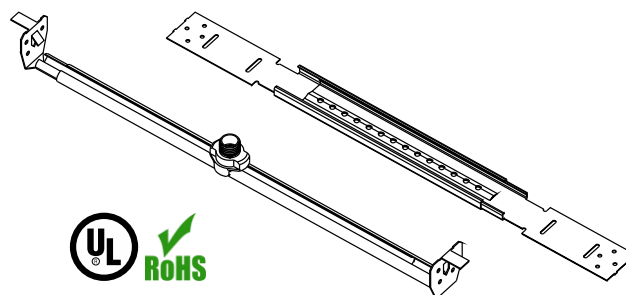


## SPECIFICATION & FEATURES

## ADJUSTABLE BAR HANGERS

### DESCRIPTION:

Orbit Industries' Adjustable Bar Hangers are used to install electrical boxes that offset from stud walls. Orbit Industries offers a variety of adjustable bar hangers, including adjustable box brackets with bendable ends, far-side box supports, and old work clips that secure steel boxes to the wall.

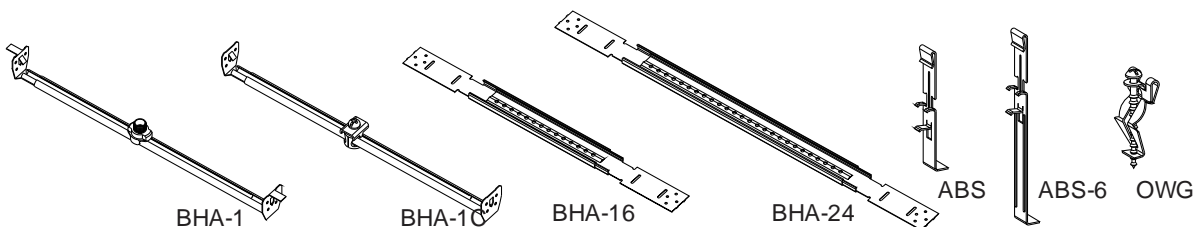


### CERTIFICATION:

UL file E227970, conforms to UL514A. acceptable for use in 2-hour fire rated walls.

### CONFIGURATION DATA

Catalog No.	Description	Std. Pkg.
BHA-1	Adjustable bar hang with stud for joist spacing 16" to 24" with #3/8-18 NPS Threaded Stud	50
BHA-1C	Adjustable bar hang with stud for joist spacing 16" to 24" with Box Clip	50
BHA-16	11" to 18" Adjustable box bracket-Mount Box with self-tapping screws on notches. Ends bend and wrap around stud-Can be used with boxes 1-1/2", 2-1/8" or 2-1/2" Deep	50
BHA-24	15-3/4" to 26" Adjustable box bracket-Mount Box with self-tapping screws on notches. Ends bend and wrap around stud-Can be used with boxes 1-1/2", 2-1/8" or 2-1/2" Deep	50
ABS	Far-side Back Support for 1-1/2" & 2-1/8" Deep Boxes, For use with 4" Metal Studs	50
ABS-6	Far-side Back Support for 1-1/2" & 2-1/8" Deep Boxes, For use with 6" Metal Studs	50
OWG	Clips and locks old-work steel boxes tightly to wall, 2 required per box.	100

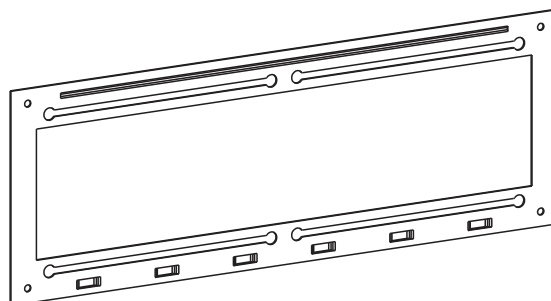


## SPECIFICATION & FEATURES

### MULTIPLE-BOX BAR HANGER FLAT

#### DESCRIPTION:

Orbit Industries' Multiple-Box Bar Hangers are used to accommodate 4" and 4-11/16" electrical boxes. It allows electric boxes to easily be adjusted horizontally along the bracket and reduces assembly time on job site.



#### CERTIFICATION:

RoHS Compliant



#### FEATURES

##### General:

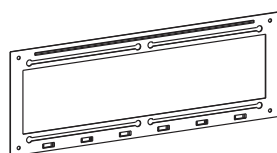
- Pre-galvanized 0.043" thick sheet metal
- Individual brackets accommodate 4S and 5S steel boxes
- Allows steel boxes to adjust easily horizontally along the bracket
- Reduces assembly time on job site

#### DIMENSIONS

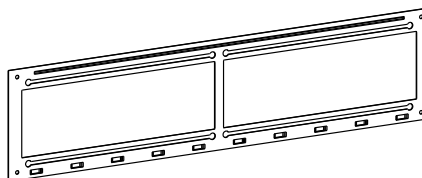
See details below

#### CONFIGURATION DATA

Catalog No.	Application	Dimensions (W X L)	Box		Std. Pkg.
			Sides	Bottom	
MBBH-16	For 16" Stud spacing	6" x 16"	4" & 4-11/16"	1-1/2" & 2-1/8"	50
MBBH-24	For 24" Stud spacing	6" x 24"	4" & 4-11/16"	1-1/2" & 2-1/8"	50



MBBH-16



MBBH-24



## SPECIFICATION & FEATURES

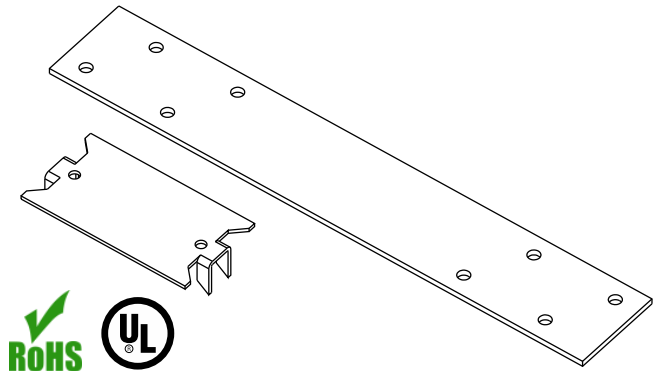
## NAIL SAFETY PLATES

### DESCRIPTION:

Orbit Industries' Nail Safety Plates install on wood studs and structural members to prevent screws and nails from penetrating and damaging wiring and pipes. Selected models include mounting prongs for ease of installation.

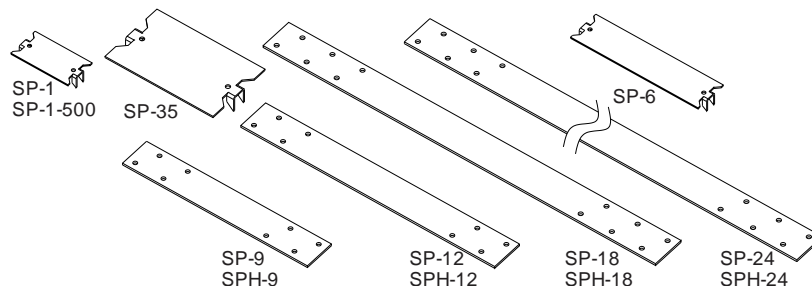
### CERTIFICATION:

UL file E227970, conforms to UL514A. acceptable for use in 2-hour fire rated walls.



### CONFIGURATION DATA

Catalog No.	Features	Dimensions (W X L)	Thickness	Std. Pkg.
SP-1	With 2 Mounting Prongs & 1 Nail Hole Each End	1.5" x 2.75"	16 GA	100
SP-1-500	With 2 Mounting Prongs & 1 Nail Hole Each End	1.5" x 2.75"	16 GA	500
SP-35	With 2 Mounting Prongs & 1 Nail Hole Each End	3" x 5"	16 GA	100
SP-6	With 2 Mounting Prongs & 1 Nail Hole Each End	1.5" x 6"	16 GA	100
SP-9	With 4 Nail Holes Each End	1.5" x 9"	16 GA	50
SP-12	With 4 Nail Holes Each End	1.5" x 12"	16 GA	50
SP-18	With 6 Nail Holes Each End	1.5" x 18"	16 GA	50
SP-24	With 6 Nail Holes Each End	1.5" x 24"	16 GA	50
SPH-9	Heavy-Duty, With 4 Nail Holes Each End	1.5" x 9"	12 GA	50
SPH-12	Heavy-Duty, With 4 Nail Holes Each End	1.5" x 12"	12 GA	50
SPH-18	Heavy-Duty, With 6 Nail Holes Each End	1.5" x 18"	12 GA	50
SPH-24	Heavy-Duty, With 6 Nail Holes Each End	1.5" x 24"	12 GA	50



## SPECIFICATION & FEATURES

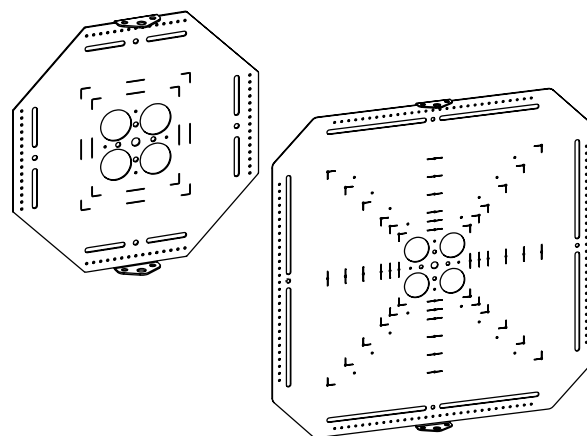
## BOX & CONDUIT HANGER SUPPORT

### DESCRIPTION:

Orbit Industries' Box & Conduit Hanger Support series is an innovative solution for installation of a hanging box using one plate. Orbit's support bracket is self-reinforcing as more conduits are added and require only one rod.

### CERTIFICATION:

UL file E310661 Listed  
ETL Listed



Patented

### FEATURES

#### General:

- ETL Rated: Support of 100lbs (45.36kg) or less
- 16 Gauge Steel, Pre-Galvanized
- No cutting required
- Stamped markings provide guide lines
- Pin holes and slots allow for use of conduit straps
- Self-reinforcing as more conduit is added
- Requires only one rod for installation
- Easy to preassemble for labor cost savings
- MADE IN USA

### DIMENSIONS

**BCBS-10:** Length-10.75", Width-10.75"

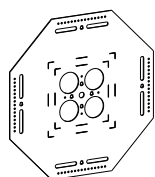
**BCBS-6:** Length-10.75", Width-10.75"

**BCBS-6S:** Length-13.3", Width-13.3"

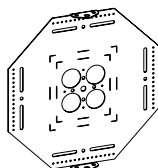
**BCBS-12:** Length-18", Width-18"

### CONFIGURATION DATA

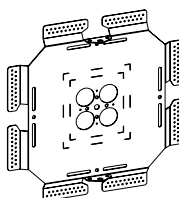
Catalog No.	Description	Std. Pkg.
BCBS-10	Fits up to 6" x 6" Boxes	25
BCBS-6	Horizontal mounting, and Provide bent tabs for vertical mounting, fits up to 6" x 6" Boxes	10
BCBS-6S	Horizontal mounting, and Provide bent tabs for vertical mounting, and enable the use of one-hole strap, fits up to 6" x 6" Boxes	10
BCBS-12	Horizontal mounting, and Provide bent tabs for vertical mounting, fits up to 12" x 12" Boxes	5



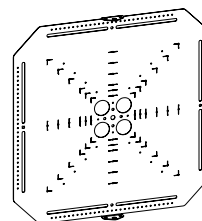
BCBS-10



BCBS-6



BCBS-6S



BCBS-12



## SPECIFICATION & FEATURES

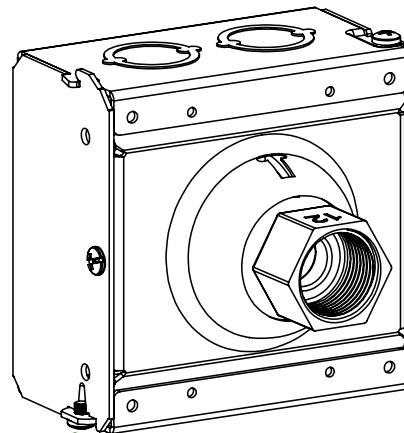
### EASY ACCESS LIGHTING BOX 2-1/8" DEEP

#### DESCRIPTION:

Orbit Industries' EALB and EALBS are fast and versatile products for lighting fixture installations. According to our design, installation only requires one personnel to complete all the steps.

#### CERTIFICATION:

UL file E227970, conforms to UL514A. acceptable for use in 2-hour fire rated walls.



#### FEATURES

##### General:

- Fast and efficient installations
- Sliding cover plate for one person installations
- For Fixture Support of 90 lbs (40.8kg) or less
- Patented Cover for EALB

##### Knockout:

50: 1/2" K.O.

75: 3/4" K.O.

CKO: Concentric K.O. (1/2" and 3/4" K.O.)

#### DIMENSIONS

Width: 4"

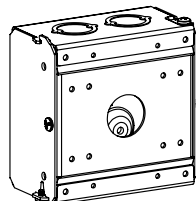
Height: 4"

Depth: 2-1/8"

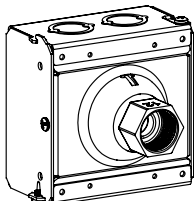
Cu.In.: 30.3

#### CONFIGURATION DATA

Catalog No.	Description	Knockouts		Std. Pkg.
		Sides	Bottom	
EALB	Easy Access Lighting Box	(4)-CKO	(3)-1/2", (1)-3/4"	50
EALBS	Easy Access Lighting Box with Sliding Swivel Cover SCS-75S	(4)-CKO	(3)-1/2", (1)-3/4"	50



EALB



EALBS

