

switches

 **SELECTA[®]**

SWITCH CATALOG 2011



Selecta Bagged Product

SELECTA WALL RACK Part #SSWALLRACK

This unit is FREE with any new Selecta Kit that contains Poly Zip-Lock Bagged Products.

Kit #: SS-DA-37/111; SL-DA-42/156;
SC-DA-20/82; and ST-DA-42/74

SELECTA POLY BAGS

Your customers can get "hands on" with the product without destroying the package.

Poly bags fit on the gondola as well as our wall / counter display units.



SELECTA PLEXI SWITCH DISPLAY Part #SS-TPPR-D

Eye catching and functional, these plexi displays fit on counters, slatwalls or pegboards.

Includes Toggles, Pushbutton, Pullchain and Rotary Switches.

SELECTA GONDOLA UNIT (at right) Part #SSG

This gondola unit is FREE with any order of two or more Selecta Kits that contain Poly Zip-Lock Bagged Products.

Kit #: SS-DA-37/111; SL-DA-42/156;
SC-DA-20/82; and ST-DA-42/74



TABLE OF CONTENTS

Displays and Bagged Product	Inside Front Cover
Our Advantages	i
Switches	1 - 12
<i>Toggle Switches</i>	1 - 4
Maintain Contact	1 - 3
SPST	1
SPDT	2
DPST	2 - 3
DPDT	3
3PST	3
3PDT	3
4PST	3
4PDT	3
Momentary Contact	4
<i>Pushbutton Switches</i>	5
<i>Pullchain Switches</i>	6
<i>Rotary Switches</i>	6
<i>Rocker Switches</i>	7 - 12
Small Appliance	7 - 8
Maintained Contact	7
Momentary Contact	8
Large Appliance	9 - 10
Maintained Contact	9
Momentary Contact	10
Internationally Approved	11 - 12
Part Number Numeric Index	13
Product Alpha Index	14
Manufacturers Line Card	Inside Back Cover

All specifications and dimensions are for reference only. If specific information is needed and/or of critical nature, contact Selecta Products headquarters for specific information before ordering.

©2011 SELECTA PRODUCTS, INC.

"SELECTA" is a registered trademark (Marca Registrada, "Marque Déposée") of Selecta Products, Inc. a California corporation.



Selecta Advantages

One Stop Shopping - Consolidating Vendors and Orders

One purchase order, one invoice, one receivable, one check to cut, one Rep and one Customer Service Department. Saves transaction costs and time!

Low Combinable Minimum Order & Free Freight Requirement

All brands & products are fully combinable for our \$50 minimum order and \$500 order free freight requirement.

Two Shipping Locations

90% of our distributors will receive their shipments within 2 days of placement of their order! Memphis, TN and Tehachapi, CA are our two major shipping centers for all of our standard stock including ACORN Fasteners.

Expanded Shipping Hours

Orders received by 4:30 p.m. will ship the same day!

98% Fill Rate

Standard stock items average over 98% fill rate the day the order is placed.

Customer Service Hours

6 a.m. to 5 p.m., Monday through Thursday; 6 a.m. to 4:30 p.m., Friday, Pacific Time.

We Sell Only to Distributors!

Associations

Selecta is proud to be a Vendor/Supplier Member of these great organizations, earning you full credits for all brands and products you purchase through Selecta.

Local Reps

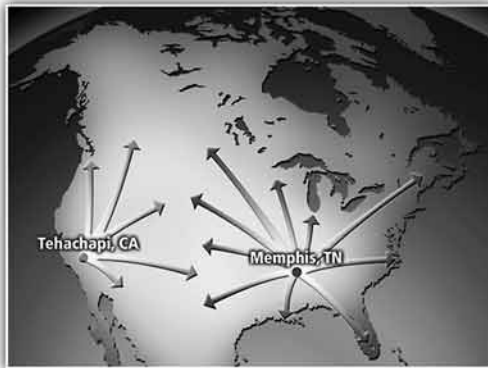
Local NEMRA and ERA Reps that know you and your marketplace, call on you to serve your needs.

Outsourcing & Bulk Services

You have access to all brand name products on orders of any volume to meet the needs of your OEM and MRO customers.

Literature

Selecta offers Catalogs, POP Brochures, Line Cards & Promo Flyers to help you identify your needs for our products and services.



TOGGLE SWITCHES • UTILITY & HEAVY DUTY

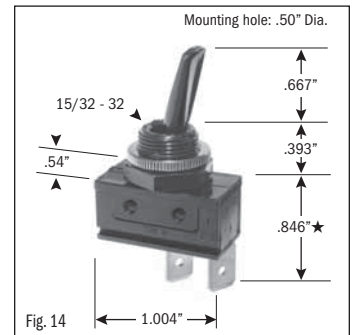
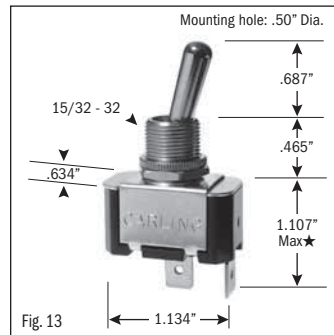
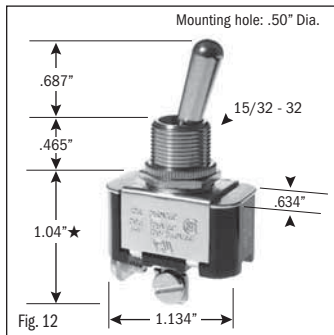
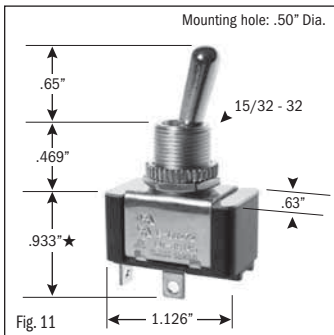
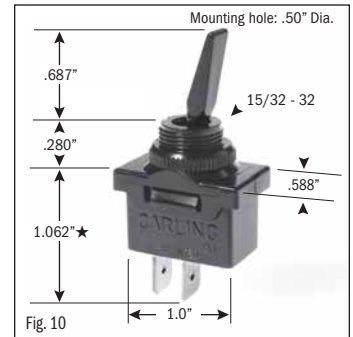
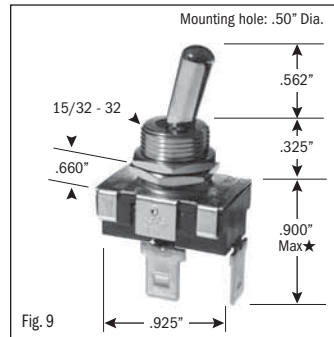
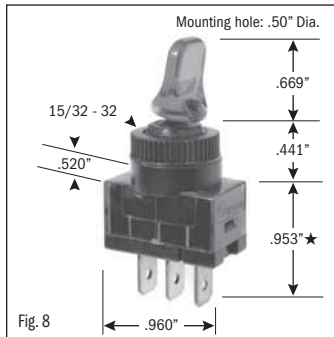
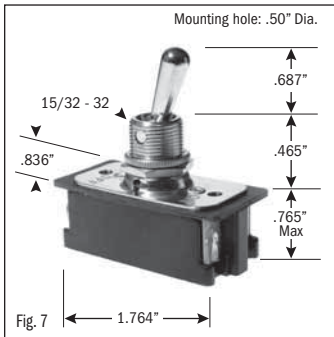
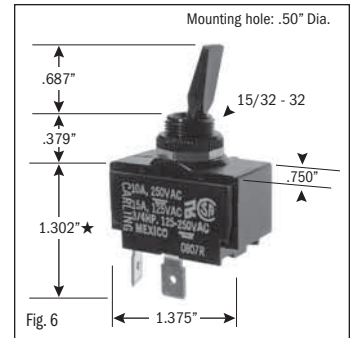
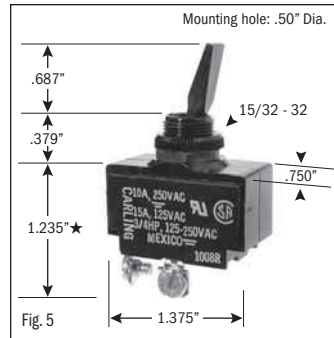
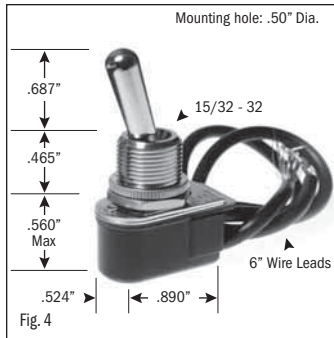
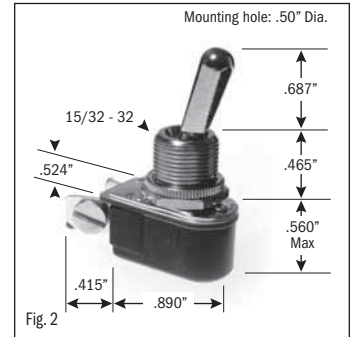
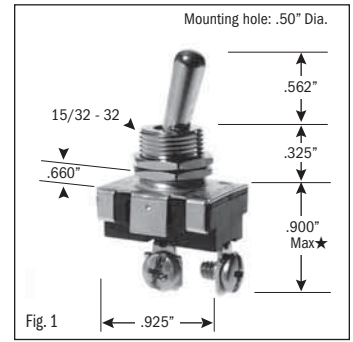
.50" MOUNTING HOLE DIAMETER										
POLES & THROWS	CIRCUIT FUNCTIONS	NOMINAL RATING			ACTUATOR STYLE	ACTUATOR MATERIAL	LIGHTED TOGGLE/TOGGLE COLOR	TERMINATION TYPE	CATALOG NUMBER	FIG. NO.
		AMPS	AMPS	H.P.						
		125 VAC	250 VAC	125-250 VAC						

MAINTAINED CONTACT

SPST	ON-OFF	6	3		BAT	BRASS/NICKEL	NO/NICKEL	SCREW	SS201-1-BG	1
SPST	ON-OFF	6*	3*		BAT	BRASS/NICKEL	NO/NICKEL	SCREW	SS204-4-BG	2
SPST	ON-OFF	6*	3*		BAT	BRASS/NICKEL	NO/NICKEL	WIRE	SS204W-BG	3
SPST	ON-OFF	10*	5*	1/4*	BAT	BRASS/NICKEL	NO/NICKEL	WIRE	SS205-5-BG	4
SPST	ON-OFF	15	10	3/4	FLAT	NYLON	NO/BLACK	SCREW	SS508-BG	5
SPST	ON-OFF	15	10	3/4	FLAT	NYLON	NO/BLACK	.250" SPADE	SS501-BG	6
SPST	ON-OFF	16*	8*	1*	BAT	BRASS/NICKEL	NO/NICKEL	SCREW	SS209-8-BG	7
SPST	ON-OFF	20 AMPS	12 VDC ³		FLAT	PLASTIC	YES/AMBER ³	.250" SPADE	SS110A-BG ¹	8
SPST	ON-OFF	20 AMPS	12 VDC ³		FLAT	PLASTIC	YES/GREEN ³	.250" SPADE	SS110G-BG ¹	8
SPST	ON-OFF	20 AMPS	12 VDC ³		FLAT	PLASTIC	YES/RED ³	.250" SPADE	SS110R-BG ¹	8
SPST	ON-OFF	20	10	3/4	BAT	BRASS/NICKEL	NO/NICKEL	.250" SPADE	SS113-BG ¹	9
SPST	ON-OFF	20	10	1 1/2	FLAT	NYLON	NO/BLACK	.250" SPADE	SS106-BG ¹	10
SPST	ON-OFF	20	10Δ	3/4	BAT	BRASS/NICKEL	NO/NICKEL	SOLDER LUGS	SS256L-BG	11
SPST	ON-OFF	20	12	1	BAT	BRASS/NICKEL	NO/NICKEL	SCREW	SS206S-BG	12
SPST	ON-OFF	20	12	1	BAT	BRASS/NICKEL	NO/NICKEL	.250" SPADE	SS206SP-BG	13
SPST	ON-OFF	20	12	1	BAT	BRASS/NICKEL	NO/NICKEL	.250" SPADE	SS202P-BG ¹	13
SPST	ON-OFF	20	20	1/2‡	FLAT	NYLON	NO/BLACK	.250" SPADE	SS251SP-BG	14

*Stated Amperage and voltage also valid for D.C. Rating
 ‡ Also 1 HP 250 VAC; 20 Amps 6-28 VDC; 16(4) Amps 250 VAC T85
³ Lamp rated 12 VDC
 Δ Rated 10 Amps 277 VAC
¹ Separate Female Quick Connect Solderless Insulated Terminals, ST-16, provided with switch when ordered with suffix "BG"

continued on page 2



★ Switch height measurement in Figures above, includes body and terminals combined



All specifications and dimensions are for reference only. If specific information is needed and/or of critical nature, contact Selecta Products headquarters for specific information before ordering.

TOGGLE SWITCHES • UTILITY & HEAVY DUTY

.50" MOUNTING HOLE DIAMETER

POLES & THROWS	CIRCUIT FUNCTIONS	NOMINAL RATING			ACTUATOR STYLE	ACTUATOR MATERIAL	LIGHTED TOGGLE/TOGGLE COLOR	TERMINATION TYPE	CATALOG NUMBER	FIG. NO.
		AMPS VAC	AMPS VAC	H.P. VAC						
		125	250	125-250						

MAINTAINED CONTACT

SPDT	ON-ON	15	10	3/4	FLAT	NYLON	NO/BLACK	SCREW	SS509-BG	1
SPDT	ON-ON	15	10	3/4	FLAT	NYLON	NO/BLACK	.250" SPADE	SS502-BG	2
SPDT	ON-ON	20	10	3/4	BAT	BRASS/NICKEL	NO/NICKEL	.250" SPADE	SS114-BG ¹	3
SPDT	ON-ON	20	10	3/4	BAT	BRASS/NICKEL	NO/NICKEL	SCREW	SS206R-BG	4
SPDT	ON-ON	20	10 Δ	3/4	BAT	BRASS/NICKEL	NO/NICKEL	.250" SPADE	SS206RP-BG	5
SPDT	ON-OFF-ON	15	10	3/4	FLAT	NYLON	NO/BLACK	.250" SPADE	SS503-BG	2
SPDT	ON-OFF-ON	20	10	3/4	BAT	BRASS/NICKEL	NO/NICKEL	.250" SPADE	SS115-BG ¹	3
SPDT	ON-OFF-ON	20	10	3/4	BAT	BRASS/NICKEL	NO/NICKEL	.250" SPADE	SS206P-BG	5
SPDT	ON-OFF-ON	20	10	3/4	BAT	BRASS/NICKEL	NO/NICKEL	SCREW	SS206-15-BG	4
2	1 & 2 ON-1 ON-OFF	15	10	1/2 @ 250	BAT	BRASS/NICKEL	NO/NICKEL	SCREW	SS230-BG	6
DPST	ON-OFF	6	3		BAT	BRASS/NICKEL	NO/NICKEL	SCREW	SS267S-BG	7
DPST	ON-OFF	15	10	3/4	FLAT	NYLON	NO/BLACK	SCREW	SS510-BG	8
DPST	ON-OFF	15	10	3/4	FLAT	NYLON	NO/BLACK	.250" SPADE	SS505-BG	9
DPST	ON-OFF	16*	8*	1*	BAT	BRASS/NICKEL	NO/NICKEL	SCREW	SS210-9-BG	10
DPST	ON-OFF	20	10	3/4	BAT	BRASS/NICKEL	NO/NICKEL	.250" SPADE	SS116-BG ¹	11
DPST	ON-OFF	20			BAT	BRASS/NICKEL	NO/NICKEL	SCREW	SS207-7A-BG	12
DPST	ON-OFF	20			BAT	BRASS/NICKEL	NO/NICKEL	.250" SPADE	SS207P-BG	13
DPST	ON-OFF	20			BAT	BRASS/NICKEL	NO/NICKEL	.250" SPADE	SS203P-BG ¹	13
DPST	ON-OFF	20*	10*	1 1/2*	BAT	BRASS/NICKEL	NO/NICKEL	SCREW	SS211-16A-BG	14

Δ Rated 10 Amps 277 VAC *Stated Amperage and voltage also valid for D.C. Rating

¹Separate Female Quick Connect Solderless Insulated Terminals, ST-16, provided with switch when ordered with suffix "BG"

continued on page 3

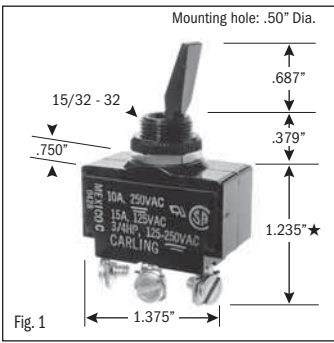


Fig. 1

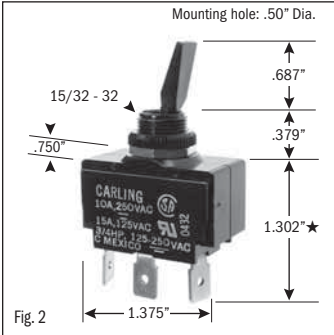


Fig. 2

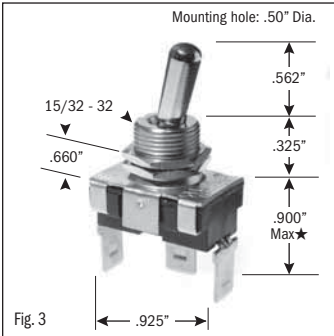


Fig. 3

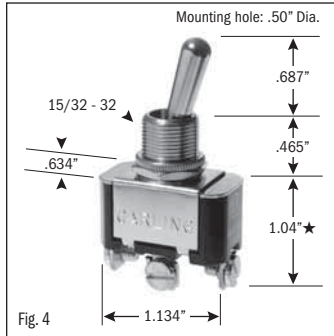


Fig. 4

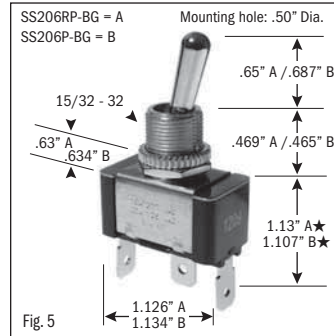


Fig. 5

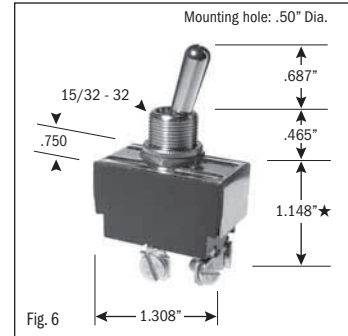


Fig. 6

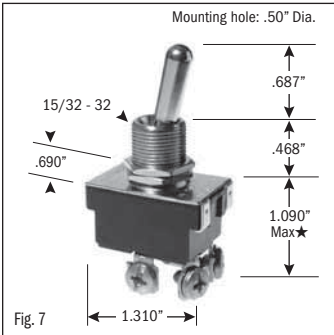


Fig. 7

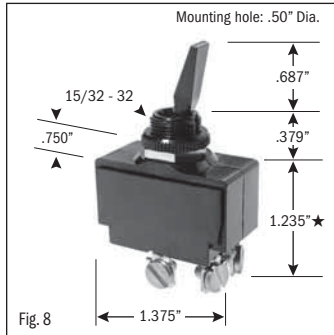


Fig. 8

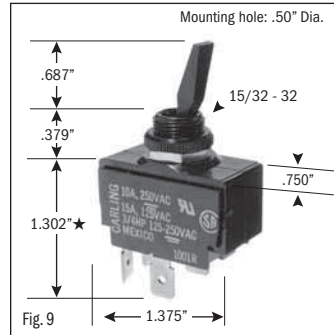


Fig. 9

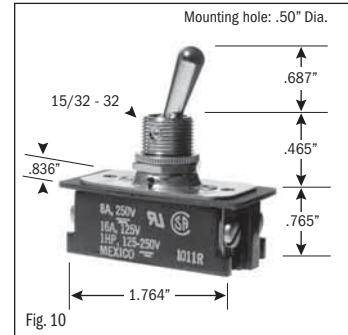


Fig. 10

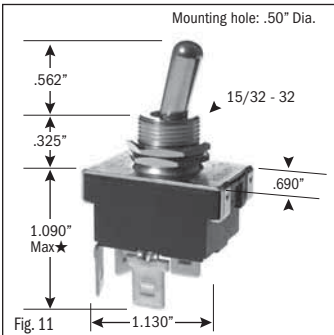


Fig. 11

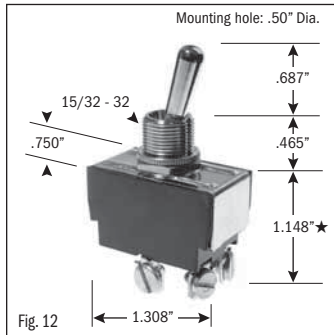


Fig. 12

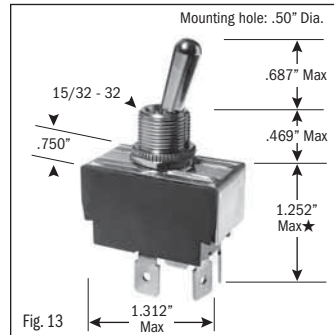


Fig. 13

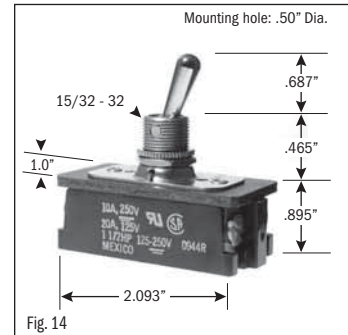


Fig. 14

★ Switch height measurement in Figures above, includes body and terminals combined



All specifications and dimensions are for reference only. If specific information is needed and/or of critical nature, contact Selecta Products headquarters for specific information before ordering.

TOGGLE SWITCHES • UTILITY & HEAVY DUTY

.50" MOUNTING HOLE DIAMETER										
POLES & THROWS	CIRCUIT FUNCTIONS	NOMINAL RATING			ACTUATOR STYLE	ACTUATOR MATERIAL	LIGHTED TOGGLE/TOGGLE COLOR	TERMINATION TYPE	CATALOG NUMBER	FIG. NO.
		AMPS VAC	AMPS VAC	H.P. VAC						
		125	250	125-250						

MAINTAINED CONTACT

DPST	ON-OFF	20*	2^	BAT	BRASS/NICKEL	NO/NICKEL	SCREW	SS627-BG	1
DPDT	ON-ON	15	10	3/4	FLAT	NYLON	NO/BLACK	SS511-BG	2
DPDT	ON-ON	15	10	3/4	FLAT	NYLON	NO/BLACK	SS506-BG	3
DPDT	ON-ON	20	10	3/4	BAT	BRASS/NICKEL	NO/NICKEL	SS117-BG ¹	4
DPDT	ON-ON	20	10	1 1/2	BAT	BRASS/NICKEL	NO/NICKEL	SS208RP-BG	5
DPDT	ON-ON		20		BAT	BRASS/NICKEL	NO/NICKEL	SS208R-BG	6
DPDT	ON-OFF-ON	15	10	3/4	BAT	BRASS/NICKEL	NO/NICKEL	SS208P-BG	5
DPDT	ON-OFF-ON	15	10	3/4	FLAT	NYLON	NO/BLACK	SS512-BG	2
DPDT	ON-OFF-ON	15	10	3/4	FLAT	NYLON	NO/BLACK	SS507-BG	3
DPDT	ON-OFF-ON	20	10	3/4	BAT	BRASS/NICKEL	NO/NICKEL	SS118-BG ¹	4
DPDT	ON-OFF-ON		20		BAT	BRASS/NICKEL	NO/NICKEL	SS208-16-BG	6
3PST	ON-OFF	15	10	3/4 @ 250	BAT	BRASS/NICKEL	NO/NICKEL	SS212S-BG ²	7
3PDT	ON-ON	15	10	3/4 @ 250	BAT	BRASS/NICKEL	NO/NICKEL	SS212-BG ²	8
3PDT	ON-OFF-ON	15	10	3/4 @ 250	BAT	BRASS/NICKEL	NO/NICKEL	SS212A-BG ²	8
4PST	ON-OFF	15	10	3/4 @ 250	BAT	BRASS/NICKEL	NO/NICKEL	SS219S-BG ²	9
4PDT	ON-ON	15	10	3/4 @ 250	BAT	BRASS/NICKEL	NO/NICKEL	SS219-BG ²	10
4PDT	ON-OFF-ON	15	10	3/4 @ 250	BAT	BRASS/NICKEL	NO/NICKEL	SS220-BG ²	10

*Stated Amperage and voltage also valid for D.C. Rating

^2 HP 250 VAC/DC; 1 1/2 HP 125 VAC/DC

¹Separate Female Quick Connect Solderless Insulated Terminals, ST-16, provided with switch when ordered with suffix "BG"

Δ Rated 10 Amps 277 VAC

*Also rated 1, 2, or 3 phase

continued on page 4

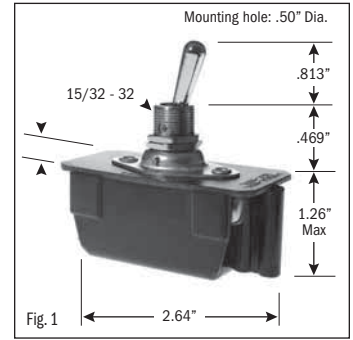


Fig. 1

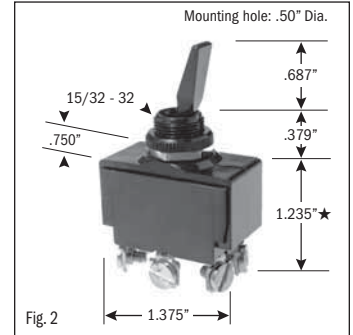


Fig. 2

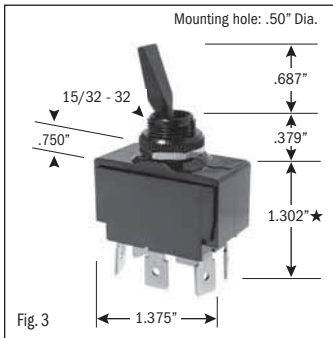


Fig. 3

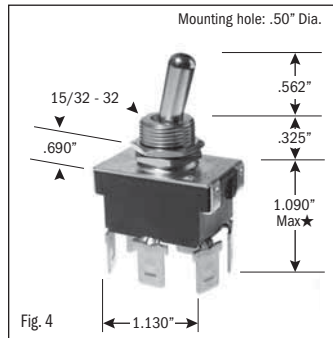


Fig. 4

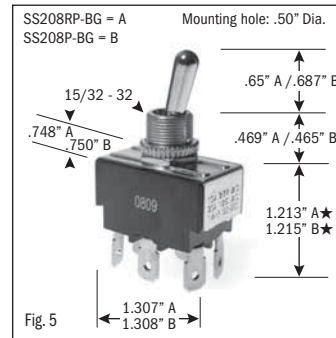


Fig. 5

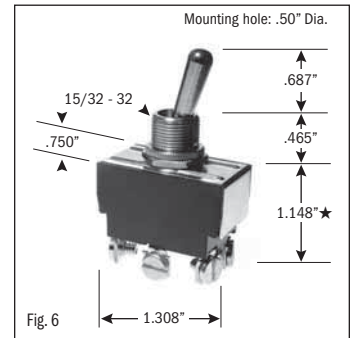


Fig. 6

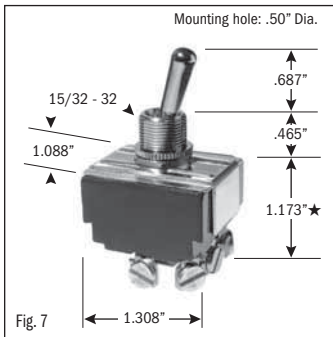


Fig. 7

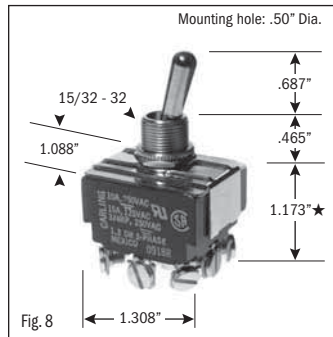


Fig. 8

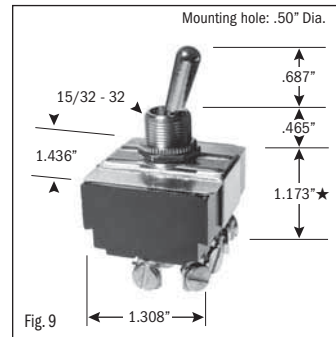


Fig. 9

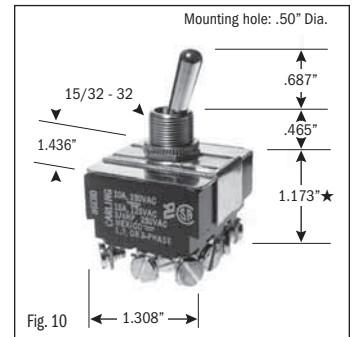


Fig. 10

★ Switch height measurement in Figures above, includes body and terminals combined



All specifications and dimensions are for reference only. If specific information is needed and/or of critical nature, contact Selecta Products headquarters for specific information before ordering.

TOGGLE SWITCHES • UTILITY & HEAVY DUTY

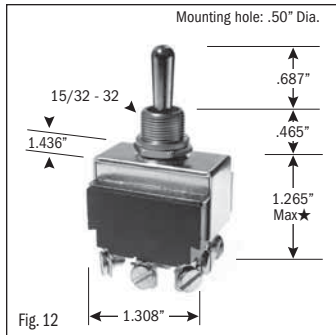
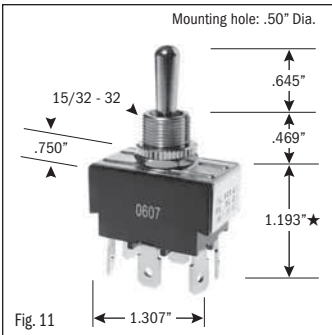
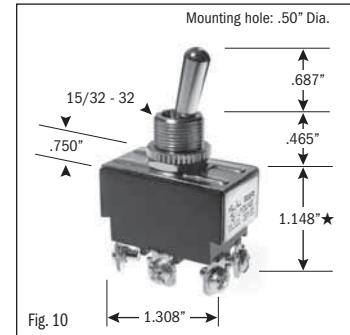
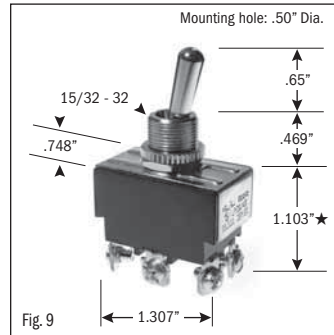
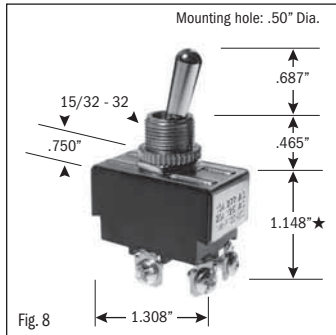
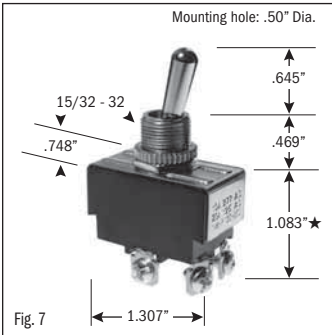
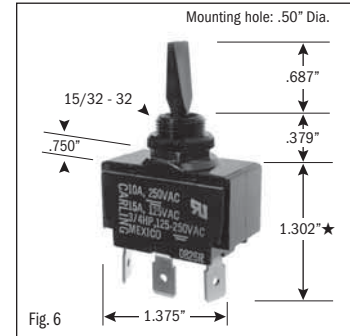
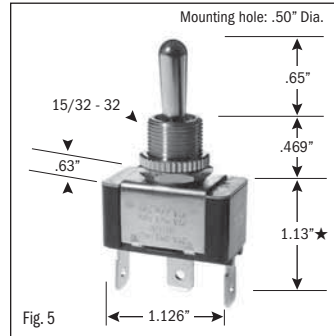
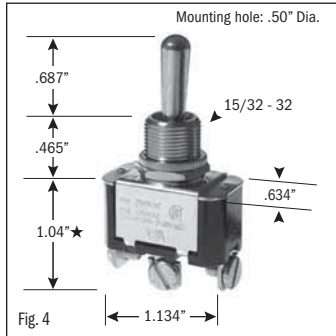
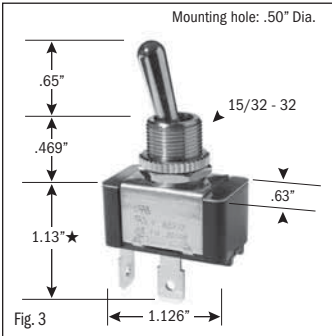
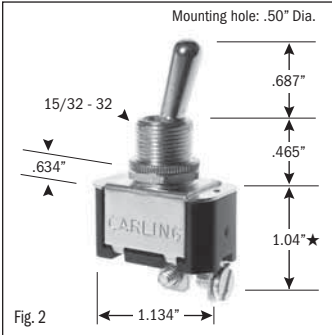
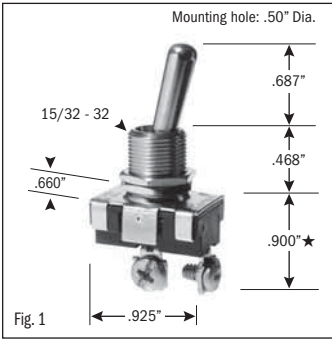
.50" MOUNTING HOLE DIAMETER

POLES & THROWS	CIRCUIT FUNCTIONS	NOMINAL RATING			ACTUATOR STYLE	ACTUATOR MATERIAL	LIGHTED TOGGLE/TOGGLE COLOR	TERMINATION TYPE	CATALOG NUMBER	FIG. NO.
		AMPS VAC	AMPS VAC	H.P. VAC						
		125	250	125-250						

MOMENTARY CONTACT

SPST	OFF-(ON)	6	3		BAT	BRASS/NICKEL	NO/NICKEL	SCREW	SS277S-BG	1
SPST	OFF-(ON)	15	10	3/4	BAT	BRASS/NICKEL	NO/NICKEL	SCREW	SS206A-BG	2
SPST	OFF-(ON)	20	10Δ	3/4	BAT	BRASS/NICKEL	NO/NICKEL	.250" SPADE	SS206AP-BG	3
SPDT	ON-OFF-(ON)	15	10	3/4	BAT	BRASS/NICKEL	NO/NICKEL	SCREW	SS206B-BG	4
SPDT	ON-OFF-(ON)	20	10Δ	3/4	BAT	BRASS/NICKEL	NO/NICKEL	.250" SPADE	SS206BP-BG	5
SPDT	(ON)-OFF-(ON)	15	10	3/4	BAT	BRASS/NICKEL	NO/NICKEL	SCREW	SS206C-BG	4
SPDT	(ON)-OFF-(ON)	15	10	3/4	FLAT	NYLON	NO/BLACK	.250" SPADE	SS504-BG	6
SPDT	(ON)-OFF-(ON)	20	10Δ	3/4	BAT	BRASS/NICKEL	NO/NICKEL	.250" SPADE	SS206CP-BG	5
DPST	OFF-(ON)	20	10Δ	1 1/2	BAT	BRASS/NICKEL	NO/NICKEL	SCREW	SS208A-BG	7
DPST	ON-(OFF)	15	10	3/4	BAT	BRASS/NICKEL	NO/NICKEL	SCREW	SS208D-BG	8
DPDT	ON-(ON)	20	10Δ	1 1/2	BAT	BRASS/NICKEL	NO/NICKEL	SCREW	SS208E-BG	9
DPDT	ON-OFF-(ON)	15	10	3/4	BAT	BRASS/NICKEL	NO/NICKEL	SCREW	SS208B-BG	10
DPDT	(ON)-OFF-(ON)	15	10	3/4	BAT	BRASS/NICKEL	NO/NICKEL	SCREW	SS208C-BG	10
DPDT	(ON)-OFF-(ON)	20	10Δ	1 1/2	BAT	BRASS/NICKEL	NO/NICKEL	.250" SPADE	SS208CP-BG	11
3PDT	(ON)-OFF-(ON)	15	10	3/4	BAT	BRASS/NICKEL	NO/NICKEL	SCREW	SS212C-BG ²	12

Δ Rated 10 Amps 277 VAC
²Also rated 1, 2, or 3 phase



★ Switch height measurement in Figures above, includes body and terminals combined



All specifications and dimensions are for reference only. If specific information is needed and/or of critical nature, contact Selecta Products headquarters for specific information before ordering.

PUSHBUTTON SWITCHES

PUSHBUTTON SWITCHES										
POLES & THROWS	CIRCUIT FUNCTIONS	NOMINAL RATING			ACTUATOR STYLE	ACTUATOR MATERIAL	TERMINATION TYPE	MOUNTING HOLE DIAMETER	CATALOG NUMBER	FIG. NO.
		AMPS	AMPS	H.P.						
		125 VAC	250 VAC	125-250 VAC						

MAINTAINED CONTACT

SPST	PUSH ON-PUSH OFF	3†			STRAIGHT	NYLON	WIRE	.38"	SS103-BG	1
SPST	PUSH ON-PUSH OFF	6†	3		STRAIGHT	BRASS/BRONZE	WIRE	.39"	SS104-BG	2
SPST	PUSH ON-PUSH OFF	6*	3*		CAP	BRASS/NICKEL	SCREW	.50"	SS216-11-BG	3
SPST	PUSH ON-PUSH OFF	6*	3*		CAP	BRASS/NICKEL	WIRE	.50"	SS215-10-BG	4
SPST	PUSH ON-PUSH OFF	8^*	4*	1/3 @ 125	CAP	NYLON	WIRE	.50"	SS105-BG	5
SPST	PUSH ON-PUSH OFF	15	10		CAP	BRASS/NICKEL	SCREW	.50"	SS224-BG	6
SPDT	PUSH ON-PUSH ON	15	10		CAP	BRASS/NICKEL	SCREW	.50"	SS223S-BG	7

MOMENTARY CONTACT

SPST N.O.	OFF-(ON)	3/4*	1/4*		STRAIGHT	NYLON	SCREW	.50"	SS213-13-BG	8
SPST N.O.	OFF-(ON)	3†			STRAIGHT	NYLON	WIRE	.38"	SS101-BG	9
SPST N.O.	OFF-(ON)	15	10		CAP	BRASS/NICKEL	SCREW	.50"	SS228-BG	10
SPST N.O.	OFF-(ON)	15	10		CAP	BRASS/NICKEL	.250" SPADE	.50"	SS232P-BG	11
SPST N.C.	ON-(OFF)	3/4*	1/4*		STRAIGHT	NYLON	SCREW	.50"	SS214-14-BG	8
SPST N.C.	ON-(OFF)	3†			STRAIGHT	NYLON	WIRE	.38"	SS102-BG	12
SPST N.C.	ON-(OFF)	6*	3*		CAP	BRASS/NICKEL	WIRE	.50"	SS233W-BG	13
SPST N.C.	ON-(OFF)	15	10		CAP	BRASS/NICKEL	SCREW	.50"	SS229-BG	14

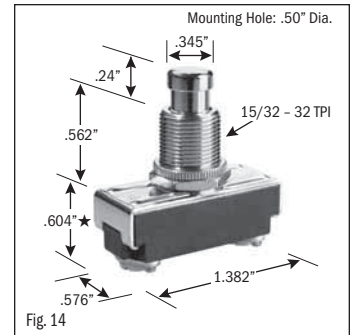
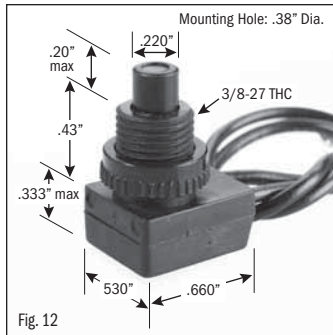
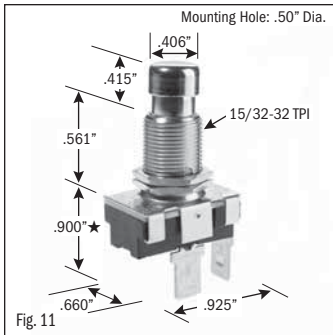
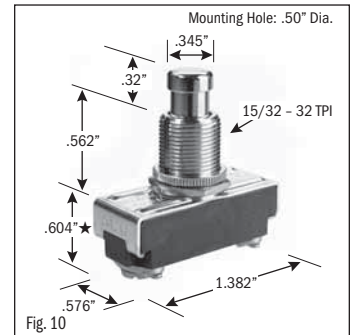
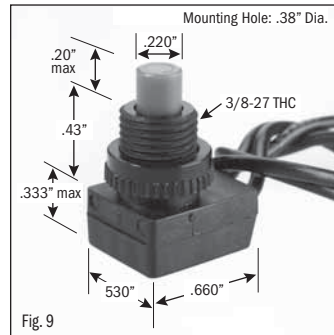
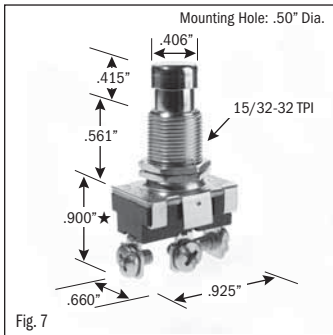
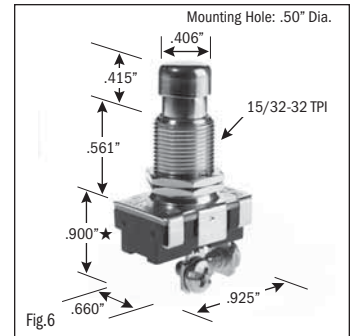
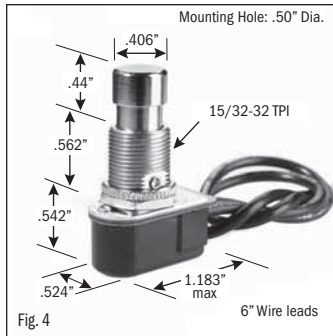
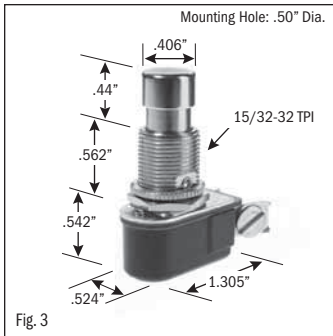
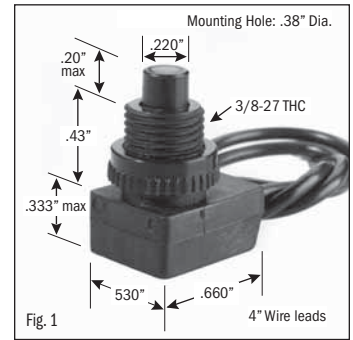
† Rated 3 Amps Inductive 125 VAC; 2 Amps, 125VAC-L

‡ Also rated 3 Amps 125VAC-L

* Stated Amperage and voltage also valid for D.C. Rating

^ Also rated 10 Amps 125 VAC

continued on page 2



★ Switch height measurement in Figures above, includes body and terminals combined



All specifications and dimensions are for reference only. If specific information is needed and/or of critical nature, contact Selecta Products headquarters for specific information before ordering.

PULLCHAIN & ROTARY SWITCHES

PULLCHAIN & ROTARY SWITCHES										
POLES & THROWS	CIRCUIT FUNCTIONS	NOMINAL RATING			ACTUATOR TYPE	TERMINATION TYPE	BODY MATERIAL	MOUNTING HOLE DIAMETER	CATALOG NUMBER	FIG. NO.
		AMPS VAC	AMPS VAC	AMPS VAC-L°						

PULLCHAIN SWITCHES

SPST	ON-OFF	6	3	3 "L"	CHAIN	WIRE LEADS	MOLDED PLASTIC	.39"	SS107-BG	1
SPDT	OFF-ON-ON	6	3	3 "L"	CHAIN	PUSH-IN	MOLDED PLASTIC	.39"	SS126-BG	2
SP3T	OFF-ON-ON-ON	6	3	3 "L"	CHAIN	PUSH-IN	MOLDED PLASTIC	.39"	SS127-BG	3

ROTARY SWITCHES

SPST	ON-OFF	3**	1.5	3 "L"	ROUND KNOB	WIRE LEADS	BRASS/NICKEL#	.375"	SS109-BG	4
SPST	ON-OFF	6	3	3 "L"	KNOB	WIRE LEADS	PLASTIC	.39"	SS108-BG	5

° "L" = AC lamploaded

** Also rated 5 Amps 12 VDC

Actuator Material is Nylon; Bushing Material is Brass/Nickel Plate



Fig. 1

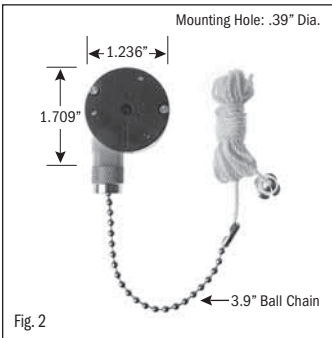


Fig. 2

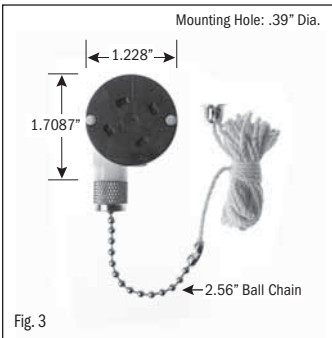


Fig. 3

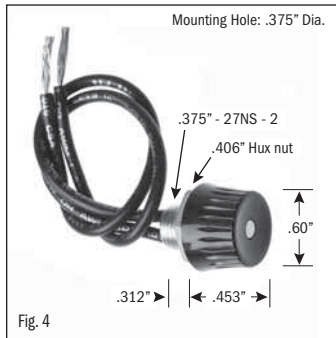


Fig. 4

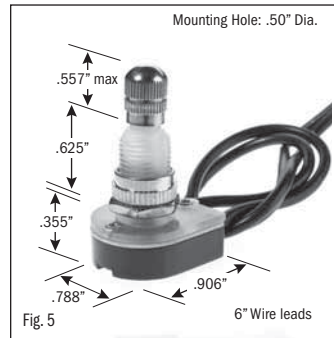


Fig. 5

ROCKER SWITCHES • SMALL APPLIANCE

.550" X 1.125" PANEL CUTOUT • .250" Q.C. TERMINATION										
POLES & THROWS	CIRCUIT FUNCTIONS	NOMINAL RATING			ROCKER ACTUATOR SHAPE	ACTUATOR/ LENS COLORS	VISI-ROCKER® END COLOR/ IMPRINTING	LAMP VOLTAGE	CATALOG NUMBER	FIG. NO.
		AMPS 125 VAC	AMPS 250 VAC	H.P. 125-250 VAC						

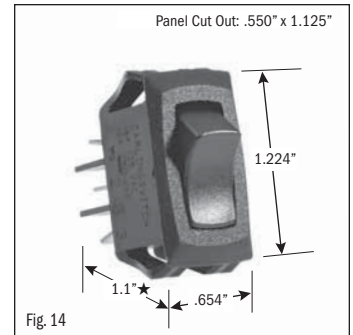
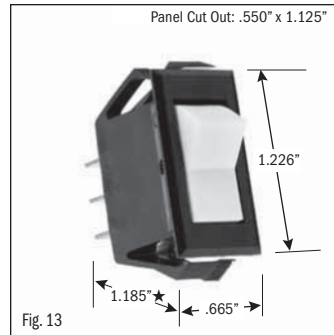
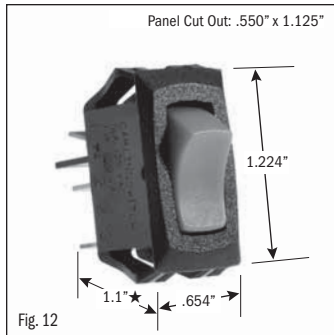
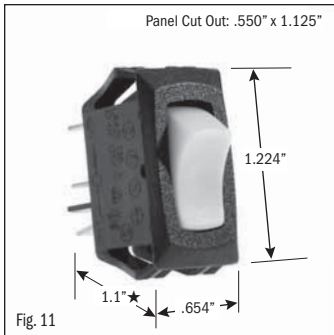
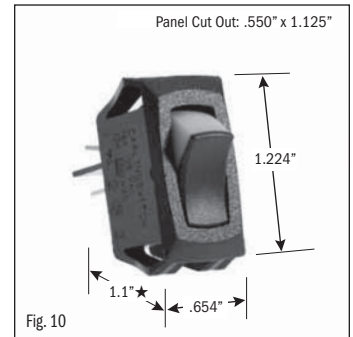
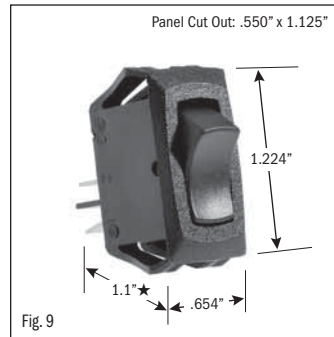
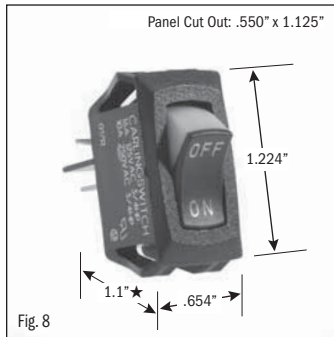
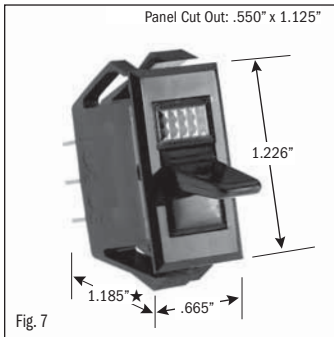
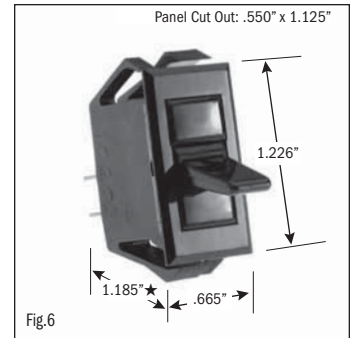
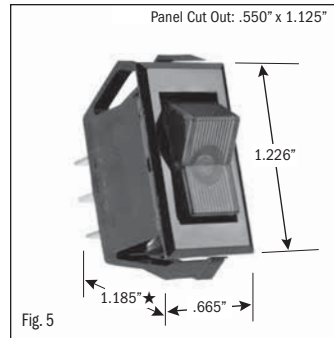
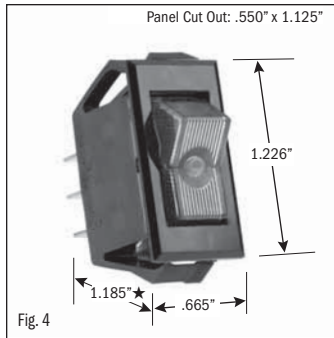
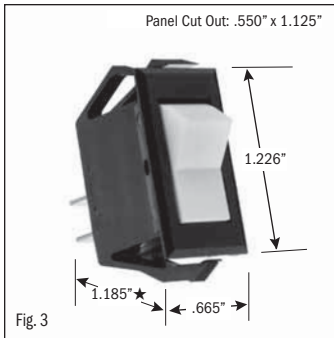
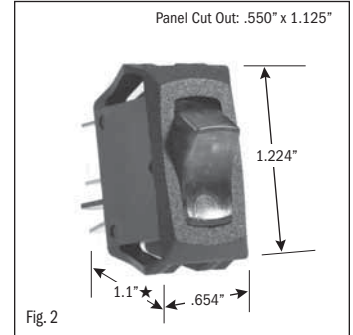
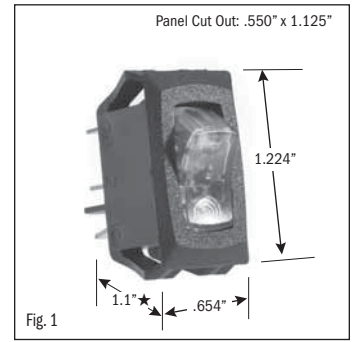
MAINTAINED CONTACT

SPST	ON-OFF	12 Volts Incandescent			CURVED	AMBER/TRANSPARENT	NONE/NONE	12V INCANDESCENT	SS1207-BG	1
SPST	ON-OFF	12 Volts Incandescent			CURVED	RED/TRANSPARENT	NONE/NONE	12V INCANDESCENT	SS1209-BG	2
SPST	ON-OFF	15	10	3/4	"V" STYLE	WHITE/NONE	NONE/NONE	NONE	SS1218-BG	3
SPST	ON-OFF	15	10	3/4	"V" STYLE	AMBER/TRANSPARENT	NONE/NONE	125V NEON	SS1225-BG	4
SPST	ON-OFF	15	10	3/4	"V" STYLE	RED/TRANSPARENT	NONE/NONE	125V NEON	SS1227-BG	5
SPST	ON-OFF	15	10	3/4	"V" STYLE	GREEN/TRANSPARENT	NONE/NONE	12V INCANDESCENT	SS1229-BG	5
SPST	ON-OFF	15	10	3/4	PADDLE	BLACK/NONE	NONE/NONE	NONE	SS1230-BG	6
SPST	ON-OFF	15	10	3/4	PADDLE	BLACK/AMBER	NONE/NONE	125V NEON	SS1237-BG	7
SPST	ON-OFF	15	10	3/4	PADDLE	BLACK/RED	NONE/NONE	125V NEON	SS1239-BG	7
SPST	ON-OFF	16	10	3/4	CURVED	BLACK/NONE	RED/ON-OFF ²	NONE	SS1201-BG	8
SPST	ON-OFF	16	10	3/4	CURVED	BLACK/NONE	NONE/NONE	NONE	SS1203-BG	9
SPST	ON-OFF	16	10 ¹		CURVED	BLACK/NONE	RED/NONE	NONE	SS1202-BG	10
SPST	ON-OFF	16	10 ¹		CURVED	AMBER/TRANSPARENT	NONE/NONE	125V NEON	SS1208-BG	1
SPST	ON-OFF	16	10 ¹		CURVED	AMBER/TRANSLUCENT	NONE/NONE	125V NEON	SS1214-BG	11
SPST	ON-OFF	16	10 ¹		CURVED	RED/TRANSPARENT	NONE/NONE	125V NEON	SS1210-BG	2
SPST	ON-OFF	16	10 ¹		CURVED	RED/TRANSLUCENT	NONE/NONE	125V NEON	SS1216-BG	12
SPDT	ON-ON	15	10	3/4	"V" STYLE	WHITE/NONE	NONE/NONE	NONE	SS1221-BG	13
SPDT	ON-ON	16	10	3/4	CURVED	BLACK/NONE	NONE/NONE	NONE	SS1205-BG	14
SPDT	ON-OFF-ON	15	10	3/4	"V" STYLE	WHITE/NONE	NONE/NONE	NONE	SS1223-BG	13
SPDT	ON-OFF-ON	16	10		CURVED	BLACK/NONE	NONE/NONE	NONE	SS1206-BG	14

¹ 10 (4) Amps 250 VAC μ 185

² On-Off same color as Visi (Red)

continued on page 2



★ Switch height measurement in Figures above, includes body and terminals combined



All specifications and dimensions are for reference only. If specific information is needed and/or of critical nature, contact Selecta Products headquarters for specific information before ordering.

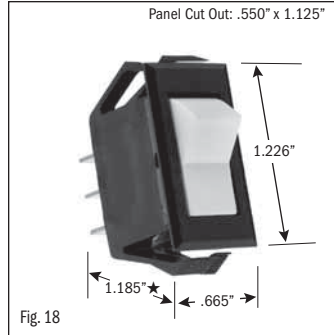
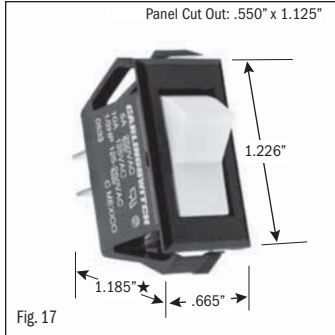
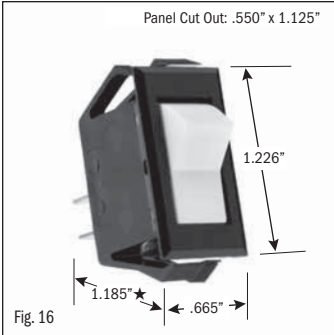
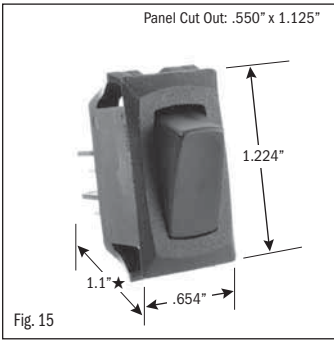
ROCKER SWITCHES • SMALL APPLIANCE

.550" X 1.125" PANEL CUTOUT • .250" Q.C. TERMINATION

POLES & THROWS	CIRCUIT FUNCTIONS	NOMINAL RATING			ROCKER ACTUATOR SHAPE	ACTUATOR/ LENS COLORS	VISI-ROCKER END COLOR/ IMPRINTING	LAMP VOLTAGE	CATALOG NUMBER	FIG. NO.
		AMPS VAC	AMPS VAC	H.P. VAC						
		125	250	125-250						

MOMENTARY CONTACT

SPST	(ON)-OFF	12	8	1/2	STRAIGHT	BLACK/NONE	NONE/NONE	NONE	SS1204-BG	15
SPST	(ON)-OFF	15	10	3/4	"V" STYLE	WHITE/NONE	NONE/NONE	NONE	SS1219-BG	16
SPST	ON-(OFF)	10	5	1/2	"V" STYLE	WHITE/NONE	NONE/NONE	NONE	SS1220-BG	17
SPDT	ON-(ON)	10	5	1/2	"V" STYLE	WHITE/NONE	NONE/NONE	NONE	SS1222-BG	18



★ Switch height measurement in Figures above, includes body and terminals combined



All specifications and dimensions are for reference only. If specific information is needed and/or of critical nature, contact Selecta Products headquarters for specific information before ordering.

ROCKER SWITCHES • LARGE APPLIANCE

.830" x 1.450" PANEL CUTOUT • .250" Q.C. TERMINATION

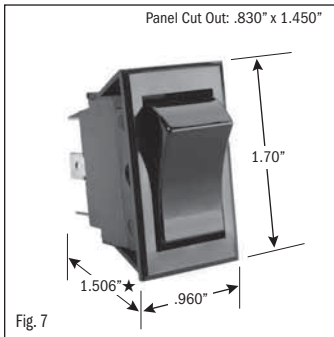
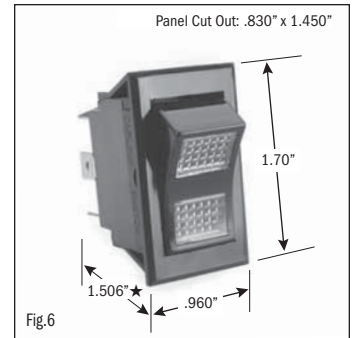
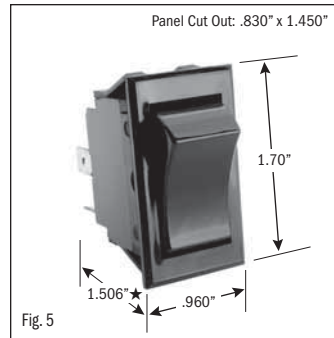
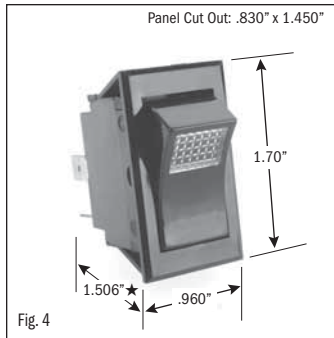
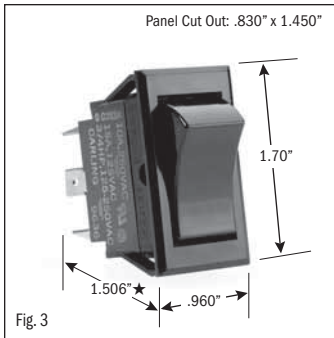
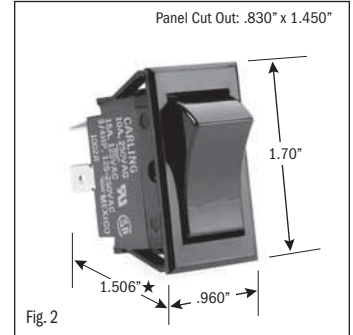
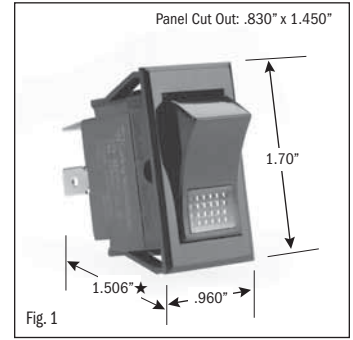
POLES & THROWS	CIRCUIT FUNCTIONS	NOMINAL RATING			FIRST LENS COLOR	SECOND LENS COLOR	LAMP VOLTAGE	CATALOG NUMBER	FIG. NO.
		AMPS 125 VAC	AMPS 250 VAC	H.P. 125-250 VAC					

MAINTAINED CONTACT

SPST	ON-OFF	15	10	1/2	RED	-	125V NEON	SS1101-R-125-BG	1
SPST	ON-OFF	15	10	3/4	-	-	-	SS1101-BG	2
SPDT	ON-ON	15	10	3/4	-	-	-	SS1102-BG	3
SPDT	ON-OFF-ON	15	10	3/4	-	-	-	SS1103-BG	3
DPST	ON-OFF	15	10	3/4 @ 250	RED	-	12V INCANDESCENT	SS1104-R-12-BG	4
DPST	ON-OFF	15	10	3/4 @ 250	RED	-	125V NEON	SS1104-R-125-BG	4
DPST	ON-OFF	15	10	3/4 @ 250	AMBER	-	12V INCANDESCENT	SS1104-A-12-BG	4
DPST	ON-OFF	15	10	3/4 @ 250	AMBER	-	125V NEON	SS1104-A-125-BG	4
DPST	ON-OFF	20	20Δ	1 1/2 / 2*	-	-	-	SS1104-BG	5
DPDT	ON-ON	15	10	3/4 @ 250	RED	AMBER	125V NEON	SS1105-RA-125-BG	6
DPDT	ON-ON	20	20Δ	1 1/2 / 2*	-	-	-	SS1105-BG	7
DPDT	ON-OFF-ON	15	10	3/4 @ 250	RED	RED	125V NEON	SS1106-RR-125-BG	6
DPDT	ON-OFF-ON	15	10	3/4 @ 250	AMBER	AMBER	125V NEON	SS1106-AA-125-BG	6
DPDT	ON-OFF-ON	20	20Δ	1 1/2 / 2*	-	-	-	SS1106-BG	7

Δ Rated 20 Amps 125 VAC - 277 VAC
 * 1 1/2 H.P. @ 125 VAC, 2 H.P. @ 250 VAC

continued on page 2

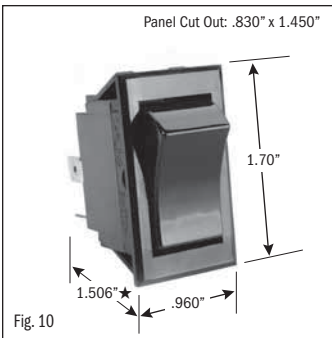
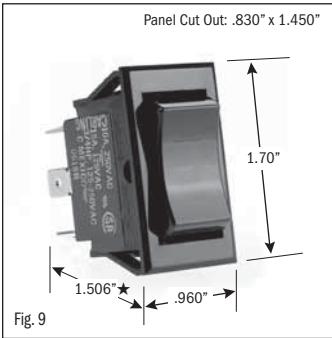
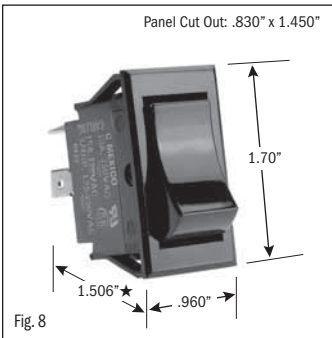


★ Switch height measurement in Figures above, includes body and terminals combined



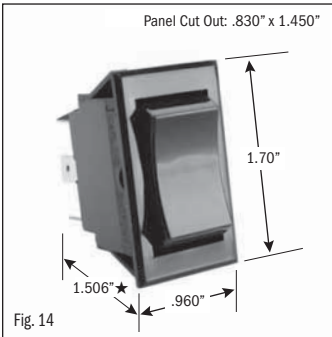
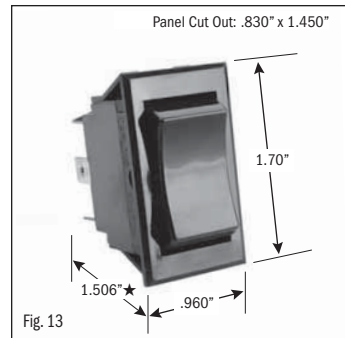
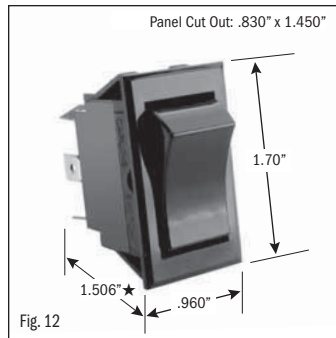
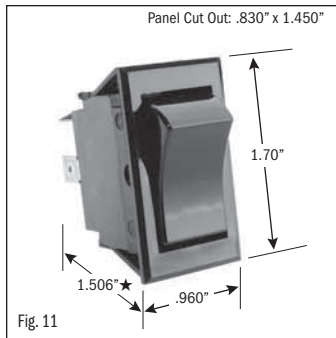
All specifications and dimensions are for reference only. If specific information is needed and/or of critical nature, contact Selecta Products headquarters for specific information before ordering.

ROCKER SWITCHES • LARGE APPLIANCE



.830" x 1.450" PANEL CUTOUT • .250" Q.C. TERMINATION									
POLES & THROWS	CIRCUIT FUNCTIONS	NOMINAL RATING			FIRST LENS COLOR	SECOND LENS COLOR	LAMP VOLTAGE	CATALOG NUMBER	FIG. NO.
		AMPS VAC	AMPS VAC	H.P. VAC					
		125	250	125-250					

MOMENTARY CONTACT									
SPST	(ON)-OFF	15	10	3/4	-	-	-	SS1107-BG	8
SPDT	(ON)-OFF-(ON)	15	10	3/4	-	-	-	SS1111-BG	9
DPST	(ON)-OFF	15	10	3/4	-	-	-	SS1112-BG	10
DPST	(OFF)-ON	15	10	3/4	-	-	-	SS1113-BG	11
DPDT	(ON)-ON	15	10	3/4	-	-	-	SS1114-BG	12
DPDT	(ON)-OFF-(ON)	15	10	3/4	-	-	-	SS1115-BG	13
DPDT	(ON)-OFF-(ON)	15	10	3/4	-	-	-	SS1116-BG	14



★ Switch height measurement in Figures above, includes body and terminals combined



All specifications and dimensions are for reference only. If specific information is needed and/or of critical nature, contact Selecta Products headquarters for specific information before ordering.

ROCKER SWITCHES • INTERNATIONALLY APPROVED

.780" x .508" PANEL CUTOUT • .187" Q.C. TERMINATION

POLES & THROWS	CIRCUIT FUNCTIONS	NOMINAL RATING			ROCKER ACTUATOR SHAPE	ACTUATOR/ LENS COLOR	IMPRINTING COLOR & MARKING	LAMP VOLTAGE TERM.	CATALOG NUMBER	FIG. NO.
		AMPS 125 VAC	AMPS 250 VAC	H.P. 125-250 VAC						

MAINTAINED CONTACT

SPST	ON-OFF	15§	¼ & ½*	CURVED	BLACK	WHITE "O/I" VERTICAL	-	SS-920-BG	1
SPST	ON-OFF	15§	¼ & ½*	CURVED	RED	-	125 V	SS-921-BG	2
SPST	ON-OFF	16†	¼ & ½‡	CURVED	BLACK	-	-	SS-902-BG	3
SPDT	ON-ON	10Δ	¼ & ½‡	CURVED	BLACK	-	-	SS-903-BG	4
DPST	ON-OFF	15§	¼ & ½*	CURVED	GREEN	WHITE "O/I" VERTICAL	125 V	SS-922-BG	5
DPST	ON-OFF	15§	¼ & ½*	CURVED	BLACK	WHITE "O/I" VERTICAL	-	SS-923-BG	6

MOMENTARY CONTACT

SPDT	(ON)-ON	6¥		CURVED	BLACK	-	-	SS-904-BG	7
------	---------	----	--	--------	-------	---	---	-----------	---

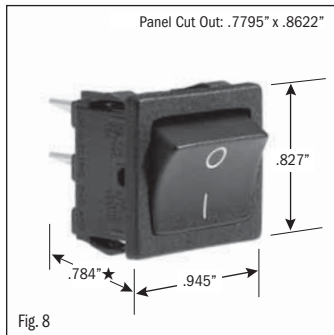
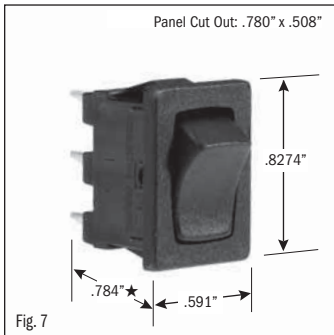
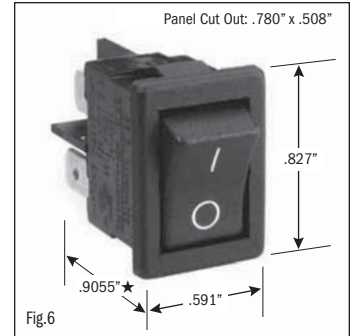
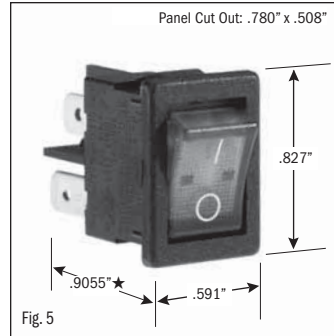
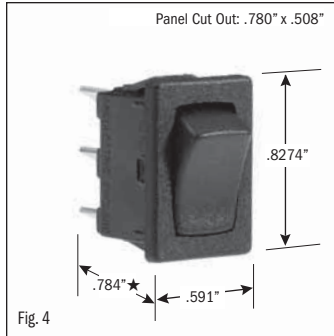
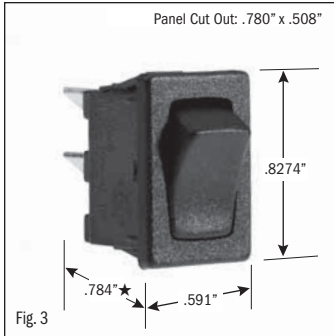
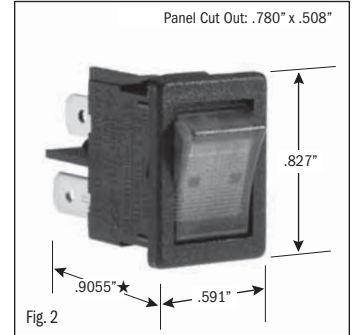
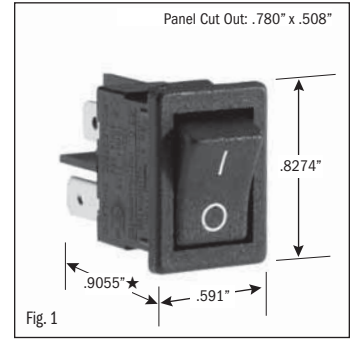
.7795" x .8622" PANEL CUTOUT • .187" Q.C. TERMINATION

MAINTAINED CONTACT

DPST	ON-OFF	10Δ	¼ & ½‡	CURVED	BLACK	WHITE "O/I" VERTICAL	-	SS-918-BG	8
------	--------	-----	--------	--------	-------	----------------------	---	-----------	---

§ Rated 15 Amps Non-Inductive 250 VAC; 14 Amps Inductive 250 VAC; 10 Amps 277 VAC
 * Rated ¼ HP 125 VAC; ½ HP 250 VAC
 † Rated 16 Amps 250 V; 10 Amps 277 V
 ‡ Rated ¼ HP 125 V; ½ HP 277 V
 Δ Rated 10 Amps 277V
 ¥ Rated 6 Amps 277V

continued on page 2



★ Switch height measurement in Figures above, includes body and terminals combined



All specifications and dimensions are for reference only. If specific information is needed and/or of critical nature, contact Selecta Products headquarters for specific information before ordering.

ROCKER SWITCHES • INTERNATIONALLY APPROVED

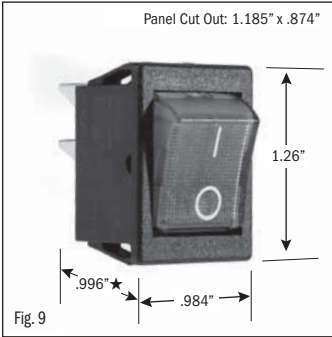


Fig. 9

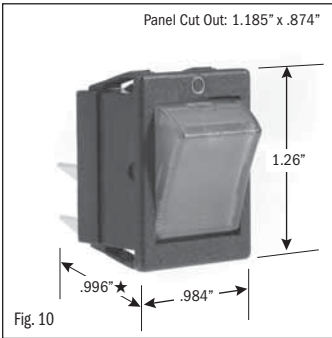


Fig. 10

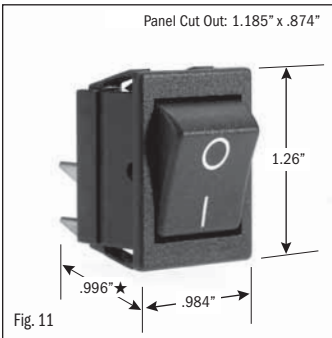


Fig. 11

1.185" x .874" PANEL CUTOUT • .250" Q.C. TERMINATION										
POLES & THROWS	CIRCUIT FUNCTIONS	NOMINAL RATING			ROCKER ACTUATOR SHAPE	ACTUATOR/LENS COLOR	IMPRINTING COLOR & MARKING	LAMP VOLTAGE TERM.	CATALOG NUMBER	FIG. NO.
		AMPS VAC	AMPS VAC	H.P. VAC						
		125	250	125-250						

MAINTAINED CONTACT

DPST	ON-OFF	16	1/2 & 1 \approx	CURVED J	GREEN	WHITE "O/I" VERTICAL	125 V	SS964-BG	9
DPST	ON-OFF	16	1/2 & 1 \approx	CURVED J	RED	RED "O"	125 V	SS-951-BG	10
DPST	ON-OFF	20+	1/2 & 1 \approx	CURVED J	MATTE BLACK	WHITE "O/I" VERTICAL	-	SS-961-BG	11

1.185" x .874" PANEL CUTOUT • .187" Q.C. TERMINATION

MOMENTARY CONTACT

DPDT	(ON)-OFF-(ON)	16	1/4 & 1/2*	CURVED J	BLACK	-	-	SS-965-BG	12
------	---------------	----	------------	----------	-------	---	---	-----------	----

1.07" x .48" PANEL CUTOUT • .250" Q.C. TERMINATION

MAINTAINED CONTACT

SPST	ON-OFF	20	1/2 & 1 \approx	CURVED J	BLACK	-	-	SS-959-BG	13
------	--------	----	-------------------	----------	-------	---	---	-----------	----

\approx Rated 1/2 HP 125 VAC; 1 HP 250 VAC.
 J Shallow Curve
 + Rated 20 Amps 250 VAC; 7 Amps 72 VDC; 14 Amps 36 VDC
 * Rated 1/4 HP 125 VAC; 1/2 HP 250 VAC
 ^ 1/2 HP 125 VAC; 1/2 HP 250 VAC

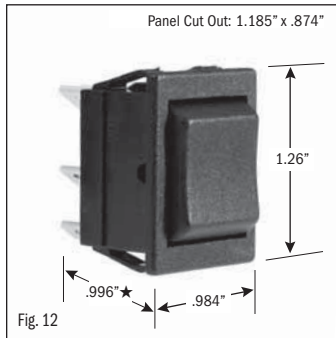


Fig. 12

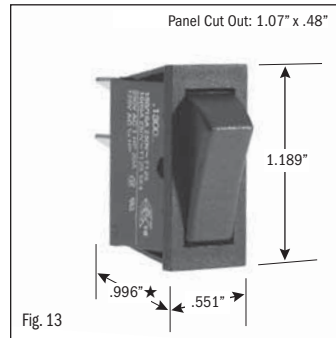


Fig. 13

★ Switch height measurement in Figures above, includes body and terminals combined



All specifications and dimensions are for reference only. If specific information is needed and/or of critical nature, contact Selecta Products headquarters for specific information before ordering.

PART NUMBER NUMERIC INDEX

Part Number	Page Number	Part Number	Page Number	Part Number	Page Number
SS101-BG.....	5	SS1214-BG.....	7	SS212A-BG.....	3
SS102-BG.....	5	SS1216-BG.....	7	SS212-BG.....	3
SS103-BG.....	5	SS1218-BG.....	7	SS212C-BG.....	4
SS104-BG.....	5	SS1219-BG.....	8	SS212S-BG.....	3
SS105-BG.....	5	SS1220-BG.....	8	SS213-13-BG.....	5
SS106-BG.....	1	SS1221-BG.....	7	SS214-14-BG.....	5
SS107-BG.....	6	SS1222-BG.....	8	SS215-10-BG.....	5
SS108-BG.....	6	SS1223-BG.....	7	SS216-11-BG.....	5
SS109-BG.....	6	SS1225-BG.....	7	SS219-BG.....	3
SS1101-BG.....	9	SS1227-BG.....	7	SS219S-BG.....	3
SS1101-R-125-BG.....	9	SS1229-BG.....	7	SS220-BG.....	3
SS1102-BG.....	9	SS1230-BG.....	7	SS223S-BG.....	5
SS1103-BG.....	9	SS1237-BG.....	7	SS224-BG.....	5
SS1104-A-125-BG.....	9	SS1239-BG.....	7	SS228-BG.....	5
SS1104-A-12-BG.....	9	SS126-BG.....	6	SS229-BG.....	5
SS1104-BG.....	9	SS127-BG.....	6	SS230-BG.....	2
SS1104-R-125-BG.....	9	SS201-1-BG.....	1	SS232P-BG.....	5
SS1104-R-12-BG.....	9	SS202P-BG.....	1	SS233W-BG.....	5
SS1105-BG.....	9	SS203P-BG.....	2	SS251SP-BG.....	1
SS1105-RA-125-BG.....	9	SS204-4-BG.....	1	SS256L-BG.....	1
SS1106-AA-125-BG.....	9	SS204W-BG.....	1	SS267S-BG.....	2
SS1106-BG.....	9	SS205-5-BG.....	1	SS277S-BG.....	4
SS1106-RR-125-BG.....	9	SS206-15-BG.....	2	SS501-BG.....	1
SS1107-BG.....	10	SS206A-BG.....	4	SS502-BG.....	2
SS110A-BG.....	1	SS206AP-BG.....	4	SS503-BG.....	2
SS110G-BG.....	1	SS206B-BG.....	4	SS504-BG.....	4
SS110R-BG.....	1	SS206BP-BG.....	4	SS505-BG.....	2
SS1111-BG.....	10	SS206C-BG.....	4	SS506-BG.....	3
SS1112-BG.....	10	SS206CP-BG.....	4	SS507-BG.....	3
SS1113-BG.....	10	SS206P-BG.....	2	SS508-BG.....	1
SS1114-BG.....	10	SS206R-BG.....	2	SS509-BG.....	2
SS1115-BG.....	10	SS206RP-BG.....	2	SS510-BG.....	2
SS1116-BG.....	10	SS206S-BG.....	1	SS511-BG.....	3
SS113-BG.....	1	SS206SP-BG.....	1	SS512-BG.....	3
SS114-BG.....	2	SS207-7A-BG.....	2	SS627-BG.....	3
SS115-BG.....	2	SS207P-BG.....	2	SS-902-BG.....	11
SS116-BG.....	2	SS208-16-BG.....	3	SS-903-BG.....	11
SS117-BG.....	3	SS208A-BG.....	4	SS-904-BG.....	11
SS118-BG.....	3	SS208B-BG.....	4	SS-918-BG.....	11
SS1201-BG.....	7	SS208C-BG.....	4	SS-920-BG.....	11
SS1202-BG.....	7	SS208CP-BG.....	4	SS-921-BG.....	11
SS1203-BG.....	7	SS208D-BG.....	4	SS-922-BG.....	11
SS1204-BG.....	8	SS208E-BG.....	4	SS-923-BG.....	11
SS1205-BG.....	7	SS208P-BG.....	3	SS-951-BG.....	12
SS1206-BG.....	7	SS208R-BG.....	3	SS-959-BG.....	12
SS1207-BG.....	7	SS208RP-BG.....	3	SS-961-BG.....	12
SS1208-BG.....	7	SS209-8-BG.....	1	SS964-BG.....	12
SS1209-BG.....	7	SS210-9-BG.....	2	SS-965-BG.....	12
SS1210-BG.....	7	SS211-16A-BG.....	2		



PRODUCT ALPHA INDEX

<i>Pullchain Switches</i>	6
<i>Pushbutton Switches</i>	5
<i>Rotary Switches</i>	6
<i>Rocker Switches</i>	7 - 12
Internationally Approved	11 - 12
Large Appliance	9 - 10
Maintained Contact	9
Momentary Contact	10
Small Appliance	7 - 8
Maintained Contact	7
Momentary Contact	8
<i>Toggle Switches</i>	1 - 4
Maintain Contact	1 - 3
SPST	1
SPDT	2
DPST	2 - 3
DPDT	3
3PST	3
3PDT	3
4PST	3
4PDT	3
Momentary Contact	4



PRODUCT DIRECTORY

Anchors

ACORN

Auger Bits

ACORN

Batteries

DURACELL®
PROCELL®

Battery & Test Clips

Mueller

Bits (Insert)

ACORN

Bolts

ACORN

Chemical, Cleaners & Degreasers

Chemtronics
CRC

Circuit Board Rework & Repair

Circuitworks®

Circuit Breakers

Carling Technologies
CopperLogic
E-T-A
Moeller (CopperLogic)
Potter & Brumfield
Tyco Electronics / P&B

Contactors

Arrow Hart - Controls
Cutler-Hammer
Eaton
Furnas™
Siemens® / Furnas™
Sprecher + Schuh

Desoldering Braid

Chem-Wik®
Soder-Wick®

Drill Bits

ACORN

Dusters (Aerosol)

CRC
Chemtronics

Fasteners

ACORN

Flashlights

DURACELL®
DAYLITE®
Garrity®
Mag-Lite®
Pelican®
PROCELL®

Indicator Lights/ Pilot Lights

Arcoelectric (Elektron)
Elektron Components
Selecta Products
Solico

Insulators

Mueller

Liquid Level Controls

ABB / SSAC
Go Switch
SSAC
Topworx

Motor Protectors

ABB / SSAC
CopperLogic
Go Switch
Moeller (CopperLogic)
Sprecher + Schuh
SSAC
Topworx

Nuts

ACORN

Paint

CRC

Photoelectrics

PEPPERL+FUCHS

Pressure Sensors

Honeywell
MICRO SWITCH™

Proximity Controls

Go Switch
PEPPERL+FUCHS
Topworx

Relays

Potter & Brumfield
Selecta Products
Sprecher + Schuh
Tyco Electronics / P&B

Safety Glasses

Gateway Safety®
Smith & Wesson

Screws

ACORN

Switches

Arcoelectric (Elektron)
Arrow Hart (Eaton)
Carling Technologies
Cutler-Hammer
Eaton Commercial
Elektron Components
Honeywell
ITW Switches
LINEMASTER®
MICRO SWITCH™
NKK
Otto Controls
Selecta Products

Switches - Mil. Spec

Honeywell
ITW Switches
MICRO SWITCH™
Otto Controls

Switch Seals & Guards

AME Corporation
Arcoelectric (Elektron)
APM Hexseal
Elektron Components

Terminals (Solderless)

Selecta Products

Test Leads

Mueller

Time Delay Relays

ABB / SSAC
SSAC

Washers

ACORN

ALPHA DIRECTORY

- ABB / SSAC
- ACORN
- AME Corporation
- APEM
- APM Hexseal
- Arcoelectric (Elektron)
- Arrow Hart (Eaton)
- Arrow Hart Controls (DPs)
- Carling Technologies
- Chemtronics
- Chem-Wik®
- Circuitworks®
- CopperLogic
- CRC
- Cutler-Hammer (DPs)
- DAYLITE®
- DURACELL®
- Eaton Commercial
- Elektron Components
- E-T-A
- Furnas™
- Garrity®
- Gateway Safety®
- Go Switch
- Honeywell
- ITW Chemtronics
- ITW Switches
- LINEMASTER®
- Mag-Lite®
- MICRO SWITCH™
- Moeller (CopperLogic)
- Mueller (Clips)
- Mueller (Test Leads)
- NKK
- Otto Controls
- Pelican®
- PEPPERL+FUCHS
- Potter & Brumfield
- PROCELL®
- Selecta Products
- Siemens® / Furnas™
- Smith & Wesson (Glasses)
- Soder-Wick®
- Solico
- Sprecher + Schuh
- SSAC
- Topworx
- Tyco Electronics / P&B

Legend

- One
- Two
- Three
- Four

Selecta Benefits:

- The brands your customers prefer
- Low combinable minimum order and free freight requirement
- One stop shopping – resulting in vendor reductions
- One purchase order, one receivable, one accounts payable
- Quick delivery – 90% of our customers receive their shipments within two days of their order placement
- 98% fill rate on day of order for standard stock items!
- Local Rep support
- Buying Associations support and credits
- Attractive and effective POP Systems
- We sell only to Distributors!



SELECTA PRODUCTS, INC.

Tehachapi, CA • Memphis, TN • Bristol, CT
Phone: 800-722-6445 • Fax: 800-433-4319
selecta@selectaproductsinc.com
www.selectaproductsinc.com