

LAMP CATALOG



CONTENTS



INTRODUCTION **4-9**

LEADING THE WAY 4-5
 Our Company 4
 Our Commitment..... 4
 Our Products..... 5
 Our People..... 5
 UNDERSTANDING LIGHT 6
 Look For Brightness 6
 MAKE THE SWITCH 6
 LED Lamps Make An Impact..... 6
 KELVIN TEMPERATURE
 MAKES A DIFFERENCE 7
 LAMP PACKAGING 8
 LIGHTING FACTS LABEL 8
 HOW TO
 USE THIS CATALOG 9

LED LAMPS **10-18**

Decorative Lamps..... 11
 General Purpose Lamps 12
 Reflector Lamps 13
 Filament Lamps..... 14
 General Purpose Specialty Lamps 15
 Halogen Alternative Specialty Lamps 15
 Adjustable Recessed Downlights 16
 Recessed Downlights..... 16
 Linear Lamps 17
 High Lumen Lamps..... 17
 LED Lamp Components 18
 LED Lamp Base Types..... 18
 LED Lamp Shapes..... 18

COMPACT FLUORESCENT LAMPS **19-23**

Twist Lamps 20
 Covered Lamps 21
 Reflector Lamps 21
 Pin Base Lamps 22
 Compact Fluorescent Lamp Base Types .. 23
 Compact Fluorescent Lamp Shapes 23

To better serve you, Westinghouse Lighting reserves the right to make changes and/or improvements (both visually and technically) to the products in this catalog without notice. As a result, some products and/or product information may change during the life of this catalog.
 Visit our website for the latest specifications.



CONTENTS



INCANDESCENT LAMPS 24-47

- Glowscent® Lamps (Spun Satin) 25
- Flicker Flame Lamps 25
- F15 and Decorative Specialty Lamps 25
- Flame Tip Lamps Candelabra Base 26
- Flame Tip Lamps Medium Base 27
- Torpedo Lamps Candelabra Base 28
- Torpedo Lamps Medium Base 29
- A15 Appliance Lamps 30
- A19 Lamps 31
- A19 Specialty Lamps 32
- A21 Lamps 32
- A23 Lamps 33
- PS30 Lamps 33
- 3-Way Lamps 33
- G4½, G12½, G16½ and G19½ Lamps 34
- G25 Lamps 35
- G30 and G40 Lamps 35
- Reflector Lamps 36-37
- R40 Infrared Heat Lamps 37
- BR38 Indoor/Outdoor Lamps 37
- C7 Lamps 38
- S6, S11 and S14 Lamps 38
- T4 and T6 Lamps 39
- T6½ Lamps 39
- T7 and T7½ Lamps 40
- T8 Lamps 40
- T10 Lamps 40
- Low Voltage Lamps 41
- T5 Landscape (Low Voltage) Lamps 41
- Timeless, Vintage Inspired Lamps 42

INCANDESCENT LAMPS 24-47

- Incandescent 130V Comparison Chart 43-44
- Lamp Merchandising Displays 45
- Incandescent Lamp Filament Types 46
- Incandescent Lamp Base Types 46
- Incandescent Lamp Shapes 46
- Incandescent Lamp Size Reference 47
- Incandescent Lamp Components 47



HALOGEN LAMPS 48-59

MR11 Lamps,
Dichroic (Low Voltage) 49

MR11 Lamps, 120 Volt,
Dichroic (Line Voltage) 49

MR16 Lamps, 12 Volt,
Dichroic (Low Voltage) 49

MR16 Lamps, 120 Volt,
Dichroic (Line Voltage) 50

JDR Lamps, 120 Volt (Line Voltage) 50

JC Lamps (Low Voltage) 51

JCD Lamps 51

G9 Lamps, 120 Volt (Line Voltage) 52

Double-Ended Lamps 52

Single-Ended Lamps,
D.C. Bayonet & E11 Base 53

T3 Single-Ended Lamps,
Xenon/Krypton 53

Reflector Lamps 54

PAR Reflector Lamps 54-55

Eco-Halogen A19 Lamps 56

Specialty and Decorative Lamps 56

Xenon Lamps (Mini Reflector) 57

Xenon Lamps (Single-Ended) 57

T3 Xenon/Krypton Lamps 57

Xenon Lamps (Wedge) 57

Halogen 130 Volt Comparison Chart 58

Halogen Lamp Components 58

Xenon Lamps 58

Eco-Halogen Lamps 58

Halogen Lamp Filament Types 59

Halogen Lamp Base Types 59

Halogen Lamp Base Shapes 59

LINEAR FLOURESCENT LAMPS 60-64

T5 Lamps 61

T8 Lamps 61

T12 Lamps 62

T8 Ecomax® U-Bent Lamp 63

Circular Lamps 63

Tube Guards (Include End Caps) 63

Fluorescent Lamp Components 64

Fluorescent Lamp Base Types 64

Fluorescent Lamp Shapes 64

HID LAMPS 65-71

Mercury Vapor Lamps 66

High Pressure Sodium Lamps 66

Metal Halide Lamps
(For Use in Enclosed Fixtures) 67

Metal Halide Protected Lamps
(Open Fixture Rated) 67

Metal Halide Pulse Start Lamps
(For Use in Enclosed Fixtures) 68

HID Lamp ANSI Specifications 68

Consider Alternatives to HID -
High Lumen LED Lamps 68

Where to Use HID Lamps 69

HID Lamp Components 70

HID Lamp Base Types 71

HID Lamp Shapes 71

INDEX & NOTES 72-80



LEADING THE WAY



Our Company

Westinghouse Lighting is a well-recognized global brand and a market leader in the lamp industry. Known for innovative products of the highest quality, we continue to expand our product offering year after year.



Our Commitment

For over 70 years, dedication to customer relationships has consistently been our greatest priority at Westinghouse Lighting. We have built and maintained a solid reputation for quality products, timely shipments and friendly service.

QUALITY, INNOVATION & COMMITMENT



Our Products

We offer many lamp options, ranging from traditional incandescent to the latest technology LEDs. Our broad assortment includes high-quality lamps in a variety of shapes and types with varying color temperatures and brightness. Westinghouse provides choices that allow you to choose the best lamp, with the look you want, for any application.



Our People

Our knowledgeable, experienced and passionate team of people has been the cornerstone in our continued success and growth throughout the years. We stand ready to offer support and long term solutions for all of your lighting needs.



UNDERSTAND LIGHT

Look for Brightness

For years, wattage was typically the measure used to evaluate the brightness produced by a lamp. However, perspectives are changing with the constant evolution of LED technology, which offers lower wattages without sacrificing lumens or brightness.

Lumens refer to the measure of light output, or brightness, of a lamp. The more lumens a lamp provides, the brighter the light. All Westinghouse lamp packaging specifies the equivalent incandescent wattage associated with the lamp's lumen output. This helps provide a standard for comparing all LED lamps.

YOU USED TO LOOK FOR		NOW YOU LOOK FOR	
INCANDESCENT LAMP WATTAGE		LAMP BRIGHTNESS (MINIMUM LUMENS)	
40W	=	450L	
60W	=	800L	
75W	=	1,100L	
100W	=	1,600L	
150W	=	2,600L	

Estimates based on typical incandescent lamps.

MAKE THE SWITCH

LED Lamps Make an Impact



Making the switch to LED lamps offers significant energy, cost and time savings over incandescent, halogen and fluorescent alternatives. LED technology allows less energy to be used to produce the same light output as other lamp alternatives, which means you'll reduce your energy costs significantly and minimize your carbon footprint.

Furthermore, LED lamps will last much longer than most alternative lamps. Depending on daily use, one lamp will last for decades, making lamp changes a rare occurrence. As LED technology continues to improve, the opportunities for savings will only increase. Westinghouse offers a broad assortment of LED lamps to fit your lighting needs.



Iron Hill Collection fixture shown (Item #63435) with Filament LED ST20 Lamp (Item #03176).

For our entire assortment of Westinghouse Filament LED lamps, see page 14.



KELVIN TEMPERATURE MAKES A DIFFERENCE

What is color temperature?

Color temperature is a way to describe the light appearance provided by a lamp. It is measured in degrees of Kelvin (K) and, typically, falls somewhere on a scale from 2000K to 6500K for commercial and residential lighting applications. The color temperature of a lamp is assigned using the basis of correlated color temperature (CCT). For example, if you heat up a metal object, the object appears to glow. Depending on the Kelvin temperature that the metal object is being heated at, the glow will be various colors, such as orange, yellow or blue. The color temperature of lamps is meant to replicate the Kelvin temperature of the metal object in the above example, thus providing a standard against which to measure the color temperature of all lamps.

The color temperature of a lamp lets you know what the look and feel of the light produced will be. At the lower end of the scale, from 2000K to 3000K, the light produced is called “warm white” or “soft white” and ranges from orange to yellowish-white in appearance. Color temperatures between 3100K and 4500K are referred to as “cool white” or “bright white”. Lamps within this range will emit a more neutral white light and may even have a slightly blue tint. Above 4500K brings us into the “daylight” color temperature of light. Lamps with color temperatures of 4500K and above will give off a blue-white light that mimics daylight.

What color temperature is right for me?

Understanding Kelvin temperature(K) makes it easier to choose lighting that gives you the look and feel you want.

WARM WHITE

COOL WHITE

DAYLIGHT



2000-3000K

3100-4500K

4600-6500K

	2000K - 3000K	3100K - 4500K	4600K - 6500K
Color Temperature (KELVIN)	2000K - 3000K	3100K - 4500K	4600K - 6500K
Light Appearance	Warm White	Cool White	Daylight
Ambience	Cozy, calm, inviting, intimate	Bright, vibrant	Crisp, invigorating
Best for	Pendants, wall/coach lanterns, restaurant/commercial ambient lighting, residential recessed lighting, table & floor lamps	Basements, garages, work environments, task lighting	Display areas, security lighting, garages, task lighting

LAMP PACKAGING

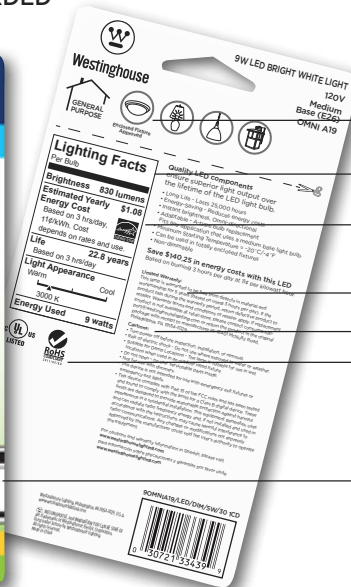
Westinghouse LED lamp packaging is attractive and informative, providing all the facts you need to make the right lighting choice.

BOXED



- Incandescent Equivalent Wattage
- Energy Used (Watts)
- ENERGY STAR**[®] (where Applicable)
- Kelvin Temperature Scale
- Kelvin Temperature Appearance
- Suggested Applications
- Caution & Warranty
- Brightness (Lumens)
- Estimated Yearly Energy Cost
- Product Features

CARDED



- Incandescent Equivalent Wattage
- Energy Used (Watts)
- ENERGY STAR**[®] (where Applicable)
- Brightness (Lumens)
- Estimated Yearly Energy Cost
- Kelvin Temperature Scale
- Kelvin Temperature Appearance
- Suggested Applications
- Lighting Facts Label
- ENERGY STAR**[®] (where Applicable)
- Warranty
- Caution
- Certifications
- Lamp Base (shown in actual size)

LIGHTING FACTS LABEL

Look for the lighting facts label on all Westinghouse lamp packaging, which contains important lamp specifications that help consumers make the right choice for their lighting needs.

On the label, you'll find lumens and Kelvin temperature, as well as energy used (watts), estimated yearly energy cost and life in years. The label makes it easy to compare lamp performance and takes the guesswork out of selecting the right lamp.

Principal Display Panel Label
(Located on front panel of package)

Brightness	Estimated Energy Cost
1300 lumens	\$2.77 per year

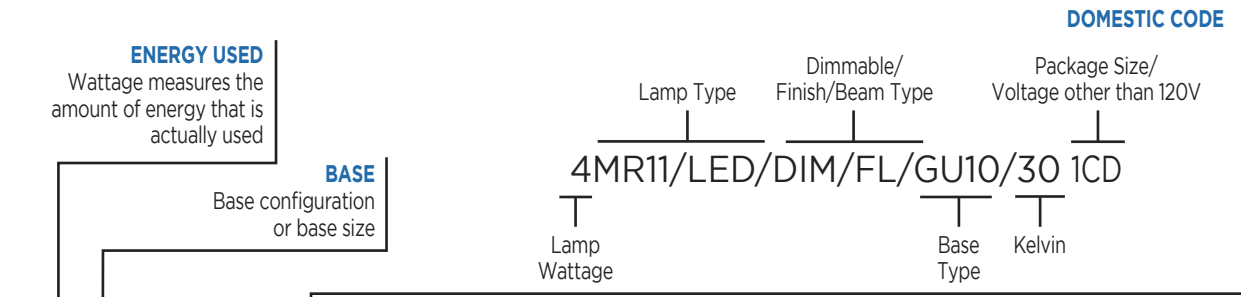
Lighting Facts Label

(Located on side or back panel of package)

Lighting Facts Per Bulb	
Brightness	1300 lumens
Estimated Yearly Energy Cost	\$2.77
Based on 3 hrs/day, 11¢/kWh	
Cost depends on rates and use	
Life	7 years
Based on 3 hrs/day	
Light Appearance	Warm ————— Cool
	2700 K
Energy Used	23 watts
Contains Mercury	
For more on clean up and safe disposal, visit epa.gov/cfl .	

- Brightness
- Estimated Yearly Energy Cost
- ENERGY STAR**[®] (where applicable)
- Life
- Light Appearance
- Energy Used
- Mercury Content (where applicable)

HOW TO USE THIS CATALOG



REFLECTOR LAMPS

LED LAMPS

Energy Used (Watts)	Lamp Base	Item No.	Footnotes	Domestic Code	Master Carton/ Inner Pack	Package Type	Equiv. Incand. Wattage	Color Designation	Finish	Light Appearance (Kelvin)	Brightness CRI	Brightness (Lumens)	Avg. Rated Hours	Life in Years*	Est. Yearly Energy Cost**	Est. Yearly Energy Cost** MOL
MR11																
4	GU4	05152	3,4	4MR11/LED/FL/GU4/30 1CD	24/4	Card	30	Warm White	White	3000	80	250	25000	22.8	\$0.48	152"
	GU10	05153	2,4	4MR11/LED/DIM/FL/GU10/30 1CD	24/4	Card	25	Warm White	White	3000	80	250	25000	22.8	\$0.48	189"
MR16																
4.5	GU5.3	33209	2,3,4,7	4.5MR16/LED/DIM/FL/30 1CD	24/4	Card	35	Warm White	Clear	3000	80	360	25000	22.8	\$0.54	185"
	GU5.3	33638	2,3,4,7	4.5MR16/LED/DIM/FL/30	24/6	Hanging Box	35	Warm White	Clear	3000	80	360	25000	22.8	\$0.54	185"
	GU10	05179	1,2,4,7	4.5MR16/LED/DIM/FL/GU10/30	24/6	Hanging Box	35	Warm White	Frost	3000	80	360	25000	22.8	\$0.54	216"
6.5	GU5.3	33208	2,3,4,7	6.5MR16/LED/DIM/FL/30 1CD	24/4	Card	50	Warm White	Clear	3000	80	500	25000	22.8	\$0.78	185"
	GU5.3	33491	2,3,4,7	6.5MR16/LED/DIM/FL/30	24/6	Hanging Box	50	Warm White	Clear	3000	80	500	25000	22.8	\$0.78	185"
	GU10	43210	2,4,7	6.5MR16/LED/DIM/FL/GU10/30 1CD	24/4	Card	50	Warm White	Frost	3000	80	500	25000	22.8	\$0.78	216"
	GU10	53032	2,4,7	6.5MR16/LED/DIM/FL/GU10/30	24/6	Box	50	Warm White	Frost	3000	80	500	25000	22.8	\$0.78	216"
REFLECTORS																
4	Inter.	35154	2,4	4R14/LED/DIM/FL/IN/27 1CD	24/4	Card	25	Warm White	Frost	2700	80	280	25000	22.8	\$0.48	217"
6	Med.	35155	2,4	6R16/LED/DIM/FL/27 1CD	24/4	Card	45	Warm White	Frost	2700	80	450	25000	22.8	\$0.72	323"
6.5	Med.	53050	2,4,7	6.5R20/LED/DIM/FL/27	24/6	Box	50	Warm White	Frost	2700	80	525	25000	22.8	\$0.78	393"
	Med.	53161	2,4,7	6.5R20/LED/DIM/FL/30	24/6	Box	50	Warm White	Frost	3000	80	525	25000	22.8	\$0.78	393"
	Med.	50110	1,2,4,7	6.5R20/LED/DIM/FL/40	24/6	Box	50	Cool White	Frost	4000	80	525	25000	22.8	\$0.78	393"
	Med.	50120	1,2,4,7	6.5R20/LED/DIM/FL/50	24/6	Box	50	Daylight	Frost	5000	80	525	25000	22.8	\$0.78	393"
8	Med.	53000	2,4	8R30/LED/DIM/FL/27	24/6	Box	65	Warm White	Frost	2700	80	650	25000	22.8	\$0.96	516"
8.5	GU24	03159	2,4	8.5R30/LED/DIM/FL/GU24/27	24/6	Box	65	Warm White	Frost	2700	80	650	25000	22.8	\$1.02	496"
9	Med.	53055	2,4,7	9BR30/LED/DIM/FL/27	24/6	Box	65	Warm White	Frost	2700	80	750	25000	22.8	\$1.08	524"
	Med.	05174	2,4,7	9BR30/LED/DIM/FL/27 12PK	2	Box(12)	65	Warm White	Frost	2700	80	750	25000	22.8	\$1.08	524"
	Med.	53010	2,4,7	9BR30/LED/DIM/FL/30	24/6	Box	65	Warm White	Frost	3000	80	750	25000	22.8	\$1.08	524"
	Med.	50080	1,2,4,7	9BR30/LED/DIM/FL/40	24/6	Box	65	Cool White	Frost	4000	80	750	25000	22.8	\$1.08	524"

ITEM NUMBER
Code used to place orders

MASTER CARTON/ INNER PACK
Number of lamps per package

EQUIVALENT INCANDESCENT WATTAGE
Energy used by comparable incandescent lamp

LIFE IN YEARS
Rated life based on 3 hours a day of use

MOL
Maximum overall length in inches

FOOTNOTES
Important product attributes explained at the bottom of each page

BRIGHTNESS
Amount of light emitted from the lamp in lumens

ESTIMATED YEARLY ENERGY COST
Cost to operate lamp for 1 year based on 3 hours a day of use @ 11¢ KWH

PACK TYPE
How the lamp is packaged



BASE TYPES, LAMP SHAPES AND FILAMENT DESIGNS ARE PICTURED AT THE END OF EACH SECTION.



Westinghouse

INNOVATION YOU CAN BE SURE OF

NEW!
IMPROVED
TECHNOLOGY



ENERGY-EFFICIENT LED LIGHTING

Use Westinghouse LED lamps anywhere to save energy and money!
Available in a variety of shapes and sizes, these high-quality LED lamps utilize state-of-the-art, high-performance technology and are extremely durable.

Our complete LED lamp selection offers significant cost savings, longer life, enhanced light output and optimum brightness when compared to incandescent, halogen and fluorescent light sources.

Visit www.westinghouselighting.com for our latest energy-saving LED products and dimmer compatibilities.

Unless otherwise noted, all LED lamps in this catalog are Underwriter Laboratories or ETL Listed for safety.



DECORATIVE LAMPS



Energy Used (Watts)	Lamp Base	Item No.	Footnotes	Domestic Code	Master Carton/ Inner Pack	Package Type	Equiv. Incand. Wattage	Color Designation	Finish	Light Appearance (Kelvin)	CRI	Brightness (Lumens)	Avg. Rated Hours	Life in Years*	Est. Yearly Energy Cost**	MOL
TORPEDO																
3	Cand.	03211	2,4	3B10/LED/DIM/CL/CB/30 1CD	24/4	Card	25	Warm White	Clear	3000	80	250	25000	22.8	\$0.36	3.85"
	Cand.	33045	2,4	3B10/LED/DIM/CL/CB/30	24/6	Hanging Box	25	Warm White	Clear	3000	80	250	25000	22.8	\$0.36	3.85"
	Med.	03212	2,4	3B10/LED/DIM/CL/30 1CD	24/4	Card	25	Warm White	Clear	3000	80	250	25000	22.8	\$0.36	3.67"
	Med.	33046	2,4	3B10/LED/DIM/CL/30	24/6	Hanging Box	25	Warm White	Clear	3000	80	250	25000	22.8	\$0.36	3.67"
4.5	Cand.	53204	2,4,7	4.5B11/LED/DIM/CL/CB/27 1CD	24/4	Card	40	Warm White	Clear	2700	80	300	25000	22.8	\$0.54	3.78"
	Med.	43205	2,4	4.5B11/LED/DIM/CL/27 1CD	24/4	Card	40	Warm White	Clear	2700	80	300	25000	22.8	\$0.54	3.82"
	Med.	53144	2,4,7	4.5B11/LED/DIM/CL/27	24/6	Hanging Box	40	Warm White	Clear	2700	80	300	25000	22.8	\$0.54	3.78"
6.5	Cand.	53200	2,4	6.5B13/LED/DIM/CL/CB/27 1CD	24/4	Card	60	Warm White	Clear	2700	80	500	25000	22.8	\$0.78	4.49"
	Cand.	53130	2,4,7	6.5B13/LED/DIM/CL/CB/27	24/6	Hanging Box	60	Warm White	Clear	2700	80	500	25000	22.8	\$0.78	4.49"
	Med.	53132	2,4,7	6.5B13/LED/DIM/CL/27	24/6	Hanging Box	60	Warm White	Clear	2700	80	500	25000	22.8	\$0.78	4.61"
FLAME TIP																
5	Cand.	35124	4	5C11/LED/CL/CB/27 2CD	24/4	Card(2)	40	Warm White	Clear	2700	80	300	15000	13.6	\$0.60	4.01"
	Cand.	35122	4	5C11/LED/SW/CB/27 2CD	24/4	Card(2)	40	Warm White	Soft White	2700	80	300	15000	13.6	\$0.60	4.01"
	Med.	35123	4	5C11/LED/CL/27 2CD	24/4	Card(2)	40	Warm White	Clear	2700	80	300	15000	13.6	\$0.60	4.01"
	Med.	35121	4	5C11/LED/SW/27 2CD	24/4	Card(2)	40	Warm White	Soft White	2700	80	300	15000	13.6	\$0.60	4.01"
4.5	Cand.	43206	2,4	4.5CA11/LED/DIM/CL/CB/27 1CD	24/4	Card	40	Warm White	Clear	2700	80	300	25000	22.8	\$0.54	3.98"
5	Cand.	33145	2,4	5CA11/LED/DIM/CL/CB/27	24/6	Hanging Box	40	Warm White	Clear	2700	80	300	25000	22.8	\$0.60	3.98"
	Med.	33207	2,4	5CA11/LED/DIM/CL/27 1CD	24/4	Card	40	Warm White	Clear	2700	80	300	25000	22.8	\$0.60	3.94"
	Med.	33146	2,4	5CA11/LED/DIM/CL/27	24/6	Hanging Box	40	Warm White	Clear	2700	80	300	25000	22.8	\$0.60	3.94"
7	Cand.	35129	4	7C13/LED/CL/CB/27 2CD	24/4	Card(2)	60	Warm White	Clear	2700	80	500	15000	13.6	\$0.84	4.48"
	Cand.	35127	4	7C13/LED/SW/CB/27 2CD	24/4	Card(2)	60	Warm White	Soft White	2700	80	500	15000	13.6	\$0.84	4.48"
	Med.	35128	4	7C13/LED/CL/27 2CD	24/4	Card(2)	60	Warm White	Clear	2700	80	500	15000	13.6	\$0.84	4.48"
	Med.	05125	4	7C13/LED/SW/27 2CD	24/4	Card(2)	60	Warm White	Soft White	2700	80	500	12000	10.9	\$0.84	4.48"
	Cand.	43202	2,4	7CA13/LED/DIM/CL/CB/27 1CD	24/4	Card	60	Warm White	Clear	2700	80	500	25000	22.8	\$0.84	4.49"
	Med.	43203	2,4	7CA13/LED/DIM/CL/27 1CD	24/4	Card	60	Warm White	Clear	2700	80	500	25000	22.8	\$0.84	4.45"
GLOBE																
7	Cand.	43213	2,4	7G16.5/LED/DIM/CL/CB/27 1CD	24/4	Card	60	Warm White	Clear	2700	80	500	25000	22.8	\$0.84	3.02"
	Cand.	43128	2,4	7G16.5/LED/DIM/CL/CB/27	24/6	Box	60	Warm White	Clear	2700	80	500	25000	22.8	\$0.84	2.91"
	Med.	43214	2,4	7G16.5/LED/DIM/CL/27 1CD	24/4	Card	60	Warm White	Clear	2700	80	500	25000	22.8	\$0.84	3.02"
	Med.	05130	2,4	7G16.5/LED/DIM/SW/27 1CD	24/4	Card	60	Warm White	Soft White	2700	80	500	25000	22.8	\$0.84	3.10"
	Med.	33129	2,4	7G16.5/LED/DIM/CL/27	24/6	Box	60	Warm White	Clear	2700	80	500	25000	22.8	\$0.84	2.93"
	Med.	03192	2,4	7G19/LED/DIM/SW/27 1CD	24/4	Card	60	Warm White	Soft White	2700	80	500	25000	22.8	\$0.84	3.52"
6	Med.	53011	2,4,7	6G25/LED/DIM/SW/30	24/6	Box	75	Warm White	Soft White	3000	80	590	25000	22.8	\$0.72	4.33"
7	Med.	35149	2,4	7G25/LED/DIM/CL/27	24/6	Box	60	Warm White	Clear	2700	80	500	25000	22.8	\$0.84	4.42"

*Based on 3hrs./day **Based on 3hrs./day 11¢/kWh

Footnotes

- 1 New Item
- 2 Dimmable
- 3 Low Voltage (12V)
- 4 Approved for Damp Location
- 5 Approved for Wet Location
- 6 Indoor Application Only
- 7 Approved for Use in Totally Enclosed Fixtures

GENERAL PURPOSE LAMPS



Energy Used (Watts)	Lamp Base	Item No.	Footnotes	Domestic Code	Master Carton/Inner Pack	Package Type	Equiv. Incand. Wattage	Color Designation	Finish	Light Appearance (Kelvin)	CRI	Brightness (Lumens)	Avg. Rated Hours	Life in Years*	Est. Yearly Energy Cost**	MOL
OMNI A15																
5	Med.	45134	4,7	50MNIA15/LED/SW/27 1CD	24/4	Card	40	Warm White	Soft White	2700	80	450	15000	13.6	\$0.60	3.54"
5.5	Med.	45136	4,7	5.50MNIA15/LED/SW/27 1CD	24/4	Card	60	Warm White	Soft White	2700	80	600	15000	13.6	\$0.66	3.55"
	Med.	33191	2,4,7	5.50MNIA15/LED/DIM/SW/27 1CD	24/4	Card	40	Warm White	Soft White	2700	80	450	25000	22.8	\$0.66	3.54"
7	Med.	05135	4	70MNIA15/LED/CL/27 1CD	24/4	Card	40	Warm White	Clear	2700	80	450	12000	10.9	\$0.84	3.50"
A19																
14	Med.	35158	4,7	14A19/LED/SW/30 2PK	60/12	Box(2)	100	Warm White	Soft White	3000	80	1500	15000	13.6	\$1.69	4.33"
OMNI A19																
6	Med.	33464	4,7	60MNIA19/LED/SW/27	24/6	Box	40	Warm White	Soft White	2700	80	450	25000	22.8	\$0.72	4.33"
	Med.	43189	4,7	60MNIA19/LED/SW/30	24/6	Box	40	Warm White	Soft White	3000	80	480	15000	13.6	\$0.72	4.33"
	Med.	35156	4,7	60MNIA19/LED/SW/30 4PK	30/6	Box(4)	40	Warm White	Soft White	3000	80	480	15000	13.6	\$0.72	4.33"
	Med.	53098	2,4,7	60MNIA19/LED/DIM/SW/30	24/6	Box	40	Warm White	Soft White	3000	80	480	25000	22.8	\$0.72	4.33"
	Med.	05144	2,4,7	60MNIA19/LED/DIM/SW/50	24/6	Box	40	Daylight	Soft White	5000	80	470	25000	22.8	\$0.72	4.33"
7	Med.	05137	4	70MNIA19/LED/CL/27	24/6	Box	40	Warm White	Clear	2700	80	480	12000	10.9	\$0.84	4.41"
	Med.	05143	2,4	70MNIA19/LED/DIM/CL/27	24/6	Box	40	Warm White	Clear	2700	80	480	25000	22.8	\$0.84	4.41"
9	Med.	03697	4,7	90MNIA19/LED/SW/27	24/6	Box	60	Warm White	Soft White	2700	80	790	40000	36.5	\$1.08	4.33"
	Med.	43697	4,7	90MNIA19/LED/SW/27	24/6	Box	60	Warm White	Soft White	2700	80	800	25000	22.8	\$1.08	4.33"
	Med.	05173	4,7	90MNIA19/LED/SW/27 12PK	2	Box(12)	60	Warm White	Soft White	2700	80	800	15000	13.6	\$1.08	4.33"
	Med.	43696	2,4,7	90MNIA19/LED/DIM/SW/27	24/6	Box	60	Warm White	Soft White	2700	80	800	25000	22.8	\$1.08	4.33"
	Med.	03440	4,7	90MNIA19/LED/SW/30 1CD	24/6	Card	60	Warm White	Soft White	3000	80	800	40000	36.5	\$1.08	4.33"
	Med.	33440	4,7	90MNIA19/LED/SW/30 1CD	24/4	Card	60	Warm White	Soft White	3000	80	800	25000	22.8	\$1.08	4.33"
	Med.	43127	4,7	90MNIA19/LED/SW/30	24/6	Box	60	Warm White	Soft White	3000	80	800	15000	13.6	\$1.08	4.33"
	Med.	35160	4,7	90MNIA19/LED/SW/30 4PK	30/6	Box(4)	60	Warm White	Soft White	3000	80	800	15000	13.6	\$1.08	4.33"
	Med.	43439	2,4,7	90MNIA19/LED/DIM/SW/30 1CD	24/4	Card	60	Warm White	Soft White	3000	80	800	25000	22.8	\$1.08	4.33"
	Med.	53094	2,4,7	90MNIA19/LED/DIM/SW/30	24/6	Box	60	Warm White	Soft White	3000	80	800	25000	22.8	\$1.08	4.33"
	Med.	35140	4,7	90MNIA19/LED/SW/50	24/6	Box	60	Daylight	Soft White	5000	80	800	15000	13.6	\$1.08	4.33"
	Med.	53097	2,4,7	90MNIA19/LED/DIM/SW/50	24/6	Box	60	Daylight	Soft White	5000	80	800	25000	22.8	\$1.08	4.33"
9.5	GU24	43158	2,4,7	9.50MNIA19/LED/DIM/SW/GU24/27	24/6	Box	60	Warm White	Soft White	2700	80	800	25000	22.8	\$1.14	4.33"
10	Med.	05139	4	100MNIA19/LED/CL/27	24/6	Box	60	Warm White	Clear	2700	80	800	12000	10.9	\$1.20	4.41"
	Med.	03696	2,4,7	100MNIA19/LED/DIM/SW/27	24/6	Box	60	Warm White	Soft White	2700	80	790	40000	36.5	\$1.20	4.33"
	Med.	03439	2,4,7	100MNIA19/LED/DIM/SW/30 1CD	24/6	Card	60	Warm White	Soft White	3000	80	800	40000	36.5	\$1.20	4.33"
3/9/12	Med.	53140	4	3/9/12OMNIA19/LED/3WAY/SW/27	24/6	Box	30/ 70/ 100	Warm White	Soft White	2700	80	280/ 950/ 1200	25000	22.8	\$1.45	4.65"
OMNI A21																
11	Med.	43190	4,7	110MNIA21/LED/SW/30	24/6	Box	75	Warm White	Soft White	3000	80	1100	15000	13.6	\$1.32	4.80"
	Med.	53053	2,4,7	110MNIA21/LED/DIM/SW/30	24/6	Box	75	Warm White	Soft White	3000	80	1100	25000	22.8	\$1.32	4.80"
	Med.	35157	4,7	110MNIA21/LED/SW/30 2PK	60/12	Box(2)	75	Warm White	Soft White	3000	80	1100	15000	13.6	\$1.32	4.80"
	Med.	35141	4,7	110MNIA21/LED/SW/50	24/6	Box	75	Daylight	Soft White	5000	80	1100	15000	13.6	\$1.32	4.80"
SPECIALTY - COLOR OMNI																
5	Med.	03153	4,7	50MNIA19/LED/R	24/6	Box	40	—	Red	—	—	—	25000	22.8	\$0.60	4.33"
6	Med.	03154	4,7	60MNIA19/LED/B	24/6	Box	40	—	Blue	—	—	—	25000	22.8	\$0.72	4.33"
	Med.	03152	4,7	60MNIA19/LED/G	24/6	Box	40	—	Green	—	—	—	25000	22.8	\$0.72	4.33"

*Based on 3hrs./day **Based on 3hrs./day 11¢/kWh

Footnotes

1 New Item
2 Dimmable3 Low Voltage (12V)
4 Approved for Damp Location5 Approved for Wet Location
6 Indoor Application Only

7 Approved for Use in Totally Enclosed Fixtures

REFLECTOR LAMPS



Energy Used (Watts)	Lamp Base	Item No.	Footnotes	Domestic Code	Master Carton/ Inner Pack	Package Type	Equiv. Incand. Wattage	Color Designation	Finish	Light Appearance (Kelvin)	Brightness (Lumens)	Avg. Rated Hours	Life in Years*	Est. Yearly Energy Cost**	MOL
MR11															
4	GU4	05152	3,4	4MR11/LED/FL/GU4/30 1CD	24/4	Card	25	Warm White	White	3000	80	25000	22.8	\$0.48	1.52"
MR16															
4.5	GU5.3	33209	2,3,4,7	4.5MR16/LED/DIM/FL/30 1CD	24/4	Card	35	Warm White	Clear	3000	80	25000	22.8	\$0.54	1.85"
	GU5.3	33638	2,3,4,7	4.5MR16/LED/DIM/FL/30	24/6	Hanging Box	35	Warm White	Clear	3000	80	25000	22.8	\$0.54	1.85"
	GU10	05179	1,2,4,7	4.5MR16/LED/DIM/FL/GU10/30	24/6	Hanging Box	35	Warm White	Frost	3000	80	25000	22.8	\$0.54	2.16"
6.5	GU5.3	33208	2,3,4,7	6.5MR16/LED/DIM/FL/30 1CD	24/4	Card	50	Warm White	Clear	3000	80	25000	22.8	\$0.78	1.85"
	GU5.3	33491	2,3,4,7	6.5MR16/LED/DIM/FL/30	24/6	Hanging Box	50	Warm White	Clear	3000	80	25000	22.8	\$0.78	1.85"
	GU10	43210	2,4,7	6.5MR16/LED/DIM/FL/GU10/30 1CD	24/4	Card	50	Warm White	Frost	3000	80	25000	22.8	\$0.78	2.16"
	GU10	53032	2,4,7	6.5MR16/LED/DIM/FL/GU10/30	24/6	Box	50	Warm White	Frost	3000	80	25000	22.8	\$0.78	2.16"
REFLECTORS															
6.5	Med.	53050	2,4,7	6.5R20/LED/DIM/FL/27	24/6	Box	50	Warm White	Frost	2700	80	25000	22.8	\$0.78	3.93"
	Med.	53161	2,4,7	6.5R20/LED/DIM/FL/30	24/6	Box	50	Warm White	Frost	3000	80	25000	22.8	\$0.78	3.93"
	Med.	50110	1,2,4,7	6.5R20/LED/DIM/FL/40	24/6	Box	50	Cool White	Frost	4000	80	25000	22.8	\$0.78	3.93"
	Med.	50120	1,2,4,7	6.5R20/LED/DIM/FL/50	24/6	Box	50	Daylight	Frost	5000	80	25000	22.8	\$0.78	3.93"
8	Med.	53000	2,4	8R30/LED/DIM/FL/27	24/6	Box	65	Warm White	Frost	2700	80	25000	22.8	\$0.96	5.16"
8.5	GU24	03159	2,4	8.5R30/LED/DIM/FL/GU24/27	24/6	Box	65	Warm White	Frost	2700	80	25000	22.8	\$1.02	4.96"
9	Med.	53055	2,4,7	9BR30/LED/DIM/FL/27	24/6	Box	65	Warm White	Frost	2700	80	25000	22.8	\$1.08	5.24"
	Med.	05174	2,4,7	9BR30/LED/DIM/FL/27 12PK	2	Box(12)	65	Warm White	Frost	2700	80	25000	22.8	\$1.08	5.24"
	Med.	53010	2,4,7	9BR30/LED/DIM/FL/30	24/6	Box	65	Warm White	Frost	3000	80	25000	22.8	\$1.08	5.24"
	Med.	50080	1,2,4,7	9BR30/LED/DIM/FL/40	24/6	Box	65	Cool White	Frost	4000	80	25000	22.8	\$1.08	5.24"
11.5	Med.	43063	2,4	11.5R40/LED/DIM/FL/27	6	Box	75	Warm White	Frost	2700	80	25000	22.8	\$1.39	6.46"
16.5	Med.	33163	2,4	16.5R40/LED/DIM/FL/27	6	Box	85	Warm White	Frost	2700	80	25000	22.8	\$1.99	6.46"
	Med.	53064	2,4	16.5R40/LED/DIM/FL/30	6	Box	85	Warm White	Frost	3000	80	25000	22.8	\$1.99	6.46"
	Med.	50130	1,2,4	16.5R40/LED/DIM/FL/40	6	Box	85	Cool White	Frost	4000	80	25000	22.8	\$1.99	6.46"
	Med.	50140	1,2,4	16.5R40/LED/DIM/FL/50	6	Box	85	Daylight	Frost	5000	80	25000	22.8	\$1.99	6.46"
PAR16 REFLECTOR															
6	Med.	33067	2,4,7	6PAR16/LED/DIM/FL/30	24/6	Box	45	Warm White	Clear	3000	80	25000	22.8	\$0.72	3.50"
PAR20 REFLECTOR															
7	Med.	43012	2,4,7	7PAR20/LED/DIM/FL/30	24/6	Box	50	Warm White	Clear	3000	80	25000	22.8	\$0.84	3.50"
	Med.	50000	1,2,4,7	7PAR20/LED/DIM/FL/40	24/6	Box	50	Cool White	Clear	4000	80	25000	22.8	\$0.84	3.50"
	Med.	50010	1,2,4,7	7PAR20/LED/DIM/FL/50	24/6	Box	50	Daylight	Clear	5000	80	25000	22.8	\$0.84	3.50"
PAR30 REFLECTOR															
10	Med.	43160	2,4,7	10PAR30S/LED/DIM/FL/30	24/6	Box	75	Warm White	Clear	3000	80	25000	22.8	\$1.20	3.58"
	Med.	53013	2,4,7	10PAR30/LED/DIM/FL/30	24/6	Box	75	Warm White	Clear	3000	80	25000	22.8	\$1.20	4.57"
	Med.	50040	1,2,4,7	10PAR30S/LED/DIM/FL/40	24/6	Box	75	Cool White	Clear	4000	80	25000	22.8	\$1.20	3.58"
	Med.	50020	1,2,4,7	10PAR30/LED/DIM/FL/40	24/6	Box	75	Cool White	Clear	4000	80	25000	22.8	\$1.20	4.57"
	Med.	50050	1,2,4,7	10PAR30S/LED/DIM/FL/50	24/6	Box	75	Daylight	Clear	5000	80	25000	22.8	\$1.20	3.58"
	Med.	50030	1,2,4,7	10PAR30/LED/DIM/FL/50	24/6	Box	75	Daylight	Clear	5000	80	25000	22.8	\$1.20	4.57"
PAR38 REFLECTOR															
15	Med.	03110	5,7	15PAR38/LED/OutdoorFL/30	24/6	Box	90	Warm White	Clear	3000	80	25000	22.8	\$1.81	5.32"
	Med.	53014	2,4,7	15PAR38/LED/DIM/FL/30	24/6	Box	90	Warm White	Clear	3000	80	25000	22.8	\$1.81	5.24"
	Med.	50090	1,5,7	15PAR38/LED/OutdoorFL/40	24/6	Box	90	Cool White	Clear	4000	80	25000	22.8	\$1.81	5.32"
	Med.	50060	1,2,4,7	15PAR38/LED/DIM/FL/40	24/6	Box	90	Cool White	Clear	4000	80	25000	22.8	\$1.81	5.24"
	Med.	50100	1,5,7	15PAR38/LED/OutdoorFL/50	24/6	Box	90	Daylight	Clear	5000	80	25000	22.8	\$1.81	5.32"
	Med.	50070	1,2,4,7	15PAR38/LED/DIM/FL/50	24/6	Box	90	Daylight	Clear	5000	80	25000	22.8	\$1.81	5.24"
SPECIALTY - COLOR PAR38															
11	Med.	03147	5,7	11PAR38/LED/FL/R	24/6	Box	100	—	Red	—	—	25000	22.8	\$1.32	5.32"

*Based on 3hrs./day **Based on 3hrs./day 11¢/kWh

Footnotes

- 1 New Item
- 2 Dimmable
- 3 Low Voltage (12V)
- 4 Approved for Damp Location
- 5 Approved for Wet Location
- 6 Indoor Application Only
- 7 Approved for Use in Totally Enclosed Fixtures

FILAMENT LAMPS

LAMPS SHOWN UNLIT



Energy Used (Watts)	Lamp Base	Item No.	Footnotes	Domestic Code	Master Carton/Inner Pack	Package Type	Equiv. Incand. Wattage	Color Designation	Finish	Light Appearance (Kelvin)	CRI	Brightness (Lumens)	Avg. Rated Hours	Life in Years*	Est. Yearly Energy Cost**	MOL
A TYPE																
4.5	Med.	33166	2,4,7	4.5A15/FilamentLED/DIM/CL/27	24/6	Box	40	Warm White	Clear	2700	80	470	15000	13.6	\$0.54	3.30"
	Med.	33164	2,4,7	4.5A19/FilamentLED/DIM/CL/27	24/6	Box	40	Warm White	Clear	2700	80	470	15000	13.6	\$0.54	4.13"
5	Med.	05151	2,4,7	5A19/FilamentLED/DIM/A/20 1CD	24/4	Card	40	Warm White	Amber	2000	80	420	15000	13.6	\$0.60	3.97"
6.5	Med.	33165	2,4,7	6.5A19/FilamentLED/DIM/CL/27	24/6	Box	60	Warm White	Clear	2700	80	810	15000	13.6	\$0.78	4.13"
BT15																
4.5	Med.	33167	2,4,7	4.5BT15/FilamentLED/DIM/CL/27	24/6	Box	40	Warm White	Clear	2700	80	470	15000	13.6	\$0.54	4.05"
B11 DECORATIVE																
4.5	Cand.	05171 Δ	2,4,7	4.5B11/FilaLED/DIM/CL/CB/27	24/6	Box	40	Warm White	Clear	2700	80	300	15000	13.6	\$0.54	3.82"
	Med.	33169	2,4,7	4.5B11/FilamentLED/DIM/CL/27	24/6	Box	40	Warm White	Clear	2700	80	470	15000	13.6	\$0.54	3.58"
6	Cand.	33168 Δ	2,4	6B11/FilaLED/DIM/CL/CB/27	24/6	Box	60	Warm White	Clear	2700	80	500	15000	13.6	\$0.72	3.82"
CA10 DECORATIVE																
4.5	Med.	33171	2,4,7	4.5CA10/FilamentLED/DIM/CL/27	24/6	Box	40	Warm White	Clear	2700	80	470	15000	13.6	\$0.54	4.37"
5	Cand.	05132	2,4,7	5CA10/FILED/DIM/A/CB/20 1CD	24/4	Card	40	Warm White	Amber	2000	80	400	15000	13.6	\$0.60	4.52"
CA11 DECORATIVE																
4.5	Cand.	05172 Δ	2,4,7	4.5CA11/FilaLED/DIM/CL/CB/27	24/6	Box	40	Warm White	Clear	2700	80	300	15000	13.6	\$0.54	3.82"
6	Cand.	33170 Δ	2,4	6CA11/FilaLED/DIM/CL/CB/27	24/6	Box	60	Warm White	Clear	2700	80	500	15000	13.6	\$0.72	4.37"
F15																
2.5	Med.	03193	2,4,7	2.5F15/FILED/DIM/CL/27 1CD	24/4	Card	25	Warm White	Clear	2700	80	250	15000	13.6	\$0.30	4.33"
	Med.	03195	2,4,7	2.5F15/FilaLED/DIM/A/20 1CD	24/4	Card	25	Warm White	Amber	2000	80	190	15000	13.6	\$0.30	4.33"
5	Med.	03194	2,4,7	5F15/FilamentLED/DIM/CL/27 1CD	24/4	Card	40	Warm White	Clear	2700	80	470	15000	13.6	\$0.60	4.33"
	Med.	03196	2,4,7	5F15/FilamentLED/DIM/A/20 1CD	24/4	Card	40	Warm White	Amber	2000	80	400	15000	13.6	\$0.60	4.33"
G25 GLOBE																
4.5	Med.	33172	2,4,7	4.5G25/FilamentLED/DIM/CL/27	24/6	Box	40	Warm White	Clear	2700	80	470	15000	13.6	\$0.54	4.52"
6.5	Med.	33173	2,4,7	6.5G25/FilamentLED/DIM/CL/27	24/6	Box	60	Warm White	Clear	2700	80	810	15000	13.6	\$0.78	4.52"
G40 GLOBE																
4.5	Med.	33174	2,4,7	4.5G40/FilamentLED/DIM/CL/27	24/6	Box	40	Warm White	Clear	2700	80	470	15000	13.6	\$0.54	6.57"
6.5	Med.	33175	2,4,7	6.5G40/FilamentLED/DIM/CL/27	24/6	Box	60	Warm White	Clear	2700	80	810	15000	13.6	\$0.78	6.57"
ST15																
4.5	Med.	05186	1,2,4,7	4.5ST15/FilamentLED/DIM/CL/27	24/6	Box	40	Warm White	Clear	2700	80	470	15000	13.6	\$0.54	4.65"
6.5	Med.	05187	1,2,4,7	6.5ST15/FilamentLED/DIM/CL/27	24/6	Box	60	Warm White	Clear	2700	80	800	15000	13.6	\$0.78	4.65"
ST20																
2.5	Med.	03176	2,4,7	2.5ST20/FilamentLED/DIM/A/20	24/6	Box	25	Warm White	Amber	2000	80	230	15000	13.6	\$0.30	5.31"
4.5	Med.	33177	2,4,7	4.5ST20/FilamentLED/DIM/A/22	24/6	Box	40	Warm White	Amber	2200	80	420	15000	13.6	\$0.54	5.50"
	Med.	05182	1,2,4,7	4.5ST20/FilamentLED/DIM/CL/27	24/6	Box	40	Warm White	Clear	2700	80	500	15000	13.6	\$0.54	5.43"
5	Med.	05133	2,4,7	5ST20/FilamentLED/DIM/A/20 1CD	24/4	Card	40	Warm White	Amber	2000	80	400	15000	13.6	\$0.60	5.39"
6.5	Med.	33178	2,4,7	6.5ST20/FilamentLED/DIM/A/22	24/6	Box	60	Warm White	Amber	2200	80	600	15000	13.6	\$0.78	5.50"
7	Med.	05183	1,2,4,7	7ST20/FilamentLED/DIM/CL/27	24/6	Box	60	Warm White	Clear	2700	80	800	15000	13.6	\$0.84	5.43"
T9																
4.5	Med.	05184	1,2,4,7	4.5T9/FilamentLED/DIM/CL/27 1CD	24/4	Card	60	Warm White	Clear	2700	80	450	15000	13.6	\$0.54	7.10"
6.5	Med.	05188	1,2,4,7	6.5T9/FilamentLED/DIM/CL/27 1CD	24/4	Card	75	Warm White	Clear	2700	80	800	15000	13.6	\$0.78	11.97"
T10																
3.2	Med.	05185	1,2,4,7	3.2T10/FilamentLED/DIM/CL/27 1CD	24/4	Card	60	Warm White	Clear	2700	80	320	15000	13.6	\$0.39	4.92"

Δ Reduced Collar

*Based on 3hrs./day **Based on 3hrs./day 11¢/kWh

Footnotes

1 New Item
2 Dimmable3 Low Voltage (12V)
4 Approved for Damp Location5 Approved for Wet Location
6 Indoor Application Only

7 Approved for Use in Totally Enclosed Fixtures

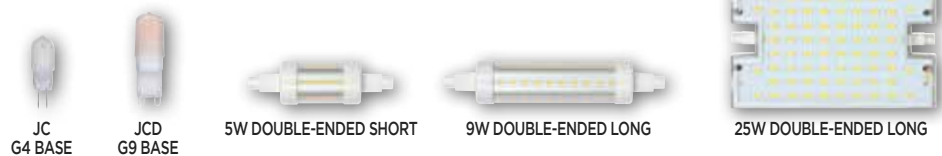
GENERAL PURPOSE
SPECIALTY LAMPS



Energy Used (Watts)	Lamp Base	Item No.	Footnotes	Domestic Code	Master Carton/ Inner Pack	Package Type	Equiv. Incand. Wattage	Color Designation	Finish	Light Appearance (Kelvin)	CRI	Brightness (Lumens)	Avg. Rated Hours	Life in Years*	Est. Yearly Energy Cost**	MOL
C7																
0.6	Cand.	35110	4	0.6C7/LED/CL/CB/27 2CD	48/4	Card(2)	4	Warm White	Clear	2700	80	20	15000	13.6	\$0.07	2.05"
	Cand.	35108	4	0.6C7/LED/F/CB/27 2CD	48/4	Card(2)	4	Warm White	Frost	2700	80	20	15000	13.6	\$0.07	2.05"
1	Cand.	35111	4	1C7/LED/CL/CB/27 2CD	48/4	Card(2)	7	Warm White	Clear	2700	80	50	15000	13.6	\$0.12	2.05"
	Cand.	35109	4	1C7/LED/F/CB/27 2CD	48/4	Card(2)	7	Warm White	Frost	2700	80	50	15000	13.6	\$0.12	2.05"
S6																
0.6	Cand.	35117	4	0.6S6/LED/CL/CB/27 1CD	24/4	Card	6	Warm White	Clear	2700	80	32	15000	13.6	\$0.07	1.77"
S11																
1	Med.	35113	4	1S11/LED/CL/27 1CD	24/4	Card	7.5	Warm White	Clear	2700	80	50	15000	13.6	\$0.12	1.99"
1.5	Inter.	35114	4	1.5S11/LED/CL/IN/27 1CD	24/4	Card	10	Warm White	Clear	2700	80	80	15000	13.6	\$0.18	2.09"
S14																
1	Med.	35116	4	1S14/LED/CL/27 1CD	24/4	Card	11	Warm White	Clear	2700	80	65	15000	13.6	\$0.12	3.23"
T7																
1	Cand.	35118	4	1T7/LED/CL/CB/27 1CD	24/4	Card	10	Warm White	Clear	2700	80	50	15000	13.6	\$0.12	2.09"
1.5	D.C. Bay.	35120	4	1.5T7/LED/CL/DC/27 1CD	24/4	Card	15	Warm White	Clear	2700	80	80	15000	13.6	\$0.18	2.09"
8	Med.	33199	4,7	8T7/LED/F/30 1CD	60/4	Card	60	Warm White	Frost	3000	80	800	15000	13.6	\$0.96	4.22"
	Med.	05161	2,4,7	8T7/LED/DIM/F/30 1CD	60/4	Card	60	Warm White	Frost	3000	80	800	25000	22.8	\$0.96	4.22"
UTILITY																
15	Med.	03197	4,7	15DLR46E26/LED/F/27	24/6	Box	75	Warm White	Frost	2700	80	1200	25000	22.8	\$1.81	4.41"
20	Med.	03198	4,7	20DLR64E26/LED/F/27	12	Box	100	Warm White	Frost	2700	80	1800	25000	22.8	\$2.41	6.06"

*Based on 3hrs./day **Based on 3hrs./day 11¢/kWh

HALOGEN ALTERNATIVE
SPECIALTY LAMPS



Energy Used (Watts)	Lamp Base	Item No.	Footnotes	Domestic Code	Master Carton/ Inner Pack	Package Type	Equiv. Halogen Wattage	Color Designation	Finish	Light Appearance (Kelvin)	CRI	Brightness (Lumens)	Avg. Rated Hours	Life in Years*	Est. Yearly Energy Cost**	MOL
JC																
1.3	G4	03184	3,4,7	1.3G4/LED/F/30 1CD	24/4	Card	10	Warm White	Frost	3000	80	100	25000	22.8	\$0.16	1.46"
JCD																
2.5	G9	03185	4,7	2.5G9/LED/F/30 1CD	24/4	Card	25	Warm White	Frost	3000	80	220	25000	22.8	\$0.30	2.05"
DOUBLE-ENDED SHORT																
5	RSC	03186	4,7	5R7S/LED/CL/27 1CD	24/4	Card	40	Warm White	Clear	2700	80	450	25000	22.8	\$0.60	3.07"
DOUBLE-ENDED LONG																
9	RSC	03187	4,7	9R7S/LED/CL/27 1CD	24/4	Card	75	Warm White	Clear	2700	80	900	25000	22.8	\$1.08	4.65"
25	RSC	33188	4,7	25R7S/LED/CL/27	24/4	Box	150	Warm White	Clear	2700	80	2300	25000	22.8	\$3.01	4.65"

*Based on 3hrs./day **Based on 3hrs./day 11¢/kWh

Footnotes

- 1 New Item
- 2 Dimmable
- 3 Low Voltage (12V)
- 4 Approved for Damp Location
- 5 Approved for Wet Location
- 6 Indoor Application Only
- 7 Approved for Use in Totally Enclosed Fixtures



Visit Our YouTube Channel for Educational Videos.
www.youtube.com/user/Gwestinghouse

ADJUSTABLE RECESSED DOWNLIGHTS

ALL ADJUSTABLE RECESSED LED DOWNLIGHTS ARE UL CLASSIFIED.



Energy Used (Watts)	Lamp Base	Item No.	Footnotes	Domestic Code	Master Carton/Inner Pack	Package Type	Equiv. Incand. Wattage	Color Designation	Finish	Light Appearance (Kelvin)	CRI	Brightness (Lumens)	Avg. Rated Hours	Life in Years*	Est. Yearly Energy Cost**	MOL	MOD
SMOOTH BAFFLE																	
7	Med.	31051	2,4	7R/4"/LED/DIM/ADJ/FL/27	24/4	Box	50	Warm White	Frost	2700	80	550	25000	22.8	\$0.84	5.32"	5.31"
	Med.	31049	2,4	7R/4"/LED/DIM/ADJ/FL/30	24/4	Box	50	Warm White	Frost	3000	80	550	25000	22.8	\$0.84	5.32"	5.31"
10	Med.	31052	2,4	10R/6"/LED/DIM/ADJ/FL/27	24/4	Box	75	Warm White	Frost	2700	80	800	25000	22.8	\$1.20	7.28"	7.28"
	Med.	31050	2,4	10R/6"/LED/DIM/ADJ/FL/30	24/4	Box	75	Warm White	Frost	3000	80	800	25000	22.8	\$1.20	7.28"	7.28"

*Based on 3hrs./day

**Based on 3hrs./day 11¢/kWh



RECESSED DOWNLIGHTS

ALL RECESSED LED DOWNLIGHT KITS ARE UL OR ETL CLASSIFIED.

Energy Used (Watts)	Lamp Base	Item No.	Footnotes	Domestic Code	Master Carton/Inner Pack	Package Type	Equiv. Incand. Wattage	Color Designation	Finish	Light Appearance (Kelvin)	CRI	Brightness (Lumens)	Avg. Rated Hours	Life in Years*	Est. Yearly Energy Cost**	MOL	MOD
STEP BAFFLE																	
10	Med.	51047	2,5	10R/4"/LED/DIM/FL/30	24/4	Box	65	Warm White	Frost	3000	90	670	50000	45.6	\$1.20	2.88"	5.52"
11	Med.	51048	2,5	11R/5-6"/LED/DIM/FL/30	24/4	Box	65	Warm White	Frost	3000	90	750	50000	45.6	\$1.32	2.13"	7.48"
SMOOTH BAFFLE																	
8	Med.	31043⁺	2,4	8R/4"/LED/DIM/FL/27	24/6	Box	65	Warm White	Frost	2700	80	650	50000	45.6	\$0.96	3.50"	5.04"
14	Med.	41040⁺	2,4	14R/5"/LED/DIM/FL/27	24/6	Box	80	Warm White	Frost	2700	80	1000	50000	45.6	\$1.69	3.54"	6.30"
	Med.	41044⁺	2,4	14R/5"/LED/DIM/FL/30	24/6	Box	80	Warm White	Frost	3000	80	1000	50000	45.6	\$1.69	3.54"	6.30"
	Med.	31045⁺	2,4	14R/6"/LED/DIM/FL/27	24/6	Box	80	Warm White	Frost	2700	80	1000	50000	45.6	\$1.69	3.40"	7.24"
	Med.	31046⁺	2,4	14R/6"/LED/DIM/FL/30	24/6	Box	80	Warm White	Frost	3000	80	1000	50000	45.6	\$1.69	3.40"	7.24"
SQUARE STEP BAFFLE																	
10	Med.	31053⁺	1,2,5,7	10R/4"/LED/DIM/SQ/FL/30	24/6	Box	60	Warm White	Frost	3000	90	650	50000	45.6	\$1.20	1.89"	4.00"
	Med.	31054⁺	1,2,5,7	10R/4"/LED/DIM/SQ/FL/40	24/6	Box	60	Cool White	Frost	4000	90	650	50000	45.6	\$1.20	1.89"	4.00"
15	Med.	31055⁺	1,2,5,7	15R/6"/LED/DIM/SQ/FL/30	24/6	Box	100	Warm White	Frost	3000	90	1100	50000	45.6	\$1.81	2.48"	6.00"
	Med.	31056⁺	1,2,5,7	15R/6"/LED/DIM/SQ/FL/40	24/6	Box	100	Cool White	Frost	4000	90	1100	50000	45.6	\$1.81	2.48"	6.00"

+ Optional Accessory GU24 Base Adapter Sold Separately (Item# 22000)

*Based on 3hrs./day

**Based on 3hrs./day 11¢/kWh

Footnotes

- 1 New Item
- 2 Dimmable
- 3 Low Voltage (12V)
- 4 Approved for Damp Location
- 5 Approved for Wet Location
- 6 Indoor Application Only
- 7 Approved for Use in Totally Enclosed Fixtures



Visit Our YouTube Channel for TLED Educational Videos.
www.youtube.com/user/Gwestinghouse



LINEAR LAMPS

ALL LINEAR LED LAMPS ARE UL CLASSIFIED.

Energy Used (Watts)	Lamp Base	Item No.	Footnotes	Domestic Code	Master Carton/Inner Pack	Package Type	Lamp Type Replacement	Color Designation	Finish	Light Appearance (Kelvin)	CRI	Brightness (Lumens)	Avg. Rated Hours	Life in Years*	Est. Yearly Energy Cost**	MOL
T5 46" (DesignLights Consortium® qualified product)																
25	G5 (Mini BiPin)	33788 ◆▲■	7	LED 25T5/46"/40 Direct Install	10	Sleeve	T5	Cool White	Frost	4000	82	3500	50000	45.6	\$3.01	46"
	G5 (Mini BiPin)	33789 ◆▲■	7	LED 25T5/46"/50 Direct Install	10	Sleeve	T5	Daylight	Frost	5000	82	3500	50000	45.6	\$3.01	46"
T8 48" (DesignLights Consortium® qualified product)																
11.5	Med.BiPin	33851 ◆▲	4,7	LED 11.5T8/48"/35 Direct Install	10	Sleeve	T8	Cool White	Frost	3500	82	1700	50000	45.6	\$1.39	48"
	Med.BiPin	33739 ◆▲	4,7	LED 11.5T8/48"/40 Direct Install	10	Sleeve	T8	Cool White	Frost	4000	82	1800	50000	45.6	\$1.39	48"
	Med.BiPin	33852 ◆▲	4,7	LED 11.5T8/48"/50 Direct Install	10	Sleeve	T8	Daylight	Frost	5000	82	1800	50000	45.6	\$1.39	48"
15	Med.BiPin	03860 ◆▲	4,7	LED 15T8/48"/35 Ballast Bypass	10	Sleeve	T8	Cool White	Frost	3500	82	1700	50000	45.6	\$1.81	48"
	Med.BiPin	03861 ◆▲	4,7	LED 15T8/48"/40 Ballast Bypass	10	Sleeve	T8	Cool White	Frost	4000	82	1800	50000	45.6	\$1.81	48"
	Med.BiPin	03854 ◆▲	4,7	LED 15T8/48"/50 Ballast Bypass	10	Sleeve	T8	Daylight	Frost	5000	82	1800	50000	45.6	\$1.81	48"
	Med.BiPin	43652 ◆▲	4,7	LED 15T8/48"/35 Direct Install	10	Sleeve	T8	Cool White	Frost	3500	82	2100	50000	45.6	\$1.81	48"
	Med.BiPin	43653 ◆▲	4,7	LED 15T8/48"/40 Direct Install	10	Sleeve	T8	Cool White	Frost	4000	82	2200	50000	45.6	\$1.81	48"
	Med.BiPin	43655 ◆▲	4,7	LED 15T8/48"/50 Direct Install	10	Sleeve	T8	Daylight	Frost	5000	82	2200	50000	45.6	\$1.81	48"
18	Med.BiPin	33660 ◆▲	4,7	LED 18T8/48"/35 Ballast Bypass	10	Sleeve	T8 & T12	Cool White	Frost	3500	82	2200	50000	45.6	\$2.17	48"
	Med.BiPin	33672 ◆▲	4,7	LED 18T8/48"/40 Ballast Bypass	10	Sleeve	T8 & T12	Cool White	Frost	4000	82	2200	50000	45.6	\$2.17	48"
	Med.BiPin	33676 ◆▲	4,7	LED 18T8/48"/50 Ballast Bypass	10	Sleeve	T8 & T12	Daylight	Frost	5000	82	2200	50000	45.6	\$2.17	48"
T8 96" (P.E.T. Coated)																
33	Single Pin	04049 ▲○	4,7	LED 33T8/96"/40 Direct Install	10	Sleeve	T8 & T12	Cool White	Frost	4000	82	4400	50000	45.6	\$3.97	96"
	Single Pin	04050 ▲○	4,7	LED 33T8/96"/50 Direct Install	10	Sleeve	T8 & T12	Daylight	Frost	5000	82	4400	50000	45.6	\$3.97	96"
43	Single Pin	04051 ▲○	4,7	LED 43T8/96"/40 Ballast Bypass	10	Sleeve	T8 & T12	Cool White	Frost	4000	82	5500	50000	45.6	\$5.18	96"
	Single Pin	04052 ▲○	4,7	LED 43T8/96"/50 Ballast Bypass	10	Sleeve	T8 & T12	Daylight	Frost	5000	82	5500	50000	45.6	\$5.18	96"

- ◆ DLC Qualified
- ▲ NSF Certified
- Replace F54T5HO linear fluorescent lamps.
- P.E.T. Coated



HIGH LUMEN LAMPS

HIGH LUMEN LED LAMPS ARE 120-277V.



Energy Used (Watts)	Lamp Base	Item No.	Footnotes	Domestic Code	Master Carton/Inner Pack	Package Type	Equiv. Incand. Wattage	Equiv. CFL Wattage	Equiv. HID Wattage	Color Designation	Finish	Light Appearance (Kelvin)	CRI	Brightness (Lumens)	Avg. Rated Hours	MOL
16	Med.	05181	1,4,7	16T24/LED/HL/50	12/4	Box	100	32	50	Daylight	Clear	5000	80	2400	40000	6.52"
24	Med.	05165	4,7	24T23/LED/HL/50	12/4	Box	150	55	100	Daylight	Clear	5000	80	2880	40000	8.58"
36	Med.	05162	4,7	36T28/LED/HL/50	12/4	Box	200	65	150	Daylight	Clear	5000	80	4320	40000	8.46"
45	Med.	05163	4,7	45T28/LED/HL/50	12/4	Box	300	85	175	Daylight	Clear	5000	80	5400	40000	9.53"
	Mogul	05164 ◆	4,7	45T28/LED/HL/E39/50	12/4	Box	300	85	175	Daylight	Clear	5000	80	5400	40000	9.92"
54	Mogul	05166 ◆	4,7	54T28/LED/HL/E39/50	12/4	Box	400	105	250	Daylight	Clear	5000	80	6480	40000	10.55"
120	Mogul	05180 ◆	4,7	120T44/LED/HL/E39/50	9/3	Box	1000	250	800	Daylight	Clear	5000	80	18000	40000	10.43"

- ◆ DLC Qualified
- All high lumen LED lamps are IP65.

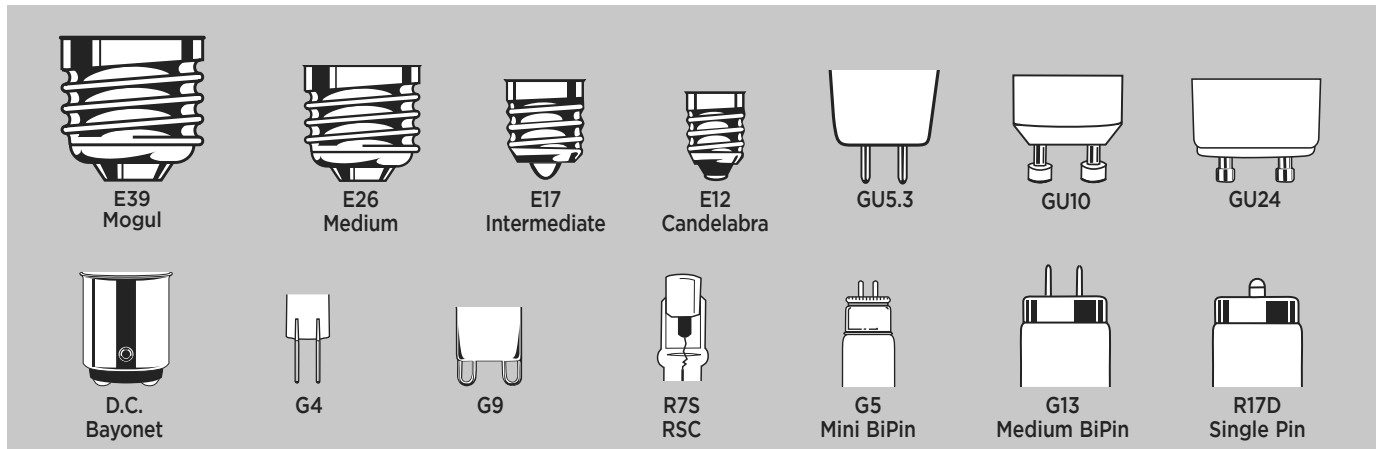
Footnotes

- 1 New Item
- 2 Dimmable
- 3 Low Voltage (12V)
- 4 Approved for Damp Location
- 5 Approved for Wet Location
- 6 Indoor Application Only
- 7 Approved for Use in Totally Enclosed Fixtures

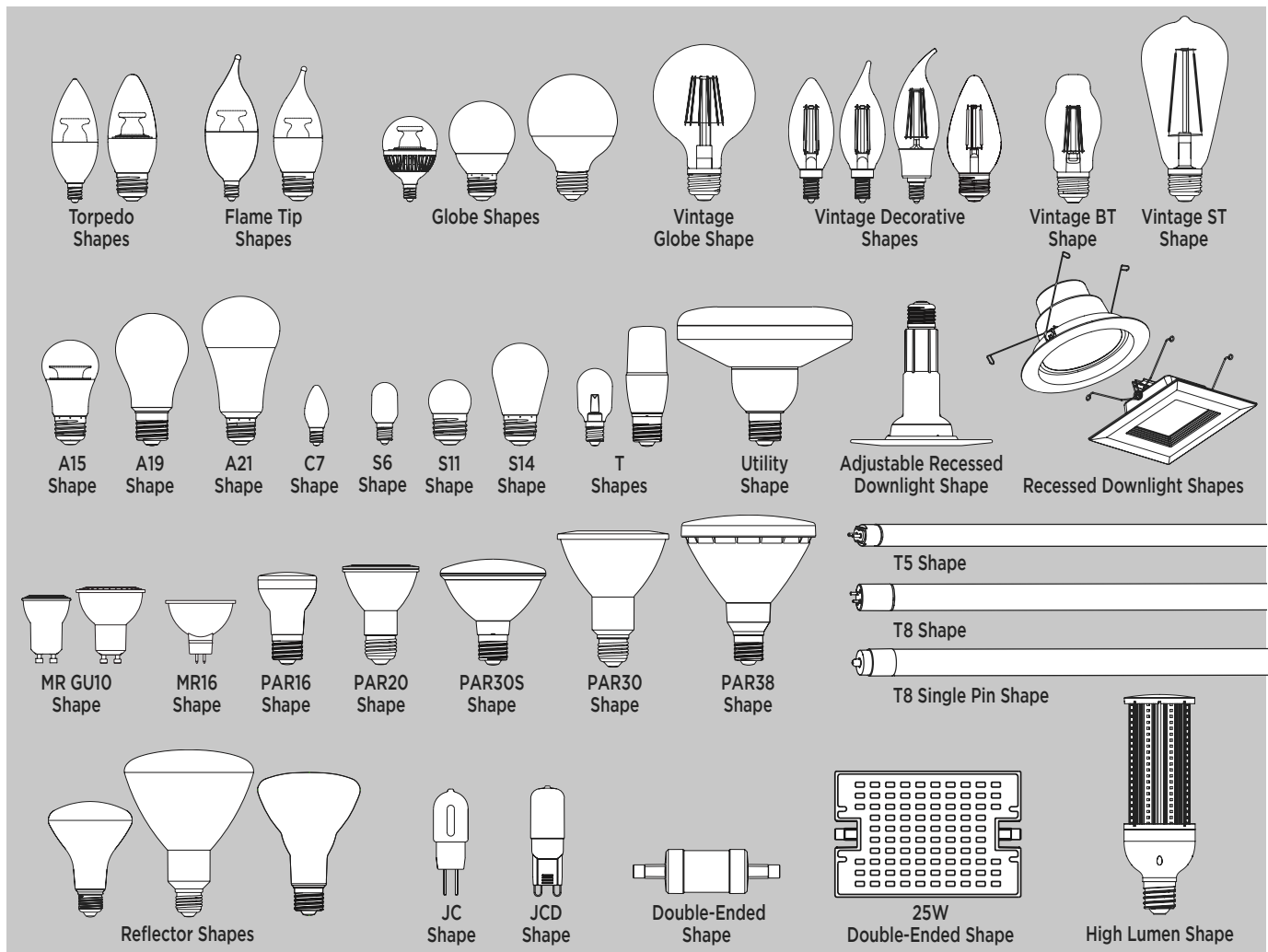
LED LAMP COMPONENTS

Westinghouse LED lamps are made with high quality components. These durable, superior parts allow our lamps to provide the long life, energy savings, increased brightness and excellent performance that our customers expect from today's LED lamps. Westinghouse's commitment to the highest quality craftsmanship allows us to offer a warranty of 3 or more years on all of our LED lamps.

LED LAMP BASE TYPES



LED LAMP SHAPES



Visit www.westinghouselighting.com for our latest energy saving LED products and dimmer compatibilities.



ENERGY-EFFICIENT CFL LIGHTING

Available in many shapes, sizes and Kelvin temperatures, our high-quality, long-lasting CFLs fit almost any application and are an excellent alternative to incandescent and halogen light sources.



TWIST LAMPS



Energy Used (Watts)	Lamp Base	Item No.	Footnotes	Domestic Code	Master Carton/ Inner Pack	Package Type	Equiv. Incand. Wattage	Color Designation	Light Appearance (Kelvin)	CRI	Brightness (Lumens)	Avg. Rated Hours	Life in Years*	Est. Yearly Energy Cost**	MOL
MINI-TWIST															
5	Med.	36670	3	5MINITWIST/27	96/24	Box	25	Warm White	2700	82	270	10000	9.1	\$0.60	3.50"
9	Med.	37934	3	9MINITWIST/27	24/8	Hanging Box	40	Warm White	2700	82	570	10000	9.1	\$1.08	4"
13	GU24	37990	3	13MINITWIST/GU24/27	24/8	Hanging Box	60	Warm White	2700	82	800	10000	9.1	\$1.57	3.88"
	Med.	37945	3	13MINITWIST/27	24/8	Hanging Box	60	Warm White	2700	82	900	10000	9.1	\$1.57	4.38"
	Med.	37946	3	13MINITWIST/27 4PK	6	Box(4)	60	Warm White	2700	82	900	10000	9.1	\$1.57	4.38"
	Med.	38010	3	13MINITWIST/27	24/8	Box	60	Warm White	2700	80	900	12000	10.9	\$1.57	4.02"
	Med.	37941	3	13MINITWIST/35	24/8	Hanging Box	60	Cool White	3500	82	900	10000	9.1	\$1.57	4.38"
	Med.	37942	3	13MINITWIST/35 4PK	6	Box(4)	60	Cool White	3500	82	850	10000	9.1	\$1.57	4.38"
	Med.	37714	3	13MINITWIST/50	24/8	Hanging Box	60	Daylight	5000	82	880	10000	9.1	\$1.57	4.38"
	Med.	37943	3	13MINITWIST/65	24/8	Hanging Box	60	Daylight	6500	82	900	10000	9.1	\$1.57	4.38"
	Med.	37944	3	13MINITWIST/65 4PK	6	Box(4)	60	Daylight	6500	82	900	10000	9.1	\$1.57	4.38"
	Med.	37925	3	13MINITWIST/BUG	24/4	Box	60	-	-	80	-	10000	9.1	\$1.57	4.65"
14	Med.	36660	3	14MINITWIST/41	48/4	Box	60	Cool White	4100	80	900	10000	9.1	\$1.69	3.94"
18	GU24	36308	3	18MINITWIST/GU24/27	24/8	Hanging Box	75	Warm White	2700	82	1200	10000	9.1	\$2.17	4.38"
	Med.	37950	3	18MINITWIST/27	24/8	Hanging Box	75	Warm White	2700	82	1200	10000	9.1	\$2.17	4.75"
	Med.	37949	3	18MINITWIST/27 4PK	6	Box(4)	75	Warm White	2700	82	1100	10000	9.1	\$2.17	4.75"
	Med.	37952	3	18MINITWIST/35 4PK	6	Box(4)	75	Cool White	3500	82	1200	10000	9.1	\$2.17	4.75"
	Med.	37953	3	18MINITWIST/65	24/8	Hanging Box	75	Daylight	6500	82	1260	10000	9.1	\$2.17	4.75"
	Med.	37954	3	18MINITWIST/65 4PK	6	Box(4)	75	Daylight	6500	82	1260	10000	9.1	\$2.17	4.75"
23	GU24	37994	3	23MINITWIST/GU24/27	24/8	Hanging Box	100	Warm White	2700	82	1600	10000	9.1	\$2.77	4.50"
	Med.	07225	3	23MINITWIST/27	24/8	Hanging Box	100	Warm White	2700	82	1600	10000	9.1	\$2.77	4.88"
	Med.	37958	3	23MINITWIST/35	24/8	Hanging Box	100	Cool White	3500	82	1600	10000	9.1	\$2.77	4.88"
	Med.	37959	3	23MINITWIST/35 4PK	6	Box(4)	100	Cool White	3500	82	1600	10000	9.1	\$2.77	4.88"
	Med.	37716	3	23MINITWIST/50	24/8	Hanging Box	100	Daylight	5000	82	1600	10000	9.1	\$2.77	4.88"
	Med.	37960	3	23MINITWIST/65	24/8	Hanging Box	100	Daylight	6500	82	1600	10000	9.1	\$2.77	4.88"
	Med.	37961	3	23MINITWIST/65 4PK	6	Box(4)	100	Daylight	6500	82	1600	10000	9.1	\$2.77	4.88"
HIGH WATTAGE TWIST															
26	Med.	36609	3	26TWIST/27	48/4	Box	100	Warm White	2700	80	1650	10000	9.1	\$3.13	4.65"
	Med.	36607	3	26TWIST/41	48/4	Box	100	Cool White	4100	80	1650	10000	9.1	\$3.13	4.69"
42	Med.	37918	3	42TWIST/27	4	Box	150	Warm White	2700	80	2650	10000	9.1	\$5.06	7"
	Med.	37919	3	42TWIST/65	4	Box	150	Daylight	6500	80	2600	10000	9.1	\$5.06	7"
68	Med.	37921	3	68TWIST/27	4	Box	300	Warm White	2700	82	4200	8000	7.3	\$8.19	9.45"
85	Med.	37072	3	85TWIST/65	6	Box	300	Daylight	6500	82	4800	8000	7.3	\$10.24	11.22"
105	Med.	37073	3	105TWIST/65	6	Box	400	Daylight	6500	82	5800	8000	7.3	\$12.65	12.63"

*Based on 3hrs./day **Based on 3hrs./day 11¢/kWh

Compact Fluorescent Lamps contain mercury. For more on clean up and safe disposal, visit epa.gov/cfl.

Footnotes

- 1 New Item
- 2 Approved for Dimm Locations
- 3 Not for use with electronic dimmers

COVERED LAMPS



A SHAPE



GLOBE

Energy Used (Watts)	Lamp Base	Item No.	Footnotes	Domestic Code	Master Carton/ Inner Pack	Package Type	Equiv. Incand. Wattage	Color Designation	Light Appearance (Kelvin)	CRI	Brightness (Lumens)	Avg. Rated Hours	Life in Years*	Est. Yearly Energy Cost**	MOL
A SHAPE															
14	Med.	37900	3	14ASHAPE/27	8	Box	60	Warm White	2700	80	800	10000	9.1	\$1.69	5"
GLOBE															
15	Med.	38001	3	15GLOBE/27	8	Hanging Box	60	Warm White	2700	82	820	10000	9.1	\$1.81	4.38"
	Med.	38002	3	15GLOBE/27 2PK	4	Box(2)	60	Warm White	2700	82	820	10000	9.1	\$1.81	4.38"
	Med.	38003	3	15GLOBE/35 2PK	4	Box(2)	60	Cool White	3500	82	820	10000	9.1	\$1.81	4.38"
	Med.	38004	3	15GLOBE/65 2PK	4	Box(2)	60	Daylight	6500	82	820	10000	9.1	\$1.81	4.38"

*Based on 3hrs./day **Based on 3hrs./day 11¢/kWh



BR30/R30



R40



HARD GLASS
PAR30LN




ALUMINUM
PAR38

REFLECTOR LAMPS

Energy Used (Watts)	Lamp Base	Item No.	Footnotes	Domestic Code	Master Carton/ Inner Pack	Package Type	Equiv. Incand. Wattage	Color Designation	Light Appearance (Kelvin)	CRI	Brightness (Lumens)	Avg. Rated Hours	Life in Years*	Est. Yearly Energy Cost**	MOL
BR30/R30															
15	Med.	37970	3	15CFLBR30/F/27	4	Box	60	Warm White	2700	80	720	10000	9.1	\$1.81	5.50"
	Med.	37971	3	15CFLBR30/F/27 2PK	4	Box(2)	60	Warm White	2700	80	720	10000	9.1	\$1.81	5.50"
	Med.	37973	3	15CFLR30/F/35	4	Box	60	Cool White	3500	80	735	8000	7.3	\$1.81	5.47"
R40															
23	Med.	37979	3	23CFLR40/F/27	4	Box	75	Warm White	2700	80	1200	8000	7.3	\$2.77	6.31"
PAR30															
15	Med.	37982	3	15CFLPAR30LN/27/GL	6	Box	50	Warm White	2700	82	700	8000	7.3	\$1.81	5.13"
PAR38															
23	Med.	37986	3	23CFLPAR38/30/AR	4	Box	90	Warm White	3000	80	1200	8000	7.3	\$2.77	5.31"

*Based on 3hrs./day **Based on 3hrs./day 11¢/kWh

Compact Fluorescent Lamps contain mercury.  For more on clean up and safe disposal, visit epa.gov/cfl.

Footnotes

1 New Item

3 Not for use with electronic dimmers

2 Approved for Damp Locations

PIN BASE LAMPS



Energy Used (Watts)	Lamp Base	Item No.	Footnotes	Domestic Code	Master Carton/Inner Pack	Package Type	Color Designation	Light Appearance (Kelvin)	CRI	Brightness (Lumens)	Avg. Rated Hours	Life in Years*	Est. Yearly Energy Cost**	MOL
2-PIN (PREHEAT ELECTROMAGNETIC BALLASTS)														
5	G23	37040	2,3	F5TT/27	72/6	Box	Warm White	2700	82	250	10000	9.1	\$0.60	4.31"
7	G23	37041	2,3	F7TT/27	72/6	Box	Warm White	2700	82	400	10000	9.1	\$0.84	5.38"
	G23	37373	2,3	F7TT/27	36/6	Card	Warm White	2700	82	400	10000	9.1	\$0.84	5.38"
	G23	06126	2,3	F7TT/41	72/6	Box	Cool White	4100	82	400	10000	9.1	\$0.84	5.38"
9	G23	37374	2,3	F9TT/27	36/6	Card	Warm White	2700	82	600	10000	9.1	\$1.08	6.63"
	G23	37042	2,3	F9TT/27	72/6	Box	Warm White	2700	82	600	10000	9.1	\$1.08	6.63"
	G23	06127	2,3	F9TT/41	72/6	Box	Cool White	4100	82	600	10000	9.1	\$1.08	6.63"
13	GX23	37043	2,3	F13TT/27	72/6	Box	Warm White	2700	82	900	10000	9.1	\$1.57	7.19"
	GX23	37375	2,3	F13TT/27	36/6	Card	Warm White	2700	82	900	10000	9.1	\$1.57	7.19"
	GX23	06118	2,3	F13TT/35	72/6	Box	Cool White	3500	82	900	10000	9.1	\$1.57	7.19"
	GX23	06128	2,3	F13TT/41	72/6	Box	Cool White	4100	82	900	10000	9.1	\$1.57	7.19"
	GX23-2	37376	2,3	F13DTT/27	36/6	Card	Warm White	2700	82	860	10000	9.1	\$1.57	4.69"
	GX23-2	37044	2,3	F13DTT/27	72/6	Box	Warm White	2700	82	860	10000	9.1	\$1.57	4.69"
	GX23-2	06119	2,3	F13DTT/35	72/6	Box	Cool White	3500	82	860	10000	9.1	\$1.57	4.69"
	GX23-2	06164	2,3	F13DTT/41	72/6	Box	Cool White	4100	82	860	10000	9.1	\$1.57	4.69"
18	G24d-2	06129	2,3	F18DTT/41	72/6	Box	Cool White	4100	82	1250	10000	9.1	\$2.17	6"
26	G24d-3	06180	2,3	F26DTT/27	72/6	Box	Cool White	2700	82	1500	10000	9.1	\$3.13	6.81"
	G24d-3	06121	2,3	F26DTT/35	72/6	Box	Cool White	3500	82	1500	10000	9.1	\$3.13	6.81"
	G24d-3	06130	2,3	F26DTT/41	72/6	Box	Cool White	4100	82	1500	10000	9.1	\$3.13	6.81"
4-PIN														
13	G24q-1	37059	4	F13DTT/27/4P	72/6	Box	Warm White	2700	82	900	10000	9.1	\$1.57	5.19"
	G24q-1	37159	4	F13DTT/35/4P	72/6	Box	Cool White	3500	82	900	10000	9.1	\$1.57	5.19"
	G24q-1	37559	4	F13DTT/41/4P	72/6	Box	Cool White	4100	82	900	10000	9.1	\$1.57	5.19"
	G24q-1	37619	4	F13S/27	36/6	Box	Warm White	2700	82	900	10000	9.1	\$1.57	4"
18	G24q-2	37046	4	F18DTT/27/4P	50	Box	Warm White	2700	82	1200	10000	9.1	\$2.17	5.81"
	G24q-2	37146	4	F18DTT/35/4P	50	Box	Cool White	3500	82	1200	10000	9.1	\$2.17	5.81"
	G24q-2	37546	4	F18DTT/41/4P	50	Box	Cool White	4100	82	1200	10000	9.1	\$2.17	5.81"
26	G24q-3	37047	4	F26DTT/27/4P	50	Box	Warm White	2700	82	1800	10000	9.1	\$3.13	6.50"
	G24q-3	37147	4	F26DTT/35/4P	50	Box	Cool White	3500	82	1800	10000	9.1	\$3.13	6.50"
	G24q-3	37547	4	F26DTT/41/4P	50	Box	Cool White	4100	82	1800	10000	9.1	\$3.13	6.50"
	GX24q-3	37045	4	F26TTT/27/4P	50	Box	Warm White	2700	82	1800	10000	9.1	\$3.13	5.19"
	GX24q-3	37145	4	F26TTT/35/4P	50	Box	Cool White	3500	82	1800	10000	9.1	\$3.13	5.19"
	GX24q-3	37545	4	F26TTT/41/4P	50	Box	Cool White	4100	82	1800	10000	9.1	\$3.13	5.19"
32	GX24q-3	37148	4	F32TTT/35/4P	50	Box	Cool White	3500	82	2400	10000	9.1	\$3.85	5.81"
	GX24q-3	37548	4	F32TTT/41/4P	50	Box	Cool White	4100	82	2400	10000	9.1	\$3.85	5.81"
42	GX24q-4	37149	4	F42TTT/35/4P	50	Box	Cool White	3500	82	3200	10000	9.1	\$5.06	6.63"
	GX24q-4	37549	4	F42TTT/41/4P	50	Box	Cool White	4100	82	3200	10000	9.1	\$5.06	6.63"
4-PIN TWIN TUBE LONG														
36	2G11	07020	4	F36TTL/841	25	Box	Cool White	4100	82	2900	20000	18.2	\$4.34	16.25"
40	2G11	07022	4	F40TTL/835	25	Box	Cool White	3500	82	3200	20000	18.2	\$4.82	22.50"
	2G11	07023	4	F40TTL/841	25	Box	Cool White	4100	82	3200	20000	18.2	\$4.82	22.50"

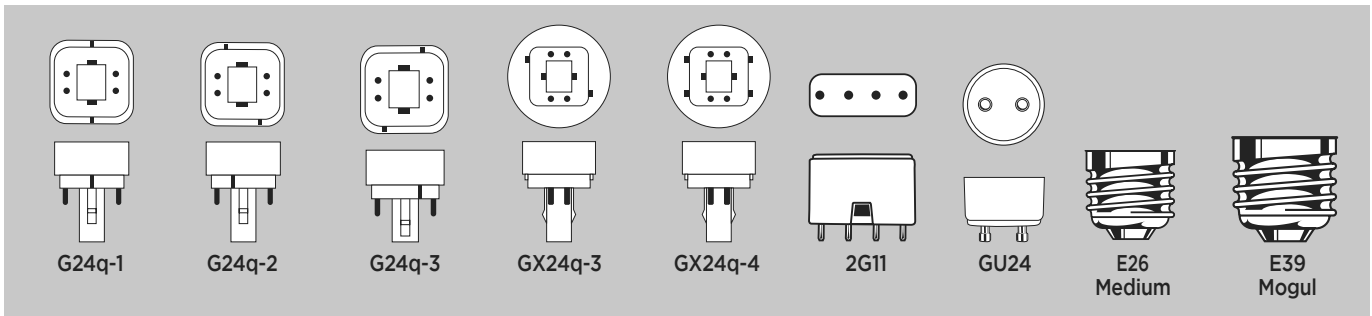
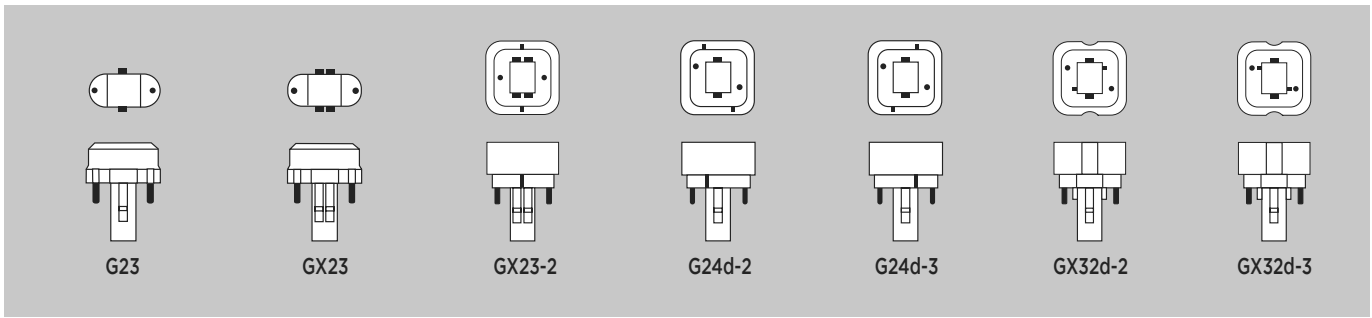
*Based on 3hrs./day **Based on 3hrs./day 11¢/kWh

Compact Fluorescent Lamps contain mercury. (Hg) For more on clean up and safe disposal, visit epa.gov/cfl.

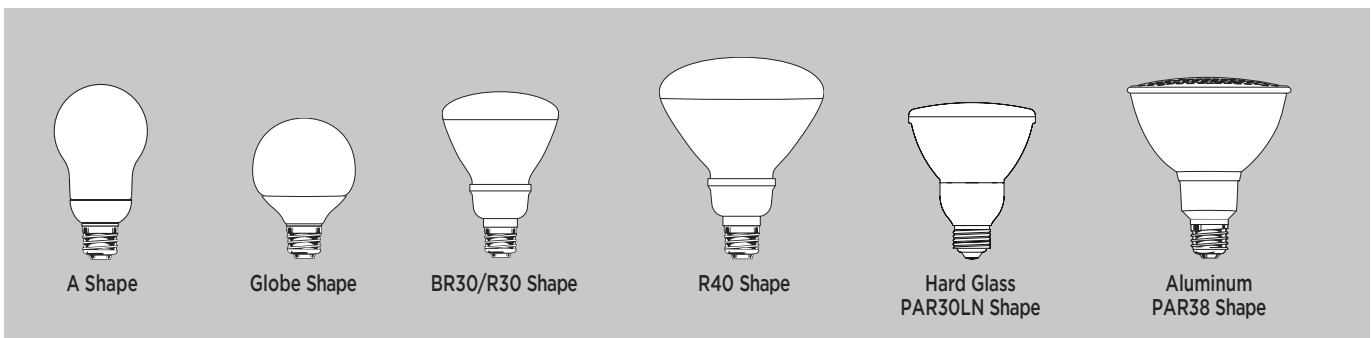
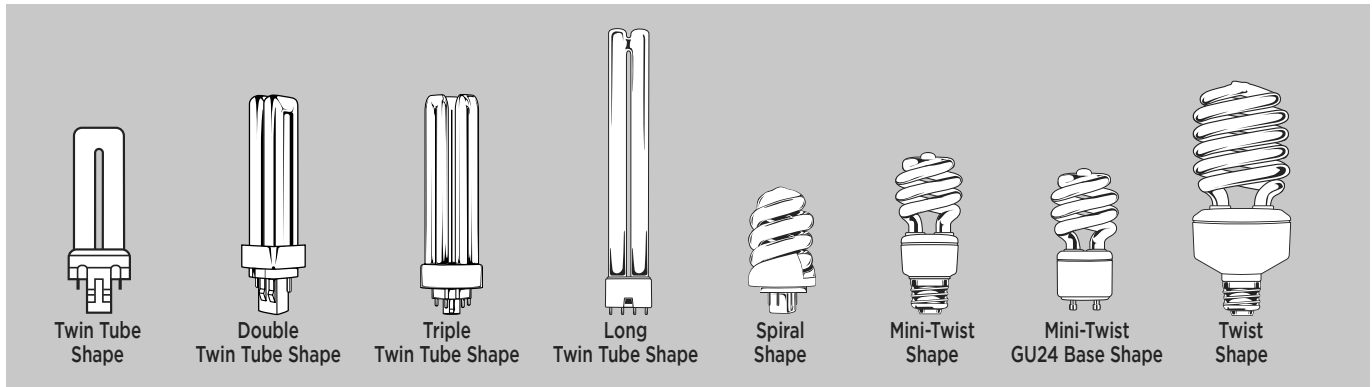
Footnotes

- 1 New Item
- 2 Preheat Electromagnetic Ballasts
- 3 Not for use with electronic dimmers
- 4 For use with electronic dimmers and dimming ballasts

COMPACT FLUORESCENT LAMP BASE TYPES



COMPACT FLUORESCENT LAMP SHAPES





ALL-PURPOSE, DECORATIVE AND SPECIALTY INCANDESCENT LIGHTING

Westinghouse offers a wide range of incandescent lamps to meet decorative, general purpose, low voltage, specialty and rough service applications.



GLOWESCENT® LAMPS (SPUN SATIN)

Energy Used (Watts)	Lamp Base	Item No.	Footnotes	Domestic Code	Volts	Master Carton/ Inner Pack	Package Type	Finish	Filament Type	Avg. Rated Hours	Light Appearance (Kelvin)	Brightness (Lumens)	Life in Years*	Est. Yearly Energy Cost**	MOL
C11 GLOWESCENT*															
25	Cand.	03023		25C11/GLOWESCENT/CB	120	72/6	Card	White	C7A	1500	2650	160	1.3	\$3.01	4"
40	Cand.	03025		40C11/GLOWESCENT/CB	120	72/6	Card	White	C7A	1500	2700	320	1.3	\$4.82	4"
60	Cand.	03026		60C11/GLOWESCENT/CB	120	72/6	Card	White	C7A	1500	2700	600	1.3	\$7.23	4"
C15 GLOWESCENT*															
25	Med.	03016		25C15/GLOWESCENT	120	72/6	Card	White	C9	1500	2700	160	1.3	\$3.01	4.50"
40	Med.	03018		40C15/GLOWESCENT	120	72/6	Card	White	C9	1500	2700	320	1.3	\$4.82	4.50"
60	Med.	03019		60C15/GLOWESCENT	120	72/6	Card	White	C9	1500	2700	600	1.3	\$7.23	4.50"
H19 GLOWESCENT*															
75	Med.	03336		75H19/GLOWESCENT	120	72/12	Box	White	C9	1500	2650	825	1.3	\$9.03	5.81"

*Based on 3hrs./day **Based on 3hrs./day 11¢/kWh



FLICKER FLAME LAMPS

Energy Used (Watts)	Lamp Base	Item No.	Footnotes	Domestic Code	Volts	Master Carton/ Inner Pack	Package Type	Finish	Filament Type	Avg. Rated Hours	Light Appearance (Kelvin)	Brightness (Lumens)	Life in Years*	Est. Yearly Energy Cost**	MOL
CA5 1/2															
3	Cand.	03661		3CA51/2/FLK/CB	120	200/10	Box	Clear	Flicker	1500	-	-	1.3	\$0.36	2.81"
CA8															
3	Cand.	03656		3CA8/FLK/CB	120	200/10	Box	Clear	Flicker	1500	-	-	1.3	\$0.36	3.50"
	Cand.	03756		3CA8/FLK/CB	120	60/6	Card	Clear	Flicker	1500	-	-	1.3	\$0.36	3.50"
CA10															
3	Med.	03757		3CA10/FLK	120	60/6	Card	Clear	Flicker	1500	-	-	1.3	\$0.36	4"

*Based on 3hrs./day **Based on 3hrs./day 11¢/kWh



F15 AND DECORATIVE SPECIALTY LAMPS

Energy Used (Watts)	Lamp Base	Item No.	Footnotes	Domestic Code	Volts	Master Carton/ Inner Pack	Package Type	Finish	Filament Type	Avg. Rated Hours	Light Appearance (Kelvin)	Brightness (Lumens)	Life in Years*	Est. Yearly Energy Cost**	MOL
F15															
40	Med.	04034		40F15 2CD	120	36/6	Card(2)	Clear	C9	1500	2650	360	1.3	\$4.82	4.50"
	Med.	04038		40F15/A 2CD	120	36/6	Card(2)	Amber	C9	1500	-	-	1.3	\$4.82	4.50"
CST6 PUNTINO															
15	Cand.	03250		15CST6/CB	120	200/10	Box	Clear	C7A	1500	2700	97	1.3	\$1.81	2.81"
STAR															
7	Cand.	03747		7STAR/CB	120	144/6	Box	Clear	C7A	1000	2700	45	0.9	\$0.84	2.75"

*Based on 3hrs./day **Based on 3hrs./day 11¢/kWh

Footnotes

- 1 New Item
- 2 Canadian Standards Association
- 3 Eco-Halogen Energy-Saving Technology
- 4 Commercial Service*
- 5 Fan
- 6 Non-Stick Base
- 7 Krypton(KR)
- 8 Vibration Resistant lamps are designed for vibration service only.
- 9 Rough Service lamps are designed for rough service applications.

FLAME TIP LAMPS CANDELABRA BASE



Energy Used (Watts)	Lamp Base	Item No.	Footnotes	Domestic Code	Volts	Master Carton/ Inner Pack	Package Type	Finish	Filament Type	Avg. Rated Hours	Light Appearance (Kelvin)	Brightness (Lumens)	Life in Years*	Est. Yearly Energy Cost**	MOL
CA5 (FLAMME TWIST)															
7.5	Cand.	03241		7.5CA5/CB	120	200/10	Box	Clear	C7A	3000	2700	39	2.7	\$0.90	2.81"
	Cand.	03242		7.5CA5/F/CB	120	200/10	Box	Frost	C7A	3000	2700	37	2.7	\$0.90	2.81"
	Cand.	03755		7.5CA5/CB 3CD	120	60/10	Card(3)	Clear	C7A	3000	2700	39	2.7	\$0.90	2.81"
	Cand.	03542		7.5CA5/F/CB 3CD	120	60/10	Card(3)	Frost	C7A	3000	2700	37	2.7	\$0.90	2.81"
CA7															
10	Cand.	03272		10CA7/CB	120	200/25	Box	Clear	C7A	1500	2700	62	1.3	\$1.20	2.81"
	Cand.	03671		10CA7/CB/130	130	200/25	Box	Clear	C7A	2500	2700	58	2.2	\$1.20	2.81"
CA8															
7.5	Cand.	03670	4	7.5CA8/CB/130	130	200/25	Box	Clear	C7A	2500	2700	40	2.2	\$0.90	3.50"
15	Cand.	03273		15CA8/CB	120	200/25	Box	Clear	CC2V	1500	2700	100	1.3	\$1.81	3.50"
	Cand.	03773		15CA8/CB 2CD	120	60/10	Card(2)	Clear	CC2V	1500	2700	100	1.3	\$1.81	3.50"
	Cand.	03277		15CA8/F/CB	120	200/25	Box	Frost	CC2V	1500	2700	71	1.3	\$1.81	3.50"
	Cand.	03777		15CA8/F/CB 2CD	120	60/10	Card(2)	Frost	CC2V	1500	2700	90	1.3	\$1.81	3.50"
	Cand.	03673	4	15CA8/CB/130	130	200/25	Box	Clear	C7A	2500	2700	75	2.2	\$1.81	3.50"
25	Cand.	03274		25CA8/CB	120	200/25	Box	Clear	CC2V	1500	2700	190	1.3	\$3.01	3.50"
	Cand.	03774		25CA8/CB 2CD	120	60/10	Card(2)	Clear	CC2V	1500	2700	175	1.3	\$3.01	3.50"
	Cand.	03278		25CA8/F/CB	120	200/25	Box	Frost	CC2V	1500	2700	175	1.3	\$3.01	3.50"
	Cand.	03778		25CA8/F/CB 2CD	120	60/10	Card(2)	Frost	CC2V	1500	2700	160	1.3	\$3.01	3.50"
	Cand.	03674	4	25CA8/CB/130	130	200/25	Box	Clear	CC2V	2500	2700	158	2.2	\$3.01	3.50"
	Cand.	03678	4	25CA8/F/CB/130	130	200/25	Box	Frost	CC2V	2500	2700	145	2.2	\$3.01	3.50"
	Cand.	05106	4	25CA8/CB/130 25PK	130	6	Box(25)	Clear	CC2V	2500	2700	158	2.2	\$3.01	3.50"
CA9 1/2															
40	Cand.	03275		40CA91/2/CB	120	200/25	Box	Clear	CC2V	1500	2700	365	1.3	\$4.82	3.75"
	Cand.	03775		40CA91/2/CB 2CD	120	60/10	Card(2)	Clear	CC2V	1500	2700	365	1.3	\$4.82	3.75"
	Cand.	03279		40CA91/2/F/CB	120	200/25	Box	Frost	CC2V	1500	2700	350	1.3	\$4.82	3.75"
	Cand.	03779		40CA91/2/F/CB 2CD	120	60/10	Card(2)	Frost	CC2V	1500	2700	350	1.3	\$4.82	3.75"
	Cand.	03675	4	40CA91/2/CB/130	130	200/25	Box	Clear	CC2V	2500	2700	330	2.2	\$4.82	3.75"
	Cand.	03679	4	40CA91/2/F/CB/130	130	200/25	Box	Frost	CC2V	2500	2700	310	2.2	\$4.82	3.75"
	Cand.	05107	4	40CA91/2/CB/130 25PK	130	6	Box(25)	Clear	CC2V	2500	2700	330	2.2	\$4.82	3.75"
CA10															
60	Cand.	03262		60CA10/CB	120	200/25	Box	Clear	CC2V	1500	2700	615	1.3	\$7.23	4"
	Cand.	03762		60CA10/CB 2CD	120	60/10	Card(2)	Clear	CC2V	1500	2700	615	1.3	\$7.23	4"
	Cand.	03263		60CA10/F/CB	120	200/25	Box	Frost	CC2V	1500	2700	590	1.3	\$7.23	4"
	Cand.	03763		60CA10/F/CB 2CD	120	60/10	Card(2)	Frost	CC2V	1500	2700	590	1.3	\$7.23	4"
	Cand.	03662	4	60CA10/CB/130	130	200/25	Box	Clear	CC2V	2500	2700	600	2.2	\$7.23	4"
	Cand.	03663	4	60CA10/F/CB/130	130	200/25	Box	Frost	CC2V	2500	2700	580	2.2	\$7.23	4"

*Based on 3hrs./day **Based on 3hrs./day 11¢/kWh

Footnotes

- 1 New Item
- 2 Canadian Standards Association
- 3 Eco-Halogen Energy-Saving Technology
- 4 Commercial Service*
- 5 Fan
- 6 Non-Stick Base
- 7 Krypton(KR)
- 8 Vibration Resistant lamps are designed for vibration service only.
- 9 Rough Service lamps are designed for rough service applications.

FLAME TIP LAMPS MEDIUM BASE



Energy Used (Watts)	Lamp Base	Item No.	Footnotes	Domestic Code	Volts	Master Carton/ Inner Pack	Package Type	Finish	Filament Type	Avg. Rated Hours	Light Appearance (Kelvin)	Brightness (Lumens)	Life in Years*	Est. Yearly Energy Cost**	MOL
CA10															
25	Med.	03264		25CA10	120	200/25	Box	Clear	CC2V	1500	2700	190	1.3	\$3.01	4"
	Med.	03764		25CA10 2CD	120	60/10	Card(2)	Clear	CC2V	1500	2700	190	1.3	\$3.01	4"
	Med.	03267		25CA10/F	120	200/25	Box	Frost	CC2V	1500	2700	175	1.3	\$3.01	4"
	Med.	03664	4	25CA10/130	130	200/25	Box	Clear	CC2V	2500	2700	190	2.2	\$3.01	4"
	Med.	03667	4	25CA10/F/130	130	200/25	Box	Frost	CC2V	2500	2700	175	2.2	\$3.01	4"
40	Med.	03265		40CA10	120	200/25	Box	Clear	CC2V	1500	2700	365	1.3	\$4.82	4"
	Med.	03765		40CA10 2CD	120	60/10	Card(2)	Clear	CC2V	1500	2700	365	1.3	\$4.82	4"
	Med.	03268		40CA10/F	120	200/25	Box	Frost	CC2V	1500	2700	350	1.3	\$4.82	4"
	Med.	03768		40CA10/F 2CD	120	60/10	Card(2)	Frost	CC2V	1500	2700	350	1.3	\$4.82	4"
	Med.	03665	4	40CA10/130	130	200/25	Box	Clear	CC2V	2500	2700	345	2.2	\$4.82	4"
	Med.	03668	4	40CA10/F/130	130	200/25	Box	Frost	CC2V	2500	2700	330	2.2	\$4.82	4"
60	Med.	03266	8	60CA10/VR	120	200/25	Box	Clear	C7A	1500	2700	565	1.3	\$7.23	4"
	Med.	03766	8	60CA10/VR 2CD	120	60/10	Card(2)	Clear	C7A	1500	2700	565	1.3	\$7.23	4"
	Med.	03269	8	60CA10/F/VR	120	200/25	Box	Frost	C7A	1500	2700	565	1.3	\$7.23	4"
	Med.	03769	8	60CA10/F/VR 2CD	120	60/10	Card(2)	Frost	C7A	1500	2700	565	1.3	\$7.23	4"
	Med.	03666	4,8	60CA10/VR/130	130	200/25	Box	Clear	C7A	2500	2700	545	2.2	\$7.23	4"
	Med.	03669	4,8	60CA10/F/VR/130	130	200/25	Box	Frost	C7A	2500	2700	545	2.2	\$7.23	4"

*Based on 3hrs./day **Based on 3hrs./day 11¢/kWh

Footnotes

- 1 New Item
- 2 Canadian Standards Association
- 3 Eco-Halogen Energy-Saving Technology
- 4 Commercial Service*
- 5 Fan
- 6 Non-Stick Base
- 7 Krypton(KR)
- 8 Vibration Resistant lamps are designed for vibration service only.
- 9 Rough Service lamps are designed for rough service applications.

TORPEDO LAMPS CANDELABRA BASE



Energy Used (Watts)	Lamp Base	Item No.	Footnotes	Domestic Code	Volts	Master Carton/ Inner Pack	Package Type	Finish	Filament Type	Avg. Rated Hours	Light Appearance (Kelvin)	Brightness (Lumens)	Life in Years*	Est. Yearly Energy Cost**	MOL
B9 1/2															
15	Cand.	03230		15B91/2/CB	120	200/25	Box	Clear	CC2V	1500	2700	104	1.3	\$1.81	3.33"
	Cand.	03681	4	15B91/2/CB/130	130	200/25	Box	Clear	CC2V	2500	2700	100	2.2	\$1.81	3.33"
25	Cand.	03282		25B91/2/CB	120	200/25	Box	Clear	CC2V	1500	2700	190	1.3	\$3.01	3.33"
	Cand.	03782		25B91/2/CB 2CD	120	60/10	Card(2)	Clear	CC2V	1500	2700	190	1.3	\$3.01	3.33"
	Cand.	03285		25B91/2/F/CB	120	200/25	Box	Frost	CC2V	1500	2700	175	1.3	\$3.01	3.33"
	Cand.	03785		25B91/2/F/CB 2CD	120	60/10	Card(2)	Frost	CC2V	1500	2700	175	1.3	\$3.01	3.33"
	Cand.	03682	4	25B91/2/CB/130	130	200/25	Box	Clear	CC2V	2500	2700	170	2.2	\$3.01	3.33"
	Cand.	03685	4	25B91/2/F/CB/130	130	200/25	Box	Frost	CC2V	2500	2700	165	2.2	\$3.01	3.33"
40	Cand.	03283		40B91/2/CB	120	200/25	Box	Clear	CC2V	1500	2700	365	1.3	\$4.82	3.33"
	Cand.	03783		40B91/2/CB 2CD	120	60/10	Card(2)	Clear	CC2V	1500	2700	365	1.3	\$4.82	3.33"
	Cand.	03286		40B91/2/F/CB	120	200/25	Box	Frost	CC2V	1500	2700	350	1.3	\$4.82	3.33"
	Cand.	03786		40B91/2/F/CB 2CD	120	60/10	Card(2)	Frost	CC2V	1500	2700	350	1.3	\$4.82	3.33"
	Cand.	03289		40B91/2/W/CB	120	200/25	Box	White	CC2V	1500	2700	350	1.3	\$4.82	3.33"
	Cand.	04023	5	40B9 1/2/FAN/CB 2CD	120	60/10	Card(2)	Clear	CC2V	1500	2700	365	1.3	\$4.82	3.33"
	Cand.	04024	5	40B91/2/F/FAN/CB 2CD	120	60/10	Card(2)	Frost	CC2V	1500	2700	350	1.3	\$4.82	3.33"
	Cand.	03683	4	40B91/2/CB/130	130	200/25	Box	Clear	CC2V	2500	2700	345	2.2	\$4.82	3.33"
	Cand.	03686	4	40B91/2/F/CB/130	130	200/25	Box	Frost	CC2V	2500	2700	330	2.2	\$4.82	3.33"
B10															
60	Cand.	03284		60B10/CB	120	200/25	Box	Clear	CC2V	1500	2700	615	1.3	\$7.23	3.75"
	Cand.	03784		60B10/CB 2CD	120	60/10	Card(2)	Clear	CC2V	1500	2700	615	1.3	\$7.23	3.75"
	Cand.	03287		60B10/F/CB	120	200/25	Box	Frost	CC2V	1500	2700	590	1.3	\$7.23	3.75"
	Cand.	03787		60B10/F/CB 2CD	120	60/10	Card(2)	Frost	CC2V	1500	2700	590	1.3	\$7.23	3.75"
	Cand.	04027	5	60B10/FAN/CB 2CD	120	60/10	Card(2)	Clear	CC2V	1500	2700	615	1.3	\$7.23	3.75"
	Cand.	04028	5	60B10/F/FAN/CB 2CD	120	60/10	Card(2)	Frost	CC2V	1500	2700	590	1.3	\$7.23	3.75"
	Cand.	03684	4	60B10/CB/130	130	200/25	Box	Clear	CC2V	2500	2700	610	2.2	\$7.23	3.75"
	Cand.	03687	4	60B10/F/CB/130	130	200/25	Box	Frost	CC2V	2500	2700	575	2.2	\$7.23	3.75"

*Based on 3hrs./day **Based on 3hrs./day 11¢/kWh

Footnotes

- 1 New Item
- 2 Canadian Standards Association
- 3 Eco-Halogen Energy-Saving Technology
- 4 Commercial Service*
- 5 Fan
- 6 Non-Stick Base
- 7 Krypton(KR)
- 8 Vibration Resistant lamps are designed for vibration service only.
- 9 Rough Service lamps are designed for rough service applications.

TORPEDO LAMPS MEDIUM BASE



B11 CLEAR

B11 FROST

B11 WHITE

Energy Used (Watts)	Lamp Base	Item No.	Footnotes	Domestic Code	Volts	Master Carton/ Inner Pack	Package Type	Finish	Filament Type	Avg. Rated Hours	Light Appearance (Kelvin)	Brightness (Lumens)	Life in Years*	Est. Yearly Energy Cost**	MOL
B11															
25	Med.	03231	2	25B11	120	200/25	Box	Clear	CC2V	1500	2700	190	1.3	\$3.01	3.63"
	Med.	03731	2	25B11 2CD	120	60/10	Card(2)	Clear	CC2V	1500	2700	190	1.3	\$3.01	3.63"
	Med.	03234		25B11/F	120	200/25	Box	Frost	CC2V	1500	2700	175	1.3	\$3.01	3.63"
	Med.	03734		25B11/F 2CD	120	60/10	Card(2)	Frost	CC2V	1500	2700	175	1.3	\$3.01	3.63"
	Med.	03737		25B11/W 2CD	120	60/10	Card(2)	White	CC2V	1500	2700	175	1.3	\$3.01	3.63"
	Med.	03631	4	25B11/130	130	200/25	Box	Clear	CC2V	2500	2700	170	2.2	\$3.01	3.63"
40	Med.	03232	2	40B11	120	200/25	Box	Clear	CC2V	1500	2700	365	1.3	\$4.82	3.63"
	Med.	03732	2	40B11 2CD	120	60/10	Card(2)	Clear	CC2V	1500	2700	365	1.3	\$4.82	3.63"
	Med.	03235		40B11/F	120	200/25	Box	Frost	CC2V	1500	2700	350	1.3	\$4.82	3.63"
	Med.	03735		40B11/F 2CD	120	60/10	Card(2)	Frost	CC2V	1500	2700	350	1.3	\$4.82	3.63"
	Med.	03738		40B11/W 2CD	120	60/10	Card(2)	White	CC2V	1500	2700	350	1.3	\$4.82	3.63"
	Med.	04092	5	40B11/FAN 2CD	120	60/10	Card(2)	Clear	CC2V	1500	2700	365	1.3	\$4.82	3.63"
	Med.	04093	5	40B11/F/FAN 2CD	120	60/10	Card(2)	Frost	CC2V	1500	2700	350	1.3	\$4.82	3.63"
	Med.	03632	4	40B11/130	130	200/25	Box	Clear	CC2V	2500	2700	345	2.2	\$4.82	3.63"
60	Med.	03293	8	60B11/VR	120	200/25	Box	Clear	C7A	1500	2700	570	1.3	\$7.23	3.63"
	Med.	03793	8	60B11/VR 2CD	120	60/10	Card(2)	Clear	C7A	1500	2700	570	1.3	\$7.23	3.63"
	Med.	03296	8	60B11/F/VR	120	200/25	Box	Frost	C7A	1500	2700	540	1.3	\$7.23	3.63"
	Med.	03796	8	60B11/F/VR 2CD	120	60/10	Card(2)	Frost	C7A	1500	2700	540	1.3	\$7.23	3.63"
	Med.	03799	8	60B11/W/VR 2CD	120	60/10	Card(2)	White	C7A	1500	2700	525	1.3	\$7.23	3.63"
	Med.	04094	5,8	60B11/FAN/VR 2CD	120	60/10	Card(2)	Clear	C7A	1500	2700	570	1.3	\$7.23	3.63"
	Med.	04095	5,8	60B11/F/FAN/VR 2CD	120	60/10	Card(2)	Frost	C7A	1500	2700	540	1.3	\$7.23	3.63"
	Med.	03693	4,8	60B11/VR/130	130	200/25	Box	Clear	C7A	2500	2700	560	2.2	\$7.23	3.63"

*Based on 3hrs./day **Based on 3hrs./day 11¢/kWh

Footnotes

1 New Item

2 Canadian Standards Association

3 Eco-Halogen Energy-Saving Technology

4 Commercial Service*

5 Fan

6 Non-Stick Base

7 Krypton(KR)

8 Vibration Resistant lamps are designed for vibration service only.

9 Rough Service lamps are designed for rough service applications.

A15 APPLIANCE LAMPS



A15 CLEAR MEDIUM BASE



A15 FROST MEDIUM BASE



A15 CLEAR INTERMEDIATE BASE



A15 SOFT WHITE INTERMEDIATE BASE



A15 FROST NON-STICK



A15 CLEAR CANDELABRA BASE



A15 SOFT WHITE CANDELABRA BASE

Energy Used (Watts)	Lamp Base	Item No.	Footnotes	Domestic Code	Volts	Master Carton/ Inner Pack	Package Type	Finish	Filament Type	Avg. Rated Hours	Light Appearance (Kelvin)	Brightness (Lumens)	Life in Years*	Est. Yearly Energy Cost**	MOL
15	Med.	03995	2	15A15 2PK	120	48/12	Box(2)	Clear	C9	2500	2700	100	2.2	\$1.81	3.38"
	Med.	03996	2	15A15/F 2PK	120	48/12	Box(2)	Frost	C9	2500	2700	90	2.2	\$1.81	3.38"
	Med.	04501	2,4	15A15/130 2PK	130	120	Box(2)	Clear	C9	2500	2700	100	2.2	\$1.81	3.38"
	Med.	04503	2,4	15A15/F/130 2PK	130	120	Box(2)	Frost	C9	2500	2700	90	2.2	\$1.81	3.38"
25	Med.	04007		25A15	120	72/6	Card	Clear	C9	2500	2700	175	2.2	\$3.01	3.38"
	Med.	03925		25A15 2PK	120	48/12	Box(2)	Clear	C9	2500	2700	175	2.2	\$3.01	3.38"
	Med.	04006		25A15/F	120	72/6	Card	Frost	C9	2500	2700	160	2.2	\$3.01	3.38"
	Med.	03929	2	25A15/F 2PK	120	48/12	Box(2)	Frost	C9	2500	2700	160	2.2	\$3.01	3.38"
	Med.	04507	4	25A15/130 2PK	130	120	Box(2)	Clear	C9	2500	2700	175	2.2	\$3.01	3.38"
	40	Inter.	03936	5	40A15/IN/FAN 2CD	120	60/6	Card(2)	Clear	C9	1500	2700	350	1.3	\$4.82
Inter.		03938	5	40A15/SW/IN/FAN 2CD	120	60/6	Card(2)	Soft White	C9	1500	2700	325	1.3	\$4.82	3.38"
Med.		04001	2	40A15	120	72/6	Card	Clear	C9	2500	2700	350	2.2	\$4.82	3.38"
Med.		04003	2	40A15	120	60/10	Box	Clear	C9	2500	2700	350	2.2	\$4.82	3.38"
Med.		03926	2	40A15 2PK	120	48/12	Box(2)	Clear	C9	2500	2700	350	2.2	\$4.82	3.38"
Med.		04002	2	40A15/F	120	72/6	Card	Frost	C9	2500	2700	340	2.2	\$4.82	3.38"
Med.		03930	2	40A15/F 2PK	120	48/12	Box(2)	Frost	C9	2500	2700	340	2.2	\$4.82	3.38"
Med.		03457	2,6	40A15/F/EZ	120	72/6	Card	Frost	C9	2500	2700	340	2.2	\$4.82	3.38"
Med.		04090	5	40A15/FAN	120	72/6	Card	Clear	C9	2500	2700	350	2.2	\$4.82	3.38"
Med.		04502	4	40A15/130 2PK	130	120	Box(2)	Clear	C9	2500	2700	350	2.2	\$4.82	3.38"
Med.		04504	2,4	40A15/F/130 2PK	130	120	Box(2)	Frost	C9	2500	2700	340	2.2	\$4.82	3.38"
60		Cand.	03941	5	60A15/CB/FAN 2CD	120	60/6	Card(2)	Clear	C9	1500	2700	570	1.3	\$7.23
	Cand.	03943	5	60A15/SW/CB/FAN 2CD	120	60/6	Card(2)	Soft White	C9	1500	2700	550	1.3	\$7.23	3.38"
	Med.	03998	2,8	60A15/VR 2PK	120	48/12	Box(2)	Clear	C9	2500	2700	570	2.2	\$7.23	3.38"
	Med.	03999	8	60A15/F/VR 2PK	120	48/12	Box(2)	Frost	C9	2500	2700	540	2.2	\$7.23	3.38"
	Med.	03458	6,8	60A15/F/EZ/VR	120	72/6	Card	Frost	C9	2500	2700	540	2.2	\$7.23	3.38"
	Med.	04096	5,8	60A15/FAN/VR	120	72/6	Card	Clear	C9	2500	2700	570	2.2	\$7.23	3.38"
	Med.	37153	5,8	60A15/FAN/VR 2CD	120	60/6	Card(2)	Clear	C9	1500	2700	600	1.3	\$7.23	3.38"
	Med.	04010	5,8	60A15/SW/FAN/VR	120	72/6	Card	Soft White	C9	2500	2700	455	2.2	\$7.23	3.38"
	Med.	04505	4,8	60A15/VR/130 2PK	130	120	Box(2)	Clear	C9	2500	2700	570	2.2	\$7.23	3.38"
	Med.	04509	4,8	60A15/F/VR/130 2PK	130	120	Box(2)	Frost	C9	2500	2700	540	2.2	\$7.23	3.38"

*Based on 3hrs./day **Based on 3hrs./day 11¢/kWh

Footnotes

- 1 New Item
- 2 Canadian Standards Association
- 3 Eco-Halogen Energy-Saving Technology
- 4 Commercial Service*
- 5 Fan
- 6 Non-Stick Base
- 7 Krypton(KR)
- 8 Vibration Resistant lamps are designed for vibration service only.
- 9 Rough Service lamps are designed for rough service applications.



A19 LAMPS

A19 CLEAR A19 FROST A19 SOFT WHITE A19 CLEAR ECO-HALOGEN A19 SOFT WHITE ECO-HALOGEN A19 RADIANT NATURAL LIGHT* A19 FROST ROUGH SERVICE A19 FROST GARAGE A19 TOUGHSELL*

Energy Used (Watts)	Lamp Base	Item No.	Footnotes	Domestic Code	Volts	Master Carton/ Inner Pack	Package Type	Finish	Filament Type	Avg. Rated Hours	Light Appearance (Kelvin)	Brightness (Lumens)	Life in Years*	Est. Yearly Energy Cost**	MOL
25	Med.	03985		25A 2PK	120	120/24	Box(2)	Clear	CC6	1000	2700	230	0.9	\$3.01	4.13"
	Med.	03963	4	25A 4PK	120	48	Box(4)	Clear	CC6	1000	2700	230	0.9	\$3.01	4.13"
	Med.	03935		25A/F 2PK	120	120/24	Box(2)	Frost	CC6	1000	2700	230	0.9	\$3.01	4.13"
	Med.	03955		25A/SW 2PK	120	120/24	Box(2)	Soft White	CC6	1000	2700	220	0.9	\$3.01	4.13"
	Med.	04110	4	25A/130 4PK	130	120	Box(4)	Clear	CC6	5000	2700	205	4.5	\$3.01	4.13"
	Med.	04100	4	25A/F/130 4PK	130	120	Box(4)	Frost	CC6	5000	2700	205	4.5	\$3.01	4.13"
29	Med.	36870	3	29A19/H/SW/ECO 4PK	120	30/6	Box(4)	Soft White	CC8	1000	2950	450	0.9	\$3.49	4.25"
40	Med.	03986	8	40A/VR 2PK	120	120/24	Box(2)	Clear	C9-3A	1000	2700	340	0.9	\$4.82	4.13"
	Med.	0396529	8	40A/VR 2PK	120	96/24	Box(2)	Clear	C9-3A	1000	2700	340	0.9	\$4.82	4.13"
	Med.	0337129	8	40A/F/VR 2PK	120	120	Box(2)	Frost	C9-3A	1000	2700	340	0.9	\$4.82	4.13"
	Med.	0399129	8	40A/SW/VR 2PK	120	120	Box(2)	Soft White	C9-3A	1000	2700	330	0.9	\$4.82	4.13"
	Med.	3718129	8	40A/SW/VR 2PK	120	48	Box(2)	Soft White	C9-3A	2000	2700	330	1.8	\$4.82	4.13"
	Med.	36975	4,8	40A/VR/130	130	60/6	Box	Clear	C9-3A	5000	2700	290	4.5	\$4.82	4.13"
	Med.	36971	4,8	40A/F/VR/130	130	60/6	Box	Frost	C9-3A	5000	2700	290	4.5	\$4.82	4.13"
	Med.	0411129	4,8	40A/VR/130 2PK	130	120	Box(2)	Clear	C9-3A	5000	2700	290	4.5	\$4.82	4.13"
	Med.	0410129	4,8	40A/F/VR/130 2PK	130	120	Box(2)	Frost	C9-3A	5000	2700	290	4.5	\$4.82	4.13"
42	Med.	36832	3	42A19/H/ECO 2PK	120	30/6	Box(2)	Clear	CC8	1000	3000	760	0.9	\$5.06	4.25"
	Med.	36800	3	42A19/H/SW/ECO 2PK	120	30/6	Box(2)	Soft White	CC8	1000	3000	760	0.9	\$5.06	4.25"
	Med.	36876	3	42A19/H/SW/ECO 4PK	120	30/6	Box(4)	Soft White	CC8	1000	3000	760	0.9	\$5.06	4.25"
	Med.	05104	3	42A19/H/SW/ECO 12PK	120	6	Box(12)	Soft White	CC8	1000	3000	760	0.9	\$5.06	4.25"
50	Med.	03952	9	50A/F/RS	120	36/6	Box	Frost	C11	1000	2700	520	0.9	\$6.02	4.25"
53	Med.	36834	3	53A19/H/ECO 2PK	120	30/6	Box(2)	Clear	CC8	1000	3000	1100	0.9	\$6.38	4.25"
	Med.	36833	3	53A19/H/SW/ECO 2PK	120	30/6	Box(2)	Soft White	CC8	1000	3000	1100	0.9	\$6.38	4.25"
	Med.	36873	3	53A19/H/SW/ECO 4PK	120	30/6	Box(4)	Soft White	CC8	1000	3000	1100	0.9	\$6.38	4.25"
60	Med.	03987	8	60A/VR 2PK	120	120/24	Box(2)	Clear	C9-3A	1000	2700	620	0.9	\$7.23	4.13"
	Med.	0396629	8	60A/VR 2PK	120	96/24	Box(2)	Clear	C9-3A	1000	2700	620	0.9	\$7.23	4.13"
	Med.	0337229	8	60A/F/VR 2PK	120	120	Box(2)	Frost	C9-3A	1000	2700	625	0.9	\$7.23	4.13"
	Med.	0339629	8	60A/RNL/VR 2PK	120	48	Box(2)	Radiant Natural Light*	C9-3A	1000	2700	450	0.9	\$7.23	4.13"
	Med.	0399229	8	60A/SW/VR 2PK	120	120	Box(2)	Soft White	C9-3A	1000	2700	545	0.9	\$7.23	4.13"
	Med.	3718229	8	60A/SW/VR 2PK	120	48	Box(2)	Soft White	C9-3A	1500	2700	650	1.3	\$7.23	4.13"
	Med.	03909		60A/F/GDO	120	36/6	Box	Frost/Garage	C9	3000	2700	600	2.7	\$7.23	4.13"
	Med.	03950		60A/TS/130	130	36/6	Box	Toughshell*	CC6	4000	2700	587	3.6	\$7.23	4.13"
	Med.	36976	4,8	60A/VR/130	130	60/6	Box	Clear	C9-3A	5000	2700	485	4.5	\$7.23	4.13"
	Med.	36972	4,8	60A/F/VR/130	130	60/6	Box	Frost	C9-3A	5000	2700	485	4.5	\$7.23	4.13"
	Med.	0410229	4,8	60A/F/VR/130 2PK	130	120	Box(2)	Frost	C9-3A	5000	2700	485	4.5	\$7.23	4.13"
	Med.	0411229	4,8	60A/VR/130 2PK	130	120	Box(2)	Clear	C9-3A	5000	2700	485	4.5	\$7.23	4.13"
72	Med.	36835	3	72A19/H/ECO 2PK	120	30/6	Box(2)	Clear	CC8	1000	3000	1600	0.9	\$8.67	4.25"
	Med.	36801	3	72A19/H/SW/ECO 2PK	120	30/6	Box(2)	Soft White	CC8	1000	3000	1600	0.9	\$8.67	4.25"
	Med.	36877	3	72A19/H/SW/ECO 4PK	120	30/6	Box(4)	Soft White	CC8	1000	3000	1600	0.9	\$8.67	4.25"
	Med.	05105	3	72A19/H/SW/ECO 12PK	120	6	Box(12)	Soft White	CC8	1000	3000	1600	0.9	\$8.67	4.25"
75	Med.	03953	9	75A/F/RS	120	36/6	Box	Frost	C11	1000	2700	800	0.9	\$9.03	4.25"
	Med.	03976	9	75A/F/RS 2PK	120	120/24	Box(2)	Frost	C11	1000	2700	800	0.9	\$9.03	4.25"
	Med.	04403		75A/TS/130	130	36/6	Box	Toughshell*	CC6	4000	2700	716	3.6	\$9.03	4.13"
100	Med.	03954	9	100A/F/RS	120	36/6	Box	Frost	C11	1000	2700	1190	0.9	\$12.05	4.25"
	Med.	03969	9	100A/F/RS 2PK	120	120/24	Box(2)	Frost	C11	1000	2700	1190	0.9	\$12.05	4.25"
	Med.	03951		100A/TS/130	130	36/6	Box	Toughshell*	CC6	4000	2700	860	3.6	\$12.05	4.13"

*Based on 3hrs./day **Based on 3hrs./day 11¢/kWh

Footnotes

- 1 New Item
- 2 Canadian Standards Association
- 3 Eco-Halogen Energy-Saving Technology
- 4 Commercial Service*
- 5 Fan
- 6 Non-Stick Base
- 7 Krypton(KR)
- 8 Vibration Resistant lamps are designed for vibration service only.
- 9 Rough Service lamps are designed for rough service applications.



A19 SPECIALTY LAMPS

Energy Used (Watts)	Lamp Base	Item No.	Footnotes	Domestic Code	Volts	Master Carton/ Inner Pack	Package Type	Finish	Filament Type	Avg. Rated Hours	Light Appearance (Kelvin)	Brightness (Lumens)	Life in Years*	Est. Yearly Energy Cost**	MOL
A19															
25	Med.	03422		25A/F/12V	12	36/6	Box	Frost	C6	2500	2700	250	2.2	\$3.01	4.13"
	Med.	03443		25A/TA	120	36/6	Box	Transparent Amber	C9	2500	2700	-	2.2	\$3.01	4.13"
	Med.	03444		25A/TG	120	36/6	Box	Transparent Green	C9	2500	2700	-	2.2	\$3.01	4.13"
	Med.	03445		25A/TB	120	36/6	Box	Transparent Blue	C9	2500	2700	-	2.2	\$3.01	4.13"
	Med.	03446		25A/TR	120	36/6	Box	Transparent Red	C9	2500	2700	-	2.2	\$3.01	4.13"
50	Med.	03423		50A/F/12V	12	36/6	Box	Frost	C6	2500	2700	548	2.2	\$6.02	4.13"
60	Med.	03452		60A/Y 2PK	120	120/24	Box(2)	Yellow Bug Light	C9	1000	2700	-	0.9	\$7.23	4.13"
75	Med.	03920	2	75A/BL	120	36/6	Box	Blacklite	C9	480	-	-	0.4	\$9.03	4.25"

*Based on 3hrs./day **Based on 3hrs./day 11¢/kWh



A21 CLEAR

A21 FROST

A21 LAMPS

Energy Used (Watts)	Lamp Base	Item No.	Footnotes	Domestic Code	Volts	Master Carton/ Inner Pack	Package Type	Finish	Filament Type	Avg. Rated Hours	Light Appearance (Kelvin)	Brightness (Lumens)	Life in Years*	Est. Yearly Energy Cost**	MOL
A21															
150	Med.	03970		150A21	120	36/6	Box	Clear	CC6	1000	2700	2650	0.9	\$18.07	5"
	Med.	03971		150A21/F	120	36/6	Box	Frost	CC6	1000	2700	2650	0.9	\$18.07	5"
	Med.	04542	4	150A21/130	130	36/6	Box	Clear	CC6	1000	2700	2650	0.9	\$18.07	5"
	Med.	04540	4	150A21/F/130	130	36/6	Box	Frost	CC6	1000	2700	2650	0.9	\$18.07	5"
	Med.	36959	4	150A21/F/130	130	60/6	Box	Frost	CC6	1000	2700	2650	0.9	\$18.07	5"

*Based on 3hrs./day **Based on 3hrs./day 11¢/kWh

Footnotes

- 1 New Item
- 2 Canadian Standards Association
- 3 Eco-Halogen Energy-Saving Technology
- 4 Commercial Service*
- 5 Fan
- 6 Non-Stick Base
- 7 Krypton(KR)
- 8 Vibration Resistant lamps are designed for vibration service only.
- 9 Rough Service lamps are designed for rough service applications.



A23 CLEAR

A23 FROST

A23 LAMPS

Energy Used (Watts)	Lamp Base	Item No.	Footnotes	Domestic Code	Volts	Master Carton/ Inner Pack	Package Type	Finish	Filament Type	Avg. Rated Hours	Light Appearance (Kelvin)	Brightness (Lumens)	Life in Years*	Est. Yearly Energy Cost**	MOL
A23															
200	Med.	03972		200A23	120	12	Box	Clear	CC6	750	2700	3850	0.6	\$24.09	5.50"
	Med.	03973		200A23/F	120	12	Box	Frost	CC6	750	2700	3800	0.6	\$24.09	5.50"
	Med.	04543	4	200A23/130	130	12	Box	Clear	CC6	750	2700	3850	0.6	\$24.09	5.50"
	Med.	36960	4	200A23/F/130	130	60/6	Box	Frost	CC6	750	2700	3600	0.6	\$24.09	5.50"

*Based on 3hrs./day **Based on 3hrs./day 11¢/kWh



PS30 CLEAR

PS30 FROST

PS30 LAMPS

Energy Used (Watts)	Lamp Base	Item No.	Footnotes	Domestic Code	Volts	Master Carton/ Inner Pack	Package Type	Finish	Filament Type	Avg. Rated Hours	Light Appearance (Kelvin)	Brightness (Lumens)	Life in Years*	Est. Yearly Energy Cost**	MOL
PS30															
300	Med.	03974		300PS30	120	12	Box	Clear	C9	750	2850	5870	0.6	\$36.14	8"
	Med.	03975		300PS30/F	120	12	Box	Frost	C9	750	2850	5860	0.6	\$36.14	8"

*Based on 3hrs./day **Based on 3hrs./day 11¢/kWh



A19 3-WAY SOFT WHITE

A21 3-WAY SOFT WHITE

A21 3-WAY RADIANT NATURAL LIGHT*

3-WAY LAMPS

Energy Used (Watts)	Lamp Base	Item No.	Footnotes	Domestic Code	Volts	Master Carton/ Inner Pack	Package Type	Finish	Filament Type	Avg. Rated Hours	Light Appearance (Kelvin)	Brightness (Lumens)	Life in Years*	Est. Yearly Energy Cost**	MOL
A19															
30/70/100	Med.	03908		30/70/100A/SW	120	36/6	Box	Soft White	CC6	2000	2700	275/950/1225	1.8	\$12.05	4.13"
A21															
30/70/100	Med.	03903		30/70/100A21/SW	120	36/6	Box	Soft White	CC6	2000	2700	275/950/1225	1.8	\$12.05	5"
50/100/150	Med.	03904		50/100/150A21/SW	120	36/6	Box	Soft White	CC6	2000	2700	500/1350/1850	1.8	\$18.07	5"
	Med.	03964		50/100/150A21/SW 2PK	120	36/6	Box(2)	Soft White	CC6	2000	2700	500/1350/1850	1.8	\$18.07	5"
	Med.	03410	2	50/100/150A21/RNL	120	36/6	Box	Radiant Natural Light	CC6	1200	2700	400/1040/1400	1	\$18.07	5"
	Med.	04548	4	50/100/150A21/SW/130	130	36/6	Box	Soft White	CC6	2000	2700	500/1350/1850	1.8	\$18.07	5"

*Based on 3hrs./day **Based on 3hrs./day 11¢/kWh

Footnotes

- 1 New Item
- 2 Canadian Standards Association
- 3 Eco-Halogen Energy-Saving Technology
- 4 Commercial Service*
- 5 Fan
- 6 Non-Stick Base
- 7 Krypton(KR)
- 8 Vibration Resistant lamps are designed for vibration service only.
- 9 Rough Service lamps are designed for rough service applications.



G4½, G12½, G16½ AND G19½ LAMPS

Energy Used (Watts)	Lamp Base	Item No.	Footnotes	Domestic Code	Volts	Master Carton/ Inner Pack	Package Type	Finish	Filament Type	Avg. Rated Hours	Light Appearance (Kelvin)	Brightness (Lumens)	Life in Years*	Est. Yearly Energy Cost**	MOL
G4 1/2															
6	E10	03797		6G4.5/E10/12V 2CD	12	60/10	Card(2)	Clear	C2R	1000	2700	40	0.9	\$0.72	1.11"
G12 1/2															
10	Cand.	03831		10G12½/2/CB	120	200/10	Box	Clear	C7A	1500	2700	58	1.3	\$1.20	2.25"
20	Cand.	03843		20G12½/2/CB 2CD	120	60/10	Card(2)	Clear	C7A	1500	2700	130	1.3	\$2.41	2.25"
G16 1/2															
15	Cand.	03821		15G16½/2/CB	120	200/10	Box	Clear	CC2V	1500	2700	102	1.3	\$1.81	2.75"
	Cand.	03740		15G16½/2/CB 2CD	120	60/10	Card(2)	Clear	CC2V	1500	2700	102	1.3	\$1.81	2.75"
	Cand.	03814		15G16½/2/W/CB	120	200/10	Box	White	CC2V	1500	2700	95	1.3	\$1.81	2.75"
	Cand.	03752		15G16½/2/W/CB 2CD	120	60/10	Card(2)	White	CC2V	1500	2700	95	1.3	\$1.81	2.75"
25	Cand.	03822		25G16½/2/CB	120	200/10	Box	Clear	CC2V	1500	2700	175	1.3	\$3.01	2.75"
	Cand.	03741		25G16½/2/CB 2CD	120	60/10	Card(2)	Clear	CC2V	1500	2700	175	1.3	\$3.01	2.75"
	Cand.	03815		25G16½/2/W/CB	120	200/10	Box	White	CC2V	1500	2700	155	1.3	\$3.01	2.75"
	Cand.	03753		25G16½/2/W/CB 2CD	120	60/10	Card(2)	White	CC2V	1500	2700	155	1.3	\$3.01	2.75"
	Cand.	03611	4	25G16½/2/CB/130	130	200/10	Box	Clear	CC2V	2500	2700	160	2.2	\$3.01	2.75"
	Cand.	03636	4	25G16½/2/W/CB/130	130	200/10	Box	White	CC2V	2500	2700	155	2.2	\$3.01	2.75"
40	Cand.	03823		40G16½/2/CB	120	200/10	Box	Clear	CC2V	1500	2700	340	1.3	\$4.82	2.75"
	Cand.	03742		40G16½/2/CB 2CD	120	60/10	Card(2)	Clear	CC2V	1500	2700	340	1.3	\$4.82	2.75"
	Cand.	03816		40G16½/2/W/CB	120	200/10	Box	White	CC2V	1500	2700	330	1.3	\$4.82	2.75"
	Cand.	03754		40G16½/2/W/CB 2CD	120	60/10	Card(2)	White	CC2V	1500	2700	330	1.3	\$4.82	2.75"
	Cand.	03612	4	40G16½/2/CB/130	130	200/10	Box	Clear	CC2V	2500	2700	340	2.2	\$4.82	2.75"
60	Cand.	03839		60G16½/2/CB	120	200/10	Box	Clear	CC2V	1500	2700	610	1.3	\$7.23	2.75"
	Cand.	03745		60G16½/2/CB 2CD	120	60/10	Card(2)	Clear	CC2V	1500	2700	610	1.3	\$7.23	2.75"
	Cand.	03840		60G16½/2/W/CB	120	200/10	Box	White	CC2V	1500	2700	580	1.3	\$7.23	2.75"
	Cand.	03701		60G16½/2/W/CB 2CD	120	60/10	Card(2)	White	CC2V	1500	2700	580	1.3	\$7.23	2.75"
	Cand.	03609	4	60G16½/2/CB/130	130	200/10	Box	Clear	CC2V	2500	2700	540	2.2	\$7.23	2.75"
G19 1/2															
25	Med.	03827		25G19½/2/W	120	200/10	Box	White	C9	1500	2700	160	1.3	\$3.01	3.44"
40	Med.	03828	8	40G19½/2/W/VR	120	200/10	Box	White	C9	1500	2700	325	1.3	\$4.82	3.44"
60	Med.	03829	8	60G19½/2/W/VR	120	200/10	Box	White	C9	1500	2700	550	1.3	\$7.23	3.44"

*Based on 3hrs./day **Based on 3hrs./day 11¢/kWh

Footnotes

- 1 New Item
- 2 Canadian Standards Association
- 3 Eco-Halogen Energy-Saving Technology
- 4 Commercial Service*
- 5 Fan
- 6 Non-Stick Base
- 7 Krypton(KR)
- 8 Vibration Resistant lamps are designed for vibration service only.
- 9 Rough Service lamps are designed for rough service applications.



G25 CLEAR

G25 WHITE

G25 1/2 CHROME

G25 LAMPS

Energy Used (Watts)	Lamp Base	Item No.	Footnotes	Domestic Code	Volts	Master Carton/ Inner Pack	Package Type	Finish	Filament Type	Avg. Rated Hours	Light Appearance (Kelvin)	Brightness (Lumens)	Life in Years*	Est. Yearly Energy Cost**	MOL
G25															
25	Med.	03118	2	25G25	120	72/12	Box	Clear	C9	1500	2700	185	1.3	\$3.01	4.38"
	Med.	03121	2	25G25/W	120	72/12	Box	White	C9	1500	2700	180	1.3	\$3.01	4.38"
	Med.	03155		25G25/CH	120	72/6	Box	1/2 Chrome	C9	750	2700	-	0.6	\$3.01	4.38"
	Med.	04218	2,4	25G25/130	130	72/6	Box	Clear	C9	3500	2700	180	3.1	\$3.01	4.38"
	Med.	04221	2,4	25G25/W/130	130	72/6	Box	White	C9	3500	2700	160	3.1	\$3.01	4.38"
40	Med.	03119	2	40G25	120	72/12	Box	Clear	C9	1500	2700	365	1.3	\$4.82	4.38"
	Med.	03122	2	40G25/W	120	72/12	Box	White	C9	1500	2700	340	1.3	\$4.82	4.38"
	Med.	03156		40G25/CH	120	72/6	Box	1/2 Chrome	C9	750	2700	-	0.6	\$4.82	4.38"
	Med.	04219	2,4	40G25/130	130	72/6	Box	Clear	C9	3500	2700	320	3.1	\$4.82	4.38"
	Med.	04222	2,4	40G25/W/130	130	72/6	Box	White	C9	3500	2700	290	3.1	\$4.82	4.38"
	Med.	05103	4	40G25/W/130 12PK	130	6	Box(12)	White	C9	3500	2700	290	3.1	\$4.82	4.38"
60	Med.	03120	8	60G25/VR	120	72/12	Box	Clear	C9	1500	2700	615	1.3	\$7.23	4.38"
	Med.	03123	8	60G25/W/VR	120	72/12	Box	White	C9	1500	2700	570	1.3	\$7.23	4.38"
	Med.	03157		60G25/CH	120	72/6	Box	1/2 Chrome	C9	750	2700	-	0.6	\$7.23	4.38"
	Med.	04220	4,8	60G25/VR/130	130	72/6	Box	Clear	C9	3500	2700	530	3.1	\$7.23	4.38"
	Med.	04223	4,8	60G25/W/VR/130	130	72/6	Box	White	C9	3500	2700	480	3.1	\$7.23	4.38"

*Based on 3hrs./day **Based on 3hrs./day 11¢/kWh



G30 WHITE

G40 CLEAR

G40 WHITE

G30 AND G40 LAMPS

Energy Used (Watts)	Lamp Base	Item No.	Footnotes	Domestic Code	Volts	Master Carton/ Inner Pack	Package Type	Finish	Filament Type	Avg. Rated Hours	Light Appearance (Kelvin)	Brightness (Lumens)	Life in Years*	Est. Yearly Energy Cost**	MOL
G30															
40	Med.	03111		40G30/W	120	36/6	Box	White	C9	1500	2700	355	1.3	\$4.82	5.13"
60	Med.	03112	8	60G30/W/VR	120	36/6	Box	White	C9	1500	2700	640	1.3	\$7.23	5.13"
G40															
40	Med.	03101		40G40	120	6	Box	Clear	CC6	2500	2700	431	2.2	\$4.82	6.75"
	Med.	03106		40G40/W	120	6	Box	White	CC6	2500	2700	388	2.2	\$4.82	6.75"
60	Med.	03102		60G40	120	6	Box	Clear	CC6	2500	2700	722	2.2	\$7.23	6.75"
	Med.	03107		60G40/W	120	6	Box	White	CC6	2500	2700	650	2.2	\$7.23	6.75"
100	Med.	03103		100G40	120	6	Box	Clear	CC6	2500	2700	1357	2.2	\$12.05	6.75"
	Med.	03108		100G40/W	120	6	Box	White	CC6	2500	2700	1221	2.2	\$12.05	6.75"
150	Med.	03109		150G40/W	120	6	Box	White	CC6	2500	2700	1895	2.2	\$18.07	6.75"

*Based on 3hrs./day **Based on 3hrs./day 11¢/kWh

Footnotes

- 1 New Item
- 2 Canadian Standards Association
- 3 Eco-Halogen Energy-Saving Technology
- 4 Commercial Service*
- 5 Fan
- 6 Non-Stick Base
- 7 Krypton(KR)
- 8 Vibration Resistant lamps are designed for vibration service only.
- 9 Rough Service lamps are designed for rough service applications.

REFLECTOR LAMPS

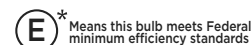


Energy Used (Watts)	Lamp Base	Item No.	Footnotes	Domestic Code	Volts	Master Carton/Inner Pack	Package Type	Finish	Beam Type	Filament Type	Avg. Rated Hours	Light Appearance (Kelvin)	Brightness (Lumens)	Life in Years*	Est. Yearly Energy Cost**	MOL	
R14																	
25	Inter.	03648		25R14/IN/FL	120	36/12	Hanging Box	Frost	Flood	CC2V	1500	2700	140	1.3	\$3.01	2.63"	
	Med.	03622		25R14/SP	120	36/12	Hanging Box	Frost	Spot	CC2V	1500	2700	175	1.3	\$3.01	2.25"	
	Med.	03623	2	25R14/FL	120	36/12	Hanging Box	Frost	Flood	CC2V	1500	2700	175	1.3	\$3.01	2.25"	
40	Inter.	03626		40R14/IN/FL	120	36/12	Hanging Box	Frost	Flood	CC2V	1500	2700	185	1.3	\$4.82	2.63"	
	Med.	03604		40R14/FL	120	36/12	Hanging Box	Frost	Flood	CC2V	1500	2700	185	1.3	\$4.82	2.63"	
	Med.	03605		40R14/SP	120	36/12	Hanging Box	Frost	Spot	CC2V	1500	2700	185	1.3	\$4.82	2.25"	
R16																	
40	Inter.	04000		40R16/IN/FL	120	36/12	Hanging Box	Frost	Flood	CC2V	1500	2700	310	1.3	\$4.82	3.15"	
	Med.	03627		40R16/SP	120	36/12	Hanging Box	Frost	Spot	CC6	1500	2700	310	1.3	\$4.82	3.50"	
	Med.	03633		40R16/FL	120	36/12	Hanging Box	Frost	Flood	CC6	1500	2700	310	1.3	\$4.82	3.50"	
R20																	
30	Med.	03654	2	30R20/SP	120	36/6	Box	Frost	Spot	CC6	2000	2700	215	1.8	\$3.61	4"	
	Med.	04303	2	30R20/FL	120	36/6	Box	Frost	Flood	CC6	2000	2700	215	1.8	\$3.61	4"	
	Med.	04230	2,4	30R20/FL/130	130	60/6	Box	Frost	Flood	CC6	2000	2700	215	1.8	\$3.61	4"	
35	Med.	36802	3	35R20/H/FL/ECO	120	36/6	Box	Frost	Flood	CC8	2500	2800	380	2.2	\$4.22	3.82"	
E	45	Med.	03700		45R20/FL	120	36/6	Box	Frost	Flood	CC6	2000	2000	380	1.8	\$5.42	4"
E		Med.	03702		45R20/SP	120	36/6	Box	Frost	Spot	CC6	2000	2700	380	1.8	\$5.42	4"
E		Med.	36860	3	45R20/H/FL/ECO	120	36/6	Box	Frost	Flood	CC8	2000	3000	500	1.8	\$5.42	3.82"
E		Med.	05258		45R20/FL 2PK	120	24/6	Box(2)	Frost	Flood	CC6	2000	2700	380	1.8	\$5.42	4"
E		Med.	04229	4	45R20/FL/130	130	60/6	Box	Frost	Flood	CC6	2000	2700	380	1.8	\$5.42	4"
E		Med.	05100	4	45R20/FL/130 12PK	130	6	Box(12)	Frost	Flood	CC6	2000	2700	380	1.8	\$5.42	4"
BR25																	
E	55	Med.	36861	3	55BR25/H/FL/ECO	120	36/6	Box	Frost	Flood	CC8	1000	3000	960	0.9	\$6.62	4.72"
BR30																	
E	45	Med.	05204		45BR30/FL	120	36/6	Box	Frost	Flood	CC6	1000	2700	425	0.9	\$5.42	5.35"
E	50	Med.	03680	2	50BR30/FL	120	36/6	Box	Frost	Flood	CC6	2000	2700	400	1.8	\$6.02	5.38"
E		Med.	36803	3	50BR30/H/FL/ECO	120	36/6	Box	Frost	Flood	CC8	2500	2800	590	2.2	\$6.02	5.24"
E	65	Med.	03646	2	65BR30/FL	120	36/6	Box	Frost	Flood	CC6	2000	2700	650	1.8	\$7.83	5.38"
E		Med.	36862	3	65BR30/H/FL/ECO	120	36/6	Box	Frost	Flood	CC8	2000	3000	820	1.8	\$7.83	5.24"
E		Med.	03647	2	65BR30/SP	120	36/6	Box	Frost	Flood	CC6	2000	2700	650	1.8	\$7.83	5.38"
E		Med.	05265	2	65BR30/FL 2PK	120	10	Box(2)	Frost	Flood	CC6	2000	2700	650	1.8	\$7.83	5.38"
E		Med.	04165	2,4	65BR30/FL/130	130	144/6	Box	Frost	Flood	CC6	2000	2700	650	1.8	\$7.83	5.38"
E		Med.	04235	2,4	65BR30/FL/130	130	60/6	Box	Frost	Flood	CC6	2000	2700	650	1.8	\$7.83	5.38"
E		Med.	05101	4	65BR30/FL/130 12PK	130	6	Box(12)	Frost	Flood	CC6	2000	2700	650	1.8	\$7.83	5.38"
	75	Med.	04668		75BR30/B/FL/130	130	60/6	Box	Blue	Flood	C9	2000	-	-	1.8	\$9.03	5.38"
		Med.	04672		75BR30/R/FL/130	130	60/6	Box	Red	Flood	C9	2000	-	-	1.8	\$9.03	5.38"
		Med.	04673		75BR30/G/FL/130	130	60/6	Box	Green	Flood	C9	2000	-	-	1.8	\$9.03	5.38"

*Based on 3hrs./day **Based on 3hrs./day 11¢/kWh

Footnotes

- 1 New Item
- 2 Canadian Standards Association
- 3 Eco-Halogen Energy-Saving Technology
- 4 Commercial Service*
- 5 Fan
- 6 Non-Stick Base
- 7 Krypton(KR)
- 8 Vibration Resistant lamps are designed for vibration service only.
- 9 Rough Service lamps are designed for rough service applications.





BR40

REFLECTOR LAMPS

Energy Used (Watts)	Lamp Base	Item No.	Footnotes	Domestic Code	Volts	Master Carton/Inner Pack	Package Type	Finish	Beam Type	Filament Type	Avg. Rated Hours	Light Appearance (Kelvin)	Brightness (Lumens)	Life in Years*	Est. Yearly Energy Cost**	MOL	
BR40																	
E	65	Med.	03960		65BR40/SP	120	24/6	Box	Frost	Flood	CC6	2000	2700	620	1.8	\$7.83	6.50"
E		Med.	03961		65BR40/FL	120	24/6	Box	Frost	Flood	CC6	2000	2700	650	1.8	\$7.83	6.50"
E		Med.	36864	3	65BR40/H/FL/ECO	120	6	Box	Frost	Flood	CC8	2000	3000	820	1.8	\$7.83	6.42"
E		Med.	04242	4	65BR40/FL/130	130	24/6	Box	Frost	Flood	CC6	2000	2700	715	1.8	\$7.83	6.50"
E		Med.	05102	4	65BR40/FL/130 6PK	130	6	Box(6)	Frost	Flood	CC6	2000	2700	715	1.8	\$7.83	6.50"

*Based on 3hrs./day **Based on 3hrs./day 11¢/kWh



R40 INFRARED HEAT LAMPS

Energy Used (Watts)	Lamp Base	Item No.	Footnotes	Domestic Code	Volts	Master Carton/Inner Pack	Package Type	Finish	Beam Type	Filament Type	Avg. Rated Hours	Brightness (Lumens)	Life in Years*	Est. Yearly Energy Cost**	MOL	
R40 HEAT																
	125	Med.	03918		125R40/HT	120	24/6	Box	Clear	Flood	C9	5000	550	4.5	\$15.06	6.50"
		Med.	03907		125R40/HT	120	24/6	Box	Clear	Flood	C9	5000	500	4.5	\$15.06	6.50"
	250	Med.	03916		250R40/HT	120	24/6	Box	Clear	Flood	C9	5000	1200	4.5	\$30.11	6.50"
		Med.	03910		250R40/HT	120	24/6	Box	Clear	Flood	C9	5000	1000	4.5	\$30.11	6.50"
		Med.	03917		250R40/HT/R	120	24/6	Box	Red	Flood	C9	5000	-	4.5	\$30.11	6.50"
		Med.	03483	6	250R40/HT/R/EZ	120	24/6	Box	Red	Flood	C9	5000	-	4.5	\$30.11	6.50"
		Med.	03484	6	250R40/HT/EZ	120	24/6	Box	Clear	Flood	C9	5000	1200	4.5	\$30.11	6.50"
	375	Med.	03915		375R40/HT	120	24/6	Box	Clear	Flood	C9	5000	2300	4.5	\$45.17	6.50"

*Based on 3hrs./day **Based on 3hrs./day 11¢/kWh



BR38 BUG LIGHT BR38 RED BR38 AMBER BR38 GREEN BR38 BLUE

BR38 INDOOR/OUTDOOR LAMPS

Energy Used (Watts)	Lamp Base	Item No.	Footnotes	Domestic Code	Volts	Master Carton/Inner Pack	Package Type	Finish	Beam Type	Filament Type	Avg. Rated Hours	Light Appearance (Kelvin)	Brightness (Lumens)	Life in Years*	Est. Yearly Energy Cost**	MOL	
BR38																	
	100	Med.	04409		100BR38/Y/FL	120	12	Box	Yellow	Flood	C9	2000	-	-	1.8	\$12.05	5.75"
		Med.	04410		100BR38/R/FL	120	12	Box	Red	Flood	C9	2000	-	-	1.8	\$12.05	5.75"
		Med.	04411		100BR38/A/FL	120	12	Box	Amber	Flood	C9	2000	-	-	1.8	\$12.05	5.75"
		Med.	04413		100BR38/G/FL	120	12	Box	Green	Flood	C9	2000	-	-	1.8	\$12.05	5.75"
		Med.	04414		100BR38/B/FL	120	12	Box	Blue	Flood	C9	2000	-	-	1.8	\$12.05	5.75"

*Based on 3hrs./day **Based on 3hrs./day 11¢/kWh

Footnotes

- 1 New Item
- 2 Canadian Standards Association
- 3 Eco-Halogen Energy-Saving Technology
- 4 Commercial Service*
- 5 Fan
- 6 Non-Stick Base
- 7 Krypton(KR)
- 8 Vibration Resistant lamps are designed for vibration service only.
- 9 Rough Service lamps are designed for rough service applications.

* Means this bulb meets Federal minimum efficiency standards



C7 LAMPS

Energy Used (Watts)	Lamp Base	Item No.	Footnotes	Domestic Code	Volts	Master Carton/ Inner Pack	Package Type	Finish	Filament Type	Avg. Rated Hours	Light Appearance (Kelvin)	Brightness (Lumens)	Life in Years*	Est. Yearly Energy Cost**	MOL
4	Cand.	03601		4C7/CB	120	100/10	Box	Clear	C7A	3000	2700	20	2.7	\$0.48	2.11"
	Cand.	03794		4C7/CB 2CD	120	120/10	Card(2)	Clear	C7A	3000	2700	20	2.7	\$0.48	2.11"
	Cand.	04794		4C7/CB 4CD	120	120/6	Card(4)	Clear	C7A	3000	2700	20	2.7	\$0.48	2.11"
	Cand.	03795		4C7/W/CB 2CD	120	120/10	Card(2)	White	C7A	3000	2700	19	2.7	\$0.48	2.11"
	Cand.	04795		4C7/W/CB 4CD	120	120/6	Card(4)	White	C7A	3000	2700	19	2.7	\$0.48	2.11"
7	Cand.	03691		7C7/CB	120	100/10	Box	Clear	C7A	3000	2700	45	2.7	\$0.84	2.11"
	Cand.	03791		7C7/CB 2CD	120	120/10	Card(2)	Clear	C7A	3000	2700	45	2.7	\$0.84	2.11"
	Cand.	37202		7C7/CB 4CD	120	60/10	Card(4)	Clear	C7A	4000	2700	43	3.6	\$0.84	2.11"
	Cand.	03792		7C7/W/CB 2CD	120	120/10	Card(2)	White	C7A	3000	2700	35	2.7	\$0.84	2.11"
	Cand.	37206		7C7/W/CB 4CD	120	60/10	Card(4)	White	C7A	4000	2700	34	3.6	\$0.84	2.11"
10	Cand.	37207		10C7/CB 2CD	120	120/10	Card(2)	Clear	C7A	2000	2700	50	1.8	\$1.20	2.11"
15	Cand.	37208		15C7/CB 2CD	120	120/10	Card(2)	Clear	C7A	3000	2700	90	2.7	\$1.81	2.11"

*Based on 3hrs./day **Based on 3hrs./day 11¢/kWh



S6, S11 AND S14 LAMPS

Energy Used (Watts)	Lamp Base	Item No.	Footnotes	Domestic Code	Volts	Master Carton/ Inner Pack	Package Type	Finish	Filament Type	Avg. Rated Hours	Light Appearance (Kelvin)	Brightness (Lumens)	Life in Years*	Est. Yearly Energy Cost**	MOL
S6															
6	Cand.	03543		6S6/12V/CB 2CD	12	60/10	Card(2)	Clear	C2R	2000	2700	35	1.8	\$0.72	1.79"
	Cand.	04025		6S6/CB 2CD	120	60/6	Card(2)	Clear	C7A	1500	2700	32	1.3	\$0.72	1.88"
	Cand.	04525	4	6S6/CB/130	130	100/10	Box	Clear	C7A	1500	2700	32	1.3	\$0.72	1.88"
S11															
7.5	Med.	04064		7.5S11	120	60/6	Card	Clear	C7A	1500	2700	53	1.3	\$0.90	2.25"
	Med.	04065		7.5S11/W	120	60/6	Card	White	C7A	1500	2700	39	1.3	\$0.90	2.25"
	Med.	04067		7.5S11/R	120	60/10	Card	Red	C7A	2500	-	-	2.2	\$0.90	2.25"
	Med.	04564		7.5S11/130	130	100/10	Box	Clear	C7A	2500	2700	52	2.2	\$0.90	2.25"
	Med.	04061		7.5S11/G/130	130	60/10	Card	Green	C7A	2500	-	-	2.2	\$0.90	2.25"
10	Inter.	03568		10S11/IN/130	130	60/10	Card	Clear	C7A	2500	2700	80	2.2	\$1.20	2.25"
18	S.C. Bay.	06311		18S11/SC/12V 2CD	12	60/10	Card(2)	Clear	C6	2000	2700	200	1.8	\$2.17	2.25"
20	Cand.	03569		20S11/CB	120	60/10	Card	Clear	CC2V	1500	2700	120	1.3	\$2.41	2.25"
25	Inter.	03534		25S11/IN	120	60/10	Card	Clear	CC2V	1000	2700	180	0.9	\$3.01	2.25"
40	Inter.	03729		40S11/IN	120	60/6	Card	Clear	CC2V	1000	2700	355	0.9	\$4.82	2.25"
	Inter.	03629		40S11/IN	120	100/10	Box	Clear	CC2V	1000	2700	355	0.9	\$4.82	2.25"
S14															
11	Med.	04340		11S14/130	130	120/12	Box	Clear	C9	2500	2700	63	2.2	\$1.32	3.38"
	Med.	03540		11S14/130	130	60/6	Card	Clear	C9	2500	2700	63	2.2	\$1.32	3.38"
	Med.	03541		11S14/F/130	130	60/6	Card	Frost	C9	2500	2700	60	2.2	\$1.32	3.38"

*Based on 3hrs./day **Based on 3hrs./day 11¢/kWh

Footnotes

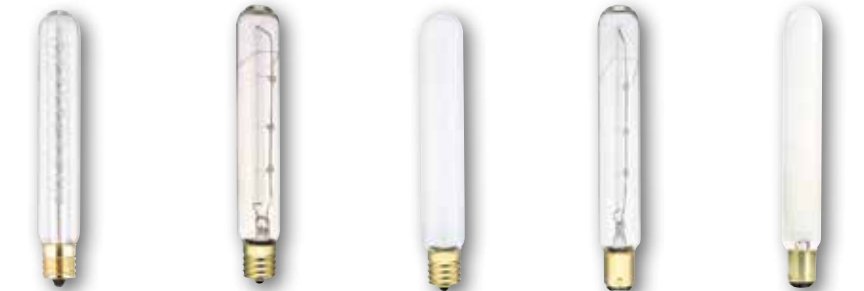
- 1 New Item
- 2 Canadian Standards Association
- 3 Eco-Halogen Energy-Saving Technology
- 4 Commercial Service*
- 5 Fan
- 6 Non-Stick Base
- 7 Krypton(KR)
- 8 Vibration Resistant lamps are designed for vibration service only.
- 9 Rough Service lamps are designed for rough service applications.

T4 AND T6 LAMPS



Energy Used (Watts)	Lamp Base	Item No.	Footnotes	Domestic Code	Volts	Master Carton/ Inner Pack	Package Type	Finish	Filament Type	Avg. Rated Hours	Light Appearance (Kelvin)	Brightness (Lumens)	Life in Years*	Est. Yearly Energy Cost**	MOL
T4															
15	Cand.	03226		15T4/CB	120	100/10	Card	Clear	C5	1000	2700	100	0.9	\$1.81	1.75"
T6															
15	Cand.	03723		15T6/F/CB	120	60/6	Card	Frost	C7A	1000	2700	89	0.9	\$1.81	3"
	Cand.	03882		15T6/CB/130	130	100/10	Box	Clear	C7A	1500	2700	100	1.3	\$1.81	3"
	Cand.	03583		15T6/CB/145	145	60/6	Card	Clear	C7A	1500	2700	100	1.3	\$1.81	3"
	Cand.	03883		15T6/CB/145	145	100/10	Box	Clear	C7A	1500	2700	100	1.3	\$1.81	3"
25	Cand.	03520		25T6/CB	120	60/6	Card	Clear	C7A	1500	2700	190	1.3	\$3.01	3"
	Cand.	03220		25T6/CB	120	100/10	Box	Clear	C7A	1500	2700	190	1.3	\$3.01	3"

*Based on 3hrs./day **Based on 3hrs./day 11¢/kWh



T6½ LAMPS

9W T6 1/2 INTERMEDIATE T6 1/2 CLEAR INTERMEDIATE T6 1/2 FROST INTERMEDIATE T6 1/2 CLEAR D.C. BAYONET T6 1/2 FROST D.C. BAYONET

Energy Used (Watts)	Lamp Base	Item No.	Footnotes	Domestic Code	Volts	Master Carton/ Inner Pack	Package Type	Finish	Filament Type	Avg. Rated Hours	Light Appearance (Kelvin)	Brightness (Lumens)	Life in Years*	Est. Yearly Energy Cost**	MOL
9	Inter.	04335		9T61/2/IN	120	36/6	Card	Clear	N/A	3000	2700	14	2.7	\$1.08	5.38"
20	Inter.	04316		20T61/2/IN/130	130	100/10	Box	Clear	C8	3000	2700	100	2.7	\$2.41	5.38"
	Inter.	04319		20T61/2/F/IN/130	130	100/10	Box	Frost	C8	3000	2700	90	2.7	\$2.41	5.38"
	D.C. Bay	03706		20T61/2/DC/130	130	60/6	Card	Clear	C8	3000	2700	100	2.7	\$2.41	5.38"
	D.C. Bay	04317		20T61/2/DC/130	130	100/10	Box	Clear	C8	3000	2700	100	2.7	\$2.41	5.38"
	D.C. Bay	04324		20T61/2/F/DC/130	130	100/10	Box	Frost	C8	3000	2700	90	2.7	\$2.41	5.38"
25	Inter.	03705		25T61/2/IN	120	60/6	Card	Clear	C8	1000	2700	185	0.9	\$3.01	5.38"
	Inter.	03724		25T61/2/F/IN	120	60/6	Card	Frost	C8	1000	2700	175	0.9	\$3.01	5.38"
	Inter.	04320		25T61/2/IN/130	130	100/10	Box	Clear	C8	3000	2700	170	2.7	\$3.01	5.38"
40	Inter.	03707		40T61/2/IN	120	60/6	Card	Clear	C8	1000	2700	250	0.9	\$4.82	5.38"
	Inter.	03759		40T6 1/2/F/IN	120	60/6	Card	Frost	C8	1000	2700	240	0.9	\$4.82	5.38"

*Based on 3hrs./day **Based on 3hrs./day 11¢/kWh

Footnotes

- 1 New Item
- 2 Canadian Standards Association
- 3 Eco-Halogen Energy-Saving Technology
- 4 Commercial Service*
- 5 Fan
- 6 Non-Stick Base
- 7 Krypton(KR)
- 8 Vibration Resistant lamps are designed for vibration service only.
- 9 Rough Service lamps are designed for rough service applications.



T7 D.C. BAYONET



T7 INTERMEDIATE



T7 CANDELABRA



T7 1/2 CANDELABRA

T7 AND T7½ LAMPS

Energy Used (Watts)	Lamp Base	Item No.	Footnotes	Domestic Code	Volts	Master Carton/ Inner Pack	Package Type	Finish	Filament Type	Avg. Rated Hours	Light Appearance (Kelvin)	Brightness (Lumens)	Life in Years*	Est. Yearly Energy Cost**	MOL
T7															
15	Cand.	03720		15T7/CB	120	60/10	Card	Clear	C5	1000	2700	108	0.9	\$1.81	2.19"
	Inter.	03721		15T7/IN	120	60/10	Card	Clear	C5	1000	2700	108	0.9	\$1.81	2.19"
	D.C. Bay	03722		15T7/DC	120	60/10	Card	Clear	C5	1000	2700	108	0.9	\$1.81	2.19"
T7 1/2															
35	Cand.	03521		35T71/2/CB	120	60/6	Card	Clear	C5	1500	2700	190	1.3	\$4.22	3.56"

*Based on 3hrs./day **Based on 3hrs./day 11¢/kWh



T8 D.C. BAYONET



T8 INTERMEDIATE



T8 MEDIUM

T8 LAMPS

Energy Used (Watts)	Lamp Base	Item No.	Footnotes	Domestic Code	Volts	Master Carton/ Inner Pack	Package Type	Finish	Filament Type	Avg. Rated Hours	Light Appearance (Kelvin)	Brightness (Lumens)	Life in Years*	Est. Yearly Energy Cost**	MOL
25	Inter.	03716		25T8/IN	120	60/6	Card	Clear	C5	1000	2700	195	0.9	\$3.01	2.56"
	D.C. Bay	03717		25T8/DC	120	60/6	Card	Clear	C5	1000	2700	195	0.9	\$3.01	2.56"
40	Inter.	03719		40T8/IN	120	60/6	Card	Clear	C7A	1000	2700	365	0.9	\$4.82	2.56"
	Med.	03892		40T8/130	130	100/10	Box	Clear	C8	3500	2700	300	3.1	\$4.82	11.50"
	Med.	03718		40T8/130	130	60/6	Card	Clear	C8	3500	2700	300	3.1	\$4.82	11.50"

*Based on 3hrs./day **Based on 3hrs./day 11¢/kWh



T10 CLEAR



T10 FROST

T10 LAMPS

Energy Used (Watts)	Lamp Base	Item No.	Footnotes	Domestic Code	Volts	Master Carton/ Inner Pack	Package Type	Finish	Filament Type	Avg. Rated Hours	Light Appearance (Kelvin)	Brightness (Lumens)	Life in Years*	Est. Yearly Energy Cost**	MOL
15	Med.	03730		15T10	120	60/6	Card	Clear	C5V	1000	2700	100	0.9	\$1.81	5.13"
25	Med.	03710		25T10	120	60/6	Card	Clear	C5V	1000	2700	180	0.9	\$3.01	5.13"
	Med.	03713		25T10/F	120	60/6	Card	Frost	C5V	1000	2700	170	0.9	\$3.01	5.13"
	Med.	03894		25T10/130	130	100/10	Box	Clear	C5V	2500	2700	170	2.2	\$3.01	5.13"
	Med.	03897		25T10/F/130	130	100/10	Box	Frost	C5V	2500	2700	160	2.2	\$3.01	5.13"
40	Med.	03711		40T10	120	60/6	Card	Clear	C5V	1000	2700	300	0.9	\$4.82	5.13"
	Med.	03714		40T10/F	120	60/6	Card	Frost	C5V	1000	2700	285	0.9	\$4.82	5.13"
	Med.	03836		40T10/F	120	100/10	Box	Frost	C8	2500	2700	260	2.2	\$4.82	5.13"
	Med.	03895		40T10/130	130	100/10	Box	Clear	C5V	2500	2700	275	2.2	\$4.82	5.13"
60	Med.	03712		60T10/VR	120	60/6	Card	Clear	C7A	1000	2700	385	0.9	\$7.23	5.13"
	Med.	03715		60T10/F/VR	120	60/6	Card	Frost	C7A	1000	2700	365	0.9	\$7.23	5.13"
	Med.	03837		60T10/F/VR	120	100/10	Box	Frost	C7A	2500	2700	350	2.2	\$7.23	5.13"
	Med.	03896		60T10/VR/130	130	100/10	Box	Clear	C7A	2500	2700	365	2.2	\$7.23	5.13"
	Med.	03899		60T10/F/VR/130	130	100/10	Box	Frost	C7A	2500	2700	350	2.2	\$7.23	5.13"

*Based on 3hrs./day **Based on 3hrs./day 11¢/kWh

Footnotes

- 1 New Item
- 2 Canadian Standards Association
- 3 Eco-Halogen Energy-Saving Technology
- 4 Commercial Service*
- 5 Fan
- 6 Non-Stick Base
- 7 Krypton(KR)
- 8 Vibration Resistant lamps are designed for vibration service only.
- 9 Rough Service lamps are designed for rough service applications.



LOW VOLTAGE LAMPS

Energy Used (Watts)	Lamp Base	Item No.	Footnotes	Domestic Code	Volts	Master Carton/ Inner Pack	Package Type	Finish	Filament Type	Avg. Rated Hours	Light Appearance (Kelvin)	Brightness (Lumens)	Life in Years*	Est. Yearly Energy Cost**	MOL
A19															
25	Med.	03422		25A/F/12V	12	36/6	Box	Frost	C6	2500	2700	250	2.2	\$3.01	4.13"
50	Med.	03423		50A/F/12V	12	36/6	Box	Frost	C6	2500	2700	548	2.2	\$6.02	4.13"
G4 1/2															
6	E10	03797		6G4.5/E10/12V 2CD	12	60/10	Card(2)	Clear	C2R	1000	2700	40	0.9	\$0.72	1.11"
S6															
6	Cand.	03543		6S6/12V/CB 2CD	12	60/10	Card(2)	Clear	C2R	2000	2700	35	1.8	\$0.72	1.79"
S8															
12	S.C. Bay.	03726		12S8/93T/SC/12V 2CD	12	60/6	Card(2)	Clear	C6	700	2700	120	0.6	\$1.45	2"
21	S.C. Bay.	03727		21S8/1073/SC/12V 2CD	12	60/10	Card(2)	Clear	C6	700	2700	255	0.6	\$2.53	2"
S11															
18	S.C. Bay.	06311		18S11/SC/12V 2CD	12	60/10	Card(2)	Clear	C6	2000	2700	200	1.8	\$2.17	2.25"
T3 1/4															
5	Wedge	06204		5T31/4X/12V	12	100/10	Box	Clear	C2V	2800	2900	38	2.5	\$0.60	0.95"
	Wedge	0620450		5T31/4X/12V	12	50	Box	Clear	C2V	2800	2900	38	2.5	\$0.60	0.95"
	Wedge	06217		5T31/4/X/12V	12	120/10	Card	Clear	C2V	3000	2900	26	2.7	\$0.60	0.95"

*Based on 3hrs./day **Based on 3hrs./day 11¢/kWh



T5 LANDSCAPE (LOW VOLTAGE) LAMPS

Energy Used (Watts)	Lamp Base	Item No.	Footnotes	Domestic Code	Volts	Master Carton/ Inner Pack	Package Type	Finish	Filament Type	Avg. Rated Hours	Light Appearance (Kelvin)	Brightness (Lumens)	Life in Years*	Est. Yearly Energy Cost**	MOL
4	Wedge	06300		4T5/12V 4CD	12	60/10	Card(4)	Clear	C2R	2000	2700	20	1.8	\$0.48	1.43"
	Wedge	06304		4T5/A/12V 2CD	12	60/10	Card(2)	Amber	C2R	2000	-	-	1.8	\$0.48	1.43"
	Wedge	06305		4T5/B/12V 2CD	12	60/10	Card(2)	Blue	C2R	2000	-	-	1.8	\$0.48	1.43"
	Wedge	06306		4T5/G/12V 2CD	12	60/10	Card(2)	Green	C2R	2000	-	-	1.8	\$0.48	1.43"
	Wedge	06307		4T5/R/12V 2CD	12	60/10	Card(2)	Red	C2R	2000	-	-	1.8	\$0.48	1.43"
5.4	Wedge	03790		5.4T5/6V	6	120/10	Card	Clear	C2R	200	2700	30	0.1	\$0.65	1.43"
7	Wedge	06301		7T5/12V 4CD	12	60/10	Card(4)	Clear	C2R	2000	2700	87	1.8	\$0.84	1.43"
11	Wedge	06302		11T5/12V 4CD	12	60/10	Card(4)	Clear	C2R	2000	2700	120	1.8	\$1.32	1.43"
18	Wedge	06215		18T5X/12V	12	36/6	Card	Clear	C2R	1000	2900	210	0.9	\$2.17	1.43"
	Wedge	06303		18T5/12V 4CD	12	60/10	Card(4)	Clear	C2R	2000	2700	210	1.8	\$2.17	1.43"

*Based on 3hrs./day **Based on 3hrs./day 11¢/kWh

Footnotes

- 1 New Item
- 2 Canadian Standards Association
- 3 Eco-Halogen Energy-Saving Technology
- 4 Commercial Service*
- 5 Fan
- 6 Non-Stick Base
- 7 Krypton(KR)
- 8 Vibration Resistant lamps are designed for vibration service only.
- 9 Rough Service lamps are designed for rough service applications.

VINTAGE
INSPIRED LAMPS



Energy Used (Watts)	Lamp Base	Item No.	Footnotes	Domestic Code	Volts	Master Carton/Inner Pack	Package Type	Finish	Filament Type	Avg. Rated Hours	Light Appearance (Kelvin)	Brightness (Lumens)	Life in Years*	Est. Yearly Energy Cost**	MOL
A19															
40	Med.	04134		VINTAGE/40/A19	120	24/6	Card	Clear	NX-8	1500	2450	100	1.3	\$4.82	4.13"
60	Med.	04135		VINTAGE/60/A19	120	24/6	Card	Clear	NX-8	1500	2450	275	1.3	\$7.23	4.13"
A23															
40	Med.	04105		VINTAGE/40/A/A23	120	24/6	Card	Amber	NX-8	3000	2450	130	2.7	\$4.82	5.51"
C10															
40	Cand.	04133		VINTAGE/40/C10 2CD	120	24/6	Card(2)	Clear	4-ANCHOR	1500	2450	50	1.3	\$4.82	3.98"
C11															
40	Cand.	04106		VINTAGE/40/A/CB/C11 2CD	120	24/6	Card(2)	Amber	9-ANCHOR	3000	2450	240	2.7	\$4.82	4.61"
G25															
40	Med.	04107		VINTAGE/40/A/G25	120	24/6	Card	Amber	15-ANCHOR	3000	2450	100	2.7	\$4.82	4.53"
60	Med.	04108		VINTAGE/60/A/G25	120	24/6	Card	Amber	15-ANCHOR	3000	2450	115	2.7	\$7.23	4.53"
G40															
40	Med.	04109		VINTAGE/40/A/G40	120	24/6	Box	Amber	32-ANCHOR	3000	2450	110	2.7	\$4.82	6.80"
ST15															
40	Med.	04141		VINTAGE/40/A/ST15	120	24/6	Card	Amber	11-ANCHOR	3000	2450	170	2.7	\$4.82	4.33"
ST20															
40	Med.	04120		VINTAGE/40/ST20	120	24/6	Card	Clear	19-ANCHOR	1500	2450	160	1.3	\$4.82	5.51"
60	Med.	04132		VINTAGE/60/ST20	120	24/6	Card	Clear	19-ANCHOR	1500	2450	305	1.3	\$7.23	5.51"
T9															
40	Med.	04136		VINTAGE/40/A/T9	120	24/6	Card	Amber	10-ANCHOR	3000	2450	130	2.7	\$4.82	7.30"
60	Med.	04118		VINTAGE/60/A/T9	120	24/6	Card	Amber	8-ANCHOR	3000	2450	230	2.7	\$7.23	5.51"
T12															
60	Med.	04129		VINTAGE/60/T12	120	24/6	Card	Clear	12-ANCHOR	1500	2450	120	1.3	\$7.23	4.25"
T14															
40	Med.	04137		VINTAGE/40/A/T14	120	24/6	Card	Amber	24-ANCHOR	3000	2450	105	2.7	\$4.82	4.33"
60	Med.	04138		VINTAGE/60/A/T14	120	24/6	Card	Amber	24-ANCHOR	3000	2450	120	2.7	\$7.23	4.33"

*Based on 3hrs./day **Based on 3hrs./day 11¢/kWh



TIMELESS LAMPS FOR A VINTAGE LOOK

Use Westinghouse Timeless lamps to add warmth and a touch of nostalgia to any space. With visible filaments and retro-style silhouettes, these lamps bring Old World details to any fixture. Westinghouse Timeless lamps feature a color temperature of 2450K, meaning the light produced will have a warm, yellow glow.

Available in a variety of shapes and sizes, these lamps are ideal for use in vintage, industrial and rustic fixtures, or any space where you want to create a warm, inviting ambience.

To learn more about color temperature and how it can enhance ambience, see page 7.



Footnotes

- 1 New Item
- 2 Canadian Standards Association
- 3 Eco-Halogen Energy-Saving Technology
- 4 Commercial Service*
- 5 Fan
- 6 Non-Stick Base
- 7 Krypton(KR)
- 8 Vibration Resistant lamps are designed for vibration service only.
- 9 Rough Service lamps are designed for rough service applications.

130 VOLT COMPARISON CHART

130 Volt lamps will last longer when used on a 120 Volt line. However, the brightness (lumen output) of these 130 Volt lamps operating on a 120 Volt line will be significantly reduced, while energy consumption (watts) will be less.

A 130 Volt lamp is perfect for use in hard-to-reach places and for use in lights that are on for long periods of time. Westinghouse Lighting recommends that you check that there is enough brightness (lumen output) for your specific application or task.

NOTE:

Most electrical service is 120 Volts. By using 130 Volt lamps on a 120 Volt line, replacement and maintenance costs can be reduced due to longer life.

130V LAMP SPECIFICATIONS — OPERATING ON A 130V LINE

OPERATING ON A 120V LINE

Item No.	130V LAMP SPECIFICATIONS — OPERATING ON A 130V LINE			OPERATING ON A 120V LINE				
	Energy Used (Watts)	Domestic Code	Master Carton /Inner Pack	Avg. Rated Hours	Brightness (Lumens)	Energy Used (Watts) @ 120V	Avg. Rated Hours @ 120V	Brightness (Lumens) @ 120V
03540	11	11S14/130	60/6	2500	63	10	7000	47
03541	11	11S14/F/130	60/6	2500	60	10	7000	45
03568	10	10S11/IN/130	60/10	2500	80	9	7000	60
03609	60	60G161/2/CB/130	200/10	2500	540	53	7000	405
03611	25	25G161/2/CB/130	200/10	2500	160	22	7000	120
03612	40	40G161/2/CB/130	200/10	2500	340	35	7000	255
03631	25	25B11/130	200/25	2500	170	22	7000	128
03632	40	40B11/130	200/25	2500	345	35	7000	259
03636	25	25G161/2/W/CB/130	200/10	2500	155	22	7000	116
03662	60	60CA10/CB/130	200/25	2500	600	53	7000	450
03663	60	60CA10/F/CB/130	200/25	2500	580	53	7000	435
03664	25	25CA10/130	200/25	2500	190	22	7000	143
03665	40	40CA10/130	200/25	2500	345	35	7000	259
03666	60	60CA10/VR/130	200/25	2500	545	53	7000	409
03667	25	25CA10/F/130	200/25	2500	175	22	7000	131
03668	40	40CA10/F/130	200/25	2500	330	35	7000	248
03669	60	60CA10/F/VR/130	200/25	2500	545	53	7000	409
03670	7.5	7.5CA8/CB/130	200/25	2500	40	7	7000	30
03671	10	10CA7/CB/130	200/25	2500	58	9	7000	44
03673	15	15CA8/CB/130	200/25	2500	75	13	7000	56
03674	25	25CA8/CB/130	200/25	2500	158	22	7000	119
03675	40	40CA91/2/CB/130	200/25	2500	330	35	7000	248
03678	25	25CA8/F/CB/130	200/25	2500	145	22	7000	109
03679	40	40CA91/2/F/CB/130	200/25	2500	310	35	7000	233
03681	15	15B91/2/CB/130	200/25	2500	100	13	7000	75
03682	25	25B91/2/CB/130	200/25	2500	170	22	7000	128
03683	40	40B91/2/CB/130	200/25	2500	345	35	7000	259
03684	60	60B10/CB/130	200/25	2500	610	53	7000	458
03685	25	25B91/2/F/CB/130	200/25	2500	165	22	7000	124
03686	40	40B91/2/F/CB/130	200/25	2500	330	35	7000	248
03687	60	60B10/F/CB/130	200/25	2500	575	53	7000	431
03693	60	60B11/VR/130	200/25	2500	560	53	7000	420
03706	20	20T61/2/DC/130	60/6	3000	100	18	8400	75
03718	40	40T8/130	60/6	3500	300	35	9800	225
03882	15	15T6/CB/130	100/10	1500	100	13	4200	75
03892	40	40T8/130	100/10	3500	300	35	9800	225
03894	25	25T10/130	100/10	2500	170	22	7000	128
03895	40	40T10/130	100/10	2500	275	35	7000	206
03896	60	60T10/VR/130	100/10	2500	365	53	7000	274
03897	25	25T10/F/130	100/10	2500	160	22	7000	120
03899	60	60T10/F/VR/130	100/10	2500	350	53	7000	263
03950	60	60A/TS/130	36/6	4000	587	53	11200	440
03951	100	100A/TS/130	36/6	4000	860	88	11200	645
04061	7.5	7.5S11/G/130	60/10	2500	—	7	7000	—

130 VOLT COMPARISON CHART

130V LAMP SPECIFICATIONS — OPERATING ON A 130V LINE

OPERATING ON A 120V LINE

Item No.	Energy Used (Watts)		Master Carton /Inner Pack	Avg. Rated Hours	Brightness (Lumens)	Energy Used (Watts) @ 120V		Avg. Rated Hours @ 120V	Brightness (Lumens) @ 120V
		Domestic Code							
04100	25	25A/F/130 4PK	120	5000	205	22	14000	154	
0410129	40	40A/F/VR/130 2PK	120	5000	290	35	14000	218	
0410229	60	60A/F/VR/130 2PK	120	5000	485	53	14000	364	
04110	25	25A/130 4PK	120	5000	205	22	14000	154	
0411129	40	40A/VR/130 2PK	120	5000	290	35	14000	218	
0411229	60	60A/VR/130 2PK	120	5000	485	53	14000	364	
04165	65	65BR30/FL/130	144/6	2000	650	57	5600	488	
04218	25	25G25/130	72/6	3500	180	22	9800	135	
04219	40	40G25/130	72/6	3500	320	35	9800	240	
04220	60	60G25/VR/130	72/6	3500	530	53	9800	398	
04221	25	25G25/W/130	72/6	3500	160	22	9800	120	
04222	40	40G25/W/130	72/6	3500	290	35	9800	218	
04223	60	60G25/W/VR/130	72/6	3500	480	53	9800	360	
04229	45	45R20/FL/130	60/6	2000	380	40	5600	285	
04230	30	30R20/FL/130	60/6	2000	215	26	5600	161	
04235	65	65BR30/FL/130	60/6	2000	650	57	5600	488	
04242	65	65BR40/FL/130	24/6	2000	715	57	5600	536	
04316	20	20T61/2/IN/130	100/10	3000	100	18	8400	75	
04317	20	20T61/2/DC/130	100/10	3000	100	18	8400	75	
04319	20	20T61/2/F/IN/130	100/10	3000	90	18	8400	68	
04320	25	25T61/2/IN/130	100/10	3000	170	22	8400	128	
04324	20	20T61/2/F/DC/130	100/10	3000	90	18	8400	68	
04340	11	11S14/130	120/12	2500	63	10	7000	47	
04403	75	75A/TS/130	36/6	4000	716	66	11200	537	
04501	15	15A15/130 2PK	120	2500	100	13	7000	75	
04502	40	40A15/130 2PK	120	2500	350	35	7000	263	
04503	15	15A15/F/130 2PK	120	2500	90	13	7000	68	
04504	40	40A15/F/130 2PK	120	2500	340	35	7000	255	
04505	60	60A15/VR/130 2PK	120	2500	570	53	7000	428	
04507	25	25A15/130 2PK	120	2500	175	22	7000	131	
04509	60	60A15/F/VR/130 2PK	120	2500	540	53	7000	405	
04525	6	6S6/CB/130	100/10	1500	32	5	4200	24	
04540	150	150A21/F/130	36/6	1000	2650	132	2800	1988	
04542	150	150A21/130	36/6	1000	2650	132	2800	1988	
04543	200	200A23/130	12	750	3850	176	2100	2888	
04548	50/100/150	50/100/150A21/SW/130	36/6	2000	500/1350/1850	132	5600	1388	
04564	7.5	7.5S11/130	100/10	2500	52	7	7000	39	
04668	75	75BR30/B/FL/130	60/6	2000	—	66	5600	—	
04672	75	75BR30/R/FL/130	60/6	2000	—	66	5600	—	
04673	75	75BR30/G/FL/130	60/6	2000	—	66	5600	—	
05100	45	45R20/FL/130 12PK	6	2000	380	40	5600	285	
05101	65	65BR30/FL/130 12PK	6	2000	650	57	5600	488	
05102	65	65BR40/FL/130 6PK	6	2000	715	57	5600	536	
05103	40	40G25/W/130 12PK	6	3500	290	35	9800	218	
05106	25	25CA8/CB/130 25PK	6	2500	158	22	7000	119	
05107	40	40CA91/2/CB/130 25PK	6	2500	330	35	7000	248	
36959	150	150A21/F/130	60/6	1000	2650	132	2800	1988	
36960	200	200A23/F/130	60/6	750	3600	176	2100	2700	
36971	40	40A/F/VR/130	60/6	5000	290	35	14000	218	
36972	60	60A/F/VR/130	60/6	5000	485	53	14000	364	
36975	40	40A/VR/130	60/6	5000	290	35	14000	218	
36976	60	60A/VR/130	60/6	5000	485	53	14000	364	

LAMP MERCHANDISING DISPLAYS

Westinghouse's lamp merchandising displays offer a convenient and polished approach to in-store lamp presentation, while letting consumers know that we stand behind our high-quality products. Create a cohesive brand statement with our gondola display and interactive lamp display, which allows consumers to take the guesswork out of choosing the best lamp for their needs.



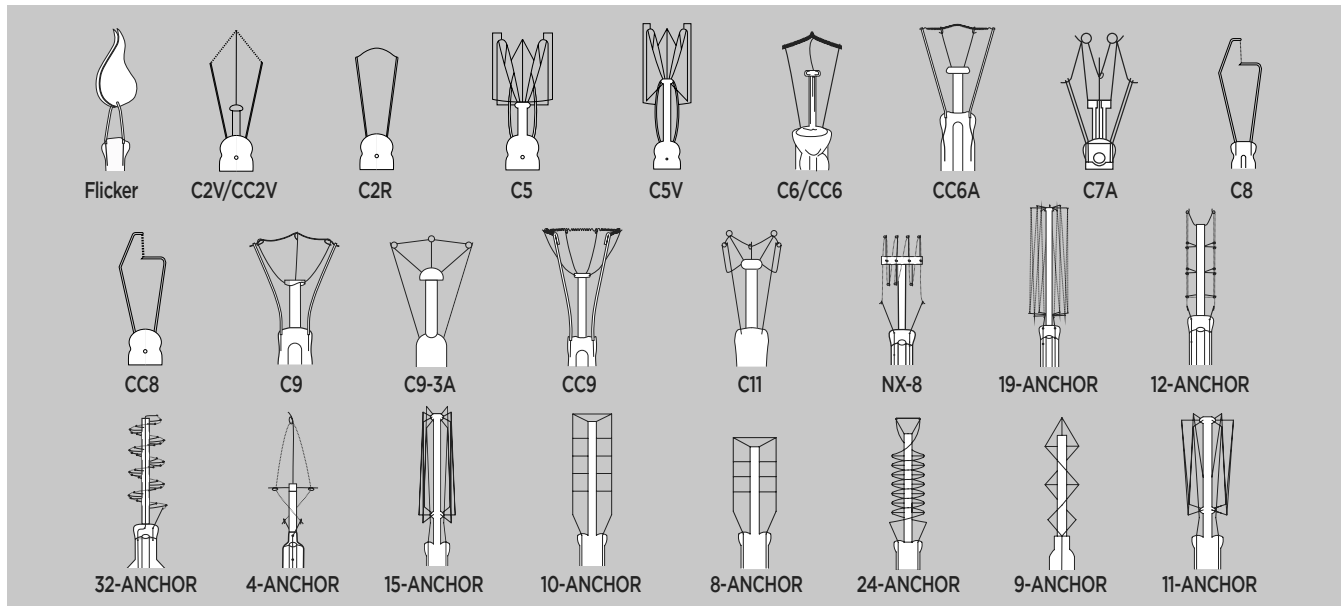
96210
5-Socket
Interactive
Lamp Display



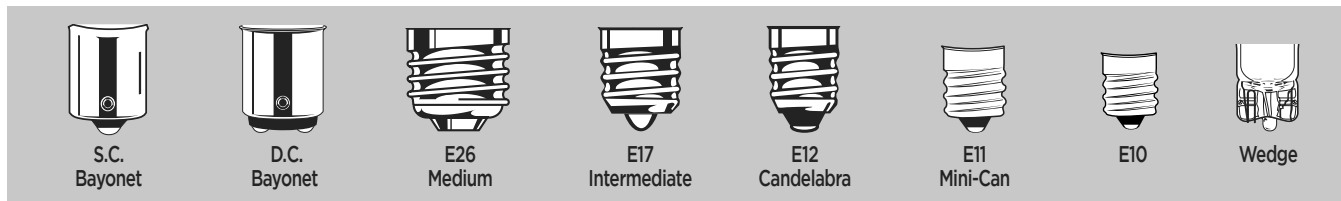
96208
2' Gondola Display
 24"L x 14"D x 54"H

96209
Gondola Shelves
 24"L x 14"D

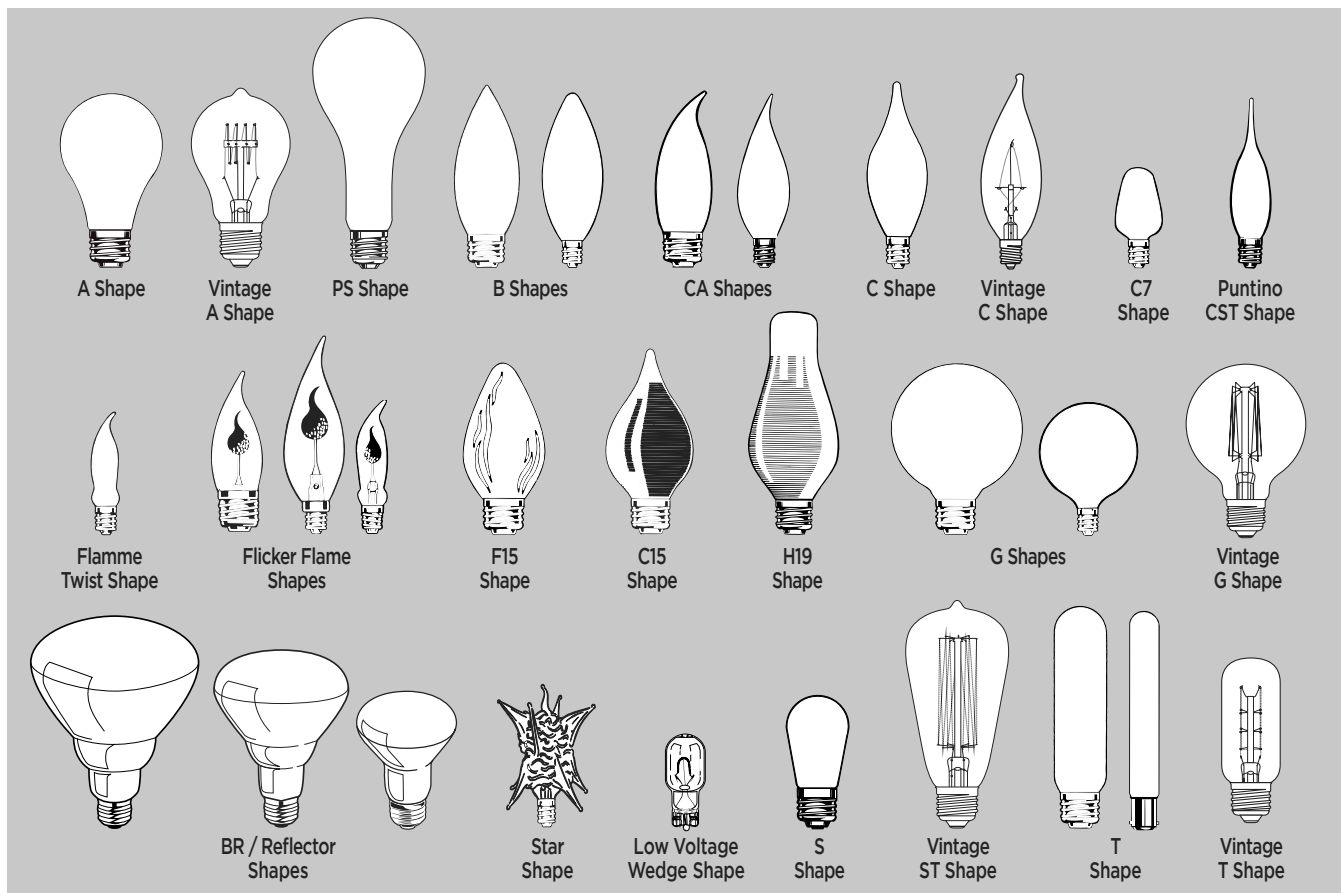
INCANDESCENT LAMP FILAMENT TYPES



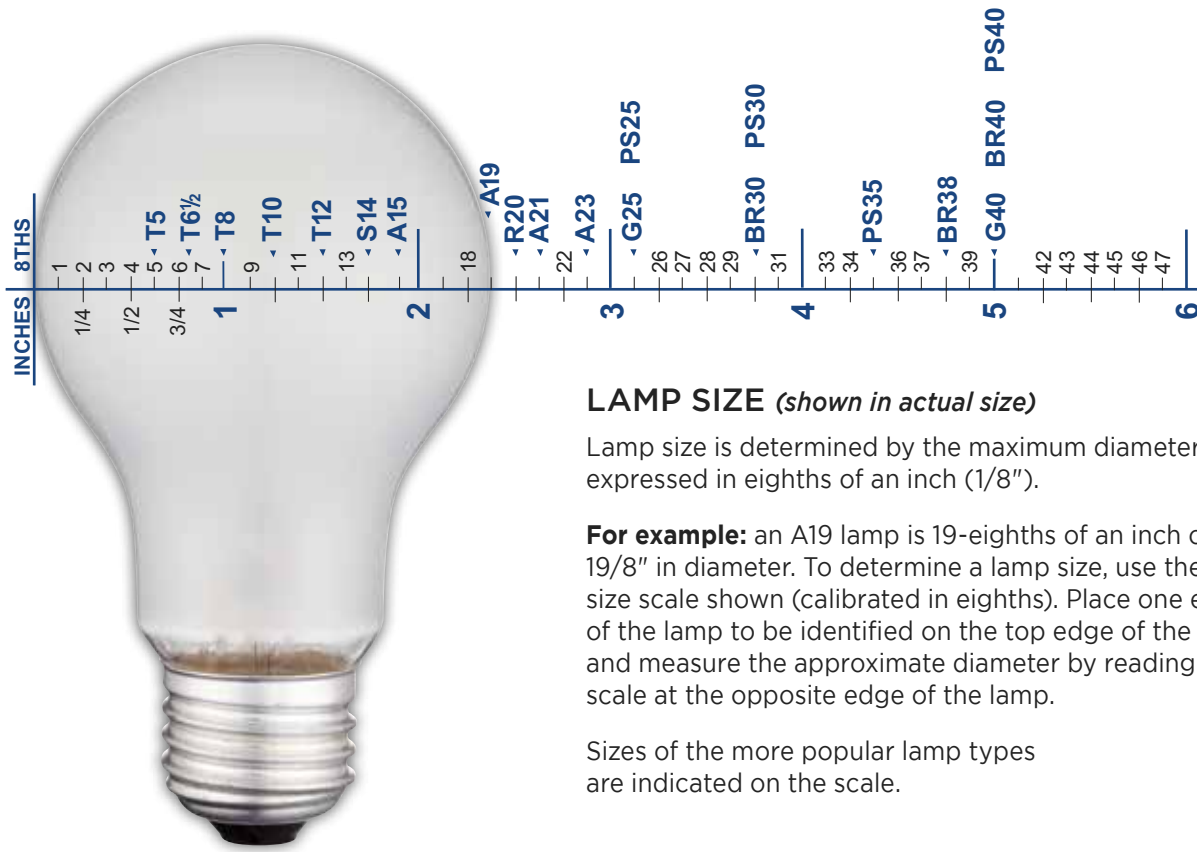
INCANDESCENT LAMP BASE TYPES



INCANDESCENT LAMP SHAPES



INCANDESCENT LAMP SIZE REFERENCE



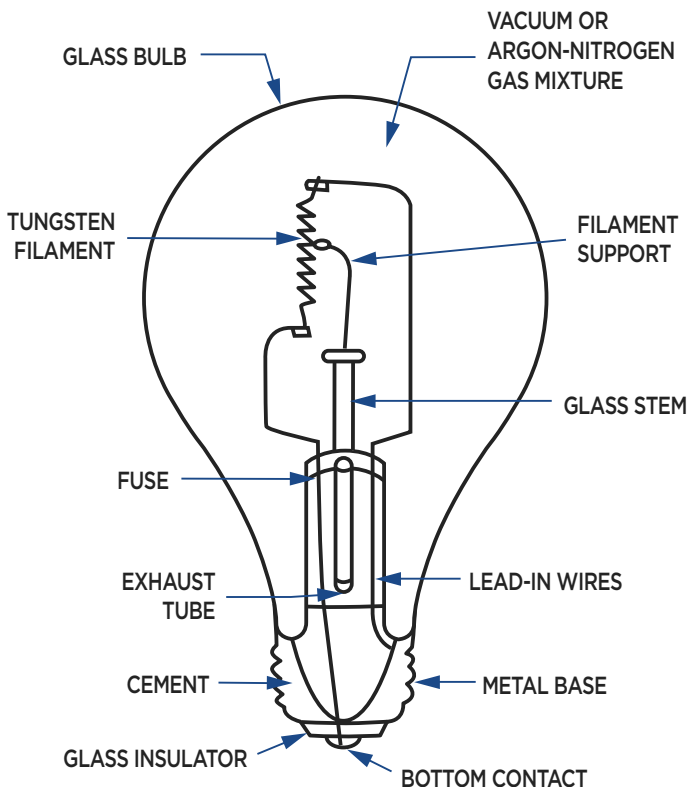
LAMP SIZE *(shown in actual size)*

Lamp size is determined by the maximum diameter expressed in eighths of an inch (1/8").

For example: an A19 lamp is 19-eighths of an inch or 19/8" in diameter. To determine a lamp size, use the full size scale shown (calibrated in eighths). Place one edge of the lamp to be identified on the top edge of the scale and measure the approximate diameter by reading the scale at the opposite edge of the lamp.

Sizes of the more popular lamp types are indicated on the scale.

INCANDESCENT LAMP COMPONENTS





ECO-HALOGEN AND SPECIALTY HALOGEN LIGHTING

Providing bright, white light and long life, our halogen assortment features lamps that come in a variety of sizes and shapes. These lamps are completely dimmable and can be used anywhere, making them an excellent choice for multiple lighting solutions.



MR11 GU4 BASE

MR11 LAMPS, DICHROIC (LOW VOLTAGE)

Energy Used (Watts)	Lamp Base	Item No.	Footnotes	Domestic Code	Master Carton/ Inner Pack	Package Type	Candle Power	Beam Spread	Beam Type	Filament Type	Light Appearance (Kelvin)	Avg. Rated Hours	ANSI Code	Life in Years*	Est. Yearly Energy Cost**	MOL
6 VOLT																
5	GU4	04771	2	5MR11Q/NFL/LN	36/6	Card	200	16°	Narrow Flood	C8	2900	2000	-	1.8	\$0.60	1.38"
12 VOLT																
5	GU4	04766	2	5MR11Q/NFL/LN	36/6	Card	200	16°	Narrow Flood	C8	2900	2000	-	1.8	\$0.60	1.38"
10	GU4	04761	2	10MR11Q/NFL/LN	36/6	Card	650	16°	Narrow Flood	C6	2900	2000	-	1.8	\$1.20	1.38"
20	GU4	04463		20MR11Q/NFL	100/10	Box	1500	16°	Narrow Flood	C8	2950	2000	FTC	1.8	\$2.41	1.38"
	GU4	04750	2	20MR11Q/NFL/LN	36/6	Card	1600	16°	Narrow Flood	CC6	2950	2000	FTC	1.8	\$2.41	1.38"
	GU4	06214	2,7	20MR11X/FL/LN 2CD	36/6	Card(2)	700	30°	Flood	C8	2900	10000	FTD	9.1	\$2.41	1.38"
	GU4	04748	2	20MR11Q/SP/LN	36/6	Card	700	12°	Spot	C8	2800	2000	FTB	1.8	\$2.41	1.38"
35	GU4	04765	2	35MR11Q/NFL/LN	36/6	Card	2800	16°	Narrow Flood	C6	3000	2000	FTF	1.8	\$4.22	1.38"

*Based on 3hrs./day

**Based on 3hrs./day 11¢/kWh



MR11 GU10 BASE

MR11 LAMP, 120 VOLT DICHROIC (LINE VOLTAGE)

Energy Used (Watts)	Lamp Base	Item No.	Footnotes	Domestic Code	Master Carton/ Inner Pack	Package Type	Candle Power	Beam Spread	Beam Type	Filament Type	Light Appearance (Kelvin)	Avg. Rated Hours	ANSI Code	Life in Years*	Est. Yearly Energy Cost**	MOL
35	GU10	04728		35MR11Q/GU10/NFL/LN 3CD	36/6	Card(3)	500	30°	Narrow Flood	CC2V	3000	3000	FTH	2.7	\$4.22	1.38"

*Based on 3hrs./day

**Based on 3hrs./day 11¢/kWh



MR16 GU5.3 BASE



MR16 CLEAR LENS GU5.3 BASE

MR16 LAMPS, 12 VOLT DICHROIC (LOW VOLTAGE)

Energy Used (Watts)	Lamp Base	Item No.	Footnotes	Domestic Code	Master Carton/ Inner Pack	Package Type	Candle Power	Beam Spread	Beam Type	Filament Type	Light Appearance (Kelvin)	Avg. Rated Hours	ANSI Code	Life in Years*	Est. Yearly Energy Cost**	MOL
20	GU5.3	04451		20MR16Q/FL	100/10	Box	460	36°	Flood	C8	2950	2000	BAB	1.8	\$2.41	1.81"
	GU5.3	04781	2	20MR16Q/FL/LN	36/6	Card	600	32°	Flood	C8	2950	2000	BAB	1.8	\$2.41	1.81"
	GU5.3	06212	2,7	20MR16X/FL/LN 2CD	36/6	Card(2)	700	32°	Flood	C8	2950	10000	BAB	9.1	\$2.41	1.81"
	GU5.3	04749	2	20MR16Q/SP/LN	36/6	Card	3500	12°	Spot	C8	2950	2000	ESX	1.8	\$2.41	1.81"
35	GU5.3	04562		35MR16Q/FL	100/10	Box	1500	38°	Flood	C8	3000	5000	FMW	4.5	\$4.22	1.88"
	GU5.3	04563	2	35MR16Q/FL/LN	36/6	Card	1250	32°	Flood	C8	3000	2000	FMW	1.8	\$4.22	1.81"
50	GU5.3	04755	2	50MR16Q/NFL/LN	36/6	Card	4300	18°	Narrow Flood	C6	3050	2000	EXZ	1.8	\$6.02	1.81"
	GU5.3	04456		50MR16Q/FL	100/10	Box	1500	38°	Flood	C8	3050	2000	EXN	1.8	\$6.02	1.81"
	GU5.3	04556	2	50MR16Q/FL/LN	100/10	Box	1500	38°	Flood	C8	3050	2000	EXN	1.8	\$6.02	1.81"
	GU5.3	04586		50MR16Q/FL	100/10	Box	2000	38°	Flood	C8	3000	5000	EXN	4.5	\$6.02	1.88"
	GU5.3	04756	2	50MR16Q/FL/LN	36/6	Card	1650	32°	Flood	C8	3050	2000	EXN	1.8	\$6.02	1.81"
	GU5.3	06213	2,7	50MR16X/FL/LN 2CD	36/6	Card(2)	1500	32°	Flood	C8	3050	10000	EXN	9.1	\$6.02	1.81"
	GU5.3	04559	2	50MR16Q/SP/LN	36/6	Card	10000	12°	Spot	C8	3050	2000	EXT	1.8	\$6.02	1.81"
75	GU5.3	04758	2	75MR16Q/FL/LN	36/6	Card	2940	32°	Flood	C8	3050	2000	EYC	1.8	\$9.03	1.81"

*Based on 3hrs./day

**Based on 3hrs./day 11¢/kWh

Footnotes

- 1 New Item
- 2 Clear Lens
- 3 Frost Lens
- 4 Eco-Halogen Energy-Saving Technology
- 5 Rough Service
- 6 Canadian Standards Association
- 7 Krypton(K) / Xenon(X)
- 8 Long Neck



MR16 LAMPS,
120 VOLT DICHROIC (LINE VOLTAGE)

Energy Used (Watts)	Lamp Base	Item No.	Footnotes	Domestic Code	Master Carton/ Inner Pack	Package Type	Candle Power	Beam Spread	Beam Type	Filament Type	Light Appearance (Kelvin)	Avg. Rated Hours	Life in Years*	Est. Yearly Energy Cost**	MOL
20	GU7.9/8.0	04521	2	20MR16Q/FL/LN	36/6	Card	200	30°	Flood	CC2V	3050	3000	2.7	\$2.41	1.91"
25	GU10	04787	2	25MR16Q/GU10/FL/LN	36/6	Card	300	30°	Flood	CC2V	3050	2000	1.8	\$3.01	2"
35	GU7.9/8.0	04727	2	35MR16Q/FL/LN	36/6	Card	500	30°	Flood	CC2V	3050	3000	2.7	\$4.22	1.91"
	GU10	04741	2	35MR16Q/GU10/FL/LN	36/6	Card	500	32°	Flood	CC2V	2800	1500	1.3	\$4.22	2"
45	GU7.9/8.0	04518		45MR16Q/FL	100/10	Box	1800	36°	Flood	CC2V	3050	1500	1.3	\$5.42	1.75"
	GU7.9/8.0	04711	2	45MR16Q/FL/LN	36/6	Card	1800	36°	Flood	CC2V	3050	2000	1.8	\$5.42	1.75"
50	GU7.9/8.0	04725	2	50MR16Q/FL/LN	36/6	Card	950	32°	Flood	CC2V	3050	2000	1.8	\$6.02	1.75"
	GU10	04449		50MR16Q/GU10/FL	100/10	Box	1800	36°	Flood	CC2V	3050	1500	1.3	\$6.02	2"
	GU10	04740	2	50MR16Q/GU10/FL/LN	36/6	Card	950	32°	Flood	CC2V	3050	1500	1.3	\$6.02	2"
	GU10	03529	3	50MR16Q/GU10/F/FL/LN	36/6	Card	900	36°	Flood	CC2V	3050	2000	1.8	\$6.02	2"
	GU10	04730	2	50MR16Q/GU10/FL/LN 3CD	12/6	Card(3)	950	32°	Flood	CC2V	3050	2000	1.8	\$6.02	2"
	GU10	06211	2,7	50MR16X/FL/GU10/LN 2CD	36/6	Card(2)	1100	30°	Flood	CC2V	3050	3500	3.1	\$6.02	2"

*Based on 3hrs./day

**Based on 3hrs./day 11¢/kWh



JDR
MEDIUM BASE

JDR LAMPS,
120 VOLT (LINE VOLTAGE)

Energy Used (Watts)	Lamp Base	Item No.	Footnotes	Domestic Code	Master Carton/ Inner Pack	Package Type	Candle Power	Beam Spread	Beam Type	Filament Type	Light Appearance (Kelvin)	Avg. Rated Hours	Life in Years*	Est. Yearly Energy Cost**	MOL
50	Med.	04753	2	50JDR16Q/FL/LN	36/6	Card	1000	36°	Flood	CC8	2800	2000	1.8	\$6.02	3"
75	Med.	04731	2	75JDR16Q/NFL/LN	36/6	Card	1350	20°	Narrow Flood	CC8	2900	1500	1.3	\$9.03	2.75"

*Based on 3hrs./day

**Based on 3hrs./day 11¢/kWh

Footnotes

- 1 New Item
- 2 Clear Lens
- 3 Frost Lens

- 4 Eco-Halogen Energy-Saving Technology
- 5 Rough Service
- 6 Canadian Standards Association

- 7 Krypton(K) / Xenon(X)
- 8 Long Neck

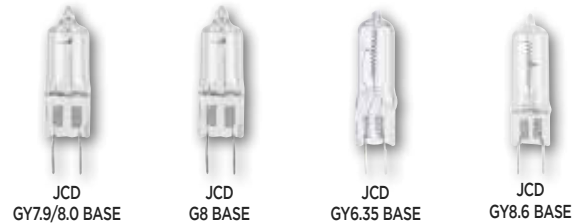
JC LAMPS (LOW VOLTAGE)



Energy Used (Watts)	Lamp Base	Item No.	Footnotes	Domestic Code	Volts	Master Carton/ Inner Pack	Package Type	Finish	Filament Type	Light Appearance (Kelvin)	Brightness (Lumens)	Avg. Rated Hours	Life in Years*	Est. Yearly Energy Cost**	MOL
T3															
5	G4	06240		5T3	12	36/6	Card	Clear	C8	2800	60	2000	1.8	\$0.60	1.31"
10	G4	04442		10T3	12	100/10	Box	Clear	C6	2900	130	2000	1.8	\$1.20	1.19"
	G4	04742		10T3	12	36/6	Card	Clear	C8	2900	120	2000	1.8	\$1.20	1.19"
	G4	06308		10T3 4CD	12	36/6	Card(4)	Clear	C6	2900	100	2000	1.8	\$1.20	1.19"
	G4	06216	7	10T3X 2CD	12	36/6	Card(2)	Clear	C6	2900	100	5000	4.5	\$1.20	1.19"
15	G4	04982		15T3/6V	6	36/6	Card	Clear	C6	2900	180	2000	1.8	\$1.81	1.27"
20	G4	04436		20T3	12	100/10	Box	Clear	C6	2950	300	2000	1.8	\$2.41	1.19"
	G4	04736		20T3	12	36/6	Card	Clear	C8	2950	300	2000	1.8	\$2.41	1.19"
	G4	04734		20T3/F	12	36/6	Card	Frost	C8	2950	290	2000	1.8	\$2.41	1.19"
	G4	06209	7	20T3X 2CD	12	36/6	Card(2)	Clear	C6	2900	300	10000	9.1	\$2.41	1.19"
	GY6.35	04444		20T3Q	12	100/10	Box	Clear	C6	2950	300	2000	1.8	\$2.41	1.63"
35	G4	06218	7	35T3X/12V 2CD	12	36/6	Card(2)	Clear	C6	2900	550	10000	9.1	\$4.22	1.19"
	GY6.35	04445		35T3Q	12	100/10	Box	Clear	C6	3050	595	2000	1.8	\$4.22	1.63"
50	GY6.35	04438		50T3Q	12	100/10	Box	Clear	C6	3050	900	2000	1.8	\$6.02	1.63"
	GY6.35	04427		50T3Q/24V	24	100/10	Box	Clear	CC6	3050	800	2000	1.8	\$6.02	1.63"
T4															
20	GY6.35	04743		20T4Q	12	36/6	Card	Clear	C6	2950	300	2000	1.8	\$2.41	1.63"
35	GY6.35	04745		35T4Q	12	36/6	Card	Clear	C6	3000	600	2000	1.8	\$4.22	1.63"
50	GY6.35	04738		50T4Q	12	36/6	Card	Clear	C6	3050	900	2000	1.8	\$6.02	1.63"
	GY6.35	04735		50T4Q/F	12	36/6	Card	Frost	C6	3050	870	2000	1.8	\$6.02	1.63"
75	GY6.35	04739		75T4Q	12	36/6	Card	Clear	C6	3050	1350	2000	1.8	\$9.03	1.63"
100	GY6.35	04729		100T4Q	12	36/6	Card	Clear	C6	3050	2100	2000	1.8	\$12.05	1.63"

*Based on 3hrs./day

**Based on 3hrs./day 11¢/kWh



JCD LAMPS

Energy Used (Watts)	Lamp Base	Item No.	Footnotes	Domestic Code	Volts	Master Carton/ Inner Pack	Package Type	Finish	Filament Type	Light Appearance (Kelvin)	Brightness (Lumens)	Avg. Rated Hours	Life in Years*	Est. Yearly Energy Cost**	MOL
20	GY7.9/8.0	04710		20T4Q/GY8/120	120	36/6	Card	Clear	CC2V	2700	200	1500	1.3	\$2.41	1.69"
	G8	06210	7	20T4X/G8/120 2CD	120	36/6	Card(2)	Clear	CC2V-H	2700	175	5000	4.5	\$2.41	1.38"
25	GY6.35	04715		25T4Q/120	120	36/6	Card	Clear	CC8	2850	255	1500	1.3	\$3.01	1.81"
	GY7.9/8.0	04721		25T4Q/GY8/120	120	36/6	Card	Clear	CC2V	2850	255	1500	1.3	\$3.01	1.69"
35	GY6.35	04031		35T4Q/120	120	36/6	Card	Clear	CC2V	2900	380	1500	1.3	\$4.22	1.81"
	GY7.9/8.0	04722		35T4Q/GY8/120	120	36/6	Card	Clear	CC8	2900	380	1500	1.3	\$4.22	1.69"
	GY8.6	04712		35T4Q/GY8.6/120	120	36/6	Card	Clear	CC8	2900	380	1500	1.3	\$4.22	1.81"
50	GY6.35	04717		50T4Q/120	120	36/6	Card	Clear	CC2V	2900	600	1500	1.3	\$6.02	1.81"
	G8	04889		50T4Q/G8/120	120	36/6	Card	Clear	CC8	2900	600	1500	1.3	\$6.02	2.25"
75	GY6.35	04718		75T4Q/120	120	36/6	Card	Clear	CC8	2900	1050	1500	1.3	\$9.03	2.25"
	GY8.6	04714		75T4Q/GY8.6/120	120	36/6	Card	Clear	CC8	2900	1050	1500	1.3	\$9.03	2.25"
	GY7.9/8.0	04764		75T4Q/GY8/130	130	36/6	Card	Clear	CC8	2800	975	2000	1.8	\$9.03	2.25"
100	GY6.35	04719		100T4Q/120	120	36/6	Card	Clear	CC8	2900	1500	1500	1.3	\$12.05	2.25"
	GY8.6	04713		100T4Q/GY8.6/120	120	36/6	Card	Clear	CC8	2900	1500	1500	1.3	\$12.05	2.25"
	GY7.9/8.0	04770		100T4Q/GY8/130	130	36/6	Card	Clear	CC8	2850	1400	2000	1.8	\$12.05	2.25"

*Based on 3hrs./day

**Based on 3hrs./day 11¢/kWh

Footnotes

- 1 New Item
- 2 Clear Lens
- 3 Frost Lens
- 4 Eco-Halogen Energy-Saving Technology
- 5 Rough Service
- 6 Canadian Standards Association
- 7 Krypton(K) / Xenon(X)
- 8 Long Neck



G9 CLEAR



G9 FROST

G9 LAMPS, 120 VOLT (LINE VOLTAGE)

Energy Used (Watts)	Lamp Base	Item No.	Footnotes	Domestic Code	Master Carton/ Inner Pack	Package Type	Finish	Filament Type	Light Appearance (Kelvin)	Brightness (Lumens)	Avg. Rated Hours	Life in Years*	Est. Yearly Energy Cost**	MOL
25	G9	04870		25T4Q/G9/120	36/6	Card	Clear	CC2V	2800	255	2000	1.8	\$3.01	1.69"
35	G9	04872		35T4Q/G9/120	36/6	Card	Clear	CC2V	2800	400	2000	1.8	\$4.22	1.69"
40	G9	04901		40T4Q/G9/120	100/10	Box	Clear	CC2V	2800	480	2000	1.8	\$4.82	1.69"
	G9	04871		40T4Q/G9/120	36/6	Card	Clear	CC2V	2800	480	2000	1.8	\$4.82	1.69"
	G9	04873		40T4Q/G9/120 3CD	36/6	Card(3)	Clear	CC2V	2800	480	2000	1.8	\$4.82	1.69"
	G9	04703		40T4Q/G9/F/120	100/10	Box	Frost	CC2V	2800	440	2000	1.8	\$4.82	1.69"
	G9	04855		40T4Q/G9/F/120	36/6	Card	Frost	CC2V	2800	460	2000	1.8	\$4.82	1.69"
60	G9	04879		60T4Q/G9/120	36/6	Card	Clear	CC2V	2800	800	2000	1.8	\$7.23	1.69"

*Based on 3hrs./day

**Based on 3hrs./day 11¢/kWh



LONG METAL FIN BASE (145mm)



LONG RSC BASE (254mm)



SHORT RSC BASE (78mm)



LONG RSC BASE (118mm)

DOUBLE-ENDED LAMPS

Energy Used (Watts)	Lamp Base	Item No.	Footnotes	Domestic Code	Volts	Master Carton/ Inner Pack	Package Type	Finish	Filament Type	Light Appearance (Kelvin)	Brightness (Lumens)	Avg. Rated Hours	Life in Years*	Est. Yearly Energy Cost**	MOL
DOUBLE-ENDED, SHORT															
75	RSC	04779		75T3Q	120	36/6	Card	Clear	CC2V	2800	1050	1500	1.3	\$9.03	3.07"
100	RSC	04477		100T3Q	120	100/10	Box	Clear	C8	2900	1300	1500	1.3	\$12.05	3.07"
	RSC	04777		100T3Q	120	36/6	Card	Clear	CC8	2900	1650	1500	1.3	\$12.05	3.07"
	RSC	04971		100T3Q 2CD	120	36/6	Card(2)	Clear	CC8	2900	1650	2000	1.8	\$12.05	3.07"
150	RSC	04474		150T3Q	120	100/10	Box	Clear	C8	3000	2400	1500	1.3	\$18.07	3.07"
	RSC	04774		150T3Q	120	36/6	Card	Clear	CC8	3000	2600	2000	1.8	\$18.07	3.07"
	RSC	04974		150T3Q 2CD	120	36/6	Card(2)	Clear	CC8	3000	2600	2000	1.8	\$18.07	3.07"
	RSC	04783	5	150T3Q/RS/130	130	36/6	Card	Clear	CC8	3000	2600	1500	1.3	\$18.07	3.07"
200	RSC	04972		200T3Q	120	36/6	Card	Clear	CC8	2900	3200	2000	1.8	\$24.09	3.07"
250	RSC	04759		250T3Q	120	36/6	Card	Clear	CC8	3050	4000	1500	1.3	\$30.11	3.07"
300	RSC	04775		300T3Q	120	36/6	Card	Clear	CC2V	3050	5000	1500	1.3	\$36.14	3.07"
DOUBLE-ENDED, LONG															
100	RSC	04865		100T3Q	120	100/10	Box	Clear	C8	2900	1200	1500	1.3	\$12.05	4.65"
	RSC	06242		100T3Q	120	36/6	Card	Clear	CC2V	2800	1450	1500	1.3	\$12.05	4.65"
	RSC	04975		100T3Q 2CD	120	36/6	Card(2)	Clear	CC8	2900	1450	2000	1.8	\$12.05	4.65"
150	RSC	04473		150T3Q	120	100/10	Box	Clear	CC2V	2900	2400	1500	1.3	\$18.07	4.65"
	RSC	04773		150T3Q	120	36/6	Card	Clear	CC2V	2950	2600	2000	1.8	\$18.07	4.65"
	RSC	04973		150T3Q 2CD	120	36/6	Card(2)	Clear	CC2V	2950	2600	2000	1.8	\$18.07	4.65"
	RSC	04784	5	150T3Q/RS/130	130	36/6	Card	Clear	C8	2950	2400	1500	1.3	\$18.07	4.65"
300	RSC	04476		300T3Q	120	100/10	Box	Clear	C8	3000	5950	1500	1.3	\$36.14	4.65"
	RSC	04776		300T3Q	120	36/6	Card	Clear	C8	3000	5000	2000	1.8	\$36.14	4.65"
	RSC	04976		300T3Q 2CD	120	36/6	Card(2)	Clear	C8	3000	5000	2000	1.8	\$36.14	4.65"
	RSC	04786	5	300T3Q/RS/130	130	36/6	Card	Clear	C8	3000	5000	1500	1.3	\$36.14	4.65"
	RSC	04979	5	300T3Q/RS/130 2CD	130	36/6	Card(2)	Clear	C8	2900	4000	4000	3.6	\$36.14	4.65"
	Metal Fin	04724		300T3Q/F14	120	36/6	Card	Clear	C8	3000	5000	1500	1.3	\$36.14	5.69"
500	RSC	04478		500T3Q	120	100/10	Box	Clear	C8	3050	10500	1500	1.3	\$60.23	4.65"
	RSC	04778		500T3Q	120	36/6	Card	Clear	C8	3050	9500	2000	1.8	\$60.23	4.65"
	RSC	04978		500T3Q 2CD	120	36/6	Card(2)	Clear	C8	3050	9500	2000	1.8	\$60.23	4.65"
	RSC	04829		500T3Q/130	130	100/10	Box	Clear	C8	3050	10500	1500	1.3	\$60.23	4.65"
	RSC	04788	5	500T3Q/RS/130	130	36/6	Card	Clear	C8	3050	9500	1500	1.3	\$60.23	4.65"
	RSC	04981	5	500T3Q/RS/130 2CD	130	36/6	Card(2)	Clear	C8	2900	8000	4000	3.6	\$60.23	4.65"
1500	RSC	04480		1500T3Q/240	240	100/10	Box	Clear	C8	3100	33000	1500	1.3	\$180.68	10"

*Based on 3hrs./day

**Based on 3hrs./day 11¢/kWh

Footnotes

- 1 New Item
- 2 Clear Lens
- 3 Frost Lens

- 4 Eco-Halogen Energy-Saving Technology
- 5 Rough Service
- 6 Canadian Standards Association

- 7 Krypton(K) / Xenon(X)
- 8 Long Neck

SINGLE-ENDED LAMPS, D.C. BAYONET AND E11 BASE



Energy Used (Watts)	Lamp Base	Item No.	Footnotes	Domestic Code	Volts	Master Carton/ Inner Pack	Package Type	Finish	Filament Type	Light Appearance (Kelvin)	Brightness (Lumens)	Avg. Rated Hours	Life in Years*	Est. Yearly Energy Cost**	MOL
D.C. BAYONET BASE															
50	D.C. Bay.	04835		50Q/DC	120	36/6	Card	Clear	CC2V	2900	600	1500	1.3	\$6.02	1.88"
	D.C. Bay.	04836		50Q/DC	120	100/10	Box	Clear	CC2V	2900	600	1500	1.3	\$6.02	1.88"
75	D.C. Bay.	04837		75Q/DC	120	100/10	Box	Clear	CC2V	2800	975	1500	1.3	\$9.03	2.38"
100	D.C. Bay.	04746		100Q/DC	120	36/6	Card	Clear	CC8	2950	1500	1500	1.3	\$12.05	2.38"
	D.C. Bay.	04846		100Q/DC	120	100/10	Box	Clear	CC8	2950	1400	1500	1.3	\$12.05	2.38"
150	D.C. Bay.	04847		150Q/DC	120	100/10	Box	Clear	CC8	3000	2250	1500	1.3	\$18.07	2.38"
E11 BASE															
50	E11	04423		50T4Q/E11	120	100/10	Box	Clear	CC2V	2900	600	1300	1.1	\$6.02	2.25"
	E11	04723		50T4Q/E11	120	36/6	Card	Clear	CC2V	2900	600	1300	1.1	\$6.02	2.25"
75	E11	04416		75T4Q/E11	120	100/10	Box	Clear	CC8	2900	1450	1300	1.1	\$9.03	2.50"
	E11	04716		75T4Q/E11	120	36/6	Card	Clear	CC8	2900	1450	1300	1.1	\$9.03	2.50"
	E11	04706		75T4Q/F/E11	120	36/6	Card	Frost	CC8	2900	1050	1300	1.1	\$9.03	2.50"
100	E11	04467		100T4Q/E11	120	100/10	Box	Clear	CC8	2950	1900	1300	1.1	\$12.05	2.69"
	E11	04767		100T4Q/E11	120	36/6	Card	Clear	CC8	2950	1900	1300	1.1	\$12.05	2.69"
150	E11	04768		150T4Q/E11	120	36/6	Card	Clear	CC8	3000	2500	1300	1.1	\$18.07	2.69"
250	E11	04469		250T4Q/E11	120	100/10	Box	Clear	CC8	3050	4000	1300	1.1	\$30.11	2.68"
500	E11	04470		500T4Q/E11	120	100/10	Box	Clear	CC8	3100	9000	2000	1.8	\$60.23	3.50"

*Based on 3hrs./day **Based on 3hrs./day 11¢/kWh

T3 SINGLE-ENDED LAMPS, XENON / KRYPTON



Energy Used (Watts)	Lamp Base	Item No.	Footnotes	Domestic Code	Volts	Master Carton/ Inner Pack	Package Type	Finish	Filament Type	Brightness (Lumens)	Avg. Rated Hours	Life in Years*	Est. Yearly Energy Cost**	MOL
20	Cand.	06250	7	20T3/KX/E12	120	100/10	Box	Clear	CC8	200	2000	1.8	\$2.41	2.50"
	Cand.	06253	7	20T3/KX/F/E12	120	100/10	Box	Frost	CC8	190	2000	1.8	\$2.41	2.50"
40	E11	06257	7	40T3/KX/E11	120	100/10	Box	Clear	CC8	560	2000	1.8	\$4.82	2.50"
	E11	06243	7	40T3/KX/E11	120	36/6	Card	Clear	CC8	560	2000	1.8	\$4.82	2.50"
	Cand.	06251	7	40T3/KX/E12	120	100/10	Box	Clear	CC8	560	2000	1.8	\$4.82	2.50"
	Cand.	06244	7	40T3/KX/E12	120	36/6	Card	Clear	CC8	560	2000	1.8	\$4.82	2.50"
	Cand.	06254	7	40T3/KX/F/E12	120	100/10	Box	Frost	CC8	540	2000	1.8	\$4.82	2.50"
60	E11	06258	7	60T3/KX/E11	120	100/10	Box	Clear	CC8	960	2000	1.8	\$7.23	2.50"
	Cand.	06252	7	60T3/KX/E12	120	100/10	Box	Clear	CC8	960	2000	1.8	\$7.23	2.50"
	Cand.	06245	7	60T3/KX/E12	120	36/6	Card	Clear	CC8	960	2000	1.8	\$7.23	2.50"
	Cand.	06255	7	60T3/KX/F/E12	120	100/10	Box	Frost	CC8	950	2000	1.8	\$7.23	2.50"

*Based on 3hrs./day **Based on 3hrs./day 11¢/kWh

Footnotes

- 1 New Item
- 2 Clear Lens
- 3 Frost Lens
- 4 Eco-Halogen Energy-Saving Technology
- 5 Rough Service
- 6 Canadian Standards Association
- 7 Krypton(K) / Xenon(X)
- 8 Long Neck



REFLECTOR LAMPS

Energy Used (Watts)	Lamp Base	Item No.	Footnotes	Domestic Code	Volts	Master Carton/ Inner Pack	Package Type	Finish	Beam Type	Filament Type	Light Appearance (Kelvin)	Brightness (Lumens)	Avg. Rated Hours	Life in Years*	Est. Yearly Energy Cost**	MOL
R20																
35	Med.	36802	4	35R20/H/FL/ECO	120	36/6	Box	Frost	Flood	CC8	2800	380	2500	2.2	\$4.22	3.82"
45	Med.	36860	4	45R20/H/FL/ECO	120	36/6	Box	Frost	Flood	CC8	3000	500	2000	1.8	\$5.42	3.82"
BR25																
55	Med.	36861	4	55BR25/H/FL/ECO	120	36/6	Box	Frost	Flood	CC8	3000	960	1000	0.9	\$6.62	4.72"
BR30																
50	Med.	36803	4	50BR30/H/FL/ECO	120	36/6	Box	Frost	Flood	CC8	2800	590	2500	2.2	\$6.02	5.24"
65	Med.	36862	4	65BR30/H/FL/ECO	120	36/6	Box	Frost	Flood	CC8	3000	820	2000	1.8	\$7.83	5.24"
BR40																
65	Med.	36864	4	65BR40/H/FL/ECO	120	6	Box	Frost	Flood	CC8	3000	820	2000	1.8	\$7.83	6.42"

*Based on 3hrs./day

**Based on 3hrs./day 11¢/kWh



PAR REFLECTOR LAMPS

Energy Used (Watts)	Lamp Base	Item No.	Footnotes	Domestic Code	Volts	Master Carton/ Inner Pack	Package Type	Beam Spread	Beam Type	Filament Type	Light Appearance (Kelvin)	Brightness (Lumens)	Avg. Rated Hours	Life in Years*	Est. Yearly Energy Cost**	MOL
PAR16																
40	Med.	05401		40PAR16/H/FL	120	24/6	Box	30°	Flood	CC8	2950	400	2000	1.8	\$4.82	3.13"
60	Med.	05402		60PAR16/H/FL	120	24/6	Box	30°	Flood	CC8	2950	660	2000	1.8	\$7.23	3.13"
75	Med.	05407		75PAR16/H/FL	120	24/6	Box	30°	Flood	CC8	2950	900	2000	1.8	\$9.03	3.13"
PAR20																
35	Med.	05419		35PAR20/H/FL	120	24/6	Box	30°	Flood	CC8	2700	380	2000	1.8	\$4.22	3.13"
38	Med.	36849	4	38PAR20/H/FL/ECO	120	24/6	Box	30°	Flood	CC8	2800	500	1000	0.9	\$4.58	3.23"
	Med.	36856	4	38PAR20/H/FL/ECO 2PK	120	6	Box(2)	30°	Flood	CC8	2800	500	1000	0.9	\$4.58	3.23"
	Med.	36850	4	38PAR20/H/FL/ECO/PLUS	120	24/6	Box	30°	Flood	CC8	2750	500	2000	1.8	\$4.58	3.23"
	Med.	36851	4	38PAR20/H/FL/ECO/PLUS 2PK	120	6	Box(2)	30°	Flood	CC8	2750	500	2000	1.8	\$4.58	3.23"

*Based on 3hrs./day

**Based on 3hrs./day 11¢/kWh

Footnotes

- 1 New Item
- 2 Clear Lens
- 3 Frost Lens

- 4 Eco-Halogen Energy-Saving Technology
- 5 Rough Service
- 6 Canadian Standards Association

- 7 Krypton(K) / Xenon(X)
- 8 Long Neck



PAR REFLECTOR LAMPS

Energy Used (Watts)	Lamp Base	Item No.	Footnotes	Domestic Code	Volts	Master Carton/Inner Pack	Package Type	Beam Spread	Beam Type	Filament Type	Light Appearance (Kelvin)	Brightness (Lumens)	Avg. Rated Hours	Life in Years*	Est. Yearly Energy Cost**	MOL
PAR30																
38	Med.	36848	4	38PAR30/H/FL/ECO	120	24/6	Box	30°	Flood	CC8	2800	530	1000	0.9	\$4.58	3.54"
	Med.	36844	4,8	38PAR30/H/FL/LN/ECO	120	24/6	Box	30°	Flood	CC8	2800	520	1000	0.9	\$4.58	4.61"
	Med.	36847	4	38PAR30/H/FL/ECO/PLUS	120	24/6	Box	30°	Flood	CC8	2750	530	2000	1.8	\$4.58	3.54"
	Med.	36843	4,8	38PAR30/H/FL/LN/ECO/PLUS	120	24/6	Box	30°	Flood	CC8	2750	520	2000	1.8	\$4.58	4.61"
60	Med.	36845	4	60PAR30/H/FL/ECO	120	24/6	Box	30°	Flood	CC8	2900	1070	1000	0.9	\$7.23	3.54"
	Med.	36841	4,8	60PAR30/H/FL/LN/ECO	120	24/6	Box	30°	Flood	CC8	2900	1070	1000	0.9	\$7.23	4.61"
	Med.	36857	4,8	60PAR30/H/FL/LN/ECO 2PK	120	6	Box(2)	30°	Flood	CC8	2900	1070	1000	0.9	\$7.23	4.61"
	Med.	36846	4	60PAR30/H/FL/ECO/PLUS	120	24/6	Box	30°	Flood	CC8	2850	1070	2000	1.8	\$7.23	3.54"
	Med.	36842	4,8	60PAR30/H/FL/LN/ECO/PLUS	120	24/6	Box	30°	Flood	CC8	2850	1070	2000	1.8	\$7.23	4.61"
	Med.	36854	4,8	60PAR30/H/FL/LN/ECO/PLUS 2PK	120	6	Box(2)	30°	Flood	CC8	2850	1070	2000	1.8	\$7.23	4.61"
PAR38																
38	Med.	36840	4	38PAR38/H/FL/ECO	120	12/6	Box	30°	Flood	CC8	2800	550	1000	0.9	\$4.58	5.35"
	Med.	36858	4	38PAR38/H/FL/ECO 2PK	120	6	Box(2)	30°	Flood	CC8	2800	550	1000	0.9	\$4.58	5.35"
	Med.	36852	4	38PAR38/H/FL/ECO/PLUS	120	12/6	Box	30°	Flood	CC8	2750	550	2000	1.8	\$4.58	5.35"
	Med.	36853	4	38PAR38/H/FL/ECO/PLUS 2PK	120	6	Box(2)	30°	Flood	CC8	2750	550	2000	1.8	\$4.58	5.35"
60	Med.	36838	4	60PAR38/H/FL/ECO	120	12/6	Box	30°	Flood	CC8	2900	1070	1000	0.9	\$7.23	5.35"
	Med.	36839	4	60PAR38/H/FL/ECO/PLUS	120	12/6	Box	30°	Flood	CC8	2850	1100	2000	1.8	\$7.23	5.35"
70	Med.	36836	4	70PAR38/H/FL/ECO	120	12/6	Box	45°	Flood	CC8	3000	1310	1000	0.9	\$8.43	5.35"
	Med.	36859	4	70PAR38/H/FL/ECO 2PK	120	6	Box(2)	30°	Flood	CC8	3000	1310	1000	0.9	\$8.43	5.35"
	Med.	36837	4	70PAR38/H/FL/ECO/PLUS	120	12/6	Box	30°	Flood	CC8	2950	1310	2000	1.8	\$8.43	5.35"
	Med.	36855	4	70PAR38/H/FL/ECO/PLUS 2PK	120	6	Box(2)	30°	Flood	CC8	2950	1310	2000	1.8	\$8.43	5.35"

*Based on 3hrs./day

**Based on 3hrs./day 11¢/kWh

Footnotes

- 1 New Item
- 2 Clear Lens
- 3 Frost Lens
- 4 Eco-Halogen Energy-Saving Technology
- 5 Rough Service
- 6 Canadian Standards Association
- 7 Krypton(K) / Xenon(X)
- 8 Long Neck



CLEAR

SOFT WHITE

ECO-HALOGEN A19 LAMPS

Energy Used (Watts)	Lamp Base	Item No.	Footnotes	Domestic Code	Volts	Master Carton/ Inner Pack	Package Type	Finish	Filament Type	Light Appearance (Kelvin)	Brightness (Lumens)	Avg. Rated Hours	Life in Years*	Est. Yearly Energy Cost**	MOL
29	Med.	36870	4	29A19/H/SW/ECO 4PK	120	30/6	Box(4)	Soft White	CC8	2900	450	1000	0.9	\$3.49	4.25"
42	Med.	36832	4	42A19/H/ECO 2PK	120	30/6	Box(2)	Clear	CC8	3000	760	1000	0.9	\$5.06	4.25"
	Med.	36800	4	42A19/H/SW/ECO 2PK	120	30/6	Box(2)	Soft White	CC8	3000	760	1000	0.9	\$5.06	4.25"
	Med.	36876	4	42A19/H/SW/ECO 4PK	120	30/6	Box(4)	Soft White	CC8	3000	760	1000	0.9	\$5.06	4.25"
	Med.	05104	4	42A19/H/SW/ECO 12PK	120	6	Box(12)	Soft White	CC8	3000	760	1000	0.9	\$5.06	4.25"
53	Med.	36834	4	53A19/H/ECO 2PK	120	30/6	Box(2)	Clear	CC8	3000	1100	1000	0.9	\$6.38	4.25"
	Med.	36833	4	53A19/H/SW/ECO 2PK	120	30/6	Box(2)	Soft White	CC8	3000	1100	1000	0.9	\$6.38	4.25"
	Med.	36873	4	53A19/H/SW/ECO 4PK	120	30/6	Box(4)	Soft White	CC8	3000	1100	1000	0.9	\$6.38	4.25"
72	Med.	36835	4	72A19/H/ECO 2PK	120	30/6	Box(2)	Clear	CC8	3000	1600	1000	0.9	\$8.67	4.25"
	Med.	36801	4	72A19/H/SW/ECO 2PK	120	30/6	Box(2)	Soft White	CC8	3000	1600	1000	0.9	\$8.67	4.25"
	Med.	36877	4	72A19/H/SW/ECO 4PK	120	30/6	Box(4)	Soft White	CC8	3000	1600	1000	0.9	\$8.67	4.25"
	Med.	05105	4	72A19/H/SW/ECO 12PK	120	6	Box(12)	Soft White	CC8	3000	1600	1000	0.9	\$8.67	4.25"

*Based on 3hrs./day

**Based on 3hrs./day 11¢/kWh



SL19 CUT GLASS

G25 CUT GLASS

BT15 CLEAR

BT15 SOFT WHITE

SPECIALTY AND DECORATIVE LAMPS

Energy Used (Watts)	Lamp Base	Item No.	Footnotes	Domestic Code	Volts	Master Carton/ Inner Pack	Package Type	Finish	Filament Type	Light Appearance (Kelvin)	Brightness (Lumens)	Avg. Rated Hours	Life in Years*	Est. Yearly Energy Cost**	MOL
SL19															
43	Med.	05018	4	43SL19/H/CG/ECO	120	36/6	Box	Cut Glass	CC8	2900	750	1000	0.9	\$5.18	4.92"
G25															
40	Med.	05017	4	40G25/H/CG/ECO	120	36/6	Box	Cut Glass	CC8	2850	520	2000	1.8	\$4.82	4.65"
BT15															
43	Med.	05013	4	43BT15/H/ECO	120	36/6	Card	Clear	CC8	2900	750	1000	0.9	\$5.18	4.13"
	Med.	05012	4	43BT15/H/SW/ECO	120	36/6	Card	Soft White	CC8	2900	750	1000	0.9	\$5.18	4.13"

*Based on 3hrs./day

**Based on 3hrs./day 11¢/kWh

Footnotes

- 1 New Item
- 2 Clear Lens
- 3 Frost Lens

- 4 Eco-Halogen Energy-Saving Technology
- 5 Rough Service
- 6 Canadian Standards Association

- 7 Krypton(K) / Xenon(X)
- 8 Long Neck

XENON LAMPS (MINI RELECTOR)



Energy Used (Watts)	Lamp Base	Item No.	Footnotes	Domestic Code	Volts	Master Carton/Inner Pack	Package Type	Finish	Filament Type	Brightness (Lumens)	Avg. Rated Hours	Life in Years*	Est. Yearly Energy Cost**	MOL
MR11														
20	GU4	06214	2,7	20MR11X/FL/LN 2CD	12	36/6	Card(2)	Clear	C8	2900	10000	9.1	\$2.41	1.38"
MR16														
20	GU5.3	06212	2,7	20MR16X/FL/LN 2CD	12	36/6	Card(2)	Clear	C8	2950	10000	9.1	\$2.41	1.81"
50	GU5.3	06213	2,7	50MR16X/FL/LN 2CD	120	36/6	Card(2)	Clear	C8	3050	10000	9.1	\$6.02	1.81"
	GU10	06211	2,7	50MR16X/FL/GU10/LN 2CD	120	36/6	Card(2)	Clear	CC2V	3050	3500	3.1	\$6.02	2"

*Based on 3hrs./day **Based on 3hrs./day 11¢/kWh

XENON LAMPS (SINGLE-ENDED)



Energy Used (Watts)	Lamp Base	Item No.	Footnotes	Domestic Code	Volts	Master Carton/Inner Pack	Package Type	Finish	Filament Type	Brightness (Lumens)	Avg. Rated Hours	Life in Years*	Est. Yearly Energy Cost**	MOL
10	G4	06216	7	10T3X 2CD	12	36/6	Card(2)	Clear	C6	2900	100	4.5	\$1.20	1.19"
20	G4	06209	7	20T3X 2CD	12	36/6	Card(2)	Clear	C6	2900	300	9.1	\$2.41	1.19"
	G8	06210	7	20T4X/G8/120 2CD	120	36/6	Card(2)	Clear	CC2V-H	2700	175	4.5	\$2.41	1.38"
35	G4	06218	7	35T3X/12V 2CD	12	36/6	Card(2)	Clear	C6	2900	550	9.1	\$4.22	1.19"

*Based on 3hrs./day **Based on 3hrs./day 11¢/kWh

T3 XENON / KRYPTON LAMPS



Energy Used (Watts)	Lamp Base	Item No.	Footnotes	Domestic Code	Volts	Master Carton/Inner Pack	Package Type	Finish	Filament Type	Brightness (Lumens)	Avg. Rated Hours	Life in Years*	Est. Yearly Energy Cost**	MOL
20	Cand.	06250	7	20T3/KX/E12	120	100/10	Box	Clear	CC8	200	2000	1.8	\$2.41	2.50"
	Cand.	06253	7	20T3/KX/F/E12	120	100/10	Box	Frost	CC8	190	2000	1.8	\$2.41	2.50"
40	E11	06257	7	40T3/KX/E11	120	100/10	Box	Clear	CC8	560	2000	1.8	\$4.82	2.50"
	E11	06243	7	40T3/KX/E11	120	36/6	Card	Clear	CC8	560	2000	1.8	\$4.82	2.50"
	Cand.	06251	7	40T3/KX/E12	120	100/10	Box	Clear	CC8	560	2000	1.8	\$4.82	2.50"
	Cand.	06244	7	40T3/KX/E12	120	36/6	Card	Clear	CC8	560	2000	1.8	\$4.82	2.50"
	Cand.	06254	7	40T3/KX/F/E12	120	100/10	Box	Frost	CC8	540	2000	1.8	\$4.82	2.50"
60	E11	06258	7	60T3/KX/E11	120	100/10	Box	Clear	CC8	960	2000	1.8	\$7.23	2.50"
	Cand.	06252	7	60T3/KX/E12	120	100/10	Box	Clear	CC8	960	2000	1.8	\$7.23	2.50"
	Cand.	06245	7	60T3/KX/E12	120	36/6	Card	Clear	CC8	960	2000	1.8	\$7.23	2.50"
	Cand.	06255	7	60T3/KX/F/E12	120	100/10	Box	Frost	CC8	950	2000	1.8	\$7.23	2.50"

*Based on 3hrs./day **Based on 3hrs./day 11¢/kWh

XENON LAMPS (WEDGE)



Energy Used (Watts)	Lamp Base	Item No.	Footnotes	Domestic Code	Volts	Master Carton/Inner Pack	Package Type	Finish	Filament Type	Avg. Rated Hours	Light Appearance (Kelvin)	Brightness (Lumens)	Life in Years*	Est. Yearly Energy Cost**	MOL
T3 1/4															
5	Wedge	06204	7	5T31/4X/12V	12	100/10	Box	Clear	C2V	2800	2900	38	2.5	\$0.60	0.95"
	Wedge	0620450	7	5T31/4X/12V	12	50	Box	Clear	C2V	2800	2900	38	2.5	\$0.60	0.95"
	Wedge	06217	7	5T31/4X/12V	12	120/10	Card	Clear	C2V	3000	2900	26	2.7	\$0.60	0.95"
T5															
18	Wedge	06215	7	18T5X/12V	12	36/6	Card	Clear	C2R	1000	2900	210	0.9	\$2.17	1.43"

*Based on 3hrs./day **Based on 3hrs./day 11¢/kWh

Footnotes

- 1 New Item
- 2 Clear Lens
- 3 Frost Lens
- 4 Eco-Halogen Energy-Saving Technology
- 5 Rough Service
- 6 Canadian Standards Association
- 7 Krypton(K) / Xenon(X)
- 8 Long Neck

130 VOLT COMPARISON CHART

130 Volt lamps will last longer when used on a 120 Volt line. However, the brightness (lumen output) of these 130 Volt lamps operating on a 120 Volt line will be significantly reduced, while energy consumption (watts) will be less.

A 130 Volt lamp is perfect for use in hard-to-reach places and for use in lights that are on for long periods of time. Westinghouse Lighting recommends that you check that there is enough brightness (lumen output) for your specific application or task.

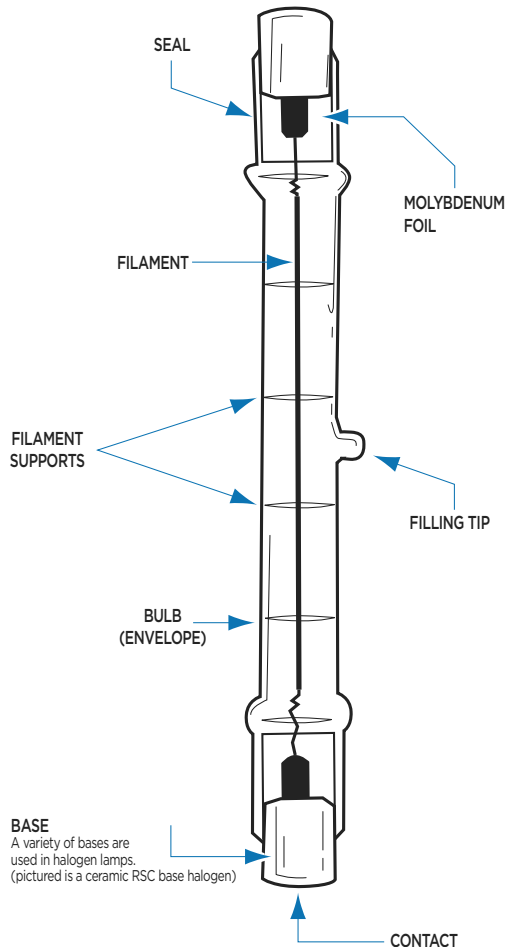
NOTE: Most electrical service is 120 Volts. By using 130 Volt lamps on a 120 Volt line, replacement and maintenance costs can be reduced due to longer life.

130V LAMP SPECIFICATIONS – OPERATING ON A 130V LINE

OPERATING ON A 120V LINE

Item No.	Energy Used (Watts)	Domestic Code	Master Carton /Inner Pack	Avg. Rated Hours	Brightness (Lumens)	Energy Used (Watts) @ 120V	Avg. Rated Hours @ 120V	Brightness (Lumens) @ 120V
04764	75	75T4Q/GY8/130	36/6	2000	975	66	5600	731
04770	100	100T4Q/GY8/130	36/6	2000	1400	88	5600	1050
04783	150	150T3Q/RS/130	36/6	1500	2600	132	4200	1950
04784	150	150T3Q/RS/130	36/6	1500	2400	132	4200	1800
04786	300	300T3Q/RS/130	36/6	1500	5000	264	4200	3750
04788	500	500T3Q/RS/130	36/6	1500	9500	440	4200	7125
04829	500	500T3Q/130	100/10	1500	10500	440	4200	7875
04979	300	300T3Q/RS/130 2CD	36/6	4000	4000	264	11200	3000
04981	500	500T3Q/RS/130 2CD	36/6	4000	8000	440	11200	6000

HALOGEN LAMP COMPONENTS



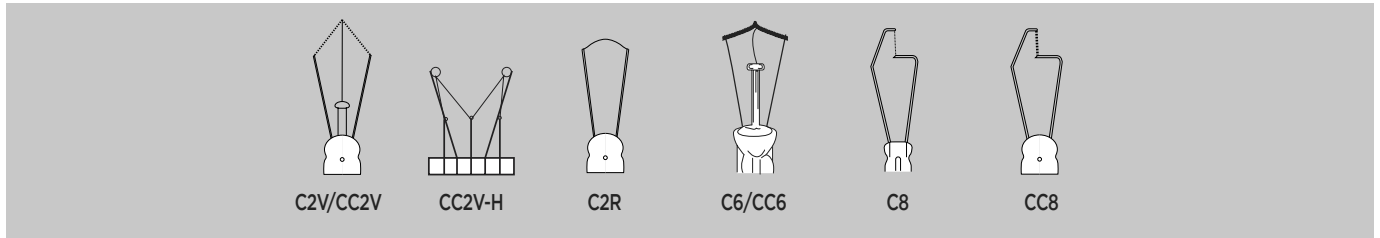
XENON LAMPS

Xenon lamps are incandescent lamps filled with Xenon and other gases. Xenon lamps in comparison to their standard incandescent and halogen lamp counterparts are more efficient, have longer life and have a crisper, brighter light output. All Xenon lamps provide instant brightness and are fully dimmable.

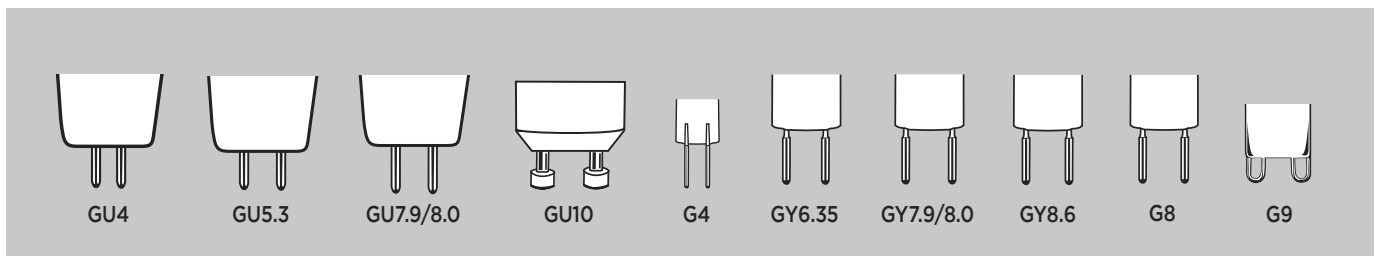
ECO-HALOGEN LAMPS

Eco-Halogen lamps utilize an improved halogen burner that makes them more efficient than a standard halogen equivalent lamp. Additionally Eco-PAR PLUS Halogen lamps utilize an advanced reflective technology to deliver extended life. All Eco-Halogen lamps provide instant brightness and are fully dimmable, plus offer energy savings that meet federal energy efficient standards. Eco-Halogen lamps are perfect alternatives to non-compliant legislated lamps.

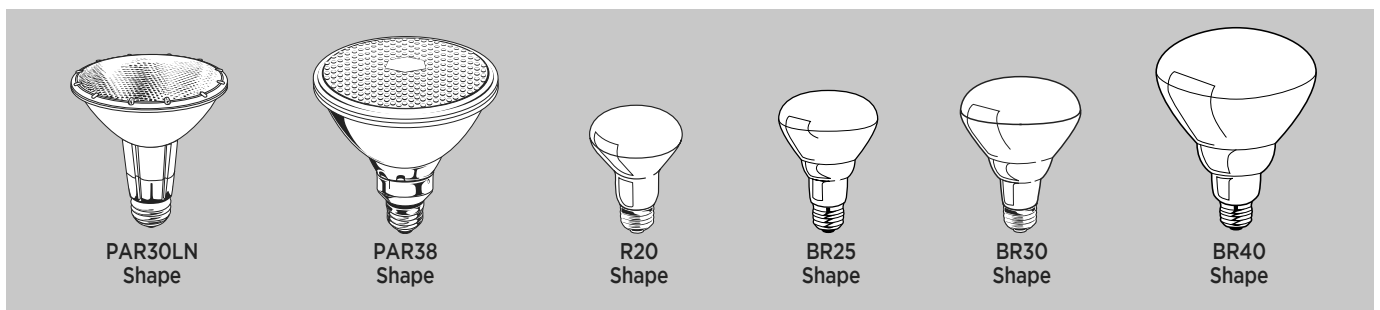
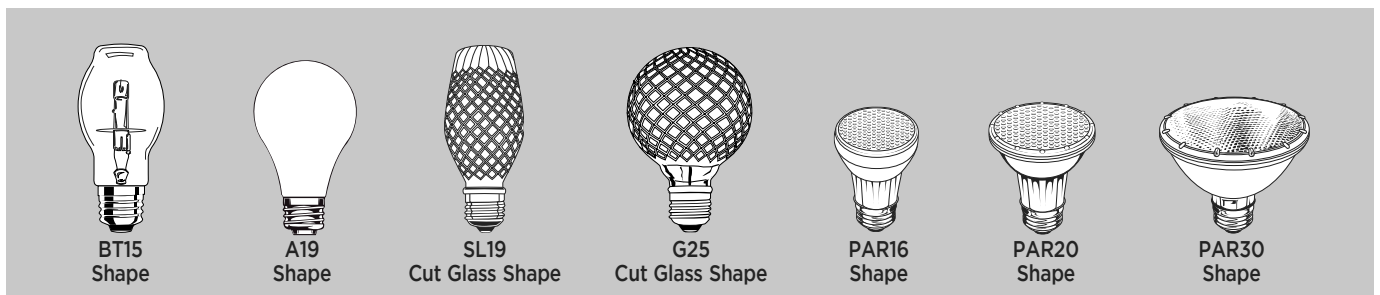
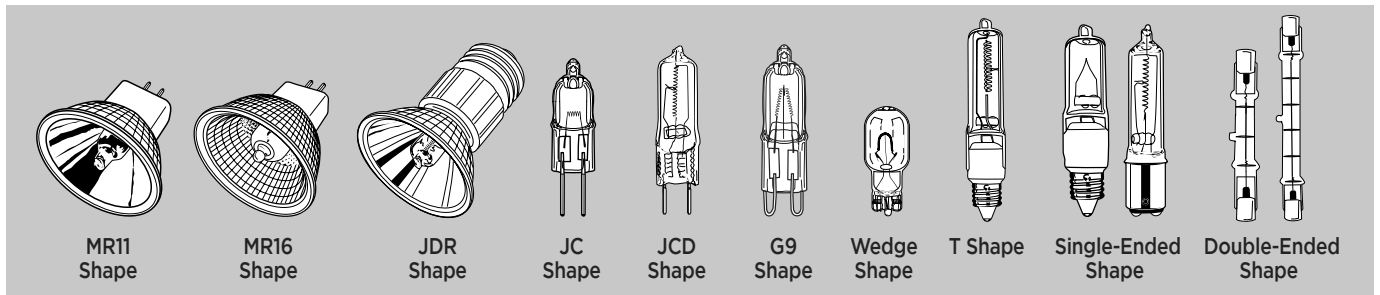
HALOGEN LAMP FILAMENT TYPES



HALOGEN LAMP BASE TYPES



HALOGEN LAMP SHAPES





Westinghouse

INNOVATION YOU CAN BE SURE OF



LINEAR FLUORESCENT LIGHTING

Upgrade your lighting systems without sacrificing light output. Energy-saving T5s and T8s offer great lumen maintenance in multiple Kelvin temperatures. Our line of long-life fluorescent lighting also includes Circular and U-Bent shapes.

T5 LAMPS



T5 MINIATURE



T5 QUINTALUX™

Energy Used (Watts)	Lamp Base	Item No.	Footnotes	Domestic Code	Master Carton/ Inner Pack	Package Type	Finish	Light Appearance (Kelvin)	CRI	Avg. Rated Hours (3Hrs./Start)	Avg. Rated Hours (12Hrs./Start)	Brightness (Lumens)	Life in Years*	Est. Yearly Energy Cost**	MOL
T5 MINIATURE															
8	Mini BiPin	07440		F8T5/CW	72/12	Sleeve	Cool White	4100	62	5000	9000	380	4.5	\$0.96	12"
	Mini BiPin	07443		F8T5/WW	72/12	Sleeve	Warm White	3000	50	5000	9000	380	4.5	\$0.96	12"
	Mini BiPin	04044		F8T5/CW	6	Hanging Box	Cool White	4100	62	5000	9000	380	4.5	\$0.96	12"
13	Mini BiPin	07500		F13T5/CW	72/12	Sleeve	Cool White	4100	62	5000	10000	860	4.5	\$1.57	21"
T5 QUINTALUX™ (REDUCED MERCURY)															
28	Mini BiPin	07004	2	F28T5/835	24/6	Sleeve	Cool White	3500	83	20000	35000	2900	18.2	\$3.37	46"
	Mini BiPin	07005	2	F28T5/841	24/6	Sleeve	Cool White	4100	84	20000	35000	2900	18.2	\$3.37	46"
54	Mini BiPin	07007	2	F54T5/835/HO	24/6	Sleeve	Cool White	3500	80	20000	35000	5000	18.2	\$6.50	46"
	Mini BiPin	07008	2,5	F54T5/841/HO	24/6	Sleeve	Cool White	4100	81	20000	35000	5000	18.2	\$6.50	46"
	Mini BiPin	07032	2,5	F54T5/850/HO	24/6	Sleeve	Daylight	5000	83	20000	35000	4800	18.2	\$6.50	46"

*Based on 3hrs./day **Based on 3hrs./day 11¢/kWh



T8 PREHEAT



T8 ECOMAX™

T8 LAMPS

Energy Used (Watts)	Lamp Base	Item No.	Footnotes	Domestic Code	Master Carton/ Inner Pack	Package Type	Finish	Light Appearance (Kelvin)	CRI	Avg. Rated Hours (3Hrs./Start)	Avg. Rated Hours (12Hrs./Start)	Brightness (Lumens)	Life in Years*	Est. Yearly Energy Cost**	MOL
T8 PREHEAT															
15	Med. BiPin	07540		F15T8/CW	72/12	Sleeve	Cool White	4100	62	7500	12000	850	6.8	\$1.81	18"
	Med. BiPin	36515	8	F15T8/FS	6	Sleeve	Daylight	6500	94	8000	10000	700	7.3	\$1.81	18"
T8 ECOMAX™ (REDUCED MERCURY)															
17	Med. BiPin	07445[†]	2	F17T8/735/ECOMAX	25	Sleeve	Cool White	3500	75	24000	30000	1325	21.9	\$2.05	24"
	Med. BiPin	07446[†]	2	F17T8/741/ECOMAX	25	Sleeve	Cool White	4100	75	24000	30000	1325	21.9	\$2.05	24"
	Med. BiPin	07451[†]	2	F17T8/841/ECOMAX	25	Sleeve	Cool White	4100	85	24000	30000	1400	21.9	\$2.05	24"
25	Med. BiPin	07454	2	F25T8/741/ECOMAX	25	Sleeve	Cool White	4100	75	24000	30000	2125	21.9	\$3.01	36"
	Med. BiPin	07456	2	F25T8/835/ECOMAX	25	Sleeve	Cool White	3500	85	24000	30000	2250	21.9	\$3.01	36"
25	Med. BiPin	36012[‡]	2,3,7	F25T8/841/ECO/LL	25	Sleeve	Cool White	4100	84	24000	30000	2500	21.9	\$3.01	48"
28	Med. BiPin	36015[‡]	2,7	F28T8/841/ECO/LL	25	Sleeve	Cool White	4100	85	24000	30000	2725	21.9	\$3.37	48"
	Med. BiPin	36016[‡]	2,7	F28T8/850/ECO/LL	25	Sleeve	Daylight	5000	86	24000	30000	2725	21.9	\$3.37	48"
32	Med. BiPin	37324[†]	2	F32T8/830/ECOMAX	25	Sleeve	Warm White	3000	83	24000	30000	3050	21.9	\$3.85	48"
	Med. BiPin	37411[†]	2	F32T8/835/ECOMAX	25	Sleeve	Cool White	3500	82	24000	30000	3000	21.9	\$3.85	48"
	Med. BiPin	37413[†]	2	F32T8/841/ECOMAX	25	Sleeve	Cool White	4100	84	24000	30000	3000	21.9	\$3.85	48"
	Med. BiPin	37334[†]	2	F32T8/841/ECOMAX 2PK	36	Box(2)	Cool White	4100	84	24000	30000	3000	21.9	\$3.85	48"
	Med. BiPin	37307[†]	2	F32T8/850/ECOMAX	25	Sleeve	Daylight	5000	82	24000	30000	2900	21.9	\$3.85	48"
	Med. BiPin	07028[†]	2,6,7	F32T8/835/XL/ECOMAX	25	Sleeve	Cool White	3500	84	24000	30000	3100	21.9	\$3.85	48"
	Med. BiPin	07029[†]	2,6,7	F32T8/841/XL/ECOMAX	25	Sleeve	Cool White	4100	83	24000	30000	3100	21.9	\$3.85	48"

*Based on 3hrs./day **Based on 3hrs./day 11¢/kWh

† RATED HOURS FOR PROGRAMMED RAPID START BALLAST ARE 30,000 AT 3 HOURS AND 36,000 AT 12 HOURS.

Fluorescent Lamps contain mercury. For more on clean up and safe disposal, visit epa.gov/cfl.

Footnotes

1 New Item

2 Low Mercury Lighting

3 Energy Saver

4 High Output Outdoor

5 Canadian Standards Association

6 High Lumen/Long Life

7 CEE Qualified Product

8 Realite™ Full Spectrum



T12 PREHEAT



T12 RAPID START



T12 ECOMAX[®] RAPID START



T12 ECOMAX[®] RAPID START



T12 ECOMAX[®] HIGH OUTPUT

T12 LAMPS

Energy Used (Watts)	Lamp Base	Item No.	Footnotes	Domestic Code	Master Carton	Package Type	Finish	Light Appearance (Kelvin)	CRI	Avg. Rated Hours (3Hrs./Start)	Avg. Rated Hours (12Hrs./Start)	Brightness (Lumens)	Life in Years*	Est. Yearly Energy Cost**	MOL
T12 PREHEAT															
15	Med. BiPin	07550		F15T12/CW	30	Sleeve	Cool White	4100	62	8000	10000	650	7.3	\$1.81	18"
20	Med. BiPin	05660		F20T12/CW	15	Sleeve	Cool White	4100	62	10000	20000	1200	9.1	\$2.41	24"
T12 RAPID START															
30	Med. BiPin	07650		F30T12/CW	30	Sleeve	Cool White	4100	62	16000	25000	1900	14.6	\$3.61	36"
40	Med. BiPin	05752		F40T12/CWX	30	Bulk	Cool White Deluxe	4100	89	20000	20000	2600	18.2	\$4.82	48"
	Med. BiPin	05914		F40T12/CWX 2PK	15	Sleeve(2)	Cool White Deluxe	4100	89	20000	20000	2600	18.2	\$4.82	48"
	Med. BiPin	07523		F40T12/DD	6	Sleeve	Daylight	6500	90	20000	25000	2200	18.2	\$4.82	48"
T12 ECOMAX[®] RAPID START (REDUCED MERCURY)															
40	Med. BiPin	05906	2,3	F40T12/DD/ES/ECOMAX	30	Bulk	Daylight Deluxe	6500	90	20000	20000	2025	18.2	\$4.82	48"
75	Single Pin	05903	2	F96T12/DD/ECOMAX	15	Bulk	Daylight Deluxe	6500	90	12000	12000	4500	10.9	\$9.03	96"
T12 ECOMAX[®] HIGH OUTPUT (REDUCED MERCURY, HO 800MA)															
E	Rec. D.C.	07910	2,4	F96T12/CW/HO-O/ECOMAX	15	Bulk	Cool White	4100	62	12000	12000	8800	10.9	\$13.25	96"

*Based on 3hrs./day **Based on 3hrs./day 11¢/kWh

E* Means this bulb meets Federal minimum efficiency standards

Fluorescent Lamps contain mercury. For more on clean up and safe disposal, visit epa.gov/cfl.

Footnotes

- 1 New Item
- 2 Low Mercury Lighting

- 3 Energy Saver
- 4 High Output Outdoor

- 5 Canadian Standards Association
- 6 High Lumen/Long Life

- 7 CEE Qualified Product
- 8 Realite™ Full Spectrum

T8 ECOMAX®
U-BENT LAMP



T8 ECOMAX® U-BENT LAMP

Energy Used (Watts)	Lamp Base	Item No.	Footnotes	Domestic Code	Master Carton	Package Type	Finish	Light Appearance (Kelvin)	CRI	Avg. Rated Hours (3Hrs./Start)	Avg. Rated Hours (12Hrs./Start)	Brightness (Lumens)	Life in Years*	Est. Yearly Energy Cost**	MOL
T8 ECOMAX® U-BENT RAPID START LAMP (6"LEG SPACING)															
32	Med. BiPin	37317	2	FB32T8/841/6/ECOMAX	20	Box	Cool White	4100	84	20000	24000	2800	18.2	\$3.85	22.50"

*Based on 3hrs./day **Based on 3hrs./day 11¢/kWh



T6 2C CIRCULAR LAMP



T9 CIRCULAR LAMP

CIRCULAR LAMPS

Energy Used (Watts)	Lamp Base	Item No.	Footnotes	Domestic Code	Master Carton/ Inner Pack	Package Type	Finish	Light Appearance (Kelvin)	CRI	Avg. Rated Hours (3Hrs./Start)	Brightness (Lumens)	Life in Years*	Est. Yearly Energy Cost**	MOL	
T6 2C CIRCULAR (4-PIN)															
40	GU10q	37340		FC40/2C/WW	36/6	Box	Warm White	3000	82	10000	2800	9.1	\$4.82	7.50"	
T9 CIRCULAR															
22	4-Pin	06010		FC8T9/CW	12	Hanging Box	Cool White	4100	62	9000	1040	8.2	\$2.65	8"	
	4-Pin	06013		FC8T9/WW	12	Hanging Box	Warm White	3000	52	9000	1040	8.2	\$2.65	8"	
32	4-Pin	06020		FC12T9/CW	12	Hanging Box	Cool White	4100	62	10000	1940	9.1	\$3.85	12"	
	4-Pin	06023		FC12T9/WW	12	Hanging Box	Warm White	3000	52	10000	1940	9.1	\$3.85	12"	
40	4-Pin	06030		FC16T9/CW	6	Hanging Box	Cool White	4100	62	10000	2660	9.1	\$4.82	16"	

*Based on 3hrs./day **Based on 3hrs./day 11¢/kWh



TUBE GUARD WITH END CAP

TUBE GUARDS AND END CAPS

ALL TUBE GUARDS AND END CAPS ARE **NOT FOR USE** WITH HO LAMPS.

Energy Used (Watts)	Lamp Base	Item No.	Domestic Code	Master Carton/ Inner Pack	Package Type	Finish	MOL
T8 (INCLUDES END CAPS)							
		07944	TUBEGUARD/T8/96	24	Bulk	Clear	96"
		07946	TUBEGUARD/T8/48	24	Bulk	Clear	48"
T12 (INCLUDES END CAPS)							
		07948	TUBEGUARD/T12/48	12	Bulk	Clear	48"
		07949	TUBEGUARD/T12/96	12	Bulk	Clear	96"

Fluorescent Lamps contain mercury. (Hg) For more on clean up and safe disposal, visit epa.gov/cfl.

Footnotes

1 New Item

2 Low Mercury Lighting

3 Energy Saver

4 High Output Outdoor

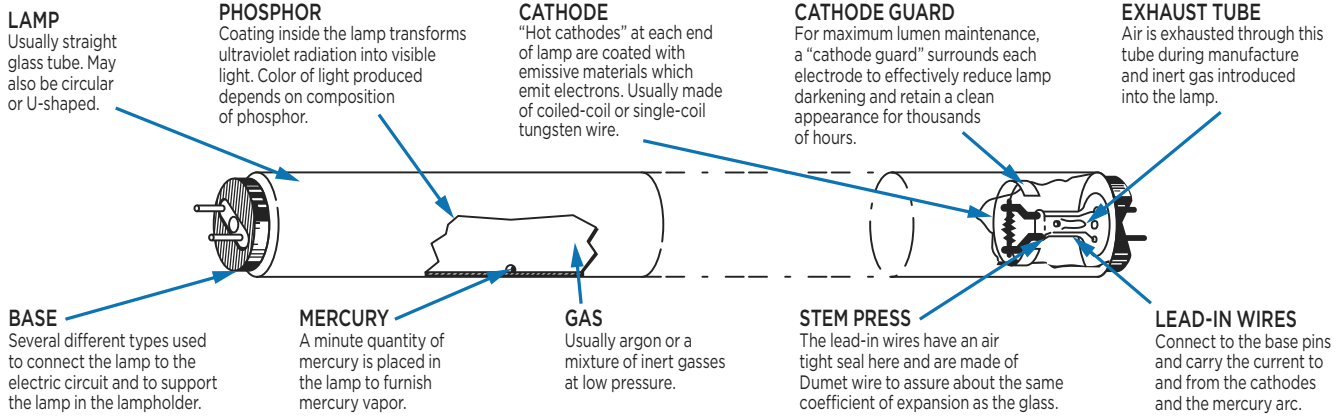
5 Canadian Standards Association (CSA)

6 High Lumen/Long Life

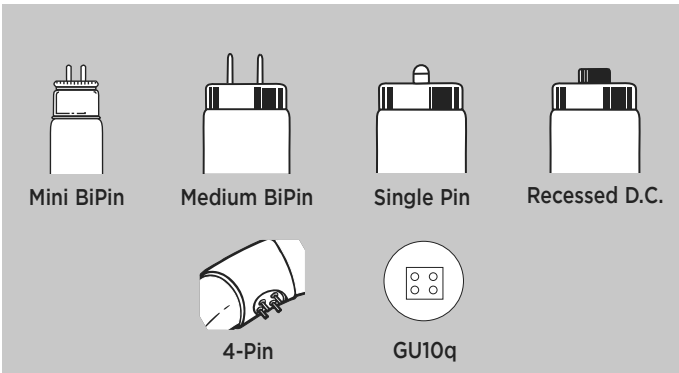
7 CEE Qualified Product

8 Realite™ Full Spectrum

FLUORESCENT LAMP COMPONENTS



FLUORESCENT LAMP BASE TYPES

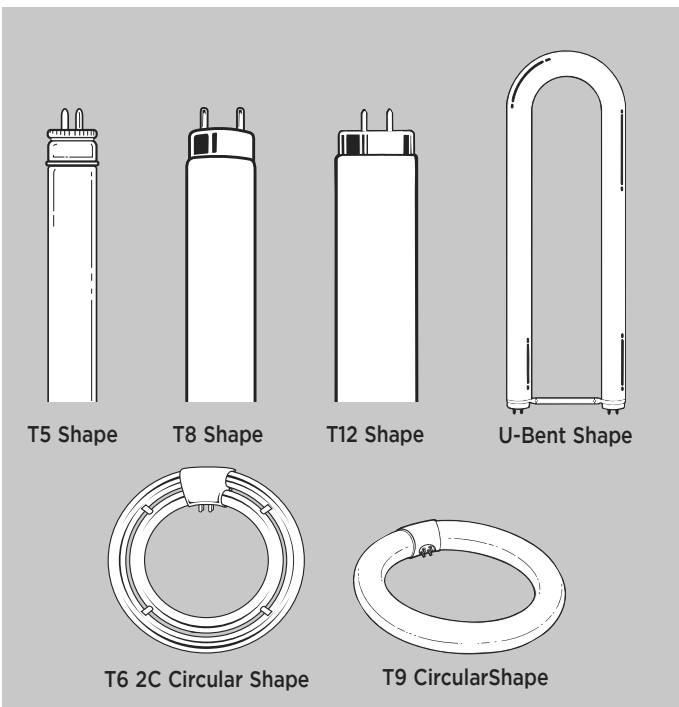


FLUORESCENT LAMP MERCHANDISING DISPLAY



09260
2-Pack
Fluorescent
Wire Rack
Display

FLUORESCENT LAMP SHAPES





HIGH INTENSITY DISCHARGE (HID) LIGHTING

Our extensive HID lamp line includes pulse start and protected metal halides, high pressure sodium and mercury vapor options. These lamps offer increased lamp efficacy and higher light output than standard incandescent or fluorescent lamps.

MERCURY VAPOR LAMPS



Energy Used (Watts)	Lamp Base	Item No.	Footnotes	Domestic Code	Master Carton	Package Type	Finish	Light Appearance (Kelvin)	CRI	ANSI Code	Avg. Rated Hours	Brightness (Initial Lumens)	Brightness (Mean Lumens)	MOL
E17														
50	Med.	37401		HF50XR/H46/MED	6	Box	White	4000	41	H46	24000	1900	1520	5.44"
100	Med.	37404		HF100XR/H38/MED	6	Box	White	4000	41	H38	24000	4500	3600	5.44"
ED23 1/2														
100	Mogul	37403		HF100XR/H38	6	Box	White	4000	41	H38	24000	4500	3600	8.25"
BT28														
175	Mogul	37405		HF175XR/H39	6	Box	White	4000	41	H39	24000	8900	7120	8.31"
250	Mogul	37406		HF250XR/H37	6	Box	White	4000	41	H37	24000	13700	10960	8.75"
BT37														
400	Mogul	37407		HF400XR/H33	6	Box	White	4000	41	H33	24000	24000	19200	11.50"

HIGH PRESSURE SODIUM LAMPS



Energy Used (Watts)	Lamp Base	Item No.	Footnotes	Domestic Code	Master Carton	Package Type	Finish	Light Appearance (Kelvin)	CRI	ANSI Code	Avg. Rated Hours	Brightness (Initial Lumens)	Brightness (Mean Lumens)	MOL
ED17														
35	Med.	37430		LU35/S76/MED	6	Box	Clear	1900	15	S76	24000	2250	2050	5.44"
50	Med.	37432		LU50/S68/MED	6	Box	Clear	1900	15	S68	24000	4000	3600	5.44"
70	Med.	37435		LU70/S62/MED	6	Box	Clear	1900	15	S62	24000	6300	5520	5.44"
100	Med.	37439		LU100/S54/MED	6	Box	Clear	2100	25	S54	24000	9500	8000	5.44"
150	Med.	37442		LU150/S55/MED	6	Box	Clear	2100	25	S55	24000	14500	13300	5.44"
ED23 1/2														
70	Mogul	37437		LU70/S62	6	Box	Clear	1900	15	S62	24000	6300	5500	7.75"
100	Mogul	37440		LU100/S54	6	Box	Clear	2100	25	S54	24000	9500	8000	7.75"
150	Mogul	37443		LU150/S55	6	Box	Clear	1900	25	S55	24000	14500	11600	7.75"
ET18														
250	Mogul	37444		LU250/S50	6	Box	Clear	1900	21	S50	24000	27500	22000	9.75"
400	Mogul	37445		LU400/S51	6	Box	Clear	2100	21	S51	24000	50000	40000	9.75"
ET25														
1000	Mogul	37447		LU1000/S52	12	Box	Clear	2100	21	S52	24000	130000	120700	15.13"

HID Lamps contain mercury. For more on clean up and safe disposal, visit epa.gov/cfl.

Footnotes

- 1 For Probe Start or Pulse Start Ballasts
- 2 Low Profile
- 3 Universal Operating Position
- 4 Specifications based on operating at a base up (BU) position

METAL HALIDE LAMPS
(FOR USE IN ENCLOSED FIXTURES)



Energy Used (Watts)	Lamp Base	Item No.	Footnotes	Domestic Code	Master Carton	Package Type	Finish	Light Appearance (Kelvin)	CRI	ANSI Code	Avg. Rated Hours	Brightness (Initial Lumens)	Brightness (Mean Lumens)	MOL
ED17														
50	Med.	37016	1,3	MH50/U/M110/E/MED	6	Box	Clear	4200	65	M110/E	10000	3400	2000	5.44"
70	Med.	37017	1,3	MH70/U/M98/E/MED	6	Box	Clear	4200	65	M98/E	10000	5600	4400	5.44"
100	Med.	37018	1,3	MH100/U/M90/E/MED	6	Box	Clear	4200	65	M90/E	10000	8500	5525	5.44"
150	Med.	37015	1,3	MH150/U/M102/E/MED	6	Box	Clear	4200	60	M102/E	10000	9000	8000	5.44"
175	Med.	37019	3	MH175/U/M57/E/MED	6	Box	Clear	4200	65	M57/E	10000	14400	11520	5.44"
ED28														
175	Mogul	37020	3	MH175/U/M57/E	6	Box	Clear	4200	65	M57/E	10000	14400	12800	8.31"
250	Mogul	37021	3	MH250/U/M58/E	6	Box	Clear	4200	65	M58/E	10000	20500	17500	8.31"
400	Mogul	37014	2,3	MH400/U/M59/ED28/E	6	Box	Clear	4000	60	M59/E	20000	36000	23500	8.31"
ED37														
400	Mogul	37024	3	MH400/U/M59/E	6	Box	Clear	4200	65	M59/E	20000	36000	23500	11.50"
BT37														
1000	Mogul	37028	2,3	MH1000/U/M47/E/BT37	6	Box	Clear	4200	65	M47/E	10000	110000	86000	11.50"
BT56														
1000	Mogul	37027	3	MH1000/U/M47/E	6	Box	Clear	4200	65	M47/E	10000	105000	80000	15.50"

METAL HALIDE PROTECTED LAMPS
(OPEN FIXTURE RATED)



Energy Used (Watts)	Lamp Base	Item No.	Footnotes	Domestic Code	Master Carton	Package Type	Finish	Light Appearance (Kelvin)	CRI	ANSI Code	Avg. Rated Hours	Brightness (Initial Lumens)	Brightness (Mean Lumens)	MOL
ED17														
50	Med.	37009	1,3	MP50/U/M110/O/MED	6	Box	Clear	3000	60	M110/O	10000	3450	1900	5.44"
70	Med.	37010	1,3	MP70/U/M98/O/MED	6	Box	Clear	3000	60	M98/O	10000	5600	4480	5.44"
100	Med.	37011	1,3	MP100/U/M90/O/MED	6	Box	Clear	3000	60	M90/O	10000	8000	5525	5.44"
150	Med.	37013	1,3	MP150/U/M102/O/MED	6	Box	Clear	4200	60	M102/O	10000	12250	8500	5.44"
BT28														
175	Ext. Mogul	37029	3	MP175/U/M57/O	6	Box	Clear	4200	65	M57/O	10000	14400	10800	8.25"
BT37														
400	Ext. Mogul	37022	4	MP400/BU/M59/O	12	Box	Clear	4200	65	M59/O	20000	36000	23500	11.50"

HID Lamps contain mercury. (Hg) For more on clean up and safe disposal, visit epa.gov/cfl.

Footnotes

- 1 For Probe Start or Pulse Start Ballasts
- 2 Low Profile
- 3 Universal Operating Position
- 4 Specifications based on operating at a base up (BU) position

METAL HALIDE PULSE START LAMPS
(FOR USE IN ENCLOSED FIXTURES)



Energy Used (Watts)	Lamp Base	Item No.	Footnotes	Domestic Code	Master Carton	Package Type	Finish	Light Appearance (Kelvin)	CRI	ANSI Code	Avg. Rated Hours	Brightness (Initial Lumens)	Brightness (Mean Lumens)	MOL
BT28														
250	Mogul	37031	3	MH250/U/M138/E/PS	6	Box	Clear	4200	65	M138/M153/E	15000	25000	20000	8.25"
320	Mogul	37032	3	MH320/U/M132/E/PS	12	Box	Clear	4200	65	M132/M154/E	20000	33000	26400	9"
400	Mogul	37025	2,3	MH400/U/M135/155/BT28/PS	6	Box	Clear	4200	65	M135/M155/E	20000	36000	23500	8.31"
BT37														
400	Mogul	37036	3	MH400/U/M135/155/E/PS	12	Box	Clear	4200	65	M135/M155/E	20000	44000	35200	11.50"

HID LAMP ANSI CODE SPECIFICATIONS

Metal Halide Lamps		HPS Lamps		Mercury Vapor Lamps	
BALLAST INFORMATION		BALLAST INFORMATION		BALLAST INFORMATION	
Lamp	ANSI Code	Lamp	ANSI Code	Lamp	ANSI Code
50W	M110	35W	S76	50W	H46
70W	M98	50W	S68	75W	H43
100W	M90	70W	S62	100W	H38
175W	M57	100W	S54	175W	H39
250W	M58	150W	S55	250W	H37
400W	M59	250W	S50	400W	H33
1000W	M47	400W	S51		
		1000W	S52		

CONSIDER ALTERNATIVES TO HID LIGHTING - HIGH LUMEN LED LAMPS *(Find High Lumen LED Lamps on page 17.)*

Westinghouse high lumen LED lamps are energy-efficient alternatives to HID lighting, resulting in an average of 76% annual energy savings. *With an IP65 rating that protects against dust and water, Westinghouse high lumen LED lamps can be used in any indoor or outdoor application where HID lamps are currently used. They are perfect for a variety of applications, such as barn/shop lighting, outdoor post top lanterns, bay lighting and street/parking lot lighting. High lumen LEDs will last up to 9 years when burning 12 hours per day, which means fewer bulb changes in hard-to-reach places.

Featuring a voltage range of 120-277V and built-in surge protection, these lamps are ideal for geographical areas with voltage fluctuations. Unlike HID lamps, there is no color shifting with high lumen LEDs, and they boast a significantly higher CRI of 80 when compared to HIDs, which have a CRI range of 15-65. A higher CRI will show more realistic and natural colors. These benefits and energy savings make the switch from HID to LED a smart choice.

*Average across all wattages offered; based on burning 12 hrs./day 11¢/kWh



Use wherever HID lighting is used.

HID Lamps contain mercury. For more on clean up and safe disposal, visit epa.gov/cfl.

Footnotes

- 1 For Probe Start or Pulse Start Ballasts
- 2 Low Profile
- 3 Universal Operating Position
- 4 Specifications based on operating at a base up (BU) position

WHERE TO USE HID LAMPS...



MERCURY VAPOR LAMPS

Mercury vapor lamps emit light when a short arc passes through mercury vapor. These lamps are designed for applications that require moderate color rendering, such as outdoor security, area lighting, general flood lighting, barns and parking lots.



HIGH PRESSURE SODIUM LAMPS

High pressure sodium lamps provide efficient lighting solutions for outdoor security, parking garage, parking lot, roadway lighting and area lighting applications.

These lamps are named for the sodium vapor arc that generates their light. High pressure sodium lamps are one of the most efficient HID lamps. Their high efficacy—or high ratio of lumens per watt—create their energy-saving capabilities. High pressure sodium lamps are commonly used in areas where lamp life and high efficiency are required and color rendering is not critical.



METAL HALIDE LAMPS

Metal halide lamps are ideal for use in retail, industrial, area lighting, accent lighting, security lighting, roadway lighting and parking garage applications.

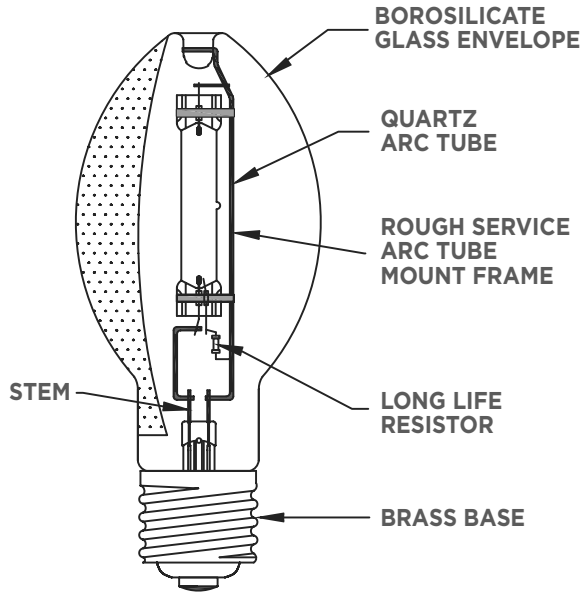
These lamps create light when an arc passes through a capsule holding mercury vapor and other chemical components called “metal halides.” The additives greatly improve both lumen and color performance. They are widely used in a variety of commercial and industrial applications where better color rendering is critical. They can be used indoors and outdoors.

Protected metal halide lamps are also known as “open fixture rated” lamps. These types of metal halide lamps have a covering over the quartz arc tube which prevents the outer envelope from breaking in the rare case that the inner arc tube ruptures.

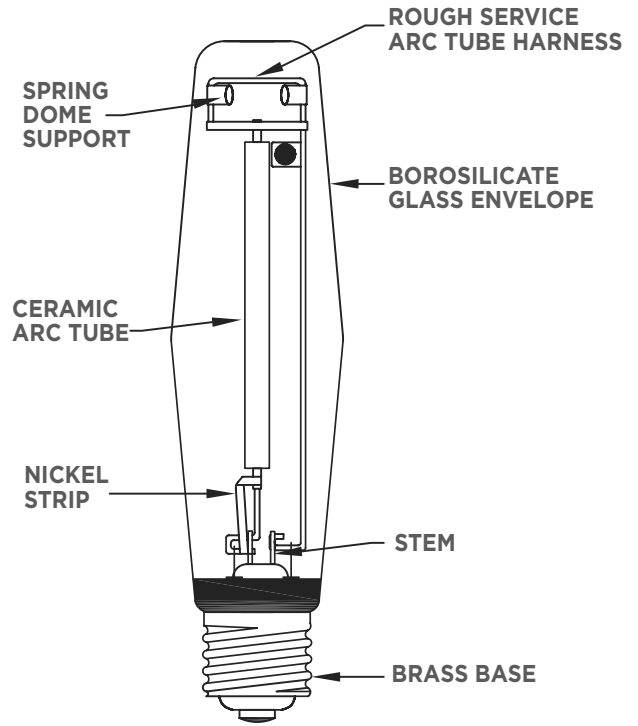
Pulse start metal halide lamps send an electric pulse to the arc tube. This “pulse” allows the lamp to start quicker, maintain lumen output better, and last longer than probe start metal halides. Pulse start metal halide lamps must be used in fixtures designed specifically for pulse start lamps.

HID LAMP COMPONENTS

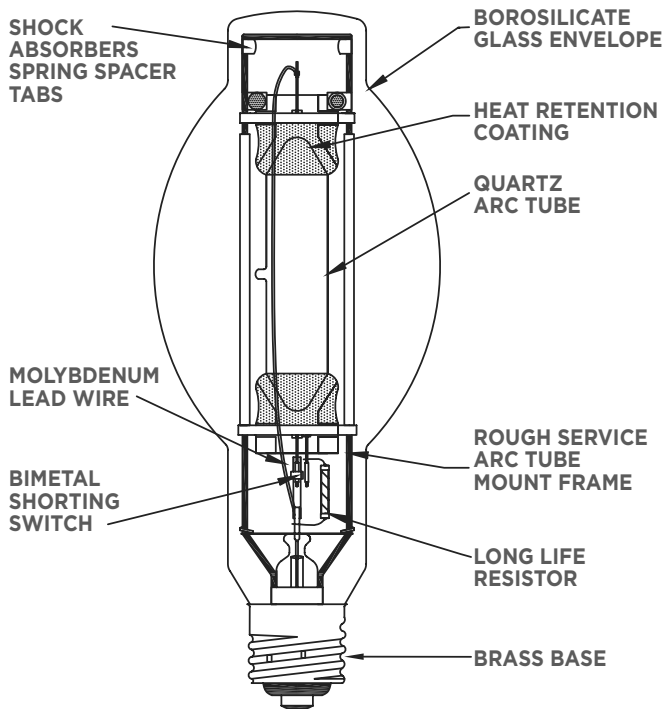
MERCURY VAPOR



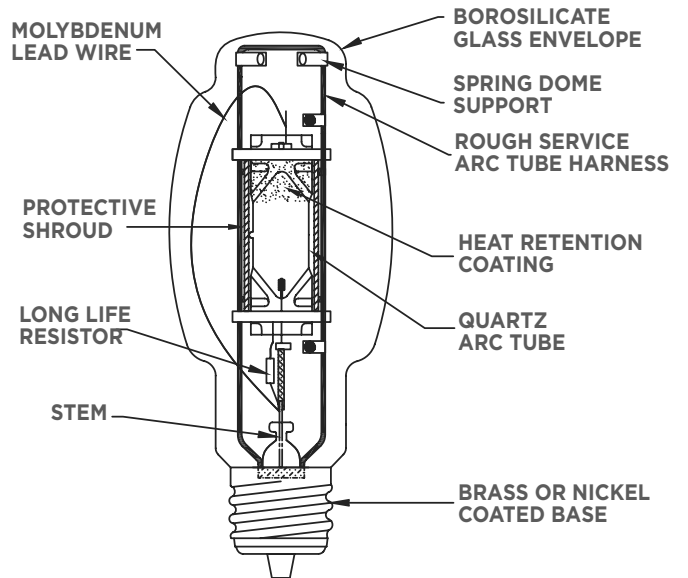
HIGH PRESSURE SODIUM



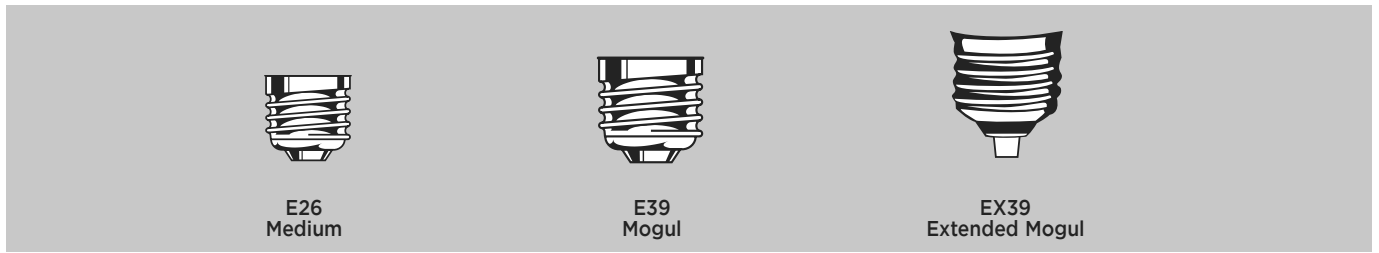
ENCLOSED RATED METAL HALIDE



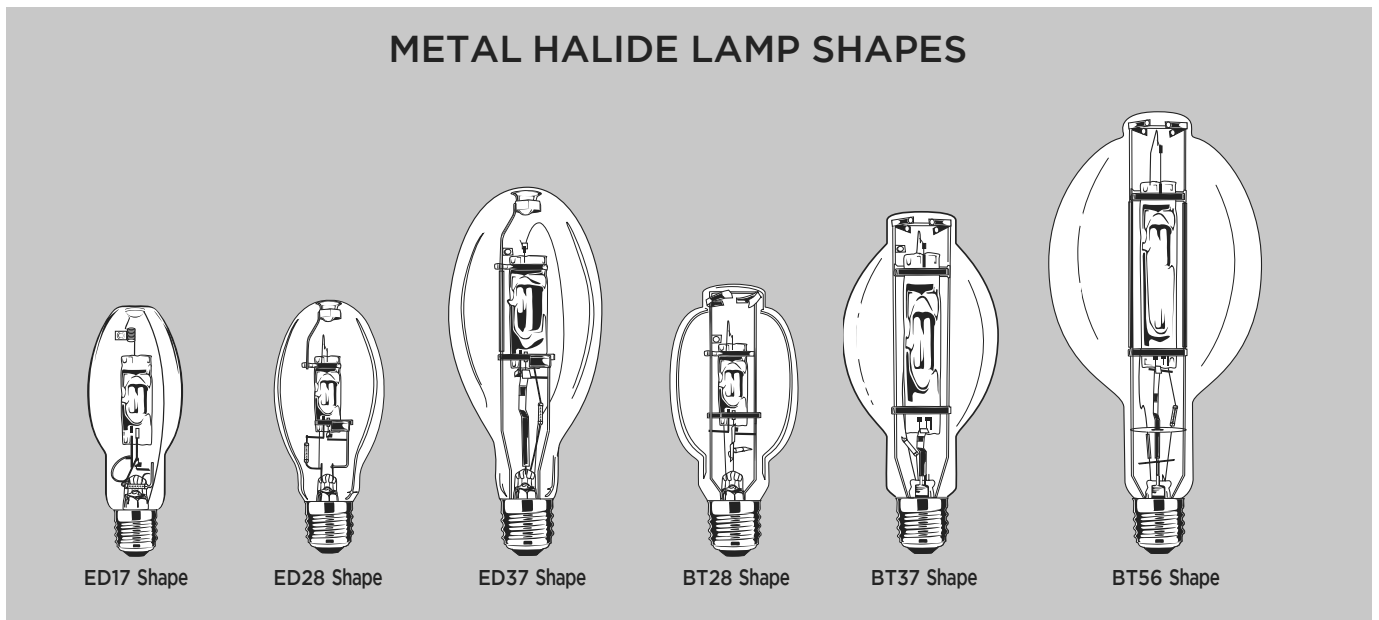
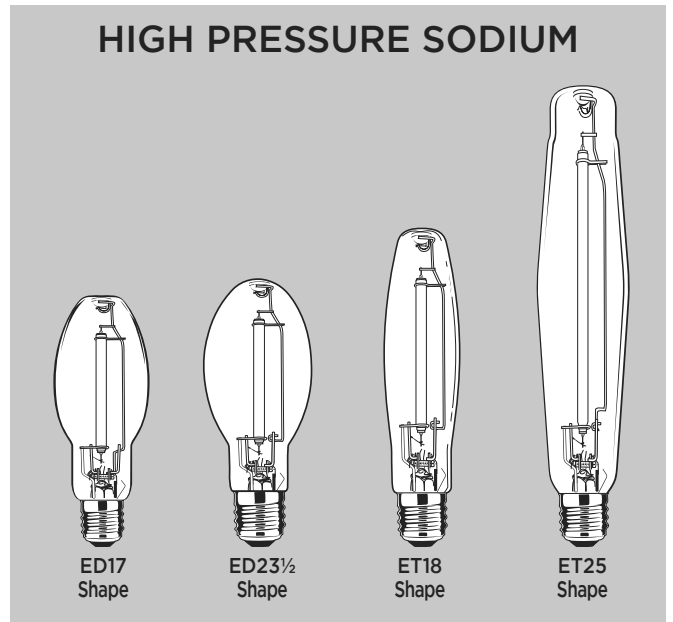
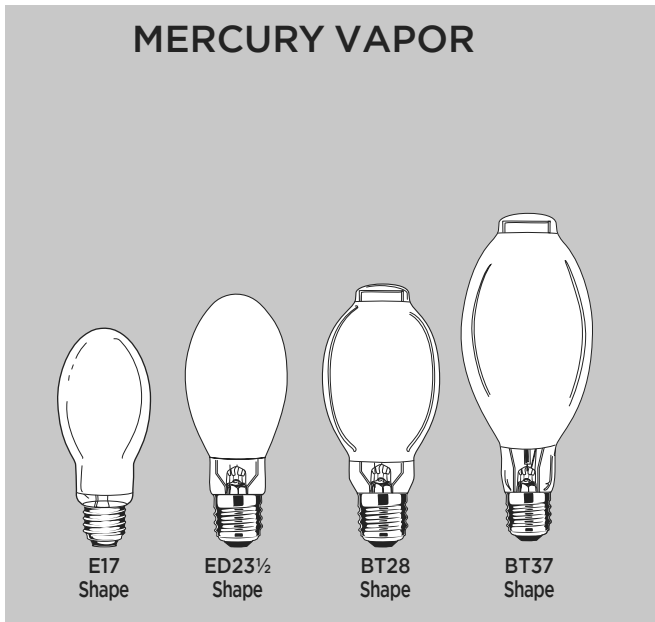
OPEN RATED METAL HALIDE



HIGH INTENSITY DISCHARGE LAMP BASE TYPES



HIGH INTENSITY DISCHARGE LAMP SHAPES



Item#	Page#	Item#	Page#	Item#	Page#	Item#	Page#
03016	25	03264	27	03611	34	03716	40
03018	25	03265	27	03612	34	03717	40
03019	25	03266	27	03622	36	03718	40
03023	25	03267	27	03623	36	03719	40
03025	25	03268	27	03626	36	03720	40
03026	25	03269	27	03627	36	03721	40
03101	35	03272	26	03629	38	03722	40
03102	35	03273	26	03631	29	03723	39
03103	35	03274	26	03632	29	03724	39
03106	35	03275	26	03633	36	03726	41
03107	35	03277	26	03636	34	03727	41
03108	35	03278	26	03646	36	03729	38
03109	35	03279	26	03647	36	03730	40
03110	13	03282	28	03648	36	03731	29
03111	35	03283	28	03654	36	03732	29
03112	35	03284	28	03656	25	03734	29
03118	35	03285	28	03661	25	03735	29
03119	35	03286	28	03662	26	03737	29
03120	35	03287	28	03663	26	03738	29
03121	35	03289	28	03664	27	03740	34
03122	35	03293	29	03665	27	03741	34
03123	35	03296	29	03666	27	03742	34
03147	13	03336	25	03667	27	03745	34
03152	12	0337129	31	03668	27	03747	25
03153	12	0337229	31	03669	27	03752	34
03154	12	0339629	31	03670	26	03753	34
03155	35	03410	33	03671	26	03754	34
03156	35	03422	32, 41	03673	26	03755	26
03157	35	03423	32, 41	03674	26	03756	25
03159	13	03439	12	03675	26	03757	25
03176	14	03440	12	03678	26	03759	39
03184	15	03443	32	03679	26	03762	26
03185	15	03444	32	03680	36	03763	26
03186	15	03445	32	03681	28	03764	27
03187	15	03446	32	03682	28	03765	27
03192	11	03452	32	03683	28	03766	27
03193	14	03457	30	03684	28	03768	27
03194	14	03458	30	03685	28	03769	27
03195	14	03483	37	03686	28	03773	26
03196	14	03484	37	03687	28	03774	26
03197	15	03520	39	03691	38	03775	26
03198	15	03521	40	03693	29	03777	26
03211	11	03529	50	03696	12	03778	26
03212	11	03534	38	03697	12	03779	26
03220	39	03540	38	03700	36	03782	28
03226	39	03541	38	03701	34	03783	28
03230	28	03542	26	03702	36	03784	28
03231	29	03543	38	03705	39	03785	28
03232	29	03543	41	03706	39	03786	28
03234	29	03568	38	03707	39	03787	28
03235	29	03569	38	03710	40	03790	41
03241	26	03583	39	03711	40	03791	38
03242	26	03601	38	03712	40	03792	38
03250	25	03604	36	03713	40	03793	29
03262	26	03605	36	03714	40	03794	38
03263	26	03609	34	03715	40	03795	38

•New Item

Item#	Page#	Item#	Page#	Item#	Page#	Item#	Page#
03796	29	03961	37	04106	42	04469	53
03797	34, 41	03963	31	04107	42	04470	53
03799	29	03964	33	04108	42	04473	52
03814	34	0396529	31	04109	42	04474	52
03815	34	0396629	31	04110	31	04476	52
03816	34	03969	31	0411129	31	04477	52
03821	34	03970	32	0411229	31	04478	52
03822	34	03971	32	04118	42	04480	52
03823	34	03972	33	04120	42	04501	30
03827	34	03973	33	04129	42	04502	30
03828	34	03974	33	04132	42	04503	30
03829	34	03975	33	04133	42	04504	30
03831	34	03976	31	04134	42	04505	30
03836	40	03985	31	04135	42	04507	30
03837	40	03986	31	04136	42	04509	30
03839	34	03987	31	04137	42	04518	50
03840	34	0399129	31	04138	42	04521	50
03843	34	0399229	31	04141	42	04525	38
03854	17	03995	30	04165	36	04540	32
03860	17	03996	30	04218	35	04542	32
03861	17	03998	30	04219	35	04543	33
03882	39	03999	30	04220	35	04548	33
03883	39	04000	36	04221	35	04556	49
03892	40	04001	30	04222	35	04559	49
03894	40	04002	30	04223	35	04562	49
03895	40	04003	30	04229	36	04563	49
03896	40	04006	30	04230	36	04564	38
03897	40	04007	30	04235	36	04586	49
03899	40	04010	30	04242	37	04668	36
03903	33	04023	28	04303	36	04672	36
03904	33	04024	28	04316	39	04673	36
03907	37	04025	38	04317	39	04703	52
03908	33	04027	28	04319	39	04706	53
03909	31	04028	28	04320	39	04710	51
03910	37	04031	51	04324	39	04711	50
03915	37	04034	25	04335	39	04712	51
03916	37	04038	25	04340	38	04713	51
03917	37	04044	61	04403	31	04714	51
03918	37	04049	17	04409	37	04715	51
03920	32	04050	17	04410	37	04716	53
03925	30	04051	17	04411	37	04717	51
03926	30	04052	17	04413	37	04718	51
03929	30	04061	38	04414	37	04719	51
03930	30	04064	38	04416	53	04721	51
03935	31	04065	38	04423	53	04722	51
03936	30	04067	38	04427	51	04723	53
03938	30	04090	30	04436	51	04724	52
03941	30	04092	29	04438	51	04725	50
03943	30	04093	29	04442	51	04727	50
03950	31	04094	29	04444	51	04728	49
03951	31	04095	29	04445	51	04729	51
03952	31	04096	30	04449	50	04730	50
03953	31	04100	31	04451	49	04731	50
03954	31	0410129	31	04456	49	04734	51
03955	31	0410229	31	04463	49	04735	51
03960	37	04105	42	04467	53	04736	51

•New Item

Item#	Page#	Item#	Page#	Item#	Page#	Item#	Page#
04738	51	04973	52	05402	54	06308	51
04739	51	04974	52	05407	54	06311	38, 41
04740	50	04975	52	05419	54	07004	61
04741	50	04976	52	05660	62	07005	61
04742	51	04978	52	05752	62	07007	61
04743	51	04979	52	05903	62	07008	61
04745	51	04981	52	05906	62	07020	22
04746	53	04982	51	05914	62	07022	22
04748	49	05012	56	06010	63	07023	22
04749	49	05013	56	06013	63	07028	61
04750	49	05017	56	06020	63	07029	61
04753	50	05018	56	06023	63	07032	61
04755	49	05100	36	06030	63	07225	20
04756	49	05101	36	06118	22	07440	61
04758	49	05102	37	06119	22	07443	61
04759	52	05103	35	06121	22	07445	42
04761	49	05104	31, 56	06126	22	07446	61
04764	51	05105	31, 56	06127	22	07451	61
04765	49	05106	26	06128	22	07454	61
04766	49	05107	26	06129	22	07456	61
04767	53	05125	11	06130	22	07500	61
04768	53	05130	11	06164	22	07523	62
04770	51	05132	14	06180	22	07540	61
04771	49	05133	14	06204	41, 57	07550	62
04773	52	05135	12	0620450	41, 57	07650	62
04774	52	05137	12	06209	51, 57	07910	62
04775	52	05139	12	06210	51, 57	07944	63
04776	52	05143	12	06211	50, 57	07946	63
04777	52	05144	12	06212	49, 57	07948	63
04778	52	05145	12	06213	49, 57	07949	63
04779	52	05151	14	06214	49, 57	09260	64
04781	49	05152	13	06215	41, 57	31043	16
04783	52	05161	15	06216	51, 57	31045	16
04784	52	05162	17	06217	41, 57	31046	16
04786	52	05163	17	06218	51, 57	31049	16
04787	50	05164	17	06240	51	31050	16
04788	52	05165	17	06242	52	31051	16
04794	38	05166	17	06243	53, 57	31052	16
04795	38	05171	14	06244	53, 57	• 31053	16
04829	52	05172	14	06245	53, 57	• 31054	16
04835	53	05173	12	06250	53, 57	• 31055	16
04836	53	05174	13	06251	53, 57	• 31056	16
04837	53	• 05179	13	06252	53, 57	33045	11
04846	53	05180	17	06253	53, 57	33046	11
04847	53	• 05181	17	06254	53, 57	33067	13
04855	52	• 05182	14	06255	53, 57	33129	11
04865	52	• 05183	14	06257	53, 57	33145	11
04870	52	• 05184	14	06258	53, 57	33146	11
04871	52	• 05185	14	06300	41	33163	13
04872	52	• 05186	14	06301	41	33164	14
04873	52	• 05187	14	06302	41	33165	14
04879	52	• 05188	14	06303	41	33166	14
04889	51	05204	36	06304	41	33167	14
04901	52	05258	36	06305	41	33168	14
04971	52	05265	36	06306	41	33169	14
04972	52	05401	54	06307	41	33170	14

•New Item

Item#	Page#	Item#	Page#	Item#	Page#	Item#	Page#
33171	14	36660	20	37018	67	37435	66
33172	14	36670	20	37019	67	37437	66
33173	14	36800	31, 56	37020	67	37439	66
33174	14	36801	31, 56	37021	67	37440	66
33175	14	36802	36, 54	37022	67	37442	66
33177	14	36803	36, 54	37024	67	37443	66
33178	14	36832	31, 56	37025	68	37444	66
33188	15	36833	31, 56	37027	67	37445	66
33191	12	36834	31, 56	37028	67	37447	66
33199	15	36835	31, 56	37029	67	37545	22
33207	11	36836	55	37031	68	37546	22
33208	13	36837	55	37032	68	37547	22
33209	13	36838	55	37036	68	37548	22
33440	12	36839	55	37040	22	37549	22
33464	12	36840	55	37041	22	37559	22
33491	13	36841	55	37042	22	37619	22
33638	13	36842	55	37043	22	37714	20
33660	17	36843	55	37044	22	37716	20
33672	17	36844	55	37045	22	37900	21
33676	17	36845	55	37046	22	37918	20
33739	17	36846	55	37047	22	37919	20
33788	17	36847	55	37059	22	37921	20
33789	17	36848	55	37072	20	37925	20
33851	17	36849	54	37073	20	37934	20
33852	17	36850	54	37145	22	37941	20
35108	15	36851	54	37146	22	37942	20
35109	15	36852	55	37147	22	37943	20
35110	15	36853	55	37148	22	37944	20
35111	15	36854	55	37149	22	37945	20
35113	15	36855	55	3718129	31	37946	20
35114	15	36856	54	3718229	31	37949	20
35116	15	36857	55	37153	30	37950	20
35117	15	36858	55	37159	22	37952	20
35118	15	36859	55	37202	38	37953	20
35120	15	36860	36, 54	37206	38	37954	20
35121	11	36861	36, 54	37207	38	37958	20
35122	11	36862	36, 54	37208	38	37959	20
35123	11	36864	37, 54	37307	61	37960	20
35124	11	36870	31, 56	37317	63	37961	20
35127	11	36873	31, 56	37324	61	37970	21
35128	11	36876	31, 56	37334	61	37971	21
35129	11	36877	31, 56	37340	63	37973	21
35140	12	36959	32	37373	22	37979	21
35141	12	36960	33	37374	22	37982	21
35149	11	36971	31	37375	22	37986	21
35156	12	36972	31	37376	22	37990	20
35157	12	36975	31	37401	66	37994	20
35158	12	36976	31	37403	66	38001	21
35160	12	37009	67	37404	66	38002	21
36012	61	37010	67	37405	66	38003	21
36015	61	37011	67	37406	66	38004	21
36016	61	37013	67	37407	66	38010	20
36308	20	37014	67	37411	61	41040	16
36515	61	37015	67	37413	61	41044	16
36607	20	37016	67	37430	66	43012	13
36609	20	37017	67	37432	66	43063	13

•New Item

Item#	Page#
43127	12
43128	11
43158	12
43160	13
43189	12
43190	12
43202	11
43203	11
43205	11
43206	11
43210	13
43213	11
43214	11
43439	12
43652	17
43653	17
43655	17
43696	12
43697	12
45134	12
45136	12
• 50000	13
• 50010	13

Item#	Page#
• 50020	13
• 50030	13
• 50040	13
• 50050	13
• 50060	13
• 50070	13
• 50080	13
• 50090	13
• 50100	13
• 50110	13
• 50120	13
• 50130	13
• 50140	13
51047	16
51048	16
53000	13
53010	13
53011	11
53013	13
53014	13
53032	13
53050	13
53053	12

Item#	Page#
53055	13
53064	13
53094	12
53097	12
53098	12
53130	11
53132	11
53140	12
53144	11
53161	13
53200	11
53204	11
96208	45
96209	45
96210	45



Westinghouse

INNOVATION YOU CAN BE SURE OF

Call 1-800-999-2226 or visit www.westinghouselighting.com.

©, WESTINGHOUSE, and INNOVATION YOU CAN BE SURE OF are trademarks of Westinghouse Electric Corporation.
Used under license by Westinghouse Lighting. All Rights Reserved.