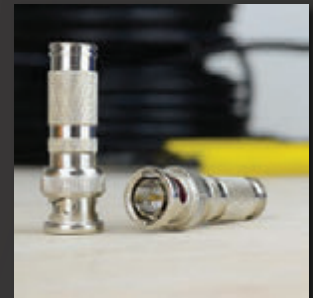
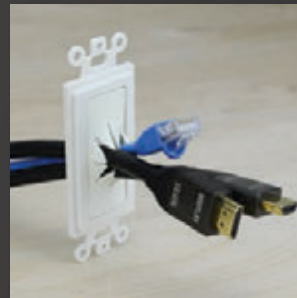


# DATA **COMM**™ ELECTRONICS



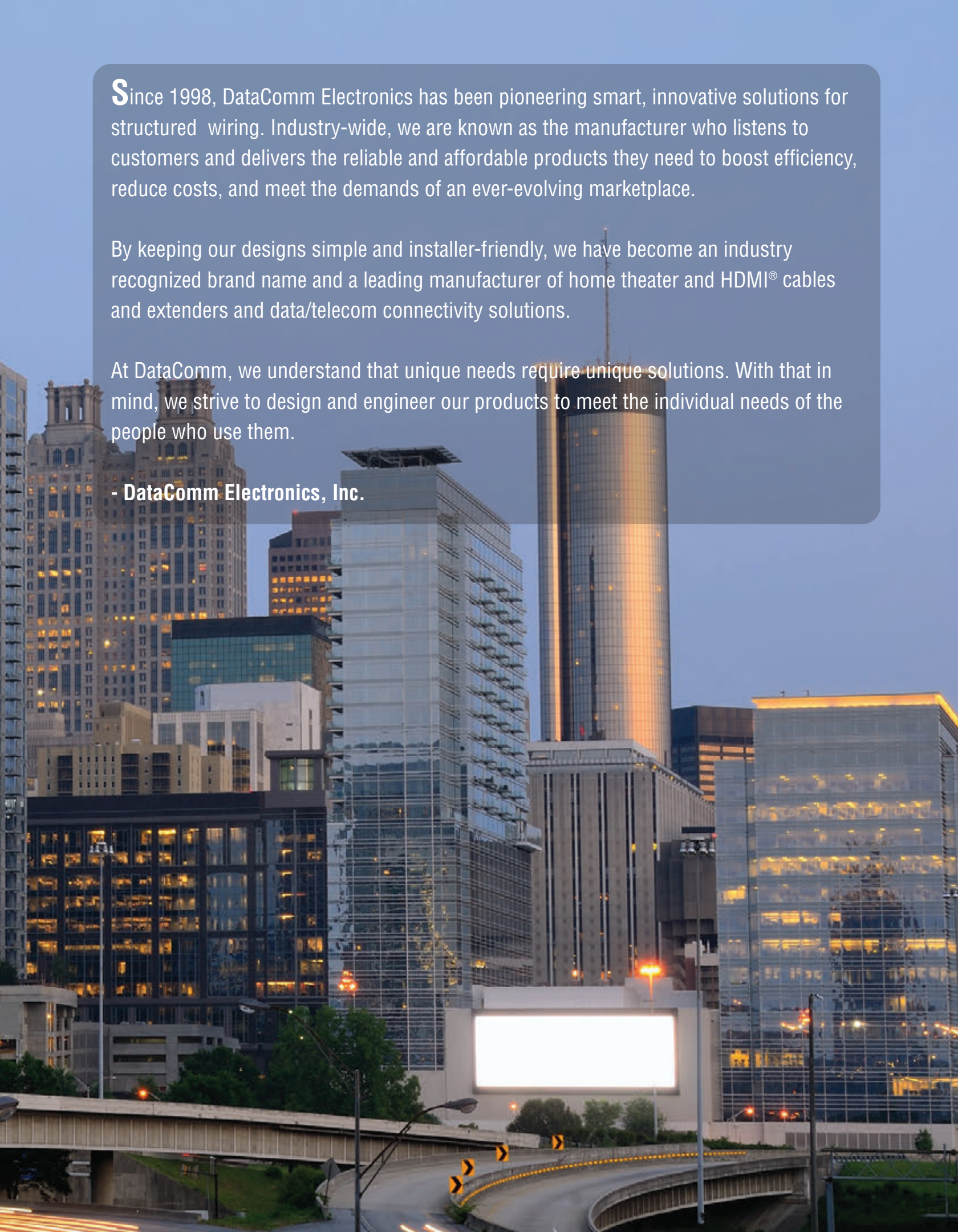
**HDMI® • Keystone Inserts/Plates • Home Command • Home Theater  
Compression Fittings • Telephone Accessories • Patch Panels & Accessories**





**DATA COMM**™  
ELECTRONICS



A city skyline at dusk, featuring several tall buildings with illuminated windows. A semi-transparent dark blue text box is overlaid on the upper portion of the image. In the foreground, there is a highway interchange with a large, bright white rectangular sign on a structure. The sky is a deep blue, and the city lights are beginning to glow.

Since 1998, DataComm Electronics has been pioneering smart, innovative solutions for structured wiring. Industry-wide, we are known as the manufacturer who listens to customers and delivers the reliable and affordable products they need to boost efficiency, reduce costs, and meet the demands of an ever-evolving marketplace.

By keeping our designs simple and installer-friendly, we have become an industry recognized brand name and a leading manufacturer of home theater and HDMI® cables and extenders and data/telecom connectivity solutions.

At DataComm, we understand that unique needs require unique solutions. With that in mind, we strive to design and engineer our products to meet the individual needs of the people who use them.

**- DataComm Electronics, Inc.**

# Home Theater

Wall Plates Power Relocation Rough-In Brackets





**H**iding A/V cables from flat screen TVs, media streaming devices, and other home theater equipment has never been easier. We understand that each home is unique, and with our vast selection of unique and exclusive cable plates you will certainly find a product to fit every home theater installation, no matter how simple or complex it may be.



**DATA COMM**<sup>TM</sup>  
ELECTRONICS

## Recessed Low Voltage Cable Plates

- Available in 1-gang, 2-gang, and 3-gang
- Available in 5 colors
- Can be installed with the opening facing up or down
- Designed to be used with 1-gang, 2-gang and 3-gang low voltage mounting brackets made by any major manufacturer

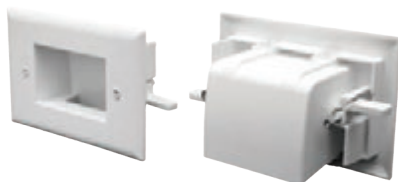
Part Number	Description
45-0001-BK	1-Gang, Black
45-0001-BR	1-Gang, Brown
45-0001-IV	1-Gang, Ivory
45-0001-LA	1-Gang, Lite Almond
45-0001-WH	1-Gang, White
45-0011-WH	1-Gang, White, Mid-Size *NEW*
45-0002-BK	2-Gang, Black
45-0002-BR	2-Gang, Brown
45-0002-IV	2-Gang, Ivory
45-0002-LA	2-Gang, Lite Almond
45-0002-WH	2-Gang, White
45-0003-BK	3-Gang, Black
45-0003-LA	3-Gang, Lite Almond
45-0003-WH	3-Gang, White



## Easy Mount Recessed Low Voltage Cable Plate



- Conceal multiple A/V cables behind your flat panel TV
- Can be installed with the opening facing up or down
- Mounting wings are molded into the plate and fasten tightly against the back of the drywall
- Slim fit size (Part # 45-0009) is designed for applications where the wall cavity depth is 3/4" to 1" in depth
- Available in 4 colors
- Available in 2 sizes



Part Number	Description
45-0008-BK	Easy Mount Cable Plate, Black
45-0008-IV	Easy Mount Cable Plate, Ivory
45-0008-LA	Easy Mount Cable Plate, Lite Almond
45-0008-WH	Easy Mount Cable Plate, White
45-0009-LA	Easy Mount Cable Plate (Slim Fit), Lite Almond
45-0009-WH	Easy Mount Cable Plate (Slim Fit), White



## 1 3/4" Hole Saw Plate

- Low profile fits behind the industry's thinnest mounts and TV's
- Conceal low voltage cables behind your flat panel TV
- Ideal for HDMI, security, or speaker cable pass-through
- Metal mounting wings are attached to the plate for a secure installation
- No low voltage mounting bracket required



Part Number	Description
45-0006-WH	1 3/4" Hole Saw Plate, White

## Cable Plate w/ Flexible Opening



- Low profile fits behind the industry's thinnest mounts and TVs
- Conceal multiple low voltage cables behind your flat panel TV
- 1-Gang holds up to 4 cables - 2-Gang holds up to 8 cables
- Mounting wings are included with the media plate and fasten securely against the back of the drywall
- No low voltage mounting plate or old work ring required

Part Number	Description
45-0014-BK	1-Gang, Black
45-0014-IV	1-Gang, Ivory
45-0014-LA	1-Gang, Lite Almond
45-0014-WH	1-Gang, White
45-0015-BK	2-Gang, Black
45-0015-IV	2-Gang, Ivory
45-0015-LA	2-Gang, Lite Almond
45-0015-WH	2-Gang, White

## Flexible Split Plate

- Allows additional cables to be added without disconnecting existing cables
- Installs onto a low voltage mounting bracket
- Allows you to keep the opening in the wall covered while passing low voltage cables through the wall
- Holds up to 6 cables

Part Number	Description
45-0017-BK	Split Plate w/ Flexible Opening, Black
45-0017-IV	Split Plate w/ Flexible Opening, Ivory
45-0017-LA	Split Plate w/ Flexible Opening, Lite Almond
45-0017-WH	Split Plate w/ Flexible Opening, White



## Décor Brush Plate



- Low profile design fits behind the industry's thinnest mounts and TV's
- Conceal multiple low voltage cables behind your flat panel TV
- Easily holds up to 6 cables
- Mounts flush with a décor style wall plate (included)
- Mounts to a standard low voltage mounting ring, old work

Part Number	Description
45-0018-WH	Décor Brush Plate w/ Décor Cover Plate, White

## Reverse Nose Décor Insert

- Holds up to 4 cables
- Mounts flush with a décor style wall plate
- Allows cable management inside the wall
- Perfect for eliminating connections at the wall
- Available in 5 colors
- ETL Listed

Part Number	Color
45-0004-BK	Black
45-0004-BR	Brown
45-0004-IV	Ivory
45-0004-LA	Lite Almond
45-0004-WH	White



## Décor Insert w/ Flexible Opening



- Holds up to 4 cables
- Mounts to a standard low voltage mounting ring, old work ring, or mud ring
- Flexible opening helps keep low voltage pass-through area covered
- Perfect for eliminating connections at the wall
- Available in 4 colors
- ETL Listed

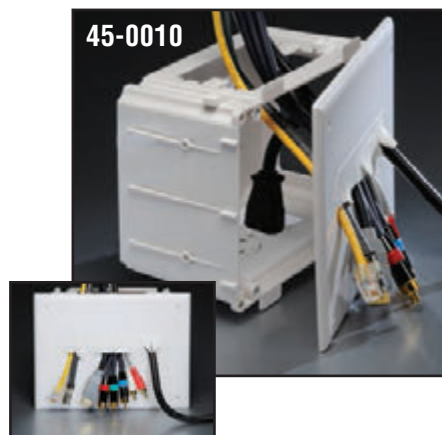
Part Number	Color
45-0016-BK	Black
45-0016-IV	Ivory
45-0016-LA	Lite Almond
45-0016-WH	White



## Recessed Media Box

- Installs power and low voltage cables behind your flat panel TV, amplifier, or other audio/video devices in your equipment room
- Designed for new construction or retrofit installations
- Flexible front cover plate gives our Recessed Media Box the clean finish your customers expect.

Part Number	Description
45-0010-WH	Recessed Media Box, White
45-0010-BK	Recessed Media Box, Black



## Recessed Low Voltage Cable Plate w/ Recessed Power



- Use with either a single gang new work box or old work box
- Grounded 15 Amp recessed receptacle allows you to install power behind your HDTV
- Mounting wings are molded into the plate and fasten tightly against the back of the drywall; the wings are designed for use in walls up to 1" thick

Part Number	Color
45-0021-WH	White

## Recessed Pro-Power Kit w/ Locking Inlet

The Recessed Pro-Power Kit w/ Locking Inlet Includes:

- Recessed Low Voltage Cable Plate w/ Recessed Power
- Recessed Low Voltage Cable Plate w/ Locking Inlet
- 6 ft. 16/2 with Ground Locking Extension Cord

Part Number	Description
45-0022-WH	Recessed Pro-Power Kit w/ Locking Inlet, White



## Recessed Pro Power Kits

DataComm Electronics' Recessed Pro Power Kits are the perfect solution for installing power and low voltage cables behind your HDTV, AVR, and other audio/video devices. These kits work with the industry's thinnest mounts and TVs which allow you to pass low voltage cables and power through the wall, creating a professional and clean look for every home theater.

### Duplex Receptacle & Straight Blade Inlet


**Parts Included:**

- Recessed Low Voltage Mid-Size Plate with Duplex Receptacle
- Recessed Low Voltage Cable Plate with Straight Blade Inlet
- 6 ft. 16/2 with Ground Cord Set with 360° rotating flat head
- Two (2) outlet boxes
- 15 Amp/125 Volt tamper resistant duplex receptacle

Part Number	Color
45-0024-WH	White

### Duplex Surge Suppressor & Straight Blade Inlet

**Parts Included:**

- Recessed Low Voltage Mid-Size Plate w/ Duplex Surge Suppressor
- Recessed Low Voltage Cable Plate w/ Straight Blade Inlet
- 6 ft. 16/2 w/ Ground Cord Set w/ 360° rotating flat head
- Two (2) outlet boxes
- 15 Amp/125 Volt Duplex Surge Suppressor


**Surge Suppressor Features:**

- › Maximum surge current - 1,500 amps
- › Clamping response time - 1 nanosecond
- › Hot/Neutral, Hot/Ground, Neutral/Ground
- › Total maximum surge dissipation - 240 joules

Part Number	Color
45-0028-WH	White

### Straight Blade Inlet


**Parts Included:**

- Recessed Cable Plate with 15A single receptacle
- Recessed Cable Plate with Straight Blade Inlet
- Two (2) outlet boxes
- 6 ft. 16/2 with ground extension cord
- Three (3) wire nuts

Part Number	Color
45-0023-WH	White



## Recessed Low Voltage Media Plates

DataComm Electronics' patented Recessed Low Voltage Media Plates offer the convenience of a duplex receptacle and a recessed plate with enough room to store your low voltage cables behind your HDTV.

### Features

#### Part # 45-0031-WH

- Low profile design fits behind the industry's thinnest mounts and TVs
- Conceal multiple A/V cables behind your flat panel TV
- Tamper resistant 15 Amp/125 Volt duplex receptacle
- Outlet box included
- Mounting wings are attached to the media plate and fasten tightly against the back of the drywall
- Quick and easy to install
- No additional parts required



#### Part # 45-0041-WH | Surge Suppressor Features

- 15 Amp/125 Volt duplex surge receptacle w/ receptacle Surge Bloc®
  - › Audible alarm sounds when surge suppressor is no longer functioning
  - › Maximum surge current - 12,000 amps
  - › Peak suppression voltage - 1,000 volts
  - › Hot/Neutral, Hot/Ground, Neutral/Ground
  - › Total maximum surge dissipation - 340 joules
- Part # 45-0041-SB - Replaceable Surge Bloc sold separately

#### Part# 45-0032-WH | 20 Amp w/ Steel Outlet Box Model Features

- 20 Amp/125 Volt duplex receptacle (5-20R)
  - › 2 Pole
  - › 3W
  - › Rear wire with side screw terminals
  - › Tamper resistant
- Steel outlet box included
  - › 2.75" single gang
  - › Contains 8 knockouts for conduit or armored cable mounting options
  - › Ideal for commercial applications or when required by residential building codes
  - › Also ETL Listed in Canada



Part Number	Description
45-0031-WH	Recessed Low Voltage Media Plate w/ Duplex Receptacle, White
45-0041-WH	Recessed Low Voltage Media Plate w/ Duplex Surge Suppressor, White
45-0041-SB	Replacable Surge Bloc® for 45-0041-WH
45-0032-WH	Recessed Low Voltage Media Plate w/ 20 Amp Duplex Receptacle, White

## Expandable Media Box

DataComm Electronics' Expandable Media Box is designed to streamline power and cable management behind your HDTV. The expandable portion of the media box allows for maximum storage hidden behind your TV, while still allowing your TV to be mounted flush to the wall.

### Features

#### Part # 45-0051-WH | ETL US Only

- Wall box storage capacity increases by 75% when the expandable portion is extended behind the wall
- There are two openings inside of the Expandable Media Box, one on the top and one on the bottom. Three (3) interchangeable plates are included to cover these openings, allowing for multiple configuration options. The three (3) plates include:
  - › Flexible Opening Plate
  - › 6-Port Keystone Plate
  - › Blank Plate
- UL Listed, 15 Amp/125 Volt Duplex Receptacle
- Outlet box included
- Metal mounting wings are attached to the media plate and fasten tightly against the back of the drywall when installed
- Available in three (3) models
- Quick and easy to install



Patent Pending

Part Number	Description
45-0051-WH	w/ 15 Amp/125 Volt Duplex Receptacle
45-0061-WH	w/ 15 Amp/125 Volt Surge Suppressor
45-0052-WH	w/ 20 Amp/125 Volt Duplex Receptacle

#### Part # 45-0061-WH | Surge Suppressor Features | ETL US Only

UL Listed 15 Amp/125 Volt Duplex Surge Receptacle:

- Maximum surge current - 15,000 amps
- Clamping response time - 1 nanosecond
- Hot/Neutral, Hot/Ground, Neutral/Ground
- Total maximum surge dissipation - 480 joules



#### Part # 45-0052-WH | 20 Amp Model w/ Steel Outlet Box Features ETL US & CAN

UL Listed 20 Amp/125 Volt Duplex Receptacle:

- 2 pole
- 3W
- Rear connection with side screw terminals
- Tamper resistant



## Recessed Media Box II

DataComm Electronics' Recessed Media Box II is designed to streamline power and cable management behind your HDTV. The box features a side cover plate with knockouts for conduit or tube making it ideal for rough-in applications while allowing your TV or other display to be mounted flush to the wall.

### Features

#### Part # 45-0053-WH | ETL US Only

- Side cover plate features 1" and 2" knockouts for conduit or tube
- There are two openings inside of the Recessed Media Box, one on the top and one on the bottom. Three (3) interchangeable plates are included to cover these openings, allowing for multiple configuration options. The three (3) plates include:
  - › Flexible Opening Plate
  - › 6-Port Keystone Plate
  - › Blank Plate
- UL Listed, 15 Amp/125 Volt Duplex Receptacle
- Outlet box included
- Metal mounting wings are attached to the media plate and fasten tightly against the back of the drywall when installed
- Available in three (3) models
- Quick and easy to install



Patent Pending

Part Number	Description
45-0053-WH	w/ 15 Amp/125 Volt Duplex Receptacle
45-0063-WH	w/ 15 Amp/125 Volt Surge Suppressor
45-0054-WH	w/ 20 Amp/125 Volt Duplex Receptacle

#### Part # 45-0063-WH | Surge Suppressor Features | ETL US Only

UL Listed 15 Amp/125 Volt Duplex Surge Receptacle:

- Maximum surge current - 15,000 amps
- Clamping response time - 1 nanosecond
- Hot/Neutral, Hot/Ground, Neutral/Ground
- Total maximum surge dissipation - 480 joules



#### Part # 45-0054-WH | 20 Amp Model w/ Steel Outlet Box Features ETL US & CAN

UL Listed 20 Amp/125 Volt Duplex Receptacle:

- 2 pole
- 3W
- Rear connection with side screw terminals
- Tamper resistant





## Recessed Low Voltage Mid-Size Plate

DataComm Electronics' Recessed Low Voltage Mid-Size Plate is designed to streamline power and cable management behind wall mounted displays. This plate is available in three (3) models including surge and commercial grade options.

### Features

#### Part # 45-0071-WH | ETL US Only

- Low profile design fits behind the industry's thinnest mounts and TVs
- Conceal multiple A/V cables behind your flat panel TV
- UL Listed 15A / 125V duplex receptacle (45-0071-WH is tamper resistant)
- Outlet box included
- Metal mounting wings are attached to the media plate and fasten tightly against the back of the drywall
- Flexible screen closes the interior opening of the mid-size plate
- Quick and easy install



Part Number	Description
45-0071-WH	w/ 15 Amp/125 Volt Duplex Receptacle
45-0081-WH	w/ 15 Amp/125 Volt Surge Suppressor
45-0072-WH	w/ 20 Amp/125 Volt Duplex Receptacle

#### Part # 45-0081-WH | Surge Suppressor Features

##### ETL US Only

UL Listed 15 Amp/125 Volt Duplex Surge Receptacle:

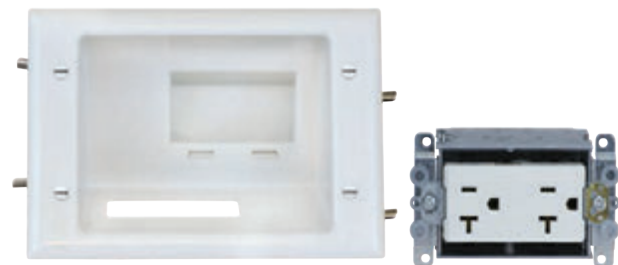
- Maximum surge current - 15,000 amps
- Clamping response time - 1 nanosecond
- Hot/Neutral, Hot/Ground, Neutral/Ground
- Total maximum surge dissipation - 480 joules



#### Part # 45-0072-WH | 20 Amp Model w/ Steel Outlet Box Features | ETL US & CAN

UL Listed 20 Amp/125 Volt Duplex Receptacle:

- 2 pole
- 3W
- Rear wire connection with side screw terminals
- Tamper resistant



## Décor Duplex 4.0 Amp USB Charger



- Compatible with USB 2.0 devices
- Fits in most major manufacturers décor style wallplates
- 4.0 Amp USB charging capacity
- Two 15 Amp / 125 Volt tamper resistant receptacles
- ETL Listed

Part Number	Description
48-0204-WH	Décor Duplex 4.0 Amp USB Charger, White

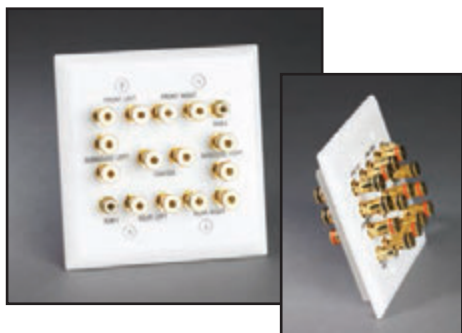
### 5.1 Surround Sound Plate

- Includes 2-gang white plate with 5-pair binding post for the front-left, front-right, rear-right, rear-left and center speakers
- Includes 1 RCA jack with f-connector for a subwoofer
- Installs in a NEMA 2-gang box or low voltage mounting bracket

Part Number	Description
45-0060	5.1 Surround Sound 2-Gang Plate



### 7.2 Surround Sound Plate



- Preconfigured plate with front and back gold plated push-pin banana plug connectors
- Eliminates tedious work and decreases labor cost by 20%
- No wire pull-outs
- Automatic conductor adjustment ensures perfect conductivity every time
- Connector labeling simplifies room setup and configuration

Part Number	Description
45-0070	7.2 Surround Sound 2-Gang Plate

### Universal Speaker Mount

- Mounts most standard speakers to wall or other surfaces
- Contains parts and brackets for two (2) speakers
- Multiple angle adjustments for desired speaker placement
- ETL Rated for indoor or outdoor use
- Each bracket holds up to 9 lbs.
- Extensions included for mounting speakers to the ceiling

Part Number	Description
60-0036	Adjustable Indoor/Outdoor Speaker Mounts



## Multimedia Box

The Multimedia Box is the perfect solution for concealing cables and media streaming devices behind your HDTV. The box is constructed of 20-gauge steel and provides ample storage for all your home theater accessories. A removable trim ring gives you the clean, professional look you want.

### Features

- 20-gauge steel constructed
- Multiple knockouts for conduit up to 2" diameter
- Knockout for a single gang J-Box power module (Part # 80-0050)
- Flat black finish
- Mounting slots simplify adjustment for different depths of sheetrock
- Trim ring included
- Hole pattern accepts most brands of modules
- ETL listed



Part Number	Description
-------------	-------------

45-8014-BK	14" x 14"
------------	-----------



### Removeable Trim Ring

Allows you to install the Multimedia Box during new construction or as a retrofit solution.

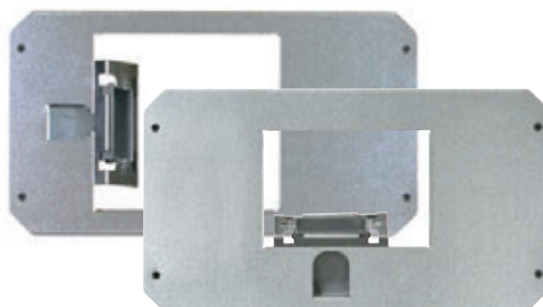


## New Construction Rough-In Brackets

DataComm Electronics' Rough-In Brackets are the perfect solution for commercial installers. Designed to be used in new construction applications, these rough-in brackets work with several of DataComm's power plates so you can easily create any solution with only two parts.

### Features

- Sturdy 22GA galvanized steel construction bracket
- Works for both residential and commercial applications
- 16" on center metal or wood studs works with your choice of power plate
- 2 3/4" single gang steel outlet box contains 8 knockouts for conduit or armored cable mounting options
- Built-in mud ring for drywall trim out
- Reversible for customizable receptacle placement on top, bottom (45-0101), left, or right (45-0102)



Part Number	Description
45-0101	16" Mid-Size Rough-In Bracket
45-0102	16" Full-Size Rough-In Bracket

#### Mid-Size Rough-In Bracket (45-0101) works with the following DataComm Electronics part numbers:

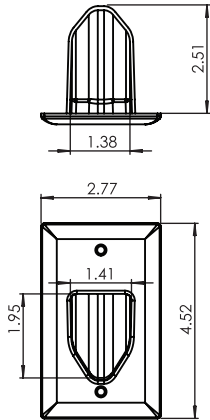
- 45-0071-WH - Recessed Low Voltage Mid-Size Plate w/ 15 Amp/ 125 Volt Duplex Receptacle
- 45-0072-WH - Recessed Low Voltage Mid-Size Plate w/ 20 Amp/ 125 Volt Duplex Receptacle
- 45-0081-WH - Recessed Low Voltage Mid-Size Plate w/ 15 Amp/ 125 Volt Duplex Surge Receptacle

#### Full-Size Rough-In Bracket (45-0102) works with the following DataComm Electronics part numbers:

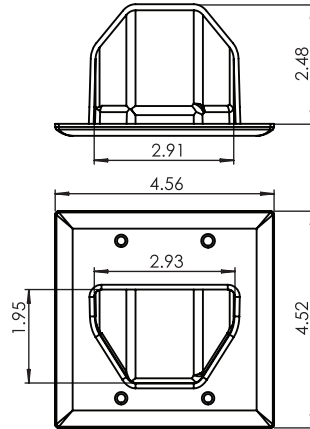
- 45-0031-WH - Recessed Low Voltage Media Plate w/ 15 Amp/ 125 Volt Duplex Receptacle
- 45-0032-WH - Recessed Low Voltage Media Plate w/ 20 Amp/ 125 Volt Duplex Receptacle
- 45-0041-WH - Recessed Low Voltage Media Plate w/ 15 Amp/ 125 Volt Duplex Surge Receptacle
- 45-0051-WH - Expandable Media Box w/ 15 Amp/ 125 Volt Duplex Receptacle
- 45-0052-WH - Expandable Media Box w/ 20 Amp/ 125 Volt Duplex Receptacle
- 45-0061-WH - Expandable Media Box w/ 15 Amp/ 125 Volt Duplex Surge Receptacle
- 45-0053-WH - Recessed Media Box w/ 15 Amp/ 125 Volt Duplex Receptacle
- 45-0054-WH - Recessed Media Box w/ 20 Amp/ 125 Volt Duplex Receptacle
- 45-0063-WH - Recessed Media Box w/ 15 Amp/ 125 Volt Duplex Surge Receptacle

## Drawings & Dimensions

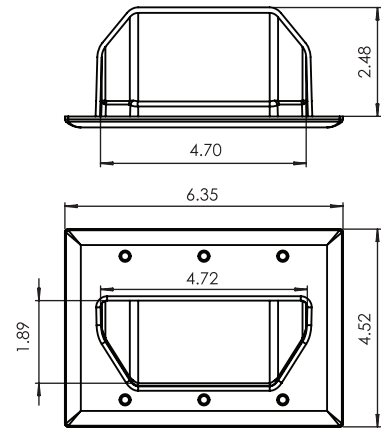
**45-0001-XX:** 1-Gang Recessed Low Voltage Cable Plate



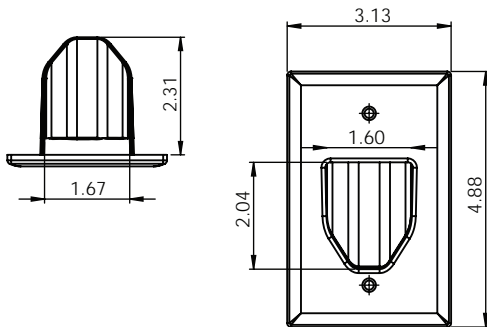
**45-0002-XX:** 2-Gang Recessed Low Voltage Cable Plate



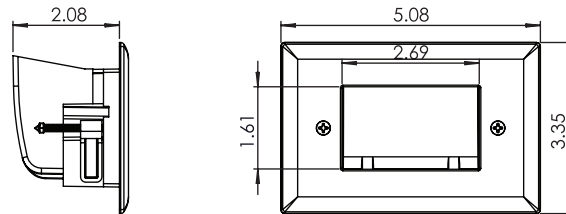
**45-0003-XX:** 3-Gang Recessed Low Voltage Cable Plate



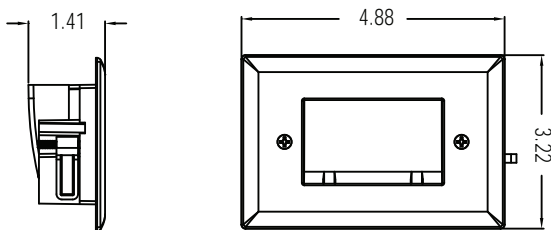
**45-0011-WH:** 1-Gang Mid-Size Recessed Low Voltage Cable Plate



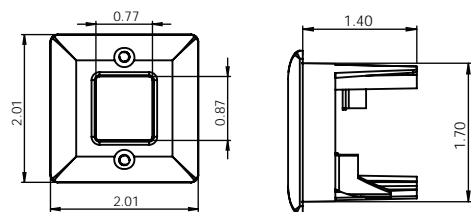
**45-0008-XX:** Easy Mount Recessed Low Voltage Cable Plate



**45-0009-XX:** Easy Mount Recessed Low Voltage Cable Plate (Slim Fit)

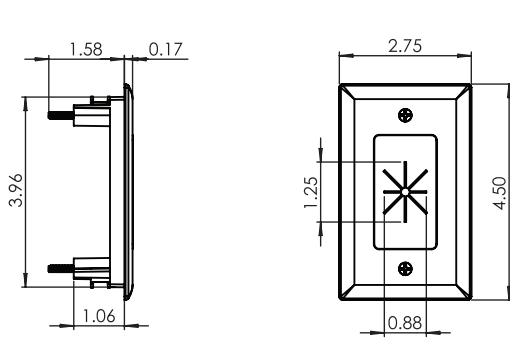


**45-0006-WH:** 1 3/4" Hole Saw Plate

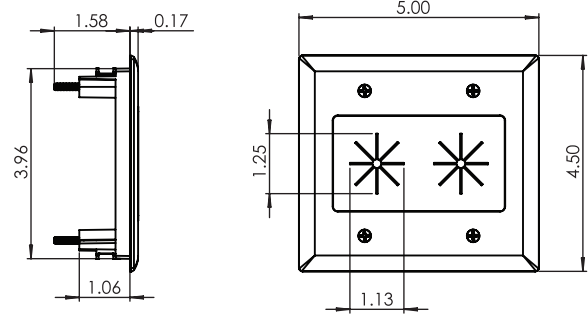


**Drawings & Dimensions**

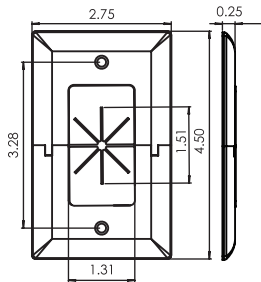
**45-0014-XX: 1-Gang Cable Plate w/ Flexible Opening**



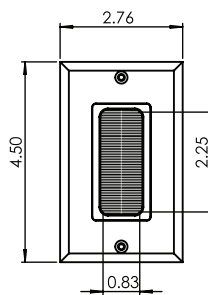
**45-0015-XX: 2-Gang Cable Plate w/ Flexible Opening**



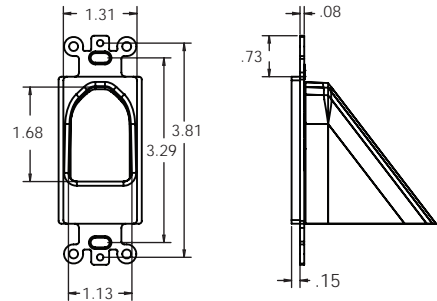
**45-0017-XX: Flexible Split Plate**



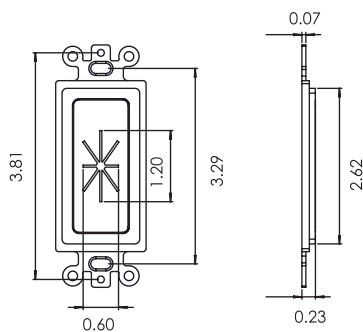
**45-0018-WH: Décor Brush Plate**



**45-0004-XX: Reverse Nose Décor Insert**



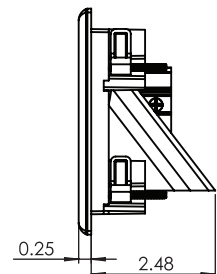
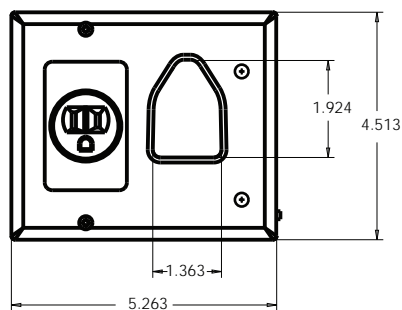
**45-0016-XX: Décor Insert w/ Flexible Opening**



**45-0021-WH: Recessed Low Voltage Cable Plate w/ Recessed Power**

**45-0022-WH: Recessed Pro Power Kit w/ Locking Inlet (dimensions apply to top and bottom plate)**

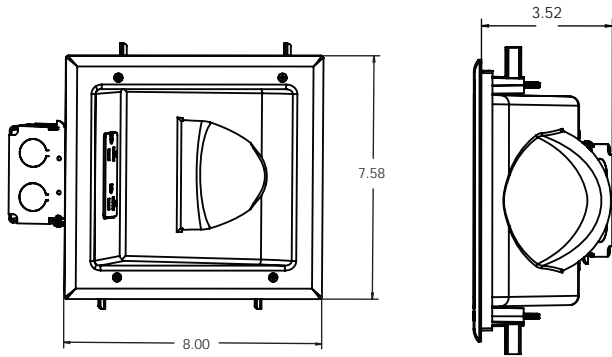
**45-0023-WH: Recessed Pro Power Kit w/ Straight Blade Inlet (dimensions apply to top and bottom plate)**



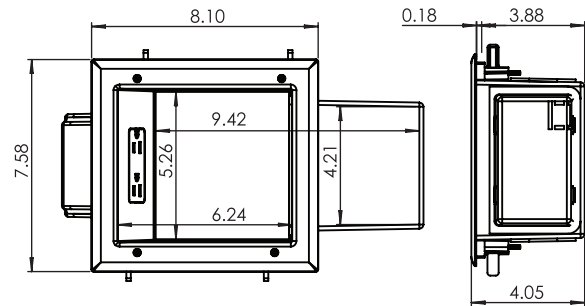


## Drawings & Dimensions

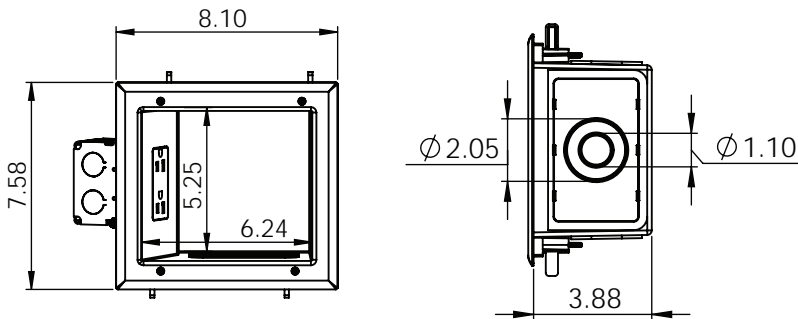
**45-0031-WH, 45-0032-WH, 45-0041-WH:**  
Recessed Low Voltage Media Plates



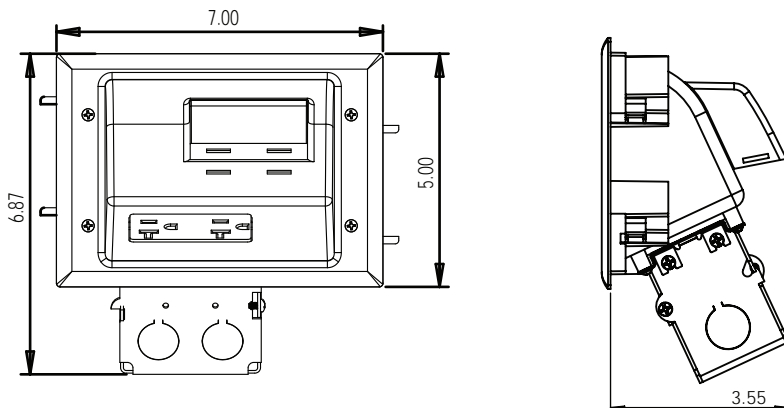
**45-0051-WH, 45-0052-WH, 45-0061-WH:**  
Expandable Media Box



**45-0053-WH, 45-0054-WH, 45-0063-WH:**  
Recessed Media Box II

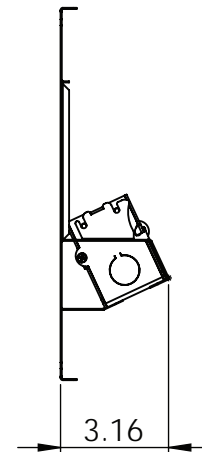
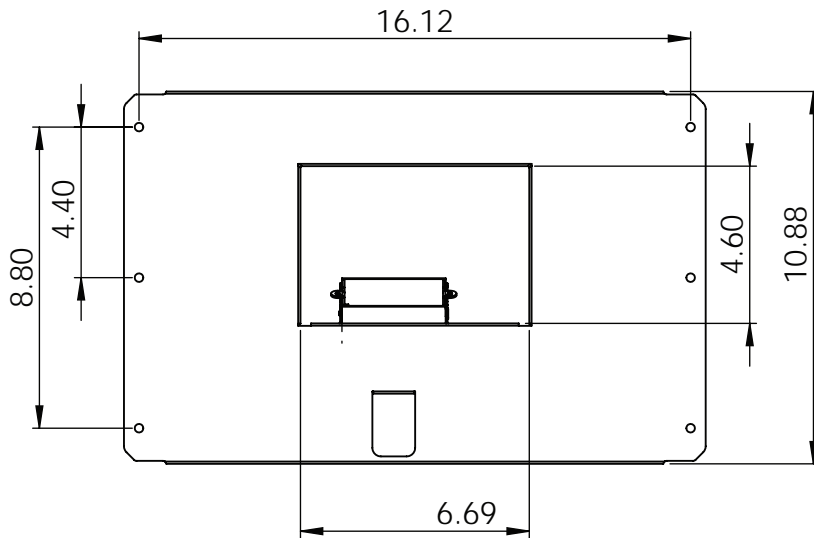


**45-0071-WH, 45-0072-WH, 45-0081-WH:** Recessed Low Voltage Mid-Size Plate  
**45-0024-WH:** Recessed Pro Power Kit w/ Duplex Receptacle & Straight Blade Inlet (top plate)  
**45-0028-WH:** Recessed Pro Power Kit w/ Duplex Surge & Straight Blade Inlet (top plate)

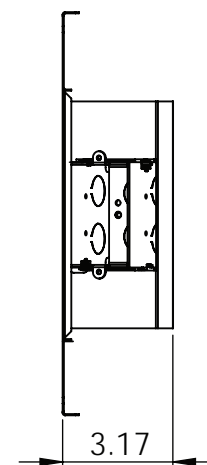
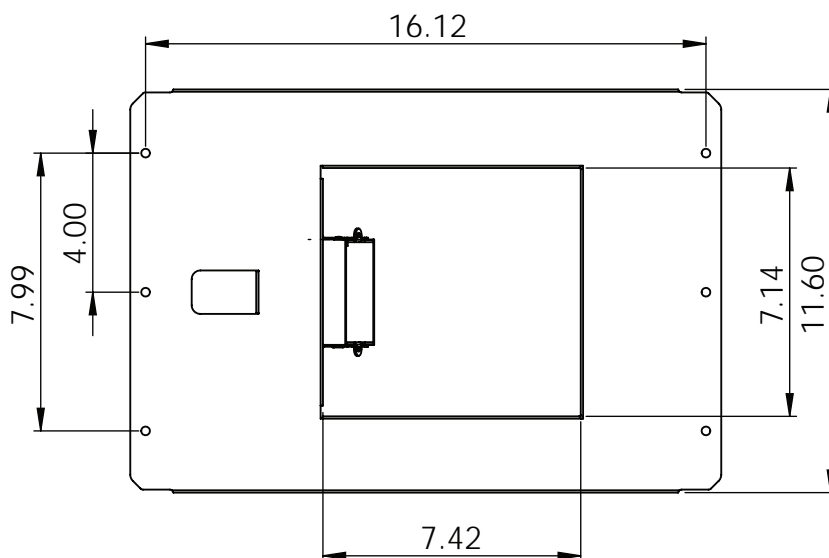


## Drawings & Dimensions

**45-0101**  
16" Mid-Size Rough-In Bracket



**45-0102**  
16" Full-Size Rough-In Bracket



# Home Command - Structured Wiring

Enclosures | Modules | Phone/Video Termination



**DataComm Electronics**  
**Structured Wiring Modules**





**DataComm Electronics'** Home Command Center (HCC) products are an innovative approach to structured wiring systems. Design features include side wire management, universal mounting holes and integrated support for security and media modules. Our HCC products are offered in a variety of sizes and configurations to meet the specific needs of our installers.

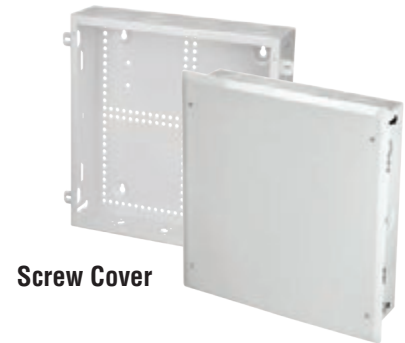
**DATA COMM**  
ELECTRONICS  
TM

## 14" Flush Mount Enclosures

### Features

- Includes multiple knockouts for conduit up to 2" diameter
- Includes a knockout for a single gang J-Box power module (Part #: 80-0050)
- Mounting slots simplify adjustment for different depths of sheetrock
- Integrated cable tie anchors assist in clean cable management inside the enclosure
- Surface or flush mountable
- Screw cover overlaps the enclosure frame to hide uneven drywall edges
- Standard 1 x 6 hole pattern accepts most brands of modules
- 20-gauge steel construction
- Glossy white finish
- ETL listed to UL STD 1863 and ANSI/UL STD 60950-1
- Certified to CAN/GSA STD G22.2 No. 60950-1
- Complies with TIA-568-C and TIA-570-B requirements

\* This enclosure is not intended or designed to be mounted in firewall applications



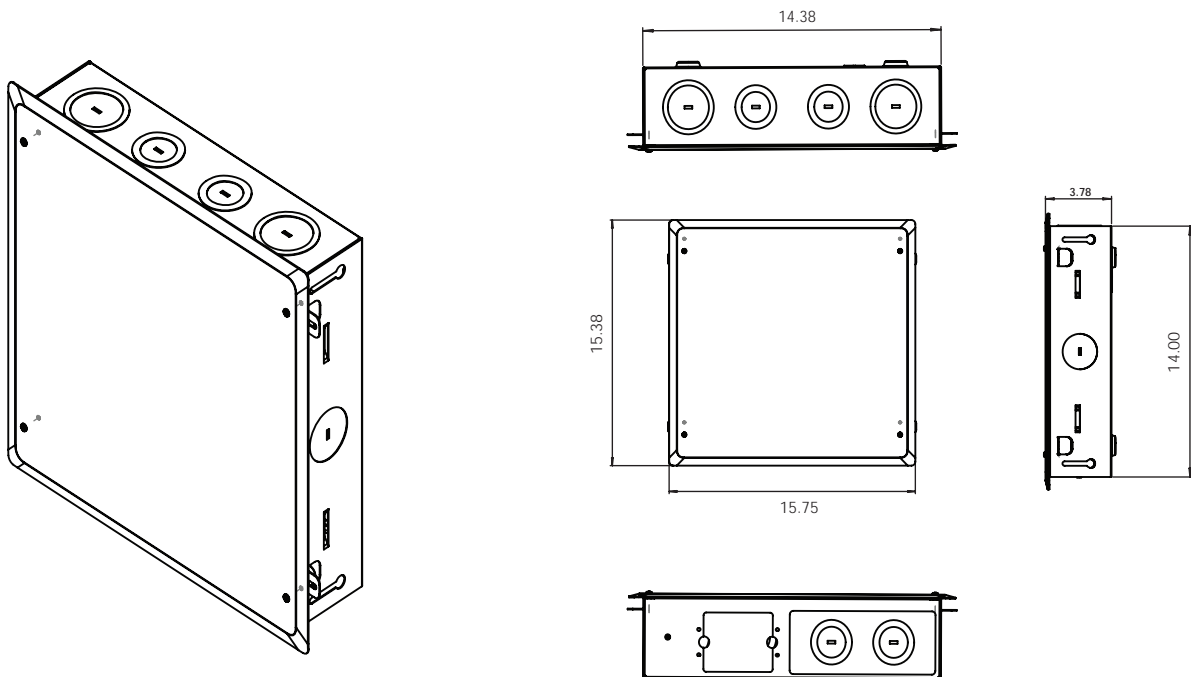
Screw Cover



Hinge Door

Part Number	Description
80-0014-SC	14" Flush Mount Enclosure w/ Screw Cover
80-0014-HC	14" Flush Mount Enclosure w/ Hinge Door

## Product Specs & Dimensions



## 12" x 28" Enclosures

DataComm Electronics' large Home Command Centers allow you to meet current infrastructure requirements while preserving space for future technologies.

### Features

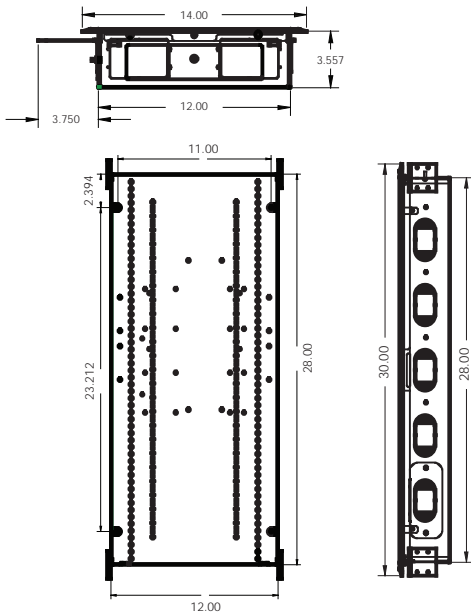
- Screw cover or hinged door (your choice is packed separately in the enclosure box for storage until final installation)
- Support bracket for added stability
- Additional side knockouts for terminating voice, data, video, and security cables
- Additional bottom knockouts for added UL switch boxes (Part # 80-0050)
- Mounting holes for phone and video modules made by DataComm and other major manufacturers
- Bulk-wire management outside the enclosure to facilitate installation of internal components
- Phone and video distribution modules (sold separately)
- All enclosures are ETL listed

Part Number	Description
70-0016-E	12" x 28" Enclosure
70-0016-H	12" x 28" Hinge Door
70-0016-S	12" x 28" Screw Cover
70-0099	Home Command Center Support Bracket



Modules & Accessories Sold Separately

## Drawings & Dimensions



# 14" x 30" Plastic Enclosure

Available Third Quarter, 2016

The HCC 14" x 30" Plastic Enclosure is designed to provide even more space to meet your digital and analog communication needs. This enclosure offers:

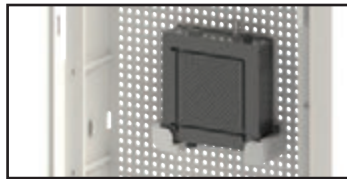
## Features

- Made of ABS plastic to reduce interference and allow wireless signals to pass through
- Standard 1 x 6 hole pattern accepts most brands of modules
- Mid-section hole pattern allows for any module size to be installed
- Includes 2 knockouts for single gang J-Box power module (Part #: 80-0050)
- Includes 4 module clips to secure modules up to 3" in depth
- Vented hinge door
- Hinge door frame hides uneven drywall edges



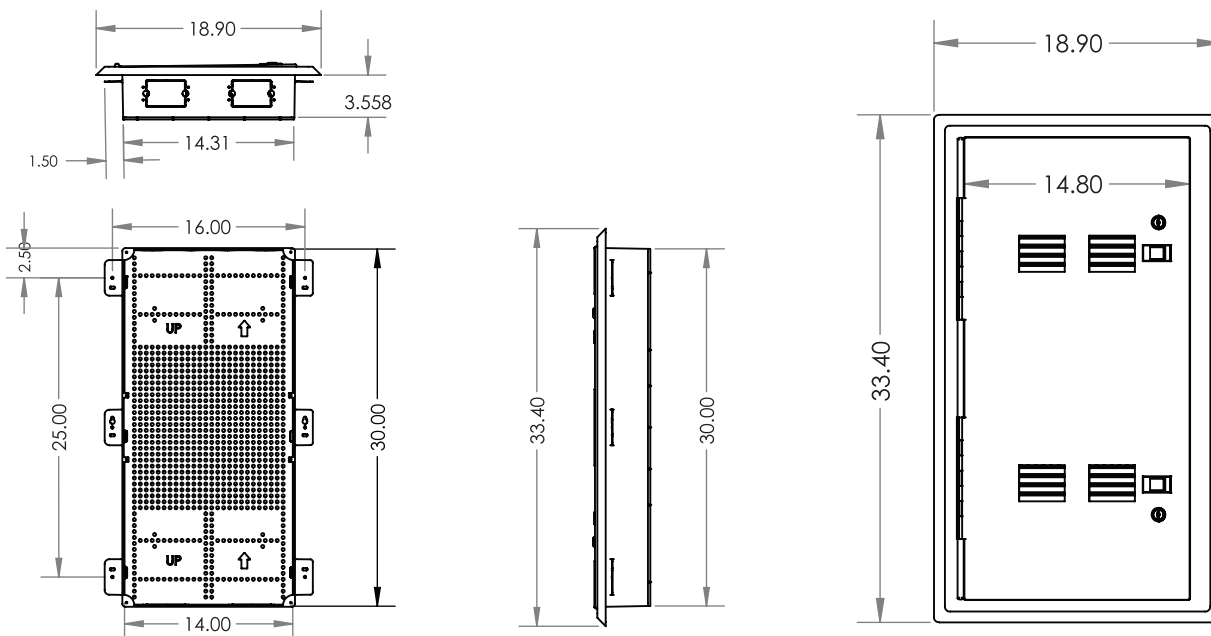
Part Number	Description
80-1430-HC	14" x 30" Plastic Enclosure w/ Hinge Cover

*\*4 Module Clips are included.  
They can be purchased  
separately as part number  
80-0000-MC*



*\*Adjustable depth allows  
installation of modules up  
to 3.00" in depth*

## Drawings & Dimensions

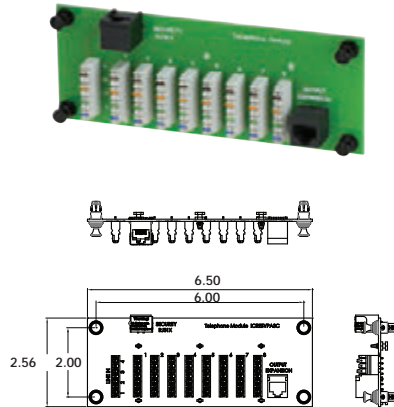


## Enclosure Modules

### 1 x 8 Telephone Module

- Used for adding up to 4 phone lines to 8 locations in your home
- Supports up to 8 (4 line) outlets for phone, fax, and other devices
- RJ45 expansion port for connecting additional phone modules
- Includes RJ31 security port
- Color coded 110 style punch-down connections
- Phone lines are wired according to TIA/EIA-568 requirements
- ETL Listed

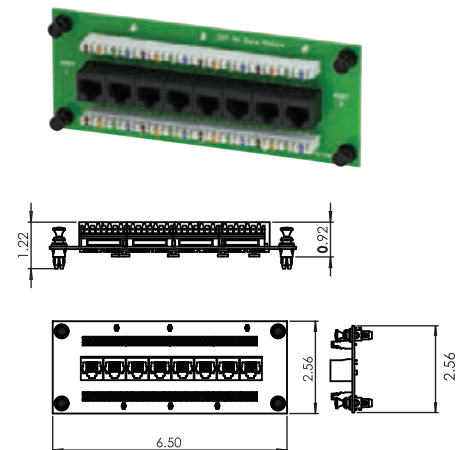
Part Number	Description
80-0070	1 x 8 Telephone Module



### Category 5e Data Module

- Used to simplify and organize your network wiring terminations
- Non-bridged Category 5e data board with 4 pair 110 type IDC punchdown connectors providing high performance connectivity
- 8 category 5e RJ45 ports
- Complies with all TIA/EIA-568 requirements
- Requires the use of a network router switch
- ETL Listed

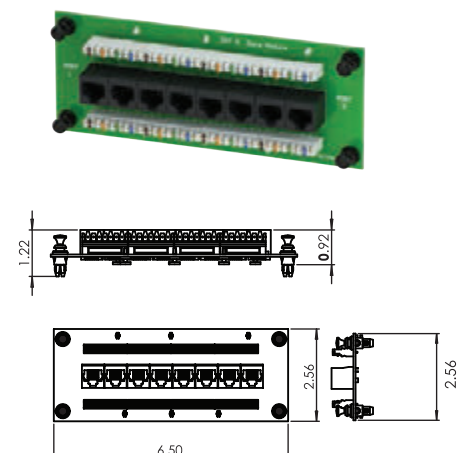
Part Number	Description
80-0030	Category 5e 8-Port Passive Data Module



### Category 6 Data Module

- Used to simplify and organize your network wiring terminations
- Non-bridged Category 6 data board with 4 pair 110 type IDC punchdown connectors providing high performance connectivity
- 8 category 6 RJ45 ports
- Complies with all TIA/EIA-568B requirements
- Requires the use of a network router switch
- ETL Listed

Part Number	Description
80-0040	Category 6 8-Port Passive Data Module





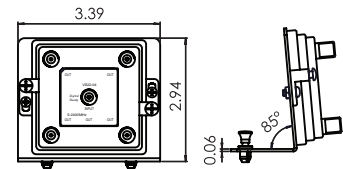
## Enclosure Modules

### Splitter Modules

- Connects video applications such as TV, HDTV, and satellite TV
- Allows up to six (6) coaxial connections in the home
- Standard F-Connector coaxial cable screws easily into the splitter
- Available in 4-Way, 6-Way, and 8-Way
- ETL Listed



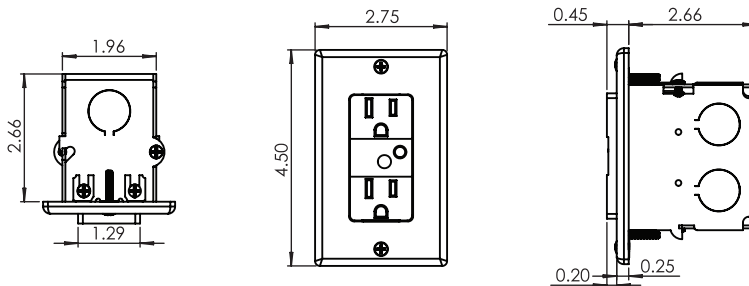
Part Number	Description
70-0034	4-Way, 2.4 GHz Splitter
70-0036	6-Way, 2.4 GHz Splitter
70-0038	8-Way, 2.4 GHz Splitter



### AC Power Duplex Surge Module

- UL listed 15A/125V duplex surge receptacle
- Audible alarm sounds if surge suppressor is no longer functioning
- Muting screw allows the alarm to be silenced until the device is replaced
- Indicator light verifies instantly that power is available at the receptacle and the suppression circuit is fully functional

Part Number	Description
80-0050	AC power module w/ duplex surge receptacle



### Universal Router Bracket

The universal router bracket can be used to hold routers, modems, streaming media devices, etc. This bracket will sit into almost any structured wiring enclosure.

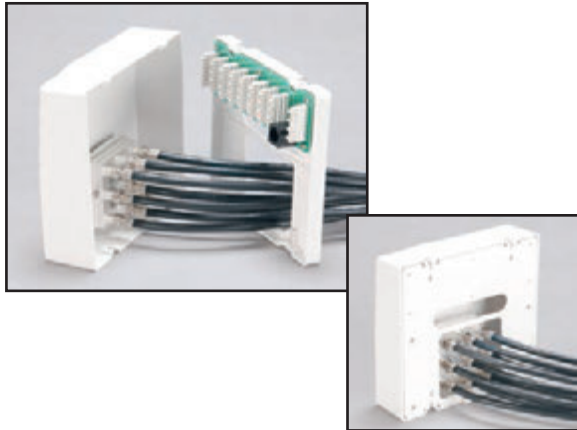
Part Number
70-0048



## Phone/Video Distribution

### Home Command Center II

The Home Command Center II is our most economical structured wiring solution. Surface mounting simplifies installation while allowing signal distribution up to 8 locations. This unique design provides all these benefits in one compact enclosure.



### Features

- Ideal for existing construction or installing phone and video services
- Up to 4 phone line inputs to 8 locations
- 1 video input and 8 video outputs with a frequency response up to 1 GHz for satellite and cable TV
- Surface mount and convenient cutouts in the mounting plate facilitate cable runs and conceal cables from view

#### Part Number

70-0050

#### Dimensions

7.268" H x 7.5 W"

### 4-Gang 110 Phone Plate w/ Video Distribution

- Up to 4 phone lines to 8 locations
- 6-Way 1 GHz splitter for satellite and cable TV
- Mounts into a standard NEMA 4-gang box or 4-gang mounting bracket
- RJ45 test port



#### Part Number

70-0078

#### Description

4-Gang 4 x 8 110 Phone & 1 x 6 Splitter

### 2-Gang 110 Phone Plate

- Up to 4 Phone lines to 8 locations
- Mounts into a NEMA 2-gang box or 2-gang, low voltage mounting bracket
- RJ45 test port



#### Part Number

70-0080

#### Description

2-Gang 110 Phone Plate

# HDMI<sup>®</sup>

Cables | Accessories | HDBaseT<sup>™</sup> HDMI<sup>®</sup> Extenders



**TrueStream Pro**  
**18 Gbps HDMI<sup>®</sup> Cables**

P/N: 46-18XX-BK

**DataComm Electronics'** entire line of high performance HDMI® products offers consistent reliability and true high speed data transmission rates, ensuring signal integrity at any length. Our new line of HDBaseT HDMI Extenders allow you to extend your HDMI signal up to 330 feet!



DATA COMM  
ELECTRONICS™

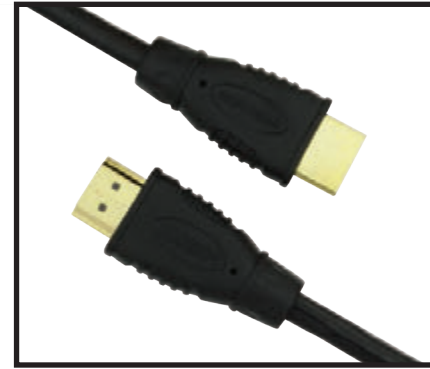


## TrueStream Pro 10.2 Gbps HDMI® Cables

- True 10.2 Gbps high speed performance
- 4K Ultra HD, Full HD 1080p, and Audio Return Channel
- 1080p 60 Hz at 8 bit color depth (full 48 bit deep color depth)
- 4K 60 Hz at 8 bit color depth / 30 Hz at 10 bit color depth
- HDCP 2.2 Compliant
- Supports all HDMI® High Speed features and audio formats
- Highly flexible cable for easy installation
- Backward compatible with all HDMI versions
- CL3 rated to UL standards for use in in-wall installations

Part Number	Length	Active/Passive
46-1000-BK	1.5 ft.	Passive
46-1003-BK	3 ft.	Passive
46-1006-BK	6 ft.	Passive
46-1009-BK	9 ft.	Passive
46-1012-BK	12 ft.	Passive
46-1015-BK	15 ft.	Passive
46-1020-BK	20 ft.	Active
46-1035-BK	35 ft.	Active
46-1050-BK	50 ft.	Active

- High Speed Premium HDMI Cables -



## TrueStream Pro 18 Gbps HDMI® Cables

- 18 Gbps High Speed HDMI Cables -



- True 18 Gbps bandwidth
- High Dynamic Range (HDR), 32 channel Multi-Stream Audio
- CEC Extensions, Dual-View, & 21:9 Aspect Ratio Support
- 4K Ultra HD 2160p
- 4K@24/30Hz at 16-bit color depth (4:4:4)
- 4K@60Hz up to 16-bit, color depth (4:2:0)
- HDCP 2.2 Compliant
- CL3 rated to UL standards for in-wall installation
- PrimePass Certified for guaranteed performance
- HDMI Certified

Part Number	Length	Active/Passive
46-1800-BK	1.5 ft.	Passive
46-1803-BK	3 ft.	Passive
46-1806-BK	6 ft.	Passive
46-1809-BK	9 ft.	Passive
46-1812-BK	12 ft.	Active
46-1815-BK	15 ft.	Active
46-1820-BK	20 ft.	Active



## TrueStream Pro HD Cable Active Linx



DataComm Electronics' TrueStream Pro HD Cable Active Linx is custom designed and built to work exclusively with our TrueStream Pro series of Ultra High Speed HDMI® Cables. Linked together, these two products can create length configurations to run 4K up to 100 feet! The best part is it's all DPL approved and certified.

Part Number	4K	18 Gbps	DPL Approved
46-8599-LX	✓	✓	✓

## Décor Plate Inserts

- Available with a single or dual 90° HDMI connector
- Compatible with all High Speed HDMI cables
- Can be installed with any manufacturer's décor style wall plate

Part Number	Description
20-4501-WH	Décor Wall Plate Insert w/ single 90° HDMI Connector
20-4502-WH	Décor Wall Plate Insert w/ dual 90° HDMI Connector



## Standard HDMI Wall Plates



- Available with a single or dual HDMI connector and pigtail
- Compatible with all High Speed HDMI cables
- Décor inserts can be removed from wall plate and used in multi-gang applications
- Pigtail length - 8.5"

Part Number	Description
20-4503-WH	Standard Wall Plate w/ HDMI Connector & Pigtail
20-4505-WH	Standard Wall Plate w/ Dual HDMI Connector & Pigtail

## HDMI Keystone Inserts

- Can be installed with any manufacturer's keystone wall plates
- Compatible with high speed HDMI cables
- Supports Ethernet channel
- Supports 4K Ultra HD
- Supports 3D resolution

Part Number	Description
20-4504-WH	HDMI Keystone Insert, White





## HDBaseT<sup>™</sup> HDMI<sup>®</sup> Extenders

DataComm Electronics' HDBaseT HDMI extenders allow your HDMI audio/video signal to be extended up to 330 feet over Cat 5e/6 UTP. These extenders are compatible with most audio/video devices and give you a big increase in signal distance without an increase in cost. All of DataComm's HDMI Extenders are Certified by DPL Laboratories for guaranteed performance.

### HDBaseT Lite<sup>™</sup> HDMI Extender

- Supports HDMI Deep Color, full 3D & 4K @ 30 (HDBaseT Lite Technology)
- Extends the transmission from the HDMI source up to 60m (198ft) at full HD 1080p 48-bit and 40m (130ft) at 4K @30
- HDCP & EDID Bypass
- CEC Support
- Auto equalization
- DTS-HD<sup>®</sup> Master Audio and Dolby TrueHD<sup>©</sup> high bit rate audio support
- Supports full frequency bi-directional IR signal pass-through
- Pure unaltered uncompressed 7.1ch digital HDMI over Cat 5e/6 cable transmission



Part Number	Description
46-0200-LT	HDBaseT Lite HDMI Extender

### HDBaseT Lite<sup>™</sup> HDMI Extender with RS-232 Port

- Supports HDMI Deep Color, full 3D & 4K @ 30 (HDBaseT Lite Technology)
- Extends the transmission from the HDMI source up to 60m (198ft) at full HD 1080p 48-bit and 40m (130ft) at 4K @30
- Supports POC (Power over Cable) which can power both units from either TX or RX with only one power supply
- HDCP & EDID Bypass
- CEC Support
- Auto equalization
- Pure unaltered uncompressed 7.1ch digital HDMI over Cat5e/6 cable transmission
- DTS-HD<sup>®</sup> Master Audio and Dolby TrueHD<sup>©</sup> high bit rate audio support
- Supports full frequency bi-directional IR signal pass-through
- Full Duplex RS-232 control (115,200 bps throughput)



Part Number	Description
46-0200-RS-LT	HDBaseT Lite HDMI Extender w/ RS-232



## HDBaseT™ HDMI Extender with RS-232 Port

- Supports HDMI Deep Color, full 3D & 4K @ 30 (HDBaseT Technology)
- Extends the transmission from the HDMI source up to 100m (330ft) at full HD 1080p 48-bit and 80m (264ft) at 4K @30
- Supports POC (Power over Cable) which can power both units from either TX or RX with only one power supply
- HDCP & EDID Bypass
- CEC Support
- Auto equalization
- Pure unaltered, uncompressed 7.1ch digital HDMI over Cat. 5e/6 cable transmission
- DTS-HD® Master Audio and Dolby TrueHD© high bit rate audio support
- Supports full frequency bi-directional IR signal pass-through
- Full Duplex RS-232 control (115,200 bps throughput)



Part Number	Description
46-0330-RS	HDBaseT HDMI Extender w/ RS-232

## HDBaseT™ HDMI Extender with RS-232 Port & Audio Return Channel

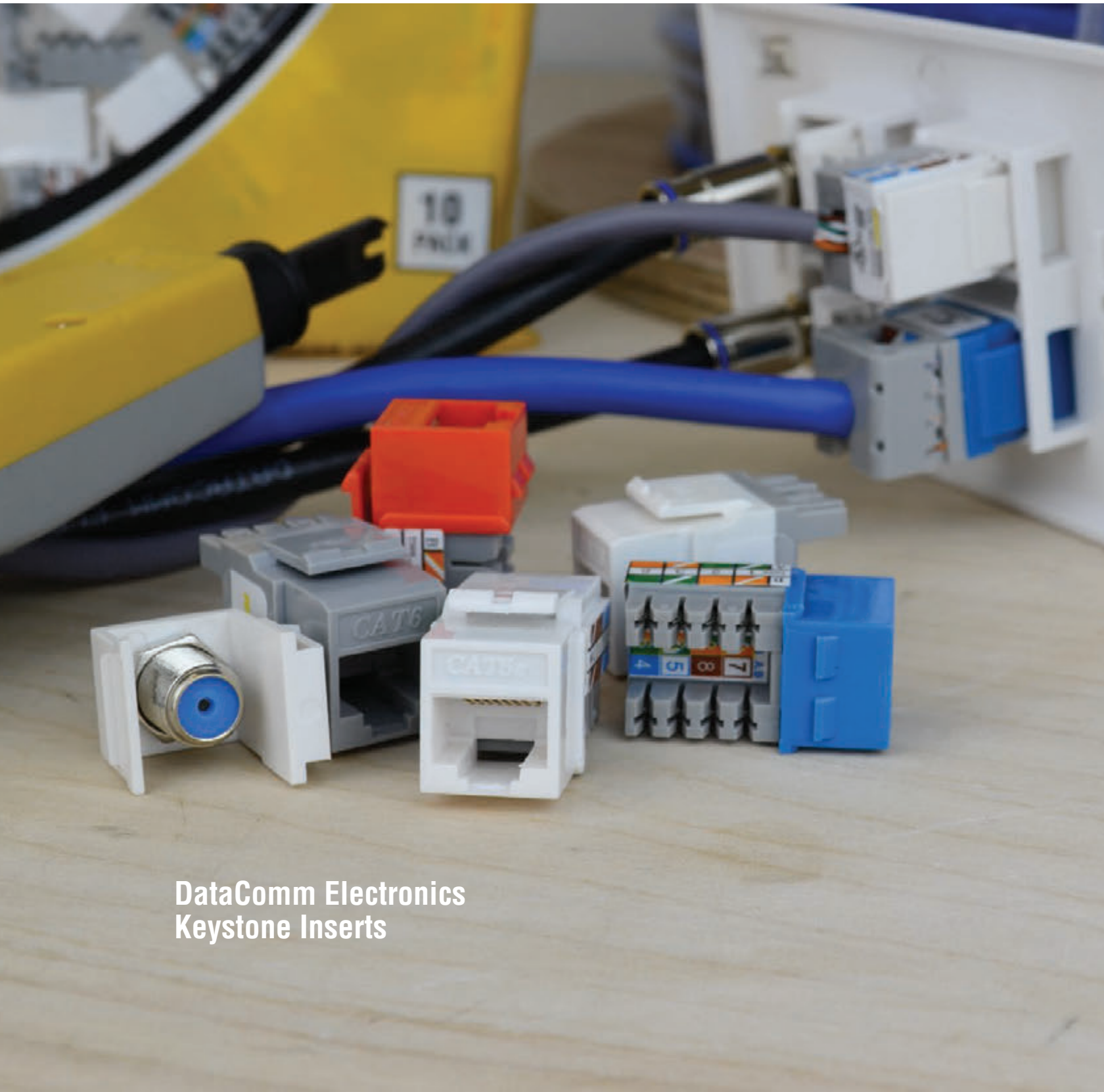
- Supports HDMI Deep Color, full 3D & 4K @ 30 (HDBaseT Technology)
- Extends the transmission from the HDMI source up to 100m (330ft) at full HD 1080p 48-bit and 80m (264ft) at 4K @30
- Supports POC (Power over Cable) which can power both units from either TX or RX with only one power supply
- Supports ARC (Audio Return Channel) on transmitter and receiver unit
- HDCP & EDID Bypass
- CEC Support
- Auto equalization
- USB 2.0 over Cat5e/6 cable transmission
- Analog audio over Cat5e/6 cable transmission from transmitter to receiver
- Pure unaltered, uncompressed 7.1ch digital HDMI over Cat5e/6 cable transmission
- DTS-HD® Master Audio and Dolby TrueHD© high bit rate audio support
- Supports full frequency bi-directional IR signal passthrough
- Full Duplex RS-232 control (115,200 bps throughput)
- Integrated port for LAN/network device



Part Number	Description
46-0330-RS-ARC	HDBaseT HDMI Extender w/ RS-232 & ARC

# Keystone Inserts

Cat 3 | Cat 5e | Cat 6 | F-Connector | RCA | Binding Post



DataComm Electronics  
Keystone Inserts

**DataComm Electronics** offers several keystone insert products in a variety of colors. These UL listed keystone inserts are designed to work with DataComm Electronics' keystone wallplates and surface mount boxes.



DATA COMM™  
ELECTRONICS





## Category 3 Jacks

### Features:

- 6-Position, 6-Conductor, RJ12
- Dual wiring code label allows connector to be wired with standard telephone wire or Category 5e wire
- Designed to work with residential or light commercial installations
- 110-type insulation displacement connectors (IDC)
- High-performance voice grade jack
- UL Listed
- Meets FCC Part 68 requirements
- 25-year product warranty



Part Number	10 Pack Part Number	Color
20-3423-BK	N/A	Black
20-3423-BR	N/A	Brown
20-3423-IV	N/A	Ivory
20-3423-LA	N/A	Lite Almond
20-3423-WH	20-3423-WH-10	White

Available in  
10 Pack Bags



## Category 5e Jacks



### Features:

- Color coded wiring labels for T568A, T568B, and 110 type IDC
- UL Listed
- Meets FCC Part 68
- Exceeds TIA/EIA Category 5e standards for high performance transmission
- Intended for residential and light commercial use
- 25 year product warranty

Part Number	10 Pack Part Number	Color
20-3425-AL	N/A	Almond
20-3425-BK	N/A	Black
20-3425-BL	20-3425-BL-10	Blue
20-3425-BR	N/A	Brown
20-3425-GY	N/A	Gray
20-3425-IV	20-3425-IV-10	Ivory
20-3425-LA	20-3425-LA-10	Lite Almond
20-3425-OR	20-3425-OR-10	Orange
20-3425-RD	N/A	Red
20-3425-WH	20-3425-WH-10	White
20-3425-YW	N/A	Yellow

Available in  
10 Pack Bags



## Category 6 Jacks

### Features:

- Color coded wiring labels for T568A, T568B, and 110 type IDC
- UL Listed
- Meets FCC Part 68
- Exceeds TIA/EIA Category 6 standards for high performance data transmission
- Intended for residential and light commercial use
- 25 year product warranty



Part Number	10 Pack Part Number	Color
20-3426-AL	N/A	Almond
20-3426-BK	N/A	Black
20-3426-BL	20-3426-BL-10	Blue
20-3426-BR	N/A	Brown
20-3426-GY	N/A	Gray
20-3426-IV	20-3426-IV-10	Ivory
20-3426-LA	N/A	Lite Almond
20-3426-OR	20-3426-OR-10	Orange
20-3426-WH	20-3426-WH-10	White



**Available in  
10 Pack Bags**

## Jack Termination Tool

DataComm Electronics' Jack Termination Tool with Category 3/5e Punch Set allows you to terminate and cut 8 wires in one easy step. The easy-squeeze handle design is ideal for large install jobs making this tool the ideal solution for the professional installer. Cat 6 punch set available separately.



\*Category 6 Punch Set Sold Separately

### Features:

- Steel frame offers professional style performance
- DataComm Category 3/5e jack punch set is included
- Compatible with DataComm's Category 3 (p/n: 20-3423-XX) and Category 5e (p/n: 20-3425-XX) Jacks
- Punch set is interchangeable with DataComm's Category 6 jack punch set (p/n: 20-0132) for use with DataComm's Category 6 Jacks (p/n: 20-3426-XX)

### Part Number Description

20-0130	Jack Termination Tool w/ Cat 3/5e Punch Set
20-0132	Interchangeable Cat 6 Punch Set

## F-Connectors

- Female-to-female connectors
- Screw-on front and rear connectors for easy termination
- Nickel plated connector



Available in  
10 Pack Bags



Part Number	Description	Color
20-3102-AL	1.0 GHz F-Connector	Almond
20-3102-BK	1.0 GHz F-Connector	Black
20-3102-BR	1.0 GHz F-Connector	Brown
20-3102-IV	1.0 GHz F-Connector	Ivory
20-3102-LA	1.0 GHz F-Connector	Lite Almond
20-3102-WH	1.0 GHz F-Connector	White
20-3202-AL	2.4 GHz F-Connector	Almond
20-3202-BK	2.4 GHz F-Connector	Black
20-3202-BR	2.4 GHz F-Connector	Brown
20-3202-IV	2.4 GHz F-Connector	Ivory
20-3202-LA	2.4 GHz F-Connector	Lite Almond
20-3202-LA-10	2.4 GHz F-Connector, 10 Pack	Lite Almond
20-3202-WH	2.4 GHz F-Connector	White
20-3202-WH-10	2.4 GHz F-Connector, 10 Pack	White
20-3302-LA	3.0 GHz F-Connector	Lite Almond
20-3302-WH	3.0 GHz F-Connector	White

## Blank Keystone Inserts

Part Number	Color
20-3101-AL	Almond
20-3101-BR	Brown
20-3101-IV	Ivory
20-3101-LA	Lite Almond
20-3101-WH	White
20-3101-BK	Black



## Keystone RCA to F-Connector

Part Number	Color
20-3104-WH	White
20-3104-WH/BK	White w/ Black Bezel
20-3104-WH/BL	White w/ Blue Bezel
20-3104-WH/GR	White w/ Green Bezel
20-3104-WH/RD	White w/ Red Bezel
20-3104-WH/YW	White w/ Yellow Bezel



## Keystone RCA to 110 Punch Down

Part Number	Color
20-3105-WH	White



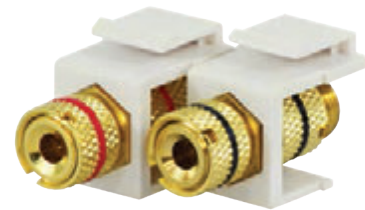
## Keystone RCA to RCA

Part Number	Color
20-3103-AL/BK	Almond w/ Black Bezel
20-3103-AL/RD	Almond w/ Red Bezel
20-3103-AL/WH	Almond w/ White Bezel
20-3103-AL/YW	Almond w/ Yellow Bezel
20-3103-LA/BK	Lite Almond w/ Black Bezel
20-3103-LA/BL	Lite Almond w/ Blue Bezel
20-3103-LA/GR	Lite Almond w/ Green Bezel
20-3103-LA/RD	Lite Almond w/ Red Bezel
20-3103-LA/WH	Lite Almond w/ White Bezel
20-3103-LA/YW	Lite Almond w/ Yellow Bezel
20-3103-WH/BK	White w/ Black Bezel
20-3103-WH/BL	White w/ Blue Bezel
20-3103-WH/GR	White w/ Green Bezel
20-3103-WH/RD	White w/ Red Bezel
20-3103-WH/WH	White w/ White Bezel
20-3103-WH/YW	White w/ Yellow Bezel



## Keystone Binding Post

Part Number	Color
20-3106-AL/BK	Almond w/ Black Bezel
20-3106-AL/RD	Almond w/ Red Bezel
20-3106-AL/WH	Almond w/ White Bezel
20-3106-AL/YW	Almond w/ Yellow Bezel
20-3106-IV/BK	Ivory w/ Black Bezel
20-3106-IV/RD	Ivory w/ Red Bezel
20-3106-IV/WH	Ivory w/ White Bezel
20-3106-IV/YW	Ivory w/ Yellow Bezel
20-3106-LA/BK	Lite Almond w/ Black Bezel
20-3106-LA/RD	Lite Almond w/ Red Bezel
20-3106-LA/WH	Lite Almond w/ White Bezel
20-3106-LA/YW	Lite Almond w/ Yellow Bezel
20-3106-WH/BK	White w/ Black Bezel
20-3106-WH/RD	White w/ Red Bezel
20-3106-WH/WH	White w/ White Bezel
20-3106-WH/YW	White w/ Yellow Bezel



# Keystone Plates

Standard Size | Mid-Size



**4-Port, Standard Size  
Keystone Plate**

P/N: 20-3004-WH



**DataComm Electronics'** Keystone Plates accept snap-in inserts made by DataComm Electronics and most other major manufacturers. These plates are made of non-breakable ABS plastic and are available in both standard and mid-size with your choice of seven (7) color options.



**DATA COMM**  
ELECTRONICS™



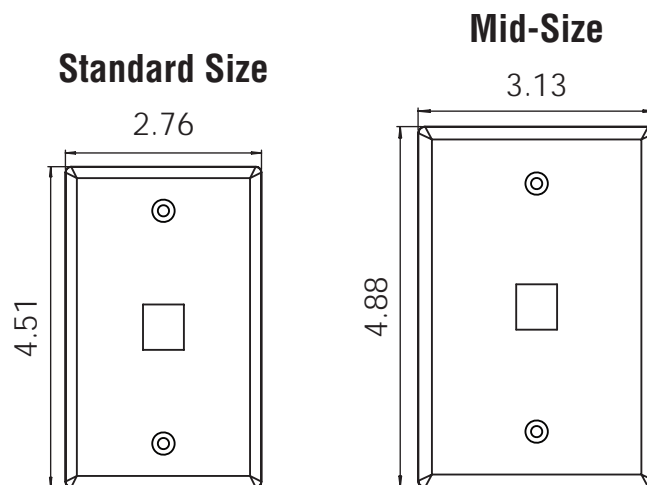
# Keystone Plates



## Features and Specs

- Standard and Mid-Size available
- 1, 2, 3, 4, and 6-port available
- Designed to accept all DataComm Electronics keystone products
- Non-breakable ABS plastic
- Smooth finish to match electrical devices
- Available in seven (7) colors: Almond (AL), Black (BK), Brown (BR), Gray (GY), Ivory (IV), Lite Almond (LA), and White (WH)
- UL Listed

## Drawings & Dimensions



### Keystone Plates - 1-Port, Standard Size

Part Number	Color
20-3001-AL	Almond
20-3001-BK	Black
20-3001-BR	Brown
20-3001-GY	Gray
20-3001-IV	Ivory
20-3001-LA	Lite Almond
20-3001-WH	White



### Keystone Plates - 2-Port, Standard Size

Part Number	Color
20-3002-AL	Almond
20-3002-BK	Black
20-3002-BR	Brown
20-3002-GY	Gray
20-3002-IV	Ivory
20-3002-LA	Lite Almond
20-3002-WH	White



### Keystone Plates - 3-Port, Standard Size

Part Number	Color
20-3003-AL	Almond
20-3003-BK	Black
20-3003-BR	Brown
20-3003-GY	Gray
20-3003-IV	Ivory
20-3003-LA	Lite Almond
20-3003-WH	White



### Keystone Plates - 4-Port, Standard Size

Part Number	Color
20-3004-AL	Almond
20-3004-BK	Black
20-3004-BR	Brown
20-3004-GY	Gray
20-3004-IV	Ivory
20-3004-LA	Lite Almond
20-3004-WH	White



**Keystone Plates:** 6-Port, Standard Size  
 1-Port, Mid-Size  
 2-Port, Mid-Size  
 3-Port, Mid-Size



**DATA COMM™**  
 ELECTRONICS

## Keystone Plates - 6-Port, Standard Size

Part Number	Color
20-3006-AL	Almond
20-3006-BK	Black
20-3006-BR	Brown
20-3006-GY	Gray
20-3006-IV	Ivory
20-3006-LA	Lite Almond
20-3006-WH	White



## Keystone Plates - 1-Port, Mid-Size

Part Number	Color
20-3011-AL	Almond
20-3011-BK	Black
20-3011-BR	Brown
20-3011-GY	Gray
20-3011-IV	Ivory
20-3011-LA	Lite Almond
20-3011-WH	White



## Keystone Plates - 2-Port, Mid-Size

Part Number	Color
20-3012-AL	Almond
20-3012-BK	Black
20-3012-BR	Brown
20-3012-GY	Gray
20-3012-IV	Ivory
20-3012-LA	Lite Almond
20-3012-WH	White



## Keystone Plates - 3-Port, Mid-Size

Part Number	Color
20-3013-AL	Almond
20-3013-BK	Black
20-3013-BR	Brown
20-3013-GY	Gray
20-3013-IV	Ivory
20-3013-LA	Lite Almond
20-3013-WH	White



### Keystone Plates - 4-Port, Mid-Size

Part Number	Color
20-3014-AL	Almond
20-3014-BK	Black
20-3014-BR	Brown
20-3014-GY	Gray
20-3014-IV	Ivory
20-3014-LA	Lite Almond
20-3014-WH	White



### Keystone Plates - 6-Port, Mid-Size

Part Number	Color
20-3016-AL	Almond
20-3016-BK	Black
20-3016-BR	Brown
20-3016-GY	Gray
20-3016-IV	Ivory
20-3016-LA	Lite Almond
20-3016-WH	White



### Color Options





# Telephone Accessories

Wall Plates | Surface Mounts | Connectors | Splitters



**DataComm Electronics**  
**Phone Plates & Accessories**

**DataComm Electronics'** easy to use plates feature patented color-matched connections that take the guesswork out of wire termination. In fact, our Color-Rite series is so innovative, it received U.S. patent number 6923675.



**DATA COMM**  
ELECTRONICS™



## Color-Rite™ Series

DataComm Electronics' Color-Rite™ phone termination is so innovative it has received a U.S. Patent. These products install correctly on the first try. They take the guesswork out of terminating connections, so even trainees can produce good results with minimal instruction.

### Features:

- Four conductor screw terminal wiring that color-matches the blue, blue/white, and orange, orange/white wiring for Cat 3 and Cat 5e cabling
- Four conductor terminal screws that color-match the red, green, black, and yellow wiring of station wire (ideal for retrofit work)
- Install with a low voltage mounting bracket
- Reduced training time for new installers
- Eliminates incorrect wiring to the terminal and costly project callbacks



### Color-Rite™ Standard Size Phone Plates

Part Number	UL Part Number	Description/Color
20-1511	22-0011	Standard Size, Ivory
20-1512	22-0012	Standard Size, White
20-1515	22-0015	Standard Size, Lite Almond

\*Standard Size Plate Dimensions - 2.75" x 4.50"



### Color-Rite™ Mid-Size Phone Plates

Part Number	UL Part Number	Description/Color
20-1521	22-0021	Mid-Size, Ivory
20-1522	22-0022	Mid-Size, White
20-1523	22-0023	Mid-Size, Brown
20-1525	22-0025	Mid-Size, Lite Almond

\*Mid-Size Plate Dimensions - 3.13" x 4.88"



## Color-Rite™ Dual Phone Plates

Smooth wall plate, 4 conductor for 2 lines or 1 phone and 1 data/fax

Part Number	UL Part Number	Description
20-1531	22-0031	Standard Size, Ivory
20-1532	22-0032	Standard Size, White
20-1535	22-0035	Standard Size, Lite Almond
20-1541	22-0041	Mid-Size, Ivory
20-1542	22-0042	Mid-Size, White
20-1545	22-0045	Mid-Size, Lite Almond



## Color-Rite™ Quick Mount Plate

Quick connect wall plate for use with wall type phones. Easy-to-use screw terminals



Part Number	UL Part Number	Color
20-1604	22-0104	Stainless Steel
20-1611	22-0111	Ivory
20-1612	22-0112	White
20-1615	22-0115	Lite Almond

## Color-Rite™ Surface Block - 4-Conductor

Surface mounting block for baseboards or walls. Screw terminals for easy connection

Part Number	UL Part Number	Color
20-2011	22-0211	Ivory
20-2012	22-0212	White
20-2015	22-0215	Lite Almond



## Color-Rite™ Combination Phone/Coax Plate

A single gang wall plate designed to accept modular 4 conductor phone connection and coax cable



Part Number	UL Part Number	Color/Description
40-1511	40-0011	Ivory, Standard Size
40-1512	40-0012	White, Standard Size
40-1515	40-0015	Lite Almond, Standard Size
40-1721	40-0021	Ivory, Mid-Size
40-1722	40-0022	White, Mid-Size
40-1725	40-0025	Lite Almond, Mid-Size

## Blank Wall Plate

Smooth wall plate for covering outlet box not in use.

Part Number	Description/Color
21-0022	Blank Mid-Size Plate, White
21-0025	Blank Mid-Size Plate, Lite Almond
21-0026	Blank Standard Plate, White
21-0027	Blank Standard Plate, Lite Almond
21-0028	Blank Standard Plate, Ivory



## Wall Plate w/ One Hole



Smooth wall plate that allows for the insertion of a connector or for a cable to be pulled through.

Part Number	UL Part Number	Color
31-0002	32-0702	White

## Coax Wall Plate - Standard Size

Single F to F type connection in a single gang wall plate.

Part Number	UL Part Number	Description/Color
30-2011	32-0011	Ivory Plate
30-2012	32-0012	White Plate
30-2013	32-0013	Brown Plate
30-2015	32-0015	Lite Almond Plate



## Coax Wall Plate - Mid-Size

Single F to F type connection in a single gang wall plate.



Part Number	UL Part Number	Description/Color
30-2021	32-0021	Ivory Plate
30-2022	32-0022	White Plate
30-2023	32-0023	Brown Plate
30-2025	32-0025	Lite Almond Plate



## Dual Coax Wall Plate

Single F to F type connection in a single gang wall plate.

Part Number	UL Part Number	Description/Color
30-2131	32-0031	Ivory Plate
30-2132	32-0032	White Plate
30-2135	32-0035	Lite Almond Plate



## 2.4 GHz Coax Wall Plates

Single F to F type connection in a single gang wall plate.



Part Number	Description
32-2024-BR	2.4 GHz Coax Wall Plate, Brown
32-2024-IV	2.4 GHz Coax Wall Plate, Ivory
32-2024-LA	2.4 GHz Coax Wall Plate, Lite Almond
32-2024-WH	2.4 GHz Coax Wall Plate, White

## Color-Rite™ Décor Wall Plate Insert

Décor wall plates are used to enhance custom interiors. Available in three colors.

Part Number	Description/Color
20-1711	4 Conductor, Ivory
20-1712	4 Conductor, White
20-1715	4 Conductor, Lite Almond



## Color-Rite™ Décor Dual Wall Plate Insert

Décor wall plate is designed to handle two phone lines from one location.



Part Number	Description/Color
20-1721	4 Conductor, Ivory
20-1722	4 Conductor, White
20-1725	4 Conductor, Lite Almond

## Color-Rite™ Décor Combo Phone/Coax Insert

Décor wall plate is designed to handle two phone lines from one location. Fits NEMA single gang box.

Part Number	Description/Color
40-1711	4 Conductor, Ivory
40-1712	4 Conductor, White
40-1715	4 Conductor, Lite Almond



## Décor Coax Wall Plates



Part Number	Description/Color
30-2311	Coax Wall Plate Décor, Ivory
30-2312	Coax Wall Plate Décor, White
30-2313	Coax Wall Plate Décor, Brown
30-2315	Coax Wall Plate Décor, Lite Almond
30-2321	Coax Wall Plate Décor, Ivory
30-2322	Coax Dual Wall Plate Décor, White
30-2325	Coax Dual Wall Plate Décor, Lite Almond

## Décor Wall Plates

Available in 1, 2, and 3-Gang.

Part Number	Description/Color
20-5111	Décor Wall Plate, 1-Gang, Ivory
20-5112	Décor Wall Plate, 1-Gang, White
20-5115	Décor Wall Plate, 1-Gang, Lite Almond
20-5121	Décor Wall Plate, 2-Gang, Ivory
20-5122	Décor Wall Plate, 2-Gang, White
20-5125	Décor Wall Plate, 2-Gang, Lite Almond
20-5132	Décor Wall Plate, 3-Gang, White
20-5135	Décor Wall Plate, 3-Gang, Lite Almond



## Décor Plate Inserts

Décor plate keystone inserts. Available in 1, 2, 3, and 4-Port in your choice of three colors.

Part Number	Description/Color
20-5142	Décor Plate Insert for 1 Keystone, White
20-5143	Décor Plate Insert for 1 Keystone, Ivory
20-5145	Décor Plate Insert for 1 Keystone, Lite Almond
20-5152	Décor Plate Insert for 2 Keystones, White
20-5153	Décor Plate Insert for 2 Keystones, Ivory
20-5155	Décor Plate Insert for 2 Keystones, Lite Almond
20-5162	Décor Plate Insert for 3 Keystones, White
20-5163	Décor Plate Insert for 3 Keystones, Ivory
20-5165	Décor Plate Insert for 3 Keystones, Lite Almond
20-5172	Décor Plate Insert for 4 Keystones, White
20-5173	Décor Plate Insert for 4 Keystones, Ivory
20-5175	Décor Plate Insert for 4 Keystones, Lite Almond



## Surface Mounts

1-port and 2-port surface mounting box for category 5e and category 6 jacks.



Part Number	Description/Color
20-5311	1-Port Surface for Keystone Modules, Ivory
20-5312	1-Port Surface for Keystone Modules, White
20-5313	1-Port Surface for Keystone Modules, Lite Almond
20-5321	2-Port Surface for Keystone Modules, Ivory
20-5322	2-Port Surface for Keystone Modules, White
20-5323	2-Port Surface for Keystone Modules, Lite Almond

# Coaxial Connectors

F-Type | BNC | Phone/Data | Insulation Displacement | Splitters



**BNC Compression Connector**

P/N: 41-0090





**DataComm Electronics** offers a line of compression fittings ranging from coaxial and BNC connectors to phone/data plugs and insulation displacement connectors.

**DATA COMM**  
ELECTRONICS  
TM



# Coaxial Connectors

Coaxial Connectors  
BNC Connectors

**DATA COMM**<sup>TM</sup>  
ELECTRONICS

## F-Type

### A. F-Connector Compression

Part Number	Description
30-2600	RG-59, Red
30-2606	RG-6 / RG-6 Quad, Black



A. F-Connector Compression



B. Crimpless Male Twist-On Connector

### B. Crimpless Male Twist-On Connector

Part Number	Description
30-1101	RG-59
30-1200	RG-6
30-1201	RG-6 Quad

### C. Crimp On Male with Attached 1/2" Crimp Ring

Part Number	Description
30-1205	RG-6
30-1300	RG-6 Quad



C. Crimp on Male w/  
Attached 1/2" Crimp Ring



D. F-Connector Right  
Angle Adaptor

### D. F-Connector Right Angle Adaptor

Part Number	Description
30-2500	Right Angle



E. Female to Female  
F-Connector Splice

### E. F-Connector Splice

Part Number	Description
30-1400	1.0 GHz

## BNC Connectors



F. BNC Male Twist-On



G. BNC Male Crimp

### F. BNC Compression Connector

Part Number	Description
41-0090	RG59U
41-0096	RG6U & Quad

### G. BNC Male Crimp

Part Number	Description
41-0020	RG59U
41-0025	RG6U

## BNC Connectors (Cont'd)

### A. BNC Male Twist-On

Part Number	Description
41-0030	RG59U
41-0035	RG6U



A. BNC Male Twist-On



B. BNC Male Quick Connect

### B. BNC Male Quick Crimp

Part Number	Description
41-0040	RG59U
41-0045	RG6U
41-0046	RG59U & RG6U Teflon

### C. BNC Female Twist-On

Part Number	Description
41-0049	RG59U & RG6U



C. BNC Female Twist-On



D. BNC T-Adapter

### D. BNC T-Adapter

Part Number	Description
41-0052	1 Male to 2 Female

### E. BNC Double Female Adapter

Part Number	Description
41-0055	Double Female



E. BNC Double Female Adapter



G. BNC Male to RCA Male

### G. BNC Male to RCA Male

Part Number	Description
41-0060	BNC to RCA

### H. BNC Male to RCA Female

Part Number	Description
41-0065	Male to Female



H. BNC Male to RCA Female



I. BNC Male to Female

### I. BNC Male to F Female

Part Number	Description
41-0070	Male to Female

## BNC Connectors (Cont'd)

### A. BNC Female to F Male

Part Number	Description
41-0075	Female to Male

### B. BNC Female to RCA Male

Part Number	Description
41-0080	Female to Male



B. BNC Female to F Male



B. BNC Female to RCA Male

## RCA Connectors



H. RCA Compression Connector



E. RCA Female to F Male



F. RCA Female to F Female



G. RCA Male to F Female

### H. RCA Compression Connector

Part Number	Description
42-0020	RG59U
42-0026	RG6U Quad

### E. RCA Female to F Male

Part Number	Description
42-0010	Female to Male

### F. RCA Female to F Female

Part Number	Description
42-0015	Female to Female

### G. RCA Male to F Female

Part Number	Description
42-0016	Male to Female

## Insulation Displacement Connectors

### H. UY IDC Connector

Part Number	Description
20-5722	2-Wire (26-22 AWG)

### I. UR IDC Connector

Part Number	Description
20-5723	3-Wire (26-19 AWG)



H. UY IDC Connector



I. UR IDC Connector

## Phone & Data Plugs

### A. RJ45

Part Number	Description
20-5703	RJ45, Cat 5e, 8 Conductor UTP
20-5706	RJ45, Cat 6, 8 Conductor UTP



A. RJ45, Cat 5e



A. RJ45, Cat 6

### B. RJ11

Part Number	Description
20-5701	RJ11, 4 Conductor UTP



B. RJ11



C. RJ12

### C. RJ12

Part Number	Description
20-5702	RJ12, 6 Conductor UTP

## 1.0 GHz Splitters

The 30-15XX series of splitters represent a new generation of passive products designed for higher frequency operation in international cable distribution systems. Printed circuits and special ferrite core material guarantee minimal insertion loss and optimal isolation and return loss up to 1 GHz. The series provides:

- > -130 dB EMI performance by soldering the back cover to the case
- > -100 dB EMI performance by employing a tongue and groove mating of case and back cover

Photo	Part Number	Description
A.	30-1512	2-Way
B.	30-1513	3-Way
C.	30-1514	4-Way
D.	30-1516	6-Way
E.	30-1518	8-Way



A.



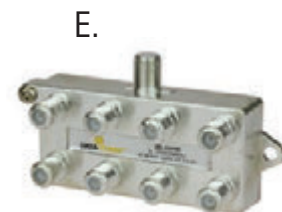
B.



C.



D.



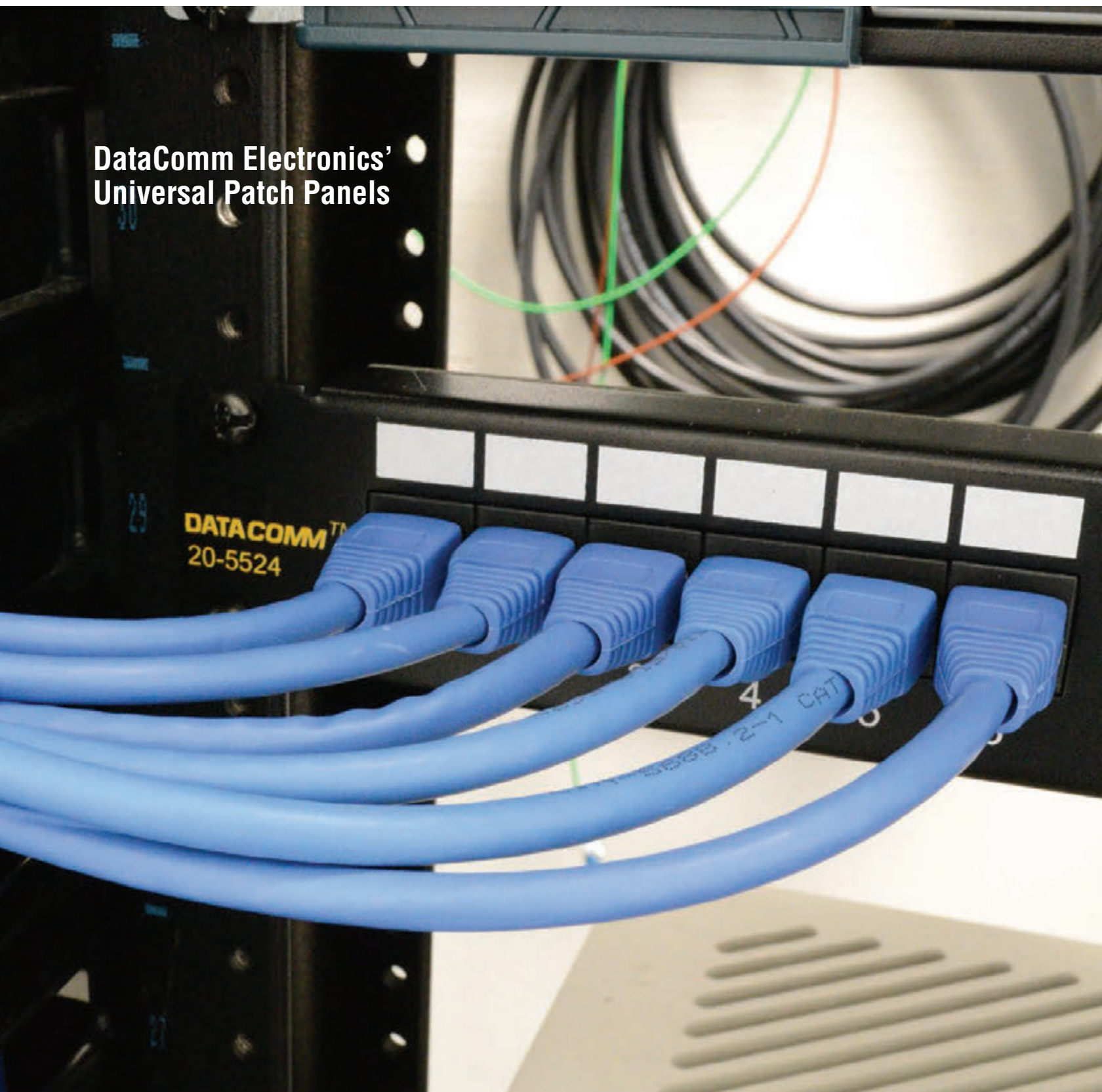
E.



# Patch Panels & Accessories

Patch Panels | Brackets | Wire Management | Patch Cords

**DataComm Electronics'  
Universal Patch Panels**







**DataComm Electronics'** Category 5e and Category 6 Patch Panels are designed and color coded for T568A and T568B wiring configurations and are designed to fit industry standard 19" racks and cabinets. These products also come with a 25-year product warranty and a 25-year Channel System warranty when terminated with Honeywell Genesis Cable.

**DATA COMM**  
ELECTRONICS  
TM



# Patch Panels



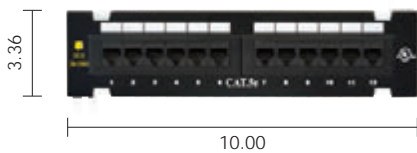
**DATA COMM**<sup>™</sup>  
ELECTRONICS

## Category 5e & Category 6 Patch Panels

### Features:

- Designed and color coded for TIA568A and TIA568B wiring configurations
- Meets all UL standards and requirements for category 5e & category 6 patch panels
- Intertek ETL Semko verified and tested to category 5e and category 6 industry standards & certifications
- 3P-Third Party Testing verified and tested to category 5e and category 6 industry standards & certifications
- Meets or exceeds all published TIA/EIA-568B guidelines for category 5e and category 6 requirements; meets FCC part 68
- Designed to fit all standard 19" racks and cabinets
- Patch panels come pre-configured with easy to read 110-style punch downs on the rear side and six-port RJ-45 front modules
- 16 gauge steel, black powder coated panel with UL 940-0 rated jack housing
- Connector spring wire contacts are 50 micro inches gold over nickel
- RoHS compliant
- 25-year product warranty
- 25-year Channel System Warranty when terminated with Honeywell Genesis Cable

### Mini Patch Panels



#### Part Number

#### Description

20-5502

Category 5e, 12-Port w/ 89D Mounting Bracket

20-5602

Category 6, 12-Port w/ 89D Mounting Bracket

### Universal Patch Panels

#### Part Number

#### Description

20-5512

Category 5e, 12-Port

20-5612

Category 6, 12-Port

#### Part Number

#### Description

20-5524

Category 5e, 24-Port

20-5624

Category 6, 24-Port

#### Part Number

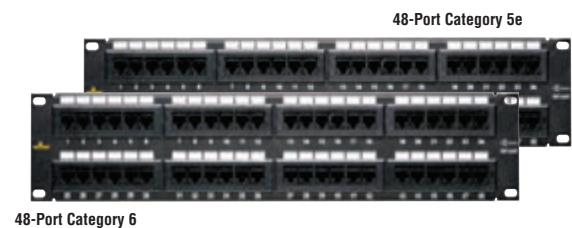
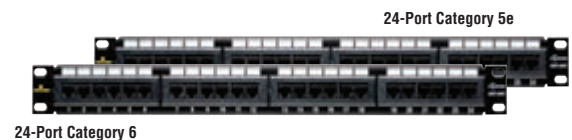
#### Description

20-5548

Category 5e, 48-Port

20-5648

Category 6, 48-Port



## Patch Panel Accessories

### 19" Rack Cable Management Wire Holder

- For use with any 19" rack mount patch panel

**Part Number**

20-5550



### 1U Hinged Wall Mount Bracket

- Universal left or right hinge mounting
- For use with any 19" rack mount patch panel
- 6" deep mounting bracket

**Part Number**

20-5551



### 2U Hinged Wall Mount Bracket

- Universal left or right hinge mounting
- For use with any 19" rack mount patch panel
- 6" deep mounting bracket

**Part Number**

20-5552



### 24-Port Blank Patch Panel

- For use with any 19" rack mount patch panel

**Part Number**

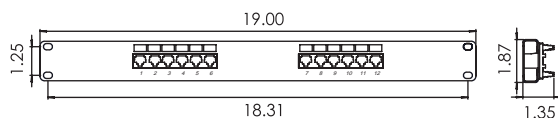
20-5024



## Drawings & Dimensions

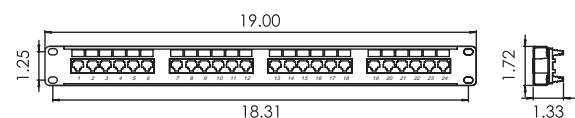
**20-5512:** Category 5e 12-Port Patch Panel

**20-5612:** Category 6 12-Port Patch Panel



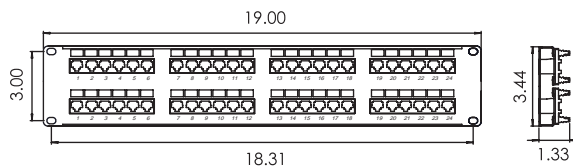
**20-5524:** Category 5e 24-Port Patch Panel

**20-5624:** Category 6 24-Port Patch Panel



**20-5548:** Category 5e 48-Port Patch Panel

**20-5648:** Category 6 48-Port Patch Panel



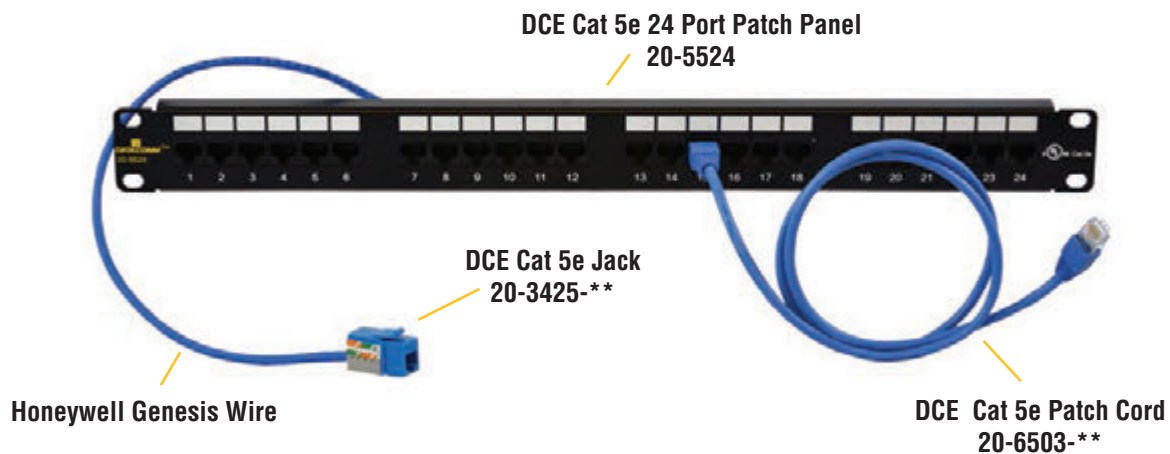
## Features and Specs

### Patch Cords

- Exceeds TIA/EIA Category 5e standards for high performance transmission
- Exceeds TIA/EIA Category 6 standards for high performance transmission
- Stranded conductor for longer flex life
- Improved strain relief
- Available in 5 lengths: 1 ft., 3 ft., 7 ft., 10 ft., 15 ft., and 25 ft.
- Available in 2 colors: Blue (BL) and White (WH)
- Materials: 24 AWG, UTP stranded conductor, 8-conductor plus, 94V-0 rated
- Category 5e complies with all TSB-95 requirements
- Category 6 complies with all TIA/EIA-568B.2-1 requirements
- Meets FCC Part 68
- UL Listed
- ETL Verified for performance
- 20 year product warranty

### 25-Year Channel System Warranty

When using DataComm Electronics' Patch Panels, Patch Cords, Category 5e Jacks, and Category 6 Jacks with Honeywell Genesis Category 5e Cable (number 5078, 5088, and 5090) and Honeywell Genesis Category 6 Cable (numbers 5092 and 5102).



## Category 5e Patch Cords

Part Number	Length / Color
20-6501-BL	1 ft., Blue
20-6501-WH	1 ft., White
20-6503-BL	3 ft., Blue
20-6503-WH	3 ft., White
20-6507-BL	7 ft., Blue
20-6507-WH	7 ft., White
20-6510-BL	10 ft., Blue
20-6510-WH	10 ft., White
20-6515-BL	15 ft., Blue
20-6515-WH	15 ft., White
20-6525-BL	25 ft., Blue
20-6525-WH	25 ft., White



## Category 6 Patch Cords

Part Number	Length / Color
20-6601-BL	1 ft., Blue
20-6601-WH	1 ft., White
20-6603-BL	3 ft., Blue
20-6603-WH	3 ft., White
20-6607-BL	7 ft., Blue
20-6607-WH	7 ft., White
20-6610-BL	10 ft., Blue
20-6610-WH	10 ft., White
20-6615-BL	15 ft., Blue
20-6615-WH	15 ft., White
20-6625-BL	25 ft., Blue
20-6625-WH	25 ft., White





# DATA AND TELECOM CONNECTIVITY SOLUTIONS



**DATA COMM**<sup>TM</sup>  
ELECTRONICS



# DATA AND TELECOM CONNECTIVITY SOLUTIONS

Since 1998, **DataComm Electronics** has been pioneering innovative solutions for structured wiring. Industry-wide, we are known as the manufacturer who listens to customers, delivering the reliable and affordable products needed to boost efficiency, reduce costs and meet the demands of an ever-evolving marketplace. At DataComm, we are passionate about our industry and proud of the products we develop and deliver.

By keeping our designs simple and installer-friendly, DataComm Electronics has become an industry recognized brand name and a leading manufacturer

of data and telecom connectivity solutions. Our latest offering of new, redesigned Cat 6 Jacks and the addition of Cat 5e and Cat 6 Patch Cords are only a small example of our product line that is continuously expanding and improving. We now also offer a complete 25-year Channel System Warranty featuring our connectivity products in conjunction with Honeywell Genesis Cable.

## Keystone Jack F-Connectors

PART #	DESCRIPTION
20-3102-**	1 GHz, AL, BR, IV, LA, WH
20-3202-**	2.4 GHz, AL, BR, IV, LA, WH

- 1 GHz and 2.4 GHz available
- Female-to-female connectors
- Available in 5 colors
- Screw-on front and rear connections for easy termination
- Blue insert easily identifies 2.4 GHz version
- Nickel plated connector



## F-Connector Coax Wall Plates

PART #	DESCRIPTION
32-0011	1 GHz, Ivory
32-0012	1 GHz, White
32-0013	1 GHz, Brown
32-0015	1 GHz, Lite Almond
32-2024-IV	2.4 GHz, Ivory
32-2024-WH	2.4 GHz, White
32-2024-BR	2.4 GHz, Brown
32-2024-LA	2.4 GHz, Lite Almond
32-0031	1 GHz, Dual Coax, Ivory
32-0032	1 GHz, Dual Coax, White
32-0033	1 GHz, Dual Coax, Brown
32-0035	1 GHz, Dual Coax, Lite Almond

\*Also available in a mid-size wall plate\*



- 1 GHz and 2.4 GHz available
- Female-to-female connectors
- Available in 4 colors
- Also available in a mid-size wall plate
- Blue insert easily identifies 2.4 GHz version
- Nickel plated connector



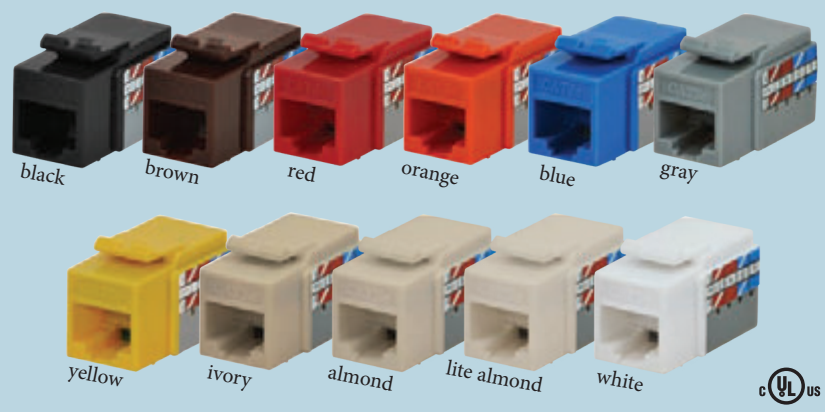
Cat 3 Voice Grade Jacks	
PART #	DESCRIPTION
20-3423-**	BK, BR, IV, LA, WH

- 6-position, 6-conductor, RJ-11
- Color coded for Cat 3 and station wire
- Offered in 5 colors
- 20-year product warranty



Cat 5e Data Jacks	
PART #	DESCRIPTION
20-3425-**	AL, BK, BL, BR, GY, IV, LA, OR, RD, WH, YW

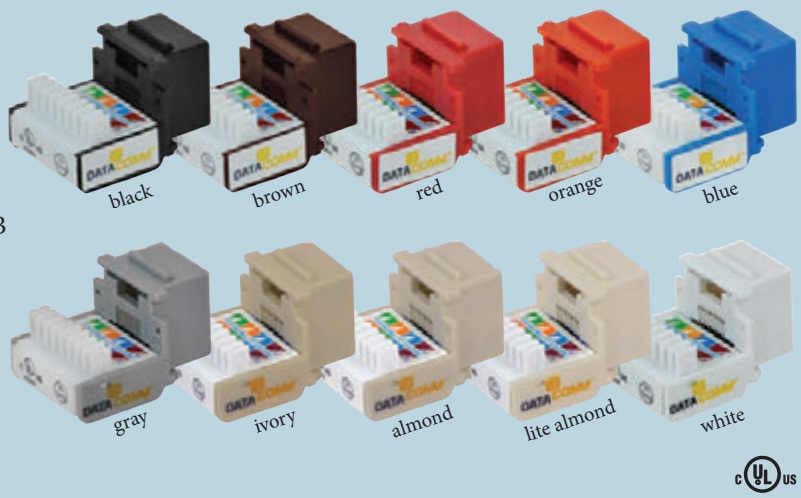
- 8-position, 8-conductor, RJ-45
- High performance Cat 5e jacks
- Meets FCC part 68
- Offered in 11 colors
- 25-year Channel System Warranty when terminated with Honeywell Genesis Cable
- 20-year product warranty
- Exceeds TIA/EIA Category 5e standards for high performance data transmission up to 100 MHz



- Designed to work with the Fluke JackRapid™ tool.
- Color coded wiring labels for T568A and T568B

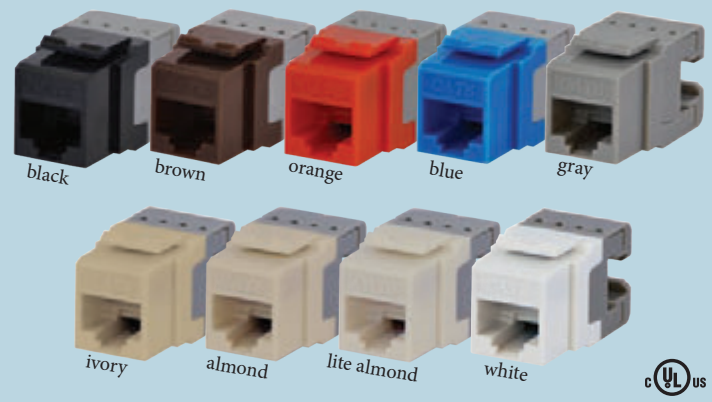
Cat 5e Jacks with rear IDC Termination	
PART #	DESCRIPTION
20-3405-**	AL, BK, BL, BR, GY, IV, LA, OR, RD, WH

- 8-position, 8-conductor, RJ-45
- Color coded wiring labels for T568A and T568B
- Exceeds TIA/EIA Category 5e standards for high performance data transmission up to 100 MHz
- High performance Cat 5e jacks
- Meets FCC part 68
- Offered in 10 colors



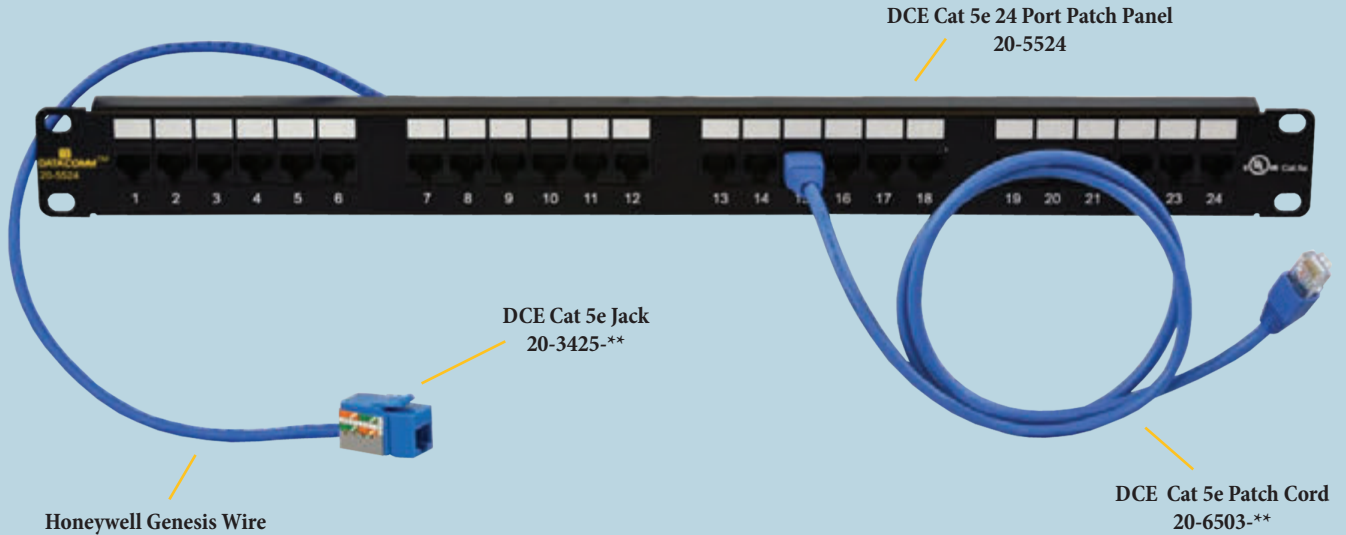
Cat 6 Jacks with 180° Termination	
PART #	DESCRIPTION
20-3426-**	AL, BK, BL, BR, GY, IV, LA, OR, WH

- 8-position, 8-conductor, RJ-45
- Exceeds TIA/EIA Category 6 standards for high performance data transmission up to 250 MHz
- Color coded wiring labels for T568A and T568B
- Meets FCC part 68
- 20-year product warranty
- Offered in 9 colors





**DataComm Electronics Announces Our New  
25-Year Channel System Warranty  
in Conjunction with Honeywell Genesis Cable**



DataComm Electronics, in conjunction with Honeywell Genesis, announces our new 25-Year Cat 5e and Cat 6 Channel System Warranty Program. Ask your DataComm Electronics or Honeywell Genesis Cable Distributor for more details.

**DATACOMM ELECTRONICS WARRANTY PRODUCT NUMBERS:**

**Qualified Cat 5e Products:**

**Cat 5e Jack:** Series 20-3425-\*\*: AL, BK, BL, BR, GY, IV, LA, OR, RD, WH, YW

**Cat 5e Patch Panels:** 20-5502, 20-5512, 20-5524 and 20-5548

**Cat 5e Patch Cords:**  
 1 ft: 20-6501-BL, WH, YW      15 ft: 20-6515-BL, WH, YW  
 3 ft: 20-6503-BL, WH, YW      25 ft: 20-6525-BL, WH, YW  
 7 ft: 20-6507-BL, WH, YW      50 ft: 20-6550-BL, WH, YW

**Qualified Cat 6 Products:**

**Cat 6 Jack :** Series 20-3426-\*\*: AL, BK, BL, BR, GY, IV, LA, OR, WH

**Cat 6 Patch Panels:** 20-5602, 20-5612, 20-5624 and 20-5648

**Cat 6 Patch Cords:**  
 1 ft: 20-6601-BL, WH      15 ft: 20-6615-BL, WH, YW  
 3 ft: 20-6603-BL, WH      25 ft: 20-6625-BL, WH, YW  
 7 ft: 20-6607-BL, WH      50 ft: 20-6650-BL, WH, YW

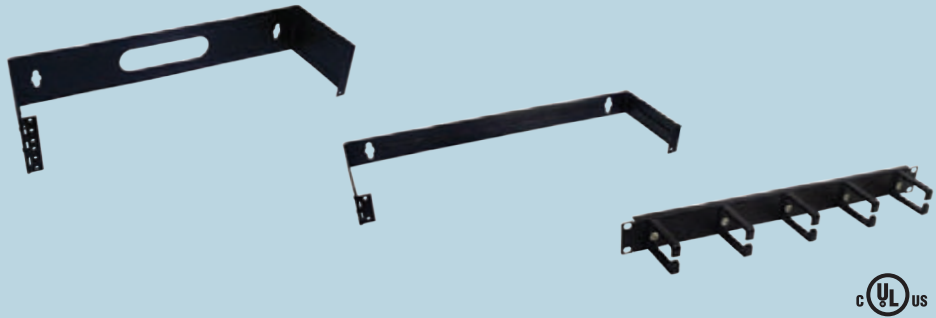
**QUALIFYING HONEYWELL GENESIS PRODUCT NUMBERS:**

**Cat 5e Cable:** 5078, 5088, 5090

**Cat 6 Cable:** 5092, 5102

**Wall Mount Brackets**

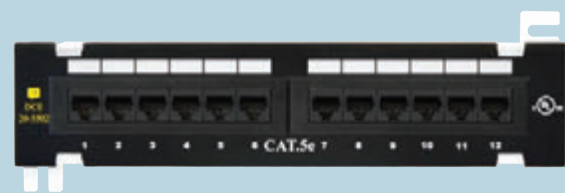
PART #	DESCRIPTION
20-5550	19" Rack Cable Mgmt. Wire Holder
20-5551	1U Hinged
20-5552	2U Hinged

**Cat 5e & Cat 6 Patch Panels**

PART #	DESCRIPTION
20-5502	Cat 5e, 12-Port Mini with 89D Mounting Bracket
20-5512	Cat 5e, 12 Port
20-5524	Cat 5e, 24 Port
20-5548	Cat 5e, 48 Port
20-5602	Cat 6, 12-Port Mini with 89D Mounting Bracket
20-5612	Cat 6, 12 Port
20-5624	Cat 6, 24 Port
20-5648	Cat 6, 48 Port



- Intertek ETL Semko verified and tested to Cat 5e and Cat 6 industry standards and certifications
- Third Party Testing (3P) verified and tested to Cat 5e and Cat 6 industry standards and certifications
- Meets or exceeds all published TIA/EIA-568-B guidelines for Cat 5e and Cat 6 requirements
- Designed and color coded for T586A and T586B wiring configurations
- 16 gauge steel, black painted panel with UL 94V-0 rated jack housing
- Designed to fit all standard 19" racks and cabinets

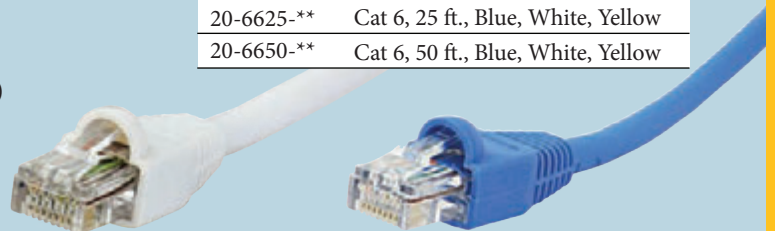


- All panels are RoHS compliant
- Meets FCC Part 68

**Cat 5e & Cat 6 Patch Cords**

PART #	DESCRIPTION
20-6501-**	Cat 5e, 1 ft., Blue, White, Yellow
20-6503-**	Cat 5e, 3 ft., Blue, White, Yellow
20-6507-**	Cat 5e, 7 ft., Blue, White, Yellow
20-6515-**	Cat 5e, 15 ft., Blue, White, Yellow
20-6525-**	Cat 5e, 25 ft., Blue, White, Yellow
20-6550-**	Cat 5e, 50 ft., Blue, White, Yellow
20-6601-**	Cat 6, 1 ft., Blue, White, Yellow
20-6603-**	Cat 6, 3 ft., Blue, White, Yellow
20-6607-**	Cat 6, 7 ft., Blue, White, Yellow
20-6615-**	Cat 6, 15 ft., Blue, White, Yellow
20-6625-**	Cat 6, 25 ft., Blue, White, Yellow
20-6650-**	Cat 6, 50 ft., Blue, White, Yellow

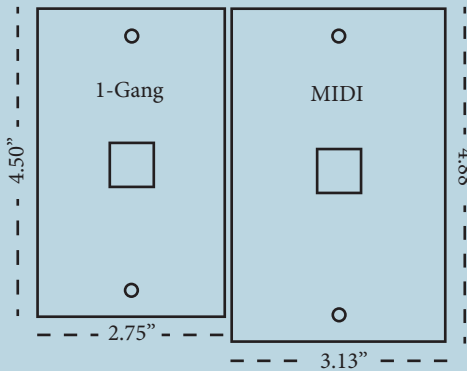
- Super Flex Patch Cord Cable 4-pair 24AWG UTP
- UL listed and ETL verified to TIA/EIA-568B.2 standards
- Available in 3 colors: blue (BL), white (WH), yellow (YW)
- Available in 1ft, 3ft, 7ft, 10ft, 15ft, 25ft, 50ft lengths





**Keystone Wall Plates**

PART #	DESCRIPTION
20-3001-**	1-gang, 1-port, 7 colors
20-3002-**	1-gang, 2-ports, 7 colors
20-3003-**	1-gang, 3-ports, 7 colors
20-3004-**	1-gang, 4-ports, 7 colors
20-3006-**	1-gang, 6-ports, 7 colors
20-3011-**	MIDI, 1-port, 7 colors
20-3012-**	MIDI, 2-ports, 7 colors
20-3013-**	MIDI, 3-ports, 7 colors
20-3014-**	MIDI, 4-ports, 7 colors
20-3016-**	MIDI, 6-ports, 7 colors

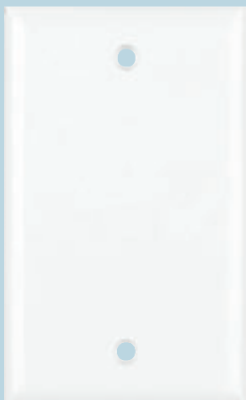


- Single Gang and Mid-Size (MIDI) available
- 1, 2, 3, 4, and 6-port available
- Designed to accept all DataComm Electronics keystone products
- Non-breakable ABS plastic
- Smooth finish to match electrical devices
- Available in 7 colors: Almond (AL), Black (BK), Brown (BR), Gray (GY), Ivory (IV), Lite Almond (LA), White (WH)

**Blank MIDI Wall Plates**

PART #	DESCRIPTION
22-0701	Ivory
22-0702	White
22-0703	Lite Almond

- Blank wall plate for covering outlet box not in use
- Fits a NEMA single gang box
- Available in 3 colors



**Surface Mount Box**

PART #	DESCRIPTION
22-0211	Ivory
22-0212	White
22-0215	Lite Almond

- RJ11
- 4 conductor
- Screw terminals for easy connection
- For baseboards or walls
- Available in 3 colors



**1 & 2 Port Surface Mounting Boxes**

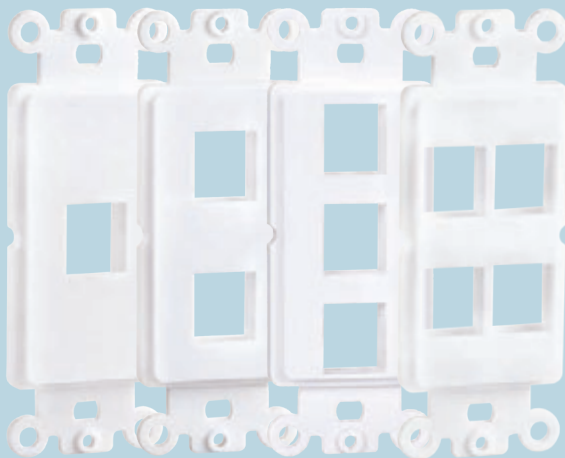
PART #	DESCRIPTION
20-5311	1-Port, Ivory
20-5312	1-Port, White
20-5313	1-Port, Lite Almond
20-5321	2-Port, Ivory
20-5322	2-Port, White
20-5323	2-Port, Lite Almond

- Designed for voice grade, Cat 5e and Cat 6 jacks
- Available in 3 colors
- Available in 1-port and 2-port



**Keystone Decor Inserts**

PART #	DESCRIPTION
20-5142	1-Port, White
20-5143	1-Port, Ivory
20-5145	1-Port, Lite Almond
20-5152	2-Port, White
20-5153	2-Port, Ivory
20-5155	2-Port, Lite Almond
20-5162	3-Port, White
20-5163	3-Port, Ivory
20-5165	3-Port, Lite Almond
20-5172	4-Port, White
20-5173	4-Port, Ivory
20-5175	4-Port, Lite Almond

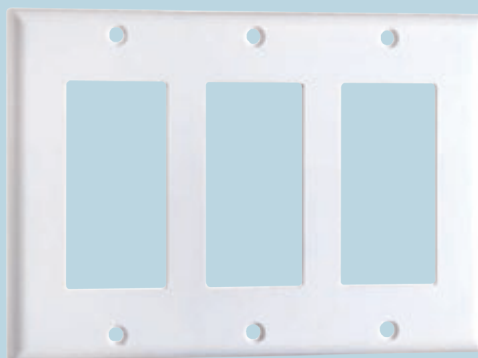


- Use with any Decor style wall plate
- Fits a NEMA single gang box or low voltage mounting bracket
- Non-breakable ABS plastic



**Decor Wall Plates**

PART #	DESCRIPTION
20-5111	1-Gang, Ivory
20-5112	1-Gang, White
20-5115	1-Gang, Lite Almond
20-5121	2-Gang, Ivory
20-5122	2-Gang, White
20-5125	2-Gang, Lite Almond
20-5132	3-Gang White
20-5135	3-Gang, Lite Almond



- Designed to accept DataComm Electronics decor Keystone Inserts
- Smooth finish to match electrical devices
- Non-breakable ABS plastic



**Keystone Insert Female RCA**

PART #	DESCRIPTION
20-3103-**/**	Available in 14 color combinations



white/red white/black



**Keystone RCA to Female Connector**

PART #	DESCRIPTION
20-3104-**/**	Available in 6 color combinations



white/white



**Keystone RCA to 110 Punch Down**

PART #	DESCRIPTION
20-3105-WH	White



**Keystone Insert Female Binding Post**

PART #	DESCRIPTION
20-3106-**/**	Available in 16 color combinations



white/red white/black



**Blank Inserts**

PART #	DESCRIPTION
20-3101-**	AL, BR, IV, LA, WH



white lite almond



**HDMI Keystone Insert**

PART #	DESCRIPTION
20-4504-WH	White





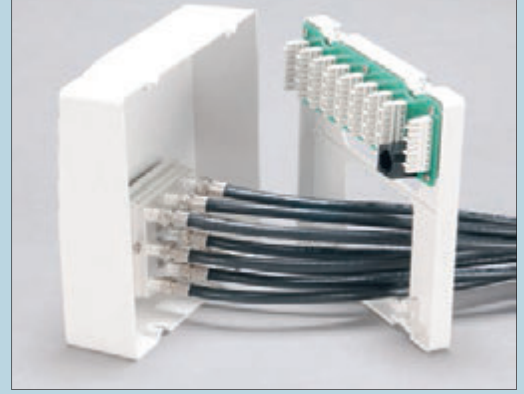
**Home Command Center II**

PART #	DESCRIPTION
70-0050	White

- Economical solution for both multi-family and single-family homes
- Up to 4 phone line inputs to 8 locations
- 1 video input and 8 video outputs
- Frequency response up to 1 GHz
- RJ45 test port
- Surface mount and convenient cutouts in the mounting plate to conceal cables from view and facilitate cable runs



U.S. Patent # 6768055B1

**110 Phone Plate with Video Distribution**

PART #	DESCRIPTION
70-0078	4-Gang, White

- Simple solution for termination phone and video in one location
- Up to 4 phone lines to 8 locations
- 6-way 1 GHz splitter
- RJ45 test port
- Mounts into a standard NEMA 4-gang box or 4-gang mounting bracket

**2-Gang 110 Phone Plate**

PART #	DESCRIPTION
70-0080	White

- Simple solution for terminating phone lines on jobs that don't involve structured wiring
- Up to 4 phone lines to 8 locations
- Mounts into a standard NEMA 2-gang box or 2-gang mounting bracket

**Phone Wall Plate**

PART #	DESCRIPTION
22-0011	Ivory
22-0012	White
22-0015	Lite Almond

- Available in 3 colors
- 4-position
- 4-conductor
- RJ-11

**Wall Plate Phone Jack**

PART #	DESCRIPTION
22-0104	Stainless Steel
22-0111	Ivory
22-0112	White
22-0115	Lite Almond

- Available in 4 colors
- 4-position
- 4-conductor
- RJ-11



# HOME THEATER AND HDMI ACCESSORIES



# HOME THEATER AND HDMI ACCESSORIES

Since 1998, **DataComm Electronics** has been pioneering innovative solutions for structured wiring. Industry-wide, we are known as the manufacturer who listens to customers, delivering the reliable and affordable products needed to boost efficiency, reduce costs and meet the demands of an ever-evolving marketplace. At DataComm, we are passionate about our industry and proud of the products we develop and deliver.

By keeping our designs simple and installer-friendly, DataComm Electronics has become an industry recognized brand name and a leading manufacturer of home theater and HDMI accessories. Hiding wires

that tail flat screen TVs, cable boxes and other home theater devices has never been easier. We understand that everyone's home is unique, and with our vast selection of cable plates you will certainly find a product to fit every home theater installation, no matter how simple or complex it may be. DataComm's new line of HDMI cables have the ability to transmit high quality HDMI signals with true high speed and performance.

## Recessed Low Voltage Cable Plates

PART #	DESCRIPTION
45-0001-**	1-Gang: BK, BR, IV, LA, WH
45-0002-**	2-Gang: BK, BR, IV, LA, WH
45-0003-**	3-Gang: BK, BR, IV, LA, WH

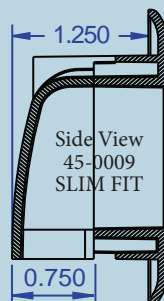
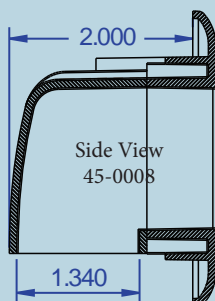
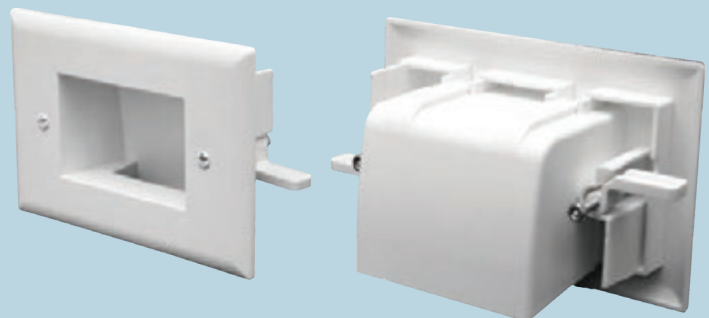
- Available in 1-gang, 2-gang and 3-gang
- Available in 5 colors
- Can be installed upright or upside down
- Designed to be used with 1-gang, 2-gang and 3-gang low voltage mounting brackets made by any major manufacturer

## Easy Mount Low Voltage Cable Plate

PART #	DESCRIPTION
45-0008-**	BK, IV, LA, WH
45-0009-**	Slim Fit: BK, IV, LA, WH



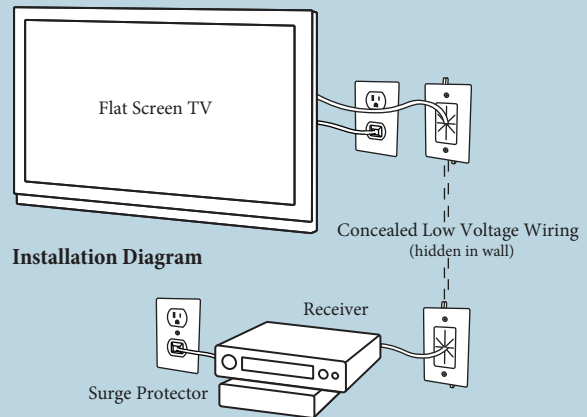
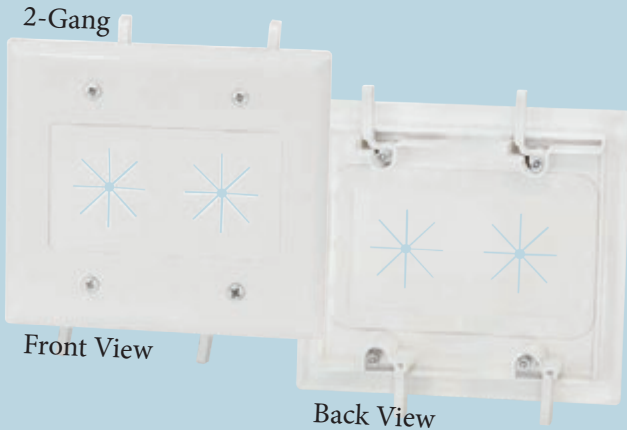
This product is patent protected by U.S. Patent numbers: 7390964, D553475, and D554475.



- Conceal multiple AV cables behind your flat panel TV
- Can be installed upright or upside down
- Mounting wings are molded into the plate and fasten tightly against the back of the drywall
- Slim Fit size (45-0009) is designed for applications where the wall cavity is 3/4" to 1" in depth
- Available in 4 colors
- Available in 2 sizes

**Cable Plate with Flexible Opening**

PART #	DESCRIPTION
45-0014-BK	1-Gang, Black
45-0014-IV	1-Gang, Ivory
45-0014-LA	1-Gang, Lite Almond
45-0014-WH	1-Gang, White
45-0015-BK	2-Gang, Black
45-0015-IV	2-Gang, Ivory
45-0015-LA	2-Gang, Lite Almond
45-0015-WH	2-Gang, White



- Allows you to pass low voltage cables through the wall while keeping the opening in the wall covered
- Perfect for eliminating connections at the wall
- 1-gang holds up to 6 cables
- 2-gang holds up to 12 cables
- Available in 4 colors and 2 sizes

- Mounting wings are molded into the cable plate and fasten tightly against the back of the drywall
- No additional parts necessary



This product is patent protected by U.S. Patent number: 7495171.

**Décor Flexible Insert**

PART #	DESCRIPTION
45-0016-WH	Décor Insert, White



- Can be installed with any manufacturer's décor style wall plate
- Allows you to pass low voltage cables through the wall while keeping the opening in the wall covered
- Perfect for eliminating connections at the wall
- Holds up to 6 cables



This product is patent protected by U.S. Patent number: 7495171.

**Flexible Split-Plate**

PART #	DESCRIPTION
45-0017-WH	1-Gang, White



- Designed to allow additional cables to be added without disconnecting existing cables
- Install top and bottom half of cable plate to a low voltage mounting bracket
- Allows you to pass low voltage cables through the wall while keeping the opening in the wall covered
- Perfect for eliminating connections at the wall
- Holds up to 6 cables



This product is patent protected by U.S. Patent number: 7495171.



**Recessed Pro-Power Kit with Duplex Receptacle and Straight Blade Inlet**

PART #	DESCRIPTION
45-0024-WH	Duplex Receptacle, White

**Parts Included:**

- Recessed Low Voltage Mid-Size Plate
- 15 Amp/125 Volt Tamper Resistant Duplex Receptacle
- Recessed Low Voltage Cable Plate with Straight Blade Inlet
- 2 Electrical Outlet Boxes
- 4 Screws per Outlet Box
- 6 Ft. 16/2 with Ground Cord Set with with 360° Rotating Head



**Recessed Pro-Power Kit with Duplex Surge Suppressor and Straight Blade Inlet**

PART #	DESCRIPTION
45-0028-WH	Duplex Surge Suppressor, White

**Parts Included:**

- Recessed Low Voltage Mid-Size Plate
- 15 Amp/125 Volt Duplex Surge Suppressor\*
- Recessed Low Voltage Cable Plate with Straight Blade Inlet
- 2 Electrical Outlet Boxes
- 4 Screws per Outlet Box
- 6 Ft. 16/2 with Ground Cord Set with with 360° Rotating Head



**Features of the 45-0024-WH & 45-0028-WH:**

- Low profile design fits behind the industry's thinnest mounts and TV's
- Conceal multiple AV cables behind your flat panel TV
- Outlet boxes included
- Male end of extension cord has a 360° rotating flat head for easy access to any outlet
- Female end of extension cord is recessed completely into the wall when plugged into the straight blade inlet
- Flexible screen closes the interior opening of both the Mid-Size Plate and the Straight Blade Inlet (shown on next page beneath 45-0081)
- Metal mounting wings are molded into the media plate and fasten tightly against the back of the drywall for a quick and easy installation

**Additional Features of the 45-0028-WH (Surge Suppressor only):**

- 15 Amp/125 Volt duplex surge receptacle\*
- Maximum surge current - 15,000 amps
- Clamping Response Time - 1 nanosecond
- Hot/Neutral, Hot/Ground, Neutral/Ground
- Total maximum surge dissipation - 480 joules



These products are patent protected by U.S. Patent numbers: D553475, D554475 and 7390964.  
\*UL Recognized Component.

**Recessed Low Voltage Mid-Size Plate with Duplex Receptacle**

PART #	DESCRIPTION
45-0071-WH	Duplex Receptacle, White



Mid-Size Plate Dimensions: 5.0" H x 7.0" W

- Features of the 45-0071-WH & 45-0081-WH:**
- Low profile design fits behind the industry's thinnest mounts and TV's
  - Conceal multiple AV cables behind your flat panel TV
  - 15 Amp/125 Volt duplex receptacle (45-0071-WH receptacle is tamper resistant)
  - Outlet box included
  - Flexible screen closes the interior opening of the Mid-Size Plate
  - Metal mounting wings are molded into the media plate and fasten tightly against the back of the drywall
  - Quick and easy to install
  - No additional parts necessary

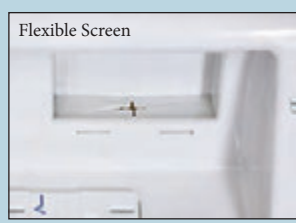
**Recessed Low Voltage Mid-Size Plate with Duplex Surge Suppressor**

PART #	DESCRIPTION
45-0081-WH	Duplex Surge Suppressor, White



Mid-Size Plate Dimensions: 5.0" H x 7.0" W

- Additional Features of the 45-0081-WH Surge Suppressor:**
- 15 Amp/125 Volt duplex surge receptacle\*
  - Maximum surge current - 15,000 amps
  - Clamping Response Time - 1 nanosecond
  - Hot/Neutral, Hot/Ground, Neutral/Ground
  - Total maximum surge dissipation - 480 joules



Flexible screen covers the opening in the following products:

- › 45-0024-WH
- › 45-0028-WH
- › 45-0071-WH
- › 45-0081-WH

**Recessed Low Voltage Media Plate with Duplex Receptacle**

PART #	DESCRIPTION
45-0031-WH	Duplex Receptacle, White



Media Plate Dimensions: 8.1" H x 7.6 W"

- Features of the 45-0031-WH & 45-0041-WH:**
- Low profile design fits behind the industry's thinnest mounts and TV's
  - Conceal multiple AV cables behind your flat panel TV
  - 15 Amp/125 Volt duplex receptacle
  - Outlet box included
  - Metal mounting wings are molded into the media plate and fasten tightly against the back of the drywall
  - Quick and easy to install
  - No additional parts necessary

**Recessed Low Voltage Media Plate with Duplex Surge Suppressor**

PART #	DESCRIPTION
45-0041-WH	Duplex Surge Suppressor, White



Media Plate Dimensions: 8.1" H x 7.6 W"

- Additional Features of the 45-0041-WH Surge Suppressor:**
- 15 Amp/125 Volt duplex surge receptacle\*
  - Maximum surge current - 12,000 amps
  - Peak suppression voltage - 1,000 volts
    - › Hot/Neutral, Hot/Ground, Neutral/Ground
  - Total maximum surge dissipation - 340 joules



All products on this page are patent protected by U.S. Patent numbers: D553475, D554475 and 7390964.  
 \*UL Recognized Component.



**Expandable Media Box  
with Duplex Receptacle**

PART #	DESCRIPTION
45-0051-WH	Duplex Receptacle, White

**Expandable Media Box  
with Duplex Surge Suppressor**

PART #	DESCRIPTION
45-0061-WH	Duplex Surge Suppressor, White



Media Box Dimensions: 8.1" H x 7.6" W



RoHS Compliant. Multiple Patents Pending.  
\*UL Recognized Component.

**Features of the 45-0051-WH & 45-0061-WH:**

- Low profile design fits behind the industry's thinnest mounts and TV's
- Conceal multiple AV cables and accessories behind your HDTV or other display device
- 15 Amp/125 Volt duplex receptacle (45-0051-WH receptacle is tamper resistant)
- Outlet box included
- Wall box storage capacity increases by 50% when the expandable portion is extended into the wall
- Metal mounting wings are molded into the media plate and fasten tightly against the back of the drywall

**Additional Features of the 45-0061-WH Surge Suppressor:**

- 15 Amp/125 Volt duplex surge receptacle\*
- Maximum surge current - 15,000 amps
- Clamping Response Time - 1 nanosecond
- Hot/Neutral, Hot/Ground, Neutral/Ground
- Total maximum surge dissipation - 480 joules

**Interchangeable Inserts:**

- Flexible Opening Plate
- Blank Plate
- 6-Port Keystone Plate

**Recessed Pro-Power Kit  
with Locking Inlet**

PART #	DESCRIPTION
45-0022-WH	White

- Grounded recessed single receptacle\* allows you to install power behind your flat panel TV or similar applications
- Mounting wings are molded into the plate and fasten tightly against the back of the drywall



This product is patent protected by U.S. Patent numbers: 7390964, D553475, and D554475.  
\*UR, UL Recognized Component.

**Parts Included:**

- Recessed Low Voltage Cable Plate with Recessed Power - 6 Ft. 16/2 with Ground Locking
- Recessed Low Voltage Cable Plate with Locking Inlet - Extension Cord

**Recessed Low Voltage Cable Plate  
with Recessed Power**

PART #	DESCRIPTION
45-0021-BK	Black
45-0021-GY	Gray
45-0021-WH	White

**Recessed Low Voltage Cable Plate  
with 20 Amp Recessed Power**

PART #	DESCRIPTION
45-0020-WH	Commercial Grade, White



This product is patent protected by U.S. Patent numbers: 7390964, D553475, and D554475.  
\*UR, UL Recognized Component.



- Conceal multiple A/V cables behind your HDTV
- Can be installed upright or upside down
- Grounded 15 Amp recessed receptacle\* allows you to install power behind your HDTV or similar applications
- Grounded 20 Amp recessed receptacle\* allows you to install power in commercial applications
- Mounting wings are molded into the plate and fasten tightly against the back of the drywall

Recessed Media Box	
PART #	DESCRIPTION
45-0010-BK	Black
45-0010-WH	White

- Parts Included:**
- Recessed Media Box
  - Cover Plate
  - 4 Wall Plate Screws
  - Black Foam Tape
  - 2 #6 Wood Screws
  - 4 Small Threaded Screws
  - Screwdriver



- Conceal multiple A/V cables behind your flat panel TV
- Can be installed upright or upside down
- Mounting Wings are molded into the box and fasten tightly against the back of the drywall
- 4 Retrofit Mounting Tabs are molded into the box and can be snapped off in applications where the product is installed in new construction or remodeling
- Available in 2 colors



This product is patent protected by U.S. Patent number: 7495171.

Standard Wall Plate with HDMI Connector and Pigtail	
PART #	DESCRIPTION
20-4503-WH	Single HDMI Connector
20-4505-WH	Dual HDMI Connector

- Securely attach HDMI cords to the front of the wall plate and to the end of the pigtail
- Available with a single or dual HDMI connector and pigtail
- Compatible with High Speed HDMI cords with Ethernet



Décor Wall Plate Insert with 90° HDMI Connector	
PART #	DESCRIPTION
20-4501-WH	Single HDMI Connector
20-4502-WH	Dual HDMI Connector



- Can be installed with any manufacturer's décor style wall plate
- Securely attach HDMI cords to the front and back of the insert
- Available with a single or dual 90° HDMI connector
- Compatible with High Speed HDMI cords with Ethernet

Front View      Back View



HDMI Keystone Insert	
PART #	DESCRIPTION
20-4504-WH	White

- Snaps into any keystone style wall plate
- Securely attach HDMI cords to the front and back of the insert
- Compatible with High Speed HDMI cords with Ethernet



## DataComm Electronics Announces Our New High Speed & Performance HDMI Cables

HDMI  
ETHERNET

3D  
COMPATIBLE

4K X 2K  
1080P

AUDIO RETURN  
CHANNEL

### High Speed Premium HDMI Cables

PART #	DESCRIPTION
46-7503-BK	3 Ft. HDMI Cable, Black
46-7506-BK	6 Ft. HDMI Cable, Black
46-7509-BK	9 Ft. HDMI Cable, Black
46-7512-BK	12 Ft. HDMI Cable, Black
46-7515-BK	15 Ft. HDMI Cable, Black



DataComm Electronics is proud to announce a new line of premium HDMI cables that offer true high speed and performance. Our high quality cables support every function and feature within the HDMI high speed specifications. These features and specifications are listed below.

- Data speed transfer exceeds 10.2 Gbps
- HDMI Ethernet connectivity with HEAC (HDMI, Ethernet, Audio, Control)
  - › 100 Mbps base Ethernet
  - › Audio Return Channel
  - › 5.1, 7.1 Surround Sound
- 3D Signal Integrity
- 4K x 2K Resolution
- True high speed and performance
- 25 Ft. and 50 Ft. HDMI cables contain RedMere® Technology
- Gold plated HDMI connectors
- Full HD ready: 1080P signal and display
  - › 720P, 1080i, 1080P, 4K X 2K, 1440P
- 48-Bit Deep Color
- 30 Hz, 60 Hz, 120 Hz and 240 Hz refresh rates
- Oxygen Free Copper
- Full Plug and Play compatible
- Backwards compatible for all HDMI versions
- Available in 7 lengths: 3 Ft., 6 Ft., 9 Ft., 12 Ft., 15 Ft., 25 Ft. and 50 Ft.

