



CRAFTMADE

VENTS & CHIMES



Table of Contents

Chimes and Buttons

| | |
|---|----|
| • Chimes..... | 03 |
| NEW - Illuminated Door Chimes | 04 |
| - Westminster Chimes | 12 |
| - Designer Chimes | 14 |
| - Premium Builder Chime Kits | 26 |
| - Builder Chime Kits..... | 27 |
| • Buttons | 29 |
| - Touch Buttons..... | 30 |
| NEW - Concealed Mounting Hardware | 32 |
| - Designer Surface Mount Pushbuttons..... | 40 |
| - Builder Surface Mount Pushbuttons..... | 45 |
| - Builder Recessed Pushbuttons | 46 |
| • Transformers | 47 |

Ventilation

| | |
|--|----|
| NEW • Low Profile Decorative Ventilation | 49 |
| • Fresh Air Ventilation Series | 58 |
| • Decorative Ventilation | 61 |
| • Builder Ventilation | 62 |

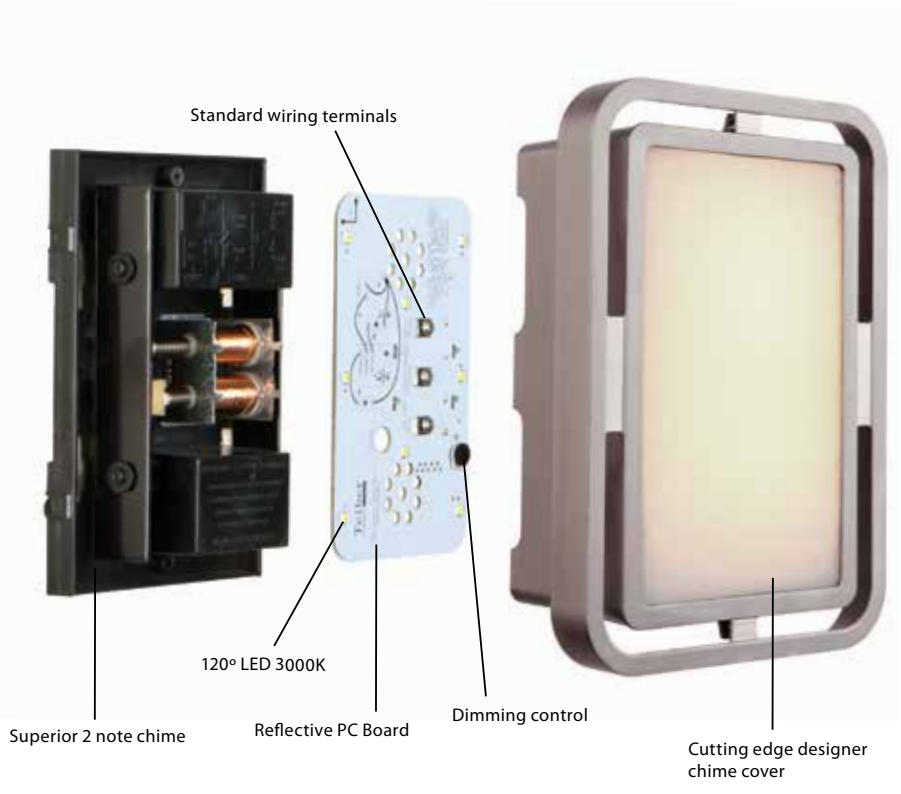


CRAFTMADE™



Illuminated Door Chimes

- 19 designer illuminated covers
- Interior lit LED chime box enhances designs
- Beautiful light patterns – direct or indirect
- Night light functionality
- Works with standard mechanical pushbuttons or our Touch Technology Buttons
- Same beautiful 2-note chime tones as other Craftmade decorative chimes
- Standard chime installation using 16V transformer and 18ga wire – can replace most existing chimes with no rewiring
- Light adjustment knob for dimming function to personalize light output - light flashes when doorbell rings
- LED's - Lifetime Warranty - 3000K color temperature



Illuminated Door Chimes

A ICH1710-BNK



B ICH1710-BCP



| ■ | MODEL | FINISH | DESCRIPTION | SOUND | TRANSFORMER | HANGING POSITION | DIMENSIONS |
|---|-------------|-------------------------|--|--|-------------|------------------|---|
| A | ICH1710-BNK | Brushed Polished Nickel | Recessed illuminated chime with seeded artisan glass | 2 Notes on Front Door 1 Note on Second Door | 16 Volt | Vertical | 11.5"H x 6.5"W x 2.5"D Recessed Housing: 7.0"H x 5.0"W x 2.25"D |
| B | ICH1710-BCP | Brushed Copper | Recessed illuminated chime with seeded artisan glass | 2 Notes on Front Door 1 Note on Second Door | 16 Volt | Vertical | 11.5"H x 6.5"W x 2.5"D Recessed Housing: 7.0"H x 5.0"W x 2.25"D |

A ICH1720-BCP



B ICH1720-BNK



| ■ | MODEL | FINISH | DESCRIPTION | SOUND | TRANSFORMER | HANGING POSITION | DIMENSIONS |
|---|-------------|-------------------------|---|--|-------------|------------------|--|
| A | ICH1720-BCP | Brushed Copper | Recessed illuminated chime with round artisan glass | 2 Notes on Front Door 1 Note on Second Door | 16 Volt | Vertical | 8.25"H x 5.9"W x 1.13"D Recessed Housing: 7.0"H x 5.0"W x 2.25"D |
| B | ICH1720-BNK | Brushed Polished Nickel | Recessed illuminated chime with round artisan glass | 2 Notes on Front Door 1 Note on Second Door | 16 Volt | Vertical | 8.25"H x 5.9"W x 1.13"D Recessed Housing: 7.0"H x 5.0"W x 2.25"D |

A ICH1735-BNK



B ICH1735-OB



| ■ | MODEL | FINISH | DESCRIPTION | SOUND | TRANSFORMER | HANGING POSITION | DIMENSIONS |
|---|-------------|-------------------------|--|--|-------------|------------------|-------------------------|
| A | ICH1735-BNK | Brushed Polished Nickel | Metal frame LED illuminated chime with white linen glass | 2 Notes on Front Door 1 Note on Second Door | 16 Volt | Vertical | 10.25"H x 7.0"W x 3.5"D |
| B | ICH1735-OB | Oiled Bronze | Metal frame LED illuminated chime with white linen glass | 2 Notes on Front Door 1 Note on Second Door | 16 Volt | Vertical | 10.25"H x 7.0"W x 3.5"D |

A ICH1715-CH



B ICH1725-BNK



C ICH1730-GV



| ■ | MODEL | FINISH | DESCRIPTION | SOUND | TRANSFORMER | HANGING POSITION | DIMENSIONS |
|---|-------------|-------------------------|---|--|-------------|-------------------------|---|
| A | ICH1715-CH | Chrome | Recessed LED illuminated chime with artisan glass | 2 Notes on Front Door 1 Note on Second Door | 16 Volt | Vertical and Horizontal | 9.75"H x 7.5"W x 1.13"D Recessed Housing: 7.0"H x 5.0"W x 2.25"D |
| B | ICH1725-BNK | Brushed Polished Nickel | Recessed LED illuminated wedge chime | 2 Notes on Front Door 1 Note on Second Door | 16 Volt | Vertical | 8.75"H x 6.25"W x 1.75"D Recessed Housing: 7.0"H x 5.0"W x 2.25"D |
| C | ICH1730-GV | Galvanized Steel | Corrugated steel recessed LED illuminated chime | 2 Notes on Front Door 1 Note on Second Door | 16 Volt | Vertical and Horizontal | 7.75"H x 6.75"W x 1.0"D Recessed Housing: 7.0"H x 5.0"W x 2.25"D |

A ICH1620-BN



B ICH1660-OB



| ■ | MODEL | FINISH | DESCRIPTION | SOUND | TRANSFORMER | HANGING POSITION | DIMENSIONS |
|---|------------|----------------------|--|--|-------------|-------------------------|----------------------------|
| A | ICH1620-BN | Brushed Satin Nickel | Hand carved circular design LED illuminated chime with frosted glass | 2 Notes on Front Door 1 Note on Second Door | 16 Volt | Horizontal | 8.75"H x 10.0"W x 4.25"D |
| B | ICH1660-OB | Oiled Bronze | Geometric pattern LED illuminated chime with frosted glass | 2 Notes on Front Door 1 Note on Second Door | 16 Volt | Vertical and Horizontal | 10.325"H x 8.25"W x 4.25"D |

A ICH1600-AI



B ICH1630-OB



C ICH1605-AI



| ■ | MODEL | FINISH | DESCRIPTION | SOUND | TRANSFORMER | HANGING POSITION | DIMENSIONS |
|---|------------|--------------|---|--|-------------|-------------------------|---------------------------|
| A | ICH1600-AI | Aged Iron | Industrial rectangle LED illuminated chime | 2 Notes on Front Door 1 Note on Second Door | 16 Volt | Vertical and Horizontal | 9.125"H x 5.25"W x 3.5"D |
| B | ICH1630-OB | Oiled Bronze | Framed scroll LED illuminated chime with amber frosted glass | 2 Notes on Front Door 1 Note on Second Door | 16 Volt | Vertical and Horizontal | 11.5"H x 8.375"W x 4.75"D |
| C | ICH1605-AI | Aged Iron | Rectangular LED illuminated chime with frosted striated glass | 2 Notes on Front Door 1 Note on Second Door | 16 Volt | Vertical and Horizontal | 9.25"H x 6.25"W x 4.125"D |

A ICH1405-PT



B ICH1415-OBG



| ■ | MODEL | FINISH | DESCRIPTION | SOUND | TRANSFORMER | HANGING POSITION | DIMENSIONS |
|---|--------------|------------------------|--|--|-------------|-------------------------|--------------------------|
| A | ICH1405-PT* | Pewter | Half cylinder LED illuminated chime with frosted white glass | 2 Notes on Front Door 1 Note on Second Door | 16 Volt | Vertical and Horizontal | 9.5"H x 6.75"W x 3.125"D |
| B | ICH1415-OBG* | Oiled Bronze Gilded | Half cylinder LED illuminated chime with tea-stained glass | 2 Notes on Front Door 1 Note on Second Door | 16 Volt | Vertical and Horizontal | 9.5"H x 6.75"W x 3.125"D |

*Also available in non-illuminated version (See page 17)

A ICH1520-OB



B ICH1515-BK



C ICH1505-BK



| MODEL | FINISH | DESCRIPTION | SOUND | TRANSFORMER | HANGING POSITION | DIMENSIONS |
|---------------|--------------|--|--|-------------|------------------|----------------------------|
| A ICH1520-OB | Oiled Bronze | Hand carved crown molding LED illuminated chime with white linen glass | 2 Notes on Front Door 1 Note on Second Door | 16 Volt | Vertical | 10.875"H x 8.675"W x 5.0"D |
| B ICH1515-BK* | Matte Black | Hand-carved scroll design LED illuminated chime with tea-stained glass | 2 Notes on Front Door 1 Note on Second Door | 16 Volt | Vertical | 10.0"H x 8.13"W x 4.75"D |
| C ICH1505-BK* | Matte Black | Hand carved window pane LED illuminated chime with tea-stained glass | 2 Notes on Front Door 1 Note on Second Door | 16 Volt | Vertical | 10.0"H x 7.0"W x 4.4"D |

*Also available in non-illuminated version (See page 21)

Westminster Chimes

A C4-PW



B C3-PW



| MODEL | FINISH | DESCRIPTION | SOUND | TRANSFORMER | HANGING POSITION | DIMENSIONS |
|---------|----------------|---|---|-------------|------------------|-----------------------------|
| A C4-PW | Antique Pewter | Rosewood cabinet with a traditional medallion inset | Select 8 or 4 note setting for the front door/1 note on second and third door with volume control | 16 Volt | Vertical | 56.75"H x 10.75"W x 4.375"D |
| B C3-PW | Antique Pewter | Rosewood cabinet with a traditional medallion inset | Select 8 or 4 note setting for the front door/1 note on second and third door with volume control | 16 Volt | Horizontal | 16.75"H x 10.0"W x 4.25"D |

A CA4-RC



B CA3-RC



| ■ | MODEL | FINISH | DESCRIPTION | SOUND | TRANSFORMER | HANGING POSITION | DIMENSIONS |
|---|--------|---------------------|---|---|-------------|------------------|-----------------------------|
| A | CA4-RC | Renaissance Crackle | Elegantly carved cabinet with solid brass tubes in Renaissance Crackle finish | Select 8 or 4 note setting for the front door/1 note on second and third door with volume control | 16 Volt | Vertical | 58.5"H x 12.125"W x 4.75"D |
| B | CA3-RC | Renaissance Crackle | Elaborately carved scroll work design on cabinet | Select 8 or 4 note setting for the front door/1 note on second and third door with volume control | 16 Volt | Horizontal | 19.0"H x 10.125"W x 4.125"D |

Designer Chimes

A CH1305-WW



B CH2401-EBY



NEW

| ■ | MODEL | FINISH | DESCRIPTION | SOUND | TRANSFORMER | HANGING POSITION | DIMENSIONS |
|---|------------|------------|------------------|--|-------------|-------------------------|--------------------------|
| A | CH1305-WW | White Wash | Shiplap design | 2 Notes on Front Door 1 Note on Second Door | 16 Volt | Vertical and Horizontal | 8.5"H x 6.25"W x 2.5"D |
| B | CH2401-EBY | Ebony | Hand-hewn design | 2 Notes on Front Door 1 Note on Second Door | 16 Volt | Vertical and Horizontal | 8.5"H x 6.13"W x 2.375"D |

A CBB-FRG



B CTPAB-BK



NEW

| ■ | MODEL | FINISH | DESCRIPTION | SOUND | TRANSFORMER | HANGING POSITION | DIMENSIONS |
|---|----------|-------------|--------------------------------------|--|-------------|-------------------------|---------------------------|
| A | CBB-FRG | French Gray | Grooved cover | 2 Notes on Front Door 1 Note on Second Door | 16 Volt | Vertical and Horizontal | 8.0"H x 6.125"W x 2.125"D |
| B | CTPAB-BK | Black | Patina Aged Brass resonance chambers | 2 Notes on Front Door 1 Note on Second Door | 16 Volt | Vertical | 8.375"H x 7.0"W x 2.25"D |

A CH1901-SS



B CC-BN



| ■ | MODEL | FINISH | DESCRIPTION | SOUND | TRANSFORMER | HANGING POSITION | DIMENSIONS |
|---|-----------|----------------------|---------------------------|--|-------------|-------------------------|----------------------------|
| A | CH1901-SS | Stainless Steel | Stepped cylinder | 2 Notes on Front Door 1 Note on Second Door | 16 Volt | Vertical and Horizontal | 10.25"H x 7.25"W x 2.625"D |
| B | CC-BN | Brushed Satin Nickel | Sleek contemporary design | 2 Notes on Front Door 1 Note on Second Door | 16 Volt | Vertical | 10.25"H x 7.5"W x 2.125"D |

A CH1405-PT



B CH1415-OBG



C CH1801-ST



| ■ | MODEL | FINISH | DESCRIPTION | SOUND | TRANSFORMER | HANGING POSITION | DIMENSIONS |
|---|-------------|----------------------|--|--|-------------|-------------------------|---------------------------|
| A | CH1405-PT* | Pewter | Half cylinder chime with frosted white glass | 2 Notes on Front Door 1 Note on Second Door | 16 Volt | Vertical and Horizontal | 9.5"H x 6.75"W x 3.125"D |
| B | CH1415-OBG* | Oiled Bronze Gilded | Half cylinder chime with tea-stained glass | 2 Notes on Front Door 1 Note on Second Door | 16 Volt | Vertical and Horizontal | 9.5"H x 6.75"W x 3.125"D |
| C | CH1801-ST | Black with Gold Wash | Dark faux stone with gold highlights | 2 Notes on Front Door 1 Note on Second Door | 16 Volt | Vertical and Horizontal | 9.125"H x 7.25"W x 2.75"D |

*Also available in illuminated version (See page 10)

A CH1201-BK



B CH1201-AWD



C CAC-FZ



| ■ | MODEL | FINISH | DESCRIPTION | SOUND | TRANSFORMER | HANGING POSITION | DIMENSIONS |
|---|------------|--------------------------------|--|--|-------------|-------------------------|-----------------------------|
| A | CH1201-BK | Black Semi-Gloss | Elegantly hand-carved features | 2 Notes on Front Door 1 Note on Second Door | 16 Volt | Vertical and Horizontal | 9.625"H x 7.0"W x 2.875"D |
| B | CH1201-AWD | Antique White Distressed | Elegantly hand-carved features | 2 Notes on Front Door 1 Note on Second Door | 16 Volt | Vertical and Horizontal | 9.625"H x 7.0"W x 2.875"D |
| C | CAC-FZ* | Hand-Painted Florentine Bronze | Gracefully carved corbel design; decorative wall shelf | 2 Notes on Front Door 1 Note on Second Door | 16 Volt | Vertical | 12.125"H x 8.25"W x 4.125"D |

*Corbels will support up to 5 lbs. of weight

A CAB-RC



B CAR-RC



C CAT-RC



| ■ | MODEL | FINISH | DESCRIPTION | SOUND | TRANSFORMER | HANGING POSITION | DIMENSIONS |
|---|--------|---------------------|--|--|-------------|-------------------------|---|
| A | CAB-RC | Renaissance Crackle | Elaborately carved scroll work design on cabinet | 2 Notes on Front Door 1 Note on Second Door | 16 Volt | Vertical and Horizontal | 8.5"H x 6.75"W x 2.5"D |
| B | CAR-RC | Renaissance Crackle | Carved recessed chime mechanism | 2 Notes on Front Door 1 Note on Second Door | 16 Volt | Vertical and Horizontal | 9.63"H x 7.5"W x 0.5"D Recessed Housing: 7.0"H x 5.0"W x 2.25"D |
| C | CAT-RC | Renaissance Crackle | Classic chime with leaf design and scroll work | 2 Notes on Front Door 1 Note on Second Door | 16 Volt | Vertical | 11.75"H x 7.0"W x 3.5"D |

A CH2601-AZ



B CH1202-DO



C CH5202-DO



| ■ | MODEL | FINISH | DESCRIPTION | SOUND | TRANSFORMER | HANGING POSITION | DIMENSIONS |
|---|-----------|-----------------|---|--|-------------|-------------------------|----------------------------|
| A | CH2601-AZ | Antique Bronze | Mission inspired | 2 Notes on Front Door 1 Note on Second Door | 16 Volt | Vertical and Horizontal | 8.75"H x 7.0"W x 2.5"D |
| B | CH1202-DO | Highlighted Oak | Dark Oak look with hand-painted gold and silver details | 2 Notes on Front Door 1 Note on Second Door | 16 Volt | Vertical and Horizontal | 8.6"H x 7.125"W x 3.0"D |
| C | CH5202-DO | Highlighted Oak | Dark Oak look with hand-painted gold and silver details with loud chime mechanism | 2 Notes on Front Door 1 Note on Second Door | 16 Volt | Vertical and Horizontal | 10.125"H x 8.25"W x 3.25"D |

A CH1505-BK



B CH1515-BK



| ■ | MODEL | FINISH | DESCRIPTION | SOUND | TRANSFORMER | HANGING POSITION | DIMENSIONS |
|---|------------|-------------|--|--|-------------|------------------|-------------------------|
| A | CH1505-BK* | Matte Black | Hand-carved window pane with tea-stained glass | 2 Notes on Front Door 1 Note on Second Door | 16 Volt | Vertical | 10.0"H x 7.0"W x 4.0"D |
| B | CH1515-BK* | Matte Black | Hand-carved scroll design with tea-stained glass | 2 Notes on Front Door 1 Note on Second Door | 16 Volt | Vertical | 10.0"H x 8.13"W x 4.0"D |

*Also available in illuminated version (See page 11)

A CTMB-PR



B CTPW-W



C CTPW-RG



| ■ | MODEL | FINISH | DESCRIPTION | SOUND | TRANSFORMER | HANGING POSITION | DIMENSIONS |
|---|---------|-----------------|---|--|-------------|------------------|--------------------------|
| A | CTMB-PR | Peruvian Bronze | Metropolitan Bronze finish resonance chambers | 2 Notes on Front Door 1 Note on Second Door | 16 Volt | Vertical | 8.375"H x 7.0"W x 2.25"D |
| B | CTPW-W | Matte White | Antique Pewter finish resonance chambers | 2 Notes on Front Door 1 Note on Second Door | 16 Volt | Vertical | 8.375"H x 7.0"W x 2.25"D |
| C | CTPW-RG | Rustic Gold | Antique Pewter finish resonance chambers | 2 Notes on Front Door 1 Note on Second Door | 16 Volt | Vertical | 8.375"H x 7.0"W x 2.25"D |

A CTPW-DW



B CBB-PR



C CH2401-UO



| ■ | MODEL | FINISH | DESCRIPTION | SOUND | TRANSFORMER | HANGING POSITION | DIMENSIONS |
|---|-----------|----------------------|--|--|-------------|-------------------------|---------------------------|
| A | CTPW-DW | Matte Designer White | Antique Pewter finish resonance chambers | 2 Notes on Front Door 1 Note on Second Door | 16 Volt | Vertical | 8.375"H x 7.0"W x 2.25"D |
| B | CBB-PR | Peruvian Bronze | Peruvian finish on grooved cover | 2 Notes on Front Door 1 Note on Second Door | 16 Volt | Vertical and Horizontal | 8.0"H x 6.125"W x 2.125"D |
| C | CH2401-UO | Unfinished Oak | Hand-hewn design | 2 Notes on Front Door 1 Note on Second Door | 16 Volt | Vertical and Horizontal | 8.5"H x 6.13"W x 2.375"D |

A CBR-W



B CBR-DW



C CL-W



D CL-DW



| MODEL | FINISH | DESCRIPTION | SOUND | TRANSFORMER | HANGING POSITION | DIMENSIONS | |
|-------|--------|----------------|---|--|------------------|-------------------------|---------------------------|
| A | CBR-W | White | Rectangular textured cover | 2 Notes on Front Door 1 Note on Second Door | 16 Volt | Vertical and Horizontal | 8.25"H x 5.5"W x 2.375"D |
| B | CBR-DW | Designer White | Rectangular textured cover | 2 Notes on Front Door 1 Note on Second Door | 16 Volt | Vertical and Horizontal | 8.25"H x 5.5"W x 2.375"D |
| C | CL-W | White | Our loudest model equipped with loud two note chime mechanism | 2 Notes on Front Door 1 Note on Second Door | 16 Volt | Vertical | 7.875"H x 7.875"W x 2.5"D |
| C | CL-DW | Designer White | Our loudest model equipped with loud two note chime mechanism | 2 Notes on Front Door 1 Note on Second Door | 16 Volt | Vertical | 7.875"H x 7.875"W x 2.5"D |

Recessed Chimes

A CBGW-CNV



Recessed



Surface Mounting

B CB-REC



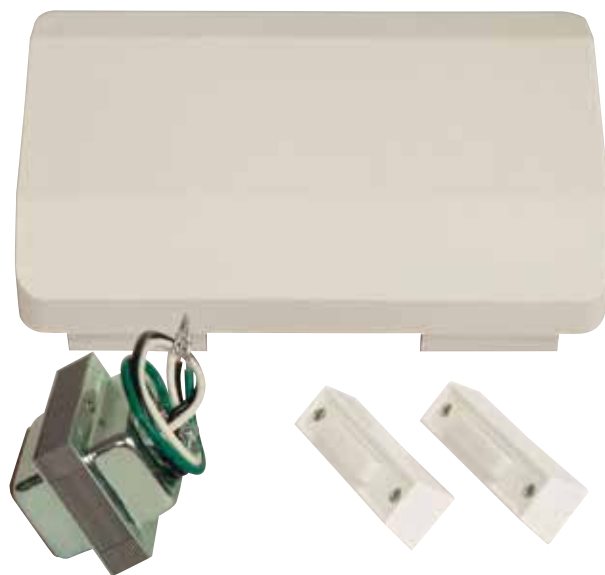
| ■ | MODEL | FINISH | DESCRIPTION | SOUND | TRANSFORMER | HANGING POSITION | DIMENSIONS |
|---|----------|-----------------------|--|--|-------------|-------------------------|---|
| A | CBGW-CNV | Matte White Paintable | Convertible recessed or surface mounting | 2 Notes on Front Door 1 Note on Second Door | 16 Volt | Vertical and Horizontal | 8.75"H x 8.25"W x 2.75"D Recessed Housing: 7.0"H x 5.0"W x 2.25"D |
| B | CB-REC | Matte White Paintable | Built-in for recessed mounting | 2 Notes on Front Door 1 Note on Second Door | 16 Volt | Vertical | 7.75"H x 5.75"W x 0.25"D Recessed Housing: 7.0"H x 5.0"W x 2.25"D |

Premium Builder Chime Kits

A C105L-W



B C105L-DW



| ■ | MODEL | FINISH | DESCRIPTION | SOUND | TRANSFORMER | HANGING POSITION | DIMENSIONS |
|---|----------|----------------|---|--|----------------|------------------|--------------------------|
| A | C105L-W | White | Premium builder chime kit with rectangular cover with two white lighted buttons | 2 Notes on Front Door 1 Note on Second Door | 16 Volt, 10VA* | Horizontal | 5.5"H x 8.25"W x 2.375"D |
| B | C105L-DW | Designer White | Premium builder chime kit with rectangular cover with two white lighted buttons | 2 Notes on Front Door 1 Note on Second Door | 16 Volt, 10VA* | Horizontal | 5.5"H x 8.25"W x 2.375"D |

*Included

A C102L



B C102L-BZ



C C102X2L



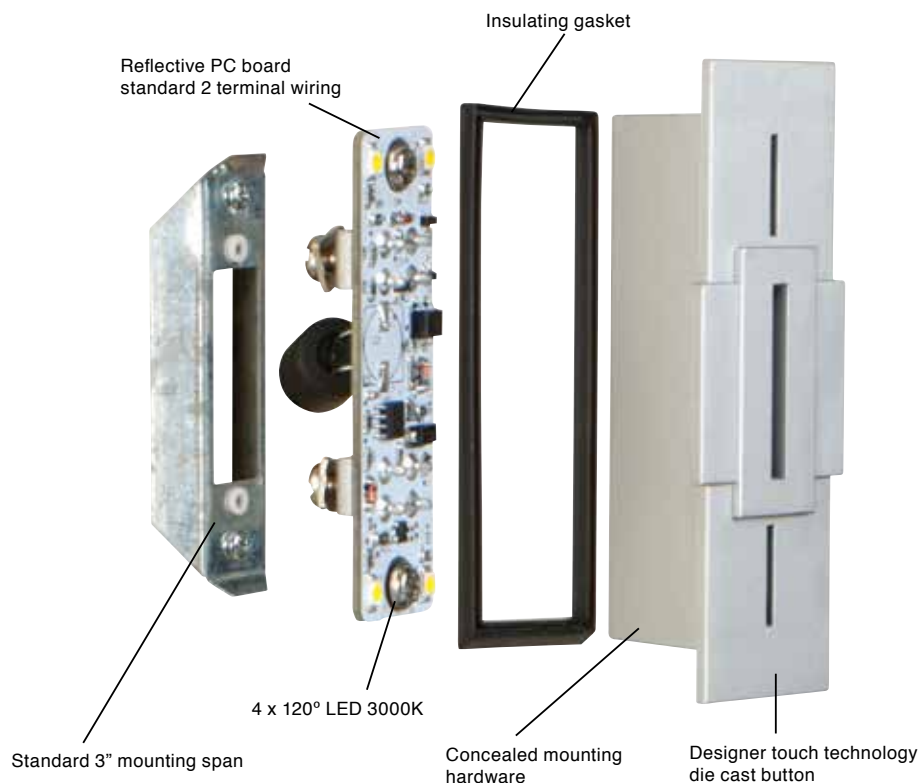
| ■ | MODEL | FINISH | DESCRIPTION | SOUND | TRANSFORMER | HANGING POSITION | DIMENSIONS |
|---|----------|--------|--|--|----------------|------------------|------------------------|
| A | C102L | White | Chime with rectangular cover with two white lighted buttons | 2 Notes on Front Door 1 Note on Second Door | 16 Volt, 10VA* | Horizontal | 5.0"H x 7.0"W x 2.25"D |
| B | C102L-BZ | White | Chime with rectangular cover with two bronze lighted buttons | 2 Notes on Front Door 1 Note on Second Door | 16 Volt, 10VA* | Horizontal | 5.0"H x 7.0"W x 2.25"D |
| C | C102X2L | White | Chime kit with two rectangular covers with two white lighted buttons | 2 Notes on Front Door 1 Note on Second Door | 16 Volt, 15VA* | Horizontal | 5.0"H x 7.0"W x 2.25"D |

*Included



Illuminated Touch Buttons

- 7 cutting edge designs
- State of the art touch technology
- Visual confirmation of "touch sense" with button light turning off and on to confirm ring
- Standard 2-wire button installation
- Standard 16V transformer for typical chime to button runs using 18ga wire
- Concealed mounting hardware for clean look
- Engineered and calibrated for the human touch - Guaranteed against false rings
- Works with gloved hand for year-round functionality
- Insulating gasket for circuit protection
- LED's - Lifetime Warranty - 3000K color temperature



Touch Buttons

A TB1020-AI



B TB1020-BN



C TB1010-AI



D TB1030-AI



| ■ | MODEL | FINISH | DESCRIPTION | LAMPING | DIMENSIONS |
|---|-----------|----------------------|--|--------------------------------|--------------------------|
| A | TB1020-AI | Aged Iron | Contemporary curved LED illuminated touch button | LED light for years of service | 5.0"H x 1.06"W x 1.25"D |
| B | TB1020-BN | Brushed Satin Nickel | Contemporary curved LED illuminated touch button | LED light for years of service | 5.0"H x 1.06"W x 1.25"D |
| C | TB1010-AI | Aged Iron | Industrial forged LED illuminated touch button | LED light for years of service | 4.375"H x 1.56"W x 1.5"D |
| D | TB1030-AI | Aged Iron | Tiered mission LED illuminated touch button | LED light for years of service | 5.0"H x 1.75"W x 1.125"D |



| ■ | MODEL | FINISH | DESCRIPTION | LAMPING | DIMENSIONS |
|---|-----------|-------------------------|--|--------------------------------|----------------------------|
| A | TB1040-AI | Aged Iron | Stacked rectangles LED illuminated touch button | LED light for years of service | 5.0"H x 1.625"W x 1.125"D |
| B | TB1040-BN | Brushed Satin Nickel | Stacked rectangles LED illuminated touch button | LED light for years of service | 5.0"H x 1.625"W x 1.125"D |
| C | TB1060-AZ | Antique Bronze | Whimsical lines LED illuminated touch button | LED light for years of service | 4.125"H x 1.438"W x 1.25"D |

Pushbuttons with Concealed Mounting Hardware

The following pages show our newest button offerings.

These buttons are clean, straight line designs - so clean that you can't see the screws! All of the hardware is concealed on the bottom of the button, so no one will ever see it.

- Designs on trend with today's best decorative hardware finishes
- Can be used with all Craftmade chimes and most other low voltage chime installations
- Long-life LED button lighting
- Standard 2-wire button installation
- Uses 16v transformer for normal button runs using 18-gauge wire



PB5005-AZ
(Shown)



PB5001-BNK
(Shown)



PB5003-AZ
(Shown)



Concealed Mounting Hardware Pushbuttons

A PB5002-AP



B PB5002-OBG (Actual Size)



| ■ | MODEL | FINISH | DESCRIPTION | LAMPING | DIMENSIONS |
|---|------------|---------------------|-----------------------|--------------------------------|-------------------------|
| A | PB5002-AP | Antique Pewter | Surface mount, tiered | LED light for years of service | 3.4"H x 1.13"W x 0.75"D |
| B | PB5002-OBG | Oiled Bronze Gilded | Surface mount, tiered | LED light for years of service | 3.4"H x 1.13"W x 0.75"D |

A PB5000-AZ



B PB5000-BNK
(Actual Size)



| | MODEL | FINISH | DESCRIPTION | LAMPING | DIMENSIONS |
|---|------------|-------------------------|-----------------------------|--------------------------------|-------------------------|
| A | PB5000-AZ | Antique Bronze | Surface mount, asymmetrical | LED light for years of service | 3.9"H x 1.25"W x 0.75"D |
| B | PB5000-BNK | Brushed Polished Nickel | Surface mount, asymmetrical | LED light for years of service | 3.9"H x 1.25"W x 0.75"D |

A PB5006-BNK



B PB5003-AZ
(Actual Size)



C PB5003-BNK
(Actual Size)



| ■ | MODEL | FINISH | DESCRIPTION | LAMPING | DIMENSIONS |
|---|------------|-------------------------|-------------------------------------|--------------------------------|-------------------------|
| A | PB5006-BNK | Brushed Polished Nickel | Surface mount, wedge | LED light for years of service | 3.13"H x 0.9"W x 0.75"D |
| B | PB5003-AZ | Antique Bronze | Surface mount, round LED halo light | LED light for years of service | 2.75"Dia x 0.75"D |
| C | PB5003-BNK | Brushed Polished Nickel | Surface mount, round LED halo light | LED light for years of service | 2.75"Dia x 0.75"D |

A PB5001-AZ



B PB5001-BNK
(Actual Size)



| ■ | MODEL | FINISH | DESCRIPTION | LAMPING | DIMENSIONS |
|---|------------|-------------------------|---|--------------------------------|-------------------------|
| A | PB5001-AZ | Antique Bronze | Surface mount, waterfall edge rectangle | LED light for years of service | 3.9"H x 1.13"W x 0.75"D |
| B | PB5001-BNK | Brushed Polished Nickel | Surface mount, waterfall edge rectangle | LED light for years of service | 3.9"H x 1.13"W x 0.75"D |

A PB5005-AZ



B PB5005-BNK
(Actual Size)



| ■ | MODEL | FINISH | DESCRIPTION | LAMPING | DIMENSIONS |
|---|------------|-------------------------|----------------------------------|--------------------------------|-------------------------|
| A | PB5005-AZ | Antique Bronze | Surface mount, beveled rectangle | LED light for years of service | 3.75"H x 1.3"W x 0.75"D |
| B | PB5005-BNK | Brushed Polished Nickel | Surface mount, beveled rectangle | LED light for years of service | 3.75"H x 1.3"W x 0.75"D |

Concealed Mounting Hardware Pushbuttons

A PB5004-AZ



B PB5004-BNK (Actual Size)



| ■ | MODEL | FINISH | DESCRIPTION | LAMPING | DIMENSIONS |
|---|------------|-------------------------|---------------------------------------|--------------------------------|-------------------------|
| A | PB5004-AZ | Antique Bronze | Surface mount, thin profile rectangle | LED light for years of service | 3.5"H x 0.75"W x 0.75"D |
| B | PB5004-BNK | Brushed Polished Nickel | Surface mount, thin profile rectangle | LED light for years of service | 3.5"H x 0.75"W x 0.75"D |

C PB5007-AP



D PB5007-OBG
(Actual Size)



| ■ | MODEL | FINISH | DESCRIPTION | LAMPING | DIMENSIONS |
|---|------------|---------------------|----------------------------------|--------------------------------|--------------------------|
| A | PB5007-AP | Antique Pewter | Surface mount, stepped rectangle | LED light for years of service | 2.88"H x 1.13"W x 0.88"D |
| B | PB5007-OBG | Oiled Bronze Gilded | Surface mount, stepped rectangle | LED light for years of service | 2.88"H x 1.13"W x 0.88"D |

Designer Surface Mount Pushbuttons



LED

| MODEL | FINISH | DESCRIPTION | LAMPING | DIMENSIONS |
|--------------|----------------------|----------------------------|--------------------------------|---------------------------|
| A BSCS-BN | Brushed Satin Nickel | Surface mount contemporary | LED light for years of service | 4.125"H x 0.75"W x 0.75"D |
| B BSOCT-AP | Antique Pewter | Surface mount octagon | LED light for years of service | 3.93"H x 1.0"W x 0.75"D |
| C BSOCT-RB | Rustic Brick | Surface mount octagon | LED light for years of service | 3.93"H x 1.0"W x 0.75"D |
| D BSMS-AZ | Antique Bronze | Surface mount mission | LED light for years of service | 4.125"H x 0.75"W x 0.75"D |
| E PB3039-AP | Antique Pewter | Surface mount round | LED light for years of service | 2.9"Dia x 1.0"D |
| F PB3039-OBG | Oiled Bronze Gilded | Surface mount round | LED light for years of service | 2.9"Dia x 1.0"D |
| G PB3039-SB | Satin Brass | Surface mount round | LED light for years of service | 2.9"Dia x 1.0"D |

Designer Surface Mount Pushbuttons

A BSRT-AZ



B PB3032-AZ



C PB4042-AP



D PB4043-WB



E BSMED-AP



F BSMED-AZ



| ■ | MODEL | FINISH | DESCRIPTION | LAMPING | DIMENSIONS |
|---|-----------|-----------------|--------------------------------|--------------------------------|----------------------------|
| A | BSRT-AZ | Antique Bronze | Surface mount racetrack | LED light for years of service | 4.68"H x 1.375"W x 0.75"D |
| B | PB3032-AZ | Antique Bronze | Surface mount contemporary | LED light for years of service | 4.625"H x 1.125"W x 0.75"D |
| C | PB4042-AP | Antique Pewter | Die-cast Builder's Plus Series | LED light for years of service | 3.5"H x 1.5"W x 0.81"D |
| D | PB4043-WB | Weathered Black | Die-cast Builder's Plus Series | LED light for years of service | 3.5"H x 1.5"W x 0.81"D |
| E | BSMED-AP | Antique Pewter | Surface mount Medallion | LED light for years of service | 2.93"Dia x 1.0"D |
| F | BSMED-AZ | Antique Bronze | Surface mount Medallion | LED light for years of service | 2.93"Dia x 1.0"D |

Designer Surface Mount Pushbuttons

A BS00-AP



B BS00-AZ



C BSSO-AP



D BSSO-AZ



E BSCOL-AZ



F PB3035-AZ



| ■ | MODEL | FINISH | DESCRIPTION | LAMPING | DIMENSIONS |
|---|-----------|----------------|-------------------------------|--------------------------------|---------------------------|
| A | BS00-AP | Antique Pewter | Surface mount oval ornate | LED light for years of service | 4.93"H x 2.125"W x 0.75"D |
| B | BS00-AZ | Antique Bronze | Surface mount oval ornate | LED light for years of service | 4.93"H x 2.125"W x 0.75"D |
| C | BSSO-AP | Antique Pewter | Surface mount straight ornate | LED light for years of service | 5.0"H x 1.375"W x 0.75"D |
| D | BSSO-AZ | Antique Bronze | Surface mount straight ornate | LED light for years of service | 5.0"H x 1.375"W x 0.75"D |
| E | BSCOL-AZ | Antique Bronze | Surface mount column | LED light for years of service | 3.8"H x 1.125"W x 0.75"D |
| F | PB3035-AZ | Antique Bronze | Surface mount Designer | LED light for years of service | 7.0"H x 2.0"W x 1.0"D |

Designer Surface Mount Pushbuttons



A BSOVL-RB



B PB3034-AZ



C PB3034-WB



D PB3037-AP



E PB3037-BB



F PB3037-WB



| ■ | MODEL | FINISH | DESCRIPTION | LAMPING | DIMENSIONS |
|---|-----------|-----------------|------------------------|--------------------------------|----------------------------|
| A | BSOVL-RB | Rustic Brick | Surface mount oval | LED light for years of service | 4.375"H x 2.125"W x 0.75"D |
| B | PB3034-AZ | Antique Bronze | Surface mount Designer | LED light for years of service | 4.25"H x 1.5"W x 0.81"D |
| C | PB3034-WB | Weathered Black | Surface mount Designer | LED light for years of service | 4.25"H x 1.5"W x 0.81"D |
| D | PB3037-AP | Antique Pewter | Surface mount Designer | LED light for years of service | 5.25"H x 2.625"W x 1.0"D |
| E | PB3037-BB | Burnished Brass | Surface mount Designer | LED light for years of service | 5.25"H x 2.625"W x 1.0"D |
| F | PB3037-WB | Weathered Black | Surface mount Designer | LED light for years of service | 5.25"H x 2.625"W x 1.0"D |



| ■ | MODEL | FINISH | DESCRIPTION | LAMPING | DIMENSIONS |
|---|-----------|----------------|----------------------------------|--------------------------------|----------------------------|
| A | PB3036-AZ | Antique Bronze | Surface mount star | LED light for years of service | 3.75" Dia x 1.0"D |
| B | BS3-PW | Pewter | Surface mount thin profile | LED light for years of service | 4.93"H x 0.75"W x 0.75"D |
| C | BS3-RB | Rustic Brick | Surface mount thin profile | LED light for years of service | 4.93"H x 0.75"W x 0.75"D |
| D | BS8-BZ | Bronze | Surface mount, beveled rectangle | LED light for years of service | 2.875"H x 1.81"W x 0.625"D |

Builder Surface Mount Pushbuttons



| ■ | MODEL | FINISH | DESCRIPTION | LAMPING | DIMENSIONS |
|---|---------|----------------|---------------------------|--------------------------------|--------------------------|
| A | BSCB-AZ | Antique Bronze | Die-cast Builder's Series | LED light for years of service | 3.25"H x 0.93"W x 0.81"D |
| B | BSCB-B | Matte Black | Die-cast Builder's Series | LED light for years of service | 3.25"H x 0.93"W x 0.81"D |
| C | BSCB-PW | Pewter | Die-cast Builder's Series | LED light for years of service | 3.25"H x 0.93"W x 0.81"D |
| D | BSCB-RB | Rustic Brick | Die-cast Builder's Series | LED light for years of service | 3.25"H x 0.93"W x 0.81"D |

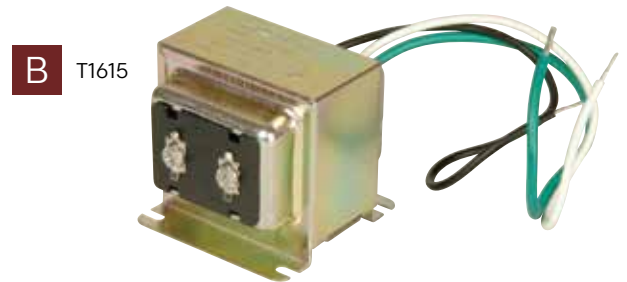
Builder Surface Mount Pushbuttons



Builder Recessed Pushbuttons



| ■ | MODEL | FINISH | DESCRIPTION | LAMPING | DIMENSIONS |
|---|--------|----------------|-------------------|--------------------------------|----------------------------|
| A | BS6-BZ | Bronze | Plastic Builder | LED light for years of service | 2.875"H x 0.875"W x 0.75"D |
| B | BS6-W | White | Plastic Builder | LED light for years of service | 2.875"H x 0.875"W x 0.75"D |
| C | BR2-BZ | Bronze | Stepped rectangle | LED light for years of service | 2.875"H x 1.25"W x 0.375"D |
| D | BR2-PW | Pewter | Stepped rectangle | LED light for years of service | 2.875"H x 1.25"W x 0.375"D |
| E | BR7-B | Hammered Black | Large spindle | LED light for years of service | 4.5"H x 1.18"W x 0.375"D |



Transformer Information

- Use 18 Gauge Wire on all Chime Installations
- T1610 One - 2 Note Chimes with all Wires Less than 50'
- T1615 One - 2 Note Chimes with any Wire Longer than 50'
Two - 2 Note Chime with all Wires Less than 50'
- T1630 One - 2 Note Chimes with all Wires Longer than 50'
Two - 2 Note Chimes with any Wire Longer than 50'
Three - 2 Note Chimes
One - 8 Note Chimes with any Wire Longer than 50'

| ■ | MODEL | DESCRIPTION | VOLTS | WATTS | DIMENSIONS |
|---|-------|---|-----------------|----------|-------------------------|
| A | T1610 | For single chime applications, individually boxed | 16 Volts, 10 VA | 10 Watts | 2.25"H x 1.9"W x 2.0"D |
| B | T1615 | For single chime applications with long wiring distances or dual chime applications, individually boxed | 16 Volts, 15 VA | 15 Watts | 1.9"H x 2.25"W x 2.0"D |
| C | T1630 | For multiple chime applications, individually boxed | 16 Volts, 30 VA | 30 Watts | 2.5"H x 2.13"W x 2.75"D |



Low Profile Decorative Ventilation

Our new Low Profile Decorative Ventilation combines beautiful decorative lighting trims with strong but quiet 70 CFM ventilation. These vents can be configured to use a dedicated 22-watt LED platform, or it can be lamped with a medium base LED reflector bulb. These handsome lighting trims can also be configured to be LED flush mount lighting to coordinate with the decorative ventilation.

- Ventilation based on our best selling TFV70-REC recessed trim vent
- Designs on trend with today's best glass and finish combinations
- LED lighting source specs:
3000k, 90CRI, 1100 lumens, 22 watts
- All decorative trims can be ordered as flushmount lighting
- Can be ordered as a decorative retrofit trim for most existing recessed can vents
- All UL or CSAus approved
- Kitted for easy ordering

Decorative Trim Options

A 1013-BNK



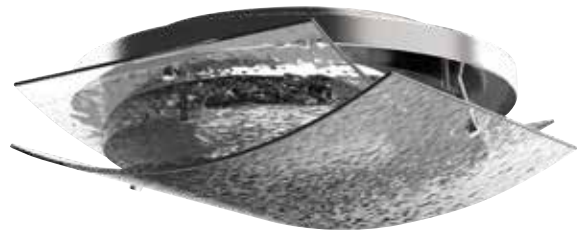
B 1113-CH



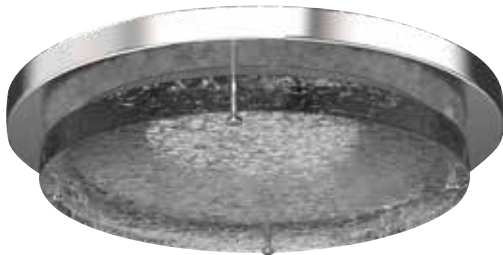
C 1214-BNK



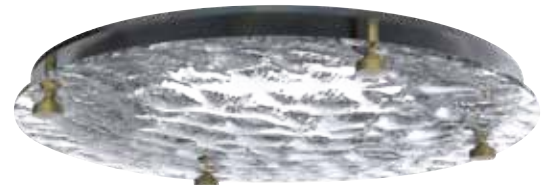
D 1311-BNK



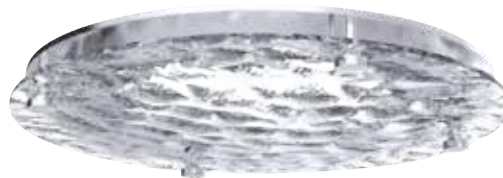
E 1411-BNK



G 1511-FSSB



F 1511-BNK



NEW

| SERIES | DESCRIPTION | FINISH | GLASS | DIMENSIONS |
|--------|---|-------------------------|------------------------|--------------------|
| A | 1013-BNK Dual layered square Textured Water glass | Brushed Polished Nickel | Textured Water | 13.75" W x 1.75" H |
| B | 1113-CH Round White Frosted convex glass with Chrome hardware and base | Chrome | White Frosted | 13" W x 1.35" H |
| C | 1214-BNK Round White Frosted glass lens with Brushed Polished Nickel grille | Brushed Polished Nickel | White Frosted | 14" W x 1.85" H |
| D | 1311-BNK Staggered square layers of Bent Hammered glass with Brushed Polished Nickel frame | Brushed Polished Nickel | Clear Hammered | 11" W x 3.5" H |
| E | 1411-BNK Round Textured Crackle glass with Brushed Polished Nickel frame | Brushed Polished Nickel | Clear Textured Crackle | 11" W x 2" H |
| F | 1511-BNK Round Clear Hammered glass with Brushed Polished Nickel frame and hardware | Brushed Polished Nickel | Clear Hammered | 11" W x 1.35" H |
| G | 1511-FSSB Round Clear Hammered glass with Fired Steel frame and Satin Brass Hardware | Fired Steel/Satin Brass | Clear Hammered | 11" W x 1.35" H |

H 1611-CH



I 1611-OB



J 1710-BNK



K 1710-OB



L 1811-BNK



N 1910-BNK



M 1811-HC



NEW

| ■ | SERIES | DESCRIPTION | FINISH | GLASS | DIMENSIONS |
|---|----------|--|-------------------------|-------------------|-------------------|
| H | 1611-CH | Round Opal White Frosted glass with Chrome base and hardware | Chrome | Opal White Frost | 10.5" W x 1.3" H |
| I | 1611-OB | Round Opal White Frosted glass with Oiled Bronze base and hardware | Oiled Bronze | Opal White Frost | 10.5" W x 1.3" H |
| J | 1710-BNK | Round White Frosted glass with Brushed Polished Nickel hardware and base | Brushed Polished Nickel | White Frosted | 8.85" W x 1.3" H |
| K | 1710-OB | Round Light Amber Frost glass with Oiled Bronze hardware and base | Oiled Bronze | Light Amber Frost | 8.85" W x 1.3" H |
| L | 1811-BNK | Round Brushed Polished Nickel frame with White Frosted glass lens | Brushed Polished Nickel | White Frosted | 10.4" W x 2" H |
| M | 1811-HC | Round Hammered Copper frame with White Frosted glass lens | Hammered Copper | White Frosted | 10.4" W x 2" H |
| N | 1910-BNK | Round Brushed Polished Nickel frame with White Acrylic lens | Brushed Polished Nickel | White Acrylic | 10.5" W x 1.25" H |

Ventilation Kit with Decorative Trim LED Light (Included)



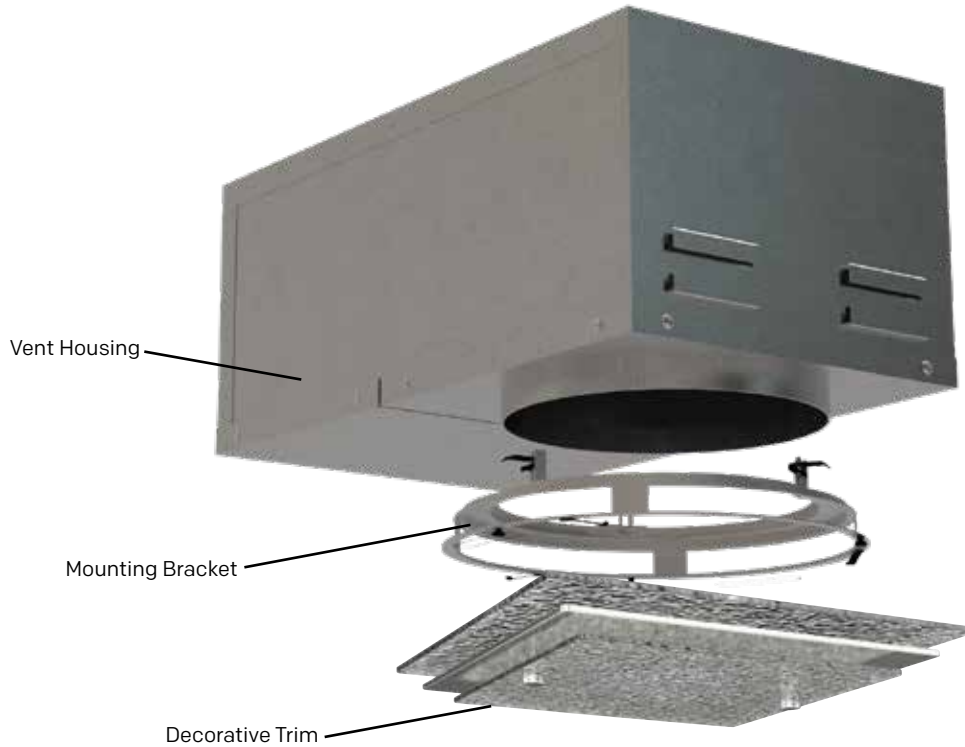
| LED Specs | |
|----------------|-------|
| Color Temp | 3000K |
| Initial Lumens | 1850 |
| CRI | 90 |
| Watts | 22 |



***See Pages 50-51 for Decorative Trim Options**

| | KIT-MODEL NUMBER | DESCRIPTION | FINISH | GLASS | DIMENSIONS | | |
|-----|---------------------|---|-------------------------|------------------------|--------------------|------------------------|---------------------------|
| | A TFFV1013-BNK-LED | Dual layered square Textured Water glass | Brushed Polished Nickel | Textured Water | 13.75" W x 1.75" H | | |
| | B TFFV1113-CH-LED | Round White Frosted convex glass with Chrome hardware and base | Chrome | White Frosted | 13" W x 1.35" H | | |
| | C TFFV1214-BNK-LED | Round White Frosted glass lens with Brushed Polished Nickel grille | Brushed Polished Nickel | White Frosted | 14" W x 1.85" H | | |
| | D TFFV1311-BNK-LED | Staggered square layers of Bent Hammered glass with Brushed Polished Nickel frame | Brushed Polished Nickel | Clear Hammered | 11" W x 3.5" H | | |
| | E TFFV1411-BNK-LED | Round Textured Crackle glass with Brushed Polished Nickel frame | Brushed Polished Nickel | Clear Textured Crackle | 11" W x 2" H | | |
| | F TFFV1511-BNK-LED | Round Clear Hammered glass with Brushed Polished Nickel frame and hardware | Brushed Polished Nickel | Clear Hammered | 11" W x 1.35" H | | |
| | G TFFV1511-FSSB-LED | Round Clear Hammered glass with Fired Steel frame and Satin Brass hardware | Fired Steel/Satin Brass | Clear Hammered | 11" W x 1.35" H | | |
| | H TFFV1611-CH-LED | Round Opal White Frosted glass with Chrome base and hardware | Chrome | Opal White Frost | 10.5" W x 1.3" H | | |
| | I TFFV1611-OB-LED | Round Opal White Frosted glass with Oiled Bronze base and hardware | Oiled Bronze | Opal White Frost | 10.5" W x 1.3" H | | |
| | J TFFV1710-BNK-LED | Round White Frosted glass with Brushed Polished Nickel hardware and base | Brushed Polished Nickel | White Frosted | 8.85" W x 1.3" H | | |
| | K TFFV1710-OB-LED | Round Light Amber Frost glass with Oiled Bronze hardware and base | Oiled Bronze | Light Amber Frost | 8.85" W x 1.3" H | | |
| | L TFFV1811-BNK-LED | Round Brushed Polished Nickel frame with White Frosted glass lens | Brushed Polished Nickel | White Frosted | 10.4" W x 2" H | | |
| | M TFFV1811-HC-LED | Round Hammered Copper frame with White Frosted glass lens | Hammered Copper | White Frosted | 10.4" W x 2" H | | |
| | N TFFV1910-BNK-LED | Round Brushed Polished Nickel frame with White Acrylic lens | Brushed Polished Nickel | White Acrylic | 10.5" W x 1.25" H | | |
| | VENT INCLUDED | DESCRIPTION | CFM | SONE | AMPS | HOUSING DIMENSION | LAMP |
| ALL | TFFV70REC | Recessed Vent | 70 | 2 | 1.3 | 14" L x 8" W x 7.25" H | 22 Watt LED Disk Included |

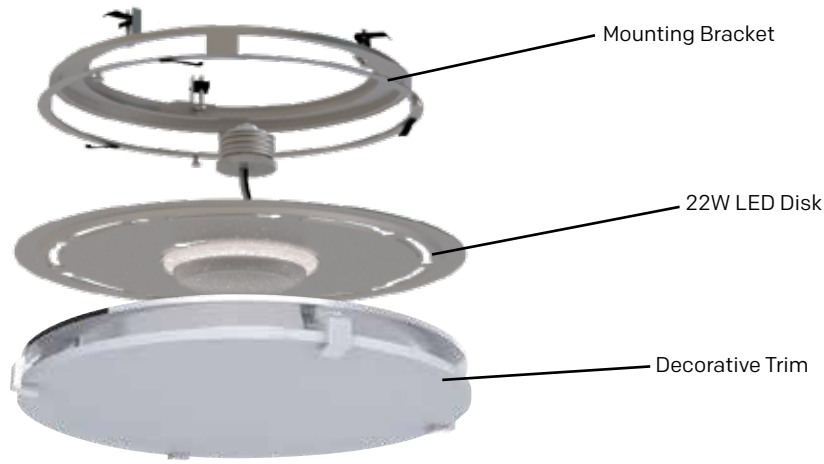
Ventilation Kit with Decorative Trim Standard Base Bulb (Not Included)



***See Pages 50-51 for Decorative Trim Options**

| | KIT-MODEL NUMBER | DESCRIPTION | FINISH | GLASS | DIMENSIONS | | |
|---------------|------------------|---|-------------------------|------------------------|--------------------|------------------------|----------|
| | A TFFV1013-BNK | Dual layered square Textured Water glass | Brushed Polished Nickel | Textured Water | 13.75" W x 1.75" H | | |
| | B TFFV1113-CH | Round White Frosted convex glass with Chrome hardware and base | Chrome | White Frosted | 13" W x 1.35" H | | |
| | C TFFV1214-BNK | Round White Frosted glass lens with Brushed Polished Nickel grille | Brushed Polished Nickel | White Frosted | 14" W x 1.85" H | | |
| | D TFFV1311-BNK | Staggered square layers of Bent Hammered glass with Brushed Polished Nickel frame | Brushed Polished Nickel | Clear Hammered | 11" W x 3.5" H | | |
| | E TFFV1411-BNK | Round Textured Crackle glass with Brushed Polished Nickel frame | Brushed Polished Nickel | Clear Textured Crackle | 11" W x 2" H | | |
| | F TFFV1511-BNK | Round Clear Hammered glass with Brushed Polished Nickel frame and hardware | Brushed Polished Nickel | Clear Hammered | 11" W x 1.35" H | | |
| | G TFFV1511-FSSB | Round Clear Hammered glass with Fired Steel frame and Satin Brass Hardware | Fired Steel/Satin Brass | Clear Hammered | 11" W x 1.35" H | | |
| | H TFFV1611-CH | Round Opal White Frosted glass with Chrome base and hardware | Chrome | Opal White Frost | 10.5" W x 1.3" H | | |
| | I TFFV1611-OB | Round Opal White Frosted glass with Oiled Bronze base and hardware | Oiled Bronze | Opal White Frost | 10.5" W x 1.3" H | | |
| | J TFFV1710-BNK | Round White Frosted glass with Brushed Polished Nickel hardware and base | Brushed Polished Nickel | White Frosted | 8.85" W x 1.3" H | | |
| | K TFFV1710-OB | Round Light Amber Frost glass with Oiled Bronze hardware and base | Oiled Bronze | Light Amber Frost | 8.85" W x 1.3" H | | |
| | L TFFV1811-BNK | Round Brushed Polished Nickel frame with White Frosted glass lens | Brushed Polished Nickel | White Frosted | 10.4" W x 2" H | | |
| | M TFFV1811-HC | Round Hammered Copper frame with White Frosted glass lens | Hammered Copper | White Frosted | 10.4" W x 2" H | | |
| | N TFFV1910-BNK | Round Brushed Polished Nickel frame with White Acrylic lens | Brushed Polished Nickel | White Acrylic | 10.5" W x 1.25" H | | |
| VENT INCLUDED | DESCRIPTION | CFM | SONE | AMPS | HOUSING DIMENSION | LAMP | |
| ALL | TFFV70REC | Recessed Vent | 70 | 2 | 1.3 | 14" L x 8" W x 7.25" H | 75 W Max |

Retrofit Ventilation Kit with Decorative Trim LED Light (Included) Vent Sold Separately



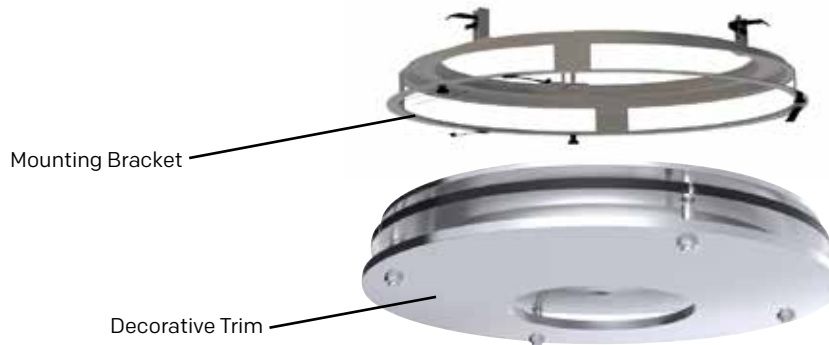
| LED Specs | |
|----------------|-------|
| Color Temp | 3000K |
| Initial Lumens | 1850 |
| CRI | 90 |
| Watts | 22 |



*See Pages 50-51 for Decorative Trim Options

| | KIT-MODEL NUMBER | DESCRIPTION | FINISH | GLASS | DIMENSIONS |
|--|---|---|-------------------------|------------------------|--------------------|
| | A TFVR1013-BNK-LED | Dual layered square Textured Water glass | Brushed Polished Nickel | Textured Water | 13.75" W x 1.75" H |
| | B TFVR1113-CH-LED | Round White Frosted convex glass with Chrome hardware and base | Chrome | White Frosted | 13" W x 1.35" H |
| | C TFVR1214-BNK-LED | Round White Frosted glass lens with Brushed Polished Nickel grille | Brushed Polished Nickel | White Frosted | 14" W x 1.85" H |
| | D TFVR1311-BNK-LED | Staggered square layers of Bent Hammered glass with Brushed Polished Nickel frame | Brushed Polished Nickel | Clear Hammered | 11" W x 3.5" H |
| | E TFVR1411-BNK-LED | Round Textured Crackle glass with Brushed Polished Nickel frame | Brushed Polished Nickel | Clear Textured Crackle | 11" W x 2" H |
| | F TFVR1511-BNK-LED | Round Clear Hammered glass with Brushed Polished Nickel frame and hardware | Brushed Polished Nickel | Clear Hammered | 11" W x 1.35" H |
| | G TFVR1511-FSSB-LED | Round Clear Hammered glass with Fired Steel frame and Satin Brass Hardware | Fired Steel/Satin Brass | Clear Hammered | 11" W x 1.35" H |
| | H TFVR1611-OB-LED | Round Opal White Frosted glass with Chrome base and hardware | Chrome | Opal White Frost | 10.5" W x 1.3" H |
| | I TFVR1611-OB-LED | Round Opal White Frosted glass with Oiled Bronze base and hardware | Oiled Bronze | Opal White Frost | 10.5" W x 1.3" H |
| | J TFVR1710-BNK-LED | Round White Frosted glass with Brushed Polished Nickel hardware and base | Brushed Polished Nickel | White Frosted | 8.85" W x 1.3" H |
| | K TFVR1710-OB-LED | Round Light Amber Frost glass with Oiled Bronze hardware and base | Oiled Bronze | Light Amber Frost | 8.85" W x 1.3" H |
| | L TFVR1811-BNK-LED | Round Brushed Polished Nickel frame with White Frosted glass lens | Brushed Polished Nickel | White Frosted | 10.4" W x 2" H |
| | M TFVR1811-HC-LED | Round Hammered Copper frame with White Frosted glass lens | Hammered Copper | White Frosted | 10.4" W x 2" H |
| | N TFVR1910-BNK-LED | Round Brushed Polished Nickel frame with White Acrylic lens | Brushed Polished Nickel | White Acrylic | 10.5" W x 1.25" H |
| | Recessed Vent Sold Separately (See page 57) | | | | |

Retrofit Ventilation Kit with Decorative Trim Standard Base Bulb (Not Included) Vent Sold Separately



NEW

*See Pages 50-51 for Decorative Trim Options

| | KIT-MODEL NUMBER | DESCRIPTION | FINISH | GLASS | DIMENSIONS |
|--|---|---|-------------------------|------------------------|--------------------|
| | A TFVR1013-BNK | Dual layered square Textured Water glass | Brushed Polished Nickel | Textured Water | 13.75" W x 1.75" H |
| | B TFVR1113-CH | Round White Frosted convex glass with Chrome hardware and base | Chrome | White Frosted | 13" W x 1.35" H |
| | C TFVR1214-BNK | Round White Frosted glass lens with Brushed Polished Nickel grille | Brushed Polished Nickel | White Frosted | 14" W x 1.85" H |
| | D TFVR1311-BNK | Staggered square layers of Bent Hammered glass with Brushed Polished Nickel frame | Brushed Polished Nickel | Clear Hammered | 11" W x 3.5" H |
| | E TFVR1411-BNK | Round Textured Crackle glass with Brushed Polished Nickel frame | Brushed Polished Nickel | Clear Textured Crackle | 11" W x 2" H |
| | F TFVR1511-BNK | Round Clear Hammered glass with Brushed Polished Nickel frame and hardware | Brushed Polished Nickel | Clear Hammered | 11" W x 1.35" H |
| | G TFVR1511-FSSB | Round Clear Hammered glass with Fired Steel frame and Satin Brass Hardware | Fired Steel/Satin Brass | Clear Hammered | 11" W x 1.35" H |
| | H TFVR1611-CH | Round Opal White Frosted glass with Chrome base and hardware | Chrome | Opal White Frost | 10.5" W x 1.3" H |
| | I TFVR1611-OB | Round Opal White Frosted glass with Oiled Bronze base and hardware | Oiled Bronze | Opal White Frost | 10.5" W x 1.3" H |
| | J TFVR1710-BNK | Round White Frosted glass with Brushed Polished Nickel hardware and base | Brushed Polished Nickel | White Frosted | 8.85" W x 1.3" H |
| | K TFVR1710-OB | Round Light Amber Frost glass with Oiled Bronze hardware and base | Oiled Bronze | Light Amber Frost | 8.85" W x 1.3" H |
| | L TFVR1811-BNK | Round Brushed Polished Nickel frame with White Frosted glass lens | Brushed Polished Nickel | White Frosted | 10.4" W x 2" H |
| | M TFVR1811-HC | Round Hammered Copper frame with White Frosted glass lens | Hammered Copper | White Frosted | 10.4" W x 2" H |
| | N TFVR1910-BNK | Round Brushed Polished Nickel frame with White Acrylic lens | Brushed Polished Nickel | White Acrylic | 10.5" W x 1.25" H |
| | Recessed Vent Sold Separately (See page 57) | | | | |





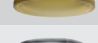


Flushmount with LED Light



| LED Specs | |
|----------------|-------|
| Color Temp | 3000K |
| Initial Lumens | 1850 |
| CRI | 90 |
| Watts | 22 |



*See Pages 50-51 for Decorative Trim Options

| | KIT-MODEL NUMBER | DESCRIPTION | FINISH | GLASS | DIMENSIONS |
|--|------------------|---|-------------------------|------------------------|--------------------|
|  | XV1013-BNK-LED | Dual layered square Textured Water glass | Brushed Polished Nickel | Textured Water | 13.75" W x 1.75" H |
|  | XV1113-CH-LED | Round White Frosted convex glass with Chrome hardware and base | Chrome | White Frosted | 13" W x 1.35" H |
|  | XV1214-BNK-LED | Round White Frosted glass lens with Brushed Polished Nickel grille | Brushed Polished Nickel | White Frosted | 14" W x 1.85" H |
|  | XV1311-BNK-LED | Staggered square layers of Bent Hammered glass with Brushed Polished Nickel frame | Brushed Polished Nickel | Clear Hammered | 11" W x 3.5" H |
|  | XV1411-BNK-LED | Round Textured Crackle glass with Brushed Polished Nickel frame | Brushed Polished Nickel | Clear Textured Crackle | 11" W x 2" H |
|  | XV1511-BNK-LED | Round Clear Hammered glass with Brushed Polished Nickel frame and hardware | Brushed Polished Nickel | Clear Hammered | 11" W x 1.35" H |
|  | XV1511-FSSB-LED | Round Clear Hammered glass with Fired Steel frame and Satin Brass Hardware | Fired Steel/Satin Brass | Clear Hammered | 11" W x 1.35" H |
|  | XV1611-CH-LED | Round Opal White Frosted glass with Chrome base and hardware | Chrome | Opal White Frost | 10.5" W x 1.3" H |
|  | XV1611-OB-LED | Round Opal White Frosted glass with Oiled Bronze base and hardware | Oiled Bronze | Opal White Frost | 10.5" W x 1.3" H |
|  | XV1710-BNK-LED | Round White Frosted glass with Brushed Polished Nickel hardware and base | Brushed Polished Nickel | White Frosted | 8.85" W x 1.3" H |
|  | XV1710-OB-LED | Round Light Amber Frost glass with Oiled Bronze hardware and base | Oiled Bronze | Light Amber Frost | 8.85" W x 1.3" H |
|  | XV1811-BNK-LED | Round Brushed Polished Nickel frame with White Frosted glass lens | Brushed Polished Nickel | White Frosted | 10.4" W x 2" H |
|  | XV1811-HC-LED | Round Hammered Copper frame with White Frosted glass lens | Hammered Copper | White Frosted | 10.4" W x 2" H |
|  | XV1910-BNK-LED | Round Brushed Polished Nickel frame with White Acrylic lens | Brushed Polished Nickel | White Acrylic | 10.5" W x 1.25" H |

A TFV70REC



Features

- Permanently Lubricated Enclosed Motor
- Precision-Balanced Impeller for Quiet Operation
- Galvanized Housing for Humid Conditions
- Includes 4" Duct Adapter
- White Trim Matches any Decor
- 75 Watt Max
- Compatible with Retrofit Decorative Trim Kits
(See Pages 50 & 51)



| | MODEL | CFM | SONE | LAMPING | AMPS | COMBINED WATTS | TRIM DIMENSIONS | HOUSING DIMENSIONS |
|---|----------|------|------|---------|------|----------------|---------------------|--------------------------|
| A | TFV70REC | 70.0 | 2.0 | 75W | 1.3 | 115 | 7.25" Dia x 0.625"H | 7.125"H x 8.0"W x 14.0"D |

Fresh Air Series - Low Sone, High CFM

A TFV80S



B TFV80SL



Features

- Fresh New Grille Design
- Super Quiet Operation
- Permanently Lubricated and Thermally Protected
- Large Counter-Balanced Centrifugal Blower
- Ball-Type Motor Bearings
- Zinc Laden Galvanized Steel Housing
- Easy Installation
- 4" and 6" Duct Adapters
- Energy Efficient Operation

| ■ | MODEL | CFM | SONE | LAMPING | AMPS | COMBINED WATTS | TRIM DIMENSIONS | HOUSING DIMENSIONS |
|---|---------|-----|------|------------|------|----------------|-------------------------|-------------------------|
| A | TFV80S | 80 | 0.4 | N/A | 0.24 | 28 | 13.3"L x 13.3"W x 2.0"D | 12.0"L x 12.0"W x 8.0"D |
| B | TFV80SL | 80 | 0.4 | 2-18W Quad | 0.9 | 64 | 13.3"L x 13.3"W x 2.0"D | 12.0"L x 12.0"W x 8.0"D |

A TFV110S



B TFV110SL



Features

- Fresh New Grille Design
- Super Quiet Operation
- Permanently Lubricated and Thermally Protected
- Large Counter-Balanced Centrifugal Blower
- Ball-Type Motor Bearings
- Zinc Laden Galvanized Steel Housing
- Easy Installation
- 4" and 6" Duct Adapters
- Energy Efficient Operation

| ■ | MODEL | CFM | SONE | LAMPING | AMPS | COMBINED WATTS | TRIM DIMENSIONS | HOUSING DIMENSIONS |
|---|----------|-----|------|------------|------|----------------|-------------------------|-------------------------|
| A | TFV110S | 110 | 0.8 | N/A | 0.32 | 38 | 15.5"L x 14.0"W x 2.3"D | 12.0"L x 12.0"W x 8.0"D |
| B | TFV110SL | 110 | 0.8 | 2-18W Quad | 0.98 | 74 | 15.5"L x 14.0"W x 2.3"D | 12.0"L x 12.0"W x 8.0"D |

A TFV70HL



Features

- Polycarbonate Heat-Resistant Lens with U.V. Inhibitors (TFV70HL1500 Models Only)
- Attractive Low Profile Polymer Grille
- Easy Removal and Installation of Motor
- Permanently Lubricated Motor
- Precision-Balanced Impeller for Quiet Operation
- Galvanized for Humid Conditions
- Built-In Junction Box for Easy Wiring
- Includes 4" Duct Adapter

| | MODEL | CFM | SONE | LAMPING | AMPS | HEATER ELEMENT | COMBINED WATTS | TRIM DIMENSIONS | HOUSING DIMENSIONS |
|---|---------|-----|------|---------|------|----------------|----------------|-----------------------|-------------------------|
| A | TFV70HL | 70 | 4.0 | 60W Max | 9.2 | 950W | 1050 | 13.3"Lx13.3"W x 2.0"D | 12.0"L x 12.0"W x 8.0"D |

A TFV70L-AIORB



B TFV70L-DSS



C TFV70L-DORB



Features

- Permanently Lubricated Motor
- Precision-Balanced Impeller for Quiet Operation
- Galvanized for Humid Conditions
- Built-In Junction Box for Easy Wiring
- Includes 4" Duct Adapter

| ■ | MODEL | FINISH | GLASS | CFM | SONE | LAMPING | AMPS | COMBINED WATTS | TRIM DIMENSIONS | HOUSING DIMENSIONS |
|---|--------------|-------------------|-----------------|-----|------|---------|------|----------------|---------------------|-------------------------|
| A | TFV70L-AIORB | Oil Rubbed Bronze | Champagne | 70 | 3.5 | 2 x 60W | 1.2 | 160 | 14.75" Dia x 6.75"D | 8.63"L x 7.63"W x 5.6"D |
| B | TFV70L-DSS | Stainless Steel | Alabaster Swirl | 70 | 3.5 | 2 x 60W | 1.2 | 160 | 13.38" Dia x 6.00"D | 8.63"L x 7.63"W x 5.6"D |
| C | TFV70L-DORB | Oil Rubbed Bronze | Alabaster Swirl | 70 | 3.5 | 2 x 60W | 1.2 | 160 | 13.38" Dia x 6.00"D | 8.63"L x 7.63"W x 5.6"D |

A TFV90



B TFV90L



Features

- Polycarbonate Heat-Resistant Lens with U.V. Inhibitors
- Easy Removal and Installation of Motor Assembly Key-Hole Mounting
- Permanently Lubricated Motor
- Precision-Balanced Impeller for Quiet Operation
- Galvanized for Humid Conditions and Various Attic Temperatures
- Gauge Markings for Ceiling Thickness
- Built-In Junction Box for Easy Wiring
- Includes 4" Duct Adapter

| | MODEL | CFM | SONE | LAMPING | AMPS | COMBINED WATTS | TRIM DIMENSIONS | HOUSING DIMENSIONS |
|---|--------|-----|------|---------|------|----------------|-------------------|-----------------------|
| A | TFV90 | 90 | 2.0 | N/A | 0.8 | 80 | 12.4" Dia x 2.0"D | 8.1"L x 8.3"W x 6.3"D |
| B | TFV90L | 90 | 2.0 | 60W | 1.3 | 140 | 12.4" Dia x 2.0"D | 8.1"L x 8.3"W x 6.3"D |



Features

- Polycarbonate Heat-Resistant Lens with U.V. Inhibitors
- Easy Removal and Installation of Motor Assembly Key-Hole Mounting
- Permanently Lubricated Motor
- Precision-Balanced Impeller for Quiet Operation
- Galvanized for Humid Conditions and Various Attic Temperatures
- Gauge Markings for Ceiling Thickness
- Built-In Junction Box for Easy Wiring
- Includes 4" Duct Adapter

| ■ | MODEL | CFM | SONE | LAMPING | AMPS | COMBINED WATTS | TRIM DIMENSIONS | HOUSING DIMENSIONS |
|---|--------|-----|------|---------|------|----------------|-------------------------|--------------------------|
| A | TFV70 | 70 | 3.5 | N/A | 0.7 | 40 | 8.62"H x 7.62"W x 2.0"D | 8.62"L x 7.62"W x 4.12"D |
| B | TFV70L | 70 | 3.5 | 60W | 1.2 | 100 | 12.25" Dia x 2.0"D | 8.62"L x 7.62"W x 5.62"D |

A TFV50L



Features

- Polycarbonate Heat-Resistant Lens with U.V. Inhibitors
- Easy Removal and Installation of Motor Assembly Key-Hole Mounting
- Permanently Lubricated Motor
- Precision-Balanced Impeller for Quiet Operation
- Galvanized for Humid Conditions and Various Attic Temperatures
- Gauge Markings for Ceiling Thickness
- Built-In Junction Box for Easy Wiring
- Includes 4" Duct Adapter

| | MODEL | CFM | SONE | LAMPING | AMPS | COMBINED WATTS | TRIM DIMENSIONS | HOUSING DIMENSIONS |
|---|--------|-----|------|---------|------|----------------|--------------------|--------------------------|
| A | TFV50L | 50 | 3.5 | 60W | 0.9 | 85 | 12.25" Dia x 2.0"D | 8.62"L x 7.62"W x 5.62"D |

A TFV50

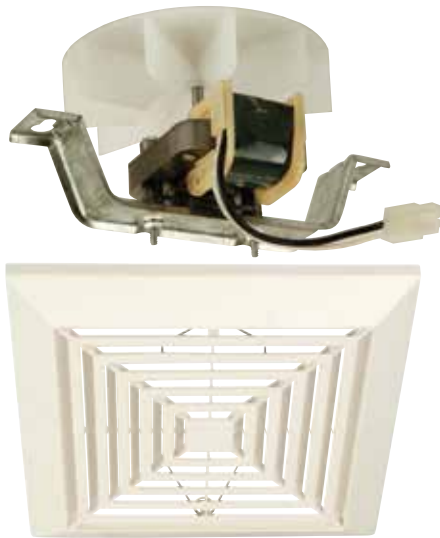
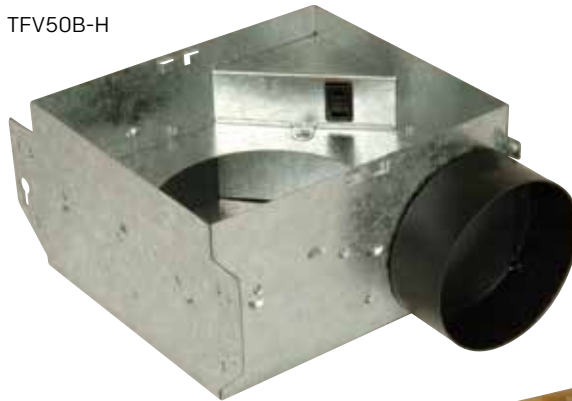


Uni-Pack

Features

- Easy Removal and Installation of Motor Assembly Key-Hole Mounting
- Permanently Lubricated Motor
- Precision-Balanced Impeller for Quiet Operation
- Galvanized for Humid Conditions and Various Attic Temperatures
- Gauge Markings for Ceiling Thickness
- Built-In Junction Box for Easy Wiring
- Includes 4" Duct Adapter

| | MODEL | CFM | SONE | LAMPING | AMPS | COMBINED WATTS | TRIM DIMENSIONS | HOUSING DIMENSIONS |
|---|-------|-----|------|---------|------|----------------|-------------------------|--------------------------|
| A | TFV50 | 50 | 3.5 | N/A | 0.4 | 25 | 8.62"L x 7.62"W x 2.0"D | 8.62"L x 7.62"W x 4.12"D |

A Tfv50B-M

B Tfv50B-H


Bulk Pack (6 per Carton)
TFV50-M = Motor + Grille
TFV50-H = Housing

Features

- Easy Removal and Installation of Motor Assembly Key-Hole Mounting
- Permanently Lubricated Motor
- Precision-Balanced Impeller for Quiet Operation
- Galvanized for Humid Conditions and Various Attic Temperatures
- Gauge Markings for Ceiling Thickness
- Built-In Junction Box for Easy Wiring
- Includes 4" Duct Adapter

| | MODEL | CFM | SONE | LAMPING | AMPS | COMBINED WATTS | TRIM DIMENSIONS | HOUSING DIMENSIONS |
|---|----------|-----|------|---------|------|----------------|-------------------------|--------------------------|
| A | TFV50B-M | 50 | 3.5 | N/A | 0.4 | 25 | 8.62"L x 7.62"W x 2.0"D | N/A |
| B | TFV50B-H | 50 | N/A | N/A | N/A | 25 | N/A | 8.62"L x 7.62"W x 4.12"D |

Index

| | | | | | |
|-----------|----|-------------|----|------------------|----|
| 1013-BNK | 50 | CBR-DW | 24 | PB5000-AZ | 34 |
| 1113-CH | 50 | CBR-W | 24 | PB5000-BNK | 34 |
| 1214-BNK | 50 | CC-BN | 16 | PB5001-AZ | 36 |
| 1311-BNK | 50 | CH1201-AWD | 18 | PB5001-BNK | 36 |
| 1411-BNK | 50 | CH1201-BK | 18 | PB5002-AP | 33 |
| 1511-BNK | 50 | CH1202-DO | 20 | PB5002-OBG | 33 |
| 1511-FSSB | 50 | CH1305-WW | 14 | PB5003-AZ | 35 |
| 1611-CH | 51 | CH1405-PT | 17 | PB5003-BNK | 35 |
| 1611-OB | 51 | CH1415-OBG | 17 | PB5004-AZ | 38 |
| 1710-BNK | 51 | CH1505-BK | 21 | PB5004-BNK | 38 |
| 1710-OB | 51 | CH1515-BK | 21 | PB5005-AZ | 37 |
| 1811-BNK | 51 | CH1801-ST | 17 | PB5005-BNK | 37 |
| 1811-HC | 51 | CH1901-SS | 16 | PB5006-BNK | 35 |
| 1910-BNK | 51 | CH2401-EBY | 14 | PB5007-AP | 39 |
| BR2-BZ | 46 | CH2401-UO | 23 | PB5007-OBG | 39 |
| BR2-PW | 46 | CH2601-AZ | 20 | T1610 | 47 |
| BR7-B | 46 | CH5202-DO | 20 | T1615 | 47 |
| BS3-PW | 44 | CL-DW | 24 | T1630 | 47 |
| BS3-RB | 44 | CL-W | 24 | TB1010-AI | 30 |
| BS6-BZ | 46 | CTMB-PR | 22 | TB1020-AI | 30 |
| BS6-W | 46 | CTPAB-BK | 15 | TB1020-BN | 30 |
| BS8-BZ | 44 | CTPW-DW | 23 | TB1030-AI | 30 |
| BSCB-AZ | 45 | CTPW-RG | 22 | TB1040-AI | 31 |
| BSCB-B | 45 | CTPW-W | 22 | TB1040-BN | 31 |
| BSCB-PW | 45 | ICH1405-PT | 10 | TB1060-AZ | 31 |
| BSCB-RB | 45 | ICH1415-OBG | 10 | TFV1013-BNK | 53 |
| BSCOL-AZ | 42 | ICH1505-BK | 11 | TFV1013-BNK-LED | 52 |
| BSCS-BN | 40 | ICH1515-BK | 11 | TFV110S | 59 |
| BSMED-AP | 41 | ICH1520-OB | 11 | TFV110SL | 59 |
| BSMED-AZ | 41 | ICH1600-AI | 9 | TFV1113-CH | 53 |
| BSMS-AZ | 40 | ICH1605-AI | 9 | TFV1113-CH-LED | 52 |
| BSOCT-AP | 40 | ICH1620-BN | 8 | TFV1214-BNK | 53 |
| BSOCT-RB | 40 | ICH1630-OB | 9 | TFV1214-BNK-LED | 52 |
| BSOO-AP | 42 | ICH1660-OB | 8 | TFV1311-BNK | 53 |
| BSOO-AZ | 42 | ICH1710-BCP | 4 | TFV1311-BNK-LED | 52 |
| BSOVL-RB | 43 | ICH1710-BNK | 4 | TFV1411-BNK | 53 |
| BSRT-AZ | 41 | ICH1715-CH | 7 | TFV1411-BNK-LED | 52 |
| BSSO-AP | 42 | ICH1720-BCP | 5 | TFV1511-BNK | 53 |
| BSSO-AZ | 42 | ICH1720-BNK | 5 | TFV1511-BNK-LED | 52 |
| C102L | 27 | ICH1725-BNK | 7 | TFV1511-FSSB | 53 |
| C102L-BZ | 27 | ICH1730-GV | 7 | TFV1511-FSSB-LED | 52 |
| C102X2L | 27 | ICH1735-BNK | 6 | TFV1611-CH | 53 |
| C105L-DW | 26 | ICH1735-OB | 6 | TFV1611-CH-LED | 52 |
| C105L-W | 26 | PB3032-AZ | 41 | TFV1611-OB | 53 |
| C3-PW | 12 | PB3034-AZ | 43 | TFV1611-OB-LED | 52 |
| C4-PW | 12 | PB3034-WB | 43 | TFV1710-BNK | 53 |
| CA3-RC | 13 | PB3035-AZ | 42 | TFV1710-BNK-LED | 52 |
| CA4-RC | 13 | PB3036-AZ | 44 | TFV1710-OB | 53 |
| CAB-RC | 19 | PB3037-AP | 43 | TFV1710-OB-LED | 52 |
| CAC-FZ | 18 | PB3037-BB | 43 | TFV1811-BNK | 53 |
| CAR-RC | 19 | PB3037-WB | 43 | TFV1811-BNK-LED | 52 |
| CAT-RC | 19 | PB3039-AP | 40 | TFV1811-HC | 53 |
| CB-REC | 25 | PB3039-OBG | 40 | TFV1811-HC-LED | 52 |
| CBB-FRG | 15 | PB3039-SB | 40 | TFV1910-BNK | 53 |
| CBB-PR | 23 | PB4042-AP | 41 | TFV1910-BNK-LED | 52 |
| CBGW-CNV | 25 | PB4043-WB | 41 | TFV50 | 65 |

| | |
|-------------------------|----|
| TFV50B-H | 66 |
| TFV50B-M | 66 |
| TFV50L | 64 |
| TFV70 | 63 |
| TFV70HL | 60 |
| TFV70HL-AIORB | 61 |
| TFV70HL-DORB | 61 |
| TFV70HL-DSS | 61 |
| TFV70L | 63 |
| TFV70REC | 57 |
| TFV80S | 58 |
| TFV80SL | 58 |
| TFV90 | 62 |
| TFV90L | 62 |
| TFVR1013-BNK | 55 |
| TFVR1013-BNK-LED | 54 |
| TFVR1113-CH | 55 |
| TFVR1113-CH-LED | 54 |
| TFVR1214-BNK | 55 |
| TFVR1214-BNK-LED | 54 |
| TFVR1311-BNK | 55 |
| TFVR1311-BNK-LED | 54 |
| TFVR1411-BNK | 55 |
| TFVR1411-BNK-LED | 54 |
| TFVR1511-BNK | 55 |
| TFVR1511-BNK-LED | 54 |
| TFVR1511-FSSB | 55 |
| TFVR1511-FSSB-LED | 54 |
| TFVR1611-CH | 55 |
| TFVR1611-CH-LED | 54 |
| TFVR1611-OB | 55 |
| TFVR1611-OB-LED | 54 |
| TFVR1710-BNK | 55 |
| TFVR1710-BNK-LED | 54 |
| TFVR1710-OB | 55 |
| TFVR1710-OB-LED | 54 |
| TFVR1811-BNK | 55 |
| TFVR1811-BNK-LED | 54 |
| TFVR1811-HC | 55 |
| TFVR1811-HC-LED | 54 |
| TFVR1910-BNK | 55 |
| TFVR1910-BNK-LED | 54 |
| XV1013-BNK-LED | 56 |
| XV1113-CH-LED | 56 |
| XV1214-BNK-LED | 56 |
| XV1311-BNK-LED | 56 |
| XV1411-BNK-LED | 56 |
| XV1511-BNK-LED | 56 |
| XV1511-FSSB-LED | 56 |
| XV1611-CH-LED | 56 |
| XV1611-OB-LED | 56 |
| XV1710-BNK-LED | 56 |
| XV1710-OB-LED | 56 |
| XV1811-BNK-LED | 56 |
| XV1811-HC-LED | 56 |
| XV1910-BNK-LED | 56 |



CRAFTMADE

650 S Royal Lane • Coppell, TX 75019 • P 1-800-486-4892 • F 877-304-1728

Showroom: Dallas Market Center • Trade Mart, Suite 4902
2100 Stemmons Freeway • Dallas, TX 75207

WWW.CRAFTMADE.COM