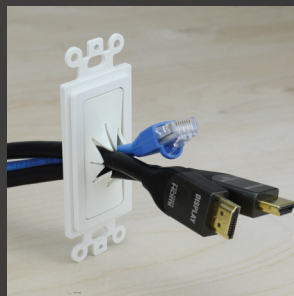


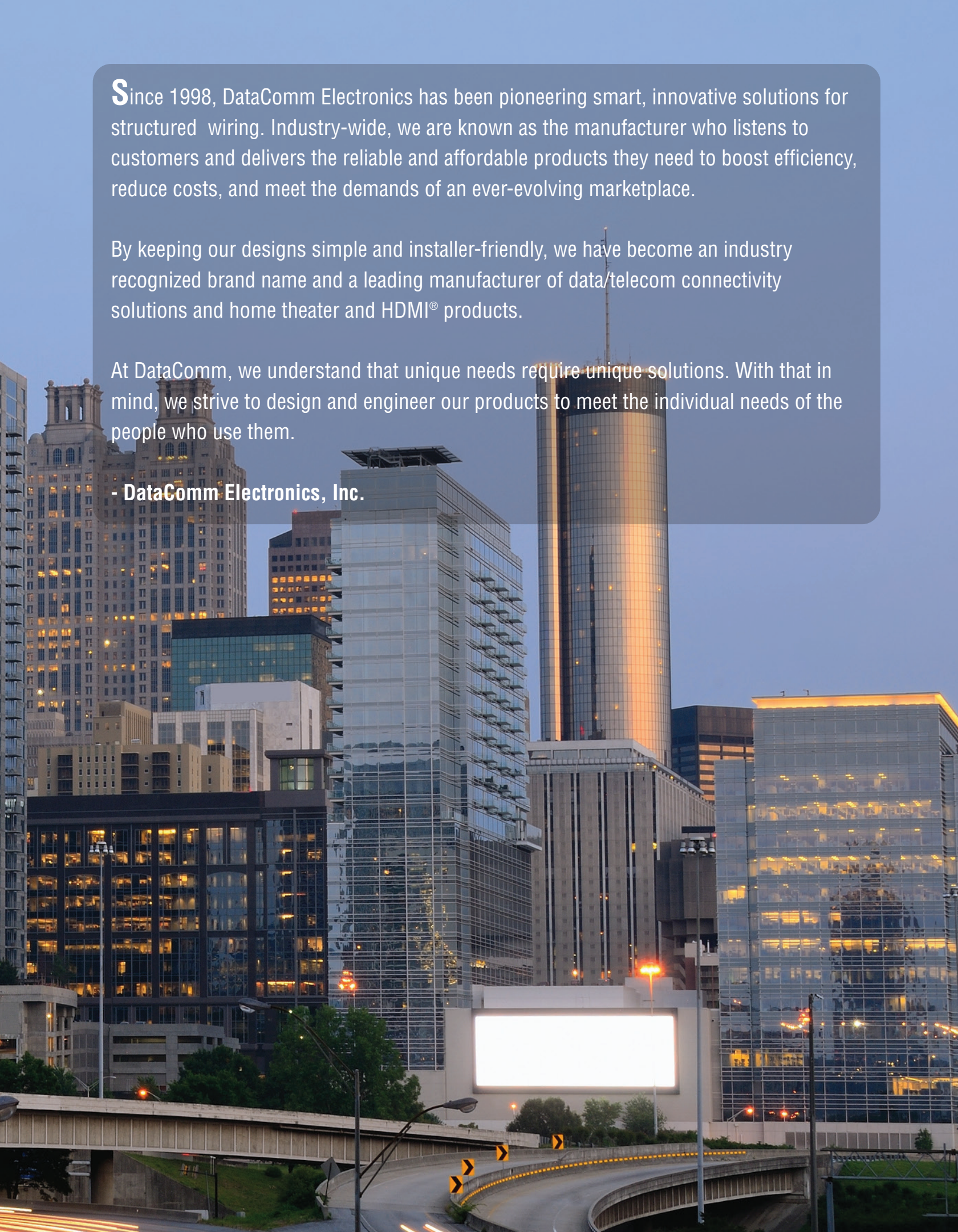
DATA COMM™ ELECTRONICS



**HDMI® • Keystone Inserts/Plates • Home Command • Home Theater
Compression Fittings • Telephone Accessories • Patch Panels & Accessories**



DATA **COMM**TM
ELECTRONICS

A city skyline at dusk, featuring several prominent skyscrapers. The buildings are illuminated from within, and their glass facades reflect the ambient light. In the foreground, a highway interchange with a curved ramp is visible, along with streetlights and a large, bright, rectangular light source. The sky is a deep blue, suggesting twilight.

Since 1998, DataComm Electronics has been pioneering smart, innovative solutions for structured wiring. Industry-wide, we are known as the manufacturer who listens to customers and delivers the reliable and affordable products they need to boost efficiency, reduce costs, and meet the demands of an ever-evolving marketplace.

By keeping our designs simple and installer-friendly, we have become an industry recognized brand name and a leading manufacturer of data/telecom connectivity solutions and home theater and HDMI® products.

At DataComm, we understand that unique needs require unique solutions. With that in mind, we strive to design and engineer our products to meet the individual needs of the people who use them.

- DataComm Electronics, Inc.



Home Theater

Page 9

Recessed Low Voltage Cable Plates	11
Easy Mount Recessed Low Voltage Cable Plate	11
Cable Plate w/ Flexible Opening	12
Flexible Split Plate	12
Reverse Nose Decor Insert	13
Decor insert w/ Flexible Opening	13
Recessed Media Box	14
Recessed Low Voltage Cable Plate w/ Recessed Power	14
Recessed Pro-Power Kit w/ Locking Inlet	14
Recessed Pro-Power Kit w/ Straight Blade Inlet	15
Recessed Pro-Power Kit w/ Duplex Receptacle & Straight Blade Inlet	15
Recessed Pro-Power Kit w/ Surge Suppressor & Straight Blade Inlet	15
Recessed Low Voltage Media Plate	16
Expandable Media Box	17
Recessed Low Voltage Mid-Size Plate	18
New Construction Rough-In Bracket Kits	19
5.1 Surround Sound Plate	20
7.2 Surround Sound Plate	20
Universal Speaker Mount	20
Multimedia Boxes	21
Drawings & Dimensions	22-24

Home Command - Structured Wiring Products

Page 25

14" Flush Mount Enclosure	27
12" x 15" Enclosure	28
12" x 28" Enclosure	29

Home Command - Structured Wiring Products (Cont'd)

1 x 8 Telephone Module	30
Category 5e 8-Port Data Module	30
Category 6 8-Port Data Module	30
AC Power Duplex Surge Module	31
Coax 2.4 GHz Splitter Modules	31
Universal Router Bracket	31
Home Command Center II	32
4-Gang 110 Phone Plate w/ Video Distribution	32
2-Gang 110 Phone Plate	32

HDMI®

Page 33

High Speed Premium HDMI® Cables	35
TrueStream Pro High Speed HDMI® Cables	35
TrueStream Pro HD Cable Active Linx	36
HDMI Extenders	36
HDMI Accessories	37
Décor Wall Plate Insert w/ 90° HDMI® Connector	37
Standard Wall Plate w/ HDMI® Connector & Pigtail	37
HDMI® Keystone Insert	37
TrueStream Pro HDMI 2.0a Cables	38

Keystone Jacks

Page 39

Category 3 Keystone Jacks	41
Category 3 Keystone Jacks, 10 Pack Bags	41
Category 5e Keystone Jacks	42

Keystone Jacks (Cont'd)

Category 5e Keystone Jacks, 10 Pack Bags	41
Category 6 Keystone Jacks	41
Category 6 Keystone Jacks, 10 Pack Bags	42
1 GHz F-Connector Keystone	42
2.4 GHz F-Connector Keystone	42
2.4 GHz F-Connector Keystone, 10 Pack Bags	42
3.0 GHz F-Connector Keystone	42
Female RCA	42
RCA to F-Connector	43
RCA to 110 Punch Down	43
Binding Post	43
Drawings & Dimensions	44

Keystone Plates

Page 45

Keystone Plates Features & Specs	47
1-Port Keystone Plate, Standard Size	48
2-Port Keystone Plate, Standard Size	48
3-Port Keystone Plate, Standard Size	48
4-Port Keystone Plate, Standard Size	48
6-Port Keystone Plate, Standard Size	49
1-Port Keystone Plate, Mid-Size	49
2-Port Keystone Plate, Mid-Size	49
3-Port Keystone Plate, Mid-Size	49
4-Port Keystone Plate, Mid-Size	50
6-Port Keystone Plate, Mid Size	50

Table of Contents

Patch Cords

Page 51

Patch Cords Features and Specs	53
Category 5e Patch Cords	54
Category 6 Patch Cords	54

Telephone Accessories

Page 55

Color-Rite™ Standard Size Phone Plates	57
Color-Rite™ Mid-Size Phone Plates	57
Color-Rite™ Dual Phone Plates	58
Color-Rite™ Quick Mount Phone Plate	58
Color-Rite™ Surface Block	58
Color-Rite™ Combination Phone/Coax Plate	58
Blank Wall Plate	59
Wall Plate w/ One Hole	59
Coax Wall Plate - Standard Size	59
Coax Wall Plate - Mid-Size	59
Dual Coax Wall Plate	60
2.4 GHz Coax Wall Plate	60
Color-Rite™ Decor Wall Plate Insert	60
Color-Rite™ Decor Dual Wall Plate Insert	60
Color-Rite™ Decor Combo Phone/Coax Insert	61
Decor Coax Wall Plate	61
Decor Wall Plates	61
Decor Plate Inserts	62
Surface Mount Boxes/Plates	62

Coaxial Connectors

Page 63

F-Connector Compression	65
Crimless Male Twist-On Connector	65
Crimp On Male w/ Attached 1/2" Crimp Ring	65
F-Connector Right Angle Adapter	65
F-Connector Splice	65
BNC Compression Connector	65
BNC Male Crimp	65
BNC Male Twist-On	66
BNC Male Quick Crimp	66
BNC Female Twist-On	66
BNC T-Adapter	66
BNC Double Female Adapter	66
BNC Male to RCA Male	66
BNC Male to RCA Female	66
BNC Male to F Female	66
BNC Female to F Male	67
BNC Female to RCA Male	67
RCA Compression Connector	67
RCA Female to F Male	67
RCA Female to F Female	67
RCA Male to F Female	67
UY IDC Connector	67
UR IDC Connector	67
RJ45	68
RJ11	68
RJ12	68
1 GHz Splitters	68

Patch Panels & Accessories

Page 69

Category 5e, 12-Port Mini Patch Panel	71
Category 6, 12-Port Mini Patch Panel	71
Category 5e, 12-Port Universal Patch Panel	71
Category 6, 12-Port Universal Patch Panel	71
Category 5e, 24-Port Universal Patch Panel	71
Category 6, 24-Port Universal Patch Panel	71
Category 5e, 48-Port Universal Patch Panel	71
Category 6, 48-Port Universal Patch Panel	71
19" Rack Cable Management Wire Holder	72
1U Hinged Wall Mount Bracket	72
2U Hinged Wall Mount Bracket	72
24-Port Blank Patch Panel	72
Drawings & Dimensions	72

Reference

Page 73

Warranty Information	73
Industry Terms & Definitions	73
Product Index	74-76

Home Theater

Power Relocation Kits | Wall Plates | Rough-In Brackets



Hiding A/V cables from flat screen TVs, media streaming devices, and other home theater equipment has never been easier. We understand that each home is unique, and with our vast selection of unique and exclusive cable plates you will certainly find a product to fit every home theater installation, no matter how simple or complex it may be.



Home Theater

Recessed Low Voltage Cable Plates	11
Easy Mount Recessed Low Voltage Cable Plate	11
Cable Plate w/ Flexible Opening	12
Flexible Split Plate	12
Reverse Nose Décor Insert	13
Décor Insert w/ Flexible Opening	13
Recessed Media Box	14
Recessed Low Voltage Cable Plate w/ Recessed Power	14
Recessed Pro-Power Kits	14-15
Recessed Low Voltage Media Plates	16
Expandable Media Box	17
Recessed Low Voltage Mid-Size Plates	18
Rough-In Bracket Kits	19
Surround Sound Plates	20
Universal Speaker Mount	20
Multimedia Box	21

DATA COMM
ELECTRONICS
TM

Recessed Low Voltage Cable Plates

- Available in 1-gang, 2-gang, and 3-gang
- Available in 5 colors
- Can be installed with the opening facing up or down
- Designed to be used with 1-gang, 2-gang and 3-gang low voltage mounting brackets made by any major manufacturer

Part Number	Description
45-0001-BK	1-Gang, Black
45-0001-BR	1-Gang, Brown
45-0001-IV	1-Gang, Ivory
45-0001-LA	1-Gang, Lite Almond
45-0001-WH	1-Gang, White
45-0002-BK	2-Gang, Black
45-0002-BR	2-Gang, Brown
45-0002-IV	2-Gang, Ivory
45-0002-LA	2-Gang, Lite Almond
45-0002-WH	2-Gang, White
45-0003-BK	3-Gang, Black
45-0003-LA	3-Gang, Lite Almond
45-0003-WH	3-Gang, White



Easy Mount Recessed Low Voltage Cable Plate



- Conceal multiple A/V cables behind your flat panel TV
- Can be installed with the opening facing up or down
- Mounting wings are molded into the plate and fasten tightly against the back of the drywall
- Slim fit size (Part # 45-0009) is designed for applications where the wall cavity depth is 3/4" to 1" in depth
- Available in 4 colors
- Available in 2 sizes

Part Number	Description
45-0008-BK	Easy Mount Cable Plate, Black
45-0008-IV	Easy Mount Cable Plate, Ivory
45-0008-LA	Easy Mount Cable Plate, Lite Almond
45-0008-WH	Easy Mount Cable Plate, White
45-0009-LA	Easy Mount Cable Plate (Slim Fit), Lite Almond
45-0009-WH	Easy Mount Cable Plate (Slim Fit), White

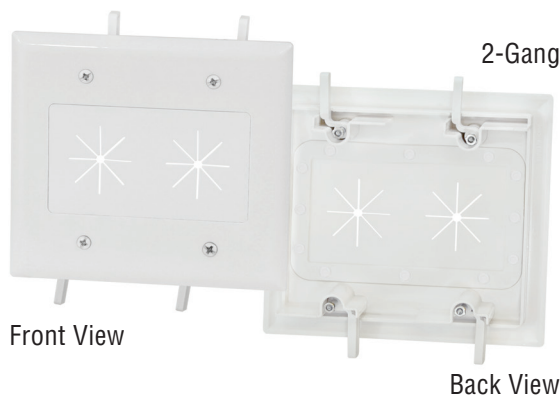
Cable Plate w/ Flexible Opening

- Low profile design fits behind the industry's thinnest mounts and TVs
- Conceal multiple low voltage cables behind your flat panel TV
 - 1-Gang holds up to 4 cables
 - 2-Gang holds up to 8 cables
- Available in 4 colors
- Quick and easy to install
- Mounting wings are included with the media plate and fasten securely against the back of the drywall
- No low voltage mounting plate or old work ring required
- No additional parts required

Part Number	Description
45-0014-BK	1-Gang, Black
45-0014-IV	1-Gang, Ivory
45-0014-LA	1-Gang, Lite Almond
45-0014-WH	1-Gang, White
45-0015-BK	2-Gang, Black
45-0015-IV	2-Gang, Ivory
45-0015-LA	2-Gang, Lite Almond
45-0015-WH	2-Gang, White



1-Gang



Front View

2-Gang

Back View

Flexible Split Plate

- Designed to allow additional cables to be added without disconnecting existing cables
- Install top and bottom half of the cable plate to a low voltage mounting bracket
- Allows you to keep the opening in the wall covered while passing low voltage cables through the wall
- Perfect for eliminating connections at the wall
- Holds up to 6 cables
- Available in 4 colors

Part Number	Description
45-0017-BK	Split Plate w/ Flexible Opening, Black
45-0017-IV	Split Plate w/ Flexible Opening, Ivory
45-0017-LA	Split Plate w/ Flexible Opening, Lite Almond
45-0017-WH	Split Plate w/ Flexible Opening, White



Décor Plate Inserts

DataComm Electronics' patented Reverse Nose and Flexible Opening Décor Inserts are used to install low voltage cables behind your HDTV, amplifier, or other audio video devices. The low profile design fits behind the industry's thinnest mounts and TVs. These products are designed to be installed into low voltage mounting brackets (sold separately) that are installed into the wall.

Reverse Nose Décor Insert

- Holds up to 4 cables
- Mounts flush with a décor style wall plate
- Allows cable management inside the wall
- Perfect for eliminating connections at the wall
- Available in 5 colors
- Quick and easy to install
- ETL Listed

Part Number	Color
45-0004-BK	Black
45-0004-BR	Brown
45-0004-IV	Ivory
45-0004-LA	Lite Almond
45-0004-WH	White



Décor Insert w/ Flexible Opening



- Holds up to 4 cables
- Mounts to a standard low voltage mounting ring, old work ring, or mud ring
- Flexible opening helps keep low voltage pass-through area covered
- Perfect for eliminating connections at the wall
- Available in 4 colors
- Quick and easy to install
- ETL Listed

Part Number	Color
45-0016-BK	Black
45-0016-IV	Ivory
45-0016-LA	Lite Almond
45-0016-WH	White

Recessed Media Box

The Recessed Media Box is the perfect solution for installing power and low voltage cables behind your flat panel TV, amplifier, or other audio/video devices in your equipment room. The Recessed Media Box is designed for new construction or retrofit installations. The flexible front cover plate gives our Recessed Media Box the clean finish your customers expect.

Part Number	Description
45-0010-WH	Recessed Media Box, White
45-0010-BK	Recessed Media Box, Black



Recessed Low Voltage Cable Plate w/ Recessed Power



- Use with either a single gang new work box or old work box
- Grounded 15 Amp recessed receptacle allows you to install power behind your HDTV
- Mounting wings are molded into the plate and fasten tightly against the back of the drywall; the wings are designed for use in walls up to 1" thick
- Available in 3 colors

Part Number	Color
45-0021-WH	White
45-0021-GY	Gray

Recessed Pro-Power Kit w/ Locking Inlet

The Recessed Pro-Power Kit w/ Locking Inlet Includes:

- Recessed Low Voltage Cable Plate w/ Recessed Power
- Recessed Low Voltage Cable Plate w/ Locking Inlet
- 6 ft. 16/2 with Ground Locking Extension Cord

Part Number	Description
45-0022-WH	Recessed Pro-Power Kit w/ Locking Inlet, White



Recessed Pro Power Kits

DataComm Electronics' Recessed Pro Power Kits are the perfect solution for installing power and low voltage cables behind your HDTV, AVR, and other audio/video devices. These kits work with the industry's thinnest mounts and TVs which allow you to pass low voltage cables and power through the wall, creating a professional and clean look for every home theater.

Duplex Receptacle & Straight Blade Inlet



Parts Included:

- Recessed Low Voltage Mid-Size Plate with Duplex Receptacle
- Recessed Low Voltage Cable Plate with Straight Blade Inlet
- 6 ft. 16/2 with Ground Cord Set with 360° rotating flat head
- Two (2) outlet boxes
- 15 Amp/125 Volt tamper resistant duplex receptacle

Part Number	Color
45-0024-WH	White

Duplex Surge Suppressor & Straight Blade Inlet

Parts Included:

- Recessed Low Voltage Mid-Size Plate w/ Duplex Surge Suppressor
- Recessed Low Voltage Cable Plate w/ Straight Blade Inlet
- 6 ft. 16/2 w/ Ground Cord Set w/ 360° rotating flat head
- Two (2) outlet boxes
- 15 Amp/125 Volt Duplex Surge Suppressor



Surge Suppressor Features:

- › Maximum surge current - 1,500 amps
- › Clamping response time - 1 nanosecond
- › Hot/Neutral, Hot/Ground, Neutral/Ground
- › Total maximum surge dissipation - 240 joules

Part Number	Color
45-0028-WH	White

Straight Blade Inlet



Parts Included:

- Recessed Cable Plate with 15A single receptacle
- Recessed Cable Plate with Straight Blade Inlet
- Two (2) outlet boxes
- 6 ft. 16/2 with ground extension cord
- Three (3) wire nuts

Part Number	Color
45-0023-WH	White

Recessed Low Voltage Media Plates

DataComm Electronics' patented Recessed Low Voltage Media Plates offer the convenience of a duplex receptacle and a recessed plate with enough room to store your low voltage cables behind your HDTV.

Features

Part # 45-0031-WH

- Low profile design fits behind the industry's thinnest mounts and TVs
- Conceal multiple A/V cables behind your flat panel TV
- Tamper resistant 15 Amp/125 Volt duplex receptacle
- Outlet box included
- Mounting wings are attached to the media plate and fasten tightly against the back of the drywall
- Quick and easy to install
- No additional parts required



Part # 45-0041-WH | Surge Suppressor Features

- 15 Amp/125 Volt duplex surge receptacle w/ receptacle Surge Bloc®
 - › Audible alarm sounds when surge suppressor is no longer functioning
 - › Maximum surge current - 12,000 amps
 - › Peak suppression voltage - 1,000 volts
 - › Hot/Neutral, Hot/Ground, Neutral/Ground
 - › Total maximum surge dissipation - 340 joules
- Part # 45-0041-SB - Replaceable Surge Bloc sold separately

Part# 45-0032-WH | 20 Amp w/ Steel Outlet Box Model Features

- 20 Amp/125 Volt duplex receptacle (5-20R)
 - › 2 Pole
 - › 3W
 - › Rear wire with side screw terminals
 - › Tamper resistant
- Steel outlet box included
 - › 2.75" single gang
 - › Contains 8 knockouts for conduit or armored cable mounting options
 - › Ideal for commercial applications or when required by residential building codes
 - › Also ETL Listed in Canada



Part Number

Description

45-0031-WH	Recessed Low Voltage Media Plate w/ Duplex Receptacle, White
45-0041-WH	Recessed Low Voltage Media Plate w/ Duplex Surge Suppressor, White
45-0041-SB	Replaceable Surge Bloc® for 45-0041-WH
45-0032-WH	Recessed Low Voltage Media Plate w/ 20 Amp Duplex Receptacle, White

Expandable Media Box

DataComm Electronics' Expandable Media Box is designed to streamline power and cable management behind your HDTV. The expandable portion of the media box allows for maximum storage hidden behind your TV, while still allowing your TV to be mounted flush to the wall.

Features

Part # 45-0051-WH | ETL US Only

- Wall box storage capacity increases by 75% when the expandable portion is extended behind the wall
- There are two openings inside of the Expandable Media Box, one on the top and one on the bottom. Three (3) interchangeable plates are included to cover these openings, allowing for multiple configuration options. The three (3) plates include:
 - › Flexible Opening Plate
 - › 6-Port Keystone Plate
 - › Blank Plate
- UL Listed, 15 Amp/125 Volt Duplex Receptacle
- Outlet box included
- Metal mounting wings are attached to the media plate and fasten tightly against the back of the drywall when installed
- Available in three (3) models
- Quick and easy to install



Part Number	Description
45-0051-WH	w/ 15 Amp/125 Volt Duplex Receptacle
45-0061-WH	w/ 15 Amp/125 Volt Surge Suppressor
45-0052-WH	w/ 20 Amp/125 Volt Duplex Receptacle

Part # 45-0061-WH | Surge Suppressor Features | ETL US Only

UL Listed 15 Amp/125 Volt Duplex Surge Receptacle:

- Maximum surge current - 15,000 amps
- Clamping response time - 1 nanosecond
- Hot/Neutral, Hot/Ground, Neutral/Ground
- Total maximum surge dissipation - 480 joules



Part # 45-0052-WH | 20 Amp Model w/ Steel Outlet Box Features ETL US & CAN

UL Listed 20 Amp/125 Volt Duplex Receptacle:

- 2 pole
- 3W
- Rear connection with side screw terminals
- Tamper resistant



Recessed Low Voltage Mid-Size Plate

DataComm Electronics' Recessed Low Voltage Mid-Size Plate is designed to streamline power and cable management behind wall mounted displays. This plate is available in three (3) models including surge and commercial grade options.

Features

Part # 45-0071-WH | ETL US Only

- Low profile design fits behind the industry's thinnest mounts and TVs
- Conceal multiple A/V cables behind your flat panel TV
- UL Listed 15A / 125V duplex receptacle (45-0071-WH is tamper resistant)
- Outlet box included
- Metal mounting wings are attached to the media plate and fasten tightly against the back of the drywall
- Flexible screen closes the interior opening of the mid-size plate
- Quick and easy install



Part Number	Description
45-0071-WH	w/ 15 Amp/125 Volt Duplex Receptacle
45-0081-WH	w/ 15 Amp/125 Volt Surge Suppressor
45-0072-WH	w/ 20 Amp/125 Volt Duplex Receptacle

Part # 45-0081-WH | Surge Suppressor Features ETL US Only

UL Listed 15 Amp/125 Volt Duplex Surge Receptacle:

- Maximum surge current - 15,000 amps
- Clamping response time - 1 nanosecond
- Hot/Neutral, Hot/Ground, Neutral/Ground
- Total maximum surge dissipation - 480 joules



Part # 45-0072-WH | 20 Amp Model w/ Steel Outlet Box Features | ETL US & CAN

UL Listed 20 Amp/125 Volt Duplex Receptacle:

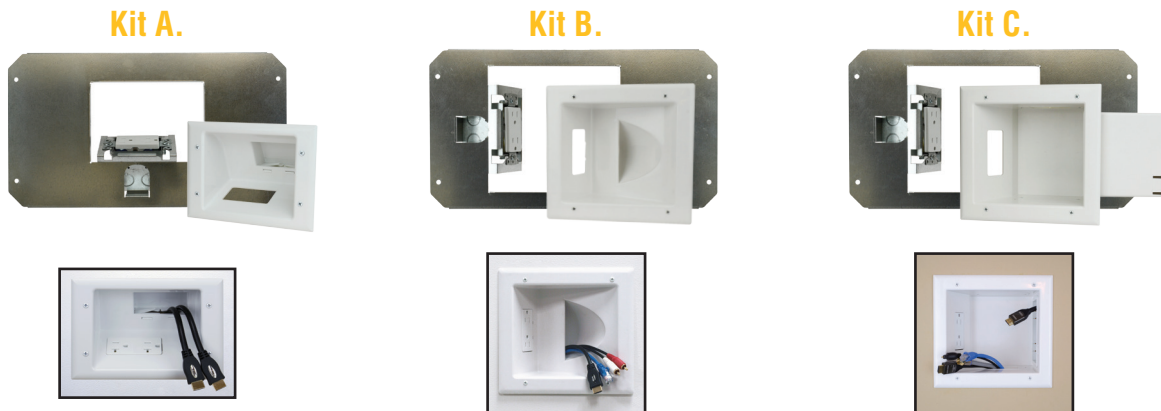
- 2 pole
- 3W
- Rear wire connection with side screw terminals
- Tamper resistant



New Construction Rough-In Bracket Kits

DataComm Electronics' Rough-In Brackets Kits are the perfect solution for commercial installers. Designed to be used in new construction applications, these rough-in bracket kits are available with several wall plate and receptacle options so you're sure to find just what you need.

- Includes sturdy 22GA galvanized steel construction bracket
- Works for both residential and commercial applications
- Kits available for both standard 16" or 24" on center metal or wood studs with choice of plate and receptacle
- 2 3/4" single gang steel outlet box contains 8 knockouts for conduit or armored cable mounting options
- Built-in mud ring for drywall trim out
- Reversible for customizable receptacle placement on top, bottom, left, or right
- For larger jobs Rough-In Brackets and Plates may be purchased separately (call for details)



16" rough-in brackets shown

A. Mid-Size Rough-In Bracket Kit with Recessed Low Voltage Plate

With 16" Bracket	With 24" Bracket	Receptacle Included
45-1671-RBP-KIT	45-2471-RBP-KIT	15A / 125 V Duplex Receptacle - Tamper Resistant
45-1672-RBP-KIT	45-2472-RBP-KIT	20A / 125 V Duplex Receptacle - Tamper Resistant
45-1681-RBP-KIT	45-2481-RBP-KIT	15A / 125 V Surge Suppressor

B. Full-Size Rough-In Bracket Kit with Recessed Low Voltage Media Plate

With 16" Bracket	With 24" Bracket	Receptacle Included
45-1631-RBP-KIT	45-2431-RBP-KIT	15A / 125 V Duplex Receptacle - Tamper Resistant
45-1632-RBP-KIT	45-2432-RBP-KIT	20A / 125 V Duplex Receptacle - Tamper Resistant
45-1641-RBP-KIT	45-2441-RBP-KIT	15A / 125 V Surge Suppressor

C. Full-Size Rough-In Bracket Kit with Expandable Media Box

With 16" Bracket	With 24" Bracket	Receptacle Included
45-1651-RBP-KIT	45-2451-RBP-KIT	15A / 125 V Duplex Receptacle - Tamper Resistant
45-1652-RBP-KIT	45-2452-RBP-KIT	20A / 125 V Duplex Receptacle - Tamper Resistant
45-1661-RBP-KIT	45-2461-RBP-KIT	15A / 125 V Surge Suppressor

Surround Sound

DataComm Electronics' home theater plates provide all the flexibility a professional installer or experienced do-it-yourselfer needs to create a sophisticated media environment. The plates are easy to terminate and contribute to a neat, finished installation. Clear labeling also simplifies room set up and configuration.

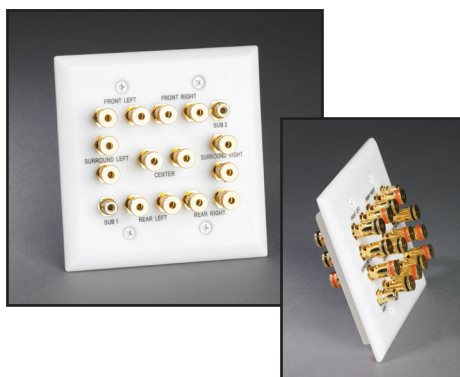
5.1 Surround Sound Plate

- Includes 2-gang white plate with 5-pair binding post for the front-left, front-right, rear-right, and center speakers
- Includes 1 RCA jack with f-connector for a subwoofer
- UL approved ABS plastic
- Installs in a NEMA 2-gang box or low voltage mounting bracket

Part Number	Description
45-0060	5.1 Surround Sound 2-Gang Plate



7.2 Surround Sound Plate



- Preconfigured plate with front and back gold plated push-pin banana plug connectors
- Eliminates tedious work and decreases labor cost by 20%
- No wire pull-outs
- Automatic conductor adjustment ensures perfect conductivity every time
- Connector labeling simplifies room setup and configuration

Part Number	Description
45-0070	7.2 Surround Sound 2-Gang Plate

Universal Speaker Mount

- Mounts most standard speakers to wall or other surfaces
- Contains parts and brackets for two (2) speakers
- Multiple angle adjustments for desired speaker placement
- ETL Rated for indoor or outdoor use
- Each bracket holds up to 9 lbs.
- Great for mounting surround sound speakers
- Extensions included for mounting speakers to the ceiling

Part Number	Description
60-0036	Adjustable Indoor/Outdoor Speaker Mounts



More Great Products from DataComm Electronics are Coming Soon!

DATA COMM™
ELECTRONICS

Multimedia Box

Available late third quarter - 2015

The Multimedia Box is the perfect solution for concealing cables and media streaming devices behind your HDTV. The box is constructed of 20-gauge steel and provides ample storage for all your home theater accessories. It includes 4 equipment mounting brackets and a removable trim ring to give you the clean, professional look you want.

Features

- 20-gauge steel constructed
- Multiple knockouts for conduit up to 2" diameter
- Knockout for a single gang J-Box power module (Part # 80-0050)
- Includes (4) equipment mounting brackets
- Mounting slots simplify adjustment for different depths of sheetrock
- Trim ring included
- Hole pattern accepts most brands of modules
- ETL listed

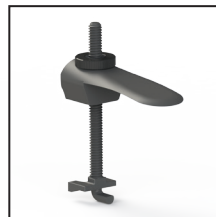


Part Number	Description
45-8014-BK	14" In-Wall Media Box w/ 4 Equipment Brackets



Removeable Trim Ring

Allows you to install the Multimedia Box during new construction or as a retrofit solution.

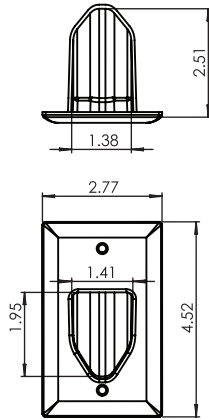


Equipment Mounting Brackets

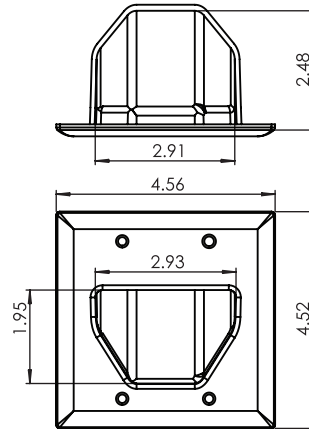
Keep your home theater equipment neat and organized with the four (4) included equipment mounting brackets.

Drawings & Dimensions

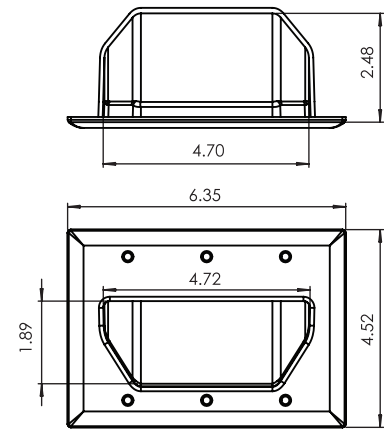
45-0001-XX: 1-Gang Recessed Low Voltage Cable Plate



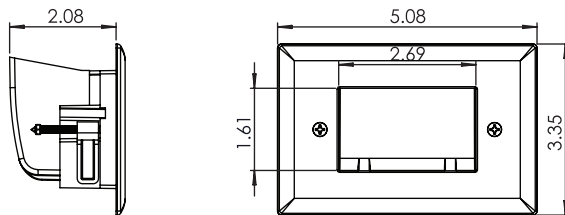
45-0002-XX: 2-Gang Recessed Low Voltage Cable Plate



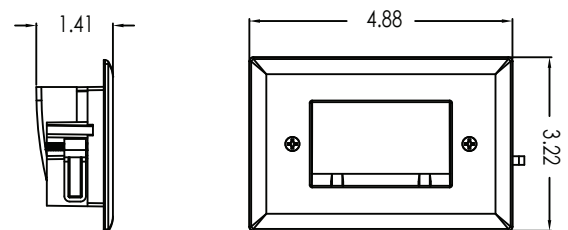
45-0003-XX: 3-Gang Recessed Low Voltage Cable Plate



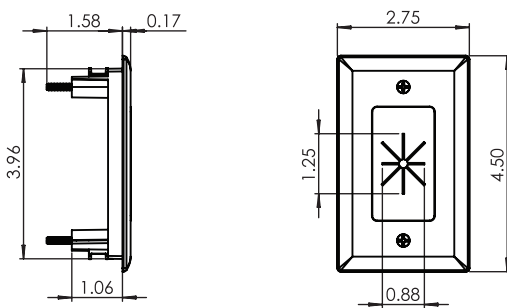
45-0008-XX: Easy Mount Recessed Low Voltage Cable Plate



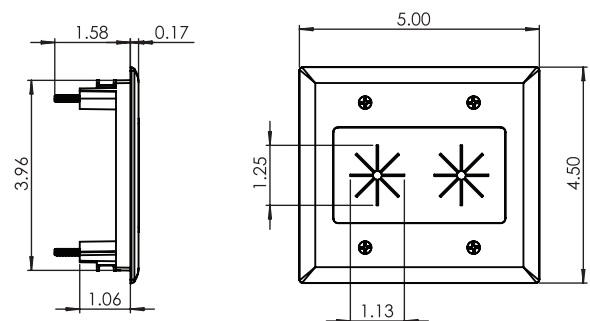
45-0009-XX: Easy Mount Recessed Low Voltage Cable Plate (Slim Fit)



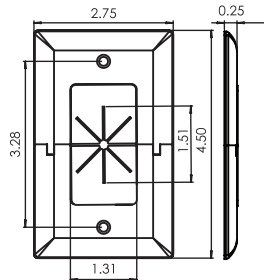
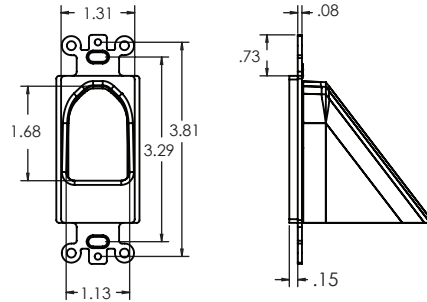
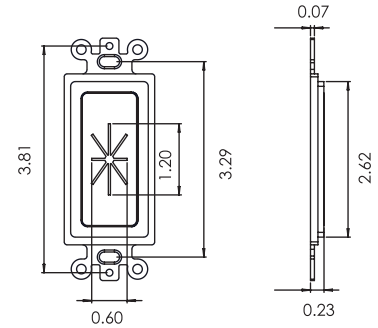
45-0014-XX: 1-Gang Cable Plate w/ Flexible Opening



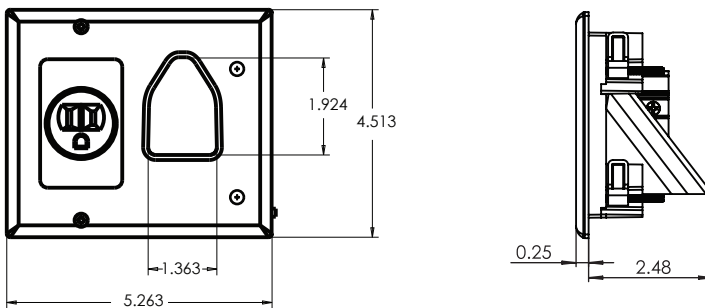
45-0015-XX: 2-Gang Cable Plate w/ Flexible Opening



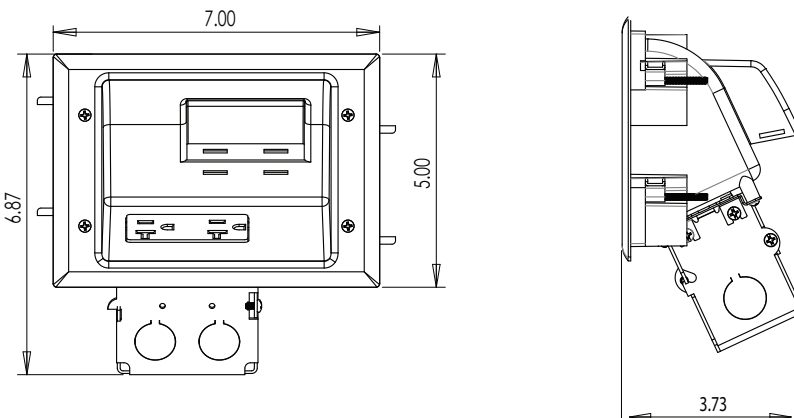
Drawings & Dimensions

45-0017-XX: Flexible Split Plate

45-0004-XX: Reverse Nose Décor Insert

45-0004-XX: Décor Insert w/ Flexible Opening

45-0021-WH: Recessed Low Voltage Cable Plate w/ Recessed Power

45-0022-WH: Recessed Pro Power Kit w/ Locking Inlet (dimensions apply to top and bottom plate)

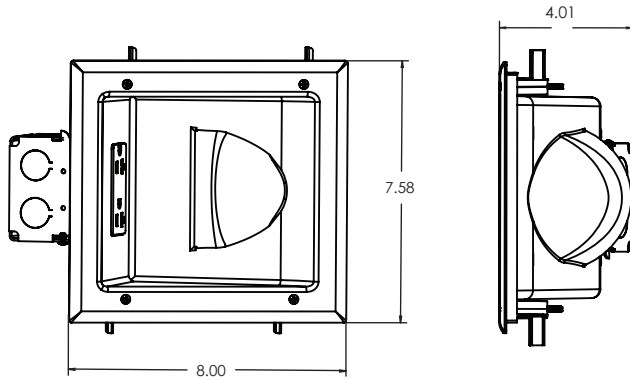
45-0023-WH: Recessed Pro Power Kit w/ Straight Blade Inlet (dimensions apply to top and bottom plate)

45-0071-WH, 45-0072-WH, 45-0081-WH: Recessed Low Voltage Mid-Size Plate

45-0024-WH: Recessed Pro Power Kit w/ Duplex Receptacle & Straight Blade Inlet (top plate)

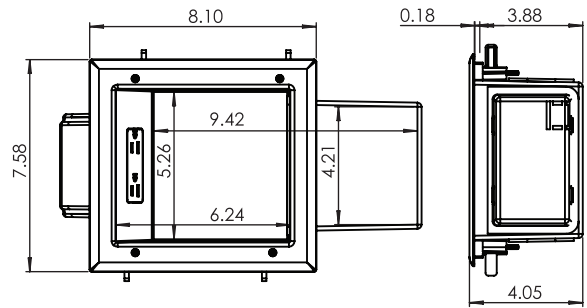
45-0028-WH: Recessed Pro Power Kit w/ Duplex Surge & Straight Blade Inlet (top plate)


Drawings & Dimensions

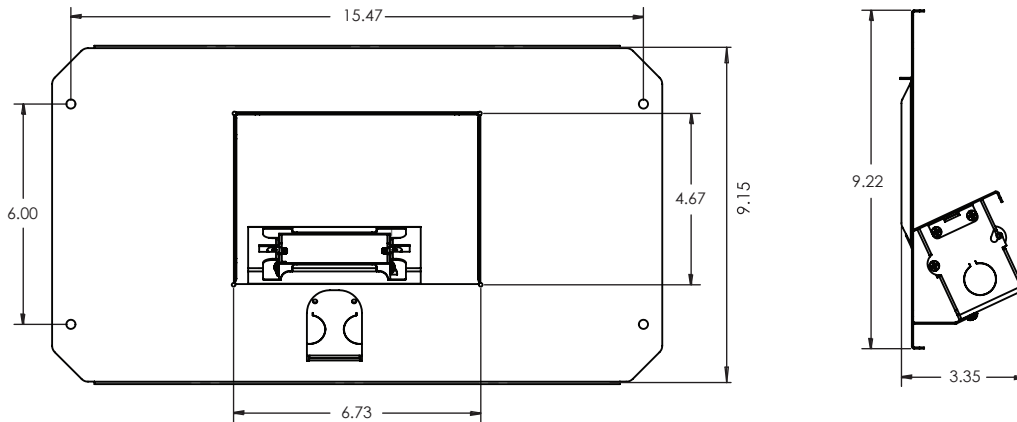
45-0031-WH, 45-0032-WH, 45-0041-WH:
Recessed Low Voltage Media Plates



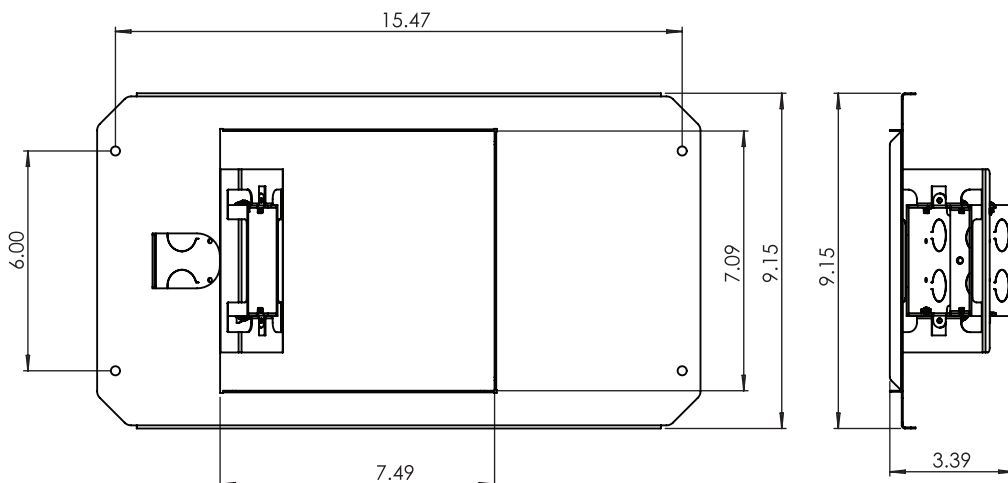
45-0051-WH, 45-0052-WH, 45-0061-WH:
Expandable Media Box



45-16XX-RBP-KIT
Dimension shown for 16" Mid-Size Rough-In Brackets w/o Plate Installed



45-24XX-RBP-KIT
Dimension shown for 16" Full-Size Rough-In Brackets w/o Plate Installed



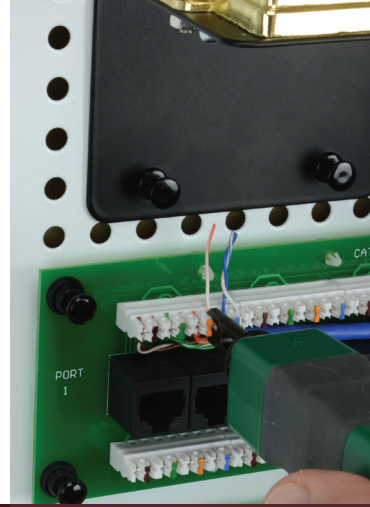
Home Command - Structured Wiring

Enclosures | Modules | Phone/Video Termination



DataComm Electronics
Structured Wiring Modules

Pages 30 - 31



DataComm Electronics' Home Command Center (HCC) products are an innovative approach to structured wiring systems. Design features include side wire management, universal mounting holes and integrated support for security and media modules. Our HCC products are offered in a variety of sizes and configurations to meet the specific needs of our installers.

Home Command

14" Flush Mount Enclosure	27
12" x 15" Enclosure	28
12" x 28" Enclosure	29
1 x 8 Telephone Module	30
Category 5e Data Module	30
Category 6 Data Module	30
AC Power Duplex Surge Module	31
Splitter Modules	31
Universal Router Bracket	31
Home Command Center II	32
110 Phone Plates	32

DATA COMM
ELECTRONICS™

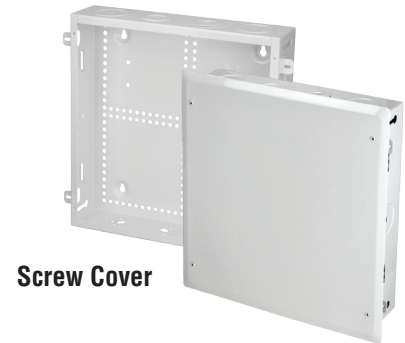


14" Flush Mount Enclosures

Features

- Includes multiple knockouts for conduit up to 2" diameter
- Includes a knockout for a single gang J-Box power module (Part #: 80-0050)
- Mounting slots simplify adjustment for different depths of sheetrock
- Integrated cable tie anchors or assist in clean cable management inside the enclosure
- Surface or flush mountable
- Screw cover overlaps the enclosure frame to hide uneven drywall edges
- Standard 1 x 6 hole pattern accepts most brands of modules
- 20-gauge steel construction
- Glossy white finish
- ETL listed to UL STD 1863 and ANSI/UL STD 60950-1
- Certified to CAN/GSA STD G22.2 No. 60950-1
- Complies with TIA-568-C and TIA-570-B requirements

* This enclosure is not intended or designed to be mounted in firewall applications



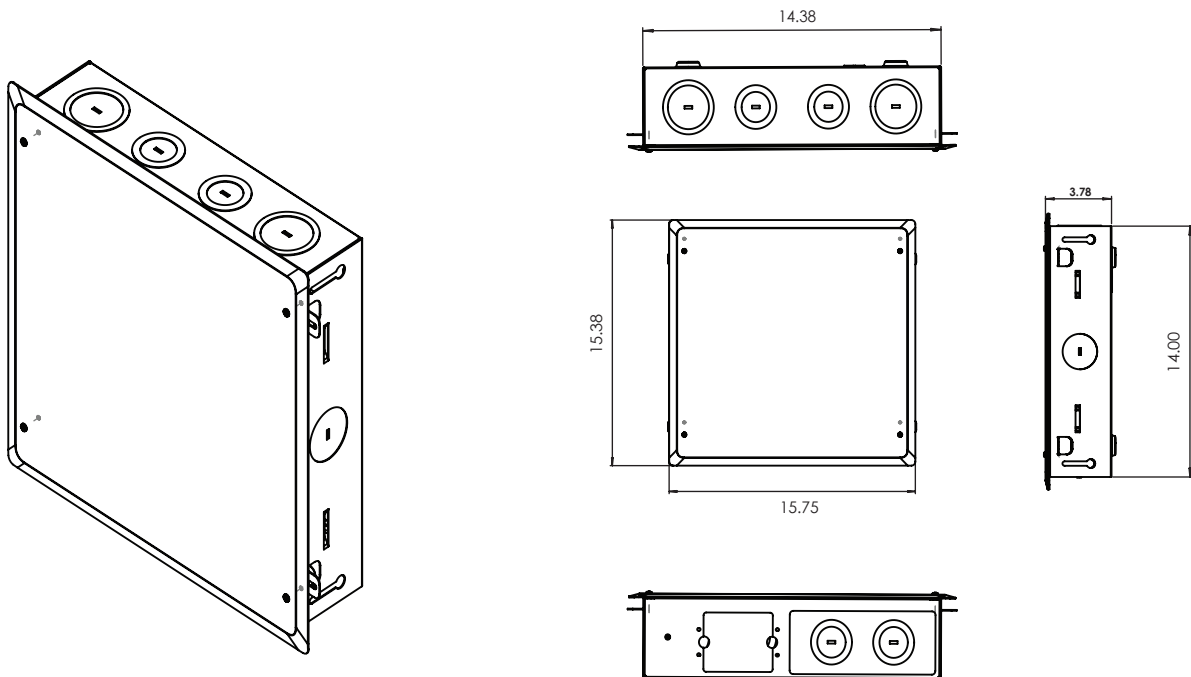
Screw Cover



Hinge Door

Part Number	Description
80-0014-SC	14" Flush Mount Enclosure w/ Screw Cover
80-0014-HC	14" Flush Mount Enclosure w/ Hinge Door

Product Specs & Dimensions



12" x 15" Enclosures

The HCC 12" x 15" enclosure is designed to provide even more options for meeting your digital and analog communication needs. This enclosure offers:

70-0010 | Hinge door with key lock

- Phone and video module (Part # 70-0020)
 - › Up to 4 lines to 10 locations
 - › RJ45 test port and RJ31X jack for security board installations
 - › 1 x 8 1GHz video splitter for satellite and cable TV
- Support bracket for added stability

The 70-0020 phone and video module included with the 70-0010 enclosure features include:

- Up to 4 lines to 10 locations
- RJ45 test port and RJ31X jack for security board installations
- 1 x 8 1GHz video splitter for satellite and cable TV

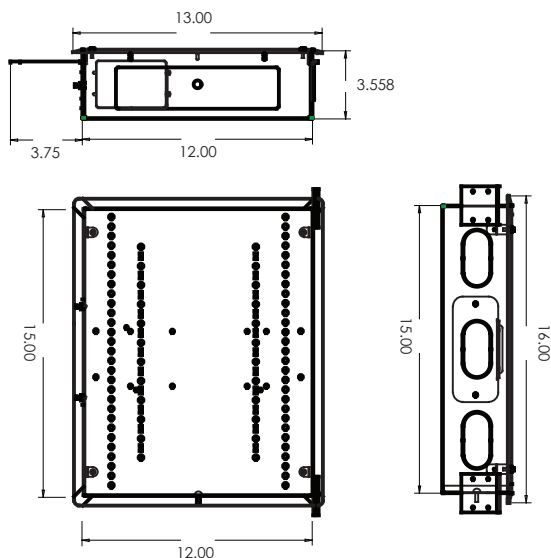
The 70-0025 phone module features include:

- Up to 4 lines to 16 locations
- RJ45 test port and RJ31X jack for security board installations
- 1 video input to 8 outputs with a frequency response up to 1 GHz



Part Number	Description
70-0010	12" x 15" Enclosure w/ Hinge Cover & 70-0020 1 x 10 Phone Board & 8-Way 1GHz Video Splitter Module
70-0015-HC	12" x 15" Enclosure w/ Hinge Cover

Drawings & Dimensions



12" x 28" Enclosure 12" x 28" Hinge Door
 12" x 28" Screw Cover Support Bracket



DATA COMM™
 ELECTRONICS

12" x 28" Enclosures

DataComm Electronics' large Home Command Centers allow you to meet current infrastructure requirements while preserving space for future technologies.

Features

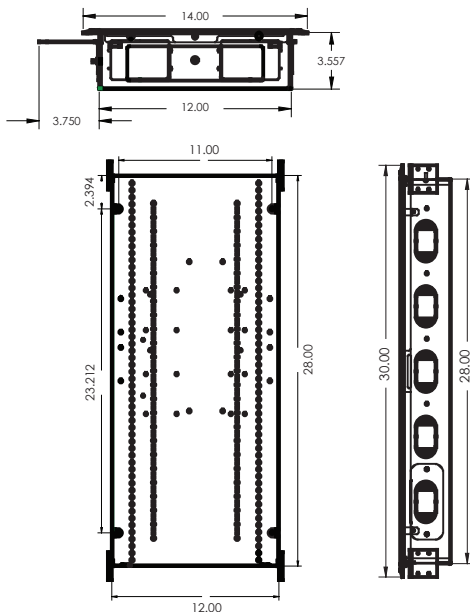
- Screw cover or hinged door (your choice is packed separately in the enclosure box for storage until final installation)
- Support bracket for added stability
- Additional side knockouts for terminating voice, data, video, and security cables
- Additional bottom knockouts for added UL switch boxes (Part # 80-0050)
- Mounting holes for phone and video modules made by DataComm and other major manufacturers
- Bulk-wire management outside the enclosure to facilitate installation of internal components
- Phone and video distribution modules (sold separately)
- All enclosures are ETL listed and conform to UL STD 1863 ANSI/UL Standard 60950-1, CAN/CSA STD C22.2 NO 60950-1 and conform to UL1023 Household Burglar-Alarm System Units

Part Number	Description
70-0016-E	12" x 28" Enclosure
70-0016-H	12" x 28" Hinge Door
70-0016-S	12" x 28" Screw Cover
70-0099	Home Command Center Support Bracket



Modules & Accessories Sold Separately

Drawings & Dimensions

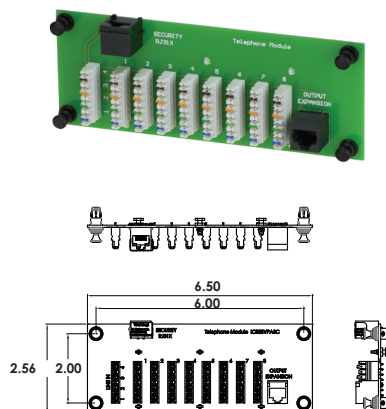


Enclosure Modules

1 x 8 Telephone Module

- Used for adding up to 4 phone lines to 8 locations in your home
- Supports up to 8 (4 line) outlets for phone, fax, and other devices
- RJ45 expansion port for connecting additional phone modules
- Includes RJ31 security port
- Color coded 110 style punch-down connections
- Phone lines are wired according to TIA/EIA-568 requirements
- ETL Listed

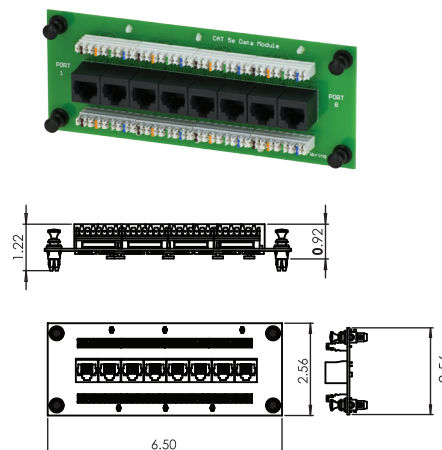
Part Number	Description
80-0070	1 x 8 Telephone Module



Category 5e Data Module

- Used to simplify and organize your network wiring terminations
- Non-bridged Category 5e data board with 4 pair 110 type IDC punchdown connectors providing high performance connectivity
- 8 category 5e RJ45 ports
- Complies with all TIA/EIA-568 requirements
- Requires the use of a network router switch
- ETL Listed

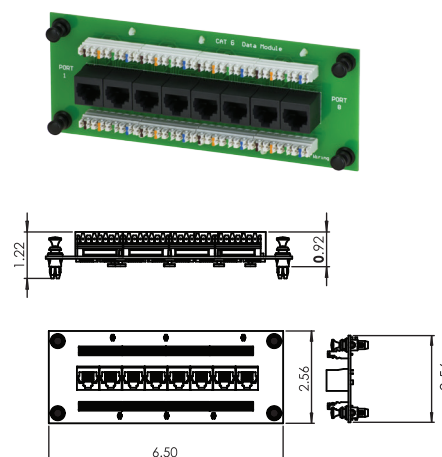
Part Number	Description
80-0030	Category 5e 8-Port Passive Data Module



Category 6 Data Module

- Used to simplify and organize your network wiring terminations
- Non-bridged Category 6 data board with 4 pair 110 type IDC punchdown connectors providing high performance connectivity
- 8 category 6 RJ45 ports
- Complies with all TIA/EIA-568B requirements
- Requires the use of a network router switch
- ETL Listed

Part Number	Description
80-0040	Category 6 8-Port Passive Data Module



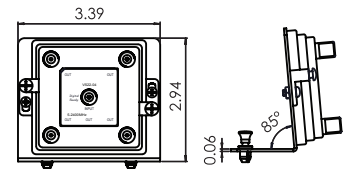
Enclosure Modules

Splitter Modules

- Connects video applications such as TV, HDTV, and satellite TV
- Allows up to six (6) coaxial connections in the home
- Standard F-Connector coaxial cable screws easily into the splitter
- Available in 4-Way, 6-Way, and 8-Way
- ETL Listed



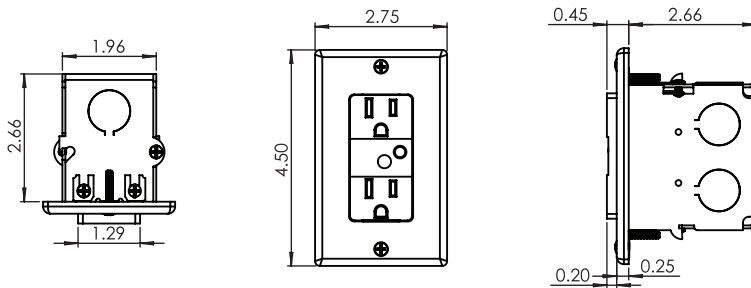
Part Number	Description
70-0034	4-Way, 2.4 GHz Splitter
70-0036	6-Way, 2.4 GHz Splitter
70-0038	8-Way, 2.4 GHz Splitter



AC Power Duplex Surge Module

- UL listed 15A/125V duplex surge receptacle
- Audible alarm sounds if surge suppressor is no longer functioning
- Muting screw allows the alarm to be silenced until the device is replaced
- Indicator light verifies instantly that power is available at the receptacle and the suppression circuit is fully functional

Part Number	Description
80-0050	AC power module w/ duplex surge receptacle



Universal Router Bracket

The universal router bracket can be used to hold routers, modems, streaming media devices, etc. This bracket will sit into almost any structured wiring enclosure.

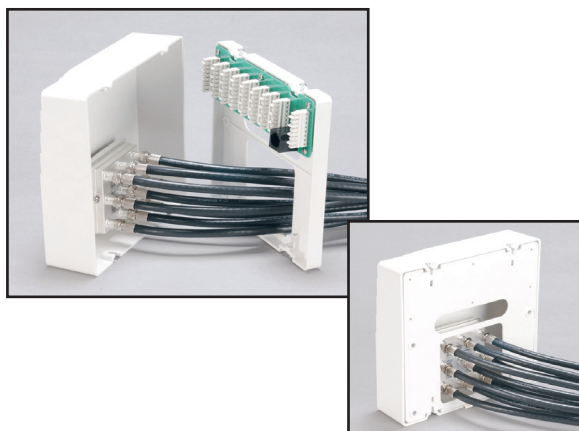
Part Number
70-0048



Phone/Video Distribution

Home Command Center II

The Home Command Center II is our most economical structured wiring solution. Surface mounting simplifies installation while allowing signal distribution up to 8 locations. This unique design provides all these benefits in one compact enclosure.



Features

- Ideal for existing construction or installing phone and video services
- Up to 4 phone line inputs to 8 locations
- 1 video input and 8 video outputs with a frequency response up to 1 GHz for satellite and cable TV
- Surface mount and convenient cutouts in the mounting plate facilitate cable runs and conceal cables from view

Part Number	Dimensions
70-0050	7.268" H x 7.5 W"

4-Gang 110 Phone Plate w/ Video Distribution

- Up to 4 phone lines to 8 locations
- 6-Way 1 GHz splitter for satellite and cable TV
- Mounts into a standard NEMA 4-gang box or 4-gang mounting bracket
- RJ45 test port

Part Number	Description
70-0078	4-Gang 4 x 8 110 Phone & 1 x 6 Splitter



2-Gang 110 Phone Plate

- Up to 4 Phone lines to 8 locations
- Mounts into a NEMA 2-gang box or 2-gang, low voltage mounting bracket
- RJ45 test port

Part Number	Description
70-0080	2-Gang 110 Phone Plate



HDMI[®]

Cables | Active Linx | Cable Systems | HDMI Accessories



TrueStream Pro High Speed HDMI[®] Cables

P/N: 46-85XX-BK

Page 35

DataComm Electronics' entire line of high performance HDMI® products offers consistent reliability and true high speed data transmission rates, ensuring signal integrity at any length. We also offer the 4K Ultra HD Cable System which uses the power of Active Linx Technology to run 4K Ultra HD further than ever before.



HDMI®

High Speed Premium HDMI® Cables	35
TrueStream Pro High Speed HDMI® Cables	35
HD Cable Active Linx	36
HDMI Extenders	36
Wall Plates w/ HDMI Connector & Pigtail	37
Décor Wall Plate Insert w/ 90° HDMI® Connector	37
HDMI® Keystone Insert	37
18 Gbps HDMI Cables	38

DATA COMM
 ELECTRONICS™



HDMI®

DATA COMM™
ELECTRONICS

High Speed Premium HDMI® Cables

Features:

- True high speed and performance
- Gold plated HDMI connectors
- HD Ready
- 48-Bit deep color
- Full plug and play compatible
- Backwards compatible for HDMI 1.4a and earlier

Part Number	Length
46-7503-BK	3 ft.
46-7506-BK	6 ft.
46-7509-BK	9 ft.
46-7512-BK	12 ft.
46-7515-BK	15 ft.

- High Speed Premium HDMI Cables -



TrueStream Pro High Speed HDMI® Cables

- DPL Labs Approved for 10.2 Gbps 4K -



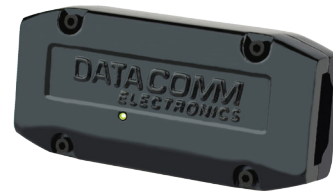
Features:

- DPL Laboratories™ tested and certified
- True 10.2 Gbps high speed performance
- 4K, 1080P, and 3D resolution
- 1080P 60 Hz 16 bit color depth for full 48-bit deep color
- Audio Return Channel
- Supports all HDMI High Speed features and audio formats including: Dolby TrueHD®, DTS-HD® Master Audio, Blu-Ray 3D® CEC Control and more
- Highly flexible 7.80 diameter for easy installations and cable management
- UL type CL3 rated for in-wall use

Part Number	Length	4K	10.2 Gbps	DPL Approved
46-8520-BK	20 ft.	✓	✓	✓
46-8535-BK	35 ft.	✓	✓	✓
46-8550-BK	50 ft.	✓	✓	✓

TrueStream Pro HD Cable Active Linx

DataComm Electronics' TrueStream Pro HD Cable Active Linx is custom designed and built to work exclusively with our TrueStream Pro series of Ultra High Speed HDMI® Cables. Linked together, these two products can create length configurations to run 4K up to 100 feet! The best part is it's all DPL approved and certified.



Part Number	4K	18 Gbps	DPL Approved
46-8599-LX	✓	✓	✓



HDMI® Extenders

DataComm Electronics' line of HDMI Extenders allow your HDMI audio/video signal to be extended up to 330 feet over Cat 5e/6 UTP. These extenders are compatible with most audio/video devices and give you a big increase signal distance without a big increase in cost.



Features:

- HDBaseT technology
- Supports HDMI Deep Color, full 3D & 4K2K@30
- Extends the HDMI signal up to 100m (330ft) from the HDMI source at Full HD 1080p 48-bit and 80m (264ft) at 4K2K@30
- Support PoE(Power over Ethernet) which can power both units from TX or RX with included power supply.
- HDCP & EDID Bypass, CEC support, Auto equalization
- Supports PCM, Dolby Digital®, Dolby Digital Plus™, Dolby TrueHD, DTS Digital Surround™, and DTS-HD Master Audio™
- DTS-HD® Master Audio and Dolby TrueHD® high bit rate audio support
- Supports full frequency IR signal from 20KHz to 60KHz
- Bi-directional IR pass-through
- Full Duplex RS-232 control with up to 14.4 KB bandwidth
- Integrated Ethernet port for LAN/ network device
- Wall mountable design for easy installation



Part Number	4K	10.2 Gbps	DPL Approval Pending
46-0130-EX	✓	✓	✓
46-0200-EX	✓	✓	✓
46-0330-EX	✓	✓	✓



HDMI[®] Accessories

DataComm Electronics' line of HDMI[®] accessories are the solution to connecting HDMI[®] products behind the wall while maintaining a clean, sleek look. These HDMI[®] connectors are designed with female ends on both the front and the back, making for an easy attachment to standard male-to-male HDMI[®] products. We offer various styles of HDMI[®] Inserts and Pigtail Wall Plates to meet the needs of all unique installations and applications.

Décor Plate Inserts

- Available with a single or dual 90° HDMI connector
- Compatible with all High Speed HDMI cables
- Can be installed with any manufacturer's décor style wall plate

Part Number	Description
20-4501-WH	Décor Wall Plate Insert w/ single 90° HDMI Connector
20-4502-WH	Décor Wall Plate Insert w/ dual 90° HDMI Connector



Standard HDMI Wall Plates

- Available with a single or dual HDMI connector and pigtail
- Compatible with all High Speed HDMI cables
- Décor inserts can be removed from wall plate and used in multi-gang applications
- Pigtail length - 8.5"

Part Number	Description
20-4503-WH	Standard Wall Plate w/ HDMI Connector & Pigtail
20-4505-WH	Standard Wall Plate w/ Dual HDMI Connector & Pigtail

HDMI Keystone Inserts

- Compatible with all High Speed HDMI cables
- Can be installed with any manufacturer's décor style wall plate

Part Number	Description
20-4504-WH	HDMI Keystone Insert, White



More Great Products from DataComm Electronics are Coming Soon!

HDMI® Rev 2.0a

Available late third quarter - 2015

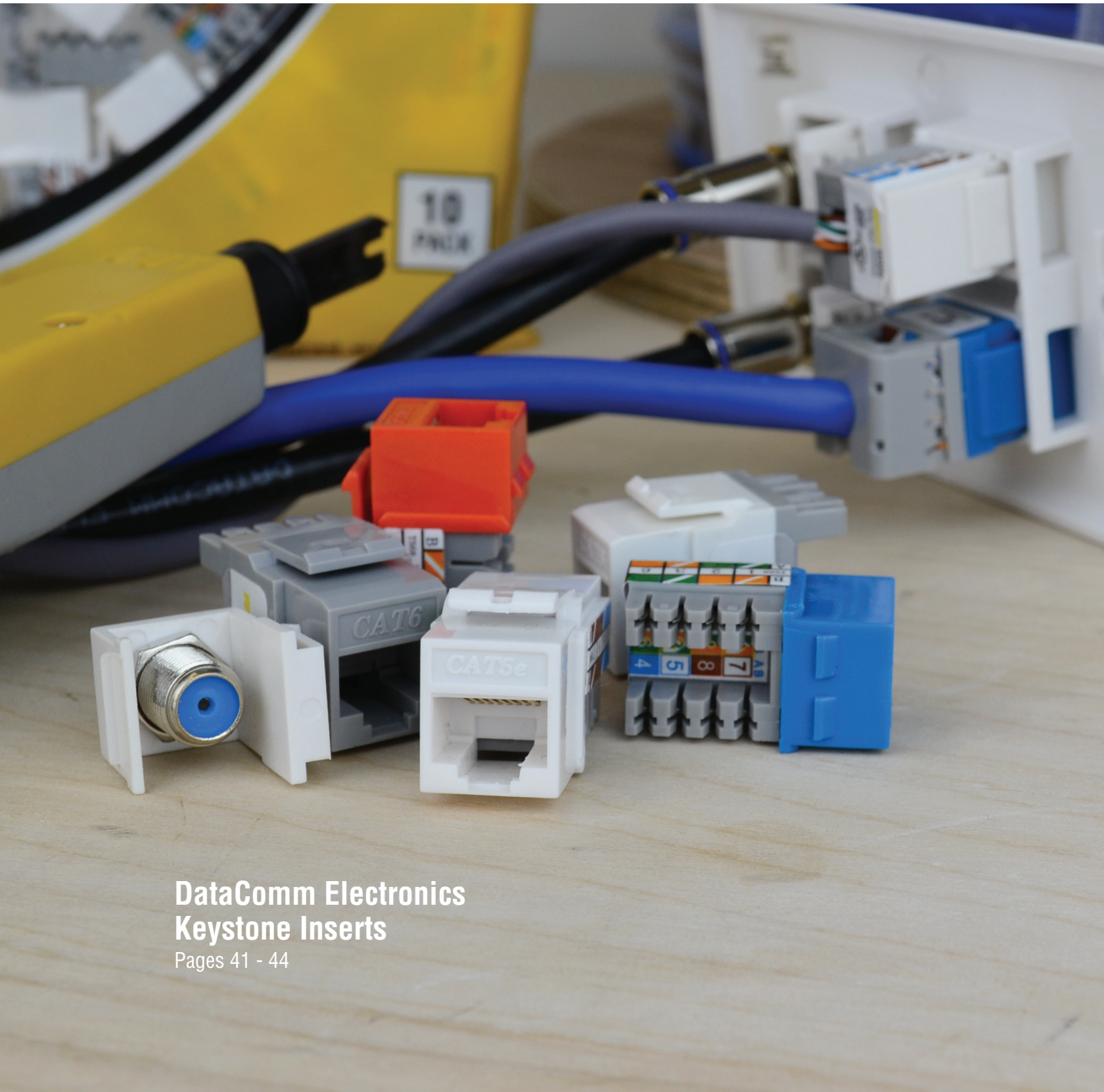
DataComm Electronics is working hard to bring you the latest in HDMI technology with our new HDMI 2.0a line of products. Soon we will be offering an all new line of 18 Gbps HDMI cables that will support the latest generation of HD, Ultra-HD, and 4K video applications all the way to 18 Gbps. Our new cables will be available in lengths ranging from 1m (3 ft.) to 10m (50 ft.). We will also be adding new HDMI extenders to our growing HDMI line.

Coming Soon!

These and other exciting new products are in development now and will be available by late third quarter 2015.

Keystone Inserts

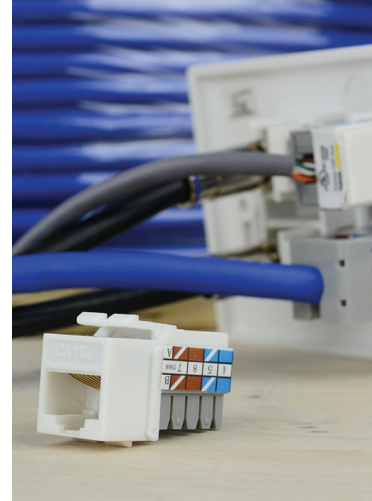
Cat 3 | Cat 5e | Cat 6 | F-Connector | RCA | Binding Post



DataComm Electronics
Keystone Inserts

Pages 41 - 44

DataComm Electronics offers several keystone insert products in a variety of colors. These UL listed keystone inserts are designed to work with DataComm Electronics' keystone wallplates and surface mount boxes.



Keystone Inserts

Category 3 Keystone Jacks	41
Category 5e Keystone Jacks	41
Category 6 Keystone Jacks	42
1 GHz F-Connector Keystone	42
2.4 GHz F-Connector Keystone	42
3.0 GHz F-Connector Keystone	42
RCA to F-Connector	43
RCA to 110 Punch Down	43
Female RCA	43
Binding Post	44

DATA COMM
ELECTRONICS™

Category 3 Jacks

Features:

- 6-Position, 6-Conductor, RJ12
- Dual wiring code label allows connector to be wired with standard telephone wire or Category 5e wire
- Designed to work with residential or light commercial installations
- 110-type insulation displacement connectors (IDC)
- High-performance voice grade jack
- UL Listed
- Meets FCC Part 68 requirements
- 25-year product warranty



Part Number	10 Pack Part Number	Color
20-3423-BK	N/A	Black
20-3423-BR	N/A	Brown
20-3423-IV	N/A	Ivory
20-3423-LA	N/A	Lite Almond
20-3423-WH	20-3423-WH-10	White

Available in
10 Pack Bags



Category 5e Jacks



Features:

- Color coded wiring labels for T568A, T568B, and 110 type IDC
- UL Listed
- Meets FCC Part 68
- Exceeds TIA/EIA Category 5e standards for high performance transmission
- Intended for residential and light commercial use
- 25 year product warranty

Part Number	10 Pack Part Number	Color
20-3425-AL	N/A	Almond
20-3425-BK	N/A	Black
20-3425-BL	20-3425-BL-10	Blue
20-3425-BR	N/A	Brown
20-3425-GY	N/A	Gray
20-3425-IV	20-3425-IV-10	Ivory
20-3425-LA	20-3425-LA-10	Lite Almond
20-3425-OR	20-3425-OR-10	Orange
20-3425-RD	N/A	Red
20-3425-WH	20-3425-WH-10	White
20-3425-YW	N/A	Yellow

Available in
10 Pack Bags



Category 6 Jacks

Features:

- Color coded wiring labels for T568A, T568B, and 110 type IDC
- UL Listed
- Meets FCC Part 68
- Exceeds TIA/EIA Category 6 standards for high performance data transmission
- Intended for residential and light commercial use
- 25 year product warranty

Part Number	10 Pack Part Number	Color
20-3426-AL	N/A	Almond
20-3426-BK	N/A	Black
20-3426-BL	20-3426-BL-10	Blue
20-3426-BR	N/A	Brown
20-3426-GY	N/A	Gray
20-3426-IV	20-3426-IV-10	Ivory
20-3426-LA	N/A	Lite Almond
20-3426-OR	20-3426-OR-10	Orange
20-3426-WH	20-3426-WH-10	White



Available in
10 Pack Bags

F-Connectors

Features:

- Female-to-female connectors
- Screw-on front and rear connectors for easy termination
- Nickel plated connector

Available in 10 Pack Bags (2.4 GHz version in White & Lite Almond only)



Available in
10 Pack Bags

Part Number	Description	Color
20-3102-AL	1.0 GHz F-Connector	Almond
20-3102-BK	1.0 GHz F-Connector	Black
20-3102-BR	1.0 GHz F-Connector	Brown
20-3102-IV	1.0 GHz F-Connector	Ivory
20-3102-LA	1.0 GHz F-Connector	Lite Almond
20-3102-WH	1.0 GHz F-Connector	White
20-3202-AL	2.4 GHz F-Connector	Almond
20-3202-BK	2.4 GHz F-Connector	Black
20-3202-BR	2.4 GHz F-Connector	Brown
20-3202-IV	2.4 GHz F-Connector	Ivory
20-3202-LA	2.4 GHz F-Connector	Lite Almond
20-3202-LA-10	2.4 GHz F-Connector, 10 Pack	Lite Almond
20-3202-WH-10	2.4 GHz F-Connector, 10 Pack	White
20-3302-LA	3.0 GHz F-Connector	Lite Almond
20-3302-WH	3.0 GHz F-Connector	White

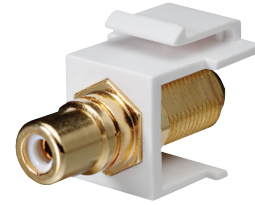
Keystone Jacks: Female RCA
Keystone RCA to F-Connector
Keystone RCA to 110



DATA COMMTM
ELECTRONICS

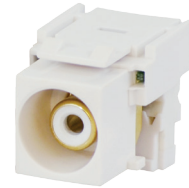
Keystone RCA to F-Connector

Part Number	Color
20-3104-WH	White
20-3104-WH/BK	White w/ Black Bezel
20-3104-WH/BL	White w/ Blue Bezel
20-3104-WH/GR	White w/ Green Bezel
20-3104-WH/RD	White w/ Red Bezel
20-3104-WH/YW	White w/ Yellow Bezel



Keystone RCA to 110 Punch Down

Part Number	Color
20-3105-WH	White



Keystone RCA to RCA

Part Number	Color
20-3103-AL/BK	Almond w/ Black Bezel
20-3103-AL/RD	Almond w/ Red Bezel
20-3103-AL/WH	Almond w/ White Bezel
20-3103-AL/YW	Almond w/ Yellow Bezel
20-3103-LA/BK	Lite Almond w/ Black Bezel
20-3103-LA/BL	Lite Almond w/ Blue Bezel
20-3103-LA/GR	Lite Almond w/ Green Bezel
20-3103-LA/RD	Lite Almond w/ Red Bezel
20-3103-LA/WH	Lite Almond w/ White Bezel
20-3103-LA/YW	Lite Almond w/ Yellow Bezel
20-3103-WH/BK	White w/ Black Bezel
20-3103-WH/BL	White w/ Blue Bezel
20-3103-WH/GR	White w/ Green Bezel
20-3103-WH/RD	White w/ Red Bezel
20-3103-WH/WH	White w/ White Bezel
20-3103-WH/YW	White w/ Yellow Bezel



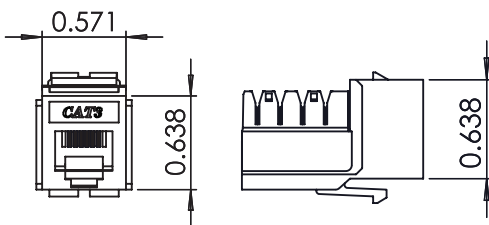
Keystone Binding Post

Part Number	Color
20-3106-AL/BK	Almond w/ Black Bezel
20-3106-AL/RD	Almond w/ Red Bezel
20-3106-AL/WH	Almond w/ White Bezel
20-3106-AL/YW	Almond w/ Yellow Bezel
20-3106-IV/BK	Ivory w/ Black Bezel
20-3106-IV/RD	Ivory w/ Red Bezel
20-3106-IV/WH	Ivory w/ White Bezel
20-3106-IV/YW	Ivory w/ Yellow Bezel
20-3106-LA/BK	Lite Almond w/ Black Bezel
20-3106-LA/RD	Lite Almond w/ Red Bezel
20-3106-LA/WH	Lite Almond w/ White Bezel
20-3106-LA/YW	Lite Almond w/ Yellow Bezel
20-3106-WH/BK	White w/ Black Bezel
20-3106-WH/RD	White w/ Red Bezel
20-3106-WH/WH	White w/ White Bezel
20-3106-WH/YW	White w/ Yellow Bezel

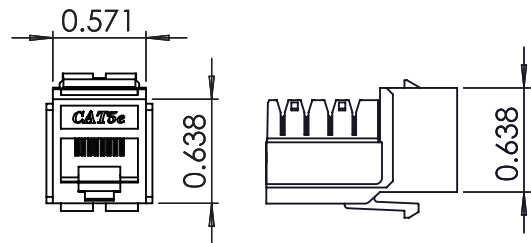


Drawings & Dimensions

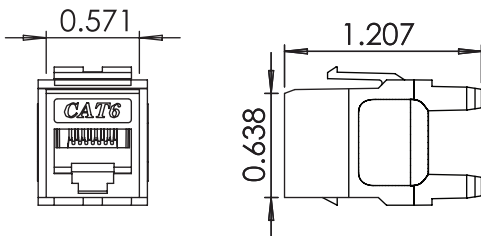
20-3423-XX: Category 3 Keystone Jack



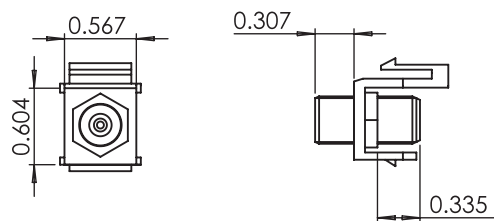
20-3425-XX: Category 5e Keystone Insert



20-3426-XX: Category 6 Keystone Insert



20-3102-XX: 1.0 GHz F-Connector Keystone Insert
20-3202-XX: 2.4 GHz F-Connector Keystone Insert
20-3302-XX: 3.0 GHz F-Connector Keystone Insert



Keystone Plates

Standard Size | Mid-Size



**4-Port, Standard Size
Keystone Plate**

P/N: 20-3004-WH

Page 48

DataComm Electronics' Keystone Plates accept snap-in inserts made by DataComm Electronics and most other major manufacturers. These plates are made of non-breakable ABS plastic and are available in both standard and mid-size with your choice of seven (7) color options.



Keystone Plates

1-Port Keystone Plate, Standard Size	47
2-Port Keystone Plate, Standard Size	48
3-Port Keystone Plate, Standard Size	48
4-Port Keystone Plate, Standard Size	48
6-Port Keystone Plate, Standard Size	49
1-Port Keystone Plate, Mid-Size	49
2-Port Keystone Plate, Mid-Size	49
3-Port Keystone Plate, Mid-Size	49
4-Port Keystone Plate, Mid-Size	50
6-Port Keystone Plate, Mid Size	50

DATA COMM
ELECTRONICS™

Keystone Plates

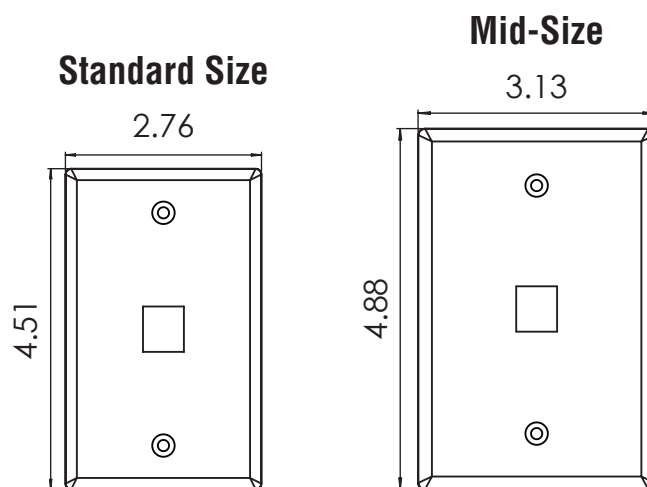
DATA COMM™
ELECTRONICS



Features and Specs

- Standard and Mid-Size available
- 1, 2, 3, 4, and 6-port available
- Designed to accept all DataComm Electronics keystone products
- Non-breakable ABS plastic
- Smooth finish to match electrical devices
- Available in seven (7) colors: Almond (AL), Black (BK), Brown (BR), Gray (GY), Ivory (IV), Lite Almond (LA), and White (WH)
- UL Listed

Drawings & Dimensions



Keystone Plates - 1-Port, Standard Size

Part Number	Color
20-3001-AL	Almond
20-3001-BK	Black
20-3001-BR	Brown
20-3001-GY	Gray
20-3001-IV	Ivory
20-3001-LA	Lite Almond
20-3001-WH	White



Keystone Plates - 2-Port, Standard Size

Part Number	Color
20-3002-AL	Almond
20-3002-BK	Black
20-3002-BR	Brown
20-3002-GY	Gray
20-3002-IV	Ivory
20-3002-LA	Lite Almond
20-3002-WH	White



Keystone Plates - 3-Port, Standard Size

Part Number	Color
20-3003-AL	Almond
20-3003-BK	Black
20-3003-BR	Brown
20-3003-GY	Gray
20-3003-IV	Ivory
20-3003-LA	Lite Almond
20-3003-WH	White



Keystone Plates - 4-Port, Standard Size

Part Number	Color
20-3004-AL	Almond
20-3004-BK	Black
20-3004-BR	Brown
20-3004-GY	Gray
20-3004-IV	Ivory
20-3004-LA	Lite Almond
20-3004-WH	White



Keystone Plates: 6-Port, Standard Size
 1-Port, Mid-Size
 2-Port, Mid-Size
 3-Port, Mid-Size



DATA COMM™
 ELECTRONICS

Keystone Plates - 6-Port, Standard Size

Part Number	Color
20-3006-AL	Almond
20-3006-BK	Black
20-3006-BR	Brown
20-3006-GY	Gray
20-3006-IV	Ivory
20-3006-LA	Lite Almond
20-3006-WH	White



Keystone Plates - 1-Port, Mid-Size

Part Number	Color
20-3011-AL	Almond
20-3011-BK	Black
20-3011-BR	Brown
20-3011-GY	Gray
20-3011-IV	Ivory
20-3011-LA	Lite Almond
20-3011-WH	White



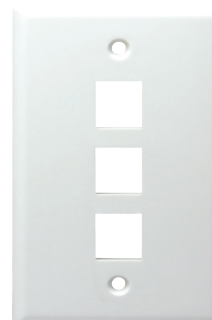
Keystone Plates - 2-Port, Mid-Size

Part Number	Color
20-3012-AL	Almond
20-3012-BK	Black
20-3012-BR	Brown
20-3012-GY	Gray
20-3012-IV	Ivory
20-3012-LA	Lite Almond
20-3012-WH	White



Keystone Plates - 3-Port, Mid-Size

Part Number	Color
20-3013-AL	Almond
20-3013-BK	Black
20-3013-BR	Brown
20-3013-GY	Gray
20-3013-IV	Ivory
20-3013-LA	Lite Almond
20-3013-WH	White



Keystone Plates - 4-Port, Mid-Size

Part Number	Color
20-3014-AL	Almond
20-3014-BK	Black
20-3014-BR	Brown
20-3014-GY	Gray
20-3014-IV	Ivory
20-3014-LA	Lite Almond
20-3014-WH	White



Keystone Plates - 6-Port, Mid-Size

Part Number	Color
20-3016-AL	Almond
20-3016-BK	Black
20-3016-BR	Brown
20-3016-GY	Gray
20-3016-IV	Ivory
20-3016-LA	Lite Almond
20-3016-WH	White



Color Options

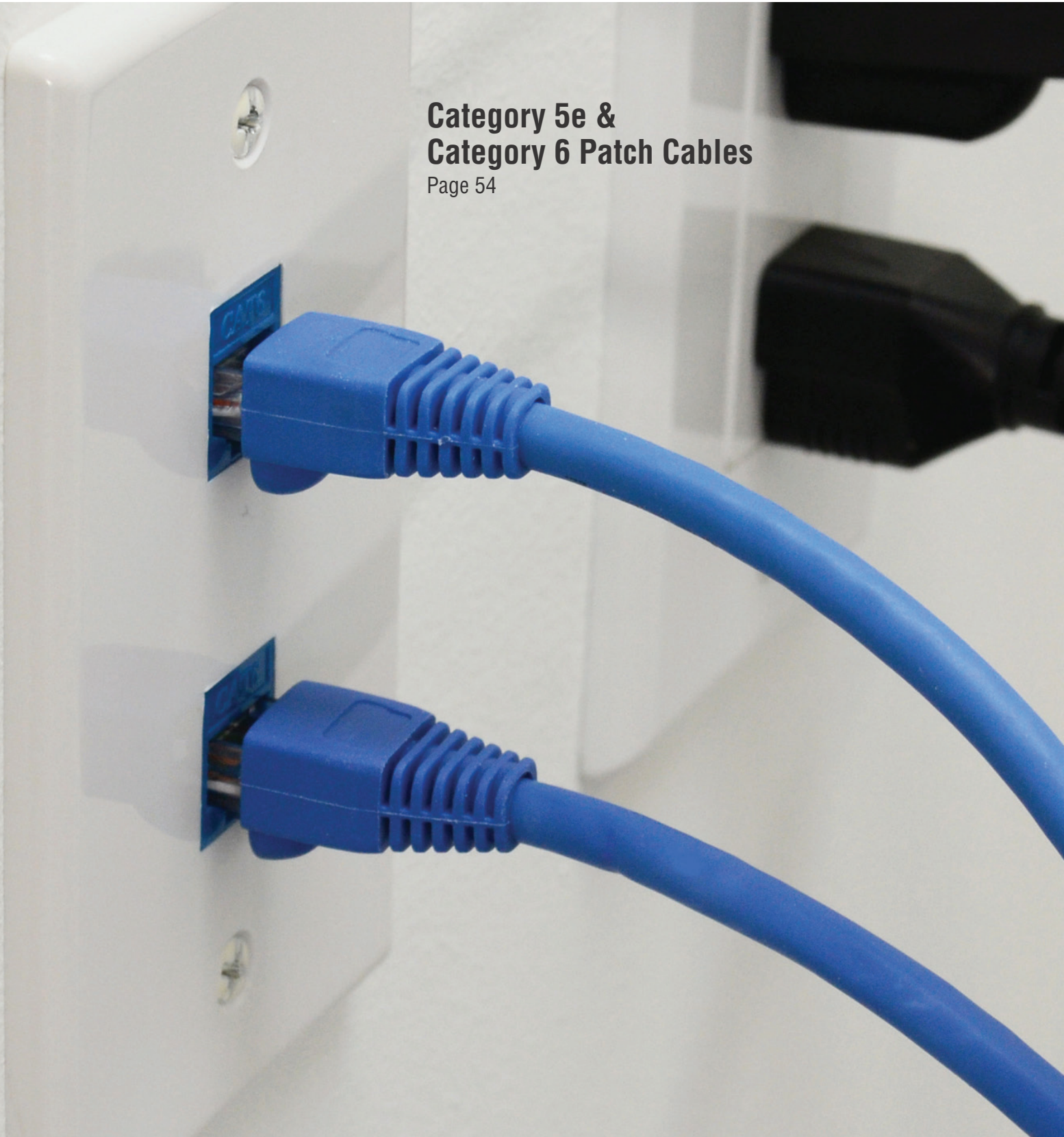


Patch Cords

Category 5e | Category 6

**Category 5e &
Category 6 Patch Cables**

Page 54





DataComm Electronics' high performance Category 5e and Category 6 patch cords make it easy to meet your installation requirements. Our patch cords snap securely into place connecting with patch panels, switches, hubs, and other networking equipment. These patch cords are available in six (6) lengths from 1 to 25 feet in your choice of blue or white.

Patch Cords

Features & Specs	53
25 Year Channel System Warranty	54
Category 5e Patch Cords	54
Category 6 Patch Cords	54

DATA COMM
ELECTRONICS™



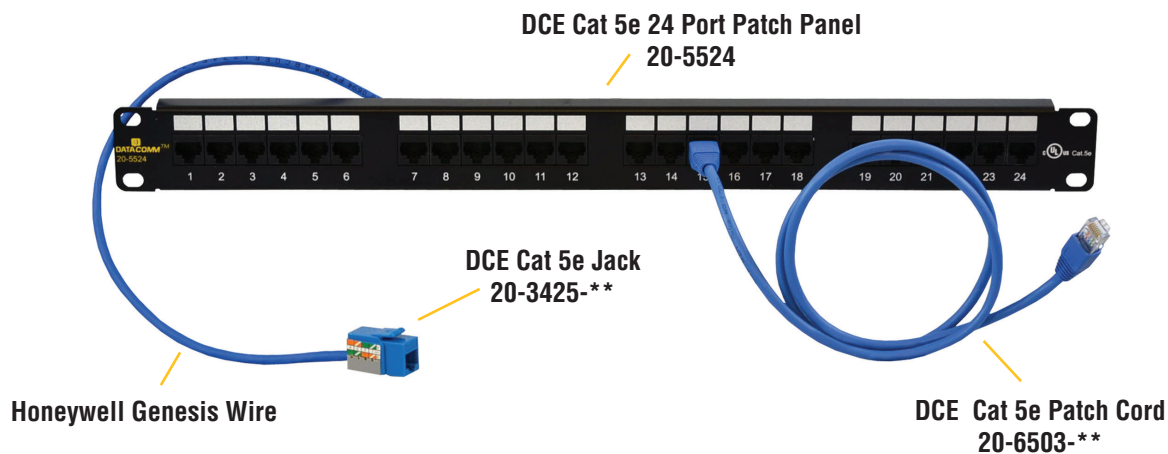
Features and Specs

Patch Cords

- Exceeds TIA/EIA Category 5e standards for high performance transmission
- Exceeds TIA/EIA Category 6 standards for high performance transmission
- Stranded conductor for longer flex life
- Improved strain relief
- Available in 5 lengths: 1 ft., 3 ft., 7 ft., 10 ft., 15 ft., and 25 ft.
- Available in 2 colors: Blue (BL) and White (WH)
- Materials: 24 AWG, UTP stranded conductor, 8-conductor plus, 94V-0 rated
- Category 5e complies with all TSB-95 requirements
- Category 6 complies with all TIA/EIA-568B.2-1 requirements
- Meets FCC Part 68
- UL Listed
- ETL Verified for performance
- 20 year product warranty

25-Year Channel System Warranty

When using DataComm Electronics' Patch Panels, Patch Cords, Category 5e Jacks, and Category 6 Jacks with Honeywell Genesis Category 5e Cable (number 5078, 5088, and 5090) and Honeywell Genesis Category 6 Cable (numbers 5092 and 5102).



Category 5e Patch Cords

Part Number	Length / Color
20-6501-BL	1 ft., Blue
20-6501-WH	1 ft., White
20-6503-BL	3 ft., Blue
20-6503-WH	3 ft., White
20-6507-BL	7 ft., Blue
20-6507-WH	7 ft., White
20-6510-BL	10 ft., Blue
20-6510-WH	10 ft., White
20-6515-BL	15 ft., Blue
20-6515-WH	15 ft., White
20-6525-BL	25 ft., Blue
20-6525-WH	25 ft., White



Category 6 Patch Cords

Part Number	Length / Color
20-6601-BL	1 ft., Blue
20-6601-WH	1 ft., White
20-6603-BL	3 ft., Blue
20-6603-WH	3 ft., White
20-6607-BL	7 ft., Blue
20-6607-WH	7 ft., White
20-6610-BL	10 ft., Blue
20-6610-WH	10 ft., White
20-6615-BL	15 ft., Blue
20-6615-WH	15 ft., White
20-6625-BL	25 ft., Blue
20-6625-WH	25 ft., White



Telephone Accessories

Wall Plates | Surface Mounts | Connectors | Splitters



DataComm Electronics
Phone Plates & Accessories

Pages 57 - 62

DataComm Electronics' easy to use plates feature patented color-matched connections that take the guesswork out of wire termination. In fact, our Color-Rite series is so innovative, it received U.S. patent number 6923675.



Telephone Accessories

Color-Rite Phone Plates	57
Color-Rite Quick Mount Plate	58
Color-Rite Surface Block	58
Color-Rite Combination Phone/Coax Plate	58
Blank Wall Plate	59
Wall Plate w/ One Hole	59
Coax Wall Plates	59
2.4 GHz Coax Wall Plate	60
Color-Rite Décor Wall Plate Inserts	60
Décor Coax Wall Plate	61
Décor Wall Plates	61
Décor Plate Inserts	62
Surface Mounts	62

DATA COMM
ELECTRONICS™



Color-Rite[™] Series

DataComm Electronics' Color-Rite[™] phone termination is so innovative it has received a U.S. Patent. These products install correctly on the first try. They take the guesswork out of terminating connections, so even trainees can produce good results with minimal instruction.

Features:

- Four conductor screw terminal wiring that color-matches the blue, blue/white, and orange, orange/white wiring for Cat 3 and Cat 5e cabling
- Four conductor terminal screws that color-match the red, green, black, and yellow wiring of station wire (ideal for retrofit work)
- Install with a low voltage mounting bracket
- Reduced training time for new installers
- Eliminates incorrect wiring to the terminal and costly project callbacks



Color-Rite[™] Standard Size Phone Plates

Part Number	UL Part Number	Description/Color
20-1511	22-0011	Standard Size, Ivory
20-1512	22-0012	Standard Size, White
20-1515	22-0015	Standard Size, Lite Almond

*Standard Size Plate Dimensions - 2.75" x 4.50"



Color-Rite[™] Mid-Size Phone Plates

Part Number	UL Part Number	Description/Color
20-1521	22-0021	Mid-Size, Ivory
20-1522	22-0022	Mid-Size, White
20-1523	22-0023	Mid-Size, Brown
20-1525	22-0025	Mid-Size, Lite Almond

*Mid-Size Plate Dimensions - 3.13" x 4.88"



Color-Rite™ Dual Phone Plates

Smooth wall plate, 4 conductor for 2 lines or 1 phone and 1 data/fax

Part Number	UL Part Number	Description
20-1531	22-0031	Standard Size, Ivory
20-1532	22-0032	Standard Size, White
20-1535	22-0035	Standard Size, Lite Almond
20-1541	22-0041	Mid-Size, Ivory
20-1542	22-0042	Mid-Size, White
20-1545	22-0045	Mid-Size, Lite Almond



Color-Rite™ Quick Mount Plate

Quick connect wall plate for use with wall type phones. Easy-to-use screw terminals



Part Number	UL Part Number	Color
20-1604	22-0104	Stainless Steel
20-1611	22-0111	Ivory
20-1612	22-0112	White
20-1615	22-0115	Lite Almond

Color-Rite™ Surface Block - 4-Conductor

Surface mounting block for baseboards or walls. Screw terminals for easy connection

Part Number	UL Part Number	Color
20-2011	22-0211	Ivory
20-2012	22-0212	White
20-2015	22-0215	Lite Almond



Color-Rite™ Combination Phone/Coax Plate

A single gang wall plate designed to accept modular 4 conductor phone connection and coax cable



Part Number	UL Part Number	Color/Description
40-1511	40-0011	Ivory, Standard Size
40-1512	40-0012	White, Standard Size
40-1515	40-0015	Lite Almond, Standard Size
40-1721	40-0021	Ivory, Mid-Size
40-1722	40-0022	White, Mid-Size
40-1725	40-0025	Lite Almond, Mid-Size

Blank Wall Plate

Smooth wall plate for covering outlet box not in use.

Part Number	Description/Color
21-0022	Blank Mid-Size Plate, White
21-0025	Blank Mid-Size Plate, Lite Almond



Wall Plate w/ One Hole



Smooth wall plate that allows for the insertion of a connector or for a cable to be pulled through.

Part Number	UL Part Number	Color
31-0002	32-0702	White

Coax Wall Plate - Standard Size

Single F to F type connection in a single gang wall plate.

Part Number	UL Part Number	Description/Color
30-2011	32-0011	Ivory Plate
30-2012	32-0012	White Plate
30-2013	32-0013	Brown Plate
30-2015	32-0015	Lite Almond Plate



*Standard Size Plate Dimensions - 2.75" x 4.50"

Coax Wall Plate - Mid-Size

Single F to F type connection in a single gang wall plate.



Part Number	UL Part Number	Description/Color
30-2021	32-0021	Ivory Plate
30-2022	32-0022	White Plate
30-2023	32-0023	Brown Plate
30-2025	32-0025	Lite Almond Plate

*Mid-Size Plate Dimensions - 3.13" x 4.88"

Dual Coax Wall Plate

Single F to F type connection in a single gang wall plate.

Part Number	UL Part Number	Description/Color
30-2131	32-0031	Ivory Plate
30-2132	32-0032	White Plate
30-2135	32-0035	Lite Almond Plate



2.4 GHz Coax Wall Plates

Single F to F type connection in a single gang wall plate.



Part Number	Description
32-2024-BR	2.4 GHz Coax Wall Plate, Brown
32-2024-IV	2.4 GHz Coax Wall Plate, Ivory
32-2024-LA	2.4 GHz Coax Wall Plate, Lite Almond
32-2024-WH	2.4 GHz Coax Wall Plate, White

Color-Rite[™] Décor Wall Plate Insert

Décor wall plates are used to enhance custom interiors. Available in three colors.

Part Number	Description/Color
20-1711	4 Conductor, Ivory
20-1712	4 Conductor, White
20-1715	4 Conductor, Lite Almond



Color-Rite[™] Décor Dual Wall Plate Insert

Décor wall plate is designed to handle two phone lines from one location.



Part Number	Description/Color
20-1721	4 Conductor, Ivory
20-1722	4 Conductor, White
20-1725	4 Conductor, Lite Almond

Color-Rite™ Décor Combo Phone/Coax Insert

Décor wall plate is designed to handle two phone lines from one location. Fits NEMA single gang box.

Part Number	Description/Color
40-1711	4 Conductor, Ivory
40-1712	4 Conductor, White
40-1715	4 Conductor, Lite Almond



Décor Coax Wall Plates

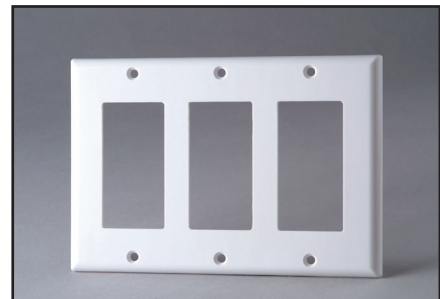


Part Number	Description/Color
30-2311	Coax Wall Plate Décor, Ivory
30-2312	Coax Wall Plate Décor, White
30-2313	Coax Wall Plate Décor, Brown
30-2315	Coax Wall Plate Décor, Lite Almond
30-2321	Coax Wall Plate Décor, Ivory
30-2322	Coax Dual Wall Plate Décor, White
30-2325	Coax Dual Wall Plate Décor, Lite Almond

Décor Wall Plates

Available in 1, 2, and 3-Gang.

Part Number	Description/Color
20-5111	Décor Wall Plate, 1-Gang, Ivory
20-5112	Décor Wall Plate, 1-Gang, White
20-5115	Décor Wall Plate, 1-Gang, Lite Almond
20-5121	Décor Wall Plate, 2-Gang, Ivory
20-5122	Décor Wall Plate, 2-Gang, White
20-5125	Décor Wall Plate, 2-Gang, Lite Almond
20-5132	Décor Wall Plate, 3-Gang, White
20-5135	Décor Wall Plate, 3-Gang, Lite Almond



Décor Plate Inserts

Décor plate keystone inserts. Available in 1, 2, 3, and 4-Port in your choice of three colors.

Part Number	Description/Color
20-5142	Décor Plate Insert for 1 Keystone, White
20-5143	Décor Plate Insert for 1 Keystone, Ivory
20-5145	Décor Plate Insert for 1 Keystone, Lite Almond
20-5152	Décor Plate Insert for 2 Keystones, White
20-5153	Décor Plate Insert for 2 Keystones, Ivory
20-5155	Décor Plate Insert for 2 Keystones, Lite Almond
20-5162	Décor Plate Insert for 3 Keystones, White
20-5163	Décor Plate Insert for 3 Keystones, Ivory
20-5165	Décor Plate Insert for 3 Keystones, Lite Almond
20-5172	Décor Plate Insert for 4 Keystones, White
20-5173	Décor Plate Insert for 4 Keystones, Ivory
20-5175	Décor Plate Insert for 4 Keystones, Lite Almond



Surface Mounts

1-port and 2-port surface mounting box for category 5e and category 6 jacks.



Part Number	Description/Color
20-5311	1-Port Surface for Keystone Modules, Ivory
20-5312	1-Port Surface for Keystone Modules, White
20-5313	1-Port Surface for Keystone Modules, Lite Almond
20-5321	2-Port Surface for Keystone Modules, Ivory
20-5322	2-Port Surface for Keystone Modules, White
20-5323	2-Port Surface for Keystone Modules, Lite Almond

Coaxial Connectors

F-Type | BNC | Phone/Data | Insulation Displacement | Splitters



BNC Compression Connector

P/N: 41-0090

Page 65





DataComm Electronics offers a line of compression fittings ranging from coaxial and BNC connectors to phone/data plugs and insulation displacement connectors.

Coaxial Connectors

F-Type	65
BNC Connectors	65 -67
RCA Connectors	67
Insulation Displacement Connectors	67
Phone & Data Plugs	68
Splitters	68

DATA COMM
ELECTRONICS™

Coaxial Connectors

Coaxial Connectors
BNC Connectors

DATA COMMTM
ELECTRONICS

F-Type

A. F-Connector Compression

Part Number	Description
30-2600	RG-59, Red
30-2606	RG-6 / RG-6 Quad, Black



A. F-Connector Comp



B. Crimpless Male Twist-On Connector

B. Crimpless Male Twist-On Connector

Part Number	Description
30-1101	RG-59
30-1200	RG-6
30-1201	RG-6 Quad

C. Crimp On Male with Attached 1/2" Crimp Ring

Part Number	Description
30-1205	RG-6
30-1300	RG-6 Quad



C. Crimp on Male w/
Attached 1/2" Crimp Ring



D. F-Connector Right
Angle Adaptor

D. F-Connector Right Angle Adaptor

Part Number	Description
30-2500	Right Angle



E. Female to Female
F-Connector Splice

E. F-Connector Splice

Part Number	Description
30-1400	1.0 GHz
30-2400	2.4 GHz

BNC Connectors



F. BNC Male Twist-On



F. BNC Male Crimp

F. BNC Compression Connector

Part Number	Description
41-0090	RG59U
41-0096	RG6U & Quad

E. BNC Male Crimp

Part Number	Description
41-0020	RG59U
41-0025	RG6U

BNC Connectors (Cont'd)

A. BNC Male Twist-On

Part Number	Description
41-0030	RG59U
41-0035	RG6U



A. BNC Male Twist-On



B. BNC Male Quick Connect

B. BNC Male Quick Crimp

Part Number	Description
41-0040	RG59U
41-0045	RG6U
41-0046	RG59U & RG6U Teflon

C. BNC Female Twist-On

Part Number	Description
41-0049	RG59U & RG6U



C. BNC Female Twist-On



D. BNC T-Adapter

D. BNC T-Adapter

Part Number	Description
41-0052	1 Male to 2 Female

E. BNC Double Female Adapter

Part Number	Description
41-0055	Double Female



E. BNC Double Female Adapter



G. BNC Male to RCA Male

G. BNC Male to RCA Male

Part Number	Description
41-0060	BNC to RCA

H. BNC Male to RCA Female

Part Number	Description
41-0065	Male to Female



H. BNC Male to RCA Female



I. BNC Male to Female

I. BNC Male to F Female

Part Number	Description
41-0070	Male to Female

BNC Connectors (Cont'd)

A. BNC Female to F Male

Part Number	Description
41-0075	Female to Male

B. BNC Female to RCA Male

Part Number	Description
41-0080	Female to Male



B. BNC Female to F Male



B. BNC Female to RCA Male

RCA Connectors



H. RCA Compression Connector



E. RCA Female to F Male



F. RCA Female to F Female



G. RCA Male to F Female

H. RCA Compression Connector

Part Number	Description
42-0020	RG59U
42-0026	RG6U Quad

E. RCA Female to F Male

Part Number	Description
42-0010	Female to Male

F. RCA Female to F Female

Part Number	Description
42-0015	Female to Female

G. RCA Male to F Female

Part Number	Description
42-0016	Male to Female

Insulation Displacement Connectors

H. UY IDC Connector

Part Number	Description
20-5722	2-Wire (26-22 AWG)

I. UR IDC Connector

Part Number	Description
20-5723	3-Wire (26-19 AWG)



H. UY IDC Connector



I. UR IDC Connector

Phone & Data Plugs

A. RJ45

Part Number	Description
20-5703	RJ45, Cat 5e, 8 Conductor UTP
20-5706	RJ45, Cat 6, 8 Conductor UTP



A. RJ45, Cat 5e



A. RJ45, Cat 6

B. RJ11

Part Number	Description
20-5701	RJ11, 4 Conductor UTP



B. RJ11



C. RJ12

C. RJ12

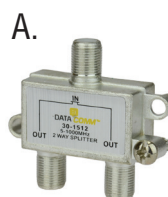
Part Number	Description
20-5702	RJ12, 6 Conductor UTP

1.0 GHz Splitters

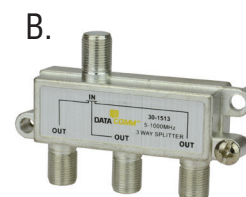
The 30-15XX series of splitters represent a new generation of passive products designed for higher frequency operation in international cable distribution systems. Printed circuits and special ferrite core material guarantee minimal insertion loss and optimal isolation and return loss up to 1 GHz. The series provides:

- > -130 dB EMI performance by soldering the back cover to the case
- > -100 dB EMI performance by employing a tongue and groove mating of case and back cover

Photo	Part Number	Description
A.	30-1512	2-Way
B.	30-1513	3-Way
C.	30-1514	4-Way
D.	30-1516	6-Way
E.	30-1518	8-Way



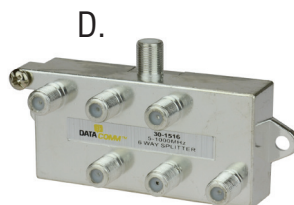
A.



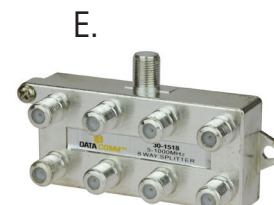
B.



C.



D.

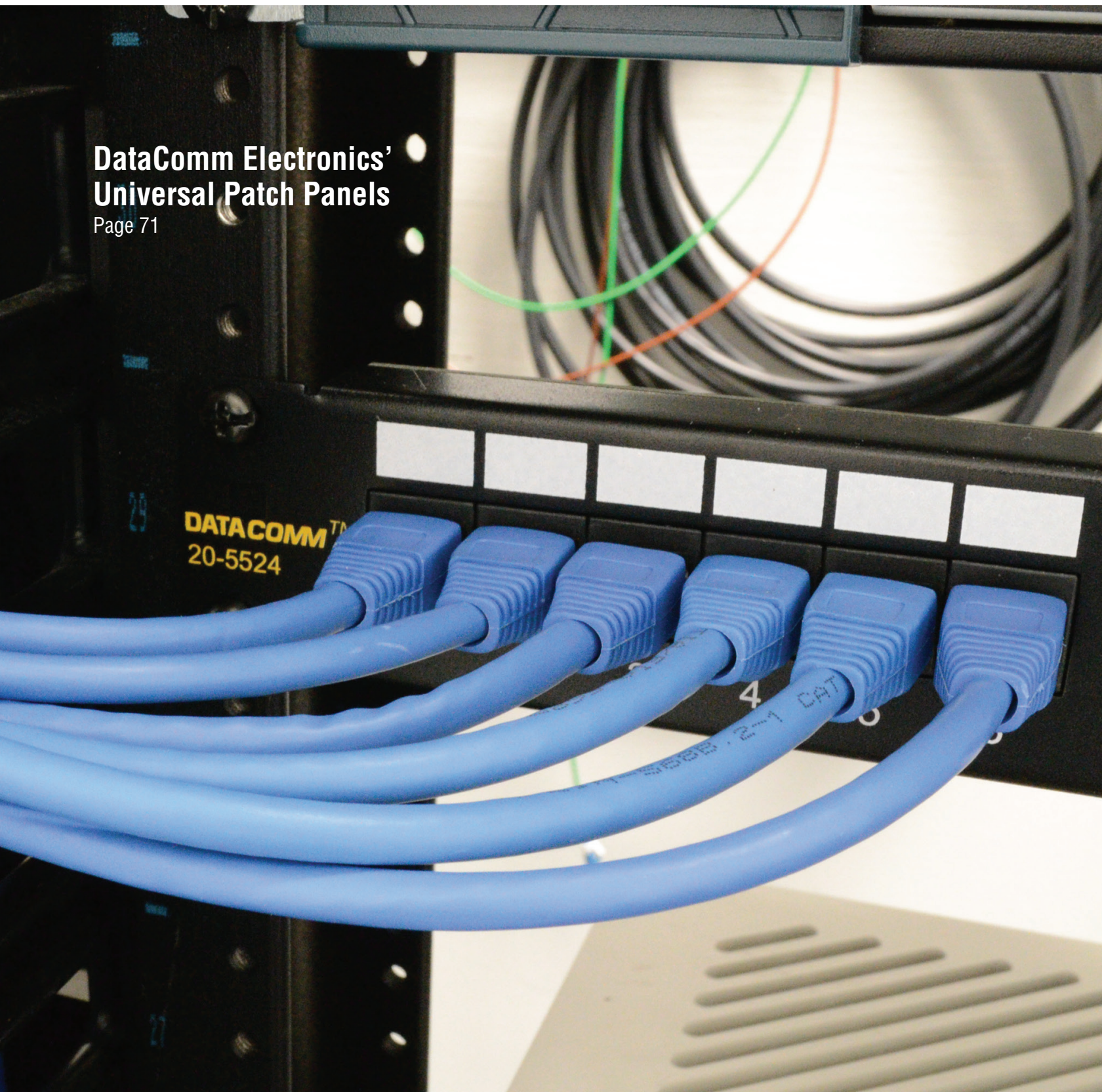


E.

Patch Panels & Accessories

Patch Panels | Mounting Brackets | Wire Management

DataComm Electronics'
Universal Patch Panels
Page 71





DataComm Electronics' Category 5e and Category 6 Patch Panels are designed and color coded for T568A and T568B wiring configurations and are designed to fit industry standard 19" racks and cabinets. These products also come with a 25-year product warranty and a 25-year Channel System warranty when terminated with Honeywell Genesis Cable.

Patch Panels & Accessories

Category 5e 12-Port Mini Patch Panel w/ 89D Mounting Bracket	71
Category 5e Universal 12-Port Patch Panel	71
Category 5e Universal 24-Port Patch Panel	71
Category 5e Universal 48-Port Patch Panel	71
Category 6 12-Port Mini Patch Panel w/ 89D Mounting Bracket	71
Category 6 Universal 12-Port Patch Panel	71
Category 6 Universal 24-Port Patch Panel	71
Category 6 Universal 48-Port Patch Panel	71
19" Rack Cable Management Wire Holder	72
1U Hinged Wall Mount Bracket	72
2U Hinged Wall Mount Bracket	72
24-Port Blank Patch Panel	72

DATA COMM
ELECTRONICS™



Patch Panels



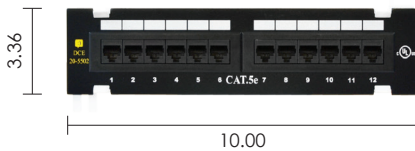
DATA COMM[™]
ELECTRONICS

Category 5e & Category 6 Patch Panels

Features:

- Designed and color coded for TIA568A and TIA568B wiring configurations
- Meets all UL standards and requirements for category 5e & category 6 patch panels
- Intertek ETL Semko verified and tested to category 5e and category 6 industry standards & certifications
- 3P-Third Party Testing verified and tested to category 5e and category 6 industry standards & certifications
- Meets or exceeds all published TIA/EIA-568B guidelines for category 5e and category 6 requirements; meets FCC part 68
- Designed to fit all standard 19" racks and cabinets
- Patch panels come pre-configured with easy to read 110-style punch downs on the rear side and six-port RJ-45 front modules
- 16 gauge steel, black powder coated panel with UL 940-0 rated jack housing
- Connector spring wire contacts are 50 micro inches gold over nickel
- RoHS compliant
- 25-year product warranty
- 25-year Channel System Warranty when terminated with Honeywell Genesis Cable

Mini Patch Panels



Part Number

Description

20-5502

Category 5e, 12-Port w/ 89D Mounting Bracket

20-5602

Category 6, 12-Port w/ 89D Mounting Bracket

Universal Patch Panels

Part Number

Description

20-5512

Category 5e, 12-Port

20-5612

Category 6, 12-Port

Part Number

Description

20-5524

Category 5e, 24-Port

20-5624

Category 6, 24-Port

Part Number

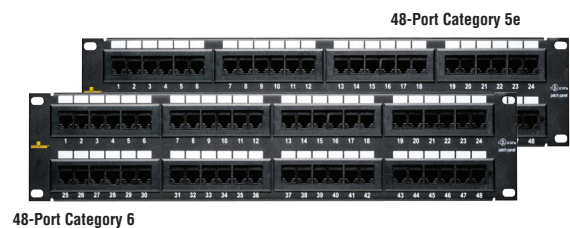
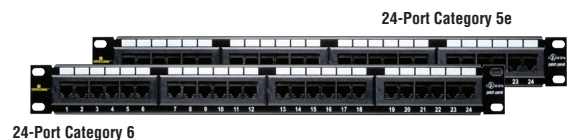
Description

20-5548

Category 5e, 48-Port

20-5648

Category 6, 48-Port



Patch Panel Accessories

19" Rack Cable Management Wire Holder

- For use with any 19" rack mount patch panel

Part Number

20-5550



1U Hinged Wall Mount Bracket

- Universal left or right hinge mounting
- For use with any 19" rack mount patch panel
- 6" deep mounting bracket

Part Number

20-5551



2U Hinged Wall Mount Bracket

- Universal left or right hinge mounting
- For use with any 19" rack mount patch panel
- 6" deep mounting bracket

Part Number

20-5552



24-Port Blank Patch Panel

- For use with any 19" rack mount patch panel

Part Number

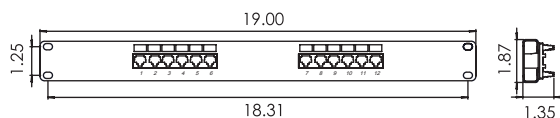
20-5024



Drawings & Dimensions

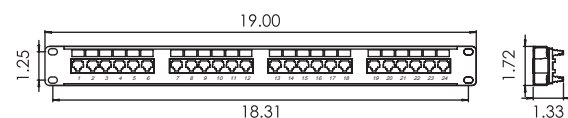
20-5512: Category 5e 12-Port Patch Panel

20-5612: Category 6 12-Port Patch Panel



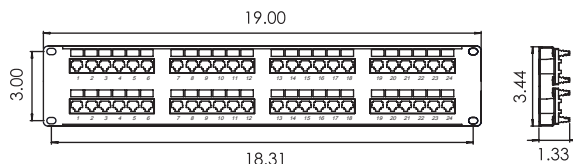
20-5524: Category 5e 24-Port Patch Panel

20-5624: Category 6 24-Port Patch Panel



20-5548: Category 5e 48-Port Patch Panel

20-5648: Category 6 48-Port Patch Panel



Standard Warranty Period

DataComm Electronics warrants, to the original purchaser, that any product manufactured or sold by DataComm Electronics will be free of any defects in materials and workmanship for a period of two (2) years from the original date of purchase, under normal conditions of use.

Warranty voided on items that have been damaged due to accident, altered in any way, tampered with, or have been used in any manner for which the product was not originally intended.

Should any product, in DataComm Electronics' opinion, prove defective within this two (2) year period, the product will be repaired or replaced without charge.

Products to be repaired or replaced under this warranty must be returned to DataComm Electronics with prior notification, original sales receipt and an assigned return material authorization number (RMA).

DataComm Electronics, Inc.

6349 Peachtree Street

Norcross, Georgia 30071

888.223.7977

770.242.3395 fax

www.datacommelectronics.com

Industry Terms & Definitions

- ANSI -** The American National Standards Institute is a private, non-profit organization that administers and coordinates the U.S. voluntary standardization and conformity assessment system.
- DPL -** Digital Performance Level Labs provides independent, honest, true performance-based guidance to assist those who are in the market to acquire high-bandwidth, high-definition digital products.
- EIA -** The Electronic Industries Association is a trade organization for U.S. manufacturers and a partnership of electronic and high-tech associations and companies. EIA promotes the U.S. high-tech industry through domestic and international policy efforts.
- ETL -** ETL SEMKO is a division of Intertek Group plc (LSE:ITRK) specializing in electrical product safety testing and benchmark performance testing. It is an industry leader in testing and accreditations with more than 30 offices and laboratories on six continents.
- Part 68 -** A Federal Communications Commission (FCC) rule developed to assure consumers, manufacturers, and carriers that terminal equipment and wiring could be connected without degrading the network.
- TIA -** The Telecommunications Industry Association represents providers of communications and information technology products and services for the global marketplace through its core competencies in standards development and domestic and international advocacy.
- UL -** Underwriters Laboratories Inc. is an independent, non-profit, product-safety testing and certification organization.

Part Number	Page	Part Number	Page	Part Number	Page	Part Number	Page
20-1511	57	20-3004-AL	48	20-3016-LA	50	20-3202-AL	42
20-1512	57	20-3004-BK	48	20-3016-WH	50	20-3202-BK	42
20-1515	57	20-3004-BR	48	20-3102-AL	42	20-3202-BR	42
20-1521	57	20-3004-GY	48	20-3102-BK	42	20-3202-IV	42
20-1522	57	20-3004-IV	48	20-3102-BR	42	20-3202-LA	42
20-1523	57	20-3004-LA	48	20-3102-IV	42	20-3202-LA-10	42
20-1525	57	20-3004-WH	48	20-3102-LA	42	20-3202-WH	42
20-1531	58	20-3006-AL	49	20-3102-WH	42	20-3202-WH-10	42
20-1532	58	20-3006-BK	49	20-3103-AL/BK	43	20-3203-LA	42
20-1535	58	20-3006-BR	49	20-3103-AL/RD	43	20-3203-WH	42
20-1541	58	20-3006-GY	49	20-3103-AL/WH	43	20-3423-BK	41
20-1542	58	20-3006-IV	49	20-3103-AL/YW	43	20-3423-BR	41
20-1545	58	20-3006-LA	49	20-3103-LA/BK	43	20-3423-IV	41
20-1604	58	20-3006-WH	49	20-3103-LA/BL	43	20-3423-LA	41
20-1611	58	20-3011-AL	49	20-3103-LA/GR	43	20-3423-WH	41
20-1612	58	20-3011-BK	49	20-3103-LA/RD	43	20-3423-WH-10	41
20-1615	58	20-3011-BR	49	20-3103-LA/WH	43	20-3425-AL	41
20-1711	60	20-3011-GY	49	20-3103-LA/YW	43	20-3425-BK	41
20-1712	60	20-3011-IV	49	20-3103-WH/BK	43	20-3425-BL	41
20-1715	60	20-3011-LA	49	20-3103-WH/BL	43	20-3425-BL-10	41
20-1721	60	20-3011-WH	49	20-3103-WH/GR	43	20-3425-BR	41
20-1722	60	20-3012-AL	49	20-3103-WH/RD	43	20-3425-GY	41
20-1725	60	20-3012-BK	49	20-3103-WH/WH	43	20-3425-IV	41
20-2011	58	20-3012-BR	49	20-3103-WH/YW	43	20-3425-IV-10	41
20-2012	58	20-3012-GY	49	20-3104-WH	43	20-3425-LA	41
20-2015	58	20-3012-IV	49	20-3104-WH/BK	43	20-3425-LA-10	41
20-3001-AL	48	20-3012-LA	49	20-3104-WH/BL	43	20-3425-OR	41
20-3001-BK	48	20-3012-WH	49	20-3104-WH/GR	43	20-3425-OR-10	41
20-3001-BR	48	20-3013-AL	49	20-3104-WH/RD	43	20-3425-RD	41
20-3001-GY	48	20-3013-BK	49	20-3104-WH/YW	43	20-3425-WH	41
20-3001-IV	48	20-3013-BR	49	20-3105-WH	43	20-3425-WH-10	41
20-3001-LA	48	20-3013-GY	49	20-3106-AL/BK	44	20-3425-YW	41
20-3001-WH	48	20-3013-IV	49	20-3106-AL/RD	44	20-3426-AL	42
20-3002-AL	48	20-3013-LA	49	20-3106-AL/WH	44	20-3426-BK	42
20-3002-BK	48	20-3013WH	49	20-3106-AL/YW	44	20-3426-BL	42
20-3002-BR	48	20-3014-AL	50	20-3106-IV/BK	44	20-3426-BL-10	42
20-3002-GY	48	20-3014-BK	50	20-3106-IV/RD	44	20-3426-BR	42
20-3002-IV	48	20-3014-BR	50	20-3106-IV/WH	44	20-3426-GY	42
20-3002-LA	48	20-3014-GY	50	20-3106-IV/YW	44	20-3426-IV	42
20-3002-WH	48	20-3014-IV	50	20-3106-LA/BK	44	20-3426-IV-10	42
20-3003-AL	48	20-3014-LA	50	20-3106-LA/RD	44	20-3426-LA	42
20-3003-BK	48	20-3014-WH	50	20-3106-LA/WH	44	20-3426-OR	42
20-3003-BR	48	20-3016-AL	50	20-3106-LA/YW	44	20-3426-OR-10	42
20-3003-GY	48	20-3016-BK	50	20-3106-WH/BK	44	20-3426-WH	42
20-3003-IV	48	20-3016-BR	50	20-3106-WH/RD	44	20-3426-WH-10	42
20-3003-LA	48	20-3016-GY	50	20-3106-WH/WH	44	20-4501-WH	37
20-3003-WH	48	20-3016-IV	50	20-3106-WH/YW	44	20-4502-WH	37

Part Number	Page	Part Number	Page	Part Number	Page	Part Number	Page
20-4503-WH	37	20-6515-BL	54	30-2011	59	40-1515	58
20-4504-WH	37	20-6515-WH	54	30-2012	59	40-1711	60
20-4505-WH	37	20-6525-BL	54	30-2013	59	40-1712	60
20-5024	72	20-6525-WH	54	30-2015	59	40-1715	60
20-5111	61	20-6601-BL	54	30-2021	59	40-1721	58
20-5112	61	20-6601-WH	54	30-2022	59	40-1722	58
20-5115	61	20-6603-BL	54	30-2023	59	40-1725	58
20-5121	61	20-6603-WH	54	30-2025	59	41-0020	65
20-5122	61	20-6607-BL	54	30-2131	60	41-0025	65
20-5125	61	20-6607-WH	54	30-2132	60	41-0030	66
20-5132	61	20-6615-BL	54	30-2135	60	41-0035	66
20-5135	61	20-6615-WH	54	30-2311	61	41-0040	66
20-5142	62	20-6625-BL	54	30-2312	61	41-0045	66
20-5143	62	20-6625-WH	54	30-2313	61	41-0046	66
20-5145	62	21-0022	59	30-2315	61	41-0049	66
20-5152	62	21-0025	59	30-2321	61	41-0052	66
20-5153	62	22-0011	57	30-2322	61	41-0055	66
20-5155	62	22-0012	57	30-2325	61	41-0060	66
20-5162	62	22-0015	57	30-2400	65	41-0065	66
20-5163	62	22-0021	57	30-2500	65	41-0070	66
20-5165	62	22-0022	57	30-2600	65	41-0075	67
20-5172	62	22-0023	57	30-2606	65	41-0080	67
20-5173	62	22-0025	57	31-0002	59	41-0090	65
20-5175	62	22-0031	58	32-0011	59	41-0096	65
20-5311	62	22-0032	58	32-0012	59	42-0010	67
20-5312	62	22-0035	58	32-0013	59	42-0015	67
20-5313	62	22-0041	58	32-0015	59	42-0016	67
20-5321	62	22-0042	58	32-0021	59	42-0020	67
20-5322	62	22-0045	58	32-0022	59	42-0026	67
20-5323	62	22-0104	58	32-0023	59	45-0001-BK	11
20-5502	71	22-0111	58	32-0025	59	45-0001-BR	11
20-5512	71	22-0112	58	32-0031	60	45-0001-IV	11
20-5524	71	22-0115	58	32-0032	60	45-0001-LA	11
20-5548	71	22-0211	58	32-0035	60	45-0001-WH	11
20-5550	72	22-0212	58	32-0702	59	45-0002-BK	11
20-5551	72	22-0215	58	32-2024-BR	60	45-0002-BR	11
20-5552	72	30-1101	65	32-2024-IV	60	45-0002-IV	11
20-5602	71	30-1200	65	32-2024-LA	60	45-0002-LA	11
20-5612	71	30-1201	65	32-2024-WH	60	45-0002-WH	11
20-5624	71	30-1205	65	40-0011	58	45-0003-BK	11
20-5648	71	30-1300	65	40-0012	58	45-0003-LA	11
20-5701	68	30-1400	65	40-0015	58	45-0003-WH	11
20-6501-BL	54	30-1512	68	40-0021	58	45-0004-BK	13
20-6501-WH	54	30-1513	68	40-0022	58	45-0004-BR	13
20-6503-BL	54	30-1514	68	40-0025	58	45-0004-IV	13
20-6503-WH	54	30-1516	68	40-1511	58	45-0004-LA	13
20-6507-BL	54	30-1518	68	40-1512	58	45-0004-WH	13

Part Number	Page	Part Number	Page
45-0008-BK	11	45-2431-RBP-KIT	19
45-0008-IV	11	45-2432-RBP-KIT	19
45-0008-LA	11	45-2441-RBP-KIT	19
45-0008-WH	11	45-2451-RBP-KIT	19
45-0009-LA	11	45-2452-RBP-KIT	19
45-0009-WH	11	45-2461-RBP-KIT	19
45-0010-BK	14	45-2471-RBP-KIT	19
45-0010-WH	14	45-2472-RBP-KIT	19
45-0014-BK	12	45-2481-RBP-KIT	19
45-0014-IV	12	46-0130-EX	36
45-0014-LA	12	46-0230-EX	36
45-0015-BK	12	46-0330-EX	36
45-0015-IV	12	46-7503-BK	35
45-0015-LA	12	46-7506-BK	35
45-0015-WH	12	46-7509-BK	35
45-0017-BK	12	46-7512-BK	35
45-0017-IV	12	46-7515-BK	35
45-0017-LA	12	46-8520-BK	35
45-0017-WH	12	46-8535-BK	35
45-0021-BK	14	46-8550-BK	35
45-0021-GY	14	46-8599-LX	36
45-0021-WH	14	60-0036	20
45-0022-WH	14	70-0010	28
45-0023-WH	15	70-0015-HC	28
45-0024-WH	15	70-0016-E	29
45-0028-WH	15	70-0016-H	29
45-0031-WH	16	70-0016-S	29
45-0032-WH	16	70-0034	31
45-0041-WH	16	70-0036	31
45-0041-SB	16	70-0038	31
45-0051-WH	17	70-0048	31
45-0052-WH	17	70-0050	32
45-0061-WH	17	70-0078	32
45-0060	20	70-0080	32
45-0070	20	70-0099	29
45-0071-WH	18	80-0014-SC	27
45-0072-WH	18	80-0014-HC	27
45-0081-WH	18	80-0030	30
45-1631-RBP-KIT	19	80-0040	30
45-1632-RBP-KIT	19	80-0050	31
45-1641-RBP-KIT	19	80-0070	30
45-1651-RBP-KIT	19		
45-1652-RBP-KIT	19		
45-1661-RBP-KIT	19		
45-1671-RBP-KIT	19		
45-1672-RBP-KIT	19		
45-1681-RBP-KIT	19		