



1

2

3

UL | NOM | ANSI  
INDUSTRIAL

Installation is as easy as 1-2-3 with Pro-Grip™ 50A locking devices.



# 50 Amp Locking Plugs, Connectors and Receptacles

*Innovative design  
provides temporary  
power on any job with  
a secure connection, fast  
installation, superior  
performance and  
outstanding durability.*

**COOPER** Wiring Devices



# We deliver a secure connection for temporary power on any job, anywhere.

**Cooper Wiring Devices offers the industry's most complete line of easy-to-install, durable and feature-loaded industrial and marine grade 50A locking devices.**

Featuring innovative design for easy wiring and assembly, our 50A locking devices provide outstanding service and durability at the roughest construction sites, fairs and expos, mining or welding sites, on the shop floor, or anywhere a secure temporary power connection must be maintained under severe and even abusive conditions.



All of our 50A locking receptacles, plugs and connectors are built “contractor tough”, yet their locking action is easy to implement and ensures safe connectivity. Our ingenious new Pro-Grip™ locking plugs and connectors offer the industry's easiest 1-2-3 step installation available. Plus, all of our locking devices meet or surpass the most stringent industry performance standards, established by the National Electrical Manufacturers Association (NEMA) and Underwriters' Laboratories (UL). Each finished device is inspected at the point of manufacture to ensure quality performance.

## Applications

### Construction/Institutional

- Construction sites
- Mining sites
- Manufacturing facilities
- Temporary military bases
- Welding sites
- Marinas
- Petrochemical plants

### Outdoor

- Carnivals and festivals
- Sporting events
- Outdoor entertainment venues
- Recreational parks and vehicles
- Concerts and lectures
- Graduations

### Entertainment

- Film, TV and video production
- Stage events
- Broadcasting

# Choose from a full line of 50A locking devices.

**Cooper Wiring Devices delivers three rugged types of 50A locking devices allowing you to select the housing style you need to meet the demands of your individual job.**

In addition to our newly designed Pro-Grip™ nylon series of locking plugs and connectors, Cooper offers a complete line of industrial specification grade rolled steel Armored designs, as well as Marine grade 50A locking devices including plugs, connectors, receptacles and hull inlets to provide options for virtually every job or application.

Regardless of which housing style you prefer, inside you'll find a glass-filled nylon body with excellent heat characteristics. The face of each device is clearly marked with amperage, voltage, wiring configuration and catalog number for easy, positive identification. All devices are intuitively designed for simple wiring and assembly, and provide outstanding service and durability at even the roughest locations.

## FEATURES AND BENEFITS

- Combines functional design features with unparalleled quality and superior performance
- Designed for quick wiring and installation
- Superior cord gripping
- Abuse resistant
- Reliable, heavy-duty performance on the job
- Insulated body for extra measure of safety
- For use anywhere temporary power is needed
- Tough nylon or armored housing resists impact for heavy-duty industrial environments
- Powerful cord-gripping capability helps eliminate conductor cord grip slip and strain on terminals
- Complies with or exceeds all NEMA and UL standards and specifications





## Power up in record time with our newly designed Pro-Grip™ nylon 50A locking plugs and connectors.

Never before has the ability to provide temporary power with a secure connection for any job been so easy! The newest line of Pro-Grip™ nylon 50A plugs and connectors from Cooper Wiring Devices is innovatively designed for the industry's easiest wiring and assembly in even the harshest job environments. The high-impact-resistant nylon housings of our Pro-Grip devices can endure the roughest abuse while providing added insulation.

Pro-Grip plugs and connectors work in any job application to provide a safe, secure connection,

fast installation, superior performance and outstanding durability. The unique Pro-Grip lock eliminates cumbersome assembly screws allowing a simple push and turn motion to lock the connector/plug body into the exterior shell and ensure that the device is assembled properly. Pro-Grip plugs and connectors feature heavy-duty three-piece construction; large terminal lugs that grip the conductors securely, are easy to access and come already backed out; and deep, tapered wire wells that are clearly marked for easy insertion and isolation of solid or stranded wires.



**Step 1**  
Attach conductors and line up notches on body and shell.



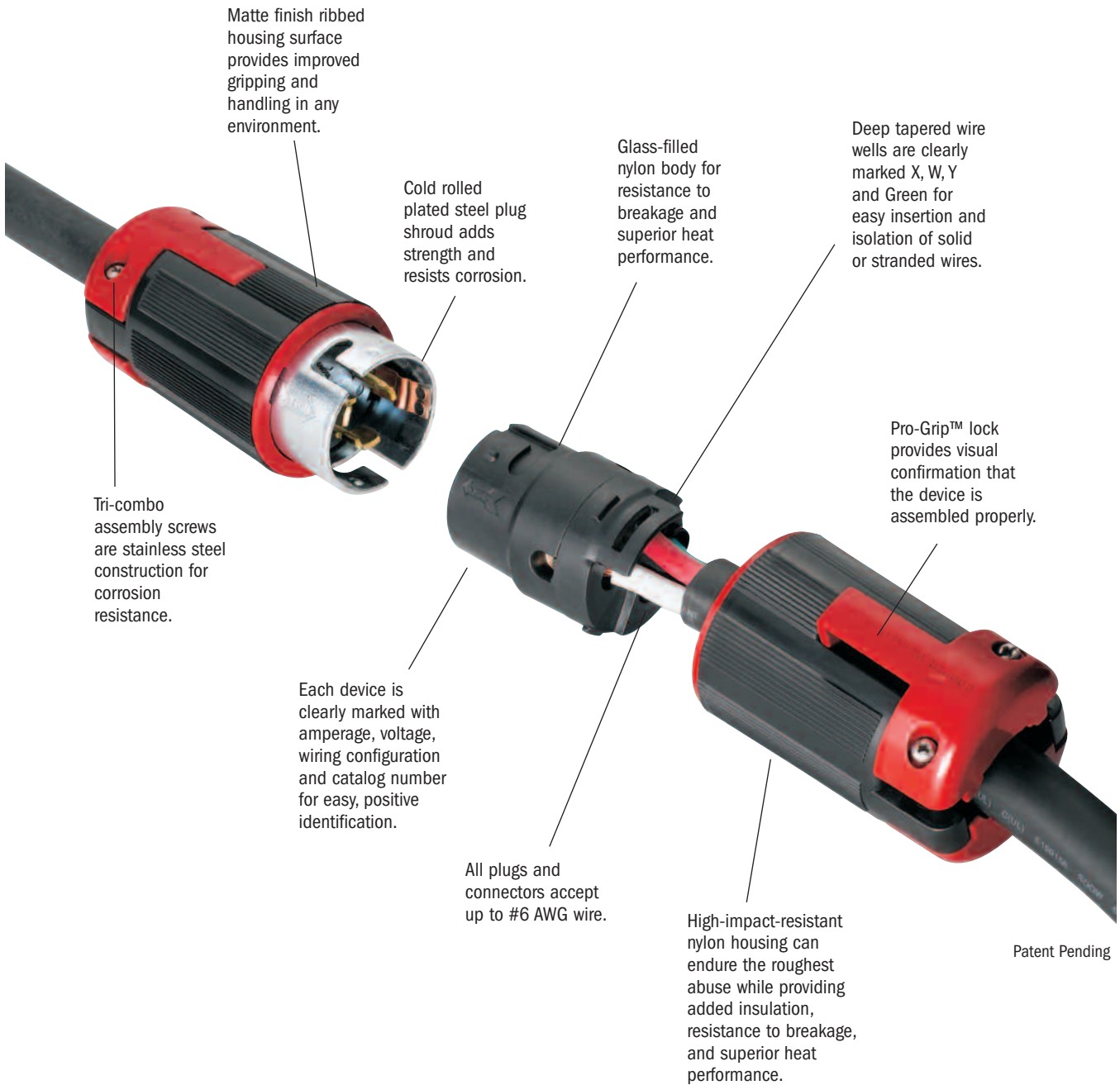
**Step 2**  
Push plug/connector body in and make one quarter turn.



**Step 3**  
Insert Pro-Grip™ tab into slot and tighten cord clamp screws. The connection is now secure.

# Designed to deliver superior performance on the job.

## FEATURES AND BENEFITS

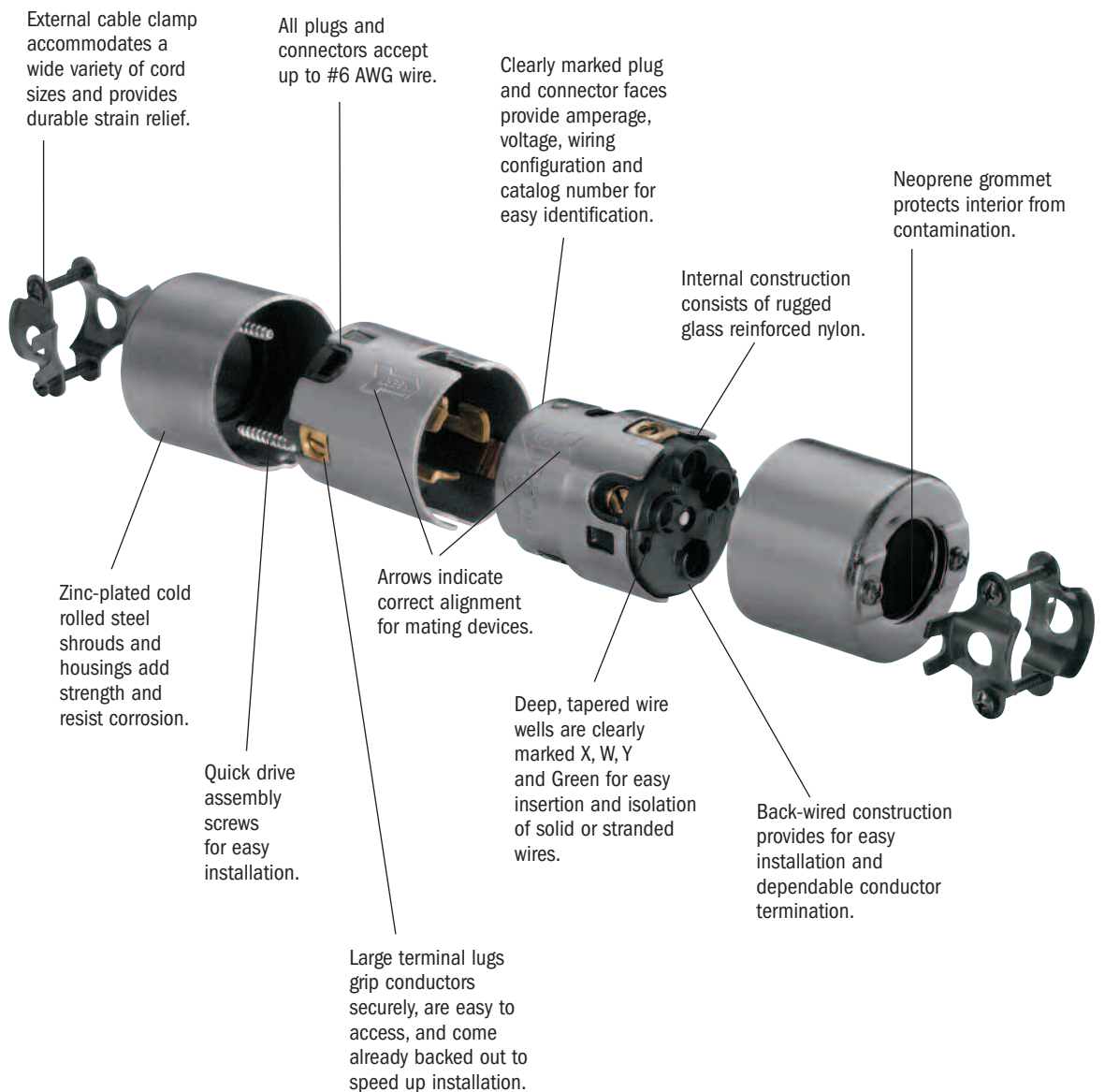


ARMORED PLUGS & CONNECTORS

# Our rugged Armored steel plugs and connectors take on even the most abusive job environments.

The rugged rolled steel construction ensures that our Armored plugs and connectors will provide superior, long-lasting service – despite the harsh elements of the job environment. Designed for easy installation, our Armored Series will provide dependable, secure and safe temporary power connections under severe and abusive conditions.

FEATURES AND BENEFITS

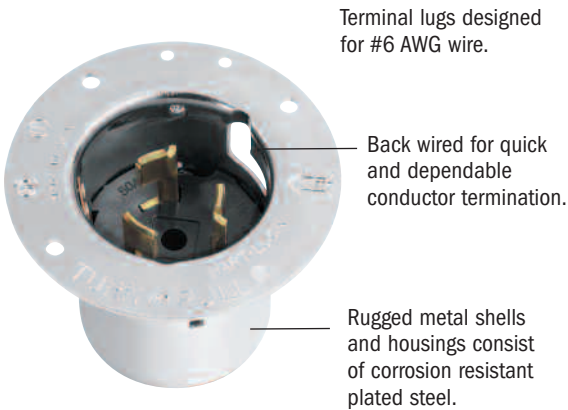
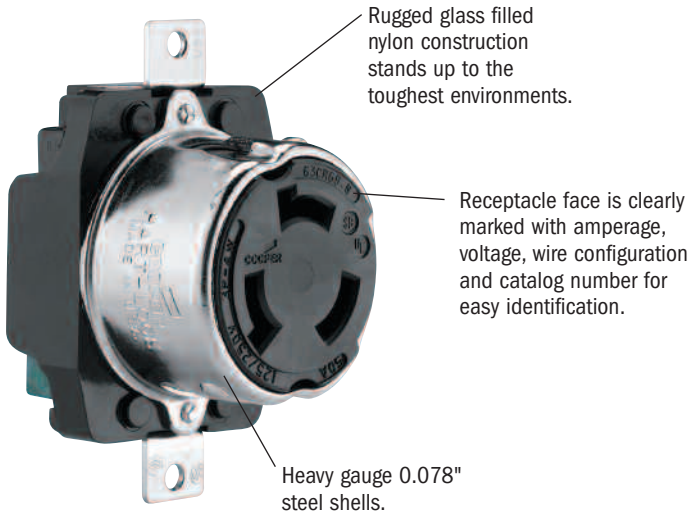


**50A RECEPTACLES AND FLANGED INLETS**

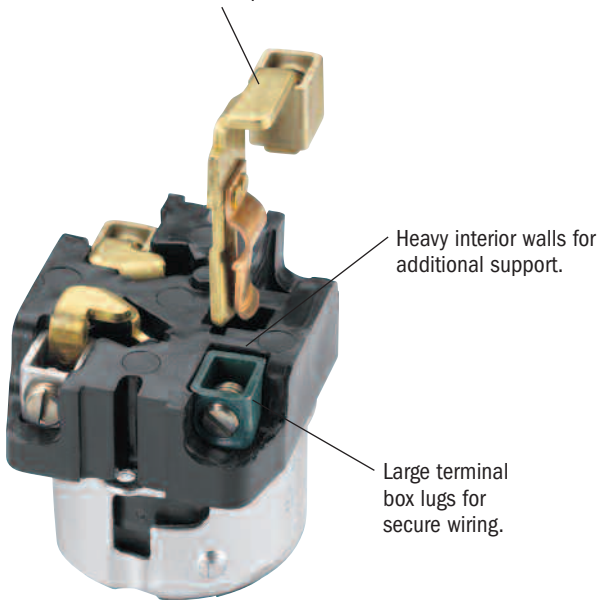
# Our 50A Receptacles and Flanged Inlets are built “contractor tough”.

From the durable nylon or rugged metal construction to one piece brass contacts, Cooper Wiring Devices’ 50A receptacles and flanged inlets are designed for the toughest jobs to deliver superior performance with easy and secure wiring and installation.

**FEATURES AND BENEFITS**



One-piece contacts provide continuity in the grounding and power circuits:  
California Standard - Brass alloy (shown)  
Corrosion Resistant - Nickel-plated brass







**MARINE GRADE/CORROSION RESISTANT LOCKING DEVICES**

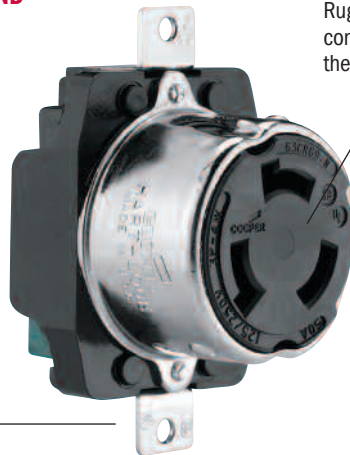
# Our Marine Grade 50A locking devices can handle any exposure.

Advanced materials, innovative design and superior performance make our Marine Grade 50A locking devices the best choice for providing temporary power in harsh environmental conditions where absolute perfection and safety are a necessity. Cooper Wiring Devices is the only source for corrosion resistant and marine grade 50A locking devices in both stainless steel and nylon styles.

**FEATURES AND BENEFITS**

**RECEPTACLES AND HULL INLETS**

Nickel-plated straps, terminals, and contacts and stainless steel mounting screws provide superior corrosion resistance.



Rugged glass-filled nylon construction stands up to the roughest environments.



Hinge, cover and flange are chrome-plated forged brass.

**PLUGS AND CONNECTORS**

Internal plug body construction consists of rugged glass-filled nylon.



Rugged metal shell and housing are made of durable stainless steel.

Nickel-plated contacts, blades and terminal screws provide exceptional corrosion resistance.

High impact-resistant nylon housing withstands even the toughest application.








Back wired for quick and dependable conductor termination.

Neoprene gland protects cord entry from contamination.









# Ordering Information

## 50A Locking Devices

Description	Configuration	CWD Catalog Number					
		Receptacle	Plug	Connector	Flanged Inlet	Flanged Inlet with Lid	Hull Inlet
<b>2P/3W Grounding</b>							
50A 125V Marine Corrosion Resistant		63CR70	63CR61EX Pro-Grip Nylon	63CR60EX Pro-Grip Nylon	-	-	63CR72
			63CR61 Armored	63CR60 Armored			
50A 125V		CS6370	CS6361EX Pro-Grip Nylon	CS6360EX Pro-Grip Nylon	CS6377	CS6378	-
			CS6361 Armored	CS6360 Armored			
50A 250V		CS8269	CS8265EX Pro-Grip Nylon	CS8264EX Pro-Grip Nylon	CS8275	CS8277	-
			CS8265 Armored	CS8264 Armored			
50A 250V DC/600V/AC		3771	3763EX Pro-Grip Nylon	3762EX Pro-Grip Nylon	3777	3767	-
			3763 Armored	3762 Armored			
50A 480V AC		CS8469	CS8465EX Pro-Grip Nylon	CS8464EX Pro-Grip Nylon	CS8475	CS8477	-
			CS8465 Armored	CS8464 Armored			

### 3P/4W Grounding

50A 125/250V Marine Corrosion Resistant		63CR69	63CR65EX Pro-Grip Nylon	63CR64EX Pro-Grip Nylon	-	-	63CR74
			63CR65 Armored	63CR64 Armored			
50A 125/250V/AC		CS6369	CS6365EX Pro-Grip Nylon	CS6364EX Pro-Grip Nylon	CS6375	CS6376	-
			CS6365 Armored	CS6364 Armored			
50A 3Ø 250V/AC		CS8369	CS8365EX Pro-Grip Nylon	CS8364EX Pro-Grip Nylon	CS8375	CS8377	-
			CS8365 Armored	CS8364 Armored			
50A 250V DC/600V/AC		3769	3765EX Pro-Grip Nylon	3764EX Pro-Grip Nylon	3775	3768	-
			3765 Armored	3764 Armored			
		7379	7765EX Pro-Grip Nylon	7764EX Pro-Grip Nylon	7958	7968	-
			7765 Armored	7764 Armored			
50A 3Ø 480V/AC		CS8169	CS8165EX Pro-Grip Nylon	CS8164EX Pro-Grip Nylon	CS8175	CS8177	-
			CS8165 Armored	CS8164 Armored			

## Marine/Corrosion Resistant 50A Accessories

Description	CWD Catalog Number
<b>Receptacle Covers</b>	
Weather protective yellow glass filled nylon, with lift lid cover	7788CR
Weather protective black glass filled nylon, with lift lid cover	7788BK
Weather protective gray glass filled nylon, with lift lid cover	7788GY
Weather protective die-cast aluminum, with lift lid cover	7770
<b>Weather Protective Boots</b>	
For 50A armored connector when used with receptacle or 50A armored connector with 7717 boot	7716
For 50A armored connector when used with 50A armored plug with 7716 boot	7717
For 50A armored connector when used with hull inlet	77CR15



7788CR

Heavy-duty spring-loaded flip lid cover is self-closing to prevent contamination when not in use. (IP 64 Rated)



77CR15

Neoprene material resists oil, grease and acids, and has long life properties.



## Testing & Code Compliance

### Plugs, Connectors, Hull Inlets, and Flanged Inlets

- Listed to UL Standard 498, file no. E3663
- cULus certified to CSA 22.2 no. 42
- ANSI/UL 498-2006
- NOM Certified

### Receptacles and Flanged Outlets

- Listed to UL Standard 498, file no. E2369
- CSA certified to CSA 22.2 no. 42, file no. LR7087
- ANSI/UL 498-2006
- NOM Certified

## Specifications

### Electrical

Dielectric Voltage: Withstands 2,000V per UL498  
Current Interrupting: Yes, at full-rated current  
Temperature Rise: Max. 30°C

### Mechanical

Terminal Accommodation: #10 - #6 AWG  
Product Identification: Ratings permanently marked on the device  
Plugs and Connectors Cord Grip Range:  
0.437"(11.10mm) - 1.060"(26.90mm)

## Materials

### PRO-GRIP™ PLUGS & CONNECTORS

**Gasket:** Neoprene rubber  
**Cord clamp screws:** Stainless steel  
**Outer shell:** Impact modified nylon  
Corrosion resistant version: yellow impact modified nylon  
**Interior Body:** Glass-filled nylon  
**Plug shroud:** Cold rolled steel, zinc-plated  
Corrosion resistant version: nickel-plated cold rolled steel  
**Cord clamps:** Impact modified nylon  
**Blades:** Brass alloy  
Corrosion resistant version: nickel-plated brass  
**Contacts:** Brass alloy, zinc-plated  
Corrosion resistant version: nickel-plated brass  
**Terminal clamps and screws:** Brass alloy, zinc-plated  
Corrosion resistant version: nickel-plated brass

### ARMORED PLUGS & CONNECTORS

**Gasket:** Neoprene rubber  
**Cord clamp screws:** Stainless steel  
**Outer shell:** Zinc-plated cold rolled steel  
Corrosion resistant version: stainless steel  
**Interior body:** Glass-filled nylon  
**Plug shroud:** Zinc-plated cold rolled steel  
Corrosion resistant version: stainless steel  
**Cord clamps:** Steel with black zinc plating  
Corrosion resistant version: nickel-plated brass  
**Blades:** Brass alloy, nickel-plated  
**Contacts:** Brass alloy, zinc-plated  
Corrosion resistant version: nickel-plated brass  
**Terminal clamps and screws:** Brass alloy, zinc-plated  
Corrosion resistant version: nickel-plated brass

### Weather Protective Covers

- Listed to UL Standard 514C, file nos.: E92122 (7770), E2458 (7788)
- cUL listed to CSA C22.2 no. 42 per files listed above
- ANSI/UL 514C-2005
- NOM Certified

### Environmental

Flammability: V0 per UL94  
Operating Temperature: -40°C - 105°C

### RECEPTACLES

**Body:** Glass-filled nylon  
**Ground strap:** Nickel-plated brass or zinc-plated steel  
Corrosion resistant version: nickel-plated steel  
**Contacts:** Brass alloy  
Corrosion resistant version: nickel-plated brass  
**Terminal screws:** Brass alloy  
Corrosion resistant version: nickel-plated brass  
**Terminal clamps:** Brass alloy, zinc-plated  
Corrosion resistant version: nickel-plated brass

### INLETS

**Flanged Inlet (with or without lid)**  
**Flange housing:** Steel, zinc-plated  
**Blades:** Brass alloy, zinc-plated  
**Interior Body:** Glass-filled nylon  
**Terminal clamps:** Brass alloy, zinc-plated

### Hull Inlet

**Base and cover:** Chrome-plated brass  
**Rear cover:** Chrome-plated brass  
**Interior body:** Glass-filled nylon  
**Blades:** Nickel-plated brass  
**Terminal clamps:** Chrome-plated brass  
**Gasket:** Neoprene



# Dimensional Data

## PRO-GRIP™ PLUG & CONNECTOR

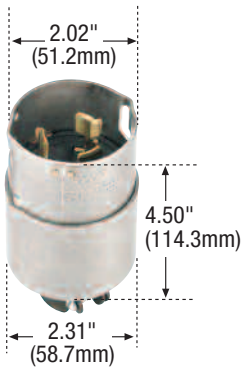


**CS6364EX**



**CS6365EX**

## ARMORED PLUG & CONNECTOR

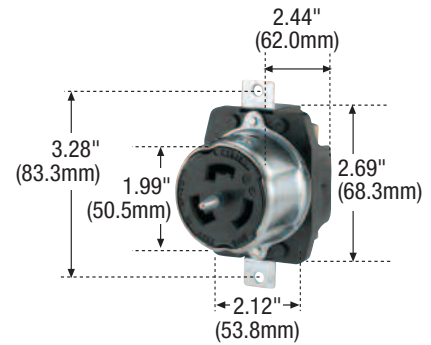


**CS6365**



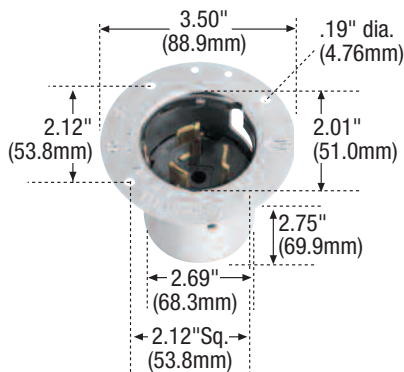
**CS6364**

## SINGLE LOCKING RECEPTACLE



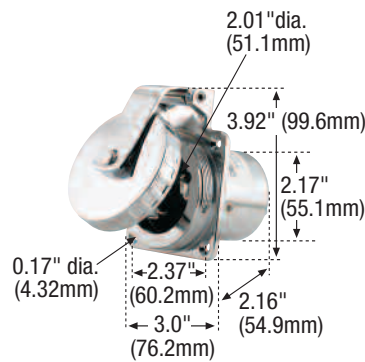
**CS6369**

## FLANGED INLET



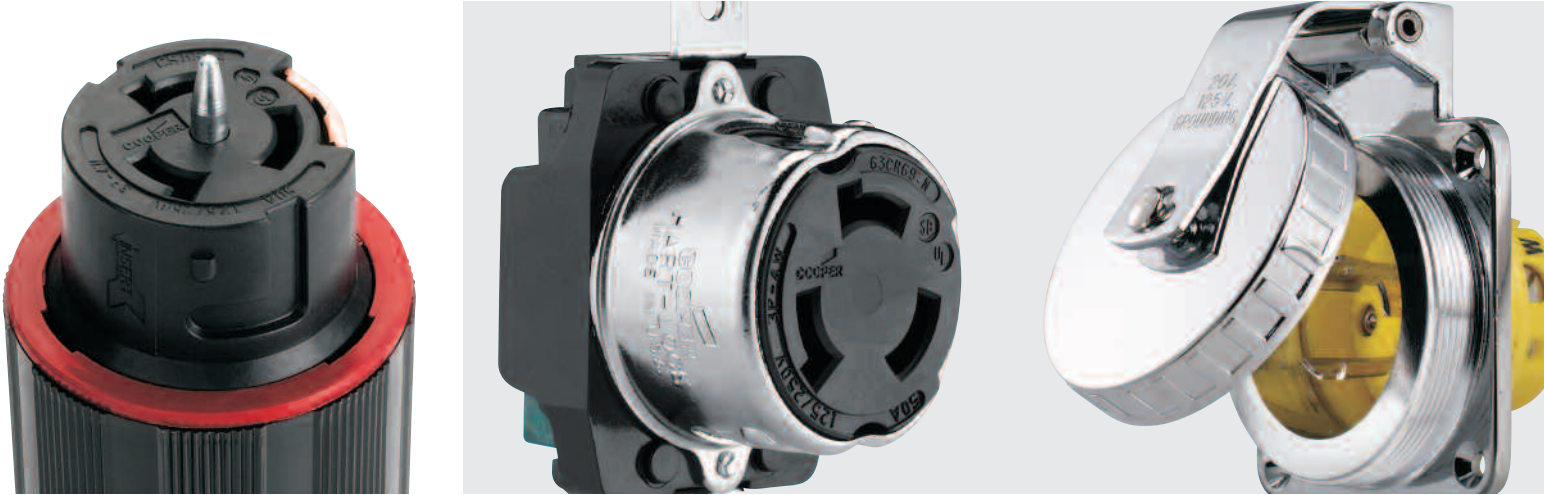
**CS6375**

## HULL INLET



**CS6374**

# 50 Amp Locking Plugs, Connectors and Receptacles



Also, look for these industrial products from Cooper Wiring Devices.



15, 20 & 30 Amp Watertight and Insulated Devices – built-in performance and durability.



Industrial Grade Locking and Straight Blade Devices – the industry's broadest line.



Manual Contactors & Disconnect Switches – superior performance control and safety.



Series 309 Watertight Pin & Sleeve Devices – performs and outlasts in severe conditions.

Distributed by:

**United States**  
 203 Cooper Circle  
 Peachtree City, GA 30269  
 Phone: (866) 853-4293  
 Fax: (800) 329-3055

**Canada**  
 5925 McLaughlin Road  
 Mississauga, Ontario, L5R 1B8  
 Phone: (800) 267-1042  
 Fax: (800) 761-5748

Visit our website at:  
[www.cooperwiringdevices.com](http://www.cooperwiringdevices.com)

Cooper Wiring Devices and Pro-Grip are registered trademarks of Cooper Industries, Inc.  
 © 2007 Cooper Wiring Devices, Inc.

9-50ABRO-07

**COOPER** Wiring Devices