



2009/2010 **PRODUCT CATALOG**



GB[®]
Gardner
Bender

SCREW, #8-16, PLASTITE, SLOTTED TORX, PAN HD



Turn to Gardner Bender for durable,
dependable electrical tools and supplies
that deliver performance and
innovation on the job site.



WIRE CONNECTORS 5

TERMINALS 15

SWITCHES 23

CONDUIT BENDING 31

CONDUIT FISHING 63

HOLE MAKING 95

HAND TOOLS 109

TESTERS 125

CABLE TIES 139

STAPLES 145

WIRE MANAGEMENT 153

INDEX 165

TABLE OF CONTENTS - In Detail



WIRE CONNECTORS

Crimp Connectors	12
GB Xtreme™ Lugs	14
Twist-on Connectors	7-10
Grounding Accessories	14
Hi-Temp Black Connectors	8
Mechanical Lugs	12-13
Nylon Pigtail Connectors	11
Push-In Connectors (PushGard™)	11
Winged Connectors (WingGard™)	8

TERMINALS & WIRE

Clips & Clamps	21
Butt Splices & Kits	17, 19, 20
Disconnects	18, 19
Ring Terminals	17, 18
Spade Terminals	17
GB Xtreme™ Terminals	17
Tap Splices	19
Terminal Blocks	19
Underground UF Splice Kits	20
Wire	21

SWITCHES

Door Switch	30
Pull Chain Switches	28, 29
Push Button Switches	27, 28
Rocker Switches	29
Rotary Switches	30
Toggle Switches	26, 27
Toggle Switch Cover	27

CONDUIT BENDING

Cyclone™ Electric Bender (B2000)	34
Hand Benders (including Big Ben™)	56-58
Hydraulic Benders / Accessories	38-51
Pumps	47-49
PVC Benders & Plug Sets	59-61
Sidewinder® Electric Bender (B2555)	35
Sidewinder® Mechanical Benders	52-55
Ultra Egor™ Hydraulic Bender	38-39
Storage Cases (Tool-Guard™)	62

CONDUIT FISHING

Blower Systems	66-67
CO2 Systems	69-70
Fish Sticks	79
Fish Tapes (including UpperHand™)	74-78
Lubricants	86-88
Pull Line/Line Carriers	71-73
Pullers & Accessories	80-86
Reel Rollers & Jacks	91
Rope	88-89
Wire Caddies & Carts	92-94

HOLE MAKING

35-Ton Hydraulic Punch	102
Drawstuds	104-105
Step Bits	108
Slug-Out™ Sets for Mild & Stainless Steel	97-107
Stud Punch	107

HAND TOOLS

Circuit Alert™	111-113
Cutters	122-123
Datacom/VDV	118-119
Knives	111, 124
Pliers	120-121
Screwdrivers	123
Wire Strippers	114-117

TESTERS

Battery Tester (analog)	136
Continuity Testers	129
Multimeters (analog, digital, clamp-on)	133-135
Non-Contact Voltage Testers	130
Receptacle Testers/Analyzers	131
Tester Parts	136
Tone & Trace	132
Voltage Testers	127-129

CABLE TIES

Colored	144
Grip Strip™	144
Heavy Duty	142
Miniature	141
Mounting Bases & Ties	143, 144
Releaseable	143
Standard	141
Tensioning Tools	144

STAPLES

Category 3 & 5 Data	151
Coaxial	151
Conduit Straps	150
Fiber-Insulated	152
Insulated Metal	148
Low Voltage	150, 152
Masonry	150, 151
MultiCable	149
Metal	148
Plastic	149
Roofing	151
Service Entrance	148, 150
Staple Gun	147

WIRE MANAGEMENT

Electrical Reference Books	163
Anchor Kit	162
Box Supports/Spacers	161, 163
Bushings/Insulators	178
Cable Clamps	158
Duct Seal Compound	160
Hanger Strap	160
Heat-Shrink Tubing	156, 157
Knockout Seals	159
Screw Kits	162
Seals	159
Split Flex Tubing/Spiral Wrap	157
Stud Insulators	159
Tape	155
Wire Marking	161

Romex® is a registered trademark of the Southwire Company, Carrollton, GA

WIRE CONNECTORS



*Made of top-quality materials,
Gardner Bender wire connectors are
engineered to exceed the expectations
of professional electricians.*





WIRE CONNECTORS

Aluminum Mechanical Lugs	13
Aluminum Splicer-Reducers	13
Aluminum Split Bolt Connectors	12
Anti-Oxidant Compound (Ox-Gard™)	14
Copper Mechanical Lugs	13
Copper Split Bolt Connectors	12
Crimp Connectors	12
GB Xtreme™ Lugs	14
Grounding Connectors (GreenGard™)	10
Grounding Accessories	14
Hi-Temp Black Connectors	8
Multi-Range Connectors (Hex-Lok™)	9
Pigtail Connectors	11
Push-In Connectors (PushGard™)	11
Straight-Sided Connectors (WireGard™)	7
Universal Connectors (Uni-Lok™)	10
Winged Connectors (WingGard™)	8

WireGard™ Color-Coded Screw-On Wire Connectors






The industry standard twist-on connector with top quality, performance and durability.

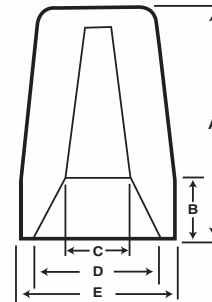
- Color-coded for easy size selection.
- Tight, square-wire spring makes quick, secure connections for positive continuity.
- Tough, thermoplastic shell shields against environmental extremes.
- Resists chemical action from hydrocarbons, diluted acid or alkaline solutions.
- Flame-retardant properties resist heat distortion up to 105 °C (221 °F).
- High-dielectric shell features deep skirt design to prevent exposure of bare wire.
- Copper-to-copper connections only.



GB
Gardner
Bender

WIRE CONNECTORS

	Color	Part #	Pkg Qty	Wire Range	Min	Max
GB-1 (71B)		10-001	100/box	#22 - #16 AWG (connections rated at 300 V Max.)	1 #20 w/1 #22	2 #16
		12-001	25,000/bulk keg			
		12-001BU	150,000/bulk barrel			
		16-001	150/jar			
		19-001	14/card			
		25-001	25/resealable bag			
GB-2 (72B)		10-002	100/box	#22 - #16 AWG (connections rated at 300 V Max.)	3 #22	3 #16
		12-002	10,000/bulk keg			
		12-002BU	96,000/bulk barrel			
		16-002	150/jar			
		19-002	14/card			
		25-002	25/resealable bag			
GB-3 (73B)		10-003	100/box	#22 - #14 AWG (connections rated at 300 V Max. and 600 V Max.) ²	3 #20	4 #16 w/1 #20
		12-003BU	53,000/bulk barrel			
		13-003	500/bag			
		16-003	100/jar			
		16-003M	300/jar			
		17-003	50/bag			
		19-003	12/card			
		25-003	25/resealable bag			
GB-4 (74B)		10-004	100/box	#18 - #10 AWG (connections rated at 300 V Max. and 600 V Max.) ²	1 #14 w/1 #18	4 #14
		12-004BU	32,400/bulk barrel			
		13-004	500/bag			
		16-004	200/jar			
		17-004	50/bag			
		19-004	9/card			
		25-004	25/resealable bag			
GB-6 (76B)		10-006	100/box	#18 - #10 AWG (connections rated at 300 V Max. and 600 V Max.) ²	2 #14	2 #10 w/2 #12
		12-006BU	21,000/bulk barrel			
		13-006	250/bag			
		16-006	125/jar			
		17-006	50/bag			
		19-006	6/card			
		25-006	25/resealable bag			



Dimensions

	A	B	C	D	E
GB-1	37/64"	11/64"	1/8"	1/4"	21/64"
GB-2	45/64"	11/64"	3/16"	5/16"	25/64"
GB-3	27/32"	21/64"	13/64"	11/32"	7/16"
GB-4	15/16"	17/64"	15/64"	7/16"	35/64"
GB-6	11/16"	17/64"	21/64"	17/32"	21/32"

² Note: Connection rated at 600 V Max. for building wiring and rated at 1000 V Max. in lighting fixtures/luminaries and signs. See carton for detailed wire combination ratings.

Assortments

Part #	Pkg Qty	Description
19-AWC	9/card	2 gray, 2 orange, 3 yellow, 3 red
25-AWC	25/resealable bag	3 gray, 4 blue, 6 orange, 6 yellow, 6 red

Hi-Temp Black Connectors for Tough Environments

Connectors manufactured with high-temperature-rated plastic to withstand extreme temperatures.

- Temperature-rated to 150 °C (302 °F).
- Available in two standard models.
- Copper-to-copper connections only.



Model	(Size)	Part #	Pkg Qty	Wire Range	Min	Max
GB-3	(73B)	10-003HT	100/box	#22 - #14 AWG ¹	3 #20	4 #16 w/1 #20
		27-003	10,000/bulk keg			
GB-4	(74B)	10-004HT	100/box	#18 - #10 AWG ¹	1 #14 w/1 #18	4 #14
		27-004	10,000/bulk keg			



¹ Connections rated at 300 V Max. and 600 V Max.

Note: Connection rated at 600 V Max. for building wiring and rated at 1000 V Max. in lighting fixtures/luminaries and signs. See carton for detailed wire combination ratings.

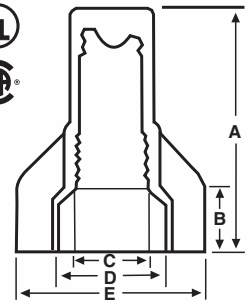
WingGard™ Color-Coded Twist-On Wire Connectors

Unsurpassed quality and durability in a high-leverage, easy-on wing-type design.

- Wings are knurled for a sure grip and offset from centerline for greater twisting leverage.
- Square-wire plated spring instantly adjusts to the shape and size of the splice.
- Flame-retardant properties resist heat distortion up to 105 °C (221 °F).
- High-dielectric shell features deep skirt design to prevent exposure of bare wire.
- Copper-to-copper connections only.



	Color	Part #	Pkg Qty	Wire Range	Min	Max
#84™		10-084	100/box	#22 - #10 AWG (connections rated at 300 V Max. and 600 V Max.)	2 #22	3 #12
		12-084BU	42,000/bulk barrel			
		13-084	500/bag			
		16-084	100/jar			
		16-084M	225/jar			
		17-084	50/bag			
		19-084	6/card			
25-084	25/resealable bag					
#86™		10-086	100/box	#22 - #6 AWG (connections rated at 300 V Max. and 600 V Max.)	2 #20	4 #10
		12-086BU	22,500/bulk barrel			
		13-086	500/bag			
		16-086	125/jar			
		16-086L	325/jar			
		17-086	50/bag			
		19-086	6/card			
25-086	25/resealable bag					
#89™		10-089	50/box	#14 - #6 AWG (connections rated at 300 V Max. and 600 V Max.)	1 #10 w/1 #12	1 #6 Str w/2 #8 Str
		13-089	100/bag			
		19-089	2/card			
		25-089	10/resealable bag			



Dimensions

	A	B	C	D	E
#84™	1 1/32"	5/16"	7/32"	1/4"	23/32"
#86™	1 1/4"	5/16"	9/32"	7/16"	29/32"
#89™	1 1/2"	7/16"	3/8"	3/4"	1 1/4"

Note: Connection rated at 600 V Max. for building wiring and rated at 1000 V Max. in lighting fixtures/luminaries and signs. See carton for detailed wire combination ratings.

Assortments

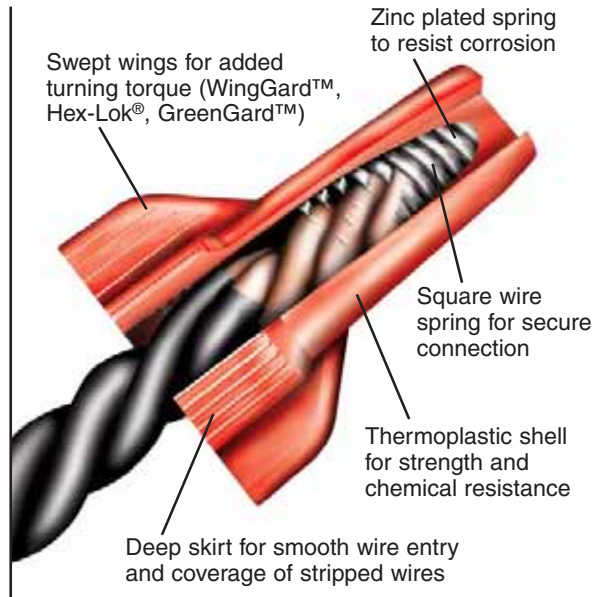
Part #	Pkg Qty	Description
16-8486	100/jar	50 red, 50 yellow
16-8486M	160/jar	80 red, 80 yellow
19-AWW	5/card	2 yellow, 2 red, 1 large gray
25-AWW	25/resealable bag	8 yellow, 8 red, 7 tan, 2 blue

Gardner Bender Twist-On Wire Connectors

Engineered to exceed the expectations of professional electricians.

All GB Twist-On Wire Connectors:

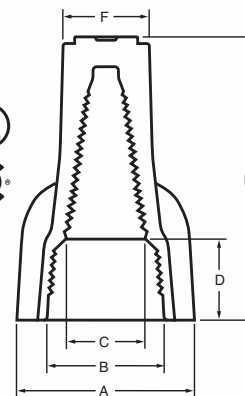
- Are designed to make wiring jobs fast, easy, safe and reliable.
- Provide maximum application flexibility by offering contractors myriad packaging options, ergonomic designs and wire ranges.
- Exceed UL standards for dielectric strength, wire pullout force and static heat resistance.
- Are manufactured of top-quality materials.
- Meet the requirements of nearly all budgets.
- Are continually evaluated for improvements and enhancements.



Hex-Lok® Multi-Range Wire Connectors



Multi-range, hex-head copper-to-copper connector covers 95% of everyday applications.

- Streamlined design for compact installations.
- Square-wire spring grabs and holds wires for secure connections.
- Long skirt covers stripped wires.
- Rated at 600 V Max. in building wire and at 1000 V Max. in lighting fixtures/luminaries and signs.
- Copper-to-copper connections only.



Dimensions

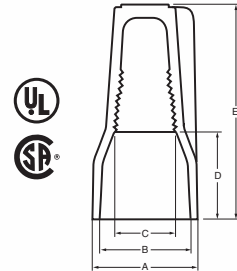
	A	B	C	D	E	F
H1	47/64"	9/16"	5/16"	21/61"	15/32"	5/16"
H2	1"	15/32"	25/64"	13/32"	121/64"	7/16"

	Color	Part #	Pkg Qty	Wire Range	Min	Max
H1		10-1H1	100/box	#22 - #8 AWG	3 #22	3 #10
		12-1H1BU	28,000/bulk barrel			
		13-1H1	500/bag			
		16-1H1	175/jar			
		16-1H1L	400/jar			
		17-1H1	50/bag			
		19-1H1	6/card			
25-1H1	25/resealable bag					
H2		10-2H2	50/box	#14 - #6 AWG	3 #14	1 #6 w/1 #8
		12-2H2BU	16,000/bulk barrel			
		13-2H2	250/bag			
		19-2H2	6/card			
		25-2H2	25/resealable bag			



Uni-Lok™ Universal Wire Connectors

Versatile and cost-effective, Uni-Lok™ connectors are designed to accept a wide range of wire combinations.

- Swept mini-wings provide additional torque.
- Square-wire spring grabs and holds wires for secure connections.
- Long skirt covers stripped wires.
- Rated at 600 V Max. in building wire and at 1000 V Max. in lighting fixtures/luminaries and signs.
- Copper-to-copper connections only.



Dimensions

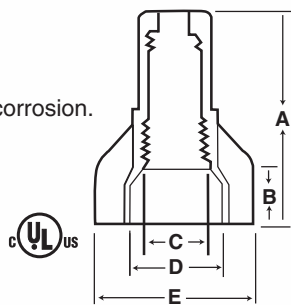
	Color	Part #	Pkg Qty	Wire Range	Min	Max
G1		10-1G1	100/box	#22 - #12 AWG	4 #22	3 #12
		12-1G1BU	40,000/bulk barrel			
		13-1G1	500/bag			
		19-1G1	6/card			
		25-1G1	25/resealable bag			
G2		10-2G2	100/box	#22 - #10 AWG	3 #20	5 #12
		12-2G2BU	24,000/bulk barrel			
		13-2G2	500/bag			
		19-2G2	6/card			
		25-2G2	25/resealable bag			

	A	B	C	D	E
G1	31/64"	27/64"	9/32"	13/32"	63/64"
G2	37/64"	33/64"	23/64"	27/64"	111/64"


GreenGard™ Grounding Wire Connectors

Specifically designed for making positive ground connections, GreenGard™ connectors feature the same live-action as GB WingGard™ connectors with the added plating protection for corrosion resistance in grounding applications.

- Easier to use — New design enables torque-up with improved grip.
- Contoured, offset wings enable firm ground connections.
- Flame retardant, thermoplastic shell resists punctures, cuts, abrasion and corrosion.
- Connectors have a hole in the tip for ground wire.
- Solid copper-to-copper connections only.



Dimensions

	Color	Part #	Pkg Qty	Wire Range	Min	Max
#95™		10-095	100/box	#14 - #10 AWG (connections rated at 600 V Max.)	2 #14	4 #12
		13-095	500/bag			
		16-095	125/jar			
		19-095	6/card			
		25-095	25/resealable bag			

	A	B	C	D	E
#95™	1 1/4"	5/16"	9/32"	7/16"	29/32"



INNOVATION

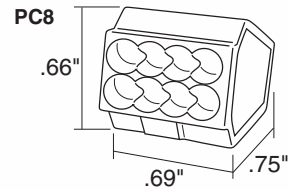
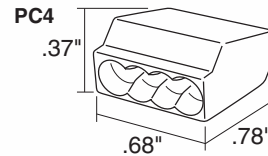
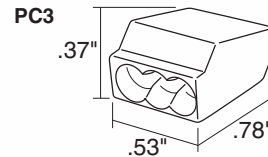
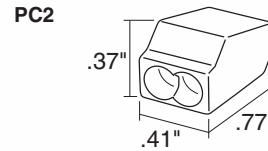
PushGard™ Push-in Wire Connectors

Easy and fast to use, just strip and push conductors into PushGard™ connectors to make reliable, secure connections.

- Simplified insertion and compact size helps in tight locations.
- Clear polycarbonate housings have color-coded side panels for connection verification and identification.
- With corrosion-resistant stainless steel springs, PushGard™ connectors restrict wire pullout, yet corrections are possible with a simple left-right twist and pull.
- Continuity test point for easy voltage checks.
- Available in 2-,3-,4 and 8-port configurations.
- Rated at 600 V Max. in building wire and at 1000 V Max. in lighting fixtures/luminaries.
- Copper-to-copper connections only.



	Color	Ports	Part #	Pkg Qty	Wire Range
PC2		2	10-PC2	100/box	#22 - #12 AWG Solid (connections rated at 600 V Max.)
			19-PC2	10/clam	
PC3		3	10-PC3	100/box	#22 - #12 AWG Solid (connections rated at 600 V Max.)
			19-PC3	10/clam	
PC4		4	10-PC4	100/box	#22 - #12 AWG Solid (connections rated at 600 V Max.)
			19-PC4	10/clam	
PC8		8	10-PC8	50/box	#22 - #12 AWG Solid (connections rated at 600 V Max.)
			19-PC8	10/clam	



Nylon Pigtail Connectors

Closed-end crimp connector designed for use with solid or stranded wire.

- Two sizes available.
- Vibration resistant.
- Tin-plated seamless copper.
- Corrosion and chemical resistant.



Part #	Pkg Qty	Wire Range	Min	Max
20-089	10/clam	#22 - #14 AWG	2 #22	1 #14 w/1 #18
20-090	10/clam	#22 - #12 AWG	3 #18	1 #10 w/1 #20



WIRE CONNECTORS

Crimp Connectors

Use GB crimp connectors for strong, vibration-resistant permanent connections in branch circuit and fixture wiring.

- Two styles and sizes available.
- Copper or zinc-plated steel.

SEE PG
121



FOR MORE INFO ON
GCP-3400
Crimp Tool

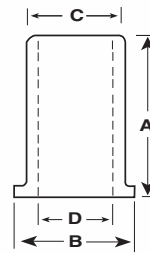


Copper

Part #	Model	Pkg Qty	Wire Range	Min	Max
10-310	310	100/box	#18 - #10 AWG	2 #16	2 #10 w/1 #12
10-310C	310	100/clam			
10-311	311	50/box	#14 - #8 AWG	3 #12	4 #10
10-311C	311	50/clam			

Zinc-plated Steel

Part #	Model	Pkg Qty	Wire Range	Min	Max
10-410	410	100/box	#18 - #10 AWG	2 #16	2 #10 w/1 #12
10-410C	410	100/clam			
13-410	410	500/bag			
20-410	410	12/clam			
10-411	411	50/box	#14 - #8 AWG	3 #12	4 #10
10-411C	411	50/clam			
20-411	411	8/clam			



Dimensions

Model	A	B	C	D
310/410	3/8"	19/64"	1/4"	13/64"
311/411	5/8"	23/64"	21/64"	17/64"

Copper Split Bolt Connectors

All-copper alloy construction for high mechanical strength, maximum conductivity and low resistance.

- Accept a wide range of solid and stranded conductors from 16 AWG – 3/0 AWG.
- Can be torqued with standard wrenches.



Part #	Pkg Qty	Wire Gauge
GSBC-8	2/clam	#16 - #10 AWG Stranded, #16 - #8 AWG Solid
GSBC-6	2/clam	#10 AWG Stranded, #10 - #8 AWG Solid
GSBC-4	2/clam	#8 - #4 AWG Solid
GSBC-2	2/clam	#6 - #2 AWG Solid

Part #	Pkg Qty	Wire Gauge
GSBC-1/0	1/clam	#4 - #0 AWG Solid
GSBC-2/0	1/clam	#2 - #00 AWG Solid
GSBC-3/0	1/clam	#2 - #000 AWG Solid

Aluminum Split Bolt Connectors

Constructed of high-strength aluminum with oxide-displacing jaws to prevent galvanic corrosion.

- Accept conductors from 10 AWG – 4/0 AWG.
- Use GB OX-GARD™ anti-oxidant treatment on Al-Al and Al-Cu to prevent corrosion and permit cooler connections.



Part #	Pkg Qty	Wire Gauge
GAK-2	1/clam	#8 - #2 AWG Solid
GAK-1/0	1/clam	#8 - #0 AWG Solid
GAK-2/0	1/clam	#10 AWG Stranded, #10 - #00 AWG Solid
GAK-4/0	1/clam	#6 - #0000 AWG Solid

Aluminum Mechanical Lugs

- Feature high-strength, low-resistance aluminum construction.
- Accepts conductors from 14 AWG - 2/0 AWG.
- For 3/8" stud.
- Use GB OX-GARD™ anti-oxidant treatment on Al-Al and Al-Cu to prevent corrosion and permit cooler connections.

1 Conductor

Part #	Pkg Qty	Wire Gauge
GTA-2	2/clam	#14 - #10 AWG Stranded, #14 - #2 AWG Solid
GTA-2/0	2/clam	#14 - #10 AWG Stranded, #14 - #00 AWG Solid



Copper Mechanical Lugs

Provide maximum mechanical strength and minimum resistance.

- All-copper alloy construction features a compact design that is reusable.
- Accept a wide range of solid and stranded conductors from 14 AWG – 0 AWG.
- For 3/8" stud.



Part #	Pkg Qty	Wire Gauge	Part #	Pkg Qty	Wire Gauge
GSLU-25	2/clam	#14 - #10 AWG Stranded	GSLU-70	2/clam	#8 - #2 AWG Solid
GSLU-35	2/clam	#14 - #10 AWG Stranded, #14 - #6 AWG Solid	GSLU-125	2/clam	#6 - #0 AWG Solid

Aluminum Splicer-Reducers

Designed to splice similar-gauge conductors or reduce the gauge from a larger wire diameter to a smaller one.

- Galvanic corrosion is limited by an internal wire stop, preventing direct contact of dissimilar metals inside.
- Use GB OX-GARD™ anti-oxidant treatment on Al-Al and Al-Cu to prevent corrosion and permit cooler connections.



Part #	Pkg Qty	Wire Gauge
GSPA-2	2/clam	#14 - #10 AWG Stranded, #14 - #2 AWG Solid
GSPA-0	1/clam	#14 - #10 AWG Stranded, #14 - #0 AWG Solid
GSPA-4/0	1/clam	#6 - #0000 AWG Solid



GB Xtreme™ Lugs

Heavy-duty lugs made from pure copper for maximum current flow.

- Tinned for corrosion resistance.
- Seamless barrel for maximum strength.
- Closed ends seal out moisture.

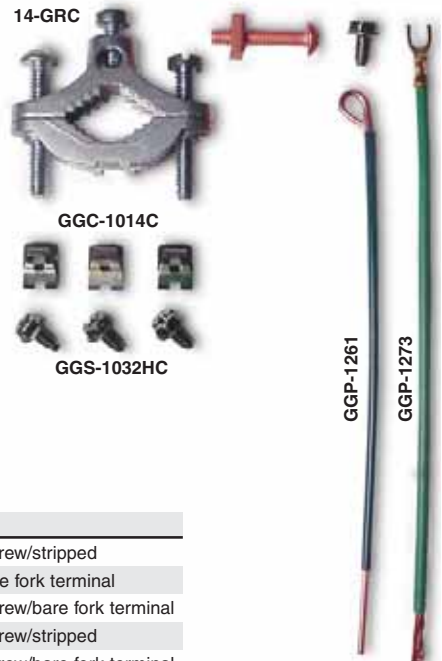
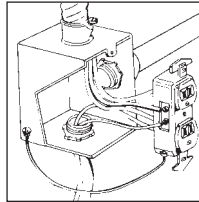


Part #	Pkg Qty	Wire Gauge	Stud Size	Part #	Pkg Qty	Wire Gauge	Stud Size
AML-200	2/clam	#6 AWG	1/4"	AML-205	2/clam	#2 AWG	5/16"
AML-201	2/clam	#6 AWG	5/16"	AML-206	2/clam	#2 AWG	3/8"
AML-202	2/clam	#6 AWG	3/8"	AML-207	2/clam	#1/0 AWG	3/8"
AML-203	2/clam	#4 AWG	5/16"	AML-208	2/clam	#2/0 AWG	3/8"
AML-204	2/clam	#4 AWG	3/8"				

Grounding Accessories

Convenient grounding accessories include products suitable for most job requirements.

- Zinc-plated grounding clips provide positive grounding to switch, outlet or junction boxes for #10, 12, 14 AWG copper grounding wire.
- Hex-head grounding screws secure ground wires to circuit box.
- Grounding clamps listed for direct burial and connection of ground wire to ground rod.



SEE PG 10 FOR MORE INFO ON Grounding Wire Connector

Part #	Pkg Qty	Description	Length	Ends
GGP-1261	25/bag	Grounding Pigtail; #12 AWG Solid	6 1/2"	Captured screw/stripped
GGP-1273	25/bag	Grounding Pigtail; #12 AWG Str	7"	Stripped/bare fork terminal
GGP-1282	25/bag	Grounding Pigtail; #12 AWG Str	8"	Captured screw/bare fork terminal
GGP-1461	25/bag	Grounding Pigtail; #14 AWG Solid	6 1/2"	Captured screw/stripped
GGP-1502	2/card	Grounding Pigtail; #12 AWG Solid	8"	Captured screw/bare fork terminal
14-GRC	1/card	Grounding Clamp for 1/2" - 1" pipe		
GGC-1014C	50/clam	Grounding Clip for #10, #12 or #14 AWG		
GGC-1508	8/card	Grounding Clip for Aluminum or Copper; Grounding wire; Zinc plated		
GGG-1032HC	100/clam	Hex-Head Ground Screw		
GGG-1512R	12/card	Green Round Washer Head Screw for Switch and Outlet Boxes		

Ox-Gard™ Anti-Oxidant Compound

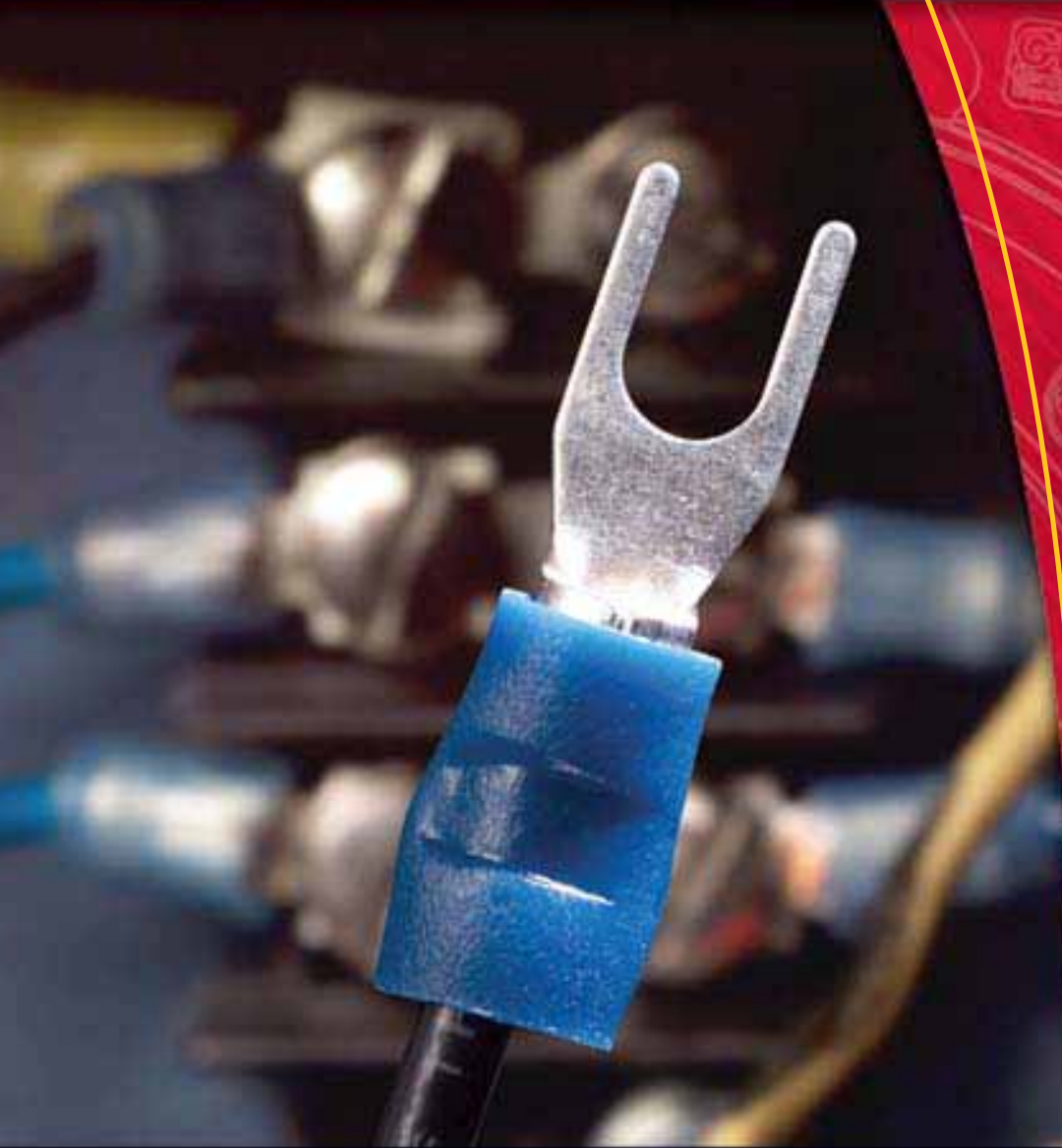
The perfect safeguard for aluminum-to-aluminum, aluminum-to-copper wire connections and aluminum conduit joints.

- Guards against oxidation.
- Improves conductivity; penetrates aluminum oxide to maintain inter-strand and inter-conductor current paths.
- Produces a cooler connection.

Part #	Pkg Qty	Description
OX-100	1/tube	1 oz Squeeze Tube
OX-100B	1/tube	1 oz Squeeze Tube (blister pack)
OX-400	1/tube	4 oz Squeeze Tube
OX-800	1/tube	8 oz Squeeze Tube



TERMINALS & WIRE



Dependable and easy-to-use, Gardner Bender terminals and wiring accessories offer the high quality and application flexibility that professionals demand.



17



17



20



21



21

15



TERMINALS & WIRE

Alligator Clips	21
Battery Charging Clips, Clamps	21
Bullet Splices	19
Butt Splices & Kits	17,19,20
Disconnects	18
GB Xtreme™ Terminals	17
Ring Terminals	17,18
Spade Terminals	17
Tap Splices	19
Underground UF Splice Kit	20
Wire	21



GB Xtreme™ Terminals

Constructed with Heat Shrink insulation – adhesive lined to waterproof and environmentally seal electrical connections when crimped and heated.

- Insulates and protects connections from wire pullout, moisture intrusion and abrasion.
- Heat-activated adhesive melts and flows to create a seal.
- Resists salt water, oil, gasoline and other environmental contaminants.



Ring Terminals

22-18 Gauge



Part #	Pkg Qty	Stud Size
AMT-100	3/clam	10

16-14 Gauge



Part #	Pkg Qty	Stud Size
AMT-103	3/clam	8

12-10 Gauge



Part #	Pkg Qty	Stud Size
AMT-106	3/clam	8
AMT-108	3/clam	1/4"

Spade Terminals

22-18 Gauge



Part #	Pkg Qty	Stud Size
AMT-110	3/clam	8

16-14 Gauge



Part #	Pkg Qty	Stud Size
AMT-113	3/clam	8

12-10 Gauge



Part #	Pkg Qty	Stud Size
AMT-116	3/clam	8

Butt Splices

22-18 Gauge



Part #	Pkg Qty
AMT-120	3/clam
AMT-121	25/clam

16-14 Gauge



Part #	Pkg Qty
AMT-123	3/clam
AMT-124	25/clam

12-10 Gauge



Part #	Pkg Qty
AMT-126	3/clam
AMT-127	25/clam

Assortment



Part #	Pkg Qty	Description
GBX-TK	24/card	22-10 AWG assorted butt splices

General Purpose Terminals

Quick and reliable crimp-type wire connections.

- Color-coded by wire gauge size.
- Available in a variety of packaging options and stud sizes.
- Includes Spade and Ring Terminals, Disconnects, and Bullet, Butt & Tap Splices (p.17-19)



Spade Terminals - Vinyl-Insulated Barrel

- Rated at 600 Volt Max.
- Temperature rating: 167 °F (75 °C).



22-18 Gauge	Part #	Pkg Qty	Stud Size
	10-111	100/clam	4 to 6
	10-112	100/clam	8 to 10
	20-111	20/clam	4 to 6
	20-112	20/clam	8 to 10
	21-111	10/clam	4 to 6
	21-112	7/clam	8 to 10


16-14 Gauge	Part #	Pkg Qty	Stud Size
	10-113	100/clam	4 to 6
	10-114	100/clam	8 to 10
	20-113	20/clam	4 to 6
	20-114	20/clam	8 to 10
	21-113	10/clam	4 to 6
	21-114	10/clam	8 to 10


12-10 Gauge	Part #	Pkg Qty	Stud Size
	10-116	50/clam	8 to 10
	20-116	14/clam	8 to 10
	21-116	8/clam	8 to 10


Ring Terminals - Vinyl-Insulated Barrel


- Rated at 600 Volt Max.
- Temperature rating: 167 °F (75 °C).




22-18 Gauge	Part #	Pkg Qty	Stud Size
	20-102	22/clam	8 to 10
	21-101	10/clam	4 to 6
	21-102	10/clam	8 to 10

16-14 Gauge	Part #	Pkg Qty	Stud Size
	10-103	100/clam	4 to 6
	10-104	100/clam	8 to 10
	20-103	22/clam	4 to 6
	20-104	22/clam	8 to 10
	20-105	17/clam	12 to 1/4"
	21-103	10/clam	4 to 6
	21-104	10/clam	8 to 10
	21-105	7/clam	12 to 1/4"
	21-1055	7/clam	5/16" to 3/8"

12-10 Gauge	Part #	Pkg Qty	Stud Size
	10-106	50/clam	8 to 10
	10-107	50/clam	12 to 1/4"
	10-108	50/clam	1/4" to 3/8"
	20-106	14/clam	8 to 10
	20-107	14/clam	12 to 1/4"
	20-108	13/clam	1/4" to 3/8"
	21-106	8/clam	8 to 10
	21-107	7/clam	12 to 1/4"
	21-108	7/clam	5/16" to 3/8"
	21-109	7/clam	7/16" to 1/2"


6 Gauge	Part #	Pkg Qty	Stud Size
	14-095	4/card	1/4"
	14-096	4/card	3/8"
	14-097	4/card	1/2"


4 Gauge	Part #	Pkg Qty	Stud Size
	14-098	4/card	3/8"
	14-099	4/card	1/2"


Disconnects - Vinyl-Insulated Barrel

- Rated at 600 Volt Max.
- Temperature rating: 167 °F (75 °C).



22-18 Gauge	Part #	Pkg Qty	Tab	Type
	10-141F	100/clam	0.250"	Female
	20-141F	21/clam	0.250"	Female
	20-141M	18/clam	0.250"	Male
	21-141F	10/clam	0.250"	Female
	21-141M	10/clam	0.250"	Male
	21-146F	10/clam	0.187"	Female
	21-146M	10/clam	0.187"	Male


16-14 Gauge	Part #	Pkg Qty	Tab	Type
	10-143F	100/clam	0.250"	Female
	20-143F	20/clam	0.250"	Female
	20-143M	18/clam	0.250"	Male
	21-143F	10/clam	0.250"	Female
	21-143M	10/clam	0.250"	Male


12-10 Gauge	Part #	Pkg Qty	Tab	Type
	10-145F	100/clam	0.250"	Female
	20-145F	16/clam	0.250"	Female
	20-145M	16/clam	0.250"	Male
	21-145F	8/clam	0.250"	Female
	21-145M	8/clam	0.250"	Male


Disconnects - Fully-Insulated

- Rated at 600 Volt Max.
- Temperature rating: 167 °F (75 °C).



22-18 Gauge	Part #	Pkg Qty	Tab	Type
	10-151F	100/clam	0.250"	Female
	20-151P	20/clam	0.250"	F/M Pairs
	21-151F	6/clam	0.250"	Female
	21-151M	6/clam	0.250"	Male



16-14 Gauge	Part #	Pkg Qty	Tab	Type
	10-153F	100/clam	0.250"	Female
	10-153P	100/clam	0.250"	F/M Pairs
	20-153P	20/clam	0.250"	F/M Pairs
	21-153F	6/clam	0.250"	Female
	21-153M	6/clam	0.250"	Male



12-10 Gauge	Part #	Pkg Qty	Tab	Type
	10-155F	50/clam	0.250"	Female
	21-155F	4/clam	0.250"	Female
	21-155M	4/clam	0.250"	Male

Bullet Splice - Fully Insulated

- Rated at 600 Volt Max.
- Temperature rating: 167 °F (75 °C).





22-18 Gauge	Part #	Pkg Qty	Tab	Type
	20-161P	20/clam	0.250"	F/M Pairs
	21-161F	6/clam	0.156"	Female
	21-161M	6/clam	0.156"	Male


16-14 Gauge	Part #	Pkg Qty	Tab	Type
	20-163P	20/clam	0.250"	F/M Pairs
	21-163F	6/clam	0.156"	Female
	21-163M	10/clam	0.156"	Male

Tap Splices

- Secure connections without stripping wire.
- Rated at 300 Volt Max.
- Temperature rating: 221 °F (105 °C).

22-18 Gauge	Part #	Pkg Qty
	20-2218	5/clam ¹²
	21-2218	5/clam ¹³

16-14 Gauge	Part #	Pkg Qty
	10-100	25/clam
	20-100	5/clam ¹²
	21-100	5/clam ¹³

12-10 Gauge	Part #	Pkg Qty
	20-1210	4/clam ¹²


¹²10 clams/master


¹³5 clams/master


Butt Splices



- Rated at 600 Volt Max.
- Temperature rating: 167 °F (75 °C).

22-18 Gauge	Part #	Pkg Qty
	10-121	100/clam
	20-121	22/clam
	21-121	10/clam

16-14 Gauge	Part #	Pkg Qty
	10-123	100/clam
	20-123	21/clam
	21-123	10/clam

12-10 Gauge	Part #	Pkg Qty
	10-126	50/clam
	20-126	15/clam
	21-126	8/clam

Terminal Blocks



- Rated at 30 Amp/600 Volt max.
- Temperature rating: -40 °F (-40 °C) to 260 °F (130 °C).
- Wire range 22-10 AWG.
- Accepts #8 stud size.

Part #	No. of Poles	Pkg Qty
GTB-406	6	1/clam
GTB-408	8	1/clam
GTB-410	10	1/clam

GTB-406



GTB-408



GTB-410



Terminal and Connector Kits

- Large selection of popular terminals and connectors.
- Assorted wire ranges, terminal and connector types.

Part #	Pkg Qty	Description
TK-1210	28/card	Ring and spade terminals, butt splices, male and female disconnects, 12-10 AWG
TK-32	32/card	WireGard™ and nylon pigtail connectors, 22-10 AWG
TK-40	40/card	Ring and spade terminals, butt splices, female disconnects, 22-10 AWG
TK-1822	46/card	Ring and spade terminals, butt splices, male and female disconnects, 22-18 AWG
TK-1614	48/card	Ring and spade terminals, butt splices, male and female disconnects, 16-14 AWG
TK-100	80/reusable case	WireGard™ connectors, ring and spade terminals, butt and tap splices, female disconnects, 22-10 AWG
TK-175	175/reusable case	Ring and spade terminals, butt splices, male and female disconnects, 22-10 AWG
TK-500	500/card	WireGard™ and nylon pigtail connectors, ring and spade terminals, butt and tap splices, male and female disconnects, 22-10 AWG

SEE PG
116



FOR MORE INFO ON
Crimp Tools

Underground UF Splice Kit

Accommodates waterproof splicing of #14 - #8 AWG UF copper wire.

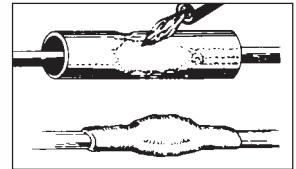
- Connector set screws engage each wire securely for a solid splice.
- Minimum conductor size 14/2 with ground.
- Maximum conductor size 8/3 with ground.
- Rated at 600 V max.

Part #	Pkg Qty	Description
HST-1300	1 kit	Underground UF Splice Kit



Kit Contains:

Qty	Description
4	Screw Splice Connectors
1	8" Heavy-Wall Polyolefin Heat-Shrink Tubing with Watertight Adhesive Liner



Butt Splice Kit (#8 - #2 AWG)

Used for waterproof installation or repair of #8 - #2 AWG copper cable.

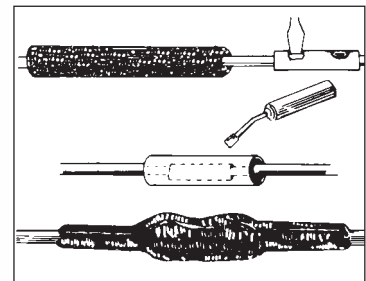
- Easy to use.
- Seal with heat gun or torch.
- Eliminates messy epoxies, tapes or mastics.
- Rated at 600 V max.

Part #	Pkg Qty	Description
HSB-28	1 kit	Butt Splice Kit



Kit Contains:

Qty	Description
1	Screw Splice Connectors
1	4" Heavy-Wall Polyolefin Heat-Shrink Tubing with Watertight Adhesive Liner



Butt Splice Kit (#14 - #8 AWG)

Used for waterproof repair of well pipe cables and splices of stranded cable #14 - #8 AWG.

- Connector set screws engage each wire for a secure splice.
- Assures safe and permanent connections.
- Rated at 600 V max.

Part #	Pkg Qty	Description
HST-WP	1 kit	Butt Splice Connector Kit



Kit Contains:

Qty	Description
1	Screw Splice Connectors
1	4" Heavy-Wall Polyolefin Heat-Shrink Tubing with Watertight Adhesive Liner



Battery Charging Clips

Designed specifically for battery and testing equipment applications, 5 - 50 Amp.

- Available in versatile sizes.

Part #	Pkg Qty	Description	Part #	Pkg Qty	Description
14-505	4/card	5 Amp	14-530	2/card	30 Amp
14-510	4/card	10 Amp	14-550	1/card	50 Amp
14-520	2/card	20 Amp			



Insulated Battery Clamps

For battery, battery charger and testing equipment applications.

- Copper-clad clamp.
- Handle grips are insulated and color-coded for easy identification.

Part #	Pkg Qty	Description
14-610	2/card (1 red & 1 black)	10 Amp Copper Clad
14-630	2/card (1 red & 1 black)	50 Amp Copper Clad

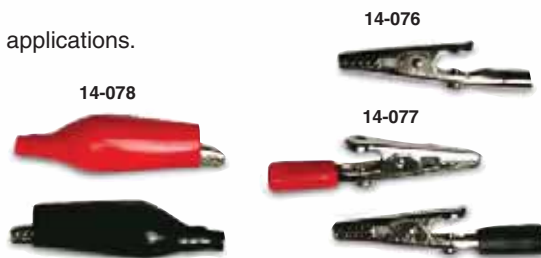


Alligator Clips

Multi-purpose alligator clips for home, auto and marine applications.

- Available with insulating sleeve.

Part #	Pkg Qty	Description
14-075	4/card	Non-Ins. #22 - #14 AWG 1 1/4"
14-076	4/card	Non-Ins. #22 - #14 AWG 2"
14-077	2/card	Barrel-Ins. #22 - #14 AWG 2"
14-078	2/card	Fully-Ins. #22 - #14 AWG 2"






GB Xtreme™ Primary Wire

Tinned copper wire provides maximum protection against corrosion and electrolysis.

- Ultra-flexible (Type 3) stranding.
- Resists salt water, battery acid, oil, gasoline and UV radiation.
- Insulation is heat and abrasion-resistant.
- Packaged in small spools.
- Rated to 600 V and 105 °C (221 °F) maximum.



	Part #	Pkg Qty	Wire Gauge	Length
	AMW-312	1/clam	12 AWG	12 FT
	AMW-314	1/clam	14 AWG	18 FT
	AMW-316	1/clam	16 AWG	25 FT
	AMW-318	1/clam	18 AWG	35 FT
	AMW-322	1/clam	12 AWG	12 FT
	AMW-324	1/clam	14 AWG	18 FT
	AMW-326	1/clam	16 AWG	25 FT
	AMW-328	1/clam	18 AWG	35 FT

	Part #	Pkg Qty	Wire Gauge	Length
	AMW-332	1/clam	12 AWG	12 FT
	AMW-334	1/clam	14 AWG	18 FT
	AMW-336	1/clam	16 AWG	25 FT
	AMW-338	1/clam	18 AWG	35 FT

NOTES



TERMINALS & WIRE

SCRE

SWITCHES



With so many reliable products to choose from, Gardner Bender switches perform wherever the contractor needs one.



SWITCHES

Door Switch	30
Pull-Chain Switches	28,29
Push-Button Switches	27,28
Rocker Switches	29
Rotary Switches	30
Toggle Switches	26,27
Toggle Switch Cover	27

SCRE

Switch Terminology

Single Pole (SP): a switch device that opens, closes or changes connections in a single conductor of an electrical circuit

Double Pole (DP): a switch device that opens, closes or changes connections in both conductors of the same circuit.

Two Circuit (2 CIR): a switch device that opens, closes or changes connections in a single conductor of two independent circuits.

Single Throw (ST): a switch device that opens, closes or completes a circuit at only one of the extreme positions of its actuator.

Double Throw (DT): a switch device that opens, closes or completes a circuit at both extreme positions of its actuator.

Actuator: A lever, push-button, slide, trigger or other means by which an external force is applied to operate a switch mechanism.

Normally Open (NO): A momentary type switch in which one or more circuits are open when the switch actuator is at its normal or rest position.

Normally Closed (NC): A momentary type switch in which one or more circuits are closed when the switch actuator is at its normal or rest position.

Alternate Action (Double Action Push): Push to make, then push to break, a circuit.

Power Ratings for Switches: the current handling capability of a switch measured in amperes, horsepower, lamp load or combinations of these with applicable voltages.



UL/CSA Rated Switches

A UL/CSA-marked rating in amperes indicates that the switch meets or exceeds test house performance requirements of 6000 make-and-break cycles at the rated current, preceded by 50 make-and-break cycles at 150% switch current rating. 125% is used when switch ratings exceed 10 amperes.

A UL/CSA horsepower-only rated device meets minimum test requirements of 50 make-and-break cycles at the appropriate locked rotor current, followed by 6000 cycles at one-sixth the AC-locked rotor current and 10% of the DC-locked rotor current.

AC ampere ratings are resistive or inductive, with the inductive rating tested at 75% to 80% power factor.

AC horsepower ratings are inductive and tested at 40% to 50% power factor.

“L” Rating denotes ability of an AC-only switch to handle the initial high in-rush characteristics of a tungsten filament lamp on AC voltage only.

“T” Rating denotes ability of an AC/DC switch to handle the initial high in-rush characteristics of a tungsten filament lamp on either AC or DC voltage.

All **DC ratings** are 100% resistive only (non-inductive).

Many **AC-only rated** switches can be used in applications where less than 30 volts DC is required, provided current does not exceed full current rating of the switch.

Ampere-rated switches will *not* automatically handle in-rush characteristics of five to six times switch rating.



Toggle Switches



Versatile toggle switch family with multiple position configurations.

- Available in single or double pole.
- Perfect for industrial equipment or emergency lighting.
- 1/2" mounting hole required.
- **Specifications:** 10 A, 277 V AC / 20 A, 125 V AC

tip: All switches must be installed with a hex nut (provided) behind panel to prevent damage during installation.

GB
Gardner
Bender

SWITCHES

Part Number	GWS-10	GWS-11*	GWS-110	GWS-121
Poles	SPST			
Pkg Qty	1/card	1/card	1/card	1/card
Toggle Position	ON-OFF	ON-OFF	ON-OFF	ON-OFF
Terminal Type	Screw	Screw	"O" Ring & Screw	Spade
Rating	1 1/2 HP 125-250 V AC	3/4 HP 125-250 V AC	3/4 HP 125-250 V AC	3/4 HP 125-250 V AC

*GWS-11 has an ON-OFF faceplate.

Part Number	GWS-12	GWS-13	GWS-120	GWS-117
Poles	SPDT			
Pkg Qty	1/card	1/card	1/card	1/card
Toggle Position	ON-ON	ON-OFF-ON	ON-OFF-ON	(ON)-OFF-(ON)
Terminal Type	Screw	Screw	Spade	Screw
Rating	3/4 HP 125-250 V AC	3/4 HP 125-250 V AC	3/4 HP 125-250 V AC	3/4 HP 125-250 V AC

() Indicates momentary action

Part Number	GWS-14	GWS-15	GWS-16	GWS-123
Poles	DPST			
Pkg Qty	1/card	1/card	1/card	1/card
Toggle Position	ON-OFF	ON-ON	ON-OFF-ON	(ON)-OFF-(ON)
Terminal Type	Screw	Screw	Screw	Screw
Rating	1 1/2 HP 125-250 V AC	1 1/2 HP 125-250 V AC	1 1/2 HP 125-250 V AC	1 1/2 HP 125-250 V AC

() Indicates momentary action

Part Number	GWS-17*	GWS-18*	GWS-124	GWS-125	GWS-125BP
Poles	SPST				
Pkg Qty	1/card	1/card	1/card	1/card	10/box
Toggle Position	ON-OFF	ON-OFF	ON-OFF	ON-OFF	ON-OFF
Terminal Type	Screw	6" wire leads	screw	6" wire leads	6" wire leads
Actuator	bat lever	bat lever	short ball	short ball	short ball
Rating	3 A/240 V AC, 6 A/120 V AC	8 A/125 V, 4 A/250 V, 1/3 HP/125 V AC, 10 A/125 V AC	3 A/240 V AC, 6 A/120 V AC	3 A/250 V, 6 A/125 V	3 A/250 V, 6 A/125 V

() Indicates momentary action *GWS-17 & 18 have an ON-OFF faceplate.

Toggle Switch Covers

Tough EDPM rubber covers to protect switches from moisture, dust and dirt.

- Built-in hex nut base screws onto all GB toggle switches.

Part #	Pkg Qty	Description
GSW-20	2/card	Toggle Switch Cover



Double Insulated, Plastic Toggle Switches



Double insulated for moisture protection in all environments.



- Internal "O" ring design for moisture and dust resistance.
- Perfect for marine/recreational equipment and weather-resistant applications.
- **Specifications:** 10 A, 277 V AC / 20 A, 125 V AC

Part Number	GSW-19	GSW-114
Poles	SPST	SPDT
Pkg Qty	1/card	1/card
Toggle Position	ON-OFF	(ON)-OFF-(ON)
Terminal Type	Screw	Spade

Momentary Contact Push-Button Switches



Basic push-button switch family utilized in applications requiring intermittent continuity contacts.





- Normally OFF or normally ON models.
- Screw terminals.
- Mounts in standard 1/2" diameter hole.
- Mounting nut included.

Part Number	GSW-22	GSW-23
Poles	SPST	
Pkg Qty	1/card	1/card
Toggle Position	OFF (ON)	ON (OFF)
Terminal Type	screw	screw
Plating	Black	Red
Rating	6 A/120 V AC, 3 A/240 V AC	3 A/120 V AC, 1.5 A/277 V AC

NOTE: GSW-22 is CSA approved only.
 () Indicates momentary action



Maintained Contact Push-Button Switch - Motor Rated

-  Maintained push-button switch rugged and versatile enough to be utilized in many applications.
- 
 - Push on, push off switch with #18 AWG, 6" stripped wire leads.
 - Mounting nut included.






Part #	Pkg Qty	Poles	Toggle Position	Terminal Type	Rated
GSW-21	1/card	SPST	Push ON-Push OFF	Wire Leads	10 A/125 V AC, 8 A/125 V, 4 A/250 V, 1/3 HP 125 V AC



Maintained Contact Push-Button Switches

-  Double insulated for moisture protection in all environments.
- 
 - Internal "O" ring design for moisture and dust resistance.
 - Perfect for marine/recreational equipment and weather-resistant applications.
 - **Specifications:** 10 A, 277 V AC / 20 A, 125 V AC






tip: Horsepower Rating: AC horsepower ratings are inductive and tested at 40% to 50% power rating.

			
Part Number	GSW-24	GSW-24BP	GSW-25
Poles	SPST		
Pkg Qty	1/card	10/box	1/card
Toggle Position	ON-OFF	ON-OFF	ON-OFF
Terminal Type	6" wire leads	6" wire leads	6" wire leads
Plating	Nickel	Nickel	Brass
Circuit	2 pos. 2 wire	2 pos. 2 wire	2 pos. 2 wire

Single Circuit Pull-Chain Switches

-  Basic ON-OFF switch family with pull-chain feature.
- 
 - ON-OFF switch with #18 AWG, 6" stripped wire leads.
 - Mounts in 1 1/2" diameter hole (GWS-35 mounts in 1/2" diameter hole).
 - Color coordinated nickel or brass plated.
 - **Specifications:** 3 A/125 VL, 6 A/125 V AC, 3 A/250 V AC

tip: "L" Rating Example: 3A/125VL means the switch is rated to handle the high in-rush from 3 amp incandescent AC loads.

					
Part Number	GSW-31	GSW-31BP	GSW-32	GSW-32BP	GSW-35*
Poles	SPST				
Pkg Qty	1/card	10/box	1/card	10/box	1/card
Toggle Position	ON-OFF	ON-OFF	ON-OFF	ON-OFF	ON-OFF
Terminal Type	6" wire leads	6" wire leads	6" wire leads	6" wire leads	wire leads
Plating	Nickel	Nickel	Brass	Brass	Nickel
Circuit	2 Pos. 2 Wire	2 Pos. 2 Wire	2 Pos. 2 Wire	2 Pos. 2 Wire	2 Pos. 2 Wire

*All angle

Variable Speed & Two Circuit Pull-Chain Switches



Pull chain switches for multifunction applications.



- Two and three speed switching.
- Push-in connections for #18 AWG wire.
- Mounts in 1 $\frac{1}{32}$ " diameter hole.
- **Specifications:** 6 A/125 V AC, 3 A/250 V AC, 6 A/125 VL

Part Number	GSW-33	GSW-34	GSW-39
Poles	SPST		
Pkg Qty	1/card	10/box	1/card
Toggle Position	OFF-ON-ON	OFF-ON-ON-ON	OFF-ON(A)-ON(B) -ON(A+B)
Terminal Type	wire leads	wire leads	6" wire leads
Plating	Brass	Brass	Brass
Circuit	3 Pos. 3 Wire	4 Pos. 4 Wire	4 Pos. 3 Wire

Standard Rocker Switches



Heavy-duty rocker switches that fit .830" X 1.45" panel cutouts.



- Frame and rocker are black glass-filled nylon.
- Lighted or unlighted versions available.
- **Specifications:** 10 A/277 V AC, 20 A/125 V AC
- Switches with solder terminals come in a phenolic case and do not have a moisture and dust resistant seal.

Part Number	GSW-45	GSW-49*
Poles	SPST	
Pkg Qty	1/card	1/card
Toggle Position	ON-OFF	ON-OFF
Terminal Type	spade	spade
Rating	% HP 125 - 250 V AC	% HP 125 - 250 V AC

*Red lighted

Appliance Rocker Switches



Economy rocker switches that fit standard .550" X 1.125" panel cutouts.



- Perfect for machinery or appliances.
- Lighted or unlighted versions available.
- **Specifications:** 16 A/125 V AC, 8 A/250 V AC

Part Number	GSW-41	GSW-42*
Poles	SPST	
Pkg Qty	1/card	1/card
Toggle Position	ON-OFF	ON-OFF
Terminal Type	spade	spade

*Red lighted

Mini Rocker Switch



Miniature rocker switch that fits .520" X .776" panel cutouts.



- Perfect for small machinery or appliances.
- Lighted or unlighted versions available.
- **Specifications:** 13 A/125 V AC, 10 A/250 V AC, 1/2 HP 125 - 250 V AC.



Part #	Pkg Qty	Poles	Toggle Position	Terminal Type	Rated
GSW-48*	1/card	SPST	ON-OFF	spade	10 A/125 - 250 V AC, 1/2 HP 250 V AC, 1/2 HP 125 V AC

*Red lighted







Rotary Switches



Single or three position switches in various fan and lighting applications.



- #18 AWG, 6" stripped wire leads.
- Brass terminals.



						
Part Number	GSW-61	GSW-63B	GSW-69	GSW-69BP	GSW-62	GSW-68
Poles	SPST				SPDT	
Pkg Qty	1/card	1/card	1/card	10/box	1/card	1/card
Toggle Position	ON-OFF	ON-OFF	ON-OFF	ON-OFF	OFF-ON(P)-ON(N) -ON(N+P)	OFF-ON(P)-ON(N) -ON(N+P)
Plating / Color	Brass	Black Button	Black Plastic	Black Plastic	Brass	Brass
Rating	6 A/125 V AC, 3 A/250 V AC	1.5 A/250 V AC	6 A/125 V AC, 3 A/250 V AC	6 A/125 V AC, 3 A/250 V AC	6 A/125 V AC, 3 A/250 V AC	6 A/125 V AC, 3 A/250 V AC
Mounting Hole	.406"	.513"	.513"	.513"	.406"	.513"

Door Switch



Push button switch with metal box, cover plate and mounting hardware to operate lights when door is opened.

- Mounts in door jam.
- Fits in 1.25" X 2.75" X 2.0" deep approximate mounting hole.
- **Specifications:** 10 A/125 V AC, 10 A/250 V AC, 10 A/277 V AC, ½ HP 125 - 277 V AC.

		
Part Number	GSW-SK	GSW-26
Poles	SPST	
Pkg Qty	1/card	1/card
Toggle Position	Normally ON -Mom Contact	Normally ON -Mom Contact
Description	AC/DC Door Switch	Replacement for GSW-SK

CONDUIT BENDING



Gardner Bender's innovations have delivered the ultimate in job-site performance, durability and reliability since 1959. Gardner Bender provides a complete line of products to bend 1/4" – 4" EMT, Rigid, IMC and PVC coated conduit.



Guide to Bending Booklet	62	One-Shot Hydraulic Benders	40-46
Benders – Aluminum Rigid Conduit		Sidewinder® Electric Bender (B2555) . . .	35
Cyclone™ Electric Bender (B2000)	34	Sidewinder® Mechanical Benders . . .	52-55
Gardner® EMT Hand Benders	57	Sweep/Segmental Hydraulic Benders . .	44, 46
One-Shot Hydraulic Benders	40-46	Ultra Egor™ Hydraulic Bender	38
Sidewinder® Electric Bender (B2555) . . .	35	Bender Shoe Groups	
Sidewinder® Mechanical Benders . . .	52-55	Sidewinder® Electric Bender	
Sweep/Segmental Benders	44, 46	(B2555) - IMC	36
Ultra Egor™ Hydraulic Bender	38	Sidewinder® Electric Bender	
Benders – EMT Conduit		(B2555) - Rigid	35
Big Ben™ Hand Benders	56	Sidewinder® Electric Bender	
Cyclone™ Electric Bender (B2000)	34	(B2555) - EMT	36
Gardner® EMT Hand Benders	57	Sidewinder® Electric Bender	
Iron Hand Benders	58	(B2555) - PVC-Coated	36
Sidewinder® Electric Bender (B2555) . . .	35	Hand Benders	
Sidewinder® Mechanical Benders . . .	52-55	Big Ben™ Hand Benders	56
Ultra Egor™ Hydraulic Bender	38	Gardner® Thinwall Hand Benders	57
Benders – IMC Conduit		Iron Hand Benders	58
Cyclone™ Electric Bender (B2000)	34	Handles	59
Sidewinder® Electric Bender (B2555) . . .	35	Hickey Bending Heads	59
Sidewinder® Mechanical Benders . . .	52-55	Hydraulic Bender Accessories	50
Ultra Egor™ Hydraulic Bender	38	Hydraulic Cylinder Specifications	51
Benders – PVC Conduit		PVC Plug Sets	61
HotBlanket™ Benders	61	Pumps	
HotBox™ Benders	60-61	Economy Electric	48
HotTube™ Bender	59	Manual Hydraulic	49
Benders – PVC-Coated Rigid Conduit		Submerged Electric	48
Cyclone™ Electric Bender (B2000)	34	Z-Class Electric	47
Sidewinder® Electric Bender (B2555) . . .	35	Table (Bend-Mate™ Bender	
Sidewinder® Mechanical Benders . .	52, 54-55	Table for Ultra Egor™)	39
Benders – Rigid Steel Conduit		Storage Cases (Tool Guard)	62
Rigid Bender Capacities Chart	37		
Big Ben™ Hand Benders	56		
Cyclone™ Electric Bender (B2000)	34		
Gardner® EMT Hand Benders	57		
Iron Hand Benders	58		



CONDUIT BENDING

Bending Selection Guide

Part # & Description

Combination Bending-Rigid, IMC, EMT Conduit	Page #	½"	¾"	1"	1¼"	1½"	2"	2½"	3"	3½"	4"	5"
B2000 Cyclone™ Bender	34	X	X	X	X	X	X					
B2555 Sidewinder® Bender & BRIG-52	35	X	X	X	X	X	X					
B2555 Sidewinder® Bender & BEMT-52	35	X	X	X	X	X	X					
B2555 Sidewinder® Bender & IMC-52	35	X	X	X	X	X	X					
B2555 Sidewinder® Bender & BPVC-152	35	X	X	X	X	X	X					
B400L & DL Ultra Eegor™	38							X	X	X	X	
BW Series - Mechanical Sidewinder® Bender (EMT)	54-55	X	X	X	X	X	X					
BW Series - Mechanical Sidewinder® Bender (IMC)	53-55	X	X	X	X	X						
BW Series - Mechanical Sidewinder® Bender (Rigid)	53-55	X	X	X	X	X						
Rigid Conduit Bending	Page #	½"	¾"	1"	1¼"	1½"	2"	2½"	3"	3½"	4"	5"
B2000 Cyclone™ Bender	34	X	X	X	X	X	X					
B2555 Sidewinder® Bender & BRIG-52	35	X	X	X	X	X	X					
B400L & DL Ultra Eegor™	38							X	X	X	X	
B316S One-Shot Bender	40	X	X	X	X	X	X					
B308S Combination One-Shot/Sweep Bender	41			X	X	X	X	X	X	X	X	
B340S One-Shot Bender	42				X	X	X	X	X	X	X	
B359S Combination One-Shot/Sweep Bender	43				X	X	X	X	X	X	X	X
B306S Sweep/Segmental Bender	44				X	X	X	X	X	X	X	
B343S One-Shot Eject-O-Matic Bender	45				X	X	X	X	X	X	X	
B351S Combination Eject-O-Matic Bender	46				X	X	X	X	X	X	X	X
Mechanical Sidewinder® Bender BW11,12,15, 20,30, 27	52-55	X	X	X	X	X						
Hand Benders - Gardner® Bender	57	931B	932	933								
Hand Benders - Big Ben™	56	961	962									
Hand Benders - Malleable Iron	58	921	922	923								
Hand Benders - Hickeys	59	820	821	822								
EMT Conduit Bending	Page #	½"	¾"	1"	1¼"	1½"	2"	2½"	3"	3½"	4"	5"
B2000 Cyclone™ Bender	34	X	X	X	X	X	X					
B2555 Sidewinder® Bender & BEMT-52	35	X	X	X	X	X	X					
B400L & DL Ultra Eegor™	38							X	X	X	X	
Mechanical Sidewinder® Bender BW30, 27, 201, 221	52-55	X	X	X	X	X	X					
Hand Benders - Gardner® Bender	57	930B	931B	932								
Hand Benders - Big Ben™	56	960	961	962								
Hand Benders - Malleable Iron	58	920	921	922	923							
IMC Conduit Bending	Page #	½"	¾"	1"	1¼"	1½"	2"	2½"	3"	3½"	4"	5"
B2000 Cyclone™ Bender	34	X	X	X	X	X	X					
B2555 Sidewinder® Bender & IMC-52	35-36	X	X	X	X	X	X					
B400L & DL Ultra Eegor™	38							X	X	X	X	
Mechanical Sidewinder® Bender BW11,12,15, 20,30, 27	52-55	X	X	X	X	X						
PVC-Coated Rigid Conduit Bending	Page #	½"	¾"	1"	1¼"	1½"	2"	2½"	3"	3½"	4"	5"
B2000 Cyclone™ Bender	34	X	X	X	X	X						
B2555 Sidewinder® Bender & BPVC-152	35-36	X	X	X	X	X	X					
Mechanical Sidewinder® Bender BW30,27,201, 221	52-55	X	X	X	X	X						



CONDUIT BENDING



INNOVATION

IMPROVED Cyclone™ Electric-Powered Jobsite Bender

One shoe bends ½" - 2" conduit with no loose parts:

- Rigid
- Rigid aluminum
- EMT
- IMC
- PVC-coated rigid (½" to 1½")
- Ability to make repeatable bends at the same degree.
- Horizontal and vertical positions allow the unit to create accurate offset bends.
- Four-wheels increases mobility.
- Low-volt (95), high-volt (132) automatic shut-off helps protect electrical components from voltage fluctuations.
- Resetting circuit breaker eliminates down time changing fuses.
- On/Off switch allows user to shut machine down for extended periods of time.
- Hook attachment on pendant control frees hands while working with conduit.
- Minimal training time.
- Weather-resistant cover included.
- 110/115 V AC, 15 AMP 1 HP DC Motor.
- Dimensions: 47" x 33" x 43".
- Weight 408 lbs.



B2000

New Features:

- | | |
|--|---|
| 1. NEW STRONGER LEGS
Increased durability (10x life test) | 4. FORK LIFT TUBES
Allows lifting and transport capability—built into base |
| 2. LARGER TIRES/WHEELS
Increased mobility | 5. LIFT HOOK
Security (job-site) tethering |
| 3. STRONGER UPRIGHT HANDLE
Ease of use | 6. STORAGE AREA
Storage for tools, etc. while in use |



Can be performed in the horizontal or vertical position.



Easy dial settings—makes training time virtually non-existent.

Part #	Description	Weight
B2000	Cyclone® Electric-Powered Production Bender, 115 V / 15 A	408 lbs

Centerline Radius Chart:

Conduit Size	IMC	PVC-Coated Rigid	EMT	Rigid
½"	4⅜"	5⅜"	4¼"	4⅜"
¾"	5⅝"	6½"	5⅜"	5⅝"
1"	6⅞"	7 ²⁷ / ₃₂ "	6½"	6⅞"
1¼"	7 ²³ / ₃₂ "	8⅜"	7 ²⁷ / ₃₂ "	7 ²³ / ₃₂ "
1½"	8 ⁷ / ₃₂ "	N/A	8⅜"	8 ¹⁵ / ₆₄ "
2"	9 ¹⁵ / ₃₂ "	N/A	9 ²¹ / ₃₂ "	9 ²⁹ / ₆₄ "



CONDUIT BENDING

Electric Sidewinder® Bender

Bends ½" to 2" conduit:

- Rigid
 - Rigid aluminum (schedule 40 max.)
- IMC
 - EMT conduit
- PVC-coated rigid (40 mil)
- Up to 180 degree one-shot bends in ½" through 2" conduit.
- The handle detaches and pivots out of the way for offset bending.
- Competitor shoes are interchangeable (Greenlee, Current, etc.).
- 110/115 V AC
- 20 AMP

Centerline Radius Chart:

Conduit Size	EMT	IMC	Rigid
½"	4¼"	4¾"	4¾"
¾"	5⅝"	4½"	4½"
1"	6¾"	5¾"	5¾"
1¼"	8¾"	7¼"	7¼"
1½"	8⅝"	8⅝"	8¼"
2"	9⅝"	9⅝"	9½"



B2555

note: Bender & Shoe Groups can be purchased as a kit or individually.

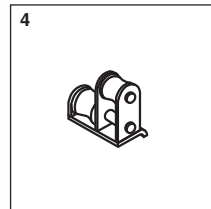
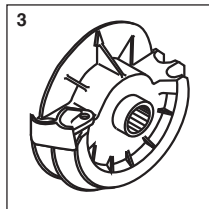
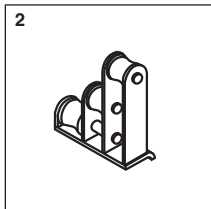
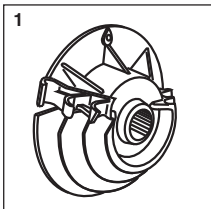
Part #	Description	Capacity/Range	Weight
B2555	Electric Sidewinder® w/o Shoes	—	270 lbs
B2555RIG	Electric Sidewinder® w/ Rigid Shoe Group	½"-2" Rigid & ½"-1¼" IMC conduit	365 lbs
B2555EMT	Electric Sidewinder® w/ EMT Shoe Group	½" - 2" EMT conduit	430 lbs
B2555IMC	Electric Sidewinder® w/ IMC Shoe Group	1½" - 2" IMC conduit	410 lbs
B2555PVC	Electric Sidewinder® w/ PVC Shoe Group	½" - 2" 40 mil PVC-Coated conduit	365 lbs

Electric Sidewinder™ Shoe Groups

Rigid Shoe Group (½" to 2") BRIG-52

Part #	Conduit	Description	Weight	I.D. #
RS-5125	½" & 1¼"	Rigid and IMC Bending Shoe	43 lbs	1
RSR-5125	½" & 1¼"	Rigid and IMC Support Roller	8 lbs	2
RS-152	1½" & 2"	Rigid Bending Shoe	36 lbs	3
RSR-152	1½" & 2"	Rigid Support Roller	6 lbs	4
BX-1	—	Metal Storage Box	36 lbs	—

129 lbs



More Shoe Sets available on following page...

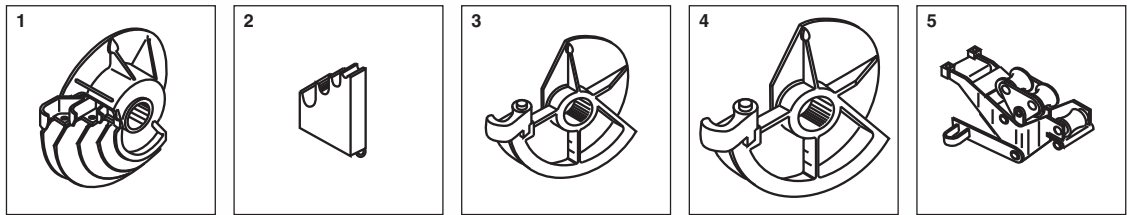
Electric Sidewinder™ Shoe Groups (cont.)

EMT Shoe Group (1/2" to 2")

BEMT-52

Part #	Conduit	Description	Weight	I.D. #
ES-5125	1/2" & 1/4"	EMT Bending Shoe	24 lbs	1
ESR-5125	1/2" & 1/4"	EMT Support Unit	6 lbs	2
ES15	1 1/2"	EMT Bending Shoe	23 lbs	3
ES-2	2"	EMT Bending Shoe	31 lbs	4
ESR-152	1 1/2" & 2"	EMT Support Roller Unit	40 lbs	5
BX-1	—	Metal Storage Box	36 lbs	—

Total Weight: 160 lbs

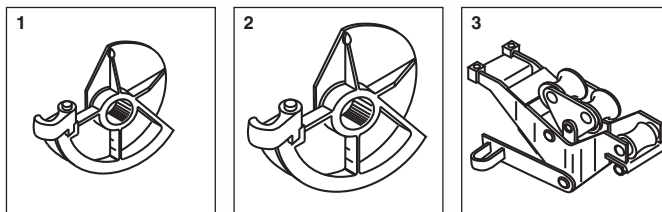


IMC Shoe Group (1 1/2" to 2")

BIMC-152

Part #	Conduit	Description	Weight	I.D. #
IS-15	1 1/2"	IMC Bending Shoe	22 lbs	1
IS-2	2"	IMC Bending Shoe	29 lbs	2
ISR-152	1 1/2" & 2"	IMC Support Roller Unit	40 lbs	3
BX-1	—	Metal Storage Box	36 lbs	—

Total Weight: 127 lbs

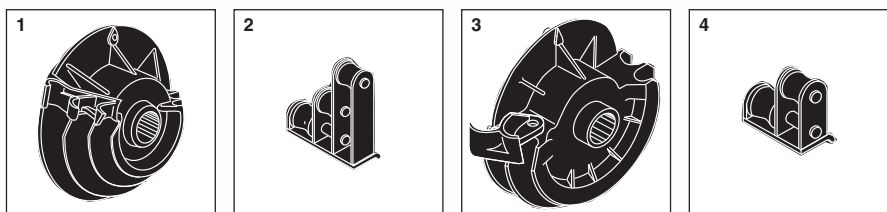


PVC-Coated Rigid Shoe Group (1/2" to 2" or 40 mil)

BPVC-52

Part #	Conduit	Description	Weight	I.D. #
PVS-5125	1/2" & 1/4"	PVC-Coated Rigid Bending Shoe	43 lbs	1
PVR-5125	1/2" & 1/4"	PVC-Coated Rigid Support Roller	8 lbs	2
PVS-152	1 1/2" & 2"	PVC-Coated Rigid Bending Shoe	36 lbs	3
PVR-152	1 1/2" & 2"	PVC-Coated Rigid Support Roller	6 lbs	4
BX-1	—	Metal Storage Box	36 lbs	—

Total Weight: 132 lbs



Rigid Bender Capacities Chart

One Shot / Sweep / Segmental

This chart is meant as a guide for bending capabilities only.
 For those instances where doubt exists, a trial bend is recommended.

Pipe Size	Outside Dia.	Wall Thick.	Sched. Pipe*	Part #			
				B316S	B308S	B306S B340S B343S	B351S B359S
1/2"	.840"	.108"	40	X	X	WS	WS
		.147"	80	X	X	WS	WS
		.187"	160	WS	WS	WS	WS
		.294"	DEH	WS	WS	WS	WS
3/4"	1.050"	.113"	40	X	X	WS	WS
		.154"	80	X	X	WS	WS
		.218"	160	WS	WS	WS	WS
		.308"	DEH	WS	WS	WS	WS
1"	1.315"	.133"	40	X	X	WS	WS
		.179"	80	X	X	WS	WS
		.250"	160	WS	WS	WS	WS
		.358"	DEH	NR	WS	WS	WS
1 1/4"	1.660"	.140"	40	X	X	X	X
		.191"	80	X	X	X	X
		.250"	160	WS	WS	X	X
		.342"	DEH	NR	WS	WS	WS
1 1/2"	1.900"	.145"	40	X	X	X	X
		.200"	80	X	X	X	X
		.281"	160	WS	WS	X	X
		.400"	DEH	NR	WS	WS	WS
2"	2.375"	.154"	40	X	X	X	X
		.218"	80	NR	X	X	X
		.343"	160	NR	WS	X	X
2 1/2"	2.875"	.203"	40	NR	X	X	X
		.276"	80	NR	WS	X	X
		.375"	160	NR	WS	X	X
3"	3.500"	.216"	40	NR	X	X	X
		.300"	80	NR	WS	X	X
3 1/2"	4.000"	.226"	40	NR	X	X	X
		.318"	80	NR	WS	X	X
4"	4.500"	.237"	40	NR	X	X	X
		.337"	80	NR	NR	X	X
5"	5.563"	.258"	40	NR	NR	NR	X
		.375"	80	NR	NR	NR	X

*Schedule Pipe:

- 40 = Standard
- 80 = Extra Duty
- 160 = Double Extra Duty
- DEH = Double Extra Heavy (slightly thicker than 160)

Other:

- NR = Not Recommended
- WS = Can be bent using wider spacing for swivel shoes



CONDUIT BENDING



INNOVATION

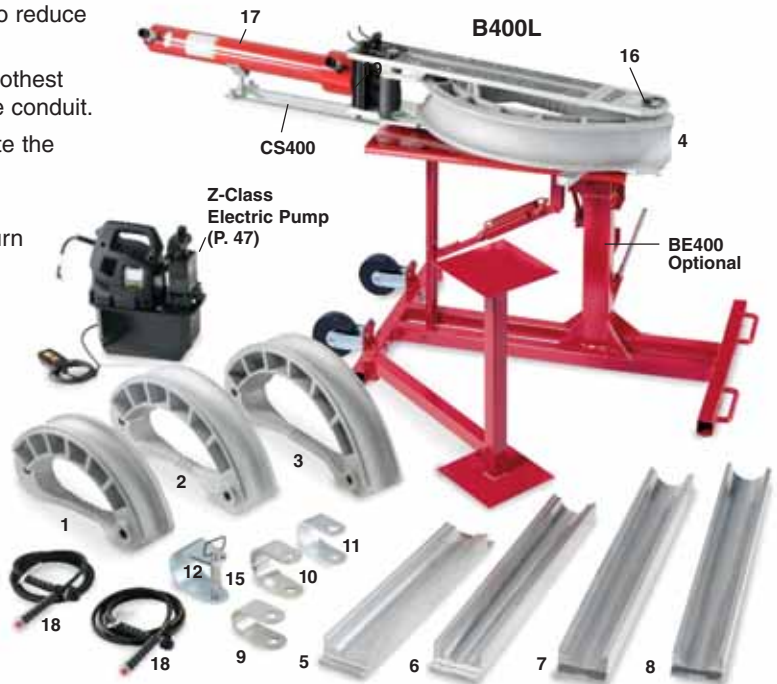
IMPROVED Ultra Eegor™ Hydraulic Bender

Bends 2½" to 4" conduit:

- Rigid
- Rigid aluminum (schedule 40 max)
- EMT
- IMC

No additional attachment sets required to change per pipe or conduit type.

- 30 ton, 28" stroke cylinder can make a 90° bend with one pass.
- Double-acting cylinder for rapid retraction, regardless of hose lengths and system losses.
- Improved shoes and follow bars to reduce conduit kinking during bending.
- Hydraulic power ensures the smoothest bends without deformations to the conduit.
- Constant radii follow bars eliminate the need for special calculations.
- Conduit is automatically stripped free from the shoe during the return cycle-which ensures no extra labor or damaged conduit.
- Angle markings on frame ensure easy and accurate bending.



B400L with BE400 Table, CS400 Cylinder Support & Z-Class Pump

Centerline Radius Chart:

Nominal Size	IMC	EMT	Rigid
2½"	13½"	13½"	13½"
3"	15⅞"	15⅞"	15⅞"
3½"	18½"	18½"	18½"
4"	21"	21"	21"

Part #	Description	Pump	Weight
B400L	Long-stroke Ultra Eegor™	—	770 lbs
B400LP408S	Long-stroke Ultra Eegor™	P408S Electric	870 lbs
B400DL	Long-stroke Ultra Eegor™ w/o 3½" shoe group	—	770 lbs
B400DLP408S	Long-stroke Ultra Eegor™ w/o 3½" shoe group	P408S Electric	795 lbs
CD3028KT*	Eegor™ Conversion Kit, 28" Stroke Cylinder		105 lbs
CS400	Cylinder Support for BE400 Table		30 lbs
DC404	Bend Angle Decal		1 lb

SEE PG 47 FOR MORE INFO ON Electric Pumps

tip: *To convert older B400 or B400D to Long-stroke Cylinder, use CD3028KT Kit, which includes Long-stroke Cylinder, CS400 Cylinder Support and DC404 Decal.

Components Included with the Long-stroke Ultra Eegor™ Bender

Part #	Conduit	Description	Weight	I.D. #	Part #	Conduit	Description	Weight	I.D. #
BS2500	2½"	Bending Shoe	44 lbs	1	BZ34	3"	U-strap	5 lbs	10
BS3000	3"	Bending Shoe	50 lbs	2	BZ39*	3½"	U-strap	8 lbs	11
BS3500	3½"	Bending Shoe	75 lbs	3	BZ44	4"	U-strap	10 lbs	12
BS4000	4"	Bending Shoe	90 lbs	4	BZ78	-	Bend Shoe Pin	4 lbs	16
BFB2500	2½"	Follow Bar	34 lbs	5	CD3028	-	30-Ton, Double-Acting Hyd. Cyl.	95 lbs	17
BFB3000	3"	Follow Bar	35 lbs	6	HC927	-	(2) 10' Hose w/High-Flow Coupler	4 lbs	18
BFB3500	3½"	Follow Bar	42 lbs	7	BZ74	-	Double Anchor Frame Pin	66 lbs	19
BFB4000	4"	Follow Bar	40 lbs	8	CM20	-	Metal Case for Ultra Eegor™	182 lbs	-
BZ28	2½"	U-strap	5 lbs	9					

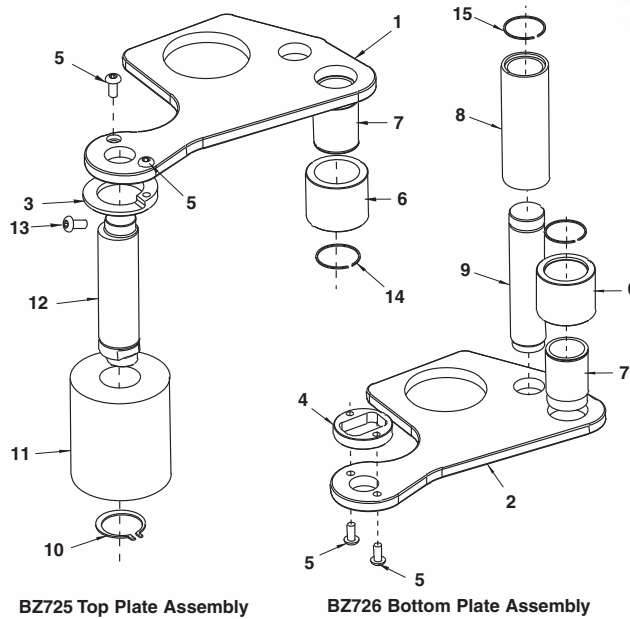
*These parts are not included with B400DL and B400DLP408S.



CONDUIT BENDING

Replacement Components for Egor™ Roller Assembly BZ72:

Part #	# Req'd	Description	I.D. #
CK211950	1	Plate assembly (top)	1
CK212950	1	Plate assembly (bottom)	2
CF859489	1	Retaining collar	3
CF860013	1	Pilot keyway	4
CH204028	4	Button head cap screw	5
CF862281	2	Roller (short)	6
CF861108	2	Roller insert (short)	7
CK579281	1	Roller	8
CF863104	1	Roller axle	9
CM191044	1	Retaining ring	10
CM194900	1	Roller assembly	11
CM193350	1	Roller cam	12
B1021028	1	Roller cam cap screw	13
CH819044	AR	Wire, retaining	14
CH951044	1	Ring, retaining	15



BZ725 Top Plate Assembly

BZ726 Bottom Plate Assembly

Bend-Mate™ Bender Table (Optional)

Rugged table for Egor™ hydraulic conduit benders allows one to work more comfortably and accurately.

- Hydraulic pivot jack adjusts table to horizontal or vertical positions for easy access.
- Rugged one-piece steel frame with 1/4" steel plate tabletop.
- Wheels and lift-handles included for easy movement.
- Two ton jack force.



BE400

Part #	Description	Weight
BE400	Bend-Mate™ Table - 30"W* x 32"L x 56"H w/6" wheels	210 lbs
CS400	Cylinder Support for BE400 Table	30 lbs

*57" with table raised.

tip: Using BE400 table with an Egor™ Hydraulic Bender will help reduce labor costs, and physical strain.

tip: When ordering the optional BE400 Table for use with the Ultra Egor™, you must order the CS400 Cylinder Support.

½" - 2" One-shot Rigid Hydraulic Benders

Gardner Bender's Rigid Benders are made with high-grade aluminum for durability, and interchangeable shoes that allow quick and precise bends.

- Bends ½" to 2" rigid steel or rigid aluminum conduit.
- Portable hand pump or economical electric pump options.
- Durable metal job box included.
- Optic angle gauge for quick references of bend progression.
- Ability to be powered by manual or electric pumps.

note: These benders are for use on Rigid conduit only.



Part #	Description	Weight
B316S	½" - 2" One-shot Rigid Bender	104 lbs
B316SPH39	½" - 2" One-shot Rigid Bender w/ PH39 Hand Pump	114 lbs
B316SPE22J	½" - 2" One-shot Rigid Bender w/ PE22J Electric Pump	160 lbs

Centerline Radius Chart:

Nominal Size	Rigid Radius	Bending Shoe	Nominal Size	Rigid Radius	Bending Shoe
½"	3 ⁹ / ₁₆ "	BZ12011	1¼"	7¼"	BZ12041
¾"	4½"	BZ12021	1½"	8¼"	BZ12051
1"	5 ¹³ / ₁₆ "	BZ12031	2"	9½"	BZ12061

SEE PG **47** FOR MORE INFO ON **Electric Pumps**

SEE PG **49** FOR MORE INFO ON **Manual Pumps**

SEE PG **51** FOR MORE INFO ON **Cylinders**

Components Included with B316S Models:

Part #	Conduit	Description	Weight	I.D. #	Part #	Conduit	Description	Weight	I.D. #
BZ12011	½"	Bending Shoe	1 lb	1	BZ12071	-	(2) Pivot Shoes	1 lb	8
BZ12021	¾"	Bending Shoe	1 lb	2	BZ12091	-	Angle Gauge	.5 lb	9
BZ12031	1"	Bending Shoe	2 lbs	3	BZ12375	-	(2) Pivot Pins	1 lb	10
BZ12041	1¼"	Bending Shoe	4 lbs	4	BZ12371	-	Bender Frame	25 lbs	11
BZ12051	1½"	Bending Shoe	5 lbs	5	BZ12377	-	Shoe Lock Pin	.25 lb	12
BZ12061	2"	Bending Shoe	7 lbs	6	HC913	-	6' Hose	3 lbs	13
CS1010	-	10-ton Single-Acting Cylinder*	13 lbs	7	CM4	-	Metal Case	56 lbs	14

*Must order A12 Smooth Saddle, see p. 51

1" - 2" Combination One-shot / Sweep Rigid Hydraulic Benders

Bends 1" to 2" rigid steel or aluminum conduit in one shot. Includes 2½" to 4" sweep bend shoes.

- Capability of one-shoe bending for elbows.
- Ability to produce sweep bends where several bending stages are necessary.
- Durable metal job box included.
- Ability to be powered by manual or electric pumps.



Part #	Description	Weight
B308S	1" - 2" One-shot / 2½" - 4" Sweep Combination	225 lbs
B308SPH80	1" - 2" One-shot / 2½" - 4" Sweep Combo w/ PH80 Hand Pump	253 lbs
B308SPE22J	1" - 2" One-shot / 2½" - 4" Sweep Combo w/ PE22J Elec. Pump	340 lbs

Centerline Radius Chart:

Nominal Size	Rigid Radius	Bending Shoe	Nominal Size	Rigid Radius	Bending Shoe
1"	5 13/16"	BZ12031	2½"	10½"	BZ12341
1¼"	7¼"	BZ12041	3"	13"	BZ12351
1½"	8¼"	BZ12051	3½"	17½"	BZ12391
2"	9½"	BZ12061	4"	20"	BZ12392

SEE PG 47 FOR MORE INFO ON Electric Pumps

SEE PG 49 FOR MORE INFO ON Manual Pumps

SEE PG 51 FOR MORE INFO ON Cylinders

Components Included with B308S Models:

Part #	Conduit	Description	Weight	I.D. #	Part #	Conduit	Description	Weight	I.D. #
BZ12031	1"	Bending Shoe	2 lbs	1	CS2510	-	25-ton Single-Acting Cylinder*	31 lbs	9
BZ12041	1¼"	Bending Shoe	4 lbs	2	BZ13401	-	(2) Pivot Shoes	4 lbs	10
BZ12051	1½"	Bending Shoe	5 lbs	3	BZ12091	-	Angle Gauge	.5 lb	11
BZ12061	2"	Bending Shoe	7 lbs	4	BZ12376	-	(2) Pivot Pins	4 lbs	12
BZ12382	2½"	Sweep Bending Shoe	4 lbs	5	BZ12372	-	Bender Frame	54 lbs	13
BZ12383	3"	Sweep Bending Shoe	5 lbs	6	BZ12377	-	Shoe Lock Pin	.25 lb	14
BZ12384	3½"	Sweep Bending Shoe	9 lbs	7	HC913	-	6' Hose	3 lbs	15
BZ12385	4"	Sweep Bending Shoe	12 lbs	8	CM7	-	Metal Case	98 lbs	16

*Must order A29 Smooth Saddle, see p. 51

1¼" - 4" One-shot Rigid Hydraulic Benders

Bends 1¼" to 4" rigid steel or rigid aluminum conduit.

- Choice of hand or electric pumps.
- Durable metal job box included.
- Ability to be powered by manual or electric pumps.



Part #	Description	Weight
B340S	1¼" - 4" One-shot Rigid Bender	334 lbs
B340SPH80	1¼" - 4" One-shot Rigid Bender w/ PH80 Hand Pump	350 lbs
B340SPE22J	1¼" - 4" One-shot Rigid Bender w/ PE22J Electric Pump	390 lbs
B340SP208J	1¼" - 4" One-shot Rigid Bender w/ P208J Electric Pump	325 lbs

Centerline Radius Chart:

Nominal Size	Rigid Radius	Bending Shoe	Nominal Size	Rigid Radius	Bending Shoe
1¼"	7¼"	BZ12041	3"	13"	BZ12351
1½"	8¼"	BZ12051	3½"	17½"	BZ12391
2"	9½"	BZ12061	4"	20"	BZ12392
2½"	10½"	BZ12341			



Components Included with B340S Models:

Part #	Conduit	Description	Weight	I.D. #	Part #	Conduit	Description	Weight	I.D. #
BZ12041	1¼"	Bending Shoe	4 lbs	1	BZ13401	-	(2) Pivot Shoes	4 lbs	9
BZ12051	1½"	Bending Shoe	5 lbs	2	BZ12091	-	Angle Gauge	.5 lb	10
BZ12061	2"	Bending Shoe	7 lbs	3	BZ12376	-	(2) Pivot Pins	4 lbs	11
BZ12341	2½"	Bending Shoe	15 lbs	4	BZ12374	-	Bender Frame	63 lbs	12
BZ12351	3"	Bending Shoe	15 lbs	5	BZ12377	-	Shoe Lock Pin	.25 lb	13
BZ12391	3½"	Bending Shoe	40 lbs	6	HC913	-	6' Hose	3 lbs	14
BZ12392	4"	Bending Shoe	41 lbs	7	CM7	-	Metal Case	98 lbs	15
CS2514	-	25-ton Single-Acting Cylinder*	31 lbs	8	B350	-	5" Conversion Kit (optional)	63 lbs	-

*Must order A29 Smooth Saddle, see p. 51

1¼" - 4" One-shot Sweep Combination Rigid Hydraulic Benders

Bends 1¼" to 4" rigid steel or rigid aluminum conduit.

- Choice of hand or electric pumps.
- Durable metal job box included.
- Ability to be powered by manual or electric pumps.



Part #	Description	Weight
B359S	1¼" - 4" One-shot / 5" Sweep Combination	225 lbs
B359SPH80	1¼" - 4" One-shot / 5" Sweep Combo w/ PH80 Hand Pump	253 lbs
B359SP208J	1¼" - 4" One-shot / 5" Sweep Combo w/ P208J Elec. Pump	340 lbs

SEE PG **47**  FOR MORE INFO ON **Electric Pumps**

SEE PG **49**  FOR MORE INFO ON **Manual Pumps**

SEE PG **51**  FOR MORE INFO ON **Cylinders**

Centerline Radius Chart:

Nominal Size	Rigid Radius	Bending Shoe	Nominal Size	Rigid Radius	Bending Shoe
1¼"	7¼"	BZ12041	3"	13"	BZ12351
1½"	8¼"	BZ12051	3½"	17½"	BZ12391
2"	9½"	BZ12061	4"	20"	BZ12392
2½"	10½"	BZ12341			

Components Included with B359S Models:

Part #	Conduit	Description	Weight	I.D. #	Part #	Conduit	Description	Weight	I.D. #
BZ12041	1¼"	Bending Shoe	4 lbs	1	CS2514*	-	25 ton Single Acting Cylinder	31 lbs	9
BZ12051	1½"	Bending Shoe	5 lbs	2	BZ12388	-	(2) Pivot Shoes	4 lbs	10
BZ12061	2"	Bending Shoe	7 lbs	3	BZ12091	-	Angle Gauge	.25 lb	11
BZ12341	2½"	Bending Shoe	14 lbs	4	BZ12390	-	(2) Pivot Pins	4 lbs	12
BZ12351	3"	Bending Shoe	15 lbs	5	BZ12389	-	Bender Frame	85 lbs	13
BZ12391	3½"	Bending Shoe	40 lbs	6	BZ12377	-	Shoe Lock Pin	.25 lb	14
BZ12392	4"	Bending Shoe	41 lbs	7	HC913	-	6' Hose	3 lbs	15
BZ12386	5"	Sweep Bending Shoe	18 lbs	8	CM7	-	Metal Case	98 lbs	16

*Must order A29 Smooth Saddle, see p. 50

1¼" - 4" Sweep/Segmental Rigid Hydraulic Benders

Bends 1¼" to 4" rigid steel or rigid aluminum conduit sweep/segmental.

- Choice of hand or electric pumps.
- Durable metal job box included.
- Ability to be powered by manual or electric pumps.

tip: For a quick reference guide, order GB part #E507 at no charge.



Part #	Description	Weight
B306S	1¼" - 4" Sweep	216 lbs
B306SPH80	1¼" - 4" Sweep w/ PH80 Hand Pump	243 lbs
B306SPE22J	1¼" - 4" Sweep w/ PE22J Electric Pump	230 lbs

Centerline Radius Chart:

Nominal Size	Smallest Radius	Bending Shoe	Nominal Size	Smallest Radius	Bending Shoe
1¼"	7¼"	BZ12397	3"	13"	BZ12383
1½"	8¾"	BZ12380	3½"	17½"	BZ12384
2"	9½"	BZ12381	4"	20"	BZ12385
2½"	10½"	BZ12382			

SEE PG **47** FOR MORE INFO ON **Electric Pumps**

SEE PG **49** FOR MORE INFO ON **Manual Pumps**

SEE PG **51** FOR MORE INFO ON **Cylinders**

Components Included with B306S Models:

Part #	Conduit	Description	Weight	I.D. #	Part #	Conduit	Description	Weight	I.D. #
BZ12379	1¼"	Sweep Bending Shoe	2 lbs	1	CS2510*	-	25 ton Action Cylinder	31 lbs	8
BZ12380	1½"	Sweep Bending Shoe	2 lbs	2	BZ13401	-	(2) Pivot Shoes	4 lbs	9
BZ12381	2"	Sweep Bending Shoe	3 lbs	3	BZ12376	-	(2) Pivot Pins	4 lbs	10
BZ12382	2½"	Sweep Bending Shoe	4 lbs	4	BZ12372	-	Bender Frame	54 lbs	11
BZ12383	3"	Sweep Bending Shoe	5 lbs	5	BZ12377	-	Shoe Lock Pin	.25 lb	12
BZ12384	3½"	Sweep Bending Shoe	9 lbs	6	HC913	-	6' Hose	3 lbs	13
BZ12385	4"	Sweep Bending Shoe	12 lbs	7	CM7	-	Metal Case	98 lbs	14

*Must order A29 Smooth Saddle, see p. 50

1¼" - 4" One-shot Eject-O-Matic™ Rigid Hydraulic Benders

Bends 1¼" to 4" rigid steel and rigid aluminum conduit. Eject-O-Matic™ feature retains conduit with a T-pin while bending shoe is hydraulically retracted. Once complete, the conduit automatically pops free.

- Optional 5" conversion kit available (B350) - segment only.
- Automatic ejection saves time and money.
- Ability to be powered by manual or electric pumps.

tip: Double Acting (two hose) cylinders provide controlled and powerful bending and return functions.



Part #	Description	Weight
B343S	1¼" - 4" One-shot	330 lbs
B343SPH84	1¼" - 4" One-shot w/ PH84 Hand Pump	380 lbs
B343SP408K	1¼" - 4" One-shot w/ P408K Electric Pump	362 lbs
B343SP408J	1¼" - 4" One-shot w/ P408J Electric Pump	430 lbs
B343SP408S	1¼" - 4" One-shot w/ P408S Electric Pump	432 lbs

Centerline Radius Chart:

Nominal Size	Smallest Radius	Bending Shoe	Nominal Size	Smallest Radius	Bending Shoe
1¼"	7¼"	BZ12041	3"	13"	BZ12351
1½"	8¼"	BZ12051	3½"	17½"	BZ12391
2"	9½"	BZ12061	4"	20"	BZ12392
2½"	10½"	BZ12341			

SEE PG 47 FOR MORE INFO ON Electric Pumps

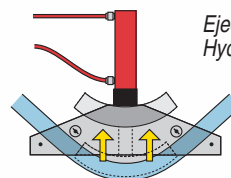
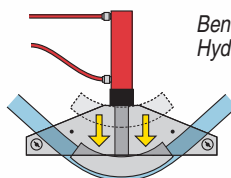
SEE PG 49 FOR MORE INFO ON Manual Pumps

SEE PG 51 FOR MORE INFO ON Cylinders

Components Included with B343S Models:

Part #	Conduit	Description	Weight	I.D. #	Part #	Conduit	Description	Weight	I.D. #
BZ12041	1¼"	Bending Shoe	4 lbs	1	BZ13401	-	(2) Pivot Shoes	4 lbs	9
BZ12051	1½"	Bending Shoe	5 lbs	2	BZ12091	-	Angle Gauge	.5 lb	10
BZ12061	2"	Bending Shoe	7 lbs	3	BZ12376	-	(2) Pivot Pins	4 lbs	11
BZ12341	2½"	Bending Shoe	14 lbs	4	BZ12374	-	Bender Frame	78 lbs	12
BZ12351	3"	Bending Shoe	15 lbs	5	BZ12377	-	Shoe Lock Pin	.25 lb	13
BZ12391	3½"	Bending Shoe	40 lbs	6	HC913	-	(2) 6' Hoses	6 lbs	14
BZ12392	4"	Bending Shoe	41 lbs	7	CM7	-	Metal Case	98 lbs	15
CD3014	-	30-ton Double-Acting Cylinder*	31 lbs	8	B350	-	5" Conversion Kit (optional)	63 lbs	-

*Must order A29 Smooth Saddle, see p. 50



1 1/4" One-shot Eject-O-Matic™ Rigid Hydraulic Benders - 5" Sweep

Bends 1 1/4" to 4" rigid steel and rigid aluminum conduit in one shot and 5" sweep.

- Choice of hand or electric pumps.
- Durable metal job box included.
- Eject conduit hydraulically by moving one pivot pin.
- Ability to be powered by manual or electric pumps.



Part #	Description	Weight
B351S	1 1/4" - 4" One-shot / 5" Sweep Combination	377 lbs
B351SPH84	1 1/4" - 4" One-shot / 5" Sweep Combo w/ PH84 Hand Pump	410 lbs
B351SP408J	1 1/4" - 4" One-shot / 5" Sweep Combo w/ P408J Elec. Pump	458 lbs
B351SP408S	1 1/4" - 4" One-shot / 5" Sweep Combo w/ P408S Elec. Pump	460 lbs

Centerline Radius Chart:

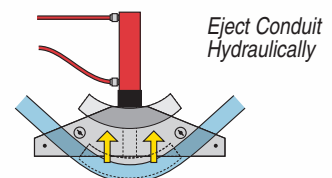
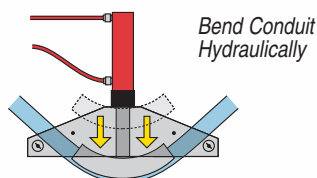
Nominal Size	Rigid Radius	Bending Shoe	Nominal Size	Rigid Radius	Bending Shoe
1 1/4"	7 1/4"	BZ12041	3"	13"	BZ12351
1 1/2"	8 1/4"	BZ12051	3 1/2"	17 1/2"	BZ12391
2"	9 1/2"	BZ12061	4"	20"	BZ12392
2 1/2"	10 1/2"	BZ12341			



Components Included with B351S Models:

Part #	Conduit	Description	Weight	I.D. #	Part #	Conduit	Description	Weight	I.D. #
BZ12041	1 1/4"	Bending Shoe	4 lbs	1	CD3014*	-	30 ton Double Acting Cylinder	31 lbs	9
BZ12051	1 1/2"	Bending Shoe	5 lbs	2	BZ12388	-	(2) Pivot Shoes	10 lbs	10
BZ12061	2"	Bending Shoe	7 lbs	3	BZ12091	-	Angle Gauge	.5 lb	11
BZ12341	2 1/2"	Bending Shoe	14 lbs	4	BZ12390	-	(2) Pivot Pins	4 lbs	12
BZ12351	3"	Bending Shoe	15 lbs	5	BZ12389	-	Bender Frame	85 lbs	13
BZ12391	3 1/2"	Bending Shoe	40 lbs	6	BZ12377	-	Shoe Lock Pin	.25 lb	14
BZ12392	4"	Bending Shoe	41 lbs	7	HC913	-	(2) 6' Hoses	13 lbs	15
BZ12386	5"	Sweep Bending Shoe	18 lbs	8	CM7	-	Metal Case	98 lbs	16

*Must order A29 Smooth Saddle, see p. 50



NEW Z-Class Electric Pumps

Introducing Gardner Bender Z-Class hydraulic pumps—pumps that run cooler, use less electricity and are easier to service than conventional pumps. Gardner Bender has used the latest metallurgical, bearing and seal technologies to produce a pump whose features and benefits far surpass the electric pumps that are available today. By reducing the number of moving parts, improving flow dynamics and decreasing friction, Z-Class pumps will stay on the job longer, require less energy to operate and when needed, have lower service costs.

- Two-speed high-efficiency pumps.
- Self-priming, high-flow 1st stage pump.
- Large, heavy-duty bearings and balanced rotating components.
- Replaceable piston check-valves.
- Powerful universal motor and excellent low-voltage operating.
- Brush design lasts 4-times longer.
- Ergonomic high strength composite.

	P208J	P408S
Motor Size	1.7hp	1.7hp
Type	Z-Class	Z-Class
Reservoir Capacity	2 gallon	2 gallon
Pump Type	single-acting	double-acting
Pressure Rating		
1st stage (psi)	100	100
2nd stage (psi)	10,000	10,000
Output Flow Rate		
1st stage (in ³ /min)	700	700
2nd stage (in ³ /min)	60	60
Valve Type	3 way/2 pos.	4 way/3 pos.
Current Draw (max) (Amps)	20	20
Motor Voltage (VAC)	115	115
Sound (dba)	85-90	85-90
Weight (lbs)	70	85
Relief Valve Adj. Range (psi)	2,000-10,000	2,000-10,000

Double-Acting Pump
P408S
1.7 HP Pump



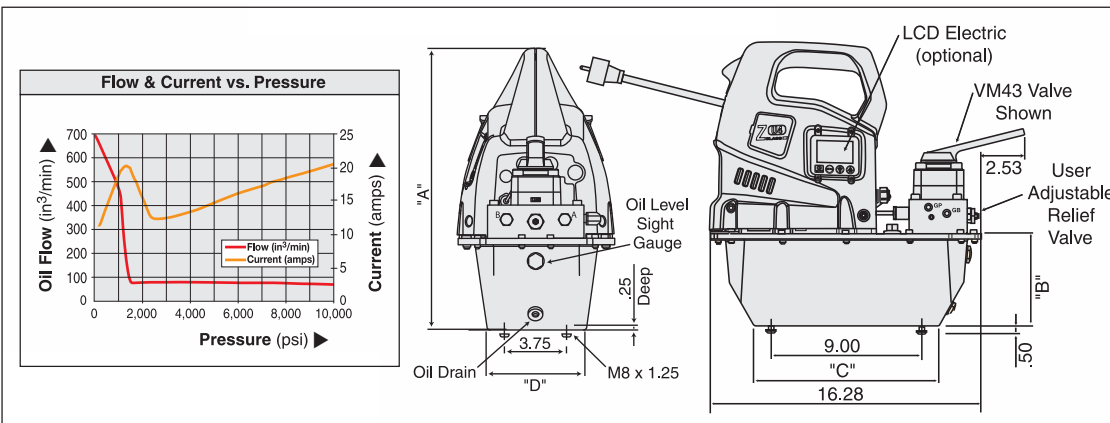
Single-Acting Pump
P208J
1.7 HP Pump



Back-lit LCD

Provides essential information:

- Hour & cycle counts
- Low voltage warning
- Self-test, diagnostic and read-out capabilities
- Pressure read-out and adjustable trigger pressure settings
- Information displayed in 6 languages



Economy Electric Pumps

PE20D & PE22J

- Lightweight - 22 - 41 lbs.
- 115 V AC 50/60 cycle universal motor works well with long extension cords or generator-driven power.
- Long 10' remote control for operator safety.
- Great for medium-sized cylinders.

Single-Acting Pump

PE20D
1/2 HP Pump



Submerged Electric Pumps

PE24J

- Powerful 1/2 hp induction motor is submerged in the oil reservoir to run cooler, protect motor, simplify pump interface, save space, reduce noise.
- Large 1.7 gallon reservoir allows for a wide operation of cylinders.
- Full-length slide tube for visual monitoring of oil level.

Single-Acting Pump

PE22J
1/2 HP Pump



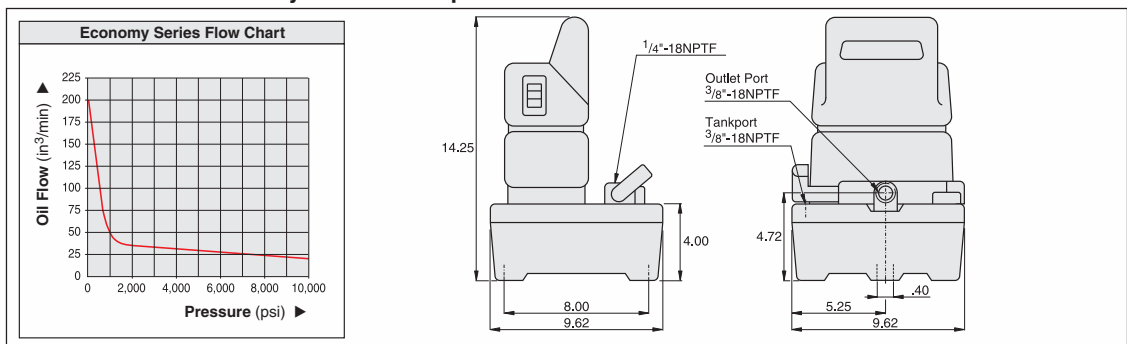
	PE20D	PE22J	PE24J
Motor Size	1/2 hp	1/2 hp	1/2 hp
Type	Economy	Economy	Submerged
Reservoir Capacity	1 gallon	1 gallon	1 gallon
Pump Type	Single-Acting	Single-Acting	Double-Acting
Pressure Rating			
1st stage (psi)	200	200	200
2nd stage (psi)	10,000	10,000	10,000
Output Flow Rate			
1st stage (in ³ /min)	200	200	200
2nd stage (in ³ /min)	20	20	20
Valve Type	Dump	3-way, 2 pos.	4-way, 3 pos.
Current Draw (Amps)	9.5	9.5	9.5
Motor Voltage (VAC)	115	115	115
Sound (dba)	85	85	85
Weight	29 lbs	27 lbs	32 lbs

Double-Acting Pump

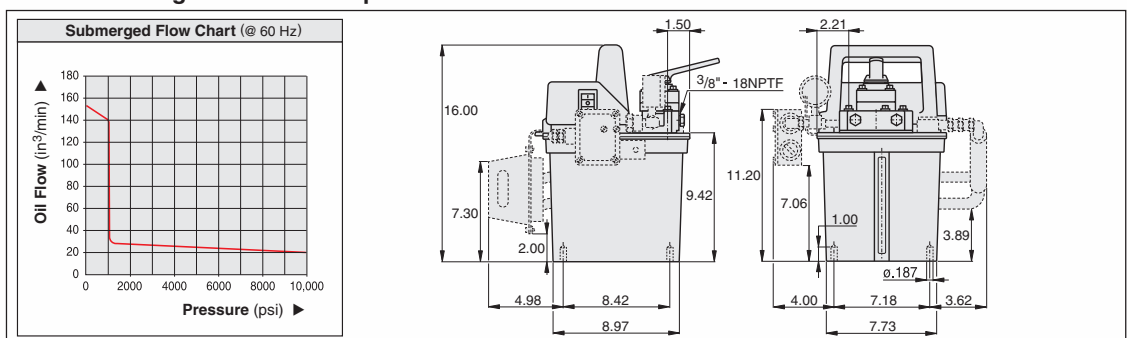
PE24J
1/2 HP Pump



PE20D or PE22J Economy Electric Pumps



PE24J Submerged Electric Pumps

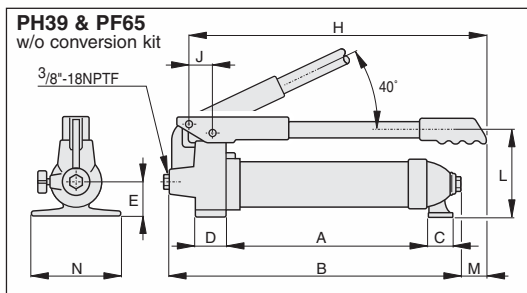
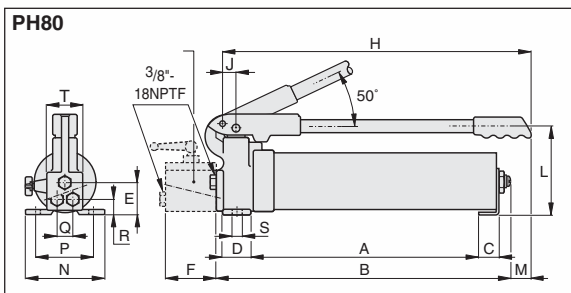
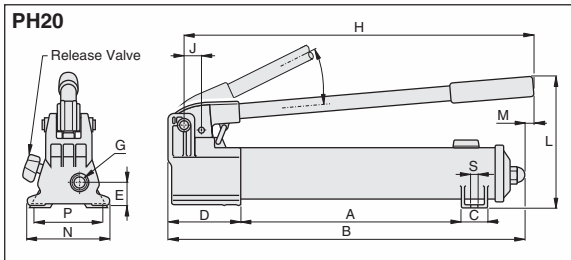


Manual Hydraulic Pumps

Durable manual pumps utilized with Gardner Bender hydraulic bender sets.

- PH80 and PH84 models feature two-speed action for faster cylinder cycle time.
- PH39 has economical single-speed design.
- All pumps contain internal high-pressure relief overload protection.

	PH20	PH39	PH80	PF65
Pump Type	Single-Speed	Single-Speed	Two-Speed	Single-Speed
Usable Oil Capacity (in³)	20	40	134	22
Pressure Rating				
1st stage (psi)	N/A	N/A	350	N/A
2nd stage (psi)	10,000	10,000	10,000	6,500
Oil Displ. per Stroke				
1st stage (in ³)	N/A	N/A	.99	N/A
2nd stage (in ³)	.055	.16	.15	.16
Max. Handle Effort	72 lbs	111 lbs	104 lbs	125 lbs
Piston Stroke (in)	.50	.81	1.00	.81
Piston Diameter				
1st stage (in)	.75	.94	1.13	.50
2nd stage (in)	.38	.44	.44	N/A
Dimensions (in)				
A	7.31	15.50	16.75	8.25
B	13.25	20.47	21.22	12.88
C	1.13	1.28	1.00	1.28
D	3.37	1.50	1.75	1.5
E	1.13	1.25	2.13	1.88
F	-	-	-	-
H	12.56	18.25	20.75	8.5
J	.75	1.18	1.14	1.18
L	5.63	4.69	6.88	4.38
M	-	2.56	.75	.51
N	3.75	5.25	5.75	5.25
P	3.18	-	4.76	-
Q	-	-	-	-
R	-	-	.83	-
S	-	-	.31	-
T	-	-	-	-
Weight	4.5 lbs	13 lbs	24 lbs	12 lbs



Hydraulic Bender Accessories

Quality accessories to increase bending efficiency.

See following page for Hydraulic Cylinder Specifications.

Hoses and Oil

Part #	Description	Weight
H8210	10' Rubber Hydraulic Hose w/ AH630 coupler	4 lbs
H864	6' Rubber Hydraulic Hose w/ AH630 coupler	2 lbs
HC913	6' Rubber Hydraulic Hose w/ CH604 coupler	3 lbs
HC963	6' Plastic Hydraulic Hose w/ CH604 coupler	2 lbs
HC927	10' Rubber Hydraulic Hose w/ CH604 coupler	4 lbs
HF100	Hydraulic Oil, Quart	2 lbs
HF101	Hydraulic Oil, Gallon	8 lbs

Couplers

Part #	Description	Weight
A630	Hydraulic Coupler: 1/4" Female Half	.5 lb
	Hydraulic Coupler: 1/4" Male Half	.5 lb
C604	Hydraulic Coupler: 3/8" High-flow Female Half	.5 lb
	Hydraulic Coupler: 3/8" High-flow Male Half	.5 lb
CD411	Universal Dust Cap for CR400 & CH604, plastic	.1 lb

Smooth Saddles

Part #	For Use With	2A Thread	Weight
A12	10-ton Cylinders	1 - 8 UNC	5 lbs
A29	25 ton Cylinders	1 1/2 - 16 UNC	7 lbs

tip: When ordering a replacement hydraulic cylinder for your bender you must also order a new smooth saddle. See chart above.

note: When installing a new saddle, apply Loc-TITE™ to threads prior to installation.



HF101



H864

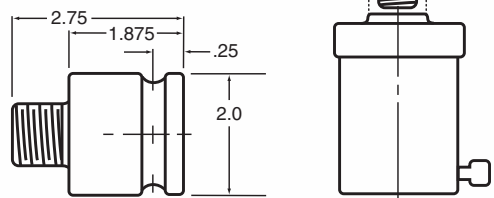


A630

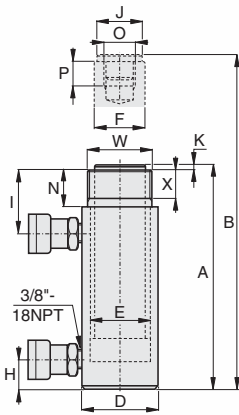


C604

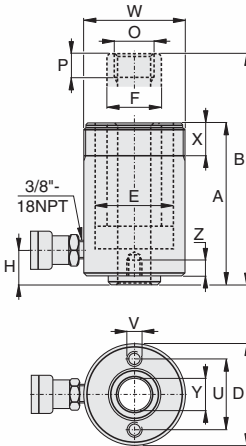
A12/A29 Dimensions



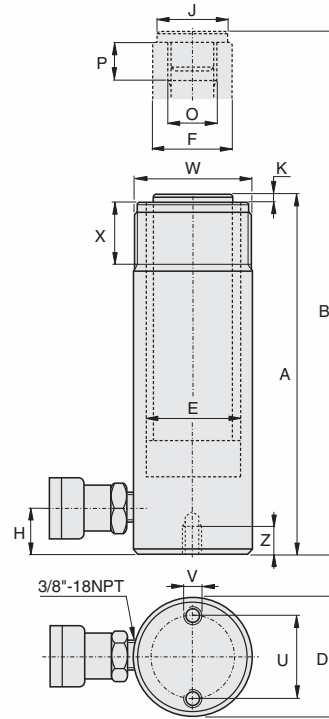
Hydraulic Cylinder Specifications



CD1012, CD308,
CD3014 models



CH1211 model



CS106, CS1010,
CS2510, CS2514 models

CH1211 has a 1.88" diameter base that protrudes .25" from base.

		CH1211	CS106	CS1010	CS2510	CS2514	CD1012	CD308	CD3014
Cylinder Capacity (tons)		12.00	10.00	10.00	25.00	25.00	10.00	30.00	30.00
Stroke (in)		1.63	6.13	10.13	10.25	14.25	12.00	8.25	14.50
Max Cylinder Capacity (tons)	Push						10.00	30.00	30.00
Max Cylinder Capacity (tons)	Pull						4.00	5.00	5.00
Cylinder Effective Area (in ²)		2.77	2.23	2.23	5.15	5.15			
Cylinder Effective Area (in ²)	Push						2.23	6.51	6.51
Cylinder Effective Area (in ²)	Pull						0.80	3.00	3.00
Oil Capacity (in ³)		4.52	13.67	22.59	52.79	73.39			
Oil Capacity (in ³)	Push						26.80	53.67	92.70
Oil Capacity (in ³)	Pull						9.00	25.00	43.00
Collapsed Height (in)	A	4.75	9.75	13.75	14.75	18.75	18.00	15.25	21.63
Extended Height (in)	B	6.38	15.88	23.88	25.00	33.00	30.00	23.50	36.13
Outside Diameter (in)	D	2.75	2.25	2.25	3.38	3.38	2.88	4.00	4.00
Cylinder Bore Diameter (in)	E	2.13	1.69	1.69	2.56	2.56	1.69	2.88	2.88
Plunger Diameter (in)	F	1.38	1.50	1.50	2.25	2.25	1.38	2.13	2.13
Cyl. Base to Advance Port (in)	H	0.75	0.75	0.75	1.00	1.00	1.44	1.44	1.56
Top to Ret. Port (in)	I						2.25	3.19	3.19
Saddle Diameter (in)	J	–	1.38	1.38	2.00	2.00	1.38	2.00	2.00
Saddle Protr. from Plunger (in)	K	–	0.25	0.25	0.41	0.41	0.06	0.41	0.41
Plunger Internal Thread (in)	O	3/4-16	1-8	1-8	1 1/2-16	1 1/2-16	1-8	1 1/2-16	1 1/2-16
Plunger Thread Length (in)	P	0.63	0.75	0.75	1.00	1.00	1.00	1.00	1.00
Base Mounting Holes									
Bolt Circle Diameter (in)	U		1.56	1.56	2.31	2.31	–	–	–
Thread (in)	V		5/16-18	5/16-18	1/2-13	1/2-13	–	–	–
Thread Depth (in)	Z		.50	.50	.75	.75	–	–	–
Collar Thread (in)	W	2 3/4-16	2 1/4-14	2 1/4-14	3 5/16-12	3 5/16-12	2 1/4-14	3 5/16-12	3 5/16-12
Collar Thread Length (in)	X	1.19	1.13	1.13	1.94	1.94	1.06	1.94	1.94
Center Hole Diameter (in)	Y	0.77							
Weight (lbs)		6.20	9.80	14.00	31.00	39.00	31.00	40.00	64.00
Rating (tons)		12	10	10	25	25	10	30	30
Saddle (sold separately) (tons)		12	10	10	25	25	10	30	30

Mechanical Sidewinder® Benders

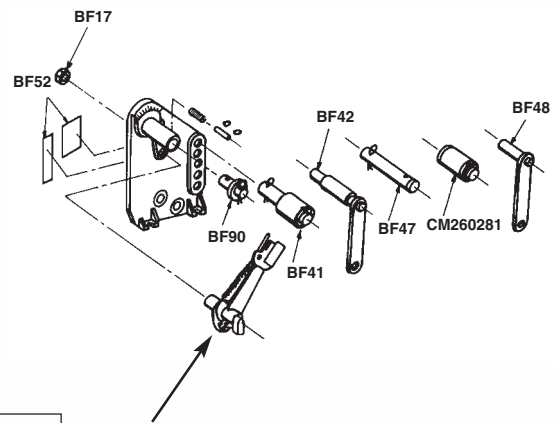
A fully portable system that bends:

- 1/2" to 1 1/2" rigid steel, rigid aluminum, PVC-Coated rigid and IMC conduit.
- 1/2" to 2" EMT conduit.
- Removable bender can be bolted onto workbench or truck bed for unparalleled flexibility.
- 0° to 90° bend indicator built into the frame shows bend angle while bending.
- Double-dog ratchet prevents shoe spring-back during bends; allows fast release after bending.
- Interchangeable shoes adapt single bender frame to cover widest range of conduit types.



BWF800 Bender Head Assembly

Part #	Description	Weight
BWF888	Sidewinder® Bender w/ out Shoe Groups	64 lbs
BF41	Urethane Roller Assembly & Shaft Assembly	3 lbs
BF42	2" EMT Strap	8 lbs
BF43	Frame, Retainer Pin and Decals	25 lbs
BF47	Shaft Assembly	3 lbs
BF48	2" Steel Sleeve and Strap Kit	4 lbs
BF49	Ratchet Assembly	9 lbs
BF52	Bend Instruction Decals	1 lb
BF90	Shoe Lock Kit (upgrade older frames)	2 lbs
BT112520	Insert Teeth (for 1 1/4" - 1 1/2" and 2" shoes)	1 lb
CM260281	Urethane Roller Only	1 lb



Jaws attach to shoes with chain.



Repair Kits for BF49

Part #	Description
BW72	Lever and Washer Kit
BW74	Drive Pawl and Spring Kit
BW75	Hold Pawl and Spring Kit
BW76	Pin and Spring Kit

See Repair Parts Sheet for a detailed breakdown of these kits.

tip: A bend handle is not included with these units. A 6 ft. piece of 1" Dia. Rigid conduit can be used.

Bending Shoes

Part #	Clamping Jaw Range	Conduit	Weight	Clamping Jaw Part #	Weight
BT57510	1/2", 3/4" & 1"	EMT	15 lbs	BZ1306	2 lbs
BT12515	1 1/4" - 1 1/2"	1 1/2" EMT	34 lbs	BZ1307	4 lbs
BT2000*	2"	EMT	39 lbs	BZ13081	4 lbs
BR57510	1/2", 3/4" & 1"	Rigid & IMC	18 lbs	BZ1306	2 lbs
BR12515	1 1/4" - 1 1/2"	Rigid & IMC	28 lbs	BZ1307	4 lbs
BR20000	2"	Aluminum Rigid	33 lbs	BZ1308	3 lbs

*Shoe includes BZ1345 follow bar and strap.

Sidewinder® ½" - 1" Rigid / IMC Bender

Bends ½", ¾" and 1" rigid steel and IMC conduit.

- Shoe lock slips into place and removes easily for quick change-outs.
- Fully portable.



Part #	Weight	Contains		
		Part #	Description	Weight
BW11	78 lbs	BWF888	Sidewinder® Bender Frame	64 lbs
		BR57510	½", ¾" & 1" Rigid & IMC Shoe	18 lbs

Sidewinder® 1¼" - 1½" Rigid / IMC Bender

Bends 1¼" and 1½" rigid steel and IMC conduit.

- Shoe tooth inserts can be replaced in the field which allows extended service life.
- Order part number BT112520.



Part #	Weight	Contains		
		Part #	Description	Weight
BW12	88 lbs	BWF888	Sidewinder® Bender Frame	64 lbs
		BR12515	1¼" & 1½" Rigid & IMC Shoe	28 lbs

Sidewinder® ½" - 1½" Rigid / IMC Bender

Bends ½" to 1½" rigid steel and IMC conduit.

- Combines features and bending capabilities of BW11 and BW12.
- Able to handle the most commonly used rigid and IMC conduit sizes.



Part #	Weight	Contains		
		Part #	Description	Weight
BW15	106 lbs	BWF888	Sidewinder® Bender Frame	64 lbs
		BR57510	½", ¾" & 1" Rigid & IMC Shoe	18 lbs
		BR12515	1¼" & 1½" Rigid & IMC Shoe	28 lbs

Sidewinder® Rigid / IMC & Rigid Aluminum Conduit Bender

Bends 1/2" to 1 1/2" rigid and IMC and 2" rigid aluminum conduit. Adds 2" rigid aluminum conduit bending capability to 1/2" to 1 1/2" rigid and IMC capacity of BW15 Sidewinder®.

- Larger shoes feature field-replaceable tooth inserts for extended service life.
- Set includes metal storage box.



Part #	Weight	Contains			
		Part #	Description	Weight	
BW20	175 lbs	BWF888	Sidewinder® Bender Frame	64 lbs	
		BW20S (Shoe Set)	BR57510	1/2", 3/4" & 1" Rigid & IMC Shoe	18 lbs
			BR12515	1 1/4" & 1 1/2" Rigid & IMC Shoe	28 lbs
			BR20000	2" Rigid Aluminum Shoe	33 lbs
			CM4	4-cubic-foot Case	26 lbs

Shoes available separately or as a BW20S Set

Sidewinder® Bender for All Conduit Types

Bends 1/2" to 1 1/2" rigid and IMC, 1/2" to 2" EMT, 1/2" to 2" rigid aluminum and 1/2" to 1 1/2" PVC-coated rigid conduit.

- The most comprehensive Sidewinder® set for every job.
- Larger shoes feature filed-replacement-tooth inserts for extended service life.
- Set includes metal storage box.



Part #	Weight	Contains			
		Part #	Range	Weight	
BW30	290 lbs	BWF888	Sidewinder® Bender Frame	64 lbs	
		BW30S (Shoe Set)	BT57510	1/2", 3/4", & 1" EMT Shoe	18 lbs
			BT12515	1 1/4" & 1 1/2" EMT Shoe	28 lbs
			BT2000	2" EMT Shoe	28 lbs
			BR57510	1/2", 3/4" & 1" Rigid & IMC Shoe	28 lbs
			BR12515	1 1/4" & 1 1/2" Rigid & IMC Shoe	28 lbs
			BR20000	2" Rigid Aluminum	28 lbs
			CM7	7-cubic-foot Case	51 lbs

Sidewinder® Bender for Most Conduit Types

Bends 1/2" to 1 1/2" rigid and IMC, 1 1/4" to 2" EMT and 1" to 1 1/2" PVC-coated rigid conduit.

- The economical choice for bending the most popular sizes of rigid/IMC and larger EMT conduit.
- Set includes metal storage box.



Part #	Weight	Contains			
		Part #	Description	Weight	
BW27	210 lbs	BWF888	Sidewinder® Bender Frame	64 lbs	
		BW27S (Shoe Set)	BT12515	1 1/4" & 1 1/2" EMT Shoe	28 lbs
			BT2000	2" EMT Shoe	39 lbs
			BR57510	1/2", 3/4" & 1" Rigid & IMC Shoe	18 lbs
			BR12515	1 1/4" & 1 1/2" Rigid & IMC Shoe	28 lbs
CM4	4-cubic-foot Case	26 lbs			

Shoes available separately or as a BW27S Set

Sidewinder® EMT & PVC-Coated Rigid Conduit Bender

Bends 2" EMT and 1 1/2" PVC-coated rigid conduit.

- Field-replaceable shoe-tooth inserts extend service life.
- Order part number BT112520.



Part #	Weight	Contains		
		Part #	Description	Weight
BW201	99 lbs	BWF888	Sidewinder® Bender Frame	64 lbs
		BT2000	2" EMT Shoe	39 lbs

Sidewinder® EMT & PVC-Coated Rigid Conduit Bender

Bends 1/2" to 2" EMT and 1/2" to 1 1/2" PVC-coated rigid conduit.

- Larger shoes feature filed-replacement-tooth inserts for extended service life.
- Set includes metal storage box.



Part #	Weight	Contains			
		Part #	Description	Weight	
BW221	184 lbs	BWF888	Sidewinder® Bender Frame	64 lbs	
		BW221S (Shoe Set)	BT57510	1/2", 3/4" & 1" EMT Shoe	18 lbs
			BT12515	1 1/4" & 1 1/2" EMT Shoe	28 lbs
			BT2000	2" EMT Shoe	39 lbs
			CM4	4-cubic-foot Case	26 lbs



INNOVATION

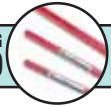
NEW Big Ben™ Conduit Hand Bender

GB's new series of Big Ben™ aluminum hand benders has improved traditional hand benders by enlarging the hook, increasing the foot pedal size and clearance, highlighting the markings and incorporating a dual sight-line system for bending on the floor or in the air. GB's new Big Ben™ series offers industry standard markings to simplify the contractor's job. Made of rugged, heat-treated aluminum, the Big Ben™ series is backed by a lifetime warranty and is available in the most common sizes of 1/2", 3/4" and 1".

- All models include embossed sight lines for 10°, 22°, 30°, 45°, 60° and 90°.
- Industry-standard markings— 30° bend when handle is straight up.
- Bigger hook with a 5x durability factor.
- Bigger foot pedal— 40% larger.
- More foot room allows for a booted foot.
- Bend-back channel easily corrects conduit over-bends.
- Vise-Mate™ holds conduit while cutting or reaming.



SEE PG
59



FOR MORE INFO ON
Handles



These benders available with or without high-strength steel handle

Lifetime Warranty

Part Number	960		961		962	
	Head Only	Head & Handle	Head Only	Head & Handle	Head Only	Head & Handle
Description	Head Only	Head & Handle	Head Only	Head & Handle	Head Only	Head & Handle
Application	1/2" EMT		3/4" EMT / 1/2" Rigid		1" EMT / 3/4" Rigid	
Material	Aluminum	Aluminum	Aluminum	Aluminum	Aluminum	Aluminum
Weight	1.34 lbs	5.06 lbs	1.58 lbs	5.34 lbs	3.16 lbs	7.01 lbs
Bend Radius	3.69"	3.69"	4.74"	4.74"	5.81"	5.81"
EMT Size	1/2"	1/2"	3/4"	3/4"	1"	1"
Rigid Size	—	—	1/2"	1/2"	3/4"	3/4"



Industry Standard Style
30° bend when handle is straight up



Bigger Hook
With a 5x durability factor



Bigger Foot Pedal
40% larger



More Foot Room
Allows for a booted foot



Bend-Back Channel
Easily corrects conduit over-bends



Vise-Mate™
Holds conduit while cutting or reaming



CONDUIT BENDING

GB EXCLUSIVE! Gardner® EMT / Rigid
Aluminum Hand Benders (Series 930B-933)

Bends 1/2" to 1 1/4" EMT, and 1/2" to 1" rigid and rigid aluminum conduit.



- Built-in acrylic level gauge helps make precise bends in half the time.
- All models include embossed sight lines for 10°, 22.5°, 30°, 45°, 60° and 90°.
- Patented Vise-Mate™ holds conduit steady as it is cut to appropriate size.

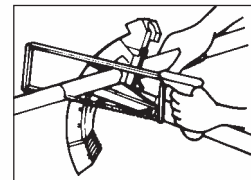


These benders are available with or without high-strength steel handle



Lifetime Warranty

SEE PG 59 FOR MORE INFO ON Handles

				
Part Number	930B	930H	931B	931H
Description	Head Only	Head & Handle	Head Only	Head & Handle
Application	1/2" EMT		3/4" EMT / 1/2" Rigid	
Fits Handle #	BH-75	Included	BH-75	Included
Material	Aluminum	Aluminum	Aluminum	Aluminum
Weight	.8 lbs	5.3 lbs	2.3 lbs	6.4 lbs
Bend Radius	5"	5"	6"	6"
EMT Size	1/2"	1/2"	3/4"	3/4"
Rigid Size	—	—	1/2"	1/2"



Insert conduit through Vise-Mate™ opening and cut to desired length.

			
Part Number	932	932H	933
Description	Head Only	Head & Handle	Head Only
Application	1" EMT / 3/4" Rigid		1 1/4" EMT / 1" Rigid
Fits Handle #	BH-100	Included	BH-125
Material	Aluminum	Aluminum	Aluminum
Weight	4.1 lbs	10 lbs	7.75 lbs
Bend Radius	8"	8"	12"
EMT Size	1"	1"	1 1/4"
Rigid Size	3/4"	3/4"	1"

Iron Hand Benders (Series 920-923)

Bends 1/2" to 1 1/4" EMT and 1/2" to 1" rigid and rigid aluminum conduit.

- Cast-in-place degree marks facilitate accurate bends.
- Constructed of rugged-malleable iron for strength and durability.
- Arrow and diamond indicate beginning and back-of-bend locations.

**Lifetime
Warranty**



These benders are available with or without high-strength steel handle

SEE PG **59** FOR MORE INFO ON Handles

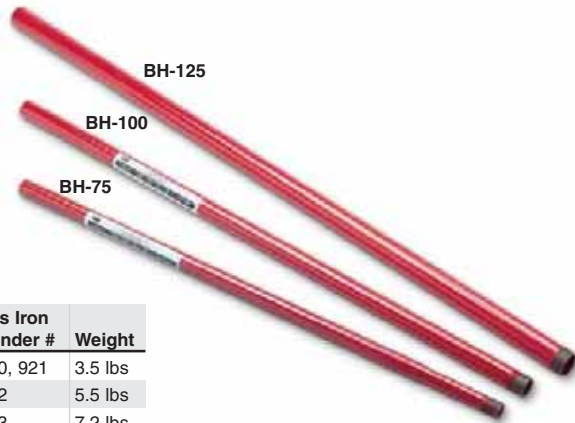
Part Number	Series 920		Series 921	
	920	920H	921	921H
Description	Head Only	Head & Handle	Head Only	Head & Handle
Application	1/2" EMT		3/4" EMT / 1/2" Rigid	
Fits Handle #	BH-75	Included	BH-75	Included
Material	Iron	Iron	Iron	Iron
Weight	2.7 lbs	7.2 lbs	5 lbs	9.6 lbs
Bend Radius	5"	5"	6"	6"
EMT Size	1/2"	1/2"	3/4"	3/4"
Rigid Size	—	—	1/2"	1/2"

Part Number	Series 922		Series 923
	922	922H	923
Description	Head Only	Head & Handle	Head Only
Application	1" EMT / 3/4" Rigid		1 1/4" EMT / 1" Rigid
Fits Handle #	BH-100	Included	BH-125
Material	Iron	Iron	Iron
Weight	4.9 lbs	14.5 lbs	14 lbs
Bend Radius	8"	8"	11"
EMT Size	1"	1"	1 1/4"
Rigid Size	3/4"	3/4"	1"

Hand Bender Handles

High quality, pre-threaded bender handles for all Gardner Bender bender heads.

- Constructed of high-strength steel.
- Powder painted for increased durability.
- Comfort grip design ensures increased grasping capabilities.



Part #	Size	Fits Aluminum Bender #	Fits Iron Bender #	Weight
BH-75	3/4" NPT x 38" long	930B, 931B, 960, 961	920, 921	3.5 lbs
BH-100	1" NPT x 44" long	932, 962, 820, 821	922	5.5 lbs
BH-125	1 1/4" NPT x 54" long	933, 822	923	7.2 lbs

Hickey Bending Heads

For 1/2" to 1" rigid conduit.

- Manufactured using permanent mold process with high-strength, heat-treated aluminum.
- Lightweight and extremely durable.

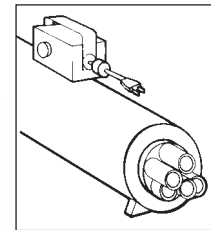


Part #	Rigid Size	Fits Bender Handle #	Weight
820	1/2"	BH-100	.9 lb
821	3/4"	BH-100	1.2 lbs
822	1"	BH-125	2.2 lbs

GB EXCLUSIVE! HotTube™ PVC Bender for 1/2" to 2" Conduit (schedule 40-80)

This patented high-production bender can simultaneously heat up to five lengths of 1/2" conduit and up to three lengths of 3/4" conduit, without rotating.

- Adjustable thermostatic control heats conduit fast and maintains perfect bending temperature.
- Patented technology enables HotTube™ to maintain temperature in wide range of ambient temperatures and wind conditions.
- No need to rotate conduit. Won't burn or scorch.
- Insulated, weatherproof housing provides safe, cool operation—unit is portable immediately after use.
- Dimensions: 27 3/8" x 5 1/2" x 8 1/2".
- Temperature Range: 0 °F - 350 °F.



Part #	Description	Power Requirements			Weight
		Watts	Volts	Amps	
BHT-520A	1/2" - 2" HotTube™	1440	115/120	12	24 lbs

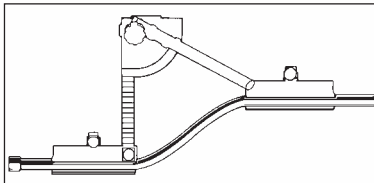
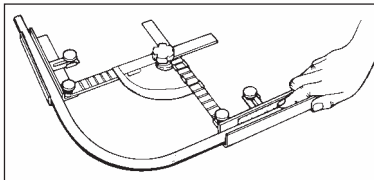
HotBox™ PVC Bender for ½" to 2" Conduit (schedule 40-80)

Complete PVC bending system includes Bend-Guide™ bending gauge.

- Highly polished reflector surfaces heat conduit quickly and evenly.
- Low power consumption.
- Lightweight with convenient carrying handle and cover clasp.
- Bending guide adjusts for 0° to 90° bend segments in any radius from 6" to 12".
- Dimensions: 29½" x 7" x 7⅛".
- Temperature Range: 0 °F - 450 °F.



Part #	Description	Power Requirements			Weight
		Watts	Volts	Amps	
BHB-520D	½" - 2" HotBox™	1450	115/120	12	17 lbs
BHE-50K	Replacement Heating Element	1450	115/120	12	1 lb



Convenient Bend-Guide™ is included with every BHB-520D.

HotBox™ PVC Bender for ½" to 4" Conduit (schedule 40-80)

Meets most PVC bending needs. Accommodates conduit range from ½" to 4".

- Highly polished reflector surfaces heat conduit quickly and evenly.
- Large wheels provide job-site portability.
- Allows conduit to be reheated and reformed.
- Dimensions: 54½" x 8½" x 11½".
- Temperature Range: 0 °F - 400 °F.



Part #	Description	Power Requirements			Weight
		Watts	Volts	Amps	
BHB-540A	½" - 4" HotBox™	2400	115/120	20	34 lbs
BHE-540	Replacement Heating Element	2400	115/120	20	3.5 lbs

HotBox™ PVC Bender for ½" to 6" Conduit (schedule 40-80)

Accommodates conduit range from ½" to 6". Specially designed covers and heat flow system allow heating of shorter lengths as well as lengths sufficient for 48" radius, 90° elbows.

- Highly polished reflector surfaces heat conduit quickly and evenly.
- Power drive model automatically rotates conduit for faster bends.
- Large wheels provide job-site portability.
- Allows conduit to be reheated and reformed.
- Dimensions: 74" x 11½" x 14".
- Temperature Range: 0 °F - 400 °F.

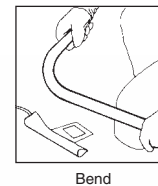
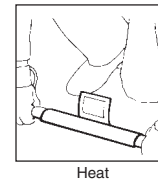
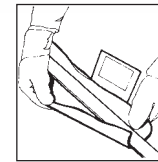


Part #	Description	Power Requirements			Weight
		Watts	Volts	Amps	
BHB-560	½" - 6" HotBox™	5500	230	24	60 lbs
BHB-560P	½" - 6" HotBox™ w/ Power Rotator	5500	230	24	68 lbs
BHE-560	Replacement Heating Element	5500	230	24	8.5 lbs

HotBlanket™ PVC Benders for ½" to 4" Conduit (all schedules)

New improvements have made this family of conduit benders the most durable and economical bending system in the industry.

- Internal thermostatic control will not scorch or burn conduit.
- Use in any in-place position.
- Thermostatic control heats pipe fast, even in cold or windy conditions.
- Multiple circuit design extends the life of the blankets.
- Multiple wound heavy-gauge wire ensures the longest life of any bending blanket.

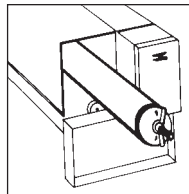


Part #	Conduit Size	Dimensions (L x W)	Power Requirements			Weight
			Watts	Volts	Amps	
BB5150	½" - 1½"	18" x 7½"	310	120	2.6	2 lbs
BB2030	2" - 3"	25" x 11¼"	690	120	6.3	3 lbs
BB3040	3" - 4"	36" x 14⅜"	1120	120	10.2	6 lbs

PVC Plug Set

Prevents conduit from collapsing or deforming by supporting the inside surface during heating and bending.

- Decreases heating time by trapping hot air in the conduit.
- Use with 2" and larger conduit.
- Includes durable storage case.



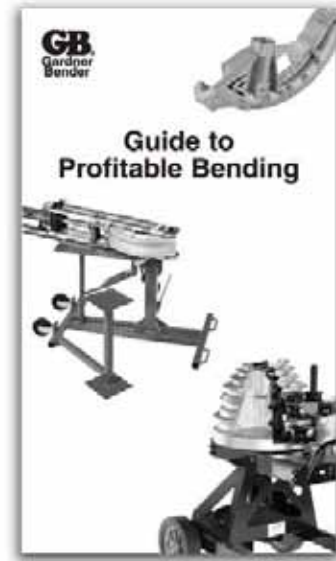
Part #	Description	Weight	Components		
			Part #	Description	Weight
BVS-240	2" - 4" PVC Plug Set	6 lbs	BVP20	2" PVC Plug	.32 lb
			BVP25	2½" PVC Plug	.38 lb
			BVP30	3" PVC Plug	.44 lb
			BVP40	4" PVC Plug	.44 lb

Guide to Bending Booklet

Easy-to-use instructions for completing multiple types of conduit bends.

- Contains quick reference charts and guides.
- Easy to carry.
- Provided at no charge.

Part #	Description
E507	Guide to Profitable Bending Booklet



Tool-Guard™ Metal Storage Cases

Shelter equipment from dust, grease, dirt or loss on the jobsite, maintenance area or shop.

- Constructed of durable 16-gauge steel with quality arc-welded seams.
- Dual rolled-lip design resists sprung hinges, keeps cover aligned, adds rigidity and strength.
- Continuous heavy-duty hinges stand up to rugged use.
- Water-resistant design retards leakage.
- Bottom skids enhance protection and permit easy forklift movement.
- Recessed closure shields padlock from cutting and prying attempts. (lock not included).
- Painted with rust-resistant primer and finished in durable red enamel.

tip: Use #5 Master Lock™ when locking boxes.



CM7



CM20

Part #	Size cu. in.	Inside Dimensions				Shelf Dimensions		Weight
		Length	Width	Rear Height	Front Height	Length	Width	
CM4	4½	31"	14"	14"	14"	–	–	56 lbs
CM7	8	36"	19"	18"	18"	–	–	98 lbs
CM20	28	60"	24"	28"	28"	59½"	5¼"	182 lbs

CONDUIT FISHING



Gardner Bender offers a complete range of solutions for conduit fishing and cable pulling, with the contractor in mind. From fish tapes to powered cable pullers, our products are designed around durability, innovation and ease of use.



67



69



73



74



81

63



CONDUIT FISHING

Blower Systems

- JetLine® Super Blower™ (Electric)66
- Super Blo-Vac™ System (Blower/Vacuum) .67

Cable Pullers and Accessories

- 2,000 lb Mini-Brutus™ Powered Puller . . .80
- 8,000 lb Brutus™ Powered Puller81
- Sub-Assembly Kits81-82

Brutus™ Powered Puller

- Application Instructions83-85

- Hook Sheaves86
- Tension Meter86
- Conduit Measuring Tape73

CO2 Systems

- Air Compressor Seal-Off71
- CO2 Refill Connector71
- Powr House™ Conduit Fishing Systems . .69
- Powr-Pak I™ 5 lb. Portable System70
- Powr-Pak II™ 5 lb. Basic System70

Fish Tapes and Accessories

- Cable Snake™ Flat Wire Tape76
- Cable Snake™ Steel Fish Tapes75-76
- Economy Fish Tape77
- Fiberline™ Non-Conductive
 - Fiberglass Fish Tapes77
- Fish Tape Ball79
- Fish Tape Leader78
- Nylo-Flex™ Non-Conductive
 - Nylon Fish Tapes78
- Replacement Tapes - Steel77
- Rewind™ Fish Tape Winder75
- Streamline™ Steel Fish Tapes75
- UpperHand™ Steel Fish Tapes74
- UpperHand™ Non-Conductive
 - Fiberglass Fish Tapes74

Fish Sticks

- 12' Fish Ease™79
- 15' Glo Fish™79

Material Handling

- Hoist Lift (Hi-Hoist™)94

Reel Rollers

- 30" Reel Roller91
- Handy-Saver™ Reel Roller91

- Reel Jacks - Telescoping91

Wire Caddies & Carts

- Deluxe Spool Cart & Caddy Combo . .93
- Hand Wire Caddy92
- Heavy-Duty Spool Cart &
 - Caddy Expander Combo93
- Portable Wire Caddy92
- Portable Wire Dispenser94
- Replacement Parts94
- Spool Caddy Cart92
- Wire Dispenser93

Lubricants

- Wire-Aide™86
- Poly-Gel™87
- Super-Slick™88

Pull Line / Line Carriers

- Foam Line Carriers72
- Heavy-Duty Bulk Nylon Line73
- Inflatables® Line Carriers71
- Missile Line Carriers71
- Poly-Pull™ Line73
- Power Saver™ Line Packages72
- Tag Along™ Line Packages72

Rope

- Rope Selection Guide90
- Poly-Pro™ General Purpose Rope89
- Super Tuff-Pull™ Double Braided Rope .88
- Tuff-Pull™ Single Braided Rope89

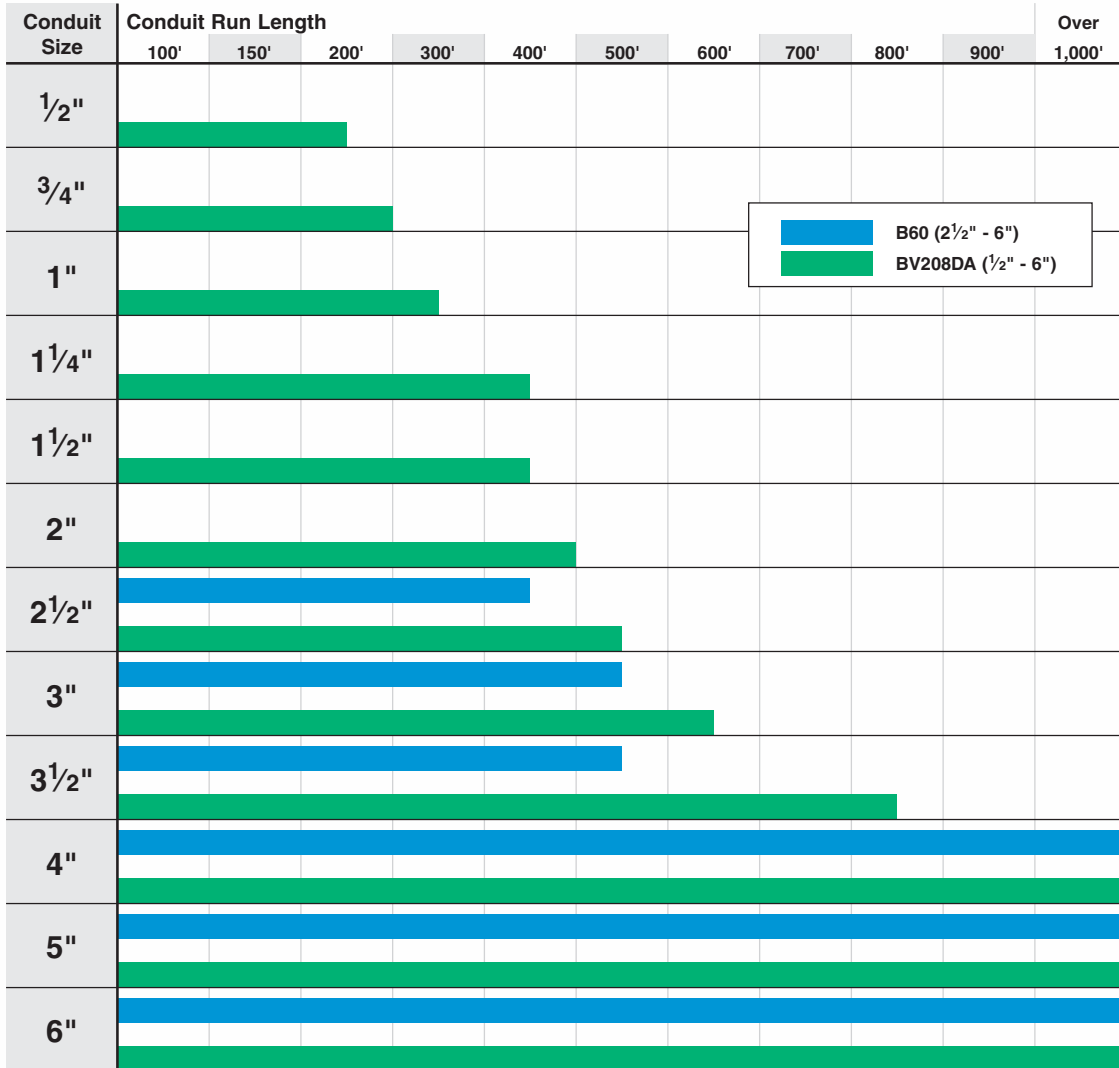
Vacuum / Blowers

- Super Blo-Vac™ System67

Conduit Installation Chart

- **JetLine® Super Blower™ System (B60)** Page 68
- **Super Blo-Vac™ System (BV208DA)** Page 69

The following chart illustrates typical conduit installation. Fewer bends and lighter pull lines can increase the maximum distances obtainable. The chart below refers to a typical run with (4) 90° bends and no obstructions or leaks, using JetLine® PL232 Pull Line (200lb test) and foam line carriers.



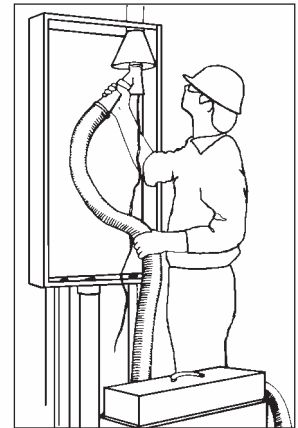


INNOVATION

JetLine® Super Blower™ System

The most powerful blower system in the market.

- Blower unit delivers 275 cfm at 3 psi – more than enough to blow 1/2" Poly-Pull™ rope 1000' or more through conduit up to 6" diameter.
- Lightweight (35 lbs) and compact (24" x 7 1/2" x 8 1/4") power unit can be hand-carried to the work area.
- Extra-long 25' hose allows power unit to be located outside the manhole or vault.
- All work is done from one end of the conduit, permitting one-person operation. Works on 115 V AC power.
- System includes patented Dial-A-Line™ Seal-Off System; eliminates extra steps by allowing simple "dial" selection of feed-thru opening size for up to 1/2" pull rope.
- Can use pull rope and True Tape™ conduit measuring tape simultaneously.
- 115 V AC, 23 A; Power Consumption 2.65 kw.
- Specifications: max. 4 psi; 150 cfm; 3 motors (1 1/2 hp each).



Part #	Description	Weight
B60	JetLine® Super Blower™ Conduit Fishing System	56 lbs

System Includes:

Part #	Description	Weight	I.D. #	Part #	Description	Weight	I.D. #
B3000	Power Unit	34 lbs	1	F400B	Line Carrier for 3", 3 1/2", 4" conduit	.1 lb	5
126025*	25' x 2 1/2" Heavy-duty Hose	12 lbs	2	M5000	5" Plastic Line Carrier	.4 lb	6
B26	Large Dial-A-Line™ Seal-Off Body	.7 lb	3	M6000	6" Plastic Line Carrier	.5 lb	7
BV24	Seal-Off for 2 1/2" - 6" conduit	3.3 lbs	4				

*Order catalog number 901152 to replace hose cuff end as necessary.



CONDUIT FISHING

Super Blo-Vac™ System

This rugged blower/vacuum system handles 1/2" to 6" conduit.

- Blows or vacuums most debris and water from conduit runs.
- High-impact, lightweight polypropylene construction will not rust or dent.
- Compartments can be unlatched and separated. Recovery compartment capacity expandable to 9 gallons by using bottom tool storage compartment.
- 10" diameter metal hubbed wheels allow mobility.
- Complete package includes patented Dial-A-Line™ Seal-offs, Inflatable® line carriers, foam line carriers, Power Saver™ and Tag-Along™ line packages. All accessories store neatly in self-contained tool storage compartment.
- Three-stage blower/vacuum motor delivers up to 25% more power for longer runs and faster operation.
- 115 V AC, 13 A, 14 1/4" x 16 1/2" x 39 3/4"
- Specifications: max. 5 psi; 95 cfm; 2 1/4 hp; 134" vacuum.



Part #	Description	Weight
BV208DA	Super Blo-Vac™ Power Conduit Fishing System	63 lbs

System Includes:

Part #	Description	Weight	I.D. #	Part #	Description	Weight	I.D. #
1525	Cart	25 lbs	1	JV08	Short Seal-off for 1/2" - 1 1/4" conduit	.1 lb	11
JV12	Seal-off for 1 1/4" - 2 1/2" conduit	.3 lb	2	JV09	Long Seal-off for 1/2" - 1 1/4" conduit	.1 lb	12
LP3200B	(5) 200' Line Pkgs for 3/4" conduit	.9 lb	3	B26	Large Dial-A-Line™ Seal-off Body	.7 lb	13
LP4200	(5) 200' Line Pkgs for 1" conduit	1.6 lbs	4	BV23	Seal-off for 1 1/4" - 2 1/2" conduit	.3 lb	14
LP2206T	(2) 400' Line Pkgs for 1 1/4" or larger conduit	.6 lb	5	BV24	Seal-off for 2 1/2" - 6" conduit	3.3 lbs	15
LP2207T	(2) 800' Line Pkgs for 1 1/4" or larger conduit	1 lb	6	BV1281	Crevice Tool (for clean-up)	.1 lb	16
JV210	Filter Bag (for vacuuming)	.1 lb	7	LP2150	(10) 150' Line Pkgs for 1/2" conduit	.8 lb	17
12568	8' x 1 1/2" Heavy-duty Hose	3.3 lbs	8	LP3450	(5) 450' Line Pkgs for 3/4" conduit	1.4 lbs	18
BV12	Hose Adapter (to Dial-A-Line™ body)	.1 lb	9	LP4450	(5) 450' Line Pkgs for 1" conduit	.8 lb	19
JV07	Dial-A-Line™ Seal-off Body	.2 lb	10	FC1-10	(1 ea) Foam Line Carriers for 1/2" - 4" conduit	1 lb	20

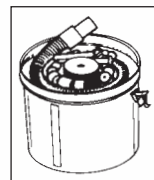
15' x 1 1/2" heavy-duty hose available. Order Part #125615.

Super Blo-Vac™ Specifications

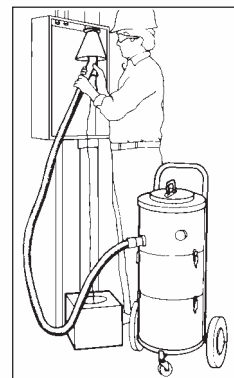
Vacuum* (inches of waterlift)	134"
Maximum Air Pressure*	5 psi
Electrical Rating	120 V AC, 13.8 A
Type of Motor	By-pass
Number of Impeller Stages	3
Recovery Capacity**	9 gallons
Net Weight	55 lbs
Height w/Cart	41"
Motor Brush Life	750 hours

* Will vary with voltage and atmospheric conditions @ sealed vacuum.

** When using Recovery Compartment and Tool Storage Compartment together.



Tool Storage Compartment



Conduit Installation Guide

- **Powr-Pak II™ 5-lb Basic System (J025CA + 1103N)** Page 72
- **Powr-Pak I™ 5-lb Portable System (J025)** Page 72
- **PowrHouse™ System with 20-lb CO₂ (J0225LC + 1208)** Page 71
- **PowrHouse™ System with 50-lb CO₂ (J0225LC + 950)** Page 71

The following chart illustrates typical conduit installation. Fewer bends and lighter pull lines can increase the maximum distances obtainable. The chart below refers to a typical run with (4) 90° bends and no obstructions or leaks, using JetLine® PL232 Pull Line (200-lb test) and foam line carriers.

Conduit Size	Conduit Run Length									
	100'	150'	200'	300'	400'	500'	600'	700'	800'	900'
1/2"	[Bar chart showing typical run lengths for 1/2" conduit]									
3/4"	[Bar chart showing typical run lengths for 3/4" conduit]									
1"	[Bar chart showing typical run lengths for 1" conduit]									
1 1/4"	[Bar chart showing typical run lengths for 1 1/4" conduit]									
1 1/2"	[Bar chart showing typical run lengths for 1 1/2" conduit]									
2"	[Bar chart showing typical run lengths for 2" conduit]									
2 1/2"	[Bar chart showing typical run lengths for 2 1/2" conduit]									
3"	[Bar chart showing typical run lengths for 3" conduit]									
3 1/2"	[Bar chart showing typical run lengths for 3 1/2" conduit]									
4"	[Bar chart showing typical run lengths for 4" conduit]									
5"	[Bar chart showing typical run lengths for 5" conduit]									
6"	[Bar chart showing typical run lengths for 6" conduit]									

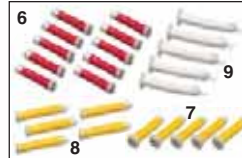
GB EXCLUSIVE! Powr House™ Conduit Fishing Systems

For 1/2" to 6" conduit.

- Completely self-contained with no electrical power source required. Use 50 lb cylinder as source for refilling smaller cylinders (requires RV5 refill connector).
- Quick, easy setup.
- Metered operating valve controls CO₂ volume to minimize waste and maximize safety.
- Locking pull ring prevents accidental discharge.
- 1" tank thread.
- Specifications: 840 psi @ 70 °F.

Part #	Description	Weight
JO225LC	Powr House™ Conduit Fishing System without CO ₂ Cylinder	40 lbs
950	50 lb CO ₂ Cylinder (full) (JO250 only)	161 lbs
1208	20 lb CO ₂ Cylinder (full) (JO220 only)	58 lbs

Accessories included with JO225LC



JO225LC & 950
(50 lb Cylinder)



JO225LC & 1208
(20 lb Cylinder)



JO225LC Powr House™
CO₂ System w/o Cylinder

Contents Included in JO225LC:

Part #	Description	Weight	I.D. #	Part #	Description	Weight	I.D. #
1105A*	12' Valve Assembly with UG12 hose only	3.6 lbs	1	FC1	Foam Line Carrier for 1/2" conduit	.1 lb	13
1215	Seal-off for 1/2" - 1" conduit with 2' hose	.4 lb	2	FC2	Foam Line Carrier for 3/4" conduit	.1 lb	14
1142	Angle Adapter (for 1215 Seal-off)	.1 lb	3	FC3	Foam Line Carrier for 1" conduit	.1 lb	15
1216	Seal-off for 1 1/4" - 2 1/2" conduit with 2' hose	.8 lb	4	FC4	Foam Line Carrier for 1 1/4" conduit	.1 lb	16
1206	Seal-off for 1 1/2" - 6" conduit	5.2 lbs	5	FC5	Foam Line Carrier for 1 1/2" conduit	.1 lb	17
LP2150	(10) 150' Line Pkgs for 1/2" conduit	1.3 lbs	6	FC6	Foam Line Carrier for 2" conduit	.1 lb	18
LP3200	(5) 200' Line Pkgs for 3/4" conduit	.8 lb	7	FC7	Foam Line Carrier for 2 1/2" conduit	.1 lb	19
LP3300	(5) 300' Line Pkgs for 3/4" conduit	1.1 lbs	8	FC8	Foam Line Carrier for 3" conduit	.1 lb	20
LP4300	(5) 300' Line Pkgs for 1" conduit	1.1 lbs	9	FC9	Foam Line Carrier for 3 1/2" conduit	.1 lb	21
LP2206T	(3) 400' Line Pkgs for 1 1/4" or larger conduit	.6 lb	10	FC10	Foam Line Carrier for 4" conduit	.1 lb	22
LP2207T	(3) 800' Line Pkgs for 1 1/4" or larger conduit	.6 lb	11	FC11	Foam Line Carrier for 5" conduit	.1 lb	NS
LP2208T	(3) 600' Line Pkgs for 1 1/4" or larger conduit	.9 lb	12	FC12	Foam Line Carrier for 6" conduit	.1 lb	NS

*Order UG12 for hose only. Order UG121112 for hose and coupling assembly.

NS=Not Shown

Powr-Pak I™ 5-lb Portable System

For 1/2" to 2 1/2" conduit.

- Exclusive from Gardner Bender.
- Lightweight, portable system requires no electrical power.
- Metered operating valve controls volume, preventing waste.
- 5 lb cylinder can be refilled from larger cylinder using #RV5 refill connector.
- Locking pull ring prevents accidental discharge.
- 3/4" NGA tank thread.
- Specifications: 840 psi @ 70 °F.



Part #	Description	Weight
JO25	Powr-Pak I™ Portable CO ₂ Conduit Fishing System	16 lbs
JO25A	Powr-Pak I™ Portable CO ₂ Conduit Fishing System w/out Cylinder	10 lbs

System Includes:

Part #	Description	Weight	I.D. #	Part #	Description	Weight	I.D. #
1103N	5-lb-capacity CO ₂ Cylinder w/valve (full)	18 lbs	1	F125B	(4) Line Carriers for 3/4" - 1 1/2" conduit	.6 lb	9
1102	Shoulder Strap	.4 lb	2	F250B	(2) Line Carriers for 1 1/2" - 2 1/2" conduit	.6 lb	10
1215	2' hose seal-off for 1/2" - 1" conduit	.4 lb	4	LP2150	(10) 150' Line Pkgs for 1/2" conduit	1.3 lbs	11
1142	Angle Adapter (for 1215 Seal-off)	.1 lb	5	LP3200	(5) 200' Line Pkgs for 3/4" conduit	.8 lb	12
1216	2' hose seal-off for 1 1/4" - 2 1/2" conduit	.8 lb	6	LP4300	(5) 300' Line Pkgs for 1" conduit	1.1 lbs	13
RV5	Refill Connector (with 1137 Cone)	.8 lb	7	LP1701B	1000' Nylon Bulk Line	1 lb	14
FC1	(5) Foam Line Carriers for 1/2" conduit	.1 lb	8	LP1702B	2000' Nylon Bulk Line	1 lb	15

Powr-Pak II™ 5-lb Basic System

For 1/2" to 1" conduit.

- Same Powr-Pak™ 5-lb cylinder with basic accessories.
- Unit can be expanded with other accessories.
- 3/4" NGA tank thread.
- Includes convenient portable caddy.

Part #	Description	Weight	I.D. #
JO25CA	Powr-Pak II™ Portable CO ₂ Conduit Fishing System w/out Cylinder	10 lbs	NS
1103N	5-lb Capacity CO ₂ Cylinder w/valve (full)	18 lbs	1

NS=Not Shown



System Includes:

Part #	Description	Weight	I.D. #	Part #	Description	Weight	I.D. #
1102	Shoulder Strap	.4 lb	2	LP4300	(5) 300' Line Pkgs for 1" conduit	1.1 lbs	8
1505	Caddy w/ Tool Box	5.8 lbs	3	LP1703	1400' Nylon Bulk Line	.9 lb	9
1215	Seal-off for 1/2" - 1" conduit with 2' hose	.4 lb	4	FC1	Foam Line Carrier for 1/2" conduit	.1 lb	10
1142	Angle Adapter (for 1215 Seal-Off)	.1 lb	5	FC2	Foam Line Carrier for 3/4" conduit	.1 lb	11
LP2150	(10) 150' Line Pkgs for 1/2" conduit	1.3 lbs	6	FC3	Foam Line Carrier for 1" conduit	.1 lb	12
LP3200	(5) 200' Line Pkgs for 3/4" conduit	.8 lb	7				

CO₂ Refill Connector

Connection for refilling CO₂ cylinders.

- Flexible urethane hose with quick disconnects.
- Saves time.

Part #	Description	Weight
RV5	CO ₂ Cylinder Refill Connector	.8 lb

Air Compressor Seal-Off

Use with most commercial air compressors to blow pull line into conduit or duct. For use with 2" to 6" conduit sizes.

- The Dial-A-Line™ feature is incorporated into the compressor fitting.
- Maximum 200 cfm rating.
- Shut-off valve.

CAUTION

Use in 2½" - 6" conduit only. To avoid rapid pressure build-up, do not use on smaller sizes of conduit.

Part #	Description	Weight
CB21V	Air Compressor Seal-off	6 lbs

Sold as complete assembly only.

The Inflatables® Line Carriers

For ¾" to 6" conduit.

- Each inflatable line carrier adjusts to fit the conduit; four items cover a range of eleven diameters of rigid, IMC, EMT, PVC or flexible conduit, or single-bore duct.
- Heavy-gauge waterproof woven nylon assures long life.

Part #	Qty	Description	Weight
F125	5/bx	The Inflatables® Line Carrier for ¾", 1" & 1¼" conduit	.6 lb
F250	5/bx	The Inflatables® Line Carrier for 1½", 2" & 2½" conduit	.6 lb
F400	2/bx	The Inflatables® Line Carrier for 3", 3½" & 4" conduit	.3 lb
F600	2/bx	The Inflatables® Line Carrier for 5" & 6" conduit	.3 lb

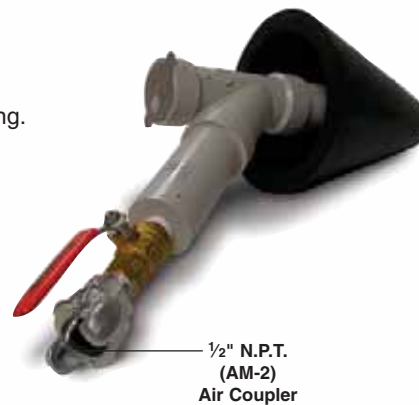
F125 not pictured.

Missile Line Carriers

For 2" to 6" conduit.

- Fast blowing and vacuuming of 2" to 6" diameter conduit by low-friction plastic carriers.
- Easily removed from conduit if stuck or jammed.

Part #	Qty	Description	Weight
M2000	1/bg	Missile Line Carrier for 2" conduit (w/rope eye)	.1 lb
M3000	1/bg	Missile Line Carrier for 3" conduit (w/rope eye)	.3 lb
M4000	1/bg	Missile Line Carrier for 4" conduit (w/rope eye)	.3 lb
M5000	1/bg	Missile Line Carrier for 5" conduit (w/rope eye)	.4 lb
M6000	1/bg	Missile Line Carrier for 6" conduit (w/rope eye)	.5 lb



½" N.P.T.
(AM-2)
Air Coupler



Foam Line Carriers

For 1/2" to 6" conduit.

- Cleans water and debris from most conduit – rigid, EMT, IMC, PVC or flexible.
- Durable for indefinite re-use.

Part #	Qty	Description	Weight
FC1	10/bx	Foam Line Carrier for 1/2" conduit	.3 lb
FC2	10/bx	Foam Line Carrier for 3/4" conduit	.3 lb
FC3	10/bx	Foam Line Carrier for 1" conduit	.4 lb
FC4	10/bx	Foam Line Carrier for 1 1/4" conduit	.4 lb
FC5	5/bx	Foam Line Carrier for 1 1/2" conduit	.3 lb
FC6	5/bx	Foam Line Carrier for 2" conduit	.4 lb
FC7	5/bx	Foam Line Carrier for 2 1/2" conduit	.6 lb
FC8	5/bx	Foam Line Carrier for 3" conduit	.6 lb
FC9	2/bx	Foam Line Carrier for 3 1/2" conduit	.5 lb
FC10	2/bx	Foam Line Carrier for 4" conduit	.6 lb
FC11	2/bx	Foam Line Carrier for 5" conduit	.8 lb
FC12	2/bx	Foam Line Carrier for 6" conduit	.8 lb

FC11 & FC12 not pictured.



Power Saver™ Line Packages

For 1/2" to 1" conduit.

- Carrier and pull line included in a single, handy package. Line is dispensed smoothly and quickly as line carrier moves through conduit.
- No knots to tie, no foam carriers to retrieve.
- Color coded packages indicate line diameter.



Part #	Qty	Description	Length	Color	Breaking Strength	Weight
LP2150	50/bx	Power Saver™ Line Package for 1/2" conduit	150'	Red	17 lbs	.8 lb
LP3300	25/bx	Power Saver™ Line Package for 3/4" conduit	300'	Yellow	17 lbs	.8 lb
LP3450	25/bx	Power Saver™ Line Package for 3/4" conduit	450'	Yellow	17 lbs	.8 lb
LP4300	25/bx	Power Saver™ Line Package for 1" conduit	300'	White	17 lbs	.8 lb
LP4450	25/bx	Power Saver™ Line Package for 1" conduit	450'	White	17 lbs	.8 lb

Tag-Along™ Line Packages

For 1 1/4" to 6" conduit.

- Handles longer runs with less energy.
- Line is dispensed as package moves through conduit attached to line carrier.
- Works with foam or inflatable line carriers.



Part #	Qty	Description	Length	Breaking Strength	Weight
LP2206T	10/bx	Tag-Along™ Pull Line Package	400'	22 lbs	.6 lb
LP2207T	10/bx	Tag-Along™ Pull Line Package	800'	22 lbs	1.1 lbs
LP2208T	10/bx	Tag-Along™ Pull Line Package	600'	22 lbs	.9 lb

Heavy-Duty Bulk Nylon Line

Doubles as general-purpose line for layout of suspended ceilings, plumb-lines and masonry construction.

- Use with line carriers for any size conduit.
- All packages are center-dispensing (except #LP1707).

Part #	Qty	Description	Length	Breaking Strength	Weight
LP1701	6/bx	Heavy-duty Bulk Nylon Line	1000'	100 lbs	2.5 lbs
LP1722	6/bx	Heavy-duty Bulk Nylon Line	2200'	90 lbs	6.3 lbs



LP1722



LP1701

Poly-Pull™ Series Pull Line

Super high strength – up to 500 lbs breaking strength.

- Self-lubricated polyolefin line lasts for years; will not rust, rot or mildew.
- Center-dispensing box pays out line smoothly.
- Blow directly into conduit using Dial-A-Line™ Seal-off bodies

PL235



PL232B

Part #	Description	Length	Breaking Strength	Outside Diameter	Color	Weight
PL102	Poly-Twine™ Pull Line	6500'	190 lbs	1/8"	Yellow	13 lbs
PL102B	Poly-Twine™ Pull Line in bucket	6500'	190 lbs	1/8"	Yellow	14 lbs
PL232B	Poly-Pull™ Line in bucket	6500'	210 lbs	1/8"	Blue tracer	11 lbs
PL235	Poly-Pull™ Line in dispenser box	2200'	500 lbs	3/16"	Red tracer	15 lbs
PL235B	Poly-Pull™ Line in bucket	2200'	500 lbs	3/16"	Red tracer	16 lbs

Conduit Measuring Tape

Blow or vacuum through the run to estimate wire length or to locate obstructions.

- Strong and durable.
- Breaking strength of 165 lbs.
- Mildew and rot-resistant.



Part #	Description	Dimensions	Weight
ST40	Super True Tape™ Measuring Tape	2750' Roll x 1/4" wide	3.6 lbs





INNOVATION

EXCLUSIVE! UpperHand™ Fish Tape

GB's series of UpperHand™ fish tapes has improved traditional hand fishing with the first ergonomic fish tape in the industry. The improved design is manufactured with impact-resistant ABS and Nylon™ resins and includes a full, wrap-around interior ring to increase durability. The UpperHand™ series is backed by an industry leading 5-year limited warranty.

- Exclusive Ergonomic Handle reduces wrist strain.
- Exclusive Comfort Formed Grip reduces forearm strain.
- Exclusive cushioned Rubber Hand Grips for ease of operation and comfort (certain models).
- Impact Modified Handle and Housing that exceeds the 25 ft drop-test.
- Plated Steel Wire resists corrosion (certain models).



A Tape for Every Job



Standard Carbon Steel

Tried-and-true, tough and economical solution for wire pulling.



Corrosion-Resistant Plated Carbon Steel (R series)

The toughest, most durable tape for long-lasting use.



Non-Conductive Fiberglass Core with Nylon Jacket

Exclusive non-conductive tip and unique flat shape is easier to feed yet able to pull up to 500 lbs.

SEE PG
75



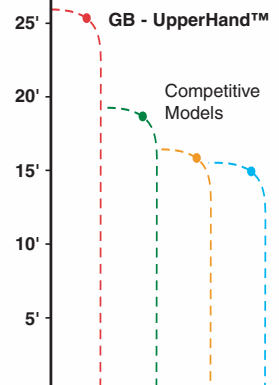
FOR MORE INFO ON
Fish Tape Winder

**Five Year
Warranty**



	FTN-100R	FTS-65R	FTS-125R	FTS-250R
Tape Length	100'	65'	125'	250'
Tape Material	Fiberglass Core w/ Nylon Jacket	Corrosion-Resistant Plated Carbon Steel		
Pkg Qty	1/card	1/card	1/card	1/card
Handle / Housing Material	Nylon / ABS w/ rubber grips	Nylon / ABS w/ rubber grips	Nylon / ABS w/ rubber grips	Nylon / ABS w/ rubber grips
Tape Dimensions	TBD	TBD	TBD	TBD
Weight	2.99 lbs	3.0 lbs	5.2 lbs	8.2 lbs
Internal / External Ring Dia.	5½" / 12"	4" / 8½"	5½" / 12"	5½" / 12"

Drop Test Results



Tested to withstand a
25' drop



Ergonomic Handle

Reduces fatigue and wrist strain by allowing the user to keep their wrist in a natural position

GB
Gardner
Bender

CONDUIT FISHING



INNOVATION

GB EXCLUSIVE! UpperHand™ Rewind™ Fish Tape Winder

New UpperHand™ Rewind™ Fish Tape Winder GB's new two-piece winding solution that is easier to use than any other manual winding system available. The Rewind™ works on all 100', 125' and 250' UpperHand™ fish tapes.

- Designed exclusively for UpperHand™ fish tapes.
- Molded tabs Snap into the UpperHand™ housing to firmly secure.
- 3/8" Drive Socket fits standard ratchet.
- Over-molded Rubber Hand Grip on Ratchet. improves operation and comfort.
- High-Impact ABS Construction withstands drops of greater than 25'.
- Fits the following UpperHand™ Fish Tape models:
 - FTS-125 - FTS-125R - FTS-250
 - FTS-250R - FTN-100R



SEE PG 74 FOR MORE INFO ON UpperHand™ Fish Tapes



Attaches Easily

No tools are needed – just turn the handle and snap into place. No other winder is as easy to use!

Reduces Strain/Improves Productivity

Efficient ratcheting feature saves arm movements – and time on the job.

Keeps Tape Smooth

Easy, steady retrieval maintains tape's original shape for long-lasting use.

Part #	Pkg Qty	Description
FTW-10	1/card	Rewind™ Fish Tape Winder

Cable Snake™ Steel Fish Tape

Rugged, ergonomically-designed steel fish tape.

- Comfortable handle made of impact-resistant plastic.
- Handle will not pop-out.
- Largest opening and gripping surface in the industry.
- GB exclusive trigger design cleans tape and provides constant tension during retrieval.
- Tape is wound directly into housing. No need to “snap” retaining tapes.
- Wire has clean lubricating properties to prevent rust.
- Maximum design strength 500 lbs.
- Fish tape ball helps guide through tricky bends.
- Patented.



Part #	Description	Weight
FTS-100GR	120' x 1/8" x .0625" Cable Snake™	4.6 lbs
FTS-200GR	240' x 1/8" x .0625" Cable Snake™	7.2 lbs



CONDUIT FISHING

Streamline™ Steel Fish Tape

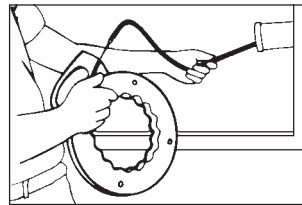
Setting the industry standard for quality and dependability.

- Tape is wound directly into housing; no need to “snap” retaining tapes; no sticky residue inside housing.
- Form-fitting finger grips around reel fit the hand comfortably.
- Shatter-proof reel stands up to on-the-job abuse.
- Four viewing ports on reel show how much tape remains.
- Easy disassembly for fast replacement of tape.
- Maximum design strength 500 lbs.

FTS-50B



Part #	Description	End Type	Reel Dia.	Weight
FTS-50B	50' x 1/8" x .045" Fish Tape	Curled	8 1/2"	2.3 lbs



Cable Snake™ Steel Fish Tape

Perfect for short runs installing electrical boxes, outlets, lighting fixtures, doorbells and security systems.

- Compact design houses 25' of tape and fits in tool box or on tool belt.
- Flat wire steel tape fishes down walls, under carpets and over ceilings.
- Wedge-shaped tip prevents hang-up.
- Low-memory tape does not curl during extension - perfect for non-conduit situations.
- Formed handle fits easily in hand.
- Compact tape rewind knob for quick wind-up.



EFT-21P

Part #	Description	Weight
EFT-21P	25' Cable Snake™ Fish Tape	1.10 lbs



Standard fish tape used for conduit
 High memory tape curls when extended not allowing fishing through walls



25' Cable Snake™
 Low memory tape does not curl when extended, making it ideal for fishing overhead or through walls

Replacement Fish Tape

Replacement tape FTS series.

- Durable flat steel tapes in 1/8" and 1/4" widths.

Part #	Description	Fits Housing Number	Weight
RTS-50B	50' x 1/8" x .045" Steel	FTS-50B	1.2 lbs
RTS-100	100' x 1/8" x .060" Steel	FTS-100CE, FTS-100GR	3.0 lbs
RTS-200	200' x 1/8" x .060" Steel	FTS-200CE, FTS-200GR	5.6 lbs
RTX-100	100' x 1/4" x .060" Steel	FTX-100	5.8 lbs
RTX-200	200' x 1/4" x .060" Steel	Bulk (no housing)	11 lbs



Economy Fish Tape

Economical 50' tape.

- Standard steel material.
- View port in reel allows user to see amount of tape used.

Part #	Description	Reel Dia.	Weight
EFT-50B	50' x 1/8" x .045" Fish Tape	7"	1.8 lbs



Fiberline™ Non-Conductive Fiberglass Fish Tape

For use in telecom, electrical, wall and floor conduit, walker duct and utility installations.

- Fiberglass non-conductive properties for safer pushing/pulling in occupied duct and panel boxes.
- Inner feed design for quick payout and rewind.
- Rust and corrosion resistant, superior pulling strength, will not kink.
- High visibility in crowded conduit.
- Fish tape eye accommodates #10 wire.
- Repair kit keeps parts handy.
- FiberLine™ Hand Puller protects fiberglass rod while pulling. Works on most competitive fiberglass fish tapes.
- Maximum design strength 250 lbs.

Part #	Description	Weight
FTF-200	200' FiberLine™ w/ 3/16" rod	18 lbs

*FTRK-20 Repair Kit Available

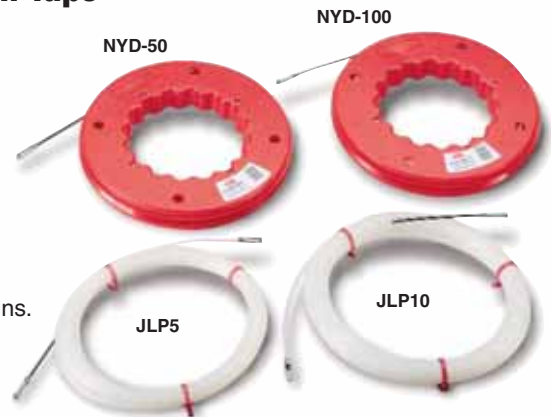


FTF-200

Nylo-Flex™ Non-Conductive Nylon Fish Tape

Non-conductive fish tape – light and flexible.

- Designed for use in conduit with existing wires or cables.
- Glides through 1/2" to 4" conduit.
- High-strength nylon tape tested at 300 lbs average tensile strength.
- Shatterproof reel is virtually indestructible; features no-slip, form-fitting finger grips.
- Four viewing ports on reel show how much tape remains.
- 6-inch spiral wound metal leader with pulling eyelet included (attached).
- Tape diameter is 3/16".



Part #	Description	Weight
NYD-50	50' Nylo-Flex™ Non-conductive Fish Tape Housing	1.2 lbs
NYD-100	100' Nylo-Flex™ Non-conductive Fish Tape Housing	2.2 lbs
JLP5	50' Non-conductive Replacement Tape (coil only)	1 lb
JLP10	100' Non-conductive Replacement Tape (coil only)	1.5 lbs

Fish Tape Ball

Eye holds 7 #10, 12 #12 or 19 #14 bare wires.

- Attaches directly to most 1/8" x .0625" steel fish tapes.
- Maximum design strength 500 lbs.

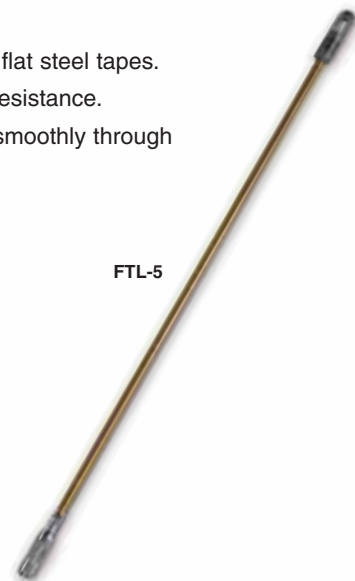


Part #	Description	Weight
FTB-10	Fish Tape Ball	.06 lb

Fish Tape Leader

Multi-Flex™ is a flexible, non-kink, round metallic leader perfect—for flat steel tapes.

- Double-sheathed to prevent unraveling. Brass plated for corrosion resistance.
- Spring Coil easily curves around bends, yet is rigid enough to fish smoothly through conduit with existing wire.
- High strength – tested at 400 lb tensile strength.
- Attaches directly to 1/8" tapes, adapts to fit 1/4" tapes.



Part #	Description	Weight
FTL-5	Fish Tape Leader, Multi-Flex™	.5 lb

NEW Fish Ease™ 12' Fish Sticks

- 3 durable interlocking fiberglass rods extend up to 12'. (4' sections).
- 1/4" diameter ensures rigidity when extended.
- 2 different threading tips provided for a variety of applications.

Part #	Description	Dimensions	Weight
FTX-12L	Fish Ease™ 12' Fish Sticks	3 4' sections x 1/4"	1 lb



NEW Glo Fish™ 15' Glow in the Dark Fish Sticks

- 3 interlocking fiberglass rods extend up to 15'.
- Made from luminescent fiberglass to make fishing through walls or over ceilings easier.
- 1/4" diameter ensures rigidity when extended.

Part #	Description	Dimensions	Weight
FTX-15GL	Glo Fish™ 15' Fish Sticks	3 4' sections x 1/4"	1 lb



NEW Mini-Brutus™ Cable Puller

Gardner Bender introduces the new Mini Brutus™ 2,000 pound pulling system. With the PT2000M power drive, the CP2000M is an all-in-one light to medium duty cable puller. When removed, the power drive can also be used as a pipe threader (adapters not provided). Durable square tubular steel frame construction prevents buckling and the welded steel base improves stability. Multi-position adjustable arm increases versatility and allows cable pulls from any direction. Self-contained, compact design sets up in minutes and is perfect for pulls in small panels or tight locations.

- Rated for pulls up to 2,000 pounds.
- Self-contained design for quick setup and takedown.
- Adjustable arm fully extends to 70".
- Extended height to 9' 8" for convenience.
- 44" x 13½" x 18" collapsible frame for portability and easy storage.
- 5½" wheels to improve jobsite portability.
- Pulls loads up to 18' per minute to avoid wire installation damage.
- Two-part urethane baked-on paint to resist chipping and rust.
- Metal case provided for Power Drive and components.

Part #	Description
CP2000	Mini-Brutus™ Cable Puller Frame
CP2000M	Mini-Brutus™ Cable Puller w/ Motor & Components
PT2000M	Power Drive Kit for CP2000 & CP2000M



CP2000M Includes:

Part #	Description
CP2000	Mini-Brutus™ Cable Puller Frame
PT2000M	Power Drive Kit



Optional Power Drive Shown

Stored Position (CP2000)



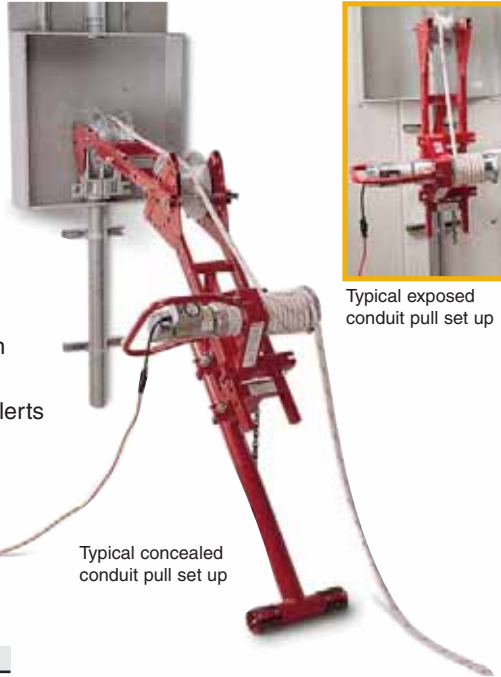
PT2000M



Brutus™ Powered Puller

Pulls up to 8,000 lbs.

- Exclusive planetary gear design lets powerhead deliver smooth, sure power without breakage.
- 30% more pulling force than competitors' models.
- Versatile frame mounts power head almost anywhere.
- Frame assembles in numerous configurations.
- No chains or sprockets to break.
- Powerful 1½ hp motor starts under full load. Capstan is non-reversing with backstop brake. Will not reverse when power is shut off.
- Load read-out meter indicates pulling load at all times; alerts operator to hung-up cable or other excessive conditions.
- Two-way power head mounting adapts to tight corners.
- Pulls 10 feet/minute without buckling or bending.
- Heavy-duty metal case included.
- Min 15 A, Max 30 A.



Typical exposed conduit pull set up

Typical concealed conduit pull set up

Part #	Description	Weight
CP8000	Brutus™ Powered Puller for exposed or concealed conduit	355 lbs

CP8000 Includes:

Part #	Qty	Description	Weight	I.D. #
CP800	1	Power Head	60 lbs	1
CP503	3	2' Chain Assembly	3 lbs	4
CP505	5	8" Lock Pins	7 lbs	5
CP601	1	Conduit Frame Adapter	55 lbs	6
S-8512	3	12" Sheave	7 lbs	7
CP622	3	10" Lock Pins	3 lbs	8
CP631	1	Boom Extension	18 lbs	9
CP701	1	Puller Base Extension	25 lbs	10
CP702	1	Coupling Clamp	8 lbs	11
CP703	1	Adjustable Pipe Adapter	22 lbs	12
CP706	1	3" Conduit Coupling	5 lbs	13
CP707	1	3½" Conduit Coupling	4 lbs	14
CP708	1	4" Conduit Coupling	3 lbs	15
CP709	1	6" Lock Pin	2 lbs	16
HS-8512	1	12" Cable Sheave with Hook	20 lbs	17
CM20	1	Metal Case with CM44 Casters	133 lbs	18



CP8000

CP8000D Includes:

Part #	Qty	Description	Weight	I.D. #
CP800	1	Power Head	60 lbs	1
CP503	2	2' Chain Assembly	3 lbs	4
CP505	3	8" Lock Pins	7 lbs	5
CP601	1	Conduit Frame Adapter	55 lbs	6
S-8512	1	12" Sheave	7 lbs	7
CM20	1	Metal Case with CM44 Casters	133 lbs	18

CP8001 Includes:

Part #	Qty	Description	Weight	I.D. #
CP800	1	Power Head	60 lbs	1
CP80*	1	Floor Mount Kit (on following page)	33 lbs	3

*Complete with 4¾" x 5½" concrete wedge anchors.



CP8001

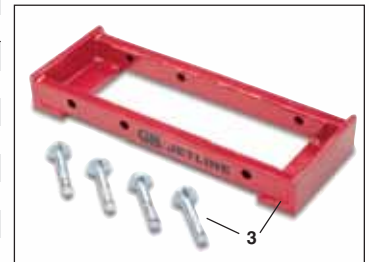
Brutus™ Powered Puller Sub-Assembly Kits

May be purchased as additions to existing cable-puller sets.

Part #	Description	Weight	Part #	Qty	Description	Weight	I.D. #
CP800	Power Assembly	110 lbs	CP801	1	Power Head	60 lbs	1
				1	Base Mounting Bracket	50 lbs	2
CP80*	Floor Mount Kit	33 lbs	CP80	1	Floor Mount w/ Anchors	65 lbs	3
CP600	Conduit Frame & Sheave Adapter Assembly	72 lbs	CP503	2	2' Chain Assembly	3 lbs	4
			CP505	3	8" Lock Pins	7 lbs	5
			CP601	1	Conduit Frame Adapter	55 lbs	6
			S-8512	1	12" Sheave	7 lbs	7
CP630	Boom Extension Kit	22 lbs	CP622	3	10" Lock Pins	3 lbs	8
			CP631	1	Boom Extension	18 lbs	9
CP700	Puller Base Extension Kit	94 lbs	CP503	1	2' Chain Assembly	3 lbs	10
			CP505	2	8" Lock Pins	7 lbs	11
			S-8512	1	12" Sheave	7 lbs	12
			CP701	1	Puller Base Extension	25 lbs	13
			CP702	1	Coupling Clam	8 lbs	14
			CP703	1	Adjustable Pipe Adapter	22 lbs	15
			CP706	1	3" Conduit Coupling	5 lbs	16
			CP707	1	3½" Conduit Coupling	4 lbs	17
			CP708	1	4" Conduit Coupling	3 lbs	18

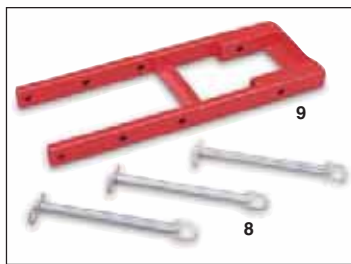


CP800



CP80

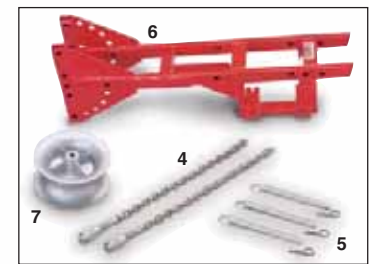
*Complete with 4¾" x 5½" concrete wedge anchors.



CP630



CP700



CP600

Optional Equipment

May be purchased as additions to existing cable-puller sets.

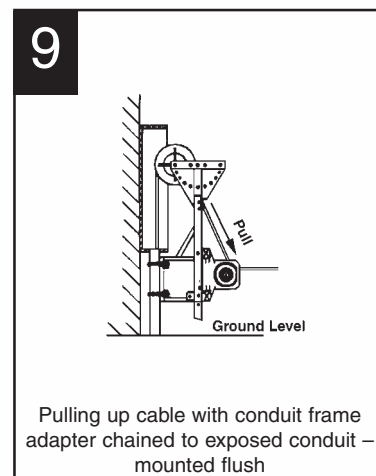
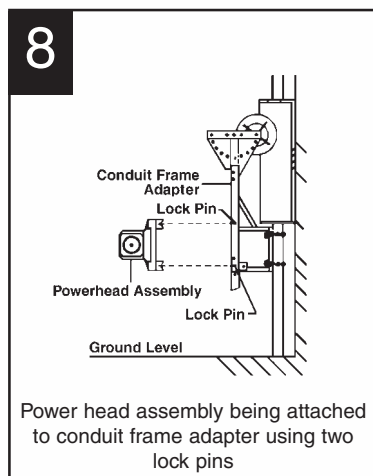
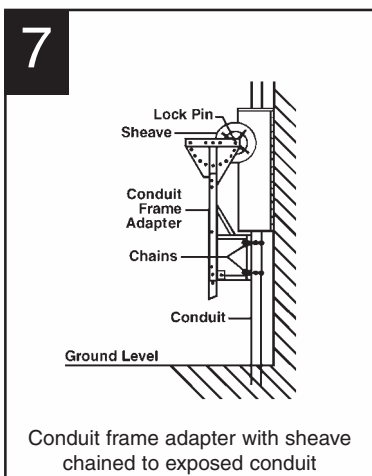
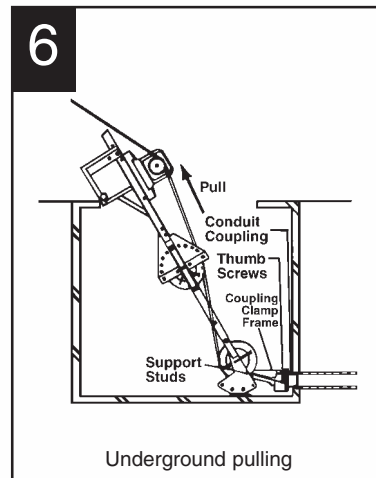
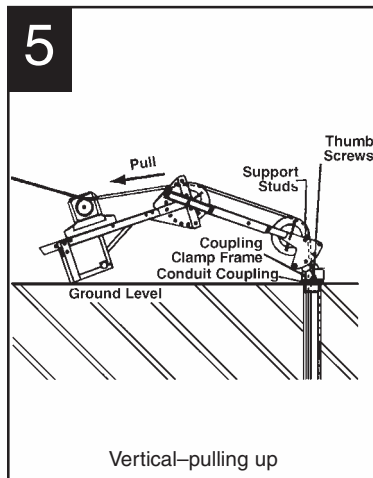
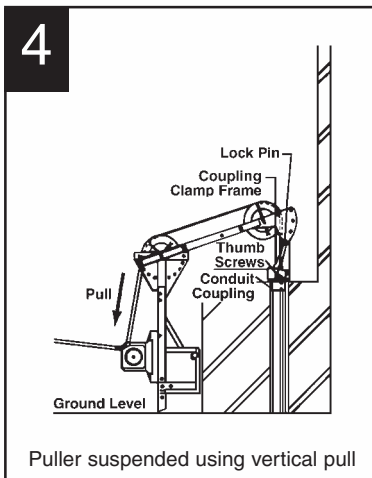
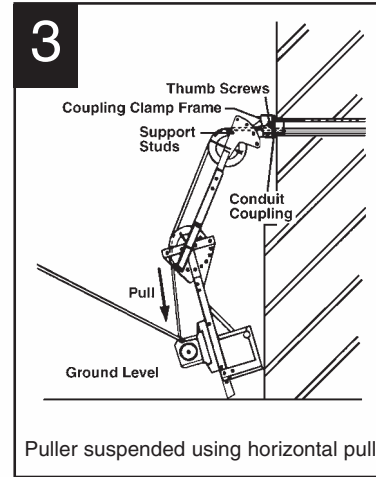
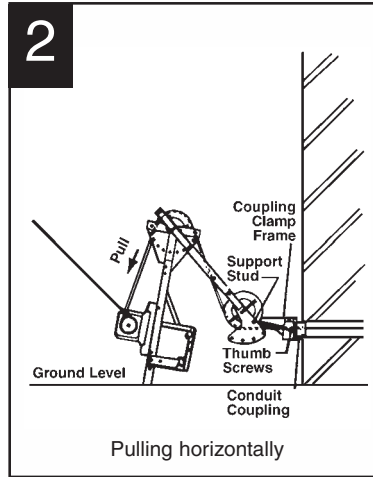
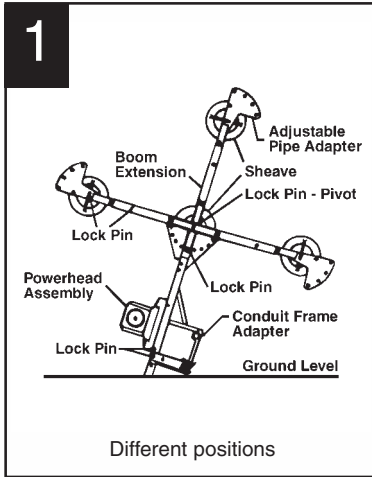
Part #	Description	Weight	I.D. #
CP709	6" Lock Pin	2 lbs	1
CP1002	Rope Steel Stand (For 300' Rope)	12 lbs	2
HS-8512	12" Cable Sheave with Hook	20 lbs	3
CM16	Metal Case with CM 44 Casters	133 lbs	-
RST-7530	Double Braided Rope (¾" x 300' spool)	54 lbs	-
RST-7560	Double Braided Rope (¾" x 600' spool)	109 lbs	-
CP10	Load Readout (meter only CA1064001)	3 lbs	4
CP15	Foot Switch for Remote Operation	4 lbs	5
CP504	6' Chain Assembly	6 lbs	6
CP704	2" Conduit Coupling	7 lbs	7
CP705	2½" Conduit Coupling	6 lbs	8
CP806	Capstan (standard) 10'/min.	7 lbs	-
CP807	Capstan (large diameter) 12'/min.	11 lbs	9



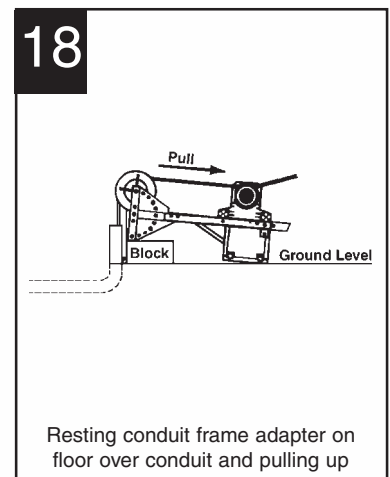
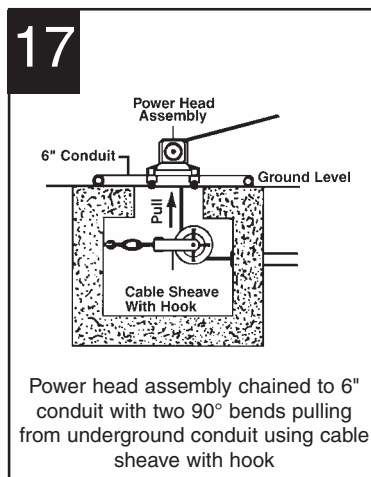
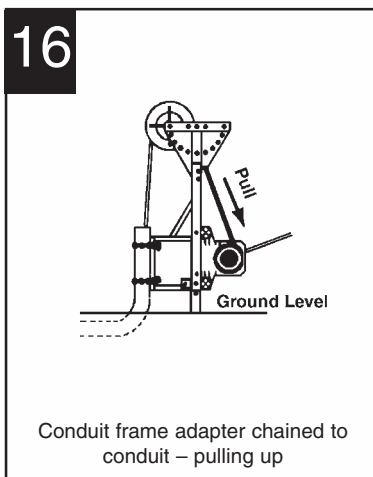
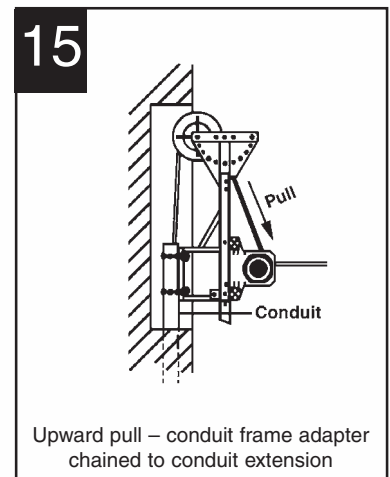
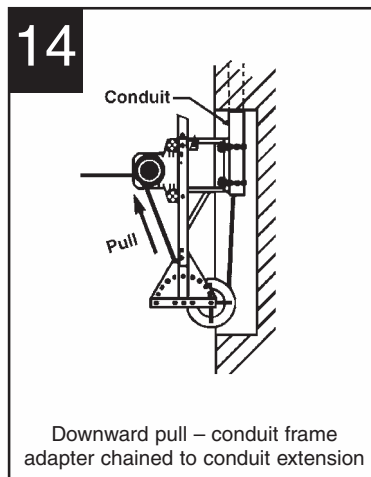
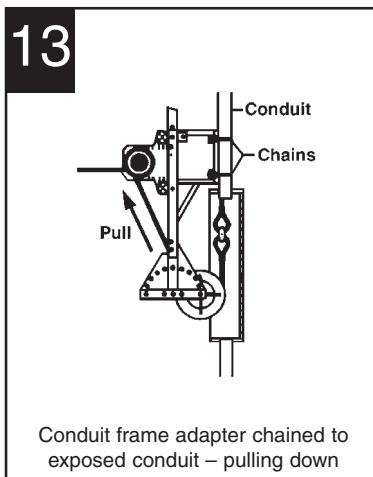
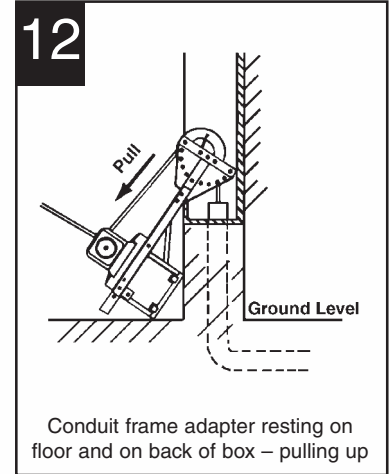
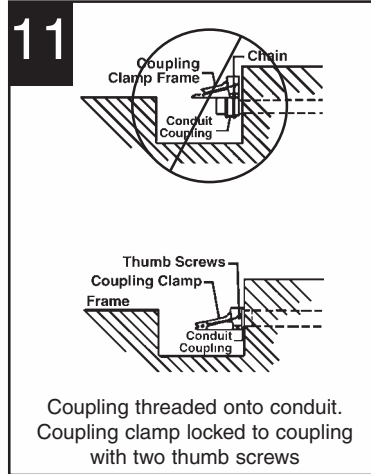
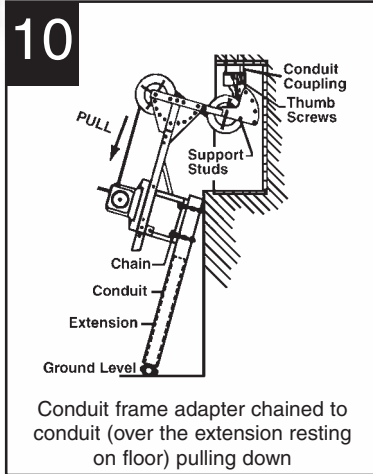
tip: For maximum performance and safety, use only original GB rope.

SEE PG **88** FOR MORE INFO ON **Rope**

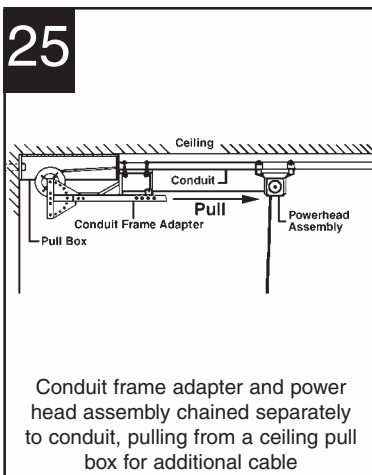
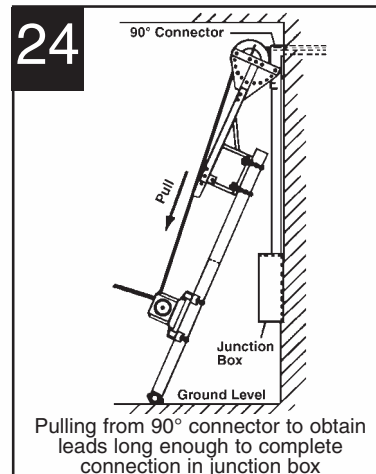
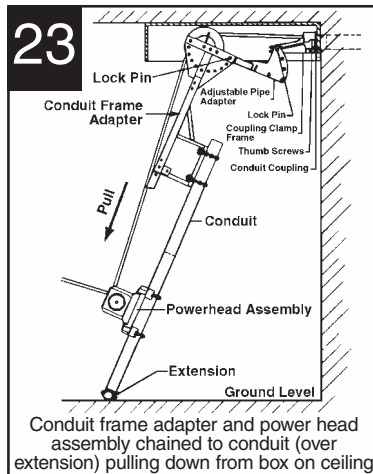
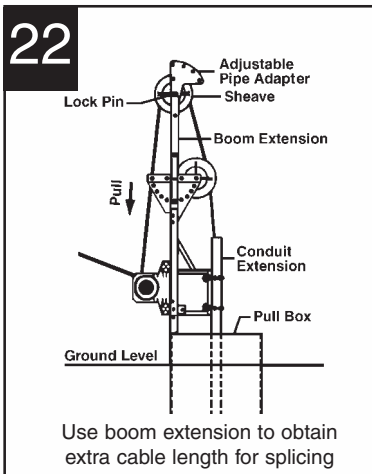
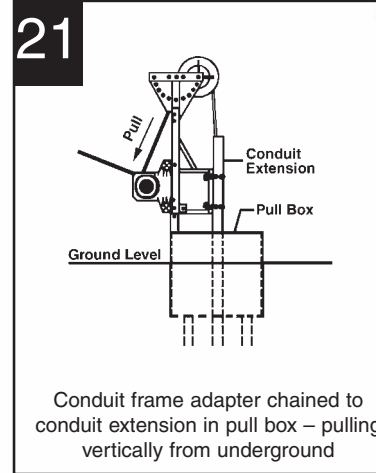
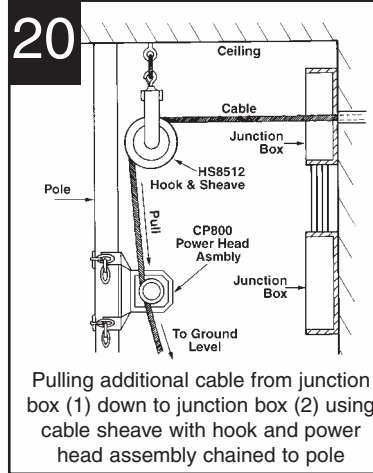
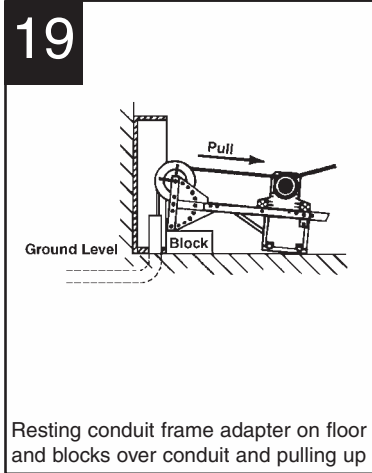
Brutus™ Application Instructions



Brutus™ Application Instructions



Brutus™ Application Instructions



Hook Sheaves

Suspends cable overhead and reduces strain on pulling equipment.

- Keeps cable together for easier manageability and enables direction of cable to be changed.
- Sheave made of rugged aluminum alloy. Hook frame made of welded steel.
- Rated at 8,000-lb capacity.

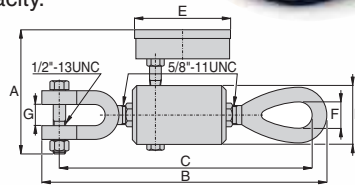


Part #	Description	Width	Dia.	Weight	Hook Only	Weight	Sheave Only	Weight
HS-8512	Hook Sheave	5"	12"	20 lbs	H-8512	13 lbs	S-8512	7 lbs
HS-8518	Hook Sheave	5"	18"	30 lbs	H-8518	20 lbs	S-8518	10 lbs
HS-8524	Hook Sheave	5"	24"	43 lbs	H-8524	29 lbs	S-8524	14 lbs

Wire & Cable-Pulling Tension Meter

Monitors tension throughout the pull to prevent over-stressing cable. Perfect for use with powered pullers.

- Self-contained hydraulically-operated meter measures in 200-lb increments up to 10,000 lbs maximum capacity.
- Maximum-indicating pointer helps read pre-selected loads.
- $\pm 2\%$ accuracy.
- Comes with certificate of calibration.
- Minimum Reading 1,000 lbs; Increments 200 lbs.



Part #	Description	Capacity	A	B	C	D	E	F	G	Weight
TM5	Tension Meter	10,000 lbs	4.75"	9.75"	9.29"	2.00"	3.69"	.88"	.75"	9 lbs

Wire-Aide™ Wire-Pulling Lubricant

Slides on smoothly and clings throughout the pull. Modified wax-base formula dries to a slippery film.

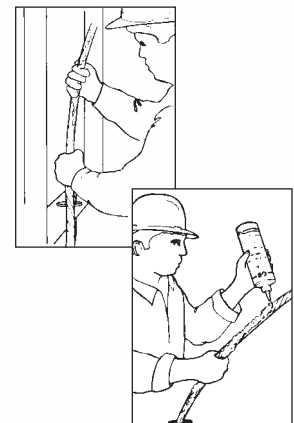
- Greaseless, non-toxic compound will not stain skin, clothing or construction trim; cleans up quickly with soap and water.
- Stable and safe to use. Withstands normal temperature extremes and will not dry out in the container. Non-combustible, non-conductive and non-corrosive.
- Will not damage conduit or insulation.
- Remains stable with multiple freeze-thaw cycles.
- Suitable for fiber-optic wire.



Part #	Container Size	Weight
79-002	1 gal. Pail	9 lbs
79-003	5 gal. Pail	42 lbs
79-006	1 qt. Squeeze Bottle	2 lbs

Wire-Aide™ Specifications

Base	Wax, modified	Staining Properties	Non-staining to hard surfaces
Color	Yellow	Removal	Soap and hot water
Viscosity	Heavy cream-like paste	Abrasion Protection	Excellent
pH	Approx. 6.5 - 7.0	Cling Ability	Excellent
Freezing Point	28° F	Water Resistance	Repels water to some extent
Freeze-Thaw Stability	OK/3 cycles	Hardening Charac.	Non-hardening
Lubricity	Excellent	Condition on Drying	Waxy-film
Shelf Life	Indefinite	Flash Point	Non-combustible
Corrosion Test	Non-corrosive to metals		



Poly-Gel™ Cable-Pulling Lubricant

Perfect for all types of insulation and conduit, including fiber-optic cable, cable with low-density, linear low-density polyethylene, polyurethane and semi-conducting jackets.

- Clean, clear gel, water-based for easy cleanup. Non-staining and non-toxic.
- Dries to a clear, non-conductive film for easy handling, stripping and terminating of cable. Will not gum up or harden on conduit.
- Easy and versatile to use. Apply manually or with pump.
- Workable over wide temperature range:
 - Poly-Gel™ +28 °F to +200 °F
 - All Season Poly-Gel™ -10 °F to +180 °F



Part #	Description	Container Size	Weight
79-201	Poly-Gel™	1 qt. Squeeze Bottle	2.5 lbs
79-202	Poly-Gel™	1 gal. Pail	8.75 lbs
79-203	Poly-Gel™	5 gal. Pail	42 lbs
79-301	All Season Poly-Gel™	1 qt. Squeeze Bottle	2.5 lbs

Poly-Gel™ Specifications

Base	Poly-oxyethylene/Water
Color	Blue
Viscosity	Thick Clear Gel
pH	7.2 - 8.2
Freezing Point	28 °F
Freeze-Thaw Stability	Excellent
Lubricity	Excellent
Shelf Life	Indefinite
Corrosion Test	Non-corrosive
Staining Properties	Non-staining
Removal	Soap and water
Cling Ability	Excellent
Condition on Drying	Semi-fluid film
Flash Point	Non-combustible

All Season Poly-Gel™ Specifications

Base	Polyethylene polymer
Color	Lime Green
Viscosity	Heavy gel-like paste
pH	Approx. 6.5 - 7.5
Freezing Point	-10 °F
Freeze-Thaw Stability	OK/3 cycles
Lubricity	Excellent
Shelf Life	Indefinite
Corrosion Test	Non-corrosive to metals
Staining Properties	Non-staining to hard surfaces
Removal	Soap and Water
Cling Ability	Excellent
Condition on Drying	Lubricious film
Flash Point	Non-combustible

Super-Slick™ Cable-Pulling Lubricant

Exclusive GB Micro Bead Formula rolls cable through the longest pulls.

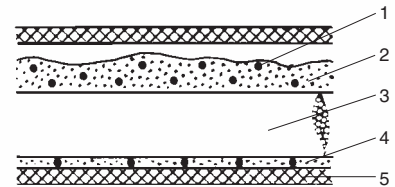
- Lowest pulling tension. This GB lubricant innovation combines a lubricating agent with microbeads that act as miniature ball bearings to raise the cable off the conduit surface. Cable literally rolls through the run, reducing friction by an additional 30% compared to regular lubricants.
- Adheres throughout long pulls. Creates a slick film that will not rub off or dry out on long pulls or re-pulls.
- Requires up to 45% less lubricant per foot than regular lubricants, actually reducing cable-pulling costs.
- Stable under temperature extremes of 28 °F to 200 °F and withstands repeated freeze-thaw cycles.
- Harmless to skin and safe for the environment. Non-toxic, non-flammable and non-corrosive to all conduit types. Easily cleans up with water and will not stain clothing.
- Universally compatible with all cable types and jacket materials, including low-density and linear low density polyethylene, polyurethane and semi-conducting jackets.

Super Slick™ Specifications

Base	Water	Staining Properties	Non-staining
Color	White	Removal	Water Rinse
Viscosity	2100 cps@ 50 rpm	Abrasion Protection	Excellent
pH	6.0 - 8.0	Cling Ability	Excellent
Freezing Point	30.2 °F	Hardening Charac.	Non-Hardening
Freeze-Thaw Stability	Excellent	Condition on Drying	Slick Film
Lubricity	Excellent	Flash Point	Non-Combustible
Shelf Life	Indefinite		



Part #	Container Size	Weight
79-401	1 qt. Squeeze Bottle	2.5 lbs
79-402	1 gal. Jug	8.75 lbs
79-403	5 gal. Pail	42 lbs



1. Micro Beads
2. Shear-sensitive carrying agent with suspended lubricating oil
3. Cable
4. Thin film of lubricating oil
5. Conduit wall

Super Tuff-Pull™ Double Braided Rope

The toughest, strongest pulling rope available. Double-braided 100% polyester construction, delivers the highest working loads and tensile strength at every diameter.

- Super abrasion resistance for longer life.
- Low stretch, high strength characteristics result from exclusive manufacturing process which carefully controls yarn tension during braiding. Torque-free, non-rotating, non-kinking performance due to double-braided construction for ease of handling — wet or dry.
- Weather resistant. Will not rot or mildew.
- The 3/4" diameter rope includes a factory-spliced eye on both ends.



Part #	Size	Working Load*	Weight
RST-5030	1/2" x 300'	3,500 lbs	30 lbs
RST-5060	1/2" x 600'	3,500 lbs	61 lbs
RST-7530**	3/4" x 300'	8,000 lbs	54 lbs
RST-7560**	3/4" x 600'	8,000 lbs	109 lbs

* Working loads are based on use with GB Cable Pullers and for the purpose of pulling wire through conduit.

** Preferred for Brutus™ 8,000-lb Cable Puller.

Super Tuff-Pull™ is constructed of a jacket braided over a braided core. Double braided construction entirely shields one of the two ropes from abrasion.

Tuff-Pull™ Single Braided Rope

Toughest, strongest single-braided rope available. Constructed of 12 strands of 100% polyester fibers braided over and under each other in a circular pattern.

- Non-rotating, non-kinking performance due to braided construction (unlike ordinary twisted rope) makes handling easy.
- Low stretch, high strength characteristics result from tension-controlled braiding process.
- Weather-resistant. Will not rot or mildew.
- The 3/4" diameter rope includes a factory-spliced eye on both ends.



Part #	Size	Working Load	Weight
RTP-3830	3/8" x 300'	1125 lbs	14 lbs
RTP-5030	1/2" x 300'	2125 lbs	21 lbs
RTP-7530	3/4" x 300'	4500 lbs	58 lbs

tip: Vary rope application. Reverse the rope, end-for-end. Alternate the lay of the rope around capstan and sheaves.

Store rope in clean dry area, preferably on well-ventilated racks. Keep rope away from chemical contact or fumes.

Avoid exposing rope to extreme heat in excess of 140 °F.



Tuff-Pull™ is constructed of 12 strands of polyfibers braided over and under each other in a circular direction.

Poly-Pro™ General Purpose Rope

Strong, durable, lightweight polypropylene general purpose rope for manual wire pulling and general construction applications (barrier rope, tie downs, tow rope, etc.).

- Resistant to mildew, rot and chemical action.



Part #	Size	Working Load	Weight
RGP-2525	1/4" x 250'	113 lbs	4 lbs
RGP-2560	1/4" x 600'	113 lbs	9 lbs
RGP-3825	3/8" x 250'	270 lbs	10 lbs
RGP-3860	3/8" x 600'	270 lbs	23 lbs
RGP-5025	1/2" x 250'	420 lbs	18 lbs
RGP-5060	1/2" x 600'	420 lbs	37 lbs
RGP-50120	1/2" x 1200'	420 lbs	66 lbs
RGP-7530	3/4" x 300'	1100 lbs	44 lbs
RGP-7560	3/4" x 600'	1100 lbs	81 lbs

WARNING

Not recommended for powered cable pulling.

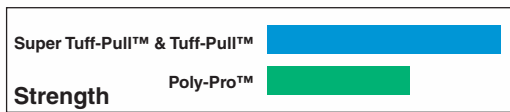
Rope Selection

1. Select the proper rope for the job.

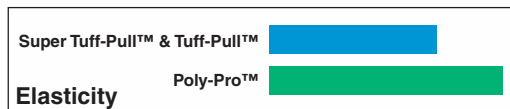
CAUTION

Always choose a strong, durable rope with limited elasticity and long service life. The material, tensile strength and recommended working load are critical factors.

- a. **Working Load Rating** represents the maximum pulling load to which the rope should be subjected. It increases with rope diameter and is calculated for rope in good condition with appropriate splices under normal service. *Note: Working load guidelines are void under conditions of rapid or sudden load changes.*



- b. **Tensile Strength** is the average breaking point of new, unused rope. It gives some indication of the rope's ability to withstand sudden or shock loads. Tensile strength decreases over time as the rope is used and should *not* be relied upon as an indication of working strength.

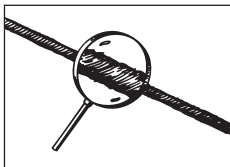


tip: Polyester ropes such as Tuff-Pull™ and Super Tuff-Pull™ are preferred for cable pulling because of their low elasticity, high strength and endurance.

2. Inspect the rope thoroughly before each use.

CAUTION

Avoid using rope that shows signs of wear, such as frayed ends, broken yarns or pulled strands.

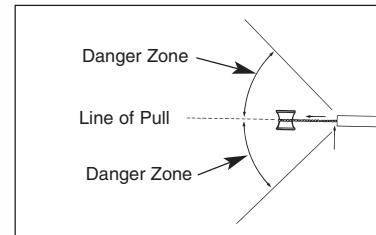


Rope Usage

1. Always check all fittings, splices, connectors, etc. before using rope.
2. Do not stand directly in line with rope under tension.

WARNING

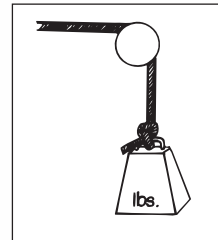
All synthetic rope under load will recoil if it, or a fitting (chain, hook, bolt, etc.) fails. The snap-back action will propel the rope - and any still attached metal fittings - at high speed. Serious injury to persons or property in the vicinity is possible.



3. Do not overload the rope.

CAUTION

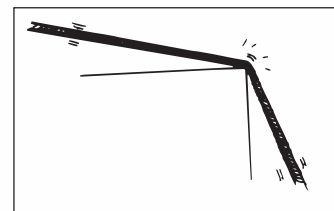
Handle loads slowly and smoothly to avoid sudden strains or shock loads which can exceed the rope's breaking strength. Such dynamic loading occurs when a load is picked up, stopped, moved or swung and may subject the rope to two or three times its normal working load.



4. Avoid abrasive conditions.

CAUTION

Rough surfaces and sharp edges can severely damage rope. Do not pull rope over sharp bends or angles. Make sure chocks, capstans, sheaves and pulleys are free of burrs and rust and rotate freely. Keep rope surface clean. Do not drag it over rough ground; dirt and grit will work into and cut inner fibers.

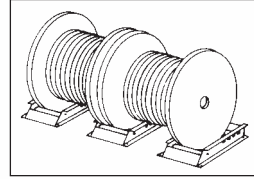
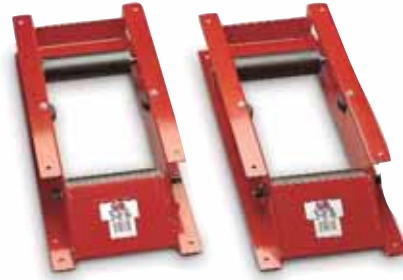


Handy-Saver™ Reel Roller

Durable roller base that permits fast, easy loading and re-loading.

- 3000 lb capacity per pair.
- Slanted ramp permits fast, easy loading and unloading.
- Five roller slot adjustments set for wide range of reel diameters; no limit on reel widths.
- Epoxy-coated solid steel platform withstands heavy use.
- For 15" to 30" diameter reels.
- Dimensions: 26"L x 11¼"W x 4½"H.

Part #	Description	Weight
WRR-100	Handy Saver™ Reel Roller (1 ea.)	48 lbs

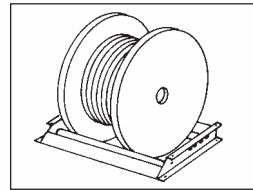


30" Reel Roller

Holds reels up to 30" diameter; 2000 lb capacity.

- Five roller slot adjustments to fit reel diameter.
- Epoxy-coated solid steel platform with handy loading/unloading ramp.
- Dimensions: 33½"L x 26½"W x 4½"H.

Part #	Description	Weight
WRR-300	30" Reel Roller	50 lbs



Replacement Parts

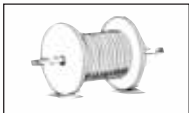
Part #	Description	Weight
WRR100259	Side Roller	1 lb
WRR1002513	Cotter Pin	.5 lb

Telescoping Reel Jacks

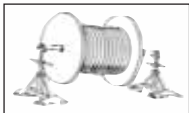
Easily set up in minutes to dispense or take up wire, cable, rope or hose.

- Adjustable jack height accommodates various reel sizes.
- Roller bearings on jack permit smooth reel rotation.
- High-strength steel construction holds up to 5000-lb reel.

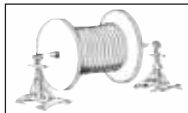
Part #	Dimensions	Jack Height Range	Reel Capacity		Weight
			Size	Weight	
TRJ-56	14½"L x 15"W	13" to 28"	28" to 56"	2500 lbs. (ea.)	25 lbs
TRJ-96	24"L x 16"W	22" to 54"	46" to 96"	2500 lbs. (ea.)	49 lbs



Insert spindle through center of reel.



Place reel jacks under each end of spindle, aligning roller bearings with spindle grooves, and raise one jack until reel end clears floor.



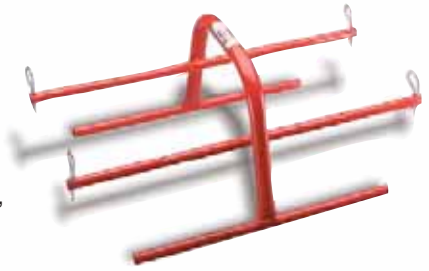
Raise opposite jack until spindle is level.

Hand Wire Caddy

Convenient hand carrying or dispensing of small quantities of reeled wire.

- Rugged construction from $\frac{5}{8}$ " ,083 steel tubing, epoxy-coated to reduce chipping and peeling.
- Holds up to eight reels, each 7" diameter by 5" wide, or four reels, each 7" diameter by 6" to 10" wide.

Part #	Description	Dimensions	Weight
WSP-100E	Hand Caddy	22 $\frac{1}{2}$ " L x 13 $\frac{1}{2}$ " W x 9 $\frac{1}{2}$ " H	6 lbs



Portable Wire Caddy

Maximum flexibility to dispense six 500' spools of #6 to #10 AWG or twelve 7" diameter by 5" wide wire reels at the same time.

- Durable welded square-tube steel frame to stand up to tough job-site applications.
- WSP-115 model comes with wire guide and casters.

Part #	Description	Dimensions	Weight
WSP-115	Wire Caddy with Casters	16" L x 26" W x 20 $\frac{1}{2}$ " H	8 lbs



WSP-115

Spool Caddy Cart

Transport and dispense reels of building wire, coaxial and multi-conductor cables.

- Hand Caddy WSP-100E is included. The caddy is easily attached to and detached from cart for maximum capacity and flexibility.
- Constructed of heavy-duty, steel tubing holds up to 300 lbs.
- Semi-pneumatic steel wheels are much more durable than plastic wheels.
- Special patented channel allows up to two hand caddies to attach to cart.

Part #	Description	Dimensions	Weight
WSP-140	Spool Caddy w/ WSP-100E	22" L x 16" W x 43" H	27 lbs



WSP-140 Assembled

WSP-140 Unassembled

Deluxe Spool Cart & Caddy Combo

WSP-145 combines Deluxe Spool Cart (WSP-144) and Hand Caddy (WSP-100) for maximum capacity and flexibility in storing and transporting wire reels.

- Hand Caddy is easily attached to and detached from cart using special, patented channel.
- Holds up to 23 500' spools or two 2,500' spools.
- Constructed of heavy-duty steel tubing holds up to 400 lbs. Durable semi-pneumatic wheels.
- WSP-144 offers five spool holders that attach in six positions to hold reel/spool combinations:
 - Ten - 23 reels, each 5" - 7" diameter and 5" - 10" wide
 - Four reels, each 10" - 12" diameter, 7" wide
 - Two reels, each 15" - 18" diameter, 14" wide

Part #	Description	Dimensions	Weight
WSP-144	Deluxe Spool Caddy	22" L x 18½" W x 43" H	28 lbs



WSP-144

Heavy-Duty Spool Cart & Caddy Expander Combo

WSP-155 combines Heavy-Duty Spool Cart (WSP-150) and Heavy-Duty Caddy Expander (WSP-50) for storing and transporting up to 21 500' spools or four 2,500' spools.

- Constructed of heavy-duty steel tubing, holds up to 700 lbs.
- Shock-absorbing, semi-pneumatic wheels mounted on ball bearing steel rims with easy-service grease fittings.
- Dispenses THHN, THW, Romex® and other materials from horizontal or vertical position.
- Two wire guide feeders permit wire feed in any direction.
- WSP-150 has a versatile carrying capacity. Holds four reels each 10" diameter x 15" wide, or three reels, each 12" - 14" diameter, or two reels each 12" - 15" diameter x 15" wide or one 24" diameter reel 15" wide.

Part #	Description	Dimensions	Weight
WSP-150	Heavy-Duty Spool Caddy	22" L x 18½" W x 45" H	60 lbs



WSP-150

Wire Dispenser

Capacity to handle ten 2500' spools up to 18" diameter.

- Swivels a full 360° on the base.
- All-steel construction.
- Base has two fixed and two swivel locking casters.
- Spindles are mounted at an angle to keep wire reels in proper payout position.
- Easily rolls through standard 36" door opening.

Part #	Description	Dimensions	Weight
WCM-10	Wire Dispenser	36⅞" L x 31⅜" W x 59¼" H	155 lbs



Wire Caddy Replacement Parts

- Replacement parts for Gardner Bender wire caddies.



Part #	Description	For Wire Cart:	Qty	Weight
WSP144050	Spool Caddy Bars 18" L	WSP-144, WSP-140	5	1.5 lbs
WSP144010	Hex Head Bolt	WSP-144	2	.5 lb
WSP144251	R-Clips	All Caddies	10	.5 lb
WSP144253	Wheels	WSP-144	2	5 lbs
WSP144254	Axle Caps	WSP-144	2	.5 lb
WSP1502517	Spool Caddy Bars 20" L	WSP-150, WSP-155	1	4 lbs

Portable Wire Dispenser

- Unique patented design makes carrying boxed or coiled wire easy. Dispenser spins wire straight and flat.
- Adjustable flexible legs fit all sizes of wire coils or boxes.
- Stores coils up to 50 lbs or 250' Romex®.

Part #	Description	Dimensions	Weight
740	Portable Wire Dispenser	17 ⁵ / ₈ " Dia; 13 ¹ / ₂ " H	4 lbs



HOLE MAKING



95

*From single parts to complete kits,
Gardner Bender has versatile, durable
hole-making products that contractors
depend on.*

Slug-Out™ Knockouts

35 Ton Hydraulic Punch	102
Draw Studs	104-105
Hydraulic Slug-Out™ Sets	97-98
Individual Components	101, 104-105
Mechanical Slug-Out™ Sets	99-100
Notching Pliers	102
Super Stainless Steel	
Slug-Out™ Sets	103, 106
Stud Punch	106
Step Bits	107



HOLE MAKING

SCRE

Slug-Out™ Hydraulic Knockout Sets

Punches holes for 1/2" to 4" conduit in distribution boxes, electrical panels or troughs.

- Four point design allows slug to drop automatically without splitting.
- Punches up to 10-gauge mild steel and 12-gauge stainless steel.
- Hand or foot operation; choose hand or foot-powered hydraulic pump.
- Assortment of punches, dies and accessories.
- Includes metal storage case (11 1/8" x 18 3/4" x 6 1/4").
- Competitors' punches and dies are interchangeable.



Part #	Description	Weight
KOH14A	Hydraulic Slug-Out™ Set w/o punches and dies and with PH20 Hand Pump	27 lbs
KOF520	1/2" - 2" Hydraulic Slug-Out™ Set with PF65 Foot Pump	40 lbs
KOH520A	1/2" - 2" Hydraulic Slug-Out™ Set with PH20 Hand Pump	31 lbs
KOF540	1/2" - 4" Hydraulic Slug-Out™ Set with PF65 Foot Pump	59 lbs
KOH540A	1/2" - 4" Hydraulic Slug-Out™ Set with PH20 Hand Pump	50 lbs

KOH14A Set Includes:

Part #	Description	Hole	Weight	I.D. #	Part #	Description	Hole	Weight	I.D. #
PH20	Hand Pump - 2 speed	-	5 lbs	22	CH1211	12-ton Hydraulic Cylinder	-	6 lbs	26
KPR7540	Drawstud for 3/4" - 4" Punches & Dies	-	2.5 lbs	23	H864	6' Rubber Hose Coupler	-	2 lbs	27
KPS50*	Stainless Steel Pull Rod, 3/8" dia.	-	.2 lb	24	CM5	Metal Case	-	11 lbs	28
KC3540**	Converter	-	.4 lb	25					

KOF520 & KOH520A Sets Include:

Part #	Description	Hole	Weight	I.D. #	Part #	Description	Hole	Weight	I.D. #
KP500B	1/2" Punch	7/8"	.4 lb	1	KP2000B	2" Punch	2 3/8"	2 lbs	11
KD500B	1/2" Die	7/8"	1 lb	2	KD2000B	2" Die	2 3/8"	2 lbs	12
KP750B	3/4" Punch	1 3/32"	.4 lb	3	PF65	Foot Pump (KOF520 only)	-	12 lbs	21
KD750B	3/4" Die	1 3/32"	1 lb	4	PH20	Hand Pump - 2 speed (KOH520A only)	-	5 lbs	22
KP1000B	1" Punch	1 11/32"	1 lb	5	KPR7540	Drawstud for 3/4" - 4" Punches & Dies	-	2.5 lbs	23
KD1000B	1" Die	1 11/32"	1 lb	6	KPS50*	Stainless Steel Drawstud, 3/8" dia.	-	.2 lb	24
KP1250B	1 1/4" Punch	1 11/16"	2 lbs	7	KC3540**	Converter	-	.4 lb	25
KD1250B	1 1/4" Die	1 11/16"	2 lbs	8	CH1211	12-ton Hydraulic Cylinder	-	6 lbs	26
KP1500B	1 1/2" Punch	1 15/16"	2 lbs	9	H864	6' Rubber Hose Coupler	-	2 lbs	27
KD1500B	1 1/2" Die	1 15/16"	2 lbs	10	CM5	Metal Case	-	11 lbs	28

KOF540 & KOH540A Sets Include:

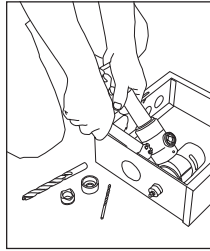
Part #	Description	Hole	Weight	I.D. #	Part #	Description	Hole	Weight	I.D. #
KP500B	1/2" Punch	7/8"	.4 lb	1	KP3000	3" Punch	3 1/2"	4 lbs	15
KD500B	1/2" Die	7/8"	1 lb	2	KD3000	3" Die	3 1/2"	4 lbs	16
KP750B	3/4" Punch	1 3/32"	.4 lb	3	KP3500	3 1/2" Punch	4"	4 lbs	17
KD750B	3/4" Die	1 3/32"	1 lb	4	KD3500	3 1/2" Die	4"	4 lbs	18
KP1000B	1" Punch	1 11/32"	1 lb	5	KP4000	4" Punch	4 1/2"	4 lbs	19
KD1000B	1" Die	1 11/32"	1 lb	6	KD4000	4" Die	4 1/2"	4 lbs	20
KP1250B	1 1/4" Punch	1 11/16"	2 lbs	7	PF65	Foot Pump (KOF540 only)	-	12 lbs	21
KD1250B	1 1/4" Die	1 11/16"	2 lbs	8	PH20	Hand Pump - 2 speed (KOH540A only)	-	5 lbs	22
KP1500B	1 1/2" Punch	1 15/16"	2 lbs	9	KPR7540	Drawstud for 3/4" - 4" Punches & Dies	-	2.5 lbs	23
KD1500B	1 1/2" Die	1 15/16"	2 lbs	10	KPS50*	Stainless Steel Drawstud, 3/8" dia.	-	.2 lb	24
KP2000B	2" Punch	2 3/8"	2 lbs	11	KC3540**	Converter	-	.4 lb	25
KD2000B	2" Die	2 3/8"	2 lbs	12	CH1211	12-ton Hydraulic Cylinder	-	6 lbs	26
KP2500	2 1/2" Punch	2 7/8"	3 lbs	13	H864	6' Rubber Hose Coupler	-	2 lbs	27
KD2500	2 1/2" Die	2 7/8"	3 lbs	14	CM5	Metal Case	-	11 lbs	28

* Must be used with 1/2" punch and die. ** Must be used with 3 1/2" - 4" punch and die.

Slug-Out 90™

1/2" to 2" conduit size.

- Right-angle head swivels 360° for flexible punching in tight work spaces.
- Punches up to 2 1/2" conduit sizes, up to 10-gauge mild steel and 12-gauge stainless steel.
- No cumbersome "spacers" required.
- Compact, lightweight size: 7 1/2 pounds and 13" in length.
- Operating pressure rated at 10,000 psi.
- Set includes the most popular draw studs, punches, and dies for punching holes for 1/2" to 2" conduit all packed in a sturdy storage case.



Part #	Description	Weight
KOS5290	Self-contained Hydraulic Slug-Out 90™ Set	15 lbs

Set Includes:

Part #	Description	Hole	Weight	I.D. #	Part #	Description	Hole	Weight	I.D. #
KP500B	1/2" Punch	7/8"	.4 lb	1	KP1500B	1 1/2" Punch	1 15/16"	2 lbs	9
KD500B	1/2" Die	7/8"	1 lb	2	KD1500B	1 1/2" Die	1 15/16"	2 lbs	10
KP750B	3/4" Punch	1 3/32"	.4 lb	3	KP2000B	2" Punch	2 3/8"	2 lbs	11
KD750B	3/4" Die	1 3/32"	1 lb	4	KD2000B	2" Die	2 3/8"	2 lbs	12
KP1000B	1" Punch	1 11/32"	1 lb	5	KLP6	Hydraulic Driver	—	10 lbs	13
KD1000B	1" Die	1 11/32"	1 lb	6	KPR7520	Drawstud	—	1 lb	14
KP1250B	1 1/4" Punch	1 11/16"	2 lbs	7	KPS50	Drawstud	—	.2 lb	15
KD1250B	1 1/4" Die	1 11/16"	2 lbs	8	KSA50	Drawstud Adapter	—	.3 lb	16

Seal Repair Kit KLP6K1

Slug-Out™ Self-Contained Hydraulic Knockout Set

1/2" to 2" conduit size.

- Hydraulic driver punches up to 10-gauge mild steel and up to 12-gauge stainless steel.
- Four-point design allows slug to drop automatically without splitting.
- Lightweight and easy to use.
- Hydraulic driver operates in any position.

Optional 2 1/2" and 3" punch and die available.



Part #	Description	Weight
KOS520	Slug-Out™ Self-contained Hydraulic Set	14 lbs

Set Includes:

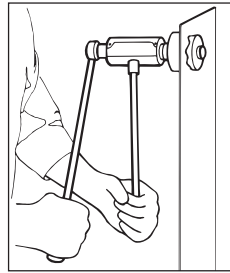
Part #	Description	Hole	Weight	I.D. #	Part #	Description	Hole	Weight	I.D. #
KP500B	1/2" Punch	7/8"	.4 lb	1	KD1500B	1 1/2" Die	1 15/16"	2 lbs	10
KD500B	1/2" Die	7/8"	1 lb	2	KP2000B	2" Punch	2 3/8"	2 lbs	11
KP750B	3/4" Punch	1 3/32"	.4 lb	3	KD2000B	2" Die	2 3/8"	2 lbs	12
KD750B	3/4" Die	1 3/32"	1 lb	4	KLP2	Hydraulic Driver	—	10 lbs	13
KP1000B	1" Punch	1 11/32"	1 lb	5	KPR7520	Drawstud	—	1 lb	14
KD1000B	1" Die	1 11/32"	1 lb	6	KPS50	Drawstud	—	.2 lb	15
KP1250B	1 1/4" Punch	1 11/16"	2 lbs	7	KSA50	Drawstud Adapter	—	.3 lb	16
KD1250B	1 1/4" Die	1 11/16"	2 lbs	8	K88020	Metal Storage Case	—	4.1 lbs	17
KP1500B	1 1/2" Punch	1 15/16"	2 lbs	9					

Seal Repair Kit KLP2K1

Quick Hand Ratchet Slug-Out™

1/2" to 2" conduit size.

- Four-point design allows slug to drop automatically without splitting.
- Smooth operating ratchet handles up to 10-gauge mild steel and 12-gauge stainless steel.



Part #	Description	Weight
KOR520	Slug-Out™ Ratchet Set	16 lbs
KOR14	Ratchet (without punch and dies)	12 lbs

KOR520 Set Includes:

Part #	Description	Hole	Weight	I.D. #	Part #	Description	Hole	Weight	I.D. #
KP500B	1/2" Punch	7/8"	.4 lb	1	KD1500B	1 1/2" Die	1 15/16"	2 lbs	10
KD500B	1/2" Die	7/8"	1 lb	2	KP2000B	2" Punch	2 3/8"	2 lbs	11
KP750B	3/4" Punch	1 3/32"	.4 lb	3	KD2000B	2" Die	2 3/8"	2 lbs	12
KD750B	3/4" Die	1 3/32"	1 lb	4	KOR14	Ratchet	-	12 lbs	13
KP1000B	1" Punch	1 11/32"	1 lb	5	KOR50	1/2" Screw Adapter	-	.4 lb	14
KD1000B	1" Die	1 11/32"	1 lb	6	KOR75125	3/4" - 1 1/4" Screw Adapter	-	1 lb	15
KP1250B	1 1/4" Punch	1 11/16"	2 lbs	7	KOR152	1 1/2" - 2" Screw Adapter	-	1 lb	16
KD1250B	1 1/4" Die	1 11/16"	2 lbs	8	K88020	Metal Storage Case	-	4 lbs	17
KP1500B	1 1/2" Punch	1 15/16"	2 lbs	9					

Slug-Out™ Set With Ratchet Wrench

1/2" to 2" conduit size.

- Four-point design allows slug to drop automatically without splitting.
- Punches up to 10-gauge mild steel and 12-gauge stainless steel.
- Set includes ratchet wrench, six sizes of punches and dies, and two drive screws all packaged in a rugged storage case.



Part #	Description	Weight
KOW520	Mechanical Slug-Out™ Set w/ KW52 Wrench	12 lbs

Set Includes:

Part #	Description	Hole	Weight	I.D. #	Part #	Description	Hole	Weight	I.D. #
KP500B	1/2" Punch	7/8"	.4 lb	1	KP1500B	1 1/2" Punch	1 15/16"	2 lbs	9
KD500B	1/2" Die	7/8"	1 lb	2	KD1500B	1 1/2" Die	1 15/16"	2 lbs	10
KP750B	3/4" Punch	1 3/32"	.4 lb	3	KP2000B	2" Punch	2 3/8"	2 lbs	11
KD750B	3/4" Die	1 3/32"	1 lb	4	KD2000B	2" Die	2 3/8"	2 lbs	12
KP1000B	1" Punch	1 11/32"	1 lb	5	KW52	Hand Ratchet Wrench	-	1 lb	13
KD1000B	1" Die	1 11/32"	1 lb	6	KSB50B	1/2" Bearing & Drive Screw	-	1 lb	14
KP1250B	1 1/4" Punch	1 11/16"	2 lbs	7	KS752B	3/4" - 2" Bearing & Drive Screw	-	1 lb	15
KD1250B	1 1/4" Die	1 11/16"	2 lbs	8	K88007	Storage Case	-	1.5 lbs	16

Slug-Out™ Set for 1/2" to 1 1/4" conduit size

Four-point design allows slug to drop automatically without splitting.

- Punches up to 10-gauge mild steel and 12-gauge stainless steel.
- Set includes the four most popular sizes of punches and dies packed in a sturdy storage case.



Part #	Description	Weight
KOM50125	Mechanical Slug-Out™ Set	3 lbs

Set Includes:

Part #	Description	Hole	Weight	I.D. #	Part #	Description	Hole	Weight	I.D. #
KP500B	1/2" Punch	7/8"	.4 lb	1	KP1250B	1 1/4" Punch	1 11/16"	2 lbs	7
KD500B	1/2" Die	7/8"	1 lb	2	KD1250B	1 1/4" Die	1 11/16"	2 lbs	8
KP750B	3/4" Punch	1 3/32"	.4 lb	3	KSB50B	1/2" Bearing & Drive Screw	-	1 lb	9
KD750B	3/4" Die	1 3/32"	1 lb	4	KS752B	3/4" - 2" Bearing & Drive Screw	-	1 lb	10
KP1000B	1" Punch	1 11/32"	1 lb	5	K88004	Storage Case	-	1.5 lbs	11
KD1000B	1" Die	1 11/32"	1 lb	6					

Slug-Out™ Set for 1 1/2" to 2" conduit size

Four-point design allows slug to drop automatically without splitting.

- Punches up to 10-gauge mild steel and 12-gauge stainless steel.
- Durable storage case.



Part #	Description	Weight
KOM152	Mechanical Slug-Out™ Set	4 lbs

Set Includes:

Part #	Description	Hole	Weight	I.D. #	Part #	Description	Hole	Weight	I.D. #
KP1500B	1 1/2" Punch	1 1/16"	2 lbs	1	KD2000B	2" Die	2 3/8"	2 lbs	4
KD1500B	1 1/2" Die	1 1/16"	2 lbs	2	KS752B	3/4" - 2" Bearing & Drive Screw	-	1 lb	5
KP2000B	2" Punch	2 3/8"	2 lbs	3	K88001	Storage Case	-	1.5 lbs	6

Slug-Out™ Assortment Kit for 2 1/2" to 4" conduit size

Expand capability of 1/2" - 2" sets.

- Four-point design allows slug to drop automatically without splitting.
- Punches up to 10-gauge mild steel and 12-gauge stainless steel.
- Packed in metal storage case.



Part #	Description	Weight
KOH2540	Slug-Out™ Set in Metal Case	22 lbs

Set Includes:

Part #	Description	Hole	Weight	I.D. #	Part #	Description	Hole	Weight	I.D. #
KP2500	2 1/2" Punch	2 7/8"	3 lbs	1	KD3500	3 1/2" Die	4"	4 lbs	6
KD2500	2 1/2" Die	2 7/8"	3 lbs	2	KP4000	4" Punch	4 1/2"	4 lbs	7
KP3000	3" Punch	3 1/2"	4 lbs	3	KD4000	4" Die	4 1/2"	4 lbs	8
KD3000	3" Die	3 1/2"	4 lbs	4	K88008	Metal Storage Case	-	5 lbs	9
KP3500	3 1/2" Punch	4"	4 lbs	5					

Individual Punch & Die Slug-Out™

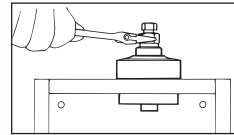
1/2" to 4" conduit size.

- A complete selection of 11 individual punch, die and drive screw sets from 1/2" - 4".
- Four-point design allows slug to drop automatically without splitting.
- Punches up to 10-gauge mild steel and 12-gauge stainless steel.

KOM300 Apart



KOM300 Assembled



Part #	Weight	Pipe Size	Hole Size	Punch #	Weight	Die #	Weight	Drive Screw #	Weight
KOS-500B	1.5 lbs	1/2"	7/8"	KP500B	.4 lb	KD500B	1 lb	KSB50B	1 lb
KOS-750B	1.5 lbs	3/4"	1 3/32"	KP750B	.4 lb	KD750B	1 lb	KS752B	1 lb
KOS-1000B	1.8 lbs	1"	1 11/32"	KP1000B	1 lb	KD1000B	1 lb	KS752B	1 lb
KOS-1250B	1.75 lbs	1 1/4"	1 11/16"	KP1250B	2 lbs	KD1250B	2 lbs	-	-
KOS-1250DS	1.8 lbs	1 1/4"	1 11/16"	KP1250B	2 lbs	KD1250B	2 lbs	KS752B	1 lb
KOS-1500B	1.8 lbs	1 1/2"	1 15/16"	KP1500B	2 lbs	KD1500B	2 lbs	-	-
KOS-1500DS	1.9 lbs	1 1/2"	1 15/16"	KP1500B	2 lbs	KD1500B	2 lbs	KS752B	1 lb
KOM1732	3 lbs	-	1 7/32"	KP1732B	.3 lb	KD1732B	.3 lb	KS752B	1 lb
KOM200	2 lbs	2"	2 3/8"	KP2000B	2 lbs	KD2000B	2 lbs	KS752B	1 lb
KOM250	4 lbs	2 1/2"	2 7/8"	KP2500	3 lbs	KD2500	3 lbs	KSN2530	1.5 lbs
KOM300	5 lbs	3"	3 1/2"	KP3000	4 lbs	KD3000	4 lbs	KSN2530	1.5 lbs
KOM350	10 lbs	3 1/2"	4"	KP3500	4 lbs	KD3500	4 lbs	KSN3540	4 lbs
KOM400	11 lbs	4"	4 1/2"	KP4000	4 lbs	KD4000	4 lbs	KSN3540	4 lbs
KKT316	Keyway Tool (for use with KOM1732)								

Individual Slug-Out™ Components

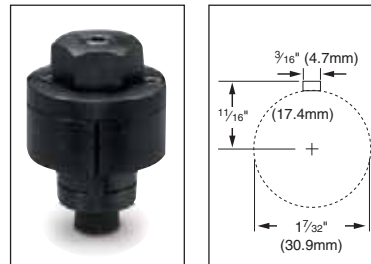
1/2" to 4" conduit size.

- Four-point design allows slug to drop automatically without splitting.
- Punches up to 10-gauge mild steel and 12-gauge stainless steel.

Part #	Description	Hole Size	Weight
KP500B	1/2" Punch	7/8"	.4 lb
KD500B	1/2" Die	7/8"	1 lb
KSB50B	Drive Screw for 1/2" Punch & Die	-	1 lb
KP750B	3/4" Punch	1 3/32"	.4 lb
KD750B	3/4" Die	1 3/32"	1 lb
KS752B	Drive Screw for 3/4" thru 2" Punch & Die	-	1 lb
KP1000B	1" Punch	1 11/32"	1 lb
KD1000B	1" Die	1 11/32"	1 lb
KP1250B	1 1/4" Punch	1 11/16"	2 lbs
KD1250B	1 1/4" Die	1 11/16"	2 lbs
KP1500B	1 1/2" Punch	1 15/16"	2 lbs
KD1500B	1 1/2" Die	1 15/16"	2 lbs
KP1732B	1 7/32" Punch	1 7/32"	2 lbs
KD1732B	1 7/32" Die	1 7/32"	2 lbs
KP2000B	2" Punch	2 3/8"	2 lbs
KD2000B	2" Die	2 3/8"	2 lbs
KP2500	2 1/2" Punch	2 7/8"	3 lbs
KD2500	2 1/2" Die	2 7/8"	3 lbs
KSN2530	Drive Screw for 2 1/2" & 3" Punch & Die	-	1.5 lbs
KP3000	3" Punch	3 1/2"	4 lbs
KD3000	3" Die	3 1/2"	4 lbs
KP3500	3 1/2" Punch	4"	4 lbs
KD3500	3 1/2" Die	4"	4 lbs
KSN3540	Drive Screw for 3 1/2" & 4" Punch & Die	-	4 lbs
KP4000	4" Punch	4 1/2"	4 lbs
KD4000	4" Die	4 1/2"	4 lbs



KEYWAY TOOL



Punches holes for oil-tight electrical switches. Keyway tool (Part # KKT316) forms 3/16" notch in punched hole to prevent rotary movement of switch.

35-Ton Hydraulic Punch

Punches clean, burr-free bolt and small conduit holes in mild steel plates, beams, railings, bus bars or angle iron up to 1/2" thick.

- Portable or fixed applications. Lift and position with easy-carry handle or mount for production setups. Height 13 3/4", weight 35 lbs.
- Four punch and die sets included for round holes 7/16" - 1 3/16" diameter (gives clearance for 3/8", 1/2", 5/8" or 3/4" bolts or conduit) plus die changeover tool set. Throat depth 3".
- Holding plates grip work while punching to prevent binding and clamp punch in place to free operator's hands.



Part #	Description	Weight
SP3500	35-ton Steel Punch Set	40 lbs

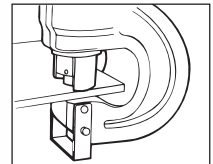
Set Includes:

Part #	Description	Weight
SPD-438	3/8" Punch & Die Set	1 lb
SPD-563	1/2" Punch & Die Set	1 lb
SPD-688	5/8" Punch & Die Set	1 lb
SPD-813	3/4" Punch & Die Set	1 lb
SPK10	Installation Kit	5 lbs

tip: Hydraulic Pumps and Hoses

recommended for use with SP-3500 Punch:

- PE20D Electric Pump
- HC913 6' Hose
- PH39 Manual Pump
- HC927 10' Hose
- PH80 Manual Pump



SEE PG
47



FOR MORE INFO ON
Electric Pumps

SEE PG
49



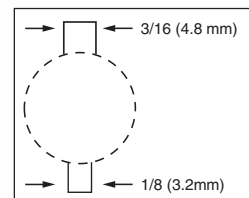
FOR MORE INFO ON
Manual Pumps

Notching Pliers

Creates clean notches for making keyways for push button switches.

- Ergonomically padded handles for easy use.
- Accommodates up to 10-gauge mild steel.

Part #	Description	Weight
NP-1	Notching Pliers	3.3 lbs
NPR-1	Replacement Head for NP-1	1.2 lbs



Hydraulic Super Stainless Steel Slug-Out™ Set

1/2" - 2" conduit size.

- Punches stainless steel up to 10-gauge (3.5 mm).
- Exclusive three-knife design splits slug into three pieces.
- Easy-to-use portable pump.
- Includes durable steel case.



Part #	Description	Weight
KSS520A	Hydraulic Super Slug-Out™ Set	35 lbs

Set Includes:

Part #	Description	Hole	Weight	I.D. #	Part #	Description	Hole	Weight	I.D. #
KPS500	1/2" Punch	7/8"	.4 lb	1	KDS1500	1 1/2" Die	1 15/16"	2.5 lbs	10
KDS500	1/2" Die	7/8"	1 lb	2	KPS2000	2" Punch	2 3/8"	5 lbs	11
KPS750	3/4" Punch	1 3/32"	.4 lb	3	KDS2000	2" Die	2 3/8"	4.5 lbs	12
KDS750	3/4" Die	1 3/32"	1 lb	4	PH20	Hand Pump	-	5 lbs	13
KPS1000	1" Punch	1 11/32"	1 lb	5	KPR7540	Drawstud for 3/4" - 2"	-	2.5 lbs	14
KDS1000	1" Die	1 11/32"	1 lb	6	KPS50	Drawstud for 1/2"	-	.2 lb	15
KPS1250	1 1/4" Punch	1 11/16"	2 lbs	7	CH1211	12 ton Hydraulic Cylinder	-	6 lbs	16
KDS1250	1 1/4" Die	1 11/16"	2 lbs	8	H864	6' Rubber Hose Coupler	-	2 lbs	17
KPS1500	1 1/2" Punch	1 15/16"	3 lbs	9					

Super Stainless Steel Slug-Out™ Set

1/2" - 2" conduit size.

- Punches stainless steel up to 10-gauge (3.5 mm).
- Exclusive three-knife design splits slug into three pieces.
- Rugged storage case.
- Extended punch life.



Part #	Description	Weight
KSS520	1/2" - 2" Super Stainless Steel Knockout Set	4 lbs

Set Includes:

Part #	Description	Hole	Weight	I.D. #	Part #	Description	Hole	Weight	I.D. #
KPS500	1/2" Punch	7/8"	.4 lb	1	KPS1500	1 1/2" Punch	1 15/16"	3.5 lbs	9
KDS500	1/2" Die	7/8"	1 lb	2	KDS1500	1 1/2" Die	1 15/16"	2.5 lbs	10
KPS750	3/4" Punch	1 3/32"	.4 lb	3	KPS2000	2" Punch	2 3/8"	5 lbs	11
KDS750	3/4" Die	1 3/32"	1 lb	4	KDS2000	2" Die	2 3/8"	4.5 lbs	12
KPS1000	1" Punch	1 11/32"	1 lb	5	KPR7520	3/4" - 2" Drawstud for Hydraulic Driver	-	1 lb	13
KDS1000	1" Die	1 11/32"	1 lb	6	KSA50	1/2" Adapter	-	.3 lb	14
KPS1250	1 1/4" Punch	1 11/16"	2 lbs	7	KPS50	1/2" Drawstud	-	.2 lb	15
KDS1250	1 1/4" Die	1 11/16"	2 lbs	8	K88020	Metal Case	-	4 lbs	16

tip: Use this set to expand your KOS5290 or KOS520.



Drawstuds

Shown Actual Size



KPS50 2 $\frac{1}{2}$ " x $\frac{3}{8}$ "



KSA50 1 $\frac{3}{8}$ " x $\frac{3}{4}$ "



KOR75125 3 $\frac{3}{16}$ " x $\frac{3}{4}$ "



KOR152 4 $\frac{3}{4}$ " x $\frac{3}{4}$ "



KPR7520 4 $\frac{13}{16}$ " x $\frac{3}{4}$ "



KC3540 2 $\frac{3}{8}$ " x 1 $\frac{1}{8}$ "



KOR50 3" x $\frac{3}{8}$ "

KPR7540 10 $\frac{5}{16}$ " x $\frac{3}{4}$ "



Drawstuds

Shown Actual Size



KSN3540 Stud 7⁵/₈" x 1¹/₈"



KSN3540 Hex Drive Nut 2¹/₂" x 1³/₈"



KS752B Drawstud & Bearing 4¹/₄" x ³/₄"



KSB50B Drawstud & Bearing 2³/₄" x ³/₈"



KSN2530 Stud 6" x ³/₄"



KSN2530 Hex Drive Nut 1¹/₂" x 1"

Mechanical Super Stainless Steel Slug-Out™ Set

1/2" - 1 1/4" conduit size.

- Punches stainless steel up to 10-gauge (3.5 mm).
- Exclusive three-knife design splits slug into three pieces.
- Constructed of high-alloy tool steel.
- Rugged storage case.



Part #	Description	Weight
KSS50125	1/2" - 1 1/4" Super Slug-Out™ for Stainless Steel	4 lbs

Set Includes:

Part #	Description	Hole	Weight	I.D. #	Part #	Description	Hole	Weight	I.D. #
KPS500	1/2" Punch	7/8"	.4 lb	1	KPS1250	1 1/4" Punch	1 11/16"	2 lbs	7
KDS500	1/2" Die	7/8"	1 lb	2	KDS1250	1 1/4" Die	1 11/16"	2 lbs	8
KPS750	3/4" Punch	1 3/32"	.4 lb	3	KSB50B	Bearing and Drawstud for 1/2"	-	.5 lb	9
KDS750	3/4" Die	1 3/32"	1 lb	4	KS752B	Bearing and Drawstud for 3/4" - 2"	-	1 lb	10
KPS1000	1" Punch	1 11/32"	1 lb	5	K88007	Storage case	-	1.5 lbs	11
KDS1000	1" Die	1 11/32"	1 lb	6					

Stud Punch

Punches 1 11/32" holes for 1/2" to 1" conduit or pipe.

- Features a spring loaded sleeve that increases the life and accuracy of the punch while providing a smoother cutting action.
- Easily punches "H" studs without damaging flanges.
- Automatic stripper.
- High-leverage design permits punching holes in aluminum studs and mild steel (up to 20-gauge) with minimum effort.
- From the center of the punch to the back of the housing measures 2".



Part #	Description	Weight	Punch #	Weight	Die #	Weight
SP-7	Stud Punch	6 lbs	43-52	1 lb	43-95	1 lb



SEE PG
159



FOR MORE INFO ON
Stud Insulators

Step Bits

Drills large holes in confined spaces.

- Self-starting, self-centering drill tip. No pilot hole required.
- For accurate step-by-step drilling in sheet metals. Drills through 10-gauge mild steel or stainless steel.
- Double flute cutting action drills clean, round holes quickly and safely with minimum effort.
- Exclusive three-lobed shank for positive, non-slip grip in drill chucks.
- Made of high-speed steel for faster drilling and longer life.
- Applications include junction boxes, switch boxes, metal studs, electrical appliances, lighting fixtures and many other uses.



Part #	Sizes	Increments	No. of Sizes	Shank Size	Step Thickness	Weight
SB-205	1/4" - 3/4"	1/16"	9	3/8"	1/8"	1 lb
SB-207	3/16" - 7/8"	1/16"	12	3/8"	1/8"	1.3 lbs
SB-209	7/8" - 1 1/8"	-	2	1/2"	1/8"	1.5 lbs
SB-210	7/8" - 1 3/8"	1/16"	11	3/8"	1/8"	1.8 lbs

NOTES



HOLE MAKING

SCRE

HAND TOOLS



With exclusive features for safety and durability, Gardner Bender hand tools offer superior performance on the job.



112



117



119



121



123

109



HAND TOOLS

Circuit Alert™	111-113
Circuit Alert™ Tester	111
Circuit Alert™ Knife	111
Circuit Alert™ Wire Strippers	112
Circuit Alert™ Work Lights	112
Circuit Alert™ Pliers	113
Circuit Alert™ Screwdrivers	113
Cutters	122-123
BX cutter	122
Ratcheting	123
PVC	123
Datcom/ VDV	118-119
Cable strippers	118
Punch-down	119
Crimpers	119
Fuse Puller	124
Knives	111, 124
Pliers	120 -121
Long Nose	120
Linemen's	121
Screwdrivers	123
Wire Strippers	114-117
Multi-tool	116
Cable Rippers	117

CIRCUIT ALERT™

Safe & Convenient

NEW line of tools with Snap-in sensor detects AC voltage without contacting live wires



New Snap-In Sensor



Wire Strippers

Work Lights

Screwdrivers

Pliers

Electrician's Knives

BE SAFE. WORK SMART.

NEW Circuit Alert™ Voltage Sensing Module

The Circuit Alert™ voltage sensing module fits in a whole variety of Circuit Alert™ tools.

- Non-contact AC voltage detection.
- Audio and visual alerts.
- Pocket clip.
- Tri-directional momentary on/off switch.

Part #	Description
CAM-10	Voltage-sensing module

CIRCUIT ALERT™

www.circuitalert.com



CAM-10 Pocket Clip

NEW Circuit Alert™ Voltage Sensing Electrician's Knife

Rip, strip and cut with one tool.

- Durable, heavy-duty casing.
- Designed specifically for electricians.
- Blade type: industry standard.

Part #	Description
RKT-21	Circuit Alert™ Electrician's Knife with stripper & NM cable ripper

For more information, go to www.circuitalert.com



SEE PG 124 FOR MORE INFO ON RK-6 Electrician's Knife

NEW Circuit Alert™
Voltage Sensing Wire Strippers



www.circuitalert.com

- Audible and visual alerts indicate the presence of voltage.
- Cuts and strips solid and stranded wire.
- Stainless steel body for maximum corrosion resistance.
- Ergonomic, cushioned handles for ultimate comfort and control.
- Double bevel cutting blades for superior nick resistance.
- Dual gripping positions for traditional or forward hand positions.
- Easy-to-read stamped markings.
- Cuts and rethreads bolt sizes 6-32, 8-32 and 10-32.
- Wire looping holes form wire to fit on screw terminals.
- Plier nose for gripping and pulling.
- cULus listed tester.
- Durable, drop resistant construction.



GST-55M



GST-70M



GST-224M



Patents Pending

Part #	Description	Wire Gauge	Length
GST-55M	Circuit Alert™ Voltage Sensing Wire Stripper	#10 - #18 AWG	7"
GST-70M	Circuit Alert™ Voltage Sensing Crimper/Stripper	#8 - #20 AWG & Multi Crimping Stations	7"
GST-224M	Circuit Alert™ Voltage Sensing NM Cable Stripper	12/2 & 14/2 NM Cable	7½"



Wire Stripping



Volt Sensing (50-600 VAC)



Bolt Cutting and Rethreading

NEW Circuit Alert™ Work Lights



www.circuitalert.com

Designed for electricians for maximum versatility and hands-free operation in one durable tool.

- Multi-adjustable.
- Rugged design and construction.
- Batteries included.

Part #	Description
FLT-10	Circuit Alert™ Voltage Sensing Work Light
FLT-20	Circuit Alert™ Voltage Sensing Work Light



FLT-10



FLT-20



90° Swivel Head



Rotating Hang Hook

For more information, go to www.circuitalert.com

NEW Circuit Alert™ Pliers



Circuit Alert™ pliers combine common electrician's needs with Gardner Bender's over-molded, comfort grip.

www.circuitalert.com

- Crimp terminals.
- Cut wire and cable.
- Strip wire.
- Hammer head.
- Forged steel construction for long life.
- Precision hardened cutting blades

Part #	Description	Size
GPT-70	Circuit Alert™ Voltage Sensing Side Cutters	7"
GPT-80	Circuit Alert™ Voltage Sensing Long Nose Pliers	8"
GPT-90	Circuit Alert™ Voltage Sensing Linesmens	8"



GPT-70



GPT-80



GPT-90



Testing



GPT-80 – Wire Stripping



GPT-90 – Hammer Head

NEW Circuit Alert™ Screwdrivers



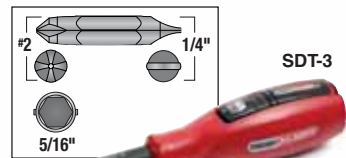
The Circuit Alert™ screwdrivers deliver up to 10-in-1 bits and insulated comfort grip handles.

www.circuitalert.com

- Use with Hex-Lok® connectors.

SEE PG **9**  FOR MORE INFO ON Hex-Lok® Wire Connector

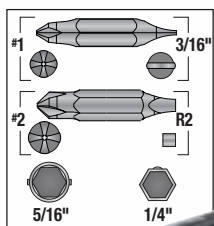
Part #	Description	Bits
SDT-3	Circuit Alert™ Voltage Sensing Screwdriver 3-in-1	See diagram
SDT-6	Circuit Alert™ Voltage Sensing Screwdriver 6-in-1	See diagram
SDT-10	Circuit Alert™ Voltage Sensing Screwdriver 10-in-1	See diagram



SDT-3



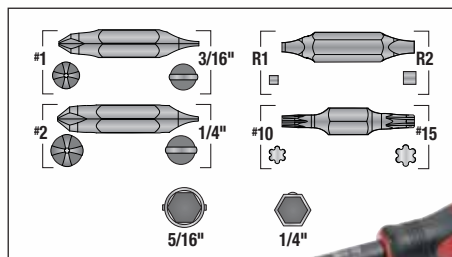
3-in-1



SDT-6



6-in-1



SDT-10



10-in-1

For more information, go to www.circuitalert.com



HAND TOOLS

Wire Strippers

Comparison Chart

Feature	GS-40	GS-335	GS-360	GS-361	GES-55	GES-P-55	GES-224	GES-P-224	GST-70M	GST-55M	GST-224M
Voltage Sensing									X	X	X
Spring Action Return	X	X	X	X	X	X	X	X	X	X	X
Pliers Nose		X	X	X	X	X	X	X	X	X	X
Loop Hole	X	X	X	X	X	X	X	X	X	X	X
Deluxe Cushion Grip				X	X	X	X	X	X	X	X
Locking Handle	X		X								
Wire Stripping Range											
Solid	#10 - #24	#10 - #20	#10 - #20	#16 - #30	#10 - #18	#10 - #18	#12 & #14	#12 & #14	#8 - #20	#10 - #18	#12 & #14
Stranded	#10 - #24	#10 - #20	#10 - #20	#16 - #30	#12 - #20	#12 - #20	—	—	#10 - #22	#12 - #20	—
NM Cable	—	—	—	—	—	—	14/2 & 12/2	14/2 & 12/2	—	—	14/2 & 12/2

ArmorEDGE™ Wire Stripper

Strips and cuts solid and stranded wire.

- Stainless steel body for maximum corrosion resistance.
- Ergonomic, cushioned handles for ultimate comfort and control.
- Double bevel cutting blades for superior nick resistance.
- Dual gripping positions for traditional or forward hand positions.
- Easy-to-read laser-etched markings.
- Cuts and rethreads bolt sizes 6-32, 8-32 and 10-32.
- Wire looping holes form wire to fit on screw terminals.
- Plier nose for gripping and pulling.
- Patents pending.
- Limited Lifetime Warranty.
- GES-P-70 crimps insulated and non-insulated terminals, crimps coaxial "F" connectors, cuts bolt sizes 4-40, 5-40, 6-32, 8-32, 10-24 and 10-32.



GES-55



GES-P-55



GES-P-70

Part #	Description	Handle	Wire Gauge	Length
GES-55	ArmorEDGE™ Wire Stripper	Curved	#10 - #18 AWG	6½"
GES-P-55	ArmorEDGE™ Wire Stripper	Symmetric	#10 - #18 AWG	6¾"
GES-P-70	ArmorEDGE™ Multi-Tool Stripper/Crimper	Symmetric	#10 - #22 AWG	8¾"
GES-224	ArmorEDGE™ NM Cable Stripper	Curved	12/2 & 14/2 NM Cable	7"
GES-P-224	ArmorEDGE™ NM Cable Stripper	Symmetric	12/2 & 14/2 NM Cable	7¾"

Limited Lifetime Warranty



12/2 and 14/2 NM Cable Stripper



10-18 AWG Wire Stripper



GES-224



GES-P-224

Milwaukee Clipper™ Strippers

Strips solid or stranded wire.

- Compact tool adjusts quickly to any of eight wire sizes.
- Hardened spring steel provides strength and durability.
- Looping hole bends and loops wire for termination on screws.
- Vinyl grips for added comfort.
- GS-40 includes spring return for easy handling.

Part #	Description	Wire Gauge	Length
GS-40	Milwaukee Clipper™ Stripper w/spring	#10 - #24 AWG	5"



Wire Strippers

Strips solid or stranded wire.

- Precision stripping stations.
- Laser-etched markings.
- Pliers nose and curved cutting blade aid in pulling and cutting wire.
- Power spring return reduces hand fatigue.
- Curved handles for added comfort.
- Looping hole forms wire to fit on screw terminal.
- Comfortable high-leverage handles.

Part #	Description	Wire Gauge	Length
GS-355	Stripper	#10 - #20 AWG	6¼"
GS-360	Stripper with lock	#10 - #20 AWG	6"
GS-361	Small Gauge Stripper	#16 - #30 AWG	6¼"



GS-355



GS-360



GS-361

Strip-Easy™ Stripper

Strips solid or stranded wire.

- Strips wires clean with one easy squeeze, up to a full 7/8".
- Blades cut insulation without nicking conductor. Jaws open automatically to remove wire without crushing ends.
- AWG size clearly marked at each cutting hole.
- Comfortable no-slip handles.

Part #	Description	Wire Gauge	Length
SE-92	Automatic Wire Stripper	#8 - #22 AWG	8"



Automatic Stripper & Crimper

Strips solid or stranded wire.

- Automatic jaw-loaded wire stripper self-adjusts.
- Crimps insulated, and non-insulated terminals.
- Comfort high-leverage handles.

Part #	Description	Wire Gauge	Length
GS-394	Automatic Wire Stripper	#10 - #26 AWG	8"



Multi-Tools

Comparison Chart

Feature	GS-365	GS-370	GESP-70
Spring Action Return	X		
Pliers Nose	X	X	X
Conduit Reamer Nose	X		
Loop Hole	X	X	X
Deluxe Cushion Grip	X	X	X
Locking Handle	X		
Cutter Blade	X	X	X
Cuts & Rethreads Bolts	X	X	X
Crimps Insulated Terminals	X	X	X
Crimps Non-insulated Terminals	X	X	X
Copper & Steel Crimp Sleeves	X	X	X
Coaxial Connectors	X	X	X
Wire Stripping Range	#6 - #16	#10 - #22	#10 - #22



Multi-Tool Stripper, Cutter & Crimper

Strips and cuts wire.

- Strips copper and aluminum wire, solid or stranded.
- Cuts and rethreads bolt sizes 4-40, 5-40, 6-32, 8-32, 10-24 and 10-32.
- Pliers nose for pulling and looping wire.
- Crimps insulated & non-insulated terminals.
- Crimps coaxial "F" connectors.
- Curved cutting blade.
- Comfort high-leverage handles.
- Precision ground-stripping stations prevent nicking conductor while stripping.

Part #	Description	Wire Gauge	Length
GS-370	Multi-Tool	#10 - #22 AWG	8½"



Multi-Tool Stripper, Cutter & Crimper

Strips #6 - #16 AWG solid, #8 - #18 AWG stranded.

- Strips copper and aluminum wire, solid or stranded.
- Cuts and rethreads bolt sizes 4-40, 5-40, 6-32, 8-32,
- Crimps #310, 311, 410 and 411 crimp sleeves, solderless terminals and coaxial connectors.
- Pliers nose for pulling and looping wire.
- Snub nose for reaming ½" and 1" conduit.
- Precision ground-stripping stations prevent nicking conductor while stripping.
- Lock for compact storage.

Part #	Description	Wire Gauge	Length
GS-365	Multi-Tool Stripper and Cutter	#6 - #16 AWG, Solid #8 - #18 AWG, Stranded	8½"



Multi-Tool Cable Strippers

Strips, crimps and cuts bolts.

- Crimps terminals.
- Strips 10-22 AWG wire.



Part #	Description	Wire Gauge	Length
GS-366	Multi-tool crimper & stripper	#10 - #22 AWG	9 1/4"

Romex® Strippers

Comparison Chart

Feature	CR-100	CRC-100	CR-1000	GRX-3224
Spring-Action Return				X
Pliers Nose				X
Loop Hole				X
Wire Stripper			X	X
Locking Handle				X
Cutter Blade			X	X
Cuts & Rethreads Bolts				X
Cable Ripping Range	12/2 & 14/2 NM cable	12/2 & 14/2 NM cable	10/2 & 14/2 NM Cable	12/2 & 14/2 NM cable

SEE PG
112

FOR MORE INFO ON
Additional Romex Strippers

* See ArmorEDGE and Circuit Alert sections for additional Romex / NM cable strippers.

Dual Romex® Stripper

Strips outer sheath of #12/2 or #14/2 cable in one tool.

- Strips single conductor #12 or #14 AWG.
- Power spring return reduces hand fatigue.
- Curved cutting blade.
- Pliers nose.
- Wire looping hole.
- Cuts and rethreads bolt sizes 6-32 and 8-32.
- Locking handle for compact storage.



Part #	Description	Wire Gauge	Length
GRX-3224	NM Cable Stripper	12/2 & 14/2 NM Cable and #12 AWG and #14 AWG single conductor	7 5/8"

Cable Ripper

Slits outer covering of Romex® (all sizes, both old and new) and other non-metallic (type NM) sheathed cable.

- Wire gauge on handle checks and strips #6 to #14 AWG.
- Nickel-plated finish resists corrosion.

Part #	Description	Wire Gauge	Length
CR-100	Cable Ripper	12/2 & 14/2 NM Cable	4"
CRC-100	Curved Cable Ripper	12/2 & 14/2 NM Cable	4"
CR-1000	Premium Cable Ripper	12/2 & 14/2 NM Cable	4"



CR-100



CRC-100



CR-1000



1. Rip open cable jacket 2. Cut off cable jacket 3. Strip wire ends

Romex® is a registered trademark of Southwire Company, Carrollton, GA

Datacom Strippers

Comparison Chart

Feature	GTPS-100	GS-359	SE-98	GTPS-200
Strips RG-58		X	X	
Strips RG-59		X	X	
Strips RG-6		X	X	
Strips CAT 3 Cable	X			X
Strips CAT 5 Cable	X			X
Strips Flat Telephone Wire				X
Cutter Blade to Cut Cable		X		X

UTP/STP Cable Stripper

Strips UTP and STP cable up to .24" (6.2mm) diameter.

- Tension release lever for easy positioning and release of cable.
- Compact design for easy handling.
- For use on CAT 3 and CAT 5 cable.



GTPS-100



GTPS-200

Part #	Description	Wire Gauge	Length
GTPS-100	UTP/STP Round Cable Stripper	UTP/STP	3 1/4"
GTPS-200	Premium Cable Stripper	UTP, STP, flat, round from 1/8" to 3/8" in diameter and silver satin and other flat cables	4 1/2"

EXCLUSIVE! Coaxial Stripper

Cuts and strips RG-59 and RG-6 coaxial cable.

- Can be used with both standard and quad shield cable.
- Multiple size stripping stations strip both the outer jacket and inner conductor.
- Exclusive hex-shaped slot helps push "F" connectors onto cable.
- Curved cutting blade.
- Patented.



Part #	Description	Wire Gauge	Length
GS-359	Coaxial Stripper	RG-59 & RG-6	6 1/4"

Coaxial Cutter & Stripper

Cuts and strips coaxial cable (RG-58, RG-59 and RG-6).

- Easily adjusts to various cable thickness.
- One-squeeze cutting action.
- Includes replacement blade model #SERB-25.



Part #	Description	Wire Gauge	Length
SE-98	Coaxial Cable Cutter & Stripper	RG-58, RG-59 & RG-6	4 3/4"

Romex® is a registered trademark of Southwire Company, Carrollton, GA

Punch-Down Tools

High-impact design assures good quality terminations.

- Inserts and cuts cable in termination blocks.
- Constructed of durable ABS resin.
- Impact adjustment with high/low setting accommodates multiple applications.
- Extra blade can be stored in handle.
- Spring-loaded design quickly and easily inserts and trims terminations.
- 110-style blade used in CAT 3 and CAT 5 termination
- 66-style blade used to terminate phone wiring.



PDT-110



PDT-110LC



Part #	Description	Network	Length
PDT-110	Type-110 Terminal Punch-Down Tool with Blade	Data	7½"
PDT-110LC	Non-Impact Punch-Down Tool	Data	5¾"

Replacement Blades:

Part #	Description
PDB-66	Type-66 Replacement Blade
PDB-110	Type-110 Replacement Blade



PDB-66



PDB-110

Wire Stripper & Punchdown Tool

Cuts, strips & terminates.

- Strips: RG6, CAT3, CAT5, UTP, STP flat and round, speaker wire, flat telephone wire.
- Type 110/66 terminal punchdown.



Part #	Description	Network	Length
SPD-10L	Ergo datacom combination tool	Data	7"

RJ45/RJ11 Modular Plug Crimp Tool

Used to produce patch cable and handset cables, cut, strip and crimp.

- Heat-treated steel frame provides strength and durability.
- Replacement cutting blade extends the life of the tool.
- Slip-resistant handles.



GMC-1145



GMC-2000

Part #	Description	Plugs	Pins
GMC-1145	Telephone Crimp Tool, RJ-11/12 and RJ-45	RJ-11, RJ-12 RJ-45	2, 4, 6 8
GMC-2000L1	Module Crimp Tool Kit	RJ-11, RJ-45	2, 4, 8

Long Nose Pliers

Long Nose Pliers

Multi-function pliers – cuts, strips and crimps.

- Use needle nose to form wire or grip small parts.
- Strips #14 - #16 AWG solid or stranded wire.
- Crimps insulated terminals up to #10 AWG.
- Cutting blade cuts solid or stranded wire.



Part #	Description	Length
GS-385	Long Nose w/ Cutter and Crimper	6½"

Long Nose Pliers with Side Cutter

Long nose design for forming and looping wire and handling small parts.

- Forged from high-carbon steel for durability and strength.
- Knurling on jaws grips work tightly.
- Cutting edges are heat treated to hold their edge.
- Comfort-grip handles.



Part #	Description	Length
GPS-3238	Long Nose Pliers	8½"

Cutting Pliers

Cutting Pliers, Box Joint

Tapered nose allows cutting in tight locations.

- Dual cutting edge and high-leverage handle design for optimal gripping and cutting performance.
- Precision-machined and induction-hardened knives strengthen cutters and provide consistent performance when cutting aluminum, copper and medium-hard steel wire.
- Comfort-grip handles.



GPS-3220



GS-386

Part #	Description	Length
GPS-3220	Cutting Pliers, Box Joint	8"
GS-386	Diagonal Cutting Pliers	6 ¾"

Cutting Pliers, Curved Diagonal

Angled head allows cutting in tight locations.

- Dual cutting edges and high-leverage handle design for optimal gripping and cutting performance.
- Precision-machined and induction-hardened knives strengthen cutters and provide consistent performance when cutting aluminum, copper and medium-hard steel wire.
- Flared handles for added comfort.



Part #	Description	Length
GPS-3228	Cutting Pliers, Curved Diagonal	8"

Linemen's Pliers

Linemen's Pliers

Medium-duty side-cutting pliers.

- Cuts copper or aluminum wire.
- Serrated, square tip jaw for extra grip on bolts.
- Hardened-steel construction for long life.
- Comfort-grip handles.



Part #	Description	Length
GS-387	Linemen's Pliers	7½"

Linemen's Pliers with Fish Tape Puller

Built-in groove designed for gripping and pulling flat fish tape.

- Forged from high-carbon steel for durability and strength.
- Precision-machined and induction-hardened knives strengthen cutters and provide consistent performance when cutting aluminum, copper and medium-hard steel wire.
- Comfort-grip handles.



Built-in groove designed for gripping and pulling flat fish tape

Part #	Description	Length
GPS-3214	Linemen's Pliers w/ Fish Tape Puller	9½"



Linemen's Pliers, Round Nose

Standard pliers cut aluminum, copper and medium-hard steel wire.

- Forged from high-carbon steel for durability and strength.
- Dual cutting edges and high-leverage handle design for optimal gripping and cutting performance.
- Precision-machined and induction-hardened knives strengthen cutters and provide consistent performance.
- Comfort-grip handles.



Part #	Description	Length
GPS-3219	Linemen's Pliers, Round Nose	9¼"

Linemen's Pliers with Cutter & Crimper

High-leverage tool with crimping die and side cutters.

- Comfort-grip handles.



Part #	Description	Length
GCP-3400	Linemen's Pliers and Crimping Tool	9½"

Crimping Pliers

8" Crimping Pliers

Crimp insulated or non-insulated terminals.

- Cuts copper and aluminum wire.
- Tapered nose for cutting in tight locations.

Part #	Description	Length
GS-388	Crimping Pliers	8"



BX & Flexible Cable Cutter

Cuts BX, MC, AC, and liquid tight 3/8".

- High durability blade provides 2X normal wear characteristics.
- Includes storage space for replacement blades.
- Pivot shaft is reinforced with high strength steel sleeve.
- 25 foot drop test.
- Thumbwheel for easy blade change, no tooling required.
- Patented quick-clamp feature automatically adjusts to cable size and secures it for splitting.
- Automatic release ejects cable.
- Cutting depth adjustment ensures clean cuts without nicking cable.

Part #	Description	Length
GBX-300	BX Armor Cutter	7 1/4"

Replacement Parts:

Part #	Description	Pk
GBRX-301	Replacement Blade	3pk



Extra blade storage



Cable Cutter

Cable-cutting tool designed to cut cleanly with high-leverage one-hand operation.

- Cuts soft copper & aluminum cable.

Part #	Description	Cut Size	Length
GC-375	Cable Cutter	2/0	8"



High-Leverage Cutters

Cuts soft copper and aluminum cable up to 1000 MCM.

- Heat-treated alloy steel jaws make fast, sharp cuts.
- Lightweight fiberglass handles on GC-500 and GC-1000 feature comfortable rubber grips.

Part #	Description	Cut Size	Length
GC-500	Cable Cutter	500 MCM max	24"
GC-1000	Cable Cutter	1000 MCM max	33"



GC-1000

GC-500

Ratcheting Cable Cutter

Cut copper and aluminum cable up to 750 MCM.

- Ratcheting mechanism for increased leverage.
- Variable-force cutting action permits choice between high force and speed.
- Dual-action handles cut from either direction; easy to use in tight spots.
- Hardened alloy-steel blades are easily sharpened without removing them from tool.
- Rubber hand grips permit firm grip control.



Part #	Description	Jaw Opening	Length
GRC-750	Ratcheting Cable Cutter	1 ⁹ / ₁₆ "	15 ³ / ₄ "

Cut-A-Way™ PVC Conduit Cutter

Cuts flexible, watertight flexible and schedule 40 PVC conduit 1/2" to 2".

- Patented design makes fast, clean cuts.
- Tough, lightweight nylon handles.
- Compact 8" tool fits neatly and safely into pocket or tool pouch.



GPC-200



GKC-100A

Part #	Description	Length
GPC-200	Cut-A-Way™ PVC Cutter (2")	17"
GKC-100A	Cut-A-Way™ PVC Cutter (1")	8"

Insulated Screwdriver Set

Part #	Description	Length	Set Contains:	
			Qty	Description
SCE-3262	Insulated Screwdriver Set, 2 pc.	8"	1	No. 2 Phillips® tip
			1	3/16" Slotted tip



Reversible Insulated Screwdriver

Reversible tip combines two tools into one.

- Molded shaft insulation tested to 1000 V provides secondary protection against accidental electrical shock.
- Ergonomic grip is engineered for maximum torque with minimum effort.



Part #	Description	Reverse from	Reverses to
SCE-3260	Insulated Screwdriver, Reversible tip	No. 2 Phillips®	3/16" Slotted

Triple Tap

Three-in-one tapping tool designed for electrical work.

- Cleans and rethreads holes.
- Made of top-grade steel.

Tap Sizes
6-32 8-32 10-24



Part #	Description	Length
TT-10B	3 Size Tapping Tool	6 ¹ / ₂ "

Fuse Pullers

Part #	Description	Fuse Size	Length
FPE-20	Fuse Puller	0-200A/250V and 0-100A/600V	8"



Electrician's Knife

Rip, strip, and cut with one tool.

- Reversible blade for longer life.
- Quick blade change.
- Wire stripper.
- NM cable ripper.
- Storage area in handle for spare blades.
- Includes three replacement blades.



Part #	Description
RK-6	Electrician's Knife, 6"



Cable Ripper



Wire Stripper

Electrician's Knife

Two-in-one tool has sharpened blade for skinning wire and screwdriver tip for screws.

- Tempered carbon-steel blades sharpen easily and hold their edge.
- Compact 3³/₄" size.

Part #	Description
KF-200	Two-in-one Electrician's Knife



TESTERS



125

Gardner Bender is pleased to offer this innovative, full featured line designed to make electrical work faster and safer.

Battery Tester (Analog)	136	Heavy-Duty 3-way	128
Continuity Tester		Low Voltage Twin Probe	127
Heavy-Duty	129	Screwdriver, Voltage Probe &	
Multimeters - Analog	133	Continuity Tester	128
Analog Multimeters Comparison Chart ..	133	Solenoid	129
Five Function, 12-Range	133	Tester Leads	136
Six Function, 14-Range	133	Tester Replacement Parts	
Seven Function, 19-Range	133	(fuses, batteries)	137
Multimeters - Clamp-On	135		
Clamp-On Comparison Chart	135		
AC Clamp Meter with Lockjaw	135		
Auto-Ranging Digital	135		
Multimeters - Digital	134		
Digital Multimeters Comparison Chart ..	134		
Three Function, 13-Range	134		
Four Function, 14-Range	134		
Seven Function, 7-Range Auto-Ranging ..	134		
Non-Contact Voltage Testers	130		
Non-Contact Voltage Testers			
Comparison Chart	130		
Circuit Alert™	130		
Live-Wire™	130		
Receptacle Testers/Analyzers			
Receptacle Testers/Analyzers			
Comparison Chart	131		
Lan Tracker™	132		
Receptacle Tester & Circuit Analyzer ..	131		
GFCI & Circuit Analyzer	131		
Voltage Testers	127-129		
Voltage Testers Comparison Chart	127		
6-way Circuit	128		



TESTERS

Voltage Testers

Selection Chart

Feature	GET-3202	GET-3100	GET-3213	GET-3206	GCV-3206	GVT-392	GCT-3304	GAT-3400	GVD-3504	GVD-3505
Voltage Range										
AC Voltage	5-50V	80-250V	80-300V	120-300V	12-250V	120-480V			50-600V	12-600V
DC Voltage	5-50V	80-250V	80-300V	150-380V	12-250V	120-480V		6-12V		
Functions										
Polarity						X				
Continuity					X		X			
Tracing										
Indication										
Audible									X	X
Visual	X	X	X	X	X	X	X	X	X	X
Vibration						X				
General										
Lead Length	5.5"	2"	24"	30"	30"	26"	36"	36"		
Pocket Clip	X	X	X		X		X	X	X	X
Agency Approvals	(ETL)	(UL) US	(ETL)	(ETL)	(ETL)	(ETL)			(ETL)	(ETL)
Drop Rating	6'	6'	6'	6'	6'	6'	6'	6'	6'	6'
Crush Rating	150 Lb	150 Lb	150 Lb	150 Lb	150 Lb	150 Lb	150 Lb	150 Lb	150 Lb	150 Lb
CAT Rating	I 50V	II 300V	II 300V				III 600V		III 600V	III 600V
Warranty	1 year	1 year	1 year	1 year	1 year	1 year	1 year	1 year	1 year	1 year

Low Voltage Twin Probe Circuit Tester

Tests AC/DC Voltage from 5 - 50 V AC/DC, 50-60 Hz.

- Indicator glows when voltage is present and brightens as voltage increases.
- Insulated alligator clip test leads.
- Pocket clip for added convenience.
- Dual Insulated, durable ABS housing.

TESTS

- ✓ Low volt outdoor lighting
- ✓ Low volt control panels
- ✓ Doorbells
- ✓ Alarm systems
- ✓ Automotive 12 V DC and 36 V DC



No batteries required



Twin Probe Circuit Tester

Tests AC/DC Voltage from 80-250 V AC/DC.

- Neon indicator glows when voltage is present and brightens as voltage increases.
- Insulated housing.
- Insulated test leads.
- Pocket clip for added convenience.
- 2" test lead.

TESTS

- ✓ DC motors
- ✓ Switches
- ✓ Outlets



No batteries required



Heavy-Duty 3-way Voltage Tester

Tests AC/DC Voltage at 120, 240 and 277 V.

- Individual indicators for each voltage range assures reliability.
- Functional, lightweight design features twin flexible leads and convenient pocket clip.
- 24" test lead.
- Dual insulated, durable ABS housing.
- Pocket clip for added convenience.

TESTS

- ✓ Outlets
- ✓ Panels
- ✓ Light fixtures
- ✓ Switches
- ✓ Circuit Breakers



6-Way Circuit Tester

Tests AC Voltage at 120, 240, 480 V and DC Voltage at 150, 300 and 500 V.

- 30" test lead.
- Bright neon indicators.
- Rugged twin-probe design features heavy-duty test lead insulators.

TESTS

- ✓ Outlets
- ✓ Panels
- ✓ Light Fixtures
- ✓ Switches
- ✓ Circuit Breakers
- ✓ Motors
- ✓ Appliances
- ✓ Fuses



Combination Screwdriver, Voltage Probe & Continuity Tester

Tests for Continuity and AC/DC Voltage.

- Tests continuity on non-energized circuits.
- Tests from 12 - 250 V AC/DC on energized circuits.
- LED indicator glows when voltage or continuity exists.
- Batteries included.
- Convenient screwdriver tip and pocket clip.

TESTS

- ✓ Outlets
- ✓ Fuses
- ✓ Switches
- ✓ Extension cords
- ✓ Light fixtures
- ✓ Low Voltage Lighting Circuits



Solenoid Voltage Tester

Test AC/DC Voltage from 120 - 480 V and DC Polarity.

- Dual voltage indication: solenoid vibration and neon bulb.
- Neon bulb indicates DC polarity.
- Built-in slots in probe housing hold probes for one-hand testing and storage.
- 4' reach from probe to probe with probes unlocked.
- High-impact, dual insulated, case stands up to rugged service.

TESTS

- ✓ Outlets
- ✓ Panels
- ✓ Light fixtures
- ✓ Switches
- ✓ Circuit Breakers
- ✓ Extension Cords



GVT-392



Probes lock together to enable one handed testing of standard outlet



Heavy-Duty Continuity Tester

Tests for continuity in non-energized circuits.

- 36" insulated test lead with alligator clip.
- Bright indicator bulb lights if continuity exists.
- Requires (2) AAA batteries, included.
- Pocket clip for added convenience.

TESTS

- ✓ Extension cords
- ✓ Fuses
- ✓ Switches
- ✓ Water heater coils
- ✓ Unenergized low voltage wiring



GCT-3304



Automotive Voltage Tester

Used to test DC Voltage in automotive applications.

- DC Voltage from 6-12 V.
- Durable ABS Housing w/pocket clip.
- 3' test lead with alligator clamp.
- Sharp tip for piercing wire jacket.
- Pocket clip for added convenience.

TESTS

- ✓ Fuses in junction block
- ✓ Automotive circuits for voltage
- ✓ Back probe connectors & sockets



GAT-3400



Non-Contact Voltage Testers

Comparison Chart

Feature	GVD-3504	GVD-3505
Detection Range	50-600 V AC	12-600 V AC
Visual	X	X
Audible	X	X
Adjustable Sensitivity		X
Pocket Clip	X	X
Agency Approvals	(ETL)	(ETL)
Warranty	1 year	1 year
Batteries (included)	1 AAA	(2) Button Cells



Circuit Alert™ Non-Contact Voltage Detector

Indicates the presence of AC Voltage from 50 - 600 V.

- Visual (flashing) and audible (beeping) indicators signal presence of voltage.
- Built-in "safe test" feature assures batteries are operating properly.
- Compact design fits in shirt pocket.
- Operates from 1-AAA battery (included).
- Patented.

TESTS

- ✓ Outlets
- ✓ Switches
- ✓ Circuit breaker panels
- ✓ Wiring
- ✓ Light fixtures



GVD-3504



Live-Wire™

Adjustable sensitivity detects the presence of AC Voltage from 12 - 600 V without contacting wires.

- Visual (flashing) and audible (beeping) indicators signal presence of voltage.
- Adjustable sensing levels.
- Built-in "safe test" feature assures batteries are operating properly.
- Operates from 2-LR44 1.5 Volt batteries (included).

TESTS

- ✓ Doorbells
- ✓ Low voltage lighting
- ✓ Outlets
- ✓ Switches
- ✓ Electrical panels
- ✓ Light fixtures



GVD-3505

*Patent # 5877618



Receptacle Testers / Analyzers

Comparison Chart

Tests for:	GRT-3500	GFI-3501
Open Ground	X	X
Open Neutral	X	X
Open Hot	X	X
Hot / Ground Reversed	X	X
Hot / Neutral Reversed	X	X
Correct Wiring	X	X
GFCI Test Function		X
Agency Approvals	(ETL)	(ETL)
Warranty	1 year	1 year

Receptacle Tester & Circuit Analyzer

Tests standard receptacles to ensure proper wiring.

- Neon indicators give positive indication of circuit status.
- Compact unit simply plugs into any standard 3-wire/grounded receptacle (110 - 125 V AC circuits).
- Tests for six circuit conditions: open ground, open neutral, open hot, hot/ground reverse, hot/neutral reverse, and correct wiring.
- Succession of yellow and red lights provides indication of circuit status or specifies wiring errors.
- Easy-to-read three views – top, side and bottom.



GRT-3500



Tests standard outlets

TESTS

- ✓ Standard outlets
- ✓ Extension cords



Ground Fault Receptacle Tester & Circuit Analyzer

Tests ground fault receptacles by overloading circuit and tripping GFCI.

- Easy to use. Simply plug tester into any circuit protected by a ground fault receptacle (110 - 125 V AC) and press black button to overload circuit.
- Tests for seven conditions: ground fault interruption, open ground, open neutral, open hot, hot/ground reverse, hot/neutral reverse, and correct wiring.
- Succession of yellow and red lights provides indication of circuit status or specifies wiring errors.
- Tester trips GFCI between 6 - 9 mA.



GFI-3501



Tests standard outlets



Tests outlets protected by GFCIs

TESTS

- ✓ Standard outlets
- ✓ GFCI outlets
- ✓ Extension cords





Lan Tracker™ Multi-Purpose Wire Tracer

Traces any unshielded and unenergized wire or cable.

- Four transmitter plug types encased inside closeable hatch:
 - RJ-11
 - Alligator Clips
 - Coax
 - RJ-45
- Detects unshielded wires up to 12", when using ground clip.
- Adjustable sensitivity detects wires in close proximity.
- L.E.D. intensifies as the signal gets stronger.
- Audible feature differentiates transmitter signal from other signals.
- Requires; (2) AA batteries for transmitter (included)
(3) 1.5 V LR-44 batteries for Receiver Wand (included)
- Patented.



Trace Coax Cable



Trace Data Cables



Trace Phone Lines



Compact Receiver



GET-4220K

Five Year
Warranty



GB
Gardner
Bender

TESTERS

Analog Multimeters

Full family of analog multimeters test AC Voltage, DC Voltage, DC Current, Resistance, Continuity, and batteries.

- Manual range selection.
- Easy to read, color-coded analog displays.
- All testers include batteries, test leads, spare fuse, and operating instructions.
- All are Agency approved and incorporate fuse overload protection circuitry.



GMT-312



GMT-318



GMT-319



Feature	GMT-312	GMT-318	GMT-319
Voltage Range			
AC Voltage	300V	500V	1000V
DC Voltage	300V	500V	1000V
Current Range			
AC Current			
DC Current	250 mA	250 mA	10 A
Functions			
Resistance	1 Meg	50K	10 Meg
Decibels (on AC voltage ranges)	-20 to +56dB	-20 to +56dB	-8 to +62dB
Continuity (Audible)			X
Battery Testing		X 1.5 & 9V	X 1.5 & 9V
Specifications			
Manual Range Selection	X	X	X
Total Functions	5	6	7
Total Ranges	12	14	19
Fuse	250 mA	250 mA	500 mA & 10A
Accuracy	±5%	±4%	±4%
General			
Agency Approval	ETL CE	ETL CE	ETL CE
CAT Rating	II 300V	II 500V	II 1000V
Warranty	1 year	1 year	1 year

Digital Multimeters

Full family of digital multimeters test AC Voltage, DC Voltage, Resistance, Continuity, Temperature, Diodes, and Batteries.

- Manual and auto ranging styles.
- Easy to read digital displays.
- All testers include batteries, test leads, and operating instructions.
- Conforms to UL 61010-1 standards and certified to CAN/CSA C22.2.



Circuit Breakers



Batteries



Back-Lit Display



Magnetic Attachment

GDT-311



GDT-3190



GDT-3200



Feature	GDT-311	GDT-3190	GDT-3200
Voltage Range			
AC Voltage	500V	500V	500V
DC Voltage	600V	600V	600V
Functions			
Resistance	2 meg Ω	2 meg Ω	20 meg Ω
Diode Test			X
Continuity (Audible)			X
Temperature (Probe type)			X-40 to 1832°F
Battery Testing		X1.5 & 9V	X1.5V
Specifications			
Manual or Auto Ranging	Manual	Manual	Auto
Total Functions	3	4	7
Total Ranges	13	14	7
Display Count	2000	2000	2000
Low Battery Indicator	X	X	X
Auto Off		X	X
Rubber Boot		X	X
Magnet Strap			X
Backlit LCD			X
General			
Agency Approval	ETL CE	ETL CE	ETL CE
Drop Rating	3'	6'	6'
Crush Rating	150lb	150lb	150lb
CAT Rating	III 600V	III 600V	III 600V
Warranty	1 year	1 year	1 year

Clamp-On Multimeters

Gardner Bender clamp meters test AC Current, AC Voltage, DC Voltage, Resistance and Continuity.

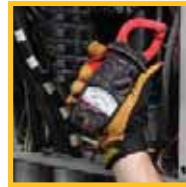
- Manual and autoranging styles.
- Easy-to-read displays.
- All testers include batteries, test leads and operating instructions.
- All are cULus or CE approved.



Current (GCM-221)



Voltage (GCM-221)



Current (GCM-500)



Voltage (GCM-500)



One Year Warranty



One Year Warranty



Feature	GCM-500	GCM-221
Voltage Range		
AC Voltage	600V	600V
DC Voltage	60V	
Current Range		
AC Current	600A	600A
Functions		
Resistance	1000 Ω	200 Ω
Continuity		X
Audible Buzzer		X
Specifications		
Manual or Auto Ranging	Manual	Auto
Total Functions	4	3
Total Ranges	8	3
Display Count		1000
Data Hold	X	X
Jaw Size	1 1/2"	1 1/4"
Fuse	500 mA	
Accuracy	±5%	AC V: ±1.5% AC A: ±2.0% Ω : ±1.0%
General		
Agency Approval	(ETL)	CE
Drop Rating	3'	6'
Crush Rating	150 Lb	150 Lb
CAT Rating		II 600V, III 300V
Warranty	1 year	1 year

GB
Gardner
Bender

TESTERS

Analog Battery Tester

Tests all common batteries to determine if they are charged or need replacement.

- Tests from 1.5 V button cells to 22.5 V photo cells.
- Includes test leads for easy testing.

TESTS

- ✓ AA, AAA, C, D, N
- ✓ 1.5 V button cells
- ✓ 1.25 V Ni-Cad rechargeable
- ✓ 3 V lithium
- ✓ 22.5 V photo & lantern cells
- ✓ 6 V lantern
- ✓ 12 V, 15 V Photo cells
- ✓ 9 Volt



GBT-500A

One Year
Warranty

Analog Battery Tester

Tests most common household battery types to determine existing charge.

- Moveable contact arm fits multiple battery sizes.
- Simple "Low/Good" indicator.

TESTS

- ✓ AA
- ✓ AAA
- ✓ C
- ✓ D
- ✓ 9 V
- ✓ 1.5 V button cells



GBT-3502



Movable contact arm fits multiple battery sizes

One Year
Warranty

Test Leads

Replacement leads for Gardner Bender meters.

- Tough ABS construction.
- Flexible cords for easy use.

Part #	Description	Models
RTL-103	Small Test Leads	GMT-319, GDT-311, GDT-3190, GDT-3200
RTL-107	Push-on Alligator Clips	RTL-103, RTL-108, RTL-200
RTL-108	Mid-size Test Leads	GMT-312, GMT-318
RTL-200	Large Test Leads	GDT-292A, GDT-293A, GDT-294A, GDT-295A, GCM-500, GCM-221



RTL-103



RTL-107



RTL-200



RTL-108



Replacement Parts and Accessories

Test Instruments

Model	FUSES					Batteries
	10A/250V	0.5A/250V	2.0A/250V	0.2A/250V	0.25A/250V	
Analog Multimeters						
GMT-312		X				(1) AA
GMT-318		X				(1) AA
GMT-319		X				(2) AAA
Digital Multimeters						
GDT-311						(1) 9 Volt
GDT-3190			X			(1) 9 Volt
GDT-3200			X			(1) 9 Volt
Clamp Meters						
GCM-221				X	X	(2) AAA
GCM-500	X					(1) AA
Probe Testers						
GAT-3400					X	
GBT-500A	X					
GBT-3502	X				X	
GCT-3304						(2) AAA
GCV-3206						
GET-3100						
GET-3202						
GET-3206						
GET-3213						
GET-4220K						(2) AA & (3) LR44
GVD-3504						(1) AAA
GVD-3505						(2) 1.5 V LR44
GVT-392						



TESTERS

NOTES



TESTERS

CABLE TIES



With a patented design and high-quality construction, Gardner Bender cable ties deliver 50% more tensile strength than industry standard ties.



141



141



144



144



144

139



CABLE TIES

Colored	144
Grip Strip™ Hook-and-Loop Fasteners	144
Heavy Duty (Natural & Ultraviolet Black)	142
Miniature (Natural & Ultraviolet Black)	141
Mounting Bases and Ties (Natural & Ultraviolet Black)	143, 144
Releaseable (Natural & Ultraviolet Black)	143
Standard (Natural & Ultraviolet Black)	141
Tensioning Tools	144

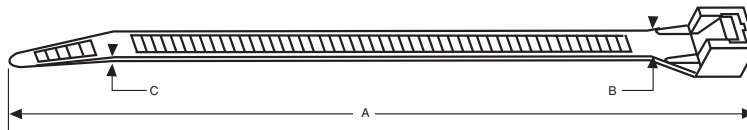


INNOVATION

Miniature & Standard Cable Ties

Gardner Bender offers a broad range of cable ties, great for bundling wire, cable, hoses, ducts and countless other applications.

- Made from durable nylon 6/6 material.
- Ultraviolet black (UVB) ties resist harmful light rays – primarily for outdoor use.
- Serviceable through temperatures -40 to 85 °C (-40 to 185 °F).
- UL recognized component listing E125869.
- Meets UL 94 V-2 flammability classification.
- Patented DoubleLock™ design has teeth on both sides of the tie, ensuring 50% greater strength than industry standards.



Miniature

Length	Color	Part #	Pkg Qty	Double Lock™	Tensile Strength	Length A	Width B	Thickness C	Bundle Dia. Max.	UL
4"	Natural	45-104	40/bag	—	18 lb	4"	0.095"	0.035"	3/16"	UR
	Natural	46-104	100/bag	—	18 lb	4"	0.095"	0.035"	3/16"	UR
	Natural	46-104M	1,000/bag	—	18 lb	4"	0.095"	0.035"	3/16"	UR
	UVB	45-104UVB	30/bag	—	18 lb	4"	0.095"	0.035"	3/16"	UR
	UVB	46-104UVB	100/bag	—	18 lb	4"	0.095"	0.035"	3/16"	UR
	UVB	46-104UVBM	1,000/bag	—	18 lb	4"	0.095"	0.035"	3/16"	UR

Standard

Length	Color	Part #	Pkg Qty	Double Lock™	Tensile Strength	Length A	Width B	Thickness C	Bundle Dia. Max.	UL
6"	Natural	46-206	100/bag	DLOCK	45 lb	6.00"	0.13"	0.055"	1 3/8"	—
	Natural	46-206M	1,000/bag	DLOCK	45 lb	6.00"	0.13"	0.055"	1 3/8"	—
	UVB	46-206UVB	100/bag	DLOCK	45 lb	6.00"	0.13"	0.055"	1 3/8"	—
8"	Natural	45-308	20/bag	DLOCK	75 lb	8.00"	0.17"	0.055"	2"	UR
	Natural	46-308	100/bag	DLOCK	75 lb	8.00"	0.17"	0.055"	2"	UR
	Natural	46-308M	1,000/bag	DLOCK	75 lb	8.00"	0.17"	0.055"	2"	UR
	Natural	46-507	500/bag	DLOCK	75 lb	8.00"	0.17"	0.055"	2"	UR
	UVB	45-308UVB	15/bag	DLOCK	75 lb	8.00"	0.17"	0.055"	2"	UR
	UVB	46-308UVB	100/bag	DLOCK	75 lb	8.00"	0.17"	0.055"	2"	UR
11"	Natural	46-308UVBM	1,000/bag	DLOCK	75 lb	8.00"	0.17"	0.055"	2"	UR
	Natural	45-312	12/bag	DLOCK	75 lb	10.90"	0.17"	0.055"	3"	UR
	Natural	46-310	100/bag	DLOCK	75 lb	10.90"	0.17"	0.055"	3"	UR
	Natural	46-310M	1,000/bag	DLOCK	75 lb	10.90"	0.17"	0.055"	3"	UR
	Natural	46-311	300/bag	DLOCK	75 lb	10.90"	0.17"	0.055"	3"	UR
	Natural	46-210	100/bag	DLOCK	45 lb	11.00"	0.13"	0.055"	3"	—
	UVB	45-312UVB	8/bag	DLOCK	75 lb	10.90"	0.17"	0.055"	3"	UR
	UVB	46-210UVB	100/bag	DLOCK	45 lb	11.00"	0.13"	0.055"	3"	—
14"	UVB	46-310UVB	100/bag	DLOCK	75 lb	10.90"	0.17"	0.055"	3"	UR
	UVB	46-310UVBM	1,000/bag	DLOCK	75 lb	10.90"	0.17"	0.055"	3"	UR
	Natural	45-315	8/bag	DLOCK	75 lb	13.95"	0.17"	0.055"	4"	UR
	Natural	46-315	100/bag	DLOCK	75 lb	13.95"	0.17"	0.055"	4"	UR
	Natural	46-315M	1,000/bag	DLOCK	75 lb	13.95"	0.17"	0.055"	4"	UR
	UVB	45-315UVB	8/bag	DLOCK	75 lb	13.95"	0.17"	0.055"	4"	UR
	UVB	46-315UVB	100/bag	DLOCK	75 lb	13.95"	0.17"	0.055"	4"	UR
	UVB	46-315UVBM	1,000/bag	DLOCK	75 lb	13.95"	0.17"	0.055"	4"	UR



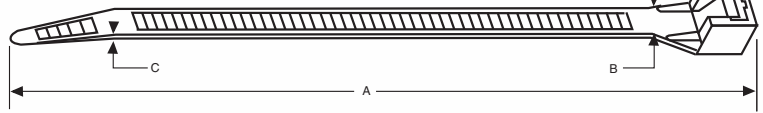
CABLE TIES



Heavy-Duty Cable Ties

Heavy-duty design offers 120 and 175 lbs of tensile strength.

- Patented DoubleLock™ design (on 120 lb) ensures 50% greater tensile strength.
- Ultraviolet black (UVB) ties resist harmful light rays – primarily for outdoor use.



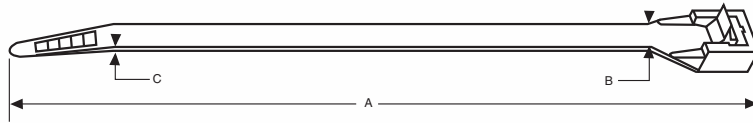
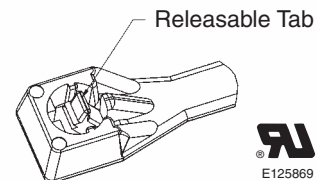
Length	Color	Part #	Pkg Qty	Double Lock™	Tensile Strength	Length A	Width B	Thickness C	Bundle Dia. Max.	UL
8"	Natural	46-408	100/bag	DLOCK	120 lb	8.00"	0.25"	.072"	2"	UR
	UVB	46-408UVB	100/bag	DLOCK	120 lb	8.00"	0.25"	.072"	2"	UR
12"	Natural	46-412	100/bag	DLOCK	120 lb	12.00"	0.25"	.072"	3"	UR
	UVB	46-412UVB	100/bag	DLOCK	120 lb	12.00"	0.25"	.072"	3"	UR
15"	Natural	45-515	10/bag	DLOCK	120 lb	15.00"	0.25"	.072"	4"	UR
	Natural	46-415	50/bag	DLOCK	120 lb	15.00"	0.25"	.072"	4"	UR
	UVB	45-515UVB	10/bag	DLOCK	120 lb	15.00"	0.25"	.072"	4"	UR
	UVB	46-415UVB	50/bag	DLOCK	120 lb	15.00"	0.25"	.072"	4"	UR
17"	Natural	45-518	10/bag	—	175 lb	17.00"	0.35"	.07"	4.90"	UR
	Natural	46-418	50/bag	—	175 lb	16.93"	0.35"	.07"	4.90"	UR
	UVB	46-418UVB	50/bag	—	175 lb	16.93"	0.35"	.07"	4.90"	UR
	UVB	45-518UVB	10/bag	—	175 lb	17.00"	0.35"	.07"	4.90"	UR
21"	Natural	45-521	10/bag	—	175 lb	20.70"	0.35"	.07"	5.5"	UR
	Natural	46-421	50/bag	—	175 lb	20.78"	0.35"	.07"	5.51"	UR
	UVB	46-421UVB	50/bag	—	175 lb	20.78"	0.35"	.07"	5.51"	UR
	UVB	45-521UVB	10/bag	—	175 lb	20.70"	0.35"	.07"	5.5"	UR
24"	Natural	45-524	10/bag	—	175 lb	23.97"	0.35"	.07"	7"	UR
	Natural	46-424	50/bag	—	175 lb	23.97"	0.35"	.07"	7"	UR
	UVB	46-424UVB	50/bag	—	175 lb	23.97"	0.35"	.07"	7"	UR
	UVB	45-524UVB	10/bag	—	175 lb	23.97"	0.35"	.07"	7"	UR
30"	Natural	46-330	25/bag	—	175 lb	30.50"	0.35"	.07"	9"	UR
	UVB	46-330UVB	25/bag	—	175 lb	30.50"	0.35"	.07"	9"	UR
36"	Natural	45-536	10/bag	—	175 lb	35.91"	0.35"	.07"	10.30"	UR
	Natural	46-436	50/bag	—	175 lb	35.91"	0.35"	.07"	10.30"	UR
	UVB	45-536UVB	10/bag	—	175 lb	35.91"	0.35"	.07"	10.30"	UR
	UVB	46-436UVB	50/bag	—	175 lb	35.91"	0.35"	.07"	10.30"	UR
48"	Natural	45-548	10/bag	—	175 lb	48.00"	0.35"	.07"	14.30"	UR
	Natural	46-448	50/bag	—	175 lb	48.00"	0.35"	.07"	14.30"	UR
	UVB	45-548UVB	10/bag	—	175 lb	48.00"	0.35"	.07"	14.30"	UR
	UVB	46-448UVB	50/bag	—	175 lb	48.00"	0.35"	.07"	14.30"	UR



Releasable Cable Ties

Temporarily fastens wires, cables and hoses.

- Extended releasable tab in the head makes for easy release and reusability.
- Great for temporary work or where frequent servicing is required.
- Ultraviolet black (UVB) ties resist harmful light rays – primarily for outdoor use.



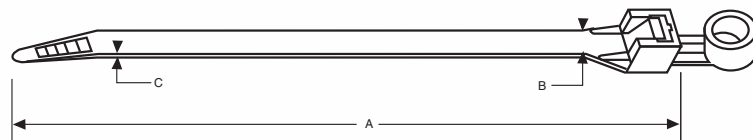
Length	Color	Part #	Pkg Qty	Double Lock™	Tensile Strength	Length A	Width B	Thickness C	Bundle Dia. Max.	UL
8"	Natural	47-108	25/bag	—	50 lb	8.00"	0.17"	0.05"	1.75"	UR
	UVB	47-108UVB	25/bag	—	50 lb	8.00"	0.17"	0.05"	1.75"	UR
16"	UVB	47-115UVB	4/bag	—	175 lb	15.25"	0.52"	0.09"	4"	UR
22"	UVB	47-121UVB	3/bag	—	175 lb	21.50"	0.52"	0.09"	6"	UR
28"	UVB	47-127UVB	3/bag	—	175 lb	27.75"	0.52"	0.09"	8"	UR



Mounting Cable Ties

Secures bundles to walls, studs or other surfaces easily.

- Accepts #10 screws.
- Ultraviolet black (UVB) ties resist harmful light rays – primarily for outdoor use.



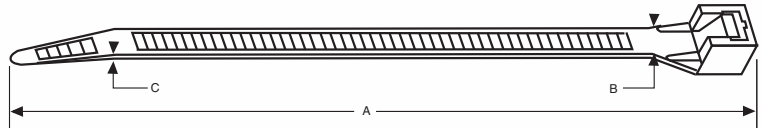
Length	Color	Part #	Pkg Qty	Double Lock™	Tensile Strength	Length A	Width B	Thickness C	Bundle Dia. Max.	UL
8"	Natural	45-308MT	20/bag	—	50 lb	8.63"	0.17"	0.055"	2"	UR
	Natural	48-308	100/bag	—	50 lb	8.63"	0.17"	0.050"	1¾"	UR
	UVB	45-308MTUVB	15/bag	—	50 lb	8.63"	0.17"	0.055"	2"	UR
	UVB	48-308UVB	100/bag	—	50 lb	8.63"	0.17"	0.055"	1¾"	UR
14"	Natural	48-315	100/bag	—	50 lb	14.63"	0.17"	0.055"	4"	UR
	UVB	48-315UVB	100/bag	—	50 lb	14.63"	0.17"	0.055"	4"	UR



Colored Cable Ties

Colored cable ties fasten wire for easy bundle identification.

- Patented DoubleLock™ design ensures 50% more tensile strength than industry standards.
- Flexible nylon material allows cable ties to remain serviceable through temperature ranges of -40 to 185 °F (-40 to 85 °C).
- Recognized under component program of UL, E125869.
- Meets flammability classification UL 94 V-2.



Length	Color	Part #	Pkg Qty	Double Lock™	Tensile Strength	Length A	Width B	Thickness C	Bundle Dia. Max.	UL
8"	Flr Blue	45-308FB	20/bag	DLOCK	75 lb	8"	0.17"	0.055"	2"	UR
	Flr Green	45-308FG	20/bag	DLOCK	75 lb	8"	0.17"	0.055"	2"	UR
	Flr Yellow	45-308FY	20/bag	DLOCK	75 lb	8"	0.17"	0.055"	2"	UR
	Green	45-308G	20/bag	DLOCK	75 lb	8"	0.17"	0.055"	2"	UR
	Green	46-308G	100/bag	DLOCK	75 lb	8"	0.17"	0.055"	2"	UR



Mounting Bases

- Adhesive-backed mounting bases for securing wire and cable bundles.
- Center screw hole for extra holding power.
- Molded with durable nylon 6/6 material.
- Four-sided insertion design for mounting flexibility.

Part #	Pkg Qty	Size	Fits Widths	UR	Recommended Cable Ties	Color
45-MB	5/bag	1" x 1"	.10" - .17"	UL	18 lbs to 75 lbs	Natural
45-MBUVB	5/bag	1" x 1"	.10" - .17"	UL	18 lbs to 75 lbs	Black
MB-20	100/bag	1" x 1"	.10" - .17"	UL	18 lbs to 75 lbs	Natural



Economy Cable Tie Tensioning Tool

Tightens and cuts off cable ties.

- Quick twist snaps off excess length.
- Use for all cable ties up to 75 lbs tensile strength.
- Lightweight, economical.

Part #	Description
CTT-45	Economy Cable Tie Tensioning Tool

Grip-Strip™ Hook-and-Loop Fasteners

Reusable strip fastens wires and cables.

- Wrap excess around bundle – no waste.
- Great for home/office, tools and electronics.
- Cinch tab allows attachment to cable or cord.

Length	Part #	Pkg Qty	Color
8"	45-V8BK	5/bag	Black
11"	45-V11BK	5/bag	Black
15"	45-V15BK	3/bag	Black

STAPLES



From low voltage wire to service entrance cables, professionals rely on Gardner Bender for a complete line of staple and fastening solutions.



148



149



151



150



149

145



STAPLES

Category 3 & 5 Data Staples151
Coaxial Cable Staples151
Conduit Straps150
Fiber-Insulated Staples152
Insulated Metal Staples148
Low Voltage Wire Staples150, 152
Masonry Staples150, 151
Metal Staples148
MultiCable Staples149
Plastic Staples149
Roofing Staples151
Service Entrance Staples148
Service Entrance Straps150
Staple Gun147



INNOVATION

NEW Cable Boss™ Staple Gun

- Secures 120V & low-volt cable: Romex®, Coaxial & CAT 5 from the same tool.
- Comfort grip areas for 2-handed operation.
- Easy trigger force.
- Ergonomic handle.
- Secures round and flat cable.
- 3 sizes covering: NM, Coax, Voice/Data, Low Volt.



STAPLES



Size	Part #	Pkg Qty	Color	Application
5/16"	MPS-2080	250/box	Blue	Voice/Data: CAT 5e Speaker Wire: 16/2, 16/4, 12/2 (standard and in-wall styles) Security Wire: 18/4
3/8"	MPS-2100	200/box	White	Coax: RG-6 Voice/Data: CAT 6 NM Cable: 14/2, 14/3, 12/2
1/2"	MPS-2125	200/box	Black	Coax: RG-6 Quad Shield NM Cable: 10/2, 12/3 Structured Cabling: Siamese CAT 5e, Siamese CAT 5e and 16/4 Speaker wire

IMPROVED Metal Staples

Secures Romex® wire and other types of non-metallic (NM) cable.

- Recessed head drives faster and protects cable insulation.
- Pointed legs drive in straight; will not split wood.
- Preferred length.
- Virtually "Oil-Free" for cleaner handling.
- Sharper tips for easy starting.



Dims W x L	Part #	Pkg Qty	Application
1/2"	MS-1550	24/card	14/2, 12/2, 10/2
	MS-1555	50/card	
	MS-150	100/box	
	MS-150J	150/jar	
	MS-500J	500/jar	
	MS-550	500/box	
	MS-950B	5,000/bucket	
	MS-950BU	10,000/bucket	

Dims W x L	Part #	Pkg Qty	Conductor
9/16"	MS-1575	18/card	14/3, 12/3, 10/3
	MS-1577	50/card	
	MS-175	100/box	
	MS-175J	150/jar	
	MS-450J	450/jar	
	MS-575	500/box	
	MS-975B	4,000/bucket	

Insulated Metal Staples

Secures and protects non-metallic (NM), BX, MC, AC and UF cable.

- Insulator made from durable polyethylene.
- Plastic insulator protects cables and helps prevent arc faults.



Dims W x L	Part #	Pkg Qty	Application
1/2"	MSI-1525	15/card	14/2 & 12/2 cable
	MSI-50B	50/bag	
	MSI-150	100/box	
	MSI-200J	200/jar	
	MSI-550	500/box	
	MSI-950B	4,000/bucket	

Service Entrance Staples

Secures Service Entrance cables.

- Pointed offset legs drive in straight.
- Will not split wood.



Dims W x L	Part #	Pkg Qty	Application
3/16" x 1 3/8"	GSE-15310	10/card	SEU #6/3 with ground
	GSE-310	100/box	
1 1/8" x 1 1/2"	GSE-15410	10/card	4/3 and 2/3 SE cable
	GSE-410	100/box	
1 5/8" x 2 1/8"	GSE-710	100/box	4/0 SE, Large BX, Romex®, Greenfield

Plastic Staples

Secures Romex®, UF and other types of non-metallic (NM) cable.

- Fast and easy to install – both zinc-plated nails drive together without splitting wood.
- Nail heads are recessed for minimum exposure.
- Smooth saddles prevent damage to insulation.
- UV-resistant polyethylene saddles will not rust, rot or deteriorate.



14 Gauge

Size	Part #	Pkg Qty	Color	Application
1/2"	PS-1550	15/card	White	14/2, 12/2, 10/2
	PS-50	50/bag	White	
	PS-150	100/box	White	
	PS-150Z	100/bag	White	
	PS-150ZJ	100/jar	White	
	PS-225J	225/jar	White	
	PS-250	250/bag	White	
	PS-550	500/box	White	
PS-750B	2,000/bucket	White		

Size	Part #	Pkg Qty	Color	Application
3/4"	PS-1575	15/card	White	14/3, 12/3, 10/3
	PS-75	50/bag	White	
	PS-175	100/box	White	
	PS-175Z	100/bag	White	
	PS-175ZJ	175/jar	White	
	PS-275	250/bag	White	
	PS-575	500/box	White	



INNOVATION

NEW MultiCable Staples

Organizes and secures multiple cable runs on a stud.

- Secures NM/Romex®, coaxial and CAT 5 all on the same staple.
- Snap lock gate quickly and easily secures all cables.
- Self-centering tab guides perfect placement on the stud.
- Secures with a nail or staple for wood studs, a screw for metal studs.



Part #	Pkg Qty	Stud Type	Cable Combinations
MCS-20W	20/box	Wood/Metal	(8) NM-B Flat 14-2
MCS-100W	100/box	Wood/Metal	(8) NM-B Flat 12-2
			(4) NM-B Flat 10-2
			(2) NM-B Round 14-3
			(2) NM-B Round 12-3
			(10) RG-59
			(8) RG-6
			(10) CAT-5



Clip-on Plastic Staples

Secures Romex®, UF and other type-NM cable.

- Fast and easy to install – both zinc-plated nails drive together.
- Hardened nails can penetrate cement block, mortar or plaster surfaces.
- Nail heads are recessed for minimum exposure.
- Smooth saddles prevent damage to cable insulation.
- UV-protected polyethylene saddle resists rot, rust and deterioration.



Size	Part #	Pkg Qty	Type	Application
1/2"	PSM-1550	25/clam	Masonry	14/2, 12/2, 10/2
	PSO-1525	25/clam	Wood	
3/4"	PSO-1575	25/clam	Wood	14/3, 12/3, 10/3

Service Entrance Cable Straps

Plastic insulated straps quickly and easily secure service entrance cable.

- Electro-zinc plated nails provide strength and durability.
- Polyethylene straps stabilized against UV rays and extreme cold; withstand deterioration and breakage.

Part #	Pkg Qty	Application	Part #	Pkg Qty	Application
GSE-105	5/card	#6 SEU	GSE-304	4/card	#2 SER
GSE-170	70/box	#6 SEU	GSE-330	30/box	#2 SER
GSE-205	5/card	#2 SEU	GSE-402	2/card	#4/0 SEU
GSE-250	50/box	#2 SEU	GSE-505	5/card	#6 SER



Conduit Plastic Straps

Enables secure fastening of plastic electrical conduit, schedule 40 PVC, copper tubing, etc.

- Heavy-duty polyethylene resists deterioration from UV rays and breakage from extreme cold.

Size Dia.	Part #	Pkg Qty	Application
.840"	GCC-120	6/card	1/2" conduit
1.05"	GCC-220	20/bag	3/4" conduit
1.315"	GCC-310	10/bag	1" conduit

Size Dia.	Part #	Pkg Qty	Application
1.66"	GCC-410	10/bag	1 1/4" conduit
1.9"	GCC-510	10/bag	1 1/2" conduit
2.375"	GCC-610	10/bag	2" conduit



Low Voltage Plastic Staples

Secures bell, speaker, thermostat and telephone wire.

- For inside and outside applications.
- UV-resistant polyethylene saddles will not rust, rot or deteriorate.
- Zinc-plated nails resist rust and corrosion.



Size	Part #	Pkg Qty	Color
3/16"	PLT-1525	25/clam	Tan
	PLW-1525	25/clam	White
3/16"	PMB-1525	25/card	Black
	PMW-100	100/box	White
	PSW-200J	200/jar	White
	PSB-1600	25/card	Black
	PSW-1600	25/card	White
	PSB-160	100/card	Black
	PSW-160	100/card	White

Masonry Low Voltage Staples

Secures bell, speaker, thermostat and telephone wire.

- Hardened nails can penetrate cement block, mortar or plaster surfaces.
- UV-resistant polyethylene saddles will not rust, rot or deteriorate.
- Zinc-plated nails resist rust and corrosion.



Size	Part #	Pkg Qty	Color
3/16"	PMC-1525W	25/clam	White

Category 3 & 5 Data Staples

Secures RJ-11, RJ-12, RJ-45, Category 3 and Category 5 wire.

- UV-resistant polyethylene saddles will not rust, rot or deteriorate.
- Zinc-plated nails resist rust and corrosion.



Part #	Pkg Qty	Color
PTP-25	25/clam	Blue
PTP-250J	300/jar	Blue



Masonry Category 3 & 5 Data Staples

Secures and protects RJ-11, RJ-12, RJ-45, Category 3 and Category 5 wire.

- Hardened nails can penetrate cement block, mortar or plaster surfaces.
- UV-resistant polyethylene saddles will not rust, rot or deteriorate.
- Zinc-plated nails resist rust and corrosion.



Part #	Pkg Qty	Color
PTM-25	25/clam	Blue



Coaxial Cable Staples

Secures RG-59 and RG-6 coaxial cables.

- UV-resistant polyethylene saddle.
- For indoor and outdoor applications.
- Zinc-plated nails resist rust and corrosion.

Size	Part #	Pkg Qty	Color
1/4"	PSB-1650	25/card	Black
	PSW-1650	25/card	White
	PSB-165	50/card	Black
	PSW-165	50/card	White
	PSB-100	100/box	Black
	PSW-100	100/card	White



PCC-1525

PSB-1650

PSG-15



Size	Part #	Pkg Qty	Color
1/4"	PCC-1525	25/clam	Black
	PCC-300	300/jar	Black
7/16"*	PSG-15	15/card	Gray
	PSG-100	100/box	Gray

*For RG-8, triaxial and up to 25 pairs UTP cable

Coaxial Masonry Staples

Secures RG-59 and RG-6 coaxial cables.

- Hardened nails can penetrate cement block, mortar or plaster surfaces.
- UV-Protected.



Size	Part #	Pkg Qty	Color
1/4"	PCS-1525	25/card	Black
	PCS-100	100/box	Black
	PCS-1600	25/clam	Black
	PCS-300B	300/jar	Black

Coaxial Roofing Staples

Secures RG-59 and RG-6 coaxial cables.

- Extra-long nail accommodates roofing applications.
- UV-resistant polyethylene saddles will not rust, rot or deteriorate.
- Zinc-plated nails resist rust and corrosion.



Size	Part #	Pkg Qty	Color
1/4"	PSR-25	25/card	Black

Double Coaxial Staples

Secures multiple RG-59, RG-59 quad shield, RG-6 and RG-6 quad shield wire.

- UV-resistant polyethylene saddles will not rust, rot or deteriorate.
- Zinc-plated nails resist rust and corrosion.



Size	Part #	Pkg Qty	Color
1/4"	PDS-1525B	25/clam	Black

Double Coaxial Masonry Staples

Secures multiple RG-59, RG-59 quad shield, RG-6 and RG-6 quad shield wire.

- Hardened nails can penetrate cement block, mortar and plaster surfaces.
- UV-resistant polyethylene saddles will not rust, rot or deteriorate.



Size	Part #	Pkg Qty	Color
1/4"	PDC-1525B	25/clam	Black

Low Voltage Fiber Insulated Staples

Secures bell, speaker, telephone and thermostat wire.

- Insulates and protects cable.



Size	Part #	Pkg Qty	Color
1/8"	MSB-1540	40/card	Brown
	MSW-1540	40/card	White

Kwik Mount Staples

Fastens and guides wires.

- Wires easily snap in or out of two usable sides.
- Accommodates Category 5 wire.
- Use to secure holiday light sets, sound system wires, etc.



Size	Part #	Pkg Qty
7/8" X 3/16" X 1/4"	PWS-1525	25/card

WIRE MANAGEMENT



As the needs of professional electricians change in managing wire and cable, Gardner Bender continues to deliver innovative solutions for their everyday needs.



155



156



158



161



159

153



WIRE MANAGEMENT

Anchor Kit - Plastic Conical	162
Box Supports/Spacers	161, 163
Cable Clamps - Plastic	158
Cable Clamps - Rubber Insulated	158
Duct Seal Compound	160
Hanger Strap	160
Heat-Shrink Tubing - Thin Wall Polyolefin	156
Heat-Shrink Tubing - Colored PVC	156
Heat-Shrink Tubing - Heavy-Wall	157
Knockout Seals	159
Reference Book - "Wiring Simplified"	163
Reference Book - "Ugly's Electrical References" ..	163
Screw Kits	162
Seals	159
Spiral Wrap	157
Split Flex Tubing	157
Stud Insulators	159
Tape - Electrical	155
Tape - Friction	155
Tape - Silicone Self-Sealing	155
Tape - Liquid Electrical	155
Wire Markers - Pocket Pack	161

Electrical Tape

Quality electrical tape designed for general purpose electrical applications.

- Made from low-lead PVC material.
- For applications up to 600 V.
- Temp rating up to 80 °C (176 °F).

Part #	Pkg Qty	Sleeve Qty	Width	Length	Color
GTP-307	1/roll	10/sleeve	3/4"	30'	Black
GTP-307D	1/card	—	3/4"	30'	Black (w/Dispenser)
GTP-307WD	1/card	—	3/4"	30'	Black - Weather Resistant (w/Dispenser)
GTP-607	1/roll	10/sleeve	3/4"	60'	Black
GTP-607P	1/puck	—	3/4"	60'	Black
GTB-667P	1/puck	—	3/4"	60'	Blue
GTN-667P	1/puck	—	3/4"	66'	Brown
GTO-667P	1/puck	—	3/4"	66'	Orange
GTG-667P	1/puck	—	3/4"	66'	Green
GTR-667P	1/puck	—	3/4"	66'	Red
GTW-667P	1/puck	—	3/4"	66'	White
GTY-667P	1/puck	—	3/4"	66'	Yellow
GTPC-512	5/card	—	3/4"	12'	Assorted (Red, White, Blue, Green, Yellow)
GTPC-550	5/clam	—	1/2"	20'	Assorted (Red, White, Blue, Green, Yellow)



Friction Tape

Black friction tape with matted finish, available in two lengths.

- Matted finish provides the best gripping surface available.
- Use over electrical splices, wrapping grips or sporting goods.
- Available in two lengths: 30' or 60'.

Part #	Pkg Qty	Description
GTF-300	1/roll	3/4" wide, 30' long
GTF-600	1/roll	3/4" wide, 60' long

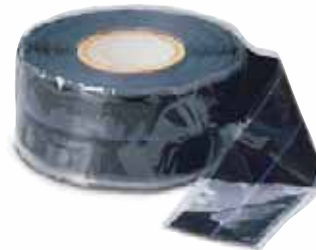


Silicone Self-Sealing Tape

High quality tape that insulates all shapes of conductors to 400 V.

- Insulates and seals surfaces from -65 °C to 260 °C (-85 °F to 500 °F).
- Fuses to itself in seconds to stay watertight.
- Permanent mold in 24 hours or in minutes with heat application.

Part #	Pkg Qty	Description
HTP-1010	1/roll	1" wide, 10' long



NEW Liquid Electrical Tape

A liquid coating used to insulate and protect electrical splices and connections.

- Waterproof, will not unravel or deteriorate like traditional tape.
- Great for home, auto/marine and electrical applications.
- Indoor/outdoor.
- Brush-on applicator included.

Part #	Pkg Qty	Color
LTB-400	4 oz/can	Black
LTR-400	4 oz/can	Red



WIRE MANAGEMENT

Thin-Wall Heat-Shrink Tubing – Polyolefin

Great for cable insulation, marking and bundling, with superior mechanical, abrasion and moisture protection.



- Flame retardant.
- Resists common fluids and solvents.
- Meets UL 224, 125 °C; CSA C22.2 No. 198.1, 125 °C; MIL-DTL-23053/5, Class 1 & 2, AMS 3636 & 3637; DEF STAN 59-79, Issue 3 Type 2a.
- Continuous operating temperature: -55 °C (-67 °F) - 135 °C (275 °F).
- Shrink temperature: 120 °C (250 °F) - 250 °C (480 °F).
- 600 V/Mil Dielectric strength.
- 2:1 shrink ratio.

	Part #	Pkg Qty	Inside Diameter		Length	Conductor Gauge AWG*																	
			Before	Finished		24	22	20	18	16	14	12	10	8	6	4	2	1	1/0	2/0	3/0	4/0	
Polyolefin	HST-093	8 pcs	3/32"	3/64"	4"	●																	
	HST-125	7 pcs	1/8"	1/16"	4"		●		●														
	HST-187	8 pcs	3/16"	3/32"	4"			●		●	●	●	●										
	HST-250	6 pcs	1/4"	1/8"	4"				●	●	●	●	●	●									
	HST-375	3 pcs	3/8"	3/16"	4"						●	●	●	●	●								
	HST-500	3 pcs	1/2"	1/4"	4"							●	●	●	●	●							
	HST-750	2 pcs	3/4"	3/8"	4"										●	●	●	●	●	●	●		
	HST-999	2 pcs	1"	1/2"	4"												●	●	●	●	●	●	
	HST-AST	8/card	1/8", 3/16", 1/4"	1/16", 3/32", 1/8"	4"																●	●	●

* Sizes shown are approximate and may vary according to manufacturer and insulation system for each wire.



NEW Colored Heat-Shrink Tubing – PVC

Great for general-purpose applications.

- Flame retardant.
- Meets UL 224 VW-1; CSA C22.2 No. 198.1 OFT.
- Continuous operating temperature: -30 °C (-22 °F) - 105 °C (220 °F).
- Shrink temperature: 110 °C (230 °F).



HST-101



HST-107



	Part #	Pkg Qty	Inside Diameter		Length	Conductor Gauge AWG*													Color				
			Before	Finished		24	22	20	18	16	14	12	10	8	6	4	2	1		1/0	2/0	3/0	
PVC	HST-100	8/clam	3/16"	3/32"	8'		●	●	●	●													Red
	HST-101	8/clam	1/4"	1/8"	8'			●	●	●	●	●											Blue
	HST-102	8/clam	5/16"	5/32"	8'						●	●	●	●									Yellow
	HST-107	(7)-3" pieces/clam	1/8", 1/4", 3/8", 1/2"		(7)-3" pcs																		Assorted (Red, Blue, Yellow)

* Sizes shown are approximate and may vary according to manufacturer and insulation system for each wire.

Heavy-Wall Heat-Shrink Tubing

Provides maximum reliability for insulating and protecting wire, cables and terminations.

- High impact, abrasion and corrosion resistance.
- Submersible and great for direct burial installations.
- Inner adhesive bonds to plastics, rubber, neoprene, steel, polyethylene.
- Continuous operating temperature: -55 °C (-67 °F) - 125 °C (257 °F).
- Shrink temperature: 120 °C (250 °F).



Part #	Pkg Qty	Inside Diameter		Length
		Before	Finished	
HWT-0722	1/bag	3/4"	7/32"	6"
HWT-1138	1/bag	1 3/32"	3/8"	6"
HWT-1550	1/bag	1 1/2"	1/2"	6"



Split Flex Tubing

Protects hoses, wire and cables from cuts, abrasions and UV wear.

- Excellent for managing cords for electronics, under hood or trailer wiring.
- Corrugated for added flexibility.
- Split down the center for wire breakout where needed.



Part #	Inside Dia.	Length	Color	Pkg Qty
FLX-3810	3/8"	10'	Black	1/bag
FLX-5007	1/2"	7'	Black	1/bag
FLX-757GR	3/4"	5'	Gray	1/bag
FLX-1007	1"	5'	Gray	1/bag

Spiral Wrap

Manages wire and cable neatly and allows for cable to break out at desired locations.

- Made from flexible polyethylene.
- Protects cables from cuts, abrasions and UV wear.



Part #	Description	Color	Includes:		
			Qty	Description	Inside Dia.
FSP-AST	Assorted	Clear	1	4' length	3/8"
			1	4' length	1/8"



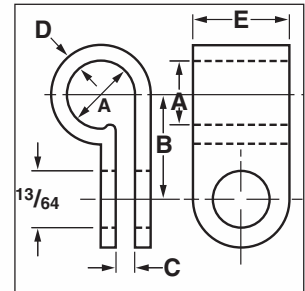
Plastic Cable Clamps

Holds harnesses, cables and tubing.

- Used for construction, maintenance and assembly-line operations.
- Use in control cabinets, panels and general applications.
- Tough, durable, yet extremely lightweight.
- Working temperature range: -54 °C (-66 °F) to 170 °C (340 °F).
- Clean, smooth edges for easy handling.
- Fast installation.



Part #	Pkg Qty	Dimensions					Color
		A dia.	B	C	D	E width	
PPC-1525	18/card	1/4"	25/64"	1/32"	3/64"	3/8"	Natural
PPC-1525UVB	18/card	1/4"	25/64"	1/32"	3/64"	3/8"	Black
PPC-1538	15/card	3/8"	31/64"	1/32"	3/64"	3/8"	Natural
PPC-1538UVB	15/card	3/8"	31/64"	1/32"	3/64"	3/8"	Black
PPC-1550	12/card	1/2"	35/64"	3/64"	3/64"	3/8"	Natural
PPC-1550UVB	12/card	1/2"	35/64"	3/64"	3/64"	3/8"	Black
PPC-1575	6/card	3/4"	3/64"	3/32"	3/64"	1/2"	Natural
PPC-1575UVB	6/card	3/4"	3/64"	3/32"	3/64"	1/2"	Black
PPC-1600	4/card	1"	51/64"	3/32"	3/64"	1/2"	Natural



Rubber Insulated Clamps

Secures wire and cable in industrial, auto/marine and where vibrations may occur.

- Corrosive-resistant plated steel clamp.
- Flexible 1/2" wide body.
- Secure with 1/4" screw.

Part #	Size	Pkg Qty
PPR-1550	1/2"	2 pcs
PPR-1575	3/4"	2 pcs
PPR-1600	1"	1 pc



Plastic Kwik Clips

Mount bundles, cables, cords, tools etc. to drywall, wood and painted surfaces.

- Ratcheting/releasable feature allows adjustment to a range of bundle diameters.
- Adhesive backed.

Part #	Pkg Qty	Description	Color
GKK-1538	6/card	Holds 3/8" Cable	Natural
GKK-1538UVB	6/card	Holds 3/8" Cable	Black
GKK-1550	4/card	Holds 1/2" Cable	Natural
GKK-1575	2/card	Holds 3/4" Cable	Natural





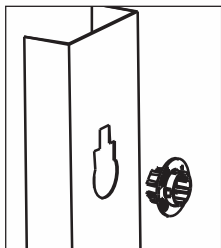
INNOVATION

Stud Insulators

One piece design insulating 360° protection for cable runs through metal studs.

- Fits all pre-punched and field punched hole sizes and configurations.
- Unique folding tabs for fast, one-handed installations.
- Meets NEC article 300-4(b) and CEC rule 12-516.

Part #	Pkg Qty	Description
SI-25	25/bag	Metal Stud Insulators



SEE PG
106



FOR MORE INFO ON
Stud Punch

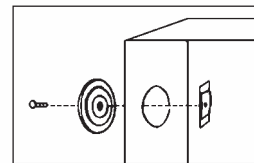
Knockout Seals (1/2" to 4")

Easy-to-use metal knockout seal.

- Fast and easy to install from inside or outside of box.
- Embossed for quick self-centering in unused knockouts. One screw holds seal in place.
- Made of rust-proofed, cold-rolled galvanized steel. Screw and bar are zinc-plated.
- Marked for size and catalog number for easy identification.
- 16-gauge steel.

Part #	Pkg Qty	For Knockout Dia
701	100/box	1/2"
701C	5/clam	1/2"
702	50/box	3/4"
702C	3/clam	3/4"
703	25/box	1"
704	25/box	1 1/4"

Part #	Pkg Qty	For Knockout Dia
705	10/box	1 1/2"
706	10/box	2"
707	10/box	2 1/2"
708	10/box	3"
709	10/box	3 1/2"
710	10/box	4"



SEE PG
98



FOR MORE INFO ON
Hydraulic Drivers & Pull Studs

Snap-In Seals (1/2" to 2")

Convenient snap-in feature for quick installation.

- Zinc-plated to resist corrosion.

Part #	Pkg Qty	For Knockout Dia.
601	100/box	1/2"
602	100/box	3/4"
603	50/box	1"



SEE PG
101



FOR MORE INFO ON
Knockouts



WIRE MANAGEMENT

Galvanized Hanger Strap

For hanging or fastening conduit, pipe or cables.

- Flexible for easy use.

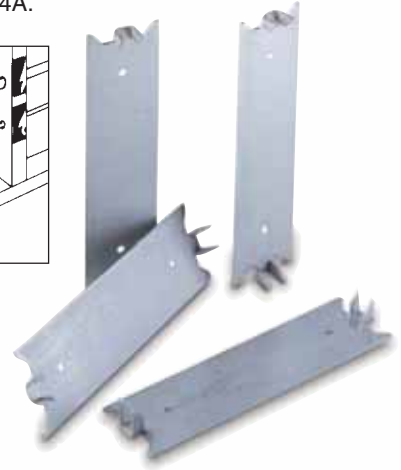
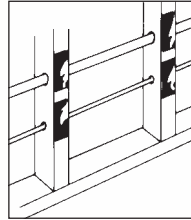


Part #	Pkg Qty	Description
GHS-1510	1/card	10' x 3/4" x 20 gauge

Saf-Te-Plate™ Protectors

Protects cable and plastic pipe from nail punctures.

- Plate attaches to wood studs with a single hammer blow.
- Required for compliance with NEC 1990 Article 300-4A.



Part #	Pkg Qty	Description
FP159-3	100/box	1 1/2" x 3" x 16 gauge Metal Safety Plate
FP159-6	50/box	1 1/2" x 6" x 16 gauge Metal Safety Plate

Duct Seal Compound

Seals conduit openings against drafts, dust, moisture and noise.

- Protects terminal boxes, pot heads and bushings from corrosive elements.
- Deadens switch gear panel noise.
- Dough-like compound is easily "thumbed" over holes and gaps.
- Will not harden or form a skin under normal conditions.
- Not for use outdoors.
- Specifications:
 - Viscosity: ASTM D-217 300-gram load - 7.0 -11.0; ASTM DS-S2 100-gram load - 9.0 -15.0
 - Temperature Range: Adheres at -20 °F (-29 °C). Will not slump after 1 hr. at 350 °F (175 °C).
 - Flash Point: Over 550 °F (285 °C).
 - Other Properties: Non-conducting, non-deteriorating, non-toxic, non-corrosive, non-staining, non-curable; 99% solid, coil-based.



Part #	Pkg Qty	Description
DS-130	30 pugs	1 lb Pugs
DS-530	6 pugs	5 lb Pugs

Pocket Pack Wire Markers

Pocket-sized booklets of cloth wire markers and matching terminal markers.

- Saves time and money during all on-site and in-plant initial hookup, troubleshooting, maintenance and repair.
- Nylon-impregnated cloth resists moisture, dirt and oil.
- Non-smear legends assure high visibility for instant, positive identification.
- Matching terminal marker with every wire marker, plus an extra page of blank write-on wire and terminal markers for special legends.

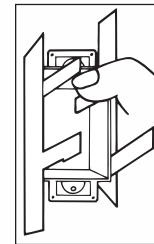


Part #	Marker Legends	Qty
42-027	0 - 9	45/ea
42-028	A - Z	10/ea
	0 - 15	10/ea
	Symbols: +, -, /	10/ea
42-029	1 - 45	10/ea
42-030	46 - 90	10/ea
42-035	1 - 15	6/ea
	16 - 90	4/ea
	A - Z	2/ea
	Symbols: +, -, /, 0	2/ea
42-ALPHA	Circuit Breaker Box Marker Book	

Box Supports

Saves time for installing outlet or switch boxes.

- Screwless support for ease of use.
- Simple to use:
 1. Mark corners of box position and drill four 1/2" holes.
 2. Saw between holes to make box opening.
 3. Place box into opening.
 4. Slip box supports into openings alongside box; one with long end up, the other down.
 5. Bend fingers of box supports into box while firmly pressing box against wall.



Part #	Pkg Qty	Description
800	25 sets/box	Box Support Set (pair)



NEW Electrician's Screw Kits

Assorted sizes & lengths of commonly used electrical machine screws.

- Slotted round-head screws for switches, receptacles and outlet applications.
- Slotted flat-head screws for all-purpose electrical fastening.

Part #	Pkg Qty	Type	Contents
SK-832	370 pcs	8-32 Round Head	1/2", 3/4", 1", 1 1/4", 1 1/2", 2"
SK-632	370 pcs	6-32 Flat Head	3/4", 1", 1 1/4", 1 1/2", 2", 3"
SK-832WP	135 pcs	8-32 Round Head	1/2", 3/4", 1", 1 1/4", 1 1/2", 2" wall plate screws (white, ivory & almond)
14-WPI	10/card	Wall Plate Screws	Ivory
14-WPW	10/card	Wall Plate Screws	White



SK-832WP



Flat-Head Screws

Wall-Plate Screws



Round-Head Screws

Wall-Plate Screws

"Big Red" Plastic Conical Anchor Kit

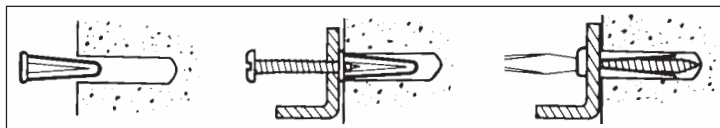
Perfect multi-purpose kit for professionals and end-users.

- Tapered end for easy installation.
- Flanged ribs prevent turning or twisting in hole.
- Carbide drill bit included with each kit.

Part #	Pkg Qty	Description
AP4-K100	1 kit	Plastic Anchor Kit

Kit Contains:

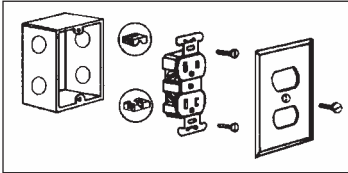
Qty	Description
100	1/4" x 1" Anchors
100	#10 x 1" Slot/Phillips Combo Head Sheet-Metal Screws
1	1/4" Carbide Drill Bit



Quick Fix Spacers

Adjusts length of receptacle or switches for proper fit of face plates.

- Four-inch stack of spacers twists apart easily for desired thickness.



Part #	Pkg Qty	Description
GSP-04	4 strips	Spacers

NEW Electrical Reference Books

Reference books that outline safe wiring recommendations based on the National Electric Code.

Part #	Pkg Qty	Description
ERB-UG	1	<i>Ugly's Electrical References - Revised 2002 Edition.</i> A quick, on-the-job reference guide for the most commonly required information in an easy-to-read format.
ERB-WS	1	<i>Wiring Simplified 40th Edition</i> A comprehensive book that translates the NEC rules into easy-to-understand explanations on how to complete safe wiring installs in homes.



NOTES



WIRE MANAGEMENT

SCRE

INDEX - Product Type & Name



NAME	PG	NAME	PG	NAME	PG
Alligator Clips.....	21	Cable Pullers and Accessories		Fuse Puller.....	124
Aluminum Mechanical Lugs.....	13	2,000 lb Mini-Brutus™ Powered Puller.....	80	GB Xtreme™ Lugs.....	14
Aluminum Splicer-Reducers.....	13	8,000 lb Brutus™ Powered Puller.....	81	GB Xtreme™ Terminals.....	17
Aluminum Split Bolt Connectors.....	12	Sub-Assembly Kits.....	81-82	Grip Strip™ Hook-and-Loop Fasteners.....	144
Anchor Kit - Plastic Conical.....	162	Brutus™ Powered Puller		Grounding Accessories.....	14
Anti-Oxidant Compound (Ox-Gard™).....	14	Application Instructions.....	83-85	Grounding Connectors (GreenGard™).....	10
Battery Charging Clips, Clamps.....	21	Hook Sheaves.....	86	Guide to Bending Booklet.....	62
Battery Tester (Analog).....	136	Tension Meter.....	86	Hand Benders	
Benders – Aluminum Rigid Conduit		Conduit Measuring Tape.....	73	Big Ben™ Hand Benders.....	56
Cyclone™ Electric Bender (B2000).....	34	Cable Ties.....	141-144	Gardner® Thinwall Hand Benders.....	57
Gardner® EMT Hand Benders.....	57	Category 3 & 5 Data Staples.....	151	Iron Hand Benders.....	58
One-Shot Hydraulic Benders.....	40-46	Circuit Alert™.....	111-113	Handles.....	59
Sidewinder® Electric Bender (B2555).....	35	Circuit Alert™ Tester.....	111	Hickey Bending Heads.....	59
Sidewinder® Mechanical Benders.....	52-55	Circuit Alert™ Knife.....	111	Hanger Strap.....	160
Sweep/Segmental Benders.....	44, 46	Circuit Alert™ Wire Strippers.....	112	Heat-Shrink Tubing - Colored PVC.....	156
Ultra Eegor™ Hydraulic Bender.....	38	Circuit Alert™ Work Lights.....	112	Heat-Shrink Tubing - Heavy-Wall.....	157
Benders – EMT Conduit		Circuit Alert™ Pliers.....	113	Heat-Shrink Tubing - Thin Wall Polyolefin.....	156
Big Ben™ Hand Benders.....	56	Circuit Alert™ Screwdrivers.....	113	Heavy Duty Cable Ties	
Cyclone™ Electric Bender (B2000).....	34	CO2 Systems		(Natural & Ultraviolet Black).....	142
Gardner® EMT Hand Benders.....	57	Air Compressor Seal-Off.....	71	Hi-Temp Black Connectors.....	8
Iron Hand Benders.....	58	CO2 Refill Connector.....	71	Hydraulic Bender Accessories.....	50
Sidewinder® Electric Bender (B2555).....	35	Powr House™ Conduit Fishing Systems.....	69	Hydraulic Cylinder Specifications.....	51
Sidewinder® Mechanical Benders.....	52-55	Powr-Pak I™ 5 lb. Portable System.....	70	Insulated Metal Staples.....	148
Ultra Eegor™ Hydraulic Bender.....	38	Powr-Pak II™ 5 lb. Basic System.....	70	Knives.....	111, 124
Benders – IMC Conduit		Coaxial Cable Staples.....	151	Knockout Seals.....	159
Cyclone™ Electric Bender (B2000).....	34	Colored Cable Ties.....	144	Low Voltage Wire Staples.....	150, 152
Sidewinder® Electric Bender (B2555).....	35	Conduit Straps.....	150	Lubricants	
Sidewinder® Mechanical Benders.....	52-55	Continuity Tester		Wire-Aide™.....	86
Ultra Eegor™ Hydraulic Bender.....	38	Heavy-Duty.....	129	Poly-Gel™.....	87
Benders – PVC Conduit		Copper Mechanical Lugs.....	13	Super-Slick™.....	88
HotBlanket™ Benders.....	61	Copper Split Bolt Connectors.....	12	Masonry Staples.....	150, 151
HotBox™ Benders.....	60-61	Crimp Connectors.....	12	Material Handling	
HotTube™ Bender.....	59	Cutters.....	122-123	Hoist Lift (Hi-Hoist™).....	94
Benders – PVC-Coated Rigid Conduit		BX cutter.....	122	Reel Rollers	
Cyclone™ Electric Bender (B2000).....	34	Ratcheting.....	123	30" Reel Roller.....	91
Sidewinder® Electric Bender (B2555).....	35	PVC.....	123	Handy-Saver™ Reel Roller.....	91
Sidewinder® Mechanical Benders.....	52, 54-55	Datacom/ VDV.....	118-119	Reel Jacks - Telescoping.....	91
Benders – Rigid Steel Conduit		Cable strippers.....	118	Wire Caddies & Carts	
Rigid Bender Capacities Chart.....	37	Punch-down.....	119	Deluxe Spool Cart & Caddy Combo.....	93
Big Ben™ Hand Benders.....	56	Crimpers.....	119	Hand Wire Caddy.....	92
Cyclone™ Electric Bender (B2000).....	34	Disconnects.....	18	Heavy-Duty Spool Cart &	
Gardner® EMT Hand Benders.....	57	Door Switch.....	30	Caddy Expander Combo.....	93
Iron Hand Benders.....	58	Duct Seal Compound.....	160	Portable Wire Caddy.....	92
One-Shot Hydraulic Benders.....	40-46	Fiber-Insulated Staples.....	152	Portable Wire Dispenser.....	94
Sidewinder® Electric Bender (B2555).....	35	Fish Sticks		Replacement Parts.....	94
Sidewinder® Mechanical Benders.....	52-55	12' Fish Ease™.....	79	Spool Caddy Cart.....	92
Sweep/Segmental Hydraulic Benders.....	44, 46	15' Glo Fish™.....	79	Wire Dispenser.....	93
Ultra Eegor™ Hydraulic Bender.....	38	Fish Tapes and Accessories		Metal Staples.....	148
Bender Shoe Groups		Cable Snake™ Flat Wire Tape.....	76	Miniature Cable Ties	
Sidewinder® Electric Bender (B2555) - IMC.....	36	Cable Snake™ Steel Fish Tapes.....	75-76	(Natural & Ultraviolet Black).....	141
Sidewinder® Electric Bender (B2555) - Rigid.....	35	Economy Fish Tape.....	77	Mounting Bases and Ties	
Sidewinder® Electric Bender (B2555) - EMT.....	36	Fiberline™ Non-Conductive		(Natural & Ultraviolet Black).....	143, 144
Sidewinder® Electric Bender		Fiberglass Fish Tapes.....	77	MultiCable Staples.....	149
(B2555) - PVC-Coated.....	36	Fish Tape Ball.....	79	Multimeters - Analog.....	133
Blower Systems		Fish Tape Leader.....	78	Analog Multimeters Comparison Chart.....	133
JetLine® Super Blower™ (Electric).....	66	Nylo-Flex™ Non-Conductive Nylon Fish Tapes.....	78	Five Function, 12-Range.....	133
Super Blo-Vac™ System (Blower/Vacuum).....	67	Replacement Tapes - Steel.....	77	Six Function, 14-Range.....	133
Box Supports/Spacers.....	161, 163	Rewind™ Fish Tape Winder.....	75	Seven Function, 19-Range.....	133
Bullet Splices.....	19	Streamline™ Steel Fish Tapes.....	75	Multimeters - Clamp-On.....	135
Butt Splices & Kits.....	17, 19, 20	UpperHand™ Steel Fish Tapes.....	74	Clamp-On Comparison Chart.....	135
Cable Clamps - Plastic.....	158	UpperHand™ Non-Conductive		AC Clamp Meter with Lockjaw.....	135
Cable Clamps - Rubber Insulated.....	158	Fiberglass Fish Tapes.....	74	Auto-Ranging Digital.....	135

INDEX - Product Type & Name



NAME	PG	NAME	PG
Multimeters - Digital	134	Hydraulic Slug-Out™ Sets.....	97-98
Digital Multimeters Comparison Chart.....	134	Individual Components	101, 105
Three Function, 13-Range	134	Mechanical Slug-Out™ Sets.....	99-100
Four Function, 14-Range	134	Notching Pliers	102
Seven Function, 7-Range Auto-Ranging	134	Super Stainless Steel	
Multi-Range Connectors (Hex-Lok™)	9	Slug-Out™ Sets	103, 106
Non-Contact Voltage Testers.....	130	Spade Terminals.....	17
Non-Contact Voltage Testers		Spiral Wrap	157
Comparison Chart	130	Split Flex Tubing.....	157
Circuit Alert™	130	Standard Cable Ties	
Live-Wire™	130	(Natural & Ultraviolet Black)	141
Pigtail Connectors.....	11	Staple Gun	147
Plastic Staples.....	149	Step Bits	107
Pliers	120 -121	Storage Cases (Tool Guard)	62
Long Nose.....	120	Straight-Sided Connectors (WireGard™) ..	7
Linemen's.....	121	Stud Insulators	159
Pull-Chain Switches	28,29	Stud Punch	106
Pull Line / Line Carriers		Table (Bend-Mate™ Bender	
Foam Line Carriers.....	72	Table for Ultra Eegor™)	39
Heavy-Duty Bulk Nylon Line	73	Tape - Electrical.....	155
Inflatables® Line Carriers	71	Tape - Friction	155
Missile Line Carriers	71	Tape - Liquid Electrical.....	155
Poly-Pull™ Line.....	73	Tape - Silicone Self-Sealing	155
Power Saver™ Line Packages	72	Tap Splices.....	19
Tag Along™ Line Packages.....	72	Tensioning Tools	144
Pumps		Tester Leads.....	136
Economy Electric.....	48	Tester Replacement Parts	
Manual Hydraulic.....	49	(fuses, batteries).....	137
Submerged Electric.....	48	Toggle Switch Cover	27
Z-Class Electric.....	47	Toggle Switches	26,27
Push-Button Switches.....	27,28	Underground UF Splice Kit.....	20
Push-In Connectors (PushGard™).....	11	Universal Connectors (Uni-Lok™).....	10
PVC Plug Sets.....	61	Vacuum / Blowers	
Receptacle Testers/Analyzers		Super Blo-Vac™ System	67
Receptacle Testers/Analyzers		Voltage Testers	127-129
Comparison Chart	131	Voltage Testers Comparison Chart	127
Lan Tracker™	132	6-way Circuit	128
Receptacle Tester & Circuit Analyzer	131	Heavy-Duty 3-way	128
GFCI & Circuit Analyzer	131	Low Voltage Twin Probe	127
Reference Book - "Ugly's Electrical		Screwdriver, Voltage Probe &	
References".....	163	Continuity Tester	128
Reference Book - "Wiring Simplified"	163	Solenoid	129
Releaseable Cable Ties		Winged Connectors (WingGard™)	8
(Natural & Ultraviolet Black)	143	Wire	21
Ring Terminals	17,18	Wire Markers - Pocket Pack.....	161
Rocker Switches	29	Wire Strippers	114-117
Roofing Staples.....	151	Multi-tool.....	116
Rope		Cable Rippers	117
Rope Selection Guide	90		
Poly-Pro™ General Purpose Rope	89		
Super Tuff-Pull™ Double Braided Rope	88		
Tuff-Pull™ Single Braided Rope	89		
Rotary Switches.....	30		
Screwdrivers	123		
Screw Kits.....	162		
Seals	159		
Service Entrance Staples.....	148		
Service Entrance Straps.....	150		
Slug-Out™ Knockouts			
35 Ton Hydraulic Punch.....	102		
Draw Studs	104-105		

Romex® is a registered trademark of the Southwire Company, Carrollton, GA

INDEX - Part



PART #	PG	PART #	PG	PART #	PG	PART #	PG	PART #	PG
601	159	10-153F	18	16-003	7	20-2218	19	45-308FB	144
602	159	10-153P	18	16-003M	7	20-410	12	45-308FG	144
603	159	10-155F	18	16-004	7	20-411	12	45-308FY	144
701	159	10-1G1	10	16-006	7	21-100	19	45-308G	144
702	159	10-1H1	9	16-084	8	21-101	18	45-308MT	143
703	159	10-2G2	10	16-084M	8	21-102	18	45-308MTUVB	143
704	159	10-2H2	9	16-086	8	21-103	18	45-308UVB	141
705	159	10-310	12	16-086L	8	21-104	18	45-312	141
706	159	10-310C	12	16-095	10	21-105	18	45-312UVB	141
707	159	10-311	12	16-1H1	9	21-1055	18	45-315	141
708	159	10-311C	12	16-1H1L	9	21-106	18	45-315UVB	141
709	159	10-410	12	16-8486	8	21-107	18	45-515	142
710	159	10-410C	12	16-8486M	8	21-108	18	45-515UVB	142
740	94	10-411	12	17-003	7	21-109	18	45-518	142
800	161	10-411C	12	17-004	7	21-111	17	45-518UVB	142
820	59	10-PC2	11	17-006	7	21-112	17	45-521	142
821	59	10-PC3	11	17-084	8	21-113	17	45-521UVB	142
822	59	10-PC4	11	17-086	8	21-114	17	45-524	142
920	58	10-PC8	11	17-1H1	9	21-116	17	45-524UVB	142
921	58	1103N	68,70	19-001	7	21-121	19	45-536	142
922	58	1105A	69	19-002	7	21-123	19	45-536UVB	142
923	58	12-001	7	19-003	7	21-126	19	45-548	142
932	57	12-001BU	7	19-004	7	21-141F	18	45-548UVB	142
933	57	12-002	7	19-006	7	21-141M	18	45-MB	144
950	68,69	12-002BU	7	19-084	8	21-143F	18	45-MBUVB	144
960	56	12-003BU	7	19-086	8	21-143M	18	45-V11BK	144
961	56	12-004BU	7	19-089	8	21-145F	18	45-V15BK	144
962	56	12-006BU	7	19-095	10	21-145M	18	45-V8BK	144
1102	70	12-084BU	8	19-1G1	10	21-146F	18	46-104	141
1142	69,70	12-086BU	8	19-1H1	9	21-146M	18	46-104M	141
1206	69	12-1G1BU	10	19-2G2	10	21-151F	18	46-104UVB	141
1208	68,69	12-1H1BU	9	19-2H2	9	21-151M	18	46-104UVBM	141
1215	69,70	12-2G2BU	10	19-AWC	7	21-153F	18	46-206	141
1216	69,70	12-2H2BU	9	19-AWW	8	21-153M	18	46-206M	141
1505	70	13-003	7	19-PC2	11	21-155F	18	46-206UVB	141
1525	67	13-004	7	19-PC3	11	21-155M	18	46-210	141
12568	67	13-006	7	19-PC4	11	21-161F	19	46-210UVB	141
126025	66	13-084	8	19-PC8	11	21-161M	19	46-308	141
10-001	7	13-086	8	20-089	11	21-163F	19	46-308G	144
10-002	7	13-089	8	20-090	11	21-163M	19	46-308M	141
10-003	7	13-095	10	20-100	19	21-2218	19	46-308UVB	141
10-003HT	8	13-1G1	10	20-102	18	25-001	7	46-308UVBM	141
10-004	7	13-1H1	9	20-103	18	25-002	7	46-310	141
10-004HT	8	13-2G2	10	20-104	18	25-003	7	46-310M	141
10-006	7	13-2H2	9	20-105	18	25-004	7	46-310UVB	141
10-084	8	13-410	12	20-106	18	25-006	7	46-310UVBM	141
10-086	8	14-075	21	20-107	18	25-084	8	46-311	141
10-089	8	14-076	21	20-108	18	25-086	8	46-315	141
10-095	10	14-077	21	20-111	17	25-089	8	46-315M	141
10-100	19	14-078	21	20-112	17	25-095	10	46-315UVB	141
10-103	18	14-095	18	20-113	17	25-1G1	10	46-315UVBM	141
10-104	18	14-096	18	20-114	17	25-1H1	9	46-330	142
10-106	18	14-097	18	20-116	17	25-2G2	10	46-330UVB	142
10-107	18	14-098	18	20-121	19	25-2H2	9	46-408	142
10-108	18	14-099	18	20-1210	19	25-AWC	7	46-408UVB	142
10-111	17	14-505	21	20-123	19	25-AWW	8	46-412	142
10-112	17	14-510	21	20-126	19	27-003	8	46-412UVB	142
10-113	17	14-520	21	20-141F	18	27-004	8	46-415	142
10-114	17	14-530	21	20-141M	18	42-027	161	46-415UVB	142
10-116	17	14-550	21	20-143F	18	42-028	161	46-418	142
10-121	19	14-610	21	20-143M	18	42-029	161	46-418UVB	142
10-123	19	14-630	21	20-145F	18	42-030	161	46-421	142
10-126	19	14-GRC	14	20-145M	18	42-035	161	46-421UVB	142
10-141F	18	14-WPI	162	20-151P	18	42-ALPHA	161	46-424	142
10-143F	18	14-WPW	162	20-153P	18	45-104	141	46-424UVB	142
10-145F	18	16-001	7	20-161P	19	45-104UVB	141	46-436	142
10-151F	18	16-002	7	20-163P	19	45-308	141	46-436UVB	142

INDEX - Part



PART #	PG	PART #	PG	PART #	PG	PART #	PG	PART #	PG
46-448	142	AMW-334	21	BHB-560P	61	BZ12385	41,44	CP707	81,82
46-448UVB	142	AMW-336	21	BHE-50K	60	BZ12386	43,46	CP708	81,82
46-507	141	AMW-338	21	BHE-540	60	BZ12388	43,46	CP709	81,82
47-108	143	AP4-K100	162	BHE-560	61	BZ12389	43,46	CP800	81,82
47-108UVB	143	B1021028	39	BHT-520A	59	BZ12390	43,46	CP800	81,82
47-115UVB	143	B2000	34	BIMC-152	36	BZ12391	42, 43,45,46	CP8000	81
47-121UVB	143	B2555	35	BPVC-52	36	43,45,46	CP8000D	81
47-127UVB	143	B2555EMT	35	BR12515	52,53	BZ12392	42, 43,45,46	CP8001	81
48-308	143	B2555IMC	35	BR20000	52	43,45,46	CP801	82
48-308UVB	143	B2555PVC	35	BR57510	52,53	BZ13401	41, 42,44,45	CP806	82
48-315	143	B2555RIG	35	BRIG-52	35	42,44,45	CP807	82
48-315UVB	143	B26	66,67	BS2500	38	BZ28	38	CR-100	117
79-002	86	B3000	66	BS3000	38	BZ34	38	CR-1000	117
79-003	86	B306S	37,44	BS3500	38	BZ39	38	CRC-100	117
79-006	86	B306SPE22J	44	BS4000	38	BZ44	38	CS1010	40,51
79-201	87	B306SPH80	44	BT12515	52	BZ74	38	CS106	51
79-202	87	B308S	37,41	BT2000	52,55	BZ78	38	CS2510	41,44,51
79-203	87	B308SPE22J	41	BT57510	52	C604	50	CS2514	42,43,51
79-301	87	B308SPH80	41	BT112520	52	CAM-10	111	CS400	38,39
79-401	88	B316S	37,40	BV12	67	CB21V	71	CTT-45	144
79-402	88	B316SPE22J	40	BV1281	67	CD1012	51	DC404	38
79-403	88	B316SPH39	40	BV208DA	65,67	CD3014	45,51	DS-130	160
920H	58	B340S	37,42	BV23	67	CD3028	38	DS-530	160
921H	58	B340SP208J	42	BV24	66,67	CD3028KT	38	E507	62
922H	58	B340SPE22J	42	BVS-240	61	CD308	51	EFT-21P	76
930B	57	B340SPH80	42	BW11	53	CD411	50	EFT-50B	77
930H	57	B343S	37,45	BW12	53	CF859489	39	ERB-UG	163
931B	57	B343SP408J	45	BW15	53	CF860013	39	ERB-WS	163
931H	57	B343SP408K	45	BW20	54	CF861108	39	F125	71
932H	57	B343SP408S	45	BW201	55	CF862281	39	F125B	70
960H	56	B343SPH84	45	BW20S	54	CF863104	39	F250	71
961H	56	B350	42,45	BW221	55	CH1211	51,97,103	F250B	70
962H	56	B351S	37,46	BW221S	55	CH204028	39	F400	71
A12	50	B351SP408J	46	BW27	55	CH819044	39	F400B	66
A29	50	B351SP408S	46	BW27S	55	CH951044	39	F600	71
A630	50	B351SPH84	46	BW30	54	CK211950	39	FC1	69,70,72
AML-200	14	B359S	37,43	BW30S	54	CK212950	39	FC10	69,72
AML-201	14	B359SP208J	43	BWF888	52, 53,54,55	CK579281	39	FC11	69,72
AML-202	14	B359SPH80	43	BZ12011	40	CM16	82	FC1-10	67
AML-203	14	B400DL	38	BZ12021	40	CM191044	39	FC12	69,72
AML-204	14	B400DLP408S	38	BZ12031	40,41	CM193350	39	FC2	69,70,72
AML-205	14	B400L	38	BZ12041	40, 41,42,43,45,46	CM194900	39	FC2	69,70,72
AML-206	14	B400LP408S	38	40, 41,42,43,45,46	CM20	38,62,81	FC3	69,72
AML-207	14	B60	65,66	BZ12051	40, 41,42,43,45,46	CM260281	52	FC4	69,72
AML-208	14	BB2030	61	40, 41,42,43,45,46	CM4	40,62	FC5	69,72
AMT-100	17	BB3040	61	BZ12061	40, 41,42,43,45,46	CM5	97	FC6	69,72
AMT-103	17	BB5150	61	40, 41,42,43,45,46	CM7	41, 42,43,44,45,46,62	FC7	69,72
AMT-106	17	BE400	39	BZ12071	40	CP10	82	FC8	69,72
AMT-108	17	BEMT-52	36	BZ12091	40, 41,42,43,45,46	CP1002	82	FC9	69,72
AMT-110	17	BF41	52	40, 41,42,43,45,46	CP15	82	FLT-10	112
AMT-113	17	BF42	52	BZ12341	42, 43,45,46	CP2000	80	FLT-20	112
AMT-116	17	BF43	52	42, 43,45,46	CP2000M	80	FLX-1007	157
AMT-120	17	BF47	52	BZ12351	42, 43,45,46	CP503	81,82	FLX-3810	157
AMT-121	17	BF48	52	42, 43,45,46	CP504	82	FLX-5007	157
AMT-123	17	BF49	52	BZ12371	40	CP505	81,82	FLX-757GR	157
AMT-124	17	BF52	52	BZ12372	41,44	CP600	82	FP159-3	160
AMT-126	17	BF90	52	BZ12374	42	CP601	81,82	FP159-6	160
AMT-127	17	BFB2500	38	BZ12375	40	CP622	81,82	FPE-20	124
AMW-312	21	BFB3000	38	BZ12376	41, 42,44,45	CP630	82	FSP-AST	157
AMW-314	21	BFB3500	38	41, 42,44,45	CP631	81,82	FTB-10	78
AMW-316	21	BFB4000	38	BZ12377	40, 41,42,43,44,45,46	CP700	82	FTF-200	77
AMW-318	21	BH-100	59	40, 41,42,43,44,45,46	CP701	81,82	FTL-5	78
AMW-322	21	BH-125	59	BZ12379	44	CP702	81,82	FTN-100R	74
AMW-324	21	BH-75	59	BZ12380	44	CP703	81,82	FTS-100GR	75
AMW-326	21	BHB-520D	60	BZ12381	44	CP704	82	FTS-125R	74
AMW-328	21	BHB-540A	60	BZ12382	41,44	CP705	82	FTS-200GR	75
AMW-332	21	BHB-560	61	BZ12383	41,44	CP706	81,82	FTS-250R	74
				BZ12384	41,44				

PART #	PG	PART #	PG	PART #	PG	PART #	PG	PART #	PG
FTS-50B	76	GPC-200	123	GSW-125BP	26	HC913	40, 41,42,43,44,45,46,50	KDS750	103,106
FTS-65R	74	GPS-3214	121	GSW-13	26	HC927	38	KF-200	124
FTW-10	75	GPS-3219	121	GSW-14	26	HC963	50	KKT316	101
FTX-12L	79	GPS-3220	120	GSW-15	26	HF100	50	KLP2	98
FTX-15GL	79	GPS-3228	120	GSW-16	26	HF101	50	KLP6	98
GAK-1/0	12	GPS-3238	120	GSW-17	26	HS-8512	81,82,86	KOF520	97
GAK-2	12	GPT-70	113	GSW-18	26	HS-8518	86	KOF540	97
GAK-2/0	12	GPT-80	113	GSW-19	27	HS-8524	86	KOH14A	97
GAK-4/0	12	GPT-90	113	GSW-20	27	HSB-28	20	KOH2540	100
GAT-3400	127, 129,137	GRC-750	123	GSW-21	28	HST-093	156	KOH520A	97
GBRX-301	122	GRT-3500	131	GSW-22	27	HST-100	156	KOH540A	97
GBT-3502	136,137	GRX-3224	117	GSW-23	27	HST-101	156	KOM152	100
GBT-500A	136,137	GS-355	115	GSW-24	28	HST-102	156	KOM1732	101
GBX-300	122	GS-359	118	GSW-24BP	28	HST-107	156	KOM200	101
GBX-TK	17	GS-360	115	GSW-25	28	HST-125	156	KOM250	101
GC-1000	122	GS-361	115	GSW-26	30	HST-1300	20	KOM300	101
GC-375	122	GS-365	116	GSW-31	28	HST-177	156	KOM350	101
GC-500	122	GS-366	117	GSW-31BP	28	HST-250	156	KOM400	101
GCC-120	150	GS-370	116	GSW-32	28	HST-375	156	KOM50125	100
GCC-220	150	GS-385	120	GSW-32BP	28	HST-500	156	KOR14	99
GCC-310	150	GS-386	120	GSW-33	29	HST-750	156	KOR152	99,104
GCC-410	150	GS-387	121	GSW-34	29	HST-999	156	KOR50	99,104
GCC-510	150	GS-388	122	GSW-35	28	HST-AST	156	KOR520	99
GCC-610	150	GS-394	116	GSW-39	29	HST-WP	20	KOR75125	99,104
GCM-221	135,137	GS-40	115	GSW-41	29	HTP-1010	155	KOS-1000B	101
GCM-500	135,137	GSBC-1/0	12	GSW-42	29	HWT-0722	157	KOS-1250B	101
GCP-3400	121	GSBC-2	12	GSW-45	29	HWT-1138	157	KOS-1250DS	101
GCT-3304	127, 129,137	GSBC-2/0	12	GSW-48	29	HWT-1550	157	KOS-1500B	101
GCV-3206	127, 128,137	GSBC-3/0	12	GSW-49	29	JLP10	78	KOS-1500DS	101
GDT-311	134,137	GSBC-4	12	GSW-61	30	JLP5	78	KOS-500B	101
GDT-3190	134,137	GSBC-6	12	GSW-62	30	JO225LC	68,69	KOS520	98
GDT-3200	134,137	GSBC-8	12	GSW-63B	30	JO25	68,70	KOS5290	98
GES-224	114	GSE-105	150	GSW-68	30	JO25A	70	KOS-750B	101
GES-55	114	GSE-15310	148	GSW-69	30	JO25CA	68,70	KOW520	99
GESP-224	114	GSE-15410	148	GSW-69BP	30	JV07	67	KP1000B	97, 98,99,100,101
GESP-55	114	GSE-170	150	GSW-SK	30	JV08	67	KP1250B	97, 98,99,100,101
GESP-70	114	GSE-205	150	GTA-2	13	JV09	67	KP1500B	97, 98,99,100,101
GET-3100	127,137	GSE-250	150	GTA-2/0	13	JV12	67	KP1732B	101
GET-3202	127,137	GSE-304	150	GTB-406	19	JV210	67	KP2000B	97, 98,99,100,101
GET-3206	127, 128,137	GSE-310	148	GTB-408	19	K88001	100	K88004	100
GET-3213	127, 128,137	GSE-330	150	GTB-410	19	K88007	99,106	K88008	100
GET-4220K	132,137	GSE-402	150	GTB-667P	155	K88020	98,99,103	KC3540	97,104
GFI-3501	131	GSE-410	148	GTF-300	155	KD1000B	97, 98,99,100,101	KD1250B	97, 98,99,100,101
GGC-1014C	14	GSE-505	150	GTF-600	155	KD1500B	97, 98,99,100,101	KD2000B	97, 98,99,100,101
GGC-1508	14	GSE-710	148	GTG-667P	155	KD2500	97,100,101	KD3000	97,100,101
GGP-1261	14	GSLU-125	13	GTN-667P	155	KD3500	97,100,101	KD4000	97,100,101
GGP-1273	14	GSLU-25	13	GTO-667P	155	KD500B	97, 98,99,100,101	KD750B	97, 98,99,100,101
GGP-1282	14	GSLU-35	13	GTP-307	155	KDS1000	103,106	KDS1250	103,106
GGP-1461	14	GSLU-70	13	GTP-307D	155	KDS1500	103	KDS2000	103
GGP-1502	14	GSP-04	163	GTP-307WD	155	KDS500	103,106	KDS750	103,106
GGP-1502HC	14	GSPA-0	13	GTP-607	155	KDS750B	97, 98,99,100,101	KSA50	98,103,104
GGP-1512R	14	GSPA-2	13	GTP-607P	155	KDS1000	103,106	KSB50B	99, 100,101,105,106
GHS-1510	160	GSPA-4/0	13	GTPC-512	155	KDS1250	103,106	KSN2530	101,105
GKC-100A	123	GST-224M	112	GTPC-550	155	KDS1500	103		
GKK-1538	158	GST-55M	112	GTPS-100	118				
GKK-1538UVB	158	GST-70M	112	GTPS-200	118				
GKK-1550	158	GSW-10	26	GTR-667P	155				
GKK-1575	158	GSW-11	26	GTW-667P	155				
GMC-1145	119	GSW-110	26	GTY-667P	155				
GMC-2000L1	119	GSW-114	27	GVD-3504	127, 130,137				
GMT-312	133,137	GSW-117	26	GVD-3505	127, 130,137				
GMT-318	133,137	GSW-12	26	GVT-392	127, 129,137				
GMT-319	133,137	GSW-120	26	H8210	50				
		GSW-121	26	H864	50,97,103				
		GSW-123	26						
		GSW-124	26						
		GSW-125	26						

INDEX - Part



PART #	PG	PART #	PG	PART #	PG	PART #	PG
KSN3540	101,105	PCC-1525	151	PSR-25	151	TK-175	19
KSS520	103	PCC-300	151	PSW-100	151	TK-1822	19
KSS520A	103	PCS-100	151	PSW-160	150	TK-32	19
KW52	99	PCS-1525	151	PSW-1600	150	TK-40	19
LP1701	73	PCS-1600	151	PSW-165	151	TK-500	19
LP1701B	70	PCS-300B	151	PSW-1650	151	TM5	86
LP1702B	70	PDB-110	119	PSW-200J	150	TRJ-56	91
LP1703	70	PDB-66	119	PT2000M	80	TRJ-96	91
LP1722	73	PDC-1525B	152	PTM-25	151	TT-10B	123
LP2150	67,69,70,72	PDS-1525B	152	PTP-25	151	WCM-10	93
LP2206T	67,69,72	PDT-110	119	PTP-250J	151	WRR-100	91
LP2207T	67,69,72	PDT-110LC	119	PWS-1525	152	WRR1002513	91
LP2208T	69,72	PE20D	48	RGP-2525	89	WRR100259	91
LP3200	69,70	PE22J	48	RGP-2560	89	WRR-300	91
LP3200B	67	PE24J	48	RGP-3825	89	WSP-100E	92
LP3300	69,72	PH20	49,97,103	RGP-3860	89	WSP-115	92
LP3450	67,72	PH39	49	RGP-50120	89	WSP-140	92
LP4200	67	PH65	49,97	RGP-5025	89	WSP-144	93
LP4300	69,70,72	PH80	49	RGP-5060	89	WSP144010	94
LP4450	67,72	PL102	73	RGP-7530	82,89	WSP144050	94
LTB-400	155	PL102B	73	RGP-7560	82,89	WSP144251	94
LTR-400	155	PL232B	73	RK-6	124	WSP144253	94
M2000	71	PL235	73	RKT-21	111	WSP144254	94
M3000	71	PL235B	73	RST-5030	88	WSP-150	93
M4000	71	PLT-1525	150	RST-5060	88	WSP1502517	94
M5000	66,71	PLW-1525	150	RST-7530	88		
M6000	66,71	PMB-1525	150	RST-7560	88		
MB-20	144	PMC-1525W	150	RTL-103	136		
MCS-100W	149	PMW-100	150	RTL-107	136		
MCS-20W	149	PPC-1525	158	RTL-108	136		
MPS-2080	147	PPC-1525UVB	158	RTL-200	136		
MPS-2100	147	PPC-1538	158	RTP-3830	89		
MPS-2125	147	PPC-1538UVB	158	RTP-5030	89		
MS-150	148	PPC-1550	158	RTP-7530	89		
MS-150J	148	PPC-1550UVB	158	RTS-100	77		
MS-1550	148	PPC-1575	158	RTS-200	77		
MS-1555	148	PPC-1575UVB	158	RTS-50B	77		
MS-1575	148	PPC-1600	158	RTX-100	77		
MS-1577	148	PPR-1550	158	RTX-200	77		
MS-175	148	PPR-1575	158	RV5	70,71		
MS-175J	148	PPR-1600	158	S-8512	81,82		
MS-450J	148	PS-150	149	SB-205	107		
MS-500J	148	PS-150Z	149	SB-207	107		
MS-550	148	PS-150ZJ	149	SB-209	107		
MS-575	148	PS-1550	149	SB-210	107		
MS-950B	148	PS-1575	149	SCE-3260	123		
MS-950BU	148	PS-175	149	SDT-10	113		
MS-975B	148	PS-175Z	149	SDT-3	113		
MSB-1540	152	PS-175ZJ	149	SDT-6	113		
MSG-501	147	PS-225J	149	SE-92	115		
MSI-150	148	PS-250	149	SE-98	118		
MSI-1525	148	PS-275	149	SI-25	159		
MSI-200J	148	PS-50	149	SK-632	162		
MSI-50B	148	PS-550	149	SK-832	162		
MSI-550	148	PS-575	149	SK-832WP	162		
MSI-950B	148	PS-75	149	SP3500	102		
MSW-1540	152	PS-750B	149	SP-7	106		
NP-1	102	PSB-100	151	SPD-10L	119		
NPR-1	102	PSB-160	150	SPD-438	102		
NYD-100	78	PSB-1600	150	SPD-563	102		
NYD-50	78	PSB-165	151	SPD-688	102		
OX-100	14	PSB-1650	151	SPD-813	102		
OX-100B	14	PSG-100	151	SPK10	102		
OX-400	14	PSG-15	151	ST40	73		
OX-800	14	PSM-1550	149	TK-100	19		
P208J	47	PSO-1525	149	TK-1210	19		
P408S	47	PSO-1575	149	TK-1614	19		

USA

PO Box 3241
Milwaukee, WI 53201-3241
Customer Service 800.624.4320
Tech Support 414.247.5329
Fax 414.352.2377

www.gardnerbender.com

CANADA

6615 Ordan Drive, Units 14-15
Mississauga, Ontario
L5T 1X2 Canada
905.564.5749
Fax 905.564.0305

SCREW, #8-18, PLASTITE, SLOTTED TORX, PAN HD



Catalog # AD-250-09

©2009 Gardner Bender

