

Exit Signs & Emergency Lighting



Exit Signs



Combo Units



Emergency Lights

Contents

HL0301 Series Slimline Thermoplastic LED Exit Sign	4
HL0314 Series Thermoplastic LED Exit/Emergency Combo	5
HL0214 Series Thermoplastic LED Exit/Emergency Combo	6
HL0409 Series Thermoplastic LED Exit/Emergency Combo	7
HL0202 Series Adjustable Optics Emergency Light	8
HL0202L Series LED Adjustable Optics Emergency Light	9
HL0223 Series Fixed Optics Emergency Light	10
HL0223L Series LED Adjustable Optics Emergency Light	11
HL0203 Series Edge Lite LED Exit Sign	12
HL0203NY Series City of New York Approved Edge Lite LED Exit Sign	13
HL0204 Series City of Chicago Exit Sign	14
HL0205 Series LED Steel Exit Sign	15
HL0210 Series Die-Cast Aluminum LED Exit Signs	16
HL0210NY Series City of New York Die-Cast Aluminum LED Exit Signs	17
HL0211 Series Low Profile Die-Cast Aluminum LED Exit Signs	18
HL0226SC Series Wet Location LED Exit Signs	19
HL0226 Series Wet Location LED Exit Signs	20
HL0229 Series Wet Location Exit/Emergency Combo	21
HL0346NY Series City of New York LED Exit Signs	22
HL0245NY Series City of New York Exit/Emergency Combo	23
HL0330 Series "Lightpipe" LED Exit/Emergency Combo	24
HL0410 Series Die-Cast Aluminum LED Exit/Emergency Combo	25
HLPLE Series Photoluminescent Signs	26
HLRMR-16 Series Emergency Light	27
50 & 100 Watt High Wattage Emergency Light	28
HLRMR Series Wet Location Emergency Light	29
HLR16 Series Remote Capable Emergency Light	30
HLPAR Series Emergency Light	31
HLTFX Series Wet Location Emergency Light	32
HL0245NY Series City of New York Approved Emergency Light	33
HLEMRL-1 Series Recessed Emergency Downlighting	34
HLR-7 Series Recessed Emergency Light	35
HLCA25S10 Series City of Chicago Approved Emergency Light	36
Red and Green LED Retrofit Kits	37
Remote Lamp Heads	38
Exit/Emergency Wire Guards & Polycarbonate Vandal Guards	39
Battery for HL0202	40
Emergency Ballasts	41
Exit/Emergency Quick Reference	42
Exit/Emergency Product Warranty	43

• Specifications are subject to change without notice.



Experience the *Howard Advantage*

HOWARDTM
LIGHTING PRODUCTS

www.Howard-Lighting.com 800.956.3456

Slimline Thermoplastic LED Exit Sign

HL0301 Series

Features

- Ultra-compact, low-profile design in neutral finish
- Energy-efficient LED technology
- EZ snap-out chevron directional indicators
- UL listed for damp locations & meets UL924, NFPA 101 Life Safety Code, NEC, OSHA, Local and State Codes

Electrical

- Dual 120V/277V voltage
- Charge rate/power "ON" LED indicator light and push-to-test switch for mandated code compliance testing
- LVD (low voltage disconnect) prevents battery from deep discharge
- Long-life, maintenance-free, rechargeable NiCd battery
- Internal solid-state transfer switch automatically connects the internal battery to LED Board for minimum 90-minute emergency illumination
- Fully automatic solid-state, two-rate charger initiates battery charging to recharge a discharged battery in 24 hours.

Illumination

- Ultra-bright, energy efficient, long-lasting Red or Green LED.

Housing

- Injection-molded, engineering-grade, V-0 flame retardant, high-impact, thermoplastic in white or black finish
- Curved face, rounded corner design



Mounting

- Universal surface mount, wall or ceiling, with EZ-snap thermoplastic mounting canopy, which snaps into place making installation quick & easy.

Dimensions



ORDERING INFORMATION

Model Family #	Operation	Number of Faces	Letter Color	Housing Color	Options
HL0301	Blank - AC Only B - Battery Backup	2 - Double Face	R - Red G - Green	W - White B - Black	RC - Remote Capability

Example model# HL0301 B 2 R W

• Specifications are subject to change without notice.



All LED Exit/Emergency Combo

HL0314 Series

Features

- Energy-efficient LED technology
- EZ snap-out chevron directional indicators
- Combines an EXIT sign & emergency light into one low-profile unit
- UL listed for damp locations & meets UL924, NFPA 101 Life Safety Code, NEC, OSHA, Local and State Codes

Electrical

- Dual 120V/277V voltage
- Charge rate/power "ON" LED indicator light and push-to-test switch for mandated code compliance testing
- 9.6V, long-life, maintenance-free, rechargeable NiCd battery
- Internal solid-state transfer switch automatically connects the internal battery to LED board & LED lamp heads for minimum 90-minute emergency illumination
- Fully automatic solid-state, two-rate charger initiates battery charging to recharge a discharged battery in 24 hours.

Catalog Number	Input Watts (W)		Input Amps (A)	
	120V	277V	120V	277V
HL0314 (Red Letters)	3.7	3.8	0.040	0.020
HL0314 (Green Letters) HL0314 (Green Letters) - RC	3.0	3.2	0.030	0.014
HL0314 (Red Letters) - RC	3.4	3.6	0.033	0.015
HL0314 (Red & Green) - SDT HL0314 (Red & Green) - RC - SDT	5.2	5.7	0.046	0.022

Illumination

- Long lasting, efficiency ultra-bright white LED lamp heads
- 1 watt (8 LEDs x 0.125 watt) per head
- High-performance smooth chrome plated metalized reflector and plastic lens for optimal light distribution
- Adjustable LED lamp heads provide optimal center-to-center spacing. Optional high-lumen heads are available for increased center-to-center spacing.
- Long-life, energy efficient Red or Green LED exit sign illumination

ORDERING INFORMATION

Model Family #	Number of Faces	Letter Color	Housing Color	Options
HL0314	3 - Universal	R - Red G - Green	B - Black W - White	RC - Remote Capable HTR - Internal Heater HL - High Lumen
Example model# HL0314 3 R W				



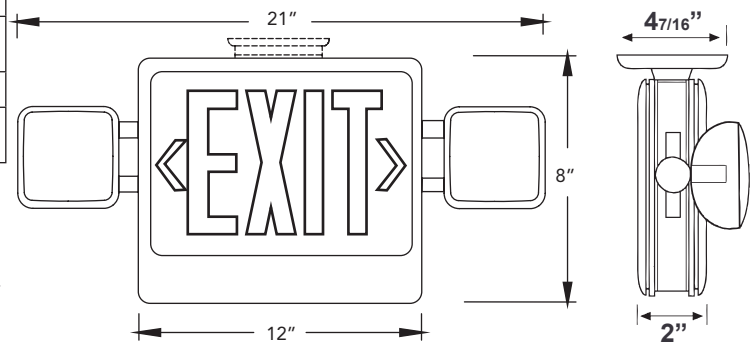
Housing

- Injection-molded, engineering-grade, 5VA flame retardant, high-impact, thermoplastic in white or black finish
- EZ snap-out Chevron directional indicators

Mounting

- EZ-snap mounting canopy included for top or end mount
- Universal K/O patten on back plate for wall mount

Dimensions



• Specifications are subject to change without notice.



Experience the Howard Advantage

HOWARDTM
LIGHTING PRODUCTS

www.Howard-Lighting.com 800.956.3456

LED Exit/Incandescent Emergency Combo

HL0214 Series

Features

- Energy-efficient LED technology in EXIT sign
- EZ snap-out chevron directional indicators
- Combines an EXIT sign & emergency light into one low-profile unit
- UL listed for damp locations & meets UL924, NFPA 101 Life Safety Code, NEC, OSHA, Local and State Codes

Electrical

- Dual 120V/277V voltage
- Charge rate/power "ON" LED indicator light and push-to-test switch for mandated code compliance testing
- LVD (low voltage disconnect) prevents battery from deep discharge
- 6V, 4.5Ah, sealed lead acid, maintenance-free, rechargeable battery
- Internal solid-state transfer switch automatically connects the internal battery to LED Board/lamp heads for minimum 90-minute emergency illumination
- Fully automatic solid-state, two-rate charger initiates battery charging to recharge a discharged battery in 24 hours.

Illumination

- Standard with two 5.4 watt tungsten fully adjustable, glarefree incandescent emergency lighting heads
- High-performance smooth thermoplastic reflector and plastic lens for optimal light distribution
- Ultra bright, energy efficient, long-lasting Red or Green LED (exit sign illumination)

Housing

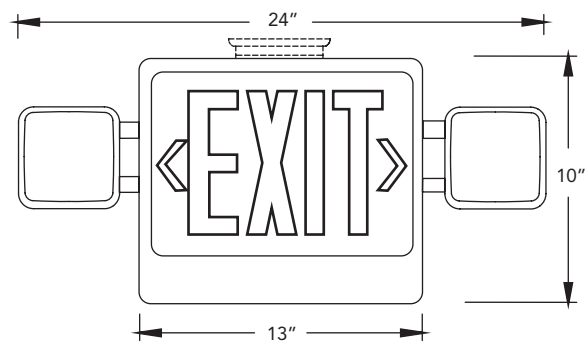
- Injection-molded, engineering-grade, V-0 flame retardant, high-impact, thermoplastic in white or black finish



Mounting

- Universal surface mount, wall or ceiling, with EZ-snap thermoplastic mounting canopy, which snaps into place making installation quick & easy.

Dimensions



ORDERING INFORMATION

Model Family #	Number of Faces	Letter Color	Housing Color	Options
HL0214	3 - Universal	R - Red G - Green	B - Black W - White	RC - Remote Capable SDT - Self Diagnostic HTR - Internal Heater ESP - Spanish
Example model# HL0214 3 R W				

• Specifications are subject to change without notice.



HOWARDTM
LIGHTING PRODUCTS

www.Howard-Lighting.com 800.956.3456

Experience the *Howard Advantage*



Thermoplastic LED Exit/Emergency Combo

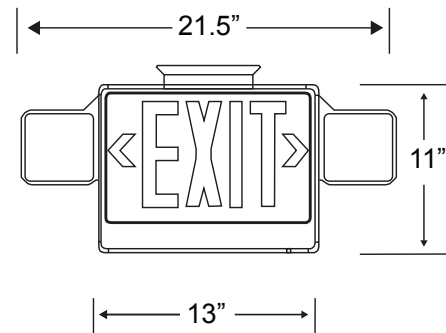
HL0409 Series

Features

- Long life, energy saving LED lamps
- Remote capable option yields 12W extra capacity
- Injection-molded, high impact thermoplastic construction
- Snap-fit faceplate installs without the use of tools
- Field replacement chevron directional indicator knockouts
- Integral wiring channels to facilitate installation
- Universal mounting pattern knockout in back plate for J-box mounting
- Universal single face and double face (extra faceplate included)
- Snap-fit canopy (included) enables speedy top mounting
- Fully adjustable glare-free lighting heads, white housing is standard, with an optional black housing available
- Dual-voltage input 120V or 277V AC Operation
- Emergency unit provided with test switch, status indicator and rechargeable battery
- Maintenance-free, 6V sealed lead-acid battery, provides 90 minutes of emergency power
- Two 5.4W DC 5 wedge-base lamps for emergency light



Dimensions



Electrical Information

Typical Performance	Red/Green	
Input Voltage	120	277
Input Current (mA)	62	29
Input Power (W)	6.8	7.2
Power Factor (%)	>0.9	>0.9
Current THD (%)	<20	<20

ORDERING INFORMATION

Model Family #	Number of Faces	Letter Color	Housing Color	Options
HL0409	3 -Universal Single/Double Face	R - Red G - Green	B - Black W - White Coated	Blank - no SDT or RC RC - Remote Capable SDT - Self Diagnostic Testing
example model# HL04093RWSD				



• Specifications are subject to change without notice.



Experience the Howard Advantage

HOWARDTM
LIGHTING PRODUCTS

www.Howard-Lighting.com 800.956.3456

Adjustable Optics Thermoplastic Emergency Light

HL0202 Series

Features

- Compact, low-profile design in neutral finish
- Universal mounting plate with EZ Quick Connect for fast installation
- cUL Listed for damp locations & meets UL924, NFPA 101 Life Safety Code, NEC, OSHA, Local and State Codes

Electrical

- Dual 120V/277V voltage
- Charge rate/power "ON" LED indicator light and push-to-test switch for mandated code compliance testing
- LVD (low voltage disconnect) prevents battery from deep discharge
- 6V, 4.5Ah, sealed lead acid, maintenance-free, rechargeable battery
- Internal solid-state transfer switch automatically connects the internal battery to lamp heads for minimum 90-minute emergency illumination
- Fully automatic solid-state, two-rate charger initiates battery charging to recharge a discharged battery in 24 hours.

Illumination

- Two fully-adjustable 5.4 watt, glare-free lighting heads
- High-performance smooth thermoplastic reflector and plastic lens for optimal light distribution

Housing

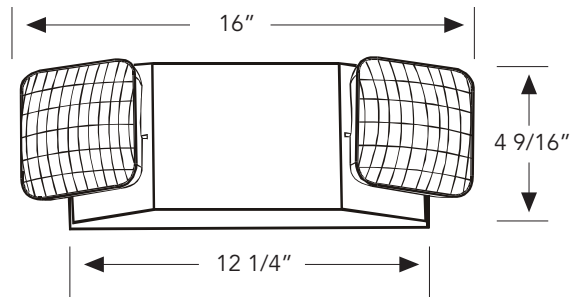
- Injection-molded, engineering-grade, V-0 flame retardant, high-impact, thermoplastic in white or black finish



Mounting

- Injection-molded, engineering-grade, V-0 flame retardant, high-impact, thermoplastic in white or black finish

Dimensions



ORDERING INFORMATION

Catalog Number	Options	Color	Output Voltage	Lamp Wattage	Rated Output Watts		
					1.5hrs	2hrs	4hrs
HL0202SW	Blank - None	W - White	6V	2x5.4W	11	-	-
HL0202SW1SD	1SD - Self Diagnostic	B - Black	6V	2x5.4W	11	-	-
HL0202RCW	RC - Remote Capable		6V	2x5.4W	22	-	-

example model# HL0202SW

• Specifications are subject to change without notice.



Adjustable Optics Thermoplastic LED Emergency Light

HL0202L Series

Features

- Compact, low-profile design in neutral finish
- UL Listed for damp locations
- Meets UL924, NFPA101 Life Safety Code, NEC, OSHA, Local and State Codes

Electrical

- Dual 120V/277V voltage
- Charge rate/power "ON" LED indicator light and push-to-test switch for mandated code compliance testing
- Long-life, maintenance free, rechargeable NiCd battery
- Internal solid-state transfer switch automatically connects the internal battery to lamp heads for minimum 90-minute emergency illumination
- Fully automatic solid-state, two-rate charger initiates battery charging to recharge a discharged battery in 24 hours.
- Input:

Volts	Wattage	Current
120V	1.8W	0.022A
277V	1.8W	0.010A

Illumination

- Long lasting, efficiency ultra-bright white LED lamp heads.
- High-performance chrome-plated metalized reflector and plastic lens for optimal light distribution
- Adjustable LED lamp heads provide optimal center-to-center spacing. High-lumen option available for increased center-to-center spacing.

ORDERING INFORMATION

Model Family	Color	Options
HL0202L	W - White B - Black	Blank - None 1SD - Self Diagnostic HL - High Lumen
example model# HL0202LW		



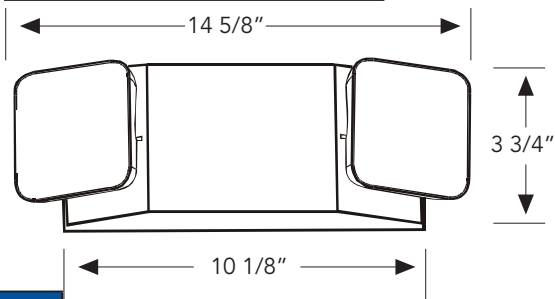
Housing

- Injection-molded, engineering-grade, 5VA flame retardant, high-impact, thermoplastic in white or black finish

Mounting

- Surface mount via quick-connect back plate; fits most standard size junction boxes and snaps into place to make internal electrical connections.
- Conduit mount knocked on top of housing and back plate.
- Suitable for wall or ceiling mount.

Dimensions



• Specifications are subject to change without notice.



Experience the Howard Advantage

HOWARDTM
LIGHTING PRODUCTS

www.Howard-Lighting.com 800.956.3456

Fixed Optics Thermoplastic Emergency Light

HL0223 Series

Features

- Compact, low-profile design in neutral finish
- Universal mounting plate with EZ Quick Connect for fast installation
- ETL listed for damp locations & meets UL924, NFPA 101 Life Safety Code, NEC, OSHA, Local and State Codes

Electrical

- Dual 120V/277V voltage
- Charge rate/power "ON" LED indicator light and push-to-test switch for mandated code compliance testing
- LVD (low voltage disconnect) prevents battery from deep discharge
- 6V, 4.5Ah, sealed lead acid, maintenance-free, rechargeable battery
- Internal solid-state transfer switch automatically connects the internal battery to lamp heads for minimum 90-minute emergency illumination
- Fully automatic solid-state, two-rate charger initiates battery charging to recharge a discharged battery in 24 hours

Illumination

- Two fixed optics 5.4 watt, glare-free lighting heads
- High-performance smooth thermoplastic reflector and plastic lens for optimal light distribution

Housing

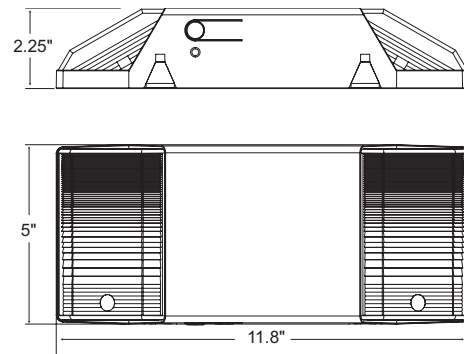
- Injection-molded, engineering-grade, V-0 flame retardant, high-impact, thermoplastic in white or black finish



Mounting

- Surface mount via easy connect back plate, which fits most standard junction boxes and snaps into place making internal electrical connections.

Dimensions



ORDERING INFORMATION

Model Family #	Housing Color
HL0223	W - White B - Black
example model# HL0223W	

• Specifications are subject to change without notice.



HOWARDTM
LIGHTING PRODUCTS

www.Howard-Lighting.com 800.956.3456

Experience the Howard Advantage



Adjustable Optics LED Emergency Light

HL0223L Series

Features

- Compact, low-profile design
- Universal mounting plate with EZ Quick Connect for fast installation
- UL listed for damp locations & meets UL924, NFPA 101 Life Safety Code, NEC, OSHA, Local and State Codes

Electrical

- Dual 120V/277V voltage
- Charge rate/power "ON" LED indicator light and push-to-test switch for mandated code compliance testing
- 3.6V, maintenance-free, rechargeable NiCd battery
- Internal solid-state transfer switch automatically connects the internal battery to lamp heads for minimum 90-minute emergency illumination
- Fully automatic solid-state, two-rate charger initiates battery charging to recharge a discharged battery in 24 hours

Volts	Wattage	Current
120V	2.1W	0.025A
277V	2.1W	0.010A

Illumination

- Long-life, ultra bright white LED lamp heads
- 1 watt (8 LEDs x 0.125 watt) per head
- High performance, chrome plated metalized reflector and plastic lens for optimal light distribution
- Two fixed or adjustable LED lamp heads provide optimal center-to-center spacing

ORDERING INFORMATION

Model Family #	Housing Color
HL0223L	W - White B - Black
example model# HL0223LW	



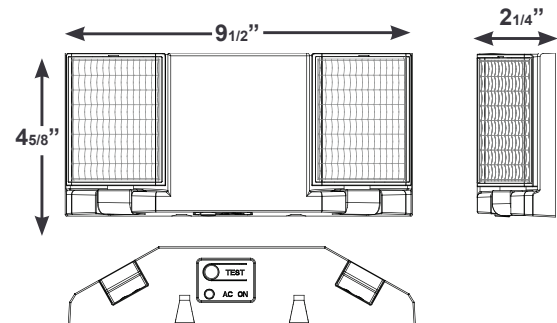
Housing

- Injection-molded, engineering-grade, 5VA flame retardant, high-impact resistant, thermoplastic in white or black finish

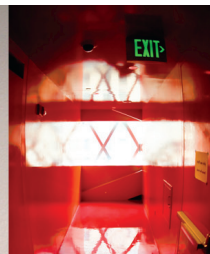
Mounting

- Surface mount via easy connect back plate, which fits most standard junction boxes and snaps into place making internal electrical connections.
- Suitable for wall or ceiling mount

Dimensions



• Specifications are subject to change without notice.



Experience the Howard Advantage

HOWARDTM
LIGHTING PRODUCTS

www.Howard-Lighting.com 800.956.3456

Edge Lite LED Exit Sign

HL0203 Series

Features

- Energy-efficient LED technology
- Decals & template provided for chevron directional indicators
- UL listed for damp locations & meets UL924, NFPA 101 Life Safety Code, NEC, OSHA, Local and State Codes

Electrical

- Dual 120V/277V voltage
- Charge rate/power "ON" LED indicator light and push-to-test switch for mandated code compliance testing
- LVD (low voltage disconnect) prevents battery from deep discharge
- Maintenance-free, rechargeable Ni-Cad battery (EM model)
- Internal solid-state transfer switch automatically connects the internal battery to
- LED Board for minimum 90-minute emergency illumination
- Fully automatic solid-state, two-rate charger initiates battery charging to recharge a discharged battery in 24 hours.

Illumination

- Ultra-bright, energy efficient, long-lasting Red or Green LED
- UV-stabilized ultra-clear acrylic edgelit panel provided consistent, uniform illumination

Housing

- Premium-grade, aluminum housing (also available in black or white powder coated)

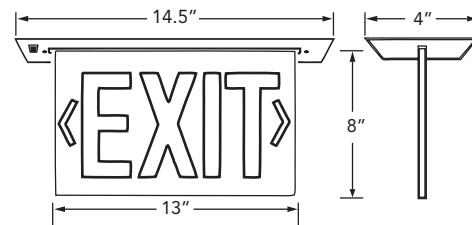


Mounting

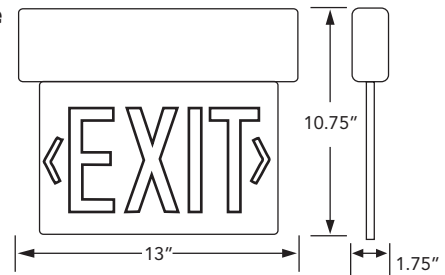
- Die-cast aluminum mounting canopy included—provides top, end or back mount convenience

Dimensions

Recessed



Surface



ORDERING INFORMATION

Model Family #	Mounting Style	Operation	Number of Faces	Letter Color	Housing/Trim Finish	Options
HL0203	S - Surface Mount	Blank - AC Only B - Battery Backup	1 - Single Face ¹	RC - Red on Clear ¹ GC - Green on Clear ¹	W - White B - Black	Blank - None SDT - Self-Diagnostic
	R - Recessed Mount		2 - Double Face ²	RM - Red on Mirror ² GM - Green on Mirror ²	A - Aluminum	

Example model# HL0203 S B 1 RC A SDT

1. Clear available with single face only

2. Double face models will have mirror divider.

• Specifications are subject to change without notice.



New York Approved Edge Lite LED Exit Sign

HL0203NY Series

Features

- Energy-efficient LED technology
- Decals & template provided for chevron directional indicators
- New York approved 8" EXIT letters
- UL listed for damp locations & meets UL924, NFPA 101 Life Safety Code, NEC, OSHA, Local and State Codes

Electrical

- Dual 120V/277V voltage
- Charge rate/power "ON" LED indicator light and push-to-test switch for mandated code compliance testing
- LVD (low voltage disconnect) prevents battery from deep discharge
- Maintenance-free, rechargeable Ni-Cad battery (EM model)
- Internal solid-state transfer switch automatically connects the internal battery to
- LED Board for minimum 90-minute emergency illumination
- Fully automatic solid-state, two-rate charger initiates battery charging to recharge a discharged battery in 24 hours.

Illumination

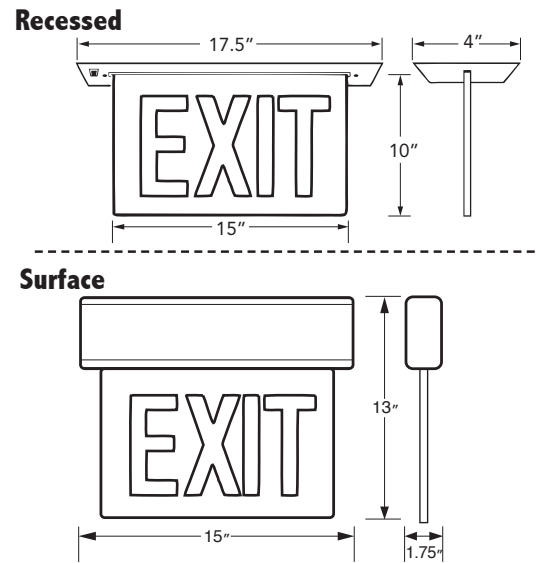
- Ultra-bright, energy efficient, long-lasting Red or Green LED
- UV-stabilized ultra-clear acrylic edgelit panel provided consistent, uniform illumination

Housing

- Premium-grade, aluminum housing (also available in black or white powder coated)



Dimensions & Mounting



ORDERING INFORMATION

Model Family #	Mounting Style	Operation	Number of Faces	Letter Color	Panel	Housing/Trim Finish	Options
HL0203NY	S - Surface Mount	Blank - AC Only	1 - Single Face ¹	R - Red	C - Clear ¹ W - White	W - White B - Black	SDT - Self-Diagnostics
	R - Recessed Mount	B - Battery Backup	2 - Double Face ²	R - Red	M - Mirror ² W - White	A - Aluminum	
Example model# HL0203NY S B 1 R C A							

1. Clear available with single face only
2. Double face models will have mirror divider.



• Specifications are subject to change without notice.



Experience the Howard Advantage

HOWARDTM
LIGHTING PRODUCTS

www.Howard-Lighting.com 800.956.3456

Chicago Approved Steel Exit Sign

HL0204 Series

Features

- City of Chicago approved
- Heavy duty steel construction
- UL listed for damp locations & meets UL924, NFPA 101 Life Safety Code, NEC, OSHA, Local and State Codes

Electrical

- Dual 120V/277V voltage (battery backup only)
- 120V (AC only)
- Maintenance-free, rechargeable Ni-Cad battery
- Internal solid-state transfer switch automatically connects the internal battery to lamps for minimum 90-minute emergency illumination
- Fully automatic solid-state, two-rate charger initiates battery charging to recharge a discharged battery in 24 hours.
- Charge rate/power "ON" LED indicator light and push-to-test switch for mandated code compliance testing
- LVD (low voltage disconnect) prevents battery from deep discharge

Illumination

- 130 Volt longlife incandescent exit sign lamps
- 6-Volt, 5.4-Watt wedge base incandescent lamps for emergency operation

Housing

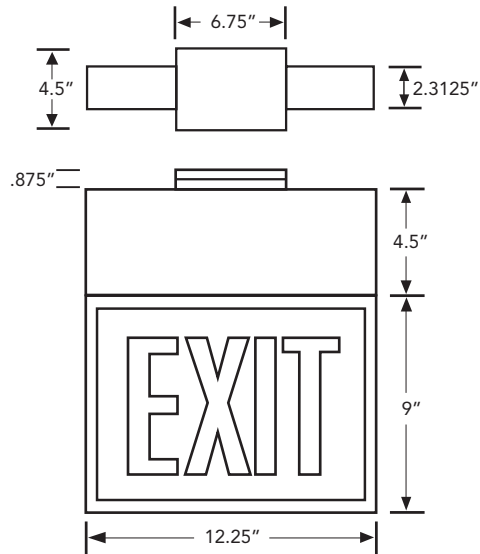
- Premium-grade, bright white painted steel housing



Mounting

- Side and back knockouts provided for mounting convenience

Dimensions



ORDERING INFORMATION

Model Family #	Number of Faces	Operation	Letter Color	Housing/Trim Finish	Directional Arrow
HL0204	1 - Single Face	Blank - AC Only	R - Red	W - White	NA - No Arrows
	2 - Double Face	B - Battery Backup	G - Green		DA - Double Arrows RA - Right Arrow LA - Left Arrow
Example model# HL0204 1 B R W NA					

• Specifications are subject to change without notice.



Steel LED Exit Sign

HL0205 Series

Features

- Energy-efficient LED technology
- Heavy duty steel construction
- Steel knockout chevron directional indicators
- UL listed for damp locations & meets UL924, NFPA 101 Life Safety Code, NEC, OSHA, Local and State Codes

Electrical

- Dual 120V/277V voltage
- Charge rate/power "ON" LED indicator light and push-to-test switch for mandated code compliance testing
- LVD (low voltage disconnect) prevents battery from deep discharge
- Maintenance-free, rechargeable Ni-Cad battery
- Internal solid-state transfer switch automatically connects the internal battery to LEDs for minimum 90-minute emergency illumination
- Fully automatic solid-state, two-rate charger initiates battery charging to recharge a discharged battery in 24 hours.

Illumination

- Ultra-bright, energy efficient, long-lasting Red or Green LED

Housing

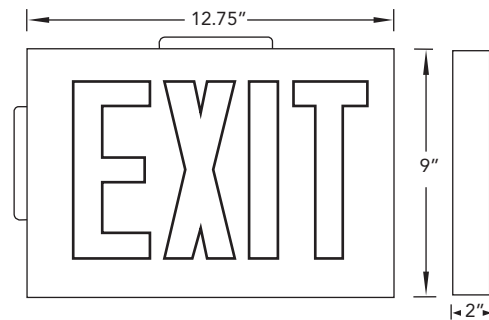
- Durable, powder-coated 20-gauge steel construction
- Double face standard
- Universal knockout chevrons



Mounting

- Universal surface mount, wall or ceiling, with EZ-snap thermoplastic mounting canopy, which snaps into place making installation quick & easy.

Dimensions

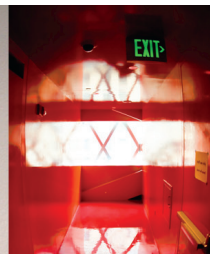


ORDERING INFORMATION

Model Family #	Number of Faces	Operation	Letter Color	Housing/Trim Finish
HL0205	1 - Single Face	Blank - AC Only	R - Red	W - White
	2 - Double Face	B - Battery Backup	G - Green	B - Black
Example model# HL0205 1 B R W				



• Specifications are subject to change without notice.



Experience the Howard Advantage

HOWARDTM
LIGHTING PRODUCTS

www.Howard-Lighting.com 800.956.3456

Die Cast Aluminum LED Exit Sign

HL0210 Series

Features

- Specification-grade, low-profile thin die-cast construction.
- Spec-grade curved faceplate
- UL listed for damp locations
- Meets UL924, NFPA 101 Life Safety Code, NEC, OSHA, Local & State Codes.

Electrical

- Dual 120V/277V voltage
- Charge rate/power "ON" LED indicator light and push-to-test switch for mandated code compliance testing
- LVD (low voltage disconnect) prevents battery from deep discharge
- Maintenance-free, rechargeable Ni-Cad battery (EM model)
- Internal solid-state transfer switch automatically connects the internal battery to LEDs for minimum 90-minute emergency illumination
- Fully automatic solid-state, two-rate charger initiates battery charging to recharge a discharged battery in 24 hours.

Housing

- Premium-grade, aluminum housing (also available in black or white powder coated)
- Easily removable chevron directional indicators
- Unique design allows double face conversion in the field
- Quick-snap face plate closure



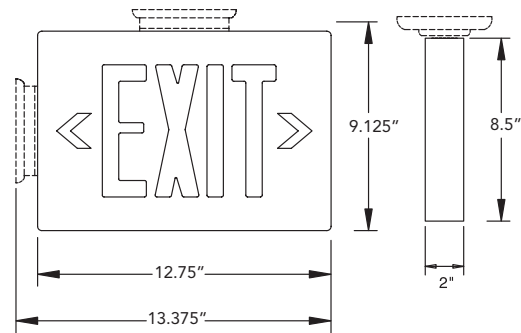
Illumination

- Ultra-bright, energy efficient, long-lasting Red or Green LED

Mounting

- Die cast mounting canopy included (provides top, end or back mount convenience)
- Universal wall mounting knockout pattern

Dimensions



ORDERING INFORMATION

Model Family #	Operation	Number of Faces	Letter Color	Face Color	Housing Color
HL0210	Blank - AC only B - Battery Backup	1 - Single Face	R - Red G - Green	BA - Brushed Aluminum B - Black W - White	BA - Brushed Aluminum B - Black W - White

Example model# HL0210 B 1 R W W

Faceplate for Double Face (must order separately)

Model Family #	Letter Color	Face Color	Faceplate
HL0210	R - Red G - Green	BA - Brushed Aluminum B - Black W - White	FP - Faceplate

Example model# HL0210 R W FP

* Specifications are subject to change without notice.



New York Approved Die Cast Aluminum LED Exit Sign

HL0210NY Series

Features

- Energy efficient LED technology
- NY approved spec-grade curved faceplate with 8" EXIT letters
- UL listed for damp locations & meets UL924, NFPA 101 Life Safety Code, NEC, OSHA, Local and State Codes

Electrical

- Dual 120V/277V voltage
- Charge rate/power "ON" LED indicator light and push-to-test switch for mandated code compliance testing
- LVD (low voltage disconnect) prevents battery from deep discharge
- Maintenance-free, rechargeable Ni-Cad battery
- Internal solid-state transfer switch automatically connects the internal battery to LEDs for minimum 90-minute emergency illumination
- Fully automatic solid-state, two-rate charger initiates battery charging to recharge a discharged battery in 24 hours.

Illumination

- Ultra-bright, energy efficient Red LED
- NY approved 8" EXIT letters

Housing

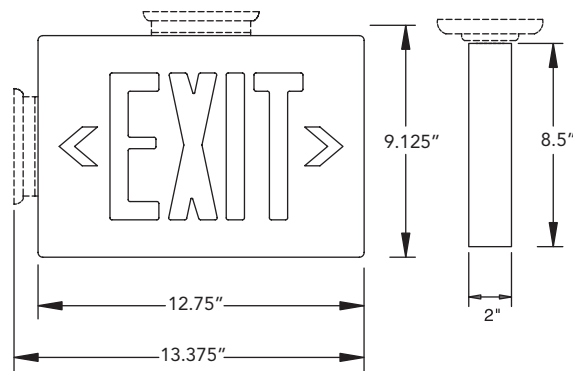
- Premium-grade, aluminum housing (also available in black or white powder coated)
- Spec-grade curved faceplate
- Easily removable chevron directional indicators
- Unique design allows double face conversion in the field
- Quick-snap face plate closure



Mounting

- Die cast aluminum housing and faceplate
- Die cast mounting canopy included (provides top, end or back mount convenience)
- Universal wall mounting knockout pattern

Dimensions



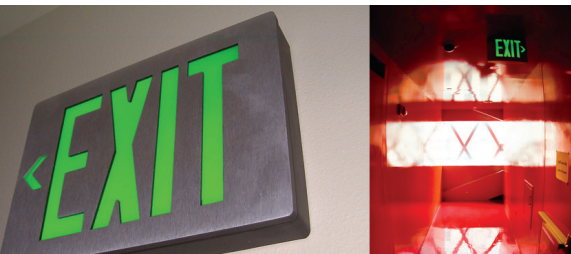
ORDERING INFORMATION

Model Family #	Operation	Number of Faces	Letter Color	Face Color	Housing Color
HL0210NY	Blank - AC only	1 - Single Face	R - Red	BA - Brushed Aluminum	BA - Brushed Aluminum
	B - Battery Backup	2 - Double Face	G - Green	B - Black W - White	B - Black W - White

Example model# HL0210 B 1 R W W



• Specifications are subject to change without notice.



Experience the Howard Advantage

HOWARDTM
LIGHTING PRODUCTS

www.Howard-Lighting.com 800.956.3456

Low-Profile Die Cast Aluminum LED Exit Sign

HL0211 Series

Features

- Specification-grade, low-profile thin die-cast construction.
- UL listed for damp locations
- Meets UL924, NFPA 101 Life Safety Code, NEC, OSHA, Local & State Codes.
- Easily removable field selectable Chevron directional indicators.

Electrical

- Dual 120V/277V; 0.10A max
- Charge rate/power "ON" LED indicator light and push to test switch for mandated code compliance testing.
- LVD (low voltage disconnect) prevents battery from deep discharge.
- Long-life, maintenance-free, rechargeable NiCd battery B models only).
- Internal solid-state transformer switch automatically connects the internal battery to LED board for minimum 90-minute emergency illumination.
- Fully automatic solid-state, two-rate charger initiates battery charging to recharge a discharged battery in 24 hours.

Illumination

- Ultra-bright, energy efficient, long-lasting Red or Green LED.

Housing

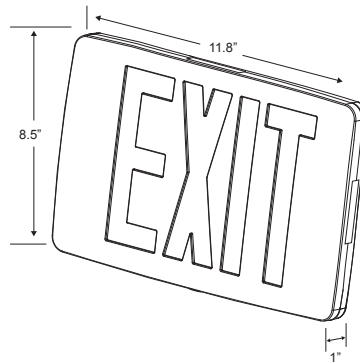
- Premium-grade, brushed aluminum die-cast housing (also available in black or white powder coat).
- Quick-snap face plate closure.



Mounting

- Die-cast mounting canopy included - for top, end or back mounting options.
- Field convertible for double face configuration.

Dimensions



ORDERING INFORMATION

Model Family #	Operation	Number of Faces	Letter Color	Housing Color
HL0211	Blank - AC Only B - Battery Backup	1 - Single Face 2 - Double Face	R - Red G - Green	BA - Brushed Aluminum B - Black Powder Coated W - White Powder Coated
example model# HL0211 B 2 R BA				



• Specifications are subject to change without notice.



Wet Location LED Exit Sign

HL0226SC Series

Features

- UL listed for wet locations & meets UL924, NFPA 101 Life Safety Code, NEC, OSHA, Local and State Codes
- Fully gasketed, corrosion-resistant housing
- Energy efficient LED technology in EXIT sign
- EZ snap-out chevron directional indicators

Electrical

- Dual 120V/277V voltage
- Charge rate/power "ON" LED indicator light and push-to-test switch for mandated code compliance testing
- LVD (low voltage disconnect) prevents battery from deep discharge
- Long-life, maintenance-free, rechargeable NiCd battery
Internal solid-state transfer switch automatically connects the internal battery to LED Board for minimum 90-minute emergency illumination
- Fully automatic solid-state, two-rate charger initiates battery charging to recharge a discharged battery in 24 hours.

Illumination

- Ultra bright, energy efficient, long-lasting Red or Green LED (exit sign illumination)
- 6" EXIT letters

Housing

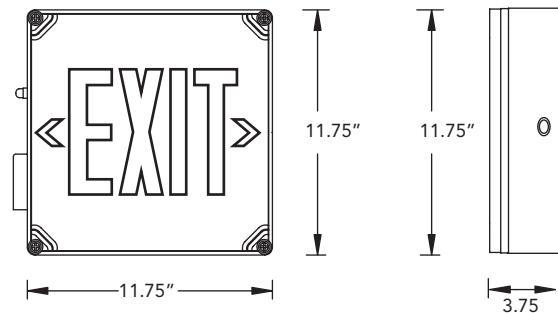
- Corrosion-resistant, polycarbonate UV-stabilized housing
- Removable knockout directional indicators
- Single face only
- Polycarbonate face plate



Mounting

- Knockouts for back mounting

Dimensions

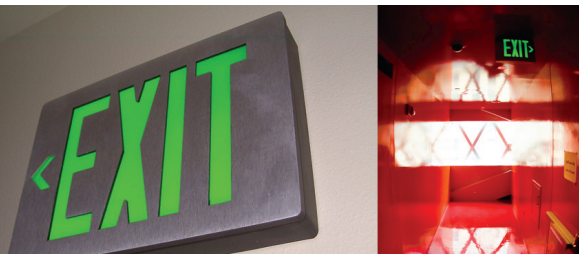


ORDERING INFORMATION

Model Family #	Operation	Letter Color	Option	
HL0226	Blank - AC Only B - Battery Backup	R - Red G - Green	HTR - Internal Heater Blank - No Heater	SC
Example model# HL0226BRSC				



• Specifications are subject to change without notice.



Experience the Howard Advantage

HOWARDTM
LIGHTING PRODUCTS

www.Howard-Lighting.com 800.956.3456

Wet Location LED Exit Sign

HL0226 Series

Features

- UL listed for wet locations & meets UL924, NFPA 101 Life Safety Code, NEC, OSHA, Local and State Codes
- Fully gasketed, corrosion-resistant housing
- Energy efficient LED technology in EXIT sign
- EZ snap-out chevron directional indicators

Electrical

- Dual 120V/277V voltage
- Maintenance-free, 6V sealed Ni-Cad, provides 90 minutes of emergency power. (Battery backup version only)
- Listed for wet location applications (0° C - 40° C)
- Test switch and status indicator included

Illumination

- Ultra bright, energy efficient, long-lasting Red or Green LED (exit sign illumination)
- 6" EXIT letters

Housing

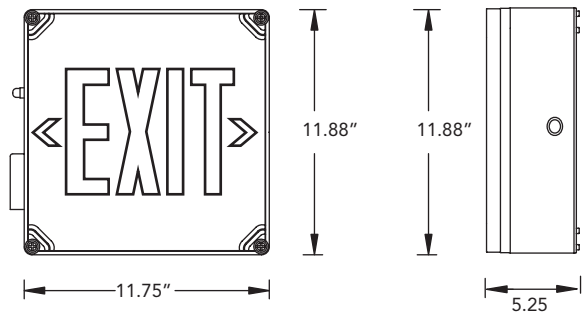
- Corrosion-resistant, thermoplastic housing
- Removable knockout directional indicators
- Sealed and gasketed housing
- Polycarbonate face plate
- Integral breather vent
- Single face



Mounting

- Surface mount
- Mounting screws and hardware included

Dimensions



ORDERING INFORMATION

Model Family #	Operation	Letter Color
HL0226	Blank - AC Only	R - Red
	B - Battery Backup	G - Green
Example model# HL0226 B R		

• Specifications are subject to change without notice.



Wet Location LED Exit Sign/Incandescent Combo

HL0229 Series

Features

- UL Listed and complies with latest codes and performance standards including UL924
- Corrosion and impact resistant thermoplastic housing
- Sealed and gasketed housing
- Long life, energy efficient LED technology in EXIT sign
- Field selectable chevron directional indicator punch-outs

Electrical

- Two sealed and gasketed 6V5.4W T5 wedge base weatherproof lighting heads with tempered glass lenses
- Dual 120V/277V voltage
- Maintenance-free, 6V sealed Ni-Cad, provides 90 minutes of emergency power.
- Listed for wet location applications (0° C - 40° C)
- Test switch and status indicator included

Illumination

- High-performance reflector and tempered glass lens for optimal light distribution.
- Ultra bright, energy efficient, long-lasting Red or Green LED (exit sign illumination)
- 6" EXIT letters

Housing

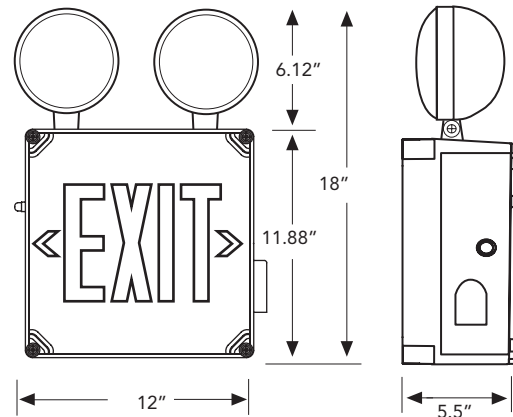
- Corrosion-resistant, thermoplastic housing
- Removable knockout directional indicators
- Sealed and gasketed housing
- Clear polycarbonate face plate with vinyl EXIT stencil
- Integral breather vent
- Single face
- Gray finish



Mounting

- Surface mount
- Mounting screws and hardware included

Dimensions



ORDERING INFORMATION

Model Family #	Operation	Letter Color
HL0229	B - Battery Backup	R - Red G - Green
Example model# HL0229BR		



• Specifications are subject to change without notice.



Experience the Howard Advantage

HOWARDTM
LIGHTING PRODUCTS

www.Howard-Lighting.com 800.956.3456

New York Approved LED Exit Sign

HL0346NY Series

Features

- Energy efficient LED technology
- Heavy duty steel construction
- NY approved housing with steel knockout chevron directional indicators
- UL listed for damp locations & meets UL924, NFPA 101 Life Safety Code, NEC, OSHA, Local and State Codes

Electrical

- Dual 120V/277V voltage
- Charge rate/power "ON" LED indicator light and push-to-test switch for mandated code compliance testing
- LVD (low voltage disconnect) prevents battery from deep discharge
- Long-life, maintenance-free, rechargeable NiCad battery (EM model)
- Internal solid-state transfer switch automatically connects the internal battery to LED Board for minimum 90-minute emergency illumination
- Fully automatic solid-state, two-rate charger initiates battery charging to recharge a discharged battery in 24 hours.

Illumination

- Ultra-bright, energy efficient Red LED
- NY approved 8" EXIT letters

Housing

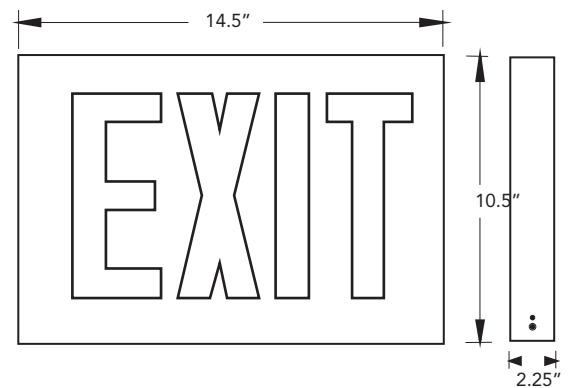
- Durable, white powder coated, 20-gauge steel construction
- Universal knockout chevrons



Mounting

- Universal mounting canopy & hardware included for top, side, or end-mount installation

Dimensions



ORDERING INFORMATION

Model Family #	Number of Faces	Operation	Letter Color	Housing Color
HL0346NY	1 - Single Face	Blank - AC only	R - Red	B - Black
	2 - Double Face	B - Battery Backup	G - Green	W - White Coated

example model# HL0346NY 1 B R W

• Specifications are subject to change without notice.



New York Approved Led Exit/Incandescent Emergency Combo

HL0245NY Series

Features

- Energy efficient LED technology
- Heavy duty steel construction
- NY approved housing with steel knockout chevron directional indicators
- UL listed for damp locations & meets UL924, NFPA 101 Life Safety Code, NEC, OSHA, Local and State Codes

Electrical

- Dual 120V/277V voltage
- Charge rate/power "ON" LED indicator light and push-to-test switch for mandated code compliance testing
- LVD (low voltage disconnect) prevents battery from deep discharge
- Long-life, maintenance-free, rechargeable NiCad battery (EM model)
- Internal solid-state transfer switch automatically connects the internal battery to LED Board for minimum 90-minute emergency illumination
- Fully automatic solid-state, two-rate charger initiates battery charging to recharge a discharged battery in 24 hours.

Illumination

- Standard with two 12 Watt tungsten fully adjustable, glare-free incandescent lighting heads
- High-performance smooth thermoplastic reflector and tempered glass lens for optimal light distribution.
- Ultra bright, energy efficient, long-lasting Red LED (exit sign illumination)
- NY approved 8" EXIT letters
- Optional 3rd emergency lighting head included



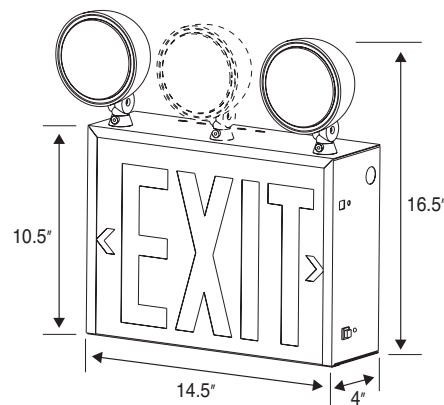
Housing

- Durable, white powder coated, 20-gauge steel construction
- Universal knockout chevrons

Mounting

- Universal mounting canopy & hardware included for top, side, or end-mount installation

Dimensions



ORDERING INFORMATION

Model Family #	Number of Faces	Operation	Letter Color	Housing Color	Lamps
HL0245NY	1 - Single Face	B - Battery Backup	R - Red G - Green	B - Black W - White Coated	0 - None 2 - Two Heads 3 - Three Heads

example model# HL0245NY 1 B R W 2



• Specifications are subject to change without notice.



Experience the Howard Advantage

HOWARDTM
LIGHTING PRODUCTS

www.Howard-Lighting.com 800.956.3456

Lightpipe LED Exit/Emergency Combo

HL0330 Series

Features

- Unique, design combines an energy-efficient LED EXIT sign with an LED emergency light into one low-profile unit.
- Wattage per face: 1.5W.
- UL listed for damp locations
- Meets UL924, NFPA, 101 Life Safety Code, NEC, OSHA, Local & State Codes
- EZ snap-out field selectable Chevron directional indicators.

Electrical

- Dual 120/277V; 0.47A max
- Charge rate/power "ON" LED indicator light and push-to-test switch for mandated code compliance testing.
- LVD (low voltage disconnect) prevents battery from deep discharge.
- Long-life, maintenance-free, rechargeable NiCd battery.
- Internal solid-state transfer switch automatically connects the internal battery to LED Board/light pipe for minimum 90-minute emergency illumination.
- Fully automatic solid-state, two-rate charger initiates battery charging to recharge a discharged battery in 24 hours.

Illumination

- Ultra-bright, energy efficient white LED emergency lighting.
- High-performance smooth chrome-plated metallized reflector and polycarbonate "light pipe" lens for optimal light distribution and resistance to discoloration.
- Adjustable light pipe allows for optimal use of light output.
- Long-lasting, energy efficient Red or Green LED exit sign.

Housing

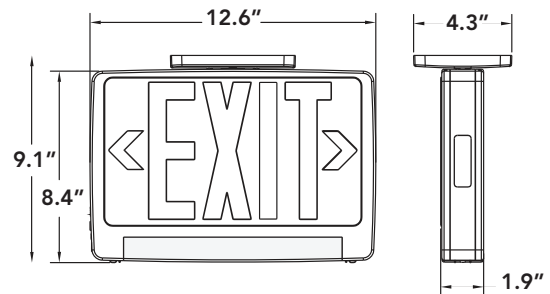
- Injection-molded, engineering-grade, V-0 flame retardant, high-impact, thermoplastic in white or black.



Mounting

- EZ-snap thermoplastic mounting canopy, included - for top, end or back mounting options.

Dimensions



ORDERING INFORMATION

Model Family #	Number of Faces	Letter Color	Housing Color	Options
HL0330	1 - Single Face	R - Red	BA - Brushed Aluminum	RC - Remote Capability
	2 - Double Face	G - Green	B - Black Powder Coated W - White Powder Coated	SDT - Self-Diagnostic

example model# HL0330 2 R BA

• Specifications are subject to change without notice.



Die Cast Aluminum LED Exit/Emergency Combo

HL0410 Series

Features

- Unique new design provides spec-grade die cast EXIT sign with LED emergency lights in low-profile housing
- Energy efficient LED technology
- UL listed for damp locations & meets UL924, NFPA 101 Life Safety Code, NEC, OSHA, Local and State Codes Electrical

Electrical

- Dual 120V/277V voltage
- Charge rate/power "ON" LED indicator light and push-to-test switch for mandated code compliance testing
- LVD (low voltage disconnect) prevents battery from deep discharge
- Maintenance-free, rechargeable Ni-Cad battery (EM model)
- Internal solid-state transfer switch automatically connects the internal battery to LEDs and LED lamp heads for minimum 90-minute emergency illumination
- Fully automatic solid-state, two-rate charger initiates battery charging to recharge a discharged battery in 24 hours.

Illumination

- Ultra-bright, energy efficient, long-lasting Red or Green LED
- Ultra bright white LED lamps in emergency lighting heads

Housing

- Premium-grade extruded aluminum housing (also available in black or white powder coated)
- Spec-grade curved faceplate
- Easily removable chevron direction indicators
- Unique design allows double face conversion in the field
- Quick-snap face plate closure

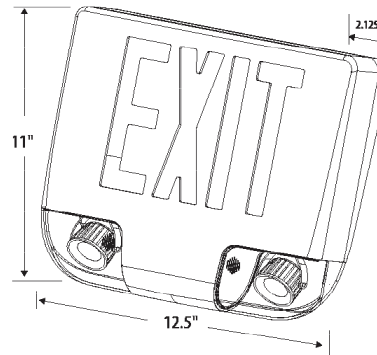


Ultra bright LED emergency lighting heads

Mounting

- Die cast aluminum housing and faceplate
- Die cast mounting canopy included (provides top, end or back mount convenience)
- Universal wall mounting K/O pattern Housing
- Premium-grade, extruded aluminum housing (also available in black or white powder coated)
- Spec-grade curved faceplate
- Easily removable chevron directional indicators
- Unique design allows double face conversion in the field
- Quick-snap face plate closure

Dimensions

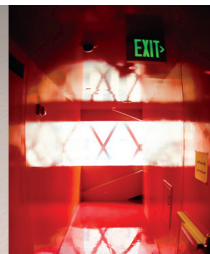


ORDERING INFORMATION

Model Family #	Number of Faces	Letter Color	Housing Color	Face Color	Battery	Options
HL0410	1 - Single Face 2 - Double Face 3 - Universal Single/Double Face	R - Red G - Green	A - Aluminum B - Black W - White	A - Aluminum B - Black W - White	EM - Battery Backup (NiCad) (All units are Battery Backup)	Blank - no options RC - Remote Capable

example model# HL04102RAAEMSDT

• Specifications are subject to c  notice.



Experience the *Howard Advantage*

HOWARDTM
LIGHTING PRODUCTS

www.Howard-Lighting.com 800.956.3456

Photoluminescent Exit Signs

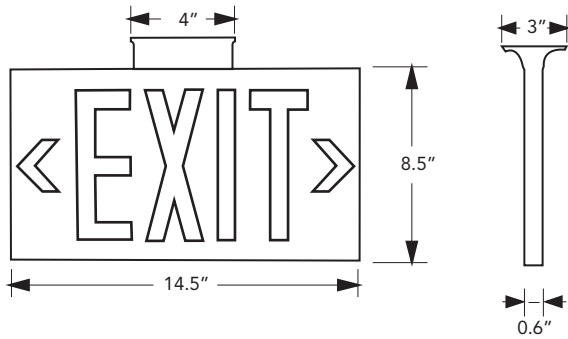
HLPLE Series

Features

- Requires no electricity or batteries
- Requires no maintenance
- Easy no-wire installation
- Letter-shaped light tubes and arrows offer increased readability
- Suitable for floor proximity mounting
- Plastic housing
- Weather-proof construction



Dimensions



ORDERING INFORMATION

Model Family #	Operation	Face Color
HLPLE	1 - 50 Feet	R - Red
	2 - 75 Feet	G - Green
	3 - 100 Feet	
Example model# HLPLE 1 R		

• Specifications are subject to change without notice.



Thermoplastic Emergency Light with Adjustable MR-16 Halogen Lamp Heads

HLRMR-16 Series

Features

- Compact, low-profile design in neutral finish
- Mounting plate with EZ quick connect for quick & easy installation
- UL listed for wet locations & meets UL924, NFPA 101 Life Safety Code, NEC, OSHA, Local and State Codes

Electrical

- Dual 120V/277V voltage
- Charge rate/power "ON" LED indicator light and push-to-test switch for mandated code compliance testing
- LVD (low voltage disconnect) prevents battery from deep discharge
- 6V, 4.5Ah, sealed lead acid, maintenance-free, rechargeable battery
- Internal solid-state transfer switch automatically connects the internal battery to lamp heads for minimum 90-minute emergency illumination
- Fully automatic solid-state, two-rate charger initiates battery charging to recharge a discharged battery in 24 hours

Illumination

- Two adjustable, ultra-bright, round 6V, 7W MR-16 halogen lighting heads

Housing

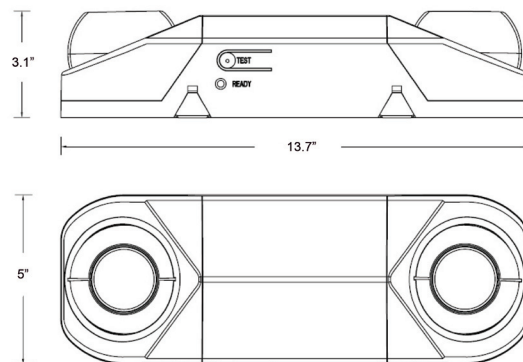
- Injection-molded, engineering-grade, V-0 flame retardant, high-impact, thermoplastic in neutral gray finish



Mounting

- Surface mount via easy connect back plate, which fits most standard junction boxes and snaps into place making internal electrical connections
- Conduit mount using knockouts on back plate

Dimensions



ORDERING INFORMATION

Catalog Number	Finish	Emergency Operation	Number of Lamp Heads/ Lamp Wattage	Battery Voltage
HLRMR-16	W - White B - Black	90+ minutes	2x 6V/7W	6V
example model# HLRMR-16 W				



• Specifications are subject to change without notice.



Experience the Howard Advantage

HOWARDTM
LIGHTING PRODUCTS

www.Howard-Lighting.com 800.956.3456

High Wattage Emergency Lights 50 & 100 watts

Features

- Heavy duty construction
- Remote Capable
- UL listed for damp locations & meets UL924, NFPA 101 Life Safety Code, NEC, OSHA, Local and State Codes

Electrical

- Dual 120V/277V voltage
- Charge rate/power "ON" LED indicator light and push-to-test switch for mandated code compliance testing
- LVD (low voltage disconnect) prevents battery from deep discharge
- 6V, 10Ah, sealed lead acid, maintenance-free, rechargeable battery
- Internal solid-state transfer switch automatically connects the internal battery to lamp heads for minimum 90-minute emergency illumination
- Fully automatic solid-state, two-rate charger initiates battery charging to recharge a discharged battery in 24 hours

Illumination

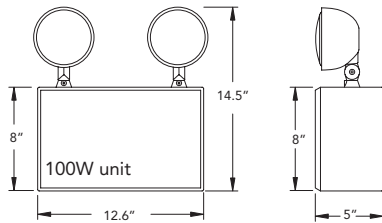
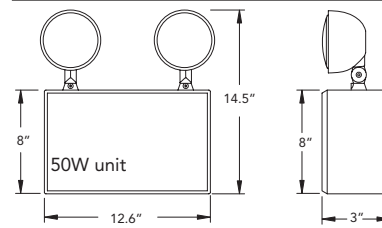
- Adjustable, glare-free PAR-Type lamp heads
- 6V model offers 7.2W lamps, standard
- 12V model offers 9W/12W lamps, standard

Housing

- Injection-molded, engineering-grade, V-0 flame retardant, high-impact, thermoplastic construction
- Side and top conduit knockouts



Dimensions



ORDERING INFORMATION

Catalog Number	Options	Rated Output Watts				Lamp Wattage	Voltage	Remote Capability Total Connected Heads/Fixture		
		1.5 hrs	2 hrs	4 hrs.	8 hrs.			4 hrs.	2 hrs.	1.5 hrs.
HL0244	RC - Remote Capable	50	37	18	-	2x7.2W	6V	2*	4*	6*
HL0245		100	75	37	18	2x7.2W	6V	4*	9*	12*
HL0242		50	37	18	-	2x9W	12V	2**	3**	5**
HL02043		100	75	37	18	2x9W	12V	4**	7**	10**

example model# HL0245

* Based on 7.2 watt lamps, standard
** Based on 9 watt lamps, standard



• Specifications are subject to change without notice.



Wet Location Emergency Light with MR-16 Halogen Lamp Heads

HLRMR-16-WP Series

Features

- Compact, low-profile design in neutral finish
- Fully-gasketed polycarbonate enclosure provides resistance to corrosive atmospheres and non-hazardous environments
- UL listed for wet locations & meets UL924, NFPA 101 Life Safety Code, NEC, OSHA, Local and State Codes

Electrical

- Dual 120V/277V voltage
- Charge rate/power "ON" LED indicator light and push-to-test switch for mandated code compliance testing
- LVD (low voltage disconnect) prevents battery from deep discharge
- 6V, 4.5Ah, sealed lead acid, maintenance-free, rechargeable battery
- Internal solid-state transfer switch automatically connects the internal battery to lamp heads for minimum 90-minute emergency illumination
- Fully automatic solid-state, two-rate charger initiates battery charging to recharge a discharged battery in 24 hours

Illumination

- Two adjustable, ultra-bright, round 6V, 7W MR-16 halogen lighting heads

Housing

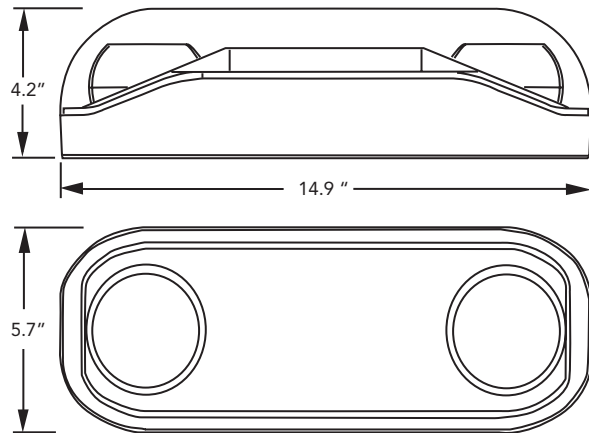
- Injection-molded, engineering-grade, V-0 flame retardant, high-impact, thermoplastic in neutral gray finish
- Fully-gasketed clear polycarbonate cover offers protection against wet, nonhazardous dust, and hose-down locations



Mounting

- Surface mount via easy connect back plate, which fits most standard junction boxes and snaps into place making internal electrical connections
- Conduit mount using knockouts on back plate

Dimensions



ORDERING INFORMATION

Catalog Number	Finish	Emergency Operation	Number of Heads	Lamp Wattage	Battery Voltage
HLRMR-16-WP	G - Gray	90+ minutes	2	2x 6V/7W	6V

example model# HLRMR-16-WP G



• Specifications are subject to change without notice.



Experience the Howard Advantage

HOWARDTM
LIGHTING PRODUCTS

www.Howard-Lighting.com 800.956.3456

Remote Capable Thermoplastic Emergency Light with MR-16 Halogen Lamp Heads

HLR16 Series

Features

- Compact, low-profile design in neutral finish
- Universal mounting plate with EZ Quick Connect for fast installation
- UL listed for damp locations & meets UL924, NFPA 101 Life Safety Code, NEC, OSHA, Local and State Codes

Electrical

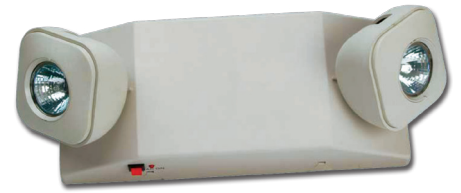
- Dual 120V/277V voltage
- Charge rate/power "ON" LED indicator light and push-to-test switch for mandated code compliance testing
- LVD (low voltage disconnect) prevents battery from deep discharge
- 6V, 4.5Ah, sealed lead acid, maintenance-free, rechargeable battery
- Internal solid-state transfer switch automatically connects the internal battery to lamp heads for minimum 90-minute emergency illumination
- Fully automatic solid-state, two-rate charger initiates battery charging to recharge a discharged battery in 24 hours

Illumination

- Two fully adjustable 6V, 5W MR-16 halogen lamp heads

Housing

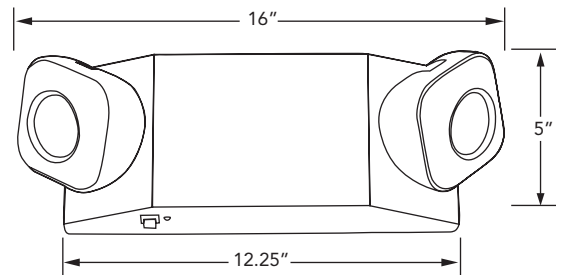
- Injection-molded, engineering-grade, V-0 flame retardant, high-impact, thermoplastic in white or black finish



Mounting

- Surface mount via easy connect back plate, which fits most standard junction boxes and snaps into place making internal electrical connections
- Conduit mount using knockouts on back plate

Dimensions



ORDERING INFORMATION

Model Family	Finish	Options	Emergency Operation	Lamp Wattage	Output Voltage
HLR16	W - White	SDT - Self Diagnostic	90 minutes	2x 6V/5W	6V
	B - Black				

example model# HLR16W

• Specifications are subject to change without notice.



Thermoplastic Emergency Light with PAR-Type Halogen Lamp Heads

HLPAR Series

Features

- Compact, low-profile design in neutral finish
- Universal mounting plate with EZ Quick Connect for fast installation
- UL listed for damp locations & meets UL924, NFPA 101 Life Safety Code, NEC, OSHA, Local and State Codes

Electrical

- Dual 120V/277V voltage
- Charge rate/power "ON" LED indicator light and push-to-test switch for mandated code compliance testing
- LVD (low voltage disconnect) prevents battery from deep discharge
- 6V, 4.5Ah, sealed lead acid, maintenance-free, rechargeable battery
- Internal solid-state transfer switch automatically connects the internal battery to lamp heads for minimum 90-minute emergency illumination
- Fully automatic solid-state, two-rate charger initiates battery charging to recharge a discharged battery in 24 hours

Illumination

- Two incandescent 6V/5.4W lamps with adjustable PAR-type lamp heads
- Highly reflective metal reflectors in heads

Housing

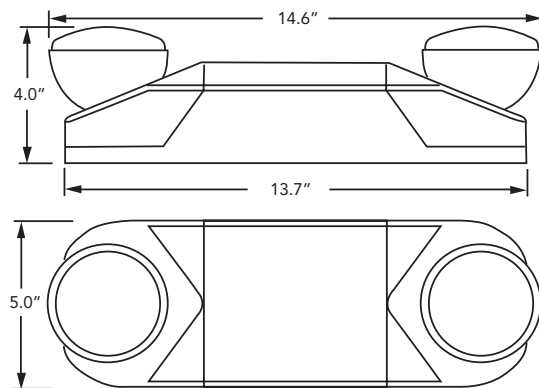
- Injection-molded, engineering-grade, V-0 flame retardant, high-impact, thermoplastic in white or black finish



Mounting

- Surface mount via easy connect back plate, which fits most standard junction boxes and snaps into place making internal electrical connections
- Conduit mount using knockouts on back plate

Dimensions



ORDERING INFORMATION

Model Family	Finish	Emergency Operation	Number of Lamp Heads/ Lamp Wattage	Battery Voltage
HLPAR	W - White B - Black	90 minutes	2x 6V/5W	6V
example model# HLPAR W				



• Specifications are subject to change without notice.



Experience the Howard Advantage

HOWARDTM
LIGHTING PRODUCTS

www.Howard-Lighting.com 800.956.3456

Wet Location Emergency Light

HLTFX Series

Features

- Polycarbonate housing provides resistance to corrosive and non-hazardous dust environments
- Remote Capable
- UL listed for wet locations & meets UL924, NFPA 101 Life Safety Code, NEC, OSHA, Local and State Codes

Electrical

- Dual 120V/277V voltage
- Charge rate/power "ON" LED indicator light and push-to-test switch for mandated code compliance testing
- 6V, 7.2Ah, sealed lead acid, maintenance-free, rechargeable battery
- Internal solid-state transfer switch automatically connects the internal battery to lamp heads for minimum 90-minute emergency illumination
- Fully automatic solid-state, two-rate charger initiates battery charging to recharge a discharged battery in 24 hours

Illumination

- Sealed and gasketed weather proof lighting heads with tempered glass lenses
- 6V, 7.2W incandescent wedge base lamps
- Provides 15W of remote capability

Housing

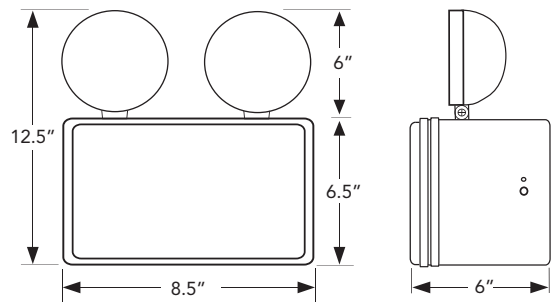
- Corrosion-resistant polycarbonate housing
- Sealed and gasketed housing with hinged cover
- Sealed test switch and power "ON" indicator light
- Integral breather vent



Mounting

- External mounting brackets for simplified wall mounting

Dimensions



ORDERING INFORMATION

Catalog Number	Options	Finish	Output Voltage	Lamp Wattage	Emergency Operation
HLTFX-2		White	6V	2x7.2W	90 minutes
HLTFX-2-RC	RC - Remote Capable	White	6V	2x7.2W	90 minutes

example model# HLTFX-2

• Specifications are subject to change without notice.



New York Approved Incandescent Emergency Light

HL0245NY Series

Features

- Heavy duty construction
- NY approved housing
- UL listed for damp locations & meets UL924, NFPA 101 Life Safety Code, NEC, OSHA, Local and State Codes

Electrical

- Dual 120V/277V voltage
- Remote Capability available on 12V model
- Charge rate/power "ON" LED indicator light and push-to-test switch for mandated code compliance testing
- LVD (low voltage disconnect) prevents battery from deep discharge
- 6V, sealed lead acid, maintenance-free, rechargeable battery
- Internal solid-state transfer switch automatically connects the internal battery to lamp heads for minimum 90-minute emergency illumination
- Fully automatic solid-state, two-rate charger initiates battery charging to recharge a discharged battery in 24 hours

Illumination

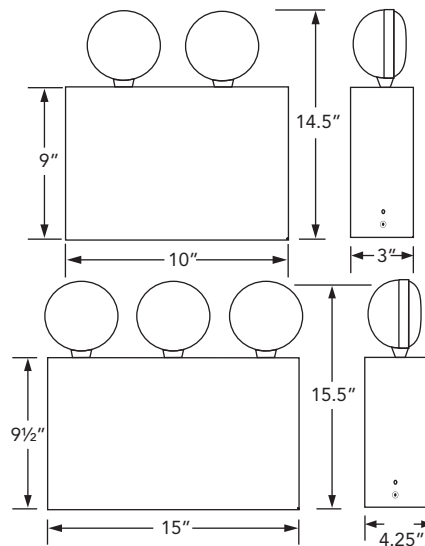
- Adjustable, glare-free PAR-Type lamp heads
- Optional 3rd head included
- 6V model offers 9W lamps, standard
- 12V model offers 12W lamps, standard
- Remote Capability available on 12V model

Housing

- Heavy 20-gauge steel construction
- White powder-coated finish
- Side and top conduit knockouts
- White or black finish
- Thermoplastic emergency lamp heads



Dimensions



ORDERING INFORMATION

Catalog Number	Finish	Options	Number of Lamps/Wattage	Voltage
HL0245NY18	Blank - White	Blank - None	2x9W	6V
HL0245NY27	B - Black	RC - Remote Capable (50W unit only)	3x9W	6V
HL0245NY50			3x12W	12V

example model# HL0245NY18



• Specifications are subject to change without notice.



Experience the Howard Advantage

HOWARD™

LIGHTING PRODUCTS

www.Howard-Lighting.com 800.956.3456

**Recessed Emergency Downlighting
with Adjustable Gimbal Trim**

HLEMRL-1 Series

Features

- Recessed downlighting for emergency lighting applications
- Mounting bar hangers included for quick & easy installation
- UL listed for damp locations & meets UL924, NFPA 101 Life Safety Code, NEC, OSHA, Local and State Codes

Electrical

- Dual 120V/277V voltage
- Isolating transformer
- Junction box with 3/4" knockouts for AC input
- Charge rate/power "ON" LED indicator light and push-to-test switch for mandated code compliance testing
- 6V, 4.5Ah, sealed lead acid, maintenance-free, rechargeable battery
- Battery and circuit housing inside the unit
- Internal solid-state transfer switch automatically connects the internal battery to lamp heads for minimum 90-minute emergency illumination
- Fully automatic solid-state, two-rate charger initiates battery charging to recharge a discharged battery in 24 hours
- CCEA Plenum Rating Certified

Illumination

- Supplied with an 8W Bi-Pin Halogen lamp
- Custom PAR-36 size reflector and lens offer optimum emergency lighting
- Adjustable aiming angle

Housing

- Steel mounting frame and housing
- 6" recessed housing with mounting bar hangers
- Impact-resistant thermoplastic adjustable gimbal trim
- Trim attaches to housing with spring clips

ORDERING INFORMATION

Model Family	Trim Color
HLEMRL-1	W - White
	B - Black
example model# HLEMRL-1 W	

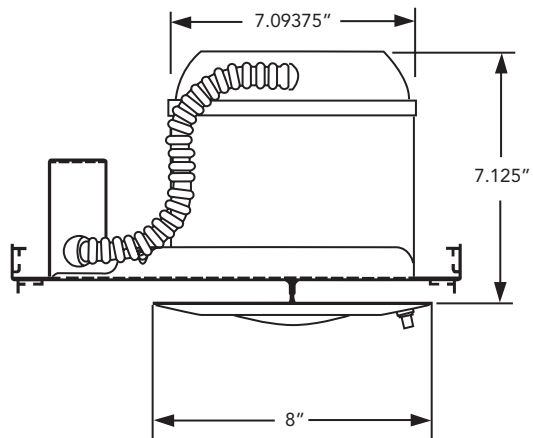
• Specifications are subject to change without notice.



Mounting

- Recessed ceiling mount with mounting bar hangers

Dimensions



Recessed Emergency Light

HLR-7 Series

Features

- Durable steel construction
- Flush mount with drop-thru ceilings
- UL listed for damp locations & meets UL924, NFPA 101 Life Safety Code, NEC, OSHA, Local and State Codes

Electrical

- Dual 120V/277V voltage
- Charge rate/power "ON" LED indicator light and push-to-test switch for mandated code compliance testing
- LVD (low voltage disconnect) prevents battery from deep discharge
- 6V, 4.5Ah, sealed lead acid, maintenance-free, rechargeable battery
- Internal solid-state transfer switch automatically connects the internal battery to lamp heads for minimum 90-minute emergency illumination
- Fully automatic solid-state, two-rate charger initiates battery charging to recharge a discharged battery in 24 hours

Illumination

- Two fully-adjustable 6V, 5.4W tungsten wedge base lighting heads
- High-performance smooth thermoplastic reflector and tempered glass lens for optimal light distribution and resistance to discoloration.

Housing

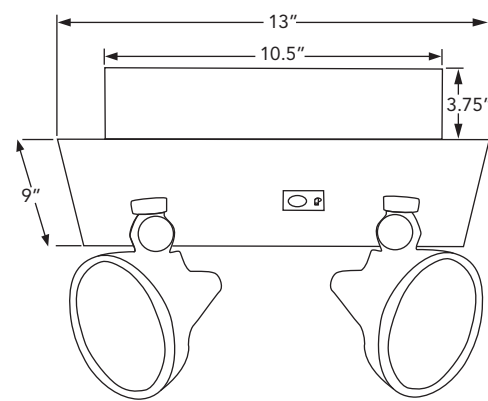
- Heavy duty steel faceplate, powder coated white or black finish
- Recessed housing equipped with adjustable bar hangers for installation flexibility
- Injection molded, V-0 flame retardant, thermoplastic lighting heads



Mounting

- Recessed mount using adjustable bar hangers

Dimensions



ORDERING INFORMATION

Catalog Number	Finish	Options	Emergency Operation	Number of Heads	Lamp Wattage	Battery Voltage
HLR-7	Blank - White B - Black	Blank - None RC - Remote Capable	90+ minutes	2	2x 6V/5.4W	6V

example model# HLR-7



• Specifications are subject to change without notice.



Experience the Howard Advantage

HOWARDTM
LIGHTING PRODUCTS

www.Howard-Lighting.com 800.956.3456

City of Chicago Emergency Light

HLCA26S10 Series

Features

- Heavy duty construction
- City of Chicago Approved (120-Minute emergency operation)
- UL listed for damp locations & meets UL924, NFPA 101 Life Safety Code, NEC, OSHA, Local and State Codes

Electrical

- Dual 120V/277V voltage
- Charge rate/power "ON" LED indicator light and push-to-test switch for mandated code compliance testing
- LVD (low voltage disconnect) prevents battery from deep discharge
- 6V, 10Ah, sealed lead calcium, maintenance-free, rechargeable battery
- Transfer/Charging Circuitry
- Internal solid-state transfer switch automatically connects the internal battery to lamp heads for minimum 120-minute emergency illumination
- Fully automatic solid-state, two-rate charger initiates battery charging to recharge a discharged battery in 24 hours

Illumination

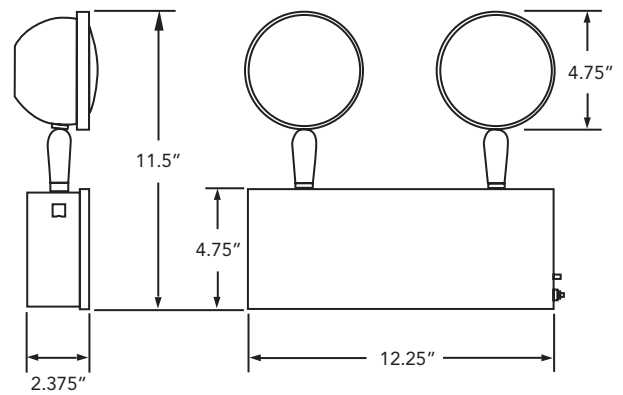
- Two 6V, 12W adjustable halogen bi-pin lamp heads

Housing

- Durable 20-gauge steel
- Neutral white finish
- Side and top conduit knockouts



Dimensions



ORDERING INFORMATION

Model Family	Emergency Operation	Number of Heads	Lamp Wattage	Battery Voltage
HLCA26S10	120 minutes	2	2x 6V/12W	6V
example model# HLCA26S10				

• Specifications are subject to change without notice.



Red and Green LED Retrofit Kits

Features

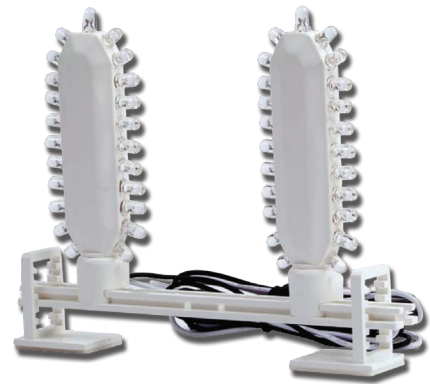
Kits easily convert incandescent exit signs to energy efficient LED units.

Hardwire Kits

- For 120V or 277V applications
- 2.8 watts per kit
- Kits come complete with mounting bracket and double-face tape

Screw-in Kits

- For 120V applications
- 2.8 watts per kit
- Socket adapters supplied (for signs with bayonet, intermediate or candelabra bases)
- Each unit is 5 1/8" tall by 1 5/8" wide (add 1/8" when using adapters)



Efficiency Chart

	Incandescent Exit	Exit replaced with Green LED Retrofit Kit	Exit replaced with Red LED Retrofit Kit
Exit Energy Usage	30W (Two 15W lamps)	1.4W (Two 0.7W LED lamps)	2.8 (Two 1.4W LED lamps)
Hours On Per Year	24x365 = 8760 hours	24x365 = 8760 hours	24x365 = 8760 hours
Price Per KiloWatt Hour	\$0.09/KW hr	\$0.09/KW hr	\$0.09/KW hr
Energy Usage Per Year	262,800 Watts	12,264 Watts	24,528 Watts
Dollars Spent Per Year	\$23.65	\$1.10	\$2.21
Energy Savings Per Year	-	250,536 Watts	238,272 Watts
Savings Per Year (per fixture)	-	\$22.55	\$21.44

ORDERING INFORMATION

Catalog Number	Installation	For Use with	Watts per Kit
HLRFXT-1	Hardwire	120/277V	2.8W
HLGFXT-1	Hardwire	120/277V	1.4W
HLRFXT-3	Screw-in	120V	2.8W
HLGFXT-3	Screw-in	120V	1.4W

• Specifications are subject to change without notice.



Experience the *Howard Advantage*

HOWARDTM
LIGHTING PRODUCTS

www.Howard-Lighting.com 800.956.3456

Remote Lamp Heads

Features

- For use with any remote capable unit (RC ordering option) with matching voltage
- Available in 6V or 12V configurations
- Several wattage options
- Weatherproof options available
- Easily increase existing emergency lighting

ORDERING INFORMATION

Catalog Number	Number of Heads	Voltage	Wattage
HLRH16-1	1	6	5
HLRH16-2	2	6	6

ORDERING INFORMATION

Catalog Number	Number of Heads	Voltage	Wattage
HLRHR1-6V5	1	6	5.4
HLRHR1-6V9	1	6	9
HLRHR2-6V5	2	6	5.4
HLRHR2-6V9	2	6	9
HLRHR1-12V7	1	12	7.2
HLRHR1-12V12	1	12	12
HLRHR2-12V7	2	12	7.2
HLRHR2-12V12	2	12	12

ORDERING INFORMATION

Catalog Number	Number of Heads	Voltage	Wattage
HLRH1-6V5	1	6	5.4
HLRH1-6V9	1	6	9
HLRH2-6V5	2	6	5.4
HLRH2-6V9	2	6	9
HLRH1-12V7	1	12	7.2
HLRH1-12V12	1	12	12
HLRH2-12V7	2	12	7.2
HLRH2-12V12	2	12	12

ORDERING INFORMATION

Catalog Number	Number of Heads	Voltage	Wattage
HLRH1-WP-6V7	1	6	7.2
HLRH2-WP-6V7	2	6	7.2

• Specifications are subject to change without notice.



Exit/Emergency Wire Guards

HLWG Series

Features

- Offers an extra layer of protection from vandalism and accidental damage
- Great for schools, gyms and high traffic areas where extra protection is a must.

ORDERING INFORMATION

Catalog Number	For use with*	Dimensions
HLWG1	Emergency Lights & Exit Signs	13.5" x 15" x 6"
HLWG2	Combo Units	13" x 30" x 6"

*Exceptions will apply consult factory before ordering



HLWG1



HLWG2

Exit/Emergency Polycarbonate Guards Vandal Guard Series

Features

- High impact resistant polycarbonate material
- Installs easily over flush mount exit/emergency lighting units
- Does not impede functionality



ORDERING INFORMATION

Catalog Number	For use with*	Dimensions
HLPCS1	Exit Signs	3.25" x 9" x 2.75"
HLBG1	Emergency Lights	7.5" x 18" x 5"
HLBG2	Exit Signs	15" x 22" x 8"
HLBG3	Combo Units	15" x 30.5" x 7"

*Exceptions will apply consult factory before ordering

• Specifications are subject to change without notice.



Experience the Howard Advantage

HOWARDTM
LIGHTING PRODUCTS

www.Howard-Lighting.com 800.956.3456

Battery for HL0202

Features

- 6V, 4.5Ah, sealed lead acid, maintenance-free, rechargeable battery
- Internal solid-state transfer switch automatically connects the internal battery to lamp heads for minimum 90-minute emergency illumination
- Fully automatic solid-state, two-rate charger initiates battery charging to recharge a discharged battery in 24 hours.



ORDERING INFORMATION

Catalog Number	Volts	Amps	Operation
HL0202-BATT	6V	4.5A	90 minutes

• Specifications are subject to change without notice.

HOWARDTM
LIGHTING PRODUCTS

www.Howard-Lighting.com 800.956.3456

Experience the Howard Advantage



Emergency Ballast

Howard Lighting fluorescent emergency ballasts can be used for both normal and emergency operations. In the event of a power failure, the unit switches to emergency mode and operates the existing lamps for a minimum of 90 minutes. Each ballast includes a battery pack, battery charger, and inverter circuit, and can be top-mounted on the fixture or in the fixture wiring compartment. All ballasts comply with the latest codes and standards including UL924.



BAL500
T8 Lamp operation



BAL650C-2
CFL Lamp operation



BAL650C-4
CFL/T8/T10/T12
Lamp operation



BAL700
T8/T10/T12
Lamp operation



BAL1400
T8/T9/T10/T12/CFL
Lamp operation



BAL3000
T8/T9/T10/T12
Lamp operation



BALT5-500
T5/T8
Lamp operation



BALT5-800
T5/T8/CFL
Lamp operation



BALT5-1300
T5/T8/CFL
Lamp operation

Quick Reference

Model #	Description
BAL500	Emergency Ballast 350-500 Lumens; operates 1 lamp (min. 90 minutes)
BAL700	Emergency Ballast 600-700 Lumens; operates 1 or 2 lamps (min. 90 minutes)
BAL1400	Emergency Ballast 1100-1400 Lumens; operates 1 or 2 lamps (min. 90 minutes)
BAL3000	Emergency Ballast 1450-3000 Lumens; operates 1 or 2 lamps (min. 90 minutes)
BAL650C-2	Emergency Ballast 300-650 Lumens; 2-pin; operates 1 lamp (min. 90 minutes)
BAL650C-4	Emergency Ballast 300-750 Lumens; 4-pin; operates 1 or 2 lamps (min. 90 minutes)
BALT5-500	Emergency Ballast 450-500 Lumens; operates 1 lamp (min. 90 minutes)
BALT5-800	Emergency Ballast 800 Lumen; operates 1 lamp operates (min. 90 minutes)
BALT5-1300	Emergency Ballast 1300 Lumens; operates 1 or 2 lamps (min. 90 minutes)

• Specifications are subject to change without notice.



Experience the Howard Advantage

HOWARDTM
LIGHTING PRODUCTS

www.Howard-Lighting.com 800.956.3456

Exit/Emergency

Quick Reference⁺

UPC	Model #	Description
Exit Signs		
05183	HL0301B2GW	Thermoplastic LED, White Case/Housing, Green Letters, Battery Backup
05181	HL0301B2RW	Thermoplastic LED, White Case/Housing, Red Letters, Battery Backup
03749	HL0203RB1GCA	Edge Lite LED, Recessed Mount Case/Housing, Green on Clear, Battery Backup
02218	HL0203RB1RCA	Edge Lite LED, Recessed Mount Case/Housing, Red on Clear, Battery Backup
01846	HL0203SB2GA	Edge Lite LED, Surface Mount Case/Housing, Green on Clear, Battery Backup
07369	HL0203SB2RCA	Edge Lite LED, Surface Mount Case/Housing, Red on Clear, Battery Backup
02761	HL02101RBA	Die Cast Aluminum LED, Brushed Aluminum Case/Housing, Red Letters, AC only
01870	HL0210B1RBA	Die Cast Aluminum LED, Brushed Aluminum Case/Housing, Red Letters, Batt Backup
02769	HL0226BG	Wet Location LED, White Case/Housing, Green Letters, Battery Backup
01871	HL0226BR	Wet Location LED, White Case/Housing, Red Letters, Battery Backup
Combo Exit Signs/Emergency Lights		
	HL0229BR	Wet Location LED, White Case/Housing, Red Letters, Battery Backup
03557	HL04093GW	LED, White Case/Housing, Green Letters, Battery Backup
03558	HL04093RW	LED, White Case/Housing, Red Letters, Battery Backup
07909	HL03143RW	LED, White Case/Housing, Red Letters, Battery Backup, with LED Lamp Heads
07903	HL03301RB	LED "Lightpipe", Single Face, Red Letters, Black Housing
07904	HL03302RB	LED "Lightpipe", Double Face, Red Letters, Black Housing
05967	HL04101RAAEM	Die-Cast Aluminum, LED, Single Face, Red Letters, Brushed Aluminum Housing, Brushed Aluminum Face, Battery Backup
05968	HL04102RAAEM	Die-Cast Aluminum, LED, Double Face, Red Letters, Brushed Aluminum Housing, Brushed Aluminum Face, Battery Backup
07698	HL04103RWWEM	Die-Cast Aluminum, LED, Universal (1 or 2) Face, Red Letters, Brushed Aluminum Housing, Brushed Aluminum Face, Battery Backup
Emergency Lights		
07902	HL0202L-W	LED Unit White Case/Housing, Adjustable Optics
01858	HL0202SW	White Case/Housing, Adjustable Optics
02203	HL0202RCW	White Case/Housing, Adjustable Optics, Remote Capable
07908	HL0223L-W	LED Unit White Case/Housing, Adjustable Optics
01847	HL0223W	White Case/Housing, Fixed Optics
01872	HL0242	White Case/Housing, Adjustable Optics, 6V, 50w max
01848	HL0243	White Case/Housing, Adjustable Optics, 6V, 100w max
01849	HL0244	White Case/Housing, Adjustable Optics, 12V, 50w max
02772	HL0245	White Case/Housing, Adjustable Optics, 12V, 100w max
02672	HLTFX-2	White Case/Housing, Adjustable Optics, Wet Location
Remote Lamp Heads		
02680	HLRH1-6V5	Remote Lamp Head, White Case/Housing, Remote Lamp Head for HL0202
02223	HLRH1-6V9	Remote Lamp Head, White Case/Housing, Remote Lamp Head for HL0202
02682	HLRH2-6V5	Remote Lamp Head, White Case/Housing, Remote Lamp Head for HL0202
02233	HLRH2-6V9	Remote Lamp Head, White Case/Housing, Remote Lamp Head for HL0202
02845	HLRH16-1	Remote Lamp Head, White Case/Housing, Remote Lamp Head for HL0202
02231	HLRH1WP-2	Remote Lamp Head-Round Weatherproof, Remote Lamp Head for HL0243
02860	HLRH2-WP-6V7	Remote Lamp Head-Round Weatherproof, Remote Lamp Head for HL0243

+ Other configurations available

• Specifications are subject to change without notice.

HOWARDTM
LIGHTING PRODUCTS

www.Howard-Lighting.com 800.956.3456

Experience the Howard Advantage



Exit/Emergency Product Warranty

Howard Lighting Products
Exit/Emergency Product Warranty

Howard Lighting Exit/Emergency products are warranted for a period of five (5) years from date of original purchase against defects in materials and workmanship (exceptions – batteries and Tritium Self-luminous; see below). Should at any time within the stated period from date of purchase any appearance of defect in material or workmanship appear, purchaser must notify Howard Lighting Products, by calling 1-800-956-3456 or (601) 422-0033. Written notice may be mailed to Howard Lighting Products, P.O. Box 1590, Laurel, MS 39441 or by fax at (601) 422-1652.

As a condition to qualify for refund of original exit/emergency product purchase price or replacement under the provisions of this limited warranty, defective exit/emergency product must be available for return to Howard Lighting Products at its request for inspection and test analysis. Prior written approval for return must be obtained from the factory.

This warranty is not applicable and is void to any product sold by Howard Lighting Products, which is not stored, installed, operated and maintained in accordance with:

- The National Electric Code (NEC)
- The Standards for Safety of Underwriters Laboratories, Inc. (UL)
- The Standards for American National Standards Institute. (ANSI)
- The specific instructions provided by Howard Lighting Products for the installation of the product(s).
- Accepted industry practices
-

The warranties set forth herein are in lieu of any and all other warranties expressed or implied including warranties of merchantability and fitness for a particular purpose. In no case shall Howard Lighting Products be obligated or liable for any indirect, consequential, or incidental damages for breach of this or any other warranty, expressed or implied, whatsoever.

The warranty is expressly limited to repair or replacement of the product. No labor charge will be honored without prior written factory authorization. Damage incurred from handling or in transit is not covered by this warranty. Claims for shipping damages must be filed with the carrier. This warranty gives the customer specific legal rights, which vary from state to state. Light bulbs are not covered under this warranty. **WARRANTY IS VOID IF PRODUCT IS NOT USED FOR THE PURPOSE FOR WHICH THIS PRODUCT IS MANUFACTURED.**

Battery Type	Life Expectancy	Full Warranty	Pro-Rate	Total
Sealed Lead Acid	8 years	1 year	-	1
Nickel Cadmium	15 years	5 years	-	5

The pro-rated warranty period for batteries begins on the date the full warranty ends.

• Specifications are subject to change without notice.



Experience the *Howard Advantage*

HOWARDTM
LIGHTING PRODUCTS

www.Howard-Lighting.com 800.956.3456



HOWARD™

LIGHTING PRODUCTS



580 Eastview Drive Laurel, MS 39443 • P.O. Box 1590 Laurel, MS 39441
800.956.3456 general • 601.422.0033 • 601.422.1652 fax
www.HowardLightingProducts.com

Revision Date: 10/16/2013