

# Smarter Signaling

“Some signaling applications require both audible *and* visual functionality combined in one stand-alone device. This redundant approach provides an extra layer of protection for our *employees while saving time and money on installation costs.*

It’s the smart choice for our business.”



# Product Index

Seen and heard. With new advanced XBR LED technology, Edwards offers signaling with exceptional brilliance and an integrated audible component that demands attention. Ideal for any industrial or commercial application, Edwards' dual signaling devices produce an unmistakable audible and visual warning.

## Audible/Visual Signals



Beacons with Horn 3-4



Beacons with Sounder 3-12



Horn/Strobe 3-16



Klaxon Sounder Beacons 3-19

# Audible/Visual Signals

## Table of Contents

	Description	Page
<b>Beacons with Horn</b>		
Flashing LED .....	51XBR Series .....	3-4
Steady Incandescent .....	51 Series .....	3-6
Flashing Incandescent .....	51 Series .....	3-8
Flashing Xenon .....	95 Series .....	3-10
<b>Beacons with Sounder</b>		
Multi-Status LED .....	108 Series .....	3-12
Multi-Mode LED .....	155 Class .....	3-15
<b>Horn/Strobe</b>		
Electronic .....	860 Series .....	3-16
<b>Klaxon Sounder Beacons</b>		
Electronic Tone .....	Sonos Series .....	3-19
Electronic Tone .....	Syrex Series .....	3-20
Electronic Tone .....	Nexus Series .....	3-21

# Beacons with Horn Flashing LED 51XBR Series



Edwards 51XBR Series XTRA-BRITE™ LED beacons are combination visual and audible signaling devices, designed for indoor or outdoor applications. The integrated horn is synchronized with the flashing LED. The unit features a cast metal base that can be used as a junction box. The double fresnel lens is made of shatter-resistant polycarbonate, and is designed to magnify the superbright LED.

## Features and Specifications

- LED light source with integrated horn
- Flash rate 65fpm
- Shatter-resistant double fresnel polycarbonate lens
- Immune to shock and vibration
- Cast metal base
- Suitable for indoor and outdoor applications
- Horn is 95dB at 1 meter/85dB at 10ft.
- Option for panel, conduit or wall mounting
- Operating temperature range: -31°F to 150°F (-35°C to 66°C)



Ordering Information								
Description	Cat. No.	Operating Voltage <sup>2</sup>	Current	Median LED Life (L70) <sup>1</sup>	Lens Color	Replacement		
						Lens	Horn	Flasher
AC	51XBRFA120A	120V AC	0.175 A	148,000 hours	Amber	92-LA	123A-N5	P-041917-0026
	51XBRFB120A	120V AC	0.175 A	148,000 hours	Blue	92-LB	123A-N5	P-041917-0026
	51XBRFG120A	120V AC	0.175 A	148,000 hours	Green	92-LG	123A-N5	P-041917-0026
	51XBRFR120A	120V AC	0.175 A	148,000 hours	Red	92-LR	123A-N5	P-041917-0026
	51XBRFW120A	120V AC	0.175 A	148,000 hours	Clear	92-LC	123A-N5	P-041917-0026
DC	51XBRFA24D	24V DC	0.275 A	148,000 hours	Amber	92-LA	118-G1	P-041917-0028
	51XBRFB24D	24V DC	0.275 A	148,000 hours	Blue	92-LB	118-G1	P-041917-0028
	51XBRFG24D	24V DC	0.275 A	148,000 hours	Green	92-LG	118-G1	P-041917-0028
	51XBRFR24D	24V DC	0.275 A	148,000 hours	Red	92-LR	118-G1	P-041917-0028
	51XBRFW24D	24V DC	0.275 A	148,000 hours	Clear	92-LC	118-G1	P-041917-0028

<sup>1</sup>Based on LED manufacturer's projections. Refer to <http://www.philipsumileds.com/pdfs/WP15.pdf>  
<sup>2</sup>AC voltage frequency is 50/60 Hz

Signal Input Load Characteristics				
These devices may be operated by PLCs with output characteristics that match the input load requirements of the signal.				
Cat. No.	Operating Voltage <sup>2</sup>	Max. Off State Leakage Current (A)	Continuous On Current (A)	Surge (Inrush / Duration)
51XBRF*120A	120V AC	0.010	0.175	50 A / 260 μSeconds
51XBRF*24D	24V DC	0.010	0.275	10 A / 120 μSeconds

\*Letter in this position designates lens color: A - amber, B - blue, G - green, R - red, or W - clear

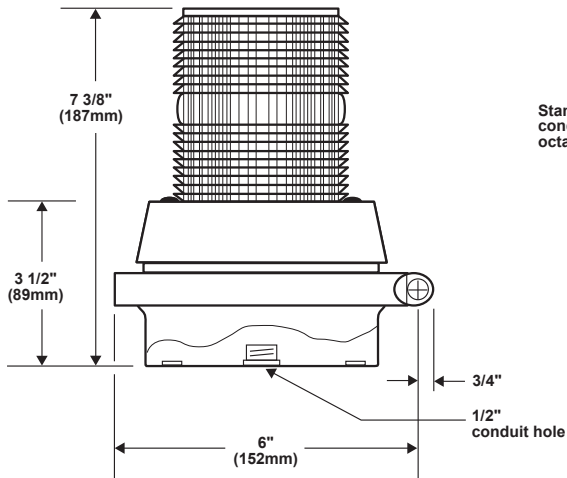


# Beacons with Horn Flashing LED 51XBR Series

## Weights and Dimensions

Cat. No.	Approx. Net Weight (lb.)	Approx. Shipping Weight (lb.)
51XBRF*120A	1.80	2.14
51XBRF*24D	1.80	2.14

\*Letter in this position designates lens color: A - amber, B - blue, G - green, R - red, or W - clear



Standard mounting options are 1/2" (13mm) conduit, direct surface or 4" (102mm) octagonal box.

# Beacons with Horn Steady Incandescent 51 Series

Edwards 51 Series Steady-On Incandescent beacons with integrated horns are combination signaling devices, suitable for indoor or outdoor applications. The base is aluminum cast and can function as a junction box. The double fresnel lens is made of shatter-resistant polycarbonate and optically engineered to maximize light distribution and viewing distance.

## Features and Specifications

- Incandescent light source with integrated horn
- Shatter-resistant double fresnel polycarbonate lens
- High resistance to shock and vibration
- Aluminum cast base can function as a junction box
- Suitable for use in indoor and outdoor applications
- Horn is 95dB at 1 meter/85dB at 10ft.
- Option for panel, conduit or box mounting
- Operating temperature range: -31°F to 150°F (-35°C to 66°C)



## Ordering Information

Description	Cat. No.	Operating Voltage <sup>3</sup>	Current	Lamp Ratings	Lens Color	Replacement		
						Lens	Horn	Lamp
AC	51SINA-N5-40W	120V AC	0.29 A	266 lumens <sup>1</sup> 3341 cp 3,920 hours <sup>2</sup>	Amber	92-LA	123A-N5	50LMP-40W or Industry Trade No. 25T8DC <sup>4</sup>
	51SINB-N5-40W	120V AC	0.29 A		Blue	92-LB	123A-N5	
	51SINC-N5-40W	120V AC	0.29 A		Clear	92-LC	123A-N5	
	51SING-N5-40W	120V AC	0.29 A		Green	92-LG	123A-N5	
	51SINM-N5-40W	120V AC	0.29 A		Magenta	92-LM	123A-N5	
	51SINR-N5-40W	120V AC	0.29 A		Red	92-LR	123A-N5	
DC	51SINA-G1	24V DC	0.80 A	402 lumens <sup>1</sup> 5049 cp 3,180 hours <sup>2</sup>	Amber	92-LA	118-G1	Industry Trade No. 1638 <sup>4</sup>
	51SINB-G1	24V DC	0.80 A		Blue	92-LB	118-G1	
	51SINC-G1	24V DC	0.80 A		Clear	92-LC	118-G1	
	51SING-G1	24V DC	0.80 A		Green	92-LG	118-G1	
	51SINM-G1	24V DC	0.80 A		Magenta	92-LM	118-G1	
	51SINR-G1	24V DC	0.80 A		Red	92-LR	118-G1	

<sup>1</sup>Bulb manufacturer's lumen rating

<sup>2</sup>Projected lamp life based on manufacturer's calculated lamp life at 65 fpm and 50% duty cycle.

<sup>3</sup>AC voltage frequency is 50/60 Hz.

<sup>4</sup>User supplied

## Accessories

Description	Cat. No.
Corner Mount Bracket	CBR
Wall Mount Bracket	WBR
Lens Guard	92-GRD



CBR  
Corner Mount Bracket



WBR  
Wall Mount Bracket



92-GRD  
Lens Guard



# Beacons with Horn Steady Incandescent 51 Series

## Signal Input Load Characteristics

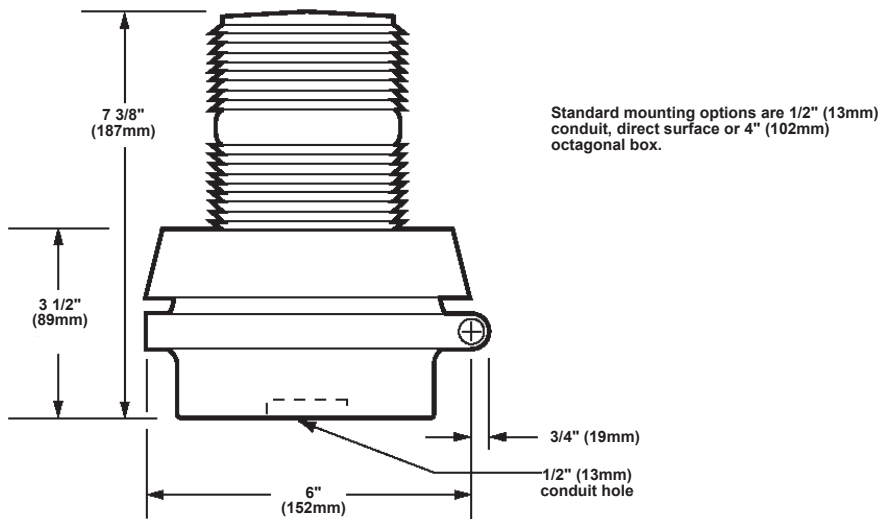
These devices may be operated by PLCs with output characteristics that match the input load requirements of the signal.

Cat. No.	Operating Voltage	Max. Off State Leakage Current (A)	Continuous On Current (A)	Surge (Inrush / Duration)
51SIN*-N5-40W	120V AC 60 Hz	0.025	0.29 A	0.47 A / 8 mSeconds
51SIN*-G1	24V DC	0.025	0.80 A	0.9 A / 1 mSeconds

\*Letter in this position designates lens color: A - amber, B - blue, C - clear, G - green, M - magenta or R - red

## Weights and Dimensions

Cat. No.	Approx. Net Weight (lb.)	Approx. Shipping Weight (lb.)
51SIN*-N5-40W	1.30	1.64
51SIN*-G1	1.40	1.74



# Beacons with Horn Flashing Incandescent 51 Series

Edwards 51 Series Flashing Incandescent beacons with integrated horns are combination visual and audible signaling devices, designed for indoor or outdoor applications. The integrated horn is synchronized with the flashing incandescent. The base is cast and can function as a junction box. The double fresnel lens is made of shatter-resistant polycarbonate and optically engineered to maximize light distribution and viewing distance.

## Features and Specifications

- Incandescent light source with integrated horn
- Flash rate 65 fpm
- Shatter-resistant double fresnel polycarbonate lens
- Cast base can function as a junction box
- Suitable for use in indoor and outdoor applications
- Horn is 95dB at 1 meter/85dB at 10ft.
- Option for panel, conduit or box mounting
- Operating temperature range: -31°F to 150°F (-35°C to 66°C)



## Ordering Information

Description	Cat. No.	Operating Voltage <sup>4</sup>	Current	Lamp Ratings	Lens Color	Replacement			
						Lens	Horn	Flasher	Lamp
24V AC	51A-G5-20W	24V AC	1.1 A	20 watts 402 lumens <sup>1</sup> 5049 candela 3,180 hours	Amber	92-LA	123A-G5	P-041917-0029	Industry Trade No. 1638 <sup>5</sup>
	51B-G5-20W	24V AC	1.1 A		Blue	92-LB	123A-G5	P-041917-0029	
	51C-G5-20W	24V AC	1.1 A		Clear	92-LC	123A-G5	P-041917-0029	
	51G-G5-20W	24V AC	1.1 A		Green	92-LG	123A-G5	P-041917-0029	
	51M-G5-20W	24V AC	1.1 A		Magenta	92-LM	123A-G5	P-041917-0029	
	51R-G5-20W	24V AC	1.1 A		Red	92-LR	123A-G5	P-041917-0029	
120V AC	51A-N5-40W <sup>3</sup>	120V AC	0.29 A	40 watts 266 lumens <sup>1</sup> 3341 candela 3,920 hours	Amber	92-LA	123A-N5	P-041917-0026	50LMP-40W (P-041695-0108)
	51B-N5-40W <sup>3</sup>	120V AC	0.29 A		Blue	92-LB	123A-N5	P-041917-0026	
	51C-N5-40W <sup>3</sup>	120V AC	0.29 A		Clear	92-LC	123A-N5	P-041917-0026	
	51G-N5-40W <sup>3</sup>	120V AC	0.29 A		Green	92-LG	123A-N5	P-041917-0026	
	51M-N5-40W <sup>3</sup>	120V AC	0.29 A		Magenta	92-LM	123A-N5	P-041917-0026	
	51R-N5-40W <sup>3</sup>	120V AC	0.29 A		Red	92-LR	123A-N5	P-041917-0026	
12V DC	51A-E1	12V DC	1.0 A	24 watts 189 lumens <sup>1</sup> 2374 candela 700 hours <sup>2</sup>	Amber	92-LA	118-G1	P-041917-0028	Industry Trade No. 94 <sup>5</sup>
	51B-E1	12V DC	1.0 A		Blue	92-LB	118-G1	P-041917-0028	
	51C-E1	12V DC	1.0 A		Clear	92-LC	118-G1	P-041917-0028	
	51G-E1	12V DC	1.0 A		Green	92-LG	118-G1	P-041917-0028	
	51M-E1	12V DC	1.0 A		Magenta	92-LM	118-G1	P-041917-0028	
	51R-E1	12V DC	1.0 A		Red	92-LR	118-G1	P-041917-0028	
24V DC	51A-G1	24V DC	1.0 A	24 watts 402 lumens <sup>1</sup> 5049 candela 3,180 hours <sup>2</sup>	Amber	92-LA	118-G1	P-041917-0028	Industry Trade No. 1638 <sup>5</sup>
	51B-G1	24V DC	1.0 A		Blue	92-LB	118-G1	P-041917-0028	
	51C-G1	24V DC	1.0 A		Clear	92-LC	118-G1	P-041917-0028	
	51G-G1	24V DC	1.0 A		Green	92-LG	118-G1	P-041917-0028	
	51M-G1	24V DC	1.0 A		Magenta	92-LM	118-G1	P-041917-0028	
	51R-G1	24V DC	1.0 A		Red	92-LR	118-G1	P-041917-0028	

<sup>1</sup>Bulb manufacturer's lumen rating

<sup>2</sup>Projected lamp life based on manufacturer's calculated lamp life at 65 fpm and 50% duty cycle.

<sup>3</sup>Only these are UL listed.

<sup>4</sup>AC voltage frequency is 50/60 Hz

<sup>5</sup>User supplied





# Beacons with Horn Flashing Incandescent 51 Series

Accessories	
Description	Cat. No.
Corner Mount Bracket	CBR
Wall Mount Bracket	WBR
Lens Guard	92-GRD



## Signal Input Load Characteristics

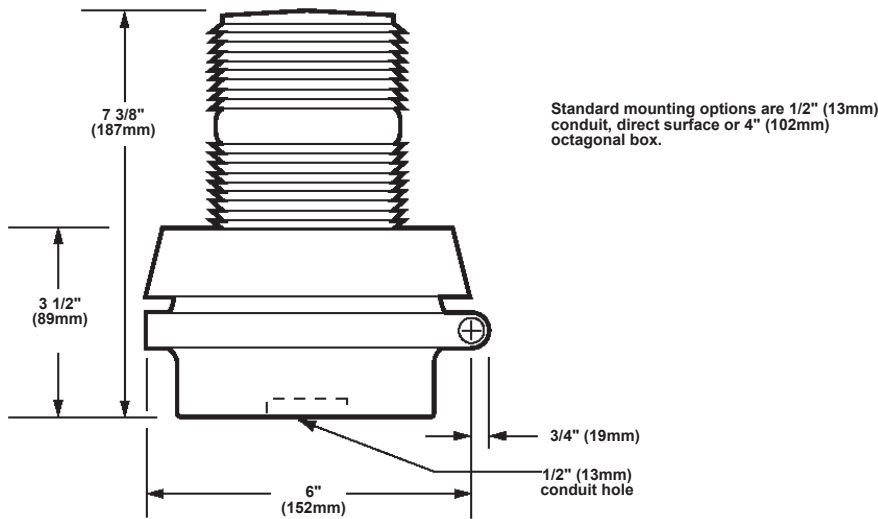
These devices may be operated by PLCs with output characteristics that match the input load requirements of the signal.

Cat. No.	Operating Voltage	Max. Off State Leakage Current (A)	Continuous On Current (A)	Surge (Inrush / Duration)
51*-N5-40W	120V AC 60 Hz	0.025	0.350	2 A / 8 mSeconds
51*-G1	24V DC	0.025	1.1	3 A / 100 mSeconds

\*Letter in this position designates lens color: A - amber, B - blue, C - clear, G - green, M - magenta or R - red

## Weights and Dimensions

Cat. No.	Approx. Net Weight (lb.)	Approx. Shipping Weight (lb.)
51*-G5-20W	1.72	2.06
51*-N5-40W	1.72	2.06
51*-E1	1.66	2.00
51*-G1	1.66	2.00



# Beacons with Horn Flashing Xenon 95 Series

Edwards 95 Series xenon strobe beacons with integrated horns are combination visual and audible signaling devices, suitable for use in indoor or outdoor applications. The base is cast and can function as a junction box. The double fresnel lens is made of shatter-resistant polycarbonate and optically engineered to maximize light distribution and viewing distance. Trigger and timing circuits are included as integral parts of the power supply. Replacement costs are reduced, as it is necessary to replace only the strobe tube.

## Features and Specifications

- Strobe light source with integrated horn
- Flash rate 65 fpm
- Shatter-resistant double fresnel polycarbonate lens
- High resistance to shock and vibration
- Cast base can function as a junction box
- Suitable for use in indoor and outdoor applications
- For outdoor applications, must be mounted on conduit with lens facing up.
- Horn is 95dB at 1 meter/85dB at 10ft.
- Option for panel, conduit or wall mounting
- Operating temperature range: -31°F to 150°F (-35°C to 66°C)



## Ordering Information

Description	Cat. No.	Operating Voltage <sup>1</sup>	Current	Peak Candela	Lens Color	Replacement	
						Lens	Strobe Tube
Strobe with Integrated Horn	95A-N5	120V AC	0.1 A	1,400,000	Amber	92-LA	92-LST 5,000 hour <sup>2</sup>
	95B-N5	120V AC	0.1 A	1,400,000	Blue	92-LB	
	95C-N5	120V AC	0.1 A	1,400,000	Clear	92-LC	
	95G-N5	120V AC	0.1 A	1,400,000	Green	92-LG	
	95M-N5	120V AC	0.1 A	1,400,000	Magenta	92-LM	
	95R-N5	120V AC	0.1 A	1,400,000	Red	92-LR	

<sup>1</sup>AC voltage frequency is 50/60 Hz  
<sup>2</sup>Calculated at operating power to 75% efficiency.

## Accessories

Description	Cat. No.
Corner Mount Bracket	CBR
Wall Mount Bracket	WBR
Lens Guard	92-GRD



CBR  
Corner Mount Bracket



WBR  
Wall Mount Bracket



92-GRD  
Lens Guard

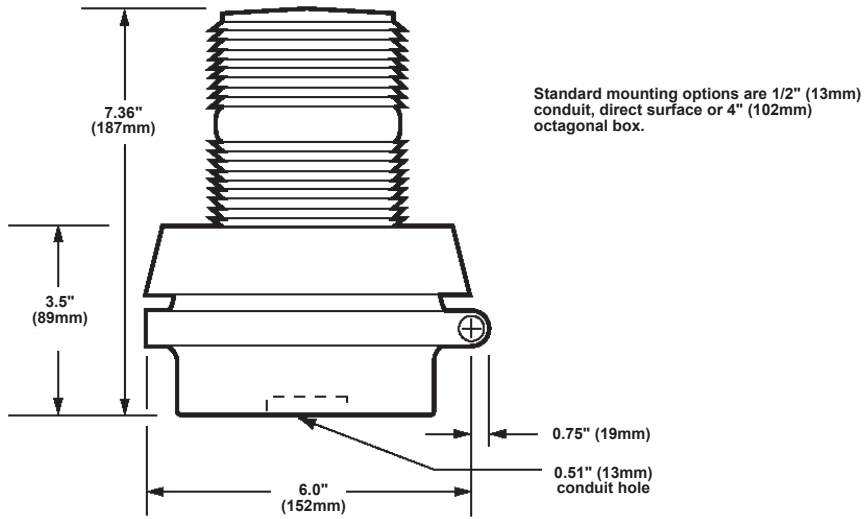


# Beacons with Horn Flashing Xenon 95 Series

## Weights and Dimensions

Cat. No.	Approx. Net Weight (lb.)	Approx. Shipping Weight (lb.)
95*-N5	2.20	2.40

\*Letter in this position designates lens color: A - amber, B - blue, C - clear, G - green M - magenta or R - red



# Beacons with Sounder Multi-Status LED 108 Series

Edwards 108 Series Chameleon™ LED multi-status indicator is a UL listed and IP65 rated multicolor device designed to function as either a steady-on or flashing visual signal. The 108 Series contains three different colored LED signals in one housing, with the option to add an additional lens module and light source – Strobe, Halogen, Incandescent or LED – for a fourth signal. It features a corrosion resistant Type 3R or 4X enclosure, and can be panel or conduit mounted.

The 108 Series features a multi-tone base module with eight available tones that can be operated as an additional signal or used in conjunction with any of the visual signals.

## Features and Specifications

- 3 LED visual signals in one compact housing
- Option to add an additional module for a fourth light using one of the 102LM lens modules and the 102LS light sources
- 89dB at 1m / 79dB at 10ft
- Option to add multi-tone base module
- Suitable for indoor and outdoor applications
- NEMA Type 3R and Type 4X, IP65 rated  
Option for panel or conduit mounting



← 3" →



## Ordering Information

Description	Cat. No.	Operating Voltage <sup>1</sup>	Current	Lens Color	LED Colors
Pipe Mount (w/ tone module)	108I-RGA-N5	120V AC	0.115 A <sup>2</sup>	Clear	Red, Green, Amber
	108I-RBA-N5	120V AC	0.115 A <sup>2</sup>	Clear	Red, Blue, Amber
	108I-RGA-G1	24V DC	0.105 A <sup>2</sup>	Clear	Red, Green, Amber
	108I-RBA-G1	24V DC	0.105 A <sup>2</sup>	Clear	Red, Blue, Amber
Pipe Mount - short base (Tone module not available)	108IP-RGA-N5	120V AC	0.045 A	Clear	Red, Green, Amber
	108IP-RBA-N5	120V AC	0.045 A	Clear	Red, Blue, Amber
	108IP-RGA-G1	24V DC	0.055 A	Clear	Red, Green, Amber
	108IP-RBA-G1	24V DC	0.055 A	Clear	Red, Blue, Amber
Direct Mount (Tone module not available)	108ID-RGA-N5	120V AC	0.045 A	Clear	Red, Green, Amber
	108ID-RBA-N5	120V AC	0.045 A	Clear	Red, Blue, Amber
	108ID-RGA-G1	24V DC	0.055 A	Clear	Red, Green, Amber
	108ID-RBA-G1	24V DC	0.055 A	Clear	Red, Blue, Amber

<sup>1</sup>AC voltage frequency is 50/60 Hz.

<sup>2</sup>Includes tone module.



# Beacons with Sounder

## Multi-Status LED

### 108 Series

Ordering Information										
Description	Cat. No.	Operating Voltage	Current	Lens/LED Colors	Peak Candela	Lamp Ratings	Lamp Life Calculated <sup>2</sup>	Lamp Life Projected <sup>3</sup>	Replacement Lamp	
Lens Module	102LM-A	—	—	Amber	—	—	—	—	—	
	102LM-B	—	—	Blue	—	—	—	—	—	
	102LM-C	—	—	Clear	—	—	—	—	—	
	102LM-G	—	—	Green	—	—	—	—	—	
	102LM-R	—	—	Red	—	—	—	—	—	
	102LM-Y	—	—	Yellow	—	—	—	—	—	
Steady-on Halogen	102LS-SINH-N5	120V AC	0.11 A	—	879	12 Watts	20,000 hr.	—	50LMP-12WH	
	102LS-SINH-G1	24V DC	0.32 A	—	653	9 Watts	12,000 hr.	—	50LMP-9WH	
Steady-on Incandescent	102LS-SIN-N5	120V AC	0.08 A	—	829	10 Watts	2,500 hr.	—	50LMP-10W	
	102LS-SIN-G1	24V DC	0.32 A	—	829	10 Watts	10,000 hr.	—	Ind. Trade 303 <sup>5</sup>	
Flashing Halogen	102LS-FINH-N5	120V AC	0.11 A	—	879	12 Watts	20,000 hr.	25,000 hr.	50LMP-12WH	
	102LS-FINH-G1	24V DC	0.32 A	—	653	9 Watts	12,000 hr.	15,000 hr.	50LMP-9WH	
Flashing Incandescent	102LS-FIN-N5	120V AC	0.08 A	—	829	10 Watts	2,500 hr.	3,000 hr.	50LMP-10W	
	102LS-FIN-G1	24V DC	0.32 A	—	829	10 Watts	10,000 hr.	12,500 hr.	Ind. Trade 303 <sup>5</sup>	
Strobe	102LS-ST-N5	120V AC	0.12 A	—	300,000	3 Joule	3,000 hr. <sup>4</sup>	—	—	
	102LS-ST-G1	24V DC	0.30 A	—	300,000	3 Joule	3,000 hr. <sup>4</sup>	—	—	
Steady-on LED	102LS-SLEDA-N5 <sup>1</sup>	120V AC	0.022 A	Amber	—	—	120,000 hr.	—	—	
	102LS-SLEDA-G1 <sup>1</sup>	24V DC	0.062 A							
	102LS-SLEDB-N5 <sup>1</sup>	120V AC	0.022 A	Blue	—	—	120,000 hr.	—	—	
	102LS-SLEDB-G1 <sup>1</sup>	24V DC	0.062 A							
	102LS-SLEDG-N5 <sup>1</sup>	120V AC	0.022 A	Green	—	—	120,000 hr.	—	—	
	102LS-SLEDG-G1 <sup>1</sup>	24V DC	0.062 A							
	102LS-SLEDR-N5 <sup>1</sup>	120V AC	0.022 A	Red	—	—	120,000 hr.	—	—	
	102LS-SLEDR-G1 <sup>1</sup>	24V DC	0.062 A							
	102LS-SLEDW-N5 <sup>1</sup>	120V AC	0.022 A	Clear/ White	—	—	120,000 hr.	—	—	
	102LS-SLEDW-G1 <sup>1</sup>	24V DC	0.062 A							
	Flashing LED	102LS-FLEDA-N5 <sup>1</sup>	120V AC	0.022 A	Amber	—	—	120,000 hr.	—	—
		102LS-FLEDA-G1 <sup>1</sup>	24V DC	0.062 A						
102LS-FLEDB-N5 <sup>1</sup>		120V AC	0.022 A	Blue	—	—	120,000 hr.	—	—	
102LS-FLEDB-G1 <sup>1</sup>		24V DC	0.062 A							
102LS-FLEDG-N5 <sup>1</sup>		120V AC	0.022 A	Green	—	—	120,000 hr.	—	—	
102LS-FLEDG-G1 <sup>1</sup>		24V DC	0.062 A							
102LS-FLEDR-N5 <sup>1</sup>		120V AC	0.022 A	Red	—	—	120,000 hr.	—	—	
102LS-FLEDR-G1 <sup>1</sup>		24V DC	0.062 A							
102LS-FLEDW-N5 <sup>1</sup>		120V AC	0.022 A	Clear/ White	—	—	120,000 hr.	—	—	
102LS-FLEDW-G1 <sup>1</sup>		24V DC	0.062 A							

1NOTE: LED light sources must be used with the corresponding color lens module (e.g., a blue LED light source, 102LS-SLEDB-G1, must be used with a blue lens, 102LM-B).

2At nominal operating voltage.

3Projected lamp life based on manufacturer's calc. lamp life @ 65 fpm and 50% duty cycle.

4Strobe tube life @ operating power to 75% efficiency.

5User supplied

Accessories		
Description		Cat. No.
Pipe Mount Flange		102PMF
	4"	102MP-4
Pipe Extensions (for use with Pipe Mount Flange)	10"	102MP-10
	15"	102MP-15

# Beacons with Sounder

## Multi-Status LED

### 108 Series

#### Signal Input Load Characteristics

These devices may be operated by PLCs with output characteristics that match the input load requirements of the signal.

Cat. No.	Operating Voltage	Max. Off State Leakage Current (A)	Continuous On Current (A)	Surge (Inrush / Duration)
108I-*-G1	24V DC	0.005	0.105	5 A / 1 millisecond
108I-*-N5	120V AC	0.005	0.115	30 A / 0.002 millisecond
108IP-*-G1	24V DC	0.005	0.055	5 A / 1 millisecond
108IP-*-N5	120V AC	0.005	0.045	13 A / 0.002 millisecond
108ID-*-G1	24V DC	0.005	0.055	5 A / 1 millisecond
108ID-*-N5	120V AC	0.005	0.045	13 A / 0.002 millisecond

\*Letter in this position designates the colors of the LED clusters: RGA - red, green and amber or RBA - red, blue and amber

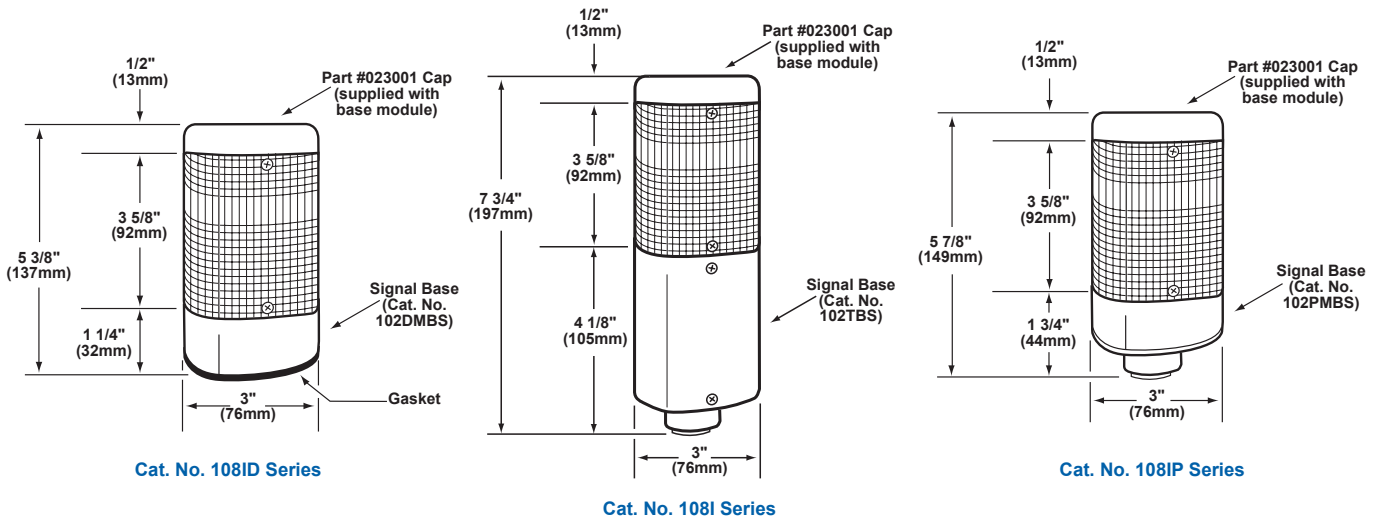
#### Weights and Dimensions

Cat. No.	Approx. Net Weight (lb.)	Approx. Shipping Weight (lb.)
108I-RBA-G1	0.89	1.05
108I-RBA-N5	0.89	1.05
108I-RGA-G1	0.89	1.05
108I-RGA-N5	0.89	1.05
108IP-RBA-G1	0.89	1.05
108IP-RBA-N5	0.89	1.05
108IP-RGA-G1	0.89	1.05
108IP-RGA-N5	0.89	1.05
108ID-RGA-N5	0.69	0.88
108ID-RBA-N5	0.69	0.88
108ID-RGA-G1	0.69	0.88
108ID-RBA-G1	0.69	0.88
102LM-*	0.33	0.43
102LS-FIN-G1	0.70	0.80
102LS-FINH-G1	0.70	0.80
102LS-FINH-N5	0.70	0.80
102LS-FIN-N5	0.70	0.80
102LS-FLED*-G1	0.70	0.80
102LS-FLED*-N5	0.70	0.80
102LS-SIN-G1	0.70	0.80

#### Weights and Dimensions

Cat. No.	Approx. Net Weight (lb.)	Approx. Shipping Weight (lb.)
102LS-SINH-G1	0.70	0.80
102LS-SINH-N5	0.70	0.80
102LS-SIN-N5	0.70	0.80
102LS-SLED*-G1	0.70	0.80
102LS-SLED*-N5	0.70	0.80
102LS-ST-G1	0.70	0.80
102LS-ST-N5	0.70	0.80
102MP-10	0.83	0.83
102MP-15	1.14	1.14
102MP-4	0.31	0.31
102PMF	0.58	0.68
102SIN-RBA-G1	1.44	1.61
102SIN-RBA-N5	1.44	1.61
102SIN-RGA-G1	1.44	1.61
102SIN-RGA-N5	1.44	1.61

\*Letter in this position designates lens/LED color: A - amber, B - blue, G - green, R - red, or W - clear/white



# Beacons with Sounder Multi-Mode LED 155 Class



The 155 Class LED sounder is a combination audible and visual signal providing two levels of sensory notification. It features a steady or flashing LED light and a 32-tone audible signal that is divided into two channels. Both features are field programmable. The volume and progression of the sound is programmed by the use of trimmers located under the removable lens. The lenses are made from a self-extinguishing polycarbonate material, and are offered in amber, blue, green, red, yellow and clear. It is housed in an IP65 rated Type 3R enclosure.

## Features and Specifications

- Multi-Mode (flashing or steady-on)
- LED light source
- 32 audible tones
- Field programmable
- Flash rate 110 fpm (+/-10)
- NEMA Type 3R enclosure
- IP65 rated
- Operating temperature range: -22°F to 122°F (-30°C to 50°C)



3.27"



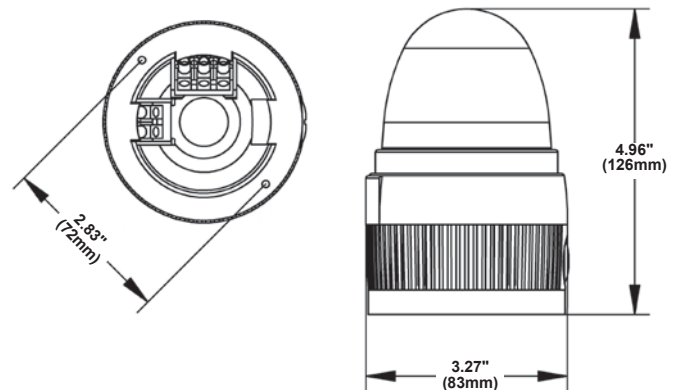
## Ordering Information

Description	Cat. No.	Operating Voltage <sup>1</sup>	Current	Lens Color	dB at 1m (10 ft.)
155 Class LED Sounder Beacons	155LEDMA1224AD	12V AC/DC	0.615/0.300 A	Amber	97/94.5 (87/84.5)
		24V AC/DC	0.545/0.225 A	Amber	98.5/96 (88.5/86)
	155LEDMB1224AD	12V AC/DC	0.615/0.300 A	Blue	97/94.5 (87/84.5)
		24V AC/DC	0.545/0.225 A	Blue	98.5/96 (88.5/86)
	155LEDMG1224AD	12V AC/DC	0.615/0.300 A	Green	97/94.5 (87/84.5)
		24V AC/DC	0.545/0.225 A	Green	98.5/96 (88.5/86)
	155LEDMR1224AD	12V AC/DC	0.615/0.300 A	Red	97/94.5 (87/84.5)
		24V AC/DC	0.545/0.225 A	Red	98.5/96 (88.5/86)
	155LEDMW1224AD	12V AC/DC	0.615/0.300 A	Clear	97/94.5 (87/84.5)
		24V AC/DC	0.545/0.225 A	Clear	98.5/96 (88.5/86)
	155LEDMY1224AD	12V AC/DC	0.615/0.300 A	Yellow	97/94.5 (87/84.5)
		24V AC/DC	0.545/0.225 A	Yellow	98.5/96 (88.5/86)

<sup>1</sup>AC voltage frequency is 50/60 Hz.

## Weights and Dimensions

Cat. No.	Approx. Shipping Weight (lb.)
155LEDMA1224AD	0.70
155LEDMB1224AD	0.70
155LEDMG1224AD	0.70
155LEDMR1224AD	0.70
155LEDMW1224AD	0.70
155LEDMY1224AD	0.70





# Horn/Strobe Electronic 860 Series

Edwards 860 Series xenon strobe beacons with horns are bright, low current, high decibel, combination signals designed for use where a distinctive visual or audible signal is required. The housing is made of gray, engineered thermoplastic. The strobe and horn can be operated independently.

The 867STR (indoor) and 868STR (outdoor) Series can be surface mounted on the supplied surface box. The 869STR and 869DSTR Series beacons can be flush mounted. They are designed to mount in a standard 4" (102mm) square electrical box with extension ring (total min. depth of 3" (76mm) not supplied.)

The 869DSTR Series is Diode Polarized for use in electrically supervised circuits.

## Features and Specifications

- Xenon strobe light source with horn
- Flash rate 60 fpm
- 100dB at 1 meter/90dB at 10ft. (measured in anechoic chamber)
- Low current draw
- Terminals for easy wiring
- Gray, engineered thermoplastic housing
- Diode Polarized for use in electrically supervised circuits (869DSTR)
- Versions suitable for indoor and outdoor applications
- Operating indoor temperature range: 85% relative humidity at 86°F (30°C), 32°F to 120°F (0 to 49°C) variable ambient temperature.
- Operating outdoor temperature range: 95% relative humidity at 86°F (30°C), -31°F to 150°F (-35°C to 66°C) variable ambient temperature.



5 1/2"



## Ordering Information

Description	Cat. No.	Operating Voltage <sup>1</sup>	Strobe Current <sup>2</sup>	Horn Current <sup>2</sup>	Lens Color	Effective Light Output UL 1638	Operating Environment
AC - Indoor Rated Surface Mount	867STRA-N5	120V AC	0.115 A (RMS)	0.033 A	Amber	90 cd	Indoor: 85% relative humidity at 86°F (30°C); 32°F to 120°F (0° to 49°C) variable ambient
	867STRB-N5	120V AC		0.033 A	Blue	20 cd	
	867STRC-N5	120V AC		0.033 A	Clear	150 cd	
	867STRG-N5	120V AC		0.033 A	Green	70 cd	
	867STRR-N5	120V AC		0.033 A	Red	21 cd	
AC/DC - Indoor Rated Surface Mount	867STRA-AQ	24V AC	0.370 A	0.072 A	Amber	90 cd	Indoor: 85% relative humidity at 86°F (30°C); 32°F to 120°F (0° to 49°C) variable ambient
		24V DC	0.390 A	0.022 A			
	867STRB-AQ	24V AC	0.370 A	0.072 A	Blue	20 cd	
		24V DC	0.390 A	0.022 A			
	867STRC-AQ	24V AC	0.370 A	0.072 A	Clear	150 cd	
		24V DC	0.390 A	0.022 A			
	867STRG-AQ	24V AC	0.370 A	0.072 A	Green	70 cd	
		24V DC	0.390 A	0.022 A			
	867STRR-AQ	24V AC	0.370 A	0.072 A	Red	21 cd	
		24V DC	0.390 A	0.022 A			

<sup>1</sup>Operating voltage: -20% to +10% of nominal voltage.

<sup>2</sup>Horn and strobe currents are additive when connected in parallel.





# Horn/Strobe Electronic 860 Series

Ordering Information							
Description	Cat. No.	Operating Voltage <sup>1</sup>	Strobe Current <sup>2</sup>	Horn Current <sup>2</sup>	Lens Color	Effective Light Output UL 1638	Operating Environment
AC - Outdoor Rated Surface Mount	868STRA-N5	120V AC	0.115 A	0.033 A	Amber	90 cd	Indoor: 85% relative humidity at 86°F (30°C); 32°F to 120°F (0° to 49°C) variable ambient Outdoor: 95% relative humidity at 86°F (30°C) -31°F to 150°F (-35°C to 66°C) variable ambient
	868STRB-N5	120V AC	0.115 A	0.033 A	Blue	20 cd	
	868STRC-N5	120V AC	0.115 A	0.033 A	Clear	150 cd	
	868STRG-N5	120V AC	0.115 A	0.033 A	Green	70 cd	
	868STRR-N5	120V AC	0.115 A	0.033 A	Red	21 cd	
AC/DC - Outdoor Rated Surface Mount	868STRA-AQ	24V AC	0.370 A	0.072 A	Amber	90 cd	
		24V DC	0.390 A	0.022 A			
	868STRB-AQ	24V AC	0.370 A	0.072 A	Blue	20 cd	
		24V DC	0.390 A	0.022 A			
	868STRC-AQ	24V AC	0.370 A	0.072 A	Clear	150 cd	
		24V DC	0.390 A	0.022 A			
	868STRG-AQ	24V AC	0.370 A	0.072 A	Green	70 cd	
		24V DC	0.390 A	0.022 A			
	868STRR-AQ	24V AC	0.370 A	0.072 A	Red	21 cd	
		24V DC	0.390 A	0.022 A			
AC - Indoor Rated Flush Mount	869STRA-N5	120V AC	0.115 A	0.033 A	Amber	90 cd	
	869STRB-N5	120V AC	0.115 A	0.033 A	Blue	20 cd	
	869STRC-N5	120V AC	0.115 A	0.033 A	Clear	150 cd	
	869STRG-N5	120V AC	0.115 A	0.033 A	Green	70 cd	
	869STRR-N5	120V AC	0.115 A	0.033 A	Red	21 cd	
AC/DC - Indoor Rated Flush Mount	869STRA-AQ	24V AC	0.370 A	0.072 A	Amber	90 cd	
		24V DC	0.390 A	0.022 A			
	869STRB-AQ	24V AC	0.370 A	0.072 A	Blue	20 cd	
		24V DC	0.390 A	0.022 A			
	869STRC-AQ	24V AC	0.370 A	0.072 A	Clear	150 cd	
		24V DC	0.390 A	0.022 A			
	869STRG-AQ	24V AC	0.370 A	0.072 A	Green	70 cd	
		24V DC	0.390 A	0.022 A			
	869STRR-AQ	24V AC	0.370 A	0.072 A	Red	21 cd	
		24V DC	0.390 A	0.022 A			
DC - Diode Polarized Indoor Rated Surface Mount	869DSTRA-G1	24V DC	0.320 A	0.048 A	Amber	90 cd	
	869DSTRB-G1	24V DC	0.320 A	0.048 A	Blue	20 cd	
	869DSTRC-G1	24V DC	0.320 A	0.048 A	Clear	150 cd	
	869DSTRG-G1	24V DC	0.320 A	0.048 A	Green	70 cd	
	869DSTRR-G1	24V DC	0.320 A	0.048 A	Red	21 cd	

<sup>1</sup>Operating voltage: -20% to +10% of nominal voltage.

<sup>2</sup>Horn and strobe currents are additive when connected in parallel.

# Horn/Strobe Electronic 860 Series

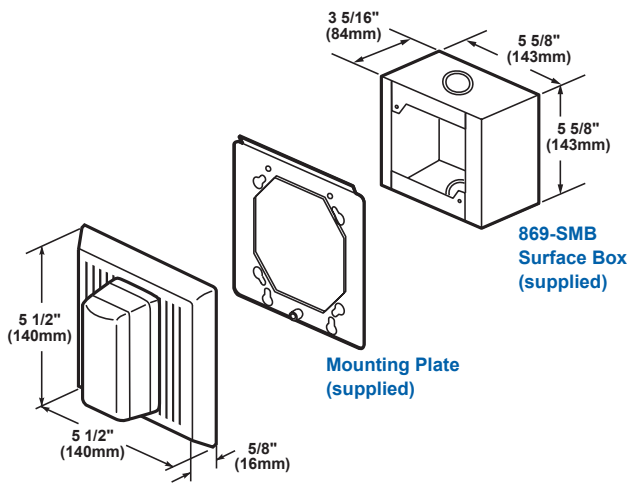
## Accessories

Description	Cat. No.
Surface Mount Box, Outdoor Applications	869-WPB

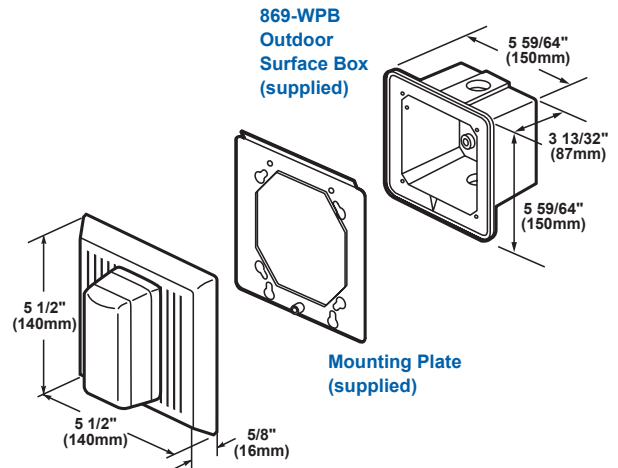
## Weights and Dimensions

Cat. No.	Approx. Shipping Weight (lb.)
867STR*-N5	3.90
867STR*-AQ	3.90
868STR*-N5	3.60
868STR*-AQ	3.60
869STR*-N5	1.40
869STR*-AQ	1.40
869DSTR*-G1	1.40
869-WPB	2.10

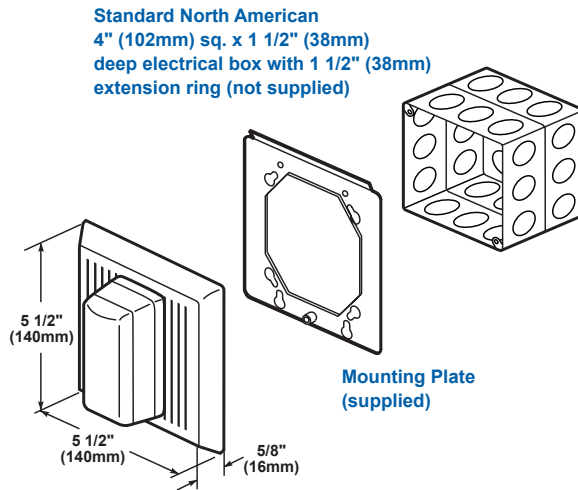
\*Letter in this position designates lens color: A - amber, B - blue, C - clear, G - green or R - red



867STR Series



868STR Series



869STR and  
869DSTR Series

# Klaxon Sounder Beacons

## Electronic Tone

### Sonos Series

A general purpose electronic sounder for fire, security and industrial applications; the Sonos sounder beacon is certified to EN54.

The sounder head 'twists and clicks' into the base on commissioning, avoiding the wiring and connection problems associated with traditional sounders. With a choice of 32 tones including all the major international standards, the Sonos sounder beacon has universal acceptance.

### Features and Specifications

- Low current LED beacon
- Flame retardent polycarbonate construction
- Choice of lens colors
- 32 tones
- Sounder and beacon can be controlled separately
- Tone and volume can be preset or adjusted off-base - 20dB
- Separate connections for sounder and beacon
- EN54-3 Type A (shallow base) and EN54-3 Type B (deep base) compliance
- IP65 (deep base); IP21 (shallow base)
- Operating temperature range: -8°F to 158°F (-25°C to 70°C)

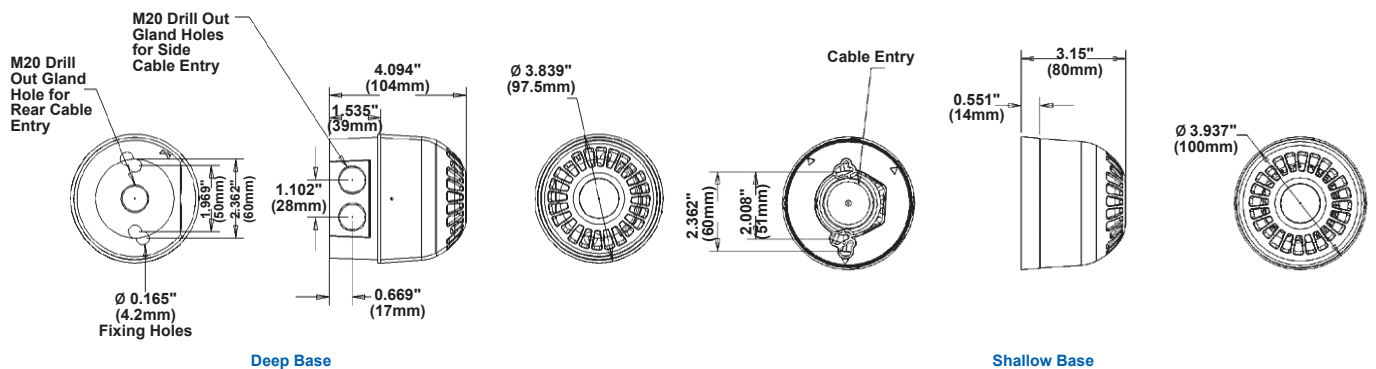


### Ordering Information

Description	Edwards Cat. No.	Klaxon Cat. No.	Voltage	Sounder Current	Beacon Current	Lens Color	dB at 1m/10ft.
Shallow Base	18-980500	PSC-0002	17-60V DC	0.004-0.045 A	0.005 A	Red	Up to 106/96
	18-980503	PSC-0025	17-60V DC	0.004-0.045 A	0.005 A	Amber	Up to 106/96
Deep Base	18-980501	PSC-0013	17-60V DC	0.004-0.045 A	0.005 A	Red	Up to 106/96
	18-980504	PSC-0027	17-60V DC	0.004-0.045 A	0.005 A	Amber	Up to 106/96

### Weights and Dimensions

Edwards Cat. No.	Klaxon Cat. No.	Approx. Net Weight (lb.)
18-980500	PSC-0002	0.49
18-980503	PSC-0025	0.49
18-980501	PSC-0013	0.55
18-980504	PSC-0027	0.55



# Klaxon Sounder Beacons

## Electronic Tone

### Syrex Series

The Syrex IS sounder/beacon is an intrinsically safe alarm which provides an audible and visual warning signal in hazardous area applications.

With three alarm stages and a low current consumption, the Syrex IS sounder/beacon is ideal for both fire and process control applications.

The Syrex IS sounder/beacon must be used with a galvanic isolator specified by the system certificates.

### Features and Specifications

- LED light source
- Choice of 49 tones
- Choice of lens colors
- Flash rate 2Hz or 1Hz (double flash)
- Auto synchronized sound output
- ABS flame retardant UL94V0 and 5VA housing
- Volume control
- IP65 rated
- Rated for Category 1
- II 1G EEx ia IIC T4
- Operating temperature range: -40°F to 140°F (-40°C to 60°C)



3.366"



### Ordering Information

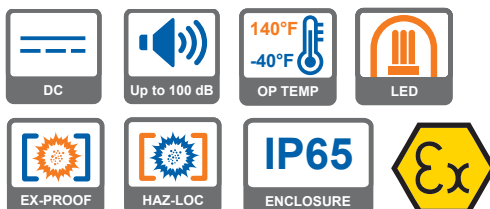
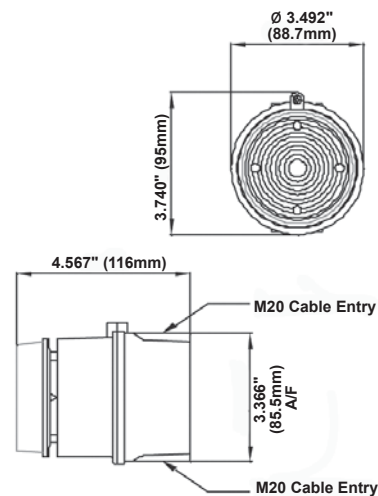
Description	Edwards Cat. No.	Klaxon Cat. No.	Operating Voltage	Current (Tone dependent)	Lens Color	dB at 1m/10ft. (Tone dependent)
IS-SB Sounder Beacon	17-970341	TCA-0037	6-28V DC	0.048 A	Amber	Up to 100/90
	17-970342	TCA-0038	6-28V DC	0.048 A	Blue	Up to 100/90
	17-970343	TCA-0039	6-28V DC	0.048 A	Green	Up to 100/90
	17-970330	TCA-0029	6-28V DC	0.048 A	Red	Up to 100/90

### Accessories

Description	Edwards Cat. No.	Klaxon Cat. No.
Single Channel Galvanic Isolator	17-970362	TCA-0042
Dual Channel Galvanic Isolator	17-970395	TCA-0066
IS DIN Rail Enclosure, accepts two isolators	17-970392	TCA-0065

### Weights and Dimensions

Edwards Cat. No.	Klaxon Cat. No.	Approx. Net Weight (lb.)
17-970341	TCA-0037	0.77
17-970342	TCA-0038	0.77
17-970343	TCA-0039	0.77
17-970330	TCA-0029	0.77



# Klaxon Sounder Beacons

## Electronic Tone

### Nexus Series

The Nexus 120 is a very high output sounder beacon designed for industrial applications.

Nexus 120 sounders are IP66 rated, making them suitable for outdoor applications.

### Features and Specifications

- 5J Xenon beacon
- Three alarm stages
- Quarter turn fasteners for ease of installation
- 120dB at 1 meter/110dB at 10ft.
- Volume control for greater flexibility - 20dB
- 64 tones
- Separate connections for sounder and beacon
- IP66 rated
- Operating temperature range: -13°F to 151°F (-25°C to 55°C)



6.547"

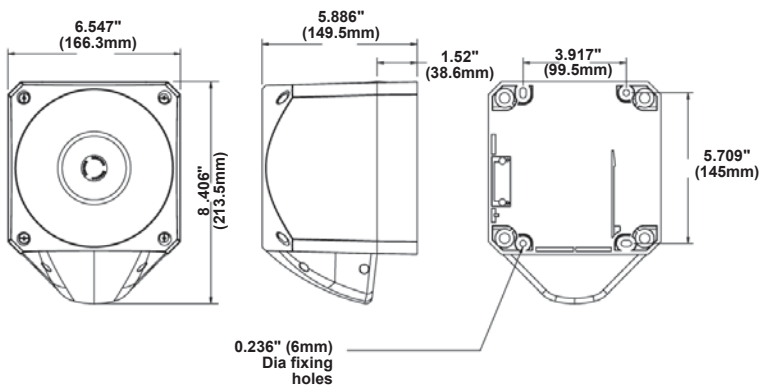


### Ordering Information

Description	Edwards Cat. No.	Klaxon Cat. No.	Operating Voltage	Sounder Amps	Beacon Amps	Lens Color	dB at 1m/10ft.
AC Sounder with Xenon Beacon	18-980552	PNC-0009	110-230V	0.200 A	0.070 A	Red	Up to 120/110
	18-980553	PNC-0011	110-230V	0.200 A	0.070 A	Amber	Up to 120/110
	18-980592	PNC-0023	110-230V	0.200 A	0.070 A	Clear	Up to 120/110
	18-980670	PNC-0058	110-230V	0.200 A	0.070 A	Blue	Up to 120/110
	18-980668	PNC-0056	110-230V	0.200 A	0.070 A	Green	Up to 120/110

### Weights and Dimensions

Edwards Cat. No.	Klaxon Cat. No.	Approx. Net Weight (lb.)
18-980552	PNC-0009	4.40
18-980553	PNC-0011	4.40
18-980592	PNC-0023	4.40
18-980670	PNC-0058	4.40
18-980668	PNC-0056	4.40



# Klaxon Sounder Beacons

## Electronic Tone

### Nexus Series

The Nexus 120 is a very high output sounder beacon designed for industrial applications.

Nexus 120 Sounders are IP66 rated, making them suitable for outdoor applications. The Nexus Sounder Beacon is available with a high efficiency LED or Xenon beacon.

### Features and Specifications

- 5J Xenon or high efficiency LED
- Three alarm stages
- Quarter turn fasteners for ease of installation
- 120dB at 1 meter/110dB at 10 ft.
- Volume control for greater flexibility - 20dB
- Low in-rush current (LED only)
- Static/flashing mode (LED only)
- 64 tones
- Separate connections for sounder and beacon
- EN54-3 Type B compliant
- IP66 rated
- Operating temperature range: -13°F to 158°F (-25°C to 70°C)



6.547"



### Ordering Information

Description	Edwards Cat. No.	Klaxon Cat. No.	Operating Voltage	Sounder Amps	Beacon Amps	Lens Color	dB at 1m/10ft.
DC Sounder with Xenon Beacon	18-980546	PNC-0003	10-60V DC	0.120-0.550 A	0.330 @ 24V DC	Red	Up to 120/110
	18-980547	PNC-0004	10-60V DC	0.120-0.550 A	0.330 @ 24V DC	Amber	Up to 120/110
	18-980591	PNC-0022	10-60V DC	0.120-0.550 A	0.330 @ 24V DC	Clear	Up to 120/110
	18-980669	PNC-0057	10-60V DC	0.120-0.550 A	0.330 @ 24V DC	Blue	Up to 120/110
	18-980667	PNC-0055	10-60V DC	0.120-0.550 A	0.330 @ 24V DC	Green	Up to 120/110
DC Sounder with LED Beacon	18-980635	PNC-0035	10-60V DC	0.120-0.550 A	0.018/0.065 A <sup>1</sup>	Red	Up to 120/110
	18-980636	PNC-0039	10-60V DC	0.120-0.550 A	0.018/0.065 A <sup>1</sup>	Amber	Up to 120/110
	18-980671	PNC-0059	10-60V DC	0.120-0.550 A	0.018/0.065 A <sup>1</sup>	Clear	Up to 120/110
	18-980673	PNC-0061	10-60V DC	0.120-0.550 A	0.018/0.065 A <sup>1</sup>	Blue	Up to 120/110
	18-980672	PNC-0060	10-60V DC	0.120-0.550 A	0.018/0.065 A <sup>1</sup>	Green	Up to 120/110

<sup>1</sup>Flashing/Static current consumption figures.



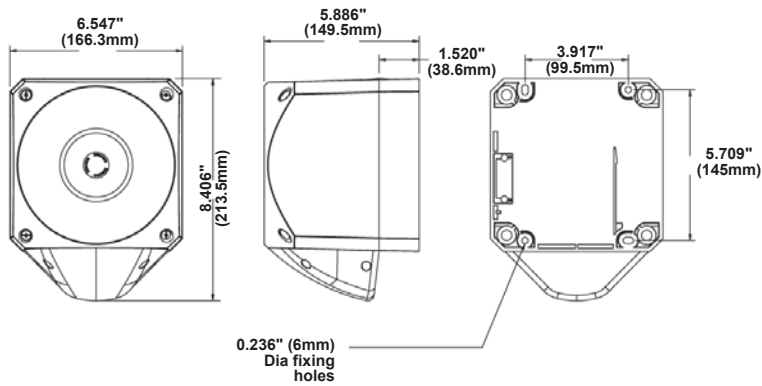
# Klaxon Sounder Beacons

## Electronic Tone

### Nexus Series

#### Weights and Dimensions

Edwards Cat. No.	Klaxon Cat. No.	Approx. Net Weight (lb.)
18-980546	PNC-0003	4.40
18-980547	PNC-0004	4.40
18-980591	PNC-0022	4.40
18-980669	PNC-0057	4.40
18-980667	PNC-0055	4.40
18-980635	PNC-0035	4.40
18-980636	PNC-0039	4.40
18-980671	PNC-0059	4.40
18-980678	PNC-0061	4.40
18-980672	PNC-0060	4.40





# Klaxon Sounder Beacons

## Electronic Tone

### Nexus Series

The Nexus 110 is a very high output sounder beacon designed for industrial applications.

Nexus 110 Sounders are IP66 rated, making them suitable for outdoor applications. The Nexus Sounder Beacon is available with a high efficiency LED or Xenon beacon.

### Features and Specifications

- 5J Xenon or high efficiency LED
- Low voltage AC variant
- Three alarm stages
- Quarter turn fasteners for ease of installation
- 116dB at 1 meter/106dB at 10ft. (max); 110dB at 1 meter/100dB at 10ft. (typical)
- Volume control for greater flexibility - 20dB
- 64 tones
- Separate connections for sounder and beacon
- IP66 rated
- Operating temperature range: -13°F to 131°F (-25°C to 55°C)



6.547"



### Ordering Information

Description	Edwards Cat. No.	Klaxon Cat. No.	Operating Voltage	Sounder Amps	Beacon Amps	Lens Color	dB at 1m/10ft.
AC Sounder with LED Beacon	18-980674	PNC-0062	24-48V AC	0.030-0.100 A	-	Red	116/106
	18-980675	PNC-0063	24-48V AC	0.030-0.100 A	-	Amber	116/106
AC Sounder with Xenon Beacon	18-980558	PNC-0016	110-230V AC	0.040 A (max)	0.070 A	Red	116/106
	18-980559	PNC-0018	110-230V AC	0.040 A (max)	0.070 A	Amber	116/106
	18-980590	PNC-0072	110-230V AC	0.040 A (max)	0.070 A	Clear	116/106
	18-980663	PNC-0051	110-230V AC	0.040 A (max)	0.070 A	Blue	116/106
	18-980661	PNC-0049	110-230V AC	0.040 A (max)	0.070 A	Green	116/106





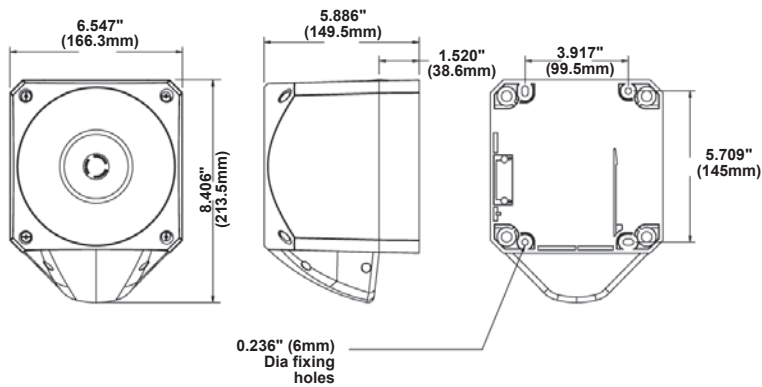
# Klaxon Sounder Beacons

## Electronic Tone

### Nexus Series

#### Weights and Dimensions

Edwards Cat. No.	Klaxon Cat. No.	Approx. Net Weight (lb.)
18-980674	PNC-0062	2.60
18-980675	PNC-0063	2.60
18-980558	PNC-0016	2.60
18-980559	PNC-0018	2.60
18-980590	PNC-0072	2.60
18-980663	PNC-0051	2.60
18-980661	PNC-0049	2.60



# Klaxon Sounder Beacons

## Electronic Tone

### Nexus Series

The Nexus 110 is a high output, low current consumption sounder beacon designed for fire and industrial applications.

Nexus 110 sounders are IP66 rated, making them suitable for outdoor applications. The Nexus sounder beacon is available with either a high efficiency LED or Xenon beacon.

#### Features and Specifications

- 5J Xenon or high efficiency LED
- Three alarm stages
- Quarter turn fasteners for ease of installation
- Low in-rush current (LED only)
- Static/flashing mode (LED only)
- 116dB at 1 meter/106dB at 10ft. (max);  
110dB at 1 meter/100dB at 10ft. (typical)
- Volume control for greater flexibility - 20dB
- 64 tones
- Separate connections for sounder and beacon
- IP66 rated
- EN54-3 Type B compliant
- Operating temperature range: -13°F to 158°F  
(-25°C to 70°C)



6.547"



#### Ordering Information

Description	Edwards Cat. No.	Klaxon Cat. No.	Operating Voltage	Sounder Amps	Beacon Amps	Lens Color	dB at 1m/10ft.
DC Sounder with Xenon Beacon	18-980555	PNC-0013	10-60V DC	0.010-0.050 A	0.033 @ 24V DC	Red	Up to 116/106
	18-980556	PNC-0015	10-60V DC	0.010-0.050 A	0.033 @ 24V DC	Amber	Up to 116/106
	18-980589	PNC-0021	10-60V DC	0.010-0.050 A	0.033 @ 24V DC	Clear	Up to 116/106
	18-980662	PNC-0050	10-60V DC	0.010-0.050 A	0.033 @ 24V DC	Blue	Up to 116/106
	18-980660	PNC-0048	10-60V DC	0.010-0.050 A	0.033 @ 24V DC	Green	Up to 116/106
DC Sounder with LED Beacon	18-980622	PNC-0029	10-60V DC	0.010-0.050 A	0.018/0.065 A <sup>1</sup>	Red	Up to 116/106
	18-980623	PNC-0034	10-60V DC	0.010-0.050 A	0.018/0.065 A <sup>1</sup>	Amber	Up to 116/106
	18-980664	PNC-0052	10-60V DC	0.010-0.050 A	0.018/0.065 A <sup>1</sup>	Clear	Up to 116/106
	18-980666	PNC-0054	10-60V DC	0.010-0.050 A	0.018/0.065 A <sup>1</sup>	Blue	Up to 116/106
	18-980665	PNC-0053	10-60V DC	0.010-0.050 A	0.018/0.065 A <sup>1</sup>	Green	Up to 116/106

<sup>1</sup>Flashing/Static current consumption figures.



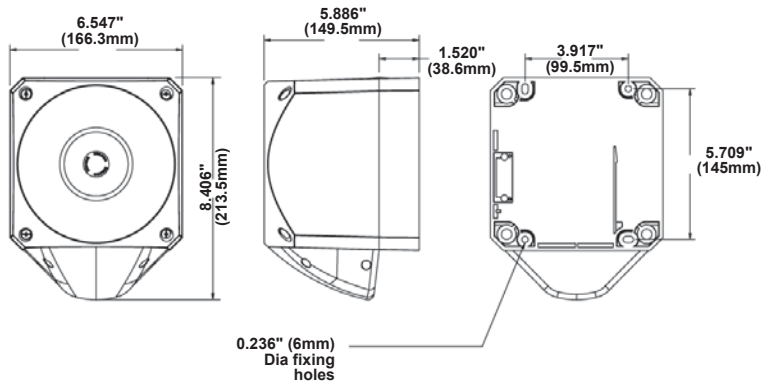
# Klaxon Sounder Beacons

## Electronic Tone

### Nexus Series

#### Weights and Dimensions

Edwards Cat. No.	Klaxon Cat. No.	Approx. Net Weight (lb.)
18-980555	PNC-0013	2.60
18-980556	PNC-0015	2.60
18-980589	PNC-0021	2.60
18-980662	PNC-0050	2.60
18-980660	PNC-0048	2.60
18-980622	PNC-0029	2.60
18-980623	PNC-0034	2.60
18-980664	PNC-0052	2.60
18-980666	PNC-0054	2.60
18-980665	PNC-0053	2.60



# Klaxon Sounder Beacons

## Electronic Tone

### Nexus Series

The Nexus 105 is a high output sounder beacon designed for industrial applications.

Nexus 105 sounders are IP66 rated, making them suitable for outdoor applications. The Nexus sounder beacon is available with a high output Xenon beacon.

#### Features and Specifications

- 5J Xenon beacon
- Quarter turn fasteners for ease of installation
- 113dB at 1 meter/103dB at 10ft. (max); 105dB at 1 meter/95dB at 10ft. (typical)
- Volume control for greater flexibility - 20dB
- 64 tones
- Separate connections for sounder and beacon
- IP66 rated
- Operating temperature range: -13°F to 131°F (-25°C to 55°C)

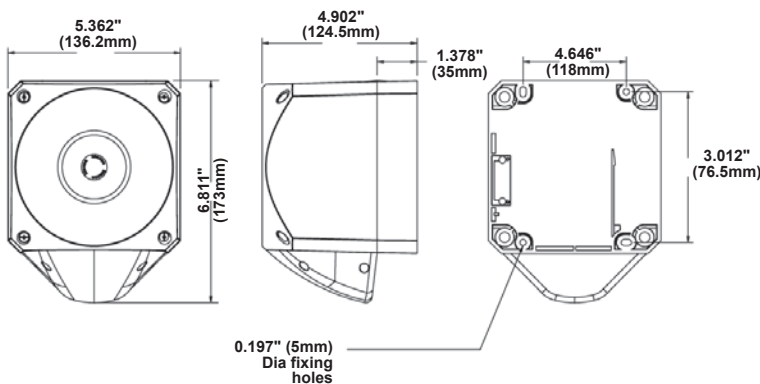


#### Ordering Information

Description	Edwards Cat. No.	Klaxon Cat. No.	Operating Voltage	Sounder Amps	Beacon Amps	Lens Color	dB at 1m/10ft.
AC Sounder with Xenon Beacon	18-980549	PNC-0005	110/230V AC	0.040 A (max)	0.070 A	Red	Up to 113/103
	18-980550	PNC-0007	110/230V AC	0.040 A (max)	0.070 A	Amber	Up to 113/103
	18-980573	PNC-0019	110/230V AC	0.040 A (max)	0.070 A	Clear	Up to 113/103
	18-980656	PNC-0044	110/230V AC	0.040 A (max)	0.070 A	Blue	Up to 113/103
	18-980654	PNC-0042	110/230V AC	0.040 A (max)	0.070 A	Green	Up to 113/103

#### Weights and Dimensions

Edwards Cat. No.	Klaxon Cat. No.	Approx. Net Weight (lb.)
18-980549	PNC-0005	1.80
18-980550	PNC-0007	1.80
18-980573	PNC-0019	1.80
18-980656	PNC-0044	1.80
18-980654	PNC-0042	1.80



# Klaxon Sounder Beacons

## Electronic Tone

### Nexus Series

The Nexus 105 is a high output, low current consumption sounder beacon designed for fire and industrial applications.

Nexus 105 sounders are IP66 rated, making them suitable for outdoor applications. The Nexus sounder beacon is available with either a high efficiency LED or high output Xenon beacon.

### Features and Specifications

- 5J Xenon or high efficiency LED
- Three alarm stages
- Quarter turn fasteners for ease of installation
- Low in-rush current (LED only)
- Static/flashing mode (LED only)
- 113dB at 1 meter/103dB at 10ft. (max); 105dB at 1 meter/95dB at 10ft. (typical)
- Volume control for greater flexibility - 20dB
- 64 tones
- Separate connections for sounder and beacon
- IP66 rated
- EN54-3 Type B compliant
- Operating temperature range: -13°F to 158°F (-25°C to 70°C)



### Ordering Information

Description	Edwards Cat. No.	Klaxon Cat. No.	Operating Voltage	Sounder Amps	Beacon Amps	Lens Color	dB at 1m/10ft.
DC Sounder with Xenon Beacon	18-980543	PNC-0001	10-60V DC	0.008-0.040 A	0.330 A @ 24V DC	Red	Up to 113/103
	18-980544	PNC-0002	10-60V DC	0.008-0.040 A	0.330 A @ 24V DC	Amber	Up to 113/103
	18-980588	PNC-0020	10-60V DC	0.008-0.040 A	0.330 A @ 24V DC	Clear	Up to 113/103
	18-980655	PNC-0043	10-60V DC	0.008-0.040 A	0.330 A @ 24V DC	Blue	Up to 113/103
	18-980653	PNC-0041	10-60V DC	0.008-0.040 A	0.330 A @ 24V DC	Green	Up to 113/103
DC Sounder with LED Beacon	18-980620	PNC-0024	10-60V DC	0.008-0.040 A	0.018 A/0.065 A <sup>1</sup>	Red	Up to 113/103
	18-980621	PNC-0028	10-60V DC	0.008-0.040 A	0.018 A/0.065 A <sup>1</sup>	Amber	Up to 113/103
	18-980657	PNC-0045	10-60V DC	0.008-0.040 A	0.018 A/0.065 A <sup>1</sup>	Clear	Up to 113/103
	18-980659	PNC-0047	10-60V DC	0.008-0.040 A	0.018 A/0.065 A <sup>1</sup>	Blue	Up to 113/103
	18-980658	PNC-0046	10-60V DC	0.008-0.040 A	0.018 A/0.065 A <sup>1</sup>	Green	Up to 113/103

<sup>1</sup>Flashing/Static current consumption figures.



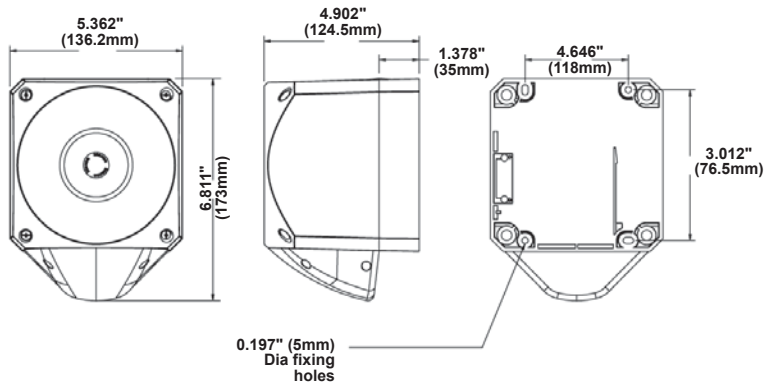
# Klaxon Sounder Beacons

## Electronic Tone

### Nexus Series

#### Weights and Dimensions

Cat. No.	Klaxon Cat. No.	Approx. Net Weight (lb.)
18-980543	PNC-0001	1.80
18-980544	PNC-0002	1.80
18-980588	PNC-0020	1.80
18-980655	PNC-0043	1.80
18-980653	PNC-0041	1.80
18-980620	PNC-0024	1.80
18-980621	PNC-0028	1.80
18-980657	PNC-0045	1.80
18-980659	PNC-0047	1.80
18-980658	PNC-0046	1.80



# All about Uptime

“As the Electrical Maintenance Supervisor in a busy manufacturing plant that operates 24/7, my job is filled with challenges.

I need to keep the place up and running, no matter what.

I sleep just a little easier knowing that whenever we need genuine replacement parts quickly, our local Edwards Signaling Distributor is just a phone call away.

In my world, UPTIME is everything.”









# Replacement Parts

Catalog No.	Replacement Description	Replacement Part Cat. No.	Page No. Ref.
100SB*-N5	Dome	100SB-L*	1-162
100SB*-N5	Belt	100SB-RB	1-162
100SB*-N5	Lamp	GE #4416-1	1-162
101BS-E1	Horn	P-047570-0743	1-39
101BS-G1	Horn	P-047570-0743	1-39
101BS-N5	Horn	123A-N5	1-39
101FIN*-E1	Lamp	Ind. Trade no. 94	1-40
101FINH*-G1	Lamp	50LMP-9WHD or Industry Trade no. 1692	1-40
101FINH*-N5	Lamp	50LMP-12WHD or Industry Trade no. 157DC	1-40
101SIN*-E1	Lamp	Industry Trade 303	1-39
101SINH*-G1	Lamp	50LMP-9WHD or Industry Trade no. 1692	1-39
101ST*-E1	Lamp	91B-ST	1-40
101ST*-G1	Lamp	91B-ST	1-40
101ST*-N5	Lamp	91B-ST	1-40
102LS-FIN-G1	Lamp	Ind. Trade 303	1-34
102LS-FIN-N5	Lamp	50LMP- 10W	1-34
102LS-FINH-G1	Lamp	50LMP-9WH	1-34
102LS-FINH-N5	Lamp	50LMP-12WH	1-34
102LS-SIN-G1	Lamp	Ind. Trade 303	1-34
102LS-SIN-N5	Lamp	50LMP-10W	1-34
102LS-SINH-G1	Lamp	50LMP-9WH	1-34
102LS-SINH-N5	Lamp	50LMP-12WH	1-34
105DHIST*-FJ	Lens	105-L*	1-122
105DHIST*-FJ	Strobe Tube	92-ST	1-122
105DHISTC-FJ	Lens	105-L*	1-122
105DHISTC-FJ	Strobe Tube	92-ST	1-122
105FINH*-G1	Lamp	50LMP-20WH or Industry Trade no. 1692	1-99
105FINH*-G1	Lens	105-L*	1-99
105FINH*-G5	Lamp	50LMP-20WH or Industry Trade no. 1692	1-99
105FINH*-G5	Lens	105-L*	1-99
105FINH*-N5	Lamp	50LMP-25WH or Industry Trade no. 25T8DC	1-99
105FINH*-N5	Lens	105-L*	1-99
105HIST*-EK	Lens	105H-L*	1-121
105HIST*-EK	Strobe Tube	92-ST	1-121
105HIST*-N5	Lens	105H-L*	1-121
105HIST*-N5	Strobe Tube	92-ST	1-121
105HIST*-R5	Lens	105H-L*	1-122
105HIST*-R5	Strobe Tube	92-ST	1-122
105SINH*-G1	Lamp	50LMP-20WH or Industry Trade no. 1692	1-59
105SINH*-G1	Lens	105-L*	1-59
105SINH*-G5	Lamp	50LMP-20WH or Industry Trade no. 1692	1-59
105SINH*-G5	Lens	105-L*	1-59
105SINH*-N5	Lamp	50LMP-25WH or Industry Trade no. 25T8DC	1-59
105SINH*-N5	Lens	105-L*	1-59
105ST*-G1	Lens	105-L*	1-121
105ST*-G1	Strobe Tube	91B-ST	1-121
105ST*-N5	Lens	105-L*	1-121
105ST*-N5	Strobe Tube	91B-ST	1-121
105ST*-R5	Lens	105-L*	1-121
105ST*-R5	Strobe Tube	91B-ST	1-121
105XBRIRBA120A	Lens	105-LC	1-45
105XBRIRBA24D	Lens	105-LC	1-45
105XBRIRGA120A	Lens	105-LC	1-45
105XBRIRGA24D	Lens	105-LC	1-45
105XBRM*120A	Lens	105-L*	1-77
105XBRM*24D	Lens	105-L*	1-77

Catalog No.	Replacement Description	Replacement Part Cat. No.	Page No. Ref.
107DDV2BST*-G1	Inner Lens	96-L*	1-143
107DDV2BST*-G1	Dome	EDVPGL1HR	1-143
107DDV2BST*-G1	Strobe Tube	92-ST	1-143
107DDV2CST*-G1	Inner Lens	96-L*	1-143
107DDV2CST*-G1	Dome	EDVPGL1HR	1-143
107DDV2CST*-G1	Strobe Tube	92-ST	1-143
107DDV2PST*-G1	Inner Lens	96-L*	1-143
107DDV2PST*-G1	Dome	EDVPGL1HR	1-143
107DDV2PST*-G1	Strobe Tube	92-ST	1-143
107DV2BST*-EK	Inner Lens	96-L*	1-141
107DV2BST*-EK	Dome	EDVPGL1HR	1-141
107DV2BST*-EK	Strobe Tube	92-ST	1-141
107DV2BST*-N5	Inner Lens	96-L*	1-141
107DV2BST*-N5	Dome	EDVPGL1HR	1-141
107DV2BST*-N5	Strobe Tube	92-ST	1-141
107DV2BST*-R5	Inner Lens	96-L*	1-141
107DV2BST*-R5	Dome	EDVPGL1HR	1-141
107DV2BST*-R5	Strobe Tube	92-ST	1-141
107DV2BST*-S1	Inner Lens	96-L*	1-141
107DV2BST*-S1	Dome	EDVPGL1HR	1-141
107DV2BST*-S1	Strobe Tube	92-ST	1-141
107DV2CST*-EK	Inner Lens	96-L*	1-142
107DV2CST*-EK	Dome	EDVPGL1HR	1-142
107DV2CST*-EK	Strobe Tube	92-ST	1-142
107DV2CST*-N5	Inner Lens	96-L*	1-142
107DV2CST*-N5	Dome	EDVPGL1HR	1-142
107DV2CST*-N5	Strobe Tube	92-ST	1-142
107DV2CST*-R5	Inner Lens	96-L*	1-142
107DV2CST*-R5	Dome	EDVPGL1HR	1-142
107DV2CST*-R5	Strobe Tube	92-ST	1-142
107DV2CST*-S1	Inner Lens	96-L*	1-142
107DV2CST*-S1	Dome	EDVPGL1HR	1-142
107DV2CST*-S1	Strobe Tube	92-ST	1-142
107DV2PST*-EK	Inner Lens	96-L*	1-142
107DV2PST*-EK	Dome	EDVPGL1HR	1-142
107DV2PST*-EK	Strobe Tube	92-ST	1-142
107DV2PST*-N5	Inner Lens	96-L*	1-142
107DV2PST*-N5	Dome	EDVPGL1HR	1-142
107DV2PST*-N5	Strobe Tube	92-ST	1-142
107DV2PST*-R5	Inner Lens	96-L*	1-142
107DV2PST*-R5	Dome	EDVPGL1HR	1-142
107DV2PST*-R5	Strobe Tube	92-ST	1-142
107DV2PST*-S1	Inner Lens	96-L*	1-142
107DV2PST*-S1	Dome	EDVPGL1HR	1-142
107DV2PST*-S1	Strobe Tube	92-ST	1-142
116DEGEX*-FJ	Dome	116-Globe	1-152
116DEGEX*-FJ	Guard	116-GRD	1-152
116DEGEX*-FJ	Dome	116-Globe	1-154
116DEGEX*-FJ	Guard	116-GRD	1-154
116DEXMRINH*-GW	Dome	116-Globe	1-165
116DEXMRINH*-GW	Inner Lens	116-RIN-L*	1-165
116DEXMRINH*-GW	Lamp	50LMP-20WH	1-165
116DEXMSINH*-GW	Dome Guard	116-GRD	1-65
116DEXMSINH*-GW	Dome	116-Globe	1-65
116DEXMSINH*-GW	Inner Lens	116-RIN-L*	1-65
116DEXMSINH*-GW	Lamp	50LMP-20WH or Industry Trade no. 1692	1-65
116DEXMST*-FJ	Inner Lens	116-ST-L*	1-145
116DEXMST*-FJ	Dome	116-Globe	1-145
116DEXMST*-FJ	Strobe Tube	92-ST	1-145
116DEXSTC*-FJ	Dome	116-Globe	1-150
116DEXSTC*-FJ	Strobe Tube	92-ST	1-150

\*Signifies lens and LED color. See applicable catalog page for details.

# Replacement Parts

Catalog No.	Replacement Description	Replacement Part Cat. No.	Page No. Ref.
116EXMRINH*-N5	Dome	116-Globe	1-163
116EXMRINH*-N5	Inner Lens	116-RIN-L*	1-163
116EXMRINH*-N5	Lamp	50LMP-40WH	1-163
116EXMSINH*-N5	Dome Guard	116-GRD	1-67
116EXMSINH*-N5	Dome	116-Globe	1-67
116EXMSINH*-N5	Inner Lens	116-RIN-L*	1-67
116EXMSINH*-N5	Lamp	50LMP-40WH	1-67
116EXMST*-N5	Inner Lens	116-ST-L*	1-145
116EXMST*-N5	Dome	116-Globe	1-145
116EXMST*-N5	Strobe Tube	92-ST	1-145
116EXST*-EK	Inner Lens	116-ST-L*	1-148
116EXST*-EK	Dome	116-Globe	1-148
116EXST*-EK	Strobe Tube	92-ST	1-148
117*-EM	Strobe Tube	91B-ST	1-119
117*-EM	Lens	117L*	1-119
117*-N5	Strobe Tube	91B-ST	1-119
117*-N5	Lens	117L*	1-119
117*-R5	Strobe Tube	91B-ST	1-119
117*-R5	Lens	117L*	1-119
117LEDM*120A	Lens	117L*	1-81
117LEDM*1248D	Lens	117L*	1-81
120F*1248D	Bulb	270LED*12V	1-98
120F*1248D	Bulb	270LED*24V	1-98
120F*1248D	Bulb	2705W12V	1-98
120F*1248D	Bulb	2705W12V25PK	1-98
120F*1248D	Bulb	2705W24V	1-98
120F*1248D	Bulb	2705W24V25PK	1-98
120F*1248D	Bulb	2705W48V	1-98
120F*1248D	Bulb	2705W48V25PK	1-98
120F*24240A	Bulb	270LED*12V	1-98
120F*24240A	Bulb	270LED*24V	1-98
120F*24240A	Bulb	2705W24V	1-98
120F*24240A	Bulb	2705W24V25PK	1-98
120F*24240A	Bulb	2705W48V	1-98
120F*24240A	Bulb	2705W48V25PK	1-98
120F*24240A	Bulb	2705W120V	1-98
120F*24240A	Bulb	2705W120V25PK	1-98
120F*24240A	Bulb	2705W240V	1-98
120F*24240A	Bulb	2705W240V25PK	1-98
120S*12240AD	Bulb	270LED*120V	1-58
120S*12240AD	Bulb	270LED*240V	1-58
120S*12240AD	Bulb	270LED*12V	1-58
120S*12240AD	Bulb	270LED*24V	1-58
120S*12240AD	Bulb	2705W120V	1-58
120S*12240AD	Bulb	2705W120V25PK	1-58
120S*12240AD	Bulb	2705W240V	1-58
120S*12240AD	Bulb	2705W240V25PK	1-58
120S*12240AD	Bulb	2705W12V	1-58
120S*12240AD	Bulb	2705W12V25PK	1-58
120S*12240AD	Bulb	2705W24V	1-58
120S*12240AD	Bulb	2705W24V25PK	1-58
120S*12240AD	Bulb	2705W48V	1-58
120S*12240AD	Bulb	2705W48V25PK	1-58
125HALF*120A	Lens	125L*	1-93
125HALF*120A	Lamp	50LMP-12WH-D or Industry Trade no. 15T7DC	1-93
125HALF*120AB	Lens	125L*	1-93
125HALF*120AB	Lamp	50LMP-12WH-D or Industry Trade no. 15T7DC	1-93
125HALF*24A	Lens	125L*	1-93
125HALF*24A	Lamp	50LMP-9WH-D or Industry Trade no. 1692	1-93

Catalog No.	Replacement Description	Replacement Part Cat. No.	Page No. Ref.
125HALF*24AB	Lens	125L*	1-93
125HALF*24AB	Lamp	50LMP-9WH-D or Industry Trade no. 1692	1-93
125HALF*24D	Lens	125L*	1-93
125HALF*24D	Lamp	50LMP-9WH-D or Industry Trade no. 1692	1-93
125HALF*24DB	Lens	125L*	1-93
125HALF*24DB	Lamp	50LMP-9WH-D or Industry Trade no. 1692	1-93
125HALS*120A	Lens	125L*	1-53
125HALS*120A	Lamp	50LMP-12WH-D or Industry Trade no. 157DC	1-53
125HALS*120AB	Lens	125L*	1-53
125HALS*120AB	Lamp	50LMP-12WH-D or Industry Trade no. 157DC	1-53
125HALS*24A	Lens	125L*	1-53
125HALS*24A	Lamp	50LMP-9WH-D or Industry Trade no. 1692	1-53
125HALS*24AB	Lens	125L*	1-53
125HALS*24AB	Lamp	50LMP-9WH-D or Industry Trade no. 1692	1-53
125HALS*24D	Lens	125L*	1-53
125HALS*24D	Lamp	50LMP-9WH-D or Industry Trade no. 1692	1-53
125HALS*24DB	Lens	125L*	1-53
125HALS*24DB	Lamp	50LMP-9WH-D or Industry Trade no. 1692	1-53
125INCF*120A	Lens	125L*	1-95
125INCF*120A	Lamp	Industry Trade no. 15T7DC	1-95
125INCF*120AB	Lens	125L*	1-95
125INCF*120AB	Lamp	Industry Trade no. 15T7DC	1-95
125INCF*24D	Lens	125L*	1-95
125INCF*24D	Lamp	Industry Trade no. 1692	1-95
125INCF*24DB	Lens	125L*	1-95
125INCF*24DB	Lamp	Industry Trade no. 1692	1-95
125INCS*120A	Lens	125L*	1-55
125INCS*120A	Lamp	Industry Trade no. 157DC	1-55
125INCS*120AB	Lens	125L*	1-55
125INCS*120AB	Lamp	Industry Trade no. 157DC	1-55
125INCS*24D	Lens	125L*	1-55
125INCS*24D	Lamp	Industry Trade no. 1692	1-55
125INCS*24DB	Lens	125L*	1-55
125INCS*24DB	Lamp	Industry Trade no. 1692	1-55
125LEDF*120A	Lens	125L*	1-91
125LEDF*120AB	Lens	125L*	1-91
125LEDF*24D	Lens	125L*	1-91
125LEDF*24DB	Lens	125L*	1-91
125LEDS*120A	Lens	125L*	1-51
125LEDS*120AB	Lens	125L*	1-51
125LEDS*24D	Lens	125L*	1-51
125LEDS*24DB	Lens	125L*	1-51
125STRHA120A	Lens	125L*	1-117
125STRHA120A	Strobe Tube	91B-ST	1-117
125STRHA120AB	Lens	125L*	1-117
125STRHA120AB	Strobe Tube	91B-ST	1-117
125STRNA120A	Lens	125L*	1-117
125STRNA120A	Strobe Tube	91B-ST	1-117
125STRNA120AB	Lens	125L*	1-117
125STRNA120AB	Strobe Tube	91B-ST	1-117
125STRNA1248D	Lens	125L*	1-118
125STRNA1248D	Strobe Tube	91B-ST	1-118
125STRNA1248DB	Lens	125L*	1-118
125STRNA1248DB	Strobe Tube	91B-ST	1-118
125STRNA240A	Lens	125L*	1-117

\*Signifies lens and LED color. See applicable catalog page for details.

# Replacement Parts

Catalog No.	Replacement Description	Replacement Part Cat. No.	Page No. Ref.
125STRNA240A	Strobe Tube	91B-ST	1-117
125STRNA240AB	Lens	125L*	1-117
125STRNA240AB	Strobe Tube	91B-ST	1-117
125XBRIABA120A	Lens	125LC	1-43
125XBRIABA120AB	Lens	125LC	1-43
125XBRIABA24D	Lens	125LC	1-43
125XBRIABA24DB	Lens	125LC	1-43
125XBRIABA120A	Lens	125LC	1-43
125XBRIABA120AB	Lens	125LC	1-43
125XBRIABA24D	Lens	125LC	1-43
125XBRIABA24DB	Lens	125LC	1-43
125XBRM*120A	Lens	125L*	1-75
125XBRM*120AB	Lens	125L*	1-75
125XBRM*24D	Lens	125L*	1-75
125XBRM*24DB	Lens	125L*	1-75
125XBRZ*120A	Lens	125L*	1-75
125XBRZ*120AB	Lens	125L*	1-76
125XBRZ*24D	Lens	125L*	1-75
125XBRZ*24DB	Lens	125L*	1-76
1501-AQN5	Armature - short	CS2595-5	12-85
1502-AQN5	Armature - short	CS2595-5	12-85
1504-AQN5	Armature - long	CS2598-5	12-85
1505-AQN5	Armature - short	CS2595-5	12-85
1508-AQN5	Armature - short	CS2595-5	12-85
1509-AQN5	Armature - short	CS2595-5	12-85
1785	Switch Assembly	P-017630	7-20
1785	Center Gasket	P-017722	7-20
1785	O-Ring Gasket	P-017723	7-20
270-DOC	Glass Rods	270-GLR	12-32
270-DPO	Glass Rods	270-GLR	12-32
270-SPO	Glass Rods	270-GLR	12-32
270A-DPO	Glass Rods	270-GLR	12-32
270A-SPO	Glass Rods	270-GLR	12-32
270F*1248D	Bulb	270LED*12V	1-19
270F*1248D	Bulb	270LED*24V	1-19
270F*1248D	Bulb	2705W12V, 2705W12V25PK	1-19
270F*1248D	Bulb	2705W24V, 2705W24V25PK	1-19
270F*1248D	Bulb	2705W48V, 2705W48V25PK	1-19
270F*24240A	Bulb	270LED*120V	1-19
270F*24240A	Bulb	270LED*240V	1-19
270F*24240A	Bulb	270LED*24V	1-19
270F*24240A	Bulb	2705W120V, 2705W120V25PK	1-19
270F*24240A	Bulb	2705W240V, 2705W240V25PK	1-19
270F*24240A	Bulb	2705W24V, 2705W24V25PK	1-19
270F*24240A	Bulb	2705W48V, 2705W48V25PK	1-19
270S*12240AD	Bulb	270LED*120V	1-19
270S*12240AD	Bulb	270LED*12V	1-19
270S*12240AD	Bulb	270LED*240V	1-19
270S*12240AD	Bulb	270LED*24V	1-19
270S*12240AD	Bulb	2705W12V, 2705W12V25PK	1-19
270S*12240AD	Bulb	2705W120V, 2705W120V25PK	1-19
270S*12240AD	Bulb	2705W240V, 2705W240V25PK	1-19
270S*12240AD	Bulb	2705W24V, 2705W24V25PK	1-19
270S*12240AD	Bulb	2705W48V, 2705W48V25PK	1-19

\*Signifies lens and LED color. See applicable catalog page for details.

Catalog No.	Replacement Description	Replacement Part Cat. No.	Page No. Ref.
276B-1110	Glass Rods	276-GLR	12-34
276B-1120	Glass Rods	276-GLR	12-34
277B-1110	Glass Rods	276-GLR	12-34
278B-1110	Glass Rods	276-GLR	12-36
278B-1120	Glass Rods	276-GLR	12-36
278B-1420	Glass Rods	276-GLR	12-36
279B-1110	Glass Rods	276-GLR	12-36
3000SD*-EK	Lens	3000LM-*	1-157
3000SD*-EK	Strobe Tube	91B-ST	1-157
48FIN*-E1	Lens	96-L*	1-101
48FIN*-E1	Flasher	P-041917-0028	1-101
48FIN*-E1	Lamp	Industry Trade no. 94	1-101
48FIN*-G1-20WH	Lens	96-L*	1-101
48FIN*-G1-20WH	Flasher	P-041917-0029	1-101
48FIN*-G1-20WH	Lamp	50LMP-20WH	1-101
48FIN*-G5-20WH	Lens	96-L*	1-101
48FIN*-G5-20WH	Flasher	P-041917-0029	1-101
48FIN*-G5-20WH	Lamp	50LMP-20WH or Industry Trade no. 1692	1-101
48FIN*-N5-25WH	Lens	96-L*	1-101
48FIN*-N5-25WH	Flasher	P-041917-0026	1-101
48FIN*-N5-25WH	Lamp	50LMP-25WH or Industry Trade no. 25T8DC	1-101
48SIN*-E1	Lens	96-L*	1-61
48SIN*-E1	Lamp	Industry Trade no. 94	1-61
48SIN*-G1-20WH	Lens	96-L*	1-61
48SIN*-G1-20WH	Lamp	50LMP-20WH or Industry Trade no. 1692	1-61
48SIN*-G5-20WH	Lens	96-L*	1-61
48SIN*-G5-20WH	Lamp	50LMP-20WH or Industry Trade no. 1692	1-61
48SIN*-N5-25WH	Lens	96-L*	1-61
48SIN*-N5-25WH	Lamp	50LMP-25WH or Industry Trade no. 25T8DC	1-61
48XBRM*120A	Lens	96-L*	1-79
48XBRM*24D	Lens	96-L*	1-79
49*-N5-40WH	Dome	52-LC	1-103
49*-N5-40WH	Lens	92-L*	1-103
49*-N5-40WH	Flasher	P-041917-0026	1-103
49*-N5-40WH	Lamp	50LMP-40WH	1-103
49*-R5	Dome	52-LC	1-103
49*-R5	Lens	92-L*	1-103
49*-R5	Flasher	P-041917-0038	1-103
49*-R5	Lamp	P-041917-0039 or Industry Trade no. 25T8/240V/DC/CL	1-103
50*-G5-20WH	Lens	92-L*	1-105
50*-G5-20WH	Flasher	P-041917-0029	1-105
50*-G5-20WH	Lamp	50LMP-20WH or Industry Trade no. 1692	1-105
50*-N5-40WH	Lens	92-L*	1-105
50*-N5-40WH	Flasher	P-041917-0026	1-105
50*-N5-40WH	Lamp	50LMP-40WH	1-105
50*-R5	Lens	92-L*	1-105
50*-R5	Flasher	P-041917-0038	1-105
50*-R5	Lamp	P-041917-0039 or Industry Trade no. 25T8/240V/DC/CL	1-105
50SIN*-N5-40WH	Lens	92-L*	1-63
50SIN*-N5-40WH	Lamp	50LMP-40WH	1-63
51*-E1	Lens	92-L*	3-8
51*-E1	Flasher	P-041917-0028	3-8
51*-E1	Lamp	Industry Trade no. 94	3-8
51*-G1	Lens	92-L*	3-8
51*-G1	Flasher	P-041917-0028	3-8
51*-G1	Lamp	Industry Trade no. 1638	3-8
51*-G5-20W	Lens	92-L*	3-8

# Replacement Parts

Catalog No.	Replacement Description	Replacement Part Cat. No.	Page No. Ref.
51*-G5-20W	Flasher	P-041917-0029	3-8
51*-G5-20W	Lamp	Industry Trade no. 1638	3-8
51*-N5-40W	Lens	92-L*	3-8
51*-N5-40W	Flasher	P-041917-0026	3-8
51*-N5-40W	Lamp	50LMP-40W (P-041695-0108)	3-8
511C	Optical Chambers	211-10PKG	12-7
51SIN*-G1	Lens	92-L*	3-6
51SIN*-G1	Horn	118-G1	3-6
51SIN*-G1	Lamp	Industry Trade no. 1638	3-6
51SIN*-N5-40W	Lens	92-L*	3-6
51SIN*-N5-40W	Horn	123A-N5	3-6
51SIN*-N5-40W	Lamp	50LMP-40WH or Industry Trade no. 25T8DC	3-6
51XBRF*120A	Lens	92-L*	3-4
51XBRF*120A	Horn	123A-N5	3-4
51XBRF*120A	Flasher	P-041917-0026	3-4
51XBRF*24D	Lens	92-L*	3-4
51XBRF*24D	Horn	118-G1	3-4
51XBRF*24D	Flasher	P-041917-0028	3-4
52*-G5-20WH	Lens	52-L*	1-158
52*-G5-20WH	Lamp	50LMP-20WH or Industry Trade no. 1692	1-158
52*-N5-40WH	Lens	52-L*	1-158
52*-N5-40WH	Lamp	50LMP-40WH	1-158
52*-R5	Lens	52-L*	1-158
52*-R5	Lamp	P-041917-0039 or Industry Trade no. 25T8/240V/DC/CL	1-158
521B	Optical Chambers	211-10PKG	12-8
521BXT	Optical Chambers	211-10PKG	12-8
521NCRXT	Optical Chambers	211-10PKG	12-8
521NCSXT	Optical Chambers	211-10PKG	12-8
53*-E1	Lens	52-L*	1-158
53*-E1	Lamp	Industry Trade no. 1076	1-158
53*-G1	Lens	52-L*	1-159
53*-G1	Lamp	Industry Trade no. 1638	1-159
53D*-GW	Lens	52-L*	1-159
53D*-GW	Lamp	Industry Trade no. 1638	1-159
57EDF*-G1	Lens	57E-L*	1-134
57EDF*-G1	Strobe Tube	92-ST	1-134
57EDF*-G1	Dome	57E-DC	1-134
57EDF*-N5	Lens	57E-L*	1-134
57EDF*-N5	Strobe Tube	92-ST	1-134
57EDF*-N5	Dome	57E-DC	1-134
57EDF*-R5	Lens	57E-L*	1-134
57EDF*-R5	Strobe Tube	92-ST	1-134
57EDF*-R5	Dome	57E-DC	1-134
57PLEDM*120A	Dome	57E-DC	1-73
57PLEDM*120A	Lens	57E-L*	1-73
57PLEDM*120AB	Dome	57E-DC	1-73
57PLEDM*120AB	Lens	57E-L*	1-73
57PLEDM*24AD	Dome	57E-DC	1-74
57PLEDM*24AD	Lens	57E-L*	1-74
57PLEDM*24ADB	Dome	57E-DC	1-74
57PLEDM*24ADB	Lens	57E-L*	1-74
58*-N5-100WH	Dome	94DV2-D*	1-160
58*-N5-100WH	Lamp	100Q/CL/DC/120V	1-160
701U	Optical Chambers	211-10PKG	12-11
702U	Optical Chambers	211-10PKG	12-11
711U	Optical Chambers	211-10PKG	12-11
721UT	Optical Chambers	211-10PKG	12-11
7613	Lamp	Industry Trade No. 509K	6-17
7613E	Lamp	Industry Trade No. 509K	6-17

Catalog No.	Replacement Description	Replacement Part Cat. No.	Page No. Ref.
7633-2	Dome	P-047047-0006	6-18
7633-2	Lamp - Clear/Red	Industry Trade No. 509K/P-036350-0001 (24V)	6-18
7633-2	Buzzer	115-1G5	6-18
7633-4	Dome	P-047047-0006	6-18
7633-4	Lamp - Clear/Red	Industry Trade No. 313/P-036350-0001 (24V)	6-18
7633-4	Buzzer	115-1G5	6-18
7641-1G5	Dome	P-047047-0006	6-19
7641-1G5	Lamp	Industry Trade No. 313	6-19
7641-1N5	Dome	P-047047-0006	6-19
7641-1N5	Lamp	Industry Trade No. 6S6	6-19
7641-2G5	Dome	P-047047-0006	6-19
7641-2G5	Lamp - White/Red	Industry Trade No. 313/P-036350-0001 (24V)	6-19
7641-2N5	Dome	P-047047-0006	6-19
7641-2N5	Lamp - White/Red	Industry Trade No. 6S6/P-008636-0001 (120V)	6-19
7641-4G5	Dome	P-047047-0006	6-19
7641-4G5	Lamp - White/Red	Industry Trade No. 313/P-036350-0001 (24V)	6-19
7641R-1G5	Dome	P-047047-0008	6-19
7641R-1G5	Lamp	Industry Trade No. 313	6-19
7641R-1N5	Dome	P-047047-0008	6-19
7641R-1N5	Lamp	Industry Trade No. 6S6	6-19
825SOLAR*	Battery Pack	825BATTTPK	1-4
825SOLAR*	Bottom Cover Replacement Kit (w/switch)	825REPLKITSW	1-4
825SOLAR*	Bottom Cover Replacement Kit (w/o switch)	825REPLKIT	1-4
9-30719-KFB	Air Filter	33-30755A	12-22
9-30721-KFB	Air Filter	33-30755A	12-22
90*-N5	Lens	92-L*	1-130
90*-N5	Strobe Tube	92-LST	1-130
90*-N5	Dome	52-LC	1-130
92*-N5	Lens	92-L*	1-132
92*-N5	Strobe Tube	92-LST	1-132
92*-R5	Lens	V93-L*	1-128
92*-R5	Strobe Tube	92-ST	1-128
92PLC-DF*-N5	Lens	V93-L*	1-128
92PLC-DF*-N5	Strobe Tube	92-ST	1-128
92PLC*-N5	Lens	V93-L*	1-128
92PLC*-N5	Strobe Tube	92-ST	1-128
93*-N5	Lens	93-L*	1-136
93*-N5	Strobe Tube	92-ST	1-136
93*-R5	Lens	93-L*	1-136
93*-R5	Strobe Tube	92-ST	1-136
93DF*-N5	Lens	93-L*	1-136
93DF*-N5	Strobe Tube	92-ST	1-136
93DF*-R5	Lens	93-L*	1-136
93DF*-R5	Strobe Tube	92-ST	1-136
94*-N5	Lens	93-L*	1-139
94*-N5	Dome	94-DC	1-139
94*-N5	Strobe Tube	92-ST	1-139
94*-R5	Lens	93-L*	1-139
94*-R5	Dome	94-DC	1-139
94*-R5	Strobe Tube	92-ST	1-139
94DDV2*-G1	Lens	93-L*	1-140
94DDV2*-G1	Dome	94-DC	1-140
94DDV2*-G1	Strobe Tube	92-ST	1-140
94DF*-N5	Lens	93-L*	1-139
94DF*-N5	Dome	94-DC	1-139

\*Signifies lens and LED color. See applicable catalog page for details.

# Replacement Parts

Catalog No.	Replacement Description	Replacement Part Cat. No.	Page No. Ref.
94DF*-N5	Strobe Tube	92-ST	1-139
94DF*-R5	Lens	93-L*	1-139
94DF*-R5	Dome	94-DC	1-139
94DF*-R5	Strobe Tube	92-ST	1-139
94DV2*-N5	Lens	93-L*	1-140
94DV2*-N5	Dome	94-DC	1-140
94DV2*-N5	Strobe Tube	92-ST	1-140
94PLEDM*120A	Dome	94DV2-DC	1-71
94PLEDM*120A	Lens	93-L*	1-71
94PLEDM*120AB	Dome	94DV2-DC	1-71
94PLEDM*120AB	Lens	93-L*	1-71
94PLEDM*24AD	Dome	94DV2-DC	1-72
94PLEDM*24AD	Lens	93-L*	1-72
94PLEDM*24ADB	Dome	94DV2-DC	1-72
94PLEDM*24ADB	Lens	93-L*	1-72
95*-N5	Lens	92-L*	3-10
95*-N5	Strobe Tube	92-LST	3-10
96B*-N5	Lens	96-L*	1-124
96B*-N5	Strobe Tube	91B-ST	1-124
96B*-R5	Lens	96-L*	1-124
96B*-R5	Strobe Tube	91B-ST	1-124
96DV2*-N5	Lens	96-L*	1-126
96DV2*-N5	Strobe Tube	91B-ST	1-126
97*-EK	Lens	93-L*	1-137
97*-EK	Strobe Tube	92-ST	1-137
97*-MP	Lens	93-L*	1-137
97*-MP	Strobe Tube	92-ST	1-137
97DF*-EK	Lens	93-L*	1-137
97DF*-EK	Strobe Tube	92-ST	1-137
97DF*-MP	Lens	93-L*	1-137
97DF*-MP	Strobe Tube	92-ST	1-137
98B*-E1	Lens	96-L*	1-124
98B*-E1	Strobe Tube	91B-ST	1-124
98B*-FY	Lens	96-L*	1-125
98B*-FY	Strobe Tube	91B-ST	1-125
98B*-G1	Lens	96-L*	1-124
98B*-G1	Strobe Tube	91B-ST	1-124
E-270	Glass Rods	270-GLR	12-58
E-278	Glass Rods	276-GLR	12-58
E-PD	Optical Chambers	211-10PKG	12-52
E-PDD	PCB kit	E-SDPCB	12-54
E-PHD	Optical Chambers	211-10PKG	12-52
MPSR1-D45W-GE	Glass Rods	MPSRGR10	12-38
MPSR1-D45WX-GE	Glass Rods	MPSRGR10	12-38
MPSR1-DHTW-GE	Glass Rods	MPSRGR10	12-38
MPSR1-S45W-GE	Glass Rods	MPSRGR10	12-38
MPSR1-SHTW-GE	Glass Rods	MPSRGR10	12-38
MPSR2-D45W-GE	Glass Rods	MPSRGR10	12-38
MPSR2-DHTW-GE	Glass Rods	MPSRGR10	12-38
MPSR2-S45W-GE	Glass Rods	MPSRGR10	12-38
MPSR2-S45W-GE-NYW	Glass Rods	MPSRGR10	12-38
MPSR2-SHTW-GE	Glass Rods	MPSRGR10	12-38
MPSR2-SHTW-GE-NYW	Glass Rods	MPSRGR10	12-38
SD-2W	PCB, 2-wire sensor kit	SD-2WPCB	12-17
SD-4WJ	PCB/sensor kit (terminals)	SD-4WPCBT	12-19
SD-4WJ	PCB/sensor kit (RJ45)	SD-4WPCBJ	12-19
SD-4WJ	RJ45 interconnect cable	7140126-01	12-19

Catalog No.	Replacement Description	Replacement Part Cat. No.	Page No. Ref.
SD-CJ	PCB/sensor kit (terminals)	SD-4WPCBT	12-19
SD-CJ	PCB/sensor kit (RJ45)	SD-4WPCBJ	12-19
SD-CJ	RJ45 interconnect cable	7140126-01	12-19
SD-CT	PCB/sensor kit (terminals)	SD-4WPCBT	12-19
SD-CT	PCB/sensor kit (RJ45)	SD-4WPCBJ	12-19
SD-CT	RJ45 interconnect cable	7140126-01	12-19
SD-SJ	PCB/sensor kit (terminals)	SD-4WPCBT	12-19
SD-SJ	PCB/sensor kit (RJ45)	SD-4WPCBJ	12-19
SD-SJ	RJ45 interconnect cable	7140126-01	12-19
SD-ST	PCB/sensor kit (terminals)	SD-4WPCBT	12-19
SD-ST	PCB/sensor kit (RJ45)	SD-4WPCBJ	12-19
SD-ST	RJ45 interconnect cable	7140126-01	12-19
TS7-2	Optical Chambers	211-10PKG	12-10
TS7-2T	Optical Chambers	211-10PKG	12-10
WG4RF-S	Mounting Gasket	WG4GSKT	12-100
WG4RF-SVMC	Mounting Gasket	WG4GSKT	12-99
WG4RF-SVMHC	Mounting Gasket	WG4GSKT	12-99
WG4RN-S	Mounting Gasket	WG4GSKT	12-100
WG4RN-SVMC	Mounting Gasket	WG4GSKT	12-99
WG4RN-SVMHC	Mounting Gasket	WG4GSKT	12-99
WG4WF-S	Mounting Gasket	WG4GSKT	12-100
WG4WF-SVMC	Mounting Gasket	WG4GSKT	12-99
WG4WF-SVMHC	Mounting Gasket	WG4GSKT	12-99
WG4WN-S	Mounting Gasket	WG4GSKT	12-100
WG4WN-SVMC	Mounting Gasket	WG4GSKT	12-99
WG4WN-SVMHC	Mounting Gasket	WG4GSKT	12-99

\*Signifies lens and LED color. See applicable catalog page for details.



EDWARDS