



lumière

Lumière combines the art and science of architectural lighting with innovative solutions for complex landscape and special application illumination.



lumière

Lumière products, in-ground, accent, flood, pathway, wall and more, have been specified to illuminate monuments, bridges, private residences and architectural wonders around the world. Our products are designed and engineered to be extremely small, adaptable, rugged and attractive, giving designers the power to create distinctive environments of lasting beauty.

SEE PAGE 19-65 FOR NEW PRODUCTS.



Amanyara Resort, Turks and Caicos Islands, Providenciales | Design Team: Flaming Beacon | Architect: John Michel Gathy - Denniston | Photography: Scott B. Smith Photography
Atlantis Bahamas | Design Team: Lighting Design Alliance | Architect: WATG | Photography: George Gruel, Oddstick Studio
D'Amour Center, Springfield, MA | Design Team: Enrique Rojas | Photography: Robert Benson Photography

ACCENT - FLOOD



Monaco 2000
Page 19-5



Cambria 200
Page 19-6



Cambria 201
Page 19-7



Cambria 231
Page 19-8



Cambria 212
Page 19-8



Cambria 203
Page 19-9



Monaco 2003
Page 19-10



Cambria 230
Page 19-10



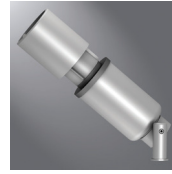
Cambria 213
Page 19-11



Cambria 204
Page 19-12



Cambria 252, 355
Page 19-13



Sanibel 301
Page 19-13



Carmel 403, 450
Page 19-14



Cambria 703
Page 19-15



Monaco 2002
Page 19-16



Monaco 2001
Page 19-16



Monaco 2004
Page 19-17



Coronado 806
Page 19-17



Coronado 710
Page 19-18



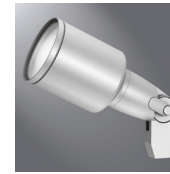
Coronado 1610
Page 19-18



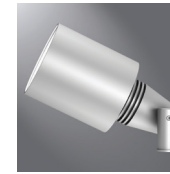
Coronado 1620
Page 19-19



Coronado 720, 820
Page 19-19



Coronado 730, 830
Page 19-20



Coronado 711, 811
Page 19-20

INGROUND



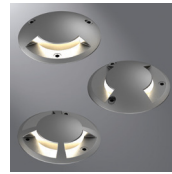
Coronado 712, 812
Page 19-21



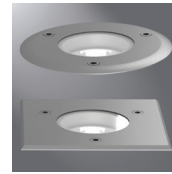
Coronado 740, 840
Page 19-22



Sanibel 803
Page 19-22



Boca 650
Page 19-23



Boca 655
Page 19-24



Boca 630, 631
Page 19-25



Boca 612, 613
Page 19-26



Boca 632, 633
Page 19-27

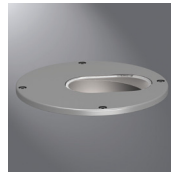
WALL MOUNT



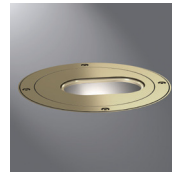
Boca 635
Page 19-28



Boca 696
Page 19-28



Boca 615
Page 19-29



Boca 636, 637
Page 19-29



Monaco 6000
Page 19-30



Monaco 6002
Page 19-31



Westwood 901
Page 19-33



Westwood 903
Page 19-34

SIGN LIGHTS

STEP LIGHTS



Westwood 904
Page 19-35



Westwood 714, 912
Page 19-36



Westwood 715, 913
Page 19-37



Westwood 716, 914
Page 19-38



Cambria 920, 922
Page 19-39



Carmel 403, 450
Page 19-40



Rio 1235-RD
Page 19-41



Rio 1235-SQ
Page 19-42

SEE PAGE 19-65 FOR NEW PRODUCTS.

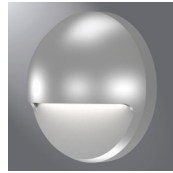
STEP LIGHTS



Rio 1237-RD
Page 19-43



Rio 1237-SQ
Page 19-44



**Zuma 1203, 1204,
1206**
Page 19-45



Zuma 1201
Page 19-46



Zuma 1211, 1212
Page 19-46



Cambria 205
Page 19-47



Cambria 206 LED
Page 19-48



Maui 1502, 1503
Page 19-49

PATHWAY

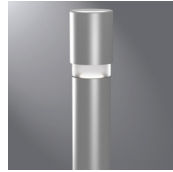
BOLLARDS



Maui 1507, 1510
Page 19-50



Sedona 1800
Page 19-51



Aspen 1900
Page 19-52



Tahoe 501, 504, 510
Page 19-53

PROJECTORS



Cambria 290
Page 19-54



Hollywood 1701
Page 19-54



Hollywood 1702
Page 19-55

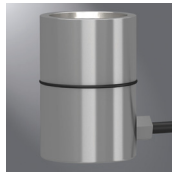


Hollywood 1704
Page 19-55

UNDERWATER



Atlantis 1407
Page 19-56



Atlantis 1409
Page 19-56

ACCESSORIES

Lenses and Louvers.....Page 19-57
 Color and Dichroic Filters.....Page 19-58
 Glare Shields.....Page 19-59
 Ground Mounts.....Page 19-60
 Surface, Wall and Tree Mounts.....Page 19-61
 Junction Boxes and HID Ballasts.....Page 19-62
 Low-Voltage Cable and Transformers.....Page 19-63

SEE PAGE 19-65 FOR NEW PRODUCTS.



FEATURES

- 200° tilt, 360° rotation
- Precision-machined aluminum, brass, bronze, copper or stainless steel
- Stainless steel hardware
- Siphon Protection System (S.P.S.)
- Holds up to three optical accessories
- Three-year warranty

Compliances may not apply to all product configurations. Please consult the product spec sheet for compliance details.

COMPLIANCES: UL/cUL Listed - Wet Location, IP65 Rated



MONACO 2000

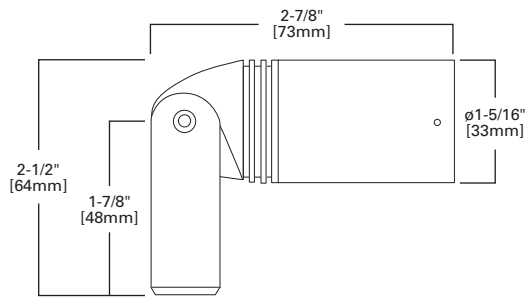
ORDERING INFORMATION

SAMPLE NUMBER: 2000-RS-20MR8-12-NBZ

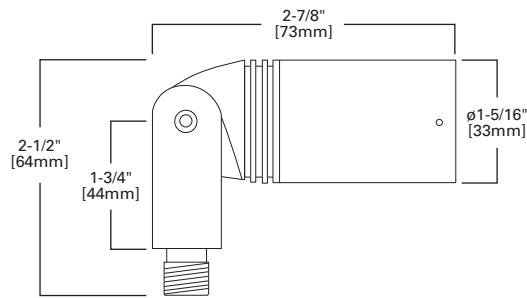
Series ¹	Source ²	Voltage ³	Finish
2000-RS =MR8 Monaco with Adjustable Rotational Stem and Aim-Locking 2000-TS =MR8 Monaco with Threaded Stem and Aim-Locking	Halogen 20MR8 =20W Maximum Halogen MR8, GZ4 Base	12=12V	Metal NBR =Brass NBZ =Bronze NCP =Copper NSS =Stainless Steel Painted BK =Black BZ =Bronze CS =City Silver VE =Verde WT =White

NOTES: 1. See accessories section for mounting accessories, low voltage cable and transformers. 2. Lamp not included. 3. 12V remote transformer required - not included.

MONACO 2000-RS



MONACO 2000-TS



Specifications and dimensions subject to change without notice. Consult your Cooper Lighting Representative or visit www.cooperlighting.com for available options, accessories and ordering information.

FEATURES

- 340° tilt, 360° rotation
- Precision-machined aluminum, brass, bronze, copper or stainless steel
- Stainless steel hardware
- Siphon Protection System (S.P.S.)
- Holds up to three optical accessories
- Three-year warranty

Compliances may not apply to all product configurations. Please consult the product spec sheet for compliance details.

COMPLIANCES: UL/cUL Listed - Wet Location, IP65 Rated



CAMBRIA 200

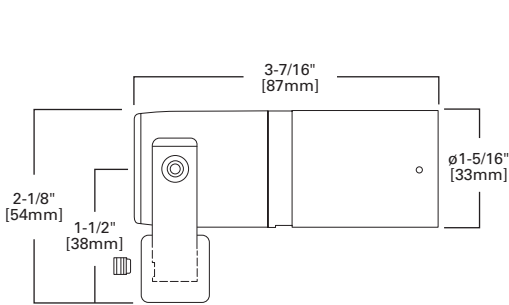
ORDERING INFORMATION

SAMPLE NUMBER: 200RS-20MR8-12-NBZ

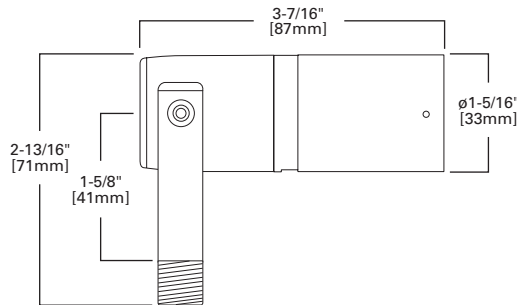
Series ¹	Source ²	Voltage ³	Finish
200-RS =MR8 Cambria Adjustable Rotational Stem Accent Fixture 200-TS =MR8 Cambria Threaded Stem Accent Fixture	Halogen 20MR8 =20W Maximum Halogen MR8, GZ4 Base	12=12V	Metal NBR =Brass NBZ =Bronze NCP =Copper NSS =Stainless Steel Painted BK =Black BZ =Bronze CS =City Silver VE =Verde WT =White

NOTES: 1. See accessories section for mounting accessories, low voltage cable and transformers. 2. Lamp not included. 3. 12V remote transformer required - not included.

CAMBRIA 200-RS



CAMBRIA 200-TS





FEATURES

- 340° tilt, 360° rotation
- Precision-machined aluminum, brass, bronze, copper or stainless steel
- Stainless steel hardware
- Siphon Protection System (S.P.S.)
- Holds up to three optical accessories
- Three-year warranty

Compliances may not apply to all product configurations. Please consult the product spec sheet for compliance details.

COMPLIANCES: UL/cUL Listed - Wet Location, IP65 Rated



CAMBRIA 201

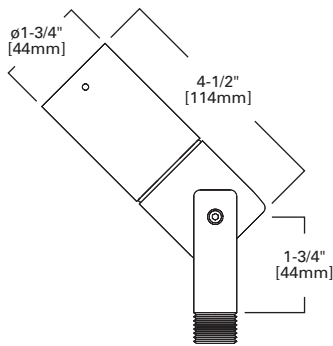
ORDERING INFORMATION

SAMPLE NUMBER: 201-CRS-35MR11-12-NBZ

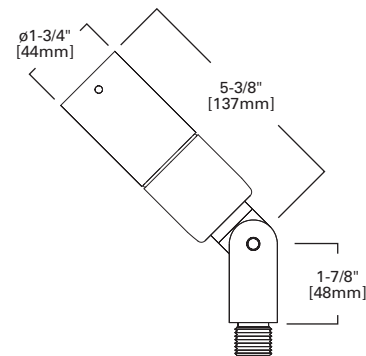
Series ¹	Construction	Source ²	Voltage ³	Finish	Options
201=MR11 Cambria Accent Fixture	[Blank] =Standard Side Swivel Stem, 1/2" NPS CRS =Center Rear Swivel Stem, 1/2" NPS FL =Flush Lens, Side Swivel Stem, 1/2" NPS FM =Rear Flush Mount, 1/2" NPS	Halogen 35MR11 =35W Maximum Halogen MR11, GU4 Base	12=12V	Metal NBR =Brass NBZ =Bronze NCP =Copper NSS =Stainless Steel Painted BK =Black BZ =Bronze CS =City Silver VE =Verde WT =White	DC =D.C. Bayonet Base (In lieu of Bi-pin)

NOTES: 1. See accessories section for mounting accessories, low voltage cable and transformers. 2. Lamp not included. 3. 12V remote transformer required - not included.

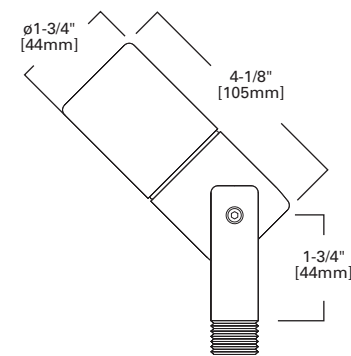
**CAMBRIA 201
SIDE SWIVEL STEM**



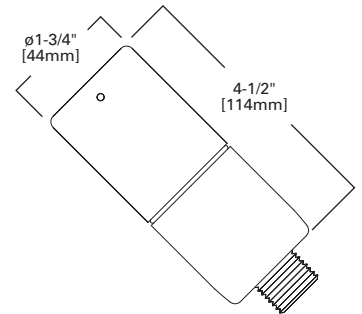
**CAMBRIA 201-CRS
CENTER REAR SWIVEL**



**CAMBRIA 201-FL
FLUSH LENS / SIDE SWIVEL STEM**



**CAMBRIA 201-FM
FLUSH MOUNT**



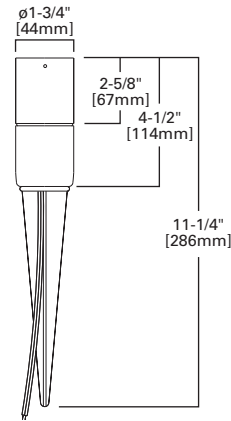
Specifications and dimensions subject to change without notice. Consult your Cooper Lighting Representative or visit www.cooperlighting.com for available options, accessories and ordering information.

FEATURES

- Includes integral mounting-spike for easy installation
- Precision-machined aluminum, brass, bronze, copper or stainless steel
- Stainless steel hardware
- Siphon Protection System (S.P.S.)
- Holds up to three optical accessories
- Three-year warranty

Compliances may not apply to all product configurations. Please consult the product spec sheet for compliance details.

COMPLIANCES: UL/cUL Listed - Wet Location, IP65 Rated



CAMBRIA 231

ORDERING INFORMATION

SAMPLE NUMBER: 231-35MR11-12-VE

Series ¹	Source ²	Voltage ³	Finish
231=MR11 Cambria Uplight with Integral Ground Spike	Halogen 35MR11=35W Maximum Halogen MR11, GU4 Base	12=12V	Metal NBR=Brass NBZ=Bronze NCP=Copper NSS=Stainless Steel Painted BK=Black BZ=Bronze CS=City Silver VE=Verde WT=White

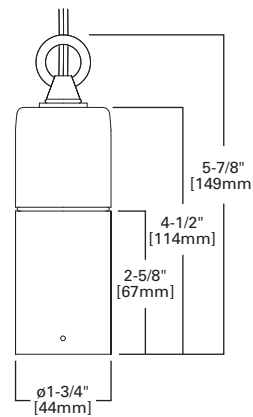
NOTES: 1. See accessories section for mounting accessories, low voltage cable and transformers. 2. Lamp not included. 3. 12V remote transformer required - not included.

FEATURES

- Integral hanging ring
- Precision-machined aluminum, brass, bronze, copper or stainless steel
- Standard with 24" leads (longer lengths can be specified)
- Stainless steel hardware
- Siphon Protection System (S.P.S.)
- Holds up to three optical accessories
- Three-year warranty

Compliances may not apply to all product configurations. Please consult the product spec sheet for compliance details.

COMPLIANCES: UL/cUL Listed - Wet Location, IP65 Rated



CAMBRIA 212

ORDERING INFORMATION

SAMPLE NUMBER: 212-35MR11-12-VE

Series ¹	Source ²	Voltage ³	Finish
212=MR11 Cambria Hanging Downlight	Halogen 35MR11=35W Maximum Halogen MR11, GU4 Base	12=12V	Metal NBR=Brass NBZ=Bronze NCP=Copper NSS=Stainless Steel Painted BK=Black BZ=Bronze CS=City Silver VE=Verde WT=White

NOTES: 1. See accessories section for mounting accessories, low voltage cable and transformers. 2. Lamp not included. 3. 12V remote transformer required - not included.

**FEATURES**

- 340° tilt, 360° rotation
- Precision-machined aluminum, brass, bronze, copper or stainless steel
- Stainless steel hardware
- Siphon Protection System (S.P.S.)
- Holds up to three optical accessories
- Three-year warranty

Compliances may not apply to all product configurations. Please consult the product spec sheet for compliance details.

COMPLIANCES: UL/cUL Listed - Wet Location, IP65 Rated, LM79 / LM80 Compliant

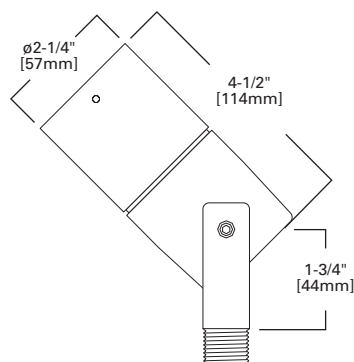
**CAMBRIA 203****ORDERING INFORMATION**

SAMPLE NUMBER: 203-CRS-50MR16-12-NBZ

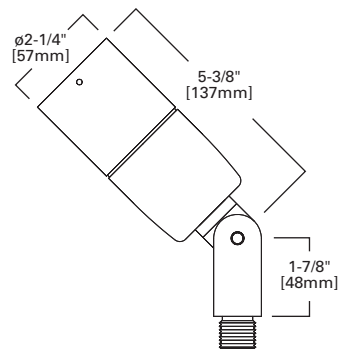
Series ¹	Source
203=LED or MR16 Cambria Accent Fixture Side Swivel Stem 203-CRS=LED or MR16 Cambria Accent Fixture Center Rear Swivel 203-FL=LED or MR16 Cambria Accent Fixture Flush Lens/Side Swivel Stem 203-FM=LED or MR16 Cambria Accent Fixture Flush Mount	Halogen² 50MR16=12V 50W Maximum Halogen MR16, GU5.3 Base LED 10LED2712=10W 2700K, 12° Spot, GU5.3 Base 10LED2721=10W 2700K, 21° Narrow, GU5.3 Base 10LED2741=10W 2700K, 41° Wide, GU5.3 Base 10LED3012=10W 3000K, 12° Spot, GU5.3 Base 10LED3021=10W 3000K, 21° Narrow, GU5.3 Base 10LED3041=10W 3000K, 41° Wide, GU5.3 Base 10LED4012=10W 4000K, 12° Spot, GU5.3 Base 10LED4021=10W 4000K, 21° Narrow, GU5.3 Base 10LED4041=10W 4000K, 41° Wide, GU5.3 Base 10LED5712=10W 5700K, 12° Spot, GU5.3 Base 10LED5721=10W 5700K, 21° Narrow, GU5.3 Base 10LED5741=10W 5700K, 41° Wide, GU5.3 Base 6LED2712=6W 2700K, 12° Spot, GU5.3 Base 6LED2721=6W 2700K, 21° Narrow, GU5.3 Base 6LED2741=6W 2700K, 41° Wide, GU5.3 Base 6LED3012=6W 3000K, 12° Spot, GU5.3 Base 6LED3021=6W 3000K, 21° Narrow, GU5.3 Base 6LED3041=6W 3000K, 41° Wide, GU5.3 Base 6LED4012=6W 4000K, 12° Spot, GU5.3 Base 6LED4021=6W 4000K, 21° Narrow, GU5.3 Base 6LED4041=6W 4000K, 41° Wide, GU5.3 Base 6LED5712=6W 5700K, 12° Spot, GU5.3 Base 6LED5721=6W 5700K, 21° Narrow, GU5.3 Base 6LED5741=6W 5700K, 41° Wide, GU5.3 Base
Voltage ³	Finish
12=12V	Painted BK=Black BZ=Bronze CS=City Silver VE=Verde WT=White Premium Material NBR=Natural Brass NBZ=Natural Bronze NCP=Natural Copper NSS=Natural Stainless Steel

NOTES: 1. See accessories section for mounting accessories, low voltage cable and transformers. 2. Lamp not included. 3. 12V remote transformer required - not included.

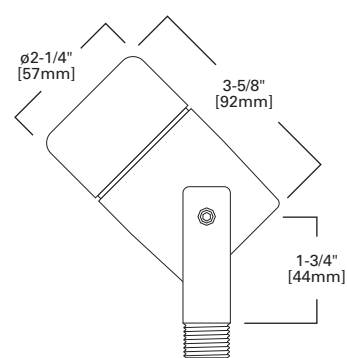
**CAMBRIA 203
SIDE SWIVEL STEM**



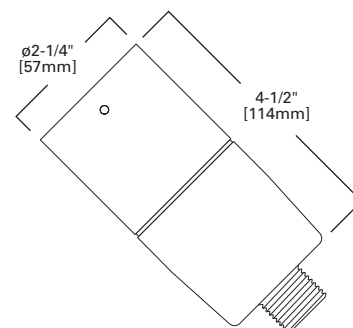
**CAMBRIA 203-CRS
CENTER REAR SWIVEL**



**CAMBRIA 203-FL
FLUSH LENS / SIDE SWIVEL STEM**



**CAMBRIA 203-FM
FLUSH MOUNT**



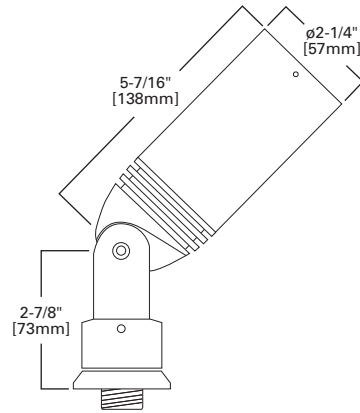
Specifications and dimensions subject to change without notice. Consult your Cooper Lighting Representative or visit www.cooperlighting.com for available options, accessories and ordering information.

FEATURES

- 200° tilt, 360° rotation
- Precision-machined aluminum, brass, bronze, copper or stainless steel
- Stainless steel hardware
- Siphon Protection System (S.P.S.)
- Holds up to three optical accessories
- Three-year warranty

Compliances may not apply to all product configurations. Please consult the product spec sheet for compliance details.

COMPLIANCES: UL/cUL Listed - Wet Location, IP65 Rated



MONACO 2003

ORDERING INFORMATION

SAMPLE NUMBER: 2003-50MR16-12-NBZ

Series ¹	Source	Voltage ³	Finish
2003=MR16 Monaco Accent Fixture	<p>Halogen² 50MR16=12V 50W Maximum Halogen MR16, GU5.3 Base</p> <p>LED 10LED2712=10W 2700K, 12° Spot, GU5.3 Base 10LED2721=10W 2700K, 21° Narrow, GU5.3 Base 10LED2741=10W 2700K, 41° Wide, GU5.3 Base 10LED3012=10W 3000K, 12° Spot, GU5.3 Base 10LED3021=10W 3000K, 21° Narrow, GU5.3 Base 10LED3041=10W 3000K, 41° Wide, GU5.3 Base 10LED4012=10W 4000K, 12° Spot, GU5.3 Base 10LED4021=10W 4000K, 21° Narrow, GU5.3 Base 10LED4041=10W 4000K, 41° Wide, GU5.3 Base 10LED5712=10W 5700K, 12° Spot, GU5.3 Base</p>	<p>12=12V</p>	<p>Metal NBR=Brass NBZ=Bronze NCP=Copper NSS=Stainless Steel</p> <p>Painted BK=Black BZ=Bronze CS=City Silver VE=Verde WT=White</p>
	<p>10LED5721=10W 5700K, 21° Narrow, GU5.3 Base 10LED5741=10W 5700K, 41° Wide, GU5.3 Base 6LED2712=6W 2700K, 12° Spot, GU5.3 Base 6LED2721=6W 2700K, 21° Narrow, GU5.3 Base 6LED2741=6W 2700K, 41° Wide, GU5.3 Base 6LED3012=6W 3000K, 12° Spot, GU5.3 Base 6LED3021=6W 3000K, 21° Narrow, GU5.3 Base 6LED3041=6W 3000K, 41° Wide, GU5.3 Base 6LED4012=6W 4000K, 12° Spot, GU5.3 Base 6LED4021=6W 4000K, 21° Narrow, GU5.3 Base 6LED4041=6W 4000K, 41° Wide, GU5.3 Base 6LED5712=6W 5700K, 12° Spot, GU5.3 Base 6LED5721=6W 5700K, 21° Narrow, GU5.3 Base 6LED5741=6W 5700K, 41° Wide, GU5.3 Base</p>		

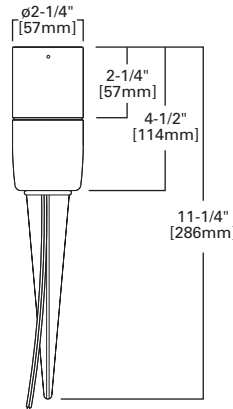
NOTES: 1. See accessories section for mounting accessories, low voltage cable and transformers. 2. Lamp not included. 3. 12V remote transformer required - not included.

FEATURES

- Includes integral mounting spike for easy installation
- Precision-machined aluminum, brass, bronze, copper or stainless steel
- Stainless steel hardware
- Siphon Protection System (S.P.S.)
- Holds up to three optical accessories
- Three-year warranty

Compliances may not apply to all product configurations. Please consult the product spec sheet for compliance details.

COMPLIANCES: UL/cUL Listed - Wet Location, IP65 Rated, LM79 / LM80 Compliant



CAMBRIA 230

ORDERING INFORMATION

SAMPLE NUMBER: 230-50MR16-12-VE

Series ¹	Source ²	Voltage ³	Finish
230=LED or MR16 Cambria Uplight with Integral Ground Spike	<p>Halogen² 50MR16=12V 50W Maximum Halogen MR16, GU5.3 Base</p> <p>LED 10LED2712=10W 2700K, 12° Spot, GU5.3 Base 10LED2721=10W 2700K, 21° Narrow, GU5.3 Base 10LED2741=10W 2700K, 41° Wide, GU5.3 Base 10LED3012=10W 3000K, 12° Spot, GU5.3 Base 10LED3021=10W 3000K, 21° Narrow, GU5.3 Base 10LED3041=10W 3000K, 41° Wide, GU5.3 Base 10LED4012=10W 4000K, 12° Spot, GU5.3 Base 10LED4021=10W 4000K, 21° Narrow, GU5.3 Base 10LED4041=10W 4000K, 41° Wide, GU5.3 Base 10LED5712=10W 5700K, 12° Spot, GU5.3 Base</p>	<p>12=12V</p>	<p>Painted BK=Black BZ=Bronze CS=City Silver VE=Verde WT=White</p> <p>Premium Material NBR=Natural Brass NBZ=Natural Bronze NCP=Natural Copper NSS=Natural Stainless Steel</p>
	<p>10LED5721=10W 5700K, 21° Narrow, GU5.3 Base 10LED5741=10W 5700K, 41° Wide, GU5.3 Base 6LED2712=6W 2700K, 12° Spot, GU5.3 Base 6LED2721=6W 2700K, 21° Narrow, GU5.3 Base 6LED2741=6W 2700K, 41° Wide, GU5.3 Base 6LED3012=6W 3000K, 12° Spot, GU5.3 Base 6LED3021=6W 3000K, 21° Narrow, GU5.3 Base 6LED3041=6W 3000K, 41° Wide, GU5.3 Base 6LED4012=6W 4000K, 12° Spot, GU5.3 Base 6LED4021=6W 4000K, 21° Narrow, GU5.3 Base 6LED4041=6W 4000K, 41° Wide, GU5.3 Base 6LED5712=6W 5700K, 12° Spot, GU5.3 Base 6LED5721=6W 5700K, 21° Narrow, GU5.3 Base 6LED5741=6W 5700K, 41° Wide, GU5.3 Base</p>		

NOTES: 1. See accessories section for mounting accessories, low voltage cable and transformers. 2. Lamp not included. 3. 12V remote transformer required - not included.

Specifications and dimensions subject to change without notice. Consult your Cooper Lighting Representative or visit www.cooperlighting.com for available options, accessories and ordering information.



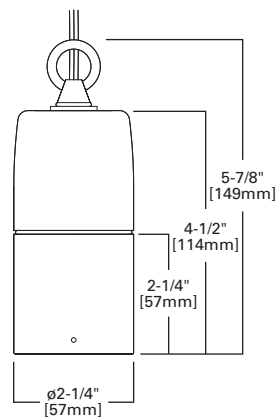
CAMBRIA 213

FEATURES

- Integral hanging ring
- Precision-machined aluminum, brass, bronze, copper or stainless steel
- Standard with 24" leads
- Stainless steel hardware
- Siphon Protection System (S.P.S.)
- Holds up to three optical accessories
- Three-year warranty

Compliances may not apply to all product configurations. Please consult the product spec sheet for compliance details.

COMPLIANCES: UL/cUL Listed - Wet Location, IP65 Rated, LM79 / LM80 Compliant

**ORDERING INFORMATION**

SAMPLE NUMBER: 213-50MR16-12-VE

Series ¹	Source	Voltage ³	Finish
213 =MR16 Cambria Hanging Downlight	<p>Halogen² 50MR16=12V 50W Maximum Halogen MR16, GU5.3 Base</p> <p>LED 10LED2712=10W 2700K, 12° Spot, GU5.3 Base 10LED2721=10W 2700K, 21° Narrow, GU5.3 Base 10LED2741=10W 2700K, 41° Wide, GU5.3 Base 10LED3012=10W 3000K, 12° Spot, GU5.3 Base 10LED3021=10W 3000K, 21° Narrow, GU5.3 Base 10LED3041=10W 3000K, 41° Wide, GU5.3 Base 10LED4012=10W 4000K, 12° Spot, GU5.3 Base 10LED4021=10W 4000K, 21° Narrow, GU5.3 Base 10LED4041=10W 4000K, 41° Wide, GU5.3 Base 10LED5712=10W 5700K, 12° Spot, GU5.3 Base 10LED5721=10W 5700K, 21° Narrow, GU5.3 Base 10LED5741=10W 5700K, 41° Wide, GU5.3 Base 6LED2712=6W 2700K, 12° Spot, GU5.3 Base 6LED2721=6W 2700K, 21° Narrow, GU5.3 Base 6LED2741=6W 2700K, 41° Wide, GU5.3 Base 6LED3012=6W 3000K, 12° Spot, GU5.3 Base 6LED3021=6W 3000K, 21° Narrow, GU5.3 Base 6LED3041=6W 3000K, 41° Wide, GU5.3 Base 6LED4012=6W 4000K, 12° Spot, GU5.3 Base 6LED4021=6W 4000K, 21° Narrow, GU5.3 Base 6LED4041=6W 4000K, 41° Wide, GU5.3 Base 6LED5712=6W 5700K, 12° Spot, GU5.3 Base 6LED5721=6W 5700K, 21° Narrow, GU5.3 Base 6LED5741=6W 5700K, 41° Wide, GU5.3 Base</p>	12 =12V	<p>Metal NBR=Natural Brass NBZ=Natural Bronze NCP=Natural Copper NSS=Natural Stainless Steel</p> <p>Painted BK=Black BZ=Bronze CS=City Silver VE=Verde WT=White</p>

NOTES: 1. See accessories section for mounting accessories, low voltage cable and transformers. 2. Lamp not included. 3. 12V remote transformer required - not included.

FEATURES

- 340° tilt, 360° rotation
- Precision-machined aluminum, brass, bronze, copper or stainless steel
- Adjustable glare control and lamp shroud
- Integrated heat-sink extends lamp life
- Stainless steel hardware
- Siphon Protection System (S.P.S.)
- Holds up to three optical accessories
- Three-year warranty

Compliances may not apply to all product configurations. Please consult the product spec sheet for compliance details.

COMPLIANCES: UL/cUL Listed - Wet Location, IP65 Rated, LM79 / LM80 Compliant



CAMBRIA 204



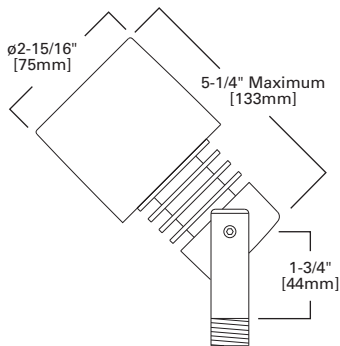
ORDERING INFORMATION

SAMPLE NUMBER: 204-CRS-75MR16-12-VE

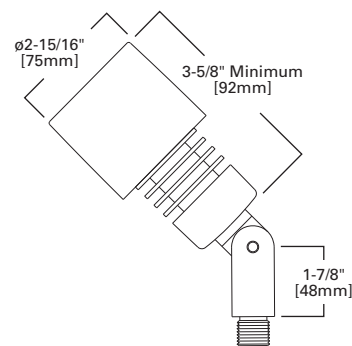
Series ¹	Construction	Source	Voltage ³	Finish
204=MR16 Cambria Accent Fixture with Integral Heat Sink and Adjustable Hood	[Blank]=Standard Side Swivel Stem, 1/2" NPS CRS=Center Rear Swivel Stem, 1/2" NPS	Halogen² 75MR16=75W Maximum Halogen MR16, GU5.3 Base LED 10LED2712=10W 2700K, 12° Spot, GU5.3 Base 10LED2721=10W 2700K, 21° Narrow, GU5.3 Base 10LED2741=10W 2700K, 41° Wide, GU5.3 Base 10LED3012=10W 3000K, 12° Spot, GU5.3 Base 10LED3021=10W 3000K, 21° Narrow, GU5.3 Base 10LED3041=10W 3000K, 41° Wide, GU5.3 Base 10LED4012=10W 4000K, 12° Spot, GU5.3 Base 10LED4021=10W 4000K, 21° Narrow, GU5.3 Base 10LED4041=10W 4000K, 41° Wide, GU5.3 Base 10LED5712=10W 5700K, 12° Spot, GU5.3 Base 10LED5721=10W 5700K, 21° Narrow, GU5.3 Base 10LED5741=10W 5700K, 41° Wide, GU5.3 Base 6LED2712=6W 2700K, 12° Spot, GU5.3 Base 6LED2721=6W 2700K, 21° Narrow, GU5.3 Base 6LED2741=6W 2700K, 41° Wide, GU5.3 Base 6LED3012=6W 3000K, 12° Spot, GU5.3 Base 6LED3021=6W 3000K, 21° Narrow, GU5.3 Base 6LED3041=6W 3000K, 41° Wide, GU5.3 Base 6LED4012=6W 4000K, 12° Spot, GU5.3 Base 6LED4021=6W 4000K, 21° Narrow, GU5.3 Base 6LED4041=6W 4000K, 41° Wide, GU5.3 Base 6LED5712=6W 5700K, 12° Spot, GU5.3 Base 6LED5721=6W 5700K, 21° Narrow, GU5.3 Base 6LED5741=6W 5700K, 41° Wide, GU5.3 Base	12=12V	Painted BK=Black BZ=Bronze CS=City Silver VE=Verde WT=White

NOTES: 1. See accessories section for mounting accessories, low voltage cable and transformers. 2. Lamp not included. 3. 12V remote transformer required - not included.

CAMBRIA 204
SIDE SWIVEL STEM



CAMBRIA 204-CRS
CENTER REAR SWIVEL



Specifications and dimensions subject to change without notice. Consult your Cooper Lighting Representative or visit www.cooperlighting.com for available options, accessories and ordering information.



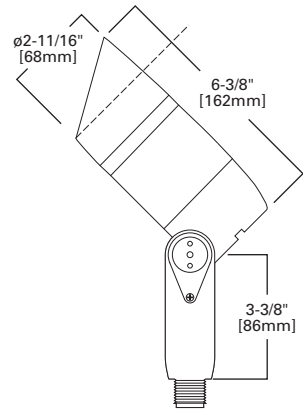
CAMBRIA 252, 355

FEATURES

- 200° tilt, 360° rotation
- Patented pivot system for easy aiming and no water-intrusion
- Corrosion-proof, UV-resistant, composite construction
- Integrated adjustable glare-control hood
- Stainless steel and brass hardware
- Holds up to three optical accessories
- Three-year warranty

Compliances may not apply to all product configurations. Please consult the product spec sheet for compliance details.

COMPLIANCES: UL/cUL Listed - Wet Location, IP65 Rated



ORDERING INFORMATION

SAMPLE NUMBER: 252-50MR16-12-BK

Series ¹	Source	Voltage ³	Finish	Options
252=12V MR16 Black Composite Cambria Accent Fixture with Integral Adjustable Glare Shield	Halogen 50MR16=120V 50W Maximum Halogen MR16, G8.5 Base WFL Optic ²	12=12V 120=120V	BK=Black	FWC=Field Wiring Channels
355=120V MR16 Black Composite Cambria Accent Fixture with Integral Adjustable Glare Shield	50MR16=12V 50W Maximum Halogen MR16, GU5.3 Base			

NOTES: 1. See accessories section for mounting accessories, low voltage cable and transformers. 2. Lamp included. 3. 12V remote transformer required - not included.



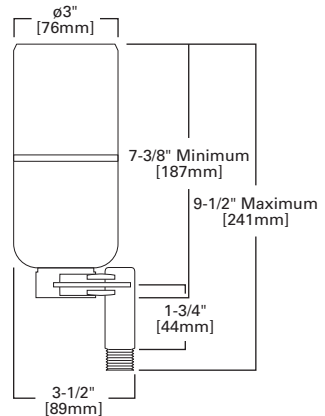
SANIBEL 301

FEATURES

- 340° tilt, 360° rotation
- Integral 12V step-down transformer
- Machined aluminum hood, shroud and stem with spun-aluminum body
- Integral, adjustable glare-control shroud
- Stainless steel hardware
- Holds up to three optical accessories
- Three-year warranty

Compliances may not apply to all product configurations. Please consult the product spec sheet for compliance details.

COMPLIANCES: UL/cUL Listed - Wet Location, IP65 Rated, LM79 / LM80 Compliant



ORDERING INFORMATION

SAMPLE NUMBER: 301-50MR16-120/12-VE

Series ¹	Source	Voltage ³	Finish	
301=LED or MR16 Sanibel Accent Fixture with Adjustable Shroud and Integral Transformer	Halogen² 50MR16=12V 50W Maximum Halogen MR16, GU5.3 Base LED 10LED2712=10W 2700K, 12° Spot, GU5.3 Base 10LED2721=10W 2700K, 21° Narrow, GU5.3 Base 10LED2741=10W 2700K, 41° Wide, GU5.3 Base 10LED3012=10W 3000K, 12° Spot, GU5.3 Base 10LED3021=10W 3000K, 21° Narrow, GU5.3 Base 10LED3041=10W 3000K, 41° Wide, GU5.3 Base 10LED4012=10W 4000K, 12° Spot, GU5.3 Base 10LED4021=10W 4000K, 21° Narrow, GU5.3 Base 10LED4041=10W 4000K, 41° Wide, GU5.3 Base 10LED5712=10W 5700K, 12° Spot, GU5.3 Base	10LED5721=10W 5700K, 21° Narrow, GU5.3 Base 10LED5741=10W 5700K, 41° Wide, GU5.3 Base 6LED2712=6W 2700K, 12° Spot, GU5.3 Base 6LED2721=6W 2700K, 21° Narrow, GU5.3 Base 6LED2741=6W 2700K, 41° Wide, GU5.3 Base 6LED3012=6W 3000K, 12° Spot, GU5.3 Base 6LED3021=6W 3000K, 21° Narrow, GU5.3 Base 6LED3041=6W 3000K, 41° Wide, GU5.3 Base 6LED4012=6W 4000K, 12° Spot, GU5.3 Base 6LED4021=6W 4000K, 21° Narrow, GU5.3 Base 6LED4041=6W 4000K, 41° Wide, GU5.3 Base 6LED5712=6W 5700K, 12° Spot, GU5.3 Base 6LED5721=6W 5700K, 21° Narrow, GU5.3 Base 6LED5741=6W 5700K, 41° Wide, GU5.3 Base	120/12=120V to 12V Integral Transformer 230/12=230V to 12V Integral Transformer 277/12=277V to 12V Integral Transformer	Painted BK=Black BZ=Bronze CS=City Silver VE=Verde WT=White

NOTES: 1. See accessories section for mounting accessories, low voltage cable and transformers. 2. Halogen lamp not included. 3. Includes 12V integral transformer.

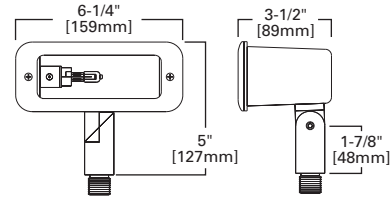
Specifications and dimensions subject to change without notice. Consult your Cooper Lighting Representative or visit www.cooperlighting.com for available options, accessories and ordering information.

FEATURES

- 200° tilt, 360° rotation
- Pebblestone aluminum reflector provides high-lumen output
- Precision-machined aluminum stem and hood
- Die-cast aluminum housing
- Stainless steel hardware
- Siphon Protection System (S.P.S.)
- Three-year warranty

Compliances may not apply to all product configurations. Please consult the product spec sheet for compliance details.

COMPLIANCES: UL/cUL Listed - Wet Location, IP66 Rated



CARMEL 403, 450

ORDERING INFORMATION

SAMPLE NUMBER: 403-50T4-12-VE

Series ¹	Source ²	Voltage	Ballast (450 Only)
403 =T4 Carmel Mini Flood Fixture (12V) 450 =T6 Carmel Mini Flood Fixture (HID)	Halogen 50T4 =50W Maximum Halogen T4, GY6.35 Base Metal Halide MH39T6 =39W Metal Halide T6, G12 base MH70T6 =70W Metal Halide T6, G12 base	Halogen 12 =12V ³ Metal Halide 120 =120V 208 =208V 240 =240V 277 =277V 347 =347V UNV =120-277V, 50/60 Hz	[Blank] =Standard Core and Coil Ballast EL =Electronic Ballast ELM =Electronic Ballast, Mini Housing
Mounting (450 Only)		Finish	Options
MB =Fixture Mounts to Inground Ballast Container MBR =Fixture Mounts to Flat Surface, Remote Inground Ballast Container SM =Fixture Mounts to Wall Mounted Ballast Housing, Bottom Conduit Entry TS =Fixture Mounts to Ballast Housing Strapped to Tree, Bottom Conduit Entry TSR =Fixture Strapped to Tree, Remote Inground Ballast Container TSR2 =Fixture Strapped to Tree, Remote Ballast Housing Strapped to Tree WM =Fixture Mounts to Wall Mounted Ballast Housing, over J-box WR =Fixture Mounts to Flat Surface, Remote Ballast Housing		Painted BK =Black BZ =Bronze CS =City Silver VE =Verde WT =White	HA24 =24" Hook Arm HA30 =30" Hook Arm HA36 =36" Hook Arm SA24 =24" Straight Arm SA30 =30" Straight Arm SA36 =36" Straight Arm

NOTES: 1. See accessories section for mounting accessories, low voltage cable and transformers. 2. Lamp not included. 3. 12V remote transformer required - not included.



FEATURES

- 340° tilt, 360° rotation
- Precision-machined aluminum, brass, bronze, copper or stainless steel
- Stainless steel hardware
- Holds up to three optical accessories
- Over 15 ballast-mounting options
- Three-year warranty

Compliances may not apply to all product configurations. Please consult the product spec sheet for compliance details.

COMPLIANCES: UL Listed - Wet Location, IP65 Rated



CAMBRIA 703

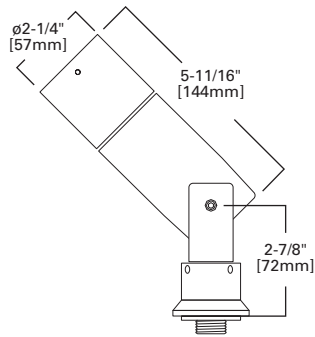
ORDERING INFORMATION

SAMPLE NUMBER: 703-MR20MR16-120-EL-MB-VE

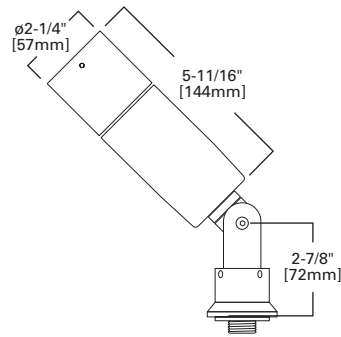
Series	Source ¹	Voltage	Ballast ²
703 =Cambria Accent Fixture with Side Swivel Stem 703-CRS =Cambria Accent Fixture with Center Rear Swivel 703-FL =Cambria Accent Fixture with Flush Lens and Side Swivel Mount 703-FM =Cambria Accent Fixture Flush Mount	MH20MR16 =20W Metal Halide MR16 MH39MR16 =39W Metal Halide MR16	120 =120V 208 =208V 240 =240V 277 =277V 347 =347V UNV =120-277V, 50/60 Hz	[Blank] =Standard Core and Coil Ballast EL =Electronic Ballast ELM =Electronic Ballast, Mini Housing
Mounting	Finish		
MB =Fixture Mounts to Inground Ballast Container MBR =Fixture Mounts to Flat Surface, Remote Inground Ballast Container SM =Fixture Mounts to Wall Mounted Ballast Housing, Bottom Conduit Entry TS =Fixture Mounts to Ballast Housing Strapped to Tree, Bottom Conduit Entry TSR =Fixture Strapped to Tree, Remote Inground Ballast Container TSR2 =Fixture Strapped to Tree, Remote Ballast Housing Strapped to Tree WM =Fixture Mounts to Wall Mounted Ballast Housing, over J-box WR =Fixture Mounts to Flat Surface, Remote Ballast Housing	Metal NBR =Brass NBZ =Bronze NCP =Copper NSS =Stainless Steel Painted BK =Black BZ =Bronze CS =City Silver VE =Verde WT =White		

NOTES: 1. Lamp not included. 2. ELM ballast available with WM, SM and TS mounting only.

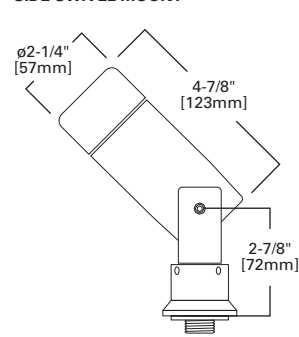
**CAMBRIA 703
SIDE SWIVEL STEM**



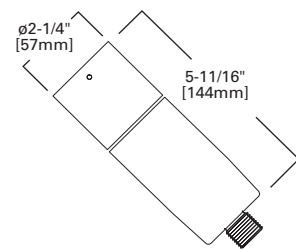
**CAMBRIA 703-CRS
CENTER REAR SWIVEL**



**CAMBRIA 703-FL
FLUSH LENS /
SIDE SWIVEL MOUNT**



**CAMBRIA 703-FM
FLUSH MOUNT**

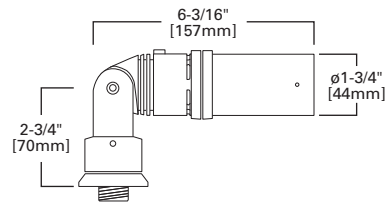


Specifications and dimensions subject to change without notice. Consult your Cooper Lighting Representative or visit www.cooperlighting.com for available options, accessories and ordering information.

FEATURES

- 200° tilt, 360° rotation
- Patented LumAdjust™ field-adjustable beam (13° to 53°)
- Precision-machined aluminum, brass, bronze, copper or stainless steel
- Stainless steel hardware
- Holds up to three optical accessories
- Three-year warranty

Compliances may not apply to all product configurations. Please consult the product spec sheet for compliance details.
COMPLIANCES: UL/cUL Listed - Wet Location, IP65 Rated



MONACO 2002

ORDERING INFORMATION

SAMPLE NUMBER: 2002-MH39T4-120-EL-MB-VE

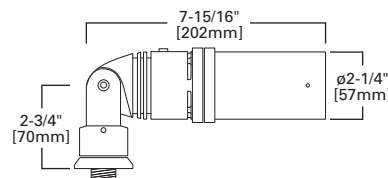
Series	Source ¹	Voltage	Ballast ²
2002 =T4 Monaco with LumAdjust™ 30° - 49° Adjustable Beam and Aim-Locking	Metal Halide MH39T4=39W Metal Halide T4, G8.5 Base	120 =120V 208 =208V 240 =240V 277 =277V 347 =347V UNV =120-277V, 50/60 Hz	[Blank] =Standard Core and Coil Ballast EL =Electronic Ballast ELM =Electronic Ballast, Mini Housing ²
Mounting		Finish	
MB =Fixture Mounts to Inground Ballast Container MBR =Fixture Mounts to Flat Surface, Remote Inground Ballast Container SM =Fixture Mounts to Wall Mounted Ballast Housing, Bottom Conduit Entry TS =Fixture Mounts to Ballast Housing Strapped to Tree, Bottom Conduit Entry TSR =Fixture Strapped to Tree, Remote Inground Ballast Container TSR2 =Fixture Strapped to Tree, Remote Ballast Housing Strapped to Tree WM =Fixture Mounts to Wall Mounted Ballast Housing, over J-box WR =Fixture Mounts to Flat Surface, Remote Ballast Housing		Metal NBR =Natural Brass NBZ =Natural Bronze NCP =Natural Copper NSS =Natural Stainless Steel Painted BK =Black BZ =Bronze CS =City Silver VE =Verde WT =White	

NOTES: 1. Lamp not included. 2. ELM ballast available with WM, SM and TS mounting only.

FEATURES

- 200° tilt, 360° rotation
- Patented LumAdjust™ field-adjustable beam (13° to 53°)
- Precision-machined aluminum, brass, bronze, copper or stainless steel
- Stainless steel hardware
- Holds up to three optical accessories
- Three-year warranty

Compliances may not apply to all product configurations. Please consult the product spec sheet for compliance details.
COMPLIANCES: UL/cUL Listed - Wet Location, IP65 Rated



MONACO 2001

ORDERING INFORMATION

SAMPLE NUMBER: 2001-MH70T6-120-EL-MB-VE

Series	Source ¹	Voltage	Ballast ²
2001 =T6 Monaco with LumAdjust™ 13° - 53° Adjustable Beam and Aim-Locking	Metal Halide MH39T6=39W Metal Halide T6, G12 Base MH70T6=70W Metal Halide T6, G12 Base	120 =120V 208 =208V 240 =240V 277 =277V 347 =347V UNV =120-277V, 50/60 Hz	[Blank] =Standard Core and Coil Ballast EL =Electronic Ballast ELM =Electronic Ballast, Mini Housing ²
Mounting		Finish	
MB =Fixture Mounts to Inground Ballast Container MBR =Fixture Mounts to Flat Surface, Remote Inground Ballast Container SM =Fixture Mounts to Wall Mounted Ballast Housing, Bottom Conduit Entry TS =Fixture Mounts to Ballast Housing Strapped to Tree, Bottom Conduit Entry TSR =Fixture Strapped to Tree, Remote Inground Ballast Container TSR2 =Fixture Strapped to Tree, Remote Ballast Housing Strapped to Tree WM =Fixture Mounts to Wall Mounted Ballast Housing, over J-box WR =Fixture Mounts to Flat Surface, Remote Ballast Housing		Metal NBR =Natural Brass NBZ =Natural Bronze NCP =Natural Copper NSS =Natural Stainless Steel Painted BK =Black BZ =Bronze CS =City Silver VE =Verde WT =White	

NOTES: 1. Lamp not included. 2. ELM ballast available with WM, SM and TS mounting only.

Specifications and dimensions subject to change without notice. Consult your Cooper Lighting Representative or visit www.cooperlighting.com for available options, accessories and ordering information.

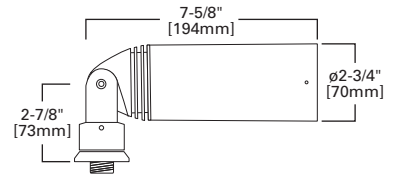


FEATURES

- 200° tilt, 360° rotation
- Precision-machined aluminum, brass, bronze, copper or stainless steel
- Stainless steel hardware
- Holds up to three optical accessories
- Three-year warranty

Compliances may not apply to all product configurations. Please consult the product spec sheet for compliance details.

COMPLIANCES: UL/cUL Listed - Wet Location, IP65 Rated



MONACO 2004

ORDERING INFORMATION

SAMPLE NUMBER: 2004-MH39PAR20-120-EL-MB-VE

Series	Source ^{1,2}	Voltage	Ballast ³
2004=PAR20 Monaco with Aim-Locking	Metal Halide MH39PAR20=39W Metal Halide PAR20, Medium Base	120=120V 208=208V 240=240V	277=277V 347=347V UNV=120-277V, 50/60 Hz
Mounting			Ballast³
MB =Fixture Mounts to Inground Ballast Container MBR =Fixture Mounts to Flat Surface, Remote Inground Ballast Container SM =Fixture Mounts to Wall Mounted Ballast Housing, Bottom Conduit Entry TS =Fixture Mounts to Ballast Housing Strapped to Tree, Bottom Conduit Entry TSR =Fixture Strapped to Tree, Remote Inground Ballast Container TSR2 =Fixture Strapped to Tree, Remote Ballast Housing Strapped to Tree WM =Fixture Mounts to Wall Mounted Ballast Housing, over J-box WR =Fixture Mounts to Flat Surface, Remote Ballast Housing			[Blank] =Standard Core and Coil Ballast EL =Electronic Ballast ELM =Electronic Ballast, Mini Housing ³
Finish			
Metal NBR =Natural Brass NBZ =Natural Bronze NCP =Natural Copper NSS =Natural Stainless Steel			Painted BK =Black BZ =Bronze CS =City Silver VE =Verde WT =White

NOTES: 1. Lamp not included. 2. IMPORTANT: This fixture accepts PAR20 lamps by all major lamp manufacturers except GE. 3. ELM ballast available with WM, SM and TS mounting only.

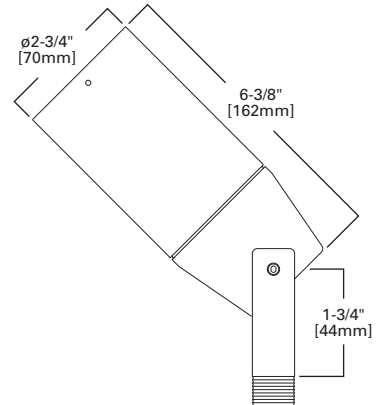


FEATURES

- 340° tilt, 360° rotation
- Connects directly to line voltage
- Precision-machined aluminum hood and mounting stem
- Die-cast aluminum body
- Stainless steel hardware
- Holds up to three optical accessories
- Three-year warranty

Compliances may not apply to all product configurations. Please consult the product spec sheet for compliance details.

COMPLIANCES: UL/cUL Listed - Wet Location, IP65 Rated



CORONADO 806

ORDERING INFORMATION

SAMPLE NUMBER: 806-50PAR20-120-VE

Series	Source ^{1,2}	Voltage	Finish
806=PAR20 Coronado with Side Mounted Swivel Stem	Halogen 50PAR20=50W Maximum Halogen PAR20, Medium Base	120=120V	Painted BK =Black BZ =Bronze CS =City Silver VE =Verde WT =White

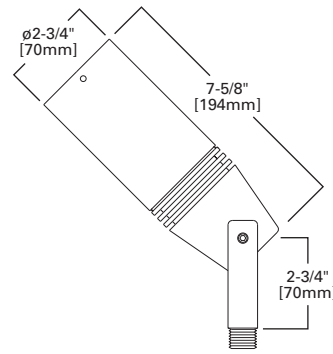
NOTES: 1. Lamp not included. 2. IMPORTANT: This fixture accepts PAR20 lamps by all major lamp manufacturers except GE.

FEATURES

- 340° tilt, 360° rotation
- Precision-machined aluminum hood and mounting stem
- Die-cast aluminum body
- Stainless steel hardware
- Holds up to three optical accessories
- Three-year warranty

Compliances may not apply to all product configurations. Please consult the product spec sheet for compliance details.

COMPLIANCES: UL/cUL Listed - Wet Location, IP65 Rated



CORONADO 710

ORDERING INFORMATION

SAMPLE NUMBER: 710-MH39PAR20-120-EL-MB-VE

Series	Source ^{1,2}	Voltage	Ballast ³
710=PAR20 Coronado with Side Mounted Swivel Stem	Metal Halide MH39PAR20=39W Metal Halide PAR20, Medium Base	120=120V 208=208V 240=240V 277=277V 347=347V UNV=120-277V, 50/60 Hz	[Blank]=Standard Core and Coil Ballast EL=Electronic Ballast ELM=Electronic Ballast, Mini Housing ³
Mounting			Finish
MB =Fixture Mounts to Inground Ballast Container MBR =Fixture Mounts to Flat Surface, Remote Inground Ballast Container SM =Fixture Mounts to Wall Mounted Ballast Housing, Bottom Conduit Entry TS =Fixture Mounts to Ballast Housing Strapped to Tree, Bottom Conduit Entry		TSR =Fixture Strapped to Tree, Remote Inground Ballast Container TSR2 =Fixture Strapped to Tree, Remote Ballast Housing Strapped to Tree WM =Fixture Mounts to Wall Mounted Ballast Housing, over J-box WR =Fixture Mounts to Flat Surface, Remote Ballast Housing	Painted BK =Black BZ =Bronze CS =City Silver VE =Verde WT =White

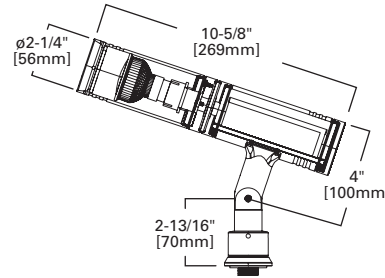
NOTES: 1. Lamp not included. 2. IMPORTANT: This fixture accepts PAR20 lamps by all major lamp manufacturers except GE. 3. ELM ballast available with WM, SM and TS mounting only.

FEATURES

- 20W and 39W metal halide MR16
- 180° x 360° aiming
- Precision-machined aluminum or stainless steel
- Integral electronic ballast
- 120V only due to small size; other voltages available with model 1620
- Thermal-isolation technology keeps ballast running cool
- Dual-lock aiming to maintain design intent
- Holds up to three optical accessories
- Three-year warranty

Compliances may not apply to all product configurations. Please consult the product spec sheet for compliance details.

COMPLIANCES: UL/cUL Listed - Wet Location, IP66 Rated



CORONADO 1610

ORDERING INFORMATION

SAMPLE NUMBER: 1610-MH20MR16-120-VE

Series	Source ¹	Voltage	Finish
1610=1610 Coronado HID Accent Fixture with Integral Ballast	MH20MR16=20W Metal Halide MR16, GX10 base MH39MR16=39W Metal Halide MR16, GX10 base	120=120V	Metal NSS =Natural Stainless Steel Painted BK =Black BZ =Bronze CS =City Silver VE =Verde WT =White

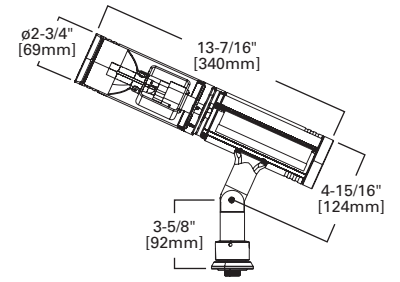
NOTES: 1. Lamp not included.

**FEATURES**

- 39W and 70W metal halide T6
- 20W and 39W metal halide MR16
- 180° x 360° aiming
- Precision-machined aluminum or stainless steel
- Integral electronic ballast
- Thermal-isolation technology keeps ballast running cool
- Dual-lock aiming to maintain design intent
- Holds up to three optical accessories
- Three-year warranty

Compliances may not apply to all product configurations. Please consult the product spec sheet for compliance details.

COMPLIANCES: UL/cUL Listed - Wet Location, IP66 Rated

CORONADO 1620**ORDERING INFORMATION**

SAMPLE NUMBER: 1620-MH7020T6-UNV-MFL-VE

Series	Source ¹	Voltage	Optics (T4/T6 Lamps Only)	Finish
1620 =Coronado HID Accent Fixture with Integral Ballast	MH20MR16 =20W Metal Halide MR16, GX10 base MH20PAR20 =20W Metal Halide PAR20, Medium Base ² MH20T4 =20W Metal Halide T4.5, G12 base MH39MR16 =39W Metal Halide MR16, GX10 base MH39PAR20 =39W Metal Halide PAR20, Medium Base ² MH39T4 =39W Metal Halide T4.5, G12 base MH39T6 =39W Metal Halide T6, G12 base MH70T6 =70W Metal Halide T6, G12 base	UNV =120-277V, 50/60 Hz	MFL =30° Medium Flood SP =12° Spot WFL =50° Wide Flood	Metal NSS =Natural Stainless Steel Painted BK =Black BZ =Bronze CS =City Silver VE =Verde WT =White

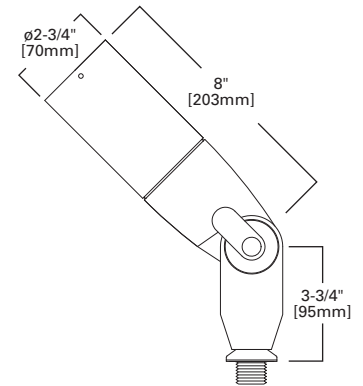
NOTES: 1. Lamp not included. 2. IMPORTANT: This fixture accepts PAR20 lamps by all major lamp manufacturers except GE.

**FEATURES**

- 200° tilt, 360° rotation
- Fully adjustable mounting-stem with patented, locking-clutch mechanism
- Precision-machined aluminum hood
- Die-cast aluminum body and stem
- Stainless steel hardware
- Holds up to three optical accessories
- Three-year warranty

Compliances may not apply to all product configurations. Please consult the product spec sheet for compliance details.

COMPLIANCES: UL/cUL Listed - Wet Location, IP65 Rated

CORONADO 720, 820**ORDERING INFORMATION**

SAMPLE NUMBER: 720-MH39PAR20-120-ELMB-VE

Series	Source ^{1,2}	Voltage	Ballast (720 Only) ⁴
720 =PAR20 Coronado with Locking-clutch Aiming - Metal Halide 820 =PAR20 Coronado with Locking-clutch Aiming - Halogen	Halogen ³ 50PAR20 =50W Maximum Halogen PAR20, Medium Base Metal Halide MH20PAR20 =20W Metal Halide PAR20, Medium Base MH39PAR20 =39W Metal Halide PAR20, Medium Base	120 =120V ³ 208 =208V 240 =240V 277 =277V 347 =347V UNV =120-277V, 50/60 Hz	[Blank] =Standard Core and Coil Ballast EL =Electronic Ballast ELM =Electronic Ballast, Mini Housing ⁴
Mounting (720 Only)		Finish	
MB =Fixture Mounts to Inground Ballast Container MBR =Fixture Mounts to Flat Surface, Remote Inground Ballast Container SM =Fixture Mounts to Wall Mounted Ballast Housing, Bottom Conduit Entry TS =Fixture Mounts to Ballast Housing Strapped to Tree, Bottom Conduit Entry TSR =Fixture Strapped to Tree, Remote Inground Ballast Container TSR2 =Fixture Strapped to Tree, Remote Ballast Housing Strapped to Tree WM =Fixture Mounts to Wall Mounted Ballast Housing, over J-box WR =Fixture Mounts to Flat Surface, Remote Ballast Housing		Painted BK =Black BZ =Bronze CS =City Silver VE =Verde WT =White	

NOTES: 1. Lamp not included. 2. IMPORTANT: This fixture accepts PAR20 lamps by all major lamp manufacturers except GE. 3. Halogen lamp only available in 120V. 4. ELM ballast available with WM, SM and TS mounting only.

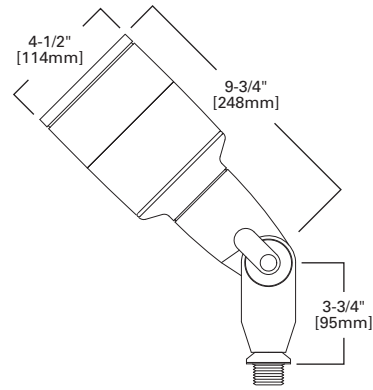
Specifications and dimensions subject to change without notice. Consult your Cooper Lighting Representative or visit www.cooperlighting.com for available options, accessories and ordering information.

FEATURES

- 200° tilt, 360° rotation
- Fully adjustable mounting-stem with patented, locking-clutch mechanism
- Precision-machined aluminum hood
- Die-cast aluminum body and stem
- Stainless steel hardware
- Holds up to three optical accessories
- Three-year warranty

Compliances may not apply to all product configurations. Please consult the product spec sheet for compliance details.

COMPLIANCES: UL/cUL Listed - Wet Location, IP65 Rated



CORONADO
730, 830

ORDERING INFORMATION

SAMPLE NUMBER: 730-MH70PAR30-120-ELMB-VE

Series	Source ¹	Voltage	Ballast (730 Only) ³
730=PAR30 Coronado with Locking-clutch Aiming - Metal Halide	Halogen² 75PAR30=75W Maximum Halogen PAR30, Medium Base	120=120V ² 208=208V 240=240V 277=277V 347=347V UNV=120-277V, 50/60 Hz	[Blank]=Standard Core and Coil Ballast EL=Electronic Ballast ELM=Electronic Ballast, Mini Housing ³
830=PAR30 Coronado with Locking-clutch Aiming - Halogen	Metal Halide MH39PAR30=39W Metal Halide PAR30, Medium Base MH70PAR30=70W Metal Halide PAR30, Medium Base		
Mounting (730 Only)		Finish	
MB=Fixture Mounts to Inground Ballast Container MBR=Fixture Mounts to Flat Surface, Remote Inground Ballast Container SM=Fixture Mounts to Wall Mounted Ballast Housing, Bottom Conduit Entry TS=Fixture Mounts to Ballast Housing Strapped to Tree, Bottom Conduit Entry TSR=Fixture Strapped to Tree, Remote Inground Ballast Container TSR2=Fixture Strapped to Tree, Remote Ballast Housing Strapped to Tree WM=Fixture Mounts to Wall Mounted Ballast Housing, over J-box WR=Fixture Mounts to Flat Surface, Remote Ballast Housing		Painted BK=Black BZ=Bronze CS=City Silver VE=Verde WT=White	

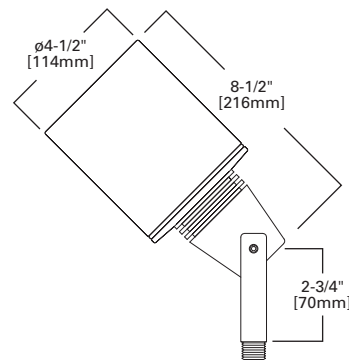
NOTES: 1. Lamp not included. 2. Halogen lamp only available in 120V. 3. ELM ballast available with WM, SM and TS mounting only.

FEATURES

- 340° tilt, 360° rotation
- Precision-machined aluminum hood and mounting stem
- Die-cast aluminum body
- Stainless steel hardware
- Holds up to three optical accessories
- Three-year warranty

Compliances may not apply to all product configurations. Please consult the product spec sheet for compliance details.

COMPLIANCES: UL/cUL Listed - Wet Location, IP65 Rated



CORONADO
711, 811

ORDERING INFORMATION

SAMPLE NUMBER: 711-MH70PAR30-120-ELMB-VE

Series	Source ¹	Voltage	Ballast (711 Only) ³
711=PAR30 Coronado with Side Mounted Swivel Stem - Metal Halide	Halogen² 75PAR30=75W Maximum Halogen PAR30, Medium Base	120=120V ² 208=208V 240=240V 277=277V 347=347V UNV=120-277V, 50/60 Hz	[Blank]=Standard Core and Coil Ballast EL=Electronic Ballast ELM=Electronic Ballast, Mini Housing ³
811=PAR30 Coronado with Side Mounted Swivel Stem - Halogen	Metal Halide MH39PAR30=39W Metal Halide PAR30, Medium Base MH70PAR30=70W Metal Halide PAR30, Medium Base		
Mounting (711 Only)		Finish	
MB=Fixture Mounts to Inground Ballast Container MBR=Fixture Mounts to Flat Surface, Remote Inground Ballast Container SM=Fixture Mounts to Wall Mounted Ballast Housing, Bottom Conduit Entry TS=Fixture Mounts to Ballast Housing Strapped to Tree, Bottom Conduit Entry TSR=Fixture Strapped to Tree, Remote Inground Ballast Container TSR2=Fixture Strapped to Tree, Remote Ballast Housing Strapped to Tree WM=Fixture Mounts to Wall Mounted Ballast Housing, over J-box WR=Fixture Mounts to Flat Surface, Remote Ballast Housing		Painted BK=Black BZ=Bronze CS=City Silver VE=Verde WT=White	

NOTES: 1. Lamp not included. 2. Halogen lamp only available in 120V. 3. ELM ballast available with WM, SM and TS mounting only.

Specifications and dimensions subject to change without notice. Consult your Cooper Lighting Representative or visit www.cooperlighting.com for available options, accessories and ordering information.

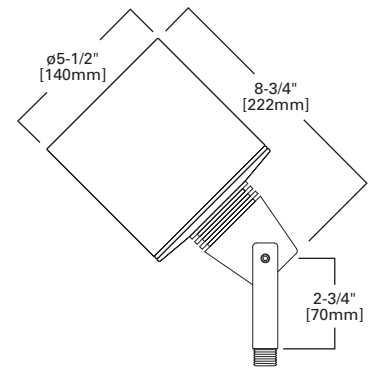


FEATURES

- 340° tilt, 360° rotation
- Precision-machined aluminum hood and mounting stem
- Die-cast aluminum body
- Stainless steel hardware
- Holds up to three optical accessories
- Three-year warranty

Compliances may not apply to all product configurations. Please consult the product spec sheet for compliance details.

COMPLIANCES: UL/cUL Listed - Wet Location, IP65 Rated



**CORONADO
712, 812**

ORDERING INFORMATION

SAMPLE NUMBER: 712-MH70PAR38-120-ELMB-VE

Series	Source ¹	Voltage	Ballast (712 Only) ³
712=PAR38 Coronado with Side Mounted Swivel Stem - Metal Halide 812=PAR38 Coronado with Side Swivel Stem - Halogen	Halogen ² 150PAR38=150W Maximum Halogen PAR38, Medium Base Metal Halide MH100PAR38=100W Metal Halide PAR38, Medium Base MH70PAR38=70W Metal Halide PAR38, Medium Base	120=120V ² 208=208V 240=240V 277=277V 347=347V UNV=120-277V, 50/60 Hz	[Blank]=Standard Core and Coil Ballast EL=Electronic Ballast ELM=Electronic Ballast, Mini Housing ³
Mounting (712 Only)		Finish	
MB=Fixture Mounts to Inground Ballast Container MBR=Fixture Mounts to Flat Surface, Remote Inground Ballast Container SM=Fixture Mounts to Wall Mounted Ballast Housing, Bottom Conduit Entry TS=Fixture Mounts to Ballast Housing Strapped to Tree, Bottom Conduit Entry TSR=Fixture Strapped to Tree, Remote Inground Ballast Container TSR2=Fixture Strapped to Tree, Remote Ballast Housing Strapped to Tree WM=Fixture Mounts to Wall Mounted Ballast Housing, over J-box WR=Fixture Mounts to Flat Surface, Remote Ballast Housing		Painted BK=Black BZ=Bronze CS=City Silver VE=Verde WT=White	

NOTES: 1. Lamp not included. 2. Halogen lamp only available in 120V. 3. ELM ballast available with WM, SM and TS mounting only.

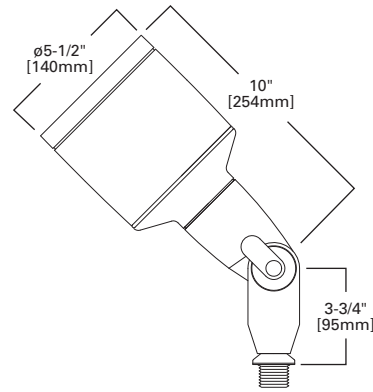
Specifications and dimensions subject to change without notice. Consult your Cooper Lighting Representative or visit www.cooperlighting.com for available options, accessories and ordering information.

FEATURES

- 200° tilt, 360° rotation
- Fully adjustable mounting stem with patented, locking-clutch mechanism
- Precision-machined aluminum hood
- Die-cast aluminum body and stem
- Stainless steel hardware
- Holds up to three optical accessories
- Three-year warranty

Compliances may not apply to all product configurations. Please consult the product spec sheet for compliance details.

COMPLIANCES: UL/cUL Listed - Wet Location, IP65 Rated



**CORONADO
740, 840**

ORDERING INFORMATION

SAMPLE NUMBER: 740-MH70PAR38-120-ELMB-VE

Series	Source ¹	Voltage	Ballast (740 Only) ³
740=PAR38 Coronado with Locking-clutch Aiming - Metal Halide 840=PAR38 Coronado with Locking-clutch Aiming - Halogen	Halogen ² 150PAR38=150W Maximum Halogen PAR38, Medium Base Metal Halide MH100PAR38=100W Metal Halide PAR38, Medium Base MH70PAR38=70W Metal Halide PAR38, Medium Base	120=120V ² 208=208V 240=240V 277=277V 347=347V UNV=120-277V, 50/60 Hz	[Blank]=Standard Core and Coil Ballast EL=Electronic Ballast ELM=Electronic Ballast, Mini Housing ³
Mounting (740 Only)		Finish	
MB=Fixture Mounts to Inground Ballast Container MBR=Fixture Mounts to Flat Surface, Remote Inground Ballast Container SM=Fixture Mounts to Wall Mounted Ballast Housing, Bottom Conduit Entry TS=Fixture Mounts to Ballast Housing Strapped to Tree, Bottom Conduit Entry TSR=Fixture Strapped to Tree, Remote Inground Ballast Container TSR2=Fixture Strapped to Tree, Remote Ballast Housing Strapped to Tree WM=Fixture Mounts to Wall Mounted Ballast Housing, over J-box WR=Fixture Mounts to Flat Surface, Remote Ballast Housing		Painted BK=Black BZ=Bronze CS=City Silver VE=Verde WT=White	

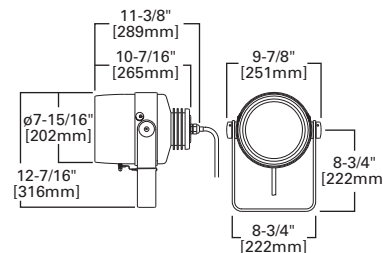
NOTES: 1. Lamp not included. 2. Halogen lamp only available in 120V. 3. ELM ballast available with WM, SM and TS mounting only.

FEATURES

- Powerful luminaire for longer throws or broad-intensity floodlighting
- Fully adjustable mounting yoke
- Unique locking-clutch mechanism for easy, precise aiming
- Fabricated-aluminum construction
- Siphon Protection System (S.P.S.)
- Stainless steel hardware
- Holds up to three optical accessories
- Three-year warranty

Compliances may not apply to all product configurations. Please consult the product spec sheet for compliance details.

COMPLIANCES: UL/cUL Listed - Wet Location, IP65 Rated



SANIBEL 803

ORDERING INFORMATION

SAMPLE NUMBER: 803-240PAR56-12-BK

Series	Source ¹	Voltage ²	Finish	Options
803=PAR56 Sanibel Flood Fixture with Mounting Yoke	Halogen 240PAR56=240W Maximum Halogen PAR56, Mogul Base	12=12V	Painted BK=Black BZ=Bronze CS=City Silver VE=Verde WT=White	SCH=Safety Chain YMA1=Watertight Cord Entry Through Mounting Yoke

NOTES: 1. Halogen lamp not included. 2. 12V remote transformer required - not included.

Specifications and dimensions subject to change without notice. Consult your Cooper Lighting Representative or visit www.cooperlighting.com for available options, accessories and ordering information.

**FEATURES**

- Non-adjustable beam with one, two or four openings
- Corrosion-proof, thermoplastic, recessed housing
- Die-cast aluminum inner housing
- Die-cast aluminum or machined brass, bronze or stainless steel trim
- Stainless steel hardware
- Three-year warranty

Compliances may not apply to all product configurations. Please consult the product spec sheet for compliance details.

COMPLIANCES: UL/cUL Listed - Wet Location, IP67 Rated, LM79 / LM80 Compliant

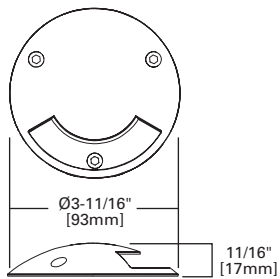
**BOCA 650****ORDERING INFORMATION**

SAMPLE NUMBER: 650-1-6LED2712-12-NSS

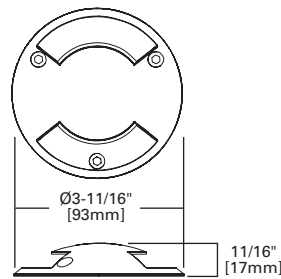
Series ¹	Source	Voltage ³
650-1 =3-11/16" Diameter Non-adjustable Boca Inground Single (1) Opening 650-2 =3-11/16" Diameter Non-adjustable Boca Inground Dual (2) Opening 650-4 =3-11/16" Diameter Non-adjustable Boca Inground Quadruple (4) Opening	Halogen ² 20MR11 =20W Max Halogen MR11, GU4 Base LED 6LED2712 =6W 2700K, 12° Spot, GU5.3 Base 6LED3012 =6W 3000K, 12° Spot, GU5.3 Base 6LED4012 =6W 4000K, 12° Spot, GU5.3 Base 6LED5712 =6W 5700K, 12° Spot, GU5.3 Base	12 =12V
Finish	Options	Recessed Housing (Order Separately)
Painted BK =Black BZ =Bronze CS =City Silver VE =Verde WT =White Premium Material NBR =Natural Brass NBZ =Natural Bronze NCP =Natural Copper NSS =Natural Stainless Steel	LBB =Housing Shipped in Advance (Select LBB option and order Back Box separately)	650-BB =Recessed Housing

NOTES: 1. See accessories section for mounting accessories, low voltage cable and transformers. 2. Lamp not included. 3. 12V remote transformer required - not included.

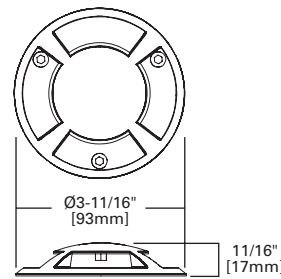
BOCA 650-1
ONE OPENING



BOCA 650-2
TWO OPENINGS



BOCA 650-4
FOUR OPENINGS



FEATURES

- 15° tilt, 360° rotation
- Corrosion-proof, thermoplastic, recessed housing
- Die-cast aluminum inner housing
- Stainless steel trim
- Stainless steel hardware
- Round or square forms
- Three-year warranty

Compliances may not apply to all product configurations. Please consult the product spec sheet for compliance details.

COMPLIANCES: UL/cUL Listed - Wet Location, IP67 Rated



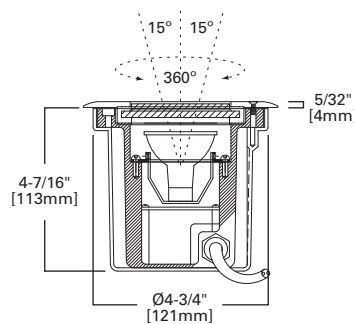
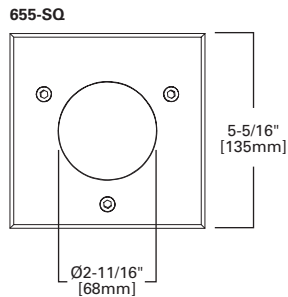
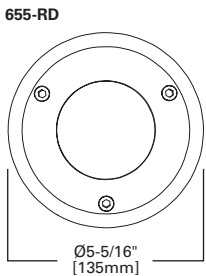
BOCA 655

ORDERING INFORMATION

SAMPLE NUMBER: 655-RD-35MR16-12-VE

Series ¹	Source ²	Voltage ³
655-RD =5-3/8" Diameter Adjustable Boca Inground Round Trim 655-SQ =5-3/8" Diameter Adjustable Boca Inground Square Trim	Halogen 37MR16 =37W Maximum Halogen MR16, GU5.3 Base	12 =12V
Finish	Options	Recessed Housing (Order Separately)
Painted BK =Black BZ =Bronze CS =City Silver VE =Verde WT =White Premium Material NBR =Natural Brass NBZ =Natural Bronze NCP =Natural Copper NSS =Natural Stainless Steel	LBB =Housing Shipped in Advance (Select LBB option and order Back Box separately)	655-BB =Recessed Housing

NOTES: 1. See accessories section for mounting accessories, low voltage cable and transformers. 2. Lamp not included. 3. 12V remote transformer required - not included.



Specifications and dimensions subject to change without notice. Consult your Cooper Lighting Representative or visit www.cooperlighting.com for available options, accessories and ordering information.



FEATURES

- Non-adjustable uplight
- Integral temperature reduction lens (631 only)
- Extruded aluminum recessed housing
- Machined aluminum, brass, bronze, copper or stainless steel
- Stainless steel hardware
- Siphon Protection System (S.P.S.)
- Drive-over rated to 5,000 pounds
- Three-year warranty

Compliances may not apply to all product configurations. Please consult the product spec sheet for compliance details.

COMPLIANCES: UL Listed - Wet Location, IP66 Rated, ADA Compliant

BOCA 630, 631



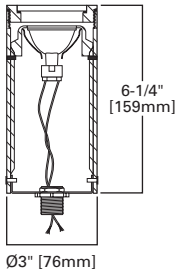
ORDERING INFORMATION

SAMPLE NUMBER: 630-50MR16-12-VE

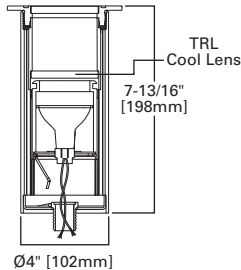
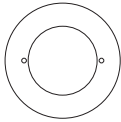
Series ¹	Source ²	Voltage ³	Finish	Options	Recessed Housing (Order Separately)
630 =3" Diameter Non-adjustable Boca Inground 631 =4" Diameter Non-adjustable Dual Lens Boca Inground	20MR16 =20W Halogen MR16, GU5.3 Base 50MR16 =12V 50W Maximum Halogen MR16, GU5.3 Base	12=12V	Natural Metal NBR =Natural Brass NBZ =Natural Bronze NCP =Natural Copper NSS =Natural Stainless Steel Painted BK =Black BZ =Bronze CS =City Silver VE =Verde WT =White	LBB =Housing Shipped in Advance (Select LBB option and order Back Box separately) T =Thermally Rated for use in non-IC Wood Flooring (Changes UL/cUL Wet Label to Damp Label)	630-BB =Recessed Housing 630-T-BB =Recessed Housing with Thermal Protector 631-BB =Recessed Housing 631-T-BB =Recessed Housing with Thermal Protector

NOTES: 1. See accessories section for mounting accessories, low voltage cable and transformers. 2. Lamp not included. 3. 12V remote transformer required - not included.

BOCA 630



BOCA 631



ALTERNATE PRODUCTS



BOCA 631

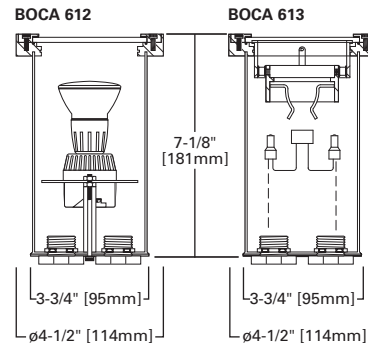
Specifications and dimensions subject to change without notice. Consult your Cooper Lighting Representative or visit www.cooperlighting.com for available options, accessories and ordering information.

FEATURES

- Non-adjustable uplight
- Stainless steel, recessed housing
- Aluminum, brass or bronze trim-ring
- Stainless steel hardware
- Drive-over rated to 5,000 pounds
- Optional indoor design
- Three-year warranty

Compliances may not apply to all product configurations. Please consult the product spec sheet for compliance details.

COMPLIANCES: UL/cUL Listed - Wet Location, IP66 Rated



BOCA 612, 613

ORDERING INFORMATION

SAMPLE NUMBER: 612-35PAR20-120-VE

Series	Source ¹	Voltage
612 =4-1/2" Diameter, Non-Adjustable PAR20 Boca Inground 613 =4-1/2" Diameter Adjustable 22° Vertical Tilt 360° Horizontal Rotation MR16 Boca Inground	Halogen 35MR16 =35W Maximum Halogen MR16, GU5.3 Base ² 35PAR20 =35W Maximum Halogen PAR20, Medium Base ² 50MR16 =50W Maximum Halogen MR16, GU5.3 Base 50PAR20 =50W Maximum Halogen PAR20, Medium Base	MR16 12 =12V ³ PAR20 120 =120V
Finish	Options	
Metal NBR =Brass NBZ =Bronze Painted BK =Black BZ =Bronze CS =City Silver VE =Verde WT =White	LBB =Housing Shipped in Advance (Select LBB option and order Back Box separately) T =Thermally Rated for use in non-IC Wood Flooring (Changes UL/cUL Wet Label to Damp Label)	
Recessed Housing (Order Separately)		
612-BK-BB =Recessed Housing Black 612-BK-T-BB =Recessed Housing Black with Thermal Protector 612-BZ-BB =Recessed Housing Bronze 612-BZ-T-BB =Recessed Housing Bronze with Thermal Protector 612-CS-BB =Recessed Housing City Silver 612-CS-T-BB =Recessed Housing City Silver with Thermal Protector 612-NBR-BB =Recessed Housing Natural Brass 612-NBR-T-BB =Recessed Housing Natural Brass with Thermal Protector 612-NBZ-BB =Recessed Housing Natural Bronze 612-NBZ-T-BB =Recessed Housing Natural Bronze with Thermal Protector 612-VE-BB =Recessed Housing Verde 612-VE-T-BB =Recessed Housing Verde with Thermal Protector 612-WT-BB =Recessed Housing White 612-WT-T-BB =Recessed Housing White with Thermal Protector 613-BK-BB =Recessed Housing Black	613-BK-T-BB =Recessed Housing Black with Thermal Protector 613-BZ-BB =Recessed Housing Bronze 613-BZ-T-BB =Recessed Housing Bronze with Thermal Protector 613-CS-BB =Recessed Housing City Silver 613-CS-T-BB =Recessed Housing City Silver with Thermal Protector 613-NBR-BB =Recessed Housing Natural Brass 613-NBR-T-BB =Recessed Housing Natural Brass with Thermal Protector 613-NBZ-BB =Recessed Housing Natural Bronze 613-NBZ-T-BB =Recessed Housing Natural Bronze with Thermal Protector 613-VE-BB =Recessed Housing Verde 613-VE-T-BB =Recessed Housing Verde with Thermal Protector 613-WT-BB =Recessed Housing White 613-WT-T-BB =Recessed Housing White with Thermal Protector	

NOTES: 1. Lamp not included. 2. Use with T Option. 3. 12V remote transformer required - not included.

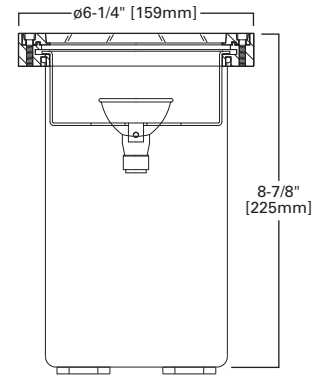
**FEATURES**

- Adjustable beam: 15° tilt, 360° rotation
- Stainless steel, recessed housing
- Die-cast brass trim ring and collar
- Stainless steel hardware
- Multiple conduit-entry options
- Optional tamper-proof hardware
- Optional indoor design
- Drive-over rated to 5,000 pounds
- Three-year warranty

Compliances may not apply to all product configurations. Please consult the product spec sheet for compliance details.

COMPLIANCES: UL/cUL Listed - Wet Location, IP65 Rated

BOCA 632, 633

**ORDERING INFORMATION**

SAMPLE NUMBER: 632-75MR16-12-NBR

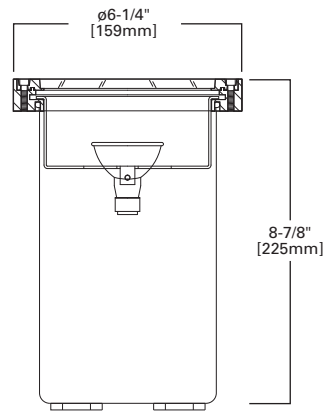
Series ¹	Source ²	Voltage	Finish
632 =6-1/4" Diameter, Adjustable 22° Vertical Tilt 360° Horizontal Rotation Boca Inground 633 =6-1/4" Diameter, Adjustable 22° Vertical Tilt 360° Horizontal Rotation Boca Inground with Integral Transformer	Halogen 632 75MR16 =75W Maximum Halogen MR16, GU5.3 Base 633 50MR16 =50W Maximum Halogen MR16, GU5.3 Base	632 12 =12V 633 120/12 =120V to 12V Integral Transformer 230/12 =230V to 12V Integral Transformer 277/12 =277V to 12V Integral Transformer	Metal NBR =Brass
Options	Recessed Housing (Order Separately)		
2C =Two 1/2" Conduit Entries (In lieu of 4" cord) ³ LBB =Housing Shipped in Advance (Select LBB option and order Back Box separately) T =Thermally Rated for use in non-IC Wood Flooring (Changes UL/cUL Wet Label to Damp Label) TP =Tamper-resistant Hardware	632-NBR-2C-BB =Recessed Housing Natural Brass with (2) Conduit Fittings 632-NBR-2C-TP-BB =Recessed Housing Natural Brass with (2) Conduit Fittings and Tamper Proof Fasteners 632-NBR-BB =Recessed Housing Natural Brass 632-NBR-T-BB =Recessed Housing Natural Brass with Thermal Protector 632-NBR-T-TP-BB =Recessed Housing Natural Brass with Thermal Protector and Tamper Proof Fasteners 632-NBR-TP-BB =Recessed Housing Natural Brass with Tamper Proof Fasteners 633-NBR-BB =Recessed Housing Natural Brass 633-NBR-T-BB =Recessed Housing Natural Brass with Thermal Protector 633-NBR-T-TP-BB =Recessed Housing Natural Brass with Thermal Protector and Tamper Proof Fasteners 633-NBR-TP-BB =Recessed Housing Natural Brass with Tamper Proof Fasteners		

NOTES: 1. See accessories section for mounting accessories, low voltage cable and transformers. 2. Lamp not included. 3. Only available in model 632.

FEATURES

- Non-adjustable uplight
- Stainless steel, recessed housing
- Die-cast brass trim ring and collar
- Stainless steel hardware
- Drive-over rated to 5,000 pounds
- Optional tamper-proof hardware
- Optional indoor design
- Three-year warranty

Compliances may not apply to all product configurations. Please consult the product spec sheet for compliance details.
COMPLIANCES: UL/cUL Listed - Wet Location, IP66 Rated



BOCA 635

ORDERING INFORMATION

SAMPLE NUMBER: 635-50PAR30-120-NBR

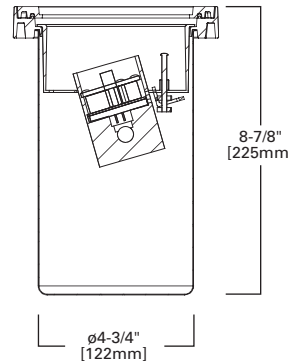
Series	Source ¹	Voltage	Finish	Options	Recessed Housing (Order Separately)
635 =6-1/4" Diameter Non-Adjustable Boca Inground	Halogen 50PAR30 =50W Maximum Halogen PAR30, Medium Base ² 75PAR30 =75W Maximum Halogen PAR30, Medium Base	120 =120V	Metal NBR =Brass	LBB =Housing Shipped in Advance (Select LBB option and order Back Box separately) T =Thermally Rated for use in non-IC Wood Flooring (Changes UL/cUL Wet Label to Damp Label) TP =Tamper-resistant Hardware	635-NBR-BB =Recessed Housing Natural Brass 635-NBR-T-BB =Recessed Housing Natural Brass with Thermal Protector 635-NBR-T-TP-BB =Recessed Housing Natural Brass with Thermal Protector and Tamper Proof Fasteners 635-NBR-TP-BB =Recessed Housing Natural Brass with Tamper Proof Fasteners

NOTES: 1. Lamp not included. 2. Use with T Option.

FEATURES

- Adjustable beam: 15° tilt, 360° rotation
- Integral 12V step-down transformer
- Stainless steel, recessed housing
- Die-cast brass trim ring and collar
- Stainless steel hardware
- Drive-over rated to 5,000 pounds
- Suitable for indoor or outdoor use
- Low lens temperature
- Three-year warranty

Compliances may not apply to all product configurations. Please consult the product spec sheet for compliance details.
COMPLIANCES: UL/cUL Listed - Wet Location, IP67 Rated, LM79 / LM80 Compliant



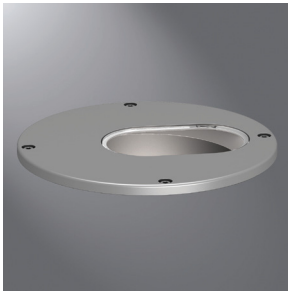
BOCA 696

ORDERING INFORMATION

SAMPLE NUMBER: 696-6LED2712-120/12-VE

Series ¹	Source	Voltage	Finish
696 =6-1/4" Diameter Adjustable 22° Vertical Tilt 360° Horizontal Rotation Boca Inground LED	LED 10LED2712 =10W 2700K, 12° Spot, GU5.3 Base 10LED2721 =10W 2700K, 21° Narrow, GU5.3 Base 10LED2741 =10W 2700K, 41° Wide, GU5.3 Base 10LED3012 =10W 3000K, 12° Spot, GU5.3 Base 10LED3021 =10W 3000K, 21° Narrow, GU5.3 Base 10LED3041 =10W 3000K, 41° Wide, GU5.3 Base 10LED4012 =10W 4000K, 12° Spot, GU5.3 Base 10LED4021 =10W 4000K, 21° Narrow, GU5.3 Base 10LED4041 =10W 4000K, 41° Wide, GU5.3 Base 10LED5712 =10W 5700K, 12° Spot, GU5.3 Base 10LED5721 =10W 5700K, 21° Narrow, GU5.3 Base 10LED5741 =10W 5700K, 41° Wide, GU5.3 Base	12 =12V 120/12 =120V to 12V Integral Transformer 230/12 =230V to 12V Integral Transformer 277/12 =277V to 12V Integral Transformer	Metal NBR =Natural Brass NSS =Natural Stainless Steel Painted BK =Black BZ =Bronze CS =City Silver VE =Verde WT =White

NOTES: 1. See accessories section for mounting accessories, low voltage cable and transformers.



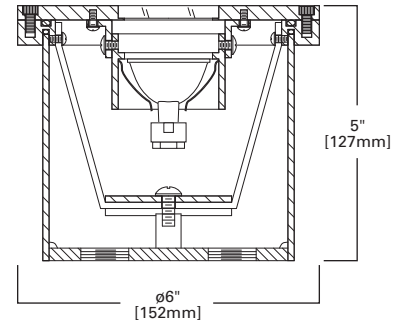
BOCA 615

FEATURES

- Adjustable beam: 15° tilt, 360° rotation
- Extruded-aluminum, recessed housing
- Machined-aluminum or brass-slotted aperture
- Stainless steel hardware
- Drive-over rated to 5,000 pounds
- Siphon Protection System (S.P.S.)
- Three-year warranty

Compliances may not apply to all product configurations. Please consult the product spec sheet for compliance details.

COMPLIANCES: UL/cUL Listed - Wet Location, IP66 Rated

**ORDERING INFORMATION**

SAMPLE NUMBER: 615-50MR16-12-NBR

Series ¹	Source ²	Voltage ³	Finish	Options	Recessed Housing (Order Separately)
615 =Slotted Aperture, 6" Diameter, 5" Low Profile, Adjustable 35° Vertical Tilt 360° Horizontal Rotation	Halogen 50MR16 =12V 50W Maximum Halogen MR16, GU5.3 Base	12 =12V	Metal NBR =Natural Brass NBZ =Natural Bronze Painted BK =Black BZ =Bronze CS =City Silver VE =Verde WT =White	LBB =Housing Shipped in Advance (Select LBB option and order Back Box separately)	615-BK-BB =Recessed Housing Black 615-BZ-BB =Recessed Housing Bronze 615-CS-BB =Recessed Housing City Silver 615-NBR-BB =Recessed Housing Natural Brass 615-NBZ-BB =Recessed Housing Natural Bronze 615-VE-BB =Recessed Housing Verde 615-WT-BB =Recessed Housing White

NOTES: 1. See accessories section for mounting accessories, low voltage cable and transformers. 2. Lamp not included. 3. 12V remote transformer required - not included.



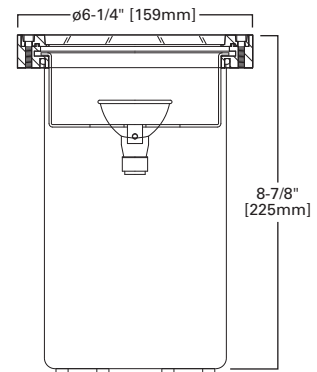
BOCA 636, 637

FEATURES

- Adjustable beam: 15° tilt, 360° rotation
- Stainless steel, recessed housing
- Die-cast, slotted aperture and trim-collar
- Stainless steel hardware
- Drive-over rated to 5,000 pounds
- Optional tamper-proof hardware
- Optional indoor design
- Siphon Protection System (S.P.S.)
- Three-year warranty

Compliances may not apply to all product configurations. Please consult the product spec sheet for compliance details.

COMPLIANCES: UL/cUL Listed - Wet Location, IP66 Rated

**ORDERING INFORMATION**

SAMPLE NUMBER: 636-75MR16-12-NBR

Series	Source ¹	Voltage	Finish	Options	Recessed Housing (Order Separately)
636 =Slotted Aperture, 6-1/4" Diameter, Adjustable 22° Vertical Tilt 360° Horizontal Rotation Boca Inground	Halogen 636 75MR16 =75W Maximum Halogen MR16, GU5.3 Base	636 12 =12V ² 637 120/12 =120V to 12V Integral Transformer 230/12 =230V to 12V Integral Transformer 277/12 =277V to 12V Integral Transformer	Metal NBR =Brass	2C =Two 1/2" Conduit Entries (In lieu of 4" cord) ³ LBB =Housing Shipped in Advance (Select LBB option and order Back Box separately) T =Thermally Rated for use in non-IC Wood Flooring (Changes UL/cUL Wet Label to Damp Label) TP =Tamper-resistant Hardware	636-NBR-2C-BB =Recessed Housing Natural Brass with (2) Conduit Fittings 636-NBR-2C-TP-BB =Recessed Housing Natural Brass with (2) Conduit Fittings and Tamper Proof Fasteners 636-NBR-BB =Recessed Housing Natural Brass 636-NBR-T-BB =Recessed Housing Natural Brass with Thermal Protector 636-NBR-T-TP-BB =Recessed Housing Natural Brass with Thermal Protector and Tamper Proof Fasteners 636-NBR-TP-BB =Recessed Housing Natural Brass with Tamper Proof Fasteners 637-NBR-BB =Recessed Housing Natural Brass 637-NBR-T-BB =Recessed Housing Natural Brass with Thermal Protector 637-NBR-T-TP-BB =Recessed Housing Natural Brass with Thermal Protector and Tamper Proof Fasteners 637-NBR-TP-BB =Recessed Housing Natural Brass with Tamper Proof Fasteners
637 =Slotted Aperture, 6-1/4" Diameter, Adjustable 22° Vertical Tilt 360° Horizontal Rotation Boca Inground with Integral Transformer	637 50MR16 =50W Maximum Halogen MR16, GU5.3 Base				

NOTES: 1. Lamp not included. 2. 12V remote transformer required - not included. 3. Only available in model 636.

Specifications and dimensions subject to change without notice. Consult your Cooper Lighting Representative or visit www.cooperlighting.com for available options, accessories and ordering information.

FEATURES

- Adjustable beam: 15° tilt, 360° rotation
- Precision beam-driver aiming without disturbing sealed lamp source
- Venterra™ heat and water management system for low lens temperature
- Corrosion-proof, composite housing and brass or stainless-steel trim
- Optional temperature-reduction lens
- Drive-over rated to 5,000 pounds with structural bracket kit
- Factory-installed lamp
- Up to three optical accessories (lenses, louvers, filters)
- Three-year warranty

Compliances may not apply to all product configurations. Please consult the product spec sheet for compliance details.

COMPLIANCES: UL/cUL Listed - Wet Location, IP68 Rated



MONACO 6000

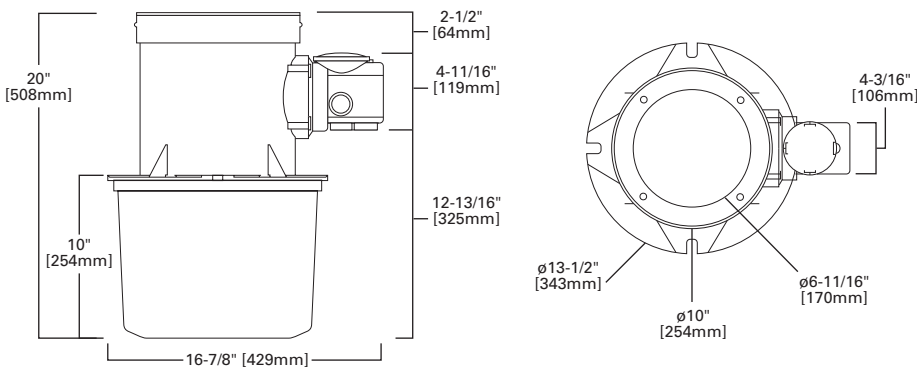


ORDERING INFORMATION

SAMPLE NUMBER: 6000A-MH150-277-NBR-CP

Series	Source ¹		Distribution ²	Voltage
6000A =Beam-Driver Aiming System with 15° Tilt, 360° Rotation Monaco Inground 6000N =Non-Adjustable Uplight Monaco Inground	Compact Fluorescent² CF26 =26W Compact Fluorescent TTT, GX24q-3 Base CF32 =32W Compact Fluorescent TTT, GX24q-3 Base CF42 =42W Compact Fluorescent TTT, GX24q-3 Base CF57 =57W Compact Fluorescent TTT, GX24q-3 Base High Pressure Sodium HPS100 =100W High Pressure Sodium E17, Medium Base HPS150 =150W High Pressure Sodium E17, Medium Base HPS35 =35W High Pressure Sodium E17, Medium Base HPS50 =50W High Pressure Sodium E17, Medium Base HPS70 =70W High Pressure Sodium E17, Medium Base	Metal Halide MH100 =100W Metal Halide ED17, Medium Base MH150 =150W Metal Halide ED17, Medium Base MH150T6 =150W Metal Halide T6, G12 Base MH39T4 =39W Metal Halide T4, G8.5 Base MH39T6 =39W Metal Halide T6, G12 Base MH50 =50W Metal Halide ED17, Medium Base MH70 =70W Metal Halide ED17, Medium Base MH70T4 =70W Metal Halide T4, G8.5 Base MH70T6 =70W Metal Halide T6, G12 Base	MFL =Medium Flood ² NFL =Narrow Flood SP =Spot WFL =Wide Flood WW =Wall Wash ²	120 =120V 208 =208V 240 =240V 277 =277V 347 =347V UNV =120-277V
Finish	Options		Recessed Housing (Order Separately)	
Metal NBR =Brass NSS =Stainless Steel Painted BK =Black BZ =Bronze CS =City Silver VE =Verde WT =White	AXL5 =5° Spread Lens in Lieu of Standard CP =Concrete Pour Cover DL =Diffused Lense in Lieu of Standard DSB =Drive-Over Structural Bracket EL =Electronic HID Ballast FUS =Fusing LBB =Housing Shipped in Advance (Select LBB option and order Back Box separately)	NSL =Non-Slip Lens RSL =Radial Spread Lens in Lieu of Standard SQ =Square Trim in Lieu of Round TL10 =10° Tilt Lens in Lieu of Standard TL20 =20° Tilt Lens in Lieu of Standard TRL =Temperature Reduction Lens	6000-BB =Recessed Housing	

NOTES: 1. Lamp included. 2. Compact Fluorescent available in MFL and WW distribution only.



Specifications and dimensions subject to change without notice. Consult your Cooper Lighting Representative or visit www.cooperlighting.com for available options, accessories and ordering information.



FEATURES

- Adjustable beam: 15° tilt, 360° rotation
- Precision beam-driver aiming without disturbing sealed lamp source
- Venterra™ heat and water management system for low lens temperature
- Corrosion-proof, composite housing and brass or stainless-steel trim
- Optional temperature-reduction lens
- Up to three optical accessories (lenses, louvers, filters)
- Drive-over rated to 5,000 pounds with structural bracket kit
- Factory-installed lamp
- Three-year warranty

Compliances may not apply to all product configurations. Please consult the product spec sheet for compliance details.

COMPLIANCES: UL/cUL Listed - Wet Location, IP68 Rated

MONACO 6002

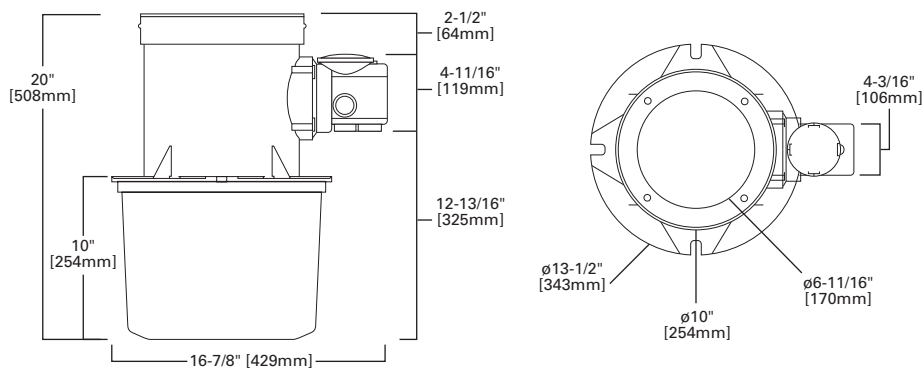


ORDERING INFORMATION

SAMPLE NUMBER: 6002A-AR111100-230/12-SP-NSS-TRL

Series	Source ¹	Distribution ²	Voltage
6002A =Beam-Driver Aiming System with 15° Tilt, 360° Rotation Monaco Inground 6002N =Non-Adjustable Uplight Monaco Inground	Halogen AR111100 =100W Halogen AR111, G53 Base AR111135 =35W Halogen AR111, G53 Base AR111150 =50W Halogen AR111, G53 Base AR111175 =75W Halogen AR111, G53 Base Metal Halide MH100PAR38 =100W Metal Halide PAR38, Medium Base MH39PAR20 =39W Metal Halide PAR20, Medium Base MH39PAR30L =39W Metal Halide PAR30L, Medium Base MH70PAR30L =70W Metal Halide PAR30 Long Neck, Medium Base MH70PAR38 =70W Metal Halide PAR38, Medium Base	FL =Flood SP =Spot WFL =Wide Flood ²	Halogen 120/12 =120V with 12V Integral Transformer 230/12 =230V to 12V Integral Transformer 240/12 =240V to 12V Integral Transformer 277/12 =277V to 12V Integral Transformer 347/12 =347V to 12V Integral Transformer Metal Halide 120 =120V 208 =208V 240 =240V 277 =277V UNV =120-277V, 50/60 Hz
Finish	Options	Recessed Housing (Order Separately)	
Metal NBR =Brass NSS =Stainless Steel Painted BK =Black BZ =Bronze CS =City Silver VE =Verde WT =White	AXL5 =5° Spread Lens in Lieu of Standard CP =Concrete Pour Cover DL =Diffused Lens in Lieu of Standard DSB =Drive-Over Structural Bracket EL =Electronic HID Ballast FUS =Fusing LBB =Housing Shipped in Advance (Select LBB option and order Back Box separately) NSL =Non-Slip Lens RSL =Radial Spread Lens in Lieu of Standard SQ =Square Trim in Lieu of Round TL10 =10° Tilt Lens in Lieu of Standard TL20 =20° Tilt Lens in Lieu of Standard TRL =Temperature Reduction Lens	6000-BB =Recessed Housing	

NOTES: 1. Lamp included. 2. WFL available only for 70W / 100W PAR38 or 75W / 100W AR111 only.



Specifications and dimensions subject to change without notice. Consult your Cooper Lighting Representative or visit www.cooperlighting.com for available options, accessories and ordering information.

DESCRIPTION

MONACO 6000 SERIES INGROUND

These accessories are available for all Monaco 6000 series inground fixtures. All (except LVR6) are constructed from cast brass with natural finish (NBR) or painted finish (BK, BZ, CS, VE or WT). Specify finish when ordering. Option LVR6 (internal hex cell louver) is constructed from aluminum and painted black. **NOTE:** Order rock guards and louvers as separate line items.

SAMPLE NUMBER: SG-NBR (Replace XX with corresponding finish)



LVR6

Description

HEX CELL LOUVER (Internal)
Dimensions: ø6-3/4" (171mm)



HVL-XX

Description

HORIZONTAL / VERTICAL LOUVER
Dimensions: ø8-3/16" x 1-1/8" (210mm x 29mm)
Specify finish (BK, BZ, CS, VE, WT, NBR)



RG-XX

Description

ROCK GUARD
Dimensions: ø8" x 9/16" (203mm x 14mm)
Specify finish (BK, BZ, CS, VE, WT, NBR)



DG

Description

DOMED GLARE SHIELD
Dimensions: ø8" x 3-7/8" (203mm x 98mm)
Specify finish (BK, BZ, CS, VE, WT, NBR)



SG-XX

Description

STRAIGHT GLARE SHIELD
Dimensions: ø8" x 4-3/4" (203mm x 121mm)
Specify finish (BK, BZ, CS, VE, WT, NBR)



SGR

Description

STRAIGHT GLARE SHIELD / ROCK GUARD
Dimensions: ø8" x 4-3/4" (203mm x 121mm)
Specify finish (BK, BZ, CS, VE, WT, NBR)



WESTWOOD 901

FEATURES

- 200° tilt, 360° rotation
- Standard integral, 12V step-down transformer
- Precision-machined aluminum housing, hood, and stem with spun canopy
- Stainless steel hardware
- Removable hood for easy relamping and multiple lighting effects
- Holds up to three optical accessories
- Three-year warranty

Compliances may not apply to all product configurations. Please consult the product spec sheet for compliance details.

COMPLIANCES: UL/cUL Listed, IP65 Rated



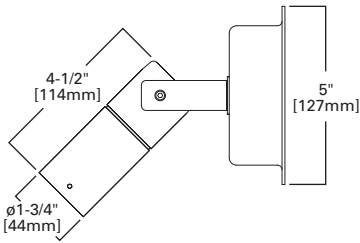
ORDERING INFORMATION

SAMPLE NUMBER: 901-2-35MR-120/12-BK

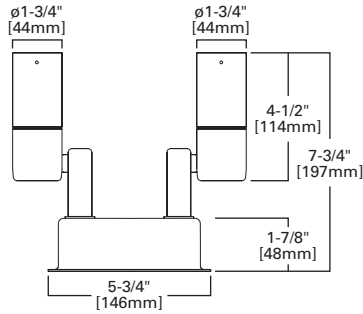
Series	Lamp Head Quantity	Source ¹	Voltage ²	Finish	Options
901=MR11 Fully Adjustable Side-Mounted Swivel Westwood Wall Fixture with Integral Transformer	2=Two Lamp Head [Blank]=One Lamp Head	35MR11=35W Maximum Halogen MR11 D.C. Bayonet Base	120/12=120V to 12V Integral Transformer 230/12=230V with 12V Integral Transformer 277/12=277V with 12V Integral Transformer	Metal NBR=Natural Brass NBZ=Natural Bronze NCP=Natural Copper NSS=Natural Stainless Steel Painted BK=Black BZ=Bronze CS=City Silver VE=Verde WT=White	DC=D.C. Bayonet Base (In lieu of Bi-pin)

NOTES: 1. Lamp not included. 2. Includes 12V integral transformer.

WESTWOOD 901



WESTWOOD 901-2



Specifications and dimensions subject to change without notice. Consult your Cooper Lighting Representative or visit www.cooperlighting.com for available options, accessories and ordering information.

FEATURES

- 200° tilt, 360° rotation
- Standard integral, 12V step-down transformer
- Precision-machined housing, hood and stem with spun canopy
- Stainless steel hardware
- Removable hood for easy re-lamping and multiple lighting effects
- Holds up to three optical accessories
- Three-year warranty

Compliances may not apply to all product configurations. Please consult the product spec sheet for compliance details.

COMPLIANCES: UL/cUL Listed, IP65 Rated, LM79 / LM80 Compliant



WESTWOOD 903

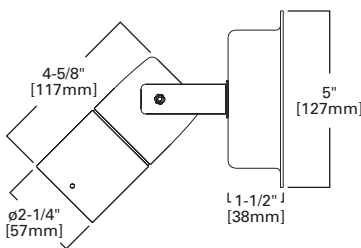
ORDERING INFORMATION

SAMPLE NUMBER: 903-2-50MR16-120/12-CS

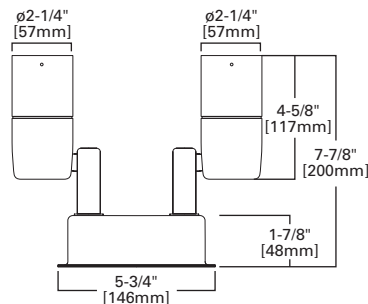
Series	Lamp Head Quantity	Source	Voltage ²	Finish
903=MR16 Fully Adjustable Side-Mounted Swivel Westwood Wall Fixture with Integral Transformer	2=Two Lamp Head	Halogen 50MR16=50W Maximum Halogen MR16, GU5.3 Base ¹	120/12=120V to 12V Integral Step-down Transformer 230/12=230V with 12V Integral Transformer 277/12=277V with 12V Integral Transformer	Metal NBR=Natural Brass NBZ=Natural Bronze NCP=Natural Copper NSS=Natural Stainless Steel Painted BK=Black BZ=Bronze CS=City Silver VE=Verde WT=White
	[Blank]=One Lamp Head	LED 10LED2712=10W 2700K, 12° Spot, GU5.3 Base 10LED2721=10W 2700K, 21° Narrow, GU5.3 Base 10LED2741=10W 2700K, 41° Wide, GU5.3 Base 10LED3012=10W 3000K, 12° Spot, GU5.3 Base 10LED3021=10W 3000K, 21° Narrow, GU5.3 Base 10LED3041=10W 3000K, 41° Wide, GU5.3 Base 10LED4012=10W 4000K, 12° Spot, GU5.3 Base 10LED4021=10W 4000K, 21° Narrow, GU5.3 Base 10LED4041=10W 4000K, 41° Wide, GU5.3 Base 10LED5712=10W 5700K, 12° Spot, GU5.3 Base 10LED5721=10W 5700K, 21° Narrow, GU5.3 Base 10LED5741=10W 5700K, 41° Wide, GU5.3 Base 6LED2712=6W 2700K, 12° Spot, GU5.3 Base 6LED2721=6W 2700K, 21° Narrow, GU5.3 Base 6LED2741=6W 2700K, 41° Wide, GU5.3 Base 6LED3012=6W 3000K, 12° Spot, GU5.3 Base 6LED3021=6W 3000K, 21° Narrow, GU5.3 Base 6LED3041=6W 3000K, 41° Wide, GU5.3 Base 6LED4012=6W 4000K, 12° Spot, GU5.3 Base 6LED4021=6W 4000K, 21° Narrow, GU5.3 Base 6LED4041=6W 4000K, 41° Wide, GU5.3 Base 6LED5712=6W 5700K, 12° Spot, GU5.3 Base 6LED5721=6W 5700K, 21° Narrow, GU5.3 Base 6LED5741=6W 5700K, 41° Wide, GU5.3 Base		

NOTES: 1. Lamp not included. 2. Includes 12V integral transformer.

WESTWOOD 903



WESTWOOD 903-2



Specifications and dimensions subject to change without notice. Consult your Cooper Lighting Representative or visit www.cooperlighting.com for available options, accessories and ordering information.



FEATURES

- Single- or dual-source
- Non-adjustable uplight, downlight, or combination up and downlight
- Precision-machined aluminum, brass, bronze, copper or stainless steel
- Stainless steel hardware
- Siphon Protection System (S.P.S.)
- Holds up to three optical accessories
- Three-year warranty

Compliances may not apply to all product configurations. Please consult the product spec sheet for compliance details.

COMPLIANCES: UL/cUL Listed - Wet Location, IP65 Rated, ADA Compliant, LM79 / LM80 Compliant

WESTWOOD 904



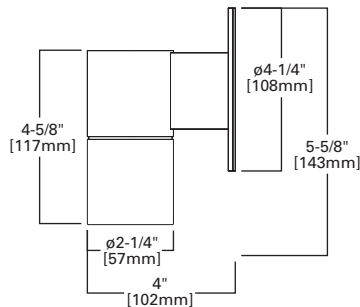
ORDERING INFORMATION

SAMPLE NUMBER: 904-2-50MR16-12-BZ

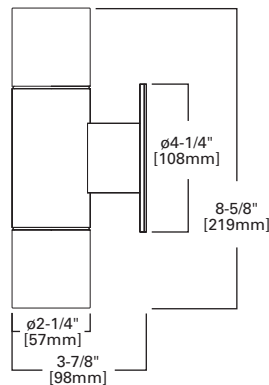
Series	Lamp Head Quantity	Source	Voltage ²	Finish
904=MR16 Up/Down Westwood Wall Fixture	2=Two Lamp Head [Blank]=One Lamp Head	<p>Halogen 50MR16=50W Maximum Halogen MR16, GU5.3 Base¹</p> <p>LED 10LED2712=10W 2700K, 12° Spot, GU5.3 Base 10LED2721=10W 2700K, 21° Narrow, GU5.3 Base 10LED2741=10W 2700K, 41° Wide, GU5.3 Base 10LED3012=10W 3000K, 12° Spot, GU5.3 Base 10LED3021=10W 3000K, 21° Narrow, GU5.3 Base 10LED3041=10W 3000K, 41° Wide, GU5.3 Base 10LED4012=10W 4000K, 12° Spot, GU5.3 Base 10LED4021=10W 4000K, 21° Narrow, GU5.3 Base 10LED4041=10W 4000K, 41° Wide, GU5.3 Base 10LED5712=10W 5700K, 12° Spot, GU5.3 Base 10LED5721=10W 5700K, 21° Narrow, GU5.3 Base 10LED5741=10W 5700K, 41° Wide, GU5.3 Base 6LED2712=6W 2700K, 12° Spot, GU5.3 Base 6LED2721=6W 2700K, 21° Narrow, GU5.3 Base 6LED2741=6W 2700K, 41° Wide, GU5.3 Base 6LED3012=6W 3000K, 12° Spot, GU5.3 Base 6LED3021=6W 3000K, 21° Narrow, GU5.3 Base 6LED3041=6W 3000K, 41° Wide, GU5.3 Base 6LED4012=6W 4000K, 12° Spot, GU5.3 Base 6LED4021=6W 4000K, 21° Narrow, GU5.3 Base 6LED4041=6W 4000K, 41° Wide, GU5.3 Base 6LED5712=6W 5700K, 12° Spot, GU5.3 Base 6LED5721=6W 5700K, 21° Narrow, GU5.3 Base 6LED5741=6W 5700K, 41° Wide, GU5.3 Base</p>	12=12V	<p>Metal NBR=Brass NBZ=Natural Bronze NCP=Natural Copper NSS=Natural Stainless Steel</p> <p>Painted BK=Black BZ=Bronze CS=City Silver VE=Verde WT=White</p>

NOTES: 1. Lamp not included. 2. 12V remote transformer required - not included.

WESTWOOD 904



WESTWOOD 904-2



Specifications and dimensions subject to change without notice. Consult your Cooper Lighting Representative or visit www.cooperlighting.com for available options, accessories and ordering information.

FEATURES

- Includes remote core-and-coil ballast and housing assembly
- Machined-aluminum housing and hood with fabricated mounting canopy
- Removable hood for easy relamping and multiple lighting effects
- Stainless steel hardware
- Holds up to three optical accessories
- Three-year warranty

Compliances may not apply to all product configurations. Please consult the product spec sheet for compliance details.

COMPLIANCES: UL/cUL Listed, IP65 Rated



**WESTWOOD
714, 912**

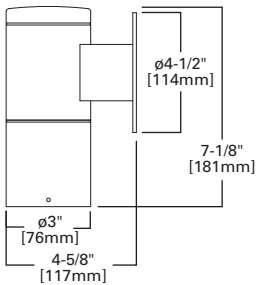
ORDERING INFORMATION

SAMPLE NUMBER: 714-2-MH39PAR20-120-BZ

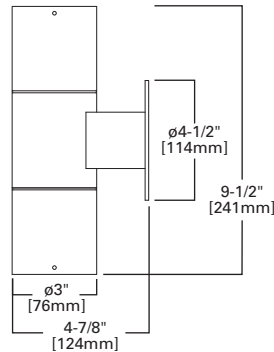
Series	Lamp Head Quantity	Source ³	Voltage	Finish
714=PAR20 Metal Halide Up/Down Westwood Wall Fixture	2=Two Lamp Head ¹ [Blank]=One Lamp Head ²	Halogen⁴ 50PAR20=50W Maximum Halogen PAR20, Medium Base Metal Halide MH20PAR20=20W Metal Halide PAR20, Medium Base MH39PAR20=39W Metal Halide PAR20, Medium Base	120=120V ⁴ 208=208V 240=240V 277=277V 347=347V UNV=120-277V, 50/60 Hz	Painted BK=Black BZ=Bronze CS=City Silver VE=Verde WT=White
912=PAR20 Halogen Up/Down Westwood Wall Fixture				

NOTES: 1. Includes two remote HID ballast and housing (WR style). 2. Includes one remote HID ballast and housing (WR style). 3. Lamp not included. 4. Halogen lamp only available in 120V.

WESTWOOD 714 / 912



WESTWOOD 714-2 / 912-2



Specifications and dimensions subject to change without notice. Consult your Cooper Lighting Representative or visit www.cooperlighting.com for available options, accessories and ordering information.



FEATURES

- Includes remote core-and-coil ballast and housing assembly
- Machined-aluminum housing, hood and canopy
- Removable hood for easy re-lamping and multiple lighting effects
- Stainless steel hardware
- Holds up to three optical accessories
- Three-year warranty

Compliances may not apply to all product configurations. Please consult the product spec sheet for compliance details.

COMPLIANCES: UL/cUL Listed, IP65 Rated



WESTWOOD 715, 913

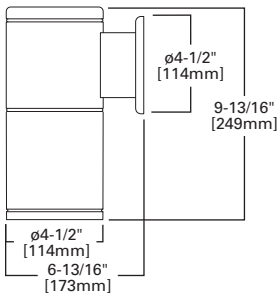
ORDERING INFORMATION

SAMPLE NUMBER: 715-2-MH39PAR20-120-BZ

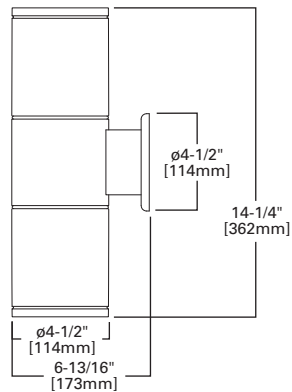
Series	Lamp Head Quantity	Source ³	Voltage	Finish
715 =PAR30 Metal Halide Up/Down Westwood Wall Fixture	2 =Two Lamp Head ¹ [Blank] =One Lamp Head ²	Halogen⁴ 75PAR30 =75W Maximum Halogen PAR30, Medium Base	120 =120V ⁴ 208 =208V 240 =240V 277 =277V 347 =347V UNV =120-277V, 50/60 Hz	Painted BK =Black BZ =Bronze CS =City Silver VE =Verde WT =White
913 =PAR30 Halogen Up/Down Westwood Wall Fixture		Metal Halide MH39PAR30 =39W Metal Halide PAR30, Medium Base MH70PAR30 =70W Metal Halide PAR30, Medium Base		

NOTES: 1. Includes two remote HID ballast and housing (WR style). 2. Includes one remote HID ballast and housing (WR style). 3. Lamp not included. 4. Halogen lamp only available in 120V.

WESTWOOD 715 / 913



WESTWOOD 715-2 / 913-2



FEATURES

- Includes remote core-and-coil ballast and housing assembly
- Machined-aluminum housing, hood and canopy
- Removable hood for easy relamping and multiple lighting effects
- Stainless steel hardware
- Holds up to three optical accessories
- Three-year warranty

Compliances may not apply to all product configurations. Please consult the product spec sheet for compliance details.

COMPLIANCES: UL/cUL Listed, IP65 Rated



**WESTWOOD
716, 914**

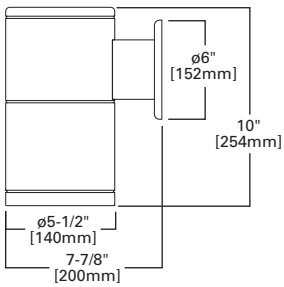
ORDERING INFORMATION

SAMPLE NUMBER: 716-2-MH70PAR38-120-BZ

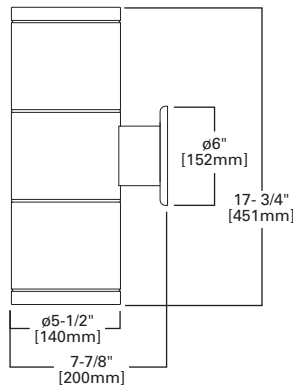
Series	Lamp Head Quantity	Source ³	Voltage	Finish
716=PAR38 Metal Halide Up/Down Westwood Wall Fixture 914=PAR38 Halogen Up/Down Westwood Wall Fixture	2=Two Lamp Head ¹ [Blank]=One Lamp Head ²	Halogen⁴ 150PAR38=150W Maximum Halogen PAR38, Medium Base Metal Halide MH100PAR38=100W Metal Halide PAR38, Medium Base MH70PAR38=70W Metal Halide PAR38, Medium Base	120=120V ⁴ 208=208V 240=240V 277=277V 347=347V UNV=120-277V, 50/60 Hz	Painted BK=Black BZ=Bronze CS=City Silver VE=Verde WT=White

NOTES: 1. Includes two remote HID ballast and housing (WR style). 2. Includes one remote HID ballast and housing (WR style). 3. Lamp not included. 4. Halogen lamp only available in 120V.

WESTWOOD 716 / 914



WESTWOOD 716-2 / 914-2





FEATURES

- Includes 36" (914mm) hook arm and mounting plate (920)
- Includes 14" (356mm) straight arm and mounting plate (922)
- Adjustable hook arm with pivot system to prevent water intrusion (922)
- Precision-machined aluminum
- Stainless steel hardware
- Siphon Protection System (S.P.S.)
- Holds up to three optical accessories
- Three-year warranty

Compliances may not apply to all product configurations. Please consult the product spec sheet for compliance details.

COMPLIANCES: UL/cUL Listed - Wet Location, IP65 Rated, LM79 / LM80 Compliant

CAMBRIA 920, 922



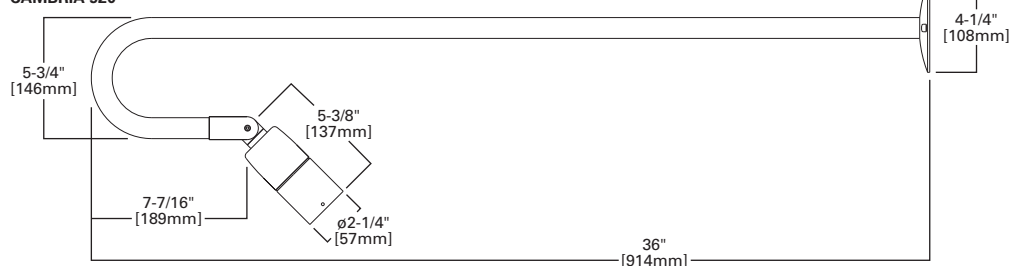
ORDERING INFORMATION

SAMPLE NUMBER: 920-50MR16-12-BZ

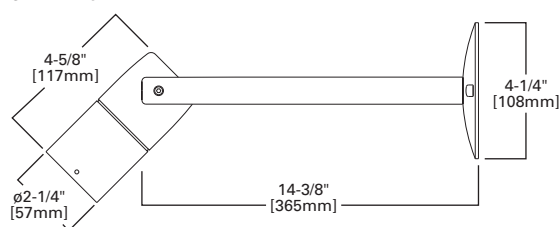
Series	Source	Voltage ³	Finish	Options
920 =Standard 36" Hook Arm, Center Rear Swivel Stem, LED or MR16 Cambria Sign Light 922 =Side-Mounted Swivel Stem, Standard 14" Straight Arm, LED or MR16 Cambria Sign Light 922-CRS =Side-Mounted Swivel Stem, Standard 33" Straight Arm, LED or MR16 Cambria Sign Light with Center Rear Swivel	Halogen 50MR16 =12V 50W Maximum Halogen MR16, GU5.3 Base ¹ LED² 10LED2712 =10W 2700K, 12° Spot, GU5.3 Base 10LED2721 =10W 2700K, 21° Narrow, GU5.3 Base 10LED2741 =10W 2700K, 41° Wide, GU5.3 Base 10LED3012 =10W 3000K, 12° Spot, GU5.3 Base 10LED3021 =10W 3000K, 21° Narrow, GU5.3 Base 10LED3041 =10W 3000K, 41° Wide, GU5.3 Base 10LED4012 =10W 4000K, 12° Spot, GU5.3 Base 10LED4021 =10W 4000K, 21° Narrow, GU5.3 Base 10LED4041 =10W 4000K, 41° Wide, GU5.3 Base 10LED5712 =10W 5700K, 12° Spot, GU5.3 Base 10LED5721 =10W 5700K, 21° Narrow, GU5.3 Base 10LED5741 =10W 5700K, 41° Wide, GU5.3 Base 6LED2712 =6W 2700K, 12° Spot, GU5.3 Base 6LED2721 =6W 2700K, 21° Narrow, GU5.3 Base 6LED2741 =6W 2700K, 41° Wide, GU5.3 Base 6LED3012 =6W 3000K, 12° Spot, GU5.3 Base 6LED3021 =6W 3000K, 21° Narrow, GU5.3 Base 6LED3041 =6W 3000K, 41° Wide, GU5.3 Base 6LED4012 =6W 4000K, 12° Spot, GU5.3 Base 6LED4021 =6W 4000K, 21° Narrow, GU5.3 Base 6LED4041 =6W 4000K, 41° Wide, GU5.3 Base 6LED5712 =6W 5700K, 12° Spot, GU5.3 Base 6LED5721 =6W 5700K, 21° Narrow, GU5.3 Base 6LED5741 =6W 5700K, 41° Wide, GU5.3 Base	12=12V	Painted BK =Black BZ =Bronze CS =City Silver VE =Verde WT =White	Options for 920 HA24 =24" Hook Arm HA30 =30" Hook Arm Options for 922 and 922-CRS SA24 =24" Straight Arm SA30 =30" Straight Arm SA36 =36" Straight Arm

NOTES: 1. Lamp not included. 2. Lamp included. 3. 12V remote transformer required - not included.

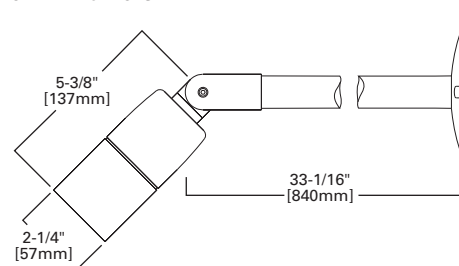
CAMBRIA 920



CAMBRIA 922



CAMBRIA 922-CRS



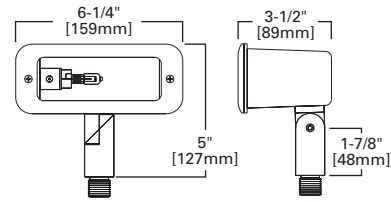
Specifications and dimensions subject to change without notice. Consult your Cooper Lighting Representative or visit www.cooperlighting.com for available options, accessories and ordering information.

FEATURES

- 200° tilt, 360° rotation
- Pebblestone aluminum reflector provides high-lumen output
- Precision-machined aluminum stem and hood
- Die-cast aluminum housing
- Stainless steel hardware
- Siphon Protection System (S.P.S.)
- Three-year warranty

Compliances may not apply to all product configurations. Please consult the product spec sheet for compliance details.

COMPLIANCES: UL/cUL Listed - Wet Location, IP66 Rated



CARMEL 403, 450

ORDERING INFORMATION

SAMPLE NUMBER: 403-50T4-12-VE

Series ¹	Source ²	Voltage	Ballast (450 Only)
403 =T4 Carmel Mini Flood Fixture (12V) 450 =T6 Carmel Mini Flood Fixture (HID)	Halogen 50T4 =50W Maximum Halogen T4, GY6.35 Base Metal Halide MH39T6 =39W Metal Halide T6, G12 base MH70T6 =70W Metal Halide T6, G12 base	Halogen 12 =12V ³ Metal Halide 120 =120V 208 =208V 240 =240V 277 =277V 347 =347V UNV =120-277V, 50/60 Hz	[Blank] =Standard Core and Coil Ballast EL =Electronic Ballast ELM =Electronic Ballast, Mini Housing
Mounting (450 Only)		Finish	Options
MB =Fixture Mounts to Inground Ballast Container MBR =Fixture Mounts to Flat Surface, Remote Inground Ballast Container SM =Fixture Mounts to Wall Mounted Ballast Housing, Bottom Conduit Entry TS =Fixture Mounts to Ballast Housing Strapped to Tree, Bottom Conduit Entry TSR =Fixture Strapped to Tree, Remote Inground Ballast Container TSR2 =Fixture Strapped to Tree, Remote Ballast Housing Strapped to Tree WM =Fixture Mounts to Wall Mounted Ballast Housing, over J-box WR =Fixture Mounts to Flat Surface, Remote Ballast Housing		Painted BK =Black BZ =Bronze CS =City Silver VE =Verde WT =White	HA24 =24" Hook Arm HA30 =30" Hook Arm HA36 =36" Hook Arm SA24 =24" Straight Arm SA30 =30" Straight Arm SA36 =36" Straight Arm

NOTES: 1. See accessories section for mounting accessories, low voltage cable and transformers. 2. Lamp not included. 3. 12V remote transformer required - not included.



RIO 1235-RD

FEATURES

- Integral electronic gear
- Factory-assembled Power Tray™
- Fascia adjusts 20° for proper alignment
- ADA compliant
- Stainless steel hardware
- Level bulbs for easy installation
- No visible fasteners
- Three-year warranty

Compliances may not apply to all product configurations. Please consult the product spec sheet for compliance details.

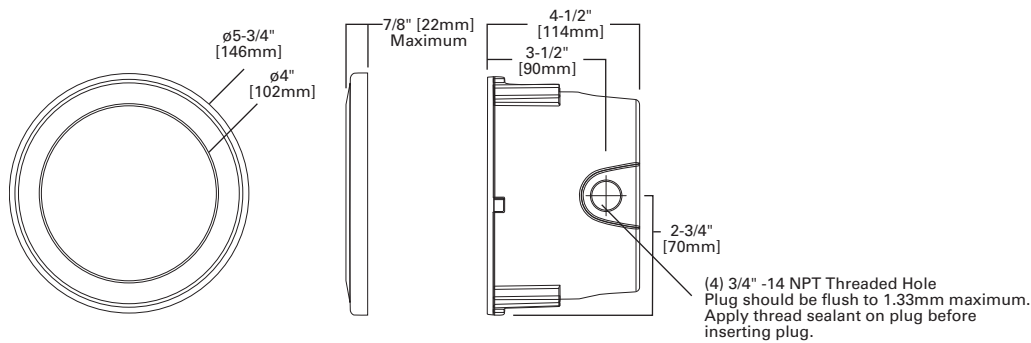
COMPLIANCES: UL/cUL Listed - Wet Location, IP68 Rated, ADA Compliant

**ORDERING INFORMATION**

SAMPLE NUMBER: 1235-RD-C-12V-120-12-NSS

Model	Wall Type	Source	Volts ²	Finish
1235-RD =5" Round, Open Fascia with Diffused Lens 1235C-RD =5" Round, Cross Fascia with Diffused Lens 1235E-RD =5" Round, Eyelid Fascia with Diffused Lens 1235L-RD =5" Round, Louvered Fascia with Clear Lens	C =Concrete Pour D =Drywall M =Masonry	12V Halogen or LED 20T3 =20W/T3/G4 ¹ 4LED =4W/LED (LED lamps included)	Halogen 120/12 =120/12V Electronic Transformer 230/12 =230/12V Electronic Transformer 277/12 =277/12V Electronic Transformer LED 120 =120V	Metal NBR =Natural Brass NBZ =Natural Bronze NCP =Natural Copper NSS =Natural Stainless Steel Painted BK =Black BZ =Bronze CS =City Silver VE =Verde WT =White
Options	Recessed Housing (Order Separately)			
LBB =Housing and Pour Cover Shipped in Advance (Select LBB option and order recessed housing separately)	1235-C-BB =Recessed Housing for Concrete Pour Installation 1235-D-BB =Recessed Housing for Drywall Installation 1235-M-BB =Recessed Housing for Masonry Installation			

NOTES: 1. Lamp not included. 2. Includes 12V integral transformer.

**ALTERNATE PRODUCTS**

RIO 1235C-RD



RIO 1235E-RD



RIO 1235L-RD

Specifications and dimensions subject to change without notice. Consult your Cooper Lighting Representative or visit www.cooperlighting.com for available options, accessories and ordering information.

FEATURES

- Integral electronic gear
- Factory-assembled Power Tray™
- Fascia adjusts 20° for proper alignment
- ADA compliant
- Stainless steel hardware
- Level bulbs for easy installation
- No visible fasteners
- Three-year warranty

Compliances may not apply to all product configurations. Please consult the product spec sheet for compliance details.

COMPLIANCES: UL/cUL Listed - Wet Location, IP68 Rated, ADA Compliant



RIO 1235-SQ

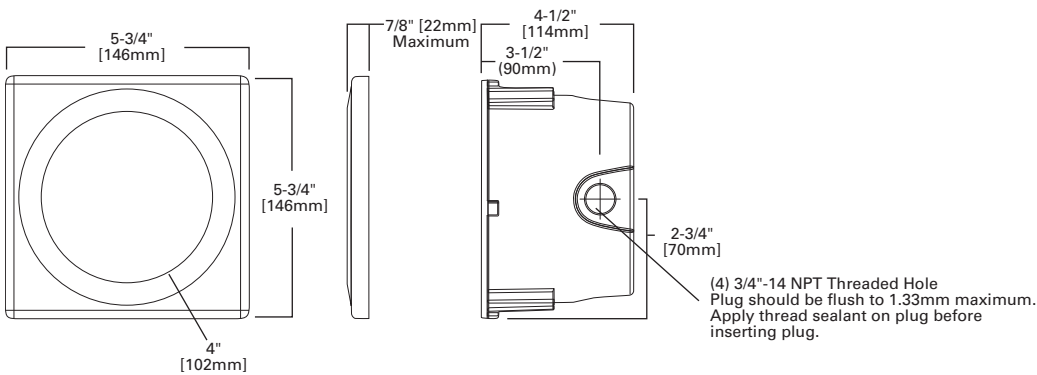


ORDERING INFORMATION

SAMPLE NUMBER: 1235-SQ-C-12V-120-12-NSS

Model	Wall Type	Source	Volts ²	Finish
1235-SQ =5" Square Open Fascia with Diffused Lens 1235C-SQ =5" Square Cross Fascia with Diffused Lens 1235E-SQ =5" Square Eyelid Fascia with Diffused Lens 1235L-SQ =5" Square Louvered Fascia with Clear Lens	C =Concrete Pour D =Drywall M =Masonry	12V Halogen or LED 20T3 =20W/T3/G4 ¹ 4LED =4W/LED (LED lamps included)	12V Halogen 120/12 =120/12V Electronic Transformer 230/12 =230/12V Electronic Transformer 277/12 =277/12V Electronic Transformer LED 120 =120V	Metal NBR =Natural Brass NBZ =Natural Bronze NCP =Natural Copper NSS =Natural Stainless Steel Painted BK =Black BZ =Bronze CS =City Silver VE =Verde WT =White
Options	Recessed Housing (Order Separately)			
LBB =Housing and Pour Cover Shipped in Advance (Select LBB option and order recessed housing separately)	1235-C-BB =Recessed Housing for Concrete Pour Installation 1235-D-BB =Recessed Housing for Drywall Installation 1235-M-BB =Recessed Housing for Masonry Installation			

NOTES: 1. Lamp not included. 2. Includes 12V integral transformer.



ALTERNATE PRODUCTS



RIO 1235C-SQ



RIO 1235E-SQ



RIO 1235L-SQ

Specifications and dimensions subject to change without notice. Consult your Cooper Lighting Representative or visit www.cooperlighting.com for available options, accessories and ordering information.



FEATURES

- Integral electronic gear
- Factory-assembled Power Tray™
- Fascia adjusts 20° for proper alignment
- ADA compliant
- Stainless steel hardware
- Level bulbs for easy installation
- No visible fasteners
- Three-year warranty

Compliances may not apply to all product configurations. Please consult the product spec sheet for compliance details.

COMPLIANCES: UL/cUL Listed - Wet Location, IP68 Rated, ADA Compliant

RIO 1237-RD

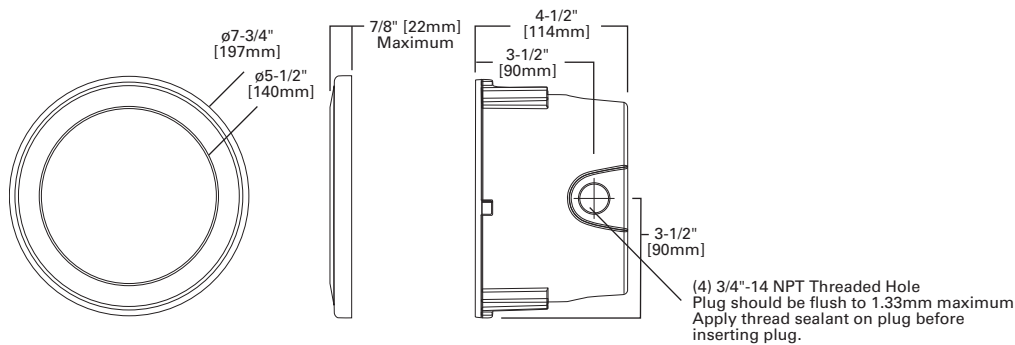


ORDERING INFORMATION

SAMPLE NUMBER: 1237-RD-C-12V-120-12-NSS

Model	Wall Type	Source ¹	Volts ²	Finish
1237-RD =7" Round, Open Fascia with Diffused Lens 1237C-RD =7" Round, Cross Fascia with Diffused Lens 1237E-RD =7" Round, Eyelid Fascia with Diffused Lens 1237L-RD =7" Round, Louvered Fascia with Clear Lens	C =Concrete Pour D =Drywall M =Masonry	12V Halogen or LED 12LED =12WLED (LED lamps included) 20T3 =20W/T3/G4 Compact Fluorescent CF13 =13W/Triple Tube/GX24q-1 Metal Halide MH20T4 =20W/T4.5/G8.5	12V Halogen 120/12 =120/12V Electronic Transformer 230/12 =230/12V Electronic Transformer 277/12 =277/12V Electronic Transformer Compact Fluorescent or Metal Halide 120 =120V Electronic Ballast 277 =277V Electronic Ballast UNV =Universal Input 120 -277V, 50/60Hz LED 120 =120V	Metal NBR =Natural Brass NBZ =Natural Bronze NCP =Natural Copper NSS =Natural Stainless Steel Painted BK =Black BZ =Bronze CS =City Silver VE =Verde WT =White
Options	Recessed Housing (Order Separately)			
LBB =Housing and Pour Cover Shipped in Advance (Select LBB option and order recessed housing separately)	1237-C-BB =Recessed Housing for Concrete Pour Installation 1237-D-BB =Recessed Housing for Drywall Installation 1237-M-BB =Recessed Housing for Masonry Installation			

NOTES: 1. Lamp not included. 2. Includes 12V integral transformer.



ALTERNATE PRODUCTS



RIO 1237C-RD



RIO 1237E-RD



RIO 1237L-RD

Specifications and dimensions subject to change without notice. Consult your Cooper Lighting Representative or visit www.cooperlighting.com for available options, accessories and ordering information.

FEATURES

- Integral electronic gear
- Factory-assembled Power Tray™
- Fascia adjusts 20° for proper alignment
- ADA compliant
- Stainless steel hardware
- Level bulbs for easy installation
- No visible fasteners
- Three-year warranty

Compliances may not apply to all product configurations. Please consult the product spec sheet for compliance details.

COMPLIANCES: UL/cUL Listed - Wet Location, IP68 Rated, ADA Compliant



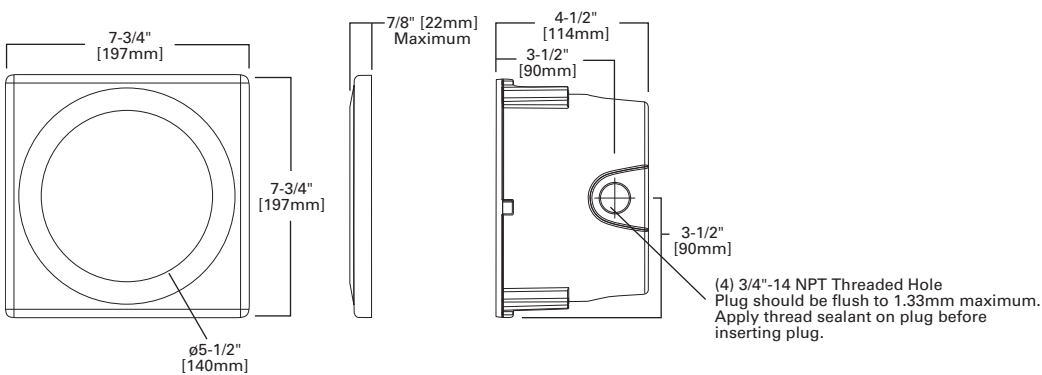
RIO 1237-SQ

ORDERING INFORMATION

SAMPLE NUMBER: 1237-SQ-C-12V-120-12-NSS

Model	Wall Type	Source ¹	Volts ²	Finish
1237-SQ =7" Square Open Fascia with Diffused Lens 1237C-QD =7" Square Cross Fascia with Diffused Lens 1237E-SQ =7" Square Eyelid Fascia with Diffused Lens 1237L-SQ =7" Square Louvered Fascia with Clear Lens	C =Concrete Pour D =Drywall M =Masonry	12V Halogen or LED 12LED =12WLED (LED lamps included) 20T3 =20W/T3/G4 Compact Fluorescent CF13 =13W/Triple Tube/GX24q-1 Metal Halide MH20T4 =20W/T4.5/G8.5	12V Halogen 120/12 =120/12V Electronic Transformer 230/12 =230/12V Electronic Transformer 277/12 =277/12V Electronic Transformer Compact Fluorescent or Metal Halide 120 =120V Electronic Ballast 277 =277V Electronic Ballast LED 120 =120V	Metal NBR =Natural Brass NBZ =Natural Bronze NCP =Natural Copper NSS =Natural Stainless Steel Painted BK =Black BZ =Bronze CS =City Silver VE =Verde WT =White
Options	Recessed Housing (Order Separately)			
LBB =Housing and Pour Cover Shipped in Advance (Select LBB option and order recessed housing separately)	1237-C-BB =Recessed Housing for Concrete Pour Installation 1237-D-BB =Recessed Housing for Drywall Installation 1237-M-BB =Recessed Housing for Masonry Installation			

NOTES: 1. Lamp not included. 2. Includes 12V integral transformer.



ALTERNATE PRODUCTS



RIO 1237C-SQ



RIO 1237E-SQ



RIO 1237L-SQ

Specifications and dimensions subject to change without notice. Consult your Cooper Lighting Representative or visit www.cooperlighting.com for available options, accessories and ordering information.

**FEATURES**

- Cast-aluminum eyelid rotates 360°
- Surface-mounted, machined-aluminum base
- Stainless steel hardware
- Incandescent lamp included
- Three-year warranty

Compliances may not apply to all product configurations. Please consult the product spec sheet for compliance details.

COMPLIANCES: UL/cUL Listed - Wet Location, IP66 Rated, ADA Compliant



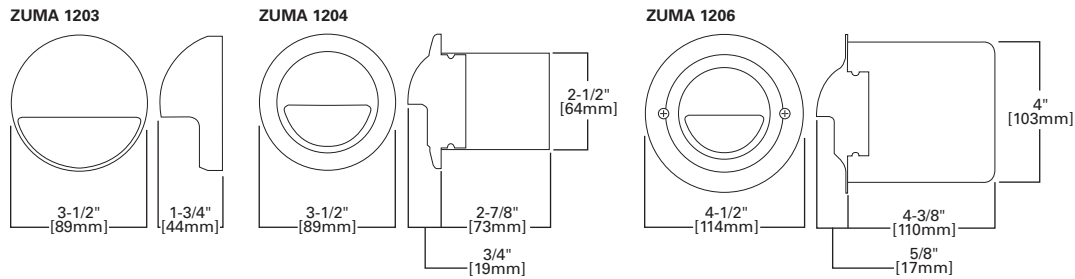
ZUMA 1203, 1204, 1206

ORDERING INFORMATION

SAMPLE NUMBER: 1203-INC13-12-VE

Series ¹	Source	Voltage ⁴	Finish
1203 =Eyelid, Surface Mount Zuma Step Light - 12V T5 1204 =Eyelid, Recessed Zuma Step Light - 12V S8 1206 =Eyelid, Recessed Zuma Step Light - 12V MR16	Halogen 50MR16 =50W Maximum GU5.3 ² Incandescent INC13 =13W Maximum T5 Incandescent, Wedge Base (1203) ³ INC18 =12V 18W Maximum Incandescent S8 DC Base ³	12=12V	Painted BK =Black BZ =Bronze CS =City Silver VE =Verde WT =White

NOTES: 1. See accessories section for mounting accessories, low voltage cable and transformers. 2. Lamp not included. 3. Lamp included. 4. 12V remote transformer required - not included.

**ALTERNATE PRODUCTS**

ZUMA 1204



ZUMA 1206

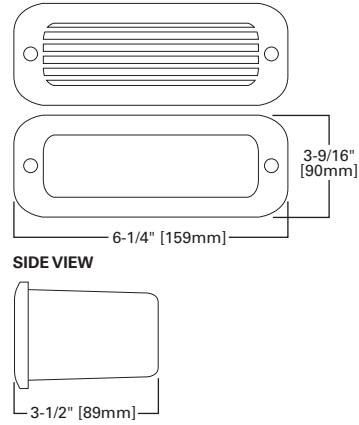
Specifications and dimensions subject to change without notice. Consult your Cooper Lighting Representative or visit www.cooperlighting.com for available options, accessories and ordering information.

FEATURES

- Louvered, die-cast aluminum face-plate
- Recess-mounted, die-cast aluminum housing
- Specular, pebblestone aluminum reflector
- Stainless steel hardware
- Three-year warranty

Compliances may not apply to all product configurations. Please consult the product spec sheet for compliance details.

COMPLIANCES: UL/cUL Listed - Wet Location, IP66 Rated, ADA Compliant



ZUMA 1201

ORDERING INFORMATION

SAMPLE NUMBER: 1201-LA-35T4-12-BK

Series	Face Plate	Source ¹	Voltage ²	Finish	Options	Accessories
1201=Aluminum Alloy Zuma Step Light	LA=Louvered Aluminum Face Plate OA=Open Aluminum Face Plate	Incandescent (Low Voltage) 35T4=35W Maximum Halogen T4, GY6.35 Base (1510 Only)	Incandescent 12=12V	Painted BK=Black BZ=Bronze CS=City Silver VE=Verde WT=White	LBB=Housing Shipped in Advance (Select LBB option and order Back Box separately) MB=Mounting Brackets for Drywall	Lamps HGT420=20W T4 GY6.35 Base, Halogen, 12V

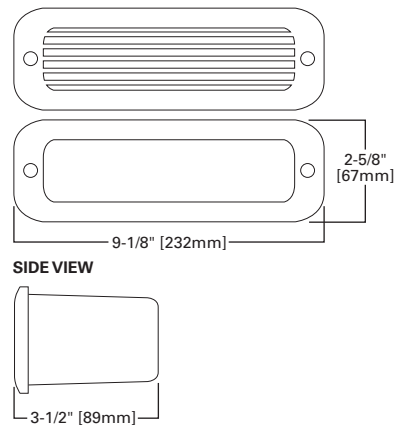
NOTES: 1. Lamp included. 2. 12V remote transformer required - not included.

FEATURES

- Aluminum or polycarbonate face-plate
- Recess-mounted, polycarbonate housing
- Specular, pebblestone aluminum reflector
- Stainless steel hardware
- Lamp included
- Integral 120V ballast
- Three-year warranty

Compliances may not apply to all product configurations. Please consult the product spec sheet for compliance details.

COMPLIANCES: UL/cUL Listed - Wet Location, IP66 Rated, ADA Compliant



ZUMA 1211, 1212

ORDERING INFORMATION

SAMPLE NUMBER: 1211-LA-CF13-120-BK

Series	Face Plate	Source ²	Voltage	Finish
1211=Compact Fluorescent Zuma Step Light 1212=Incandescent Zuma Step Light	LA=Louvered Aluminum Face Plate LP=Louvered Polycarbonate Face Plate ¹ OA=Open Aluminum Face Plate OP=Open Polycarbonate Face Plate ¹	Compact Fluorescent (1211 Only) CF13=13W Compact Fluorescent Quad Tube, GX23 Base CF9=9W Compact Fluorescent Twin Tube, G23 Base Incandescent (1212 Only) INC18=12V 18W Maximum Incandescent S8 DC Base ³ INC20=120V 20W Maximum T6.5 Incandescent, D.C. Bayonet Base	12=12V 120=120V	Painted BK=Black BZ=Bronze CS=City Silver VE=Verde WT=White Polycarbonate BK=Black WT=White

NOTES: 1. Black or white finish only. 2. Lamp included. 3. 12V remote transformer required - not included.

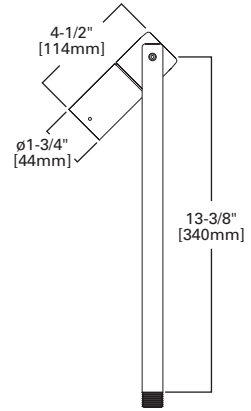


FEATURES

- 340° tilt, 360° rotation
- Precision-machined aluminum, brass, bronze, copper or stainless steel
- Stainless steel hardware
- Siphon Protection System (S.P.S.)
- Holds up to three optical accessories
- Three-year warranty

Compliances may not apply to all product configurations. Please consult the product spec sheet for compliance details.

COMPLIANCES: UL/cUL Listed - Wet Location, IP65 Rated



CAMBRIA 205

ORDERING INFORMATION

SAMPLE NUMBER: 205-35MR11-12-CS

Series	Source ¹	Voltage ²	Finish	Options
205=MR11 Cambria Path Fixture	<p>Halogen 35MR11=35W Max Halogen MR11, D.C. Bayonet Base 35MR11=35W Maximum Halogen MR11, GU4 Base</p>	12=12V	<p>Metal NBR=Natural Brass NBZ=Natural Bronze NCP=Natural Copper NSS=Natural Stainless Steel</p> <p>Painted BK=Black BZ=Bronze CS=City Silver VE=Verde WT=White</p>	DC =D.C. Bayonet Base (In lieu of Bi-pin)

NOTES: 1. Lamp not included. 2. 12V remote transformer required - not included.

FEATURES

- 340° tilt, 360° rotation
- Precision-machined aluminum, brass, bronze, copper or stainless steel
- Stainless steel hardware
- Siphon Protection System (S.P.S.)
- Holds up to three optical accessories
- Three-year warranty

Compliances may not apply to all product configurations. Please consult the product spec sheet for compliance details.

COMPLIANCES: UL/cUL Listed - Wet Location, IP65 Rated, LM79 / LM80 Compliant



CAMBRIA 206

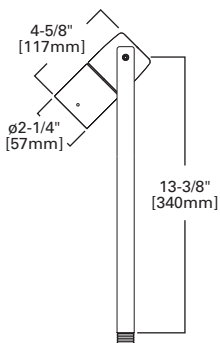
ORDERING INFORMATION

SAMPLE NUMBER: 206-2-6LED2712-12-CS

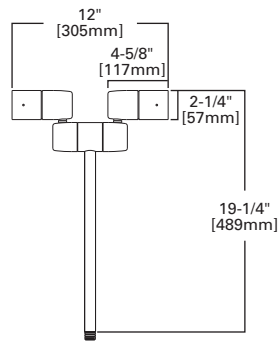
Series ^{1,2}	Source	Voltage ³	Finish
206 =LED or MR16 Cambria Pathway Fixture - Single Head 206-2 =LED or MR16 Cambria Pathway Fixture - Dual Head	LED 10LED2712 =10W 2700K, 12° Spot, GU5.3 Base 10LED2721 =10W 2700K, 21° Narrow, GU5.3 Base 10LED2741 =10W 2700K, 41° Wide, GU5.3 Base 10LED3012 =10W 3000K, 12° Spot, GU5.3 Base 10LED3021 =10W 3000K, 21° Narrow, GU5.3 Base 10LED3041 =10W 3000K, 41° Wide, GU5.3 Base 10LED4012 =10W 4000K, 12° Spot, GU5.3 Base 10LED4021 =10W 4000K, 21° Narrow, GU5.3 Base 10LED4041 =10W 4000K, 41° Wide, GU5.3 Base 10LED5712 =10W 5700K, 12° Spot, GU5.3 Base 10LED5721 =10W 5700K, 21° Narrow, GU5.3 Base 10LED5741 =10W 5700K, 41° Wide, GU5.3 Base 50MR16 =12V 50W Maximum Halogen MR16, GU5.3 Base 6LED2712 =6W 2700K, 12° Spot, GU5.3 Base 6LED2721 =6W 2700K, 21° Narrow, GU5.3 Base 6LED2741 =6W 2700K, 41° Wide, GU5.3 Base 6LED3012 =6W 3000K, 12° Spot, GU5.3 Base 6LED3021 =6W 3000K, 21° Narrow, GU5.3 Base 6LED3041 =6W 3000K, 41° Wide, GU5.3 Base 6LED4012 =6W 4000K, 12° Spot, GU5.3 Base 6LED4021 =6W 4000K, 21° Narrow, GU5.3 Base 6LED4041 =6W 4000K, 41° Wide, GU5.3 Base 6LED5712 =16W 5700K, 12° Spot, GU5.3 Base 6LED5721 =6W 5700K, 21° Narrow, GU5.3 Base 6LED5741 =6W 5700K, 41° Wide, GU5.3 Base	12 =12V Remote Transformer Required (Not included)	Painted BK =Black BZ =Bronze CS =City Silver VE =Verde WT =White Premium Finishes NBR =Natural Brass NBZ =Natural Bronze NCP =Natural Copper NSS =Natural Stainless Steel

NOTES: 1. Lamp not included in MR16 version. 2. See accessories section for mounting accessories, low voltage cable and transformers. 3. 12V remote transformer required - not included.

CAMBRIA 206



CAMBRIA 206-2



Specifications and dimensions subject to change without notice. Consult your Cooper Lighting Representative or visit www.cooperlighting.com for available options, accessories and ordering information.



FEATURES

- Slotted light-reveals with white diffuser
- Includes integral mounting spike for easy installation
- Die-cast aluminum head
- Machined-aluminum stem
- Stainless steel hardware
- Siphon Protection System (S.P.S.)
- Three-year warranty

Compliances may not apply to all product configurations. Please consult the product spec sheet for compliance details.

COMPLIANCES: UL/cUL Listed - Wet Location, IP65 Rated



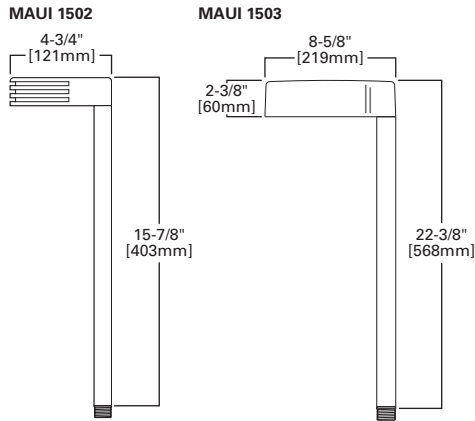
MAUI 1502, 1503

ORDERING INFORMATION

SAMPLE NUMBER: 1502-INC18-12-BK

Series ¹	Source ²	Voltage ³	Finish
1502 =Slotted Aperture Housing Maui Pathway Fixture 1503 =Solid Housing Maui Pathway Fixture	Compact Fluorescent (1503 Only) CF5 =5W Compact Fluorescent Twin Tube, G23 Base Incandescent/Halogen 50T4 =50W Maximum Halogen T4, GY6.35 Base INC18 =18W Maximum S8 Incandescent, D.C. Bayonet Base	12=12V	Painted BK =Black BZ =Bronze CS =City Silver VE =Verde WT =White

NOTES: 1. See accessories section for mounting accessories, low voltage cable and transformers. 2. Lamp included. 3. 12V remote transformer required - not included.



ALTERNATE PRODUCTS



MAUI 1503

Specifications and dimensions subject to change without notice. Consult your Cooper Lighting Representative or visit www.cooperlighting.com for available options, accessories and ordering information.

FEATURES

- Full cutoff pathway fixture
- Includes integral mounting spike for easy installation
- Die-cast aluminum head
- Machined aluminum stem
- Stainless steel hardware
- Siphon Protection System (S.P.S.)
- Three-year warranty

Compliances may not apply to all product configurations. Please consult the product spec sheet for compliance details.

COMPLIANCES: UL/cUL Listed - Wet Location, IP65 Rated



MAUI 1507, 1510

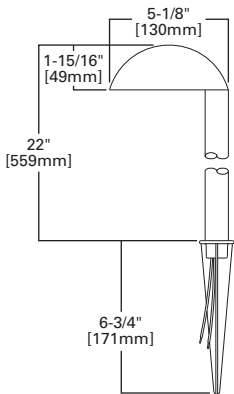
ORDERING INFORMATION

SAMPLE NUMBER: 1507-20T4-12-BK

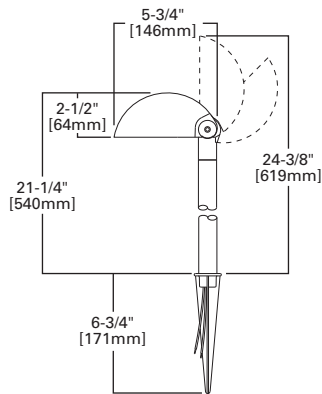
Series ¹	Source ²	Voltage ³	Finish
1507 =Fixed Head Maui Pathway Fixture 1510 =Adjustable Head Maui Pathway Fixture	Halogen 20T4 =20W Maximum Halogen T4, GY6.35 Base 35T4 =35W Maximum Halogen T4, GY6.35 Base (1510 Only) Incandescent INC18 =18W Maximum S8 Incandescent, D.C. Bayonet Base	12 =12V	Painted BK =Black BZ =Bronze CS =City Silver VE =Verde WT =White

NOTES: 1. See accessories section for mounting accessories, low voltage cable and transformers. 2. Lamp included. 3. 12V remote transformer required - not included.

MAUI 1507



MAUI 1510



ALTERNATE PRODUCTS



MAUI 1510

Specifications and dimensions subject to change without notice. Consult your Cooper Lighting Representative or visit www.cooperlighting.com for available options, accessories and ordering information.

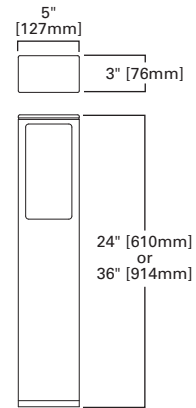


FEATURES

- Decorative, edge-lit, glass-block lens
- Patented LumaLevel™ mounting and leveling system
- Machined-aluminum housing, cast base
- Includes anchor bolts and template
- Stainless steel hardware
- Three-year warranty

Compliances may not apply to all product configurations. Please consult the product spec sheet for compliance details.

COMPLIANCES: UL/cUL Listed - Wet Location, IP65 Rated



SEDONA 1800

ORDERING INFORMATION

SAMPLE NUMBER: 1800-24-CF42-120-BZ

Series	Source ¹	Voltage	Finish
1800-24=24" Sedona Bollard 1800-36=36" Sedona Bollard	<p>Compact Fluorescent CF42=42W Compact Fluorescent Triple Twin Tube, Universal GX24q Base</p> <p>Halogen 50MR16=12V 50W Maximum Halogen MR16, GU5.3 Base</p> <p>Incandescent 50PAR20=50W Maximum Halogen PAR20, Medium Base</p> <p>Metal Halide MH20PAR20=20W Metal Halide PAR20, Medium Base MH39PAR20=39W Metal Halide PAR20, Medium Base</p>	<p>Compact Fluorescent and Metal Halide UNV=120-277V, 50/60 Hz</p> <p>Halogen (Integral or Remote Transformer) 12=12V 120/12=120V with 12V Integral Transformer 230/12=230V to 12V Integral Transformer 240/12=240V to 12V Integral Transformer</p> <p>Incandescent 120=120V</p>	<p>Painted BK=Black BZ=Bronze CS=City Silver VE=Verde WT=White</p>
Options		Anchor Bolts and Template (Order Separately)	
LAB=Less Anchor Bolts and Template (Requires anchor kit be ordered separately)		7581-01PK=Anchor Bolt/Template Kit for 24" and 36" Sedona Bollards	

NOTES: 1. Lamp not included.

FEATURES

- Adjustable aperture with locking mechanism
- Field-adjustable optics
- Patented LumaLevel™ mounting and leveling system
- Full cutoff adjustment
- Machined-aluminum housing
- Rugged, cast base
- Tamper-proof, stainless steel hardware
- Includes anchor bolts and template
- Three-year warranty

Compliances may not apply to all product configurations. Please consult the product spec sheet for compliance details.

COMPLIANCES: UL/cUL Listed - Wet Location, IP65 Rated



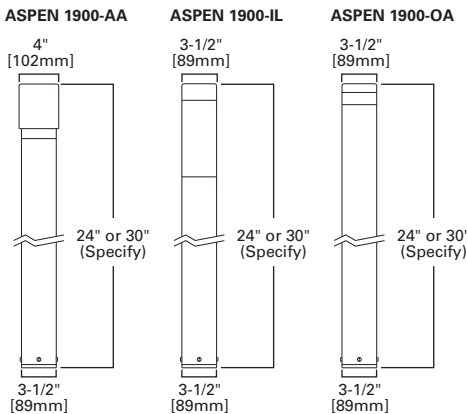
ASPEN 1900

ORDERING INFORMATION

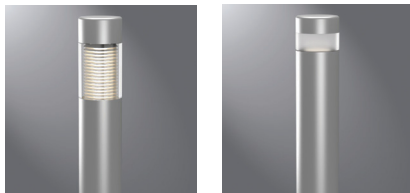
SAMPLE NUMBER: 1900-AA-24-50MR16-120-BK

Series		Height	Source ¹
1900-AA =Adjustable Aperture Aspen Bollard with Field Adjustable Optics 1900-IL =Internal Louver Aspen Bollard with Energy Efficient, Low Glare Fluorescent 1900-OA =Open Aperture Aspen Bollard with Low Glare Fixed Optics		24 =24" Nominal Height 30 =30" Nominal Height	Compact Fluorescent (1900-IL Only) CF42 =42W Compact Fluorescent TTT, GX24q-3 Base Halogen 50MR16 =12V 50W Maximum Halogen MR16, GU5.3 Base Metal Halide MH39PAR20 =39W Metal Halide PAR20, Medium Base ²
Voltage	Finish	Options	Anchor Bolts and Template (Order Separately)
Halogen (Integral Transformer) 120/12 =120V to 12V Integral Transformer 230/12 =230V to 12V Integral Transformer 277/12 =277V to 12V Integral Transformer Metal Halide 120 =120V 208 =208V 240 =240V 277 =277V 347 =347V UNV =120-277V, 50/60 Hz	Painted BK =Black BZ =Bronze CS =City Silver VE =Verde WT =White	EL =Electronic HID Ballast LAB =Less Anchor Bolts and Template (Requires anchor kit to be ordered separately)	7048-01PK =Anchor Bolt/Template Kit for Aspen Bollards

NOTES: 1. Lamp not included. 2. IMPORTANT: This fixture accepts PAR20 lamps by all major lamp manufacturers except GE.



ALTERNATE PRODUCTS



ASPEN 1900-IL

ASPEN 1900-OA

Specifications and dimensions subject to change without notice. Consult your Cooper Lighting Representative or visit www.cooperlighting.com for available options, accessories and ordering information.



FEATURES

- Includes integral mounting spike for easy installation
- Machined-aluminum construction
- Machined clear acrylic lens
- Stainless steel hardware
- Three-year warranty

Compliances may not apply to all product configurations. Please consult the product spec sheet for compliance details.

COMPLIANCES: UL/cUL Listed - Wet Location, IP65 Rated, LM79 / LM80 Compliant



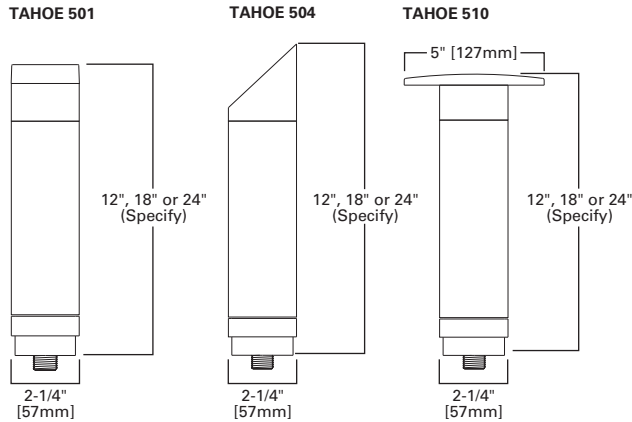
**TAHOE 501, 504,
510**

ORDERING INFORMATION

SAMPLE NUMBER: 501-12-20MR16-12-BK

Series	Height	Source	Voltage ³	Finish
501 =Circular Outward Light Pattern Tahoe Bollard for Path and Area Lighting 504 =Horizontal 90° Light Pattern Tahoe Bollard for Path and Area Lighting 510 =Circular Outward Light Pattern and Reflective Crown Tahoe Bollard for Path and Area Lighting	12 =12" Nominal Height 18 =18" Nominal Height 24 =24" Nominal Height	Halogen¹ 20MR16 =20W Halogen MR16, GU5.3 Base LED² 10LED2712 =10W 2700K, 12° Spot, GU5.3 Base 10LED3012 =10W 3000K, 12° Spot, GU5.3 Base 10LED4012 =10W 4000K, 12° Spot, GU5.3 Base 10LED5712 =10W 5700K, 12° Spot, GU5.3 Base 6LED2712 =6W 2700K, 12° Spot, GU5.3 Base 6LED3012 =6W 3000K, 12° Spot, GU5.3 Base 6LED4012 =6W 4000K, 12° Spot, GU5.3 Base 6LED5712 =6W 5700K, 12° Spot, GU5.3 Base	12=12V	Painted BK =Black BZ =Bronze CS =City Silver VE =Verde WT =White

NOTES: 1. Lamp not included. 2. Lamp included. 3. 12V remote transformer required - not included.



ALTERNATE PRODUCTS



TAHOE 504



TAHOE 510

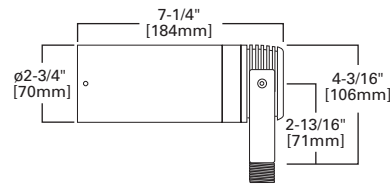
Specifications and dimensions subject to change without notice. Consult your Cooper Lighting Representative or visit www.cooperlighting.com for available options, accessories and ordering information.

FEATURES

- 340° tilt, 360° rotation
- Accepts standard Micro-E steel gobos
- Precision-machined from corrosion-resistant aluminum billet
- Integrated heat-sink extends lamp life
- Stainless steel hardware
- Siphon Protection System (S.P.S.)
- Three-year warranty

Compliances may not apply to all product configurations. Please consult the product spec sheet for compliance details.

COMPLIANCES: UL/cUL Listed - Wet Location, IP65 Rated



CAMBRIA 290

ORDERING INFORMATION

SAMPLE NUMBER: 290-75MR16-12-VE

Series	Source ¹	Voltage ²	Finish
290=75W Maximum MR16 Cambria Projector	Halogen 75MR16=75W Maximum Halogen MR16, GU5.3 Base	12=12V	Painted BK=Black BZ=Bronze CS=City Silver VE=Verde WT=White

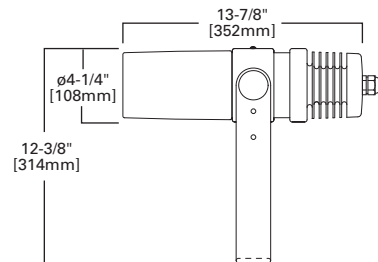
NOTES: 1. Lamp not included. 2. 12V remote transformer required - not included.

FEATURES

- Adjustable yoke, unique locking-clutch mechanism for precise aiming
- Precision ground lens or condenser system projects clear, crisp images
- Accepts standard Micro-E steel gobos
- Machined-aluminum housing, hood and yoke
- Optional factory-installed safety cable
- Stainless steel hardware
- Three-year warranty

Compliances may not apply to all product configurations. Please consult the product spec sheet for compliance details.

COMPLIANCES: UL/cUL Listed, IP65 Rated



HOLLYWOOD 1701

ORDERING INFORMATION

SAMPLE NUMBER: 1701-MH39PAR20-120-EL-MB-CS

Series	Source ^{1,2}	Voltage	Ballast ³	Mounting	Finish	Options
1701=39W PAR20 Metal Halide Hollywood Projector	Metal Halide MH39PAR20=39W Metal Halide PAR20, Medium Base	120=120V 208=208V 240=240V 277=277V 347=347V	[Blank] =Standard Core and Coil Ballast EL =Electronic Ballast ELM =Electronic Ballast, Mini Housing ³	MB =Fixture Mounts to Inground Ballast Container MBR =Fixture Mounts to Flat Surface, Remote Inground Ballast Container SM =Fixture Mounts to Wall Mounted Ballast Housing, Bottom Conduit Entry TS =Fixture Mounts to Ballast Housing Strapped to Tree, Bottom Conduit Entry TSR =Fixture Strapped to Tree, Remote Inground Ballast Container TSR2 =Fixture Strapped to Tree, Remote Ballast Housing Strapped to Tree WM =Fixture Mounts to Wall Mounted Ballast Housing, over J-box WR =Fixture Mounts to Flat Surface, Remote Ballast Housing	Painted BK=Black BZ=Bronze CS=City Silver VE=Verde WT=White	SCH =Safety Chain

NOTES: 1. Lamp not included. 2. IMPORTANT: This fixture accepts PAR20 lamps by all major lamp manufacturers except GE. 3. ELM ballast available with WM, SM and TS mounting only.

**FEATURES**

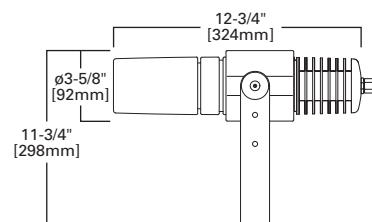
- Adjustable yoke, unique locking-clutch mechanism for precise aiming
- Precision ground lens or condenser system projects clear, crisp images
- Accepts standard Micro-E steel gobos
- Machined-aluminum housing, hood and yoke
- Optional factory-installed safety cable
- Stainless steel hardware
- Three-year warranty

Compliances may not apply to all product configurations. Please consult the product spec sheet for compliance details.

COMPLIANCES: UL/cUL Listed - Wet Location, IP65 Rated



HOLLYWOOD 1702

**ORDERING INFORMATION**

SAMPLE NUMBER: 1702-75MR16-12-CS

Series	Source ¹	Voltage ²	Finish	Options
1702=75W Maximum MR16 Hollywood Projector	Halogen 75MR16=75W Maximum Halogen MR16, GU5.3 Base	12=12V	Painted BK=Black BZ=Bronze CS=City Silver VE=Verde WT=White	SCH =Safety Chain

NOTES: 1. Lamp not included. 2. 12V remote transformer required - not included.

**FEATURES**

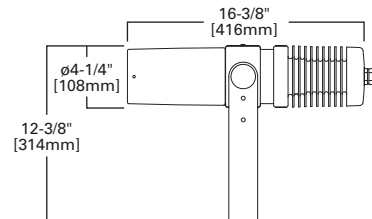
- Delivers precision images over extended distances
- Adjustable yoke, unique locking-clutch mechanism for precise aiming
- Precision ground lens or condenser system projects clear, crisp images
- Accepts standard Micro-E steel gobos
- Machined-aluminum housing, hood and yoke
- Optional factory-installed safety cable
- Stainless steel hardware
- Three-year warranty

Compliances may not apply to all product configurations. Please consult the product spec sheet for compliance details.

COMPLIANCES: UL/cUL Listed - Wet Location, IP65 Rated



HOLLYWOOD 1704

**ORDERING INFORMATION**

SAMPLE NUMBER: 1704-MH150T6-120-ELMB-CS

Series	Source ¹	Voltage	Ballast	Mounting	Finish	Options
1704=150W T6 Metal Halide Hollywood Projector	Metal Halide MH150T6=150W Metal Halide T6, G12 Base	120=120V 277=277V	EL=Electronic Ballast	MB =Fixture Mounts to Inground Ballast Container MBR =Fixture Mounts to Flat Surface, Remote Inground Ballast Container SM =Fixture Mounts to Wall Mounted Ballast Housing, Bottom Conduit Entry TS =Fixture Mounts to Ballast Housing Strapped to Tree, Bottom Conduit Entry TSR =Fixture Strapped to Tree, Remote Inground Ballast Container TSR2 =Fixture Strapped to Tree, Remote Ballast Housing Strapped to Tree WM =Fixture Mounts to Wall Mounted Ballast Housing, over J-box WR =Fixture Mounts to Flat Surface, Remote Ballast Housing	Painted BK=Black BZ=Bronze CS=City Silver VE=Verde WT=White	SCH =Safety Chain

NOTES: 1. Lamp not included.

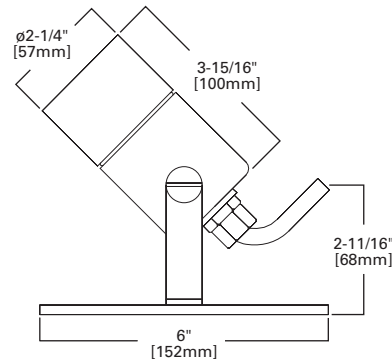
Specifications and dimensions subject to change without notice. Consult your Cooper Lighting Representative or visit www.cooperlighting.com for available options, accessories and ordering information.

FEATURES

- Includes adjustable mounting base with lockable aiming
- Includes 15' low-voltage SJO cord
- Precision-machined bronze or stainless steel
- Available as wet-dry fixture (1407D)
- Stainless steel hardware
- Holds up to three optical accessories
- Three-year warranty

Compliances may not apply to all product configurations. Please consult the product spec sheet for compliance details.

COMPLIANCES: UL/cUL Listed - Wet Location, IP68 Rated, LM79 / LM80 Compliant



ATLANTIS 1407

ORDERING INFORMATION

SAMPLE NUMBER: 1407-75MR16-12-NBZ

Series	Source	Voltage ²	Finish
1407=LED or MR16 Atlantis Underwater Fixture, Yoke Mounted	<p>Halogen 75MR16=75W Maximum Halogen MR16, GU5.3 Base¹</p> <p>LED 10LED2712=10W 2700K, 12° Spot, GU5.3 Base 10LED2721=10W 2700K, 21° Narrow, GU5.3 Base 10LED2741=10W 2700K, 41° Wide, GU5.3 Base 10LED3012=10W 3000K, 12° Spot, GU5.3 Base 10LED3021=10W 3000K, 21° Narrow, GU5.3 Base 10LED3041=10W 3000K, 41° Wide, GU5.3 Base 10LED4012=10W 4000K, 12° Spot, GU5.3 Base 10LED4021=10W 4000K, 21° Narrow, GU5.3 Base 10LED4041=10W 4000K, 41° Wide, GU5.3 Base 10LED5712=10W 5700K, 12° Spot, GU5.3 Base</p>	<p>12=12V</p>	<p>Metal NBZ=Bronze NSS=Stainless Steel</p>
	<p>10LED5721=10W 5700K, 21° Narrow, GU5.3 Base 10LED5741=10W 5700K, 41° Wide, GU5.3 Base 6LED2712=6W 2700K, 12° Spot, GU5.3 Base 6LED2721=6W 2700K, 21° Narrow, GU5.3 Base 6LED2741=6W 2700K, 41° Wide, GU5.3 Base 6LED3012=6W 3000K, 12° Spot, GU5.3 Base 6LED3021=6W 3000K, 21° Narrow, GU5.3 Base 6LED3041=6W 3000K, 41° Wide, GU5.3 Base 6LED4012=6W 4000K, 12° Spot, GU5.3 Base 6LED4021=6W 4000K, 21° Narrow, GU5.3 Base 6LED4041=6W 4000K, 41° Wide, GU5.3 Base 6LED5712=6W 5700K, 12° Spot, GU5.3 Base 6LED5721=6W 5700K, 21° Narrow, GU5.3 Base 6LED5741=6W 5700K, 41° Wide, GU5.3 Base</p>		

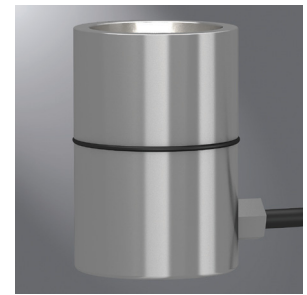
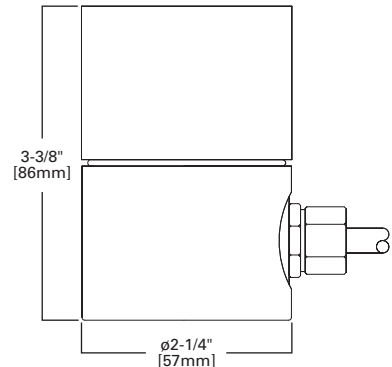
NOTES: 1. Lamp not included. 2. 12V remote transformer required - not included. Use Lumiere model T300 or equivalent only.

FEATURES

- Miniature 2-1/4" diameter uplight
- Includes 15' low-voltage SJO cord
- Precision-machined C932 bronze or 303 or 304 stainless steel
- Stainless steel hardware
- Holds up to three optical accessories
- Three-year warranty

Compliances may not apply to all product configurations. Please consult the product spec sheet for compliance details.

COMPLIANCES: UL/cUL Listed - Wet Location, IP68 Rated, LM79 / LM80 Compliant



ATLANTIS 1409

ORDERING INFORMATION

SAMPLE NUMBER: 1409-75MR16-12-NBZ

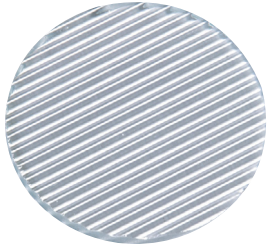
Series	Source	Voltage ²	Finish	Options
1409=75W Maximum MR16 Atlantis Underwater Fixture	<p>Halogen 75MR16=75W Maximum Halogen MR16, GU5.3 Base¹</p> <p>LED 10LED2712=10W 2700K, 12° Spot, GU5.3 Base 10LED2721=10W 2700K, 21° Narrow, GU5.3 Base 10LED2741=10W 2700K, 41° Wide, GU5.3 Base 10LED3012=10W 3000K, 12° Spot, GU5.3 Base 10LED3021=10W 3000K, 21° Narrow, GU5.3 Base 10LED3041=10W 3000K, 41° Wide, GU5.3 Base 10LED4012=10W 4000K, 12° Spot, GU5.3 Base 10LED4021=10W 4000K, 21° Narrow, GU5.3 Base 10LED4041=10W 4000K, 41° Wide, GU5.3 Base 10LED5712=10W 5700K, 12° Spot, GU5.3 Base</p>	<p>12=12V</p>	<p>Metal NBZ=Bronze NSS=Stainless Steel</p>	<p>BMP=6" Bronze Mounting Plate SMP=6" Stainless Steel Mounting Plate</p>
	<p>10LED5721=10W 5700K, 21° Narrow, GU5.3 Base 10LED5741=10W 5700K, 41° Wide, GU5.3 Base 6LED2712=6W 2700K, 12° Spot, GU5.3 Base 6LED2721=6W 2700K, 21° Narrow, GU5.3 Base 6LED2741=6W 2700K, 41° Wide, GU5.3 Base 6LED3012=6W 3000K, 12° Spot, GU5.3 Base 6LED3021=6W 3000K, 21° Narrow, GU5.3 Base 6LED3041=6W 3000K, 41° Wide, GU5.3 Base 6LED4012=6W 4000K, 12° Spot, GU5.3 Base 6LED4021=6W 4000K, 21° Narrow, GU5.3 Base 6LED4041=6W 4000K, 41° Wide, GU5.3 Base 6LED5712=6W 5700K, 12° Spot, GU5.3 Base 6LED5721=6W 5700K, 21° Narrow, GU5.3 Base 6LED5741=6W 5700K, 41° Wide, GU5.3 Base</p>			

NOTES: 1. Lamp not included. 2. 12V remote transformer required - not included. Use Lumiere model T300 or equivalent only.

Specifications and dimensions subject to change without notice. Consult your Cooper Lighting Representative or visit www.cooperlighting.com for available options, accessories and ordering information.

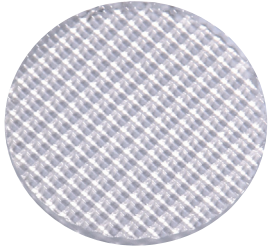
DESCRIPTION

Lumière color and dichroic filters maximize your design alternatives. They secure to the interior of the fixture hood behind the lens by an easy-to-use snap ring. Most Lumière fixtures accept a combination of up to three lenses, louvers, and color and dichroic filters. Color filters allow for the creation of spectacular lighting effects. You can even use mercury vapor color filters to blend other lamp types with fixtures that use a mercury vapor light source. Dichroic filters provide the best in exacting color rendition. **NOTE:** Order lenses and louvers as separate line items.



LINEAR SPREAD LENS

Source	Model	Description
MR8	LSL-8	Directional beam elongator. Use this lens to elongate a lamp's standard beam spread.
MR11 / T4MH	LSL-1	
MR16 / T6MH	LSL	
PAR20	LSL-20	
PAR30	LSL-30	
PAR38	LSL-38	
PAR56	LSL-56	



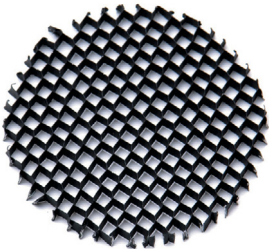
OVERALL SPREAD LENS

Source	Model	Description
MR8	OSL-8	Clear prismatic lens with heavy spread and high transmission. Use this lens to increase a lamp's beam spread.
MR11 / T4MH	OSL-1	
MR16 / T6MH	OSL	
PAR20	OSL-20	
PAR30	OSL-30	
PAR38	OSL-38	
PAR56	OSL-56	



DIFFUSED LENS

Source	Model	Description
MR8	DIF-8	Soft focus, diffused lens for clean, even illumination. Use this lens to provide even illumination without enlarging lamp's beam spread.
MR11 / T4MH	DIF-1	
MR16 / T6MH	DIF	
PAR20	DIF-20	
PAR30	DIF-30	
PAR38	DIF-38	
PAR56	DIF-56	



LOUVER

Source	Model	Description
MR8	LVR-8	Hex cell louvers reduce glare. The honeycomb pattern traps and controls peripheral light.
MR11 / T4MH	LVR-1	
MR16 / T6MH	LVR	
PAR20	LVR-20	
PAR30	LVR-30	
PAR38	LVR-38	
PAR56	LVR-56	

DESCRIPTION

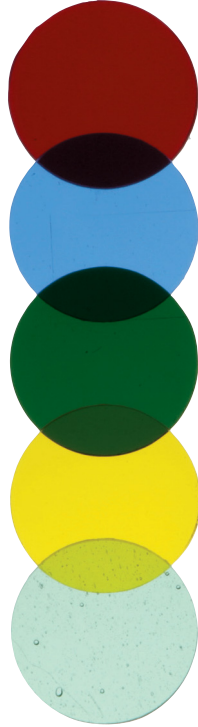
Lumière lenses and louvers maximize your design alternatives. Each performs a unique task, allowing you to tailor your design to the job at hand. They secure to the interior of the fixture hood behind the lens by an easy-to-use snap ring. Most Lumière fixtures accept a combination of up to three lenses, louvers, and color and dichroic filters. **NOTE:** Order color and dichroic filters as separate line items.

COLOR FILTERS

Color filters allow the creation of spectacular lighting effects. You can even use mercury vapor color filters to blend other lamp types with fixtures using a mercury vapor light source. Filters are listed by lamp size - most Lumière fixtures that use these lamp sources accept filters.

SAMPLE NUMBER: F2-8

Source	Color	Model
MR8	Red	F2-8
	Blue	F3-8
	Green	F4-8
	Yellow	F5-8
	Mercury	F6-8
MR11 / T4MH	Red	F2
	Blue	F3
	Green	F4
	Yellow	F5
	Mercury	F6
MR16 / T6MH	Red	F22
	Blue	F33
	Green	F44
	Yellow	F55
	Mercury	F66
PAR20	Red	F22-20
	Blue	F33-20
	Green	F44-20
	Yellow	F55-20
	Mercury	F66-20
PAR30	Red	F22-30
	Blue	F33-30
	Green	F44-30
	Yellow	F55-30
	Mercury	F66-30
PAR38	Red	F22-38
	Blue	F33-38
	Green	F44-38
	Yellow	F55-38
	Mercury	F66-38
PAR56	Red	F22-56
	Blue	F33-56
	Green	F44-56
	Yellow	F55-56
	Mercury	F66-56

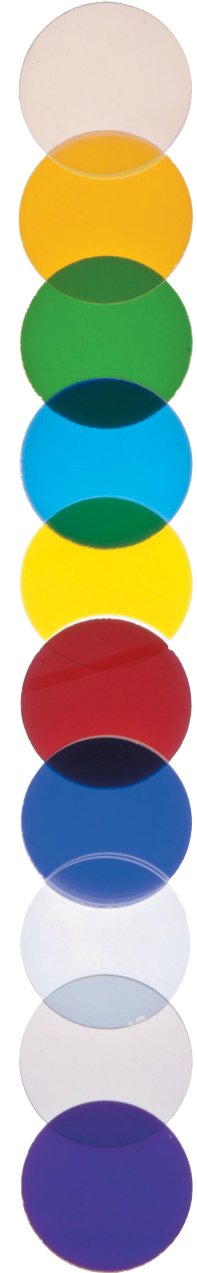


DICHROIC FILTERS

Dichroic filters provide the best in exacting color rendition. The dichroic filters listed below are standard items.

SAMPLE NUMBER: F71-8

Source	Color	Model
MR8	Peach	F71-8
	Amber	F72-8
	Green	F73-8
	Medium Blue	F74-8
	Yellow	F75-8
	Red	F76-8
	Dark Blue	F77-8
	Light Blue	F78-8
	Neutral Density	F79-8
	Magenta	F80-8
MR11 / T4MH	Peach	F71-1
	Amber	F72-1
	Green	F73-1
	Medium Blue	F74-1
	Yellow	F75-1
	Red	F76-1
	Dark Blue	F77-1
	Light Blue	F78-1
	Neutral Density	F79-1
	Magenta	F80-1
MR16 / T6MH	Peach	F71
	Amber	F72
	Green	F73
	Medium Blue	F74
	Yellow	F75
	Red	F76
	Dark Blue	F77
	Light Blue	F78
	Neutral Density	F79
	Magenta	F80
PAR20	Peach	F71-20
	Amber	F72-20
	Green	F73-20
	Medium Blue	F74-20
	Yellow	F75-20
	Red	F76-20
	Dark Blue	F77-20
	Light Blue	F78-20
	Neutral Density	F79-20
	Magenta	F80-20
PAR30	Peach	F71-30
	Amber	F72-30
	Green	F73-30
	Medium Blue	F74-30
	Yellow	F75-30
	Red	F76-30
	Dark Blue	F77-30
	Light Blue	F78-30
	Neutral Density	F79-30
	Magenta	F80-30
PAR38	Peach	F71-38
	Amber	F72-38
	Green	F73-38
	Medium Blue	F74-38
	Yellow	F75-38
	Red	F76-38
	Dark Blue	F77-38
	Light Blue	F78-38
	Neutral Density	F79-38
	Magenta	F80-38
PAR56	Available by special order.	



DESCRIPTION

Lumière glare shields reduce glare from the lamp source, providing comfortable illumination. They mount directly to the hood of the fixture and are secured by a locking set screw (provided). Glare shields are finished to match the fixture. **NOTE:** Order glare shields as separate line items.

SAMPLE NUMBER: FH200-BK (Replace XX with corresponding finish)

**FH200-XX****Description**

Use with MR8 fixtures
Dimensions: 1-9/16" x 2-3/8" (40mm x 60mm)
Specify finish (BK, BZ, CS, VE, WT, NBR, NBZ, NCP, NSS)

**FH56-XX****Description**

Use with PAR56 fixtures
Dimensions: 6-7/16" x 8-1/2" (164mm x 216mm)
Specify finish (BK, BZ, CS, VE, WT)

**FH211-XX****Description**

Use with MR11 / T4MH fixtures
Dimensions: 2" x 3-1/2" (51mm x 89mm)
Specify finish (BK, BZ, CS, VE, WT, NBR, NBZ, NCP, NSS)

**FH403-XX****Description**

Use with model 403 only
Dimensions: 6-1/2" x 2-7/8" (165mm x 73mm)
Specify finish (BK, BZ, CS, VE, WT)

**FH203-XX****Description**

Use with MR16 / T6MH fixtures
Dimensions: 2-1/2" x 4" (64mm x 102mm)
Specify finish (BK, BZ, CS, VE, WT, NBR, NBZ, NCP, NSS)

**FH450-XX****Description**

Use with model 450 only
Dimensions: 6-1/2" x 2-7/8" (165mm x 73mm)
Specify finish (BK, BZ, CS, VE, WT)

**FH20-XX****Description**

Use with PAR20 fixtures
Dimensions: 3" x 5" (76mm x 127mm)
Specify finish (BK, BZ, CS, VE, WT, NBR, NBZ, NCP, NSS)

**FH200S-XX****Description**

Use with MR8 fixtures
Dimensions: 1-9/16" x 2-3/8" (40mm x 60mm)
Specify finish (BK, BZ, CS, VE, WT, NBR, NBZ, NCP, NSS)

**FH30-XX****Description**

Use with PAR30 fixtures
Dimensions: 4-3/4" x 3-3/8" (121mm x 86mm)
Specify finish (BK, BZ, CS, VE, WT)

**FH212-XX****Description**

Use with MR11 / T4MH fixtures
Dimensions: 2" x 3-1/2" (51mm x 89mm)
Specify finish (BK, BZ, CS, VE, WT, NBR, NBZ, NCP, NSS)

**FH38-XX****Description**

Use with PAR38 fixtures
Dimensions: 5-3/4" x 4-3/8" (146mm x 111mm)
Specify finish (BK, BZ, CS, VE, WT)

**FH204-XX****Description**

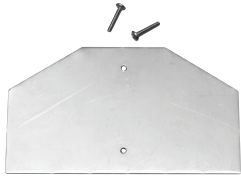
Use with MR16 / T6MH fixtures
Dimensions: 2-1/2" x 4" (64mm x 102mm)
Specify finish (BK, BZ, CS, VE, WT, NBR, NBZ, NCP, NSS)

Specifications and dimensions subject to change without notice. Consult your Cooper Lighting Representative or visit www.cooperlighting.com for available options, accessories and ordering information.

DESCRIPTION

Lumière offers a variety of ground mounting accessories for its low voltage fixtures. See the chart on the following page to confirm that the desired mounting accessory is available for use with the desired fixture. **NOTE:** Order low voltage ground mounting accessories as separate line items. Specify quantities and (if applicable) finish.

SAMPLE NUMBER: GS03-BK (Replace XX with corresponding finish)



GB01

Description

ANTI-ROTATION BLADE (Stainless Steel)
Adapts to GS07 or GS14 ground spike to prevent rotation
Dimensions: 2-7/8" x 5" (73mm x 127mm)



GS06

Description

SPIRAL GROUND SPIKE
Provides extra holding power in unstable soil (Plated Steel/Brass)
Accepts all 1/2" NPS threaded hubs.
Dimensions: 2" x 10-1/2" (51mm x 267mm)



GS01

Description

GROUND SPIKE WITH FEED-THROUGH HOLE FOR WIRING (Cast Zinc)
Accepts all 1/2" NPS threaded hubs
Dimensions: 1-1/2" x 6-3/4" (38mm x 171mm)



GS07

Description

GROUND SPIKE (White PVC)
Accepts all 1/2" NPS threaded hubs
Dimensions: 1-1/8" x 12" (29mm x 305mm)



GS03-XX

Description

GROUND SPIKE WITH INTEGRAL 12V WIRING COMPARTMENT (Aluminum)
Accepts all 1/2" NPS threaded hubs
Dimensions: 2-3/8" x 6-5/8" (60mm x 168mm)
Specify finish (BK, BZ, CS, VE, WT)



GS08

Description

GROUND SPIKE WITH INTEGRAL 12V WIRING COMPARTMENT AND SIDE OR BOTTOM WIRE WAY (Black ABS)
Accepts all 1/2" NPS threaded hubs
Dimensions: 1-7/8" x 8" (48mm x 203mm)



GS04-XX

Description

GROUND SPIKE WITH INTEGRAL 12V WIRING COMPARTMENT (Aluminum)
Accepts all 1/2" NPS threaded hubs
Dimensions: 1" x 16-1/2" (25mm x 419mm)
Specify finish (BK, BZ, CS, VE, WT)



GS13

Description

3-PRONG GROUND SPIKE (Brass/Stainless Steel)
Accepts all 1/2" NPS male threaded hubs
Dimensions: 3-3/4" x 4-1/2" (95mm x 114mm)



GS05

Description

GROUND SPIKE WITH 2" - 13" HEIGHT ADJUSTMENT (Black Polycarbonate)
Enables fixture to be elevated as foliage grows (requires fixture with extended length stem and lead wires)
Dimensions: 1-7/8" x 17-1/4" (48mm x 438mm)



GS14

Description

GROUND SPIKE (Stainless Steel)
Accepts all 1/2" NPS male threaded hubs
Dimensions: 1-1/8" x 12" (29mm x 305mm)

Lumière mounting accessories allow low voltage fixture mounting at ground level or elevated, above foliage. Use the chart below to confirm that the desired mounting accessory is available for use with the desired low voltage fixture type. See chart below to confirm that the desired mounting accessory is available for use with desired fixture.

MOUNTING AT OR ABOVE GROUND LEVEL

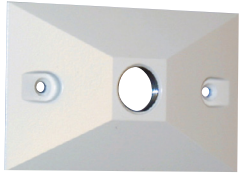
Lamp Source	GS01	GS03	GS04	GS05	GS06	GS07	GS08	GS13	GS14
MR8	•	•	•	•	•	•	•	•	•
MR11	•	•	•	•	•	•	•	•	•
MR16	•	•	•	•	•	•	•	•	•
T4	•	•	•	•	•	•	•	•	•
PAR56	--	--	--	--	--	--	--	--	--

Specifications and dimensions subject to change without notice. Consult your Cooper Lighting Representative or visit www.cooperlighting.com for available options, accessories and ordering information.

DESCRIPTION

Lumière offers a variety of surface, wall and tree mounting accessories. All are equipped with standard 1/2" NPS threaded mounting hole to accept fixtures with 1/2" NPS threaded stems. Surface and wall mounts are constructed from die-cast aluminum, double protected by a chromate conversion undercoating and polyester powdercoat paint finish. Specify color (BK, BZ, CS, VE, WT). Tree mounts are constructed from stainless steel. Specify finish (NSS, BZ). **NOTE:** Order surface, wall and tree mounting accessories as separate line items. Specify quantities and finish.

SAMPLE NUMBER: FS2-CS (Replace XX with corresponding finish)



FS1-XX

Description

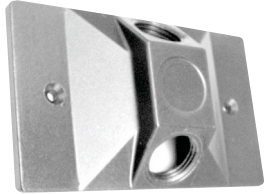
RECTANGULAR WALL PLATE OR BOX COVER WITH SINGLE FIXTURE MOUNTING HOLE
For use with Lumière's MB1 junction box or rectangular junction/wall boxes by others
Dimensions: 2-7/8" x 4-5/8" (73mm x 117mm)
Specify finish (BK, BZ, CS, VE, WT)



TM05-XX

Description

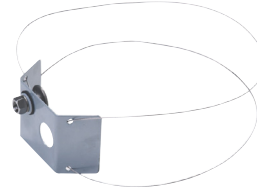
RECTANGULAR TREE/SURFACE MOUNT WITH SELF-CONTAINED WIRING COMPARTMENT AND THROUGH WIRING PASSAGES
Dimensions: 3-7/8" x 2" (98mm x 51mm)
Specify finish (BK, BZ, CS, VE, WT)



FS2-XX

Description

RECTANGULAR WALL PLATE OR BOX COVER WITH DUAL MOUNTING HOLES
For use with Lumière's MB1 junction box or rectangular junction/wall boxes by others.
Dimensions: 2-7/8" x 4-5/8" (73mm x 117mm)
Specify finish (BK, BZ, CS, VE, WT)



TM04-XX

Description

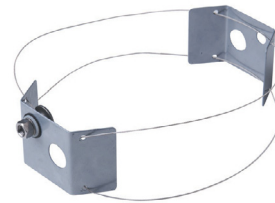
EXPANDING TREE STRAP WITH SELF-ADJUSTING TENSION RELEASE
For use with one fixture
Dimensions: 2-1/2" x 4-1/4" (64mm x 108mm)
Specify finish (BZ, NSS)



RS1-XX

Description

ROUND WALL PLATE OR BOX COVER WITH SINGLE FIXTURE MOUNTING HOLE
For use with Lumière's MBR1 junction box or round junction/wall boxes by others.
Dimensions: ø4-1/2" (114mm)
Specify finish (BK, BZ, CS, VE, WT)



TM04-2-XX

Description

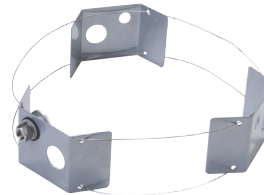
EXPANDING TREE STRAP WITH SELF-ADJUSTING TENSION RELEASE
For use with two fixtures
Dimensions: 2-1/2" x 4-1/4" (64mm x 108mm)
Specify finish (BZ, NSS)



RS2-XX

Description

ROUND WALL PLATE OR BOX COVER WITH DUAL MOUNTING HOLES
For use with Lumière's MBR1 junction box or round junction/wall boxes by others
Dimensions: ø4-1/2" (114mm)
Specify finish (BK, BZ, CS, VE, WT)



TM04-3-XX

Description

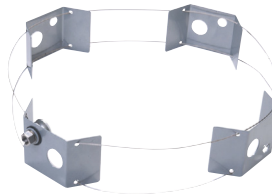
EXPANDING TREE STRAP WITH SELF-ADJUSTING TENSION RELEASE
For use with three fixtures
Dimensions: 2-1/2" x 4-1/4" (64mm x 108mm)
Specify finish (BZ, NSS)



TM01-XX

Description

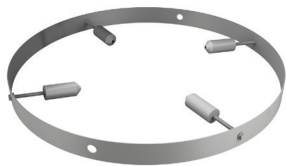
ROUND MOUNT
For installing fixtures on trees, railings or other Wood Surfaces
Dimensions: ø2-3/16" x 1-1/2" (71mm x 38mm)
Specify finish (BK, BZ, CS, VE, WT)



TM04-4-XX

Description

EXPANDING TREE STRAP WITH SELF-ADJUSTING TENSION RELEASE
For use with four fixtures
Dimensions: 2-1/2" x 4-1/4" (64mm x 108mm)
Specify finish (BZ, NSS)



TS

Description

TREE STRAP WITH SELF-ADJUSTING STRAPS
For use with up to 6 line voltage or HID fixtures. Designed for tree diameters from 18" to 24"
Specify finish (BK, BZ, CS, VE, WT)



TR

Description

TREE RING WITH SELF-ADJUSTABLE STAND OFFS
For use with up to 6 low voltage fixtures. Designed for tree diameters from 18" to 24"
Specify finish (BK, BZ, CS, VE, WT)

DESCRIPTION

JUNCTION BOXES

Lumière offers junction boxes to meet virtually any landscape lighting application.

SAMPLE NUMBER: MB1-BK (Replace XX with corresponding finish)



DBY

Description

DIRECT BURIAL, WATERTIGHT WIRING KIT
 (Constructed from injection-molded plastic)
 For through wiring of low voltage cable
 Use with low voltage fixtures only
 Dimension: 2" x 2-5/8" (51mm x 67mm)



MB1-XX

Description

RECTANGULAR, ABOVE GROUND JUNCTION BOX FOR SURFACE OR RECESSED MOUNTING
 (Constructed from die-cast aluminum)
 It accepts Lumière's FS1 or FS2 fixture mounting covers (not included)
 Use with line voltage or low voltage fixtures
 Dimension: 4-7/8" x 2" (124mm x 51mm)
 Specify finish (BK, BZ, CS, VE, WT)



MB4-XX

Description

ROUND, BELOW GRADE JUNCTION BOX AND COVER (Constructed from cast iron)
 For in-ground installation
 Use with line voltage or low voltage fixtures
 Dimension: 6-1/2" x 2-7/8" (165mm x 73mm)
 Specify finish (BK, BZ, CS, VE, WT)



MBR1-XX

Description

ROUND, ABOVE GROUND JUNCTION BOX FOR SURFACE OR RECESSED MOUNTING
 (Constructed from die-cast aluminum)
 It accepts Lumière's RS1 or RS2 fixture mounting covers (not included)
 Use with line voltage or low voltage fixtures
 Dimension: 4-1/8" x 1-5/8" (105mm x 41mm)
 Specify finish (BK, BZ, CS, VE, WT)

HID BALLAST

Lumière offers a variety of ballast/mounting solutions to satisfy almost any design challenge. Each includes a watertight, corrosion-resistant ballast housing and ballast.

ELECTRONIC BALLAST

Model	Description
ELMWM	Fixture mounts to wall-mounted electronic ballast/mini-housing, over J-box.
ELMSM	Fixture mounts to wall-mounted electronic ballast/mini-housing, bottom conduit entry.
ELMTS	Fixture mounts to electronic ballast/mini-housing, strapped to tree.
ELMB	Fixture mounts to inground electronic ballast/housing.
ELMBR	Fixture mounts to flat surface (any orientation), remote inground electronic ballast/housing.
ELSM	Fixture mounts to wall-mounted electronic ballast/housing, bottom conduit entry.
ELWM	Fixture mounts to wall-mounted electronic ballast/housing, over J-box.
ELWR	Fixture mounts to flat surface (any orientation), remote electronic ballast/housing.
ELTS	Fixture mounts to electronic ballast/housing, strapped to tree.
ELTR	Fixture strapped to tree, remote inground electronic ballast/housing.
ELTSR2	Fixture strapped to tree, remote electronic ballast/housing strapped to tree.

CORE AND COIL BALLAST

Model	Description
MB	Fixture mounts to inground core and coil ballast/housing.
MBR	Fixture mounts to flat surface (any orientation), remote inground core and coil ballast/housing.
SM	Fixture mounts to wall-mounted core and coil ballast/housing, bottom conduit entry.
WM	Fixture mounts to wall-mounted core and coil ballast/housing, over J-box.
WR	Fixture mounts to flat surface (any orientation), remote core and coil ballast/housing.
TS	Fixture mounts to core and coil ballast/housing, strapped to tree.
TSR	Fixture strapped to tree, remote inground core and coil ballast/housing.
TSR2	Fixture strapped to tree, remote core and coil ballast/housing strapped to tree.

Specifications and dimensions subject to change without notice. Consult your Cooper Lighting Representative or visit www.cooperlighting.com for available options, accessories and ordering information.

TRANSFORMERS FOR HARD WIRE INSTALLATION (120V to 12V)

	Model	Description
<ul style="list-style-type: none"> • Core and coil construction • Pre-wired primary and secondary • Secondary protection • Potted for quiet operation and long life • Case 3R outdoor listed 	T50	50VA wet listed low voltage lighting transformer for hard wire installation
	T100	100VA wet listed low voltage lighting transformer for hard wire installation
	T150	150VA wet listed low voltage lighting transformer for hard wire installation
	T250	250VA wet listed low voltage lighting transformer for hard wire installation
	T300	300VA wet listed low voltage lighting transformer for hard wire installation (Model T300 is approved for use with underwater lighting fixtures)
	T750	750VA wet listed low voltage lighting transformer for hard wire installation
	T1000	1000VA wet listed low voltage lighting transformer for hard wire installation

TRANSFORMERS FOR HARD WIRE INSTALLATION (277V to 12V)

	Model	Description
<ul style="list-style-type: none"> • Core and coil construction • Pre-wired primary and secondary • Secondary protection • Potted for quiet operation and long life • Case 3R outdoor listed 	TC300	300VA wet listed low voltage lighting transformer for hard wire installation
	TC500	500VA wet listed low voltage lighting transformer for hard wire installation
	TC750	750VA wet listed low voltage lighting transformer for hard wire installation

INGROUND TRANSFORMER (120V to 12V)

	Model	Description
<ul style="list-style-type: none"> • Core and coil construction • Corrosion-proof composite material for inground installation • Removable lid • O-ring seals to ensure fixture durability and weatherability • Potted to protect against moisture 	T56	300VA wet listed low voltage transformer housed in composite container for inground installation

NOTE: Do not bury inground transformers up to the top of the lid. Ensure that soil does not reach the bottom of the transformer's lid. Follow installation procedures for inground fixtures for proper operation.

SOLID STATE TRANSFORMERS (120V to 12V)


	Model	Description
<ul style="list-style-type: none"> • Core and coil construction • Pre-wired primary and secondary • Secondary protection • Potted for quiet operation and long life • Case 3R outdoor listed 	T60	75VA solid state transformer
	T61	60VA solid state transformer with 8' cord and plug
	T65	150VA solid state transformer

TRANSFORMERS FOR HARD WIRE INSTALLATION (120V to 12V)

	Model	Description
<ul style="list-style-type: none"> • Core and coil construction • Epoxy impregnated for quiet, cool operation • Thermostat protection on primary • Circuit breaker protection on secondary • Electrostatic grounded shield between primary and secondary • On-off switch • 12V easy wiring strip • Equipped with 6' line cord and 3 prong plug • Hard wiring capability 	TR150	150VA wet listed outdoor transformer with 8' cord and plug
	TR150T	150VA wet listed outdoor transformer with timer and 8' cord and plug
	TR300	300VA wet listed outdoor transformer with 8' cord and plug
	TR300T	300VA wet listed outdoor transformer with timer and 8' cord and plug
	TR600	600VA wet listed outdoor transformer with 8' cord and plug
	TR600T	600VA wet listed outdoor transformer with timer and 8' cord and plug
	TR900	900VA wet listed outdoor transformer with 8' cord and plug
	TR900T	900VA wet listed outdoor transformer with timer and 8' cord and plug
	TRPC	Photo cell for use with TR300, TR300T, TR600, TR600T, TR900, TR900T

LOW VOLTAGE CABLE

	Model	Description
Lumière offers 10, 12 and 16 gauge low voltage cable in various standard length rolls.	LW101	100' 10 gauge, 2 conductor cable
	LW105	500' 10 gauge, 2 conductor cable
	LW121	100' 12 gauge, 2 conductor cable
	LW125	500' 12 gauge, 2 conductor cable
	LW161	100' 16 gauge, 2 conductor cable
	LW162	1000' 16 gauge, 2 conductor cable



Three First National Plaza, Chicago, IL
Lighting Design: Schuler Shook, Chicago, IL
Photography: The Design Twist, Inc.
Cooper Lighting SOURCE Awards Winner

Innovation you can rely on