

# Section O Floor Boxes

## Index

Product	Page
Hubbell Floor Box Applications . . . . .	O-2
<b>Hubbell SystemOne</b>	
Floor Boxes . . . . .	O-3
Covers and Sub-Plates . . . . .	O-4
Configuration Chart . . . . .	O-5
Metal and Non-Metallic Concrete Floor Boxes . . . . .	O-6
Sub-Plates . . . . .	O-7
<b>Flush Concrete Floor Boxes and Covers</b>	
Round Non-Metallic, Single or Multi-Service . . . . .	O-8
Round Metal, Single Service . . . . .	O-9
Rectangular Non-Metallic, 1-, 2-, and 3-Gang . . . . .	O-10
Rectangular Cast Iron, 1-, 2-, and 3-Gang . . . . .	O-12
Rectangular Stamped Steel, 1-, 2-, and 3-Gang . . . . .	O-13
<b>Recessed Concrete Floor Boxes and Covers</b>	
2-Gang Stamped Steel and Cast Iron . . . . .	O-14
4- and 8-Gang Stamped Steel and Cast Iron . . . . .	O-15
6-Gang Stamped Steel and Cast Iron . . . . .	O-16
Large Capacity Concrete Floor Boxes with Round Cover . . . . .	O-17
7- and 11-Gang . . . . .	O-18
Ballroom Series . . . . .	O-19
<b>Flush Floor Boxes for Wooden Floors</b> . . . . .	O-20
<b>Above-Floor Service Fittings (Single Service)</b> . . . . .	O-21
<b>Residential Delivery Systems</b> . . . . .	O-22
<b>Accessories</b> . . . . .	O-24
<b>Hubbell Floor Box Cover to Receptacle Compatibility Chart</b> . . . . .	O-26
<b>CONNEXION Modular Wiring Zone System</b>	
System Components . . . . .	O-29
Unloaded Raised Access Floor Boxes and Face Plates . . . . .	O-30
Custom Pre-Wired Access Floor Boxes . . . . .	O-31
<b>Convention Center Utility Box</b>	
Metallic Series . . . . .	O-32
Dimensional Information . . . . .	O-33
<b>Furniture and Work Surface Connectivity Boxes and Table Top Boxes</b>	
Furniture and Work Surface Connectivity Boxes . . . . .	O-35
Pre-Wired Work Surface Series . . . . .	O-36
Pre-Wired Work Surface Elite Series . . . . .	O-37
<b>Recessed Wall Boxes</b>	
AV In-Wall and Ceiling Enclosures . . . . .	O-38
Large Capacity Wall Boxes . . . . .	O-39
Multi-Connect – Dimensional Information and Face Plates . . . . .	O-40

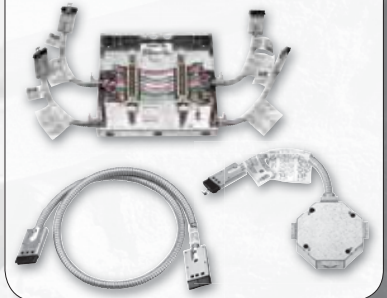
**Hubbell SystemOne  
Floor Boxes**



**Recessed Multi-Service  
Concrete Floor Boxes**



**CONNEXION Zone  
Distribution System**



**Furniture and Work  
Surface Boxes**



## Floor Boxes

### Hubbell Floor Boxes

Applications

Featuring the unique capabilities of Hubbell's SystemOne universal cover and sub-plate design, Hubbell has expanded its floor box offering to provide industry leading flexibility while accommodating an extensive range of applications. Hubbell SystemOne is constructed to give customers the ability to create personal solutions for their most demanding, power, data and audio/video requirements.

### Hubbell SystemOne Floor Box Applications...



#### Multi-Service Applications

This Hubbell SystemOne sub-plate incorporates a standard Style Line® decorator opening, which can be used for an active multimedia device. In addition, a 20A outlet is supplied for power and two keystone openings for voice/data services.



#### Multimedia Applications

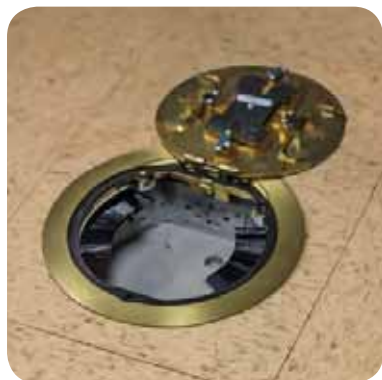
Other Hubbell SystemOne sub-plates are designed to meet the growing needs of the audio/video market. Some sub-plates provide power outlets with Hubbell's AV products including 15-pin SVGA, RCA, S-Video, 3.5mm stereo, HDMI and XLR microphone jacks. Other sub-plates can accommodate Extron® Electronics MAAP and AAP series AV modules, as well as FSR IPS plates.



#### 4X4 Applications

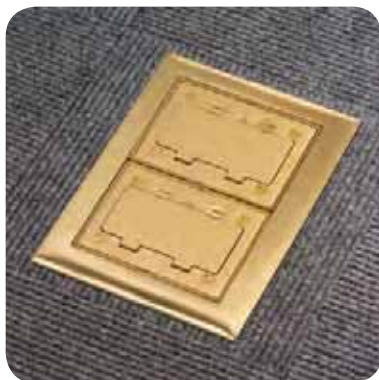
Provides maximum power capacity for flush, multi-service applications. This sub-plate features a pre-wired four outlet 20A, 125V receptacle and four openings for flush mount Hubbell modular jacks and audio/video Snap Fit connectors. Receptacle wiring permits dual-circuit, as well as isolated ground applications.

### Traditional Floor Boxes...



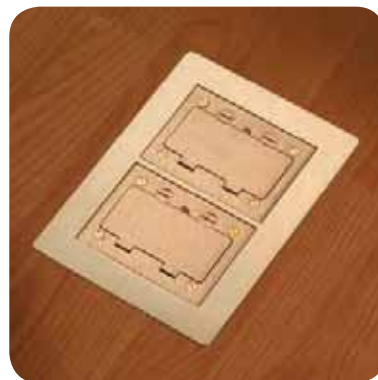
#### Recessed Applications

For applications where recessed connections are desired, Hubbell has a complete line of recessed stamped steel and cast iron floor boxes, from two to eleven gangs. A variety of modular face plates are available to meet a wide array of power, data, voice and audio/video requirements. Carpet and tile cover assemblies are offered in a variety of finishes and styles.



#### Flush Applications

Hubbell offers a wide variety of traditional solutions including single and multi-gang cast iron, stamped steel and non-metallic floor boxes in both round and rectangular designs. These boxes can be finished with either brass or aluminum covers and flanges to match any office décor. All Hubbell floor box assemblies exceed UL scrub water exclusion requirements.



#### Wooden Floor Applications

Hubbell offers round, single service and rectangular, multi-service floor boxes for wooden floor applications. The rectangular boxes are available in one, two and three-gang options and feature removable barriers for maximum capacity while maintaining separation of power and low voltage. A variety of covers and flanges are available in brushed aluminum or brass to meet aesthetic requirements.

*Extron® is a registered trademark of Extron Electronics.*

### Cast Iron



S1CFB

- Corrosion resistant for on-grade applications
- Oversized 1½" NPT threaded conduit access holes for low voltage
- 1" NPT threaded conduit access holes for power

### Steel



S1SFB

- Stamped steel construction
- Economical and light weight for above-grade applications
- Concentric knockouts permit various conduit sizes for both power and data services

### Steel AV



S1SFBAV

- Accommodates high-capacity multimedia applications in a 3½" minimum depth of pour
- Oversized 1½" NPT threaded data hub
- ¾", 1" concentric knockouts for power services

### Features

- Easily installed, aesthetic and configurable floor box solution, for open floor plans that require both power and data services
- The Hubbell SystemOne Universal Cover mounts directly to the floor box riser, eliminating the need for an additional adapter collar
- The Hubbell SystemOne Universal Cover features ScrubShield® technology that exceeds UL514 scrub water exclusion requirements
- Convenient cubic inch capacity (cm<sup>3</sup>) markings on interior of box
- Leveling feet provide before pour adjustability
- Non-metallic riser allows a simple saw cut for adjustment after pour
- Supplied with concrete cover and closure plugs (where applicable)
- Designed to accommodate multi-service applications with the wide offering of Hubbell SystemOne sub-plates
- Hubbell SystemOne Metal Floor Boxes are approved for use in the City of Chicago

### Non-Metallic



S1PFB

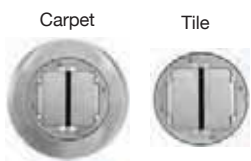
- Non-corrosive plastic construction
- Oversized 1½" data conduit hub for increased cable capacity and bend radius
- Parallel conduit hubs reduce labor and material cost, facilitating easier wire pull

### Features

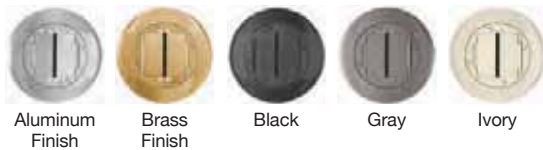
- Economical, easy to install, in-floor delivery system for open plan spaces
- The Hubbell SystemOne Universal Cover mounts directly to the floor box riser, eliminating the need for an additional adapter collar
- Concrete cover, conduit reducers and conduit hub plugs included



### Universal Flange and Cover Assembly



- Hinged doors open 180 degrees flush to the carpet flange or tile
- Locking studs allow each door to be secured independently
- The universal carpet or tile flange can be used for Hubbell SystemOne Floor Boxes and Fire-Rated Poke-Throughs
- Finishes and colors available:



### Features

- Durable cast aluminum construction available in black, gray, brass, aluminum and ivory powder coat finishes
- Features ScrubShield® technology that exceeds UL514 scrub water exclusion requirements
- Provides consistent look and maximum functionality throughout the installed life
- Meets ADA standards for accessible design, section 4.3.8

### Hubbell SystemOne Sub-Plates

Hubbell's modular sub-plate design allows users to economically upgrade Hubbell SystemOne FRPT and Floor Boxes to accommodate future moves, adds and changes. See page O-7 for additional information.



### Features

- Durable cast aluminum construction, powder coat finish
- Hubbell 4X4: four 20A, 125V receptacles, four keystone openings for voice/data jacks and flush multimedia connectors
- Hubbell X-END and Hubbell iSTATION modular connectivity
- Accommodates Extron® Electronics Architectural Series audio/video system integration products
- Accommodates GFCI, surge and standard Style Line® Decorator receptacles
- Twist-Lock® receptacle with two flush keystone openings
- Large capacity and multi-service furniture feed applications
- Open system sub-plates permit maximum data flexibility

### Power Devices and Connectivity







### Features

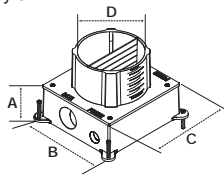
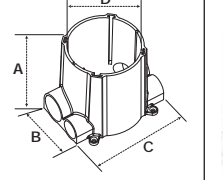




- Choose from Hubbell's industry leading selection of wiring devices for power services
- Hubbell iSTATION connectivity modules integrate with SystemOne to provide comprehensive multimedia solutions
- Hubbell X-END application cables and tails allow for more connectivity in a smaller footprint

*Extron® is a registered trademark of Extron Electronics.*

# Floor Boxes Hubbell SystemOne Configuration Chart

		Floor Boxes*				4" Core Hole Fire-Rated Poke-Throughs			
		Non-Metallic	Metal						
Sub-Plates									
S1SP	Style Line® Decorator/GFCI		3	3.5	3.5	3.5	✓+	✗	✓
S1SPDU	Duplex/Duplex		3	3.5	3.5	3.5	✓+	✗	✓
S1SPDUSL	Duplex/Style Line® Decorator		3	3.5	3.5	3.5	✓+	✗	✓
S1SP4X4 S1SP4X4PA S1SP4X4SYS	Hubbell 4 X 4 Panduit Mini-Com® 4 X 4 SYSTIMAX® 4 X 4		4	4	4	4	✗	✓+	✗
S1SPTL	Twist-Lock® Receptacle + Data		4	4	4	4	✗	✓+	✗
S1SP3IM	Hubbell DataCom + Power		5	5	5	5	✓	✗	✓+
S1SP4IM	Hubbell DataCom		3.5	3.5	3.5	3.5	✓	✗	✓+
S1SPDU2IM	Hubbell DataCom + Duplex		5	5	5	5	✓	✗	✓+
S1SPSL2IM	Hubbell DataCom + Style Line® Decorator		5	5	5	5	✓	✗	✓+
S1SPFFxx (Carpet) S1SPFFTxx (Tile)	Furniture Feed Cover/Flange (Replace "x" with BRS (brass finish), AL (aluminum finish), BL (black) or GY (gray).		3	3.5	3.5	3.5	✓	✗	✓+
S1SPEXT1	Extron® or FSR + Power		4	4	4	4	✓	✗	✓+
S1SPEXT2	Extron® or FSR + Power		4	4	4	4	✓	✗	✓+
S1SPEXT3	Extron® or FSR Single-Service		4.5	4.5	4.5	4.5	✓	✗	✓+
S1SPEXT4	Extron® or FSR + Power		4	4	4	4	✓	✗	✓+
S1SPORT	Ortronics Series II® + Power		5	5	5	5	✓	✗	✓+
S1SPTRAC	Ortronics TracJack® + Power		5	5	5	5	✓	✗	✓+
S1SPMAX	Siemon MAX® + Power		5	5	5	5	✓	✗	✓+
S1SPAMM20	Active Multimedia + Flush Keystone + Power		5	5	5	5	✓	✗	✓+
S1FCxx SystemOne Carpet Cover S1TFCxx SystemOne Tile Cover	SystemOne Floor Boxes and FRPTs use SystemOne Universal Covers (Replace "x" with BRS (brass finish), AL (aluminum finish), BL (black), GY (gray) or I (ivory).	 		Signifies minimum depth of concrete pour in inches for Hubbell SystemOne Floor Boxes.			✓+	✓	✗
		Note: *Fire-Rated Poke-Throughs available with integral power junction box. Add "J" suffix to catalog numbers listed above (Example: S1PTFITJ). See section P for additional information.					Recommended Floor Fitting	Alternative Floor Fitting	Not Compatible
		Extron® is a registered trademark of Extron Electronics. MAX® is a registered trademark of The Siemon Company. Mini-Com® and Panduit® are registered trademarks of Panduit Corp. SYSTIMAX® is a registered trademark of CommScope, Inc. TracJack®, Series II® & Ortronics® are registered trademarks of Ortronics/Legrand.							

**Dimensions Inches (mm)**

Style			Cast Iron	Steel	Steel AV	Non-Metallic
	Metal	Non-Metallic				
			<b>S1CFB*</b>	<b>S1SFB*</b>	<b>S1SFB*AV*</b>	<b>S1PFB</b>
Min. Depth of Pour			3.50" (88.9)	3.50" (88.9)	3.50" (88.9)	3.00" (76.2)
Adjustability			Fully	Fully	Fully	Fully
Cubic Inch (cm <sup>3</sup> ) Capacity			156.0 cu. in. (2556.4 cm <sup>3</sup> )	175.7 cu. in. (2879.2 cm <sup>3</sup> )	177.5 cu. in. (2909.7 cm <sup>3</sup> )	100 cu. in. (1638.7 cm <sup>3</sup> )
Dimensions – A			3.00" (76.2)	3.00" (76.2)	3.00" (76.2)	6.00" (152.4)
Dimensions – B			7.26" (184.4)	7.50" (190.5)	7.50" (190.5)	5.58" (141.7)
Dimensions – C			7.45" (189.2)	7.38" (187.4)	7.38" (187.4)	7.08" (179.8)
Dimensions – D (Inside Diameter)			5.00" (127.0)	5.00" (127.0)	5.00" (127.0)	5.00" (127.0)
Power Entries			1" NPT Access Holes	¾", 1" Concentric KO	¾", 1" Concentric KO	1" Conduit Hub
Data Entries			1½" NPT Access Holes	¾", 1", 1¼" Concentric KO	1½" Threaded Hub (included)	1½" Conduit Hub
Concrete Cover Included			✓	✓	✓	✓
Closure Plugs Included			✓	-	✓	✓
Reducers			-	-	-	(see below)
Accepts Hubbell SystemOne Universal Cover			✓	✓	✓	✓
Cover Mounting Clips Included			✓	✓	✓	✓
Non-Metallic Low Voltage Divider Included (S1DIV1)			✓	✓	✓	✓

Note: UL File Number E92074.  
CSA File Number LR18416.  
\*S1CFB, S1SFB, S1SFB\*AV are approved for use in the City of Chicago.

S1PFB reducers included: Qty (2) combo plug/reducers 1" to ¾"  
Qty (2) reducers 1½" to 1"  
Qty (2) reducers 1½" to ¾"  
Qty (2) plugs 1½"

**Hubbell SystemOne Universal Covers**





- Cast aluminum construction
- Durable powder coat finish
























Color	Carpet	Tile
Aluminum Finish	<b>S1CFCAL</b>	<b>S1TFCAL</b>
Brass Finish	<b>S1CFCBRS</b>	<b>S1TFCBRS</b>
Black	<b>S1CFCBL</b>	<b>S1TFCBL</b>
Gray	<b>S1CFCGY</b>	<b>S1TFCGY</b>
Ivory	<b>S1CFCI</b>	<b>S1TFCI</b>



**Floor Box Accessories**

Description	Catalog Number
<b>Abandonment Plates</b> Used to cover abandoned SystemOne Fire-Rated Poke-Throughs or Floor Boxes. Black Gray	 <b>S1AP4BL</b> <b>S1AP4GY</b>
<b>Replacement Side by Side Divider</b> Used to isolate compartments in S1SP, S1SPFFx, S1SPFFTx, S1SPDU, S1SPDUSL, S1SPDU2IM and S1SPSL2IM sub-plates. Included with all SystemOne Floor Boxes.	 <b>S1DIV1</b>
<b>1½" Threaded Hub</b> For use with S1SFB*AV ONLY. Permits feed-through applications. S1SFB*AV floor box includes one (1) threaded hub.	 <b>S1AVHUB15</b>
<b>Replacement Universal Cover Mounting Clips</b> Used to mount SystemOne Universal Cover to SystemOne metal and non-metallic floor boxes (S1CFB, S1SFB, S1SFB*AV, S1PFB). Includes clips and ground leads for (5) floor boxes. All SystemOne Floor Boxes include mounting clips.	 <b>S1FBCLIP5PK</b>

Dimensions in Inches (mm)






Description	Catalog Number	Description	Catalog Number	Description	Catalog Number
<b>Style Line® Decorator/GFCI</b> (2) Style Line® decorator openings for power and/or datacom applications.	 S1SP	<b>Duplex/Duplex</b> (2) Duplex openings for power and/or datacom applications.	 S1SPDU	<b>Duplex/Style Line® Decorator</b> (1) Duplex and (1) Style Line® decorator opening for power and/or datacom applications.	 S1SPDUSL
③ Non-Metallic ③.5 Metal		③ Non-Metallic ③.5 Metal		③ Non-Metallic ③.5 Metal	
<b>Hubbell 4 X 4</b> (4) 20A, 125V receptacles. (4) Keystone openings for Hubbell jacks or flush AV connectors. Power can be wired as single or two circuit with isolated ground capability.	 S1SP4X4	<b>Carpet Furniture Feed Cover/Flange*</b> (1) ¾" and (1) 1½" NPT access holes for power and/or datacom applications. Universal Cover not required. Includes carpet flange.	 S1SPFFAL	<b>Tile Furniture Feed Cover/Flange*</b> (1) ¾" and (1) 1½" NPT access holes for power and/or datacom applications. Universal Cover not required. Includes tile flange.	 S1SPFFTAL
④	S1SP4X415 S1SP4X430	③ Non-Metallic Aluminum Fin. ③.5 Metal Brass Finish Black Gray	S1SPFFBR S1SPFFBL S1SPFFGY	③ Non-Metallic Aluminum Fin. ③.5 Metal Brass Finish Black Gray	S1SPFFTBR S1SPFFTBL S1SPFFTGY
<b>Single Receptacle + Data</b> Opening for 20 or 30A Twist-Lock® receptacle (1.56" OD) and (2) Keystone openings for Hubbell jacks or flush AV connectors.	 S1SPTL	<b>Hubbell DataCom + Power</b> (1) 20A, 125V receptacle and 3-unit recessed Hubbell iSTATION opening for data, voice, and AV applications.	 S1SP3IM	<b>Hubbell DataCom + Duplex</b> (1) Duplex opening, (2) flush Keystone openings and 1.5 unit recessed Hubbell iSTATION opening for data, voice and AV applications.	 S1SPDU2IM
④		⑤		⑤	
<b>Hubbell DataCom + Style Line® Decorator</b> (1) Style Line® decorator opening, (2) flush Keystone openings and 1.5 unit recessed Hubbell iSTATION opening for data, voice and AV applications.	 S1SPSL2IM	<b>Hubbell DataCom</b> 1 unit flush Hubbell iSTATION opening and 3-unit recessed Hubbell iSTATION opening for data, voice, and AV applications.	 S1SP4IM	<b>Active Multimedia + Power</b> Single 20A, 125V receptacle; (2) flush Keystone openings; (1) rectangular Style Line® decorator opening to accommodate active multimedia modules or low voltage outlet frames.	 S1SPAMM20
⑤		⑤		⑤	
<b>Extron® or FSR + Power</b> (1) 20A, 125V receptacle. Recessed opening for (3) single Extron® MAAP series adapter plates or FSR IPS plates.	 S1SPEXT1	<b>Extron® or FSR + Power</b> (1) 20A, 125V receptacle. Recessed opening for (1) single Extron® MAAP and (2) single AAP series adapter plates or FSR IPS plates.	 S1SPEXT2	<b>Extron® or FSR Single-Service</b> Recessed opening for (2) single Extron® MAAP and (2) single AAP series adapter plates or FSR IPS plates.	 S1SPEXT3
④		④		④.5	
<b>Extron® AAP + Power</b> (1) 20A, 125V receptacle. (2) flush Keystone and recessed opening for (2) single Extron® AAP Series adapter plates.	 S1SPEXT4	<b>Ortronics Series II® + Power</b> (1) 20A, 125V receptacle. Recessed opening for (3) 1 unit Ortronics Series II® modules.	 S1SPORT	<b>Ortronics TracJack® + Power</b> (1) 20A, 125V receptacle. Recessed bezel for (6) Ortronics TracJack® modules.	 S1SPTRAC
④		⑤		⑤	
<b>Panduit Mini Com® 4 X 4</b> (4) 20A, 125V receptacles. (4) Openings for Panduit Mini-Com Connectivity.	 S1SP4X4PA	<b>SYSTIMAX® 4 X 4</b> (4) 20A, 125V receptacles. (4) Openings for SYSTIMAX® Connectivity.	 S1SP4X4SYS	<b>Siemon MAX® + Power</b> (1) 20A, 125V receptacle. Recessed bezel for (6) Siemon MAX® modules.	 S1SPMAX
④		④		⑤	

⓪ Signifies minimum depth of concrete pour in inches for Metal Floor Boxes (S1CFB, S1SFB and S1SFBV) and Non-Metallic Floor Box (S1PFB).

Note: \*Furnished with two screw-in flexible metal conduit connectors.

See section W for datacom accessories.

### Sub-Plate Accessories

Description	Catalog Number
<b>Replacement Threaded Conduit Plugs</b> Used with S1SPFFx and S1SPFFTx ONLY. Sub-plate is supplied with plugs.	
	
	
<b>Color</b>	<b>1½" Plug</b> <b>¾" Plug</b>
Aluminum Finish	S1FP15AL      S1FP34AL
Brass Finish	S1FP15BRS      S1FP34BRS
Black	S1FP15BL      S1FP34BL
Gray	S1FP15GY      S1FP34GY
<b>6-Port Replacement Data Frames</b> Used with open systems sub-plates. Sub-plate is supplied with data frame. Siemon MAX® for use with S1SPMAX sub-plate.	 S1DFMAX
Ortronics TracJack® for use with S1SPTRAC sub-plate.	 S1DFTRAC
Black Style Line® decorator blank frame.	 2100BK

Extron® is a registered trademark of Extron Electronics. MAX® is a registered trademark of The Siemon Company. Mini-Com® and Panduit® are registered trademarks of Panduit Corp. SYSTIMAX® is a registered trademark of CommScope, Inc. TracJack®, Series II® and Ortronics® are registered trademarks of Ortronics/Legrand.



# Floor Boxes Flush Round Single or Multi-Service Non-Metallic Concrete Floor Box



## Dimensions Inches (mm)

Min. Depth of Pour	3.00" (76.2)
Capacity	100 cubic inches prior to cutting level to floor (19.5 cubic inches per inch of depth).
Dimensions - A	6.00" (152.4)
Dimensions - B	7.08" (179.8)
Dimensions - C	6.69" (169.9)
Dimensions - D	5.38" (136.5)
Hubs	(2) 1.0" and (2) 3/4" conduit hubs
Concrete Cover Included	✓
Closure/Reducer Plugs	(2) 1" plugs close off 1" hubs or reduce 1" to 3/4" (2) 3/4" plugs close off 3/4" hubs or reduce 3/4" to 1/2"

Note: UL File Number E92074. CSA File Number LR18416.

Description	Catalog Number
<b>Adapter</b> Required for all applications.	 PFBA1A
<b>Low Voltage Divider</b> Required for use with catalog number PFB1 when used in multi-service applications. Accepts Hubbell standard duplex receptacles or 15A Twist-Lock® duplex receptacles (HBL4700 series).	 PFBT1A
<b>"Y" Adapter</b> 3/4 in. "Y" adapter to feed parallel runs of 3/4 in. conduit.	 PFBYA1

## Flush Round Covers and Flanges

**Multi-Service Cover and Flange Assemblies**  
Includes floor box cover with duplex flaps, (2) 1/2 in. low voltage feed through holes and matching carpet flange. 6.25 in. Diameter

SF39253A	PFBCBRA	PFBCBLA	PFBCGYA	PFBCIA
Brass	Brown Non-Metallic	Black Non-Metallic	Gray Non-Metallic	Ivory Non-Metallic

## Single Service Covers

Brass  
Aluminum  
3.88 in. Dia.

S3925 SA3925	S3725 SA3725	S2525 SA2525	S2725 SA2725	S2925 SA2925	S3525 —	S3325 —
Duplex Flap	Duplex Screw	2 1/8" x 3/4" Combination	2 1/8" x 1" Combination	2 1/8" Single Receptacle	2 1/8" Single Receptacle	2 1/8" Single Receptacle (Terrazzo Floor)

## Metal Carpet Flange

Use with single service covers for carpet applications. 6.25 in. Diameter

S3082	SA3082
Brass	Brushed Aluminum

## Adapter Ring

Use with single service covers for tile applications.

S5016	SA5016
Brass	Aluminum

## Furniture Feed Plate

Unpainted plate with 1 in. threaded opening.

PFBP1
Steel

## One Piece Brass Cover and Carpet Flange

6.25 in. Dia.

SF3925	SF2525	SF2725	SF2925
Duplex Flap	2 1/8" x 3/4" Combination	2 1/8" x 1" Combination	2 1/8" Single Receptacle

Note: Adapter ring S5016 is required for mounting SF series covers onto PFBA1A.



Dimensions Inches (mm)

Style	Cast Iron						Stamped Steel			
Collar Material: Brass Aluminum		<b>B2536</b> <b>BA2536</b>	<b>B253641</b> -	<b>B2503</b> -	<b>B2506</b> -	<b>B2506415</b> -	<b>B2537</b> <b>BA2537</b>		<b>B2527</b> <b>BA2527</b>	<b>B2529</b> <b>BA2529</b>
Min. Depth of Pour		3.75" (95.3)	3.75" (95.3)	4.75" (120.7)	3.00" (76.2)	4.00" (101.6)	3.00" (76.2)			
Adjustability		Fully	Fully	Fully	Fully	Fully	Fully			
Before Pour External Height Adjustment		1.25" (31.8)	-	-	-	-	-		1.25" (31.8)	1.25" (31.8)
After Pour Internal Height Adjustment		.38" (9.5)	.63" (15.9)	.63" (15.9)	.38" (9.5)	.38" (9.5)	.38" (9.5)		.38" (9.5)	.38" (9.5)
Cubic Inch (cm3) Capacity		33.0 cu. in. (540.7 cm3)	36.0 cu. in. (590.0 cm3)	50.8 cu. in. (832.5 cm3)	30.0 cu. in. (491.6 cm3)	54.0 cu. in. (884.9 cm3)	37.3 cu. in. (611.2 cm3)			
Dimensions – A		3.05" (77.5)	3.75" (95.3)	4.75" (120.7)	2.87" (72.9)	3.88" (98.6)	2.91" (73.9)			
Dimensions – B		4.84" (122.9)	5.00" (127.0)	5.00" (127.0)	4.84" (122.9)	6.00" (152.4)	6.00" (152.4)			
Dimensions – C		4.84" (122.9)	4.63" (117.6)	4.66" (118.4)	4.84" (122.9)	4.81" (122.2)	4.81" (122.2)			
Dimensions – D		4.19" (106.4)	4.19" (106.4)	4.19" (106.4)	4.19" (106.4)	4.19" (106.4)	4.19" (106.4)			
Threaded Access Holes		(4) 3/4" (4) 1"	(4) 3/4"	(4) 1 1/4" (4) 1 1/2"	(4) 3/4"	-	-			
Knockouts – Sides		-	-	-	-	(1) 1" & (1) 3/4"	(2) 1/2" & (1) 3/4"			
Knockouts – Ends		-	-	-	-	(1) 1 1/4" & (1) 1/2"	(1) 1/2" & (1) 3/4"			
Knockouts – Bottom		-	-	-	-	(3) 1/2" & (2) 3/4"	(3) 1/2" & (2) 3/4"			
Concrete Cover Included		✓	✓	✓	✓	✓	✓			
Closure Plugs Included		✓	✓	✓	✓	✓	✓			

Note: UL File Number E31999.  
CSA File Number LR18416.  
Suitable for single service applications only.

Single Service Covers

	<b>S3925</b> <b>SA3925</b>	<b>S3725</b> <b>SA3725</b>	<b>S2525</b> <b>SA2525</b>	<b>S2725</b> <b>SA2725</b>	<b>S2925</b> <b>SA2925</b>	<b>S3525</b> -	<b>S3325</b> -
Brass							
Aluminum							
3.88 in. Dia.							
	Duplex Flap	Duplex Screw	2 1/8" x 3/4" Combination	2 1/8" x 1" Combination	2 1/8" Single Receptacle	2 3/8" Single Receptacle	2 1/8" Single Receptacle (Terrazzo Floor)

Carpet Flanges

5.25 in. Dia.	<b>S3182</b>	<b>SA3182</b>	<b>S3079</b>	6.25 in. Dia.	<b>S3082</b>	<b>SA3082</b>
	Brass	Brushed Aluminum	Clear Polycarbonate		Brass	Brushed Aluminum

One Piece Brass Cover and Carpet Flange

6.25 in. Dia.	<b>SF3925</b>	<b>SF2525</b>	<b>SF2725</b>	<b>SF2925</b>
	Duplex Flap	2 1/8" x 3/4" Combination	2 1/8" x 1" Combination	2 1/8" Single Receptacle

# Floor Boxes Flush Rectangular Non-Metallic Concrete Floor Boxes with Non-Metallic Covers

## Dimensions Inches (mm)







Style	1-Gang	2-Gang	3-Gang
	 <b>PFBRG1*</b>	 <b>PFBRG2</b>	 <b>PFBRG3</b>
Min. Depth of Pour	3.00" (76.2)	3.00" (76.2)	3.00" (76.2)
Adjustability	Fully	Fully	Fully
Cubic Inch (cm <sup>3</sup> ) Capacity Per Gang	14.3 cu. in. (234.3 cm <sup>3</sup> ) per 1" depth	14.3 cu. in. (234.3 cm <sup>3</sup> ) per 1" depth	14.3 cu. in. (234.3 cm <sup>3</sup> ) per 1" depth
Dimensions – A	6.00" (152.4)	6.00" (152.4)	6.00" (152.4)
Dimensions – B	3.60" (91.4)	6.82" (173.2)	10.04" (255.0)
Dimensions – C	5.42" (137.7)	5.42" (137.7)	5.42" (137.7)
Dimensions – D	6.90" (175.3)	6.90" (175.3)	6.90" (175.3)
Dimensions – E	5.44" (138.2)	8.66" (220.0)	11.87" (301.5)
Hubs	(4) 1¼"	(6) 1¼"	(8) 1¼"
Reducers	(4) 1" to ¾" and (4) 1¼" to 1"	(6) 1" to ¾" and (6) 1¼" to 1"	(8) 1" to ¾" and (8) 1¼" to 1"
Concrete Cover Included	✓	✓	✓
Closure Plugs Included	✓	✓	✓
Removable LV Barrier	-	✓	✓

Note: UL File Number E92074.






\*Suitable for single service applications only.

## Flush Rectangular Non-Metallic Covers and Flanges

### Required Components for Carpet Applications

Carpet Flanges				Cover with Duplex and Style Line® decorator inserts included
Number of Gangs	1-Gang	2-Gang	3-Gang	One Required per Gang
Dimensions	6.00" x 4.88"	6.00" x 8.13"	6.00" x 11.35"	4.15" x 2.97"
Black	PFBRFBL1	PFBRFBL2	PFBRFBL3	PFBR826BLA
Brown	PFBRFBR1	PFBRFBR2	PFBRFBR3	PFBR826BRA
Gray	PFBRFGY1	PFBRFGY2	PFBRFGY3	PFBR826GYA
Ivory	PFBRFI1	PFBRFI2	PFBRFI3	PFBR826IA
				
				
				

### Required Components for Tile Applications

Mounting Collar	Cover Frame	Cover with Duplex and Style Line® decorator inserts included
One Required per Gang	One Required per Gang Dim. 4.47" x 3.25"	One Required per Gang 4.15" x 2.97"
PFBRMC	PFBRFRA	PFBR826GYA
		
		
		

**Dimensions Inches (mm)**

Style	1-Gang	2-Gang	3-Gang
	<p><b>PFBRG1*</b></p>	<p><b>PFBRG2</b></p>	<p><b>PFBRG3</b></p>
Min. Depth of Pour	3.00" (76.2)	3.00" (76.2)	3.00" (76.2)
Adjustability	Fully	Fully	Fully
Cubic Inch (cm3) Capacity Per Gang	14.3 cu. in. (234.3 cm3) per 1" depth	14.3 cu. in. (234.3 cm3) per 1" depth	14.3 cu. in. (234.3 cm3) per 1" depth
Dimensions – A	6.00" (152.4)	6.00" (152.4)	6.00" (152.4)
Dimensions – B	3.60" (91.4)	6.82" (173.2)	10.04" (255.0)
Dimensions – C	5.42" (137.7)	5.42" (137.7)	5.42" (137.7)
Dimensions – D	6.90" (175.3)	6.90" (175.3)	6.90" (175.3)
Dimensions – E	5.44" (138.2)	8.66" (220.0)	11.87" (301.5)
Hubs	(4) 1¼"	(6) 1¼"	(8) 1¼"
Reducers	(4) 1" to ¾" and (4) 1¼" to 1"	(6) 1" to ¾" and (6) 1¼" to 1"	(8) 1" to ¾" and (8) 1¼" to 1"
Concrete Cover Included	✓	✓	✓
Closure Plugs Included	✓	✓	✓
Removable LV Barrier	-	✓	✓

Note: UL File Number E92074.

\*Suitable for single service applications only.

**Flush Rectangular Metal Covers and Flanges**

**Required Components for Carpet and Tile Applications**

Adapter Collar (One required per gang)	Adapter Frame with Grounding Lug (One required per gang) Dim. 4.36" x 3.20"
Gray <b>PFBRAC</b>	Brass <b>S5017G</b> Aluminum <b>SA5017G</b>

**Flush Rectangular Metal Covers and Flanges**

**Required Components for Carpet and Tile Applications**

Adapter Collar (One required per gang)
Gray <b>PFBRAC</b>

**Carpet Flanges (Not Required for Tile Applications)**

Tapered Flange	1-Gang	2-Gang	3-Gang
Number of Gangs	1-Gang	2-Gang	3-Gang
Dimensions	6.00" x 4.85"	6.00" x 8.13"	6.00" x 11.34"
Brass	<b>SB3083</b>	<b>SB3084</b>	<b>SB3085</b>
Aluminum	<b>SA3083</b>	<b>SA3084</b>	<b>SA3085</b>



**Rectangular Flanges (Required)**

1-Gang	2-Gang	3-Gang
6.00" x 4.85"	6.00" x 8.13"	6.00" x 11.34"
<b>SB3083W</b> <b>SA3083W</b>	<b>SB3084W</b> <b>SA3084W</b>	<b>SB3085W</b> <b>SA3085W</b>

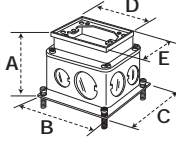









**Covers – One Required per Gang**

Brass	<b>S3825</b>	<b>S3625</b>	<b>S3826</b>	<b>S2425</b>	<b>S2625</b>	<b>S2825</b>	<b>S3813</b>
Aluminum	<b>SA3825</b>	<b>SA3625</b>	<b>SA3826</b>	<b>SA2425</b>	<b>SA2625</b>	—	<b>SA3813</b>
Dimensions	4.15" x 2.99"						
	Duplex Flap	Duplex Screw	Style Line® Decorator Opening	2½" x ¾" Combination	2½" x 1" Combination	2½" Single Receptacle	Blank




# Floor Boxes Flush Rectangular Cast Iron Concrete Floor Boxes

## Dimensions Inches (mm)






Style	Cast Iron											
	1-Gang Deep		2-Gang Deep		3-Gang Deep		1-Gang Shallow		2-Gang Shallow		3-Gang Shallow	
												
Collar Material: Brass Aluminum	B2436* BA2436*	B243641* -	B4233 BA4233	B423341 -	B4333 BA4333	B433361 -	B2437* -	B2414* BA2414*	B4214 BA4214	B4314 -		
Min. Depth of Pour	3.75" (95.3)	3.75" (95.3)	3.75" (95.3)	3.75" (95.3)	3.00" (76.2)	2.00" (50.8)	2.00" (50.8)	2.00" (50.8)	2.00" (50.8)	2.00" (50.8)	2.00" (50.8)	2.00" (50.8)
Adjustability	Fully	Fully	Fully	Fully	Fully	Semi	Semi	Semi	Semi	Semi	Semi	Semi
Before Pour External Height Adjustment	1.25" (31.8)	1.25" (31.8)	1.25" (31.8)	1.25" (31.8)	1.25" (31.8)	1.25" (31.8)	1.25" (31.8)	1.25" (31.8)	1.25" (31.8)	1.25" (31.8)	1.25" (31.8)	1.25" (31.8)
After Pour Internal Height Adjustment	.38" (9.5)	.63" (15.9)	.63" (15.9)	.63" (15.9)	.38" (9.5)	-	-	-	-	-	-	-
Cubic Inch (cm <sup>3</sup> ) Capacity Per Gang	33.0 cu. in. (540.7 cm <sup>3</sup> )	36.5 cu. in. (598.1 cm <sup>3</sup> )	34.8 cu. in. (570.3 cm <sup>3</sup> )	34.8 cu. in. (570.3 cm <sup>3</sup> )	30.0 cu. in. (491.7 cm <sup>3</sup> )	16.0 cu. in. (262.2 cm <sup>3</sup> )	16.0 cu. in. (262.2 cm <sup>3</sup> )	16.0 cu. in. (262.2 cm <sup>3</sup> )	16.0 cu. in. (262.2 cm <sup>3</sup> )	16.0 cu. in. (262.2 cm <sup>3</sup> )	16.0 cu. in. (262.2 cm <sup>3</sup> )	16.0 cu. in. (262.2 cm <sup>3</sup> )
Dimensions – A	3.20" (81.3)	3.38" (85.9)	3.38" (85.9)	3.38" (85.9)	2.90" (73.7)	2.00" (50.8)	2.00" (50.8)	2.00" (50.8)	2.00" (50.8)	2.00" (50.8)	2.00" (50.8)	2.00" (50.8)
Dimensions – B	4.69" (119.1)	4.84" (122.9)	4.90" (122.5)	4.90" (122.5)	4.69" (119.1)	5.46" (138.7)	5.46" (138.7)	5.46" (138.7)	5.46" (138.7)	5.46" (138.7)	5.46" (138.7)	5.46" (138.7)
Dimensions – C	4.69" (119.1)	8.06" (204.7)	11.41" (289.8)	11.41" (289.8)	4.69" (119.1)	4.19" (106.4)	7.49" (190.2)	7.49" (190.2)	7.49" (190.2)	10.7" (271.8)	10.7" (271.8)	10.7" (271.8)
Dimensions – D	4.36" (110.7)	4.36" (110.7)	4.36" (110.7)	4.36" (110.7)	4.36" (110.8)	4.38" (111.3)	4.38" (111.3)	4.38" (111.3)	4.38" (111.3)	4.38" (111.3)	4.38" (111.3)	4.38" (111.3)
Dimensions – E	3.19" (81.0)	6.42" (163.1)	9.64" (244.9)	9.64" (244.9)	3.20" (81.3)	3.19" (81.0)	6.38" (162.1)	6.38" (162.1)	6.38" (162.1)	9.56" (242.8)	9.56" (242.8)	9.56" (242.8)
Threaded Access Holes	(4) 3/4" (4) 1"	(6) 3/4" (4) 1" & (2) 3/4"	(8) 3/4" (6) 1" & (2) 3/4"	(8) 3/4" (6) 1" & (2) 3/4"	(4) 3/4"	(2) 3/4"	(4) 3/4"	(4) 3/4"	(4) 3/4"	(6) 3/4"	(6) 3/4"	(6) 3/4"
Concrete Cover Included		✓	✓	✓	✓	✓	✓	✓	✓	✓	✓	✓
Closure Plugs Included	✓	✓	✓	✓	✓	✓	✓	✓	✓	✓	✓	✓
Removable LV Barrier	-	✓	✓	✓	-	-	-	-	-	-	-	-

Note: UL File Number E92074.  
CSA File Number LR18416.  
\*Suitable for single service applications only.

## Carpet Flanges

Tapered Flange			
Number of Gangs	1-Gang	2-Gang	3-Gang
Dimensions	6.00" x 4.85"	6.00" x 8.13"	6.00" x 11.34"
Brass	SB3083	SB3084	SB3085
Aluminum	SA3083	SA3084	SA3085
Clear Polycarbonate	S3083	S3084	S3085
			

## Covers – One Required per Gang

Brass	S3825	S3625	S3826	S2425	S2625	S2825	S3813
Aluminum	SA3825	SA3625	SA3826	SA2425	SA2625	-	SA3813
Dimensions	4.15" x 2.99"						
							
	Duplex Flap	Duplex Screw	Style Line® Decorator Opening	2 1/8" x 3/4" Combination	2 1/8" x 1" Combination	2 1/8" Single Receptacle	Blank

Dimensions in Inches (mm)






# Floor Boxes Flush Rectangular Stamped Steel Concrete Floor Boxes

## Dimensions Inches (mm)

Style	Stamped Steel							
	1-Gang Deep	2-Gang Deep	3-Gang Deep	1-Gang Shallow	2-Gang Shallow	3-Gang Shallow	1-Gang Deep	1-Gang Shallow
 <p>Collar Material: Brass Aluminum</p>								
	<b>B2431*</b> <b>BA2431*</b>	<b>B2432</b> <b>BA2432</b>	<b>B2433</b> <b>BA2433</b>	<b>B2421*</b> <b>BA2421*</b>	<b>B2422</b> <b>BA2422</b>	<b>B2423</b> <b>BA2423</b>	<b>B2427*</b> -	<b>B2429*</b> -
Min. Depth of Pour	3.75" (95.3)	3.75" (95.3)	3.75" (95.3)	2.75" (69.9)	2.75" (69.9)	2.75" (69.9)	4.00" (101.6)	3.00" (76.2)
Adjustability	Fully	Fully	Fully	Fully	Fully	Fully	Fully	Fully
Before Pour External Height Adjustment	1.25" (31.8)	1.25" (31.8)	1.25" (31.8)	1.25" (31.8)	1.25" (31.8)	1.25" (31.8)	1.25" (31.8)	1.25" (31.8)
After Pour Internal Height Adjustment	.50" (12.7)	.50" (12.7)	.50" (12.7)	.50" (12.7)	.50" (12.7)	.50" (12.7)	.38" (9.5)	.38" (9.5)
Cubic Inch (cm3) Capacity Per Gang	60.0 cu. in. (983.2 cm3)	52.8 cu. in. (865.2 cm3)	50.8 cu. in. (832.5 cm3)	39.5 cu. in. (647.3 cm3)	35.0 cu. in. (573.5 cm3)	34.0 cu. in. (557.2 cm3)	54.0 cu. in. (884.9 cm3)	37.3 cu. in. (611.2 cm3)
Dimensions – A	3.72" (94.5)	3.72" (94.5)	3.72" (94.5)	2.74" (69.6)	2.74" (69.6)	2.74" (69.6)	3.90" (99.1)	2.81" (71.4)
Dimensions – B	4.81" (122.2)	4.81" (122.2)	4.81" (122.2)	4.81" (122.2)	4.81" (122.2)	4.81" (122.2)	4.81" (122.2)	4.81" (122.2)
Dimensions – C	6.00" (152.4)	9.25" (235.0)	12.50" (317.5)	6.00" (152.4)	9.25" (235.0)	12.50" (317.5)	6.00" (152.4)	6.00" (152.4)
Dimensions – D	4.38" (111.3)	4.38" (111.3)	4.38" (111.3)	4.38" (111.3)	4.38" (111.3)	4.38" (111.3)	4.38" (111.2)	4.38" (111.2)
Dimensions – E	3.19" (81.0)	6.44" (163.6)	9.67" (245.6)	3.19" (81.0)	6.44" (163.6)	9.67" (245.6)	3.19" (81.0)	3.19" (81.0)
Knockouts – Sides	(1) ¾",1",1¼"	(2) ¾",1",1¼"	(3) ¾",1",1¼"	(2) ½",1) ¾"	(4) ½",1) ¾"	(6) ½",1) ¾"	(1) ½",1) 1¼"	(2) ½",1) ¾"
Knockouts – Ends	(1) ¾",1",1¼"	(1) ¾",1",1¼"	(1) ¾",1",1¼"	(1) ½",1) ¾"	(2) ½",1) ¾"	(2) ½",1) ¾"	(1) ¾",1) 1"	(1) ½",1) ¾"
Knockouts – Bottom	(2) ¾",1",1¼"	(4) ¾",1",1¼"	(6) ¾",1",1¼"	(2) ¾",1",1¼"	(4) ¾",1",1¼"	(6) ¾",1",1¼"	(3) ½",2) ¾"	(3) ½",2) ¾"
Concrete Cover Included	✓	✓	✓	✓	✓	✓	✓	✓
Closure Plugs Included	-	-	-	-	-	-	-	-
Removable LV Barrier	-	✓	✓	-	✓	✓	-	-

Note: UL File Number E92074.  
CSA File Number LR18416.  
\*Suitable for single service applications only.

## Carpet Flanges



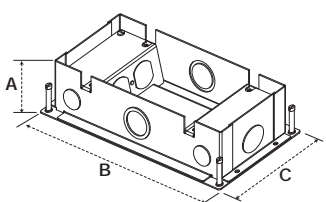
Tapered Flange	1-Gang	2-Gang	3-Gang
Number of Gangs	1-Gang	2-Gang	3-Gang
Dimensions	6.00" x 4.85"	6.00" x 8.13"	6.00" x 11.34"
Brass	<b>SB3083</b>	<b>SB3084</b>	<b>SB3085</b>
Aluminum	<b>SA3083</b>	<b>SA3084</b>	<b>SA3085</b>
Clear Polycarbonate	<b>S3083</b>	<b>S3084</b>	<b>S3085</b>
			

## Covers – One Required per Gang

Brass	<b>S3825</b>	<b>S3625</b>	<b>S3826</b>	<b>S2425</b>	<b>S2625</b>	<b>S2825</b>	<b>S3813</b>
Aluminum	<b>SA3825</b>	<b>SA3625</b>	<b>SA3826</b>	<b>SA2425</b>	<b>SA2625</b>	—	<b>SA3813</b>
Dimensions	4.15" x 2.99"						
							
	Duplex Flap	Duplex Screw	Style Line® Decorator Opening	2 1/8" x 3/4" Combination	2 1/8" x 1" Combination	2 1/8" Single Receptacle	Blank

Dimensions in Inches (mm)

## Dimensions Inches (mm)

Style	Stamped Steel	Cast Iron
	2-Gang  3SFBS	2-Gang  3SFBC
		
Min. Depth of Pour	3.00" (76.2)	3.00" (76.2)
Adjustability	Before pour	Before pour
Cubic Inch (cm <sup>3</sup> ) Capacity Per Chamber	22.4 cu. in. (367.1 cm <sup>3</sup> )	21.6 cu. in. (354.0 cm <sup>3</sup> )
Dimensions – A	2.88" (73.2)	3.00" (76.2)
Dimensions – B	12.20" (309.9)	12.88" (327.2)
Dimensions – C	5.52" (140.2)	6.00" (152.4)
Threaded Access Holes	-	Sides (2) 3/4" Ends (1) 1 1/4" Center Area (1) 1 1/4" (each side)
Knockouts	Sides (2) 3/4" Ends (1) 1" Center Area (1) Concentric 1", 1 1/4" (each side)	-
Concrete Cover Included	✓	✓
Closure Plugs Included	-	✓
Face Plates Included	(1) 3SFBRP and (1) 3SFBTTP	(1) 3SFBRP and (1) 3SFBTTP

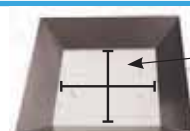
Note: UL File Number E31999.  
CSA File Number LR18416.

## Accessories

### On-grade Barrier

The on-grade barrier is intended for use on installations at grade level. This accessory is installed prior to the concrete pour and provides a barrier between the soil. The on-grade barrier comes with leveling feet and anchor points.

CFBOGPAN4



Pour Pan Dimensions:  
15.75 in. sq.  
4 in. depth

## Floor Box Covers with Carpet Recess

### Reinforced Non-Metallic Cover

Dimensions  
11.88" x 5.20"

3SFBCBRA



Brown

3SFBCBKA



Black

3SFBCGYA



Gray

3SFBCIA



Ivory

## Face Plates

3SFBRP



Duplex  
Knockout

3SFBDS



Style Line®  
Decorator Opening

3SFBS



Single Receptacle  
Opening  
(1.39" boss dia.)

3SFBB



Blank

3SFBTTP



Voice/Data  
(2) Jack Knockouts  
(.6" x .75")

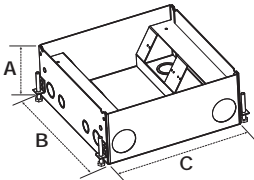




3SFBIM



3-Unit iSTATION Opening  
(See Network Wiring section  
for module options)

Dimensions in Inches (mm)

**Dimensions Inches (mm)**

Style	Stamped Steel			Cast Iron
	4-Gang Deep	4-Gang Shallow	8-Gang Deep	4-Gang Shallow
	 <b>HBLCFB301BASE</b>	 <b>HBLCFB401BASE</b>	 <b>HBLCFB501BASE</b>	 <b>HBLCFB401CB</b>
Min. Depth of Pour	4.25" (107.6)	3.00" (76.2)	5.25" (133.4)	3.25" (82.6)
Adjustability	Before pour	Before pour	Before pour	Before pour
Cubic Inch (cm3) Capacity Per Chamber	29.5 cu. in. (483.4 cm3)	25.5 cu. in. (417.9 cm3)	49.5 cu. in. (811.2 cm3)	25.5 cu. in. (417.9 cm3)
Dimensions – A	4.0" (101.6)	2.63" (66.8)	5.13" (130.3)	3.13" (79.5)
Dimensions – B	10.0" (254.0)	10.0" (254.0)	10.0" (254.0)	10.0" (254.0)
Dimensions – C	10.0" (254.0)	10.0" (254.0)	10.0" (254.0)	10.0" (254.0)
Threaded Access Holes – Per Chamber	–	–	–	(2) 1"
Knockouts – Per Chamber	(1) Concentric ½", ¾" (1) Concentric ¾", 1" (1) 1¼"	(3) Concentric ½", ¾"	(1) Concentric ½", ¾" (1) Concentric ¾", 1" (1) 1¼"	–
Concrete Cover Included	✓	✓	✓	✓
Closure Plugs Included	–	–	–	✓

Note: UL File Number E197203.  
CSA File Number LR702145.

**Floor Box Covers with Carpet Recess**

Die Cast Metal Cover and Flange Assembly  
Dimensions 10.69" x 10.69"

**HBLTCGNTSW**



Granite

**HBLTCGNTBKS**



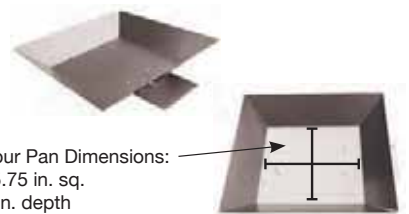
Black

**Accessories**

**On-grade Barrier**

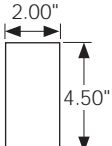








The on-grade barrier is intended for use on installations at grade level. This accessory is installed prior to the concrete pour and provides a barrier between the soil. The on-grade barrier comes with leveling feet and anchor points.

**CFBOGPAN4**













Pour Pan Dimensions:  
15.75 in. sq.  
4 in. depth

**Hubbell – Screw Type Face Plates\***

Typical	HBLST302SGY	HBLDE301SGY	HBLT0310SGY	HBLTL318SGY	HBLTL319SGY	HBLBL300SGY	HBLMIFSGY	HBL317SGY
								
	Duplex	Style Line® Decorator	Toggle	Single Receptacle (1.56" Boss Dia.)	Single Receptacle (1.39" Boss Dia.)	Blank	3-Unit Hubbell iSTATION (See Network Wiring section for module options)	Hubbell 6-Port



**Open Systems – Screw Type Face Plates\***

HBLAM303SGY	HBLAMP313SGY	HBLKR314SGY	HBLLT309SGY	HBLPA308SGY	HBLN0309SGY	HBLSI305SGY	HBLSI315SGY	HBLOR306SGY	HBLORT322SGY
									
AMP-ACO	AMP 6-Port	Krone®/Leviton®	SYSTIMAX®	Panduit Mini-Com®	NORDX® 6-Port (Cat. 5e jacks only)	Siemon CT® Series	Siemon MAX® Series	Ortronics Series II®	Ortronics TracJack®

Note: \*Catalog numbers indicated are gray, replace "GY" with the following to designate color: "BK" for Black, "I" for Ivory and "WA" for White.

AMP is a registered trademark of Tyco Electronics Corp. Krone® is a registered trademark of Krone, Inc. Leviton® is a registered trademark of Leviton. SYSTIMAX® is a registered trademark of CommScope, Inc. Mini-Com® and Panduit® are registered trademarks of Panduit Corp. NORDX® is a registered trademark of Belden/CDT, Inc. MAX® and CT® Series are registered trademarks of The Siemon Company. TracJack®, Series II® and Ortronics® are registered trademarks of Ortronics/Legrand.

## Dimensions Inches (mm)

Style	Stamped Steel	Cast Iron
	6-Gang  LCFBSSA	6-Gang  LCFBCA
Min. Depth of Pour	3.50" (88.9)	3.65" (92.7)
Adjustability	Fully	Fully
Cubic Inch (cm <sup>3</sup> ) Capacity Per Chamber	(4) at 38.2 cu. in. (626.0 cm <sup>3</sup> ) (2) at 25.4 cu. in. (416.2 cm <sup>3</sup> )	(4) at 36.8 cu. in. (603.0 cm <sup>3</sup> ) (2) at 25.4 cu. in. (416.2 cm <sup>3</sup> )
Dimensions – A	6.18" (157.0)	6.35" (161.3)
Dimensions – B	12.95" (328.9)	13.11" (333.0)
Dimensions – C	12.95" (328.9)	13.11" (333.0)
Threaded Access Holes – Per Chamber	–	(1) 3/4" & (1) 1/4"
Knockouts – Per Chamber	(1) Concentric 1", 1/4" (1) 3/4"	–
Concrete Cover Included	✓	✓
Closure Plugs Included	–	✓
Cover Mounting Brackets Included*	✓	✓

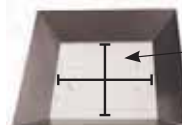
Note: \*Replacements Mounting Brackets available, (1 pair) LCFBBRACKET.  
UL File Number E31999. CSA File Number LR18416.

## Accessories

### On-grade Barrier

The on-grade barrier is intended for use on installations at grade level. This accessory is installed prior to the concrete pour and provides a barrier between the soil. The on-grade barrier comes with leveling feet and anchor points.

### CFBOGPAN4

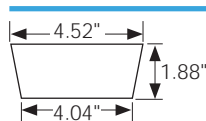


Pour Pan Dimensions:  
15.75 in. sq.  
4 in. depth

## Recessed Floor Box Covers

Smooth Metallic Cover, Flange and Cable Doors for Carpet Applications	Cover Dimensions 10.30" x 10.30"	Aluminum Finish Brass Finish Black Gray	LCFBCALTC LCFBCBRSTC LCFBCBKTC LCFBCGYTC	
Metallic Cover, Flange and Cable Doors for Carpet Applications – Carpet Insert Required	Cover Dimensions 10.30" x 10.30"	Aluminum Finish Brass Finish Black Gray	LCFBCALC LCFBCBRSC LCFBCBKC LCFBCGYC	
Reinforced Non-Metallic Cover, Flange and Cable Doors for Carpet Applications – Carpet Insert Required	Cover Dimensions 10.30" x 10.30"	Black Brown Gray Ivory	LCFBCBKA LCFBCBRA LCFBCGYA LCFBCIA	
Smooth Metallic Cover and Cable Doors for Tile Applications	Cover Dimensions 8.31" x 7.70"	Aluminum Finish Brass Finish Black Gray	LCFBCALT LCFBCBRST LCFBCBKT LCFBCGYT	

## Face Plates



Typical

Dimensions in Inches (mm)

### LCFBP8



Duplex

### LCFBP26



Style Line®  
Decorator Opening

### LCFBP720



Single Receptacle  
(for 1.56" boss dia.)

### LCFBIM



3-Unit Hubbell iSTATION  
(See Network Wiring section  
for module options)

### LCFBP14



Blank



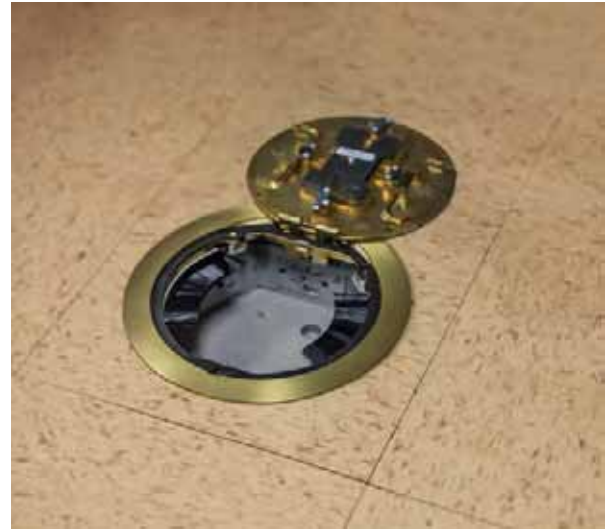
# Floor Boxes

## Large Capacity Concrete Floor Boxes with Round Cover

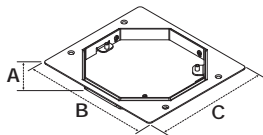
Hubbell's LCFB Adapter System allows users to integrate Hubbell's SystemOne Round Covers with Hubbell's Six-Gang Large Capacity Floor Box. This combination provides greater capacity, durability, flexibility with an attractive finish. Covers are available in a variety of architectural finishes including brass, nickel and aluminum. These covers provide a common round look and finish between Hubbell SystemOne Recessed Fire-Rated Poke-Throughs and the Six-Gang Large Capacity Floor Box (with the use of the LCFB adapter) — enhancing building decor.

The round shape of the SystemOne cover allows for the products to be installed in any location or orientation without having concern for parallel lines in the building floor while the device capacity of the Large Capacity Floor Box allows for power, data and audio visual to be combined into a common floor box.

- Round cover to match Fire-Rated Poke-Through installations
- Eight distinct mounting directions
- Drop down cable access doors to reduce trip hazards
- Post pour adjustability
- Egress door brushes reduce ingress of dirt
- Five aesthetically pleasing finishes



### Dimensions Inches (mm)

Style	6-Gang  LCFBS1R8ADAPT
Adjustability	Post pour
Vertical Adjustability Range	1/8" minimum to 3/8" maximum finished floor height
Dimensions – A	.89" (22.6)
Dimensions – B	10.13" (257.3)
Dimensions – C	9.25" (235.0)
Cover Orientation Positions	Eight (8); every 45°
Material	Galvanized sheet metal
Compatible Floor Boxes	LCFBSSA, LCFBCA

*Note: "Will sit approximately 1/8" above level of concrete floor after installation. Concrete will need to be graded after initial pour to remove potential ridges.*

### Compatible SystemOne Recessed 8" Covers

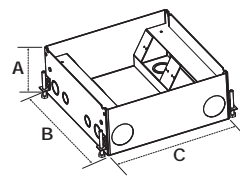




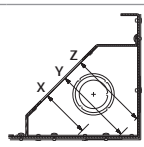
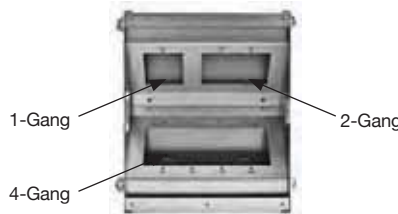
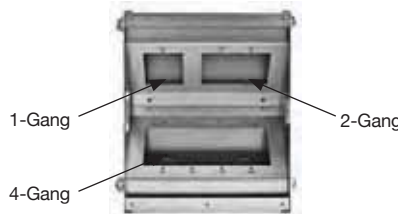
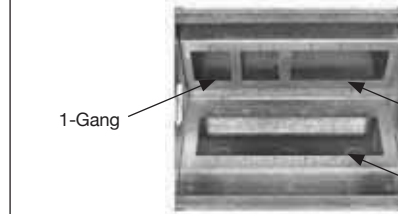
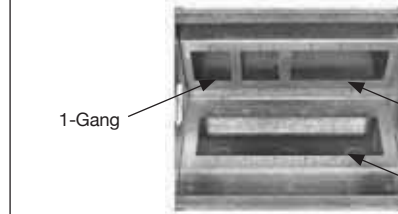
Finish	Catalog Number
Brushed Aluminum	<b>S1R8CVRALU</b>
Black Powder Coat	<b>S1R8CVRBLK</b>
Brushed Brass Plated	<b>S1R8CVRBRS</b>
Bronze Plated Finish	<b>S1R8CVRBRZ</b>
Satin Nickel Plated	<b>S1R8CVRNKL</b>

*Note: Must order adapter LCFBS1R8ADAPT when using S1R8CVRxxx covers on LCFBxx floor boxes.*



*Dimensions in Inches (mm)*

## Dimensions Inches (mm)

Style	CFB7G Series		CFB11G Series	
	7-Gang		11-Gang	
				
	<b>CFB7G4</b>	<b>CFB7G6</b>	<b>CFB11G4</b>	<b>CFB11G6</b>
Min. Depth of Pour	4.08" (103.5)	6.08" (154.3)	4.08" (103.5)	6.08" (154.3)
Adjustability	Before Pour	Before Pour	Before Pour	Before Pour
Dimensions:	A	B	C	
	4.08" (103.5)	10.0" (254.0)	12.2" (309.9)	4.08" (103.5)
		6.08" (154.3)	10.0" (254.0)	13.5" (342.9)
		12.2" (309.9)	12.2" (309.9)	13.5" (342.9)
Trade Size Knockouts:				
Sidewalls	(4) x 1", 1/4" Concentric	(4) x 1", 1/4", 1/2" Concentric	(4) x 1", 1/4" Concentric	(4) x 1", 1/4", 1/2" Concentric
Back	(3) x 1", 1/4", 1/2" Concentric; (1) x 2"	(3) x 1", 1/4", 1/2" Concentric; (1) x 2"	(2) 3/4", 1" Concentric; (4) 1", 1/4", 1/2" Concentric, (1) 2"	(2) 3/4", 1" Concentric; (4) 1", 1/4", 1/2" Concentric, (1) 2"
Bottom	(4) x 1", 1/4", 1/2" Concentric	(4) x 1", 1/4", 1/2" Concentric	(5) 1", 1/4", 1/2" Concentric; (2) 3/4", 1" Concentric	(5) 1", 1/4", 1/2" Concentric; (2) 3/4", 1" Concentric
Side View Depth behind mounting plate		X - 1.01" Y - 2.41" Z - 3.51"	X - 2.37" Y - 3.77" Z - 3.65"	X - 1.02" Y - 2.42" Z - 3.50"
Accepts industry standard size wallplates (sold separately)	(1) 1-Gang (1) 2-Gang (1) 4-Gang	(1) 1-Gang (1) 2-Gang (1) 4-Gang	(2) 1-Gang (1) 3-Gang (1) 6-Gang	(2) 1-Gang (1) 3-Gang (1) 6-Gang
Interior Configuration				

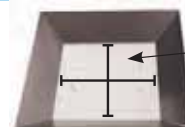
Note: UL File Number E31999.  
CSA File Number LR18416.

## Accessories

### On-grade Barrier

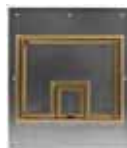
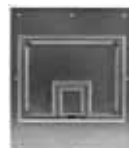

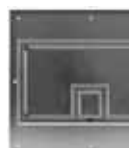
The on-grade barrier is intended for use on installations at grade level. This accessory is installed prior to the concrete pour and provides a barrier between the soil. The on-grade barrier comes with leveling feet and anchor points.

### CFBOGPAN4



Pour Pan Dimensions:  
15.75 in. sq.  
4 in. depth

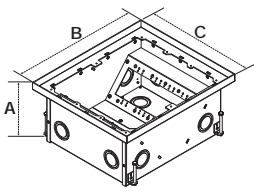


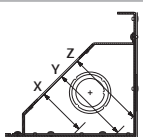
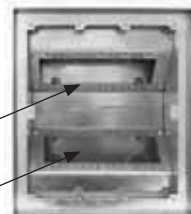
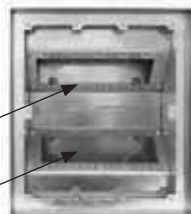
## Floor Box Covers

	CFB7G Series		CFB11G Series	
				
	Brass	Aluminum	Brass	Aluminum
Flange and cover; Beveled edge for carpet	1/4" Edging		1/4" Edging	
	<b>CFB7CVRBRS</b>	<b>CFB7CVRALU</b>	<b>CFB11CVRBRS</b>	<b>CFB11CVRALU</b>
Flange and cover; Square edge for tile	1/2" Edging		1/4" Edging	
	<b>CFB7TBRS</b>	<b>CFB7TALU</b>	<b>CFB11TBRS</b>	<b>CFB11TALU</b>

Note: Covers provide a recessed area, allowing floor covering to be inserted.

Dimensions in Inches (mm)

**Dimensions Inches (mm)**

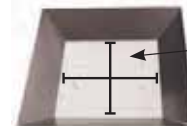
Style	CFB8FC Series	
	8-Gang	8-Gang
	 <b>CFB8FC1</b>	 <b>CFB8FC2</b>
Application	Carpet	Tile, Finished Concrete
Min. Depth of Pour	6.95" [177mm]	7.15" [182mm]
Adjustability	Before Pour	Before Pour
Dimensions:		
A	6.95" (176.5)	7.15" (181.6)
B	15.00" (176.5)	14.75" (374.7)
C	13.00" (330.2)	12.75" (323.9)
Trade Size Knockouts:	Sidewalls Back Bottom	
	(4) x 1.5", 1.25", 1" concentric (4) x 1.5", 1.25", 1" concentric (4) x 1.5", 1.25", 1" concentric	(4) x 1.5", 1.25", 1" concentric (4) x 1.5", 1.25", 1" concentric (4) x 1.5", 1.25", 1" concentric
Side View Depth behind mounting plate		
	X = 2.27" (57.7) Y = 4.01" (101.9) Z = 3.13" (79.5)	X = 2.27" (57.7) Y = 4.01" (101.9) Z = 3.13" (79.5)
Accepts industry standard size wallplates (sold separately) 4.63" Maximum Cover Height	One, two, three and four gang plates. Customer configuration dependant.	One, two, three and four gang plates. Customer configuration dependant.
		

**Accessories**

**On-grade Barrier**

The on-grade barrier is intended for use on installations at grade level. This accessory is installed prior to the concrete pour and provides a barrier between the soil. The on-grade barrier comes with leveling feet and anchor points.

**CFBOGPAN4**



Pour Pan Dimensions:  
 15.75 in. sq.  
 4 in. depth

**Covers**

	CFB8FC1 Covers		CFB8FC2 Covers	
				
All ballroom floor box covers are machined from Aluminum and have no additional finish options				
Carpet Cover, with 2 egress doors (0.20" depth)	<b>CFB8CVRALU1</b>	-	-	-
Flush cover, with 2 egress doors	-	-	<b>CFB8CVRALU2</b>	-
Blank box cover	-	<b>CFB8JBC1</b>	-	<b>CFB8JBC2</b>
Cover Load Ratings*:				
Recommended Loading	20,000 lb	20,000 lb	20,000 lb	20,000 lb
Maximum Load	40,000 lb	40,000 lb	40,000 lb	40,000 lb

Note: \*Load applied through 3" (76mm) mandrel in center of cover. Loads are static and don't apply to rolling loads.

Dimensions in Inches (mm)

**Dimensions Inches (mm)**

Style		Rectangular Stamped Steel			Round Cast Iron	
		1-Gang	2-Gang	3-Gang	1-Gang	1-Gang
		<b>B2481*</b>	<b>B2482</b>	<b>B2483</b>	<b>B2588*</b>	<b>B2588275*</b>
Adjustability		Semi	Semi	Semi	Non	Non
Cubic Inch (cm <sup>3</sup> ) Capacity Per Gang		42.0 cu. in. (658.3 cm <sup>3</sup> )	42.5 cu. in. (696.5 cm <sup>3</sup> )	42.5 cu. in. (696.5 cm <sup>3</sup> )	18.5 cu. in. (303.2 cm <sup>3</sup> )	18.5 cu. in. (303.2 cm <sup>3</sup> )
Dimensions – A		3.13" (79.5)	3.13" (79.5)	3.13" (79.5)	3.65" (92.7)	3.65" (92.7)
Dimensions – B		4.50" (114.3)	4.50" (114.3)	4.50" (114.3)	3.22" (81.8)	3.22" (81.8)
Dimensions – C		3.20" (81.3)	6.42" (163.1)	9.64" (244.9)	4.09" (103.9)	4.09" (103.9)
Threaded Access Holes		–	–	–	Bottom (2) ½"	Sides (2) ¾" Bottom (2) ½"
Knockouts – Sides		(1) ½", ¾", 1"	(2) ½", ¾", 1"	(3) ½", ¾", 1"	–	–
Knockouts – Ends		–	–	–	–	–
Knockouts – Bottom		(1) ½" - 1¼"	(2) ½" - 1¼"	(3) ½" - 1¼"	–	–
Debris Cover Included		✓	✓	✓	–	–
Closure Plugs Included		–	–	–	✓	✓
Removable LV Barrier		–	✓	✓	–	–

Note: UL File Number E31999. CSA File Number LR18416.  
\*Suitable for single service applications only.

**Rectangular Flanges (Required)**

	SB3083W	SB3084W	SB3085W
Brass	SB3083W	SB3084W	SB3085W
Aluminum	SA3083W	SA3084W	SA3085W
No. of Gangs	1-Gang	2-Gang	3-Gang
Dimensions	6.00" x 4.85"	6.00" x 8.13"	6.00" x 11.34"

**Round Flanges**

S3182	S3082
S3182	SA3082
5.25" Dia.	6.25" Dia.

**Round Covers (3.88" Dia.)**

S3925	S3725	S2525
S3925	SA3725	SA2525
Duplex Flap	Duplex Screw	2 1/8" x 3/4" Comb.

**Covers – One Required per Gang**

	S3825	S3625	S3826	S2425
Brass	S3825	S3625	S3826	S2425
Aluminum	SA3825	SA3625	SA3826	SA2425
Dimensions				
4.15" x 2.99"	Duplex Flap	Duplex Screw	Style Line® Decorator Opening	2 1/8" x 3/4" Combination
	S2625	S2825	S3425	S3813
Brass	S2625	–	–	S3813
Aluminum	SA2625	–	–	SA3813
Dimensions				
4.15" x 2.99"	2 1/8" x 1" Combination	2 1/8" Single Receptacle	2 3/8" Single Receptacle	Blank

**Round Covers**

	S2725	S2925	S3525	S3325
Brass	S2725	S2925	–	–
Aluminum	SA2725	SA2925	–	–
3.88" Dia.				
	2 1/8" x 1" Comb.	2 1/8" Single Receptacle	2 3/8" Single Receptacle	2 1/8" Single Rec. (Terrazzo Floor)

**One Piece Brass Cover and Carpet Flange**

	SF3925	SF2525	SF2725	SF2925
Brass	SF3925	SF2525	SF2725	SF2925
6.25" Dia.				
	Duplex Flap	2 1/8" x 3/4" Combination	2 1/8" x 1" Combination	2 1/8" Single Receptacle

Dimensions in Inches (mm)



# Floor Boxes Above-Floor Service Fittings (Single Service)

Hubbell offers a variety of above-floor service pedestals to satisfy just about any requirement. Large capacity enables a choice of services—you can even create your own unique pedestal to satisfy specific requirements. Above floor service fittings are ideal for furniture feed applications.

## Pedestals – Metallic – LO-CON (single service only)

Traditional metallic pedestals with die-cast aluminum frame, brushed aluminum housing and stainless steel faceplates. These pedestals are offered as component parts. They mount on floor box covers or floor deck/duct systems with ¾-inch or 1-inch threaded openings.

## Create Pedestal – Create your own pedestal to meet specific service requirements. Order housing, face plates and devices separately.



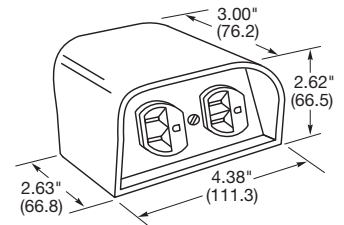
Description	Catalog Number
Frame, housing, ¾ in. chase nipple, without plates.	SC3098A
Frame, housing, 1 in. chase nipple, without plates.	SC3099A
Blank plate.	SS309B
Telephone bushing with 1 in. I.D. and (2) ¾ in. KO for coax.	SS309T
Single receptacle plate with 1.39 in. (35.3) opening.	SS309S
Duplex receptacle plate.	SS309D
Style Line® decorator plate.	SS309DS



## Furniture Feed Plates – Use with SC3098A or SC3099A housings to feed furniture systems in office settings or display cases in retail applications.

Description	Catalog Number
Aluminum plate with ¾ in. trade size knockout.	SS309SF
Aluminum plate, blank.	SS309BF

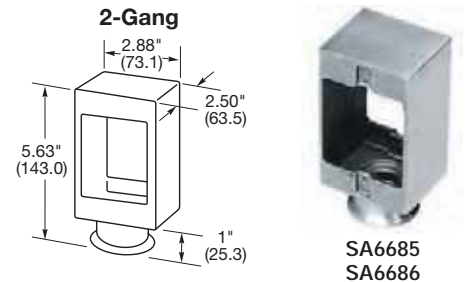
Note: When using SS309SF on Hubbell's LO-CON pedestals, SS309BF must be used on the opposite side.



## Pedestals – Specialized Service – Large Capacity Pedestals (single service only)

Designed to accommodate receptacles up to 50A (4-gang only). These brushed aluminum pedestals are furnished with either a ¾-inch or 1-inch hub and are designed for mounting to floor box covers with ¾-inch or 1-inch threaded openings. Create your own unique pedestal with a wide choice of stainless steel plates and devices.

Description (2-Gang Housing)	Catalog Number
2-gang (front and back) with ¾ in. hub.	SA6685
2-gang (front and back) with 1 in. hub.	SA6686

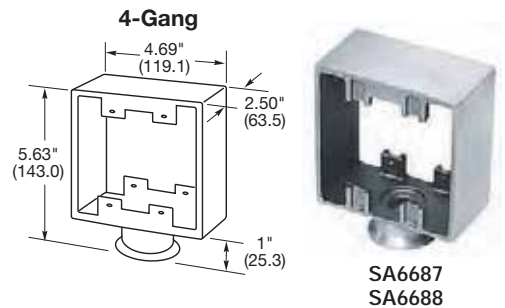


## Plate Option – 1-Gang

Description	Catalog Number
Duplex opening.	SS8
Style Line® decorator opening.	SS26
Single receptacle opening – boss diameter 1.36 to 1.39 in. (34.5 to 35.3).	SS7
Single receptacle opening – boss diameter 1.55 to 1.58 in. (39.4 to 40.1).	SS720
Blank plate.	SS13



Description (4-Gang Housing)	Catalog Number
4-gang (2 front and 2 back), with ¾ in. hub.	SA6687
4-gang (2 front and 2 back), with 1 in. hub.	SA6688



## Plate Option – 2-Gang

Description	Catalog Number
Two duplex openings.	SS82
Two Style Line® decorator openings.	SS262
Two single receptacle openings – boss diameter 1.36 to 1.39 in. (34.5 to 35.3).	SS72
Single receptacle opening – boss diameter 2.41 to 2.44 in. (61.2 to 62.0).	SS701
Single receptacle opening – boss diameter 2.09 to 2.13 in. (53.1 to 54.1).	SS703
Blank plate.	SS23



Dimensions in Inches (mm)

# Floor Boxes

## Flush Non-Metallic Floor Box For Concrete Floors

### Residential Delivery Systems



The Hubbell Round Non-Metallic Floor Box offers an economical solution for electrical power or a combination of power and voice/data applications. Designed specifically for slab-on-grade installation. Quick and easy installation is assured using a push in place leveling system.



### The Right Choice for that Perfect Finishing Touch!



Note: Not all configurations are available in all colors. See below for details.



RF406BK



RF400



RF407BK

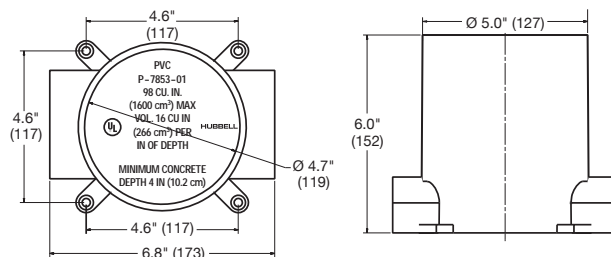


RF408

### Floor Box for Structural Concrete Floors

Description	Material	Color	Catalog Number
Flange and hinged door cover assembly; includes tamper-resistant duplex receptacle 15A 125V; gasket; floor leveling PVC ring; high impact and chemically resistant nylon; factory pre-assembled for easy drop-in installation.	Solid Brass	—	<b>RF406BR</b>
	Thermoplastic	Almond	<b>RF406AL</b>
	Thermoplastic	Black	<b>RF406BK</b>
	Thermoplastic	Chestnut Brown	<b>RF406BN</b>
	Thermoplastic	Gray	<b>RF406GY</b>
Flush fit for hardwood and tile floors (same as above).	Solid Brass	—	<b>RF409BR</b>
Floor box with concrete protective cover; accepts 3/4 in. and 1 in. schedule 40 and schedule 80 PVC conduit; includes round box (4 7/8 in. dia. x 6.0 in. deep); four reducers; closure plugs; and concrete cover with locator flag.	PVC	Gray	<b>RF400</b>
Hinged nylon replacement door cover; includes neoprene gasket to seal plug openings; replacement cover for RF406 series.	Solid Brass	—	<b>RF407BR</b>
	Thermoplastic	Almond	<b>RF407AL</b>
	Thermoplastic	Black	<b>RF407BK</b>
	Thermoplastic	Chestnut Brown	<b>RF407BN</b>
	Thermoplastic	Gray	<b>RF407GY</b>
Low voltage divider; for use in PVC box RF400; when JLOAD® multimedia outlet is used.	Thermoplastic	Gray	<b>RF408</b>

### Dimensions Inches (mm)



Dimensions in Inches (mm)

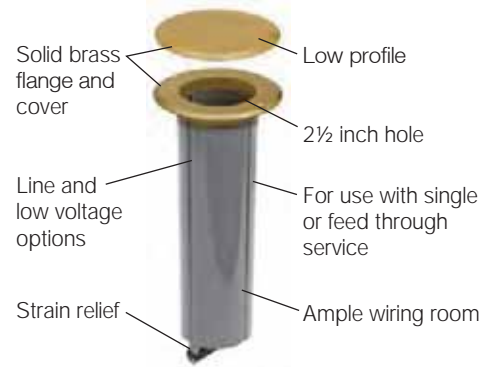
# Floor Boxes Flush Floor Boxes for Wooden Floors

Residential Delivery Systems



Note: Template cutout provided with instructions for proper installation.

## Drop-In Floor Box



## The Right Choice for that Perfect Finishing Touch!



Note: Not all configurations are available in all colors. See below for details.

## Floor Boxes for Structural Wood Floors

Description	Material	Finish	Cat. Number	Material	Finish	Cat. Number
Decorator duplex receptacle floor box kit; includes steel box, flange and hinged door cover assembly with 15A 125V tamper-resistant duplex receptacle; designed for installation in wood floors; mounts to sub-floor or joists.	Solid Brass	Clear Lacquer	<b>RF515BR</b>	Aluminum	Brass Plated	<b>RF515BP</b>
	Aluminum	Stainless Paint	<b>RF515SS</b>	Aluminum	Chrome Plated	<b>RF515CH</b>
	Aluminum	Almond Paint	<b>RF515AL</b>	Aluminum	Copper Plated	<b>RF515CU</b>
	Aluminum	Black Paint	<b>RF515BK</b>	Aluminum	Nickel Plated	<b>RF515NI</b>
	Aluminum	Chestnut Brown Paint	<b>RF515BN</b>			
Flush fit for hardwood and tile floors (same as above).	Solid Brass	Clear Lacquer	<b>RF509BR</b>			
Flange and hinged door cover assembly; includes tamper-resistant duplex receptacle; neoprene gaskets; for use with steel box RF500.	Solid Brass	Clear Lacquer	<b>RF506BR</b>	Aluminum	Brass Plated	<b>RF506BP</b>
	Aluminum	Stainless Paint	<b>RF506SS</b>	Aluminum	Chrome Plated	<b>RF506CH</b>
	Aluminum	Almond Paint	<b>RF506AL</b>	Aluminum	Copper Plated	<b>RF506CU</b>
	Aluminum	Black Paint	<b>RF506BK</b>	Aluminum	Nickel Plated	<b>RF506NI</b>
	Aluminum	Chestnut Brown Paint	<b>RF506BN</b>			
Adjustable floor box; 3 inch deep; three (3) 1/2 inch knockouts: one on bottom; one on each side; non-metallic sheathed cable clamps on each side.				Steel	-	<b>RF500</b>



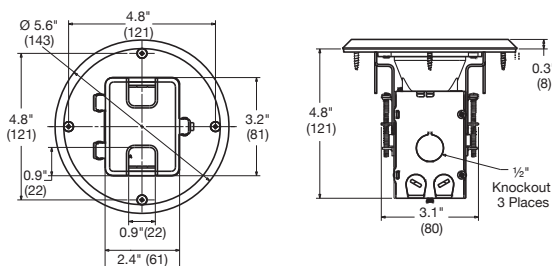
## Drop-In Floor Box for Structural Wood Floors

Description	Material	Rating	Cat. Number
Drop-in floor box; mounts in 2.50 inch hole opening; includes solid brass cover; single 125V tamper-resistant receptacle; optional device mounts for two voice/data video ports; suitable for feed through circuitry; impact resistant box.	Solid Brass	15 Amp	<b>RF151R</b>
	Solid Brass	20 Amp	<b>RF201R</b>

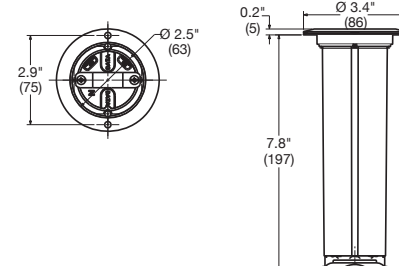


## Dimensions Inches (mm)

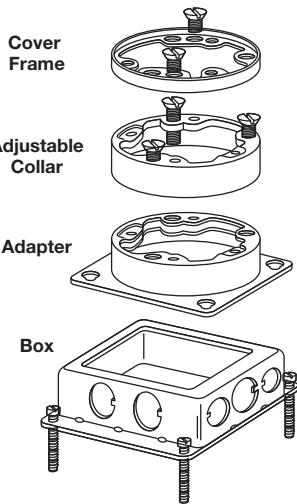
### Wood Floor Boxes



### Drop-In Floor Box



Dimensions in Inches (mm)



Replacement Adjustable Collar



Replacement Cover Frames



Crown Plugs



Flush Cap Rings



Flush Plugs



Experiencing a problem? Let Hubbell accessories help solve it. Hubbell stacking (adjustable) collars are the answer if the box is set too low. Need a replacement? Choose from a full line of replacement covers and fittings. Hubbell accessories also help you with the protection you need for plugs and receptacles.

## Problem Solvers and Replacement Components Stacking (Adjustable) Collars and Frames

Designed to be used if floor box is set too low beneath the floor surface or the adjustable collar and/or adapter on the box is damaged.

If the box number is...	Extension Value	Use Collar Number
B2429, B2427, B2436 or B2437	.81" (20.5)	<b>C2400*</b>
B2503, B2506	1.06" (26.9)	<b>C2504*</b>
B2529, B2536, B2527 or B2537	1.06" (26.9)	<b>C2500*</b>
B4233	1.03" (26.2)	<b>C4200*</b>
B4333	1.03" (26.2)	<b>C4300*</b>

*Note: \*Only available as sets (collars and adapters). In cases where the adapter on the floor box is not damaged, and only stacking is required, discard the adapter and use only the collar. The adjustable collars listed above can be stacked as required to reach the floor surface. Longer screws will be required if more than one collar is stacked (screws not provided). These screws are commercially available. Flat head #12-24 UNC machine screw x (approx. length). Minor Upward Adjustments: Round or Rectangular cover frames (trim rings) may be stacked if the floor box is only slightly recessed below the floor surface.*

## Replacement Components for Floor Box Covers and Fittings

Box Type	Dimension	Extension Value	Catalog Number	
			Brass	Aluminum
Round	4.19" (106.4) diameter	.31" (7.9)	<b>S5016</b>	<b>SA5016</b>
Rectangular	3.19" (81.0) x 4.38" (111.2)	.31" (7.9)	<b>S5017A</b>	<b>SA5017A</b>
Rectangular, grounding	3.19" (81.0) x 4.38" (111.2)	.31" (7.9)	<b>S5017G</b>	<b>SA5017G</b>

## Crown Plugs

Description	Used in the following covers	Catalog Number	
		Brass	Aluminum
¾" thread size.	S2525, SA2525, S881, S2555, S2530, S2425, SA2425, SF2525	<b>S5012</b>	<b>SA5012</b>
1" thread size.	S2725, SA2725, S2755, S2730, S2625, SA2625, SF2725	<b>S5013</b>	<b>SA5013</b>

## Flush Cap Rings

Description	Used in the following covers	Catalog Number	
		Brass	Aluminum
2½" threaded plug with ¾" thread size opening.	S2525, SA2525, S881, S2555, S2530, S2425, SA2425, SF2525	<b>S5010</b>	<b>SA5010</b>
2½" threaded plug with 1" thread size opening.	S2725, SA2725, S2755, S2730, S2625, SA2625, SF2725	<b>S5025</b>	<b>SA5025</b>

## Flush Plugs

Description	Used in the following covers	Catalog Number	
		Brass	Aluminum
¾" I.P.S. thread size.	F1339, F1340	<b>S5002</b>	-
1" I.P.S. thread size.	F1539	<b>S5003</b>	-
1½" fine thread size.	S3725, SA3725, S3625, SA3625	<b>S5007</b>	<b>SA5007</b>
2½" fine thread size.	S2925, SA2925, S88, S2930, S2955, SF2925, S2825	<b>S5020</b>	<b>SA5020</b>
2¾" fine thread size.	S3525, S3425	<b>S5030</b>	-

Dimensions in Inches (mm)



## Problem Solvers and Replacement Components Protective Ring for 2½ Inch Threaded Covers

Description	Catalog Number
Provides mechanical and wet mop protection for plugs and receptacles (brass).	<b>S3061</b>

Protective Ring for 2½" Threaded Covers



S3061

## Theater Seating Floor Box

Description	Catalog Number
The theater seating floor box is nonadjustable and provides a ¼ in. threaded hub for conduit connection to theater aisle lights. It permits opening of the enclosure for wiring without disturbing above floor connections. Other features include a cast iron box with a corrosion-resistant finish and a blank steel cover. Knockouts: (¾ in. surface, ¾ in. sides, ¾ in. bottom) 18.80 cu. in. (380 cubic cm).	<b>F3185</b>

Theater Seating Floor Box



F3185

## Adjustable Tops (Brass) Brass Outlet Fittings for Conduit Systems

Future requirements for floor outlets may be accommodated by systematically studding the floor with these fittings, all radiating from one or more floor boxes, from which any changes or additions may be subsequently made by the pulling of wires from box to the outlet. Adjustment tops are male connections to be mounted on elbow or tee fittings. They provide a pre-pour adjustment and an available connection for above-floor service heads.

Description	A	B	Catalog Number
¾ in. threaded conduit size (male).	1.25" (31.8)	1.44" (36.6)	<b>F1339</b>
1 in. threaded conduit size (male).	1.31" (33.3)	1.75" (44.5)	<b>F1539</b>

Note: Adjustment: ¾ in. and 1 in. fittings permit ½ in. vertical adjustment.

Adjustable Tops (Brass)



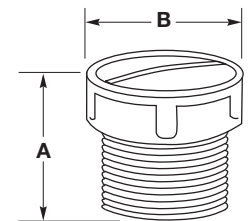
F1339

F1539

## Coupling (Brass)

Couplings are utilized for straight conduit connections when a floor box is not required. The conduit stub is brought to within approximately 1¼ in. of the planned surface, and the coupling is mounted and adjusted prior to the concrete pour. Standard service heads may be mounted to the couplings as required.

Description	A	B	Catalog Number
¾ in. threaded conduit size (female).	1.44" (36.6)	1.25" (31.8)	<b>F1340</b>



Adjustable Tops








Coupling (Brass)



F1340

Dimensions in Inches (mm)

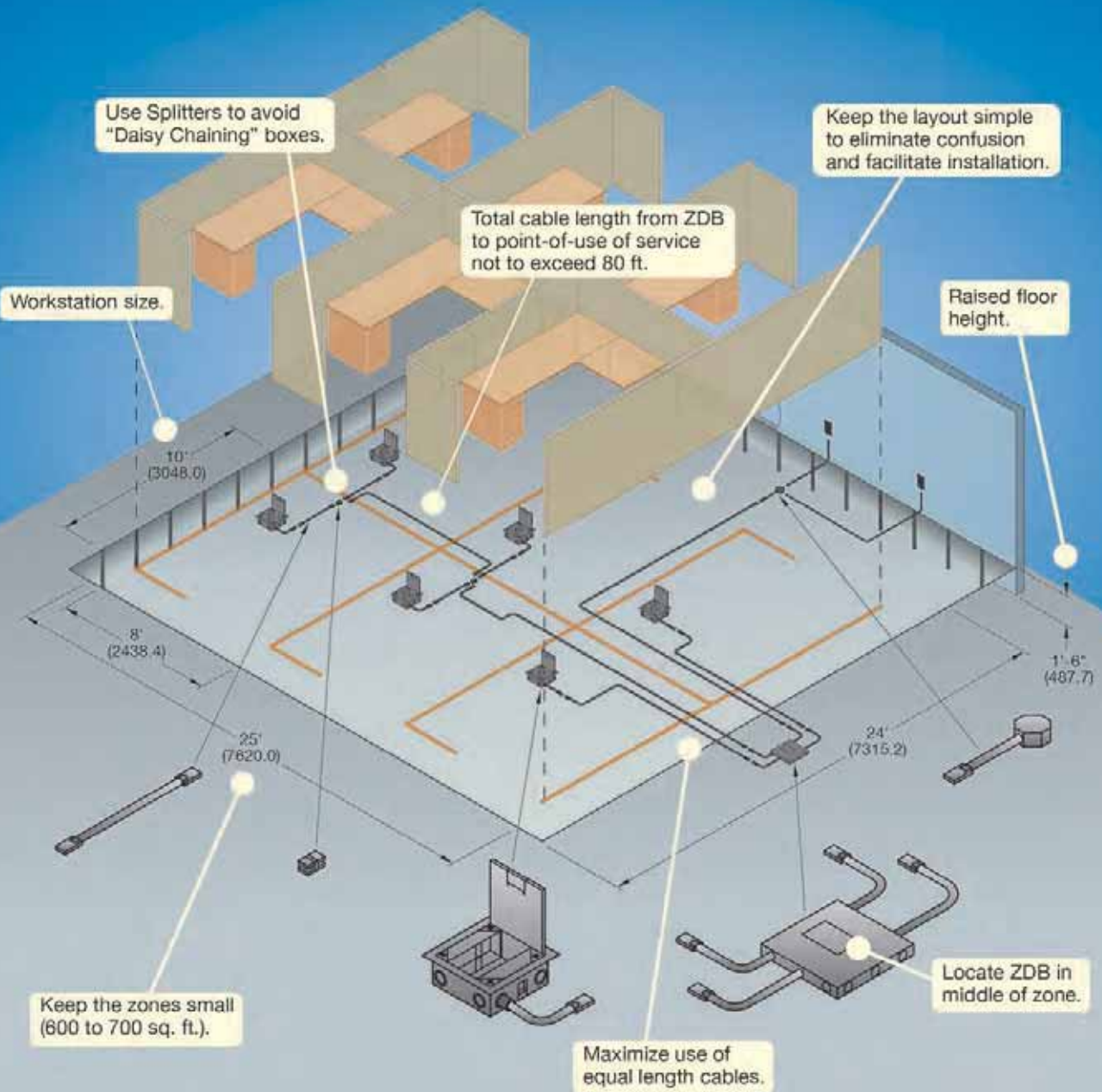
Floor Boxes  
Hubbell Floor Box Cover to Receptacle  
Compatibility Chart

Cover Style		Terrazzo (2 1/8")	2 3/8"	2 1/8"	Duplex Flap	Duplex Plug	Style Line®
Round		S3325 	S3525 	S(A)2925 S(A)2725 S(A)2525 	S(A)3925 	S(A)3725 	
Rectangular			S3425 	S2825 S(A)2625 S(A)2425 	S(A)3825 	S(A)3625 	S(A)3826 
Rating	NEMA Config.						
2P, 3W 15A, 125V	5-15R 	HBL5251 HBL5261 IG5261	HBL5251 HBL5261 IG5261	HBL5251 HBL5261 IG5261	5252AB 5262B CR5252IG HBL5252 HBL5262 IG5262	5252AB 5262B CR5252IG HBL5252 HBL5262 IG5262	HBL2152 IG2152 GF15LA HBL5260SA HBL5262SA
2P, 3W 15A, 125V	L5-15R 	HBL4710 IG4710	HBL4710 IG4710	HBL4710 IG4710	HBL4700 IG4700A HBL4792 HBL4794 HBL4795	HBL4700 IG4700A HBL4792 HBL4794 HBL4795	
2P, 3W 15A, 250V	6-15R 	HBL5661 IG5661	HBL5661 IG5661	HBL5661 IG5661	HBL5652 HBL5662 IG5662	HBL5652 HBL5662 IG5662	
2P, 3W 15A, 250V	L6-15R 	HBL4560 IG4560	HBL4560 IG4560	HBL4560 IG4560	HBL4550 IG4550A	HBL4550 IG4550A	
2P, 3W 15A, 277V	7-15R 				HBL5302	HBL5302	
2P, 3W 15A, 277V	L7-15R 	HBL4760	HBL4760	HBL4760	HBL4750	HBL4750	
2P, 3W 20A, 125V	5-20R 	HBL5361 IG5361	HBL5361 IG5361	HBL5361 IG5361	5352AB 5362B CR5352IG HBL5352 HBL5362 IG5362	5352AB 5362B CR5352IG HBL5352 HBL5362 IG5362	HBL2162 IG2162 GF20LA HBL5360SA HBL5362SA
2P, 3W 20A, 125V	5-20R 				HBL5392	HBL5392	
2P, 3W 20A, 125V	L5-20R 	HBL2310 IG2310	HBL2310 IG2310	HBL2310 IG2310			
2P, 3W 20A, 250V	6-20R 	HBL5461 IG5461	HBL5461 IG5461	HBL5461 IG5461	HBL5462 IG5462	HBL5462 IG5462	
2P, 3W 20A, 250V	L6-20R 	HBL2320 IG2320	HBL2320 IG2320	HBL2320 IG2320			
2P, 3W 30A, 125V	L5-30R 	HBL2610 IG2610	HBL2610 IG2610	HBL2610 IG2610			
2P, 3W 30A, 250V	L6-30R 	HBL2620 IG2620	HBL2620 IG2620	HBL2620 IG2620			
3P, 4W, 20A 125/250V	14-20R 	HBL8410	HBL8410	HBL8410			
	L14-20R 	HBL2410 IG2410	HBL2410 IG2410	HBL2410 IG2410			
3P, 4W, 20A 3Ø 250V	15-20R 	HBL8420	HBL8420	HBL8420			
	L15-20R 	HBL2420 IG2420	HBL2420 IG2420	HBL2420 IG2420			
3P, 4W, 30A 125/250V	L14-30R 	HBL2710 IG2710	HBL2710 IG2710	HBL2710 IG2710			
3P, 4W, 30A 3Ø 250V	L15-30R 	HBL2720 IG2720	HBL2720 IG2720	HBL2720 IG2720			
3P, 4W, 30A 3Ø 600V	L17-30R 	HBL2740	HBL2740	HBL2740			
4P, 5W, 20A 3ØY 120/208V	L21-20R 	HBL2510 IG2510	HBL2510 IG2510	HBL2510 IG2510			
4P, 5W, 20A 3ØY 347/600V	L23-20R 	HBL2530	HBL2530	HBL2530			
4P, 5W, 30A 3ØY 120/208V	L21-30R 	HBL2810 IG2810	HBL2810 IG2810	HBL2810 IG2810			
4P, 5W, 30A 3ØY 347/600V	L23-30R 	HBL2830	HBL2830	HBL2830			

# Floor Boxes CONNEXION Modular Wiring Zone System

## System Planning

The Hubbell CONNEXION Zone Distribution System is a factory assembled, flexible, modular system that delivers power and data in raised floor installations. This unique system increases the value of the infrastructure and meets the challenges posed by new construction and renovation in commercial offices, retail outlets and educational facilities. By improving cable management, enhancing flexibility, and reducing administration expense, the CONNEXION Zone Distribution System allows for power and communications to be located where needed for efficient relocations and upgrades.



Extender cables



Splitter



Zone Distribution Box

## Floor Boxes CONNEXION – Wiring Schematics

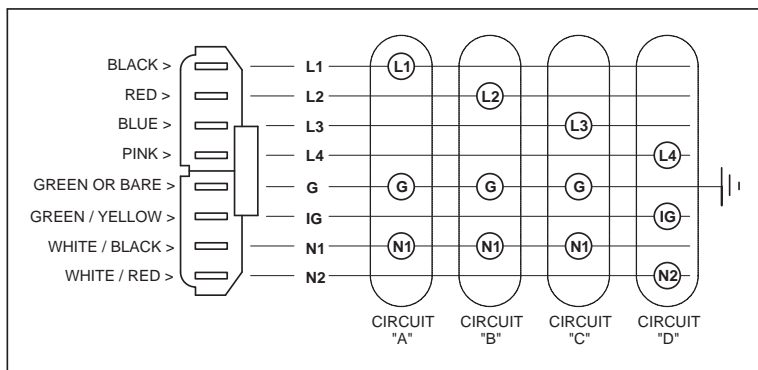
The CONNEXION System is offered in three common 20A per circuit wiring configurations to support the unique requirements of a building infrastructure. The basic system design to deliver all eight wires throughout the Network, consisting of hots, neutrals, grounds, and isolated grounds.

### 4/2/2 System Configuration (4-Hots, 2-Neutrals, 2-Grounds)

#### 3 + 1 Wiring Configuration

Appropriate in areas where moderate amounts of sensitive equipment are used, and where separation from other circuits and isolated grounding are required.

- Three circuits share #10 AWG neutral to manage harmonics for general purpose.
- One circuit on dedicated #10 AWG neutral for sensitive equipment.
- Isolated ground capability for sensitive equipment.
- Component Rating: 20 amperes at 120/208 or 120/240 volt.
- 8-Wires (4 hots, 2 neutrals, 2 grounds).

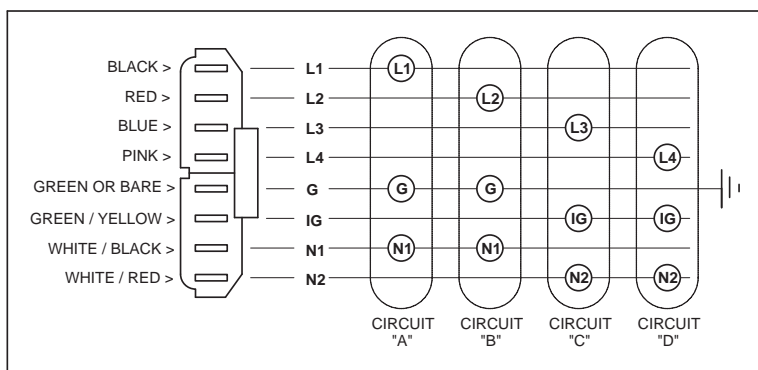


### 4/2/2 System Configuration (4-Hots, 2-Neutrals, 2-Grounds)

#### 2 + 2 Wiring Configuration

Appropriate in areas where a high concentration of sensitive equipment (computers, printers) is needed and minimal amounts of conventional equipment exist.

- Two circuits share one #10 AWG neutral to manage harmonics for general purpose.
- Two additional circuits share one #10 AWG neutral to manage harmonics for general purpose.
- Isolated ground capability for sensitive equipment.
- Component Rating: 20 amperes at 120/208 or 120/240 volt.
- 8-Wires (4 hots, 2 neutrals, 2 grounds).

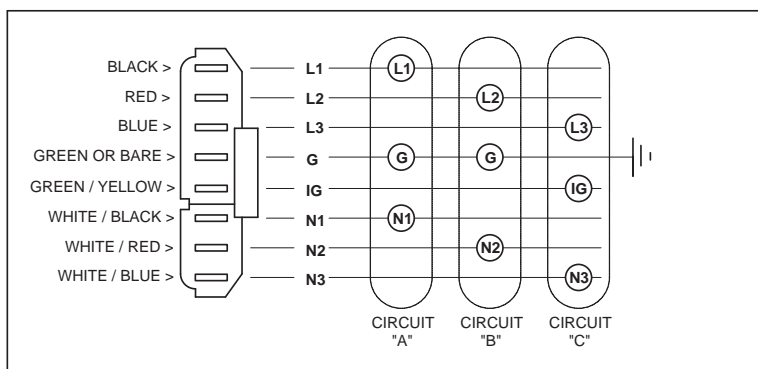


### 3/3/2 System Configuration (3-Hots, 3-Neutrals, 2-Grounds)

#### 2 + 1 Wiring Configuration

Appropriate where either a 120/240 volt or 120/208 volt 3ØY power distribution system exists and separate neutral conductors are desired.

- Three circuit capacity.
- Isolated ground capability for sensitive equipment.
- Each circuit has its own #12 AWG neutral to manage harmonics.
- Component Rating: 20 amperes at 120/208 or 120/240 volt.
- 8-Wires (3 hots, 3 neutrals, 2 grounds).



Note: Contact factory for custom wiring configurations.





Expandable Zone Distribution Boxes	Catalog Number
4/2/2 System (2+2)	<b>PDCS42222</b>
4/2/2 System (3+1)	<b>PDCS42231</b>
3/3/2 System	<b>PDCS332</b>

Splitter Modules	Catalog Number
4/2/2 System	<b>SPLITTER422</b>
3/3/2 System	<b>SPLITTER332</b>



Extender Cable Female To Female	Catalog Number
4/2/2 System	<b>EXT422xxFF8W*</b>
3/3/2 System	<b>EXT332xxFF8W*</b>

Note: \*Replace **xx** with \*05\* for 5 ft., \*10\* for 10 ft., \*15\* for 15 ft., \*20\* for 20 ft., \*25\* for 25 ft. and \*30\* for 30 ft. Custom lengths are available upon request.

Furniture Feed	Catalog Number
4/2/2 System	<b>FIJB422</b>
3/2/2 System	<b>FIJB332</b>



Cable Whip Male To Open	Catalog Number
4/2/2 System, 15 in.	<b>EXT42201MO8W</b>
3/3/2 System, 15 in.	<b>EXT33201MO8W</b>
4/2/2 System, 5 ft.	<b>EXT42205MO8W</b>
3/3/2 System, 5 ft.	<b>EXT33205MO8W</b>
4/2/2 System, 15 ft.	<b>EXT42215MO8W</b>
3/3/2 System, 15 ft.	<b>EXT33215MO8W</b>

Cable Whip Female To Open	Catalog Number
4/2/2 System, 15 in.	<b>EXT42201FO8W</b>
3/3/2 System, 15 in.	<b>EXT33201FO8W</b>
4/2/2 System, 5 ft.	<b>EXT42205FO8W</b>
3/3/2 System, 5 ft.	<b>EXT33205FO8W</b>
4/2/2 System, 15 ft.	<b>EXT42215FO8W</b>
3/3/2 System, 15 ft.	<b>EXT33215FO8W</b>



## Pre-Wired Raised Access Floor Box Configuration

### Step 1 – Select a Raised Floor Box Series

Box Series	Description	Dimensions (Including Cover)	Conduit Knockouts
<b>AFB101</b>	4-Gang Deep with Non-Metallic Cover	8.94"L x 6.94"W x 5.18"H	½", ¾", 1"
<b>AFB301</b>	4-Gang Deep with Metal Cover	10.00"L x 10.00"W x 4.30"H	½", ¾", 1", 1¼"
<b>AFB401</b>	4-Gang Shallow with Metal Cover	10.00"L x 10.00"W x 2.81"H	½", ¾", 1"
<b>AFB501</b>	8-Gang Deep with Metal Cover	10.00"L x 10.00"W x 5.31"H	½", ¾", 1", 1¼"
<b>AFB801</b>	4-Gang Deep, Round with Metal Cover	8.37" Diameter x 5.68"H	½", ¾", 1"

### Step 2 – Use Device Selection Chart to Configure Gangs

Step	Description	(Configured Catalog Number)
Step 2A	If customer needs the 4-gang deep box:	<b>AFB301</b>
Step 2B	Choose 4/2/2 or 3/3/2 System {4 = 4/2/2, 3 = 3/3/2}	<b>AFB3014</b>
Step 2C	Gang 1 - Configure using selection chart	<b>AFB3014A</b>
Step 2D	Gang 2 - Configure using selection chart	<b>AFB3014AE</b>
Step 2E	Gang 3 - Configure using selection chart	<b>AFB3014AEH</b>
Step 2F	Gang 4 - Configure using selection chart	<b>AFB3014AEHZ</b>

Device Selection Chart	
Catalog Letter	Description
<b>A</b>	Line 1, 20A Duplex (5352G)
<b>B</b>	Line 1, 20A, IG Duplex (CR5352IG)
<b>E</b>	Line 2, 20A Duplex (5352G)
<b>F</b>	Line 2, 20A, IG Duplex (CR5352IG)
<b>I</b>	Line 3, 20A Duplex (5352G)
<b>H</b>	Line 3, 20A, IG Duplex (CR5352IG)
<b>O</b>	Line 4, 20A Duplex (5352G)
<b>P</b>	Line 4, 20A, IG Duplex (CR5352IG)
<b>Z</b>	Unpopulated gang, empty for install of tel/data.

Dimensions in Inches (mm)

# Floor Boxes Unloaded Raised Access Floor Boxes and Face Plates



## Dimensions Inches (mm)

Style	Metallic Cover			Non-Metallic Cover	Metallic Cover
	4-Gang Deep	4-Gang Shallow	8-Gang Deep	4-Gang Deep	3-Gang Power and 1-Gang Low Voltage
 Cover Color Black Gray	 <b>AFB301BK*</b> <b>AFB301GNT*</b>	 <b>AFB401BK*</b> <b>AFB401GNT*</b>	 <b>AFB501BK*</b> <b>AFB501GNT*</b>	 <b>HBLAFB101BK*</b> <b>HBLAFB101GNT*</b>	 <b>AFB801BK†</b> <b>AFB801GNT†</b>
Max. Floor Thickness	2.75" (69.9)	1.88" (47.8)	3.75" (95.3)	2.00" (50.8)	2.62" (66.5)
Cubic Inch (cm3) Capacity Per Gang	31.3 cu. in. (513 cm3)	25.3 cu. in. (414 cm3)	55.6 cu. in. (911 cm3)	(2) 22.5 cu. in. (368.7 cm3) (2) 20.5 cu. in. (335.9 cm3)	(2) 17.1 cu. in. (280 cm3) (1) 15.9 cu. in. (260 cm3)
Dimensions – A	4.00" (101.6)	2.62" (66.5)	5.12" (130.0)	5.18" (131.6)	6.12" (155.4)
Dimensions – B	10.00" (254.0)	10.00" (254.0)	10.00" (254.0)	9.00" (228.6)	–
Dimensions – C	10.00" (254.0)	10.00" (254.0)	10.00" (254.0)	7.00" (177.8)	–
Cover Flange Dim.	12.00" x 12.00"	12.00" x 12.00"	12.00" x 12.00"	10.62" x 8.62"	10.0" Diameter
Knockouts – Sides	(1) ½", (2) ½" & ¾", (4) 1¼" trade size	(1) ½", (6) ½" & ¾" trade size	(1) ½", (2) ½" & ¾", (4) 1¼" trade size	(4) ½" & (4) ¾", (4) ¾" & 1" trade size	(1) ½", (2) ¾" & 1" trade size
Knockouts – Bottom	(4) ¾" & 1" trade size	(4) ¾" & 1" trade size	(4) ¾" & 1" trade size	(4) ¾" & 1" trade size	(3) ½" & ¾" trade size
Cover & Flange Included (Carpet or tile application)	✓	✓	✓	✓	✓
Floor Tile Cut-Out	10.38" x 10.38"	10.38" x 10.38"	10.38" x 10.38"	9.00" x 7.00"	8.375" Diameter



HBLTCGNT



HBLAFB101TCBK\*

### Replacement Metallic Cover and Flange

Description	Dimensions	Color	Catalog Number
Cover and Flange	12"W x 12"L	Gray	HBLTCGNT
Cover and Flange	12"W x 12"L	Black	HBLTCGNTBK

### Replacement Non-Metallic Cover and Flange

Description	Dimensions	Color	Catalog Number
Cover and Flange	7"W x 9"L	Gray	HBLAFB101TCGNT*
Cover and Flange	7"W x 9"L	Black	HBLAFB101TCBK*

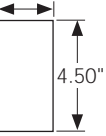








Note: UL File Number E31999. CSA File Number LR702145.

\*For City of Chicago approved versions, use following part numbers: HBLAFB301BASEC, HBLAFB401BASEC and HBLAFB501BASEC. Cover must be ordered separately (i.e., HBLTCGNT and HBLTCGNTBK). These versions do not include knockouts and meet construction requirements for CCEA-2000. AFB covers are reversible for both carpet recess and flush tile applications.











†Insert for flush tile applications included. Remove insert for carpet recess.

\*One faceplate required for data gang only. Cut-out for duplex receptacles included with AFB801.

## Hubbell – Screw Type Face Plates\*\*

2.00"	HBLST302SGY	HBLDE301SGY	HBLT0310SGY	HBLTL318SGY	HBLTL319SGY	HBLBL300SGY	HBLIMFSGY	HBL317SGY
 Typical	 Duplex	 Style Line® Decorator	 Toggle	 Single Receptacle (1.56" Boss Dia.)	 Single Receptacle (1.39" Boss Dia.)	 Blank	 3-Unit Hubbell iSTATION (See Network Wiring section for module options)	 Hubbell 6-Port

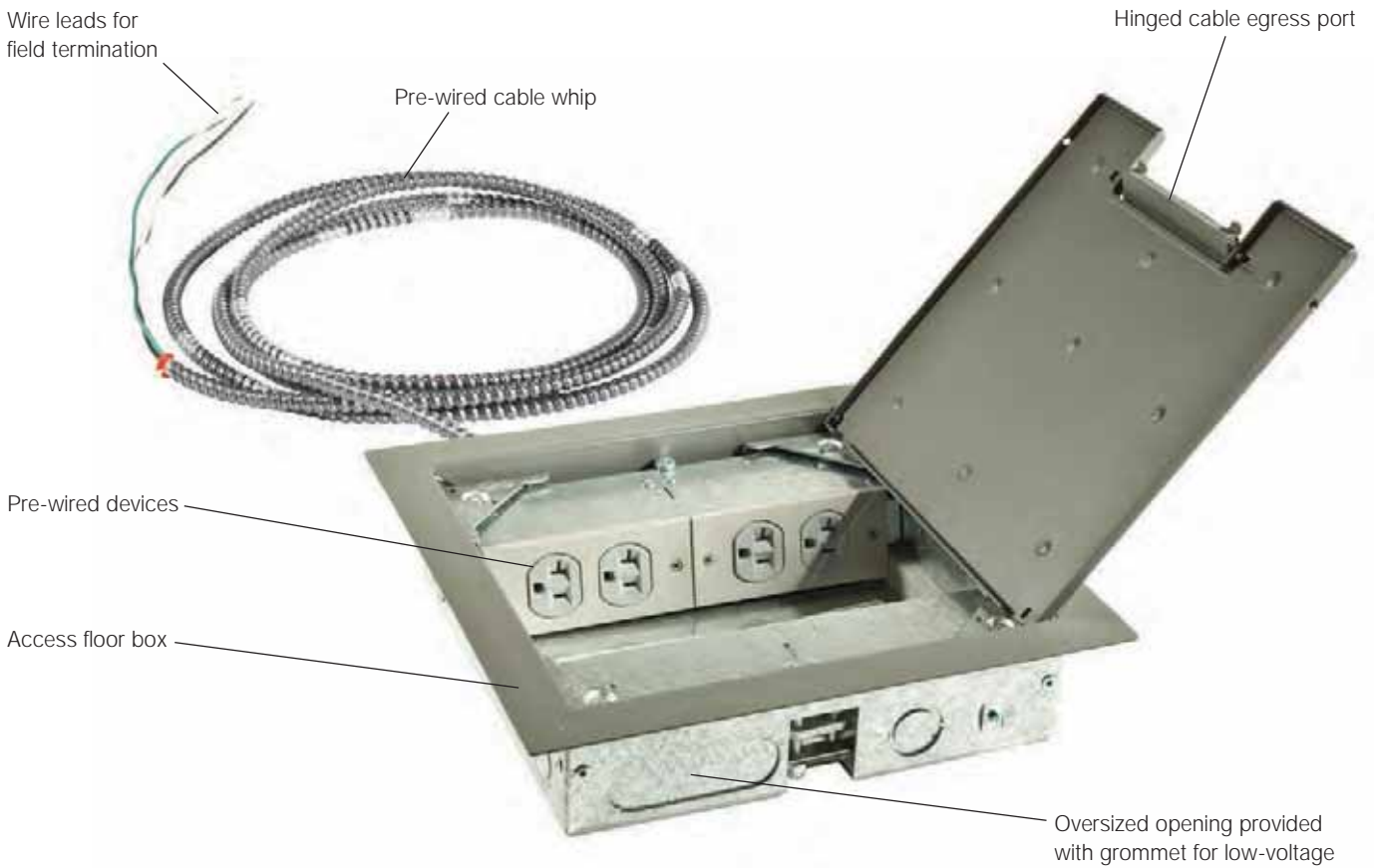
## Open Systems – Screw Type Face Plates\*\*

HBLAM303SGY	HBLAMP313SGY	HBLKR314SGY	HBLLT309SGY	HBLPA308SGY	HBLN0309SGY	HBLSI305SGY	HBLSI315SGY	HBLOR306SGY	HBLORT322SGY
 AMP-ACO	 AMP 6-Port	 Krone®/Leviton®	 SYSTIMAX®	 Panduit Mini-Com®	 NORDX® 6-Port (Cat. 5e jacks only)	 Siemon CT® Series	 Siemon MAX® Series	 Ortronics Series II®	 Ortronics TracJack®

Note: \*\*Catalog numbers indicated are gray, replace "GY" with the following to designate color: "BK" for Black, "I" for Ivory and "WA" for White.

AMP is a registered trademark of Tyco Electronics Corp. Krone is a registered trademark of Krone, Inc. Leviton is a registered trademark of Leviton. SYSTIMAX is a registered trademark of CommScope, Inc. Mini-Com and Panduit are registered trademarks of Panduit Corp. NORDX is a registered trademark of Belden/CDT, Inc. MAX and CT Series are registered trademarks of The Siemon Company. TracJack, Series II and Ortronics are registered trademarks of Ortronics/Legrand.

Dimensions in Inches (mm)



### Features and Benefits

- Reduce job site fabrication time and installation labor.
- Reduce job site waste.
- Access Floor Box (AFBPW) pre-wired to your specifications.
  - Choose from Hubbell quality devices.
  - Single or multiple circuit wiring configurations.
  - Various cable lengths.
- AFB installs easily; no disassembly of the box and cover required.
- Pigtail terminates beneath raised floor.
- Box covers available in black or granite powder coat finish.
- Contact Hubbell Wiring Systems for ordering information.
- UL Listed Wiring Assembly, file number E305156.

### Pre-Wired Raised Access Floor Box Options

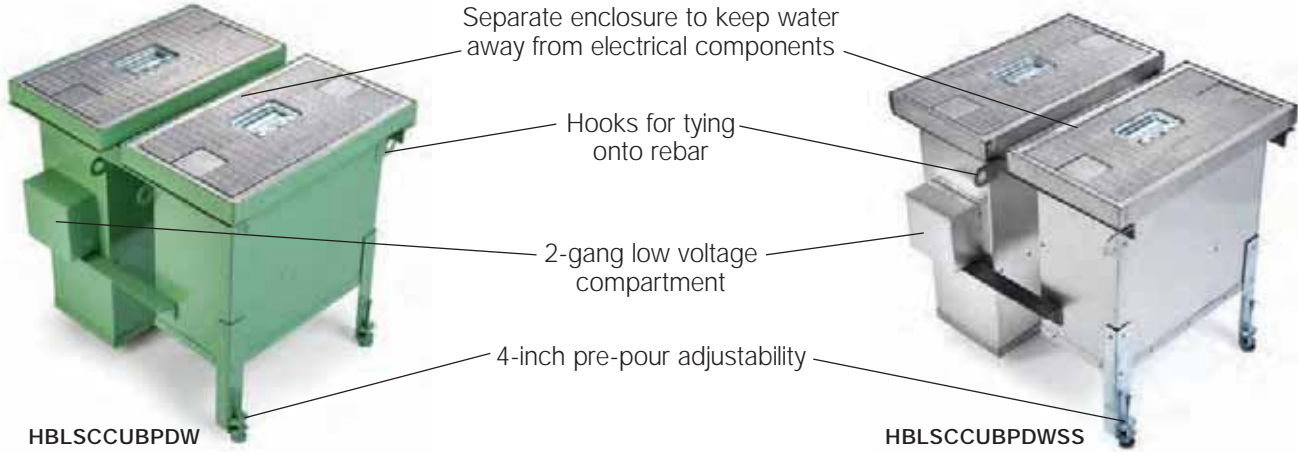
Box Series	Description	Dimensions (Including Cover)	Conduit Knockouts
<b>AFBPW101</b>	4-Gang Deep with Non-Metallic Cover	8.94"L x 6.94"W x 5.18"H	½", ¾", 1"
<b>AFBPW301</b>	4-Gang Deep with Metal Cover	10.00"L x 10.00"W x 4.30"H	½", ¾", 1", 1¼"
<b>AFBPW401</b>	4-Gang Shallow with Metal Cover	10.00"L x 10.00"W x 2.81"H	½", ¾", 1"
<b>AFBPW501</b>	8-Gang Deep with Metal Cover	10.00"L x 10.00"W x 5.31"H	½", ¾", 1", 1¼"
<b>AFBPW801</b>	4-Gang Deep with Round Metal Cover	8.37" Diameter x 5.68"H	½", ¾", 1"

**Painted Galvanized Steel Box (14 Gauge G90)**

Cost effective, corrosion resistant paint. Suitable for both on and above-grade applications

**Stainless Steel Box (14 Gauge 304)**

Corrosion resistant enclosure suitable for both on and above-grade applications.



**Features**

**Benefits**

UL Listed and CSA Certified	Third party approved and certified.
Heavy Duty Covers	32,000 lb. load capacity with 2x safety factor.
Scrub Water	Meets UL514 requirements for scrub water and prevents water, dirt and debris from entering the electrical devices.
Custom Built Panels	Accepts a wide variety of electrical configurations including 100A pin and sleeve, 30A Twist-Lock®, straight blade devices and circuit breakers available.
Separate Enclosure for Compressed Air and Water Utilities	Prevents air and water utilities from coming in contact with electrical services.

**Metallic Convention Center Utility Boxes\***

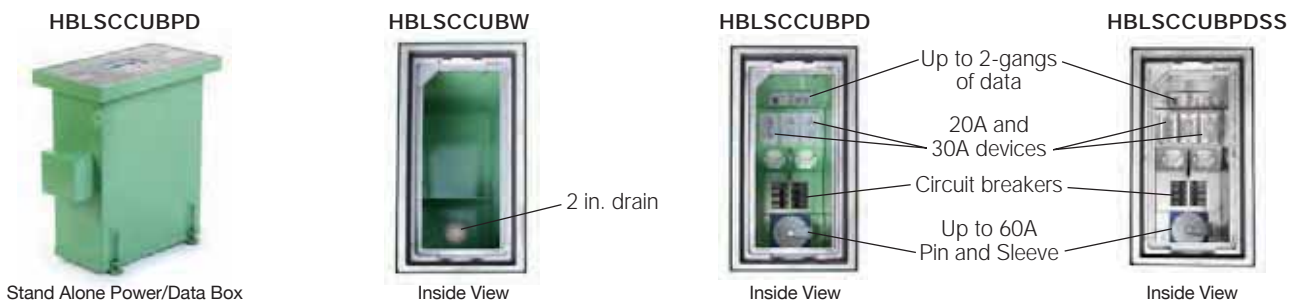
Painted Galvanized Steel Box Description	Catalog Number
Steel Convention Center Utility Box with Cover for Power and Data/Communications.	<b>HBLSCCUBPD</b>
Steel Convention Center Utility Box with Cover for Power, Data/Communications and Air/Water Box.	<b>HBLSCCUBPDW</b>
Steel Convention Center Utility Box with Cover for Air/Water Only.	<b>HBLSCCUBW</b>
Stainless Steel Box Description	
Steel Convention Center Utility Box with Cover for Power and Data/Communications in Stainless Steel.	<b>HBLSCCUBPDSS</b>
Steel Convention Center Utility Box with Cover for Power, Data/Communications and Air/Water Box in Stainless Steel.	<b>HBLSCCUBPDWSS</b>
Steel Convention Center Utility Box with Cover for Air/Water Only in Stainless Steel.	<b>HBLSCCUBWSS</b>

Note: \*All boxes provided with temporary galvanized steel concrete covers.

**Power and Data Panels\*\***

Custom manufactured and pre-wired to your project specifications. Panel options include 60A pin and sleeve, 20A and 30A Twist-Lock®, 20A GFCI, isolated ground or industrial straight blade devices. Optional circuit breaker protection is available. Up to two-gangs available for audio/video/data communication requirements. Both power and data panels are shipped separately after the boxes have been set in concrete.

Note: \*\*Contact Hubbell for available configurations of power and data panels.





# Floor Boxes Convention Center Utility Box

Dimensional Information

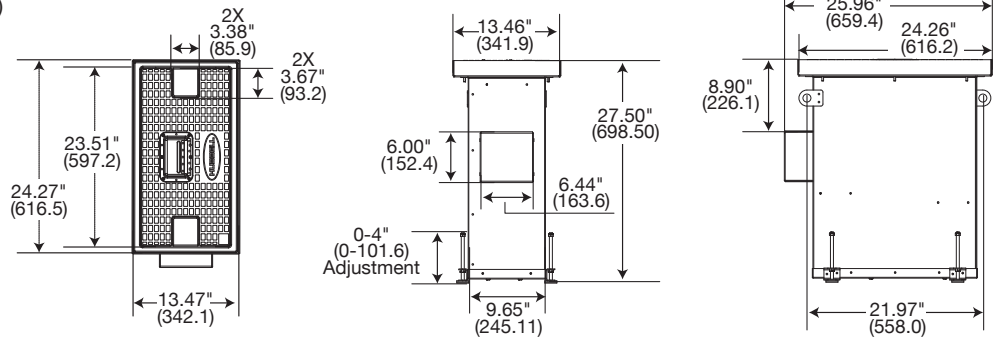


## Painted Galvanized or Stainless Steel Metallic Box

Stand Alone Power/Data

HBLSCCUBPD (Painted Galvanized)

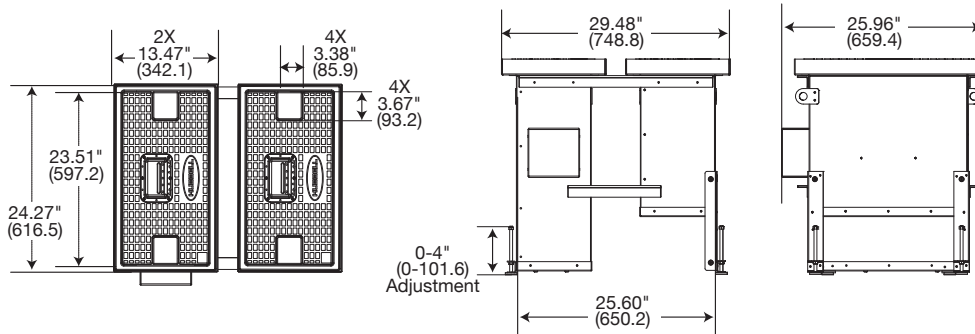
HBLSCCUBPDSS (Stainless Steel)



Combination Power/Data/Water

HBLSCCUBPDW (Painted Galvanized)

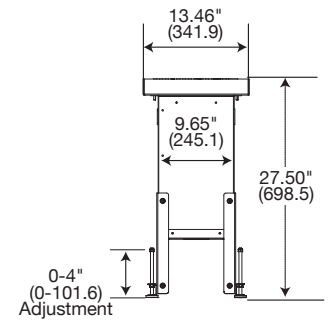
HBLSCCUBPDWSS (Stainless Steel)



Stand Alone Water/Air Box

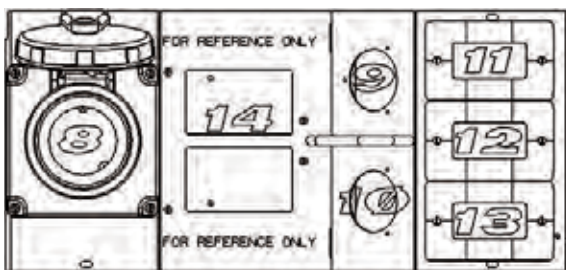
HBLSCCUBW (Painted Galvanized)

HBLSCCUBWSS (Stainless Steel)



## Pre-Wired Power Panels

Convention Center Power Panels are custom built to order and pre-wired in the factory to make installation quick and easy. Please contact the factory to configure a power panel for your specific needs.



Position	Device Options
8	Qty. (1) Pin and Sleeve Receptacle 60A.
9 & 10	Qty. (2) Twist-Lock® Receptacles (20A or 30A).
11,12,13	Qty. (3) Duplex Receptacles (20A Standard, GFCI or Isolated Ground).
14	Load Center for Circuit Breakers, 8-Pole Positions Max.

Dimensions in Inches (mm)

This family of furniture and work surface connectivity boxes installs into conference tables and workstations to bring power, voice, data, and multimedia directly to the point of use. In addition, they offer an aesthetic design with improved cable management. Now, users can plug in laptops, projectors and other equipment at the desktop level - no more crawling under the table or moving obstacles to get to the electrical outlet and network connectivity.

## Furniture and Work Surface Connectivity Boxes



### Flush Mount Boxes

Hubbell offers square and rectangular flush mount boxes in a variety of configurations. These boxes are available in stainless steel, anodized aluminum or painted finishes to match any décor. Boxes are designed for easy installation and are available pre-wired or empty for field wiring.



### Lift-up Style Boxes

Offering a convenient and attractive method for work surface power and data connections, these boxes are available in several finishes. When not in use, services are concealed by flipping the unit down.



### Table Mount Boxes

The table mount series can be mounted on any work surface to provide power and data activation. Choose from a variety of mounting brackets that allow temporary or permanent mounting. Units are pre-wired for easy installation.

## Table Top Boxes



### Pre-Wired Boxes

Round dual-service boxes easily install into a 3½-inch diameter core hole. Power is pre-wired and keystone openings accommodate data or multi-media activation.



### Pre-Wired Boxes

Configured with 15A power outlet, 15-pin feed through and 3.5mm audio jack. This unit allows for further customization by populating two keystone openings.



### Low Voltage Boxes

Low voltage only units are available pre-loaded with XLR microphone jack or with keystone opening for Hubbell snap-fit modules.

# Floor Boxes Furniture and Work Surface Connectivity Boxes



## Square Flush Mount Boxes

Description	Finish	Dimensions	Catalog Number
2-Gang Square Flush Mount Box with Cover.	Black	6.5"L x 6.5"W x 3.75"H	<b>HBLSHA2</b>
2-Gang Square Flush Mount Box with Cover.	Stainless Steel	6.5"L x 6.5"W x 3.75"H	<b>HBLSHA2BSS</b>



HBLSHA2

## Rectangular Flush Mount Boxes

Description	Finish	Dimensions	Catalog Number
2-Gang Rectangular Flush Mount with Cover.	Black	10.75"L x 4.06"W x 3.5"H	<b>HBLPHA2</b>
2-Gang Rectangular Flush Mount with Cover.	Stainless Steel	10.75"L x 4.06"W x 3.5"H	<b>HBLPHA2BSS</b>
4-Gang Rectangular Flush Mount with Cover.	Black	10.75"L x 6.5"W x 3.5"H	<b>HBLPHA4</b>
4-Gang Rectangular Flush Mount with Cover.	Stainless Steel	10.75"L x 6.5"W x 3.5"H	<b>HBLPHA4BSS</b>



HBLPHA2

## Surface Mount Boxes

Description	Finish	Dimensions	Catalog Number
2-Gang Surface Mount Box.	Black	4.19"L x 4.81"W x 2.44"H	<b>HBLCON2</b>
3-Gang Surface Mount Box.	Black	6.19"L x 4.81"W x 2.44"H	<b>HBLCON3</b>



HBLCON2

## Recessed Mount Boxes

Description	Finish	Dimensions	Catalog Number
2-Gang Recessed Mount.	Black	10.25"L x 7.0"W x 5.88"H	<b>HBLMIR2</b>
4-Gang Recessed Mount.	Black	31.0"L x 10.25"W x 5.88"H	<b>HBLMIR4</b>



HBLMIR2

## Under Desk Mount Boxes

Description	Finish	Dimensions	Catalog Number
2-Gang Under Desk Mount.	Black	9.19"L x 3.0"W x 2.88"H	<b>HBLMAR2</b>
3-Gang Under Desk Mount.	Black	13.69"L x 3.0"W x 2.88"H	<b>HBLMAR3</b>



HBLMAR2

## Hubbell – Screw Type Face Plates

<p>Typical</p>	<b>HBLST302SBK</b>  Duplex	<b>HBLDE301SBK</b>  Style Line® Decorator Opening	<b>HBLBL300SBK</b>  Blank	<b>HBLIMFSBK</b>  3-Unit Hubbell iSTATION (See Network Wiring section for module options)	<b>HBL317SBK</b>  Hubbell 6-Port
----------------	----------------------------------	--	---------------------------------	--	---

Note: See page O-30 for open systems screw type face plates.

## Table Top Boxes

### Low Voltage Only

Description	Finish	Dimensions	Catalog Number
Table Top box; 2 inch diameter hole; (1) keystone opening; Keystone modules sold separately.	Black Anod. Alum. Clear Anod. Alum. Solid Brass	2.19" Diameter	<b>TTBKSBK</b> <b>TTBKSAL</b> <b>TTBKSBK</b>
Table Top box; 2 inch diameter hole; (1) XLR microphone jack installed.	Black Anod. Alum. Clear Anod. Alum. Solid Brass	2.19" Diameter	<b>TTBXLRBK</b> <b>TTBXLRAL</b> <b>TTBXLRBR</b>



TTBKSBK



TTBXLRBK

### Pre-Wired Dual-Service



Description	Finish	Dimensions	Catalog Number
Table Top box; 3.5 inch diameter hole; (1) pre-wired 15A outlet with 9 foot power supply cord; (1) 3.5mm screw terminal audio jack; (1) 15-pin gender changer F/F; (2) keystone openings; Keystone modules sold separately.	Black Anod. Alum. Clear Anod. Alum. Solid Brass	3.88" Diameter	<b>TTBDS1BK</b> <b>TTBDS1AL</b> <b>TTBDS1BR</b>
Table Top box; 3.5 inch diameter hole; (2) pre-wired 15A outlets with 9 foot power supply cord; (2) keystone openings; Keystone modules sold separately.	Black Anod. Alum. Clear Anod. Alum. Solid Brass	3.88" Diameter	<b>TTBDS2BK</b> <b>TTBDS2AL</b> <b>TTBDS2BR</b>



TTBDS1BK



TTBDS2BK

Dimensions in Inches (mm)



### Square Lift-Up Style

Description	Finish	Dimensions	Catalog Number
Two (2) pre-wired 15A outlets with 6-ft. power supply cord; 1-Unit opening for Hubbell iSTATION modules. Unit rotates up when in use and down to conceal services when not in use.	Black Silver	5.75"L x 5.39"W x 4.25"H	<b>WSBC21UBK</b> <b>WSBC21USV</b>

### Square Mini Lift-Up Style

Description	Finish	Dimensions	Catalog Number
One (1) pre-wired 15A outlet with 9-ft. power supply cord; One (1) RJ-45 jack installed with 6-ft. patch cord.	Black Brushed Stainless Steel	3.7"L x 3.7"W x 2.93"H	<b>WSBA11BK</b> <b>WSBA11BSS</b>
Two (2) pre-wired 15A outlets with 9-ft. power supply cord (power only).	Black Brushed Stainless Steel	3.7"L x 3.7"W x 2.93"H	<b>WSBA2BK</b> <b>WSBA2BSS</b>

### Under Table Mount

Description	Finish	Dimensions	Catalog Number
Two (2) pre-wired 15A outlets with 9-ft. power supply cord; One (1) Low Voltage Plate included with 1-Unit opening for Hubbell iSTATION modules.	Black	6.50"L x 1.75"W x 2.25"H	<b>WSBD21UBK</b>

### Work Surface Mount

Description	Finish	Dimensions	Catalog Number
One (1) pre-wired 15A outlet with 9-ft. power supply cord; One (1) Hubbell Keystone opening.	Black Silver	3.57"L x 2.19"W x 2.50"H	<b>WSBE11BK</b> <b>WSBE11SV</b>
Two (2) pre-wired 15A outlets with 9-ft. power supply cord; Two (2) Hubbell Keystone openings.	Black Silver	6.32"L x 2.19"W x 2.50"H	<b>WSBE22BK</b> <b>WSBE22SV</b>
Three (3) pre-wired 15A outlets with 9-ft. power supply cord; One (1) Low Voltage Plate included with 1-Unit opening for Hubbell iSTATION modules.	Black Silver	8.25"L x 2.19"W x 2.50"H	<b>WSBE31UBK</b> <b>WSBE31USV</b>
Mounting bracket with thumb screw (optional).	n/a	n/a	<b>WSBECLAMP</b>

### Recessed Concealed Services

Description	Finish	Dimensions	Catalog Number
Two (2) pre-wired 15A outlets with 6-ft. power supply cord; One (1) Low Voltage Plate included with 1-Unit opening for Hubbell iSTATION modules; Two (2) additional 1-Unit openings provided in base of unit.	Black Brushed Anod. Alum. Brushed Stainless Steel	8.98"L x 5.47"W x 2.97"H	<b>WSBB23UBK</b> <b>WSBB23UBAL</b> <b>WSBB23UBSS</b>
Four (4) pre-wired 15A outlets with 6-ft. power supply cord; Two (2) 1-Unit opening for Hubbell iSTATION modules provided in base of unit.	Black Brushed Anod. Alum. Brushed Stainless Steel	8.98"L x 5.47"W x 2.97"H	<b>WSBB43UBK</b> <b>WSBB43UBAL</b> <b>WSBB43UBSS</b>
Empty Enclosure with one (1) duplex opening, One (1) Low Voltage Plate included with 1-Unit opening for Hubbell iSTATION modules; Two (2) additional 1-Unit openings provided in base of unit; intended for field wiring.	Black	8.98"L x 5.47"W x 2.97"H	<b>WSBBHWBK</b>



WSBC21UBK



WSBA11BK



WSBD21UBK



WSBE22SV



WSBB23UBK





### Grommet Style

Description	Finish	Dimensions	Catalog Number
Two (2) pre-wired 15A outlets with 6-ft. power supply cord; Two (2) Hubbell Keystone openings.	Black Silver	8.62"L x 3.0"W x 2.25"H	<b>WSBF22BK</b> <b>WSBF22SV</b>
Flush Grommet Cover with dust shield.	Black Silver Brushed Aluminum Brushed Stainless Steel	5.68"L x 3.39"W x 0.96"H	<b>WSBFGROMBK</b> <b>WSBFGROMSV</b> <b>WSBFGROMBAL</b> <b>WSBFGROMBSS</b>



WSBF22BK



WSBFGROMSV



WSBFGROMBK



WSBFGROMSV



WSBFGROMBAL



WSBFGROMBSS

### Pre-Wired Work Surface Elite Series

#### Recessed Concealed Services

Description	Finish	Dimensions	Catalog Number
Four (4) pre-wired 15A outlets with 6-ft. power supply cord; Three (3) Low Voltage Plates included with 1-Unit opening for Hubbell iSTATION modules.	Black Silver Clear Anodized Black Anodized	15.0"L x 9.0"W x 6.25"H	<b>WSBG43UBK</b> <b>WSBG43USV</b> <b>WSBG43UBAL</b> <b>WSBG43UBBA</b>



WSBG43USV  
(cover doors shown open)

#### Pop-Up Style\*

Description	Finish	Dimensions	Catalog Number
Base Unit with Four (4) pre-wired 15A outlets with 6-ft. power supply cord; Two (2) Low Voltage plates included with 1-Unit opening for Hubbell iSTATION modules.	—	8.90"L x 8.90"W x 13.9"H	<b>WSBH42U*</b>
Trim Ring and Decorative Round Top.	Black	5.25" Diameter	<b>WSBHTRBK</b>
Trim Ring and Decorative Round Top.	Brushed Stainless Steel	5.25" Diameter	<b>WSBHTRBSS</b>

Note: \*WSBH42U is CSA Certified only.



WSBH42U with  
WSBHTRBK

#### Replacement Low Voltage Data Plates

Description	Finish	Dimensions	Catalog Number
Non-metallic low voltage plate, blank.	Black	3.18"L x 1.88"W	<b>WSBPLATE1</b>
Non-metallic low voltage plate, 1-Unit Hubbell iSTATION cut-out.	Black	3.18"L x 1.88"W	<b>WSBPLATE2</b>



WSBPLATE1



WSBPLATE2

# Floor Boxes

## Recessed Wall Boxes

AV In-Wall and Ceiling Enclosures



### AV In-Wall Enclosure

Hubbell's netSELECT® Flat Panel Television (FPTV) connection enclosure delivers high-density connectivity and power in the wall. This allows flat panel displays and interactive "smart" boards to sit flush against walls with no dangling cords. It quickly installs to studs or sheetrock without additional components or hardware.

- Optional screw on cover reduces tampering
- cULus 1863 Listed

Accepts Standard Electrical Boxes

Sheet Metal Base White Powder Coat Finish

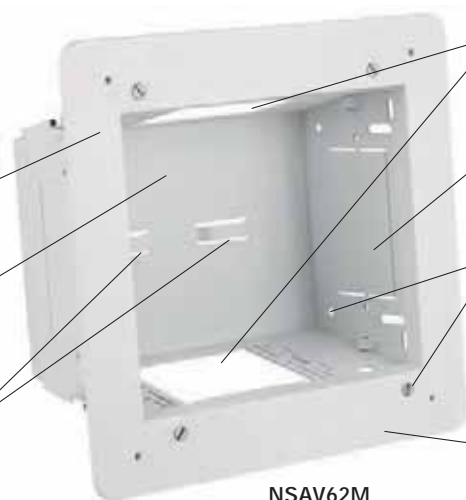
Integrated Cable Management

Multiple Device Mounting Options

1½" and 1¼" Conduit Knockouts

Easily Mounts to Studs or Sheetrock

Trim Ring Covers Rough-In



NSAV62M



NSAV6C

### FPTV Connection Enclosure

Description	Color	Catalog Number
2-Gang In-Wall Enclosure	White	NSAV62M
Steel Cover for NSAV6 series	White	NSAV6C

### Power Kits (For use with NSAV62M only)

Description	Color	Catalog Number
Standard Power Kit	White	NSOKPTR
Surge Protected Power Kit	Blue	NSOKPS

### AV Connectors and Plates

Description	Color	Catalog Number
1-Gang Blank Plate	White	NP14W
1-Gang Decorator Plate	White	NP26W
1-Gang iSTATION Plate	White	IMF1W
1-Gang 4-Port Keystone Plate	White	NSP14W
1-Port HDMI Frame	White	NS801W
2-Port HDMI Frame	White	NS802W
HDMI Snap Fit	White	SFHC14W
F-Connector Snap Fit	White	NSF70W
USB A-to-B Snap Fit	White	SFUSBABW
Cat 6 Snap Fit Jack	White	NSJ6W

Note: See Network Wiring section for other connector options.

### AV Ceiling Enclosure

The AV Ceiling Enclosure is designed to work with active AV devices to integrate AV distribution, data connections and power in one location, providing a direct connection to a projector or a display device. An additional AV/data kit can be added or customized to address all connector, mounting and patching needs, reducing multiple pieces on site.

- Manage multiple applications inside one enclosure
- Flush mounted, white enclosure for consistent look when mounted in the ceiling
- Loaded with two Hubbell 20A duplex receptacles and a 2-gang back box
- All steel rugged construction provides the ultimate strength for installation



AVCE1H

### AV Ceiling Enclosure

Description	Enclosure Dimensions	Color	Plenum	Non-Plenum
AV Ceiling Enclosure	24" (610) x 12" (305) x 8" (203)	White	AVCE1P	AVCE1H

### Large Capacity 113.3 Cubic Inch Wall Box

Description	Dimensions	Knockouts Sides	Knockouts Back	Catalog Number
Square 2- or 3-gang wall box	4 <sup>11/16</sup> "H x 7 <sup>3/4</sup> "W x 3 <sup>1/4</sup> "D	(4) 1/2" – 3/4" TKO, (4) 3/4" – 1" TKO, (1) 1" – 1 <sup>1/4</sup> " TKO, (2) 3/4" – 2" conc. KO	(2) 1/2" – 3/4" TKO; (2) 3/4" – 1" TKO, (2) 1" – 1 <sup>1/4</sup> " TKO	<b>HBL263</b>



HBL263

### 3-Gang Cover/Mud Rings

Description	Compatible with	Capacity (cu. in.)	Catalog Number
1/2" height	HBL263	10.3	<b>HBL792</b>
3/4" height		12.7	<b>HBL793</b>
1 1/4" height		24.2	<b>HBL794</b>



HBL792



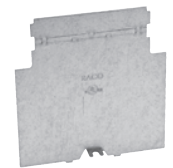
HBL793



HBL794

### Low Voltage Partition

Description	Compatible with	Compatible Mud Ring Depth	Packing Quantity	Catalog Number
Low voltage partition	HBL260 and HBL263	1/2", 3/4" and 1 1/4"	1	<b>HBL981</b>



HBL981

### Large Capacity 66.7 Cubic Inch Wall Box

Description	Dimensions	Knockouts Sides	Knockouts Back	Catalog Number
Square 2-gang wall box	4 <sup>11/16</sup> "H x 4 <sup>11/16</sup> "W x 3 <sup>1/4</sup> "D	(2) 3/4" – 1" TKO; (2) 1" – 1 <sup>1/4</sup> " TKO; (2) 3/4" – 2" conc. KO	(2) 3/4" – 1" TKO	<b>HBL260</b>



HBL260

### Low Voltage Partition

Description	Compatible with	Compatible Mud Ring Depth	Packing Quantity	Catalog Number
Low voltage partition	HBL260 and HBL263	1/2", 3/4" and 1 1/4"	1	<b>HBL981</b>



HBL981

# Floor Boxes

## Recessed Wall Boxes

Multi-Connect Boxes and Face Plates



1-Gang      2-Gang



3-Gang



4-Gang



6-Gang

### Multi-Service Recessed Wall Boxes for Drywall Applications

Description	Catalog Number
Multi-service recessed wall box, 1-gang, for drywall applications.	HBLWSCS1
Multi-service recessed wall box, 2-gang, for drywall applications.	HBLWSCS2A
Multi-service recessed wall box, 3-gang, for drywall applications.	HBLWSCS3A
Multi-service recessed wall box, 4-gang, for drywall applications.	HBLWSCS4A
Multi-service recessed wall box, 6-gang, for drywall applications.	HBLWSCS6A
Barrier for use with above boxes when used in multi-service applications.	HBLSCSBW



### Wall Box Flanges – Trim Rings

Color	For 1-Gang Box	For 2-Gang Box	For 3-Gang Box	For 4-Gang Box	For 6-Gang Box
Black	HBLTRIM1WBK	HBLTRIM2WBK	HBLTRIM3WBK	HBLTRIM4WBK	HBLTRIM6WBK
Gray	HBLTRIM1WGY	HBLTRIM2WGY	HBLTRIM3WGY	HBLTRIM4WGY	HBLTRIM6WGY
Ivory	HBLTRIM1WI	HBLTRIM2WI	HBLTRIM3WI	HBLTRIM4WI	HBLTRIM6WI
White	HBLTRIM1WWA	HBLTRIM2WWA	HBLTRIM3WWA	HBLTRIM4WWA	HBLTRIM6WWA

Note: See table below for dimensional information.

### Multi-Connect – Dimensional Information

Catalog Number	Height	Width	Depth	Gangs
HBLWSCS1	4.44" (112.8)	2.56" (65.0)	2.75" (69.8)	1
HBLWSCS2A	4.44" (112.8)	4.56" (115.8)	2.75" (69.8)	2
HBLWSCS3A	4.44" (112.8)	6.56" (166.6)	2.75" (69.8)	3
HBLWSCS4A	4.44" (112.8)	8.56" (217.4)	2.75" (69.8)	4
HBLWSCS6A	4.44" (112.8)	12.56" (319.0)	2.75" (69.8)	6
HBLTRIM1W	6.75" (171.4)	4.25" (107.9)	.25" (6.3)	1
HBLTRIM2W	6.75" (171.4)	6.25" (158.7)	.25" (6.3)	2
HBLTRIM3W	6.75" (171.4)	8.25" (209.5)	.25" (6.3)	3
HBLTRIM4W	6.75" (171.4)	10.25" (260.3)	.25" (6.3)	4
HBLTRIM6W	6.75" (171.4)	13.25" (336.5)	.25" (6.3)	6

### Top and Bottom Knockouts

Quantity	Size
1	1/2", 3/4"
1	1/2", 3/4"
2	1/2", 3/4"
1	1/2", 3/4"
3	1/2", 3/4"
—	—
—	—
—	—
—	—
—	—

### Hubbell – Screw Type Face Plates\*

2.00"      4.50"

Typical

HBLST302SGY	HBLDE301SGY	HBLT0310SGY	HBLTL318SGY	HBLTL319SGY	HBLBL300SGY	HBLIMFSGY	HBL317SGY
Duplex	Style Line® Decorator	Toggle	Single Receptacle (1.56" Boss Dia.)	Single Receptacle (1.39" Boss Dia.)	Blank	3-Unit Hubbell iSTATION (See Network Wiring section for module options)	Hubbell 6-Port

### Open Systems – Screw Type Face Plates\*

HBLAM303SGY	HBLAMP313SGY	HBLKR314SGY	HBLLT309SGY	HBLPA308SGY	HBLNO309SGY	HBLSI305SGY	HBLSI315SGY	HBLOR306SGY	HBLORT322SGY
AMP-ACO	AMP 6-Port	Krone®/Leviton®	SYSTIMAX®	Panduit Mini-Com®	NORDX® 6-Port (Cat. 5e jacks only)	Siemon CT® Series	Siemon MAX® Series	Ortronics Series II®	Ortronics TracJack®

Note: \*Catalog numbers indicated are gray, replace "GY" with the following to designate color: "BK" for Black, "I" for Ivory and "WA" for White.

AMP is a registered trademark of Tyco Electronics Corp. Krone® is a registered trademark of Krone, Inc. Leviton® is a registered trademark of Leviton. SYSTIMAX® is a registered trademark of CommScope, Inc. Mini-Com® and Panduit® are registered trademarks of Panduit Corp. NORDX® is a registered trademark of Belden/CDT, Inc. MAX® and CT® Series are registered trademarks of The Siemon Company. TracJack®, Series II® and Ortronics® are registered trademarks of Ortronics/Legrand.