



# EXPRESSLINE

2017 HUBBELL LIGHTING EXPRESSLINE



**HUBBELL**  
Outdoor Lighting



**HUBBELL**  
Industrial Lighting



**HUBBELL**  
Lighting

# EXPRESSLINE 2017

Hubbell Lighting's ExpressLine program offers a broad collection of our industry leading solutions used daily by contractors end users across the country.

## Quality Products...Trusted Brands

ExpressLine program products are from some of the best brands in the business. From outdoor area lighting to indoor life safety emergency egress, an entire lighting project can be completed with the quality assurance delivered by Hubbell.



From its inception in 1963, Hubbell Lighting established its position in the lighting industry by producing outdoor lighting of the highest quality. With an in-depth knowledge of the electrical distributor and contractor markets.



Designed to reduce cost without sacrificing quality, Compass® Products by Hubbell Lighting, Inc. provide a value-driven, contractor-friendly product offering that can be purchased and installed without compromise.



Since its founding in 1944, Prescolite has been a prominent force in the lighting industry. Our focus is on downlighting, track and surface products. Such notable industry advances as the first compact fluorescent downlight in the US, the first indoor HID downlight, the first compact fluorescent multi-voltage, multi-wattage, intelligent, electronic ballasts and our patented Virtual Source optics are all industry firsts pioneered by Prescolite.



Hubbell Industrial Lighting has pioneered many innovations in lighting optics and ballast/lamp systems designed to save your operation both energy and maintenance dollars over the life of their operation. For over 40 years, our industrial luminaires have lit vast warehouses, complex machinery, large mass merchandisers, and a wide range of process and assembly industries.

## Thoughtful Design – End-to-End Control

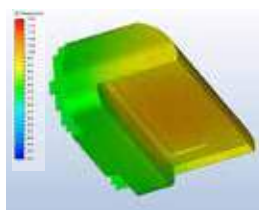
Our integrated approach to solid-state lighting design is supported by a world class team of mechanical, electrical and optical engineers working in harmony with our NVLAP certified solid-state laboratories to maximize luminaire efficiencies and minimize field maintenance assuring dependable performance and value.

Assuring the highest quality and value, Hubbell Lighting has the capability to internally develop and manufacture virtually every element of the LED luminaire short of the actual discrete LED, where we select only the highest quality LEDs among the top component suppliers in the industry.



### Research and Design

Hubbell Lighting engineers leverage SSL expertise with real life application knowledge to assure that form, performance, reliability and ease of future maintenance work together seamlessly to provide an exceptional user experience.



### Thermal Optimization

The maintenance benefits provided by LED technology are predicated on driving heat away from LED and power supply components. Through the use of advanced materials and computational fluid dynamics (CFD) modeling, Hubbell Lighting continues to break the boundaries of light output and luminaire life.



### End-to-End Manufacturing

With a deep investment in SMT assembly, COB and manufacturing technologies, we optimize LED system intelligence, form and performance for our luminaires while tightly controlling the manufacturing process to assure consistency.



### Leading Edge Optics

Our custom designed optical solutions are developed to precisely control LED illumination and provide powerful consistent target efficiency while minimizing glare and optimizing uniformity.



### High Performance Power Supplies

We vertically integrate LED power supply development and apply Hubbell Lighting solutions across our luminaire offerings to improve quality control and life performance in application.



### Quality

Our NVLAP certified labs validate design performance and subject new products to robust reliability testing prior to release. They establish the benchmarks of quality control that our operations teams use in manufacturing. Every Hubbell Lighting SSL luminaire is tested in manufacturing and goes through a dedicated burn-in process that has resulted minuscule defect rates that support years of trouble-free operation.





## Get to work...FAST!

ExpressLine program products are backed with a great service proposition! Everything within the program is STOCKED for immediate shipment, included in one of our QUICK-SHIP programs, or included as a standard Made-to-Order item complementing our stocked and quick-ship configurations to expand to breadth and depth of product solutions available to you.

## Stock, Quick-Ship and Made-to-Order

Many **ExpressLine** items are stocked for immediate shipment while offering competitive pricing and great performance. Additionally, select items are included in our Quick-Ship 5, Quick-Ship 10 programs as well as Made-to-Order. Products throughout the catalog are marked with icons below defining availability.

**STOCK** In stock products ship – 1 to 2 days

**QS5** **5-Day Quick Ship Ordering Guide**  
Order Limit Per Fixture Selection: 15 – BC Pkg Code

**MADE-TO-ORDER** Standard 4 to 6 week lead time

**QS10** **10-Day Quick Ship Ordering Guide**  
Order Limit Per Fixture Selection: 15 – BC Pkg Code

## ExpressLine Merchandising and Product Information

**ExpressLine** program products offer full color and single color cartons for select high volume products for point-of-purchase merchandising. Product packaging information is provided in modules located on product pages throughout the full-line catalog. **ExpressLine** items are packaged according to their likelihood of being used for merchandising and POP advertisement. All items will fall into one of the following categories which are noted along with the product ordering information.



FCC



SCC



BC



CPB



PW

PACKAGING	PKG. CODE	DESCRIPTION
Full Color Carton*	FCC	High impact multi-language cartons (four color with bright blue background) for simplified product selection including application guides, detailed product features, descriptions, and color photography. All cartons include bar codes (UPC) for inventory management.
Single Color Carton*	SCC	Vibrant blue and white colored cartons (one or two color) to complement HLI's full color cartons. Product descriptions include basic information, basic features, and product line art. All cartons include bar codes (UPC) for inventory management.
Brown Carton	BC	Traditional brown craft carton with branded label including material number, basic description, wattage, and lamp type. Select products (those stocked by Hubbell Lighting) include bar codes (UPC) for inventory management.
Clear Poly Bag	CPB	Used exclusively for small items where product damage from mishandling isn't likely. All products include branded labels with the material number. Select products (those stocked by Hubbell Lighting) include bar codes (UPC) for inventory management.
Protective Wrapper	PW	Used exclusively for large items too bulky for traditional cartons. An examples would be a steel floodlight bracket. All products include branded labels with the material number. Select products (those stocked by Hubbell Lighting) include bar codes (UPC) for inventory management.

\*During the 2017 Calendar year Hubbell Lighting will transition its full color carton (FCC) and single color carton (SCC) to the new FCC standard shown above

# ExpressLine – ready to help you maximize sales

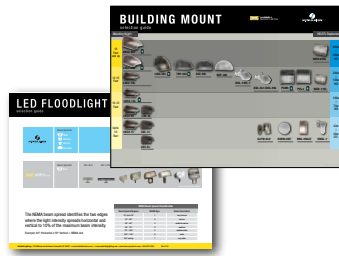
Hubbell Lighting's **ExpressLine** program offers high impact point-of-purchase product merchandise gondolas, literature, counter mats and counter displays to maximize your sales!

## Selling & Merchandising Tools

To drive incremental sales, ExpressLine members have use of our displays, gondola headers, and promotional materials.



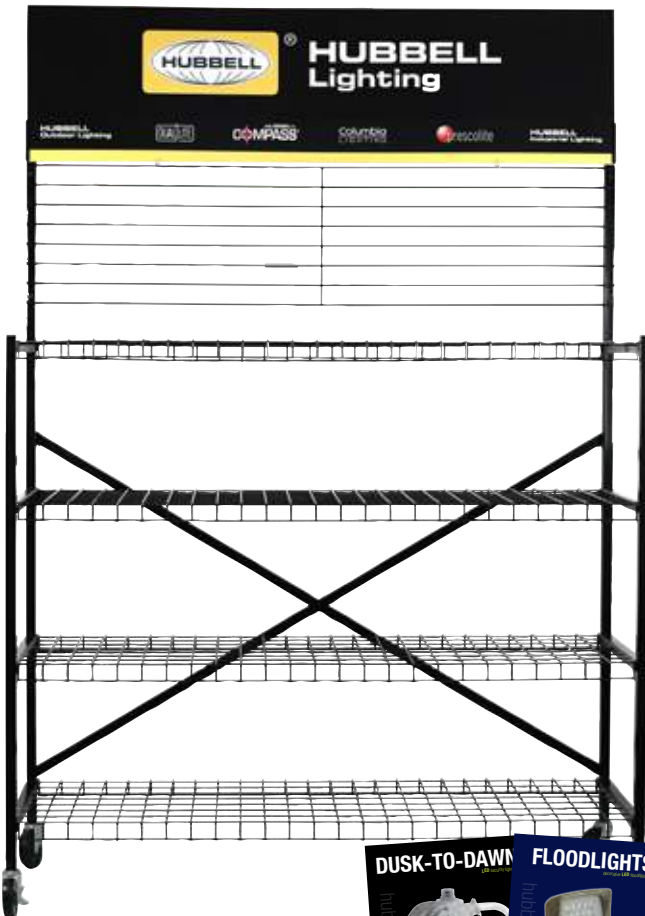
Contractor Reward Incentives



Application Guides



Large and Small Product Gondolas High impact Four Color Multi lingual Packaging



Posters, Counter Mats & Web based Design Application Tools



Counter Displays & Application Guides



# CONTENTS

## New Features, LED Products Equivalency

Each LED product in the ExpressLine catalog includes complete information in easy to read modules. Information specific to energy-efficiency, LED performance, traditional luminaire source equivalency and CCT are available for each product.

Catalog Number	Description	Distribution	Wattage	Lumens	LPW	Voltage	# of Drivers @ Drive Current	Weight lbs. (kbs)	PKG. CODE
LNC4-36L-4K	36 LED Configuration, 4000K, Dark Bronze	Type IV	124.6	10,754	86.3	120-277	2 @ 1050mA	27.0 (12.2)	FCC
LNC4-44L-4K	44 LED Configuration, 4000K, Dark Bronze		152.6	13,477	88.3			27.0 (12.2)	FCC
LNC4-44L-5K	44 LED Configuration, 5000K, Dark Bronze		152.1	13,342	87.7			27.0 (12.2)	FCC
LNC4-44L-4K-7PR	44 LED Configuration, 4000K, Dark Bronze, 7 Pin		152.6	13,477	88.3			27.0 (12.2)	FCC

Equivalent traditional light sources	Series Number	Equivalency			Energy Savings
		MH	HPS	CFL	
	LNC-5L	50w	50w	42w	82%
	LNC/LNC2-7L	70w	70w	42w	82%
	LNC/LNC2-9L	100w	100w	42w	82%
	LNC2-12L/LNC2-18L	150w+	150w+	2x42w+	85%



Industry listings, energy-efficiency and environmental qualifications

Code for type of product packaging (see page 2)

## Contents

<b>WALLPACKS</b>	LED FEATURE PRODUCTS WALLPACKS.....	7
	LED ZERO UPLIGHT WALLPACKS.....	8
	LED REFRACTOR WALLPACKS.....	12
	HID REFRACTOR WALLPACKS .....	16
<b>VAPORTITES</b>	VAPORTITES.....	19
<b>CEILING/SURFACE</b>	LED CEILING/SURFACE .....	20
<b>FLOODLIGHTING</b>	LED FEATURE PRODUCTS FLOODLIGHTS.....	22
	LED FLOODLIGHTING.....	23
	SECURITY FLOODLIGHTING/MOTION SENSORS .....	31
	HID FLOODLIGHTING .....	32
<b>ACCESSORIES</b>	FLOODLIGHT MOUNTING ACCESSORIES .....	37
	BOXES, COVERS, LANDSCAPE ACCESSORIES .....	39
<b>AREA/SITE ROADWAY</b>	LED AREA/SITE ROADWAY.....	42
	AREA/SITE PRONTO COMBO .....	44
	LED DUSK-TO-DAWN.....	47
<b>POLES/MOUNTING</b>	POLES.....	48
	AREA/SITE ACCESSORIES.....	50
<b>PHOTOCONTROLS</b>	PHOTOCONTROLS ACCESSORIES.....	51
<b>HIGHBAY/LOWBAYS INDUSTRIAL</b>	LED FEATURE PRODUCT INDUSTRIAL .....	52
	LED HIGHBAY INDUSTRIAL .....	53
	HID HIGHBAY/LOW BAY .....	54
<b>DOWNLIGHTING</b>	LED FEATURE PRODUCT DOWNLIGHTING.....	55
	LED DOWNLIGHTING .....	56
<b>LIFE SAFETY</b>	LED FEATURE PRODUCT LIFESAFETY .....	59
	EXIT SIGNS/EMERGENCY LIGHTING .....	60
	PRODUCT INDEX.....	74



CONTENTS

# Building/Ceiling Mount Selection Guide

LED WALLPACKS

Mounting Height	HID/CFL Replacement
18 Feet and up	400w   200w HID
12-15 Feet	200w   100w HID
10-12 Feet	100w   70w HID
Up to 10 Feet	42w   26w CFL

= Battery Back up available

## Zero Uplight



**Benefits of luminaires that don't have an uplight element to their distribution**

- Reduce light pollution (eliminating light aimed directly into the night sky)
- Minimize or eliminate light trespass (light falling beyond one's property line)
- Decreased visibility of the luminaire itself (particularly important for residential areas)
- Ensure all available light is directed onto the ground (typically the primary target of illumination) for improved "target efficiency" and energy efficiency

## Refractor



**Benefits of refractor/dropped lens luminaires & those with the ability to be tilted up:**

- "Fill" an entire space with light including the horizontal and vertical surfaces
- Potentially increase the spread of light which decreases dark spots in-between luminaires and improves light level uniformity
- Visibility of the luminaire, therefore the space may be perceived as being more secure
- Maintains a traditional aesthetic and physical size to simplify upgrades to LED sourced products

## Ceiling Mount



**Hubbell Outdoor Lighting offers ceiling mount product with and without dropped refractors**

- LED luminaires with dropped refractor lenses tend to offer a higher degree of visual comfort by shielding the LED source itself
- LED luminaires with discrete total internal reflection (TIR) optics offer a new level of "target efficiency" never before possible which maximizes luminaire spacing and light level uniformity while decrease overall lighting costs



# FEATURED PRODUCTS

## FOUR SIZES...MAXIMUM VERSATILITY LITEPAK

Optimal size and output with **maximum performance!** The LitePak family offers four housing sizes featuring a total of 12 lumen outputs for maximum light level and mounting height flexibility. The LitePak family is designed for perimeter illumination for safety, security and identity. Housing sizes 2, 3 and 4 offer optional battery backup for egress applications as well as a programmable occupancy sensor for even greater energy savings when no motion is detected. With typical mounting heights ranging from 8 feet all the way up the 25 feet and fixture spacing of 4-5 mounting heights, the LitePak family is the perfect solution for almost any building or surface mount application.

### All Litepak Luminaires Feature

- Rugged die-cast aluminum housing provides excellent thermal management for long life
- 3000K, 4000K, 5000K color temperatures with 70 CRI
- Type II, III, IV distributions for maximum fixture spacing
- 120-277V operation
- 0-10V dimming drivers
- DesignLights Consortium® (DLC) qualified\*



### LNC



<b>LNC</b>	up to 2,100 Lumens
Equivalency	up to 100w MH

- Compact sized housing measuring only 8" x 5" x 5"
- Quick mount adapter provides quick installation designed for recessed 4" square junction box
- Standard acrylic diffuser for reduce glare and improved visual comfort
- Wet location listed

### LNC 2



<b>LNC2</b>	up to 4,200 Lumens
Equivalency	up to 150w MH

- Small sized housing measuring only 10" x 6" x 6"
- Quick mount adapter provides quick installation designed for recessed 4" square junction box
- Standard acrylic diffuser for reduce glare and improved visual comfort
- Available with battery backup for egress application as well as programmable occupancy sensor
- Wet location listed
- Optional 347 and 480V in 12L configuration

### LNC 3



<b>LNC3</b>	up to 7,600 Lumens
Equivalency	up to 250w MH

- Mid-sized housing measuring only 13" x 8" x 10.5"
- Inverted mounting option for uplighting capabilities
- Quick mount adapter provides quick installation designed for recessed 4" square junction box
- Optional acrylic diffuser for reduce glare and improved visual comfort
- Available with battery backup for egress application as well as programmable occupancy sensor
- Optional 7-Pin receptacle for twist lock photocell and controls (by others)
- IP-65 and Wet location listed
- Optional 347 and 480V

### LNC 4



<b>LNC4</b>	up to 14,800 Lumens
Equivalency	up to 400w MH

- Large sized housing measuring 17" x 9" x 10.5"
- Inverted mounting option for uplighting capabilities
- Quick mount adapter provides quick installation designed for recessed 4" square junction box
- Optional acrylic diffuser for reduce glare and improved visual comfort
- Available with battery backup for egress application as well as programmable occupancy sensor
- Optional 7-Pin receptacle for twist lock photocell and controls (by others)
- IP-65 and Wet location listed
- Optional 347 and 480V

\*Please refer to the DLC website for specific product qualifications at [www.designlights.org](http://www.designlights.org)

## Ultra Compact LED Wallpack – Zero Uplight



The compact LED LNC is designed for perimeter illumination, available in 3 lumen packages replacing up to 100w HID for safety, security and general illumination applications. This compact fixture is neighbor friendly with zero uplight. Typical mounting height up to 12 feet with 40ft fixture spacing (without acrylic diffuser) and 30ft spacing with acrylic diffuser installed. Photocontrol option is available.

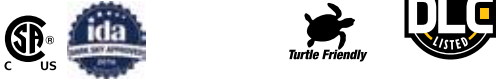
Consortium (DLC) qualifications, consult DLC website for more details:

<http://www.designlights.org/QPL>

### APPLICATIONS

- Listed to UL1598 for use in wet locations
- Long-life (60,000hr L96 rated)
- Quick mount adapter and designed for both recessed box or surface conduit wiring

- IES Progress Award Winner - 2012
- 4K and 5K models meet DesignLights



\*3000K and warmer CCTs only

### STOCK

### ORDERING INFORMATION

Catalog Number	System Watts	Delivered Lumens	Voltage	CCT	# Drivers/Current	Mounting Height	Weight lbs. (kg)	PKG. CODE
LNC-5LU-4K	12.8w	1077	120-277V	4000K	1@700mA	up to 10 ft.	4.0 (1.8)	FCC
LNC-5LU-5K	12.8w	1146	120-277V	5000K	1@700mA	up to 10 ft.	4.0 (1.8)	FCC
LNC-7LU-4K-3-1	16.4w	1539	120-277V	4000K	1@700mA	up to 11 ft.	4.0 (1.8)	FCC
LNC-7LU-5K-3-1	16.4w	1557	120-277V	5000K	1@700mA	up to 11 ft.	4.0 (1.8)	FCC
LNC-9LU-4K-3-1	20.6w	1989	120-277V	4000K	1@700mA	up to 12 ft.	4.0 (1.8)	FCC
LNC-9LU-5K-3-1	20.6w	2095	120-277V	5000K	1@700mA	10-12 ft.	4.0 (1.8)	FCC



### 10-Day Quick Ship Ordering Guide

Order Limit Per Fixture Selection: 15 – BC Pkg Code

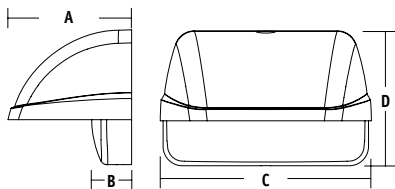
LNC		-		-		-		-	
SERIES	NUMBER OF LEDS/SOURCE/VOLTAGE	CCT	IES DISTRIBUTION	FINISH	OPTIONS				
LNC LNC Zero uplight	<b>7LU</b> 7 LEDs, Universal voltage 120-277V <b>9LU</b> 9 LEDs, Universal voltage 120-277V	<b>4K</b> 4000K nominal <b>5K</b> 5000K nominal	<b>3</b> Type III <b>4</b> Type IV	<b>1</b> Bronze <b>2</b> Black <b>3</b> Gray <b>4</b> White <b>5</b> Platinum	<b>PCU</b> Button photocontrol, 120-277V				

### MADE-TO-ORDER ORDERING INFORMATION – (BC PKG CODE)

LNC		-		-		-		-	
SERIES	NUMBER OF LEDS/SOURCE/VOLTAGE	CCT	IES DISTRIBUTION	FINISH	OPTIONS				
LNC LNC Zero uplight	<b>7LU</b> 7 LEDs, Universal voltage 120-277V <b>9LU</b> 9 LEDs, Universal voltage 120-277V	<b>3K</b> 3000K nominal, 80 CRI <b>4K</b> 4000K nominal <b>5K</b> 5000K nominal <b>AM<sup>1</sup></b> Amber (590 μm available for "Turtle Friendly"/observatory applications); Consult factory	<b>3</b> Type III <b>4</b> Type IV	<b>1</b> Bronze <b>2</b> Black <b>3</b> Gray <b>4</b> White <b>5</b> Platinum	<b>PCU</b> Button photocontrol, 120-277V				

1 Amber LEDs are 035mA drive current

### DIMENSIONS



A	B	C	D
4.8"	1.6"	8.2"	5.3"
122 mm	39 mm	209 mm	133 mm

### PERFORMANCE INFORMATION

Series Number	Equivalency			Energy Savings
	MH	HPS	CFL	
LNC-5L	50w	50w	42w	82%
LNC/LNC2-7L	70w	70w	42w	82%
LNC/LNC2-9L	100w	100w	42w	82%
LNC2-12L/LNC2-18L	150w+	150w+	2x42w+	85%



# LNC2

## LITEPAK Compact LED Wallpack – Zero Uplight

The compact LED LNC2, slightly larger than the LNC is designed for perimeter illumination for safety, security and general lighting application.

- IES Progress Award Winner - 2013 and Building Operating Management 2014 Top Products Award - LNC2-18LU
- DesignLights Consortium (DLC) qualified (Types III and IV), Consult DLC website for more details: <http://www.designlights.org/QPL>
- Zero-uplight, neighbor friendly
- Mounting height up to 15 feet and 60ft fixture spacing (without acrylic diffuser) and 40ft spacing with acrylic diffuser installed
- Available in four lumen packages, replaces up to 150w+

- Features long-life (60,000hr L96 rated), high CRI, 3000K, 4000K, and 5000K LEDs
- Includes quick-mount adapter
- Acrylic diffuser softens high angle output for use at entrances or pedestrian pathways
- Battery backup option in 12L versions for egress applications
- Photocell and occupancy sensor options available for complete on/off and dimming control
- Factory installed back box on BBU and motion sensor units (options cannot be combined)
- Listed to UL1598 for use in wet locations



\*3000K and warmer CCTs only

LED WALLPACKS

### STOCK ORDERING INFORMATION

Catalog Number	System Watts	Delivered Lumens	Voltage	CCT	# Drivers/Current	Mounting Height	Weight lbs. (kg)	PKG. CODE
LNC2-12LU-4K-3-1	28.6w	2662	120-277V	4000K	1@700mA	up to 15 ft	7.0 (13.3)	FCC
LNC2-12LU-5K-3-1	28.6w	2868	120-277V	5000K	1@700mA	up to 15 ft.	7.0 (13.3)	FCC
LNC2-12LU-5K-3-1-PC-U	28.6w	2868	120-277V	5000K	1@700mA	10-12 ft.	7.0 (13.3)	FCC
LNC2-18LU-4K-3-1	44.5w	3806	120-277V	4000K	2@700mA	up to 18 ft	7.0 (13.3)	FCC
LNC2-18LU-5K-3-1	44.5w	4106	120-277V	5000K	2@700mA	up to 18 ft.	7.0 (13.3)	FCC
LNC2-18LU-5K-3-1-PC-U	44.5w	4106	120-277V	5000K	2@700mA	up to 18 ft.	7.0 (13.3)	FCC

### 10-Day Quick Ship Ordering Guide

Order Limit Per Fixture Selection: 15 – BC Pkg Code

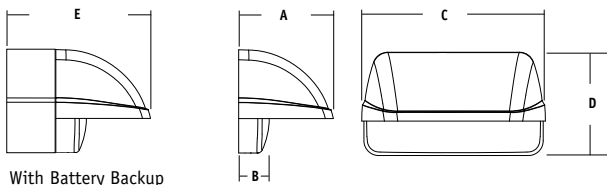
SERIES	NUMBER OF LEDS/SOURCE/VOLTAGE	CCT	IES DISTRIBUTION	FINISH	OPTIONS
LNC2 LNC2 Zero uplight	<b>12LU</b> 12 LEDs, 29w input, Universal voltage 120-277V	<b>4K</b> 4000K nominal	<b>3</b> Type III	<b>1</b> Bronze <b>2</b> Black <b>3</b> Gray <b>4</b> White <b>5</b> Platinum	<b>PCU</b> Button photocontrol, 120V-277V
	<b>18LU</b> 18 LEDs, 42w input, Universal voltage 120-277V	<b>5K</b> 5000K nominal	<b>4</b> Type IV		

### MADE-TO-ORDER ORDERING INFORMATION – (BC PKG CODE)

SERIES	NUMBER OF LEDS/SOURCE/VOLTAGE	CCT	IES DISTRIBUTION	FINISH	OPTIONS
LNC2 LNC2 Zero uplight	<b>5LU</b> 5 LEDs, 120-277V	<b>3K<sup>3</sup></b> 3000K nominal 80 CRI	<b>2<sup>3</sup></b> Type II	<b>1</b> Bronze <b>2</b> Black <b>3</b> Gray <b>4</b> White <b>5</b> Platinum	<b>PC(X)</b> Button photocontrol, U-120-277V 2-208V, 3-240V, 4-277V
	<b>7LU</b> 7 LEDs, 120-277V		<b>3</b> Type III		
	<b>9LU</b> 9 LEDs, 120-277V		<b>4</b> Type IV		
	<b>12LU<sup>4</sup></b> 12 LEDs, 120-277V	<b>4K</b> 4000K nominal 70 CRI			<b>BBU<sup>2</sup></b> Integral battery for 12L only (must specify 120V or 277V voltage in voltage category) rated for -20°C to 30°C
	<b>18LU</b> 18 LEDs, 120-277V	<b>5K</b> 5000K nominal 67 CRI			
	<b>12L5</b> 12 LEDs, 480V				
	<b>12L6</b> 12 LEDs, 347V				

<sup>1</sup> Amber LEDs only available on 18LU configurations, 350 mA only; Universal Voltage 120V-277V  
<sup>2</sup> Battery backup only available 12L models, not available for Canada  
<sup>3</sup> Does not qualify for DLC  
<sup>4</sup> Replace U with 1 for 120V or 4 for 277V for 12L with BBU  
<sup>AM<sup>1</sup></sup> Amber (590 μm available for "Turtle Friendly"/observatory applications, 350mA; consult factory

### DIMENSIONS



A	B	C	D	E	Weight	Weight w/BBU
6.25"	1.6"	10.25"	5.6"	10.25"	7.0 lbs.	15.0 lbs.
158.7 mm	40.2 mm	260.4 mm	142.2 mm	260.4 mm	3.2 kg	6.8 kg



# LNC3

## LITEPAK Midsized LED Wallpack – Zero Uplight

LED WALLPACKS

NEW



\*3000K and warmer CCTs only

The midsized LED LNC3 is designed for perimeter illumination for safety, security and identity. No uplight and lower glare lenses offer neighbor friendly lighting at typical mounting heights of 10-20'. Units have protective polyester finish for long lasting appearance. Ideal for schools, factories, hospitals, warehouses and retail applications. Energy efficient LEDs provide up to 70% energy savings with little to no maintenance when compared to traditional light sources.

Die-cast aluminum housing protects components and provides an architectural appearance. Casting thermally conducts LED heat to optimize performance and long life. Powder paint finish provides durability in outdoor environments.

Quick-mount adapter with gasket seal provides easy installation to wall or to recessed junction

box (4" square junction box). Fixture attaches by two Allen-head hidden fasteners for tamper resistance. Designed for direct j-box mount or conduit feed on all four sides in single SKU.

- 120-277, 347 and 480 voltage, 50/60Hz,
- 0-10V dimming drivers standard
- IP-65 rated assembly
- Surge protection – 10kA
- 2 and 24 LED configurations available, see specification sheet for electrical and photometric data
- Zero uplight distributions using chip on board LEDs or individual acrylic LED optics
- 7-pin photo-receptacle available for twist lock photocell and controls by others
- Frosted acrylic diffuser available for reduced glare or inverted/up mounting (factory install only)

### STOCK ORDERING INFORMATION

Catalog Number	Description	Distribution	Wattage	Lumens	LPW	Voltage	# of Drivers @ Drive Current	Wgt lbs. (Kg)	PKG. CODE
LNC3-2L4K-075	2 LED - 60W Configuration, 4000K, Dark Bronze	Type IV	62.0	5,857	94.8	120-277	1 @ 750mA	15.0 (6.8)	FCC
LNC3-2L4K-105	2 LED - 90W Configuration, 4000K, Dark Bronze		87.4	7,721	86.1		1 @ 1050mA		FCC
LNC3-2L5K-105	2 LED - 90W Configuration, 5000K, Dark Bronze		87.4	7,288	82.0		1 @ 1050mA		FCC
LNC3-2L4K-105-7PR	2 LED - 90W Configuration, 4000K, Dark Bronze, 7-Pin		87.4	7,721	86.1		1 @ 1050mA		FCC
LNC3-2L4K-105-SCP	2 LED - 90W Configuration, 4000K, Dark Bronze, SCP		87.4	7,721	86.1		1 @ 1050mA		FCC

### MADE-TO-ORDER ORDERING INFORMATION - CONFIGURABLE (BC PKG. CODE) (SEE SPEC SHEET FOR PERFORMANCE INFORMATION AND DETAILS)

LNC3 - [ ] - [ ] - [ ] - [ ] - [ ] - [ ]

SERIES	CCT	IES DISTRIBUTION	VOLTAGE <sup>7</sup>	FINISH	OPTIONS	CONTROL OPTIONS
LNC3 Medium Litepak-Wallpack	3K 3000K 4K 4000K 5K 5000K	2 Type II 3 Type III 4 Type IV	U 120v-277v 1 120v <sup>1</sup> 2 208v <sup>1</sup> 3 240v <sup>1</sup> 4 277v <sup>1</sup> 5 480v <sup>1,8</sup> F 347v <sup>1,8</sup>	DB Bronze BL Black WH White GR Gray PS Platinum Custom Color	F <sup>1</sup> Fusing (must specify voltage per footnote) CS Comfort shield CSU <sup>2</sup> Comfort shield up position E <sup>1,5</sup> Battery backup 0°C EH <sup>1,5</sup> Battery backup with heater rated for -30°C	PCU Universal button PC 7PR <sup>6</sup> 7-pin receptacle SCP <sup>3,4</sup> Programmable occupancy sensor

**DRIVE CURRENT**  
050 500mA (41w)  
075 750mA (60w)  
105 500mA (83w)

**NUMBER OF LEDS**  
24L 24LEDs

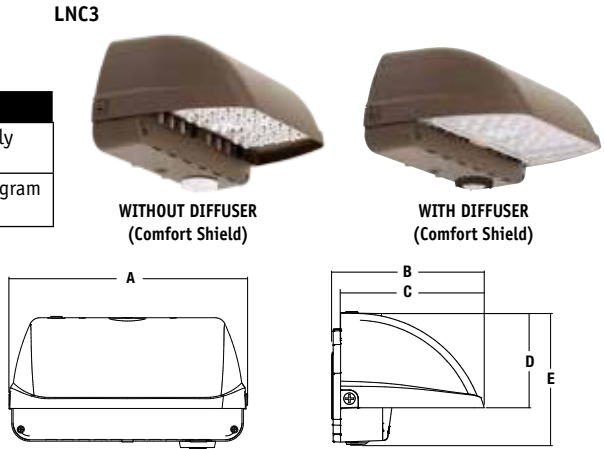
Series Number	Equivalency			Energy Savings
	MH	HPS	CFL	
LNC3	250w	250w	2x42w+	72%

<sup>1</sup> Specify voltage for voltage specific options (only 120V or 277V available for fusing and battery backup)  
<sup>2</sup> Factory Install Only  
<sup>3</sup> Must order minimum of one remote control to program dimming settings, 0-10V fully adjustable dimming with automatic daylight calibration and different time delay settings, 120-277V only.  
<sup>4</sup> PC option not applicable, included in sensor  
<sup>5</sup> Battery Backup not available in 1050mA version  
<sup>6</sup> Accepts standard 3, 5, and 7-Pin ANSI controls (by others)  
<sup>7</sup> Not available with 500mA versions

CATALOG NUMBER	DESCRIPTION
LNC3-CS	Frosted acrylic diffuser (comfort shield), improves uniformity with only 20% lumen reduction
SCP-REMOTE2*	Remote control for SCP option. Order at least one per project to program and control

### DIMENSIONS

A	B	C	D	E	Weight	Weight w/BBU
12.9"	10.1"	9.6"	5.8"	7.3"	15 lbs.	16 lbs.
327 mm	257 mm	243 mm	146 mm	185 mm	6.8 kg	7.3 kg





## LITEPAK Large LED Wallpack– Zero Uplight

Largest in the Litepak product family, the LNC4 is designed for perimeter illumination for safety, security and identity. Replaces up to 400w HID luminaires one-for-one replacement covering existing installation footprint. No uplight and lower glare lenses offer neighbor friendly lighting at typical mounting heights of 15-25'. Units have protective polyester powder coat finish for long lasting appearance. Ideal for schools, factories, hospitals, warehouses and retail applications. Energy efficient LEDs provide 70%+ energy savings with little to no maintenance when compared to traditional light sources.

Die-cast aluminum housing protects components and provides an architectural appearance. Casting thermally conducts LED heat to optimize performance and long life.

- 120-277, 347 and 480 voltage, 50/60Hz, 0-10V dimming driver
- Electronic driver
- Surge protection – 10KA
- 3000K, 4000K and 5000K CCT nominal with 70 CRI
- 36 and 44 LED configurations available
- Zero uplight distributions using individual acrylic LED optics provide IES type II, III and IV distributions
- Features long-life with L96 of 25,000 hours (Projected per IESNA TM-21-11)
- Optional frosted acrylic diffuser for reduced glare or inverted up mounting
- DesignLights Consortium® (DLC) qualified. Please refer to the DLC website for specific product qualifications at [www.designlights.org](http://www.designlights.org)



Optional Motion Sensor



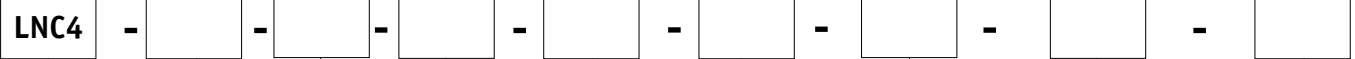
\*3000K and warmer CCTs only

LED WALLPACKS

### STOCK ORDERING INFORMATION

Catalog Number	Description	Distribution	Wattage	Lumens	LPW	Voltage	# of Drivers @ Drive Current	Wgt lbs. (Kg)	PKG. CODE
LNC4-36L-4K	36 LED Configuration, 4000K, Dark Bronze	Type IV	124.6	10,754	86.3	120-277	2 @ 1050mA	27.0 (12.2)	FCC
LNC4-44L-4K	44 LED Configuration, 4000K, Dark Bronze		152.6	13,477	88.3			27.0 (12.2)	FCC
LNC4-44L-5K	44 LED Configuration, 5000K, Dark Bronze		152.1	13,342	87.7			27.0 (12.2)	FCC
LNC4-44L-4K-7PR	44 LED Configuration, 4000K, Dark Bronze, 7 Pin		152.6	13,477	88.3			27.0 (12.2)	FCC
LNC4-44L-4K-SCP	44 LED Config., 4000K, Dark Bronze, Occ. Sensor		152.6	13,477	88.3			27.0 (12.2)	FCC

### MADE-TO-ORDER ORDERING INFORMATION - CONFIGURABLE (BC PKG. CODE) (SEE SPEC SHEET FOR PERFORMANCE INFORMATION AND DETAILS)



FAMILY	NUMBER OF LEDS	CCT	DRIVE CURRENT	IES DISTRIBUTION	VOLTAGE	FINISH	CONTROL OPTIONS	OPTIONS
LNC4 large Litepak Wallpack	36L 36LED 44L 44LED	3K 3000K 4K 4000K 5K 5000K	065 <sup>6</sup> 650mA 1050 1050mA	2 Type II 3 Type III 4 Type IV	U 120V-277V 1 120V <sup>1</sup> 2 208V <sup>1</sup> 3 240V <sup>1</sup> 4 277V <sup>1</sup> 5 480V <sup>1</sup> F 347V <sup>1</sup>	DB Bronze BL Black WH White GR Gray PS Platinum FG Forest Green RD Red CC Custom Color	PCU Universal Button PC 7PR <sup>5</sup> NEMA 7-Pin twistlock receptacle SCP <sup>3,4</sup> Programmable motion sensor	F <sup>1</sup> Fusing (must specify voltage per footnote) CS Frosted acrylic diffuser CSU <sup>2</sup> Frosted acrylic diffuser required for inverted fixture installations (Factory install only)

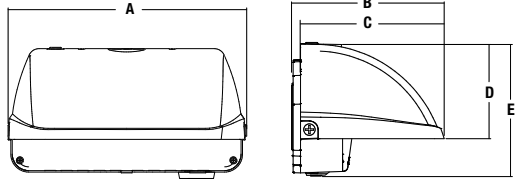
Series Number	Equivalency			Energy Savings
	MH	HPS	CFL	
LNC4	400w	400w	2x42w+	70%

<sup>1</sup> Specify voltage for voltage specific option (only 120V or 277V available for Fusing and battery backup)  
<sup>2</sup> Factory install only. Not available with 7PR or SCP control options  
<sup>3</sup> Must order minimum of one remote control to program dimming settings, 0-10V fully adjustable dimming with automatic daylight calibration and different time delay settings, 120-277V only.  
<sup>4</sup> PCU option not applicable, included in sensor  
<sup>5</sup> Accepts standard 3, 5, and 7-Pin ANSI controls (by others)  
<sup>6</sup> Not available in 347/480V  
<sup>7</sup> 36L-650mA version only

CATALOG NUMBER	DESCRIPTION
LNC4-CS	Frosted acrylic diffuser reduces surface brightness and glare with a roughly 20% lumen reduction
SCP-REMOTE <sup>2</sup>	Remote control for SCP option. Order at least one per project to program and control

\*Must order minimum of one remote control to program dimming settings, 0-10V fully adjustable dimming with automatic daylight calibration and different time delay settings, 120V or 277V only

### DIMENSIONS



A	B	C	D	E	Weight
17.2"	10.5"	9.9"	6.5"	8.9"	27 lbs.
436 mm	266 mm	251 mm	165 mm	226 mm	12.3 kg



# NRG<sup>®</sup> 300 Series

## Perimeter LED Wallpack



- Full polycarbonate front provides vandal resistance and uniform light distribution; Internally painted bronze finish for lasting appearance
- 56 mid power LEDs unit provide long-life with up to 78% energy savings, a perfect upgrade for older units
- Available in 4000K and 5000K CCT models
- Rugged cast aluminum back housing for rigid mounting; Bottom 1/2" conduit knockout for surface conduit wiring
- Units available with or without 120V-277V button photocontrol, see ordering information
- Listed to UL 1598 for use in wet locations
- Tamper resistant center pin Torx hardware included
- DesignLights Consortium (DLC) qualified

Consult DLC website for more details:  
<http://www.designlights.org/QPL>



### STOCK ORDERING INFORMATION

Catalog Number	System Watts	Delivered Lumens	Voltage	CCT	Mounting Height	# Drivers/Current	Weight lbs. (kg)	PKG. CODE
NRG-356LU-4K-U	20w	1513	120-277V	4000K	Up to 10 ft.	1@100mA	6 (2.7)	FCC
NRG-356LU-4K-U-PC	20w	1513	120-277V	4000K	Up to 10 ft.	1@100mA	6 (2.7)	FCC
NRG-356LU-5K-U	20w	1532	120-277V	5000K	Up to 10 ft.	1@100mA	6 (2.7)	FCC
NRG-356LU-5K-U-PC	20w	1532	120-277V	5000K	Up to 10 ft.	1@100mA	6 (2.7)	FCC

### PERFORMANCE INFORMATION

Series Number	Equivalency			Energy Savings
	MH	HPS	CFL	
NRG-356LU	50w	50w	42w	78%

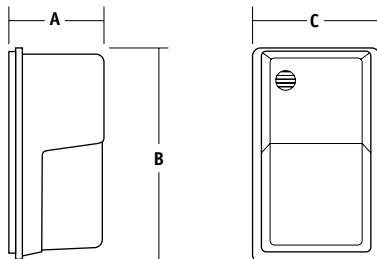
### STOCK ACCESSORIES - Order Separately

Catalog Number	Description	PKG. CODE
PBT-1	Button photocontrol, 120V	SCC
PBT-234	Button photocontrol, 208, 240, 277V	SCC

### MADE-TO-ORDER REPLACEMENT PART

Catalog Number	Description	PKG. CODE
SM352-COVER	Polycarbonate front cover, Bronze	BC

### DIMENSIONS



A	B	C
5.4"	11.0"	6.9"
137 mm	280 mm	175 mm



## Perimeter LED Glass Wallpacks

- Two sizes: Medium and Large provides energy-efficient one-for-one replacement of existing legacy technology
- Mid power LEDs offer lower glare, better uniformity, higher efficacies (up to 105 LPW) and lower thermal for longer lasting electronic components
- Borosilicate glass refractor softens LED and provides uniform distribution
- Cast aluminum frame holds lens, hinges to side of medium housing and hinges down on large housing; Seals with two stainless steel screws

- Both sizes available in 4000K
- Cast aluminum housing with three 1/2" conduit entries (on top and sides) for button photocontrol or surface conduit
- Listed to UL1598 for use in wet locations
- All units have dark bronze powder paint finish
- DesignLights Consortium (DLC) qualified (WGH-225L-4K-U-L, WGH-225L-4K-U-M), Consult DLC website for more details: <http://www.designlights.org/QPL>



WGH-81L



WGH-110L

NEW



WGH-225L



LED WALLPACKS

### STOCK ORDERING INFORMATION

Catalog Number	System Watts	Delivered Lumens	Voltage	CCT	Dist. Type	Mounting Height	Weight lbs. (kg)	# Drivers/ Current	PKG. CODE
WGH-81L-4K-U-S*	32w	2893	120-277V	4000K	4	Up to 12 ft.	3.3 (1.5)	1@115mA	FCC
WGH-81L-5K-U-S*		3302		5000K		Up to 12 ft.			
WGH-110L-4K-U-M*	54w	6170		4000K		Up to 15 ft.	6.5 (2.8)	1@140mA	
WGH-110L-5K-U-M*		6372		4000K		Up to 25 ft.			
WGH-225L-4K-U-L*	102w	11838		4000K		Up to 25 ft.	8.5 (3.6)	1@125mA	
WGH-225L-4K-C-L	110w	12818		4000K		Up to 25 ft.			
WGH-225L-5K-U-L*	102w	12134		5000K		Up to 25 ft.			

\* DLC listed

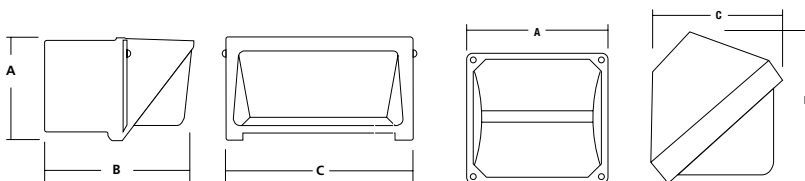
### PERFORMANCE INFORMATION

Series Number	Equivalency			Energy Savings
	MH	HPS	CFL	
WGH-81L	175W	175W	2x42w	78%
WGH-110L	250w	250w	2x42w	82%
WGH-225L-4K-U-L	400w	400w	N/A	78%

### ACCESSORIES - Order Separately

Catalog Number	Description	PKG. CODE	SOURCE
PBT-1	Button photocontrol, 120V	SCC	STOCK
PBT-234	Button photocontrol, 208, 240, 277V	SCC	STOCK
SM106-SHIELD	Polycarbonate shield for M size	BC	MADE-TO-ORDER
SM106-VISOR	Top visor for M size	BC	MADE-TO-ORDER
SM708-GUARD	Wire guard for L size	BC	MADE-TO-ORDER
SM106-FRAME/GLASS	Glass and door frame for M size	BC	MADE-TO-ORDER
SM708-FRAME/GLASS	Glass and door frame for L size	BC	MADE-TO-ORDER

### DIMENSIONS



	A	B	C
WGH-81L	8.5" 216 mm	8.5" 216 mm	8.5" 216 mm
WGH-110L	9.0" 229 mm	7.3" 184 mm	13" 330 mm
WGH-225L	9.0" 229 mm	13.0" 330 mm	17.0" 432 mm



HUBBELL  
Outdoor Lighting



# Perimaliter® PGM3 PVL3

## Glass and Polycarbonate LED Wallpacks

LED WALLPACKS



PGM3



PVL3



- Perimeter lighting for safety, security and general illumination - LED units provide 60-70% energy savings over typical pulse start wallpacks. Uses include office buildings, shopping centers, restaurants, schools, warehouses, parking garages and other commercial applications
- The die-cast aluminum housing provides firm mounting over recessed junction boxes; 1/2" side hubs for surface conduit wiring; Housing includes a top hub for use with button photo controls for dusk-to-dawn control;
- Long life (50,000 hrs) LEDs with CCT of 5000K, 4000K and 3000K
- Two cover options available: A cast aluminum with prismatic borosilicate glass assembly (PGM3) and an all polycarbonate, one-piece, vandal resistant door (PVL3)
- Typical mounting heights of 12-15 feet; The lateral spread allows typical spacing of three to four times the mounting height with excellent uniformity
- Available in two lumen outputs
- Listed to UL1598 for use in wet locations
- BBU integral battery option for 120 or 277V, designed to provide minimum of 1fc in a 10ft square at 10-12' mounting height
- SCO/SCP option - motion sensor on/off or user programmable

### STOCK ORDERING INFORMATION

Catalog Number	System Watts	Delivered Lumens	Voltage	CCT	# Drivers/Current	LPW	Mounting Height	Weight lbs. (kg)	PKG. CODE
PGM3-180L4K-U-DB	72w	6923	120-277V	4000K	2@700mA	99	15-18 ft.	20 (9)	SCC
PGM3-180L5K-U-DB	72w	7160	120-277V	5000K	2@700mA	96	15-18 ft.	20 (9)	SCC
PVL3-180L4K-U-DB	72w	5773	120-277V	4000K	2@700mA	80	15-18 ft.	13 (5.9)	SCC
PVL3-180L5K-U-DB	72w	5978	120-277V	5000K	2@700mA	83	15-18 ft.	13 (5.9)	SCC



### 10-Day Quick Ship Ordering Guide

Order Limit Per Fixture Selection: 15 - BC Pkg Code

<input type="checkbox"/>	-	<input type="checkbox"/>	-	<input type="checkbox"/>	-	<input type="checkbox"/>	-	<input type="checkbox"/>
<b>FAMILY</b>		<b># LEDES</b>		<b>VOLTAGE</b>		<b>DRIVE CURRENT</b>		<b>OPTIONS</b>
PGM3 Glass Refractor	180L	4K 4000K	U 120V-277V	700mA	DB <sup>5</sup> Bronze	PC1 Button photocontrol, 120V		
PVL3 Polycarbonate Refractor		5K 5000K		035 <sup>3</sup> 350mA		PC4 Button photocontrol, 277V		

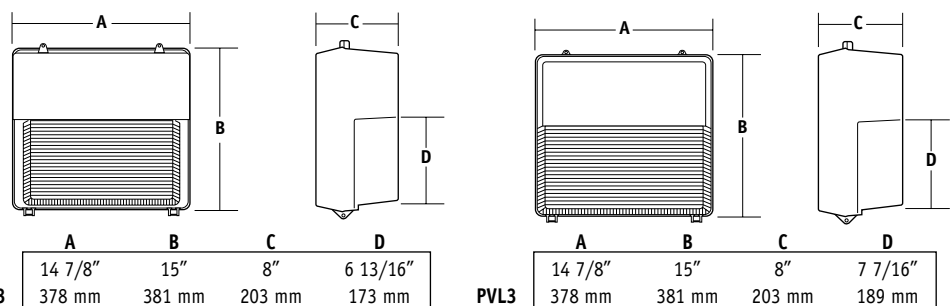
### PERFORMANCE INFORMATION

Series Number	Equivalency			Energy Savings
	MH	HPS	CFL	
PGM3	250w	250w	-	72%
PVL3	250w	250w	-	54%

### STOCK REPLACEMENT PARTS - Order Separately

Catalog Number	Description	PKG. CODE
200-0180-9904	Replacement lens/door PVL3	BC
80033990104	Replacement lens/door PGM3	BC
93044764	40w driver, 700mA, 120V-277V dimmable, 2x = 700mA, 1x = 350mA	BC
SCP-REMOTE <sup>2</sup>	Remote control for SCP option. Order at least one per project to program and control	BC

### DIMENSIONS



# Perimaliter® PGM3 PVL3

## Glass and Polycarbonate LED Wallpacks

### MADE-TO-ORDER ORDERING INFORMATION – (BC PKG CODE)

FAMILY		# LEDS	CCT	VOLTAGE <sup>1</sup>	DRIVE CURRENT	FIXTURE COLOR	OPTIONS
<b>PGM3</b>	Glass Refractor	<b>180L</b>	<b>3K</b> 3000K, 80 CRI	<b>U</b> 120V-277V	<b>BLANK</b> 700mA	<b>BL<sup>5</sup></b> Black	<b>F<sup>1</sup></b> Fusing (voltage determined by voltage field), Single fusing only 120V, 277V or 347V
<b>PVL3<sup>5</sup></b>	Polycarbonate Refractor		<b>4K</b> 4000K, 80 CRI	<b>1</b> 120V	<b>035<sup>3</sup></b> 350mA	<b>BZ<sup>5</sup></b> Bronze	<b>PC<sup>1</sup></b> Button photocontrol, (Must specify individual voltage)
			<b>5K</b> 5000K, 80 CRI	<b>2</b> 208V		<b>GR<sup>5</sup></b> Gray	<b>BBU<sup>1,3</sup></b> Integral battery for 120 or 277V rated for -20°C to 25°C (Must specify individual voltage)
				<b>3</b> 240V		<b>PL<sup>5</sup></b> Platinum	<b>SCO<sup>2,4</sup></b> Motion sensor On/Off control, No light output when no motion detected
				<b>4</b> 277V		<b>WH<sup>5</sup></b> White	<b>SCP<sup>2,4</sup></b> Programmable motion control, factory default is 10%
				<b>5</b> 480V		<b>CC<sup>5</sup></b> Custom Color	<b>SP</b> Surge protector, 10KA 273 joules
				<b>F</b> 347V			

1 Voltage specific option, designate in voltage field

2 0-10V fully adjustable dimming with automatic daylight calibration and different time delay settings, must order minimum of one remote to program dimming settings, 120V or 277V only

3 BBU only available in 350mA, 120V or 277V only

4 PC option not applicable, included in sensor. For SCP, PC function turns on to lower setting until motion is detected

5 PVL3 only available in BZ Bronze fixture color

# Perimaliter® PGM3 PVL3

## Vertical Lamp Position Glass or Polycarbonate Refractor Wallpack



PGM3

PVL3



- One-piece polycarbonate lens, internally painted for lasting appearance or cast aluminum door with borosilicate glass refractor; 6 to 1 spacing to mounting height ratio; Two Hubbell-Gard® fasteners provide weathertight seal to housing; Door hinges and is removable
- Housing is die-cast aluminum for rugged mounting and heat dissipation; 1/2" feed-through hubs provided and top photocontrol hub location for field installation; Standard mount is over recessed wiring boxes; Fixtures have dark bronze finish
- Specular reflector, vertical lamps and refractor combine for efficient and uniform perimeter lighting; PVL3 is 150w max; 50 Hz ballastry available
- PGM3 is 250w max
- Socket is porcelain medium base with spring-loaded center contact
- Accessories: Photocontrols/ Full cut-off visors
- Listed to UL1598 for use in wet locations

### STOCK ORDERING INFORMATION

Catalog Number <sup>1</sup>	Wattage	Lamp Type	Voltage	Ballast	Lamp Included	Weight lbs. (kg)	PKG. CODE
PGM3-250P-18-BZ-L	250	PSMH	Quad Tap	CWA-HPF	Yes/Mog.	27 (12.2)	BC
PVL3-150S-18-BZ-L	150	HPS	Quad Tap	AL-HPF	Yes	20 (9.0)	BC

- L - Indicates lamp included with the fixture
- Above units (-18) are Quad Tap (120,208,240,277V); 480V available as Made-to-order on 150w unit, change -18 to -15
- For TriTap Canadian ballast (120,277,347V) change 18 to 16 (Made-to-order)
- All units are provided in BZ - dark bronze finish
- 50 Hz ballastry available - consult factory for availability

### STOCK ACCESSORIES - Order Separately

Catalog Number	Description	PKG. CODE
PBT-1	Photocontrol, button type, 120V	SCC
PBT-234	Photocontrol, button type, 208, 240, 277V	SCC
PVL3V	Full cut-off visor, formed aluminum, bronze finish (PVL)	BC
PG-PS <sup>1</sup>	Polycarbonate shield for refractor (PGM)	BC
PG-WG <sup>1</sup>	Wire guard for refractor (PGM)	BC

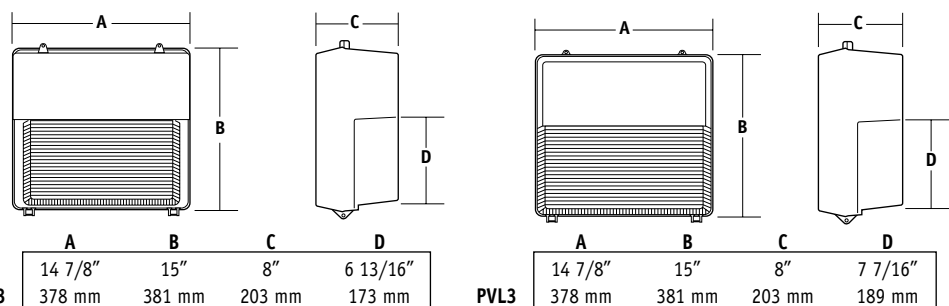
### STOCK REPLACEMENT PARTS

Catalog Number	Description
200-0180-9904	Polycarbonate front
80033990104	Aluminum/glass front, bronze (glass conversion)

### MADE-TO-ORDER OPTIONS - Add Suffix

Catalog Number	Description
-EM	Double contact socket for remote power (less lamp) all units
-QSS	Quartz restrike system including relay (less lamp) all units (Double contact bayonet socket)
-UST	Substantially transformed version in the U.S. meeting level 2 of the Buy American Act

### DIMENSIONS





# Perimaliter® PGL

## Vertical Lamp Position Glass Refractor Wallpack

- Cast aluminum door with borosilicate glass refractor; Bottom hinge allows door removal; Twin HubbellGard® screw closure for positive seal
- Cast aluminum back housing provides firm mounting and heat dissipation; Mounts over recessed wiring boxes; Has two 1/2" conduit hubs for feed-through wiring; Side hub for field installation of photocontrol
- Specular aluminum reflector, vertical lamp position and refractor prisms combine for excellent perimeter lighting; Provides 5 times spacing to mounting height
- PGL is mogul base 250-400w max
- Bronze powder paint finish is standard, other finishes available, consult factory
- Listed to UL1598 for use in wet locations



HID WALLPACKS

### STOCK

#### ORDERING INFORMATION

Catalog Number	Wattage	Lamp Type	Voltage	Ballast	Lamp Included	Weight lbs. (kg)	PKG. CODE
PGL-350P-128-1-LP	350	PSMH	Quad Tap	CWA-HPF	Yes	27 (15.0)	BC

### MADE-TO-ORDER

#### ORDERING INFORMATION

Catalog Number	Wattage	Lamp Type	Voltage	Ballast	Lamp Included	Weight lbs. (kg)	PKG. CODE
PGL-250P-128-1-LP	250	PSMH	Quad Tap	CWA-HPF	Yes	30 (13.6)	BC
PGL-350P-128-1-LP	350	PSMH	Quad Tap	CWA-HPF	Yes	27 (15.0)	BC
PGL-250S-128-1	250	HPS	Quad Tap	CWA-HPF	No	32 (14.5)	BC
PGL-400S-128-1	400	HPS	Quad Tap	CWA-HPF	No	36 (16.3)	BC
PGL-400S-128-1-LP	400	HPS	Quad Tap	CWA-HPF	Yes	36 (16.3)	BC

Notes: • LP - Indicates lamp included with the fixture.

- Above units are Quad Tap (120,208,240,277V ED28 lamps are required)
- For Tri-Tap Canadian ballast (120,277,347 volt) change 8 to 6
- Dark Bronze finish (-1) is standard; For alternate finish (2- Black, 3- Gray, 4- White) - consult factory for price adder and availability
- 50Hz ballast is available - Consult factory

### STOCK

#### ACCESSORIES - Order Separately

Catalog Number	Description	PKG. CODE
PBT-1	Photocontrol, button type, 120V	SCC
PBT-234	Photocontrol, button type, 208, 240, 277V	SCC
PTA-8	Photocontrol, external, weather tight, 208, 240, 277V	BC
PG-PS <sup>1</sup>	Polycarbonate shield for refractor	BC
PG-WG <sup>1</sup>	Wire guard for refractor	BC
PVL3V	Full cut-off visor, formed aluminum, bronze finish	BC

<sup>1</sup> Guard and shield can be used on the same fixture

#### OPTIONS - Add Suffix

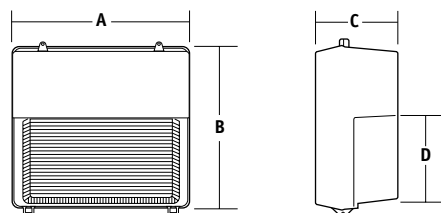
Catalog Number	Description
-EM	Double contact socket for remote power (less lamp) all units
-QSS	Quartz restrike system including relay (less lamp) all units (Double contact bayonet socket)
-UST	Substantially transformed version in the U.S. meeting level 2 of the Buy American Act

### STOCK

#### REPLACEMENT PART

Catalog Number	Description	PKG. CODE
80033990104	Lens door assembly, bronze	BC

#### DIMENSIONS



	A	B	C	D
PGL	14 7/8"	15"	9 7/8"	6 13/16"
	378 mm	381 mm	251 mm	173 mm



HUBBELL  
Outdoor Lighting

# WGH/WPH

## Glass Wallpacks – Horizontal Lamp



WGH 250-400



- Borosilicate glass refractor softens lamp image and provides uniform distribution - 4 times spacing to mounting height
- Cast aluminum frame holds lens, hinges to side of housing and seals with two stainless steel screws
- Cast aluminum housing with 1/2" conduit entries, button photocontrol can be field installed
- Listed to UL1598 for use in wet locations
- All units have dark bronze powder paint finish, Quad-Tap® ballasts and lamps included; 150w PSMH is shipped with medium base lamp; All other HID wattages include mogul base lamp

### STOCK ORDERING INFORMATION (WGH MEDIUM/LARGE)

Catalog Number <sup>1</sup>	Size	Wattage/Source	Voltage	Finish	Lamp	Weight lbs. (kg)	PKG. CODE
WGH-250P	Large	250w PSMH	120, 208, 240, 277V	Bronze	Included	34 (15.4)	FCC
WGH-400P	Large	400w PSMH	120, 208, 240, 277V	Bronze	Included	37 (16.8)	FCC

### STOCK ACCESSORIES - Order Separately

Catalog Number	Description	PKG. CODE
PBT-1	Photocontrol - button type 120V	SCC
PBT-234	Photocontrol - button type 208, 240, 277V	SCC
PTA -8	Photocontrol - external stem mount 120, 240, 277V	BC

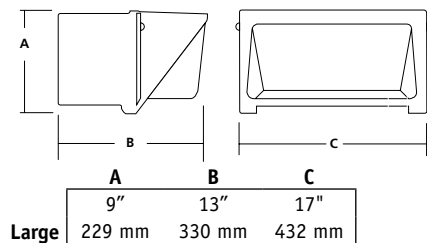
### MADE-TO-ORDER ACCESSORIES - Order Separately

Catalog Number	Description	PKG. CODE
SM708-GUARD	Wireguard for large fixtures	BC
SM708-VISOR	Top visor for large fixtures	BC

### MADE-TO-ORDER REPLACEMENT PARTS

Catalog Number	Description	PKG. CODE
SM708-REPLGL	Glass only for WGH-250/400	BC
SM708-FRAME/GLASS	Lens door assembly for WGH-250/400	BC
SM704-REPLGL	Glass only for WGH-70H/100H	BC
SM704-FRAME/GLASS	Lens door assembly for WGH-70H/100H	BC
SM705-LENS	Polycarbonate refractor only for WPH-70S/100S	BC

### DIMENSIONS -WGH 250/400



# Wet Location LED Vaportites VBGL/VWGL

- Compact size measuring only 5.2" x 10.4" (wall mount version slightly larger)
- 757 lumens, 11w system, 70 LPW
- Frosted glass lens distributes light evenly without any LED brightness or glare
- Pendant mount version accommodates traditional 1/2" x 14 NPS threaded conduit
- 120-277V operation, 50/60Hz
- Rugged die-cast aluminum housing with removable cast aluminum guard and vandal resistant set screws included, gray finish
- IP66, listed to UL1598 for use in wet locations (unit is not rated for use in hazardous locations)
- Four color multi-language merchandising carton with application details
- Color globe accessories available: Green, Blue, Yellow and Red



## STOCK ORDERING INFORMATION

Catalog Number	Construction	Mount	System Wattage	# Drivers/Current	Voltage	Color Temperature	Delivered Lumens	LPW	Weight lbs. (kg)	PKG. CODE
VBGL-1	Globe refractor	Ceiling/Pendant	11	1@250mA	120-277V	4000K	757	70	3.4 (1.54)	FCC
VWGL-1	Globe refractor	Wall	11	1@250mA	120-277V	4000K	757	70	3.6 (1.63)	FCC

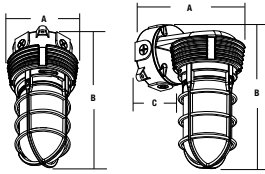
## STOCK REPLACEMENT GLOBES

Catalog Number	Description	PKG. CODE
VGL-FG	Frosted globe	BC
VGL-GUARD	Guard with set screws	BC
Colored Globes		PKG. CODE
VGL-GN	Green globe	BC
VGL-YW	Yellow globe	BC
VGL-BU	Blue globe	BC
VGL-RD	Red globe	BC

## PERFORMANCE INFORMATION

Series Number	Equivalency		Energy Savings
	INC	CFL	
VBGL-1	150w	32w	88%
VWGL-1	150w	32w	88%

## DIMENSIONS



	A	B	C
VBGL-1	5.2"	10.4"	-
	132 mm	263 mm	-
VWGL-1	7.3"	11.0"	5.2"
	186 mm	280 mm	132 mm

# Wet Location Incandescent Vaportites VBGG/VWGG

- Wall/ceiling/pendant entry, corridor, tunnel, service area, stairwell, or retro-accent
- Platinum silver protective finish
- VWGG has cast aluminum wall bracket with cast wiring box; Box has external lugs and four side 1/2" hubs for surface conduit and one rear 1/2" access hub
- VBGG has cast aluminum wiring box with external lugs for ceiling mount and four 1/2" hubs for surface conduit
- Wiring box has top 1/2" hub for pendant mount
- All units have water/bug tight gasketing
- All units include clear glass protective globe with thread-on cast aluminum guard; Guard includes vandal-resistant set screw
- All units are UL listed for use in wet locations



150 Watt

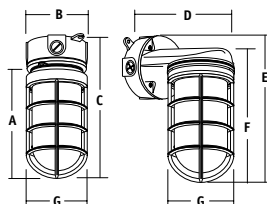
## STOCK ORDERING INFORMATION

Catalog Number	Wattage	Mounting	Weight lbs. (kg)	PKG. CODE
VBGG-150	150	Box/pendant	3 (1.36)	FCC
VWGG-150	150	Wall	3.5 (1.59)	FCC

## STOCK REPLACEMENT GLOBES

Catalog Number	Description	PKG. CODE
VRGP-100	Ruby, tempered	BC

## DIMENSIONS



	A	B	C	D	E	F	G
150w	7"	1 1/2"	9"	7 1/4"	9 3/4"	8 1/2"	4"
	178 mm	38 mm	229 mm	184 mm	248 mm	216 mm	102 mm

150w Lugs: 5" center to center





# GSL

## Ceiling/Canopy/Garage LED Luminaire

LED CEILING/CANOPY/GARAGE



- Designed for a range of ceiling applications including parking garage, walkway or building canopies, corridors, tunnels, large stairwells and other cover applications; Two lumen packages and two optical distributions make the the GSL Series luminaire both versatile and functional for j-box or pendant mounting at 8'-15' ht
- Vertically finned cast aluminum housing for maximum heat dissipation ensuring long component life and performance
- Wattage: 53.5w or 74w, >81 LPW
- Gray powder coat paint finish
- 15KA surge protection included standard
- IP66 luminaire rating, Listed to UL1598 for use in wet locations
- Field configurable symmetric and asymmetric optic in a single SKU
- DesignLights Consortium Qualified
- Two 1/2" threaded hubs for accessories
- CCT: 4000K (70 CRI)
- Lumen packages ranging of 4,500 or 6,100 with 15 or 21 LEDs
- Designed for 40° C ambient temperatures
- Hinged mounting plate standard, allows single person installation
- Programmable motion sensor option available

### STOCK ORDERING INFORMATION

Catalog Number	System Watts	Delivered Lumens	Voltage	CCT	# Drivers/Current	Mounting Height	Weight lbs. (kg)	PKG. CODE
GSL-15L	53.3w	4524	120-277V	4000K	1@1050mA	8-12 ft.	13.8 (6.2)	BC
GSL-21L	74w	6138	120-277V	4000K	1@1050mA	12-15 ft.	13.8 (6.2)	BC
GSL-15L-SCP	53.3w	4524	120-277V	4000K	1@1050mA	8-12 ft.	13.8 (6.2)	BC
GSL-21L-SCP	74w	6138	120-277V	4000K	1@1050mA	12-15 ft.	13.8 (6.2)	BC

### PERFORMANCE INFORMATION

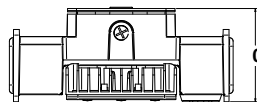
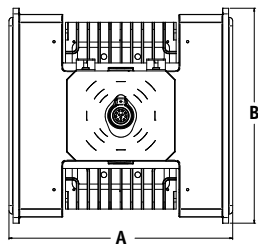
Series Number	Equivalency			Energy Savings
	MH	HPS	CFL	
GSL-15L	150w	150w	84w+	72%
GSL-21L	250w	250w	84w+	54%

### MADE-TO-ORDER ACCESSORIES/REPLACEMENT PARTS - Order Separately (field installed)

Catalog Number	Description	PKG. CODE
GSL-SPC	Vandal shield, polycarbonate	BC
GSL-CS	Comfort shield, acrylic, improved uniformity, 8% lumen reduction	BC
93048453	Programmable motion sensor (High/low or on/off capability, user programmable low settings)	BC
95005520	Motion sensor lens (wide lens, 48 ft. diameter, 16ft. maximum mounting height)	BC
PTA-1	120V button photocell with 1/2" thread	BC
PTA-8	120V - 277V button photocell with 1/2" thread	BC
SCP-REMOTE	Infrared IR remote control to program motion sensor (Minimum 1 required per project)	BC
GSL-MTG-PL	Hinged mounting plate	BC
GSL-LENS-M	LED lens for symmetrical Type V	BC
GSL-LENS-R	LED lens for asymmetrical Type II rectangular	BC
GSL-Protector	15KA surge protector	BC

<sup>1</sup> Must order minimum of one remote to program dimming settings, consult factory for details, 0-10V fully adjustable dimming with automatic daylight calibration and different time delay settings, 120V or 277V only

### DIMENSIONS



A	B	C	Weight
12.5" sq.	12.0"	5.2"	13.8 lbs.
317.5 mm	304 mm	132 mm	6.25 kg

# Lumasquare® NRG® 4000

## High Performance LED Indoor/Outdoor Ceiling/Lowbay Series

- Designed for illumination of commercial indoor/outdoor lowbay applications including: mechanical rooms, retail, covered loading docks and utility areas
- Rugged, die-cast housing has a durable powder coat paint finish available in bronze; Mounts over recessed J-box and features two convenient 1/2" side hubs for surface conduit mounting
- Stainless steel vandal-resistant screws standard
- Fully gasketed for weatherproof/bug-proof integrity
- 4000K CCT (70 CRI) nominal and 5000K CCT (70 CRI) nominal
- One-piece, injection-molded, clear prismatic acrylic refractor enhances space with 10% uplight; High temperature acrylic for reduced yellowing, uniform light distribution and low glare
- Listed to UL1598 for use in wet locations
- Five year limited warranty
- 10KA, 10KV surge protector standard
- DLC qualified NRG4-30LU-4K-BZ



LED CEILING/CANOPY/GARAGE

### QS5 5-Day Quick Ship Ordering Guide

Order Limit Per Fixture Selection: 15 – BC Pkg Code

Catalog Number	System Watts	delivered Lumens	Voltage	CCT	# Drivers/Current	Mounting Height	Weight lbs. (kg)	PKG. CODE
NRG4-30LU-4K-035-BZ	35	3355	120-277V	4000K	1@350mA	up to 16 ft.	13.9 (6.3)	BC
NRG4-30LU-5K-035-BZ	35	3543	120-277V	5000K	1@350mA	up to 16 ft.	13.9 (6.3)	BC
NRG-4-30LU-4K-BZ	70	5872	120-277V	4000K	2@700mA	up to 16 ft.	13.9 (6.3)	BC
NRG-4-30LU-5K-BZ	70	6122	120-277V	5000K	2@700mA	up to 16 ft.	13.9 (6.3)	BC

#### PERFORMANCE INFORMATION

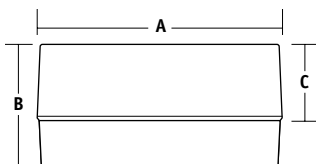
Series Number	Equivalency		Energy Savings
	MH	HPS	
NRG4-30LU-4K-035-BZ	70w	70w	63%
NRG4-30LU-4K-BZ	150w	150w	45%
NRG4-30LU-5K-035-BZ	70w	70w	64%
NRG4-30LU-5K-BZ	150w	150w	45%

#### STOCK

#### REPLACEMENT PART

Catalog Number	Description
800-3289-0100	Replacement refractor kit

#### DIMENSIONS

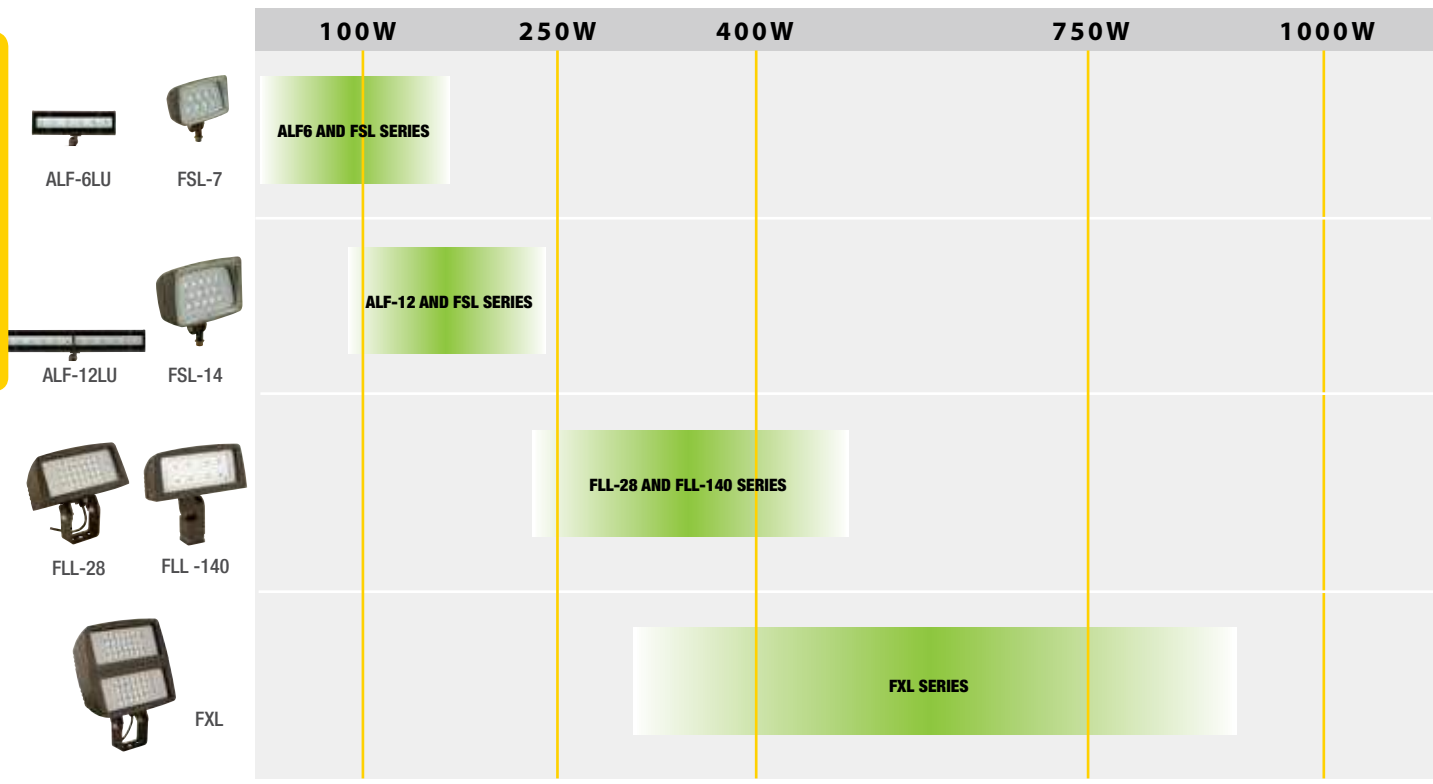


A	B	C	Weight
14" sq. 356 mm	8 1/8" 206 mm	4 3/4" 121 mm	13.9 lbs. 6.3 kg

# FLOODLIGHT SELECTION GUIDE

## LEGACY LAMP WATTAGE

LED FLOODLIGHTING



Equivalency in floodlighting is greatly impacted by the beam spread and max candlepower of the luminaires in question. Rather than focusing on lumen packages and/or wattage, incorporate the following elements into your lighting design and resulting product selection:

1. The amount of light needed on the target (footcandles).
2. The luminaire setback from the target (don't waste energy and light using a wide beam spread if your target is small or have a distant setback...only put light on the intended target).
3. Increased setback distances required luminaires with greater candlepower vs. total lumens. Use a more narrow beam for these instances. Flag poles and palm trees are examples of applications best suited for a more narrow beam spread floodlight.

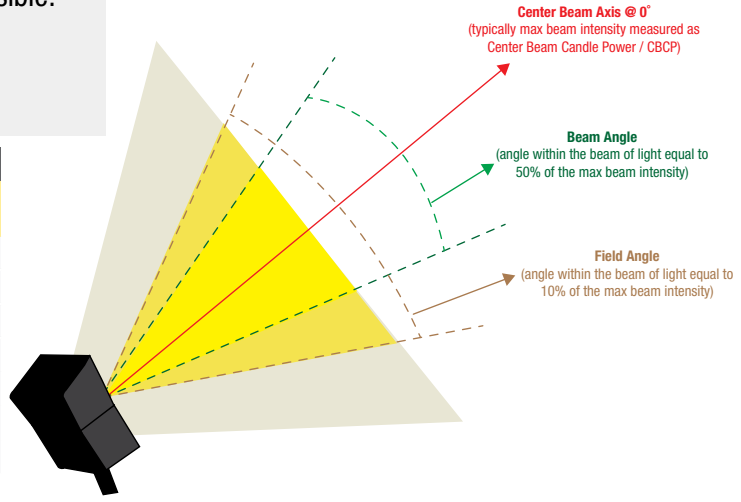
Hubbell Lighting has design professionals available to assist you with your product selection.

### Beam Spreads

- Wide
- Medium
- Narrow
- Specialty

Hubbell Outdoor Lighting's floodlight offering is available in a variety of beam spreads allowing you to customize your lighting design ensuring the best results possible.

NEMA Beam Spread Classification		
Beam Spread Degrees (Field Angle)	NEMA Type	Beam Description
10° up to 18°	1	very narrow
18° - 29°	2	narrow
29° - 46°	3	medium narrow
46° - 70°	4	medium
70° - 100°	5	medium wide
100° - 130°	6	wide
130° and up	7	very wide





# FEATURED PRODUCTS

## FOUR SIZES...MAXIMUM VERSATILITY

High performance ARF3 and ARF4 architectural styled energy-efficient LED floodlights feature multiple NEMA beam spreads, three color temperatures, excellent uniformity, photocontrol and shielding options for optimum performance and energy savings. Applications include: office buildings, monuments, facades, columns, flag poles, bridges, commercial, mixed retail, apartments, schools and campuses.

### All FACTOR floods Feature

- Vented housing design isolates LED module from driver for long life and improved performance
- 4000K, 5000K color temperatures with 70 CRI
- NEMA distribution– Wide (6x6)
- 120-277V operation
- 0-10V dimming drivers
- Visor, louver and vandal shield accessories available
- DesignLights Consortium® (DLC) qualified\*

# FACTOR floods



### FSL



### FML



<b>FSL</b>	up to 2,448 Lumens
Equivalency	up to 100w+ MH

<b>FML</b>	up to 4,285 Lumens
Equivalency	up to 150w+ MH

- Ultra-compact size measuring only 4.50" x 7.49" x 4.03"
- IP66 and wet location listed
- Traditional ½" x 14 NPS threaded adjustable knuckle mounting
- Visor and vandal shield available

- Compact size measuring only 6.68" x 9.63" x 4.53"
- IP65 and wet location listed
- Traditional ½" x 14 NPS threaded adjustable knuckle mounting
- Visor and vandal shield available

### FLL



### FXL



<b>FLL</b>	up to 14,764 Lumens
Equivalency	up to 250-400w MH

<b>FXL</b>	up to 21,045 Lumens
Equivalency	400w+ MH

- Large LED flood with wide beam NEMA 6 x 6 or 7 x 7
- IP-65 and Wet location listed
- Traditional adjustable yoke mounting or knuckle for 2 3/8" OD tenon (FLL-K series only)
- Optional 347 and 480V

- Extra large LED flood with wide beam NEMA 6 x 6 distribution
- IP-65 and Wet location listed
- Traditional adjustable yoke mounting
- 3' SE00W cord

\*Please refer to the DLC website for specific product qualifications at [www.designlights.org](http://www.designlights.org)

# FSL

## FACTOR Small Flood

LED FLOODLIGHTING



- Ultra-compact size measuring only 4.5" x 7.5" x 4"
- Wide NEMA 6 x 6 flood distribution for general purpose flood and facade lighting
- Traditional 1/2" x 14 NPS threaded adjustable knuckle mounting
- 120-277V operation (PC version 120V only)
- Rugged die-cast aluminum housing with dark bronze finish
- Vented housing isolates LED module from driver maximizing product life and performance
- High impact UV stabilized acrylic outer lens protects LEDs and allows for cleaning and debris removal
- DesignLights Consortium (DLC) qualified
- IP66, listed to UL1598 for use in wet locations
- Four color multi-language merchandising carton with application details
- Visor and vandal shield available

### STOCK

### ORDERING INFORMATION

Catalog Number	Mount	Max Candle Power	Beam Pattern	System Watts	# Drivers/ Current	Voltage	CCT/CRI	Delivered Lumens	LPW	Weight lbs. (kg)	PKG. CODE
FSL-7L4K	1/2" thread	1695	Wide	26	1@1050mA	120-277V	4000K/70	2358	91	6 (2.7)	FCC
FSL-7L4K-PCU	1/2" thread	1695	Wide	26	1@1050mA	120-277V	4000K/70	2358	91	6 (2.7)	FCC
FSL-7	1/2" thread	1760	Wide	26	1@1050mA	120-277V	5000K/70	2448	94	6 (2.7)	FCC
FSL-7-PCU	1/2" thread	1760	Wide	26	1@1050mA	120V	5000K/70	2448	94	6 (2.7)	FCC

### EQUIVALENCY INFORMATION

Equivalency			Energy Savings
MH	HPS	CFL	
100w	100w	42w	79%

### STOCK

### ACCESSORIES/REPLACEMENT PARTS - (ORDER SEPARATELY)

Catalog Number	Description
FSL-SPC	Polycarbonate shield/lens (Replaces existing acrylic lens)
FSL-VISOR-XX <sup>1</sup>	Top/bottom visor (Tap holes in lens frame for field installation)
93047942AC	Acrylic lens w/ gasket
93047957	25w, 120-277V driver, 1040mA
20750110264	Knuckle mount, Dark Bronze finish; Contact factory for additional finishes
S-302	Slipfits 1 1/2" or 2" pipe (1.9" OD or 2 3/8" OD) with 1/2" N.P.S.M. hub; Gray
S-302-M51	Slipfits 1 1/2" or 2" pipe (1.9" OD or 2 3/8" OD) with 1/2" N.P.S.M. hub; Bronze
S-302-M52	Slipfits 1 1/2" or 2" pipe (1.9" OD or 2 3/8" OD) with 1/2" N.P.S.M. hub; White
TRN-XX <sup>1</sup>	Trunnion adaptor for 1/2" threaded knuckle mount

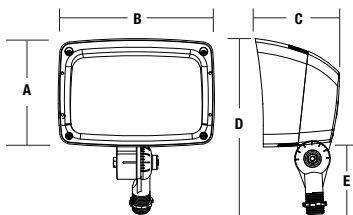


TRN-XX

ADDITIONAL ACCESSORIES ON PG. 37-39

<sup>1</sup> Specify finish color to match fixture, e.g. DB - Bronze.

### DIMENSIONS



A	B	C	D	E	Weight
5.125"	7.5"	4"	8.625"	3.5"	6 lbs.
130 mm	190 mm	102 mm	219 mm	89 mm	2.7 kg

## FACTOR Medium Flood

LED FLOODLIGHTING

- Compact size measuring only 6.7" x 9.6" x 4.5"
- Wide NEMA 6 x 6 flood distribution for general purpose flood and facade lighting
- Traditional 1/2" x 14 NPS threaded adjustable knuckle mounting
- 120-277V operation (PC version 120V-277V)
- Rugged die-cast aluminum housing with dark bronze finish
- DesignLights Consortium (DLC) qualified
- High impact UV stabilized acrylic outer lens protects LEDs and allows for cleaning and debris removal
- IP65, listed to UL1598 for use in wet locations
- Four color multi-language merchandising carton with application details
- Visor and vandal shield available
- Vented housing isolates LED module from driver maximizing product life and performance



### STOCK ORDERING INFORMATION

Catalog Number	Mount	Beam Pattern	System Watts	# Drivers/ Current	Voltage	Color Temperature	Delivered Lumens	LPW	Weight lbs. (kg)	PKG. CODE
FML-14	1/2" thread	2805	Wide	53	1@1050mA	120-277V	5000K/70	4285	87	FCC
FML-14-PCU	1/2" thread	2805	Wide	53	1@1050mA	120-277V	5000K/70	4285	87	FCC
FML-4L4K	1/2" thread	2580	Wide	53	1@1050mA	120-277V	4000K/70	4129	78	FCC
FML14L4KPCU	1/2" thread	2580	Wide	53	1@1050mA	120-277V	4000K/70	4129	78	FCC

### EQUIVALENCY INFORMATION

Equivalency			Energy Savings
MH	HPS	CFL	
150w	150w	2x42w	72%

### STOCK ACCESSORIES/REPLACEMENT PARTS - (ORDER SEPARATELY)

Catalog Number	Description
FML-SPC	Polycarbonate shield/lens (Replaces existing acrylic lens)
FML-VISOR-XX <sup>1</sup>	Top/bottom visor (Tap holes in lens frame to field install)
93047961AC	Acrylic lens w/ gasket
93047971	50w, 120-277V driver, 1040mA
20750110264	Knuckle mount, Dark Bronze finish; Contact factory for additional finishes
S-302	Slipfits 1 1/2" or 2" pipe (1.9" OD or 2 3/8" OD) with 1/2" N.P.S.M. hub; Gray
S-302-M51	Slipfits 1 1/2" or 2" pipe (1.9" OD or 2 3/8" OD) with 1/2" N.P.S.M. hub; Bronze
S-302-M52	Slipfits 1 1/2" or 2" pipe (1.9" OD or 2 3/8" OD) with 1/2" N.P.S.M. hub; White
TRN-XX <sup>1</sup>	Trunnion adaptor for 1/2" threaded knuckle mount

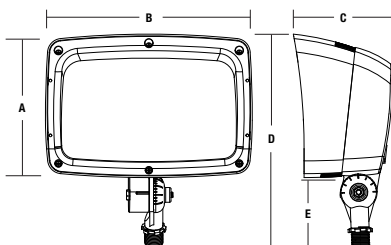


TRN-XX

ADDITIONAL ACCESSORIES ON PG. 37-39

<sup>1</sup> Specify finish color to match fixture, e.g. 08 - Bronze.

### DIMENSIONS



A	B	C	D	E	Weight
6.7"	9.6"	4.5"	10.20"	3.5"	8.5 lbs.
169 mm	224 mm	115 mm	259 mm	89 mm	3.8 kg



**HUBBELL**  
Outdoor Lighting

# FLL

## FACTOR Large Flood - 28 LED high power or 140 LED mid-power

LED FLOODLIGHTING



28L  
with yoke  
SP  
c us

140L  
with Knuckle



Large LED flood with wide beam NEMA 6 x 6 or 7 x 7 distribution for lighting applications such as safety/security, facade, area, or signs;

- Operating temperature range -35°C to 40°C
- Replaces 250w and 400w HID
- Rugged die-cast aluminum housing with dark bronze finish
- Tempered glass lens protects LEDs and allows for cleaning/debris removal
- 120-277V operation, 50/60Hz, 100w
- Visor, louver, and vandal shield accessories available

- Vented housing isolates LED module from driver, maximizing product life and performance
- DesignLights Consortium (DLC) qualified
- IP65, listed to UL1598 for use in wet locations
- Driver RoHS compliant and IP66
- Adjustable yoke mounting for both 28L and 140L series with 3' SE00W cord with yoke mount
- Knuckle mount available for 140L series

### STOCK ORDERING INFORMATION

Catalog Number	Mount	Max Candle Power	Beam Pattern	System Watts	# of Drivers/Current	Voltage	CCT/CRI	Delivered Lumens	LPW	Weight lbs. (kg)	PKG. CODE
FLL-28L	Yoke	6935	Wide	95	1@1050mA	120-277V	5000K/70	9557	100.6	20 (9.0)	FCC
FLL-28L4K	Yoke	6682	Wide	95	1@1050mA	120-277V	4000K/70	9208	97	20 (9.0)	FCC
FLL-Y-140L5K-4	Yoke	5731	Wide	150	1@158mA	120-277V	5000K/70	14765	98.4	20 (9.0)	FCC
FLL-Y-140L4K-4	Yoke	5627	Wide	150	1@158mA	120-277V	4000K/80	14665	98	20 (9.0)	FCC
FLL-K-140L5K-4	Knuckle	5731	Wide	150	1@158mA	120-277V	5000K/70	14765	98.4	20 (9.0)	FCC
FLL-K-140L4K-4	Knuckle	5627	Wide	150	1@158mA	120-277V	4000K/80	14665	98	20 (9.0)	FCC

### EQUIVALENCY INFORMATION

Equivalency			Energy Savings
MH	HPS	CFL	
250w	250w	2x42w+	66%

### STOCK ACCESSORIES/REPLACEMENT PARTS - (ORDER SEPARATELY)

Catalog Number	Description
FLL-VISOR-DB	Top visor (Tap holes in lens frame for field installation)
93058186	96w, 120-277V driver, 1050mA (1 Qty)
FLL-LOUVER-BL	Black adjustable louver
ARF-SPC	Polycarbonate vandal shield

ADDITIONAL ACCESSORIES ON PG. 37-39

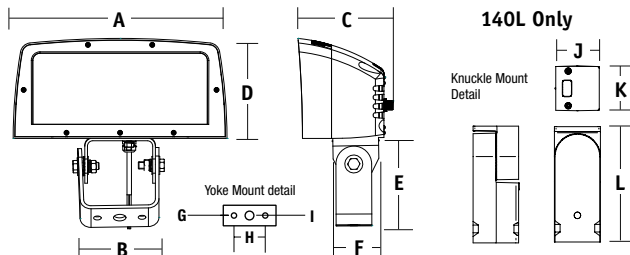
FLL-LOUVER-BL



FLL-VISOR-DB



### DIMENSIONS



A	B	C	D	E	F	G
15"	5.5"	6.0"	7.0"	6.24"	3.3"	17/32"
378 mm	140 mm	152 mm	177 mm	158 mm	84 mm	14 mm

H	I	J	K	L	Weight
3-1/8"	7/8"	3.0"	2.9"	7.57"	20.6 lbs.
79 mm	22 mm	77 mm	75 mm	192 mm	9.3 kg

## FACTOR Large Flood

LED FLOODLIGHTING

Extra large LED flood with wide beam NEMA 6 x 6 distribution for lighting applications such as safety/security, facade, area, or signs; Operating temperature range -35°C to 40°C

- Replaces up to 750w HID
- 5000K CCT, 70 CRI
- Rugged die-cast aluminum housing with dark bronze finish
- Tempered glass lens protects LEDs and allows for cleaning/debris removal
- 120-277V operation, 50/60Hz

- Visor, louver, and vandal shield accessories available
- Vented housing isolates LED module from driver, maximizing product life and performance
- DesignLights Consortium (DLC) qualified
- IP65, listed to UL1598 for use in wet locations
- Driver RoHS compliant and IP66
- Traditional adjustable yoke mounting
- 3' SEOW cord



### STOCK ORDERING INFORMATION

Catalog Number	Mount	Max Candle Power	Beam Pattern	System Watts	# Drivers/ Current	Voltage	Color Temperature	Delivered Lumens	LPW	Weight lbs. (kg)	PKG. CODE
FXL-56L	Yoke	15816	Wide	187	2@1050mA	120-277V	5000K/70	21095	113	32 (14.5)	FCC
FXL-56L4K	Yoke	15239	Wide	187	2@1050mA	120-277V	4000K/70	20325	108	32 (14.5)	FCC

### EQUIVALENCY INFORMATION

Equivalency			Energy Savings
MH	HPS	CFL	
400w-750w	400w	2x42w+	66%

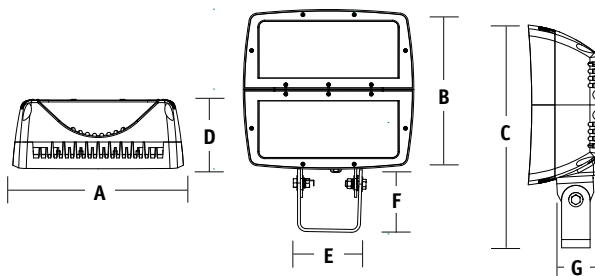
### STOCK ACCESSORIES/REPLACEMENT PARTS - (ORDER SEPARATELY)

Catalog Number	Description
FLL-VISOR-DB	Top/Bottom visor (Tap holes in lens frame for field installation)
93058186	96w, 120-277V driver, 1050mA (2 Qty per fixture)
FLL-LOUVER-BL	Black adjustable louver (order 2 per fixture)
ARF-SPC	Polycarbonate vandal shield
4024C	Steel slipfitter for 2" pipe, 2 3/8" OD yoke mount, Bronze finish
4040	Heavy-duty steel wall/pole bracket; bronze Lektrocote®

ADDITIONAL ACCESSORIES ON PG. 37-39



### DIMENSIONS



A	B	C	D	E	F	G	Weight
15"	14.0"	19.6"	6.0"	5.5"	6.24"	3.3"	36.2 lbs.
380 mm	356 mm	498 mm	152 mm	139 mm	158 mm	84 mm	16.4 kg



# MBUL

## COLT Mini LED Bullet

LANDSCAPE FLOOD

NEW



IP65



- General floodlighting, landscape lighting along paths, sidewalks and steps, accent and safety illumination
- Provides even floodlight distribution
- Units are 120V
- Listed to UL1598 for use in wet locations
- IP65
- NEMA 3R
- DesignLights Consortium (DLC) qualified
- Stake included for easy installation and positioning
- Adjustable swivel for easy adjustment
- Two mounting capabilities:
  - 1/2" 14 NPS threaded mounting for box or pipe mounting
  - 7" stake with 8" SO cord for landscape applications



STOCK

ORDERING INFORMATION

Catalog Number	Description	Finish	Weight lbs. (kg)	PKG. CODE
<b>LED - Wet Location Listed - Universal Aiming</b>				
MBUL-1L3K-1	LED bullet flood, 3000K CCT	Bronze	2 (0.9)	FCC

### PERFORMANCE INFORMATION

Series Number	Equivalency			Delivered Lumens	System Watts	Lumens Per Watt	Beam Pattern	CCT	Voltage	# of Drivers/Current
	INC	HID	CFL							
MBUL-1L3K-1	100w	50w-70w	2x42w	1115	13	84.5	6 x 6	3000K	120V	N/A

### EQUIVALENCY INFORMATION

Equivalency			Energy Savings
MH	INC.	CFL	
50-70w	100w	84w	78%



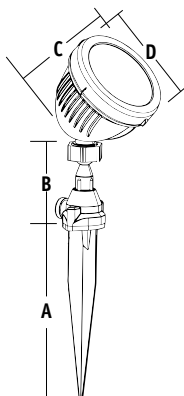
8" SO Cord

6.75" Stake included

Knuckle mount

ADDITIONAL ACCESSORIES ON PG. 37-39

### DIMENSIONS



A	B	C	D
6.75"	2.875"	3.25"	3.5"
171 mm	73 mm	82 mm	89 mm

ADDITIONAL ACCESSORIES ON PG. 43



## COLT LED Bullet

- LED bullet is versatile, compact floodlight for landscape, accent, pole, column, facade and small area illumination
- Replaces up to 70w HID or 84w CFL
- Traditional 1/2" x 14 NPS threaded adjustable knuckle mounting
- 120-277V operation
- Die-cast aluminum housing
- Decorative dark bronze finish
- DesignLights Consortium (DLC) qualified

- 3 distribution options in one carton (narrow, medium, wide)
- Rotatable hood for versatile glare control
- 3000K or 4000K color temperature
- IP65 and certified to UL 1598 for use in wet locations
- Certified up to 40°C ambient per UL 1598
- Accessory kits available for trunnion mount and color/tinted light applications



LANDSCAPE FLOOD

Shown with Trunnion accessory

### STOCK ORDERING INFORMATION

Catalog Number	Description	Finish	Weight lbs. (kg)	PKG. CODE
<b>LED - Wet Location Listed - Universal Aiming</b>				
<b>BUL-1L3K-U</b>	LED bullet flood, 3000K CCT	Bronze	5 (2.2)	FCC
<b>BUL-1L4K-U</b>	LED bullet flood, 4000K CCT	Bronze	5 (2.2)	FCC

### PERFORMANCE INFORMATION

Series Number	Equivalency			Delivered Lumens	System Watts	Lumens Per Watt	Beam Pattern	CCT	Voltage	# of Drivers/ Current
	MH	HPS	CFL							
<b>BUL-1L3K-U (wide)</b>	70w	70w	84w	1802	21.2	85	3 x 3, 4 X 4, 6 X 6	3000K	120-277V	1@350mA
<b>BUL-1L4K-U (wide)</b>	70w	70w	84w	1886	21	90	3 x 3, 4 X 4, 6 X 6	4000K	120-277V	1@350mA
<b>BUL-1L3K-U (narrow)</b>	70w	70w	84w	1935	21.2	91	3 x 3, 4 X 4, 6 X 6	3000K	120-277V	1@350mA
<b>BUL-1L4K-U (narrow)</b>	70w	70w	84w	1965	21	93.5	3 x 3, 4 X 4, 6 X 6	4000K	120-277V	1@350mA

### STOCK ACCESSORIES - Order Separately

Catalog Number	Description
<b>BUL-COLOR</b>	Lens kit with tinted color choices – Red, Blue, Green and Yellow
<b>TRN-XX<sup>1</sup></b>	Trunnion adaptor for 1/2" threaded knuckle mount

<sup>1</sup> Specify finish color to match fixture, e.g. DB - Bronze.

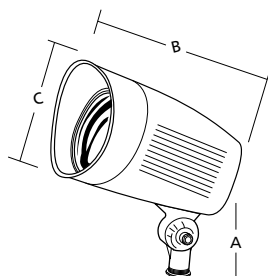


**ADDITIONAL ACCESSORIES ON PG. 37-39**

### EQUIVALENCY INFORMATION

Equivalency			Energy Savings
MH	INC.	CFL	
150w	100w	84w	78%

### DIMENSIONS



A	B	C
3"	6"	5"
76 mm	152 mm	127 mm

# ALF

## Linear LED Floodlight/Wall Mount



ALF-6LU



ALF-12LU

- ALF is excellent for small floodlighting applications such as signs, façade, landscape accent or small area illumination
- The compact, low profile size allows the flood to be easily hidden or blend into the landscape environment
- Knuckle mount: Universal 1/2" swivel knuckle has serrated teeth for sure aiming
- Wall mount: Cast aluminum cover/quick mount plate and universal adapter allows easy installation to 3 1/2 or 4" standard junction boxes; Tilt for increased forward throw
- Universal voltage driver is 120-277V, 50/60Hz
- Impact resistant tempered glass lens seals to housing with silicone gaskets
- Dark bronze durable powder paint finish
- Wide 6x5 NEMA beam spread covers three times the set back distance with uniform light
- Listed to UL 1598 for use in wet locations  
ALF-6: IP65, ALF12: IP64w

FLOODLIGHTING



### STOCK ORDERING INFORMATION

Catalog Number	System Watts	Number of LEDs	Voltage <sup>1</sup>	Delivered Lumens	Max Candle Power	CCT	Beam Pattern	# Drivers/Current	Weight lbs. (kg)	PKG. CODE
<b>1/2" Knuckle Mount</b>										
ALF-6LU-5K-BZ	10.1w	6	120-277V	905	667	5000K	6 X 5	1@470mA	4.0 (1.8)	FCC
ALF-12LU-5K-BZ	21.4w	12	120-277V	1913	1395	5000K	6 X 5	2@470mA	8.0 (3.6)	FCC

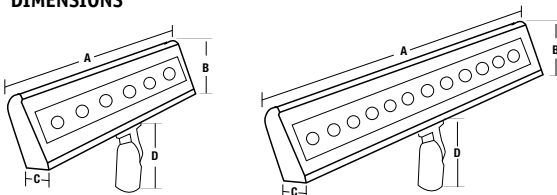
<sup>1</sup> Unit should not be used above 240V in Canada

### EQUIVALENCY INFORMATION

Series Number	Equivalency			Energy Savings
	MH	HPS	CFL	
ALF-6LU	70w	70w	26w	89%
ALF-12LU	100w	100w	42w	83%

### ADDITIONAL ACCESSORIES ON PG. 37-39

### DIMENSIONS



A	B	C	D
12/24"	3 1/2"	1 1/2"	3 1/2"
305/609.6 mm	89 mm	38 mm	89 mm

## MARSHAL Decorative LED Twin Head Motion Sensor Kit

Attractive security floodlight set. Powerful LED system saves energy and maintenance over traditional lighting sources.

- 180 degree coverage
  - 120V/60Hz LED
  - Dark Bronze or white finish
  - Die-cast aluminum decorative heads
  - 120V operation
  - Listed to UL1598 for use in wet locations
- 2 adjustable heads and 1 adjustable motion sensor
  - Replaces twin 150w incandescent lamps



FLOODLIGHTING

### STOCK ORDERING INFORMATION


Catalog Number	Mount	Color	Beam Pattern	Wattage	Voltage	CCT/CRI	Lumens	LPW	Weight lbs. (kg)
ML-2L3K-1-DB	Ceiling/Wall	Dark Bronze	Wide (6x6)	26.6w	120	3000K/83	2104	79	2.2 (1)
ML-2L3K-1-WH		White							



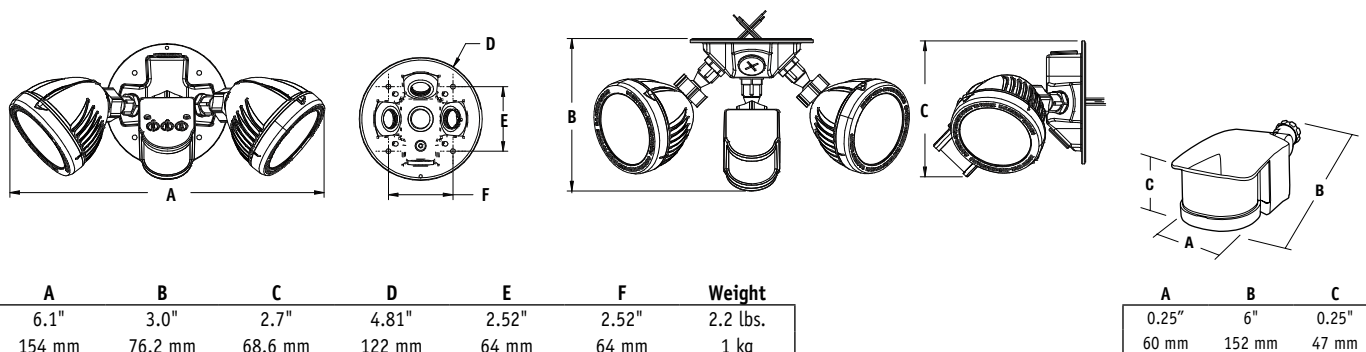
### STOCK ORDERING INFORMATION

Catalog Number	Mount	Color	Description
MS-DB	1/2" threaded	Dark Bronze	180° coverage motion sensor only
MS-WH	1/2" threaded	White	180° coverage motion sensor only

### PERFORMANCE INFORMATION

Series Number	Equivalency		Delivered Lumens	System Watts	Lumens Per Watt	Beam Pattern	CCT/CRI	Voltage
	INCANDESCENT	CFL						
 ML-2L3K-1-DB	150W	2x42W	2104	26.6w	79	Wide (6x6)	3000K/83	120

### DIMENSIONS



## Miniliter® V Compact Wide Beam Floodlight

HID FLOODLIGHTING



- Sign, facade, area, accent and general security lighting
- Die-cast housing and door, rugged but lightweight
- Tempered glass lens
- Tool-free entry for lamping or maintenance, silicone gasket provides seal
- Steel yoke (MHS-Y) or cast aluminum 2 3/8" knuckle slipfitter (MHS-K) mounting
- Lamp included
- HPF ballastry in Quad-Tap®, and 480V (consult listings below)
- Wide, uniform beam for illumination of signs, facades and large areas; coverage is four times set back distance; lamp included
- UST fixtures are built in Christiansburg, VA and meet ARRA level 2 requirements
- Available in dark bronze powder paint finish
- Listed to UL1598 for use in wet locations, CSA 22.2 No. 250.0-00, suitable for wet locations
- U.S. Patent No. 6,461,026

MHS-Y (Yoke Mount)



### STOCK ORDERING INFORMATION

Catalog Number	Lamp Type/Wattage <sup>1</sup>	Voltage	Weight lbs. (kg)	PKG. CODE
<b>Pulse Start Metal Halide Yoke Mount</b>				
MHS-Y250P8	250W PS ED28	Quad-Tap® (120, 208, 240, 277V)	22 (10.0)	FCC
MHS-Y400P8	400W PS ED37	Quad-Tap® (120, 208, 240, 277V)	26 (11.8)	FCC
MHS-Y400P5	400W PS ED37	480V	26 (11.8)	BC
<b>Pulse Start Metal Halide Knuckle Mount</b>				
MHS-K250P8	250W PS ED28	Quad-Tap® (120, 208, 240, 277V)	27 (12.2)	BC
MHS-K400P8	400W PS ED37	Quad-Tap® (120, 208, 240, 277V)	31 (14.1)	BC
<b>High Pressure Sodium Yoke Mount</b>				
MHS-Y400S8	400W HPS E18	Quad-Tap® (120, 208, 240, 277V)	28 (12.7)	FCC
MHS-Y400S5	400W HPS E18	480V	28 (12.7)	BC

<sup>1</sup> All fixtures have dark bronze powder finish and are shipped with mogul base lamp; NOTE: EPA is 1.4 sq. ft.

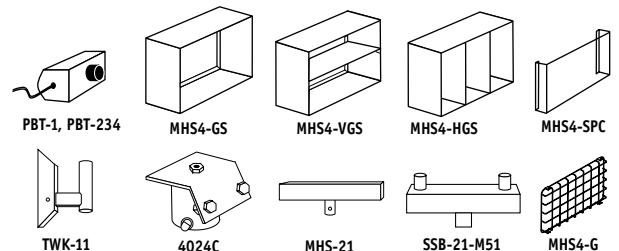
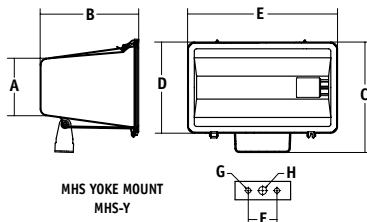
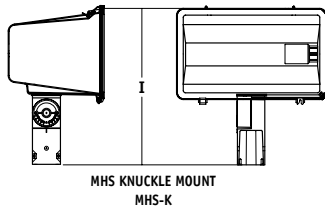
### STOCK ACCESSORIES - (ORDER SEPARATELY, BC PKG CODE)

Catalog Number	Description
PBT-1	Photocontrol, button type, 120V
PBT-234	Photocontrol, button type, 208, 240, 277V
MHS4-SPC	Polycarbonate shield (for independent use only)
MHS4-G	Wire guard, 2" square grid (for independent use only)
4024C	Steel slipfitter for 2" pipe, 2 3/8" OD yoke mount, bronze finish
MHS4-GS	Glare shield, black finish (for independent use only)
MHS4-VGS	Vertical glare shield, black finish (for independent use only)
MHS4-HGS	Horizontal glare shield, black finish (for independent use only)
MHS-21	Two light bracket, bolt on yoke mount, slipfits 2 3/8" OD tenons, bronze finish
SSB-21-M51	Two light bracket, knuckle mount units, slipfits 2 3/8" OD tenons, bronze finish
TWK-11	Steel wall bracket with 2 3/8" tenon, bronze finish (use with MHS-K)

### MADE-TO-ORDER ORDERING INFORMATION - (BC PKG CODE)

SERIES	MOUNTING	WATTAGE/SOURCE	VOLTS	FINISH	UST	OPTIONS
MHS Miniliter V Series	Y Yoke K Knuckle	<b>PULSE START METAL HALIDE</b> 250P 250w PSMH 400P 400w PSMH <b>HIGH PRESSURE SODIUM</b> 250S 250w HPS 400S 400w HPS	5 480V 6 347V 8 Quad Tap® (120, 208, 240, 277V)	BL Black BZ Bronze GR Gray PL Platinum WH White CC Custom Color	UST U.S. transformed, ARRA level 2	QST Quartz standby Skt/Relay EM Quartz Skt C3 3ft. 16/3 SO C6 3ft. 16/3 SO PR(X) NEMA Photo cell receptacle (replace X with voltage: 1=120V, 2=208V, 3=240V, 4=277V, 5=480V, 6=347V) F(X) Fusing (replace X with voltage: 1-120V, 2-208V, 3-240V, 4-277V, 5-480V, 6-347V)

### DIMENSIONS



A	B	C	D	E	F	G	H	I
6 1/2"	14 1/2"	12"	9 7/8"	16 1/4"	3 1/8"	17/32"	7/8"	17"
165 mm	368 mm	305 mm	251 mm	413 mm	79 mm	14 mm	22 mm	432 mm



# MV/MH

## Magnuliter®

- MV series features vertical lamp, wide uniform beam distribution (coverage is 4x set back distance)
- MH series features horizontal lamp, medium or narrow distribution (medium distribution is 2x set back distance)
- Twin closure screws are steel with protective HubbellGard® coating; Allow easy service and long-life
- Die-cast aluminum housing and door provide protection for internal components
- Tempered, clear glass lens, sealed with silicone door gasket

- PowrPanl® ballast tray allows easy access and ground maintenance of electrical package up to 400w
- Quad Tap® ballast standard; Change 8 to 5 for 480V, to 6 for Tri-Tap 120/277/347V, to E for 50Hz, 220/240V
- Standard dark bronze finish; Add M50 for black, M53 for gray
- Listed to UL1598 for use in wet locations
- High ambient versions available – consult factory

MVM



HID FLOODLIGHTING

### STOCK ORDERING INFORMATION

Catalog Number MVM <sup>3</sup> Trunnion Mount	Catalog Number MVK <sup>1,3</sup> Slipfitter Mount	Photometry NEMA/IES H° x V°	Source/ Wattage	Weight lbs. (kg)	EPA ft <sup>2</sup> m <sup>2</sup>	PKG. CODE
MVM-1000H-268 <sup>2</sup>	MVK-1000H-268 <sup>2</sup>	6(130°) x 6(114°)	1000w PSMH	44 (21.0)	2.3 .22	BC
MVM-1000H-265 <sup>2</sup>	–	6(130°) x 6(114°)	1000w PSMH	44 (21.0)	2.3 .22	BC

### MADE-TO-ORDER ORDERING INFORMATION

Catalog Number MVM <sup>3</sup> Trunnion Mount	Catalog Number MVK <sup>1,3</sup> Slipfitter Mount	Photometry NEMA/IES H° x V°	Source/ Wattage	Weight lbs. (kg)	EPA ft <sup>2</sup> m <sup>2</sup>	PKG. CODE
MVM-HPS-SEA2 <sup>1</sup>	–	7(146°) x 6(115°)	less ballast	19 (8.6)	2.3 .22	BC
MVM-0250P-268 <sup>4</sup>	MVK-0250P-268 <sup>4</sup>	7(146°) x 6(115°)	250w PSMH	36 (16.3)	2.3 .22	BC
–	MVK-0400P-268 <sup>4</sup>	7(146°) x 6(119°)	400w PSMH	41 (18.6)	2.3 .22	BC
MVM-0400S-268	MVK-0400S-268	7(144°) x 6(113°)	400w HPS	43 (19.5)	2.3 .22	BC
MHP-0400P-338	MHK-0400P-338	3(44°) x 3(37°)	400w PSMH	32 (14.5)	2.3 .22	BC
MHP-0400P-368	MHK-0400P-368	5(83°) x 5(85°)	400w PSMH	32 (14.5)	2.3 .22	BC
MHP-0400S-238	MHK-0400S-238	5(73°) x 3(32°)	400 HPS	43 (19.5)	2.3 .22	BC
MHP-0400S-268	MHK-0400S-268	7(144°) x 6(113°)	400 HPS	43 (19.5)	2.3 .22	BC

- 1 For use with remote ballasts, maximum wattage: 400; MHK slipfits 2 3/8" O.D
- 2 3 ft. of 16/3 S.O. cord (cord on MVM style only) included; Dark bronze finish is standard
- 3 Dark bronze finish is standard
- 4 ED28 lamp size is required; For lamp shipped in fixture carton add - LP

NOTE: Lamps are not included; All ballasts are HPF and Quad-Tap® 120/208/240/277V; For 480V, change last digit 8 to 5; For Tri-Tap® 120/277/347V, change last digit 8 to 6; For 220/240V, 50 Hz, consult factory; Order mounting accessories separately

### MADE-TO-ORDER REPLACEMENT PART

Catalog Number	Description	PKG. CODE
800-2918-0115	Lens door assembly, bronze	BC

# MV/MH

## Magnuliter®

### MADE-TO-ORDER ORDERING INFORMATION - OPTIONS

#### OPTIONS - Add Suffix

Catalog Number	Description
-F(X)	Single fuse for 120/277/347V; Double fuse for 208/240/480V; (specify voltage, e.g. "F(240)")
-PCR(X)	Twist-Lock™ photocontrol receptacle, specify voltage (e.g. "PCR(120)") when ordering with Quad-Tap or Tri-Tap (PTL photocontrol or WIH-OM ordered separately)
-C(X <sub>1</sub> )(X <sub>2</sub> )	16/3 pre-wired S.O. Cord - replace X <sub>1</sub> with cord length desired: 3 - 3ft.; 6 - 6ft.; 12 -12ft.; specify voltage by replacing X <sub>2</sub> (e.g. "C6(120)"); not available in knuckle style mounting
-L	Unit with lamp (shipped separately)
-LP	Unit with lamp (shipped in fixture carton)
-M53	Gray Lektrocote® finish
-M50	Black Lektrocote® finish

### STOCK ACCESSORIES - (ORDER SEPARATELY)

Catalog Number	Description
MVM-V2 <sup>1</sup>	Top visor
MVM-S2 <sup>1, 2</sup>	Polycarbonate shield
MVM-PCR	Photocontrol receptacle (120-480V) less photocontrol
4024C	Steel slipfitter for MVM, mounts over 2 3/8" OD tenons
PBT-1	Button photocontrol 120 volt (knockout on back & door)
PBT-234	Button photocontrol 208, 240, 277 volt
4040	Steel angle bracket for MVM, bronze finish
4041	Steel angle bracket with 2 3/8" OD tenon for MVK, bronze finish
TWK-11	Steel wall bracket with 2 3/8" tenon, bronze finish (use with MVK/MHK)

- 1 Visor and polycarbonate shield may be used together; Visors are finished in bronze Lektrocote®  
 2 For use with 400w and below

**MVM-2**  
15.7" WIDE  
6.0" DEEP  
8.2" TALL AT DOOR

**MVMS-2**  
.125"  
POLYCARBONATE

**MVM-PCR**  
KNOCKOUT ON BACK OF HOUSING

**4024C**

**PBT-1, PBT-234**

**4040**

**4041**

**TWK-11**

A	B	C	D	E	F
8 1/4"	9 1/2"	11/16" dia.	11"	8"	8"
210 mm	241 mm	17.4 mm	279 mm	203 mm	203 mm

#### DIMENSIONS

**MVM/MHP**

**MVK/MHK**

	A	B	C	D	E	F	G	H	I	J
MVM/MHP	3 1/8"	16 3/8"	25 1/2"	9"	17 7/8"	17/32"	7/8"	1 9/16"	12" R.	8 5/8" R.
MVM/MHP	79 mm	416 mm	648 mm	229 mm	454 mm	14 mm	22 mm	40 mm	305 mm	219 mm
MVK/MHK	5 1/2"	16 3/8"	25 1/2"	9"	17 7/8"	-	-	-	-	-
MVK/MHK	140 mm	416 mm	648 mm	229 mm	454 mm	-	-	-	-	-

ADDITIONAL ACCESSORIES ON PG. 37-39

## Quartzliter® Series – Industrial Grade

- Die-cast aluminum housing and door, deep fin system maintains rated lamp life
- High temperature lens, silicone gasket, tool-free stainless latch entry
- Large 1/2" swivel knuckle provides versatile aiming
- QL produces a wide uniform beam with true color rendering
- QL505 suitable for 300-500w lamps, QL1505 suitable for 900-1500w lamps
- Models available with or without lamp, consult listings
- Gray and dark bronze finishes are available, consult listings
- Listed to UL1598 for use in wet locations



HID FLOODLIGHTING



### STOCK ORDERING INFORMATION

Catalog Number	Max. Watts	Housing Finish	NEMA Beam Spread H° x V°	Weight lbs. (kg)	EPA ft² (m²)	PKG. CODE
<b>Lamp Not Included</b>						
QL-1505 <sup>1</sup>	1000/1500	Gray	6(115°) x 5(78°)	6 (2.7)	.9 (0.1)	BC
QL-505	300/500	Gray	5(88°) x 5(82°)	4 (1.8)	.5 (0.1)	BC

- 1 Do not aim at ±10° from horizontal or higher  
 2 Fixture voltage is controlled by lamp voltage rating  
 Note: Do not operate on voltage higher than lamp voltage rating, shortens lamp life and increases heat stress within the fixture

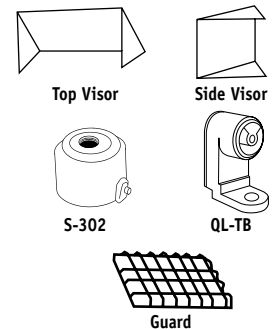
### ADDITIONAL ACCESSORIES ON PG. 37-39

### STOCK REPLACEMENT PARTS (BC PACKAGING CODE)

Catalog Number	Description
26401849803	Glass lens QL505
26401839805	Glass lens QL1505
20750110214	Knuckle, gray
80021660108	Replacement socket QL505
705327	Replacement socket QL1505

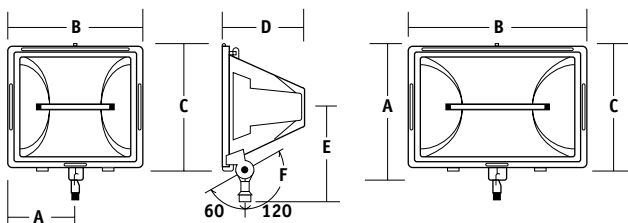
### STOCK ACCESSORIES (BC PACKAGING CODE, ORDER SEPARATELY)

Catalog Number	Description	Weight lbs. (kg)
<b>QL-505 Series</b>		
QL-5G	Wire guard (2 inch square grid)	1 (0.5)
QL-VS	Top/side visor (max use two - at 180°)	.5 (0.2)
26100119905	500w 120V Quartz lamp	-
<b>QL-1505 Series</b>		
QL-15G	Wire guard (2 inch square grid)	1.3 (0.6)
QL-15V	Top visor / bottom visor	1.3 (0.6)
QL-VS	Side visor (will not work with QL-15V on same fixture)	.5 (0.2)
26100149902	1500w 240V Quartz lamp	-
<b>QL-500 / QL-1500</b>		
QL-TB	Crossarm trunnion box; Half yoke with large wiring box for mounting to any flat surface, natural aluminum	.8 (0.4)
S-302	Pole top slipfitter for 1/2" swivel knuckle; slipfits 2 3/8" OD pipe; gray finish	.8 (0.4)
S-302-M51	Pole-top slipfitter for 1/2" knuckle, slipfits 2 3/8" OD pipe; bronze finish	.8 (0.4)



### ADDITIONAL ACCESSORIES ON PG. 37-39

### DIMENSIONS



	A	B	C	D	E	F
QL-505	4 5/16"	8 5/8"	8 1/2"	5 1/4"	7"	2 1/2"
	110 mm	219 mm	216 mm	133 mm	178 mm	64 mm
QL-1505	4 1/2"	14"	8 1/2"	5 1/4"	7"	2 1/2"
	292 mm	356 mm	216 mm	133 mm	178 mm	64 mm

# Q Series

## Quartz Flood – Commercial Grade

HID FLOODLIGHTING



Q500B



- General and accent flood lighting where short burning hours are planned
- Instant on/off
- 150 to 500w capability
- Die-cast aluminum construction for long life
- Single screw door closure for easy installation
- Tempered glass lens protects lamp
- 1/2" Cast swivel knuckle fits standard boxes and covers
- Wide, uniform beam for even illumination
- 120V lamps are included
- Units offered in dark bronze or white powder paint finish
- Listed to UL1598 for use in wet locations

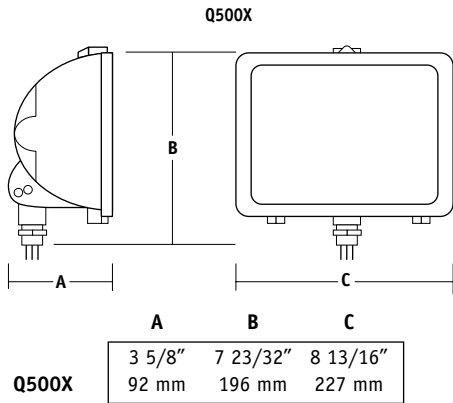
**STOCK**

ORDERING INFORMATION

Catalog Number	Wattage/Voltage	Color	Photometry NEMA/IES H° x V°	Weight lbs. (kg)	EPA ft² (m²)	PKG. CODE
Lamp Included						
Q-500-B	500w/120V	Bronze	6(100°) x 5(86°)	2.6 (1.2)	.6 (.05)	FCC

ADDITIONAL ACCESSORIES ON PG. 37-39

### DIMENSIONS



# Mounting Accessories

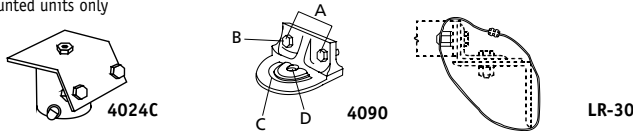
## Accessories: Trunnion Mount Fittings

### STOCK ORDERING INFORMATION

Catalog Number	Description	Weight lbs. (kg)
<b>HID Floodlights</b>		
4024C	Steel slipfitter for 2" pipe, 2 3/8" OD yoke mount, bronze finish; Available in gray: 4024CM53 and galvanized: 4024CM38	4 (1.8)
4090	Heavy-duty cast iron crossarm fitting for horizontal trunnion; Bronze Lektrocote®	3 (1.4)
LR-30 <sup>1</sup>	Safety retainer complete with crimp clamp and 30" long 1/8" stranded metal cable	.3 (0.1)

1 For yoke (trunnion) mounted units only

### DIMENSIONS



	A	B	C	D
4090	3 1/8" 79 mm	9/16" dia. 14 mm	5/16" slot 8 mm	13/16" dia. 21 mm

## Accessories: Wall and Pole Mount Brackets

### STOCK ORDERING INFORMATION (BC PACKAGING CODE)

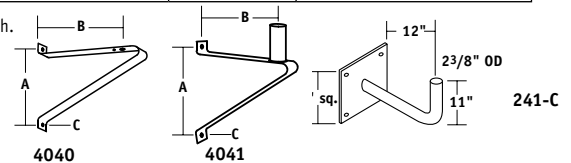
Catalog Number <sup>1</sup>	Description	Weight lbs. (kg)	Maximum Loading Weight
<b>For Use With Crossarm Fittings</b>			
4040	Heavy-duty steel wall/pole bracket; bronze Lektrocote®	5.5 (2.5)	90 (40.8)
<b>For Use With Slipfitter Fittings</b>			
4041	Heavy-duty steel wall/pole bracket 2" pipe (2 3/8" OD) tenon fitting for use with slipfitter units or 4024C; bronze Lektrocote®	7 (3.2)	90 (40.8)
241-C-XX	Flat surface bracket - 90° horn steel (2 3/8" OD)	16 (7.3)	70 (30.7)
TWK-11	Wall bracket with splice compartment for thru-wiring with 2" pipe (2 3/8" OD) tenon	15 (6.8)	90 (40.8)
TCB-1	Wood pole clamp on bracket with 2" pipe (2 3/8" OD) tenon; Clamps 6" to 12" diameter	16 (7.3)	70 (31.7)
TCB-2	Wood pole clamp on bracket with 2" pipe (2 3/8" OD) tenon; Two tenons at 120° (clamps 6" to 12" diameter)	20 (9.1)	140 (63.4)
TCB-3	Wood pole clamp on bracket with 2" pipe (2 3/8" OD) tenon; Three tenons at 120° (clamps 6" to 12" diameter)	28 (12.7)	210 (95.1)
<b>Tenon Reducers</b>			
TPR-2 <sup>2</sup>	2 1/2" to 2" pipe size tenon reducer	6 (2.7)	105 (47.6)
TPR-3 <sup>3</sup>	3" to 2" pipe size tenon reducer	8 (3.6)	105 (47.6)
TPR-4 <sup>4</sup>	4" to 2" pipe size tenon reducer	9 (4.1)	105 (47.6)
SSS-T4-DB	2 3/8" OD Tenon top adapter for 4" square open top poles, bronze finish (slips 9" into pole aligns with #6 drill pattern)	—	17.5 (8)

1 Bronze color standard, for other colors add suffix to catalog number: -M50 black finish, -M52 white finish, -M53 gray finish.

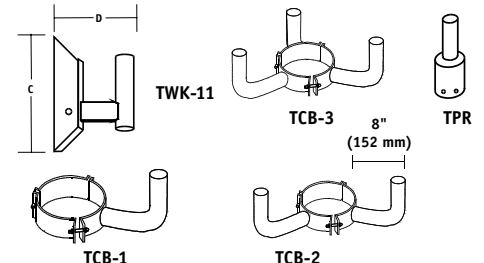
2 Bracket I.D., 3 1/16"

3 Bracket I.D., 3 1/2"

4 Bracket I.D., 4 5/8"



	A	B	C	D	E
4040/4041	8 1/4" 210 mm	9 1/2" 241 mm	11" 279 mm	8" 203 mm	11/16" dia. 17 mm

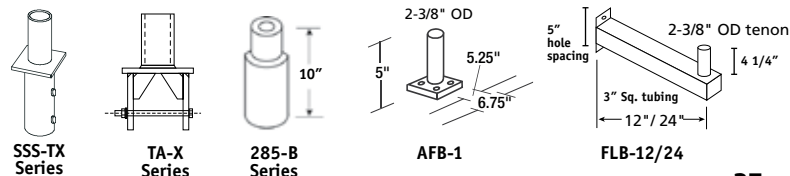


### MADE-TO-ORDER TENON BRACKETS AND ARMS

Catalog Number	Description	EPA ft <sup>2</sup> (m <sup>2</sup> )	Weight lbs. (kg)
AFB-1	Flat surface bracket - natural aluminum finish - 2 3/8" OD		
AFB-1-M53	Flat surface bracket - gray finish		
241-C-XX	Flat surface bracket - 90° (lag bolt hole spacing is 6.75 on OC, mounting hardware by others)		16
FLB-12-XX	12" floodlight bracket for pole mounting (bracket requires internal pole access)	.5 (.05)	6
FLB-24-XX	24" floodlight bracket for pole mounting (bracket requires internal pole access)	1.0 (.10)	10
SSS-T5-DB <sup>4</sup>	2 3/8" OD Tenon top adapter for 5" square open top poles, bronze finish (slips 9" into pole aligns with #6 drill pattern)	—	14.5 (6.6)
TA-4	2 3/8" OD Tenon top adapter for 4" square pole (11 GA pole)		
TA-5	2 3/8" OD Tenon top adapter for 5" square pole (11 GA pole)		
TA-6	2 3/8" OD Tenon top adapter for 6" square pole (11 GA pole)		
285-B-3-XX	3 1/2" to 2 3/8" Reducer (OD for both dimensions)		
285-B-4-XX	4 1/2" to 2 3/8" Reducer (OD for both dimensions)		

- Bracket slips over pole creating 2 3/8" OD tenon (lower ID = 3 1/16")
- Bracket slips over pole creating 2 3/8" OD tenon (lower ID = ID = 3 1/2")
- Bracket slips over pole creating 2 3/8" OD tenon (lower ID = ID = 4 5/8")
- Will not fit in 3 gauge poles

Note 5 Brackets -Bronze color standard; For other colors add suffix to catalog number: -M50 Black finish, -M52 White finish; -M53 Gray finish





# Mounting Accessories

## Accessories: Steel Bullhorns

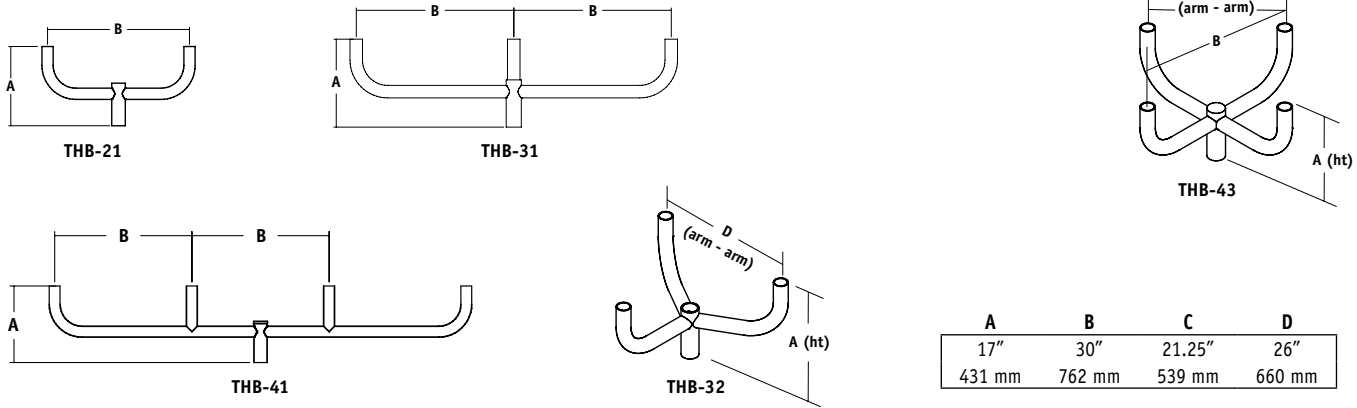
Steel "bull horn" floodlight brackets. Fixture mounting pipe or tenons are 2<sup>3</sup>/<sub>8</sub>" O.D. and brackets mount on 2<sup>3</sup>/<sub>8</sub>" O.D. pole tenons. Stainless steel set screws and thru-bolts included. Finishes as shown below.

### MADE-TO-ORDER ORDERING INFORMATION

Catalog Number	Maximum Loading		Description	Finish	Weight lbs. (kg)	EPA ft <sup>2</sup> (m <sup>2</sup> )	PKG. CODE
	Fixture Qty.	Weight lbs (kg)					
THB-21	2	210 (95.3)	Two tenons at 180°	Bronze	17 (7.7)	.9 (0.1)	PW
THB-21-M53	2	210 (95.3)	Two tenons at 180°	Gray	17 (7.7)	.9 (0.1)	PW
THB-31	3	315 (142.9)	Three tenons at 180°	Bronze	30 (13.6)	1.5 (0.1)	PW
THB-32	3	315 (142.9)	Three tenons at 120°	Bronze	23 (10.4)	1.2 (0.1)	PW
THB-41	4	420 (190.5)	Four tenons at 180°	Bronze	43 (19.5)	2.2 (0.2)	PW
THB-43	4	420 (190.5)	Four tenons at 90°	Bronze	29 (13.1)	1.3 (0.1)	PW

Note: Tenon arm mounting accessory RATA-XX also available (see page 47)

### DIMENSIONS



## Accessories: Square Steel Brackets (Project finishes available)

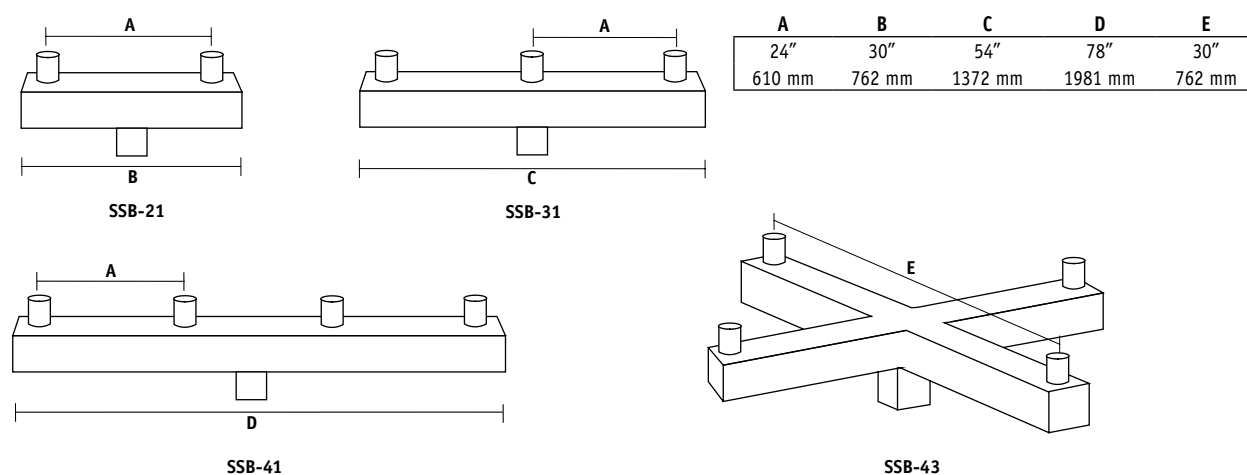
Decorative steel floodlight brackets. 4" square tubing with 2<sup>3</sup>/<sub>8</sub>" O.D. fixture tenons. Square 4" bottom with 2<sup>1</sup>/<sub>2</sub>" I.D. internal adapter for standard round tenons. Available in multiple finishes as shown. Use with SSS series poles.

### MADE-TO-ORDER ORDERING INFORMATION

Catalog Number	Description	Maximum Weight Per Tenon lbs. (kg)	EPA ft <sup>2</sup> (m <sup>2</sup> )	Weight lbs. (kg)	PKG. CODE
SSB-21-M51	Twin 180°	60 (27.2)	1.2 (0.1)	24 (10.9)	PW
SSB-31-M51	Triple 180°	60 (27.2)	2.3 (0.2)	44 (19.9)	PW
SSB-41-M51	Quad 180°	60 (27.2)	3.4 (0.3)	64 (29)	PW
SSB-43-M51	Quad 90°	60 (27.2)	2.8 (0.3)	46 (20.8)	PW

Note: Bronze color standard, for others, add suffix to catalog number: -M50; Black finish; M52; White finish; M53; Gray finish.

### DIMENSIONS



# Boxes & Covers

Hubbell has a variety of junction boxes and covers to allow easy installation of lampholders, compact floodlights and landscape luminaires. Cast aluminum construction, gasketed covers designed for

wet locations and conduit plugs are standard. Boxes have a natural aluminum finish. Covers are painted gray or black.

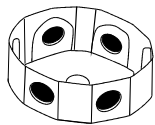
## ORDERING INFORMATION: Cast Round Boxes

Catalog Number	Size in. (mm)	Hubs						Mt. Lugs	Weight lbs. (kg)	PKG. CODE	Source
		Side		Back		Cover					
		Qty.	Size	Qty.	Size	Qty.	Size				
S-314-B <sup>1</sup>	4 (102)	6	1/2"	1	1/2"	-	-	-	.75 (0.3)	BC	STOCK
S-329-B	4 (102)	4	1/2"	1	1/2"	1	1/2"	2	.75 (0.3)	BC	STOCK
S-319-B <sup>1</sup>	4 (102)	4	1/2"	1	1/2"	-	-	2	.75 (0.3)	BC	MADE-TO-ORDER

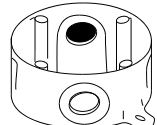
<sup>1</sup> Box furnished without cover; If cover required, order applicable cover as listed in covers for round boxes

## MADE-TO-ORDER ORDERING INFORMATION: Specialty Boxes (All Hubs Tapped NPSM)

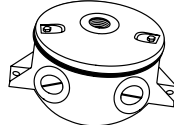
Catalog Number	Description	Weight lbs. (kg)	PKG. CODE
C-5	Wall or tree box: 3 mounting lugs in body; 2 1/2" hubs in "L" shape layout - side access plate	.25 (.11)	BC



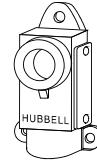
S-314-B



S-319-B



S-329-B



C-5



206-BC3

## ORDERING INFORMATION: Round Covers - Cast Aluminum With Hubs

Catalog Number	Size in. (mm)	Boxes Used With	Tapped Hubs		Finish	Weight lbs. (kg)	PKG. CODE	Source
			Qty.	Size				
206-BC3	4 (102)	3 1/4" x 4" (83 mm x 102 mm)	3	1/2"	Gray	.5 (0.2)	BC	STOCK
206-BC3-B	4 (102)	3 1/4" x 4" (83 mm x 102 mm)	3	1/2"	Black	.5 (0.2)	BC	MADE-TO-ORDER

# Landscape Accessories

- These accessories make it simple to install the various Lightscaper® fixtures.
- Two grades of burial junction boxes, portable spike mounts and 2 3/8" stub up fitters are specifically designed to mate with lampholders and louver lights

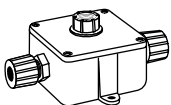
## STOCK ORDERING INFORMATION: Landscape Accessories

Catalog Number	Description	Weight lbs. (kg)	PKG. CODE
<b>Fitter</b>			
S-302	Slipfits 1 1/2" or 2" pipe (1.9" OD or 2 3/8" OD) with 1/2" N.P.S.M. hub; Gray	.6 (0.3)	BC
S-302-M51	Slipfits 1 1/2" or 2" pipe (1.9" OD or 2 3/8" OD) with 1/2" N.P.S.M. hub; Bronze	.6 (0.3)	BC

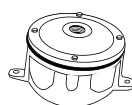
## MADE-TO-ORDER ORDERING INFORMATION: Landscape Accessories

Catalog Number	Description	Weight lbs. (kg)	PKG. CODE
<b>Junction Boxes</b>			
NM-BC	Non-metallic high impact phenolic weatherproof box and cover; Box is drilled at 180° for two burial cable connectors, included, allowing feed-through capability; Gasketed cover has weathertight 1/2" hub; Brass cover screws; Gray	—	BC
1414-BOX	Cast Iron Box - 2 side hubs, one top (1/2"); Heavy Duty; Gray	5 (2.3)	BC
<b>Ground Spikes</b>			
1031-3	Cast spike with internal splice box, 1/2" N.P.S.M. hub for fixture and 6' #18/3 grounded cord set; Gray	1.75 (0.8)	BC
<b>Fitters</b>			
S-302-M52	Slipfits 1 1/2" or 2" pipe (1.9" OD or 2 3/8" OD) with 1/2" N.P.S.M. hub; White	.6 (0.3)	BC

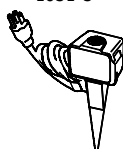
NM-BC



1414-BOX



1031-3

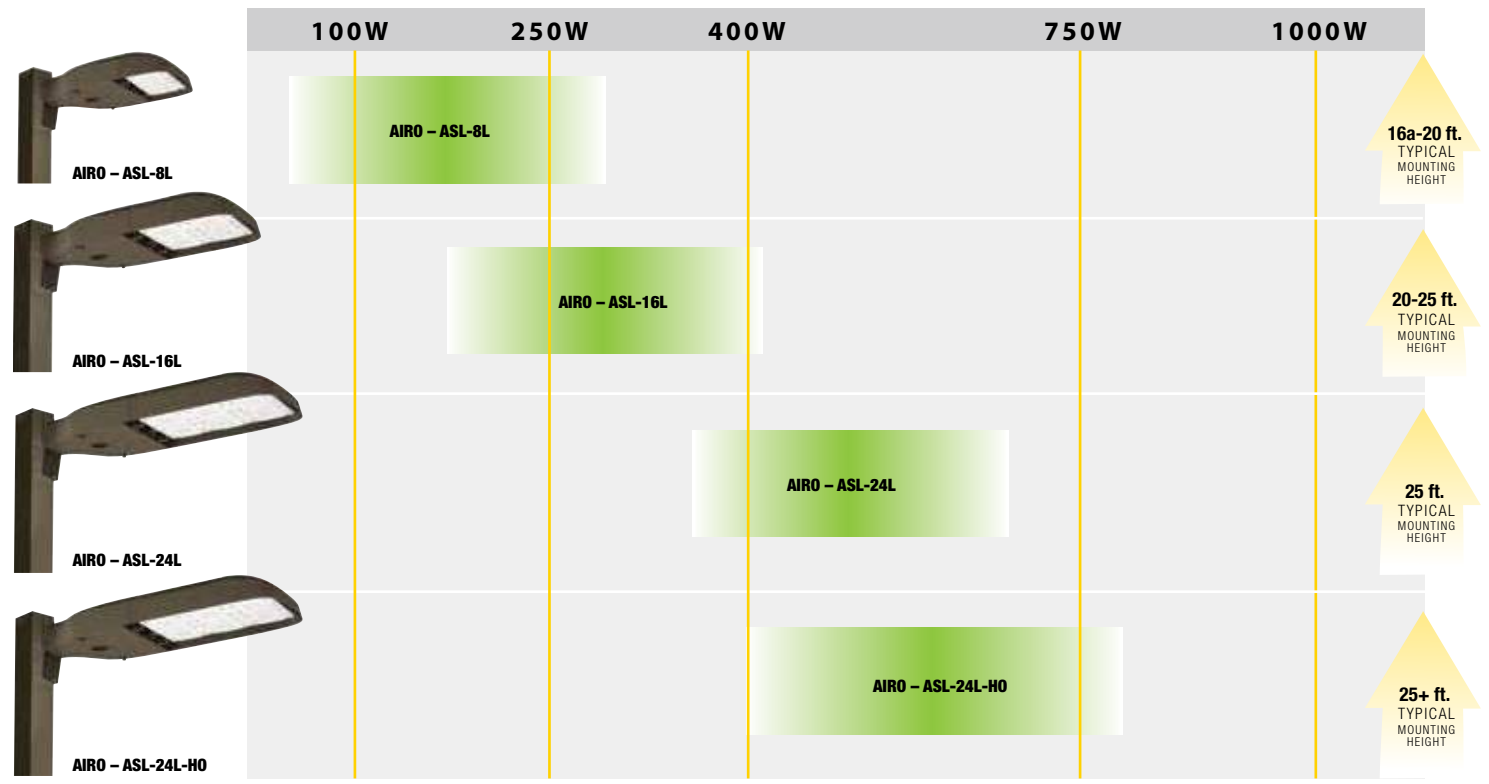


S-302



# AREA/SITE SELECTION GUIDE

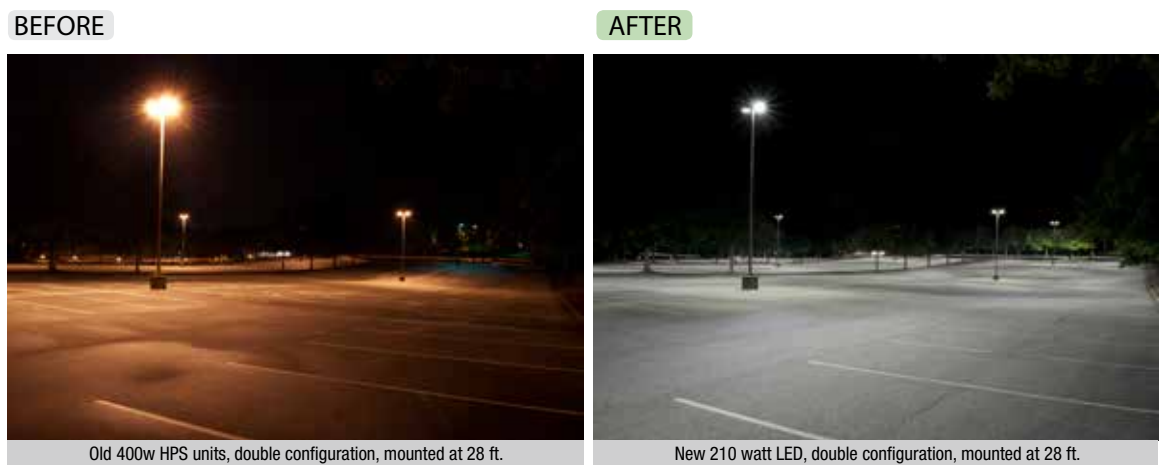
## LEGACY LAMP WATTAGE



HID System	HID Wattage	HID LIFE HOURS <sup>1</sup>	LED Wattage <sup>2</sup>	LED Life Hours <sup>3</sup>	Energy Savings
150w PSMH	185	15,000	62	> 125,000	66%
250w PSMH	283	15,000	62 / 123	> 125,000	56 – 78%
320w PSMH	361	20,000	123	> 125,000	65%
400w PSMH	459	20,000	123 / 181 / 225	> 125,000	50 – 73%
100w HPS	130	24,000	62	> 125,000	52%
250w HPS	295	24,000	62 / 123	> 125,000	58 – 78%
400w HPS	464	24,000	123 / 181 / 225	> 125,000	51 – 73%

NOTE: 1 - Hours of life based on 50% mortality  
 2 - Actual wattage should be confirmed with site specific lighting calculations.  
 3 - LED hours of life based on 70% of initial illumination @ 25°C

Hubbell's outdoor area lights offer tremendous energy and maintenance savings but also greatly improve the quality of illumination throughout the space.



Old 400w HPS units, double configuration, mounted at 28 ft.

New 210 watt LED, double configuration, mounted at 28 ft.



# FEATURED PRODUCTS

## SLEEK DESIGN...MAXIMUM VERSATILITY

# AIRO

Compact sleek design with multiple LED configurations and simple installation. The Airo includes a universal mounting block for easy pole installation or mast arm option for 2-3/8" OD roadway brackets. Wall mount accessory available for building mount applications. Additional applications include: area/site, roadway, and security lighting.

### Features and Benefits:

- Capable of replacing up to 400w+ HID luminaires
- Competitively priced and stocked for immediate availability
- Compact and lightweight design with low EPA
- Tool-less entry for easy installation and maintenance
- Universal mounting block or mast arm option
- Control capabilities offer additional energy savings options
- 3G rated for high vibration applications including bridges and overpasses



Optional 7-pin photocontrol receptacle available for twist lock photocontrols or wireless control modules (control accessories sold separately)

Corrosion resistant powder paint finish

Rugged die-cast and extruded aluminum housing features isolation of LED driver from light engine. Vented design dissipates heat for maximum component life and performance

Motion sensor option available with built in photocell

Tool-less entry and dual hinge design for installation and serviceability ease

8, 16, or 24 LEDs with high performance lenses optimize photometric performance, UV stabilized and gasketed for IP65 protection; 3000K, 4000K or 5000K CCT options (24L shown)

Lens distributions are field rotatable (in 90° increments) or exchangeable for job site fine tuning

### Universal Mounting Block

Slotted design, compatible with most drill patterns for mounting flexibility



## VERSATILE CONFIGURATIONS



ASL-8L WITH WB-CR-XX

ASL-8L

ASL-16L

ASL-24L



## Area/Site Roadway

AREA/SITE ROADWAY



- Sleek design with multiple optical configurations and easy installation features
- Applications include: area/site, roadway, and security lighting
- Replaces up to 400w HID
- Universal mounting block standard (#2 drill pattern); Mast arm fitter option available for 2 3/8" OD arms
- Lens distributions are field rotatable (in 90° increments) or exchangeable for job site fine tuning
- -40 deg C to 40 deg C ambient operation
- Compact and lightweight design with low EPA
- Tool-less entry to wiring/driver compartment
- 10KA surge protection standard; Automatically takes fixture off-line for protection when device is consumed
- 7-pin photocontrol receptacle option available for twist lock photocontrols or wireless control module (control accessories sold separately)
- Utilizes high current, high output LEDs
- ANSI 3G rated for high vibration applications
- DesignLights Consortium (DLC) qualified, consult DLC website for more details: <http://www.designlights.org/QPL>
- Listed to UL1598 for use in wet locations
- IP65 optical assembly

### STOCK ORDERING INFORMATION

Catalog Number	Mounting Height	Distribution	System Watts	# of Drivers/ Current	Voltage	Color Temperature	Delivered Lumens	LPW	Weight lbs. (kg)	PKG. CODE
ASL-16L3	up to 15 ft.	Type III	123w	1@2100mA	120-277V	4000K	11153	91	18 (8.16)	FCC
ASL16L3SCPW*	up to 15 ft.	Type III	123w	1@2100mA	120-277V	4000K	11153	91	18 (8.16)	FCC
ASL-16L4	up to 15 ft.	Type IV	123w	1@2100mA	120-277V	4000K	11376	93	18 (8.16)	FCC
ASL-24L3	up to 25 ft.	Type III	181w	1@2100mA	120-277V	4000K	16364	91	20 (9.07)	FCC
ASL-24L-3-SCPW*	up to 25 ft.	Type III	181w	1@2100mA	120-277V	4000K	16364	91	20 (9.07)	FCC
ASL-24L4	up to 25 ft.	Type IV	181w	1@2100mA	120-277V	4000K	16752	93	20 (9.07)	FCC
ASL-24L-3-HO	25+	Type III	225w	1@700mA	120-277V	4000K	20927	93	20 (9.07)	FCC
ASL-24L-3-HO-SCPW*	25+	Type III	225w	1@700mA	120-277V	4000K	20927	93	20 (9.07)	FCC
ASL-24L-4-HO	25+	Type IV	225w	1@700mA	120-277V	4000K	21073	93	20 (9.07)	FCC

### QS 10 10-Day Quick Ship Ordering Guide

Order Limit Per Fixture Selection: 15 – FC Pkg Code

\* Includes SCPW programmable motion sensor dimming control. One SCP-REMOTE accessory remote control required for configuration.

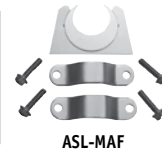
ASL	-	A		-		-	210	-		-		-		-	
SERIES	MOUNTING	NUMBER OF LEDS	CCT	DRIVE CURRENT	DISTRIBUTION	VOLTAGE	FINISH	OPTION							
ASL Area/Site	A Arm	16L 12 LEDs 24L 24 LEDs	4K 4000K 5K 5000K	210 2100mA	3 Type III 4 Type IV	U Universal 120-277V	BZ Bronze BL Black PS Platinum	7PR Twist lock PC receptacle							

### PERFORMANCE INFORMATION

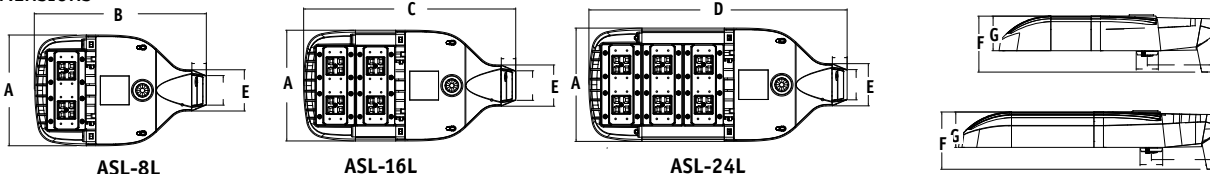
Series Number	Equivalency		Energy Savings
	MH	HPS	
ASL-8L	175w	175w	72%
ASL-16L	250w	250w	60%
ASL-24L	400w	400w	61%

### STOCK ACCESSORIES/REPLACEMENT PARTS - Order Separately

Catalog Number	Description
ASL-MAF	Mast arm kit and bird shield for mounting on 2 3/8" OD arms
CL1S-RPA3-ACC-DB	Round Pole Adapter for ASL and CL1S luminaires (3.25"-3.75" diameter poles)
CL1S-RPA4-ACC-DB	Round Pole Adapter for ASL and CL1S luminaires (3.875"-6" diameter poles)
WB-AREA-DB	Wall Bracket for Area Lights with #2 arm bolt pattern (ASL, Cimarron, M-Pulsive, Raven, ARA3)



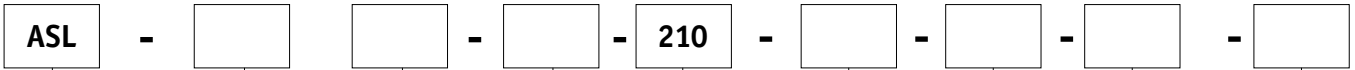
### DIMENSIONS



A	B	C	D	E	F	G	Max Weight	8L	16L	24L
11.7"	17.25"	22.4"	26.6"	4.3"	5.9"	3.6"	20 lbs.	.50 ft. <sup>2</sup>	.62 ft. <sup>2</sup>	.75 ft. <sup>2</sup>
297 mm	438 mm	569 mm	675 mm	109 mm	150 mm	91 mm	9.07 kg	.15 m <sup>2</sup>	.18 m <sup>2</sup>	.22 m <sup>2</sup>



**MADE-TO-ORDER ORDERING INFORMATION - CONFIGURABLE**



SERIES	MOUNTING	# LEDS	CCT	DRIVE CURRENT	DISTRIBUTION	VOLTAGE	FINISH	OPTIONS
ASL <sup>1</sup> Small area LED housing	A Arm MAF Mast Arm Fitter	8L 8 High brightness LEDs 16L 16 High brightness LEDs 24L 24 High brightness LEDs	3K 3000K, 70 CRI 4K 4000K, 70 CRI 5K 5000K, 70 CRI	210 <sup>4</sup> 2100mA 070 <sup>3</sup> 700mA	2 IES Type II 3 IES Type III 4 IES Type IV 5 IES Type V	U 120V-277V 1 120V 2 208V 3 <sup>4</sup> 240V 4 <sup>4</sup> 277V	BL Black DB Dark Bronze GR Gray PS Platinum Silver WH White CC <sup>5</sup> Custom Color (Reference RAL#)	F Fusing (voltage specific and determined by voltage field) 7PR <sup>2</sup> 7-Pin ANSI twist-lock photocell receptacle (See spec sheet for details) RPA(X) Round pole adapter (Replace X with 3, 4, 5 or 6 indicating diameter) SCPW <sup>6</sup> Programmable motion sensor dimming control (See spec sheet for details); A minimum of one SCP-REMOTE accessory remote control required for configuration TB Terminal block

For High Output configurations select 24 LEDs with the 700mA drive current.

- 1 - Order poles with #2 drill pattern
- 2 - 7-pin ANSI C136.41—2013 receptacle for use with standard Twist-Lock® photo controls, shorting caps, and ANSI C136.41 external wireless control devices with and without motion/occupancy override
- 3 - For 24L configurations only
- 4 - 347V-480V not for 24L, 210 - 2100mA option
- 5 - Contact factory for minimum order quantities
- 6 - Not available with 347V or 480V

**MADE-TO-ORDER ACCESSORIES/REPLACEMENT PARTS - Order Separately**

Catalog Number	Description
RATA-XX <sup>1</sup>	Single round arm tenon fits 2 3/8" OD, requires ASL-MAF accessory kit for stacked configurations
SCP-REMOTE	Remote control for SCPW option. Order at least one per project to program and control
PTL-1	Photocontrol - twist-lock cell (120V) - Requires 7PR option
PTL-8	Photocontrol - twist-lock cell (120-277V) - Requires 7PR option
PSC	Shorting cap - twist-lock - Requires 7PR option
ASL-MAF	Mast arm kit and bird shield for mounting on 2 3/8" OD arms
CL1S-RPA3-ACC-DB	Round Pole Adapter for ASL and CL1S luminaires (3.25"-3.75" diameter poles)
CL1S-RPA4-ACC-DB	Round Pole Adapter for ASL and CL1S luminaires (3.875"-6" diameter poles)
WB-AREA-DB	Wall Bracket for Area Lights with #2 arm bolt pattern (ASL, Cimarron, M-Pulsive, Raven, ARA3)

1 - Replace XX with color choice, eg.: DB for Dark Bronze



RATA

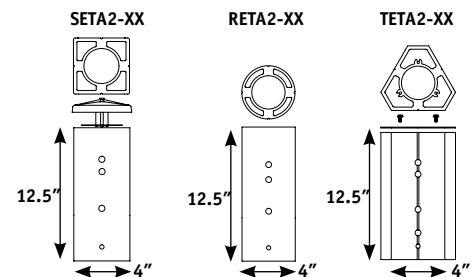
**ADDITIONAL ACCESSORIES ON PG. 37-39 & 50**

Note: ASL fixtures compatible with Hubbell Outdoor RDC stocked Square Straight Steel Poles

**MADE-TO-ORDER ACCESSORIES/REPLACEMENT PARTS - Order Separately**

Catalog Number	Description	EPA ft <sup>2</sup> (m <sup>2</sup> )	Weight lbs. (kg)
<b>(#2 Drill Pattern)</b>			
SETA2-XX <sup>1</sup>	4" Square pole top tenon adapter; 2 3/8" OD slipfitter for max. four fixtures (90°)	0.4 (0.04)	20 (9)
RETA2-XX <sup>1</sup>	4" Round pole top tenon adapter; 2 3/8" OD slipfitter for max. four fixtures (90°); Order 4" round pole adapters separately	0.2 (0.02)	20 (9)
TETA2-XX <sup>1,2</sup>	Three sided pole top tenon adapter; 2 3/8" OD slipfitter for max. three fixtures (120°)	0.4 (0.04)	20 (9)

1 Replace X or XX with color designation (See bottom right of page)  
2 Must use 10" arm on fixture for 120° mounting





# Airo

**Luminaire / Pole Combination**  
10-DAY QUICK SHIPMENT PROGRAM

PRONTO COMBO

AIRO 10 DAY QUICK SHIPMENT PROGRAM

**One of our most popular area lights paired with our most popular poles!**

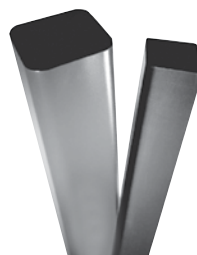
## Airo Series Luminaire

- Three Sizes Up to 18,000 Lumens
- Single & Double 180 deg. Configurations 4000K & 5000K CCT (70 CRI)
- Type III & IV Distributions
- Optional 7-pin ANSI Twist-Lock PC Receptacle for Daylight and Wireless Control
- Dark Bronze Powder Paint (textured)



### SSS Series Poles

- Square Straight Steel Construction
- 4" Square x 0.125" Wall Thickness
- 16', 20', & 25' Lengths
- Pole Base Accommodates 8"-10" bolt circles using four (4) 3/4" diameter anchor bolts
- Dark Bronze Powder Paint (textured)
- With or Without Anchor Bolts
- Select Configurations Include Vibration Damper



### 10-Day Quick Shipments

- All Product Manufactured and Ship From Christiansburg, VA Within 10 Days
- Consolidated Shipment – Everything Arrives On One Truck!
- All Configurations Available Less Anchor Bolts
- Stocked Anchor Bolts & Templates Available for Advanced Foundation Construction

PRONTO COMBO

HID Equivalent = 150W - 250W Lamp

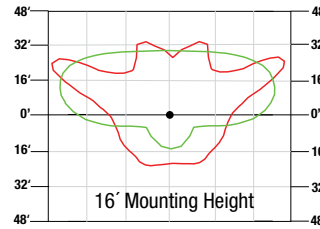


16 -20 ft.  
TYPICAL  
MOUNTING  
HEIGHT

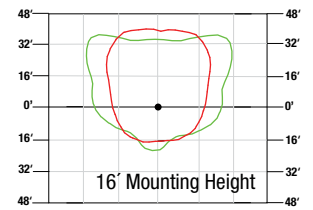
Performance Data

Series Number	HID Equivalency		Lumens Delivered		Number of LEDs	System Watts	Lumens Per Watt Type 4	CCT	Drivers / Current
	MH	HPS	Type 3	Type 4					
ASL-8L	175w - 250w	175w - 250w	6139	6285	8	62	101	5000K	1@2100mA
			5624	5757	8	62	93	4000K	1@2100mA

ASL-8L-4K-T3 vs. 175 MH (horizontal lamp)



ASL-8L-4K-T4 vs. 175 MH (horizontal lamp)



175W HID 0.5 Foot-candles  
62W LED 0.5 Foot-candles

16 FT.  
GRID SPACING

HID Equivalent = 250W - 400W Lamp

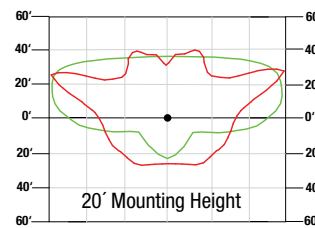


20 -25 ft.  
TYPICAL  
MOUNTING  
HEIGHT

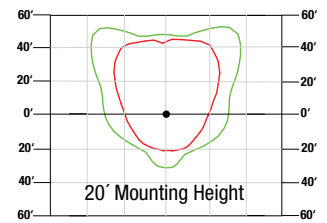
Performance Data

Series Number	HID Equivalency		Lumens Delivered		Number of LEDs	System Watts	Lumens Per Watt Type 4	CCT	Drivers / Current
	MH	HPS	Type 3	Type 4					
ASL-16L	250w - 400w	250w - 400w	12175	12463	16	123	101	5000K	1@2100mA
			11153	11417	16	123	93	4000K	1@2100mA

ASL-16L-4K-T3 vs. 250 MH (horizontal lamp)



ASL-16L-4K-T4 vs. 250 MH (horizontal lamp)



250W HID 0.5 Foot-candles  
123W LED 0.5 Foot-candles

20 FT.  
GRID SPACING

HID Equivalent = 400W+ Lamp

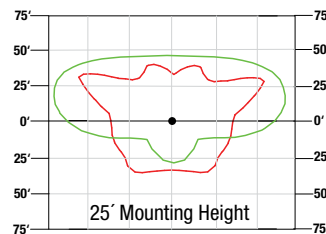


25 ft.  
TYPICAL  
MOUNTING  
HEIGHT

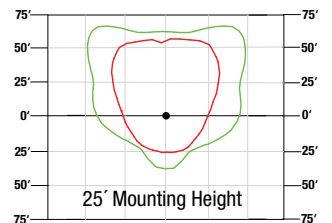
Performance Data

Series Number	HID Equivalency		Lumens Delivered		Number of LEDs	System Watts	Lumens Per Watt Type 4	CCT	Drivers / Current
	MH	HPS	Type 3	Type 4					
ASL-24L	400w+	400w+	17863	18287	24	181	101	5000K	1@2100mA
			16364	16752	24	181	93	4000K	1@2100mA

ASL-24L-4K-T3



ASL-24L-4K-T4



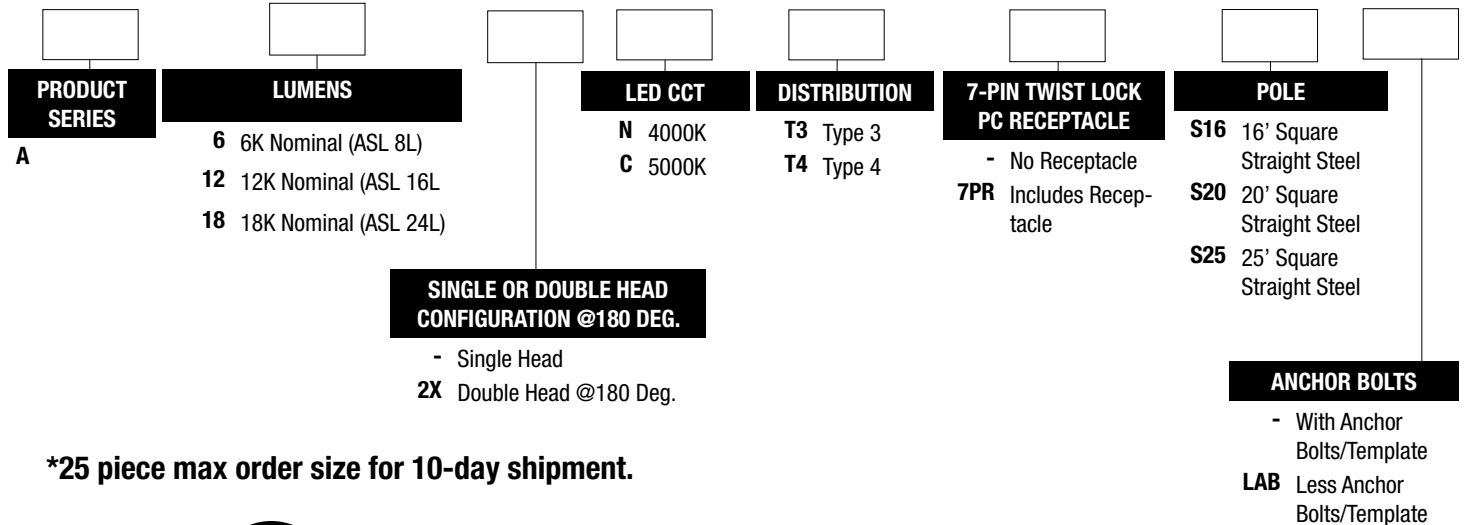
400W HID 0.5 Foot-candles  
181W LED 0.5 Foot-candles

25 FT.  
GRID SPACING



**PRONTO COMBO**

**ORDERING LOGIC\***



\*25 piece max order size for 10-day shipment.



**ACCESSORIES** - Order Separately

Catalog Number	Description
TAB30M38	3/4" x 30" x 3" anchor bolt set (four individual bolts)
93062959	SSS-H Series pole anchor bolt template
PTL-1	Photocontrol-twist-lock cell (120V) - requires 7PR option
PTL-8	Photocontrol-twist-lock cell (120V-277V) - requires 7PR option
PSC	Shorting-cap-twist-lock - requires 7PR option

# DDL Dusk-to-Dawn

## Multi-purpose LED Luminaire

- Rugged die-cast aluminum housing with both 2-3/8" & 1-5/8" OD mast arm mount capability as well as direct wall/ surface mounting
- Less refractor provides zero uplight design for environmentally friendly installations
- Refractor provides enhanced security lighting and LED brightness control when installed
- Three models up to 5200 lumens, up to 43.5w, up to 121 LPW efficacy
- Symmetric lens installed standard
- 120V operation

- DDL-9L only: Field rotatable Type II LED lens included for pathway/ roadway applications
- All models are DesignLights Consortium Qualified
- 120V twist-lock style photocontrol included
- Textured gray powder paint finish
- 24" (18" projection) arm included for DDL-9L and DDL-140L only, arm not included for DDL-56L
- ANSI 3G Rated
- Five year limited warranty -for more information visit: <http://www.hubbelloutdoor.com/resources/warranty/>



LED DUSK-TO-DAWN

### STOCK ORDERING INFORMATION

Catalog Number	Mounting Height	Mount	System Watts	# of Drivers/ Current	Voltage	Color Temperature	Delivered Lumens	LPW	Weight lbs. (kg)	PKG. CODE
DDL-9L1	up to 20 ft.	Wall/ Arm included	40	1@1280mA	120V	5000K	3437	86	6.8 (3.08)	FCC
DDL-56L-4K-1-NA	up to 15 ft.	Wall/ Arm (not included)	30	1@150mA	120V	4000K	2906	97	6.8 (3.08)	SCC
DDL-140L-1	up to 25 ft.	Wall/ Arm included	43.5	1@92mA	120V	5000K	5279	121	6.8 (3.08)	SCC

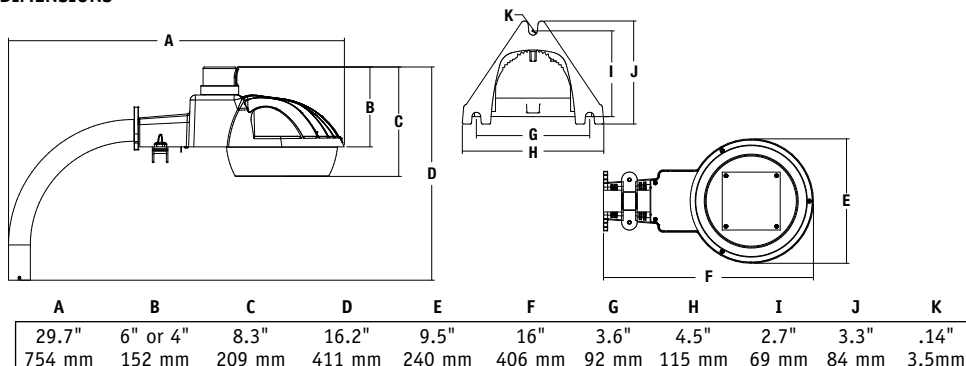
### PERFORMANCE INFORMATION

Series Number	Equivalency			Energy Savings
	MH	HPS	CFL	
DDL-9L1 (Symmetric lens)	100w	100w	85w	68%
DDL-9L1 (Roadway lens)	100w	100w	85w	68%
DDL-56L-4K-1-NA	100w	100w	85w	76%
DDL-140L-1	175w	150w	125w	79%

### STOCK ACCESSORIES/REPLACEMENT PARTS - Order Separately

Catalog Number	Description
ARM-DD24	24" aluminum arm with hardware
ARM-DD30	30" aluminum arm with hardware
DDL-DRIVER-120V	Driver for DDL9L (120V)
DDL-DRIVER-140	Diver for DDL-140L (120V)
DDL-DRIVER-56	Driver for DDL-56L (120V)
DDL-LENS-140	LED Symmetric lens for DDL-140L
DDL-LENS2	LED Asymmetric lens for DDL-9L
DDL-LENS5	LED Symmetric lens for DDL-9L or DDL-56L
DDL-REFR	Refractor for all DDL models

### DIMENSIONS





# SSS-H

## Square Straight Steel

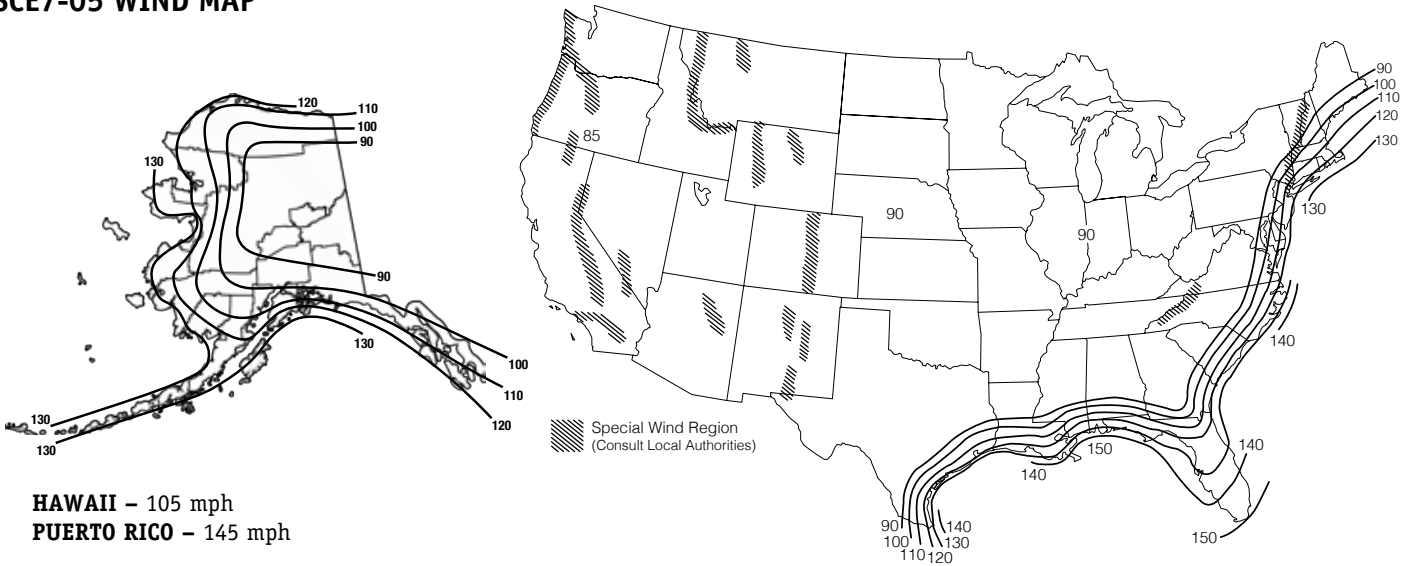
- Square straight steel shaft
- One-piece construction
- Side or tenon mounting available
- Ground provision standard
- Galvanized anchor bolts and template included (4-bolt design)
- Base cover standard (Square)
- Gasketed hand hole cover standard (3"x5")
- Powder coat paint finish

PRODUCT INFORMATION – Select configurations from our stock and quick shipment programs

Catalog Number	Pole Ht.		Nominal Shaft Dim.	Wind Load Rating <sup>1</sup>					Wall Thick.	Bolt Circle (Sug.)	Bolt Circle	Bolt Sq.	Base Plate (sq.)	Anchor Bolt Size	Bolt Proj.	Pole Wt (lbs)
	ft	m		85 MPH	90 MPH	100 MPH	110 MPH	120 MPH								
SSS-H-16-40-A	16	4.9	4"	19.0	16.7	13.0	10.1	7.9	.125"	9"	8 - 10"	5.66" - 7.07"	9"	3/4 x 30 x 3"	4.5"	116
SSS-H-20-40-A	20	6.1	4"	12.7	10.9	7.9	5.9	4.2	.125"	9"	8 - 10"	5.66" - 7.07"	9"	3/4 x 30 x 3"	4.5"	142
SSS-H-25-40-A	25	7.6	4"	7.3	5.9	3.8	2.1	0.8	.125"	9"	8 - 10"	5.66" - 7.07"	9"	3/4 x 30 x 3"	4.5"	175
SSS-H-30-40-B	30	9.1	4"	8.0	6.6	4.1	2.2	0.8	.188"	11"	10 - 12"	7.07" - 8.48"	10.50"	3/4 x 30 x 3"	4.5"	304
SSS-H-30-50-B	30	9.1	5"	13.5	11.3	7.7	4.9	2.8	.188"	11"	10.25-13.25"	7.25" - 9.37"	11.50"	1 x 36" x 4"	4.5"	387

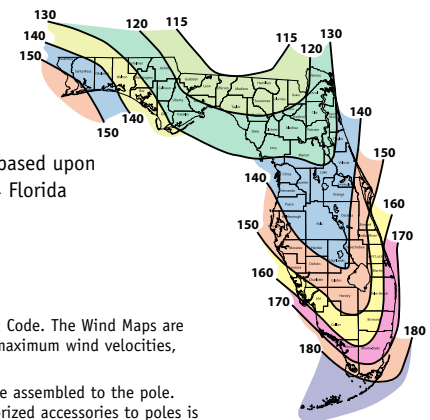
The offering above is a small subset of the SSS-H series poles available from of Hubbell Outdoor Lighting. Please visit our website for a complete list of products including Round Straight Steel (RSS) and aluminum poles.

### ASCE7-05 WIND MAP



Florida Building Code utilizes a different calculation method than ASCE, which results in different allowable EPAs. Consult your local authorities to determine which standard to use for your project.

### FLORIDA REGION WIND MAP



- Florida region wind map above is based upon 3-second gust winds and the 2014 Florida Building Code

#### NOTES

- Allowable EPA, to determine max pole loading weight, multiply allowable EPA by 30 lbs.
- The tables for allowable pole EPA are based on the ASCE 7-05 Wind Map or the Florida Region Wind Map for the 2010 Florida Building Code. The Wind Maps are intended only as a general guide and cannot be used in conjunction with other maps. Always consult local authorities to determine maximum wind velocities, gusting and unique wind conditions for each specific application
- Allowable pole EPA for jobsite wind conditions must be equal to or greater than the total EPA for fixtures, arms, and accessories to be assembled to the pole. Responsibility lies with the specifier for correct pole selection. Installation of poles without luminaires or attachment of any unauthorized accessories to poles is discouraged and shall void the manufacturer's warranty
- Wind speeds and listed EPAs are for ground mounted installations. Poles mounted on structures (such as bridges and buildings) must consider vibration and coefficient of height factors beyond this general guide; Consult local and federal standards
- Wind Induced Vibration brought on by steady, unidirectional winds and other unpredictable aerodynamic forces are not included in wind velocity ratings. Consult Hubbell Lighting's Pole Vibration Application Guide for environmental risk factors and design considerations.  
[http://cdn.hubbelloutdoor.com/content/products/literature/literature\\_files/Pole\\_Wind\\_Induced\\_Flyer\\_HLOI0022.pdf](http://cdn.hubbelloutdoor.com/content/products/literature/literature_files/Pole_Wind_Induced_Flyer_HLOI0022.pdf)
- Extreme Wind Events like, Hurricanes, Typhoons, Cyclones, or Tornadoes may expose poles to flying debris, wind shear or other detrimental effects not included in wind velocity ratings

**STOCK** ORDERED AS COMPLETE ASSEMBLIES

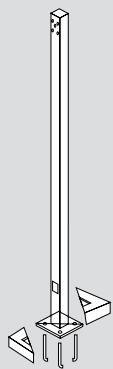
Catalog Number	Description
SSS-H-20-40-A-4-HV-DB-RDC	Complete 20' pole assembly (includes 20' x 4" x .125" thick pole shaft, anchor bolt set, anchor bolt template, square base cover, pole cap), Dark bronze powder paint finish
SSS-H-25-40-A-4-HV-DB-RDC	Complete 25' pole assembly (includes 20' x 4" x .125" thick pole shaft, anchor bolt set, anchor bolt template, square base cover, pole cap), Dark bronze powder paint finish
SSS-H-30-50-B-4-HV-DB-RDC	Complete 30' pole assembly (includes 30' x 5" x .188" thick pole shaft, anchor bolt set, anchor bolt template, square base cover, pole cap), Dark bronze powder paint finish

**STOCK** ORDERED AS INDIVIDUAL COMPONENTS

Catalog Number	Description
SSS-H-20-40-A-4-HV-DB-WPO	20' x 4" x .125" wall pole shaft, Dark Bronze
TAB-30-M38	3/4" x 30" x 3" anchor bolt set (four individual bolts)
930629597	Anchor bolt template (DO NOT USE ON OTHER POLE DESIGNS)
SBC4-DB	4" square base cover (10 1/2" square x 5" deep, Dark Bronze)
20102389702	4" square pole cap
SSS-H-25-40-A-4-HV-2-DB-WPO	25' x 4" x .125" wall pole shaft
TAB-30-M38	3/4" x 30" x 3" anchor bolt set (four individual bolts)
930629597	Anchor bolt template (DO NOT USE ON OTHER POLE DESIGNS)
SBC4-DB	4" square base cover (10 1/2" square x 5" deep, Dark Bronze)
20102389702	4" square pole cap
SSS-H-30-50-B-4-HV-2-B-WPO	30' x 5" x .188" wall pole shaft
TAB-36-M38	1" x 36" x 4" anchor bolt set (four individual bolts)
930629597	Anchor bolt template (DO NOT USE ON OTHER POLE DESIGNS)
SBC5-DB	5" square base cover (10 1/2" square x 5" deep), Dark Bronze
20102389802	5" square pole cap



**10-Day Quick Ship Ordering Guide**  
Order Limit Per Fixture Selection: 25



**CROSS SECTION**

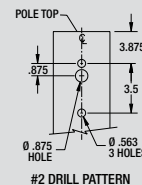
- SSS-H-16-40-A
- SSS-H-20-40-A
- SSS-H-25-40-A
- SSS-H-30-40-B

**LUMINAIRE MOUNTING TYPE<sup>1</sup>**

- 1 Single arm mount
- 2 Two fixtures at 180°
- 2L Two fixtures at 90°
- 3T Three fixtures at 90°
- 4 Four fixtures at 90°
- TA Tenon (2 3/8" OD)
- TB Tenon (2 7/8" OD)
- TC Tenon (3.5" OD)
- TR<sup>1</sup> Removable Tenon (2.375 x 4.25)
- OT No drilling (includes pole cap)

**DRILL PATTERN**

- S2 Hubbell Outdoor #2 2 bolt 3.5" pattern



**OPTIONS**

- GFI 20 Amp GFCI receptacle and cover
- VM2 2nd mode vibration damper
- LAB Less anchor bolts

**FINISH**

- BL Black (textured)
- DB Dark Bronze (textured)
- GR Gray (textured)
- PS Platinum Silver (textured)
- WH White (textured)

- 1 DRILL PATTERNS: Compatible for Hubbell Outdoor and Spaulding luminaires
- 2 Specify option location using logicfound in spec sheet; The location of all options must start a minimum of six inches above the hand hole and be located one foot apart from one another; Consult factory for any exceptions
- 3 Removable tenon used in conjunction with side arm mounting, specify desired arm configuration first followed by "TR" notation  
Example: SSS-H-25-40-A-1-S2-TR-DB



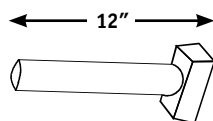
# Area/Site Accessories

## Square Steel Pole Mounting Brackets

The ARM brackets are made from 2 3/8" OD steel tubing and are designed to mount on square steel poles (SSS Series). Units are offered in gray or dark bronze powder paint finishes to match our ASL luminaires. Brackets are the #2 drilling pattern on Hubbell / Spaulding poles. Mounting hardware for those poles is included.

### MADE-TO-ORDER ORDERING INFORMATION

Catalog Number	Length (Inches)	OD	Finish	EPA	Weight lbs (kg)	PKG. CODE
ARM-F-M12-BL	12"	2 3/8"	Black	-	7 (3.2)	BC
ARM-F-M12-DB	12"	2 3/8"	Bronze	-	7 (3.2)	BC
ARM-F-M12-GR	12"	2 3/8"	Gray	-	7 (3.2)	BC
ARM-F-M12-PS	12"	2 3/8"	Platinum	-	7 (3.2)	BC
ARM-F-M12-WH	12"	2 3/8"	White	-	7 (3.2)	BC



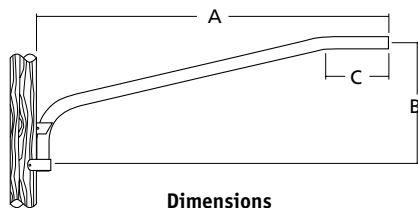
ARM - F - M12 - XX

## Wood Pole Mounting Brackets

This section of aluminum and galvanized steel utility wood pole brackets provides a range of mounting capabilities from 1 1/4" pipe arms 2" pipe arms (2 3/8" OD) for ASL luminaires or DD/DDD Dusk-to-Dawn. Mounting hardware is not included and mounting holes vary slightly from bracket to bracket. Select hardware after your brackets arrive and in relation to the specific pole diameter on which it is to be mounted.

### MADE-TO-ORDER ORDERING INFORMATION

Catalog Number	Dimensions (inches) (C) (B) (A)	OD	Weight		PKG. CODE
			lbs	Kg	
<b>Aluminum</b>					
WB-01A	10" 19" 42"	1 1/4"	4	1.8	BC
WB-04A	10" 19" 42"	2"	7	3.2	BC
WB-05A	12" 24" 66"	2"	10	4.5	BC
WB-07A	15" 30" 90"	2"	16	7.3	BC
<b>Galvanized Steel</b>					
WB-02S	10" 15" 30"	1 1/4"	9	4.1	BC
WB-03S	10" 19" 42"	1 1/4"	11	5	BC
WB-04S	12" 24" 66"	1 1/4"	15	6.8	BC
WB-06S	10" 19" 42"	2"	18	8.2	BC
WB-07S	12" 24" 66"	2"	24	10.9	BC
WB-08S	15" 30" 90"	2"	30	13.6	BC




Dimensions

# Photocontrols



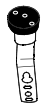



LANDSCAPE

## STOCK ORDERING INFORMATION

Catalog Number	Voltage	Max. Watts Incand.	Max. Watts HID		Weight lbs. (kg)	PKG. CODE
			HPF	NPF		
<b>Photocontrol - Button Type<sup>1</sup></b>						
 PBT-1 <sup>6</sup>	120	1200	400	250	.125 (0.1)	SCC
PBT-234 <sup>6</sup>	208/240/277	1200	400	250	.125 (0.1)	SCC

## MADE-TO-ORDER ORDERING INFORMATION

Catalog Number	Voltage	Max. Watts Incand.	Max. Watts HID		Weight lbs. (kg)	PKG. CODE
			HPF	NPF		
<b>Photocontrol - 1/2" Thread Mount<sup>2</sup></b>						
 PTA-1 <sup>6</sup>	120	2000	1000	400	.25 (0.1)	SCC
PTA-8 <sup>6</sup>	120-277	2000	1000	400	.25 (0.1)	SCC
PTA-5 <sup>6</sup>	480	2000	1000	400	.25 (0.1)	SCC
<b>Photocontrol - Twist-Lock<sup>®</sup> Cell<sup>3</sup></b>						
 PTL-1 <sup>6</sup>	120	1800	1000	400	.25 (0.1)	SCC
PTL-8 <sup>6</sup>	120-277	1800	1000	400	.25 (0.1)	SCC
PTL-5	480	1800	1000	400	.25 (0.1)	SCC
PTL-6 <sup>6</sup>	347	1800	1000	400	.25 (0.1)	SCC
<b>Receptacle - Remote Twist-Lock<sup>®</sup> Cell with Bracket<sup>4</sup></b>						
 PRR	120-480	1800	1000	400	.5 (0.2)	SCC
<b>Shorting Cap - Twist-Lock<sup>®</sup> Mount<sup>5</sup></b>						
 PSC	Completes circuit - Eliminates PCR				.25 (0.1)	SCC

- 1 Miniature photocontrol sealed in a sturdy plastic housing 2 1/16" x 1 1/8" x 7/8" with 3/4" nipple length, nipple dia. is 3/8" pipe thread - 5/8" outside diameter fits 1/2" tapped hubs; Use in any suitable enclosed box or luminaire; A gasket and lock nut provide weather tight seal at exit point
- 2 Weatherproof photocontrol in a polycarbonate housing with field adjustable light sensitivity level feature; 3 5/8" x 2" x 1 1/2" housing with 5/8" nipple length
- 3 Weatherproof Twist-Lock<sup>®</sup> photocell enclosed in a high butyrate protective housing; Meets EEL-NEMA standards; For use with Twist-Lock<sup>®</sup> receptacles (PCR)
- 4 Remote receptacle for PTL Twist-Lock<sup>®</sup> cell; Includes aluminum angle bracket and color coded leads; Bolts to wood poles, crossarms, walls or any flat surface
- 5 Weatherproof shorting cap to complete circuit and allow fixture to operate when Twist-Lock<sup>®</sup> photocontrol (PTL) is not used; For use with Twist-Lock<sup>®</sup> receptacles (PCR)
- 6 CSA certified

# FEATURED PRODUCT

## UTILITY. VERSATILITY. VALUE. VISION.

The Hubbell Industrial UTB is a versatile LED highbay designed to light gyms, industrial, multi-purpose rooms in schools and churches and retail. Its simple, straightforward design is meant to provide high quality light economically. It is available in a 28,000 lumen version and an 18,000 lumen version.

### Features and Benefits:

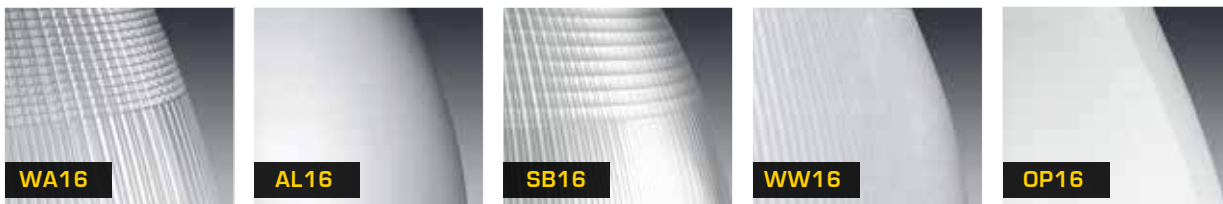
- The Utilibay™ LED Highbay is available with 5 different reflector options and 3 different lens options
- Light weight construction for easy installation
- Industry leading lumens per dollar
- Long lasting LED technology reduces maintenance costs
- Symmetrical design for consistent installed results
- Five reflector options to meet any lighting need



### Lens Options



### Reflector Options



For more information, please visit <http://www.hubbellindustrial.com/products/utb/>



**HUBBELL**  
Industrial Lighting



# UTILIBAY

## LED Highbay

The Hubbell Industrial UTB is a light duty LED highbay meant to light gyms, light industrial, multi-purpose rooms in schools and churches and retail. Its minimalist design is meant to provide high quality light economically.

It is available in a 28,000 lumen version and a 18,000 lumen version. We also offer five different reflector options, all 16" in diameter at the bottom. We have a clear acrylic, translucent acrylic, opalescent acrylic and suspended bead. We also offer a 16" spun aluminum reflector.

The basic fixture will be offered in 4000°K and 5000°K color temperatures. There are three lens options and mounting accessories like cord and plug options and bottom wire guards.

The Utilibay™ LED Highbay is symmetrical for easy, one-for-one replacement of existing highbays.

CSA Certified to meet U.S. and Canadian standards. DesignLights Consortium® (DLC) qualified product. Not all versions of this product may be DLC qualified. Please check the DLC Qualified Products List at [www.designlights.org](http://www.designlights.org)/QPL to confirm which versions are qualified.

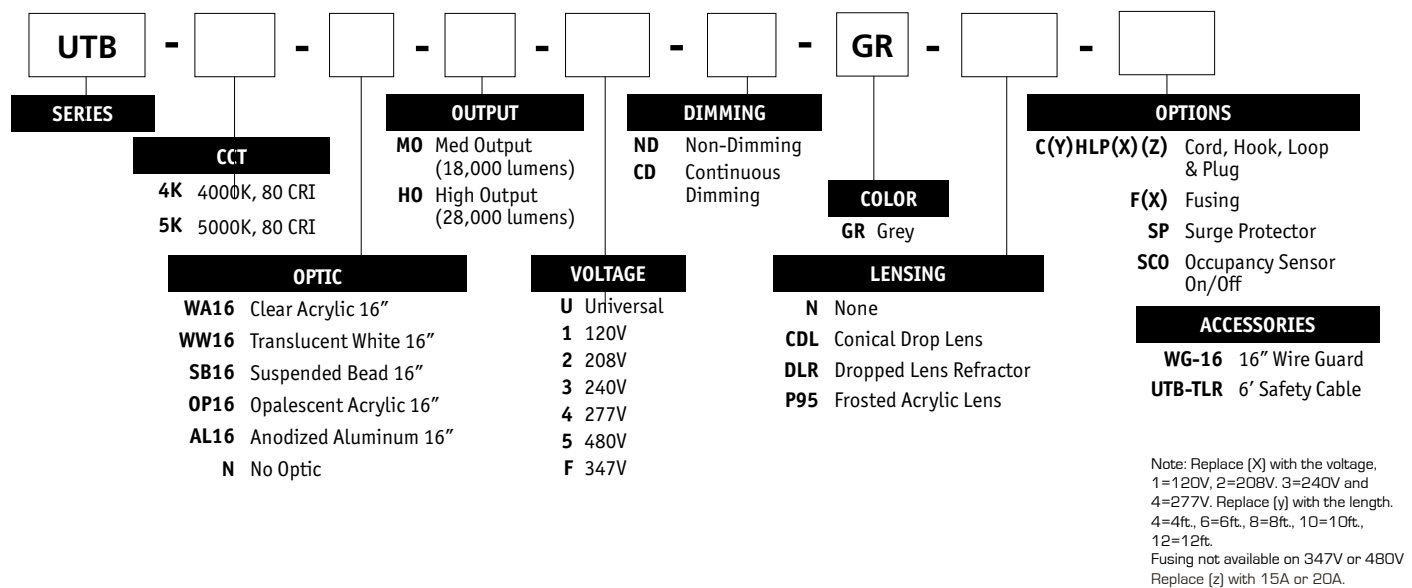


LED HIGHBAY

### STOCK ORDERING INFORMATION

Catalog Number	Description	Wattage	Voltage	Weight lbs. (kg)	PKG. CODE
UTB-4K-N-MO-U-CD-GR	UTB Driver Pod 4000K LED, 18,000 lumen output, 0-10v Continuous Dimming, Gray	167	120-277V	19 (8.6)	BC
UTB-5K-N-MO-U-CD-GR	UTB Driver Pod 5000K LED, 18,000 lumen output, 0-10v Continuous Dimming, Gray	167	120-277V	19 (8.6)	BC
UTB-4K-N-HO-U-CD-GR	UTB Driver Pod 4000K LED, 28,000 lumen output, 0-10v Continuous Dimming, Gray	255	120-277V	19 (8.6)	BC
UTB-5K-N-HO-U-CD-GR	UTB Driver Pod 5000K LED, 28,000 lumen output, 0-10v Continuous Dimming, Gray	255	120-277V	19 (8.6)	BC
UTB-WA16	16" Clear Acrylic Reflector	N/A	-	2 (.9)	BC
UTB-OP16	16" Opalescent Reflector	N/A	-	2 (.9)	BC
UTB-SB16	16" Suspended Bead Reflector	N/A	-	2 (.9)	BC
UTB-AL16	16" Spun Aluminum Reflector	N/A	-	2 (.9)	BC
UTB-P95	High Transmission Bottom Lens	N/A	-	1 (.45)	BC
UTB-DLR	Dropped Lens Refractor	N/A	-	1 (.45)	BC
WG-16	Bottom Wire Guard	N/A	-	3 (1.3)	BC
CORD-UTB-C6HLP1-20A 6ft 120V 20A L5-20P	120v Twist Loc Plug 20A, 6 foot cord with Hook/Loop	N/A	-	2 (.9)	BC
CORD-UTB-C6HLP4-20A 6ft 277V 20A L7-20P	277v Twist Loc Plug 20A, 6 foot cord with Hook/Loop	N/A	-	2 (.9)	BC

### MADE-TO-ORDER ORDERING INFORMATION



Due to our continued efforts to improve our products, specifications are subject to change without notice. © 2016 Hubbell Lighting All Rights Reserved.

For more information visit our web site: <http://www.hubbellindustrial.com/>  
Phone: 1-864-678-1000

# BL-400

## HID Utility Highbay



BL-400PHB

BL-400PLB

Ruggedly built industrials with cast aluminum ballast housing for heat dissipation and long ballast life. Cast aluminum safety hook included. 3/4" top hub on easy wire box. 400w pulse start metal halide lamp included. 16" diameter optics. Glass lens provided on BL-400PHB, drop acrylic on BL-400PLB.

Typical mounting height: Highbay 18'-25'/Lowbay 14'-20'. Quartz restrike units are available. (Quartz lamp included)

### APPLICATIONS

- Warehouses, workshops, auto maintenance, factories, etc.
- For applications with ceiling heights of 15-30 ft

### LISTINGS

- UL listed for use in damp locations

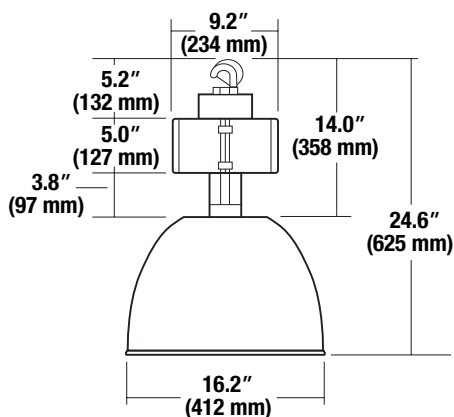
### STOCK

### ORDERING INFORMATION

Catalog Number	Description	Voltage	Color	Weight lbs. (kg)	PKG. CODE
BL-400P-HB*	Highbay, 400w PS	120/208/240/277V	White	24 (2.7)	FCC
BL-400P-HB-Q*	Highbay, 400w PS, w/ Quartz restrike	120/208/240/277V	White	24 (2.7)	FCC
BL-400P-LB-EX*	Lowbay, 400w PS	120/208/240/277V	White	24 (2.7)	FCC
BL-400P-LB-EX-Q*	Lowbay, 400w PS, w/ Quartz restrike	120/208/240/277V	White	24 (2.7)	FCC

\*Discontinued, limited quantities are available until inventory is depleted

### DIMENSIONS



# FEATURED PRODUCT

## SIMPLE SOPHISTICATION

LITEBOX

### LBSLEDA

#### Features and Benefits:

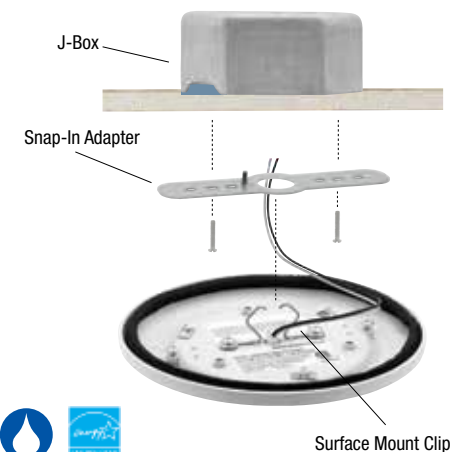
- 13 watt input power, 1032 lumens
- Installs to standard 4x4 J-Box
- Energy Star Qualified, California Title 24 compliant
- Retrofit applications with compatible 4", 5" or 6" recessed housings using optional mounting kit
- Dimmable to 15% with many LED rated dimmers
- IC/Non-IC rated. Suitable for wet locations.
- CSA certified to US and Canadian safety standards



#### Performance and Economy

The Surface Mount Series is leading the industry in LED technology. The state-of-the-art design eliminates the need for a traditional LED driver. The series demonstrates superior efficiency and performance providing cost-effective solutions for customers and partners.

#### Surface Mount J-Box Installation



## INSTALLATION

The surface mount uses an intuitive snap-in system that makes surface mount installation easier than ever. Simply install the snap-in-adaptor onto the junction box and connect wires. To finish the installation, snap the fixture into place using the surface mount clip. A great solution for fire rated applications when used in conjunction with a fire rated j-box.

(All hardware included)

The LBSLEDA (7" only) is also easily adapted to install into Prescolite and many competitive 4", 5" or 6" recessed cans with optional mounting kit LBSMTGKIT.

## 6" LED Trims



LB6LED3



### FEATURES

- Energy saving LED light engine with 15-watt input power
- Lumen output and distribution comparable to a 65W BR30 incandescent lamp
- Photometrics tested per IESNA LM-79-2008 standards
- New construction with DBXQL, California Title 24 compliant
- Retrofit applications with compatible 6" housings using the universal screw base adapter (see below)
- Dimmable to 15% with most standard dimmers
- Easy installation with (3) friction spring clips and diffuse acrylic lens controls direct glare
- 50,000 hours life at 70% lumen maintenance
- Die cast heat sink to maximize life expectancy and lumen output
- IC/Non-IC rated. Suitable for wet locations.
- Luminaires are certified by a National Recognized Testing Lab (NRTL), either UL or CSA.

### STOCK

### ORDERING INFORMATION

### EXAMPLE: LB6LEDA10L

<b>LB6LED</b>	<b>30K</b>		<b>WH</b>	
<b>TRIM</b>	<b>LED COLOR TEMP</b>	<b>CRI</b>	<b>TRIM COLOR</b>	<b>ACCESSORIES</b>
<b>LB6LEDA10L</b> 6" 1000 Lumen LED module with dimming to 15% 120V	<b>30K</b> 3000 Kelvin <b>35K<sup>1</sup></b> 3500 Kelvin	<b>Blank</b> 80+ CRI	<b>WH</b> White <b>BL<sup>1</sup></b> Black <b>Z<sup>1</sup></b> Zet (Metallic Silver) <b>BZ<sup>1</sup></b> Bronze	<b>LiteGear</b> Inverter, single phase central lighting, 125VA-250VA <b>DBXQL</b> IC/Non-IC Airtight housing with supply wire quick connects

### NOTES

<sup>1</sup> Available with LB6LEDA10L only.  
Dimmable using most 3-wire low voltage  
See spec sheet or [www.dual-lite.com](http://www.dual-lite.com) for LiteGear Compatibility Matrix and compatible dimmers

### LB6LED3

Compatible for use with Prescolite DBX, RMNICD, FT6. Partial list of competitor IC & Non-IC housings UL classified with 6" trims includes:

#### Manufacturer

Capri  
Commercial Electric  
Elco  
Emerald  
Halo  
Intense  
Jimway  
Juno  
Lithonia  
LumaPro  
Luminaire  
Nora  
Progress  
Sea Gull  
WAC

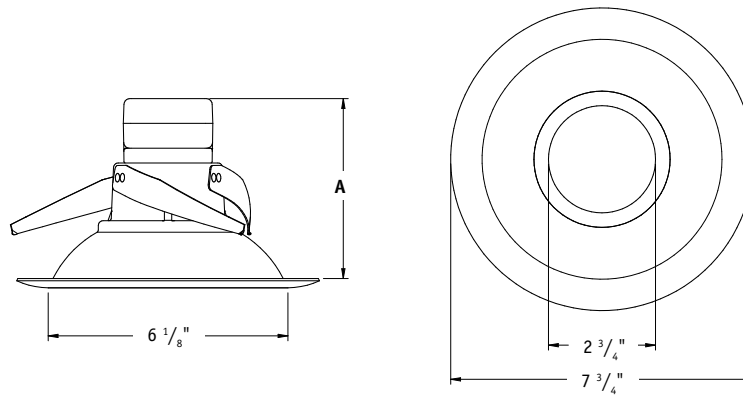
For complete list of competitor part numbers, see spec sheet at [www.Prescolite.com](http://www.Prescolite.com)



Black trim



Zet (Metallic silver) trim



LB6LEDA

Dim. A LB6LEDA10L = 4-5/8"

6" LED QuickLink  
California Title 24 Compliant

### FEATURES

- Energy saving LED light engine with 12-14-watt input power
- California Title 24 compliant QuickLink connectors on housings and trims
- Lumen output and distribution comparable up to 75W PAR incandescent lamp.
- Photometrics tested per IESNA LM-79-2008 standards
- 60,000 hour life at 70% lumen maintenance per TM-21
- Heat sink to maximize life expectancy and lumen output.
- Excellent glare control and optical cutoff
- Dimmable to 15% with most standard dimmers
- IC/Non-IC, AirShield rated. Wet location with LB6LEDA.
- Luminaires are certified by a National Recognized Testing Lab (NRTL), either UL or CSA.



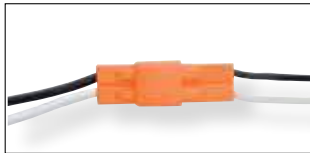
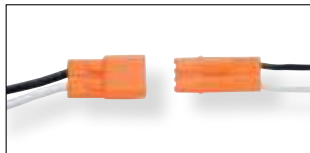
LITEBOX

### STOCK

### ORDERING INFORMATION

EXAMPLE: DBXQL-LB6LEDA30K WH

<b>DBXQL</b>		<b>LB6LEDA</b>	<b>30K</b>		<b>WH</b>
<b>HOUSING</b>	<b>HOUSING OPTIONS</b>	<b>TRIM</b>	<b>LED COLOR TEMP</b>	<b>CRI</b>	<b>TRIM COLOR</b>
DBXQL 6" LED QuickLink housing	CP Chicago Plenum	LB6LEDA8L <sup>1</sup> 6" 800 Lumen LED QuickLink trim LB6LEDA10L <sup>1</sup> 6" 1000 Lumen LED QuickLink trim	30K 3000 Kelvin 35K <sup>2</sup> 3500 Kelvin	Blank 80+ CRI	WH White BL <sup>2</sup> Black Z <sup>2</sup> Zet BZ <sup>2</sup> Bronze

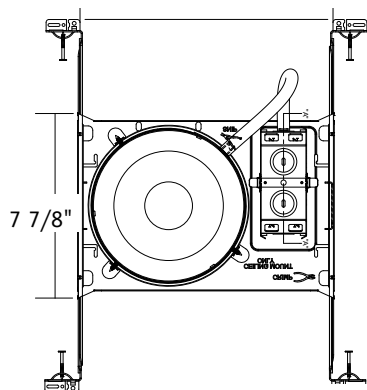


QuickLink: California Title 24 Compliant Connectors

QUICKLINK trims comply with the requirements of California Title 24 by providing a plug-in power connector in place of a screw shell socket. Ideal for residential and light commercial new construction applications where the use of screw shell sockets is restricted. The LB6LEDA trim is compatible with both an Edison Base and QL base housing.

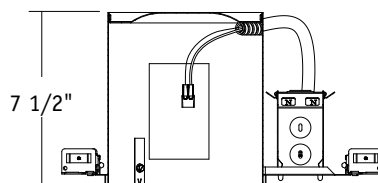
### NOTES

- <sup>1</sup> See trim dimensions on page 329
  - <sup>2</sup> Not available for LB6LEDA8L
- \* See spec sheet or [www.dual-lite.com](http://www.dual-lite.com) for LiteGear Compatibility Matrix

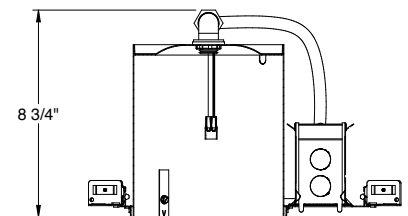


Ceiling Cut Out: 6-7/8"  
Maximum Ceiling Thickness: 1-1/2"

DBXQL



7 1/2"



DBXQL CP



## 5" & 7" Surface Mount LED Downlight

120V

LITEBOX



LBSLEDA10L



LBSQLEDA10L



LBS5LEDA6L



LBSQ5LEDA6L



### FEATURES

- Installs to Standard 4x4 J-Box
- Available in a 7", 1000+ Lumen output or a 5", 600+ lumen output.
- Lumen out put and distribution comparable up to 100W incandescent (7" models) and 65W incandescent (5" models)
- Dimmable to 15% using many LED rated dimmers
- Photometrics tested per IESNA-LM-79-2008 standards.
- Optional mounting to existing 4", 5", or 6" recessed can using the LBSMTGKIT (7" only).
- 60,000 hours life at 70% lumen maintenance per TM-21
- ENERGY STAR® Qualified . California Title 24 compliant
- IC/Non-IC rated. Suitable for wet locations.
- Luminaires are certified by a National Recognized Testing Lab (NRTL), either UL or CSA.

### STOCK ORDERING INFORMATION EXAMPLE: LBSLEDA10L30K9 WH

LBSLEDA10L	30K	9	WH	
<b>TRIM</b>	<b>LED COLOR</b>	<b>CRI</b>	<b>TRIM COLOR</b>	<b>ACCESSORIES</b>
<b>LBSLEDA10L</b> Surface Mount Round LED Module	<b>27K<sup>1</sup></b> 2700 Kelvin <b>30K<sup>1</sup></b> 3000 Kelvin <b>35K<sup>1</sup></b> 3500 Kelvin	<b>8</b> 80+ CRI <b>9</b> 90+ CRI	<b>WH</b> White <b>BL</b> Black <b>Z</b> Zet <b>BZ</b> Bronze	<b>LiteGear<sup>3</sup></b> Inverter, single phase central lighting, 125VA-250VA <b>LPS Series<sup>3</sup></b> LitePower micro-inverter, 20VA-55VA <b>LBSMTGKIT</b> Mounting kit for LiteBox LED Surface fixtures to install into most 4", 5", or 6" recessed cans. Set of 8. Not required for J-Box mounting

### NOTES

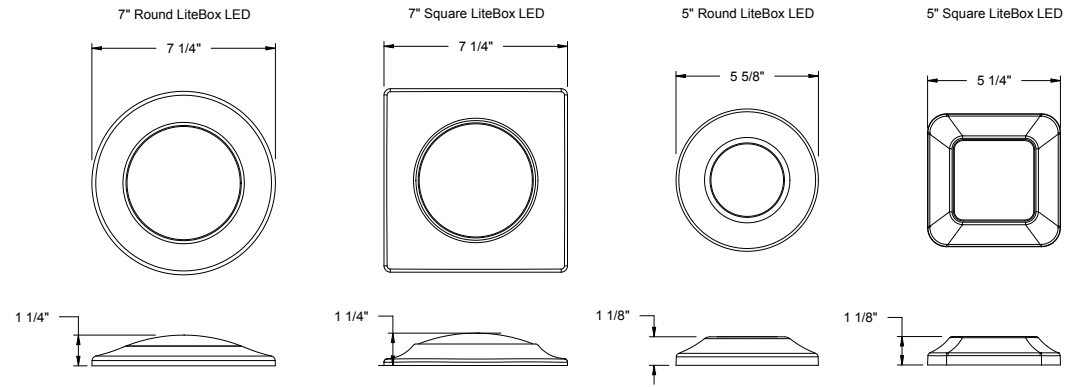
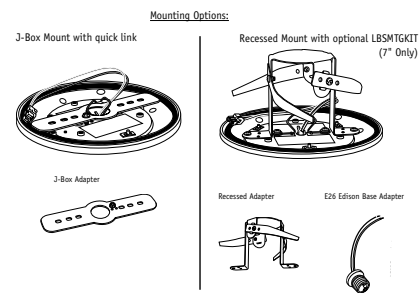
- <sup>1</sup> Available only in 90 CRI
- <sup>2</sup> Available only in 80 CRI
- <sup>3</sup> See spec sheet for Central Inverter compatibility note and web links

### STOCK ORDERING INFORMATION EXAMPLE: LBS5LEDA6L30K9 WH

LBS5LEDA6L	30K	9	WH
<b>TRIM</b>	<b>LED COLOR</b>	<b>CRI</b>	<b>TRIM COLOR</b>
<b>LBS5LEDA6L</b> 5" Round Surface Mount	<b>30K<sup>1</sup></b> 3000 Kelvin	<b>9</b> 90+ CRI	<b>WH</b> White <b>BL</b> Black <b>Z</b> Zet
<b>LBSQ5LEDA6L</b> 5" Square Surface Mount			

### NOTES

- <sup>1</sup> Available only in 90 CRI



# FEATURED PRODUCT

## CUSO SERIES – SLEEK DESIGN...MAXIMUM VERSATILITY

The CUSO Series is an architectural, low-profile outdoor wallpack, offering “normally On” AC and emergency lighting with powerful LED illumination. The housing is fully sealed and gasketed, and has an IP65 rating. Designed for wall mounting with universal K/O pattern in back-plate for easy installation to most standard size junction boxes. Includes a single ½” NPT conduit entry in the top, center of the housing. Illumination provided by 8 high power LEDs which achieve 1,600 lumens in AC and 600 lumens in emergency. LED color at 3000K.

### Features and Benefits:

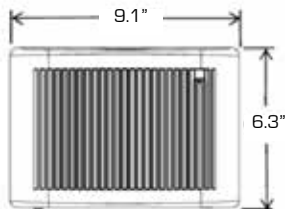
- Includes self-diagnostic/self-test feature to monitor proper operation
- Quick installation
- Universal 120-277VAC input, 60Hz.
- Includes long-life 7.2V Nickel Cadmium battery for UL recognized 90 minute operation
- Full re-charge within 24 hours
- Provided with water-proof test switch and AC-On indicator
- Includes photo-sensor and Passive Infra-Red sensor for normally-on operation
- 0°C to 50°C Standard Model, -25°C to 50°C with optional heater
- UL924 Wet Location and DLC Listed
- Available in Dark Bronze, Black or White Finish



EMERGENCY



The CUSO Series can be applied in areas that are susceptible to rain and severe moisture like parking decks, and outdoor commercial applications to meet all Path of Egress requirements.



<http://www.compasslightingproducts.com/products/cuso/>

Visit [www.compasslightingproducts.com](http://www.compasslightingproducts.com)

HUBBELL  
COMPASS™

# CUSO

## Slim LED AC/Emergency Outdoor Light

EMERGENCY



### FEATURES

- Durable die-cast housing in Dark Bronze, Black or White powder-coat finish
- Wall Mount with Universal KO and ½" NPT single conduit entry
- Includes 8 high power LEDs with operation in AC normally On and emergency mode
- Long life Nickel Cadmium Battery
- Includes Self-Test/Self-Diagnostic for worry-free operation and status
- Models include photo-sensor and PIR sensor for AC operation
- Temperature Range: Standard: 0°C to 50°C
- Heater Option: -25°C to 50°C
- UL924 Wet Location Listed
- DLC Listed

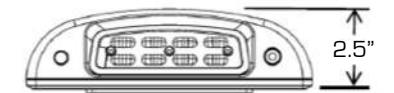
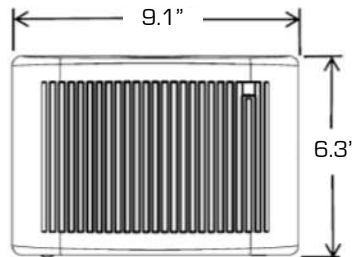
### STOCK

### ORDERING INFORMATION

CATALOG NUMBER	DESCRIPTION
CUSO DB	Outdoor AC/EM, 3000K, Dark Bronze
CUSO DB-H	Outdoor AC/EM, 3000K, Dark Bronze with Heater
CUSO BK	Outdoor AC/EM, 3000K, Black
CUSO BK-H	Outdoor AC/EM, 3000K, Black with Heater
CUSO WH	Outdoor AC/EM, 3000K, White
CUSO WH-H	Outdoor AC/EM, 3000K, White with Heater

### ELECTRONICS

- 120-277VAC, 60Hz input
- Battery re-charge within 24 hours
- Passive Infra-Red Sensor
- AC-On and Push-to-Test Switch



Single Carton Weight: 4 lbs.  
Master Carton Quantity: 6 each

# Combination LED Exit/Light

## FEATURES

- LED life-cycle of more than 10 years
- Molded-in template for Quick installation
- Dual-voltage 120 or 277V AC input
- Includes long-life Nickel Cadmium battery for UL recognized 90 minute emergency lighting
- Remote capacity or extended runtime option
- UL 924 Damp Location Listed
- Provided with test switch and AC-On indicator
- Lamp-heads are fully adjustable



EXIT SIGNS

## STOCK ORDERING INFORMATION

CATALOG NUMBER	DESCRIPTION
CCR	Combination Exit/Emergency Light, Universal Face, Red Letters, NiCad battery, Damp listed
CCG	Combination Exit/Emergency Light, Universal Face, Green Letters, NiCad battery, Damp Listed
CCRRC	Combination Exit/Emergency Light, Universal Face, Red Letters, NiCad battery, Remote Capacity, Damp Listed
CCGRC	Combination Exit/Emergency Light, Universal Face, Green Letters, NiCad battery, Remote Capacity, Damp Listed

Note: Remote Capacity Unit will only power the Compass Indoor and Outdoor Remote(CIR and COR Series)

## MATCHING REMOTE FIXTURES - REFER TO PAGE 69-70 FOR ADDITIONAL DETAILS

MODEL	DESCRIPTION
CIRS	LED Remote, Single Mounting Base, 3 VDC, 1 Watt
CIRD	LED Remote, Double Mounting Base, 3 VDC, 1 Watt
CORS	LED Outdoor Remote, Single, Mounting Base, 3 VDC, 1 Watt
CORD	LED Outdoor Remote, Double, Mounting Base, 3 VDC, 1 Watt

## ACCESSORIES

MODEL	DESCRIPTION
WGEL	Wall Mount Wireguard- 8" H X 20" W X 8" D

## ELECTRONICS

- 90 minute emergency operation with 1 double or 2 single remotes
- Test switch and LED AC-on indicator light



CIRS



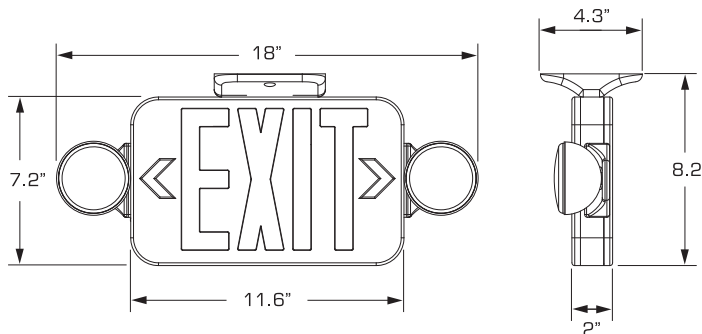
CIRD



CORD



CORS



Single Carton Weight: 2.5 lbs.  
Master Carton Quantity: 6 each

## Thin Die-Cast LED Emergency Exit

EXIT SIGNS



### FEATURES

- Thin die-cast aluminum Exit sign for commercial or light industrial applications
- Painted black housing with brushed aluminum face
- Long life LED lamps provide bright, even illumination
- Universal end or ceiling mount with canopy included
- Dual-voltage 120 or 277V AC input
- Emergency models include long-life Nickel Cadmium battery
- UL 924 Damp Location Listed

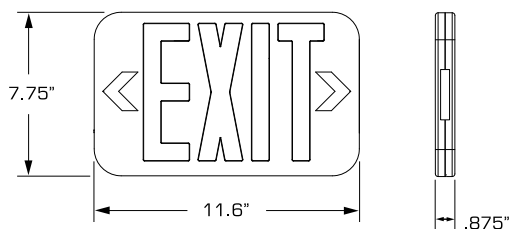
### STOCK

### ORDERING INFORMATION

CATALOG NUMBER	DESCRIPTION
CCESRE	Die-Cast Exit, Brushed Face, Black Housing, Single-Face, Red Letters, Emergency
CCEDRE	Die-Cast Exit, Brushed Face, Black Housing, Double-Face, Red Letters, Emergency
CCESGE	Die-Cast Exit, Brushed Face, Black Housing, Single-Face, Green Letters, Emergency
CCEDGE	Die-Cast Exit, Brushed Face, Black Housing, Double-Face, Green Letters, Emergency
CCESR	Die-Cast Exit, Brushed Face, Black Housing, Single-Face, Red Letters, AC
CCEDR	Die-Cast Exit, Brushed Face, Black Housing, Double-Face, Red Letters, AC
CCESG	Die-Cast Exit, Brushed Face, Black Housing, Single-Face, Green Letters, AC
CCEDG	Die-Cast Exit, Brushed Face, Black Housing, Double-Face, Green Letters, AC

### ELECTRONICS

- 90 minute emergency operation
- AC or Emergency operation
- Test switch and LED AC-on indicator light



**Single Carton Weight:** 2.8 lbs.  
**Master Carton Quantity:** 8 each



## LED Emergency Exit

### FEATURES

- Exit sign for commercial applications
- UV stable thermoplastic white or black housing available
- Long life LED lamps provide bright, even illumination
- Universal end or ceiling mount
- Dual-voltage 120 or 277V AC input
- Remote capacity or extended runtime option
- Long-life Nickel Cadmium battery with fully automatic charger
- UL 924 Damp Location Listed



### STOCK ORDERING INFORMATION

CATALOG NUMBER	DESCRIPTION
CER	White Thermoplastic Exit, Universal Face, Red LED Emergency Exit
CERB	Black Thermoplastic Exit, Universal Face, Red LED Emergency Exit
CEG	White Thermoplastic Exit, Universal Face, Green LED Emergency Exit
CEGB	Black Thermoplastic Exit, Universal Face, Green LED Emergency Exit
CERRC	White Thermoplastic Exit, Universal Face, Red LED Emergency Exit, Remote Capacity
CERRCB	Black Thermoplastic Exit, Universal Face, Red LED Emergency Exit, Remote Capacity
CEGRC	White Thermoplastic Exit, Universal Face, Green LED Emergency Exit, Remote Capacity



CEGB

Note: Remote Capacity Unit will only power the Compass Indoor and Outdoor Remote (CIR and COR Series)

### MATCHING REMOTE FIXTURES - REFER TO PAGE 69-70 FOR ADDITIONAL DETAILS

MODEL	DESCRIPTION
CIRS	LED Remote, Single Mounting Base, 3 VDC, 1 Watt
CIRD	LED Remote, Double Mounting Base, 3 VDC, 1 Watt
CORS	LED Outdoor Remote, Single, Mounting Base, 3 VDC, 1 Watt
CORD	LED Outdoor Remote, Double, Mounting Base, 3 VDC, 1 Watt

### ACCESSORIES

MODEL	DESCRIPTION
WGLX	Wall Mount Wireguard- 10" H X 14" W X 2.25" D

### ELECTRONICS

- 90 minute emergency operation with 1 double or 2 single remotes
- Test switch and LED AC-on indicator light



CIRS



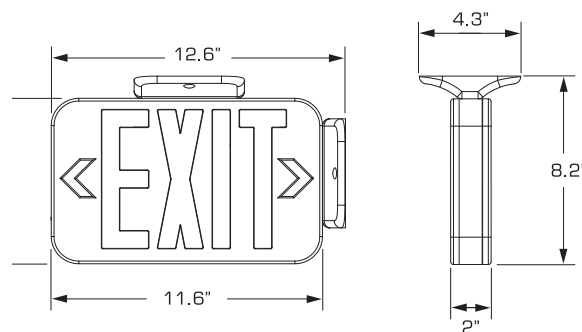
CIRD



CORD



CORS



Single Carton Weight: 2 lbs.  
Master Carton Quantity: 6 each

# CEL

## Edge-Lit LED Emergency Exit

EXIT SIGNS



### FEATURES

- Edgelit exit sign for architectural applications
- Brushed aluminum housing with field installed directional arrows
- Long life LED lamps provide bright, even illumination
- Recessed or surface mount with canopy included
- Mirror divider on single and double-face models
- Dual-voltage 120 or 277V AC input
- Emergency models include long-life Nickel Cadmium battery
- UL 924 listed

### STOCK

### ORDERING INFORMATION

CATALOG NUMBER	DESCRIPTION
CELS1RNE	Edge-Lit Exit, Surface Mount, Single Face, Red Letters, Brushed Aluminum, Battery
CELS1GNE	Edge-Lit Exit, Surface Mount, Single Face, Green Letters, Brushed Aluminum, Battery
CELS2RNE	Edge-Lit Exit, Surface Mount, Double Face, Red Letters, Brushed Aluminum, Battery
CELS2GNE	Edge-Lit Exit, Surface Mount, Double Face, Green Letters, Brushed Aluminum, Battery
CELR1RNE	Edge-Lit Exit, Recessed Mount, Single Face, Red Letters, Brushed Aluminum, Battery
CELR1GNE	Edge-Lit Exit, Recessed Mount, Single Face, Green Letters, Brushed Aluminum, Battery
CELR2RNE	Edge-Lit Exit, Recessed Mount, Double Face, Red Letters, Brushed Aluminum, Battery
CELR2GNE	Edge-Lit Exit, Recessed Mount, Double Face, Green Letters, Brushed Aluminum, Battery

### ELECTRONICS

- Test switch and LED AC-on indicator light

### ADDITIONAL MOUNTING OPTIONS



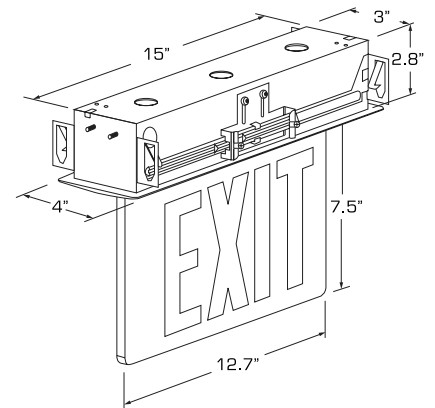
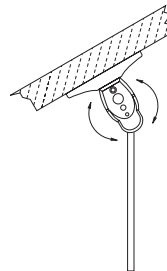
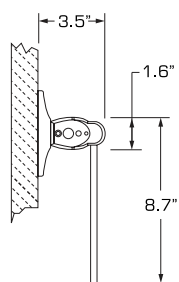
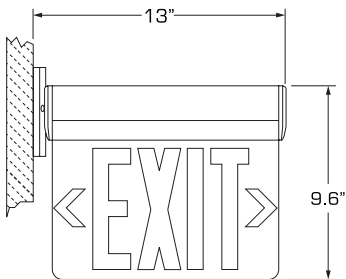
Surface Mount



Recessed Wall



Recessed Ceiling



## Wet Location LED Emergency Exit

### FEATURES

- Exit sign for wet location or light industrial environments
- UV stable thermoplastic grey housing with polycarbonate lens
- Long life LED lamps provide bright, even illumination
- Single face end, wall or ceiling mount
- Double face end or ceiling mount
- Dual-voltage 120 or 277V AC input
- Long-life Nickel Cadmium battery with fully automatic charger
- UL 924 Wet Location Listed



EXIT SIGNS

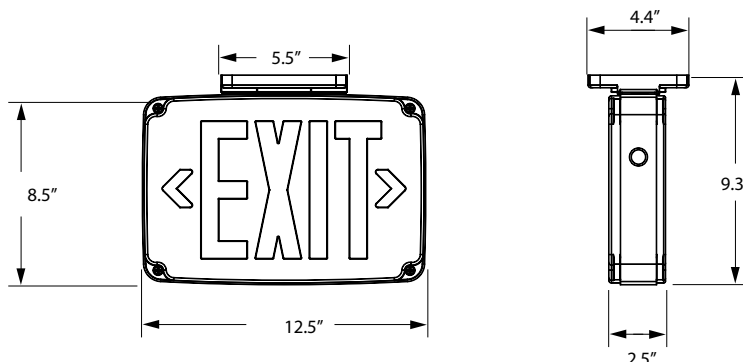
### STOCK

### ORDERING INFORMATION

CATALOG NUMBER	DESCRIPTION
CEWSRE	Thermoplastic, Wet Location Exit, Single-Face, Red Letters, Emergency
CEWDRE	Thermoplastic, Wet Location Exit, Double-Face, Red Letters, Emergency
CEWSGE	Thermoplastic, Wet Location Exit, Single-Face, Green Letters, Emergency
CEWDGE	Thermoplastic, Wet Location Exit, Double-Face, Green Letters, Emergency

### ELECTRONICS

- 90 minute emergency operation
- Test switch and LED AC-on indicator light



Single Carton Weight: 4.3 lbs.  
Master Carton Quantity: 6 each

## Wet Location Combination Exit/Emergency Light

EMERGENCY



### FEATURES

- LED based exit/emergency light for wall, ceiling or end mounting
- Includes Self-Test/Self-Diagnostics
- Housing made of 5VA flame retardant polycarbonate in white finish
- Exit face-plate and lamp-head shield made from high impact, UV stable polycarbonate
- Fully adjustable LED lamp-heads at 3.6W each
- Long life Nickel Cadmium Battery
- Temperature Range: 0°C to 50°C, CT Option: -20°C to 50°C
- UL924 Wet Location Listed

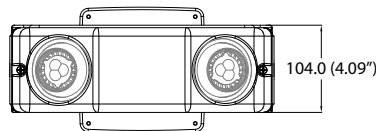
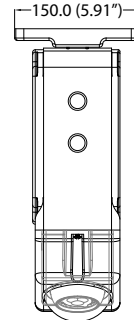
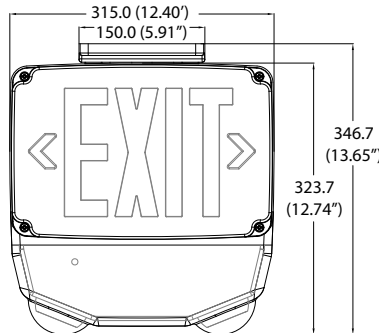
### STOCK

### ORDERING INFORMATION

CATALOG NUMBER	DESCRIPTION
CWC1RW	White Housing, Single Face, Red Letters
CWC2RW	White Housing, Double Face, Red Letters
CWC1GW	White Housing, Single Face, Green Letters
CWC2GW	White Housing, Double Face, Green Letters
CWC1RW-CT	White Housing, Single Face, Red Letters, Cold Temperature Operation
CWC2RW-CT	White Housing, Double Face, Red Letters, Cold Temperature Operation
CWC1GW-CT	White Housing, Single Face, Green Letters, Cold Temperature Operation
CWC2GW-CT	White Housing, Double Face, Green Letters, Cold Temperature Operation

### ELECTRONICS

- 120/277VAC input
- AC lockout and Low Voltage disconnect
- Battery re-charge within 24 hours
- Self-Test/Self-Diagnostic circuitry
- Magnetic No Touch Testing



Single Carton Weight: 8.0 lbs.  
Master Carton Quantity: 4 each

## J-Box Mounted Emergency Light

### FEATURES

- 2 designs for low-level or above the door mounting
- Models include PIR sensor for convenient night-light operation
- Thermoplastic housing in white or black finish
- Quick mount in a 4" j-box
- Long-life Nickel Metal Hydride Battery
- Temperature Range: Standard 10°C to 40°C
- UL924 Listed



EMERGENCY

### STOCK

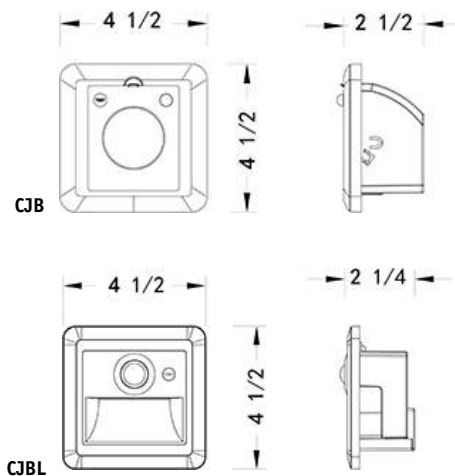
### ORDERING INFORMATION

CATALOG NUMBER	DESCRIPTION
CJBLWE	Low level, white finish with battery
CJBLWEP	Low level, white finish, battery, PIR sensor
CJBLBE	Low level, black finish with battery
CJBLBEP	Low level, black finish, battery, PIR sensor
CJBWE	Adjustable angle, white finish with battery
CJBWEP	Adjustable angle, white finish, battery, PIR sensor
CJBBE	Adjustable angle, black finish with battery
CJBBEP	Adjustable angle, black finish, battery, PIR sensor

### ELECTRONICS

- 120/277VAC input
- Battery re-charge within 24 hours
- Passive Infra-Red Sensor
- Ac-On and Push-to-Test Switch

### DIMENSIONS



Single Carton Weight: 1.0 lb.  
Master Carton Quantity: 12 each

# CUW Series

## Decorative LED AC/Emergency Light

REMOTE



### FEATURES

- Normally-on and emergency operation
- Durable die-cast aluminum housing
- Prismatic polycarbonate refractor
- 10 year LED life cycle
- Long-life Nickel Cadmium battery
- Fully sealed and gasketed design
- Includes self-diagnostic/self-test
- Includes conduit entry at top of unit
- Optional heater
- Photo-Control Standard
- Temp. range standard, 0°C to 50°C with heater, -30°C to 50°C
- UL924 Wet Location Listed

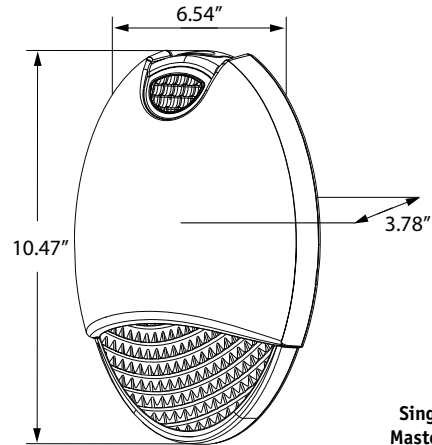
STOCK

### ORDERING INFORMATION

CATALOG NUMBER	DESCRIPTION
CUWZ-PC	Die-Cast, Normally on/Emergency, 0° to 50°C, with Photo-Control, Dark Bronze Finish
CUWZ-HTR-PC	Die-Cast, Normally on/Emergency, -30° to 50°C, with HTR and Photo-Control, Dark Bronze Finish

### ELECTRONICS

- Universal 100-300VAC input
- 4.8VDC Nickel Cadmium battery
- Battery re-charge within 24 hours
- Fully automatic solid-state charger



Single Carton Weight: 4.0 lbs.  
Master Carton Quantity: 6 each



## LED Indoor Remote

### FEATURES

- Single or Double lamp-head remote with base-plate
- LED life-cycle of more than 10 years
- Quick installation
- Dual-voltage 120 or 277V AC input
- UL924 Damp Location Listed
- Fully adjustable lamp-heads



REMOTE

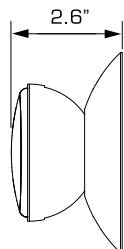
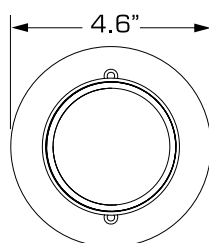
**STOCK**

### ORDERING INFORMATION

CATALOG NUMBER	DESCRIPTION
CIRS	LED Remote, Single Mounting Base, 3 VDC, 1 Watt
CIRD	LED Remote, Double Mounting Base, 3 VDC, 1 Watt

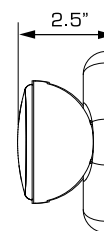
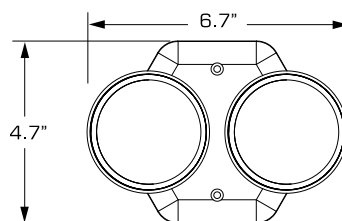
Note: Powered by the Compass Exit, Combo or Emergency Light with Remote Capacity

CIRS



**Single Remote Carton Weight:** 1 lbs.  
**Master Carton Quantity:** 20 each

CIRD



**Double Remote Carton Weight:** 1.2 lbs.  
**Master Carton Quantity:** 20 each

# COR

## LED Outdoor Remote

REMOTE



### FEATURES

- Single or Double lamp-head remote with base
- LED life-cycle of more than 10 years
- Quick installation
- Fully adjustable lamp-heads
- Fully gasketed for application in wet environment
- UL listed

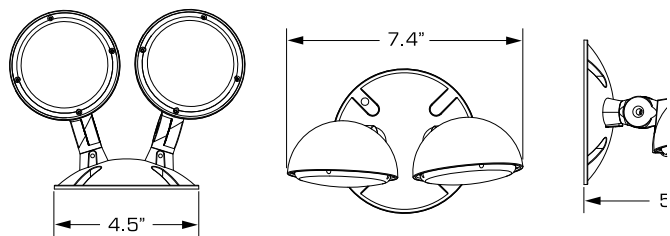
STOCK

### ORDERING INFORMATION

CATALOG NUMBER	DESCRIPTION
CORS	LED Outdoor Remote, Single, Mounting Base, 3 VDC, 1 Watt
CORD	LED Outdoor Remote, Double, Mounting Base, 3 VDC, 1 Watt

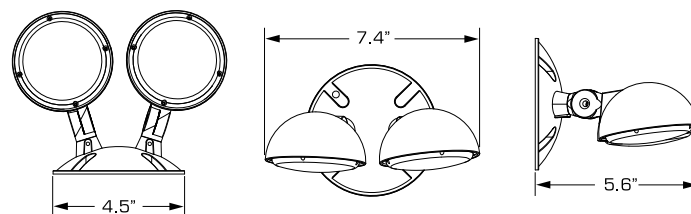
Note: Powered by Compass Exit, Combo or Emergency Light with Remote Capacity

### CORS



Single Remote Carton Weight: 1 lbs.  
Master Carton Quantity: 20 each

### CORD



Double Remote Carton Weight: 1.2 lbs.  
Master Carton Quantity: 20 each

## LED Emergency Light

### FEATURES

- Emergency unit for commercial applications
- UV stable thermoplastic white or black housing available
- Quick installation with fully adjustable lamp-heads
- LED Lamps with a life-cycle of more than 10 years
- Dual-voltage 120 or 277V AC input
- Remote capacity or extended runtime option
- Long-life Nickel Cadmium battery with fully automatic charger
- UL 924 Damp Location Listed



### STOCK

### ORDERING INFORMATION

CATALOG NUMBER	DESCRIPTION
CU2	White Thermoplastic, Dual-Head LED Emergency Light , 120/277 Input, Damp Location Listed, 3 VDC, 1 Watt
CU2B	Black Thermoplastic, Dual-Head LED Emergency Light, 120/277 Input, Damp Location Listed, 3 VDC, 1 Watt
CU2RC	White Thermoplastic, Dual-Head LED Emergency Light, 120/277 Input, Damp Location Listed, Remote Capacity, 3 VDC, 1 Watt
CU2RCB	Black Thermoplastic, Dual-Head LED Emergency Light, 120/277 Input, Damp Location Listed, Remote Capacity, 3 VDC, 1 Watt

Note: Remote Capacity Unit will only power the Compass Indoor and Outdoor Remote(CIR and COR Series)

### MATCHING REMOTE FIXTURES - REFER TO PAGE 69-70 FOR ADDITIONAL DETAILS

MODEL	DESCRIPTION
CIRS	LED Remote, Single Mounting Base, 3 VDC, 1 Watt
CIRD	LED Remote, Double Mounting Base, 3 VDC, 1 Watt
CORS	LED Outdoor Remote, Single, Mounting Base, 3 VDC, 1 Watt
CORD	LED Outdoor Remote, Double, Mounting Base, 3 VDC, 1 Watt



CU2B

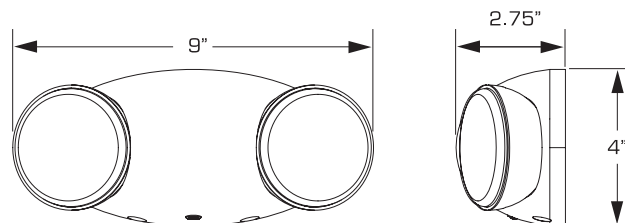
### ACCESSORIES

MODEL	DESCRIPTION
WGLZ	Wireguard- 6.25" H X 14" W X 4" D

Single Carton Weight: 1 lbs.  
Master Carton Quantity: 12 each

### ELECTRONICS

- 90 minute emergency operation
- Test switch and LED AC-on indicator light



CIRS



CIRD



CORD



CORS

# CU2W

## Wet Location LED Emergency Light

EMERGENCY



### FEATURES

- Emergency unit for wet location or light industrial applications
- UV stable thermoplastic grey housing available
- Quick installation with fully adjustable lamp-heads
- LED Lamps with a life-cycle of more than 10 years
- Dual-voltage 120 or 277V AC input
- Provided with water-proof test switch and AC-On indicator
- Remote capacity or extended runtime standard
- Long-life Nickel Cadmium battery with fully automatic charger
- UL 924 Wet Location Listed

### STOCK

### ORDERING INFORMATION

CATALOG NUMBER	DESCRIPTION
CU2WG	Wet Location LED emergency light, Dual-Head Fully Adjustable, Grey Finish, Remote Capacity, 120/277 Input, 1.9 watts
CU2WB	Wet Location LED emergency light, Dual-Head Fully Adjustable, Black Finish, Remote Capacity, 120/277 Input, 1.9 watts

Note: Unit will only power 1 each Compass CWRD or 2 each CWRS remotes

### MATCHING REMOTE FIXTURES

MODEL	DESCRIPTION
CWRS	LED Outdoor Remote, Single
CWRD	LED Outdoor Remote, Double

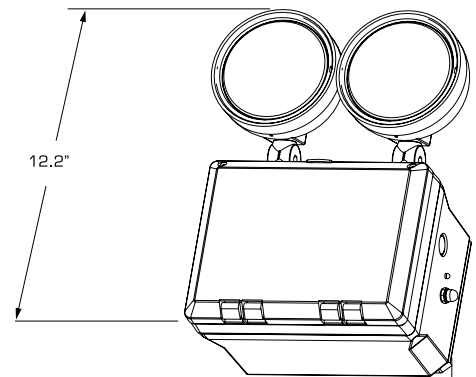
### ACCESSORIES

MODEL	DESCRIPTION
WGEL	Wireguard- 8" H X 20" W X 8" D

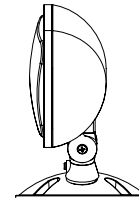
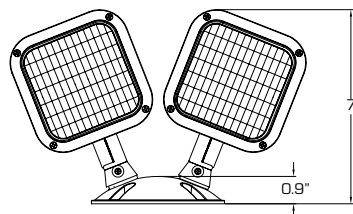
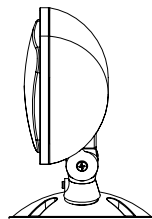
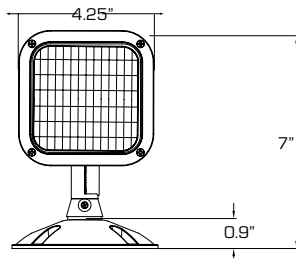
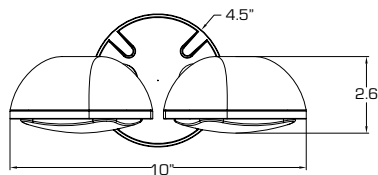
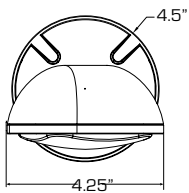
### ELECTRONICS

- 90 minute emergency operation with 1 double or 2 single remotes
- Test switch and LED AC-on indicator light

### CWRS



Single Carton Weight: 7.5 lbs.  
Master Carton Quantity: 4 each



## International Voltage SALIDA LED Exit

### FEATURES

- LED life-cycle of more than 10 years
- Molded-in template for Quick installation
- Meets International input voltage requirements
- Optimal long-life 4.8V Nickel Cadmium battery for 90 minute emergency lighting
- Provided with test switch and AC-On indicator
- Canopy Included



INTERNATIONAL

### STOCK

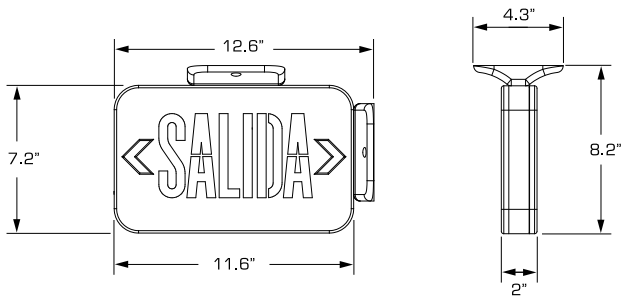
### ACCESSORIES

#### MODEL DESCRIPTION

- CSRIV** 120/220-240VAC, 50/60Hz., Universal SALIDA Face, Red LED, AC only  
**CSREIV** 120/220-240VAC, 50/60Hz., Univ. SALIDA Face, Red LED Emergency, NiCad battery

### ENERGY CONSUMPTION

CATALOG NUMBER	INPUT WATT (W)		INPUT AMPS	
	120VAC	230VAC	120VAC	230VAC
CSR Models	3.8	3.8	0.034	0.02



Single Carton Weight: 2 lbs  
 Master Carton Quantity: 6 each

# INDEX

## Product Index

4040	27	HUBBELL OUTDOOR	ARM-F-M12-BL	50	HUBBELL OUTDOOR	CELR2GNE	65	COMPASS
4040	34	HUBBELL OUTDOOR	ARM-F-M12-DB	50	HUBBELL OUTDOOR	CELR2RNE	64	COMPASS
4040	37	HUBBELL OUTDOOR	ARM-F-M12-GR	50	HUBBELL OUTDOOR	CELS1GNE	64	COMPASS
4041	34	HUBBELL OUTDOOR	ARM-F-M12-PS	50	HUBBELL OUTDOOR	CELS1RNE	64	COMPASS
4041	37	HUBBELL OUTDOOR	ARM-F-M12-WH	50	HUBBELL OUTDOOR	CELS2GNE	64	COMPASS
4090	37	HUBBELL OUTDOOR	ASL-16L3	42	HUBBELL OUTDOOR	CELS2RNE	64	COMPASS
705327	35	HUBBELL OUTDOOR	ASL-16L4	42	HUBBELL OUTDOOR	CER	63	COMPASS
93047957	24	HUBBELL OUTDOOR	ASL-24L-3-HO	42	HUBBELL OUTDOOR	CERB	63	COMPASS
93047971	25	HUBBELL OUTDOOR	ASL-24L-3-HO-SCPW	42	HUBBELL OUTDOOR	CERRC	63	COMPASS
93048453	20	HUBBELL OUTDOOR	ASL-24L-3-SCPW	42	HUBBELL OUTDOOR	CERRCB	63	COMPASS
93058186	26	HUBBELL OUTDOOR	ASL-24L-4-HO	42	HUBBELL OUTDOOR	CEWDGE	66	COMPASS
93058186	27	HUBBELL OUTDOOR	ASL-24L3	42	HUBBELL OUTDOOR	CEWDRE	65	COMPASS
95005520	20	HUBBELL OUTDOOR	ASL-24L4	42	HUBBELL OUTDOOR	CEWSGE	65	COMPASS
20750110214	35	HUBBELL OUTDOOR	ASL-MAF	42	HUBBELL OUTDOOR	CEWSRE	65	COMPASS
20750110264	24	HUBBELL OUTDOOR	ASL-MAF	43	HUBBELL OUTDOOR	CIRD	70	COMPASS
20750110264	25	HUBBELL OUTDOOR	ASL16L3PCPW	42	HUBBELL OUTDOOR	CIRS	69	COMPASS
26100119905	35	HUBBELL OUTDOOR	BL-400P-HB	54	HUBBELL INDUSTRIAL	CJBBE	67	COMPASS
26100149902	35	HUBBELL OUTDOOR	BL-400P-HB-Q	54	HUBBELL INDUSTRIAL	CJBEP	68	COMPASS
26401839805	35	HUBBELL OUTDOOR	BL-400P-LB-EX	54	HUBBELL INDUSTRIAL	CJBLBE	67	COMPASS
26401849803	35	HUBBELL OUTDOOR	BL-400P-LB-EX-Q	60	COMPASS	CJBLBEP	67	COMPASS
80021660108	35	HUBBELL OUTDOOR	BUL-1L3K-U	29	HUBBELL OUTDOOR	CJBLWE	67	COMPASS
1031-3	39	HUBBELL OUTDOOR	BUL-1L4K-U	29	HUBBELL OUTDOOR	CJBLWEP	67	COMPASS
1414-BOX	39	HUBBELL OUTDOOR	CCEDG	63	COMPASS	CJBWE	67	COMPASS
206-BC3	39	HUBBELL OUTDOOR	CCEDGE	62	COMPASS	CJBWEP	67	COMPASS
206-BC3-B	39	HUBBELL OUTDOOR	CCEDR	62	COMPASS	CL1S-RPA3-ACC-DB	42	HUBBELL OUTDOOR
241-C-XX	37	HUBBELL OUTDOOR	CCEDRE	62	COMPASS	CL1S-RPA3-ACC-DB	43	HUBBELL OUTDOOR
4024C	27	HUBBELL OUTDOOR	CCESG	62	COMPASS	CL1S-RPA4-ACC-DB	42	HUBBELL OUTDOOR
4024C	34	HUBBELL OUTDOOR	CCESGE	62	COMPASS	CL1S-RPA4-ACC-DB	43	HUBBELL OUTDOOR
4024C	37	HUBBELL OUTDOOR	CCESR	62	COMPASS	CORD	71	COMPASS
800-2918-0115	33	HUBBELL OUTDOOR	CCESRE	62	COMPASS	CORD-UTB-C6HLP1-20A	53	HUBBELL INDUSTRIAL
800-3289-0100	21	HUBBELL OUTDOOR	CCG	61	COMPASS	CORD-UTB-C6HLP4-20A	56	HUBBELL INDUSTRIAL
93047942AC	24	HUBBELL OUTDOOR	CCGRC	62	COMPASS	CORS	70	COMPASS
93047961AC	25	HUBBELL OUTDOOR	CCR	61	COMPASS	CR-RPA(X)-XX1	43	HUBBELL OUTDOOR
ALF-12LU-5K-BZ	30	HUBBELL OUTDOOR	CCRRC	61	COMPASS	CSREIV	57	PRESCOLITE
ALF-6LU-5K-BZ	30	HUBBELL OUTDOOR	CEG	63	COMPASS	CSRIV	73	COMPASS
ARF-SPC	26	HUBBELL OUTDOOR	CEGB	63	COMPASS	CU2	71	COMPASS
ARF-SPC	27	HUBBELL OUTDOOR	CEGRC	64	COMPASS	CU2B	71	COMPASS
ARM-DD24	47	HUBBELL OUTDOOR	CELR1GNE	64	COMPASS	CU2RC	71	COMPASS
ARM-DD30	47	HUBBELL OUTDOOR	CELR1RNE	64	COMPASS	CU2RCB	72	COMPASS



CU2WB ..... 73 ..... COMPASS	FML-SPC..... 25 ..... HUBBELL OUTDOOR	LNC3-2L4K-105-SCP ..... 10 ..... HUBBELL OUTDOOR
CU2WG..... 72 ..... COMPASS	FML-VISOR-XX1..... 25 ..... HUBBELL OUTDOOR	LNC3-2L5K-105..... 10 ..... HUBBELL OUTDOOR
CUSO BK ..... 60 ..... COMPASS	FML14L4KPCU..... 25 ..... HUBBELL OUTDOOR	LNC4-36L-4K ..... 11 ..... HUBBELL OUTDOOR
CUSO BK-H..... 60 ..... COMPASS	FSL-7 ..... 24 ..... HUBBELL OUTDOOR	LNC4-44L-4K ..... 11 ..... HUBBELL OUTDOOR
CUSO DB ..... 60 ..... COMPASS	FSL-7-PCU ..... 24 ..... HUBBELL OUTDOOR	LNC4-44L-5K ..... 11 ..... HUBBELL OUTDOOR
CUSO DB-H..... 60 ..... COMPASS	FSL-7L4K..... 24 ..... HUBBELL OUTDOOR	LR-301..... 37 ..... HUBBELL OUTDOOR
CUSO WH ..... 60 ..... COMPASS	FSL-7L4K-PCU..... 24 ..... HUBBELL OUTDOOR	MBUL-1L3K-1 ..... 28 ..... HUBBELL OUTDOOR
CUSO WH-H..... 61 ..... COMPASS	FSL-SPC..... 24 ..... HUBBELL OUTDOOR	MHP-0400P-338 ..... 33 ..... HUBBELL OUTDOOR
CUWZ-HTR-PC..... 69 ..... COMPASS	FSL-VISOR-XX1..... 24 ..... HUBBELL OUTDOOR	MHS-K250P8 ..... 32 ..... HUBBELL OUTDOOR
CUWZ-PC..... 68 ..... COMPASS	FXL-56L ..... 27 ..... HUBBELL OUTDOOR	MHS-K400P8 ..... 32 ..... HUBBELL OUTDOOR
CWC1GW ..... 66 ..... COMPASS	FXL-56L4K..... 27 ..... HUBBELL OUTDOOR	MHS-Y250P8..... 32 ..... HUBBELL OUTDOOR
CWC1GW-CT ..... 66 ..... COMPASS	GSL-15L ..... 20 ..... HUBBELL OUTDOOR	MHS-Y400P5..... 32 ..... HUBBELL OUTDOOR
CWC1RW..... 66 ..... COMPASS	GSL-15L-SCP..... 20 ..... HUBBELL OUTDOOR	MHS-Y400P8..... 32 ..... HUBBELL OUTDOOR
CWC1RW-CT ..... 66 ..... COMPASS	GSL-21L ..... 20 ..... HUBBELL OUTDOOR	MHS-Y400S5..... 32 ..... HUBBELL OUTDOOR
CWC2GW ..... 66 ..... COMPASS	GSL-21L-SCP ..... 20 ..... HUBBELL OUTDOOR	MHS-Y400S8..... 32 ..... HUBBELL OUTDOOR
CWC2GW-CT ..... 67 ..... COMPASS	GSL-CS..... 20 ..... HUBBELL OUTDOOR	ML-2L3K-1-DB ..... 31 ..... HUBBELL OUTDOOR
CWC2RW..... 66 ..... COMPASS	GSL-LENS-M..... 20 ..... HUBBELL OUTDOOR	ML-2L3K-1-WH ..... 31 ..... HUBBELL OUTDOOR
CWC2RW-CT ..... 66 ..... COMPASS	GSL-LENS-R ..... 20 ..... HUBBELL OUTDOOR	MS-DB ..... 31 ..... HUBBELL OUTDOOR
DBXQL ..... 53 ..... HUBBELL INDUSTRIAL	GSL-MTG-PL..... 20 ..... HUBBELL OUTDOOR	MS-WH..... 31 ..... HUBBELL OUTDOOR
DDL-140L-1..... 47 ..... HUBBELL OUTDOOR	GSL-Protector ..... 20 ..... HUBBELL OUTDOOR	MVM-0250P-2684 ..... 33 ..... HUBBELL OUTDOOR
DDL-56L-4K-1-NA..... 47 ..... HUBBELL OUTDOOR	GSL-SPC ..... 20 ..... HUBBELL OUTDOOR	MVM-0400S-268 ..... 33 ..... HUBBELL OUTDOOR
DDL-9L1..... 47 ..... HUBBELL OUTDOOR	LB6LEDA10L..... 58 ..... PRESCOLITE	MVM-1000H-2652 ..... 33 ..... HUBBELL OUTDOOR
DDL-DRIVER-120V..... 47 ..... HUBBELL OUTDOOR	LBSLEDA10L ..... 58 ..... PRESCOLITE	MVM-1000H-2682 ..... 33 ..... HUBBELL OUTDOOR
DDL-DRIVER-140..... 47 ..... HUBBELL OUTDOOR	LBSQLEDA10L ..... 58 ..... PRESCOLITE	MVM-HPS-SEA21..... 33 ..... HUBBELL OUTDOOR
DDL-DRIVER-56..... 47 ..... HUBBELL OUTDOOR	LNC-5LU-4K..... 8 ..... HUBBELL OUTDOOR	MVM-PCR ..... 34 ..... HUBBELL OUTDOOR
DDL-LENS-140 ..... 47 ..... HUBBELL OUTDOOR	LNC-5LU-5K..... 8 ..... HUBBELL OUTDOOR	MVM-S21, 2..... 34 ..... HUBBELL OUTDOOR
FLL-28L..... 26 ..... HUBBELL OUTDOOR	LNC-7LU-4K-3-1..... 8 ..... HUBBELL OUTDOOR	MVM-V21 ..... 34 ..... HUBBELL OUTDOOR
FLL-28L4K ..... 26 ..... HUBBELL OUTDOOR	LNC-7LU-5K-3-1..... 8 ..... HUBBELL OUTDOOR	NM-BC ..... 39 ..... HUBBELL OUTDOOR
FLL-K-140L4K-4 ..... 26 ..... HUBBELL OUTDOOR	LNC-9LU-4K-3-1..... 8 ..... HUBBELL OUTDOOR	NRG-356LU-4K-U ..... 12 ..... HUBBELL OUTDOOR
FLL-K-140L5K-4 ..... 26 ..... HUBBELL OUTDOOR	LNC-9LU-5K-3-1..... 8 ..... HUBBELL OUTDOOR	NRG-356LU-4K-U-PC..... 12 ..... HUBBELL OUTDOOR
FLL-LOUVER-BL..... 26 ..... HUBBELL OUTDOOR	LNC2-12LU-4K-3-1 ..... 9 ..... HUBBELL OUTDOOR	NRG-356LU-5K-U ..... 12 ..... HUBBELL OUTDOOR
FLL-LOUVER-BL..... 27 ..... HUBBELL OUTDOOR	LNC2-12LU-5K-3-1 ..... 9 ..... HUBBELL OUTDOOR	NRG-356LU-5K-U-PC..... 12 ..... HUBBELL OUTDOOR
FLL-VISOR-DB..... 26 ..... HUBBELL OUTDOOR	LNC2-12LU-5K-3-1-PC-U ..... 9 ..... HUBBELL OUTDOOR	NRG-4-30LU-4K-BZ..... 21 ..... HUBBELL OUTDOOR
FLL-VISOR-DB..... 27 ..... HUBBELL OUTDOOR	LNC2-18LU-4K-3-1 ..... 9 ..... HUBBELL OUTDOOR	NRG-4-30LU-5K-BZ..... 21 ..... HUBBELL OUTDOOR
FLL-Y-140L4K-4 ..... 26 ..... HUBBELL OUTDOOR	LNC2-18LU-5K-3-1 ..... 9 ..... HUBBELL OUTDOOR	NRG4-30LU-4K-035-BZ ..... 21 ..... HUBBELL OUTDOOR
FLL-Y-140L5K-4 ..... 26 ..... HUBBELL OUTDOOR	LNC2-18LU-5K-3-1-PC-U ..... 9 ..... HUBBELL OUTDOOR	NRG4-30LU-5K-035-BZ ..... 21 ..... HUBBELL OUTDOOR
FML-14 ..... 25 ..... HUBBELL OUTDOOR	LNC3-2L4K-075..... 10 ..... HUBBELL OUTDOOR	PBT-1 ..... 34 ..... HUBBELL OUTDOOR
FML-14-PCU..... 25 ..... HUBBELL OUTDOOR	LNC3-2L4K-105..... 10 ..... HUBBELL OUTDOOR	PBT-1 ..... 51 ..... HUBBELL OUTDOOR
FML-4L4K..... 25 ..... HUBBELL OUTDOOR	LNC3-2L4K-105-7PR..... 10 ..... HUBBELL OUTDOOR	PBT-234 ..... 34 ..... HUBBELL OUTDOOR

# INDEX

## Product Index

PBT-234..... 51 .....	HUBBELL OUTDOOR	S-302-M51..... 24 .....	HUBBELL OUTDOOR	VGL-BU..... 19 .....	HUBBELL OUTDOOR
PGL-350P-128-1-LP..... 17 .....	HUBBELL OUTDOOR	S-302-M51..... 25 .....	HUBBELL OUTDOOR	VGL-FG..... 19 .....	HUBBELL OUTDOOR
PGM3..... 15 .....	HUBBELL OUTDOOR	S-302-M51..... 35 .....	HUBBELL OUTDOOR	VGL-GN..... 19 .....	HUBBELL OUTDOOR
PGM3-180L4K-U-DB..... 14 .....	HUBBELL OUTDOOR	S-302-M51..... 39 .....	HUBBELL OUTDOOR	VGL-GUARD..... 19 .....	HUBBELL OUTDOOR
PGM3-180L5K-U-DB..... 14 .....	HUBBELL OUTDOOR	S-302-M52..... 24 .....	HUBBELL OUTDOOR	VGL-RD..... 19 .....	HUBBELL OUTDOOR
PGM3-250P-18-BZ-L..... 16 .....	HUBBELL OUTDOOR	S-302-M52..... 25 .....	HUBBELL OUTDOOR	VGL-YW..... 19 .....	HUBBELL OUTDOOR
PRR..... 51 .....	HUBBELL OUTDOOR	S-302-M52..... 39 .....	HUBBELL OUTDOOR	VRGP-100..... 19 .....	HUBBELL OUTDOOR
PSC..... 43 .....	HUBBELL OUTDOOR	S-314-B..... 39 .....	HUBBELL OUTDOOR	VWGG-150..... 19 .....	HUBBELL OUTDOOR
PSC..... 51 .....	HUBBELL OUTDOOR	S-319-B..... 39 .....	HUBBELL OUTDOOR	VWGL-1..... 19 .....	HUBBELL OUTDOOR
PTA-1..... 20 .....	HUBBELL OUTDOOR	S-329-B..... 39 .....	HUBBELL OUTDOOR	WB-01A..... 50 .....	HUBBELL OUTDOOR
PTA-1..... 51 .....	HUBBELL OUTDOOR	SCP-REMOTE..... 20 .....	HUBBELL OUTDOOR	WB-02S..... 50 .....	HUBBELL OUTDOOR
PTA-5..... 51 .....	HUBBELL OUTDOOR	SCP-REMOTE..... 43 .....	HUBBELL OUTDOOR	WB-03S..... 50 .....	HUBBELL OUTDOOR
PTA-8..... 20 .....	HUBBELL OUTDOOR	TCB-1..... 37 .....	HUBBELL OUTDOOR	WB-04A..... 50 .....	HUBBELL OUTDOOR
PTA-8..... 51 .....	HUBBELL OUTDOOR	TCB-2..... 37 .....	HUBBELL OUTDOOR	WB-04S..... 50 .....	HUBBELL OUTDOOR
PTL-1..... 43 .....	HUBBELL OUTDOOR	TCB-3..... 37 .....	HUBBELL OUTDOOR	WB-05A..... 50 .....	HUBBELL OUTDOOR
PTL-1..... 51 .....	HUBBELL OUTDOOR	THB-21..... 38 .....	HUBBELL OUTDOOR	WB-06S..... 50 .....	HUBBELL OUTDOOR
PTL-5..... 51 .....	HUBBELL OUTDOOR	THB-21-M53..... 38 .....	HUBBELL OUTDOOR	WB-07A..... 50 .....	HUBBELL OUTDOOR
PTL-6..... 51 .....	HUBBELL OUTDOOR	THB-31..... 38 .....	HUBBELL OUTDOOR	WB-07S..... 50 .....	HUBBELL OUTDOOR
PTL-8..... 43 .....	HUBBELL OUTDOOR	THB-32..... 38 .....	HUBBELL OUTDOOR	WB-08S..... 50 .....	HUBBELL OUTDOOR
PTL-8..... 51 .....	HUBBELL OUTDOOR	THB-41..... 38 .....	HUBBELL OUTDOOR	WB-AREA-DB..... 42 .....	HUBBELL OUTDOOR
PVL3..... 15 .....	HUBBELL OUTDOOR	THB-43..... 38 .....	HUBBELL OUTDOOR	WB-AREA-DB..... 43 .....	HUBBELL OUTDOOR
PVL3-150S-18-BZ-L..... 16 .....	HUBBELL OUTDOOR	TPR-2..... 37 .....	HUBBELL OUTDOOR	WB-AREA-XX1..... 43 .....	HUBBELL OUTDOOR
PVL3-180L4K-U-DB..... 14 .....	HUBBELL OUTDOOR	TPR-3..... 37 .....	HUBBELL OUTDOOR	WG-16..... 53 .....	HUBBELL INDUSTRIAL
PVL3-180L5K-U-DB..... 14 .....	HUBBELL OUTDOOR	TPR-4..... 37 .....	HUBBELL OUTDOOR	WGH-110L-4K-U-M..... 13 .....	HUBBELL OUTDOOR
Q-500-B..... 36 .....	HUBBELL OUTDOOR	TRN-XX1..... 24 .....	HUBBELL OUTDOOR	WGH-110L-5K-U-M..... 13 .....	HUBBELL OUTDOOR
Q-500-W..... 36 .....	HUBBELL OUTDOOR	TRN-XX1..... 25 .....	HUBBELL OUTDOOR	WGH-225L-4K-C-L..... 13 .....	HUBBELL OUTDOOR
QL-1505..... 35 .....	HUBBELL OUTDOOR	TWK-11..... 34 .....	HUBBELL OUTDOOR	WGH-225L-4K-U-L..... 13 .....	HUBBELL OUTDOOR
QL-15G..... 35 .....	HUBBELL OUTDOOR	TWK-11..... 37 .....	HUBBELL OUTDOOR	WGH-250P..... 18 .....	HUBBELL OUTDOOR
QL-15V..... 35 .....	HUBBELL OUTDOOR	UTB-4K-N-HO-U-CD-GR..... 53 .....	HUBBELL INDUSTRIAL	WGH-400P..... 18 .....	HUBBELL OUTDOOR
QL-505..... 35 .....	HUBBELL OUTDOOR	UTB-4K-N-MO-U-CD-GR..... 53 .....	HUBBELL INDUSTRIAL	WGH-81L-4K-U-S..... 13 .....	HUBBELL OUTDOOR
QL-505-BZ..... 35 .....	HUBBELL OUTDOOR	UTB-5K-N-HO-U-CD-GR..... 53 .....	HUBBELL INDUSTRIAL	WGH-81L-4K-U-S..... 13 .....	HUBBELL OUTDOOR
QL-5G..... 35 .....	HUBBELL OUTDOOR	UTB-5K-N-MO-U-CD-GR..... 53 .....	HUBBELL INDUSTRIAL	WIH-OM-480..... 34 .....	HUBBELL OUTDOOR
QL-TB..... 35 .....	HUBBELL OUTDOOR	UTB-AL16..... 53 .....	HUBBELL INDUSTRIAL	WIH-OM-UNV..... 34 .....	HUBBELL OUTDOOR
QL-VS..... 35 .....	HUBBELL OUTDOOR	UTB-DLR..... 53 .....	HUBBELL INDUSTRIAL		
QL-VS..... 35 .....	HUBBELL OUTDOOR	UTB-OP16..... 53 .....	HUBBELL INDUSTRIAL		
RATA-XX1..... 43 .....	HUBBELL OUTDOOR	UTB-P95..... 53 .....	HUBBELL INDUSTRIAL		
S-302..... 24 .....	HUBBELL OUTDOOR	UTB-SB16..... 53 .....	HUBBELL INDUSTRIAL		
S-302..... 25 .....	HUBBELL OUTDOOR	UTB-WA16..... 53 .....	HUBBELL INDUSTRIAL		
S-302..... 35 .....	HUBBELL OUTDOOR	VBGG-150..... 19 .....	HUBBELL OUTDOOR		
S-302..... 39 .....	HUBBELL OUTDOOR	VBGL-1..... 19 .....	HUBBELL OUTDOOR		

ALERA LIGHTING

ARCHITECTURAL AREA LIGHTING

BEACON PRODUCTS

COLUMBIA LIGHTING

COMPASS PRODUCTS

DUAL-LITE

HOMESTYLE LIGHTING

HUBBELL CONTROL SOLUTIONS

HUBBELL HEALTHCARE SOLUTIONS

HUBBELL INDUSTRIAL LIGHTING

HUBBELL OUTDOOR LIGHTING

KIM LIGHTING

KURT VERSEN

LITECONTROL

PRESCOLITE

PROGRESS LIGHTING

SPAULDING LIGHTING

STERNER LIGHTING SYSTEMS

WHITEWAY

# EXPRESSLINE

2017 HUBBELL LIGHTING EXPRESSLINE



LED Lighting Solutions

Area/Site

Floodlighting

Motion Sensors

Wallpacks

Dusk-to-Dawn

Life Safety

Vaportites

Ceiling / Surface

Industrial Highbay / Lowbay

LED Downlighting