

Industrial connectivity

Cable glands for tray, non-armored and armored cable

CROUSE-HINDS
SERIES

Tray cable solutions

Cable glands for tray, non-armored and armored cable



Powering Business Worldwide



Fast & easy installation.

Gland solutions for tray cable

Eaton's Crouse-Hinds series cable glands are used in hazardous, industrial and commercial applications throughout the world, engineering safety and productivity in the most severe environmental conditions.

Our global offering provides a termination solution for virtually every cable type used in hazardous and industrial environments.

Designed for strict adherence to global specifications meeting North American and international codes and standards, including NEC, CEC, ATEX, IECEx and regional certifications.



CGB, CGD and CGE

CGB cord and cable connectors have been updated to accommodate termination of an even greater variety of cords and cables in dry and wet locations.

- **Now certified for use with non-armored cords and cables, including tray cable types TC, TC-ER, TC-ER-HL*, ITC-ER and more!**
- **Now UL Listed for use in wet locations and sunlight resistant**
- Updated NEMA certifications - NEMA 4 in steel; NEMA 4X in aluminum
- Tested and listed with increased pull-out rating to 50 lbs. as required by UL for tray and TC-ER cables.
- Rugged, durable construction protects cords and cables from damage, and compact design permits close grouping of several cords and/or cables.
- Flexible offering available in both steel, iron and aluminum in 3/8" to 3" trade sizes in straight, 45° and 90° angles.
- Wire mesh grips available for added strain relief!



ADE-1F2 and ADE-1FC

ADE-1F2 and ADE-1FC cable glands are designed to provide a flameproof and weatherproof seal on the outer sheath of non-armored tray cable and marine shipboard or type P cable. ADE glands are available in a wide range of materials and sizes to suit any application. The ADE series is ideal for termination of cords and cables (including tray cables and TC-ER) with a wide range of global certifications and material options.

- The ADE-1F2 series is the ideal non-explosionproof gland for termination of cords and cables, tray cables (including TC-ER cable) when a wide range certifications, temperature range and material options are required.
- Designed for use in hazardous locations, the ADE-1FC series is the perfect barrier gland solution now certified Class I, Divisions 1 & 2, Groups A, B, C, and D for use with TC-ER-HL* cables, and carries a wide range of certifications, temperature ranges and material options.



Terminator II TMCX

Terminator™ II TMCX cable glands are truly universal hazardous location barrier cable glands designed for termination of armored, non-armored (including TC-ER-HL*) and TECK armored cables.

- Unique design features and broad range of sizes and materials, coupled with our fast-curing Chico® LiquidSeal compound and bulk packaging options, make the Terminator II TMCX the easiest, safest and most versatile cable termination solution available!

Ordinary location/heavy industrial use**

	Cable types	Form	Material options	Temperature rating	Standards	Hazardous rating	Sealing compound	Specifiable features
CGB, CGD, CGE	<ul style="list-style-type: none"> • Non-armored • Tray 	<ul style="list-style-type: none"> • Straight • 45° • 90° 	<ul style="list-style-type: none"> • Steel • Aluminum 	-25°C to +40°C	• NEC	<ul style="list-style-type: none"> • Suitable for use in Class I, Div. 2 hazardous locations when installed in accordance with NEC501.10(B)(4) 	N/A	<ul style="list-style-type: none"> • Hex on body for easy wrenching • NEMA 4X (aluminum only)
ADE-1F2	<ul style="list-style-type: none"> • Non-armored • Tray • Marine shipboard • Type P 	• Straight	<ul style="list-style-type: none"> • Nickel-plated brass • 316 stainless steel • Bronze • Aluminum 	-60°C to +140°C†	<ul style="list-style-type: none"> • NEC • IEC • ATEX 	<ul style="list-style-type: none"> • Class I, Zone 1 • Suitable for use in Class I, Div. 2 hazardous locations when installed in accordance with NEC501.10(B)(4) 	N/A	<ul style="list-style-type: none"> • Empty ingress seal, optional external clamping • NEMA 4X

Hazardous rated use

	Cable types	Form	Material options	Temperature rating	Standards	Hazardous rating	Sealing compound	Specifiable features
ADE-1FC	<ul style="list-style-type: none"> • Non-armored • Tray • Marine shipboard • Type P 	• Straight	<ul style="list-style-type: none"> • Nickel-plated brass • 316 stainless steel • Bronze • Aluminum 	-60°C to +80°C†	<ul style="list-style-type: none"> • NEC • IEC • ATEX 	<ul style="list-style-type: none"> • Class I, Division 1 • Class I, Zone 1 	TSC only	<ul style="list-style-type: none"> • Empty ingress seal, optional external clamping • NEMA 4X
TMCX II	<ul style="list-style-type: none"> • Armored • Non-armored • Tray • TECK 	• Straight	<ul style="list-style-type: none"> • Nickel-plated brass • 316 stainless steel • Aluminum 	-40°C to +60°C†	• NEC	• Class I, Division 1	TSC or liquid (LSC)	<ul style="list-style-type: none"> • Integral union design with captive components • NEMA 4/6P

*Type TC-ER-HL cable is rated for 600 V nominal. Overall cable diameters are 25 mm (1 inch) or less.

**Suitable for Class I, Division 2 hazardous locations when installed in accordance with NEC501.10(B)(4).

†Temperatures listed are operating temperatures. For additional certification information, consult factory.

CGB, CGD and CGE

Features

- Rugged, durable construction protects cords and cables from damage and compact design permits close grouping of several cords and/or cables
- Flexible offering available in both steel iron and aluminum in 3/8" to 3" trade sizes in straight, 45° and 90°
- Wire mesh grips available for added strain relief
- Available with NPT threads
- Standard neoprene bushing weatherproof seal on outer sheath of cable



Materials:

CGB

- Form A - D bodies and gland nuts – steel with zinc electroplate and chromate finish coat
- Form E - F bodies and gland nuts – Feraloy® iron alloy with electrogalvanized and aluminum acrylic paint
- Available in all aluminum construction
- Bushing – standard neoprene bushing included, silicon optional

CGD and CGE

- Body – Feraloy iron alloy
- Gland nut – steel

Cable types:

- Listed for use with flexible cords and tray cable types TC, TC-ER, TC-ER-HL**, ITC, ITC-ER, ITC-HL, PLTC and PLTC-ER cables



Certifications and compliances:

CGB

- cULus Listed – UL File E23223
- Suitable for use in Class I, Div. 2 hazardous locations when installed in accordance with NEC501.10(B)(4)
- NEMA 3R: suitable for use in wet locations
- NEMA 4: 3/8" to 3" steel
- NEMA 4X: 3/8" to 1 1/2" aluminum

CGD and CGE

- cULus Listed – UL File E23223
- Suitable for use in wet locations
- NEMA 4: steel

Operating temperature:

- -25°C to +40°C



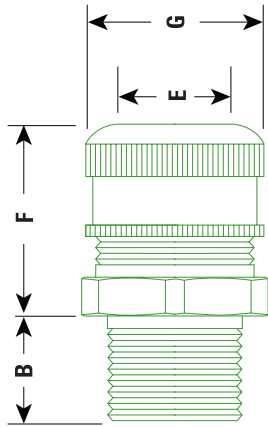
NPT thread size	Form	Steel part number	Aluminum part number	Cable sealing range (E)		Dimensions				Neoprene bushing part number 80°C±	Silicone bushing part number 200°C±	Wire mesh grip part number
				Min.	Max.	B	F	Across flats (G)	Across corners (G)			
3/8"	A	CGB3814†*		0.125	0.250	0.540	1.063	0.750	0.875	BUSH214		
3/8"	A	CGB3816†*		0.250	0.375	0.540	1.063	0.750	0.875	BUSH216		
3/8"	A	CGB3817*		0.375	0.437	0.540	1.063	0.750	0.875	BUSH217		
3/8"	B	CGB3892†*		0.125	0.250	0.540	1.313	1.000	1.125	BUSH92	BUSH92 HT	
3/8"	B	CGB3893†*		0.250	0.375	0.540	1.313	1.000	1.125	BUSH93	BUSH93 HT	
3/8"	B	CGB3894*		0.375	0.500	0.540	1.313	1.000	1.125	BUSH94	BUSH94 HT	
1/2"	A	CGB114†	CGB114 SA†	0.125	0.250	0.625	1.000	0.875	0.970	BUSH214		
1/2"	A	CGB116†	CGB116 SA†	0.250	0.375	0.625	1.000	0.875	0.970	BUSH216		
1/2"	A	CGB117	CGB117 SA	0.375	0.437	0.625	1.000	0.875	0.970	BUSH217		
1/2"	B	CGB192†	CGB192 SA†	0.125	0.250	0.710	1.313	1.130	1.230	BUSH92	BUSH92 HT	
1/2"	B	CGB193†	CGB193 SA†	0.250	0.375	0.710	1.313	1.130	1.230	BUSH93	BUSH93 HT	
1/2"	B	CGB194	CGB194 SA	0.375	0.500	0.710	1.313	1.130	1.230	BUSH94	BUSH94 HT	RPE417-115
1/2"	B	CGB195	CGB195 SA	0.500	0.625	0.710	1.313	1.130	1.230	BUSH05	BUSH05 HT	RPE417-116
1/2"	C	CGB196	CGB196 SA	0.625	0.750	0.625	1.750	1.500	1.656	BUSH96		RPE417-117
1/2"	C	CGB197	CGB197 SA	0.750	0.875	0.625	1.750	1.500	1.656	BUSH97		RPE421-119
3/4"	B	CGB292†	CGB292 SA†	0.125	0.250	0.625	1.375	1.060	1.410	BUSH92	BUSH92 HT	
3/4"	B	CGB293†	CGB293 SA†	0.250	0.375	0.625	1.375	1.250	1.410	BUSH93	BUSH93 HT	
3/4"	B	CGB294	CGB294 SA	0.375	0.500	0.625	1.375	1.250	1.410	BUSH94	BUSH94 HT	RPE417-115
3/4"	B	CGB295	CGB295 SA	0.500	0.625	0.625	1.375	1.250	1.250	BUSH05	BUSH05 HT	RPE417-116
3/4"	C	CGB296	CGB296 SA	0.625	0.750	0.625	1.750	1.630	1.780	BUSH96		RPE417-117
3/4"	C	CGB297	CGB297 SA	0.750	0.875	0.625	1.750	1.630	1.780	BUSH97		RPE421-119
3/4"	D	CGB298	CGB298 SA	0.875	1.000	0.625	2.500	2.130	2.250	BUSH98		RPE421-120
1"	B	CGB393†	CGB393 SA†	0.250	0.375	0.625	1.375	1.375	1.550	BUSH93	BUSH93 HT	
1"	B	CGB394	CGB394 SA	0.375	0.500	0.625	1.375	1.375	1.550	BUSH94	BUSH94 HT	RPE417-115
1"	C	CGB395	CGB395 SA	0.500	0.625	0.688	1.688	1.500	1.656	BUSH95	BUSH95 HT	RPE417-116
1"	C	CGB396	CGB396 SA	0.625	0.750	0.688	1.688	1.500	1.656	BUSH96		RPE417-117

Ordering information – CGB straight connector

Part number example

CGB194 SA SG

CGB cable gland, ½" NPT thread size, aluminum, sealing gasket and locknut



CGB194 SA SG

Material

BLANK	Form A-D: zinc-plated steel
	Form E-F: painted Feraloy iron
SA	Aluminum

Optional accessory

SG	Sealing gasket and locknut
-----------	----------------------------



NPT thread size	Form	Steel part number	Aluminum part number	Cable sealing range (E)		Dimensions				Neoprene bushing part number 80°C‡	Wire mesh grip part number
				Min.	Max.	B	F	Across flats (G)	Across corners (G)		
1"	C	CGB397	CGB397 SA	0.750	0.875	0.688	1.688	1.500	1.656	BUSH97	RPE421-119
1"	C	CGB3239	CGB3239 SA	0.875	1.000	0.688	1.688	1.500	1.656	BUSH239	RPE421-120
1"	D	CGB398	CGB398 SA	0.875	1.000	0.830	2.375	2.130	2.250	BUSH98	RPE421-120
1"	D	CGB399	CGB399 SA	1.000	1.188	0.830	2.375	2.130	2.250	BUSH99	RPE421-121
1"	D	CGB3911	CGB3911 SA	1.188	1.375	0.830	2.375	2.130	2.250	BUSH911	RPE433-122
1¼"	D	CGB498	CGB498 SA	0.875	1.000	0.830	2.313	2.130	2.250	BUSH98	RPE421-120
1¼"	D	CGB499	CGB499 SA	1.000	1.188	0.830	2.313	2.130	2.250	BUSH99	RPE421-121
1¼"	D	CGB4911	CGB4911 SA	1.188	1.375	0.830	2.313	2.130	2.250	BUSH911	RPE433-122
1¼"	E	CGB4913		1.375	1.625	0.688	2.625	3.000†	–	BUSH913	RPE433-123
1¼"	E	CGB4915		1.625	1.875	0.688	2.625	3.000†	–	BUSH915	1737N
1½"	D	CGB598	CGB598 SA	0.875	1.000	0.956	2.313	2.130	2.250	BUSH98	RPE421-120
1½"	D	CGB599	CGB599 SA	1.000	1.188	0.956	2.313	2.130	2.250	BUSH99	RPE421-121
1½"	D	CGB5911	CGB5911 SA	1.188	1.375	0.956	2.313	2.130	2.250	BUSH911	RPE433-122
1½"	E	CGB5913		1.375	1.625	0.813	2.625	3.000†	–	BUSH913	RPE433-123
1½"	E	CGB5915		1.625	1.875	0.813	2.625	3.000†	–	BUSH915	1737N
2"	E	CGB6913		1.375	1.625	0.813	2.625	3.000†	–	BUSH913	RPE433-123
2"	E	CGB6915		1.625	1.875	0.813	2.625	3.000†	–	BUSH915	17317N
2"	F	CGB6917		1.875	2.188	0.813	2.563	3.813†	–	BUSH917	17345N
2"	F	CGB6920		2.188	2.500	0.813	2.563	3.813†	–	BUSH917	16772N
2½"	E	CGB7913		1.375	1.625	1.000	2.625	3.125†	–	BUSH913	RPE433-123
2½"	E	CGB7915		1.625	1.875	1.000	2.625	3.125†	–	BUSH915	17317N
2½"	F	CGB7917		1.875	2.188	1.438	2.625	3.875†	–	BUSH917	17345N
2½"	F	CGB7920		2.188	2.500	1.438	2.625	3.875†	–	BUSH920	16772N
3"	F	CGB8917†		1.875	2.188	1.438	2.625	3.875†	–	BUSH917	17345N
3"	F	CGB8920		2.188	2.500	1.438	2.625	3.875†	–	BUSH920	16772N

All dimensions in inches.

* Not available with optional sealing gasket and locknut.

**Type TC-ER-HL cable is rated for 600 V nominal. Overall cable diameters are 25 mm (1 inch) or less.

† Not NEMA 4 or NEMA 4X rated.

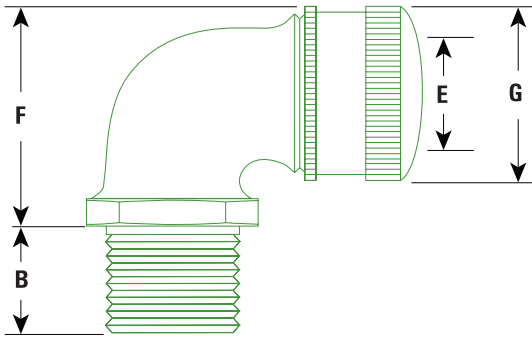
‡ Max operating temperature of bushing only, glands UL Listed to -25°C to +40°C.

Ordering information – CGE 90° connector

Part number example

CGE194 SG

CGE cable gland, ½" NPT thread size, aluminum, sealing gasket and locknut



CGE194 SG

Optional accessory

SG Sealing gasket and locknut

Cable sealing range (E)

Dimensions

NPT thread size	Part number	Cable sealing range (E)		Dimensions			Neoprene bushing part number 80°C‡	Silicone bushing part number 200°C‡	Wire mesh grip part number
		Min.	Max.	B	F	G			
½"	CGE192†	0.125	0.250	0.71	2.16	1.14	BUSH92	BUSH92 HT	
½"	CGE193†	0.250	0.375	0.71	2.16	1.14	BUSH93	BUSH93 HT	
½"	CGE194	0.375	0.500	0.71	2.16	1.14	BUSH94	BUSH94 HT	RPE417-115
½"	CGE195	0.500	0.625	0.71	2.16	1.14	BUSH05	BUSH05 HT	RPE417-116
½"	CGE196	0.625	0.750	0.71	2.09	1.63	BUSH96		RPE417-117
½"	CGE197	0.750	0.875	0.71	2.09	1.63	BUSH97		RPE421-119
¾"	CGE292†	0.125	0.250	0.72	1.60	1.14	BUSH92	BUSH92 HT	
¾"	CGE293†	0.250	0.375	0.72	1.60	1.14	BUSH93	BUSH93 HT	
¾"	CGE294	0.375	0.500	0.72	1.60	1.14	BUSH94	BUSH94 HT	RPE417-115
¾"	CGE295	0.500	0.625	0.72	1.60	1.14	BUSH95	BUSH05 HT	RPE417-116
¾"	CGE296	0.625	0.750	0.71	1.93	1.63	BUSH96		RPE417-117
¾"	CGE297	0.750	0.875	0.71	1.93	1.63	BUSH97		RPE421-119
1"	CGE395	0.500	0.625	0.62	2.17	1.63	BUSH95	BUSH95 HT	RPE417-116
1"	CGE396	0.625	0.750	0.62	2.17	1.63	BUSH96		RPE417-117
1"	CGE397	0.750	0.875	0.62	2.17	1.63	BUSH97		RPE421-119
1"	CGE3239	0.875	1.000	0.62	2.17	1.63	BUSH239		RPE421-120
1"	CGE398	0.875	1.000	0.63	2.71	2.37	BUSH98		16676N
1"	CGE399	1.000	1.188	0.63	2.71	2.37	BUSH99		RPE421-121
1"	CGE3911	1.188	1.375	0.63	2.71	2.37	BUSH911		RPE433-122

All dimensions in inches.

† Not NEMA 4.

‡ Max operating temperature of bushing only, glands UL Listed to -25°C to +40°C.

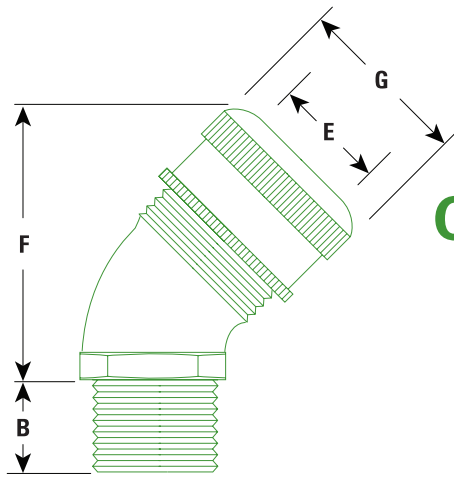


Ordering information – CGD 45° connector

Part number example

CGD194 SG

CGD cable gland, ½" NPT thread size, aluminum, sealing gasket and locknut



CGD194 SG

Optional accessory

SG Sealing gasket and locknut



NPT thread size	Part number	Cable sealing range (E)		Dimensions			Neoprene bushing part number 80°C±	Silicone bushing part number 200°C±	Wire mesh grip part number
		Min.	Max.	B	F	G			
½"	CGD192†	0.125	0.250	0.630	1.830	1.140	BUSH92	BUSH92 HT	
½"	CGD193†	0.250	0.375	0.630	1.830	1.140	BUSH93	BUSH93 HT	
½"	CGD194	0.375	0.500	0.630	1.830	1.140	BUSH94	BUSH94 HT	RPE417-115
½"	CGD195	0.500	0.625	0.630	1.830	1.140	BUSH95	BUSH05 HT	RPE417-116
½"	CGD196	0.625	0.750	0.630	2.570	1.630	BUSH96		RPE417-117
½"	CGD197	0.750	0.875	0.630	2.570	1.630	BUSH97		RPE421-119
¾"	CGD292†	0.125	0.250	0.630	1.940	1.140	BUSH92	BUSH92 HT	
¾"	CGD293†	0.250	0.375	0.630	1.940	1.140	BUSH93	BUSH93 HT	
¾"	CGD294	0.375	0.500	0.630	1.940	1.140	BUSH94	BUSH94 HT	RPE417-115
¾"	CGD295	0.500	0.625	0.630	1.940	1.140	BUSH95	BUSH05 HT	RPE417-116
¾"	CGD296	0.625	0.750	0.630	2.570	1.630	BUSH96		RPE417-117
¾"	CGD297	0.750	0.875	0.630	2.570	1.630	BUSH97		RPE421-119

All dimensions in inches.

† Not NEMA 4.

‡ Max operating temperature of bushing only, glands UL Listed to -25°C to +40°C.



ADE-1F2

ADE-1F2 cable glands are designed to provide a flameproof and weatherproof seal on the outer sheath of non-armored, tray, marine shipboard or type P cable. ADE glands are available in a wide range of corrosion resistant materials to suit any harsh, industrial applications.

Operating temperature:

- -60°C to +140°C

Materials:

- Nickel-plated brass for superior corrosion resistance
- 316 stainless steel, bronze and aluminum options available. It is recommended that a suitable lubricant be used on all threads of stainless steel and aluminum versions.

Ingress protection (IP):

- IP66 / IP68 according to the method of attachment and the condition of the equipment area. IP66 protection is achieved through thread to thread engagement. Additional protection up to IP68 can be achieved through the addition of sealing washer or thread sealant.
- NEMA 4X

Certifications and compliances:



ATEX certificate no: INERIS12ATEX0032X

- Zones 1 and 2, Groups IIA, IIB, IIC
- Zones 21 and 22, Groups IIIA, IIIB, IIIC
- Ex II2GD / Ex db IIC / Ex eb IIC / Ex tb IIIC
- Ex II3G Ex nRc IIC

IECEX certificate no: IECEX INE 12.0025X

- Zones 1 and 2, Groups IIA, IIB, IIC
- Zones 21 and 22, Groups IIIA, IIIB, IIC
- Ex db IIC / Ex eb IIC / Ex nRc IIC / Ex tb IIIC

UL certification

UL 3DJN E310130 ; Class I, Zone 1, AEx e II

- ADE sizes 3 to 8, ½" to 1¼" NPT or ISO 20 to 40 with TC-ER-HL non-armored cable up to 1" diameter

UL 3DJN E310130 Class I, Zone 2, AEx e II, Ex e II

- ADE sizes 3 to 17, NPT ½" to 4" or ISO 20 to 110 with non-armored cable types ITC, MV, PLTC, TC-ER, TC-ER-HL, TC

UL 3LRC E314047 Class I, Zone 2, AEx e II, Ex e II

- ADE sizes 3 to 17, NPT ½" to 4" or ISO 20 to 110 with non-armored marine cable
- Suitable for use in Class I, Div. 2 hazardous locations when installed in accordance with NEC501.10(B)(4)

Other certificates:

- CEPEL 05.0558X
- CCoE P360379-1
- KOSHA 2015.-BO-0249 to 0256
- NANIO TC-RU C-FR.1505.B.00858
- NEPSI GYJ13.1082X
- SABS MS/15-0314

Shipping application:

- ABS 14-HS1274083-PDA
- BV 40910/A0 BV
- DNV TAE000010X
- Lloyds 11/00072
- DTS-01:1991 compliant

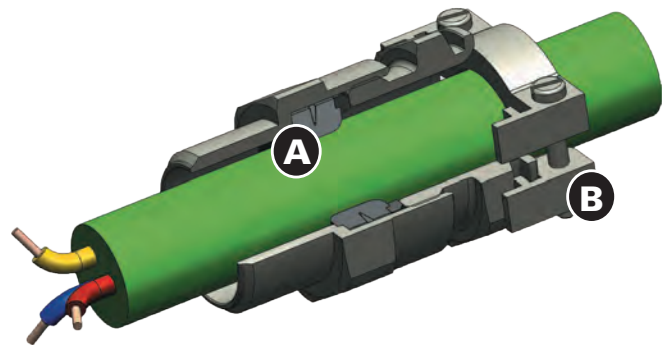


Cable types:

- Non-armored and tray cable – TC, TC-ER (HL)
- Marine shipboard cable; Type P cable



Provides 25% of cable clamping. As per IEC60079 § A.2.3.2 for group II or III cable glands, "Without a clamping device, additional clamping of the cable is needed to ensure that pulling and twisting is not transmitted to the terminations." We recommend using the certified ADE clamping module (see full-line catalog for details).



Design features:

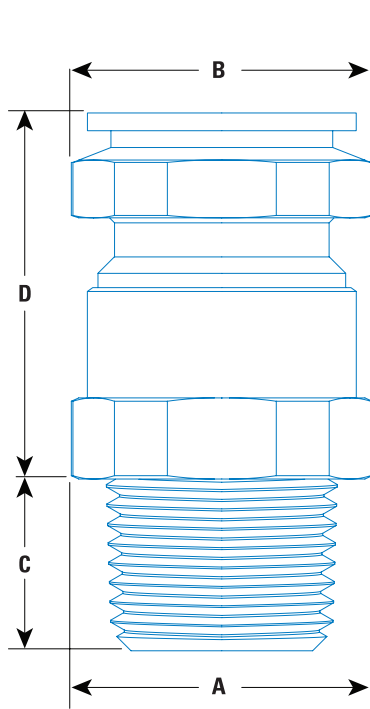
- Ⓐ **Specifically formulated elastomer** – used on the outer sheath of the cable provides IP66 or IP68 moisture ingress protection
- Ⓑ **Optional external clamp** – provides additional external strain relief for rugged applications

Ordering information

Part number example

ADE1N0752NPNK1

ADE-1F2 cable gland with 3/4" size hub, medium sealing range, nickel-plated brass, accessory kit #1



ADE1

N075

2

NPN

K1

Hub size

NPT	Hub
N025	¼
N038	3/8
N050	½
N075	¾
N100	1
N125	1¼
N150	1½
N200	2
N250	2½
N300	3
N350	3½
N400	4

NPT hub sizes in inches

Metric	Hub
M12	12
M16	16
M20	20
M25	25
M32	32
M40	40
M50	50
M63	63
M75	75
M90	90
M110	110

Metric hub sizes in millimeters.

Sealing range

0	Extra small
1	Small
2	Medium
3	Large

Material

NPN	Nickel-plated brass
SSN	Stainless steel
BZN	Bronze
ALN	Aluminum

Accessory kits

BLANK	No kit
K1	Locknut, green composite washer
K2	Locknut, green composite washer, earth tag, shroud
K3	Locknut, green composite washer, earth tag, shroud, serrated washer

Cable sealing range

NPT thread size	NPT part number	Metric thread size	Metric part number	Size	Min. in. (mm)	Max. in. (mm)	NPT max. in. (mm)	A	B	NPT Threads (C)	Metric Threads (C)	D
¼"*	ADE1N0253NPN	M12	ADE1M123NPN	3	0.18 (4.5)	0.31 (8.0)		17	17	16.6	15.0	25.0
3/8"*	ADE1N0382NPN	M16	ADE1M162NPN	2	0.18 (4.5)	0.33 (8.5)		17	17	16.6	15.0	25.0
3/8"*	ADE1N0383NPN	M16	ADE1M163NPN	3	0.28 (7.0)	0.47 (12.0)		19	19	16.6	15.0	27.5
½"	ADE1N0500NPN	M20	ADE1M200NPN	0	0.11 (2.8)	0.22 (5.5)		15	15	22.2	15.0	24.0
½"	ADE1N0501NPN	M20	ADE1M201NPN	1	0.18 (4.5)	0.33 (8.5)		17	17	22.2	15.0	25.0
½"	ADE1N0502NPN	M20	ADE1M202NPN	2	0.28 (7.0)	0.47 (12.0)		19	19	22.2	15.0	27.5
½"	ADE1N0503NPN	M20	ADE1M203NPN	3	0.39 (10.0)	0.63 (16.0)	0.61 (15.5)	24	24	22.2	15.0	32.0
¾"	ADE1N0751NPN	M25	ADE1M251NPN	1	0.28 (7.0)	0.47 (12.0)		19	19	22.2	15.0	27.5
¾"	ADE1N0752NPN	M25	ADE1M252NPN	2	0.39 (10.0)	0.63 (16.0)		24	24	22.2	15.0	32.0
¾"	ADE1N0753NPN	M25	ADE1M253NPN	3	0.53 (13.5)	0.81 (20.5)		30	30	22.2	15.0	36.5
1"	ADE1N1003NPN	M32	ADE1M323NPN	3	0.71 (18.0)	1.08 (27.5)	1.02 (26.0)	41	41	27.3	15.0	46.0
1¼"	ADE1N1252NPN	M40	ADE1M402NPN	2	0.71 (18.0)	1.08 (27.5)	1.02 (26.0)	48	48	28.0	15.0	50.0
1¼"	ADE1N1253NPN	M40	ADE1M403NPN	3	0.91 (23.0)	1.34 (34.0)		48	48	28.0	15.0	50.0
1½"	ADE1N1501NPN	M50	ADE1M501NPN	1	1.14 (29.0)	1.61 (41.0)		55	55	28.5	16.0	52.0
2"	ADE1N2002NPN	M50	ADE1M502NPN	2	1.38 (35.0)	1.77 (45.0)	1.89 (48.0)	64	64	29.2	16.0	56.5
2"	ADE1N2003NPN	M63	ADE1M633NPN	3	1.65 (42.0)	2.2 (56.0)	2.09 (53.0)	72	72	29.2	17.0	60.0
2½"	ADE1N2503NPN	M75	ADE1M753NPN	3	1.97 (50.0)	2.56 (65.0)	2.46 (62.5)	85	85	42.5	18.0	67.5
3"	ADE1N3002NPN	M90	ADE1M902NPN	2	2.28 (58.0)	2.91 (74.0)		95	95	44.0	22.0	69.0
3"	ADE1N3003NPN	M90	ADE1M903NPN	3	2.60 (66.0)	3.27 (83.0)	3.07 (78.0)	110	110	44.0	22.0	80.0
3½"	ADE1N3502NPN	M110	ADE1M1102NPN	2	2.95 (75.0)	3.66 (93.0)	3.62 (92.0)	120	120	45.2	22.0	80.0
4"	ADE1N4003NPN	M110	ADE1M1103NPN	3	3.35 (85.0)	4.09 (104.0)		135	135	46.5	22.0	90.0

* Not UL certified

All dimensions in millimeters.

Above catalog numbers are for nickel-plated brass; refer to part number builder above for other options.

ADE-1FC

ADE-1FC cable glands are designed to provide a flameproof and weatherproof seal on the outer sheath of non-armored, tray marine shipboard or type P cable. ADE glands are available in a wide range of materials and sizes to suit any application.

Operating temperature:

- For all certificates (excluding UL E324850): -60°C to +80°C
- For UL certificate E324850: -20°C to +40°C

Materials:

- Nickel-plated brass for superior corrosion resistance
- 316 stainless steel, bronze and aluminum options available. It is recommended that a suitable lubricant is used on all threads of stainless steel and aluminum versions.

Ingress protection (IP):

- IP66 / IP68 according to the method of attachment and the condition of the equipment area
- NEMA 4X

Certifications and compliances:



ATEX certificate no: INERIS12ATEX0032X

- Zones 1 and 2, Groups IIA, IIB, IIC
- Zones 21 and 22, Groups IIIA, IIIB, IIIC
- II2GD / Ex db IIC / Ex eb IIC / Ex tb IIIC
- II3G Ex nRc IIC
- IM2 / Ex db I / Ex eb I; for mining applications brass, stainless steel or bronze: ADE sizes 11 to 16; 2" to 4" NPT, ISO 63 to 110

IECEx certificate no: IECEx INE 12.0025X

- Zones 1 and 2, Groups IIA, IIB, IIC
- Zones 21 and 22, Groups IIIA, IIIB, IIC
- Ex db IIC / Ex eb IIC / Ex nRc IIC / Ex tb IIIC
- Ex db I / Ex eb I; for mining applications brass, stainless steel or bronze ADE sizes 11 to 16; 2" to 4" NPT, ISO 63 to 110

UL certification

- 3DJN E310130 Class I, Zone 2, AEx de II, Ex de II**
- ADE sizes 4 to 16, NPT ½" to 4" or ISO 20 to 110 with non-armored cable types ITC, MV, PLTC, TC-ER, TC-ER-HL, TC and with TSC epoxy sealing compound

- 3DJN E310130 Class I, Division 1, Groups A, B, C, and D**
- ADE sizes 4 to 9, NPT ½" to 1¼" or ISO 20 to 40 with non-armored cable type TC-ER-HL and TSC epoxy sealing compound
 - ADE sizes 4 to 16, NPT ½" to 4" or ISO 20 to 110 with non-armored cable type ITC-HL and with TSC epoxy sealing compound

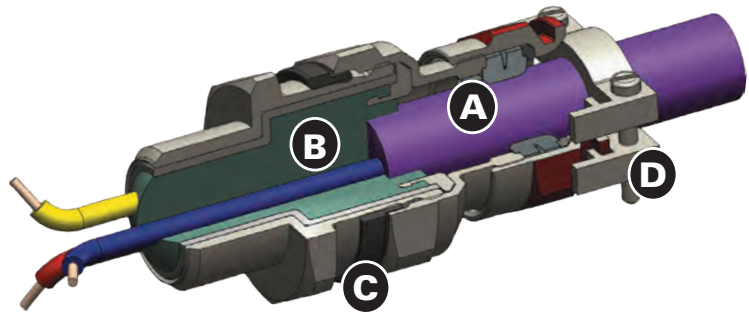
- 3DJN E310130 Class I, Division 2, Groups A, B, C, and D**
- ADE sizes 4 to 16, NPT ½" to 4" or ISO 20 to 110 with non-armored cable types PLTC, PLTC-ER, ITC, ITC-ER, ITC-HL, TC, TC-ER, TC-ER-HL, MV and with TSC epoxy sealing compound

- 4EC5 E324850 Class I, Division 2, Groups A, B, C, and D**
- ADE sizes 4 to 16, NPT ½" to 4" or ISO 20 to 110 with non-armored marine cable and with TSC epoxy sealing compound



Cable types:

- Non-armored and tray cable – TC, TC-ER (HL)
- Marine shipboard cable; Type P cable



Design features:

- (A) Specifically formulated elastomer gasket** – seals the outer sheath of the cable providing IP66 or IP68 moisture ingress protection
- (B) Barrier compound chamber** – seals conductors for explosionproof applications.
- (C) Deluge seal** – additional protection against moisture ingress
- (D) Optional external clamp** – provides additional external strain relief for rugged applications

Other certificates:

- CEPEL 05.0558X
- CCoE P360379-1
- KOSHA 2015.-BO-0479 to 0482
- NANIOTC-RU C-FR.Г505.B.00858
- NEPSI GYJ13.1082X
- SABS MS/15-0314X

Shipping application:

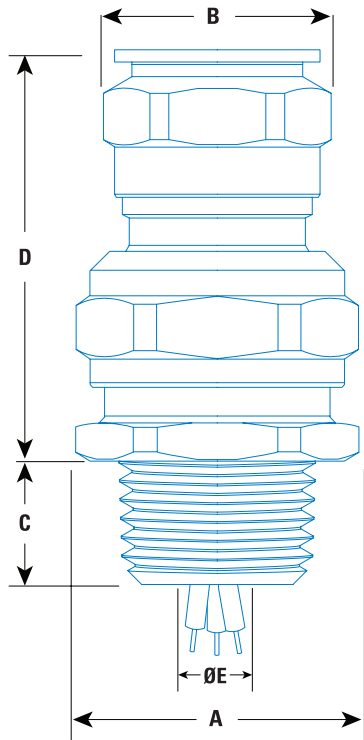
- ABS 14-HS1274083-PDA
- BV 40910/A0 BV
- DNV TAE000010X
- Lloyds 11/00072
- DTS-01:1991 compliant

Ordering information

Part number example

ADE1CM253NPSCNK1

ADE-1FC cable gland, 25mm hub size, large size sealing range, nickel-plated brass, solid sealing compound, accessory kit #1



ADE1C

M25

3

NP

SCN

K1

Hub Size	
NPT	Hub
N038	3/8
N050	1/2
N075	3/4
N100	1
N125	1 1/4
N150	1 1/2
N200	2
N250	2 1/2
N300	3
N350	3 1/2
N400	4

NPT hub sizes in inches

Metric Hub	
Metric	Hub
M16	16
M20	20
M25	25
M32	32
M40	40
M50	50
M63	63
M75	75
M90	90
M110	110

Metric hub sizes in millimeters.

Sealing range	
0	Extra small
1	Small
2	Medium
3	Large

Material	
NP	Nickel-plated brass
SS	Stainless steel

Sealing compound	
SCN	Solid compound

Accessory kits	
BLANK	No kit
K1	Lock nut, green composite washer
K2	Lock nut, green composite washer, earth tag, shroud
K3	Lock nut, green composite washer, earth tag, shroud, serrated washer

Cable sealing range

NPT thread size	NPT part number	Metric thread size	Metric part number	Size	Min. in. (mm)	Max. in. (mm)	A	B	NPT Threads (C)	Metric Threads (C)	D	E	Max. # of cores
3/8**	ADE1CN0383NPSCN	M16	ADE1CM163NPSCN	3	0.16 (4.0)	0.33 (8.5)	19.0	15.0	16.6	15.0	36.0	6.5	6
1/2"	ADE1CN0501NPSCN	M20	ADE1CM201NPSCN	1	0.16 (4.0)	0.33 (8.5)	24.0	15.0	22.2	15.0	36.0	6.5	6
1/2"	ADE1CN0502NPSCN	M20	ADE1CM202NPSCN	2	0.24 (6.0)	0.47 (12.0)	24.0	19.0	22.2	15.0	42.0	9.5	6
1/2"	ADE1CN0503NPSCN	M20	ADE1CM203NPSCN	3	0.33 (8.5)	0.63 (16.0)	30.0	24.0	22.2	15.0	48.0	12.0	10
3/4"	ADE1CN0752NPSCN	M25	ADE1CM252NPSCN	2	0.33 (8.5)	0.63 (16.0)	30.0	24.0	22.5	15.0	48.0	12.0	10
3/4"	ADE1CN0753NPSCN	M25	ADE1CM253NPSCN	3	0.47 (12.0)	0.83 (21.0)	41.0	30.0	22.5	15.0	58.0	17.0	21
1"	ADE1CN1002NPSCN	M32	ADE1CM322NPSCN	2	0.47 (12.0)	0.83 (21.0)	41.0	30.0	27.3	15.0	58.0	17.0	21
1"	ADE1CN1003NPSCN	M32	ADE1CM323NPSCN	3	0.63 (16.0)	1.08 (27.5)	48.0	41.0	27.3	15.0	70.0	23.0	42
1 1/4"	ADE1CN1252NPSCN	M40	ADE1CM402NPSCN	2	0.63 (16.0)	1.08 (27.5)	48.0	41.0	28.0	15.0	70.0	23.0	42
1 1/4"	ADE1CN1253NPSCN	M40	ADE1CM403NPSCN	3	0.83 (21.0)	1.34 (34.0)	55.0	48.0	28.0	15.0	79.0	29.0	60
1 1/2"	ADE1CN1502NPSCN	M50	ADE1CM502NPSCN	2	0.83 (21.0)	1.34 (34.0)	55.0	48.0	28.5	16.0	79.0	29.0	60
2"	ADE1CN2001NPSCN	M50	ADE1CM501NPSCN	1	1.06 (27.0)	1.61 (41.0)	64.0	55.0	29.2	16.0	88.0	36.5	80
2"	ADE1CN2002NPSCN	M63	ADE1CM632NPSCN	2	1.3 (33.0)	1.89 (48.0)	72.0	64.0	29.2	17.0	98.0	43.0	100
2"	ADE1CN2003NPSCN	M63	ADE1CM633NPSCN	3	1.57 (40.0)	2.20 (56.0)	85.0	72.0	29.2	17.0	103.0	50.0	100
2 1/2"	ADE1CN2502NPSCN	-	-	2	1.57 (40.0)	2.20 (56.0)	85.0	72.0	42.5	-	103.0	50.0	100
2 1/2"	ADE1CN2503NPSCN	M75	ADE1CM753NPSCN	3	1.81 (46.0)	2.56 (65.0)	95.0	85.0	42.5	18.0	111.0	59.0	120
3"	ADE1CN3001NPSCN	-	-	1	1.81 (46.0)	2.56 (65.0)	95.0	85.0	44.0	-	111.0	59.0	120
3"	ADE1CN3002NPSCN	M90	ADE1CM902NPSCN	2	2.13 (54.0)	2.91 (74.0)	110.0	95.0	44.0	22.0	120.0	66.0	140
3 1/2"	ADE1CN3502NPSCN	-	-	2	2.13 (54.0)	2.91 (74.0)	110.0	95.0	45.2	-	120.0	66.0	140
3"	ADE1CN3003NPSCN	M90	ADE1CM903NPSCN	3	2.48 (63.0)	3.27 (83.0)	120.0	110.0	44.0	22.0	125.0	75.0	140
3 1/2"	ADE1CN3503NPSCN	-	-	3	2.48 (63.0)	3.27 (83.0)	120.0	110.0	45.2	-	125.0	75.0	140
4"	ADE1CN4003NPSCN	M110	ADE1CM1103NPSCN	3	2.83 (72.0)	3.66 (93.0)	135.0	120.0	46.5	22.0	128.0	85.0	200

* Not UL certified

All dimensions in millimeters.
Above catalog numbers are for nickel-plated brass; refer to part number builder above for other options.

Terminator II TMCX

The Terminator II TMCX cable gland is used to terminate armored barrier, non-armored barrier and TECK armored cable in hazardous locations. Its unique design features, coupled with our new fast curing Chico LiquidSeal compound, make the Terminator II TMCX the easiest and safest solution available.

Features and benefits:

- Designed to minimize the opportunity for incorrect assembly
- Simple selection process and field preparation aids to ensure the right gland is selected every time
- Full coverage of all popular cables and hub sizes, ensuring a perfect seal in all instances
- Use of nickel-plated brass and stainless steel to increase corrosion resistance and maintain integrity in the harshest environments
- Chico LiquidSeal, an innovative liquid compound with fast gel and cure times, reduces waiting times
- Complete with integral dam to facilitate liquid pour
- Integral union design reduces the number of times the gland has to be assembled and disassembled during installation
- Mating components have generous lead-ins to ensure that assembly is as trouble-free as possible, even with the heaviest cables
- Use of neoprene seal allows use in temperatures from -40°C to +60°C; for specific temperature information, please contact your local sales representative
- Metric size threads allow interfacing to European machinery

Cable types:

- Metal-clad and TECK (interlocked and continuously welded corrugated armored) cable
- Non-armored and tray cable
- Class I, Division 1 – MC-HL, TC-ER-HL, ITC-HL with LSC or TSC compound
- Class I, Division 2 – MC, MC-HL, TC, TC-ER-HL, PLTC, PLTC-ER, ITC, ITC-ER, ITC-HL with LSC or TSC compound



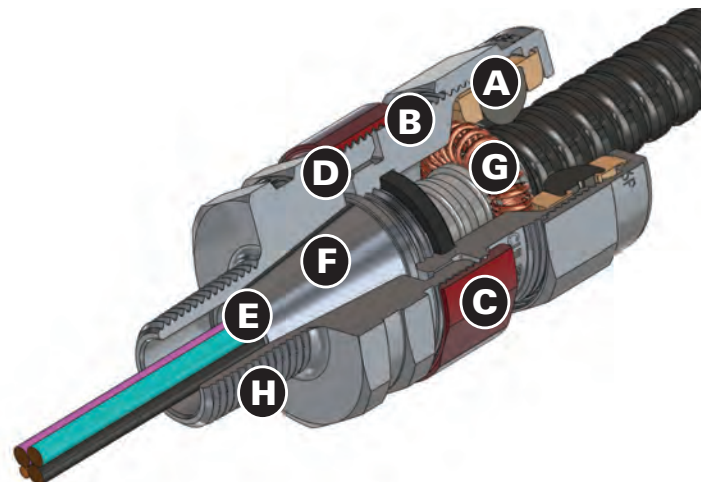
Design features:

- Ⓐ **Captive sealing and back nut** – the use of retaining rings with snap-in features enables the TMCX to retain all of the components in the entry end of the gland
- Ⓑ **Integral union** – the design allows for a two-piece assembly gland, minimizing tightening and loosening of nuts
- Ⓒ **Red anodized nut** – this hard-wearing, permanent, consistent coating is standard on all units
- Ⓓ **Anti-rotation feature** – for single tool assembly; the splined shaft ensures that the two assemblies lock together and do not rotate during assembly
- Ⓔ **Barrier compounds** – Chico LiquidSeal or standard TSC epoxy compound options allow for rapid curing and assembly in any orientation
- Ⓕ **Conical compound chamber** – ensures that double the misalignment can be accepted without the risk of binding
- Ⓖ **Captive garter spring** – copper flashed stainless steel ensures good connectivity, strength and corrosion resistance
- Ⓗ **NPT and ISO threads** – entire range of cable glands are available with either NPT or metric threads in all materials



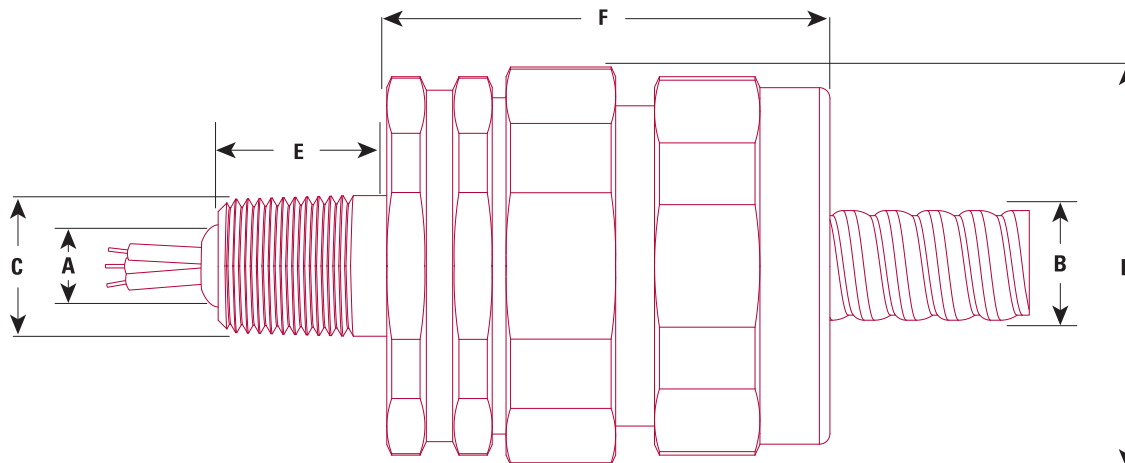
Certifications and compliances:

- Class I, Division 1, Groups A, B, C, D
- Class II, Groups E, F, G
- Class III
- Class I, Zone 1, Group IIC
- NEMA 6P (½" to 1¼" size 1)
- NEMA 4 (1¼" size 2 to 4")
- UL/cULus Listed - File No. E122485



Ordering information

Multiple cable ranges per hub size for simplified selection



Entry thread (C)	NPT part number	Entry thread (C) (metric option)	Metric part number	Over cond. O.D. max. inchest†	(A) Armour O.D.		(B) Cable O.D.†		Across corners (D) in. (mm)	Thread length NPT (E) (metric mm.)	Length (F) in. (mm)
					Min. in. (mm)	Max. in. (mm)	Min. in. (mm)	Max. in. (mm)			
½"	TMCX050 0	M20	TMCXM20 0	0.480	0.36 (9.14)	0.66 (16.76)	0.45 (11.43) ‡	0.70 (17.78)	1.44 (36.51)	0.89 (22.61)	2.93 (74.42)
½"	TMCX050 1	M20	TMCXM20 1	0.480	0.40 (10.16)	0.86 (21.84)	0.49 (12.45)	0.90 (22.86)	1.75 (44.45)	1.00 (25.40)	3.05 (77.47)
½"	TMCX050 2	M20	TMCXM20 2	0.480	0.56 (14.22)	1.14 (28.96)	0.65 (16.51)	1.18 (29.97)	2.25 (57.15)	1.00 (25.40)	3.18 (80.77)
¾"	TMCX075 0	M25	TMCXM25 0	0.713	0.36 (9.14)	0.66 (16.76)	0.45 (11.43) ‡	0.70 (17.78)	1.63 (41.28)	0.90 (22.86)	2.93 (74.42)
¾"	TMCX075 1	M25	TMCXM25 1	0.713	0.40 (10.16)	0.86 (21.84)	0.49 (12.45)	0.90 (22.86)	1.75 (44.45)	1.00 (25.40)	3.05 (77.47)
¾"	TMCX075 2	M25	TMCXM25 2	0.713	0.56 (14.22)	1.14 (28.96)	0.65 (16.51)	1.18 (29.97)	2.25 (57.15)	1.00 (25.40)	3.18 (80.77)
1"	TMCX100 0	M32	TMCXM32 0	0.713	0.40 (10.16)	0.86 (21.84)	0.49 (12.45) ‡	0.90 (22.86)	1.75 (44.45)	1.08 (27.40)	3.13 (79.50)
1"	TMCX100 1	M32	TMCXM32 1	0.939	0.56 (14.22)	1.14 (28.96)	0.65 (16.51)	1.18 (29.97)	2.25 (57.15)	1.08 (27.40)	3.18 (80.77)
1"	TMCX100 2	M32	TMCXM32 2	0.939	0.78 (19.81)	1.35 (34.29)	0.87 (22.10)	1.39 (35.31)	2.56 (65.02)	1.08 (27.40)	3.30 (83.82)
1-¼"	TMCX125 1	M40	TMCXM40 1	1.172	0.78 (19.81)	1.35 (34.29)	0.87 (22.10)	1.39 (35.31)	2.56 (65.02)	1.08 (27.40)	3.30 (83.82)
1-¼"	TMCX125 2	M40	TMCXM40 2	1.150	0.94 (23.87)	1.67 (42.41)	1.03 (26.16)	1.65 (41.91)	3.73 (94.74)	1.25 (31.75)	4.71 (119.63)
1-½"	TMCX150 1	M50	TMCXM50 1	1.370	0.94 (23.87)	1.67 (42.41)	1.03 (26.16)	1.65 (41.91)	3.73 (94.74)	1.25 (31.75)	4.71 (119.63)
1-½"	TMCX150 2	M50	TMCXM50 2	1.370	1.28 (32.51)	1.97 (50.03)	1.53 (38.86)	2.07 (52.58)	4.11 (104.39)	1.25 (31.75)	4.71 (119.63)
2"	TMCX200 1	M63	TMCXM63 1	1.760	1.28 (32.51)	1.97 (50.03)	1.53 (38.86)	2.07 (52.58)	4.11 (104.39)	1.25 (31.75)	4.71 (119.63)
2"	TMCX200 2	M63	TMCXM63 2	1.760	1.67 (42.41)	2.62 (66.54)	1.81 (45.97)	2.72 (69.09)	4.98 (126.49)	1.25 (31.75)	5.63 (143.00)
2-½"	TMCX250 1	M75	TMCXM75 1	2.140	1.67 (42.41)	2.62 (66.54)	1.81 (45.97)	2.72 (69.09)	4.98 (126.49)	1.81 (45.97)	5.63 (143.00)
2-½"	TMCX250 2	M75	TMCXM75 2	2.140	2.11 (53.59)	2.95 (74.93)	2.34 (59.44)	3.13 (79.50)	5.61 (142.49)	1.81 (45.97)	5.80 (147.32)
3"	TMCX300 1	M90	TMCXM90 1	2.690	2.11 (53.59)	2.95 (74.93)	2.34 (59.44)	3.13 (79.50)	5.61 (142.49)	1.81 (45.97)	5.80 (147.32)
3"	TMCX300 2	M90	TMCXM90 2	2.690	2.45 (62.23)	3.39 (86.10)	2.68 (68.07)	3.61 (91.69)	6.23 (158.24)	1.81 (45.97)	6.26 (159.00)
3-½"	TMCX350 1	M110	TMCXM110 1	3.130	2.45 (62.23)	3.39 (86.10)	2.68 (68.07)	3.61 (91.69)	6.23 (158.24)	1.94 (49.28)	6.26 (159.00)
3-½"	TMCX350 2	M110	TMCXM110 2	3.570	3.05 (77.47)	4.22 (107.18)	3.13 (79.50)	3.97 (100.84)	6.73 (170.94)	1.94 (49.28)	6.52 (165.61)
4"	TMCX400 1	–	–	3.130	2.45 (62.23)	3.39 (86.10)	2.68 (68.07)	3.61 (91.69)	6.23 (158.24)	2.00 (50.80)	6.26 (159.00)
4"	TMCX400 2	–	–	3.570	3.05 (77.47)	4.22 (107.18)	3.13 (79.50)	3.97 (100.84)	6.73 (170.94)	2.00 (50.80)	6.52 (165.61)

*All dimensions in inches; metric millimeters shown in parenthesis.

†When making your cable gland selection based on cable O.D., be sure to also observe the over conductors O.D. dimension.

‡Minimum cable O.D for CSA certification is 0.49 (12.45) for TMCX050 0 and TMCX075 0; 0.57 (14.48) for TMCX100 0.

Ordering information

Part number example

TMCX0501NPL

Terminator II TMCX, ½" hub size, sealing range 1, nickel-plated brass, Chico LiquidSeal sealing compound

TMCX

050

1

NP

L

Hub size			
NPT	Hub (in.)	Metric	Hub (mm.)
050	½"	M20	20
075	¾"	M25	25
100	1"	M32	32
125	1-¼"	M40	40
150	1-½"	M50	50
200	2"	M63	63
250	2-½"	M75	75
300	3"	M90	90
350	3-½"	M110	110
400	4"	-	-

Material

BLANK	Aluminum
SS	316 Stainless steel
NP	Nickel-plated brass

Compound type

BLANK	TSC
L	Liquid

Cable sealing range

Hub size code	Thread	Sealing range code	Standard cable sealing range
050	½" NPT	0	0.45" - 0.70"
		1	0.49" - 0.90"
		2	0.65" - 1.18"
075	¾" NPT	0	0.45" - 0.70"
		1	0.49" - 0.90"
		2	0.65" - 1.18"
100	1" NPT	0	0.49" - 0.90"
		1	0.65" - 1.18"
		2	0.87" - 1.39"
125	1-¼" NPT	1	0.87" - 1.39"
		2	1.03" - 1.71"
150	1-½" NPT	1	1.03" - 1.71"
		2	1.42" - 2.07"
200	2" NPT	1	1.42" - 2.07"
		2	1.81" - 2.72"
250	2-½" NPT	1	1.81" - 2.72"
		2	2.24" - 3.28"
300	3" NPT	1	2.24" - 3.28"
		2	2.62" - 3.78"
350	3-½" NPT	1	2.62" - 3.78"
		2	3.11" - 4.28"
400	4" NPT	1	2.62" - 3.78"
		2	3.11" - 4.28"

Hub size code	Thread	Sealing range code	Metric cable sealing range
M20	M20 ISO	0	11.4 mm - 17.8 mm
		1	12.4 mm - 22.8 mm
		2	16.5 mm - 29.9 mm
M25	M25 ISO	0	11.4 mm - 17.8 mm
		1	12.4 mm - 22.8 mm
		2	16.5 mm - 29.9 mm
M32	M32 ISO	0	12.4 mm - 22.8 mm
		1	16.5 mm - 29.9 mm
		2	22.0 mm - 35.3 mm
M40	M40 ISO	1	22.0 mm - 35.3 mm
		2	26.1 mm - 43.4 mm
M50	M50 ISO	1	26.1 mm - 43.4 mm
		2	36.0 mm - 52.7 mm
M63	M63 ISO	1	36.0 mm - 52.7 mm
		2	45.9 mm - 69.0 mm
M75	M75 ISO	1	45.9 mm - 69.0 mm
		2	56.8 mm - 83.3 mm
M90	M90 ISO	1	56.8 mm - 83.3 mm
		2	66.5 mm - 96.0 mm
M110	M110 ISO	1	66.5 mm - 96.0 mm
		2	78.9 mm - 108.7 mm

Barrier compounds

Chico LiquidSeal

- Mixing time: 2 minutes
- Application: pour/gun
- Gel time: 15-30 minutes*
- Full cure/return to service time: 2 hours*
- Available for installation in vertical position
- Integral dam means no packing or taping to prevent liquid leakage

*At 20°C ambient temperature.



Part number	Size (ml.)	Standard carton quantity
LSC 10	10 ml.	10
LSC 20	20 ml.	10
LSC 75	75 ml.	5

Chico LiquidSeal 200 ml. cartridge

- Easily and quickly pour multiple glands
- Self-mixing nozzles
- Gel time: 15-30 minutes*
- Full cure/return to service time: 2 hours*
- Can be stored between uses
- ½" to 1¼" in aluminum TMCX II now available bulk packed without compound
- Can be stored between uses

*At 20°C ambient temperature.



Applicator gun not included.

Part number	Description	Standard carton quantity
LSC200CART	200 ml. liquid compound cartridge and three (3) mixing nozzles	1
LSC TIP	Replacement mixing nozzles	5

Bulk pack glands

Part number	Description	Standard carton quantity
TMCX050 0 BULK	½" cable glands without compound	20
TMCX075 0 BULK	¾" cable glands without compound	15
TMCX100 0 BULK	1" cable glands without compound	15
TMCX050 1 BULK	½" cable glands without compound	20
TMCX075 1 BULK	¾" cable glands without compound	15
TMCX100 1 BULK	1" cable glands without compound	10
TMCX125 1 BULK	1¼" cable glands without compound	10

TSC epoxy compound

- Mixing time: 5 minutes
- Application: by hand
- Full cure time: 24 hours
- Available for installation in any orientation



Part number	Tube size (oz.)	Standard carton quantity
TSC05	0.5 oz.	10
TSC1	1.0 oz.	10
TSC4	4.0 oz.	5



**U.S. (global headquarters):
Eaton's Crouse-Hinds Division**

1201 Wolf Street
Syracuse, NY 13208

(866) 764-5454
FAX: (315) 477-5179
FAX Orders Only:
(866) 653-0640

crousecustomerctr@eaton.com

For more information:

If further assistance is required, please contact an authorized Eaton Distributor, Sales Office, or Customer Service Department.

Canada

Toll Free: 800-265-0502
FAX: (800) 263-9504
FAX Orders only: (866) 653-0645

Mexico/Latin America/Caribbean

52-555-804-4000
FAX: 52-555-804-4020
ventascentromex@eaton.com

Europe (Germany)

49 (0) 6271 806-500
49 (0) 6271 806-476
sales.CCH.de@cooperindustries.com

Middle East (Dubai)

971 4 8066100
FAX: 971 4 8894813
chmesales@eaton.com

Singapore

65-6645-9888
FAX: 65-6297-4819
chsi-sales@cooperindustries.com

China

86-21-2899-3600
FAX: 86-21-2899-4055
cchsales@cooperindustries.com

Korea

82-2-3484-6783
82-2-3484-6778
CCHK-sales@cooperindustries.com

Australia

61-2-8787-2777
FAX: 61-2-9609-2342
CEASales@cooperindustries.com

India

91-124-4683888
FAX: 91-124-4683899
cchindia@cooperindustries.com

Eaton
1000 Eaton Boulevard
Cleveland, OH 44122
United States
Eaton.com

© 2017 Eaton
All Rights Reserved
Printed in USA
Publication No. 5357-0517
May 2017

Eaton is a registered trademark.

All other trademarks are property of their respective owners.