



GM Lighting®

“Lighting Enhanced by Design”

June 2018
New Product Supplement

Table of Contents

**TunableTask
Undercabinet Lighting
Page 3**

**120V RSD Regressed Slim Downlight
Page 5**

**GMEXT LED Tape - Dry Location
Extended Run Tape - 60' Max
Page 7**

**GMEXT LED Tape - Wet Location
Custom Cuts
Page 9**

**HDT Standard / High Output
High Density LED Tape
Page 11**

**GeoTask Grandè
12" Square / Round Accent Lighting
Page 12**

**New LED Tape Mounting Channels
8' Lengths and Accessories
Page 13**





Adjustable Kelvin Undercabinet Lighting

Able to achieve color temps. of 2700K, 3000K and 4000K in a single fixture, this dimmable, adjustable Kelvin undercabinet fixture features excellent color rendering in a powder coated aluminum housing with polycarbonate lens. Low profile and easy to mount in 8", 16", 24" and 32" lengths.

KEY FEATURES

- Adjustable Kelvin - 2700K, 3000K, 4000K
- Damp location
- Powder coat aluminum housing
- Low profile (less than 1")
- Durable polycarbonate lens with even light distribution
- Modular - easy to connect multiple fixtures for longer runs
- Dimmable (Triac)
- Maximum Run: 200W

ELECTRICAL

- 120V (remote power supply not required)
- Easy kelvin temperature switching - 2700K, 3000K, 4000K
- Rated life: 50,000 hrs.

OPTICS

- 90+ CRI
- 2700K, 3000K, 4000K

CERTIFICATION

- ETL, Energy Star

WARRANTY

- 5 year warranty



ORDERING INFORMATION

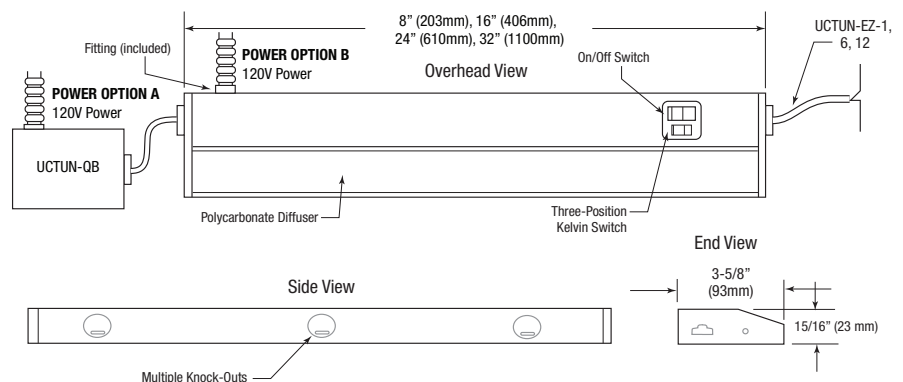
| Catalog Number | Length | Wattage | Lumens* (@2700K) | CRI | Finish |
|----------------|--------------|---------|------------------|-----|--------|
| UCTUN-8-WH | 8" / 203mm | 6W | 400 | 90+ | White |
| UCTUN-8-BZ | 8" / 203mm | 6W | 400 | 90+ | Bronze |
| UCTUN-16-WH | 16" / 406mm | 10W | 850 | 90+ | White |
| UCTUN-16-BZ | 16" / 406mm | 10W | 850 | 90+ | Bronze |
| UCTUN-24-WH | 24" / 610mm | 14W | 1000 | 90+ | White |
| UCTUN-24-BZ | 24" / 610mm | 14W | 1000 | 90+ | Bronze |
| UCTUN-32-WH | 32" / 1100mm | 16W | 1150 | 90+ | White |
| UCTUN-32-BZ | 32" / 1100mm | 16W | 1150 | 90+ | Bronze |

Each fixture comes with one UCTUN-EZ-1 connector.

* Kelvin temperature (color) $\pm 100K$

ACCESSORIES

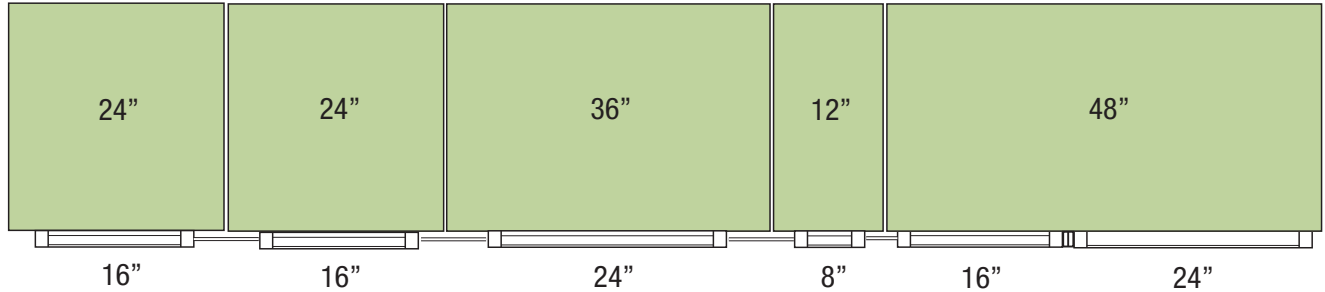
| Catalog Number | Description |
|--------------------|--|
| UCTUN-CP6-WH (B) | Plug-in 5' power cord - white or black |
| UCTUN-EZ-1-WH | Fixture to fixture connector - white |
| UCTUN-EZ-6-WH (B) | 6" Flexible fixture to fixture connector - white or black |
| UCTUN-EZ-12-WH (B) | 12" Flexible fixture to fixture connector - white or black |
| UCTUN-QB-WH (B) | Quick-Box wiring junction box with EZ connectors and knock-outs - white or black |



Application Guide

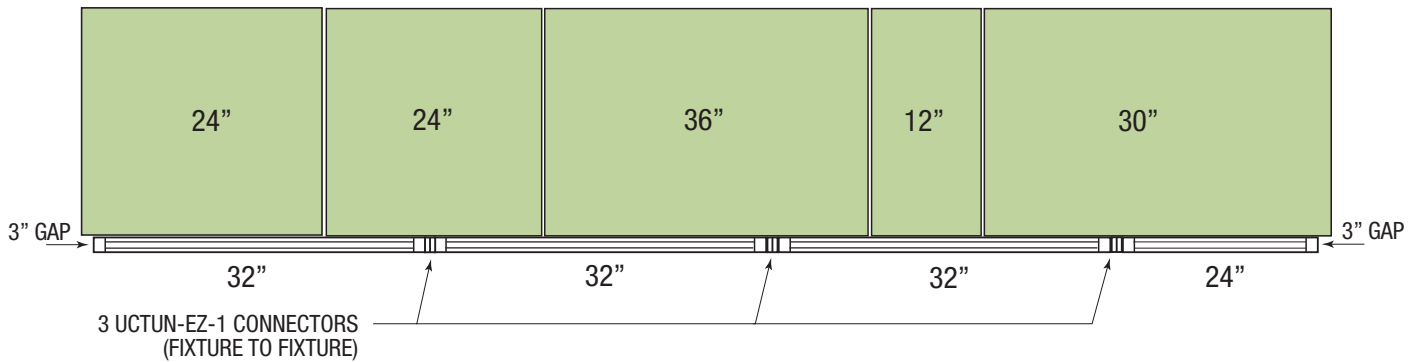
144" TYPICAL CABINET CONFIGURATION

TUNABLETASK™ FIXTURES LINKED WITH UCTUN-EZ-12 CONNECTORS



126" TYPICAL CABINET CONFIGURATION

TUNABLETASK™ FIXTURES LINKED WITH UCTUN-EZ-1 CONNECTORS



Color Temp. Guide

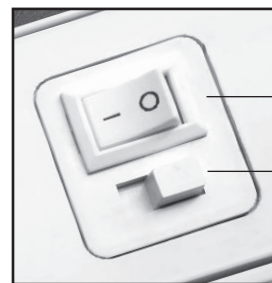
Tunable white lighting has become one of the most popular trends in lighting design. In residential kitchen lighting, tunable white undercabinet lighting enables a variety of color renditions that effect ambience and mood.

TunableTask enables three distinct color temperatures:

2700K: Traditional warm white. Similar to incandescent.

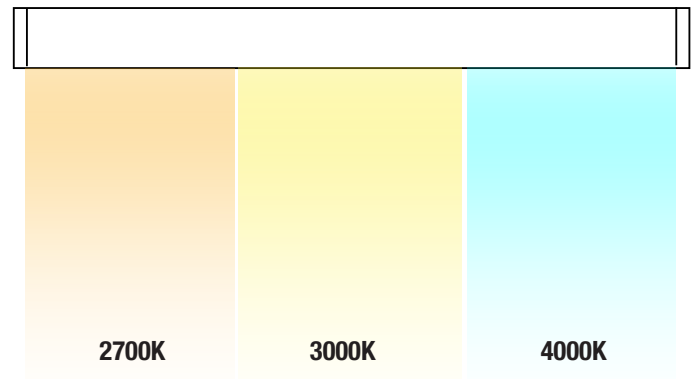
3000K: Modern, updated warm white. Similar to halogen.

4000K: Crisp, clean pure white that is closer to daylight.



On / Off

Three Position
Kelvin Temp. Switch



NOTE: Colors depicted above are used for reference only and do not represent the true color of the light.

120V RSD Regressed Slim Downlight

90+ CRI, Wet Location and IC Rated

Easy to install with an included junction box that is connected via a modular jack, these 3", 4" and 6" slim mount, regressed downlights feature superior optics along with Energy Star rating in a streamlined, shallow mount design.

KEY FEATURES

- 120V
- Wet location
- IC rating for insulated ceilings
- Edge-Lit technology for diode free illumination
- Dimmable (Triac)
- Shallow mount

ELECTRICAL

- 120V (remote power supply not required)
- Rated life: 50,000 hrs.

OPTICS

- 90+ CRI
- 120° beam angle

CERTIFICATION

- ETL
- Title 24
- Energy Star

WARRANTY

- 5 year warranty



ORDERING INFORMATION

| Catalog Number | Dimensions | Wattage | Lumens | CRI | Color Temp.* | Finish |
|----------------|------------------|---------|--------|-----|--------------|--------|
| RSD-3-27-WH | 3-3/4" Dia. Trim | 6W | 300 | 90+ | 2700K | White |
| RSD-3-30-WH | 3-3/4" Dia. Trim | 6W | 325 | 90+ | 3000K | White |
| RSD-3-40-WH | 3-3/4" Dia. Trim | 6W | 355 | 90+ | 4000K | White |
| RSD-4-27-WH | 5-1/8" Dia. Trim | 9W | 500 | 90+ | 2700K | White |
| RSD-4-30-WH | 5-1/8" Dia. Trim | 9W | 525 | 90+ | 3000K | White |
| RSD-4-40-WH | 5-1/8" Dia. Trim | 9W | 550 | 90+ | 4000K | White |
| RSD-6-27-WH | 6-7/8" Dia. Trim | 12W | 700 | 90+ | 2700K | White |
| RSD-6-30-WH | 6-7/8" Dia. Trim | 12W | 725 | 90+ | 3000K | White |
| RSD-6-40-WH | 6-7/8" Dia. Trim | 12W | 750 | 90+ | 4000K | White |

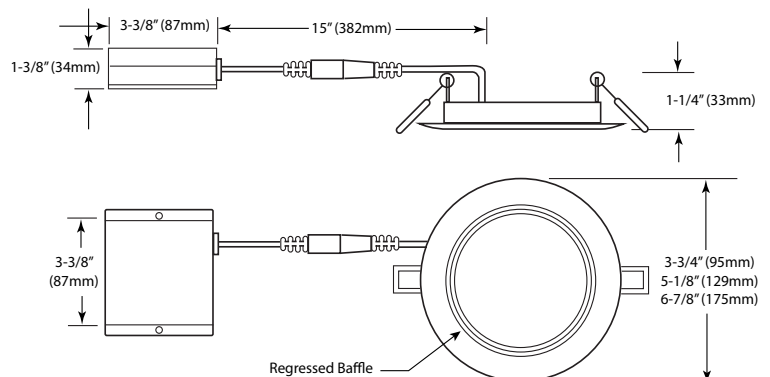
* Kelvin temperature (color) $\pm 100K$

ACCESSORIES

| Catalog Number | Description |
|----------------|--|
| RSD-5FT-EXT | 5' extension cord for RSD Series downlights |
| RSD-10FT-EXT | 10' extension cord for RSD Series downlights |
| RSD-20FT-EXT | 20' extension cord for RSD Series downlights |

CUT-OUT DIMENSIONS

- RSD-3: 3" DIA.
- RSD-4: 4-1/8" DIA.
- RSD-6: 6-1/8" DIA.



GM Lighting
"Lighting Enhanced by Design"



Blending seamlessly into the ceiling plane, our recessed slim downlights provide ample illumination in an extremely shallow mount luminaire.

24VDC LEDTask™ Dry Location GMEXT LED Tape

60' Max. Runs! 60' / 120' Reels

GM Lighting's 24VDC GMEXT Series enables extremely long runs from a single lead in a dry or wet location flexible LED tape. Available in 2700K, 3000K, 3500K and 4000K. **Field cuttable and connectable for dry location only.**

KEY FEATURES

- 24VDC
- Mounts with 3M VHB™ double stick tape
- Sure-Tite flexible tape to tape and tape to power supply connectors available (see below).
- Dimmable (Triac)
- Available also as wet location (see page 7)
- Maximum run on a given lead is 60'
- Available in 60' and 120' reels.
- Cuttable in the field every 2"

ELECTRICAL

- 24VDC remote power supply required
- Rated at 1.5W per foot
- Rated life: 50,000 hrs.

OPTICS

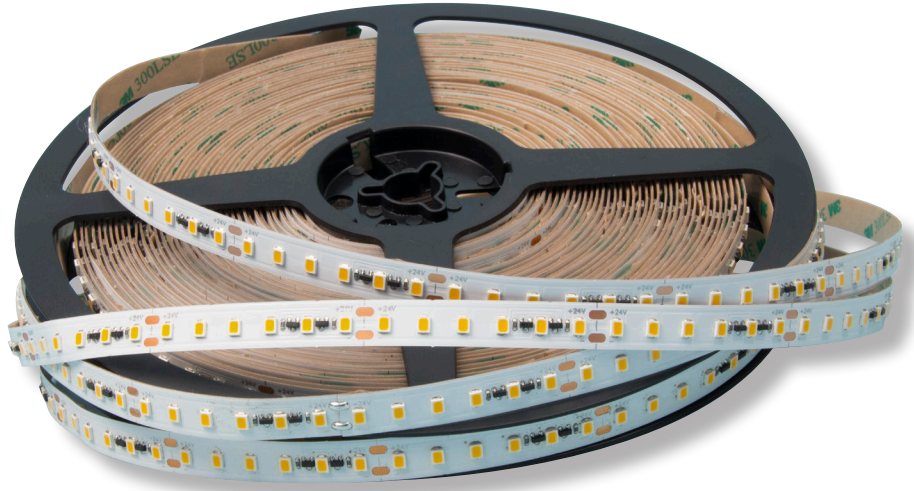
- 2700K, 3000K, 3500K, 4000K
- 120° viewing angle

CERTIFICATION

- ETL

WARRANTY

- 5 year warranty



ORDERING INFORMATION

| Catalog Number | Location | Length | Wattage | Lumens | CRI | Color Temp.* | Mounting Channels |
|-----------------|----------|--------|------------|-----------|-----|--------------|--|
| GMEXT-24-60-27 | Dry | 60' | 1.5W / ft. | 113 / ft. | 90+ | 2700K | This LED Tape will fit into the following mounting channels: LED-CHL* LED-CHL-D* LED-CHL-XD LED-CHL-XD-F LED-CHL-45 LED-CHL-W LED-CHL-BND* Note: When using the above channels, use only SureTite™ connectors. * Use soldered lead for these channels See www.gmlighting.net for more information. |
| GMEXT-24-60-30 | Dry | 60' | 1.5W / ft. | 120 / ft. | 90+ | 3000K | |
| GMEXT-24-60-35 | Dry | 60' | 1.5W / ft. | 128 / ft. | 90+ | 3500K | |
| GMEXT-24-60-40 | Dry | 60' | 1.5W / ft. | 130 / ft. | 90+ | 4000K | |
| GMEXT-24-120-27 | Dry | 120' | 1.5W / ft. | 113 / ft. | 90+ | 2700K | |
| GMEXT-24-120-30 | Dry | 120' | 1.5W / ft. | 120 / ft. | 90+ | 3000K | |
| GMEXT-24-120-35 | Dry | 120' | 1.5W / ft. | 128 / ft. | 90+ | 3500K | |
| GMEXT-24-120-40 | Dry | 120' | 1.5W / ft. | 130 / ft. | 90+ | 4000K | |

Each 60' reel comes with one 24" lead affixed at start of reel and three ESTW-60 connectors.

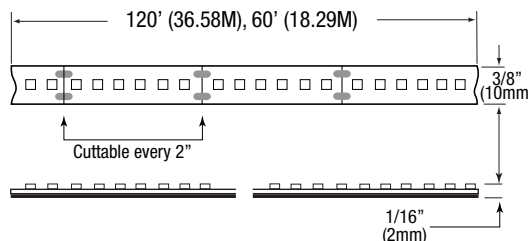
Each 120' reel comes with two 24" leads affixed at each end of reel and four ESTW-60 connectors.

* Kelvin temperature (color) ±100K

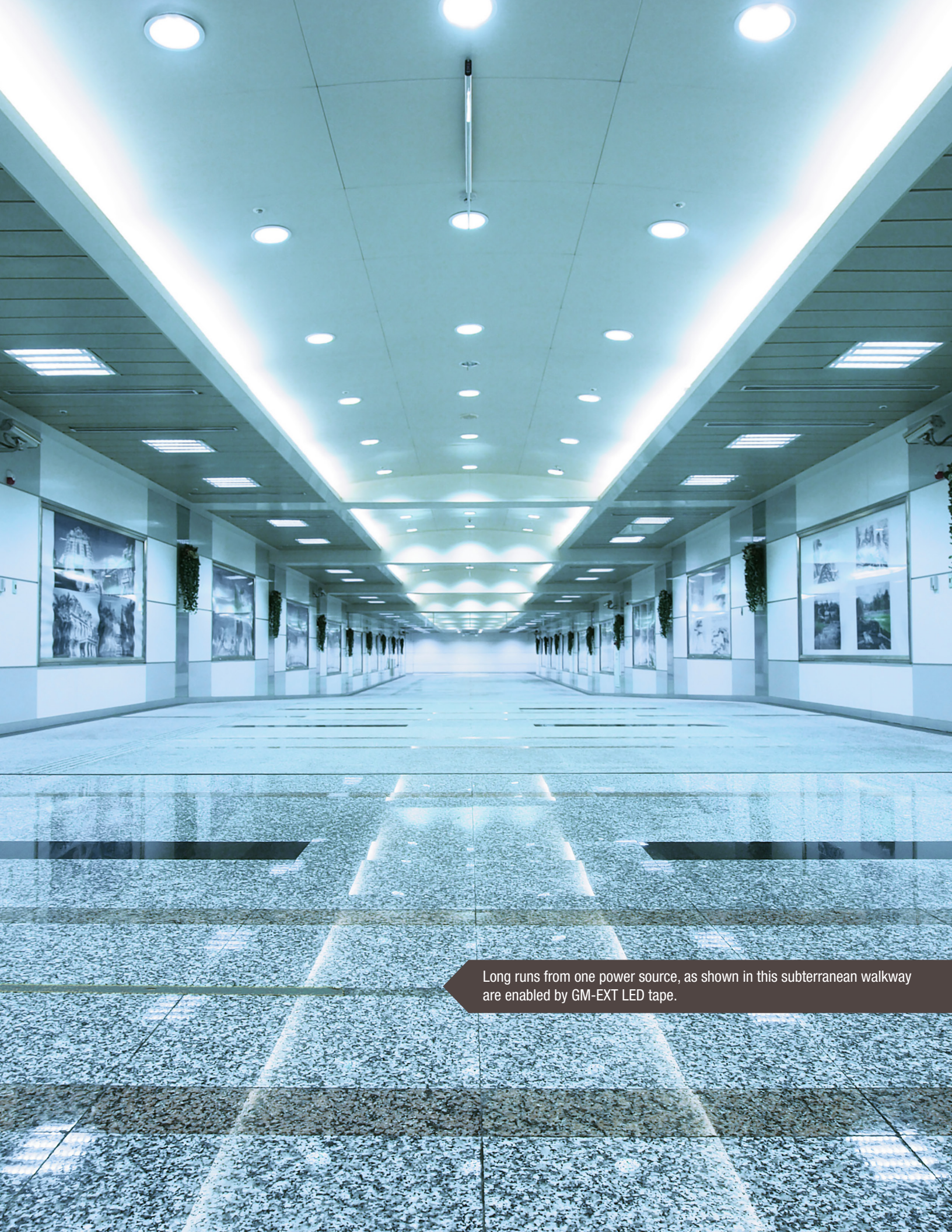
Wet Location Available!
See Page 9

CONNECTORS

| Catalog Number | Description |
|----------------|--|
| ESTC-1 | Tape to tape SureTite™ connector |
| ESTLK-60 | 60" tape to tape SureTite™ connector |
| ESTW-60 | 60" tape to power supply SureTite™ connector |



GM Lighting®
"Lighting Enhanced by Design"



Long runs from one power source, as shown in this subterranean walkway are enabled by GM-EXT LED tape.

24VDC LEDTask™ Wet Location GMEXT LED Tape

60' Max. Runs! Order by length!

GM Lighting's 24VDC GMEXT Series enables extremely long runs from a single lead in a wet location flexible LED tape. Available in 2700K, 3000K, 3500K and 4000K. **Comes in custom cut lengths (maximum 60' on one lead). See ordering example below.**

KEY FEATURES

- 24VDC
- Mounts with silicone mounting clips and screws (supplied)
- Dimmable (Triac)
- Cutable every 2"
- Maximum run on a given lead is 60'

ELECTRICAL

- 24VDC remote power supply required
- Rated at 1.5W per foot
- Rated life: 50,000 hrs.

OPTICS

- 2700K, 3000K, 3500K, 4000K
- 120° viewing angle

CERTIFICATION

- ETL

WARRANTY

- 5 year warranty



ORDERING INFORMATION

| Catalog Number | Location | Length | Wattage | Lumens | CRI | Color Temp.* | Mounting Channels |
|----------------------|----------|--------|------------|-----------|-----|--------------|--|
| GMEXT-24-WP-27-XX-XX | Wet | Custom | 1.5W / ft. | 113 / ft. | 90+ | 2700K | This LED Tape will fit into the following mounting channels: LED-CHL-W LED-CHL-XD LED-CHL-XD-F LED-CHL-45-1200 |
| GMEXT-24-WP-30-XX-XX | Wet | Custom | 1.5W / ft. | 120 / ft. | 90+ | 3000K | |
| GMEXT-24-WP-35-XX-XX | Wet | Custom | 1.5W / ft. | 128 / ft. | 90+ | 3500K | |
| GMEXT-24-WP-40-XX-XX | Wet | Custom | 1.5W / ft. | 130 / ft. | 90+ | 4000K | |

Each GMEXT-24-WP custom cut comes with one 60" lead affixed at start of tape and silicone mounting clips and screws.

* Kelvin temperature (color) ±100K

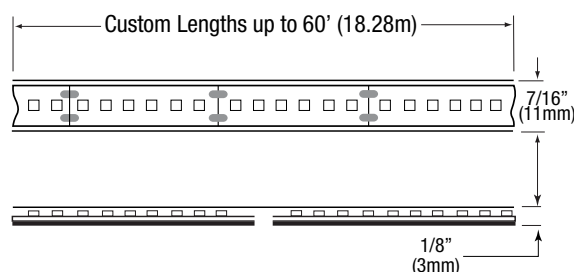
Dry Location Available!
See Page 7

See www.gmlighting.net for more information.

TO CREATE A CATALOG NUMBER FOR A CUSTOM LENGTH OF GMEXT-24-WP TAPE, SIMPLY SUBSTITUTE 'XX-XX' WITH 'FEET - INCHES'. PLEASE KEEP IN MIND THAT TAPE CAN ONLY BE CUT IN 2" INCREMENTS.

EXAMPLE: TO ORDER A 37' LENGTH OF 2700K WET LOCATION GMEXT TAPE, SPECIFY: GMEXT-24-WP-27-37

EXAMPLE: TO ORDER A 37'-8" LENGTH OF 4000K WET LOCATION GMEXT TAPE, SPECIFY: GMEXT-24-WP-40-37-8





24VDC GMEXT Wet Location LED Tape achieves long, uninterrupted runs in environments that may be exposed to moisture.

24VDC LEDTask™ High Density LED Tape

90+ CRI Standard and High Output

GM Lighting's LEDTask 24VDC High Density Standard Output Flexible LED Tape features a tightly arranged diode placement that produces an even 'line of light'. Perfect for areas that demand a strong and energy efficient linear light source in low profile channels. Available in 2700K, 3000K, 3500K or 4000K.

KEY FEATURES

- 24VDC
- **NEW!** Standard output (high output also available)
- Mounts with 3M VHB™ double stick tape
- Sure-Tite flexible tape to tape and tape to power supply connectors available (see below).
- Dimmable (Triac)
- Dry location
- Maximum run on a given lead is 16'-4"
- Field cuttable every 7 diodes (1")

ELECTRICAL

- 24VDC remote power supply required
- Rated life: 50,000 hrs.

OPTICS

- 2700K, 3000K, 3500K, 4000K
- 120° viewing angle
- 90+ CRI

CERTIFICATION

- ETL
- Class 2

WARRANTY

- 5 year warranty



Even line of light →



Diode-Free Imaging From High Density Placement

Custom lengths available - consult factory.



ORDERING INFORMATION

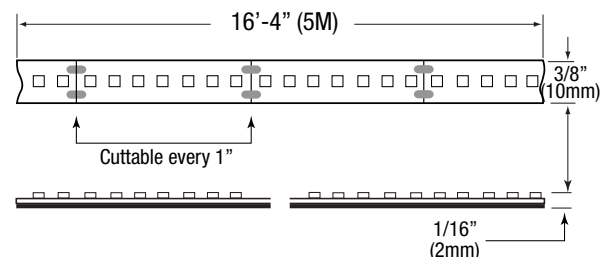
| Catalog Number | Length | Output | Wattage | Lumens | CRI | Color Temp.* | Mounting Channels |
|---------------------|---------------|----------|------------|--------|-----|--------------|--|
| HDT-28024-S0-27 | 16'-4" / 5M | Standard | 2.5W / ft. | 215 | 90+ | 2700K | This LED Tape will fit into the following mounting channels: LED-CHL-45-1200 LED-CHL-XD LED-CHL-XD-F LED-CHL-BND |
| HDT-28024-S0-30 | 16'-4" / 5M | Standard | 2.5W / ft. | 220 | 90+ | 3000K | |
| HDT-28024-S0-35 | 16'-4" / 5M | Standard | 2.5W / ft. | 228 | 90+ | 3500K | |
| HDT-28024-S0-40 | 16'-4" / 5M | Standard | 2.5W / ft. | 238 | 90+ | 4000K | |
| HDT-28024-S0-100-27 | 100' / 30.48M | Standard | 2.5W / ft. | 215 | 90+ | 2700K | |
| HDT-28024-S0-100-30 | 100' / 30.48M | Standard | 2.5W / ft. | 220 | 90+ | 3000K | |
| HDT-28024-S0-100-35 | 100' / 30.48M | Standard | 2.5W / ft. | 228 | 90+ | 3500K | |
| HDT-28024-S0-100-40 | 100' / 30.48M | Standard | 2.5W / ft. | 238 | 90+ | 4000K | |
| HDT-28024-H0-27 | 16'-4" / 5M | High | 5.8W / ft. | 500 | 90+ | 2700K | |
| HDT-28024-H0-30 | 16'-4" / 5M | High | 5.8W / ft. | 510 | 90+ | 3000K | |
| HDT-28024-H0-35 | 16'-4" / 5M | High | 5.8W / ft. | 520 | 90+ | 3500K | |
| HDT-28024-H0-40 | 16'-4" / 5M | High | 5.8W / ft. | 580 | 90+ | 4000K | |

Each 16'-4" (5M) reel comes with one 24" lead affixed at start of reel and three ESTW-60 connectors. 100' (38.4M) reel comes with one 24" lead affixed at start of reel and eight ESTW-60 connectors.

* Kelvin temperature (color) ±100K

CONNECTORS

| Catalog Number | Description |
|----------------|--|
| ESTC-1 | Tape to tape SureTite™ connector |
| ESTLK-60 | 60" tape to tape SureTite™ connector |
| ESTW-60 | 60" tape to power supply SureTite™ connector |



120V GeoTask™ Grandè

90+ CRI Surface Mount Lighting

GeoTask™ inspires a world of applications through nature's most elemental forms. Our new 12" round and square formats joins our 4", 6" square and 5", 8" round (nominal) versions of GeoTask. Perfect for hospitality lighting, task lighting, light mosaics, kitchen, bath and vanity, residential and commercial lighting applications.

KEY FEATURES

- 3000K / 4000K
 - 25W
 - Wet location
 - Mounts directly to junction box by others
 - Edge-Lit technology for diode free illumination
 - 1500 lumens
 - Dimmable (Triac)
 - Shallow 5/8" depth
- See www.gmlighting.net for other GeoTask sizes.

ELECTRICAL

- 120V (remote power supply not required)
- Rated life: 50,000 hrs.

OPTICS

- 90+ CRI
- 3000K, 4000K

CERTIFICATION

- ETL

WARRANTY

- 5 year warranty

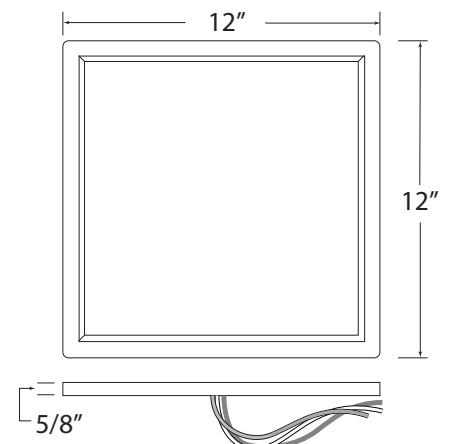
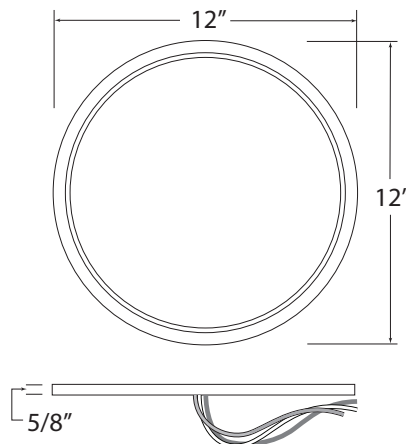
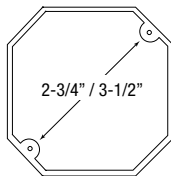


ORDERING INFORMATION

| Catalog Number | Dimensions | Wattage | Lumens | CRI | Color Temp.* | Finish |
|----------------|------------------|---------|--------|-----|--------------|--------|
| GM-RND12-30-WH | 12" Dia. x 5/8"D | 25W | 1500 | 90+ | 3000K | White |
| GM-RND12-40-WH | 12" Dia. x 5/8"D | 25W | 1550 | 90+ | 4000K | White |
| GM-SLD12-30-WH | 12" Sq. x 5/8"D | 25W | 1500 | 90+ | 3000K | White |
| GM-SLD12-40-WH | 12" Sq. x 5/8"D | 25W | 1550 | 90+ | 4000K | White |

* Kelvin temperature (color) ±100K

NOTE: Mounts to 2-3/4" or 3-1/2" standard junction boxes (by others)



Aluminum Architectural LED Tape Channels

NEW! 8' Lengths

GM Lightings aluminum channels accepts all GM Lighting LEDTask™ flexible LED linear tape. Perfect for installations that require a rigid extruded channel that the LED tape can be mounted into. Each channel and lens can be cut in the field to the desired length needed.

KEY FEATURES

- High grade extruded aluminum construction
- Includes snap-in frosted lens
- Can be cut in field to any length needed
- Available in a variety of widths, depths and styles
- Optional end caps and accessories available

LED-CHL-W-8

LED-CHL-8 with optional End Cap

LED-CHL-8

LED-CHL-XD-8

LED-CHL-BND-8
Bendable channel with lens

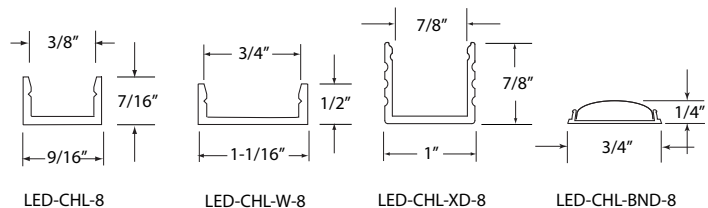
LED-CHL-8 with optional adjustable mounting bracket (see below)

ORDERING INFORMATION

| Catalog Number | Description | Length | For LEDTask™ Tape Series | Finish |
|----------------|---|--------|--|----------|
| LED-CHL-8 | Extruded recessed channel. Includes snap-on frosted lens with mounting screws. | 8' | LTR60, LTR300 Dry Location, GM100-24 | Aluminum |
| LED-CHL-BND-8 | Bendable channel with frosted lens. | 8' | LTR300 Dry Location, ESR Series, CTK Series, HDT Series, GMEXT Series | Aluminum |
| LED-CHL-W-8 | Extruded wide recessed channel. Includes snap-on frosted lens with mounting screws. | 8' | LTR150-RGB, LTR150WP-RGB, LTR1200, LTR30024-90, ESR Series, CTK-24024 Series, HDT-28024 Series, GMEXT Series, all Wet Location | Aluminum |
| LED-CHL-XD-8 | Extruded extra deep and wide recessed channel with lens. | 8' | All GM Lighting LED linear tape and Sure-Tite™ connectors. | Aluminum |

OPTIONAL END CAPS and ACCESSORIES

| Catalog Number | Description |
|-----------------|--|
| LED-CHL-EC | End caps (2) for LED-CHL-4/8 |
| LED-CHL-W-EC | End caps (2) for LED-CHL-W-8 |
| LED-CHL-XD-EC | End caps (2) for LED-CHL-XD-8 |
| LED-CHL-BND-EC | End caps (2) for LED-CHL-BND-8 |
| LED-CHL-AMC | Adjustable brackets (2) for LED-CHL-8 |
| LED-CHL-AMC-W | Adjustable brackets (2) for LED-CHL-W-8 |
| LED-CHL-AMC-XD | Adjustable brackets (2) for LED-CHL-XD-8 |
| LED-CHL-XD-F-DC | Drywall mounting brackets (2) for LED-CHL-XD-F-8 |





Aluminum Architectural Mounting Channels enable a professional installation that provides not only protection for the LED tape, but reliable mounting integrity as well.



GMLighting®

“Lighting Enhanced by Design”

9830 W. 190th Street • Unit F
Mokena, IL 60448
Toll-Free: (866) 671-0811
FAX: (708) 478-2640
www.gmlighting.net

Printed in the U.S.A.
June 2018

©2018 GM Lighting, LLC
Specifications are subject to change without notice