

Group Metering and Meter Breaker Family



| | | |
|------------|---|------------------|
| 4.1 | Meter Sockets | |
| | Single Meter Sockets | V1-T4-2 |
| | Commercial Lever Bypass Sockets | V1-T4-10 |
| | Multiple Position Horizontal Ganged Sockets | V1-T4-17 |
| | Instrument Rated Sockets | V1-T4-23 |
| | Residential Pedestals | V1-T4-28 |
| | Meter Socket Accessories | V1-T4-30 |
| 4.2 | Meter Breakers | |
| | Residential Meter Breakers | V1-T4-35 |
| | Non-EUSERC Combination Service Entrance Devices 100–200 A Styles | V1-T4-37 |
| | EUSERC Required Service Entrance Devices 100–225 A. | V1-T4-41 |
| | West Coast All-In-One Design | V1-T4-44 |
| | House Panels | V1-T4-48 |
| | Aluminum Meter Breakers | V1-T4-53 |
| | CH Style Renovation Solutions. | V1-T4-54 |
| | Commercial Safety Sockets | V1-T4-55 |
| | Meter Breakers Accessories | V1-T4-58 |
| 4.3 | Group Metering | |
| | Systems for Residential and Commercial Applications | V1-T4-68 |
| | Meter Packs | V1-T4-76 |
| | Meter Packs—Tenant Circuit Breakers | V1-T4-88 |
| | Main Service Modules | V1-T4-89 |
| | Residential Meter Stacks | V1-T4-106 |
| | Commercial Meter Stack Modules | V1-T4-121 |
| | Phase Balanced Stack | V1-T4-130 |
| | Group Metering Inline Current Transformer Cabinets | V1-T4-131 |
| | Surge Metering | V1-T4-132 |
| | Group Metering Accessories | V1-T4-133 |



Revision notes

Volume 1—Residential and Light Commercial, CA08100002E

Tab 4—Metering Products

| Revision date | Section | Change page(s) | Description |
|---------------|---------|----------------------|------------------------------|
| 04/30/2018 | — | V1-T4-1 | Updated tab TOC |
| 04/30/2018 | 4.3 | V1-T4-73 | Content edits |
| 04/30/2018 | 4.3 | V1-T4-93 | Content edits |
| 04/30/2018 | 4.3 | V1-T4-110, V1-T4-111 | Content edits |
| 04/30/2018 | 4.3 | V1-T4-116, V1-T4-117 | Content edits |
| 04/30/2018 | 4.3 | V1-T4-121 | Delete page |
| 04/30/2018 | 4.3 | All to end | Update page numbering to end |



Powering Business Worldwide

Single Meter Sockets



Contents

Description

Page

| | |
|---|-----------------|
| Single Meter Sockets | |
| Features and Benefits | V1-T4-3 |
| Catalog Number Selection | V1-T4-3 |
| Product Selection | V1-T4-4 |
| Dimensions | V1-T4-8 |
| Commercial Lever Bypass Sockets | V1-T4-10 |
| Multiple Position Horizontal Ganged Sockets | V1-T4-17 |
| Instrument Rated Sockets | V1-T4-23 |
| Residential Pedestals | V1-T4-28 |
| Meter Socket Accessories | V1-T4-30 |

Single Meter Sockets

Product Description

Single-Phase Three-Wire and Three-Phase Four-Wire 600 Vac Single Meter Sockets

All Eaton sockets are rated 600 Vac maximum and either 100, 200 or 320 A continuous. All have a minimum short-circuit rating of 10,000 rms symmetrical amperes (watthour meter is not included in rating).

All single meter sockets are UL labeled and are supplied in surface mounted outdoor enclosures. Confirm local utility acceptance prior to order entry.

Features and Benefits

Single Meter Sockets

| Features | Benefits |
|--|--|
| Block assembly base exceeds 400 in-lbs of torque | Provides durability under the most extreme installation circumstances |
| One-piece, die-run enclosure | Eliminates tampering and extends product life |
| High visibility Eaton name embossed on cover | Company identity and brand preference |
| Knockouts are installer friendly | Labor savings, less time needed for removing knockouts |
| Oversized 7/8-inch diameter, heavy-duty, steel lug screws | Stronger connection component facilitates a reliable wire termination |
| Slide-nuts are captive | Allow for ease in installation of conductors and eliminates lost components |
| Horn bypass kit is field installable by changing out slide nut | Less inventory required and field modifications are simple |
| Integral triplex or quadplex ground extruded in neutral lug | One piece for terminating incoming/outgoing neutral conductors, which increases integrity of connections |
| 100% plated bridge with 4-point mounting | Zinc chromate plated to provide superior corrosion resistance |
| kAIC rating | Tested and UL listed up to 200 kAIC rating with specified overcurrent protection devices |
| Provides a complete Eaton residential solution | Adding meter sockets to the already existing (loadcenter, surge, breakers, generators and AC disconnect) product lines that we already provide, makes Eaton a one-stop shop for our customers residential and light commercial needs |
| Copper-plated alloy jaws with reinforcing spring | Steel reinforcing springs used in all socket jaws to maintain electrical connections |

Catalog Number Selection

Single Meter Sockets RS Group

UT RS 2 0 2 B CH

Note: The “U” prefix is always used first followed by other prefixes required in alphabetical order.

| Standard Prefixes | |
|-------------------|--|
| A | = Aluminum enclosure |
| B | = Barrel lock provision, for an exposed INNER-TITE® or Brooks barrel lock; unit includes an internal lock receiver bracket |
| F | = Barrel Lock with guard provision, for a lock guard INNER-TITE or Brooks barrel lock; unit includes an internal lock receiver bracket |
| G | = Grounded fifth terminal (9 o'clock position) |
| H | = Horn bypass |
| I | = Inhibitor installed in wire connectors |
| M | = Temporary meter cover (waxed cardboard) |
| N | = No sealing ring (applies only to ring style sockets) |
| R | = Ring style socket |
| S | = Aluminum screw type sealing ring (applies only to ring style sockets) |
| T | = Grounding connector (#14–#2 Cu) for triplex ground |
| TT | = Two grounding connectors (#14–#2 Cu) for quadplex ground |
| U | = UL Underwriters Laboratories label |
| Z | = 5/16-inch hex head connector screw in place of slotted (100 A only) |

| Product Group | |
|---------------|--|
| RS | = Residential service, single position |
| 2R-6R | = Residential service, multiple position |
| 2H-6H | = Commercial or residential service, multiple position |
| H | = Commercial or residential service, single position |

| Standard Suffixes | |
|-------------------|--|
| A | = Solid top |
| B | = Small hub opening |
| C | = Small hub closing plate mounted |
| L | = 1.25-inch (31.8 mm) hub mounted |
| M | = 1.50-inch (38.1 mm) hub mounted |
| N | = 2.00-inch (50.8 mm) hub mounted |
| P | = 2.50-inch (63.5 mm) hub mounted |
| T | = Large hub opening hub |
| U | = Large hub cover plate hub mounted |
| V | = 2.50-inch (63.5 mm) large hub mounted |
| Q | = 3.00-inch (76.2 mm) large hub mounted |
| R | = 3.50-inch (88.9 mm) large hub mounted |
| S | = 4.00-inch (101.6 mm) large hub mounted |
| Z | = Large to small hub adapter mounted |

| Maximum Conductor (Line and Load) | |
|-----------------------------------|-----------------------------|
| 0 | = 0.38-inch stud connectors |
| 1 | = #2/0 connectors |
| 2 | = #250 kcmil connectors |
| 3 | = #350 kcmil connectors |

| Service Design | |
|----------------|--|
| 0 | = Overhead |
| 1 | = Combination overhead/underground |
| 2 | = Underground, side wired |
| 3 | = Combination overhead/underground, side wired |

| Ampere Rating | |
|---------------|---------|
| 1 | = 100 A |
| 2 | = 200 A |
| 5 | = 150 A |

Product Selection

URS212ACH

Residential Ringless Type Cover



4

| Ampere Rating | Jaws | Service | Bypass | Connections Line | Load | Opening, Hub or Closure Plate | Catalog Number |
|---------------|------|---------|--------|------------------|----------------|-------------------------------|----------------------------|
| 200 | 4 | UG | — | 3/8-inch studs | 3/8-inch studs | Solid top | UTRS240ACH |
| 200 | 4 | OH/UG | — | 3/8-inch studs | 3/8-inch studs | 3-5/16 hub cover plate | UTRS2303CCH |
| 200 | 4 | UG | — | #8–350 kcmil | #8–350 kcmil | Solid top | UTRS223ACH |
| 200 | 4 | UG | — | 3/8-inch studs | 3/8-inch studs | Solid top | UTRS220ACH |
| 200 | 4 | OH/UG | — | #8–350 kcmil | #8–350 kcmil | 3-5/16 cover plate | UTRS213CFLCH |
| 200 | 4 | OH/UG | — | #8–350 kcmil | #8–350 kcmil | 3-5/16 hub cover plate | UTRS213CEPCH |
| 200 | 4 | OH/UG | — | #6–350 kcmil | #6–350 kcmil | 3-5/16 hub cover plate | UGTRS213CE |
| 200 | 4 | OH/UG | — | #6–350 kcmil | #6–350 kcmil | 3-5/16 hub cover plate | UTRS213CE |
| 200 | 4 | OH/UG | — | #6–350 kcmil | #6–350 kcmil | 3-5/16 hub opening | UATRS213BCH |
| 200 | 4 | OH/UG | — | #6–350 kcmil | #6–350 kcmil | 3-5/16 hub opening | URS213BCH |
| 200 | 4 | OH/UG | — | #6–350 kcmil | #6–350 kcmil | 3-5/16 hub opening | UTRS213BE |
| 200 | 4 | UG | — | #8–350 kcmil | #8–350 kcmil | Solid top | UTRS213AFLCH |
| 200 | 4 | UG | — | #8–350 kcmil | #8–350 kcmil | Solid top | UTRS213ACH |
| 200 | 4 | OH/UG | Horn | #8–350 kcmil | #8–350 kcmil | 3-5/16 hub opening | UTRS2138BCH |
| 200 | 4 | OH/UG | — | #8–250 kcmil | #8–250 kcmil | Solid top | UTRS212ACH |
| 200 | 4 | OH/UG | — | #8–250 kcmil | #8–250 kcmil | 3-5/16 cover plate | UTRS212CCH |
| 200 | 4 | OH/UG | — | #8–250 kcmil | #8–250 kcmil | 3-5/16 cover plate | UTRS212CFLCH |
| 200 | 4 | OH/UG | — | #8–250 kcmil | #8–250 kcmil | 3-5/16 hub opening | UTRS212BCH |
| 200 | 4 | OH | — | #8–250 kcmil | #8–250 kcmil | 2-inch bolt-on hub | UTRS202NCH |
| 200 | 4 | OH | — | #8–250 kcmil | #8–250 kcmil | Small hub opening | UATRS202BFLCH ^① |
| 200 | 4 | OH/UG | — | #8–250 kcmil | #8–250 kcmil | 3-5/16 cover plate | UTRS232CCH |
| 200 | 4 | OH | — | #8–2/0 cu/al | #8–2/0 cu/al | 3-5/16 hub opening | UTRS202BCH |
| 200 | 4 | OH/UG | — | #8–250 kcmil | #8–250 kcmil | Solid top | URS212ACH |
| 200 | 4 | OH | — | #8–250 kcmil | #8–250 kcmil | 2-inch bolt-on hub | URS202NCH |
| 200 | 5 | OH | Horn | #8–250 kcmil | #8–250 kcmil | 3-5/16 hub opening | URS202BDQCH |
| 200 | 4 | OH/UG | Horn | #8–350 kcmil | #8–350 kcmil | 3-5/16 hub cover plate | UFHTRS213CCH ^② |
| 200 | 4 | OH/UG | Horn | #8–350 kcmil | #8–350 kcmil | 3-5/16 hub opening | UHTRS213BCH |
| 200 | 4 | OH/UG | Horn | #8–350 kcmil | #8–350 kcmil | 3-5/16 hub cover plate | UHTRS213CCH |
| 200 | 4 | OH | Horn | #8–250 kcmil | #8–250 kcmil | 3-5/16 hub opening | UHTRS202BCH |
| 200 | 5 | OH/UG | Horn | #8–350 kcmil | #8–350 kcmil | 3-5/16 hub cover plate | UHTRS233CCH |
| 200 | 4 | UG | Horn | #8–350 kcmil | #8–350 kcmil | Solid top | UHTRS223ARHCH |
| 200 | 4 | UG | Horn | #8–350 kcmil | #8–350 kcmil | Solid top | UFHTRS223ACH |
| 200 | 5 | UG | Horn | #8–350 kcmil | #8–350 kcmil | Solid top | UGHTRS223ACH |
| 200 | 4 | UG | Horn | #8–350 kcmil | #8–350 kcmil | Solid top | UHTRS223ACH |
| 200 | 4 | UG | Horn | #8–350 kcmil | #8–350 kcmil | Solid top | UHTRS223ACH |
| 200 | 4 | OH/UG | Horn | #6–350 kcmil | #6–350 kcmil | 3-5/16 hub opening | UHTRS213CE |
| 200 | 4 | OH/UG | Horn | #6–350 kcmil | #6–350 kcmil | 3-5/16 hub opening | UHTRS213BE |
| 200 | 4 | OH/UG | Horn | #8–350 kcmil | #8–350 kcmil | Solid top | UHTRS213AE |
| 200 | 4 | OH | Horn | #8–350 kcmil | #8–350 kcmil | 3-5/16 hub opening | UHTRS203BCH |
| 200 | 4 | OH | Horn | #8–250 kcmil | #8–250 kcmil | 3-5/16 hub opening | UHTRS202BCH |
| 200 | 4 | OH/UG | None | #8–250 kcmil | #8–250 kcmil | 2-inch bolt-on hub | URS202NPECCH ^③ |

Notes

- ① Aluminum enclosure.
- ② Barrel lock.
- ③ PEC approved.

For dimensions, see **Pages V1-T4-8 and V1-T4-9.**

Residential Ringless Type Cover, continued

| Ampere Rating | Jaws | Service | Bypass | Connections Line | Load | Opening, Hub or Closure Plate | Catalog Number |
|---------------|------|---------|--------|------------------|----------------|-------------------------------|----------------|
| 200 | 4 | OH/UG | Horn | #8-350 kcmil | #8-350 kcmil | Solid top | UHIRS223ACVCH |
| 200 | 4 | OH/UG | Horn | #8-350 kcmil | #8-350 kcmil | 3-5/16 hub opening | UHIRS213BCVCH |
| 200 | 5 | OH/UG | — | #6-350 kcmil | #6-350 kcmil | Closure plate | UGTRS213CE |
| 200 | 5 | OH/UG | — | #6-350 kcmil | #6-350 kcmil | Hub opening | UGTRS213BE |
| 200 | 5 | OH/UG | Horn | #6-350 kcmil | #6-350 kcmil | Closure plate | 786685217918 |
| 200 | 5 | OH/UG | Horn | #6-350 kcmil | #6-350 kcmil | 3-5/16 hub opening | UGHTRS213BE |
| 200 | 5 | OH/UG | Horn | #8-250 kcmil | #8-250 kcmil | 3-5/16 hub cover plate | UGHRS212CKCCH |
| 200 | 4 | OH | — | #8-250 kcmil | #8-250 kcmil | 3-5/16 hub opening | UFTRS202BCH |
| 200 | 4 | OH | Horn | #8-250 kcmil | #8-250 kcmil | 3-5/16 hub opening | UFHTRS202BCH |
| 200 | 4 | UG | Horn | #8-350 kcmil | #8-350 kcmil | Solid top | UBHTRS223ARHCH |
| 200 | 4 | UG | Horn | #8-350 kcmil | #8-350 kcmil | Solid top | UBHRS223ACH |
| 200 | 4 | OH | Horn | #8-250 kcmil | #8-250 kcmil | 3-5/16 hub cover plate | UBHRS202BCH |
| 200 | 4 | OH/UG | — | #8-350 kcmil | #8-350 kcmil | 3-5/16 hub opening | UATRS213CFLCH |
| 200 | 4 | OH/UG | Horn | #8-350 kcmil | #8-350 kcmil | 3-5/16 hub cover plate | UAHTRS233CSHCH |
| 200 | 4 | UG | Horn | #8-350 kcmil | #8-350 kcmil | Solid top | UAHTRS223AFLCH |
| 200 | 4 | OH | Horn | #8-250 kcmil | #8-250 kcmil | 3-5/16 hub opening | UAHTRS202BFLCH |
| 200 | 4 | OH/UG | — | #8-350 kcmil | #8-350 kcmil | 3-5/16 hub closure plate | U92197CCCPLCH |
| 200 | 4 | OH/UG | — | #8-350 kcmil | #8-350 kcmil | 3-5/16 hub closure plate | 1009928CH |
| 200 | 4 | OH/UG | Horn | #8-250 kcmil | #8-250 kcmil | Solid top | 1009874ACH |
| 200 | 4 | UG | — | 3/8-inch studs | 3/8-inch studs | Solid top | 1009046CH |
| 200 | 4 | UG | Horn | #8-350 kcmil | #8-350 kcmil | Solid top | 1008941CH |
| 200 | 4 | UG | Horn | #8-350 kcmil | #8-350 kcmil | Solid top | 1008940CH |
| 200 | 4 | UG | Horn | #8-350 kcmil | #8-350 kcmil | Solid top | 1008827CH |
| 200 | 4 | UG | Horn | #8-350 kcmil | #8-350 kcmil | Solid top | 1008819CH |
| 200 | 4 | UG | Horn | #8-350 kcmil | #8-350 kcmil | Solid top | 1008717CH |
| 200 | 4 | UG | — | #8-350 kcmil | #8-350 kcmil | Solid top | 1008617CH |
| 200 | 4 | OH/UG | Horn | #8-350 kcmil | #8-350 kcmil | 3-5/16 hub opening | 1007817CH |
| 200 | 4 | OH | Horn | #8-250 kcmil | #8-250 kcmil | 3-5/16 hub opening | 1007699CH |
| 200 | 4 | OH | Horn | #8-250 kcmil | #8-250 kcmil | 3-5/16 hub opening | 1007665CH |
| 200 | 4 | UG | Horn | #8-350 kcmil | #8-350 kcmil | Solid top | 1007588CH |
| 200 | 4 | OH/UG | — | 3/8-inch studs | 3/8-inch studs | 3-5/16 hub opening | 1007448ACH |
| 200 | 4 | UG | Horn | #8-350 kcmil | #8-350 kcmil | Solid top | 1004884ARHCH ① |
| 200 | 4 | UG | Horn | #8-350 kcmil | #8-350 kcmil | Solid top | 1004884ACH |
| 200 | 4 | OH/UG | — | #8-#250 kcmil | #8-#250 kcmil | 3-5/16 hub cover plate | 1004710ECH |
| 200 | 4 | OH | — | N/A | N/A | N/A | 1004709DCH |
| 200 | 4 | OH | Horn | #8-#250 kcmil | #8-#250 kcmil | 2-inch bolt-on hubs | 1004455BCH |
| 200 | 4 | OH | Horn | #8-250 kcmil | #8-250 kcmil | 3-5/16 hub opening | 1004161ACH |
| 200 | 4 | OH/UG | Horn | #8-350 kcmil | #8-350 kcmil | 3-5/16 hub opening | 1004159ACH |
| 200 | 4 | OH/UG | — | #8-350 kcmil | #8-350 kcmil | Hub closure plate | 1008826ACH ② |
| 200 | 4 | OH/UG | Lever | #6-350 kcmil | #6-350 kcmil | Hub closure plate | 1006352CCCH ② |
| 200 | 5 | OH | Horn | #8-250 kcmil | #8-250 kcmil | 3-5/16 hub opening | 1003879ACH |
| 200 | 5 | OH/UG | Horn | #8-350 kcmil | #8-350 kcmil | 3-5/16 hub opening | 1003878ACH |

Notes

- ① Right hand incoming.
- ② Austin Energy approved.

For dimensions, see Pages V1-T4-8 and V1-T4-9.

URS101BCH



Residential Ringless Type Cover, continued

| Ampere Rating | Jaws | Service | Bypass | Connections Line | Load | Opening, Hub or Closure Plate | Catalog Number |
|---------------|------|---------|--------|--|--|-------------------------------|----------------------------|
| 150 | 4 | OH/UG | — | #8-2/0 AWG | #8-2/0 AWG | Hub closure plate | 1004326DCH ^① |
| 150 | 4 | OH/UG | — | #8-250 kcmil | #8-250 kcmil | Hub opening | UTRS502BCH |
| 150 | 4 | OH | — | #8-250 kcmil | #8-250 kcmil | 3-5/16 hub opening | UTRS502BCH |
| 150 | 4 | OH | — | #8-250 kcmil | #8-250 kcmil | 3-5/16 hub cover plate | UTRS502CCH |
| 125 | 4 | UG | — | N/A | N/A | N/A | 1006385BCH |
| 125 | 4 | OH/UG | — | #8-2/0 cu/al | #8-2/0 cu/al | 3-5/16 hub opening | UTRS111BCH |
| 125 | 4 | OH | — | #8-2/0 cu/al | #8-2/0 cu/al | 3-5/16 hub opening | UBTRS101BCH |
| 125 | 4 | OH | — | #8-2/0 cu/al | #8-2/0 cu/al | 1-1/4-inch bolt-on hub | UTRS101LCH |
| 125 | 4 | OH | — | #8-2/0 cu/al | #8-2/0 cu/al | 3-5/16 hub cover plate | UTRS101CE |
| 125 | 4 | OH | — | #8-2/0 cu/al | #8-2/0 cu/al | 3-5/16 hub opening | UTRS101BE |
| 125 | 4 | OH | — | #8-2/0 | #8-2/0 | 3-5/16 hub cover plate | URS101CCPLCH |
| 125 | 4 | OH | Horn | cu/al with 1/2-inch hex head wire clamping screw | cu/al with 1/2-inch hex head wire clamping screw | 3-5/16 hub cover plate | URS101BDQCH |
| 125 | 4 | OH | — | #8-2/0 | #8-2/0 | 3-5/16 hub opening | URS101BCPLCH |
| 125 | 4 | OH | — | #8-2/0 | #8-2/0 | 3-5/16 hub opening | URS101BCH |
| 125 | 4 | OH | Horn | #8-2/0 | #8-2/0 | 3-5/16 hub opening | UHTRS101BCH |
| 125 | 4 | OH/UG | Horn | #8-250 kcmil | #8-250 kcmil | 3-5/16 hub opening | UHTRS111BCH |
| 125 | 4 | OH | Horn | #8-2/0 | #8-2/0 | 1.25-inch hub mounted | UHTRS101LCH |
| 125 | 4 | OH | Horn | #8-2/0 | #8-2/0 | Closure plate | UHTRS101CE |
| 125 | 4 | OH | Horn | #8-2/0 | #8-2/0 | 3-5/16 hub opening | UHTRS101BE |
| 125 | 5 | OH/UG | — | #8-2/0 | #8-2/0 | 3-5/16 hub cover plate | UGRS10101CKCCH |
| 125 | 5 | OH/UG | — | #8-2/0 | #8-2/0 | 3-5/16 hub cover plate | UGHTRS111CCH |
| 125 | 5 | OH | — | #8-2/0 | #8-2/0 | 3-5/16 hub opening | UGHTRS101BCH |
| 125 | 4 | OH | — | #8-2/0 | #8-2/0 | 3-5/16 hub cover plate | UBHRS101BCH |
| 125 | 4 | OH/UG | — | #8-2/0 | #8-2/0 | 3-5/16 hub cover plate | UATZRS101CFLCH |
| 125 | 4 | OH | — | #8-2/0 | #8-2/0 | 3-5/16 hub cover plate | UATRS101CCH |
| 125 | 4 | OH | — | #8-2/0 | #8-2/0 | 3-5/16 hub opening | 1008947CH |
| 125 | 4 | UG | N/A | N/A | N/A | N/A | 1005826ACH |
| 125 | 4 | OH | — | #8-2/0 | #8-2/0 | 1-1/4-inch bolt-on hub | 1004931BCH |
| 125 | 4 | OH | — | #8-2/0 | #8-2/0 | 3-5/16 hub opening | 1004162ACH |
| 125 | 5 | OH | — | #8-2/0 | #8-2/0 | 3-5/16 hub opening | 1003880ACH |
| 125 | 4 | OH | — | #8-2/0 | #8-2/0 | 3-5/16 hub opening | UTZRS101BFLCH |
| 125 | 4 | OH | — | #8-2/0 | #8-2/0 | 3-5/16 hub closure plate | UTZRS101CFLCH |
| 125 | 5 | OH | Horn | #8-2/0 | #8-2/0 | Hub opening | UTRS101CEPSEG ^② |
| 100 | 4 | OH | — | #8-2/0 | #8-2/0 | 3-5/16 hub opening | 1009079CH |
| 200 | 5 | OH/UG | Horn | #8-350 kcmil | #8-350 kcmil | Hub closure plate | UTRS213CEPSEG ^② |

Notes

- ① Austin Energy approved.
- ② PSE&G approved.

For dimensions, see **Pages V1-T4-8 and V1-T4-9.**

Residential Ring Type Cover

| Ampere Rating | Jaws | Service | Connections Line | Load | Opening, Hub or Closure Plate | Catalog Number |
|---------------|------|---------|------------------|--------------|--------------------------------------|----------------|
| 200 | 4 | UG | #8-350 kcmil | #8-350 kcmil | Solid top | URTRS223ACH |
| 200 | 4 | OH/UG | #8-350 kcmil | #8-350 kcmil | 3-5/16 hub cover plate | URRS213CCH |
| 200 | 4 | OH/UG | #8-350 kcmil | #8-350 kcmil | 2 inch hub mounted | URTRS213NEUSCH |
| 200 | 4 | OH/UG | #8-350 kcmil | #8-350 kcmil | 3-5/16 hub cover plate | URTRS213CEUSCH |
| 200 | 4 | OH/UG | #8-350 kcmil | #8-350 kcmil | 3-5/16 hub cover plate | 1009424CH |
| 200 | 4 | OH/UG | #8-350 kcmil | #8-350 kcmil | Knockouts | 1009449CH |
| 200 | 4 | OH | #8-350 kcmil | #8-350 kcmil | 3-5/16 hub opening | URSTRS203BCH |
| 200 | 4 | OH | #8-250 kcmil | #8-250 kcmil | 3-5/16 hub cover plate | URS212BCRCH |
| 200 | 4 | OH/UG | #8-250 kcmil | #8-250 kcmil | 3-5/16 hub cover plate | URTRS202BCH |
| 200 | 4 | OH | #8-250 kcmil | #8-250 kcmil | 3-5/16 hub opening | URTRS213BE |
| 200 | 4 | OH/UG | #6-350 kcmil | #6-350 kcmil | Hub opening | URTRS202BCH |
| 200 | 4 | OH/UG | #6-350 kcmil | #6-350 kcmil | Closure plate | URTRS213CE |
| 200 | 4 | UG | #6-350 kcmil | #6-350 kcmil | 3-5/16 hub opening | URTRS213BEUSCH |
| 200 | 4 | OH | #8-250 kcmil | #8-250 kcmil | 2-inch hub mounted | URTRS202NEUSCH |
| 200 | 4 | OH | #8-250 kcmil | #8-250 kcmil | 3-5/16 hub opening | UNRRS202BEUSCH |
| 200 | 4 | OH/UG | #6-350 kcmil | #6-350 kcmil | Closure plate | UNRRS213CEUSE |
| 200 | 4 | OH | #8-250 kcmil | #8-250 kcmil | Hub opening | UNRRS213BEUSE |
| 200 | 4 | UG | #6-350 kcmil | #6-350 kcmil | Solid top | UNRRS213AEUSE |
| 200 | 4 | OH/UG | #6-250 kcmil | #6-250 kcmil | 5x5 hub opening 3-5/16 adapter plate | 1009097CH |
| 125 | 4 | OH | #8-2/0 cu/al | #8-2/0 cu/al | 3-5/16 hub opening | URS101BCRCH |
| 125 | 4 | OH | #8-2/0 cu/al | #8-2/0 cu/al | 1-1/4-inch bolt-on hub | URRS101LCH |
| 125 | 4 | OH | #8-2/0 cu/al | #8-2/0 cu/al | Hub cover plate | URTRS101BE |
| 125 | 4 | OH | #8-2/0 cu/al | #8-2/0 cu/al | Hub cover plate | URTRS101CE |
| 125 | 4 | OH | #8-2/0 cu/al | #8-2/0 cu/al | 3-5/16 hub cover plate | UNRRS101BEUSE |
| 125 | 4 | OH | #8-2/0 cu/al | #8-2/0 cu/al | Closure plate | UNRRS101CEUSE |
| 125 | 4 | OH/UG | #8-2/0 cu/al | #8-2/0 cu/al | 3-5/16 hub cover plate | UNRRS111BEUSE |
| 125 | 4 | UG | #8-2/0 cu/al | #8-2/0 cu/al | Solid top | UNRRS111AEUSE |
| 125 | 4 | OH | #8-2/0 cu/al | #8-2/0 cu/al | 3-5/16 hub opening | URSTRS101BCH |

Note

For dimensions, see **Pages V1-T4-8 and V1-T4-9.**

Dimensions

Approximate Dimensions in Inches (mm)

Residential Ringless Type Cover

| Catalog Number | Height | Width | Depth |
|-----------------|---------------|---------------|--------------|
| UTRS240ACH | 18.63 (473.2) | 13.00 (330.2) | 4.94 (125.5) |
| UTRS2303CCH | 20.00 (508.0) | 13.00 (330.2) | 4.94 (125.5) |
| UTRS223ACH | 13.00 (330.2) | 13.00 (330.2) | 4.94 (125.5) |
| UTRS220ACH | 15.13 (384.3) | 13.00 (330.2) | 4.94 (125.5) |
| UTRS213CFLCH | 15.00 (381.0) | 11.00 (279.4) | 4.37 (111.0) |
| UTRS213CEPCH | 15.00 (381.0) | 11.00 (279.4) | 4.37 (111.0) |
| UGTRS213CE | 15.13 (384.3) | 11.25 (285.8) | 4.50 (114.3) |
| UTRS213CE | 15.13 (384.3) | 11.25 (285.8) | 4.50 (114.3) |
| UATRS213BCH | 15.13 (384.3) | 11.25 (285.8) | 4.50 (114.3) |
| URS213BCH | 15.00 (381.0) | 11.00 (279.4) | 4.36 (110.7) |
| UTRS213BE | 15.13 (384.3) | 11.25 (285.8) | 4.50 (114.3) |
| UTRS213AFLCH | 15.00 (381.0) | 11.00 (279.4) | 4.37 (111.0) |
| UTRS213ACH | 15.00 (381.0) | 11.00 (279.4) | 4.36 (110.7) |
| UTRS2138BCH | 20.00 (508.0) | 13.00 (330.2) | 4.94 (125.5) |
| UTRS212ACH | 14.00 (355.6) | 11.00 (279.4) | 4.37 (111.0) |
| UTRS212CCH | 14.00 (355.6) | 11.00 (279.4) | 4.36 (110.7) |
| UTRS212CFLCH | 14.00 (355.6) | 11.00 (279.4) | 4.36 (110.7) |
| UTRS212BCH | 14.00 (355.6) | 11.00 (279.4) | 4.36 (110.7) |
| UTRS202NCH | 14.00 (355.6) | 8.00 (203.2) | 4.36 (110.7) |
| UATRS202BFLCH ① | 14.00 (355.6) | 8.00 (203.2) | 4.36 (110.7) |
| UTRS232CCH | 17.12 (434.8) | 13.00 (330.2) | 4.93 (125.2) |
| UTRS202BCH | 14.00 (355.6) | 8.00 (203.2) | 4.36 (110.7) |
| URS212ACH | 14.00 (355.6) | 11.00 (279.4) | 4.38 (111.3) |
| URS202NCH | 14.00 (355.6) | 8.00 (203.2) | 4.38 (111.3) |
| URS202BDQCH | 14.00 (355.6) | 8.00 (203.2) | 4.38 (111.3) |
| UFHTRS213CCH ② | 15.00 (381.0) | 11.00 (279.4) | 4.38 (111.3) |
| UHTRS213BCH | 15.00 (381.0) | 11.00 (279.4) | 4.38 (111.3) |
| UHTRS213CCH | 15.00 (381.0) | 11.00 (279.4) | 4.38 (111.3) |
| UHTRS202BCH | 14.00 (355.6) | 8.00 (203.2) | 4.38 (111.3) |
| UHTRS233CCH | 17.13 (435.1) | 13.00 (330.2) | 4.94 (125.5) |
| UHTRS223ARHCH | 13.00 (330.2) | 13.00 (330.2) | 4.94 (125.5) |
| UFHTRS223ACH | 13.00 (330.2) | 13.00 (330.2) | 4.94 (125.5) |
| UGHTRS223ACH | 13.00 (330.2) | 13.00 (330.2) | 4.94 (125.5) |
| UHTRS223ACH | 13.00 (330.2) | 13.00 (330.2) | 4.94 (125.5) |
| UHTRS213CE | 15.00 (381.0) | 11.00 (279.4) | 4.38 (111.3) |
| UHTRS213BE | 15.00 (381.0) | 11.00 (279.4) | 4.38 (111.3) |
| UHTRS213AE | 15.00 (381.0) | 11.00 (279.4) | 4.38 (111.3) |
| UHTRS203BCH | 15.00 (381.0) | 8.00 (203.2) | 4.38 (111.3) |
| UHTRS202BCH | 14.00 (355.6) | 8.00 (203.2) | 4.38 (111.3) |
| UHRS223ACVCH | 13.00 (330.2) | 13.00 (330.2) | 4.94 (125.5) |

Residential Ringless Type Cover, continued

| Catalog Number | Height | Width | Depth |
|----------------|---------------|---------------|--------------|
| UHRS213BCVCH | 15.00 (381.0) | 11.00 (279.4) | 4.38 (111.3) |
| UGTRS213CE | 15.13 (384.3) | 11.25 (285.8) | 4.50 (114.3) |
| UGTRS213BE | 15.13 (384.3) | 11.25 (285.8) | 4.50 (114.3) |
| 786685217918 | 15.13 (384.3) | 11.25 (285.8) | 4.50 (114.3) |
| UGHTRS213BE | 15.13 (384.3) | 11.25 (285.8) | 4.50 (114.3) |
| UGHRS212CKCH | 14.00 (355.6) | 11.00 (279.4) | 4.38 (111.3) |
| UFTRS202BCH | 14.00 (355.6) | 8.00 (203.2) | 4.38 (111.3) |
| UFHTRS202BCH | 14.00 (355.6) | 8.00 (203.2) | 4.38 (111.3) |
| UBHTRS223ARHCH | 13.00 (330.2) | 13.00 (330.2) | 4.94 (125.5) |
| UBHRS223ACH | 13.00 (330.2) | 13.00 (330.2) | 4.94 (125.5) |
| UBHRS202BCH | 14.00 (355.6) | 8.00 (203.2) | 4.38 (111.3) |
| UATRS213CFLCH | 15.00 (381.0) | 11.00 (279.4) | 4.38 (111.3) |
| UAHTRS233CSHCH | 17.13 (435.1) | 13.00 (330.2) | 4.94 (125.5) |
| UAHTRS223AFLCH | 13.00 (330.2) | 13.00 (330.2) | 4.94 (125.5) |
| UAHTRS202BFLCH | 14.00 (355.6) | 8.00 (203.2) | 4.38 (111.3) |
| U92197CCCPCH | 14.13 (358.9) | 13.00 (330.2) | 4.94 (125.5) |
| 1009928CH | 15.00 (381.0) | 11.00 (279.4) | 4.38 (111.3) |
| 1009874ACH | 15.00 (381.0) | 13.00 (330.2) | 4.94 (125.5) |
| 1009046CH | 20.75 (527.1) | 9.00 (228.6) | 4.94 (125.5) |
| 1008941CH | 17.13 (435.1) | 13.00 (330.2) | 4.94 (125.5) |
| 1008940CH | 17.13 (435.1) | 13.00 (330.2) | 4.94 (125.5) |
| 1008827CH | 13.00 (330.2) | 13.00 (330.2) | 4.94 (125.5) |
| 1008819CH | 13.00 (330.2) | 13.00 (330.2) | 4.94 (125.5) |
| 1008717CH | 15.00 (381.0) | 13.00 (330.2) | 4.94 (125.5) |
| 1008617CH | 15.00 (381.0) | 13.00 (330.2) | 4.94 (125.5) |
| 1007817CH | 15.00 (381.0) | 11.00 (279.4) | 4.38 (111.3) |
| 1007699CH | 14.00 (355.6) | 8.00 (203.2) | 4.38 (111.3) |
| 1007665CH | 14.00 (355.6) | 8.00 (203.2) | 4.38 (111.3) |
| 1007588CH | 13.00 (330.2) | 13.00 (330.2) | 4.94 (125.5) |
| 1007448ACH | 19.00 (482.6) | 11.00 (279.4) | 4.38 (111.3) |
| 1004884ARHCH ③ | 13.00 (330.2) | 13.00 (330.2) | 4.93 (125.2) |
| 1004884ACH | 13.00 (330.2) | 13.00 (330.2) | 4.93 (125.2) |
| 1004710ECH | 14.00 (355.6) | 11.00 (279.4) | 4.38 (111.3) |
| 1004709DCH | N/A | N/A | N/A |
| 1004455BCH | 15.00 (381.0) | 8.00 (203.2) | 4.38 (111.3) |
| 1004161ACH | 14.00 (355.6) | 8.00 (203.2) | 4.38 (111.3) |
| 1004159ACH | 15.00 (381.0) | 11.00 (279.4) | 4.38 (111.3) |
| 1003879ACH | 15.00 (381.0) | 8.00 (203.2) | 4.38 (111.3) |
| 1003878ACH | 15.00 (381.0) | 11.00 (279.4) | 4.38 (111.3) |
| UTRS502BCH | 14.00 (355.6) | 8.00 (203.2) | 4.38 (111.3) |

Notes

- ① Aluminum enclosure.
- ② Barrel lock.
- ③ Right hand incoming.

Approximate Dimensions in Inches (mm)

Residential Ringless Type Cover, continued

| Catalog Number | Height | Width | Depth |
|----------------|---------------|---------------|--------------|
| UTRS502BCH | 14.00 (355.6) | 8.00 (203.2) | 4.36 (110.7) |
| UTRS502CCH | 14.00 (355.6) | 8.00 (203.2) | 4.36 (110.7) |
| 1006385BCH | N/A | N/A | N/A |
| UTRS111BCH | 14.00 (355.6) | 11.00 (279.4) | 4.36 (110.7) |
| UBTRS101BCH | 10.88 (276.4) | 8.00 (203.2) | 3.50 (88.9) |
| UTRS101LCH | 10.88 (276.4) | 8.00 (203.2) | 3.50 (88.9) |
| UTRS101CE | 11.05 (280.7) | 8.22 (208.8) | 3.61 (91.7) |
| UTRS101BE | 11.05 (280.7) | 8.22 (208.8) | 3.61 (91.7) |
| URS101CCPLCH | 10.88 (276.4) | 8.00 (203.2) | 3.50 (88.9) |
| URS101BDQCH | 10.88 (276.4) | 8.00 (203.2) | 3.50 (88.9) |
| URS101BCPLCH | 10.88 (276.4) | 8.00 (203.2) | 3.50 (88.9) |
| URS101BCH | 10.88 (276.4) | 8.00 (203.2) | 3.50 (88.9) |
| UHTRS101BCH | 10.88 (276.4) | 8.00 (203.2) | 3.50 (88.9) |
| UHTRS111BCH | 14.00 (355.6) | 11.00 (279.4) | 4.38 (111.3) |
| UHTRS101LCH | 10.88 (276.4) | 8.00 (203.2) | 3.50 (88.9) |
| UHTRS101CE | 11.05 (280.7) | 8.22 (208.8) | 3.61 (91.7) |
| UHTRS101BE | 11.05 (280.7) | 8.22 (208.8) | 3.61 (91.7) |
| UGRS10101CKCCH | 12.00 (304.8) | 8.00 (203.2) | 3.50 (88.9) |
| UGHTRS111CCH | 14.00 (355.6) | 11.00 (279.4) | 4.36 (110.7) |
| UGHTRS101BCH | 10.88 (276.4) | 8.00 (203.2) | 3.50 (88.9) |
| UBHRS101BCH | 10.88 (276.4) | 8.00 (203.2) | 3.50 (88.9) |
| UATRZS101CFLCH | 10.88 (276.4) | 8.00 (203.2) | 3.50 (88.9) |
| UATRZS101CCH | 10.87 (276.1) | 8.00 (203.2) | 3.50 (88.9) |
| 1008947CH | 10.89 (276.6) | 8.00 (203.2) | 3.50 (88.9) |
| 1005826ACH | N/A | N/A | N/A |
| 1004931BCH | 10.88 (276.4) | 8.00 (203.2) | 3.50 (88.9) |
| 1004162ACH | 10.89 (276.6) | 8.00 (203.2) | 3.50 (88.9) |
| 1003880ACH | 10.89 (276.6) | 8.00 (203.2) | 3.50 (88.9) |
| UTZRS101BFLCH | N/A | N/A | N/A |
| UTZRS101CFLCH | N/A | N/A | N/A |
| 1009079CH | 23.75 (603.3) | 8.00 (203.2) | 3.48 (88.4) |

Residential Ring Type Cover

| Catalog Number | Height | Width | Depth |
|----------------|---------------|---------------|--------------|
| URTRS223ACH | 13.00 (330.2) | 13.00 (330.2) | 4.93 (125.2) |
| URRS213CCH | 15.00 (381.0) | 11.00 (279.4) | 4.38 (111.3) |
| URTRS213NEUSCH | 15.00 (381.0) | 11.00 (279.4) | 4.38 (111.3) |
| URTRS213CEUSCH | 15.00 (381.0) | 11.00 (279.4) | 4.38 (111.3) |
| 1009424CH | 15.00 (381.0) | 11.00 (279.4) | 4.38 (111.3) |
| 1009449CH | 18.31 (465.1) | 14.19 (360.4) | 5.13 (130.3) |
| URSTRS203BCH | N/A | N/A | N/A |
| URS212BCRCH | 14.00 (355.6) | 8.00 (203.2) | 4.38 (111.3) |
| URTRS202BCH | 14.00 (355.6) | 11.00 (279.4) | 4.38 (111.3) |
| URTRS213BE | 14.00 (355.6) | 8.00 (203.2) | 4.50 (114.3) |
| URTRS202BCH | 15.13 (384.3) | 11.25 (285.8) | 4.50 (114.3) |
| URTRS213CE | 15.13 (384.3) | 11.25 (285.8) | 4.50 (114.3) |
| URTRS213BEUSCH | 15.13 (384.3) | 11.25 (285.8) | 4.50 (114.3) |
| URTRS202NEUSCH | 14.00 (355.6) | 8.00 (203.2) | 4.38 (111.3) |
| UNRRS202BEUSCH | 14.00 (355.6) | 8.00 (203.2) | 4.38 (111.3) |
| UNRRS213CEUSE | 15.13 (384.3) | 11.25 (285.8) | 4.50 (114.3) |
| UNRRS213BEUSE | 15.13 (384.3) | 11.25 (285.8) | 4.50 (114.3) |
| UNRRS213AEUSE | 15.13 (384.3) | 11.25 (285.8) | 4.50 (114.3) |
| 1009097CH | 19.00 (482.6) | 13.00 (330.2) | 5.25 (133.4) |
| URS101BCRCH | 10.88 (276.4) | 8.00 (203.2) | 3.50 (88.9) |
| URRS101LCH | 10.88 (276.4) | 8.00 (203.2) | 3.50 (88.9) |
| URTRS101BE | 11.00 (279.4) | 8.25 (209.6) | 3.63 (92.2) |
| URTRS101CE | 11.00 (279.4) | 8.25 (209.6) | 3.63 (92.2) |
| UNRRS101BEUSE | 10.88 (276.4) | 8.00 (203.2) | 3.50 (88.9) |
| UNRRS101CEUSE | 10.88 (276.4) | 8.00 (203.2) | 3.50 (88.9) |
| UNRRS111BEUSE | 14.00 (355.6) | 11.00 (279.4) | 4.38 (111.3) |
| URSTRS101BCH | 10.88 (276.4) | 8.00 (203.2) | 3.50 (88.9) |

4.1

Metering Products

Meter Sockets

4

Commercial Lever Bypass Sockets



Contents

Description

| Description | Page |
|---|----------|
| Single Meter Sockets | V1-T4-2 |
| Commercial Lever Bypass Sockets | |
| Product Selection | V1-T4-11 |
| Dimensions | V1-T4-15 |
| Multiple Position Horizontal Ganged Sockets | V1-T4-17 |
| Instrument Rated Sockets | V1-T4-23 |
| Residential Pedestals | V1-T4-28 |
| Meter Socket Accessories | V1-T4-30 |

Commercial Lever Bypass Sockets

Product Description

- Heavy-duty, lever bypass, jaw clamping ringless meter socket design
- 200 A and 320 A styles available
- Single-phase or three-phase
- 4, 5 or 7 terminal available
- 600 Vac maximum rating
- Multiple service design offerings

Standards and Certifications

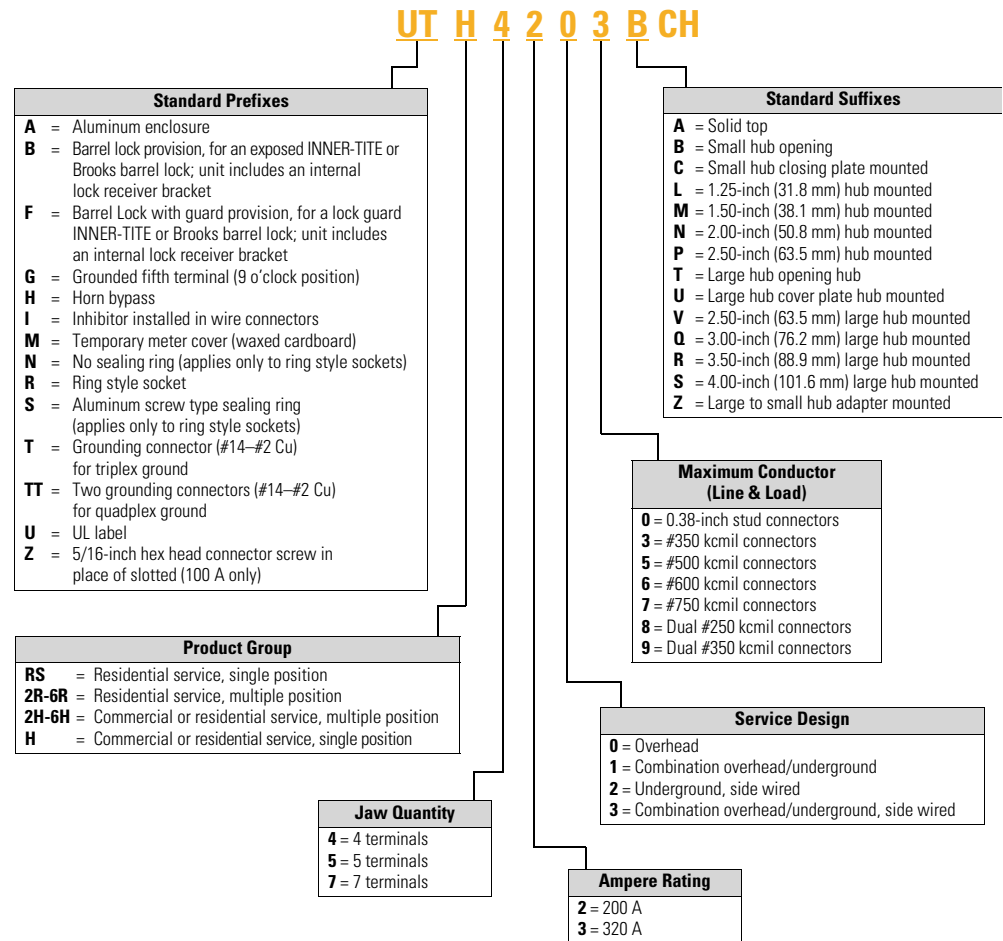
- UL 414 listed and recognized



Catalog Number Selection

Single Meter Sockets H Group

Note: The "U" prefix is always used first followed by other prefixes required in alphabetical order.



Product Selection

Commercial Lever Bypass

| Ampere Rating | Jaws | Service | Bypass | Connections Line | Load | Opening, Hub or Closure Plate | Catalog Number |
|---------------|------|---------|--------|------------------|----------------|-------------------------------|-----------------|
| 320 | 7 | OH/UG | Lever | #4-600 kcmil | #4-600 kcmil | 5x5 hub opening | UTTH7336TCH |
| 320 | 7 | OH | Lever | #600 kcmil | Dual #6-350 | 5x5 hub opening | UTH73069THLCH |
| 320 | 7 | OH/UG | Lever | #14-1/0 cu/al | #6-350 kcmil | 5x5 hub cover plate | UTH73369UHLCH |
| 320 | 7 | OH/UG | Lever | #14-1/0 cu/al | #6-350 kcmil | 5x5 hub opening | UTH73369THLCH |
| 320 | 7 | OH/UG | Lever | 3/8-inch studs | 3/8-inch studs | 5x5 hub cover plate | UFTH7330UCH |
| 320 | 7 | OH/UG | Lever | #600 kcmil | #600 kcmil | 5x5 hub opening | UTH7336TCH |
| 320 | 7 | OH/UG | Lever | 3/8-inch studs | 3/8-inch studs | 5x5 hub cover plate | UTH7330UCH |
| 320 | 7 | OH/UG | Lever | 3/8-inch studs | 3/8-inch studs | 5x5 hub cover plate | UTH7330UFLCH |
| 320 | 7 | OH/UG | Lever | 3/8-inch studs | 3/8-inch studs | 5x5 hub cover plate | UATH7330UFLCH ① |
| 320 | 7 | OH/UG | Lever | 3/8-inch studs | 3/8-inch studs | 5x5 hub opening | UH7330TCPLCH |
| 320 | 7 | OH/UG | Lever | 3/8-inch studs | 3/8-inch studs | 5x5 hub opening | UTH7330TCH |
| 320 | 7 | OH/UG | Lever | 3/8-inch studs | 3/8-inch studs | 5x5 hub-inch opening | UTTH7330TCH |
| 320 | 7 | OH/UG | Lever | 3/8-inch studs | 3/8-inch studs | 5x5 hub cover plate | UH7300UCPLCH |
| 320 | 7 | OH/UG | Lever | 3/8-inch studs | 3/8-inch studs | 5x5 hub cover plate | UTH7300UCH |
| 320 | 7 | OH/UG | Lever | 3/8-inch studs | 3/8-inch studs | 5x5 hub opening | UTH7300TCH |
| 320 | 7 | OH/UG | Lever | #6-350 kcmil | #6-350 kcmil | Hub closure plate | 1006353CCH ② |
| 320 | 5 | OH/UG | Lever | 3/8-inch studs | 3/8-inch studs | 5x5 hub cover plate | UTH5330UFLCH |
| 320 | 5 | OH/UG | Lever | 3/8-inch studs | 3/8-inch studs | 5x5 hub cover plate | UTH5330UCH |
| 320 | 5 | OH | Lever | 3/8-inch studs | 3/8-inch studs | 5x5 hub opening | UTH5300TCH |
| 320 | 5 | OH/UG | Lever | 3/8-inch studs | 3/8-inch studs | 5x5 hub cover plate | UATH5330UFLCH |
| 320 | 4 | OH/UG | lever | #4-600 kcmil | #4-600 kcmil | Hub closure plate | 1010468CH ② |
| 320 | 4 | UG | Lever | 3/8-inch studs | 3/8-inch studs | Solid top | UTH4320ACH |
| 320 | 4 | UG | Lever | 3/8-inch studs | Dual #6-350 | Solid top | UTH43209ACH |
| 320 | 4 | OH/UG | Lever | #6-350 kcmil | #6-350 kcmil | 5x5 hub cover plate | UTH4339UCH |
| 320 | 4 | OH/UG | Lever | #6-250 kcmil | #6-250 kcmil | 5x5 hub cover plate | UTH4338UCH |
| 320 | 4 | OH/UG | Lever | #4-600 kcmil | #4-600 kcmil | 5x5 hub cover plate | UTH4336UCH |
| 320 | 4 | OH/UG | Lever | #4-600 kcmil | #4-600 kcmil | 5x5 hub opening | UTH4336TCH |
| 320 | 4 | OH/UG | Lever | #4-600 kcmil | #6-350 kcmil | 5x5 hub cover plate | UTH43369UCH |
| 320 | 4 | OH/UG | Lever | #4-600 kcmil | #6-350 kcmil | 5x5 hub opening | UTH43369TCH |
| 320 | 4 | OH/UG | Lever | 3/8-inch studs | 3/8-inch studs | 3-5/16 hub cover plate | UTTH4330UCH |
| 320 | 4 | OH/UG | Lever | 3/8-inch studs | 3/8-inch studs | 3-5/16 hub cover plate | UTH4330UCH |
| 320 | 4 | OH/UG | Lever | 3/8-inch studs | 3/8-inch studs | 5x5 hub opening | UBTH4330TCH |
| 320 | 4 | OH/UG | Lever | 3/8-inch studs | 3/8-inch studs | 5x5 hub opening | UTH4330TCH |
| 320 | 4 | OH/UG | Lever | 3/8-inch studs | 3/8-inch studs | 5x5 cover plate | UTH4300UCH |
| 320 | 4 | OH/UG | Lever | 3/8-inch studs | 3/8-inch studs | 5x5 hub opening | UTH4300TCH |
| 320 | 5 | OH/UG | Lever | 3/8-inch studs | 3/8-inch studs | 5x5 hub cover plate | UH5300UKCCH |
| 320 | 4 | OH/UG | Lever | #6-250 kcmil | #4-600 kcmil | 5x5 hub cover plate | UH43168UCPLCH |
| 320 | 4 | OH/UG | Lever | #4-600 kcmil | #6-250 kcmil | 5x5 hub cover plate | UH43068TCPLCH |
| 320 | 5 | OH/UG | Lever | 3/8-inch studs | 3/8-inch studs | 5x5 hub cover plate | UGTH4330UCH |
| 320 | 5 | OH/UG | Lever | 3/8-inch studs | 3/8-inch studs | 5x5 hub opening | UGTH4330TCH |
| 320 | 7 | OH/UG | Lever | 3/8-inch studs | 3/8-inch studs | 5x5 hub opening | UFTH7330TCH |
| 320 | 4 | OH/UG | Lever | 3/8-inch studs | 3/8-inch studs | 5x5 hub opening | UFTH4330TCH |

Notes

- ① Aluminum enclosure.
- ② Austin Energy approved.

For dimensions, see **Pages V1-T4-15** and **V1-T4-16**.

Commercial Lever Bypass, continued

| Ampere Rating | Jaws | Service | Bypass | Connections Line | Load | Opening, Hub or Closure Plate | Catalog Number |
|---------------|------|---------|--------|---|---|-------------------------------|-------------------------|
| 320 | 7 | OH/UG | Lever | #4–600 kcmil | #4–600 kcmil | 5x5 hub opening | UATH7336TCH |
| 320 | 5 | OH/UG | Lever | 3/8-inch studs | 3/8-inch studs | 5x5 hub cover plate | UATH5330UFLCH |
| 320 | 4 | OH/UG | Lever | #4–600 kcmil | #4–600 kcmil | 5x5 hub opening | UATH4336TCH |
| 320 | 4 | OH/UG | Lever | 3/8-inch studs | 3/8-inch studs | 5x5 hub opening | UATH4330TCH |
| 320 | 4 | OH/UG | Lever | 3/8-inch studs | 3/8-inch studs | 5x5 hub cover plate | 1009788CH |
| 320 | 4 | OH/UG | Lever | 3/8-inch studs | 3/8-inch studs | 5x5 hub cover plate | 1009788ACH [Ⓢ] |
| 320 | 4 | OH/UG | Lever | Dual #6–350 | Dual #6–350 | (2) 5x5 hub cover plates | 1009760ACH |
| 320 | 4 | OH/UG | Lever | Dual #6–350 | Dual #6–350 | 5x5 hub cover plate | 1009722CH |
| 320 | 4 | OH/UG | Lever | 3/8-inch studs | 3/8-inch studs | 5x5 hub cover plate | 782116975945 |
| 320 | 4 | OH/UG | Lever | 3/8-inch studs | 3/8-inch studs | 5x5 hub cover plate | 1009260CH |
| 320 | 7 | OH/UG | Lever | #4–600 kcmil/ Dual 1/0–250 kcmil cu/al | #4–600 kcmil/ Dual 1/0–250 kcmil cu/al | 5x5 hub opening | 1009181CH |
| 320 | 4 | UG | Lever | #6–350 kcmil | #6–350 kcmil | Solid top | 1009018CH |
| 320 | 4 | OH/UG | Lever | 3/8-inch studs | 3/8-inch studs | 5x5 hub opening | 1008950CH |
| 320 | 4 | OH/UG | Lever | 3/8-inch studs | 3/8-inch studs | 5x5 hub opening | 1008948CH |
| 320 | 4 | UG | Lever | 3/8-inch studs | 3/8-inch studs | Solid top | 1008848CH |
| 320 | 4 | OH/UG | Lever | 3/8-inch studs | 3/8-inch studs | 5x5 hub opening | 1008837CH |
| 320 | 4 | OH/UG | Lever | 3/8-inch studs | 3/8-inch studs | 5x5 hub opening | 1008836CH |
| 320 | 7 | OH/UG | Lever | 3/8-inch studs | 3/8-inch studs | 5x5 hub opening | 1008798CH |
| 320 | 4 | OH/UG | Lever | 3/8-inch studs | 3/8-inch studs | 5x5 hub opening | 1008793CH |
| 320 | 5 | OH/UG | Lever | 3/8-inch studs | 3/8-inch studs | 5x5 hub opening | 1008792CH |
| 320 | 7 | OH/UG | Lever | #4–600 kcmil/ Dual 1/0–250 kcmil cu/al | #4–600 kcmil/ Dual 1/0–250 kcmil cu/al | 5x5 hub opening | 1008543CH |
| 320 | 4 | OH/UG | Lever | #4–600 kcmil cu/al | #4–600 kcmil cu/al | 5x5 hub opening | 1008541CH |
| 320 | 4 | UG | Lever | N/A | N/A | Solid top | 1008540CH |
| 320 | 4 | OH/UG | Lever | #4–600 kcmil cu/al | #4–600 kcmil cu/al | Solid top | 1008435CH |
| 320 | 4 | OH/UG | Lever | 3/8-inch studs | 3/8-inch studs | 5x5 hub opening | 1008191CH |
| 320 | 4 | OH/UG | Lever | #6–350 kcmil | #6–350 kcmil | 5x5 hub opening | 1008068CH |
| 320 | 4 | OH/UG | Lever | N/A | N/A | N/A | 1007818CH |
| 320 | 4 | OH/UG | Lever | 3/8-inch studs | 3/8-inch studs | 5x5 hub opening | 1007801CH |
| 320 | 4 | OH/UG | Lever | 3/8-inch studs | 3/8-inch studs | 5x5 hub opening | 1007672CH |
| 320 | 4 | OH/UG | Lever | #6–350 kcmil | #6–350 kcmil | 5x5 hub opening | 1006344ACH |
| 320 | 4 | OH/UG | Lever | TBD | TBD | 5x5 hub opening | 1004984ACH |
| 320 | 4 | OH/UG | N/A | #4–600 kcmil | #4–600 kcmil | 3-inch bolt-on hub | 1004771BCH |
| 200 | 7 | OH/UG | Lever | 3/8-inch studs | 3/8-inch studs | N/A | UBTH7230ACH |
| 200 | 7 | OH/UG | Lever | #6–350 kcmil | #6–350 kcmil | 5x5 hub cover plate | UTH7233UCH |

Notes

[Ⓢ] Bolted in shield.

For dimensions, see **Pages V1-T4-15** and **V1-T4-16**.

Commercial Lever Bypass, continued

| Ampere Rating | Jaws | Service | Bypass | Connections Line | Load | Opening, Hub or Closure Plate | Catalog Number |
|---------------|------|---------|--------|------------------|----------------|------------------------------------|--------------------------|
| 200 | 7 | OH/UG | Lever | #6-350 kcmil | #6-350 kcmil | 5x5 hub cover plate | UTE7213UFLCH |
| 200 | 7 | OH/UG | Lever | #6-350 kcmil | #6-350 kcmil | 3-5/16 hub cover plate | UETH72137UCH |
| 200 | 7 | OH/UG | Lever | #6-350 kcmil | #6-350 kcmil | 3-5/16 hub cover plate | UTE7213UCH |
| 200 | 7 | OH/UG | Lever | #6-350 kcmil | #6-350 kcmil | 5x5 hub opening | UTE7213THLCH |
| 200 | 7 | OH/UG | Lever | #6-350 kcmil | #6-350 kcmil | 5x5 hub opening | UBHRS212BCH |
| 200 | 7 | OH/UG | Lever | #6-350 kcmil | #6-350 kcmil | 5x5 hub opening | UBEH7213TCH |
| 200 | 7 | OH/UG | Lever | #6-350 kcmil | #6-350 kcmil | 5x5 hub opening | UTFE7213TCH ^① |
| 200 | 7 | OH/UG | Lever | #6-350 kcmil | #6-350 kcmil | Large to small hub adapter | UTE7213ZCH |
| 200 | 7 | OH/UG | Lever | #6-350 kcmil | #6-350 kcmil | 5x5 hub opening | UTE7213TCH |
| 200 | 7 | OH/UG | Lever | #6-350 kcmil | #6-350 kcmil | 3-5/16 hub cover plate | UTE7213CFLCH |
| 200 | 7 | OH/UG | Lever | #6-350 kcmil | #6-350 kcmil | 3-5/16 hub cover plate | UTE7213CCH |
| 200 | 7 | OH/UG | Lever | #6-350 kcmil | #6-350 kcmil | 3-5/16 hub opening | UBTE7213BCH |
| 200 | 7 | OH/UG | Lever | #6-350 kcmil | #6-350 kcmil | 3-5/16 hub opening | UTE7213BCH |
| 200 | 7 | OH/UG | Lever | 3/8-inch studs | 3/8-inch studs | 5x5 hub cover plate | UTE7210UCH |
| 200 | 7 | OH | Lever | #6-350 kcmil | #6-350 kcmil | 5x5 hub opening | UTE7203TCH |
| 200 | 7 | OH | Lever | #6-350 kcmil | #6-350 kcmil | 3-5/16 hub opening | UTE7203BCH |
| 200 | 5 | OH/UG | Lever | #6-350 kcmil | #6-350 kcmil | 5x5 hub cover plate | UETH5213UCH |
| 200 | 5 | OH/UG | Lever | #6-350 kcmil | #6-350 kcmil | 5x5 hub opening | UTE5213TCH |
| 200 | 5 | OH/UG | Lever | #6-350 kcmil | #6-350 kcmil | 5x5 hub opening | UTTE5213TCH |
| 200 | 5 | OH/UG | Lever | #6-350 kcmil | #6-350 kcmil | 3-5/16 hub cover plate | UTE5213CCH |
| 200 | 5 | OH/UG | Lever | #6-350 kcmil | #6-350 kcmil | 3-5/16 hub opening | UTE5213BNDCH |
| 200 | 5 | OH/UG | Lever | #6-350 kcmil | #6-350 kcmil | Large to small hub adapter | UTE5213ZCH |
| 200 | 5 | OH/UG | Lever | #6-350 kcmil | #6-350 kcmil | 5x5 hub cover plate | UTE5213UFLCH |
| 200 | 5 | OH/UG | Lever | #6-350 kcmil | #6-350 kcmil | 3-5/16 hub cover plate | UTE5213CFLCH |
| 200 | 5 | OH/UG | Lever | #6-350 kcmil | #6-350 kcmil | 3-5/16 hub opening | UTE5213BCH |
| 200 | 5 | OH/UG | Lever | 3/8-inch studs | 3/8-inch studs | 3-5/16 hub cover plate | UTE5210CCH |
| 200 | 5 | OH | Lever | #6-350 kcmil | #6-350 kcmil | 3-5/16 hub opening | UTE5203BCH |
| 200 | 4 | OH/UG | Lever | #6-350 kcmil | #6-350 kcmil | 5x5 hub opening with adapter plate | UTE4213ZCH |
| 200 | 5 | OH/UG | Lever | #6-350 kcmil | #6-350 kcmil | 5x5 hub cover plate | UGTE4213CCH |
| 200 | 4 | OH/UG | Lever | #6-350 kcmil | #6-350 kcmil | 5x5 hub opening | UTE4213TCH |
| 200 | 4 | OH/UG | Lever | #6-350 kcmil | #6-350 kcmil | 5x5 hub cover plate | UTTE4213UCH ^② |

Notes

- ① Barrel lock.
- ② TT = quadplex ground.

For dimensions, see Pages V1-T4-15 and V1-T4-16.

4.1

Metering Products

Meter Sockets

Commercial Lever Bypass, continued

| Ampere Rating | Jaws | Service | Bypass | Connections Line | Load | Opening, Hub or Closure Plate | Catalog Number |
|---------------|------|---------|--------|----------------------|-------------------------|-------------------------------|----------------|
| 200 | 4 | OH/UG | Lever | #6-350 kcmil | #6-350 kcmil | 5x5 hub cover plate | UTE4213CCH |
| 200 | 4 | OH/UG | Lever | #6-350 kcmil | #6-350 kcmil | 3-5/16 hub opening | UTE4213BCH |
| 200 | 4 | OH | Lever | #6-350 kcmil | #6-350 kcmil | 3-5/16 hub opening | UTE4203BCH |
| 200 | 7 | OH/UG | Lever | #6-350 kcmil | #6-350 kcmil | 5x5 hub cover plate | UIH7213UCVCH |
| 200 | 7 | OH/UG | Lever | #6-350 kcmil | #6-350 kcmil | 3-5/16 hub cover plate | UE7213CCCCH |
| 200 | 7 | OH/UG | Lever | #6-350 kcmil | #6-350 kcmil | 3-5/16 hub cover plate | UE7213CCPLCH |
| 200 | 7 | OH/UG | Lever | #6-350 kcmil | #6-350 kcmil | 3-5/16 hub opening | UE7213BCPLCH |
| 200 | 5 | OH/UG | Lever | #6-350 kcmil | #6-350 kcmil | 3-5/16 hub opening | UGTE4213BCH |
| 200 | 4 | OH/UG | Lever | #6-350 kcmil | #6-350 kcmil | 3-5/16 hub cover plate | UGE4213CCCCH |
| 200 | 7 | OH/UG | Lever | #6-350 kcmil | #6-350 kcmil | 3-5/16 hub opening | UFTE7213BCH |
| 200 | 7 | OH/UG | Lever | #6-350 kcmil | #6-350 kcmil | 5x5 hub opening | UATE7213TCH |
| 200 | 5 | OH/UG | Lever | #6-350 kcmil | #6-350 kcmil | 3-5/16 hub cover plate | UATE5213CCH |
| 200 | 4 | OH/UG | Lever | #6-350 kcmil | #6-350 kcmil | 5x5 hub cover plate | UATE4213UFLCH |
| 200 | 5 | OH | Lever | #6-350 kcmil | #6-350 kcmil | 3-5/16 hub opening | UBGTE4203BCH |
| 200 | 7 | UG | Lever | 4/0 compression line | #6-350 kcmil cu/al load | Solid top | 1009845ECH |
| 200 | 5 | OH/UG | Lever | #6-350 kcmil | #6-350 kcmil | 3-5/16 hub cover plate | 1008801ECH |
| 200 | 5 | OH/UG | Lever | 3/8-inch studs | 3/8-inch studs | 3-5/16 hub cover plate | 1008832ECH |
| 200 | 4 | UG | Lever | #6-350 kcmil | #6-350 kcmil | Solid top | 1007944ECH |
| 200 | 7 | OH/UG | Lever | #6-350 kcmil cu/al | #6-350 kcmil cu/al | 5x5 hub opening | 1007670ECH |
| 200 | 7 | OH/UG | Lever | #6-350 kcmil | #6-350 kcmil | 5x5 hub opening | UTTE7213TCH |

Note

For dimensions, see **Pages V1-T4-15 and V1-T4-16.**

Dimensions

Approximate Dimensions in Inches (mm)

Commercial Lever Bypass

| Catalog Number | Height | Width | Depth |
|-----------------|----------------|---------------|--------------|
| UTTH7336TCH | 39.89 (1013.2) | 20.00 (508.0) | 6.50 (165.1) |
| UTH73069THLCH | N/A | N/A | N/A |
| UTH73369UHLCH | 39.89 (1013.2) | 20.00 (508.0) | 6.50 (165.1) |
| UTH73369THLCH | 39.89 (1013.2) | 20.00 (508.0) | 6.50 (165.1) |
| UFTH7330UCH | 39.89 (1013.2) | 20.00 (508.0) | 6.50 (165.1) |
| UTH7336TCH | 39.89 (1013.2) | 20.00 (508.0) | 6.50 (165.1) |
| UTH7330UCH | 39.89 (1013.2) | 20.00 (508.0) | 6.50 (165.1) |
| UTH7330UFLCH | 39.89 (1013.2) | 20.00 (508.0) | 6.50 (165.1) |
| UATH7330UFLCH ① | 39.89 (1013.2) | 20.00 (508.0) | 6.50 (165.1) |
| UH7330TCPPLCH | 39.89 (1013.2) | 20.00 (508.0) | 6.50 (165.1) |
| UTH7330TCH | 39.89 (1013.2) | 20.00 (508.0) | 6.50 (165.1) |
| UTTH7330TCH | 39.89 (1013.2) | 20.00 (508.0) | 6.50 (165.1) |
| UH7300UCPLCH | 39.89 (1013.2) | 20.00 (508.0) | 6.50 (165.1) |
| UTH7300UCH | 39.89 (1013.2) | 20.00 (508.0) | 6.50 (165.1) |
| UTH7300TCH | 34.50 (876.3) | 15.00 (381.0) | 5.63 (143.0) |
| UTH5330UFLCH | 39.88 (1013.0) | 20.00 (508.0) | 6.50 (165.1) |
| UTH5330UCH | 39.88 (1013.0) | 20.00 (508.0) | 6.50 (165.1) |
| UTH5300TCH | 39.88 (1013.0) | 20.00 (508.0) | 6.50 (165.1) |
| UATH5330UFLCH | 39.88 (1013.0) | 20.00 (508.0) | 6.50 (165.1) |
| UTH4320ACH | 26.00 (660.4) | 15.00 (381.0) | 5.68 (144.3) |
| UTH43209ACH | N/A | N/A | N/A |
| UTH4339UCH | 36.63 (930.4) | 15.00 (381.0) | 5.69 (144.5) |
| UTH4338UCH | 29.00 (736.6) | 15.00 (381.0) | 5.69 (144.5) |
| UTH4336UCH | 36.63 (930.4) | 15.00 (381.0) | 5.69 (144.5) |
| UTH4336TCH | 36.63 (930.4) | 15.00 (381.0) | 5.69 (144.5) |
| UTH43369UCH | 36.63 (930.4) | 15.00 (381.0) | 5.69 (144.5) |
| UTH43369TCH | 36.63 (930.4) | 15.00 (381.0) | 5.69 (144.5) |
| UTTH4330UCH | 36.63 (930.4) | 15.00 (381.0) | 5.69 (144.5) |
| UTH4330UCH | 36.63 (930.4) | 15.00 (381.0) | 5.69 (144.5) |
| UBTH4330TCH | 36.63 (930.4) | 15.00 (381.0) | 5.69 (144.5) |
| UTH4330TCH | 36.63 (930.4) | 15.00 (381.0) | 5.69 (144.5) |
| UTH4300UCH | 34.50 (876.3) | 13.00 (330.2) | 4.94 (125.5) |
| UTH4300TCH | 34.50 (876.3) | 13.00 (330.2) | 4.94 (125.5) |
| UH5300UKCCH | 34.50 (876.3) | 13.00 (330.2) | 4.94 (125.5) |
| UH43168UCPLCH | 34.50 (876.3) | 15.00 (381.0) | 5.69 (144.5) |
| UH43068TCPPLCH | 34.50 (876.3) | 13.00 (330.2) | 4.94 (125.5) |
| UGTH4330UCH | 36.63 (930.4) | 15.00 (381.0) | 5.69 (144.5) |
| UGTH4330TCH | 36.63 (930.4) | 15.00 (381.0) | 5.69 (144.5) |
| UFTH7330TCH | 39.88 (1013.0) | 20.00 (508.0) | 6.50 (165.1) |
| UFTH4330TCH | 36.63 (930.4) | 15.00 (381.0) | 5.69 (144.5) |

Commercial Lever Bypass, continued

| Catalog Number | Height | Width | Depth |
|----------------|----------------|---------------|--------------|
| UATH7336TCH | 39.88 (1013.0) | 20.00 (508.0) | 6.50 (165.1) |
| UATH5330UFLCH | 39.88 (1013.0) | 20.00 (508.0) | 6.50 (165.1) |
| UATH4336TCH | 36.63 (930.4) | 15.00 (381.0) | 5.69 (144.5) |
| UATH4330TCH | 36.63 (930.4) | 15.00 (381.0) | 5.69 (144.5) |
| 1009788CH | 34.50 (876.3) | 13.00 (330.2) | 4.94 (125.5) |
| 1009788ACH ② | 34.50 (876.3) | 13.00 (330.2) | 4.94 (125.5) |
| 1009760ACH | 36.63 (930.4) | 15.00 (381.0) | 5.68 (144.3) |
| 1009722CH | 36.63 (930.4) | 15.00 (381.0) | 5.68 (144.3) |
| 782116975945 | 36.63 (930.4) | 15.00 (381.0) | 5.69 (144.5) |
| 1009260CH | 36.63 (930.4) | 15.00 (381.0) | 5.69 (144.5) |
| 1009181CH | 34.50 (876.3) | 15.00 (381.0) | 5.69 (144.5) |
| 1009018CH | 63.00 (1600.2) | 12.97 (329.4) | 4.94 (125.5) |
| 1008950CH | 39.88 (1013.0) | 20.00 (508.0) | 6.50 (165.1) |
| 1008948CH | 36.63 (930.4) | 15.00 (381.0) | 5.69 (144.5) |
| 1008848CH | 58.00 (1473.2) | 12.97 (329.4) | 4.94 (125.5) |
| 1008837CH | 36.63 (930.4) | 15.00 (381.0) | 6.50 (165.1) |
| 1008836CH | 36.63 (930.4) | 15.00 (381.0) | 6.50 (165.1) |
| 1008798CH | 34.50 (876.3) | 15.00 (381.0) | 5.69 (144.5) |
| 1008793CH | 34.50 (876.3) | 13.00 (330.2) | 4.94 (125.5) |
| 1008792CH | 34.50 (876.3) | 13.00 (330.2) | 4.94 (125.5) |
| 1008543CH | 39.89 (1013.2) | 20.00 (508.0) | 6.60 (167.6) |
| 1008541CH | 36.63 (930.4) | 15.00 (381.0) | 5.69 (144.5) |
| 1008540CH | N/A | N/A | N/A |
| 1008435CH | 26.00 (660.4) | 15.00 (381.0) | 5.69 (144.5) |
| 1008191CH | 36.63 (930.4) | 15.00 (381.0) | 5.69 (144.5) |
| 1008068CH | 34.50 (876.3) | 16.44 (417.6) | 6.50 (165.1) |
| 1007818CH | N/A | N/A | N/A |
| 1007801CH | 28.50 (723.9) | 18.00 (457.2) | 5.69 (144.5) |
| 1007672CH | 36.63 (930.4) | 15.00 (381.0) | 5.69 (144.5) |
| 1006344ACH | 28.50 (723.9) | 18.00 (457.2) | 5.69 (144.5) |
| 1004984ACH | 36.63 (930.4) | 15.00 (381.0) | 5.69 (144.5) |
| 1004771BCH | 36.62 (930.1) | 15.00 (381.0) | 5.68 (144.3) |
| UBTH7230ACH | N/A | N/A | N/A |
| UTH7233UCH | 27.00 (685.8) | 16.00 (406.4) | 5.63 (143.0) |

Notes

- ① Aluminum enclosure.
- ② Bolted in shield.

4.1

Metering Products

Meter Sockets

Approximate Dimensions in Inches (mm)

Commercial Lever Bypass, continued

| Catalog Number | Height | Width | Depth |
|----------------|---------------|---------------|--------------|
| UTE7213UFLCH | 19.00 (482.6) | 13.00 (330.2) | 4.94 (125.5) |
| UETH72137UCH | 19.00 (482.6) | 13.00 (330.2) | 4.94 (125.5) |
| UTE7213UCH | 19.00 (482.6) | 13.00 (330.2) | 4.94 (125.5) |
| UTE7213THLCH | 19.00 (482.6) | 13.00 (330.2) | 4.94 (125.5) |
| UBHRS212BCH | 19.00 (482.6) | 13.00 (330.2) | 4.94 (125.5) |
| UBEH7213TCH | 19.00 (482.6) | 13.00 (330.2) | 4.94 (125.5) |
| UFTE7213TCH ① | 19.00 (482.6) | 13.00 (330.2) | 4.94 (125.5) |
| UTE7213ZCH | 19.00 (482.6) | 13.00 (330.2) | 4.94 (125.5) |
| UTE7213TCH | 19.00 (482.6) | 13.00 (330.2) | 4.94 (125.5) |
| UTE7213CFLCH | 19.00 (482.6) | 13.00 (330.2) | 4.94 (125.5) |
| UTE7213CCH | 19.00 (482.6) | 13.00 (330.2) | 4.94 (125.5) |
| UBTE7213BCH | 19.00 (482.6) | 13.00 (330.2) | 4.94 (125.5) |
| UTE7213BCH | 19.00 (482.6) | 13.00 (330.2) | 4.94 (125.5) |
| UTE7210UCH | 24.69 (627.1) | 13.00 (330.2) | 4.94 (125.5) |
| UTE7203TCH | 19.00 (482.6) | 10.50 (266.7) | 4.94 (125.5) |
| UTE7203BCH | 19.00 (482.6) | 10.50 (266.7) | 4.94 (125.5) |
| UETH5213UCH | 19.00 (482.6) | 13.00 (330.2) | 4.94 (125.5) |
| UTE5213TCH | 19.00 (482.6) | 13.00 (330.2) | 4.94 (125.5) |
| UTTE5213TCH | 19.00 (482.6) | 13.00 (330.2) | 4.94 (125.5) |
| UTE5213CCH | 19.00 (482.6) | 13.00 (330.2) | 4.94 (125.5) |
| UTE5213BNDCH | 19.00 (482.6) | 13.00 (330.2) | 4.94 (125.5) |
| UTE5213ZCH | 19.00 (482.6) | 13.00 (330.2) | 4.94 (125.5) |
| UTE5213UFLCH | 19.00 (482.6) | 13.00 (330.2) | 4.94 (125.5) |
| UTE5213CFLCH | 19.00 (482.6) | 13.00 (330.2) | 4.94 (125.5) |
| UTE5213BCH | 19.00 (482.6) | 13.00 (330.2) | 4.94 (125.5) |
| UTE5210CCH | 20.13 (511.3) | 13.00 (330.2) | 4.94 (125.5) |
| UTE5203BCH | 19.00 (482.6) | 10.50 (266.7) | 4.94 (125.5) |
| UTE4213ZCH | 19.00 (482.6) | 13.00 (330.2) | 4.94 (125.5) |
| UGTE4213CCH | 19.00 (482.6) | 13.00 (330.2) | 4.94 (125.5) |
| UTE4213TCH | 19.00 (482.6) | 13.00 (330.2) | 4.94 (125.5) |
| UTTE4213UCH ② | 19.00 (482.6) | 13.00 (330.2) | 4.94 (125.5) |
| UTE4213CCH | 19.00 (482.6) | 13.00 (330.2) | 4.94 (125.5) |
| UTE4213BCH | 19.00 (482.6) | 13.00 (330.2) | 4.94 (125.5) |
| UTE4203BCH | 19.00 (482.6) | 10.50 (266.7) | 4.94 (125.5) |
| UIH7213UCVCH | 19.00 (482.6) | 13.00 (330.2) | 4.94 (125.5) |
| UE7213CCCH | 19.00 (482.6) | 13.00 (330.2) | 4.94 (125.5) |
| UE7213CCPLCH | 19.00 (482.6) | 13.00 (330.2) | 4.94 (125.5) |
| UE7213BCPLCH | 19.00 (482.6) | 13.00 (330.2) | 4.94 (125.5) |

Commercial Lever Bypass, continued

| Catalog Number | Height | Width | Depth |
|----------------|----------------|---------------|--------------|
| UGTE4213BCH | 19.00 (482.6) | 13.00 (330.2) | 4.94 (125.5) |
| UGE4213CCCH | 19.00 (482.6) | 13.00 (330.2) | 4.94 (125.5) |
| UFTE7213BCH | 19.00 (482.6) | 13.00 (330.2) | 4.94 (125.5) |
| UATE7213TCH | 19.00 (482.6) | 13.00 (330.2) | 4.94 (125.5) |
| UATE5213CCH | 19.00 (482.6) | 13.00 (330.2) | 4.94 (125.5) |
| UATE4213UFLCH | 19.00 (482.6) | 13.00 (330.2) | 4.94 (125.5) |
| UBGTE4203BCH | 19.00 (482.6) | 10.50 (266.7) | 4.94 (125.5) |
| 1009845ECH | 64.00 (1625.6) | 11.00 (279.4) | 6.00 (152.4) |
| 1008801ECH | 19.00 (482.6) | 13.00 (330.2) | 4.94 (125.5) |
| 1008832ECH | 24.69 (627.1) | 13.00 (330.2) | 4.94 (125.5) |
| 1007944ECH | 22.00 (558.8) | 16.00 (406.4) | 5.69 (144.5) |
| 1007670ECH | 19.00 (482.6) | 13.00 (330.2) | 4.94 (125.5) |
| UTTE7213TCH | 19.00 (482.6) | 13.00 (330.2) | 4.94 (125.5) |

Notes

- ① Barrel lock.
- ② TT = quadplex ground.

Multiple Position Horizontal Ganged Sockets



Contents

| Description | Page |
|---|----------|
| Single Meter Sockets | V1-T4-2 |
| Commercial Lever Bypass Sockets | V1-T4-10 |
| Multiple Position Horizontal Ganged Sockets | |
| Product Selection | V1-T4-18 |
| Dimensions | V1-T4-21 |
| Instrument Rated Sockets | V1-T4-23 |
| Residential Pedestals | V1-T4-28 |
| Meter Socket Accessories | V1-T4-30 |

Multiple Position Horizontal Ganged Sockets

Product Description

- Available in 100 A and 200 A designs
- Available in 2-position through 6-position designs
- Multiple service design offerings
- Multiple line/load lug configurations
- Residential or lever bypass socket designs

Multiple hub opening and closure plate sizes available

Catalog Number Selection

Single Meter Sockets 2R-6R and 2H-6H Group

Note: The "U" prefix is always used first followed by other prefixes required in alphabetical order.

UT 2R 1 1 2 1 B CH

| Standard Prefixes | |
|-------------------|--|
| A | = Aluminum enclosure |
| B | = Barrel lock provision, for an exposed INNER-TITE or Brooks barrel lock; unit includes an internal lock receiver bracket |
| F | = Barrel lock with guard provision, for a lock guard INNER-TITE or Brooks barrel lock; unit includes an internal lock receiver bracket |
| G | = Grounded fifth terminal (9 o'clock position) |
| H | = Horn bypass |
| I | = Inhibitor installed in wire connectors |
| M | = Temporary meter cover (waxed cardboard) |
| N | = No sealing ring (applies only to ring style sockets) |
| R | = Ring style socket |
| S | = Aluminum screw type sealing ring (applies only to ring style sockets) |
| T | = Grounding connector (#14-#2 Cu) for triplex ground |
| TT | = Two grounding connectors (#14-#2 Cu) for quadplex ground |
| U | = UL label |
| Z | = 5/16-inch hex head connector screw in place of slotted (100 A only) |

| Product Group | |
|---------------|--|
| RS | = Residential service, single position |
| 2R-6R | = Residential service, multiple position |
| 2H-6H | = Commercial or residential service, multiple position |
| H | = Commercial or residential service, single position |

| Ampere Rating | |
|---------------|---------|
| 1 | = 100 A |
| 2 | = 200 A |

| Service Design | |
|----------------|--|
| 0 | = Overhead |
| 1 | = Combination overhead/underground |
| 2 | = Underground, side wired |
| 3 | = Combination overhead/underground, side wired |
| 4 | = End feed |

| Standard Suffixes | |
|-------------------|--|
| A | = Solid top |
| B | = Small hub opening |
| C | = Small hub closing plate mounted |
| L | = 1.25-inch (31.8 mm) hub mounted |
| M | = 1.50-inch (38.1 mm) hub mounted |
| N | = 2.00-inch (50.8 mm) hub mounted |
| P | = 2.50-inch (63.5 mm) hub mounted |
| T | = Large hub opening hub |
| U | = Large hub cover plate hub mounted |
| V | = 2.50-inch (63.5 mm) large hub mounted |
| Q | = 3.00-inch (76.2 mm) large hub mounted |
| R | = 3.50-inch (88.9 mm) large hub mounted |
| S | = 4.00-inch (101.6 mm) large hub mounted |
| Z | = Large to small hub adapter mounted |

| Maximum Load Conductor | |
|------------------------|------------------------------|
| 0 | = 0.38-inch stud connectors |
| 1 | = #2/0 connectors |
| 2 | = #250 kcmil connectors |
| 3 | = #350 kcmil connectors |
| 5 | = #500 kcmil connectors |
| 6 | = #600 kcmil connectors |
| 7 | = #750 kcmil connectors |
| 8 | = Dual #500 kcmil connectors |

| Maximum Line Conductor | |
|------------------------|------------------------------|
| 0 | = 0.38-inch stud connectors |
| 1 | = #2/0 connectors |
| 2 | = #250 kcmil connectors |
| 3 | = #350 kcmil connectors |
| 5 | = #500 kcmil connectors |
| 6 | = #600 kcmil connectors |
| 7 | = #750 kcmil connectors |
| 8 | = Dual #500 kcmil connectors |

Product Selection

UT2R2332BCH



Horizontal Design—Multi Position Ringless

| Ampere Rating | Jaws | Position | Service | Bypass | Connections Line | Load | Opening, Hub or Closure Plate | Catalog Number |
|---------------|------|----------|---------|--------|-------------------------|--------------|-------------------------------|---------------------------|
| 200 | 4 | 2 | OH/UG | Horn | #6–350 kcmil | #8–250 kcmil | 5x5 hub opening | 1004401BCH |
| 200 | 4 | 3 | OH/UG | Horn | #6–350 kcmil | #8–250 kcmil | 5x5 hub opening | 1004404BCH |
| 200 | 5 | 2 | OH/UG | Horn | #6–350 kcmil | #8–250 kcmil | 5x5 hub opening | 1004418ACH |
| 200 | 4 | 2 | OH/UG | — | 3/8-inch stud | #8–250 kcmil | 5x5 hub cover plate | 1006737BCH |
| 200 | 4 | 2 | OH/UG | Horn | 3/8-inch stud | #8–250 kcmil | 5x5 hub opening | 1007700CH |
| 200 | 4 | 3 | OH/UG | Horn | 3/8-inch stud | #8–250 kcmil | Hub opening | 1007701CH |
| 200 | 4 | 2 | OH/UG | Horn | #6–350 kcmil | #8–250 kcmil | 5x5 hub cover plate | 1008842CH |
| 200 | 4 | 3 | OH/UG | Horn | 1/0–500 kcmil cu/al | #8–250 kcmil | 5x5 hub cover plate | 1008843CH |
| 200 | 4 | 4 | OH/UG | Horn | 1/0–500 kcmil cu/al | #8–250 kcmil | 5x5 hub cover plate | 1008844CH |
| 200 | 4 | 2 | OH/UG | Horn | #6–350 kcmil | #8–250 kcmil | 5x5 hub cover plate | 1008958CH |
| 200 | 4 | 3 | OH/UG | Horn | 1/0–500 kcmil cu/al | #8–250 kcmil | 5x5 hub cover plate | 1008959CH |
| 200 | 4 | 4 | OH/UG | Horn | 1/0–500 kcmil cu/al | #8–250 kcmil | 5x5 hub cover plate | 1008960CH |
| 200 | 4 | 5 | OH/UG | Horn | (2) 1/0–500 kcmil cu/al | #8–250 kcmil | (2) 5x5 hub cover plate | 1009579ACH |
| 200 | 4 | 4 | OH/UG | Horn | 1/0–500 kcmil cu/al | #8–250 kcmil | 5x5 hub opening | U4R2352TDQCH |
| 200 | 4 | 5 | OH/UG | Horn | (2) 1/0–500 kcmil cu/al | #8–250 kcmil | (2) 5x5 hub opening | U5R2392TTDQCH |
| 200 | 4 | 6 | OH/UG | Horn | (2) 1/0–500 kcmil cu/al | #8–250 kcmil | 5x5 hub opening (2) places | U6R2392TTDQCH |
| 200 | 4 | 4 | OH/UG | Horn | 1/0–500 kcmil cu/al | #8–250 kcmil | 5x5 hub opening | UBH4R2352TCH |
| 200 | 4 | 2 | OH/UG | Horn | #6–350 kcmil | #8–250 kcmil | 5x5 hub opening | UBH2R2332TCH |
| 200 | 4 | 3 | OH/UG | Horn | #6–350 kcmil | #8–250 kcmil | 5x5 hub opening | UBH3R2332TCH |
| 200 | 4 | 4 | OH/UG | Horn | 3/8-inch stud | #8–250 kcmil | 5x5 hub cover plate | UEHT4R2302UCH |
| 200 | 4 | 3 | OH/UG | Horn | 3/8-inch stud | #8–250 kcmil | 5x5 hub cover plate | UEHT3R2302UCH |
| 200 | 4 | 2 | OH/UG | Horn | 3/8-inch stud | #8–250 kcmil | 5x5 hub cover plate | UEHT2R2302UCH |
| 200 | 4 | 2 | UG | Horn | #6–350 kcmil | #8–250 kcmil | Solid top | UHI2R2332ACVCH |
| 200 | 4 | 2 | OH/UG | Horn | #6–350 kcmil | #8–250 kcmil | Hub opening | UHI2R2332TCVCH |
| 200 | 4 | 4 | UG | Horn | 1/0–500 kcmil cu/al | #8–250 kcmil | Solid top | UHI4R2352ACVCH |
| 200 | 4 | 2 | OH/UG | Horn | #6–350 kcmil | #8–250 kcmil | 5x5 hub cover plate | UHTT2R2332UCH |
| 200 | 4 | 2 | OH/UG | Horn | #6–350 kcmil | #8–250 kcmil | 5x5 hub opening | UHT2R2332TCH |
| 200 | 4 | 3 | OH/UG | Horn | #6–350 kcmil | #8–250 kcmil | 5x5 hub opening | UHT3R2332TCH |
| 200 | 4 | 3 | OH/UG | Horn | 1/0–500 kcmil cu/al | #8–250 kcmil | 5x5 hub cover plate | UHT3R2352UCH |
| 200 | 4 | 4 | OH/UG | Horn | 1/0–500 kcmil cu/al | #8–250 kcmil | 5x5 hub opening | UHT4R2352TCH |
| 200 | 4 | 4 | OH/UG | — | 1/0–500 kcmil cu/al | #8–250 kcmil | 5x5 hub cover plate | UT4R2352UFLCH |
| 200 | 4 | 4 | OH/UG | Horn | 1/0–500 kcmil cu/al | #8–250 kcmil | 5x5 hub cover plate | UHT4R2352UCH |
| 200 | 5 | 2 | OH/UG | Lever | 1/0–500 kcmil cu/al | #6–350 kcmil | 5x5 hub opening | UT2H52353TCH |
| 200 | 4 | 2 | OH/UG | Horn | #6–350 kcmil | #8–250 kcmil | 5x5 hub cover plate | UHT2R2332UCH |
| 200 | 4 | 2 | OH/UG | — | #6–350 kcmil | #8–250 kcmil | 3-5/16 hub opening | UT2R2332BCH |
| 200 | 4 | 2 | OH/UG | — | #6–350 kcmil | #8–250 kcmil | 5x5 hub opening | UAT2R2332TCH ^① |
| 200 | 4 | 2 | OH/UG | — | #6–350 kcmil | #8–250 kcmil | 5x5 hub opening | UT2R2332TCH |
| 200 | 4 | 2 | OH/UG | — | #6–350 kcmil | #8–250 kcmil | 5x5 hub opening | U2R2332TCPLCH |
| 200 | 4 | 2 | OH/UG | — | #6–350 kcmil | #8–250 kcmil | 5x5 hub cover plate | U2R2332UCPLCH |
| 200 | 4 | 2 | OH/UG | Horn | #6–350 kcmil | #8–250 kcmil | 5x5 hub opening | U2R2332TDQCH |
| 200 | 4 | 2 | OH/UG | — | #6–350 kcmil | #8–250 kcmil | 5x5 hub cover plate | UT2R2332UCH |
| 200 | 4 | 3 | OH/UG | Horn | #6–350 kcmil | #8–250 kcmil | Large 5X5 hub opening | U3R2332TDQCH |

Notes

^① Aluminum enclosure.

For dimensions, see **Page V1-T4-21**.

UT2R1121BCH



Horizontal Design—Multi Position Ringless, continued

| Ampere Rating | Jaws | Position | Service | Bypass | Connections Line | Load | Opening, Hub or Closure Plate | Catalog Number |
|---------------|------|----------|---------|--------|-------------------------|--------------|--|------------------------------|
| 200 | 4 | 3 | OH/UG | Lever | 1/0–500 kcmil cu/al | #6–350 kcmil | 5x5 hub opening | UT3H42353TCH |
| 200 | 5 | 3 | OH/UG | Lever | 1/0–500 kcmil cu/al | #6–350 kcmil | 5x5 hub opening | UT3H52353TCH |
| 200 | 7 | 3 | OH/UG | Lever | 1/0–500 kcmil cu/al | #6–350 kcmil | 5x5 hub cover plate | UT3H72353UHLCH |
| 200 | 4 | 3 | OH/UG | — | #6–350 kcmil | #8–250 kcmil | 5x5 hub opening | UT3R2332TCH |
| 200 | 4 | 3 | OH/UG | — | #6–350 kcmil | #8–250 kcmil | 5x5 hub cover plate | UT3R2332UCH |
| 200 | 4 | 3 | OH/UG | — | 1/0–500 kcmil cu/al | #8–250 kcmil | 5x5 hub opening | UT3R2352TCH |
| 200 | 4 | 4 | OH/UG | — | 1/0–500 kcmil cu/al | #8–250 kcmil | 5x5 hub opening | UT4R2352TCH |
| 200 | 4 | 5 | OH/UG | Horn | (2) 1/0–500 kcmil cu/al | #8–250 kcmil | 5x5 hub opening (in two places) | UHT5R2392TTCH |
| 200 | 4 | 5 | OH/UG | — | (2) 1/0–500 kcmil cu/al | #8–250 kcmil | 5x5 hub opening (in two places) | UT5R2392TCH |
| 200 | 7 | 5 | OH/UG | Lever | Dual 1/0–500 kcmil | #6–350 kcmil | (2) 5X5 hub closure plates | UT5H72393UUHLCH |
| 200 | 4 | 6 | OH/UG | Horn | (2) 1/0–500 kcmil cu/al | #8–250 kcmil | 5x5 hub opening (in two places) | UHT6R2392TTCH |
| 200 | 4 | 6 | OH/UG | — | (2) 1/0–500 kcmil cu/al | #8–250 kcmil | 5x5 hub opening (in two places) | UT6R2392TCH |
| 200 | 4 | 6 | OH/UG | — | (2) 1/0–500 kcmil cu/al | #8–250 kcmil | 5x5 closure plate (in two places) | UT6R2392UFLCH |
| 200 | 7 | 6 | OH/UG | Lever | Dual 1/0–500 kcmil | #6–350 kcmil | 5x5 closure plate (in two places) | UT6H72393UUHLCH |
| 200 | 4 | 6 | OH/UG | Horn | (2) 1/0–500 kcmil cu/al | #8–250 kcmil | 5x5 hub opening (in two places) | UHT6R2392TTCH |
| 150 | 4 | 2 | OH/UG | Horn | #6–350 kcmil | #8–250 kcmil | 3-5/16 hub opening | U2R5432BDQCH |
| 150 | 4 | 5 | OH/UG | — | #6–350 kcmil | #8–250 kcmil | 3-5/16 hub opening (in two places) | UT5R5632BCH |
| 100 | 4 | 6 | OH/UG | — | #6–350 kcmil | #8–2/0 cu/al | 3-5/16 hub opening | UT6R1131BCH |
| 100 | 4 | 2 | OH/UG | Horn | #6–250 kcmil | #8–2/0 cu/al | 5x5 hub opening | 1004426ACH |
| 100 | 4 | 2 | OH/UG | Horn | #6–250 kcmil | #8–2/0 cu/al | 3-5/16 hub opening | 1008951CH |
| 100 | 4 | 3 | OH/UG | Horn | #6–250 kcmil | #8–2/0 cu/al | 3-5/16 hub opening | 1008952CH |
| 100 | 4 | 2 | OH/UG | Horn | #6–250 kcmil | #8–2/0 cu/al | 3-5/16 hub cover plate | 1009693CH |
| 100 | 4 | 3 | OH/UG | Horn | #6–250 kcmil | #8–2/0 cu/al | 3-5/16 hub cover plate | 1009694CH |
| 100 | 4 | 4 | OH/UG | Horn | #6–250 kcmil | #8–2/0 cu/al | 3-5/16 hub cover plate | 1009695CH |
| 100 | 4 | 5 | OH/UG | Horn | #6–250 kcmil | #8–2/0 cu/al | 3-5/16 hub cover plate | 1009696CH |
| 100 | 4 | 6 | OH/UG | — | #6–350 kcmil | #8–2/0 cu/al | 3-5/16 hub cover plate | UAT26R1131CFLCH ^① |
| 100 | 4 | 2 | OH/UG | Horn | #6–250 kcmil | #8–2/0 cu/al | 3-5/16 hub opening | UBH2R1121BCH |
| 100 | 4 | 3 | OH/UG | Horn | #6–250 kcmil | #8–2/0 cu/al | 3-5/16 hub opening | UBH3R1121BCH |
| 100 | 4 | 4 | OH/UG | Horn | #6–250 kcmil | #8–2/0 cu/al | 3-5/16 hub opening | UBH4R1121BCH |
| 100 | 4 | 2 | OH/UG | Horn | #6–250 kcmil | #8–2/0 cu/al | 3-5/16 hub opening | UHT2R1121BCH |
| 100 | 4 | 4 | OH/UG | — | #6–250 kcmil | #8–2/0 cu/al | 3-5/16 hub opening | UT4R1121BCH |
| 100 | 4 | 4 | OH/UG | — | #6–250 kcmil | #8–2/0 cu/al | 3-5/16 closure plate | UT4R1121CCH |
| 100 | 4 | 4 | OH/UG | Horn | #6–250 kcmil | #8–2/0 cu/al | 3-5/16 hub opening | UHT4R1121BCH |
| 100 | 4 | 5 | OH/UG | Horn | #6–250 kcmil | #8–2/0 cu/al | 3-5/16 hub opening | UHT5R1121BCH |
| 100 | 4 | 5 | OH/UG | — | #6–250 kcmil | #8–2/0 cu/al | 3-5/16 hub opening | UT5R1121BCH |
| 100 | 4 | 5 | OH/UG | — | #6–250 kcmil | #8–2/0 cu/al | 3-5/16 closure plate | UT5R1121CCH |
| 100 | 4 | 2 | OH/UG | — | #6–250 kcmil | #8–2/0 cu/al | 3-5/16 hub opening | UT2R1121BCH |
| 100 | 4 | 2 | OH/UG | — | #6–250 kcmil | #8–2/0 cu/al | 3-5/16 closure plate | UT2R1121CCH |
| 100 | 4 | 2 | OH/UG | Horn | #6–250 kcmil | #8–2/0 cu/al | 3-5/16 closure plate | UHT2R1421CCH |
| 100 | 4 | 2 | OH/UG | — | #6–250 kcmil | #8–2/0 cu/al | 3-5/16 hub opening 3-5/16 hub cover plate | UT2R1421BCH |
| 100 | 4 | 3 | OH/UG | Horn | #6–250 kcmil | #8–2/0 cu/al | 3-5/16 hub opening | UHT3R1121BCH |
| 100 | 4 | 3 | OH/UG | — | #6–250 kcmil | #8–2/0 cu/al | 3-5/16 hub opening | UT3R1121BCH |

Notes

^① Aluminum enclosure.

For dimensions, see **Page V1-T4-21**.

Horizontal Design—Multi Position Ring Type

| Ampere Rating | Jaws | Position | Service | Bypass | Connections | | Opening, Hub or Closure Plate | Catalog Number |
|---------------|------|----------|---------|--------|---------------------|--------------|-------------------------------|-----------------------|
| | | | | | Line | Load | | |
| 200 | 4 | 2 | OH/UG | — | 1/0–500 kcmil cu/al | #8–250 kcmil | 5x5 hub opening | U2R2352TCRCH |
| 200 | 4 | 2 | OH/UG | — | #6–350 kcmil | #8–250 kcmil | 5x5 hub cover plate | URT2R2332UCH |
| 200 | 5 | 4 | OH/UG | — | 1/0–500 kcmil cu/al | #8–250 kcmil | Large 5x5 hub opening | U4R2352TCRCH |
| 125 | 5 | 2 | OH | — | #8–350 kcmil | #8–2/0 cu/al | Hub opening | U2V1031BCRCH ① |
| 125 | 5 | 3 | OH | — | #8–350 kcmil | #8–2/0 cu/al | Hub opening | U3V1031BCRCH ① |
| 100 | 5 | 2 | OH/UG | — | #6–250 kcmil | #8–2/0 cu/al | 3-5/16 opening | U2R1121BCRCH |
| 100 | 5 | 3 | OH/UG | — | #6–250 kcmil | #8–2/0 cu/al | 3-5/16 opening | U3R1121BCRCH |
| 100 | 5 | 4 | OH/UG | — | #6–250 kcmil | #8–2/0 cu/al | 3-5/16 opening | U4R1121BCRCH |
| 100 | 5 | 5 | OH/UG | — | #6–250 kcmil | #8–2/0 cu/al | 3-5/16 opening | U5R1121BCRCH |

Notes

① Vertical gang.

For dimensions, see **Page V1-T4-22**.

Dimensions

Approximate Dimensions in Inches (mm)

Horizontal Design—Multi Position Ringless

| Catalog Number | Height | Width | Depth |
|----------------|---------------|----------------|--------------|
| 1004401BCH | 14.13 (358.9) | 24.31 (617.5) | 5.38 (136.7) |
| 1004404BCH | 14.13 (358.9) | 32.47 (824.7) | 5.38 (136.7) |
| 1004418ACH | 14.13 (358.9) | 24.31 (617.5) | 5.38 (136.7) |
| 1006737BCH | 14.13 (358.9) | 24.31 (617.5) | 5.38 (136.7) |
| 1007700CH | 14.13 (358.9) | 24.31 (617.5) | 5.38 (136.7) |
| 1007701CH | 14.13 (358.9) | 32.47 (824.7) | 5.38 (136.7) |
| 1008842CH | 14.13 (358.9) | 24.31 (617.5) | 5.38 (136.7) |
| 1008843CH | 14.13 (358.9) | 32.47 (824.7) | 5.38 (136.7) |
| 1008844CH | 14.13 (358.9) | 40.63 (1032.0) | 5.38 (136.7) |
| 1008958CH | 14.13 (358.9) | 24.31 (617.5) | 5.38 (136.7) |
| 1008959CH | 14.13 (358.9) | 32.47 (824.7) | 5.38 (136.7) |
| 1008960CH | 14.13 (358.9) | 40.63 (1032.0) | 5.38 (136.7) |
| 1009579ACH | 14.13 (358.9) | 54.78 (1391.4) | 5.38 (136.7) |
| U4R2352TDQCH | 14.13 (358.9) | 40.63 (1032.0) | 5.38 (136.7) |
| U5R2392TTDQCH | 14.13 (358.9) | 62.94 (1598.7) | 5.38 (136.7) |
| U6R2392TTDQCH | 14.13 (358.9) | 62.94 (1598.7) | 5.38 (136.7) |
| UBH4R2352TCH | 14.13 (358.9) | 40.63 (1032.0) | 5.38 (136.7) |
| UBH2R2332TCH | 14.13 (358.9) | 24.31 (617.5) | 5.38 (136.7) |
| UBH3R2332TCH | 14.13 (358.9) | 32.47 (824.7) | 5.38 (136.7) |
| UEHT4R2302UCH | 14.13 (358.9) | 40.63 (1032.0) | 5.38 (136.7) |
| UEHT3R2302UCH | 14.13 (358.9) | 32.47 (824.7) | 5.38 (136.7) |
| UEHT2R2302UCH | 14.13 (358.9) | 24.31 (617.5) | 5.38 (136.7) |
| UHI2R2332ACVCH | 14.13 (358.9) | 24.31 (617.5) | 5.38 (136.7) |
| UHI2R2332TCVCH | 14.13 (358.9) | 24.31 (617.5) | 5.38 (136.7) |
| UHI4R2352ACVCH | 14.13 (358.9) | 40.63 (1032.0) | 5.38 (136.7) |
| UHTT2R2332UCH | 14.13 (358.9) | 24.31 (617.5) | 5.38 (136.7) |
| UHT2R2332TCH | 14.13 (358.9) | 24.31 (617.5) | 5.38 (136.7) |
| UHT3R2332TCH | 14.13 (358.9) | 32.94 (836.7) | 5.38 (136.7) |
| UHT3R2352UCH | 14.13 (358.9) | 32.47 (824.7) | 5.38 (136.7) |
| UHT4R2352TCH | 14.13 (358.9) | 40.63 (1032.0) | 5.38 (136.7) |
| UT4R2352UFLCH | 14.13 (358.9) | 40.63 (1032.0) | 5.38 (136.7) |
| UHT4R2352UCH | 14.13 (358.9) | 40.63 (1032.0) | 5.38 (136.7) |
| UT2H52353TCH | 23.56 (598.4) | 32.78 (832.6) | 6.00 (152.4) |
| UHT2R2332UCH | 14.13 (358.9) | 24.31 (617.5) | 5.38 (136.7) |
| UT2R2332BCH | 14.13 (358.9) | 24.31 (617.5) | 5.38 (136.7) |
| UAT2R2332TCH ① | 14.13 (358.9) | 24.31 (617.5) | 5.38 (136.7) |
| UT2R2332TCH | 14.13 (358.9) | 24.31 (617.5) | 5.38 (136.7) |
| U2R2332TCPLCH | 14.13 (358.9) | 24.31 (617.5) | 5.38 (136.7) |
| U2R2332UCPLCH | 14.13 (358.9) | 24.31 (617.5) | 5.38 (136.7) |
| U2R2332TDQCH | 14.13 (358.9) | 24.31 (617.5) | 5.38 (136.7) |
| UT2R2332UCH | 14.13 (358.9) | 24.31 (617.5) | 5.38 (136.7) |
| U3R2332TDQCH | 14.13 (358.9) | 32.47 (824.7) | 5.38 (136.7) |
| UT3H42353TCH | 23.56 (598.4) | 43.91 (1115.3) | 6.00 (152.4) |
| UT3H52353TCH | 23.56 (598.4) | 43.91 (1115.3) | 6.00 (152.4) |
| UT3H72353UHLCH | 23.56 (598.4) | 43.91 (1115.3) | 5.38 (136.7) |

Horizontal Design—Multi Position Ringless, continued

| Catalog Number | Height | Width | Depth |
|-----------------|---------------|----------------|--------------|
| UT3R2332TCH | 14.13 (358.9) | 32.47 (824.7) | 5.38 (136.7) |
| UT3R2332UCH | 14.13 (358.9) | 32.47 (824.7) | 5.38 (136.7) |
| UT3R2352TCH | 14.13 (358.9) | 40.63 (1032.0) | 5.38 (136.7) |
| UT4R2352TCH | 14.13 (358.9) | 40.63 (1032.0) | 5.38 (136.7) |
| UHT5R2392TTCH | 14.13 (358.9) | 54.78 (1391.4) | 5.38 (136.7) |
| UT5R2392TTCH | 14.13 (358.9) | 54.78 (1391.4) | 5.38 (136.7) |
| UT5H72393UUHLCH | 29.56 (750.8) | 72.15 (1832.6) | 6.00 (152.4) |
| UHT6R2392TTCH | 14.13 (358.9) | 62.94 (1598.7) | 5.38 (136.7) |
| UT6R2392TTCH | 14.13 (358.9) | 62.94 (1598.7) | 5.38 (136.7) |
| UT6R2392UFLCH | 14.13 (358.9) | 62.94 (1598.7) | 5.38 (136.7) |
| UT6H72393UUHLCH | 23.56 (598.4) | 83.28 (2115.3) | 6.00 (152.4) |
| UHT6R2392TTCH | 14.13 (358.9) | 62.94 (1598.7) | 5.38 (136.7) |
| U2R5432BDQCH | 14.13 (358.9) | 20.16 (512.1) | 5.38 (136.7) |
| UT5R5632BCH | 14.13 (358.9) | 48.63 (1235.2) | 5.38 (136.7) |
| UT6R1131BCH | 14.13 (358.9) | 56.93 (1446.0) | 4.50 (114.3) |
| 1004426ACH | 14.13 (358.9) | 24.31 (617.5) | 4.50 (114.3) |
| 1008951CH | 14.13 (358.9) | 24.31 (617.5) | 4.50 (114.3) |
| 1008952CH | 14.13 (358.9) | 32.47 (824.7) | 4.50 (114.3) |
| 1009693CH | 14.13 (358.9) | 24.16 (613.7) | 5.38 (136.7) |
| 1009694CH | 14.13 (358.9) | 32.31 (820.7) | 5.38 (136.7) |
| 1009695CH | 14.13 (358.9) | 49.94 (1268.5) | 5.38 (136.7) |
| 1009696CH | 14.13 (358.9) | 48.63 (1235.2) | 5.38 (136.7) |
| UAT26R1131CFLCH | 14.13 (358.9) | 56.94 (1446.3) | 4.50 (114.3) |
| UBH2R1121BCH | 14.13 (358.9) | 24.94 (633.5) | 4.50 (114.3) |
| UBH3R1121BCH | 14.13 (358.9) | 32.47 (824.7) | 4.50 (114.3) |
| UBH4R1121BCH | 14.13 (358.9) | 40.63 (1032.0) | 4.50 (114.3) |
| UHT2R1121BCH | 14.13 (358.9) | 24.31 (617.5) | 4.50 (114.3) |
| UT4R1121BCH | 14.13 (358.9) | 40.63 (1032.0) | 4.50 (114.3) |
| UT4R1121CCH | 14.13 (358.9) | 40.63 (1032.0) | 4.50 (114.3) |
| UHT4R1121BCH | 14.13 (358.9) | 40.63 (1032.0) | 4.50 (114.3) |
| UHT5R1121BCH | 14.13 (358.9) | 48.78 (1239.0) | 4.50 (114.3) |
| UT5R1121BCH | 14.13 (358.9) | 48.78 (1239.0) | 4.50 (114.3) |
| UT5R1121CCH | 14.13 (358.9) | 48.78 (1239.0) | 4.50 (114.3) |
| UT2R1121BCH | 14.13 (358.9) | 24.31 (617.5) | 4.50 (114.3) |
| UT2R1121CCH | 14.13 (358.9) | 24.31 (617.5) | 4.50 (114.3) |
| UHT2R1421CCH | 14.13 (358.9) | 20.16 (512.1) | 5.38 (136.7) |
| UT2R1421BCH | 14.13 (358.9) | 20.16 (512.1) | 5.38 (136.7) |
| UHT3R1121BCH | 14.13 (358.9) | 32.47 (824.7) | 4.50 (114.3) |
| UT3R1121BCH | 14.13 (358.9) | 32.47 (824.7) | 4.50 (114.3) |

Note
① Aluminum enclosure.

4.1

Metering Products

Meter Sockets

Approximate Dimensions in Inches (mm)

Horizontal Design—Multi Position Ring Type

| Catalog Number | Height | Width | Depth |
|----------------|---------------|----------------|--------------|
| U2R2352TCRCH | 14.13 (358.9) | 24.31 (617.5) | 5.38 (136.7) |
| URT2R2332UCH | 14.13 (358.9) | 24.31 (617.5) | 5.38 (136.7) |
| U4R2352TCRCH | 14.13 (358.9) | 48.00 (1219.2) | 5.38 (136.7) |
| U2V1031BCRCH ① | 8.00 (203.2) | 25.63 (650.9) | 4.38 (111.1) |
| U3V1031BCRCH ① | 8.00 (203.2) | 35.88 (911.2) | 4.38 (111.1) |
| U2R1121BCRCH | 14.13 (358.9) | 28.00 (711.2) | 4.50 (114.3) |
| U3R1121BCRCH | 14.13 (358.9) | 38.00 (965.2) | 4.50 (114.3) |
| U4R1121BCRCH | 14.13 (358.9) | 48.00 (1219.2) | 4.50 (114.3) |
| U5R1121BCRCH | 14.13 (358.9) | 58.00 (1473.2) | 4.50 (114.3) |

Note

① Vertical gang.

Instrument Rated Sockets



Contents

| Description | Page |
|---|-----------------|
| Single Meter Sockets | V1-T4-2 |
| Commercial Lever Bypass Sockets | V1-T4-10 |
| Multiple Position Horizontal Ganged Sockets | V1-T4-17 |
| Instrument Rated Sockets | |
| Product Selection | V1-T4-24 |
| Cross-Reference | V1-T4-25 |
| Dimensions | V1-T4-27 |
| Residential Pedestals | V1-T4-28 |
| Meter Socket Accessories | V1-T4-30 |

Instrument Rated Sockets

Product Description

- Available in 6, 7, 8 and 13 terminal designs
- 20 A ratings standard
- Multiple service designs available (overhead, underground, overhead/underground)
- Multiple hub opening and closure plate sizes available
- 600 Vac rated
- Single cover/dual cover availability
- Provisional test switches and factory-installed test switch designs available

4.1

Metering Products

Meter Sockets

Product Selection

USTS132CCH



Instrument Rated Sockets

| Ampere Rating | Jaws | Service | Opening, Hub or Closure Plate | Catalog Number |
|---------------|-------------|----------------------|-------------------------------|----------------|
| 20 | 13 terminal | UG | Solid top | USTH131A123CH |
| 20 | 13 terminal | OH/UG | 3-5/16 hub cover plate | USTS131B102CH |
| 20 | 13 terminal | OH/UG | 3-5/16 hub cover plate | USTS132B101CH |
| 20 | 13 terminal | OH/UG | 3-5/16 hub cover plate | USTS132CCH |
| 20 | 13 terminal | OH/UG | 1-inch bolt-on hub | 1008694ACH |
| 20 | 8 terminal | OH/UG | 1-inch bolt-on hub | 1008695ACH |
| 20 | 13 terminal | N/A | N/A | 1007003BCH |
| 20 | 13 terminal | Solid top and bottom | Solid top | 1007003CCH |
| 20 | 13 terminal | OH/UG | 3-5/16 hub cover plate | USTL131C207CH |
| 20 | 13 terminal | OH/UG | Hub opening | USTS131BCH |
| 20 | 13 terminal | OH/UG | 1-1/4-inch bolt-on hub | USTS131L143CH |
| 20 | 13 terminal | N/A | N/A | USTS132BCH |
| 20 | 6 terminal | OH/UG | Hub opening | USTS61B138CH |
| 20 | 6 terminal | OH/UG | Hub opening | UST61BCH |
| 20 | 8 terminal | OH/UG | Hub opening | USTS82B166CH |
| 20 | 8 terminal | N/A | Solid top and bottom | 1007361BCH |
| N/A | N/A | N/A | N/A | 1008539CH |
| 20 | 13 terminal | OH/UG | 3-5/16 hub cover plate | UASTS131C226CH |
| 20 | 13 terminal | OH | 3-5/16 hub cover plate | 1004671CH |
| 20 | 7 terminal | OH | 3-5/16 hub cover plate | ULTS131CCH |
| 20 | 6 terminal | UG | Solid top | STL61A433CH |
| 20 | 13 terminal | UG | Solid top | STL131A120CH |

Cross-Reference

Meter Sockets

| Description | Manufacturer | |
|--|----------------------|------------------------------|
| | Eaton Part Number | Milbank Part Number |
| 125 A, OH/UG, ringless, triplex ground, hub opening | UTRS101BE | U7487-RL-TG |
| 125 A, OH/UG, ringless, triplex ground, hub cover plate | UTRS101CE | U7487-XL-TG |
| 125 A, OH/UG, ringless, triplex ground, hub opening, horn bypass | UHTRS101BE | U7487-RL-TG-KK |
| 125 A, OH/UG, ringless, triplex ground, hub cover plate, horn bypass | UHTRS101CE | U7487-XL-TG-KK |
| 125 A, OH/UG, ringless, triplex ground, hub opening, fifth terminal | UTRS101BCH + MSR5TK | U7487-RL-TG-5T |
| 125 A, OH/UG, ringless, triplex ground, hub cover plate, fifth terminal | UTRS101CE + MSR5TK | U7487-XL-TG-5T |
| 125 A, OH/UG, ringless, triplex ground, hub opening, horn bypass, fifth terminal | UHTRS101BCH + MSR5TK | U7487-RL-TG-KK-5T |
| 125 A, OH/UG, ringless, triplex ground, hub cover plate, horn bypass, fifth terminal | UGHTRS101CE + MSR5TK | U7487-XL-TG-KK-5T |
| 200 A, OH, ringless, triplex ground, hub opening | UTRS202BCH | U7021-RL-TG |
| 200 A, OH, ringless, triplex ground, hub cover plate | UTRS202CCH | U7021-XL-TG |
| 200 A, OH, ringless, triplex ground, hub opening, horn bypass | UHTRS202BCH | U7021-RL-TG-KK |
| 200 A, OH, ringless, triplex ground, hub cover plate, horn bypass | UHTRS202CCH | U7021-RL-TG-KK |
| 200 A, OH, ringless, triplex ground, hub opening, fifth terminal | UGTRS202BCH | U7021-RL-TG-5T |
| 200 A, OH, ringless, triplex ground, hub cover plate, fifth terminal | UGTRS202CCH | U7021-XL-TG-5T |
| 200 A, OH, ringless, triplex ground, hub opening, horn bypass, fifth terminal | UGHTRS202BCH | U7021-RL-TG-KK-5T |
| 200 A, OH, ringless, triplex ground, hub cover plate, horn bypass, fifth terminal | UGHTRS202CCH | U7021-RL-TG-KK-5T |
| 200 A, OH/UG, ringless, triplex ground, hub opening, 250 kcmil lugs | UTRS212BCH | No cross (no 250 kcmil lugs) |
| 200 A, OH/UG, ringless, triplex ground, hub cover plate, 250 kcmil lugs | UTRS212CCH | No cross (no 250 kcmil lugs) |
| 200 A, OH/UG, ringless, triplex ground, hub opening, horn bypass, 250 kcmil lugs | UHTRS212BCH | No cross (no 250 kcmil lugs) |
| 200 A, OH/UG, ringless, triplex ground, hub cover plate, horn bypass, 250 kcmil lugs | UHTRS212CCH | No cross (no 250 kcmil lugs) |
| 200 A, OH/UG, ringless, triplex ground, hub opening, fifth terminal, 250 kcmil lugs | UGTRS212BCH | No cross (no 250 kcmil lugs) |
| 200 A, OH/UG, ringless, triplex ground, hub cover plate, fifth terminal, 250 kcmil lugs | UGTRS212CCH | No cross (no 250 kcmil lugs) |
| 200 A, OH/UG, ringless, triplex ground, hub opening, horn bypass, fifth terminal, 250 kcmil lugs | UGHTRS212BCH | No cross (no 250 kcmil lugs) |
| 200 A, OH/UG, ringless, triplex ground, hub cover plate, horn bypass, fifth terminal, 250 kcmil lugs | UGHTRS212CCH | No cross (no 250 kcmil lugs) |
| 200 A, OH/UG, ringless, triplex ground, hub opening, 350 kcmil lugs | UTRS213BE | U7040-RL-TG |
| 200 A, OH/UG, ringless, triplex ground, hub cover plate, 350 kcmil lugs | UTRS213CE | U7040-XL-TG |
| 200 A, OH/UG, ringless, triplex ground, hub opening, horn bypass, 350 kcmil lugs | UHTRS213BE | U7040-RL-TG-KK |
| 200 A, OH/UG, ringless, triplex ground, hub cover plate, horn bypass, 350 kcmil lugs | UHTRS213CE | U7040-XL-TG-KK |
| 200 A, OH/UG, ringless, triplex ground, hub opening, fifth terminal, 350 kcmil lugs | UGTRS213BE | U7040-RL-TG-5T |
| 200 A, OH/UG, ringless, triplex ground, hub cover plate, fifth terminal, 350 kcmil lugs | UGTRS213CE | U7040-XL-TG-5T |
| 200 A, OH/UG, ringless, triplex ground, hub opening, horn bypass, fifth terminal, 350 kcmil lugs | UGHTRS213BE | U7040-RL-TG-KK-5T |
| 200 A, OH/UG, ringless, triplex ground, hub cover plate, horn bypass, fifth terminal, 350 kcmil lugs | UGHTRS213CE | U7040-XL-TG-KK-5T |
| 200 A, UG, ringless, triplex ground, solid top | UTRS223ACH | U1980-0-TG |
| 200 A, UG, ringless, triplex ground, solid top, horn bypass | UHTRS223ACH | U1980-0-TG-KK |
| 200 A, UG, ringless, triplex ground, solid top, fifth terminal | UGTRS223ACH | U1980-0-TG-5T |
| 200 A, UG, ringless, triplex ground, solid top, horn bypass, fifth terminal | UGHTRS223ACH | U1980-0-TG-KK-5T |

4.1

Metering Products

Meter Sockets

Lever Bypass

4

| Description | Manufacturer | |
|--|----------------------|------------------------|
| | Eaton Part Number | Milbank Part Number |
| 200 A, OH, lever bypass, 4 terminal, small hub opening | UTE4203BCH | U9800-RL |
| 200 A, OH, lever bypass, 4 terminal, hub cover plate | UTH4203CCH | U9800-XL |
| 200 A, OH, lever bypass, 4 terminal, large hub opening | UTH4203TCH | U9800-R |
| 200 A, OH, lever bypass, 4 terminal, large hub cover plate | UTH4203UCH | U9800-X |
| 200 A, OH, lever bypass, 5 terminal, small hub opening | UTE5203BCH | U4550-RL |
| 200 A, OH, lever bypass, 5 terminal, hub cover plate | UTH5203CCH | U4550-XL |
| 200 A, OH, lever bypass, 5 terminal, large hub opening | UTH5203TCH | U9559-R |
| 200 A, OH, lever bypass, 5 terminal, large hub cover plate | UTH5203UCH | U9550-X |
| 200 A, OH, lever bypass, 7 terminal, small hub opening | UTE7203BCH | U4701-RL |
| 200 A, OH, lever bypass, 7 terminal, hub cover plate | UTH7203CCH | U4701-XL |
| 200 A, OH, lever bypass, 7 terminal, large hub opening | UTE7203TCH | U4701-R |
| 200 A, OH, lever bypass, 7 terminal, large hub cover plate | UTH7203UCH | U4701-X |
| 200 A, OH/UG, lever bypass, 4 terminal, small hub opening | UTE4213BCH | U9801-RL |
| 200 A, OH/UG, lever bypass, 4 terminal, hub cover plate | UTE4213CCH | U9801-XL |
| 200 A, OH/UG, lever bypass, 4 terminal, large hub opening | UTE4213TCH | U9801-R |
| 200 A, OH/UG, lever bypass, 4 terminal, large hub cover plate | UTH4213UCH | U9801-XL |
| 200 A, OH/UG, lever bypass, 4 terminal, large hub opening with adapter plate | UTE4213ZCH | U9801-RRL |
| 200 A, OH/UG, lever bypass, 4 terminal, large hub opening with adapter and cover plate | UTH4213YCH | U9801-RXL |
| 200 A, OH/UG, lever bypass, 5 terminal, small hub opening | UTE5213BCH | U4551-RL |
| 200 A, OH/UG, lever bypass, 5 terminal, hub cover plate | UTE5213CCH | U4551-XL |
| 200 A, OH/UG, lever bypass, 5 terminal, large hub opening | UTE5213TCH | U9551-R |
| 200 A, OH/UG, lever bypass, 5 terminal, large hub cover plate | UTH5213UCH | U9551-X |
| 200 A, OH/UG, lever bypass, 5 terminal, large hub opening with adapter plate | UTE5213ZCH | U9551-RRL or U4551-RRL |
| 200 A, OH/UG, lever bypass, 5 terminal, large hub opening with adapter and cover plate | UTH5213YCH | U9551-RXL or U4551-RXL |
| 200 A, OH/UG, lever bypass, 7 terminal, small hub opening | UTE7213BCH | U9701-RL or U4701-RL |
| 200 A, OH/UG, lever bypass, 7 terminal, hub cover plate | UTE7213CCH | U9701-XL or U4701-XL |
| 200 A, OH/UG, lever bypass, 7 terminal, large hub opening | UTE7213TCH | U9701-R or U4701-R |
| 200 A, OH/UG, lever bypass, 7 terminal, large hub cover plate | UTE7213UCH | U9701-RX or U4701-RX |
| 200 A, OH/UG, lever bypass, 7 terminal, large hub opening with adapter plate | UTE7213ZCH | U9701-RRL or U4701-RRL |
| 200 A, OH/UG, lever bypass, 7 terminal, large hub opening with adapter and cover plate | UTH7213YCH | U9701-RXL or U4701-RXL |
| 320 A, OH, lever bypass, 4 terminal, large hub opening | UTH4300TCH | U1079-R or U1797-R |
| 320 A, OH, lever bypass, 4 terminal, large hub cover plate | UTH4300UCH | U1079-X or U1797X |
| 320 A, OH/UG, lever bypass, 4 terminal, large hub opening | UTH4330TCH | U2448-R or U2124-R |
| 320 A, OH/UG, lever bypass, 4 terminal, large hub cover plate | UTH4330UCH | U2448-RX or U2124-RX |
| 320 A, OH, lever bypass, 7 terminal, large hub opening | UTH7300TCH | — |
| 320 A, OH, lever bypass, 7 terminal, large hub cover plate | UTH7300UCH | — |
| 320 A, OH/UG, lever bypass, 7 terminal, large hub opening | UTH7330TCH | U2120-R |
| 320 A, OH/UG, lever bypass, 7 terminal, large hub cover plate | UTH7330UCH | U2120-X |

Dimensions

Approximate Dimensions in Inches (mm)

Instrument Rated Sockets

| Catalog Number | Height | Width | Depth |
|-----------------------|---------------|---------------|--------------|
| USTH131A123CH | 20.00 (304.8) | 12.00 (304.8) | 4.36 (110.7) |
| USTS131B102CH | 20.00 (304.8) | 12.00 (304.8) | 4.36 (110.7) |
| USTS132B101CH | 20.00 (304.8) | 12.00 (304.8) | 4.36 (110.7) |
| USTS132CCH | 20.00 (304.8) | 12.00 (304.8) | 4.36 (110.7) |
| 1008694ACH | 20.00 (304.8) | 12.00 (304.8) | 4.36 (110.7) |
| 1008695ACH | 20.00 (304.8) | 12.00 (304.8) | 4.36 (110.7) |
| 1007003BCH | N/A | N/A | N/A |
| 1007003CCH | 16.50 (419.1) | 14.00 (355.6) | 3.50 (88.9) |
| USTL131207CH | 20.00 (304.8) | 12.00 (304.8) | 4.35 (110.5) |
| USTS131BCH | 20.00 (304.8) | 12.00 (304.8) | 4.35 (110.5) |
| USTS131L143CH | 20.00 (304.8) | 12.00 (304.8) | 4.35 (110.5) |
| USTS132BCH | N/A | N/A | N/A |
| USTS61B138CH | 20.00 (304.8) | 12.00 (304.8) | 4.35 (110.5) |
| UST61BCH | 20.00 (304.8) | 12.00 (304.8) | 4.35 (110.5) |
| USTS82B166CH | 20.00 (304.8) | 12.00 (304.8) | 4.35 (110.5) |
| 1007361BCH | 16.50 (419.1) | 14.00 (355.6) | 3.50 (88.9) |
| 1008539CH | N/A | N/A | N/A |
| UASTS131C226CH | 20.00 (304.8) | 12.00 (304.8) | 4.35 (110.5) |
| 1004671CH | 17.00 (431.8) | 10.00 (254.0) | 5.00 (127.0) |
| ULTS131CCH | 22.00 (558.8) | 12.00 (304.8) | 4.94 (125.5) |

Residential Pedestals



4

Contents

| <i>Description</i> | <i>Page</i> |
|---|-----------------|
| Single Meter Sockets | V1-T4-2 |
| Commercial Lever Bypass Sockets | V1-T4-10 |
| Multiple Position Horizontal Ganged Sockets | V1-T4-17 |
| Instrument Rated Sockets | V1-T4-23 |
| Residential Pedestals | |
| Product Selection | V1-T4-29 |
| Dimensions | V1-T4-29 |
| Meter Socket Accessories | V1-T4-30 |

Residential Pedestals

Product Description

- Available in 100 A, 200 A, 300 A and 320 A designs
- Available in 4- or 5-jaw configurations
- Underground service design is standard
- Bypass options (lever, horn) are available
- Solid top designs

Product Selection

UHTRP242363CH



Residential Pedestals

| Ampere Rating | Jaws | Service | Bypass | Connections Line | Load | Opening, Hub or Closure Plate | Catalog Number |
|---------------|------|---------|--------|---|-------------------------------------|-------------------------------|----------------------|
| 320 | 4 | UG | — | 3/8-inch studs | 3/8-inch studs | Solid top | 1008847CH |
| 320 | 4 | UG | Lever | #6–350 kcmil line and line neutral | 2/0–250 kcmil load and load neutral | Solid top | 1009017CH ① |
| 300 | 4 | UG | Lever | #6–350 kcmil line and line neutral | 2/0–250 kcmil load and load neutral | Solid top | — |
| 200 | 4 | UG | Horn | 4/0 compression (line) 2/0 compression (neutral) | #6–250 kcmil load and load neutral | Solid top | 1006388CH |
| 200 | 4 | UG | Horn | #8–350 kcmil | #8–350 kcmil | Solid top | UHTRP242363CH |
| 200 | 4 | UG | Horn | #6–350 kcmil line and line neutral | #6–250 kcmil load neutral | Solid top | 1008846CH |
| 200 | 4 | UG | Horn | #6–350 kcmil line and line neutral | #6–250 kcmil load neutral | N/A | 1008961CH |
| 200 | 5 | N/A | N/A | N/A | N/A | N/A | 1008966CH |
| 200 | 4 | UG | — | #6–350 kcmil line and line neutral | #6–350 kcmil load and load neutral | Solid top | 1009264CH |
| 200 | 4 | UG | — | 4/0 compression (line) 2/0 compression (neutral) | #6–350 kcmil load and load neutral | Solid top | 1009265CH |
| 100 | 4 | UG | — | #6–350 kcmil line and line neutral | #6–250 kcmil load neutral | Solid top | 1009078CH |

Dimensions

Approximate Dimensions in Inches (mm)

Residential Pedestals

| Catalog Number | Height | Width | Depth |
|----------------------|----------------|---------------|--------------|
| 1008847CH | 58.00 (1473.2) | 12.97 (329.4) | 4.93 (125.2) |
| 1009017CH ① | 63.00 (1600.2) | 12.96 (329.2) | 4.93 (125.2) |
| 1006388CH | 61.00 (1549.4) | 8.96 (227.6) | 4.93 (125.2) |
| UHTRP242363CH | 62.63 (1590.8) | 8.97 (227.8) | 4.94 (125.5) |
| 1008846CH | 70.00 (1778.0) | 11.00 (279.4) | 6.00 (152.4) |
| 1008961CH | 69.93 (1776.2) | N/A | 6.00 (152.4) |
| 1008966CH | N/A | N/A | N/A |
| 1009264CH | 74.00 (1879.6) | 8.96 (227.6) | 4.93 (125.2) |
| 1009265CH | 74.00 (1879.6) | 8.97 (227.8) | 4.94 (125.5) |
| 1009078CH | 69.93 (1776.2) | 11.00 (279.4) | 6.00 (152.4) |

Note

① 200 A breakers.

4.1

Metering Products

Meter Sockets

Meter Socket Accessories



4

Contents

Description

| | <i>Page</i> |
|--|-----------------|
| Single Meter Sockets | V1-T4-2 |
| Commercial Lever Bypass Sockets | V1-T4-10 |
| Multiple Position Horizontal Ganged Sockets | V1-T4-17 |
| Instrument Rated Sockets | V1-T4-23 |
| Residential Pedestals | V1-T4-28 |
| Meter Socket Accessories | |
| Cross-Reference | V1-T4-25 |
| Product Selection | V1-T4-31 |
| Mechanical Lugs | V1-T4-33 |
| Communications Grounding Device (NEC 250.94) | V1-T4-34 |
| Wiring Diagram | V1-T4-34 |

Meter Socket Accessories

Features and Benefits

Construction Features



1. High strength, glass-filled meter block assembly, lay-in connectors with captive slide nut and screw.



2. 100% plated copper alloy meter jaw with reinforcing spring clip and meter guide.

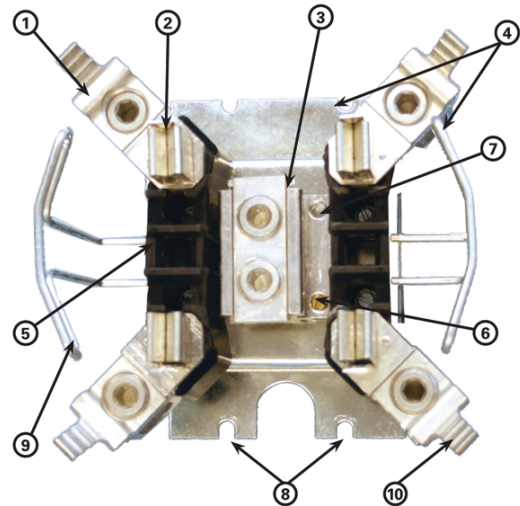


3. Extruded neutral lug with integral triplex ground and quadplex ground provision.



4. Bridge and meter supports are 100% zinc chromate plated.

200 A Ringless Block Assembly With Horn Bypass



5. Fifth terminal locating hole in 9 o'clock position.
6. Triplex ground is a standard feature.
7. Quadplex ground provision.
8. Durable "four-point" bridge mounting (2 top, 2 bottom).
9. Extra rigid meter support for ringless sockets.
10. Optional, integral horn bypass extruded on slide nut. Horn is ribbed for secure attachment to utility bypass jumpers. Field-installable horn bypass kit available.

Product Selection

Meter Socket Accessories

| Description | Part Number |
|--|----------------|
| Hub Closure Plates | |
| Hub closure plate meter socket accessories | ARP00002CHB |
| Clam shell hub closure plate meter socket accessories | ARP00002CHBCS |
| 1-inch hub closure plate meter socket accessories | ARP00003CH1 |
| Clam shell 1-inch hub closure plate—small opening | ARP00003CH1CS |
| 1-1/4-inch hub closure plate meter socket accessories | ARP00004CH12 |
| Clam shell 1-1/4-inch hub closure plate—small opening | ARP00004CH12CS |
| 1-1/2-inch hub closure plate meter socket accessories | ARP00005CH15 |
| Clam shell 1-1/2-inch hub closure plate—small opening | ARP00005CH15CS |
| 2-inch hub closure plate meter socket accessories | ARP00006CH2 |
| Aluminum hub closure plate for single sockets | ARP00008CH |
| Large hub cover plate | ARP00016CHB |
| Hubs | |
| 2-inch hub with large diameter opening | ARP00017CH2 |
| 2-1/2-inch hub for meter socket accessories | ARP00007CH25 |
| Clam shell 2-1/2-inch hub for meter socket accessories | ARP00007CH25CS |
| 2.5-inch hub with large diameter opening | ARP00018CH25 |
| 3-inch hub | ARP00019CH3 |
| 3-1/2-inch hub for meter sockets | ARP00020CH35 |
| 4-inch hub | ARP00021CH4 |
| Hub adapter from large opening to small opening | ARP00015CHAP |
| Lug Kits | |
| (2) #6–250 kcmil, double barrel lug for 4, 5 and 7 terminal 3/8-inch stud sockets | ARP00118CH |
| #4–600 or (2) 1/0–250 kcmil, single barrel lug for 4, 5 and 7 terminal 3/8-inch stud sockets | ARP00429CH |
| #6–350 kcmil, single barrel lug for 4, 5 and 7 terminal 3/8-inch stud sockets | ARP00119CH |
| #4–600 kcmil, single barrel lug for 4, 5 and 7 terminal 3/8-inch stud sockets | ARP00129CH |
| (2) #6–350 kcmil, double barrel lug for 4 terminal 3/8-inch stud sockets | ARP00427CH |
| Miscellaneous | |
| Screw sealing ring for single meter sockets | ARP00027CH |
| Fifth jaw kit | ARP00035CHJ |
| Fifth jaw for bolt on meter | ARP00326CH |
| Neutral insulating kit for lever bypass sockets only | ARP00759CH |
| 100 A meter socket horn cap assembly kit | ARP00777CH |
| Fifth jaw kit for 320 A offset socket | ARP00862CH |
| HQ anti-inversion clip for single meter sockets | ARP00984CH |
| Fifth jaw for Chicago and Wisconsin pedestal | ARP01085CH |
| 350 kcmil BNS cap assembly kit for meter sockets | ARP01226CH |
| Right hand block assembly with Z Bar | ARP01258CH |
| Left hand block assembly with Z Bar | ARP01414CH |
| Meter pack trough closure plate kit | ARP01565CH |
| 2/0 connector kit for MBB and MBP socket breaker | ARP01612CH |

Hub Accessories

| Description | Manufacturer | |
|--|----------------------|------------------------|
| | Eaton Part Number | Milbank Part Number |
| Small hub cover plate | ARP00002CHB | A7551 |
| 1-inch hub | ARP00003CH1 | A7514 |
| 1-1/4-inch hub | ARP00004CH12 | A7515 |
| 1-1/2-inch hub | ARP00005CH15 | A7516 |
| 2-inch hub | ARP00006CH2 | A7517 |
| 2-1/2-inch hub | ARP00007CH25 | A7518 |
| 3-inch hub | ARP00019CH3 | A8110 |
| 3-1/2-inch hub | ARP00020CH35 | A8111 |
| 4-inch hub | ARP00021CH4 | A8112 |
| Large to small hub opening adapter plate | ARP00015CHAP | S8324 |
| Large hub cover plate | ARP00016CHB | S9064 |

Residential Pedestal Extension Kits

| Connections | | | Approximate Dimensions in Inches (mm) | | |
|--------------------------------------|--------------------------------------|----------------|---------------------------------------|---------------|--------------|
| Line | Load | Catalog Number | Height | Width | Depth |
| Pedestal extension kit for 1008846CH | Pedestal extension kit for 1008846CH | 1009021CH | 18.00 (457.2) | 11.00 (279.4) | 6.00 (152.4) |
| | | 1009022CH | 18.00 (457.2) | 12.96 (329.2) | 4.93 (125.2) |
| | | 1009026CH | 30.00 (762.0) | 12.96 (329.2) | 4.93 (125.2) |

Mechanical Lugs



Product Description

- Single lug
- Extended tang single lug
- Extended tang triple lug
- Double lug
- Extended tang double lug
- Extended tang quadruple lug

Product Selection

Mechanical Lugs

| Description | Style Number |
|---|---------------------|
| Single #14–#6 mechanical lug | ESL146 |
| Single #14–2/0 mechanical lug | ESL1420 |
| Single #6–250 kcmil mechanical lug | ESL6250 |
| Single #4–500 kcmil mechanical lug | ESL4500 |
| Double #14–2/0 mechanical lug | EDL1420 |
| Double #6–250 kcmil mechanical lug | EDL6250 |
| Extended tang single lug #6–350 kcmil | EPBSL6350 |
| Extended tang single lug 300–800 kcmil | EPBSL300800 |
| Extended tang double lug #6–350 kcmil | EPBDL6350 |
| Extended tang double lug 300–800 kcmil | EPBDL300800 |
| Extended tang triple lug #6–350 kcmil | EPBTL6350 |
| Extended tang triple lug 300–800 kcmil | EPBTL300800 |
| Extended tang quadruple lug #6–350 kcmil | EPBQL6350 |
| Extended tang quadruple lug 300–750 kcmil | EPBQL300800 |
| Extended tang single lug #2–600 kcmil | EPBSL2600 |
| Extended tang single lug 500–1000 kcmil | EPBSL5001000 |
| Extended tang triple lug #2–600 kcmil | EPBTL2600 |

Dimensions

Mechanical Lugs

Approximate Dimensions in Inches (mm)

| Style Number | Height | Width | Length |
|---------------------|--------------|---------------|--------------|
| ESL146 | 2.50 (63.5) | 8.25 (82.6) | 3.50 (88.9) |
| ESL1420 | 2.50 (63.5) | 10.50 (266.7) | 3.50 (88.9) |
| ESL6250 | 2.50 (63.5) | 10.50 (266.7) | 3.50 (88.9) |
| ESL4500 | 2.50 (63.5) | 10.50 (266.7) | 3.50 (88.9) |
| EDL1420 | 3.50 (88.9) | 4.00 (101.6) | 3.50 (88.9) |
| EDL6250 | 3.50 (88.9) | 3.75 (95.3) | 4.50 (114.3) |
| EPBSL6350 | 2.50 (63.5) | 8.25 (82.6) | 3.50 (88.9) |
| EPBSL300800 | 2.50 (63.5) | 10.50 (266.7) | 3.50 (88.9) |
| EPBDL6350 | 3.50 (88.9) | 4.50 (114.3) | 5.50 (139.7) |
| EPBDL300800 | 3.00 (76.2) | 10.50 (266.7) | 5.50 (139.7) |
| EPBTL6350 | 3.50 (88.9) | 4.50 (114.3) | 5.50 (139.7) |
| EPBTL300800 | 2.50 (63.5) | 10.00 (254.0) | 5.75 (146.0) |
| EPBQL6350 | 2.25 (57.2) | 6.50 (165.1) | 6.00 (152.4) |
| EPBQL300800 | 4.25 (108.0) | 8.50 (215.9) | 8.50 (215.9) |
| EPBSL2600 | 2.50 (63.5) | 8.25 (82.6) | 3.50 (88.9) |
| EPBSL5001000 | 2.50 (63.5) | 10.50 (266.7) | 3.50 (88.9) |
| EPBTL2600 | 2.25 (57.2) | 6.50 (165.1) | 6.00 (152.4) |

4.1

Metering Products

Meter Sockets

4

Communications Grounding Device (NEC 250.94)



Features, Benefits and Functions

Communication Grounding Device Features

- Lay-in lug for ease of installation
- Four bonding terminals
- Heavy-duty zinc-plated steel screws included
- Two mounting holes to securely hold device into place
- For use with copper and aluminum conductors

Cover Features

- Outdoor rated reinforced glass polyester compound
- Suitable for UV exposure
- Paintable exterior, allowing for matching of exterior of home

Product Description

This product is required per the 2008 NEC Article 250.94 "Bonding for Other Systems."

This product is applied externally to residential homes, so that communications systems devices such as satellite, TV, cable and CATV can be properly bonded at a single point. This device has two mounting holes that can be used for easy installation.

Standards and Certifications

- ETL listed

Product Selection

Communication Grounding Device

Wire Range

| Bonding Conductor | Ground Electrode | Quantity | Catalog Number |
|--|----------------------|----------------|-----------------|
| #14-#2-STR-SOL-CU #12-#2-SRT-SOL-AL | #8-1/0-STR-SOL-CU/AL | (1) Clamshell | MSEGR2CS |
| #14-#2-STR-SOL-CU #12-#2-SRT-SOL-AL | #8-1/0-STR-SOL-CU/AL | (10) Bulk pack | MSEGR2 |

Dimensions

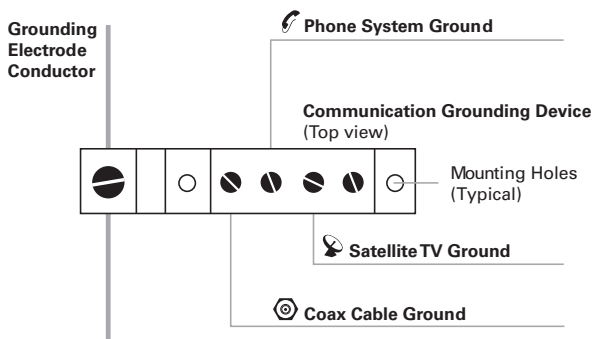
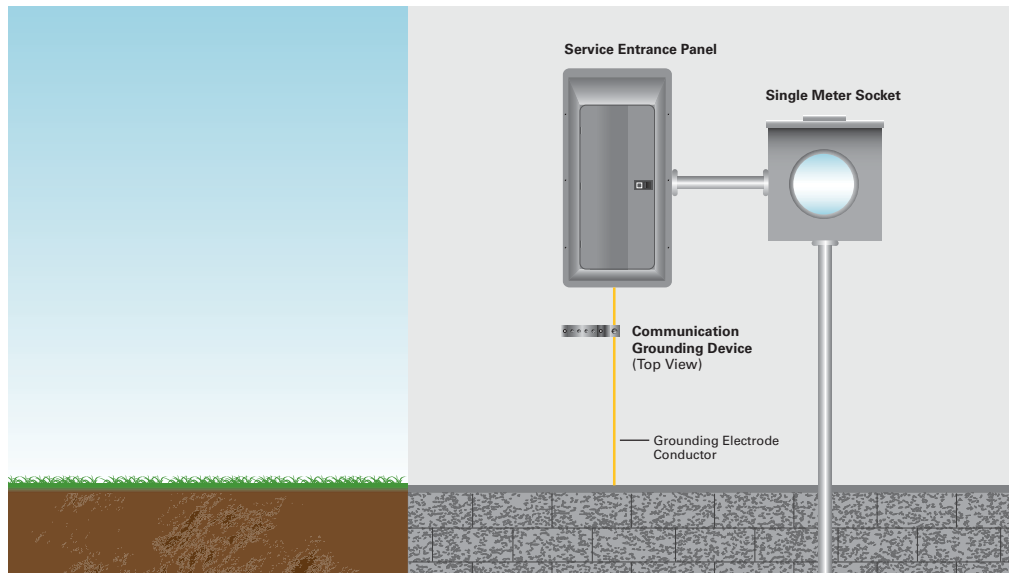
Approximate Dimensions in Inches (mm)

Communication Grounding Device

| Catalog Number | Length | Width | Height |
|-----------------|-------------|-------------|-------------|
| MSEGR2CS | 0.75 (19.1) | 3.90 (99.1) | 1.20 (30.5) |
| MSEGR2 | 0.75 (19.1) | 3.90 (99.1) | 1.20 (30.5) |

Wiring Diagram

Installation and Configuration



Residential Meter Breakers



Contents

| <i>Description</i> | <i>Page</i> |
|--|-----------------|
| Residential Meter Breakers | |
| Standards and Certifications | V1-T4-36 |
| Technical Data and Specifications | V1-T4-36 |
| Non-EUSERC Combination Service Entrance Devices 100–200 A Styles | V1-T4-37 |
| EUSERC Required Service Entrance Devices 100–225 A | V1-T4-41 |
| West Coast All-In-One Design | V1-T4-44 |
| House Panels | V1-T4-48 |
| Aluminum Meter Breakers | V1-T4-53 |
| CH Style Renovation Solutions | V1-T4-54 |
| Commercial Safety Sockets | V1-T4-55 |
| Meter Breakers Accessories | V1-T4-58 |

Residential Meter Breakers

Product Description

A meter breaker is service entrance equipment that consists of a single meter socket and loadcenter (circuit breaker distribution section) or meter socket and main breaker combined in one enclosure. Sometimes called Combos, All-in-Ones, Meter Centers or Meter Mains, these units are increasing in popularity as the socket and loadcenter or main breaker are located in one location, thus providing the contractor with a labor and material savings when installing.

Application Description

In addition to residential installations, meter breakers are equally applicable for rural service entrance, mobile homes and construction site temporary power. Meter breakers are most often sold in the western, southwestern and southeastern United States. The popularity of meter breakers is continuing to increase as more utilities deregulate and pass the responsibility of supplying wathour meter sockets on to the electrical contractor.

Application Considerations

Eaton has the meter breaker to meet your application, offering:

- Non-EUSERC
- EUSERC/West Coast
- House panels
- Commercial safety socket

Non-EUSERC (Page V1-T4-37)

Eaton’s line of non-EUSERC meter breakers are designed for customers served by utilities that are not members of EUSERC.

EUSERC/West Coast (Page V1-T4-44)

Eaton’s line of EUSERC required devices adhere to the agreed upon standards. EUSERC utilities are predominately located in the western United States, but some eastern and midwestern utilities are also members. These units can also be used in many Non-EUSERC areas.

House Panels (Page V1-T4-48)

CH and BR Styles (Page V1-T4-49).

Meter breaker device rated at 300–400 A. Applied in EUSERC and non-EUSERC areas.

Commercial Safety Sockets (Page V1-T4-55)

Applied in EUSERC and non-EUSERC service areas and used in commercial applications.

Features, Benefits and Functions

- Both Type BR and CH branch circuit breaker styles available
- Meets latest NEC wire bending space requirements
- Slotted sealing screws at hub with sealing provision provided
- Surface units are supplied with mounting tabs
- Semi-flush units are supplied with stucco flange
- Meter socket ring landing will accept locking security rings
- Overhead or underground service
- Fifth jaw can be installed in the 3 o’clock or 9 o’clock position
- Semi-flush with nail flange or surface mounting
- Meter mounting and underground pull sections are utility sealable
- Units are rated a minimum of 10 kAIC; some units are 22 kAIC
- Numerous units supplied with center keyhole for ease of mounting
- NEMA 3R rainproof construction

Standards and Certifications

- UL Specification 414 (socket)
- UL File Number E52977
- AEIC-EEI-NEMA Standards (MSJ-7)
- Meet EUSERC utility requirements where noted
- Documented seismic qualified—UBC and CBC Title 24
- UL Specification 67 (panel)

**Technical Data and Specifications**

- Ratings single-phase, three-wire, 120/240 Vac
- 100–225 A main breaker and main lug types
- 10,000 A rms symmetrical short-circuit rating
- Available kAIC ratings: 10 k with BW breaker, 22 k with CSR breaker and 35 k with CSH breaker

Consult TD.31F.01.T.E for dimensions, wiring diagrams and knockouts.

Non-EUSERC Combination Service Entrance Devices



Standard Design Non-EUSERC Panel

Compact Design

Contents

| Description | Page |
|--|-----------------|
| Residential Meter Breakers | V1-T4-35 |
| Non-EUSERC Combination Service Entrance Devices 100–200 A Styles | |
| Catalog Number Selection | V1-T4-38 |
| Product Selection | V1-T4-38 |
| EUSERC Required Service Entrance Devices 100–225 A | V1-T4-41 |
| West Coast All-In-One Design | V1-T4-44 |
| House Panels | V1-T4-48 |
| Aluminum Meter Breakers | V1-T4-53 |
| CH Style Renovation Solutions | V1-T4-54 |
| Commercial Safety Sockets | V1-T4-55 |
| Meter Breakers Accessories | V1-T4-58 |

Non-EUSERC Combination Service Entrance Devices

Product Description

A device that may include a meter socket, main breaker and loadcenter section within the same enclosure.

- Meter main = meter socket and main breaker
- Meter breaker = meter socket, main breaker and loadcenter section

Application Description

Eaton’s line of non-EUSERC meter breakers are designed for customers served by utilities that are not members of EUSERC.

Features, Benefits and Functions

Meter Mains and All-in-Ones

- Single-phase, three-wire, 120/240 Vac, 10 kAIC
- Larger lay-in lugs and 3-inch (76.2 mm) knockouts for ease of installation
- Box-type main lugs included
- Factory-installed neutral
- Hub provisions on top endwall. If hubs are required, order “DS” style
- Ring, ringless and ringless with horn bypass styles available
- Ringless style, provided with embossed covers and security latch for utility company lock
- Padlockable device covers provide additional measure of safety and help prevent tampering
- NEMA 3R rainproof construction

Meter Mains

- Meter socket and main breaker
- Stainless steel latches on meter compartments in MBP types
- No distribution section included

All-in-Ones

- Meter socket and loadcenter distribution section
- Stainless steel latches on meter compartments
- Several designs with horn bypass and fifth jaw
- Center-fed main breaker, lugs or provision
- Uses Type BR 1-inch (25.4 mm) wide branch breakers
- Special channel for top exit

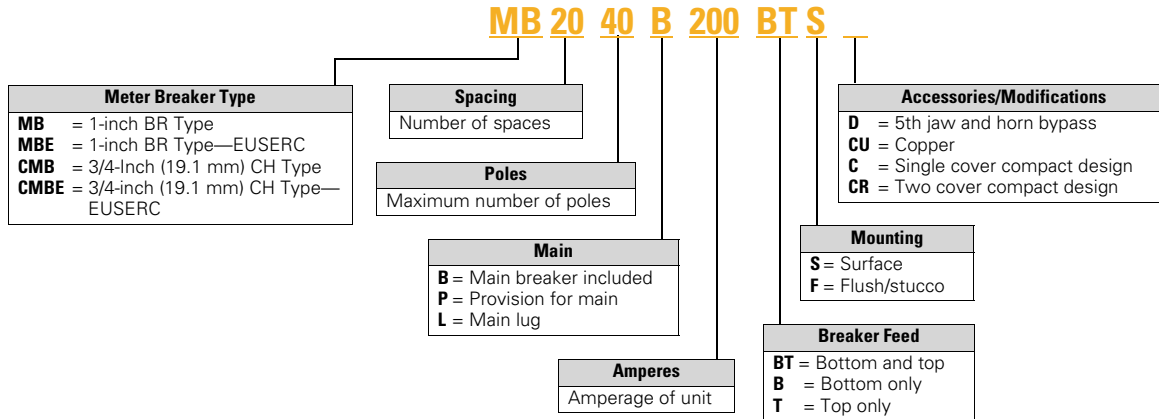
4.2

Metering Products

Meter Breakers

4

Catalog Number Selection



Product Selection

Main Breaker Selection Chart

| Maximum Ampere Rating | Two-Pole Breaker Catalog Numbers | | | |
|---|----------------------------------|----------------|-----------------|-----------------|
| | 10 kAIC | 25 kAIC | 25 kAIC | 35 kAIC |
| 100 | BW2100 | CSR2100 | CSR2100N | CSH2100N |
| 125 | BW2125 | CSR2125 | CSR2125N | CSH2125N |
| 150 | BW2150 | CSR2150 | CSR2150N | CSH2150N |
| 200 | BW2200 | CSR2200 | CSR2200N | CSH2200N |
| Load Side Lug Kit for BW and CSR Breakers ① | | | MCBK225 | |

Note: See knockout drawings on Pages V1-T4-61 through V1-T4-67 for hub information.

Ring Style Meter Mains



Combination Service Entrance Devices—Non-EUSERC

| Ampere Rating | Bypass | Service | kAIC | Jaws | Distribution | Main | Branch Breaker Type | Dimensions and Enclosure Shape ① | Page Numbers Knockout ① | Catalog Number |
|--|--------|---------|------|------|--------------|-------------|---------------------|----------------------------------|-------------------------|----------------|
| Ring Style Meter Mains (no distribution section included) | | | | | | | | | | |
| 150 | None | OH/UG | 10 | 4 | None | CSR2150 | None | 13 | V1-T4-67 | MBB150BTSCR |
| 150 | None | OH/UG | 22 | 4 | None | CSR2150 | None | 3 | V1-T4-62 | CMBB150BTS ⑥⑥ |
| 200 | None | OH/UG | 10 | 4 | None | CSR2200 | None | 13 | V1-T4-67 | MBB200BTSCR |
| 200 | None | OH/UG | ② | 4 | None | Provision ③ | None | 3 | V1-T4-62 | CMBP200BTS ⑥⑥ |
| 200 | None | OH/UG | 22 | 4 | None | CSR2200 | None | 3 | V1-T4-62 | CMBB200BTS ⑥⑥ |
| Ringless Meter Mains (no distribution section included) | | | | | | | | | | |
| 150 | None | OH/UG | 10 | 4 | None | CSR2150 | None | 13 | V1-T4-67 | MBB150BTSC ⑥ |
| 200 | None | OH/UG | 10 | 4 | None | CSR2200 | None | 9 | V1-T4-67 | MBB200BTS ⑦ |
| 200 | None | OH/UG | 10 | 4 | None | CSR2200 | None | 13 | V1-T4-67 | MBB200BTSC ⑥ |
| 150 | None | OH/UG | 10 | 4 | None | CSR2125 | None | 9 | V1-T4-67 | MBB150BTS |
| 200 | None | OH/UG | ② | 4 | None | Provision ④ | None | 9 | V1-T4-67 | MBP200BTS ⑥ |
| 200 | Horn | OH/UG | ② | 5 | None | Provision ④ | None | 11 | V1-T4-67 | MBP200SD |
| 200 | Horn | OH/UG | ② | 5 | None | Provision ④ | None | 9 | V1-T4-67 | MBP200BTSD |
| 100 | Horn | OH/UG | 10 | 5 | None | Provision | None | 15 | V1-T4-67 | CHMMB100BTS |
| 150 | Horn | OH/UG | 10 | 5 | None | CSR2150 | None | 16 | V1-T4-67 | CHMMB150BTS |
| 200 | Horn | OH/UG | 10 | 5 | None | CSR2200 | None | 16 | V1-T4-67 | CHMMB200BTS |
| 150 | None | OH/UG | 10 | 4 | 4/8 | CSR | BR | — | — | MB48B150TSG |
| 200 | None | OH/UG | 10 | 4 | 4/8 | CSR | BR | — | — | MB48B200BTSG |
| 200 | Lever | OH/UG | 22 | 4 | 8/16 | CSR | BR | — | — | MBX816B200BTS |
| 200 | Lever | OH/UG | 22 | 4 | 20/40 | CSR | BR | — | — | MBX2040B200BTS |

Ringless Meter Mains



Notes

- ① See Page V1-T4-61 for box details.
- ② Per installed main breaker rating.
- ③ When a provision for main is provided, order one of the main breakers listed in this table. Panels are labeled to accept Type CSR Main Breakers.
- ④ When a provision for main is provided, order one of the main breakers listed in Page V1-T4-38. Panels are dual labeled to accept Types BW, CSR or CSH Main Breakers.
- ⑤ Copper bus.
- ⑥ One-piece cover on utility side, Florida approved.
- ⑦ Single cover design.
- ⑧ Xcel approved.

Note: See knockout drawings on Pages V1-T4-61 through V1-T4-67 for hub information.

Ring Style All-in-Ones



4

Combination Service Entrance Devices—Non-EUSERC, continued

| Ampere Rating | Bypass | Service | kAIC | Jaws | Distribution | Main | Branch Breaker Type | Dimensions and Enclosure Shape ① | Page Numbers | Knockout ① | Catalog Number |
|---|--------|---------|------|------|--------------|------------------------------------|---------------------|----------------------------------|--------------|--------------------|----------------|
| Ring Style All-in-Ones (includes distribution section) | | | | | | | | | | | |
| 125 | None | OH/UG | ② | 4 | 2/4 | None—refer to Distribution CSR2150 | CH | 2 | V1-T4-62 | CMB24L125BTS ④⑤ | |
| 150 | None | OH/UG | 22 | 4 | 8 | | CH | 3 | | | V1-T4-62 |
| 200 | None | OH/UG | 10 | 4 | 4/8 | CSR2200 | BR | 3 | V1-T4-62 | MB48B200BTS ⑤⑥ | |
| 200 | None | OH/UG | 22 | 4 | 8 | CSR2200 | CH | 3 | V1-T4-62 | CMB88B200BTS ④⑤⑥ | |
| 200 | None | UG | 22 | 4 | 32/42 | CSR2200 | CH | 7 | V1-T4-61 | CMB3242B200BS ④⑤ | |
| 200 | None | OH/UG | 22 | — | 42/42 | — | CH | — | — | CMB4242B200BTS ④ | |
| Ringless All-in-Ones (includes distribution section) | | | | | | | | | | | |
| 125 | None | OH/UG | 22 | 4 | 4/8 | CSR2125 | BR | 21 | V1-T4-64 | MBT48B125BTS | |
| 150 | None | OH/UG | 22 | 4 | 4/8 | CSR2150 | BR | 21 | V1-T4-64 | MBT48B150BTS | |
| 150 | Horn | OH/UG | 10 | 5 | 8/16 | BW2150 | BR | 11 | — | MB816B150STD ⑦ | |
| 150 | Horn | OH/UG | 10 | 5 | 20/40 | BW2150 | BR | 11 | V1-T4-66 | MB2040B150SD ⑦ | |
| 200 | None | OH/UG | 10 | 4 | 8/16 | CSR2200 | BR | 10 | V1-T4-66 | MB816B200BTS ⑤⑥ | |
| 200 | None | OH/UG | 10 | 4 | 8/16 | CSR2200 | BR | 10 | V1-T4-66 | MB816B200BTSCU ④⑤⑥ | |
| 200 | Horn | OH/UG | 10 | 5 | 8/16 | BW2200 | BR | 11 | — | MB816B200STD ⑦ | |
| 200 | None | OH/UG | ② | 4 | 8/16 | Provision ③ | BR | 10 | V1-T4-66 | MB816P200BTS ⑤⑥ | |
| 200 | None | OH/UG | ② | 4 | 8/16 | Provision ③ | BR | 10 | V1-T4-66 | MB816P200BTSCU ④⑤⑥ | |
| 200 | Horn | OH/UG | ② | 5 | 8/16 | Provision ③ | BR | 11 | V1-T4-66 | MB816P200STD ⑥⑦ | |
| 200 | Horn | OH/UG | ② | 5 | 8/16 | Provision ③ | BR | 10 | V1-T4-66 | MB816P200BSD ⑥ | |
| 200 | None | OH/UG | 10 | 4 | 12/12 | CSR2200 | CH | 10 | V1-T4-62 | CMB1212B200BTS ④⑤⑥ | |
| 200 | None | OH/UG | ② | 4 | 6–2 Pole | Main lugs | CH | 9 | V1-T4-63 | CMB1212L200BTS ④⑥ | |
| 200 | None | OH/UG | ② | 4 | 12/12 | Provision ③ | CH | 10 | V1-T4-63 | CMB1212P200BTS ④⑤⑥ | |
| 200 | None | OH/UG | ② | 4 | 6–2 Pole | Main lugs | BR | 9 | V1-T4-63 | MB1212L200BTS ⑥ | |
| 200 | None | OH/UG | 22 | 4 | 24/24 | CSR2200 | CH | 10 | V1-T4-66 | CMB2424B200BTS ④⑤ | |
| 200 | None | OH/UG | 22 | 4 | 24/36 | CSR2200 | CH | 10 | V1-T4-66 | CMB2436B200BTS ④ | |
| 200 | None | OH/UG | 10 | 4 | 20/40 | CSR2200 | BR | 10 | V1-T4-66 | MB2040B200BTS ④ | |
| 200 | None | OH/UG | ② | 4 | 20/40 | Provision ③ | BR | 10 | V1-T4-66 | MB2040P200BTS ⑤ | |
| 200 | Horn | OH/UG | ② | 5 | 20/40 | Provision ③ | BR | 11 | V1-T4-66 | MB2040P200SD ⑦ | |
| 200 | Horn | OH/UG | 10 | 5 | 20/40 | CSR2200 | BR | 10 | V1-T4-66 | MB2040B200SD ⑦ | |
| 200 | Lever | OH/UG | 10 | 5 | None | CSR2200 | None | 14 | V1-T4-65 | CMBXB200BTS ④ | |
| 200 | Lever | OH/UG | 10 | 5 | 12/12 | CSR2200 | CH | 14 | V1-T4-65 | CMBX1212B200BTS ④⑥ | |
| 200 | Lever | OH/UG | 10 | 5 | 32/42 | CSR2200 | CH | 14 | V1-T4-65 | CMBX3242B200BTS ④ | |
| 200 | Lever | OH/UG | 10 | 5 | None | Provision | None | 14 | V1-T4-65 | CMBXP200BTS ④ | |
| 200 | Lever | OH/UG | 10 | 5 | 12/12 | Provision | CH | 14 | V1-T4-65 | CMBX1212P200BTS ④⑥ | |
| 200 | Lever | OH/UG | 10 | 5 | 32/42 | Provision | CH | 14 | V1-T4-65 | CMBX3242P200BTS ④ | |
| 200 | None | OH/UG | ② | 4 | 4/8 | Provision | BR | 21 | V1-T4-65 | MBT48P200BTS ⑥ | |
| 200 | None | OH/UG | 22 | 4 | 4/8 | CSR2200 | BR | 21 | V1-T4-65 | MBT48B200BTS ⑥ | |

Notes

- ① See Page V1-T4-61 for box details.
- ② Per installed main breaker rating.
- ③ When a provision for main is provided, order one of the main breakers listed on Page V1-T4-38. All panels are dual labeled to accept Types BW, CSR, CSH Main Breakers.
- ④ Copper bus.
- ⑤ One-piece cover on utility side, Florida approved.
- ⑥ Units come with feed-through lugs.
- ⑦ Xcel approved.

EUSERC Required Service Entrance Devices



Meets EUSERC Requirements Service Entrance Devices 100–225 A

Contents

| Description | Page |
|---|-----------------|
| Residential Meter Breakers | V1-T4-35 |
| Non-EUSERC Combination Service Entrance Devices 100–200 A Styles | V1-T4-37 |
| EUSERC Required Service Entrance Devices 100–225 A | |
| Catalog Number Selection | V1-T4-42 |
| Product Selection | V1-T4-42 |
| West Coast All-In-One Design | V1-T4-44 |
| House Panels | V1-T4-48 |
| Aluminum Meter Breakers | V1-T4-53 |
| CH Style Renovation Solutions | V1-T4-54 |
| Commercial Safety Sockets | V1-T4-55 |
| Meter Breakers Accessories | V1-T4-58 |

EUSERC Required Service Entrance Devices

Product Description

Eaton is proud to introduce a new line of West Coast/EUSERC Meter Breaker units. The new EUSERC devices complement the existing standard meter breaker devices. Customers who are interested in the complete meter breaker line of products can refer to Technical Data TD.31F.01.T.E.

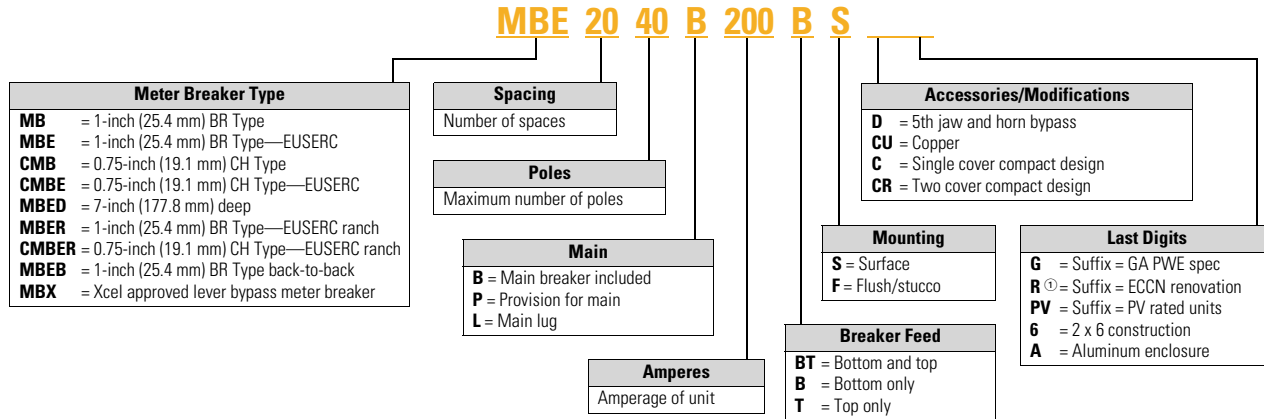
Application Description

Eaton’s line of EUSERC required devices adhere to the agreed upon standards. EUSERC utilities are predominately located in the western United States, but some eastern and midwestern utilities are also members. **These units can also be used in many Non-EUSERC areas.**

Features, Benefits and Functions

- Single-phase, three-wire, 120/240 V, 10 kAIC
- Larger 250 kcmil lugs and additional knockouts for ease of installation
- Box type main lugs are included
- Factory-installed neutrals
- Hub provisions on top endwall. If hubs are required, order “DS” type hubs
- Ring type sockets are provided with a sealing ring
- Padlockable device covers provide an additional measure of security and help prevent tampering
- Most units have center keyhole for easy one-person installation
- NEMA 3R rainproof construction

Catalog Number Selection



Product Selection

Note: See knockout drawings on **Pages V1-T4-61 through V1-T4-67** for hub information.

Combination Service Entrance Devices—EUSERC

| Ampere Rating | By-pass | Service | kAIC | Jaws | Distribution | Main | Branch Breaker Type | Dimensions and Enclosure Shape ^② | Page Numbers Knockout ^② | Catalog Number—Surface | Catalog Number—Flush |
|--|---------|---------|------|------|--------------|----------|---------------------|---|------------------------------------|--------------------------------------|------------------------------------|
| Ring Style Meter Mains (no distribution section included) | | | | | | | | | | | |
| 125 | None | OH/UG | ③ | 4 | 2/4 | MLO | BR | 2 | V1-T4-62 | MBE24L125BTS ^④ | MBE24L125BTF |
| 125 | None | OH/UG | ③ | 4 | 2/4 | MLO | CH | 2 | V1-T4-62 | CMBE24L125BTS ^{④⑤} | — |
| 150 | None | OH/UG | 22 | 4 | None | CSR2150N | None | 3 | V1-T4-62 | CMBE150BTS ^{④⑤} | — |
| 200 | None | OH/UG | 10 | 4 | None | CSR2200 | None | 3 | V1-T4-62 | MBEB200BTS ^④ | MBEB200BTF |
| 200 | None | OH/UG | 22 | 4 | None | CSR2200N | None | 3 | V1-T4-62 | CMBE200BTS ^{④⑤} | — |
| 200 | None | OH/UG | ③ | 4 | 2/4 | MLO | BR | 3 | V1-T4-62 | MBE24L200BTS ^④ | MBE24L200BTF |
| 200 | None | OH/UG | ③ | 4 | 2/4 | MLO | CH | 3 | V1-T4-62 | CMBE24L200BTS ^{④⑤} | — |
| Ring Style All-in-Ones (includes distribution section) | | | | | | | | | | | |
| 100 | None | OH/UG | 10 | 4 | 12/24 | BR2100 | BR | 2 | V1-T4-62 | MBE1224B100BTS | MBE1224B100BTF |
| 100 | None | UG | 10 | 4 | 14/28 | BR2100 | BR | 4 | V1-T4-61 | MBE1428B100BS ^⑥ | MBE1428B100BF ^⑥ |
| 100 | None | OH | 10 | 4 | 12/24 | BR2100 | BR | 9 | V1-T4-63 | MBE1224B100TS | — |
| 125 | None | OH/UG | 10 | 4 | 12/24 | BR2125 | BR | 2 | V1-T4-62 | MBE1224B125BTS | MBE1224B125BTF |
| 125 | None | OH | 10 | 4 | 12/24 | BR2125 | BR | 9 | V1-T4-63 | MBE1224B125TS | — |
| 125 | None | UG | 10 | 4 | 18/36 | BR2125 | BR | 5 | V1-T4-61 | — | MBE1836B125BF ^⑥ |
| 150 | None | OH/UG | 10 | 4 | 4/8 | CSR2150 | BR | 19 | — | MBER48B150BTS ^{⑦⑧} | — |
| 150 | None | OH/UG | 22 | 4 | 8/8 | CSR2150N | CH | 19 | — | CMBER88B150BTS ^{⑤⑦⑧} | — |
| 150 | None | OH/UG | 22 | 4 | 8 | CSR2150N | CH | 3 | V1-T4-62 | CMBE88B150BTS ^{⑤⑦} | CMBE88B150BTF ^{⑤⑦} |
| 150 | None | UG | 22 | 4 | 32/42 | CSR2150N | CH | 7 | V1-T4-61 | CMBE3242B150BS ^{⑤⑥} | — |
| 150 | None | UG | 10 | 4 | 20/40 | CSR2150 | BR | 6 | V1-T4-61 | — | MBE2040B150BF ^{⑥⑨} |

Notes

- ① Not available in CR.
- ② See **Page V1-T4-61** for box details.
- ③ Interrupting rating is dependent on the main breaker that is installed.
- ④ Reference drawing EUSERC DWG-301, G1.
- ⑤ Unit has copper bus.
- ⑥ Reference drawing EUSERC DWG-301/301A.
- ⑦ Units come with feed-through lugs.
- ⑧ Units include a two-pole provision for secondary main 70 A max. Type BR, BRH, BRHH.
- ⑨ Please use RH-Type hubs on top end wall for overhead feed.

Note: See knockout drawings on **Pages V1-T4-61 through V1-T4-67** for hub information.

Combination Service Entrance Devices—EUSERC, continued

| Ampere Rating | By-pass | Service | kAIC | Jaws | Distribution | Main | Branch Breaker Type | Dimensions and Enclosure Shape ^② | Page Numbers Knockout ^② | Catalog Number—Surface | Catalog Number—Flush |
|--|---------|---------|------|------|--------------|-----------|---------------------|---|------------------------------------|------------------------------|------------------------------|
| Ring Style All-in-Ones (includes distribution section), continued | | | | | | | | | | | |
| 150 | None | OH/UG | 22 | 4 | 20/40 | CSR2150 | BR | — | — | MBE2040B150BTS ^③ | — |
| 150 | None | OH/UG | 10 | 4 | 4/8 | CSR2150 | BR | 3 | V1-T4-62 | MBE48B150BTS | — |
| 200 | None | OH/UG | 10 | 4 | 4/8 | CSR2200 | BR | 3 | V1-T4-62 | MBE48B200BTS ^④ | MBE48B200BTF ^④ |
| 200 | None | OH/UG | 22 | 4 | 8 | CSR2200N | CH | 3 | V1-T4-62 | CMBE88B200BTS ^{④⑤} | CMBE88B200BTF ^{④⑤} |
| 200 | None | OH/UG | 10 | 4 | 8 | CSR2200 | BR | 3 | V1-T4-62 | MBE88B200BTS | — |
| 200 | None | OH/UG | 10 | 4 | 4/8 | CSR2200 | BR | 19 | V1-T4-65 | MBER48B200BTS ^{④⑥} | — |
| 200 | None | OH/UG | 10 | 4 | 4/8 | CSR2200 | BR | 19 | V1-T4-65 | MBER48B200BTS ^{④⑥} | — |
| 200 | None | OH/UG | ② | 4 | 8/16 | Provision | BR | 10 | V1-T4-63 | MBE816P200TSCU ^{③⑤} | — |
| 200 | None | OH | ② | 4 | 8/16 | Provision | BR | 10 | V1-T4-63 | MBE816P200TS ^{③④} | — |
| 200 | None | UG | ② | 4 | 6–2 Pole | Main Lug | CH | 5 | V1-T4-61 | CMBE1212L200BS ^{⑥⑦} | MBE1212L200BTF ^⑦ |
| 200 | None | OH/UG | ② | 4 | 6–2 Pole | Main Lug | BR | 9 | V1-T4-61 | MBE1212L200BTS | — |
| 200 | None | OH | 10 | 4 | 20/40 | CSR2200 | BR | 10 | V1-T4-63 | MBE2040B200TS ^③ | MBE2040B200TF ^⑧ |
| 200 | None | UG | 10 | 4 | 20/40 | CSR2200 | BR | 6 | V1-T4-61 | MBE2040B200BS ^③ | MBE2040B200BF ^⑧ |
| 200 | None | OH/UG | 22 | 4 | 20/40 | CSR2200 | BR | — | — | MBE2040BH200BTS ^③ | — |
| 200 | None | OH/UG | 22 | 4 | 20/40 | CSR2200 | BR | — | — | MBE2040BH200BTF ^③ | — |
| 200 | None | UG | 22 | 4 | 30/42 | CSR2200 | BR | 7 | — | — | MBE3042B200BF |
| 200 | None | UG | 22 | 4 | 32/42 | CSR2200N | CH | 7 | V1-T4-61 | CMBE3242B200BS ^{⑥⑦} | CMBE3242B200BF ^{⑥⑦} |
| 200 | None | UG | 22 | 4 | 40 | CSR2200 | BR | 12 | — | MBE4040B200BSH ^{⑥⑦} | — |
| 200 | None | OH/UG | 22 | 4 | 40 | CSR2200 | BR | 12 | — | MBE4040B200BTS | MBE4040B200BTF ^⑨ |
| 200 | None | OH/UG | 22 | 4 | 42 | CSR2200N | CH | 12 | — | CMBE4242B200BTS ^⑤ | — |
| 200 | None | OH/UG | 10 | 4 | 20/40 | CSR2200 | BR | 18 | V1-T4-65 | MBE2040B200BTS ^③ | MBE2040B200BTF ^③ |
| 225 | None | OH/UG | 10 | 4 | 20/40 | CSR2225 | BR | 18 | V1-T4-65 | MBE2040B225BTS ^③ | MBE2040B225BTF ^③ |
| 225 | None | UG | 22 | 4 | 30/42 | CSR2225 | BR | 7 | — | — | MBE3042B225BF ^⑦ |
| 225 | None | UG | 22 | 4 | 32/42 | CSR2225N | CH | 7 | V1-T4-61 | CMBE3242B225BS ^{⑥⑦} | CMBE3242B225BF ^{⑥⑦} |

Notes

- ① See **Page V1-T4-61** for box details.
- ② Interrupting rating is dependent on the main breaker that is installed.
- ③ Please use RH-Type hubs on top end wall for overhead feed.
- ④ Units come with feed-through lugs.
- ⑤ Unit has copper bus.
- ⑥ Semi-flush flange, not full stucco flange.
- ⑦ Reference drawing EUSERC DWG-301/301A.
- ⑧ When a provision for main is provided, order one of the main breakers listed on **Page V1-T4-61**. All panels are dual labeled to accept Types BW or CSR Main Breakers.
- ⑨ Includes factory-mounted 2.50-inch hub on bottom endwall. UG feed only.

West Coast All-In-One Design



Contents

| Description | Page |
|---|-----------------|
| Residential Meter Breakers | V1-T4-35 |
| Non-EUSERC Combination Service Entrance Devices 100–200 A Styles | V1-T4-37 |
| EUSERC Required Service Entrance Devices 100–225 A | V1-T4-41 |
| West Coast All-In-One Design Product Selection | V1-T4-45 |
| Dimensions and Knockouts | V1-T4-45 |
| House Panels | V1-T4-48 |
| Aluminum Meter Breakers | V1-T4-53 |
| CH Style Renovation Solutions | V1-T4-54 |
| Commercial Safety Sockets | V1-T4-55 |
| Meter Breakers Accessories | V1-T4-58 |

West Coast All-In-One Design

Product Description

A metering device that may contain a meter socket, main breaker and distribution section within the same enclosure.

Features, Benefits and Functions

- Semi-flush mounting. 7-inch design ideal for stucco homes
- Endwall knockouts are easily accessible for future wiring without damaging stucco
- Knockout in back of case for mounting car-charging receptacle in garage (meets future electric car requirements)
- Outboard split neutral for easy wiring
- Commercial grade main breaker
- Value-added kits available: Hub adapter plate

Product Selection

MBED3042B200BF



7-Inch Deep Meter Breaker—Standard Design OH/NG ①

| Ampere Rating | Bypass | Service | kAIC | Jaws | Distribution | Main | Branch Breaker Type | Catalog Number—Flush | Factory-Installed Kits |
|---------------|--------|---------|------|------|--------------|--------|---------------------|----------------------|------------------------|
| 100 | None | UG | 10 | 4 | 18/36 | BW2100 | BR | MBED1836B100BF | — |
| 125 | None | UG | 10 | 4 | 18/36 | BW2125 | BR | MBED1836B125BF | — |
| 200 | None | UG | 10 | 4 | 20/40 | BW2200 | BR | MBED2040B200BF | — |
| 200 ② | None | UG | 10 | 4 | 20/40 | BW2200 | BR | MBED2040B200BFN | — |
| 200 | None | UG | 10 | 4 | 30/42 | BW2200 | BR | MBED3042B200BF | — |
| 225 | None | UG | 10 | 4 | 20/40 | BW2225 | BR | MBED2040B225BF | — |
| 225 ② | None | UG | 10 | 4 | 20/40 | BW2225 | BR | MBED2040B225BFN | — |
| 225 | None | UG | 10 | 4 | 30/42 | BW2225 | BR | MBED3042B225BF | — |

Dimensions and Knockouts

Approximate Dimensions in Inches (mm)

7-Inch Deep Meter Breaker

| Catalog Number—Flush | Height | Width | Depth |
|----------------------|----------------|---------------|--------------|
| MBED1836B100BF | 38.00 (965.2) | 14.19 (360.4) | 7.00 (177.8) |
| MBED1836B125BF | 38.00 (965.2) | 14.19 (360.4) | 7.00 (177.8) |
| MBED2040B200BF | 38.00 (965.2) | 14.19 (360.4) | 7.00 (177.8) |
| MBED2040B200BFN | 42.50 (1079.5) | 14.19 (360.4) | 7.00 (177.8) |
| MBED3042B200BF | 42.50 (1079.5) | 14.19 (360.4) | 7.00 (177.8) |
| MBED2040B225BF | 38.00 (965.2) | 14.19 (360.4) | 7.00 (177.8) |
| MBED2040B225BFN | 42.50 (1079.5) | 14.19 (360.4) | 7.00 (177.8) |
| MBED3042B225BF | 42.50 (1079.5) | 14.19 (360.4) | 7.00 (177.8) |

Notes

- ① Reference drawing EUSERC DWG-301A, G1
- ② Main Breaker Bus connected to 20/40 distribution. Main and Disconnect in same compartment.

4.2

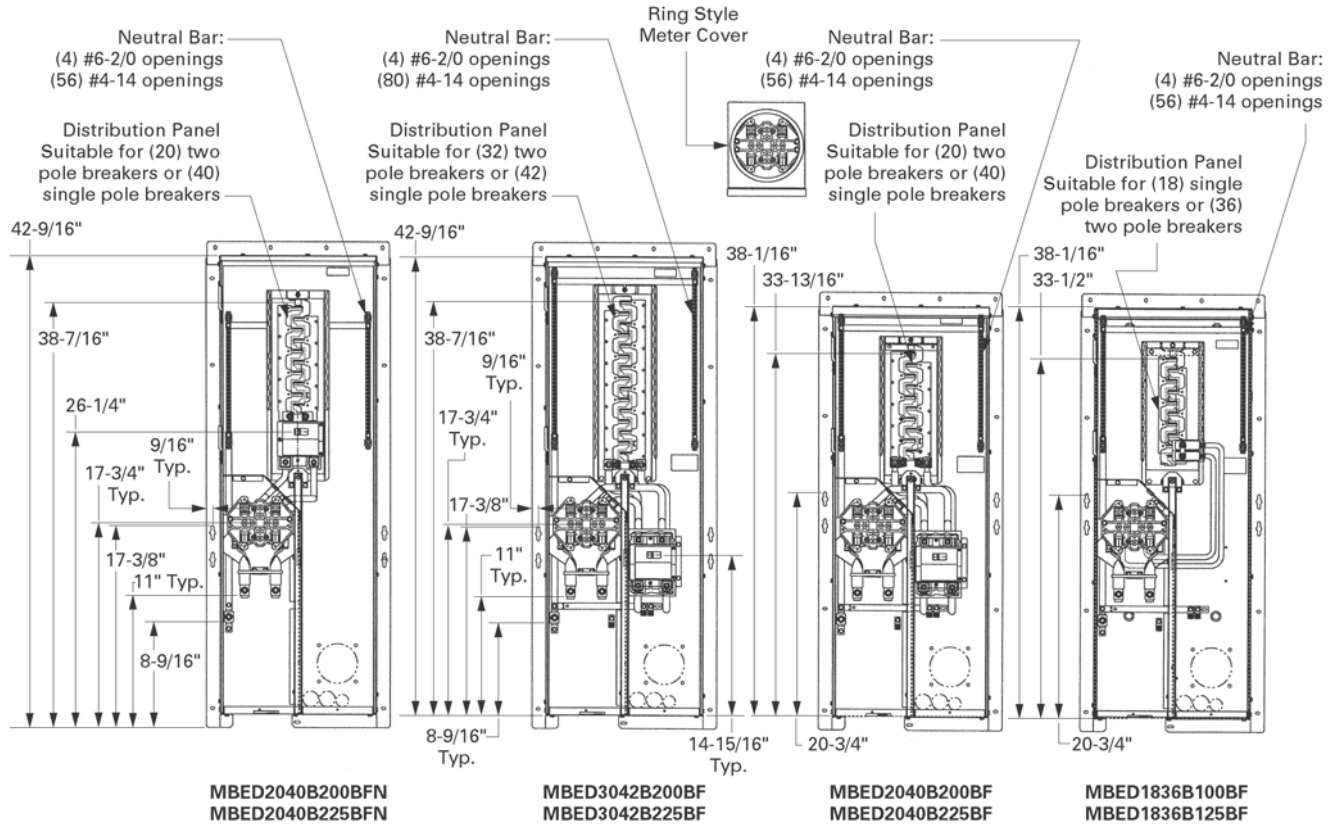
Metering Products

Meter Breakers

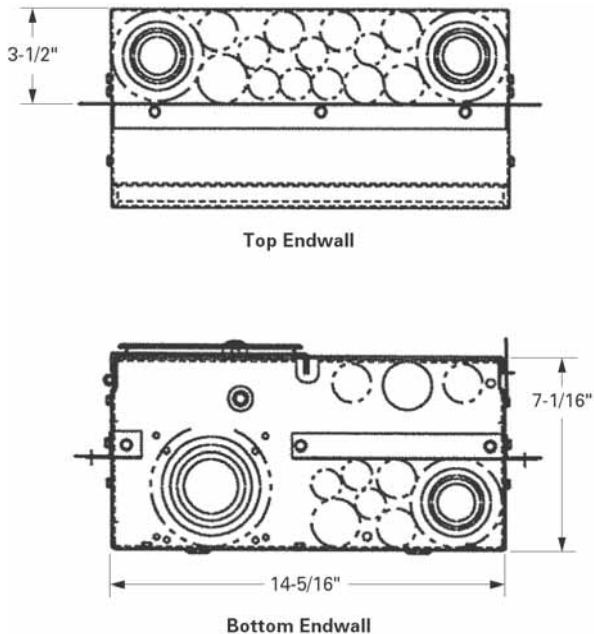
4

Approximate Dimensions in Inches (mm)

Catalog Numbers MBED2040B200BFN, MBED20408225BFN, MBED3042B200BF, MBED3042B225BF, MBED2040B200BF, MBED2040B225BF, MBED1836B100BF, MBED1836B125BF

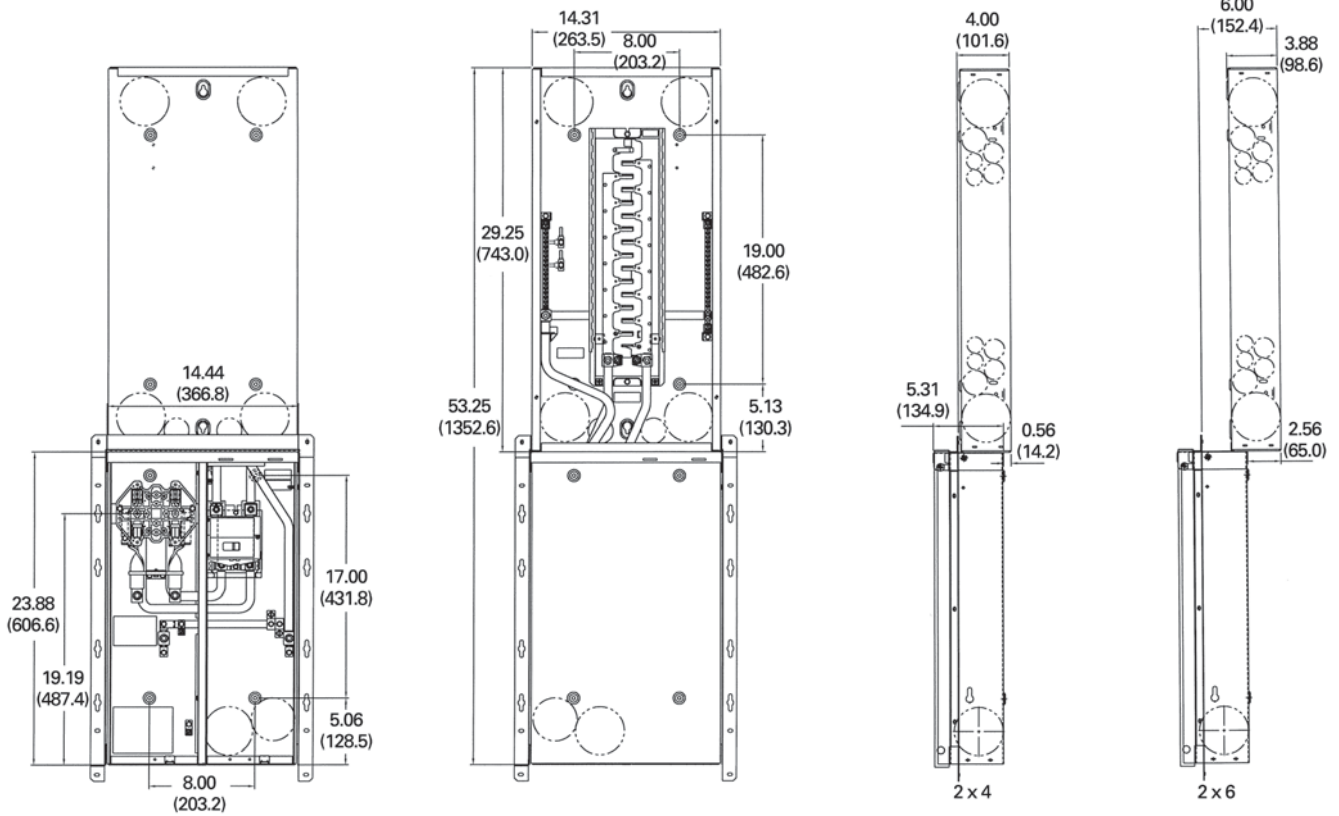


Knockout Configurations and Dimensions for MBED2040B200BFN, MBED20408225BFN, MBED3042B200BF, MBED3042B225BF, MBED2040B200BF, MBED2040B225BF, MBED1836B100BF, MBED1836B125BF

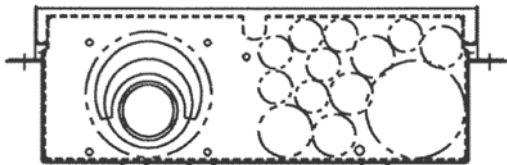
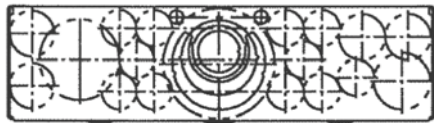


Approximate Dimensions in Inches (mm)

Catalog Numbers MBEB2003040BB, MBEB2253040BB



Knockout Configurations for MBEB2003040BB, MBEB2253040BB



House Panels



Contents

| Description | Page |
|---|-----------------|
| Residential Meter Breakers | V1-T4-35 |
| Non-EUSERC Combination Service Entrance Devices 100–200 A Styles | V1-T4-37 |
| EUSERC Required Service Entrance Devices 100–225 A | V1-T4-41 |
| West Coast All-In-One Design | V1-T4-44 |
| House Panels | |
| Product Selection | V1-T4-49 |
| Accessories | V1-T4-50 |
| Dimensions and Knockouts | V1-T4-51 |
| Aluminum Meter Breakers | V1-T4-53 |
| CH Style Renovation Solutions | V1-T4-54 |
| Commercial Safety Sockets | V1-T4-55 |
| Meter Breakers Accessories | V1-T4-58 |

House Panels

Product Description

Eaton’s House Panels offer a faster, easier and safer installation. These 400 A units are ideal for larger homes in North America that require meter breakers. Available in both CH and BR styles, these service entrance devices consist of a meter socket and a distribution section. In response to contractor feedback, these panels have been redesigned with a focus on flexibility, simplified wiring, and an overall ease of installation. All units come standard with a 22 kAIC main breaker. The load conductors can exit the top, bottom, side or back for greater application and installation flexibility.

Application Description

Additionally, Eaton’s House Panels can be used for apartments, condominiums, clubhouses or common areas.

Features, Benefits and Functions

- NEMA 3R rainproof
- Rated for service entrance equipment
- Lever bypass socket available on certain catalog numbers
- Pin type door hinges
- Socket to distribution section is connected via insulated cable for safety
- Second main space can accept 100–200 A BW, CSR or CSR breakers

Standards and Certifications

- Ring style units meet EUSERC requirements
- UL listed



Product Selection

House Panels

400 A "House Panels"



| Ampere Rating | Security ① | Bypass ② | Main Breaker | Optional Secondary Main Breaker (Not Included) | Service Type | kAIC | Dist. | Line Side Main Lugs and Neutral (Lugs Not Included) | Semi-Flush Catalog Number ③④ | Surface Catalog Number ④ |
|-----------------------|------------|-----------------|--------------|--|--------------|------|-------|---|------------------------------|-----------------------------|
| 300 | Ringless | Lever | CSR2150 | BW/CSR | OH/UG | 22 | 8/16 | Lug landings for compression | — | HP816P300BSL |
| 300 | Ringless | Lever | CSR2150 | BW/CSR | UG | 22 | None | | — | HPC30SHL |
| 400 | Ring | None | CSR2200N | CSH | UG | 22 | 32/42 | Lug landings for compression | — | CG403242SH ⑥ |
| 400 | Ring | None | CSR2200N | CSH | UG | 22 | 12/12 | | — | CG1212P400BS ⑥⑦ |
| 400 | Ring | Manual / TEST ⑤ | CSR2200 | BRH/CSR | UG | 22 | None | — | — | HP40SHA ⑧ |
| 400 | Ring | Manual / TEST ⑤ | CSR2200 | BRH/CSR | UG | 22 | 40/40 | — | — | HP404040SHA ⑧⑨ |
| 400 | Ring | None | DK2400 | None | UG | 22 | None | — | — | HP40 ⑤ |
| 400 | Ring | None | CSR2200 | BRH/CSR | UG | 22 | None | — | — | HP40SH ④⑥⑧ |
| 400 | Ring | None | DK2400 | None | UG | 22 | 24/42 | — | — | HP402442 ⑥ |
| 400 | Ring | None | CSR220 | BRH/CSR | UG | 22 | 40/40 | — | — | HP404040SHF ⑥ HP404040SH ⑥⑧ |
| 400 | Ring | Manual / TEST ⑤ | CSR2200 | BRH/CSR | UG | 22 | 40/40 | — | — | HP404040SHFA ⑥ — |
| 400 | Ring | None | CSR2200 | BRH/CSR | UG | 22 | 8/16 | — | — | HP816P400BS ⑥⑦⑧ |
| 400 | Ringless | Lever | CSR2200N | CSH | UG | 22 | 12/12 | — | — | CG1212P400BSL ⑦ |
| 400 | Ringless | Lever | CSR2200N | CSH | UG | 22 | 42/42 | — | — | CG404242SHL |
| 400 | Ringless | Lever | CSR2200 | BRH/CSR | UG | 22 | None | — | — | HP40SHL ⑥ |
| 400 | Ringless | Lever | CSR2200 | BRH/CSR | OH/UG | 22 | None | — | — | HPC40SHL ⑧ |
| 400 | Ringless | Lever | CSR2200 | BRH/CSR | UG | 22 | 40/40 | — | — | HP404040SHL ⑧ |
| 400 | Ringless | Lever | CSR2200 | BRH/CSR | UG | 22 | 8/16 | — | — | HP816P400BSL ⑦⑧ |
| 400 | Ringless | Lever | CSR2200 | BRH/CSR | OH/UG | 22 | 4/6 | — | — | HPC4046SHLG ⑩ |
| 400 | Ringless | Lever | CSR2200 | BRH/CSR | OH/UG | 22 | 4/6 | — | — | HPC4046SHLX ⑩ |
| Bolt-On Socket | | | | | | | | | | |
| 400 | Ringless | None | DK2400 | None | UG | 22 | 24/40 | Lug landings for compression | — | HP402440B ⑩ |
| 400 | Ringless | None | CSR2200 | BRH/CSR | UG | 22 | 24/40 | | — | — |





Notes

- ① Confirm security type for individual EUSERC utility requirements.
- ② Included in all of the following devices.
- ③ If unit needs to be semi-flush, order accessory item catalog number **HPPR** to convert **all** surface mounting devices to semi-flush mounting.
- ④ BR style has **HP** prefix. CH style has **CG** prefix.
- ⑤ "Test" or "Manual" bypass allows utility capability to bypass the meter socket during service operations. The terms are specific to meeting utility requirements but function identically.
- ⑥ Reference drawing EUSERC DWG-302A, G1.
- ⑦ Feed-through lugs included.
- ⑧ For 10 kAIC, use BR or BW breakers as secondary main.
- ⑨ Includes manual bypass and additional ground lug to meet Nevada Power requirements.
- ⑩ Georgia Power approved.
- ⑪ Xcel approved.
- ⑫ Bolt-on meter socket.

Accessories

- Top-feed gutter kit to ease top-fed installation
- Re-engineered, adjustable flush mount kit for a cleaner installation
- 100 A second main breaker kit
- New 750 kcmil box type lug kit

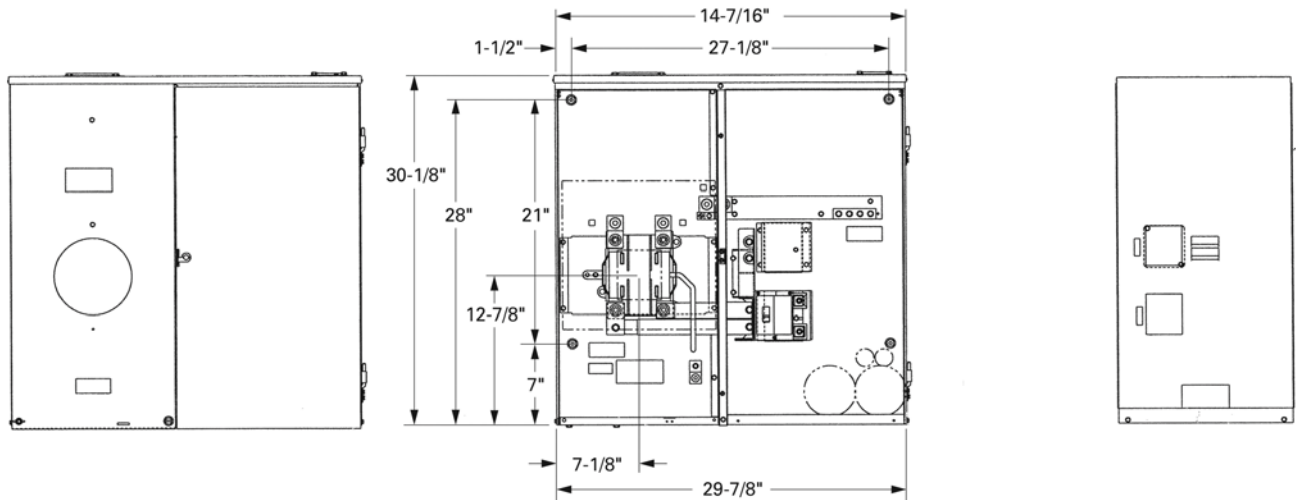
Accessories

| | Description | Catalog Number |
|---|--|----------------|
|  | Top feed kit to convert surface mount house panel for overhead service | HP40TFKIT |
|  | 750 kcmil lug kit | HPBLK750 |
|  | Manual bypass kit | HPBPK |
|  | Flushmount kit | HPPR |
| | 100 A 2nd main kit (Type BR branch) | HP2NDMNKIT |
| | 100 A 2nd main kit (Type CH branch) | CH2NDMNKIT |
| | 5th jaw for lever bypass house panels | ARP00326CH |
| | Locates 3-inch (only) incoming conduit to back of can by utilizing the 4-inch knockout useful in semi-flush applications | HP40HUBPLATE |

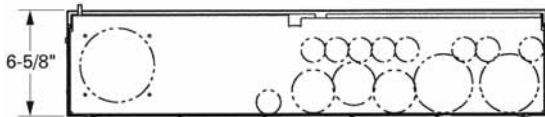
Dimensions and Knockouts

Approximate Dimensions in Inches (mm)

Catalog Numbers HPC40SHL and HPC30SHL



Knockout Configurations and Dimensions for HPC40SHL and HPC30SHL



4.2

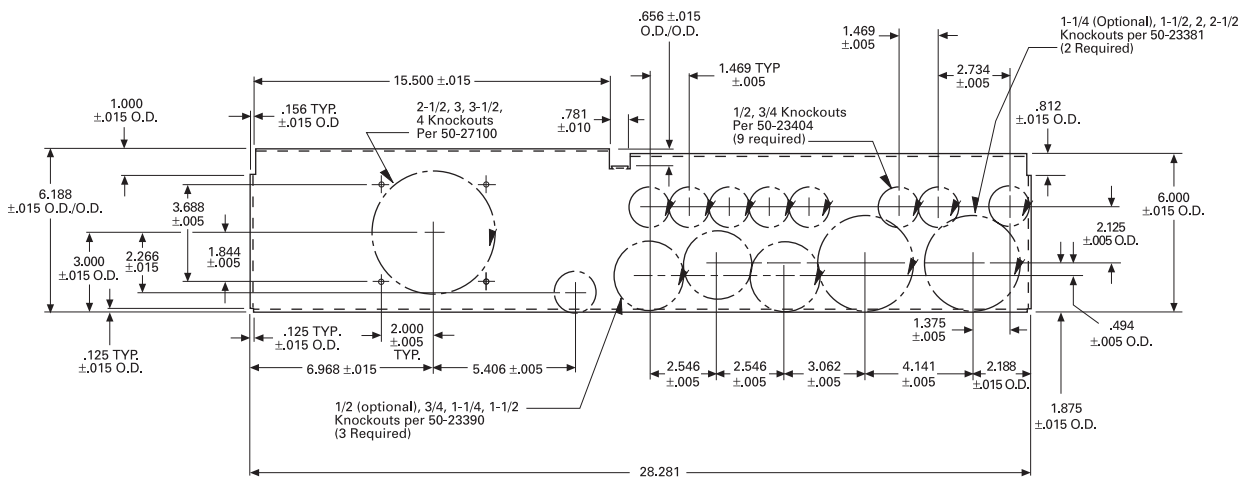
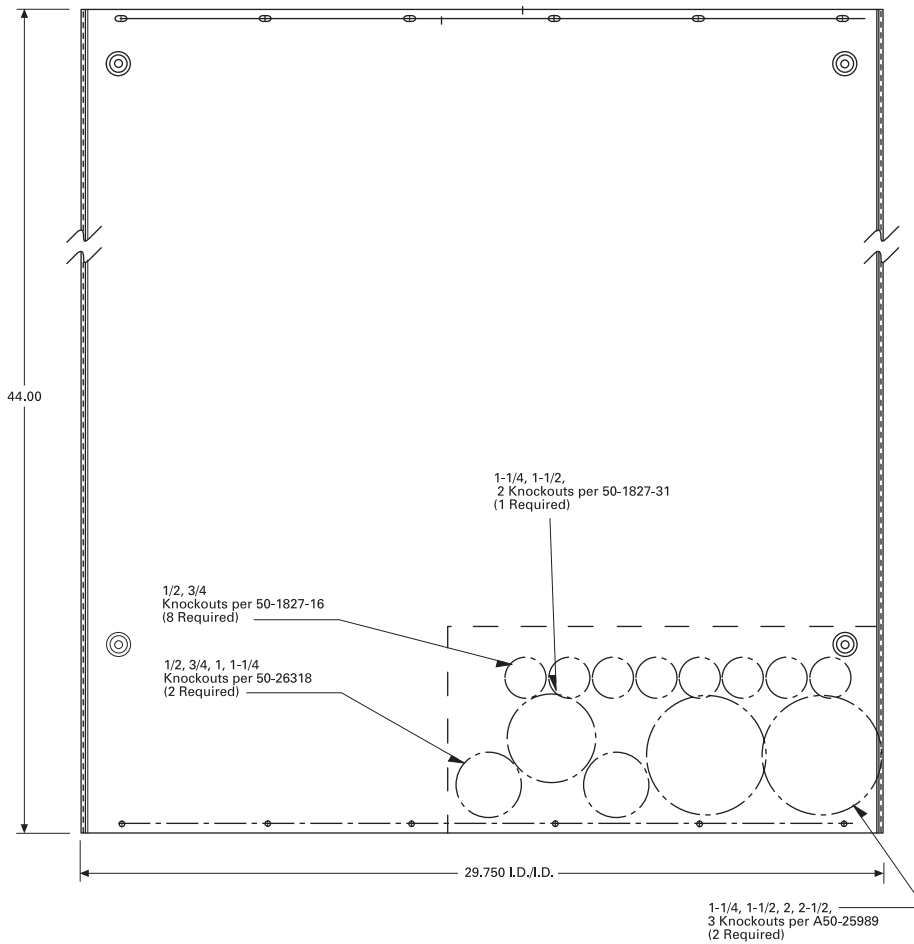
Metering Products

Meter Breakers

Approximate Dimensions in Inches (mm)

House Panel Dimensions and Knockouts—For All House Panels Except Those With HPCPREFIX

4



Aluminum Meter Breakers

Contents

| <i>Description</i> | <i>Page</i> |
|---|-----------------|
| Residential Meter Breakers | V1-T4-35 |
| Non-EUSERC Combination Service Entrance Devices 100–200 A Styles | V1-T4-37 |
| EUSERC Required Service Entrance Devices 100–225 A | V1-T4-41 |
| West Coast All-In-One Design | V1-T4-44 |
| House Panels | V1-T4-48 |
| Aluminum Meter Breakers | |
| CH Style Renovation Solutions | V1-T4-54 |
| Commercial Safety Sockets | V1-T4-55 |
| Meter Breakers Accessories | V1-T4-58 |

Aluminum Meter Breakers

Product Description

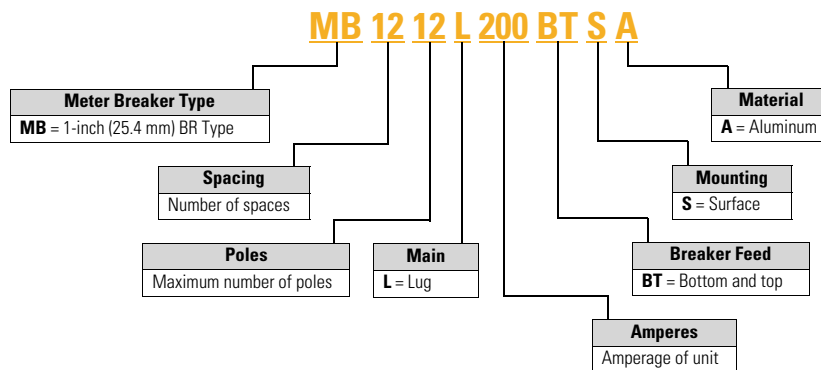
Eaton’s Aluminum Meter Breaker enclosure and external cover offers excellent corrosion resistance in the harshest coastal environments. The meter breaker’s light weight and overhead/underground design offers flexibility and ease of installation.

Features and Benefits

- Overhead/underground design provides flexibility with wiring options
- Steel meter guides are standard, which provides a means of easy installation of the utility glass bulb meter into the meter’s jaws
- Main Lug Only design includes six two-pole breaker locations, which complies with National Electrical Code 225.33 (maximum number of disconnects)
- Distribution section accepts BR branch breakers
- Single-phase, three-wire 120/240 Vac applications
- Hub closure plate is provided, attached to the top of the device
- Optional fifth jaw can be applied to 3 o’clock or 9 o’clock meter socket position
- 10-year warranty
- For customer support, contact Eaton’s Technical Resource Center at 1-877-ETN-CARE
- For additional information or to place an order, contact your local Eaton representative or visit us at www.eaton.com

Catalog Number Selection

Aluminum Meter Breakers



CH Style Renovation Solutions



Contents

| <i>Description</i> | <i>Page</i> |
|---|-----------------|
| Residential Meter Breakers | V1-T4-35 |
| Non-EUSERC Combination Service Entrance Devices 100–200 A Styles | V1-T4-37 |
| EUSERC Required Service Entrance Devices 100–225 A | V1-T4-41 |
| West Coast All-In-One Design | V1-T4-44 |
| House Panels | V1-T4-48 |
| Aluminum Meter Breakers | V1-T4-53 |
| CH Style Renovation Solutions Commercial Safety Sockets | V1-T4-55 |
| Meter Breakers Accessories | V1-T4-58 |

CH Style Renovation Solutions

Product Description

- Ring style meter socket design
- Provisional main breaker or factory main breaker available
- Center top feed design
- Exit bottom or top design
- 100 A, 125 A or 200 A ratings available

Product Selection

CH Style Retrofit Solutions ①

| Ampere Rating | Description | Catalog Number |
|---------------|---|-------------------------|
| 100 | CH, 22 circuit, provision, center top feed, exit top or bottom, flush, OH/UG | CMBE22P100BTFR |
| 125 | CH, 22 circuit, provision, center top feed, exit top or bottom, surface, OH/UG | CMBE22P125BTSR |
| 125 | CH, 22 circuit, provision, center top feed, exit top or bottom, flush, OH/UG | CMBE22P125BTFR |
| 200 | CH, 32/42 circuit, 200 A main breaker, center top feed, exit top or bottom, semi-flush, OH/UG | CMBE3242B200BTS |
| 200 | CH, 32/42 circuit, 200 A main breaker, center top feed, exit top or bottom, flush, OH/UG | CMBE3242B200BTFR |

Note

① Reference drawing EUSERC DWG-308, G1.

Commercial Safety Sockets



Contents

| <i>Description</i> | <i>Page</i> |
|---|-----------------|
| Residential Meter Breakers | V1-T4-35 |
| Non-EUSERC Combination Service Entrance Devices 100–200 A Styles | V1-T4-37 |
| EUSERC Required Service Entrance Devices 100–225 A | V1-T4-41 |
| West Coast All-In-One Design | V1-T4-44 |
| House Panels | V1-T4-48 |
| Aluminum Meter Breakers | V1-T4-53 |
| CH Style Renovation Solutions | V1-T4-54 |
| Commercial Safety Sockets Product Selection | V1-T4-56 |
| Meter Breakers Accessories | V1-T4-58 |

Commercial Safety Sockets

Product Description

A Commercial Safety Socket is service entrance equipment that consists of a commercial meter socket with a test block, and may come with or without a loadcenter type distribution section.

Application Description

Eaton’s Commercial Safety Sockets are typically used where a single meter socket or single meter socket with a distribution section are needed. These areas could include a commercial business, commercial office building, individual retail facilities and signs and street lighting. Commercial Safety Sockets are typically used in EUSERC utility regions.

Features, Benefits and Functions

Commercial Safety Sockets with No Secondary Feeder



- Ring type continuous duty meter socket. 600 Vac maximum, single- or three-phase
- 100 and 200 A units
- Bussed connection from meter socket to test block
- For use with self-contained watt-hour meter
- Conform with EUSERC standards
- NEMA 3R construction for indoor/outdoor applications
- Units can be individually mounted with provisions for hub kits and pole mounting

Overhead Combination Units



- NEMA 3R construction for indoor/outdoor applications
- T-fuse protection, 480 Vac maximum
- Line at top, load at bottom
- 100 and 200 A units available up to 480 Vac maximum
- Circuit breaker protection to 480 Vac maximum in 10, 22, 42 and 100 kAIC ratings
- Factory-cabled connection from test block to line side of tenant main

Underground Combination Units



- 100 and 200 A units
- 480 Vac maximum
- NEMA 3R construction for indoor/outdoor applications
- Underground or overhead feed
- Provisions for self-contained watt-hour meter
- Bussed connection from meter socket to test block
- Tenant main disconnects are available with circuit breakers up to 480 Vac maximum and T-fuse mains, 240 Vac maximum
- Load wires can exit top or bottom

Product Selection

Overhead and Underground Combination Units and Individual Units

CH127TB



4

Individual Safety Sockets—600 V Maximum—No Secondary Feeder Devices ^①

| Ampere Rating | No. of Jaws | AC Voltage | Service | Phase, Wire | Maximum Interrupting Rating | Wire Size | Catalog Number |
|---------------|-------------|------------|---------|--------------------------|-----------------------------|--------------|----------------|
| 125 | 4 | 600 | OH/UG | Single-phase, three-wire | ② | #14–2/0 | CH114TB |
| 125 | 5 | 600 | OH/UG | Three-phase, three-wire | ② | #14–2/0 | CH115TB |
| 125 | 7 | 600 | OH/UG | Three-phase, four-wire | ② | #14–2/0 | CH117TB |
| 200 | 4 | 600 | OH/UG | Single-phase, three-wire | ② | #6–250 kcmil | CH124TB |
| 200 | 5 | 600 | OH/UG | Three-phase, three-wire | ② | #6–250 kcmil | CH125TB |
| 200 | 7 | 600 | OH/UG | Three-phase, four-wire | ② | #6–250 kcmil | CH127TB |

Commercial Safety Sockets with Provision for Main Circuit Breaker ^③

| Ampere Rating | No. of Jaws | AC Voltage | Service | Phase, Wire | Feeder Circuit Breaker | Maximum Interrupting Rating | Wire Size | Catalog Number |
|---------------|-------------|------------|---------|--------------------------|------------------------|-----------------------------|--------------|----------------|
| 125 | 4 | 240 | OH | Single-phase, three-wire | Provision ^④ | ⑥ | #14–2/0 | CH214MTBLB |
| 125 | 7 | 208/120 | OH | Three-phase, four-wire | Provision ^④ | ⑥ | #14–2/0 | CH217MTBLB |
| 125 | 4 | 240 | UG | Single-phase, three-wire | Provision ^④ | ⑥ | #14–2/0 | CHU214MTBLB |
| 125 | 7 | 208/120 | UG | Three-phase, four-wire | Provision ^④ | ⑥ | #14–2/0 | CHU217MTBLB |
| 200 | 4 | 120/240 | OH | Single-phase, three-wire | Provision ^⑤ | ⑦ | #6–250 kcmil | CH224MTBLB |
| 200 | 7 | 208/120 | OH | Three-phase, four-wire | Provision ^⑤ | ⑦ | #6–250 kcmil | CH227MTBLB |
| 200 | 4 | 120/240 | UG | Single-phase, three-wire | Provision ^⑤ | ⑦ | #6–250 kcmil | CHU224MTBLB |
| 200 | 7 | 208/120 | UG | Three-phase, four-wire | Provision ^⑤ | ⑦ | #6–250 kcmil | CHU227MTBLB |

Commercial Safety Sockets with Main Circuit Breaker Included ^③

| Ampere Rating | No. of Jaws | AC Voltage | Service | Phase, Wire | Feeder Circuit Breaker | Maximum Interrupting Rating | Wire Size | Catalog Number |
|---------------|-------------|------------|---------|------------------------|------------------------|-----------------------------|--------------|----------------|
| 100 | 7 | 480/277 | OH | Three-phase, four-wire | EHD3100 | 14 kA | #14–2/0 | CH217MTBM515 |
| 100 | 7 | 480/277 | UG | Three-phase, four-wire | EHD3100 | 14 kA | #14–2/0 | CHU217MTBMS15 |
| 200 | 7 | 480/277 | OH | Three-phase, four-wire | JD3200 | 25 kA | #6–250 kcmil | CH227MTBHMS15 |
| 200 | 7 | 480/277 | UG | Three-phase, four-wire | JD3200 | 25 kA | #6–250 kcmil | CHU227MTBHMS15 |

Notes

- ① Reference drawing EUSERC DWG-305, G1.
- ② If being protected by a fuse, the interrupting rating of the unit is limited to the fuse AIC rating. If being protected by a single- or three-phase, 600 V breaker, the AIC is 14 kA; by a maximum 400 A, single-phase, 240 V breaker, the AIC is 18 kA; by a maximum 200 A, single- or three-phase, 240 V breaker, the AIC is 18 kA; by a maximum 125 A, single-phase, 240 V breaker, the AIC is 22 kA.
- ③ Reference drawing EUSERC DWG-305A, G1.
- ④ Order plug-on Type BR, BRH or BRHH circuit breaker separately.
- ⑤ Order Type CC breaker or CCH breaker separately.
- ⑥ Type BR = 10 kA; Type BRH = 22 kA; Type BRHH = 42 kA.
- ⑦ Type CCV = 10 kA; Type CCVH = 25 kA.

Underground Combination Units and Safety Sockets

CHU227MTBP

Commercial Safety Sockets with T-Fuse Switch ①



| Ampere Rating | No. of Jaws | AC Voltage | Service | Phase, Wire | Feeder Circuit Breaker | Maximum Interrupting Rating | Wire Size |
|---------------|-------------|------------|---------|--------------------------|------------------------|-----------------------------|------------|
| 100 | 4 | 120/240 | OH | Single-phase, three-wire | 200 kA | #14-2/0 | CH214MTBP |
| 100 | 7 | 208/120 | OH | Three-phase, four-wire | 200 kA | #14-2/0 | CH217MTBP |
| 100 | 4 | 120/240 | UG | Single-phase, three-wire | 200 kA | #14-2/0 | CHU214MTBP |
| 100 | 7 | 208/120 | UG | Three-phase, four-wire | 200 kA | #14-2/0 | CHU217MTBP |
| 200 | 4 | 120/240 | OH | Single-phase, three-wire | 200 kA | #6-250 kcmil | CH224MTBP |
| 200 | 7 | 208/120 | OH | Three-phase, four-wire | 200 kA | #6-250 kcmil | CH227MTBP |
| 200 | 4 | 120/240 | UG | Single-phase, three-wire | 200 kA | #6-250 kcmil | CHU224MTBP |
| 200 | 7 | 208/120 | UG | Three-phase, four-wire | 200 kA | #6-250 kcmil | CHU227MTBP |

Notes

① Reference drawing EUSERC DWG-305A, G1.

Order Type CC or CHH breaker separately.

Meter Breakers Accessories



Meter Breaker with Interlock Cover

Meter Breakers Accessories

Underground Combination Units and Safety Socket Accessories

Hubs

| Description | Carton Weight Lbs (kg) | Catalog Number |
|-------------------------|------------------------|----------------|
| Hub closure plate | 3 (1.4) | ARP0002CHB |
| 1.00-inch (25.4 mm) hub | 3 (1.4) | ARP0003CH1 |
| 1.25-inch (31.8 mm) hub | 3 (1.4) | ARP0004CH12 |
| 1.50-inch (38.1 mm) hub | 3 (1.4) | ARP0005CH15 |
| 2.00-inch (50.8 mm) hub | 3 (1.4) | ARP0006CH2 |
| 2.50-inch (63.5 mm) hub | 3 (1.4) | ARP0007CH25 |

Hub Adapter Plate

| Description | Catalog Number |
|-------------------|----------------|
| Hub adapter plate | MBEDADPT |

Top Endwall (Surface) Hub Provision Selection Chart

| Description | Catalog Number |
|---|----------------|
| 1.00 (25.4) | DS100H2 |
| 1.25 (31.8) | DS125H2 |
| 1.50 (38.1) | DS150H2 |
| 2.00 (50.8) | DS200H2 |
| 2.50 (63.5) | DS250H2 |
| 3.00 (76.2) | DS300H2 |
| Adapter Plate if using DS___H1 hubs only) ③ | DS900AP |

Contents

| Description | Page |
|--|----------|
| Residential Meter Breakers | V1-T4-35 |
| Non-EUSERC Combination Service Entrance Devices 100–200 A Styles | V1-T4-37 |
| EUSERC Required Service Entrance Devices 100–225 A | V1-T4-41 |
| West Coast All-In-One Design | V1-T4-44 |
| House Panels | V1-T4-48 |
| Aluminum Meter Breakers | V1-T4-53 |
| CH Style Renovation Solutions | V1-T4-54 |
| Commercial Safety Sockets | V1-T4-55 |
| Meter Breakers Accessories | |
| Mechanical Interlock Cover | V1-T4-59 |
| Technical Data and Specifications | V1-T4-60 |
| Dimensions and Knockouts | V1-T4-61 |

Other Accessories for Meter Breakers

Meter Breaker Parts ①

| Description | Catalog Number |
|--|----------------|
| 5th Jaw Kits | |
| Compact and standard styles (MB and CMB) | MB5JAWKIT |
| EUSERC style | IMM5JKOP ② |
| Horn Bypass Kits | |
| Ringless Style units only (MB and CMB) | MBHBPKIT |

Jaws

| Description | Part Number |
|-------------|-------------|
| 5th jaw kit | CH50371 |

Notes

- ① For breakers under 70 A used in backfed applications, add “B” to the end of the catalog string to get the appropriate “hold-down” version.
 - ② Reference drawing EUSERC DWG-G1.
 - ③ Use when DS H1 Type 1, 1.25 and 1.50-inch hubs are needed.
- Use DS...H2 hubs for bottom endwalls (for all units). Use RH hubs for top endwalls on semi-flush units. Use DS...H2 hubs for top endwalls on surface devices.

Mechanical Interlock Cover

Covers mechanically interlock two breakers. Covers interlock main breaker with two-pole breaker mounted in the distribution section of the meter breakers.

Meter Breaker with Interlock Cover



Mechanical Interlock Cover

| Mechanical Interlock Deadfront | Meter Breaker Catalog Number |
|--------------------------------|------------------------------|
| MBDF1M | CMB1212B200BTS |
| | CMB1212B200BTSD |
| | CMB1212P200BTS |
| | CMB1212P200BTSD |
| MBDF2M | MB816B200BTS |
| | MB816B200BTSCU |
| | MB816P200BTS |
| | MB816P200BTSCU |
| MBDF3M | MB816P200STD |
| | MB2040B200BTS |
| | MB2040P200BTS |
| MBDF4M | MB2040P200SD |
| | MBE816P200TS |
| | MBE816P200TSCU |
| MBDF5M | MBE2040B150BF |
| | MBE2040B150BS |
| | MBE2040B200BF |
| | MBE2040B200BS |
| MBDF6M | MBE2040B200TF |
| | MBE2040B200TS |
| | MBE2040P200TF |
| | MBE2040P200TS |
| MBDF7M | CMBE3242B150BF |
| | CMBE3242B150BS |
| | CMBE3242B200BF |
| | CMBE3242B200BS |
| | CMB3242B150BS |
| MBDF8M | CMB3242B200BS |
| | CMBE4242B200BSH |
| | CMBE4242B200BTF |
| MBDF9M | CMBE4242B200BTS |
| | MBE4040B200BSH |
| | MBE4040B200BSHH |
| | MBE4040B200BTF |
| | MBE4040B200BTS |

| Mechanical Interlock Deadfront | Meter Breaker Catalog Number |
|--------------------------------|------------------------------|
| MBDF1AM | CMB2424B200BTS |
| MBDF10M | CMB24B200TFR |
| | CMB24B200TSR |
| MBDF11M | CMBXB200BTS |
| | CMBXP200BTS |
| MBDF12M | CMBX3242B200BTS |
| | CMBX3242P200BTS |
| MBDF13M | MBE3042B200BF |
| | MBE3042B225BF |
| MBDF14M | CMBE88B150BTF |
| | CMBE88B150BTS |
| | CMBE88B200BTF |
| | CMBE88B200BTS |
| | CMB88B150BTS |
| MBDF15M | CMB88B200BTS |
| | MBE48B150BTF |
| | MBE48B150BTS |
| MBDF16M | MBE48B200BTF |
| | MBE48B200BTS |
| | MBE88B150BTF |
| MBDF17M | MBE88B150BTS |
| | MBE88B200BTF |
| | MBE88B200BTS |
| MBDF17M | MBE2040BC200BTS |
| | MBE2040BH200BTF |
| | MBE2040BH200BTS |
| | MBE2040B150BTF |
| | MBE2040B150BTS |
| | MBE2040B200BTF |
| MBE2040B200BTS | |
| | MBE2040B200BTSV |
| | MBE2040B225BTF |
| | MBE2040B225BTS |

Technical Data and Specifications

Wire Size Chart

| Main | Wire Size Range Cu/Al 60 °C or 75 °C for Line Terminals |
|-----------------|--|
| | BR250 |
| BR260 | #4–1/0 kcmil |
| BR270 | #4–1/0 kcmil |
| BR280 | #4–1/0 kcmil |
| BR290 | #4–1/0 kcmil |
| BR2100 | #4–1/0 kcmil |
| BW2125 | #2–300 kcmil |
| BW2150 | #2–300 kcmil |
| BW2200 | #2–300 kcmil |
| CSR2125 | #2–300 kcmil |
| CSR2150 | #2–300 kcmil |
| CSR2200 | #2–300 kcmil |
| CSR2125N | #1/0–250 kcmil |
| CSR2150N | #1/0–250 kcmil |
| CSR2200N | #1/0–250 kcmil |
| 125 A main lugs | — |
| 200 A main lugs | — |
| MCBK225 | #2–300 kcmil |

Wire Size is Determined by the Circuit Breaker Installed in the Enclosure

| Wire/Application | Maximum | |
|--------------------------------------|-----------|---------------|
| | Wire Size | Ampere Rating |
| Aluminum—Standard | 250 kcmil | 200 |
| Aluminum—Service Entrance | 250 kcmil | 225 |
| Copper—Standard and Service Entrance | 250 kcmil | 225 |

Notes

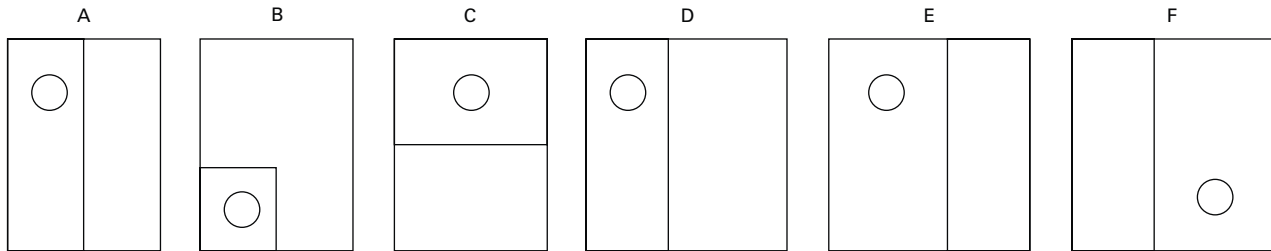
- ① For breakers under 70 A used in backfed applications, add “B” to the end of the catalog string to get the appropriate “hold-down” version.
- ② Reference drawing EUSERC DWG-G1.
- ③ Use when DS H1 Type 1, 1.25 and 1.50-inch hubs are needed.

Use DS...H2 hubs for bottom endwalls (for all units). Use RH hubs for top endwalls on semi-flush units. Use DS...H2 hubs for top endwalls on surface devices.

Dimensions and Knockouts

Approximate Dimensions in Inches (mm)

Box Styles—Five Different Styles (Shapes) of Product



Box Dimensions

| Box Number | Height | Width | Depth | Box Style |
|------------|----------------|---------------|--------------|-----------|
| 1 | 12.50 (317.5) | 14.44 (366.7) | 4.00 (101.6) | A |
| 2 | 23.88 (606.4) | 14.44 (366.7) | 5.38 (136.5) | A |
| 3 | 28.38 (720.7) | 14.44 (366.7) | 5.38 (136.5) | A |
| 4 | 34.13 (866.8) | 14.44 (366.7) | 5.38 (136.5) | B |
| 5 | 36.13 (917.6) | 14.44 (366.7) | 5.38 (136.5) | B |
| 6 | 43.38 (1101.7) | 14.44 (366.7) | 5.38 (136.5) | B |
| 7 | 46.88 (1190.6) | 14.44 (366.7) | 5.38 (136.5) | B |
| 8 | 19.75 (501.7) | 7.50 (190.5) | 4.00 (101.6) | C |
| 9 | 25.00 (635.0) | 14.44 (366.7) | 5.38 (136.5) | C |
| 10 | 32.38 (822.3) | 14.44 (366.7) | 5.38 (136.5) | C |
| 11 | 36.63 (930.3) | 14.44 (366.7) | 5.38 (136.5) | C |
| 12 | 34.38 (873.1) | 22.00 (558.8) | 5.38 (136.5) | D |
| 13 | 19.75 (501.7) | 14.44 (366.7) | 5.38 (136.5) | E |
| 14 | 39.91 (1013.7) | 14.44 (366.7) | 5.38 (136.5) | C |
| 15 | 23.88 (606.6) | 13.00 (330.2) | 4.94 (125.5) | F |
| 16 | 28.38 (720.9) | 13.00 (330.2) | 4.94 (125.5) | F |
| 17 | 34.19 (868.4) | 22.13 (562.1) | 5.00 (127.0) | D |
| 18 | 36.06 (915.9) | 16.63 (422.4) | 5.50 (139.7) | A |
| 19 | 28.38 (720.9) | 14.44 (366.8) | 4.94 (125.5) | A |
| 20 | 32.06 (814.3) | 14.44 (366.8) | 4.94 (125.5) | C |
| 21 | 25.50 (647.7) | 14.44 (366.8) | 4.94 (125.5) | C |

4.2

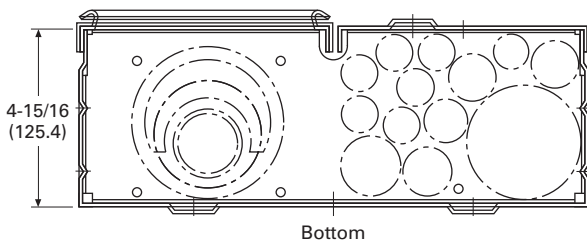
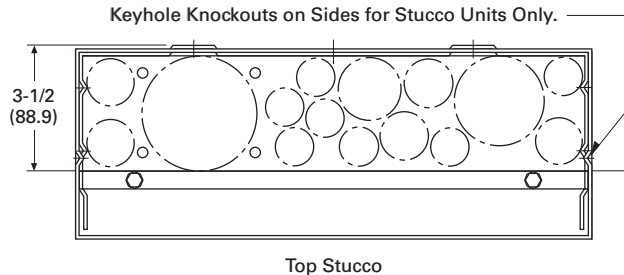
Metering Products

Meter Breakers

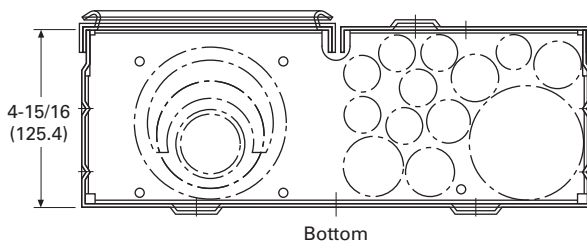
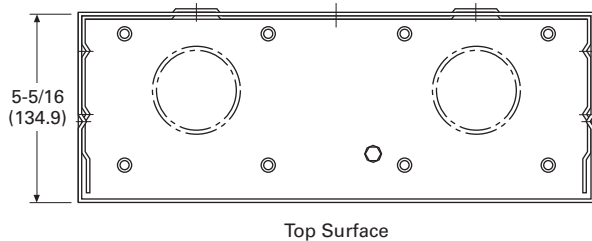
Approximate Dimensions in Inches (mm)

Knockouts for Stucco and Surface Units Catalog Numbers—
CMBE3242B200BF, CMBE3242B225BF, MBE2040B200BF,
MBE2040B150BF, MBE1428B100BF, MBE1212L200BTF,
MBE1836B125BF and MBE1212L200BTS

4



Knockouts for Stucco and Surface Units Catalog Numbers—
CMBE3242B150BS, CMBE3242B200BS, CMBE3242B225BS,
CMBE1212L200BS, MBE2040B200BS, MBE1428B100BS,
MBE1212L200BTS, CMB3242B150BS and CMB3242B200BS



Top Endwall (Surface)

| Hub Provision Catalog Number | Quantity |
|--|----------|
| DS100H2 | ① |
| DS125H2 | ① |
| DS150H2 | ① |
| DS200H2 | ① |
| DS250H2 | ① |
| DS300H2 | ① |
| DS900AP (Adapter Plate if using DS___H1 hubs only) ② | ① |

Top Endwall (Stucco) ③

| Knockout Size Dimensions in Inches (mm) | Quantity |
|---|----------|
| 1.25, 1.50, 2.00, 2.50 (31.8, 38.1, 50.8, 63.5) | 1 |
| 1.00, 1.25, 1.50 (25.4, 31.8, 38.1) | 1 |
| 0.50, 0.75, 1.00 (12.7, 19.1, 25.4) | 1 |
| 0.50, 0.75 (12.7, 19.1) | 3 |
| 0.50 (12.7) | 3 |

Bottom Endwall

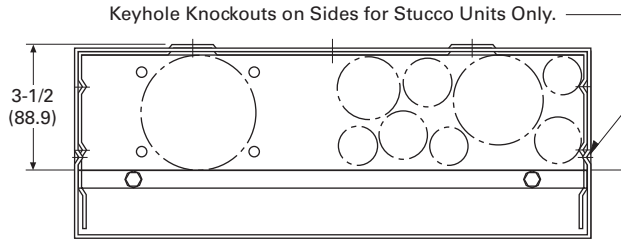
| Knockout Size Dimensions in Inches (mm) | Quantity |
|---|----------|
| 0.50 (12.7) | 7 |
| 0.50, 0.75 (12.7, 19.1) | 4 |
| 0.50, 0.75, 1.00 (12.7, 19.1, 25.4) | 1 |
| 1.00, 1.25, 1.50, 2.00 (25.4, 31.8, 38.1, 50.8) | 1 |
| 1.25, 1.50, 2.00, 2.50, 3.00 (31.8, 38.1, 50.8, 63.5, 76.2) | 1 |

Notes

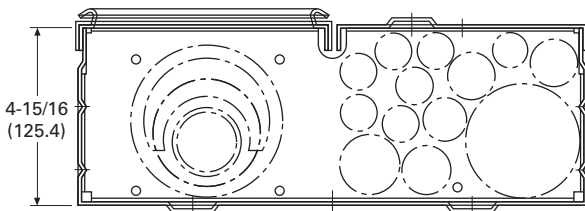
- ① For details regarding quantities, please contact the Technical Resource Center (TRC) at 1-877-ETN-CARE.
- ② Use when DS H1 Type 1, 1.25 and 1.50-inch hubs are needed.
- ③ RH hubs are to be used for Top Endwall (Stucco) endwalls.

Approximate Dimensions in Inches (mm)

**Knockouts for Stucco and Surface Units Catalog Numbers—
CMBE88B150BTF, CMBE88B200BTF, MBE24L125BTF,
MBE24L200BTF, MBE48B200BTF, MBEB200BTF,
MBE1224B100BTF and MBE1224B125BTF**

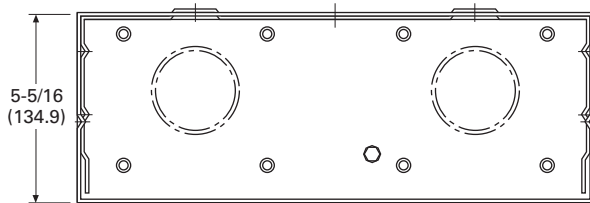


Top Stucco

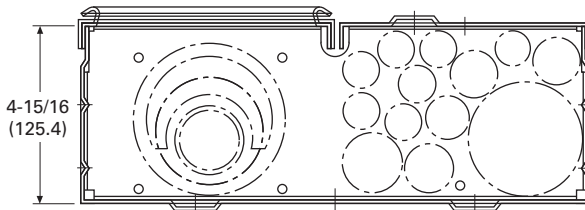


Bottom

**Knockouts for Stucco and Surface Units Catalog Numbers—
CMBB150BTS, CMBB200BTS, CMBP200BTS,
CMBE24L125BTS, CMB24L125BTS, CMBE24L200BTS,
CMBEB200BTS, CMBEB150BTS, CMBE88B150BTS,
CMBP200BTS, CMBE88B200BTS, MBE24L125BTS,
MBE24L200BTS, MBE48B150BTS, MBE48B200BTS,
MBE88B200BTS, MBEB200BTS, MBE1224B100BTS,
MBE1224B125BTS, CMB88B150BTS, CMB88B200BTS
and MB48B200BTS**



Top Surface



Bottom

Top Endwall (Surface)

| Hub Provision Catalog Number | Quantity |
|--|----------|
| DS100H2 | ① |
| DS125H2 | ① |
| DS150H2 | ① |
| DS200H2 | ① |
| DS250H2 | ① |
| DS300H2 | ① |
| DS900AP (Adapter Plate if using DS___H1 hubs only) ② | ① |

Top Endwall (Stucco) ③

| Knockout Size Dimensions in Inches (mm) | Quantity |
|---|----------|
| 1.25, 1.50, 2.00, 2.50 (31.8, 38.1, 50.8, 63.5) | 1 |
| 1.00, 1.25, 1.50 (25.4, 31.8, 38.1) | 1 |
| 0.50, 0.75, 1.00 (12.7, 19.1, 25.4) | 1 |
| 0.50, 0.75 (12.7, 19.1) | 3 |
| 0.50 (12.7) | 3 |

Bottom Endwall

| Knockout Size Dimensions in Inches (mm) | Quantity |
|---|----------|
| 0.50 (12.7) | 7 |
| 0.50, 0.75 (12.7, 19.1) | 4 |
| 0.50, 0.75, 1.00 (12.7, 19.1, 25.4) | 1 |
| 1.00, 1.25, 1.50, 2.00 (25.4, 31.8, 38.1, 50.8) | 1 |
| 1.25, 1.50, 2.00, 2.50, 3.00 (31.8, 38.1, 50.8, 63.5, 76.2) | 1 |

Notes

- ① For details regarding quantities, please contact the Technical Resource Center (TRC) at 1-877-ETN-CARE.
- ② Use when DS H1 Type 1, 1.25 and 1.50-inch hubs are needed.
- ③ RH hubs are to be used for Top Endwall (Stucco) endwalls.

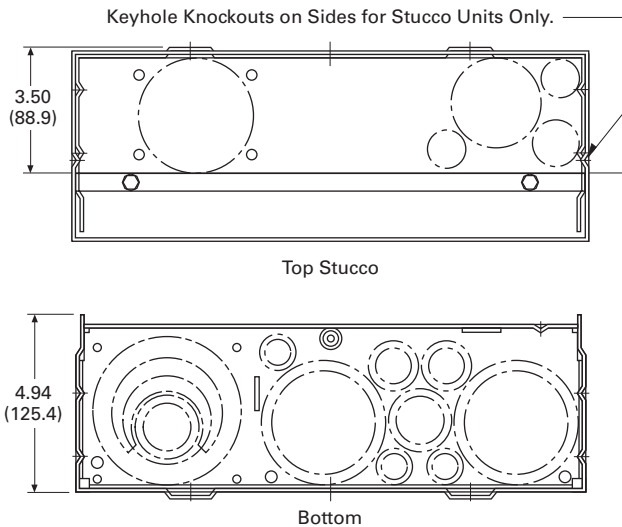
4.2

Metering Products

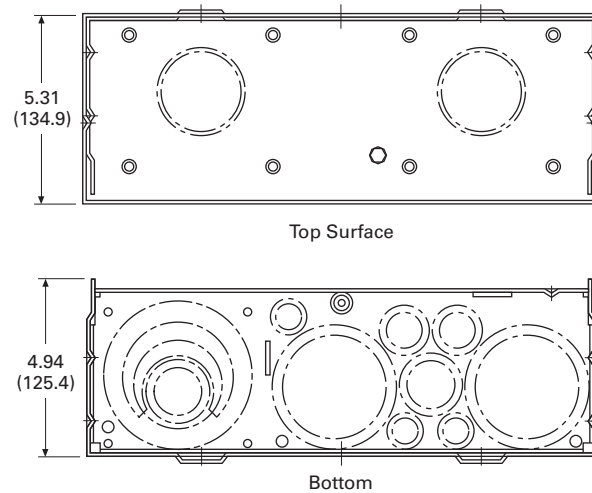
Meter Breakers

Approximate Dimensions in Inches (mm)

Knockouts for Stucco and Surface Units Catalog Number—MMBE2040B200TF



Knockouts for Stucco and Surface Units Catalog Numbers—MBE1224B100TS, MBE1224B125TS, MBE816P200TS, MBE816P200TSCU, MBE2040B200TS, CMB1212P200BTS, CMB1212P200BTSD, CMB1212B200BTS, MB1212L200BTS and CMB1212L200BTS



Top Endwall (Surface)

| Hub Provision Catalog Number | Quantity |
|---------------------------------|----------|
| DS100H2 | ① |
| DS125H2 | ① |
| DS150H2 | ① |
| DS200H2 | ① |
| DS250H2 | ① |
| DS300H2 | ① |
| DS900AP (Adapter Plate) ② | ① |

Top Endwall (Stucco) ③

| Knockout Size Dimensions in Inches (mm) | Quantity |
|---|----------|
| 1.25, 1.50, 2.00, 2.50 (31.8, 38.1, 50.8, 63.5) | 1 |
| 1.00, 1.25, 1.50 (25.4, 31.8, 38.1) | 1 |
| 0.50, 0.75, 1.00 (12.7, 19.1, 25.4) | 1 |
| 0.50, 0.75 (12.7, 19.1) | 3 |
| 0.50 (12.7) | 3 |

Bottom Endwall

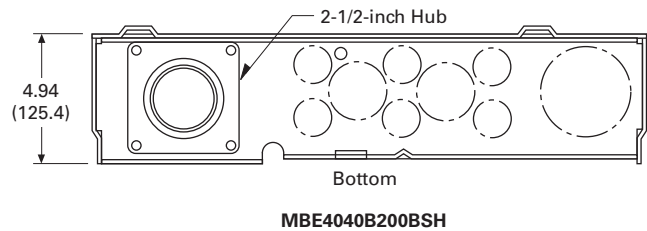
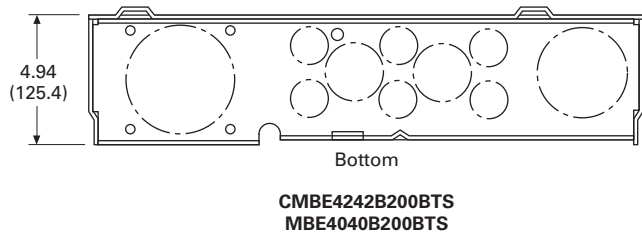
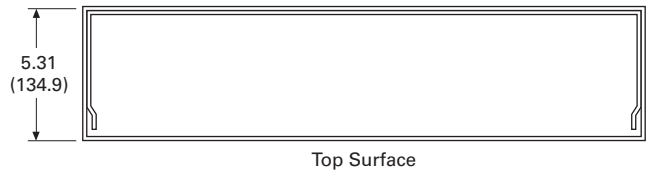
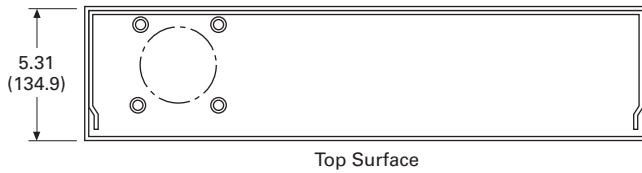
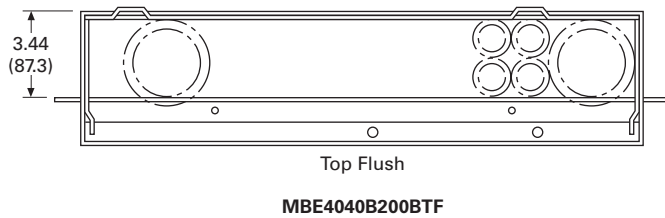
| Knockout Size Dimensions in Inches (mm) | Quantity |
|---|----------|
| 0.50 (12.7) | 7 |
| 0.50, 0.75 (12.7, 19.1) | 4 |
| 0.50, 0.75, 1.00 (12.7, 19.1, 25.4) | 1 |
| 1.00, 1.25, 1.50, 2.00 (25.4, 31.8, 38.1, 50.8) | 1 |
| 1.25, 1.50, 2.00, 2.50, 3.00 (31.8, 38.1, 50.8, 63.5, 76.2) | 1 |

Notes

- ① For details regarding quantities, please contact the Technical Resource Center (TRC) at 1-877-ETN-CARE.
- ② Use when DS H1 Type 1, 1.25 and 1.50-inch hubs are needed.
- ③ RH hubs are to be used for Top Endwall (Stucco) endwalls.

Approximate Dimensions in Inches (mm)

Knockouts for Stucco and Surface Units



Top Endwall (Surface)

| Hub Provision Catalog Number | Quantity |
|----------------------------------|----------|
| DS100H2 | ① |
| DS125H2 | ① |
| DS150H2 | ① |
| DS200H2 | ① |
| DS250H2 | ① |
| DS300H2 | ① |
| DS900AP (Adapter Plate) ② | ① |

Top Endwall (Stucco) ③

| Knockout Size Dimensions in Inches (mm) | Quantity |
|---|----------|
| 1.25, 1.50, 2.00, 2.50 (31.8, 38.1, 50.8, 63.5) | 2 |
| 0.50, 0.75 (12.7, 19.1) | 3 |

Bottom Endwall

| Knockout Size Dimensions in Inches (mm) | Quantity |
|---|----------|
| 0.50, 0.75 (12.7, 19.1) | 6 |
| 0.50, 0.75, 1, 1.25 (12.7, 19.1, 25.4, 31.8) | 2 |
| 1.00, 1.25, 1.50, 2.00, 2.50 (25.4, 31.8, 38.1, 50.8, 63.5) | 1 |
| 1.00, 1.25, 1.50, 2.00, 2.50, 3.00 (25.4, 31.8, 38.1, 50.8, 63.5, 76.2) | 1 |

Notes

- ① For details regarding quantities, please contact the Technical Resource Center (TRC) at 1-877-ETN-CARE.
- ② Use when DS H1 Type 1, 1.25 and 1.50-inch hubs are needed.
- ③ RH hubs are to be used for Top Endwall (Stucco) endwalls.

4.2

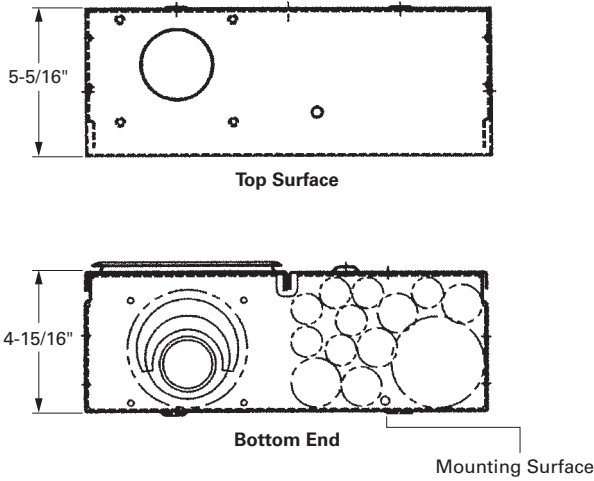
Metering Products

Meter Breakers

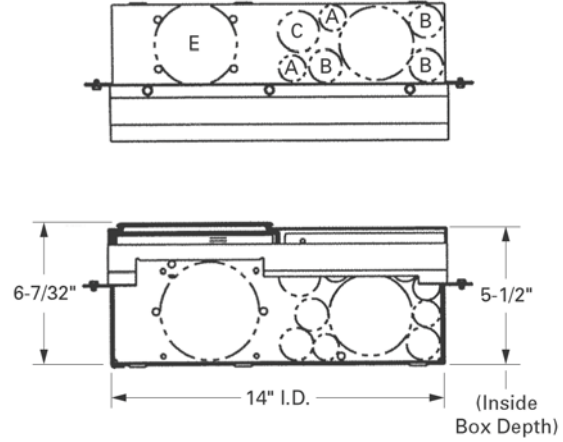
4

Approximate Dimensions in Inches (mm)

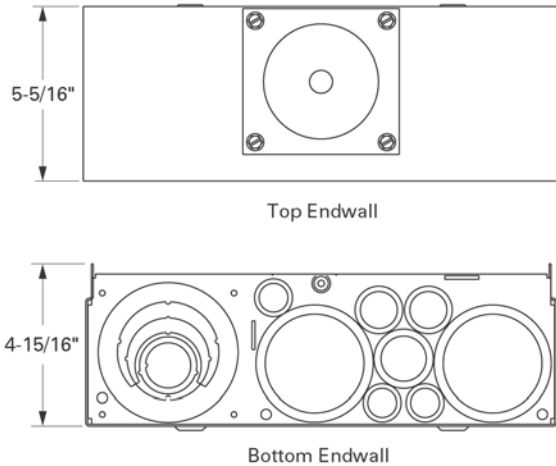
Knockout Configurations and Dimensions for Catalog Numbers MBER48B200BTS and CMBER88B200BTS



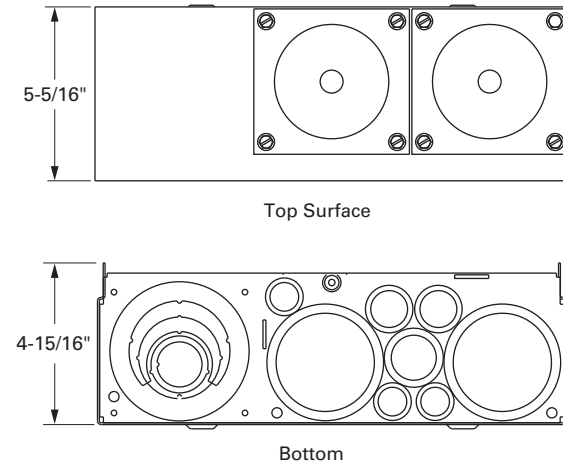
Semi-Flush Stucco Unit Knockout Configurations and Dimensions for MBE2040B200BTS, MBE2040B225BTS, MBE2040B200BTF and MBE2040B225BTF



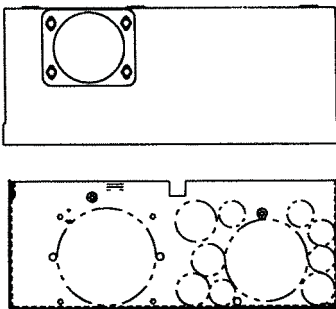
Knockout Configurations and Dimensions for Catalog Numbers CMBXP200BTS, CMBXB200BTS, CMBX1212P200BTS and CMBX3242P200BTS, CMBX3242B200BTS, CMBX1212B200BTS



Knockout Configurations and Dimensions for Catalog Numbers MBT48B125BTS, MBT48B150BTS, MBT48B200BTS and MBT48P200BTS

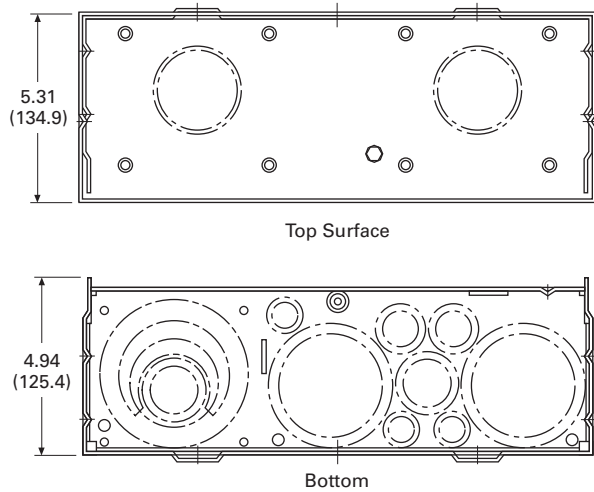


Surface Unit Knockout Configurations and Dimensions for MBE2040B200BTS, MBE2040B225BTS, MBE2040B200BTF and MBE2040B225BTF

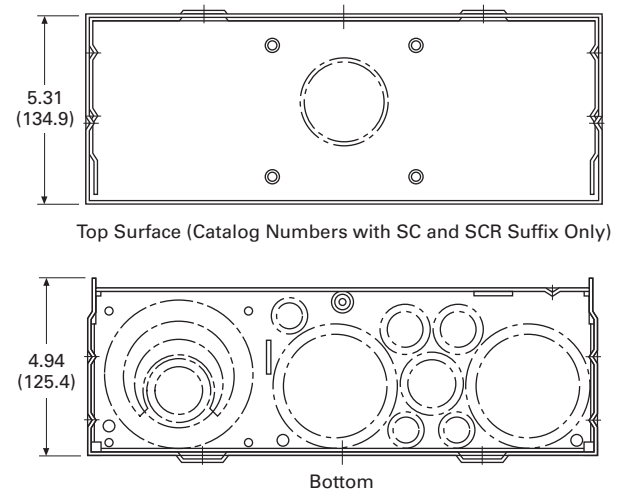


Approximate Dimensions in Inches (mm)

Knockouts for Non-EUSERC Units Catalog Numbers—
MBB150BTS, MBB200BTS, MBP200BTS, MB816P200BTS,
MB816P200BTSCU, MB816P200BTSD, MB816B200BTS,
MB816B200BTSCU, MB2040P200BTS, MB2040B200BTS,
MBP200BTSD, MBP200SD, MB816P200STD,
MB2040B150SD, MB2040B200SD and MB2040P200SD



Knockouts for Non-EUSERC Units Catalog Numbers—
CMB2424B200BTS, MBB150BTSCR, MBB200BTSCR,
MBB150BTSC, MBB200BTSC and CMB2436B200BTS



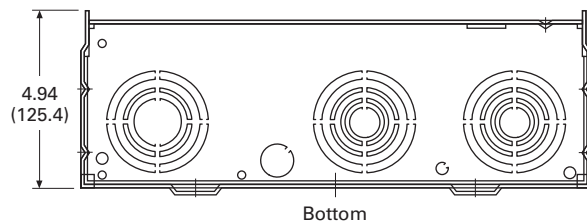
Top Endwall (Surface)

| Hub Provision Catalog Number | Quantity |
|---------------------------------|----------|
| DS100H2 | ① |
| DS125H2 | ① |
| DS150H2 | ① |
| DS200H2 | ① |
| DS250H2 | ① |
| DS300H2 | ① |
| DS900AP (Adapter Plate) ② | ① |

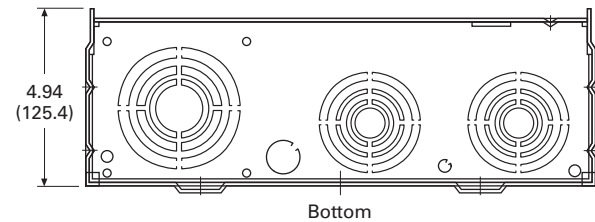
Bottom Endwall

| Knockout Size Dimensions in Inches (mm) | Quantity |
|---|----------|
| 0.31 (7.9) | 3 |
| 0.50 (12.7) | 3 |
| 0.50, 0.75 (12.7, 19.1) | 2 |
| 0.75, 1.00 (12.7, 25.4) | 1 |
| 1.25, 1.50, 2.00, 2.50 (19.1, 38.1, 50.8, 63.5) | 2 |
| 1.50, 2.00, 2.50, 3.00 (38.1, 50.8, 63.5, 76.2) | 1 |

Knockouts for Non-EUSERC Units Catalog Number—
CHMMB100BTS



Knockouts for Non-EUSERC Units Catalog Numbers—
CHMMB150BTS and CHMMB200BTS



Bottom Endwall

| Knockout Size Dimensions in Inches (mm) | Quantity |
|---|----------|
| 0.31 (7.9) | 1 |
| 0.50 (12.7) | 1 |
| 0.50, 0.75, 1.00, 1.25, 1.50, 2.00, 2.50 (12.7, 19.1, 25.4, 31.8, 38.1, 50.8, 63.5) | 2 |
| 1.00, 1.25, 1.50, 2.00, 2.50 (25.4, 31.8, 38.1, 50.8, 63.5) | 1 |

Bottom Endwall

| Knockout Size Dimensions in Inches (mm) | Quantity |
|---|----------|
| 0.31 (7.9) | 1 |
| 0.50 (12.7) | 1 |
| 0.50, 0.75, 1.00, 1.25, 1.50, 2.00, 2.50 (12.7, 19.1, 25.4, 31.8, 38.1, 50.8, 63.5) | 2 |
| 1.00, 1.25, 1.50, 2.00, 2.50, 3.00 (25.4, 31.8, 38.1, 50.8, 63.5, 76.2) | 1 |

Notes

- ① For details regarding quantities, please contact the Technical Resource Center (TRC) at 1-877-ETN-CARE.
- ② Use when DS H1 Type 1, 1.25 and 1.50-inch hubs are needed.

Systems for Residential and Commercial Applications



Systems for Residential and Commercial Applications

Product Description

Group metering is a service entrance product line that consists of a main device and multiple meter sockets in one enclosure or several connected enclosures. Group metering allows the customer to install a multiple tenant-metering device in one location while providing a space and installation cost savings.

Application Description

Eaton’s Electrical Sector offers two group metering designs—Meter Packs and Gangable Metering. Meter Packs, also called All-in-Ones, consist of main lugs and up to six meter sockets in one enclosure. Meter Packs are supplied as one complete unit and the user cannot “add” additional meter sockets to the unit in the future. The most common application for Meter Packs is garden apartments, small condominiums and townhouses where six or less units are metered through one centrally located Meter Pack.

Contents

| <i>Description</i> | <i>Page</i> |
|---|------------------|
| Systems for Residential and Commercial Applications | |
| Features, Benefits and Functions | V1-T4-69 |
| Dimensions | V1-T4-75 |
| Meter Packs | V1-T4-76 |
| Meter Packs—Tenant Circuit Breakers | V1-T4-88 |
| Main Service Modules | V1-T4-89 |
| Residential Meter Stacks | V1-T4-106 |
| Commercial Meter Stack Modules | V1-T4-121 |
| 35MM, 37MM, 35SS and 37SS Tenant Main Circuit Breakers | V1-T4-128 |
| Phase Balanced Stack | V1-T4-130 |
| Group Metering Inline Current Transformer Cabinets | V1-T4-131 |
| Surge Metering | V1-T4-132 |
| Group Metering Accessories | V1-T4-133 |

Standards and Certifications

- UL listed



**Gangable Metering
(Main Service Modules
and Meter Stacks)**

The second type of group metering is Gangable Metering, which consists of a Main Service Module used in conjunction with a Meter Stack to make a custom metering lineup. The Main Service Module can be main lug, main circuit breaker, main fusible switch or bolted pressure switch. The Meter Stack is offered with various meter sockets and bus ratings. This type of custom lineup allows the owner to add/remove meter sockets and main devices to meet future need. Gangable Metering is often used in large condominiums, strip malls and light commercial applications where more than six units are metered, or there will be a future need to add more units.

Features, Benefits and Functions

Bypass Mechanisms

Cotter Pin



Eaton’s metering socket for 1MP, 1MM, 3MM metering devices employ cotter pins on the front and back of the socket jaws for increased durability during performed maintenance on the meters. This component uses jaws on both sides of the base eliminating the need for self-tapping screw connections to vertical busbars.

Horn and Manual Bypass



With an increasing demand for uninterrupted power, Eaton’s series of 1MP, 1MM and 3MM meter sockets offer horn (ringless style) and manual (ring style) field-installable bypass accessories. These accessories provide uninterrupted tenant service if a meter is pulled for inspection or replacement.

Horn bypass kits are compatible with ring-less meter sockets for type MB and CMB units and are ANSI/UL Listed.

Lever Bypass



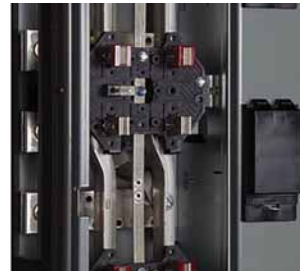
Due to commercial requirements, Eaton offers a lever bypass (as standard) on all 35MM and 37MM devices. Each socket base consists of a lever bypass, which also releases the jaws (when lever is engaged in bypass position), enabling utility company mechanics to easily remove and/or insert utility meter.

Test Bypass Disconnects



Eaton also provides commercial meter stacks with EUSERC required test-bypass disconnects (35SS and 37SS). This bypass is used in the same applications as the lever bypass and it is required by EUSERC utilities.

Busing and Meter Socket Field Phase Balancing



Due to popular incoming three-phase voltage systems and single-phase outgoing loads, installers have the option to field phase balance on the individual stack (A-B, B-C, A-C). This feature eliminates the chance of installing an incorrectly phased device due to its versatility.

One-Piece Vertical Busbar



Eaton’s series of 1MP, 1MM, 3MM meter stacks embody a one-piece busbar construction to each socket, as well as a one-piece cross bus to each tenant main. Because the Eaton design uses the Clip-Tight meter socket and does not have busbar joints, the chance of hot spots occurring is virtually eliminated.

Mounting and Security Main Tenant Breaker Cover



Each tenant circuit breaker is protected by a lockable raintight cover that secures the breaker against unauthorized operation. The tenant breaker cover is a high impact plastic to resist wear, rusting and corrosion.

Mounting Features



A standard mounting rail and factory-installed swing away feet speed up and simplify installation.

General

When tenant breakers are installed in Eaton’s metering modules per the short-circuit current ratings below, the branch breakers installed in downstream panel rated 10 kAIC or greater are protected to the listed series AIC rating. Refer to the downstream panel marking for the proper series combination short-circuit ratings. These ratings apply to both loadcenter Types BR and CH.

The short-circuit rating is limited to the lowest interrupting rating of any tenant breaker installed or to the lowest marked interrupting rating of the main switch, main breaker or main lug modules.

Replacement or additional breakers shall be of the same type and manufacturer, and shall have an interrupting rating equal to or greater than the interrupting rating of any tenant breaker presently installed in the meter module.

1MM, 3MM 125 A Meter Module

When used with main switch, main breaker or main lug modules, this meter module is UL listed for the short-circuit rating at 240 Vac maximum in rms symmetrical amperes per table below.

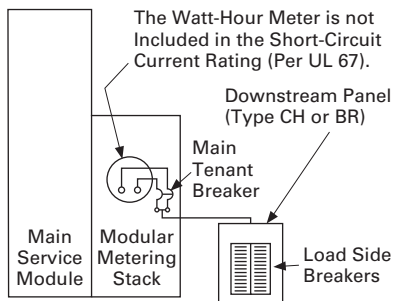
1MM, 3MM 125 A Meter Module

| Tenant Breaker Catalog Number Two-Pole | Amperes Maximum | UL Listed Series Short-Circuit Rating |
|--|-----------------|---------------------------------------|
| BRX_____ | 125 | 65 kAIC |
| BRHH_____ | 125 | 42 kAIC |
| BRH_____ | 125 | 22 kAIC |
| BR_____ | 125 | 10 kAIC |

When Type BRX, BRHH or BRH tenant breakers are installed in this meter module, then breakers rated 10 kAIC or greater installed on the load side of this meter module may be protected for short circuits up to 22 kAIC with Type BRH breakers, 42 kAIC with Type BRHH or 65 kAIC with Type BRX breakers.

See load side breaker panel marking for proper short-circuit current rating.

1MM, 3MM 125 A Meter Module



1MM, 3MM, 200 A Meter Modules; 35MM, 37MM, 35SS and 37SS 225 A Meter Modules

When used with main switch, main breaker or main lug modules, these meter modules are UL listed for the short-circuit rating at 240 Vac maximum in rms symmetrical amperes per table below.

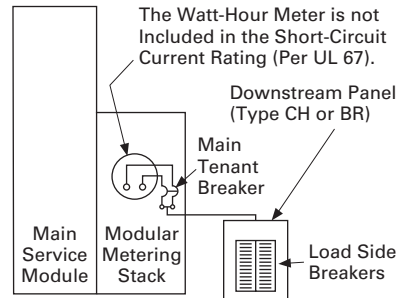
1MM, 3MM, 200 A Meter Modules; 35MM, 37MM, 35SS and 37SS 225 A Meter Modules

| Tenant Breaker Catalog Number Two- or Three-Pole | Amperes Maximum | | |
|--|-----------------|------------------------------|---------------------------------------|
| | 1MM 3MM 200 A | 35MM, 37MM, 35SS, 37SS 225 A | UL Listed Series Short-Circuit Rating |
| CVH_XMM | 200 | 225 | 100 kAIC |
| CV_XMM | 200 | 225 | 65 kAIC |
| CVS_XMM | 200 | 225 | 42 kAIC |
| CCVH_X | 200 | 225 | 25 kAIC |
| CCV_X | 200 | 225 | 10 kAIC |
| CC_X | 200 | 225 | 10 kAIC |

When Type CV tenant breakers are installed in these meter modules, then Eaton’s breakers rated 10 kAIC or greater installed on the load side of these meter modules may be protected for short circuits up to 100 kAIC.

See load side breaker panel marking for proper short-circuit current rating.

1MM, 3MM, 200 A Meter Modules; 35MM, 37MM, 35SS and 37SS 225 A Meter Modules



1MP 125 A Meter Module

This All-in-One Meter Module is UL listed for the short-circuit rating at 240 Vac maximum in rms symmetrical amperes per table below.

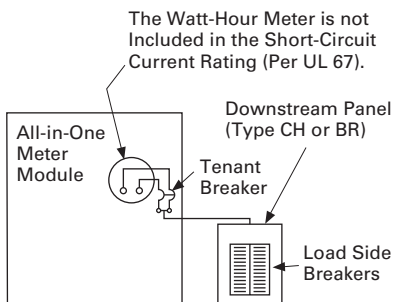
1MP 125 A Meter Module

| Tenant Breaker Catalog Number Two-Pole | Maximum Ampere Rating | UL Listed Series Short-Circuit Rating |
|--|-----------------------|---------------------------------------|
| BRX_____ | 125 | 65 kAIC |
| BRHH_____ | 125 | 42 kAIC |
| BRH_____ | 125 | 22 kAIC |
| BR_____ | 125 | 10 kAIC |

When Type BRX, BRHH or BRH tenant breakers are installed in this meter module, then Eaton’s breakers rated 10 kAIC or greater installed on the load side of this meter module may be protected for short circuits up to 22 kAIC with Type BRH breakers, 42 kAIC with Type BRHH or 65 kAIC with Type BRX breakers.

See load side breaker panel marking for proper short-circuit current rating.

1MP 125 A Meter Module



Note: The ratings for both 125 and 200 A tenant positions apply to both Type BR and CH loadcenters and 10 kAIC branch breakers.

1MP 200 A Meter Module

This All-in-One Meter Module is UL listed for the short-circuit rating at 240 Vac maximum in rms symmetrical amperes per table below.

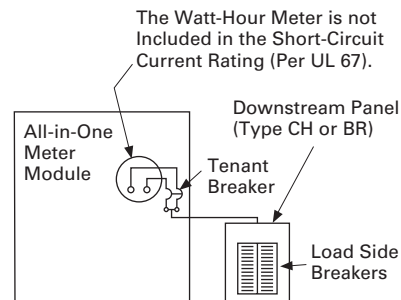
1MP 200 A Meter Module

| Tenant Breaker Catalog Number Two- or Three-Pole | Maximum Ampere Rating | UL Listed Series Short-Circuit Rating |
|--|-----------------------|---------------------------------------|
| CVH_XMM | 200 | 100 kAIC |
| CV_XMM | 200 | 65 kAIC |
| CVS_XMM | 200 | 42 kAIC |
| CCVH_XMM | 200 | 25 kAIC |
| CCV_X | 200 | 10 kAIC |

When Type CV tenant breakers are installed in this meter module, then breakers rated 10 kAIC or greater installed on the load side of this meter module may be protected for short circuits up to 100 kAIC.

See load side breaker panel marking for proper short-circuit current rating.

1MP 200 A Meter Module



Ratings

- A. The assembly shall be rated to withstand mechanical forces exerted during short-circuit conditions when connected directly to a power source having available fault current [22,000] [42,000] [65,000] [100,000] amperes symmetrical at rated voltage.
- C. All hardware used for busbar connections shall be high-tensile strength, zinc-plated. Provide Belleville-type spring washers for all bus joints.
- D. Circuit breakers [250-] [400-] [600-] [1200-] ampere frame and below shall be manufactured by Eaton with thermal-magnetic or electronic trip units having inverse time-current characteristics.

Construction

- A. The entire assembly shall be front accessible and shall include [main lugs] [a main disconnect device].
- B. Tenant disconnects shall be wired for cold sequence and shall be molded case circuit breakers.
- C. The meter sockets shall be (ring-) (ringless-) type rated (125 A) (200 A) (as shown on the plans) and a bypass (shall be) (shall not be) required. If required, the bypass shall be a (slider-) (horn-) (lever-) (disconnect block-) type. The meter sockets and associated branch protective device positions shall be completely prewired and shipped ready for installation of the meters and tenant main breakers. Meter sockets shall include covers with sealing positions.

Bus

- A. All busbars shall be [tin-plated aluminum or copper]. Main horizontal busbars shall be mounted with all three phases arranged in the same vertical plane. Bus sizing shall be based on UL standard temperature rise criteria for multiple metering equipment.
- B. Provide a full capacity neutral bus where a neutral bus is indicated on the drawings.
- C. All hardware used for busbar connections shall be high-tensile strength, zinc-plated. Provide Belleville-type spring washers for all bus joints.

Wiring/Terminations

- A. [Mechanical-type terminals] [Crimp-type termination provisions] shall be provided for all line terminations suitable for copper or aluminum cable and rated at 75 °C.
- B. Lugs shall be provided in the incoming line section for connection of the main grounding conductor.

Main Circuit Protective Devices

- A. Main protective devices shall be [molded case circuit breakers] [bolted pressure switches] [quick-make/quick-break fusible switches].

Molded Case Circuit Breakers

- A. [Main] [Feeder] [All] protective devices shall be molded case circuit breakers with inverse time and instantaneous tripping characteristics.
- B. Circuit breakers shall be operated by a toggle-type handle and shall have a quick-make/quick-break over-center switching mechanism that is mechanically trip-free. Automatic tripping of the breaker shall be clearly indicated by the handle position. Contacts shall be nonwelding silver alloy and arc extension shall be accomplished by means of DE-ION® arc chutes.
- C. Circuit breakers shall have a minimum symmetrical interrupting capacity as indicated on the drawings.

Bolted Pressure Switches

- A. Main protective devices shall be bolted pressure contact type and shall be UL listed.
- B. Fusible switches shall be furnished with Class L fuse clips. Switch contact interrupting capacity shall be 12 times the continuous rating of the switch.
- C. Fuse access door s shall be mechanically interlocked with the operating handle and shall have provisions for padlocking the switch in the OPEN position.
- D. The switch shall use a stored energy deadfront operating mechanism compressed and released by the operating handle, to provide quick positive switching action, independent of the operating handle.
- E. Switches shall be manually operated.

Quick-Make/Quick-Break Fusible Switches

- A. Fusible switches 30 A through 1200 A frames shall be furnished with 300 V Class T-type fuse clips unless otherwise scheduled.
- B. Switches shall incorporate safety cover interlocks to prevent opening the cover with the switch in the ON position.
- C. Provide defeater for authorized personnel.

- D. Handles shall have provisions for padlocking and shall clearly indicate the ON or OFF position.
- E. Front cover doors shall be padlockable in the CLOSED position.
- F. Main protective devices shall be quick-make/quick-break fusible switches as manufactured by Eaton.

Tenant Utility Metering

- A. For EUSERC serviced areas, meter centers shall incorporate metering sections with tenant feeder circuits using ring-type meter sockets rated [125] [200] amperes to meet local utility and/or customer requirements.
- B. The self-contained meter sockets shall include a test bypass/disconnect block per EUSERC requirements,
 - OR –
- A. For non-EUSERC serviced areas, meter centers shall incorporate metering sections with tenant feeder circuits using [ring-] [ringless-] type meter sockets rated [125] [200] [320] amperes to meet local utility or customer requirements. Provide meter sockets with individual covers having sealing provisions.
- B. Meter sockets shall have manual bypass and optional internal barriers.

Enclosures

- A. NEMA 1 Enclosure
 - OR –
- A. Outdoor NEMA 3R Surface-Mounted Enclosure

Finish

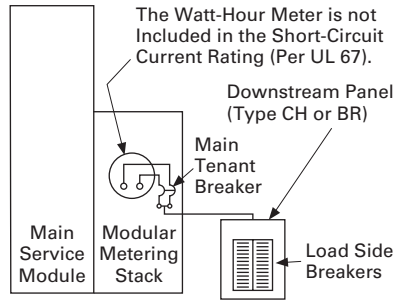
- A. Boxes and trims shall be bonderized and finished with ANSI 61 light gray enamel.

Series Combination Short-Circuit Ratings

When main tenant breakers are installed in Eaton’s modular metering stack, the branch breakers installed in downstream panel rated 10 kAIC or greater are protected to the listed series AIC rating. Refer to the downstream panel marking for the proper series combination short-circuit ratings.

Replacement or additional breakers shall be of the same manufacture and type, and shall have an interrupting rating equal to or greater than the interrupting rating of any main tenant breaker installed.

Series Combination Short-Circuit Ratings

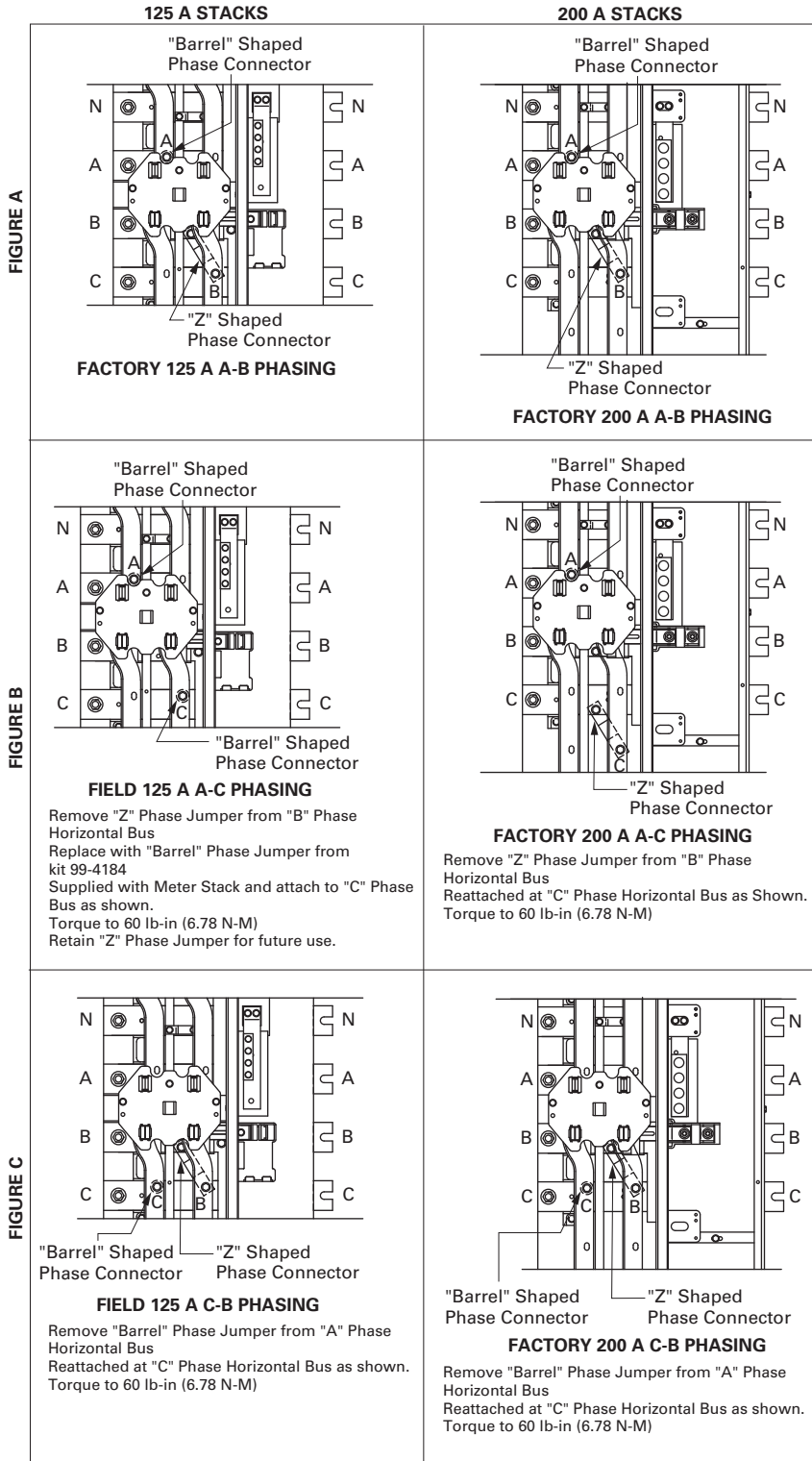


Series Combination Short-Circuit Ratings—240 Vac

| Main Module Overcurrent Device Breaker Type or Class Fuse | System AIC Rating 120/240 Vac Maximum | Meter Module Tenant Feeder Breaker Type 1MM, 3MM, 35MM, 37MM, 35SS, 37SS or Loadcenter Main Breaker | Tenant Feeder Breaker Short-Circuit Rating | Loadcenter Branch Breaker (Single-, Two- or Three-Pole) |
|--|---------------------------------------|---|--|---|
| None | 10,000 | None | — | BD, BR, BRD, BQ, BQC, BRCAF, GFTCB |
| Without main disconnect. Cable tap box Type 1MTB_, 3MTB_ | 10,000 | BR, CC, BW, CCV | 10,000 | |
| Main switch module, Type 1MFS, 3MFS and 1BPS, 3BPS | 22,000 | BRH | 22,000 | |
| Main breaker module, Type 1MCB, 3MCB | 25,000 | CSR, CCVH | 25,000 | |
| | 42,000 | BRHH, CVS | 42,000 | |
| | 65,000 | BRX, CV, KD, HKD | 65,000 | |
| | 100,000 | CVH, KDC | 100,000 | |
| Without main disconnect. Cable tap box Type 1MTB_, 3MTB_ | 10,000 | BR, CC, BW, CCV | 10,000 | BD, BR, BRD, BQ, BQC, CH, CHT, BRCAF, CHFCAF, CHF, CH-GFCI, GFTCB |
| Main switch module, Type 1MFS, 3MFS and 1BPS, 3BPS | 22,000 | BRH | 22,000 | |
| Main breaker module, Type 1MCB, 3MCB | 25,000 | CSR, CCVH | 25,000 | |
| | 42,000 | BRHH, CVS | 42,000 | |
| | 65,000 | BRX, CV, KD, HKD | 65,000 | |
| Main breaker module Type 1MCB_, 3MCB_ 2000 A maximum | 65,000 | BRHX | 22,000 | BR, BRAFGF |
| Main switch module Type 1MFS_, 3MFS_ with Class T fuse, 600 A maximum | 100,000 | BRH | 22,000 | BD, BR, BRD, BQ, BQC, GFCB, GFTCB |
| Main switch module Type 1MFS_, 3MFS_ with Class T fuse, 1200 A maximum | 100,000 | BRHH | 42,000 | BD, BR, BRD, BQ, BQC, CH, CHT, BRCAF, CHFCAF, CHF, GFTCB |

Phase Balancing

4

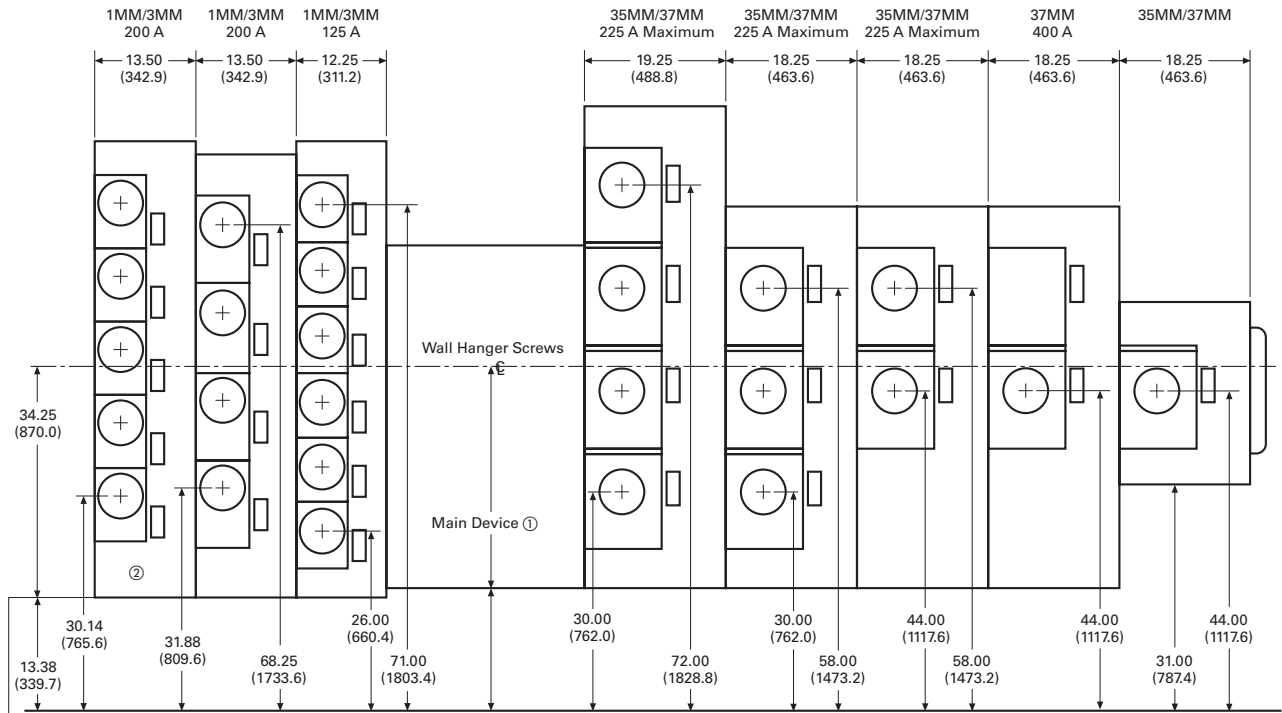


Dimensions

Approximate Dimensions in Inches (mm)

General Layout

Minimum and maximum height of single-phase and three-phase meter sockets above typical ground level.



Typical Height Above Ground or Floor Level

Mounting Features



Mounting Features

A standard mounting rail and factory-installed swing away feet, speed up and simplify installation.

Notes

- ① Not a constant value. Dimension changes depending on main device chosen. See **Page V1-T4-101** for specific dimensions.
- ② Residential device.

Meter Pack



Contents

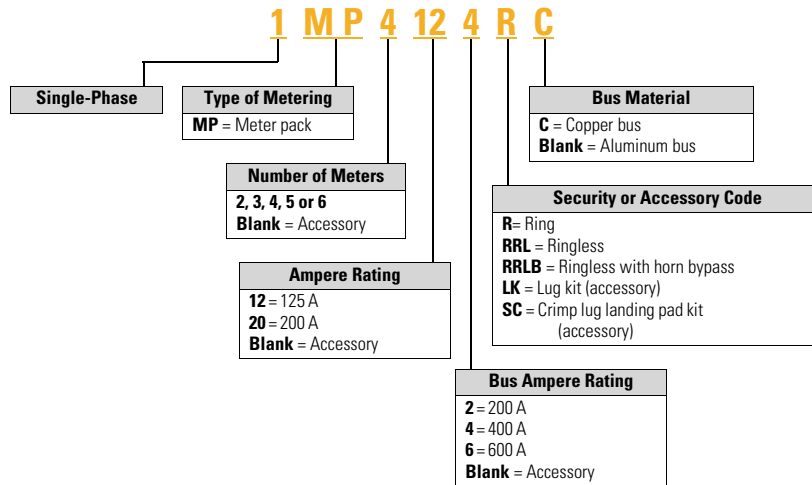
| Description | Page |
|--|------------------|
| Systems for Residential and Commercial Applications | V1-T4-68 |
| Meter Packs | |
| Catalog Number Selection | V1-T4-77 |
| Product Selection | V1-T4-78 |
| Dimensions and Knockouts | V1-T4-80 |
| Meter Packs—Tenant Circuit Breakers | V1-T4-88 |
| Main Service Modules | V1-T4-89 |
| Residential Meter Stacks | V1-T4-106 |
| Commercial Meter Stack Modules | V1-T4-121 |
| 35MM, 37MM, 35SS and 37SS Tenant Main Circuit Breakers | V1-T4-128 |
| Phase Balanced Stack | V1-T4-130 |
| Group Metering Inline Current Transformer Cabinets | V1-T4-131 |
| Surge Metering | V1-T4-132 |
| Group Metering Accessories | V1-T4-133 |

Meter Packs

Product Overview

- Eaton's 1MP units are self-contained (main terminal box included) for installations requiring up to six meter socket positions in a single enclosure
- Units are not gangable with any other metering device
- Approved by major power companies, UL listed, suitable as service equipment and meet the service and electrical requirements of EUSERC and CECHA
- Series rating up to 100 kAIC
- All ringless cover devices include fifth jaw as standard
- Ring type devices do not include fifth jaw as standard. Order 1MM5JK if needed
- Bondable neutral
- 120/240 Vac, single-phase three-wire metering device
- Up to 600 A maximum horizontal bus rating
- Incoming lugs not included (phase A, phase B and neutral)
- Indoor/outdoor construction
- Provision for two-pole breaker (plug-on type for 125 A sockets and bolt-on type for 200 A sockets)—circuit breakers not included
- Underground incoming feed
- Aluminum or copper bus

Catalog Number Selection



When Ordering:

1. Determine catalog number of the basic device.
2. Include Lug Kit for incoming section. See **Page V1-T4-139**.
3. Find quantity and catalog numbers for tenant circuit breakers. (Order one breaker per socket.) See **Page V1-T4-139**.
4. Select required accessories. See **Page V1-T4-134**.

Product Selection

Meter Packs

Aluminum Bus—Main Lugs Not Included—See Page V1-T4-139

| Socket Ampere Rating | Number of Meter Sockets | Bus Ampere Rating | Main Tenant Breaker Type (See Page V1-T4-139) | Catalog Number | Semi-Flush Flange Kit Catalog Number |
|--|-------------------------|-------------------|---|----------------------------------|--------------------------------------|
| Ring Style Meter Socket Covers ^{①②} | | | | | |
| 125 ^③ | 2 ^⑤ | 200 | Plug-on type BR2_ | 1MP2122R ^{⑥⑨} | 1MP5FK1 |
| 125 ^③ | 3 | 400 | BRH2_ | 1MP3124R ^⑦ | 1MP5FK2 |
| 125 ^③ | 4 | 400 | BRHH2_ | 1MP4124R ^⑦ | 1MP5FK2 |
| 125 ^③ | 5 ^⑤ | 600 | BRX2_ | 1MP5126R ^⑦ | 1MP5FK3 |
| 125 ^③ | 6 ^⑤ | 600 | | 1MP6126R ^⑦ | 1MP5FK3 |
| 200 ^④ | 2 | 400 | Bolt-on type CCV2_X | 1MP2204R ^⑦ | 1MP5FK4 |
| 200 ^④ | 3 | 600 | CCVH2_X | 1MP3206R ^⑦ | 1MP5FK5 |
| 200 ^④ | 4 | 600 | CVS2_XMM | 1MP4206R ^⑦ | 1MP5FK5 |
| 200 ^④ | 5 | 600 | CV2_XMM | 1MP5206R ^⑦ | 1MP5FK6 |
| 200 ^④ | 6 | 600 | CVH2_XMM | 1MP6206R ^⑦ | 1MP5FK6 |
| Ringless Style Meter Socket Covers ^⑧ | | | | | |
| 125 | 2 | 200 | Plug-on type BR2_ | 1MP2122RRL ^{⑥⑨} | 1MP5FK1 |
| 125 | 3 | 400 | BRH2_ | 1MP3124RRL ^⑦ | 1MP5FK2 |
| 125 | 4 | 400 | BRHH2_ | 1MP4124RRL ^⑦ | 1MP5FK2 |
| 125 | 5 | 600 | BRX2_ | 1MP5126RRL ^⑦ | 1MP5FK3 |
| 125 | 6 | 600 | | 1MP6126RRL ^⑦ | 1MP5FK3 |
| 200 | 2 | 400 | Bolt-on type CCV2_X | 1MP2204RRL ^⑦ | 1MP5FK4 |
| 200 | 3 | 600 | CCVH2_X | 1MP3206RRL ^⑦ | 1MP5FK5 |
| 200 | 4 | 600 | CVS2_XMM | 1MP4206RRL ^⑦ | 1MP5FK5 |
| 200 | 5 | 600 | CV2_XMM | 1MP5206RRL ^⑦ | 1MP5FK6 |
| 200 | 6 | 600 | CVH2_XMM | 1MP6206RRL ^⑦ | 1MP5FK6 |
| Ringless Style Covers with Horn Bypass ^⑩ | | | | | |
| 125 | 2 | 200 | Plug-on type BR2_ | 1MP2122RRLB ^{⑥⑦} | 1MP5FK1 |
| 125 | 3 | 400 | BRH2_ | 1MP3124RRLB ^{⑨⑩} | 1MP5FK2 |
| 125 | 4 | 400 | BRHH2_ | 1MP4124RRLB ^{⑨⑩} | 1MP5FK2 |
| 125 | 5 | 600 | BRX2_ | 1MP5126RRLB ^{⑨⑩} | 1MP5FK3 |
| 125 | 6 | 600 | | 1MP6126RRLB ^{⑨⑩} | 1MP5FK3 |
| 200 | 2 | 400 | Bolt-on type CCV2_X | 1MP2204RRLB ^{⑨⑩} | 1MP5FK4 |
| 200 | 3 | 600 | CCVH2_X | 1MP3206RRLB ^{⑨⑩} | 1MP5FK5 |
| 200 | 4 | 600 | CVS2_XMM | 1MP4206RRLB ^{⑨⑩} | 1MP5FK5 |
| 200 | 5 | 600 | CV2_XMM | 1MP5206RRLB ^{⑨⑩} | 1MP5FK6 |
| 200 | 6 | 600 | CVH2_XMM | 1MP6206RRLB ^{⑨⑩} | 1MP5FK6 |

Notes

- ① Ring Style Meter Packs do not come with fifth jaw. Order **1MM5JK** if needed.
- ② Reference drawing EUSERC DWG-342, G1.
- ③ To change in field from ring to ringless—order **1MMRC125**.
- ④ To change in field from ring to ringless—order **1MMRC200**.
- ⑤ To change from ring to ringless covers, the top socket only in 2, 5 and 6 socket designs—order **1MMRC125T**. Top socket only.
- ⑥ Main lugs included. #6–300 kcmil. (Optional lugs are not available.)
- ⑦ For overhead use, order DS_H2 type hub.
- ⑧ Fifth jaw factory installed at 9 o'clock position.
- ⑨ For overhead use, order DS_MH type hub.
- ⑩ To order with raceway provision in bottom endwall, add "T" suffix to the catalog number. Trough accessory catalog number is **1008934CH**.

See **Page V1-T4-139** for Main Lug Kit selection and Wire Sizes.

Copper Bus—Main Lugs Not Included—See Page V1-T4-139

| Socket Ampere Rating | Number of Meter Sockets | Bus Ampere Rating | Main Tenant Breaker Type (See Page V1-T4-139) | Catalog Number | Semi-Flush Flange Kit Catalog Number |
|--|-------------------------|-------------------|---|----------------------------------|--------------------------------------|
| Ring Style Meter Socket Covers ^{①②} | | | | | |
| 125 ^③ | 2 ^④ | 200 | Plug-on type BR2_ | 1MP2122RC ^⑦ | 1MPSFK1 |
| 125 ^③ | 3 | 400 | BRH2_ | 1MP3124RC ^⑧ | 1MPSFK2 |
| 125 ^③ | 4 | 400 | BRHH2_ | 1MP4124RC ^⑧ | 1MPSFK2 |
| 125 ^③ | 5 ^⑤ | 600 | BRX2_ | 1MP5126RC ^⑧ | 1MPSFK3 |
| 125 ^③ | 6 ^⑤ | 600 | | 1MP6126RC ^⑧ | 1MPSFK3 |
| 200 ^④ | 2 | 400 | Bolt-on type CCV2_X | 1MP2204RC ^⑧ | 1MPSFK4 |
| 200 ^④ | 3 | 600 | CCVH2_X | 1MP3206RC ^⑧ | 1MPSFK5 |
| 200 ^④ | 4 | 600 | CVS2_XMM | 1MP4206RC ^⑧ | 1MPSFK5 |
| 200 ^④ | 5 | 600 | CV2_XMM | 1MP5206RC ^⑧ | 1MPSFK6 |
| 200 ^④ | 6 | 600 | CVH2_XMM | 1MP6206RC ^⑧ | 1MPSFK6 |
| Ringless Style Meter Socket Covers ^⑥ | | | | | |
| 125 | 2 | 200 | Plug-on type BR2_ | 1MP2122RRLC ^⑧ | 1MPSFK1 |
| 125 | 3 | 400 | BRH2_ | 1MP3124RRLC ^⑧ | 1MPSFK2 |
| 125 | 4 | 400 | BRHH2_ | 1MP4124RRLC ^⑧ | 1MPSFK2 |
| 125 | 5 | 600 | BRX2_ | 1MP5126RRLC ^⑧ | 1MPSFK3 |
| 125 | 6 | 600 | | 1MP6126RRLC ^⑧ | 1MPSFK3 |
| 200 | 2 | 400 | Bolt-on type CCV2_X | 1MP2204RRLC ^⑧ | 1MPSFK4 |
| 200 | 3 | 600 | CCVH2_X | 1MP3206RRLC ^⑧ | 1MPSFK5 |
| 200 | 4 | 600 | CVS2_XMM | 1MP4206RRLC ^⑧ | 1MPSFK5 |
| 200 | 5 | 600 | CV2_XMM | 1MP5206RRLC ^⑧ | 1MPSFK6 |
| 200 | 6 | 600 | CVH2_XMM | 1MP6206RRLC ^⑧ | 1MPSFK6 |
| Ringless Style Covers with Horn Bypass ^⑥ | | | | | |
| 125 | 2 | 200 | Plug-on type BR2_ | 1MP2122RRLBC ^⑧ | 1MPSFK1 |
| 125 | 3 | 400 | BRH2_ | 1MP3124RRLBC ^⑧ | 1MPSFK2 |
| 125 | 4 | 400 | BRHH2_ | 1MP4124RRLBC ^⑧ | 1MPSFK2 |
| 125 | 5 | 600 | BRX2_ | 1MP5126RRLBC ^⑧ | 1MPSFK3 |
| 125 | 6 | 600 | | 1MP6126RRLBC ^⑧ | 1MPSFK3 |
| 200 | 2 | 400 | Bolt-on type CCV2_X | 1MP2204RRLBC ^⑧ | 1MPSFK4 |
| 200 | 3 | 600 | CCVH2_X | 1MP3206RRLBC ^⑧ | 1MPSFK5 |
| 200 | 4 | 600 | CVS2_XMM | 1MP4206RRLBC ^⑧ | 1MPSFK5 |
| 200 | 5 | 600 | CV2_XMM | 1MP5206RRLBC ^⑧ | 1MPSFK6 |
| 200 | 6 | 600 | CVH2_XMM | 1MP6206RRLBC ^⑧ | 1MPSFK6 |

Notes

- ① Ring Style Meter Packs do not come with fifth jaw. Order **1MM5JK** if needed.
- ② Reference drawing EUSERC DWG-342, G1.
- ③ To change in field from ring to ringless—order **1MMRC125**.
- ④ To change in field from ring to ringless—order **1MMRC200**.
- ⑤ To change in field from ring to ringless covers, the top socket only in 5 to 6 socket design—order **1MMRC125T**. Top socket only—other sockets see ③.
- ⑥ Fifth jaw factory installed at 9 o'clock position.
- ⑦ For overhead use, order DS_H2 type hub.
- ⑧ For overhead use, order DS_MH type hub.

4.3

Metering Products

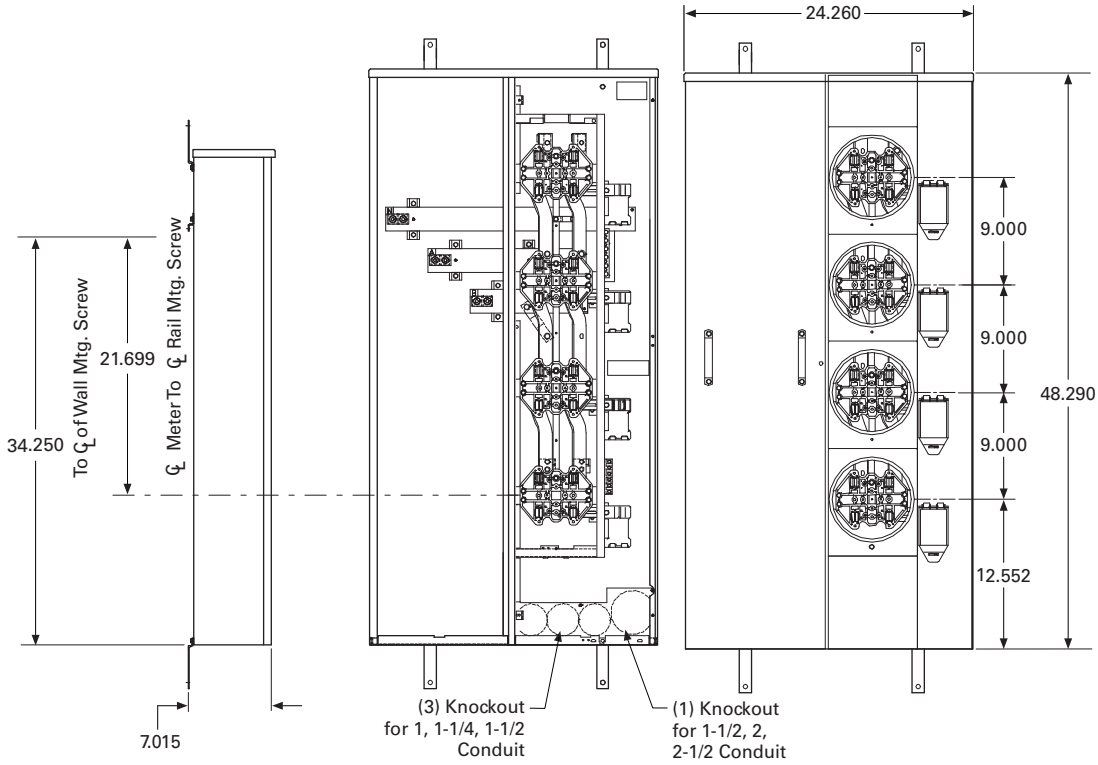
Group Metering

Dimensions and Knockouts

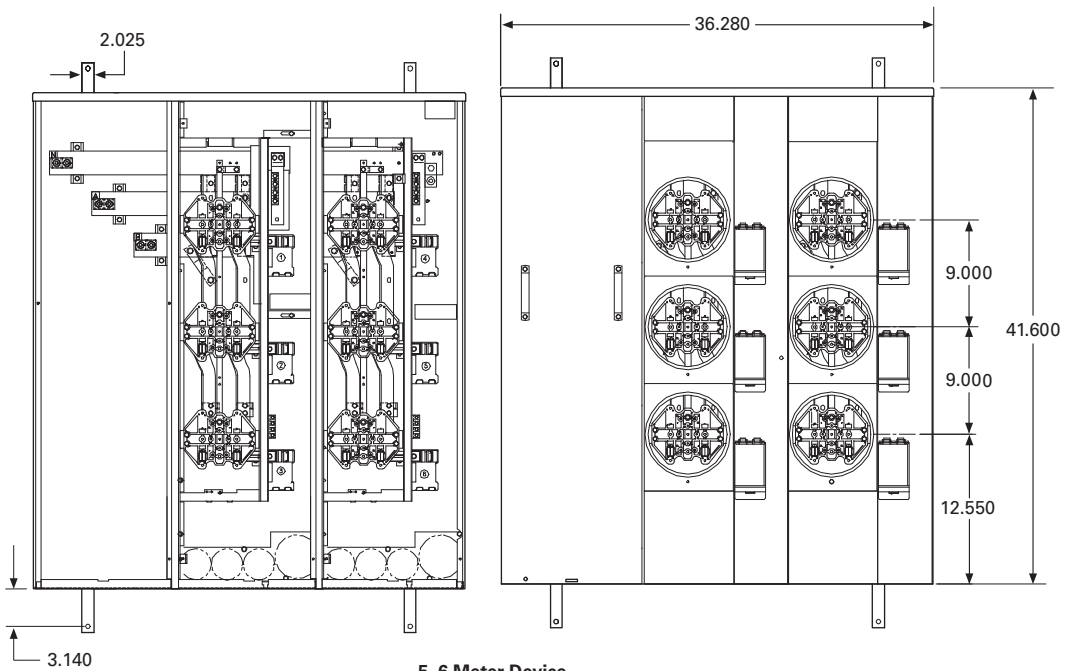
Approximate Dimensions in Inches (mm)

1MP, 125 Ampere Meter Packs—Aluminum and Copper Bus (1 of 2)

4



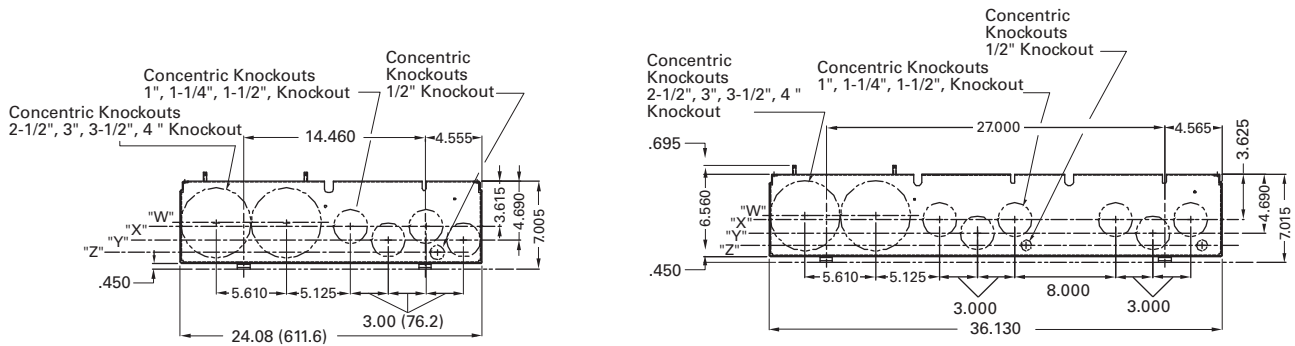
3, 4 Meter Device



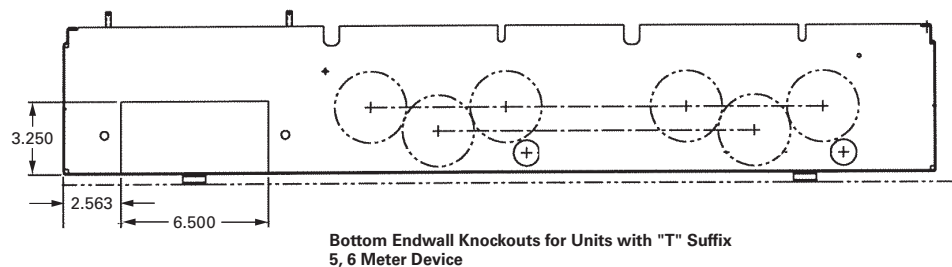
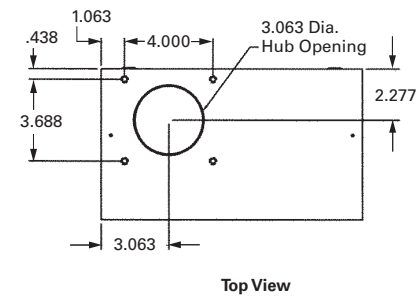
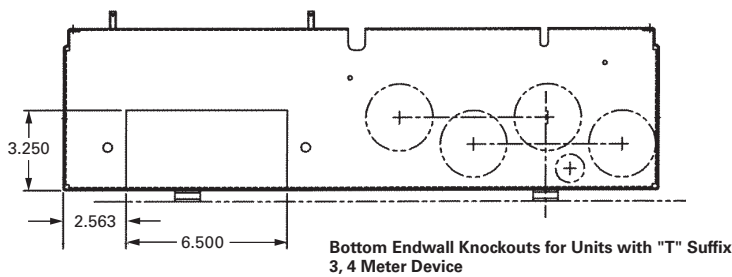
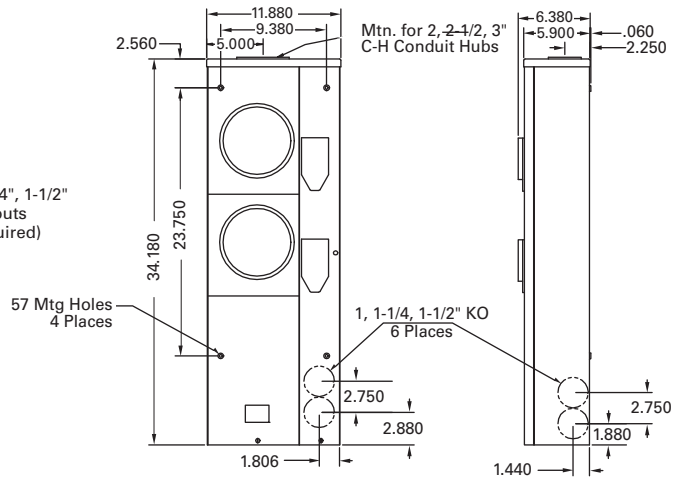
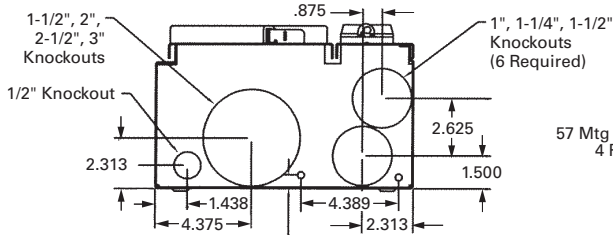
5, 6 Meter Device

Approximate Dimensions in Inches (mm)

1MP, 125 Ampere Meter Packs—Aluminum and Copper Bus (2 of 2)



"Z" = C of 1/2" Ring
 "Y" = C of 1-1/2" Ring
 "X" = C of 1-1/2" Ring
 "W" = C of 4" Ring



4.3

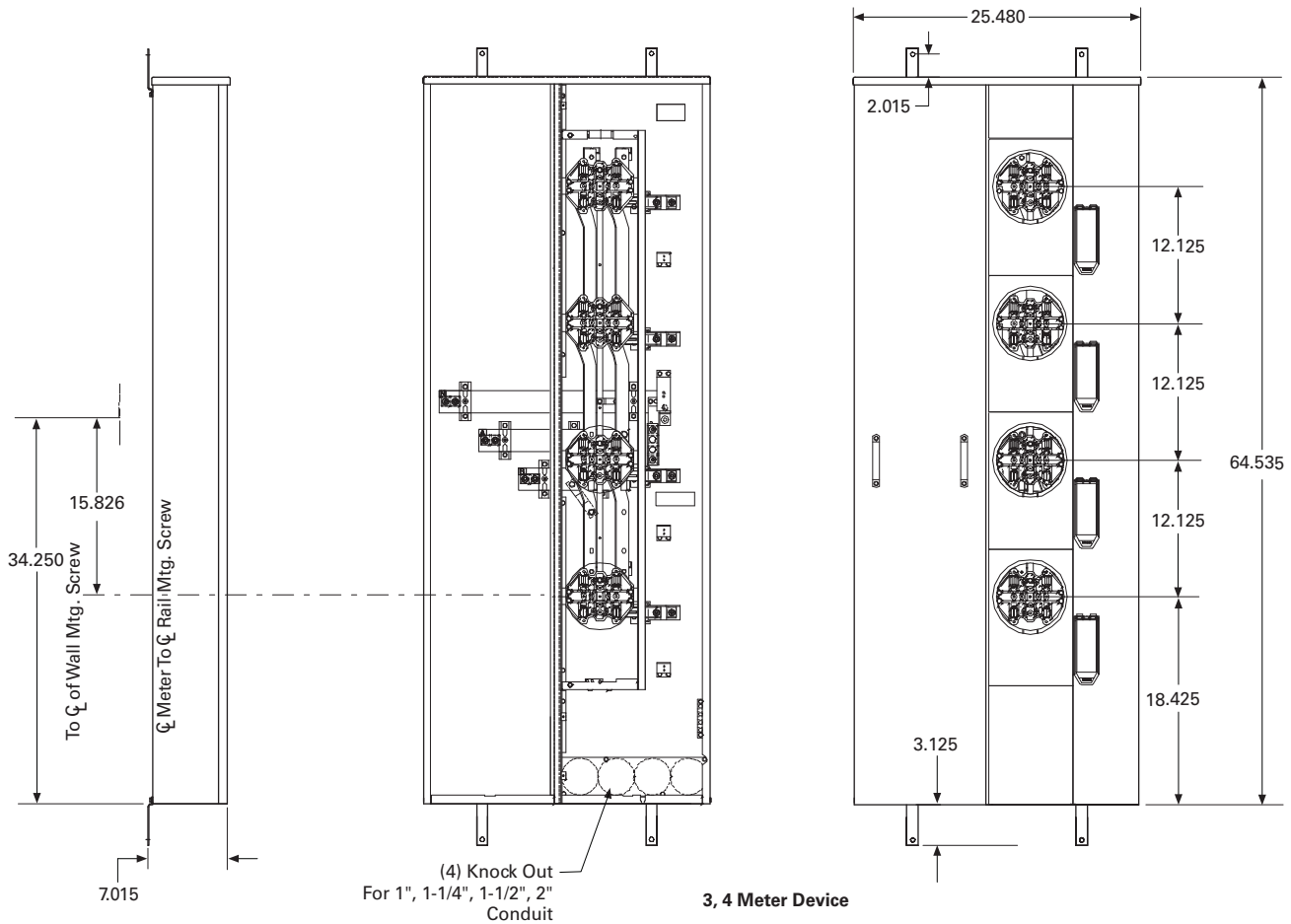
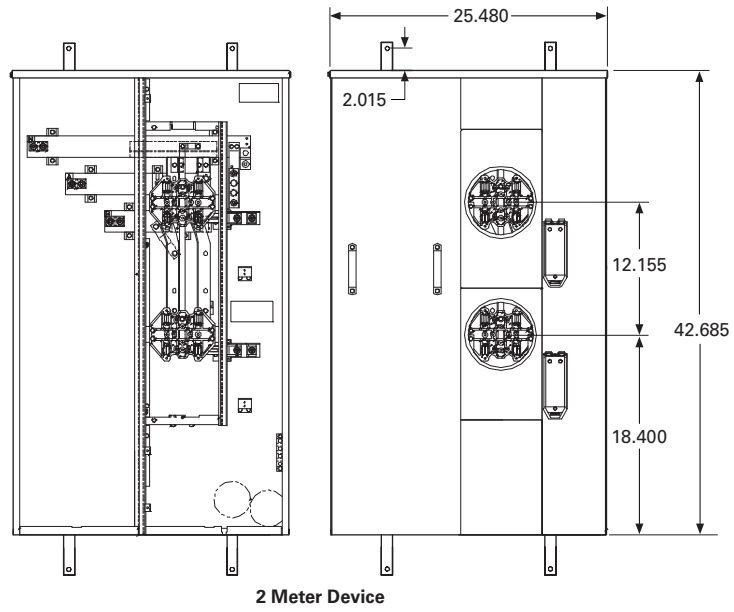
Metering Products

Group Metering

Approximate Dimensions in Inches (mm)

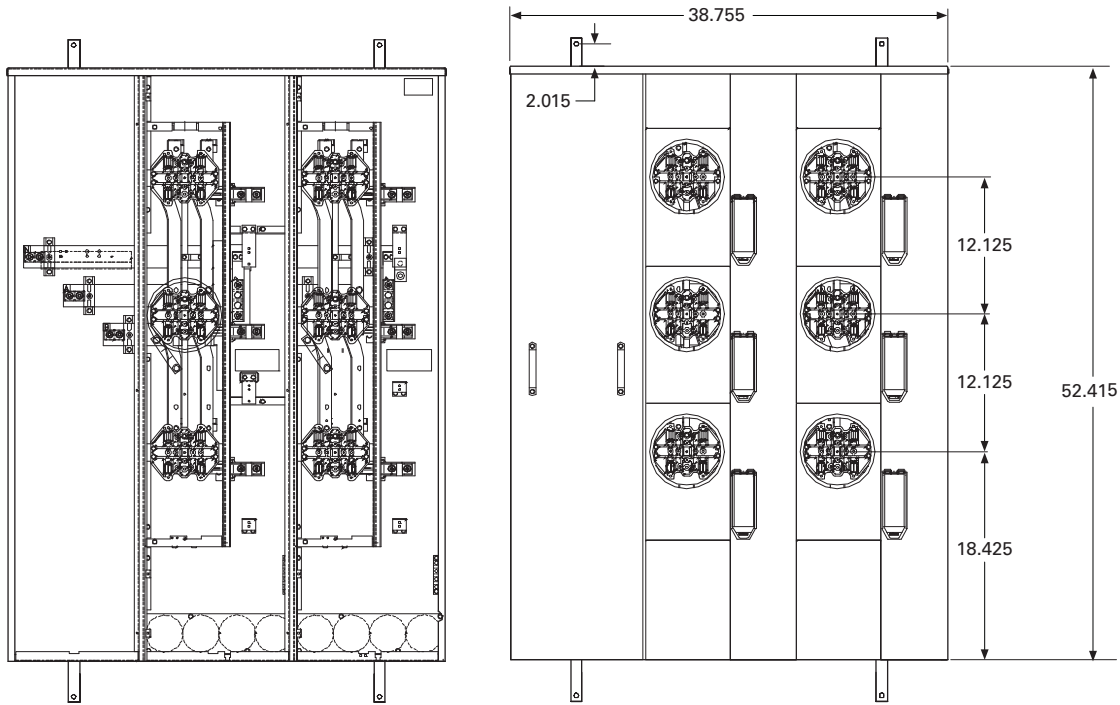
1MP, 200 Ampere Meter Packs—Aluminum and Copper Bus (1 of 2)

4

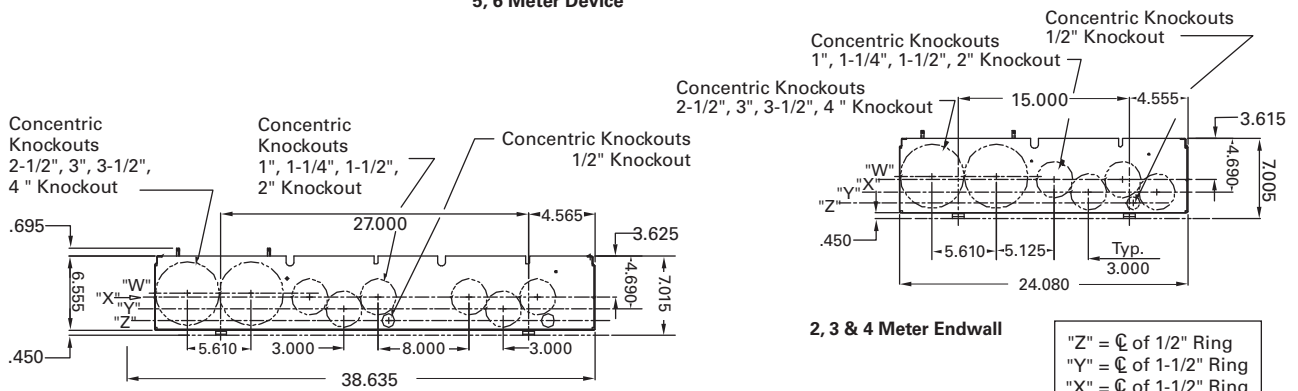


Approximate Dimensions in Inches (mm)

1MP, 200 Ampere Meter Packs—Aluminum and Copper Bus (2 of 2)

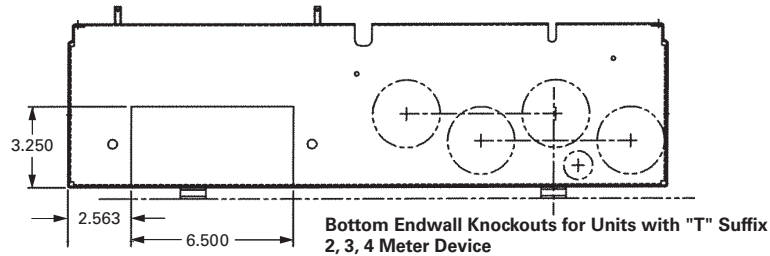


5, 6 Meter Device

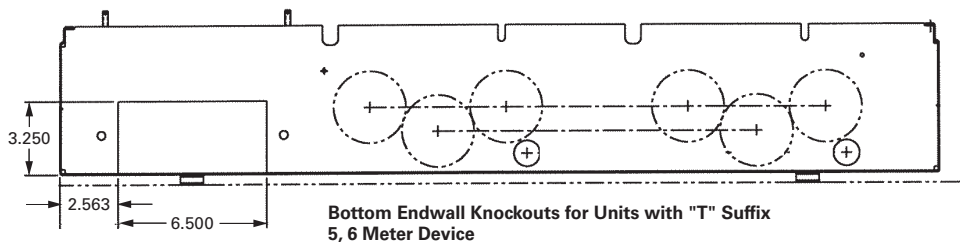


2, 3 & 4 Meter Endwall

"Z" = C of 1/2" Ring
 "Y" = C of 1-1/2" Ring
 "X" = C of 1-1/2" Ring
 "W" = C of 4" Ring



Bottom Endwall Knockouts for Units with "T" Suffix
 2, 3, 4 Meter Device



Bottom Endwall Knockouts for Units with "T" Suffix
 5, 6 Meter Device

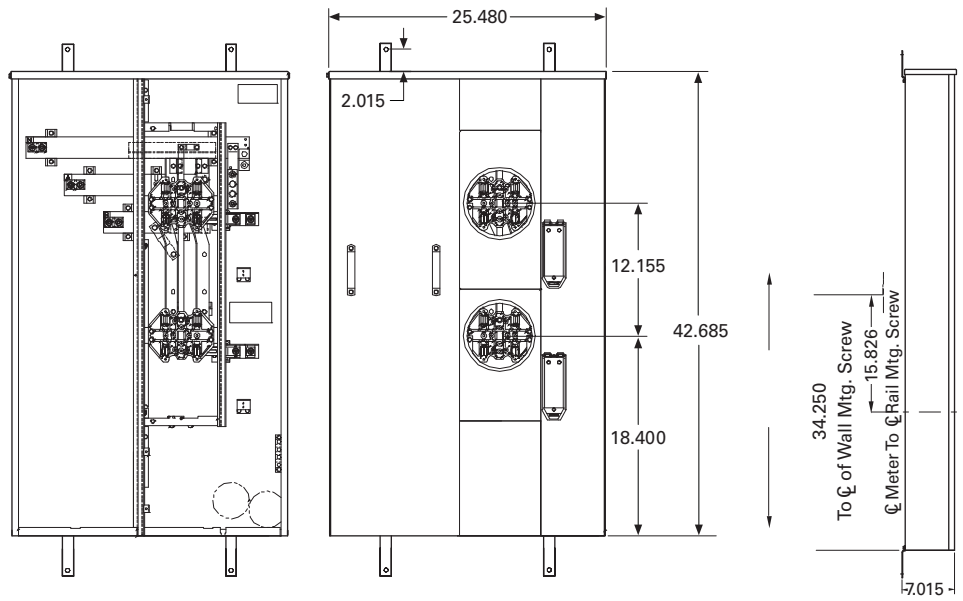
4.3

Metering Products

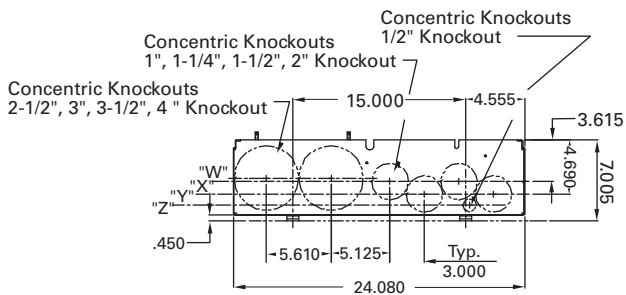
Group Metering

Approximate Dimensions in Inches (mm)

1MP, 200 Ampere Meter Packs—Aluminum and Copper Bus (2 Meter Device)

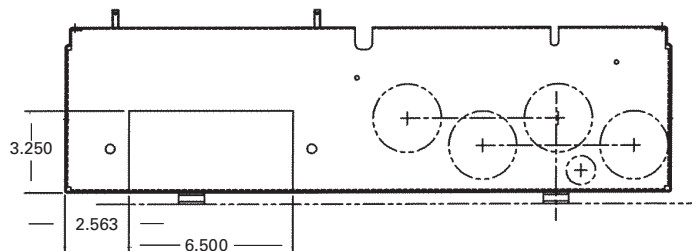
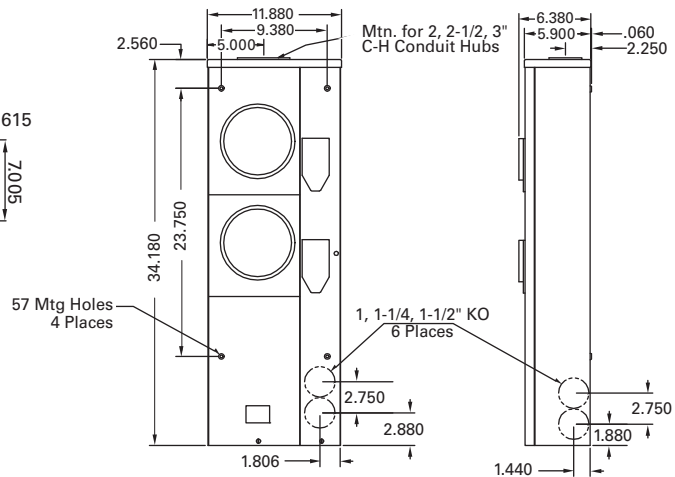


2 Meter Device



2, 3 & 4 Meter Endwall

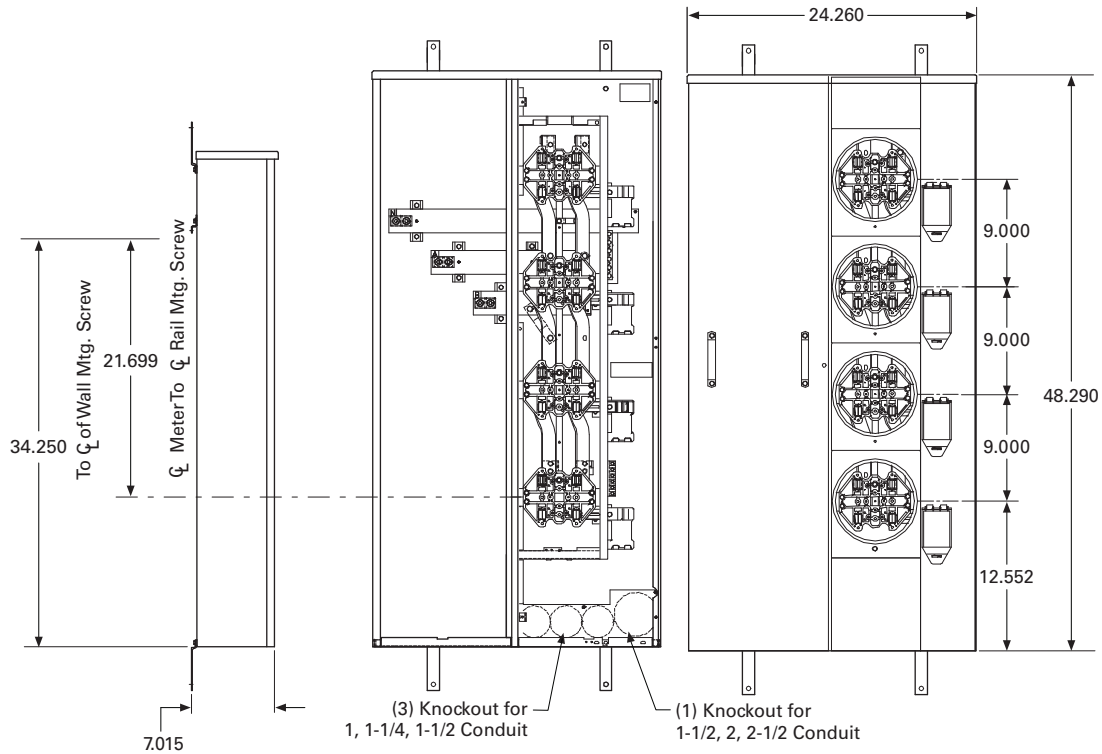
"Z" = C of 1/2" Ring
 "Y" = C of 1-1/2" Ring
 "X" = C of 1-1/2" Ring
 "W" = C of 4" Ring



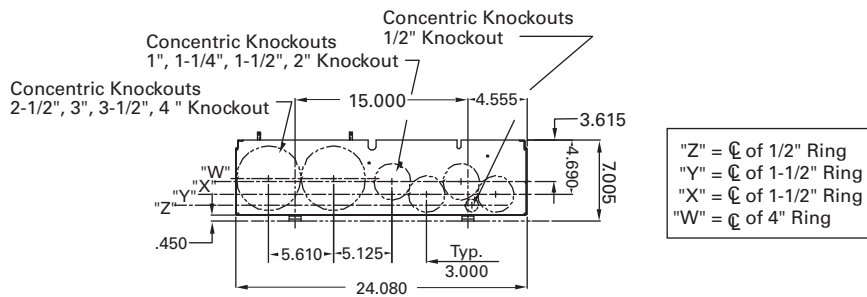
Bottom Endwall Knockouts
 for Units with "T" Suffix
 2, 3, 4 Meter Device

Approximate Dimensions in Inches (mm)

1MP, 200 Ampere Meter Packs—Aluminum and Copper Bus (3 and 4 Meter Device)

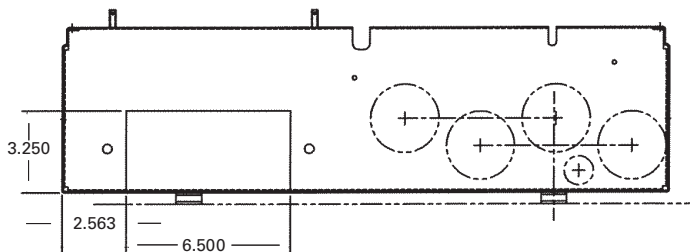


3 and 4 Meter Device

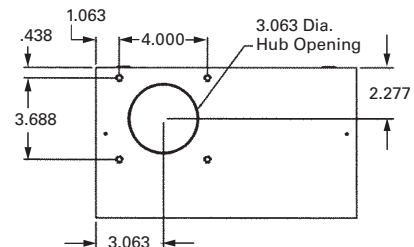


"Z" = C of 1/2" Ring
 "Y" = C of 1-1/2" Ring
 "X" = C of 1-1/2" Ring
 "W" = C of 4" Ring

2, 3 & 4 Meter Endwall



Bottom Endwall Knockouts for Units with "T" Suffix
 2, 3, 4 Meter Device



Top View

4.3

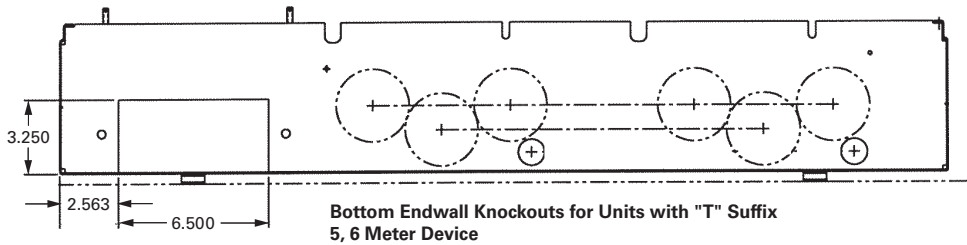
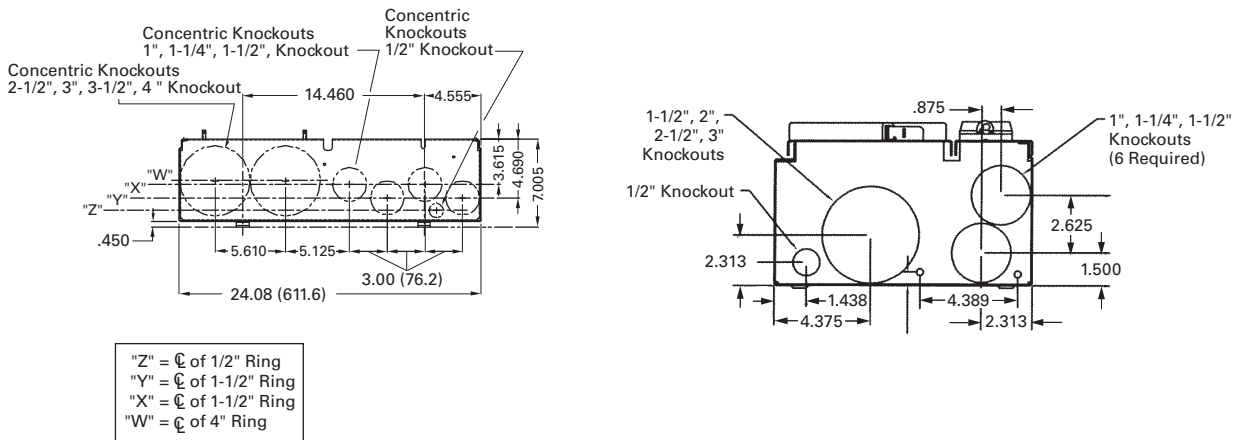
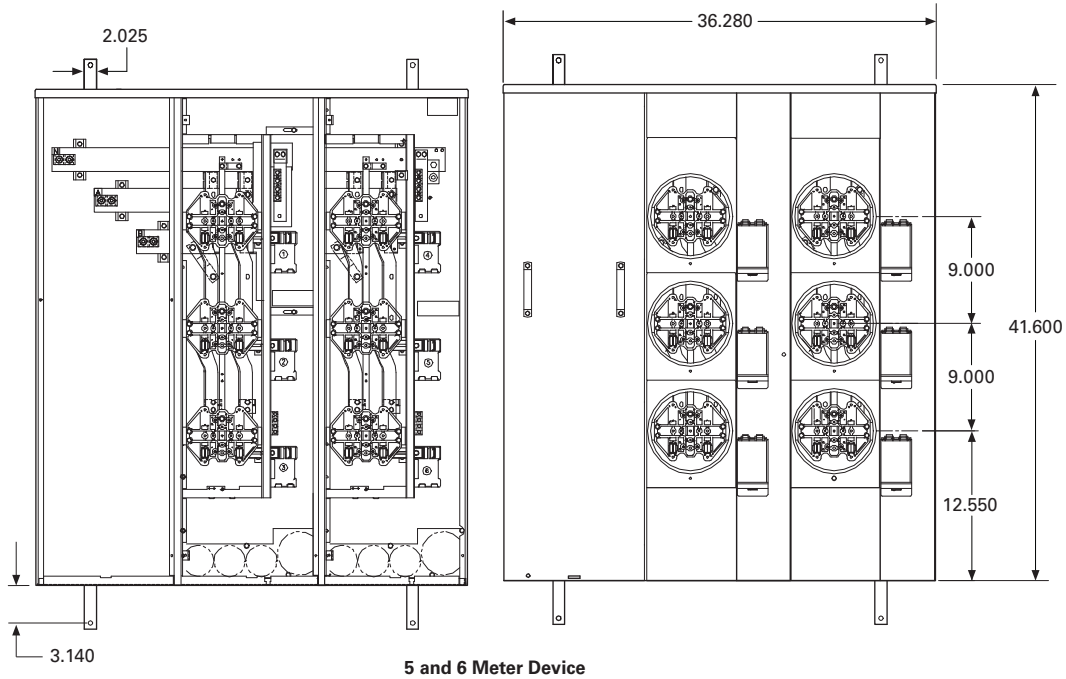
Metering Products

Group Metering

Approximate Dimensions in Inches (mm)

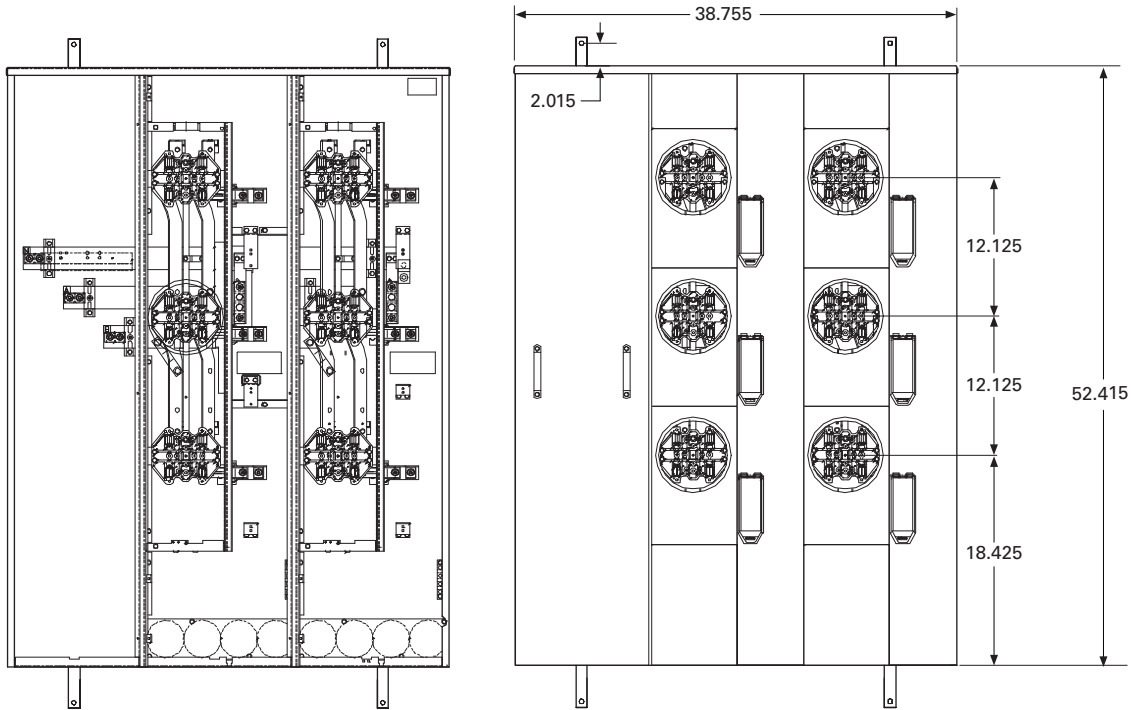
1MP, 200 Ampere Meter Packs—Aluminum and Copper Bus (5 and 6 Meter Device) 1 of 2

4

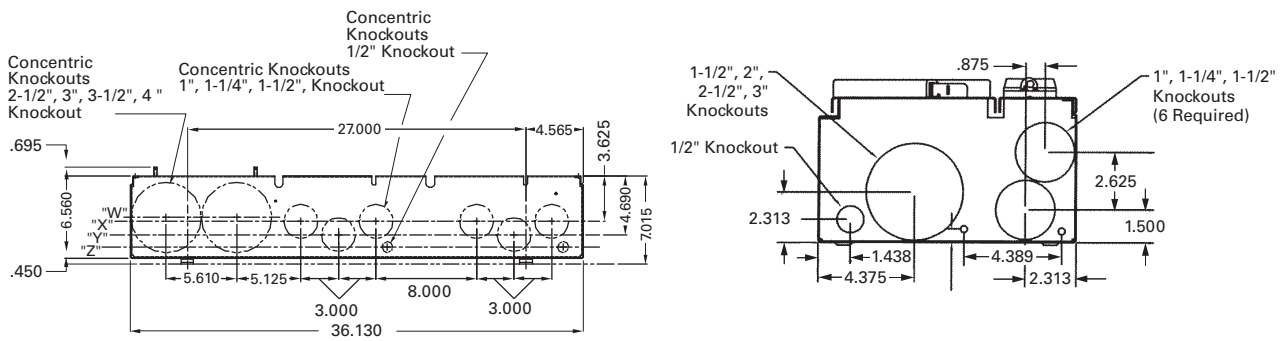


Approximate Dimensions in Inches (mm)

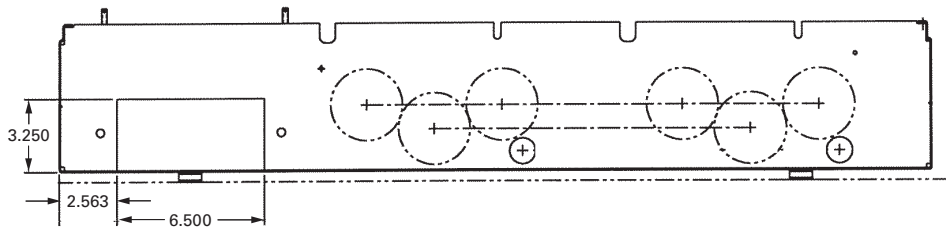
1MP, 200 Ampere Meter Packs—Aluminum and Copper Bus (5 and 6 Meter Device) 2 of 2



5 and 6 Meter Device



"Z" = C of 1/2" Ring
 "Y" = C of 1-1/2" Ring
 "X" = C of 1-1/2" Ring
 "W" = C of 4" Ring



Bottom Endwall Knockouts for Units with "T" Suffix
 5, 6 Meter Device

Main Tenant Circuit Breakers



Contents

| <i>Description</i> | <i>Page</i> |
|--|------------------|
| Systems for Residential and Commercial Applications | V1-T4-68 |
| Meter Packs | V1-T4-76 |
| Meter Packs—Tenant Circuit Breakers | V1-T4-88 |
| Main Service Modules | V1-T4-89 |
| Residential Meter Stacks | V1-T4-106 |
| Commercial Meter Stack Modules | V1-T4-121 |
| 35MM, 37MM, 35SS and 37SS Tenant Main Circuit Breakers | V1-T4-128 |
| Phase Balanced Stack | V1-T4-130 |
| Group Metering Inline Current Transformer Cabinets | V1-T4-131 |
| Surge Metering | V1-T4-132 |
| Group Metering Accessories | V1-T4-133 |

Meter Packs—1MP, 1MM and 3MM Main Tenant Circuit Breakers

Product Description

Specific main tenant circuit breakers that are to be used in meter packs (1MP), residential meter stacks (1MM) and three-phase in single-phase out meter stacks (3MM).

Product Selection

Meter Packs—1MP, 1MM and 3MM Main Tenant Circuit Breakers

| Description | Number of Poles | Main Tenant Circuit Breaker Ampere Rating | 10 kAIC Catalog Number ① | 22 kAIC Catalog Number | 25 kAIC Catalog Number ①②③④ | 42 kAIC Catalog Number ②③④ | 65 kAIC Catalog Number ②③④ | 100 kAIC Catalog Number ②③④ |
|---|---------------------|---|--------------------------|------------------------|-----------------------------|----------------------------|----------------------------|-----------------------------|
| Plug-On Type | | | | | | | | |
| Plug-on type circuit breakers used with 1MP, 1MM, and 3MM 125 A modular metering stacks | 2 | 60 | BR260 | BRH260 | — | BRHH260 | BRX260 | — |
| | 2 | 70 | BR270 | BRH270 | — | BRHH270 | BRX270 | — |
| | 2 | 80 | BR280 | BRH280 | — | BRHH280 | BRX280 | — |
| | 2 | 90 | BR290 | BRH290 | — | BRHH290 | BRX290 | — |
| | 2 | 100 | BR2100 | BRH2100 | — | BRHH2100 | BRX2100 | — |
| | 2 | 110 | BR2110 | BRH2110 | — | BRHH2110 | BRX2110 | — |
| | 2 | 125 | BR2125 | BRH2125 | — | BRHH2125 | BRX2125 | — |
| | Bolt-On Type | | | | | | | |
| Bolt-on type circuit breakers used with 1MP, 1MM, and 3MM 200 A modular metering stacks | 2 | 60 | CCV2060X | — | CCVH2060X | CVS2060XMM | CV2060XMM | CVH2060XMM |
| | 2 | 70 | CCV2070X | — | CCVH2070X | CVS2070XMM | CV2070XMM | CVH2070XMM |
| | 2 | 80 | CCV2080X | — | CCVH2080X | CVS2080XMM | CV2080XMM | CVH2080XMM |
| | 2 | 90 | CCV2090X | — | CCVH2090X | CVS2090XMM | CV2090XMM | CVH2090XMM |
| | 2 | 100 | CCV2100X | — | CCVH2100X | CVS2100XMM | CV2100XMM | CVH2100XMM |
| | 2 | 125 | CCV2125X | — | CCVH2125X | CVS2125XMM | CV2125XMM | CVH2125XMM |
| | 2 | 150 | CCV2150X | — | CCVH2150X | CVS2150XMM | CV2150XMM | CVH2150XMM |
| | 2 | 175 | CCV2175X | — | CCVH2175X | CVS2175XMM | CV2175XMM | CVH2175XMM |
| 2 | 200 | CCV2200X | — | CCVH2200X | CVS2200XMM | CV2200XMM | CVH2200XMM | |

Notes

- ① #2–300 kcmil wire size range for CCV and CCVH tenant main circuit breakers.
- ② “MM” suffix indicates mounting hardware kit is included as standard with tenant main breaker.
- ③ 1MMCBK replacement mounting hardware kit. One kit is needed per breaker. Mounting hardware kit ships standard with breaker “MM” suffix offering.
- ④ #6–4/0 kcmil wire size range for CVS, CV and CVH tenant main circuit breakers. If #2–300 kcmil is needed, order 2TA225CVK. One kit needed per breaker.

Main Service Modules

Main Service Modules

Product Description

- Main terminal box
- Main circuit breaker
- Main bolted pressure switch
- Main fusible switch
- Main fusible switch with pull box
- Underground pull box

Application Description

Main Circuit Breakers with Busway Connections

The Service Entrance Product Team announces the availability of both main fusible switch and main circuit breaker group metering mains with busway connections. This offering provides us with the ability to offer multiple tenant metering in high rise apartment buildings where riser busway is used.

Features, Benefits and Functions

Eaton's Main Service Module

- Offering: main terminal/lug compartment, main circuit breaker, main fusible switch, main bolted pressure switch, main fusible switch with pull box (meets EUSERC electrical requirements), underground pull box termination compartment without cross bus (meets EUSERC electrical requirements)
- Mechanically and electrically built for use with 1MM, 3MM, 35MM, 37MM, 35SS and 37SS modular metering stacks
- For integrated system short-circuit ratings with main devices, see series ratings on **Page V1-T4-73**
- All main service modules include both left and right horizontal bus closure plates

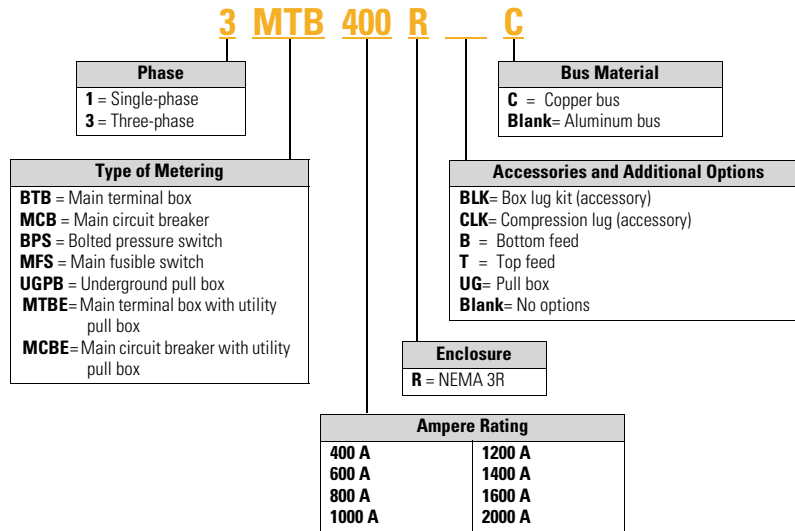
Contents

| <i>Description</i> | <i>Page</i> |
|--|------------------|
| Systems for Residential and Commercial Applications | V1-T4-68 |
| Meter Packs | V1-T4-76 |
| Meter Packs—Tenant Circuit Breakers | V1-T4-88 |
| Main Service Modules | |
| Catalog Number Selection | V1-T4-90 |
| Product Selection | V1-T4-91 |
| Dimensions | V1-T4-101 |
| Residential Meter Stacks | V1-T4-106 |
| Commercial Meter Stack Modules | V1-T4-121 |
| 35MM, 37MM, 35SS and 37SS Tenant Main Circuit Breakers | V1-T4-128 |
| Phase Balanced Stack | V1-T4-130 |
| Group Metering Inline Current Transformer Cabinets | V1-T4-131 |
| Surge Metering | V1-T4-132 |
| Group Metering Accessories | V1-T4-133 |

Main Circuit Breakers with Busway Connections

- Two-pole devices are applied to single-phase, three-wire, 120/240 V or 208Y/120 V systems, three-pole devices to 208Y/240 V or 120/240 V delta systems
 - Single-phase mains couple to any modular metering stack (1MM, 3MM, 35MM, 37MM, 35SS and 37SS)
 - Three-phase mains require three-phase bussed stacks. These modular metering stacks are 3MM, 35MM, 37MM, 35SS and 37SS
 - If the ampere rating of the main service module is greater than the horizontal bus rating of the meter stack (residential or commercial), the main service module must be center fed. Examples: 1200 A Main Circuit Breaker (**1MCB1200R**) with an 800 A residential stack (**1MM512R**). 1600 A Main Terminal Box (**3MTB1600R**) with a 1200 A residential stack (**3MM212R12**)
 - Most main service modules are available with aluminum or copper bus
- Three-phase, 400–200 A main circuit breakers
 - Three-phase, 400–800 A main fusible switches
 - Simple bridge joint connection
 - Variety of options:
 - Right or left mounting
 - Internal ground or housing ground
 - The MFS/MCB and busway connector are supplied completely assembled

Catalog Number Selection



When Ordering:

1. Determine catalog number of Main Service Module.
2. Determine catalog number of Meter Stack (Residential or Commercial).
3. Find quantity and catalog numbers for tenant circuit breakers (found on **Page V1-T4-123** or **V1-T4-129**). Order one breaker per socket.
4. If any accessories are needed, order from **Pages V1-T4-134** and **V1-T4-135**.

Product Selection

Main Terminal Box

- Phase and neutral lugs are included
- Top or bottom feed:
 - For top feed, use Myer type hub
- Indoor or outdoor
- Terminal box UL listed short-circuit rating is the least AIC rating of any installed main tenant breaker—to a maximum of 100,000 rms symmetrical amperes

Main Terminal Box



Main Terminal Box

| Ampere Rating | Line Side Lug and Wire Sizes—Included | System Voltage 120/240 Vac Single-Phase, Three-Wire Catalog Number | 120/208 Vac Three-Phase, Four-Wire Catalog Number |
|---|---|--|--|
| Aluminum Bus (Standard Offering) | | | |
| 400 | (1) #6–600 or (2) 1/0–250 kcmil ② | Use three-phase | 3MTB400R |
| 600 | (2) 250–500 kcmil ③ | Use three-phase | 3MTB600R |
| 800 | (4) 250–500 kcmil ④⑤ | 1MTB800R | 3MTB800R |
| 1200 ① | (4) 250–500 kcmil ⑥⑥ | 1MTB1200R | 3MTB1200R |
| Aluminum Bus (EUSERC) | | | |
| 400 | Crimp lug landing pads (no lugs included) | 1MTBE400R ⑦ | 3MTBE400R ⑦ |
| 800 | Crimp lug landing pads (no lugs included) | 1MTBE800R ⑦ | 3MTBE800R ⑦ |
| Copper Bus (Premium Offering) | | | |
| 400 | (1) #6–600 or (2) 1/0–250 kcmil ② | Use three-phase | 3MTB400RC |
| 600 | (2) 250–500 kcmil ③ | Use three-phase | 3MTB600RC |
| 800 | (4) 250–500 kcmil ④⑤ | 1MTB800RC | 3MTB800RC |
| 1200 ① | (4) 250–500 kcmil ⑥⑥ | 1MTB1200RC | 3MTB1200RC |
| 1400 | (6) #2–600 kcmil | 1MCB1400RBC-600 | 3MCB1400RBC-600 ⑧ |
| 1400 | (6) #2–600 kcmil | 1MCB1400RT-600 | 3MCB1400RT-600 ⑧ |
| 1600 ① | (6) 250–500 kcmil ⑨ | 1MTB1600RC | 3MTB1600RC |
| 2000 ① | (8) 1/0–750 kcmil or (16) 1/0–300 kcmil | 1MTB2000RC | 3MTB2000RC |

Main Terminal Box Riser Panel

Eaton’s Main Terminal Box Riser Panel is a main terminal box with offset lugs on each

phase to allow riser cables to pass through the main service module.

These panels are used in the construction of assisted living homes, dormitories, public housing complexes and apartments.

Main Terminal Box Riser Panel

| Ampere Rating | Line and Load Side Lug and Wire Sizes Included | System Voltage 120/240 Vac Single-Phase, Three-Wire Catalog Number | 120/208 Vac Three-Phase, Four-Wire Catalog Number |
|---------------------------------------|--|--|--|
| Copper Bus (Standard Offering) | | | |
| 1200 | #2–750 kcmil ①⑨ | Use three-phase | 3MTB1200RCRIS |
| 1600 | #2–750 kcmil ①⑨ | Use three-phase | 3MTB1600RCRIS |
| 1600 | (6) #2–600 kcmil | 1MCB1600RBC-600 | 3MCB1600RBC-600 ⑧ |
| 1600 | (6) #2–600 kcmil | 1MCB1600RT-600 | 3MCB1600RT-600 ⑧ |
| 2000 | #2–750 kcmil ①⑨ | 1MTB2000RCRIS | 3MTB2000RCRIS |

Notes

- ① 1200 A main devices must be center fed when installing 800 A residential meter stacks. 1600 A and 2000 A main devices must be center fed when installing 800–1200 A residential and commercial meter stacks.
- ② For 400 A units, to obtain (4) 750 kcmil cables per phase—order quantity 4 **1MPLK2**. Kit contains one lug.
- ③ For compression lug landing kits for 600 A units, order **3MTB600CLK**. Kit includes lug landings for three phases and neutral.
- ④ For 800 A units, to obtain (4) 1/0–300 kcmil or (2) 1/0–750 kcmil cables per phase—order catalog number **3MTB800BLK**, one lug kit per main terminal box ordered (neutral and ground included in kit).
- ⑤ For 800 A and 1200 A units, for compression lug landing kits, order **3MTB1200CLK**. Kit includes lug landings for three-phase and neutral.
- ⑥ For 1200 A units, to obtain (6) 1/0–300 kcmil or (3) 750 kcmil cables per phase—order catalog number **3MTB1200BLK**, one lug kit per main terminal box ordered (neutral and ground included in kit).
- ⑦ Meets EUSERC electrical requirements and eliminates the need to add additional pull box section. Reference drawing EUSERC DWG-343.
- ⑧ For 1600 A units, to obtain (4) 750 kcmil cables per phase—order catalog number **3MTB1600BLK**, one lug kit per main terminal box ordered. For a 1600 A compression lug landing kit, order catalog number **3MTB1600CLK**.
- ⑨ Quantity (10) lugs per phase—quantity (5) lugs incoming and quantity (5) lugs outgoing per phase.
- ⑩ Quantity (16) lugs per phase—quantity (8) lugs incoming and quantity (8) lugs outgoing per phase.

Aluminum Bus—Standard Offering

Main Circuit Breaker

- Phase and neutral lugs included. If additional neutral lugs are needed, order 1MCB1200NLK for (3) 1/0–750 or (6) 1/0–300 kcmil
- For shunt trip mains, order the field-installable shunt trip kit in this volume, Tab 1, section 1.1
- For overhead feed, use Myer type hub. Verify local utility approval
- For compression lugs on 400, 600, 800, 1000 and 1200 A units, add CL to the end of the part number (includes copper lug pads for lines and neutral)
- 1200 A or greater main devices must be center fed when installing 800 A residential meter stacks
- 1400, 1600 and 2000 A main devices must be center fed when installing 800 and 1200 A residential and commercial meter stacks

Main Circuit Breaker



Main Circuit Breaker

| Main Ampere Rating | Main Circuit Breaker Type | Feed | kAIC | Line Side Lug and Wire Sizes (Lugs Included with Main Breaker) ① | System Voltage | |
|---|---------------------------|------------|------|--|---|---|
| | | | | | 120/240 Vac Single-Phase, Three-Wire Catalog Number | 120/208 Vac Three-Phase, Four-Wire Catalog Number |
| Aluminum Bus (Standard Offering) | | | | | | |
| 250 | KD | Bottom/top | 65 | (2) 3/0–250 kcmil or (1) 2/0–500 kcmil | 1MCB250R | 3MCB250R |
| 250 | HKD | Bottom/top | 100 | (2) 3/0–250 kcmil or (1) 2/0–500 kcmil | 1MHCB250R | 3MHCB250R |
| 300 | KD | Bottom/top | 65 | (2) 3/0–250 kcmil or (1) 2/0–500 kcmil | 1MCB300R | 3MCB300R |
| 300 | HKD | Bottom/top | 100 | (2) 3/0–250 kcmil or (1) 2/0–500 kcmil | 1MHCB300R | 3MHCB300R |
| 350 | KD | Bottom/top | 65 | (2) 3/0–250 kcmil or (1) 2/0–500 kcmil | 1MCB350R | 3MCB350R |
| 350 | HKD | Bottom/top | 100 | (2) 3/0–250 kcmil or (1) 2/0–500 kcmil | 1MHCB350R | 3MHCB350R |
| 400 | KD | Bottom/top | 65 | (2) 3/0–250 kcmil or (1) 2/0–500 kcmil | 1MCB400R ② | 3MCB400R ② |
| 400 | HKD | Bottom/top | 100 | (2) 3/0–250 kcmil or (1) 2/0–500 kcmil | 1MHCB400R ② | 3MHCB400R ② |
| 500 | LD | Bottom/top | 65 | (2) 400–500 kcmil | 1MCB500R | 3MCB500R |
| 500 | HLD | Bottom/top | 100 | (2) 400–500 kcmil | 1MHCB500R | 3MHCB500R |
| 600 | LD | Bottom/top | 65 | (2) 400–500 kcmil | 1MCB600R ② | 3MCB600R ② |
| 600 | HLD | Bottom/top | 100 | (2) 400–500 kcmil | 1MHCB600R ② | 3MHCB600R ② |
| 700 | HMDL | Bottom/top | 100 | (3) 3/0–400 kcmil | 1MHCB700R | 3MHCB700R |
| 700 | MDL | Bottom/top | 65 | (3) 3/0–400 kcmil | 1MCB700R | 3MCB700R |
| 800 | MDL | Bottom/top | 65 | (3) 3/0–400 kcmil | 1MCB800R ② | 3MCB800R ② |
| 800 | MDL | Bottom/top | 65 | (2) 500–750 kcmil | 1MCB800R750 | 3MCB800R750 |
| 800 | HMDL | Bottom/top | 100 | (3) 3/0–400 kcmil | 1MHCB800R ② | 3MHCB800R ② |
| 900 | NGS | Bottom/top | 65 | (4) 4/0–500 kcmil ③ | 1MCB900R ④ | 3MCB900R ④ |
| 900 | NGH | Bottom/top | 100 | (4) 4/0–500 kcmil ③ | 1MHCB900R ④ | 3MHCB900R ④ |
| 1000 | NGS | Bottom/top | 65 | (4) 4/0–500 kcmil ③ | 1MCB1000R ②④ | 3MCB1000R ②④ |
| 1000 | NGS | Bottom/top | 65 | (3) 500–750 kcmil | 1MCB1000R750 | 3MCB1000R750 |
| 1000 | NGH | Bottom/top | 100 | (4) 4/0–500 kcmil ③ | 1MHCB1000R ②④ | 3MHCB1000R ②④ |
| 1200 | NGS | Bottom/top | 65 | (4) 4/0–500 kcmil ③ | 1MCB1200R ②④ | 3MCB1200R ②④ |
| 1200 | NGH | Bottom/top | 100 | (4) 4/0–500 kcmil ③ | 1MHCB1200R ②④ | 3MHCB1200R ②④ |
| 1200 | NGS | Bottom/top | 65 | (3) 500–750 kcmil | Use three-phase | 3MCB1200R750 |

Notes

- ① If additional neutral lugs are needed, order **1MCB1200NLK** [(3) 1/0–750 kcmil or (6) 1/0–300 kcmil].
- ② Add CL to end of catalog number for compression lug pads (includes lug pads for lines and neutral).
- ③ If (3) 500–750 kcmil are needed, order **TA1201NB1**. Order one kit per pole.
- ④ Main devices with a rating greater than 800 A can be used with 800 A residential modular stacks, but only as a center fed main.

Arcflash Reduction Maintenance System™ for group metering mains

Eaton’s Arcflash Reduction Maintenance System (ARMS) for group metering main breakers enhances worker safety in multi-tenant residential and light commercial applications by reducing the arc flash potential while performing maintenance. With a reduction in arc flash hazard risk, workers can operate with improved mobility without sacrificing safety. ARMS provides accelerated instantaneous trip, reducing potential arc flash. 310+ trip unit provides the fastest clearing times in the industry, with less arc energy.

Services

Eaton can offer a higher degree of application knowledge and technical support, along with reduced complexity. To further support utility teams, Eaton offers comprehensive, tailored training, offered both virtually and onsite.

Training

- Intro to Eaton
Learn more about our company and our history of innovation
- Meter Products Overview
Comprehensive overview of Eaton’s metering product line, available configurations and features
- Technical Metering
A deeper dive into complex metering issues, such as phase balancing or the Arcflash Reduction Maintenance System
- Codes and Standards
Discussion of increasingly complex federal and state regulations to decrease burdens on utility staff, and reduce operations at risk

Support

With a strong presence and local sales offices throughout the U.S., Eaton’s national footprint and extensive utility presence allows us to connect with your business—wherever it operates—offering local engineering, project management and service providers for immediate support to improve uptime, increase safety and reduce costs. Eaton’s team includes utility application-specific experts with a track record of solving unique problems and managing complex, integrated solutions and turnkey projects.

Main Circuit Breaker



Main Circuit Breaker with Arcflash Reduction Maintenance Switch

| Main Ampere Rating | Main Circuit Breaker Type | Feed | kAIC | Line Side Lug and Wire Sizes (Lugs Included with Main Breaker) | System Voltage 120/240 Vac | System Voltage 120/208 Vac |
|---|---------------------------|------------|------|--|----------------------------|----------------------------|
| | | | | | Single-Phase, Three-Wire | Three-Phase, Four-Wire |
| | | | | | Catalog Number | Catalog Number |
| Aluminum Bus (Standard Offering) | | | | | | |
| 900 | NGS | Top | 65 | (4) 4/0–500 kcmil | 1MCB900RA | 3MCB900RA |
| 1000 | NGS | Bottom/top | 65 | (4) 4/0–500 kcmil | 1MCB1000RA | 3MCB1000RA |
| 1000 | NGS | Bottom/top | 65 | (3) 500–750 kcmil | 1MCB1000RA750 | 3MCB1000RA750 |
| 1000 | NGS | Bottom | 65 | Crimp lug landing pads (no lugs included) | 1MCBE1000RA | 3MCBE1000RA |
| 1000 | NGH | Bottom/top | 100 | (4) 4/0–500 kcmil | 1MHCB1000RA | 3MHCB1000RA |
| 1200 | NGS | Bottom/top | 65 | (4) 4/0–500 kcmil | 1MCB1200RA | 3MCB1200RA |
| 1200 | NGS | Bottom | 65 | Crimp lug landing pads (no lugs included) | 1MCBE1200RA | 3MCBE1200RA |
| 1200 | NGH | Bottom/top | 100 | (4) 4/0–500 kcmil | 1MHCB1200RA | 3MHCB1200RA |
| 1200 | NGH | Bottom | 100 | Crimp lug landing pads (no lugs included) | 1MHCB1200RA | 3MHCB1200RA |
| 1400 | RGH | Top | 100 | (4) #500–1000 kcmil | 1MCB1400RTA | 3MCB1400RTA |
| 1600 | RGH | Top | 100 | (6) #2–600 kcmil | 1MCB1600RTA600 | 3MCB1600RTA600 |
| 1600 | RGH | Top | 100 | (4) #500–1000 kcmil | — | 3MCB1600RTA |
| 2000 | RGH | Top | 100 | (6) #2–600 kcmil | 1MCB2000RTA | 3MCB2000RTA |

Aluminum Bus—EUSERC

Main Circuit Breaker

Main Circuit Breaker, EUSERC



4

| Main Ampere Rating | Main Circuit Breaker Type | Feed | kAIC | Line Side Lug and Wire Sizes (Lugs Included with Main Breaker) ① | System Voltage | |
|--------------------------------|---------------------------|--------|------|--|---|---|
| | | | | | 120/240 Vac Single-Phase, Three-Wire Catalog Number | 120/208 Vac Three-Phase, Four-Wire Catalog Number |
| Aluminum Bus (EUSERC) ② | | | | | | |
| 300 | KD | Bottom | 65 | Crimp lug landing pads (no lugs included) | 1MCBE300R | 3MCBE300R |
| 350 | KD | Bottom | 65 | Crimp lug landing pads (no lugs included) | 1MCBE350R | 3MCBE350R |
| 400 | KD | Bottom | 65 | Crimp lug landing pads (no lugs included) | 1MCBE400R | 3MCBE400R |
| 400 | HKD | Bottom | 100 | Crimp lug landing pads (no lugs included) | 1MHCBE400R | 3MHCBE400R |
| 500 | LD | Bottom | 65 | Crimp lug landing pads (no lugs included) | 1MCBE500R | 3MCBE500R |
| 600 | LD | Bottom | 65 | Crimp lug landing pads (no lugs included) | 1MCBE600R | 3MCBE600R |
| 600 | HLD | Bottom | 100 | Crimp lug landing pads (no lugs included) | 1MHCBE600R | 3MHCBE600R |
| 800 | MDL | Bottom | 65 | Crimp lug landing pads (no lugs included) | 1MCBE800R | 3MCBE800R |
| 800 | HMDL | Bottom | 100 | Crimp lug landing pads (no lugs included) | 1MHCBE800R | 3MHCBE800R |
| 1000 | NGS | Bottom | 65 | Crimp lug landing pads (no lugs included) | 1MCBE1000R | 3MCBE1000R |
| 1200 | NGS | Bottom | 65 | Crimp lug landing pads (no lugs included) | 1MCBE1200R | 3MCBE1200R |
| 1200 | NGH | Bottom | 100 | Crimp lug landing pads (no lugs included) | 1MHCBE1200R | 3MHCBE1200R |

Notes

- ① If additional neutral lugs are needed, order **1MCB1200NLK** [(3) 1/0–750 kcmil or (6) 1/0–300 kcmil].
- ② Reference drawing EUSERC DWG-315.

Copper Bus—Premium Offering

Main Circuit Breaker

Main Circuit Breaker



| Main Ampere Rating | Main Circuit Breaker Type | Feed | kAIC | Line Side Lug and Wire Sizes (Lugs Included with Main Breaker) ① | System Voltage 120/240 Vac Single-Phase, Three-Wire Catalog Number | 120/208 Vac Three-Phase, Four-Wire Catalog Number |
|--------------------------------------|---------------------------|------------|------|--|---|---|
| Copper Bus (Premium Offering) | | | | | | |
| 400 | KD | Bottom/top | 65 | (2) 3/0–250 kcmil or (1) 2/0-500 kcmil | 1MCB400RC ② | 3MCB400RC ② |
| 400 | HKD | Bottom/top | 100 | 2/0–500 kcmil | 1MHCB400RC ② | 3MHCB400RC ② |
| 600 | LD | Bottom/top | 65 | (2) 300–500 kcmil | 1MCB600RC ② | 3MCB600RC ② |
| 600 | HLD | Bottom/top | 100 | (2) 300–500 kcmil | 1MHCB600RC ② | 3MHCB600RC ② |
| 800 | MDL | Bottom/top | 65 | (3) 3/0–400 kcmil | 1MCB800RC ② | 3MCB800RC ② |
| 800 | HMDL | Bottom/top | 100 | (3) 3/0–400 kcmil | 1MHCB800RC ② | 3MHCB800RC ② |
| 900 | NGS | Bottom/top | 65 | (4) 4/0–500 kcmil ③ | 1MCB900RC ④ | 3MCB900RC ④ |
| 900 | NGH | Bottom/top | 100 | (4) 4/0–500 kcmil ③ | 1MHCB900RC ④ | 3MHCB900RC ④ |
| 1000 | NGS | Bottom/top | 65 | (3) 500–750 kcmil | 1MCB1000R750C | 3MCB1000R750C |
| 1000 | NGS | Bottom/top | 65 | (4) 4/0–500 kcmil ③ | 1MCB1000RC ②④ | 3MCB1000RC ②④ |
| 1000 | NGH | Bottom/top | 100 | (4) 4/0–500 kcmil ③ | 1MHCB1000RC ②④ | 3MHCB1000RC ②④ |
| 1200 | NGS | Bottom | 65 | (3) 500–750 kcmil | Use three-phase | 3MCB1200R750C |
| 1200 | NGS | Bottom | 65 | (4) 4/0–500 kcmil ③ | 1MCB1200RC ②④ | 3MCB1200RC ②④ |
| 1200 | NGH | Bottom | 100 | (4) 4/0–500 kcmil ③ | 1MHCB1200RC ②④ | 3MHCB1200RC ②④ |
| 1400 | RGH | Bottom | 100 | (4) 500–1000 kcmil ⑤ | 1MCB1400RBC ④ | 3MCB1400RBC ④ |
| 1400 | RGH | Top | 100 | (4) 500–1000 kcmil ⑤ | 1MCB1400RT ⑥ | 3MCB1400RT ⑥ |
| 1400 | RGH | Bottom | 100 | (6) #2–600 kcmil | 1MCB1400RBC-600 ④ | 3MCB1400RBC-600 ④ |
| 1400 | RGH | Top | 100 | (6) #2–600 kcmil | 1MCB1400RT-600 ④ | 3MCB1400RT-600 ④ |
| 1600 | RGH | Bottom | 100 | (4) 500–1000 kcmil ⑤ | 1MCB1600RBC ⑦ | 3MCB1600RBC ⑦ |
| 1600 | RGH | Top | 100 | (4) 500–1000 kcmil ⑤ | 1MCB1600RT ⑦ | 3MCB1600RT ⑦ |
| 1600 | RGH | Bottom | 100 | (6) #2–600 kcmil | 1MCB1600RBC-600 ④ | 3MCB1600RBC-600 ④ |
| 1600 | RGH | Top | 100 | (6) #2–600 kcmil | 1MCB1600RT-600 ④ | 3MCB1600RT-600 ④ |
| 2000 | RGH | Bottom | 100 | (6) #2–600 kcmil | 1MCB2000RBC ⑦ | 3MCB2000RBC ⑦ |
| 2000 | RGH | Top | 100 | (6) #2–600 kcmil | 1MCB2000RT ⑦ | 3MCB2000RT ⑦ |

Notes

- ① If additional neutral lugs are needed, order **1MCB1200NLK** [(3) 1/0–750 kcmil or (6) 1/0–300 kcmil].
- ② Add CL to end of catalog number for compression lug pads (includes lug pads for lines and neutral).
- ③ If (3) 500–750 kcmil are needed, order **TA1201NB1**. Order one kit per pole.
- ④ Main devices with a rating greater than 800 A can be used with 800 A residential modular stacks but only as a center fed main.
- ⑤ If (6) #2–600 kcmil lugs are needed, order **TA2000RD**. Catalog number includes terminals and hardware for three poles. If neutral is needed, order **TA2000N**.
- ⑥ Main devices with a rating greater than 1200 A can be used with residential and commercial modular metering stacks but only as a center fed main.
- ⑦ Only to be used in center feed applications with 1200 A meter stacks. Not to be used with 800 A stacks.

Main Circuit Breaker with Arcflash Reduction Maintenance Switch

| Main Ampere Rating | Main Circuit Breaker Type | Feed | kAIC | Line Side Lug and Wire Sizes (Lugs Included with Main Breaker) ① | System Voltage 120/240 Vac | System Voltage 120/208 Vac |
|--|---------------------------|------------|------|--|----------------------------|----------------------------|
| | | | | | Single-Phase, Three-Wire | Three-Phase, Four-Wire |
| | | | | | Catalog Number | Catalog Number |
| Copper Bus (Premium Offering) ② | | | | | | |
| 1000 | NGS | Bottom/top | 65 | (4) 4/0–500 kcmil | 1MCB1000RCA | 3MCB1000RCA |
| 1000 | NGS | Bottom | 65 | Compression lug pads | 1MCB1000RCCLA | 3MCB1000RCCLA |
| 1000 | NGH | Bottom | 100 | Compression lug pads | 1MHCB1000RCCLA | 3MHCB1000RCCLA |
| 1000 | NGH | Bottom/top | 100 | (4) 4/0–500 kcmil | — | 3MCBE1000RCA |
| 1000 | NGH | Bottom | 100 | (4) 4/0–500 kcmil | — | 3MHCB1000RCA |
| 1200 | NGS | Bottom/top | 65 | (2) 500–750 kcmil | 1MCB1200RCA | 3MCB1200RCA |
| 1200 | NGS | Bottom | 65 | Compression lug pads | 1MCB1200RCCLA | 3MCB1200RCCLA |
| 1200 | NGS | Bottom/top | 65 | (3) 500–750 kcmil | — | 3MCB1200RA750C |
| 1200 | NGH | Bottom/top | 100 | (4) 4/0–500 kcmil | 1MHCB1200RCA | 3MHCB1200RCA |
| 1200 | NGH | Bottom | 100 | Compression lug pads | — | 3MHCB1200RCCLA |
| 1400 | RGH | Bottom/top | 100 | (4) #500–1000 kcmil | 1MCB1400RBCA | 3MCB1400RBCA |
| 1400 | RGH | Bottom/top | 100 | (6) #2–600 kcmil | 1MCB1400RBCA600 | 3MCB1400RBCA600 |
| 1400 | RGH | Bottom | 100 | Compression lug pads | 1MCB1400RUGCCLA | 3MCB1400RUGCCLA |
| 1600 | RGH | Bottom/top | 100 | (4) #500–1000 kcmil | 1MCB1600RBCA | 3MCB1600RBCA |
| 1600 | RGH | Bottom/top | 100 | (6) #2–600 kcmil | 1MCB1600RBCA600 | 3MCB1600RBCA600 |
| 1600 | RGH | Bottom | 100 | Compression lug pads | 1MCB1600RUGCCLA | 3MCB1600RUGCCLA |
| 2000 | RGH | Bottom/top | 100 | (6) #2–600 kcmil | 1MCB2000RBCA | 3MCB2000RBCA |
| 2000 | RGH | Bottom | 100 | Compression lug pads | 1MCB2000RUGCCLA | 3MCB2000RUGCCLA |

Copper Bus—EUSERC

Main Circuit Breaker



Main Circuit Breaker

| Main Ampere Rating | Main Circuit Breaker Type | Feed | kAIC | Line Side Lug and Wire Sizes (Lugs Included with Main Breaker) ① | System Voltage | System Voltage |
|------------------------------|---------------------------|--------|------|--|--------------------------------------|------------------------------------|
| | | | | | 120/240 Vac Single-Phase, Three-Wire | 120/208 Vac Three-Phase, Four-Wire |
| | | | | | Catalog Number | Catalog Number |
| Copper Bus (EUSERC) ② | | | | | | |
| 1000 | NGS | Bottom | 65 | Crimp lug landing pads (no lugs included) | 1MCBE1000RC | 3MCBE1000RC |
| 1200 | NGS | Bottom | 65 | Crimp lug landing pads (no lugs included) | 1MCBE1200RC | 3MCBE1200RC |
| 1200 | NGH | Bottom | 100 | Crimp lug landing pads (no lugs included) | 1MHCBE1200RC | 3MHCBE1200RC |



Notes

- ① If additional neutral lugs are needed, order **1MCB1200NLK** [(3) 1/0–750 kcmil or (6) 1/0–300 kcmil].
- ② Main devices with a rating greater than 1200 A can be used with residential and commercial modular metering stacks but only as a center fed main.

Main Circuit Breaker with Utility Pull Box

- These main circuit breakers are not suitable for EUSERC territories

Main Circuit Breaker with Utility Pull Box

| Ampere Rating | Main Circuit Breaker Type | Feed | kAIC | Line Side Lug and Wire Sizes | System Voltage | |
|---|---------------------------|------------|------|--|---------------------------------------|-------------------------------------|
| | | | | | 120/240 Vac, Single-Phase, Three-Wire | 120/208 Vac, Three-Phase, Four-Wire |
| Aluminum Bus (Standard Offering) | | | | | | |
| 1400 | RGH | Bottom/Top | 65 | Crimp lug landing pads (lugs not included) | 1MCB1400RUGCCL | 3MCB1400RUGCCL |
| 1600 | RGH | Bottom/Top | 65 | Crimp lug landing pads (lugs not included) | 1MCB1600RUGCCL | 3MCB1600RUGCCL |
| 2000 | RGH | Bottom/Top | 65 | Crimp lug landing pads (lugs not included) | 1MCB2000RUGCCL | 3MCB2000RUGCCL |
| Copper Bus (Premium) | | | | | | |
| 1600 | RGH | Bottom/Top | 100 | Crimp lug landing pads (lugs not included) | 1MHCB1600RUGCCL | 3MHCB1600RUGCCL |
| 2000 | RGH | Bottom/Top | 100 | Crimp lug landing pads (lugs not included) | 1MHCB2000RUGCCL | 3MHCB2000RUGCCL |

Main Fusible Switch with Utility Pull Box

- Fuses not included
- Includes lug landing pads on line side and neutral
- Complies with EUSERC requirements as long as spacer kit 3MMBSK is used
- 100 kAIC rating on switches with Class T fuse clips installed

Main Fusible Switch with Utility Pull Box ①

Main Fusible Switch with Utility Pull Box



| Ampere Rating | Feed | Class Fuse Clips (Fuses Not Included) | Line Side Box Lugs and Wire Sizes (Included with Switch) | System Voltage | |
|---|--------|---------------------------------------|--|---|---|
| | | | | 120/240 Vac Single-Phase, Three-Wire Catalog Number | 120/208 Vac Three-Phase, Four-Wire Catalog Number |
| Aluminum Bus (Standard Offering) | | | | | |
| 400 | Bottom | T | ② | 1MFS400RUG | 3MFS400RUG |
| 600 | Bottom | T | ② | 1MFS600RUG | 3MFS600RUG |
| 800 | Bottom | T, L | ② | 1MFS800RUG | 3MFS800RUG |
| 1200 | Bottom | T | ② | 1MFS1200RUG | 3MFS1200RUG |
| Copper Bus (Premium Offering) | | | | | |
| 400 | Bottom | T | ② | 1MFS400RUGC | 3MFS400RUGC |
| 600 | Bottom | T | ② | 1MFS600RUGC | 3MFS600RUGC |
| 800 | Bottom | T, L | ② | 1MFS800RUGC | 3MFS800RUGC |
| 1200 | Bottom | T | ② | 1MFS1200RUGC | 3MFS1200RUGC |

Notes

- ① Reference drawing EUSERC DWG-315.
- ② Pull box section includes landing studs for line side compression lugs. Wire sizes refer to load side connection.
- ③ Reference drawing EUSERC DWG-343.

Main Fusible Switches

- Fuses not included
- Main lugs and neutral included with device
- 100 kAIC rating on switches with Class T fuses installed. If converting to Class H, the kAIC rating is 10 and if converted to Class R, the kAIC rating is 200
- 800 A top and bottom fed units are supplied with Class T fuse clips as standard. The Class T fuse clips are field convertible to Class L by repositioning. No kit is needed
- Barrier kits available for 400–800 A fusible switches:
Bottom feed—**3MFSBBK**,
Top feed—**3MFSBTK**

Note: This is the fuse rating, switch still rated at 100 kAIC.

Main Fusible Switches

Main Fusible Switches



| Ampere Rating | Feed | Class Fuse Clips (Fuses Not Included) | Line Side Box Lugs and Wire Sizes (Included with Switch) | System Voltage 120/240 Vac Single-Phase, Three-Wire Catalog Number | 120/208 Vac Three-Phase, Four-Wire Catalog Number |
|---|--------|---------------------------------------|--|--|--|
| Aluminum Bus (Standard Offering) | | | | | |
| 400 | Bottom | T ① | (2) 1/0–300 kcmil or (1) 750 kcmil ④⑤ | 1MFS400RB | 3MFS400RB |
| 400 | Top | T ① | (2) 1/0–300 kcmil or (1) 750 kcmil ⑥⑥ | 1MFS400RT | 3MFS400RT |
| 600 | Bottom | T ② | (2) #2–600 kcmil ④⑤ | 1MFS600RB | 3MFS600RB |
| 600 | Top | T ② | (2) #2–600 kcmil ⑥⑥ | 1MFS600RT | 3MFS600RT |
| 800 | Bottom | T, L ③ | (4) 3/0–750 kcmil ④ | 1MFS800RB | 3MFS800RB |
| 800 | Top | T, L ③ | (4) 3/0–750 kcmil ⑥ | 1MFS800RT | 3MFS800RT |
| 1200 | Bottom | T, L ③ | (4) #2–600 kcmil ⑦ | 1MFS1200RB | 3MFS1200RB |
| Copper Bus (Premium Offering) | | | | | |
| 400 | Bottom | T ① | (2) 1/0–300 kcmil or (1) 750 kcmil ④⑤ | 1MFS400RBC | 3MFS400RBC |
| 400 | Top | T ① | (2) 1/0–300 kcmil or (1) 750 kcmil ⑥⑥ | 1MFS400RTC | 3MFS400RTC |
| 600 | Bottom | T ② | (2) #2–600 kcmil ④⑤ | 1MFS600RBC | 3MFS600RBC |
| 600 | Top | T ② | (2) #2–600 kcmil ⑥⑥ | 1MFS600RTC | 3MFS600RTC |
| 800 | Bottom | T, L ③ | (4) 3/0–750 kcmil ④ | 1MFS800RBC | 3MFS800RBC |
| 800 | Top | T, L ③ | (4) 3/0–750 kcmil ⑥ | 1MFS800RTC | 3MFS800RTC |
| 1200 | Bottom | T, L ③ | (4) #2–600 kcmil ⑦ | 1MFS1200RBC | 3MFS1200RBC |

Notes

- ① If Class H fuse clips are needed, use catalog number **WCG3HK400** (order 1 per phase).
If Class R fuse clips are needed, order catalog number **DS56FK** in addition to **WCG3HK400**.
In order to go from T to R, the device must first be converted to H.
All kits are field installable and each **DS56FK** kit will convert three poles.
- ② If Class H fuse clips are needed, use catalog number **WCG3HK600** (order 1 per phase).
If Class R fuse clips are needed, order catalog number **DS66FK** in addition to **WCG3HK600**.
In order to go from T to R, the device must first be converted to H.
All kits are field installable and each **DS66FK** kit will convert three poles.
- ③ Class T fuse clips provided are field convertible to Class L by repositioning. No kit is needed.
- ④ If compression lugs are being used, order **3MFS800CLK**. This compression lug kit includes four pads (three poles and neutral).
- ⑤ 1MFS600BLK (4) 3/0–750 kcmil/phase (one kit/phase and one kit/neutral).
- ⑥ If compression lugs are being used, order **3MFS800CLKT**. This compression lug kit includes four pads (three poles and neutral).
- ⑦ IMFS1200LK (3) 750 kcmil/phase (one kit/phase). IMFS1200LKN (3) 750 kcmil (neutral).

Utility Pull Box

- Includes lug landing pads on line side and neutral
- Requires cable connection in field to main device; does not include horizontal cross bus

Utility Pull Box ①

| Ampere Rating | Feed | Line Side Lug Information | Load Side Lug Information for Cable Connection to Main Disconnect | System Voltage | |
|---|--------|---|---|---|---|
| | | | | 120/240 Vac Single-Phase, Three-Wire Catalog Number | 120/208 Vac Three-Phase, Four-Wire Catalog Number |
| Aluminum Bus (Standard Offering) | | | | | |
| 400 | Bottom | Crimp lug landing pads (no lugs included) | 1/0–750 kcmil or (2) 1/0–300 kcmil | 1UGPB400R | 3UGPB400R |
| 800 | Bottom | Crimp lug landing pads (no lugs included) | (2) 1/0–750 kcmil or (4) 1/0–300 kcmil | 1UGPB800R | 3UGPB800R |
| 1200 | Bottom | Crimp lug landing pads (no lugs included) | (4) #2–600 kcmil | 1UGPB1200R | 3UGPB1200R |
| Copper Bus (Premium Offering) | | | | | |
| 400 | Bottom | Crimp lug landing pads (no lugs included) | 1/0–750 kcmil or (2) 1/0–300 kcmil | 1UGPB400RC | 3UGPB400RC |
| 800 | Bottom | Crimp lug landing pads (no lugs included) | (2) 1/0–750 kcmil or (4) 1/0–300 kcmil | 1UGPB800RC | 3UGPB800RC |
| 1200 | Bottom | Crimp lug landing pads (no lugs included) | (4) #2–600 kcmil | 1UGPB1200RC | 3UGPB1200RC |

Main Bolted Pressure Contact Switches

- Add suffix ST to catalog number for shunt trip
- Fuses not included
- 100 kAIC rating on switches with Class L fuses installed

Main Bolted Pressure Contact Switches

| Rating | Feed | Class Fuse Clips | Single-Phase, Three-Wire Catalog Number | Three-Phase, Four-Wire Catalog Number | Line Side Lugs and Wire Sizes Minimum or Maximum Wire Size ② |
|-------------------|--------|------------------|---|---------------------------------------|--|
| Copper Bus | | | | | |
| 1200 | Bottom | L | 1BPS1200RB | 3BPS1200RB | (4) 1/0–750 kcmil or (8) 1/0–300 kcmil |
| 1200 | Top | L | 1BPS1200RT | 3BPS1200RT | (4) 1/0–750 kcmil or (8) 1/0–300 kcmil |
| 1600 | Bottom | L | Use three-phase | 3BPS1600RB | (6) 1/0–750 kcmil or (12) 1/0–300 kcmil |
| 1600 | Top | L | Use three-phase | 3BPS1600RT | (6) 1/0–750 kcmil or (12) 1/0–300 kcmil |
| 2000 | Bottom | L | Use three-phase | 3BPS2000RB | (8) 1/0–750 kcmil or (16) 1/0–300 kcmil |
| 2000 | Top | L | Use three-phase | 3BPS2000RT | (8) 1/0–750 kcmil or (16) 1/0–300 kcmil |
| Ground lug | | | — | — | (5) #6–250 kcmil |

Notes

- ① Pull box section includes landing studs for line side compression lugs. Wire sizes refer to load side connection.
- ② Lugs included.

Main Circuit Breaker with Busway Connection

Verify proper left/right–bus/main phasing.

Note: “Right” means that the bus duct is to the right of the main and “left” means that the bus duct is to the left of the main. (See Dimension/ Layout section for clarification.)

Main Circuit Breaker with Busway Connection

| Ampere Rating | Internal Ground or Housing Ground | Standard T or TO Opposite Phasing | Right or Left Side | System Voltage 120/208 Vac Three-Phase, Four-Wire Catalog Number |
|---------------|-----------------------------------|-----------------------------------|--------------------|--|
| 400 | Internal | TO | Right | 3MFS400BCRGTO |
| 600 | Internal | TO | Right | 3MFS600BCRGTO |
| 800 | Internal | TO | Right | 3MFS800BCRGTO |
| 400 | Internal | TO | Left | 3MFS400BCLGTO |
| 600 | Internal | TO | Left | 3MFS600BCLGTO |
| 800 | Internal | TO | Left | 3MFS800BCLGTO |
| 400 | Internal | T | Right | 3MFS400BCRG |
| 600 | Internal | T | Right | 3MFS600BCRG |
| 800 | Internal | T | Right | 3MFS800BCRG |
| 400 | Internal | T | Left | 3MFS400BCLGT |
| 600 | Internal | T | Left | 3MFS600BCLGT |
| 800 | Internal | T | Left | 3MFS800BCLGT |
| 400 | Housing | TO | Right | 3MFS400BCRNTO |
| 600 | Housing | TO | Right | 3MFS600BCRNTO |
| 800 | Housing | TO | Right | 3MFS800BCRNTO |
| 400 | Housing | TO | Left | 3MFS400BCLNTO |
| 600 | Housing | TO | Left | 3MFS600BCLNTO |
| 800 | Housing | TO | Left | 3MFS800BCLNTO |
| 400 | Housing | T | Right | 3MFS400BCRNT |
| 600 | Housing | T | Right | 3MFS600BCRNT |
| 800 | Housing | T | Right | 3MFS800BCRNT |
| 400 | Housing | T | Left | 3MFS400BCLNT |
| 600 | Housing | T | Left | 3MFS600BCLNT |
| 800 | Housing | T | Left | 3MFS800BCLNT |
| 400 | Internal | T | Right | 3MFCB400BCRG |
| 400 | Internal | T | Right | 3HMFCB400BCRG |
| 600 | Internal | T | Right | 3MFCB600BCRG |
| 600 | Internal | T | Right | 3HMFCB600BCRG |
| 800 | Internal | T | Right | 3MFCB800BCRG |
| 800 | Internal | T | Right | 3HMFCB800BCRG |
| 1000 | Internal | T | Right | 3MFCB1000BCRG |
| 1000 | Internal | T | Right | 3HMFCB1000BCRG |
| 1200 | Internal | T | Right | 3MFCB1200BCRG |
| 1200 | Internal | T | Right | 3HMFCB1200BCRG |
| 400 | Internal | T | Left | 3MFCB400BCLGT |
| 400 | Internal | T | Left | 3HMFCB400BCLGT |
| 600 | Internal | T | Left | 3MFCB600BCLGT |
| 600 | Internal | T | Left | 3HMFCB600BCLGT |
| 800 | Internal | T | Left | 3MFCB800BCLGT |
| 800 | Internal | T | Left | 3HMFCB800BCLGT |
| 1000 | Internal | T | Left | 3MFCB1000BCLGT |
| 1000 | Internal | T | Left | 3HMFCB1000BCLGT |
| 1200 | Internal | T | Left | 3MFCB1200BCLGT |
| 1200 | Internal | T | Left | 3HMFCB1200BCLGT |
| 400 | Housing | T | Right | 3MFCB400BCRNT |
| 400 | Housing | T | Right | 3HMFCB400BCRNT |
| 600 | Housing | T | Right | 3MFCB600BCRNT |
| 600 | Housing | T | Right | 3HMFCB600BCRNT |
| 800 | Housing | T | Right | 3MFCB800BCRNT |
| 800 | Housing | T | Right | 3HMFCB800BCRNT |
| 1000 | Housing | T | Right | 3MFCB1000BCRNT |
| 1000 | Housing | T | Right | 3HMFCB1000BCRNT |
| 1200 | Housing | T | Right | 3MFCB1200BCRNT |
| 1200 | Housing | T | Right | 3HMFCB1200BCRNT |

Using this information, select the correct main device catalog number per the selection chart.

Main Circuit Breaker with Busway Connection, continued

| Ampere Rating | Internal Ground or Housing Ground | Standard T or TO Opposite Phasing | Right or Left Side | System Voltage 120/208 Vac Three-Phase, Four-Wire Catalog Number |
|---------------|-----------------------------------|-----------------------------------|--------------------|--|
| 1200 | Housing | T | Right | 3MFCB1200BCRNT |
| 1200 | Housing | T | Right | 3HMFCB1200BCRNT |
| 400 | Housing | T | Left | 3MFCB400BCLNT |
| 400 | Housing | T | Left | 3HMFCB400BCLNT |
| 600 | Housing | T | Left | 3MFCB600BCLNT |
| 600 | Housing | T | Left | 3HMFCB600BCLNT |
| 800 | Housing | T | Left | 3MFCB800BCLNT |
| 800 | Housing | T | Left | 3HMFCB800BCLNT |
| 1000 | Housing | T | Left | 3MFCB1000BCLNT |
| 1000 | Housing | T | Left | 3HMFCB1000BCLNT |
| 1200 | Housing | T | Left | 3MFCB1200BCLNT |
| 1200 | Housing | T | Left | 3HMFCB1200BCLNT |
| 400 | Internal | TO | Right | 3MFCB400BCRGTO |
| 400 | Internal | TO | Right | 3HMFCB400BCRGTO |
| 600 | Internal | TO | Right | 3MFCB600BCRGTO |
| 600 | Internal | TO | Right | 3HMFCB600BCRGTO |
| 800 | Internal | TO | Right | 3MFCB800BCRGTO |
| 800 | Internal | TO | Right | 3HMFCB800BCRGTO |
| 1000 | Internal | TO | Right | 3MFCB1000BCRGTO |
| 1000 | Internal | TO | Right | 3HMFCB1000BCRGTO |
| 1200 | Internal | TO | Right | 3MFCB1200BCRGTO |
| 1200 | Internal | TO | Right | 3HMFCB1200BCRGTO |
| 400 | Internal | TO | Left | 3MFCB400BCLGTO |
| 400 | Internal | TO | Left | 3HMFCB400BCLGTO |
| 600 | Internal | TO | Left | 3MFCB600BCLGTO |
| 600 | Internal | TO | Left | 3HMFCB600BCLGTO |
| 800 | Internal | TO | Left | 3MFCB800BCLGTO |
| 800 | Internal | TO | Left | 3HMFCB800BCLGTO |
| 1000 | Internal | TO | Left | 3MFCB1000BCLGTO |
| 1000 | Internal | TO | Left | 3HMFCB1000BCLGTO |
| 1200 | Internal | TO | Left | 3MFCB1200BCLGTO |
| 1200 | Internal | TO | Left | 3HMFCB1200BCLGTO |
| 400 | Housing | TO | Right | 3MFCB400BCRNTO |
| 400 | Housing | TO | Right | 3HMFCB400BCRNTO |
| 600 | Housing | TO | Right | 3MFCB600BCRNTO |
| 600 | Housing | TO | Right | 3HMFCB600BCRNTO |
| 800 | Housing | TO | Right | 3MFCB800BCRNTO |
| 800 | Housing | TO | Right | 3HMFCB800BCRNTO |
| 1000 | Housing | TO | Right | 3MFCB1000BCRNTO |
| 1000 | Housing | TO | Right | 3HMFCB1000BCRNTO |
| 1200 | Housing | TO | Right | 3MFCB1200BCRNTO |
| 1200 | Housing | TO | Right | 3HMFCB1200BCRNTO |
| 400 | Housing | TO | Left | 3MFCB400BCLNTO |
| 400 | Housing | TO | Left | 3HMFCB400BCLNTO |
| 600 | Housing | TO | Left | 3MFCB600BCLNTO |
| 600 | Housing | TO | Left | 3HMFCB600BCLNTO |
| 800 | Housing | TO | Left | 3MFCB800BCLNTO |
| 800 | Housing | TO | Left | 3HMFCB800BCLNTO |
| 1000 | Housing | TO | Left | 3MFCB1000BCLNTO |
| 1000 | Housing | TO | Left | 3HMFCB1000BCLNTO |
| 1200 | Housing | TO | Left | 3MFCB1200BCLNTO |
| 1200 | Housing | TO | Left | 3HMFCB1200BCLNTO |

Dimensions

Approximate Dimensions in Inches (mm)

Dimensions (Not to be Used for Construction Purposes)

| Main Device | Width A | Height B | Depth C | Mounting D | E | Center Line of Wall Mounting Bracket F | Knockouts in Bottom Endwalls Except No KOs for Top Feed Switch or Bolted Pressure Switch Conduit Diameter | | KO Dwg |
|--|---------------|----------------|---------------|---------------|----------------|---|---|--|-----------|
| | | | | | | | Inches | mm | |
| Terminal Box | | | | | | | | | |
| 400 and 600 A | 13.50 (342.9) | 48.75 (1238.3) | 7.00 (177.8) | — | 54.00 (1371.6) | 30.63 (777.9) | (1) 2.50, 3.00, 3.50, 4.00 (1) 0.50 | (1) 63.5, 76.2, 88.9, 101.6 (1) 12.7 | 1 |
| 800 and 1200 A | 20.00 (508.0) | 47.63 (1209.8) | 11.75 (298.5) | 12.00 (304.8) | 51.50 (1308.1) | 30.63 (777.9) | (2) 0.50, 0.75, 1.00 (4) 2.00, 2.50, 3.00, 3.50, 4.00 | (2) 12.1, 19.1, 25.4 (4) 50.8, 63.5, 76.2, 88.9, 101.6 | 2 |
| 1600 A | 32.88 (835.2) | 60.13 (1527.3) | 11.44 (290.6) | 16.00 (406.4) | 64.13 (1628.9) | 38.59 (980.2) | (1) 0.75, 1.00, 1.25, 1.50 (5) 3.00, 3.50, 4.00, 5.00 | (1) 19.1, 25.4, 31.8, 38.1 (5) 76.2, 88.9, 101.6, 127.0 | 3 |
| Main Circuit Breaker with Box Lugs | | | | | | | | | |
| 400–1200 A | 20.00 (508.0) | 47.63 (1209.8) | 11.75 (298.5) | 12.00 (304.8) | 51.50 (1308.1) | 30.63 (777.9) | (2) 0.50, 0.75, 1.00 (4) 2.00, 2.50, 3.00, 3.50, 4.00 | (2) 12.7, 19.1, 25.4 (4) 50.8, 63.5, 76.2, 88.9, 101.6 | 2 |
| 1400–2000 A | 24.88 (632.0) | 57.13 (1451.0) | 14.88 (378.0) | 16.00 (406.4) | 57.13 (1451.0) | 44.00 (1117.6) | — | — | — |
| Main Circuit Breaker with Compression Lugs | | | | | | | | | |
| 400–1200 A | 20.00 (508.0) | 61.00 (1549.4) | 11.75 (298.5) | 12.00 (304.8) | 65.00 (1651.0) | 44.00 (1117.6) | (2) 0.50, 0.75, 1.00 (4) 2.00, 2.50, 3.00, 3.50, 4.00 | (2) 12.7, 19.1, 25.4 (4) 50.8, 63.5, 76.2, 88.9, 101.6 | 2 |
| Main Fusible Switch | | | | | | | | | |
| Bottom feed 400–800 A | 20.00 (508.0) | 47.63 (1209.8) | 11.75 (298.5) | 12.00 (304.8) | 51.50 (1308.1) | 30.63 (777.9) | (2) 0.50, 0.75, 1.00 (4) 2.00, 2.50, 3.00, 3.50, 4.00 | (2) 12.7, 19.1, 25.4 (4) 50.8, 63.5, 76.2, 88.9, 101.6 | 2 |
| Top feed 400–800 A | 20.00 (508.0) | 47.63 (1209.8) | 11.75 (298.5) | 12.00 (304.8) | 51.50 (1308.1) | 18.13 (460.4) | (2) 0.50, 0.75, 1.00 (4) 2.00, 2.50, 3.00, 3.50, 4.00 | (2) 12.7, 19.1, 25.4 (4) 50.8, 63.5, 76.2, 88.9, 101.6 | 2 |
| 1200 A | 33.50 (850.9) | 52.75 (1339.9) | 11.88 (301.8) | 16.00 (406.4) | 56.25 (1428.8) | 30.75 (781.1) | (5) 3.50, 4.00, 5.00 (1) 0.75, 1.00, 1.25, 1.50 | (5) 88.9, 101.6, 127.0 (1) 19.1, 25.4, 31.8, 38.1 | 2 |
| Bolted Pressure Switch | | | | | | | | | |
| | 36.50 (927.1) | 66.50 (1689.1) | 19.50 (495.3) | 28.00 (711.2) | 60.00 (1524.0) | 30.63 (777.9) | — | — | — |
| Main Fusible Switch with Pull Box | | | | | | | | | |
| 400 A | 20.00 (508.0) | 61.00 (1549.4) | 11.75 (298.5) | 12.00 (304.8) | 65.00 (1651.0) | 44.00 (1117.6) | (2) 0.50, 0.75, 1.00 (4) 2.00, 2.50, 3.00, 3.50, 4.00 | (2) 12.7, 19.1, 25.4 (4) 50.8, 63.5, 76.2, 88.9, 101.6 | 2 |
| 600 and 800 A (single-phase) | 20.00 (508.0) | 61.00 (1549.4) | 11.75 (298.5) | 12.00 (304.8) | 65.00 (1651.0) | 44.00 (1117.6) | (2) 0.50, 0.75, 1.00 (4) 2.00, 2.50, 3.00, 3.50, 4.00 | (2) 12.7, 19.1, 25.4 (4) 50.8, 63.5, 76.2, 88.9, 101.6 | 2 |
| 600 and 800 A (three-phase) | 25.06 (636.5) | 61.00 (1549.4) | 11.75 (298.5) | 17.00 (431.8) | 65.00 (1651.0) | 44.00 (1117.6) | (2) 0.50, 0.75, 1.00 (4) 2.00, 2.50, 3.00, 3.50, 4.00 | (2) 12.7, 19.1, 25.4 (4) 50.8, 63.5, 76.2, 88.9, 101.6 | 2 |
| 1200 A | 33.50 (850.9) | 61.50 (1562.1) | 11.88 (301.8) | 16.00 (406.4) | 65.25 (1657.4) | 48.00 (1219.2) | (5) 3.50, 4.00, 5.00 (1) 0.75, 1.00, 1.25, 1.50 | (5) 88.9, 101.6, 127.0 (1) 19.1, 25.4, 31.8, 38.1 | 2 |
| Main Circuit Breaker with Pull Box (EUSERC) | | | | | | | | | |
| 400 A | 20.01 (508.2) | 60.44 (1535.2) | 11.14 (283.0) | 12.00 (304.8) | 65.11 (1653.8) | 39.75 (1009.6) | (4) 2.50, 3.00, 3.50, 4.00 | (4) 63.5, 76.2, 88.9, 101.6 | 2 |
| 800 A | 24.88 (632.0) | 60.94 (1547.9) | 11.14 (283.0) | 17.00 (431.8) | 64.88 (1648.0) | 39.81 (1011.2) | (4) 2.50, 3.00, 3.50, 4.00 | (4) 63.5, 76.2, 88.9, 101.6 | 2 |
| 1200 A | 33.00 (838.2) | 61.14 (1553.0) | 11.32 (287.5) | 16.00 (406.4) | 65.25 (1657.4) | 43.56 (1106.4) | (4) 2.50, 3.00, 3.50, 4.00 | (4) 63.5, 76.2, 88.9, 101.6 | 2 |
| Pull Box | | | | | | | | | |
| 400 A | 16.38 (416.1) | 44.88 (1140.0) | 7.88 (200.2) | 8.00 (203.2) | 45.75 (1162.1) | 28.63 (727.2) | (2) 4.00 | 101.6 | 5 |
| 800 A | 24.38 (619.3) | 46.88 (1190.8) | 11.88 (301.8) | 12.00 (304.8) | 47.75 (1212.9) | 32.25 (819.2) | (3) 4.00 | 101.6 | 6 |
| 1200 A | 32.50 (825.5) | 56.88 (1444.8) | 12.00 (304.8) | 17.75 (450.9) | 57.75 (1466.9) | 42.25 (1073.2) | (4) 5.00 | 127.0 | 7 |
| EUSERC Bussed Pull Section | | | | | | | | | |
| Single-phase 400 and 800 A | 20.13 (511.3) | 61.00 (1549.4) | 11.25 (285.8) | 12.00 (304.8) | 64.88 (1648.0) | 44.00 (1117.6) | (4) 2.50, 3.00, 3.50, 4.00 | (4) 63.5, 76.2, 88.9, 101.6 | 5 |
| Three-phase 400 and 800 A | 25.13 (638.3) | 61.00 (1549.4) | 11.88 (301.8) | 17.00 (431.8) | 64.88 (1648.0) | 44.00 (1117.6) | (4) 2.50, 3.00, 3.50, 4.00 | (4) 63.5, 76.2, 88.9, 101.6 | 6 |
| EUSERC Main Terminal Box | | | | | | | | | |
| Single-phase 400 and 800 A | 20.13 (511.3) | 61.00 (1549.4) | 11.88 (301.8) | 12.00 (304.8) | 64.88 (1648.0) | 44.00 (1117.6) | (2) 0.50, 0.75, 1.00 | (2) 12.7, 19.1, 25.4 | 2 |
| Three-phase 400 A | 20.13 (511.3) | 61.00 (1549.4) | 11.88 (301.8) | 12.00 (304.8) | 64.88 (1648.0) | 44.00 (1117.6) | (4) 2.00, 2.50, 3.00, 3.50, 4.00 | (4) 50.8, 63.5, 76.2, 88.9, 101.6 | 2 |
| Three-phase 800 A | 25.13 (638.3) | 61.00 (1549.4) | 11.88 (301.8) | 17.00 (431.8) | 64.88 (1648.0) | 44.00 (1117.6) | (4) 2.00, 2.50, 3.00, 3.50, 4.00 | (4) 50.8, 63.5, 76.2, 88.9, 101.6 | 2 |

4.3

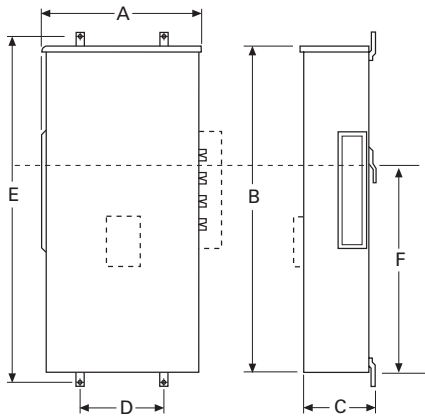
Metering Products

Group Metering

4

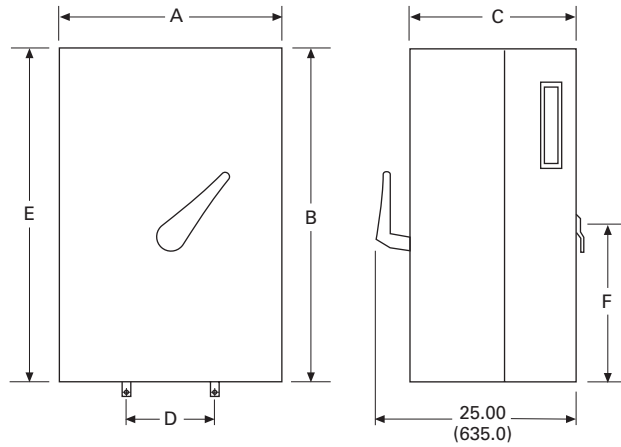
Approximate Dimensions in Inches (mm)

Main Circuit Breakers, Terminal Boxes and Pull Boxes

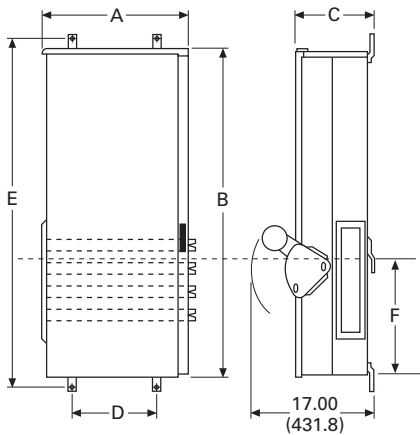


Main CB, Non-Euserc Terminal Box and Pullboxes

Bolted Pressure Switch

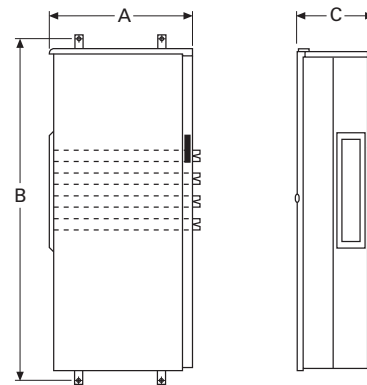


Top Feed Fusible Switch

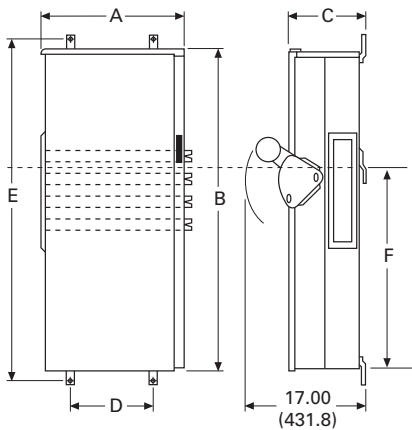


Top Feed Switch (No Knockouts)

EUSERC Main Terminal Box



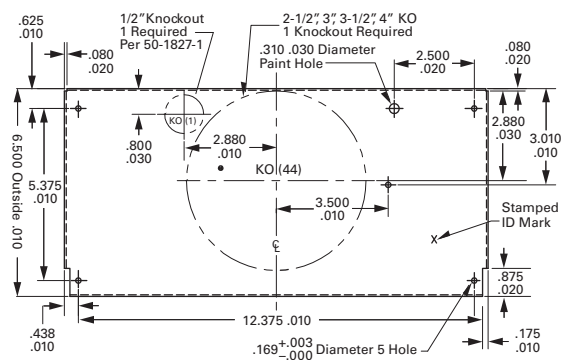
Bottom Feed Fusible Switch and Combination Fusible Switch with Pull Box



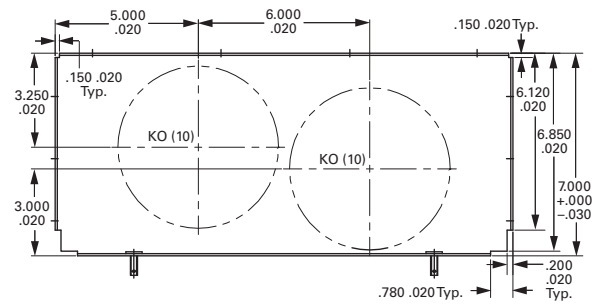
Bottom Feed Switch and Combination Switch/Pullbox

Approximate Dimensions in Inches (mm)

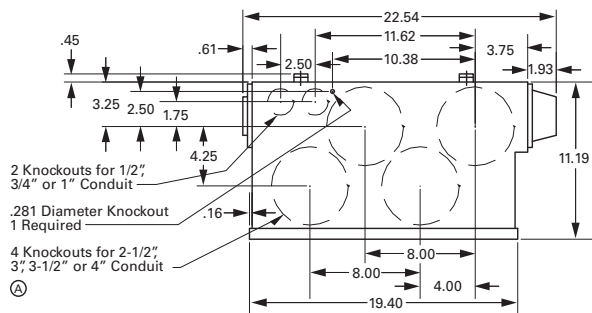
Knockout 1



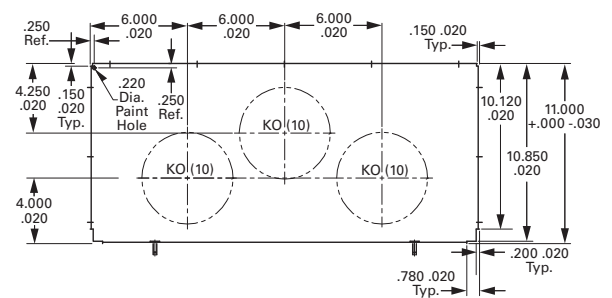
Knockout 5



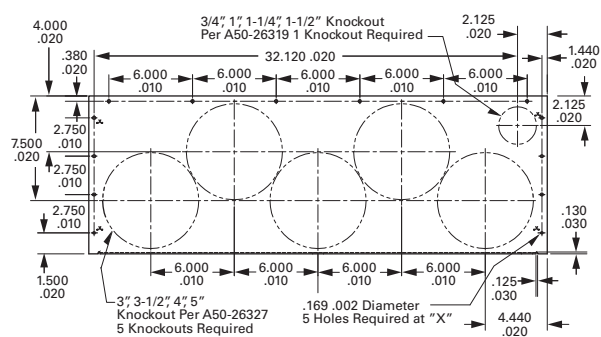
Knockout 2



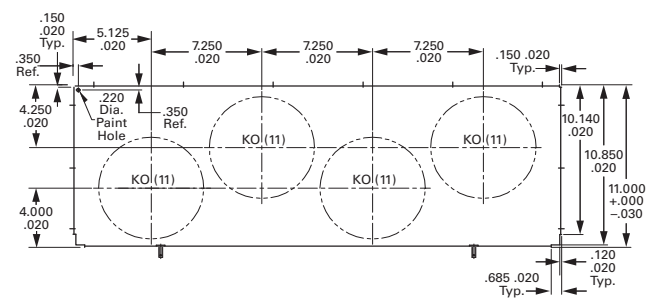
Knockout 6



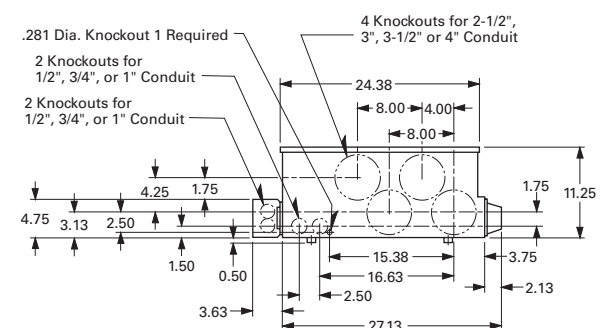
Knockout 3



Knockout 7



Knockout 8



4.3

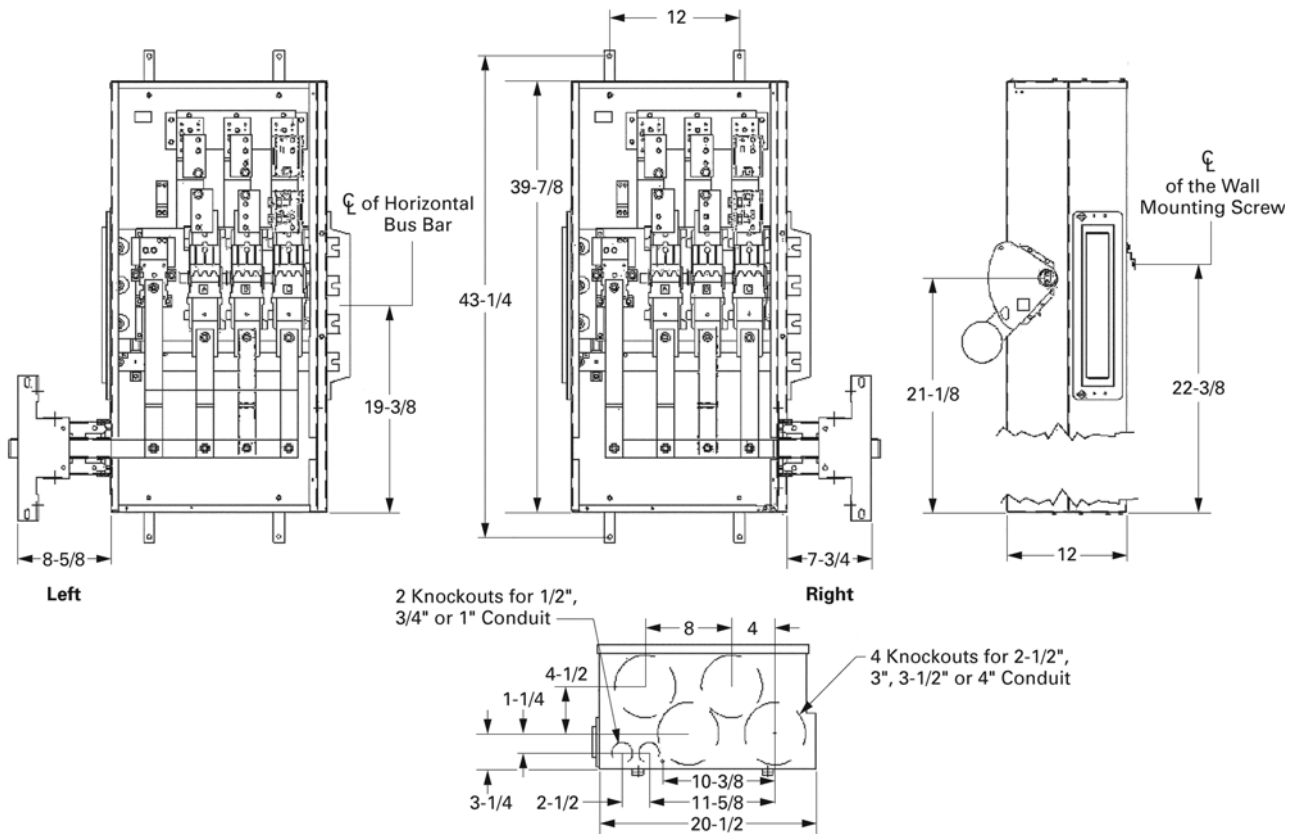
Metering Products

Group Metering

Approximate Dimensions in Inches (mm)

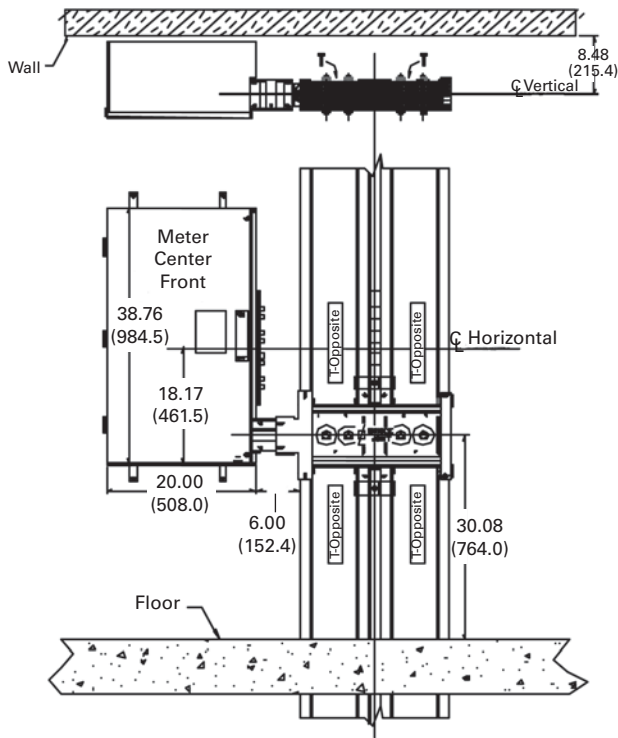
Layout—Main Fusible Switch

4

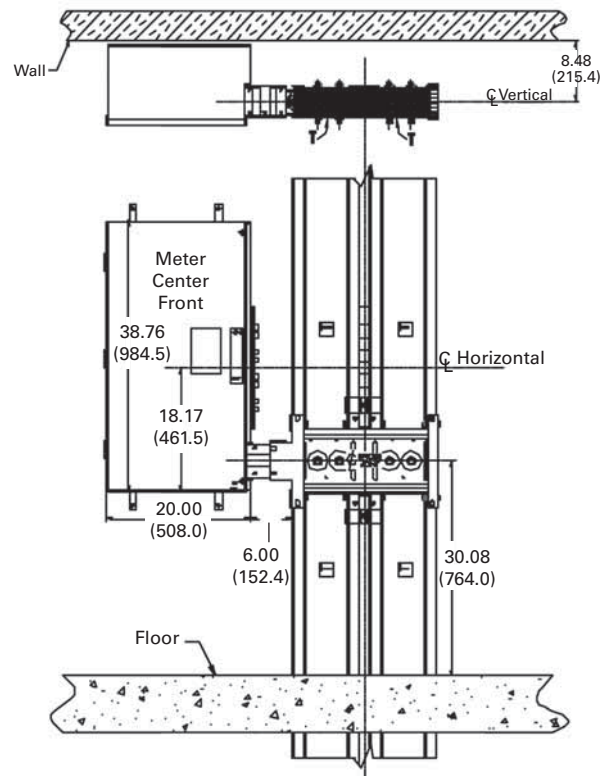


Approximate Dimensions in Inches (mm)

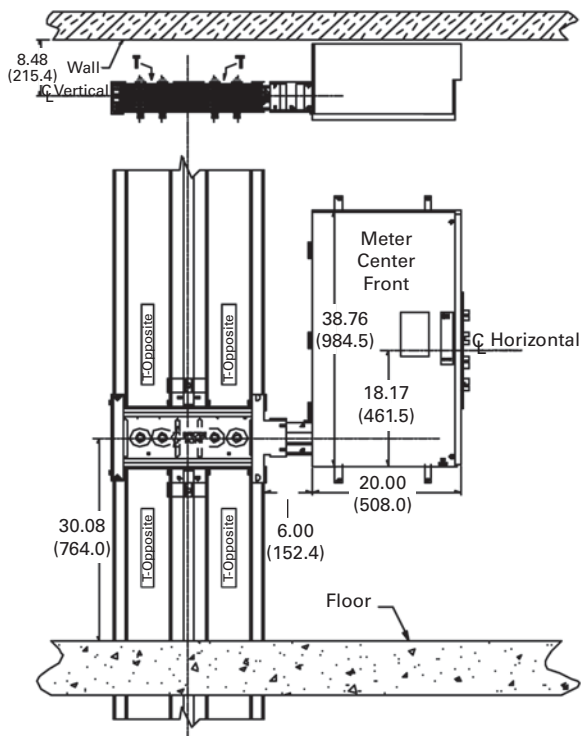
Main Circuit Breaker – “T-Opposite” Phasing Right



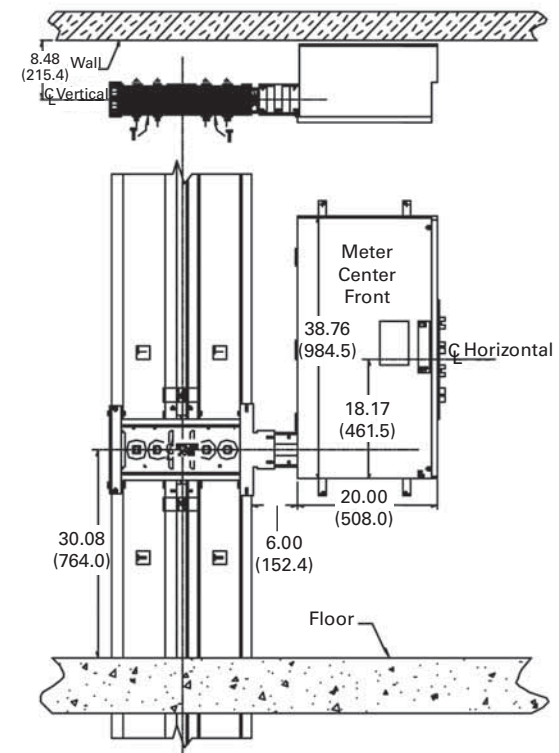
Main Circuit Breaker – “Standard T” Phasing Right



Main Circuit Breaker – “T-Opposite” Phasing Left



Main Circuit Breaker – “Standard T” Phasing Left



1MM and 3MM Metering Stack Modules



Contents

| <i>Description</i> | <i>Page</i> |
|--|------------------|
| Systems for Residential and Commercial Applications | V1-T4-68 |
| Meter Packs | V1-T4-76 |
| Meter Packs—Tenant Circuit Breakers | V1-T4-88 |
| Main Service Modules | V1-T4-89 |
| Residential Meter Stacks | |
| Catalog Number Selection | V1-T4-107 |
| Product Selection | V1-T4-108 |
| Technical Data and Specifications | V1-T4-112 |
| Dimensions | V1-T4-113 |
| Commercial Meter Stack Modules | V1-T4-121 |
| 35MM, 37MM, 35SS and 37SS Tenant Main Circuit Breakers | V1-T4-128 |
| Phase Balanced Stack | V1-T4-130 |
| Group Metering Inline Current Transformer Cabinets | V1-T4-131 |
| Surge Metering | V1-T4-132 |
| Group Metering Accessories | V1-T4-133 |

Residential Meter Stacks—(1MP, 1MM and 3MM Tenant Main Circuit Breakers)

Features, Benefits and Functions

A. Barrier

Meter socket and tenant main breaker/wireway sections are separated by a solid metal barrier to guard unmetred bus against power theft.

B. Tenant Breaker

Reliable busbar-to-busbar connection. 200 A modules accept bolt-on breakers 60–200 A. 125 A modules accept 15–125 A plug-on breakers.

C. Moveable Phase Connector

Four-wire horizontal bus lets you use any 3MM module for single- or three-phase incoming service. Shipped with A and B phase connection, phase balancing is easily accomplished in the field by moving one, front-accessible phase connector post per module.

D. Neutral Assembly

A convenient termination for neutral conductors is in the wireway of each module.

E. Enclosed Horizontal Bus

Added security because a non-removable barrier encloses the 800 or 1200 A horizontal bus passing through tenant breaker section.

F. Equipment Ground Bar

Factory installed in side gutter, a standard feature that's moveable to the top or bottom gutter.

G. Raintight Cap

Shipped on each outdoor meter module and main device.

H. Knockouts

Tangential in bottom endwall.

I. Superior Finish

Rust inhibiting phosphate primer and gray baked enamel is standard. All outdoor enclosures are of galvanized steel construction.

J. Meter Socket

Our unique meter socket base is installed without any fasteners—reducing chances for hot spots, easily replaceable, and improves connection to vertical bus.

K. Bus Connection

Mains and modules slip together quickly and smoothly with front-accessible captive bolts securing the juncture without removing socket interiors or bus access plate. Main bus joint bolts torque to 25 foot pounds.

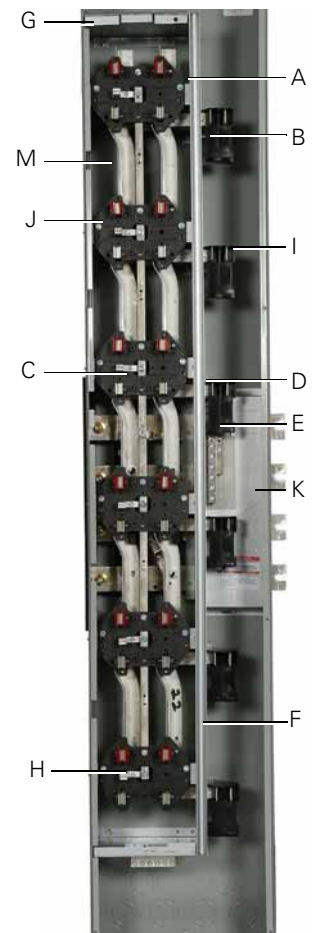
L. Separate Wireway Cover

Separate covers allow easy access to tenant breaker and wireway section, permit work on breakers or in wireway without disturbing meters or meter covers. (Not shown.)

M. Vertical Busbar

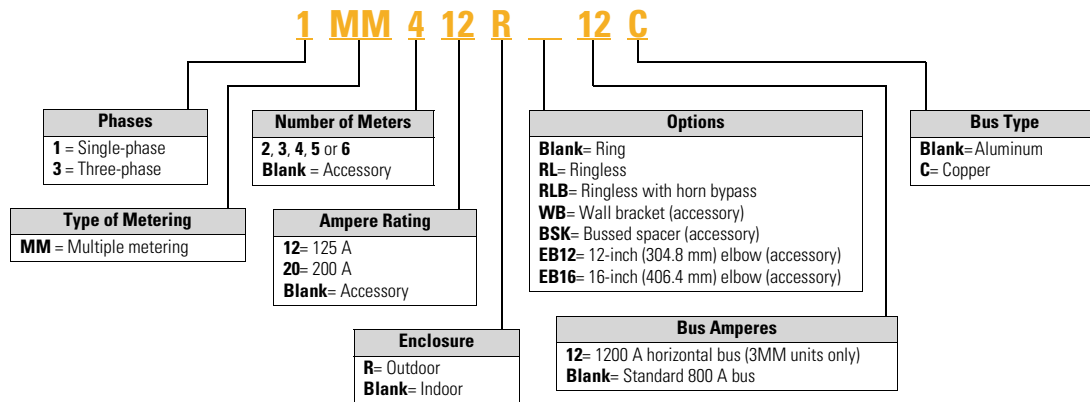
One-piece vertical busbar from phase balancing joints to meter socket eliminating any chance for hot spots.

1MM Meter Stack Module



- Eaton's 1MM stacks are single-phase in, single-phase out design
- Eaton's 3MM stacks are three-phase in, single-phase out design
- Stacks with single-phase horizontal bus are rated 240/120 V, single-phase, three-wire. Stacks with three-phase horizontal bus are rated 208Y/120 V, three-phase, four-wire, but can be used on 240/120 V, three-phase, four-wire delta systems
- All three-phase horizontal bus modules have four-wire cross bus, connected A-B phase to vertical bus, readily reconnectable for phase balance on installation
 - Note:** Individual sockets cannot be phase balanced, only each stack.
- Short-circuit ratings up to 100,000 A rms symmetrical depending upon AIC rating of installed main tenant circuit breakers and main device
- Main tenant feeders can exit bottom or back. Knockouts are available at all exit locations
- If being used in outdoor application and exiting the top, mount Myer type hubs on rainproof cap
- Provision for two-pole breaker (plug-on type for 125 A sockets and bolt-on type for 200 A sockets)—circuit breakers not included
- Mechanically and electrically built to bolt-up with main service modules and commercial modular metering stacks
- Aluminum or copper bus
- 800 or 1200 A horizontal bus
- All 3MM stacks include fifth jaw at 9 o'clock position
- All 1MM stacks do not include fifth jaw. Order 1MM5JK if needed

Catalog Number Selection



When Ordering:

- Determine catalog number of Main Service Module.
- Determine catalog number of Meter Stack (Residential or Commercial).
- Find quantity and catalog numbers for tenant circuit breakers (found on **Page V1-T4-123** or **V1-T4-129**). Order one breaker per socket.
- If any accessories are needed, order from **Pages V1-T4-134** and **V1-T4-135**.

Product Selection

1MM and 3MM
Metering Stack
Modules



4

800 A Horizontal Aluminum Bus—Standard Offering

| Amperes Per Meter Socket | Number of Meter Sockets | Bus Ampacity | Enclosure Type ^① | Main Tenant Breaker Type (For Specific Catalog Numbers, Refer to Page V1-T4-123) | Single-Phase In, Single-Phase Out | Three-Phase In, Single-Phase Out |
|--|-------------------------|--------------|-----------------------------|--|--|--|
| | | | | | Single-Phase Horizontal Bus (Three Horizontal Busbars—A, B and Neutral) ^② Catalog Number | Three-Phase Horizontal Bus (Four Horizontal Busbars—A, B, C and Neutral) Catalog Number |
| Ring Style Meter Socket Covers ^③ | | | | | | |
| 125 ^④ | 2 ^⑤ | 800 | Indoor/outdoor | Plug-on type | Use three-phase | 3MM212R |
| | | | | BR2_ | | |
| | 3 ^⑤ | 800 | Indoor/outdoor | BRH2_ | 1MM312R | 3MM312R |
| | 4 | 800 | Indoor/outdoor | BRHH2_ | 1MM412R | 3MM412R |
| | 5 | 800 | Indoor/outdoor | BRX2_ | 1MM512R | 3MM512R |
| | 6 | 800 | Indoor/outdoor | | 1MM612R | 3MM612R |
| 200 ^⑥ | 2 | 800 | Outdoor | Bolt-on type | Use three-phase | 3MM220R |
| | | | | CCV2_X | | |
| | 3 | 800 | Outdoor | CCVH2_X | 1MM320R | 3MM320R |
| | 4 | 800 | Outdoor | CVS2_XMM | 1MM420R | 3MM420R |
| | 5 | 800 | Outdoor | CV2_XMM CVH2_XMM | 1MM520R ^⑦ | 3MM520R ^⑧ |
| Ringless Style Meter Socket Covers | | | | | | |
| 125 | 2 | 800 | Outdoor | Plug-on type | Use three-phase | 3MM212RRL |
| | | | | BR2_ | | |
| | 3 | 800 | Outdoor | BRH2_ | 1MM312RRL | 3MM312RRL |
| | 4 | 800 | Outdoor | BRHH2_ | 1MM412RRL | 3MM412RRL |
| | 5 | 800 | Outdoor | BRX2_ | 1MM512RRL | 3MM512RRL |
| | 6 | 800 | Outdoor | | 1MM612RRL | 3MM612RRL |
| 200 | 2 | 800 | Outdoor | Bolt-on type | Use three-phase | 3MM220RRL |
| | | | | CCV2_X | | |
| | 3 | 800 | Outdoor | CCVH2_X | 1MM320RRL | 3MM320RRL |
| | 4 | 800 | Outdoor | CVS2_XMM | 1MM420RRL | 3MM420RRL |
| | 5 | 800 | Outdoor | CV2_XMM CVH2_XMM | 1MM520RRL ^⑦ | 3MM520RRL ^⑧ |
| Ringless Style Covers with Horn Bypass | | | | | | |
| 125 | 2 | 800 | Outdoor | Plug-on type | Use three-phase | 3MM212RRLB |
| | | | | BR2_ | | |
| | 3 | 800 | Outdoor | BRH2_ | 1MM312RRLB | 3MM312RRLB |
| | 4 | 800 | Outdoor | BRHH2_ | 1MM412RRLB | 3MM412RRLB |
| | 5 | 800 | Outdoor | BRX2_ | 1MM512RRLB | 3MM512RRLB |
| | 6 | 800 | Outdoor | | 1MM612RRLB | 3MM612RRLB |
| 200 | 2 | 800 | Outdoor | Bolt-on type | Use three-phase | 3MM220RRLB |
| | | | | CCV2_X | | |
| | 3 | 800 | Outdoor | CCVH2_X | 1MM320RRLB | 3MM320RRLB |
| | 4 | 800 | Outdoor | CVS2_XMM | 1MM420RRLB | 3MM420RRLB |
| | 5 | 800 | Outdoor | CV2_XMM CVH2_XMM | 1MM520RRLB ^⑦ | 3MM520RRLB ^⑧ |

Notes

- ① For indoor applications where a top endwall with knockouts is needed, order one of part number **MM12N1WLK** for each 125 A stack or **MM20N1WLK** for each 200 A stack.
- ② 1MM units do not come with 5th jaw.
- ③ Reference drawing EUSERC DWG-G1, G2, G3.
- ④ To change in field from ring to ringless—order **1MMRC125**.
- ⑤ To change in field from ring to ringless, the top socket in 125 A, two- and three-high stacks use **1MMRC125T**. Top socket only—other sockets see ④.
- ⑥ To change in field from ring to ringless—order **1MMRC200**.
- ⑦ Check with local utility for height requirements or restrictions.

800 A Horizontal Copper Bus—Premium Offering

| Amperes Per Meter Socket | Number of Meter Sockets | Bus Ampacity | Enclosure Type ① | Main Tenant Breaker Type (For Specific Catalog Numbers, Refer to Page V1-T4-123) | Single-Phase In, Single-Phase Out Single-Phase Horizontal Bus (Three Horizontal Busbars—A, B, C and Neutral) ② Catalog Number | Three-Phase In, Single-Phase Out Three-Phase Horizontal Bus (Four Horizontal Busbars—A, B, C and Neutral) Catalog Number |
|---|-------------------------|--------------|------------------|--|---|--|
| Ring Style Meter Socket Covers ③ | | | | | | |
| 125 ④ | 2 ⑤ | 800 | Outdoor | Plug-on type BR2_ | Use three-phase | 3MM212RC |
| | 3 ⑤ | 800 | Outdoor | BRH2_ | 1MM312RC | 3MM312RC |
| | 4 | 800 | Outdoor | BRHH2_ | 1MM412RC | 3MM412RC |
| | 5 | 800 | Outdoor | BRX2_ | 1MM512RC | 3MM512RC |
| | 6 | 800 | Outdoor | | 1MM612RC | 3MM612RC |
| 200 ⑥ | 2 | 800 | Outdoor | Bolt-on type CCV2_X | Use three-phase | 3MM220RC |
| | 3 | 800 | Outdoor | CCVH2_X | 1MM320RC | 3MM320RC |
| | 4 | 800 | Outdoor | CVS2_XMM | 1MM420RC | 3MM420RC |
| | 5 | 800 | Outdoor | CV2_XMM CVH2_XMM | 1MM520RC ⑦ | 3MM520RC ⑥ |
| Ringless Style Meter Socket Covers | | | | | | |
| 125 | 2 | 800 | Outdoor | Plug-on type BR2_ | Use three-phase | 3MM212RRLC |
| | 3 | 800 | Outdoor | BRH2_ | 1MM312RRLC | 3MM312RRLC |
| | 4 | 800 | Outdoor | BRHH2_ | 1MM412RRLC | 3MM412RRLC |
| | 5 | 800 | Outdoor | BRX2_ | 1MM512RRLC | 3MM512RRLC |
| | 6 | 800 | Outdoor | | 1MM612RRLC | 3MM612RRLC |
| 200 | 2 | 800 | Outdoor | Bolt-on type CCV2_X | Use three-phase | 3MM220RRLC |
| | 3 | 800 | Outdoor | CCVH2_X | 1MM320RRLC | 3MM320RRLC |
| | 4 | 800 | Outdoor | CVS2_XMM | 1MM420RRLC | 3MM420RRLC |
| | 5 | 800 | Outdoor | CV2_XMM CVH2_XMM | 1MM520RRLC ⑦ | 3MM520RRLC ⑥ |
| Ringless Style Covers with Horn Bypass | | | | | | |
| 125 | 2 | 800 | Outdoor | Plug-on type BR2_ | Use three-phase | 3MM212RRLBC |
| | 3 | 800 | Outdoor | BRH2_ | 1MM312RRLBC | 3MM312RRLBC |
| | 4 | 800 | Outdoor | BRHH2_ | 1MM412RRLBC | 3MM412RRLBC |
| | 5 | 800 | Outdoor | BRX2_ | 1MM512RRLBC | 3MM512RRLBC |
| | 6 | 800 | Outdoor | | 1MM612RRLBC | 3MM612RRLBC |
| 200 | 2 | 800 | Outdoor | Bolt-on type CCV2_X | Use three-phase | 3MM220RRLBC |
| | 3 | 800 | Outdoor | CCVH2_X | 1MM320RRLBC | 3MM320RRLBC |
| | 4 | 800 | Outdoor | CVS2_XMM | 1MM420RRLBC | 3MM420RRLBC |
| | 5 | 800 | Outdoor | CV2_XMM CVH2_XMM | 1MM520RRLBC ⑦ | 3MM520RRLBC ⑥ |

Notes

- ① For indoor applications where a top endwall with knockouts is needed, order (1) of part number **MM12N1WLK** for each 125 A stack or **MM20N1WLK** for each 200 A stack.
- ② 1MM units do not come with 5th jaw.
- ③ Reference drawing EUSERC DWG-G1, G2, G3.
- ④ To change in field from ring to ringless—order **1MMRC125**.
- ⑤ To change in field from ring to ringless, the top socket in 125 A, two- and three-high stacks use **1MMRC125T**. Top socket only—other sockets see ④.
- ⑥ To change in field from ring to ringless—order **1MMRC200**.
- ⑦ Check with local utility for height requirements or restrictions.

1MM and 3MM Metering Stack Modules



4

1200 A Horizontal Aluminum Bus—Standard Offering

| Amperes Per Meter Socket | Number of Meter Sockets | Bus Ampacity | Enclosure Type ^① | Main Tenant Breaker Type (For Specific Catalog Numbers, Refer to Page V1-T4-116) | Three-Phase In, Single-Phase Out Three-Phase Horizontal Bus (Four Horizontal Busbars—A, B, C and Neutral) Catalog Number |
|--|-------------------------|--------------|-----------------------------|--|--|
| Ring Style Meter Socket Covers ^② | | | | | |
| 125 ^③ | 2 ^④ | 1200 | Indoor/outdoor | Plug-on type | 3MM212R12 |
| | 3 ^④ | 1200 | Indoor/outdoor | BR2_ BRH2_ | 3MM312R12 |
| | 4 | 1200 | Indoor/outdoor | BRHH2_ | 3MM412R12 |
| | 5 | 1200 | Indoor/outdoor | BRX2_ BRHX2_ | 3MM512R12 |
| | 6 | 1200 | Indoor/outdoor | | 3MM612R12 |
| | 200 ^⑤ | 2 | 1200 | Outdoor | Bolt-on type |
| 3 | | 1200 | Outdoor | CCV2_X CCVH2_X | 3MM320R12 |
| 4 | | 1200 | Outdoor | CVS2_XMM CV2_XMM | 3MM420R12 |
| 5 | | 1200 | Indoor/outdoor | CVH2_XMM | 3MM520R12 |
| | | | | | |
| Ringless Style Meter Socket Covers (5th Jaw at 9 o'Clock Standard—Field Adjustable to 3 or 6 o'Clock) | | | | | |
| 125 | 2 | 1200 | Outdoor | Plug-on type | 3MM212R12RL |
| | 3 | 1200 | Outdoor | BR2_ BRH2_ | 3MM312R12RL |
| | 4 | 1200 | Outdoor | BRHH2_ | 3MM412R12RL |
| | 5 | 1200 | Outdoor | BRX2_ BRHX2_ | 3MM512R12RL |
| | 6 | 1200 | Outdoor | | 3MM612R12RL |
| | 200 | 2 | 1200 | Outdoor | Bolt-on type |
| 3 | | 1200 | Outdoor | CCV2_X CCVH2_X | 3MM320R12RL |
| 4 | | 1200 | Outdoor | CVS2_XMM CV2_XMM | 3MM420R12RL |
| 5 | | 1200 | Outdoor | CVH2_XMM | 3MM520R12RL |
| | | | | | |
| Ringless Style Covers with Horn Bypass (5th Jaw at 9 o'Clock Standard—Field Adjustable to 3 or 6 o'Clock) | | | | | |
| 125 | 2 | 1200 | Outdoor | Plug-on type | 3MM212R12RLB |
| | 3 | 1200 | Outdoor | BR2_ BRH2_ | 3MM312R12RLB |
| | 4 | 1200 | Outdoor | BRHH2_ | 3MM412R12RLB |
| | 5 | 1200 | Outdoor | BRX2_ BRHX2_ | 3MM512R12RLB |
| | 6 | 1200 | Outdoor | | 3MM612R12RLB |
| | 200 | 2 | 1200 | Outdoor | Bolt-on type |
| 3 | | 1200 | Outdoor | CCV2_X CCVH2_X | 3MM320R12RLB |
| 4 | | 1200 | Outdoor | CVS2_XMM CV2_XMM | 3MM420R12RLB |
| 5 | | 1200 | Outdoor | CVH2_XMM | 3MM520R12RLB |
| | | | | | |

Notes

- ① For indoor applications where a top endwall with knockouts is needed, order (one) of part number **MM12N1WLK** for each 125 A stack or **MM20N1WLK** for each 200 A stack.
- ② Reference drawing EUSERC DWG-G1, G2, G3.
- ③ To change in field from ring to ringless—order **1MMRC125**.
- ④ To change in field from ring to ringless, the top socket in 125 A, two- and three-high stacks use **1MMRC125T**. Top socket only—other sockets see ③.
- ⑤ To change in field from ring to ringless—order **1MMRC200**.

1200 A Horizontal Copper Bus—Premium Offering

Three-Phase In, Single-Phase Out
Three-Phase Horizontal Bus
(Four Horizontal Busbars—
A, B, C and Neutral)
Catalog Number

| Amperes Per Meter Socket | Number of Meter Sockets | Bus Ampacity | Enclosure Type ① | Main Tenant Breaker Type (For Specific Catalog Numbers, Refer to Page V1-T4-116) | |
|--|-------------------------|--------------|------------------|--|---------------|
| Ring Style Meter Socket Covers ② | | | | | |
| 125 ③ | 2 ④ | 1200 | Indoor/outdoor | Plug-on type | 3MM212R12C |
| | 3 ④ | 1200 | Indoor/outdoor | BR2_ BRH2_ | 3MM312R12C |
| | 4 | 1200 | Indoor/outdoor | BRHH2_ | 3MM412R12C |
| | 5 | 1200 | Indoor/outdoor | BRX2_ BRHX2_ | 3MM512R12C |
| | 6 | 1200 | Indoor/outdoor | | 3MM612R12C |
| | 200 ⑤ | 2 | 1200 | Outdoor | Bolt-on type |
| 3 | | 1200 | Outdoor | CCV2_X CCVH2_X | 3MM320R12C |
| 4 | | 1200 | Outdoor | CVS2_XMM | 3MM420R12C |
| 5 | | 1200 | Outdoor | CV2_XMM CVH2_XMM | 3MM520R12C |
| | | | | | |
| Ringless Style Meter Socket Covers (5th Jaw at 9 o’Clock Standard—Field Adjustable to 3 or 6 o’Clock) | | | | | |
| 125 | 2 | 1200 | Outdoor | Plug-on type | 3MM212R12RLC |
| | 3 | 1200 | Outdoor | BR2_ BRH2_ | 3MM312R12RLC |
| | 4 | 1200 | Outdoor | BRHH2_ | 3MM412R12RLC |
| | 5 | 1200 | Outdoor | BRX2_ BRHX2_ | 3MM512R12RLC |
| | 6 | 1200 | Outdoor | | 3MM612R12RLC |
| | 200 | 2 | 1200 | Outdoor | Bolt-on type |
| 3 | | 1200 | Outdoor | CCV2_X CCVH2_X | 3MM320R12RLC |
| 4 | | 1200 | Outdoor | CVS2_XMM | 3MM420R12RLC |
| 5 | | 1200 | Outdoor | CV2_XMM CVH2_XMM | 3MM520R12RLC |
| | | | | | |
| Ringless Style Covers with Horn Bypass (5th Jaw at 9 o’Clock Standard—Field Adjustable to 3 or 6 o’Clock) | | | | | |
| 125 | 2 | 1200 | Outdoor | Plug-on type | 3MM212R12RLBC |
| | 3 | 1200 | Outdoor | BR2_ BRH2_ | 3MM312R12RLBC |
| | 4 | 1200 | Outdoor | BRHH2_ | 3MM412R12RLBC |
| | 5 | 1200 | Outdoor | BRX2_ BRHX2_ | 3MM512R12RLBC |
| | 6 | 1200 | Outdoor | | 3MM612R12RLBC |
| | 200 | 2 | 1200 | Outdoor | Bolt-on type |
| 3 | | 1200 | Outdoor | CCV2_X CCVH2_X | 3MM320R12RLBC |
| 4 | | 1200 | Outdoor | CVS2_XMM | 3MM420R12RLBC |
| 5 | | 1200 | Outdoor | CV2_XMM CVH2_XMM | 3MM520R12RLBC |
| | | | | | |

Notes

- ① For indoor applications where a top endwall with knockouts is needed, order (one) of part number **MM12N1WLK** for each 125 A stack or **MM20N1WLK** for each 200 A stack.
- ② Reference drawing EUSERC DWG-G1, G2, G3.
- ③ To change in field from ring to ringless—order **1MMRC125**.
- ④ To change in field from ring to ringless, the top socket in 125 A, two- and three-high stacks use **1MMRC125T**. Top socket only—other sockets see ③.
- ⑤ To change in field from ring to ringless—order **1MMRC200**.

Technical Data and Specifications

Wire Sizes—Neutral and Ground Lugs

- Each stack includes a neutral and ground bar
- If an extra ground bar is needed, order **1MMGBK**

Wire Sizes—Neutral and Ground Lugs

| Lugs in Meter Socket Modules | Wire Size, Al/Cu |
|--|------------------|
| Branch neutral—125 A socket module | #6–2/0 kcmil |
| Branch neutral—200 A socket module | #1/0–300 kcmil |
| Equipment ground bar—125 A socket module | #14–#2 kcmil |
| Equipment ground bar—200 A socket module | #14–2/0 kcmil |
| Optional ground bar (1MMGBK) | #6–2/0 kcmil |

Notes

- ① For indoor applications where a top endwall with knockouts is needed, order (one) of part number **MM12N1WLK** for each 125 A stack or **MM20N1WLK** for each 200 A stack.
- ② Reference drawing EUSERC DWG-G1, G2, G3.
- ③ To change in field from ring to ringless—order **1MMRC125**.
- ④ To change in field from ring to ringless, the top socket in 125 A, two- and three-high stacks use **1MMRC125T**. Top socket only—other sockets see ③.
- ⑤ To change in field from ring to ringless—order **1MMRC200**.

Phase Balancing

All 3MM meter modules come factory connected to phase A and B, per Figure A. When connected to a 208Y/120 Vac three-phase, four-wire system, field phase balancing of two out of every three stacks is required. One of every three stacks should be phased AC, per Figure B, and one of every three stacks should be phased CB, per Figure C.

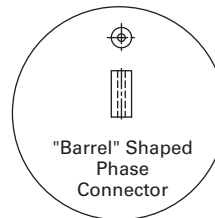
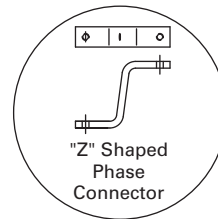
Examples:

Nine Total Positions—use (three) three-position stacks and phase one per Figure B (A-C phasing) and one per Figure C (C-B phasing).

16 Total Positions—use (two) five-position and (two) three-position stacks. Phase balance (one) five-position per Figure B (A-C phasing) and (one) five-position per Figure C (C-B phasing).

19 Total Positions—where four-position maximum height is allowed by utility. Use (one) four-position and (five) three-position stacks. Phase balance (two) three-position stacks per Figure B (A-C phasing) and (two) three-position stacks per Figure C (C-B phasing).

"Z" Shaped and "Barrel" Shaped Phase Connector

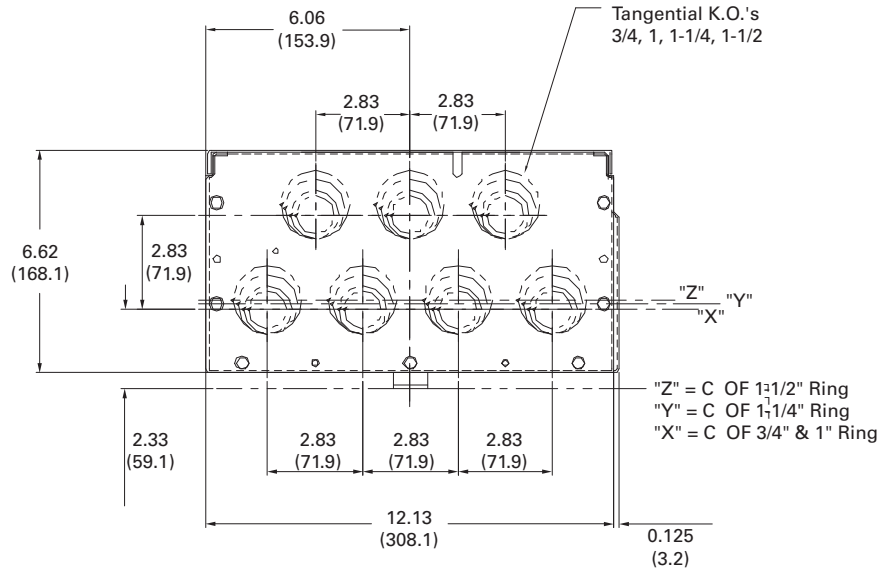
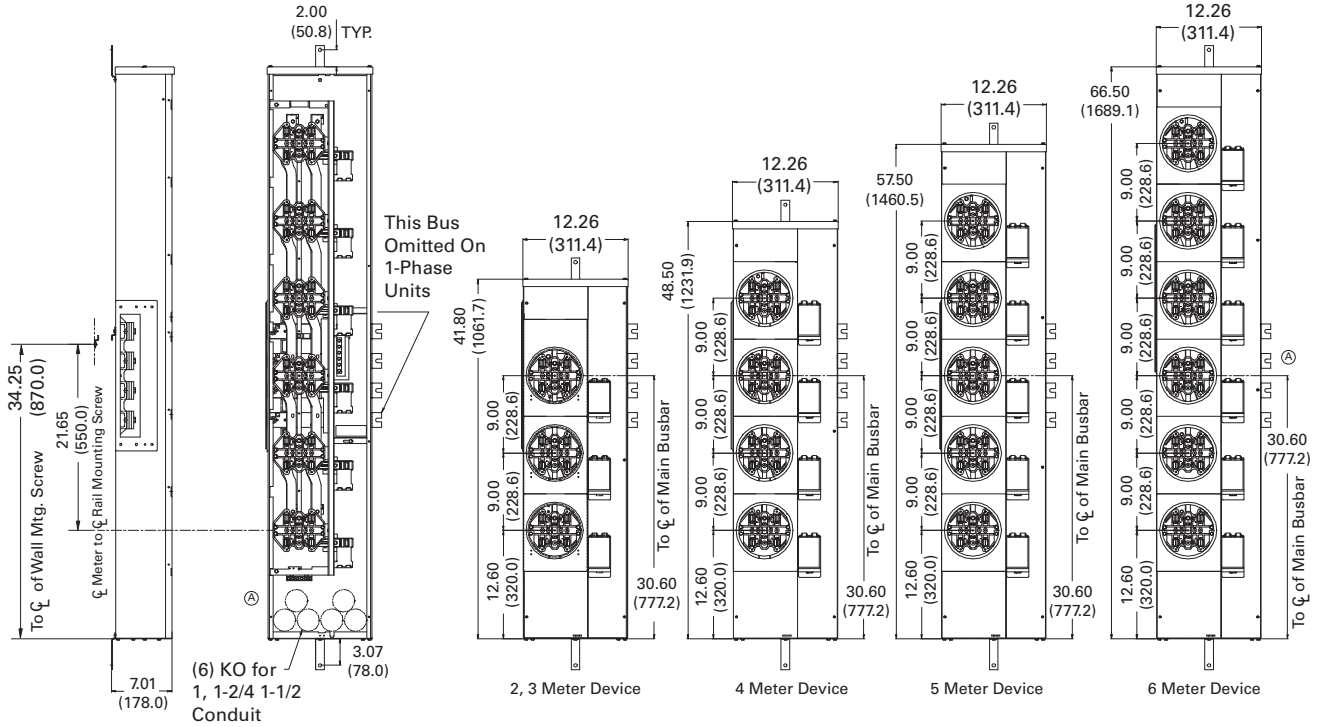


Dimensions

Approximate Dimensions in Inches (mm)

Modular Metering Stacks—Aluminum and Copper

3-High, 4-High, 5-High and 6-High, 125 Amperes, 1MM, 3MM



Top End & Bottom End View for NEMA 1;
Bottom End View for NEMA 3R

Note: Dimensions Apply to 800 and 1200 Ampere Horizontal Bus.

4.3

Metering Products

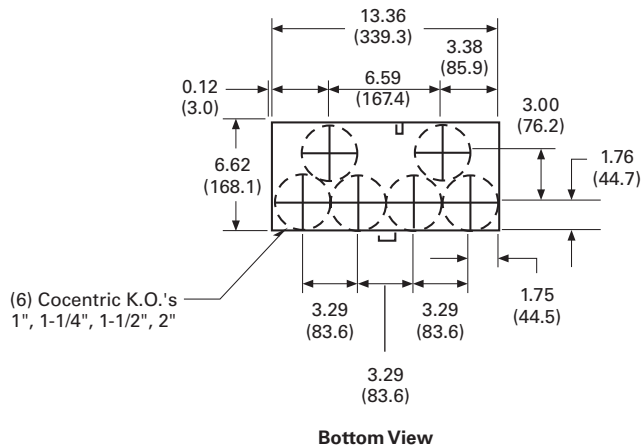
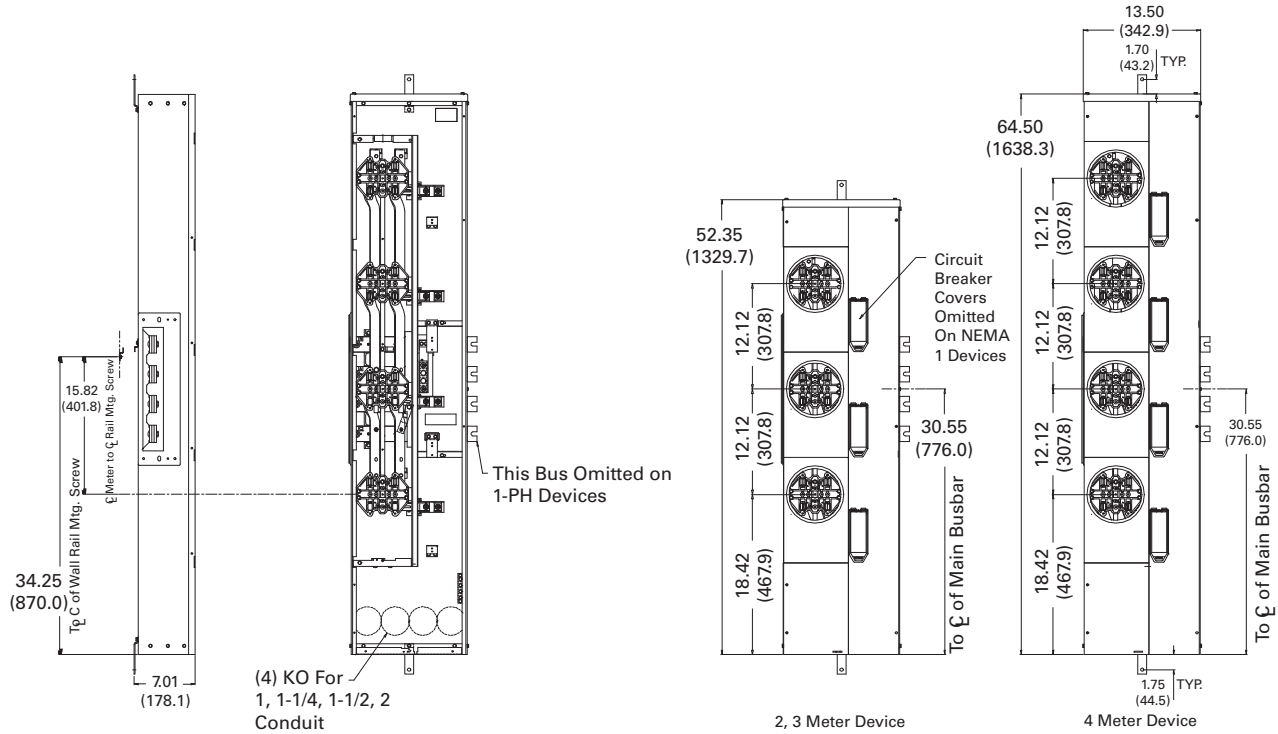
Group Metering

Approximate Dimensions in Inches (mm)

Modular Metering Stacks—Aluminum and Copper

3-High and 4-High, 200 Amperes, 1MM, 3MM

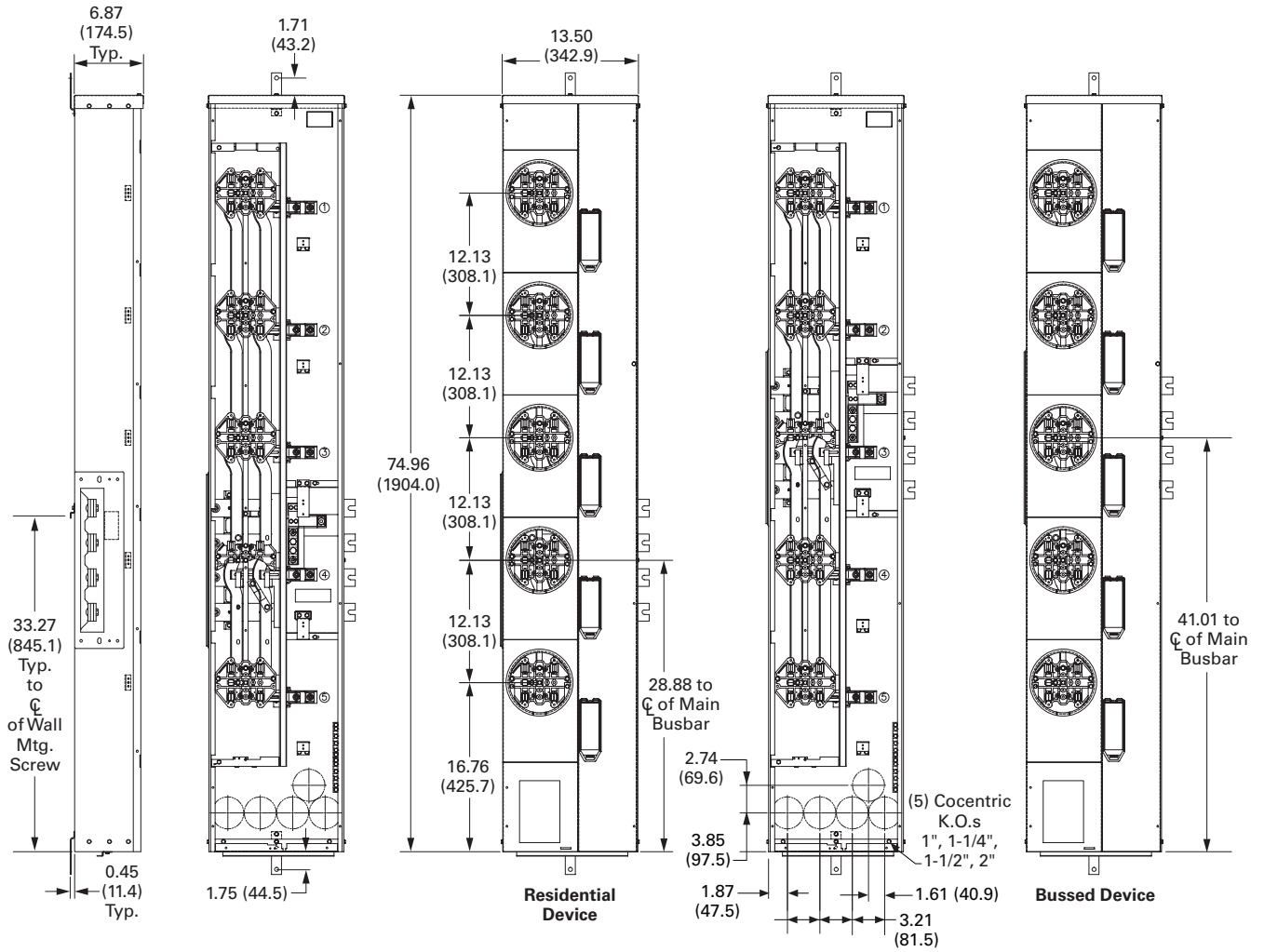
4



Note: Dimensions Apply to 800 and 1200 Ampere Horizontal Bus.

Approximate Dimensions in Inches (mm)

5-High, 200 Amperes, 1MM and 3MM Metering



Note: The Bussed meter stack device shown on the far right of the figure, must be used on Mains with Busway connections, found on Pages V1-T4-100 and V1-T4-104. Please contact factory for catalog numbers associated with Bussed meter stack devices.

Type BR Tenant Main Circuit Breaker



Type BR 120/240 V

Product Overview

Eaton offers Type BR family of circuit breakers as the plug-on tenant main breakers used in group metering applications.

Product Description

Eaton's residential products Type BR circuit breaker is available in a two-pole configuration for group metering applications from 60 A to 125 A in 10, 22, 42 and 65 kAIC ratings.

Contents

Description

| | <i>Page</i> |
|--|------------------|
| Systems for Residential and Commercial Applications | V1-T4-68 |
| Meter Packs | V1-T4-76 |
| Meter Packs—Tenant Circuit Breakers | V1-T4-88 |
| Main Service Modules | V1-T4-89 |
| Residential Meter Stacks | V1-T4-106 |
| Commercial Meter Stack Modules | V1-T4-121 |
| 35MM, 37MM, 35SS and 37SS Tenant Main Circuit Breakers | V1-T4-128 |
| Phase Balanced Stack | V1-T4-130 |
| Group Metering Inline Current Transformer Cabinets | V1-T4-131 |
| Surge Metering | V1-T4-132 |
| Group Metering Accessories | V1-T4-133 |

Features

- **Ratings**—120/240 Vac, two-pole, through 125 A continuous amperages, calibrated at 40 °C
- **Tripping characteristics**—thermal-magnetic trip
- **Interrupting capacity** at 120/240 Vac
 - BR—10,000 A rms symmetrical
 - BRH—22,000 A rms symmetrical
 - BRHX—22,000 A rms symmetrical
 - BRHH—42,000 A rms symmetrical
 - BRX—65,000 A rms symmetrical
- **Handles**—trip-free with ON-TRIPPED-OFF positions. Reset past OFF is required to latch breaker contacts after tripping
- **Terminals**—standard lugs (wire connectors) suitable for copper or aluminum wire

Standards and Certifications

- Complies with UL Standard 489. Breakers are listed under UL File #E7819



Product Selection



Type BR 120/240 V Tenant Main Circuit Breakers

| Description | Number of Poles | Main Tenant Circuit Breaker Ampere Rating | 10 kAIC Catalog Number | 22 kAIC Catalog Number | 22 kAIC ① Catalog Number | 42 kAIC Catalog Number | 65 kAIC Catalog Number | 100 kAIC Catalog Number |
|---|-----------------|---|------------------------|------------------------|--------------------------|------------------------|------------------------|-------------------------|
| Plug-On Type | | | | | | | | |
| Plug-on type circuit breakers used with 1MP, 1MM, and 3MM 125 A modular metering stacks | 2 | 60 | BR260 | BRH260 | BRHX260 | BRHH260 | BRX260 | — |
| | 2 | 70 | BR270 | BRH270 | BRHX270 | BRHH270 | BRX270 | — |
| | 2 | 80 | BR280 | BRH280 | BRHX280 | BRHH280 | BRX280 | — |
| Wire Sizes | | | | | | | | |
| #8–1/0 Cu/Al—for 60–100 A | 2 | 90 | BR290 | BRH290 | BRHX290 | BRHH290 | BRX290 | — |
| Only exception is BRX, which is #8–2/0 Cu/Al | 2 | 100 | BR2100 | BRH2100 | BRHX2100 | BRHH2100 | BRX2100 | — |
| #8–2/0 Cu/Al—for 125 A | 2 | 110 | BR2110 | BRH2110 | BRHX2110 | BRHH2110 | BRX2110 | — |
| | 2 | 125 | BR2125 | BRH2125 | BRHX2125 | BRHH2125 | BRX2125 | — |

Field Installable Lug Kits for 1MM and 3MM Tenant Main Circuit Breakers
(For use with Residential Meter Stacks to account for bigger wire sizes)

BR40LUG



| Description | Catalog Number |
|--------------------------------------|----------------|
| 4/0 Lug adapter—accommodates 3/0–4/0 | BR40LUG |

BR40NEU



| | |
|---|---------|
| 4/0 Neutral bar adapter—accommodates #1–4/0 | BR40NEU |
|---|---------|

| | |
|--|-----------|
| Up-sized ground bar kit | 1MMGBK |
| Two-pole 300 kcmil with terminal shield | 2TA225CVK |
| Three-pole 300 kcmil with terminal shield | 3TA225CVK |
| Replacement mounting hardware kit for 200 A 1MP, 1MM and 3MM units | 1MMCBK |

Wire Sizes—Neutral and Ground Lugs

| Description | Wire Size, Al/Cu | Catalog Number |
|---------------------------------------|------------------|----------------|
| Neutral—125 A meter pack | #6–2/0 | — |
| Neutral—200 A meter pack | #1/0–300 kcmil | — |
| Equipment ground bar—125 A meter pack | #14–#2 | — |
| Equipment ground bar—200 A meter pack | #14–2/0 | — |
| Optional ground bar | #6–2/0 | 1MMGBK |

BR40LUG Compatibility Chart

| Type | 60 A | 70 A | 80 A | 90 A | 100 A | 110 A | 125 A |
|------|--------|--------|--------|--------|---------|----------|----------|
| BR | — | — | — | — | — | BR2110 | BR2125 |
| BRH | — | — | — | — | — | BRH2110 | BRH2125 |
| BRHX | — | — | — | — | — | BRHX2110 | BRHX2125 |
| BRHH | — | — | — | — | — | BRHH2110 | BRHH2125 |
| BRX | BRX260 | BRX270 | BRX280 | BRX290 | BRX2100 | BRX2110 | BRX2125 |

Other Notes for Lug Kits

Notes: The lug adapter kit can be used in 1MM and 3MM 3- through 6-socket 125 A modular metering stacks. Only intended for use in bottom- and rear-feed applications. Four adapters can be used per meter stack.

Notes

- ① Only to be used in 3-tier solution requiring a 65 kAIC rated main breaker (up to 2000 A) upstream.
- ① This kit comes with three pads for two lines and neutral. Each pad will accept one or two crimp lugs. Cannot be used on 1MP2122R, RL, RC and RLB EUSERC underground termination.
- ② This lug is not UL listed.

Each stack includes a neutral and ground bar. If an extra ground bar is needed, order 1MMGBK.

Type CCV Tenant Main Circuit Breaker



Type CCV 120/240 V

Product Overview

Eaton offers Type CCV (10 and 22 kAIC) and Type CV (42, 65 and 100 kAIC) family of circuit breakers as the primary tenant main breakers used in most group metering applications.

Product Description

Eaton’s residential products Type CCV circuit breaker is available in two-pole configurations from 100 A to 225 A in 10 and 22 kAIC ratings.

Features

- **Ratings**—120/240 Vac, two-pole, through 225 continuous amperes, calibrated at 40 °C
- **Tripping characteristics**—thermal-magnetic trip, calibrated and sealed after assembly. Indirectly heated thermal tripping bimetal elements
- **Interrupting capacity** at 120/240 Vac. Type CCV—10 kAIC rms symmetrical. Type CCVH—25 kAIC rms symmetrical

Contents

Description

| | <i>Page</i> |
|--|------------------|
| Systems for Residential and Commercial Applications | V1-T4-68 |
| Meter Packs | V1-T4-76 |
| Meter Packs—Tenant Circuit Breakers | V1-T4-88 |
| Main Service Modules | V1-T4-89 |
| Residential Meter Stacks | V1-T4-106 |
| Commercial Meter Stack Modules | V1-T4-121 |
| 35MM, 37MM, 35SS and 37SS Tenant Main Circuit Breakers | V1-T4-128 |
| Phase Balanced Stack | V1-T4-130 |
| Group Metering Inline Current Transformer Cabinets | V1-T4-131 |
| Surge Metering | V1-T4-132 |
| Group Metering Accessories | V1-T4-133 |

Standards and Certifications

- Complies with UL Standard 489. Breakers are listed under UL File #E7819



- **Handles**—trip-free with ON-TRIPPED-OFF positions. Reset past OFF is required to latch breaker contacts after tripping
- **Terminals**—standard lugs (wire connectors) suitable for copper or aluminum wire
- **Backward compatibility**—Type CCV and CCVH retains same profile and footprint as the CC and CCH breaker, allowing use in the same applications

Product Selection

Type CCV 120/240 V Tenant Main Circuit Breaker

| Ampere Rating | Two-Pole Breaker | | |
|---------------|------------------------|-----------------|------------------|
| | Wire Size Range, Al/Cu | | |
| 60 | #2–300 kcmil | CCV2060X | CCVH2060X |
| 70 | | CCV2070X | CCVH2070X |
| 80 | | CCV2080X | CCVH2080X |
| 90 | | CCV2090X | CCVH2090X |
| 100 | | CCV2100X | CCVH2100X |
| 125 | | CCV2125X | CCVH2125X |
| 150 | | CCV2150X | CCVH2150X |
| 175 | | CCV2175X | CCVH2175X |
| 200 | | CCV2200X | CCVH2200X |
| 225 | | CCV2225X | CCVH2225X |

Modification Codes

- X—load side terminals only

Type CV Tenant Main Circuit Breaker



Type CV 120/240 V

Product Overview

Eaton offers Type CCV (10 and 22 kAIC) and Type CV (42, 65 and 100 kAIC) family of circuit breakers as the primary tenant main breakers used in most group metering applications.

Product Description

Eaton’s residential products Type CV molded-case circuit breaker is available in two- and three-pole configurations from 60 A to 225 A in 42, 65 and 100 kAIC ratings.

Contents

| Description | Page |
|--|------------------|
| Systems for Residential and Commercial Applications | V1-T4-68 |
| Meter Packs | V1-T4-76 |
| Meter Packs—Tenant Circuit Breakers | V1-T4-88 |
| Main Service Modules | V1-T4-89 |
| Residential Meter Stacks | V1-T4-106 |
| Commercial Meter Stack Modules | V1-T4-121 |
| 35MM, 37MM, 35SS and 37SS Tenant Main Circuit Breakers | V1-T4-128 |
| Phase Balanced Stack | V1-T4-130 |
| Group Metering Inline Current Transformer Cabinets | V1-T4-131 |
| Surge Metering | V1-T4-132 |
| Group Metering Accessories | V1-T4-133 |

Features

- **Ratings**—120/240 Vac, two- and three-pole, through 225 continuous amperes, calibrated at 40 °C
- **Tripping characteristics**—thermal-magnetic trip, calibrated and sealed after assembly. Indirectly heated thermal tripping bimetal elements; includes push-to-test button for routine preventive maintenance
- **Interrupting capacity** at 120/240 Vac
 - Type CVS—42,000 A rms symmetrical
 - Type CV—65,000 A rms symmetrical
 - Type CVH—100,000 A rms symmetrical
- **Handles**—trip-free with ON-TRIPPED-OFF positions. Reset past OFF is required to latch breaker contacts after tripping
- **Terminals**—standard lugs (wire connectors) suitable for copper or aluminum wire

Standards and Certifications

- Complies with UL Standard 489. Breakers are listed under UL File #E7819



Product Selection

Type CV Two-Pole Tenant Main Circuit Breakers

| Number of Poles | Main Tenant Circuit Breaker Ampere Rating | Wire Size Range, Al/Cu | 42 kAIC Catalog Number | 65 kAIC Catalog Number | 100 kAIC Catalog Number |
|-----------------|---|------------------------|------------------------|------------------------|-------------------------|
| 2 | 60 | #6-4/0 | CVS2060XMM | CV2060XMM | CVH2060XMM |
| | 70 | | CVS2070XMM | CV2070XMM | CVH2070XMM |
| | 80 | | CVS2080XMM | CV2080XMM | CVH2080XMM |
| | 90 | | CVS2090XMM | CV2090XMM | CVH2090XMM |
| | 100 | | CVS2100XMM | CV2100XMM | CVH2100XMM |
| | 125 | | CVS2125XMM | CV2125XMM | CVH2125XMM |
| | 150 | | CVS2150XMM | CV2150XMM | CVH2150XMM |
| | 175 | | CVS2175XMM | CV2175XMM | CVH2175XMM |
| | 200 | | CVS2200XMM | CV2200XMM | CVH2200XMM |
| | 225 | | CVS2225XMM | CV2225XMM | CVH2225XMM |

Type CV Three-Pole Tenant Main Circuit Breakers

| Number of Poles | Main Tenant Circuit Breaker Ampere Rating | Wire Size Range, Al/Cu | 42 kAIC Catalog Number | 65 kAIC Catalog Number | 100 kAIC Catalog Number |
|-----------------|---|------------------------|------------------------|------------------------|-------------------------|
| 3 | 60 | #6-4/0 | CVS3060X | CV3060X | CVH3060X |
| | 70 | | CVS3070X | CV3070X | CVH3070X |
| | 80 | | CVS3080X | CV3080X | CVH3080X |
| | 90 | | CVS3090X | CV3090X | CVH3090X |
| | 100 | | CVS3100X | CV3100X | CVH3100X |
| | 125 | | CVS3125X | CV3125X | CVH3125X |
| | 150 | | CVS3150X | CV3150X | CVH3150X |
| | 175 | | CVS3175X | CV3175X | CVH3175X |
| | 200 | | CVS3200X | CV3200X | CVH3200X |
| | 225 | | CVS3225X | CV3225X | CVH3225X |

Commercial Meter Stack Modules (35MM, 37MM, 35SS and 37SS)



35MM, 37MM, 35SS and 37SS

Contents

| <i>Description</i> | <i>Page</i> |
|--|------------------|
| Systems for Residential and Commercial Applications | V1-T4-68 |
| Meter Packs | V1-T4-76 |
| Meter Packs—Tenant Circuit Breakers | V1-T4-88 |
| Main Service Modules | V1-T4-89 |
| Residential Meter Stacks | V1-T4-106 |
| Commercial Meter Stack Modules | |
| Catalog Number Selection | V1-T4-122 |
| Product Selection | V1-T4-123 |
| Dimensions and Knockouts | V1-T4-126 |
| 35MM, 37MM, 35SS and 37SS Tenant Main Circuit Breakers | V1-T4-128 |
| Phase Balanced Stack | V1-T4-130 |
| Group Metering Inline Current Transformer Cabinets | V1-T4-131 |
| Surge Metering | V1-T4-132 |
| Group Metering Accessories | V1-T4-133 |

Commercial Meter Stacks—Tenant Main Circuit Breakers

Product Description

- Heavy-duty lever bypass socket design
- Single-phase or three-phase designs (35 = single-phase, 37 = three-phase)
- Provision for two-pole or three-pole main tenant breakers
- Phase balance kits are included with three-high and four-high modules

Features, Benefits and Functions

A. End Walls

The top cap is removable and does not contain knockouts, so contractors can position and punch holes where they need them. There are numerous KOs in the back and bottom for flexibility.

B. Ground Bars

The factory-installed equipment ground bars are provided in both the top and bottom gutters.

C. Meter Socket

The 5-jaw meter socket and 7-jaw meter socket includes a built-in manual bypass and jaw release. The ground wire is factory connected in both 35MM and 37MM modules.

D. Separate Wireway Cover

If work on the breakers or cables is necessary, it can be accomplished without disturbing the meters or meter covers, thanks to a separate cover that allows easy access to the module's main tenant breaker and wireway section. (Not shown.)

E. Barrier

A solid metal barrier separates the meter socket section from the tenant breaker in the wireway section. The un-metered vertical bus is enclosed to guard against power theft.

F. Neutral Assembly

Located in the wireway of each module, the assembly permits convenient termination of the neutral conductors.

G. Enclosed Horizontal Bus

Non-removable metal barrier encloses 1200 A horizontal bus when passing through the tenant breaker section for added security.

H. Tenant Breaker Range

All modules accept 15–225 A bolt-on breakers in various AIC ratings. The CHH_X breaker carries a UL listed series rating of 100,000 A, which allows you to use standard 10 kAIC breakers in downstream loadcenters and panelboards by Eaton.

I. Indoor/Outdoor Construction

Raintight caps, meter covers and lockable raintight tenant breaker covers make it convenient for you to use any of our modules on either NEMA 1 or NEMA 3R applications.

J. Mounting Rail

Rear mounting rail and wall hanger speed and simplify installation. (Mounting rail not shown.)

K. Nameplate and Ratings

The nameplate gives you full rating data: 208Y/120, three-phase, four-wire; 240/120, three-phase, four-wire delta (high leg on B-phase); and 240/120 single-phase. (Not shown.)

L. Mains and Modules

Slip together quickly, smoothly with front-accessible captive bolts securing the juncture without removing socket interiors or bus access plate. Main bus joint bolts torque to 25 foot pounds.

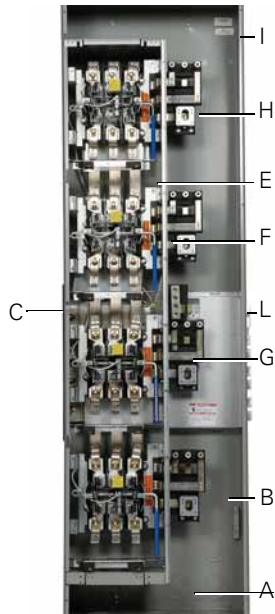
4.3

Metering Products

Group Metering

4

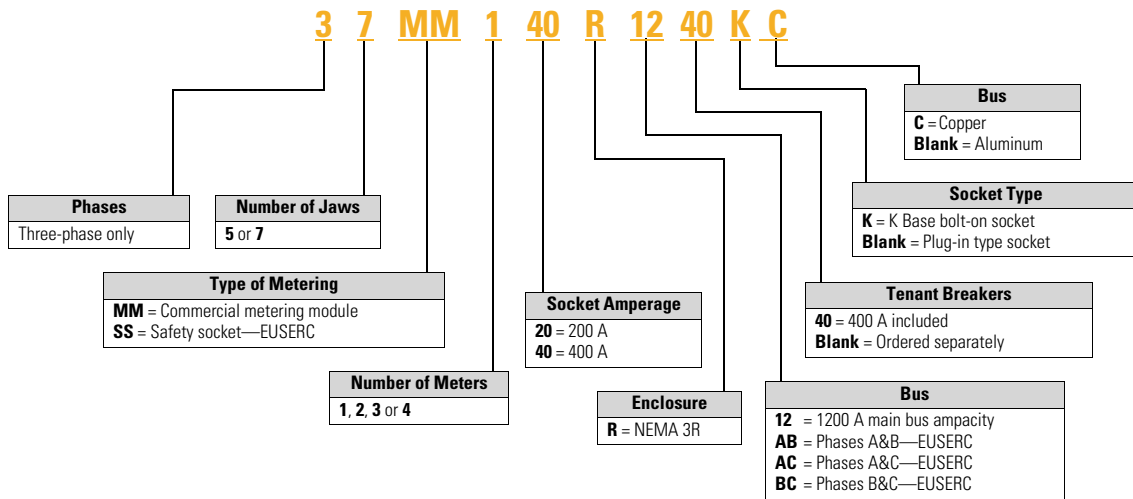
37MM Meter Stack Module



- Eaton's 35MM and 37MM modular metering stacks contain meter sockets with built-in manual bypass and jaw release (Non-EUSERC areas)
- Eaton's 35SS and 37SS stacks use meter sockets with test bypass feature (meets EUSERC electrical requirements)
- All commercial modular metering stacks contain four horizontal cross buses
- Mechanically and electrically built to bolt-up with main service modules and residential modular metering stacks

Catalog Number Selection

Commercial Meter Stack Modules



When Ordering:

1. Determine catalog number of Main Service Module.
2. Determine catalog number of Meter Stack (Residential or Commercial).
3. Find quantity and catalog numbers for tenant circuit breakers (found on **Page V1-T4-123**). Order one breaker per socket.
4. If any accessories are needed, order from **Pages V1-T4-134** and **V1-T4-135**.

Product Selection

35MM

- Each socket is a 5 terminal block with lever bypass and jaw release
- Ringless covers
- Provision for two-pole main tenant breakers (circuit breakers not included). For circuit breaker catalog numbers, refer to **Page V1-T4-123**
- Phase balancing kits are included with three-high and four-high modules. Each individual socket can be phase balanced in the field to the desired lines (A-B, B-C or A-C). Comes from factory as A-B
- Indoor/outdoor construction
- Main tenant feeders can exit top, bottom or back
- If being used in outdoor application and exiting the top, mount Myer type hubs on rainproof cap
- Short-circuit ratings up to 100 A rms symmetrical depending upon the kAIC rating of installed main tenant circuit breakers and main device
- Non-EUSERC areas

35MM—Single-Phase Commercial Meter Stack Modules (Three-Phase In, Single-Phase Out)

| System Voltage | Ampere Rating Per Meter Socket | Number of Meter Sockets | Horizontal Bus Ampacity/ Material | Number of Jaws Per Meter Socket | Main Tenant Breaker Type (Page V1-T4-123) ① | Catalog Number |
|--|--------------------------------|-------------------------|-----------------------------------|---------------------------------|---|--------------------------|
| 120/240 V, single-phase, three-wire systems and 208Y/120 V network metering (Not suitable for use on three-phase, four-wire delta systems) | 225 | 1 | 1200 Al | 5 | Bolt-on type EHD2_ CCV2_X CCVH2_X CVS2_XMM CV2_XMM CVH2_XMM | 35MM120R12 |
| | | 1 | 1200 Cu | 5 | | 35MM120R12C |
| | | 2 | 1200 Al | 5 | | 35MM220R12 |
| | | 2 | 1200 Cu | 5 | | 35MM220R12C |
| | | 3 | 1200 Al | 5 | | 35MM320R12 |
| | | 3 | 1200 Cu | 5 | | 35MM320R12C |
| | | 4 | 1200 Al | 5 | | 35MM420R12 |
| | | 4 | 1200 Cu | 5 | | 35MM420R12C |
| | 400 | 1 | 1200 Al | 5 | 400 A K-Frame included | 35MM140R1240 ② |
| | | 1 | 1200 Cu | 5 | 35MM140R1240C ② | |
| | 400 | 1 | 1200 Al | 5 | 400 A K-Frame included | 35MM140HR1240 ③ |
| | | 1 | 1200 Cu | 5 | 35MM140HR1240C ③ | |
| | 400 | 2 | 1200 Al | 5 | 400 A K-Frame included | 35MM240R1240 |
| | | 2 | 1200 Cu | 5 | 35MM240R1240C | |
| | 400 continuous | 1 | 1200 Cu | 5 | 400 A L-Frame included | 35MM140R1240K |
| | 400 continuous | 1 | 1200 Cu | 5 | 400 A L-Frame included | 35MM140HR1240KC ④ |

Notes

- ① Retrofit tenant circuit breaker mounting kit (**37MMRCBK**) for installation of Type EHD and CV breakers. Needed only for stacks manufactured prior to February 2013. Order one kit per breaker.
- ② Unit is bottom exit only.
- ③ Rated at 100 kAIC.
- ④ Rated at 35 kAIC.

37MM

- Each socket is a 7 terminal block with lever bypass and jaw release
- Ringless covers
- Provision for three-pole main tenant breakers (circuit breakers not included). For circuit breaker catalog numbers, refer to **Page V1-T4-123**
- Indoor/outdoor construction
- Main tenant breakers can exit top, bottom or back
- If being used in outdoor application and exiting the top, mount Myer type hubs on rainproof cap
- Short-circuit ratings up to 100 A rms symmetrical depending upon the kAIC rating of installed main tenant circuit breakers and main device
- Non-EUSERC areas

37MM—Three-Phase Commercial Meter Stack Modules (Three-Phase In, Three-Phase Out)

| System Voltage | Ampere Rating Per Meter Socket | Number of Meter Sockets | Horizontal Bus Ampacity/Material | Number of Jaws Per Meter Socket ^① | Main Tenant Breaker Type ^② (Page V1-T4-123) | Catalog Number |
|--|--------------------------------|-------------------------|----------------------------------|--|---|------------------------------------|
| 208Y/120 V, three-phase, four-wire 240/120 V, three-phase, four-wire delta (B-phase is high leg) | 225 | 1 | 1200 Al | 7 | Bolt-on type EHD3_ CC3_X CVS3_X CV3_X CVH3_X | 37MM120R12 |
| | | 1 | 1200 Cu | 7 | | 37MM120R12C |
| | | 2 | 1200 Al | 7 | | 37MM220R12 |
| | | 2 | 1200 Cu | 7 | | 37MM220R12C |
| | | 3 | 1200 Al | 7 | | 37MM320R12 |
| | | 3 | 1200 Cu | 7 | | 37MM320R12C |
| | | 4 | 1200 Al | 7 | | 37MM420R12 |
| | | 4 | 1200 Cu | 7 | | 37MM420R12C |
| | 400 | 1 | 1200 Al | 7 | Bolt-on type EHD3_ CC3_X CVS3_X CV3_X CVH3_X | 37MM140R12 ^③ |
| | | 1 | 1200 Cu | 7 | | 37MM140R12C ^③ |
| | 400 | 1 | 1200 Al | 7 | 400 A K-Frame included | 37MM140R1240 ^④ |
| | | 1 | 1200 Cu | 7 | | 37MM140R1240C ^④ |
| | 400 | 1 | 1200 Al | 7 | 400 A K-Frame included | 37MM140HR1240 ^⑤ |
| | | 1 | 1200 Cu | 7 | | 37MM140HR1240C ^⑤ |
| 400 | 2 | 1200 Al | 7 | 400 A K-Frame included | 37MM240R1240 | |
| | 2 | 1200 Cu | 7 | | 37MM240R1240C | |
| 400 continuous | 1 | 1200 Cu | 7 | 400 A L-Frame included | 37MM140R1240KC ^⑥ | |
| 400 continuous | 1 | 1200 Cu | 7 | 400 A L-Frame included | 37MM140HR1240KC ^⑦ | |

Notes

- ① If a socket in a 37MM meter stack module needs to be single-phase, order **37MM1CK**. This will convert the three-phase socket to single-phase.
- ② Retrofit tenant circuit breaker mounting kit (**37MMRCBK**) for installation of Type EHD and CV breakers. Needed only for stacks manufactured prior to February 2013. Order one kit per breaker.
- ③ 320 A continuous rated socket with provisions for two main tenant breakers.
- ④ Unit is bottom exit only.
- ⑤ Rated at 100 kAIC.
- ⑥ Rated at 25 kAIC.
- ⑦ Rated at 35 kAIC.

35SS

- Sockets include EUSERC required test-bypass-disconnect feature
- Ring type covers
- Single-phase units have provisions for two-pole main tenant breakers
- When applying 35SS (single-phase) stacks on 208Y/120 V, three-phase, four-wire and 240/120 V, three-phase, four-wire delta systems, refer to suffixes for proper phase balancing. Each meter stack module is phase balanced at the plant (A-B, B-C or A-C) and cannot be field modified
- Indoor/outdoor construction
- Main tenant breakers can exit top, bottom or back. If being used in outdoor application and exiting the top, mount Myer type hubs on rainproof cap
- Short-circuit ratings up to 100 A rms symmetrical depending upon the kAIC rating of installed main tenant circuit breakers and main device

35SS

35SS—Three-Phase Commercial Meter Stack Modules ①



| System Voltage | Ampere Rating Per Meter Socket | Number of Meter Sockets | Horizontal Bus Ampacity/Material | Number of Jaws Per Meter Socket | Main Tenant Breaker Type ② (Page V1-T4-123) | Catalog Number | |
|--|--------------------------------|-------------------------|----------------------------------|---------------------------------|---|----------------------|----------------------|
| 120/240 V, single-phase, three-wire systems and 208Y/120 V network metering (Not suitable for use on three-phase, four-wire delta systems) | 225 | 1 | 1200 Al | 5 | Bolt-on type | 35SS120RAB ③ | |
| | | | 1200 Cu | 5 | EHD2_ | 35SS120RABC ③ | |
| | | | 1200 Al | 5 | CCV2_X | 35SS120RAC ③ | |
| | | | 1200 Cu | 5 | CCVH2_X | 35SS120RACC ③ | |
| | | | 1200 Al | 5 | CVS2_X | 35SS120RBC ③ | |
| | | | 1200 Cu | 5 | CV2_X | 35SS120RBCC ③ | |
| | 2 | 225 | 2 | 1200 Al | 5 | CVH2_X | 35SS120RBCC ③ |
| | | | | 1200 Cu | 5 | | 35SS220RAB ③ |
| | | | | 1200 Al | 5 | | 35SS220RABC ③ |
| | | | | 1200 Cu | 5 | | 35SS220RAC ③ |
| | | | | 1200 Al | 5 | | 35SS220RACC ③ |
| | | | | 1200 Cu | 5 | | 35SS220RBC ③ |
| | 3 | 225 | 3 | 1200 Cu | 5 | | 35SS220RBCC ③ |
| | | | | 1200 Al | 5 | | 35SS320RAB ③ |
| | | | | 1200 Cu | 5 | | 35SS320RABC ③ |
| | | | | 1200 Al | 5 | | 35SS320RAC ③ |
| | | | | 1200 Cu | 5 | | 35SS320RACC ③ |
| | | | | 1200 Al | 5 | | 35SS320RBC ③ |
| | | | 1200 Cu | 5 | | 35SS320RBCC ③ | |

37SS

- Sockets include EUSERC required test-bypass-disconnect feature
- Ring type covers
- Three-phase units have provisions for three-pole main tenant breaker
- Aluminum horizontal bus supplied as standard

37SS—Three-Phase Commercial Meter Stack Modules ①

| System Voltage | Ampere Rating Per Meter Socket | Number of Meter Sockets | Horizontal Bus Ampacity/Material | Number of Jaws Per Meter Socket | Main Tenant Breaker Type ② (Page V1-T4-123) | Catalog Number |
|--|--------------------------------|-------------------------|----------------------------------|---------------------------------|---|------------------|
| 208Y/120 V, three-phase, four-wire 240/120 V, three-phase, four-wire delta (B-phase is high leg) | 225 | 1 | 1200 Al | 7 | Bolt-on type | 37SS120R |
| | | | 1200 Cu | 7 | EHD3_ | 37SS120RC |
| | | 2 | 1200 Al | 7 | CC3_X | 37SS220R |
| | | | 1200 Cu | 7 | CVS3_X | 37SS220RC |
| | | 3 | 1200 Al | 7 | CV3_X | 37SS320R |
| | | | 1200 Cu | 7 | CVH3_X | 37SS320RC |

Notes

- ① Reference drawing EUSERC DWG-304 for 100 A; Reference drawing EUSERC DWG-305 for 200 A.
- ② Retrofit tenant circuit breaker mounting kit (**37MMRCBK**) for installation of Type EHD and CV breakers. Needed only for stacks manufactured prior to February 2013. Order one kit per breaker.
- ③ Last two digits of catalog number indicate phase balancing (AB indicates all sockets in this stack are connected to phases A and B only).

4.3

Metering Products

Group Metering

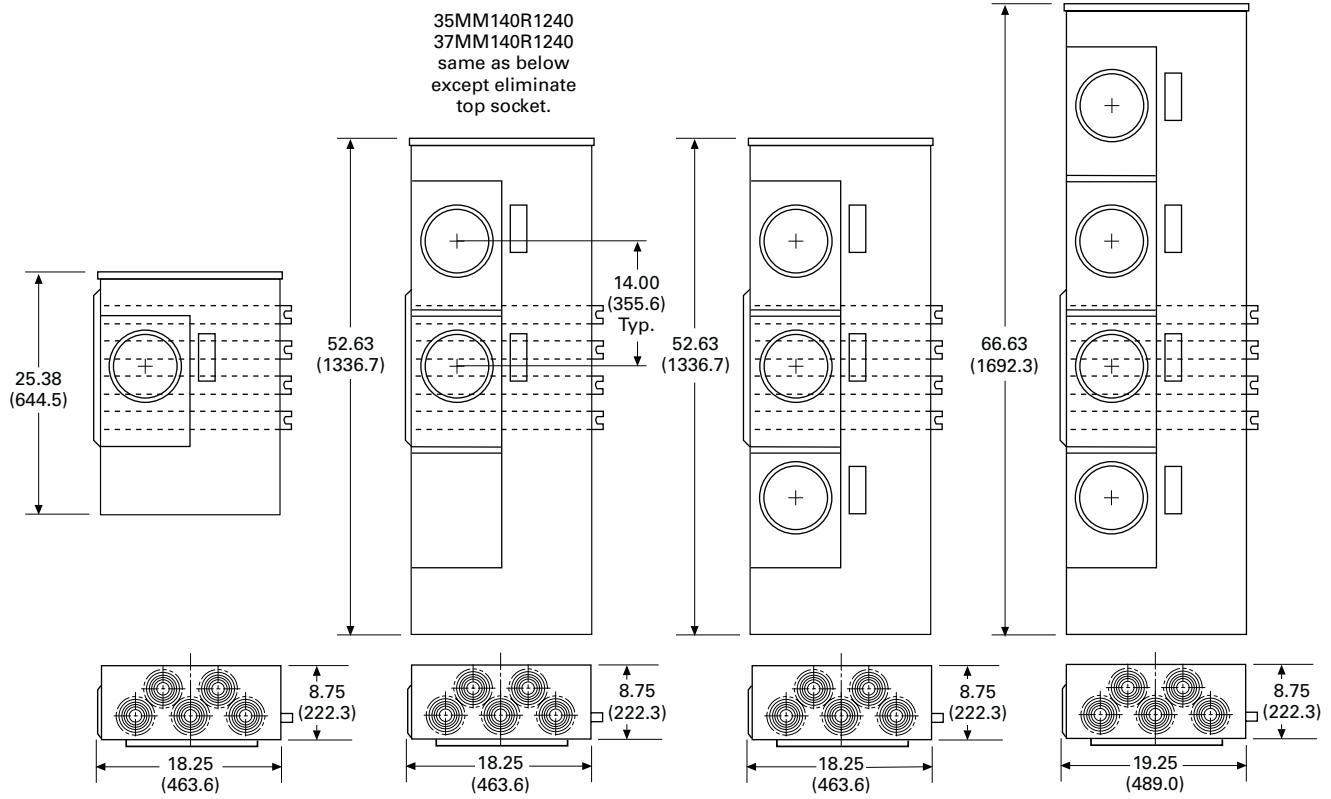
Dimensions and Knockouts

Approximate Dimensions in Inches (mm)

Commercial Stacks (35MM and 37MM)

35MM and 37MM

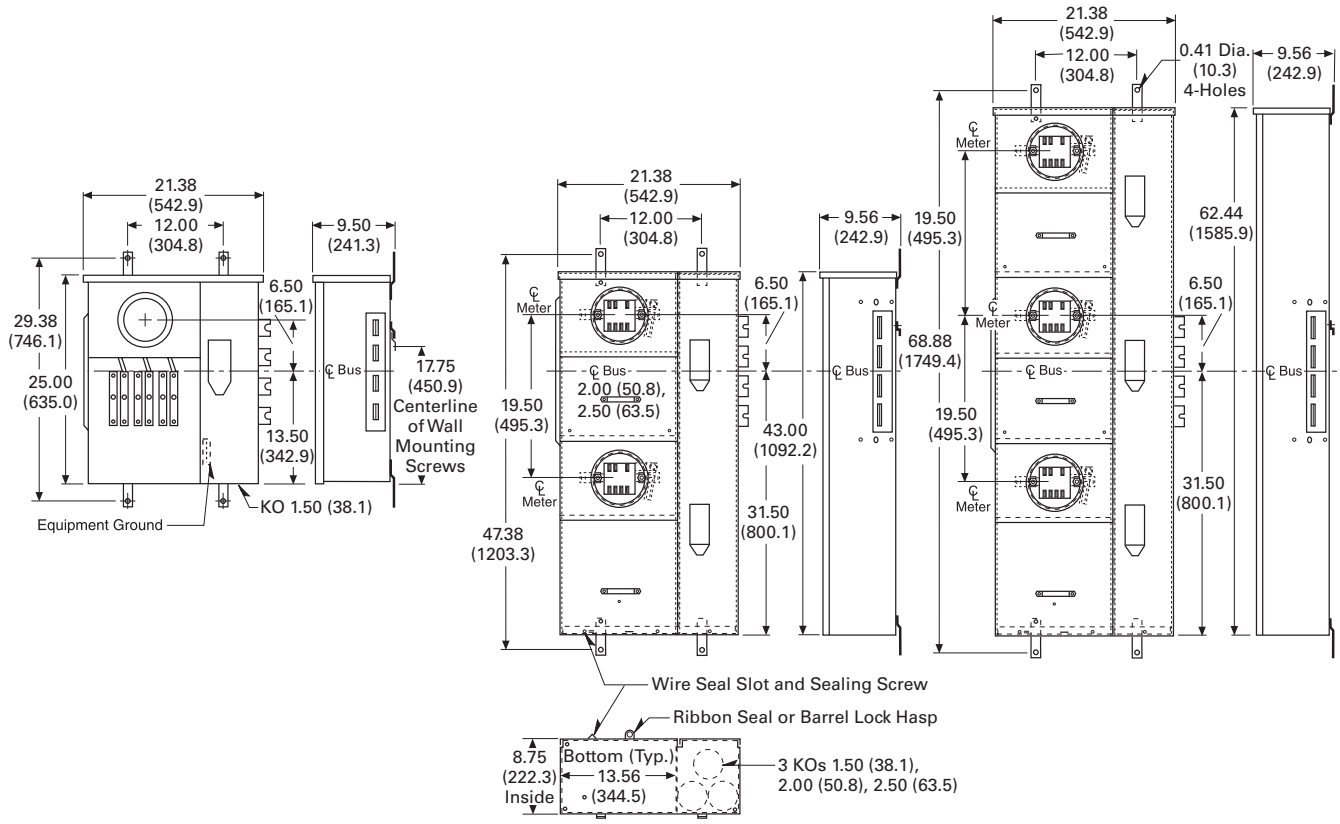
4



Approximate Dimensions in Inches (mm)

Commercial Stacks (35SS and 37SS)

35SS and 37SS



35MM, 37MM, 35SS and 37SS Main Tenant Circuit Breakers



CV2200/CV3200

Contents

| <i>Description</i> | <i>Page</i> |
|---|------------------|
| Systems for Residential and Commercial Applications | V1-T4-68 |
| Meter Packs | V1-T4-76 |
| Meter Packs—Tenant Circuit Breakers | V1-T4-88 |
| Main Service Modules | V1-T4-89 |
| Residential Meter Stacks | V1-T4-106 |
| Commercial Meter Stack Modules | V1-T4-121 |
| 35MM, 37MM, 35SS and 37SS Tenant Main Circuit Breakers | |
| Product Selection | V1-T4-129 |
| Phase Balanced Stack | V1-T4-130 |
| Group Metering Inline Current Transformer Cabinets | V1-T4-131 |
| Surge Metering | V1-T4-132 |
| Group Metering Accessories | V1-T4-133 |

35MM, 37MM, 35SS and 37SS Tenant Main Circuit Breakers

Product Description

- The following breakers are to be used on 35MM, 37MM, 35SS and 37SS modular metering stacks
- Series rating information available on **Page V1-T4-73**
- Two-pole breakers are 120/240 Vac, field installed
- Three-pole breakers are 208Y/120 Vac, field installed

Product Selection

35MM, 37MM, 35SS and 37SS Main Tenant Circuit Breakers

| Description | Number of Poles | Main Tenant Circuit Breaker Ampere Rating | 10 kAIC | 25 kAIC | 42 kAIC | 65 kAIC | 100 kAIC |
|--|-----------------|---|----------------|------------------------------|------------------------------|------------------------------|------------------------------|
| | | | Catalog Number | Catalog Number ^{①②} | Catalog Number ^{①②} | Catalog Number ^{①②} | Catalog Number ^{①②} |
| Bolt-On Type | | | | | | | |
| Bolt-on type circuit breakers used with 35MM and 35SS (single-phase modular metering stacks) ^{③④} | 2 | 60 | CCV2060X | CCVH2060X | CVS2060XMM | CV2060XMM | CVH2060XMM |
| | 2 | 70 | CCV2070X | CCVH2070X | CVS2070XMM | CV2070XMM | CVH2070XMM |
| | 2 | 80 | CCV2080X | CCVH2080X | CVS2080XMM | CV2080XMM | CVH2080XMM |
| | 2 | 90 | CCV2090X | CCVH2090X | CVS2090XMM | CV2090XMM | CVH2090XMM |
| | 2 | 100 | CCV2100X | CCVH2100X | CVS2100XMM | CV2100XMM | CVH2100XMM |
| | 2 | 125 | CCV2125X | CCVH2125X | CVS2125XMM | CV2125XMM | CVH2125XMM |
| | 2 | 150 | CCV2150X | CCVH2150X | CVS2150XMM | CV2150XMM | CVH2150XMM |
| | 2 | 175 | CCV2175X | CCVH2175X | CVS2175XMM | CV2175XMM | CVH2175XMM |
| | 2 | 200 | CCV2200X | CCVH2200X | CVS2200XMM | CV2200XMM | CVH2200XMM |
| | 2 | 225 | CCV2225X | CCVH2225X | CVS2225XMM | CV2225XMM | CVH2225XMM |
| Bolt-On Type | | | | | | | |
| Bolt-on type circuit breakers used with 37MM and 37SS (three-phase modular metering stacks) ^{③④} | 3 | 60 | EHD3060 | CVS3060X | CVS3060X | CV3060X | CVH3060X |
| | 3 | 70 | EHD3070 | CVS3070X | CVS3070X | CV3070X | CVH3070X |
| | 3 | 80 | EHD3080 | CVS3080X | CVS3080X | CV3080X | CVH3080X |
| | 3 | 90 | EHD3090 | CVS3090X | CVS3090X | CV3090X | CVH3090X |
| | 3 | 100 | CC3100X | CVS3100X | CVS3100X | CV3100X | CVH3100X |
| | 3 | 125 | CC3125X | CVS3125X | CVS3125X | CV3125X | CVH3125X |
| | 3 | 150 | CC3150X | CVS3150X | CVS3150X | CV3150X | CVH3150X |
| | 3 | 175 | CC3175X | CVS3175X | CVS3175X | CV3175X | CVH3175X |
| | 3 | 200 | CC3200X | CVS3200X | CVS3200X | CV3200X | CVH3200X |
| | 3 | 225 | CC3225X | CVS3225X | CVS3225X | CV3225X | CVH3225X |

Notes

- ① #6–4/0 kcmil wire size range for CVS, CV and CVH tenant main circuit breakers. If #2–300 kcmil is needed, order **2TA225CVK** (two-pole) **3TA225CVK** (three-pole). One kit is needed per breaker.
- ② “MM” suffix provides mounting hardware needed for 1MP, 1MM and 3MM modular metering stacks only. Mounting hardware is not needed for use in 35MM and 35SS modular metering stacks, but is included as standard with breakers.
- ③ Retrofit tenant circuit breaker mounting kit (**37MMRCBK**) for installation of Type EHD and CV breakers. Needed only for stacks manufactured prior to February 2013. Order one kit per breaker.
- ④ Type EHD main tenant circuit breakers are also available from 15 to 50 A.

Phase Balanced Stack

Phase Balanced Stack

Product Description

Eaton’s Phase Balanced Stack allows for a complete phase balanced metering line-up using fewer stacks. With today’s electrical rooms becoming smaller, the need is greater than ever to offer space-saving metering products while providing a fully phase balanced system. The new phase balanced stack is the answer.

Today, achieving a phase balanced system when connected to a 208Y/120 Vac three-phase, four-wire system may require one or two additional 3MM meter modules. Standard 3MM meter stacks come factory connected to phases A and B. The new phase balanced stacks connect the two bottom meters to phases B and C and the top two or three meters to phases A and C. Using these new stacks with the AB phased 3MM metering, phase balancing is accomplished, and more compact than before.

Features

- Available in four- and five-high configurations at 125 A
- 200 A stacks available
- Available with 800 A aluminum bus and 1200 A copper bus
- Ring, ringless, ringless with horn bypass available
- Outdoor enclosure
- Dimensions same as existing 125 A, three-phase meter stacks

Contents

| <i>Description</i> | <i>Page</i> |
|--|------------------|
| Systems for Residential and Commercial Applications | V1-T4-68 |
| Meter Packs | V1-T4-76 |
| Meter Packs—Tenant Circuit Breakers | V1-T4-88 |
| Main Service Modules | V1-T4-89 |
| Residential Meter Stacks | V1-T4-106 |
| Commercial Meter Stack Modules | V1-T4-121 |
| 35MM, 37MM, 35SS and 37SS Tenant Main Circuit Breakers | V1-T4-128 |
| Phase Balanced Stack | V1-T4-130 |
| Group Metering Inline Current Transformer Cabinets | V1-T4-131 |
| Surge Metering | V1-T4-132 |
| Group Metering Accessories | V1-T4-133 |

Product Selection

Ordering Information

- Check with local utility for height restrictions
- Items loaded in VISTA
- If you have questions, please contact the Technical Resource Center 1-800-356-1243, option 3

Phase Balanced Stack

| Amperes Per Meter Socket | Bus Ampacity | Meter Socket Cover | Catalog Number |
|--------------------------|--------------|----------------------|------------------------|
| 125 | 800 | Ring | 3MM412RACBC |
| 125 | 800 | Ring | 3MM512RACBC |
| 125 | 800 | Ringless | 3MM412RRLACBC |
| 125 | 800 | Ringless | 3MM512RRLACBC |
| 125 | 800 | Ringless horn bypass | 3MM412RRLBACBC |
| 125 | 800 | Ringless horn bypass | 3MM512RRLBACBC |
| 125 | 1200 | Ring | 3MM412R2ACBC |
| 125 | 1200 | Ring | 3MM512R2ACBC |
| 125 | 1200 | Ringless | 3MM412R2RLACBC |
| 125 | 1200 | Ringless | 3MM512R2RLACBC |
| 125 | 1200 | Ringless horn bypass | 3MM412R2RLBACBC |
| 125 | 1200 | Ringless horn bypass | 3MM512R2RLBACBC |

Note: Local codes and utility requirements still apply. The phase balance stacks are not suitable for changing in the field.

Group Metering Inline Current Transformer Cabinets

Group Metering Inline Current Transformer Cabinets

Product Description

Eaton’s group metering inline current transformer (CT) cabinets are used when utilities require the use of current transformers to meter large services. These products are compatible with Eaton’s group metering offering for both single- and three-phase applications with tenant metering requirements greater than 400 A.

Features, Benefits and Functions

- Replaces separate termination box in installation to save wall space, labor and material for the contractor
- Compatible for utility-provided current transformers to be bolted in place, increasing flexibility to both the customer and utility
- Padlockable hinged doors restrict access to fuses or current transformers to ensure safety and security
- Available for pullout or fusible switch disconnect to accommodate the user’s preference
- Offered in three-phase in/ three-phase out, three-phase in / single-phase out, and single-phase in/ single-phase out to complete a full product line offering

Contents

| <i>Description</i> | <i>Page</i> |
|--|------------------|
| Systems for Residential and Commercial Applications | V1-T4-68 |
| Meter Packs | V1-T4-76 |
| Meter Packs—Tenant Circuit Breakers | V1-T4-88 |
| Main Service Modules | V1-T4-89 |
| Residential Meter Stacks | V1-T4-106 |
| Commercial Meter Stack Modules | V1-T4-121 |
| 35MM, 37MM, 35SS and 37SS Tenant Main Circuit Breakers | V1-T4-128 |
| Phase Balanced Stack | V1-T4-130 |
| Group Metering Inline Current Transformer Cabinets | V1-T4-131 |
| Surge Metering | V1-T4-132 |
| Group Metering Accessories | V1-T4-133 |

Product Selection

Group Metering Inline Current Transformer Cabinets

| Ampere Rating | Pullout or Switch | Phase | Catalog Number |
|---------------|-------------------|------------------------------------|------------------|
| 400 | 2 Pullouts | Single-phase in / single-phase out | CTAP3244NCM8CH11 |
| 400 | 2 Pullouts | Three-phase in / single-phase out | CTAP3244NCM8CH31 |
| 400 | 1 Pullout | Single-phase in / single-phase out | CTAP325NCM8CH11 |
| 400 | 1 Pullout | Three-phase in / single-phase out | CTAP325NCM8CH31 |
| 400 | 2 Pullouts | Three-phase in / three-phase out | CTAP4244NCM8CH |
| 400 | 1 Pullout | Three-phase in / three-phase out | CTAP425NCM8CH |
| 400 | Switch | Single-phase in / single-phase out | CTAT325NCM8CH11 |
| 400 | Switch | Three-phase in / single-phase out | CTAT325NCM8CH31 |
| 600 | Switch | Single-phase in / single-phase out | CTAT326NCM8CH11 |
| 600 | Switch | Three-phase in / single-phase out | CTAT326NCM8CH31 |
| 800 | Switch | Single-phase in / single-phase out | CTAT327NCM8CH11 |
| 800 | Switch | Three-phase in / single-phase out | CTAT327NCM8CH31 |
| 400 | Switch | Three-phase in / three-phase out | CTAT425NCM8CH |
| 600 | Switch | Three-phase in / three-phase out | CTAT426NCM8CH |
| 800 | Switch | Three-phase in / three-phase out | CTAT427NCM8CH |

Accessories

Group Metering Inline Current Transformer Cabinets

| Description | Catalog Number |
|--|----------------|
| Wire harness (6 ft) per COMED requirements | 9659 |
| 400 A C/T link and support assembly | CTL054550 |
| 600 A C/T link and support assembly | CTL054552 |
| 800 A C/T link and support assembly | CTL054554 |

Dimensions

Approximate Dimensions in Inches (mm)

Group Metering Inline Current Transformer Cabinets

| Height | Width | Depth |
|----------------|---------------|---------------|
| 64.00 (1625.6) | 26.50 (673.1) | 15.00 (381.0) |

Surge Metering

4



Surge suppression devices shown are factory mounted in Group Metering Enclosure.

Surge Metering

Product Description

Eaton's multiple metering product family is proud to announce the availability of main surge devices. The new main surge is mounted between the main service module and the meter stacks and serves the purpose of providing surge protection for downstream multiple metering products. The main surge is compatible with all meter stacks currently manufactured (1MM, 3MM, 35MM and 37MM).

Features, Benefits and Functions

- Uses thermally protected metal oxide varistor (MOV) technology
- Compatible with 37MM enclosure accessories
- Protection status indicator lights EMI/RFI filtering and audible alarms
- Offers surge protection for all units fed from a main service module

Contents

Description

| | <i>Page</i> |
|--|------------------|
| Systems for Residential and Commercial Applications | V1-T4-68 |
| Meter Packs | V1-T4-76 |
| Meter Packs—Tenant Circuit Breakers | V1-T4-88 |
| Main Service Modules | V1-T4-89 |
| Residential Meter Stacks | V1-T4-106 |
| Commercial Meter Stack Modules | V1-T4-121 |
| 35MM, 37MM, 35SS and 37SS Tenant Main Circuit Breakers | V1-T4-128 |
| Phase Balanced Stack | V1-T4-130 |
| Group Metering Inline Current Transformer Cabinets | V1-T4-131 |
| Surge Metering | V1-T4-132 |
| Group Metering Accessories | V1-T4-133 |

Standards and Certifications

- UL 1449 3rd Edition recognized component



- Benefit for building/complex owners who want to offer surge protection to their tenants. Owner can market their apartment complex as being surge friendly to appliances and electronics
- **Attain local utility company approval. Not for use in EUSERC area**

Group Metering Accessories



Contents

| Description | Page |
|--|------------------|
| Systems for Residential and Commercial Applications | V1-T4-68 |
| Meter Packs | V1-T4-76 |
| Meter Packs—Tenant Circuit Breakers | V1-T4-88 |
| Main Service Modules | V1-T4-89 |
| Residential Meter Stacks | V1-T4-106 |
| Commercial Meter Stack Modules | V1-T4-121 |
| 35MM, 37MM, 35SS and 37SS Tenant Main Circuit Breakers | V1-T4-128 |
| Phase Balanced Stack | V1-T4-130 |
| Group Metering Inline Current Transformer Cabinets | V1-T4-131 |
| Surge Metering | V1-T4-132 |
| Group Metering Accessories Product Selection | V1-T4-134 |








Group Metering Accessories

These accessories are suited for the Group Metering product line. The products range from replacement parts, such as covers and sockets, to accessories that pair with the group metering lineup, such as elbows and spacers.

Product Selection

1MP, 1MM and 3MM Residential Modular Metering Stacks

4

| | Description | Application | Catalog Number |
|--|--|---|---|
| Fifth Jaw Kit  | Fifth jaw kit | Bolted onto neutral in the 3, 6 or 9 o'clock position. Typically used on network metering systems (three-phase in/single-phase out) or when specified by utility company. | 1MM5JK |
| | Isolated fifth jaw kit | Connects to the neutral with an insulated wire. | 1MM5JKOP |
| Manual Bypass Kit  | Manual bypass kit (ring style socket only) | For use with 125 A sockets only. (Not top socket.) | 1MMBPM125 |
| | | For use with 200 A sockets only. (Not top socket.) | 1MMBPM200 |
| | | This kit only to be used for top position of two- and three-high 125 A 1MM and 3MM stacks and of 2, 5 and six-position 125 A 1MP packs. | 1MMBPM125T |
| | | This kit only to be used for top position of 200 A two-position 1MP packs. | 1MMBPM200T |
| Horn Bypass Kit  | Horn bypass | Used only on ringless cover stacks, kits can be installed on 125 A or 200 A sockets. Note: For 1MP2122RRL use: | 1MMBPH WCG8HB ① |
| | Meter bypass jumper | Installed on 125 A or 200 A sockets. Jumpers are plugged into jaws. Order Lexan® cover plate with bypass jumpers to prevent access to meter socket once energized. (Not UL listed.) | 1MMBPJ |
| Lexan Blank Cover  | Lexan blank cover | Circular cover mounted on ring or ringless devices preventing access to meter socket while meter is not in place. Includes four plastic tabs that plug into each jaw. | 1MMPCP |
| | | Same as 1MMPCP minus the tabs located in the back to plug into jaws. This device to be used while meter bypass jumpers are in place (1MMBPJ). | 1MMACP |
| Blank Meter Socket Cover  | Blank meter socket cover | Used for 125 A stacks. Fits bottom socket only. Kit replaces existing meter cover preventing access to meter socket. Includes hasp for seal. | 1MMBC125B |
| | | Used on 200 A stacks. Fits bottom socket only. Kit replaces existing meter cover preventing access to meter socket. Includes hasp for seal. | 1MMBC200B |
| Wall Mounting Rail  | Wall mounting rail | Rails are 4 feet (1.2m) in length. Bolted on wall for stacks, packs and mains to be hung. | 1MMWB |
| Bussed Spacer  | Bussed spacer | Bussed spacer 1200 A 4-inch (101.6 mm). Required when stacks are mounted on right-hand side in EUSERC areas. (copper) | 3MMBSK ② |
| | | Bus duct riser/ meter center connection | Available in 400, 600, 800 A main fusible units only. Contact product line for details. |

Notes

- ① WCG8HB only applies to meter packs built prior to 1998. Current meter packs use **1MMBPH**.
- ② Must be used when mounting MCB main next to an MTB main or another MCB main device.

1MP, 1MM and 3MM Modular Residential Metering Stacks, continued

| | Description | Application | Catalog Number |
|-----------------------------------|------------------------------|---|------------------|
| Indoor Corner Elbow | Indoor corner elbow (copper) | 12-inch (304.8 mm) indoor corner elbow, 1200 A, three-phase, four-wire for use with 1MM and 3MM only. Do not use with 35MM, 37MM, 35SS or 37SS stacks. 12-inch corner elbow not EUSERC approved. | 3MMEB12 |
| | Indoor corner elbow (copper) | 16-inch (406.4 mm) indoor corner elbow, 1200 A, three-phase, four-wire for use with 1MM, 3MM, 35MM, 37MM, 35SS and 37SS. | 3MMEB16 |
| | Barrier | Barrier for individual sockets | 1MMBK |
| Meter Jumper and Cover | Meter jumper and cover | Combination meter jumper and cover (200 A maximum). Used to jumper line and load jaws as well as cover meter socket preventing exposure to current carrying parts. | 1MMJCK |
| | Lug block | 125 A two-pole lug block assembly. | BRSF125 |
| Standard Sealing Ring | Sealing ring | Stainless steel screw type with brass screw | 1MMSR1 |
| | | Standard (included with packs and stacks) ① | 1MMSR2 |
| | | Stainless steel screw type with cast zinc screw | 1MMSR4 |
| | | Aluminum screw type with locking provisions | 1MMSR5 |
| | Top endwall | 125 A, NEMA 1 top end wall with knockouts for 1MM, 3MM meter stacks | MM12N1WLK |
| | | 200 A, NEMA 1 top end wall for 1MM, 3MM meter stacks | MM20N1WLK |
| Barrel Lock Kit | Barrel lock kit | Needed when using barrel lock security. Main tenant feeders can exit bottom or back. Knockouts are available at all exit locations. | 3MMBLKIT |

Note

① Aluminum snap type.

Renewal Parts for Residential Modular Metering Stacks

1MP, 1MM and 3MM Replacement Parts

| | Description | Application | Catalog Number | |
|---|---|--|------------------|--------------------|
| Ringless Cover  | Ringless cover (can install this to go from ring to ringless) | Installed on 125 A socket for ringless security | 1MMRC125 | |
| | | Installed on 200 A socket for ringless security | 1MMRC200 | |
| | | For use with top position of 125 A, two- and three-position, 1MM and 3MM stacks and two-, five- and six-position 1MP packs | 1MMRC125T | |
| | | Top-position two position IMP | 1MMRC200T | |
| Ring Cover  | Ring cover | Installed on 125 A socket for ring security | 1MMCP1 | |
| | | Installed on 200 A socket for ring security | 1MMCP2 | |
| | | Top socket ring cover 125 A | 1MMCP1T | |
| | | Top socket ring cover 200 A | 1MMCP2T | |
| Tenant Breaker Cover  | Tenant breaker hinged cover | 125 A cover | 1MMBC1 | |
| | | 200 A cover | 1MMBC2 | |
| Meter Socket  | Meter socket ^① | 125 and 200 A | 1MMMS | |
| | | Busbar end cap | Flat—left side | 47-24139A |
| | | | Bump—right side | 47-28172-2A |
| | | Main circuit breaker cover kit (black) | | 49-7060 |








Notes

^① Meter Packs **1MP2122RRL** and **1MP2122RRLB** use different meter sockets.

See Renewal Parts listing RP.32A.01A.T.E for details.

See **RP00501001E** for a complete Renewal Parts listing.

Accessories for 35MM and 37MM Commercial Modular Metering Stacks





| | Description | Application | Catalog Number |
|---|---|--|----------------------|
| | Wall mounting rail | Rails are 4 feet (1.2m) in length. Bolted on wall for stacks, packs and mains to be hung. | 1MMWB |
| | Indoor corner elbow (copper) | 16-inch (406.4 mm) indoor corner elbow, 1200 A, three-phase, four-wire for use with 1MM, 3MM, 35MM, 37MM, 35SS and 37SS. | 3MMEB16 |
| Handle Insulator | Handle insulator | Each meter block includes a lever bypass. This kit includes the sleeve which slides onto the lever handle. | 37MMHC |
|  | | | |
| Barrel Lock Bracket Kit | Barrel lock bracket kit | Needed when using barrel lock security. | 37MMBLK |
|  | | | |
| Totalizing Jumper Kit | Totalizing jumper kit | Used if one socket is to meter two tenant feeds. When ordering jumper kit, should also order a plastic cover plate (1MMPCP + IMMJCK) preventing access to live parts on unused socket. | 37MMTJK |
|  | | | |
| Type EHD and CV Breaker Retrofit Mounting Kit | Type EHD and CV breaker retrofit mounting kit | Retrofit mounting hardware for installation of Type EHD and CV breakers in 35MM, 37SS, 37MM and 37SS meter stacks manufactured prior to February 2013. Order one kit per breaker. | 37MMRCBK |
|  | | | |
| Type CV Breaker Mounting Kit | Type CV breaker mounting kit | Replacement Type CV breaker mounting hardware kit. Used in 200 A 1MP/1MM/3MM modular metering stacks at 42, 65 and 100 kAIC. | 1MMCBK |
|  | | | |
| Blank Cover Kit | Blank cover kit | Kit replaces meter cover preventing access to socket. | 37MMCK ^① |
|  | | | 37MMCKA ^② |
| Three-Phase to Single-Phase Conversion Kit | Barrier | Barrier for individual sockets | 37MMBK |
| | Three-Phase to single-phase conversion kit | This kit will convert one three-phase meter socket (37MM devices) to a single-phase socket. Only needed if phasing A-C or C-B. If single-phase socket is to be phased A-B, kit is not required for field conversion. (Must use three-phase breaker.) | 37MM1CK |
|  | Bus duct riser/meter center connection | Available in 400, 600, 800 A Main fusible units and 400, 600, 800, 1000, 1200 main circuit breaker. Contact product line for details. | — |
| | Anti-inversion clip | This clip should be inserted into upper right hand jaw of a 320 A meter socket. The purpose is prevent a 200 A meter from being inserted into a 320 A meter socket. | 37MMINVCLIP |

Notes

- ① For all units made 10/2002 and earlier.
- ② For all units made after 11/2002.

Renewal Parts for Commercial Modular Metering Stacks

35MM and 37MM Modular Metering Stacks

| | Description | Application | Catalog Number |
|---|--|--|--------------------|
| 35MM Replacement Meter Socket  | 35MM replacement meter socket | To replace meter socket with lever bypass and jaw release. | MSLMSA1 |
| | 37MM replacement meter socket | To replace meter socket with lever bypass and jaw release. | MSLMSA2 |
| 37SS Replacement Meter Socket  | 35SS replacement meter socket | To replace meter socket with test bypass disconnect feature | MSTMSA1 |
| | 37SS replacement meter socket | To replace meter socket with test bypass disconnect feature | MSTMSA2 |
| | Safety socket meter cover assembly | To replace ring type cover over the meter prior to 7/1/02. | MSTMCVR1 |
| | Safety socket meter cover assembly | To replace ring type cover over the meter after 7/1/02 | MSTMCVR1E |
| Meter Cover Assembly  | 35MM and 37MM meter cover assembly | Prior to 12/1/02 | 37MMSK |
| | | After 12/1/02 | 37MMSK1 |
| | Meter cover assembly with NJ latch | To replace ringless cover over the meter. Includes New Jersey latch requirement. | 37MMSKNJ |
| Tenant Breaker Hinged Cover  | Tenant breaker hinged cover | To replace cover over tenant breakers. | 1MMBC2 |
| | Busbar end cap | Flat—left side | 47-24139A |
| | | Bump—right side | 47-28172-2A |
| | Main circuit breaker cover/CIT (black) | | 49-7060 |

Note

See **RP.32A.01.T.E** for a complete Renewal Parts listing.

1MPLK3



Main Lug Selection—Field-Installed Lugs for 400 or 600 A Main Bus
(For use with Meter Packs only)

Line Lug and Wire Sizes
Order Separately and Field Install

Line Lug Kit Catalog Number
Order Three Kits
(For Two Lines and Neutral)

| | |
|---------------------------------------|-----------------|
| (1) #6–600 kcmil or (2) 2/0–250 kcmil | 1MPLK1 |
| (2) 250–500 kcmil | 1MPLK3 |
| (3) #4–300 kcmil | 1MPLK4 ① |
| (1) 750 kcmil | 1MPLK2 ② |
| Crimp lug landing pad 250–750 kcmil | 1MPSC1 ① |

Field Installable Lug Kits for 1MM and 3MM Tenant Main Circuit Breakers
(For use with Residential Meter Stacks to account for bigger wire sizes)

BR40LUG



| Description | Catalog Number |
|--------------------------------------|----------------|
| 4/0 Lug adapter—accommodates 3/0–4/0 | BR40LUG |

BR40NEU



| | |
|--|------------------|
| 4/0 Neutral bar adapter—accommodates #1–4/0 | BR40NEU |
| Up-sized ground bar kit | 1MMGBK |
| Two-pole 300 kcmil with terminal shield | 2TA225CVK |
| Three-pole 300 kcmil with terminal shield | 3TA225CVK |
| Replacement mounting hardware kit for 200 A 1MP, 1MM and 3MM units | 1MMCBK |

Wire Sizes—Neutral and Ground Lugs

| Description | Wire Size, Al/Cu | Catalog Number |
|---------------------------------------|------------------|----------------|
| Neutral—125 A meter pack | #6–2/0 | — |
| Neutral—200 A meter pack | #1/0–300 kcmil | — |
| Equipment ground bar—125 A meter pack | #14–#2 | — |
| Equipment ground bar—200 A meter pack | #14–2/0 | — |
| Optional ground bar | #6–2/0 | 1MMGBK |

BR40LUG Compatibility Chart

| Type | 60 A | 70 A | 80 A | 90 A | 100 A | 110 A | 125 A |
|------|---------------|---------------|---------------|---------------|----------------|-----------------|-----------------|
| BR | — | — | — | — | — | BR2110 | BR2125 |
| BRH | — | — | — | — | — | BRH2110 | BRH2125 |
| BRHX | — | — | — | — | — | BRHX2110 | BRHX2125 |
| BRHH | — | — | — | — | — | BRHH2110 | BRHH2125 |
| BRX | BRX260 | BRX270 | BRX280 | BRX290 | BRX2100 | BRX2110 | BRX2125 |

Other Notes for Lug Kits

Notes: The lug adapter kit can be used in 1MM and 3MM 3- through 6-socket 125 A modular metering stacks. Only intended for use in bottom- and rear-feed applications. Four adapters can be used per meter stack.

Notes

① This kit comes with three pads for two lines and neutral. Each pad will accept one or two crimp lugs. Cannot be used on **1MP2122R**, **RL**, **RC** and **RLB** EUSERC underground termination.

② This lug is not UL listed.

Each stack includes a neutral and ground bar. If an extra ground bar is needed, order **1MMGBK**.