

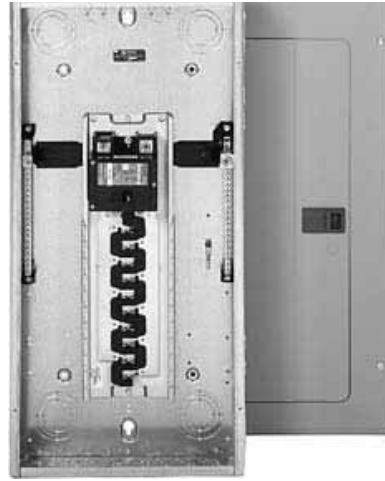
## BR Loadcenters

### Product Description

A loadcenter is called a breaker box, electrical box or even a fuse box. The main function is to take electricity supplied by the utility and distribute it throughout the home to feed lights and receptacles. Not only does the loadcenter distribute power, it also provides protection.

### Warranty

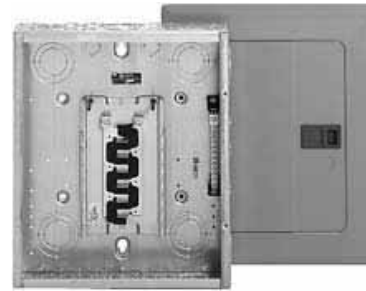
- ✓ Ten years on loadcenters.
- ✓ Ten years on branch circuit breakers.



*Single-Phase Main  
Circuit Breaker —  
Top or Bottom Feed*



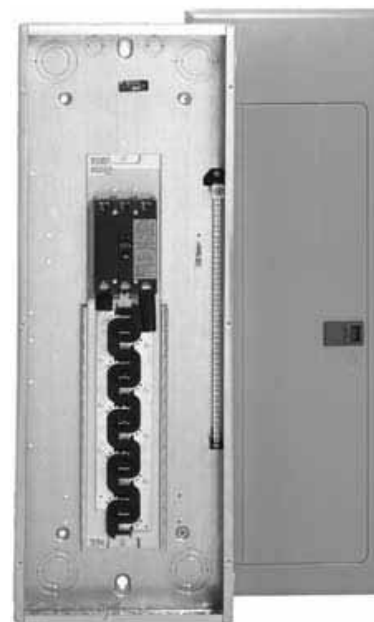
*Three-Phase Main Circuit  
Breaker — Commercial*



*Single-Phase — Main Lugs*



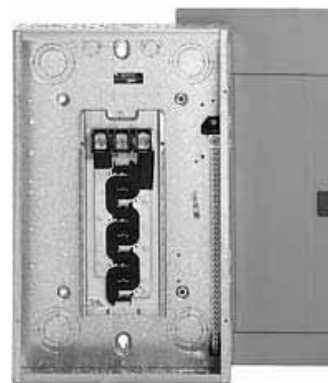
*Convertible Main Breaker or  
Main Lug Only*



*Three-Phase Main Circuit  
Breaker*



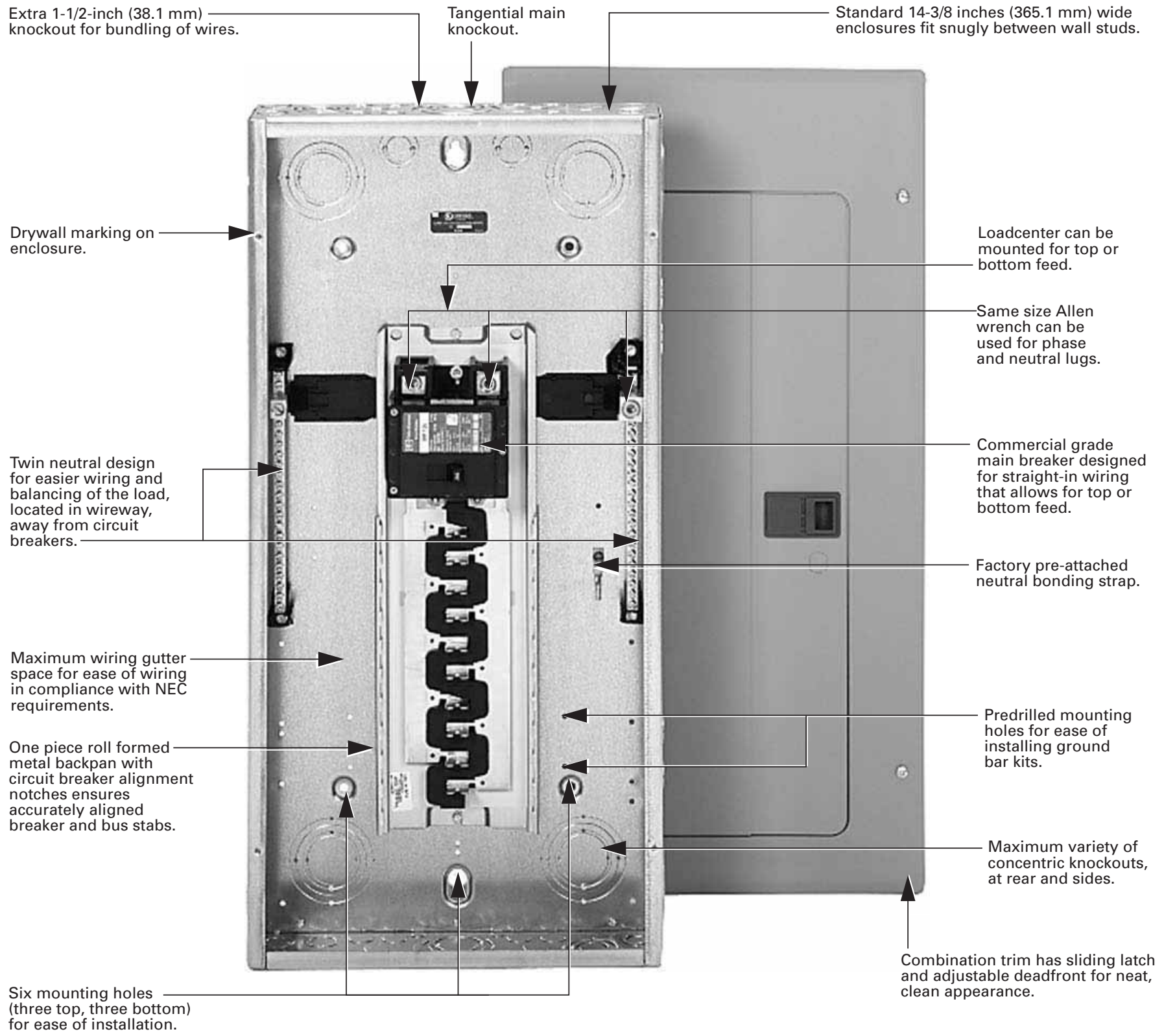
*Circuit Breaker Unit  
Enclosures Outdoor*



*Single-Phase — Main Lugs*

# Features, Functions and Benefits

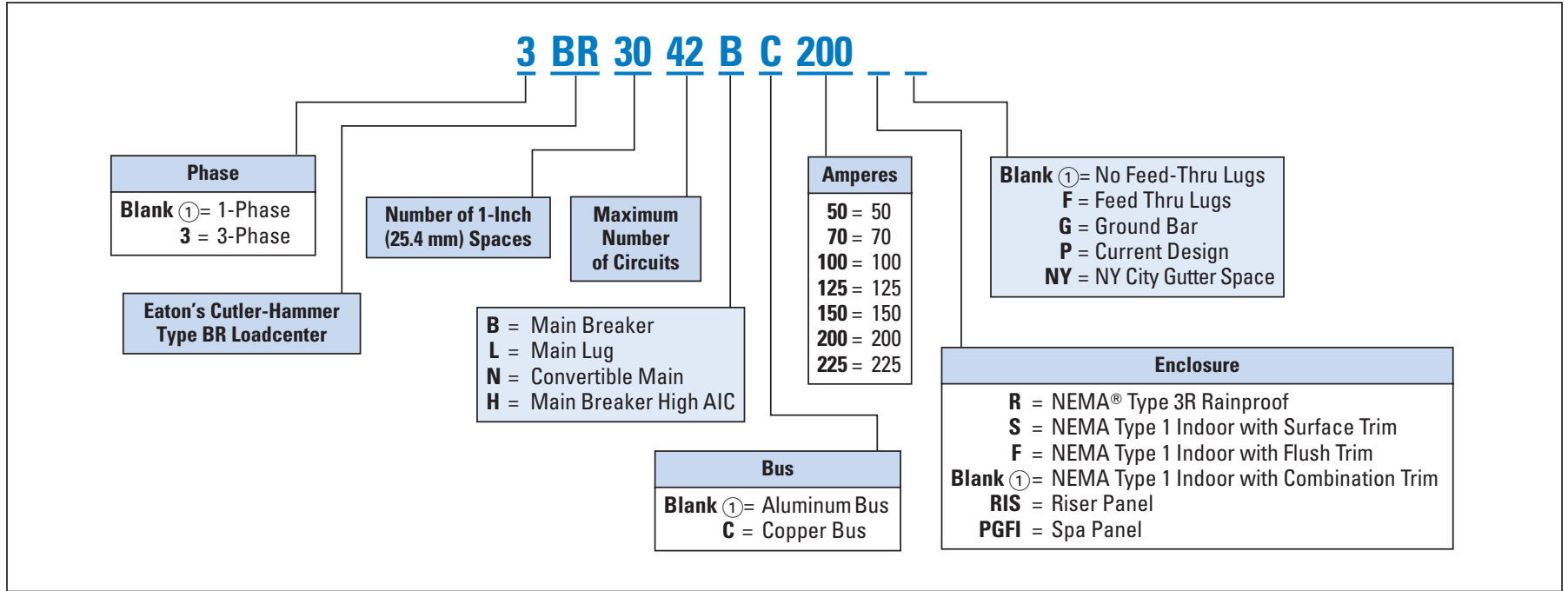
Uses 1-inch (25.4 mm) BR breakers.



**BR2040B200**

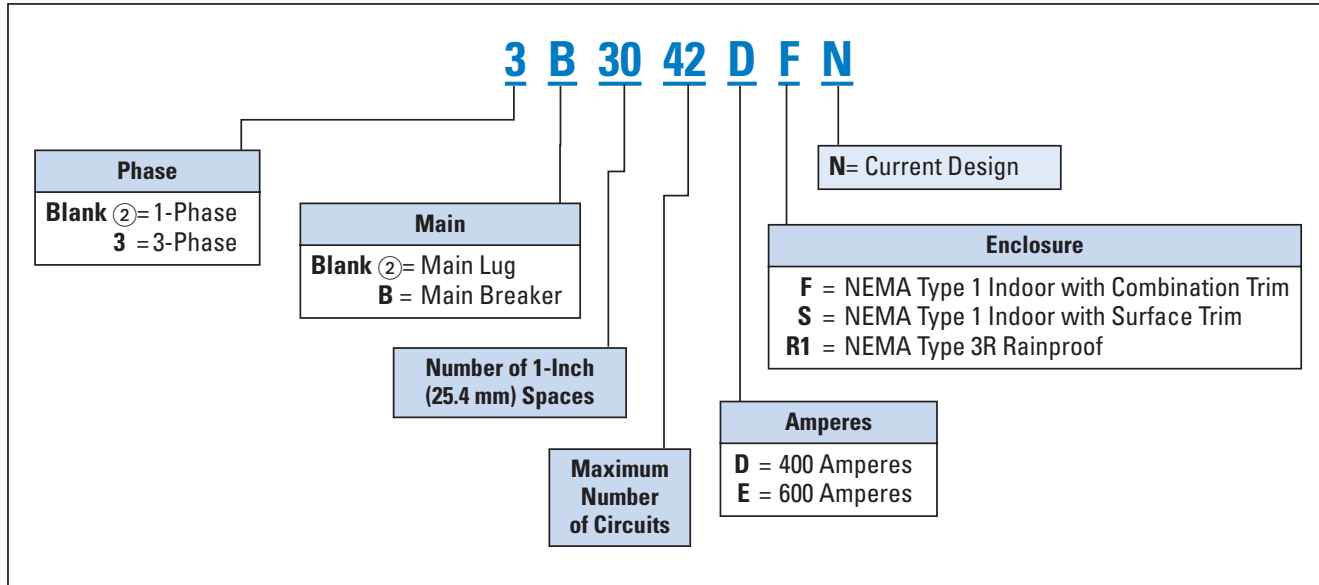
# Catalog Numbering System

**TABLE 2-32. SINGLE- AND THREE-PHASE THROUGH 225 AMPERES CATALOG NUMBERING SYSTEM**



① No character space used.

**TABLE 2-33. SINGLE- AND THREE-PHASE 400 AMPERES THROUGH 600 AMPERES CATALOG NUMBERING SYSTEM**



② No character space used.

**Example No. 1:  
BR1224L125G**

Single-Phase Cutler-Hammer Type BR Loadcenter Rated at 125 Amperes with Main Lugs, 12 Spaces Allowing 24 Poles, Indoor Combination Enclosure, Aluminum Bus and Ground Bar.

**Example No. 2:  
BR24L70RP**

Single-Phase Cutler-Hammer Type BR Loadcenter Rated at 70 Amperes with Main Lugs, 2 Spaces Allowing 4 Poles, Rainproof Enclosure with Aluminum Bus.

**Example No. 3:  
3B4242EFN**

3-Phase Cutler-Hammer Type BR Loadcenter Rated at 600 Amperes with Main Breaker, 42 Spaces Allowing 42 Poles, Indoor Combination Enclosure.

# Data Tables

## SINGLE-PHASE — MAIN CIRCUIT BREAKER LOADCENTERS 10,000/22,000 AMPERES INTERRUPTING CAPACITY

TABLE 2-34. SINGLE-PHASE 3-WIRE — 120/240 VAC — INSULATED/BONDABLE NEUTRAL

Main Breaker Type	Main Ampere Rating	Maximum Number 1-Inch (25.4 mm)		Enclosure Type	Box Size	Wire Size Range Cu/Al 60°C or 75°C for Main Breaker	Loadcenter with Combination <sup>①</sup> or NEMA Type 3R Cover <sup>②</sup>			
		Spaces	Poles				Catalog Number	UPC Code		
BR 10 kAIC	100	8	16	Indoor	B1	#4 – 1/0 <sup>③</sup>	BR816B100	786676443456		
		10	20	Surface	A1		BR1020B100S11 <sup>④</sup>	782114993514		
		10	20	Flush	A1		BR1020B100F11 <sup>④</sup>	782116125494		
		10	20	Outdoor	B2R		BR1020B100RFP <sup>⑤⑥</sup>	786676443708		
		12	20	Indoor	B2		BR1220B100	786676443753		
		12	24	Outdoor	B2R		BR1224B100R <sup>⑥</sup>	786676443951		
		16	20	Indoor	C1		BR1620B100	786676444002		
		16	24	Indoor	C1		BR1624B100	786676444057		
		16	24	Outdoor	C1R		BR1624B100R <sup>⑥</sup>	786676444101		
		20	20	Indoor	C2		BR2020B100	786676444156		
		20	24	Outdoor	C3R		BR2024B100R <sup>⑥</sup>	786676444354		
		125	16	24	Indoor		C1	#4 – 2/0	BR1624B125	786676444408
			20	24	Indoor		C1		BR2024B125	786676444453
	20		24	Outdoor	C3R	BR2024B125R <sup>⑥</sup>	786676444507			
	BW 10 kAIC	150	8	16	Outdoor	C3R	#2 – 300 kcmil	BR816B150RF <sup>⑤⑥</sup>	786676444552	
			16	30	Indoor	C4		BR1630B150	786676444705	
			20	30	Indoor	C4		BR2030B150	786676444903	
			20	30	Outdoor	D1R		BR2030B150R <sup>⑥</sup>	786676444958	
			20	40	Indoor	D1		BR2040B150	786676001038	
20			40	Outdoor	D1R	BR2040B150R <sup>⑥</sup>		786676483209		
24			30	Indoor	G1	BR2430B150		786676445009		
30			30	Indoor	G1	BR3030B150		786676445054		
30			30	Outdoor	G1R	BR3030B150R <sup>⑥</sup>		786676445108		
30			40	Indoor	G1	BR3040B150		786676445979		
200			4	8	Outdoor	8R		#2 – 300 kcmil	BR48B200RFP <sup>⑤⑦⑧</sup>	786676000512
		8	16	Outdoor	C3R	BR816B200RF <sup>⑤⑥</sup>	786676445153			
		16	32	Indoor	C4	BR1632B200	786676445351			
		20	40	Indoor	D1	BR2040B200	786676445559			
		20	40	Outdoor	D1R	BR2040B200R <sup>⑥</sup>	786676445757			
		24	40	Indoor	G1	BR2440B200	786676445856			
		30	40	Indoor	G1	BR3040B200	786676445955			
		30	40	Outdoor	G1R	BR3040B200R <sup>⑥</sup>	786676446051			
		40	40	Indoor	L1	BR4040B200	786676446150			
		40	40	Outdoor	L1R	BR4040B200R <sup>⑥</sup>	786676446303			
225		42	42	Indoor	L2	#1 – 250 kcmil	BR4242B225	786676446402		
	42	42	Outdoor	L2R	BR4242B225R <sup>⑥</sup>		786676446457			

① Combination style covers may be used in surface or flush applications.

② All main circuit breaker loadcenters are listed for use as service entrance equipment and are shipped with a neutral bonding strap preattached. The maximum rating of the panel is the main circuit breaker rating when used as service entrance equipment.

③ Wire range size for BR1020B100SP is #6 – 1 Al/Cu. Available in flush.

④ Loadcenters are 11.75 inches (293.8 mm) wide and 13.00 inches (330.2 mm) high for retrofit applications.

⑤ Includes through-feed lugs for both phase and neutral conductors.

⑥ Rainproof panels are furnished with hub closure plates.

⑦ DS200H1 hub is included with loadcenter.

⑧ Neutral is bonded – suitable for service entrance only – can not be converted for sub-feed application.

P Suffix = Specifically packaged for retail sales.

Dimensions for boxes on Pages 2-41 – 2-43.



## SINGLE-PHASE — MAIN CIRCUIT BREAKER LOADCENTERS 10,000/22,000 AMPERES INTERRUPTING CAPACITY

TABLE 2-35. SINGLE-PHASE, 3-WIRE — 120/240 VAC

Main Breaker Type	Main Ampere Rating	Maximum Number 1-Inch (25.4 mm)		Enclosure Type	Box Size	Wire Size Range Cu/Al 60°C or 75°C for Main Breaker	Commercial Loadcenter ①②	
		Spaces	Poles				With Flush or NEMA Type 3R Cover	
							Catalog Number	UPC Code
DK ③	300	42	42	Indoor	24	(2) #3/0 – 250 kcmil	BR304242F	786676001076
	400	42	42	Indoor	24	(2) #3/0 – 250 kcmil	B4242DFN	786676316026
		42	42	Outdoor	47		B4242DR1N ⑤	786676316071
LA ④	600	42	42	Indoor	24	(2) #3/0 – 500 kcmil	B4242EFN	786676316170

① The maximum rating of the panel is the main circuit breaker rating when used as service entrance equipment.

② Door lock and key included with loadcenter.

③ Type DK main circuit breaker is rated 65 kAIC at 240 Vac and allows a 22 kAIC series rating on the panel when Types BR, BD and BJ branch circuit breakers are used.

④ Type LA main circuit breaker is rated 42 kAIC at 240 Vac. Type LA circuit breaker is **not** series rated with Types BR, BD and BJ branch circuit breakers.

⑤ Rainproof panels are furnished with hub closure plates.

P Suffix = Specifically packaged for retail sales.

## SINGLE-PHASE — MAIN CIRCUIT BREAKER LOADCENTERS 22,000/25,000 AMPERES INTERRUPTING CAPACITY

TABLE 2-36. SINGLE-PHASE 3-WIRE — 120/240 VAC — INSULATED/BONDABLE NEUTRAL

Main Breaker Type	Main Ampere Rating	Maximum Number 1-Inch (25.4 mm)		Enclosure Type	Box Size	Wire Size Range Cu/Al 60°C or 75°C for Main Breaker	Loadcenter with Combination Cover ⑥	
		Spaces	Poles				Catalog Number	UPC Code
BWH ⑧ 25 kAIC	150	20	30	Indoor	C4	#2/0 – 300 kcmil	BR2030H150 ⑧	786676444859
	200	20	40	Indoor	D1	#2/0 – 300 kcmil	BR2040H200 ⑧	786676445504
		30	40	Indoor	G1		BR3040H200 ⑧	786676445900
	40	40	Indoor	L1		BR4040H200 ⑧	786676446105	

⑥ All main circuit breaker loadcenters are listed for use as service entrance equipment and are shipped with neutral bonding strap preattached. The maximum rating of the panel is the main circuit breaker rating when used as service entrance equipment.

⑦ 22 kAIC series combination rating is obtained when Types BD, BR, BQ, BQC and GFCB 10 kAIC branch breakers are used in series with Type BRH main breaker.

⑧ 25 kAIC series combination rating is obtained when Types BD, BR, BQ, BQC and GFCB 10 kAIC branch circuit breakers are used in series with Type BWH main breaker.

**Dimensions for boxes on Pages 2-41 – 2-43.**

## SINGLE-PHASE — MAIN LUG LOADCENTERS

TABLE 2-37. SINGLE-PHASE 3-WIRE — 120/240 VAC — INSULATED/BONDABLE NEUTRAL

Main Ampere Rating	Maximum Number 1-Inch (25.4 mm)		Enclosure Type	Type of Trim	Box Size	Wire Size Range Cu/Al 60°C or 75°C for Main Lugs	Loadcenter	
	Spaces	Poles					Catalog Number	UPC Code
70	2	4	Indoor	Surface no Door	5	#8 – #2	BR24L70SP <sup>①</sup>	786676001670
	2	4	Indoor	Surface no Door	5		BR24L70SGP <sup>①②</sup>	786676001946
	2	4	Outdoor	—	5R		BR24L70RP <sup>①③</sup>	786676001618
	2	4	Indoor	Flush no Door	5		BR24L70FP <sup>①</sup>	786676001847
	2	4	Indoor	Flush no Door	5		BR24L70FGP <sup>①②</sup>	786676001939
125	2	4	Indoor	Surface no Door	6	#14 – 1/0	BR24L125SP <sup>①②</sup>	786676002271
	2	4	Outdoor	—	6R		BR24L125RP <sup>①③</sup>	786676001502
	2	4	Indoor	Flush no Door	6		BR24L125FP <sup>①</sup>	786676002264
	4	8	Indoor	Surface no Door	7	#14 – 1/0	BR48L125SP <sup>④</sup>	786676001236
	4	8	Indoor	Surface no Door	7		BR48L125SGP <sup>②④</sup>	786676001991
	4	8	Outdoor	—	7R		BR48L125RP <sup>③④</sup>	786676001205
	4	8	Indoor	Flush no Door	7		BR48L125FP <sup>④</sup>	786676001717
	4	8	Indoor	Flush with Door	7		BR48L125FDP <sup>④</sup>	786676002288
	4	8	Indoor	Flush with Door	7		BR48L125FGP <sup>②④</sup>	786676001984
	6	12	Indoor	Surface no Door	7		#14 – #1	BR612L125SP <sup>⑤</sup>
	6	12	Indoor	Surface no Door	7	BR612L125SGP <sup>⑤⑥</sup>		786676002059
	6	12	Indoor	Surface with Door	7	BR612L125SDP <sup>⑤</sup>		786676001304
	6	12	Indoor	Surface with Door	7	BR612L125SDGP <sup>⑤⑥</sup>		786676002097
	6	12	Outdoor	—	7R	BR612L125RP <sup>③⑥</sup>		786676001359
	6	12	Indoor	Flush no Door	7	BR612L125FP <sup>⑥</sup>		786676002028
	6	12	Indoor	Flush no Door	7	BR612L125FGP <sup>⑤⑥⑦</sup>		786676002042
	6	12	Indoor	Flush with Door	7	BR612L125FDP <sup>⑤</sup>		786676001311
	6	12	Indoor	Flush with Door	7	BR612L125FDGP <sup>⑤⑥⑦</sup>		786676002080
	8	16	Indoor	Surface no Door	7	#14 – #1		BR816L125SP <sup>⑤</sup>
	8	16	Indoor	Surface no Door	7		BR816L125SGP <sup>⑤⑧</sup>	786676002141
8	16	Indoor	Surface with Door	7	BR816L125SDP <sup>⑤</sup>		786676001427	
8	16	Indoor	Surface with Door	7	BR816LC125SDP <sup>⑤⑨</sup>		786676002301	
8	16	Indoor	Surface with Door	7	BR816L125SDGP <sup>⑤⑧</sup>		786676002189	
8	16	Outdoor	—	7R	BR816L125RP <sup>③⑤</sup>		786676001472	
8	16	Indoor	Flush no Door	7	BR816L125FP <sup>⑤</sup>		786676002110	
8	16	Indoor	Flush no Door	7	BR816L125FGP <sup>⑤⑦⑧</sup>		786676002134	
8	16	Indoor	Flush with Door	7	BR816L125FDP <sup>⑤</sup>		786676001434	
8	16	Indoor	Flush with Door	7	BR816LC125FDP <sup>⑤⑨</sup>		786676002295	
8	16	Indoor	Flush with Door	7	BR816L125FDGP <sup>⑤⑦⑧</sup>		786676002172	

- ① Suitable for use as service equipment when not more than two service disconnecting mains are provided or when not used as a lighting and appliance panelboard (see Article 408-34 of the NEC).
- ② Ground bar GBK5 is installed.
- ③ Rainproof panels are furnished with hub closure plates.
- ④ Suitable for use as service equipment when not more than two service disconnecting mains are provided or when not more than six service disconnecting mains are provided and when not used as a lighting and appliance panelboard (see Article 408-34 of the NEC).
- ⑤ Suitable for use as service equipment when a main breaker is used or when not more than six service disconnecting mains are provided and when not used as a lighting and appliance panelboard (see Article 408-34 of the NEC).
- ⑥ Ground bar GBK10 is installed.
- ⑦ CSA and UL approved.
- ⑧ Ground bar GBK14 is installed.
- ⑨ Copper bus is included.
- P Suffix** = Specifically packaged for retail sales.

Dimensions for boxes on Pages 2-41 – 2-43.

## SINGLE-PHASE — MAIN LUG LOADCENTERS, CONTINUED

TABLE 2-38. SINGLE-PHASE 3-WIRE — 120/240 VAC — INSULATED/BONDABLE

Main Ampere Rating	Maximum Number 1-Inch (25.4 mm)		Enclosure Type	Box Size	Wire Size Range Cu/Al 60°C or 75°C for Main Lugs	Loadcenter with Combination or NEMA Type 3R Cover	
	Spaces	Poles				Catalog Number	UPC Code
125	12	12	Indoor	B1	#6 – 2/0	BR1212L125 <sup>①②③④</sup>	786676446501
	12	24	Indoor	B1		BR1224L125 <sup>①③④</sup>	786676446556
	12	24	Indoor	B1		BR1224L125G <sup>①③④⑤</sup>	786676446600
	12	24	Indoor	B1		BR1224L125DG <sup>①③④⑥</sup>	786676000628
	12	24	Outdoor	B1R		BR1224L125R <sup>①④⑦</sup>	786676446709
	16	24	Indoor	B2		BR1624L125 <sup>①③⑧</sup>	786676446754
	16	24	Indoor	B2		BR1624L125G <sup>①③⑧</sup>	786676446808
	16	24	Outdoor	B2R		BR1624L125R <sup>①⑦</sup>	786676446853
	20	24	Indoor	C1		BR2024L125 <sup>①③</sup>	786676446907
	20	24	Indoor	C1		BR2024L125G <sup>①③⑨</sup>	786676446952
	20	24	Outdoor	C1R		BR2024L125R <sup>①⑦</sup>	786676447058
	24	24	Indoor	C2		BR2424L125 <sup>①③</sup>	786676447102
	24	24	Indoor	C2		BR2424L125G <sup>①③⑨</sup>	786676001199
150	16	30	Indoor	C2	#1 – 300 kcmil	BR1630L150 <sup>③⑩</sup>	786676447157
	20	30	Indoor	C2		BR2030L150 <sup>③⑩</sup>	786676447201
200	8	16	Outdoor	B2R	#1 – 300 kcmil	BR816L200RF <sup>④⑦⑪</sup>	786676447256
	12	24	Indoor	B2		BR1224L200 <sup>③④⑩</sup>	786676447300
	12	24	Outdoor	B2R		BR1224L200R <sup>④⑦⑩</sup>	786676447355
	20	40	Indoor	C2		BR2040L200 <sup>④</sup>	786676447454
	20	40	Outdoor	C3R		BR2040L200R <sup>⑦⑩</sup>	786676447553
	24	40	Indoor	C4		BR2440L200 <sup>③⑩</sup>	786676447607
	30	40	Indoor	D1		BR3040L200 <sup>④⑩</sup>	786676447652
	30	40	Outdoor	D1R		BR3040L200R <sup>⑦⑩</sup>	786676447706
	40	40	Indoor	G1		BR4040L200 <sup>③⑩</sup>	786676447751
	40	40	Outdoor	G1R		BR4040L200R <sup>⑦⑩</sup>	786676447805
225	42	42	Indoor	L1	#1 – 300 kcmil	BR4242L225 <sup>⑨</sup>	786676447850
	42	42	Outdoor	L1R		BR4242L225R <sup>⑦</sup>	786676447904

- ① Has notch for BREQS125 hold-down kit.  
 ② Single, movable neutral is provided.  
 ③ Combination cover style.  
 ④ Suitable for use as service equipment when not more than six main disconnecting means are provided and when not used as a lighting and appliance panelboard (see Article 408-34 of the NEC).  
 ⑤ Ground bar GBK8 installed.  
 ⑥ Ground bars GBK5 and GBK520 installed.  
 ⑦ Rainproof panels are furnished with hub closure plates.  
 ⑧ Ground bar GBK10 installed.  
 ⑨ Ground bar GBK1220 installed.  
 ⑩ Has notch for BRHDK125 hold-down kit.  
 ⑪ Includes through-feed lugs for both phase and neutral conductors.  
**P Suffix** = Specifically packaged for retail sales.

TABLE 2-39. SINGLE-PHASE 3-WIRE — 120/240 VAC — INSULATED/BONDABLE

Main Ampere Rating	Maximum Number 1-Inch (25.4 mm)		Enclosure Type	Box Size	Wire Size Range Cu/Al 60°C or 75°C for Main Lugs	Commercial Loadcenter <sup>⑫⑬</sup>			
	Spaces	Poles				With Flush or NEMA Type 3R Cover		With Surface Cover	
						UPC Code	Catalog Number	UPC Code	
400	12	24	Indoor	19	(1) #4/0 – 750 kcmil or (2) #3/0 – 400 kcmil	—	—	1224DSN <sup>⑭</sup>	786676305006
	12	24	Outdoor	42		1224DRIN <sup>⑭⑮</sup>	786676310581	—	—
	24	42	Indoor	20		—	—	2442DSN	786676305563
	42	42	Indoor	22		4242DFN	786676305983	4242DSN	786676306003
	42	42	Outdoor	46		4242DRIN <sup>⑮</sup>	786676310680	—	—
600	42	42	Indoor	22	(2) #2 – 500 kcmil	—	—	4242ESN	786676306041

- ⑫ Has notch for BRHDK125 hold-down kit.  
 ⑬ Ground bar GBK8 installed.  
 ⑭ Suitable for use as service equipment when not more than six main disconnecting means are provided and when not used as a lighting and appliance panelboard (see Article 408-34 of the NEC).  
 ⑮ Rainproof panels are furnished with hub closure plates.  
**P Suffix** = Specifically packaged for retail sales.

**Dimensions for boxes on Pages 2-41 – 2-43.**

## SINGLE-PHASE — MAIN LUG LOADCENTERS, NON-METALLIC

TABLE 2-40. SINGLE-PHASE 3-WIRE — 120/240 VAC — INSULATED/BONDABLE NEUTRAL

Main Ampere Rating	Maximum Number 1-Inch (25.4 mm)		Enclosure Type	Type of Trim	Box Size	Wire Size Range Cu/Al 60°C or 75°C for Main Lugs	Loadcenter	
	Spaces	Poles					Catalog Number	UPC Code
40 <sup>①</sup>	<sup>②</sup>	<sup>②</sup>	Indoor	Flush No Door	2 2	<sup>②</sup>	TT120FLGNM <sup>②③</sup> TT120SLGNM <sup>②③</sup>	786676369855 786676369886
60	2	4	Indoor	Flush No Door	2	#14 – 2	2460FNM	786676369701
	2	4	Indoor	Surface No Door	2		2460SNM	786676369763
	2	4	Indoor	Flush No Door	2		2460FGNM <sup>③</sup>	786676369732
	2	4	Indoor	Surface No Door	2		2460SGNM <sup>③</sup>	786676369794
	2	4	Outdoor	—	2R		2460RNM	786676369824

<sup>①</sup> Suitable for use as service equipment when not more than six main disconnecting means are provided and when not used as a lighting and appliance panelboard (see Article 408-34 of the NEC).

<sup>②</sup> This device has no main lugs. A Type BR or BD breaker is required to be backfed to supply power to branch breakers. This device is single-phase 120 Vac only. With the use of three Type BR breakers, there are two branch circuits available. With the use of three Type BD breakers, there are five branch circuits available.

<sup>③</sup> Includes GB4NM ground bar.

**P Suffix** = Specifically packaged for retail sales.

*Dimensions for boxes on Pages 2-41 – 2-43.*



## 3-PHASE — MAIN CIRCUIT BREAKER LOADCENTERS 10,000/22,000/100,000 AMPERES INTERRUPTING CAPACITY

TABLE 2-41. 3-PHASE 4-WIRE — 208Y/120 VAC OR 240 VAC INSULATED/BONDABLE NEUTRAL

Main Breaker Type	Main Ampere Rating	Maximum Number 1-Inch (25.4 mm)		Encl. Type	Box Size	Wire Size Range Cu/Al 60°C or 75°C for Main Breaker	Loadcenter ①				
		Spaces	Poles				With Combination or NEMA Type 3R Cover		With Surface Cover		
							Catalog Number	UPC Code	Catalog Number	UPC Code	
BR 10 kAIC	100	12	24	Indoor	C1	#4 – 1/0	<b>3BR1224B100</b>	786676440103	<b>3BR1224B100S</b>	786676443951	
		12	24	Outdoor	C1R		<b>3BR1224B100R</b> ②	786676440158	—	—	
CC 10 kAIC	125	30	42	Indoor	L1	#1 – 2/0	<b>3BR3042B125</b>	786676440257	<b>3BR3042B125S</b>	786676440301	
		150	30	42	Indoor	L1	#1 – 3/0	<b>3BR3042B150</b>	786676440455	<b>3BR3042B150S</b>	786676440554
	30		42	Outdoor	L1R		<b>3BR3042B150R</b> ②	786676440509	—	—	
	200	30	42	42	Indoor	L1	#1 – 250 kcmil	<b>3BR3042B200</b>	786676440707	<b>3BR3042B200S</b>	786676440806
			42	42	Outdoor	L1R		<b>3BR3042B200R</b> ②	786676440752	—	—
		42	42	42	Indoor	L2		<b>3BR4242B200</b>	786676441001	<b>3BR4242B200S</b>	786676441100
			42	42	Outdoor	L2R		<b>3BR4242B200R</b> ②	786676441056	—	—
	225	42	42	42	Indoor	L2	#1 – 300 kcmil	<b>3BR4242B225</b>	786676441254	<b>3BR4242B225S</b>	786676441353
42		42	42	Outdoor	L2R		<b>3BR4242B225R</b> ②	786676441308	—	—	
DK ③ 22 kAIC	400	42	42	Indoor	24	(2) #3/0 – 250 kcmil	<b>3B4242DFN</b> ④	786676317191	<b>3B4242DSN</b> ④	786676317214	
		42	42	Outdoor	47		<b>3B4242DR1N</b> ②④	786676317221	—	—	
LD ⑤	600	42	42	Indoor	24	(2) #3/0 – 500 kcmil	<b>3B4242EFN</b> ④	786676317238	<b>3B4242ESN</b> ④	786676317245	
BRH 22 kAIC ⑥	100	12	24	Indoor	C1	#4 – 1/0	<b>3BR1224H100</b> ⑦	786676440004	<b>3BR1224H100S</b>	786676440059	
CHH 100 kAIC ⑧	150	30	42	Indoor	L1	#1 – 250 kcmil	<b>3BR3042H150</b> ⑦	786676440356	<b>3BR3042H150S</b>	786676440400	
CHH 100 kAIC ⑧	200	30	42	Indoor	L1	#1 – 250 kcmil	<b>3BR3042H200</b> ⑦	786676440608	<b>3BR3042H200S</b>	786676440653	
		42	42	Indoor	L2		<b>3BR4242H200</b> ⑦	786676440905	<b>3BR4242H200S</b>	786676440950	

① All main circuit breaker loadcenters are listed for use as service entrance equipment and are shipped with a neutral bonding strap pre-attached (commercial loadcenters do not have a pre-attached bonding strip). The maximum main rating of the panel is the main circuit breaker rating when used as service entrance equipment.

② Door lock and key included with loadcenter.

③ Type DK main circuit breaker is rated 65 kAIC at 240 Vac and allows a 22 kAIC series rating on the loadcenter when Types BR, BD and BJ branch circuit breakers are used.

④ Commercial loadcenter.

⑤ The LD main circuit breaker is rated 65 kAIC at 240 Vac. Type LD circuit breaker is **not** series rated with Types BR, BD and BJ branch circuit breakers.

⑥ 22 kAIC series combination rating is obtained when Types BD, BR, BQ, BQC and GFCB branch breakers are used with BRH main.

⑦ Loadcenter with combination cover only.

⑧ 100 kAIC series combination rating is obtained when Types BD, BR, BQ, BQC and GFCB branch breakers are used with CHH main.

**Dimensions for boxes on Pages 2-41 – 2-43.**

### 3-PHASE — MAIN LUG LOADCENTERS

TABLE 2-42. 3-PHASE 4-WIRE — 208Y/120 VAC OR 240 VAC INSULATED/BONDABLE NEUTRAL

Main Ampere Rating	Maximum Number 1-Inch (25.4 mm)		Encl. Type	Box Size	Wire Size Range Cu/Al 60°C or 75°C for Main Lugs	Loadcenter			
						With Combination or NEMA Type 3R Cover		With Surface Cover	
	Spaces	Poles				Catalog Number	UPC Code	Catalog Number	UPC Code
100	3	3	Indoor	9	#14 – 1/0	—	—	<b>3BR3L100S</b>	786849164799
	3	3	Outdoor	9R		<b>3BR3L100R</b> ①	786849164805	—	—
125	12	24	Indoor	C1	#6 – 2/0	<b>3BR1224L125</b> ②③	786676441407	<b>3BR1224L125S</b> ②③	786676441506
	12	24	Outdoor	C1R		<b>3BR1224L125R</b> ①②③	786676441452	—	—
150	18	36	Indoor	D1	#1 – 300 kcmil	<b>3BR1836L150</b> ③④	786676441551	<b>3BR1836L150S</b> ③	786676441650
	18	36	Outdoor	D1R		<b>3BR1836L150R</b> ①③④	786676441605	—	—
	24	42	Indoor	D1		<b>3BR2442L150</b>	786676441704	<b>3BR2442L150S</b>	786676441803
	24	42	Outdoor	D1R		<b>3BR2442L150R</b> ①	786676441759	—	—
200	12	24	Indoor	C4	#1 – 300 kcmil	<b>3BR1224L200</b> ③	786676441858	<b>3BR1224L200S</b> ③	786676442008
	12	24	Outdoor	C3R		<b>3BR1224L200R</b> ①③	786676441902	—	—
	18	36	Indoor	C4		<b>3BR1836L200</b> ③	786676442053	<b>3BR1836L200S</b> ③	786676442152
	18	36	Outdoor	C3R		<b>3BR1836L200R</b> ①③	786676442107	—	—
	24	42	Indoor	G1		<b>3BR2442L200</b>	786676442206	<b>3BR2442L200S</b>	786676442251
	30	42	Indoor	G1		<b>3BR3042L200</b>	786676442305	<b>3BR3042L200S</b>	786676442404
	30	42	Outdoor	G1R		<b>3BR3042L200R</b> ①	786676442350	—	—
	42	42	Indoor	L1		<b>3BR4242L200</b>	786676442503	<b>3BR4242L200S</b>	786676442602
225	42	42	Indoor	L1	#1 – 300 kcmil	<b>3BR4242L225</b>	786676442756	<b>3BR4242L225S</b>	786676442855
	42	42	Outdoor	L1R		<b>3BR4242L225R</b> ①	786676442800	—	—
400	18	36	Indoor	19	(1) #4/0 – 750 kcmil or (2) #3/0 – 400 kcmil	<b>31836DFN</b> ③④⑤⑥	786676306782	<b>31836DSN</b> ③④⑤	786676306805
	18	36	Outdoor	43		<b>31836DR1N</b> ①③④⑤⑥	786676311335	—	—
	24	42	Indoor	38		—	—	<b>32442DSN</b> ④⑤	786676308274
	42	42	Indoor	22		<b>34242DFN</b> ④⑤⑥	786676308526	<b>34242DSN</b> ④⑤	786676308571
	42	42	Outdoor	46		<b>34242DR1N</b> ①④⑤⑥	786676311533	—	—
600	42	42	Indoor	22	(2) #2 – 500 kcmil	<b>34242EFN</b> ④⑤⑥	786676308625	<b>34242ESN</b> ④⑤	786676308670

① Rainproof loadcenters are furnished with hub closure plates.

② Has notch for BREQS125 hold-down kit.

③ Suitable for use as service equipment when not more than six main disconnecting means are provided and when not used as a lighting and appliance panelboard (see Article 408-34 of the NEC).

④ Door lock and key included with loadcenter.

⑤ Commercial loadcenter.

⑥ With Flush or NEMA Type 3R cover. Not combination.

Dimensions for boxes on Pages 2-41 – 2-43.

## CONVERTIBLE LOADCENTERS MAIN BREAKER OR MAIN LUG CENTER — BASE UNITS AND MAIN DEVICES 10,000/22,000/25,000 AMPERES INTERRUPTING CAPACITY ① — COMPLETE ASSEMBLY CONSISTS OF: LOADCENTER AND EITHER MAIN BREAKER KIT OR MAIN LUG KIT

### Base Units

TABLE 2-43. SINGLE-PHASE 3-WIRE — 120/240 VAC — INSULATED/BONDABLE NEUTRAL

Main Ampere Rating ②	Maximum Number 1-Inch (25.4 mm)		Enclosure Type	Box Size	Wire Size Range Cu/Al 60°C or 75°C for Main	Loadcenter with Combination or NEMA Type 3R Cover ③	
	Spaces	Poles				Catalog Number	UPC Code
125	12	24	Indoor	B2	See main breaker and main lug kit tables.	BR1224N125 ④⑤	786676447959
	12	24	Outdoor	B2R		BR1224N125R ④⑥⑦	786676448000
	16	24	Indoor	C1		BR1624N125 ④⑥	786676448154
	16	24	Outdoor	C1R		BR1624N125R ④⑥	786676448208
	20	24	Indoor	C2		BR2024N125 ④	786676448253
	20	24	Outdoor	C3R		BR2024N125R ④⑥	786676448307
200	8	16	Outdoor	C3R		BR816N200RF ⑥⑧⑨	786676448451
	12	24	Indoor	C4		BR1224N200 ⑦⑨	786676448505
	12	24	Outdoor	C3R		BR1224N200R ⑥⑦⑨	786676448550
	16	32	Indoor	C4		BR1632N200 ⑨	786676448604
	20	40	Indoor	D1		BR2040N200 ⑨	786676448659
	20	40	Outdoor	D1R		BR2040N200R ⑥⑨	786676448703
	24	40	Indoor	G1		BR2440N200	786676008822
	30	40	Indoor	G1		BR3040N200 ⑨	786676448857
	30	40	Outdoor	G1R		BR3040N200R ⑥⑨	786676448901
	40	40	Indoor	L1		BR4040N200 ⑨	786676449007
	40	40	Outdoor	L1R		BR4040N200R ⑥⑨	786676449052

- ① Interrupting rating depends on main circuit breaker selected.  
 ② The maximum rating of the loadcenter is the main circuit breaker rating when used as service entrance equipment.  
 ③ 100, 125 and 200 ampere Convertible base unit catalog numbers include interior, box and cover only. Main devices and accessories must be ordered separately for field installation. All Convertible base units are listed as suitable for use as service entrance equipment when used per Article 384 of the NEC.  
 ④ BREQS125 hold-down screw comes with loadcenter for back-fed Types BR and BRH main circuit breakers.  
 ⑤ Convertible to maximum of 100 ampere main circuit breaker and 125 ampere main lug.  
 ⑥ Rainproof loadcenters are furnished with hub closure plates.  
 ⑦ Suitable for use as service equipment when not more than six main disconnecting means are provided and when not used as a lighting and appliance panelboard (see Article 408-34 of the NEC).  
 ⑧ Includes feed-through lugs for both phase and neutral conductors.  
 ⑨ No hold-down provisions for back-fed Types BR and BRH main circuit breakers.

TABLE 2-44. 3-PHASE 4-WIRE — 208Y/120 VAC OR 240 VAC INSULATED/BONDABLE NEUTRAL

Main Ampere Rating ⑩	Maximum Number 1-Inch (25.4 mm)				Wire Size Range Cu/Al 60°C or 75°C for Main	Loadcenter ⑪			
	Spaces	Poles	Encl. Type	Box Size		With Combination or NEMA Type 3R Cover		With Surface Cover	
						Catalog Number	UPC Code	Catalog Number	UPC Code
100	30	30	Indoor	D1	See main breaker and main lug kit tables	3BR3030N100 ⑫	786676442909	3BR3030N100S ⑫	786676443005
125	12	24	Indoor	C1	(Page 2-31).	3BR1224N125 ⑫⑬⑭	786676443159	3BR1224N125S ⑫⑬⑭	786676443258

- ⑩ The maximum rating of the loadcenter is the main circuit breaker rating when used as service entrance equipment.  
 ⑪ 100, 125 and 200 ampere Convertible base unit catalog numbers include interior, box and cover only. Main devices and accessories must be ordered separately for field installation. All Convertible base units are listed as suitable for use as service entrance equipment when used per Article 384 of the NEC.  
 ⑫ BREQS125 hold-down screw comes with loadcenter for back-fed Types BR and BRH main circuit breakers.  
 ⑬ Convertible to maximum of 100 ampere main circuit breaker and 125 ampere main lug.  
 ⑭ Suitable for use as service equipment when not more than six main disconnecting means are provided and when not used as a lighting and appliance panelboard (see Article 408-34 of the NEC).

Dimensions for boxes on Pages 2-41 – 2-43.

## MAIN DEVICES

**TABLE 2-45. 2- AND 3-POLE MAIN CIRCUIT BREAKERS; 120/240 VAC OR 208Y/120 VAC OR 240 VAC**

Ampere Rating	Wire Size Range Cu/Al 60°C or 75°C for Main Breaker	10 kAIC		22/25 kAIC <sup>①</sup>	
		Catalog Number	UPC Code	Catalog Number	UPC Code
<b>2-Pole</b>					
100	#4 – 1/0	<b>BR2100</b>	786676363259	<b>BRH2100</b>	786676373906
110	#4 – 1/0	<b>BR2110</b>	786676384278	<b>BRH2110</b>	786676374248
125	#4 – 2/0	<b>BR2125</b>	786676367059	<b>BRH2125</b>	786676373951
125	#2 – 300 kcmil	<b>BW2125</b>	786676460361	<b>BWH2125</b>	786676460439
150	#2 – 300 kcmil	<b>BW2150</b>	786676460408	<b>BWH2150</b>	786676460453
175	#2 – 300 kcmil	<b>BW2175</b>	786676460507	<b>BWH2175</b>	786676449700
200	#2 – 300 kcmil	<b>BW2200</b>	786676460552	<b>BWH2200</b>	786676460606
<b>3-Pole</b>					
100	#1	<b>BR3100</b>	786676368094	<b>BRH3100</b>	786676372909

<sup>①</sup> Series combination rating with Types BD, BR, BQ, BQC and GFCB is 22 kAIC with BRH main and 25 kAIC with BWH main.

**TABLE 2-46. 2- AND 3-POLE MAIN LUG KITS 120/240 VAC OR 208Y/120 VAC OR 240 VAC**

Ampere Rating	Wire Size Range Cu/Al 60°C or 75°C for Main Lugs	Catalog Number	UPC Code
<b>2-Pole</b>			
125	#6 – 2/0	<b>BRSF125</b> <sup>②</sup>	786676001762
150	#1 – 300 kcmil	<b>BRL200</b>	786676460101
175	#1 – 300 kcmil	<b>BRL200</b>	786676460101
200	#1 – 300 kcmil	<b>BRL200</b>	786676460101
<b>3-Pole</b>			
150	#6 – 3/0	<b>3BRSF150</b>	786676001786

<sup>②</sup> Accessory clamshell number BRF125CS clamshell available.

### Main Circuit Breaker with Accessory

Example: BW22005R01  
(Put description with catalog number on order.)



## MAIN CIRCUIT BREAKER/MAIN LUG/CONVERTIBLE LOADCENTERS — WITH COPPER BUS 10,000/22,000/25,000 AMPERES INTERRUPTING CAPACITY

TABLE 2-47. MAIN CIRCUIT BREAKER — SINGLE-PHASE 3-WIRE — 120/240 VAC — INSULATED/BONDABLE NEUTRAL

Main Breaker Type	Main Ampere Rating	Maximum Number 1-Inch (25.4 mm)		Enclosure Type	Box Size	Wire Size Range Cu/Al 60°C or 75°C for Main Breaker	Loadcenter with Combination Cover ①	
		Spaces	Poles				Catalog Number	UPC Code
BR 10 kAIC	100	20	20	Indoor	C2	#4 – 1/0	BR2020BC100	782114867044
	100	30	30	Indoor	D1		BR3030BC100	786676001175
BW 10 kAIC	150	30	30	Indoor	G1	#2 – 300 kcmil #2 – 300 kcmil	BR3030BC150	782114867051
	200	20	40	Indoor	D1		BR2040BC200	782114867037
	200	30	40	Indoor	G1		BR3040BC200	782114867020
	200	40	40	Indoor	L1		BR4040BC200	782114867013
BRH 22 kAIC	100	30	30	Indoor	D1	#4 – 1/0	BR3030HC100	786676001182

① All main circuit breaker loadcenters are listed for use as service entrance equipment and are shipped with a neutral bonding strap preattached. The maximum main rating of the loadcenter is the main breaker rating when used as service entrance equipment.

**Note:** All main circuit breaker loadcenters are listed for use as service entrance equipment. Loadcenters are factory bonded for service entrance applications. Remove bonding strap for separate neutral and ground bars for sub-feed applications.

TABLE 2-48. MAIN LUG — SINGLE-PHASE 3-WIRE — 120/240 VAC — SINGLE NEUTRAL

Main Ampere Rating	Maximum Number 1-Inch (25.4 mm)		Enclosure Type	Type of Trim	Box Size	Wire Size Range Cu/Al 60°C or 75°C for Main Lugs	Loadcenter	
	Spaces	Poles					Catalog Number	UPC Code
125	8	16	Indoor	Surface w/door	7	#14 – 1	BR816LC125SDP	786676002301
	8	16	Indoor	Flush w/door	7		BR816LC125FDP	786676002295

TABLE 2-49. MAIN CIRCUIT BREAKER — 3-PHASE 4-WIRE — 208Y/120 VAC OR 240 VAC — INSULATED/BONDABLE NEUTRAL

Main Breaker Type	Main Ampere Rating	Maximum Number 1-Inch (25.4 mm)		Enclosure Type	Box Size	Wire Size Range Cu/Al 60°C or 75°C for Main Breaker	Loadcenter with Combination or NEMA Type 3R Cover ②	
		Spaces	Poles				Catalog Number	UPC Code
BW 10 kAIC	200	30	42	Indoor	L1	#1/0 – 250 kcmil	3BR3042BC200	786676440851
		42	42	Indoor	L2		3BR4242BC200	786676441155
		42	42	Outdoor	L2R		3BR4242BC200R ③	786676441209

② All main circuit breaker loadcenters are listed for use as service entrance equipment and are shipped with a neutral bonding strap preattached. The maximum main rating of the loadcenter is the main breaker rating when used as service entrance equipment.

③ Rainproof loadcenters are furnished with hub closure plates.

TABLE 2-50. MAIN LUG — 3-PHASE 4-WIRE — 208Y/120 VAC OR 240 VAC — INSULATED/BONDABLE NEUTRAL

Main Ampere Rating	Maximum Number 1-Inch (25.4 mm)		Enclosure Type	Box Size	Wire Size Range Cu/Al 60°C or 75°C for Main Lugs	Loadcenter with Combination or NEMA Type 3R Cover	
	Spaces	Poles				Catalog Number	UPC Code
200	30	42	Indoor	G1	#1/0 – 300 kcmil	3BR3042LC200	786676442459
	42	42	Indoor	L1		3BR4242LC200	786676442657
	42	42	Outdoor	L1R		3BR4242LC200R ④	786676442701

④ Rainproof loadcenters are furnished with hub closure plates.

*Dimensions for boxes on Pages 2-41 – 2-43.*

## MAIN CIRCUIT BREAKER/MAIN LUG/CONVERTIBLE LOADCENTERS — WITH COPPER BUS 10,000/22,000/25,000 AMPERES INTERRUPTING CAPACITY

TABLE 2-51. CONVERTIBLE — SINGLE-PHASE 3-WIRE — 120/240 VAC — INSULATED/BONDABLE NEUTRAL

Main Ampere Rating	Maximum Number 1-Inch (25.4 mm)		Enclosure Type	Box Size	Wire Size Range Cu/Al 60°C or 75°C for Main	Loadcenter with Combination or NEMA Type 3R Cover <sup>(1)(2)</sup>	
	Spaces	Poles				Catalog Number	UPC Code
125 10/22 kAIC <sup>(3)</sup>	12	24	Indoor	B2	See main breaker and main lug kit tables (Page 2-31).	BR1224NC125 <sup>(4)(5)</sup>	786676448055
	12	24	Outdoor	B2R		BR1224NC125R <sup>(4)(5)(6)</sup>	786676448109
	20	24	Indoor	C2		BR2024NC125 <sup>(4)</sup>	786676448352
	20	24	Outdoor	C3R		BR2024NC125R <sup>(4)(6)</sup>	786676448406
200 10/25 kAIC <sup>(3)</sup>	20	40	Indoor	D1		BR2040NC200	786676448758
	20	40	Outdoor	D1R		BR2040NC200R <sup>(6)</sup>	786676448802
	30	40	Indoor	G1		BR3040NC200	786676448956
	30	40	Outdoor	G1R		BR3040NC200R <sup>(6)</sup>	786676001090
	40	40	Indoor	L1		BR4040NC200	786676449106
	40	40	Outdoor	L1R		BR4040NC200R <sup>(6)</sup>	786676449151

- <sup>(1)</sup> All main circuit breaker loadcenters are listed for use as service entrance equipment and are shipped with a neutral bonding strap preattached. The maximum main rating of the loadcenter is the main breaker rating when used as service entrance equipment.
- <sup>(2)</sup> 100, 125 and 200 ampere Convertible base unit catalog numbers include interior, box and cover only. Accessories must also be ordered separately for field installation. All Convertible base units are listed as suitable for use as service entrance equipment when used per Article 384 of the NEC.
- <sup>(3)</sup> Interrupting rating depends on main circuit breaker selected.
- <sup>(4)</sup> Hold-down screw BREQS125 comes with loadcenter for back-fed Types BR and BRH main circuit breakers.
- <sup>(5)</sup> Suitable for use as service equipment when not more than six main disconnecting means are provided and when not used as a lighting and appliance panelboard (see Article 408-34 of the NEC).
- <sup>(6)</sup> Rainproof loadcenters are furnished with hub closure plates.

TABLE 2-52. CONVERTIBLE — 3-PHASE 4-WIRE — 208Y/120 VAC OR 240 VAC — INSULATED/BONDABLE NEUTRAL

Main Ampere Rating	Maximum Number 1-Inch (25.4 mm)		Enclosure Type	Box Size	Wire Size Range Cu/Al 60°C or 75°C for Main	Loadcenter with Combination or NEMA Type 3R Cover <sup>(7)(8)</sup>	
	Spaces	Poles				Catalog Number	UPC Code
100 10/22 kAIC <sup>(9)</sup>	30	30	Indoor	D1	See main breaker and main lug kit tables (Page 2-31).	3BR3030NC100 <sup>(10)</sup>	786676443050
	30	30	Outdoor	D1R		3BR3030NC100R <sup>(10)(11)</sup>	786676443104
125 10/22 kAIC <sup>(9)</sup>	12	24	Indoor	C1		3BR1224NC125 <sup>(10)(12)(13)</sup>	786676443302
	12	24	Outdoor	C1R		3BR1224NC125R <sup>(10)(11)(12)(13)</sup>	786676443357

- <sup>(7)</sup> All main circuit breaker loadcenters are listed for use as service entrance equipment and are shipped with a neutral bonding strap preattached. The maximum main rating of the loadcenter is the main breaker rating when used as service entrance equipment.
- <sup>(8)</sup> 100, 125 and 200 ampere Convertible base unit catalog numbers include interior, box and cover only. Accessories must also be ordered separately for field installation. All Convertible base units are listed as suitable for use as service entrance equipment when used per Article 384 of the NEC.
- <sup>(9)</sup> Interrupting rating depends on main circuit breaker selected.
- <sup>(10)</sup> Hold-down screw BREQS125 comes with loadcenter for back-fed Types BR and BRH main circuit breakers.
- <sup>(11)</sup> Rainproof loadcenters are furnished with hub closure plates.
- <sup>(12)</sup> Convertible to maximum of 100 ampere main breaker and 125 ampere main lug.
- <sup>(13)</sup> Suitable for use as service equipment when not more than six main disconnecting means are provided and when not used as a lighting and appliance panelboard (see Article 408-34 of the NEC).

**Dimensions for boxes on Pages 2-41 – 2-43.**

## COMMERCIAL LOADCENTERS — INDOOR ENCLOSURES MAIN CIRCUIT BREAKER, MAIN LUG AND CONVERTIBLE, SINGLE-PHASE AND THREE-PHASE

**TABLE 2-53. SINGLE-PHASE MAIN CIRCUIT BREAKER — FACTORY INSTALLED**

Main Breaker Type	Main Ampere Rating	Maximum Number 1-Inch (25.4 mm)		Encl. Type	Box Size	Wire Size Range Cu/Al 60°C or 75°C for Main Breaker	Loadcenter Catalog Number	UPC Code	Flush Loadcenter Cover		Surface Loadcenter Cover	
		Spaces	Circuits						Catalog Number	UPC Code	Catalog Number	UPC Code
Single-Phase 3-Wire — 120/240 Vac Insulated/Bondable Neutral												
CC 10 kAIC	200	42	42	Indoor	A	#1 – 300 kcmil	BR4242B200NY <sup>①</sup>	782114885734	3BR42FTNY	782114801222	3BR42STNY	782114801239

① Approved for 150 ampere and up for residential services in New York City.

**TABLE 2-54. SINGLE-PHASE MAIN LUGS — FACTORY INSTALLED**

Main Lug Ampere Rating	Maximum Number 1-Inch (25.4 mm)		Encl. Type	Box Size	Wire Size Range Cu/Al 60°C or 75°C for Main Breaker	Loadcenter Catalog Number	UPC Code	Flush Loadcenter Cover		Surface Loadcenter Cover	
	Spaces	Circuits						Catalog Number	UPC Code	Catalog Number	UPC Code
Single-Phase 3-Wire — 120/240 Vac Insulated/Bondable Neutral											
225	42	42	Indoor	A	#1 – 300 kcmil	BR4242L225NY <sup>②</sup>	782114826546	3BR42FTNY	782114801222	3BR42STNY	782114801239

② Approved for 150 ampere and up for residential services in New York City.

**TABLE 2-55. THREE-PHASE CONVERTIBLE LOADCENTERS**

Main Ampere Rating	Maximum Number 1-Inch (25.4 mm)		Encl. Type	Box Size	Wire Size Range Cu/Al 60°C or 75°C for Main Breaker	Loadcenter Catalog Number	UPC Code	Flush Loadcenter Cover		Surface Loadcenter Cover	
	Spaces	Circuits						Catalog Number	UPC Code	Catalog Number	UPC Code
3-Phase 4-Wire — 120/240 Vac Insulated/Bondable Neutral											
225	42	42	Indoor	B	#1 – 300 kcmil	3BR4242N225NY <sup>③④</sup>	782114790243	3BR42FTNY	782114801222	3BR42STNY	782114801239

③ Approved for 150 ampere and up for residential services in New York City.

④ Order main device from Table 2-56 and Table 2-57 below.

**TABLE 2-56. THREE-PHASE MAIN BREAKER KITS**

Ampere Rating	Wire Size Range Cu/Al 60°C or 75°C	Main Breaker Kit 10 kAIC	UPC Code
150	#4 – 4/0	CC3150N	782114652060
175	#2/0 – 300 kcmil	CC3175N	782114652077
200		CC3200N	782114652084
225		CC3225N	782114652091

**TABLE 2-57. THREE-PHASE MAIN LUGS KIT**

Ampere Rating	Wire Size Range Cu/Al 60°C or 75°C	Main Lugs Kit	UPC Code
225	#2/0 – 300 kcmil	3BRL225	782114790250

*Dimensions for boxes on Pages 2-41 – 2-43.*