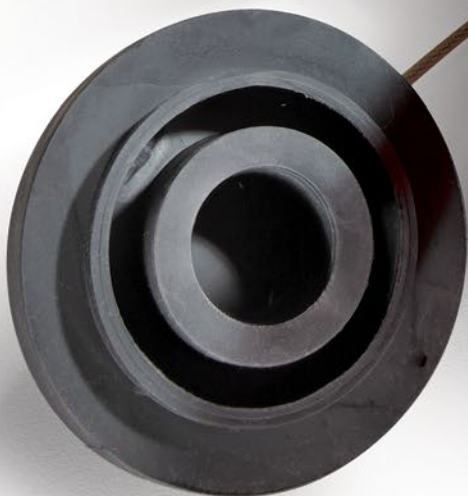




# Temporary Power

# J

Rhino-Hide® Single Pole Cam Devices .....	J-2
15 Series Single Pole Devices .....	J-5
16 Series Single Pole Devices .....	J-7
18 Series Single Pole Devices .....	J-14
17 Series Single Pole Devices .....	J-17
19 Series Single Pole Devices .....	J-19
22 Series Single Pole Devices .....	J-20
23 Series Single Pole Devices .....	J-22
49 Series Single Pole Devices .....	J-25
Portable Outlet Boxes and Covers .....	J-30
Portable GFCI Devices .....	J-36
GFCI User Attachable Devices .....	J-39
Stage Pin Devices .....	J-40
Power Distribution Box and Power Cords .....	J-42



## RHINO-HIDE® SINGLE POLE | Cam-Type Devices

### Rhino-Hide® Single Pole Cam Devices

#### Single Pole Cam-Type Devices

Rhino-Hide® Single Pole Cam-Type Devices from Leviton are designed to provide superior service and durability, even under the most severe operating conditions. Our 15 Series Taper Nose mini-cam plugs and receptacles are rated to 150 Amps, making them ideal for entertainment applications such as those found at carnivals and theme parks.

Our 16 Series Taper Nose Cam-Type Devices are rated up to 400 Amps, making them the devices of choice for power distribution applications such as construction sites, mining operations, welding, cell tower backup power, concerts, sound stages, movie making, television productions, sporting events and conventions.

The 18 Series Single Pole Ball Nose Cam-Type Devices are also rated to 400 Amps, and are typically favored by the broadcasting and welding industries as well as many end users in Canada. All of these devices feature solid brass contacts and high-performance TPV insulators, making them ideal for both outdoor and indoor applications. The positive locking connection maintains its integrity even when subjected to vibration. Plus, they are interoperable and interchangeable with competitive products.

Our 17 & 19 Series Taper and Ball Nose devices are rated up to 690 Amps and can withstand grueling, heavy-duty industrial use. Preferred applications for these series include generator test stations, water purification plants, electrochemical machining equipment and other general industrial uses.

Leviton's Rhino-Hide® 22 & 23 Series Single Pole Latching Cam-Type devices are also rated up to 690 Amps and feature an additional latching mechanism for added security, especially in high-vibration applications. These devices can also be retrofitted to existing locations and power distribution systems, allowing for an effortless installation. The 22 Series Plugs offer an innovative solution for all tower-to-cell cable connections in wind turbines. Our In-Line Cam-Type Plugs partnered with pre-assembled harnesses allow quick connect and disconnect on site. In addition, when compared to traditional "butt-splice" methods, cam plugs lower total installation costs drastically. These plugs are commonly used to provide power to ships at dock side, and are recognized by ETL Labs to meet U.S. Navy specifications.

#### 49 Series Single Pole High Amperage Devices

Rhino-Hide® 49 Series single pole devices are designed to deliver up to 1135 Amps at 1000 volts, AC or DC, under the most extreme conditions with cables ranging in size from 313 MCM to 777 MCM. Leviton's Rhino-Hide® products are designed to mate with other manufacturers' high-amperage single pole devices. Rhino-Hide® 49 Series single pole high amperage devices are CE Certified and cURus recognized components engineered to exceptional standards for high-amperage power delivery.

Rhino-Hide® 49 Series products are ideal for any number of demanding applications requiring continuous, reliable high-amperage power in multi phases. Typical locations where these products are used include oil and gas rigs as well as heavy industrial applications. Rhino-Hide® devices can be installed on both existing silicon-controlled rectifiers (SCRs) and generator stations or on new oil and gas rig construction. These devices are used by SCR drive manufacturers and top drive manufacturers to distribute power from the SCR to mud pumps and top drives.

Temporary Power

## Cam-Type Devices

### Features and Benefits

#### Cam-Type Devices for Commercial and Industrial Use

Rhino-Hide® Single Pole Cam-Type Connectors from Leviton supply temporary electrical power distribution for multiple indoor and outdoor applications.

#### Common Applications

- Motor and generator splices
- Mining and construction sites
- Commercial and navy shipbuilding and repair
- Other temporary power applications

#### Leviton Cam-Type Devices

- Plugs are available in set screw or crimp tube termination, taper nose and ball nose configurations
- Intermateable and compatible with competitive cam-type products — can be retrofitted to existing locations and power distribution systems
- Shatter and crack proof — high durometer thermoplastic vulcanizate (TPV) or Neoprene™ rubber
- Color-coded insulating sleeves provide fast and easy phase identification
- Self compensating for wear — slit in male contact provides spring action for longer usage
- Quick connect/disconnect
- High conductivity — positive, vibration-proof connection provided by cam design
- Wide range of applications — usable with a wide range of cable and amperage ratings
- Meets NEC requirements and is UL Listed and CSA Certified; NEMA 3R-rated for use in outside locations

#### Experience the Difference

Rhino-Hide® Single Pole Cam-Type Connectors are designed for easy assembly and disassembly without special tools. A thermoplastic screw is used to tightly secure the contact inside the insulating sleeve, making assembly, disassembly and field repairs effortless. The plugs use plastic locking and reinforcement rings molded into insulating sleeves and receptacles, ensuring the integrity of the connection. Under severe stress and load conditions, these rings will not melt, break or crack.

### Single Pole Group



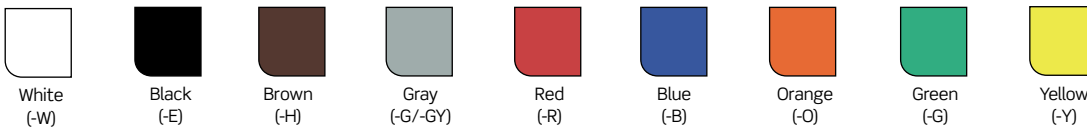
## RHINO-HIDE® SINGLE POLE | Cam-Type Connectors

### Cam-Type Plugs

#### Sample Cam-Type Components



**Color Choices** Rhino-Hide® Cam-Type devices are offered in a wide range of colors. To order colors, add suffix to Cat. No.



#### Cam-Type Plugs

Connector Type	Component	Description	Standards and Certifications (NEMA, UL, CSA)
15, 16, 18 Series Plugs	Sleeve*	Thermoplastic Vulcanizate (TPV)	See individual pages throughout this section for specific Standards and Certifications information
	Contact	Brass	
	Strain Relief	Copper Wire	
17, 19, 22/23 Series Plugs	Sleeve**	Neoprene™	See individual pages throughout this section for specific Standards and Certifications information
	Contact	Brass	
	Strain Relief	Copper Wire	

\*"V" Series Neoprene™.

\*\*22L22-S and 22L25-S Series: TPV

## 15 Series

### Taper Nose, Cam-Type Plugs

#### 150A, 600V AC/DC Max — NEMA 3R Rated for Outdoor Use

The 15 Series Taper Nose mini-cam plugs, receptacles and connectors are tough and reliable. Primary applications include carnivals and theme parks, as well as the entertainment industry.

#### 15 Series Cam-Type Plugs (up to 150A, 600V) — UL/CSA 1691 Listed

15 Series, Taper Nose — Cam-Type Plugs			
		Male Plug	Female Plug
Description	Color	Cat. No.	Cat. No.
<b>Single Set Screw Termination</b>	White	15D21-UW	15D22-UW
Cable Size: #8 - #2	Black	15D21-UE	15D22-UE
Max Ampacity: 150A	Brown	15D21-UH	15D22-UH
Voltage: 600V AC/DC	Red	15D21-UR	15D22-UR
	Blue	15D21-UB	15D22-UB
	Orange	15D21-UO	15D22-UO
	Green	15D21-UG	15D22-UG
	Yellow	15D21-UY	15D22-UY
Replacement Contacts	—	15D21-UC	15D22-UC
<b>Crimp Tube Termination</b>	White	15D23-UW	15D24-UW
Cable Size: #8 - #4	Black	15D23-UE	15D24-UE
Max Ampacity: 140A	Brown	15D23-UH	15D24-UH
Voltage: 600V AC/DC	Red	15D23-UR	15D24-UR
	Blue	15D23-UB	15D24-UB
	Orange	15D23-UO	15D24-UO
	Green	15D23-UG	15D24-UG
	Yellow	15D23-UY	15D24-UY
Replacement Contacts	—	15D23-UC	15D24-UC



15D22-UG



15D23-UW



15D24-UG

15 Series — Replacement Sleeves			
		Male	Female
Description	Color	Cat. No.	Cat. No.
Sleeves	White	15SDM-1UW	15SDF-1UW
	Black	15SDM-1UE	15SDF-1UE
	Brown	15SDM-1UH	15SDF-1UH
	Red	15SDM-1UR	15SDF-1UR
	Blue	15SDM-1UB	15SDF-1UB
	Orange	15SDM-1UO	15SDF-1UO
	Green	15SDM-1UG	15SDF-1UG
	Yellow	15SDM-1UY	15SDF-1UY

Note: Contact factory for availability



#### Related Products

To accommodate everyday use Leviton offers a variety of 15 Series accessories. See page J-24 for more information.

## RHINO-HIDE® SINGLE POLE | 15 Series | Receptacles

### 15 Series Cam-Type Panel Mount Receptacles (150A, 600V) — UL/CSA 1691 Listed

#### 15 Series, Taper Nose — Panel Mount Receptacle

		Male	Female	Male/Female
Description	Color	Cat. No.	Cat. No.	Cat. No.
<b>.5" Threaded Stud Termination</b> Cable Size: #8 - #2 Max Ampacity: 150A Voltage: 600V AC/DC	White	15R21-UW	15R22-UW	—
	Black	15R21-UE	15R22-UE	—
	Brown	15R21-UH	15R22-UH	—
	Red	15R21-UR	15R22-UR	—
	Blue	15R21-UB	15R22-UB	—
	Orange	15R21-UO	15R22-UO	—
	Green	15R21-UG	15R22-UG	—
	Yellow	15R21-UY	15R22-UY	—
	<b>.75" Threaded Stud Termination</b> Cable Size: #8 - #2 Max Ampacity: 150A Voltage: 600V AC/DC	White	15R21-1UW	15R22-1UW
Black		15R21-1UE	15R22-1UE	—
Brown		15R21-1UH	15R22-1UH	—
Red		15R21-1UR	15R22-1UR	—
Blue		15R21-1UB	15R22-1UB	—
Orange		15R21-1UO	15R22-1UO	—
Green		15R21-1UG	15R22-1UG	—
Yellow		15R21-1UY	15R22-1UY	—
<b>Enclosure</b> Cable Size: #8 - #2 Max Ampacity: 150A Voltage: 600V AC/DC		White	—	—
	Black	—	—	15S31-UE
	Brown	—	—	15S31-UH
	Red	—	—	15S31-UR
	Blue	—	—	15S31-UB
	Orange	—	—	15S31-UO
	Green	—	—	15S31-UG
Yellow	—	—	15S31-UY	



15R21-UR



15S31-UR

Note: Contact factory for availability

### Ampacity Table

#### Ampacity Ratings

Cable Size	Ampacity
#8	80
#6	105
#4	190
#2	916

Excerpted from NEC Article 400, Table 400.5(A)(2), 90° column



#### Related Products

To accommodate everyday use Leviton offers a variety of 15 Series accessories. See page J-24 for more information.

## 16 Series

### Taper Nose, Cam-Type Plugs

#### 400A, 600V AC/DC Max — NEMA 3R Rated for Outdoor Use

The 16 Series Taper Nose products are the connectors of choice for concerts, sound stages, movie-making, television production, sporting events and conventions.

#### 16 Series Cam-Type Plugs (up to 190A, 600V) — UL/CSA 1691 Listed

16 Series, Taper Nose — Cam-Type Plugs  			
		Male Plug	Female Plug
Description	Color	Cat. No.	Cat. No.
<b>Double Set Screw Termination</b>	White	16D44-UW	16D45-UW
Cable Size: #6 - #2	Black	16D44-UE	16D45-UE
Max Ampacity: 190A	Brown	16D44-UH	16D45-UH
Voltage: 600V AC/DC	Red	16D44-UR	16D45-UR
	Blue	16D44-UB	16D45-UB
	Orange	16D44-UO	16D45-UO
	Green	16D44-UG	16D45-UG
	Yellow	16D44-UY	16D45-UY
<b>Crimp Tube Termination</b>	White	16D25-UW	16D34-UW
Cable Size: #2 - #1	Black	16D25-UE	16D34-UE
Max Ampacity: 220A	Brown	16D25-UH	16D34-UH
Voltage: 600V AC/DC	Red	16D25-UR	16D34-UR
	Blue	16D25-UB	16D34-UB
	Orange	16D25-UO	16D34-UO
	Green	16D25-UG	16D34-UG
	Yellow	16D25-UY	16D34-UY
<b>Single Set Screw Termination</b>	White	16D21-UW	16D29-UW
Cable Size: #2 - 2/0	Black	16D21-UE	16D29-UE
Max Ampacity: 300A	Brown	16D21-UH	16D29-UH
Voltage: 600V AC/DC	Red	16D21-UR	16D29-UR
	Blue	16D21-UB	16D29-UB
	Orange	16D21-UO	16D29-UO
	Green	16D21-UG	16D29-UG
	Yellow	16D21-UY	16D29-UY
<b>Double Set Screw Termination</b>	White	16D22-UW	16D31-UW
Cable Size: #2 - 2/0	Black	16D22-UE	16D31-UE
Max Ampacity: 300A	Brown	16D22-UH	16D31-UH
Voltage: 600V AC/DC	Red	16D22-UR	16D31-UR
	Blue	16D22-UB	16D31-UB
	Orange	16D22-UO	16D31-UO
	Green	16D22-UG	16D31-UG
	Yellow	16D22-UY	16D31-UY
Replacement Contacts	—	16D22-UC	16D31-UC
<b>Crimp Tube Termination</b>	White	16D26-UW	16D35-UW
Cable Size: 1/0 - 2/0	Black	16D26-UE	16D35-UE
Max Ampacity: 300A	Brown	16D26-UH	16D35-UH
Voltage: 600V AC/DC	Red	16D26-UR	16D35-UR
	Blue	16D26-UB	16D35-UB
	Orange	16D26-UO	16D35-UO
	Green	16D26-UG	16D35-UG
	Yellow	16D26-UY	16D35-UY

Note: Contact Factory for availability



## RHINO-HIDE® SINGLE POLE | 16 Series | Plugs | Replacement Sleeves

### 16 Series Cam-Type Plugs (up to 400A, 600V) — UL/CSA 1691 Listed

#### 16 Series, Taper Nose — Cam-Type Plugs

		Male Plug	Female Plug
Description	Color	Cat. No.	Cat. No.
<b>Single Set Screw Termination</b>	White	16D23-UW	16D32-UW
Cable Size: 1/0 - 4/0	Black	16D23-UE	16D32-UE
Max Ampacity: 400A	Brown	16D23-UH	16D32-UH
Voltage: 600V AC/DC	Red	16D23-UR	16D32-UR
	Blue	16D23-UB	16D32-UB
	Orange	16D23-UO	16D32-UO
	Green	16D23-UG	16D32-UG
	Yellow	16D23-UY	16D32-UY
<b>Double Set Screw Termination</b>	White	16D24-UW	16D33-UW
Cable Size: 1/0 - 4/0	Black	16D24-UE	16D33-UE
Max Ampacity: 400A	Brown	16D24-UH	16D33-UH
Voltage: 600V AC/DC	Red	16D24-UR	16D33-UR
	Blue	16D24-UB	16D33-UB
	Orange	16D24-UO	16D33-UO
	Green	16D24-UG	16D33-UG
	Yellow	16D24-UY	16D33-UY
Replacement Contacts	—	16D24-UC	16D33-UC
<b>Crimp Tube Termination</b>	White	16D28-UW	16D37-UW
Cable Size: 3/0 - 4/0	Black	16D28-UE	16D37-UE
Max Ampacity: 400A	Brown	16D28-UH	16D37-UH
Voltage: 600V AC/DC	Red	16D28-UR	16D37-UR
	Blue	16D28-UB	16D37-UB
	Orange	16D28-U*	16D37-UO
	Green	16D28-UG	16D37-UG
	Yellow	16D28-UY	16D37-UY



16D23-UB



16D32-UW



16D24-UR



16SDF-2UG

#### 16 Series — Replacement Sleeves (TPV)

		Male Plug	Female Plug
Description	Color	Cat. No.	Cat. No.
<b>For Plugs 1/0 to 4/0</b> Replacement Sleeves	White	16SDM-1UW	16SDF-1UW
	Black	16SDM-1UE	16SDF-1UE
	Brown	16SDM-1UH	16SDF-1UH
	Red	16SDM-1UR	16SDF-1UR
	Blue	16SDM-1UB	16SDF-1UB
	Orange	16SDM-1UO	16SDF-1UO
	Green	16SDM-1UG	16SDF-1UG
	Yellow	16SDM-1UY	16SDF-1UY
<b>For Plugs #2 - 2/0</b> Replacement Sleeves	White	16SDM-2UW	16SDF-2UW
	Black	16SDM-2UE	16SDF-2UE
	Brown	16SDM-2UH	16SDF-2UH
	Red	16SDM-2UR	16SDF-2UR
	Blue	16SDM-2UB	16SDF-2UB
	Orange	16SDM-2UO	16SDF-2UO
	Green	16SDM-2UG	16SDF-2UG
	Yellow	16SDM-2UY	16SDF-2UY

Note: Contact factory for availability



#### Related Products

To accommodate everyday use Leviton offers a variety of 16 Series accessories. **See page J-24 for more information.**



**RHINO-HIDE® SINGLE POLE** | 16 Series | Plugs | Receptacles

**16 Series Cam-Type Plugs (up to 400A, 600V)**



16 Series, Taper Nose — Cam-Type Plugs			
		Male Plug	Female Plug
Description	Color	Cat. No.	Cat. No.
<b>Crimp Tube Termination</b>	White	16V22-W	16V26-W
Cable Size: 1/0 - 2/0	Black	16V22-E	16V26-E
Max Ampacity: 300A	Brown	16V22-H	16V26-H
Voltage: 600V	Red	16V22-R	16V26-R
Neoprene™ Sleeve	Blue	16V22-B	16V26-B
	Orange	16V22-O	16V26-O
	Green	16V22-G	16V26-G
	Yellow	16V22-Y	16V26-Y
<b>Crimp Tube Termination</b>	White	16V24-W	16V28-W
Cable Size: 3/0 - 4/0	Black	16V24-E	16V28-E
Max Ampacity: 400A	Brown	16V24-H	16V28-H
Voltage: 600V	Red	16V24-R	16V28-R
Neoprene™ Sleeve	Blue	16V24-B	16V28-B
	Orange	16V24-O	16V28-O
	Green	16V24-G	16V28-G
	Yellow	16V24-Y	16V28-Y
<b>Double Set Screw Termination</b>	White	16D40-U	16D41-U
Cable Size: 1/0 - 4/0			
Max Ampacity: 400A			
Voltage: 600V AC/DC			
Flame Retardant			



**Taper Nose, Panel Mount Receptacles**  
**400A, 600V AC/DC Max — NEMA 3R Rated for Outdoor Use**

Leviton's single pole panel receptacles are designed to provide superior service and durability, even under the most severe operating conditions. Featuring solid brass contacts and Santoprene™ TPV insulators, these devices are ideal for use in equipment associated with concerts, sound stages, movie-making, television production and many other power distribution applications. Our unique 45° angle version is perfect for applications where cables protruding 90° from the panel are impractical. These Leviton 16 Series single pole panel receptacles and accessories are UL/CSA Listed and are completely interoperable and interchangeable with competitive cam-type plugs and receptacles.

**16 Series Panel Mount Receptacles (400A, 600V) — UL/CSA 1691 Listed**

16 Series, Taper Nose — Panel Mount Receptacle  			
		Male 90°	Female 90°
Description	Color	Cat. No.	Cat. No.
<b>Double Set Screw Termination</b>	White	16R21-UW	16R22-UW
Cable Size: 1/0 - 4/0	Black	16R21-UE	16R22-UE
Max Ampacity: 400A	Brown	16R21-UH	16R22-UH
Voltage: 600V AC/DC	Red	16R21-UR	16R22-UR
	Blue	16R21-UB	16R22-UB
	Orange	16R21-UO	16R22-UO
	Green	16R21-UG	16R22-UG
	Yellow	16R21-UY	16R22-UY



Note: Contact factory for availability

Continued on next page

## RHINO-HIDE® SINGLE POLE | 16 Series | Receptacles

Continued from previous page

### 16 Series Panel Mount Receptacles (400A, 600V) — UL/CSA 1691 Listed

#### 16 Series, Taper Nose — Panel Mount Receptacle

		Male 45°	Female 45°
Description	Color	Cat. No.	Cat. No.
<b>Double Set Screw Termination</b>	White	16R27-UW	16R28-UW
Cable Size: 1/0 - 4/0	Black	16R27-UE	16R28-UE
Max Ampacity: 400A	Brown	16R27-UH	16R28-UH
Voltage: 600V AC/DC	Red	16R27-UR	16R28-UR
	Blue	16R27-UB	16R28-UB
	Orange	16R27-UO	16R28-UO
	Green	16R27-UG	16R28-UG
	Yellow	16R27-UY	16R28-UY



16R27-UG



16R28-UR

		Male 90°	Female 90°
Description	Color	Cat. No.	Cat. No.
<b>.75"L Threaded Stud Termination*</b>	White	16R23-UW	16R24-UW
Cable Size: #2 - 4/0	Black	16R23-UE	16R24-UE
Max Ampacity: 400A	Brown	16R23-UH	16R24-UH
Voltage: 600V AC/DC	Red	16R23-UR	16R24-UR
	Blue	16R23-UB	16R24-UB
	Orange	16R23-UO	16R24-UO
	Green	16R23-UG	16R24-UG
	Yellow	16R23-UY	16R24-UY



16RSW-UG

With Microswitch			
Description	Color	Cat. No.	
<b>.75"L Threaded Stud Termination*</b>	White	16RSW-UW	—
Cable Size: #2 - 4/0	Black	16RSW-UE	—
Max Ampacity: 400A	Brown	16RSW-UH	—
Voltage: 600V AC/DC	Red	16RSW-UR	—
	Blue	16RSW-UB	—
	Orange	16RSW-UO	—
	Green	16RSW-UG	—
	Yellow	16RSW-UY	—



16R29-UG

		Male 45°	Female 45°
Description	Color	Cat. No.	Cat. No.
<b>.75"L Threaded Stud Termination*</b>	White	16R29-UW	16R30-UW
Cable Size: #2 - 4/0	Black	16R29-UE	16R30-UE
Max Ampacity: 400A	Brown	16R29-UH	16R30-UH
Voltage: 600V AC/DC	Red	16R29-UR	16R30-UR
	Blue	16R29-UB	16R30-UB
	Orange	16R29-UO	16R30-UO
	Green	16R29-UG	16R30-UG
	Yellow	16R29-UY	16R30-UY

Note: Contact factory for availability.

\*Threaded stud termination type receptacles are available with custom stud lengths, from .75"L to 3.00"L.

Please contact your local sales representative for ordering information and availability



#### Related Products

To accommodate everyday use Leviton offers a variety of 16 Series accessories.

**See page J-24 for more information.**

**16 Series Panel Mount Receptacles (400A, 600V) — UL/CSA 1691 Listed**

16 Series, Taper Nose — Panel Mount Receptacle			
Description		Male 90°	Female 90°
	Color	Cat. No.	Cat. No.
<b>1.125”L Threaded Stud Termination*</b> Cable Size: #2 - 4/0 Max Ampacity: 400A Voltage: 600V AC/DC	White	16R23-1UW	16R24-1UW
	Black	16R23-1UE	16R24-1UE
	Brown	16R23-1UH	16R24-1UH
	Red	16R23-1UR	16R24-1UR
	Blue	16R23-1UB	16R24-1UB
	Orange	16R23-1UO	16R24-1UO
	Green	16R23-1UG	16R24-1UG
	Yellow	16R23-1UY	16R24-1UY
			Male 45° With Self-Clinching Nut
Description	Color	Cat. No.	Cat. No.
<b>1.125”L Threaded Stud Termination*</b> Cable Size: #2 - 4/0 Max Ampacity: 400A Voltage: 600V AC/DC	White	16A25-1UW	16A26-1UW
	Black	16A25-1UE	16A26-1UE
	Brown	16A25-1UH	16A26-1UH
	Red	16A25-1UR	16A26-1UR
	Blue	16A25-1UB	16A26-1UB
	Orange	16A25-1UO	16A26-1UO
	Green	16A25-1UG	16A26-1UG
	Yellow	16A25-1UY	16A26-1UY
			Male 90°
Description	Color	Cat. No.	Cat. No.
<b>Half Round w/Tapped Hole</b> Cable Size: #2 - 4/0 Max Ampacity: 400A Voltage: 600V AC/DC	White	16R19-UW	16R20-UW
	Black	16R19-UE	16R20-UE
	Brown	16R19-UH	16R20-UH
	Red	16R19-UR	16R20-UR
	Blue	16R19-UB	16R20-UB
	Orange	16R19-UO	16R20-UO
	Green	16R19-UG	16R20-UG
	Yellow	16R19-UY	16R20-UY

Note: Contact factory for availability.  
\*Threaded stud termination type receptacles are available with custom stud lengths, from .75”L to 3.00”L.  
Please contact your local sales representative for ordering information and availability



16R19-UE



16F21-UB

**16 Series Female Terminal Connectors (400A, 600V)**

16 Series, Taper Nose — Female Connectors			
		Angle	Offset
Description	Color	Cat. No.	Cat. No.
<b>Bus Bar Mount</b> Cable Size: #2 - 4/0 Max Ampacity: 400A Voltage: 600V AC/DC	White	16F21-UW	16F22-UW
	Black	16F21-UE	16F22-UE
	Brown	16F21-UH	16F22-UH
	Red	16F21-UR	16F22-UR
	Blue	16F21-UB	16F22-UB
	Orange	16F21-UO	16F22-UO
	Green	16F21-UG	16F22-UG
	Yellow	16F21-UY	16F22-UY

Note: Contact factory for availability



16F21-UB



16F22-UE



## RHINO-HIDE® SINGLE POLE | 16 Series | Plugs | Covers and Caps

### 16 Series Protective Covers and Caps

16 Series — Covers				
		Male/Female	Male	Female
Description	Color	Cat. No.	Cat. No.	Cat. No.
<b>NEMA 3R Enclosure</b>	White	16S31-UW	—	—
	Black	16S31-UE	—	—
	Brown	16S31-UH	—	—
	Red	16S31-UR	—	—
	Blue	16S31-UB	—	—
	Orange	16S31-UO	—	—
	Green	16S31-UG	—	—
	Yellow	16S31-UY	—	—



16S31-UR



16P22-UE

16 Series — Caps				
		Male/Female	Male	Female
Description	Color	Cat. No.	Cat. No.	Cat. No.
<b>Caps</b>	White	—	16P21-UW	16P22-UW
	Black	—	16P21-UE	16P22-UE
	Brown	—	16P21-UH	16P22-UH
	Red	—	16P21-UR	16P22-UR
	Blue	—	16P21-UB	16P22-UB
	Orange	—	16S21-UO	16P22-UO
	Green	—	16S21-UG	16P22-UG
	Yellow	—	16S21-UY	16P22-UY

Note: Contact factory for availability

### Taper Nose Adapters

#### 400A, 600V AC/DC Max — NEMA 3R Rated for Outdoor Use

Leviton's 16 Series single pole cam-type device line has been expanded to include a variety of assembled adapters. These cable assemblies, or "soft adapters", feature the most common adapter configurations. The entire line of Leviton 16 Series single pole cam-type adapter cable assemblies are UL/CSA Listed and completely interoperable and interchangeable with competitive cam-type plugs and receptacles.

### 16 Series Cam-Type Adapters (400A, 600V) — UL/CSA 1691 Listed

16 Series, Taper Nose — Cam-Type Adapters				
Description		Paralleling Tee F-M-M	Tapping Tee F-M-M	
	Color	Cat. No.	Cat. No.	
Max Ampacity: 400A	White	16A21-UW	16A22-UW	
Voltage: 600V AC/DC	Black	16A21-UE	16A22-UE	
	Brown	16A21-UH	16A22-UH	
	Red	16A21-UR	16A22-UR	
	Blue	16A21-UB	16A22-UB	
	Orange	16A21-UO	16A22-UO	
	Green	16A21-UG	16A22-UG	
	Yellow	16A21-UY	16A22-UY	



16A21-UG

Note: Contact factory for availability



#### Related Products

To accommodate everyday use Leviton offers a variety of 16 Series accessories. **See page J-24 for more information.**

**RHINO-HIDE® SINGLE POLE** | 16 Series | Adapters

**16 Series Cam-Type Adapters (400A, 600V) — UL/CSA 1691 Listed**

16 Series, Taper Nose — Cam-Type Adapters					
		3-Fer M-F-F-F	Reverse 3-Fer F-M-M-M	Double Male	Double Female
Description	Color	Cat. No.	Cat. No.	Cat. No.	Cat. No.
Max Ampacity: 400A Voltage: 600V AC/DC	White	16A23-UW	16A26-UW	16A25-UW	16A24-UW
	Black	16A23-UE	16A26-UE	16A25-UE	16A24-UE
	Brown	16A23-UH	16A26-UH	16A25-UH	16A24-UH
	Red	16A23-UR	16A26-UR	16A25-UR	16A24-UR
	Blue	16A23-UB	16A26-UB	16A25-UB	16A24-UB
	Orange	16A23-UO	16A26-UO	16A25-UO	16A24-UO
	Green	16A23-UG	16A26-UG	16A25-UG	16A24-UG
	Yellow	16A23-UY	16A26-UY	16A25-UY	16A24-UY
		Paralleling Tee F-M-M	Tapping Tee F-M-M	3-Fer M-F-F-F	Reverse 3-Fer F-M-M-M
Description	Color	Cat. No.	Cat. No.	Cat. No.	Cat. No.
Assembled Adapters Cable Size: 4/0 Max Ampacity: 400A Voltage: 600V AC/DC	White	16A31-UW	16A32-UW	16A33-UW	16A36-UW
	Black	16A31-UE	16A32-UE	16A33-UE	16A36-UE
	Red	16A31-UR	16A32-UR	16A33-UR	16A36-UR
	Blue	16A31-UB	16A32-UB	16A33-UB	16A36-UB
	Green	16A31-UG	16A32-UG	16A33-UG	16A36-UG

Note: Contact factory for availability



16A23-UE



16A24-UB



Cable Assemblies

Temporary Power

**Ampacity Table**

Ampacity Ratings	
Cable Size	Ampacity
#6	105
#4	140
#2	190
#1	220
1/0	260
2/0	300
3/0	350
4/0	405

Excerpted from NEC Article 400, Table 400.5(A)(2), 90° column

## RHINO-HIDE® SINGLE POLE | 18 Series | Plugs



### 18 Series

#### Ball Nose, Cam-Type Plugs

400A, 600V AC/DC Max — NEMA 3R Rated for Outdoor Use

The 18 Series ball nose plugs, receptacles and connectors are used by the broadcast industry in Canada, as well as the welding industry in the United States.

#### 18 Series Cam-Type Plugs (up to 190A, 600V) — UL/CSA 1691 Listed

18 Series, Ball Nose — Cam-Type Plugs  			
Description		Male Plug	Female Plug
	Color	Cat. No.	Cat. No.
<b>Single Set Screw Termination</b>	White	18D21-UW	18D29-UW
Cable Size: #2 - 2/0	Black	18D21-UE	18D29-UE
Max Ampacity: 300A	Brown	18D21-UH	18D29-UH
Voltage: 600V AC/DC	Red	18D21-UR	18D29-UR
	Blue	18D21-UB	18D29-UB
	Orange	18D21-UO	18D29-UO
	Green	18D21-UG	18D29-UG
	Yellow	18D21-UY	18D29-UY
<b>Double Set Screw Termination</b>	White	18D22-UW	18D31-UW
Cable Size: #2 - 2/0	Black	18D22-UE	18D31-UE
Max Ampacity: 300A	Brown	18D22-UH	18D31-UH
Voltage: 600V AC/DC	Red	18D22-UR	18D31-UR
	Blue	18D22-UB	18D31-UB
	Orange	18D22-UO	18D31-UO
	Green	18D22-UG	18D31-UG
	Yellow	18D22-UY	18D31-UY
<b>Single Set Screw Termination</b>	White	18D23-UW	18D32-UW
Cable Size: 1/0 - 4/0	Black	18D23-UE	18D32-UE
Max Ampacity: 400A	Brown	18D23-UH	18D32-UH
Voltage: 600V AC/DC	Red	18D23-UR	18D32-UR
	Blue	18D23-UB	18D32-UB
	Orange	18D23-UO	18D32-UO
	Green	18D23-UG	18D32-UG
	Yellow	18D23-UY	18D32-UY
<b>Double Set Screw Termination</b>	White	18D24-UW	18D33-UW
Cable Size: 1/0 - 4/0	Black	18D24-UE	18D33-UE
Max Ampacity: 400A	Brown	18D24-UH	18D33-UH
Voltage: 600V AC/DC	Red	18D24-UR	18D33-UR
	Blue	18D24-UB	18D33-UB
	Orange	18D24-UO	18D33-UO
	Green	18D24-UG	18D33-UG
	Yellow	18D24-UY	18D33-UY

Note: Contact factory for availability



#### Related Products

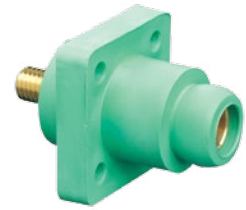
To accommodate everyday use Leviton offers a variety of 18 Series accessories. See page J-24 for more information.

**RHINO-HIDE® SINGLE POLE** | 18 Series | Receptacles | Plugs | Caps

**18 Series Panel Mount Receptacles (400A, 600V) — UL/CSA 1691 Listed**

18 Series, Ball Nose — Panel Mount Receptacles			
		Male Plug	Female Plug
Description	Color	Cat. No.	Cat. No.
<b>.75”L Threaded Stud Termination</b> Cable Size: #2 - 4/0 Max Ampacity: 400A Voltage: 600V AC/DC	White	18R21-UW	18R22-UW
	Black	18R21-UE	18R22-UE
	Brown	18R21-UH	18R22-UH
	Red	18R21-UR	18R22-UR
	Blue	18R21-UB	18R22-UB
	Orange	18R21-UO	18R22-UO
	Green	18R21-UG	18R22-UG
	Yellow	18R21-UY	18R22-UY
<b>Double Set Screw Termination</b> Cable Size: 1/0 - 4/0 Max Ampacity: 400A Voltage: 600V AC/DC	White	18R23-UW	18R24-UW
	Black	18R23-UE	18R24-UE
	Brown	18R23-UH	18R24-UH
	Red	18R23-UR	18R24-UR
	Blue	18R23-UB	18R24-UB
	Orange	18R23-UO	18R24-UO
	Green	18R23-UG	18R24-UG
	Yellow	18R23-UY	18R24-UY

Note: Contact factory for availability



18R22-UG

**18 Series Female Terminal Connectors (400A, 600V)**

18 Series, Ball Nose — Female Connectors			
		Angle	Offset
Description	Color	Cat. No.	Cat. No.
<b>Bus Bar Mount</b> Cable Size: #2 - 4/0 Max Ampacity: 400A Voltage: 600V AC/DC	White	18F21-UW	18F22-UW
	Black	18F21-UE	18F22-UE
	Brown	18F21-UH	18F22-UH
	Red	18F21-UR	18F22-UR
	Blue	18F21-UB	18F22-UB
	Orange	18F21-UO	18F22-UO
	Green	18F21-UG	18F22-UG
	Yellow	18F21-UY	18F22-UY

Note: Contact factory for availability



18F21-UE



18P22-UE

**18 Series Protective Caps**

18 Series — Caps			
		Male	Female
Description	Color	Cat. No.	Cat. No.
<b>Caps</b>	White	18P21-UW	18P22-UW
	Black	18P21-UE	18P22-UE
	Brown	18P21-UH	18P22-UH
	Red	18P21-UR	18P22-UR
	Blue	18P21-UB	18P22-UB
	Orange	18P21-UO	18P22-UO
	Green	18P21-UG	18P22-UG
	Yellow	18P21-UY	18P22-UY

Note: Contact factory for availability

Temporary Power

## RHINO-HIDE® SINGLE POLE | 18 Series | Adapters

### 18 Series Cam-Type Adapters (400A, 600V) — UL/CSA 1691 Listed

#### 18 Series, Ball Nose — Cam-Type Adapters

		Paralleling Tee F-M-M	Tapping Tee F-M-M
Description	Color	Cat. No.	Cat. No.
Max Ampacity: 400A Voltage: 600V AC/DC	White	18A21-UW	18A22-UW
	Black	18A21-UE	18A22-UE
	Brown	18A21-UH	18A22-UH
	Red	18A21-UR	18A22-UR
	Blue	18A21-UB	18A22-UB
	Orange	18A21-UO	18A22-UO
	Green	18A21-UG	18A22-UG
	Yellow	18A21-UY	18A22-UY



18A22-UE

		3-Fer F-M-M	Double Male	Double Female
Description	Color	Cat. No.	Cat. No.	
Max Ampacity: 400A Voltage: 600V AC/DC	White	18A23-UW	18A25-UW	18A24-UW
	Black	18A23-UE	18A25-UE	18A24-UE
	Brown	18A23-UH	18A25-UH	18A24-UH
	Red	18A23-UR	18A25-UR	18A24-UR
	Blue	18A23-UB	18A25-UB	18A24-UB
	Orange	18A23-UO	18A25-UO	18A24-UO
	Green	18A23-UG	18A25-UG	18A24-UG
	Yellow	18A23-UY	18A25-UY	18A24-UY



18A23-UE



18A25-UE

Note: Contact factory for availability

### Ampacity Table

Ampacity Ratings	
Cable Size	Ampacity
#2	190
1/0	260
2/0	300
4/0	405

Excerpted from NEC Article 400, Table 400.5(A)(2), 90° column



#### Related Products

To accommodate everyday use Leviton offers a variety of 18 Series accessories. See page J-24 for more information.



## 17 Series

### Taper Nose, Cam-Type Plugs

#### 690A, 600V AC/DC Max — NEMA 3R Rated for Outdoor Use

The 17 Series Taper Nose connectors withstand grueling, heavy-duty industrial use. Applications include generator test stations, water purification plants, electro-chemical machining equipment and other general industrial uses.

#### 17 Series Cam-Type Plugs (up to 690A, 600V)

17 Series, Taper Nose — Cam-Type Plugs			
		Male Plug	Female Plug
Description	Color	Cat. No.	Cat. No.
<b>Double Set Screw Termination</b> Cable Size: 350-500MCM Max Ampacity: 690A Voltage: 600V Neoprene™ Sleeve Detachable	White	17D22-W	17D24-W
	Black	17D22-E	17D24-E
	Brown	17D22-H	17D24-H
	Red	17D22-R	17D24-R
	Blue	17D22-B	17D24-B
	Orange	17D22-O	17D24-O
	Green	17D22-G	17D24-G
	Yellow	17D22-Y	17D24-Y
	<b>Crimp Tube Termination</b> Cable Size: 500-750MCM Max Ampacity: 690A Voltage: 600V Neoprene™ Sleeve Detachable	White	17V23-W
Black		17V23-E	17V26-E
Brown		17V23-H	17V26-H
Red		17V23-R	17V26-R
Blue		17V23-B	17V26-B
Orange		17V23-O	17V26-O
Green		17V23-G	17V26-G
Yellow		17V23-Y	17V26-Y

Note: Contact factory for availability



17D22-UH



17D24-UR



17V23-UE

#### 17 Series Panel Mount Receptacles (690A, 600V)

17 Series, Taper Nose — Panel Mount Receptacle					
		Male 90°	Female 90°	Male 30°	Female 30°
Description	Color	Cat. No.	Cat. No.	Cat. No.	Cat. No.
<b>Threaded Stud Termination</b> Cable Size: 250-750MCM Max Ampacity: 690A Voltage: 600V	White	17R21-W	17R22-W	17R23-W	17R24-W
	Black	17R21-E	17R22-E	17R23-E	17R24-E
	Brown	17R21-H	17R22-H	17R23-H	17R24-H
	Red	17R21-R	17R22-R	17R23-R	17R24-R
	Blue	17R21-B	17R22-B	17R23-B	17R24-B
	Orange	17R21-O	17R22-O	17R23-O	17R24-O
	Green	17R21-G	17R22-G	17R23-G	17R24-G
	Yellow	17R21-Y	17R22-Y	17R23-Y	17R24-Y

Note: Contact factory for availability



17R21-W





#### Related Products

To accommodate everyday use Leviton offers a variety of 17 Series accessories. See page J-24 for more information.



## RHINO-HIDE® SINGLE POLE | 17 Series | Covers and Caps

### 17 Series Protective Covers and Caps

17 Series — Covers  				
		Male/Female	Male	Female
Description	Color	Cat. No.	Cat. No.	Cat. No.
<b>NEMA 3R Enclosure</b>	White	17S31-W	—	—
	Black	17S31-E	—	—
	Brown	17S31-H	—	—
	Red	17S31-R	—	—
	Blue	17S31-B	—	—
	Orange	17S31-O	—	—
	Green	17S31-G	—	—
	Yellow	17S31-Y	—	—

17 Series — Caps				
		Male/Female	Male	Female
Description	Color	Cat. No.	Cat. No.	Cat. No.
<b>Caps</b>	White	—	17P21-W	17P22-W
	Black	—	17P21-E	17P22-E
	Brown	—	17P21-H	17P22-H
	Red	—	17P21-R	17P22-R
	Blue	—	17P21-B	17P22-B
	Orange	—	17P21-O	17P22-O
	Green	—	17P21-G	17P22-G
	Yellow	—	17P21-Y	17P22-Y



17S31-U



17P21-O

Note: Contact factory for availability

### Ampacity Table

Ampacity Ratings	
Cable Size	Ampacity
250	455
350	570
500	700
750	885

Excerpted from NEC Article 400, Table 400.5(A)(2), 90° column



#### Related Products

To accommodate everyday use Leviton offers a variety of 17 Series accessories. See page J-24 for more information.

**RHINO-HIDE® SINGLE POLE** | 19 Series | Plugs | Receptacles | Caps

## 19 Series

### Ball Nose, Cam-Type Plugs

690A, 600V AC/DC Max — NEMA 3R Rated for Outdoor Use

The 19 Series Ball Nose connectors are rated up to 690 Amps and are designed for heavy-duty industrial applications.

#### 19 Series Cam-Type Plugs (up to 690A, 600V)

19 Series, Ball Nose — Cam-Type Plugs			
		Male Plug	Female Plug
Description	Color	Cat. No.	Cat. No.
<b>Double Set Screw Termination</b>	White	19D22-W	19D24-W
Cable Size: 350-500MCM	Black	19D22-E	19D24-E
Max Ampacity: 690A	Brown	19D22-H	19D24-H
Voltage: 600V	Red	19D22-R	19D24-R
	Blue	19D22-B	19D24-B
	Orange	19D22-O	19D24-O
	Green	19D22-G	19D24-G
	Yellow	19D22-Y	19D24-Y

Note: Contact factory for availability





19D22-G



19D24-B

#### 19 Series Panel Mount Receptacles (690A, 600V)

19 Series, Ball Nose — Panel Mount Receptacles  			
		Male 90°	Female 90°
Description	Color	Cat. No.	Cat. No.
<b>1.00" L Threaded Stud Termination</b>	White	19R21-W	19R22-W
Cable Size: 250-750MCM	Black	19R21-E	19R22-E
Max Ampacity: 690A	Brown	19R21-H	19R22-H
Voltage: 600V	Red	19R21-R	19R22-R
	Blue	19R21-B	19R22-B
	Orange	19R21-O	19R22-O
	Green	19R21-G	19R22-G
	Yellow	19R21-Y	19R22-Y

Note: Contact factory for availability



19P21-E

#### 19 Series Protective Caps

19 Series — Caps  			
		Male	Female
Description	Color	Cat. No.	Cat. No.
<b>Caps</b>	White	19P21-W	19P22-W
	Black	19P21-E	19P22-E
	Brown	19P21-H	19P22-H
	Red	19P21-R	19P22-R
	Blue	19P21-B	19P22-B
	Orange	19P21-O	19P22-O
	Green	19P21-G	19P22-G
	Yellow	19P21-Y	19P22-Y

Note: Contact factory for availability

#### Ampacity Table

Ampacity Ratings	
Cable Size	Ampacity
250	455
350	570
500	700
750	885



#### Related Products

To accommodate everyday use Leviton offers a variety of 19 Series accessories. See page J-24 for more information.

## RHINO-HIDE® SINGLE POLE | 22 Series | Plugs

### 22 Series

#### Latching Ball Nose, Cam-Type Plugs

690A, 600V AC/DC Max

Leviton's cam-type positive latching connectors and receptacles are the standard used by Navy bases and shipyards in supplying 3-phase power to ships at dockside. Our latching connector series has been tested to meet Navy specs. These heavy duty, completely insulated connectors are vibration resistant so they will not loosen — ensuring high conductivity and maximum efficiency. Contacts can be retrofitted to existing locations and power distribution systems.

#### 22 Series Cam-Type Plugs (up to 690A, 600V)

##### 22 Series, Latching Ball Nose — Cam-Type Plugs

		Male Plug	Female Plug
Description	Color	Cat. No.	Cat. No.
<b>Crimp Tube Termination</b> Cable Size: 250-350MCM Max Ampacity: 570A Voltage: 600V Neoprene™ Sleeve	White	22L21-W	22L24-W
	Black	22L21-E	22L24-E
	Brown	22L21-H	22L24-H
	Red	22L21-R	22L24-R
	Blue	22L21-B	22L24-B
	Orange	22L21-O	22L24-O
	Green	22L21-G	22L24-G
	Yellow	22L21-Y	22L24-Y
	<b>Crimp Tube Termination</b> Cable Size: 350-500MCM Max Ampacity: 690A Voltage: 600V Neoprene™ Sleeve	White	22L22-W
Black		22L22-E	22L25-E
Brown		22L22-H	22L25-H
Red		22L22-R	22L25-R
Blue		22L22-B	22L25-B
Orange		22L22-O	22L25-O
Green		22L22-G	22L25-G
Yellow		22L22-Y	22L25-Y
<b>Crimp Tube Termination</b> Cable Size: 350-500MCM Max Ampacity: 690A Voltage: 600V TPV Sleeve		White	22L22-SW
	Black	22L22-SE	22L25-SE
	Brown	22L22-SH	22L25-SH
	Red	22L22-SR	22L25-SR
	Blue	22L22-SB	22L25-SB
	Orange	22L22-SO	22L25-SO
	Green	22L22-SG	22L25-SG
	Yellow	22L22-SY	22L25-SY
	<b>Crimp Tube Termination</b> Cable Size: 500-750MCM Max Ampacity: 690A Voltage: 600V Neoprene™ Sleeve	White	22L23-W
Black		22L23-E	22L26-E
Brown		22L23-H	22L26-H
Red		22L23-R	22L26-R
Blue		22L23-B	22L26-B
Orange		22L23-O	22L26-O
Green		22L23-G	22L26-G
Yellow		22L23-Y	22L26-Y



22L21-R



22L25-E



22L25-SR



22L23-E

Note: Contact factory for availability



#### Related Products

To accommodate everyday use Leviton offers a variety of 22 Series accessories. See page J-24 for more information.



**RHINO-HIDE® SINGLE POLE** | 22 Series | Receptacles | Caps

**22 Series Panel Mount Receptacles (690A, 600V)**

22 Series, Latching Ball Nose — Panel Mount Receptacles					
		Male 90°	Female 90°	Male 30°	Female 30°
Description	Color	Cat. No.	Cat. No.	Cat. No.	Cat. No.
<b>1.00”L Threaded Stud Termination</b> Cable Size: 250-750MCM Max Ampacity: 690A Voltage: 600V	White	22R21-W	22R22-W	22R23-W	22R24-W
	Black	22R21-E	22R22-E	22R23-E	22R24-E
	Brown	22R21-H	22R22-H	22R23-H	22R24-H
	Red	22R21-R	22R22-R	22R23-R	22R24-R
	Blue	22R21-B	22R22-B	22R23-B	22R24-B
	Orange	22R21-O	22R22-O	22R23-O	22R24-O
	Green	22R21-G	22R22-G	22R23-G	22R24-G
	Yellow	22R21-Y	22R22-Y	22R23-Y	22R24-Y
		Female 15°		With Microswitch	
Description	Color	Cat. No.	Cat. No.		
<b>1.00”L Threaded Stud Termination</b> Cable Size: 250-750MCM Max Ampacity: 690A Voltage: 600V	White	22R26-W	22R28-W		
	Black	22R26-E	22R28-E		
	Red	22R26-R	22R28-R		

Note: Contact factory for availability

**22 Series Protective Caps**

22 Series — Caps  			
		Male	Female
Description	Color	Cat. No.	Cat. No.
<b>Caps</b>	White	22P21-W	22P22-W
	Black	22P21-E	22P22-E
	Brown	22P21-H	22P22-H
	Red	22P21-R	22P22-R
	Blue	22P21-B	22P22-B
	Orange	22P21-O	22P22-O
	Green	22P21-G	22P22-G
	Yellow	22P21-Y	22P22-Y

Note: Contact factory for availability



**Ampacity Table**

Ampacity Ratings	
Cable Size	Ampacity
250	455
350	570
500	700
750	885

Excerpted from NEC Article 400, Table 400.5(A)(2), 90° column

## RHINO-HIDE® SINGLE POLE | 23 Series | Plugs | Receptacles

### 23 Series

#### Latching Taper Nose, Cam-Type Plugs

690A, 600V AC/DC Max

Leviton's cam-type positive latching connectors and receptacles are the standard used by Navy bases and shipyards in supplying 3-phase power to ships at dockside. Our latching connector series has been tested to meet Navy specs. These heavy duty, completely insulated connectors are vibration resistant so they will not loosen — ensuring high conductivity and maximum efficiency. Contacts can be retrofitted to existing locations and power distribution systems.

#### 23 Series Cam-Type Plugs (up to 690A, 600V)

##### 23 Series, Latching Taper Nose — Cam-Type Plugs

		Male Plug	Female Plug
Description	Color	Cat. No.	Cat. No.
<b>Crimp Tube Termination</b>	White	23L22-W	23L25-W
Cable Size: 350-500MCM	Black	23L22-E	23L25-E
Max Ampacity: 690A	Brown	23L22-H	23L25-H
Voltage: 600V	Red	23L22-R	23L25-R
Neoprene™ Sleeve	Blue	23L22-B	23L25-B
	Orange	23L22-O	23L25-O
	Green	23L22-G	23L25-G
	Yellow	23L22-Y	23L25-Y
<b>Crimp Tube Termination</b>	White	23L23-W	23L26-W
Cable Size: 500-750MCM	Black	23L23-E	23L26-E
Max Ampacity: 690A	Brown	23L23-H	23L26-H
Voltage: 600V	Red	23L23-R	23L26-R
Neoprene™ Sleeve	Blue	23L23-B	23L26-B
	Orange	23L23-O	23L26-O
	Green	23L23-G	23L26-G
	Yellow	23L23-Y	23L26-Y

Note: Contact factory for availability



23L25-G



23L23-E



23L26-R

#### 23 Series Panel Mount Receptacles (690A, 600V)

##### 23 Series, Latching Taper Nose — Panel Mount Receptacles

		Male 30°	Female 30°
Description	Color	Cat. No.	Cat. No.
<b>1.00"L Threaded Stud Termination</b>	White	23R23-W	23R24-W
Cable Size: 250-750MCM	Black	23R23-E	23R24-E
Max Ampacity: 690A	Brown	23R23-H	23R24-H
Voltage: 600V	Red	23R23-R	23R24-R
	Blue	23R23-B	23R24-B
	Orange	23R23-O	23R24-O
	Green	23R23-G	23R24-G
	Yellow	23R23-Y	23R24-Y



Note: Contact factory for availability



#### Related Products

To accommodate everyday use Leviton offers a variety of 23 Series accessories. See page J-24 for more information.

### 23 Series Protective Caps

23 Series — Caps  			
		Male	Female
Description	Color	Cat. No.	Cat. No.
<b>Caps</b>	White	23P21-W	23P22-W
	Black	23P21-E	23P22-E
	Brown	23P21-H	23P22-H
	Red	23P21-R	23P22-R
	Blue	23P21-B	23P22-B
	Orange	23P21-O	23P22-O
	Green	23P21-G	23P22-G
	Yellow	23P21-Y	23P22-Y

Note: Contact factory for availability



### Ampacity Table

Ampacity Ratings	
Cable Size	Ampacity
250	455
350	570
500	700
750	885

Excerpted from NEC Article 400, Table 400.5(A)(2), 90° column

## RHINO-HIDE® SINGLE POLE | Tools and Replacement Parts for 15-23 Series

### Assembly Tools & Replacement Parts

#### "Com-A-Long" Assembly Tool 15 Series

Description	Cat. No.
For Female Plug	15CLM-U
For Male Plug	15CLF-U

#### "Com-A-Long" Assembly Tool 16, 18 Series

Description	Cat. No.
For Female Plug	16CLM-U
For Male Plug	16CLF-F

#### Copper Shims (10 Per Package)

Description	Cat. No.
15 Series	A0006
16 Series & 18 Series	A0004

#### Strain Relief Wire (10 Per Package)

Description	Cat. No.
15 Series	A0007
16 Series & 18 Series	A0003

#### "Com-A-Long" Assembly Tool 17, 19, 22, 23 Series

Description	Cat. No.
For Female Plug	17CLM
For Male Plug	17CLF

#### Set Screws (10 Per Package)

Description	Cat. No.
15 Series	A0001
16 Series & 18 Series	A0002

#### Plastic Screws (10 Per Package)

Description	Cat. No.
16 Series & 18 Series	A0010
15 Series	A0011

#### Lubricating Spray

Description	Cat. No.
16 Fluid Ounce Can	C0001

Temporary Power



## 49 Series

Rhino-Hide® 49 Series products are ideal for any number of demanding applications requiring continuous, reliable high-amperage power in multi phases. Typical locations where these products are used include oil and gas rigs as well as heavy industrial applications. Rhino-Hide® devices can be installed on both existing silicon-controlled rectifiers (SCR's) and generator stations or on new oil and gas rig construction. These devices are used by SCR drive manufacturers and top drive manufacturers to distribute power from the SCR to mud pumps and top drives.

### Features and Benefits

- Ideal for replacement, these connectors mate with other manufacturers' high-amperage single pole connectors and receptacles for fast, easy change-out
- UV stable, polyolefin-based Santoprene™ TPV housings resist fading and cracking for longer service life
- Contacts machined from high conductivity copper alloy and silver-plated for corrosion resistance and superior conductivity
- Color-coded, metal, in-line coupler prevents unauthorized separation of connectors
- Male contact silver and gold plated for superior performance
- Color-coded connector housing for quick visual identification of circuit and phase connections

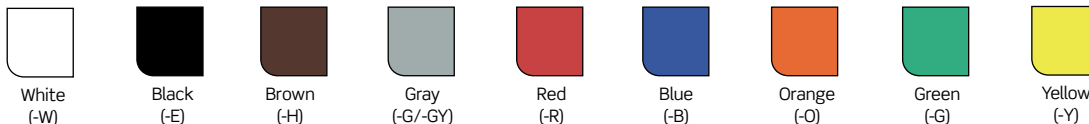
### Male and Female Plugs

#### 49 Series Male and Female

#### 49 Series Coupler



**Color Choices** Rhino-Hide® Cam-Type devices are offered in a wide range of colors. To order colors, add suffix to Cat. No.



## RHINO-HIDE® SINGLE POLE | 49 Series

### Panel Mounted Receptacles

#### 49FR Series

With thermal stability ranging from -60°C to 135°C (-76°F to 275°F) the high-performance TPV bus bar insulator resists cracking for longer service life

Ideal for replacement; receptacles mate with other manufacturers' high-amperage single pole plugs for fast, easy change-out

Receptacles deliver up to 1,135 Amps continuous duty

Captive stainless steel clevis bracket

Cast aluminum powder-coated receptacle housing is color-coded for quick visual identification of circuit and phase connections

Detent pin allows clevis pin to stay secure in either open or closed position

TPV cap prevents contamination when receptacle is not in use

"X" version receptacle housings feature a 45° angle stainless steel clevis pin that permits ganging of multiple receptacles in very close proximity to each other (as close as ¼") for installation on smaller panels

Stainless steel clevis bracket accepts industry standard lockout

Available colors include: Black, White, Red, Blue, Green, Yellow, Orange, Brown, Purple and Gray. For additional colors, consult factory.

Color-coding the devices minimizes errors due to mis-wiring and saves time during assembly and troubleshooting, especially on dusty and dirty oil rigs.



Temporary Power

**Male and Female Cable Connectors**

Cable Sizes 313 MCM through 777 MCM, 1135A Max

49 Series Devices — Male Plugs						
Max Ampacity	636A	796A	898A	1009A	1135A	
Conductor Size	313 MCM	444 MCM	535 MCM	646 MCM	777 MCM	Replacement Sleeve
Color	Cat. No.	Cat. No.	Cat. No.	Cat. No.	Cat. No.	Cat. No.
White	49M31-W	49M44-W	49M53-W	49M64-W	49M77-W	49MSL-W
Black	49M31-E	49M44-E	49M53-E	49M64-E	49M77-E	49MSL-E
Brown	49M31-H	49M44-H	49M53-H	49M64-H	49M77-H	49MSL-H
Red	49M31-R	49M44-R	49M53-R	49M64-R	49M77-R	49MSL-R
Blue	49M31-B	49M44-B	49M53-B	49M64-B	49M77-B	49MSL-B
Orange	49M31-O	49M44-O	49M53-O	49M64-O	49M77-O	49MSL-O
Green	49M31-G	49M44-G	49M53-G	49M64-G	49M77-G	49MSL-G
Yellow	49M31-Y	49M44-Y	49M53-Y	49M64-Y	49M77-Y	49MSL-Y
Purple	49M31-P	49M44-P	49M53-P	49M64-P	49M77-P	49MSL-P
Gray	49M31-GY	49M44-GY	49M53-GY	49M64-GY	49M77-GY	49MSL-GY
	Cat. No.	Cat. No.	Cat. No.	Cat. No.	Cat. No.	Cat. No.
Replacement Contact	49M31-C	49M44-C	49M53-C	49M64-C	49M77-C	—

49 Series Devices — Female Plugs						
Max Ampacity	636A	796A	898A	1009A	1135A	
Conductor Size	313 MCM	444 MCM	535 MCM	646 MCM	777 MCM	Replacement Sleeve
Color	Cat. No.	Cat. No.	Cat. No.	Cat. No.	Cat. No.	Cat. No.
White	49F31-W	49F44-W	49F53-W	49F64-W	49F77-W	49FSL-W
Black	49F31-E	49F44-E	49F53-E	49F64-E	49F77-E	49FSL-E
Brown	49F31-H	49F44-H	49F53-H	49F64-H	49F77-H	49FSL-H
Red	49F31-R	49F44-R	49F53-R	49F64-R	49F77-R	49FSL-R
Blue	49F31-B	49F44-B	49F53-B	49F64-B	49F77-B	49FSL-B
Orange	49F31-O	49F44-O	49F53-O	49F64-O	49F77-O	49FSL-O
Green	49F31-G	49F44-G	49F53-G	49F64-G	49F77-G	49FSL-G
Yellow	49F31-Y	49F44-Y	49F53-Y	49F64-Y	49F77-Y	49FSL-Y
Purple	49F31-P	49F44-P	49F53-P	49F64-P	49F77-P	49FSL-P
Gray	49F31-GY	49F44-GY	49F53-GY	49F64-GY	49F77-GY	49FSL-GY
	Cat. No.	Cat. No.	Cat. No.	Cat. No.	Cat. No.	Cat. No.
Replacement Contact	49F31-C	49F44-C	49F53-C	49F64-C	49F77-C	—

Note: Contact factory for availability



Complete Male Connector & Contact  
49M77-R



Complete Female Connector & Contact  
49F77-G  
Contacts are for copper cable only

## RHINO-HIDE® SINGLE POLE | 49 Series | Receptacles

### Panel Mount Receptacles

Rhino-Hide® receptacles include a bus bar with male or female contact inserted into a Santoprene™ TPV insulator, which is protected by a powder coated metal housing and TPV dust cap. Bus bars are available with single or double holes and each is compatible with the full cable range: 313 MCM to 777 MCM. Choose a male bus bar for the power side of the circuit or a female bus bar for the motor load side of the circuit. "X" Version receptacle housings feature a 45° angle stainless steel clevis pin that permits ganging of multiple receptacles in a very close proximity to each other (as close as 1/4" for installation on smaller panels).

### 49 Series Panel Mount Receptacles (1135A, 1000V)

#### 49 Series — Complete Male and Complete Female Panel Mount Receptacles

		Complete Male Receptacle		Complete Female Receptacle	
		Single Hole Bus Bar	Double Hole Bus Bar	Single Hole Bus Bar	Double Hole Bus Bar
Description	Color	Cat. No.	Cat. No.	Cat. No.	Cat. No.
Receptacle Spacing:	White	49MR1-CW	49MR2-CW	49FR1-CW	49FR2-CW
¼" Horizontally,	Black	49MR1-CE	49MR2-CE	49FR1-CE	49FR2-CE
3 ¼" Vertically	Brown	49MR1-CH	49MR2-CH	49FR1-CH	49FR2-CH
Cable Size: 313-777MCM	Red	49MR1-CR	49MR2-CR	49FR1-CR	49FR2-CR
Max Ampacity: 1135A	Blue	49MR1-CB	49MR2-CB	49FR1-CB	49FR2-CB
Voltage: 1000V	Orange	49MR1-CO	49MR2-CO	49FR1-CO	49FR2-CO
	Green	49MR1-CG	49MR2-CG	49FR1-CG	49FR2-CG
	Yellow	49MR1-CY	49MR2-CY	49FR1-CY	49FR2-CY
	Purple	49MR1-CP	49MR2-CP	49FR1-CP	49FR2-CP
	Gray	49MR1-CGY	49MR2-CGY	49FR1-CGY	49FR2-CGY

		Complete Male Receptacle		Complete Female Receptacle	
		Single Hole Bus Bar	Double Hole Bus Bar	Single Hole Bus Bar	Double Hole Bus Bar
Description	Color	Cat. No.	Cat. No.	Cat. No.	Cat. No.
Receptacle Spacing:	White	49MR1-XW	49MR2-XW	49FR1-XW	49FR2-XW
¼" Horizontally and	Black	49MR1-XE	49MR2-XE	49FR1-XE	49FR2-XE
Vertically	Brown	49MR1-XH	49MR2-XH	49FR1-XH	49FR2-XH
Cable Size: 313-777MCM	Red	49MR1-XR	49MR2-XR	49FR1-XR	49FR2-XR
Max Ampacity: 1135A	Blue	49MR1-XB	49MR2-XB	49FR1-XB	49FR2-XB
Voltage: 1000V	Orange	49MR1-XO	49MR2-XO	49FR1-XO	49FR2-XO
	Green	49MR1-XG	49MR2-XG	49FR1-XG	49FR2-XG
	Yellow	49MR1-XY	49MR2-XY	49FR1-XY	49FR2-XY
	Purple	49MR1-XP	49MR2-XP	49FR1-XP	49FR2-XP
	Gray	49MR1-XGY	49MR2-XGY	49FR1-XGY	49FR2-XGY

Note: Contact factory for availability



49MR Series



Single Hole and Double Hole Bus Bar Terminations



49MR-X Series



Coupler



Clevis Pin



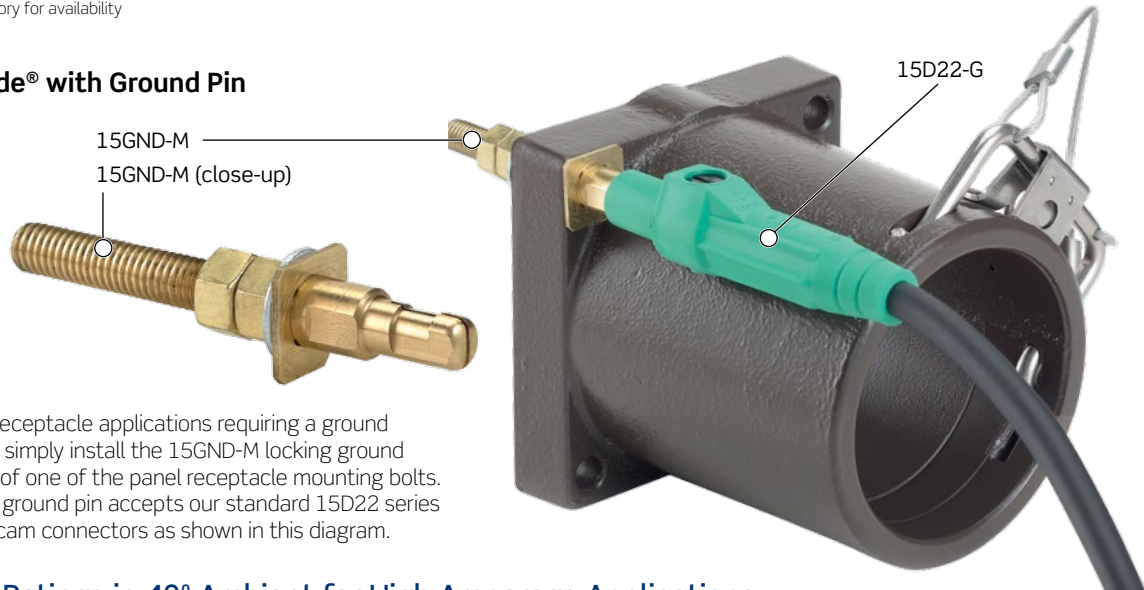
Dust Cover Cap

**Accessories and Replacement Parts**

49 Series — Connector Accessories and Replacement Parts			
For Plugs			
Description	Color	Material	Cat. No.
Clevis Pin for In-Line Connector Coupler	Silver	Stainless Steel	49PNR
Male Dust Cap	Black	High-Performance TPV	49DSM
Female Dust Cap	Black	High-Performance TPV	49DSF
In-line Coupler	White	Powder-coated aluminum	49COP-W
In-line Coupler	Black	Powder-coated aluminum	49COP-E
In-line Coupler	Brown	Powder-coated aluminum	49COP-H
In-line Coupler	Red	Powder-coated aluminum	49COP-R
In-line Coupler	Blue	Powder-coated aluminum	49COP-B
In-line Coupler	Orange	Powder-coated aluminum	49COP-O
In-line Coupler	Green	Powder-coated aluminum	49COP-G
In-line Coupler	Yellow	Powder-coated aluminum	49COP-Y
For Panel Mounted Receptacles			
Description	Color	Material	Cat. No.
Clevis Pin for Panel Mount Receptacle	Silver	Stainless Steel	49PNR*
Dust Cover Cap for Male or Female Receptacle	Black	High-Performance TPV	49DSR
Receptacle Housing Gasket	Black	Rubber	49GAS
Locking Ground Pin	—	Brass	15GND-M
Locking Ground Plug (Female)	Green	TPV/Brass	15D22-G

\*Does not fit "X" Version.  
Note: Contact factory for availability

**Rhino-Hide® with Ground Pin**



~For panel receptacle applications requiring a ground connection, simply install the 15GND-M locking ground pin in place of one of the panel receptacle mounting bolts. The locking ground pin accepts our standard 15D22 series single pole cam connectors as shown in this diagram.

**Ampacity Ratings in 40° Ambient for High Amperage Applications**

Ampacity Ratings		
Cable Size	90° C (194° F)	125° C (257° F)
313 MCM	513	636
444 MCM	642	796
535 MCM	724	898
646 MCM	814	1009
777 MCM	916	1135

## PORTABLE OUTLET BOXES AND COVERS

### Portable Outlet Boxes and Covers

#### Ideal for Temporary Power Applications

For applications ranging from industrial processing plants to construction and maintenance to entertainment and theater, Leviton's industrial grade portable outlet boxes will help to deliver the power you need, where you need it. Boxes are constructed from a high-performance UL Listed Santoprene™ TPV. They maintain their integrity in most any temperature, are extremely resistant to harsh chemicals, and exhibit excellent strength and resistance to fatigue.

Coverplates are made from Lexan®, providing great impact resistance and superior service life. Self-closing flip-lid versions provide NEMA Type 3R enclosure protection with flip-lid closed.

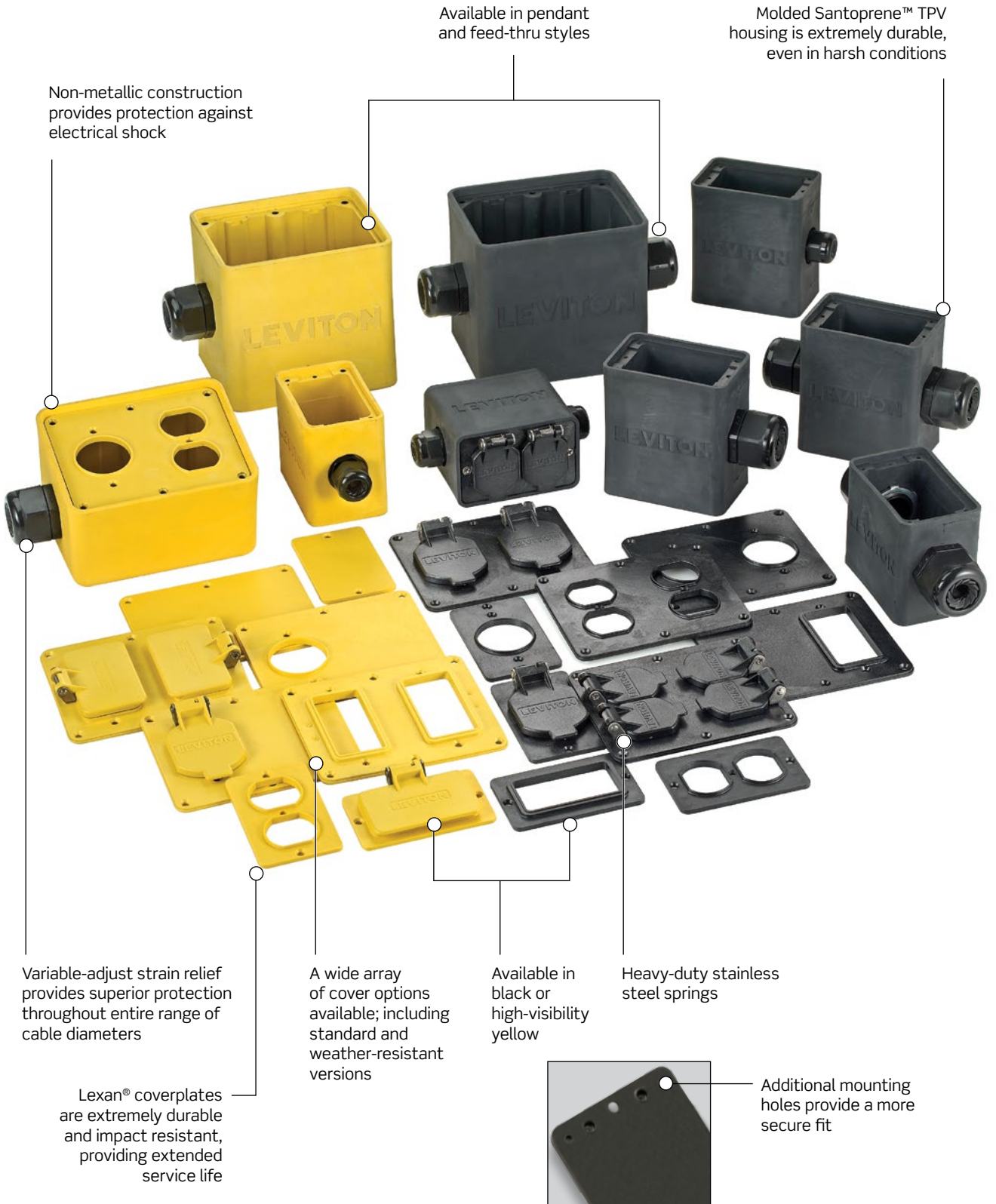
Boxes are available in single- and two-gang sizes, both feed-thru and pendant style. Coverplates are available in a wide range of configurations to fit just about any requirement. Plus, you can choose either high-visibility yellow (for most industrial and commercial applications) or black (for entertainment applications).

#### Temp Box Power Group



**PORTABLE OUTLET BOXES AND COVERS**

**Temp Box Power Group**



Non-metallic construction provides protection against electrical shock

Available in pendant and feed-thru styles

Molded Santoprene™ TPV housing is extremely durable, even in harsh conditions

Variable-adjust strain relief provides superior protection throughout entire range of cable diameters

A wide array of cover options available; including standard and weather-resistant versions

Available in black or high-visibility yellow

Heavy-duty stainless steel springs

Lexan® coverplates are extremely durable and impact resistant, providing extended service life

Additional mounting holes provide a more secure fit

Temporary Power

## PORTABLE OUTLET BOXES AND COVERS | Single Gang

### Portable Outlet Boxes — Single Gang



3059-1E



3059F-1E



3099F-1E



3099F-2E

#### Single Gang Portable Outlet Boxes

	Cable Diameter	Black	Yellow	Dimensions A	Dimensions B	Dimensions C
Description		Cat. No.	Cat. No.			
Standard Depth, Pendant Style*	0.230" - 0.546"	3059-1E	3059-1Y	3.375"	3.900"	2.500"
Standard Depth, Feed-Thru Style*	0.230" - 0.546"	3059F-1E	3059F-1Y	3.375"	3.900"	2.500"
Extra Deep, Pendant Style	0.230" - 0.546"	3099-1E	3099-1Y	4.375"	3.900"	2.500"
Extra Deep, Feed-Thru Style	0.230" - 0.546"	3099F-1E	3099F-1Y	4.375"	3.900"	2.500"
Extra Deep, Pendant Style	0.590" - 1.000"	3099-2E	3099-2Y	4.375"	3.900"	2.500"
Extra Deep, Feed-Thru Style	0.590" - 1.000"	3099F-2E	3099F-2Y	4.375"	3.900"	2.500"

\*GFCI devices and deep body receptacles are not compatible (must use extra deep version)

### Coverplates — Single Gang



3054



3051



3056



3060



3061



3052



3057



3055



3058

#### Coverplates — Single Gang

	Black	Yellow
Description	Cat. No.	Cat. No.
Blank	3054-E	3054-Y
Duplex	3051-E	3051-Y
Duplex with weather-resistant flip lid*	3056-E	3056-Y
GFCI	3060-E	3060-Y
GFCI with weather-resistant flip lid*~	3061-E	3061-Y
1.39" diameter	3052-E	3052-Y
1.39" diameter Single receptacle coverplate with weather-resistant flip lid*	3057-E	3057-Y
1.56" diameter	3055-E	3055-Y
1.56" diameter Single receptacle coverplate with weather-resistant flip lid*	3058-E	3058-Y

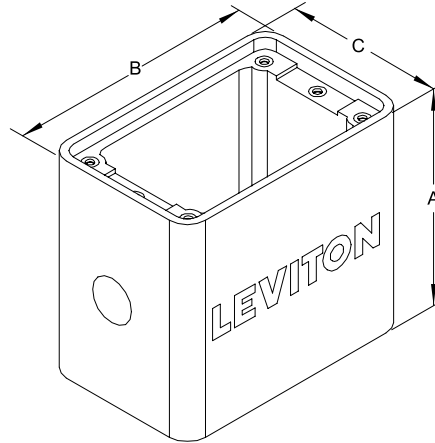
\*NEMA Type 3R Rated.

~Tamper Resistant GFCI Devices not compatible

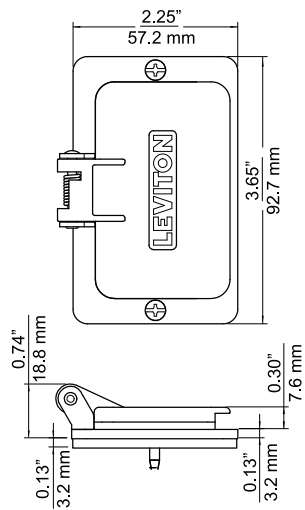


Dimensions for Single Gang Portable Outlet Boxes and Covers

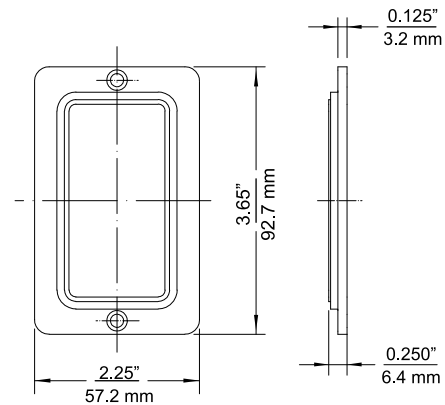
Single Gang Box



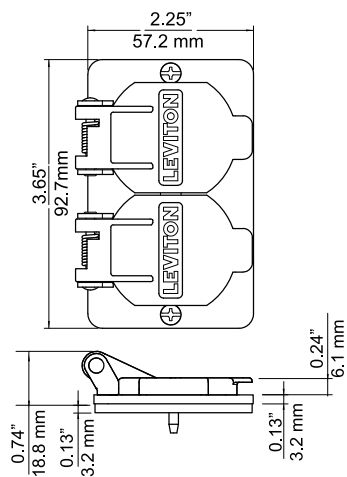
Single Gang GFCI Cover



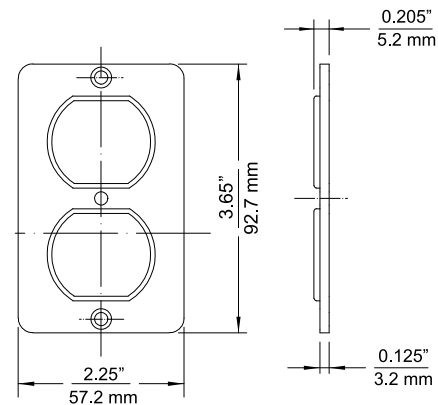
Single Gang GFCI Plate



Single Gang Cover



Single Gang Duplex Cover  
Typical for Receptacle Plates



## PORTABLE OUTLET BOXES AND COVERS | 2-Gang

### Portable Outlet Boxes — 2-Gang



3200-02Y



3300-02Y

#### 2-Gang Portable Outlet Boxes

	Cable Diameter	Black	Yellow	Dimensions A	Dimensions B	Dimensions C	Dimensions D
Description		Cat. No.	Cat. No.				
Standard Depth, Pendant Style	0.590" - 1.000"	3200-2E	3200-2Y	5.100"	5.655"	4.655"	—
Standard Depth, Feed-Thru Style	0.590" - 1.000"	3200F-2E	3200F-2Y	5.100"	5.655"	4.655"	—
Angled Depth, Pendant Style	0.590" - 1.000"	3300-2E	3300-2Y	4.300"	5.655"	4.655"	3.200"

### Coverplates — 2-Gang



3265



3260



3260W



3251



3251W



3241



3241W



3262



3262W



3261



3261W



3263



3263W

#### Coverplates

	Black	Yellow
Description	Cat. No.	Cat. No.
Blank	3265-E	3265-Y
2 - Duplex	3260-E	3260-Y
2 - Duplex with weather-resistant flip lid*	3260W-E	3260W-Y
2 - GFCI	3251-E	3251-Y
2 - GFCI with weather-resistant flip lid*~	3251W-E	3251W-Y
1 - GFCI, 1 - Blank	3241-E	3241-Y
1 - GFCI with weather-resistant flip lid, 1 - Blank*~	3241W-E	3241W-Y
1 - 1.56" diameter Single receptacle, 1 - Duplex receptacle	3262-E	3262-Y
1 - 1.56" diameter Single receptacle with weather-resistant flip lid, 1 - Duplex receptacle coverplate with weather-resistant flip lid	3262W-E	3262W-Y
1 - 1.56" diameter Single receptacle, 1 - Blank coverplate	3261-E	3261-Y
1 - 1.56" diameter Single receptacle with weather-resistant flip lid, 1 - Blank coverplate~	3261W-E	3261W-Y
2 - 1.56" diameter Single receptacle coverplate	3263-E	3263-Y
2 - 1.56" diameter Single receptacle coverplate with weather-resistant flip lid~	3263W-E	3263W-Y

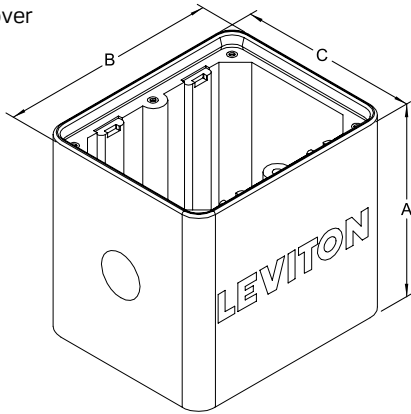
\*NEMA Type 3R Rated.

~Tamper-Resistant GFCI Devices may not be compatible — consult factory for details

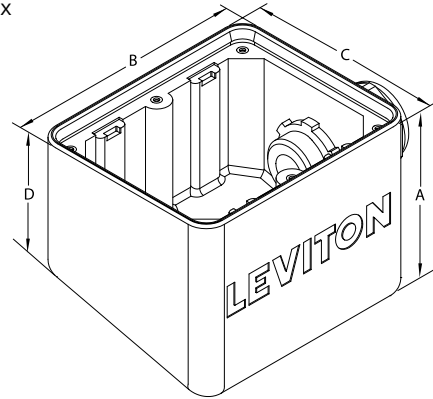
PORTABLE OUTLET BOXES AND COVERS | 2-Gang

Dimensions for Two-Gang Portable Outlet Boxes and Covers

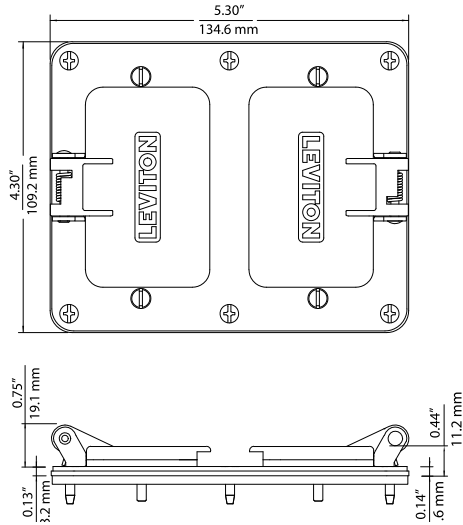
Two Gang Cover



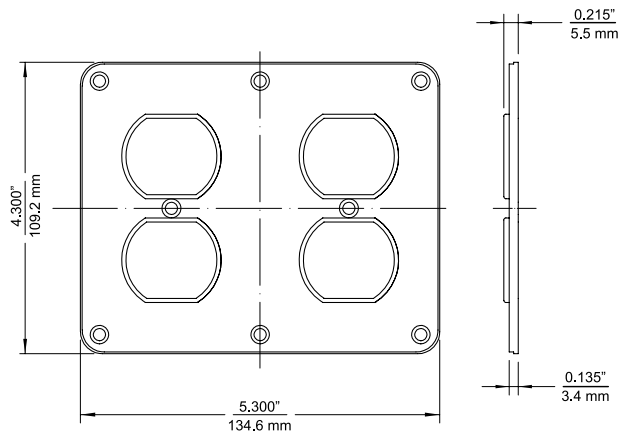
Angle Box



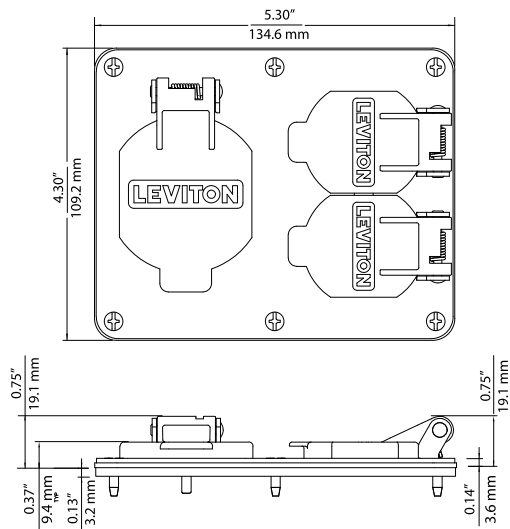
2G Decora Cover



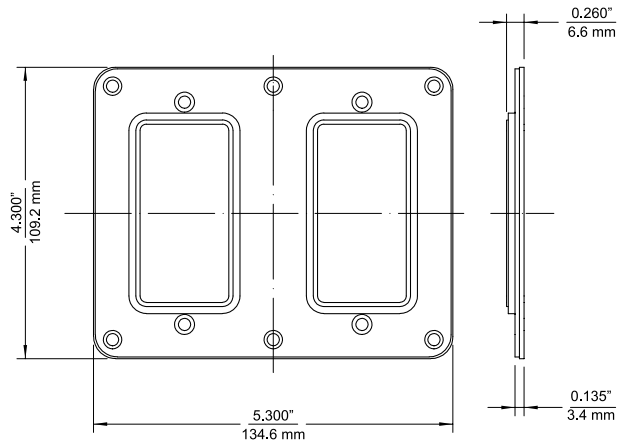
Two-Gang Duplex Plate  
Typical for Receptacle Plates



2G Combo Cover  
Receptacle and Duplex



Two-Gang GFCI Plate



## PORTABLE GFCI CORD SETS | Power Supply Cords

### Portable GFCI Devices

#### Automatic and Manual Reset GFCI Cord Sets and Power Supply Cords

Leviton's automatic and manual reset GFCI devices are now sleeker and more rugged than ever. And, while these devices are fully OSHA compliant for use on job sites, they are also perfect for use in a variety of temporary power applications, including as recreation vehicles, marine vehicles, portable pools, portable generators, submersible pumps, vending machines and more.

**GFA15-6C**



Rainproof, polycarbonate, ultrasonically welded enclosure provides long service life and excellent resistance to harsh weather

Power Indicator light goes OFF if GFCI trips, power is interrupted or line cord is unplugged

Weather-Resistant cable

#### Features and Benefits

- Rainproof, outdoor rated GFCI module
- Fully complies with NEC and OSHA regulations for construction sites
- Manual reset cord sets (yellow body) will NOT automatically reset ON when power is restored after a power interruption — RESET button must be actuated
- Automatic reset cord sets (black body) automatically reset ON when plugged in or when power is restored after a power interruption

Continued on next page

**PORTABLE GFCI CORD SETS** | Power Supply Cords

Continued from previous page

**Features and Benefits**

- Power indicator light goes OFF if GFCI trips, power is interrupted or GFCI is unplugged
- Open-neutral protection immediately trips the GFCI if the neutral conductor on the line side is opened, eliminating the possibility of the GFCI having a live hot leg
- Custom cord lengths and configurations available as special order
- Impact-resistant thermoplastic cover and body
- Water-resistant enclosure sealed by ultrasonic welding
- Fully complies with NEC and OSHA regulations for construction sites
- UL listed cord sets and user-attachables; UL recognized power supply cords; complies with UL Standard 943 as a Class A GFCI
- CSA Certified
- Backed by a limited 2-year warranty

**Automatic Reset GFCI Cord Sets and Power Supply Cords**

Rating		15A-120V	
NEMA			
		5-15P	5-15R
Description	Color	Cat. No.	
2 ft. Cord Set, Molded, Straight Blade Plug and Connector	Black	GFA15-2C	
6 ft. Cord Set, Molded, Straight Blade Plug and Connector	Black	GFA15-6C	
25 ft. Cord Set, Molded, Straight Blade Plug and Connector	Black	GFA15-25C	
3 ft. Cord Set, Molded, Straight Blade Plug and Triple Tap Connector	Black	GFA15-3TC	
37 ft. Power Supply Cord, Molded, Straight Blade Plug, No Connector	Black	GFA15-37E	
Rating		20A-120V	
NEMA			
		5-20P	5-20R
Description	Color	Cat. No.	
3 ft. Cord Set, Molded, Straight Blade Plug and Connector	Black	GFA20-3C	
37 ft. Power Supply Cord Molded, Straight Blade Plug, No Connector	Black	GFA20-37E	
Rating		20A-120V	
NEMA			
		L5-20P	L5-20R
Description	Color	Cat. No.	
3 ft. Cord Set, Locking Plug and Connector	Black	GFA20-3LC	



GFA15-3TC







GFA20-37E



GFA20-3C

## PORTABLE GFCI CORD SETS | Power Supply Cords

### Manual Reset GFCI Cord Sets and Power Supply Cords

Manual Reset GFCI Cord Sets <sup>UL</sup> <sup>CS</sup>		
<b>Rating</b>		15A-120V
NEMA		  5-15P    5-15R
Description	Color	Cat. No.
3 ft. Cord Set, Molded, Straight Blade Plug and Connector, 12-3 SJTW Cord	Yellow	GFM15-3C
25 ft. Cord Set, Molded, Straight Blade Plug and Connector	Yellow	GFM15-25C
3 ft. Cord Set, Molded, Straight Blade Plug and Triple Tap Connector, 12-3 SJTW Cord	Yellow	GFM15-3TC
3 ft. Cord Set, Molded, Straight Blade Plug and Connector, 14-3 SJTW Cord, one end features a 14W47 Wetguard <sup>®</sup> Plug, other end features a 15W47 Wetguard <sup>®</sup> Connector	Yellow	GFM15-3WC
<b>Rating</b>		20A-120V
NEMA		  5-20P    5-20R
Description	Color	Cat. No.
3 ft. Cord Set, Molded, Straight Blade Plug and Connector, 12-3 SJTW Cord	Yellow	GFM20-3C
3 ft. Cord Set, Molded, Straight Blade, Plug and Connector, 12-3 SJTW Cord, one end features a 14W33 Wetguard <sup>®</sup> Plug, other end features a 15W33 Wetguard <sup>®</sup> Connector	Yellow	GFM20-3WC



GFM20-3C

Temporary Power

### SPOTLIGHT

#### Temporary Power

Leviton offers a comprehensive line of temporary power products for the commercial, industrial and entertainment market segments. See Section J, our Temporary Power Section, for our full temporary power offering, or visit us online at [www.leviton.com/tempower](http://www.leviton.com/tempower)



### GFCI User Attachables

#### Features and Benefits

- UL 943 Class A GFCI operation with open-neutral protection
- May be pre-wired to cable of any specified length up to 50 feet
- Accept — #18 thru #12 cord sizes Type SJ or ST
- Power indicator light goes off if GFCI trips, power is interrupted or GFCI is unplugged
- Backed by a limited 2-year warranty

16693



16694



Polycarbonate, ultrasonically welded body provides long service life and excellent resistance to harsh weather

Accepts 12 AWG to 18 AWG 3-wire flexible cord (SJ or ST Type)

Terminal chamber sealed with silicon and foam rubber gaskets for superior protection against moisture

### User Attachable Devices

Right Angle GFCI Plug			
Rating		15A-120V	20A-120V
NEMA		5-15P	5-20P
Description	Color	Cat. No.	Cat. No.
Automatic Reset	Black	16693*	16793*
Manual Reset	Yellow	16694*	16794*

\*Please add -1 to the Cat. No. for bulk pack of 20



16693

## STAGE PIN DEVICES

### Stage Pin Devices

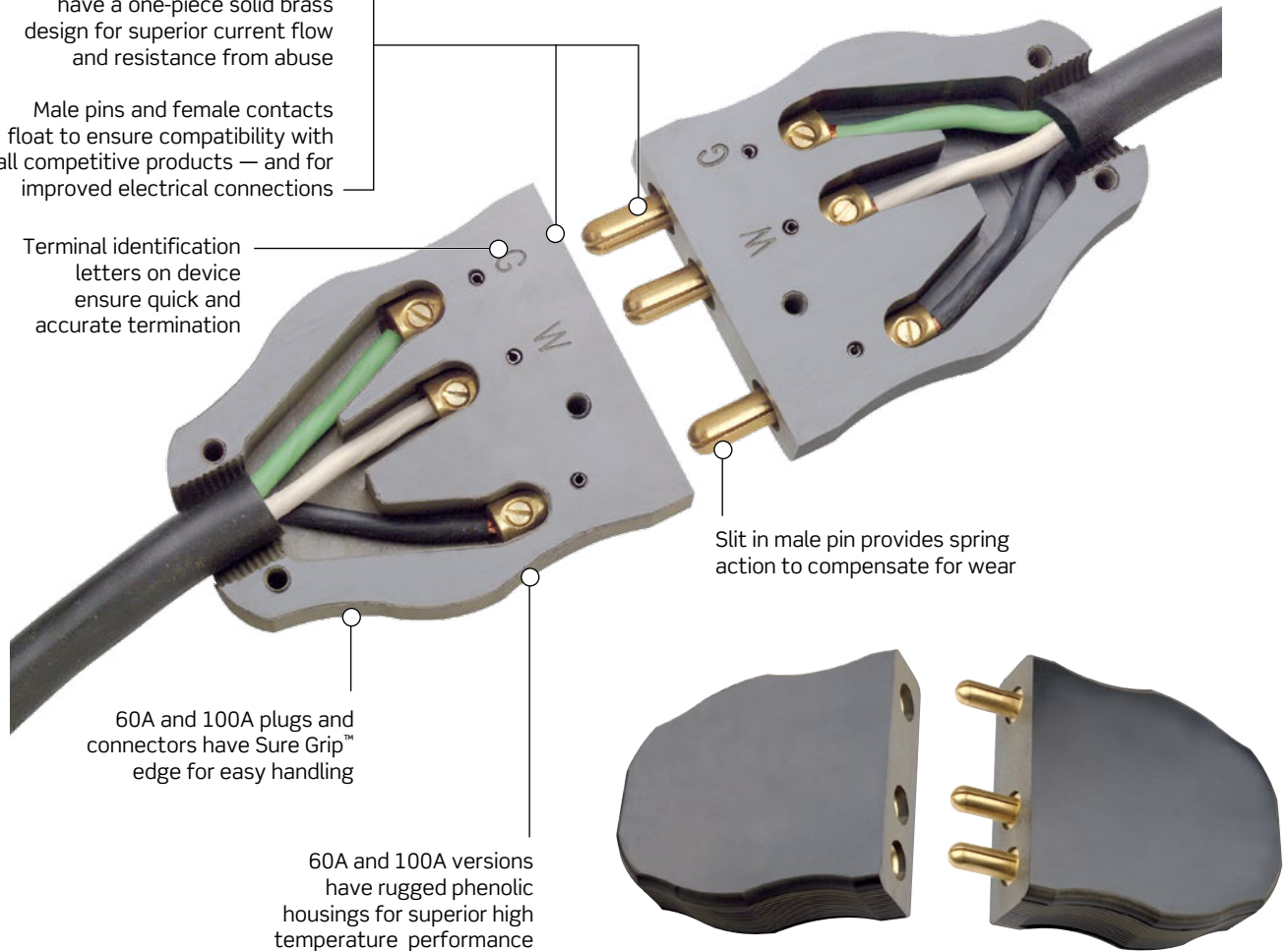
Conforms to USITT (United States Institute for Theater Technology) S3 Standard for Stage Pin Connectors

#### 100MP-E

Male pins and female contacts have a one-piece solid brass design for superior current flow and resistance from abuse

Male pins and female contacts float to ensure compatibility with all competitive products — and for improved electrical connections

Terminal identification letters on device ensure quick and accurate termination



#### 20MP-CL



Note: 20 Amp version is available with a clear cover to allow for visual inspection of proper termination of conductors. Other colors available. Consult factory for availability



**20A, 60A, and 100A, 125V Stage Pin Devices**


20MP-CL



20FP-CL



100MP-E


 Male Panel Mount,  
Bolt-On

 Female Panel  
Mount, Snap-In

**20A, 125V, 2-Pole 3-Wire, Grounding**

Description	Color	Cat. No.
Male Plug — Screw Terminal	Black	20MP-E
Male Plug — Screw Terminal	Black w/ Clear Cover	20MP-CL
Male Plug — Crimp Terminal	Black	20MC-E
Male Plug — Crimp Terminal	Black w/ Clear Cover	20MC-CL
Female Connector — Screw Terminal	Black	20FP-E
Female Connector — Screw Terminal	Black w/ Clear Cover	20FP-CL
Female Connector — Crimp Terminal	Black	20FC-E
Female Connector — Crimp Terminal	Black w/ Clear Cover	20FC-CL
Panel Mount Male Inlet — Set Screw Terminal, Snap-In Mounting	Black	20IS-E
Panel Mount Female Receptacle — Screw Terminal, Snap-In Mounting	Black	20RS-E

**60A, 125V, 2-Pole 3-Wire, Grounding**

Description	Color	Cat. No.
Panel Mount Male Inlet — Set Screw Terminal, Snap-In Mounting	Black	60IS-E
Panel Mount Male Inlet — Set Screw Terminal, Bolt-On Mounting	Black	60IB-1E

**100A, 125V, 2-Pole 3-Wire, Grounding**

Description	Color	Cat. No.
Male Plug — Set Screw Terminal	Black	100MP-E
Panel Mount Female Receptacle — Set Screw Terminal, Bolt-On Mounting	Black	100RB-1E
Panel Mount Male Inlet — Set Screw Terminal, Bolt-On Mounting	Black	100IB-1E

Note: For 20 Amp male plugs and female connectors, other cover colors are available. Consult factory for availability

## POWER DISTRIBUTION BOX AND POWER CORDS

### Power Distribution Box and Power Cords

#### Features and Benefits

##### The Box

- For temporary use in industrial and commercial maintenance and repair stations (construction, entertainment, amusement sites, trade shows, convention halls) where portable power is needed
- Weatherproof covers prevent moisture from entering contacts and nuisance tripping
- Clear port hole panel for circuit breaker viewing
- Reinforced metal housing and legs withstand abuse
- Backed by a limited 1-year warranty

##### Power Cords

- Flexible, abrasion-resistant construction for reliable performance to -31°F
- Raintight covers satisfy NEC Article 410-57(b) requirements
- Raintight covers are rated NEMA 3R

#### Temporary Portable Power Distribution Center/GFCI (The Box)

Rating	50A-120/250V		50A-120/250V	
NEMA				
	6: L5-20R		1: L6-30R	
Description	Cat. No.	Inlet	Outlet	
(6) 20A/120V Locking, GFCI Protected	<a href="#">PB101-SGF</a>			
(1) 30A/250V Locking, GFCI Protected				
(6) 20A/120V Locking, GFCI Protected	PB101-000			
(1) 30A/250V Locking, Non-GFCI Protected				
(6) 20A/120V Straight Blade, GFCI Protected	<a href="#">PB103-SGF</a>			
(1) 30A/250V Locking, GFCI Protected				
(6) 20A/120V Straight Blade, GFCI Protected	PB103-000			
(1) 30A/250V Locking, Non-GFCI Protected				



PB101-SGF



KRS-A9519

#### Power Cords

		Non-NEMA	Non-NEMA
Description	Cat. No.	Inlet	Outlet
100 ft. Temporary Power Cord w/Weather-Resistant 50A, 120/250 Plug and Connector	<a href="#">KUS-A9519</a>		
50 ft. Temporary Power Cord w/Weather-Resistant 50A, 120/250 Plug and Connector	<a href="#">KRS-A9519</a>		