

ITRAY

A ALUMINUM

CONNECTORS & FITTINGS:

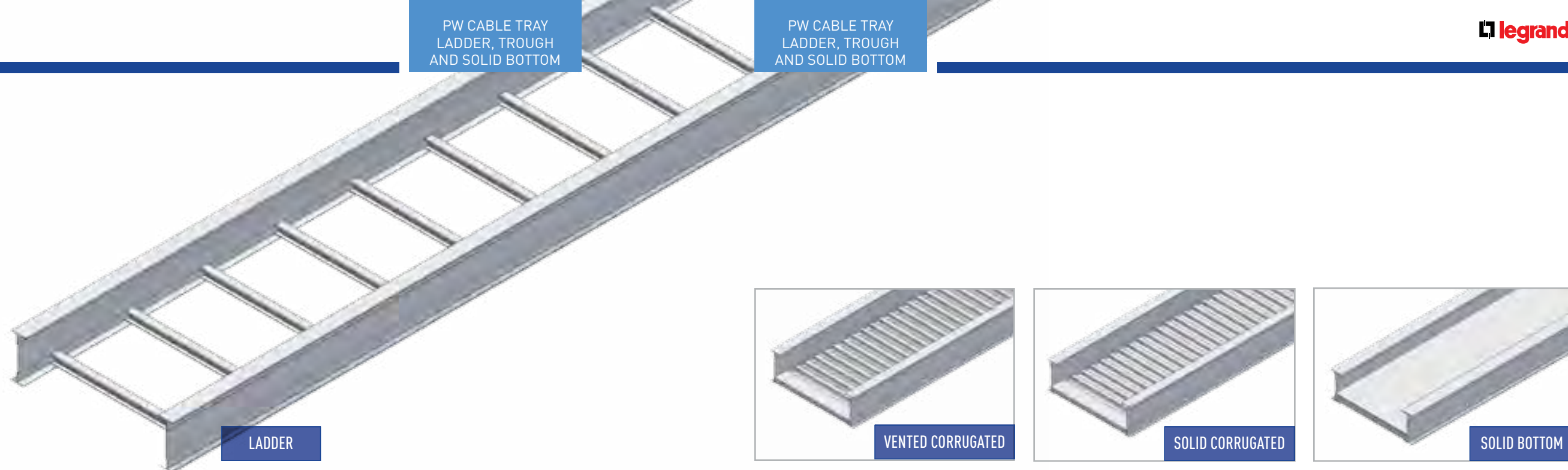
Necessary connectors and fasteners are supplied with all trays and fittings. Extra connectors for field cuts or spares must be ordered separately.

SAFE LOAD:

Allowable cable load in pounds per linear foot uniformly distributed. Based on tray with standard rung on 9" centers and supported on simple beam with safety factor of 1.5 per NEMA VE1.

CONCENTRATED LOAD:

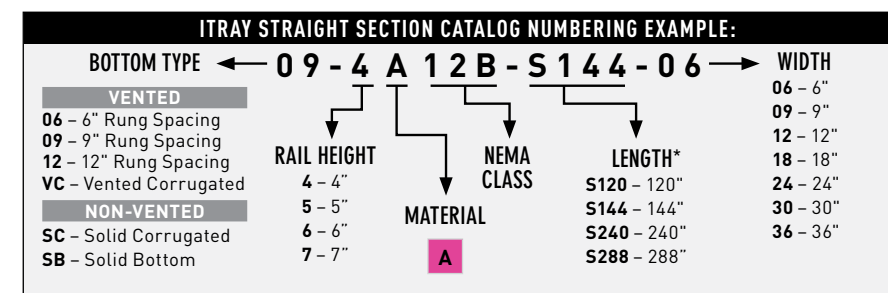
All ladders with solid rungs and trays with corrugated bottoms will support a 200 lb. concentrated load applied at the center of the tray in addition to the NEMA-rated cable load without collapse.



RAIL HEIGHT (IN.)	LOAD DEPTH (IN.)	NEMA CLASS	AVAILABLE LENGTHS (FT.)				WIDTHS (IN.)	TRAY SYSTEM NUMBER	AMP RATING	SUPPORT SPAN (FT.)																										
			10	12	20	24				6	8	10	12	14	16	18	20	22	24	26	28	30														
										SAFE LOAD DATA (LBS./FT.) / DEFLECTION (IN.) / SAFETY FACTOR 1.5																										
4	3	12B	10	12	-	-	-	6-36	4A12B	1000	300	0.46	169	0.81	108	1.27	75	1.83																		
	3	12C	10	12	20	-	-	6-36	4A12C	1000	400	0.49	225	0.86	144	1.35	100	1.94																		
	3	20B	-	12	20	24	-	6-36	4A20B	1600			469	0.92	300	1.43	208	2.06	153	2.80	117	3.66	93	4.63	75	5.72	61	6.92	50	8.24						
5	4	12C	10	12	20	-	-	6-36	5A12C	1000	400	0.28	225	0.50	144	0.78	100	1.12																		
	4	20B	-	12	20	24	-	6-36	5A20B	1600			469	0.60	300	0.95	208	1.36	153	1.85	117	2.42	93	3.06	75	3.78	61	4.57	50	5.44						
6	5	12C	10	12	20	-	-	6-36	6A12C	1000	400	0.24	225	0.42	144	0.66	100	0.95																		
	5	20B	-	12	20	24	-	6-36	6A20B	1600			469	0.43	300	0.67	208	0.96	153	1.31	117	1.71	93	2.16	75	2.67	61	3.23	50	3.84						
	5	20C	-	12	20	24	-	6-36	6A20C	1600					400	0.78	278	1.12	204	1.53	156	2.00	123	2.53	100	3.12	81	3.78	66	4.49						
7	5	24C	-	-	20	24	30	6-36	6A24C	1600						400	1.04	294	1.41	225	1.84	178	2.33	144	2.88	119	3.48	100	4.14	84	4.86	71	5.64	61	6.47	
	6	12C	10	12	20	-	-	6-36	7A12C	1000	400	0.15	225	0.27	144	0.42	100	0.61																		
	6	20B	-	12	20	24	-	6-36	7A20B	1600			469	0.32	300	0.50	208	0.72	153	0.98	117	1.29	93	1.63	75	2.01	61	2.43	50	2.89						
	6	20C	-	12	20	24	-	6-36	7A20C	1600					400	0.55	278	0.78	204	1.07	156	1.40	123	1.77	100	2.18	81	2.64	66	3.14						
6	24C	-	-	20	24	30	6-36	7A24C	1600						400	0.90	294	1.23	225	1.60	178	2.03	144	2.50	119	3.03	100	3.60	84	4.23	71	4.90	61	5.63		



All Legrand aluminum and steel cable trays are Classified by UL as equipment grounding conductors per NEC 392.60. (UL File No. E60796)



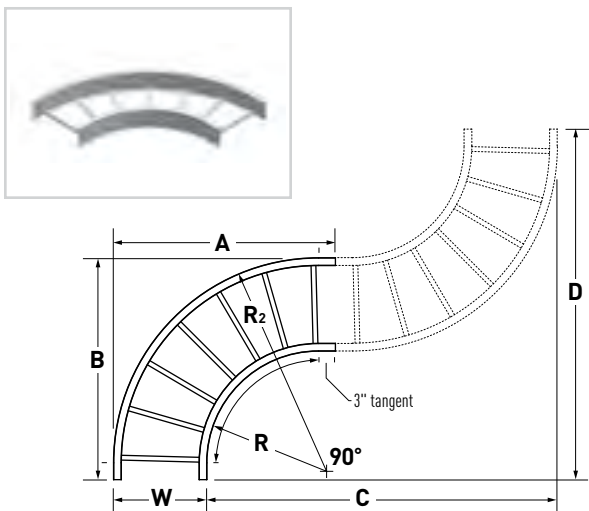
* S144 and S240 are standard; S120 and S288 are available with extended lead time.

ITRAY - STRAIGHT SECTIONS

- WIDTHS (W) INCHES**
6 | 9 | 12 | 18 | 24 | 30 | 36
- RAIL HEIGHTS (H) INCHES**
4 | 5 | 6 | 7

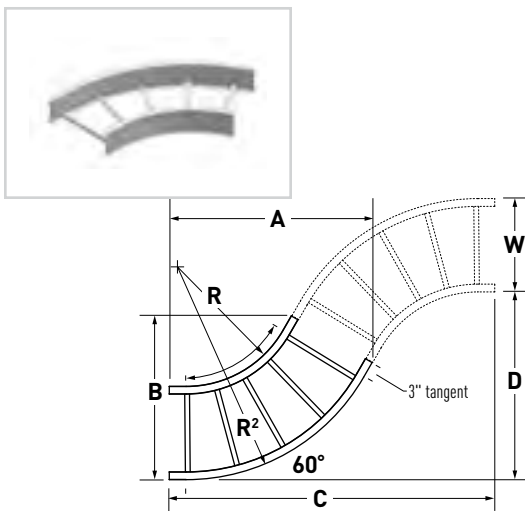
ITRAY - STRAIGHT SECTIONS

90HB
HORIZONTAL 90° ELBOW A



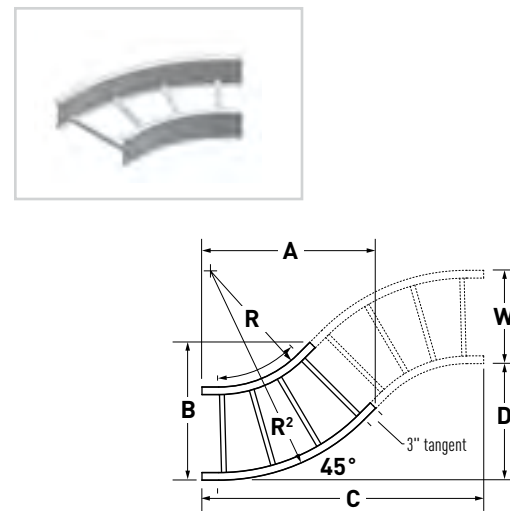
RADIUS R	WIDTH W	RADIUS 2 R2	A	B	C	D
12	6	18	21	21	36	36
	9	21	24	24	39	39
	12	24	27	27	42	42
	18	30	33	33	48	48
	24	36	39	39	54	54
	30	42	45	45	60	60
24	6	30	33	33	60	60
	9	33	36	36	63	63
	12	36	39	39	66	66
	18	42	45	45	72	72
	24	48	51	51	78	78
	30	54	57	57	84	84
36	6	42	45	45	84	84
	9	45	48	48	87	87
	12	48	51	51	90	90
	18	54	57	57	96	96
	24	60	63	63	102	102
	30	66	69	69	108	108
36	72	75	75	114	114	

60HB
HORIZONTAL 60° ELBOW A



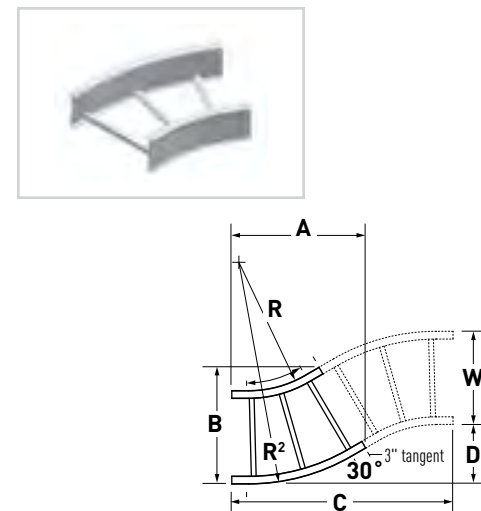
RADIUS R	WIDTH W	RADIUS 2 R2	A	B	C	D
12	6	18	20 1/8	14 5/8	35	20 1/4
	9	21	22 5/8	17 5/8	37 5/8	21 3/4
	12	24	25 1/4	20 5/8	40 1/8	23 1/4
	18	30	30 1/2	26 5/8	45 3/8	26 1/4
	24	36	35 5/8	32 5/8	50 5/8	29 1/4
	30	42	40 7/8	38 5/8	55 3/4	32 1/4
24	6	30	30 1/2	20 5/8	55 3/4	32 1/4
	9	33	33 1/8	23 5/8	58 3/8	33 3/4
	12	36	35 5/8	26 5/8	61	35 1/4
	18	42	40 7/8	32 5/8	66 1/8	38 1/4
	24	48	46 1/8	38 5/8	71 3/8	41 1/4
	30	54	51 1/4	44 5/8	76 1/2	44 1/4
36	6	42	40 7/8	26 5/8	76 1/2	44 1/4
	9	45	43 1/2	29 5/8	79 1/8	45 3/4
	12	48	46 1/8	32 5/8	81 3/4	47 1/4
	18	54	51 1/4	38 5/8	87	50 1/4
	24	60	56 1/2	44 5/8	92 1/8	53 1/4
	30	66	61 5/8	50 5/8	97 3/8	56 1/4
36	72	66 7/8	56 5/8	102 1/2	59 1/4	

45HB
HORIZONTAL 45° ELBOW A



RADIUS R	WIDTH W	RADIUS 2 R2	A	B	C	D
12	6	18	17 7/8	11 5/8	31 1/2	13
	9	21	20	14 5/8	33 5/8	13 7/8
	12	24	22 1/8	17 5/8	35 3/4	14 3/4
	18	30	26 3/8	23 5/8	40	16 1/2
	24	36	30 5/8	29 5/8	44 1/8	18 1/4
	30	42	34 7/8	35 5/8	48 3/8	20
24	6	30	26 3/8	15 1/8	48 3/8	20
	9	33	28 1/2	18 1/8	50 1/2	21
	12	36	30 5/8	21 1/8	52 5/8	21 7/8
	18	42	34 7/8	27 1/8	56 7/8	23 5/8
	24	48	39	33 1/8	61 1/8	25 3/8
	30	54	43 1/4	39 1/8	65 3/8	27 1/8
36	6	42	34 7/8	18 5/8	65 3/8	27 1/8
	9	45	37	21 5/8	67 1/2	28
	12	48	39	24 5/8	69 5/8	28 7/8
	18	54	43 1/4	30 5/8	73 7/8	30 5/8
	24	60	47 1/2	36 5/8	78 1/8	32 3/8
	30	66	51 3/4	42 5/8	82 3/8	34 1/8
36	72	56	48 5/8	86 5/8	35 7/8	

30HB
HORIZONTAL 30° ELBOW A



RADIUS R	WIDTH W	RADIUS 2 R2	A	B	C	D
12	6	18	14 1/2	9 1/8	26 1/4	7
	9	21	16 1/8	12 1/8	27 3/4	7 3/8
	12	24	17 5/8	15 1/8	29 1/4	7 7/8
	18	30	20 5/8	21 1/8	32 1/4	8 5/8
	24	36	23 5/8	27 1/8	35 1/4	9 3/8
	30	42	26 5/8	33 1/8	38 1/4	10 1/4
24	6	30	20 5/8	10 3/4	38 1/4	10 1/4
	9	33	22 1/8	13 3/4	39 3/4	10 5/8
	12	36	23 5/8	16 3/4	41 1/4	11
	18	42	26 5/8	22 3/4	44 1/4	11 7/8
	24	48	29 5/8	28 3/4	47 1/4	12 5/8
	30	54	32 5/8	34 3/4	50 1/4	13 1/2
36	6	42	26 5/8	12 3/8	50 1/4	13 1/2
	9	45	28 1/8	15 3/8	51 3/4	13 7/8
	12	48	29 5/8	18 3/8	53 1/4	14 1/4
	18	54	32 5/8	24 3/8	56 1/4	15
	24	60	35 5/8	30 3/8	59 1/4	15 7/8
	30	66	38 5/8	36 3/8	62 1/4	16 5/8
36	72	41 5/8	42 3/8	65 1/4	17 1/2	

- WIDTHS (W) INCHES**
6 | 9 | 12 | 18 | 24 | 30 | 36
- RAIL HEIGHTS (H) INCHES**
4 | 5 | 6 | 7
- RADIUS (R) INCHES**
12 | 24 | 36

ITRAY HORIZONTAL ELBOW CATALOG NUMBERING EXAMPLE:

BOTTOM TYPE ← LD - 4 A - 90HB 12 - 06 → **WIDTH**

LD - Ladder Rung
VC - Vented Corrugated
SC - Solid Corrugated
SB - Solid Bottom

RAIL HEIGHT
4 - 4"
5 - 5"
6 - 6"
7 - 7"

FITTING CODE
90HB
60HB
45HB
30HB

RADIUS
12 - 12"
24 - 24"
30 - 30"
36 - 36"

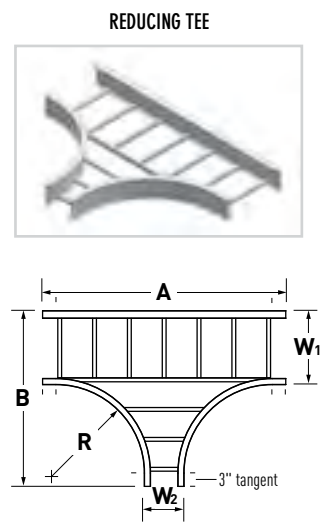
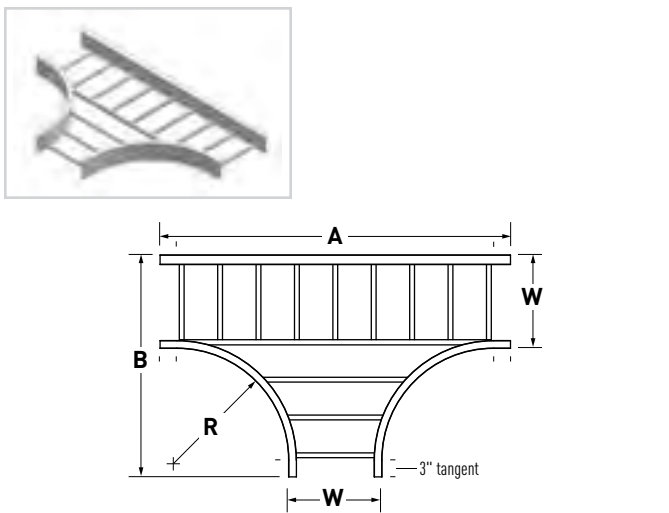
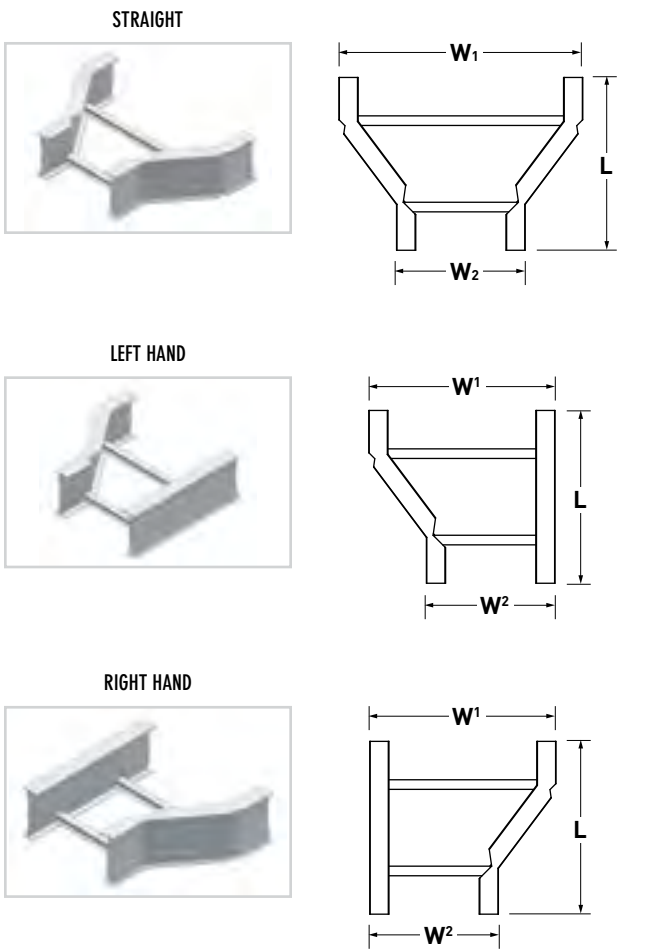
06 - 6"
09 - 9"
12 - 12"
18 - 18"
24 - 24"
30 - 30"
36 - 36"

MATERIAL
A

SR / LR / RR
HORIZONTAL REDUCERS

HT
HORIZONTAL STANDARD TEE

RT / ET
HORIZONTAL REDUCING/EXPANDING TEES



LENGTH	MAIN WIDTH W1	AVAILABLE BRANCH WIDTHS W2					
		6	9	12	18	24	30
18	9	6	-	-	-	-	-
	12	6	9	-	-	-	-
	18	6	9	12	-	-	-
	24	6	9	12	18	-	-
	30	6	9	12	18	24	-
	36	6	9	12	18	24	30

RADIUS R	WIDTH W	A	B
12	6	36	21
	9	39	24
	12	42	27
	18	48	33
	24	54	39
24	30	60	45
	36	66	51
	6	60	33
	9	63	36
	12	66	39
36	18	72	45
	24	78	51
	30	84	57
	36	90	63
	6	84	45
	9	87	48
	12	90	51
	18	96	57
	24	102	63
	30	108	69
	36	114	75

MAIN WIDTH W1	BRANCH WIDTH W2	RADIUS R	A	B	RADIUS R	A	B	RADIUS R	A	B
9	6	12	36	24	24	60	36	36	84	48
			36	27		60	39		84	51
12	9		39	27		63	39		87	51
			36	33		60	45		84	57
18	9		39	33		63	45		87	57
			42	33		66	45		90	57
			36	39		60	51		84	63
24	12		39	39		63	51		87	63
			42	39		66	51		90	63
			48	39		72	51		96	63
30	18		36	45		60	57		84	69
			39	45		63	57		87	69
		42	45	66	57	90	69			
36	24	48	45	72	57	96	69			
		54	45	78	57	102	69			
		36	51	60	63	84	75			
	9	39	51	63	63	87	75			
		42	51	66	63	90	75			
		48	51	72	63	96	75			
	18	54	51	78	63	102	75			
		60	51	84	63	108	75			
		60	51	84	63	108	75			

MAIN WIDTH W1	BRANCH WIDTH W2	RADIUS R	A	B	RADIUS R	A	B	RADIUS R	A	B
6	9	12	39	21	24	63	33	36	87	45
			42	21		66	33		90	45
			48	21		72	33		96	45
			54	21		78	33		102	45
			60	21		84	33		108	45
9	12		66	21		90	33		114	45
			42	24		66	36		90	48
			48	24		72	36		96	48
12	18		54	24		78	36		102	48
			60	24		84	36		108	48
			66	24		90	36		114	48
18	24		48	27		72	39		96	51
		54	27	78	39	102	51			
		60	27	84	39	108	51			
24	30	66	27	90	39	114	51			
		54	33	78	45	102	57			
		60	33	84	45	108	57			
30	36	66	33	90	45	114	57			
		60	39	84	51	108	63			
		66	39	90	51	114	63			
36	36	66	45	90	57	114	69			

ITRAY HORIZONTAL REDUCER CATALOG NUMBERING EXAMPLE:

BOTTOM TYPE ← **LD-4A-SR09-06** → WIDTH 2

VENTED
 LD - Ladder Rung
 VC - Vented Corrugated
NON-VENTED
 SC - Solid Corrugated
 SB - Solid Bottom

RAIL HEIGHT: 4-4", 5-5", 6-6", 7-7"
 FITTING CODE: SR, LR, RR
 MATERIAL: A
 WIDTH 1: 09-9", 12-12", 18-18", 24-24", 30-30", 36-36"

ITRAY HORIZONTAL TEE CATALOG NUMBERING EXAMPLE:

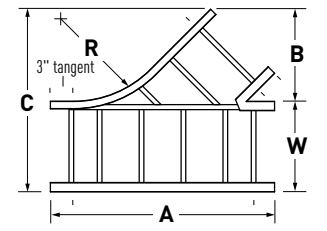
BOTTOM TYPE ← **LD-4A-RT12-1206** → WIDTH 2*

VENTED
 LD - Ladder Rung
 VC - Vented Corrugated
NON-VENTED
 SC - Solid Corrugated
 SB - Solid Bottom

RAIL HEIGHT: 4-4", 5-5", 6-6", 7-7"
 FITTING CODE: ST*, RT, ET
 MATERIAL: A
 RADIUS: 12-12", 24-24", 36-36"
 WIDTH 1: 06-6", 09-9", 12-12", 18-18", 24-24", 30-30", 36-36"

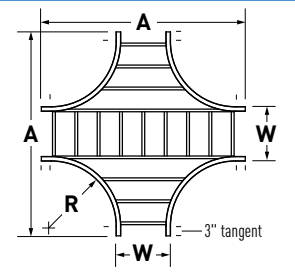
* Width 2 does not apply to Standard Tee (ST).

YL / YR
HORIZONTAL WYE BRANCHES



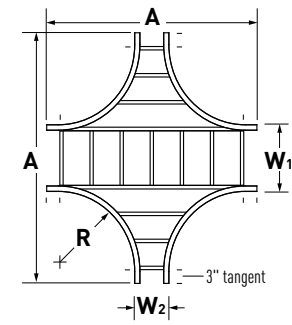
WIDTH W	RADIUS R	A	B	C
6	24	27 ³ / ₈	4 ¹ / ₂	27 ⁷ / ₈
9		31 ⁵ / ₈	7 ¹ / ₂	39 ¹ / ₈
12		35 ⁷ / ₈	10 ¹ / ₂	46 ³ / ₈
18		44 ³ / ₈	16 ¹ / ₂	60 ⁷ / ₈
24		52 ⁷ / ₈	22 ¹ / ₂	75 ³ / ₈
30		61 ³ / ₈	28 ¹ / ₂	89 ⁷ / ₈
36	69 ⁷ / ₈	34 ¹ / ₂	104 ³ / ₈	

HX
HORIZONTAL STANDARD CROSS



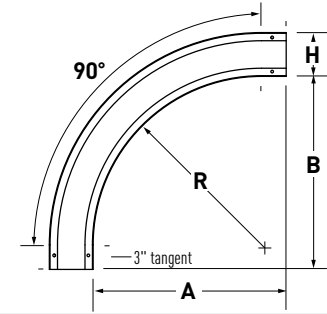
WIDTH W	RADIUS R	A	RADIUS R	A	RADIUS R	A
6	12	36	24	60	36	84
9		39		63		87
12		42		66		90
18		48		72		96
24		54		78		102
30		60		84		108
36	66	90	90	114		

RX
HORIZONTAL REDUCING CROSS



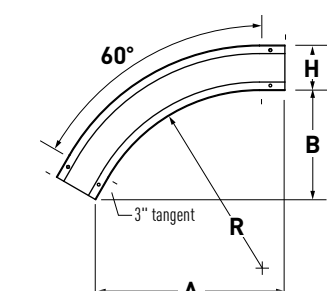
MAIN WIDTH W1	BRANCH WIDTH W2	RADIUS R	A	B	RADIUS R	A	B	RADIUS R	A	B
9	6	12	36	39	24	60	63	36	84	87
	12		6	36		42	60		66	84
9	9		39	42		63	66		87	90
18	6		36	48		60	72		84	96
	9		39	48		63	72		87	96
	12		42	48		66	72		90	96
24	6		36	54		60	78		84	102
	9		39	54		63	78		87	102
	12		42	54		66	78		90	102
	18		48	54		72	78		96	102
30	6		36	60		60	84		84	108
	9		39	60		63	84		87	108
	12	42	60	66	84	90	108			
	18	48	60	72	84	96	108			
36	24	54	60	78	84	102	108			
	6	36	66	60	90	84	114			
	9	39	66	63	90	87	114			
	12	42	66	66	90	90	114			
	18	48	66	72	90	96	114			
	24	54	66	78	90	102	114			
30	60	66	84	90	108	114				

90VO
VERTICAL OUTSIDE 90° ELBOW



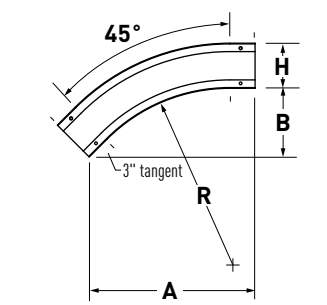
RADIUS R	WIDTH W	RAIL HEIGHT H	A	B
12	6-36	4-7	15	15
24			27	27
36			39	39

60VO
VERTICAL OUTSIDE 60° ELBOW



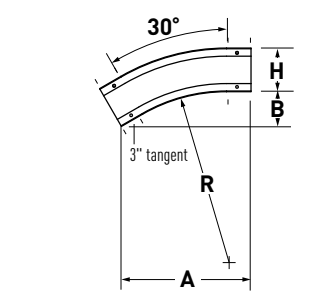
RADIUS R	WIDTH W	RAIL HEIGHT H	A	B
12	6-36	4-7	15	8 ⁵ / ₈
24			25 ¹ / ₄	14 ⁵ / ₈
36			35 ⁵ / ₈	20 ⁵ / ₈

45VO
VERTICAL OUTSIDE 45° ELBOW



RADIUS R	WIDTH W	RAIL HEIGHT H	A	B
12	6-36	4-7	13 ⁵ / ₈	5 ⁵ / ₈
24			22 ¹ / ₈	9 ¹ / ₈
36			30 ⁵ / ₈	12 ⁵ / ₈

30VO
VERTICAL OUTSIDE 30° ELBOW



RADIUS R	WIDTH W	RAIL HEIGHT H	A	B
12	6-36	4-7	11 ⁵ / ₈	3 ¹ / ₈
24			17 ⁵ / ₈	4 ³ / ₄
36			23 ⁵ / ₈	6 ³ / ₈

ITRAY HORIZONTAL REDUCING CROSS CATALOG NUMBERING EXAMPLE:

BOTTOM TYPE ← **LD-4A-RX12-0906** → WIDTH 2

VENTED
LD - Ladder Rung
VC - Vented Corrugated
NON-VENTED
SC - Solid Corrugated
SB - Solid Bottom

RAIL HEIGHT
4-4"
5-5"
6-6"
7-7"

FITTING CODE
RX

RADIUS
12-12"
18-18"
24-24"
30-30"
36-36"

WIDTH 1
06-6"
09-9"
12-12"
18-18"
24-24"
30-30"
36-36"

MATERIAL **A**

ITRAY VERTICAL INSIDE ELBOW CATALOG NUMBERING EXAMPLE:

BOTTOM TYPE ← **LD-6A-90VO12-06** → WIDTH

VENTED
LD - Ladder Rung
VC - Vented Corrugated
NON-VENTED
SC - Solid Corrugated
SB - Solid Bottom

RAIL HEIGHT
4-4"
5-5"
6-6"
7-7"

FITTING CODE
90VO
60VO
45VO
30VO

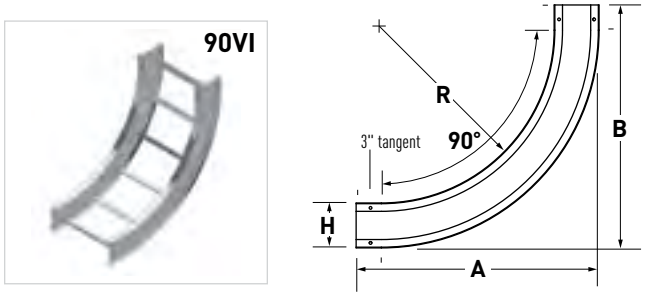
RADIUS
12-12"
24-24"
36-36"

MATERIAL **A**

WIDTH
06-6"
09-9"
12-12"
18-18"
24-24"
30-30"
36-36"

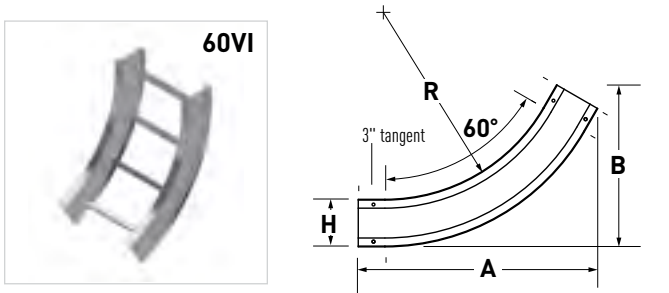
- WIDTHS (W) INCHES
6 | 9 | 12 | 18 | 24 | 30 | 36
- RAIL HEIGHTS (H) INCHES
4 | 5 | 6 | 7
- RADIUS (R) INCHES
12 | 24 | 36

90VI
VERTICAL INSIDE 90° ELBOW



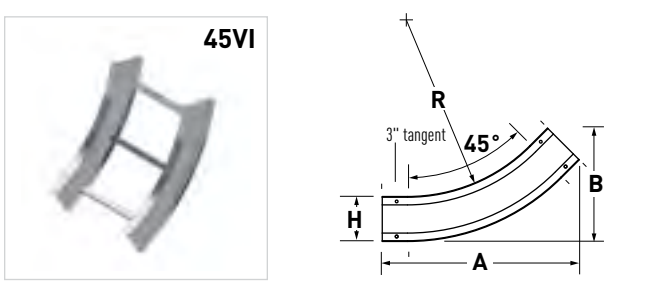
WIDTH W	RADIUS R	H = 4		H = 5		H = 6		H = 7	
		A	B	A	B	A	B	A	B
ALL	12	19	19	20	20	21	21	22	22
	24	31	31	32	32	33	33	34	34
	36	43	43	44	44	45	45	46	46

60VI
VERTICAL INSIDE 60° ELBOW



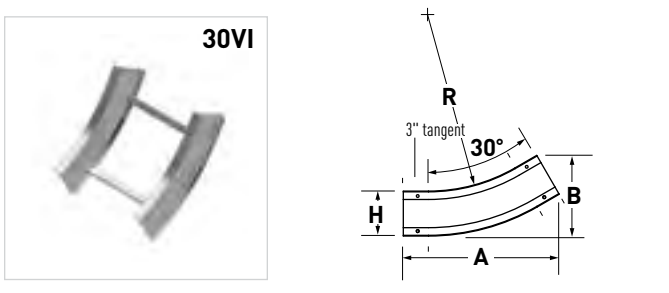
WIDTH W	RADIUS R	H = 4		H = 5		H = 6		H = 7	
		A	B	A	B	A	B	A	B
ALL	12	18 3/8	10 5/8	19 1/4	11 1/8	20 1/8	11 5/8	21	12 1/8
	24	28 3/4	16 5/8	29 5/8	17 1/8	30 1/2	17 5/8	31 3/8	18 1/8
	36	39 1/8	22 5/8	40	23 1/8	40 7/8	23 5/8	41 3/4	24 1/8

45VI
VERTICAL INSIDE 45° ELBOW



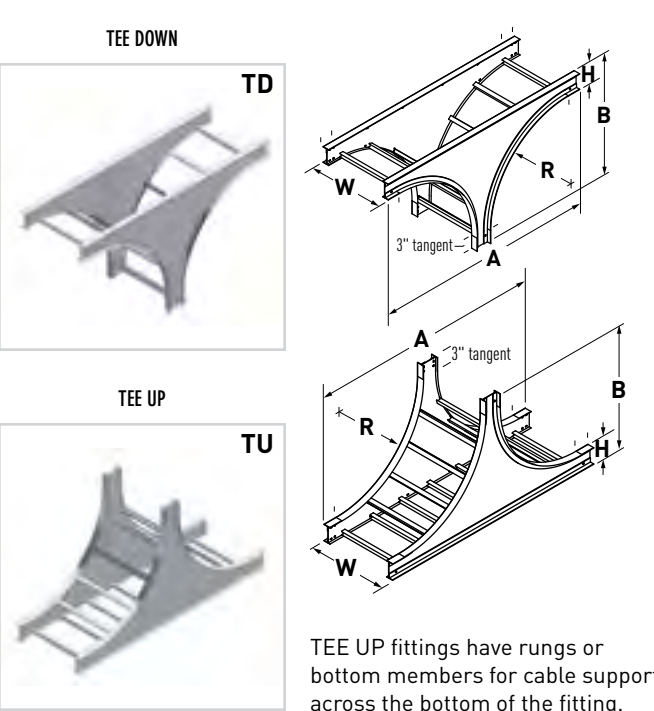
WIDTH W	RADIUS R	H = 4		H = 5		H = 6		H = 7	
		A	B	A	B	A	B	A	B
ALL	12	16 3/8	6 3/4	17 1/8	7 1/8	17 7/8	7 3/8	18 1/2	7 5/8
	24	24 7/8	10 3/8	25 5/8	10 5/8	26 3/8	10 7/8	27	11 1/4
	36	33 3/8	13 7/8	34 1/8	14 1/8	34 7/8	14 3/8	35 1/2	14 3/4

30VI
VERTICAL INSIDE 30° ELBOW



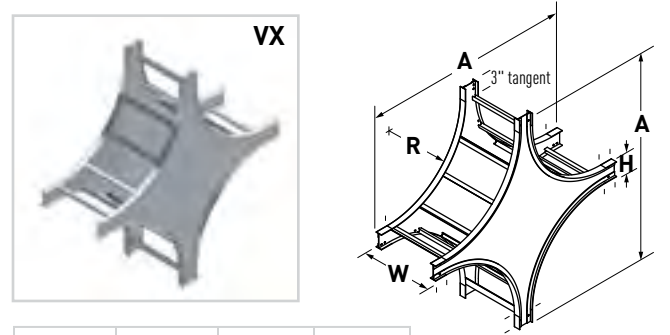
WIDTH W	RADIUS R	H = 4		H = 5		H = 6		H = 7	
		A	B	A	B	A	B	A	B
ALL	12	13 5/8	3 5/8	14 1/8	3 3/4	14 5/8	3 7/8	15 1/8	4
	24	19 5/8	5 1/4	20 1/8	5 3/8	20 5/8	5 1/2	21 1/8	5 5/8
	36	25 5/8	6 7/8	26 1/8	7	26 5/8	7 1/8	27 1/8	7 1/4

TD / TU
VERTICAL TEES



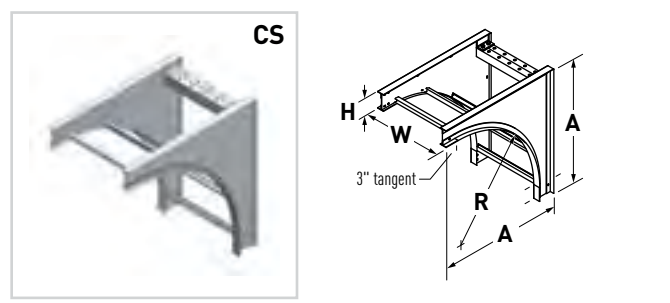
WIDTH W	RADIUS R	RAIL HEIGHT H	A	B
ALL	24	4	58	31
		5	59	32
		6	60	33
		7	61	34

VX
VERTICAL CROSS



WIDTH W	RADIUS R	RAIL HEIGHT H	A
ALL	24	4	58
		5	59
		6	60
		7	61

CS
VERTICAL CABLE SUPPORT ELBOW



Supports cables at the top of long vertical drops where the weight of the vertical cable may be excessive. Hooks (sold separately) attach to the brace in the elbow; when used with cable grips (supplied by others), tension in the vertical cable is relieved and transferred to the elbow.

WIDTH W	RAIL HEIGHT H	RADIUS R	A	RADIUS R	A	RADIUS R	A
ALL	4	12	19	24	31	36	43
	5		20		32		44
	6		21		33		45
	7		22		34		46

- WIDTHS (W) INCHES
6 | 9 | 12 | 18 | 24 | 30 | 36
- RAIL HEIGHTS (H) INCHES
4 | 5 | 6 | 7
- RADIUS (R) INCHES
12 | 24 | 36

ITRAY VERTICAL INSIDE ELBOW CATALOG NUMBERING EXAMPLE:

LD - 4 A - 90VI 12 - 09

- BOTTOM TYPE:** LD - Ladder Rung
- RAIL HEIGHT:** 4 - 4"
- FITTING CODE:** 90VI
- RADIUS:** 12 - 12"
- WIDTH:** 09 - 9"
- MATERIAL:** A (Solid Bottom)

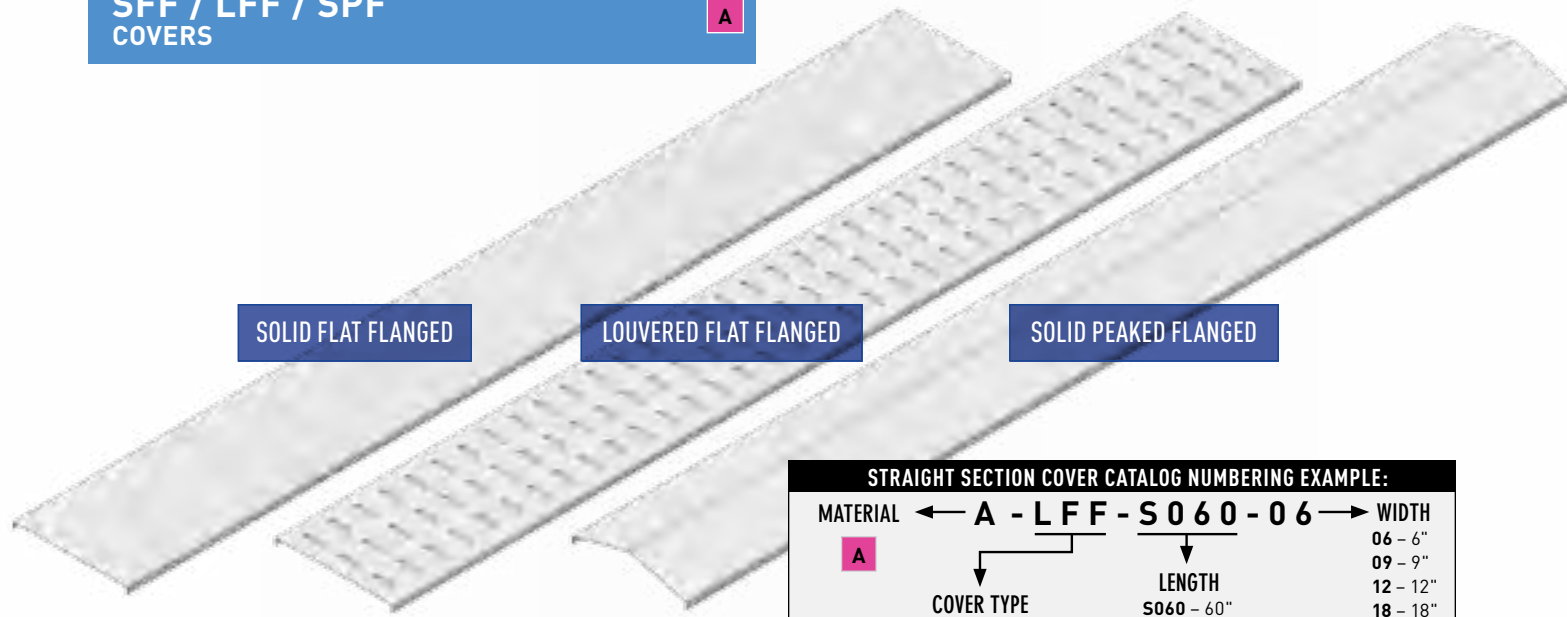
ITRAY VERTICAL TEE CATALOG NUMBERING EXAMPLE:

LD - 4 A - TU 24 - 09

- BOTTOM TYPE:** LD - Ladder Rung
- RAIL HEIGHT:** 4 - 4"
- FITTING CODE:** TU
- RADIUS:** 24 - 24"
- WIDTH:** 09 - 9"
- MATERIAL:** A (Solid Bottom)

SFF / LFF / SPF COVERS

A



SOLID FLAT FLANGED

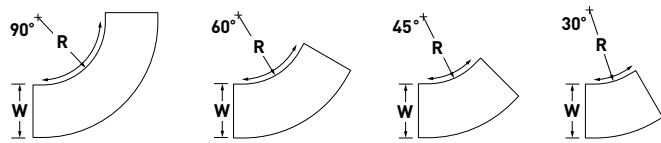
LOUVERED FLAT FLANGED

SOLID PEAKED FLANGED

STRAIGHT SECTION COVER CATALOG NUMBERING EXAMPLE:

MATERIAL	A - LFF - S060 - 06		WIDTH
A	COVER TYPE	LENGTH	06 - 6"
	SFF - Solid Flat Flanged	S060 - 60"	09 - 9"
	LFF - Louvered Flat Flanged	S072 - 72"	12 - 12"
	SPF - Solid Peaked Flanged	S120 - 120"	18 - 18"
		S144 - 144"	24 - 24"
			30 - 30"
			36 - 36"

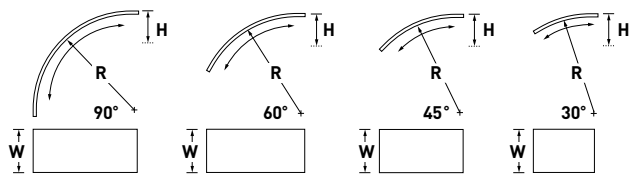
FOR HORIZONTAL ELBOWS (90HB/60HB/45HB/30HB)



HORIZONTAL ELBOW COVER CATALOG NUMBERING EXAMPLE:

MATERIAL	A - SFF - 90HB12 - 06		WIDTH
A	COVER TYPE	FITTING CODE	06 - 6"
	SFF - Solid Flat Flanged	90HB	09 - 9"
	LFF - Louvered Flat Flanged	60HB	12 - 12"
	SPF - Solid Peaked Flanged	45HB	18 - 18"
		30HB	24 - 24"
			30 - 30"
			36 - 36"

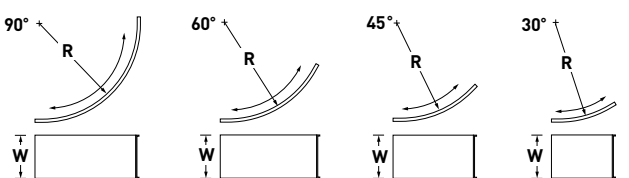
FOR VERTICAL OUTSIDE ELBOWS (90VO/60VO/45VO/30VO)



VERTICAL OUTSIDE ELBOW COVER CATALOG NUMBERING EXAMPLE:

MATERIAL	A - SFF - 90VO24 - 12 - 4		WIDTH	RAIL HEIGHT
A	COVER TYPE	FITTING CODE	06 - 6"	06 - 6"
	SFF - Solid Flat Flanged	90VO	09 - 9"	4 - 4"
	LFF - Louvered Flat Flanged	60VO	12 - 12"	5 - 5"
	SPF - Solid Peaked Flanged	45VO	18 - 18"	6 - 6"
		30VO	24 - 24"	7 - 7"
			30 - 30"	
			36 - 36"	

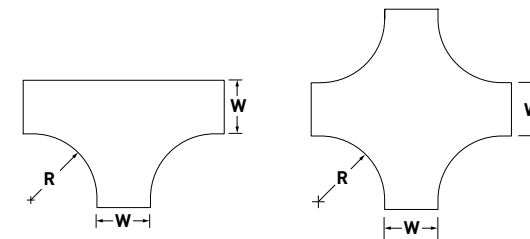
FOR VERTICAL INSIDE ELBOWS (90VI/60VI/45VI/30VI)



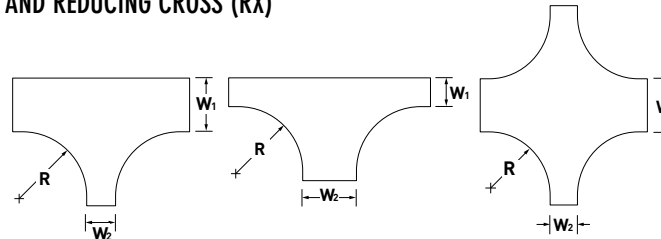
VERTICAL INSIDE ELBOW COVER CATALOG NUMBERING EXAMPLE:

MATERIAL	A - SFF - 90VI 24 - 12		WIDTH
A	COVER TYPE	FITTING CODE	06 - 6"
	SFF - Solid Flat Flanged	90VI	09 - 9"
	LFF - Louvered Flat Flanged	60VI	12 - 12"
	SPF - Solid Peaked Flanged	45VI	18 - 18"
		30VI	24 - 24"
			30 - 30"
			36 - 36"

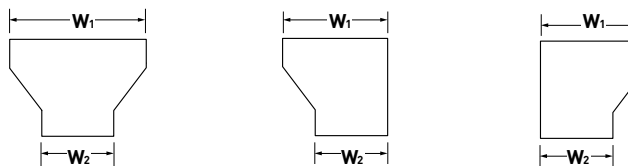
FOR HORIZONTAL TEE (HT) AND CROSS (HX)



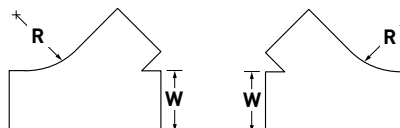
FOR HORIZONTAL REDUCING TEE (RT), EXPANDING TEE (ET) AND REDUCING CROSS (RX)



FOR HORIZONTAL STRAIGHT REDUCER (SR), LEFT HAND REDUCER (LR) AND RIGHT HAND REDUCER (RR)



FOR HORIZONTAL LEFT HAND WYE (YL) AND RIGHT HAND WYE (YR)



HORIZONTAL TEE COVER CATALOG NUMBERING EXAMPLE:

MATERIAL	A - SFF - HT12 - 06		WIDTH
A	COVER TYPE	FITTING CODE	06 - 6"
	SFF - Solid Flat Flanged	HT	09 - 9"
	LFF - Louvered Flat Flanged	HX	12 - 12"
	SPF - Solid Peaked Flanged		18 - 18"
			24 - 24"
			30 - 30"
			36 - 36"

HORIZONTAL REDUCING TEE COVER CATALOG NUMBERING EXAMPLE:

MATERIAL	A - SFF - RT12 - 1206		W1	W2*
A	COVER TYPE	FITTING CODE	06 - 6"	06 - 6"
	SFF - Solid Flat Flanged	RT	09 - 9"	09 - 9"
	LFF - Louvered Flat Flanged	ET	12 - 12"	12 - 12"
	SPF - Solid Peaked Flanged	RX	18 - 18"	18 - 18"
			24 - 24"	24 - 24"
			30 - 30"	30 - 30"
			36 - 36"	36 - 36"

* Available branch widths dependant on main width selection. See tables below.

HORIZONTAL STRAIGHT REDUCER COVER CATALOG NUMBERING EXAMPLE:

MATERIAL	A - SFF - SR - 1206		W1	W2*
A	COVER TYPE	FITTING CODE	06 - 6"	06 - 6"
	SFF - Solid Flat Flanged	SR	09 - 9"	09 - 9"
	LFF - Louvered Flat Flanged	LR	12 - 12"	12 - 12"
	SPF - Solid Peaked Flanged	RR	18 - 18"	18 - 18"
			24 - 24"	24 - 24"
			30 - 30"	30 - 30"
			36 - 36"	36 - 36"

* Available reducing widths dependant on main width selection. See reducing table below.

HORIZONTAL LEFT HAND WYE COVER CATALOG NUMBERING EXAMPLE:

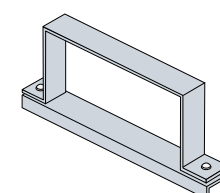
MATERIAL	A - SFF - YL24 - 12		WIDTH
A	COVER TYPE	FITTING CODE	06 - 6"
	SFF - Solid Flat Flanged	YL	09 - 9"
	LFF - Louvered Flat Flanged	YR	12 - 12"
	SPF - Solid Peaked Flanged		18 - 18"
			24 - 24"
			30 - 30"
			36 - 36"

MAIN WIDTHS (W1)	AVAILABLE REDUCING BRANCH WIDTHS (W2)					
9	6	-	-	-	-	-
12	6	9	-	-	-	-
18	6	9	12	-	-	-
24	6	9	12	18	-	-
30	6	9	12	18	24	-
36	6	9	12	18	24	30

MAIN WIDTHS (W1)	AVAILABLE EXPANDING BRANCH WIDTHS (W2)					
6	9	12	18	24	30	36
9	12	18	24	30	36	-
12	18	24	30	36	-	-
18	24	30	36	-	-	-
24	30	36	-	-	-	-
30	36	-	-	-	-	-

FCC FLAT COVER CONNECTOR

A



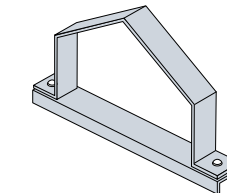
PRODUCT CODE	FASTENER OPTIONS
FCC	GE S6

CATALOG NUMBERING EXAMPLE:

H / Material Width Fasteners
4A - FCC - 06 - GE

PCC PEAKED COVER CONNECTOR

A



PRODUCT CODE	FASTENER OPTIONS
PCC	GE S6

CATALOG NUMBERING EXAMPLE:

H / Material Width Fasteners
4A - PCC - 06 - S6

SSP
STRAIGHT SPLICE KIT A



PRODUCT CODE	FASTENER OPTIONS
SSP	GE S6
CATALOG NUMBERING EXAMPLE:	
H / Material	Fasteners
4 A - SSP	-S6

- 12" length
- Designed for splicing Itray straight sections
- Includes splices and tray connection hardware

FSP
FITTING SPLICE KIT A



PRODUCT CODE	FASTENER OPTIONS
FSP	GE S6
CATALOG NUMBERING EXAMPLE:	
H / Material	Fasteners
4 A - FSP	-GE

- 6" length
- Designed for splicing Itray fittings
- Includes splices and tray connection hardware

90SP
90° CONNECTOR SPLICE KIT A



PRODUCT CODE	FASTENER OPTIONS
90SP	GE S6
CATALOG NUMBERING EXAMPLE:	
Rail Height / Material	Fasteners
4 A - 90SP	-GE

- Includes 8 splice bolts for connecting trays

FFSP
FLOOR FLANGE SPLICE KIT A



PRODUCT CODE	FASTENER OPTIONS
FFSP	GE S6
CATALOG NUMBERING EXAMPLE:	
Rail Height / Material	Fasteners
4 A - FFSP	-S6

- Includes splices and tray connection hardware

USP
UNIVERSAL SPLICE KIT A



PRODUCT CODE	FASTENER OPTIONS
USP	GE S6
CATALOG NUMBERING EXAMPLE:	
H / Material	Fasteners
4 A - USP	-GE

- Designed to transition to PW C-channel and other I-beam systems
- Includes splices and tray connection hardware

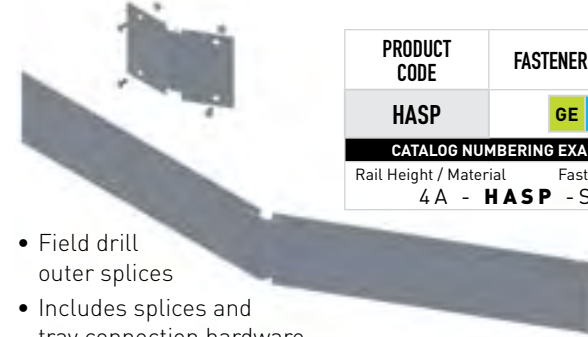
USPB
UNIVERSAL BLANK SPLICE KIT A



PRODUCT CODE	FASTENER OPTIONS
USPB	GE S6
CATALOG NUMBERING EXAMPLE:	
H / Material	Fasteners
4 A - USPB	-S6

- Field drill for connection to trays from other manufacturers
- Includes splices and tray connection hardware

HASP
HORIZONTAL ADJUSTABLE SPLICE KIT A



PRODUCT CODE	FASTENER OPTIONS
HASP	GE S6
CATALOG NUMBERING EXAMPLE:	
Rail Height / Material	Fasteners
4 A - HASP	-S6

- Field drill outer splices
- Includes splices and tray connection hardware

VASP
VERTICAL ADJUSTABLE SPLICE KIT A



PRODUCT CODE	FASTENER OPTIONS
VASP	GE S6
CATALOG NUMBERING EXAMPLE:	
H / Material	Fasteners
4 A - VASP	-GE

- Includes splices and tray connection hardware

EXSP
EXPANSION SPLICE KIT A



PRODUCT CODE	FASTENER OPTIONS
EXSP	GE S6
CATALOG NUMBERING EXAMPLE:	
H / Material	Fasteners
4 A - EXSP	-S6

- Install as required P.xx or NEMA VE-2 (see p. 61)
- Includes splices and tray connection hardware

VHSP
VERTICAL HANGER SPLICE KIT A



PRODUCT CODE	FASTENER OPTIONS
VHSP	GE S6
CATALOG NUMBERING EXAMPLE:	
H / Material	Fasteners
4 A - VHSP	-GE

- For vertical tray support with threaded rods
- Includes splices and tray connection hardware

SRSP
STRAIGHT REDUCER SPLICE KIT A



Each side is RN/2.

PRODUCT CODE	FASTENER OPTIONS
SRSP	GE S6
CATALOG NUMBERING EXAMPLE:	
H / Material	RN Fasteners
4 A - SRSP	-06-GE

- Includes splices and tray connection hardware

ORSP
OFFSET REDUCER SPLICE KIT A



PRODUCT CODE	FASTENER OPTIONS
ORSP	GE S6
CATALOG NUMBERING EXAMPLE:	
H / Material	RN Fasteners
4 A - ORSP	-06-S6

- Includes splices and tray connection hardware

WIDTHS (W) INCHES

6 | 9 | 12 | 18 | 24 | 30 | 36

RAIL HEIGHTS (H) INCHES

4 | 5 | 6 | 7

TRAY WIDTH REDUCTION (RN) INCHES

3 | 6 | 9 | 12 | 15 | 18 | 21 | 24 | 27

RHSP
REDUCING HEIGHT SPLICE KIT A



PRODUCT CODE	FASTENER OPTIONS
RHSP	GE S6
CATALOG NUMBERING EXAMPLE:	
H1 / H2 / Material	Fasteners
5 4 A - RHSP	- GE

H1	H2 OPTIONS
5	4 - -
6	4 5 -
7	4 5 6

- Includes splices and tray connection hardware

TBC
TRAY-TO-BOX CONNECTOR (FRAME TYPE) A

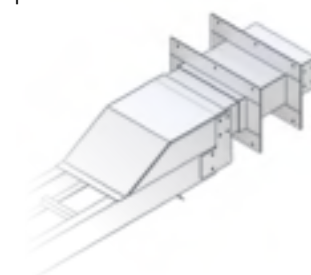


PRODUCT CODE	FASTENER OPTIONS
TBC	GE S6
CATALOG NUMBERING EXAMPLE:	
H / Material	RN Fasteners
4 A - TBC	- 06 - S6

- Includes one frame and connection hardware
- Designed to support Itray at connection to electrical enclosures

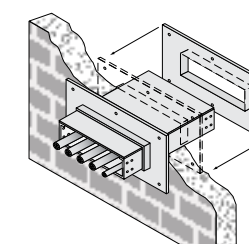
OCK
OUTDOOR CONVERSION KIT A

Makes ladder tray wall penetrations weather resistant to minimize water intrusions. Removable cover/shield fastens to tray and wall penetration sleeve for the utmost in weather protection.



PRODUCT CODE	FASTENER OPTIONS
OCK	GE S6
CATALOG NUMBERING EXAMPLE:	
H / Material	W Fasteners
4 A - OCK	- 06 - S6

WPS
WALL PENETRATION SLEEVE M G



Provides a rigid support for cable tray at wall penetrations. Overall length of the sleeve is 20". Will fit walls up to 8" thick. Bonding jumpers are not required for use with wall sleeves. Two pairs of splice plates and fasteners are included for tray attachment.

PRODUCT CODE	FASTENER OPTIONS
WPS	GE S6
CATALOG NUMBERING EXAMPLE:	
H / Material	W Fasteners
4 M - WPS	- 06 - S6

BE
BLIND END KIT A



PRODUCT CODE	FASTENER OPTIONS
BE	GE S6
CATALOG NUMBERING EXAMPLE:	
H / Material	W Fasteners
4 A - BE	- 06 - S6

- Includes one frame and connection hardware

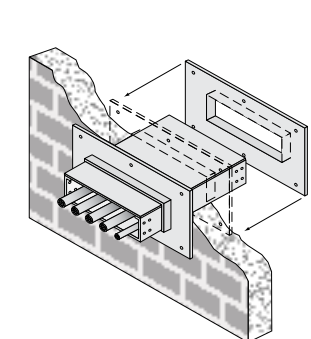
DO
DROP OUT KIT A



PRODUCT CODE	FASTENER OPTIONS
DO	GE S6
CATALOG NUMBERING EXAMPLE:	
Material	W Fasteners
A - DO	- 06 - S6

- Snaps in place over I-rung

FWPS
FIRE WALL PENETRATION SLEEVE M G



PRODUCT CODE	FASTENER OPTIONS
FWPS	GE S6
CATALOG NUMBERING EXAMPLE:	
H / Material	W Fasteners
4 G - FWPS	- 06 - S6

Fabricated cable tray fire stop sleeves from Legrand, combined with Hilti Firestop products, are an economical alternative to the high cost of fabricating protective fire wall and floor penetration sleeves in the field.

This firestop system provides a rigid support for cable tray in a UL classified system approved for fire wall and floor penetrations. After the sleeve is placed in the wall or floor, the loose collar slides over it. Hardware for the tray connection only is included. Hardware required to mount sleeves to the wall or floor is not included.

The Hilti Fire Block is a compressible fire stop brick, well-suited for installations where frequent cable changes may be required. Blocks are easily cut to fit any space, and can be removed and reinstalled when cable configurations change. When exposed to fire, the blocks expand to lock the seal in place.

Each cable tray firestop sleeve includes:

- One penetration sleeve with flanges
- Hilti Fire Blocks
- One Hilti Firestop Putty Stick
- Hardware for cable tray connection to the wall sleeve

SLEEVE WIDTH	NUMBER OF HILTI FIRE BLOCKS INCLUDED WITH EACH SLEEVE			
	SIDE RAIL HEIGHT (IN.)			
	4	5	6	7
6	2	2	3	3
9	3	3	4	4
12	3	4	5	6
18	5	6	7	8
24	6	8	9	11
30	8	10	12	14
36	9	12	14	16

DIV
VERTICAL ELBOW DIVIDERS A



PRODUCT CODE	FASTENER OPTIONS
DIV	S6
CATALOG NUMBERING EXAMPLE:	
H / Material	Elbow R Fasteners
6 A - DIV	- 90V0 - 24 - S6

RADIUS (R) INCHES
12 | 24 | 36

- Each divider includes four self-drilling screws

WIDTHS (W) INCHES
6 | 9 | 12 | 18 | 24 | 30 | 36

RAIL HEIGHTS (H) INCHES
4 | 5 | 6 | 7

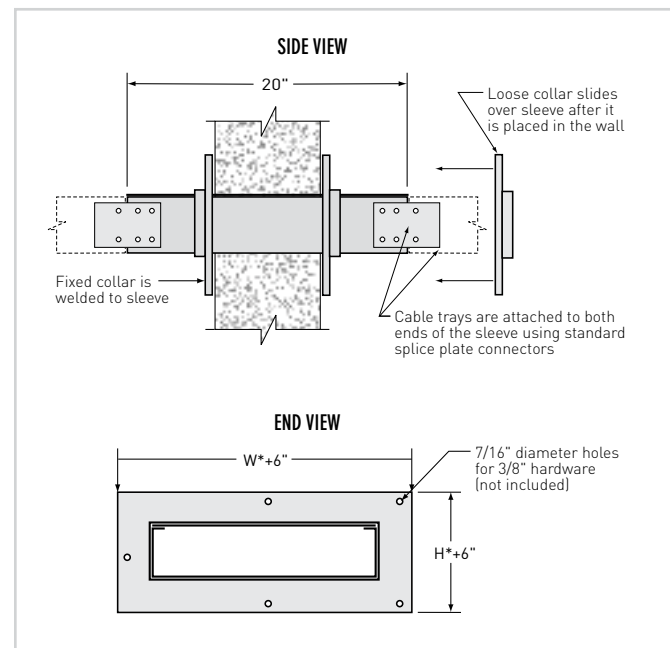
REDUCTION (RN) INCHES
3 | 6 | 9 | 12 | 15 | 18 | 21 | 24 | 27

CCLMP
CABLE CLAMP Z



PRODUCT CODE	CABLE SIZES	
CCLMP		
CATALOG NUMBERING EX:		
Material	Cable Size	
A - CCLMP	2 1	
	INCHES	
	MM	
	0.25-0.84	6-21
	0.85-1.35	22-35
	1.25-1.75	32-45
	1.55-2.05	40-52
	2.00-2.50	51-64
	2.50-3.00	64-76
	3.25-3.75	83-95
	3.75-4.25	95-108

- Secures MC cable to Itray in vertical installations. One hand installation. Combination bolt/Phillips head.
- Use maximum mm cable size when specifying clamp.



UL classified for use with:
2-hr concrete or block walls
2-hr concrete floors
1-hr gypsum walls
2-hr gypsum walls