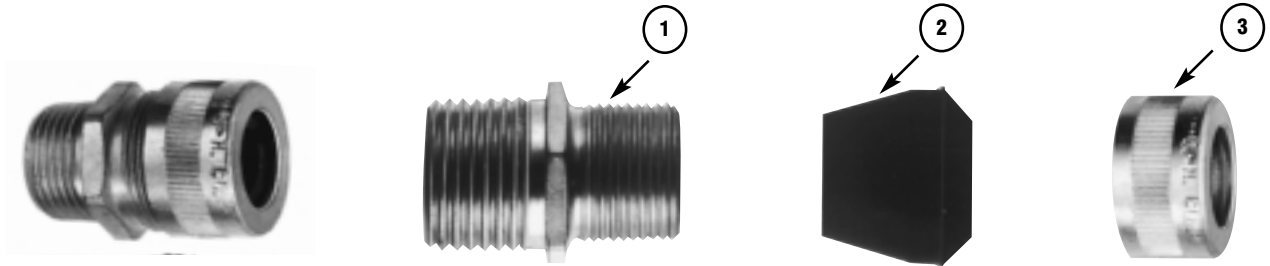


COOPER CROUSE-HINDS® REPLACEMENT PARTS

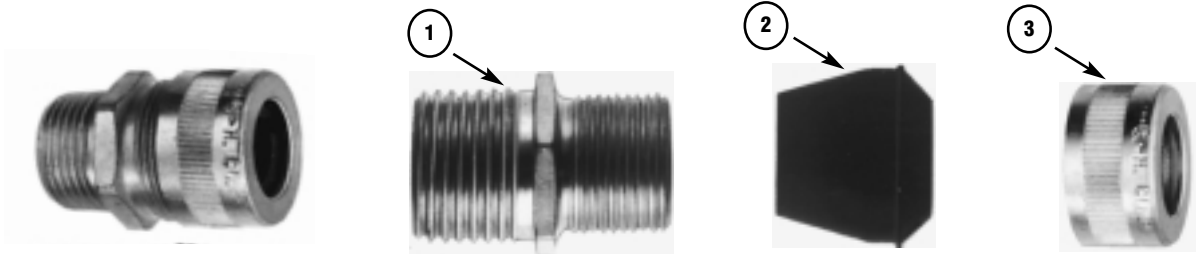


CGB SERIES CORD FITTING
REPLACEMENT PARTS



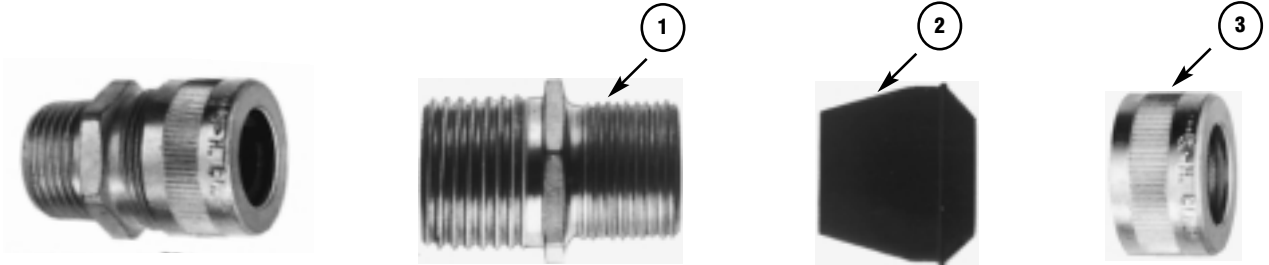
ITEM	DESCRIPTION	USED ON	PART NO.
1	BODY	CGB3814, 3816, 3817	CGB:17123B
		CGB3892, 3893, 3894	CGB:4315A
		CGB114, 116, 117	CGB:17122B
		CGB192, 193, 194, 195	CGB:0104355
		CGB196, 197	CGB:1702A
		CGB292, 293, 294, 295	CGB:0104438
		CGB296, 297	CGB:0104437
		CGB298	CGB:4320A
		CGB393, 394	CGB:19478A
		CGB395, 396, 397, 3239	CGB:4319A
		CGB398, 399, 3911	CGB:4321A
		CGB498, 499, 4911	CGB:4322A
		CGB4913, 4915	CGB:5472B
		CGB598, 599, 5911	CGB:5397B
		CGB5913, 5915	CGB:5473B
		CGB6913, 6915	CGB:5474B
		CGB6917, 6920	CGB:5475B
		CGB7913, 7915	CGB:1278B

CGB SERIES CORD FITTING
REPLACEMENT PARTS



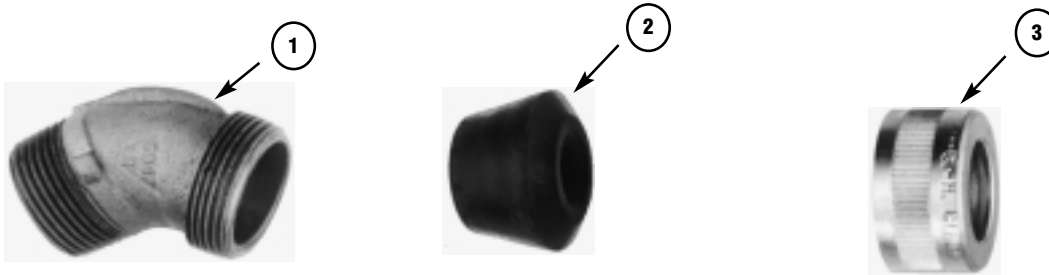
ITEM	DESCRIPTION	USED ON	PART NO.
2	BUSHING	CGB3814, 114	BUSH214
	(Includes Washer)	CGB3816, 116	BUSH216
		CGB3817, 117	BUSH217
		CGB3892, 192, 292	BUSH92
		CGB3893, 193, 293, 393	BUSH93
		CGB3894, 194, 294, 394	BUSH94
		CGB195, 295	BUSH05
		CGB196, 296, 396	BUSH96
		CGB197, 297, 397	BUSH97
		CGB298, 398, 498, 598	BUSH98
		CGB6920, 7920, 8920	BUSH920
		CGB3239	BUSH239
		CGB399, 499, 599	BUSH99
		CGB3911, 4911, 5911	BUSH911
		CGB4913, 5913, 6913, 7913	BUSH913
		CGB4915, 5915, 6915, 7915	BUSH915
		CGB6917, 7917, 8917	BUSH917

CGB SERIES CORD FITTING
REPLACEMENT PARTS



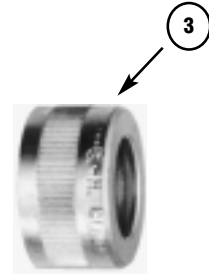
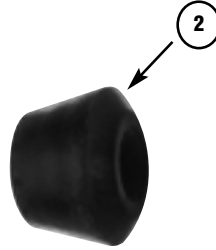
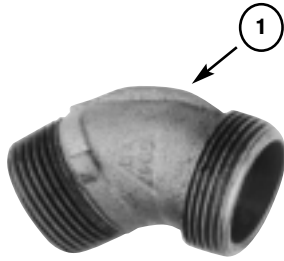
ITEM	DESCRIPTION	USED ON	PART NO.
3	NUT	CGB3814, 3816, 3817	NUT217
	(Includes Washer)	CGB3892, 3893, 3894	NUT94
		CGB114, 116, 117	NUT217
		CGB192, 193, 194, 195	NUT94
		CGB196, 197	NUT95
		CGB292, 293, 294, 295	NUT94
		CGB296, 297	NUT95
		CGB298	NUT98
		CGB393, 394	NUT94
		CGB395, 396, 397, 3239	NUT95
		CGB398, 399, 3911	NUT98
		CGB498, 499, 4911	NUT98
		CGB4913, 4915	NUT913
		CGB598, 599, 5911	NUT98
		CGB5913, 5915	NUT913
		CGB6913, 6915	NUT913
		CGB6917, 6920	NUT917
		CGB7913, 7915	NUT913

CGD SERIES CORD FITTING
REPLACEMENT PARTS



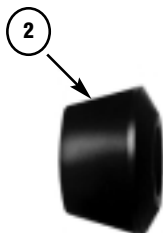
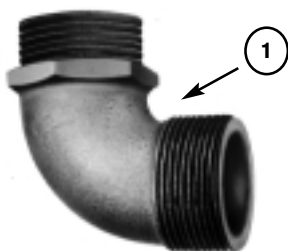
ITEM	DESCRIPTION	USED ON	PART NO.
1	BODY	CGD192, 193, 194, 195	CGD:3832A
		CGD196, 197	CGD:5636B
		CGD292, 293, 294, 295	CGD:3967B
		CGD296, 297	CGD:5643B
		CGD395, 396, 397, 3239	CGD:5947B
		CGD398, 399, 3911	CGD:5948B
		CGD498, 499, 4911	CGD:1959B
		CGD5913, 5915	CGD:5954B
2	BUSHING (Includes Washer)	CGD192, 292	BUSH92
		CGD193, 293	BUSH93
		CGD194, 294	BUSH94
		CGD195, 295	BUSH05
		CGD196, 296, 396	BUSH96
		CGD197, 297, 397	BUSH97
		CGD395	BUSH95
		CGD3239	BUSH239
		CGD398, 498	BUSH98
		CGD399, 499	BUSH99
		CGD3911, 4911	BUSH911
		CGD5913	BUSH913
		CGD5915	BUSH915

CGD SERIES CORD FITTING
REPLACEMENT PARTS



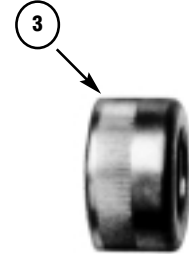
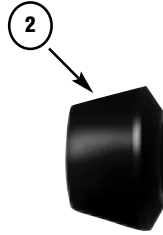
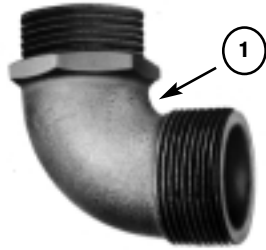
ITEM	DESCRIPTION	USED ON	PART NO.
3	NUT	CGD192, 193, 194, 195	NUT94
	(Includes Washer)	CGD196, 197	NUT95
		CGD292, 293, 294, 295	NUT94
		CGD296, 297	NUT95
		CGD395, 396, 397, 3239	NUT95
		CGD398, 399, 3911	NUT98
		CGD498, 499, 4911	NUT98
		CGD5913, 5915	NUT913

CGE SERIES CORD FITTING
REPLACEMENT PARTS



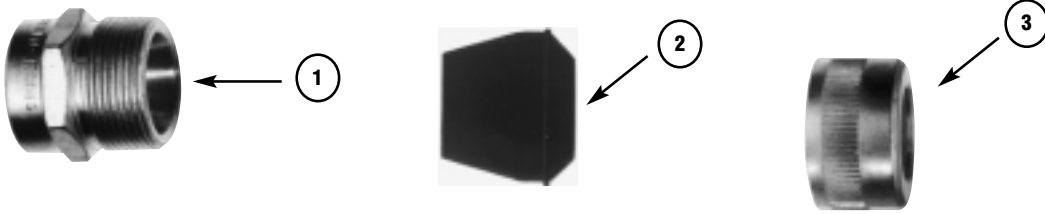
ITEM	DESCRIPTION	USED ON	PART NO.
1	BODY	CGE192, 193, 194, 195	CGE:5956B
		CGE196, 197	CGE:1685B
		CGE292, 293, 294, 295	CGE:5957B
		CGE296, 297	CGE:2161B
		CGE395, 396, 397, 3239	CGE:6016B
		CGE398, 399, 3911	CGE:6015B
		CGE498, 499, 4911	CGE:5462B
		CGE5913, 5915	CGE:5959B
		CGE6917, 6920	CGE:2517L
		2	BUSHING (Includes Washer)
CGE193, 293	BUSH93		
CGE194, 294	BUSH94		
CGE195, 295	BUSH05		
CGE196, 296, 396	BUSH96		
CGE197, 297, 397	BUSH97		
CGE395	BUSH95		
CGE3239	BUSH239		
CGE398, 498	BUSH98		
CGE399, 499	BUSH99		
CGE3911, 4911	BUSH911		
CGE5913	BUSH913		
CGE5915	BUSH915		
CGE6917	BUSH917		
CGE6920	BUSH920		

CGE SERIES CORD FITTING
REPLACEMENT PARTS



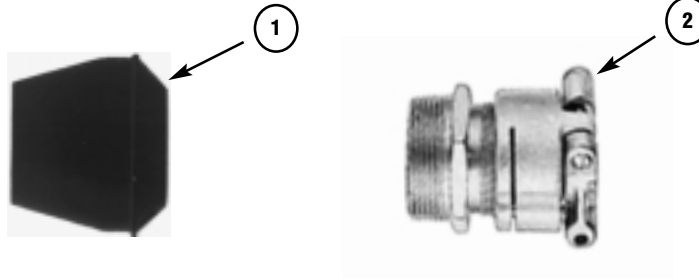
ITEM	DESCRIPTION	USED ON	PART NO.
3	NUT	CGE192, 193, 194, 195	NUT94
	(Includes Washer)	CGE196, 197	NUT95
		CGE292, 293, 294, 295	NUT94
		CGE296, 297	NUT95
		CGE395, 396, 397, 3239	NUT95
		CGE398, 399, 3911	NUT98
		CGE498, 499, 4911	NUT98
		CGE5913, 5915	NUT913
		CGE6917, 6920	NUT917

**CGK SERIES CORD FITTING
REPLACEMENT PARTS**



ITEM	DESCRIPTION	USED ON	PART NO.
1	BODY	CGK192, 193, 194	CGK:5453A
		CGK295, 296, 297	CGK:5960B
		CGK395, 396, 397, 3239	CGK:5961B
		CGK498, 499, 4911	CGK:5962B
		CGK5913, 5915	CGK:5963B
		CGK6917, 6920	CGK:2530L
		2	BUSHING (Includes Washer)
CGK193	BUSH93		
CGK194	BUSH94		
CGK295, 395	BUSH95		
CGK296, 396	BUSH96		
CGK297, 397	BUSH97		
CGK3239	BUSH239		
CGK498	BUSH98		
CGK499	BUSH99		
CGK4911	BUSH911		
CGK5913	BUSH913		
CGK5915	BUSH915		
CGK6917	BUSH917		
CGK6920	BUSH920		
3	NUT (Includes Washer)	CGK192, 193, 194	NUT94
		CGK295, 296, 297	NUT95
		CGK395, 396, 397, 3239	NUT95
		CGK498, 499, 4911	NUT98
		CGK5913, 5915	NUT913
		CGK6917, 6920	NUT917

CGBS SERIES SEALING CONNECTOR
REPLACEMENT PARTS



ITEM	DESCRIPTION	USED ON	PART NO.
1	BUSHING (Includes Washer)	CGBS1013	BUSH013
		CGBS2013	BUSH013
		CGBS2014	BUSH014
		CGBS3015	BUSH95
		CGBS3016	BUSH96
		CGBS4017	BUSH97
		CGBS4018	BUSH98
		CGBS4019	BUSH99
		2	CLAMP (Screws Not Included)
CGBS2013	CGBS:17071A ¹		
CGBS2014	CGBS:17071A ¹		
CGBS3015	CGBS:10323A ²		
CGBS3016	CGBS:10323A ²		
CGBS4017	CGBS:10323A ²		
CGBS4018	CGBS:10321A ³		
CGBS4019	CGBS:10321A ³		
¹ Screw is a steel 10-32 x 5/8 fillister head — 2 required.			
² Screw is a steel 10-32 x 1 3/16 fillister head — 2 required.			
³ Screw is a steel 1/4-20 x 1 5/8 fillister head — 2 required.			

DS COVER REPLACEMENTS PARTS

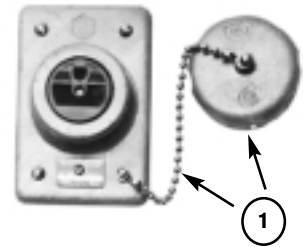
ITEM	DESCRIPTION	USED ON	PART NO.
1	REPLACEMENT GASKET ONLY	DS100G, DS181, DS199	GASK425
	(Crtn. Qty. = 10, No Broken Crtns.)	DS171 SERIES, DS24G, FS031	GASK425
		DS185, DS128	GASK1108



(Picture of DS100 Cover Assy.)

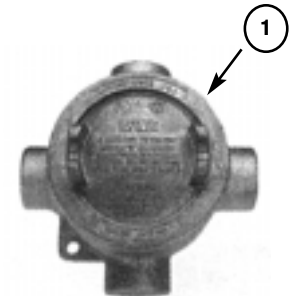
DS SERIES RECEPTACLE REPLACEMENT PARTS

ITEM	DESCRIPTION	USED ON	PART NO.
1	REPLACEMENT CAP & CHAIN	DS96, DS222, DS290	DS:593A



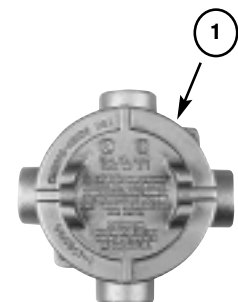
EAB SERIES JUNCTION BOX REPLACEMENT PARTS

ITEM	DESCRIPTION	USED ON	PART NO.
1	COVER Cover includes O-ring gasket. If WOD suffix is required add "WOD" to cover number (e.g., EAB06-WOD).	ALL	EAB06
2	O-RING GASKET (Not Shown)	ALL	GASK1151
3	GROUND SCREW PACK (Not Shown) (Pack Includes 25 Screws)	ALL	GSP1

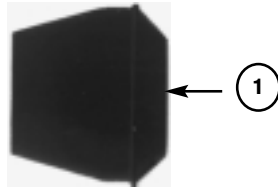


EAJ SERIES JUNCTION BOX REPLACEMENT PARTS

ITEM	DESCRIPTION	USED ON	PART NO.
1	COVER If WOD suffix is required add "WOD" to cover number (e.g., EAJ06-WOD).	ALL	EAJ06
2	GROUND SCREW PACK (Not Shown) (Pack Includes 25 Screws)	ALL	GSP1



EBY SERIES CORD CONNECTOR REPLACEMENT PARTS



ITEM	DESCRIPTION	USED ON	PART NO.
1	BUSHING (Includes Washer)	EBY2672	BUSH013
		EBY2682	BUSH014
		EBY26102	BUSH015
2	CLAMP	EBY2672	CGBS:17071A
		EBY2682	CGBS:17071A
		EBY26102	CGBS:17071A

Clamp screws are 10/32 x 5/8 fillister head stainless steel and should be purchased locally.

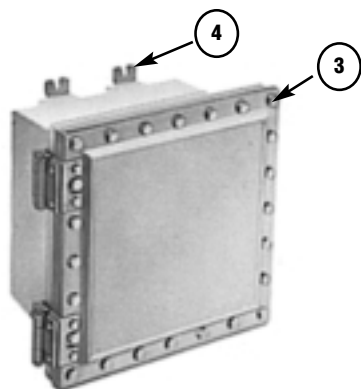
EGJ SERIES JUNCTION BOX REPLACEMENT PARTS



ITEM	DESCRIPTION	USED ON	PART NO.
1	COVER & GASKET	EGJ421	EGJ:10706L
		EGJ422	EGJ:10705L
2	GROUND SCREW PACK (Not Shown) (Pack Includes 25 Screws)	EGJ421,EGJ422	GSP2
3	COVER GASKET (Not Shown)	EGJ421	GASK925
		EGJ422	GASK924

EJB SERIES JUNCTION BOX REPLACEMENT PARTS

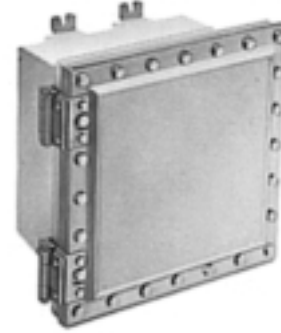
• FITTINGS



ITEM	DESCRIPTION	USED ON	PART NO.
1	GROUND LUG PACK (Not Shown) (Contains 10 Lugs)	ALL EJB'S EXCEPT 602212	GLK1
2	MOUNTING PLATE HARDWARE KIT (Includes Pillar/Screw/Washer—Mounting Plate Not Included)	ALL EJB'S EXCEPT 602212	MPK1 (5 PCS.)
3	COVER BOLTS "C" BODY (Includes Bolt/Spring/Washer)	EJB1008 TO EJB 1812 EJB2412 TO EJB 3618 EJB362408	EJB BOLT K1 (36 PCS.) EJB BOLT K2 (48 PCS.) EJB BOLT K3 (40 PCS.)
	COVER BOLTS STYLE A, B1, B2	EJB464 (6 PCS.)	1/4-20 X 1 1/2 HEX BOLT STAINLESS STEEL *
		EJB684, EJB686 (8 PCS.)	5/16-18 X 1 1/2 HEX BOLT STAINLESS STEEL *
		EJB886 (6), EJB12236 (14)	1/2-13 X 1 1/2 HEX BOLT STAINLESS STEEL *
		EJB1284 (12), EJB8106 (8)	3/8-16 X 1 1/4 HEX BOLT STAINLESS STEEL *
		EJB4164 (10 PCS.)	3/8-16 X 1 1/2 HEX BOLT STAINLESS STEEL *
		EJB9166 (8 PCS.)	5/8-11 X 1 3/4 HEX BOLT STAINLESS STEEL *
		EJB12168 (12 PCS.)	5/8-11 X 1 1/2 HEX BOLT STAINLESS STEEL *
4	MOUNTING FOOT – STYLE "C" ONLY	EJB1212, 1616, 1812, 2412 EJB361208 EJB2418, 2424, 3618, 3624	EJB MF1 (4 PCS.) EJB MF1 (4 PCS.) EJB MF2 (4 PCS.)

*Purchase from local hardware supplier.

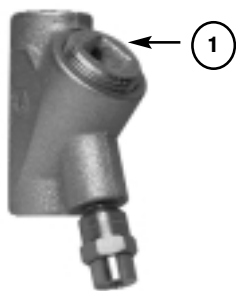
EJB SERIES JUNCTION BOX REPLACEMENT PARTS



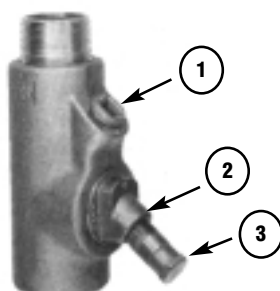
ITEM	DESCRIPTION	USED ON	PART NO.
5	MOUNTING PLATE ASSEMBLY	EJB464	EJB MP46
	(Includes Pillars/Screws/Washers and Mounting Plate)	EJB684, 686	EJB MP68
		EJB886	EJB MP88
		EJB1284	EJB MP128
		EJB4164	EJB MP416
		EJB8106, EJB100806	EJB MP810
		EJB9166	EJB MP916
		EJB12168	EJB MP1216
		EJB12236	EJB MP1223
		EJB121204, 06, 08	EJB MP1212
		EJB161606, 08	EJB MP1616
		EJB181206, 08	EJB MP1812
		EJB241208, 10	EJB MP2412
		EJB241808, 10	EJB MP2418
		EJB242408, 10	EJB MP2424
		EJB361208	EJB MP3612
		EJB361808, 10	EJB MP3618
		EJB362408	EJB MP3624

EYD SERIES SEALING FITTING REPLACEMENT PARTS

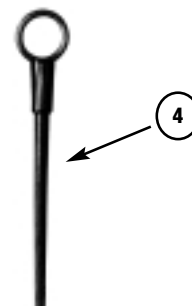
• FITTINGS



1/2"-1"



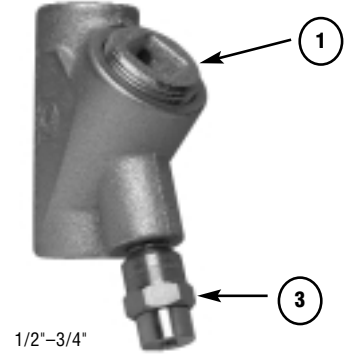
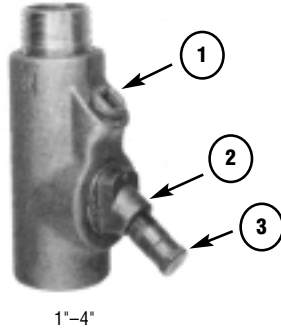
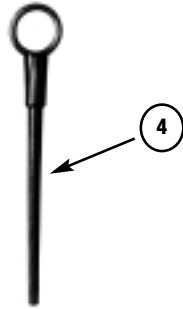
1 1/4"-4"



ITEM	DESCRIPTION	USED ON	PART NO.
1	POUR PLUG	EYD1, 11, 16, 116	PLG2 *
		EYD2, 21, 26, 216	PLG3 *
		EYD3, 31, 36, 316	PLG4 *
		EYD4, 41, 46, 416	PLG1 *
		EYD5, 6, 7, 8, 9 10,	PLG2 *
		EYD51, 61, 71, 81, 91, 101	PLG2 *
		EYD56, 66, 76, 86, 96, 106,	PLG2 *
		EYD516, 616, 716, 816, 916, 1016	PLG2 *
2	DRAIN COVER	EYD4, 41, 46, 416	EYD4 COVER*
		EYD5, 56	EYD5 COVER*
		EYD6, 66	EYD6 COVER*
		EYD7, 71, 76, 716	EYD7 COVER*
		EYD8, 81, 86, 816	EYD8 COVER*
		EYD9, 10, 91, 101	EYD9 COVER*
		EYD51, 516	EYD51 COVER
		EYD61, 616	EYD61 COVER
3	DRAIN	EYD1-10, 16-106	ECD385
		EYD11-101, 116-1016	ECD387
4	DRAIN CORE	ALL MODELS	EYD DRAIN CORE

*Note: Seals with suffix "SA" also require plug and cover with suffix "SA."

EYDX SERIES SEALING FITTING REPLACEMENT PARTS



ITEM	DESCRIPTION	USED ON	PART NO.
1	POUR PLUG (Top)	EYDX11	PLG3
		EYDX21	PLG4
		EYDX31	PLG1
		EYDX41, 51, 61, 71, 81	PLG2
2	DRAIN COVER	EYDX31	EYD4 COVER
		EYDX41, 51	EYD61 COVER
		EYDX61	EYD8 COVER
		EYDX71, 81	EYD9 COVER
3	DRAIN	ALL UNITS	ECD387
4	DRAIN CORE	ALL UNITS	EYD DRAIN CORE
1A	POUR PLUG (Top)	EYDX1-SA	PLG3-SA
		EYDX2-SA	PLG4-SA
		EYDX3-SA	PLG1-SA
		EYDX41, 51, 61, 71, 81 (-SA)	PLG2-SA
2A	DRAIN COVER	EYDX3-SA	EYD4 COVER-SA
		EYDX4-SA, 5-SA	EYD6 COVER-SA
		EYDX61-SA	EYD8 COVER-SA
		EYDX71, 81-SA	EYD7 COVER-SA
3A	DRAIN	ALL ALUMINUM UNITS	ECD385
4A	DRAIN CORE	ALL UNITS	EYD DRAIN CORE

**EYS SERIES—VERTICAL ONLY
SEALING FITTING REPLACEMENT PARTS**

ITEM	DESCRIPTION	USED ON	PART NO.
1	POUR PLUG	EYS1, 16	PLG2*
		EYS2, 26	PLG3*
		EYS3, 36	PLG4*

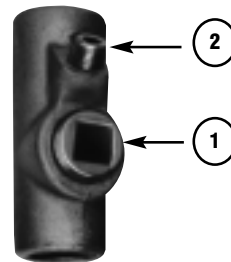
*Note: Seals with suffix "SA" also require plug with suffix "SA."



**EYS SERIES—VERTICAL & HORIZONTAL ONLY
SEALING FITTING REPLACEMENT PARTS**

ITEM	DESCRIPTION	USED ON	PART NO.
1	INSPECTION PLUG (Bottom)	EYS11, 21, 116, 216	PLG2*
		EYS29, 31, 316	PLG3*
		EYS41, 416, 4, 46	PLG4*
		EYS51, 516, 5, 56	PLG5*
		EYS61, 616, 6, 66	PLG6*
		EYS71, 716, 7, 76	PLG7*
		EYS81, 816, 8, 86	PLG8*
		EYS91, 101, 91, 1016, 9, 96, 10, 106	EYS:6881L* & PLG2*
	EYS012, 0126	EYS:6883L* & PLG2*	
	EYS014, 0146	EYS:6884L* & PLG2*	
2	POUR PLUG (Top)	EYS11, 21, 31, 116, 216, 316	PLG28 *
		EYS41, 51, 61, 416, 516, 616, EYS4, 46	PLG1 *
		EYS71, 81, 91, 101, 716, 816, EYS5, 56, 6, 66, 7, 76, 8, 86	PLG2 *
		EYS916, 1016, 9, 96, 10, 106, 012, 0126, 014, 0146	PLG2 *
3	DRAIN CONVERSION KIT (Used to convert an EYS to an EYD.)	EYS4, 46	EYD4 KIT
		EYS5, 56	EYD5 KIT
		EYS6, 66	EYD6 KIT
		EYS7, 76	EYD7 KIT
		EYS8, 86	EYD8 KIT
		EYS9, 10, 96, 106	EYD9 KIT

*Note: Seals with suffix "SA" also require plug with suffix "SA."

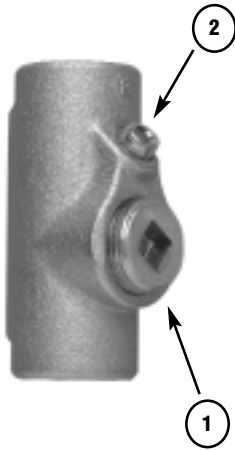




EYSR SERIES RETROFIT REPLACEMENT PARTS

ITEM	DESCRIPTION	USED ON	PART NO.
1	HARDWARE KIT	EYSR2	EYSR KIT 1
	(Includes Bolts, Set Screws, & Plugs)	EYSR3, 4, 5, 6, 7, 8, 9, 10	EYSR KIT 2

EYSX SERIES SEALING FITTING REPLACEMENT PARTS



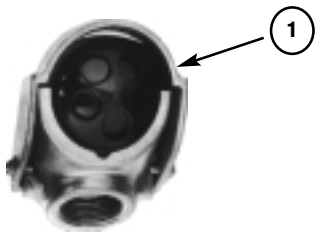
ITEM	DESCRIPTION	USED ON	PART NO.
1	INSPECTION PLUG (Bottom)	EYSX11	PLG2
		EYSX21	PLG3
		EYSX31	PLG4
		EYSX41, 51	PLG5
		EYSX61	PLG8
		EYSX71, 81	EYS:6881L & PLG2
		EYSX9, 10	EYS:6883L & PLG2
		EYSX11, 21	PLG28
2	POUR PLUG (Top)	EYSX31	PLG1
		EYSX41, 51, 61, 71, 81, 9, 10	PLG2
1A	INSPECTION PLUG (Bottom)	EYSX1-SA	PLG2-SA
		EYSX2-SA	PLG3-SA
		EYSX3-SA	PLG4-SA
		EYSX4-SA, 5-SA	PLG5-SA
		EYSX6-SA	PLG8-SA
		EYSX7-SA, 8-SA	EYS:6881L-SA & PLG2-SA
2A	POUR PLUG (Top)	EYSX9-SA, 10-SA	EYS:6883L-SA & PLG2-SA
2A	POUR PLUG (Top)	EYSX1-SA, 2-SA	PLG28-SA
		EYSX3-SA	PLG1-SA
		EYSX4-SA, 5-SA, 6-SA,	PLG2-SA
		EYSX7-SA, 8-SA, 9-SA, 10-SA	PLG2-SA

EZS SERIES SEALING FITTING REPLACEMENT PARTS



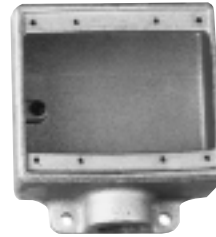
ITEM	DESCRIPTION	USED ON	PART NO.
1	SEAL PLUG	EZS1, 2, 3, 4, 5, 16, 26, 36, 46, 56	PLG1
		EZS6, 7, 8, 66, 76, 86	PLG2

F-SERIES SERVICE ENTRANCE HEAD RECEPTACLE REPLACEMENT PARTS



ITEM	DESCRIPTION	USED ON	PART NO.
1	REPLACEMENT COVER	F235, F285	5-H
		F335, F385	5NS
		F485, F585, F435, F535	5NL
		F686, F636	CF60
		F766, F866	CF707
		F966, F1066	CF708

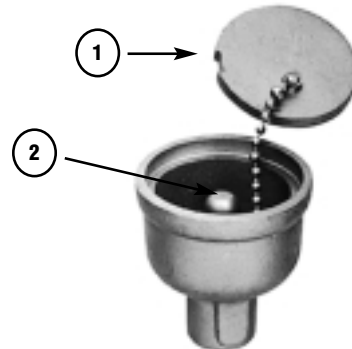
FS/FD SERIES BOXES REPLACEMENT PARTS



Two Gang Shown

ITEM	DESCRIPTION	USED ON	PART NO.
1	GASKET	2 GANG CAST FS/FD	GASK434
		3 GANG CAST FS/FD	GASK460
		4 GANG CAST FS/FD	GASK461
2	GROUND SCREW PACK (Not Shown)	FS/FD SERIES	GSP1
(Pack Includes 25 Screws)			

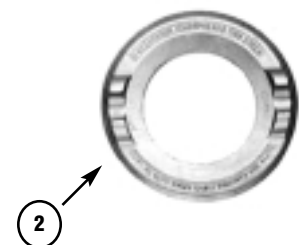
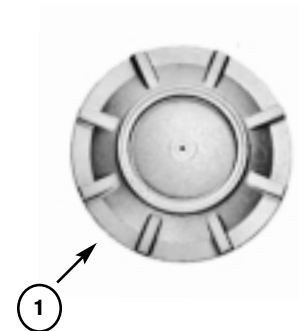
GCR210 SERIES GROUNDING RECEPTACLE REPLACEMENT PARTS



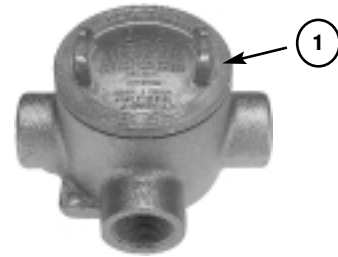
ITEM	DESCRIPTION	USED ON	PART NO.
1	CAP CHAIN	GCR210	GCR:23428A
2	BALL STUD	GCR210	GCR:23426A

**GU/GUB/GUE SERIES JUNCTION BOXES
REPLACEMENT PARTS**

ITEM	DESCRIPTION	USED ON	PART NO.
1	FLAT COVER	GU, GUE	GUA07
		GUB01	GUB0101
		GUB02, GUB06, GUB08	GUB0102
		GUB03, GUB04	GUB0103
		GUB01110	EPC2110 COVER
		GUB15151	EPC2151 COVER
2	GLASS COVER	GUB01	GUB0110
		GUB02, GUB06, GUB08	GUB0108
		GUB03, GUB04	GUB0109
3	DOME COVER	GUB01	GUB714 (4" depth)
			GUB7110 (10" depth)
		GUB02, 06, 08	GUB726 (6" depth)
		GUB03, GUB04	GUB738 (10" depth)
		GUB01110	EPC2115 (5" depth)
4	GROUND LUG PACK (Includes 10 Lugs)	GU, GUE	GLK2
		ALL OTHER GUB'S	GLK3
5	MOUNTING PLATE KIT (Includes Hardware and Plate)	GU, GUE	GUE-MP-K1
		GUB01	GUBMP01
		GUB02, GUB06, GUB08	GUBMP02
		GUB03, GUB04	GUBMP03
		GUB01110	GUBMP01110
6	MOUNTING PLATE HARDWARE (Pillar Kit with Hardware—Mounting Plate Not Included)	ALL MODELS	MPK2
7	MOUNTING STRAP (With Hardware)	GU, GUE (1 REQ'D)	GU:0105287
		GUB01110 (2 REQ'D)	GUB:15464B
		GUB15151 (2 REQ'D)	GUB:12362B
8	COVER GASKET (Not Shown)	GU, GUE	GASK1589
		GUB01	GASK925
		GUB02, GUB06, GUB08	GASK924
		GUB03, GUB04	GASK1538

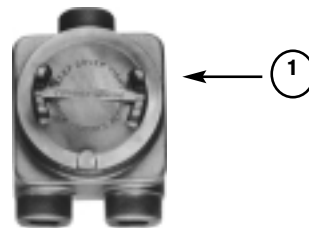


GUA SERIES JUNCTION BOX REPLACEMENT PARTS



ITEM	DESCRIPTION	USED ON	PART NO.
1	COVER	GUA FORM 4 SERIES	GUA04
	Cover includes O-ring gasket.	GUA FORM 6 SERIES	GUA06
	If WOD suffix is required add "WOD" to cover number.	GUA FORM 7 SERIES	GUA07
		GUA FORM 9 SERIES	GUA09
2	O-RING GASKET	GUA FORM 4 SERIES	GASK1713
	(Not Shown)	GUA FORM 6 SERIES	GASK1151
		GUA FORM 7 SERIES	GASK1589
		GUA FORM 9 SERIES	GASK925
3	GROUND SCREW PACK (Not Shown)	ALL	GSP1
	(Pack Includes 25 Screws)		

GUAG/GUAH/GUAP SERIES JUNCTION BOX REPLACEMENT PARTS



ITEM	DESCRIPTION	USED ON	PART NO.
1	COVER	ALL GUAG'S	GUA06
2	COVER GASKET (Not Shown)	ALL GUAG'S	GASK1151

GUJU SERIES JUNCTION BOX REPLACEMENT PARTS



Flat Cover



Sealing Cover

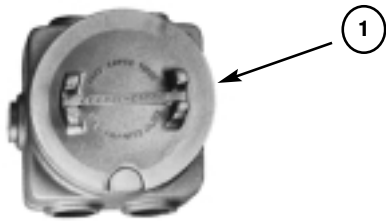


Hub Cover



ITEM	DESCRIPTION	USED ON	PART NO.
1	FLAT COVER	GUJU-091 SERIES	GUJU091
	SEALING COVER	GUJU-092 SERIES	GUJU092
	HUB COVER	GUJU-093 SERIES	GUJU093

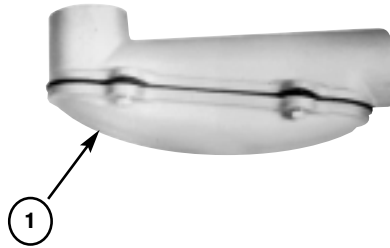
GUP SERIES JUNCTION BOX REPLACEMENT PARTS



ITEM	DESCRIPTION	USED ON	PART NO.
1	COVER	GUP214 & GUP215	GUA07
2	GASKET (Not Shown)	GUP214 & GUP215	GASK1589
3	GROUND SCREW PACK (Not Shown)	GUP214 & GUP215	GSP2

(Pack Includes 25 Screws)

LBD SERIES CONDUIT FITTING REPLACEMENT PARTS



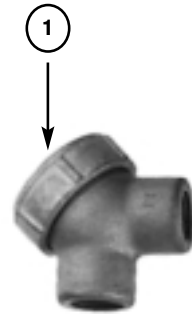
ITEM	DESCRIPTION	USED ON	PART NO.
1	COVER ASSEMBLY (Includes Screws)	LBD1100	LBD100
		LBD2200	LBD200
		LBD3300	LBD300
		LBD4400	LBD400
		LBD5500, LBD6600	LBD600
		LBD7700, LBD8800	LBD800
		LBD9900, LBD10900	LBD900
		LBD012	LBD120
		LBD014	LBD140
		2	COVER GASKET (Not Shown)
LBD2200	GASK681		
LBD3300	GASK682		
LBD4400	GASK683R		
LBD5500, LBD6600	GASK684R		
LBD7700, LBD8800	GASK990		
LBD9900, LBD10900	GASK989		
LBD012	GASK687R		
LBD014	GASK688R		

LBY SERIES REPLACEMENT PARTS

ITEM	DESCRIPTION	USED ON	PART NO.
1	COVER	LBY15	LBY:19597A*
		LBY25	LBY:19598A*
		LBY35	LBY:19599A*
		LBY45	LBY:22111A*
		LBY55	LBY:0104358*

Note: Replacement cover is non-UL cover. Replacement cover will not include a nameplate.

*Add suffix "SA" for aluminum.

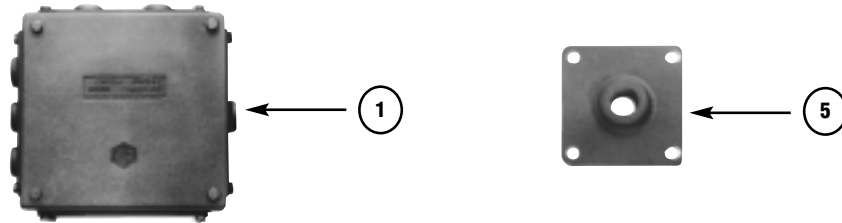


MOGUL SERIES REPLACEMENT PARTS

ITEM	DESCRIPTION	USED ON	PART NO.
1	COVERS	1 AND 1 1/4-INCH SIZE MOGUL	BG48
	W/GASKET	1 1/2 AND 2-INCH SIZE MOGUL	BG68
		2 1/2 AND 3-INCH SIZE MOGUL	BG88
		3 1/2 AND 4-INCH SIZE MOGUL	BG98



RS SERIES JUNCTION BOX REPLACEMENT PARTS

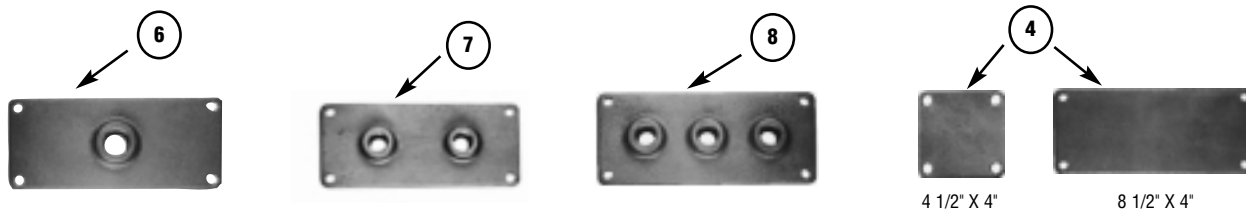


ITEM	DESCRIPTION	USED ON	PART NO.	
1	COVER (Includes Cover Screws)	RS1	RS00	
		RSM1	RSM00	
		RSS1	RSS00	
2	COVER GASKET (Not Shown)	RS1	GASK61	
		RSM1	GASK63	
		RSS1	GASK64	
3	COVER SCREW (Not Shown)	RS1, RSM1, RSS1	*	
4	BLANK HUB PLATE (Not Shown)			
		BLANK 8 1/2" X 4"	RS1,RSM1	RSP0
		BLANK 4 1/2" X 4"	RSM1, RSS1	RSMP0
5	SINGLE HUB PLATE (4 1/2" X 4")			
		1/2-INCH HUB	RSM1, RSS1	RSMP1
		3/4-INCH HUB	RSM1, RSS1	RSMP2
		1-INCH HUB	RSM1, RSS1	RSMP3
	1 1/4-INCH HUB	RSM1, RSS1	RSMP4	

* Cover screws are 5/16-18 x 5/8 hex head, steel screws and should be purchased locally.

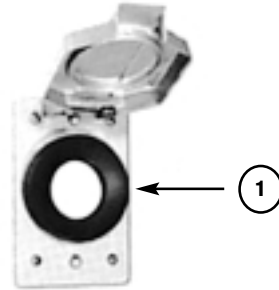
RS SERIES JUNCTION BOX REPLACEMENT PARTS

• FITTINGS



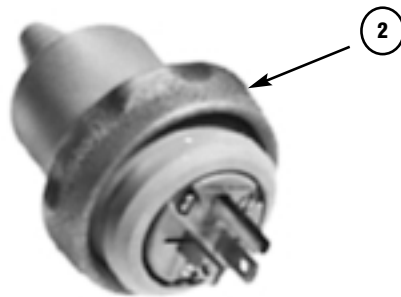
ITEM	DESCRIPTION	USED ON	PART NO.
6	SINGLE HUB PLATE (8 1/2" X 4")		
	1/2-INCH HUB	RS1, RSM1	RSP1
	3/4-INCH HUB	RS1, RSM1	RSP2
	1-INCH HUB	RS1, RSM1	RSP3
	1 1/4-INCH HUB	RS1, RSM1	RSP4
	1 1/2-INCH HUB	RS1, RSM1	RSP5
	2-INCH HUB	RS1, RSM1	RSP6
	2 1/2-INCH HUB	RS1, RSM1	RSP7
	3-INCH HUB	RS1, RSM1	RSP8
7	TWO HUB PLATE (8 1/2" X 4")		
	1/2-INCH HUBS	RS1, RSM1	RSP11
	3/4-INCH HUBS	RS1, RSM1	RSP22
	1-INCH HUBS	RS1, RSM1	RSP33
	1 1/4-INCH HUBS	RS1, RSM1	RSP44
	1 1/2-INCH HUBS	RS1, RSM1	RSP55
	2-INCH HUBS	RS1, RSM1	RSP66
8	THREE HUB PLATE (8 1/2" X 4")		
	1/2-INCH HUBS	RS1, RSM1	RSP111
	3/4-INCH HUBS	RS1, RSM1	RSP222
	1-INCH HUBS	RS1, RSM1	RSP333
	1 1/4-INCH HUBS	RS1, RSM1	RSP444
	1 1/2-INCH HUBS	RS1, RSM1	RSP555
9	REPLACEMENT HUB PLATE GASKET (Not Shown)		
	8 1/2' X 4' GASKET	8 1/2" X 4"	GASK66
	4 1/2' X 4' GASKET	4 1/2" X 4"	GASK65

WLRS/WLRD COVER REPLACEMENT PARTS



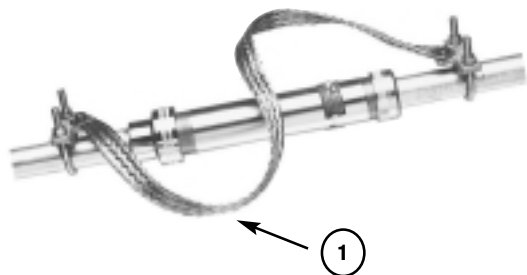
ITEM	DESCRIPTION	USED ON	PART NO.
1	GASKET	WLRS1	WLRS1 GASKET
		WLRS2	WLRS2 GASKET
		WLRD1	WLRD1 GASKET

WP SERIES PLUG REPLACEMENT PARTS



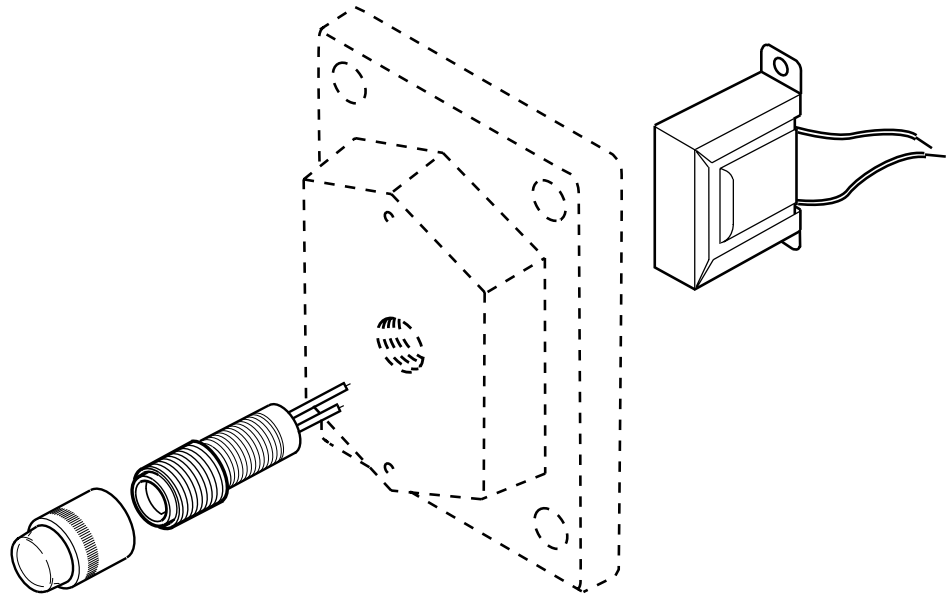
ITEM	DESCRIPTION	USED ON	PART NO.
1	NEOPRENE BOOT (Not Shown)	ALL WP PLUGS	BS1
2	PLUG CLAMP NUT	ALL WP PLUGS	WP:3695A

**XJG SERIES CONDUIT EXPANSION JOINT
REPLACEMENT PARTS**

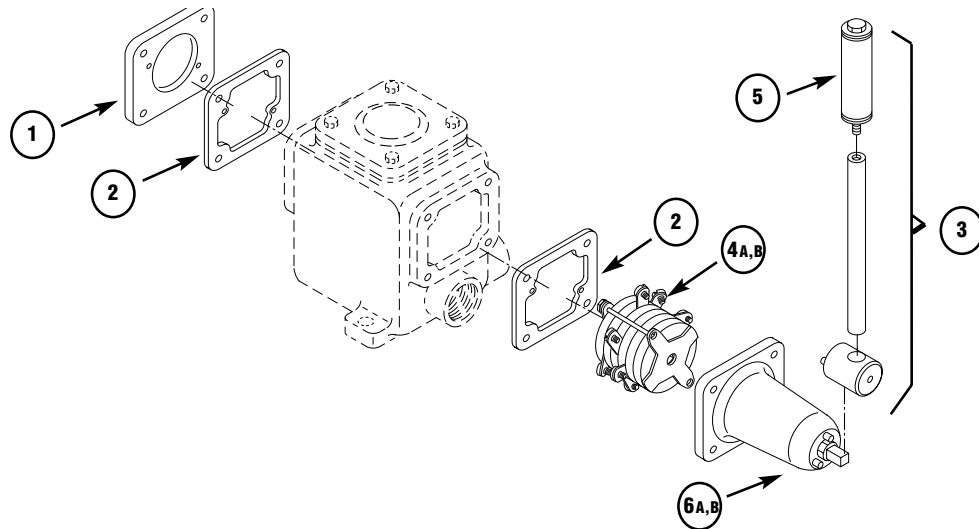


ITEM	DESCRIPTION	USED ON	PART NO.
1	BONDING JUMPERS	XJG14	BJ14
		XJG18	BJ18
		XJG24	BJ24
		XJG28	BJ28
		XJG34	BJ34
		XJG38	BJ38
		XJG44	BJ44
		XJG48	BJ48
		XJG54	BJ54
		XJG58	BJ58
		XJG64	BJ64
		XJG68	BJ68
		XJG74	BJ74
		XJG78	BJ78
		XJG84	BJ84
		XJG88	BJ88
		XJG94	BJ94
		XJG98	BJ98
		XJG104	BJ104
		XJG108	BJ108

Control Replacement Parts



AFA/AFAX CONVEYOR BELT ALIGNMENT SWITCH (M2, M83)
REPLACEMENT PARTS

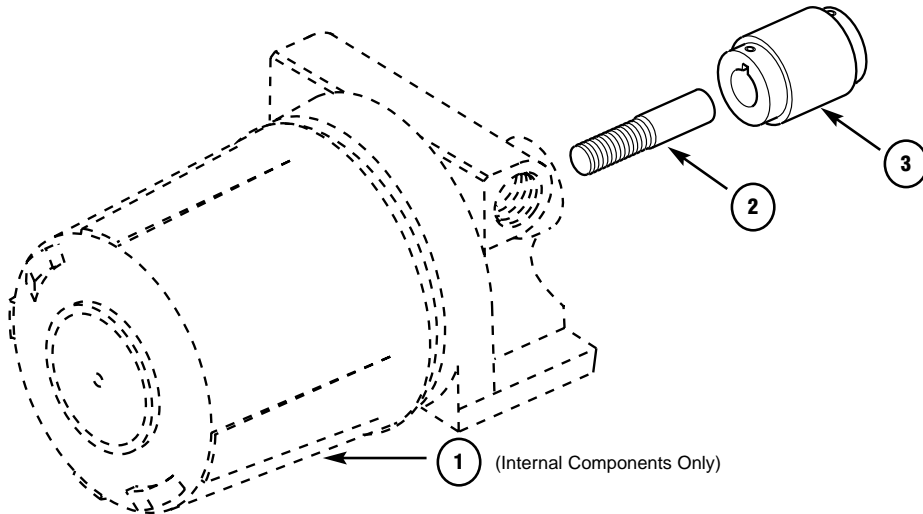


ITEM	DESCRIPTION	USED ON	PART NO.
1	BLANK ACCESS COVER ASSEMBLY	AFA10, 20 W/ GASKET (M83, M2)	AFA-K2
	(w/ hardware)	AFAX10, 20 W/O GASKET (M83, M2)	AFA-K3
2	GASKET	AFA 10, 20 (M83, M2)	AFU:0205386
3	OPERATING ARM ASSEMBLY	AFA/AFAX (M83, M2)	AFA-K1
	(Includes roller, end cap, shoulder screw, adjustable operating arm, fillister head screw, washers)		
4A	REPLACEMENT SWITCH (Model M2)	AFA/AFAX, M2 (4-POLE)	AFU:20S77-002
4B	REPLACEMENT SWITCH	AFA/AFAX, M83 (2-POLE)	GE CR115B2 **
	(Model M83 — not shown)	AFA/AFAX, M83 (4-POLE)	(2) GE CR115B2 **
5	ROLLER ARM ASSEMBLY	AFA (M83, M2)	AFA-K4
	(Includes roller arm, end caps, and hardware)		
6A	END HOUSING ASSEMBLY	AFA (M83, M2)	AFA-K5
	(Includes end housing and items 2–4)		
6B	END HOUSING ASSEMBLY	AFAX (M83, M2)	AFAX-K6
	(Includes end housing and items 3–4)		
7	CAM (Not shown)	AFA/AFAX, M83	AFA:0204316
8	CAM GUIDE (Not shown)	AFA/AFAX, M83	AFA:0204315
9	COVER BOLTS (Hex-head steel—not shown)	ALL MODELS	HEX BOLT 1/4-28 X 1 ***
10	BODY HOUSING ONLY	ALL AFA ONLY	AFU:0333-0

** Buy locally from General Electric Co. *** Standard hardware—can be purchased locally.

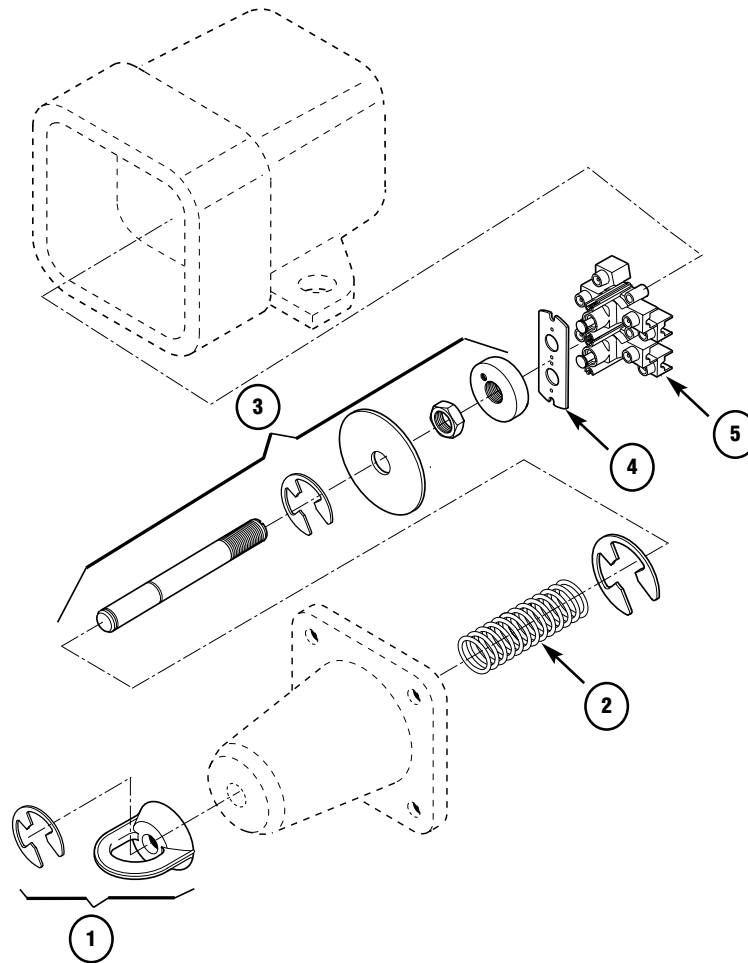
AFS SPEED-RESPONSIVE SWITCH
REPLACEMENT PARTS

• CONTROL



ITEM	DESCRIPTION	USED ON	PART NO.
1	REPLACEMENT CIRCUIT BOARD	120 VAC UNITS	AFS K1 M2
	(Not shown)	240 VAC UNITS	AFS K2 M2
2	REPLACEMENT STUB SHAFT	AFS 312	AFST
3	REPLACEMENT FLEXIBLE COUPLING	AFS 311, 312	AFSF1

AFU MINE SIGNAL SWITCH – M90*
REPLACEMENT PARTS



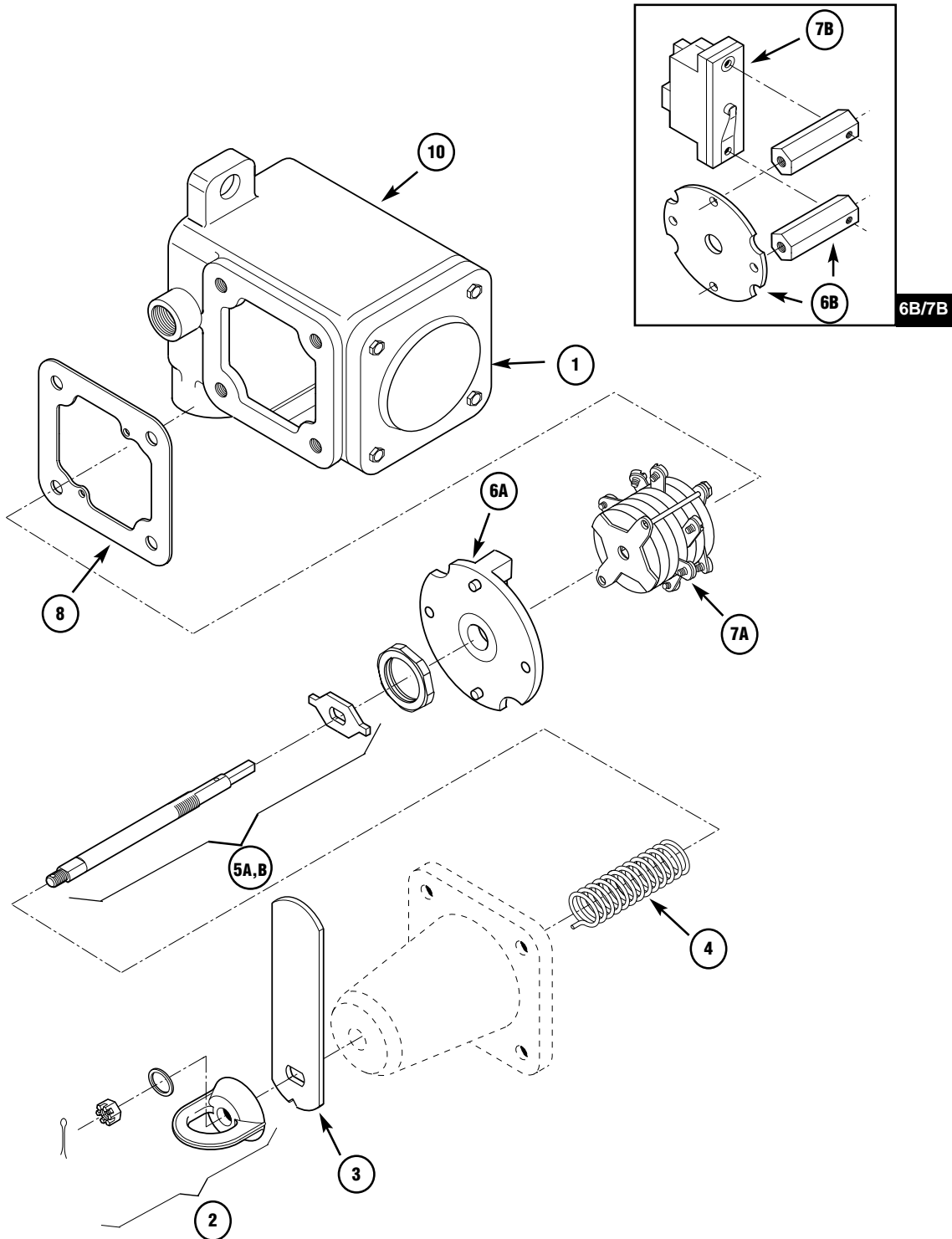
ITEM	DESCRIPTION	USED ON	PART NO.
1	PULL RING WITH HARDWARE	AFU, M90 ONLY	AFU-K4
2	SPRING: MAX. WEIGHT OF PULL ROPE 15#	AFU154	AFU:4345A
	SPRING: MAX. WEIGHT OF PULL ROPE 25#	AFU254	AFU:4346A
3	OPERATING SHAFT ASSEMBLY <small>(Includes shaft, nuts, spacer, washers, and hardware)</small>	ALL AFU MINE SIGNALS (M90)	AFU-K1
4	SWITCH MOUNTING STRAP	ALL AFU MINE SIGNALS (M90)	AFU:26785A
5	PUSHBUTTON SWITCH (2 required per unit)	ALL AFU MINE SIGNALS (M90)	ESWP126
6	COMPLETE HOUSING ASSEMBLY W/ SWITCH	AFU154 (M90)*	AFU1549
	INCLUDING CASTING (Items #1-5)	AFU254 (M90)*	AFU2549

* Note: Replacement parts for Model M62, M75 are no longer available

Springs and housings no longer available for AFU104 and 504. Substitute with AFU154 or 254 parts respectively.

AFU/AFUX SAFETY SWITCH MODELS M83, M6 AND M7
REPLACEMENT PARTS

• CONTROL



AFU/AFUX SAFETY SWITCH MODELS M83, M6 AND M7*
REPLACEMENT PARTS

ITEM	DESCRIPTION	USED ON	PART NO.
1	BLANK COVER ASSEMBLY WITH HARDWARE (Used as access cover for single-sided version)	AFU (W/ GASKET) AFUX (W/O GASKET)	AFA-K2 AFA-K3
2	PULL RING, NUT AND COTTER PIN, M7 & M6 Model	ALL AFU/AFUX, M83, M6, M7	AFU-K4-M83
3	INDICATING ARM ("FLAG")	ALL AFU/AFUX	AFU:26783A
4	SPRING: MAX. WEIGHT OF ROPE 15# MAX. WEIGHT OF ROPE 25#	AFU/AFUX 0333-01, 05, 10, 11, 50, 55 AFU/AFUX 0333-02, 06, 20, 22, 60, 66	AFU:26784A AFU:26304A
5A	OPERATING SHAFT ASSEMBLY, M83 Model (Includes item #2)	AFU/AFUX LEFT-HAND END, M83 AFU/AFUX RIGHT-HAND END, M83	AFU-K3L-M83 AFU-K3R-M83
5B	OPERATING SHAFT ASSEMBLY, M6 Model (Includes item #2)	AFU/AFUX LEFT-HAND END, M6, M7 AFU/AFUX RIGHT-HAND END, M6, M7	AFU-K3L-M6 AFU-K3R-M6
6A	SWITCH MOUNTING PLATE, M6 Model	ALL AFU/AFUX, M6, M7	AFU-K6
6B	SWITCH MOUNTING ASSEMBLY, M83 Model	ALL AFU/AFUX, M83	AFU-K5-M83
7A	REPLACEMENT SWITCH, Model M6 (Rotary)	AFU/AFUX, M6, M7 (2-, 4-POLE)	AFU:20S77-002
7B	REPLACEMENT SWITCH, MODEL M83 (Push button)	AFU/AFUX, M83 (2-POLE) AFU/AFUX, M83 (4-POLE)	GE CR115B2 ** (2) GE CR115B2 **
8	GASKET	ALL AFU	AFU:0205386
9A	COMPLETE LEFT-HAND ASSEMBLY (Includes items 2-8—not shown)	AFU OR AFUX 0333-10, -11, -50, -55 AFU OR AFUX 0333-20, -22, -60, -66	AFU OR AFUX L5*** AFU OR AFUX L6***
9B	COMPLETE RIGHT-HAND ASSEMBLY (Includes items 2-8—not shown)	AFU OR AFUX 0333-01, -05, -11, -55 AFU OR AFUX 0333-02, -06, -22, -66	AFU OR AFUX R5*** AFU OR AFUX R6***
10	BODY HOUSING ONLY	ALL AFU	AFU0333-0***
11	COVER BOLTS (Hex-head steel)	ALL MODELS	1/4-28 X 1 ****
12	REPLACEMENT C-CLIPS (For "non-slack" condition)	AFU OR AFUX, M6, M7	AFU-K7 (10 clips per kit—use as required)

* Replacement parts for models other than M83, M6 or M7 are not available and are not interchangeable with M83, M6 or M7.

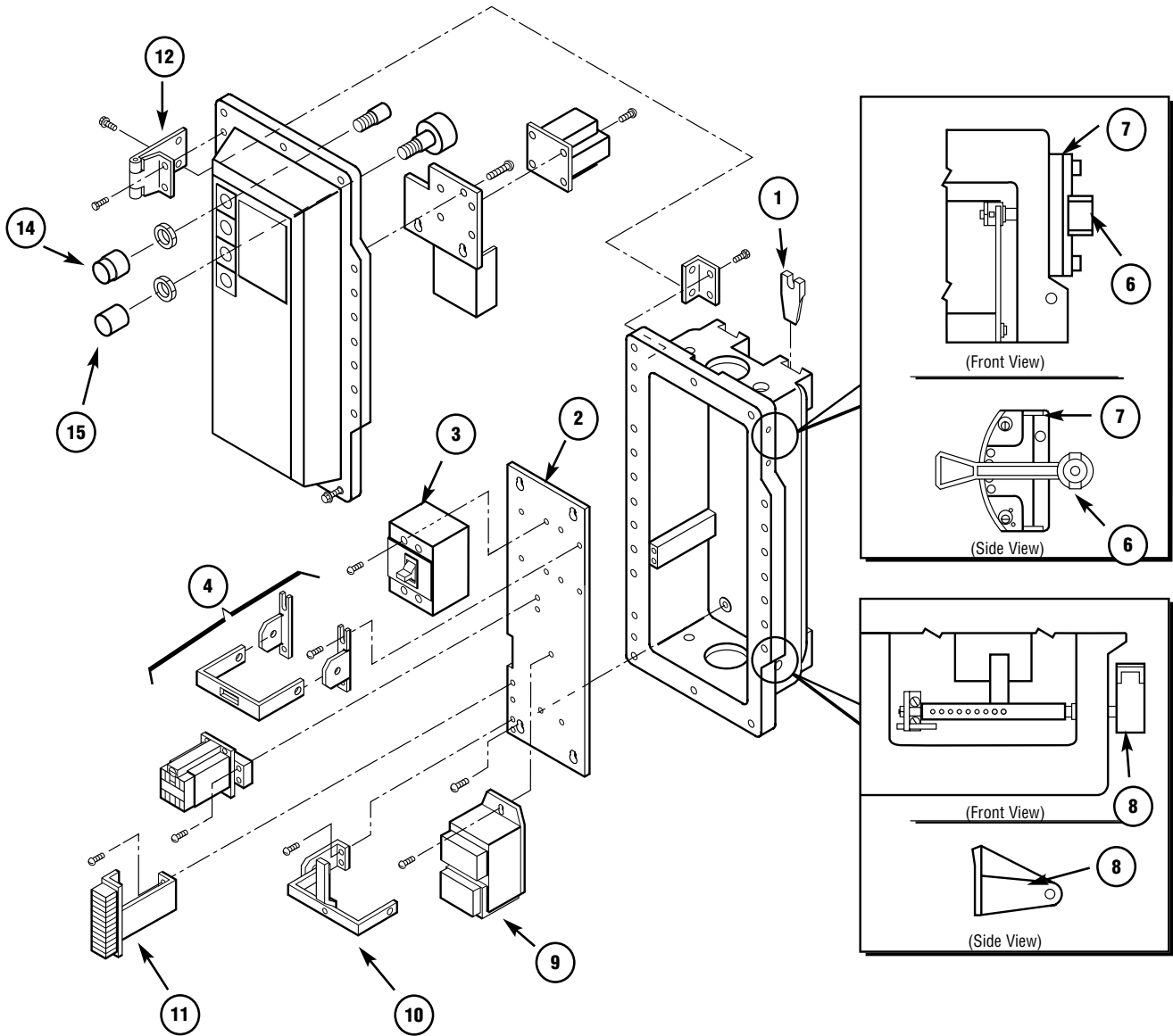
(NOTE: For AFU models M76 & M85, contact Crouse-Hinds Canada.)

** Buy locally from General Electric Co.

*** When ordering, specify model # (M83, M6, or M7). **** Standard hardware—can be purchased locally.

EBM COMBINATION/STARTER/CIRCUIT BREAKER*
REPLACEMENT PARTS

• CONTROL



**EBM COMBINATION/STARTER/CIRCUIT BREAKER*
REPLACEMENT PARTS**

ITEM	DESCRIPTION	USED ON	PART NO.
1	MOUNTING FOOT	SIZE A, B, D, G, H	EJB-MF1 (4/kit)
		SIZE K, L, M, RIGHT SIDE	EBM:0206805 LR
		SIZE K, L, M, LEFT SIDE	EBM:0206806 LL
2	MOUNTING PLATE	ALL EBMS, SIZE A	EBM:0206624
		ALL EBMB, SIZE A	EBM:0206768
		ALL EBMC, SIZE B	EBM:0206571
		ALL EBMS, SIZE B	EBM:0206573
		ALL EBMB, SIZE B	EBM:0206635
		ALL EBMC (W/ CIRCUIT BREAKER OR MCP), SIZE D	EBM:0206627
		ALL EBMC (W/ DISCONNECT SWITCH), SIZE D	EBM:0206780
		ALL EBMC, SIZE G	EBM:0207648
		ALL EBMB, SIZE G	EBM:0206619
		ALL EBMC (W/ CIRCUIT BREAKER OR MCP), SIZE H	EBM:0206670
		ALL EBMC (W/ DISCONNECT SWITCH), SIZE H	EBM:0206788
		ALL EBMS, SIZE H	EBM:0206676
		ALL EBMC, SIZE K, TOP (CIRCUIT BREAKER)	EBM:0206719
		ALL EBMC, SIZE K, BOTTOM (STARTER)	EBM:0207647
		ALL EBMS, SIZE K	EBM:0206753
		ALL EBMB, SIZE K	EBM:0206710
		ALL EBMC, SIZE L, TOP (CIRCUIT BREAKER)	EBM:0206719
		ALL EBMC, SIZE L, BOTTOM (STARTER)	EBM:0206720
		ALL EBMS, SIZE L	EBM:0206753
		ALL EBMB, SIZE L	EBM:0206739
ALL EBMC, SIZE M, TOP (CIRCUIT BREAKER)	EBM:0206758		
ALL EBMC, SIZE M, BOTTOM (STARTER)	EBM:0206753		
3	CIRCUIT BREAKER & STARTERS	ALL EBMC & EBMB	REFERENCE PRODUCT CATALOG SECTION 6C

* All parts listed are standard on electronic models unless otherwise indicated.

**EBM COMBINATION/STARTER/CIRCUIT BREAKER*
REPLACEMENT PARTS**

• CONTROL

ITEM	DESCRIPTION	USED ON	PART NO.
4	CIRCUIT BREAKER BAIL ASSEMBLY	ALL EBMB, SIZE A	EBM-K7
	AND CONNECTOR ARM	ALL EBMB, SIZE B	EBM-K8
		ALL EBMC (w/ circuit breaker or MCP), SIZE B	EBM-K9
		ALL EBMC (w/ disconnect switch), SIZE D	EBM-K10
		ALL EBMC (w/ circuit breaker or MCP), SIZE D	EBM-K11
		ALL EBMC (w/ circuit breaker or MCP), SIZE G	EBM-K12
		ALL EBMB (w/ circuit breaker or MCP), SIZE G	EBM-K23
		ALL EBMC (w/ disconnect switch), SIZE H	EBM-K13
		ALL EBMC (w/ circuit breaker or MCP), SIZE H	EBM-K14
		ALL EBMB, SIZE K	EBM-K15
		ALL EBMC (w/ circuit breaker or MCP), SIZE K	EBM-K16
		ALL EBMC (w/ circuit breaker or MCP), SIZE L	EBM-K17
		ALL EBMB, SIZE L	EBM-K18
		ALL EBMC (w/ circuit breaker or MCP), SIZE M	EBM-K19
5	CIRCUIT BREAKER OPERATING HANDLE ASSEMBLY	ALL EBMC & EBMB STANDARD & ELECTRONIC STARTER SIZES A, B, D, G, H	EBM-K1
	(Not shown — includes handle, shaft, bushing, operating arm and hardware)	ALL EBMC & EBMB, SIZES K, L, M	EBM-K22
6	CIRCUIT BREAKER SIDE-OPERATING HANDLE	ALL EBMC & EBMB, SIZES A, B, D, G, H	EBM:0206550-1
		ALL EBMC & EBMB, SIZES K, L, M	EBM:0206695
7	LOCKOUT PLATE WITH INDICATING PLATE	ALL EBMC & EBMB	EBM-K5
	(Includes handle adjustment buttons and hardware)		
8	EXTERNAL STARTER RESET HANDLE AND SHAFT ASSEMBLY	ALL EBMC & EBMS	EBM-K20
9	STARTER	ALL EBMC & EBMS	SEE CATALOG SECTION 6C

* All parts listed are standard on electronic models unless otherwise indicated.

**EBM COMBINATION/STARTER/CIRCUIT BREAKER*
REPLACEMENT PARTS**

ITEM	DESCRIPTION	USED ON	PART NO.
10	STARTER RESET FINGER, SHAFT, HINGE AND HARDWARE	ALL EBMS, SIZE A	EBM:0206570
		ALL EBMC/S, SIZE B – STANDARD	EBM:0206570
		ALL EBMC/S, SIZE B – ELECTRONIC STARTER	EBM:0207638
		ALL EBMC/S, SIZE D – STANDARD	EBM:0206570
		ALL EBMC/S, SIZE D – ELECTRONIC STARTER	EBM:0207638
		ALL EBMC, SIZE G – ELECTRONIC STARTER	EBM:0207638
		ALL EBMC, SIZE H – STANDARD	EBM:0206652
		ALL EBMC, SIZE H – ELECTRONIC STARTER	EBM:0207638
		ALL EBMS, SIZE H	EBM:0206662
		ALL EBMC/S, SIZE K – ELECTRONIC STARTER	EBM:0207638
		ALL EBMC, SIZE L	EBM:0206662
		ALL EBMS, SIZE L	EBM:0206750
		ALL EBMC, SIZE M – STANDARD	EBM:0206750
ALL EBMC, SIZE M – ELECTRONIC STARTER	EBM:0207638		
11	TERMINAL BLOCK MOUNTING PLATE	ALL EBMC/S/B, SIZES A, B, D, G, K	EBM:0206575
		ALL EBMC (W/ DISCONNECT SWITCH), SIZE H	EBM:0206791
		ALL EBMC (WITH CIRCUIT BREAKER), SIZE H	EBM:0206686
		ALL EBMS, SIZE H	EBM:0206686
		ALL EBMC/S/B, SIZES L AND M	EBM:0206686
12	HINGE KIT	ALL EBMC/S/B	EBM-K6 (Qty. 2/kit)
13	REPLACEMENT SPACE HEATERS (Including mounting hardware—not shown)	ALL EBM W/ SUFFIX R11 (25 W, 120 VAC)	EBM-R11-KIT
		ALL EBM W/ SUFFIX R22 (25 W, 240 VAC)	EBM-R22-KIT
		ALL EBM W/ SUFFIX R44 (25 W, 480 VAC)	EBM-R44-KIT

* All parts listed are standard on electronic models unless otherwise indicated.

**EBM COMBINATION/STARTER/CIRCUIT BREAKER*
REPLACEMENT PARTS**

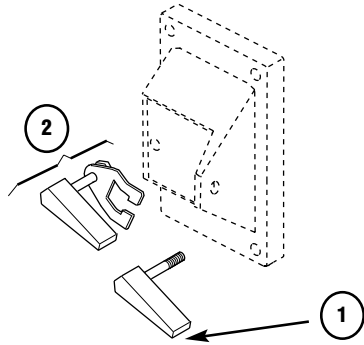
CONTROL

CONTROL

ITEM	DESCRIPTION	USED ON	PART NO.
14	REPLACEMENT PILOT LIGHTS	ALL EBMC/S/B	EMP009-J**
15	REPLACEMENT PUSHBUTTONS	ALL EBMC/S/B	EMPS019
16A	SELECTOR SWITCHES, 2-POSITION (Not shown)	ALL EBMC/S	EMPS049
16B	SELECTOR SWITCHES, 3-POSITION (Not shown)	ALL EBMC/S	EMPS069
17A	REPLACEMENT BREATHER – S756V (Not shown)	ALL EBMC/S/B W/ S756V SUFFIX	ECD16
17B	REPLACEMENT DRAIN – S756/S756V (not shown)	ALL EBMC/S/B WITH S756 OR S756V SUFFIX	ECD17
18	DEVICE PLUGS (Not shown)	ALL EBMC/S/B	EMP:0207959
19	INSULATED NEUTRAL – S146 (Including mounting hardware—not shown)	ALL EBMB WITH S146 SUFFIX	EBM-S146-KIT
20	GROUNDING NEUTRAL – S178 (Including mounting hardware—not shown)	ALL EBMB WITH S178 SUFFIX	EBM-S178-KIT
21	COVER BOLTS W/ SPRING & WASHER (Qty. 12—not shown)	ALL EBMC/S/B	EBM-K21
22	LIFT PLATE (Not shown)	ALL EBMC/S/B	EBM:0206735
23A	LEGEND PLATES – PUSHBUTTONS/PILOT LIGHTS	ALL EBMC/S/B	
	(Not shown)		
	START DSL05	TRIP	DSL11
	STOP DSL06	RESET	DSL12
	ON DSL07	TEST	DSL13
	OFF DSL08	POWER ON	DSL14
	RUN DSL09	HAND	DSL15
	JOG DSL10	AUTO	DSL16
23B	SELECTOR SWITCH LEGEND PLATES, 2-POSITION (Not shown)	ALL EBMC/S	
	RUN – JOG DSL28	UP – DOWN	DSL33
	HAND – AUTO DSL29	SAFE – RUN	DSL86
	FWD – REV DSL30	IN – OUT	DSL35
	SLOW – FAST DSL65	RAISE – LOWER	DSL36
23C	SELECTOR SWITCH LEGEND PLATES, 3-POSITION (Not shown)	ALL EBMC/S	
	RUN – OFF – JOG DSL38	RAISE – OFF – LOWER	DSL87
	HAND – OFF – AUTO DSL39	OPEN – OFF – CLOSE	DSL43
	FWD – OFF – REV DSL40	UP – OFF – DOWN	DSL44
	FAST – OFF – SLOW DSL41	BLANK W/ 3 FIELDS	DSL04

* All parts listed are standard on electronic models unless otherwise indicated.

** Specify Jewel color 1 = Red, 3 = Green



**EDS CONTROL STATIONS (FACTORY SEALED)
REPLACEMENT PARTS***

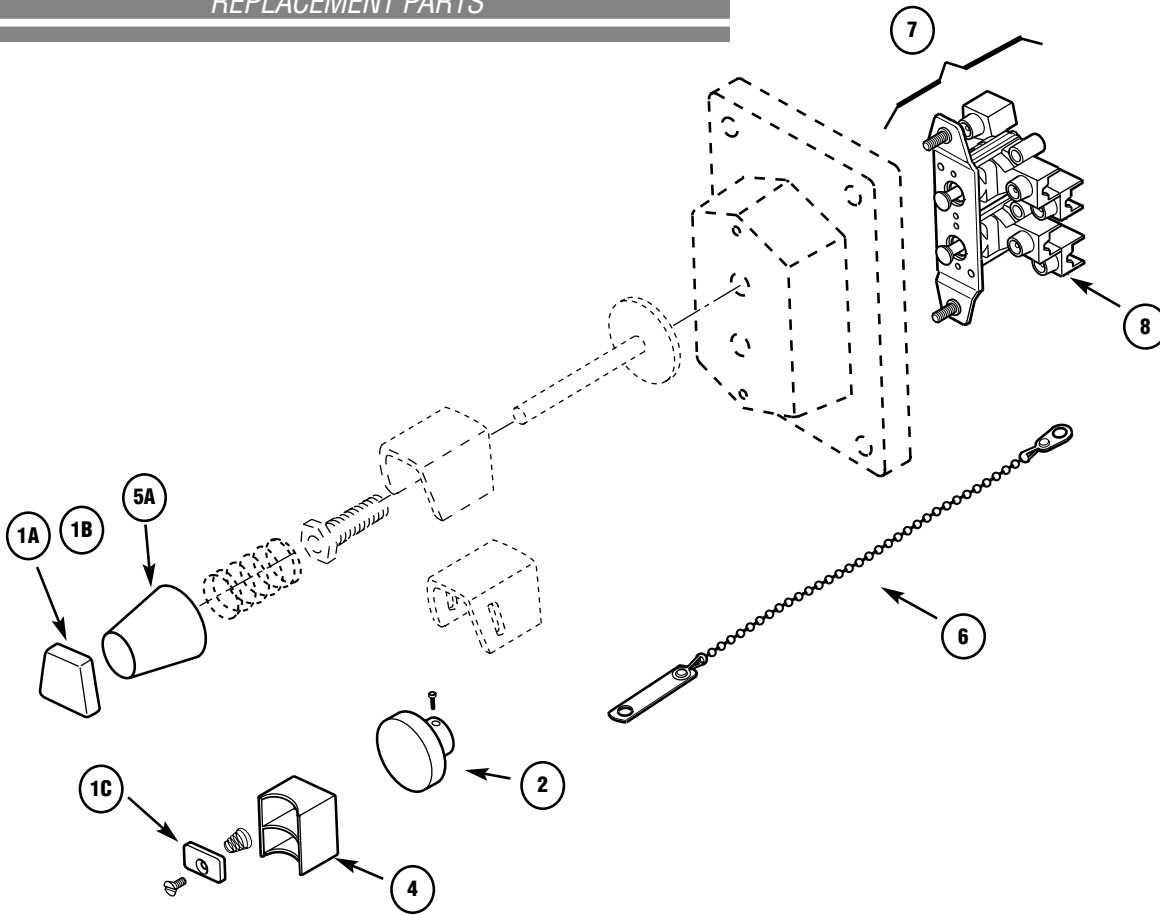
ITEM	DESCRIPTION	USED ON	PART NO.
FRONT-OPERATED GEN. PURPOSE SNAP SWITCHES			
1	OPERATING HANDLE/SHAFT ASSEMBLY	ALL EDS/EFD/DSD/DS	DS-K15
2	OPERATING MECHANISM (Includes handle/shaft, spring, fork and hardware)	ALL EDS/EFD/DSD/DS – 1-POLE	DS-K2
		ALL EDS/EFD/DSD/DS – 2-POLE	DS-K2
		ALL EDS/EFD/DSD/DS – 3-POLE	DS-K19
3	REPLACEMENT SNAP SWITCH (Not shown)	1-POLE 20 AMP	SW5*
		2-POLE 20 AMP	SW6*
		3-WAY 20 AMP	SW7*
		4-WAY 20 AMP	SW8*
4	COVER SCREWPACK		DSD SCREWPACK
MANUAL MOTOR STARTING SWITCHES			
1	OPERATING HANDLE/SHAFT ASSEMBLY	ALL EDS/EFD/DSD/DS	DS-K15
2	OPERATING MECHANISM (Includes handle/shaft, spring, fork and hardware)	ALL EDS/EFD/DSD/DS – 1-, 2-, 3-POLE	DS-K2
3A	REPLACEMENT MOTOR STARTING SWITCH ONLY (Not shown)	WESTINGHOUSE – 1-POLE	WEST-MST01**
		WESTINGHOUSE – 2-POLE	WEST-MST02**
		ALLEN-BRADLEY – 1-POLE	A-B BULLETIN 600 TOX4**
		ALLEN-BRADLEY – 2-POLE	A-B BULLETIN 600 TOX5**
		GENERAL ELECTRIC – 1-POLE	GE CR101Y**
		GENERAL ELECTRIC – 2-POLE	GE CR101H**
3B	REPLACEMENT MOTOR STARTING SWITCH (w/o overload protection—not shown)	SQUARE D – 2-POLE	SQD CLASS 2510 TYPE KO-1**
		GENERAL ELECTRIC – 3-POLE	GE TC2368S**
3C	REPLACEMENT MOTOR STARTING SWITCH (with Factory Sealing Well Chamber - not shown)	WESTINGHOUSE - 1 POLE	SW13
		WESTINGHOUSE - 2 POLE	SW14
		ALLEN-BRADLEY - 1POLE	SW9
		ALLEN-BRADLEY - 2 POLE	SW10
		GENERAL ELECTRIC - 1 POLE	SW11
		GENERAL ELECTRIC - 2 POLE	SW12
4	COVER SCREW PACK		DSD SCREWPACK

* Note: Replacement sealed switches are not available for "GB" units. Refer to replacement parts for EFD (not factory sealed).

** Buy locally.

EDS/EFS/DSD/DS (M90, M96) CONTROL STATIONS
REPLACEMENT PARTS*

• CONTROL



ITEM	DESCRIPTION	USED ON	PART NO.
FRONT-OPERATED PUSHBUTTON			
1A	EXTERNAL OPERATING BUTTON ONLY	ALL EDS/EFS/DSD/DS EXCEPT DSD961 & DSD962 (M96)*	CF859-K1**
1B	EXTERNAL OPERATING BUTTON KIT	ALL EDS/EFS/DSD/DS EXCEPT DSD961 & DSD962 (M96)*	CF859-K10
(Includes 10 buttons per kit pre-marked: START, STOP, ON, OFF, UP, DOWN, RESET, JOG, FORWARD AND REVERSE)			
1C	EXTERNAL OPERATING BUTTON ONLY	DSD961, DSD962 (M96)*	
		BLACK TOP	EMP:0208172-1**
		BLACK BOTTOM	EMP:0208172-2**
		GREEN TOP	EMP:0208172-3**
		GREEN BOTTOM	EMP:0208172-4**
		RED TOP	EMP:0208172-5**
		RED BOTTOM	EMP:0208172-6**

* Note: All replacement parts are for M96 only. Parts are not interchangeable with previous models.

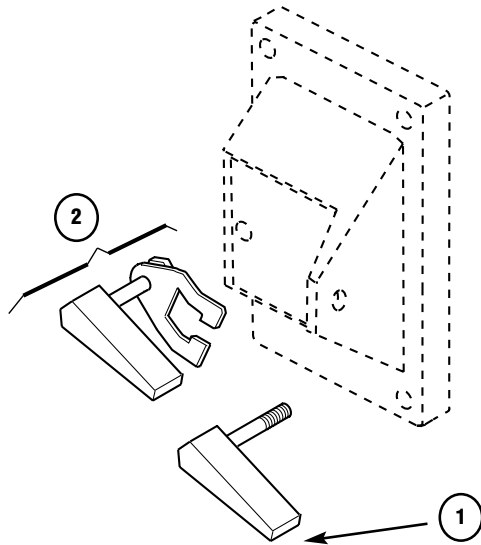
** Specify Marking

EDS/EFS/DSD/DS (M90, M96) CONTROL STATIONS
REPLACEMENT PARTS

ITEM	DESCRIPTION	USED ON	PART NO.
2	MUSHROOM "STOP" BUTTON (w/ hardware—red only)	ALL EDS/EFS/DSD/DS W/ S111 OR S769 SUFFIX (M96)*	EMP-K2
3	LOCKOUT "EARS" (Qty. 2) & BUTTON BASE FOR MAINTAINED MUSHROOM HEAD (Including hardware—not shown)	ALL EDS/EFS/DSD/DS W/ S769 SUFFIX (M96)*	DS:0205424-3
4	GUARD FOR EXTERNAL OPERATING BUTTON	DSD961, DSD962 (M96)*	DS:0207824
5A	WEATHERPROOF BOOT, MODEL M96	ALL EDS/EFS/DSD/DS EXCEPT DSD962 (M96)*	DS:0208029
5B	WEATHERPROOF COVER AND CLAMPING RING FOR FRONT OPERATING PUSHBUTTON MODEL M90 – S323 (Not shown)	ALL EDS/DSD W/ S323 SUFFIX (M90)	DS:17063A
6	LOCKOUT BAR AND CHAIN ASSEMBLY – S153	ALL EDS/EFS/ DSD/DS WITH S153 SUFFIX	DS:14606A
7	REPLACEMENT PUSHBUTTON SWITCH ASSEMBLY (Includes mounting strap)	1-CIRCUIT UNIVERSAL 2-CIRCUIT UNIVERSAL 3-CIRCUIT UNIVERSAL	ED11 ED12 ED13 (Used only on DSD962)
8	REPLACEMENT CONTACT BLOCK ONLY	ALL EDS/EFS/DSD	ESWP126
9	COVER SCREW PACK (4/pack)	ALL MODELS	DSD SCREWPACK
* Note: All replacement parts are for M96 only. Parts are not interchangeable with previous models.			

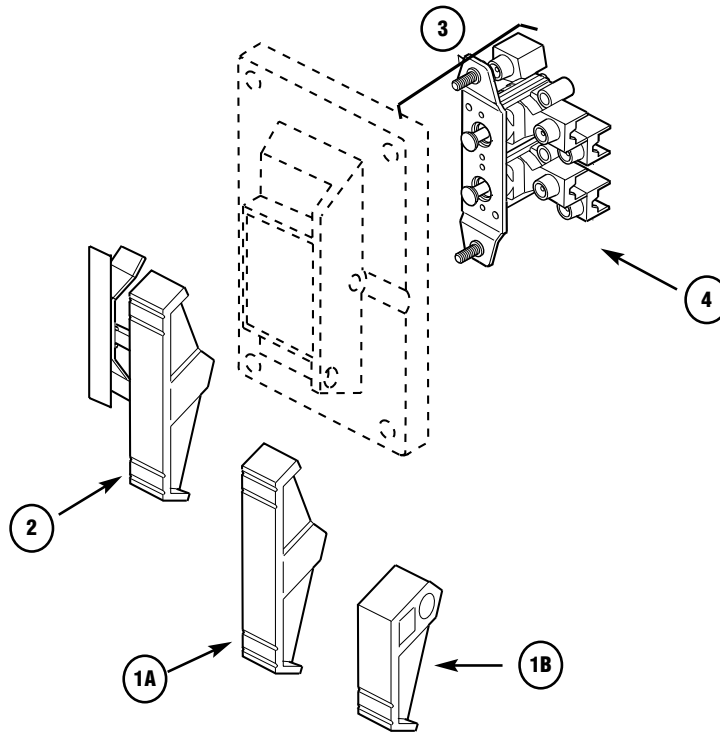
EDS/EFS/DSD/DS (M90, M96) CONTROL STATIONS
REPLACEMENTS PARTS

• CONTROL



ITEM	DESCRIPTION	USED ON	PART NO.
CIRCUIT BREAKER ENCLOSURES			
1	OPERATING HANDLE/SHAFT ASSEMBLY	EFD/C 21104, 31104, 22104, 32104	DS-K15
2	OPERATING MECHANISM	ALL EFD – 1-POLE	DS-K3
	(Includes handle/shaft, spring, fork, spacer and hardware)		
3	REPLACEMENT CIRCUIT BREAKER (Not shown)		
	1-POLE 15 AMP	EFD/C 21104, 31104, 22104, 32104	SQ D - QOU115C1H*
	1-POLE 20 AMP	EFD/C 21105, 31105, 22105, 32105	SQ D - QOU120C1H*
	1-POLE 30 AMP	EFD/C 21106, 31106, 22106, 32106	SQ D - QOU130C1H*
4	COMPLETE COVER AND OPERATOR ASSEMBLY	ALL UNITS	DS640
5	COVER SCREWS (4/pack)	ALL UNITS	DSD SCREWPACK
	* Buy locally from Square D.		

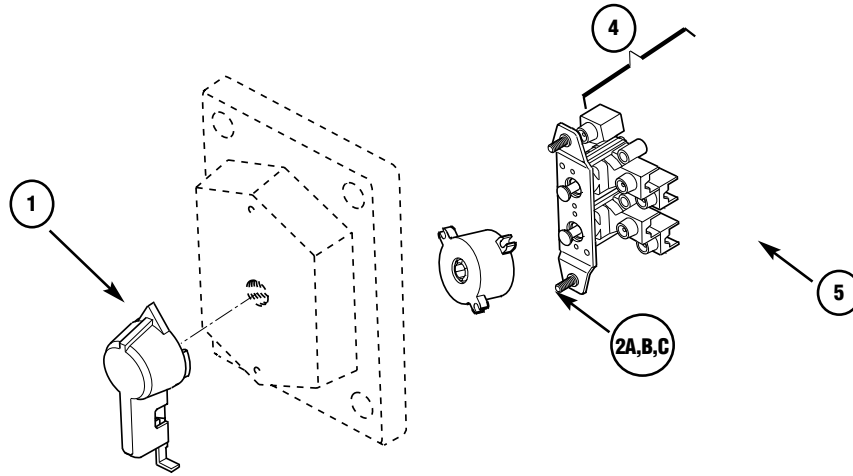
EDS/EFS/DSD/DS (M90, M96) CONTROL STATIONS
REPLACEMENTS PARTS



ITEM	DESCRIPTION	USED ON	PART NO.
<u>SIDE-OPERATED ROCKER HANDLE</u>			
1A	NYLON OPERATING HANDLE – FULL HANDLE (2 markings)	ALL EDS/DSD/DS	DS:20062B**
1B	NYLON OPERATING HANDLE – HALF HANDLE (1 marking)		DS:30578A**
2	OPERATING MECHANISM	EDS/EFD/DSD/DS – FULL HANDLE (2 markings)	DS-K12**
	(Includes handle, shaft, spring, lever, and hardware)	EDS/EFD/DSD/DS – HALF HANDLE (1 marking)	DS-K13**
3	REPLACEMENT SWITCH ASSEMBLY	1-CIRCUIT UNIVERSAL	ED11
	(Includes mounting strap)	2-CIRCUIT UNIVERSAL	ED12
4	REPLACEMENT CONTACT BLOCK	ALL EDS/DSD	ESWP126
** SPECIFY OPERATING HANDLE MARKINGS when ordering:			
	START	RESET	EMER
	STOP	TRIP	FWD
	ON	TEST	REV
	OFF	LIGHT ON	OPEN
	RUN	HAND	CLOSE
	JOG	AUTO	UP
5	COVER SCREW PACK (4/pack)	ALL MODELS	DSD SCREWPACK

EDS/EFS/DSD/DS (M90, M96) CONTROL STATIONS
REPLACEMENTS PARTS

• CONTROL



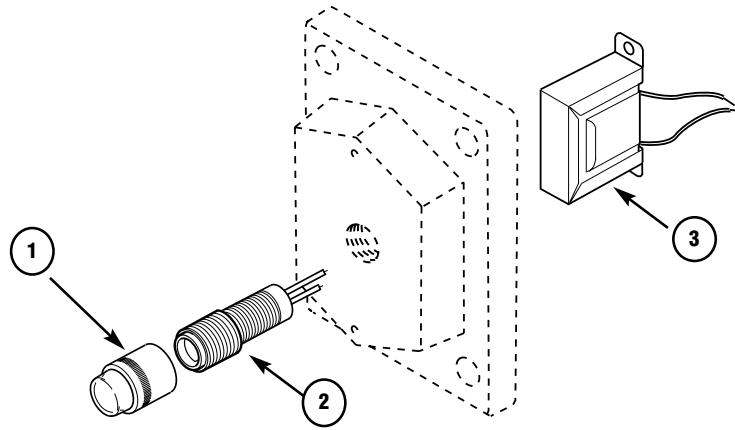
ITEM	DESCRIPTION	USED ON	PART NO.
SELECTOR SWITCHES			
1	OPERATING HANDLE WITH LOCKOUT (Includes hardware)	ALL EDS/EFS/DSD/DS	DS:0290203
1A	TWO POSITION NAMEPLATE KIT (Includes 7 nameplates per kit premarked: HAND/AUTO, ON/OFF, OPEN/CLOSE, START/STOP, UP/DOWN, RAISE/LOWER AND FORWARD/REVERSE - not shown)	2-POSITION	SS2 KIT
1B	TWO POSITION NAMEPLATE KIT (Includes 7 nameplates per kit premarked: HAND/OFF/AUTO, FAST/OFF/SLOW, FORWARD/OFF/REVERSE, JOG/OFF/RUN, LOCAL/OFF/REMOTE, OPEN/OFF/CLOSE, UP/OFF/DOWN - not shown)	3-POSITION	SS2 KIT
2A	OPERATOR CAM MODULES – STANDARD	2-POSITION	DS:0205871-1
		3-POSITION – CENTER OFF	DS:0205871-2
		3-POSITION	DS:0205871-3
2B	OPERATOR CAM MODULES – S634	3-POSITION – CENTER OFF W/ S634 SUFFIX	DS:0205871-5
		3-POSITION W/ S634 SUFFIX	DS:0205871-7
2C	OPERATOR CAM MODULES – S635	3-POSITION – CENTER OFF W/ S635 SUFFIX	DS:0205871-4
		3-POSITION W/ S635 SUFFIX	DS:0205871-6

EDS/EFS/DSD/DS (M90, M96) CONTROL STATIONS
REPLACEMENTS PARTS

ITEM	DESCRIPTION	USED ON	PART NO.
3A	COMPLETE COVER ASSEMBLY	EFS/EDS11271, 11272, 21271, 21272	DS672
	(Less contacts—includes cam and cover screws—not shown)	EFS/EDS31271, 31272	
		DSD923, DSD924, DS672	
		EFS/EDS11273, 11274, 21273, 21274	DS673
		EFS/EDS31273, 31274	
		DSD925, DSD926, DS673	
		EFS/EDS11275, 21275, 31275	DS675
		DSD927, DS675	
3B	COMPLETE COVER ASSEMBLY – S634	EDS11273, 11274, 21273, 21274	DS673-S634
	(Includes handle, shaft, bushing, operating cam module	EDS31273, 31274	
	and hardware—not shown, less contacts)	DSD925, DSD926, DS673	
		EDS11275, 21275, 31275, DSD927, DS675	DS675-S634
3C	COMPLETE COVER ASSEMBLY – S635	EDS11273, 11274, 21273, 21274	DS673-S635
	(Includes handle, shaft, bushing, operating cam module	EDS31273, 31274	
	and hardware—not shown, less contacts)	DSD925, DSD926, DS673	
		EDS11275, 21275, 31275, DSD927, DS675	DS673-S635
4	PUSHBUTTON CONTACT BLOCK ASSEMBLY	2- OR 3-POSITION/2-CIRCUIT	ED11
	(Includes mounting strap)	2- OR 3-POSITION/4-CIRCUIT	ED12
5	REPLACEMENT CONTACT BLOCK	ALL EDS/EFS/DSD	ESWP126*
	* Note: Four circuit units require (2) ESWP126 contact blocks.		

EDS/EFS/DSD/DS (M90, M96) CONTROL STATIONS
REPLACEMENTS PARTS

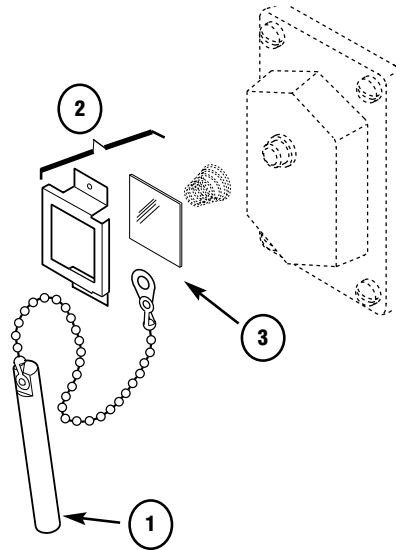
• CONTROL



ITEM	DESCRIPTION	USED ON	PART NO.
PILOT LIGHTS			
1	GLASS JEWEL ASSEMBLY	ALL EDS/EFS/DSD/DS (M96)	0205057-*
1A	REPLACEMENT LAMP	ALL EDS/EFS/DSD/DS (M96)	SYLVANIA #120MB/6
2	PILOT LIGHT BODY ASSEMBLY	MINI-BAYONETTE BASE (110V, 6W) (M96)	DS:0208031
3	TRANSFORMERS (50-60HZ)	220/110V, SUFFIX T2	15129A-TRANS
		440/110V, SUFFIX T4	15130A-TRANS
		550/110V, SUFFIX T5	15131A-TRANS
		115/6V, SUFFIX T16	22178A
		220/6V, SUFFIX T26	26657A
		440/6V, SUFFIX T46	24862A

* Specify Jewel color 1 = Red, 3 = Green, 6 = Amber, 10 = Clear, 11 = Blue

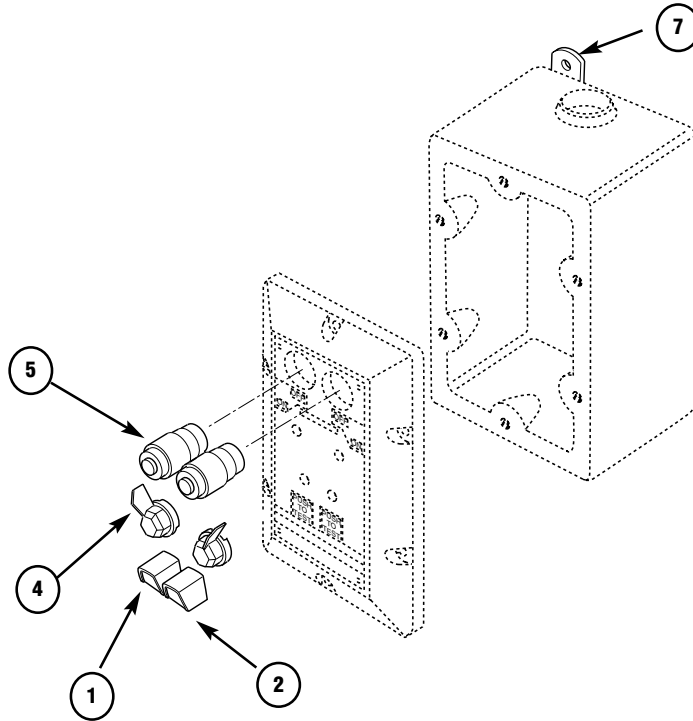
EFS FIRE ALARM CONTROL STATION
REPLACEMENT PARTS



ITEM	DESCRIPTION	USED ON	PART NO.
1	FIRE ALARM HAMMER W/ CHAIN	EFS/EFSC 21095	DS-K37
2	REPLACEMENT GLASS AND FRAME KIT	EFS/EFSC 21095	DS-K25
3	REPLACEMENT BREAK GLASS	EFS/EFSC 21095	DS-K16
4	REPLACEMENT CONTACT BLOCK ASSEMBLY	EFS/EFSC 21095	ED11
(Includes mounting strap—not shown)			
5	REPLACEMENT CONTACT BLOCK ONLY (Not shown)	EFS/EFSC 21095	ESWP126
6	COVER SCREWPACK (4/pack)	EFS/EFSC 21095	DSD SCREWPACK

EGF GROUND FAULT CONTROL STATION
REPLACEMENT PARTS

CONTROL



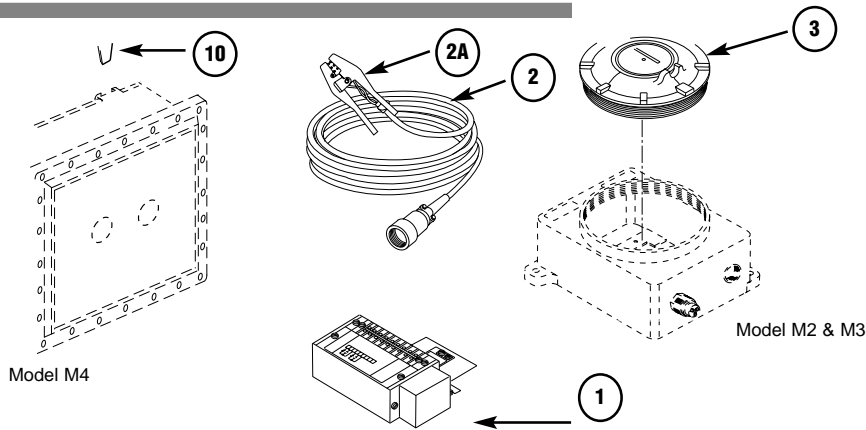
ITEM	DESCRIPTION	USED ON	PART NO.
1	EXTERNAL PUSHBUTTON	ALL EGF	CF859 K1* **
2	PUSHBUTTON GUARD	ALL EGF	CF856
3	EXTERNAL PUSHBUTTON OPERATING ASSEMBLY	ALL EGF	EGF K1* **
	(Includes items 1, 2 and hardware)		
4	SELECTOR SWITCH OPERATING HANDLE (w/ hardware)	ALL EGF	DS:0200762
5	PILOT LIGHT LENS ASSEMBLY	ALL EGF	EGF K2***
6	REPLACEMENT CIRCUIT BREAKER		
	GFI TYPE	15A – 1-POLE	SQ D - Q0115GFI†
	(Not shown)	20A	SQ D - Q0120GFI†
		25A	SQ D - Q0125GFI†
		30A	SQ D - Q0130GFI†
* SPECIFY COLOR: Green, Red, Black ** SPECIFY MARKING *** SPECIFY COLOR OF LENS: Red = J1, Green = J3			

**EGF GROUND FAULT CONTROL STATION
REPLACEMENT PARTS**

ITEM	DESCRIPTION	USED ON	PART NO.
6	REPLACEMENT CIRCUIT BREAKER		
	EPD TYPE	15A – 1-POLE	SQ D - Q0115EPD†
		20A	SQ D - Q0120EPD†
		25A	SQ D - Q0125EPD†
		30A	SQ D - Q0130EPD†
	GFI TYPE	15A – 2-POLE	SQ D - Q0215GFI†
		20A	SQ D - Q0220GFI†
		25A	SQ D - Q0225GFI†
		30A	SQ D - Q0230GFI†
	EPD TYPE	15A – 2-POLE	SQ D - Q0215EPD†
		20A	SQ D - Q0220EPD†
		25A	SQ D - Q0225EPD†
		30A	SQ D - Q0230EPD†
7	MOUNTING FOOT (2/kit)	ALL EGF	WSMF-K1
8	LED REPLACEMENT LAMP (w/ suffix LED—not shown)	RED 24V	MB444WC1-24V/25-DP††
		YELLOW 24V	MB444WCU4-24V/25-DP††
		GREEN 24V	MB444WC6NW-24V/10-DP††
		WHITE 24V	MB444WC8NW-24V/10-DP††
		BLUE 24V	MB444WC10NW-24V/10-DP††
		RED 120V	MB444WC1-120V/10-DP††
		YELLOW 120V	MB444WCU4-120V/10-DP††
		GREEN 120V	MB444WC6NW-120V/10-DP††
		WHITE 120V	MB444WC8NW-120V/10-DP††
		BLUE 120V	MB444WC10NW-120V/10-DP††
† Buy locally from Square D. †† Buy locally from STAR LED			

EGL GROUNDING INDICATOR (M2, M3, M4) REPLACEMENT PARTS

• CONTROL



ITEM	DESCRIPTION	USED ON	PART NO.
1	INTERIOR MOUNTING PLATE ASSEMBLY	EGL210 - M2, M3	EGL210-R1-M3 *
		EGL210 - M4	EGL210-R1-M4
2	GROUND CLAMP ASSEMBLY		
	(Includes 25' cord, handle body & clamp w/o male connector)	ALL MODELS	EGL:20109B
2A	GROUND CLAMP ASSEMBLY		
	(Includes optional 50' cord, handle body & clamp w/o male connector)	ALL MODELS	EGL:20109B W/ 50 FT. CORD
2B	GROUND CLAMP ONLY	ALL MODELS	EGL-K1
3	REPLACEMENT THREADED COVER (w/ gasket)	EGL210 - M2, M3	GUB0102
4A	REPLACEMENT PILOT	EMP STYLE (EJB HOUSING) - M2, M3	EMP009-J **
	LIGHT ASSEMBLY (Not shown)	EMP STYLE (EJB HOUSING) - M4	EMP009-J **-LED
4B	REPLACEMENT COLORED JEWEL	EMP STYLE (EJB HOUSING) - M2, M3, M4	EMP:0205057-J **
	(Only for pilot light EMP style)		
5	PILOT LIGHT CONVERSION KIT – (EGP to EMP) allows mounting new EMP style pilot light into older EGL models (not shown)		
		EGL210 (Older style w/o model number)	EGL-K3
6	PILOT LIGHT CLOSURE PLUG (Not shown)	EGL210 - M3, M4	EMP:0207959
7A	DRAIN (Not shown)	EGL210 - M2, M3, M4	ECD17
7B	BREATHER (Not shown)	EGL210 - M2, M3, M4	ECD16
8	SAFETY BARRIER (Not shown)	EGL210 - M3	SA-23121B-1003
		EGL210 - M4	GHG-122-3121-D-1003
9	RELAY (Not shown)	EGL210 - M2, M3, M4	EGL-K4

* Note: M3 Interiors can be used on all previous model numbers, but not with M4.

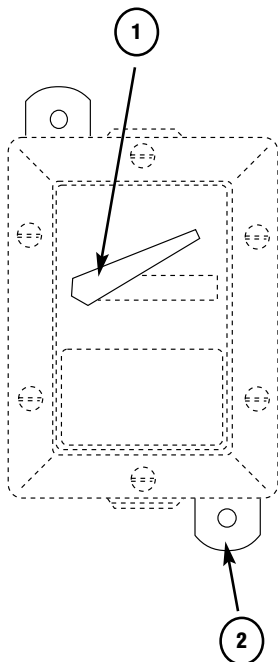
** SPECIFY JEWEL COLOR WHEN ORDERING: J1 = Red pilot light J3 = Green pilot light

EGL GROUNDING INDICATOR (M2, M3, M4) REPLACEMENT PARTS

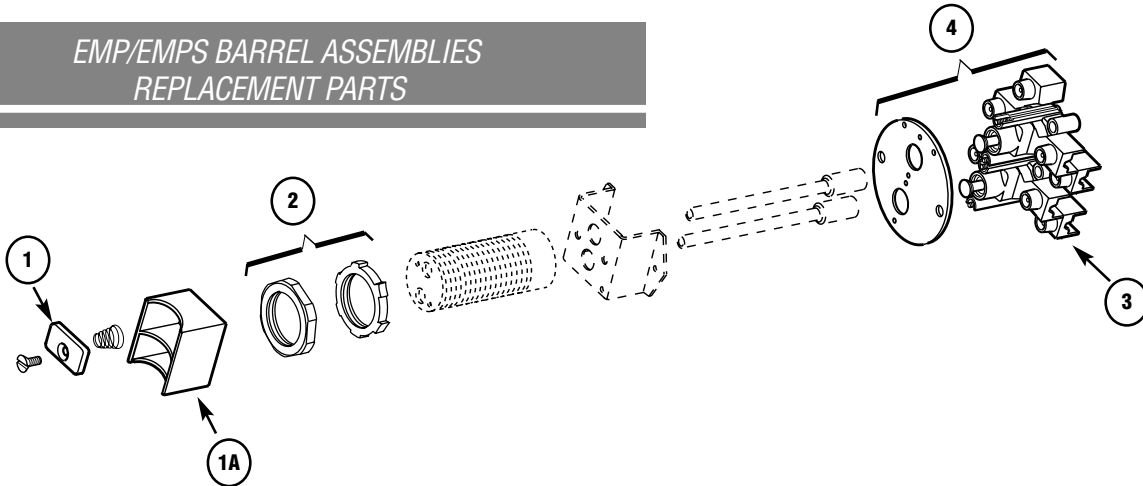
ITEM	DESCRIPTION	USED ON	PART NO.
10	MOUNTING FOOT (4/kit)	EGL210 - M4	EJB-MF1
11	REPLACEMENT DESICCANT PACK (Not shown)	EGL210-M4	EGL:WG22-1T
12	ADAPTER PLATE	ALL M2 AND M3 MODELS	EGL:0208122
(Allowing model M4 to be mounted where M2 & M3 models were located)			
13	REPLACEMENT PILOT LIGHT LAMPS	STANDARD	SYLVANIA # 120MB/6 **
(Miniature bayonet base)			
		LED TYPE - RED	MB444WC1-120V/10-DP***
		LED TYPE - GREEN	MB444WC6NW-120V/10-DP***
(Miniature bayonet base)			
14	COVER BOLTS (36/kit)	EGL210-M4	EJB BOLT - K1
Buy locally from Sylvania/Osram *Buy locally from STAR LED			

EMN MANUAL STARTER REPLACEMENT PARTS

ITEM	DESCRIPTION	USED ON	PART NO.
1	EXTERNAL OPERATING HANDLE	ALL EMN	EMN K1
(w/ hardware)			
2	MOUNTING FOOT (4/kit)	ALL EMN	WSMF-K1
3	MOUNTING PLATE (Not shown)	ALL EMN	EMN:0203069
4	INTERNAL OPERATING FORK ASSEMBLY	EMN FOR SQUARE D STARTER	EMN:0204073
	Sheet steel w/2 pressed pins	EMN FOR WESTINGHOUSE STARTER	EMN:0203324
	Formed sheet steel (no pins)	EMN FOR WESTINGHOUSE STARTER	EMN:0208227
(Not shown)			
5	REPLACEMENT MANUAL		
	MOTOR STARTER	ALL W/ SQ D SIZE M-0, 2-POLE	SQ D CLASS 2510 - TB0-1 *
	(Not shown)	3-POLE	SQ D CLASS 2510 - TB0-2 *
		ALL W/ SQ D SIZE M-1, 2-POLE	SQ D CLASS 2510 - TC0-1 *
		3-POLE	SQ D CLASS 2510 - TC0-3 *
		ALL W/ SQ D SIZE M-1P, 2-POLE	SQ D CLASS 2510 - TC0-2 *
* Buy locally from Square D.			



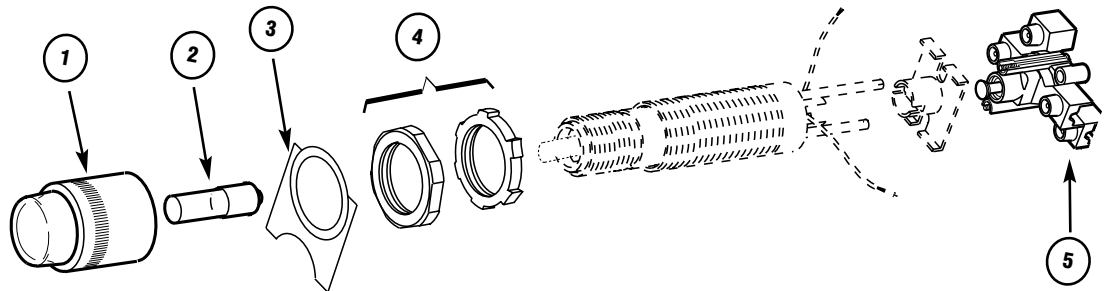
EMP/EMPS BARREL ASSEMBLIES
REPLACEMENT PARTS



CONTROL

ITEM	DESCRIPTION	USED ON	PART NO.
EMP/EMPS – DOUBLE-PUSHBUTTON, DOUBLE-OPERATOR			
1	EXTERNAL OPERATING BUTTONS	EMP/S 039	
		BLACK TOP	EMP:0208172-1**
	(w/ hardware)	BLACK BOTTOM	EMP:0208172-2**
		GREEN TOP	EMP:0208172-3**
		GREEN BOTTOM	EMP:0208172-4**
		RED TOP	EMP:0208172-5**
		RED BOTTOM	EMP:0208172-6**
1A	EXTERNAL GUARD ONLY	EMP/S 039	DS:0207824
2	EXTERNAL LOCKING RING & INTERNAL SLEEVE LOCKNUT	EMP/S 039	EMP-K5
3	REPLACEMENT CONTACT BLOCK	EMP/S 039	ESWP126
4	CONTACT BLOCK ASSEMBLY	EMP/S 039	ED35-M90
	(Includes mounting plate and contact blocks)		
	** SPECIFY OPERATING BUTTON MARKINGS:		
	START	RESET	EMER
	STOP	TRIP	FWD
	ON	TEST	REV
	OFF	LIGHT ON	OPEN
	RUN	HAND	CLOSE
	JOG	AUTO	UP

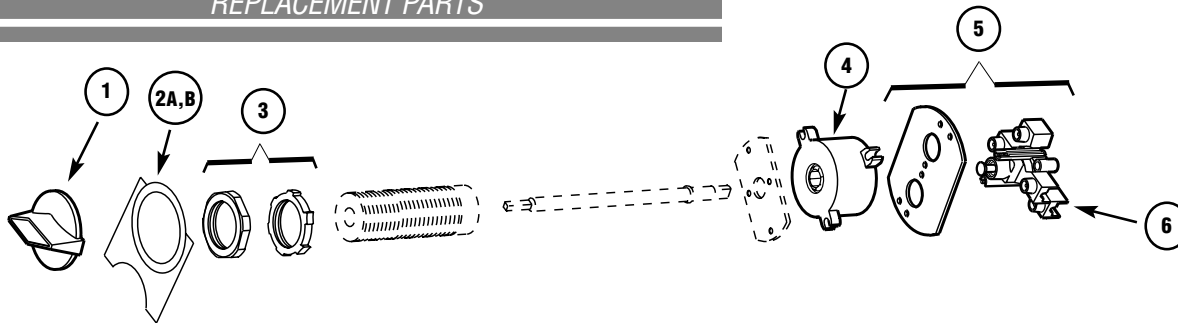
EMP/EMPS BARREL ASSEMBLIES
REPLACEMENT PARTS



ITEM	DESCRIPTION	USED ON	PART NO.
EMP – ILLUMINATED PUSHBUTTON			
1	GLASS JEWEL ASSEMBLY	EMP 0090/0098	EMP:0204492-J**
2	REPLACEMENT LAMP	EMP 0090/0098 (Incandescent)	SYLVANIA # 120MB/6 ***
		EMP 0090/0098 24 VDC (Incandescent)	SYLVANIA # 24MB ***
		EMP0090/0098 LED	
		RED 24V	MB444WC1-24V/25-DP††
		YELLOW 24V	MB444WCU4-24V/25-DP††
		GREEN 24V	MB444WC6NW-24V/10-DP††
		WHITE 24V	MB444WC8NW-24V/10-DP††
		BLUE 24V	MB444WC10NW-24V/10-DP††
		RED 120V	MB444WC1-120V/10-DP††
		YELLOW 120V	MB444WCU4-120V/10-DP††
		GREEN 120V	MB444WC6NW-120V/10-DP††
		WHITE 120V	MB444WC8NW-120V/10-DP††
		BLUE 120V	MB444WC10NW-120V/10-DP††
3	INDICATING PLATE	EMP 0090/0098	EMP:28304A*
4	EX. LOCKING RING & INTERNAL SLEEVE LOCKNUT	EMP 0090/0098	EMP-K5
5	REPLACEMENT CONTACT BLOCK	EMP0090	ESWP126
6	CONTACT BLOCK ASSEMBLY	EMP0098	ED35-M90
(Includes mounting plate and contact blocks)			
* SPECIFY MARKING	START	RESET	EMER
(Note: "DSL" marking plates may also be used)	STOP	TRIP	FWD
	ON	TEST	REV
	OFF	LIGHT ON	OPEN
	RUN	HAND	CLOSE
	JOG	AUTO	UP
** JEWEL COLOR DESIGNATION (Use clear jewel w/LED lamps):			
	RED = J1	AMBER = J6	CLEAR = J10
	GREEN = J3	BLUE = J11	
*** Buy locally from Sylvania/Osram		††† Buy locally from STAR LED	

CONTROL

EMP/EMPS BARREL ASSEMBLIES
REPLACEMENT PARTS



CONTROL

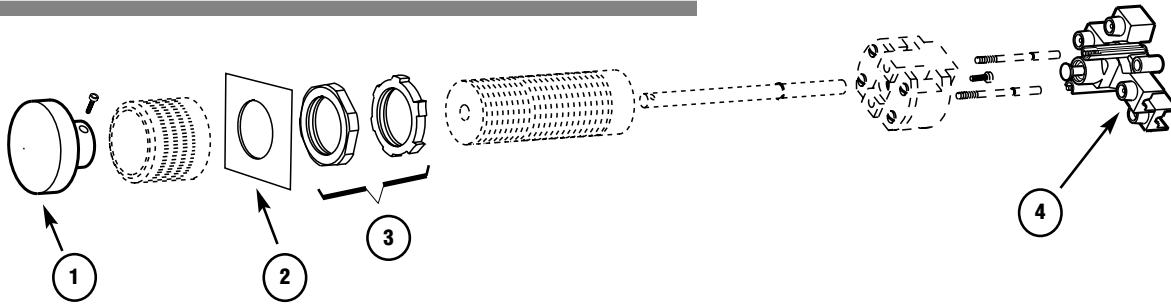
ITEM	DESCRIPTION	USED ON	PART NO.
EMP/EMPS SELECTOR SWITCHES			
1	OPERATING HANDLE (w/ hardware—2- or 3-position)	EMP/S 049, 059, 069, 079, 089	EMP-K1
2A	INDICATING PLATE – 2-POSITION	EMP/S 049, 059	USE DSL STYLE *
2B	INDICATING PLATE – 3-POSITION	EMP/S 069, 079, 089	USE DSL STYLE *
3	EXTERNAL LOCKING RING & INTERNAL SLEEVE LOCKNUT	EMP/S 049, 059, 069, 079, 089	EMP-K5
4A	OPERATOR CAM MODULES – STANDARD	2-POSITION	DS:0205871-1
		3-POSITION – CENTER OFF	DS:0205871-2
		3-POSITION	DS:0205871-3
4B	OPERATOR CAM MODULES – S634	3-POSITION – CENTER OFF W/ S634 SUFFIX	DS:0205871-5
		3-POSITION W/ S634 SUFFIX	DS:0205871-7
4C	OPERATOR CAM MODULES – S635	3-POSITION – CENTER OFF W/ S635 SUFFIX	DS:0205871-4
		3-POSITION W/ S635 SUFFIX	DS:0205871-6
5	REPLACEMENT SWITCH (Includes switch, mounting plate and hardware)	EMP/S 049, 069 (1 required) EMP/S 059, 079, 089 (2 required)	ED38-M90 ED35-M90
6	REPLACEMENT CONTACT BLOCK	EMP/S 049, 059, 069, 079, 089	ESWP126
* SPECIFY MARKING (note: “DSL” marking plates may also be used, see page 10)			
	RUN – JOG	UP – DOWN	ON – OFF
	HAND – AUTO	IN – OUT	FAST – SLOW
	FWD – REV	RAISE – LOWER	
	OPEN – CLOSE	START – STOP	
	RUN – OFF – JOG	1 – OFF – 2	FAST – OFF – SLOW
	HAND – OFF – AUTO	OPEN – OFF – CLOSE	UP – OFF – DOWN
	FWD – OFF – REV		

EMP/EMPS BARREL ASSEMBLIES
REPLACEMENT PARTS

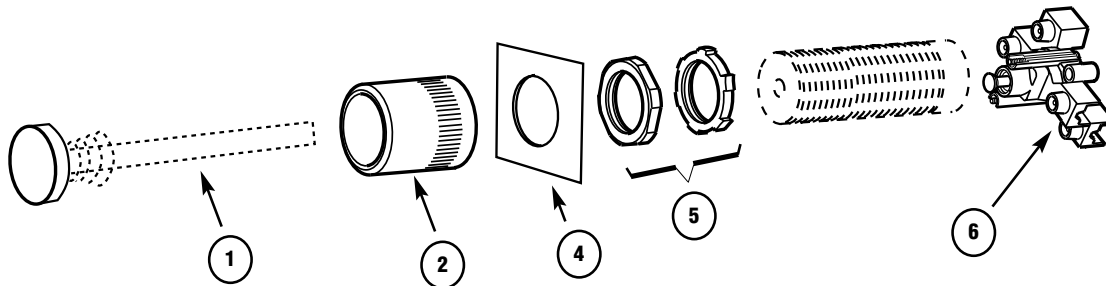
ITEM	DESCRIPTION	USED ON	PART NO.
EMP – PILOT LIGHTS (Not shown)			
1	GLASS JEWEL ASSEMBLY	EMP 009	EMP:0205057-J**
2	TRANSFORMERS	220/110 V SUFFIX T2	DS:15129A-TRANS
		440/110 V SUFFIX T4	DS:15130A-TRANS
		550/110 V SUFFIX T5	DS:15131A-TRANS
		115/6 V SUFFIX T16	DS:22178A
		220/6 V SUFFIX T26	DS:26657A
		440/6 V SUFFIX T46	DS:24862A
		3	EXTERNAL LOCKING RING & INTERNAL SLEEVE LOCKNUT
4	REPLACEMENT LAMP	EMP 009 STANDARD	SYLVANIA # 120MB/6
		EMP009-S300 (24VDC)	SYLVANIA # 24MB
		EMP0090/0098 LED	
		RED 24V	MB444WC1-24V/25-DP††
		YELLOW 24V	MB444WCU4-24V/25-DP††
		GREEN 24V	MB444WC6NW-24V/10-DP††
		WHITE 24V	MB444WC8NW-24V/10-DP††
		BLUE 24V	MB444WC10NW-24V/10-DP††
		RED 120V	MB444WC1-120V/10-DP††
		YELLOW 120V	MB444WCU4-120V/10-DP††
		GREEN 120V	MB444WC6NW-120V/10-DP††
		WHITE 120V	MB444WC8NW-120V/10-DP††
BLUE 120V	MB444WC10NW-120V/10-DP††		
5	INDICATING PLATE	ALL EMP/S	EMP:28304A*
* SPECIFY MARKING (note: "DSL" marking plates may also be used, see page 10)			
	START	RESET	EMER
	STOP	TRIP	FWD
	ON	TEST	REV
	OFF	LIGHT ON	OPEN
	RUN	HAND	CLOSE
	JOG	AUTO	UP
	FWD – OFF – REV		
** JEWEL COLOR DESIGNATION (Use clear jewel w/LED lamps):			
	RED = J1	AMBER = J6	CLEAR = J10
	GREEN = J3	BLUE = J11	
†† Buy locally from STAR LED			

**EMP/EMPS BARREL ASSEMBLIES
REPLACEMENT PARTS**

• CONTROL



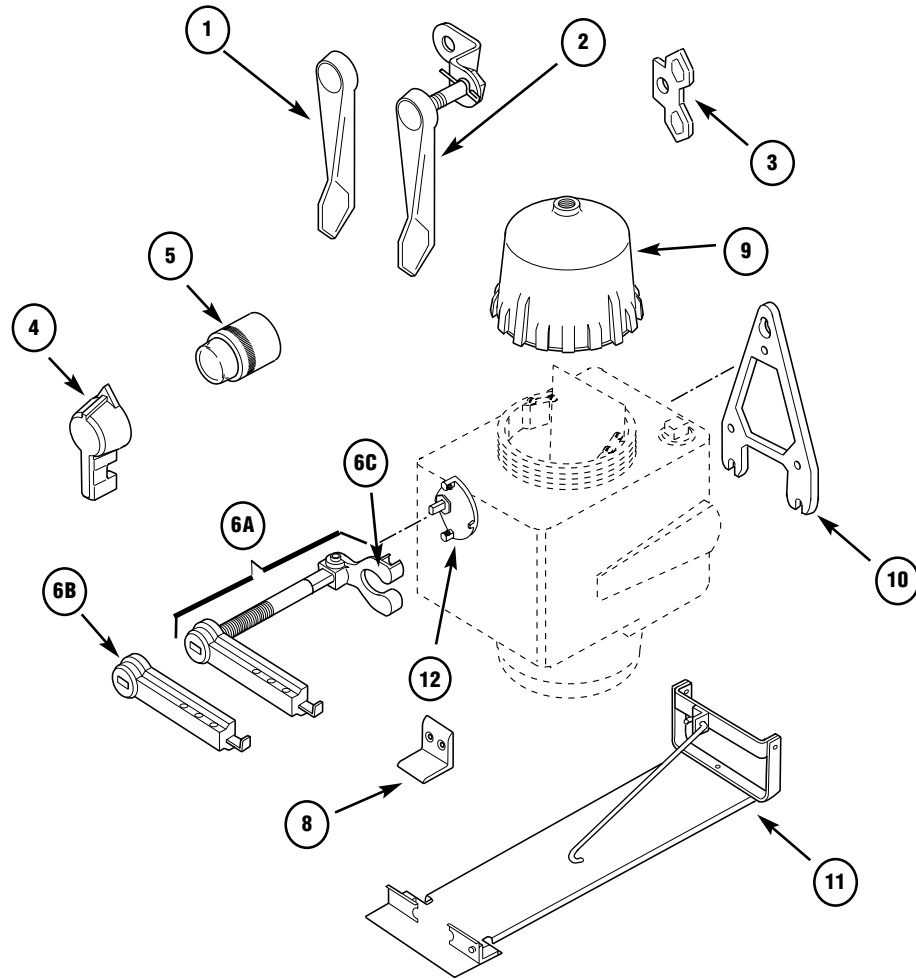
ITEM	DESCRIPTION	USED ON	PART NO.
EMP – MAINTAINED-CONTACT PUSHBUTTON			
1	EXTERNAL OPERATING BUTTON W/ HARDWARE	EMP098	EMP-K2
2	INDICATING PLATE	EMP098	DSL17
3	EXTERNAL LOCKING RING & INTERNAL SLEEVE LOCKNUT	EMP098	EMP-K5
4	REPLACEMENT CONTACT BLOCK	EMP098	ESWP1236



ITEM	DESCRIPTION	USED ON	PART NO.
EMP/EMPS – SINGLE/DOUBLE-PUSHBUTTON, SINGLE-OPERATOR			
1	EXTERNAL OPERATING BUTTON	EMP/S 019, 029	CF705-K1*
2	STANDARD GUARD	EMP/S 019, 029	EMP:27686A
3	GUARD FOR PADLOCK LOCKOUT (S153—not shown)	EMP/S 019, 029 W/ S153 SUFFIX	EMP:20881B
4	INDICATING PLATE	ALL EMP/S	ORDER DSL STYLE - SEE REPL PAGE 10
5	EXTERNAL LOCKING RING & INTERNAL SLEEVE LOCKNUT	EMP/S 019, 029	EMP-K5
6	REPLACEMENT CONTACT BLOCK	EMP/S 019, 029	ESWP126
7	CONTACT BLOCK ASSEMBLY (Not shown)	EMP/S 029	ED35-M90

* SPECIFY COLOR: Red, Green, or Black

EPC COMBINATION/STARTER/CIRCUIT BREAKER
REPLACEMENT PARTS



ITEM	DESCRIPTION	USED ON	PART NO.
1	STARTER RESET HANDLE (w/ hardware)	EPC 813, 87, 870, 871, 892, 97, 970, 971, 992	EPC-K8
2	STARTER RESET OPERATING HANDLE ASSEMBLY	EPC87, 870, 871, 97, 970, 971	EPC-K9
	(Includes handle, shaft, arm and hardware)	EPC 892, 992	EPC-K10
		EPC 813	EPC-K11
3	START-STOP OPERATING HANDLE (w/ hardware)	EPC 813, 87, 870, 871, 892,	EPC-K14
	FOR PUSHBUTTON STATIONS	97, 970, 971, 992 (SUFFIX PB)	
4	SELECTOR SWITCH OPERATING HANDLE (w/ hardware and lockout feature)	EPC 813, 87, 870, 871, 892,	DS:0290364
		97, 970, 971, 992 (SUFFIX RR)	
5	GLASS JEWEL & NUT ASSEMBLY FOR PILOT LIGHTS	EPC 813, 87, 870, 871, 892,	EMP:0205057-J*
	(Bayonet base type lamp)	97, 970, 971, 992 (SUFFIX J1 OR J3)	

* JEWEL COLOR DESIGNATION: RED = J1, GREEN = J3, AMBER = J6, CLEAR = J10, BLUE = J11

**EPC COMBINATION/STARTER/CIRCUIT BREAKER
REPLACEMENT PARTS**

ITEM	DESCRIPTION	USED ON	PART NO.
6A	CIRCUIT BREAKER OPERATING HANDLE ASSEMBLY	EPC 377, 387, 87, 870, 871	EPC-K3
	(Includes handle, shaft, bushing, operating arm and hardware)	EPC 892	EPC-K4
		EPC 813	NO LONGER AVAILABLE
		EPC 317	NO LONGER AVAILABLE
		EPC 317, BREAKER ONLY	NO LONGER AVAILABLE
6B	EXTERNAL OPERATING ARM ONLY	EPC 377, 387, 813, 87, 870, 871, 892	EPC:0205093
		EPC 317	NO LONGER AVAILABLE
6C	CIRCUIT BREAKER FORK ONLY	EPC 377, 387, 870, 871, 892	EPC:0204893
		EPC 317, 813	NO LONGER AVAILABLE
7A	PILOT LIGHT ASSEMBLY	ALL EPC W/ S541 OR S542 SUFFIX	EMP015 J* KIT
	W/O TRANSFORMER (Not shown)		
7B	SINGLE PILOT LIGHT ASSEMBLY	EPC 377, 387, 87, 870, 871,	EPC87 J* T** KIT
		97, 970, 971 W/ S541	
	W/ TRANSFORMERS AND MOUNTING STRAP	EPC 892, 992 W/ S541 SUFFIX	EPC892 J* T** KIT
	(Not shown)	EPC 317, 813 W/ S541 SUFFIX	EPC813 J* T** KIT
7C	DOUBLE PILOT LIGHT ASSEMBLIES	EPC 377, 387, 87, 870, 871,	EPC87 J* J* T** KIT
	W/ TRANSFORMERS & MOUNTING STRAP	97, 970, 971 W/ S542	
	(Not shown)	EPC 892, 992 W/ S542 SUFFIX	EPC892 J* J* T** KIT
		EPC 317, 813 W/ S542 SUFFIX	EPC813 J* J* T** KIT
7D	REPLACEMENT TRANSFORMERS ONLY	220/110 V, SUFFIX T2	DS:15129A-TRANS
	(Not shown)	440/110 V, SUFFIX T4	DS:15130A-TRANS
		550/110 V, SUFFIX T5	DS:15131A-TRANS
8	PRY BAR BRACKET TOOL (To remove threaded cover)	ALL EPC	EPC:23435A
9	REPLACEMENT THREADED COVERS:		
	EPC 377, 387 (7" internal dia.)	TOP COVER, 4" DEPTH	EPC274F-M75
		BOTTOM COVER, 4" DEPTH	EPC274M-M75
	EPC 317 (11" internal dia.)	TOP COVER, 5" DEPTH	EPC2115F-M75
		BOTTOM COVER, 5" DEPTH	EPC2115M-M75
	EPC 87, 870, 871 (7" internal dia.)	TOP COVER, 4" DEPTH	EPC274F-M75
		BOTTOM COVER, 10" DEPTH	EPC2710M-M75

* JEWEL COLOR DESIGNATION: RED = J1, GREEN = J3, AMBER = J6, CLEAR = J10, BLUE = J11

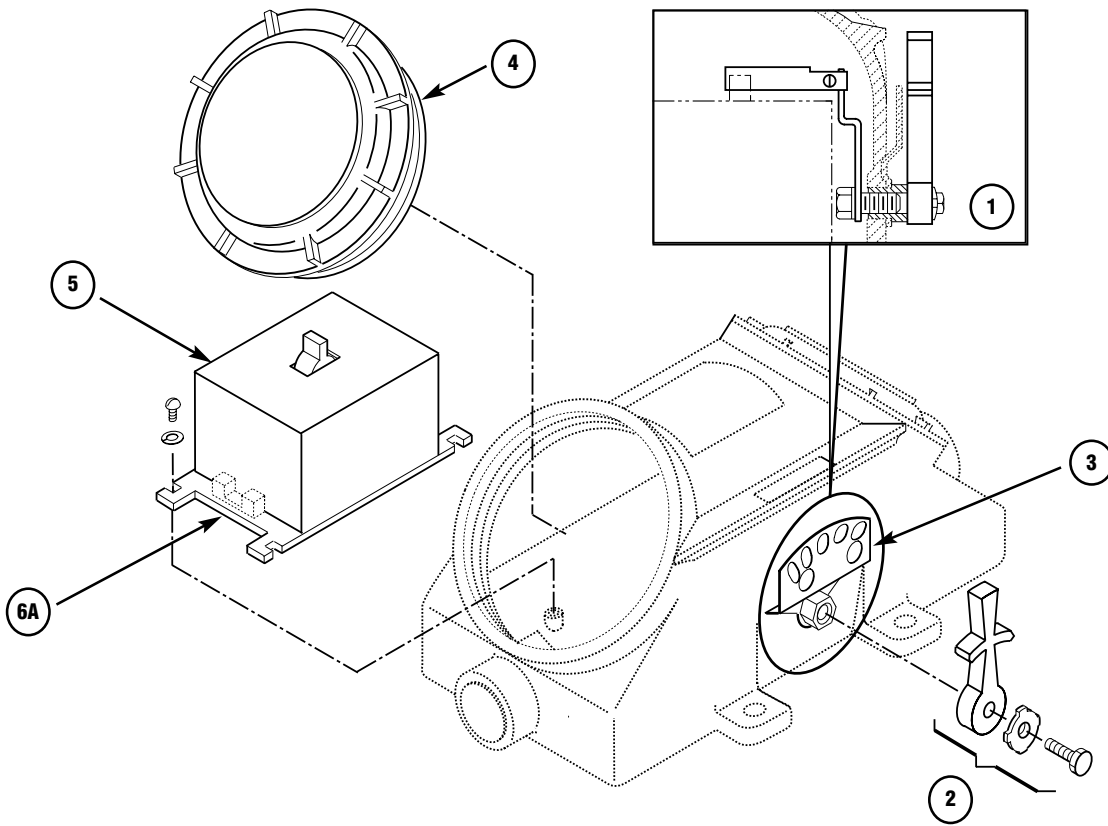
** SPECIFY VOLTAGE: T2 = 240/110V, T4 = 480/110V, T5 = 600/110V

EPC COMBINATION/STARTER/CIRCUIT BREAKER
REPLACEMENT PARTS

ITEM	DESCRIPTION	USED ON	PART NO.
9	REPLACEMENT THREADED COVERS:		
	EPC 892 (9" internal dia.)	TOP COVER, 4" DEPTH	EPC294F-M75
		BOTTOM COVER, 13" DEPTH	EPC2913M-M75
	EPC 813 (11" internal dia.)	TOP COVER, 5" DEPTH	EPC2115F-M75
		BOTTOM COVER, 18" DEPTH	EPC2118M-M75
	EPC 97, 970, 971 (7" internal dia.)	TOP COVER, 4" DEPTH	EPC274F-M75
		BOTTOM COVER, 4" DEPTH	EPC274M-M75
	EPC 992 (9" internal dia.)	TOP COVER, 4" DEPTH	EPC294F-M75
		BOTTOM COVER, 6" DEPTH	EPC296M-M75
10	MOUNTING BRACKET FOR HOUSING	ALL EPC EXCEPT 317 AND 813	EPC:10132D
		EPC 317, 813	EPC:10224D
11	COMPLETE INTERIOR MOUNTING FRAME ASSEMBLY	ALL EPC (M75 ONLY)	EPC*** – R1-M75
	(Includes universal mounting frame, reset rod, reset fingers, & hardware)		
12	ADJUSTABLE STOP PLATE (w/ hardware)	ALL EPC	EPC:8718B
13	REPLACEMENT STARTERS AND/OR BREAKERS	ALL EPC	BUY LOCALLY
	(Qty. 1—not shown)		
14	INSULATED NEUTRAL BAR–S146	ALL EPC W/ S146 SUFFIX	EPC-S146-KIT
	(Qty. 1—not shown)		
15	GROUNDED NEUTRAL STUD–S178	ALL EPC W/ S178 SUFFIX	EPC-S178-KIT
	(Qty. 1—not shown)		
16A	REPLACEMENT BREATHER	ALL EPC W/ S198V SUFFIX	ECD13
	(Qty. 1—not shown)		
16B	REPLACEMENT DRAIN	ALL EPC W/ S198V SUFFIX	ECD11
	(Qty. 1—not shown)		
16C	REPLACEMENT BREATHER/DRAIN	ALL EPC W/ S454V SUFFIX	ECD15
	(Qty. 1—not shown)		
	*** SPECIFY ENCLOSURE SIZE, EXAMPLE EPC87-R1-M75		

FLB CIRCUIT BREAKER – M2, M3, M4
REPLACEMENT PARTS

• CONTROL



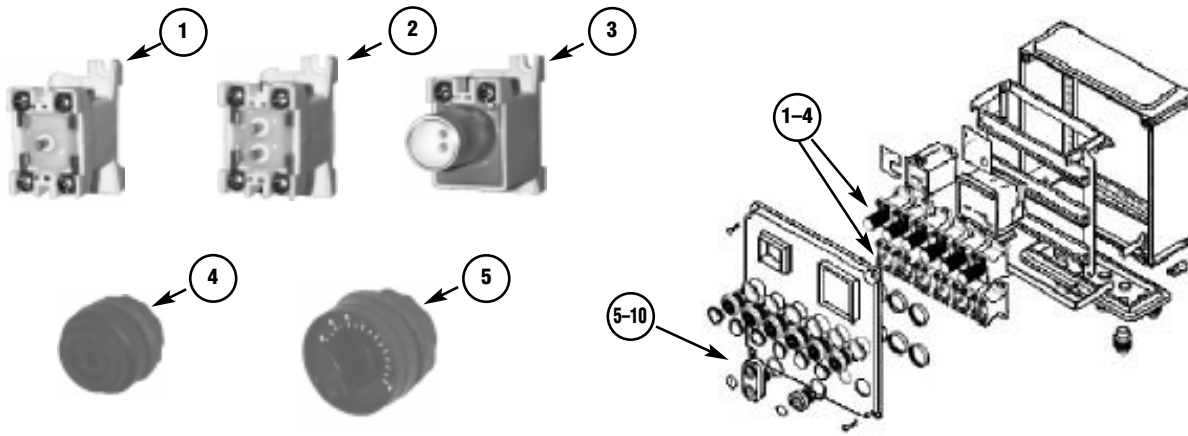
FLB CIRCUIT BREAKER – M2, M3, M4
REPLACEMENT PARTS

ITEM	DESCRIPTION	USED ON	PART NO.
1	OPERATING HANDLE ASSEMBLY (Includes handle, shaft, bushing, arm, indicating plate and hardware)	FLB 115,116,141,142, 222, 361, 362	FLS-K2
		FLB 140, 220, 221, 223	FLS-K3
		FLB 147, 148, 149, 171, 172, 173, 174, 175, 177	FLB-K3
		FLB 224, 225, 264, 265, 267, 346	FLB-K4
2	SIDE-OPERATING HANDLE ONLY (w/ hardware)	FLB 115, 116, 141, 142, 222, 361, 362	FLS-K1
		FLB 140, 220, 221, 223	
		FLB 147, 148, 149, 171, 172, 173, 174, 175, 177	
		FLB 224, 225, 264, 265, 267, 346	FLB-K1
3	LOCKOUT PLATE (Includes handle adjustment buttons and hardware)	ALL EXCEPT FLB 224, 225, 264, 265, 267, 346	FLS-K4
		FLB 224, 225, 264, 265, 267, 346	FLB-K6
4	COVER WITH GASKET	FLB 140, 220, 221	FLB-K7
		FLB 115, 116, 141, 142, 147, 148, 149, 171, 172, 173, 174, 175, 177, 222, 223, 361, 362	FLB-K8
		FLB 224, 225, 264, 265, 267, 346	FLB-K9
5	REPLACEMENT CIRCUIT BREAKERS	ALL MODELS	BUY LOCALLY
6A	MOUNTING PLATE	FLB 115, 116, 141, 142, 147, 148, 149, 171, FLB 172, 173, 174, 175, 177, 222, 223, 361, 362	FLB:15358B
		FLB 140, 221	FLB:18370B
		FLB 220	FLB:20054B
		FLB 224, 225, 346 (UPPER) (LOWER)	FLB:15288B FLB:15289B
6B	MOUNTING STRAPS (Not shown)	FLB 264, 265, 267 (UPPER) (LOWER)	FLB:19218B FLB:19219B
7*	REPLACEMENT BREATHER (Not shown)	ALL MODELS*	ECD11
8*	REPLACEMENT DRAIN (Not shown)	ALL MODELS*	ECD13
9	COVER GASKET ONLY (Not shown)	FLB 140, 220, 221	GASK1590

* Note: FLB units must be previously machined for breather and/or drain.

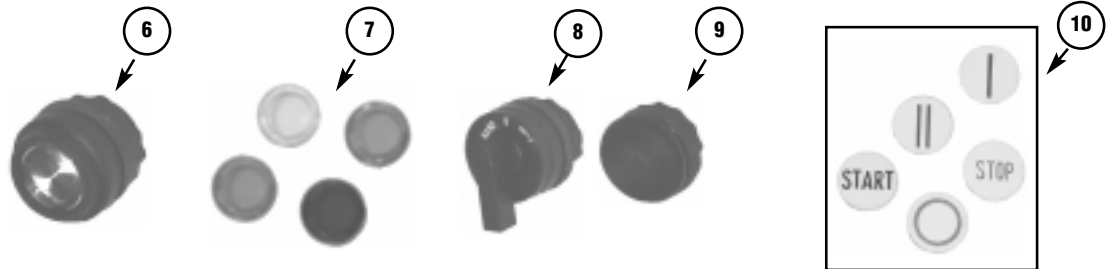
GHG 43 SERIES
SPECONET™ CONTROL STATIONS

• CONTROL



ITEM	DESCRIPTION	ITEM QUANTITY	PART NUMBER
1	PUSHBUTTON BASE		
	1 NO + 1 NC	4	GHG43 K1
	2 NO	4	GHG43 K2
	2 NC	4	GHG43 K3
2	DOUBLE PUSHBUTTON BASE		
	1 NO + 1 NC	4	GHG43 K4
	2 NO	4	GHG43 K5
	2 NC	4	GHG43 K6
3	SIGNAL LAMP BASE		
	120 VAC	4	GHG43 K9
	12 - 30V AC/DC	4	GHG43 K8
4	PUSHBUTTON ACTUATOR	4	GHG43 K14
5	DOUBLE PUSHBUTTON ACTUATOR	4	GHG43 K15

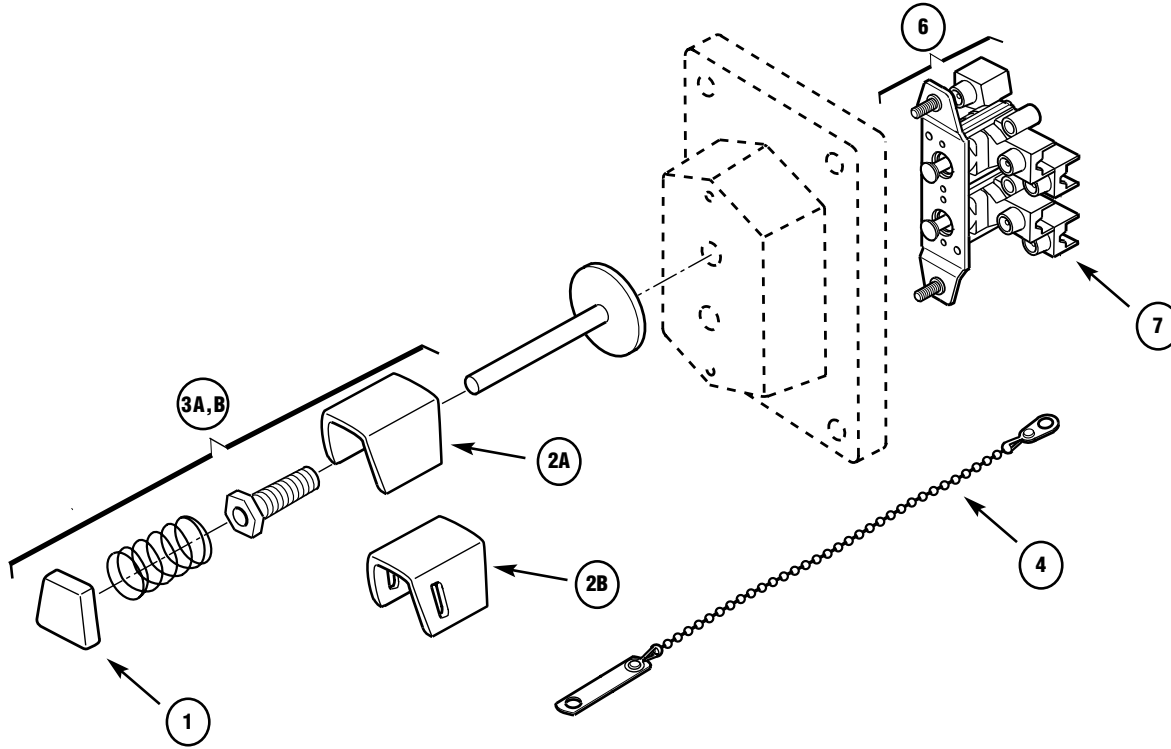
GHG 43 SERIES
SPECONE™ CONTROL STATIONS



ITEM	DESCRIPTION	ITEM QUANTITY	PART NUMBER
6	SIGNAL LAMP BEZEL	4	GHG43 K11
7	SIGNAL LAMP LENS (Clear, Red, Yellow, Green)	1 SET	GHG43 K10
8	CONTROL SWITCH ACTUATOR		
	STOP-0- START (Spring return)	4	GHG 410 1908 R0100
	HAND-0- AUTO (Spring return)	4	GHG 410 1945 R0017
	STOP-0- START (Maintained)	4	GHG 410 1908 R0101
	HAND-0- AUTO (Maintained)	4	GHG 410 1946 R0009
	0 - I	4	GHG 410 1908 R0102
9	BLANKING ELEMENT	10	GHG43 K12
10	DESIGNATION LABELS FOR PUSHBUTTONS	1 SET	GHG43 K7
	(Marked STOP, START, O, I)		
11	DESIGNATION LABELS FOR PUSHBUTTONS	1 SET	GHG43 K32
	(White, Red, Yellow, Green, Black)		

MC/MCC CONTROL STATIONS REPLACEMENT PARTS

• CONTROL



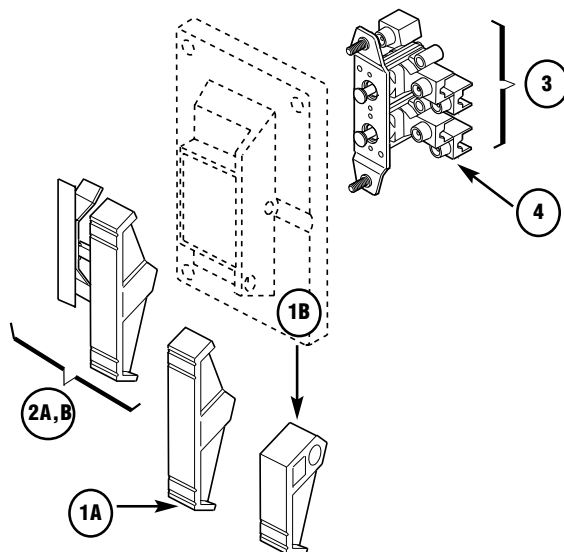
ITEM	DESCRIPTION	USED ON	PART NO.
FRONT-OPERATED PUSHBUTTON			
1	EXTERNAL OPERATING BUTTON	MC/C 1910, 1910U, 1910U1, 2910, 2910U, 2910U1	CF859-K1 **
2A	GUARD FOR EXTERNAL PUSHBUTTON (Standard)	MC/C 1910, 1910U, 1910U1, 2910, 2910U, 2910U1	CF856
2B	GUARD FOR EXTERNAL PUSHBUTTON W/ LOCKOUT – S153	MC/C 1910, 1910U, 1910U1, 2910, 2910U, 2910U1 W/ S153	DS:29401A
** OPERATING BUTTON MARKINGS on page 65			

MC/MCC CONTROL STATIONS REPLACEMENT PARTS

ITEM	DESCRIPTION	USED ON	PART NO.
3A	FRONT-OPERATING PUSHBUTTON	MC/C 1910, 1910U, 2910, 2910U	MC-K3 **
	ASSEMBLY	MC/C 1910U1, 2910U1	MC-K4 **
	(Standard—includes button, guard, shaft, bushing, plunger assembly, spring and hardware)		
3B	FRONT OPERATING PUSHBUTTON	MC/C 1910, 1910U, 2910, 2910U	MC-K3 S153 **
	ASSEMBLY – S153 LOCKOUT	MC/C 1910U1, 2910U1	MC-K4 S153 **
	(Includes button, guard, shaft, bushing, plunger assembly, spring and hardware)		
4	BAR & CHAIN ASSEMBLY FOR LOCKOUT – S153	MC/C 1910, 1910U, 1910U1, 2910, 2910U, 2910U1 W/ S153	MC:21081A
5	NEOPRENE COVER AND CLAMPING RING FOR FRONT-OPERATED PUSHBUTTON – S323	MC/C 1910, 1910U, 1910U1, 2910, 2910U, 2910U1 W/ S323	MC-K6
	(Not shown)		
6	PUSHBUTTON SWITCH ASSEMBLY	MC/C 1910, 1910U, 2910, 2910U	ED12
	(Includes mounting strap)	MC/C 1910U1, 2910U1	ED11
7	REPLACEMENT CONTACT BLOCK	ALL MC/C PUSHBUTTONS	ESWP126
8	COMPLETE COVER ASSEMBLY – SINGLE-PUSHBUTTON	ALL W/ SINGLE-PUSHBUTTON	DS171F (START) DS171G (STOP)
	(Excluding contact block and its mounting strap)		
	COMPLETE COVER ASSEMBLY – DOUBLE-PUSHBUTTON	ALL W/ DOUBLE-PUSHBUTTON	DS171 (START/STOP) DS171J (Black button, no marking)
	(Excluding contact block and its mounting strap)		
	** OPERATING BUTTON MARKINGS:		
	START	RESET	EMER
	STOP	TRIP	FWD
	ON	TEST	REV
	OFF	LIGHT ON	OPEN
	RUN	HAND	CLOSE
	JOG	AUTO	UP

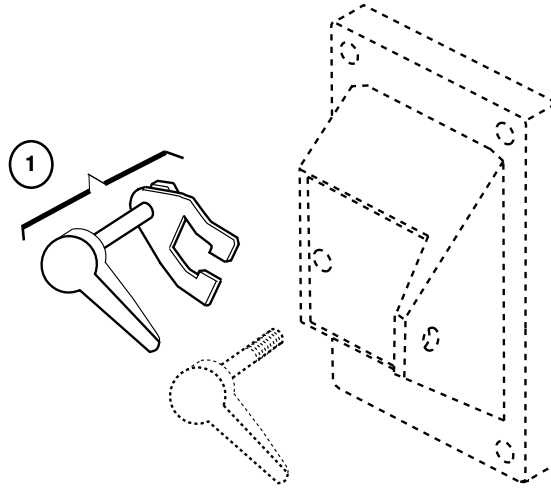
MC/MCC CONTROL STATIONS REPLACEMENT PARTS

CONTROL



ITEM	DESCRIPTION	USED ON	PART NO.
MC/MCC – SIDE-OPERATED ROCKER HANDLE			
1A	OPERATING HANDLE – FULL HANDLE (2 markings)	MC/C 1810, 1810U, 2810, 2810U	DS:20062B*
1B	OPERATING HANDLE – HALF HANDLE (1 marking)	MC/C 1810U1, 2810U1	DS:30578A*
2A	SIDE-OPERATING FULL HANDLE ASSEMBLY (2 markings—includes handle, shaft, flat spring, lever and hardware)	MC/C 1810, 1810U, 2810, 2810U	DS K12*
2B	SIDE-OPERATING HALF HANDLE ASSEMBLY (1 marking—includes handle, shaft, flat spring, lever and hardware)	MC/C 1810U1, 2810U1	DS-K13*
3	PUSHBUTTON SWITCH ASSEMBLY (Includes mounting strap)	MC/C 1810, 1810U, 2810, 2810U MC/C 1810U1, 2810U1	ED12 ED11
4	REPLACEMENT CONTACT BLOCK	ALL MC/C PUSHBUTTONS	ESWP126
5	COMPLETE COVER ASSEMBLY HALF HANDLE (Less contact blocks)	ALL W/ FULL HANDLE	DS266*
	COMPLETE COVER ASSEMBLY HALF HANDLE (Less contact blocks)	ALL W/ HALF HANDLE	DS265*
* OPERATING HANDLE MARKINGS (Standard marking is Start-Stop unless specified):			
	START	RESET	EMER
	STOP	TRIP	FWD
	ON	TEST	REV
	OFF	LIGHT ON	OPEN
	RUN	HAND	CLOSE
	JOG	AUTO	UP

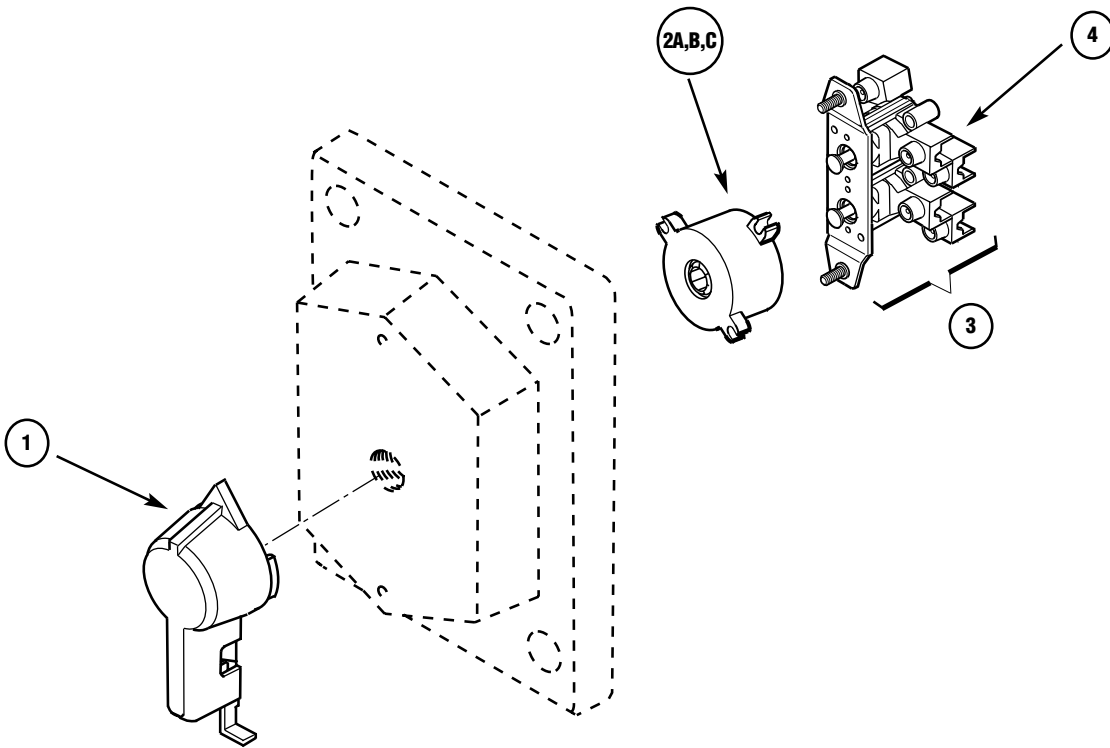
MC/MCC CONTROL STATIONS REPLACEMENT PARTS



ITEM	DESCRIPTION	USED ON	PART NO.
<u>MC/MCC – MANUAL MOTOR STARTERS</u>			
1	OPERATING ASSEMBLY <small>(Includes handle, shaft, spacers, fork and hardware)</small>	MC/C 1211, 1212, 2211, 2212	MC-K5
2	MANUAL MOTOR STARTING SWITCH <small>(Not shown)</small>	1-POLE, MC/C 1211, 2211 2-POLE, MC/C 1212, 2212	WEST-MST01 * WEST-MST02 *
<u>MC/MCC – PILOT LIGHTS (NOT SHOWN)</u>			
1	LAMP RECEPTACLE <small>(Includes receptacle, lamp, mounting bracket and hardware)</small>	CANDELABRA BASE (110 V, 6 W) FOR MC/MCC 180, 280	C3310
		INTERMEDIATE BASE (220 V, 10 W) FOR MC/MCC 184, 284	DISCONTINUED
		CANDELABRA BASE (440 V, 6 W) <small>(Includes 50–60 hz transformer)</small> FOR MC/MC182, 282	C333
2	TRANSFORMERS (50–60 HZ)	MC/MCC – 220/110 V, SUFFIX T2 MC/MCC – 440/110 V, SUFFIX T4 MC/MCC – 550/110 V, SUFFIX T5	15129A-TRANS 15130A-TRANS 15131A-TRANS
* Buy locally from Cutler-Hammer.			

MC/MCC CONTROL STATIONS REPLACEMENT PARTS

• CONTROL

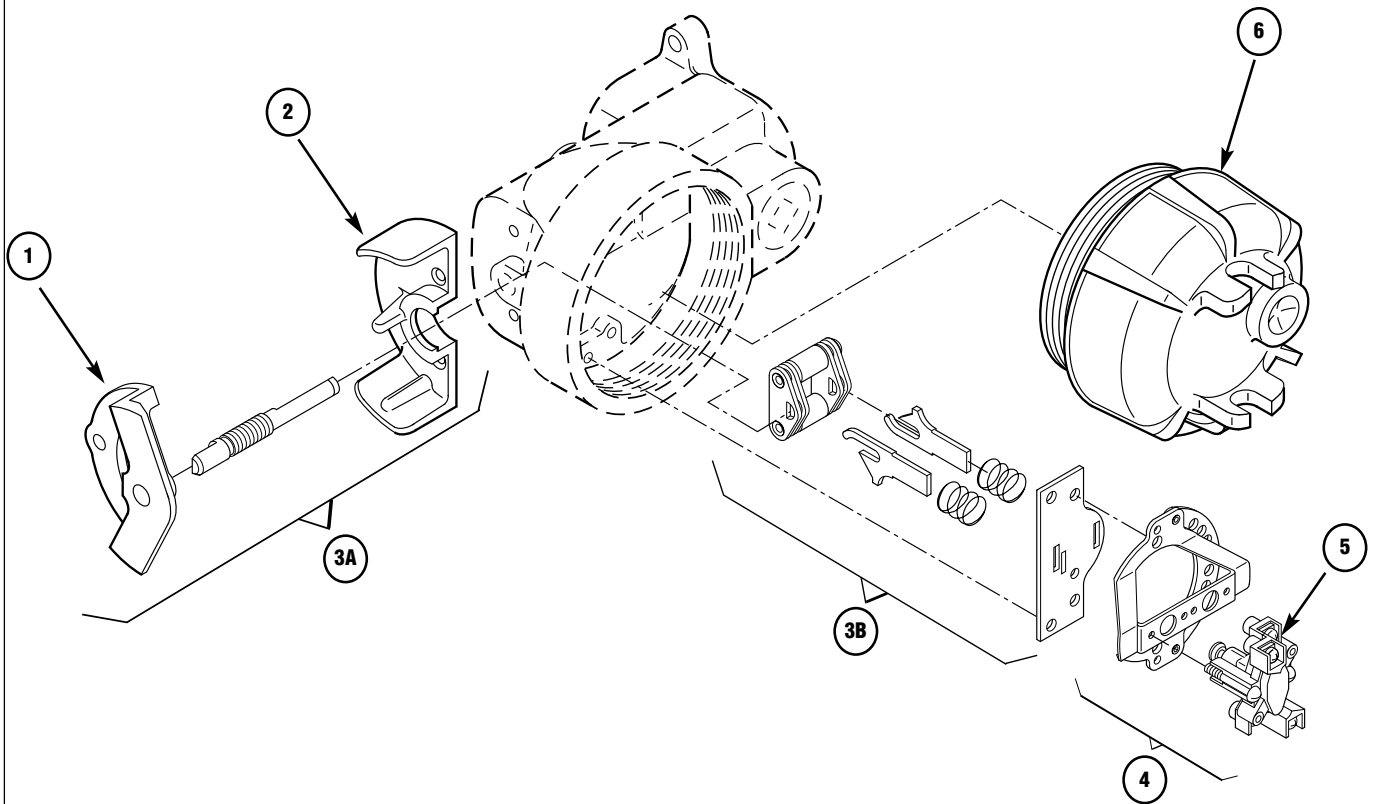


MC/MCC CONTROL STATIONS REPLACEMENT PARTS

ITEM	DESCRIPTION	USED ON	PART NO.
<u>MC/MCC – SELECTOR SWITCH</u>			
1	OPERATING HANDLE	MC/C 11271, 11272, 11273, 11274, 11275,	DS:0290203
	W/ LOCKOUT AND HARDWARE	21271, 21272, 21273, 21274, 21275	
2A	OPERATOR CAM MODULES – STANDARD	2-POSITION	DS:0205871-1
		3-POSITION – CENTER OFF	DS:0205871-2
		3-POSITION	DS:0205871-3
2B	OPERATOR CAM MODULES – S634	3-POSITION – center off w/ S634 suffix	DS:0205871-5
		3 POSITION w/ S634 suffix	DS:0205871-7
2C	OPERATOR CAM MODULES – S635	3-POSITION – center off w/ S635 suffix	DS:0205871-4
		3-POSITION w/ S635 suffix	DS:0205871-6
3	PUSHBUTTON SWITCH ASSEMBLY	MC/C11271, 11273, 21271, 21273	ED11
	(Includes mounting strap)	MC/C 11272, 11274, 11275, 21272,	ED12
		21274, 21275	
4	REPLACEMENT CONTACT BLOCK	ALL MC/C SELECTOR SWITCHES	ESWP126
	Note: four-circuit units require (2) ESWP126 contact blocks.		
5	OPERATING HANDLE ASSEMBLY	MC/C 11271, 11272, 21271, 21272	MC-K7
	(Items 1 & 2, including handle w/ lockout,	MC/C 11273, 11274, 21273, 21274	MC-K8
	shaft, plate, bushing, operator cam module	MC/C 11275, 21275	MC-K9
	assembly and hardware—not shown)		
6	OPERATING HANDLE ASSEMBLY	MC/C 11271, 11272, 21271, 21272	MC-K7
	(Items 1 & 2, including handle w/ lockout,	MC/C 11273, 11274, 21273, 21274	MC-K8-S634
	shaft, plate, bushing, operator cam module	MC/C 11275, 21275	MC-K9-S634
	assembly and hardware—not shown)		
7	OPERATING HANDLE ASSEMBLY	MC/C 11271, 11272, 21271, 21272	MC-K7
	(Items 1 & 2, including handle w/ lockout,	MC/C 11273, 11274, 21273, 21274	MC-K8-S635
	shaft, plate, bushing, operator cam module	MC/C 11275, 21275	MC-K9-S635
	assembly and hardware—not shown)		

OAC PUSHBUTTON (STANDARD OPERATION)
REPLACEMENT PARTS

• CONTROL



OAC PUSHBUTTON (STANDARD OPERATION)
REPLACEMENT PARTS

ITEM	DESCRIPTION	USED ON	PART NO.
1	OPERATING HANDLE	ALL OAC PUSHBUTTON	OAC:9949B
2	PUSHBUTTON GUARD	ALL OAC PUSHBUTTON	OAC:12945B
3	OPERATING ASSEMBLY ITEMS 3A & 3B	OAC 2101, 3101	OAC-K1*
	(Including handle, shaft, indicating plate, plunger and hardware)	OAC2103, 2133, 2139, 3103, 3133, 3139	OAC-K2*
4	REPLACEMENT PUSHBUTTON SWITCH	OAC 2101, 3101	ED21
	(Includes mounting bracket, switch and hardware)	OAC2103, 2133, 2139, 3103, 3133, 3139	ED22
5	REPLACEMENT CONTACT BLOCK	ALL OAC PUSHBUTTON	ESWP126
6	THREADED COVER	ALL OAC PUSHBUTTON EXCEPT 2291, 3291	OAC:16356B
* OPERATING HANDLE/INDICATING PLATE MARKINGS:			
	START	RESET	EMER
	STOP	TRIP	FWD
	ON	TEST	REV
	OFF	POWER ON	OPEN
	RUN	HAND	CLOSE
	JOG	AUTO	UP

**OAC PUSHBUTTON (MOMENTARY LEFT/MAINTAIN RIGHT)
REPLACEMENT PARTS**

• CONTROL

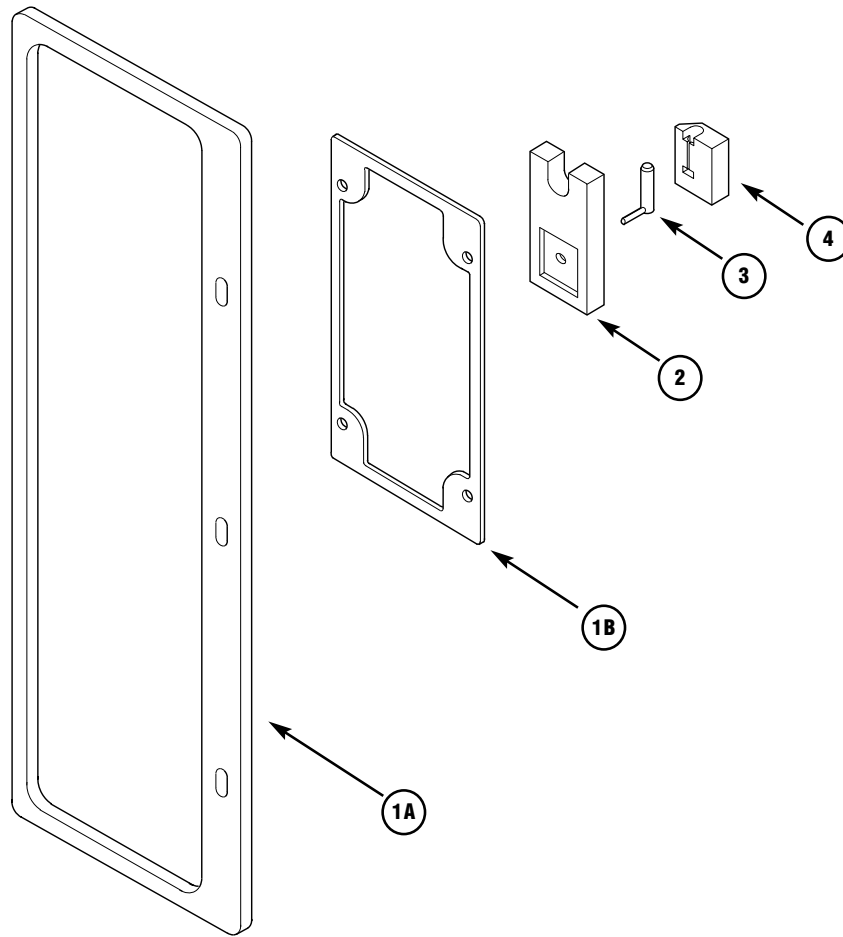
ITEM	DESCRIPTION	USED ON	PART NO.	
1	OPERATING HANDLE	ALL OAC PUSHBUTTON	OAC:9949B	
2	PUSHBUTTON GUARD	ALL OAC PUSHBUTTON	OAC:12945B	
3A, 3B	OPERATING ASSEMBLY	OAC 2291, 3291	OAC:K20*	
	(Includes handle, shaft, indicating plate, plunger, and hardware)			
4	REPLACEMENT PUSHBUTTON SWITCH ASSEMBLY	OAC 2291, 3291	ED35	
	(Includes mounting bracket, switch and hardware)			
5	REPLACEMENT CONTACT BLOCK	ALL OAC PUSHBUTTON	ESWP126	
6	THREADED COVER	OAC 2291, 3291	OAC:29840A	
7	OAC START INDICATING PLATE (Not shown)	ALL OAC PUSHBUTTON	OAC:4588N	
8	OAC MAINTAINED STOP INDICATING PLATE (Not shown)	OAC 2291, 3291	OAC:13998N	
	* OPERATING HANDLE/INDICATING PLATE MARKINGS:			
	START	RESET	EMER	DOWN
	STOP	TRIP	FWD	IN
	ON	TEST	REV	OUT
	OFF	POWER ON	OPEN	RAISE
	RUN	HAND	CLOSE	LOWER
	JOG	AUTO	UP	

OAC SELECTOR SWITCH
REPLACEMENT PARTS

ITEM	DESCRIPTION	USED ON	PART NO.
(Not shown)			
1	OPERATING HANDLE W/ LOCKOUT & HARDWARE	ALL OAC SELECTOR SWITCHES	DS:0290203
2	OPERATING ASSEMBLY	OAC 2471, 2472, 3471, 3472	OAC-K21 **
	(Includes handle, shaft, operator cam module assembly,	OAC 2473, 2474, 3473, 3474	OAC-K22 **
	bushing, mounting strap and hardware)	OAC 2475, 3475	OAC-K23 **
3	REPLACEMENT PUSHBUTTON SWITCH ASSEMBLY	OAC 2471, 2473, 3471, 3473	ED21
		OAC 2472, 2474, 2475, 3472, 3474, 3475	ED22
4	REPLACEMENT CONTACT BLOCK	ALL OAC SELECTOR SWITCHES	ESWP126
5A	OPERATOR CAM MODULES – STANDARD	2-POSITION	DS:0205871-1
		3-POSITION – CENTER OFF	DS:0205871-2
		3-POSITION	DS:0205871-3
5B	OPERATOR CAM MODULES – S634	3-POSITION – CTR OFF W/ S634 SUFFIX	DS:0205871-5
		3-POSITION W/ S634 SUFFIX	DS:0205871-7
5C	OPERATOR CAM MODULES – S635	3-POSITION – CTR OFF W/ S635 SUFFIX	DS:0205871-4
		3-POSITION W/ S635 SUFFIX	DS:0205871-6
6	THREADED COVER	ALL OAC SELECTOR SWITCHES	OAC:16356B
7	INDICATING PLATE	ALL OAC SELECTOR SWITCHES	OAC:14344A *
* OPERATING HANDLE/INDICATING PLATE MARKINGS:			
	START	RESET	EMER DOWN
	STOP	TRIP	FWD IN
	ON	TEST	REV OUT
	OFF	POWER ON	OPEN RAISE
	RUN	HAND	CLOSE LOWER
	JOG	AUTO	UP
** Indicate cam module (see items 5A-C).			

KRYDON ENCLOSURES

• CONTROL



KRYDON ENCLOSURES

ITEM	DESCRIPTION	USED ON	PART NO.
1A	GASKETS – ENCLOSURES	1 DEVICE	NJB:0201842**
		2 DEVICE	NJB:0201842**
		3 DEVICE	NJB:0201843**
		4 DEVICE	NJB:0201844**
		4 X 7	NJB:0201842**
		4 X 9	NJB:0201843**
		4 X 11	NJB:0201844**
		5 X 9	NJB:0201840**
		7 X 10	NJB:0201839**
		7 X 14	NJB:0201838**
		10 X 18	NJB:0201837**
		10 X 24	NJB:0201836**
		14 X 26	NJB:0201835**
		24 X 26	NJB:0201834**
1B	GASKETS – DOOR FRAMES ONLY	10 X 18	NJB:0201931**
		10 X 24	NJB:0201932**
		14 X 26	NJB:0201933**
		24 X 26	NJB:0201934**
2	MOUNTING FOOT (Qty. 1)	ALL APPLICABLE “N” ITEMS	NJB:0201847
3	DOOR HINGE PIN	ALL APPLICABLE “N” ITEMS	NJB:0207448
4	HINGE PIN RETAINER	ALL APPLICABLE “N” ITEMS	NJB:0201930*
5	HINGE KIT (Qty. 1—not shown)	ALL APPLICABLE “N” ITEMS 7X10 & LARGER	NH1
6	LATCH/LOCKOUT KIT (Not shown)	ALL APPLICABLE “N” ITEMS 7X10 & LARGER	NTL01
* Use Loctite 04E adhesive to bond hinge pin retainer to the enclosure door frame.			
** Use Loctite Superbond 415 adhesive to bond gasket to enclosure door frame.			

KRYDON PUSHBUTTONS

• CONTROL

ITEM	DESCRIPTION	USED ON	PART NO.
(Not shown)			
1A	EXTERNAL PUSHBUTTON WITH GASKET (Momentary)	ALL "N" ITEMS- GRAY	N2PS:0201947-1
		RED	N2PS:0201947-2
		GREEN	N2PS:0201947-3
1B	RED EXTERNAL MUSHROOM PUSHBUTTON W/ GASKET	ALL "N" ITEMS W/ MSR1	N2PS:30143A
	(Maintained)	MSR2 OR S111 SUFFIX	
2	PUSHBUTTON GUARD (Standard/no lockout)	ALL "N" ITEMS- GRAY	N2PS:0201892-1
		RED	N2PS:0201892-2
		GREEN	N2PS:0201892-3
3	PUSHBUTTON GUARD (S708 w/ lockout)	ALL "N" ITEMS – GRAY	KIT S708
		ALL "N" ITEMS – RED	KIT S708R
		ALL "N" ITEMS – GREEN	KIT S708G
4	LOCKOUT CHAIN ASSEMBLY	ALL "N" ITEMS	N2PS:0206248
5	COMPLETE PUSHBUTTON OPERATING ASSEMBLY	1-CIRCUIT MOMENTARY	N2PS1111*
	(Includes external operating button, guard,	2-CIRCUIT MOMENTARY	N2PS1211*
	bushing, shaft, switch and hardware)	1-CIRCUIT MAINTAINED (Mushroom)	N2PM1111-S111
6	REPLACEMENT PUSHBUTTON SWITCH ASSEMBLY	1-CIRCUIT MOMENTARY	ED11
		2-CIRCUIT MOMENTARY	ED12
7	REPLACEMENT CONTACT BLOCK	ALL "N" ITEMS	ESWP126
8	LEGEND PLATES (FOR PUSHBUTTONS)	ALL "N" ITEMS (w/ marking)	NL:0201894**
	START	NL05	TRIP
	STOP	NL06	RESET
	ON	NL07	TEST
	OFF	NL08	POWER ON
	RUN	NL09	HAND
	JOG	NL10	AUTO
* Specify "R" for red button, "G" for green button (standard button is black)			
** Specify marking if required			

KRYDON PILOT LIGHTS

ITEM	DESCRIPTION	USED ON	PART NO.
(Not shown)			
9	JEWEL/GUARD	ALL "N" ITEMS	N2PL K1 J***
10	PILOT LIGHT ASSEMBLY	120 VAC	N2PL10 J*** **
	(Includes lamp receptacle,	240 VAC, TRANSFORMER TYPE	N2PL20 J*** **
	w/ integral legend plate, jewel and guard)	480 VAC, TRANSFORMER TYPE	N2PL40 J*** **
		600 VAC, TRANSFORMER TYPE	N2PL50 J*** **
** Specify marking if required (Legend Plates not available separately) see page 76			
*** JEWEL COLOR DESIGNATION: Red = J1, Green = J3, Amber = J6, Clear = J10, Blue = J11			

KRYDON SELECTOR SWITCHES

• CONTROL

ITEM	DESCRIPTION	USED ON	PART NO.
(Not shown)			
11	OPERATING HANDLE	ALL "N" ITEMS	N2SW:0203862B
12	COMPLETE OPERATING MECHANISM	2 POSITION/2 CIRCUIT	N2SW11211**
	(Includes handle, shaft, mounting plate,	2 POSITION/4 CIRCUIT	N2SW12221**
	operating cam module, locking plate and hardware)	3 POSITION/2 CIRCUIT	N2SW11311**
		3 POSITION/4 CIRCUIT CENTER OFF	N2SW12321**
		3 POSITION/4 CIRCUIT	N2SW12322**
13A	OPERATOR CAM MODULES – STANDARD	2 POSITION	DS:0205871-1
		3 POSITION – CENTER OFF	DS:0205871-2
		3 POSITION	DS:0205871-3
13B	OPERATOR CAM MODULES – S634 SUFFIX	3 POSITION – CENTER OFF W/ S634 SUFFIX	DS:0205871-5
		3 POSITION W/ S634 SUFFIX	DS:0205871-7
13C	OPERATOR CAM MODULES – S635 SUFFIX	3 POSITION – CENTER OFF W/ S635 SUFFIX	DS:0205871-4
		3 POSITION W/ S635 SUFFIX	DS:0205871-6
14	LEGEND PLATE	ALL N2SW	NL:0203863**
** CAN BE ORDERED AS BLANK OR WITH SPECIAL MARKING			
SELECTOR SWITCHES - TWO POSITION		SELECTOR SWITCHES - THREE POSITION	
RUN-JOG		RUN-OFF-JOG	
HAND-AUTO		HAND-OFF-AUTO	
FOR-REV		FOR-OFF-REV	
FAST-SLOW		FAST-OFF-SLOW	
OPEN-CLOSE		OPEN-OFF-CLOSE	
UP-DOWN		UP-OFF-DOWN	
ON-OFF		1-OFF-2	
IN-OUT			
RAISE-LOWER			
START-STOP			

KRYDON ENCLOSURES – N2S

ITEM	DESCRIPTION	USED ON	PART NO.
(Not shown)			
1	REPLACEMENT COVERS W/ GASKET	1 DEVICE	NC1
		2 DEVICE	NC2
		3 DEVICE	NC3
		4 DEVICE	NC4

KRYDON ENCLOSURES – N2FA

ITEM	DESCRIPTION	USED ON	PART NO.
(Not shown)			
1	FIRE ALARM HAMMER W/ CHAIN	ALL N2FA VERSIONS	N2FA:0204622
2	REPLACEMENT FRAME/GLASS KIT	ALL N2FA VERSIONS	N2FA-K1

KRYDON ENCLOSURES – NSSC

ITEM	DESCRIPTION	USED ON	PART NO.
(Not shown)			
1	OPERATING HANDLE/SHAFT	ALL NSS AND NFS VERSIONS	NMN:0203315

KRYDON ENCLOSURES – NMN

ITEM	DESCRIPTION	USED ON	PART NO.
(Not shown)			
1	OPERATING HANDLE/SHAFT	ALL NMN VERSIONS	NMN:0203315

KRYDON ENCLOSURES – NMG

ITEM	DESCRIPTION	USED ON	PART NO.
(Not shown)			
1	RESET BUTTON ASSEMBLY	ALL NMG VERSIONS	NRB10
(Includes pushbutton, guard, shaft and hardware)			

KRYDON ENCLOSURES – NMC/NST/NCB

ITEM	DESCRIPTION	USED ON	PART NO.
<i>(Not shown)</i>			
1	OPERATOR – MODEL M3 ONLY	NMC1024B, 1024B2, 1426B, 1024D-G	NF300
		NMC1024D-W, 1426D-G, 1426D-W	
		NMC2426P, NMC2426B, 2426D-W, 2426D-G	
		NMC1024B-30MCP, 1024B2-50MCP	
		NMC1426B-100MCP, NCB1018F	
		NST1018F-G, 1018F-W, 1426F-G, 1426F-W	
2	RESET BUTTON ASSEMBLY	ALL NMC	NRB10
	<i>(Includes pushbutton, guard, shaft and hardware)</i>		

KRYDON ENCLOSURES – NLP/NLPQ

ITEM	DESCRIPTION	USED ON	PART NO.
(Not shown)			
1	DOOR AND FRAME ASSEMBLY	NLP1426	ND1426-D4
2	EXTERNAL DOOR SCREW/KNOB KIT	ALL MODELS	N2PB SCR-KIT
(Includes 1 long and 4 short screws and knobs)			

KRYDON ENCLOSURES – NJB/NCE

ITEM	DESCRIPTION	USED ON	PART NO.
(Not shown)			
1	COVER ASSEMBLY	NJB040703, 040704	NC0407
		NJB040903	NC0409
		NJB041103, 041104	NC0411
		NJB050905	NC0509
		NJB071006	NC0710
		NJB071406	NC0714
		NJB101807	NC1018
		NJB102407	NC1024
		NJB142608	NC1426
		NJB242608	NC2426
		NCE101807	ND1018
		NCE102407	ND1024
		NCE142608	ND1426
		NCE242608	ND2426
2	LATCH/LOCKOUT KIT (Qty. 1)	ALL APPLICABLE "N" ITEMS 7X10 & LARGER	NTL01
3	HINGE KIT (Qty. 1)	ALL APPLICABLE "N" ITEMS 7X10 & LARGER	NH1

KRYDON ENCLOSURES – NJBW

ITEM	DESCRIPTION	USED ON	PART NO.
(Not shown)			
1	REPLACEMENT TRANSPARENT COVER	NJBW050905TC	NC0509TC
		NJBW071006TC	NC0710TC
		NJBW071406TC	NC0714TC

KRYDON ENCLOSURES – N2PB

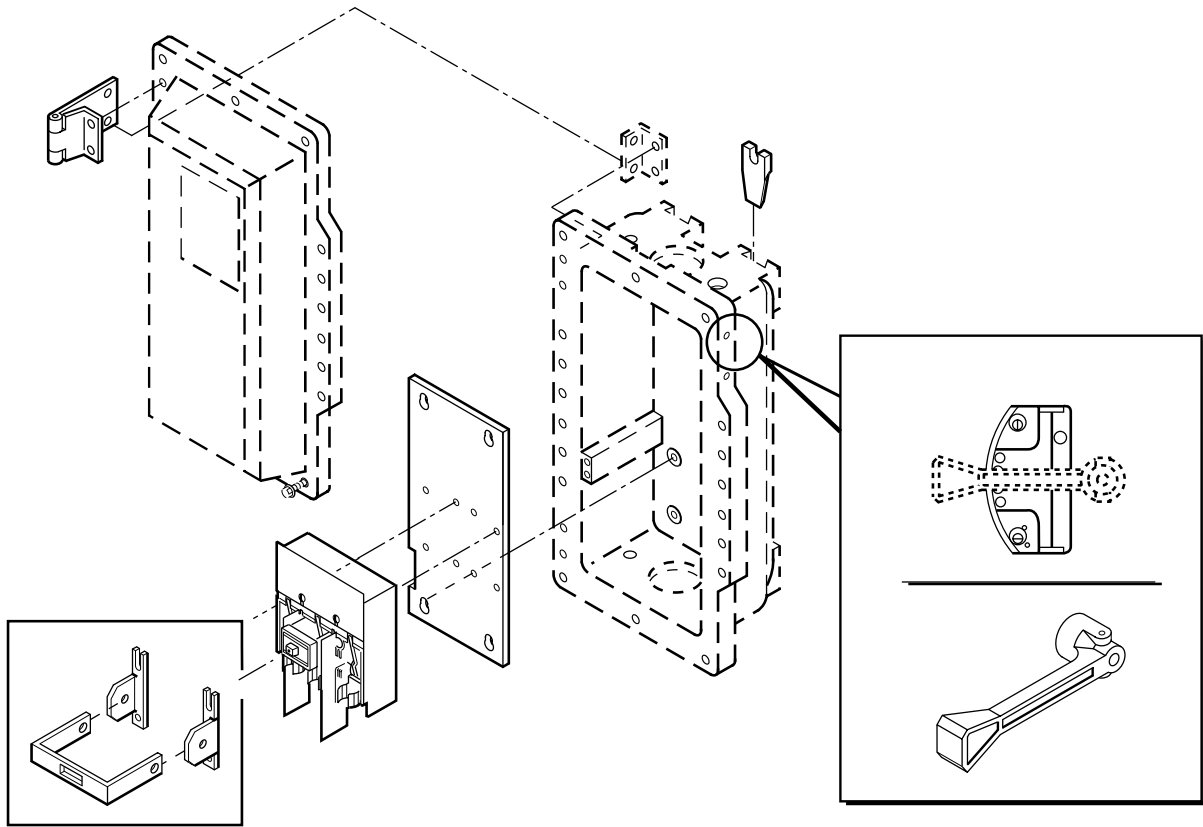
ITEM	DESCRIPTION	USED ON	PART NO.
(Not shown)			
1	CONNECTION BLOCK – N2PB W/ MAIN BREAKER	N2PB-2M (2-pole)	N2PB:0204796-1
		N2PB-3M (3-pole)	N2PB:0204796-2
2	D2CB BRANCH BREAKERS	1-POLE, 15 AMP	D2CB11-15
		1-POLE, 20 AMP	D2CB11-20
		1-POLE, 30 AMP	D2CB11-30
		2-POLE, 15 AMP	D2CB12-15
		2-POLE, 20 AMP	D2CB12-20
		2-POLE, 30 AMP	D2CB12-30
3A	TERMINAL BLOCK – MAIN LUG ONLY	N2PB, SIZE 1, SINGLE-PHASE	N2PB:13693D1
		N2PB, SIZE 1, THREE-PHASE	N2PB:13766D1
		N2PB, SIZE 2, SINGLE-PHASE	N2PB:13693D2
		N2PB, SIZE 2, THREE-PHASE	N2PB:13766D2
3B	TERMINAL BLOCK – N2PB W/ MAIN BREAKER	N2PB, SIZE 1, SINGLE-PHASE	N2PB:0204806-1
		N2PB, SIZE 1, THREE-PHASE	N2PB:0204806-2
		N2PB, SIZE 2, SINGLE-PHASE	N2PB:13693D2
		N2PB, SIZE 2, THREE-PHASE	N2PB:13766D2

KRYDON ENCLOSURES – N2PB

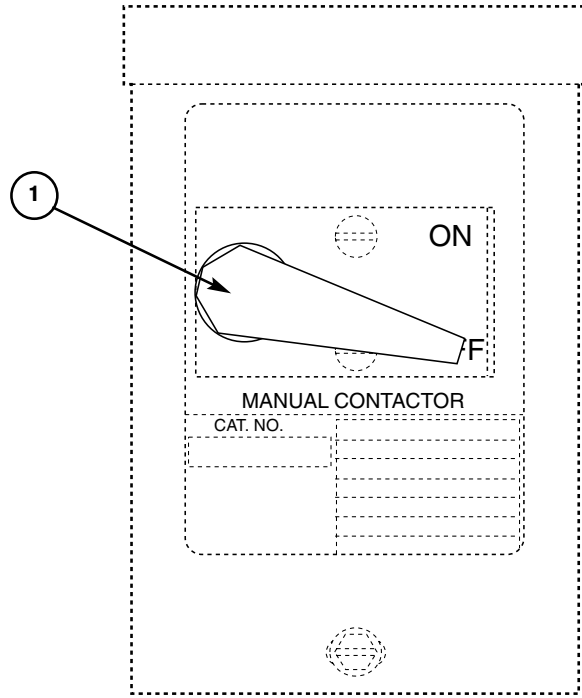
• CONTROL

ITEM	DESCRIPTION	USED ON	PART NO.
(Not shown)			
5	BREAKER PANEL COVER PLATE	N2PB1426	N2PB:0202099
		N2PB2426	N2PB:0202208
6	CIRCUIT IDENTIFICATION CONTROL CHART	ALL MODELS	N2PB:0202203
7	D2CB BREAKER HANDLES	15A, 20A, 30A BREAKERS, 1-& 2-POLE	N2PB:30975A***
8	BREAKER PANEL FILLER PLATES	ALL MODELS	N2PB:30989A
9	DOOR AND FRAME ASSEMBLY	N2PB1426	ND1426-D4
		N2PB2426	ND2426-D4
10	EXTERNAL DOOR SCREW/KNOB KIT	ALL MODELS	N2PB SCR-KIT
	(Includes 1 long and 4 short screws and knobs)		
11	GROUND LUG (Qty. 1)	ALL N2PB	20Y03-004
12	** MAIN BREAKER HOUSING W/ BREAKER	N2PB-2M (2-pole)	N2PB K12 2M*
		N2PB-3M (3-pole)	N2PB K13 3M*
13	** MAIN BREAKER HOUSING LESS BREAKER	N2PB-2M (2-pole)	N2PB K24 2M*
		N2PB-3M (3-pole)	N2PB K25 3M*
14	MAIN BREAKER HANDLE ASSEMBLY	N2PB-2M, 3M	N2PB K23
	(Includes shaft, bushing, handle and hardware)		
15	MAIN CIRCUIT BREAKER BAIL OPERATING ASSEMBLY	D2PB-2M, 3M	N2PB-K14
	* SPECIFY AMPERAGE (30–100 amp available)	** Note: N2PB housing must be previously machined to accept a main breaker housing.	
	*** SPECIFY AMPERAGE (15, 20, 30 amp available)		

Apparatus Replacement Parts

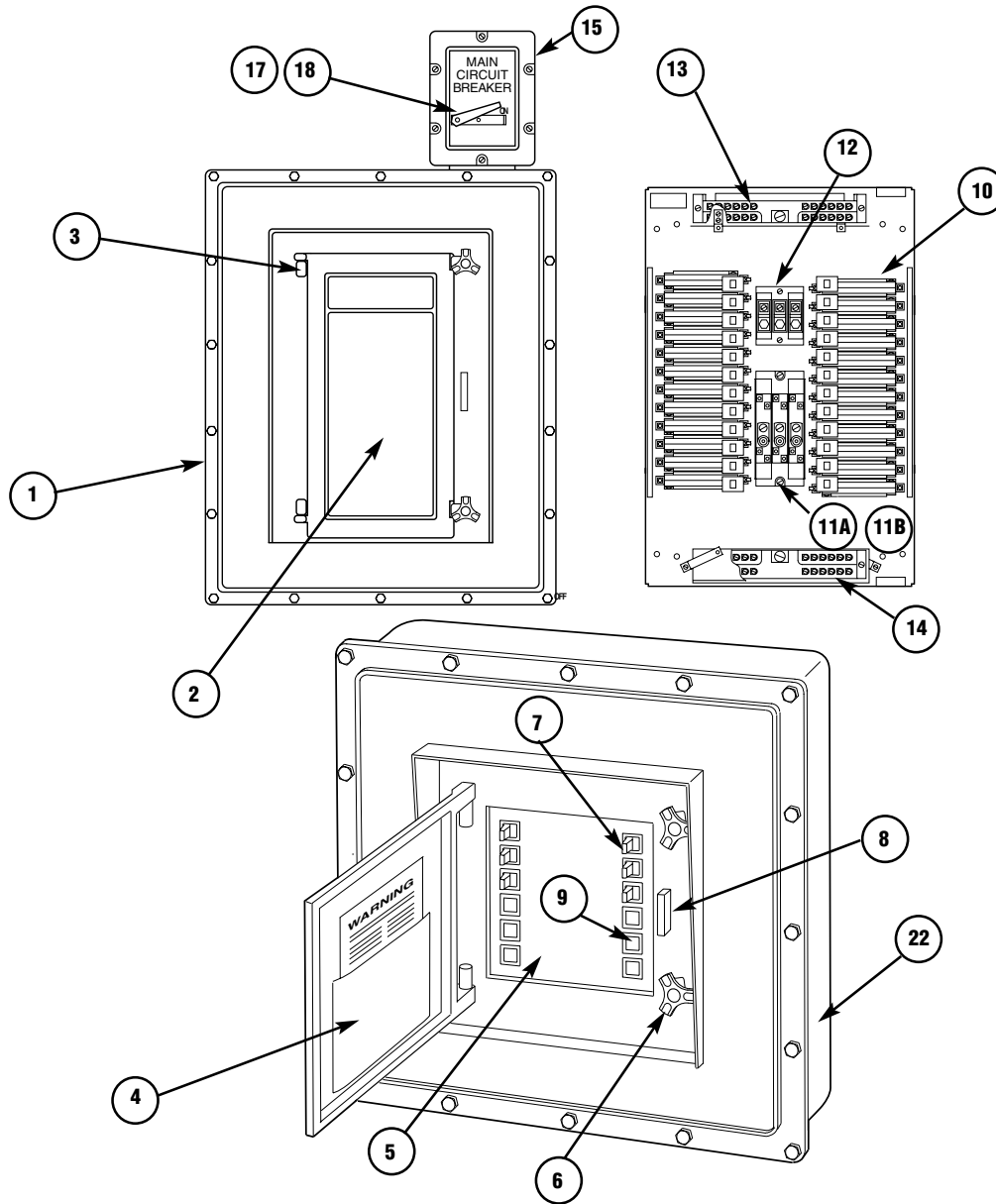


6810U/7810UD MANUAL CONTACTORS
REPLACEMENT PARTS



ITEM	DESCRIPTION	USED ON	PART NO.
1	OPERATING HANDLE	ALL MODELS	NMN:0203315
2	INTERNAL SWITCH (Not shown)	TWO-POLE SINGLE-PHASE	AH:6810U
		THREE-POLE POLY-PHASE	AH:7810UD

D2PB PANELBOARDS REPLACEMENT PARTS



ITEM	DESCRIPTION	USED ON	PART NO.
1	COVER ASSEMBLY <small>(includes main cover, door, directory, and gasket)</small>	D2PB SIZE 1 D2PB SIZE 2	D2PBC-K2 D2PBC-K4
2	DOOR ASSEMBLY <small>(includes door, gasket, breaker directory, and protective sleeve)</small>	D2PB SIZE 1 D2PB SIZE 2	D2PB-K5-M2 * D2PB-K6-M2 *
3	HINGE KIT <small>(includes 2 hinges and hardware)</small>	ALL D2PB	D2PB-K20

D2PB PANELBOARDS REPLACEMENT PARTS

ITEM	DESCRIPTION	USED ON	PART NO.
4	BREAKER DIRECTORY AND PROTECTIVE SLEEVE	D2PB SIZE 1	D2PB-K7
		D2PB SIZE 2	D2PB-K8
5	BREAKER PANEL FRONT COVER PLATE	D2PB SIZE 1	D2PB:13681D
		D2PB SIZE 2	D2PB:13654D
		D2PB SIZE 1 WITH LOCKOUTS (M2 ONLY)	D2PB-L12
		D2PB SIZE 2 WITH LOCKOUTS (M2 ONLY)	D2PB-L24
6	DOOR CLAMP HANDLE (includes one handle with hardware)	ALL D2PB	D2PB-K9
7	D2CB BREAKER HANDLE	15A, 20A, 30A BREAKERS, 1&2-POLE	D2PB30975A**
8	DOOR LOCK BOSS (includes lock boss and hardware)	ALL D2PB	D2PB-K10
9	BLANK PLATE FOR UNUSED BREAKER LOCATION (quantity 1)	ALL D2PB	D2PB:30989A
10	D2CB BREAKERS	ALL D2PB PANELS	
		1-POLE, 15 A	D2CB11-15
		1-POLE, 20 A	D2CB11-20
		1-POLE, 30 A	D2CB11-30
		2-POLE, 15 A	D2CB12-15
		2-POLE, 20 A	D2CB12-20
		2-POLE, 30 A	D2CB12-30
11A	TERMINAL BLOCK – MAIN LUG ONLY	D2PB, SIZE 1, SINGLE-PHASE	D2PB:13693D1
		D2PB, SIZE 1, THREE-PHASE	D2PB:13766D1
		D2PB, SIZE 2, SINGLE-PHASE	D2PB:13693D2
		D2PB, SIZE 2, THREE-PHASE	D2PB:13766D2
11B	TERMINAL BLOCK – D2PB W/ MAIN BREAKER	D2PB, SIZE 1, SINGLE-PHASE	D2PB:0204806-1
		D2PB, SIZE 1, THREE-PHASE	D2PB:0204806-2
		D2PB, SIZE 2, SINGLE-PHASE	D2PB:13693D2
		D2PB, SIZE 2, THREE-PHASE	D2PB:13766D2

* NOTE: Door Assembly fits Model M2 only. For older panels buy complete Cover Assembly (Item #1)

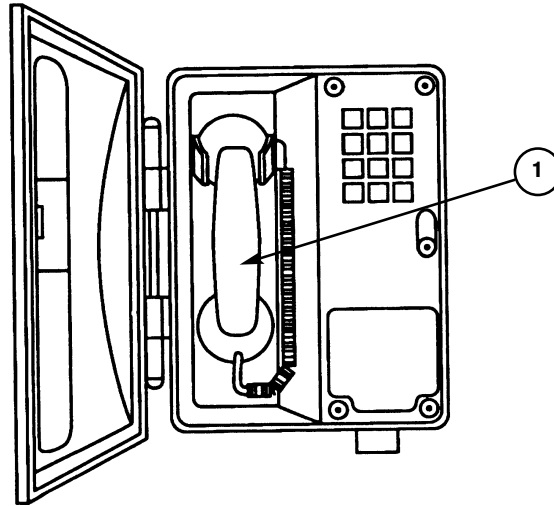
** Specify amperage when ordering (15, 20, or 30 amp)

D2PB PANELBOARDS REPLACEMENT PARTS

ITEM	DESCRIPTION	USED ON	PART NO.
12	CONNECTION BLOCK – D2PB W/ MAIN BREAKER	D2PB-2M (2-POLE)	D2PB:0204796-1
		D2PB-3M (3-POLE)	D2PB:0204796-2
13	NEUTRAL BAR ASSEMBLY	ALL D2PB	D2PB-K26
14	GROUND BAR ASSEMBLY	ALL D2PB	D2PB-K27
15	MAIN BREAKER HOUSING W/ BREAKER	D2PB-2M (2-POLE)	D2PB K12 2M ****
		D2PB-3M (3-POLE)	D2PB K13 3M ****
16	MAIN BREAKER HOUSING LESS BREAKER (Not shown)	D2PB-2M (2-POLE)	D2PB K24 2M **** LS BRKR
		D2PB-3M (3-POLE)	D2PB K25 3M **** LS BRKR
17	MAIN BREAKER HANDLE ASSEMBLY (includes shaft/bushing, handle, and hardware)	D2PB-2M, 3M	D2PB K23
18	MAIN BREAKER SHAFT / BUSHING ONLY (Not shown)	D2PB-2M, 3M	D2PB K11
19	MAIN BREAKER HANDLE ONLY	D2PB-2M, 3M	D2PB:0203068
20	MAIN CIRCUIT BREAKER BAIL OPERATING ASSEMBLY (Not shown)	D2PB-2M, 3M	D2PB:0204094
21	D2PB HOUSING, LESS BREAKERS (Not shown)	D2PB SIZE 1, SINGLE-PHASE	D2PB1412 LS BRKRS
		D2PB SIZE 1, THREE-PHASE	D2PB1512 LS BRKRS
		D2PB SIZE 2, SINGLE-PHASE	D2PB2424 LS BRKRS
		D2PB SIZE 2, THREE-PHASE	D2PB2524 LS BRKRS
22	D2PB HOUSING, LESS BREAKERS, MACHINED FOR MAIN BREAKER HOUSING (Not shown)	D2PB SIZE 1, SINGLE-PHASE	D2PB14M LS BRKRS
		D2PB SIZE 1, THREE-PHASE	D2PB15M LS BRKRS
		D2PB SIZE 2, SINGLE-PHASE	D2PB24M LS BRKRS
		D2PB SIZE 2, THREE-PHASE	D2PB25M LS BRKRS
23	PLUGS FOR BRANCH OPENINGS (Not shown)	ALL MODELS	PLG4
24	BREATHER (Not shown)	ALL MODELS	ECD13
25	DRAIN (Not shown)	ALL MODELS	ECD11

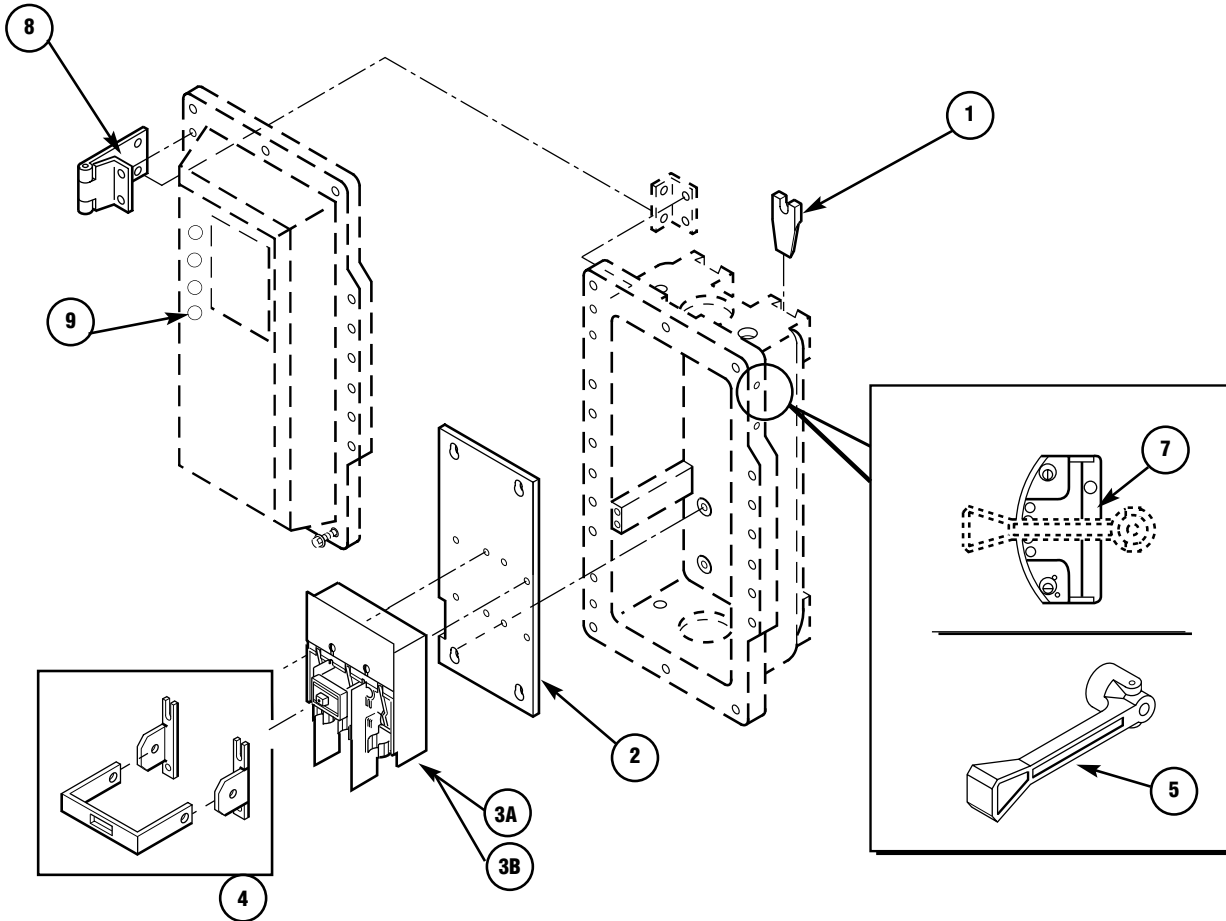
**** Specify amperage when ordering (20 through 100 amp)

D2TW TELEPHONE



ITEM	DESCRIPTION	USED ON	PART NO.
1	REPLACEMENT HANDSET	ALL MODELS	D2TW: P7140

EBM DISCONNECT SWITCH AND ENCLOSURE

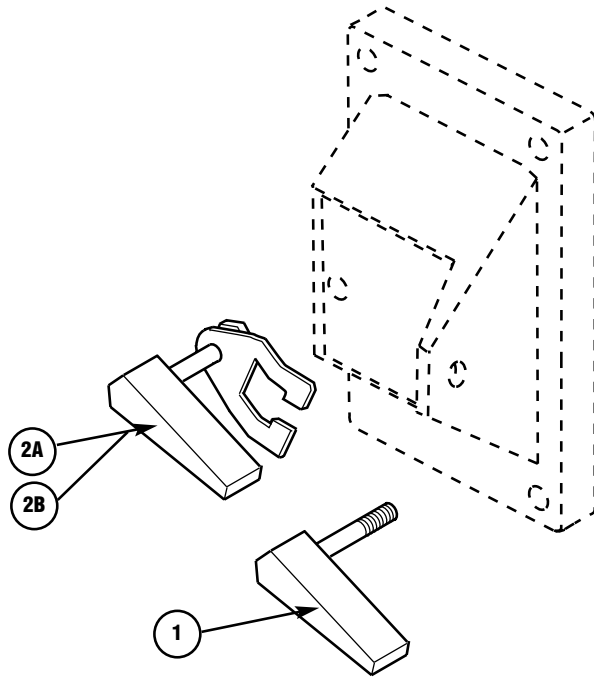


EBM DISCONNECT SWITCH AND ENCLOSURE

ITEM	DESCRIPTION	USED ON	PART NO.
1	MOUNTING FOOT (4 PER KIT)	ALL MODELS	EJB-MF1
2	MOUNTING PLATE	30 AMP / 60 AMP	EBM:0206796
		100 AMP	EBM:0206802
		200 AMP FUSIBLE	EBM:0294964
		200 AMP NON-FUSIBLE	EBM:0295704
3A	DISCONNECT SWITCH - NON FUSIBLE *	30 AMP	DS16U *
		60 AMP	DS26U *
		100 AMP	DS36U *
		200 AMP	DS46U *
3B	DISCONNECT SWITCH – FUSIBLE (Not shown) *	30 AMP	DS161R *
		60 AMP	DS262R *
		100 AMP	DS363R *
		200 AMP	DS464R *
4	BAIL ASSEMBLY WITH HARDWARE	30, 60, & 100 AMP	EBM-K4
		200 AMP FUSIBLE	EBM-K23
		200 AMP NON-FUSIBLE	EBM-K24
5	SIDE OPERATING HANDLE	ALL MODELS	EBM:0206550-1
6	OPERATING HANDLE ASSEMBLY	ALL MODELS	EBM-K1
	(includes handle, bushing, and hardware) (Not shown)		
7	LOCKING PLATE	ALL MODELS	EBM-K5
	(includes handle adjustment buttons and hardware)		
8	HINGE KIT (QUANTITY 2)	ALL MODELS	EBM-K6
9	ENCLOSURE DEVICE PLUG	ALL MODELS	EMP:0207959
10	ON/OFF INDICATING PLATE (Not shown)	ALL MODELS	EBM:0206587
11	COVER BOLT KIT (12 bolts, washers, and springs per kit) (Not shown)	ALL MODELS	EBM-K21
12	BREATHER (Not shown)	ALL MODELS	ECD16
13	DRAIN (Not shown)	ALL MODELS	ECD17

* Buy locally from Westinghouse/Cutler Hammer

EFD/EDS GENERAL PURPOSE SNAP SWITCHES
(NON FACTORY SEALED) REPLACEMENT PARTS

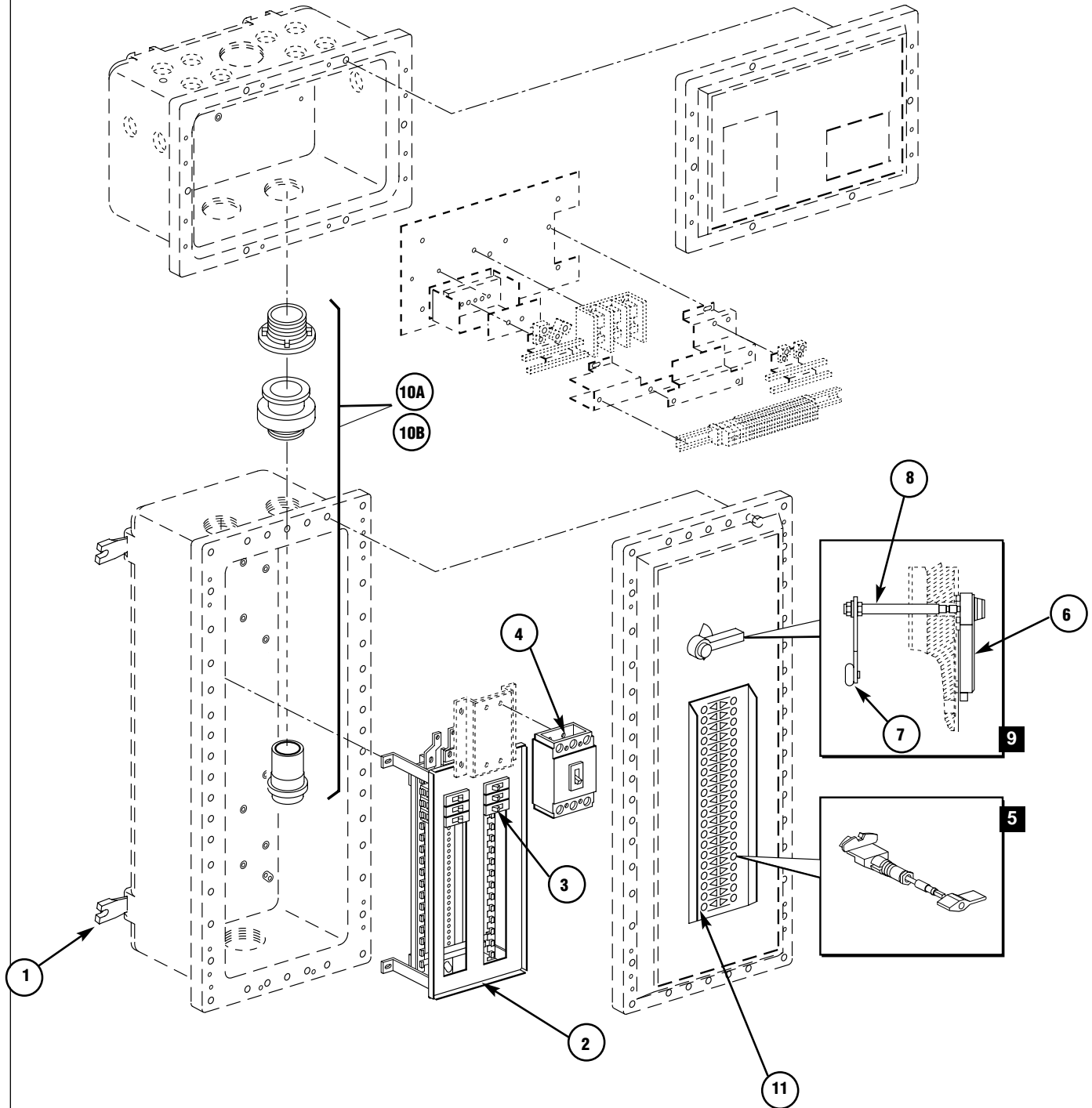


**EFD/EDS GENERAL PURPOSE SNAP SWITCHES
(NON FACTORY SEALED) REPLACEMENT PARTS**

ITEM	DESCRIPTION	USED ON	PART NO.
1	OPERATING HANDLE/SHAFT ASSEMBLY	ALL EFD / EDS SNAP SWITCHES	DS-K15
2A	OPERATING MECHANISM <small>(includes handle/shaft, spring, fork, and hardware)</small>	1-POLE, 2-POLE	DS-K21
2B	OPERATING MECHANISM <small>(includes handle/shaft, spring, fork, spacers, and hardware)</small>	3-POLE	DS-K19
3	REPLACEMENT SNAP SWITCHES ONLY (Not shown)		
	1-POLE 20 AMP	EDS/C1129,1229, 2129, 2229, 3129, 3229	DS:20S08-001
	2-POLE 20 AMP	EDS/CC118, 128, 218, 228, 318, 328	DS:20S08-002
	3-POLE 20 AMP	EDS/C1123,1223, 2123, 2223, 3123, 3223	DS:21S18-001
	3-WAY 20 AMP	EDS/C1130,1230, 2130, 2230, 3130, 3230	DS:20S08-003
	4-WAY 20 AMP	EDS/C1140,1240, 2140, 2240, 3140, 3240	DS:20S08-004
	1-POLE 30 AMP	EFD/C3591, 3691	DS:20S09-001
	2-POLE 30 AMP	EFD/C3593, 3693	DS:20S09-002
	3-WAY 30 AMP	EFD/C3594, 3694	DS:20S09-003
4	COVER ASSEMBLY (includes cover, operating handle, cover screws and switch) *		
	1-POLE 20 AMP	EDS/C1129,1229, 2129, 2229, 3129, 3229	DSD933 *
	2-POLE 20 AMP	EDS/CC118, 128, 218, 228, 318, 328	DSD934 *
	3-POLE (15A, 125VAC; 10A 250VAC)	EDS/C1123,1223, 2123, 2223, 3123, 3223	DSD935 *
	3-WAY 20 AMP	EDS/C1130,1230, 2130, 2230, 3130, 3230	DSD936 *
	4-WAY 20 AMP	EDS/C1140,1240, 2140, 2240, 3140, 3240	DSD937 *
	1-POLE 30 AMP	EFD/C3591, 3691	DSD939 *
	2-POLE 30 AMP	EFD/C3593, 3693	DSD940 *
	3-WAY 30 AMP	EFD & EFDC3594, 3694	DSD941 *
5	COVER SCREWS (4 per pack) (Not shown)	ALL MODELS	DSD-SCRPK

* NOTE: Standard nameplate marking is "ON-OFF". Other markings available (specify). These cover assemblies not available with "GB" suffix.

EPL/D2L SERIES PANELBOARDS (SIZES A,B,C)
REPLACEMENTPARTS



EPL/D2L SERIES PANELBOARDS (SIZES A,B,C)
REPLACEMENT PARTS

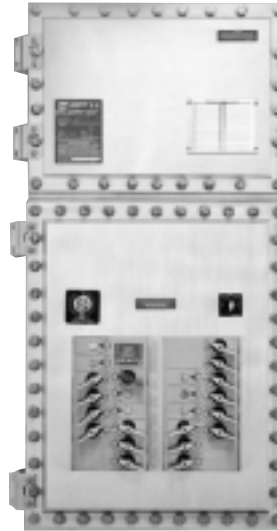
ITEM	DESCRIPTION	USED ON	PART NO.
1	MOUNTING FOOT (4 per kit)	ALL MODELS	EJB-MF1
2	BRANCH BREAKER CHASSIS	SINGLE-PHASE, SIZE A, 18 CIRCUITS	EPL:0206942-8
		SINGLE-PHASE, SIZE B, 24 CIRCUITS	EPL:0206942-6
		SINGLE-PHASE, SIZE C, W/ MCB, 36 CIRCUITS	EPL:0206942-5
		SINGLE-PHASE, SIZE C, W/ MLO, 42 CIRCUITS	EPL:0206942-4
		THREE-PHASE, SIZE A, 18 CIRCUITS	EPL:0206942-7
		THREE-PHASE, SIZE B, 24 CIRCUITS	EPL:0206942-3
		THREE-PHASE, SIZE C W/ MCB, 36 CIRCUITS	EPL:0206942-2
		THREE-PHASE, SIZE C W/ MLO, 42 CIRCUITS	EPL:0206942-1
3	BRANCH CIRCUIT BREAKERS	ALL MODELS	BUY LOCALLY*
4	MAIN CIRCUIT BREAKERS	ALL MODELS	BUY LOCALLY*
5	BRANCH BREAKER OPERATOR ASSEMBLY (3 per kit)	1-POLE, GFI, EPD	EPL-K1
		2-POLE, 3-POLE	EPL-K3
6	MAIN BREAKER HANDLE FOR SIZE C ONLY	SIZE C	EPC:0205093
7	MAIN BREAKER FORK FOR SIZE C ONLY	SIZE C	EPL:0206901
8	MAIN BREAKER OPERATING SHAFT FOR SIZE C ONLY	SIZE C	EPL:1291947
8A	MAIN BREAKER STOP PLATE (Not shown)	ALL MODELS	EPL:0206838
9	MAIN BREAKER OPERATOR ASSEMBLY (includes items 6-8 for size C only)	SIZE C	EPL-K4
		SIZE A, B	EPL-K3

* Buy locally from Westinghouse/Cutler Hammer

**EPL/D2L SERIES PANELBOARDS (SIZES A,B,C)
REPLACEMENT PARTS**

ITEM	DESCRIPTION	USED ON	PART NO.
10A	*PASS THROUGH WIRE ASSEMBLY – MAIN SEAL	EPLB/D2LB3-GFI, EPLC/D2LC3-GFI,-MCB	EPL:0206945-1
		EPLB/D2LB3, EPLC/D2LC3,-MCB	
		EPLB/D2LB1-GFI, EPLC/D2LC1-GFI,-MCB	
		ALL EPLA/D2LA1	EPL:0206945-3
	-ALT= ALTERNATE, SUFFIX A	EPLA/D2LA3,-MCB, EPLB/D2LB1	
	-MCB = MAIN CIRCUIT BREAKER, SUFFIX 2M OR 3M	EPLB/D2LB3-MCB, EPLC/D2LC1,-MCB	
	-GFI=GFI TYPE OR EPD TYPE, SUFFIX G OR E	EPLB/D2LB1-GFI-MCB	
	1 = SINGLE-PHASE	EPLB/D2LB3-GFI-MCB	
	3 = THREE-PHASE	EPLA/D2LA3-ALT,-MCB-ALT	
		EPLB/D2LB1-MCB,-ALT,-MCB-ALT	
		EPLB/D2LB3-ALT,-MCB-ALT	
		EPLC/D2LC1-ALT,-MCB-ALT	
		EPLC/D2LC3-ALT,-MCB-ALT	
		EPLB/D2LB1-GFI-ALT,-MCB-ALT	
		EPLB/D2LB3-GFI-ALT,-MCB-ALT	
		EPLC/D2LC1-GFI-ALT,-MCB-ALT	
		EPLC/D2LC3-GFI-ALT,-MCB-ALT	
10B	*PASS THROUGH WIRE ASSEMBLY – BRANCH SEAL	ALL EPLC/D2LC, ALL EPLC/D2L-GFI	EPL:0206946-1
		ALL EPL/D2L SIZE A & B	EPL:0206946-2
11	BLANK PLUGS FOR UNUSED BREAKER OPERATOR LOCATIONS	SIZES A, B, C	EPL-K2
	(quantity 5)		
12	CIRCUIT BREAKER DIRECTORY WITH SLEEVE (Not shown)	SIZES A, B, C	EPL:0206835
13	HINGE KIT – 2 HINGES (Not shown)	SIZES A, B, C	EJB-KIT1
	(NOTE: 2 hinge kits required per panel)		
14	UNIVERSAL BREATHER/DRAIN ASSEMBLY (6 required per panel) (Not shown)	ALL UNITS	ECD15
15	COVER BOLT KIT (kit includes 12 bolts, springs, & washers) (Not shown)	ALL UNITS	EPL-BOLT-K1
	*All pass through wire assemblies are pre-wired and Chico sealed at factory. Factory Sealed is for Gp C & D Only		

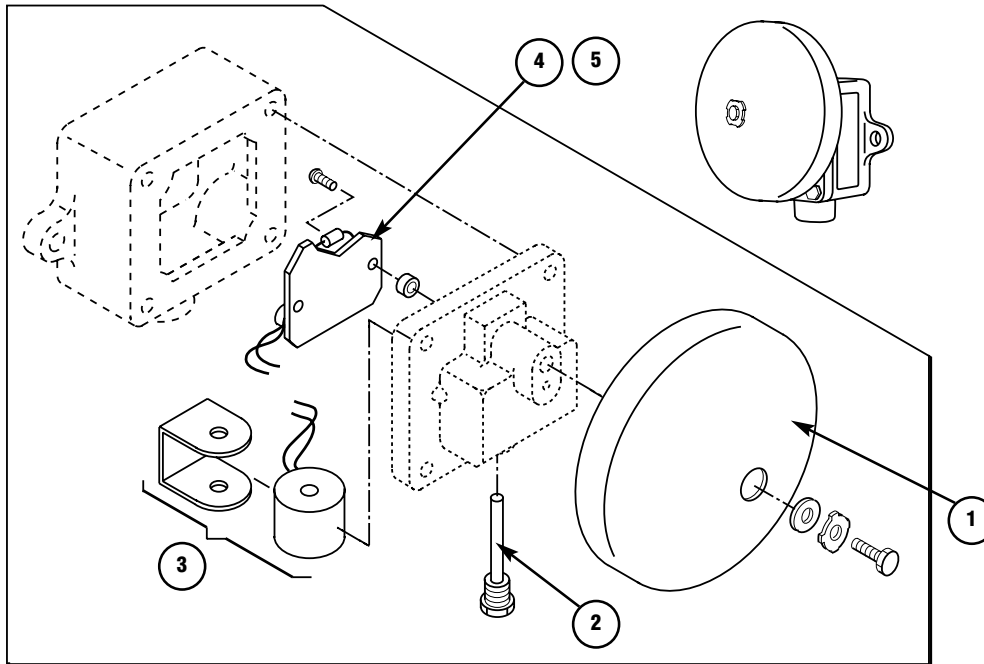
EPLU/D2LU SERIES UNIBODY PANELBOARDS
REPLACEMENT PARTS



ITEM	DESCRIPTION	USED ON	PART NO.
1	MOUNTING FOOT (4 feet per kit)	ALL MODELS	EJB-MF2
2	BRANCH BREAKER CHASSIS	SINGLE PHASE - ALL MODELS	EPLU:0208097
		THREE PHASE - ALL MODELS	EPLU:0208096
3	BRANCH CIRCUIT BREAKERS	ALL MODELS	BUY LOCALLY*
4	MAIN CIRCUIT BREAKERS	ALL MODELS	BUY LOCALLY*
5	BRANCH BREAKER OPERATOR AND SLIDER ASSEMBLY (3 per kit)	ALL MODELS	EPLU-K1
6	MAIN BREAKER OPERATOR ASSEMBLY (1 per kit)	ALL MODELS	EPLU-K2
7	PLUG KIT FOR UNUSED OPENINGS (5 per kit)	ALL MODELS	EPL-K2
8	*PASS THROUGH WIRE ASSEMBLY – MAIN SEAL	ALL MODELS	EPLU:0206945-6
9	*PASS THROUGH WIRE ASSEMBLY – BRANCH	ALL EPLU/D2LU WITH GFI & EPD BREAKERS	EPLU:0206946-3
		ALL EPLU/D2LU STANDARD	EPLU:0206946-4
10	BREATHER (2 required per panel)	ALL MODELS	ECD17
11	DRAIN (4 required per panel)	ALL MODELS	ECD16
12	HINGE KIT (2 kits required per panel)	ALL MODELS	EJB-KIT1
13	COVER BOLT KIT (kit includes 12 bolts, springs, & washers)	ALL MODELS	EPL-BOLT-K1
14	CIRCUIT DIRECTORY CARD WITH SLEEVE	ALL MODELS	EPL:0206835
15	GFI/EPD CIRCUIT SELECTOR SWITCH	ALL MODELS WITH GFI/EPD BREAKERS	EPL:20S73-001
16	GFI/EPD SWITCH KNOB ONLY	ALL MODELS WITH GFI/EPD BREAKERS	EMP-K1

* Buy locally from Square D

ESR BELL SIGNALS - MODELS M2 & M3
REPLACEMENT PARTS

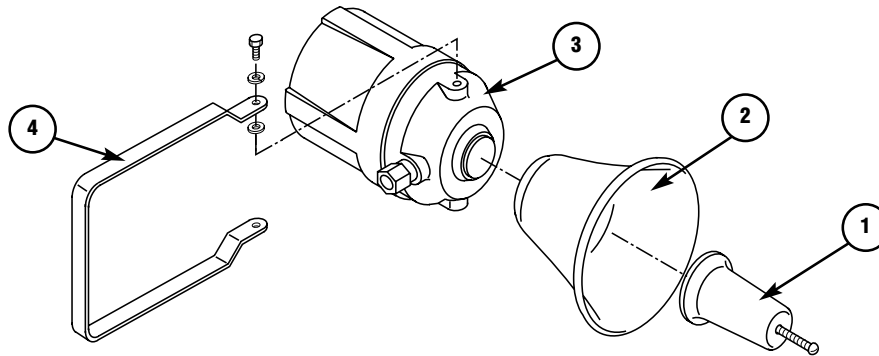


ITEM	DESCRIPTION	USED ON	PART NO.
1	GONG ONLY FOR VIBRATING HAMMER (INCLUDES HARDWARE)	6" DIAMETER	ESR:10646B
	AND SINGLE STROKE HAMMER AC / DC	10" DIAMETER	ESR:5786L
2	PLUNGER AND TUBE ASSEMBLY	SINGLE STROKE HAMMER, AC	ESR:18953A
	(INCLUDES PLUNGER, TUBE, ROD, AND SPRING)	SINGLE STROKE HAMMER, DC	ESR:18951A
		VIBRATING HAMMER, AC / DC	ESR:18952A
3	COIL ASSEMBLY FOR VIBRATING HAMMER AND	12 VOLTS	ESR: KIT13-12
	SINGLE STROKE HAMMER, AC / DC	24 VOLTS	ESR: KIT13-24
		48 VOLTS	ESR: KIT13-48
		115 VOLTS	ESR: KIT13-115
		230 VOLTS	ESR: KIT13-230
4	RELAY ASSEMBLY FOR VIBRATING HAMMER, DC	12 VDC	ESR:15335N
	(INCLUDES RELAY, CAPACITOR, RESISTOR, HARDWARE)	24 VDC	ESR:15334N
		48 VDC	ESR:15333N
		115 VDC	ESR:15332N
5	TERMINAL PLATE ASSEMBLY, AC (FIRE ALARM USE)	12 VAC, 24 VAC, 48 VAC	ESR-K1
		115 VAC, 230 VAC	ESR-K2

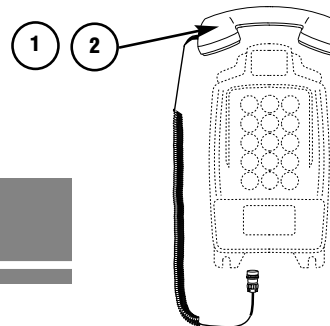
ETH 2702/2703 REPLACEMENT PARTS

ITEM	DESCRIPTION	USED ON	PART NO.
1	MAGNET ONLY (includes coil)	ETH2703-MODEL 3	ETH-K5

ETH FLEX-TONE REPLACEMENT PARTS



ITEM	DESCRIPTION	USED ON	PART NO.
1	INNER PROJECTOR AND HARDWARE	ETH620, 640, 660, 640	ETH-K30
2	OUTER PROJECTOR	ETH620, 640, 660, 640	ETH-K19
3	POWER UNIT ASSEMBLY - INTERNAL COMPONENTS	24VAC, ETH640	ETH-K23
	(INCLUDES AMPLIFIER, TRANSFORMER, MOUNTING	24VDC, ETH840	ETH-K24
	BRACKET, AND HARDWARE - HOUSING NOT INCLUDED	120VAC, ETH620	ETH-K25
		240VAC, ETH660	ETH-K26
4	TRUNNION AND HARDWARE	ETH620, 640, 660, 640	ETH-K32

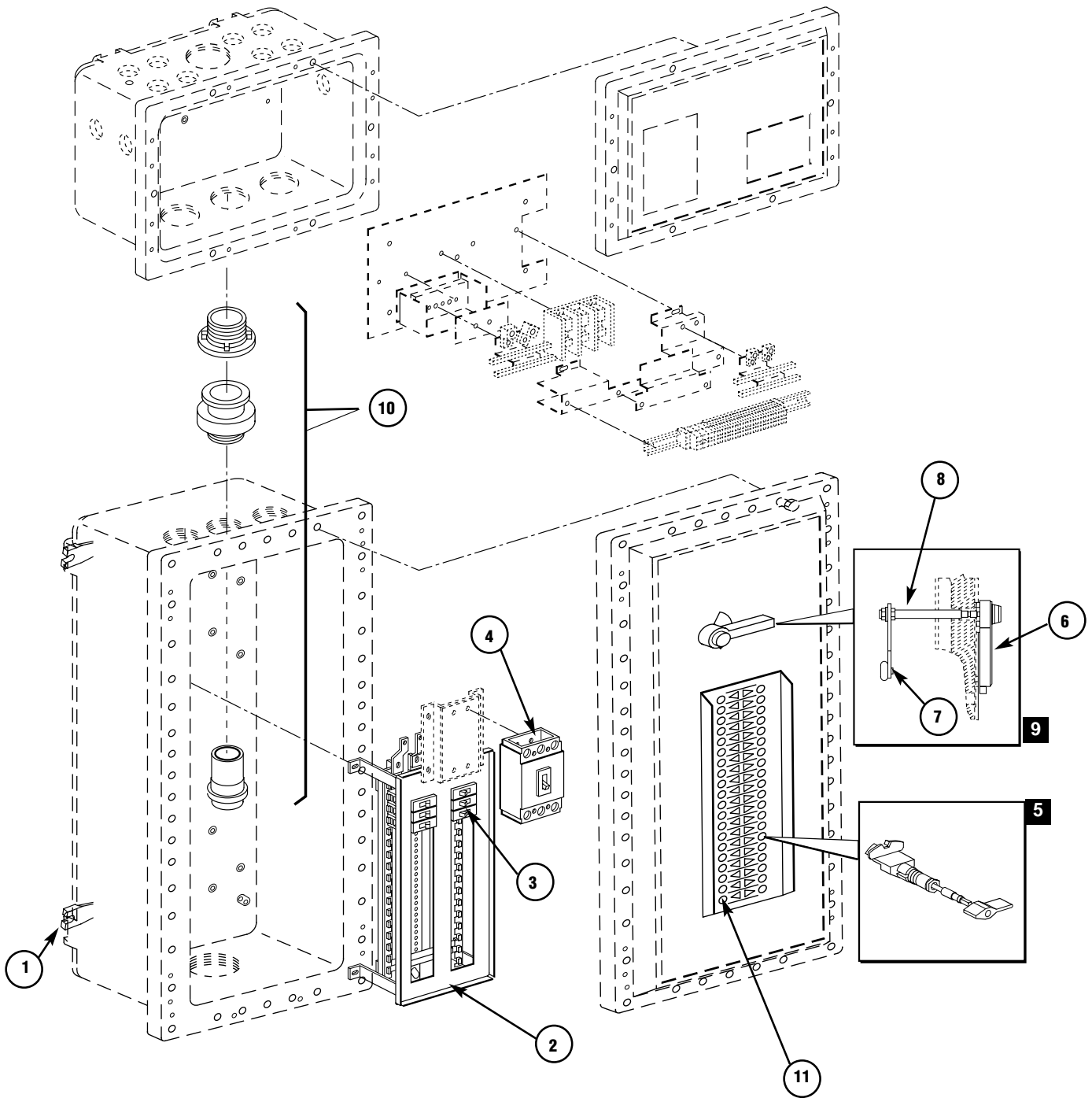


ETW TELEPHONE REPLACEMENT PARTS

ITEM	DESCRIPTION	USED ON	PART NO.
1	REPLACEMENT HANDSET (10' CORD)	ETW401	ETW: 301SC
2	REPLACEMENT HANDSET (20' CORD)	ETW401	ETW: 301SC 20
3	PUSH TO TALK REPLACEMENT HANDSET (10' cord), (Not shown)	ETW401 PB	ETW: 301SC-PB
4	PUSH TO TALK REPLACEMENT HANDSET (20' cord), (Not shown)	ETW401 PB	ETW: 301SC-PB20
5	REPLACEMENT HEADSET (includes 20' cord), (Not shown)	ETW401 HS	ETW: P7200 *

*Must have phone with headset option specified previously. Will not work on phones with standard handset.

NOTE: ETW Telephone Repair Service is available. For information and prices, contact: RDD, Inc., 1009 Falling Leaf Drive, Frensdwood, TX 77546 • Phone (713)-482-5556 • Fax (713)-482-8883



EXDC & D2DC PANELBOARDS REPLACEMENT PARTS

ITEM	DESCRIPTION	USED ON	PART NO.
1	MOUNTING FOOT (4 PER KIT)	ALL MODELS	EXD-MF1
2	BRANCH BREAKER CHASSIS	SINGLE-PHASE	EXD:0206839
		THREE-PHASE	EXD:0206840
3	BRANCH CIRCUIT BREAKERS	ALL MODELS	BUY LOCALLY**
4	MAIN CIRCUIT BREAKERS	ALL MODELS	BUY LOCALLY**
5	BRANCH BREAKER OPERATORS (quantity 3)	ALL MODELS	EXD-K1
6	MAIN BREAKER HANDLE	ALL MODELS	EPC:0205093
7	MAIN BREAKER FORK	ALL MODELS	EPL:0206901
8	MAIN BREAKER OPERATING SHAFT	ALL MODELS	EPL:0207766
8A	MAIN BREAKER STOP PLATE (Not shown)	ALL MODELS	EPL:0206838
9	MAIN BREAKER OPERATOR ASSEMBLY	ALL MODELS	EPL:0206825
	(INCLUDES ITEMS 6-8)		
10	PASS THROUGH WIRE ASSEMBLIES*	70 AMP BRANCH SEAL [(15) #4]	EXD:0206857
	(All assemblies are pre-wired and Chico sealed at factory)	100 AMP BRANCH SEAL [(12) #4 + (3) #3]	EXD:0206856
		SINGLE-PHASE MAIN SEAL	EXD:0206855-1
		THREE-PHASE MAIN SEAL	EXD:0206855-2
		ALTERNATE FEED MAIN SEAL	EXD:0206855-3
11	BLANK PLUGS FOR UNUSED BREAKER OPERATOR LOCATIONS (QUANTITY 5)	ALL MODELS	EXD-K2
12	BLANK CIRCUIT DIRECTORY WITH SLEEVE (Not shown)	ALL MODELS	EPL:0206835
13	HINGE KIT (QUANTITY 2) (Not shown)	ALL MODELS	EJB-KIT1
	(NOTE: 2 kits required per panel)		
14	UNIVERSAL BREATHER/DRAIN ASSEMBLY (Not shown)	ALL UNITS	ECD15
	(6 REQUIRED PER PANEL)	ALL UNITS	ECD15
15	COVER BOLT KIT (Not shown)	ALL UNITS	EPL-BOLT-K1
	(Kit includes 12 bolts, springs, & washers)		

* Note: For a complete seal change of panel, requirements are as follows:

(1) 70 amp branch seal, (1) 100 amp branch seal, (1) Main seal with appropriate phase. Factory Sealed Gps. C & D only.

** Buy locally from Westinghouse/Cutler Hammer

EXDU/D2DU SERIES UNIBODY PANELBOARDS
REPLACEMENT PARTS

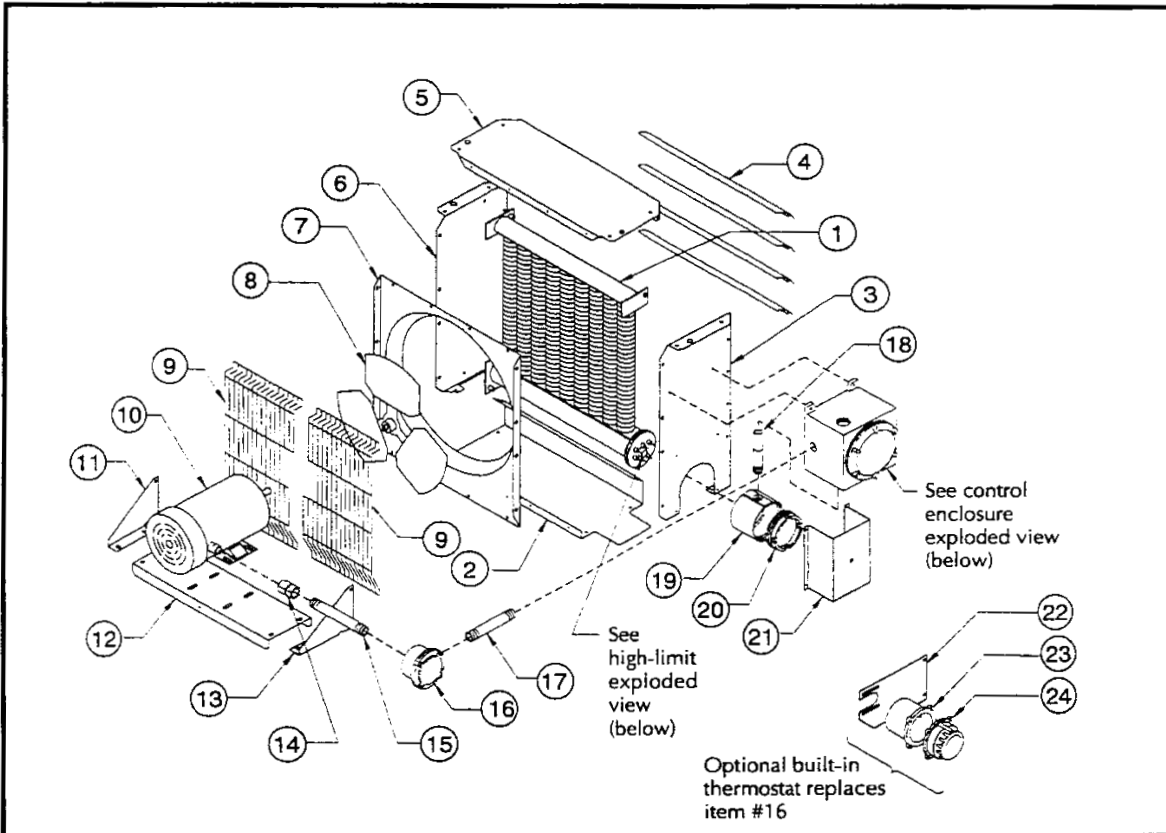


ITEM	DESCRIPTION	USED ON	PART NO.
1	MOUNTING FOOT (4 feet per panel)	ALL MODELS	EJB-MF2
2	BRANCH BREAKER CHASSIS	SINGLE PHASE - ALL MODELS	EXDU:0206992
		THREE PHASE - ALL MODELS	EXDU:0206991
3	BRANCH CIRCUIT BREAKERS	ALL MODELS	BUY LOCALLY**
4	MAIN CIRCUIT BREAKERS	ALL MODELS	BUY LOCALLY**
5	BRANCH BREAKER OPERATOR AND SLIDER ASSEMBLY (3 per kit)	ALL MODELS	EXDU-K1
6	MAIN BREAKER OPERATOR ASSEMBLY (1 per kit)	ALL MODELS	EXDU-K3
7	PLUG KIT FOR UNUSED OPENINGS (5 per kit)	ALL MODELS	EPL-K2
8	*PASS THROUGH WIRE ASSEMBLY – MAIN SEAL	ALL MODELS WITH MCB	(1) EXDU:0208088-5 & (1) EXDU: 0208088-6
		ALL MODELS W/O MCB	(2) EXDU:0208088-5
9	*PASS THROUGH WIRE ASSEMBLY – BRANCH	INCLUDED WITH MAIN SEAL	
10	BREATHER (2 required per panel)	ALL MODELS	ECD17
11	DRAIN (4 required per panel)	ALL MODELS	ECD16
12	HINGE KIT (2 kits required per panel)	ALL MODELS	EJB-KIT1
13	COVER BOLT KIT	ALL MODELS	EPL-BOLT-K1
	(Includes 12 bolts, springs, & washers)		
14	CIRCUIT DIRECTORY CARD WITH SLEEVE	ALL MODELS	EPL:0206835

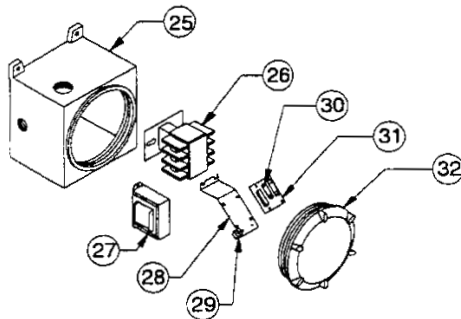
* All pass through Assemblies are prewired and Chico sealed at factory. Factory sealed for Gp. C & D only.

** Buy locally from Square D

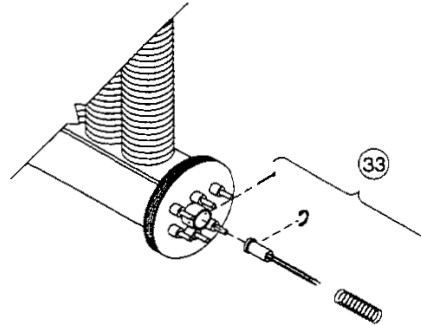
EXH4 ELECTRIC HEATERS REPLACEMENT PARTS



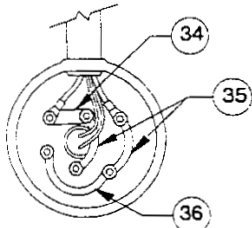
EXH4 CONTROL ENCLOSURE EXPLODED VIEW



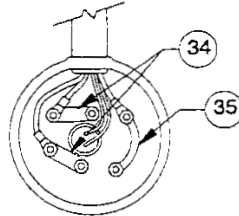
EXH4 HIGH-LIMIT EXPLODED VIEW



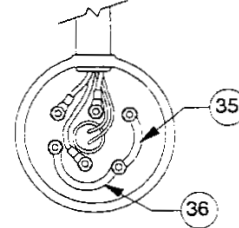
BUS-BAR CONFIGURATION FOR ALL 1-PHASE



BUS-BAR CONFIGURATION FOR ALL 3-PHASE (EXCEPT 380 50 HERTZ)



BUS-BAR CONFIGURATION 3-PHASE 380 VOLT 50 HERTZ ONLY



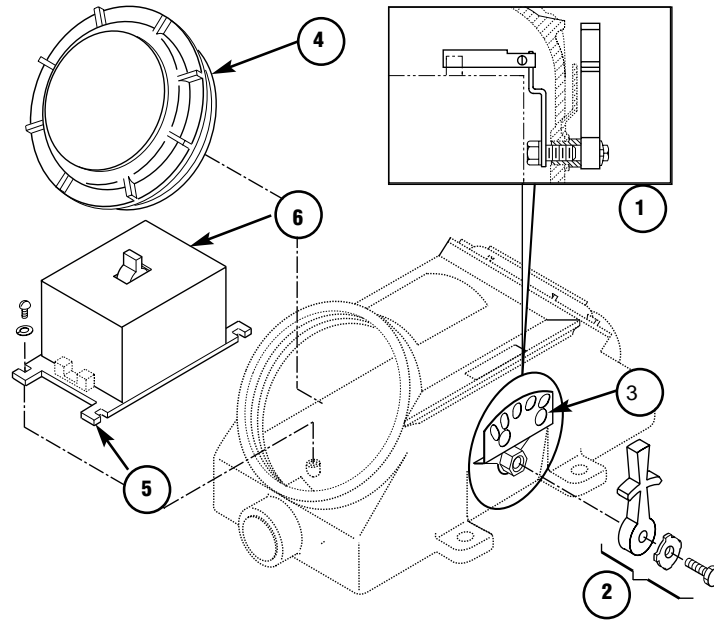
EXH4 ELECTRIC HEATERS REPLACEMENT PARTS

ITEM	EXH412	EXH416	EXH420	DESCRIPTION
1	**	**	**	CORE, EXH4
2	EXH:3773	EXH:3774	EXH:3775	PANEL, EXH4 BOTTOM
3	EXH:3776	EXH:3777	EXH:3778	PANEL, EXH4 LEFT SIDE
4	EXH:4075	EXH:4076	EXH:4077	LOUVER KIT, CW SCREWS
5	EXH:3770	EXH:3771	EXH:3772	PANEL, EXH4 TOP
6	EXH:3779	EXH:3780	EXH:3781	PANEL, EXH4 RIGHT SIDE
7	EXH:3782	EXH:3783	EXH:3784	FAN SHROUD, EXH4
8	2.5 – 5.0 KW: EXH: 4022	EXH:4024	20.9 - 30 KW: EXH:4025	FAN
	6.3 – 10 KW: EXH:4023	EXH:4024	35 KW: EXH:4026	
9	EXH:4078	EXH:4079	EXH:4080	FAN GUARD KIT
10	GROUPS D, E, F & G 208/240V 60 HZ 1 PH: 220V 50 HZ 1 PH: 480V 60 HZ 1 PH: 208/240/480V 60 HZ 3 PH: 380/415V 50 HZ 3 PH: 600V 60 HZ 3 PH:	EXH:1377 EXH:1377 CW EXH:4953 EXH:2396 EXH:1862 EXH:1862 EXH:1861	GROUPS D, E, F & G 240/480V 60 HZ 3 PH: EXH:1699 380/415V 50 HZ 3 PH: EXH:1699 600V 60 HZ 3 PH: EXH:2433	MOTOR, EXPLOSIONPROOF
	GROUPS C, D, F & G 208/240V 60 HZ 1 PH: 208/240/480V 60 HZ 3 PH: 600V 60 HZ 3 PH:	EXH:4593 EXH:4594 EXH:4595	GROUPS C, D, F, & G 240/480V 60 HZ 3 PH: EXH:4596 600V 60 HZ 3 PH: EXH: 4597	
11	EXH:3789	EXH:3789	EXH:3789	BRACKET, MOTOR MOUNT RIGHT
12	EXH:3785	EXH:3786	EXH:3787	CHANNEL, MOTOR MOUNT
13	EXH:3788	EXH:3788	EXH:3788	BRACKET, MOTOR MOUNT LF
14	GROUPS D, E, F, & G	EXH: 3737		
	GROUPS C, D, F, & G	EXH:4590		COUPLING, MOTOR
15	EXH:3811	EXH:3812	EXH:3813	CONDUIT, MOTOR
16	GROUPS D, E, F, & G	EXH:3838		
	GROUPS C, D, F, & G	EXH:4983 CW EXH:5027 (ALL)		ENCLOSURE, CONDUIT JUNCTION
**CONSULT FACTORY FOR PART NUMBERS. NOTE: FOR ITEMS NOT SHOWN, CONTACT FACTORY.				

EXH4 ELECTRIC HEATERS REPLACEMENT PARTS

ITEM	EXH412	EXH416	EXH420	DESCRIPTION
17	GROUPS D, E, F, & G 208/240V 60 HZ 1 PH: 220V 50 HZ 1 PH: 480V 60 HZ 1 PH:	EXH:3815 EXH:3815 EXH:3813	GROUPS D, E, F, & G EXH:3813	CONDUIT, EXH 4 CONTROL ENCLOSURE
	ALL 3 PH: GROUPS C, D, F, & G	EXH:3814 EXH:3815	GROUPS C, D, F, & G ALL: EXH:3815	
18	EXH:3810	EXH:3810	EXH:3810	CONDUIT, EXH 4 ELEMENT ENCLOSURE
19	EXH:3793	EXH:3793	EXH:3793	ENCLOSURE, EXH4 ELEMENT
20	EXH:3510	EXH:3510	EXH:3510	COVER, EXH4 ELEMENT ENCLOSURE
21	EXH:3790	EXH:3790	EXH:3790	PANEL, ELEMENT ENCLOSURE GUARD
22	EXH:3791	EXH:3791	EXH:3791	BRACKET, EXH4 THERMOSTAT
23	EXH:4983	EXH:4983	EXH:4983	ENCLOSURE, THERMOSTAT
24	EXH:5032	EXH:5032	EXH:5032	THERMOSTAT, BUILT-IN KIT
25	EXH:3524	EXH:3525	EXH:3526	ENCLOSURE, EXH4 CONTROL
26	**	**	**	CONTACTOR
27	60 HERTZ: EXH:3612	50 HERTZ: EXH:4416		TRANSFORMER
28	EXH:3809	EXH:3809	EXH:3809	BRACKET, PRINTED CIRCUIT BOARD
29	EXH:1876	EXH:1876	EXH:1876	TERMINAL, 6 – 14 GA. SCREW LUG
30	EXH:3519	EXH:3519	EXH:3519	FUSE, BUSS MDQ-1/4 AMP
31	EXH:3514	EXH:3514	EXH:3514	PRINTED CIRCUIT BOARD ASSEMBLY
32	EXH:3516	EXH:3516	EXH:3516	COVER, EXH4 CONTROL ENCLOSURE
33	EXH:4082	EXH:4082	EXH:4082	EXH4 TEMPERATURE HIGH-LIMIT KIT
34	EXH:3816	EXH:3816	EXH:3816	BUS-BAR, STRAIGHT
35	EXH:3817	EXH:3817	EXH:3817	BUS-BAR, SMALL CURVED
36	EXH:3818	EXH:3818	EXH:3818	BUS-BAR, LARGE CURVED
**CONSULT FACTORY FOR PART NUMBERS. NOTE: FOR ITEMS NOT SHOWN, CONTACT FACTORY.				

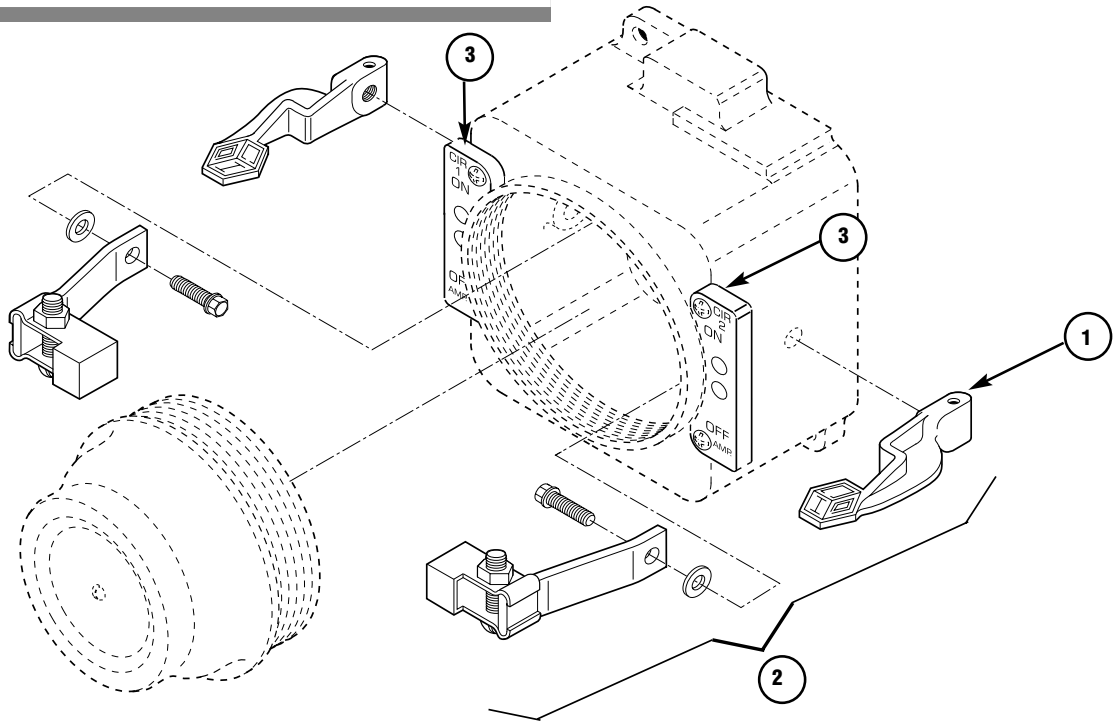
FLS ENCLOSED SWITCH REPLACEMENT PARTS



ITEM	DESCRIPTION	USED ON	PART NO.
1	OPERATING HANDLE ASSEMBLY	FLS30364, FLS60364	FLS-K2
	(includes handle, shaft, bushing, arm, indicating plate, and hardware)	FLS10364, FLS-SK645RG, 646RG, 9965S	FLS-K3
2	OPERATING HANDLE ONLY (with attachment hardware)	ALL MODELS	FLS-K1
3	LOCKOUT PLATE	ALL MODELS	FLS-K4
	(Includes handle adjustment buttons, and hardware)		
4	COVER WITH GASKET	30 AMP FLS30364-1-33	FLB-K8
	(Need 2 Covers per housing)	60 AMP FLS60364-1-44	FLB-K8
		100 AMP FLS10364-1-55	GUB0102
5	SWITCH MOUNTING PLATE WITH HARDWARE	FLS30364, FLS60364	FLS:15353B
		FLS10364	FLS:9909L
5A	SWITCH MOUNTING PLATE WITH HARDWARE	FLS-SK645RG, 646RG, 9965S	FLS:21702B
6	REPLACEMENT SWITCHES	30 AMP FLS30364-1-33	WEST-371D266G02 *
		60 AMP FLS60364-1-44	WEST-371D266G01 *
		100 AMP FLS10364-1-55	WEST-657D772G02 *
7	COVER GASKET ONLY (Not shown)	30 AMP FLS30364-1-33	GASK1699
		60 AMP FLS60364-1-44	GASK1699
		100 AMP FLS10364-1-55	GASK924
8	BREATHER (optional)	ALL MODELS	ECD11
9	DRAIN (optional)	ALL MODELS	ECD13
10	DRAIN PLUGS (Not shown)	ALL MODELS	PLG1

* Buy locally from Westinghouse/Cutler Hammer

GUSC W/QUICKLAG BREAKERS REPLACEMENT PARTS

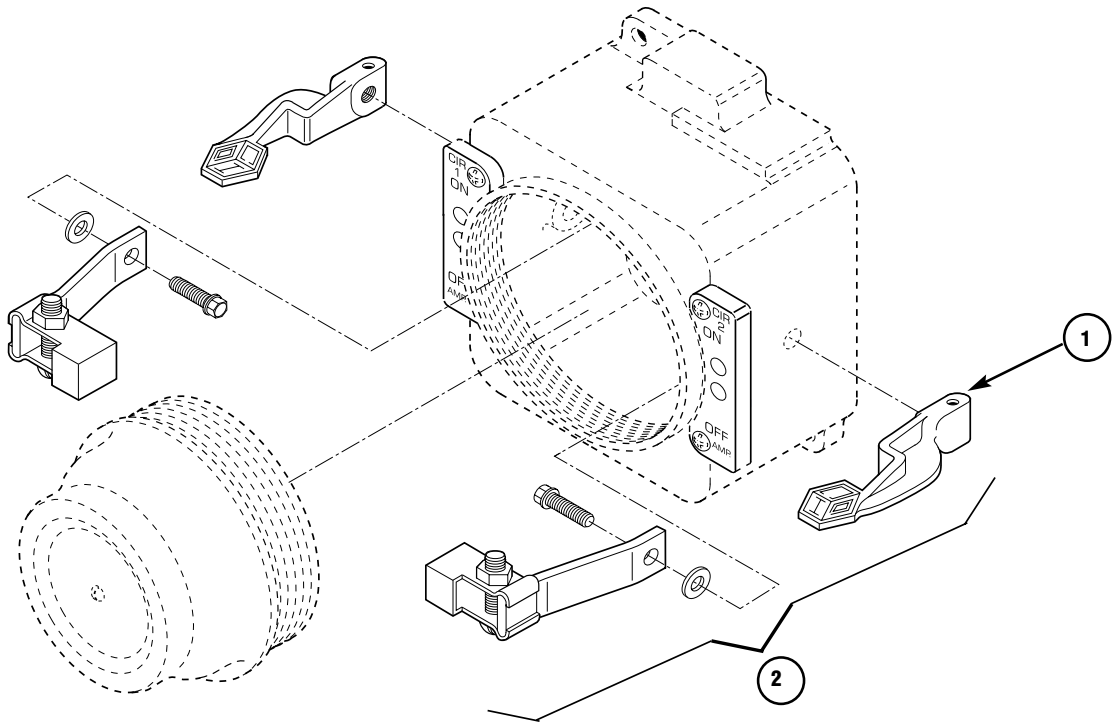


ITEM	DESCRIPTION	USED ON	PART NO.
1	OPERATING HANDLE WITH HARDWARE	GUSC 3110, 3120, 3210	GUSC-K1
2	OPERATING ASSEMBLY (quantity 1) (includes handle, shaft, arm, fork, and hardware)	GUSC3110, 3210 GUSC3120	GUSC-K3 GUSC-K4
3	UNIVERSAL "CIRCUIT" INDICATING PLATE AND HARDWARE	GUSC 3110, 3120, 3210	GUSC-K5*
4	REPLACEMENT WESTINGHOUSE QUICKLAG® CIRCUIT BREAKERS (Not shown)	10 AMP, 1-POLE 15 AMP, 1-POLE 20 AMP, 1-POLE 30 AMP, 1-POLE 40 AMP, 1-POLE 10 AMP, 2-POLE 15 AMP, 2-POLE 20 AMP, 2-POLE 30 AMP, 2-POLE 40 AMP, 2-POLE	WEST # QC1010L ** WEST # QC1015L ** WEST # QC1020L ** WEST # QC1030L ** WEST # QC1040L ** WEST # QC2010L ** WEST # QC2015L ** WEST # QC2020L ** WEST # QC2030L ** WEST # QC2040L **

*Specify Left or Right, "Circuit 1" or "Circuit 2", and Amperage. (Example: GUSC-K5-L-1-15)

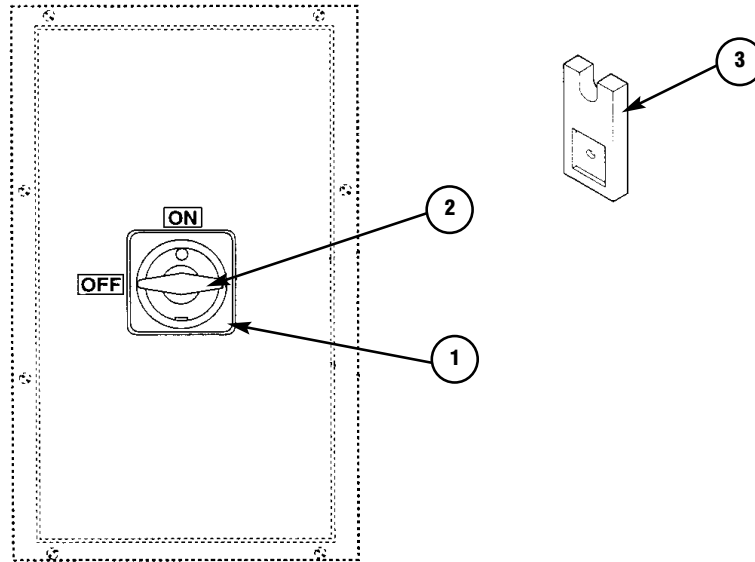
** Buy locally from Westinghouse/Cutler-Hammer

GUSC SNAP SWITCH REPLACEMENT PARTS

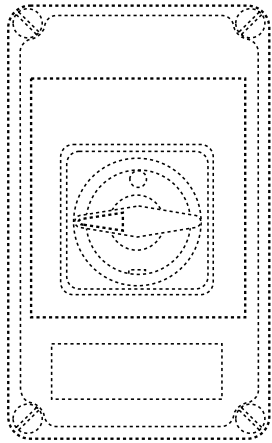


ITEM	DESCRIPTION	USED ON	PART NO.
1	OPERATING HANDLE WITH HARDWARE	GUSC2013-AH, 2113-AH, 2024-AH, 2052-AH, AND 2152-AH	GUSC-K1
2	OPERATING HANDLE ASSEMBLY (quantity 1) (INCLUDES HANDLE, SHAFT, ARM, FORK, AND HARDWARE)	GUSC2013-AH, 2113-AH, 2024-AH, 2052-AH, AND 2152-AH	GUSC-K2
3	REPLACEMENT SWITCH (Not shown)		
	2 - POLE	GUSC2052-AH, 2152-AH	80093KEZ**
	3 - POLE	GUSC2013-AH, 2113-AH	GE # TC2368S *
	4 - POLE	GUSC2024-AH	8808-UDX**
* Buy locally from General Electric Company			
** Buy locally from Cooper Wiring Devices			

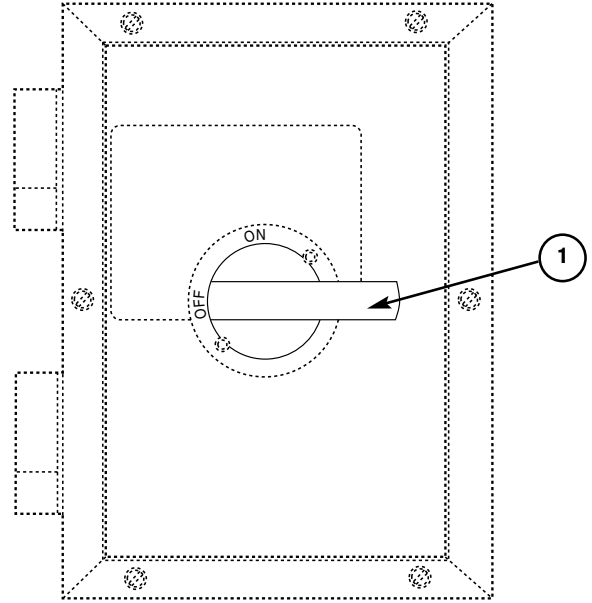
N2RS ENCLOSED SWITCHES REPLACEMENT PARTS



ITEM	DESCRIPTION	USED ON	PART NO.
1	OPERATING HANDLE W/ SWITCH ADAPTER ASSEMBLY (includes handle assembly, gasket, hardware)	ALL N2RS	N2RS K1
2	OPERATING HANDLE ONLY	ALL N2RS	N2RS: 0206980
3	MOUNTING FOOT (4 per kit)	ALL N2RS	KRYMF-K1
4	INTERNAL SWITCH (Not shown)	30 AMP/60 AMP 100 AMP	RSWP603 RSWP1003
5	HUBS (Not shown) (2 pcs required per unit)	30/60 AMP 100 AMP	NHUB5 NHUB7
6	COVER GASKET	ALL MODELS	GASK1018



30 and 60 Amp Unfused

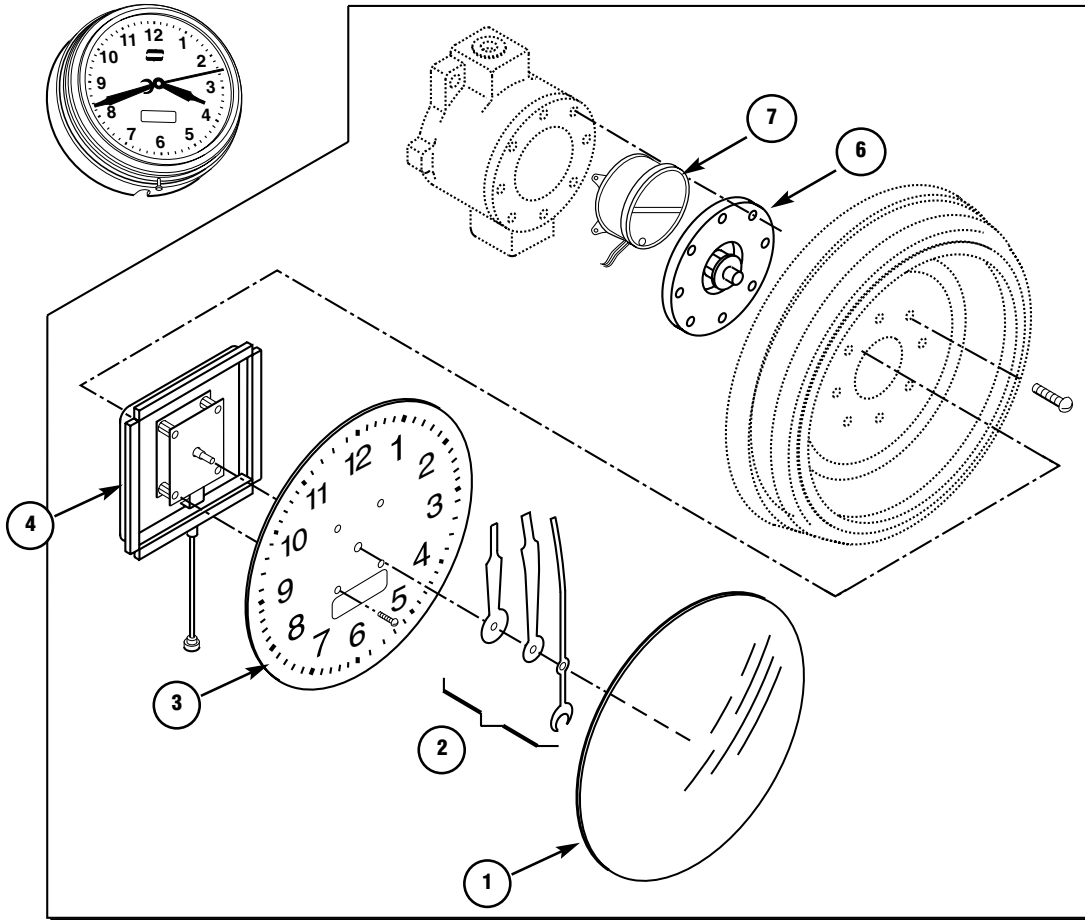


30 Amp Fused

ITEM	DESCRIPTION	USED ON	PART NO.
1	OPERATING HANDLE*	30 AMP, FUSED ONLY	AH:6900-120
2	INTERNAL SWITCH (Not shown)	30 AMP, NONFUSED	BRS30-ANF
		60 AMP, NONFUSED	BRS60-ANF
		30 AMP, FUSED	BRS30-AF
3	AUXILIARY CONTACT KIT (Not shown)	30 AMP, NONFUSED	NRS-K1
		60 AMP, NONFUSED	NRS-K2
		30 AMP, FUSED	NRS-K3

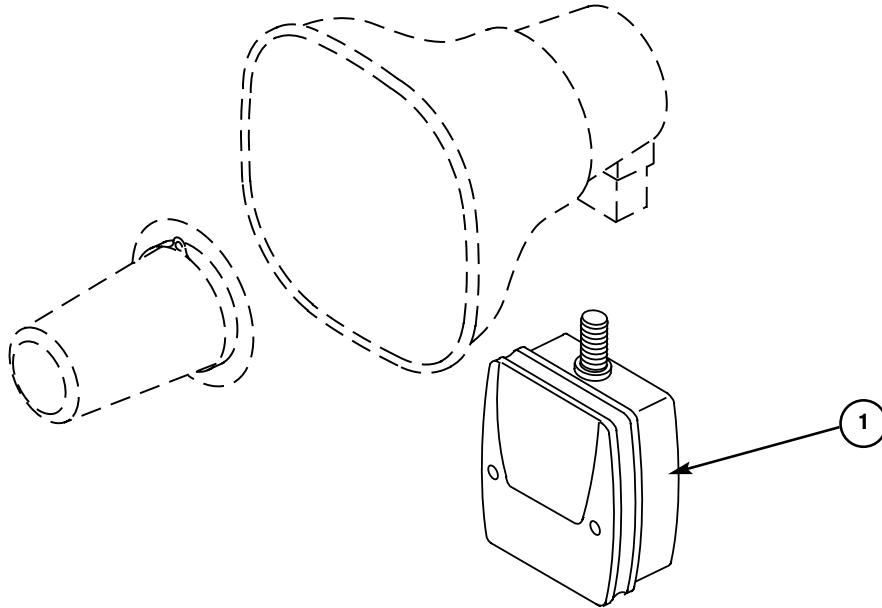
* Note: 30/60 Amp unfused not available as replacement parts.

TCH CLOCK REPLACEMENT PARTS



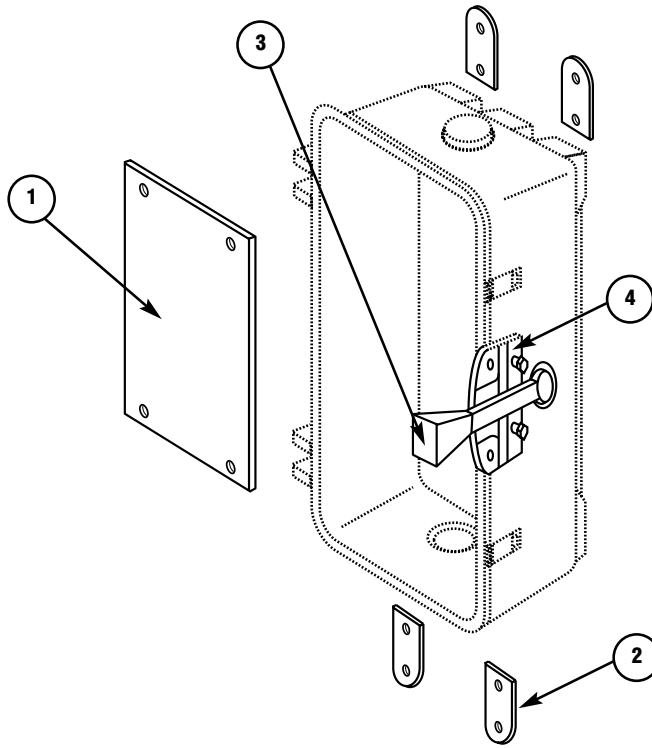
ITEM	DESCRIPTION	USED ON	PART NO.
1	GLASS COVER	TCH2220	TCH:2009E
2	HOUR, MINUTE, AND SECOND HANDS	TCH2220	TCH:13488A
3	CLOCK FACE	TCH2220	TCH:0201447
4	GEAR TRAIN ASSEMBLY AND HARDWARE	TCH2220	TCH:10651B
5	ENCLOSING BAND (Not shown)	TCH2220	TCH202
6	COVER ASSEMBLY FOR MOTOR HOUSING	TCH2220	TCH-K1
(INCLUDES COVER, DRIVE SHAFT, UNIVERSAL CAM, BEARING, AND HEX NUT)			
7	MOTOR, 1 RPM, 110 VOLTS	TCH2220	TCH-K2
8	MOUNTING HARDWARE ASSEMBLY FOR FLUSH PANEL MOUNTING	TCH2220	TCH028
(Not shown)			

W2H SIGNALING DEVICES
REPLACEMENT PARTS



ITEM	DESCRIPTION	USED ON	PART NO.
1	POWER UNIT ASSEMBLY (INCLUDES EXTERNAL CASING)	24 VDC, W2H840	W2H-K2
		24 VAC, W2H640	W2H-K3
		120 VAC, W2H620	W2H-K4
		240 VAC, W2H660	W2H-K5

**WST ENCLOSED SWITCHES MODEL M4
REPLACEMENT PARTS**

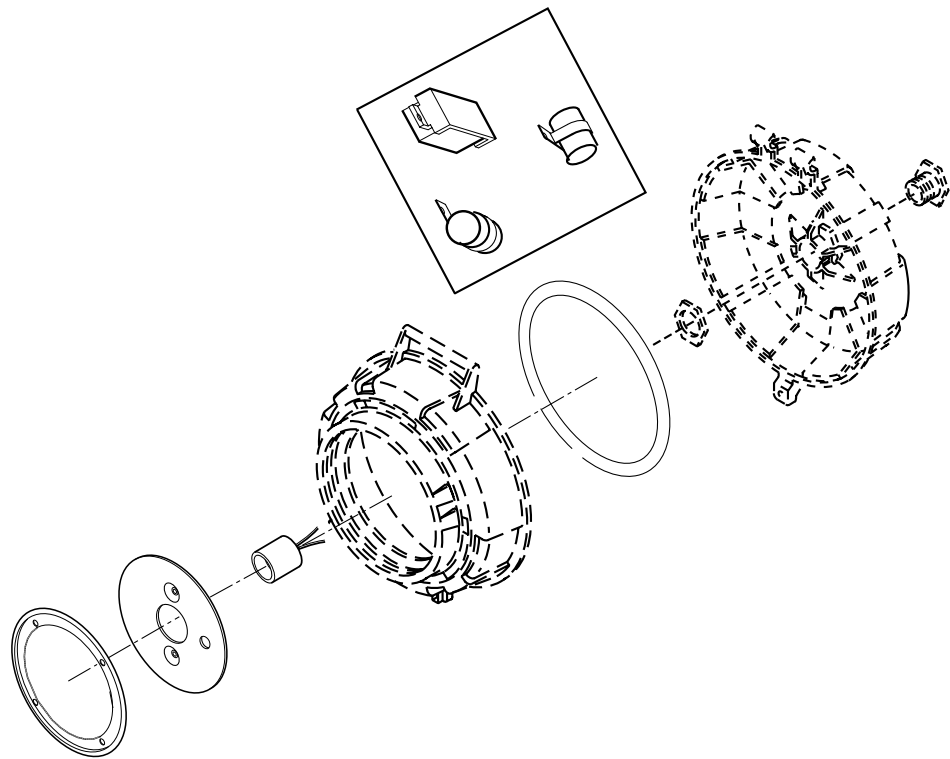


ITEM	DESCRIPTION	USED ON	PART NO.
1	MOUNTING PLATE	30 AMP/60 AMP	WSR:0403193
		100 AMP	WSR:0403194
2	MOUNTING FOOT KIT (includes 2 upper and 2 lower)	30 AMP/60 AMP	WSMF-K1
		100 AMP	WSMF-K2
3	OPERATING HANDLE	ALL WST	EBM:0206550-1
4	LOCKOUT PLATE	ALL WST	EBM-K5
	(includes handle adjustment buttons and hardware)		
5	REPLACEMENT SWITCH – UNFUSED (Not shown)	30 AMP	WEST # DS16U *
		60 AMP	WEST # DS26U *
		100 AMP	WEST # DS36U *
6	REPLACEMENT SWITCH – FUSIBLE (Not shown)	30 AMP	WEST # DS161R *
		60 AMP	WEST # DS262R *
		100 AMP	WEST # DS363R *

*NOTE: Replacement switches for model M4 only. Buy locally from Westinghouse/Cutler Hammer

(Model M82 "DED" type replacement switches are no longer available.)

Lighting Replacement Parts



BALLAST REPLACEMENT KITS FOR HID LIGHTING

BALLAST REPLACEMENT KIT CATALOG NUMBER	TYPE	LAMP WATTS	LAMP QTY.	LMV†	FIXTURE TYPE							
					VMV	DMV	N2MV	EVLP	EVM	F2MV	FMV	
CHRBS035/120	HPS	35	1	X								
CHRBS050/DT	HPS	50	1	X	X	X	X	X	X	X	X	
CHRBS070/MT	HPS	70	1	X	X	X	X	X	X	X	X	X
CHRBS100/MT	HPS	100	1	X	X	X	X	X	X	X	X	X
CHRBS150/MT LX	HPS 55V	150	1	X	X	X	X	X	X	X	X	X
CHRBS150/MT CE	HPS 100V	150	1		X	X	X		X			X
CHRBS200/MT	HPS	200	1		X				X			X
CHRBS250/MT	HPS	250	1		X	X			X			X
CHRBS400/MT	HPS	400	1		X				X			X
CHRBS1000/MT	HPS	1000	1									X
CHRBM070/MT	MH	70	1	X	X	X	X	X	X	X	X	
CHRBM100/MT	MH	100	1	X	X	X	X	X	X	X	X	
CHRBM175/MT	MH	175	1		X	X	X	X	X	X	X	X
CHRBM250/MT	MH	250	1		X	X		X	X			X
CHRBM400/MT	MH	400	1		X				X			X
CHRBM1000/MT	MH	1000	1									X
CHRBM1500/MT	MH	1500	1									X
CHRBC100/MT	MV	100	1		X	X	X	X	X	X	X	
CHRBC175/MT	MV	175	1		X	X	X	X	X	X	X	X
CHRBC250/MT	MV	250	1		X	X		X	X			X
CHRBC400/MT	MV	400	1		X				X			X
CHRBC1000/MT	MV	1000	1									X

Crouse-Hinds Ballast Replacement Kits come standard as multitap, suffix "/MT".

For other voltages, replace "/MT" with one of the following suffixes in the Table.

50W HPS Available in /DT only 120/277V 60HZ

70W MH Not available in 480V 60HZ or 480/QTZ

OPTIONS S828 Pulse Start Metal Halide Ballast

† LMV fixtures will not accept MT ballast unless ceiling mount or stanchion mount modules are used.

SUFFIX	VOLTAGE	HZ
MT	120/208/240/277V	60HZ
/120	120V	60HZ
/TT	120/277/347V	60HZ
/480	480V	60HZ
/480 QTZ	480V WITH 120V TAP	60HZ
/220 50	220V	50HZ
/240 50	240V	50HZ

**BALLAST REPLACEMENT KITS FOR
FLUORESCENT LIGHTING**

LIGHTING

BALLAST REPLACEMENT KIT CATALOG NUMBER	TYPE	LAMP WATTS	LAMP QTY.	VF	NFL	FIXTURE TYPE								
						FVN	DMVF(B)	N2MVFB(B)	EVLPF(B)	EVF	EVFDR	FVS	EVFT	
CHRF2C018/120	COMPACT 2 PIN	9	2	X										
CHRF4C052/120	COMPACT 4 PIN	26	2				X	X	X					
CHRF4C064/120	COMPACT 4 PIN	32	2				X	X	X					
CHRBFT078/120	LONG TWIN TUBE	39	2											X
CHRBFT080/120	LONG TWIN TUBE	40	1 or 2		X								X	
CHRBFL032/120	LINEAR - T8	32	1			X				X				
CHRBFL064/120	LINEAR - T8	32	2		X	X				X	X			
CHRBFL040/120	LINEAR - T12	40	1			X				X				
CHRBFL080/120	LINEAR - T12	40	2		X	X				X	X			
CHRBFL060/120	LINEAR - HO	60	1			X				X				
CHRBFL120/120	LINEAR - HO	60	2			X				X	X			
CHRBFL110/120	LINEAR - VHO	110	1							X				
CHRBFL220/120	LINEAR - VHO	110	2							X	X			
CHRBFE32UNV	EMERGENCY	26, 32	1				X	X	X					
CHRBFE40UNV	EMERGENCY	32, 40	1			X				X	X			
CHRBFEN40UNV	EMER. NON HAZ	32, 40	1		X									

NOTE: FOR 3 LAMP FIXTURES, ORDER ONE 1 LAMP BALLAST AND ONE 2 LAMP BALLAST

FOR 4 LAMP FIXTURES, ORDER TWO 2 LAMP BALLASTS

*FOR DMVFB, N2MVFB AND EVLPFB, EMERGENCY BALLAST SOLD IN CANADA

SUFFIX	VOLTAGE	HZ
/120	120V	60HZ
/277	227V	60HZ
/UNV	120-277V	50-60HZ
/220 50	220V	50HZ
/240 50	240V	50HZ
/12VDC	12V	DC
/24VDC	24V	DC
/347	347V	60HZ
/UNV CAN	120-277V	50-60HZ*
/347 CAN	347V	60HZ*

REPLACEMENT FUSE CHARTS FOR CHAMP® OR HAZARD-GARD® SERIES W/ S658 SUFFIX

APPLICATION:

The principal reason for fusing HID ballasts is to remove the faulty fixture from the circuit before it results in a branch circuit outage, plunging an entire area in darkness. Fuses are installed in each ungrounded conductor supplying AC power to the fixture. A fuse is not installed in the neutral conductor.

- For 120, 277 and 347 volt AC systems one fuse is installed in the ungrounded supply line.
- For 208, 240 and 480 volt AC systems, a fuse is installed each ungrounded conductor. In the case of ballast failure, on one fuse may open. On multi-tap ballasts, use fuses shown for the selected voltage. For 50HZ ballast, the fusing is the same as 60HZ. Use the fuse value for 240V also on 220V circuits.

CWA MERCURY VAPOR				
LAMP WATTS	INPUT VOLTS	AMPS	*FUSE AMPS	FUSE REQ'D
100	120	1.1	3	1
	208	0.6	2	2
	240	0.5	2	2
	277	0.5	2	1
	347	0.4	2	1
175	480	0.3	2	2
	120	1.8	5	1
	208	1.0	3	2
	240	0.9	3	2
250	277	0.8	2	1
	480	0.5	2	2
	120	2.5	8	1
	208	1.5	5	2
400	240	1.3	5	2
	277	1.1	3	1
	480	0.6	3	2
	120	3.9	10	1
400	208	2.2	8	2
	240	2.0	8	2
	277	1.7	5	1
	480	1.0	5	2

CWA METAL HALIDE				
LAMP WATTS	INPUT VOLTS	AMPS	*FUSE AMPS	FUSE REQ'D
175	120	1.8	5	1
	208	1.1	3	2
	240	0.9	3	2
	277	0.8	2	1
	347	0.7	2	1
250	480	0.5	2	2
	120	2.6	8	1
	208	1.5	5	2
	240	1.3	5	2
400	277	1.1	3	1
	347	0.9	2	1
	480	0.7	2	2
	120	4.0	10	1
400	208	2.3	8	2
	240	2.0	8	2
	277	1.8	5	1
	347	1.4	5	1
480	1.0	5	2	

METAL HALIDE HIGH RECTANGLE HPF				
LAMP WATTS	INPUT VOLTS	AMPS	*FUSE AMPS	FUSE REQ'D
70	120	0.9	5	1
	208	0.5	3	2
	240	0.4	2	2
	277	0.4	2	1
	347	0.3	2	1
100	120	1.2	8	1
	208	0.7	5	2
	240	0.6	3	2
	277	0.5	3	1
347	0.4	2	1	

HIGH PRESSURE SODIUM REACTOR HPF/ HIGH REACTANCE HPF				
LAMP WATTS	INPUT VOLTS	AMPS	*FUSE AMPS	FUSE REQ'D
35	120	0.4	2	1
	120	0.6	3	1
50	240 (50)	0.3	2	2
	277	0.3	2	1
70	120	0.8	5	1
	208	0.5	3	2
	240	0.4	2	2
	277	0.4	2	1
	347	0.3	2	1
100	480	0.2	2	2
	120	1.2	8	1
	208	0.7	5	2
	240	0.6	5	2
	277	0.5	3	1
150	347	0.4	3	1
	480	0.3	3	2
	120	1.7	10	1
	208	1.0	5	2
	240	0.8	5	2
LX	277	0.7	5	1
	347	0.6	3	1
	480	0.4	3	2

HIGH PRESSURE SODIUM CWA				
LAMP WATTS	INPUT VOLTS	AMPS	*FUSE AMPS	FUSE REQ'D
150	120	1.8	5	1
	208	1.0	5	2
	240	0.9	5	2
	CE 277	0.8	3	1
200	480	0.5	3	2
	120	2.2	8	1
	208	1.3	5	2
	240	1.1	5	2
250	277	1.0	3	1
	480	0.6	2	2
	120	2.7	8	1
	208	1.5	5	2
400	240	1.3	5	2
	277	1.2	3	1
	347	0.9	2	1
	480	0.7	2	2
400	120	4.0	10	1
	208	2.3	8	2
	240	2.0	8	2
	277	1.8	5	1
400	347	1.3	5	1
	480	1.0	5	2

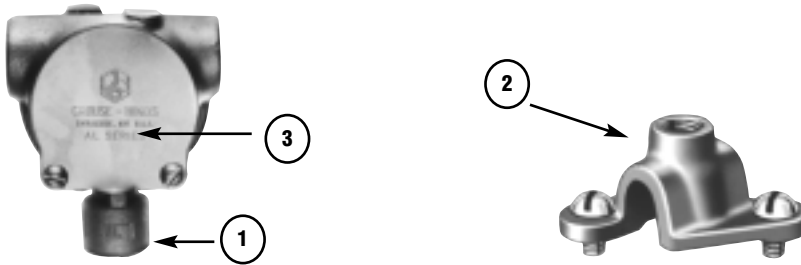
FLUORESCENT				
FIXTURE WATTS	INPUT VOLTS	AMPS	*FUSE AMPS	FUSE REQ'D
26	12DC	3.4	5	1
	24DC	1.2	5	1
	120	0.6	3	1
39	277	0.6	3	1
	12DC	5.1	8	1
	24DC	1.8	5	1
	120	0.9	3	1
52	277	1.0	3	1
	120	0.5	3	1
	277	0.2	3	1
64	120	0.6	3	1
	277	0.3	3	1

EVFT	
2 LAMP	125V GLR 3.0A
4 LAMP	120V GLR 5.0A
2 LAMP	277V GLR 1.5A
4 LAMP	277V GLR 3.0A

*Type KTK Bussmann or equivalent (Buy locally)

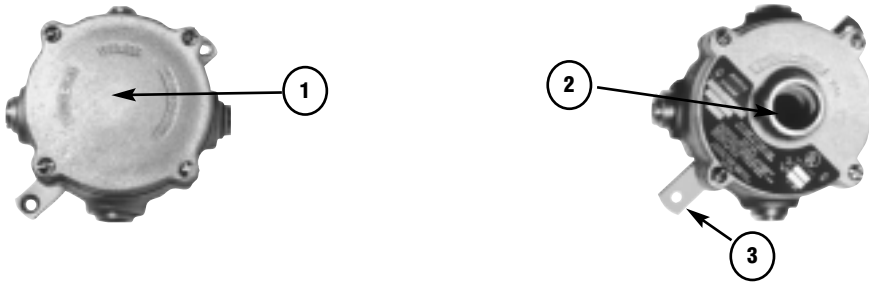
Note: 240(50) indicates the ballast is only available in 50 Hz. at 220/240V.

ALC/ALT FIXTURE HANGERS REPLACEMENT PARTS



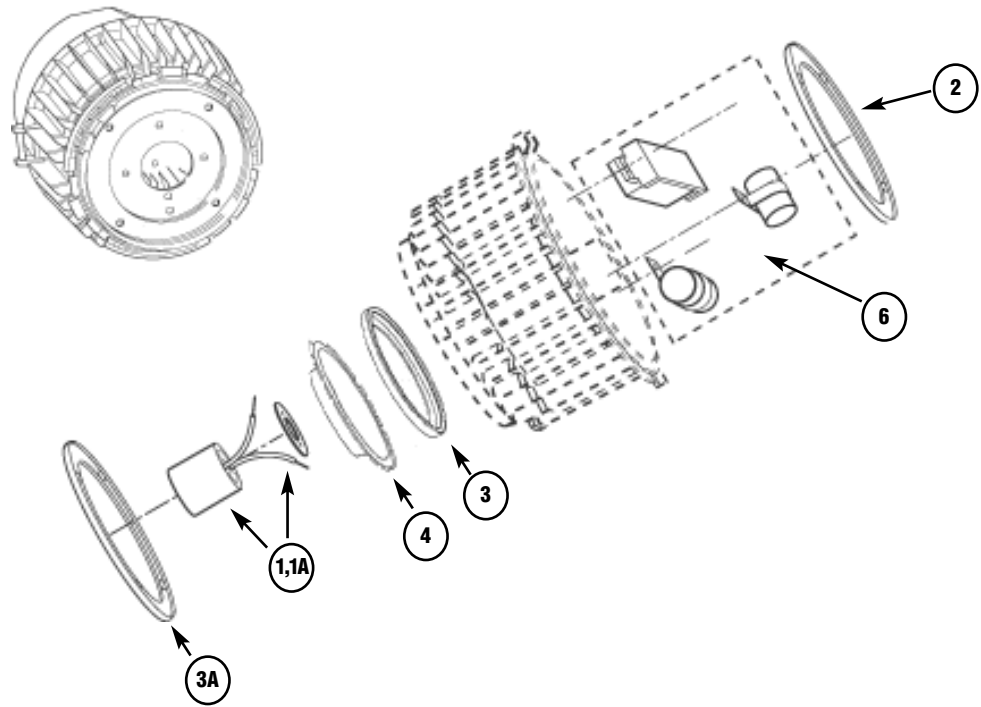
ITEM	DESCRIPTION	USED ON	PART NO.
1	NIPPLE	BALL TYPE – 1/2"	AL1
		BALL TYPE – 3/4"	AL2
2	SUSPENSION ATTACHMENT	ALL WITH S1 SUFFIX	AL:9134A
3	COVER	ALL ALC & ALT	AL:0301176

CPS FIXTURE HANGERS REPLACEMENT PARTS



ITEM	DESCRIPTION	USED ON	PART NO.
1	BLANK COVER	ALL	CPS026
2	HUB COVER	1/2"	CPS021
		3/4"	CPS022
3	MOUNTING STRAP	ALL	CPS:0101698

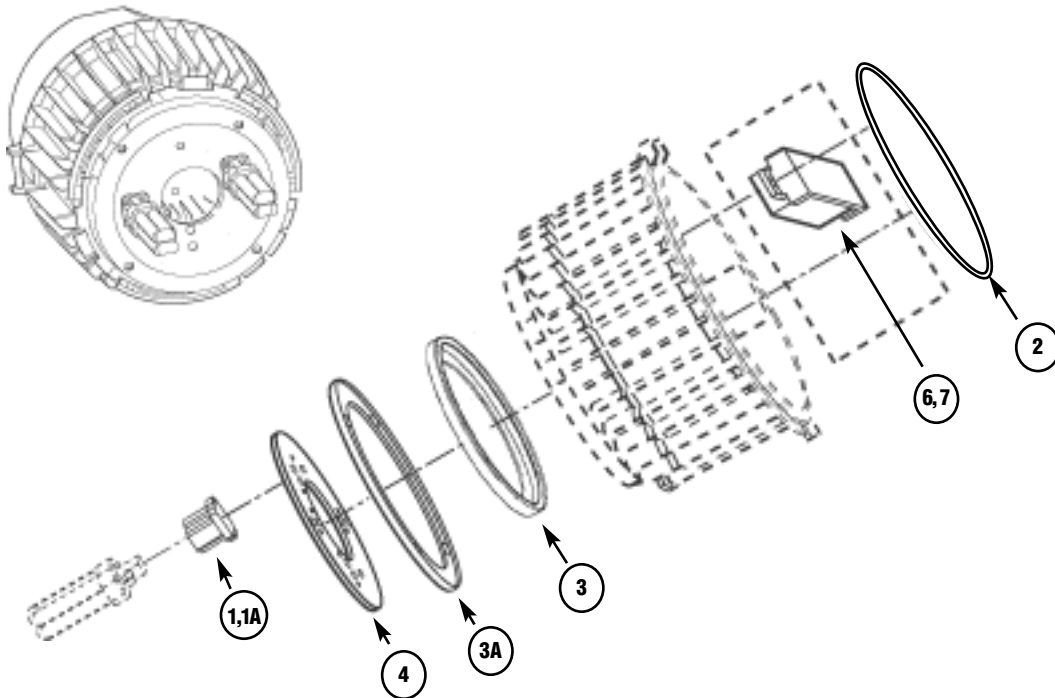
DMV SERIES CHAMP® REPLACEMENT PARTS



ITEM	DESCRIPTION	USED ON	PART NO.
1	LAMP RECEPTACLE	DMV (All standard)	CHLR:20V09 007
1A	LAMP RECEPTACLE	DMVS W/ IR or BG	CHLR:20V16 005
2	GASKET, BALLAST HSG COVER	DMV	CHAMP:0303750
3	GASKET, GLOBE ADAPTER	DMV	CHAMP:0303905
3A	GLOBE GASKET	DMV	CHAMP:0303749
4	GLOBE ADAPTER KIT	DMV	R54 K1
(Includes adapter, adapter gasket, globe gasket, and internal metal reflector)			
5	GLOBES, GUARDS, REFLECTORS AND TOP HATS	DMV	SEE CATALOG
6	BALLAST KIT	DMV	SEE REPLACEMENT BALLAST KITS PAGE
7	BALLAST HSG ASSEMBLY	DMV	SEE CATALOG
8	COVER RETAINING SCREW	DMV	1/4-20X3/4 HEX HD SST SCREW*
8A	COVER RETAINING SCREW WASHER	DMV	#10 NYLON*
9	SINGLE FUSE BLOCK KIT	DMV-S658 120, 277, 347V	VMVFB K1
9A	DOUBLE FUSE BLOCK KIT	DMV-S658 208, 240, 480V	VMVFB K2
9B	REPLACEMENT FUSES	DMV-S658	SEE REPLACEMENT FUSE CHART*

* Buy locally.

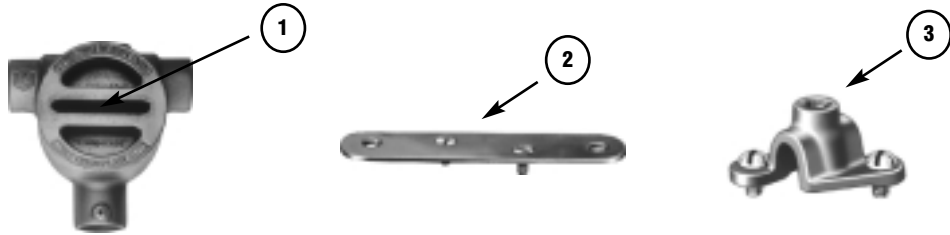
DMVF SERIES FLUORESCENT AND DMVFB SERIES FLUORESCENT W/ BATTERY REPLACEMENT PARTS



ITEM	DESCRIPTION	USED ON	PART NO.
1	LAMP RECEPTACLE	DMVF(B)26, 39W (OLD STYLE)	CHLR:21V21 002 (3 PER KIT)
1A	LAMP RECEPTACLE	DMVF(B)52, 64W	CHLR:21V23 001 (2 REQUIRED)
2	GASKET, BALLAST	DMVF(B)	CHAMP:0303750
	HOUSING COVER		
3	GASKET, GLOBE ADAPTER	DMVF(B)	CHAMP:0303905
3A	GLOBE GASKET		CHAMP:0303749
4	MOUNTING PLATE	DMVF(B)	CHAMP:0305068
5	GLOBES, GUARDS, REFLECTORS, TOP HATS		SEE CATALOG
6	BALLAST KIT	DMVF(B)	SEE REPLACEMENT BALLAST KITS PAGE
7	BATTERY BACKUP BALLAST	DMVFB	SEE REPLACEMENT BALLAST KITS PAGE
8	COVER RETAINING SCREW	DMVF(B)	1/4-20 X 3/4 HEX-HEAD SST SCREW*
8A	WASHER	DMVF(B)	#10 NYLON*
9	SINGLE FUSE BLOCK KIT	DMV-S658 120, 277, 347V	VMVFB K1
9A	DOUBLE FUSE BLOCK KIT	DMV-S658 208, 240, 480V	VMVFB K2
9B	REPLACEMENT FUSES	DMV-S658	SEE REPLACEMENT FUSE CHART*

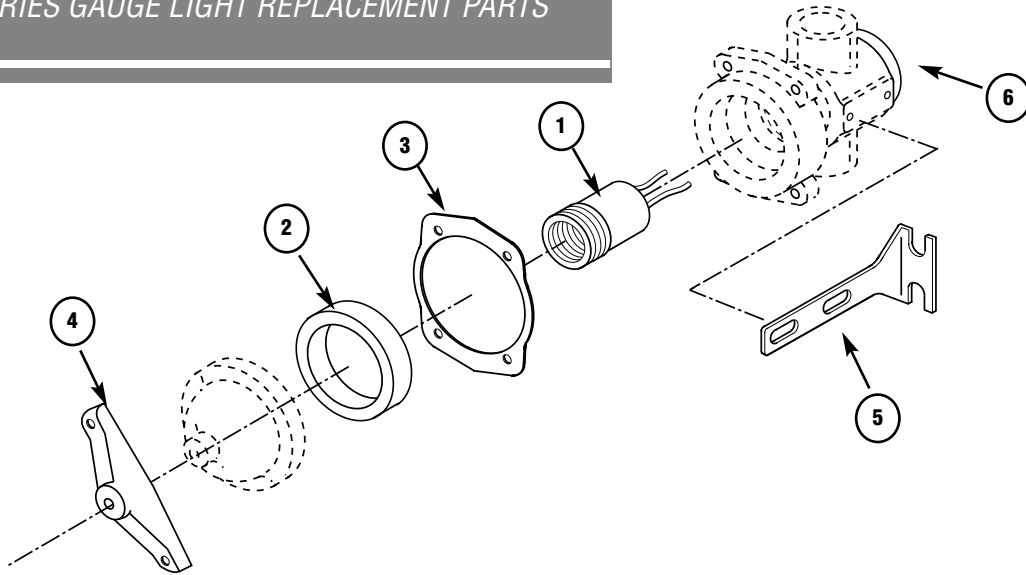
* Buy locally.

EAHC/EFHC FIXTURE HANGERS REPLACEMENT PARTS



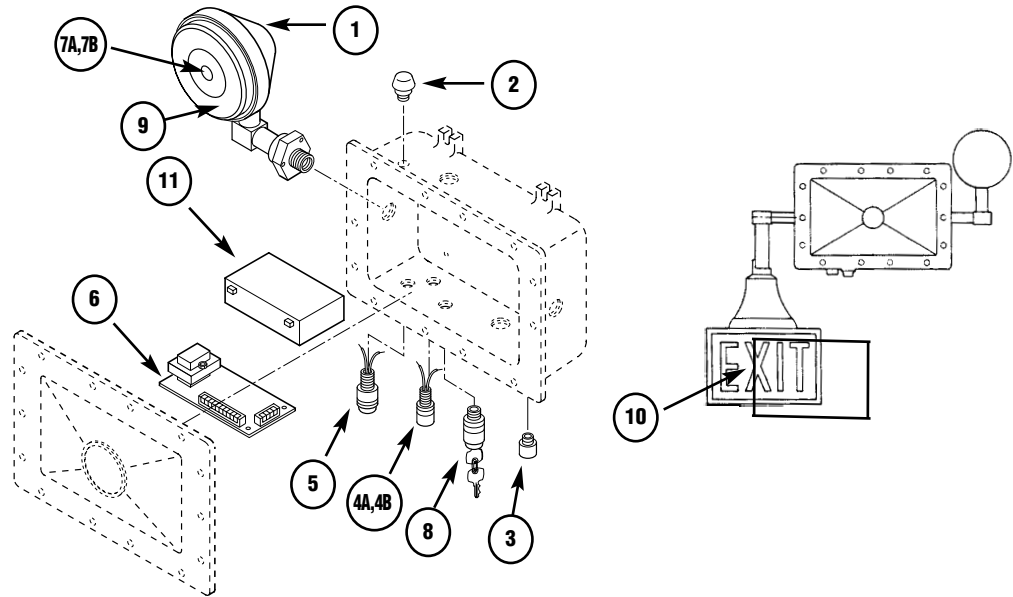
ITEM	DESCRIPTION	USED ON	PART NO.
1	ACCESS COVER	ALL EAHC UNITS	EAH060
		ALL EFHC UNITS	GUA060
2	MOUNTING STRAP	ALL W/ S294 SUFFIX	EAHC:15252A
3	SUSPENSION ATTACHMENT	ALL W/ S1 SUFFIX	AL:9134A

ELG SERIES GAUGE LIGHT REPLACEMENT PARTS



ITEM	DESCRIPTION	USED ON	PART NO.
1	LAMP RECEPTACLE	ELG329	ELG:0304919
2	GLASS FROSTED LENS (58W)	ELG329	ELG:23178A
3	REFLECTOR GASKET	ELG329	GASK986 (Replaces 23174A)
4	LENS CLAMP	ELG329	ELG:17535B
5	MOUNTING BRACKET	ELG329	ELG:17537B
6	ACCESS COVER	ELG329	GUA04
7A	REFLECTORS (Short)		
	4 1/2"	ELG329	LE34
	5 1/2"	ELG329	LE35
7B	REFLECTORS (Long)		
	13"	ELG329	LE46
	15"	ELG329	LE47
	19 1/4"	ELG329	LE48
	19 3/4"	ELG329	LE49
	22"	ELG329	LE410
	25 1/4"	ELG329	LE412
	26 3/4"	ELG329	LE413

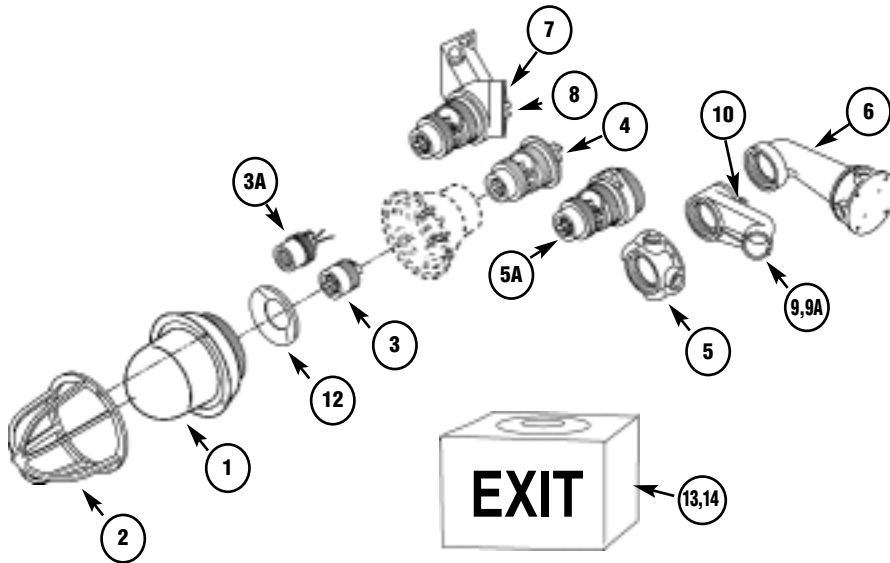
ELPS SERIES EMERGENCY LIGHT FIXTURE
REPLACEMENT PARTS



ITEM	DESCRIPTION	USED ON	PART NO.
1	FIXTURE HEAD	ALL EXCEPT GB UNITS	EVLA12
		GB UNITS	EVLA12 GB
2	BREATHER	ALL	ECD13
3	DRAIN	ALL	ECD11
4A	COMPLETE PILOT LIGHT (RED)	ALL	EMP009 J1
4B	PILOT LIGHT JEWEL ASSEMBLY (RED)	ALL	EMP:0205057 J1
5	TEST PUSHBUTTON	ALL	EMPS019
6	COMPLETE INTERIOR (Includes charger board & battery)	ALL	ELPS K50
7A	HALOGEN LAMP (For EVLA12)	ALL	GE789* (12V)
7B	HALOGEN LAMP (For EVLA126)	ALL	GE786* (6V)
8	KEY SELECTOR SWITCH	S794 SUFFIX ONLY	EMP0491
9	LENS & RING	ALL EVLA12 EXCEPT GB	EVLA:0303973
		(For GB suffix order new EVLA12-GB)	
10	EXIT SIGN W/ MOUNTING FRAME	SUFFIX EXS	EVA:0391286 1
		SUFFIX EXD	EVA:0391286 2
10A	LAMP ONLY FOR EXIT SIGN	ALL WITH SUFFIX EXS/EXD	ELPS K15
11	BATTERY	ALL	ELPS:DR0391397

*Buy locally.

EV SERIES INCANDESCENT
REPLACEMENT PARTS



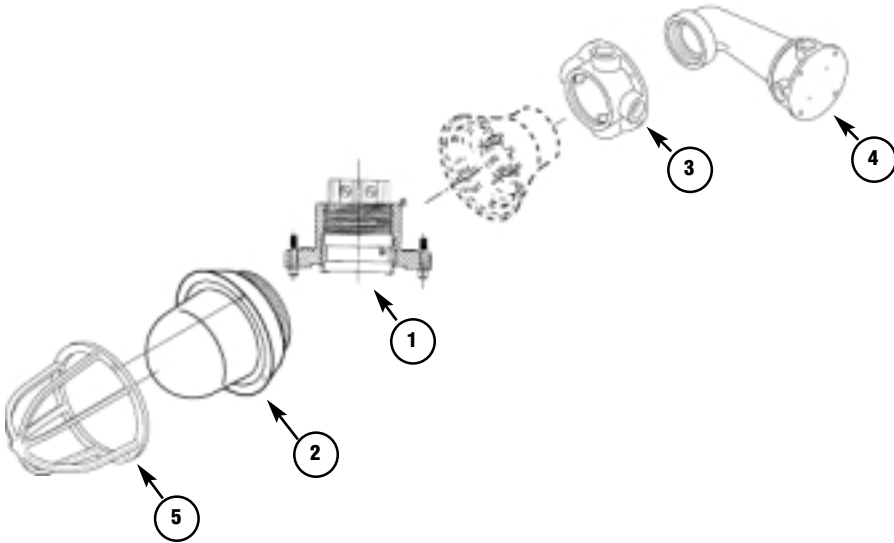
ITEM	DESCRIPTION	USED ON	PART NO.
1	GLOBE AND HOLDER	EV SERIES ENDING IN 104, 110,115, 140, 204, 210, 215, 304, 310, 340, 404, 440	EV78
		EV SERIES ENDING IN 102 120, 202, 220, 302, 320, 402, 420	EV7202
		EV SERIES ENDING IN 103 130, 203, 230, 303, 330, 403, 430	EV7302
2	GUARD	EV SERIES ENDING IN 104, 110,115, 140, 204, 210, 215, 304, 310, 340, 404, 440	EV505
		EV SERIES ENDING IN 102 120, 202, 220, 302, 320, 402, 420	EV502
		EV SERIES ENDING IN 103 130, 203, 230, 303, 330, 403, 430	EV503
3	RECEPTACLE, MEDIUM BASE	EV SERIES 104, ETC.	EV60
		EV SERIES 102, ETC.	EV60
3A	RECEPTACLE, MOGUL BASE	EV SERIES 103, ETC.	EV62
3B	SOCKET EXTENSION WHEN USING A21 LAMP IN PS30 FIXTURE	EV SERIES ENDING IN 220, 420	2005-002*
4	PENDANT ASSEMBLY W/ RECEPTACLE, MEDIUM BASE	EVA SERIES 3/4" EVA SERIES 1"	EVA2 EVA3
4	PENDANT ASSEMBLY W/ RECEPTACLE, MOGUL BASE	EVA SERIES 3/4" EVA SERIES 1"	EVA26 EVA36
5	CEILING MOUNT JUNCTION BOX	EVCX SERIES 3/4" EVCX SERIES 1"	EV22 EV33
		EVCX 203, 230, 303, 330	EV-4324L

* Buy locally from Leviton

EV SERIES INCANDESCENT
REPLACEMENT PARTS

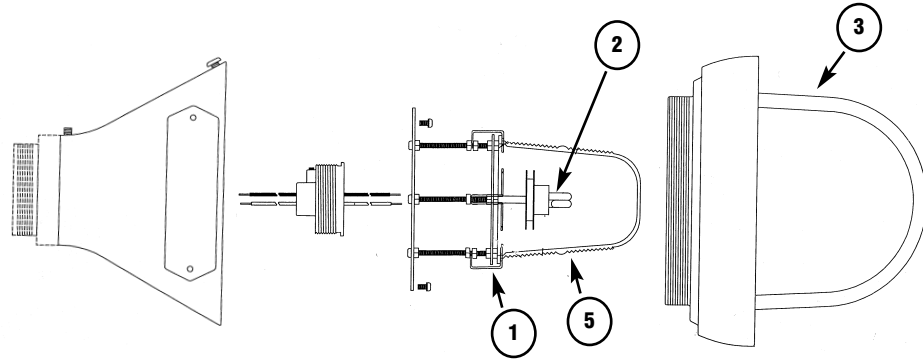
ITEM	DESCRIPTION	USED ON	PART NO.
5A	CEILING MOUNT ADAPTER W/ MEDIUM BASE RECEPTACLE	EVCX SERIES ENDING IN 104, 140, 204, 240, 304, 340, 404, 440	EV K4
6	WALL BRACKET W/ RECEPTACLE, MEDIUM BASE	EVBX SERIES 104, 140, 204, 240, 105, 115, 101, 110, 205, 215, 102, 120	EV K6
7	BULKHEAD MOUNT BRACKET	EVJ SERIES	EVJ2
8	BULKHEAD MOUNT ACCESS COVER	EVJ SERIES	GUA06
9	STANCHION MOUNT W/ LAMP RECEPTACLE FOR MEDIUM BASE	EVSJ440, 410, 415, 420	EV K8
9A	STANCHION MOUNT W/ LAMP RECEPTACLE FOR MOGUL BASE	EVSJ430	EV K9
10	ACCESS COVER FOR STANCHION MOUNT	EVSJ440, 410, 415, 420, 430	EAB06
11	JUNCTION BOX COVER (To cap after fixture removed—not shown)	EV22 EV33	EAB06
12	INNER REFLECTOR W/ 3 SUPPORTS	EV...210, 215, 240, 310, 315, 410, 415, 440 EV...220, 320, 420	EV K1 EV K2
13	EXIT SIGN, SINGLE FACE EXIT SIGN, DOUBLE FACE	EV...240, 210, 215, 410, 440 EV...240, 210, 215, 410, 440	EVA:DR0391286 EVA:DR0391287
14	EXIT SIGN, THREE-SIDED MARKED "SORTIE"	EV...240, 210, 215, 410, 440	EVX SE3842

**EV SERIES INCANDESCENT GROUP B
REPLACEMENT PARTS**



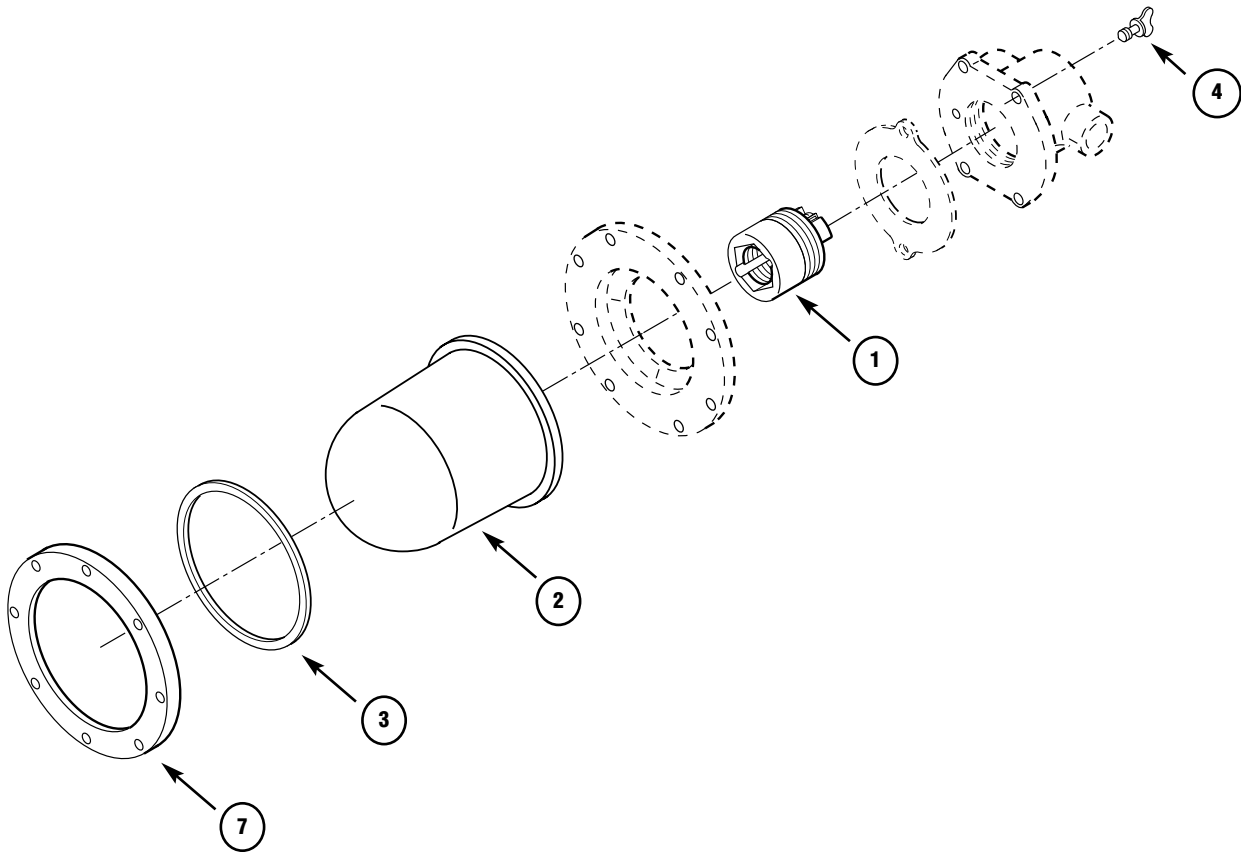
ITEM	DESCRIPTION	USED ON	PART NO.
1	LAMP RECEPTACLE	EVA, EVCX, EVBX292	EV90
2	GLOBE AND HOLDER	EVA, EVCX, EVBX292	EV9202
3	JUNCTION BOX	EVCX, EVBX	EV22
4	WALL MOUNT BRACKET	EBX	EV87
5	GUARD	ALL	EV502

EV SERIES STROBE LIGHT
REPLACEMENT PARTS



ITEM	DESCRIPTION	USED ON	PART NO.
1	STROBE LAMP & PC BOARD	EV 230 SERIES 120VAC	EVAS:0305432 1
		12-24VDC	EVAS:0305432 2
		240VAC	EVAS:0305432 3
		S841 LOW CURRENT 24VDC	EVAS:0305432 5
2	STROBE LAMP	ALL UNITS	EVAS:0305432 4
3	GLOBE ASSEMBLY	ALL UNITS	EV7302
4	GUARD (Not shown)	ALL UNITS	EV503
5	INTERNAL LENS ONLY	EV230 SERIES (RED)	EVSL:0304926/R
		(AMBER)	EVSL:0304926/A
		(BLUE)	EVSL:0304926/B
		(CLEAR)	EVSL:0304926/C
		(GREEN)	EVSL:0304926/G
Note: EVAS 210 series are discontinued—no parts available.			

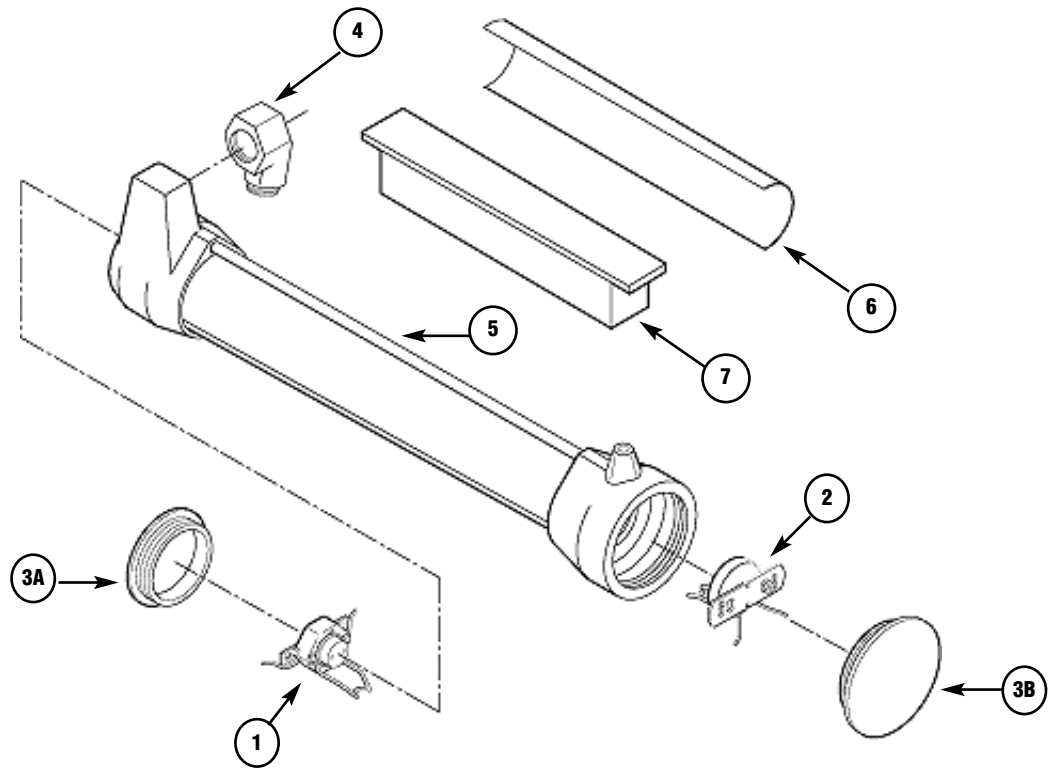
EV SERIES TANK LIGHT REPLACEMENT PARTS



ITEM	DESCRIPTION	USED ON	PART NO.
1	LAMP RECEPTACLE	EVA160	EV60 S1
2	GLOBE, CLEAR GLASS	EVA160	EV10
3	GLOBE GASKET	EVA160	GASK625
4	WING SCREW (2 per kit)	EVA160	V160 K1
5	MOUNTING HARDWARE	EVA160	1/4-20 X 1" SOCKET HEAD STEEL CAP SCREW*
		EVA160	1/4" LOCKWASHER*
6	LAMP	EVA160	100W A21*
7	BRASS TANK MOUNTING RING	EVA160	EV:8145B

* Buy locally.

EVF SERIES FLUORESCENT REPLACEMENT PARTS

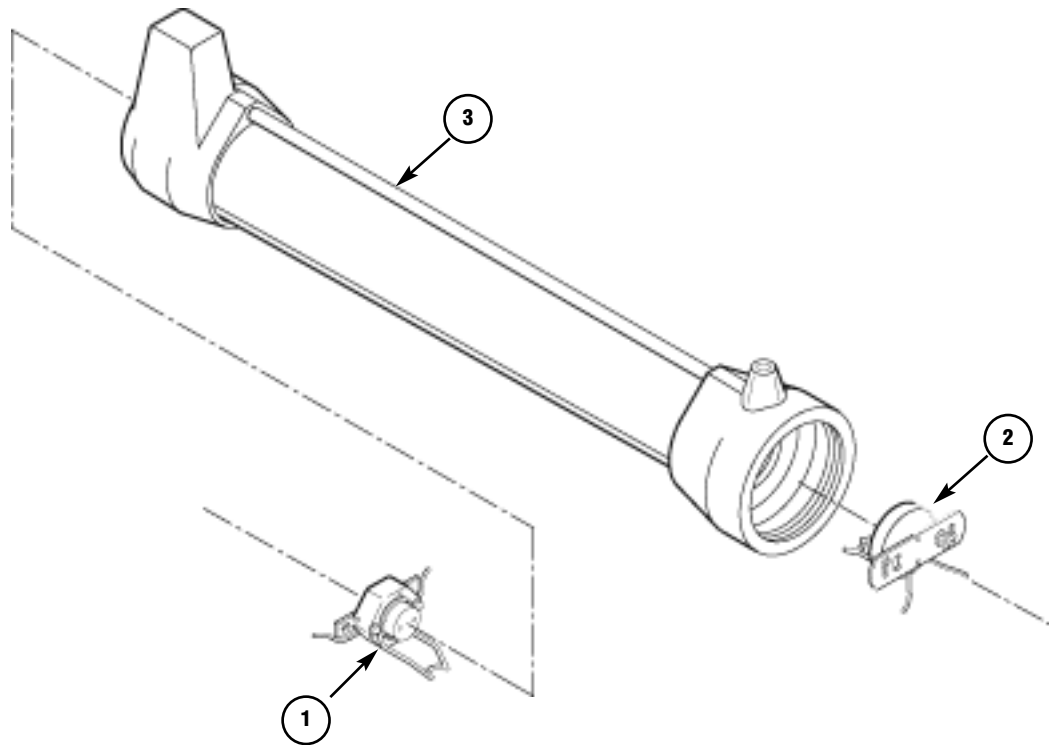


ITEM	DESCRIPTION	USED ON	PART NO.
1A	LAMP RECEPTACLE (Relamp end)	ALL 32W T8 AND 40W T12 (Bi-pin)	EVF:27392A
1B	LAMP RECEPTACLE (Relamp end)	ALL 40W SLIMLINE (Single pin)	EVF:0302512
1C	LAMP RECEPTACLE (Relamp end)	ALL 60W (800mA) & 110W (1500mA) (Recessed contact)	EVF:0302704
2A	LAMP RECEPTACLE (Stationary end)	ALL 32W T8 AND 40W T12 (Bi-pin)	EVF:27577A
2B	LAMP RECEPTACLE (Stationary end)	ALL 40W SLIMLINE (Single pin)	EVF:0302511
2C	LAMP RECEPTACLE (Stationary end)	ALL 60W (800mA) AND 110W (1500mA) (Recessed contact)	EVF:20053B
3A	THREADED COVER (For lamp tube relamping end)	ALL UNITS	EVF:8694B
3B	THREADED COVER (For lamp tube stationary end)	ALL UNITS	GUA060 (Replaces 8693B)

EVF SERIES FLUORESCENT REPLACEMENT PARTS

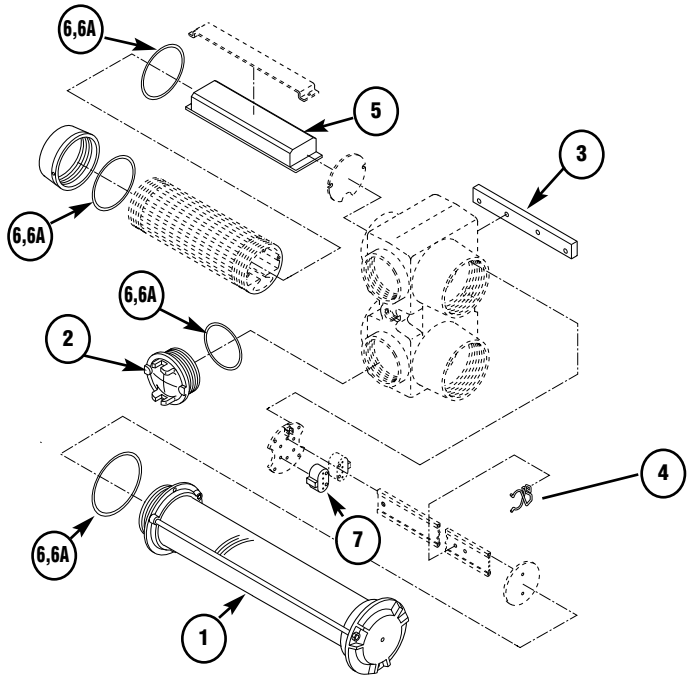
ITEM	DESCRIPTION	USED ON	PART NO.
4	SEALING ELBOW ASSEMBLY	EVF 1 LAMP EXCEPT SLIMLINE	EVF:29902A
		EVF 2, 3, 4 LAMP EXCEPT SLIMLINE	EVF:19969B
		EVF 1 LAMP SLIMLINE	EVF:29901A
		EVF 2, 3, 4 LAMP SLIMLINE	EVF:19907B
5	LAMP TUBE ASSEMBLY – LEFT SIDE (Looking at ballast end of fixture)	ALL UNITS	EVF40L
		RIGHT SIDE (Looking at ballast end of fixture)	EVF40R
		NOTE: Lamp receptacles and covers not included	
		(Includes end housings, lamp tube, and wire raceway)	
6	STANDARD REFLECTOR (Less mounting clips—single lamp units)	EVF 1 LAMP	EVF:12206D
		EVF 3 AND 4 LAMP	EVF:11889D
6A	LEFT SIDE REFLECTOR (Less mounting clips)	EVF 2 LAMP	EVF:12161D
		EVF 2 AND 3 LAMP	EVF:11890D
6B	RIGHT SIDE REFLECTOR (Less mounting clips)	EVF 4 LAMP	EVF:12182D
		SEE REPLACEMENT BALLAST KITS PAGE	
7	BALLAST KIT	SEE REPLACEMENT BALLAST KITS PAGE	
8	REFLECTOR MOUNTING CLIP (Kit of 10)	ALL UNITS	EVF:K1
9	BALLAST HOUSING COVER W/ HUB	ALL UNITS	EVF:0301236
10	BALLAST END WIRE ACCESS COVER	ALL UNITS	GUA080 (REPLACES 12517B)

EVFDR SERIES FLUORESCENT
REPLACEMENT PARTS



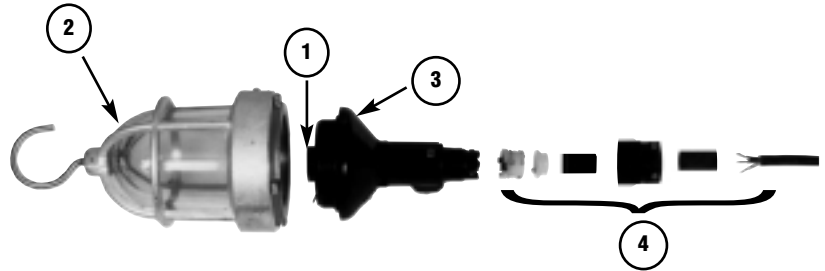
ITEM	DESCRIPTION	USED ON	PART NO.
1	LAMP RECEPTACLE (Relamp end)	EVFDR22022, 22027, 22082, 22087	EVF:27392A
		EVFDR22032, 22037	EVF:0302512
		EVFDR22062, 22067, 22072, 22077	EVF:0302704
2	LAMP RECEPTACLE (Stationary end)	EVFDR22022, 22027, 22082, 22087	EVF:27577A
		EVFDR22032, 22037	EVF:0302511
		EVFDR22062, 22067, 22072, 22077	EVF:20053B
3	LAMP TUBE ASSEMBLY	LEFT SIDE	EVFDR40L S752
		RIGHT SIDE	EVFDR40R S752
4	BALLAST	SEE REPLACEMENT BALLAST KITS PAGE	

**EVFT SERIES FLUORESCENT
REPLACEMENT PARTS**



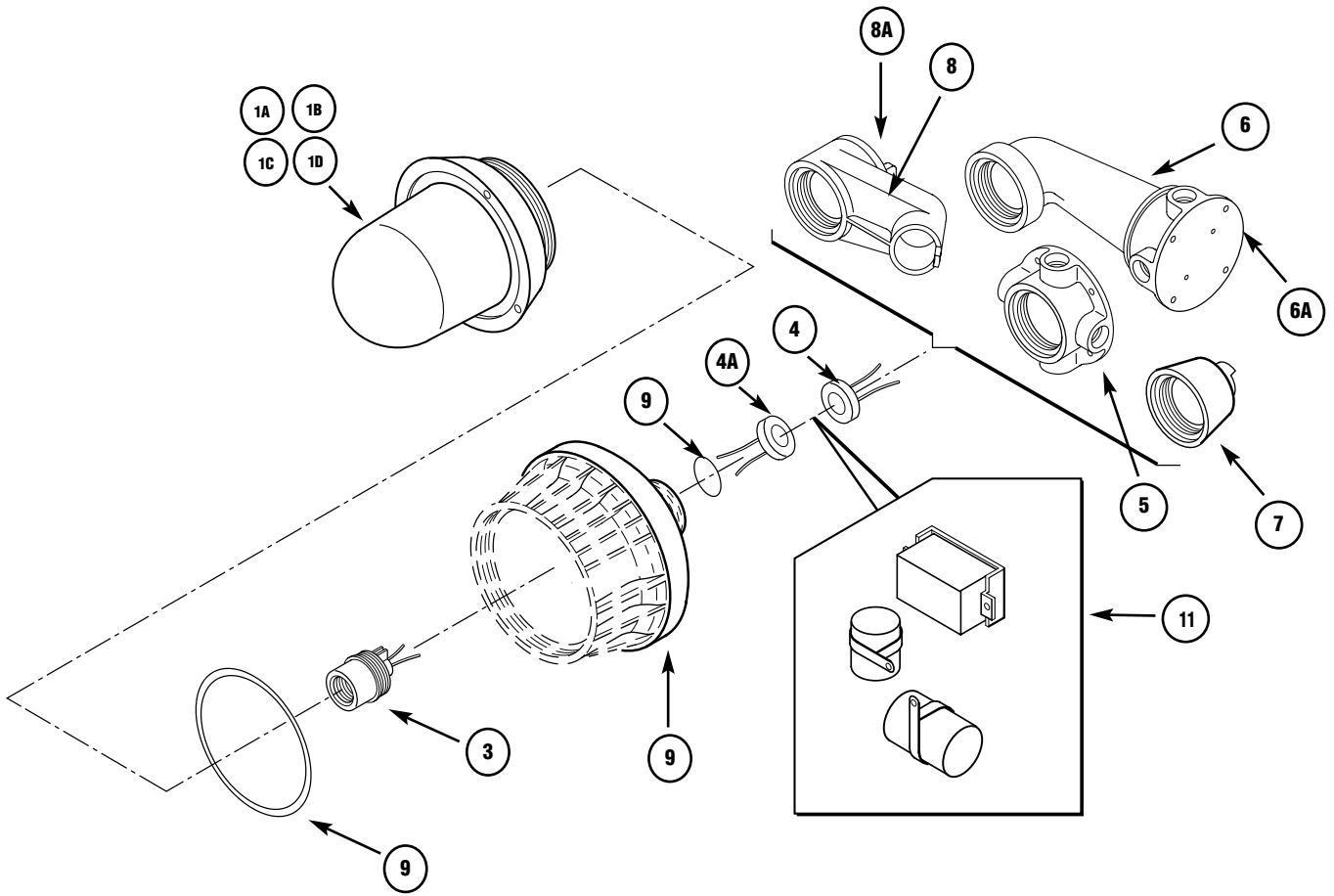
ITEM	DESCRIPTION	USED ON	PART NO.
1	LAMP TUBE ASSEMBLY	ALL	EVFT:0304437
2	ACCESS COVER	ALL	EVFT:0105325 6
3	MOUNTING STRAP	ALL	EVFT:0304441 1
4	LAMP TUBE CLIP (2 or 4 — 2 Per Kit)	ALL	EVFTK3
5	BALLAST	SEE REPLACEMENT BALLAST KITS PAGE	
6	GASKET KIT	ALL 2 LAMP INCLUDING GB	EVFT KA
		ALL 4 LAMP INCLUDING GB	EVFT KB
7	RECEPTACLE	ALL	CHLR:20V79 001
8	FUSE KIT	ALL UNITS EXCEPT GB	EVFT K1
	(Not shown)	ALL UNITS W/ S752 EXCEPT GB	EVFTK1 S752
8A	FUSE	ALL UNITS EXCEPT GB	SEE REPLACEMENT FUSE PAGE
9	GUARD (Not shown)		P51
10	REFLECTOR, RIGHT (Not shown)		RAR1
	REFLECTOR, LEFT (Not shown)		RAL1
11	POLYCARBONATE TUBE (Not shown)		PG1
12	DISPOSABLE WRAP (Not shown)		PTW1

EVH PORTABLE HANDLAMP REPLACEMENTS PARTS



ITEM	DESCRIPTION	USED ON	PART NO.
1	LAMP RECEPTACLE	EVH106	CHLR:20V19-001
2	GLOBE & GUARD ASSEMBLY	EVH106	EVH606
3	HANDLE ASSEMBLY	EVH106	EVH607
4	CORD CONNECTOR	EVH106	EVH605

EVLP LOW-PROFILE HAZARD-GARD
REPLACEMENT PARTS

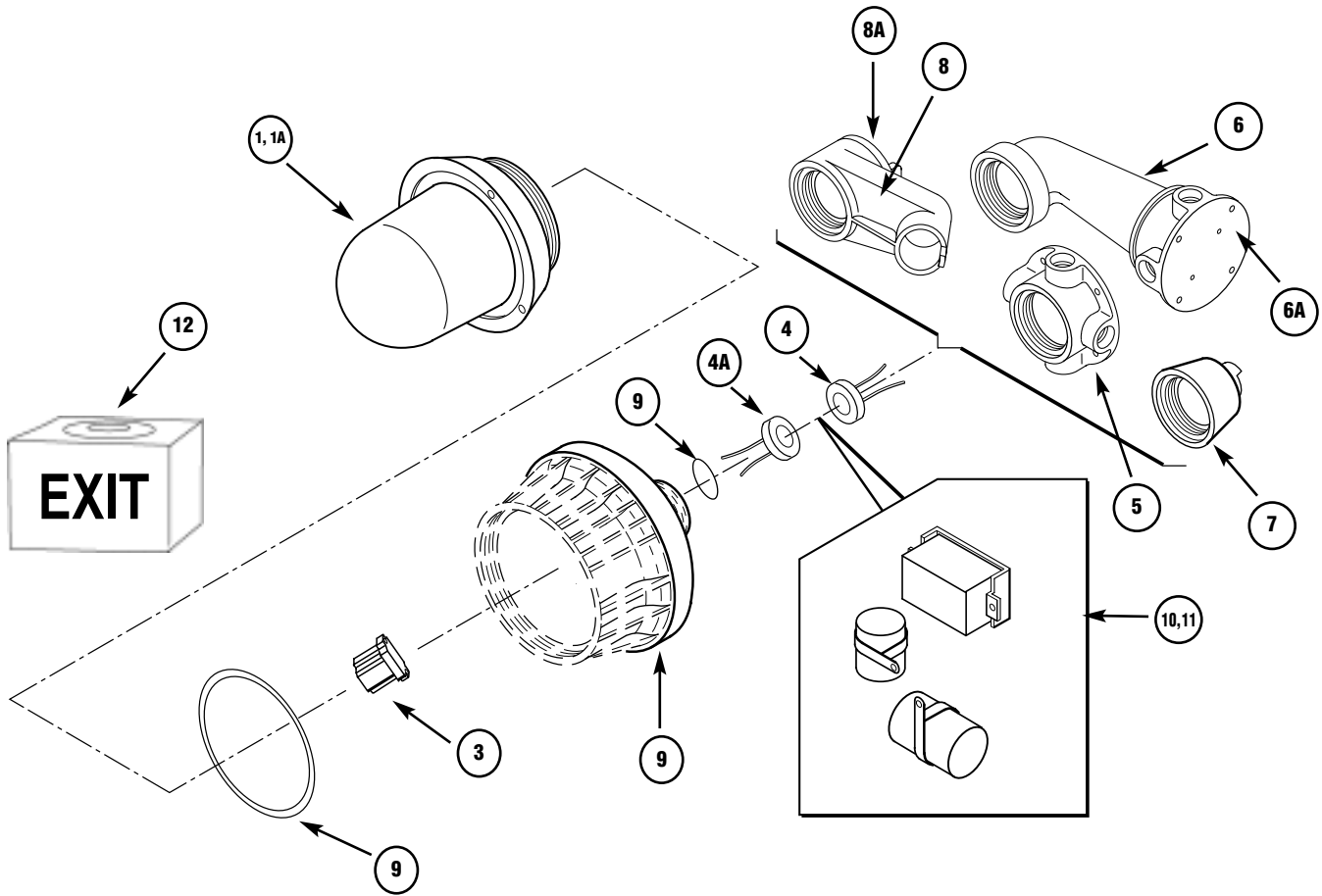


**EVLP LOW-PROFILE HAZARD-GARD
REPLACEMENT PARTS**

ITEM	DESCRIPTION	USED ON	PART NO.
1A	GLOBE ASSEMBLY	MOGUL BASE (STD &QTZ)	EVLP:0305265
1B	GLOBE ASSEMBLY	MOGUL BASE W/GB	EVLP:0305360
1C	GLOBE ASSEMBLY	MEDIUM BASE (STD &QTZ)	EVLP:0305278
1D	GLOBE ASSEMBLY	MEDIUM BASE W/GB	EVLP:0305359
2	GUARD	MOGUL BASE	EV512
2A	GUARD	MEDIUM BASE	EV511
3	LAMP RECEPTACLE	MOGUL BASE	CHLR:0300919-1
3A	LAMP RECEPTACLE	MEDIUM BASE	CHLR:21V01-001
4	CONNECTION BLOCK, TOP HAT	ALL	EVM:0305266
4A	CONNECTION BLOCK, BALLAST HSG	ALL	EVM:QD1
5	CEILING BOX	3/4"	EV22
		1"	EV33
6	WALL BRACKET ARM		EV87
6A	WALL BRACKET BOX	3/4"	EV22
		1"	EV33
7	PENDANT	3/4"	EVMP2
		1"	EVMP3
8	STANCHION		EVMJ4
8A	STANCHION ACCESS COVER		EAB06
9	BALLAST HSG, GASKET KIT	ALL	EVLP K1
10A	INNER REFLECTOR & CLIPS (Not shown)	MEDIUM BASE (STD & GB)	EVLP K2
10B	INNER REFLECTOR & CLIPS (Not shown)	MEDIUM BASE W/QTZ	EVLP K3
10C	INNER REFLECTOR & CLIPS (Not shown)	MOGUL BASE (STD & GB)	EVM K2
10D	INNER REFLECTOR & CLIPS (Not shown)	MOGUL BASE W/QTZ	EVLP K3
11	BALLAST KIT		SEE REPLACEMENT BALLAST KITS PAGE

**EVLPF & EVLPFB LOW-PRO FLUORESCENT
REPLACEMENT PARTS**

LIGHTING

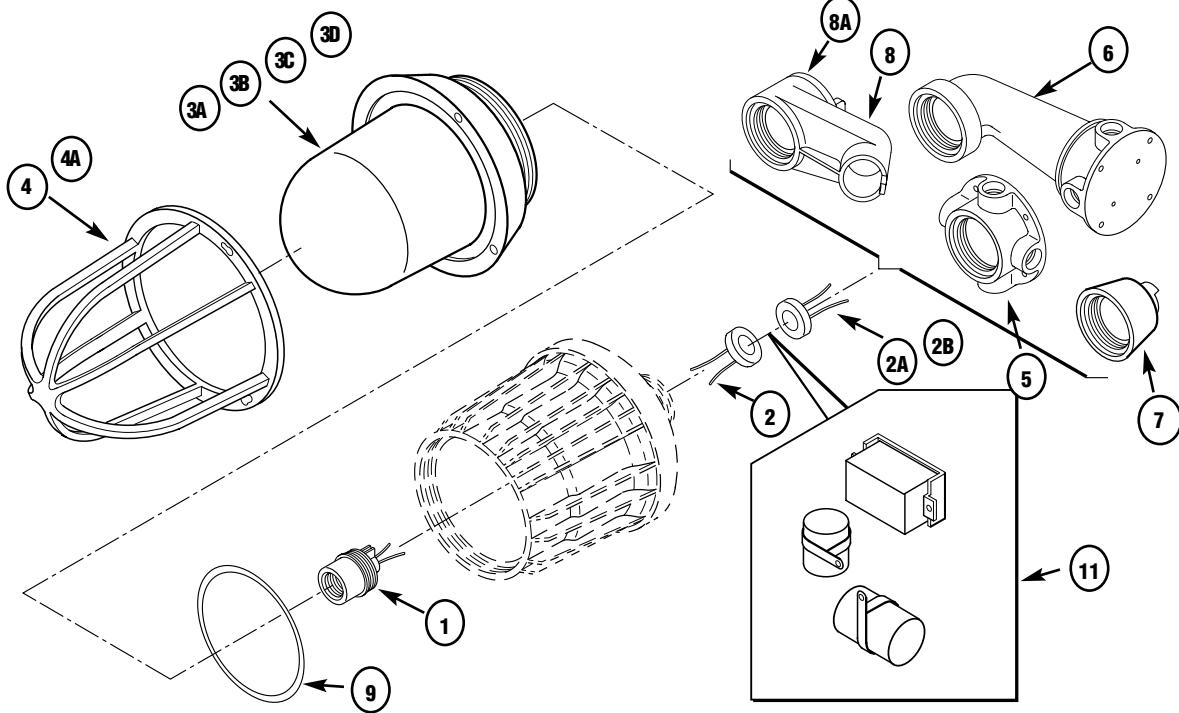


ITEM	DESCRIPTION	USED ON	PART NO.
1	GLOBE ASSEMBLY	ALL EVLPF, EVLPFB	EVLP:0305265
1A	GLOBE ASSEMBLY	ALL EVLPF, EVLPFB W/GB	EVLP:0305360
2	GUARD		EV512
3	LAMP RECEPTACLE	EVLPF, EVLPFB 52W, 64W	CHLR: (2) 21V23-001
4	CONNECTION BLOCK, TOP HAT	EVLPF	EVQ3
		EVLPFB	EVLP:0305325
4A	CONNECTION BLOCK, BALLAST HSG	EVLPF	EVM:QD1
		EVLPFB	EVLP:0305318
5	CEILING BOX	3/4"	EV22
		1"	EV33

**EVLPF & EVLPFB LOW-PRO FLUORESCENT
REPLACEMENT PARTS**

ITEM	DESCRIPTION	USED ON	PART NO.
6	WALL BRACKET ARM		EV87
6A	WALL BRACKET BOX	3/4"	EV22
		1"	EV33
7	PENDANT	3/4"	EVMP2
		1"	EVMP3
8	STANCHION		EVMJ4
8A	STANCHION ACCESS COVER		EAB06
9	BALLAST HSG, GASKET KIT	ALL EVLPF, EVLPFB (INCLUDING GB SUFFIX)	EVLP K1
10	BALLAST		SEE REPLACEMENT BALLAST KITS PAGE
11	BALLAST, EMER. BATTERY PACK		SEE REPLACEMENT BALLAST KITS PAGE
12	EXIT SIGN		DMVF:EXD

**EVM SERIES HAZARD-GARD SERIES
REPLACEMENT PARTS**



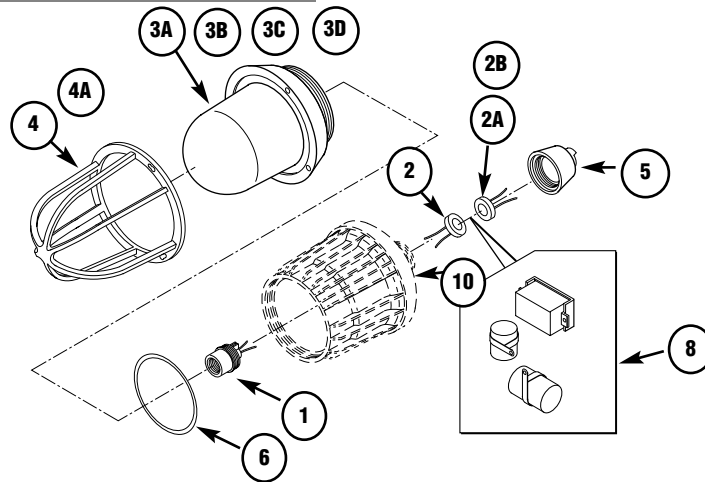
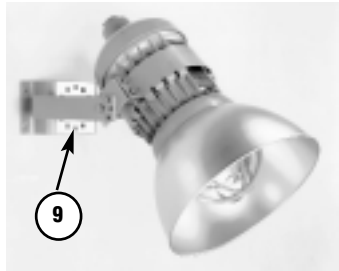
ITEM	DESCRIPTION	USED ON	PART NO.
1	LAMP RECEPTACLE	ALL	EV62
2	CONNECTION BLOCK	BALLAST HSG (STD & GB)	EVM:QD1
2A	CONNECTION BLOCK	TOP HAT	EVM:EVQ2
2B	CONNECTION BLOCK	TOP HAT- GB	EVM:0305266
3A	GLOBE/HOLDER ASSEMBLY	MV, MH, HPS 50, 75, 150,175W	EV7302
	(STANDARD GROUP C&D)	MV, MH 250W	
3B	GLOBE/HOLDER ASSEMBLY	MV, MH 400W	EV7404
	(STANDARD GROUP C&D)	HPS 200, 250, 400W AND ALL QTZ	
3C	GLOBE/HOLDER ASSEMBLY		
	(GROUP B)	MV, MH, HPS 50, 75, 150,175W AND MV, MH 250W	EV930
3D	GLOBE/HOLDER ASSEMBLY		
	(GROUP B)	MV, MH 400W, HPS 200, 250, 400W AND ALL QTZ.	EV940
4	GUARD	MV, MH, HPS 50, 75, 150,175W	EV503
	(STD & GB)	MV, MH 250W	
4A	GUARD	MV, MH 400W	EV5140
	(STD & GB)	HPS 200, 250, 400W AND ALL QTZ	

EVM SERIES HAZARD-GARD SERIES
REPLACEMENT PARTS

ITEM	DESCRIPTION	USED ON	PART NO.
5	CEILING MOUNT	EVMCX SERIES	
	JUNCTION BOX	3/4"	EV22
		1"	EV33
6	WALL BRACKET MOUNT	EVMBX SERIES	
	BRACKET AND J-BOX	3/4"	EV87 & EV22
		1"	EV87 & EV33
7	PENDANT MOUNT	EVMA SERIES	
		3/4"	EVMP2
		1"	EVMP3
7A	PENDANT MOUNT SET SCREW ONLY (Not shown)	EVMA SERIES	1/4-20 X 1/2" HEADLESS SST SET SCREW*
8	STANCHION MOUNT	EVMJ SERIES	EVMJ4
8A	STANCHION MOUNT ACCESS COVER	EVMJ SERIES	EAB06
9	BALLAST HSG GASKETS (3)	ALL UNITS	EVM K1
	(Upper, lower, cover)		
10	INNER REFLECTOR & CLIPS	ALL UNITS	EVM K2
	(Not shown)		
11	REPLACEMENT BALLAST	ALL UNITS	SEE REPLACEMENT BALLAST KIT PAGE
	*Buy locally.		

**EVM SERIES HAZARD-GARD SERIES – S812
REPLACEMENT PARTS**

LIGHTING

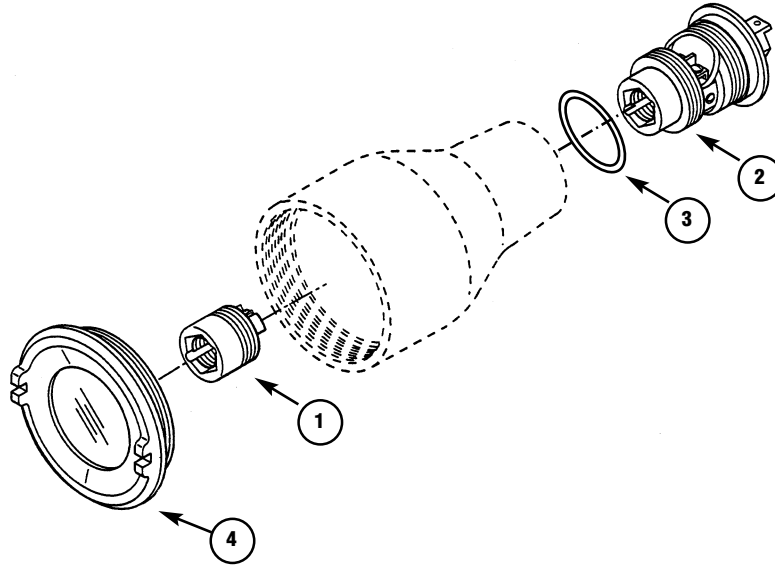


ITEM	DESCRIPTION	USED ON	PART NO.
1	LAMP RECEPTACLE	ALL	EV62
2	CONNECTION BLOCK	BALLAST HSG (STD & GB)	EVM:QD1
2A	CONNECTION BLOCK	TOP HAT	EVM:EVQ2
2B	CONNECTION BLOCK	TOP HAT GB	EVM:0305266
3A	GLOBE/HOLDER ASSEMBLY (STANDARD GROUP C & D)	MV, MH, HPS 50, 75, 150,175W MV, MH 250W	EV7302
3B	GLOBE/HOLDER ASSEMBLY (STANDARD GROUP C & D)	MV, MH 400W HPS 200, 250, 400W AND ALL QTZ	EV7404
3C	GLOBE/HOLDER ASSEMBLY (GB)	MV, MH, HPS 50, 75, 150,175W, MV, MH 250W	EV930
3D	GLOBE/HOLDER ASSEMBLY (GB)	MV, MH 400W, HPS 200, 250, 400W AND ALL QTZ	EV940
4	GUARD (STD & GB)	MV, MH, HPS 50, 75, 150,175W MV, MH 250W	EV503
4A	GUARD (STD & GB)	MV, MH 400W HPS 200, 250, 400W AND ALL QTZ	EV5140
5	PENDANT MOUNT	EVMA SERIES 3/4" 1"	EVMP2 EVMP3
5A	PENDANT MOUNT SETSCREW ONLY (Not shown)	EVMA SERIES	1/4-20 X 1/2" HEADLESS SST SET SET SCREW**
6	BALLAST HSG GASKETS (3) (Not shown)	ALL UNITS	EVM K1
7	INNER REFLECTOR & CLIPS (Not shown)	ALL UNITS	EVM K2
8	REPLACEMENT BALLAST	ALL UNITS	SEE REPLACEMENT BALLAST KITS PAGE
9	WALL MOUNTING BRACKET (Less trunnion arm)*		EVM:0305145

* Trunnion arm and belly band not available separately—not available for field conversion.

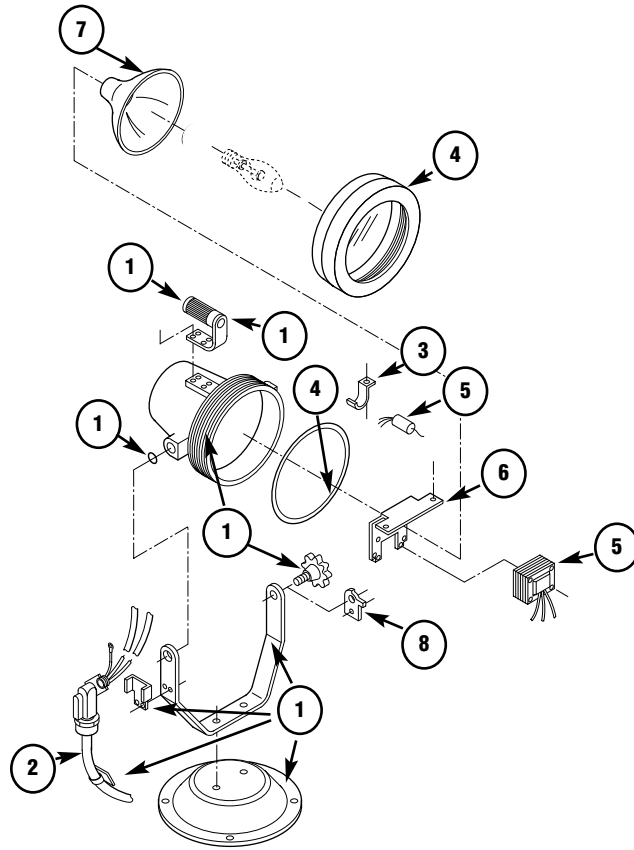
** Buy locally.

EVO TANK LIGHT REPLACEMENT PARTS



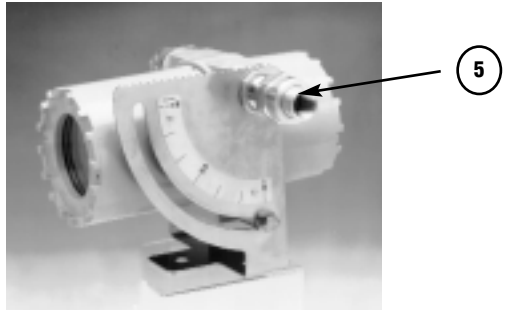
ITEM	DESCRIPTION	USED ON	PART NO.
1	LAMP RECEPTACLE	EVO2376	EV60
2	PENDANT MOUNT		
	(Includes gasket and lamp receptacle)		EVA2
3	PENDANT GASKET		GASK458
4	THREADED COVER AND LENS		EVO:0300989

**EVP SERIES PORTABLE FLOODLIGHT
REPLACEMENT PARTS**



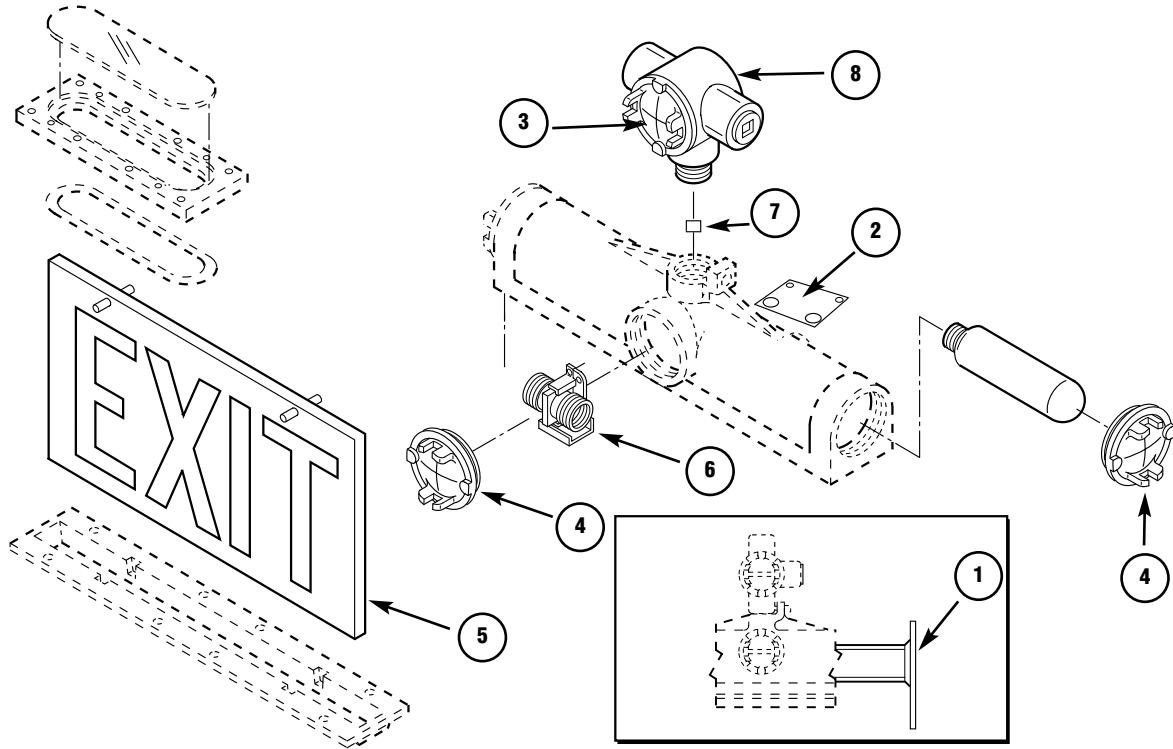
ITEM	DESCRIPTION	USED ON	PART NO.
1	ACCESSORY KIT	ALL	EVP:1410030
	(Includes shell, harp, knob, o-ring, handle, grip, base, clip, retainer)		
2	ELBOW, WIRE ASSEMBLY SEAL	ALL	EVP:1857202
3	CLAMP	ALL	EVP:2728000
4	GLASS & DOOR ASSEMBLY, O-RING	ALL	EVP:1862301
5	BALLAST KIT	EVPG - EVP4035 (DISC.)	EVP:4351400
		EVPG - EVP4050 (DISC.)	EVP:4351100
		EVPG - EVP4070	EVP:4351600
		EVPG - EVP4100	EVP:4351700
		EVPG - EVP4150	EVP:4351800
6	BALLAST MOUNTING BRACKET	ALL	EVP:2309300
7	INNER REFLECTOR	ALL	EVP:2690200
8	SWIVEL LOCK	ALL EXCEPT EVPG4100	EVP:2750002
		EVPG4100	EVP:2750001

EVTL SERIES TASK LIGHT
REPLACEMENT PARTS



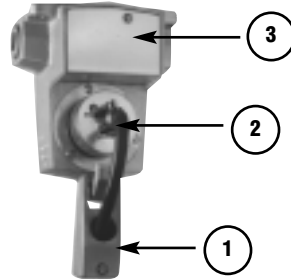
ITEM	DESCRIPTION	USED ON	PART NO.
1	LAMP RECEPTACLE (Not shown)	EVTL1B50, EVTL1L50	CHLR:21V01 001
2	RECEPTACLE GASKET (Not shown)	EVTL1B50, EVTL1L50	GASK1697
3	TERMINAL BLOCK (Not shown)	EVTL1B50, EVTL1L50	EVTL:6771B
4	RECEPTACLE MOUNTING STRAP (Not shown)	EVTL1B50, EVTL1L50	EVTL:0305343
5	UNION HUB ASSEMBLY	EVTL1B50, EVTL1L50	EVTL TF1
6	BODY GASKET (2 per unit—not shown)	EVTL1B50, EVTL1L50	GASK1760

EXL SERIES EXIT SIGN
REPLACEMENTS PARTS



ITEM	DESCRIPTION	USED ON	PART NO.
1	END MOUNT WALL BRACKET	EXLD22AA, EXL22AA	EXL:0301314
2	WALL MOUNT BRACKET	EXLD21A, EXL21A	EXL:0301315
3	ACCESS COVER JUNCTION BOX	ALL	GUA04
4	ACCESS COVER FIXTURE HOUSING (3 required)	ALL	GUA04
5	EXIT SIGN SINGLE (Red)	EXL/A	EXL-K3
	EXIT SIGN DOUBLE (Red)	EXL/AA	EXL-K4
	EXIT SIGN SINGLE (Green)	EXL/A	EXL-K5
	EXIT SIGN DOUBLE (Green)	EXL/AA	EXL-K6
6	LAMP RECEPTACLE		EXL:5598L
7	SEAL S/A W/ RECTIFIER	ALL AC	EXL K1
	SEAL S/A W/O RECTIFIER	ALL DC	EXL K2
8	JUNCTION BOX ONLY	ALL UNITS	GUAT24 SA
9	LAMP WRENCH	ALL	EXL:12239A
	(Not shown)		

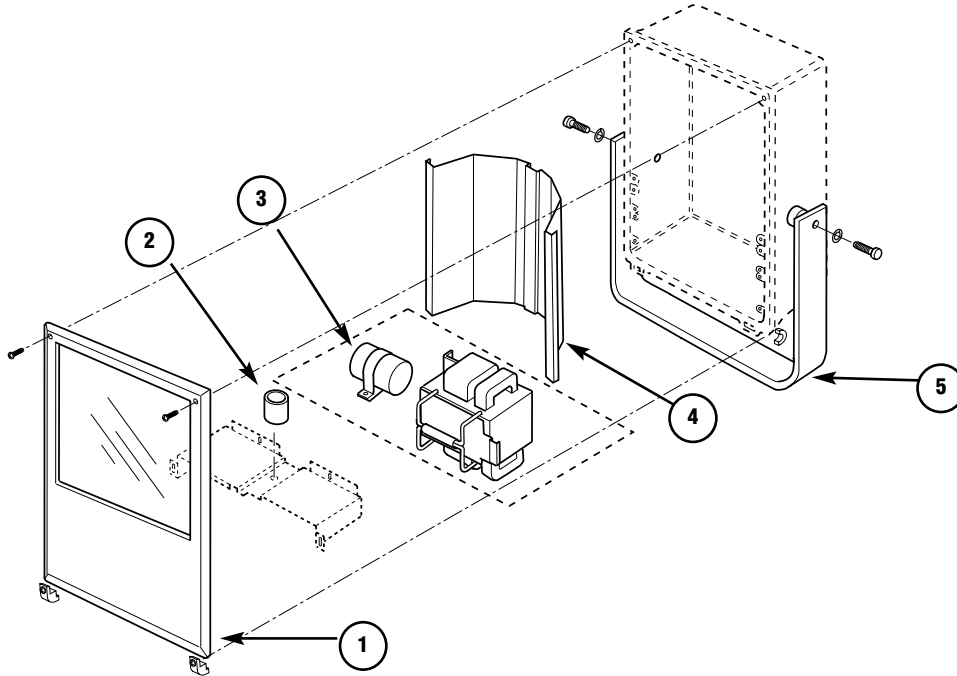
FHM FIXTURE HANGERS REPLACEMENT PARTS



ITEM	DESCRIPTION	USED ON	PART NO.
1	HOOK HANGER ONLY	FHM201	FHM:0300559
2	PLUG & CORD ASSEMBLY	FHM201	FHM:20P03 001
3	COVER	FHM201	FHM:0300586
4	RECEPTACLE	FHM201	FHM:20R03 001

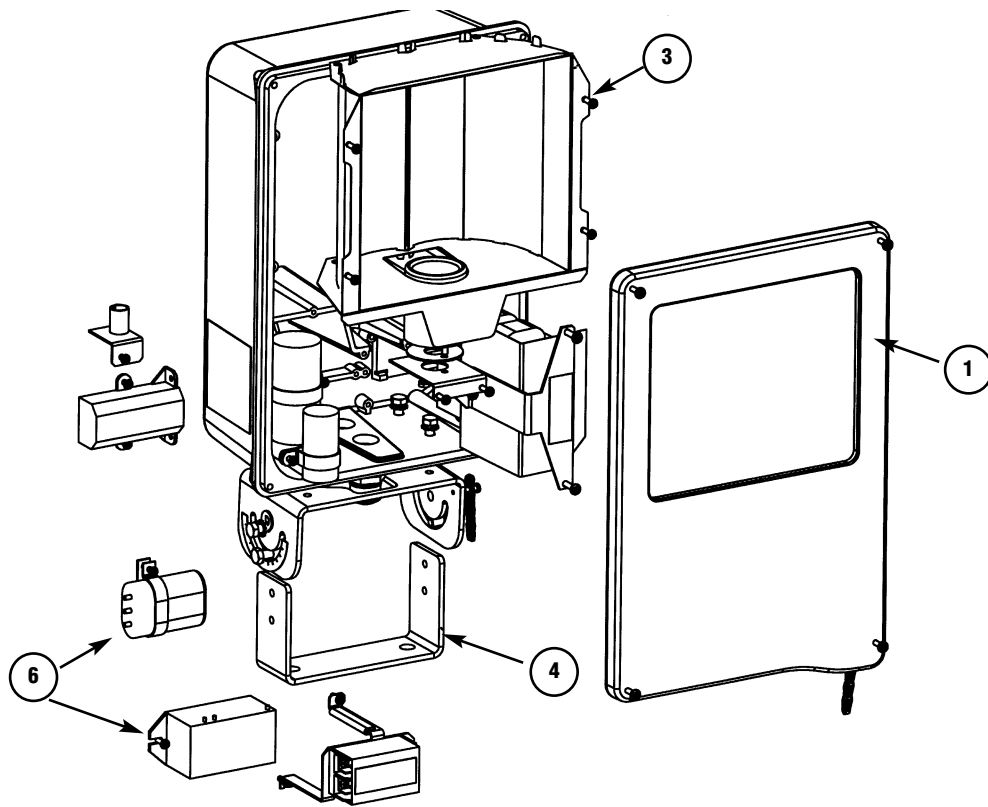
**FMV SERIES FLOODLIGHT
REPLACEMENT PARTS**

LIGHTING



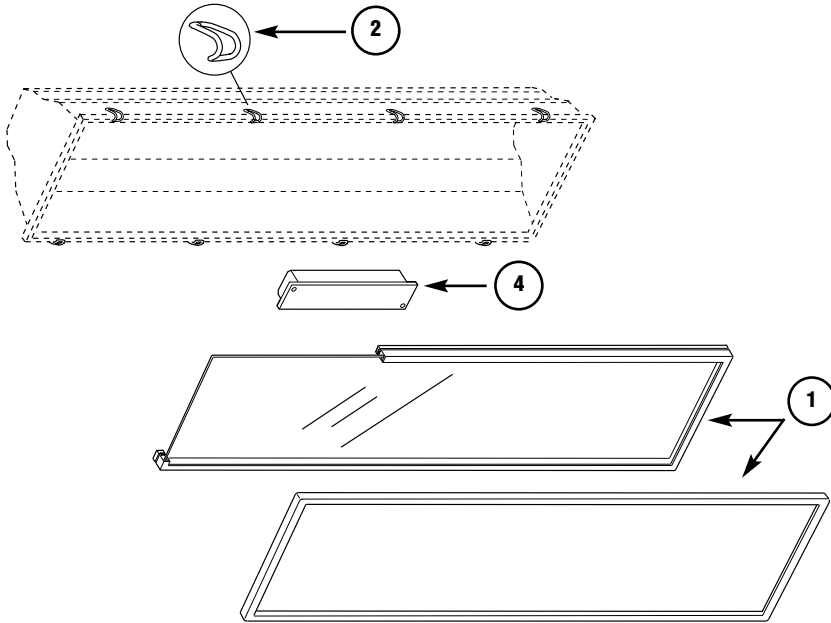
ITEM	DESCRIPTION	USED ON	PART NO.
1	DOOR LENS ASSEMBLY	ALL	FMV K1 (NON-MARINE) FMV K1 M2 (MARINE)
2	LAMP RECEPTACLE (Not shown)	ALL	CHLR:20V09 007
3	BALLAST	70-400W	SEE REPLACEMENT BALLAST KITS PAGE
4	REFLECTOR ASSEMBLY	ALL	FMV K3
5	TRUNNION MOUNT AND BOLTS	ALL	FMV K2
6	CABLE FITTING (Not shown)	ALL	CGB294*
7	SLIPFITTER ADAPTER (Not shown)	ALL	SFA6**
8	WALL BRACKET (Not shown)	ALL	SWB6**
*See catalog section 5F		**See catalog section 6L	

F2MV SERIES FLOODLIGHT
REPLACEMENT PARTS



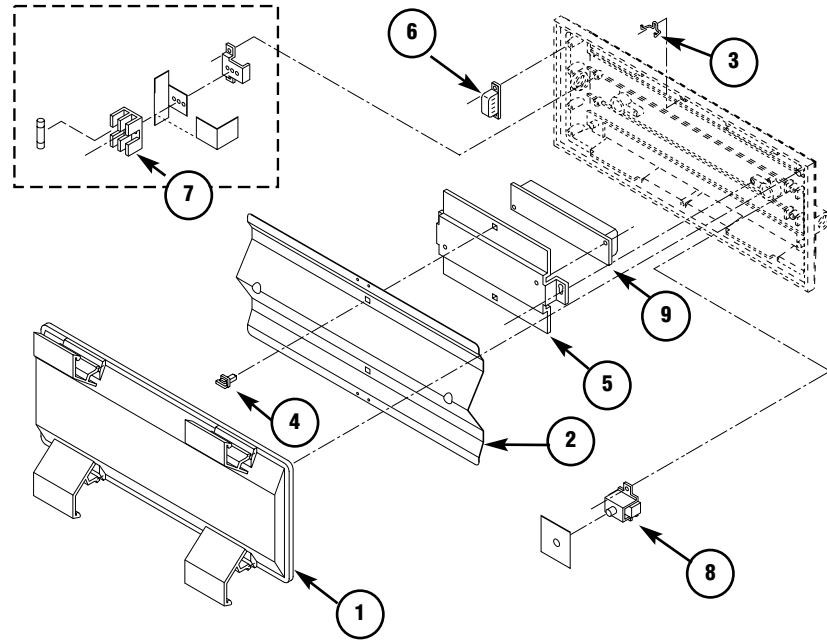
ITEM	DESCRIPTION	USED ON	PART NO.
1	DOOR SUBASSEMBLY W/ GLASS	ALL	F2MV K2
2	LAMP RECEPTACLE (Not shown)	ALL	CHLR:20V09 007
3	INNER REFLECTOR		F2MV:0305468 1
4	TRUNNION MOUNT AND BOLTS (Not shown)		F2MV K3
5	PIPE PLUGS		PLG28 SA (25 PC MIN. QTY)
6	BALLASTS		SEE REPLACEMENT BALLAST KITS PAGE
7	SLIPFITTER (Not shown)		SFA6**
8	WALL MOUNT BRACKET (Not shown)		SWB6**
9	CABLE FITTING (Not shown)		CGB294*
10	REDUCER 25MM TO 20MM		REM21
11	REDUCER 3/4" TO 20MM		ANM21
	*See catalog section 5F	**See catalog section 6L	

**FVN SERIES FLOODLIGHT
REPLACEMENT PARTS**



ITEM	DESCRIPTION	USED ON	PART NO.
1	LENS		FVN K2 (NON-MARINE) FVN K2 M2 (MARINE)
2	LATCH (8 PER LUMINAIRE)		FVN K4 (Includes 4/kit)
3	LAMPHOLDER – STATIONARY	FVN4232, 4240, 4332, 4340	CHLR:20V77 002
	(Not shown)	4260	CHLR:20V76 002
3A	LAMPHOLDER – SPRINGLOADED	FVN4232, 4240, 4332, 4340	CHLR:20V77 001
	(Not shown)	4260	CHLR:20V76 001
4	BALLAST		SEE BALLAST REPLACEMENT KITS PAGE
5	ADJUSTABLE ANGLE BRACKET		FVN KH (SEE CATALOG SECTION 5L)
6	45 DEGREE ANGLE		FVN AG (SEE CATALOG SECTION 5L)
7	ANGLE BARS FOR CHAIN SUSPENSION		FVN CX (SEE CATALOG SECTION 5L)
8	BATTERY	FVN W/S799 SUFFIX	SEE REPLACEMENT BALLAST KITS PAGE
9	CONDUIT HUBS		FVN K3
	(Not shown—includes two hubs and gaskets)		

FVS SERIES FLUORESCENT REPLACEMENT PARTS

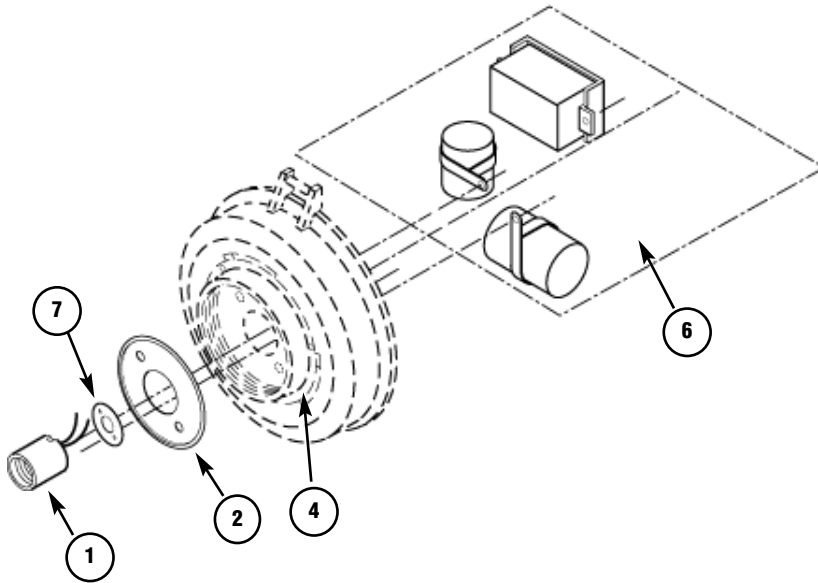


ITEM	DESCRIPTION	USED ON	PART NO.
1	LENS ASSEMBLY	ALL EXCEPT SUFFIX S813	FVS K1
		ALL W/ S813 SUFFIX	FVS K1-S813
2	INNER REFLECTOR ASSEMBLY		FVS K6
	W/ REFLECTOR NYLON CLIPS AND LAMP TUBE CLIPS (2)		
3	LAMP TUBE CLIP		FVS K4 (Kit of 2 ea.)
4	REFLECTOR NYLON CLIPS		FVS: 0304881
5	BALLAST MOUNTING PLATE		FVS: 0304835
6	LAMP HOLDER		CHLR: 21V22 001
7	FUSE KIT	FVS20, 27	FVS K2
		FVS225, 23	FVS K3
8	LAMP CUTOUT SWITCH		ESWP126
9	BALLAST		SEE REPLACEMENT BALLAST PAGE
10	TRUNNION ARM KIT (Not shown)		FVS K5 (SEE CATALOG SECTION 5L)
11	SLIPFITTER ADAPTER (Not shown)		SFA6 (SEE CATALOG SECTION 6L)
12	MOUNTING BRACKET KIT (Straight)	ALL	FVS K7
13	MOUNTING BRACKET KIT (Angle)	ALL	FVS K8

*Buy Locally.

LMV SERIES CHAMP® REPLACEMENT PARTS

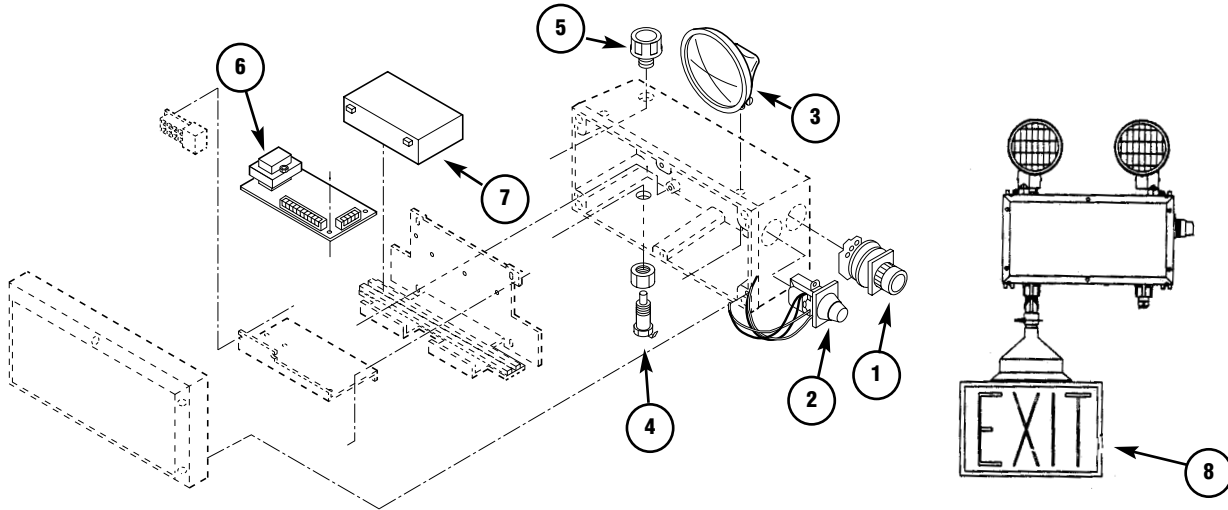
LIGHTING



ITEM	DESCRIPTION	USED ON	PART NO.
1	LAMP RECEPTACLE MEDIUM BASE	LMV	CHLR: 20V01 001
2	GLOBE GASKET	LMV	CHAMP:0304027
3	GASKET, BALLAST HSG (Cover opening) (Not Shown)	LMV	CHAMP:0303750
4	REFLECTOR MOUNTING RING	LMV	CHAMP:0304018
5	COVER RETAINING SCREW (Not shown)	LMV	1/4-20 X 3/4 HEX HD SST SCREW*
	COVER RETAINING SCREW WASHER (Not shown)	LMV	#10 NYLON*
6	BALLAST	LMV	SEE REPLACEMENT BALLAST KITS PAGE
6A	BALLAST HSG ASSEMBLY	LMV	SEE CATALOG SECTION 3L
7	LAMP RECEPTACLE GASKET	LMV	GASK1697
8	GLOBES, GUARDS	LMV	SEE CATALOG
9	REFLECTORS, TOP HATS	LMV	SEE CATALOG

*Buy locally.

N2LPS SERIES EMERGENCY LIGHT FIXTURE
REPLACEMENT PARTS

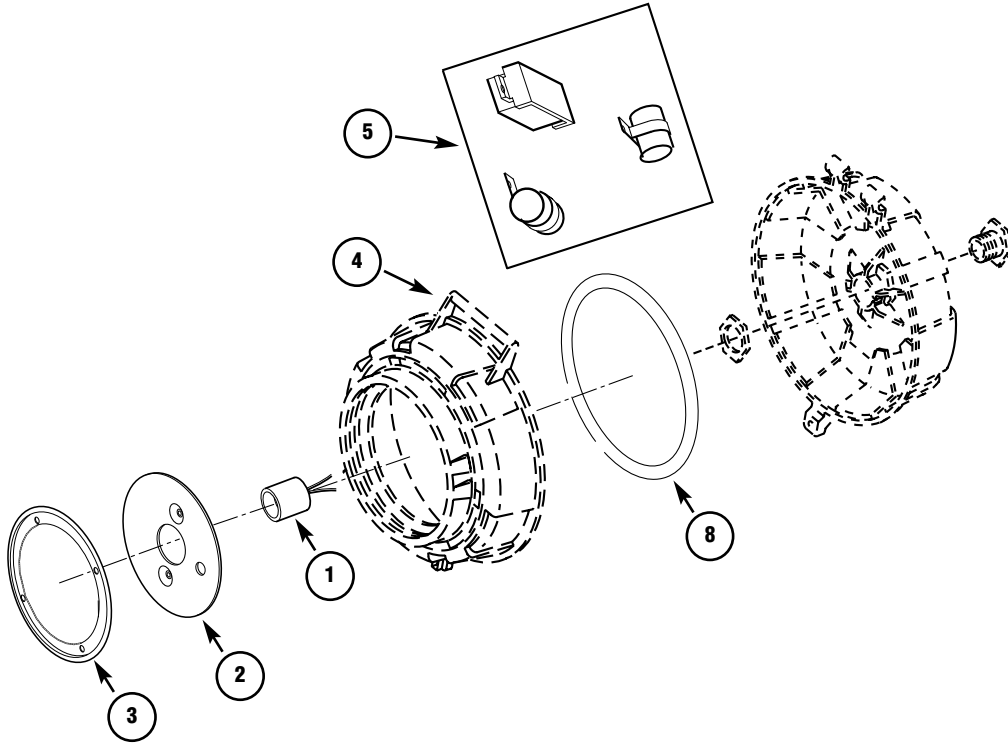


ITEM	DESCRIPTION	USED ON	PART NO.
1	TEST PUSH BUTTON		N2LPS K1
2	TEST PILOT LIGHT		N2LPS K2
2A	TEST PILOT LIGHT REPLACEMENT LED		N2LPS:20G91 001
3	FIXTURE HEAD (Includes lamp)		N2LPS:0304712
4	DRAIN/BREATHER (1/2" NPT)		ECD18
4A	HUB FOR DRAIN/BREATHER (1/2" NPT)		NHUB1
5	CONDUIT ENTRY HUB (3/4" NPT)		NHUB2
6	CHARGER W/ 2 BATTERIES		N2LPS K56
7	BATTERY ONLY	N2LPS6222	N2LPS:21G04 001
		N2LPS6422	N2LPS:21G04 001 (2 needed)
8	EXIT SIGN (Only)	N2LPS...EXS	EVA:DR0391286 1
		N2LPS...EXD	EVA:DR0391286 2
8A	LAMP ONLY FOR EXIT SIGN	ALL WITH SUFFIX EXS/EXD	OSRAM/SYLVANIA CF13DD/835*

*Buy locally from Osram/Sylvania

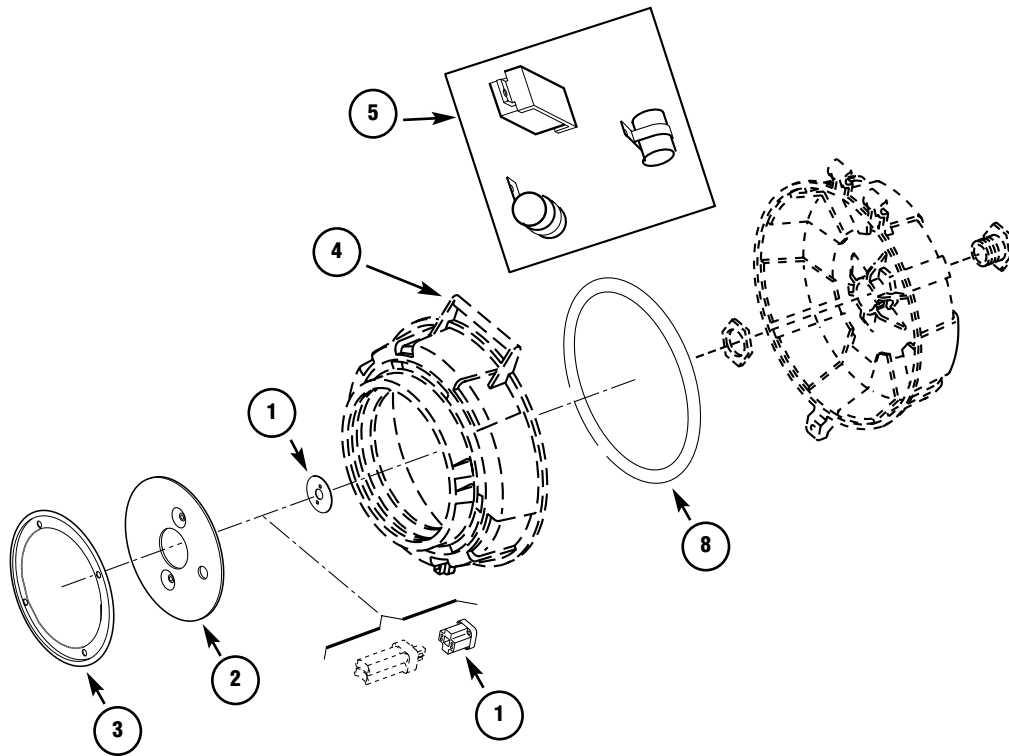
N2MV SERIES CHAMP® REPLACEMENT PARTS

LIGHTING



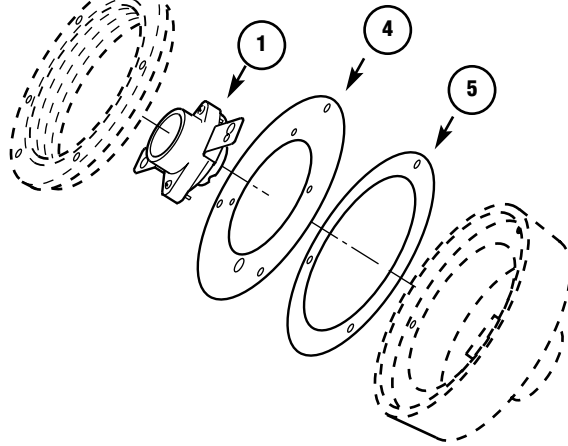
ITEM	DESCRIPTION	USED ON	PART NO.
1	LAMP RECEPTACLE (Mogul base)	N2MV	CHLR:20V09 007
		N2MV W/IR SUFFIX	CHLR:20V16 005
2	REFLECTOR PLATE	N2MV	N2MV K3
3	GLOBE GASKET	N2MV	CHAMP:0305166
4	HINGE SPACER	N2MV	N2MV K7 (20 per kit)
5	BALLAST	N2MV	SEE REPLACEMENT BALLAST KITS PAGE
6	WALL MOUNT BRACKET	N2MV	N2MV WM1
(To convert ceiling mount to wall mount—not shown)			
6A	GLOBES, REFLECTORS, TOP HATS	N2MV	SEE CATALOG PAGE
7	BALLAST HOUSING BOLT (Not shown)	N2MV	N2MV:10Y80 025D34
8	UPPER GASKET	N2MV	CHAMP:0305165

N2MVF FLUORESCENT AND N2MVFB FLUORESCENT
W/ BATTERY REPLACEMENT PARTS



ITEM	DESCRIPTION	USED ON	PART NO.
1	LAMP SOCKET	N2MVF(B)	CHLR:21V23 001
2	REFLECTOR PLATE	N2MVF(B)	N2MV K6
3	GLOBE GASKET	N2MVF(B)	CHAMP:0305166
4	HINGE SPACER	N2MVF(B)	N2MV K7 (20 per kit)
5	BALLASTS AND EMERGENCY BALLASTS	N2MVF(B)	SEE REPLACEMENT BALLAST KITS PAGE
6	WALL MOUNT BRACKET	N2MVF(B)	N2MV WM1
(To convert ceiling mount to wall mount—not shown)			
6A	GLOBES, REFLECTORS	N2MVF(B)	SEE CATALOG PAGE
7	BALLAST HOUSING BOLT	N2MVF(B)	N2MV:10Y80 025D34
8	UPPER GASKET	N2MVF(B)	CHAMP:0305165

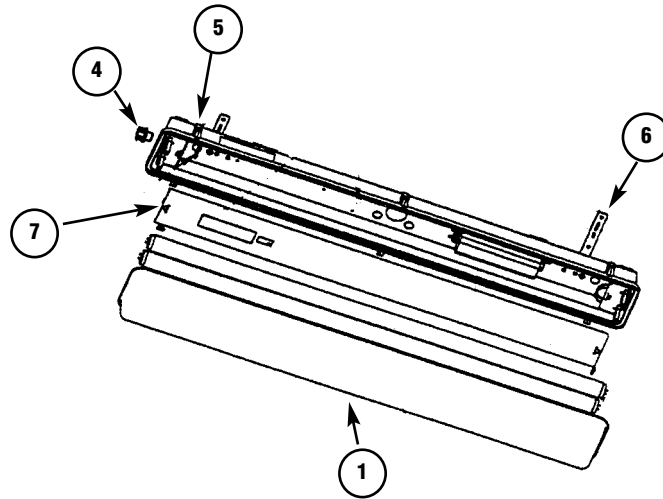
NDA SERIES REPLACEMENT PARTS



ITEM	DESCRIPTION	USED ON	PART NO.
1	LAMP RECEPTACLE	ALL	V84
1A	RECEPTACLE MOUNTING SCREW	ALL	8-32 X 3/4" PAN HEAD STEEL SCREW*
2	GLOBE, CLEAR	NDA22	G24
	GREEN	NDA22	G24G
	BLUE	NDA22	G24B
	RED	NDA22	G24R
	AMBER	NDA22	G24A
	CLEAR	NDA23	G34
3	GUARD	NDA22	P21
		NDA23	P25
4	RECPT. MOUNTING PLATE	ALL	NDA:0301564
5	GLOBE GASKET	ALL	CHAMP:0301565

*Buy locally.

NFL SERIES FLUORESCENT REPLACEMENT PARTS



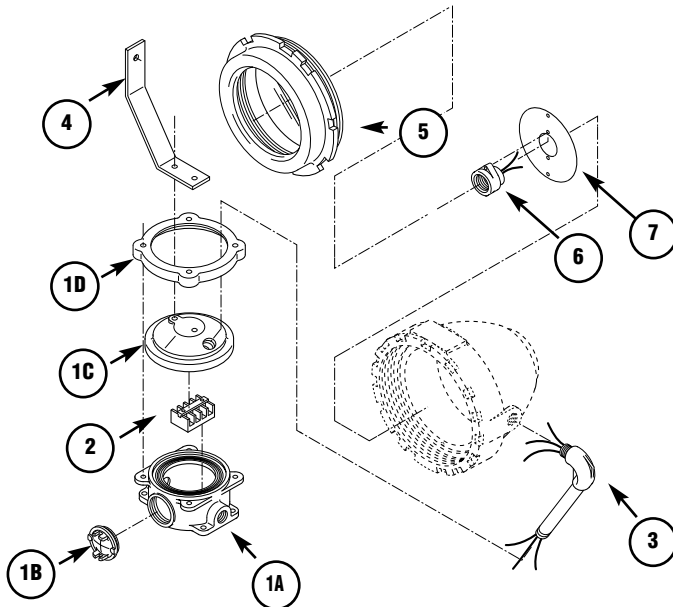
ITEM	DESCRIPTION	USED ON	PART NO.
1	LENS	2 FT.	NFL K1
		4 FT.	NFL K2
2	LAMP HOLDERS	40W 2 FT. T5	NFL K3
		32W 4 FT. T8 and	NFL K4
		40W 4 FT. T12	
3	BALLAST		SEE REPLACEMENT BALLAST KITS PAGE
4	HUB	1/2"	ST1
5	LATCHES	ALL	NFL K6 (4 per kit)
6	MTG BRACKETS	ALL	NFL K7 (2 per kit)
7	INNER REFLECTORS	2FT.	NFL K8 (Reflector w/ 2 reflector clips)
		4 FT.	NFL K9 (Reflector w/ 2 reflector clips)
8	LAMP CLIP	2FT.	EVFT K3

**RCDE SERIES FIXED MOUNT FLOODLIGHT
REPLACEMENT PARTS**

RCDE-6

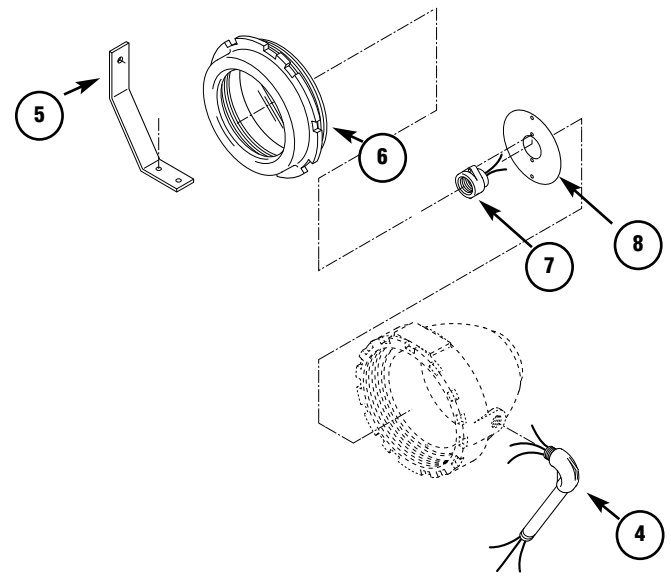
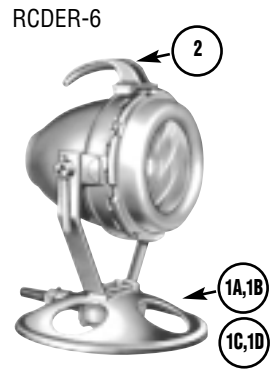


RCDE-10



ITEM	DESCRIPTION	RCDE-6 PART NO.	RCDE-6 PART NO.	RCDE-10 PART NO.
		44978A W/ 2 IN. HUB	44719B W/ MTG. FEET	47282A W/ MTG. FEET
1A	JUNCTION BOX	1798DH	1509DH	1509DH
1B	WIRING COVER	GUA04	GUA04	GUA04
1C	TURRET	1510DH	1510DH	1510DH
1D	TURRET RING	1511DH	1511DH	1511DH
2	TERMINAL BLOCK	RCDE K1	5232AH	5232AH
3	ARM SUPPORT AND WIREWAY KIT	RCDE K2	RCDE K2	RCDE K3
4	ARM STRAP	1321LH	1321LH	1759LH
5	LENS AND COVER ASSEMBLY	1289LH	1289LH	3247DH
6	LAMPHOLDER	19978B	19978B	5326NH
7	LAMPHOLDER MOUNTING PLATE	3903AH	3903AH	5328NH

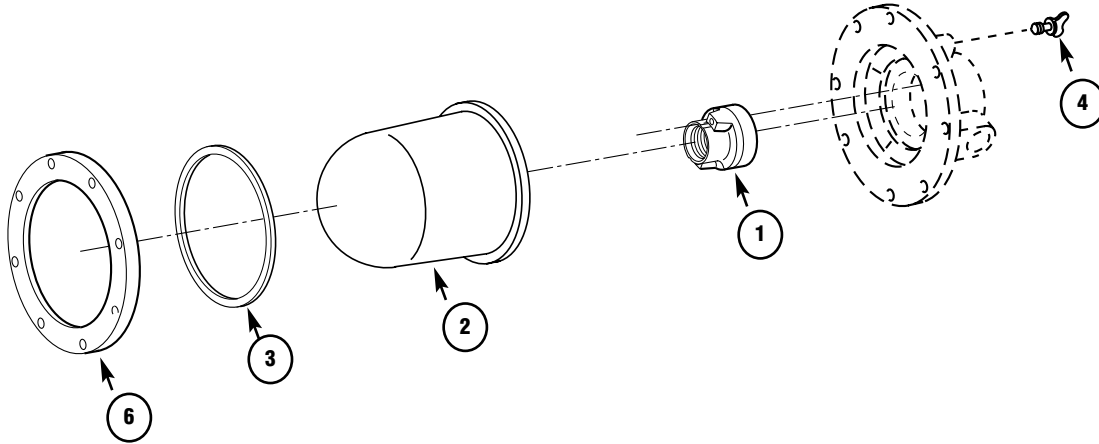
RCDER SERIES PORTABLE FLOODLIGHT
REPLACEMENT PARTS



ITEM	DESCRIPTION	RCDER-6	RCDER-10
		44655B W/ WHEEL BASE	47283A W/ WHEEL BASE
1A	WHEEL BASE W/ JUNCTION BOX	2087GH	2087GH
1B	COVER	4450B	4450B
1C	COVER GASKET	GASK134	GASK134
1D	CORD CONNECTOR	CGB2014	CGB2015
2	HANDLE	FL3715	FL3715
3	TERMINAL BLOCK	3914AH	3914AH
4	ARM SUPPORT AND WIREWAY KIT	RCDE-K4	RCDE-K5
5	ARM STRAP	1321LH	1759LH
6	LENS AND COVER ASSEMBLY	1289LH	3247DH
7	LAMPHOLDER	19978B	5326NH
8	LAMPHOLDER MOUNTING PLATE	3903AH	5328NH
8A	MOUNTING PLATE ADAPTER	—	3984AH

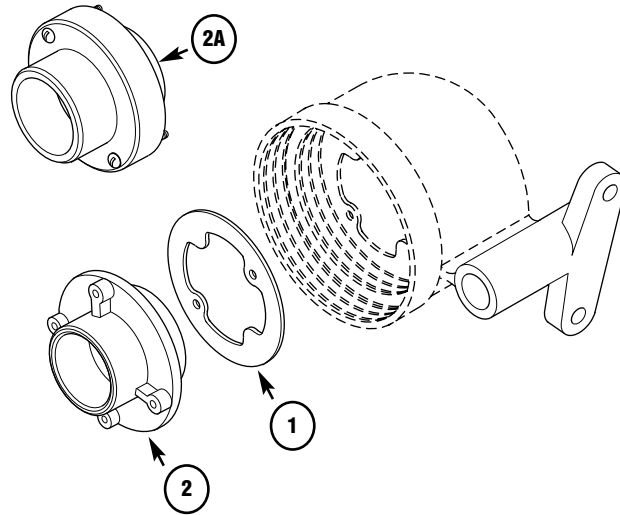
V160 OBSERVATION LIGHT REPLACEMENT PARTS

LIGHTING



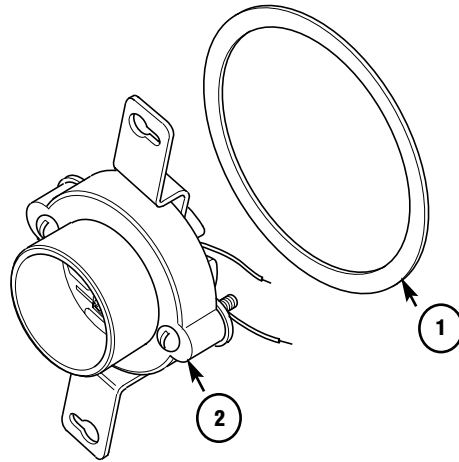
ITEM	DESCRIPTION	USED ON	PART NO.
1	LAMP RECEPTACLE	V160	C166
1A	GASKET		GASK640
2	GLOBE		EV10
3	GLOBE GASKET	V160	GASK625
	(2 required)		
4	WING SCREW	V160	V160:K1 (2 per kit)
5	MOUNTING HARDWARE		1/4-20 X 7/8" FILISTER HD STEEL SCREW* 1/4" LOCKWASHER*
6	BRASS TANK MOUNTING RING		EV:8145B
	*Buy locally.		

V SERIES REPLACEMENT PARTS



ITEM	DESCRIPTION	USED ON	PART NO.
1	FIXTURE GASKET	ALL V-SERIES	GASK213 (Replaces 5709A)
2	RECEPTACLE – PORCELAIN	ALL V-SERIES	V46
2A	RECEPTACLE – COMPOSITION	ALL V-SERIES	DISCONTINUED USE V46
3	GLOBE, CLEAR	ALL V-SERIES	V63
	GLOBE, GREEN		VN72
	GLOBE, BLUE		VN73
	GLOBE, RED		VN75
	GLOBE, AMBER		VN76
	GLOBE, POLYCARBONATE CLEAR	ALL (Must be used w/ 75W max lamp only)	V470
	GLOBE, POLYCARBONATE RED	ALL (Must be used w/ 75W max lamp only)	V475
4	GUARD	ALL V-SERIES	V911

VAPORGUARD® INCANDESCENT SERIES
REPLACEMENT PARTS



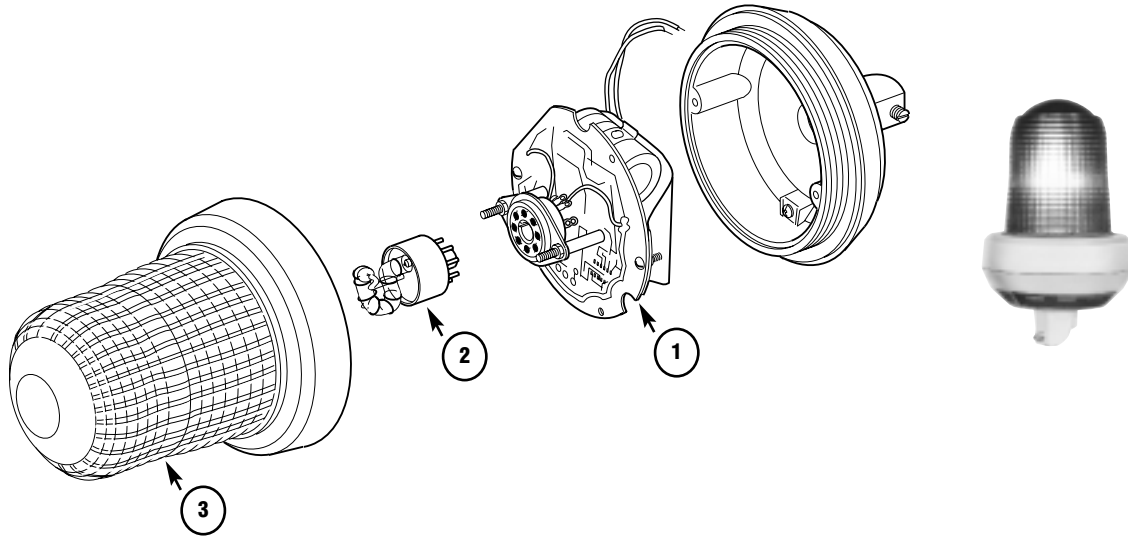
ITEM	DESCRIPTION	USED ON	PART NO.			
1	GASKET, GLOBE	150 W	VG:0301291			
		200 AND 300 W	VG:0301290			
	GASKET, BODY	150, 200 AND 300 W	GASK1156 (Replaces 28254A)			
2	LAMP RECEPTACLE	150, 200 AND 300 W	V84			
3	RECEPTACLE MOUNTING SCREW (2)	8 X 3/8 RH TYPE B STEEL	8 X 3/8 RH TYPE B STEEL SCREW*			
4	GLOBE, CLEAR	150 W	G54 (Not shown)			
			G55 (Not shown)			
			G56 (Not shown)			
			G57 (Not shown)			
			G58 (Not shown)			
			G24 (Not shown)			
		200 W	G24G (Not shown)			
			G24B (Not shown)			
			G24R (Not shown)			
			G24A (Not shown)			
			4A	GLOBE, POLYCARBONATE	200 W ONLY	G63 CLEAR (Not shown)
						G65 GREEN (Not shown)
						G67 RED (Not shown)
4B	GLOBE, CLEAR	300 W	G34 (Not shown—w/o guard)			
			G251 (Not shown—w/ guard)			

*Buy locally

VAPORGUARD® INCANDESCENT SERIES
REPLACEMENT PARTS

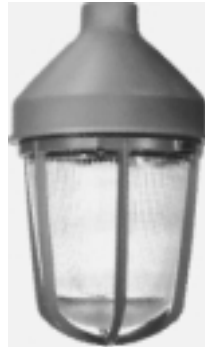
ITEM	DESCRIPTION	USED ON	PART NO.
5	GUARD	150 W	P50
		200W	P21
		300W	P22
6	GASKET	VXB11	GASK643
7	ADAPTER PLATE	VXB10	VG:0305018
	ADAPTER PLATE GASKET	VXB10	VG:0305017
	ADAPTER PLATE GASKET	VXB10	VG:0305016
8	MOUNTING SCREWS	VXT20	10-24 X 1/2 RD HD SST SCREW*
9	HUB PLUG	WALL BRACKET AND J-BOX	
	1/2"	150, 200 AND 300W	PLG1 SA
	3/4"	150, 200 AND 300W	PLG2 SA
10	FIXTURE MOUNTING SCREW (2)		8-32 X 5/8 PAN HEAD TYPE F*
			STEEL SCREW
	*Buy locally		

VDAS SERIES STROBE LIGHT REPLACEMENT PARTS



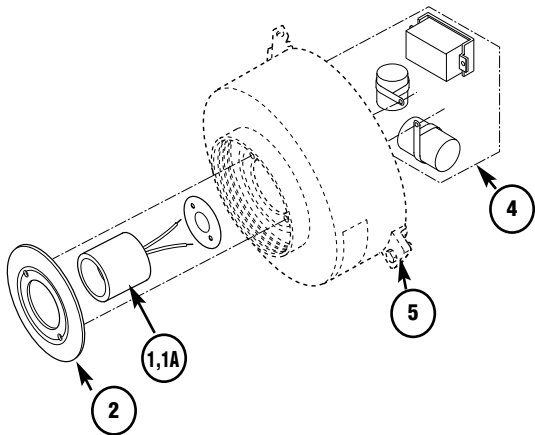
ITEM	DESCRIPTION	USED ON	PART NO.
1	ELECTRONIC STROBE SUBASSEMBLY (Includes flash tube)	120 VAC UNITS	CHTFI 120H
		240 VAC UNITS	CHTFI 240H
		12VDC	CHTFI 012
		24VDC	CHTFI 024
2	FLASH TUBE	ALL	RSTC
3	GLOBE ASSEMBLY	CLEAR	VDAG/C
		RED	VDAG/R
		GREEN	VDAG/G
		AMBER	VDAG/A
		BLUE	VDAG/B

VAPORGARD FLUORESCENT (VF SERIES)
REPLACEMENT PARTS



ITEM	DESCRIPTION	USED ON	PART NO.
1	LAMPHOLDER	9W	CHLR:21V21 001 (Order 1—not shown)
		18W	(Order 2—not shown)
2	GLOBE GASKET	ALL	VG:0301290
3	BALLAST	9W	SEE REPLACEMENTS BALLAST KITS PAGE
4	FOR MOUNTS, GLOBES AND REFLECTORS		SEE CATALOG SECTION 5L

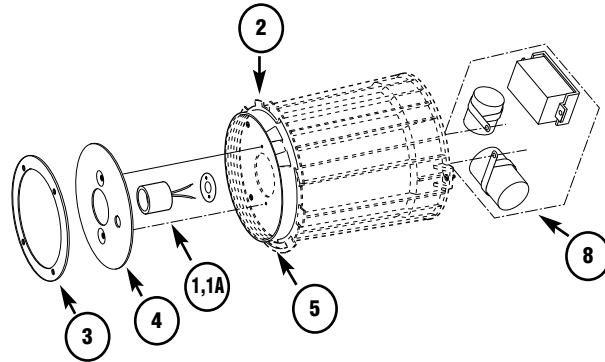
**VMV SERIES CHAMP (50-175 WATTS)
REPLACEMENT PARTS**



ITEM	DESCRIPTION	USED ON	PART NO.
1	LAMP RECEPTACLE MOGUL BASE	VMVS, C, M 50-175W	CHLR:20V09 007
1A	LAMP RECEPTACLE MOGUL BASE	VMVS w/ IR OR BG	CHLR:20V16 005
2	GLOBE GASKET		CHAMP:0304130
3	GASKET, UPPER BALLAST		CHAMP:0303750
	HSG COVER OPENING		
4	BALLAST		SEE REPLACEMENT BALLAST KITS PAGE
5	COVER RETAINING SCREW		1/4 X 2 X 3/4 HEX HD STAINLESS*
5A	COVER RETAINING SCREW WASHER		#10 NYLON*
	GLOBES		SEE CATALOG
	GUARDS		SEE CATALOG
	REFRACTORS		SEE CATALOG
6	FIXTURES W/ IR SUFFIX	FOR REPLACEMENT ONLY	VMV IR KIT (Replaces 0303909)
7	FIXTURES W/ BG SUFFIX	FOR REPLACEMENT ONLY	
		50-150W	VMV BG KIT 1
		50-150W CWI	VMV BG KIT 3 (208, 240, 280V)
			CANADA (CSA LISTED)
			IF NOT ONE OF THESE VOLTAGES USE BG KIT 1
8	FIXTURES W/BG QUARTZ OPTION	FOR REPLACEMENT ONLY	VMV QTZ KIT
		ANY FIXTURE W/ QTZ OPTION	

* Buy locally.

VMV HIGH WATTAGE SERIES CHAMP® (200–400 WATTS)
REPLACEMENT PARTS



ITEM	DESCRIPTION	USED ON	PART NO.
1	LAMP RECEPTACLE	VMV(C)(S)(M) 250, 400 W	CHLR:20V09 007
1A	LAMP RECEPTACLE BG OR IR		CHLR:20V16 005
2	GASKET FOR GLOBE ADAPTER		CHAMP:0303905
3	GASKET FOR GLOBE		CHAMP:0303749
4	INNER REFLECTOR		CHAMP:0303748
5	GLOBE ADAPTER		R54 K1
(Includes inner reflector, globe, gasket and adapter gasket)			
6	GASKET FOR BALLAST HOUSING COVER		CHAMP:0303750
7	COVER RETAINING SCREW		1/4-20 X 3/4 HEX HD SST SCREW*
	WASHER		#10 NYLON*
	GLOBE, GUARD		SEE CATALOG
	REFLECTORS		SEE CATALOG
	TOP HATS		SEE CATALOG
8	BALLAST		SEE REPLACEMENT BALLAST KITS PAGE
9	SETSCREW STANCHION MOUNT COVERS	JM5 & PM5	1/4-20 X 3/4 SOCKET WELL HEAD STAINLESS STEEL *
10	FIXTURES W/ BG OPTION	ALL (200–400W)	VMV BG KIT 2
11	FUSE	ALL W/ S658 SUFFIX	SEE REPLACEMENT FUSE PAGE
12	FIXTURES W/ QUARTZ OPTION	FOR REPLACEMENT ONLY	VMV QTZ KIT
	FIXTURES W/ QTZ OPTION		

* Buy locally.

**VS30 HANDLAMPS
REPLACEMENT PARTS**

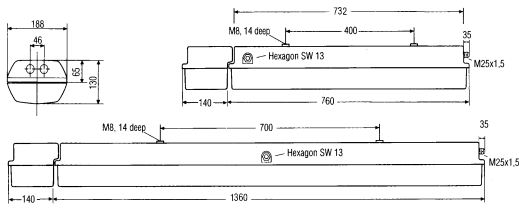


ITEM	DESCRIPTION	USED ON	PART NO.
1	LAMP RECEPTACLE	ALL VS30, VS13	GS156 (Not shown)
2	GUARD (WIRE)	VS30	VS97
3	GLOBE, GLASS	VS30	V63
	GLOBE, POLYCARBONATE	VS30	V470
4	BUSHING	VS13, VS30	BUSH 92 (Not shown) .125-.250 CORD
			BUSH 93 (Not shown) .250-.375 CORD
			BUSH 94 (Not shown) .375-.500 CORD
			BUSH 05 (Not shown) .500-.625 CORD

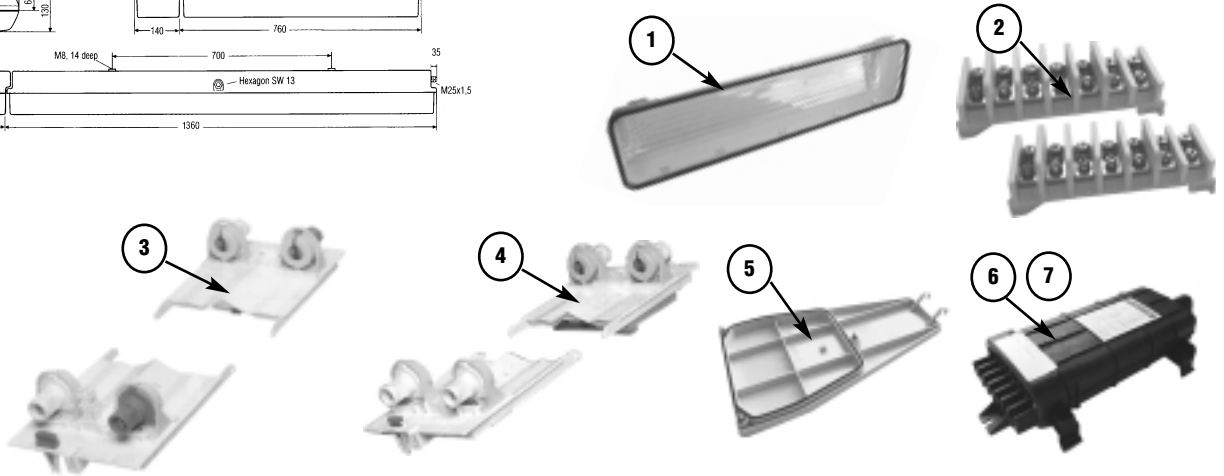
**VS30C HANDLAMPS
REPLACEMENT PARTS**



ITEM	DESCRIPTION	USED ON	PART NO.
1	LAMP RECEPTACLE	ALL VS30C, VS13C	GS156 (Not shown)
2	GUARD (CAST)	VS30C	VS97C
3	GLOBE, GLASS	VS30C	V63
	GLOBE, POLYCARBONATE	VS30C	V470
4	BUSHING	VS13C, VS30C	BUSH 93 (Not shown) .250-.375 CORD
			BUSH 94 (Not shown) .375-.500 CORD
			BUSH 95 (Not shown) .500-.625 CORD

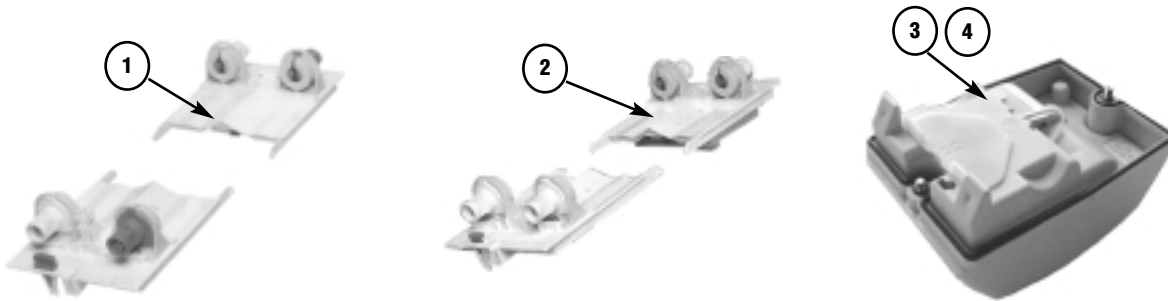
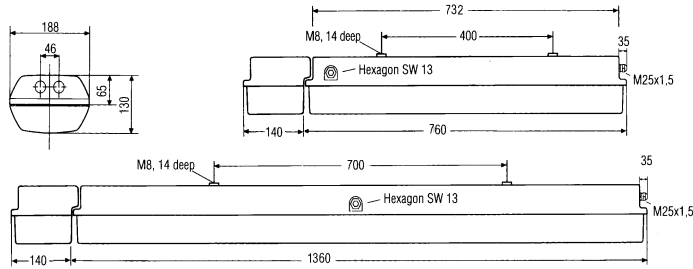


**ELLK/M 92
REPLACEMENT PARTS**



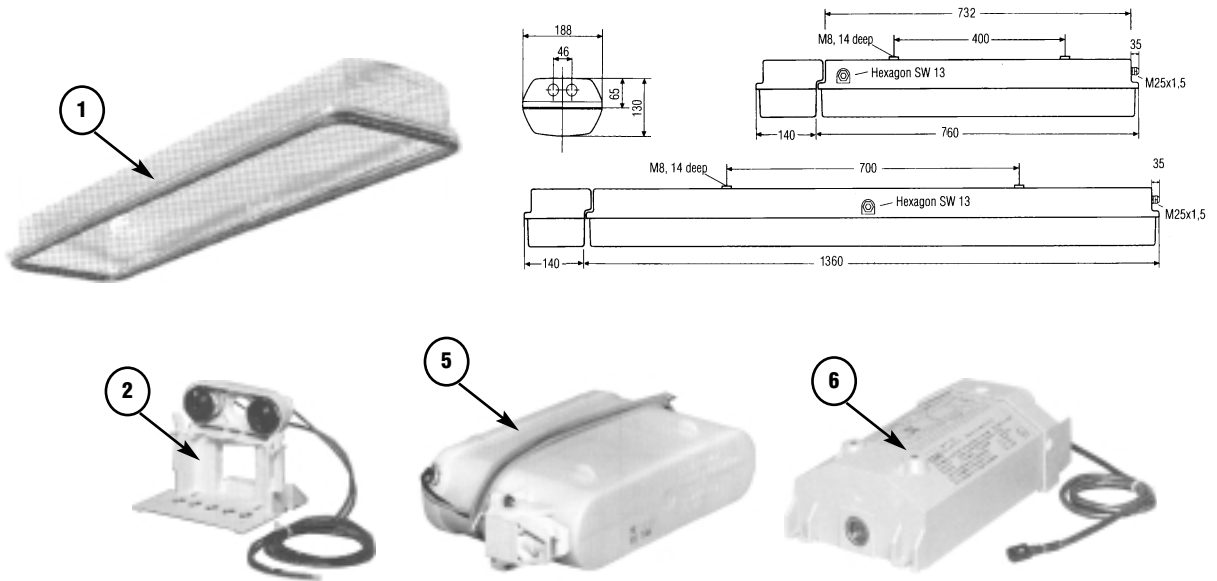
ITEM	DESCRIPTION	USED ON	PART NO.
1	PROTECTIVE BOWL W/ GASKET	18 W	2 2215 002 000
		36 W	2 2216 002 000
		58 W	2 2217 002 000
		FOR LEVEL GAUGE LIGHT FITTING P2 18 W	2 2215 003 000
		FOR LEVEL GAUGE LIGHT FITTING P3 36 W	2 2216 003 000
2	TERMINAL BLOCK (COMPLETE)	2/6, LEFT/RIGHT, L, L1, L2, L3, N, PE	2 2410 904 203 (5 per kit)
3	REFLECTOR FLAP W/ SWITCH, R-H SIDE	SINGLE LAMP	2 2263 901 000
	REFLECTOR FLAP W/O SWITCH, L-H SIDE	DOUBLE LAMP	2 2266 901 000
	W/ BI-PIN ROTARY LAMPHOLDER FOR G 13-SOCKET		
4	REFLECTOR FLAP W/ SWITCH, R-H SIDE	SINGLE LAMP	2 2213 901 000
	REFLECTOR FLAP W/O SWITCH, L-H SIDE	DOUBLE LAMP	2 2216 901 000
	W/ SINGLE-PIN LAMPHOLDER FOR FA6-SOCKET		
5	COVER FOR TERMINAL COMPARTMENT OF POLE-MOUNTED LIGHT FITTING	18/36 W	2 2218 002 900
6	ELECTRONIC BALLAST (EVG)	2 X 18 W	2 2810 218 901
		1 X 36 W	2 2810 136 901
		2 X 36 W	2 2810 236 901
		1 X 58 W	2 2810 158 901
		2 X 58 W	2 2810 258 901
7	INTERCHANGE SET EVG TYPE "M" TO TYPE "D"	2 X 18 W	2 2810 218 900
		1 X 36 W	2 2810 136 900
		2 X 36 W	2 2810 236 900
		1 X 58 W	2 2810 158 900
		2 X 58 W	2 2810 258 900

ELLK 92 ... N + NI REPLACEMENT PARTS



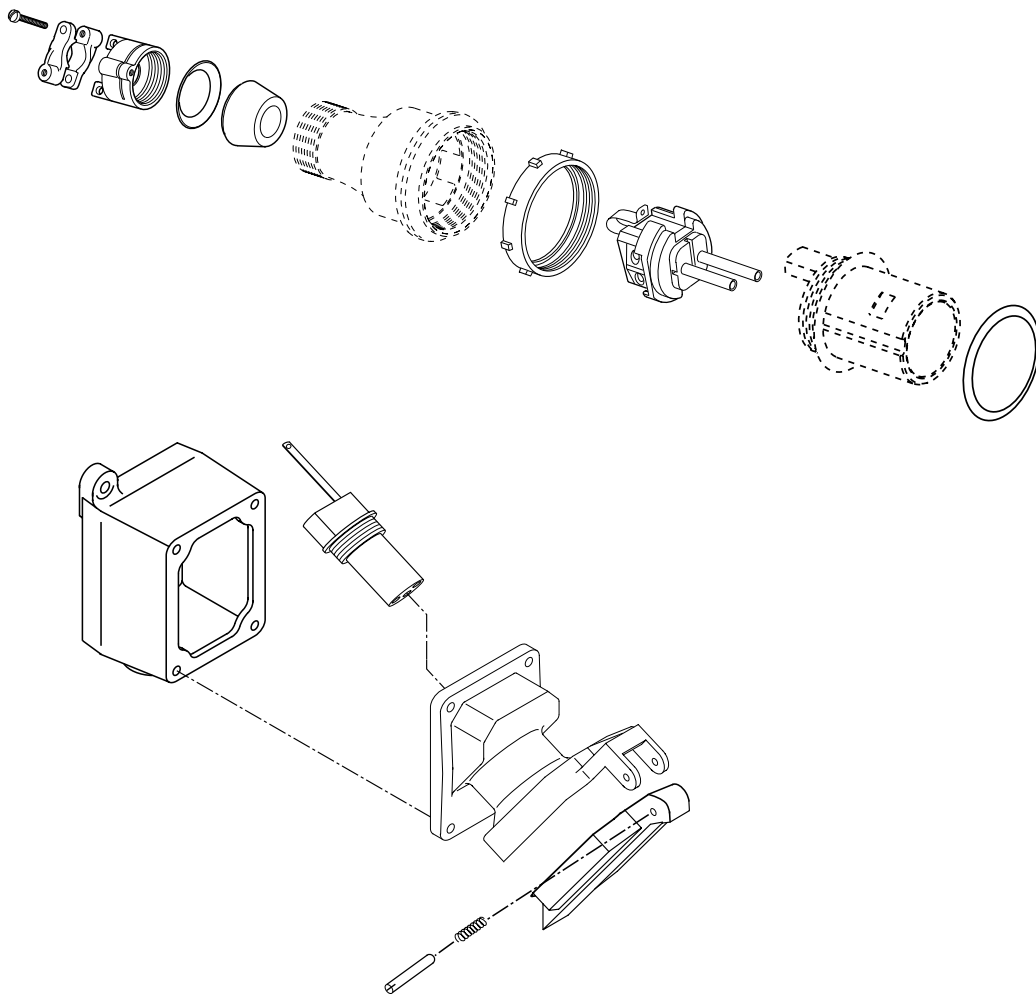
ITEM	DESCRIPTION	USED ON	PART NO.
1	REFLECTOR FLAP W/ SWITCH, R-H SIDE AND REFLECTOR FLAP W/O SWITCH, L-H SIDE W/ BI-PIN ROTARY LAMPHOLDER FOR G 13 SOCKET	DOUBLE LAMP	2 2261 901 000
2	REFLECTOR FLAP W/ SWITCH, R-H SIDE AND REFLECTOR FLAP W/O SWITCH, L-H SIDE W/ BI-PIN ROTARY LAMPHOLDER FOR FA6-SOCKET	DOUBLE LAMP	2 2211 901 000
3	EMERGENCY POWER SUPPLIES INVERTER		
	VE92/218-1 (N)	2 x 18 W	2 2802 510 900
	VE92/218-1 (Ni)	2 x 18 W	2 2802 510 900
	VE92/36-1 (N)	2 x 36 W	2 2802 610 900
	VE92/36-1 (Ni)	2 x 36 W	2 2802 620 900
	VE92/36-2 (Ni) MO-A27V	2 x 36 W	2 2802 630 900
	ELECTRONIC BALLAST (EVG)	2 x 36 W	2 2810 236 901
4	BATTERY BOX (Ni) W/ LED INDICATOR AND MICROPROCESSOR MONITORING	2710-02	2 2710 902 000

ELLK 81 REPLACEMENT PARTS

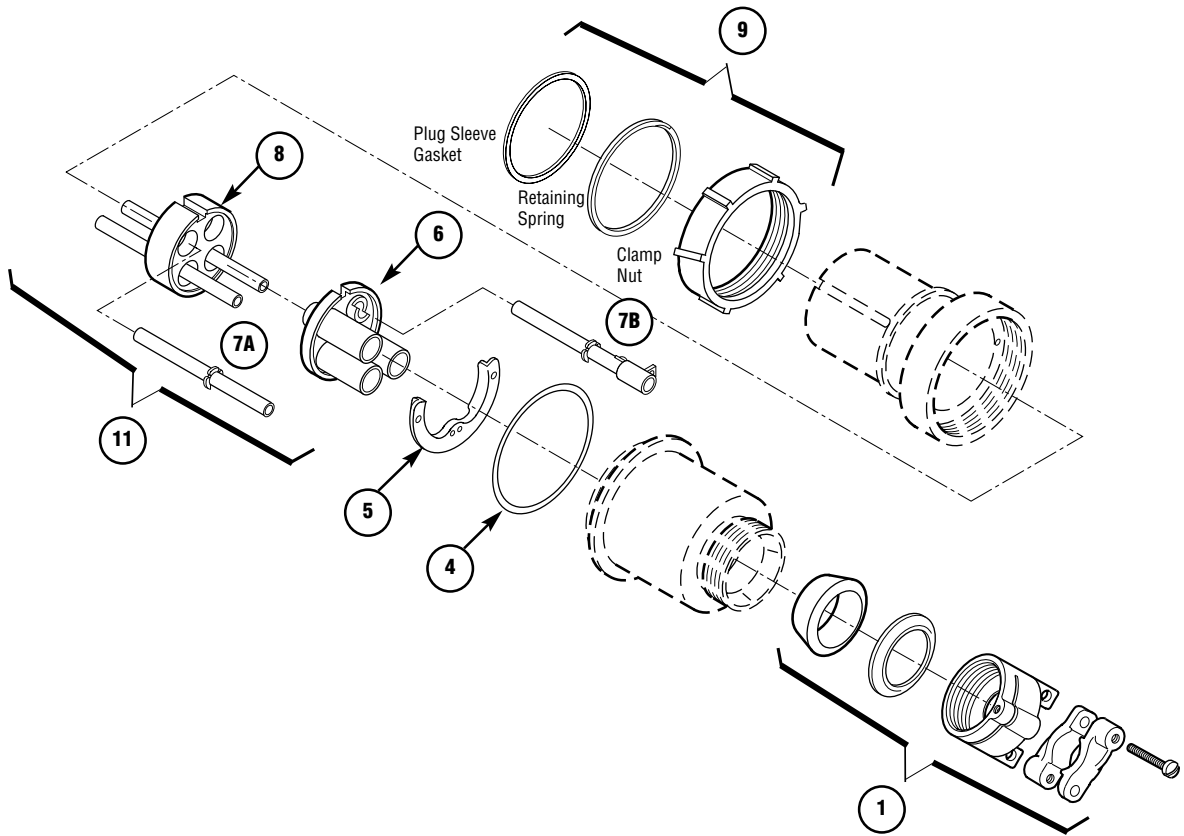


ITEM	DESCRIPTION	USED ON	PART NO.
1	PROTECTIVE BOWL	18/20 W	2 2135 916 000
		36/40 W	2 2136 916 000
		58/65 W	2 2122 916 000
2	SET OF LAMP HOLDERS (Left/right) W/ FA6 LAMP HOLDER INCLUDING SWITCH	20/40 W	2 2451 801 000
3	MOUNTING PLATE INTERCHANGE SET (Not shown) EVG TYPE "D" TO EVG TYPE "d"	2 x 18 W	2 2135 211 902
		1 x 36 W	2 2126 210 902
		2 x 36 W	2 2136 211 902
		1 x 58 W	2 2144 210 902
		2 x 58 W	2 2154 211 902
4	MOUNTING PLATE INTERCHANGE (Not shown) SET FOR EMERGENCY LUMINAIRE eLLK 81036/36 N7	2 x 36 W	2 2141 211 902
5	BATTERY SET 6 V - 7 AH	qBK 81	2 2716 906 001
6	VE 76/81-2 INVERTER FOR EMERGENCY LUMINAIRE	36 W	1 2721 142 000

Plugs & Receptacles Replacement Parts



AP 200 M80 200 AMP/.56" WIRE WELL/STANDARD & S4
REPLACEMENT PARTS



ITEM	DESCRIPTION	USED ON	PART NO.
1	CORD GRIP GLAND NUT ASSEMBLY	AP20355, 20455, 20365, 20465	AP2 KIT1 M80
	(Includes cord grip, cable clamps,	AP20357, 20457, 20367, 20467	AP2 KIT2 M80
	washers, bushings, and hardware)	AP20358, 20458, 20368, 20468	AP2 KIT3 M80
4	HANDLE BODY O-RING	3 POLE	GASK1646
		4 POLE	GASK1646
5	INTERIOR RETAINING SHOE	AP20355, 20357, 20358	0490327
		AP20365, 20367, 20368	0490335
		AP20455, 20457, 20458	0490331
		AP20465, 20467, 20468	0490337
6	INSULATOR BASE	AP20355, 20357, 20358	AP:0401488-1
		AP20365, 20367, 20368	AP:0401488-2
		AP20455, 20457, 20458	AP:0401488-5
		AP20465, 20467, 20468	AP:0401488-6

AP 200 M80 200 AMP/.56" WIRE WELL/STANDARD & S4
REPLACEMENT PARTS

• PLUGS & RECEPTACLES

ITEM	DESCRIPTION	USED ON	PART NO.
7A	PHASE CONTACT	AP20355, 20357, 20358, 20455,	
	(Includes wire well reducers)	AP20457, 20458, 20365, 20367,	
		AP20368, 20465, 20467, 20468	0490319
7B	GROUND CONTACT	AP20365, 20367, 20368,	
		AP20465, 20467, 20468	0490323
7C	WIRE WELL REDUCERS (Not shown)	REDUCE FROM .56" TO .469"	AP:0401977-1
		REDUCE FROM .56" TO .500"	AP:0401977-2
8	INSULATOR BODY	AP20355, 20357, 20358, 20365, 20367, 20368	AP:3374B
		AP20455 20457, 20458, 20465, 20467, 20468	AP:5202B
9	PLUG CLAMP NUT	3-POLE	AP:0401965
	(Includes gasket and retaining spring)	4-POLE	AP:0401964
10	HANDLE BODY SET SCREW (Not shown)	ALL AP 200 AMP	AP:10E12-025C12
11	COMPLETE INTERIOR ASSEMBLY	AP20355, 20357, 20358	ATP429
	(Includes items 6-8)	AP20455, 20457, 20458	ATP431
		AP20365, 20367, 20368	ATP433
		AP20465, 20467, 20468	ATP435
12	DUST CAP (Not shown)	ALL 3-POLE UNITS	CPK102
		ALL 4-POLE UNITS	CPK104
13	WIRE MESH GRIP (Not shown)	.875"-1.0"	K100
		1.0"-1.188"	K119
		1.188"-1.375"	K138
		1.375"-1.635"	K163
		1.625"-1.875"	K188
		1.875"-2.0"	K200
		2.0"-2.25"	K225

AP 200 AMP M80/.75" WIRE WELL/STANDARD & S4
REPLACEMENT PARTS

ITEM	DESCRIPTION	USED ON	PART NO.
1	CORD GRIP GLAND NUT ASSEMBLY	AP203610	AP2 KIT1 M80
	(Includes cord grip, cable clamps,	AP203511, 204511, 203611, 204611	AP2 KIT2 M80
	washers, bushings, and hardware)	AP203512, 204512, 203612, 204612	AP2 KIT3 M80
		AP204513	AP2 KIT4 M80
4	HANDLE BODY O-RING	3 POLE	GASK1646
		4 POLE	GASK1646
5	INTERIOR RETAINING SHOE	AP203511, 203512	0490328
		AP203610, 203611, 203612	0490335
		AP204511, 204512, 204513	0490332
		AP204611, 204612	0490337
6	INSULATOR BASE	AP203511, 203512	AP:0401488-1
		AP203610, 203611, 203612	AP:0401488-2
		AP204511, 204512, 204513	AP:0401488-5
		AP204611, 204612	AP:0401488-6
7A	PHASE CONTACT	AP203511, 203512, 203610, 203611, 203612,	
	(Includes wire well reducer)	AP204511, 204512, 204513, 204611, 204612	0490320
7B	GROUND CONTACT	203610, 203611, 203612,	
		204611, 204612	0490324
7C	WIRE WELL REDUCERS (Not shown)	REDUCE FROM .75" TO .672"	AP:0401977-3

**AP 200 AMP M80 / .75" WIRE WELL/STANDARD & S4
REPLACEMENT PARTS**

ITEM	DESCRIPTION	USED ON	PART NO.
8	INSULATOR BODY	AP203511, 203512, 203610, 203611, 203612	AP:3374B
		AP204511, 204512, 204513, 204611, 204612	AP:5202B
9	PLUG CLAMP NUT (Includes gasket and retaining spring)	3-POLE	AP:0401965
		4-POLE	AP:0401964
10	HANDLE BODY SET SCREW (Not shown)	ALL AP 200 AMP	AP:10E12-025C12
11	COMPLETE INTERIOR ASSEMBLY (Includes items 6-8)	AP203511, 203512	ATP430
		AP204511, 204512, 204513	ATP432
		AP203610, 203611, 203612	ATP434
		AP204611, 204612	ATP436
12	DUST CAP (Not shown)	ALL 3-POLE UNITS	CPK102
		ALL 4-POLE UNITS	CPK104
13	WIRE MESH GRIP (Not shown)	.875" TO 1.0"	K100
		1.0"-1.188"	K119
		1.188"-1.375"	K138
		1.375"-1.635"	K163
		1.625"-1.875"	K188
		1.875"-2.0"	K200
		2.0"-2.25"	K22

**AP 200 AMP / .56" WIRE WELL/S22 & S4-S22
REPLACEMENT PARTS**

ITEM	DESCRIPTION	USED ON	PART NO.
1	CORD GRIP GLAND NUT ASSEMBLY (Includes cord grip, cable clamps, washers, bushings, and hardware)	AP20355, 20455, 20365, 20465	AP2 KIT1 M80
		AP20357, 20457, 20367, 20467	AP2 KIT2 M80
		AP20358, 20458, 20368, 20468	AP2 KIT3 M80
4	HANDLE BODY-O-RING	3 POLE	GASK1646
		4 POLE	GASK1646
5	INTERIOR RETAINING SHOE	AP20355, 20357, 20358	0490327
		AP20365, 20367, 20368	0490335
		AP20455, 20457, 20458	0490331
		AP20465, 20467, 20468	0490337

AP 200 AMP/.56" WIRE WELL/S22 & S4-S22
REPLACEMENT PARTS

ITEM	DESCRIPTION	USED ON	PART NO.
6	INSULATOR BASE	AP20355, 20357, 20358	AP:0401488-3
		AP20365, 20367, 20368	AP:0401488-4
		AP20455, 20457, 20458	AP:0401488-7
		AP20465, 20467, 20468	AP:0401488-8
7A	PHASE CONTACT (Includes wire well reducers)	AP20355, 20357, 20358, 20455,	
		AP20457, 20458, 20365, 20367,	
		AP20368, 20465, 20467, 20468	0490355T
7B	GROUND CONTACT	AP20365, 20367, 20368,	
		AP20465, 20467, 20468	0490359
7C	WIRE WELL REDUCERS (Not shown)	REDUCE FROM .56" TO .469"	AP:0401977-1
		REDUCE FROM .56" TO .500"	AP:0401977-2
8	INSULATOR BODY	AP20355, 20357, 20358, 20365, 20367, 20368	AP:12784B
		AP20455 20457, 20458, 20465, 20467, 20468	AP:12949B
9	PLUG CLAMP NUT (Includes gasket and retaining spring)	3-POLE	AP:0401965
		4-POLE	AP:0401964
10	HANDLE BODY SET SCREW (Not shown)	ALL AP 200 AMP	AP:10E12-025C12
11	COMPLETE INTERIOR ASSEMBLY (Includes items 6-8)	AP20355, 20357, 20358	ATP445
		AP20455, 20457, 20458	ATP447
		AP20365, 20367, 20368	ATP449
		AP20465, 20467, 20468	ATP451
12	DUST CAP (NOT SHOWN)	ALL 3-POLE UNITS	CPK102
		ALL 4-POLE UNITS	CPK104
13	WIRE MESH GRIP (NOT SHOWN)	.875"-1.0"	K100
		1.0"-1.188"	K119
		1.188"-1.375"	K138
		1.375"-1.635"	K163
		1.625"-1.875"	K188
		1.875"-2.0"	K200
		2.0"-2.25"	K225

**AP 200 AMP M80/.75" WIRE WELL/S22 & S4-S22
REPLACEMENT PARTS**

ITEM	DESCRIPTION	USED ON	PART NO.
1	CORD GRIP GLAND NUT ASSEMBLY	AP203610	AP2 KIT1 M80
	(Includes cord grip, cable clamps,	AP203511, 204511, 203611, 204611	AP2 KIT2 M80
	washers, bushings, and hardware)	AP203512, 204512, 203612, 204612	AP2 KIT3 M80
		AP204513	AP2 KIT4 M80
4	HANDLE BODY O-RING	3 POLE	GASK1646
		4 POLE	GASK1646
5	INTERIOR RETAINING SHOE	AP203511, 203512	0490328
		AP203610, 203611, 203612	0490335
		AP204511, 204512, 204513	0490332
		AP204611, 204612	0490337
6	INSULATOR BASE	AP203511, 203512	AP:0401488-7
		AP203610, 203611, 203612	AP:0401488-8
		AP204511, 204512, 204513	AP:5201B
		AP204611, 204612	AP:4864A
7A	PHASE CONTACT	AP203511, 203512, 203610, 203611, 203612,	
	(Includes wire well reducer)	AP204511, 204512, 204513, 204611, 204612	0490356
7B	GROUND CONTACT	203610, 203611, 203612,	
		204611, 204612	0490360
7C	WIRE WELL REDUCERS (Not shown)	REDUCE FROM .75" TO .672"	AP:0401977-3
8	INSULATOR BODY	AP203511, 203512, 203610, 203611, 203612	AP:12784B
		AP204511, 204512, 204513, 204611, 204612	AP:12949B

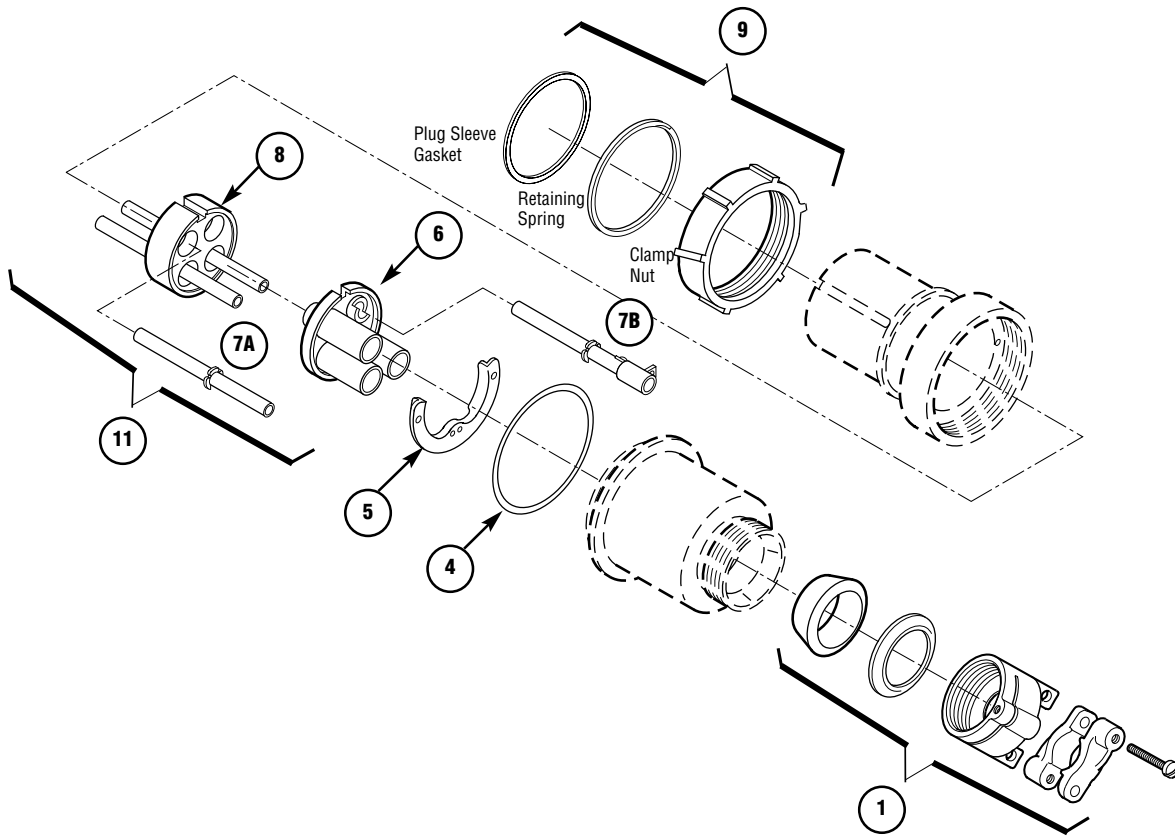
PLUGS & RECEPTACLES

AP 200 AMP M80/.75" WIRE WELL/S22 & S4-S22 REPLACEMENT PARTS

ITEM	DESCRIPTION	USED ON	PART NO.
9	PLUG CLAMP NUT	3-POLE	AP:0401965
	(Includes gasket and retaining spring)	4-POLE	AP:0401964
10	HANDLE BODY SET SCREW (Not shown)	ALL AP 200 AMP	AE:10E12-025C12
11	COMPLETE INTERIOR ASSEMBLY	AP203511, 203512	ATP446
	(Includes items 6-8)	AP204511, 204512, 204513	ATP448
		AP203610, 203611, 203612	ATP450
		AP204611, 204612	ATP452
12	DUST CAP (Not shown)	ALL 3-POLE UNITS	CPK102
		ALL 4-POLE UNITS	CPK104
13	WIRE MESH GRIP (Not shown)	.875"-1.0"	K100
		1.0"-1.188"	K119
		1.188"-1.375"	K138
		1.375"-1.635"	K163
		1.625"-1.875"	K188
		1.875"-2.0"	K200
		2.0"-2.25"	K225

AP 400 M80 400 AMP/.84" WIRE WELL/STANDARD & S4
REPLACEMENT PARTS

• PLUGS & RECEPTACLES



ITEM	DESCRIPTION	USED ON	PART NO.
1	CORD GRIP GLAND NUT ASSEMBLY	AP40357, 40457, 40367, 40467	AP2 KIT2 M80
	(Includes cord grip, cable clamps, washers, bushings, and hardware)	AP40358, 40458, 40368, 40468	AP2 KIT3 M80
4	HANDLE BODY O-RING	3 POLE	GASK1648
		4 POLE	GASK1648
5	INTERIOR RETAINING SHOE	AP40357, 40358	0490329
		AP40457, 40458	0490333
		AP40367, 40368	0490336
		AP40467, 40468	0490338
6	INSULATOR BASE	AP40357, 40358	AP:0401567-1
		AP40367, 40368	AP:0401567-2
		AP40457, 40458	AP:0401567-5
		AP40467, 40468	AP:0401567-6

PLUGS & RECEPTACLES

AP 400 M80 400 AMP/.84" WIRE WELL/STANDARD & S4 REPLACEMENT PARTS

ITEM	DESCRIPTION	USED ON	PART NO.
7A	PHASE CONTACT	ALL UNITS	0490321
	(Includes wire well reducers)		
7B	GROUND CONTACT	AP40367, 40368, 40467, 40468	0490325
7C	WIRE WELL REDUCERS (Not shown)	REDUCE FROM .830" TO .687"	AP:0402062
		REDUCE FROM .830" TO .590"	AP:0402760
8	INSULATOR BODY	AP40357, 40358, 40367, 40368	AP:2140L
		AP40467 & 40468, 40457, 40458	AP:3054B
9	PLUG CLAMP NUT	3-POLE	AP:0402023
	(Includes gasket and retaining spring)	4-POLE	AP:0402024
10	HANDLE BODY SET SCREW (Not shown)	ALL UNITS	AP:10E12-019C16
11	COMPLETE INTERIOR ASSEMBLY	AP40357, 40358	ATP437
	(Includes items 6–8)	AP40457, 40458	ATP439
		AP40367, 40368	ATP441
		AP40467, 40468	ATP443

AP 400 AMP/1.25" WIRE WELL/STANDARD & S4
REPLACEMENT PARTS

ITEM	DESCRIPTION	USED ON	PART NO.
1	CORD GRIP GLAND NUT ASSEMBLY	ALL UNITS	AP4 KIT1
	(Includes cord grip, cable clamps, washers, bushings and hardware)		
4	HANDLE BODY O-RING	3 POLE	GASK1648
		4 POLE	GASK1648
5	INTERIOR RETAINING SHOE	AP403510 & AP403512	0490330
		AP403610 & AP403612	0490336
		AP404510 & AP404512	0490334
		AP404610 & AP404612	0490338
6	INSULATOR BASE	AP403510 & AP403512	AP:0401567-1
		AP403610 & AP403612	AP:0401567-2
		AP404510 & AP404512	AP:0401567-5
		AP404610 & AP404612	AP:0401567-6
7A	PHASE CONTACT	ALL UNITS	0490322
	(Includes wire well reducers)		
7B	GROUND CONTACT	AP403610, 403612, 404610, 404612	0490326
7C	WIRE WELL REDUCER	1.24"-.95" CABLE DIA.	AP:0402063
	(Not shown—qty. 3 required)	1.24"–1.04" CABLE DIA.	AP:0402064
8	INSULATOR BODY	AP404510, AP404512, 404610, 404612	AP:3054B
		AP403510, 403512, 403610, 403612	AP:2140L
9	PLUG CLAMP NUT		
	(Includes gasket and retaining spring)	3-POLE	AP:0402023
		4-POLE	AP:0402024
10	HANDLE BODY SET SCREW	ALL UNITS	AP:10E12-019C16
11	COMPLETE INTERIOR ASSEMBLY	AP403510 & 403512	ATP438
		AP404510 & 404512	ATP440
		AP403610 & 403612	ATP442
		AP404610 & 404612	ATP444

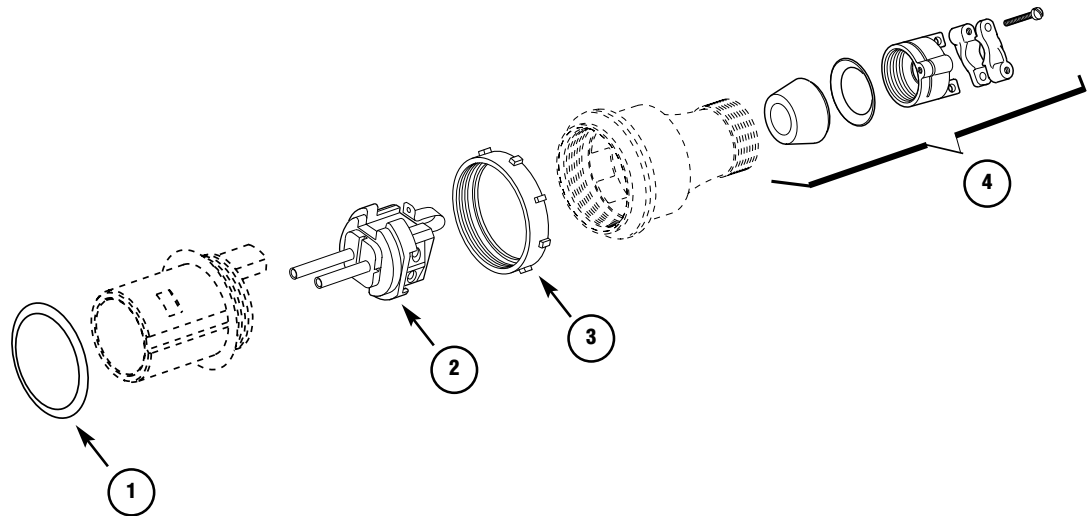
AP 400 M80 400 AMP/.84" WIRE WELL/S22 & S4-S22
REPLACEMENT PARTS

ITEM	DESCRIPTION	USED ON	PART NO.
1	CORD GRIP GLAND NUT ASSEMBLY	AP40357, 40457, 40367, 40467	AP2 KIT2 M80
	(Includes cord grip, cable clamps, washers, bushings, and hardware)	AP40358, 40458, 40368, 40468	AP2 KIT3 M80
4	HANDLE BODY O-RING	3 POLE	GASK1648
		4 POLE	GASK1648
5	INTERIOR RETAINING SHOE	AP40357, 40358	0490329
		AP40457, 40458	0490333
		AP40367, 40368	0490336
		AP40467, 40468	0490338
6	INSULATOR BASE	AP40357, 40358	AP:0401567 3
		AP40367, 40368	AP:0401567 4
		AP40457, 40458	AP:0401567 7
		AP40467, 40468	AP:0401567 8
7A	PHASE CONTACT	ALL UNITS	0490357
	(Includes wire well reducers)		
7B	GROUND CONTACT	AP40367, 40368, 40467, 40468, 0490325	0402029
7C	WIRE WELL REDUCERS (NOT SHOWN)	REDUCE FROM .830" TO .687"	AP:0402062
		REDUCE FROM .830" TO .590"	AP:0402760
8	INSULATOR	AP40357, 40358, 40367, 40368	AP:452D
		AP40457, 40458, 40467, 40468	AP:3064D
9	PLUG CLAMP NUT	3-POLE	AP:0402023
	(Includes gasket and retaining spring)	4-POLE	AP:0402024
10	HANDLE BODY SET SCREW (Not shown)	ALL UNITS	AP:10E12-019C16
11	COMPLETE INTERIOR ASSEMBLY	AP40357, 40358	ATP453
	(Includes items 6-8)	AP40457, 40458	ATP455
		AP40367, 40368	ATP457
		AP40467, 40468	ATP459

AP 400 AMP/1.25" WIRE WELL/S22 & S4-S22
REPLACEMENT PARTS

ITEM	DESCRIPTION	USED ON	PART NO.
1	CORD GRIP GLAND NUT ASSEMBLY	ALL UNITS	AP4 KIT1
	(Includes cord grip, cable clamps, washers, bushings and hardware)		
4	HANDLE BODY O-RING	3 POLE	GASK1648
		4 POLE	GASK1648
5	INTERIOR RETAINING SHOE	AP403510 & AP403512	0490330
		AP403610 & AP403612	0490336
		AP404510 & AP404512	0390334
		AP404610 & AP404612	0490338
6	INSULATOR BASE	AP403510 & AP403512	AP:0401567-3
		AP403610 & AP403612	AP:0401567-2
		AP404510 & AP404512	AP:0401567-5
		AP404610 & AP404612	AP:0401567-6
7A	PHASE CONTACT	ALL UNITS	0490358
	(Includes wire well reducers)		
7B	GROUND CONTACT	AP403610, 403612, 404610, 404612	0490326
7C	WIRE WELL REDUCER	1.24"-.95" CABLE DIA.	AP:0402063
	(Not shown—qty. 3 required)	1.24"–1.04" CABLE DIA.	AP:0402064
8	INSULATOR BODY	AP404512, 404610, 404612	AP:452D
		AP403510, 403512, 404510 403610, 403612	AP:2140L
9	PLUG CLAMP NUT	3-POLE	AP:0402023
	(Includes gasket and retaining spring)	4-POLE	AP:0402024
10	HANDLE BODY SET SCREW	ALL UNITS	AP:10E12-019C16
11	COMPLETE INTERIOR ASSEMBLY	AP403510 & AP403512	ATP454
		AP404510 & AP404512	ATP456
		AP403610 & AP403612	ATP458
		AP404610 & AP404612	ATP460

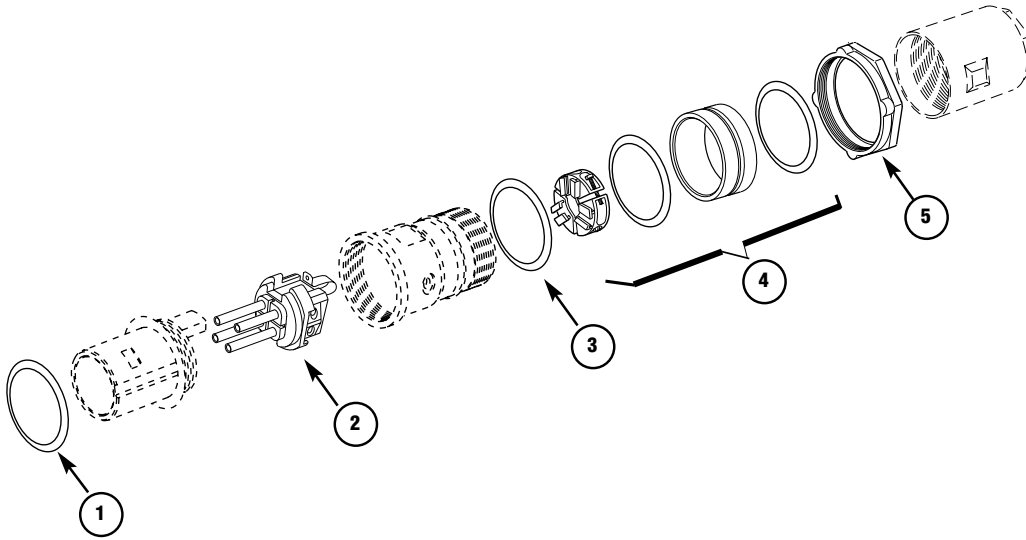
APJ 20 AMP PLUGS M54 REPLACEMENT PARTS



ITEM	DESCRIPTION	USED ON	PART NO.
1	SLEEVE GASKET	APJ2253 & 2273	GASK245
2	INTERIOR ASSEMBLY	ALL UNITS	ATP70
3	LOCKING RING	APJ2271 & 2273	AP:487A
4	CORD GRIP GLAND NUT ASSEMBLY	APJ2251 & 2271	ARK SR KIT1
	(Includes cable bushing, gland washer, cord grip gland nut, cable clamp, and cable clamp screws)	APJ2253 & 2273	ARK SR KIT2
5	WIRE MESH GRIP (Not shown)	APJ2253, 2273 ONLY	
		.500-.625	K063
		.625-.750	K075
		.750-.875	K088

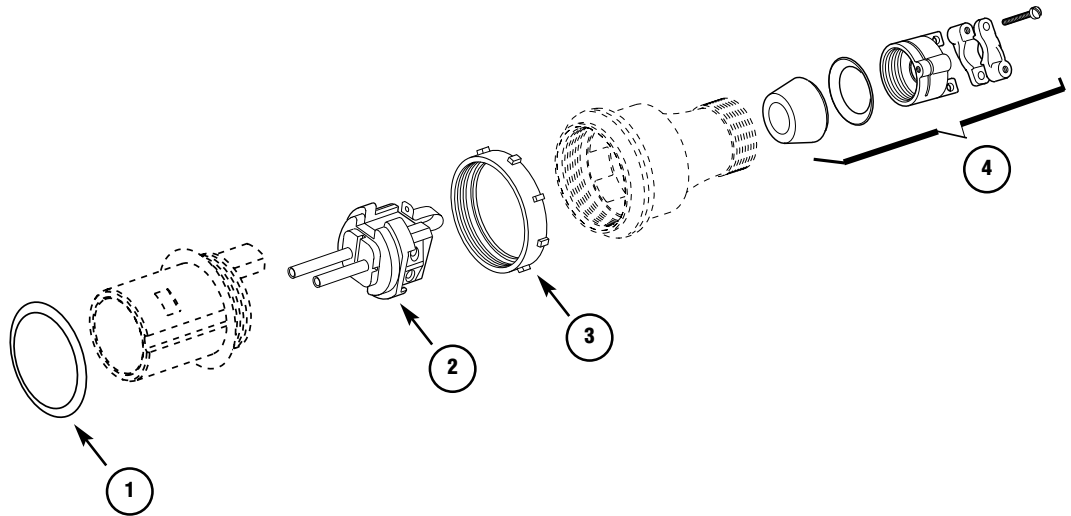
APJ 30 AMP PLUGS—APJ3275, 3375, 3475, 3385, 3485
M3 REPLACEMENT PARTS

• PLUGS & RECEPTACLES



ITEM	DESCRIPTION	USED ON	PART NO.
1	SLEEVE GASKET	APJ3275, 3375, 3475, 3385, 3485	GASK1529
2	INTERIOR ASSEMBLY	APJ3275	ATP270*
		APJ3375	ATP271*
		APJ3475	ATP272*
		APJ3385	ATP273*
		APJ3485	ATP274*
3	HANDLE BODY GASKET	APJ3275, 3375, 3475, 3385, 3485	AP:0402816
4	CORD GRIP	APJ3275, 3375, 3475, 3385, 3485	AP30 SR KIT
	(Includes cord grip, cord grip screws, cord seal bushing, cord seal torque ring, and cord seal slip washer)		
5	LOCKING RING	APJ3275, 3375, 3475, 3385, 3485	AP: 0400723
6	CONTACT KIT (Not shown)	ALL	AP30 CON KIT
	* For crimp/solder connection add suffix "T": (i.e. AP30T CON KIT)		

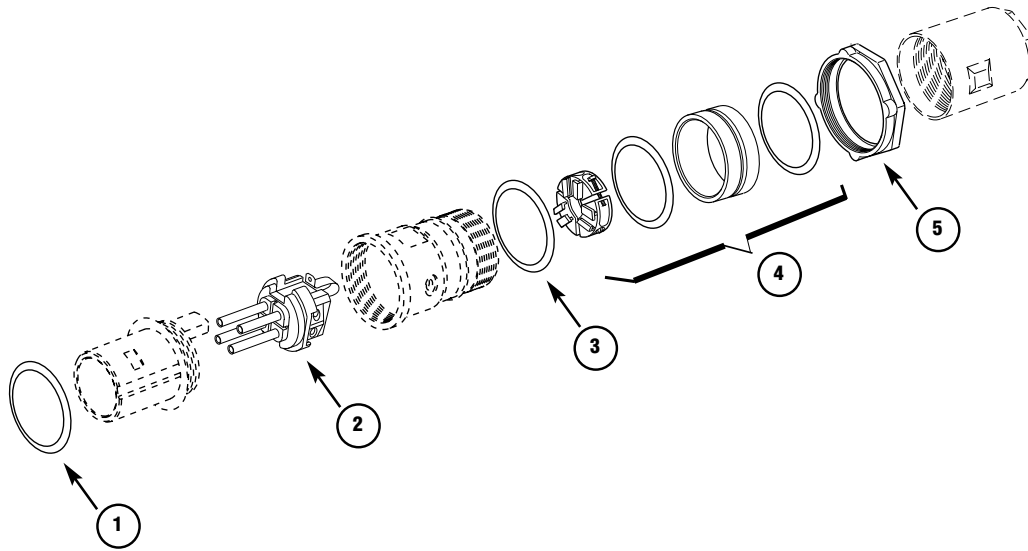
APJ 30 AMP PLUGS—APJ3573, 3575, 3583, 3585 M54
REPLACEMENT PARTS



ITEM	DESCRIPTION	USED ON	PART NO.
1	SLEEVE GASKET	APJ3573, 3575, 3583, 3585	GASK662
2	INTERIOR ASSEMBLY	APJ3573, 3575	ATP73
		APJ3583, 3585	ATP109
3	LOCKING RING	APJ3573, 3575, 3583, 3585	AP:8799A
4	CORD GRIP GLAND NUT ASSEMBLY	APJ3573, 3583	ARK SR KIT2
	(Includes cable bushing, gland washer, cord grip gland nut, cable clamp, and cable clamp screws)	APJ3575, 3585	ARK SR KIT3
5	CONTACT KIT (Not shown)	ALL UNITS	AP30 CON KIT

APJ 60 AMP PLUGS—APJ6275, 6375, 6475, 6385, 6485
M3 REPLACEMENT PARTS

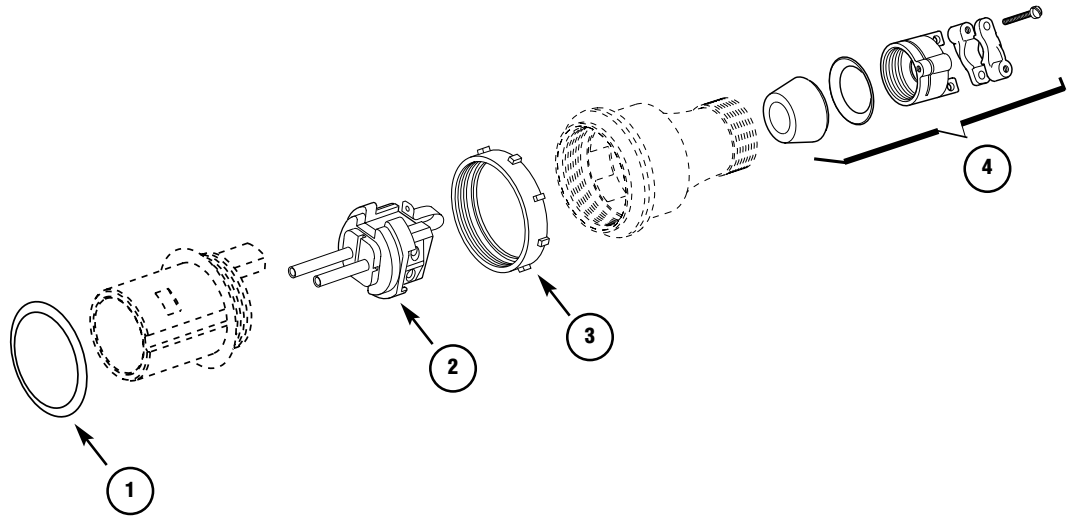
• PLUGS & RECEPTACLES



ITEM	DESCRIPTION	USED ON	PART NO.
1	SLEEVE GASKET	APJ6275, 6375, 6385	GASK1530
		APJ6475, 6485	GASK1532
2	INTERIOR ASSEMBLY	APJ6275	ATP290*
		APJ6375	ATP291*
		APJ6475	ATP292*
		APJ6385	ATP293*
		APJ6485	ATP294*
3	HANDLE BODY GASKET	ALL M3 APJ 60 AMP	AP:0402853
4	CORD GRIP GLAND NUT ASSEMBLY	ALL M3 APJ 60 AMP	AP60 SR KIT
		(Includes cord grip, cord grip screws, cord seal bushing, cord seal torque ring, and cord seal slip washer)	
5	LOCKING RING	APJ6275, 6375, 6385	AP:0400724
		APJ6475, 6485	AP:0400725
6	CONTACT KIT (Not shown)	ALL UNITS	AP60 CON KIT

* For crimp/solder connection add suffix "T":

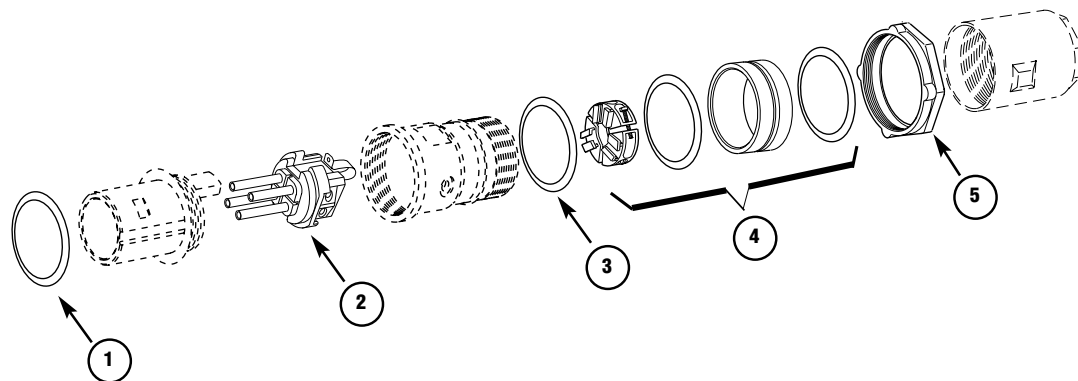
APJ 60 AMP PLUGS—APJ6575, 6585
M54 REPLACEMENT PARTS



ITEM	DESCRIPTION	USED ON	PART NO.
1	SLEEVE GASKET	APJ6575, 6585	GASK251
2	INTERIOR ASSEMBLY	APJ6575	ATP386
		APJ6585	ATP387
3	LOCKING RING	APJ6575, 6585	AP:17414B
4	CORD GRIP GLAND NUT ASSEMBLY	APJ6575, APJ6585	ARK SR KIT4
	(Includes cable bushing, gland washer, cord grip gland nut, cable clamp, and cable clamp screws)		
5	CONTACT KIT (Not shown)	ALL UNITS	AP60 CON KIT

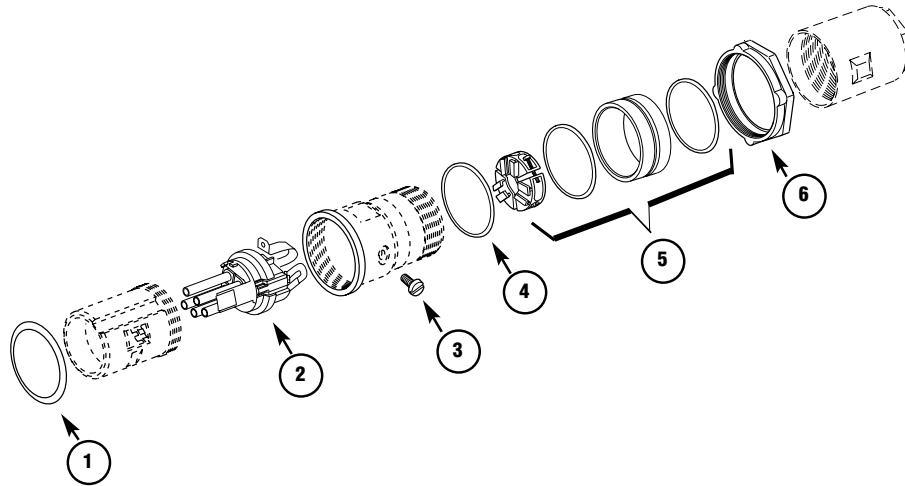
APJ 100 AMP PLUGS M3 REPLACEMENT PARTS

PLUGS & RECEPTACLES



ITEM	DESCRIPTION	USED ON	PART NO.
1	SLEEVE GASKET	APJ10277, 10377, 10387	GASK1531
		APJ10477, 10487	GASK1533
2	INTERIOR ASSEMBLY	APJ10277	ATP310*
		APJ10377	ATP311*
		APJ10477	ATP312*
		APJ10387	ATP313*
		APJ10487	ATP314*
3	HANDLE BODY GASKET	ALL APJ 100 AMP	AP:0402883
4	CORD GRIP GLAND NUT ASSEMBLY	ALL APJ 100 AMP	AP100 SR KIT
	(Includes cord grip, cord grip screws, cord seal bushing, cord seal torque ring, and cord seal slip washer)		
5	CLAMP NUT	APJ10277, 10377, 10387	AP:0402877
		APJ10477, 10487	AP:0402879
6	CONTACT KIT (Not shown)	ALL UNITS	AP100 CON KIT
* For crimp/solder connection add suffix "T".			

APJC 30, 60, 100 AMP PLUGS M3 REPLACEMENT PARTS



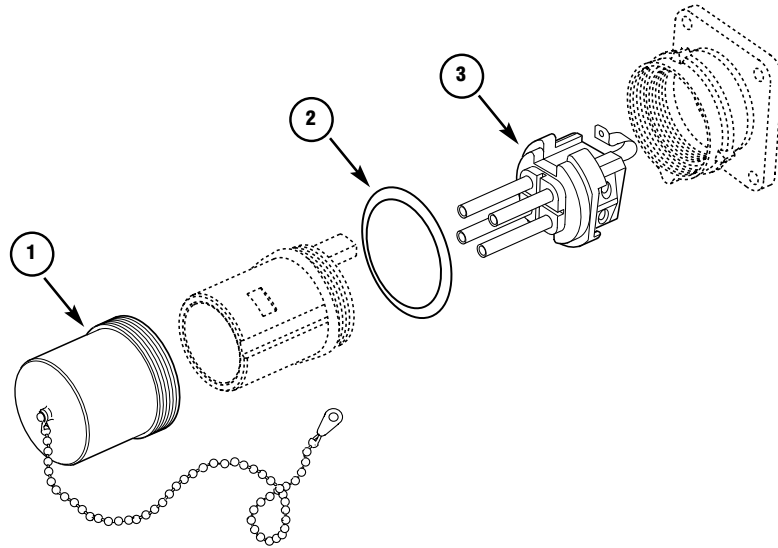
ITEM	DESCRIPTION	USED ON	PART NO.
1	SLEEVE GASKET	APJC33, APJC34, APJC35	GASK1529
		APJC63, APJC64, APJC65	GASK1532
		APJC103, APJC104, APJC105	GASK1533
2	INTERIOR ASSEMBLY	APJC33	ATP577
		APJC34	ATP578
		APJC35	ATP579
		APJC63	ATP580
		APJC64	ATP581
		APJC65	ATP582
		APJC103	ATP583
		APJC104	ATP584
		APJC105	ATP585
3	LOCKING SCREW	APJC33, APJC34, APJC35	AP:14098N
		APJC63, APJC64, APJC65	AP:14299N
		APJC103, APJC104, APJC105	AP:14299N

APJC 30, 60, 100 AMP PLUGS M3 REPLACEMENT PARTS

• PLUGS & RECEPTACLES

ITEM	DESCRIPTION	USED ON	PART NO.
4	BODY GASKET	APJC33, APJC34, APJC35	AP:0402816
		APJC63, APJC64, APJC65	AP:0402853
		APJC103, APJC104, APJC105	AP:0402883
5	CORD GRIP GLAND NUT ASSEMBLY	30A	AP30 SR KIT
		60A	AP60 SR KIT
		100A	AP100 SR KIT
6	CLAMP RING	APJC33, APJC34, APJC35	AP:0400723
		APJC63, APJC64, APJC65	AP:0400725
		APJC103, APJC104, APJC105	AP:0402879
7	CONTACT KIT (Not shown)	ALL 30 AMP	APJC30 CON KIT
		ALL 60 AMP	APJC60 CON KIT
		ALL 100 AMP	APJC100 CON KIT

APQ 30, 60, 100 AMP PLUGS M4 REPLACEMENT PARTS



ITEM	DESCRIPTION	USED ON	PART NO.
1	THREADED CAP W/ CHAIN	ALL 30 AMP APQ	CPK13
		APQ627, APQ637, APQ638	CPK32
		APQ647, APQ648	CPK34
		APQ1027, APQ1037, APQ1038	CPK62
		APQ1047, APQ1048	CPK64
2	PLUG SLEEVE GASKET	ALL 30 AMP APQ	GASK813
		APQ627, APQ637, APQ638	GASK662
		APQ647, APQ648	GASK251
		APQ1027, APQ1037, APQ1038	GASK402
		APQ1047, APQ1048	GASK542

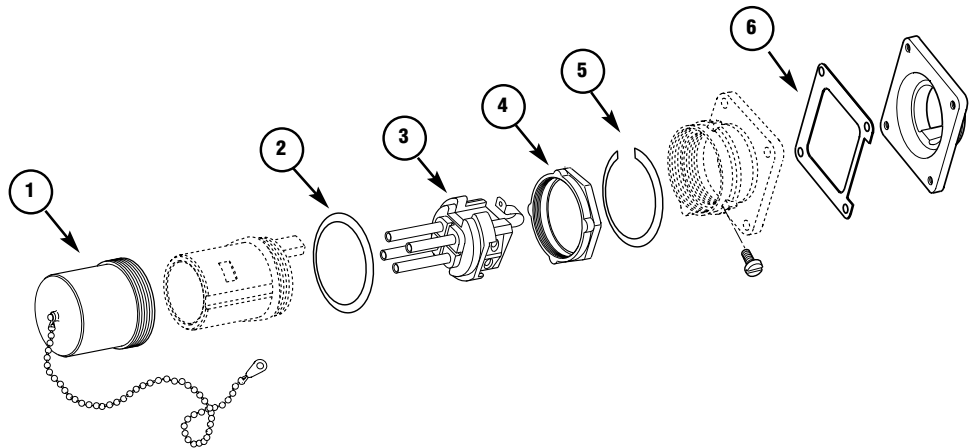
APQ 30, 60, 100 AMP PLUGS M4 REPLACEMENT PARTS

• PLUGS & RECEPTACLES

ITEM	DESCRIPTION	USED ON	PART NO.
3A	INTERIOR ASSEMBLY – 30 AMP	APQ327	ATP270*
		APQ337	ATP271*
		APQ347	ATP272*
		APQ338	ATP273*
		APQ348	ATP274*
3B	INTERIOR ASSEMBLY – 60 AMP	APQ627	ATP290*
		APQ637	ATP291*
		APQ647	ATP292*
		APQ638	ATP293*
		APQ648	ATP294*
3C	INTERIOR ASSEMBLY – 100 AMP	APQ1027	ATP310*
		APQ1037	ATP311*
		APQ1047	ATP312*
		APQ1038	ATP313*
		APQ1048	ATP314*
4	CONTACT KIT (Not shown)	ALL 30 AMP	AP30 CON KIT
		ALL 60 AMP	AP60 CON KIT
		ALL 100 AMP	AP100 CON KIT

* For "crimp/solder" contacts add suffix "T".

APQC 30, 60, 100 AMP PLUGS M3
REPLACEMENT PARTS

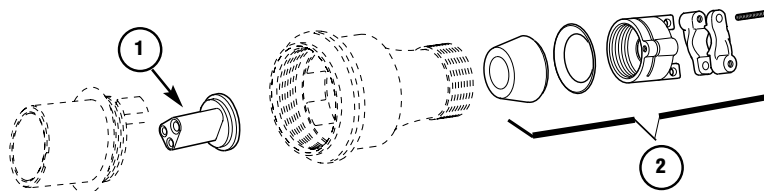


ITEM	DESCRIPTION	USED ON	PART NO.
1	THREADED CAP AND CHAIN	APQC33, APQC34, APQC35	CPK13
		APQC63, APQC64, APQC65	CPK34
		APQC103, APQC104, APQC105	CPK64
2	PLUG SLEEVE GASKET	APQC33, APQC34, APQC35	GASK1529
		APQC63, APQC64, APQC65	GASK1532
		APQC103, APQC104, APQC105	GASK1533
3	INTERIOR ASSEMBLY	APQC33	ATP577
		APQC34	ATP578
		APQC35	ATP579
		APQC63	ATP580
		APQC64	ATP581
		APQC65	ATP582
		APQC103	ATP583
		APQC104	ATP584A
	APQC1005	ATP585	

**APQC 30, 60, 100 AMP PLUGS M3
REPLACEMENT PARTS**

ITEM	DESCRIPTION	USED ON	PART NO.
4	CLAMP NUT	APQC33, APQC34, APQC35	AP:0400723
		APQC63, APQC64, APQC65	AP:0400725
		APQC103, APQC104, APQC105	AP:0402879
5	HOUSING RING	APQC33, APQC34, APQC35	AP:14036N
		APQC63, APQC64, APQC65	AP:21130A
		APQC103, APQC104, APQC105	AP:0402739
6	FLANGE GASKET	APQC33, APQC34, APQC35	GASK499
		APQC63, APQC64, APQC65	GASK500
		APQC103, APQC104, APQC105	
7	CONTACT KIT	ALL 30 AMP	APJC30 CON KIT
	(Not shown)	ALL 60 AMP	APJC60 CON KIT
		ALL 100 AMP	APJC100 CON KIT

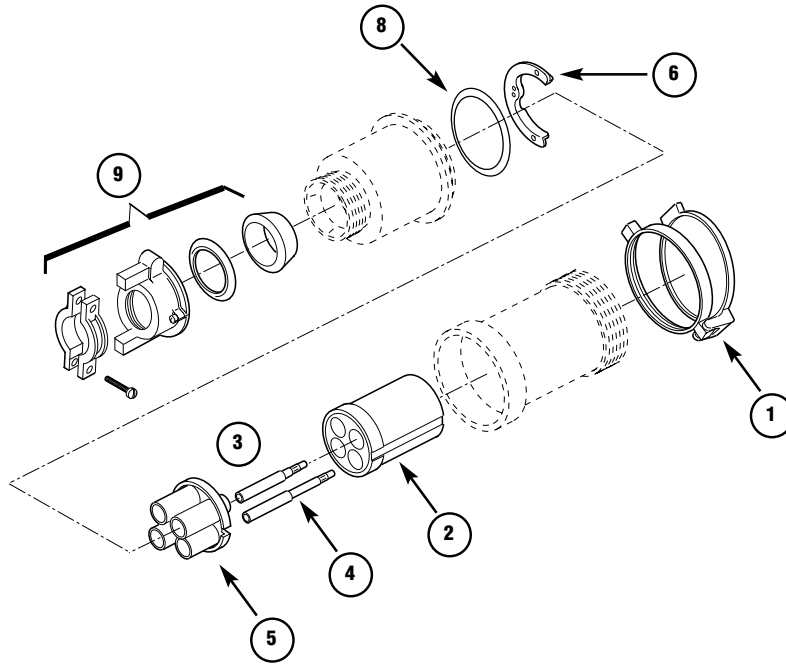
APR 20, 30, 60, 100 AMP CORD CONNECTORS
REPLACEMENT PARTS



ITEM	DESCRIPTION	USED ON	PART NO.	
1	INTERIOR ASSEMBLY—20 AMP	APR2251, APR2253	ATP212	
		APR3253, APR3255	ATP275	
		APR3353, APR3355	ATP276*	
		APR3453, APR3455	ATP277*	
		APR3553, APR3555	ATP160*	
		APR3363, APR3365	ATP278*	
		APR3463, APR3465	ATP279*	
		APR3563, APR3565	ATP163*	
		INTERIOR ASSEMBLY—60 AMP	APR6253, APR6255	ATP295
			APR6353, APR6355	ATP296*
			APR6453, APR6455	ATP297*
			APR6363, APR6365	ATP298*
			APR6463, APR6465	ATP299*
			APR6565, APR6567	ATP385*
INTERIOR ASSEMBLY—100 AMP	APR10255, APR10257	ATP315		
	APR10355, APR10357	ATP316*		
	APR10455, APR10457	ATP317*		
	APR10365, APR10367	ATP318*		
	APR10465, APR10467	ATP319*		
2	CORD GRIP GLAND NUT ASSEMBLY	APR2251	ARK SR KIT 1	
		APR2253	ARK SR KIT 2	
3	CONTACT KIT (Not shown)	ALL 30 AMP	AR30 CON KIT	
		ALL 60 AMP	AR60 CON KIT	
		ALL 100 AMP	AR100 CON KIT	

APR 200 AMP/.56" WIRE WELL/STANDARD & S4
REPLACEMENT PARTS

• PLUGS & RECEPTACLES



ITEM	DESCRIPTION	USED ON	PART NO.
1	SPRING DOOR ASSEMBLY	APR20315, APR20317, APR20318	AR:0401502-2
		APR20325, APR20327, APR20328	
		APR20415, APR20417, APR20418	AR:0401502-1
		APR20425, APR20427, APR20428	
2	INSULATOR BODY	APR20315, APR20317, APR20318	AR:2095-L
		APR20325, APR20327, APR20328	
		APR20415, APR20417, APR20418	AR:2101-L
		APR20425, APR20427, APR20428	
3	PHASE CONTACT ASSEMBLY (Quantity 1)	ALL UNITS	0490339
4	GROUND CONTACT ASSEMBLY (Quantity 1)	APR20325, APR20327, APR20328	0490343
		APR20425, APR20427, APR20428	

PLUGS & RECEPTACLES

APR 200 AMP/.56" WIRE WELL/STANDARD & S4 REPLACEMENT PARTS

ITEM	DESCRIPTION	USED ON	PART NO.
5	INSULATOR BASE	APR20315, APR20317, APR20318	AR:0401488-3
		APR20415, APR20417, APR20418	AR:0401488-7
		APR20325, APR20327, APR20328	AR:0401488-4
		APR20425, APR20427, APR20428	AR:0401488-8
6	INTERIOR RETAINING SHOE	APR20315, APR20317, APR20318	0490327
		APR20415, APR20417, APR20418	0490331
		APR20325, APR20327, APR20328	0490335
		APR20425, APR20427, APR20428	0490337
7	COMPLETE INTERIOR ASSEMBLY (Includes #3-#6)	APR20315, APR20317, APR20318	ATP397
		APR20415, APR20417, APR20418	ATP399
		APR20325, APR20327, APR20328	ATP401
		APR20425, APR20427, APR20428	ATP403
8	HANDLE BODY GASKET	ALL UNITS	GASK1646
9	CORD GRIP GLAND NUT ASSEMBLY (Includes cord grip, cable clamps, washers, bushings, and hardware)	APR20315, APR20415, APR20325, APR20425	AP2 KIT1 M80
		APR20317, APR20417, APR20327, APR20427	AP2 KIT2 M80
		APR20318, APR20418, APR20328, APR20428	AP2 KIT3 M80
10	WIRE WELL REDUCER (not shown) (quantity 3 required)	.469" CABLE DIA.	AP:0401977-1
		.500" CABLE DIA.	AP:0401977-2

APR 200 AMP/.75" WIRE WELL/STANDARD & S4
REPLACEMENT PARTS

ITEM	DESCRIPTION	USED ON	PART NO.
1	SPRING DOOR ASSEMBLY	APR203111, APR203112, APR203210	AR:0401502-2
		APR203211, APR203212	
		APR204111, APR204112, APR204113	AR:0401502-1
		APR204211, APR204212	
2	INSULATOR BODY	APR203111, APR203112, APR203210	AR:2095-L
		APR203211, APR203212	
		APR204111, APR204112, APR204113	AR:2101-L
		APR204211, APR204212	
3	PHASE CONTACT ASSEMBLY (Qty. 1)	ALL UNITS	0490340
4	GROUND CONTACT ASSEMBLY (Qty. 1)	APR203210, APR203211, APR203212	0490344
		APR204211, APR204212	
5	INSULATOR BASE	APR203111, APR203112	AR:0401488-3
		APR204111, APR204112, APR204113	AR:0401488-7
		APR203210, APR203211, APR203212	AR:0401488-4
		APR204211, APR204212	AR:0401488-8
6	INTERIOR RETAINING SHOE	APR203111, APR203112	0490328
		APR204111, APR204112, APR204113	0490332
		APR203210, APR203211, APR203212	0490335
		APR204211, APR204212	0490337
7	COMPLETE INTERIOR ASSEMBLY (Includes 3-6)	APR203111, APR203112	ATP398
		APR204111, APR204112, APR204113	ATP400
		APR203210, APR203211, APR203212	ATP402
		APR204211, APR204212	ATP404
8	HANDLE BODY GASKET	ALL UNITS	GASK1646
9	CORD GRIP GLAND NUT ASSEMBLY (Includes cord grip, cable clamps, washers, bushings, and hardware)	APR203210	AP2 KIT1 M80
		APR203111, APR204111, APR203211, APR204211	AP2 KIT2 M80
		APR203112, APR204112, APR203212, APR204212	AP2 KIT3 M80
		APR204113	AP2 KIT4 M80
10	WIRE WELL REDUCER (Not shown)	.672" CABLE DIA.	AP:0401977-3

PLUGS & RECEPTACLES

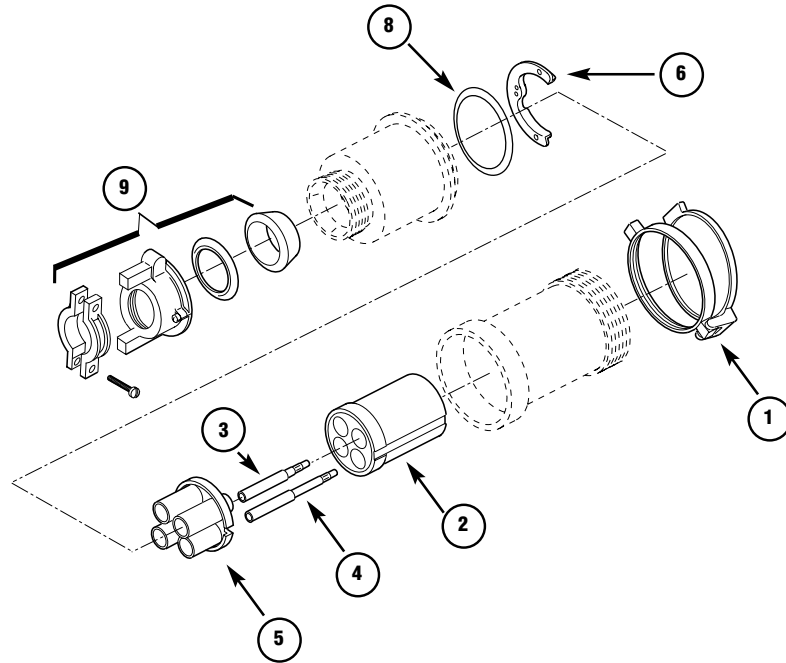
APR 200 AMP/.56" WIRE WELL/S22 & S4-S22 REPLACEMENT PARTS

ITEM	DESCRIPTION	USED ON	PART NO.
1	SPRING DOOR ASSEMBLY	APR20315, APR20317, APR20318	AR:0401502-2
		APR20325, APR20327, APR20328	
		APR20415, APR20417, APR20418	AR:0401502-1
		APR20425, APR20427, APR20428	
2	INSULATOR BODY	APR20315, APR20317, APR20318	AR:3374-B
		APR20325, APR20327, APR20328	
		APR20415, APR20417, APR20418	AR:5202-B
		APR20425, APR20427, APR20428	
3	PHASE CONTACT ASSEMBLY (Qty. 1)	ALL UNITS	0490351
4	GROUND CONTACT ASSEMBLY (Qty. 1)	APR20325, APR20327, APR20328	0490347
		APR20425, APR20427, APR20428	
5	INSULATOR BASE	APR20315, APR20317, APR20318	AR:0401488-1
		APR20415, APR20417, APR20418	AR:0401488-5
		APR20325, APR20327, APR20328	AR:0401488-2
		APR20425, APR20427, APR20428	AR:0401488-6
6	INTERIOR RETAINING SHOE	APR20315, APR20317, APR20318	0490327
		APR20415, APR20417, APR20418	0490331
		APR20325, APR20327, APR20328	0490335
		APR20425, APR20427, APR20428	0490337
7	COMPLETE INTERIOR ASSEMBLY (Includes items 3-6)	APR20315, APR20317, APR20318	ATP413
		APR20415, APR20417, APR20418	ATP415
		APR20325, APR20327, APR20328	ATP417
		APR20425, APR20427, APR20428	ATP419
8	HANDLE BODY GASKET	ALL UNITS	GASK1646
9	CORD GRIP GLAND NUT ASSEMBLY (Includes cord grip, cable clamps, washers, bushings, and hardware)	APR20315, APR20415, APR20325, APR20425	AP2 KIT1 M80
		APR20317, APR20417, APR20327, APR20427	AP2 KIT2 M80
		APR20318, APR20418, APR20328, APR20428	AP2 KIT3 M80
10	WIRE WELL REDUCER (Not shown—qty. 3 required)	.469" CABLE DIA.	AP:0401977-1
		.500" CABLE DIA.	AP:0401977-2

APR 200 AMP/.75" WIRE WELL/S22 & S4-S22
REPLACEMENT PARTS

ITEM	DESCRIPTION	USED ON	PART NO.
1	SPRING DOOR ASSEMBLY	APR203111, APR203112, APR203210	AR:0401502-2
		APR203211, APR203212	
		APR204111, APR204112, APR204113	AR:0401502-1
		APR204211, APR204212	
2	INSULATOR BODY	APR203111, APR203112, APR203210	AR:3374-B
		APR203211, APR203212	
		APR204111, APR204112, APR204113	AR:5202-B
		APR204211, APR204212	
3	PHASE CONTACT ASSEMBLY (Quantity 1)	ALL UNITS	0490352
4	GROUND CONTACT ASSEMBLY (Quantity 1)	APR203210, APR203211, APR203212	0490348
		APR204211, APR204212	
5	INSULATOR BASE	APR203111, APR203112	AR:0401488-1
		APR204111, APR204112, APR204113	AR:0401488-5
		APR203210, APR203211, APR203212	AR:0401488-2
		APR204211, APR204212	AR:0401488-6
6	INTERIOR RETAINING SHOE	APR203111, APR203112	0490328
		APR204111, APR204112, APR204113	0490332
		APR203210, APR203211, APR203212	0490335
		APR204211, APR204212	0490337
7	COMPLETE INTERIOR ASSEMBLY (Includes #3-#6)	APR203111, APR203112	ATP414
		APR204111, APR204112, APR204113	ATP416
		APR203210, APR203211, APR203212	ATP418
		APR204211, APR204212	ATP420
8	HANDLE BODY GASKET	ALL UNITS	GASK1646
9	CORD GRIP GLAND NUT ASSEMBLY (Includes cord grip, cable clamps, washers, bushings, and hardware)	APR203210	AP2 KIT1 M80
		APR203111, APR204111, APR203211, APR204211	AP2 KIT2 M80
		APR203112, APR204112, APR203212, APR204212	AP2 KIT3 M80
		APR204113	AP2 KIT4 M80
10	WIRE WELL REDUCER (Not shown) (Qty 3 required)	.672" CABLE DIA.	AP:0401977-3

APR 400 AMP/.84" WIRE WELL/STANDARD & S4
REPLACEMENT PARTS



ITEM	DESCRIPTION	USED ON	PART NO.
1	SPRING DOOR ASSEMBLY	APR40317, APR40318	AR:0401525-2
		APR40327, APR40328	
		APR40417, APR40418	AR:0401525-1
		APR40427, APR40428	
2	INSULATOR BODY	APR40317, APR40318	AR:452-D
		APR40327, APR40328	
		APR40417, APR40418	AR:3064-D
		APR40427, APR40428	
3	PHASE CONTACT ASSEMBLY (Qty. 1)	ALL UNITS	0490341
4	GROUND CONTACT ASSEMBLY (Qty. 1)	APR40327, APR40328	0490345
		APR40427, APR40428	

**APR 400 AMP/.84" WIRE WELL/STANDARD & S4
REPLACEMENT PARTS**

ITEM	DESCRIPTION	USED ON	PART NO.
5	INSULATOR BASE	APR40317, APR40318	AR:0401567-3
		APR40417, APR40418	AR:0401567-7
		APR40327, APR40328	AR:0401567-4
		APR40427, APR40428	AR:0401567-8
6	INTERIOR RETAINING SHOE	APR40317, APR40318	0490329
		APR40417, APR40418	0490333
		APR40327, APR40328	0490336
		APR40427, APR40428	0490338
7	COMPLETE INTERIOR ASSEMBLY (Includes items 3-6)	APR40317, APR40318	ATP405
		APR40417, APR40418	ATP407
		APR40327, APR40328	ATP409
		APR40427, APR40428	ATP411
8	HANDLE BODY GASKET	ALL UNITS	GASK1648
9	CORD GRIP GLAND NUT ASSEMBLY (Includes cord grip, cable clamps, washers, bushings, and hardware)	APR40317, APR40417, APR40327, APR40427	AP2 KIT1 M80
		APR40318, APR40418, APR40328, APR40428	AP2 KIT2 M80
10	WIRE WELL REDUCER (Not shown—qty. 3 required)	.830"-.687" CABLE DIA.	AR:0402760
		.830"-.735" CABLE DIA.	AR:0403180

APR 400 AMP/1.25" WIRE WELL/STANDARD & S4
REPLACEMENT PARTS

ITEM	DESCRIPTION	USED ON	PART NO.
1	SPRING DOOR ASSEMBLY	APR403110, APR403112	AR:0401525-2
		APR403210, APR403212	
		APR404110, APR404112	AR:0401525-1
		APR404210, APR404212	
2	INSULATOR BODY	APR403110, APR403112	AR:452-D
		APR403210, APR403212	
		APR404110, APR404112	AR:3064-D
		APR404210, APR404212	
3	PHASE CONTACT ASSEMBLY (Qty. 1)	ALL UNITS	0490342
4	GROUND CONTACT ASSEMBLY (Qty. 1)	APR403210	0490346
		APR403212, APR404210	
5	INSULATOR BASE	APR403110, APR403112	AR:0401567-3
		APR403210, APR403212	AR:0401567-7
		APR404110, APR404112	AR:0401567-4
		APR404210, APR404212	AR:0401567-8
6	INTERIOR RETAINING SHOE	APR403110, APR403112	0490329
		APR403210, APR403212	0490333
		APR404110, APR404112	0490336
		APR404210, APR404212	0490338
7	COMPLETE INTERIOR ASSEMBLY (Includes items 3–6)	APR403110, APR403112	ATP405
		APR404110, APR404112	ATP407
		APR403210, APR403212	ATP409
		APR404210, APR404212	ATP411
8	HANDLE BODY GASKET	ALL UNITS	GASK1648
9	CORD GRIP GLAND NUT ASSEMBLY (Includes cord grip, cable clamps, washers, bushings, and hardware)	APR40317, APR40417, APR40327, APR40427	AP4KIT1
		APR40318, APR40418, APR40328, APR40428	AP4KIT2
10	WIRE WELL REDUCER (Not shown—qty. 3 required)	.830"–.687" CABLE DIA.	AR:0402063
		.830"–.735" CABLE DIA.	AR:0402064

APR 400 AMP/.84" WIRE WELL/S22 & S4-S22
REPLACEMENT PARTS

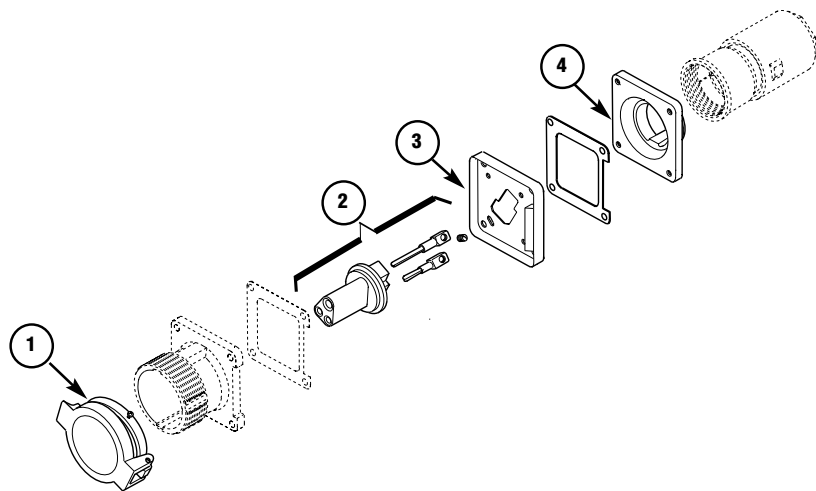
ITEM	DESCRIPTION	USED ON	PART NO.
1	SPRING DOOR ASSEMBLY	APR40317, APR40318	AR:0401525-2
		APR40327, APR40328	
		APR40417, APR40418	AR:0401525-1
		APR40427, APR40428	
2	INSULATOR BODY	APR40317, APR40318	AR:2140-L
		APR40327, APR40328	
		APR40417, APR40418	AR:3054-B
		APR40427, APR40428	
3	PHASE CONTACT ASSEMBLY (Qty. 1)	ALL UNITS	0490357
4	GROUND CONTACT ASSEMBLY (Qty. 1)	APR40327, APR40328	0402029
		APR40427, APR40428	
5	INSULATOR BASE	APR40317, APR40318	AR:0401567-1
		APR40417, APR40418	AR:0401567-5
		APR40327, APR40328	AR:0401567-2
		APR40427, APR40428	AR:0401567-6
6	INTERIOR RETAINING SHOE	APR40317, APR40318	0490329
		APR40417, APR40418	0490333
		APR40327, APR40328	0490336
		APR40427, APR40428	0490338
7	COMPLETE INTERIOR ASSEMBLY (Includes #3-#7)	APR40317, APR40318	ATP421
		APR40417, APR40418	ATP423
		APR40327, APR40328	ATP425
		APR40427, APR40428	ATP427
8	HOUSING BODY GASKET	ALL UNITS	GASK1648
9	CORD GRIP GLAND NUT ASSEMBLY (Includes cord grip, cable clamps, washers, bushings, and hardware)	APR40317, APR40417, APR40327, APR40427	AP2 KIT2 M80
		APR40318, APR40418, APR40328, APR40428	AP2 KIT3 M80
10	WIRE WELL REDUCER (Not shown—qty. 3 required)	.830"-.687" CABLE DIA.	AR:0402760
		.830"-.735" CABLE DIA.	AR:0403180

APR 400 AMP/1.25" WIRE WELL/S22 & S4-S22
REPLACEMENT PARTS

ITEM	DESCRIPTION	USED ON	PART NO.
1	SPRING DOOR ASSEMBLY	APR403110, APR403112	AR:0401525-2
		APR403210, APR403212	
		APR404110, APR404112	AR:0401525-1
		APR404210, APR404212	
2	INSULATOR BODY	APR403110, APR403112	AR:2140-L
		APR403210, APR403212	
		APR404110, APR404112	AR:3054-B
		APR404210, APR404212	
3	PHASE CONTACT ASSEMBLY (Qty. 1)	ALL UNITS	0490354
4	GROUND CONTACT ASSEMBLY (Qty. 1)	APR403210, APR403212	0490350
		APR404210, APR404212	
5	INSULATOR BASE	APR403110, APR403112	AR:0401567-1
		APR404110, APR404112	AR:0401567-5
		APR403210, APR403212	AR:0401567-2
		APR404210, APR404212	AR:0401567-6
6	INTERIOR RETAINING SHOE	APR403110, APR403112	0490330
		APR404110, APR404112	0490334
		APR403210, APR403212	0490336
		APR404210, APR404212	0490338
7	COMPLETE INTERIOR ASSEMBLY (Not shown—includes items 3–6)	APR403110, APR403112	ATP422
		APR404110, APR404112	ATP424
		APR403210, APR403212	ATP426
		APR404210, APR404212	ATP428
8	HOUSING BODY GASKET	ALL UNITS	GASK1648
9	CORD GRIP GLAND NUT ASSEMBLY (Includes cord grip, cable clamps, washers, bushings, and hardware)	APR403112, APR403212, APR404112, APR404212	AP4 KIT1
		APR403110, APR403210, APR404110, APR404210	AP4 KIT2
10	WIRE WELL REDUCER (Not shown—qty. 3 required)	1.24"–.75" CABLE DIA.	AR:0402063
		1.24"–1.04" CABLE DIA.	AR:0402064

APRC 30, 60, 100 AMP CORD CONNECTORS
REPLACEMENT PARTS

• PLUGS & RECEPTACLES



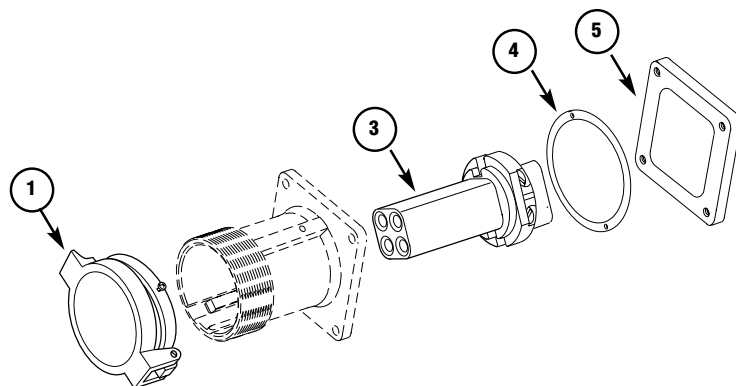
ITEM	DESCRIPTION	USED ON	PART NO.
1	SPRING DOOR ASSEMBLY	APRC33, APRC34, APRC35	QE50
		APRC63, APRC64	QE51
		APRC65	QE52
		APRC103, APRC104	QE53
		APRC105	QE54
1A	THREADED CAP AND CHAIN (Not shown)	APRC33, APRC34, APRC35	QE13
		APRC63, APRC64	QE32
		APRC65	QE34
		APRC103, APRC104	QE62
		APRC105	QE64
2	INTERIOR ASSEMBLY	APRC33	ATP586
		APRC34	ATP587
		APRC35	ATP585
		APRC63	ATP589
		APRC64	ATP590
		APRC65	ATP591
		APRC103	ATP592
		APRC104	ATP593
		APRC105	ATP594

APRC 30, 60, 100 AMP CORD CONNECTORS
REPLACEMENT PARTS

ITEM	DESCRIPTION	USED ON	PART NO.
3	POLARIZER	APRC33	ARC:0402966-*
		APRC34	ARC:0402967-*
		APRC35	ARC:0402968-*
		APRC63	ARC:0402969-*
		APRC64	ARC:0402970-*
		APRC65	ARC:0402971-*
		APRC103	ARC:0402972-*
		APRC104	ARC:0402973-*
		APRC105	ARC:0402974-*
4	ADAPTER	APRC33, APRC34, APRC35	ARC:0402831
		APRC63, APRC64, APRC65	ARC:0402833
		APRC103, APRC104, APRC105	ARC:0402833
5	CONTACT KIT	30 AMP	APRC30 CON KIT
		60 AMP	APRC60 CON KIT
		100 AMP	APRC100 CON KIT

* Specify number to designate polarity: B=1, C=2, D=3, F=5, H=7, K=9, L=10, N=12, P=13, U=15, W=16.

AR 20, 30, 60, 100 AMP RECEPTACLES
REPLACEMENT PARTS



• PLUGS & RECEPTACLES

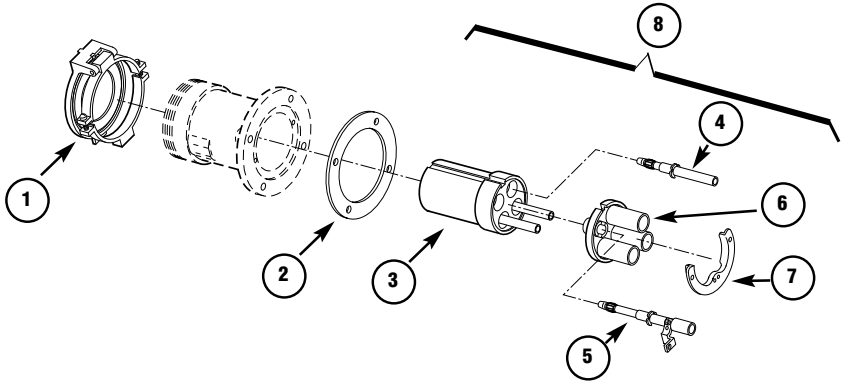
ITEM	DESCRIPTION	USED ON	PART NO.
1	SPRING DOOR ASSEMBLY	AR221	QE22
		AR321, 331, 332, 341, 342	QE50
		AR351, 352	QE42
		AR621, 631, 632	QE51
		AR641, 642	QE52
		AR1021, 1031, 1032	QE53
		AR1041, 1042	QE54
		2	THREADED CAP W/ CHAIN (Not shown)
AR327, 337, 338, 347, 348	QE13		
AR627, 637, 638	QE32		
AR647, 648	QE34		
AR657, 658	AR:11393B		
AR1027, 1037, 1038	QE62		
AR1047, 1048	QE64		
3	INTERIOR ASSEMBLY – 20 AMP	AR221, 227	ATP91
	INTERIOR ASSEMBLY – 30 AMP	AR321, 327	ATP275*
		AR331, 337	ATP276*
		AR341, 347	ATP277*
		AR351	ATP94
		AR332, 338	ATP278*
		AR342, 348	ATP279*
		AR352	ATP125

* Pressure contacts are standard. For crimp/solder connection add suffix "T".

AR 20, 30, 60, 100 AMP RECEPTACLES
REPLACEMENT PARTS

ITEM	DESCRIPTION	USED ON	PART NO.	
3	INTERIOR ASSEMBLY – 60 AMP	AR621, 627	ATP295*	
		AR631,637	ATP296*	
		AR641	ATP297*	
		AR657	ATP384*	
		AR632, 638	ATP298*	
		AR642, 648	ATP299*	
		AR658	ATP385*	
	INTERIOR ASSEMBLY – 100 AMP	AR1021, 1027	ATP315*	
		AR1031, 1037	ATP316*	
		AR1041, 1047	ATP317*	
		AR1032, 1038	ATP318*	
		AR1042, 1048	ATP319*	
4	RETAINING PLATE AND HARDWARE	30 AMP	ATP267	
		AR621, 631, 632	ATP268	
		AR641, 642	ATP363	
		AR657, 658, 1041, 1042	ATP364	
		AR1021, 1031, 1032	ATP269	
5	FLANGE GASKET	30 AMP	GASK499	
		60 AMP	GASK500	
		100 AMP	GASK500	
6	WIRE WELL REDUCER	30 AMP	AR:0400886	
		For suffix "T" crimp contacts. (Not shown)	60 AMP	AR:0400706
		100 AMP, LARGE	AR:0400888	
		100 AMP, SMALL	AR:0400889	
7	BACK BOX (Not shown)	REFER TO CATALOG SECTION 1P		
8	CONTACT KIT	30 AMP	AR30 CON KIT	
		60 AMP	AR60 CON KIT	
		100 AMP	AR100 CON KIT	
* Pressure contacts are standard. For crimp/solder connection add suffix "T".				

AR 200 AMP (M80) RECEPTACLES/.56" WIRE WELL/STANDARD & S4 REPLACEMENT PARTS



ITEM	DESCRIPTION	USED ON	PART NO.
1	SPRING DOOR ASSEMBLY	AR2031, AR2032	AR:0401502-2
		AR2041, AR2042	AR:0401502-1
2	RECEPTACLE HOUSING GASKET	ALL UNITS	GASK262
3	INSULATOR BODY	AR2031, AR2032	AR:2095-L
		AR2041, AR2042	AR:2101-L
	4PHASE CONTACT ASSEMBLY (Qty. 1) (Includes wire well)	ALL UNITS	0490339
5	GROUND CONTACT ASSEMBLY (Qty. 1)	AR2032, AR2042	0490343
6	INSULATOR BASE	AR2031	AR:0401488-3
		AR2041	AR:0401488-7
		AR2032	AR:0401488-4
		AR2042	AR:0401488-8
7	INTERIOR RETAINING SHOE	AR2031	0490327
		AR2041	0490331
		AR2032	0490335
		AR2042	0490337
8	COMPLETE INTERIOR ASSEMBLY (Includes #3-#7)	AR2031	ATP397
		AR2041	ATP399
		AR2032	ATP401
		AR2042	ATP403
9	WIRE WELL REDUCER (Not shown—qty. 3 required)	.469" CABLE DIA.	AR:0401977-1
		.500" CABLE DIA.	AR:0401977-2

PLUGS & RECEPTACLES

AR 200 AMP (M80) RECEPTACLES/.75" WIRE WELL/STANDARD & S4 REPLACEMENT PARTS

ITEM	DESCRIPTION	USED ON	PART NO.
1	SPRING DOOR ASSEMBLY	AR20312, AR20322	AR:0401502-2
		AR20412, AR20422	AR:0401502-1
2	RECEPTACLE HOUSING GASKET	ALL UNITS	GASK262
3	INSULATOR BODY	AR20312, AR20322	AR:2095-L
		AR20412, AR20422	AR:2101-L
	4PHASE CONTACT ASSEMBLY (Quantity 1) (Includes wire well)	ALL UNITS	0490340
5	GROUND CONTACT ASSEMBLY (Quantity 1)	AR20322, AR20422	0490344
6	INSULATOR BASE	AR20312	AR:0401488-3
		AR20412	AR:0401488-7
		AR20322	AR:0401488-4
		AR20422	AR:0401488-8
7	INTERIOR RETAINING SHOE	AR20312	0490327
		AR20412	0490331
		AR20322	0490335
		AR20422	0490337
8	COMPLETE INTERIOR ASSEMBLY (includes #3-#7)	AR20312	ATP398
		AR20412	ATP400
		AR20322	ATP402
		AR20422	ATP404
9	WIRE WELL REDUCER (not shown) (quantity 3 required)	.672" CABLE DIA.	AR:0401977-3

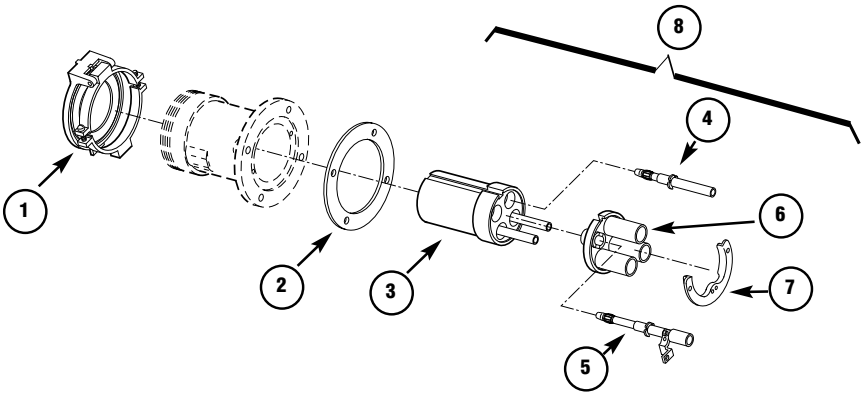
AR 200 AMP / .56" WIRE WELL/S22 & S4-22
REPLACEMENT PARTS

ITEM	DESCRIPTION	USED ON	PART NO.
1	SPRING DOOR ASSEMBLY	AR2031, AR2032	AR:0401502-2
		AR2041, AR2042	AR:0401502-1
2	RECEPTACLE HOUSING GASKET	ALL UNITS	GASK262
3	INSULATOR BODY	AR2031, AR2032	AR:3374-B
		AR2041, AR2042	AR:5202-B
4	PHASE CONTACT ASSEMBLY (quantity 1) (Includes wire well)	ALL UNITS	0490351
5	GROUND CONTACT ASSEMBLY (quantity 1)	AR2032, AR2042	0490347
6	INSULATOR BASE	AR2031	AR:0401488-1
		AR2041	AR:0401488-5
		AR2032	AR:0401488-2
		AR2042	AR:0401488-6
7	INTERIOR RETAINING SHOE	AR2031	0490327
		AR2041	0490331
		AR2032	0490335
		AR2042	0490337
8	COMPLETE INTERIOR ASSEMBLY (includes #3-#7)	AR2031	ATP413
		AR2041	ATP415
		AR2032	ATP417
		AR2042	ATP419
9	WIRE WELL REDUCER (not shown) (quantity 3 required)	1.24" - .75" CABLE DIA.	AR:0402063
		1.24" - 1.04" CABLE DIA.	AR:0402064

AR 200 AMP / .75" WIRE WELL/S22 & S4-22
REPLACEMENT PARTS

ITEM	DESCRIPTION	USED ON	PART NO.
1	SPRING DOOR ASSEMBLY	AR20312, AR20322	AR:0401502-2
		AR20412, AR20422	AR:0401502-1
2	RECEPTACLE HOUSING GASKET	ALL UNITS	GASK262
3	INSULATOR BODY	AR20312, AR20322	AR:3374-B
		AR20412, AR20422	AR:5202-B
4	PHASE CONTACT ASSEMBLY (Quantity 1) (Includes wire well)	ALL UNITS	0490352
5	GROUND CONTACT ASSEMBLY (Quantity 1)	AR20322, AR20422	0490348
6	INSULATOR BASE	AR20312	AR:0401488-1
		AR20412	AR:0401488-5
		AR20322	AR:0401488-2
		AR20422	AR:0401488-6
7	INTERIOR RETAINING SHOE	AR20312	0490328
		AR20412	0490332
		AR20322	0490335
		AR20422	0490337
8	COMPLETE INTERIOR ASSEMBLY (includes #3-#7)	AR20312	ATP414
		AR20412	ATP416
		AR20322	ATP418
		AR20422	ATP420
9	WIRE WELL REDUCER (Not shown—qty. 3 required)	.672" CABLE DIA.	AR:0401977-3
		.500" CABLE DIA.	AR:0401977-2

**AR 400 AMP/.84" WIRE WELL/STANDARD & S4
REPLACEMENT PARTS**



ITEM	DESCRIPTION	USED ON	PART NO.
1	SPRING DOOR ASSEMBLY	AR4031, AR4032	AR:0401525-2
		AR4041, AR4042	AR:0401525-1
2	RECEPTACLE HOUSING GASKET	ALL UNITS	GASK263
3	INSULATOR BODY	AR4031, AR4032	AR:452-D
		AR4041, AR4042	AR:3064-D
4	PHASE CONTACT ASSEMBLY (Qty. 1) (Includes wire well)	ALL UNITS	0490341
5	GROUND CONTACT ASSEMBLY (Qty. 1)	AR4032, AR4042	0490345
6	INSULATOR BASE	AR4031	AR:0401567-3
		AR4041	AR:0401567-7
		AR4032	AR:0401567-4
		AR4042	AR:0401567-8
7	INTERIOR RETAINING SHOE	AR4031	0490329
		AR4041	0490333
		AR4032	0490336
		AR4042	0490338

PLUGS & RECEPTACLES

AR 400 AMP/.84" WIRE WELL/STANDARD & S4 REPLACEMENT PARTS

ITEM	DESCRIPTION	USED ON	PART NO.
8	COMPLETE INTERIOR ASSEMBLY (Includes #3-#7)	AR4031	ATP405
		AR4041	ATP407
		AR4032	ATP409
		AR4042	ATP411
9	WIRE WELL REDUCER (Not shown—qty. 3 required)	.830"-.687" CABLE DIA.	AR:0402062
		.830"-.590" CABLE DIA.	AR:0402760
		.830"-.735" CABLE DIA.	AR:0403180

**AR 400 AMP/.125" WIRE WELL/STANDARD & S4
REPLACEMENT PARTS**

ITEM	DESCRIPTION	USED ON	PART NO.
1	SPRING DOOR ASSEMBLY	AR40312, AR40322	AR:0401525-2
		AR40412, AR40422	AR:0401525-1
2	RECEPTACLE HOUSING GASKET	ALL UNITS	GASK263
3	INSULATOR BODY	AR40312, AR40322	AR:452-D
		AR40412, AR40422	AR:3064-D
4	PHASE CONTACT ASSEMBLY (Qty. 1) (Includes wire well)	ALL UNITS	0490342
5	GROUND CONTACT ASSEMBLY (Qty. 1)	AR40322, AR40422	0490346
6	INSULATOR BASE	AR40312	AR:0401567-3
		AR40412	AR:0401567-7
		AR40322	AR:0401567-4
		AR40422	AR:0401567-8
7	INTERIOR RETAINING SHOE	AR40312	0490330
		AR40412	0490334
		AR40322	0490336
		AR40422	0490338
8	COMPLETE INTERIOR ASSEMBLY (Includes #3-#7)	AR40312	ATP406
		AR40412	ATP408
		AR40322	ATP410
		AR40422	ATP412
9	WIRE WELL REDUCER (Not shown—qty. 3 required)	1.24"-.75" CABLE DIA.	AR:0402063
		1.24"-1.04" CABLE DIA.	AR:0402064

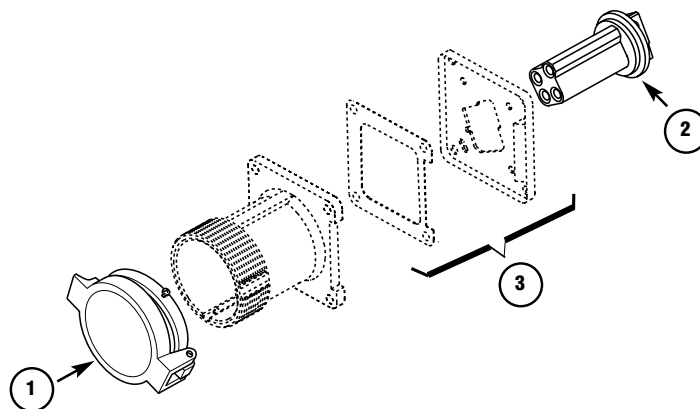
AR 400 AMP / .84" WIRE WELL/S22 & S4-22
REPLACEMENT PARTS

ITEM	DESCRIPTION	USED ON	PART NO.
1	SPRING DOOR ASSEMBLY	AR4031, AR4032	AR:0401525-2
		AR4041, AR4042	AR:0401525-1
2	RECEPTACLE HOUSING GASKET	ALL UNITS	GASK263
3	INSULATOR BODY	AR4031, AR4032	AR:2140-L
		AR4041, AR4042	AR:3054-B
4	PHASE CONTACT ASSEMBLY (Quantity 1) (Includes wire well)	ALL UNITS	0490357
5	GROUND CONTACT ASSEMBLY (Quantity 1)	AR4032, AR4042	0402029
6	INSULATOR BASE	AR4031	AR:0401567-1
		AR4041	AR:0401567-5
		AR4032	AR:0401567-2
		AR4042	AR:0401567-6
7	INTERIOR RETAINING SHOE	AR4031	0490329
		AR4041	0490333
		AR4032	0490336
		AR4042	0490338
8	COMPLETE INTERIOR ASSEMBLY (includes #3-#7)	AR4031	ATP421
		AR4041	ATP423
		AR4032	ATP425
		AR4042	ATP427

AR 400 AMP /1.25 WIRE WELL/S22 & S4-22
REPLACEMENT PARTS

ITEM	DESCRIPTION	USED ON	PART NO.
1	SPRING DOOR ASSEMBLY	AR40312, AR40322	AR:0401525-2
		AR40412, AR40422	AR:0401525-1
2	RECEPTACLE HOUSING GASKET	ALL UNITS	GASK263
3	INSULATOR BODY	AR40312, AR40322	AR:2140-L
		AR40412, AR40422	AR:3054-B
4	PHASE CONTACT ASSEMBLY (Quantity 1) (Includes wire well)	ALL UNITS	0490354
5	GROUND CONTACT ASSEMBLY (Quantity 1)	AR40322, AR40422	0490350
6	INSULATOR BASE ASSEMBLY	AR40312	AR:0401567-1
		AR40412	AR:0401567-5
		AR40322	AR:0401567-2
		AR40422	AR:0401567-6
7	INTERIOR RETAINING ASSEMBLY	AR40312	0490330
		AR40412	0490334
		AR40322	0490336
		AR40422	0490338
8	COMPLETE INTERIOR ASSEMBLY (includes #3-#7)	AR40312	ATP422
		AR40412	ATP424
		AR40322	ATP426
		AR40422	ATP428
9	WIRE WELL REDUCER (Not shown) (Quantity 3 required)	1.24" - .75" CABLE DIA.	AR:0402063
		1.24" - 1.04" CABLE DIA.	AR:0402064

ARC 30, 60, 100 AMP RECEPTACLES
REPLACEMENT PARTS



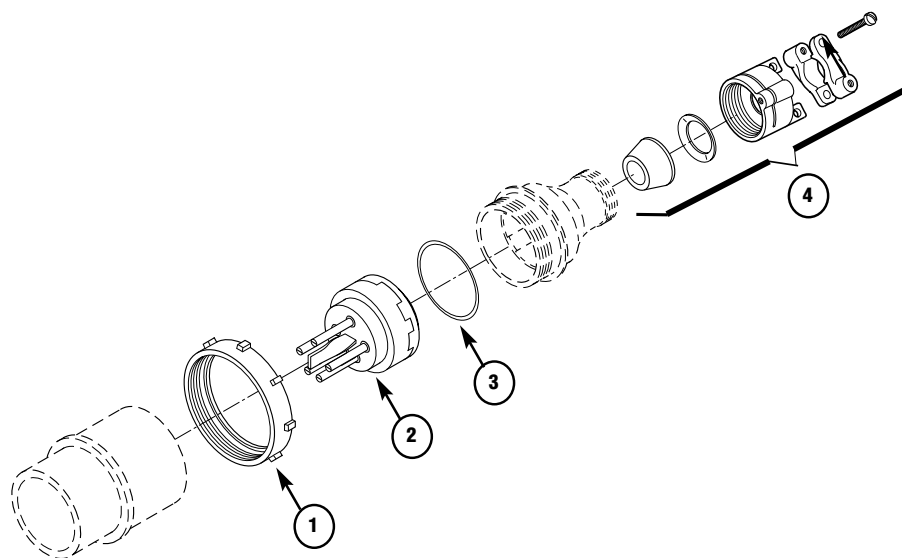
ITEM	DESCRIPTION	USED ON	PART NO.
1	SPRING DOOR ASSEMBLY	ARC33, ARC34, ARC35	QE50
		ARC63, ARC64	QE51
		ARC65	QE52
		ARC103, ARC104	QE53
		ARC105	QE54
1A	THREADED CAP AND CHAIN (Not shown)	ARC33, ARC34, ARC35	QE13
		ARC63, ARC64	QE32
		ARC65	QE34
		ARC103, ARC104	QE62
		ARC105	QE64
2	INTERIOR ASSEMBLY	ARC33	ATP586
		ARC34	ATP587
		ARC35	ATP588
		ARC63	ATP589
		ARC64	ATP590
		ARC65	ATP591
		ARC103	ATP592
		ARC104	ATP593
		ARC105	ATP594

**ARC 30, 60, 100 AMP RECEPTACLES
REPLACEMENT PARTS**

ITEM	DESCRIPTION	USED ON	PART NO.
3	POLARIZER AND GASKET	ARC33	ARC:0402966-*
		ARC34	ARC:0402967-*
		ARC35	ARC:0402968-*
		ARC63	ARC:0402969-*
		ARC64	ARC:0402970-*
		ARC65	ARC:0402971-*
		ARC103	ARC:0402972-*
		ARC104	ARC:0402973-*
		ARC105	ARC:0402974-*
		4	CONTACT KITS
60 AMP	APRC60 CON KIT		
100 AMP	APRC100 CON KIT		

* Specify number to designate polarity: B=1, C=2, D=3, E=4, F=5, H=7, K=9, L=10, N=12, P=13, U=15, W=16.

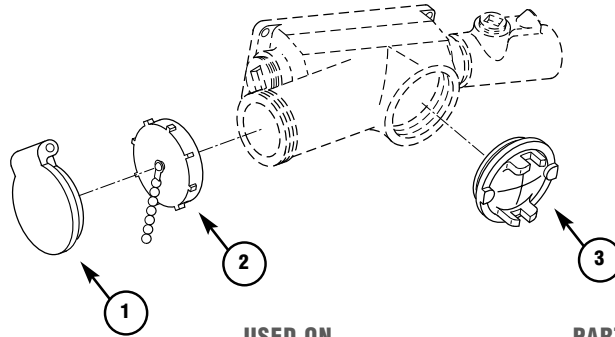
BHP PLUGS REPLACEMENT PARTS



ITEM	DESCRIPTION	USED ON	PART NO.
1	CLAMP RING	ALL BHP	BHP:20840B
2	INTERIOR ASSEMBLY – 30 AMP*	2W3P BHP3383N, BHP3385N	BHP30N
		3W4P BHP3483D, BHP3485D	BHP30D
		4W5P BHP3583NW, BHP3585NW	BHP30NW
	INTERIOR ASSEMBLY – 60 AMP*	BHP6383N, BHP6385N	BHP60N
		BHP6483D, BHP6485D	BHP60D
		BHP6585NW, BHP6587NW	BHP60NW
	INTERIOR ASSEMBLY – 100 AMP*	BHP10385N, BHP10387N	BHP100N
		BHP10485D, BHP10487D	BHP100D
		BHP10585NW, BHP10587NW	BHP100NW
3	O-RING GASKET	ALL UNITS	GASK1150
4	CORD GRIP GLAND NUT ASSEMBLY	BHP3383N, BHP3483D, BHP3583NW	ARK SR KIT2
	(Includes cord grip, cable clamps, washers, bushings, and hardware)	BHP6383N, BHP6483D	
		BHP3385N, BHP3485D, BHP3585NW	ARK SR KIT3
		BHP6385N, BHP6485D, BHP6585NW	
		BHP10385N, BHP10485D, BHP10585NW	
		BHP6587NW, BHP10387N	ARK SR KIT4
		BHP10487D, BHP10587NW	

* Other polarities available, consult Crouse-Hinds

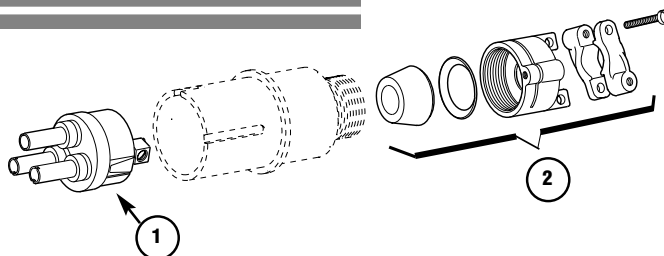
BHR RECEPTACLE REPLACEMENT PARTS



ITEM	DESCRIPTION	USED ON	PART NO.
1	SPRING DOOR ASSEMBLY <small>(Includes door, gasket, hinge ring, hinge pin, and spring)</small>	ALL BHR	BHR:21623B
2	THREADED CAP AND CHAIN	ALL BHR	BHR:29144A
3	THREADED COVER FOR RECEPTACLE HOUSING	ALL BHR	BHR:12805D
4	INTERIORS*	BHR, E, C 30A N	BHR30N
		BHR, E, C 30A D	BHR30D
		BHR, E, C 30A NW	BHR30NW
		BHR, E, C 60A N	BHR60N
		BHR, E, C 60A D	BHR60D
		BHR, E, C 60A NW	BHR60NW
		BHR, E, C 100A N	BHR100N
		BHR, E, C 100A D	BHR100D
		BHR, E, C 100A NW	BHR100NW

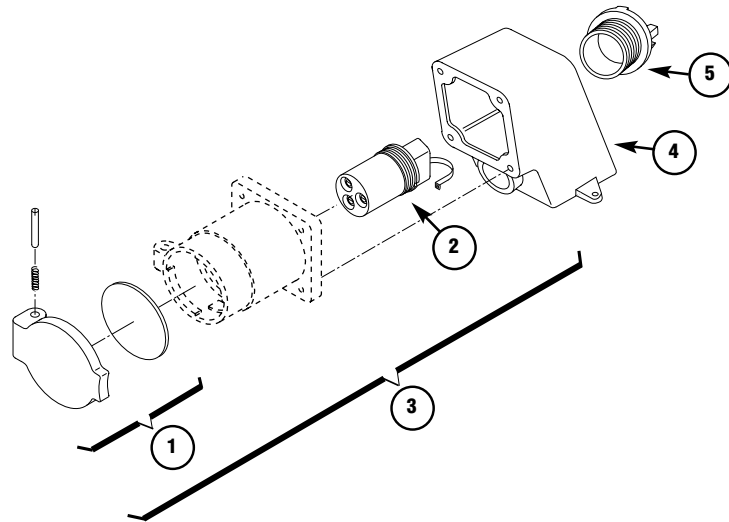
* Other polarities available, consult Crouse-Hinds

BP RECEPTACLE REPLACEMENT PARTS



ITEM	DESCRIPTION	USED ON	PART NO.
1	INTERIOR ASSEMBLY – 30 AMP (2-wire, 3-pole)	ALL BP PLUGS	ATP328
2	CORD GRIP GLAND NUT ASSEMBLY <small>(Includes cord grip, cable clamps, washers, bushings, and hardware)</small>	ALL BP PLUGS	BP SR KIT

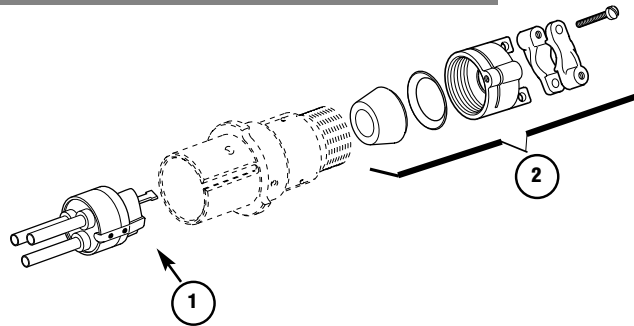
CES/CESD RECEPTACLES REPLACEMENT PARTS



ITEM	DESCRIPTION	USED ON	PART NO.
1	SPRING DOOR ASSEMBLY	CES/CESD2213, CES/CESD2214	QE61
	(Includes door, gasket, hinge pin, and spring)	CES/CESD4233	QE15
		CES/CESD4234	QE16
2	INTERIOR ASSEMBLY – 30 AMP	CES/CESD2213	ATP371
		CES/CESD2214	ATP372
3	COMPLETE RECEPTACLE ASSEMBLY	CES/CESD2213	CE213
		CES/CESD2214	CE214
		CES/CESD4233	CE233
		CES/CESD4234	CE234
4	BACK BOX W/ COVER	CES2213, 2214	CES21
		CESD2213, 2214	CESD21
		CES4233, 4234	CES42
		CESD4233, 4234	CESD42
5	THREADED COVER FOR RECEPTACLE HOUSING	CESD2213, CESD2214	GUA04
		CESD4233, CESD4234	GUA06

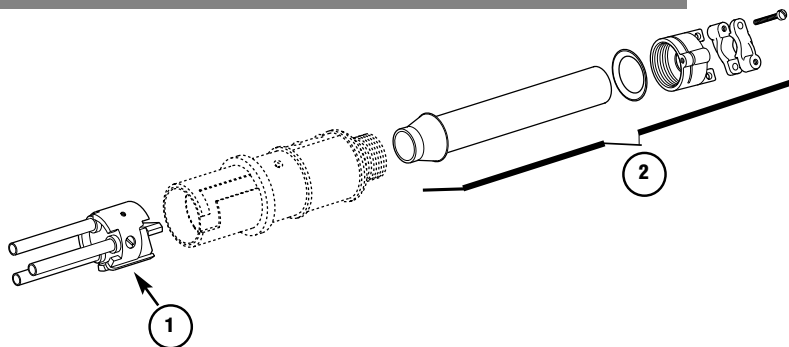
• PLUGS

CPH PLUGS REPLACEMENT PARTS



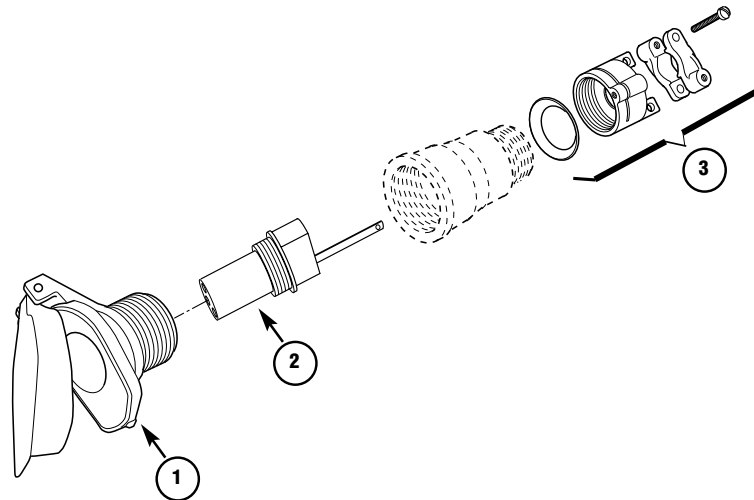
ITEM	DESCRIPTION	USED ON	PART NO.
1	INTERIOR ASSEMBLY	CPH7713, CPH7913	ATP340
		CPH7714, CPH7914	ATP341
		CPH7733, CPH7933	ATP110
		CPH7734, CPH7934	ATP111
2	CORD GRIP GLAND NUT ASSEMBLY (Includes cord grip, cable clamps, washers, bushings, and hardware)	CPH7713, CPH7714, CPH7733, CPH7734	ARK SR KIT 2
		CPH7913, CPH7914, CPH7933, CPH7934	ARK SR KIT 3

CPP PLUGS REPLACEMENT PARTS



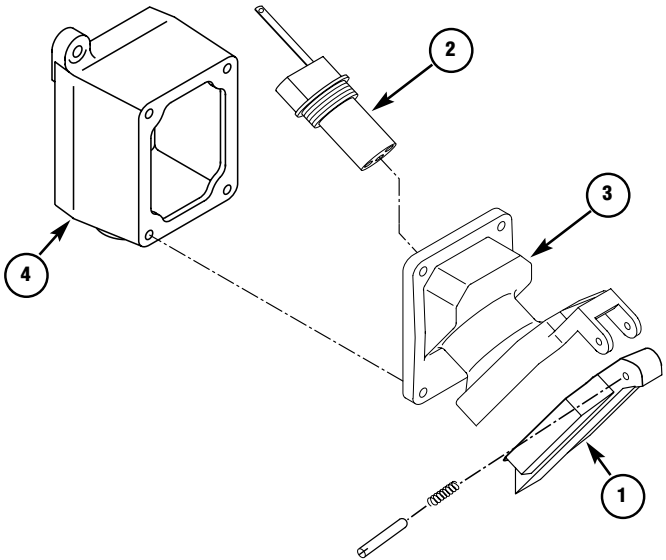
ITEM	DESCRIPTION	USED ON	PART NO.
1	INTERIOR ASSEMBLY	CPP512	ATP208
		CPP516	ATP260
		CPP4553, MODEL M11	ATP361
		CPP4752, MODEL M11	ATP274
2	CORD GRIP GLAND NUT ASSEMBLY (Includes cord grip, cable clamps, washers, bushings, and hardware)	CPP512, CPP516	ARK SR KIT 1
		CPP4553, CPP4752, MODEL M11	ARK SR KIT 2

CPR CABLE CONNECTOR REPLACEMENT PARTS



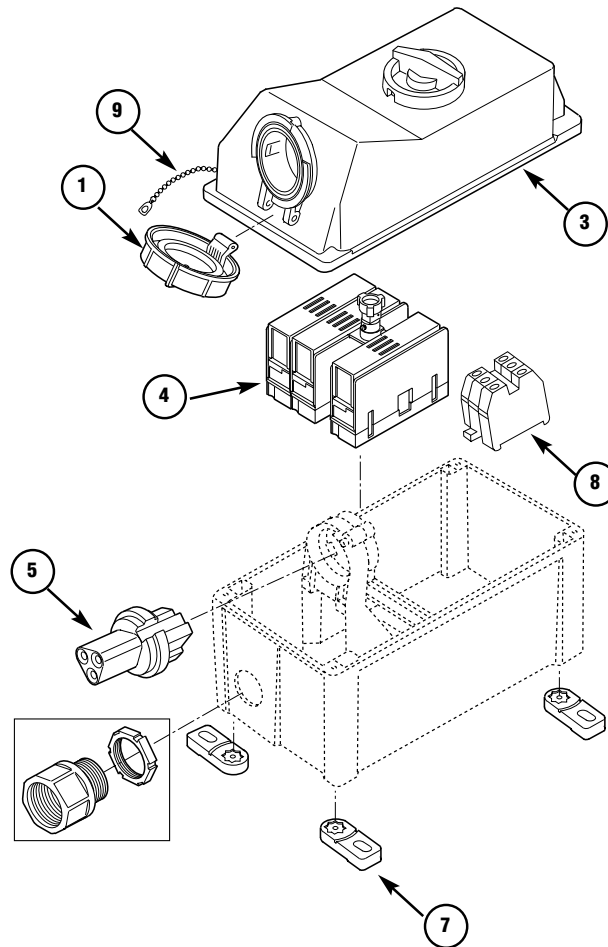
ITEM	DESCRIPTION	USED ON	PART NO.
1	SPRING DOOR ASSEMBLY (Includes door, gasket, and hinge pin)	CPR154, MODEL M5 CPR154, MODEL M4	QE21 QE14
2	INTERIOR ASSEMBLY	CPR154, MODELS M4 & M5	ATP375
3	CORD GRIP GLAND NUT ASSEMBLY (Includes cord grip, cable clamps, washers, bushings, and hardware)	CPR154, MODELS M4 & M5	ARK SR KIT1

CPS RECEPTACLES REPLACEMENT PARTS



ITEM	DESCRIPTION	USED ON	PART NO.
1	SPRING DOOR ASSEMBLY (Includes door, gasket, hinge pin and spring)		QE14
			QE25
			QE21
			QE21
2	INTERIOR ASSEMBLY		ATP375
			ATP371
			ATP372
3	COMPLETE RECEPTACLE ASSEMBLY		CPS152R
			CPS532R
			CPS732R
			CPS14R
4	BACK BOXES	CPS14 SERIES	
		1/2" DEAD END	CPS120
		1/2" THROUGH FEED	CPS121
		3/4" DEAD END	CPS20
		3/4" THROUGH FEED	CPS21*
* Add "SA" for aluminum if required.			

CSR INTERLOCKED RECEPTACLES
REPLACEMENT PARTS

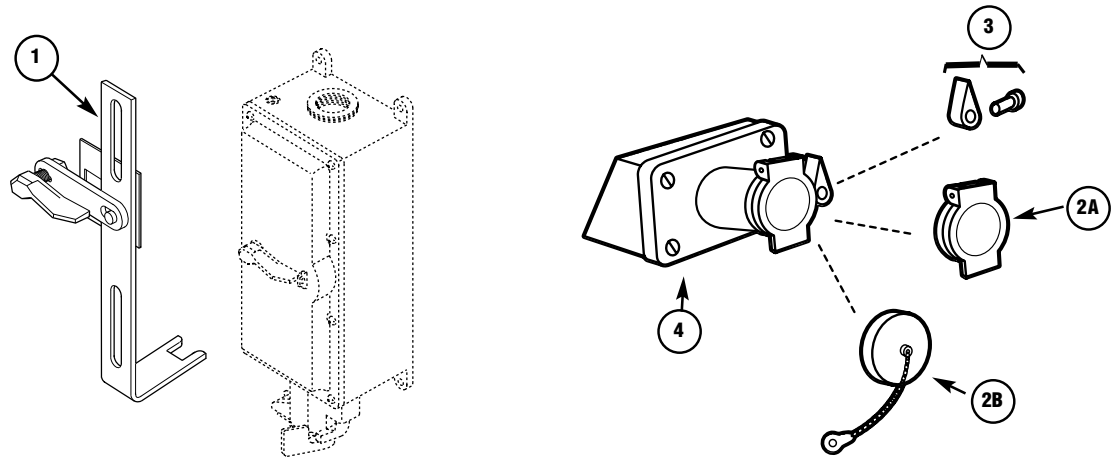


ITEM	DESCRIPTION	USED ON	PART NO.
1	SPRING CAP W/ HARDWARE	CSR33A, CSR33A-FS	CSR-K13
		CSR34A, CSR34A-FS	CSR-K13
		CSR64A, CSR64A-FS	CSR-K12
2	CLAMP RING KIT	CSR33A, CSR33A-FS	CSR-K5
		CSR34A, CSR34A-FS	CSR-K5A (ALUMINUM)
		CSR64A, CSR64A-FS	CSR-K2
			CSR-K2A (ALUMINUM)

**CSR INTERLOCKED RECEPTACLES
REPLACEMENT PARTS**

ITEM	DESCRIPTION	USED ON	PART NO.
3	REPLACEMENT ENCLOSURE KIT	CSR33A	CSR-K11
		CSR33A-FS	CSR-K22
		CSR34A	CSR-K10
		CSR34A-FS	CSR-K21
		CSR64A	CSR-K9
		CSR64A-FS	CSR-K20
4	REPLACEMENT SWITCH	CSR33A, CSR34A	CSR-K18
		CSR33A-FS, CSR34A-FS	CSR-K19
		CSR64A, CSR64A-FS	CSR-K17
5	RECEPTACLE INTERIOR ASSEMBLY	CSR33A, CSR33A-FS	CSR-K15
		CSR34A, CSR34A-FS	CSR-K16
		CSR64A, CSR64A-FS	CSR-K14
6A	HUB KIT – 1-1/2"	ALL CSR	CSR-K3
6B	HUB KIT – 1-1/4"	ALL CSR	CSR-K8
7	MOUNTING FOOT KIT (4 pieces)	ALL CSR	CSR-K4
8	AUXILIARY CONTACT KIT	CSR33A, CSR34A	CSR-K6
		CSR33A-FS, CSR34A-FS	CSR-K7
		CSR64A, CSR64A-FS	CSR-K1

DBR INTERLOCKED RECEPTACLES
REPLACEMENT PARTS



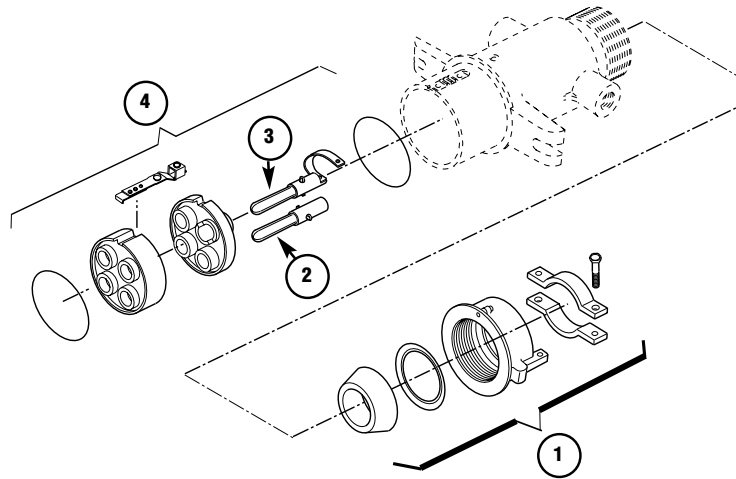
ITEM	DESCRIPTION	USED ON	PART NO.	
1	COMPLETE CIRCUIT BREAKER OPERATING ASSEMBLY (Includes handle, shaft, arm, interlocking arm assembly, and hardware)	ALL DBR	DBR-K7	
			M2	M4
2A	SPRING DOOR ASSEMBLY	DBR53731, 53732	DBR-K2*	QE343
		DBR753742	DBR-K2*	QE343
	FOR RECEPTACLE HOUSING	DBR56731, 56732	DBR-K3*	QE346
	(Includes spring door, gasket, spring, and hinge)	DBR56742	DBR-K3*	QE346
		51731, 51732	DBR-K4*	
		DBR51742	DBR-K5*	QE3410
2B	THREADED CAP AND CHAIN	DBR53742	QE13	DBR-K6
		DBR56742	QE34	DBR-K6
		DBR51742	QE64	DBR-K6

DBR INTERLOCKED RECEPTACLES
REPLACEMENT PARTS

ITEM	DESCRIPTION	USED ON	PART NO.	
			M2	M4
3	RECEPTACLE INTERLOCK RELEASE HANDLE W/ HARDWARE	ALL DBR	DBR-K6	DBR-K6
4	COMPLETE RECEPTACLE HOUSING ASSEMBLY (Includes receptacle housing with spring door, receptacle interior assembly, gasket, and hardware)	DBR53731 DBR53732 DBR53742 DBR56731 DBR56732 DBR56742 DBR51731 DBR51732 DBR51742	DBR331-M2 DBR332-M2 DBR342-M2 DBR631-M2 DBR632-M2 DBR642-M2 DBR1031-M2 DBR1032-M2 DBR1042-M2	DBR342 DBR642 DBR1042
7	BREATHER	ALL DBR	ECD13	
8	DRAIN	ALL DBR	ECD11	
9	PIPE PLUGS	ALL DBR	PLG1	
10	REDUCER 2"-1 1/2" FOR CONDUIT OPENING	ALL DBR	RE75	

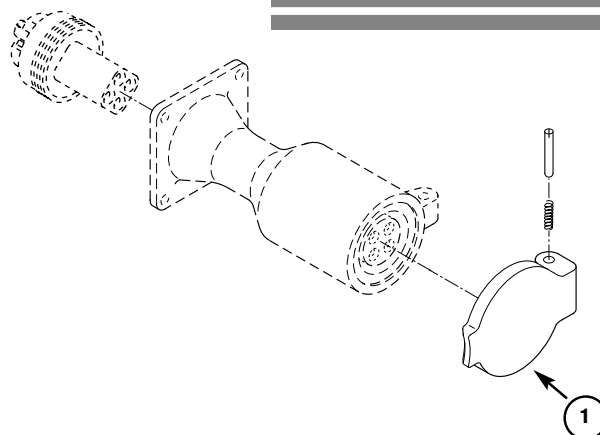
* Note: Ask customer to confirm that mounting "ears" are not broken before selling spring door assembly.

DP PLUG – 200 AMP REPLACEMENT PARTS



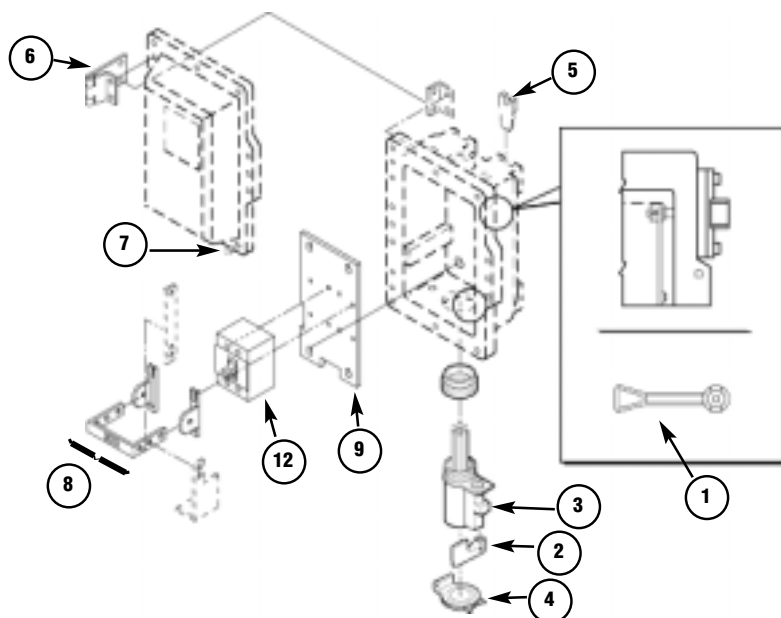
ITEM	DESCRIPTION	USED ON	PART NO.
1	CORD GRIP GLAND NUT ASSEMBLY <small>(Includes cord grip, cable clamps, washers, bushings, and hardware)</small>	ALL DP PLUGS	AP2 KIT3 M80
2	PHASE CONTACT	ALL DP PLUGS	DP:917A
3	GROUND CONTACT	ALL DP PLUGS	DP:8054A
4	REPLACEMENT INTERIOR	ALL DP PLUGS	DP20468 R1

DR RECEPTACLE REPLACEMENT PARTS



ITEM	DESCRIPTION	USED ON	PART NO.
1	SPRING DOOR ASSEMBLY <small>(Includes door, gasket, hinge pin, and spring)</small>	DR331, 332, 341, 342 DR631, 632, 641, 642	QE65 QE24

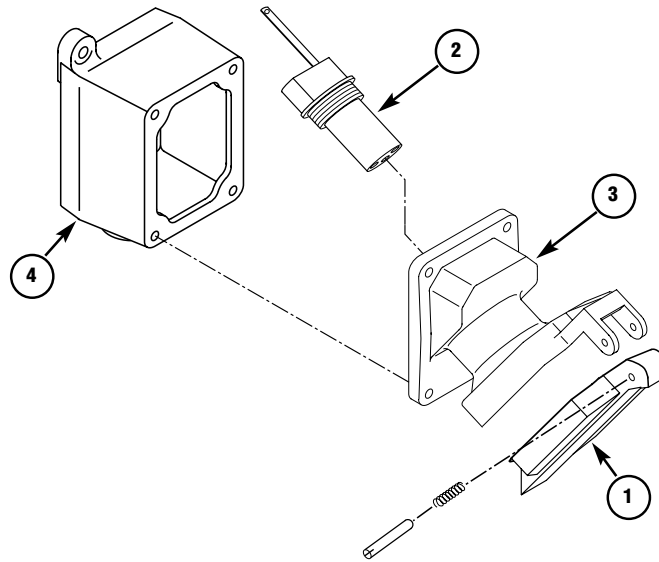
**EBBR INTERLOCKED RECEPTACLES
REPLACEMENT PARTS**



ITEM	DESCRIPTION	USED ON	PART NO.
1	CIRCUIT BREAKER OPERATING HANDLE	ALL UNITS	EBM:0206550-1
2	RECEPTACLE INTERLOCK RELEASE HANDLE	ALL UNITS	DBR-K6
3	COMPLETE RECEPTACLE HOUSING ASSEMBLY	ALL 30 AMP UNITS	EBBR342 KIT*
		ALL 60 AMP UNITS	EBBR642 KIT*
		ALL 100 AMP UNITS	EBBR1042 KIT*
4	SPRING DOOR ASSEMBLY	ALL 30 AMP UNITS	DBR-K2
		ALL 60 AMP UNITS	DBR-K4
		ALL 100 AMP UNITS	DBR:7814A
5	ENCLOSURE MOUNTING FEET (4 pieces)	ALL UNITS	EJB-MF1
6	HINGES (2 pieces)	ALL UNITS	EBM-K6
7	COVER BOLTS (12 bolts)	ALL UNITS	EBM-K21
8	CIRCUIT BREAKER BAIL ASSEMBLY & CONNECTOR ARM	ALL UNITS	EBM-K7
9	BREAKER MOUNTING PLATE		EBM:0206768
10	BREAKER HANDLE STOP PLATE	ALL UNITS	EBM-K5
11	BREATHER	ALL UNITS	ECD16
11A	DRAIN	ALL UNITS	ECD17
12	100 AMP FRAME BREAKERS	ALL UNITS	BUY LOCALLY

* For optional polarity add suffix S4.

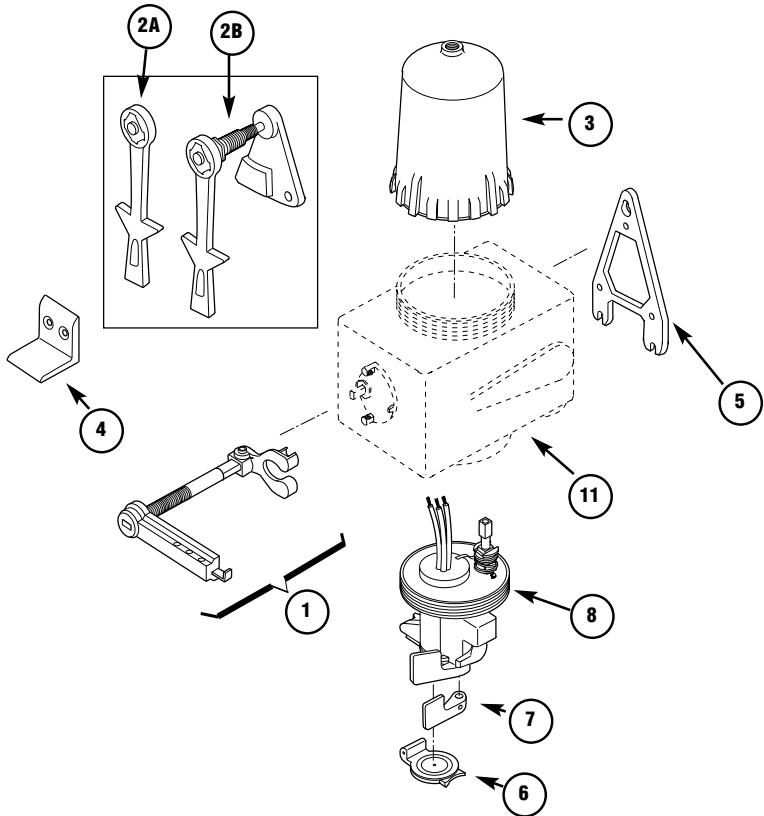
ENR RECEPTACLES REPLACEMENT PARTS



ITEM	DESCRIPTION	USED ON	PART NO.
1	SPRING DOOR ASSEMBLY <small>(Includes door, gasket, hinge pin, and spring)</small>	ENR SERIES	QE26
2	RECEPTACLE ASSEMBLY	125V SERIES	ENR5201
		250V SERIES	ENR6202
3	BACK BOXES	1/2" SINGLE GANG	EDS(C)171*
		3/4" SINGLE GANG	EDS(C)271*
		1" SINGLE GANG	EDS(C)371*
		1/2" TWO GANG	EDS(C)172*
		3/4" TWO GANG	EDS(C)272*
		1" TWO GANG	EDS(C)372*
* Add "SA" for aluminum if required.			

EPC W/ INTERLOCK (M75) REPLACEMENT PARTS

• PLUGS & RECEPTACLES



ITEM	DESCRIPTION	USED ON	PART NO.
1	COMPLETE BREAKER OPERATING HANDLE ASSEMBLY (Includes handle, shaft, bushing, arm, hardware)	EPC43032, 43042, 46032, 46042 EPC61032, 61042, 66032, 66042	EPC-K3
2A	COMPLETE BREAKER OPERATING HANDLE W/ HARDWARE	EPC604-2042, 605-2042	EPC-K28
2B	COMPLETE BREAKER OPERATING HANDLE ASSEMBLY (Includes handle, shaft, bushing, arm, hardware)	EPC604-2042, 605-2042	EPC-K30
3	THREADED COVERS	EPC43032, 43042, 46032, 46042, EPC61032, 61042, 66032, 66042 EPC604-2042, 605-2042 TOP COVER EPC604-2042, 605-2042 BOTTOM COVER	EPC279F EPC2116 EPC2110
4	PRY BAR BRACKET (Used to remove threaded cover)	EPC43032, 43042, 46032, 46042, EPC61032, 61042, 66032, 66042	EPC:23435A
5	MOUNTING BRACKET FOR HOUSING	EPC43032, 43042, 46032, 46042, EPC61032, 61042, 66032, 66042	EPC:10132D

EPC W/ INTERLOCK (M75) REPLACEMENT PARTS

ITEM	DESCRIPTION	USED ON	PART NO.
6	SPRING DOOR ASSEMBLY FOR RECEPTACLE HOUSING (Includes door, gasket, spring, and hinge pin)	EPC43032, 43042	DBR-K2
		EPC46032, 66032	DBR-K3
		EPC46042, 61032, 66042	DBR-K4
		EPC61042	DBR-K5
		EPC604-2042, 605-2042	EPC-K27
7	RECEPTACLE INTERLOCK RELEASE HANDLE W/ HARDWARE	EPC43032, 43042, 46032, 46042,	DBR-K6
		EPC61032, 61042, 66032, 66042	
8	COMPLETE RECEPTACLE ASSEMBLY (Includes receptacle housing w/ spring door and interior assembly)	EPC43032	EPCR332-M75*†
		EPC43042	EPCR342-M75*†
		EPC46032, EPC66032	EPCR632-M75*†
		EPC46042, EPC66042	EPCR642-M75*†
		EPC61032	EPCR1032-M75*†
		EPC61042	EPCR1042-M75*†
		EPC604-2042, 605-2042	EPCR602-2042
9	REPLACEMENT CIRCUIT BREAKER	ALL EPC	BUY LOCALLY
10	INTERIOR MOUNTING PLATE SUBASSEMBLY (Not shown)	30-100 AMP	EPC-R1-A
		200 AMP	EPC-R1-B
11	BREAKER HANDLE STOP PLATE	30-100 AMP	EPC:8718B
		200 AMP	EPC-K38
12	BREATHER (Not shown)	ALL UNITS	ECD13
13	DRAIN (Not shown)	ALL UNITS	ECD11

* For optional polarity add suffix S4

† Other models numbers not available

EPC W/ INTERLOCK (M75) REPLACEMENT PARTS

ITEM	DESCRIPTION	USED ON	PART NO.
1	CIRCUIT BREAKER OPERATING HANDLE ASSEMBLY	EPC43032, 43042, 46032, 46042 EPC61032, 61042, 66032, 66042	EPC-K3
	(Includes handle, shaft, bushing, arm, hardware)		
1A	OPERATING HANDLE ONLY	EPC43032, 43042, 46032, 46042 EPC61032, 61042, 66032, 66042	EPC-K1
1B	BREAKER OPERATING FORK	EPC43032, 43042, 46032, 46042 EPC61032, 61042, 66032, 66042	EPC:0204893
2A	CIRCUIT BREAKER OPERATING HANDLE W/ HARDWARE	EPC604-2042, 605-2042	EPC-K28
2B	CIRCUIT BREAKER OPERATING HANDLE ASSEMBLY (Includes handle, shaft, bushing, arm, hardware)	EPC604-2042, 605-2042	EPC-K30
3	THREADED COVERS	EPC43032, 43042, 46032, 46042 EPC61032, 61042, 66032, 66042 EPC604-2042, 605-2042, TOP COVER EPC604-2042, 605-2042, BOTTOM COVER	EPC279F EPC21116 EPC2110
4	PRY BAR BRACKET (Used to remove threaded cover)	EPC43032, 43042, 46032, 46042 EPC61032, 61042, 66032, 66042	EPC:23435A
5	MOUNTING BRACKET FOR HOUSING	EPC43032, 43042, 46032, 46042 EPC61032, 61042, 66032, 66042	EPC:10132D
6	SPRING DOOR ASSEMBLY FOR RECEPTACLE HOUSING (Includes door, gasket, spring, and hinge pin)	EPC43032, 43042 EPC46032, 66032 EPC46042, 61032, 66042 EPC61042 EPC604-2042, 605-2042	DBR-K2 DBR-K3 DBR-K4 DBR-K5 EPC-K27
7	RECEPTACLE INTERLOCK RELEASE HANDLE W/ HARDWARE	EPC43032, 43042, 46032, 46042 EPC61032, 61042, 66032, 66042	DBR-K6

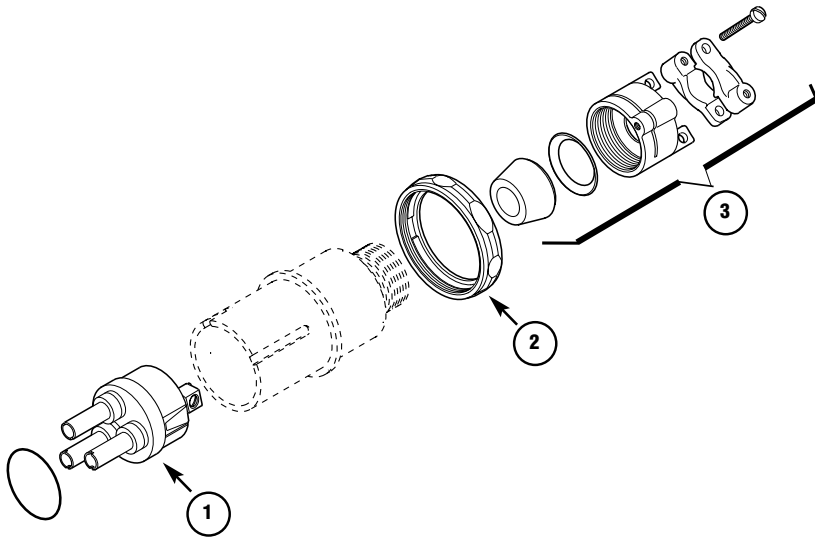
EPC W/ INTERLOCK (M75) REPLACEMENT PARTS

ITEM	DESCRIPTION	USED ON	PART NO.
8	COMPLETE RECEPTACLE ASSEMBLY	EPC43032	EPCR332-M75*†
	(Includes receptacle housing w/ spring door	EPC43042	EPCR342-M75*†
	and interior assembly)	EPC46032, EPC66032	EPCR632-M75*†
		EPC46042, EPC66042	EPCR642-M75*†
		EPC61032	EPCR1032-M75*†
		EPC61042	EPCR1042-M75*†
		EPC604-2042, 605-2042	EPCR602-2042*
9	REPLACEMENT CIRCUIT BREAKER	ALL EPC	BUY LOCALLY
10	INTERIOR MOUNTING PLATE SUBASSEMBLY	30–100 AMP	EPC-R1-A
		200 AMP	EPC-R1-B
11	BREAKER HANDLE STOP PLATE	30–100 AMP	EPC:8718B
		200 AMP	EPC-K38
12	BREATHING	ALL UNITS	ECD13
13	DRAIN	ALL UNITS	ECD11

* For optional polarity add suffix S4

† Other models numbers not available

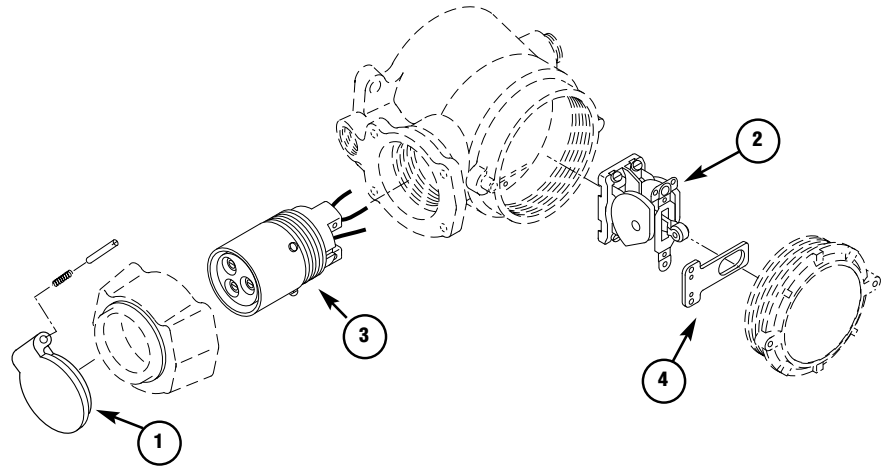
FP PLUGS REPLACEMENT PARTS



ITEM	DESCRIPTION	USED ON	PART NO.
1	INTERIOR ASSEMBLY – 20 AMP	FP323	FP:13792N
	INTERIOR ASSEMBLY – 30 AMP	FP334	FP:13793N
2	CLAMP NUT AND RETAINING SPRING	FP323 & FP334	FP:CL NUT-K1
3	CORD GRIP GLAND NUT ASSEMBLY	FP323 & FP334	ARK SR KIT 2

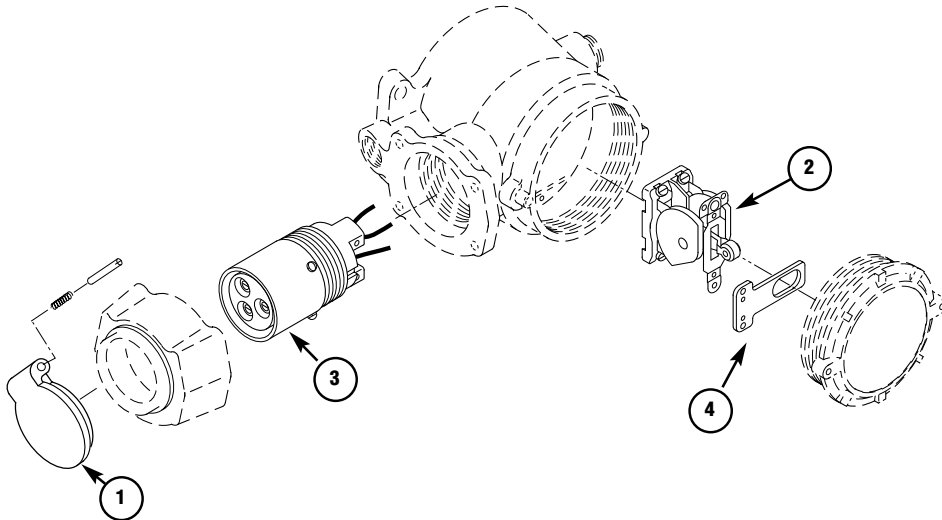
(Includes cord grip, cable clamps, washers, bushings, and hardware)

FSQ232 SERIES INTERLOCKED RECEPTACLE AND SWITCH REPLACEMENT PARTS



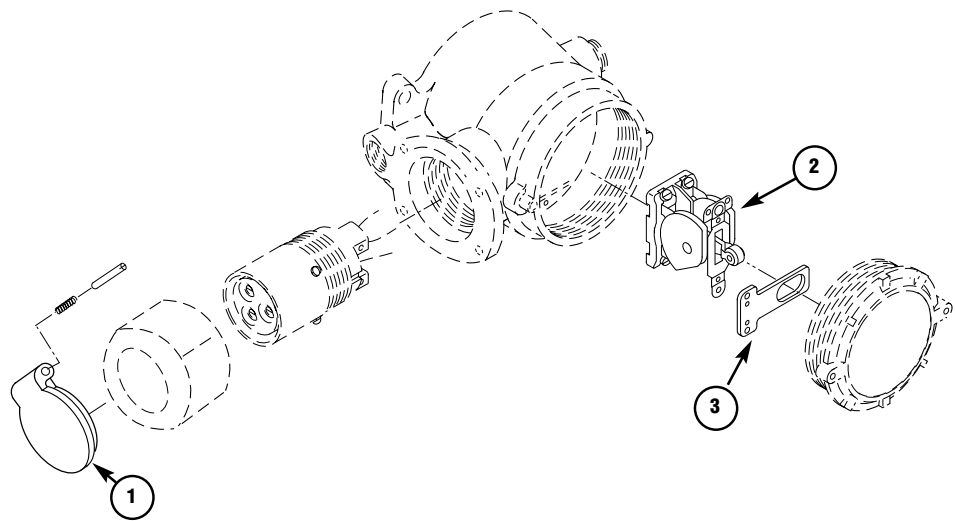
ITEM	DESCRIPTION	USED ON	PART NO.
1	THREADED CAP ASSEMBLY W/ CHAIN	FSQA, FSQC, FSQD, & FSQX 232, 233, 332, AND 333 WITH CATALOG NUMBER SUFFIX S1	FSQ:7315A
2	TUMBLER SWITCH W/ MOUNTING STRAP		
	30 AMP (2-POLE)	FSQA, FSQC, FSQD, & FSQX 232 & 332 SERIES	FSQ:D119 (M3) FSQ:25744A (M4 & M5)
	30 AMP (3-POLE)	FSQA, FSQC, FSQD, FSQX, 233 & 333 SERIES	FSQ:25757A (M4 & M5)
	60 AMP (2-POLE)	FSQC5630	FSQ:0403605
	60 AMP (3-POLE)	FSQC5640	FSQ:0403605
3	REPLACEMENT RECEPTACLE INTERIOR	FSQA, FSQC, FSQD, & FSQX 232 & 332 FSQA, FSQC, FSQD, & FSQX 233 & 333	FSQ:8310B FSQ:8309B
4	SWITCH OPERATING FORK	ALL UNITS	FSQ:0403533
5	SPRING DOOR ASSEMBLY	FSQC2320, 3230, 2430, 3430, 2390, & 3390	QE61
	(Not shown)	FSQC5630	QE51
		FSQC5640	QE52

FSQ/230 SERIES INTERLOCKED RECEPTACLE AND SWITCH REPLACEMENT PARTS



ITEM	DESCRIPTION	USED ON	PART NO.
1	SPRING DOOR ASSEMBLY	FSQA, FSQC, FSQD, FSQX 230 & 330 SERIES	QE17
2	TUMBLER SWITCH WITH MOUNTING STRAP – 30 AMP (3-POLE)	FSQA, FSQC, FSQD, FSQX, 230 & 330 SERIES	FSQ:D119 (M3) FSQ:25757A (M4 & M5)
3	REPLACEMENT RECEPTACLE INTERIOR	FSQA, FSQC, FSQD, & FSQX 230 & 330	FSQ:8311B
4	SWITCH OPERATING FORK	ALL UNITS	FSQ:0403533

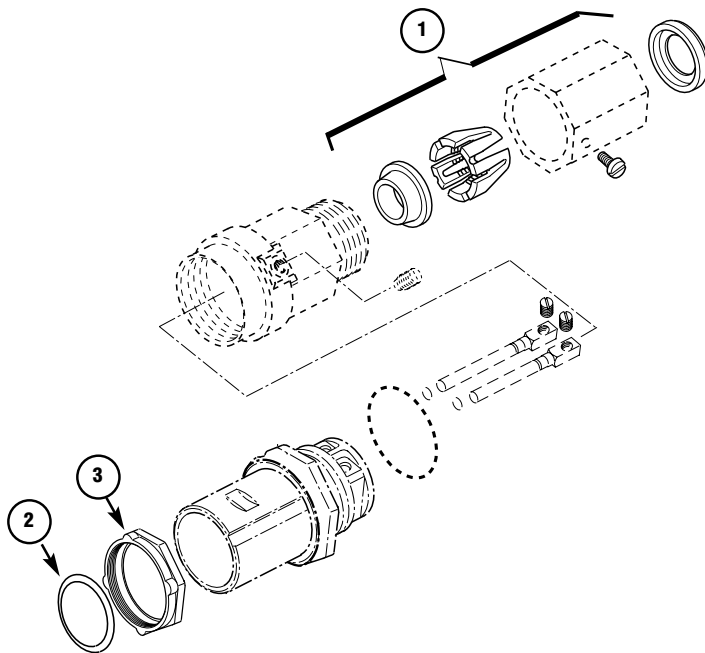
FSQC SERIES INTERLOCKED RECEPTACLE AND SWITCH
REPLACEMENT PARTS



ITEM	DESCRIPTION	USED ON	PART NO.
1	SPRING DOOR ASSEMBLY	FSQC2320, 3230, 2430, 3430, 2390 & 3390	QE61
		FSQC5630	QE51
		FSQC5640	QE52
2	TUMBLER SWITCH WITH WITH MOUNTING STRAP	30 AMP 2-POLE—FSQC2320 & 3320	FSQ:D119 (M3)
			FSQ:25744A (M4 & M5)
			FSQ:25757A (M6)
		30 AMP 2-POLE—FSQC2430 & 3430	FSQ:25757A (M4, M5, M6)
		60 AMP 2-POLE—FSQC5630	FSQ:0403605
		60 AMP 3-POLE—FSQC5640	FSQ:0403605
3	OPERATING SWITCH FORK	ALL UNITS	FSQ:0403533

NPJ ARKTITE PLUGS REPLACEMENT PARTS

• PLUGS & RECEPTACLES



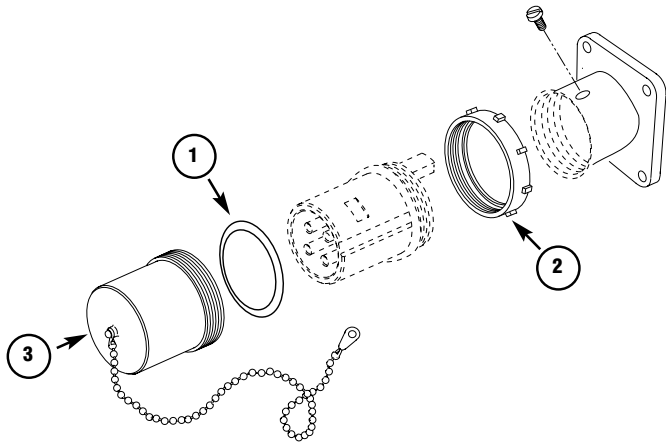
ITEM	DESCRIPTION	USED ON	PART NO.
1	STRAIN RELIEF KIT	30 AMP	KSR-30 KIT
	(Includes rear cable seal, gland nut set screw, cable clamp basket,	60 AMP	KSR-60 KIT
	cable basket adapter, and internal cable bushing)	100 AMP	KSR-100 KIT
2	PLUG SLEEVE GASKET	30 AMP	NP:13B11-813
		60 AMP, 3-POLE	NP:13B11-662
		60 AMP, 4-POLE	NP:13B11-251
		100 AMP, 3-POLE	NP:13B11-402
		100 AMP, 4-POLE	NP:13B11-542

NPJ ARKTITE® PLUGS REPLACEMENT PARTS

ITEM	DESCRIPTION	USED ON	PART NO.
3	PLUG CLAMP NUT	30 AMP	0401782
		60 AMP, 3-POLE	0401783
		60 AMP, 4-POLE	0401784
		100 AMP, 3-POLE	0401785
		100 AMP, 4-POLE	0401786
4	CONTACT KIT	30 AMP	NP30 CON KIT
	(Not shown)	60 AMP	NP60 CON KIT
		100 AMP	NP100 CON KIT

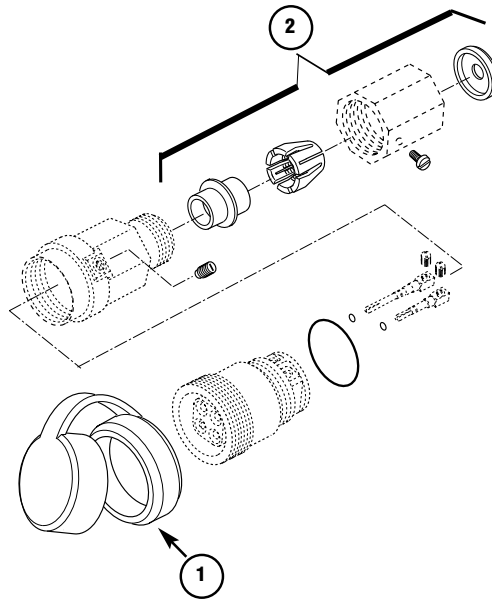
NPQ ARKTITE® MOTOR PLUGS REPLACEMENT PARTS

• PLUGS & RECEPTACLES



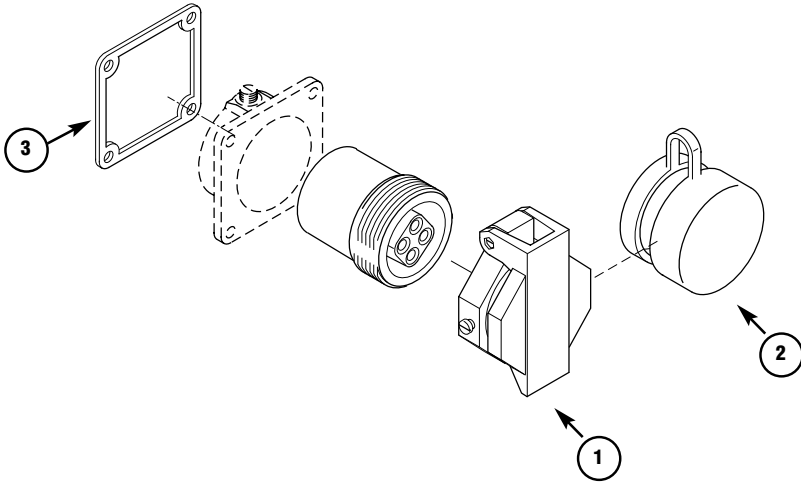
ITEM	DESCRIPTION	USED ON	PART NO.
1	PLUG SLEEVE GASKET	30 AMP	GASK813
		60 AMP, 3-POLE	GASK662
		60 AMP, 4-POLE	GASK251
		100 AMP, 3-POLE	GASK402
		100 AMP, 4-POLE	GASK542
2	CLAMP NUT	30 AMP	0401782
		60 AMP, 3-POLE	0401783
		60 AMP, 4-POLE	0401784
		100 AMP, 3-POLE	0401785
		100 AMP, 4-POLE	0401786
3	DUST CAP AND CHAIN	ALL 30 AMP	CPK13
		60 AMP, 3-POLE	CPK32
		60 AMP, 4-POLE	CPK34
		100 AMP, 3-POLE	CPK62
		100 AMP, 4-POLE	CPK64
4	CONTACT KIT	30 AMP	NP30 CON KIT
		60 AMP	NP60 CON KIT
		100 AMP	NP100 CON KIT

NPR ARKTITE® CORD CONNECTORS
REPLACEMENT PARTS



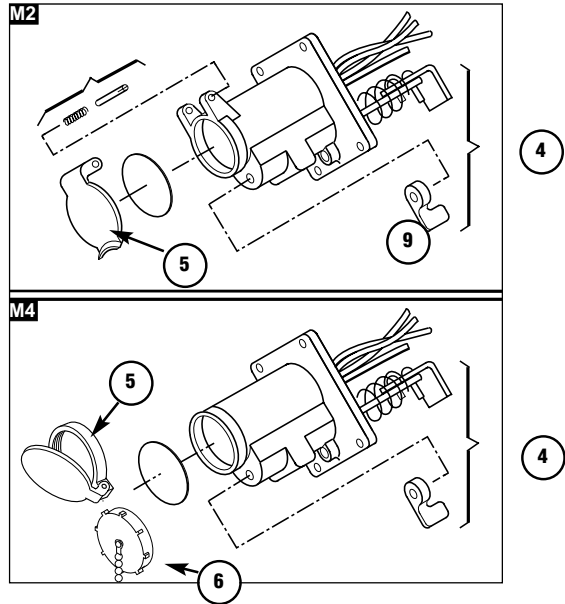
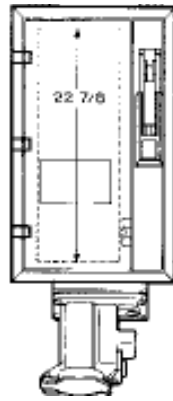
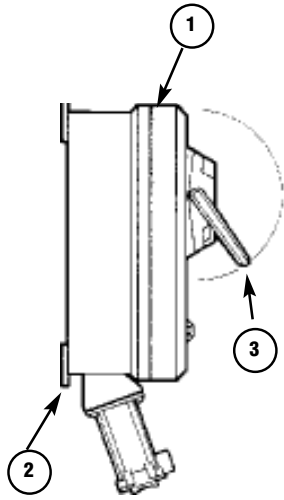
ITEM	DESCRIPTION	USED ON	PART NO.
1	ELASTOMERIC CAP	30 AMP	NR:0402111
		60 AMP, 3-POLE	NR:0402113
		60 AMP, 4-POLE & 100 AMP, 3-POLE	NR:0402112
		100 AMP, 4-POLE	NR:0402118
2	STRAIN RELIEF KIT (Includes rear cable seal, gland nut set screw, cable clamp basket, cable basket adapter, and internal cable bushing)	30 AMP	KSR 30 KIT
		60 AMP	KSR 60 KIT
		100 AMP	KSR 100 KIT
3	CONTACT KIT	30 AMP	NR 30 CON KIT
		60 AMP	NR 60 CON KIT
		100 AMP	NR 100 CON KIT

NR KRYDON MATERIAL RECEPTACLE REPLACEMENT PARTS



ITEM	DESCRIPTION	USED ON	PART NO.
1	SPRING DOOR ASSEMBLY	NR332, NR342	0490370
		NR632	0490371
		NR642	0490372
		NR1032	0490373
		NR1042	0490374
2	ELASTOMERIC RECEPTACLE CAP	NR332, NR342	0402111
		NR632	0402113
		NR642, NR1032	0402112
		NR1042	0402118
3	RECEPTACLE FLANGE GASKET	NR332, NR342	GASK499
		NR632, NR642, NR1032, NR1042	GASK500
4	CONTACT KIT (Not shown)	30 AMP	NR30 CON KIT
		60 AMP	NR60 CON KIT
		100 AMP	NR100 CON KIT

NSR & NBR INTERLOCKED RECEPTACLE
REPLACEMENT PARTS

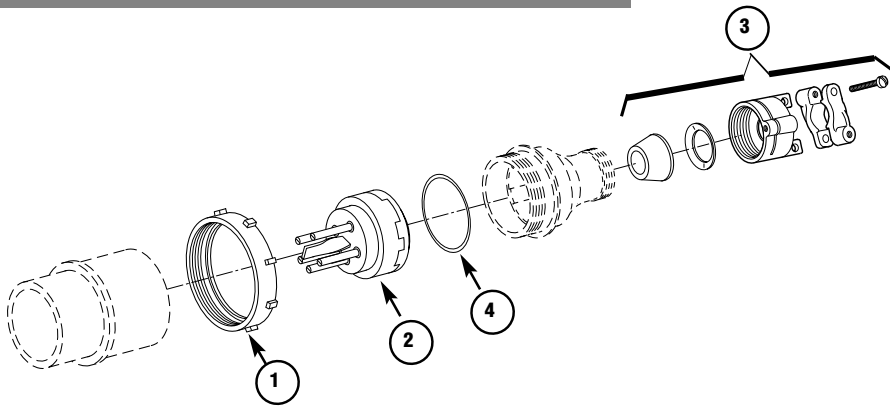


ITEM	DESCRIPTION	USED ON	PART NO.		
			M2	M4	
1	HOUSING GASKET	ALL UNITS	GASK834		
2	MOUNTING FOOT (Qty. 4)	ALL UNITS	KRY-MF-K1		
3	HANDLE - NSR - CONSULT FACTORY	NBR/NSR	NSR-K3		
4	COMPLETE RECEPTACLE	NSR331, 3351, 3341, 33541, NBR53731	NBR331		
	HOUSING ASSEMBLY	NSR332, 3352, 3342, 33542, NBR53742	NBR342		
		NSR631, 6351, 6341, 63541, NBR56731	NBR631		
		NSR632, 6352, 6342, 63542, NBR56742	NBR642		
		NSR1031, 10351, 10341, 103541, NBR51731	NBR1031		
		NSR/NBR10351 & 103541, 033971	NBR1031		
		NSR1032, 10352, 10342, 103542, NBR51742	NBR1042		
		NSR/NBR10352 & 103542	NBR1032-M2		
				M2	M4
	5	SPRING DOOR ASSEMBLY	NSR331, 3351, 3341, 33541, NBR53731	DBR K2	-
HOUSING ASSEMBLY		NSR332, 3352, 3342, 33542, NBR53742	DBR K2	QE343	
		NSR631, 6351, 6341, 63541, NBR56731	DBR K3	-	
		NSR632, 6352, 6342, 63542, NBR56742	DBR K4	QE346	
		NSR1031, 10351, 10341, 103541, NBR51731	DBR K4	-	
		NSR1032, 10352, 10342, 103542, NBR51742	DBR K5	QE3410	

**NSR & NBR INTERLOCKED RECEPTACLE
REPLACEMENT PARTS**

ITEM	DESCRIPTION	USED ON	PART NO.	
			M2	M4
6	THREADED CAP & CHAIN	NSR332, 3352, 3342, 33542, NBR53742	-	QE13 S752
		NSR632, 6352, 6342, 63542, NBR56742	-	QE34 S752
		NSR1032, 10352, 10342, 103542, NBR51742	-	QE64 S752
7	REPLACEMENT HUBS (2 required) (Not shown)	30 AMP	NHUB2	
		60 AMP	NHUB4	
		100 AMP	NHUB6	
8	REPLACEMENT SWITCHES AND BREAKERS	ALL UNITS	BUY LOCALLY	
9	REPLACEMENT INTERLOCK RELEASE LEVER	ALL UNITS	DBR K6	

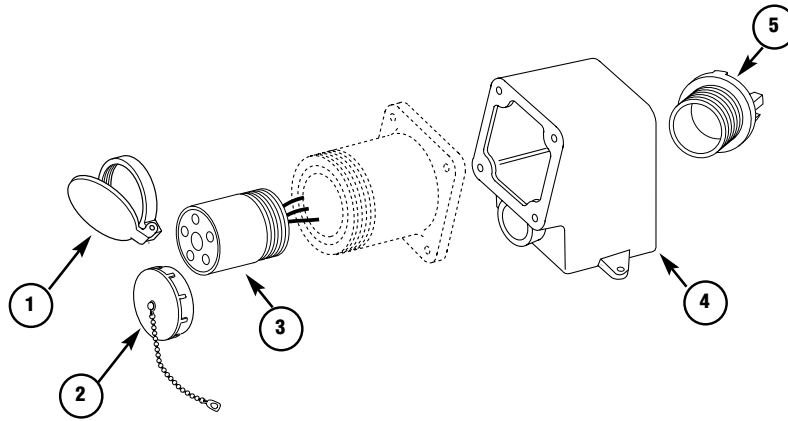
SP PLUGS REPLACEMENT PARTS



ITEM	DESCRIPTION	USED ON	PART NO.
1	CLAMP RING	30, 60, & 100 AMP	BHP:20840B
2	INTERIOR ASSEMBLY*	30 AMP	SP30N
		60 AMP	SP60D
		100 AMP	SP100NW
3	STRAIN RELIEF KIT	.50 - .875	ARK SR KIT 2
		.875 - 1.375	ARK SR KIT3
(Includes cable bushing, gland, washer, cord grip gland nut, cable clamp, and cable clamp screws)			
4	O-RING GASKET	ALL UNITS	GASK1150

* Other polarities available, consult Crouse-Hinds

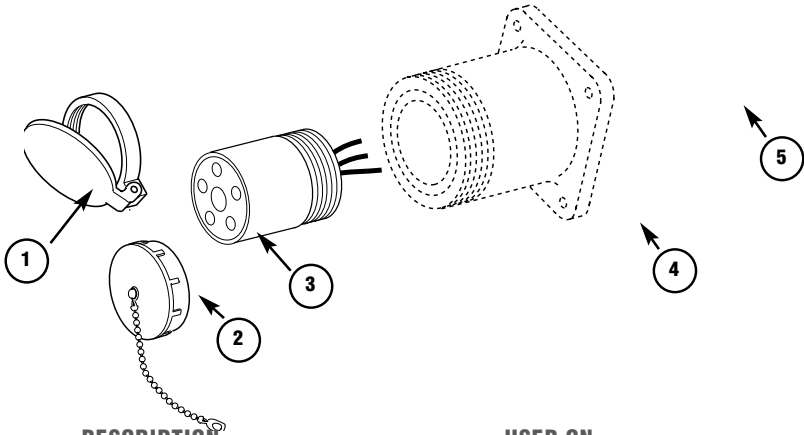
SRD INTERLOCKED RECEPTACLE REPLACEMENT PARTS



ITEM	DESCRIPTION	USED ON	PART NO.
1	SPRING DOOR ASSEMBLY <small>(Includes door, gasket, hinge ring, hinge pin, and spring)</small>	SRD3324N, 3424D, 3524-NW, 6324N, 6424D, AND 6524-NW	BHR:21623B
2	THREADED CAP AND CHAIN	SRD3384N, 3484D, 3584-NW, 6384N, 6484D, AND 6584-NW	BHR:29144A
3	INTERIOR ASSEMBLY*	SRD 30 AMP SRD 60 AMP	SRD30-N SRD60-D
4	BACK BOX	ALL UNITS	CESD42
5	THREADED COVER FOR RECEPTACLE HOUSING	ALL UNITS	GUA06

* Other polarities available, consult Crouse-Hinds

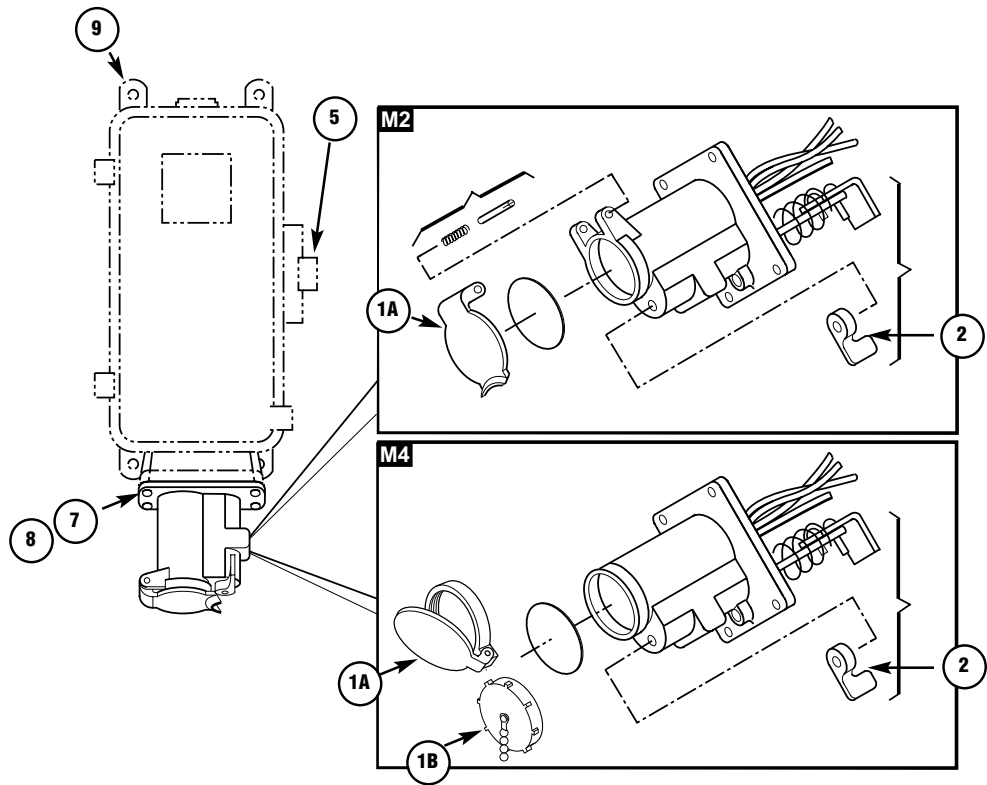
**SRG INTERLOCKED RECEPTACLE
REPLACEMENT PARTS**



ITEM	DESCRIPTION	USED ON	PART NO.
1	SPRING DOOR ASSEMBLY <small>(Includes door, gasket, hinge ring, hinge pin, and spring)</small>	SRG332N, 342D, 352NW, 632N, 642D, 652NW, 1032N, 1042D, AND 1052NW	BHR:21623B
2	THREADED CAP AND CHAIN	SRG338N, 348D, 358NW, 638NW, SRG648, SRG658, 1038N, 1048D, AND 1058NW	BHR:29144A
3	INTERIOR ASSEMBLY*	SRG332N, 338N SRG342D, 348D SRG352NW, 358NW SRG632N, 638N SRG642D, 648D SRG652NW, 658NW SRG1032N, 1038N SRG1042D, 1048D SRG1052NW, SRG1058NW	SRG30N SRG30D SRG30NW SRG60N SRG60D SRG60NW SRG100N SRG100D SRG100NW
4	BACK BOX	30 & 60 AMP 100 AMP	CESD42 SRG62
5	BACK BOX COVER	30 & 60 AMP	GUA06
6	BACK BOX FLANGE GASKET	ALL UNITS	SRG:30370A

* Other polarities available, consult Crouse-Hinds

W2SR INTERLOCKED RECEPTACLES
REPLACEMENT PARTS



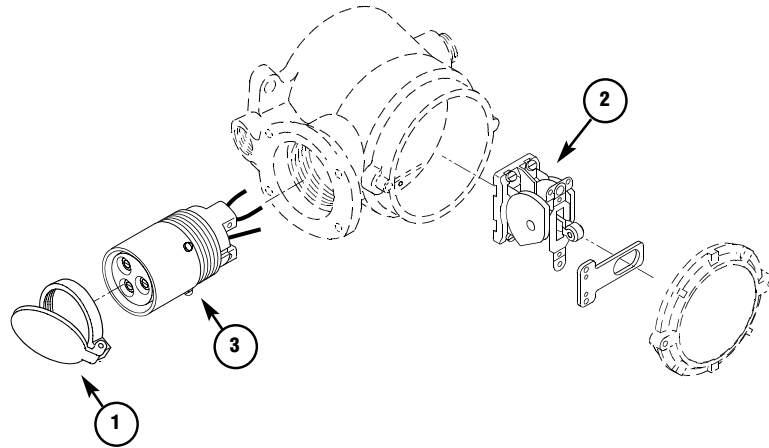
ITEM	DESCRIPTION	USED ON	PART NO.	
			M2	M4
1A	SPRING DOOR ASSEMBLY	W2SR33541	DBR K2	-
		W2SR33542	DBR K2	QE343
		W2SR63541	DBR K3	-
		W2SR63542	DBR K4	QE346
		W2SR103541	DBR K4	-
		W2SR103542	DBR K5	QE3410
1B	THREADED CAP & CHAIN	W2SR33542	-	QE13
		W2SR63542	-	QE34
		W2SR103542	-	QE64
2	RECEPTACLE INTERLOCK RELEASE HANDLE	ALL UNITS	DBR K6	

**W2SR INTERLOCKED RECEPTACLES
REPLACEMENT PARTS**

ITEM	DESCRIPTION	USED ON	PART NO.
3	RECEPTACLE ASSEMBLY	W2SR33541	WBR331
	(Includes housing, contacts, wire leads)	W2SR33542	WBR3442
		W2SR63541	WBR631
		W2SR63542	WBR6442
		W2SR103541	WBR1031
		W2SR103542	WBR10442
4	REPLACEMENT SWITCH	30 & 60 AMP	RSWP603
		100 AMP	RSWP1003
5	SWITCH HANDLE	ALL UNITS	WSR:0206550-1
6	SWITCH HANDLE LOCKOUT PLATE	ALL UNITS	EBM K5
7	RECEPTACLE ADAPTER BOX	ALL UNITS	WSR:0200084-1
8	RECEPACLE ADAPTER BOX GASKET	ALL UNITS	WSR:0200086-2
9	MOUNTING FEET ASSEMBLY KIT	30 & 60 AMP	WSR MF K1
	(Includes 2 upper and 2 lower mounting feet and screws)	100 AMP	WSR MF K2

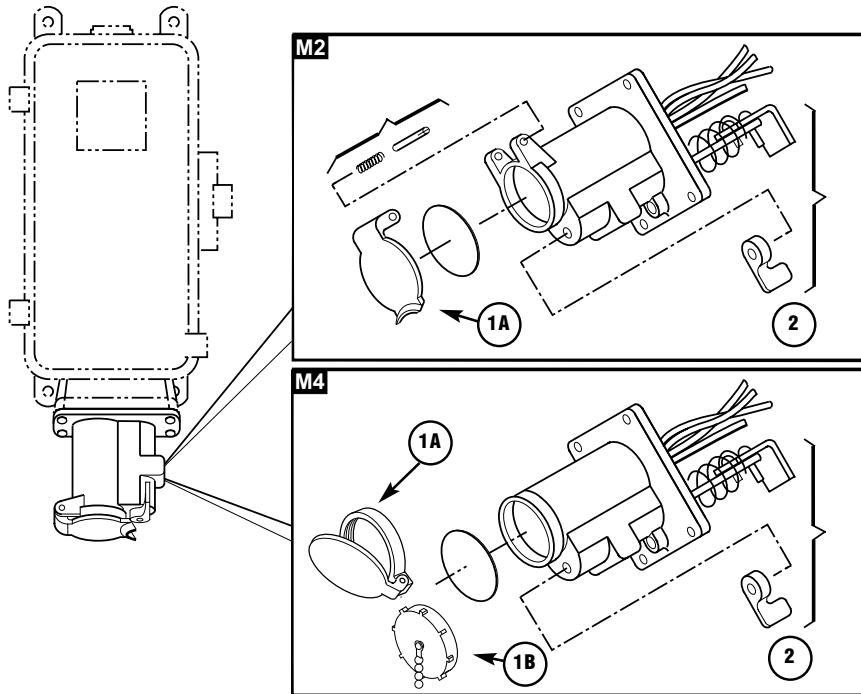
* For interior assembly only — attach the suffix "R1" to catalog number. For example: WBR331R1.

WSQC INTERLOCKED RECEPTACLE
REPLACEMENT PARTS



ITEM	DESCRIPTION	USED ON	PART NO.
1	SPRING DOOR ASSEMBLY	WSQC2330, 3330, 2340, & 3340	QE61
		WSQC5630	QE51
		WSQC5640	QE52
2	SWITCH	WSQC2330, 3330, 2340, & 3340	FSQ:25757A
		WSQC5630 & 5640	FSQ:0403605
3	INTERIOR ASSEMBLY	WSQC2330 & 3330	ATP595
		WSQC2340 & 3340	ATP596
		WSQC5630	ATP597
		WSQC5640	ATP598
4	SWITCH OPERATING FORK (Not shown)	ALL UNITS	FSQ:0403533

WSR/WSRD DISCONNECT SWITCH
REPLACEMENT PARTS

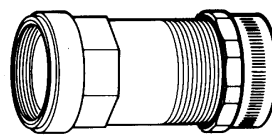
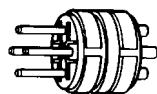


ITEM	DESCRIPTION	USED ON	PART NO.	
			M2	M4
1A	SPRING DOOR ASSEMBLY FOR RECEPTACLE HOUSING (Includes door, gasket, spring, and hinge pin)	WSRD3351, 33541, WSR3351, 33541	DBR K2 (M2)	
		WSRD3352, 33542, AND WSR33542	DBR K2 (M2)	QE343 (M4)
		WSR AND WSRD 6351, AND 63541	DBR K3 (M2)	
		WSR AND WSRD 6352, AND 63542	DBR K4 (M2)	QE346
		WSR AND WSRD 10351, 103541	DBR K4	
		WSR63542 AND WSR103541		QE346 (M4)
		WSR AND WSRD 10352, 103542	DBR K5	QE3410
1B	THREADED CAP AND CHAIN	WSR332, 3342, 3352, 33542	QE13	
		WSR AND WSRD632, 6342, 6352, AND 63542	QE34	

WSR/WSRD DISCONNECT SWITCH
REPLACEMENT PARTS

ITEM	DESCRIPTION	USED ON	PART NO.
2	RECEPTACLE INTERLOCK RELEASE HANDLE	ALL UNITS	DBR K6 (M2 & M4)
	(Includes hardware)		
3	RECEPTACLE ASSEMBLY	WSR AND WSRD3351, 332, 3352	WBR331*
	(Includes housing, contacts, and wire leads)	WSR AND WSRD631, 6341, 6351, 63541	WBR631*
		WSR AND WSRD1031, 10351, 10341, 103541	WBR1031*
		WSR AND WSRD332, 3352, 3342, AND 33542	WBR3442*
		WSR AND WSRD632, 6352, 6342, AND 63542	WBR6442*
		WSR AND WSRD1032, 10352, 10342, AND 103542	WBR10442*
		WSR AND WSRD33541	WBR3341*
		WSR AND WSRD63541	WBR6341*
		WSR AND WSRD10341	WBR10341*
4	REPLACEMENT SWITCH AND FUSE BLOCK	WSR ONLY	BUY LOCALLY
5	SWITCH HANDLE	WSR ONLY	EBM:0206550-1
6	SWITCH HANDLE LOCKOUT PLATE	ALL UNITS	EBM-K5
7	RECEPTACLE ADAPTER BOX	ALL UNITS	WSR:0200084-1
8	RECEPACLE ADAPTER BOX GASKET	ALL UNITS	WSR:0200086-2
9	MOUNTING FEET ASSEMBLY KIT	30 & 60 AMP	WSR MF K1
	(Includes 2 upper and 2 lower mounting feet and screws)	100 AMP	WSR MF K2
* For interior assembly only—attach the suffix "R1" to catalog number. For example: WBR331R1			

ARKTROL - PLUGS



• PLUGS & RECEPTACLES

CATALOG #	FRONT SHELL ASSEMBLY	INTERIOR ASSEMBLY	HANDLE BODY ASSEMBLY
RPC117-150-P01N	RPE117-001	RPE017-026-P01N	RPE417-160
RPC117-150-P02A	RPE117-001	RPE017-026-P02A	RPE417-160
RPC117-150-P03N	RPE117-001	RPE017-026-P03N	RPE417-160
RPC117-150-P04A	RPE117-001	RPE017-026-P04A	RPE417-160
RPC117-150-P08N	RPE117-001	RPE017-026-P08N	RPE417-160
RPC117-150-P09A	RPE117-001	RPE017-026-P09A	RPE417-160
RPC117-151-P01N	RPE117-001	RPE017-026-P01N	RPE417-162
RPC117-151-P02A	RPE117-001	RPE017-026-P02A	RPE417-162
RPC117-151-P03N	RPE117-001	RPE017-026-P03N	RPE417-162
RPC117-151-P04A	RPE117-001	RPE017-026-P04A	RPE417-162
RPC117-151-P08N	RPE117-001	RPE017-026-P08N	RPE417-162
RPC117-151-P09A	RPE117-001	RPE017-026-P09A	RPE417-162
RPC121-150-P02N	RPE121-001	RPE021-026-P02N	RPE421-160
RPC121-150-P02NR	RPE121-001	RPE021-026-P02NR	RPE421-160
RPC121-150-P04A	RPE121-001	RPE021-026-P04A	RPE421-160
RPC121-150-P04AR	RPE121-001	RPE021-026-P04AR	RPE421-160
RPC121-151-P02N	RPE121-001	RPE021-026-P02N	RPE421-161
RPC121-151-P02NR	RPE121-001	RPE021-026-P02NR	RPE421-161
RPC121-151-P04A	RPE121-001	RPE021-026-P04A	RPE421-161

* Note - For reversed service part numbers and "S" maybe inserted for socket interior or a "P" may be inserted for plug interior. (ie. RPC117-150-S01N)

ARKTROL - PLUGS

CATALOG #	FRONT SHELL ASSEMBLY	INTERIOR ASSEMBLY	HANDLE BODY ASSEMBLY
RPC121-151-P04AR	RPE121-001	RPE021-026-P04AR	RPE421-161
RPC121-151-PL6N	RPE121-001	RPE021-026-P16N	RPE421-161
RPC121-151-PL7A	RPE121-001	RPE021-026-P17A	RPE421-161
RPC133-153-P05N	RPE133-001	RPE033-026-P05N	RPE433-163
RPC133-153-P05NR	RPE133-001	RPE033-026-P05NR	RPE433-163
RPC133-153-P06N	RPE133-001	RPE033-026-P06N	RPE433-163
RPC133-153-P06NR	RPE133-001	RPE033-026-P06NR	RPE433-163
RPC133-153-P07A	RPE133-001	RPE033-026-P07A	RPE433-163
RPC133-153-P07AR	RPE133-001	RPE033-026-P07AR	RPE433-163
RPC133-153-P08A	RPE133-001	RPE033-026-P08A	RPE433-163
RPC133-153-P08AR	RPE133-001	RPE033-026-P08AR	RPE433-163
RPC133-153-P09A	RPE133-001	RPE033-026-P09A	RPE433-163
RPC133-153-P09AR	RPE133-001	RPE033-026-P09AR	RPE433-163
RPC133-388-P05N	RPE133-001	RPE033-026-P05N	RPE433-396
RPC133-388-P05NR	RPE133-001	RPE033-026-P05NR	RPE433-396
RPC133-388-P06N	RPE133-001	RPE033-026-P06N	RPE433-396
RPC133-388-P06NR	RPE133-001	RPE033-026-P06NR	RPE433-396
RPC133-388-P07A	RPE133-001	RPE033-026-P07A	RPE433-396
RPC133-388-P07AR	RPE133-001	RPE033-026-P07AR	RPE433-396
RPC133-388-P08A	RPE133-001	RPE033-026-P08A	RPE433-396
RPC133-388-P08AR	RPE133-001	RPE033-026-P08AR	PRE433-396
RPC133-388-P09A	RPE133-001	RPE033-026-P09A	RPE433-396
RPC133-388-P09AR	RPE133-001	RPE033-026-P09AR	RPE433-396
RPC133-389-P05N	RPE133-001	RPE033-026-P05N	RPE433-397
RPC133-389-P05NR	RPE133-001	RPE033-026-P05NR	RPE433-397
RPC133-389-P06N	RPE133-001	RPE033-026-P06N	RPE433-397
RPC133-389-P06NR	RPE133-001	RPE033-026-P06NR	RPE433-397
RPC133-389-P07A	RPE133-001	RPE033-026-P07A	RPE433-397

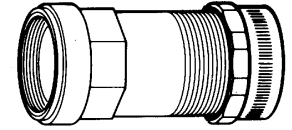
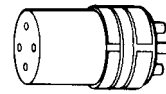
* Note - For reversed service part numbers and "S" maybe inserted for socket interior or a "P" may be inserted for plug interior. (ie. RPC117-150-S01N)

ARKTROL - PLUGS

CATALOG #	FRONT SHELL ASSEMBLY	INTERIOR ASSEMBLY	HANDLE BODY ASSEMBLY
RPC133-389-P07AR	RPE133-001	RPE033-026-P07AR	RPE433-397
RPC133-389-P08A	RPE133-001	RPE033-026-P08A	RPE433-397
RPC133-389-P08AR	RPE133-001	RPE033-026-P08AR	RPE433-397
RPC133-389-P09A	RPE133-001	RPE033-026-P09A	RPE433-397
RPC133-389-P09AR	RPE133-001	RPE033-026-P09AR	RPE433-397
RPC541-154-P02N	RPE541-001	RPE041-026-P02N	RPE441-164
RPC541-154-P02NR	RPE541-001	RPE041-026-P02NR	RPE441-164
RPC541-154-P04A	RPE541-001	RPE041-026-P04A	RPE441-164
RPC541-154-P04AR	RPE541-001	RPE041-026-P04AR	RPE441-164
RPC541-154-P10A	RPE541-001	RPE041-026-P10A	RPE441-164
RPC541-390-P02N	RPE541-001	RPE041-026-P02N	RPE441-398
RPC541-390-P02NR	RPE541-001	RPE041-026-P02NR	RPE441-398
RPC541-390-P04A	RPE541-001	RPE041-026-P04A	RPE441-398
RPC541-390-P04AR	RPE541-001	RPE041-026-P04AR	RPE441-398
RPC541-390-P10A	RPE541-001	RPE041-026-P10A	RPE441-398
RPC541-391-P02N	RPE541-001	RPE041-026-P02N	RPE441-399
RPC541-391-P02NR	RPE541-001	RPE041-026-P02NR	RPE441-399
RPC541-391-P04A	RPE541-001	RPE041-026-P04A	RPE441-399
RPC541-391-P04AR	RPE541-001	RPE041-026-P04AR	RPE441-399
RPC541-391-P10A	RPE541-001	RPE041-026-P10A	RPE441-399

* Note - For reversed service part numbers and "S" maybe inserted for socket interior or a "P" may be inserted for plug interior. (ie. RPC117-150-S01N)

ARKTROL - CORD CONNECTORS



CATALOG #	FRONT SHELL ASSEMBLY	INTERIOR ASSEMBLY	HANDLE BODY ASSEMBLY
RPC317-160-S01N	RPE317-000	RPE017-026-S01N	RPE417-160
RPC317-160-S02A	RPE317-000	RPE017-026-S02A	RPE417-160
RPC317-160-S03N	RPE317-000	RPE017-026-S03N	RPE417-160
RPC317-160-S04A	RPE317-000	RPE017-026-S04A	RPE417-160
RPC317-160-S08N	RPE317-000	RPE017-026-S08N	RPE417-160
RPC317-160-S09A	RPE317-000	RPE017-026-S09A	RPE417-160
RPC317-161-S01N	RPE317-000	RPE017-026-S01N	RPE417-162
RPC317-161-S02A	RPE317-000	RPE017-026-S02A	RPE417-162
RPC317-161-S03N	RPE317-000	RPE017-026-S03N	RPE417-162
RPC317-161-S04A	RPE317-000	RPE017-026-S04A	RPE417-162
RPC317-161-S08N	RPE317-000	RPE017-026-S08N	RPE417-162
RPC317-161-S09A	RPE317-000	RPE017-026-S09A	RPE417-162
RPC321-160-S02N	RPE321-000	RPE021-026-S02N	RPE421-160
RPC321-160-S02NR	RPE321-000	RPE021-026-S02NR	RPE421-160
RPC321-160-S04A	RPE321-000	RPE021-026-S04A	RPE421-160
RPC321-160-S04AR	RPE321-000	RPE021-026-S04AR	RPE421-160
RPC321-161-S02N	RPE321-000	RPE021-026-S02N	RPE421-161
RPC321-161-S02NR	RPE321-000	RPE021-026-S02NR	RPE421-161
RPC321-161-S04A	RPE321-000	RPE021-026-S04A	RPE421-161

ARKTROL - CORD CONNECTORS

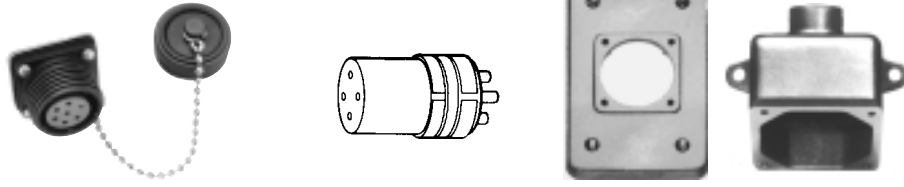
• PLUGS & RECEPTACLES

CATALOG #	FRONT SHELL ASSEMBLY	INTERIOR ASSEMBLY	HANDLE BODY ASSEMBLY
RPC321-161-S04AR	RPE321-000	RPE021-026-S04AR	RPE421-161
RPC321-161-S16N	RPE321-000	RPE021-026-S16N	RPE421-161
RPC321-161-S17A	RPE321-000	RPE021-026-S17A	RPE421-161
RPC321-395-S16N	RPE321-000	RPE021-026-S16N	RPE421-395
RPC321-395-S17A	RPE321-000	RPE021-026-S17A	RPE421-395
RPC333-163-S05N	RPE333-000	RPE033-026-S05N	RPE433-163
RPC333-163-S05NR	RPE333-000	RPE033-026-S05NR	RPE433-163
RPC333-163-S06N	RPE333-000	RPE033-026-S06N	RPE433-163
RPC333-163-S06NR	RPE333-000	RPE033-026-S06NR	RPE433-163
RPC333-163-S07A	RPE333-000	RPE033-026-S07A	RPE433-163
RPC333-163-S07AR	RPE333-000	RPE033-026-S07AR	RPE433-163
RPC333-163-S08A	RPE333-000	RPE033-026-S08A	RPE433-163
RPC333-163-S08AR	RPE333-000	RPE033-026-S08AR	RPE433-163
RPC333-163-S09A	RPE333-000	RPE033-026-S09A	RPE433-163
RPC333-163-S09AR	RPE333-000	RPE033-026-S09AR	RPE433-163
RPC333-396-S05N	RPE333-000	RPE033-026-S05N	RPE433-396
RPC333-396-S05NR	RPE333-000	RPE033-026-S05NR	RPE433-396
RPC333-396-S06N	RPE333-000	RPE033-026-S06N	RPE433-396
RPC333-396-S06NR	RPE333-000	RPE033-026-S06NR	RPE433-396
RPC333-396-S07A	RPE333-000	RPE033-026-S07A	RPE433-396
RPC333-396-S07AR	RPE333-000	RPE033-026-S07AR	RPE433-396
RPC333-396-S08A	RPE333-000	RPE033-026-S08A	RPE433-396
RPC333-396-S08AR	RPE333-000	RPE033-026-S08AR	RPE433-396
RPC333-396-S09A	RPE333-000	RPE033-026-S09A	RPE433-396
RPC333-396-S09AR	RPE333-000	RPE033-026-S09AR	RPE433-396
RPC333-397-S05N	RPE333-000	RPE033-026-S05N	RPE433-397
RPC333-397-S05NR	RPE333-000	RPE033-026-S05NR	RPE433-397

ARKTROL - CORD CONNECTORS

CATALOG #	FRONT SHELL ASSEMBLY	INTERIOR ASSEMBLY	HANDLE BODY ASSEMBLY
RPC333-397-S06N	RPE333-000	RPE033-026-S06N	RPE433-397
RPC333-397-S06NR	RPE333-000	RPE033-026-S06NR	RPE433-397
RPC333-397-S07A	RPE333-000	RPE033-026-S07A	RPE433-397
RPC333-397-S07AR	RPE333-000	RPE033-026-S07AR	RPE433-397
RPC333-397-S08A	RPE333-000	RPE033-026-S08A	RPE433-397
RPC333-397-S08AR	RPE333-000	RPE033-026-S08AR	RPE433-397
RPC333-397-S09A	RPE333-000	RPE033-026-S09A	RPE433-397
RPC333-397-S09AR	RPE333-000	RPE033-026-S09AR	RPE433-397
RPC741-164-S02N	RPE741-000	RPE041-026-S02N	RPE441-164
RPC741-164-S02NR	APE741-000	RPE041-026-S02NR	RPE441-164
RPC741-164-S04A	RPE741-000	RPE041-026-S04A	RPE441-164
RPC741-164-S04AR	RPE741-000	RPE041-026-S04AR	RPE441-164
RPC741-164-S10A	RPE741-000	RPE041-026-S10A	RPE441-164
RPC741-398-S02N	RPE741-000	RPE041-026-S02N	RPE441-398
RPC741-398-S02NR	RPE741-000	RPE041-026-S02NR	RPE441-398
RPC741-398-S04A	RPE741-000	RPE041-026-S04A	RPE441-398
RPC741-398-S04AR	RPE741-000	RPE041-026-S04AR	RPE441-398
RPC741-398-S10A	RPE741-000	RPE041-026-S10A	RPE441-398
RPC741-399-S02N	RPE741-000	RPE041-026-S02N	RPE441-399
RPC741-399-S02NR	RPE741-000	RPE041-026-S02NR	RPE441-399
RPC741-399-S04A	RPE741-000	RPE041-026-S04A	RPE441-399
RPC741-399-S04AR	RPE741-000	RPE041-026-S04AR	RPE441-399
RPC741-399-S10A	RPE741-000	RPE041-026-S10A	RPE441-399

ARKTROL - RECEPTACLES



CATALOG #	SHELL ASSEMBLY W/DUST CAP	INTERIOR ASSEMBLY	ADAPTER PLATE	BACK-BOX
RPC217-014-S01N	RPE217-014	RPE017-026-S01N		
RPC217-014-S01N-ARE23	RPE217-014	RPE017-026-S01N	RPE017-143	ARE23
RPC217-014-S01N-ARE33	RPE217-014	RPE017-026-S01N	RPE017-143	ARE33
RPC217-014-S02A	RPE217-014	RPE017-026-S02A		
RPC217-014-S02A-ARE23	RPE217-014	RPE017-026-S02A	RPE017-143	ARE23
RPC217-014-S02A-ARE33	RPE217-014	RPE017-026-S02A	RPE017-143	ARE33
RPC217-014-S03N	RPE217-014	RPE017-026-S03N		
RPC217-014-S03N-ARE23	RPE217-014	RPE017-026-S03N	RPE017-143	ARE23
RPC217-014-S03N-ARE33	RPE217-014	RPE017-026-S03N	RPE017-143	ARE33
RPC217-014-S04A	RPE217-014	RPE017-026-S04A		
RPC217-014-S04A-ARE23	RPE217-014	RPE017-026-S04A	RPE017-143	ARE23
RPC217-014-S04A-ARE33	RPE217-014	RPE017-026-S04A	RPE017-143	ARE33
RPC217-014-S08N	RPE217-014	RPE017-026-S08N		
RPC217-014-S08N-ARE23	RPE217-014	RPE017-026-S08N	RPE017-143	ARE23
RPC217-014-S08N-ARE33	RPE217-014	RPE017-026-S08N	RPE017-143	ARE33
RPC217-014-S09A	RPE217-014	RPE017-026-S09A		
RPC217-014-S09A-ARE23	RPE217-014	RPE017-026-S09A	RPE017-143	ARE23
RPC217-014-S09A-ARE33	RPE217-014	RPE017-026-S09A	RPE017-143	ARE33
RPC221-014-S02N	RPE221-014	RPE021-026-S02N		

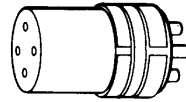
ARKTROL - RECEPTACLES

CATALOG #	SHELL ASSEMBLY W/DUST CAP	INTERIOR ASSEMBLY	ADAPTER PLATE	BACK-BOX
RPC221-014-S02N-ARE23	RPE221-014	RPE021-026-S02N	RPE021-144	ARE23
RPC221-014-S02N-ARE33	RPE221-014	RPE021-026-S02N	RPE021-144	ARE33
RPC221-014-S02NR	RPE221-014	RPE021-026-S02NR		
RPC221-014-S02NR-ARE23	RPE221-014	RPE021-026-S02NR	RPE021-144	ARE23
RPC221-014-S02NR-ARE33	RPE221-014	RPE021-026-S02NR	RPE021-144	ARE33
RPC221-014-S04A	RPE221-014	RPE021-026-S04A		
RPC221-014-S04A-ARE23	RPE221-014	RPE021-026-S04A	RPE021-144	ARE23
RPC221-014-S04A-ARE33	RPE221-014	RPE021-026-S04A	RPE021-144	ARE33
RPC221-014-S04AR	RPE221-014	RPE021-026-S04AR		
RPC221-014-S04AR-ARE23	RPE221-014	RPE021-026-S04AR	RPE021-144	ARE23
RPC221-014-S04AR-ARE33	RPE221-014	RPE021-026-S04AR	RPE021-144	ARE33
RPC221-014-S16N	RPE221-014	RPE021-026-S16N		
RPC221-014-S16N-ARE23	RPE221-014	RPE021-026-S16N	RPE021-144	ARE23
RPC221-014-S16N-ARE33	RPE221-014	RPE021-026-S16N	RPE021-144	ARE33
RPC221-014-S17A	RPE221-014	RPE021-026-S17A		
RPC221-014-S17A-ARE23	RPE221-014	RPE021-026-S17A	RPE021-144	ARE23
RPC221-014-S17A-ARE33	RPE221-014	RPE021-026-S17A	RPE021-144	ARE33
RPC233-014-S05N	RPE233-014	RPE033-026-S05N		
RPC233-014-S05N-ARE46	RPE233-014	RPE033-026-S05N	RPE033-145	ARE46
RPC233-014-S05N-ARE56	RPE233-014	RPE033-026-S05N	RPE033-145	ARE56
RPC233-014-S05NR	RPE233-014	RPE033-026-S05NR		
RPC233-014-S05NR-ARE46	RPE233-014	RPE033-026-S05NR	RPE033-145	ARE46
RPC233-014-S05NR-ARE56	RPE233-014	RPE033-026-S05NR	RPE033-145	ARE56
RPC233-014-S06N	RPE233-014	RPE033-026-S06N		
RPC233-014-S06N-ARE46	RPE233-014	RPE033-026-S06N	RPE033-145	ARE46
RPC233-014-S06N-ARE56	RPE233-014	RPE033-026-S06N	RPE033-145	ARE56
RPC233-014-S06NR	RPE233-014	RPE033-026-S06NR		
RPC233-014-S06NR-ARE46	RPE233-014	RPE033-026-S06NR	RPE033-145	ARE46
RPC233-014-S06NR-ARE56	RPE233-014	RPE033-026-S06NR	RPE033-145	ARE56

ARKTROL - RECEPTACLES

CATALOG #	SHELL ASSEMBLY W/DUST CAP	INTERIOR ASSEMBLY	ADAPTER PLATE	BACK-BOX
RPC233-014-S07A	RPE233-014	RPE033-026-S07A		
RPC233-014-S07A-ARE46	RPE233-014	RPE033-026-S07A	RPE033-145	ARE46
RPC233-014-S07A-ARE56	RPE233-014	RPE033-026-S07A	RPE033-145	ARE56
RPC233-014-S07AR	RPE233-014	RPE033-026-S07AR		
RPC233-014-S07AR-ARE46	RPE233-014	RPE033-026-S07AR	RPE033-145	ARE46
RPC233-014-S07AR-ARE56	RPE233-014	RPE033-026-S07AR	RPE033-145	ARE56
RPC233-014-S08A	RPE233-014	RPE033-026-S08A		
RPC233-014-S08A-ARE46	RPE233-014	RPE033-026-S08A	RPE033-145	ARE46
RPC233-014-S08A-ARE56	RPE233-014	RPE033-026-S08A	RPE033-145	ARE56
RPC233-014-S08AR	RPE233-014	RPE033-026-S08AR		
RPC233-014-S08AR-ARE46	RPE233-014	RPE033-026-S08AR	RPE033-145	ARE46
RPC233-014-S08AR-ARE56	RPE233-014	RPE033-026-S08AR	RPE033-145	ARE56
RPC233-014-S09A	RPE233-014	RPE033-026-S09A		
RPC233-014-S09A-ARE46	RPE233-014	RPE033-026-S09A	RPE033-145	ARE46
RPC233-014-S09A-ARE56	RPE233-014	RPE033-026-S09A	RPE033-145	ARE56
RPC233-014-S09AR	RPE233-014	RPE033-026-S09AR		
RPC233-014-S09AR-ARE46	RPE233-014	RPE033-026-S09AR	RPE033-145	ARE46
RPC233-014-S09AR-ARE56	RPE233-014	RPE033-026-S09AR	RPE033-145	ARE56

ARKTROL - RECEPTACLES



CATALOG #	SHELL ASSEMBLY W/DUST CAP	INTERIOR ASSEMBLY	ADAPTER PLATE	BACK-BOX
RPC217-127-S01N	RPE217-127	RPE017-026-S01N		
RPC217-127-S01N-ARE23	RPE217-127	RPE017-026-S01N	RPE017-143	ARE23
RPC217-127-S01N-ARE33	RPE217-127	RPE017-026-S01N	RPE017-143	ARE33
RPC217-127-S02A	RPE217-127	RPE017-026-S02A		
RPC217-127-S02A-ARE23	RPE217-127	RPE017-026-S02A	RPE017-143	ARE23
RPC217-127-S02A-ARE33	RPE217-127	RPE017-026-S02A	RPE017-143	ARE33
RPC217-127-S03N	RPE217-127	RPE017-026-S03N		
RPC217-127-S03N-ARE23	RPE217-127	RPE017-026-S03N	RPE017-143	ARE23
RPC217-127-S03N-ARE33	RPE217-127	RPE017-026-S03N	RPE017-143	ARE33
RPC217-127-S04A	RPE217-127	RPE017-026-S04A		
RPC217-127-S04A-ARE23	RPE217-127	RPE017-026-S04A	RPE017-143	ARE23
RPC217-127-S04A-ARE33	RPE217-127	RPE017-026-S04A	RPE017-143	ARE33
RPC217-127-S08N	RPE217-127	RPE017-026-S08N		
RPC217-127-S08N-ARE23	RPE217-127	RPE017-026-S08N	RPE017-143	ARE23
RPC217-127-S08N-ARE33	RPE217-127	RPE017-026-S08N	RPE017-143	ARE33
RPC217-127-S09A	RPE217-127	RPE017-026-S09A		
RPC217-127-S09A-ARE23	RPE217-127	RPE017-026-S09A	RPE017-143	ARE23
RPC217-127-S09A-ARE33	RPE217-127	RPE017-026-S09A	RPE017-143	ARE33
RPC221-127-S02N	RPE221-127	RPE021-026-S02N		

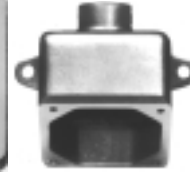
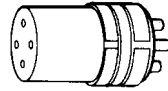
ARKTROL - RECEPTACLES

CATALOG #	SHELL ASSEMBLY W/DUST CAP	INTERIOR ASSEMBLY	ADAPTER PLATE	BACK-BOX
RPC221-127-S02N-ARE23	RPE221-127	RPE021-026-S02N	RPE021-144	ARE23
RPC221-127-S02N-ARE33	RPE221-127	RPE021-026-S02N	RPE021-144	ARE33
RPC221-127-S02NR	RPE221-127	RPE021-026-S02NR		
RPC221-127-S02NR-ARE23	RPE221-127	RPE021-026-S02NR	RPE021-144	ARE23
RPC221-127-S02NR-ARE33	RPE221-127	RPE021-026-S02NR	RPE021-144	ARE33
RPC221-127-S04A	RPE221-127	RPE021-026-S04A		
RPC221-127-S04A-A R E23	RPE221-127	RPE021-026-S04A	RPE021-144	ARE23
RPC221-127-S04A-A R E33	RPE221-127	RPE021-026-S04A	RPE021-144	ARE33
RPC221-127-S04AR	RPE221-127	RPE021-026-S04AR		
RPC221-127-S04AR-ARE23	RPE221-127	RPE021-026-S04AR	RPE021-144	ARE23
RPC221-127-S04AR-ARE33	RPE221-127	RPE021-026-S04AR	RPE021-144	ARE33
RPC221-127-S16N	RPE221-127	RPE021-026-S16N		
RPC221-127-S16N-ARE23	RPE221-127	RPE021-026-S16N	RPE021-144	ARE23
RPC221-127-S16N-ARE33	RPE221-127	RPE021-026-S16N	RPE021-144	ARE33
RPC221-127-S17A	RPE221-127	RPE021-026-S17A		
RPC221-127-S17A-ARE23	RPE221-127	RPE021-026-S17A	RPE021-144	ARE23
RPC221-127-S17A-ARE33	RPE221-127	RPE021-026-S17A	RPE021-144	ARE33
RPC233-127-S05N	RPE233-127	RPE033-026-S05N		
RPC233-127-S05N-ARE46	RPE233-127	RPE033-026-S05N	RPE033-145	ARE46
RPC233-127-S05N-ARE56	RPE233-127	RPE033-026-S05N	RPE033-145	ARE56
RPC233-127-S05NR	RPE233-127	RPE033-026-S05NR		
RPC233-127-S05NR-ARE46	RPE233-127	RPE033-026-S05NR	RPE033-145	ARE46
RPC233-127-S05NR-ARE56	RPE233-127	RPE033-026-S05NR	RPE033-145	ARE56
RPC233-127-S06N	RPE233-127	RPE033-026-S06N		
RPC233-127-S06N-ARE46	RPE233-127	RPE033-026-S06N	RPE033-145	ARE46
RPC233-127-S06N-ARE56	RPE233-127	RPE033-026-S06N	RPE033-145	ARE56
RPC233-127-S06NR	RPE233-127	RPE033-026-S06NR		
RPC233-127-S06NR-ARE46	RPE233-127	RPE033-026-S06NR	RPE033-145	ARE46
RPC233-127-S06NR-ARE56	RPE233-127	RPE033-026-S06NR	RPE033-145	ARE56

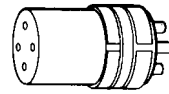
ARKTROL - RECEPTACLES

CATALOG #	SHELL ASSEMBLY W/DUST CAP	INTERIOR ASSEMBLY	ADAPTER PLATE	BACK-BOX
RPC233-127-S07A	RPE233-127	RPE033-026-S07A		
RPC233-127-S07A-ARE46	RPE233-127	RPE033-026-S07A	RPE033-145	ARE46
RPC233-127-S07A-ARE56	RPE233-127	RPE033-026-S07A	RPE033-145	ARE56
RPC233-127-S07AR	RPE233-127	RPE033-026-S07AR		
RPC233-127-S07AR-ARE46	RPE233-127	RPE033-026-S07AR	RPE033-145	ARE46
RPC233-127-S07AR-ARE56	RPE233-127	RPE033-026-S07AR	RPE033-145	ARE56
RPC233-127-S08A	RPE233-127	RPE033-026-S08A		
RPC233-127-S08A -ARE46	RPE233-127	RPE033-026-S08A	RPE033-145	ARE46
RPC233-127-S08A-ARE56	RPE233-127	RPE033-026-S08A	RPE033-145	ARE56
RPC233-127-S08AR	RPE233-127	RPE033-026-S08AR		
RPC233-127-S08AR-ARE46	RPE233-127	RPE033-026-S08AR	RPE033-145	ARE46
RPC233-127-S08AR-ARE56	RPE233-127	RPE033-026-S08AR	RPE033-145	ARE56
RPC233-127-S09A	RPE233-127	RPE033-026-S09A		
RPC233-127-S09A -ARE46	RPE233-127	RPE033-026-S09A	RPE033-145	ARE46
RPC233-127-S09A -ARE56	RPE233-127	RPE033-026-S09A	RPE033-145	ARE56
RPC233-127-S09AR	RPE233-127	RPE033-026-S09AR		
RPC233-127-S09AR-ARE46	RPE233-127	RPE033-026-S09AR	RPE033-145	ARE46
RPC233-127-S09AR-ARE56	RPE233-127	RPE033-026-S09AR	RPE033-145	ARE56

ARKTROL - RECEPTACLES

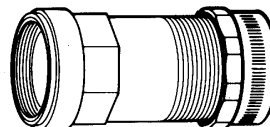
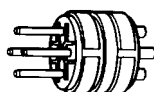


CATALOG #	SHELL ASSEMBLY W/DUST CAP	INTERIOR ASSEMBLY	ADAPTER PLATE	BACK-BOX
RPC641-014-S02N	RPE641-014	RPE041-026-S02N		
RPC641-014-S02N-AJ57	RPE641-014	RPE041-026-S02N	RPE041-146	AJ57
RPC641-014-S02N-AJ67	RPE641-014	RPE041-026-S02N	RPE041-146	AJ67
RPC641-014-S02NR	RPE641-014	RPE041-026-S02NR		
RPC641-014-S02NR-AJ57	RPE641-014	RPE041-026-S02NR	RPE041-146	AJ57
RPC641-014-S02NR-AJ67	RPE641-014	RPE041-026-S02NR	RPE041-146	AJ67
RPC641-014-S04A	RPE641-014	RPE041-026-S04A		
RPC641-014-S04A-AJ57	RPE641-014	RPE041-026-S04A	RPE041-146	AJ57
RPC641-014-S04A-AJ67	RPE641-014	RPE041-026-S04A	RPE041-146	AJ67
RPC641-014-S04AR	RPE641-014	RPE041-026-S04AR		
RPC641-014-S04AR-AJ57	RPE641-014	RPE041-026-S04AR	RPE041-146	AJ57
RPC641-014-S04AR-AJ67	RPE641-014	RPE041-026-S04AR	RPE041-146	AJ67
RPC641-014-S10A	RPE641-014	RPE041-026-S10A		
RPC641-014-S10A-AJ68	RPE641-014	RPE041-026-S10A	RPE041-147	AJ68
RPC641-014-S10A-AJ78	RPE641-014	RPE041-026-S10A		



CATALOG #	SHELL ASSEMBLY W/DUST CAP	INTERIOR ASSEMBLY	ADAPTER PLATE	BACK-BO
RPC641-127-S02N	RPE641-127	RPE041-026-S02N		
RPC641-127-S02N-AJ57	RPE641-127	RPE041-026-S02N	RPE041-146	AJ57
RPC641-127-S02N-AJ67	RPE641-127	RPE041-026-S02N	RPE041-146	AJ67
RPC641-127-S02NR	RPE641-127	RPE041-026-S02NR		
RPC641-127-S02NR-AJ57	RPE641-127	RPE041-026-S02NR	RPE041-146	AJ57
RPC641-127-S02NR-AJ67	RPE641-127	RPE041-026-S02NR	RPE041-146	AJ67
RPC641-127-S04A	RPE641-127	RPE041-026-S04A		
RPC641-127-S04A-AJ57	RPE641-127	RPE041-026-S04A	RPE041-146	AJ57
RPC641-127-S04A-AJ67	RPE641-127	RPE041-026-S04A	RPE041-146	AJ67
RPC641-127-S04AR	RPE641-127	RPE041-026-S04AR		
RPC641-127-S04AR-AJ57	RPE641-127	RPE041-026-S04AR	RPE041-146	AJ57
RPC641-127-S04A R-AJ67	RPE641-127	RPE041-026-S04AR	RPE041-146	AJ67
RPC641-127-S10A	RPE641-127	RPE041-026-S10A		
RPC641-127-S10A-AJ68	RPE641-127	RPE041-026-S10A	RPE041-147	AJ68
RPC641-127-S10A-AJ78	RPE641-127	RPE041-026-S10A	RPE041-147	AJ78

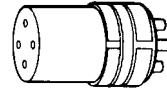
ARKTROL - PLUGS



CATALOG #	FRONT SHELL ASSEMBLY	INTERIOR ASSEMBLY	HANDLE BODY ASSEMBLY
RPE117-150-P05N	RPE117-001	RPE017-026-P05N	RPE417-160
RPE117-150-P06A	RPE117-001	RPE017-026-P06A	RPE417-160
RPE117-151-P05N	RPE117-001	RPE017-026-P05N	RPE417-162
RPE117-151-P06A	RPE117-001	RPE017-026-P06A	RPE417-162
RPE121-151-P08A	RPE121-001	RPE021-026-P08A	RPE421-161
RPE121-151-P09N	RPE121-001	RPE021-026-P09N	RPE421-161
RPE121-387-P08A	RPE121-001	RPE021-026-P08N	RPE421-395
RPE121-387-P09N	RPE121-001	RPE021-026-P09N	RPE421-395
RPE133-153-P17N	RPE133-001	RPE033-026-P17N	RPE433-163
RPE133-153-P19A	RPE133-001	RPE033-026-P19A	RPE433-163
RPE133-388-P17N	RPE133-001	RPE033-026-P17N	RPE433-396
RPE133-388-P19A	RPE133-001	RPE033-026-P19A	RPE433-396
RPE533-388-P24N	RPE533-001	RPE033-026-P24N	RPE433-396
RPE533-389-P24N	RPE533-001	RPE033-026-P24N	RPE433-397

* Note - For reversed service part numbers and "S" maybe inserted for socket interior or a "P" may be inserted for plug interior. (ie. RPC117-150-S01N)

ARKTROL - PLUGS

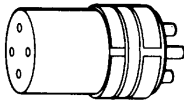


CATALOG #	SHELL ASSEMBLY W/DUST CAP	INTERIOR ASSEMBLY	ADAPTER PLATE	BACK-BOX
RPE217-014-S05N	RPE217-014	RPE017-026-S05N		
RPE217-014-S05N-ARE23	RPE217-014	REP017-026-S05N	RPE017-143	ARE23
RPE217-014-S05N-ARE33	RPE217-014	RPE017-026-S05N	RPE017-143	ARE23
RPE217-014-S06A	REP217-014	RPE017-026-S06A		
RPE217-014-S06A-ARE23	RPE217-014	RPE017-026-S06A	RPE017-143	ARE23
RPE217-014-S06A-ARE33	RPE217-014	RPE017-026-S06A	RPE017-143	ARE33
RPE221-014-S08A	REP221-014	RPE021-026-S08A		
RPE221-014-S08A-ARE23	RPE221-014	RPE021-026-S08A	RPE021-144	ARE23
RPE221-014-S08A-ARE33	RPE221-014	RPE021-026-S08A	RPE021-144	ARE33
RPE221-014-S09N	RPE221-014	RPE021-026-S09N		
RPE221-014-S09N-ARE23	RPE221-014	RPE021-026-S09N	RPE021-144	ARE23
RPE221-014-S09N-ARE33	RPE221-014	RPE021-026-S09N	RPE021-144	ARE33
RPE233-014-S17N	RPE233-014	RPE033-026-S17N		
RPE233-014-SL 7N-ARE46	RPE233-014	RPE033-026-S17N	RPE033-145	ARE46
RPE233-014-S17N-ARE56	RPE233-014	RPE033-026-S17N	RPE033-145	ARE56
RPE233-014-S19A	RPE233-014	RPE033-026-S19A		
RPE233-014-S19A-ARE46	RPE233-014	RPE033-026-S19A	RPE033-145	ARE46
RPE233-014-S19A-ARE56	RPE233-014	RPE033-026-S19A	RPE033-145	ARE56
RPE633-014-S24N	RPE633-014	RPE033-026-S24N		
RPE633-014-S24N-AJ57	RPE633-014	RPE033-026-S24N	RPE033-145	AJ57
RPE633-014-S24N-AJ67	RPE633-014	RPE033-026-S24N	RPE033-145	AJ67

* Note - For reversed service part numbers and "S" maybe inserted for socket interior or a "P" may be inserted for plug interior. (ie. RPC117-150-S01N)

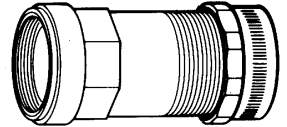
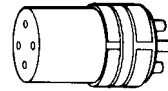
ARKTROL - RECEPTACLES

• PLUGS & RECEPTACLES



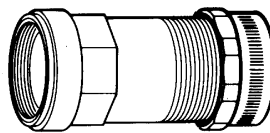
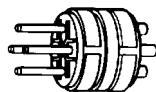
CATALOG #	SHELL ASSEMBLY W/DUST CAP	INTERIOR ASSEMBLY	ADAPTER PLATE	BACK-BOX
RPC641-127-S02N	RPE641-127	RPE041-026-S02N		
RPC641-127-S02N-AJ57	RPE641-127	RPE041-026-S02N	RPE041-146	AJ57
RPC641-127-S02N-AJ67	RPE641-127	RPE041-026-S02N	RPE041-146	AJ67
RPC641-127-S02NR	RPE641-127	RPE041-026-S02NR		
RPC641-127-S02NR-AJ57	RPE641-127	RPE041-026-S02NR	RPE041-146	AJ57
RPC641-127-S02NR-AJ67	RPE641-127	RPE041-026-S02NR	RPE041-146	AJ67
RPC641-127-S04A	RPE641-127	RPE041-026-S04A		
RPC641-127-S04A-AJ57	RPE641-127	RPE041-026-S04A	RPE041-146	AJ57
RPC641-127-S04A-AJ67	RPE641-127	RPE041-026-S04A	RPE041-146	AJ67
RPC641-127-S04AR	RPE641-127	RPE041-026-S04AR		
RPC641-127-S04AR-AJ57	RPE641-127	RPE041-026-S04AR	RPE041-146	AJ57
RPC641-127-S04A R-AJ67	RPE641-127	RPE041-026-S04AR	RPE041-146	AJ67
RPC641-127-S10A	RPE641-127	RPE041-026-S10A		
RPC641-127-S10A-AJ68	RPE641-127	RPE041-026-S10A	RPE041-147	AJ68
RPC641-127-S10A-AJ78	RPE641-127	RPE041-026-S10A	RPE041-147	AJ78

ARKTROL - CORD CONNECTORS



CATALOG #	FRONT SHELL ASSEMBLY	INTERIOR ASSEMBLY	HANDLE BODY ASSEMBLY
RPE317-160-S05N	RPE317-000	RPE017-026-S05N	RPE417-160
RPE317-160-S06A	RPE317-000	RPE017-026-S06A	RPE417-160
RPE317-161-S05N	RPE317-000	RPE017-026-S05N	RPE417-162
RPE317-161-S06A	RPE317-000	RPE017-026-S06A	RPE417-162
RPE321-161-S08A	RPE321-000	RPE021-026-S08A	RPE421-161
RPE321-161-S09N	RPE321-000	RPE021-026-S09N	RPE421-161
RPE321-395-S08A	RPE321-000	RPE021-026-S08A	RPE421-395
RPE321-395-S09N	RPE321-000	RPE021-026-S09N	RPE421-395
RPE333-163-S17N	RPE333-000	RPE033-026-S17N	RPE433-163
RPE333-163-S19A	RPE333-000	RPE033-026-S19A	RPE433-163
RPE333-396-S17N	RPE333-000	RPE033-026-S17N	RPE433-396
RPE333-396-S19A	RPE333-000	RPE033-026-S19A	RPE433-396
RPE733-396-S24N	RPE733-000	RPE033-026-S24N	RPE433-396
RPE733-397-S24N	RPE733-000	RPE033-026-S24N	RPE433-397

ARKTROL- PLUGS



• PLUGS & RECEPTACLES

CATALOG #	FRONT SHELL ASSEMBLY	INTERIOR ASSEMBLY	HANDLE BODY ASSEMBLY
RPX117-150-P01N	RPX117-911	RPE017-916-P01N	RPE417-160
RPX117-150-P02A	RPX117-911	RPE017-916-P02A	RPE417-160
RPX117-150-P03N	RPX1 17-911	RPE017-916-P03N	RPE417-160
RPX117-150-P04A	RPX1 17-911	RPE017-916-P04A	RPE417-160
RPX1 17-150-P05N	RPX117-911	RPE017-916-P05N	RPE417-160
RPX1 17-150-P06A	RPX117-911	RPE017-916-P06A	RPE417-160
RPX1 17-150-P08N	RPX117-911	RPE017-916-P08N	RPE417-160
RPX117-150-P09A	RPX117-911	RPE017-916-P09A	RPE417-160
RPX117-151-P01N	RPX117-911	RPE017-916-P01N	RPE417-162
RPX117-151-P02A	RPX 117-911	RPE017-916-P02A	RPE417-162
RPX1 17-151-P03N	RPX117-911	RPE017-916-P03N	RPE417-162
RPX117-151-P04A	RPX117-911	RPE017-916-P04A	RPE417-162
RPX117-151-P05N	RPX117-911	RPE017-916-P05N	RPE417-162
RPX117-151-P06A	RPX117-911	RPE017-916-P06A	RPE417-162
RPX117-151-P08N	RPX117-911	RPE017-916-P08N	RPE417-162
RPX1 17-151-P09A	RPX117-911	RPE017-916-P09A	RPE417-162
RPX121-151-P08A	RPX121-911	RPE021-916-P08A	RPE421-161
RPX121-151-P09N	RPX121-911	PRE021-916-P09N	RPE421-161
RPX121-151-PL6N	RPX121-911	RPE021-916-PL6N	RPE421-161

* Note - For reversed service part numbers and "S" maybe inserted for socket interior or a "P" may be inserted for plug interior. (ie. RPC117-150-S01N)

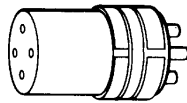
ARKTROL - PLUGS

CATALOG #	FRONT SHELL ASSEMBLY	INTERIOR ASSEMBLY	HANDLE BODY ASSEMBLY
RPX121-151-PL7A	RPX121-911	RPE021-916-PL7A	RPE421-161
RPX121-387-P08A	RPX121-911	RPE021-916-P08A	RPE421-395
RPX121-387-P09N	RPX121-911	RPE021-916-P09N	RPE421-395
RPX121-387-PL6N	RPX121-911	RPE021-916-PL6N	RPE421-395
RPX121-387-PL7A	RPX121-911	RPE021-916-PL7A	RPE421-395
RPX133-153-P05N	RPX133-911	RPE033-916-P05N	RPE433-163
RPX133-153-P06N	RPX133-911	RPE033-916-P06N	RPE433-163
RPX133-153-P07A	RPX133-911	RPE033-916-PC7A	RPE433-163
RPX133-153-P08A	RPX133-911	RPE033-916-P08A	RPE433-163
RPX133-153-P09A	RPX133-911	RPE033-916-P09A	RPE433-163
RPX133-153-P17N	RPX133-911	RPE033-916-P17N	RPE433-163
RPX133-153-PL9A	RPX133-911	RPE033-916-P19A	RPE433-163
RPX133-388-P05N	RPX133-911	RPE033-916-P05N	RPE433-396
RPX133-388-P06N	RPX133-911	RPE033-916-P06N	RPE433-396
RPX133-388-P07A	RPX133-911	RPE033-916-P07A	RPE433-396
RPX133-388-P08A	RPX133-911	RPE033-916-P08A	RPE433-396
RPX133-388-P09A	RPX133-911	RPE033-916-P09A	RPE433-396
RPX133-388-P17N	RPX133-911	RPE033-916-P17N	RPE433-396
RPX133-388-PL9A	RPX133-911	RPE033-916-P19A	RPE433-396
RPX133-389-P05N	RPX133-911	RPE033-916-P05N	RPE433-397
RPX133-389-P06N	RPX133-911	RPE033-916-P06N	RPE433-397
RPX133-389-P07A	RPX133-911	RPE033-916-P07A	RPE433-397
RPX133-389-P08A	RPX133-911	RPE033-916-P08A	RPE433-397
RPX133-389-P09A	RPX133-911	RPE033-916-P09A	RPE433-397

* Note - For reversed service part numbers and "S" maybe inserted for socket interior or a "P" may be inserted for plug interior. (ie. RPC117-150-S01N)

ARKTROL - RECEPTACLES

• PLUGS & RECEPTACLES

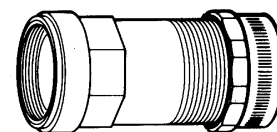
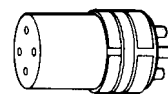


CATALOG #	SHELL ASSEMBLY W/DUST CAP	INTERIOR ASSEMBLY	ADAPTER PLATE	BACK-BOX
RPX217-914-S01N-EDSC271	RPX217-914	RPE017-026-S01N	RPE017-149	EDSC271
RPX217-914-S01N-EDSC371	RPX217-914	RPE017-026-S01N	RPE017-149	EDSC371
RPX217-914-S02A-EDSC271	RPX217-914	RPE017-026-S02A	RPE017-149	EDSC271
RPX217-914-S02A-EDSC371	RPX217-914	RPE017-026-S02A	RPE017-149	EDSC371
RPX217-914-S03N-EDSC271	RPX217-914	RPE017-026-S03N	RPE017-149	EDSC271
RPX217-914-S03N-EDSC371	RPX217-914	RPE017-026-S03N	RPE017-149	EDSC371
RPX217-914-S04A-EDSC271	RPX217-914	RPE017-026-S04A	RPE017-149	EDSC271
RPX217-914-S04A-EDSC371	RPX217-914	RPE017-026-S04A	RPE017-149	EDSC371
RPX217-914-S05N-EDSC271	RPX217-914	RPE017-026-S05N	RPE017-149	EDSC271
RPX217-914-S05N-EDSC371	RPX217-914	RPE017-026-S05N	RPE017-149	EDSC371
RPX217-914-S06A-EDSC271	RPX217-914	RPE017-026-S06A	RPE017-149	EDSC271
RPX217-914-S06A-EDSC371	RPX217-914	RPE017-026-S06A	RPE017-149	EDSC371
RPX217-914-S08N-EDSC271	RPX217-914	RPE017-026-S08N	RPE017-149	EDSC271
RPX217-914-S08N-EDSC371	RPX217-914	RPE017-026-S08N	RPE017-149	EDSC371
RPX217-914-S09A-EDSC271	RPX217-914	RPE017-026-S09A	RPE017-149	EDSC271
RPX217-914-S09A-EDSC371	RPX217-914	RPE017-026-S09A	RPE017-149	EDSC371
RPX221-914-S08A-EDSC271	RPX221-914	RPE021-026-S08A	RPE021-149	EDSC271
RPX221-914-S08A-EDSC371	RPX221-914	RPE021-026-S08A	RPE021-149	EDSC371
RPX221-914-S09N-EDSC271	RPX221-914	RPE021-026-S09N	RPE021-149	EDSC271
RPX221-914-S09N-EDSC371	RPX221-914	REP021-026-S09N	RPE021-149	EDSC371
RPX221-914-S16N-EDSC271	RPX221-914	RPE021-026-S16N	RPE021-149	EDSC271
RPX221-916-S16N-EDSC371	RPX221-914	RPE021-026-S16N	RPE021-149	EDSC371
RPX221-914-S17A-EDSC271	RPX221-914	RPE021-026-S17A	RPE021-149	EDSC271
RPX221-914-S17A-EDSC371	RPX221-914	RPE021-026-S17A	RPE021-149	EDSC371

ARKTROL - RECEPTACLES

CATALOG #	SHELL ASSEMBLY W/DUST CAP	INTERIOR ASSEMBLY	ADAPTER PLATE	BACK-BOX
RPX233-914-S05N-CES42	RPX233-914	RPE033-026-S05N	RPE033-447	CES42
RPX233-914-S06N-CES42	RPX233-914	RPE033-026-S06N	RPE033-447	CES42
RPX233-914-S07A-CES42	RPX233-914	RPE033-026-S07A	RPE033-447	CES42
RPX233-914-S08A-CES42	RPX233-924	RPE033-026-S08A	RPE033-447	CES42
RPX233-914-S09A-CES42	RPX233-914	RPE033-026-S09A	RPE033-447	CES42
RPX233-914-S17N-CES42	RPX233-914	RPE033-026-S17N	RPE033-447	CES42
RPX233-914-SL9A-CES42	RPX233-914	RPE033-026-S19A	RPE033-447	CES42

ARKTROL - CORD CONNECTORS



CATALOG #	FRONT SHELL ASSEMBLY	INTERIOR ASSEMBLY	HANDLE BODY ASSEMBLY
RPX317-160-S01N	RPX317-912	RPE017-026-S01N	RPE417-160
RPX317-160-S02A	RPX317-912	RPE017-026-S02A	RPE417-160
RPX317-160-S03N	RPX317-912	RPE017-026-S03N	RPE417-160
RPX317-160-S04A	RPX317-912	RPE017-026-S04A	RPE417-160
RPX317-160-S05N	RPX317-912	RPE017-026-S05N	RPE417-160
RPX317-160-S06A	RPX317-912	RPE017-026-S06A	RPE417-160
RPX317-160-S08N	RPX317-912	RPE017-026-S08N	RPE417-160
RPX317-160-S09A	RPX317-912	RPE017-026-S09A	RPE417-160

ARKTROL

• PLUGS & RECEPTACLES

CATALOG #	FRONT SHELL ASSEMBLY	INTERIOR ASSEMBLY	HANDLE BODY ASSEMBLY
RPX317-161-S01N	RPX317-912	RPE017-026-S01N	RPE417-162
RPX317-161-S02A	RPX317-912	RPE017-026-S02A	RPE417-162
RPX317-161-S03N	RPX317-912	RPE017-026-S03N	RPE417-162
RPX317-161-S05N	RPX317-912	RPE017-026-S05N	RPE417-162
RPX317-161-S06A	RPX317-912	RPE017-026-S06A	RPE417-162
RPX317-161-S08N	RPX317-912	RPE017-026-S08N	RPE417-162
RPX317-161-S09A	RPX317-912	RPE017-026-S09A	RPE417-162
RPX321-161-S08A	RPX321-912	RPE021-026-S08A	RPE421-161
RPX321-161-S09N	RPX321-912	RPE021-026-S09N	RPE421-161
RPX321-161-S16N	RPX321-912	RPE021-026-S16N	RPE421-161
RPX321-161-S17A	RPX321-912	RPE021-026-S17A	RPE421-161
RPX321-395-S08A	RPX321-912	RPE021-026-S08A	RPE421-395
RPX321-395-S09N	RPX321-912	RPE021-026-S09N	RPE421-395
RPX321-395-S16N	RPX321-912	RPE021-026-S16N	RPE421-395
RPX321-395-S17A	RPX321-912	RPE021-026-S17A	RPE421-395
RPX333-163-S05N	RPX333-912	RPE033-026-S05N	RPE433-163
RPX333-163-S06N	RPX333-912	RPE033-026-S06N	RPE433-163
RPX333-163-S07A	RPX333-912	RPE033-026-S07A	RPE433-163
RPX333-163-S08A	RPX333-912	RPE033-026-S08A	RPE433-163
RPX333-163-S09A	RPX333-912	RPE033-026-S09A	RPE433-163
RPX333-163-S17N	RPX333-912	RPE033-026-S17N	RPE433-163

ARKTROL

CATALOG #	FRONT SHELL ASSEMBLY	INTERIOR ASSEMBLY	HANDLE BODY ASSEMBLY
RPX333-163-SL9A	RPX333-912	RPE033-026-S19A	RPE433-163
RPX333-396-S04N	RPX333-912	RPE033-026-S04N	RPE433-396
RPX333-396-S05N	RPX333-912	RPE033-026-S05N	RPE433-396
RPX333-396-S06N	RPX333-912	RPE033-026-S06N	RPE433-396
RPX333-396-S07A	RPX333-912	RPE033-026-S07A	RPE433-396
RPX333-396-S08A	RPX333-912	RPE033-026-S08A	RPE433-396
RPX333-396-S09A	RPX333-912	RPE033-026-S09A	RPE433-396
RPX333-396-S17N	RPX333-912	RPE033-026-S17N	RPE433-396
RPX333-396-SL9A	RPX333-912	RPE033-026-S19A	RPE433-396
RPX333-397-S04N	RPX333-912	RPE033-026-S04N	RPE433-397
RPX333-397-S05N	RPX333-912	RPE033-026-S05N	RPE433-397
RPX333-397-S06N	RPX333-912	RPE033-026-S06N	RPE433-397
RPX333-397-S07A	RPX333-912	RPE033-026-S07A	RPE433-397
RPX333-397-S08A	RPX333-912	RPE033-026-S08A	RPE433-397
RPX333-397-S09A	RPX333-912	RPE033-026-S09A	RPE433-397

