



Lampholders

INDEX

Commercial Grade	
Medium Base Incandescent Outlet Box	192
Metal Shell	194
Multi-Lampholder Clusters	195
Mogul Base Incandescent	197
Medium Base Incandescent	199
Cadelabra Medium Base Incandescent	202
Keyless Fluorescent Ceiling Lampholders.....	204
Medium, High Output and Slimline	205
Medium and Miniature Bi-Pin Lamps	206
Medium Bi-Pin Lamps	208
Long Twin Tube With 2G11 Base	212
Lamp Support Clips for	
Long Twin Tube 2G11 Base	214
Compact Fluorescent Lampholders (CFLs)	215
“Smart” CFL Lampholders	217
GU24 Base Fluorescent	221

Commercial Grade

Medium Base Incandescent Outlet Box Lampholders

Specifications and Features

- Twist-lock mounting
- Pull chain models have bell at end of chain on 3 foot cord
- Medium base

MEDIUM BASE INCANDESCENT OUTLET BOX LAMP HOLDERS

White Urea One-Piece Keyless Top Wired

Description/Terminals	Rating	Cat. No.	OD	Fits Box Size
2 Terminal Screws	600 WATT/600V	8829-CW1	4 ¹ / ₂ "	3 ¹ / ₄ " or 4"
6" Pigtail Leads	600 WATT/600V	8829-CW2	4 ¹ / ₂ "	3 ¹ / ₄ " or 4"
4 Terminal Screws	600 WATT/600V	8829-CW4	4 ¹ / ₂ "	3 ¹ / ₄ " or 4"

White Urea One-Piece Pull Chain Top Wired

Description/Terminals	Rating	Cat. No.	OD	Fits Box Size
2 Terminal Screws	660 WATT/250V	8827-CW1	4 ¹ / ₂ "	3 ¹ / ₄ " or 4"
6" Pigtail Leads	660 WATT/250V	8827-CW2	4 ¹ / ₂ "	3 ¹ / ₄ " or 4"
2 Terminal Screws with Captive Clamps	660 WATT/250V	8827-CW4	4 ¹ / ₂ "	3 ¹ / ₄ " or 4"

Porcelain One-Piece Keyless Top Wired

Description/Terminals	Rating	Cat. No.	OD	Fits Box Size
2 Screws [◇]	660 WATT/250V	9874	3 ³ / ₄ "	3 ¹ / ₄ "
2 Screws, no Cage Lip	660 WATT/250V	9875	4 ¹ / ₂ "	3 ¹ / ₄ " or 4"
6" Pigtail Leads, no Cage Lip	660 WATT/250V	9875-2	4 ¹ / ₂ "	3 ¹ / ₄ " or 4"
4 Screws	660 WATT/250V	49875	4 ¹ / ₂ "	3 ¹ / ₄ " or 4"
4 Quickwire Push-In [◇]	660 WATT/250V	9883	4 ¹ / ₂ "	3 ¹ / ₄ " or 4"

Porcelain One-Piece Pull Chain Top Wired

Description/Terminals	Rating	Cat. No.	OD	Fits Box Size
2 Screws	660 WATT/250V	29816-C	4 ¹ / ₂ "	3 ¹ / ₄ " or 4"
6" Pigtail Leads	660 WATT/250V	29816-C2	4 ¹ / ₂ "	3 ¹ / ₄ " or 4"
2 Screws w/Captive Clamps for 4-Wire Terminals	660 WATT/250V	49816-C	4 ¹ / ₂ "	3 ¹ / ₄ " or 4"
Interior Mechanism for 2-Piece Outlet Box Lampholders [◇]	660 WATT/250V	29816-CM*		

*When existing stock is depleted, this item will be DISCONTINUED. CSA Certified except where indicated by [◇].



8827-CW2



9875-2



29816-C

Commercial Grade

Porcelain One-Piece Pull Chain Side Wired 



Description/Terminals	Rating	Cat. No.	OD	Fits Box Size
2 Screws \diamond	15 Amp/125V	9716-C	4 ¹ / ₂ "	3 ¹ / ₄ " or 4"



9716-C

Porcelain One-Piece Pull Chain Top Wired  



Description/Terminals	Rating	Cat. No.	OD	Fits Box Size
2 Screws \diamond	15 Amp/125V	9726-C	4 ¹ / ₂ "	3 ¹ / ₄ " or 4"



9726-C

*When existing stock is depleted, this item will be DISCONTINUED.
CSA Certified except where indicated by \diamond .

BALL AND CHAIN ACCESSORIES

Description	Color	Cat. No.
No. 6 Chain; 1/8" Dia. Balls	Brass Finish	18302-1
	Nickel Finish	18302-1N
Connector for No. 6 Chain	Brass Finish	9820
	Nickel Finish	9820-N
Chain, 3 feet long, End Bell and Connector use as extension or replacement; 1/25" Dia. Balls	Brass Finish	6
	Nickel Finish	6-N
Description	Color	Cat. No.
Insulating Link; Thermoplastic 1 ³ / ₄ " Total Length	White	9839

TESTING AND CODE COMPLIANCE

- UL Listed (File #E-3810)
- CSA Certified (File #LR-1863)



18302-1N



9820



6



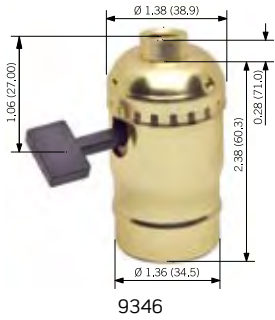
9839

Commercial Grade

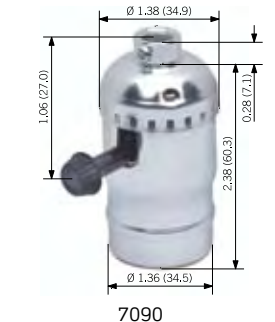
Metal Shell Lampholders

Specifications and Features

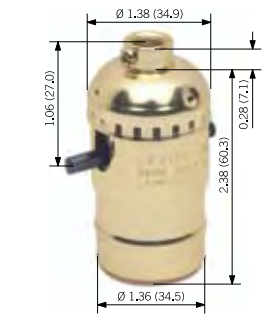
- Phenolic interior with aluminum screwshell
- 2-Circuit lampholders operate dual-filament lamps in sequence of Low-Medium-High-Off
- Cat. No. 7070 (2-Circuit, 3-Terminal) is wired in series with keyless lampholder



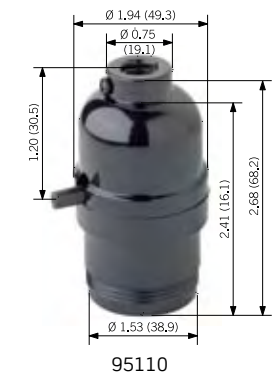
9346



7090



7080



95110

METAL SHELL LAMP HOLDERS

Medium Base, Choice of Finishes*

Description	Rating	Cat. No.
Key—Electrolier; Single Circuit; 1/8 IPS Tapped Bushing w/Set Screw	250W 250V	9346
Removable Turn Knob—Electrolier; Single Circuit; 1/8 IPS Tapped Bushing w/Set Screw	250W 250V	10083-16
Removable Turn Knob—Electrolier; 2-Circuit; 3 Terminal; 1/8 IPS Tapped Bushing less Set Screw	250W 250V	7070
Removable Turn Knob—Electrolier; 2-Circuit; 1/8 IPS Tapped Bushing	250W 250V	7090
Pull Chain—Electrolier; Single Circuit; 1/8 IPS Tapped Bushing w/Set Screws	660W 250V	19980
Push Through—Electrolier; Single Circuit; 1/8 IPS Tapped Bushing w/Set Screw	660W 250V	7080
Keyless—Electrolier; Single Circuit; 1/8 IPS Tapped Bushing w/Set Screw	660W 250V	8004
Keyless—Short Electrolier; Single Circuit; 1/8 IPS Tapped Bushing w/Set Screw	660W 250V	9347

INTERIORS

Medium Base, Phenolic Body, Aluminum Screw Shell†

Lampholder	Cat. No. Interior†
19980	19980-M†
10083-16	10083-M†
7070	7070-M†
7090	7090-M†
9346	9346-M†
6098	7080-M†
8004	8004-M†

BROWN PHENOLIC CAP AND SHELL LAMP HOLDERS

Two-Piece, Medium Base Electrolier Interiors

Description	Rating	Cat. No.	Interiors†
Pull Cord (nylon); 2-Circuit, 1/8 IPS Threaded Cap w/Set Screw	250W 250V	97092	7092-2M†
Push-Through; 1/8 IPS Threaded Cap w/Set Screw	660W 250V	95110	7080-M†
Keyless; 1/8 IPS Threaded Cap w/Set Screw		95080	8004-M†

* FINISH: A suffix must be added to each basic catalog number to indicate the finish desired. For Polished Gilt/Brass finish, add -PG; for Unfinished Aluminum, add -AL; for Polished Aluminum, add -NI (finishes on aluminum). For bright dip/Brass, add -BR (finish on brass). CONSULT LEVITON REPRESENTATIVE FOR AVAILABILITY OF FINISHES.

† UL Recognized component.
NOM Certified except where indicated by †.

TESTING AND CODE COMPLIANCE

- UL Listed (File #E-3810)
- CSA Certified (File #LR-1863)
- NOM Certified (File #057), except interiors

Multi-Lampholder Clusters

Specifications and Features

- Pull chain models have bell at end of chain on 3 foot cord
- Medium and Candelabra bases
- Par connectors have white, unglazed porcelain body

MEDIUM BASE MULTI-LAMPHOLDER CLUSTERS

Treated Aluminum Screw Shell  

Description	Rating	Cat. No.	T	TA	B	BA	OAH T+B
2-Light Twin 1/8 IPS Male Top Bracket Only	660W 250V	4020-A3A	1 ⁵ / ₁₆	5/16	—	—	—
2-Light Twin 1/8 IPS Male (top & bottom)	660W 250V	4015-D4F	1 ¹¹ / ₁₆	5/16	1 ¹¹ / ₁₆	7/16	3 ³ / ₈
2-Light Offset 1/8 IPS Male (top & bottom)	660W 250V	4032-E5F	1 ³ / ₄	5/16	1 ³ / ₄	7/16	3 ¹¹ / ₁₆
3-Light 1/8 IPS Male (top & bottom)†	660W 250V	341-D4U	1 ³ / ₄	1/2	1 ³ / ₄	7/16	3 ¹ / ₂
2-Light Offset 1/8 IPS Male (top); Pullchain Switch (bottom) with 1/2" usable shank◊	660W 250V 1A 125V T	4034-F5A	1 ³ / ₄	5/16	1 ¹⁵ / ₁₆	1/2	3 ³ / ₄ +
2-Light Twin 1/8 IPS Male (top); Pullchain Switch (bottom) 3/8" usable shank◊	660W 250V 1A 125V T	4017-D2F	1 ¹ / ₁₆	5/16	1 ¹¹ / ₁₆	3/8	2 ¹³ / ₁₆ +

†Includes nut. Leads are No. 18 AWG 105°C plastic; 9" long, stripped 3/4"; untinned and pulled through top bracket.
All devices are UL Listed except Cat. No. 905. Also CSA Certified except where indicated by ◊, and NOM Certified except where indicated by †.



4034-F5A



341-D4U



4032-E5F

PORCELAIN PAR CONNECTORS  

Description	Rating	Cat. No.
Medium Base for PAR #46 and #38 lamps. Leads are No. 14 AWG 200°C SEW-2 Silicone Rubber Insulated; 18" Long, Stripped 3/4". Others available on inquiry†	660W 125V	368-1
Mogul Base for PAR #56 and #64 lamps. Leads are No. 14 150°C SEWF-2; 18" Long, Stripped 3/4". Others available upon request	1000W 125V	357-8

All devices are UL Listed except Cat. No. 905. Also CSA Certified except where indicated by ◊, and NOM Certified except where indicated by †.

BAYONET SOCKET — SINGLE CONTACT

Candelabra Base

Description	Rating	Cat. No.
Flat Bracket. Leads are No. 18 AWG, 105°C Plastic; 6" Long, Stripped 3/4" (one black, one white)◊†	Low Voltage	905

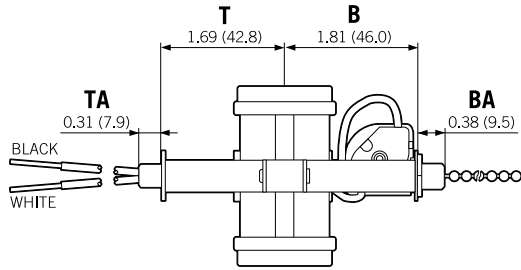
All devices are UL Listed except Cat. No. 905. Also CSA Certified except where indicated by ◊, and NOM Certified except where indicated by †.

Commercial Grade

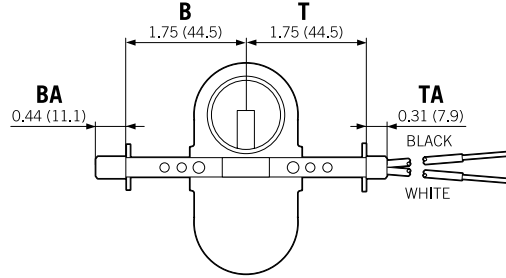
TESTING AND CODE COMPLIANCE

- UL Listed (File #E-13405, E-3810)
- CSA Certified (File #LR-5863, LR-1863)
- NOM Certified (File #057)

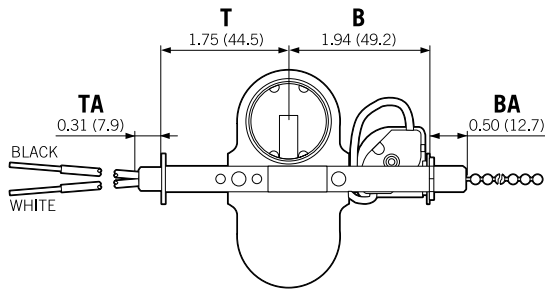
DIMENSIONS



4017-D2F



4032-E5F



4034-F5A

Mogul Base Incandescent Lampholders

Specifications and Features

- Cat. No. 8746 – Porcelain body gray glazed with ceramic arc shield; Cat. No. 8750 – Porcelain body yellow glazed; Cat. No. 8751 – Porcelain body pink glazed
- All other mogul bases listed have white glazed porcelain body
- Copper-alloy nickel-plated screw shell

PORCELAIN MOGUL BASE LAMPHOLDERS

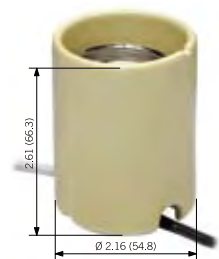
With Leads

Description	Rating	Cat. No.	OD	OH
Keyless, Single Circuit. For high pressure sodium lamps up to 1000 watts. 8-32 Mounting Screws on 1 ³ / ₈ " Centers	1500W 600V 5KV Pulse-rated	8746	2 ¹ / ₈	3 ¹ / ₆₄
Keyless, Single Circuit. Position-oriented. For Super Metalarc HID lamps. 8-32 Mounting Screws on 1 ³ / ₈ " Centers	1500W 600V	8750	2 ⁵ / ₃₂	2 ³⁹ / ₆₄
Keyless, Single Circuit. For high-pressure sodium lamps up to 400 watts. 8-32 Mounting Screws on 1 ³ / ₈ " Centers	1500W 600V 4KV Pulse-rated	8756	2 ⁵ / ₃₂	2 ³⁹ / ₆₄
Low Pressure Sodium. For use with all single-end bayonet base low pressure sodium lamps \diamond \ddagger	660W 1000V	8806	1 ³ / ₈	1 ⁵ / ₈
Designed for Open-Fixture Shielded Metal Halide Lamps. Complies with NFPA 70-2005 for Open-Rated Fixtures. 8-32 Mounting Screws on 1 ³ / ₈ " Centers	1500W 600V 4KV Pulse Rated	8751	2 ⁵ / ₃₂	2 ³⁹ / ₆₄

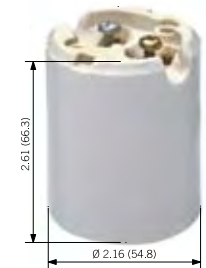
Leads types, lengths and ratings vary with the end use applications. Standard leads as well as variations available on inquiry. CSA Certified except where indicated by \diamond , and NOM Certified except where indicated by \ddagger .



8746



8750



8694

SCREW TERMINALS

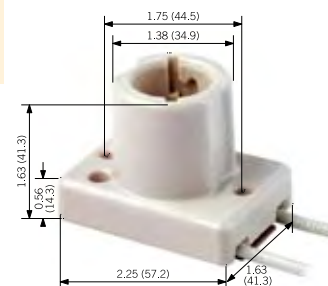
Description	Rating	Cat. No.	OD	OH
Keyless; 2-Piece; Single-Pole \diamond	1500W 600V	8765	2 ⁵ / ₁₆	2 ²³ / ₆₄
Keyless; Single Circuit with 8-32 Lock Nuts on 1 ³ / ₈ " Centers.	1500W 600V	8694	2 ⁵ / ₃₂	2 ³⁹ / ₆₄

Die-cast caps available upon request

CSA Certified except where indicated by \diamond .

TESTING AND CODE COMPLIANCE

- UL Listed (File #E-13402)
- CSA Certified (File #LR-1863)
- NOM Certified (File #057)
- Cat. No. 8751 complies with NFPA 70-2005 requirements for open-rated fixtures



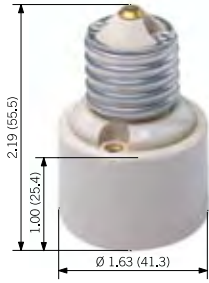
8806

Commercial Grade

Medium, Mogul and Candelabra Base Incandescent Lampholders

Specifications and Features

- Medium-to-Medium Extenders available in phenolic and porcelain
- Pony Cleat Receptacles have open wiring terminals
- Two-piece surface-type lampholders have concealed wiring terminals with wireways for top and continuous wiring



2005

SOCKET EXTENSIONS — SINGLE CIRCUIT

Medium-Medium

Description	Rating	Cat. No.
2-Piece Porcelain; Mounting Hole 1 ³ / ₈ " Dia. Extension 1 ¹ / ₄ "**	660W 250V	2004
1-Piece Porcelain; Slotted Mounting Hole 1 ³ / ₈ " Dia. Extension 1 ¹ / ₄ "**	660W 250V	2005
1-Piece Phenolic. Extension 1 ³ / ₁₆ "**	660W 250V	2006

*To be used with porcelain sockets only.

**To be used with phenolic sockets only.

Mogul-Mogul

Description	Rating	Cat. No.
1-Piece Porcelain. Extension 2 ³ / ₈ "‡	1500W 600V	8647

CSA Certified except where indicated by ◊ and NOM Certified except where indicated by ‡.

SOCKET ADAPTER

Mogul-To-Porcelain Medium

Description	Rating	Cat. No.
1-piece. Meets Fed. Spec. W-L-142a‡	660W 250V	8681-
Same as above, except 4 KV Pulse-Rated‡	660W 250V	8681-400
	4 KV Pulse-Rated	

CSA Certified except where indicated by ◊ and NOM Certified except where indicated by ‡.



19062

APPLIANCE HEATING RECEPTACLE

Porcelain Two-Piece

Description	Rating	Cat. No.
2-piece Heating Receptacle. Gasket Furnished‡	660W 250V	8110

CSA Certified except where indicated by ◊ and NOM Certified except where indicated by ‡.

PORCELAIN AND PHENOLIC LAMPHOLDERS

Pony Cleat Type

Description	Rating	Cat. No.	OD	OH	C
Candelabra Base; Plastic. Not UL Listed◊ ‡	75W 125V	10028	1 ⁷ / ₁₆	7/8	1 ¹ / ₈
Miniature Base, Plastic. Not UL Listed◊ ‡	75W 125V	10020	1 ⁵ / ₁₆	7/8	3 ¹ / ₃₂
Medium Base, Phenolic	660W 250V	9063	1 ⁷ / ₈	1 ¹ / ₂	1 ¹⁵ / ₁₆
Medium Base, Porcelain	660W 250V	19062	1 ⁷ / ₈	1 ¹ / ₂	1 ¹⁵ / ₁₆

CSA Certified except where indicated by ◊ and NOM Certified except where indicated by ‡.

Surface Type  

Description	Rating	Cat. No.	OD	OH	C
Medium Base; Porcelain; Low 2-Piece	660W 250V	9880	2 ⁵ / ₁₆	1 ¹ / ₂	1 ³ / ₈
Medium Base; Porcelain; High 2-Piece [◇] ‡	660W 250V	9882	2 ⁵ / ₁₆	1 ⁷ / ₈	1 ³ / ₈

CSA Certified except where indicated by [◇] and NOM Certified except where indicated by ‡.

TESTING AND CODE COMPLIANCE

- UL Listed (File #E-3810; E-13396)
- CSA Certified (File #LR-1863)
- NOM Certified (File #057)



Medium Base Incandescent Lampholders

Specifications and Features

- Suitable for a wide variety of fixtures, signs and displays
- Unglazed base and ring on two-piece lampholders
- Gasket supplied with two-piece ring type rated at 90°C dry maximum

PORCELAIN SNAP-IN LAMP HOLDERS

Medium Base Screw Terminals  

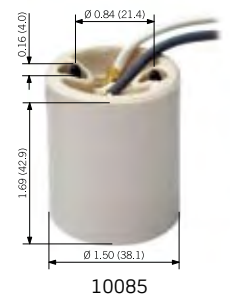
Description	Rating	Cat. No.	OD	OH
1-Piece, Front Mounted 1/4" Shoulder Panel Thickness: .025 -.062"	660W 250V	8880	1 ¹¹ / ₁₆	1 ¹ / ₂
1-Piece, Front Mounted Shallow Back. Panel Thickness: .030 -.062"	660W 250V	8875	1 ¹¹ / ₁₆	1 ¹¹ / ₁₆



PORCELAIN KEYLESS LAMP HOLDERS COMMERCIAL UNITS

Medium Base Single Circuit Screw Terminals  

Description	Rating	Cat. No.	OD	OH
Straight Body with Cap. Screw Terminals	660W 250V	10045	1 ¹ / ₂	2 ¹ / ₈
Beaded Body for 1 ¹ / ₂ " Clamp Style	660W 250V	10065	Body 1 ¹ / ₂	2 ¹ / ₈
Shadeholder with Cap			Bead 1 ⁵ / ₈	
Screw Terminals			2 ¹ / ₄ ringnut	—
Adjustable Glass Retaining Ring with Cap and Ring Nut. Screw Terminals	660W 250V	20070	2 ¹ / ₄ ringnut	—
Straight Body with Leads. No. 18 AWG 105°C Plastic; 9" Long, Stripped 3/4" with Two 5/32 Mounting Screws	660W 250V	10085	1 ¹ / ₂	1 ¹¹ / ₁₆



PORCELAIN KEYLESS FIXTURE SINGLE CIRCUIT

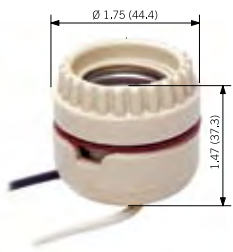
Medium Base Screw Terminals  

Description	Rating	Cat. No.	OD	OH
1-Piece, Front Mounted for Fixture or Sign Use. Tapped 8-32 Bushings, Mounting Centers 1 ¹³ / ₁₆ ".	660W 600V	9885	1 ⁵ / ₈	1 ⁷ / ₁₆
2-Piece, Ring Type	660W 250V	9350	1 ³ / ₄	1 ³ / ₈
1-Piece with Removable Strap [◇]	660W 250V	8871	1 ¹¹ / ₁₆	1 ⁹ / ₁₆
Fixture Pan Lampholder with 1/8" IPS Hickey	660W 250V	3152-8	1 ³ / ₈	1 ⁷ / ₁₆

CSA Certified except where indicated by [◇] and NOM Certified except where indicated by ‡.



Commercial Grade



8101

LEADS

Description	Rating	Cat. No.	OD	OH
2-Piece Ring Type with Leads: No. 18 AWG, 105°C Plastic; 9" Long, Stripped 3/4"	660W 250V	8101	1 3/4	1 3/8
Angle Pan with Leads: No. 18 AWG Type AF 150°C Plastic; 9" Long, Stripped 3/4"	660W 250V	18315	—	—
Removable Bracket with Leads	660W 250V	8052-1	1 3/8	1 7/16
Screw-Mount Pulse-Rated Lampholder with Leads for Open-Fixture Lamps; 18 AWG 200°C 600V SEW-2 (SF-2) wire; 9" Long, Stripped 1/2"	660W 600V 4KV Pulse Rated	70052-100	1 45/64	2 9/32

Two-Piece Pull Chain

Description	Rating	Cat. No.	OD	OH
Ring Type; Screw Terminals; Gasket Furnished [†]	250W 250V	9814	1 13/16	1 13/16

CSA Certified except where indicated by [°] and NOM Certified except where indicated by [‡].

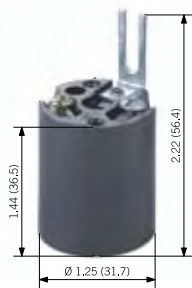
TESTING AND CODE COMPLIANCE

- UL Listed (File #E-3810)
- CSA Certified (File #LR-1863)
- NOM Certified (File #057)

Medium Base , Metal and Quartz Halogen Incandescent Lampholders

Specifications and Features

- Cat. No. 3352 lampholder bodies have wireways
- Side-Mounted lampholders are white glazed porcelain with copper-alloy screwshell
- Recessed Single-Contact lampholders have porcelain body with nickel-plated steel housing
- Cat. No. 560 has a metal lamp-positioning clip (patent pending) that maintains lamp seating position
- Cat. No. 565 is designed for energy-efficient CDM lamps
- Cat. No. 570 twists in and is fully dimmable



3352-1

PHENOLIC KEYLESS FIXTURE

Medium Base Screw Terminals

Description	Rating	Cat. No.
Permanent Bracket. Terminal Screws Backed Out and Staked	660W 250V	3352-1
Same as 3352-1, with Shorter Bracket	660W 250V	3352-F
Removable Hickey. Terminal Screws Backed Out and Staked	660W 250V	3352-8

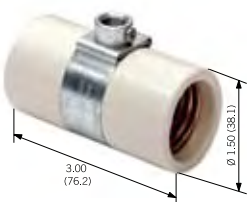
Hickeys and brackets are available in various types and sizes. Consult a Leviton representative for more information.

PORCELAIN KEYLESS, SIDE-MOUNTED

Medium Base Screw Terminals

Description	Rating	Cat. No.
Single Lampholder w/Side Outlet Bushing — 1/8 IPS	660W 250V	10091
Twin Lampholder w/Bushed Flange — 1/8 IPS	660W 250V	4010
Twin Lampholder w/Single Outlet Bushing — 1/8 IPS	660W 250V	4005
Same as 4005 with 3/8 IPS Bushing	660W 250V	4006

All bushings are tapped and have set screw.



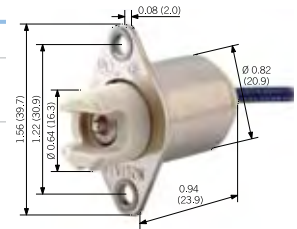
4005

CANDLE SOCKETS, BOTTOM TURN KNOB

Medium Base Screw Terminals 

Description	Rating	Cat. No.
Three-light, two-piece phenolic husk. Lighting sequence: LO-MED-HI-OFF◊	250W 250V	4063

CSA Certified except where indicated by ◊.



554

LAMPHOLDERS FOR RECESSED SINGLE CONTACT LAMPS  

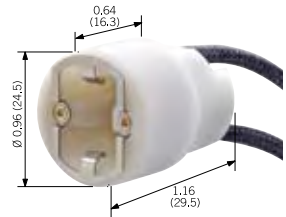
Description	Rating	Cat. No.
Front Flange Mount. Standard Leads are No. 18 AWG, Type SEW-2, 200°C, 18" Long, Stripped 3/4" ‡	3000W 600V	554
Rear Flange Mount. Same Leads and Specs as No. 554 ‡	3000W 600V	555

NOM Certified except where indicated by ‡.

LAMPHOLDERS FOR METAL HALIDE AND QUARTZ HALOGEN LAMPS  

Description	Rating	Cat. No.
Single-Ended Metal Halide for Lamps with a G8.5 Base. Lead-In Edge on Body Ensures Proper Lamping. Standard Leads (2) are Black 5KV Pulse Rated No. 18 AWG, Type SEW-2, 200°C 600V Wire, 9" Long, Stripped .325" ‡	660W 600V 5KV Pulse Rated	560
Single-Ended Metal Halide for Lamps with a GX8.5 Base, such as Philips CDM-R11, rated up to 150W. Standard Leads (2) are Black No. 18 AWG, 5KV Pulse Rated SEW-2, 200°C 600V Wire, 12" Long, Stripped 1/2" ‡	660W 600V 5KV Pulse Rated	565
Twist-In Single-Ended Quartz Halogen for Lamps with a GU10 Base, rated up to 150W. Fully Dimmable; Standard Leads (2) are White, No. 20 AWG Teflon® wire, rated 250°C 600V, 6" Long, Stripped 1/2" ‡	660W 600V 5KV Pulse Rated	570
Twist-In Single-Ended Socket for lamps with a GX10 Base, rated up to 150W. with a 5k Puls Rating. Standard leads (2) are white, No. 18 AWG Teflon wire, rated 250°C 600U, 18" long, Stripped 1/2"	1500W 6A 5k Pulse Rated	571

NOM Certified except where indicated by ‡.



560



571

TESTING AND CODE COMPLIANCE

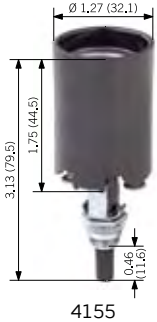
- UL Listed (File #E-3810) Cat. Nos. 560, 565 and 570: cULus (File #E-13405)
- CSA Certified (File #LR-1863)
- NOM Certified (File #057)

Commercial Grade

Candelabra and Medium Base Incandescent Lampholders

Specifications and Features

- Candle sockets for single-light applications
- Fiber Disc Body for use with standard candle tubes
- Spring-tempered steel clip holds Cat. No. 10014-800 socket rigidly in place



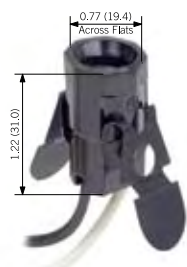
4155



9805



10025



10014-800

CANDLE SOCKETS, BOTTOM TURN KNOB

Medium Base Screw Terminals

Description	Rating	Cat. No.
1-Piece Phenolic Body; 2 Leg Bracket; Single Light; Removable Interior; Knurl Nut and Lock Nut	660W 250V	4155
2-Piece Phenolic Husk & Removable Interior Husk; Single Light; Knurl Nut	660W 250V	4158

CANDLE SOCKETS, KEYLESS*

Medium Base Fiber-Disc Body, Screw Terminals

Description	Rating	Cat. No.
Solid Hickey, 2" Overall Height†	660W 250V	8684
Adjustable Hickey. Overall Height: 4-5 ³ / ₄ "	660W 250	9800

*Insulating paper liner pushes down against Hickey projections.

NOTE: These items are designed for use with standard socket candle tubes (1¹⁵/₁₆" dia.) and require a minimum of 1³/₁₆" dia. flat bottom of candle cup for clearance.

NOM Certified except where indicated by †.

CANDLE SOCKETS, PHENOLIC

Medium Base With Removable Turn Knob, Screw Terminals

Description	Rating	Cat. No.
Removable Knob (Short Type), Adjustable Hickey. Overall Height: 4-5 ¹ / ₂ "	250W 250V	9805*
Removable Knob, Removable 1-Leg Hickey. Overall Height: 2 ⁷ / ₁₆ "	250W 250V	9805-A*

NOTE: These items are designed for use with standard socket candle tubes (1¹⁵/₁₆" dia.) and require a minimum of 1³/₁₆" dia. flat at bottom of candle for clearance.

NOM Certified except where indicated by †.

CANDELABRA BASE, KEYLESS* †

Description	Rating	Cat. No.
Screw Terminals; Solid Hickey. Overall Height: 2"	75W 125V	10025
Screw Terminals; Solid Hickey. Overall Height: 1 ¹ / ₂ "	75W 125V	10027
Screw Terminals; Adjustable Hickey: 3 ¹ / ₄ -4 ³ / ₄ "	75W 125V	10026
Double Snap-In Spring Clips. Height of socket from panel is 1". Leads are No. 18 AWG 105°C plastic, 24" long, stripped 1 ¹ / ₂ "	75W 125V	10014-800

*7/8" candle tube. All Hickeys tapped 1/8 IPS.

TESTING AND CODE COMPLIANCE

- UL Listed (File #E-3810; E-13400)
- CSA Certified (File #LR-1863)
- NOM Certified (File #057)

Candelabra and Medium Base Incandescent Lampholders

Specifications and Features

- Candle socket has white unglazed porcelain body with aluminum screw shell
- Choice of Pin-Type or Pigtail Type for temporary lighting applications
- Two-Piece Pin Type automatically pierces wire leads

CANDLE SOCKETS — PORCELAIN

Candelabra Base Screw Terminals

Description	Rating	Cat. No.
Solid Hickey.* Overall Height: 2 ³ / ₃₂ " [◇] ‡	75W 125V	20025

*Other hickey sizes available. Also CSA Certified except where indicated by [◇], and NOM Certified except where indicated by ‡.



20025

KEYLESS HEAVY DUTY PHENOLIC SINGLE CIRCUIT LAMPHOLDERS

Two-Piece Pin Type

Description	Rating	Cat. No.
Candelabra Base, Detachable Zinc-Plated Wire Hook. Accepts No. 20 – No. 18 Stranded Insulated Wire	75W 125V	267**
Medium Base, Detachable Zinc-Plated Wire Hook. Accepts No. 14 – No. 12 Stranded Insulated Wire	660W 250V	167**

NOTE: Linings assembled.

**For temporary lighting — not waterproof.



267

PIGTAIL TYPE MEDIUM BASE WITH LEADS

Description	Rating	Cat. No.
Vinyl, Phenolic Interior & Screw Shell, Brass Shell Contact. Leads are No. 14 AWG, 6" Long, Stripped ³ / ₄ ", Molded into Boots‡	660W 250V	55**
Phenolic with Brass Screw Shell. Leads Soldered and Hot Waxed in Deep Well are No. 14 AWG 6" Long	660W 250V	157**
Same as 157 above, with Left-Hand Screw Shell	660W 250V	157-X**
Rubber, Aluminum Screwshell. Leads are No. 16 AWG, 6" Long, Soldered to Terminals and Sealed in Rubber Boot [◇]	660W 250V	124-D

**For temporary lighting—not waterproof.

All devices are UL Listed except Cat. No. 124-D. Also CSA Certified except where indicated by [◇], and NOM Certified except where indicated by ‡.
Note: The listed products may be used at construction sites provided that bulb cages are used and suitable splices are made. The listing for the products meets the OSHA requirement and is made for open wiring without a separate outlet box.



167

TESTING AND CODE COMPLIANCE

- UL Listed (File #E-13400) 267**
- UL Listed (File #E-3810) 55**, 157**, 157-X** and 167**
- CSA Certified (File #LR-1863)
- NOM Certified (File #057)



55

Commercial Grade

Keyless Fluorescent Ceiling Lampholders

Specifications and Features

Keyless Fluorescent Ceiling Lampholders

- 13W GU24 Base Lamp
- Keyless Bi-Pin Compact Fluorescent Lampholder
- Impact resistant thermoplastic construction
- Optional polycarbonate lamp guard available
- Pigtail leads provide easy installation
- Knockout holes on box enable multiple configurations
- Thread-cutting screws facilitate installation of lamp guard
- Pull Chain ON/OFF - no wall switch required
- Lamp Output = 900 lumens
- Lamp Color = 2700 K
- Lamp Life = 10,000 hours average
- Limited Two-Year Warranty on Lampholder and Guard

Applications

- Installs in closets, garages, basements, utility rooms and attics
- Suitable for indoor use only
- Use with a standard wall switch



9860

KEYLESS FLUORESCENT CEILING LAMPHOLDER

Description	Rating	Cat. No.
Lampholder	120W-250VAC, 60Hz	9860
Lampholder with 13W Lamp and Lamp Guard*	120W-250VAC, 60Hz	9860-BL/LHG
Lamp Guard	120W-250VAC, 60Hz	9860-L
Pull Chain Lampholder with 13W Lamp and Lamp Guard*	120W-250VAC, 60Hz	9862-PC/PCH

*ENERGY STAR qualified.

GU24 Base Fluorescent Lampholder

Energy-Saving Keyless Bi-Pin Compact Fluorescent Ceiling Lampholder for Closets and Closed Spaces 120 WATT 250V AC

GU24 BASE FLUORESCENT LAMPHOLDER



9862

Description	Cat. No.
Lampholder with Pigtail Leads and Knockout Holes for Multiple Configurations	9860
Lampholder with Pigtail Leads and Knockout Holes for Multiple Configurations; with 13W Bulb	9860-B
Lampholder with Pigtail Leads and Knockout Holes for Multiple Configurations; with 13W Bulb and Lamp Guard	9860-BL
Lamp Guard	9860-L
13W Replacement Lamp	9865

NOTE: Not intended for use with incandescent lamps, dimmers or occupancy sensors.

TESTING AND CODE COMPLIANCE

- ENERGY STAR qualified (Catalog Numbers 9860-BL/LHG, 9862-PC/PCH)
- UL as Listed
- Meets NFPA 70, NEC Section 410.8B Requirements. Can be utilized in closets and open spaces
- Meets Canadian Electric Code Requirements for use in closets with lamp guard
- Patent Pending

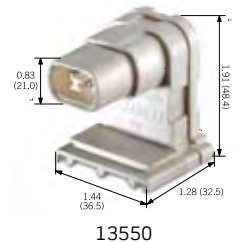
Medium, High Output and Slimline — Linear Fluorescent Lampholders

Specifications and Features

- Silver-plated copper alloy contacts
- Quickwire terminals accept No. 18 AWG twisted and tinned, solder-dipped or solid leads
- Lampholders are white, starter bases are black

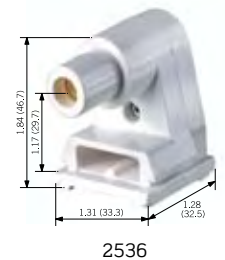
RECESSED DOUBLE CONTACT, PEDESTAL TYPE UR For High Output Lamps

Description	Rating	Cat. No. Plunger	Cat. No. Fixed
Screw Mount, Push-in wiring*	660W 600V	13464	13465
Same as 13464/13465 except with Internal Shunt Connection for Electronic Ballasts*	660W 600V	23464	23465
Slide-on, Shallow Base, Quickwire Terminals*	660W 600V	13550	13551
Slide-on, Shallow Base for Power Groove and Jacketed Lamps, Quickwire Terminals*	660W 600V	13556	13557



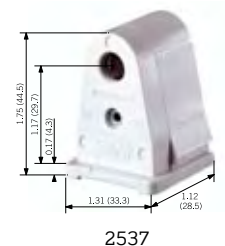
For Slimline, Single Pin Lamps

Description	Rating	Cat. No. Plunger	Cat. No. Fixed
Butt-On Surface Mounting, 12" Leads†	660W 1000V 660W 600V	452 —	— 453
Pedestal Base, Slide-On	660W 1000V 660W 600V	466 —	— 467
Shallow Base, Slide-On or Lock-On Mounting, Quickwire Terminals*	660W 1000V 660W 600V	2536 —	— 2537



For Medium Bi-Pin Lamps

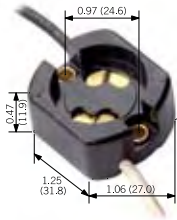
Description	Rating	Cat. No. White
Thin Body, Quickwire Terminals Accommodate Rapid-Start Circuits	660W 600V	431-W
Pedestal type, Straight-in Wiring Through Wireways or Screw Terminals†	660W 600V	390-1W
Same as above, with Starter Base†	660W 600V	391-1W



NOM Certified except where indicated by †.
*Suitable for outdoor applications when properly enclosed.

continued on next page >

Commercial Grade



396

STARTER BASES

For Medium Bi-Pin Lamps

Description	Rating	Cat. No.
Starter Base; Screw Terminals, Black†	660W 250V	380
Starter Base; with Leads, Black†	660W 250V	396

NOM Certified except where indicated by †.
*Suitable for outdoor applications when properly enclosed.

TESTING AND CODE COMPLIANCE

- UL Listed (File #E-5833)
- CSA Certified (File #LR-1863; LR-5863; LR-2200)
- NOM Certified (#057)

Medium and Miniature Bi-Pin Lamps—Linear Fluorescent Lampholders

Specifications and Features

- Versatile snap-in mounting reduces fixture assembly time
- Quickwire terminals accept either No. 18 AWG (stranded, twisted or tinned), No. 18 AWG solid or No. 16 AWG solid
- Internal Shunt versions stamped “S” on back for easy identification

SURFACE MOUNT WITH LEADS*

For Medium and Miniature Bi-Pin Lamps



13518

Description	Rating	Cat. No. White
Rapid-Start Medium Bi-Pin, 9" leads	660W 600V	395-W
Rapid-Start Medium Bi-Pin, Disconnect (paired with Cat. No. 395-W), 9" leads	660W 600V	389-W
Miniature Bi-Pin for T5 Lamp, 6" leads	75W 250V	420-W

*Leads are No. 18 AWG, 105°C plastic insulated wire.

SNAP-IN WITH QUICKWIRE

For Slimline, Medium Bi-Pin, High Output Lamps

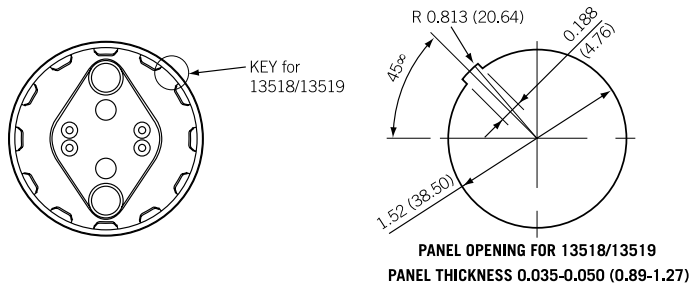
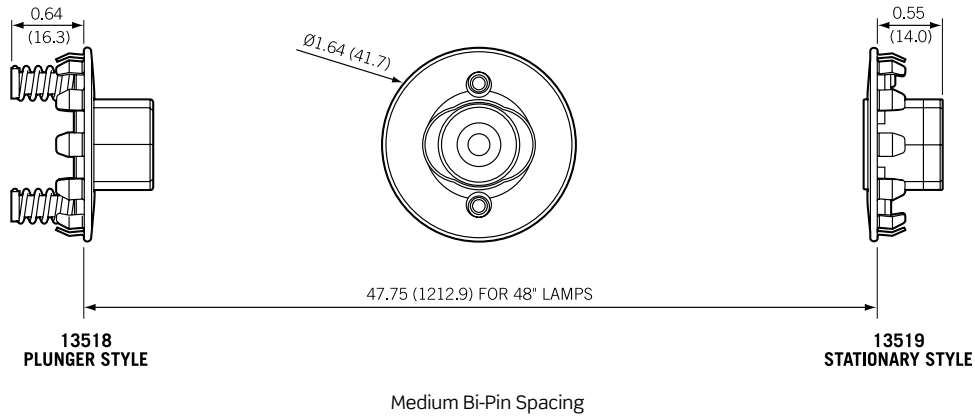
Description	Rating	Cat. No. Plunger	Cat. No. Fixed
Slimline†	660W 1000V	516	—
	660W 600V	—	517
Medium Bi-Pin, Stainless Steel	660W 600V	13518	—
Coverplate & Clip	660W 600V	—	13519
Medium Bi-Pin, Same as above,	660W 600V	23518	—
with Internal Shunt for Use with	660W 600V	—	23519
Electronic Ballasts			
High Output 800mA and 1500mA†	660W 600V	523	—
	660W 600V	—	524

NOM Certified except where indicated by †.

TESTING AND CODE COMPLIANCE

- UL Listed (File #E-5833)
- CSA Certified (File #LR-5863; LR-1863)
- NOM Certified (#057)

DIMENSIONS

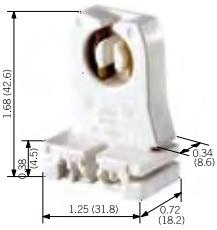


Commercial Grade

Medium Bi-Pin Lamps—Linear Fluorescent Lampholders

Specifications and Features

- Four-position lamp-lock socket rotates 90°, forward and back, for quick relamping
- Lamp-Lock models have slim, low profile silhouette that fits 22 to 25 gauge panels
- Chemical-resistant white thermoplastic body



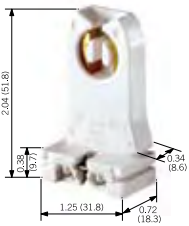
13351-D

TURN-TYPE

Description	Rating	Cat. No.
Low Profile, Slide-On, with Captive Nut	660W 600V	13353-N
Tall Profile, Slide-On, with Captive Nut	660W 600V	13357-N
Tall Profile without Side Grooves, Slide-On, with Captive Nut	660W 600V	13359-N
Low Profile Disconnect, Slide-On	660W 600V	13351-D
Tall Profile Disconnect, Slide-On	660W 600V	13354-D
Low-Profile; Shunted, Slide-On	660W 600V	23351

STRAIGHT-IN

Description	Rating	Cat. No.
Low Profile, Slide-On	660W 600V	13150-UR5
Self-Locking; Slide-In, with Captive Nut. For use with T-8 Lamps	660W 600V	13451-N



13357-N

SNAP-IN/SLIDE-ON DESIGN AND LAMP-LOCK

Description	Rating	Cat. No.
Snap-In or Slide-On Mounting Featuring Lamp-Lock, with Panel Locator Post. For T-8 and T-12 Lamps	660W 600V	13653-WP
Same as Above, Less Locator Post	660W 600V	13653-NP
Same as 13653-WP, Except with Internal Shunt Connection for Electronic Ballasts	660W 600V	23653-WP
Same as Above, Less Locator Post	660W 600V	23653-NP
Snap-In or Slide-On Mounting Featuring Lamp-Lock, Optional Panel Locator Post. Dedicated for Energy-Efficient T-8 Lamps Only	660W 600V	13652-WP
Same as 13652, Except with Internal Shunt Connection for Electronic Ballasts	660W 600V	23652-WP
Snap-In or Slide-On Mounting Featuring Lamp-Lock, for Energy-Efficient T-8 Lamps Only. Wide-Wing Design	600W 600V	13652-WWP
Same as Above, Less Locator Post	600W 600V	13652-WNP
Same as 13652-WWP, Except with Internal Shunt Connection for Electronic Ballasts	600W 600V	23652-WWP
Same as Above, Less Locator Post	600W 600V	23652-WNP
Snap-In or Slide-On Mounting Featuring Lamp-Lock, for T-8 and T-12 Lamps. Wide-Wing Design	600W 600V	13653-WWP
Same as Above, Less Locator Post	600W 600V	13653-WNP
Same as 13653-WWP, Except with Internal Shunt Connection for Electronic Ballasts	600W 600V	23653-WWP
Same as Above, Less Locator Post	600W 600V	23653-WNP

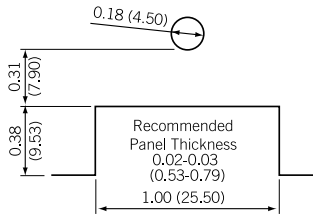


13653-WP

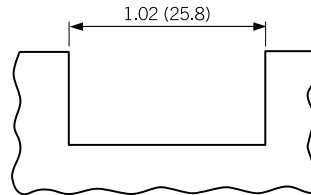
TESTING AND CODE COMPLIANCE

- UL Listed (File #E-5833)
- CSA Certified (File #LR-1863; LR-5863; LR-2200)
- NOM Certified (#057)
- Medium Bi-Pin lamps with Snap-In/Slide-On Design and Lamp-Lock are VDE Certified to IEC

DIMENSIONS

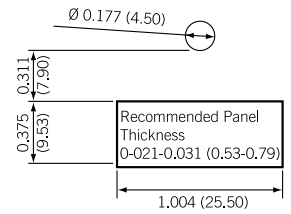


Recommended Panel Opening for all -WP, -NP Medium Bi-Pin Snap-In/Slide-On Lampholders



Recommended Panel Opening for Medium Bi-Pin Turn-Type Lampholders

This is only a recommendation — lampholder will function over a wider range



Recommended Panel Opening for all -WWP, -WNP wide-wing models

Commercial Grade

Medium and Miniature Bi-Pin Lamps—Linear Fluorescent Lampholders

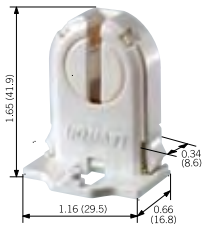
Specifications and Features

Lamp-Lock

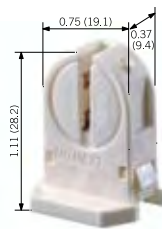
- Four-position lamp-lock socket rotates 90°, forward and back, for quick relamping
- Lamp-Lock models have slim, low profile silhouette that fits 22 to 25 gauge panels
- Chemical-resistant white thermoplastic body

T-8 to T-5 Adapter

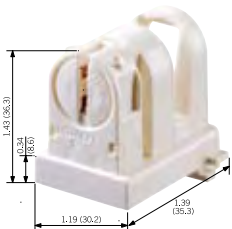
- Cost-effective solution to incorporate miniature bi-pin T-5 lamps into existing T-8 configurations



13661-SWP



13654-SNP



13654-EXL

FOR MEDIUM BI-PIN LAMPS — SLIDE-ON DESIGN AND LAMP-LOCK

Description	Rating	Cat. No.
Low Profile 0.64 (16.3mm) Lamp Center Snap-In or Slide-On Mounting Featuring Lamp Lock for T-8 Lamps Only	660W-600V	13662
Same as 13662, Except with Internal Shunt Connection for Electronic Ballasts	660W-600V	23662
Medium Profile 0.91 (23.0) Lamp Center Snap-In or Slide-On Mounting Featuring Lamp Lock for T-8 and T-12 Lamps	660W-600V	13661
Same as 13661, Except with Internal Shunt Connection for Electronic Ballasts	660W-600V	23661
Tall Profile 1.18 (30.0) Lamp Center Snap-In or Slide-On Mounting Featuring Lamp Lock for T-8 and T-12 Lamps	660W-600V	13660
Same as 13660, Except with Internal Shunt Connection for Electronic Ballasts	660W-600V	23660

FOR MINIATURE BI-PIN LAMPS — SNAP-IN/SLIDE-ON DESIGN AND LAMP-LOCK

Description	Rating	Cat. No.
Low Profile 0.62 (15.7) Lamp Center Snap-In or Slide-On Mounting Featuring Lamp-Lock, with Panel Locator Post for T-5 Lamps	120W 600V	13654-SWP
Same as Above, Less Locator Post	120W 600V	13654-SNP
Tall Profile 0.98 (24.9) Lamp Center, Snap-In or Slide-On Mounting Featuring Lamp-Lock, with Panel Locator Post for T-5 Lamps	120W 600V	13654-TWP
Same as Above, Less Locator Post	120W 600V	13654-TNP
Low Profile 0.62 (15.7) Lamp Center Snap-In or Slide-On Mounting Featuring Lamp-Lock, with Panel Locator Post for T-5 Lamps	120W 600V	23654-SWP
Internal Shunt Connection for Electronic Ballasts		
Same as Above, Less Locator Post	120W 600V	23654-SNP
Tall Profile 0.98 (24.9) Lamp Center Snap-In or Slide-On Mounting Featuring Lamp-Lock, with Panel Locator Post for T-5 Lamps	120W 600V	23654-TWP
Internal Shunt Connection for Electronic Ballasts		
Same as above, Less Locator Post	120W 600V	23654-TNP

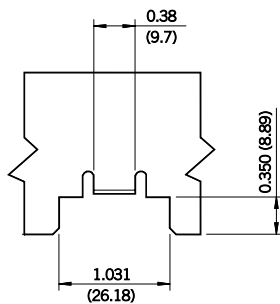
T-8 TO T-5 ADAPTER

Description	Rating	Cat. No.
Long T-8 to T-5 Adapter, converts existing T-8 fixtures to accept energy-efficient T-5 lamps; with Lamp Lock. <i>Specify lamp length for proper ordering</i>	120W 600V	13654-EXL
Short T-8 to T-5 Adapter, converts existing T-8 fixtures to accept energy-efficient T-5 lamps; with Lamp-Lock. <i>Specify lamp length for proper ordering</i>	120W-600V	13654-EXS

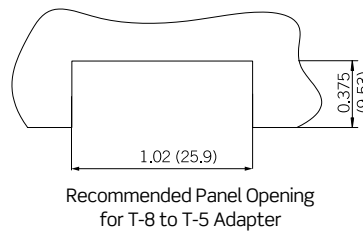
TESTING AND CODE COMPLIANCE

- UL Listed (File #E-5833)
- CSA Certified (File #LR-1863; LR-5863; LR-2200)
- NOM Certified (#057)
- Medium Bi-Pin Lamps with Slide-On Design and Lamp-Lock are VDE Certified to IEC

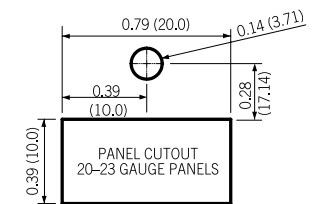
DIMENSIONS



Recommended Panel Opening for Medium Bi-Pin Slide-On Lampholders



Recommended Panel Opening for T-8 to T-5 Adapter



Recommended Panel Opening for Miniature Bi-Pin Snap-In/Slide-On Lampholders

Commercial Grade

Long Twin Tube With 2G11 Base — Compact Fluorescent Lampholders

Specifications and Features

- Vertical Snap-In model allows wires to be routed on either top or bottom of panel
- Two wiring ports per contact speed harness wiring
- Internal Shunt models eliminate need for extra jumper wire in fixtures designed for electronic ballasts
- Low-profile design for smaller, more compact fixtures
- Superior metal-spring lamp retainer clips



13453



13454

4-PIN LONG TWIN-TUBE WITH 2G11 BASE — SLIDE-IN MOUNTING

Description	Rating	Cat. No.
Slide-In for 18-20 Ga. Panels, Quickwire Terminals	660W 600V	13452

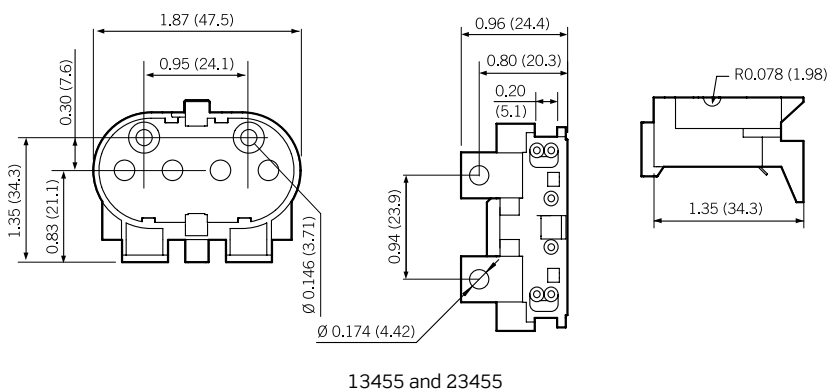
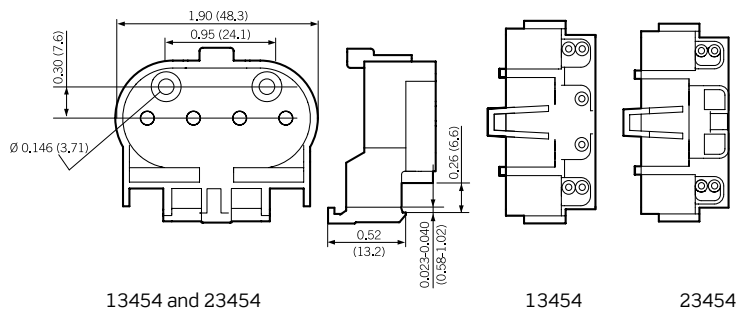
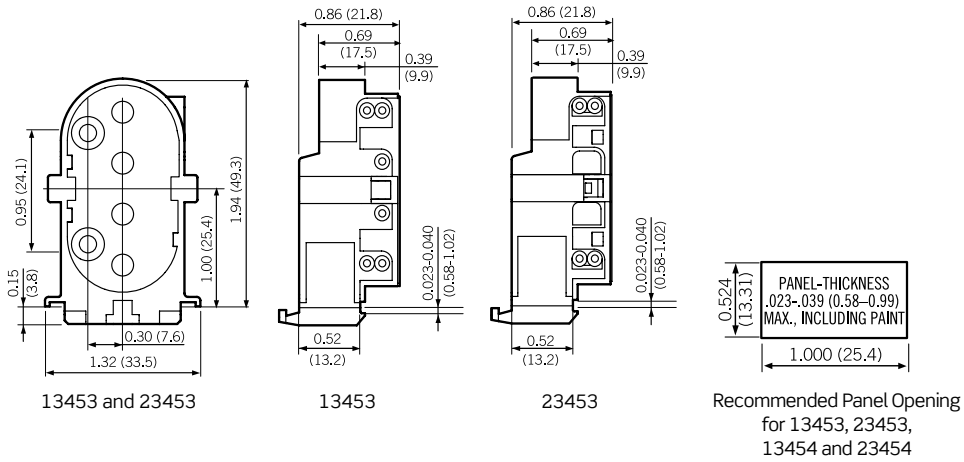
4-PIN LONG TWIN-TUBE WITH 2G11 BASE — BOTTOM OR BACK MOUNTING

Description	Rating	Cat. No.
Vertical Snap-In Mounting, Side Push-In Wiring	660W 600V	13453
Same as above, with Internal Shunt Connection for Electronic Ballasts	660W 600V	23453
Horizontal Snap-In Mounting, Bottom Push-In Wiring	660W 600V	13454
Same as above, with Internal Shunt Connection for Electronic Ballasts	660W 600V	23454
Horizontal Screw-Mount, Bottom Push-In Wiring	660W 600V	13455
Same as above, with Internal Shunt Connection for Electronic Ballasts	660W 600V	23455

TESTING AND CODE COMPLIANCE

- UL Listed (File #E-5833)
- CSA Certified (File #LR-1863)
- NOM Certified (File #057)

DIMENSIONS



Commercial Grade

Lamp Support Clips for Long Twin Tube 2G11 Base Fluorescent Lampholders

Specifications and Features

- Choice of quality lamp support clips in a variety of configurations for long twin tube lamps with 2G11 base
- UV stable clear polycarbonate clips for vertical or horizontal mounting
- Stainless steel clips with UV stable clear polycarbonate base for horizontal mounting only; short or tall versions
- Plastic clips for slide-on or screw-mount

PLASTIC AND STAINLESS STEEL LAMP SUPPORT CLIPS

Description	Cat. No.
Plastic Lamp Support Clip, Slide-On	23452-A*
Plastic Lamp Support Clip, Screw Mount	23452-B*
Horizontal Snap-In Lamp Support Clip for 13454, 23454, 13455 and 23455. UV-Stable, Clear Polycarbonate	23452-H*
Vertical Snap-In Lamp Support Clip for 13453 and 23453. UV-Stable, Clear Polycarbonate	23452-V*
Stainless Steel Horizontal Lamp Support Clip, Short Version	23452-MTS
Stainless Steel Horizontal Lamp Support Clip, Tall Version	23452-MTL

*NOTE: Leviton strongly recommends replacing support clips 23452-A, 23452-B, 23452-V and 23452-H during lamp replacement.



23452-H



23452-V

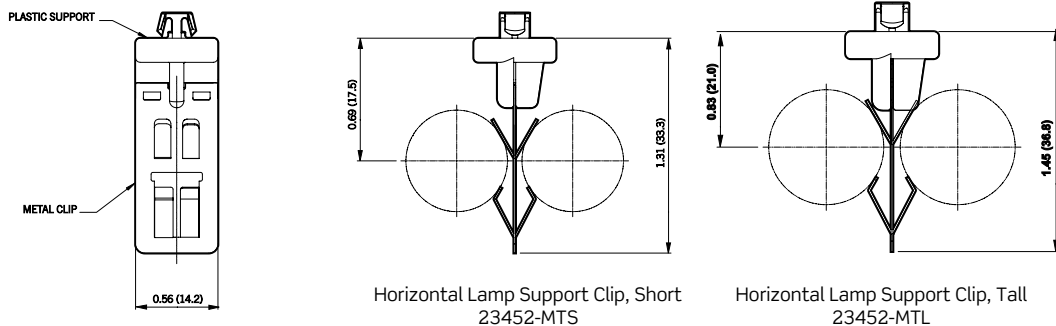
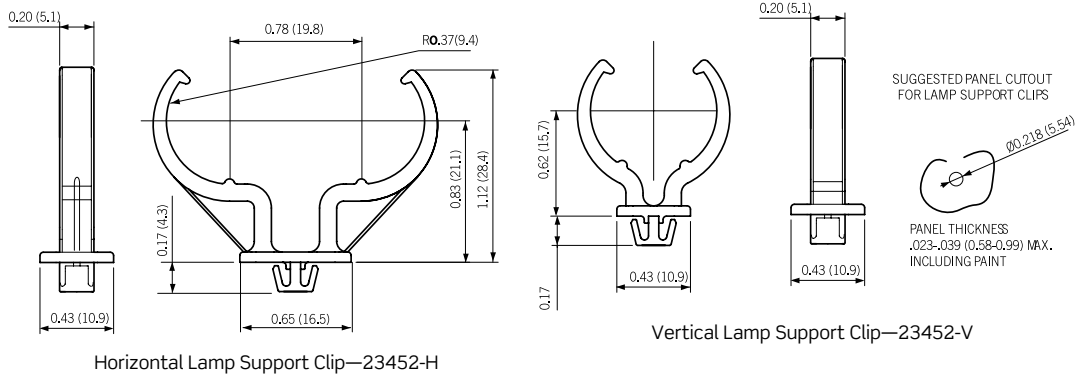


23452-MTS



23452-MTL

DIMENSIONS



Compact Fluorescent Lampholders (CFLs)

Specifications and Features

- “Smart” CFL Lampholders are color-coded for easy wattage identification
- Bottom Snap-In versions for easier panel assembly
- Snap-In versions designed for 16 Ga. panels
- Metal-spring lamp-retainer clip provides positive lamp retention and is more durable than plastic clips
- Two wiring ports per contact speed harness wiring
- Four screw holes for greater mounting flexibility
- Wire-routing options for top or bottom side of mounting panel for easier assembly
- White thermoplastic body

10MM COMPACT FLUORESCENT LAMPHOLDERS

For G23 and G23-2 Lamp Bases

Rating	Color	Cat. No.	Lamp Base	Wattage
75W 600V	White	26719-100	G23, G23-2	5W, 7W
75W 600V	White	26719-200	G23, G23-2	5W, 7W
75W 600V	White	26719-300*	G23, G23-2	9W
75W 600V	White	26719-400	G23, G23-2	9W
75W 600V	White	26719-500	G23, G23-2	9W

*Not compatible with 13-watt DTT lamps.

For GX23 and GX23-2 Lamp Bases

Rating	Color	Cat. No.	Lamp Base	Wattage
75W 600V	White	26719-100	G23, G23-2	5W, 7W
	White w/Black	26720-100	G23, G23-2	13W
75W 600V	White	26720-200	GX23, GX23-2	13W
75W 600V	White w/Black	26720-300*	GX23	13W
75W 600V	White w/Black	26720-400	GX23, GX23-2	13W
75W 600V	White w/Black	26720-500	GX23, GX23-2	13W

*Not compatible with 13-watt DTT lamps.



26719-100



26719-200



26720-300



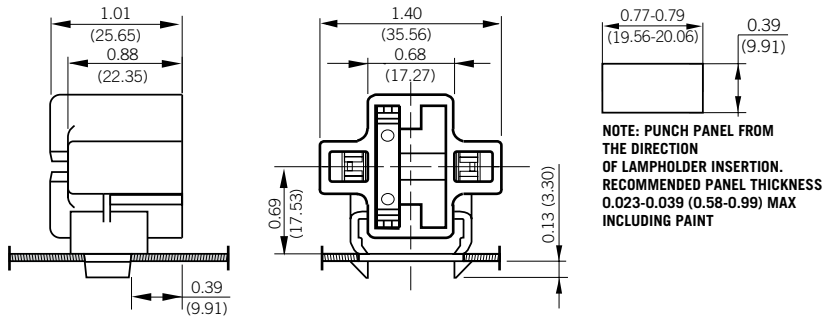
26720-400

TESTING AND CODE COMPLIANCE

- UL Listed (File #E-5833)
- UL Listed for indoor and outdoor applications when properly enclosed
- CSA Certified (File #LR-1863)
- NOM Certified (File #057)

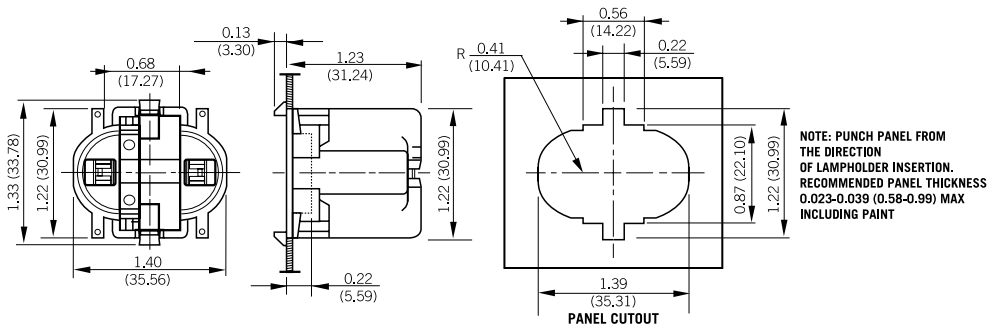
Commercial Grade

DIMENSIONS



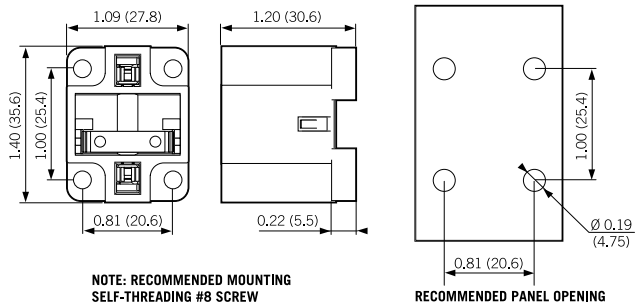
Horizontal Snap-In CFLs
26720-100 Shown

NOTE: PUNCH PANEL FROM THE DIRECTION OF LAMPHOLDER INSERTION. RECOMMENDED PANEL THICKNESS 0.023-0.039 (0.58-0.99) MAX INCLUDING PAINT



Vertical Top Snap-In CFLs
26720-300 Shown

NOTE: PUNCH PANEL FROM THE DIRECTION OF LAMPHOLDER INSERTION. RECOMMENDED PANEL THICKNESS 0.023-0.039 (0.58-0.99) MAX INCLUDING PAINT



NOTE: RECOMMENDED MOUNTING SELF-THREADING #8 SCREW

RECOMMENDED PANEL OPENING

4-Hole Vertical Screw-Down CFLs — 26720-400 Shown

10mm Compact Fluorescent Lampholders (CFLs)

Specifications and Features

- “Smart” CFL Lampholders are color-coded for easy wattage identification
- Bottom snap-in versions for easier panel assembly available for 16 Ga. and 18-20 Ga. panels
- All 4-pin lampholders have internal rejection feature that prevents insertion of 2-pin lamps
- Metal-spring lamp-retainer clip provides positive lamp retention and is more durable than plastic clips
- Two wiring ports per contact speed harness wiring
- Four screw holes for greater mounting flexibility
- Wire-routing options for top or bottom side of mounting panel for easier assembly
- White thermoplastic body

10MM COMPACT FLUORESCENT LAMP HOLDERS

For G24d Lamp Bases 2-Pin

Rating	Color	Cat. No.	Lamp Base	Wattage
75W 600V	White w/Black	26725-201	G24d-1	10W, 13W
75W 600V	White w/Black	26725-221	G24d-1	10W, 13W
75W 600V	Green	26725-202	G24d-2	18-W
75W 600V	Green	26725-222	G24d-2	18W
75W 600V	Orange	26725-203	G24d-3	26W
75W 600V	Orange	26725-223	G24d-3	26W
75W 600V	White w/Black	26725-211	G24d-1	10W, 13W
75W 600V	Green	26725-212	G24d-2	18W
75W 600V	Orange	26725-213	G24d-3	26W



26725-213

FOR G24Q AND GX24Q LAMP BASES 4-PIN

Suitable for Dimming or Electronic Ballasts

Rating	Color	Cat. No.	Lamp Base	Wattage
75W 600V	White w/Black	26725-401	G24q-1	10W, 13W
75W 600V	White w/Black	26725-421	G24q-1	10W, 13W
75W 600V	Green	26725-402	G24q-2	18W
75W 600V	Green	26725-422	G24q-2	18W
75W 600V	Orange	26725-403	G24q-3,	26W, 32W
75W 600V	Orange	26725-423	GX24q-3	26W, 32W
75W 600V	Yellow	26725-404	GX24q-4	42W
75W 600V	Yellow	26725-424	GX24q-4	42W
75W 600V	White	26725-429	G24q-3	32W, 42W
75W 600V	White	26725-429	GX24q-4	26W, 32W, 42W
75W 600V	White	26725-429	GX24q-4	26W, 32W, 42W



26725-419

Continued On Next Page >

Commercial Grade

Continued From Previous Page >

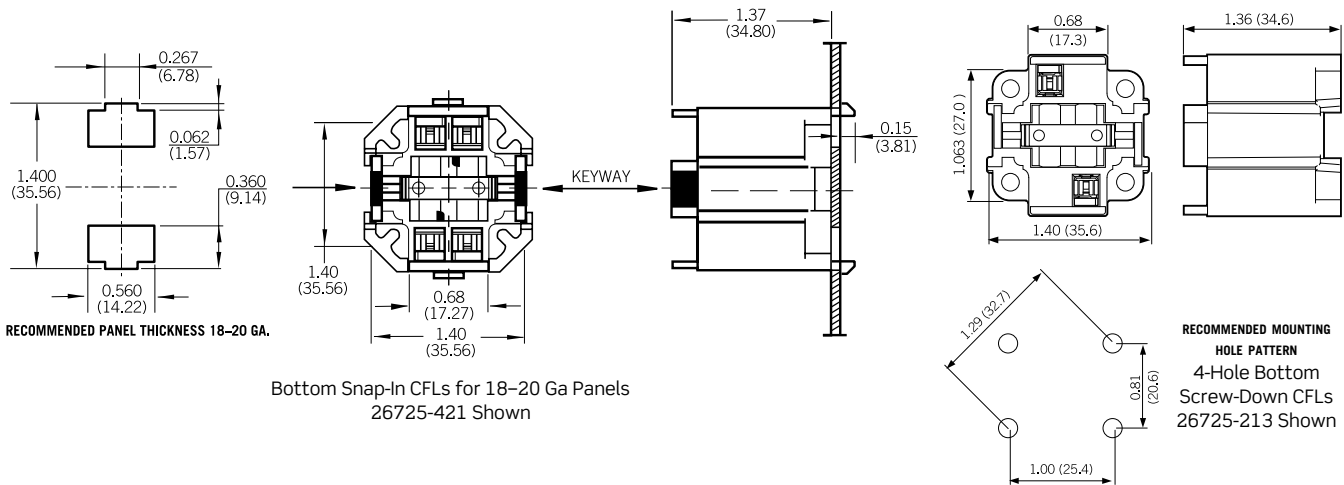
Rating	Color	Cat. No.	Lamp Base	Wattage
75W 600V	White w/Black	26725-411	G24q-1	10W, 13W
75W 600V	Green	26725-412	G24q-2	18W
75W 600V	Orange	26725-413	G24q-3,	26W
75W 600V	Orange	26725-413	GX24q-3	26W, 32W
75W 600V	Yellow	26725-414	GX24q-4	42W
75W 600V	White	26725-419	G24q-3	26W
75W 600V	White	26725-419	GX24q-4	32W, 42W

NOTE: Lamp names are trademarked by manufacturers.

TESTING AND CODE COMPLIANCE

- UL Listed (File #E-5833)
- UL Listed for indoor and outdoor applications when properly enclosed
- CSA Certified (File #LR-1863)
- NOM Certified (File #057)

DIMENSIONS



“Smart” CFL Lampholders

Specifications and Features

- “Smart” CFL Lampholders are color-coded for easy wattage identification
- Bottom Snap-in versions for easier panel assembly available for 16 Ga. and 18-20 Ga. panels
- All 4-pin lampholders have internal rejection feature that prevents insertion of 2-pin lamps
- Metal-spring lamp-retainer clip provides positive lamp retention and is more durable than plastic clips
- Two wiring ports per contact speed harness wiring
- Wire-routing options for top or bottom side of mounting panel for easier assembly
- Bodies are white thermoplastic (with color-coding as indicated)
- Quick-connect push-in wiring terminals accept No. 18 AWG solid or twisted-and-overtinned leads, stripped $\frac{3}{8}$ inch

10MM COMPACT FLUORESENT LAMPHOLDERS WITH ROUND BODIES

For G24d Lamp Bases, 2-Pin

Rating	Color	Cat. No.	Lamp Base	Wattage
75W 600V	Black	26725-2A1	G24d-1	10W/13W
75W 600V	Green	26725-2A2	G24d-2	18W
75W 600V	Orange	26725-2A3	G24d-3	26W



26725-4A2

For G24q and GX24q Lamp Bases, 4-Pin - Bottom Screw Down Mounting

Rating	Color	Cat. No.	Lamp Base	Wattage
75W 600V	Black	26725-4A1	G24q-1	10W/13W
75W 600V	Green	26725-4A2	G24q-2 GX24q-2	18W
75W 600V	Orange	26725-4A3	G24q-3 GX24q-3	26W
75W 600V	Yellow	26725-4A4	G24q-4	26W/32W
75W 600V	Blue	26725-4A5	G24q-5	42W
75W 600V	Red	26725-4A6	G24q-6	42W
75W 600V	White	26725-4A9	G24q-3	26W/32W/42W
	Body Only	Universal*	GX24q-4	



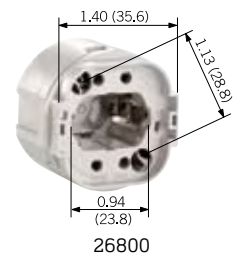
26725-4A3



26725-406

Twist-in Socket For G24q and GX24q Lamp Bases, 4-Pin

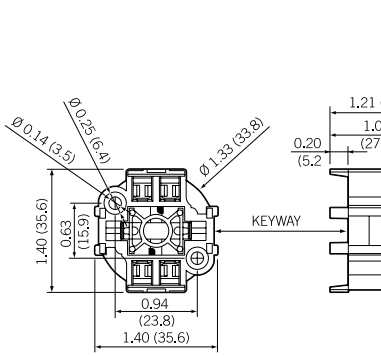
Rating	Color	Cat. No.	Lamp Base	Wattage
120W, 600V	White Body with Black	26800-4A1	G24q-1 GX24q-1	13W
120W, 600V	White Body with Green	26800-4A2	G24q-2 GX24q-2	18W
120W, 600V	White Body only	26800-4A9 Universal*	G24q-3 GX24q-4	26W / 32W / 42W
120W, 600V	White Body with Purple	26800-4A8 Universal	GX24q-5 GX24q-6	57W / 70W



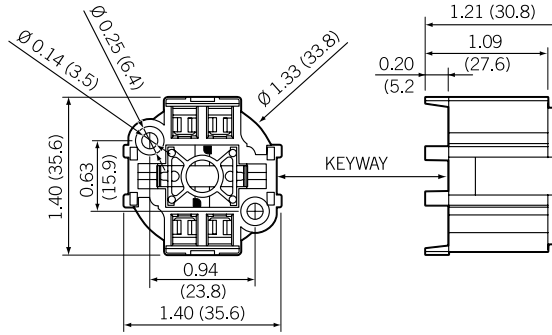
26800

Commercial Grade

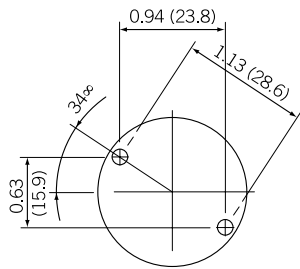
DIMENSIONS



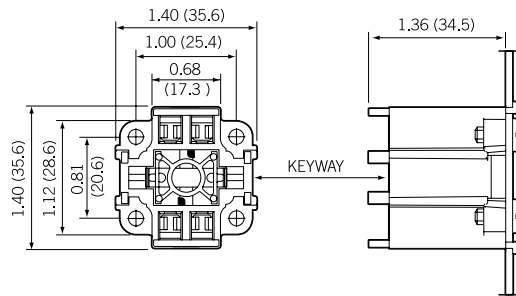
26725-4A5



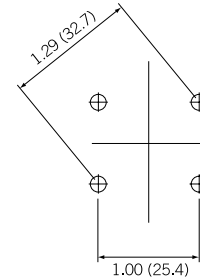
All Round-Body CFLs
26725-4A5 Shown



RECOMMENDED PANEL OPENING FOR ALL ROUND-BODY CFLs

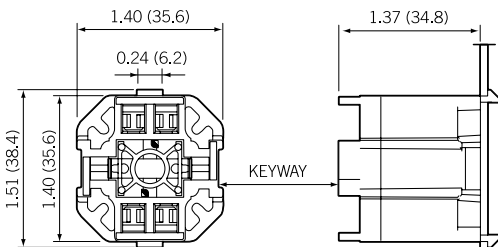


RECOMMENDED MOUNTING SCREW #8 SELF-CUTTING



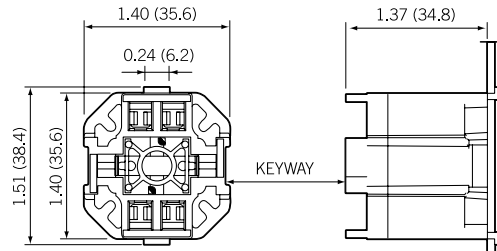
RECOMMENDED HOLE PATTERN

4-Hole Bottom Screw-Down CFLs
26725-415 Shown



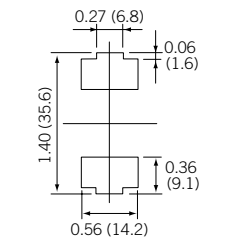
RECOMMENDED PANEL THICKNESS — 18-20 GA.
0.036-0.047

26725-426



RECOMMENDED PANEL THICKNESS — 18-20 GA.
0.036-0.047

Bottom Snap-In CFLs for 18-20 Ga Panels
26725-426 Shown



RECOMMENDED PANEL OPENING

GU-24 Series Lampholders

Leviton's new GU-24 Series bi-pin twist-lock lampholders provide new alternatives for high-efficacy lighting in residential and commercial applications. By creating a single, universal configuration, they provide a simple solution that can accommodate integrated-ballast compact fluorescent lamps in multiple wattages for both residential and commercial applications. And, most importantly, the GU-24 base lamps can be used in luminaires intended to comply with a host of recognized energy efficiency standards and regulatory mandates, such as ENERGY STAR and California Title 24.

Specifications and Features

- Designed for integrated-ballast compact fluorescent lamps with GU-24 base
 - Three different mounting configurations designed to match common medium base
 - Screwshell lampholder mounting styles - bracket mount, collar mount and panel mount
- Accommodates most standard mounting configurations - panel, collar and bracket — for medium-base screwshell lampholders
- Accommodates standard wattages of GU-24 size lamps
- Helps satisfy ENERGY STAR and California Title 24 energy efficiency standards
- Rated 250V, 120W
- Thermoplastic body material is PC; UL flammability rating is 94V-2

For GU-24 Lamp Bases, 2-Pin

Description	Rating:	Cat. No.	Mounting Information
Bracket Mount GU-24 Base Lampholder	120W-250V	26730	1/8-27 IPS Thread Bracket with Inside Extrusion
Collar Mount GU-24 Base Lampholder	120W-250V	26735	1/8-27 IPS Thread Collar with Set Screw
Panel Mount GU-24 Base Lampholder	120W-250V	26740	Eyelets Accept No. 4 & 5 Mounting Screws

TESTING AND CODE COMPLIANCE

- UL Listed (File #E-5833)
- UL Listed for indoor and outdoor applications when properly enclosed
- CSA Certified (File #LR-1863)
- NOM Certified (#057)

NOTE: ENERGY STAR is a joint program of the U.S. Environmental Protection Agency and the U.S. Department of Energy. It helps consumers save money and protect the environment through energy efficient products and practices.

The Energy Efficiency Standards for Residential and Nonresidential Buildings (referred to as Title 24) were established in 1978 in response to a legislative mandate to reduce California's energy consumption. The standards are updated periodically to allow consideration and possible incorporation of new energy efficiency technologies and methods.



26730



26735

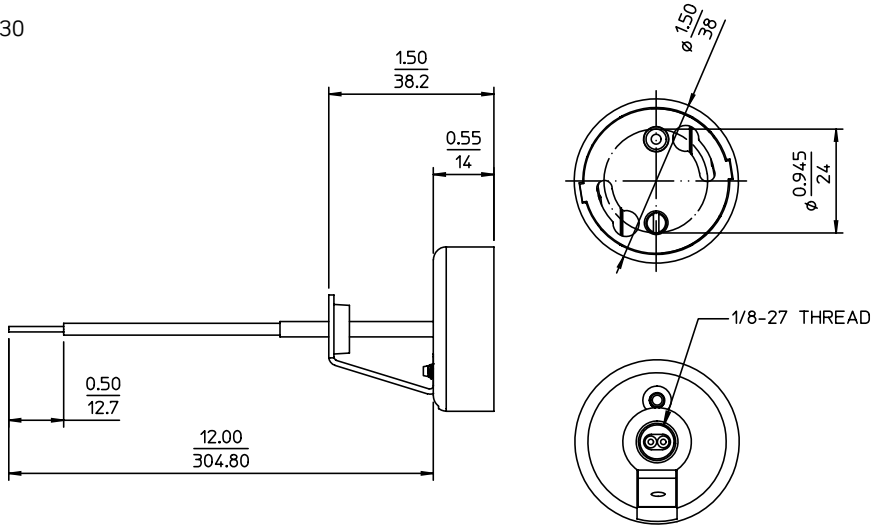


26740

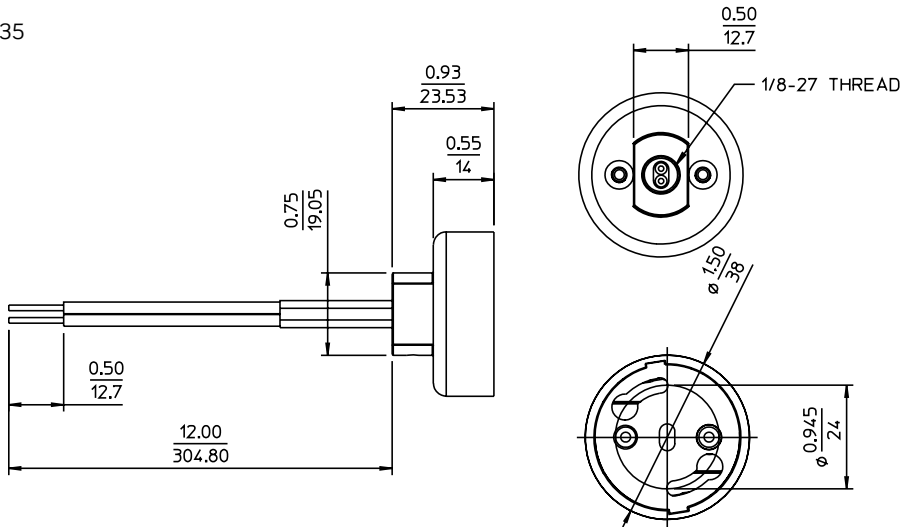
Commercial Grade

DIMENSIONS

26730



26735



26740

