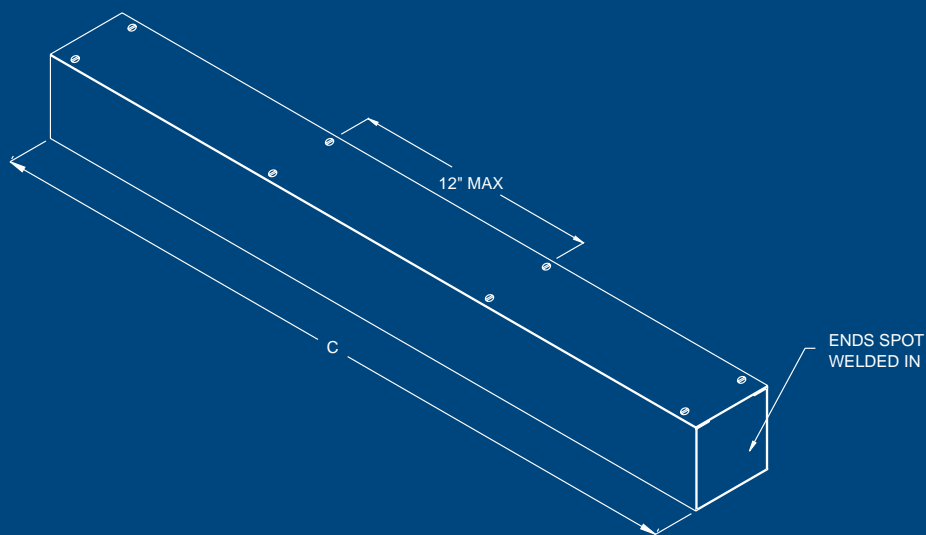
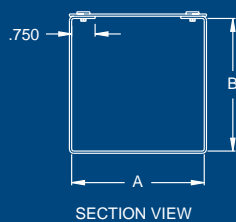


# AUSTIN SCREW COVER TROUGHS

Austin screw cover troughs are Underwriters Laboratories Listed for use of indoor wiring.

## Construction:

- Fabricated in accordance with UL specifications from code gauge steel.
- End caps spot welded in.
- Single sheet steel for body.
- Cover attached by screws.



## Finish:

Austin screw cover troughs are provided standard in galvanized steel. An ANSI 61 gray polyester powder coating over CRS is available on request.

## Options:

- Special knockouts or knockout arrangements.
- Special materials.
- Special finishes.
- Custom trough size or construction.

Wireways  
& Trough  
Products

**INDUSTRY  
STANDARDS**

UL 870  
NEMA Type 1  
CUL 870

Austin Electrical Enclosures  
Post Office Box 2320  
Yadkinville, NC 27055

Phone: 336.468.2851  
800.288.2851

# AUSTIN SCREW COVER TROUGHS

Catalog Number	Trough Size (AxBxC)	Weight	Catalog Number	Trough Size (AxBxC)	Weight
AB-4412ST	4x4x12	4	AB-8824ST	8x8x24	17
AB-4424ST	4x4x24	8	AB-8836ST	8x8x36	24
AB-4436ST	4x4x36	11	AB-8848ST	8x8x48	31
AB-4448ST	4x4x48	15	AB-8860ST	8x8x60	38
AB-4460ST	4x4x60	18	AB-8872ST	8x8x72	45
AB-4472ST	4x4x72	22	AB-8884ST	8x8x84	52
AB-4484ST	4x4x84	25	AB-8896ST	8x8x96	59
AB-4496ST	4x4x96	29			
			AB-101024ST	10x10x24	27
AB-6612ST	6x6x12	7	AB-101036ST	10x10x36	30
AB-6624ST	6x6x24	12	AB-101048ST	10x10x48	47
AB-6636ST	6x6x36	17	AB-101060ST	10x10x60	58
AB-6648ST	6x6x48	22	AB-101072ST	10x10x72	69
AB-6660ST	6x6x60	28	AB-101096ST	10x10x96	91
AB-6672ST	6x6x72	33	AB-1010120ST	10x10x120	112
AB-6684ST	6x6x84	39			
AB-6696ST	6x6x96	44	AB-121224ST	12x12x24	33
			AB-121236ST	12x12x36	45
			AB-121248ST	12x12x48	58
AB-6424ST	6x4x24	7	AB-121260ST	12x12x60	71
AB-6436ST	6x4x36	14	AB-121272ST	12x12x72	84
AB-6448ST	6x4x48	18	AB-121296ST	12x12x96	110
			AB-1212120ST	12x12x120	135
AB-8624ST	8x6x24	18			
AB-8636ST	8x6x36	25	AB-181836ST	18x18x36	74
AB-8648ST	8x6x48	33	AB-181860ST	18x18x60	113
AB-8660ST	8x6x60	41	AB-181896ST	18x18x96	172
AB-8672ST	8x6x72	48	AB-1818120ST	18x18x120	212

Replace "ST" Suffix with: STG: Screw Cover Trough Gray



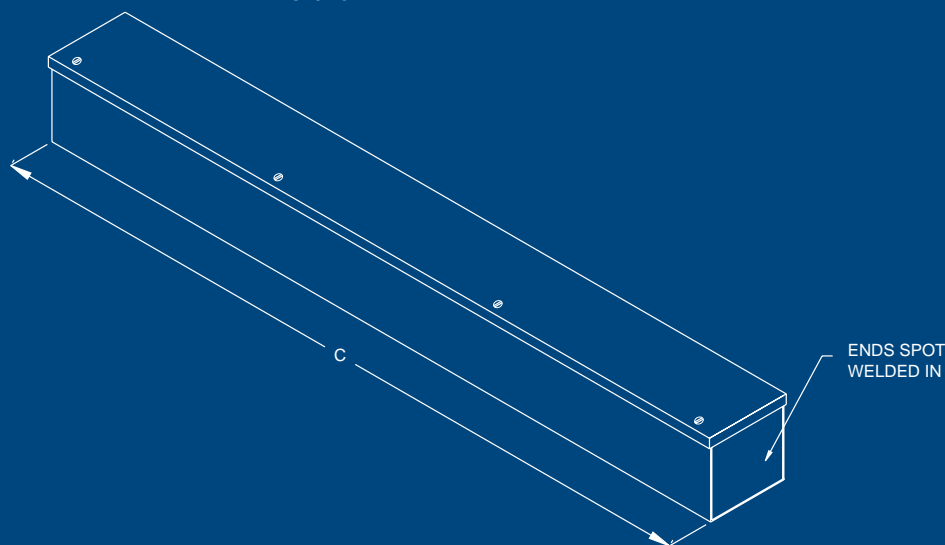
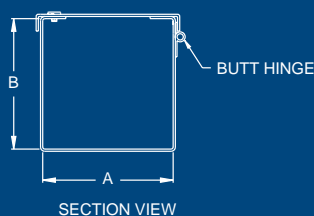
Wireways  
& Trough  
Products

# AUSTIN HINGE COVER TROUGHS

Austin hinge cover troughs are Underwriters Laboratories Listed for use of indoor wiring.

## Construction:

- Fabricated in accordance with UL specifications from code gauge steel.
- End caps spot welded in.
- Single sheet steel for body.
- Cover attached to trough with butt hinges one side and screws on opposite side.



Wireways  
& Trough  
Products

## Finish:

Austin hinge cover troughs are provided standard in galvanized steel. An ANSI 61 gray polyester powder coating over CRS is available on request.

## Options:

- Special knockouts or knockout arrangements.
- Special materials.
- Special finishes.
- Custom trough size or construction.

**INDUSTRY  
STANDARDS**

UL 870  
NEMA Type 1  
CUL 870

Austin Electrical Enclosures  
Post Office Box 2320  
Yadkinville, NC 27055

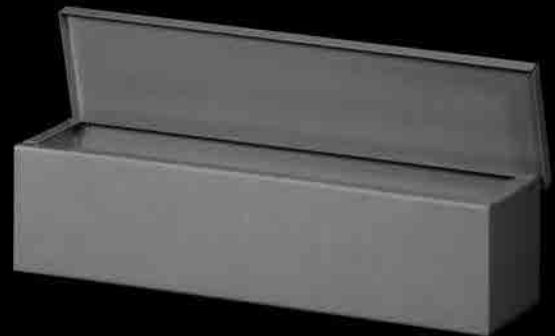
Phone: 336.468.2851  
800.288.2851

# AUSTIN HINGE COVER TROUGHS

Catalog Number	Trough Size (AxBxC)	Weight	Catalog Number	Trough Size (AxBxC)	Weight
AB-4412HT	4x4x12	4	AB-8836HT	8x8x36	24
AB-4424HT	4x4x24	8	AB-8848HT	8x8x48	31
AB-4436HT	4x4x36	11	AB-8860HT	8x8x60	38
AB-4448HT	4x4x48	15	AB-8872HT	8x8x72	45
AB-4460HT	4x4x60	18	AB-8884HT	8x8x84	52
AB-4472HT	4x4x72	22	AB-8896HT	8x8x96	59
AB-4484HT	4x4x84	25			
AB-4496HT	4x4x96	29	AB-101024HT	10x10x24	27
			AB-101036HT	10x10x36	30
AB-6612HT	6x6x12	7	AB-101048HT	10x10x48	47
AB-6624HT	6x6x24	12	AB-101060HT	10x10x60	58
AB-6636HT	6x6x36	17	AB-101072HT	10x10x72	69
AB-6648HT	6x6x48	22	AB-101096HT	10x10x96	91
AB-6660HT	6x6x60	28	AB-1010118HT	10x10x118	112
AB-6672HT	6x6x72	33			
AB-6684HT	6x6x84	39			
AB-6696HT	6x6x96	44	AB-121224HT	12x12x24	33
			AB-121236HT	12x12x36	45
AB-6424HT	6x4x24	7	AB-121248HT	12x12x48	58
AB-6436HT	6x4x36	14	AB-121260HT	12x12x60	71
AB-6448HT	6x4x48	18	AB-121272HT	12x12x72	84
			AB-121296HT	12x12x96	110
AB-8624HT	8x6x24	18	AB-1212118HT	12x12x118	135
AB-8636HT	8x6x36	25			
AB-8648HT	8x6x48	33			
AB-8660HT	8x6x60	41	AB-181836HT	18x18x36	74
AB-8672HT	8x6x72	48	AB-181860HT	18x18x60	113
			AB-181896HT	18x18x96	172
AB-8824HT	8x8x24	17	AB-1818118HT	18x18x118	212

Replace "HT" Suffix with: HTG: Hinge Cover Trough Gray

Wireways  
& Trough  
Products



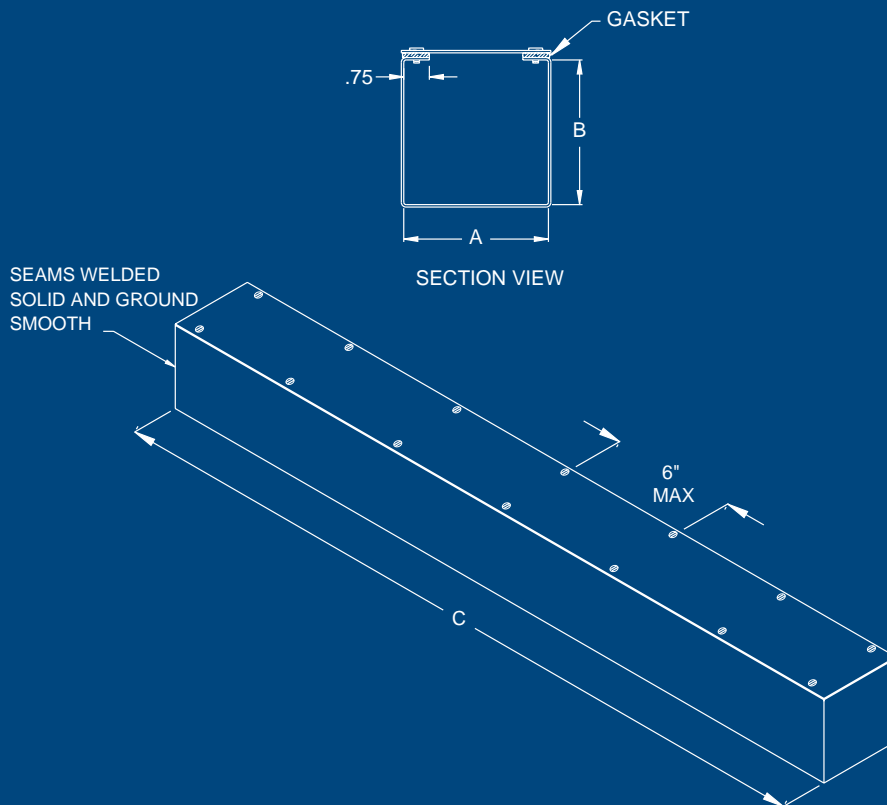
# AUSTIN SCREW COVER GASKETED TROUGHS

Austin gasketed screw cover troughs are Underwriters Laboratories Listed and are designed to protect from rain, sleet, or snow in outdoor use. Indoor use, gasketed troughs protect from dust and moisture.

## Construction:

- Fabricated in accordance with UL specifications from code gauge steel.
- Continuously welded seams ground smooth.
- Neoprene gasket attached to cover with oil resistant adhesive.

Wireways  
& Trough  
Products



## Finish:

Austin gasketed screw cover troughs are constructed standard in galvanized steel. An ANSI 61 gray polyester powder coating over phosphatized surfaces is available on request.

## Options:

- Special materials.
- Special finishes.
- Custom trough size or construction.

**INDUSTRY  
STANDARDS**

UL 870  
NEMA **Type 3 & 12**  
CUL 870

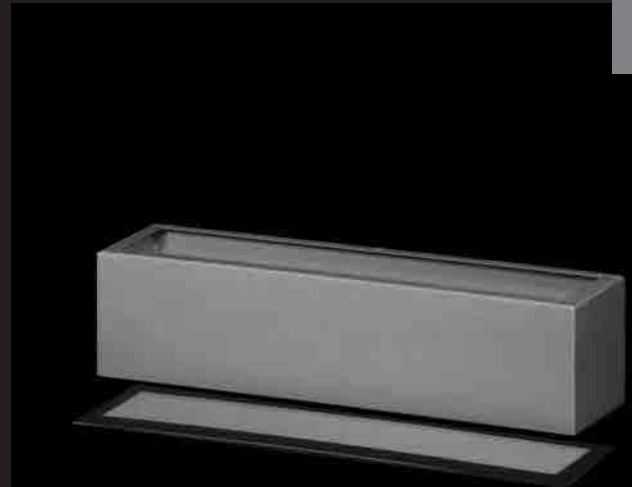
Austin Electrical Enclosures  
Post Office Box 2320  
Yadkinville, NC 27055

Phone: 336.468.2851  
800.288.2851

# AUSTIN SCREW COVER GASKETED TROUGHS

Catalog Number	Trough Size (AxBxC)	Weight	Catalog Number	Trough Size (AxBxC)	Weight
AB-4412GST	4x4x12	4	AB-8884GST	8x8x84	52
AB-4424GST	4x4x24	8	AB-8896GST	8x8x96	59
AB-4436GST	4x4x36	11	AB-88120GST	8x8x120	73
AB-4448GST	4x4x48	15			
AB-4460GST	4x4x60	18	AB-101024GST	10x10x24	27
AB-4472GST	4x4x72	22	AB-101036GST	10x10x36	30
AB-4484GST	4x4x84	25	AB-101048GST	10x10x48	47
AB-4496GST	4x4x96	29	AB-101060GST	10x10x60	58
			AB-101072GST	10x10x72	69
AB-6612GST	6x6x12	7	AB-101096GST	10x10x96	91
AB-6624GST	6x6x24	12	AB-1010120GST	10x10x120	112
AB-6636GST	6x6x36	17			
AB-6648GST	6x6x48	22	AB-121224GST	12x12x24	33
AB-6660GST	6x6x60	28	AB-121236GST	12x12x36	45
AB-6672GST	6x6x72	33	AB-121248GST	12x12x48	58
AB-6684GST	6x6x84	39	AB-121260GST	12x12x60	71
AB-6696GST	6x6x96	44	AB-121272GST	12x12x72	84
AB-66120GST	6x6x120	54	AB-121296GST	12x12x96	110
			AB-1212120GST	12x12x120	135
AB-8824GST	8x8x24	17			
AB-8836GST	8x8x36	24	AB-181836GST	18x18x36	74
AB-8848GST	8x8x48	31	AB-181860GST	18x18x60	113
AB-8860GST	8x8x60	38	AB-181896GST	18x18x96	172
AB-8872GST	8x8x72	45	AB-1818120GST	18x18x120	212

Replace "GST" Suffix with: GSTG: Gasketed Screw Cover Trough Gray



Wireways  
& Trough  
Products



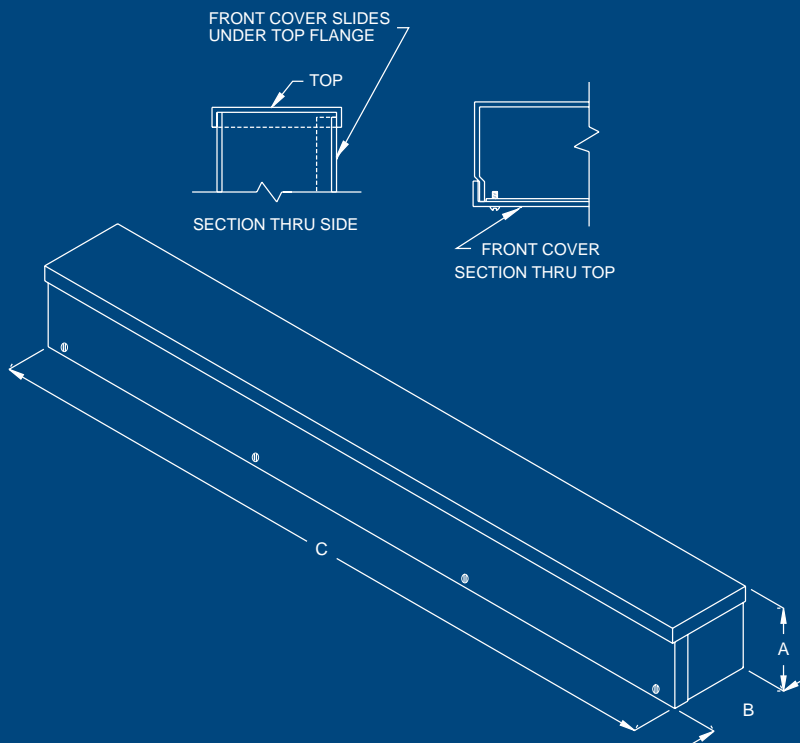
# AUSTIN RAINPROOF TROUGHS

Austin rainproof troughs are Underwriters Laboratories Listed and are designed to provide a degree of protection against rain, sleet, and snow in outdoor use. Indoor use, rainproof troughs protect from dripping water.

## Construction:

- Fabricated in accordance with UL specifications from code gauge steel.
- Dripshield along top of trough.
- Slip-on cover attached by screws at bottom edge.
- Embossed mounting holes on back.

Wireways  
& Trough  
Products



## Finish:

Austin rainproof troughs are provided standard in galvanized. An ANSI 61 gray polyester powder coating over phosphatized surfaces is available on request.

## Options:

- Special knockouts or knockout arrangements in bottom only.
- Special materials.
- Special finishes.
- Custom trough size or construction.

**INDUSTRY  
STANDARDS**

UL 870  
NEMA Type 3R  
CUL 870

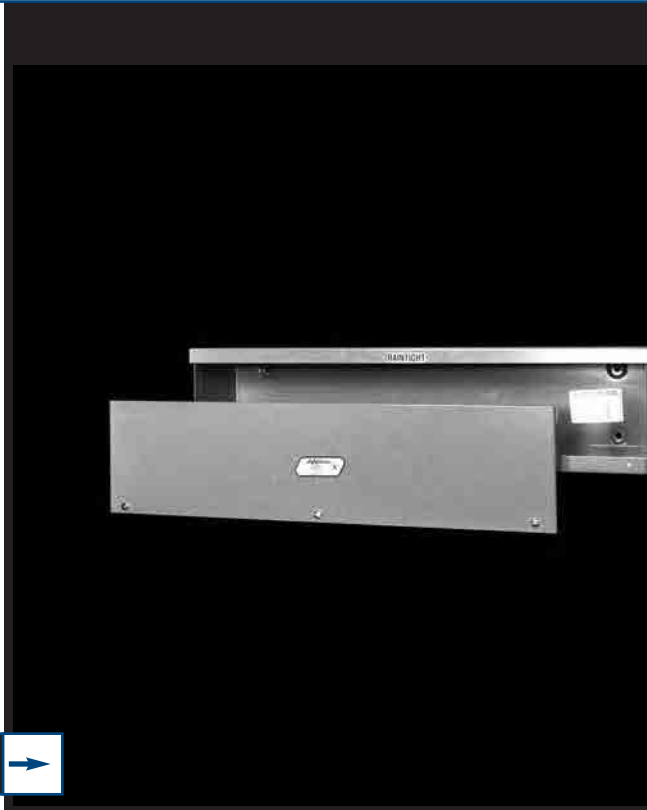
Austin Electrical Enclosures  
Post Office Box 2320  
Yadkinville, NC 27055

Phone: 336.468.2851  
800.288.2851

# AUSTIN RAINPROOF TROUGHS

Catalog Number	Trough Size (AxBxC)	Weight	Catalog Number	Trough Size (AxBxC)	Weight
AB-4412RT	4x4x12	4	AB-8860RT	8x8x60	38
AB-4418RT	4x4x18	6	AB-8872RT	8x8x72	45
AB-4424RT	4x4x24	8	AB-8884RT	8x8x84	52
AB-4436RT	4x4x36	11	AB-8896RT	8x8x96	59
AB-4448RT	4x4x48	15	AB-88118RT	8x8x118	72
AB-4460RT	4x4x60	18			
AB-4472RT	4x4x72	22	AB-101024RT	10x10x24	22
AB-4484RT	4x4x84	25	AB-101036RT	10x10x36	34
AB-4496RT	4x4x96	29	AB-101048RT	10x10x48	44
AB-44118RT	4x4x118	35	AB-101060RT	10x10x60	54
			AB-101072RT	10x10x72	63
AB-6612RT	6x6x12	7	AB-101084RT	10x10x84	73
AB-6624RT	6x6x24	12	AB-101096RT	10x10x96	83
AB-6636RT	6x6x36	17	AB-1010118RT	10x10x118	101
AB-6648RT	6x6x48	23			
AB-6660RT	6x6x60	28	AB-121224RT	12x12x24	30
AB-6672RT	6x6x72	33	AB-121236RT	12x12x36	46
AB-6684RT	6x6x84	39	AB-121248RT	12x12x48	59
AB-6696RT	6x6x96	44	AB-121260RT	12x12x60	72
AB-66118RT	6x6x118	54	AB-121272RT	12x12x72	86
			AB-121284RT	12x12x84	98
AB-8824RT	8x8x24	17	AB-121296RT	12x12x96	112
AB-8836RT	8x8x36	24	AB-1212118RT	12x12x118	136
AB-8848RT	8x8x48	31			

**NOTE:**  
Replace "RT" Suffix with: RTG: Rainproof Trough Gray



Wireways  
& Trough  
Products





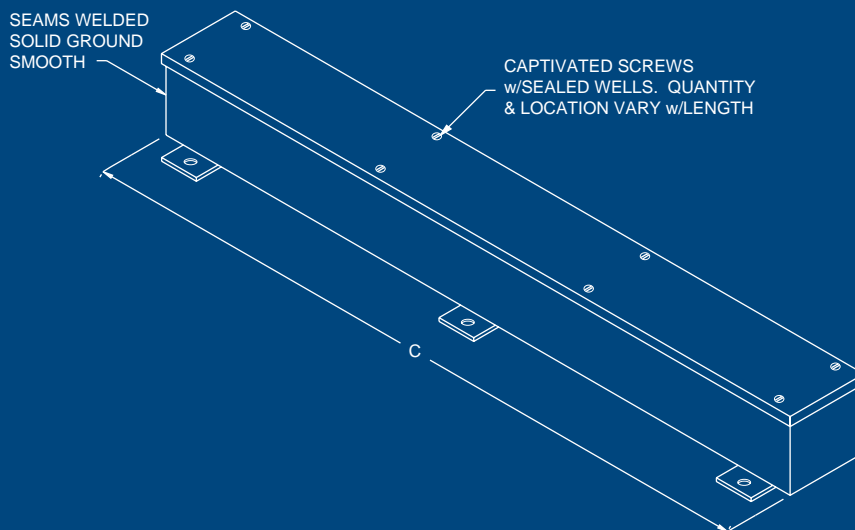
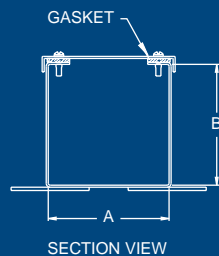
# JIC OILTIGHT SCREW COVER TROUGHS

Austin JIC screw cover troughs are Underwriters Laboratories Listed and are designed to provide a degree of protection against dust, dirt, oil, and water.

## Construction:

- Cover and body fabricated from 14 gauge steel.
- Continuously welded seams ground smooth.
- Cover held in place by captivated screws threaded into sealed wells.
- Neoprene gasket attached to cover with oil resistant adhesive.
- External mounting feet.

Wireways  
& Trough  
Products



## Finish:

Austin JIC screw cover troughs are provided standard with an ANSI 61 gray polyester powder coating.

## Options:

- Special materials.
- Special finishes.
- Custom trough size or construction.

**INDUSTRY  
STANDARDS**

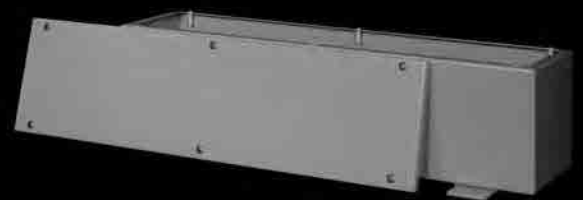
UL 870  
NEMA Type 12  
CUL 870

Austin Electrical Enclosures  
Post Office Box 2320  
Yadkinville, NC 27055

Phone: 336.468.2851  
800.288.2851

# JIC OILTIGHT SCREW COVER TROUGHS

Catalog Number	Trough Size (AxBxC)	Weight	Catalog Number	Trough Size (AxBxC)	Weight
AB-4412JTS	4x4x12	6	AB-8872JTS	8x8x72	58
AB-4424JTS	4x4x24	10			
AB-4436JTS	4x4x36	16	AB-101024JTS	10x10x24	27
AB-4448JTS	4x4x48	20	AB-101036JTS	10x10x36	38
			AB-101048JTS	10x10x48	48
AB-6612JTS	6x6x12	9	AB-101060JTS	10x10x60	59
AB-6624JTS	6x6x24	16	AB-101072JTS	10x10x72	70
AB-6636JTS	6x6x36	23	AB-101096JTS	10x10x96	92
AB-6648JTS	6x6x48	29			
AB-6660JTS	6x6x60	32			
AB-6672JTS	6x6x72	43	AB-121224JTS	12x12x24	34
			AB-121236JTS	12x12x36	49
AB-8824JTS	8x8x24	23	AB-121248JTS	12x12x48	60
AB-8836JTS	8x8x36	32	AB-121260JTS	12x12x60	73
AB-8848JTS	8x8x48	40	AB-121272JTS	12x12x72	86
AB-8860JTS	8x8x60	49	AB-121296JTS	12x12x96	99



Wireways  
& Trough  
Products



# JIC OILTIGHT HINGE COVER TROUGHS

Austin JIC oiltight hinge cover troughs are Underwriters Laboratories Listed and are designed to provide a degree of protection against dust, dirt, oil, and water.

## Construction:

- Cover and body fabricated from 14 gauge steel.
- Cover held in place by external quick release clamps on one side and butt hinges on opposite side.
- Continuously welded ends and seams ground smooth.
- Neoprene gasket attached to cover with oil resistant adhesive.
- External mounting feet.

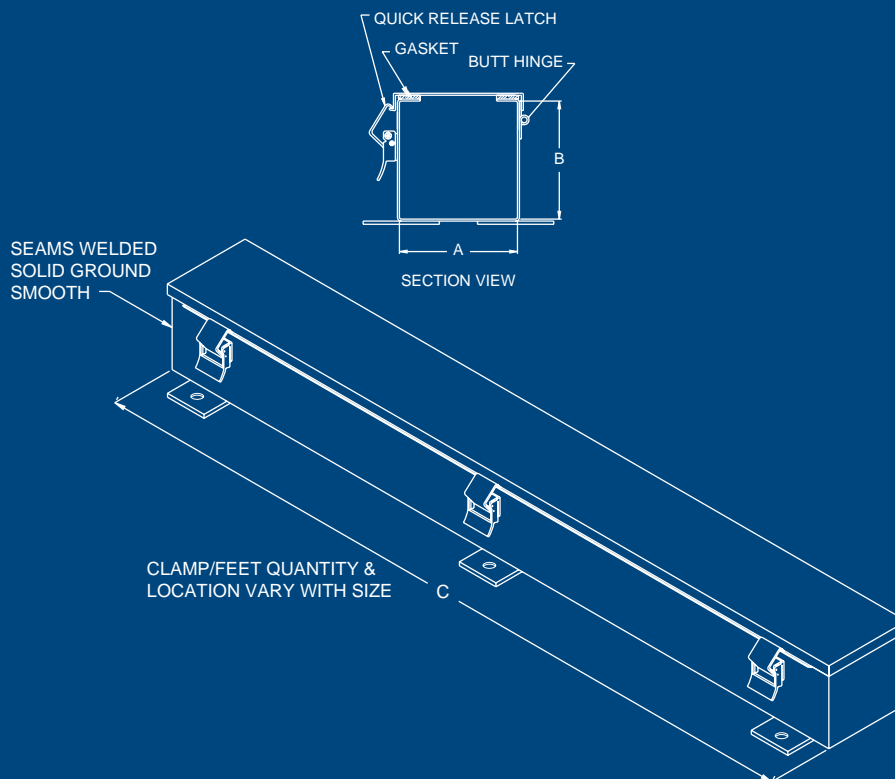
## Finish:

Austin JIC oiltight troughs are provided standard with an ANSI 61 gray polyester powder coating.

## Options:

- Special materials.
- Special finishes.
- Custom trough size or construction

Wireways  
& Trough  
Products



**INDUSTRY  
STANDARDS**

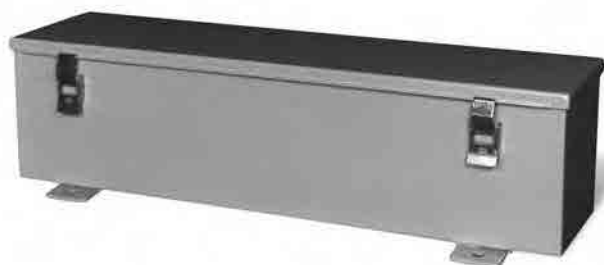
UL 870  
NEMA Type 12  
CUL 870

Austin Electrical Enclosures  
Post Office Box 2320  
Yadkinville, NC 27055

Phone: 336.468.2851  
800.288.2851

# JIC OILTIGHT HINGE COVER TROUGHS

Catalog Number	Trough Size (AxBxC)	Weight	Catalog Number	Trough Size (AxBxC)	Weight
AB-2212JTR	2 1/2x2 1/2x12	3	AB-6618JTR	6x6x18	12
AB-2218JTR	2 1/2x2 1/2x18	5	AB-6624JTR	6x6x24	16
AB-2224JTR	2 1/2x2 1/2x24	6	AB-6630JTR	6x6x30	19
AB-2230JTR	2 1/2x2 1/2x30	9	AB-6636JTR	6x6x36	23
AB-2236JTR	2 1/2x2 1/2x36	10	AB-6648JTR	6x6x48	29
AB-2248JTR	2 1/2x2 1/2x48	13	AB-6660JTR	6x6x60	32
AB-2260JTR	2 1/2x2 1/2x60	16	AB-6672JTR	6x6x72	43
AB-2272JTR	2 1/2x2 1/2x72	19			
AB-4412JTR	4x4x12	6	AB-8812JTR	8x8x12	13
AB-4418JTR	4x4x18	8	AB-8824JTR	8x8x24	23
AB-4424JTR	4x4x24	10	AB-8836JTR	8x8x36	32
AB-4430JTR	4x4x30	13	AB-8848JTR	8x8x48	40
AB-4436JTR	4x4x36	16	AB-8860JTR	8x8x60	49
AB-4448JTR	4x4x48	20			
AB-4460JTR	4x4x60	25	AB-121224JTR	12x12x24	34
AB-4472JTR	4x4x72	30	AB-121236JTR	12x12x36	49
			AB-121248JTR	12x12x48	60
AB-6612JTR	6x6x12	9	AB-121260JTR	12x12x60	73



Wireways  
& Trough  
Products

# NEMA 1 SCREW COVER WIREWAYS

Austin NEMA 1 screw cover wireway is Underwriters Laboratories Listed and is designed for use in housing electrical wiring. It provides a degree of protection against limited amounts of falling dirt. Fittings can be opened on any side to permit the laying in of entire runs of wiring.

## Construction:

- Fabricated in accordance with UL specifications from code gauge steel.
- Cover has keyhole slots to permit easy removal without removing screws.
- Single sheet steel for body.
- Wireway is furnished with or without knockouts.

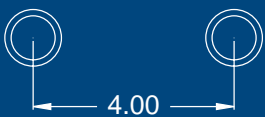
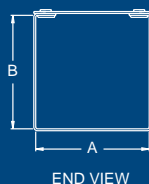
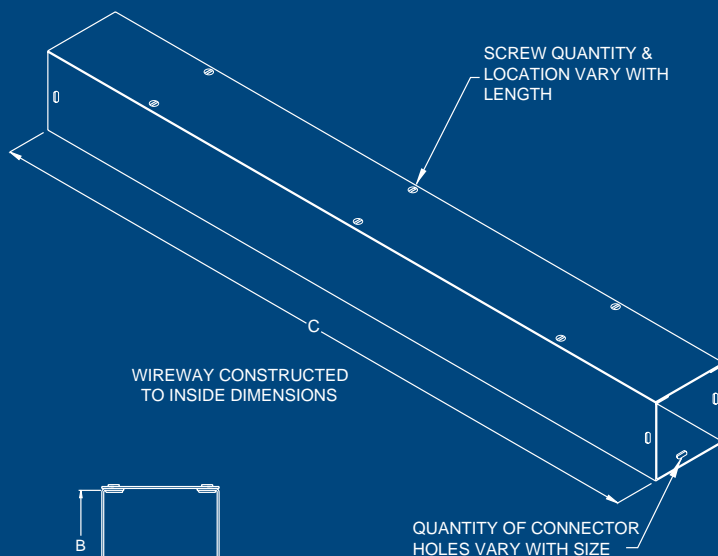
## Finish:

Austin NEMA 1 screw cover wireway is provided standard in galvanized steel. An ANSI 61 gray polyester powder coating over CRS is available on request.

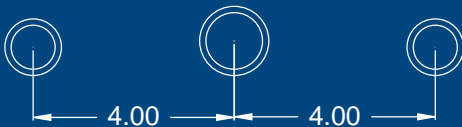
## Options:

- Special knockouts or knockout arrangements.
- Special materials.
- Special finishes.

Wireways  
& Trough  
Products



KNOCKOUT PATTERN FOR 2.5 x 2.5  
1/2"-3/4" COMBINATION



KNOCKOUT PATTERN FOR 4 x 4 & 6 x 6  
1/2"-3/4" & 1"-1 1/4" COMBINATION

**INDUSTRY  
STANDARDS**

UL 870  
NEMA Type 1  
CUL 870

Austin Electrical Enclosures  
Post Office Box 2320  
Yadkinville, NC 27055

Phone: 336.468.2851  
800.288.2851

# NEMA 1 SCREW COVER WIREWAYS

Catalog Number	Wireway Size (AxBxC) Description	Weight	Catalog Number	Wireway Size (AxBxC) Description	Weight	Catalog Number	Wireway Size (AxBxC) Description	Weight
AB-2212SW	2 1/2x2 1/2x12	2	AB-6612SW	6x6x12	5	AB-101012SW	10x10x12	10
AB-2224SW	2 1/2x2 1/2x24	4	AB-6624SW	6x6x24	10	AB-101024SW	10x10x24	20
AB-2236SW	2 1/2x2 1/2x36	6	AB-6636SW	6x6x36	15	AB-101036SW	10x10x36	30
AB-2248SW	2 1/2x2 1/2x48	8	AB-6648SW	6x6x48	20	AB-101048SW	10x10x48	40
AB-2260SW	2 1/2x2 1/2x60	10	AB-6660SW	6x6x60	25	AB-101060SW	10x10x60	50
AB-2272SW	2 1/2x2 1/2x72	13	AB-6672SW	6x6x72	30	AB-101072SW	10x10x72	60
AB-2284SW	2 1/2x2 1/2x84	16	AB-6684SW	6x6x84	39	AB-101084SW	10x10x84	70
AB-2296SW	2 1/2x2 1/2x96	18	AB-6696SW	6x6x96	44	AB-101096SW	10x10x96	80
AB-22120SW	2 1/2x2 1/2x120	20	AB-66120SW	6x6x120	50	AB-1010120SW	10x10x120	100
AB-4412SW	4x4x12	3	AB-8812SW	8x8x12	7	AB-121212SW	12x12x12	13
AB-4424SW	4x4x24	7	AB-8824SW	8x8x24	16	AB-121224SW	12x12x24	26
AB-4436SW	4x4x36	10	AB-8836SW	8x8x36	25	AB-121236SW	12x12x36	38
AB-4448SW	4x4x48	14	AB-8848SW	8x8x48	33	AB-121248SW	12x12x48	51
AB-4460SW	4x4x60	17	AB-8860SW	8x8x60	41	AB-121260SW	12x12x60	63
AB-4472SW	4x4x72	20	AB-8872SW	8x8x72	50	AB-121272SW	12x12x72	75
AB-4484SW	4x4x84	25	AB-8884SW	8x8x84	64	AB-121284SW	12x12x84	99
AB-4496SW	4x4x96	29	AB-8896SW	8x8x96	73	AB-121296SW	12x12x96	112
AB-44120SW	4x4x120	35	AB-88120SW	8x8x120	88	AB-1212120SW	12x12x120	126
AB-22EP	End Cap	.3	AB-66EP	End Cap	1	AB-1010EP	End Cap	2.5
AB-22TE	Tee	2	AB-66TE	Tee	8	AB-1010TE	Tee	20
AB-22L90	90 Elbow	2	AB-66L90	90 Elbow	7	AB-1010L90	90 Elbow	18
AB-22UC	U-Connector	.3	AB-66UC	U-Connector	.5	AB-1010UC	U-Connector	2
AB-22PA	Panel Adapter	.5	AB-66PA	Panel Adapter	2	AB-1010PA	Panel Adapter	3
AB-22L45	45 Elbow	2	AB-66L45	45 Elbow	5	AB-1010L45	45 Elbow	14
AB-22UH	U-Hanger	2	AB-66UH	U-Hanger	2	AB-1010UH	U-Hanger	5
AB-22X	Cross	4	AB-66X	Cross	10	AB-1010X	Cross	20
AB-22TS	Telescope	3	AB-64R	Reducer	2	AB-108R	Reducer	2
			AB-66TS	Telescope	9	AB-1010TS	Telescope	12
AB-44EP	End Cap	.5	AB-88EP	End Cap	2	AB-1212EP	End Cap	3
AB-44TE	Tee	5	AB-88TE	Tee	14	AB-1212TE	Tee	26
AB-44L90	90 Elbow	5	AB-88L90	90 Elbow	12	AB-1212L90	90 Elbow	24
AB-44UC	U-Connector	.3	AB-88UC	U-Connector	1	AB-1212UC	U-Connector	2
AB-44PA	Panel Adapter	1	AB-88PA	Panel Adapter	2	AB-1212PA	Panel Adapter	3
AB-44L45	45 Elbow	4	AB-88L45	45 Elbow	10	AB-1212L45	45 Elbow	19
AB-44UH	U-Hanger	2	AB-88UH	U-Hanger	3	AB-1212UH	U-Hanger	6
AB-44X	Cross	6	AB-88X	Cross	16	AB-1212X	Cross	24
AB-42R	Reducer	.5	AB-86R	Reducer	2	AB-1210R	Reducer	2
AB-44TS	Telescope	5	AB-88TS	Telescope	10	AB-1212TS	Telescope	15

Replace "SW" Suffix with: SWG: Screw Cover Wireway Gray  
 SWGK: Screw Cover Wireway Gray w/KO's  
 SWK: Screw Cover Wireway w/KO's

Wireways  
& Trough  
Products



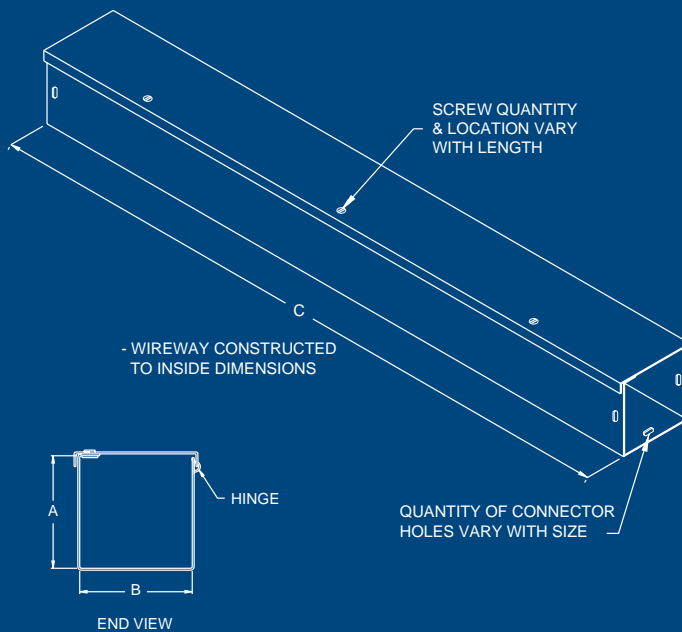
# NEMA 1 HINGE COVER WIREWAYS

Austin NEMA 1 hinge cover wireway is Underwriters Laboratories Listed and is designed for use in housing electrical wiring. It provides a degree of protection against limited amounts of falling dirt. Fittings can be opened on any side to permit the laying in of entire runs of wiring.

## Construction:

- Fabricated in accordance with UL specifications from code gauge steel.
- Wireway sizes 2.5x2.5, 4x4, and 6x6 have formed hinges.
- Wireway sizes 8x8, 10x10, and 12x12 have butt hinges.
- Cover is held in place by screws on opposite side of hinge.
- Single sheet steel for body.
- Wireway can be furnished with or without knockouts.

Wireways  
& Trough  
Products

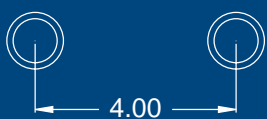


## Finish:

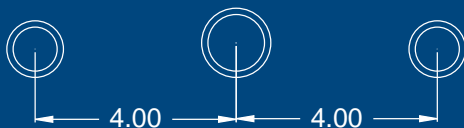
Austin NEMA 1 hinge cover wireway is provided standard in galvanized steel. An ANSI 61 gray polyester powder coating over CRS is available on request.

## Options:

- Special knockouts or knockout arrangements.
- Special materials.
- Special finishes.



KNOCKOUT PATTERN FOR 2.5 x 2.5  
1/2"-3/4" COMBINATION



KNOCKOUT PATTERN FOR 4 x 4 & 6 x 6  
1/2"-3/4" & 1"-1 1/4" COMBINATION

**INDUSTRY  
STANDARDS**

UL 870  
NEMA Type 1  
CUL 870

Austin Electrical Enclosures  
Post Office Box 2320  
Yadkinville, NC 27055

Phone: 336.468.2851  
800.288.2851

# NEMA 1 HINGE COVER WIREWAYS

Catalog Number	Wireway Size (AxBxC) Description	Weight	Catalog Number	Wireway Size (AxBxC) Description	Weight	Catalog Number	Wireway Size (AxBxC) Description	Weight
AB-2212HW	2 1/2x2 1/2x12	2	AB-6612HW	6x6x12	5	AB-101012HW	10x10x12	10
AB-2224HW	2 1/2x2 1/2x24	4	AB-6624HW	6x6x24	10	AB-101024HW	10x10x24	20
AB-2236HW	2 1/2x2 1/2x36	6	AB-6636HW	6x6x36	15	AB-101036HW	10x10x36	30
AB-2248HW	2 1/2x2 1/2x48	8	AB-6648HW	6x6x48	20	AB-101048HW	10x10x48	40
AB-2260HW	2 1/2x2 1/2x60	10	AB-6660HW	6x6x60	25	AB-101060HW	10x10x60	50
AB-2272HW	2 1/2x2 1/2x72	13	AB-6672HW	6x6x72	30	AB-101072HW	10x10x72	60
AB-2284HW	2 1/2x2 1/2x84	16	AB-6684HW	6x6x84	39	AB-101084HW	10x10x84	70
AB-2296HW	2 1/2x2 1/2x96	18	AB-6696HW	6x6x96	44	AB-101096HW	10x10x96	80
AB-22120HW	2 1/2x2 1/2x120	20	AB-66120HW	6x6x120	50	AB-1010120HW	10x10x120	100
AB-4412HW	4x4x12	3	AB-8812HW	8x8x12	7	AB-121212HW	12x12x12	13
AB-4424HW	4x4x24	7	AB-8824HW	8x8x24	16	AB-121224HW	12x12x24	26
AB-4436HW	4x4x36	10	AB-8836HW	8x8x36	25	AB-121236HW	12x12x36	38
AB-4448HW	4x4x48	14	AB-8848HW	8x8x48	33	AB-121248HW	12x12x48	51
AB-4460HW	4x4x60	17	AB-8860HW	8x8x60	41	AB-121260HW	12x12x60	63
AB-4472HW	4x4x72	20	AB-8872HW	8x8x72	50	AB-121272HW	12x12x72	75
AB-4484HW	4x4x84	25	AB-8884HW	8x8x84	64	AB-121284HW	12x12x84	99
AB-4496HW	4x4x96	29	AB-8896HW	8x8x96	73	AB-121296HW	12x12x96	112
AB-44120HW	4x4x120	35	AB-88120HW	8x8x120	88	AB-1212120HW	12x12x120	126
AB-22EP	End Cap	.3	AB-66EP	End Cap	1	AB-1010EP	End Cap	2.5
AB-22TE	Tee	2	AB-66TE	Tee	8	AB-1010TE	Tee	20
AB-22L90	90 Elbow	2	AB-66L90	90 Elbow	7	AB-1010L90	90 Elbow	18
AB-22UC	U-Connector	.3	AB-66UC	U-Connector	.5	AB-1010UC	U-Connector	2
AB-22PA	Panel Adapter	.5	AB-66PA	Panel Adapter	2	AB-1010PA	Panel Adapter	3
AB-22L45	45 Elbow	2	AB-66L45	45 Elbow	5	AB-1010L45	45 Elbow	14
AB-22UH	U-Hanger	2	AB-66UH	U-Hanger	2	AB-1010UH	U-Hanger	5
AB-22X	Cross	4	AB-66X	Cross	10	AB-1010X	Cross	20
AB-22TS	Telescope	3	AB-64R	Reducer	2	AB-108R	Reducer	2
			AB-66TS	Telescope	9	AB-1010TS	Telescope	12
AB-44EP	End Cap	.5	AB-88EP	End Cap	2	AB-1212EP	End Cap	3
AB-44TE	Tee	5	AB-88TE	Tee	14	AB-1212TE	Tee	26
AB-44L90	90 Elbow	5	AB-88L90	90 Elbow	12	AB-1212L90	90 Elbow	24
AB-44UC	U-Connector	.3	AB-88UC	U-Connector	1	AB-1212UC	U-Connector	2
AB-44PA	Panel Adapter	1	AB-88PA	Panel Adapter	2	AB-1212PA	Panel Adapter	3
AB-44L45	45 Elbow	4	AB-88L45	45 Elbow	10	AB-1212L45	45 Elbow	19
AB-44UH	U-Hanger	2	AB-88UH	U-Hanger	3	AB-1212UH	U-Hanger	6
AB-44X	Cross	6	AB-88X	Cross	16	AB-1212X	Cross	24
AB-42R	Reducer	.5	AB-86R	Reducer	2	AB-1210R	Reducer	2
AB-44TS	Telescope	5	AB-88TS	Telescope	10	AB-1212TS	Telescope	15

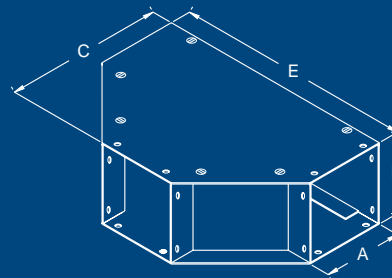
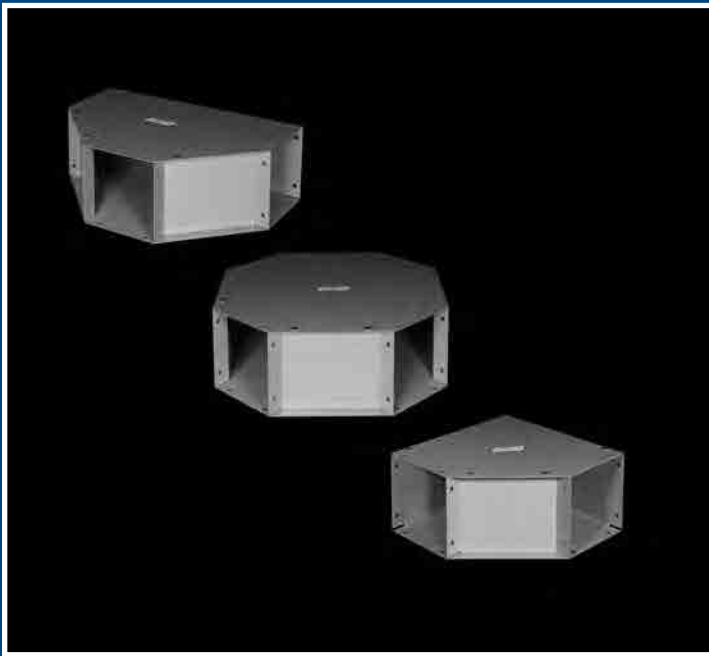
Replace "HW" Suffix with: HWG: Hinge Cover Wireway Gray  
 HWGK: Hinge Cover Wireway Gray w/KO's  
 HWK: Hinge Cover Wireway w/KO's

Wireways  
& Trough  
Products



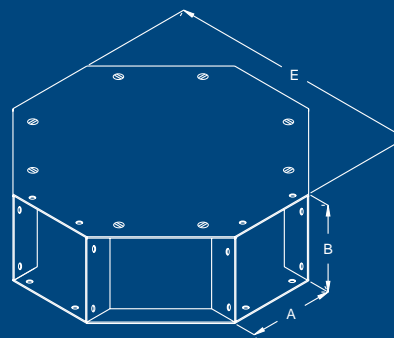


# NEMA 1 WIREWAY FITTINGS



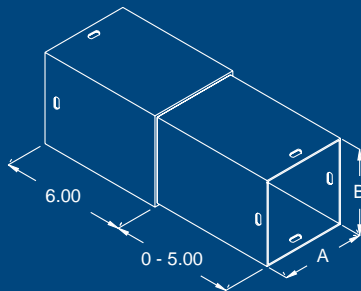
TEE

Allows runs of wireway to split off or come together at a 90° angle



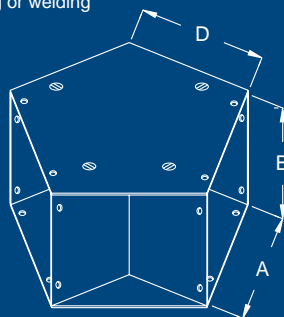
CROSS

Allows runs of wireway to intersect and cross or split off at 90° angles



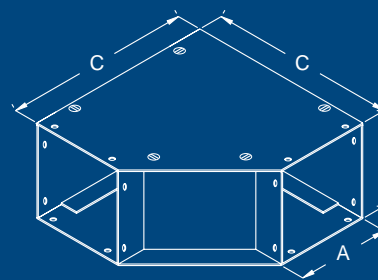
TELESCOPE

Length easily adjusts from 6" to 11". No cutting or welding is required



45° ELBOW

Similar to the 90° elbow but only makes a 45° turn



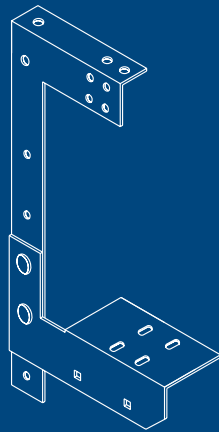
90° ELBOW

Any side can be removed to retain the lay-in feature of the wireway. Sides are held in place with screws

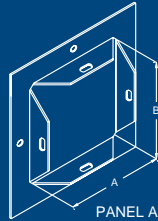
Wireways  
& Trough  
Products

# NEMA 1 WIREWAY FITTINGS

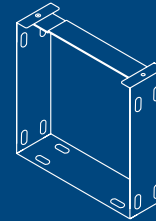
Wireway Size	A	B	C	D	E	F	G
2 1/2x2 1/2	2 1/2	2 1/2	5	3	7 1/2	NA	NA
4x4	4	4	8	4 5/8	12	2 1/2	2 1/2
6x6	6	6	12	5 7/16	18	4	4
8x8	8	8	14	6 1/4	20	6	6
10x10	10	10	16	7 1/8	22	8	8
12x12	12	12	18	7 15/16	24	10	10



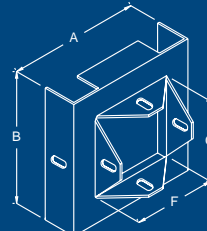
**UNIVERSAL HANGER**  
Allows runs of wireway to be supported from either the ceiling or the wall



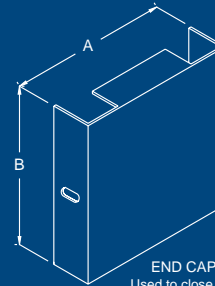
**PANEL ADAPTER**  
Allows a run of wireway to be securely connected to an enclosure



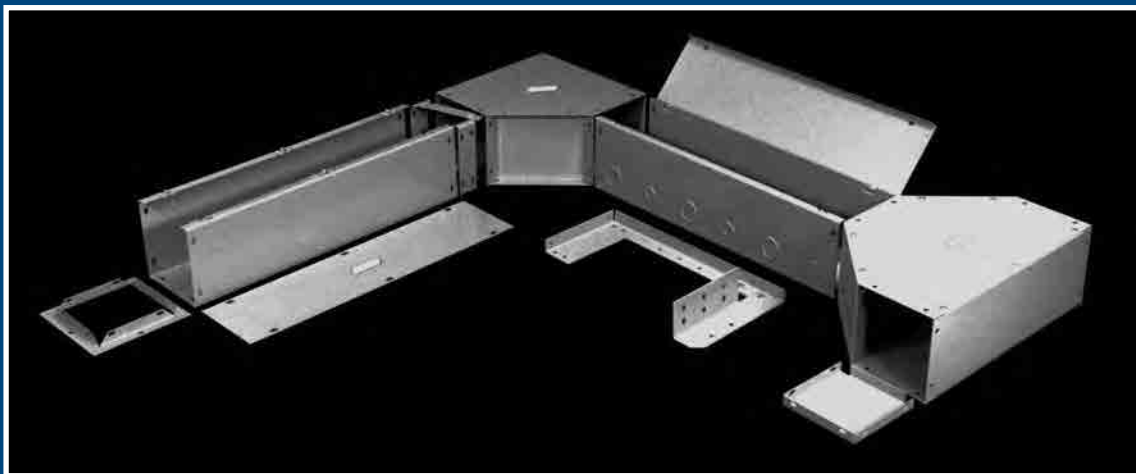
**U-CONNECTOR**  
U-Connectors are used to join sections of wireway together. These must be ordered separately.



**REDUCER**  
Allows the reduction of a run of wireway to a smaller wireway size



**END CAP**  
Used to close off the end of a wireway run



Wireways  
& Trough  
Products

# JIC PULL-THROUGH WIREWAY

Austin JIC Pull-Through wireway is Underwriters Laboratories Listed and is designed to protect electrical wiring from dust, dirt, oil, and water.

## Construction:

- Fabricated in accordance with UL specifications from 14 gauge steel.
- Continuously welded seams.
- Neoprene gasket attached to cover with oil-resistant adhesive.
- Cover attached to body with heavy butt hinges and quick release clamps.
- One piece oil-resistant gasket is provided with each straight section and fitting for bolting sections together.

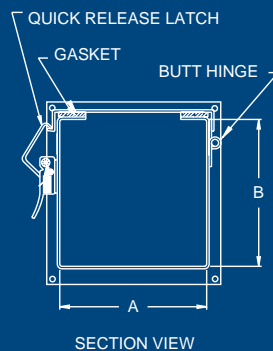
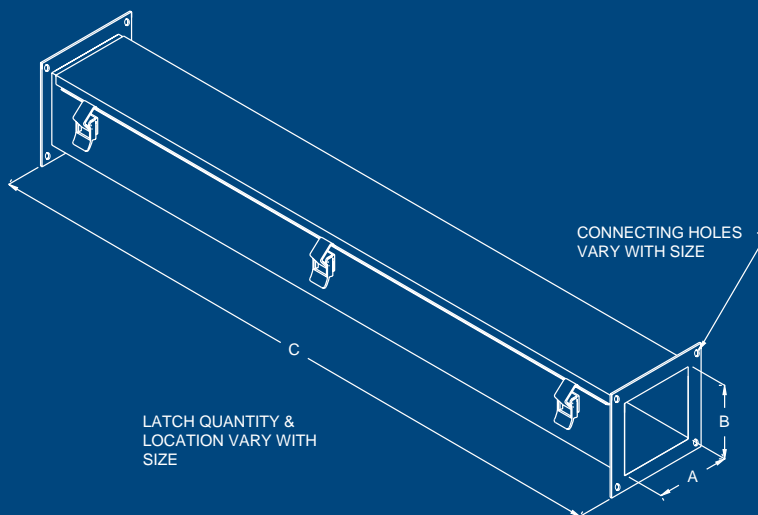
## Finish:

Austin JIC Pull-Through wireway is provided standard with an ANSI 61 gray polyester powder coating inside and out.

## Options:

- Special materials.
- Special finishes.

Wireways  
& Trough  
Products



**INDUSTRY  
STANDARDS**

UL 870  
NEMA Type 12  
CUL 870

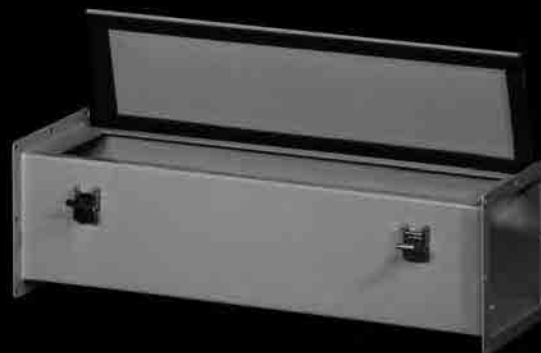
Austin Electrical Enclosures  
Post Office Box 2320  
Yadkinville, NC 27055

Phone: 336.468.2851  
800.288.2851

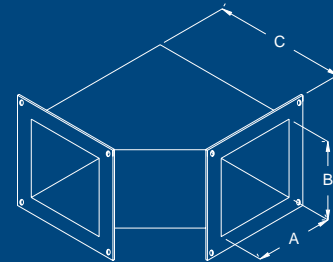
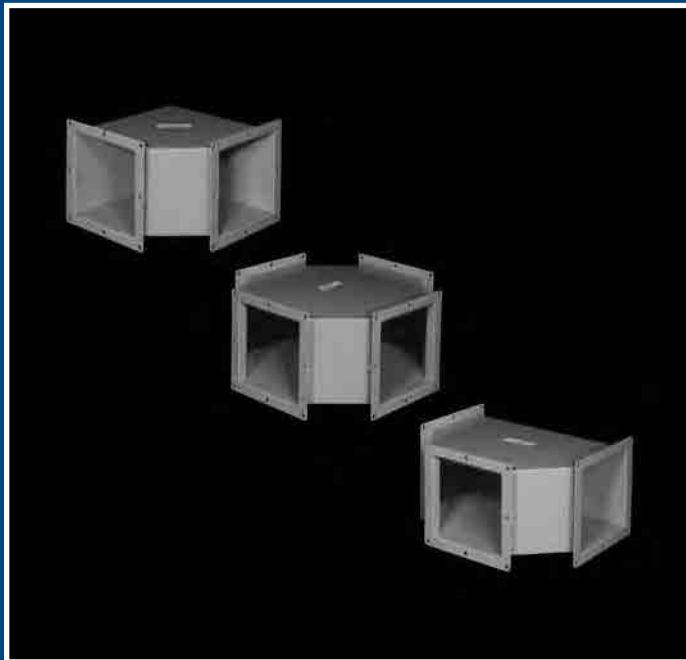
# JIC PULL-THROUGH WIREWAY

Catalog Number	Wireway Size (AxBxC) Description	Weight	Catalog Number	Wireway Size (AxBxC) Description	Weight
AB-2212JW	2 1/2x2 1/2x12	4	AB-6612JW	6x6x12	10
AB-2224JW	2 1/2x2 1/2x24	7	AB-6624JW	6x6x24	18
AB-2236JW	2 1/2x2 1/2x36	11	AB-6636JW	6x6x36	24
AB-2248JW	2 1/2x2 1/2x48	15	AB-6648JW	6x6x48	32
AB-2260JW	2 1/2x2 1/2x60	19	AB-6660JW	6x6x60	40
AB-22120JW	2 1/2x2 1/2x120	35	AB-66120JW	6x6x120	76
AB-22JL90	90 Elbow	3	AB-66JL90	90 Elbow	8
AB-22JL45	45 Elbow	2	AB-66JL45	45 Elbow	6
AB-22JTE	Tee	4	AB-66JTE	Tee	10
AB-22JX	Cross	5	AB-66JX	Cross	13
AB-22JTSC	Telescope	4	AB-66JTSC	Telescope	11
NA	Reducer		AB-64JR	Reducer	2
AB-22JBF	Box Fitting	1	AB-66JBF	Box Fitting	1
AB-22JCF	Cut-off Fitting	3	AB-66JCF	Cut-off Fitting	8
AB-22JN1	Nipple 1"	1	AB-66JN1	Nipple 1"	3
AB-22JN2	Nipple 2"	1	AB-66JN2	Nipple 2"	3
AB-22JN3	Nipple 3"	2	AB-66JN3	Nipple 3"	4
AB-22JBH	Bracket Hanger	1	AB-66JBH	Bracket Hanger	3
AB-22JDH	Drop Hanger	1	AB-66JDH	Drop Hanger	2
AB-22JEP	End Plate	1	AB-66JEP	End Plate	3
AB-22JG	Gasket		AB-66JG	Gasket	
AB-4412JW	4x4x12	7	AB-8812JW	8x8x12	12
AB-4424JW	4x4x24	12	AB-8824JW	8x8x24	21
AB-4436JW	4x4x36	17	AB-8836JW	8x8x36	32
AB-4448JW	4x4x48	21	AB-8848JW	8x8x48	42
AB-4460JW	4x4x60	26	AB-8860JW	8x8x60	51
AB-44120JW	4x4x120	55	AB-88120JW	8x8x120	99
AB-44JL90	90 Elbow	5	AB-88JL90	90 Elbow	12
AB-44JL45	45 Elbow	3	AB-88JL45	45 Elbow	9
AB-44JTE	Tee	6	AB-88JTE	Tee	15
AB-44JX	Cross	8	AB-88JX	Cross	18
AB-44JTSC	Telescope	7	AB-88JTSC	Telescope	15
AB-42JR	Reducer	1	AB-86JR	Reducer	3
AB-44JBF	Box Fitting	1	AB-88JBF	Box Fitting	2
AB-44JCF	Cut-off Fitting	6	AB-88JCF	Cut-off Fitting	11
AB-44JN1	Nipple 1"	2	AB-88JN1	Nipple 1"	4
AB-44JN2	Nipple 2"	2	AB-88JN2	Nipple 2"	4
AB-44JN3	Nipple 3"	2	AB-88JN3	Nipple 3"	5
AB-44JBH	Bracket Hanger	1	AB-88JBH	Bracket Hanger	6
AB-44JDH	Drop Hanger	1	AB-88JDH	Drop Hanger	6
AB-44JEP	End Plate	1	AB-88JEP	End Plate	4
AB-44JG	Gasket		AB-88JG	Gasket	

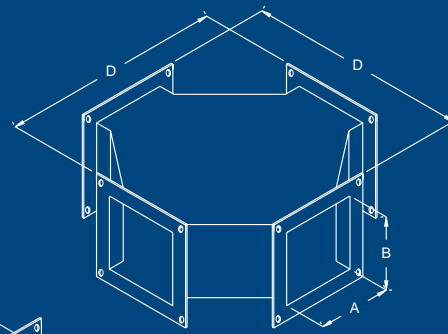
Wireways  
& Trough  
Products



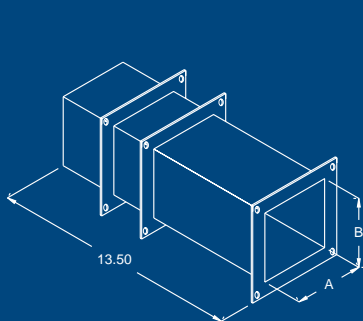
# JIC PULL-THROUGH WIREWAY FITTINGS



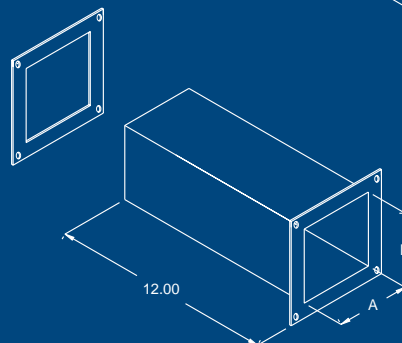
**90° ELBOW**  
Allows a wireway run to turn at a 90° angle



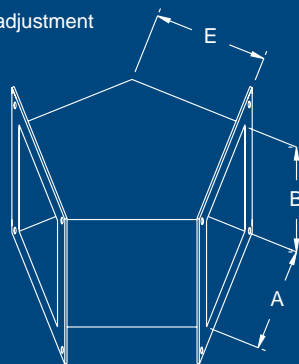
**CROSS**  
Allows runs of wireway to intersect and cross or split off at 90° angles



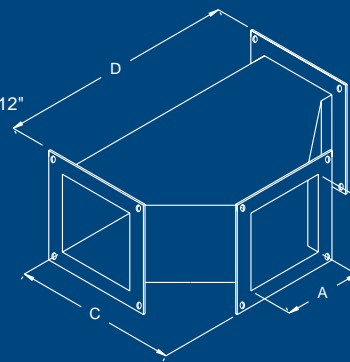
**TELESCOPE**  
Allows easy adjustment for up to 12"



**CUT-OFF FITTING**  
Allows user to cut off part of fitting and weld on flange to form a section between 1" and 12"



**45° ELBOW**  
Similar to a 90° elbow but only makes a 45° turn

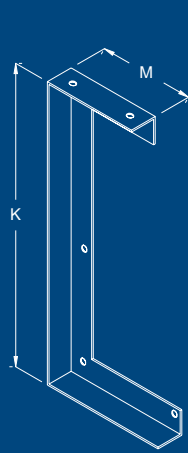


**TEE**  
Allows runs of wireway to split off or come together at a 90° angle

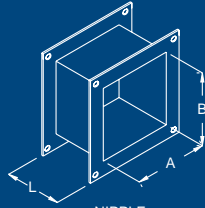
Wireways  
& Trough  
Products

# JIC PULL-THROUGH WIREWAY FITTINGS

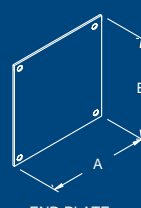
Wireway Size	A	B	C	D	E	F	G	K	M	R	S	T
2 1/2x2 1/2	2 1/2	2 1/2	6 1/2	10 1/2	3 3/8	NA	NA	11 3/4	4 5/8	4	4	4 1/2
4x4	4	4	8	12	4	2 1/2	2 1/2	13 1/4	6 1/8	5 1/2	5 1/2	6
6x6	6	6	10	14	4 7/8	4, 2 1/2	4, 2 1/2	15 1/4	8 1/8	7 1/2	5 1/2	8
8x8	8	8	12	16	5 5/8	6, 4, 2 1/2	6, 4, 2 1/2	19 1/4	10 1/8	9 1/2	5 1/2	10



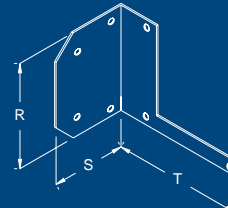
**DROP HANGER**  
Allows a run of wireway to be suspended from the ceiling



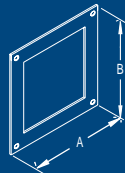
**NIPPLE**  
Available in 1", 2", and 3" lengths



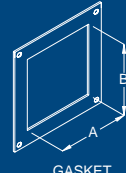
**END PLATE**  
Used to close off the end of a wireway run



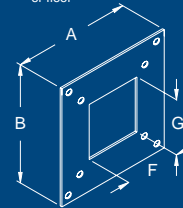
**BRACKET HANGER**  
Allows a run of wireway to be attached to the wall, ceiling, or floor



**BOX FITTING**  
Used when wireway enters an enclosure on the inside of the enclosure to provide a tight seal



**GASKET**  
Neoprene gasket used to provide a water tight seal between sections of wireway or between sections of wireway and fittings



**REDUCER**  
Allows reduction of a wireway run to a smaller wireway size

Wireways  
& Trough  
Products



# JIC PULL-THROUGH WIREWAY NEMA 4X

Austin JIC Pull-Through NEMA 4X wireway is Underwriters Laboratories Listed and is designed to protect electrical wiring from dust, dirt, oil, and water.

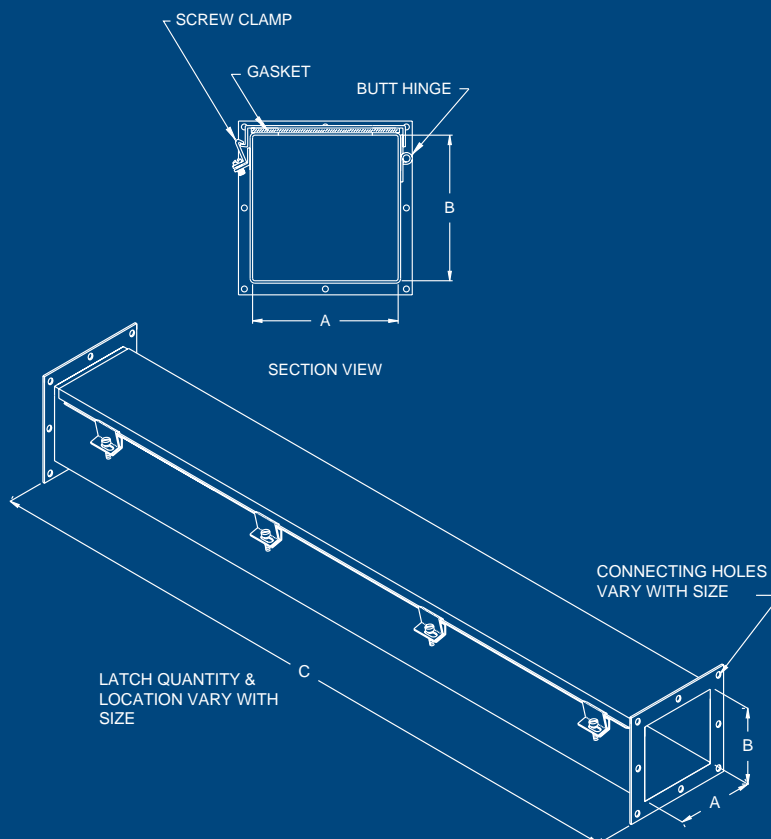
## Construction:

- Fabricated in accordance with UL specifications from 14 gauge Type 304 stainless steel.
- Continuously welded seams.
- Neoprene gasket attached to cover with oil-resistant adhesive.
- Cover attached to body with heavy butt hinges and quick release clamps.
- One piece oil-resistant gasket is provided with each straight section and fitting for bolting sections together.

## Finish:

Austin JIC Pull-Through 4X wireway is provided standard in Type 304 stainless steel.

Wireways  
& Trough  
Products



## Options:

- Type 316 stainless steel

**INDUSTRY  
STANDARDS**

UL 870  
NEMA **Type 4, 4X & 12**  
CUL 870

Austin Electrical Enclosures  
Post Office Box 2320  
Yadkinville, NC 27055

Phone: 336.468.2851  
800.288.2851

# JIC PULL-THROUGH WIREWAY NEMA 4X

Catalog Number	Wireway Size (AxBxC) Description	Weight	Catalog Number	Wireway Size (AxBxC) Description	Weight
AB-4412JWFX	4x4x12	7	AB-6612JWFX	6x6x12	10
AB-4424JWFX	4x4x24	12	AB-6624JWFX	6x6x24	18
AB-4436JWFX	4x4x36	17	AB-6636JWFX	6x6x36	24
AB-4448JWFX	4x4x48	21	AB-6648JWFX	6x6x48	32
AB-4460JWFX	4x4x60	26	AB-6660JWFX	6x6x60	40
AB-44120JWFX	4x4x120	55	AB-66120JWFX	6x6x120	76
AB-44JL90X	90 Elbow	5	AB-66JL90X	90 Elbow	8
AB-44JL45X	45 Elbow	3	AB-66JL45X	45 Elbow	6
AB-44JTEX	Tee	6	AB-66JTEX	Tee	10
AB-44JXX	Cross	8	AB-66JXX	Cross	13
AB-44JTSX	Telescope	7	AB-66JTSX	Telescope	11
AB-42JRX	Reducer	1	AB-64JRX	Reducer	2
AB-44JBFX	Box Fitting	1	AB-66JBFX	Box Fitting	1
AB-44JCFX	Cut-off Fitting	6	AB-66JCFX	Cut-off Fitting	8
AB-44JN1X	Nipple 1"	2	AB-66JN1X	Nipple 1"	3
AB-44JN2X	Nipple 2"	2	AB-66JN2X	Nipple 2"	3
AB-44JN3X	Nipple 3"	2	AB-66JN3X	Nipple 3"	4
AB-44JBHX	Bracket Hanger	1	AB-66JBHX	Bracket Hanger	3
AB-44JDHX	Drop Hanger	1	AB-66JDHX	Drop Hanger	2
AB-44JEPX	End Plate	1	AB-66JEPX	End Plate	3
AB-44JG	Gasket		AB-66JG	Gasket	



Wireways  
& Trough  
Products



# JIC LAY-IN WIREWAY

Austin JIC Lay-In wireway is Underwriters Laboratories Listed and is designed to protect electrical wiring from dust, dirt, oil, and water. All sections and fittings are completely open on one side to allow a complete run of wiring to be laid into the wireway run.

## Construction:

- Fabricated in accordance with UL specifications from 14 gauge steel.
- Continuously welded seams.
- Neoprene gasket attached to cover with oil-resistant adhesive.
- Cover attached to body with heavy butt hinges and quick release clamps.
- One piece oil-resistant gasket and flat sealing plate (not shown) are provided with each straight section and fitting and a 90° sealing plate with each end plate for bolting sections together.

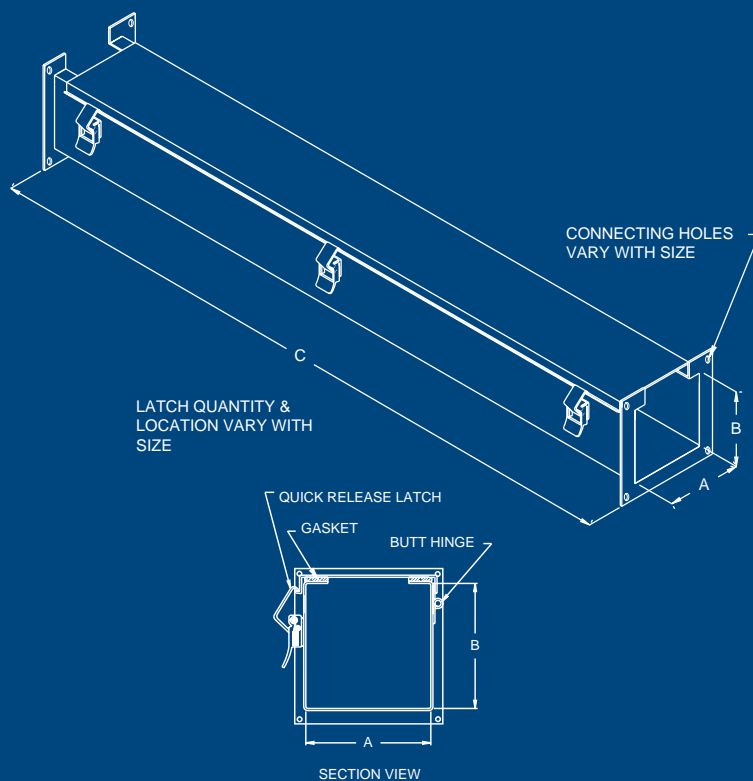
## Finish:

Austin JIC Lay-In wireway is provided standard with an ANSI 61 gray polyester powder coating inside and out.

## Options:

- Special materials.
- Special finishes.

Wireways  
& Trough  
Products



**INDUSTRY  
STANDARDS**

UL 870  
NEMA Type 12  
CUL 870

Austin Electrical Enclosures  
Post Office Box 2320  
Yadkinville, NC 27055

Phone: 336.468.2851  
800.288.2851

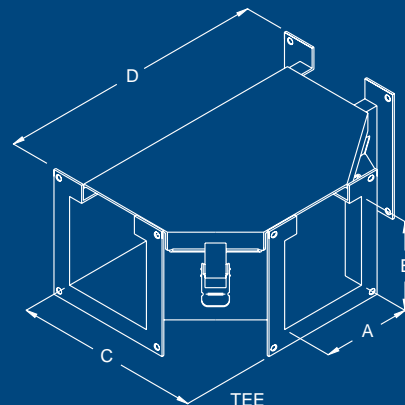
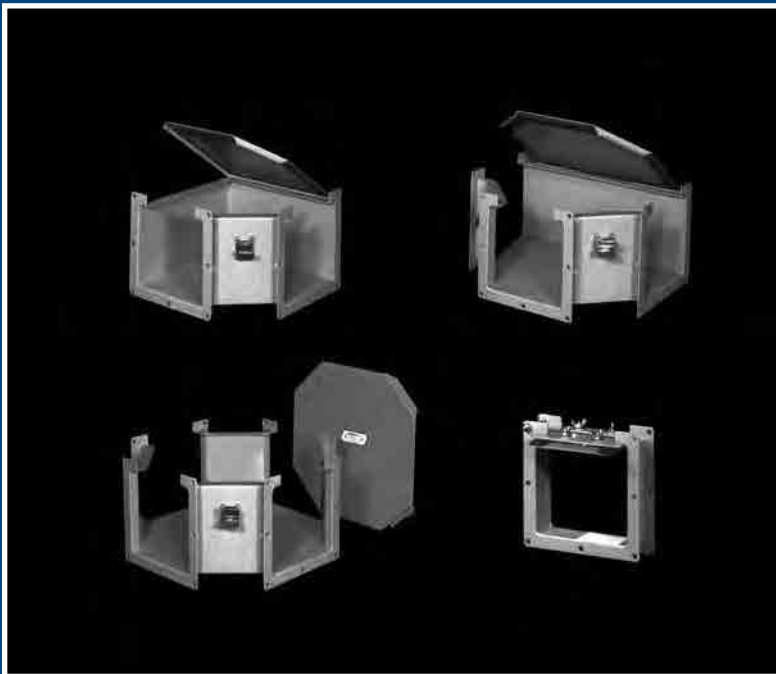
# JIC LAY-IN WIREWAY

Catalog Number	Wireway Size (AxBxC) Description	Catalog Number	Wireway Size (AxBxC) Description	Catalog Number	Wireway Size (AxBxC) Description	Catalog Number	Wireway Size (AxBxC) Description
AB-2212LW	2 1/2x2 1/2x12	AB-4412LW	4x4x12	AB-6612LW	6x6x12	AB-8812LW	8x8x12
AB-2224LW	2 1/2x2 1/2x24	AB-4424LW	4x4x24	AB-6624LW	6x6x24	AB-8824LW	8x8x24
AB-2236LW	2 1/2x2 1/2x36	AB-4436LW	4x4x36	AB-6636LW	6x6x36	AB-8836LW	8x8x36
AB-2248LW	2 1/2x2 1/2x48	AB-4448LW	4x4x48	AB-6648LW	6x6x48	AB-8848LW	8x8x48
AB-2260LW	2 1/2x2 1/2x60	AB-4460LW	4x4x60	AB-6660LW	6x6x60	AB-8860LW	8x8x60
AB-22120LW	2 1/2x2 1/2x120	AB-44120LW	4x4x120	AB-66120LW	6x6x120	AB-88120LW	8x8x120
AB-22LL90T	90L Outside open	AB-44LL90T	90L Outside open	AB-66LL90T	90L Outside open	AB-88LL90T	90L Outside open
AB-22LL90N	90L Inside open	AB-44LL90N	90L Inside open	AB-66LL90N	90L Inside open	AB-88LL90N	90L Inside open
AB-22LL90	90L Top Open	AB-44LL90	90L Top Open	AB-66LL90	90L Top Open	AB-88LL90	90 Elbow
AB-22LL45T	45L Outside open	AB-44LL45T	45L Outside open	AB-66LL45T	45L Outside open	AB-88LL45T	45L Outside open
AB-22LL45N	45L Inside open	AB-44LL45N	45L Inside open	AB-66LL45N	45L Inside open	AB-88LL45N	45L Inside open
AB-22LL45	45L Top Open	AB-44LL45	45L Top Open	AB-66LL45	45L Top Open	AB-88LL45	45 Elbow
AB-22LTT	Tee Top open	AB-44LTT	Tee Top open	AB-66LTT	Tee Top open	AB-88LTT	Tee Top open
AB-22LT	Tee Outside open	AB-44LT	Tee Outside open	AB-66LT	Tee Outside open	AB-88LT	Tee Outside open
AB-22LX	Cross	AB-44LX	Cross	AB-66LX	Cross	AB-88LX	Cross
AB-22LL90R	Clockwise Transposition 90L	AB-44LL90R	Clockwise Transposition 90L	AB-66LL90R	Clockwise Transposition 90L	AB-88LL90R	Clockwise Transposition 90L
AB-22LL90L	Counter Clockwise Transposition 90L	AB-44LL90L	Counter Clockwise Transposition 90L	AB-66LL90L	Counter Clockwise Transposition 90L	AB-88LL90L	Counter Clockwise Transposition 90L
AB-22LCS	Straight Clockwise Transposition	AB-44LCS	Straight Clockwise Transposition	AB-66LCS	Straight Clockwise Transposition	AB-88LCS	Straight Clockwise Transposition
AB-22LCC	Straight Counter Clockwise Transposition	AB-44LCC	Straight Counter Clockwise Transposition	AB-66LCC	Straight Counter Clockwise Transposition	AB-88LCC	Straight Counter Clockwise Transposition
AB-22LJB	Junction Box	AB-44LJB	Junction Box	AB-66LJB	Junction Box	AB-88LJB	Junction Box
AB-22LTS	Telescope	AB-44LTS	Telescope	AB-66LTS	Telescope	AB-88LTS	Telescope
AB-22LBF	Box Fitting	AB-44LBF	Box Fitting	AB-66LBF	Box Fitting	AB-88LBF	Box Fitting
AB-22LCF	Cut-off Fitting	AB-44LCF	Cut-off Fitting	AB-66LCF	Cut-off Fitting	AB-88LCF	Cut-off Fitting
AB-22LN1	Nipple 1"	AB-44LN1	Nipple 1"	AB-66LN1	Nipple 1"	AB-88LN1	Nipple 1"
AB-22LN2	Nipple 2"	AB-44LN2	Nipple 2"	AB-66LN2	Nipple 2"	AB-88LN2	Nipple 2"
AB-22LN3	Nipple 3"	AB-44LN3	Nipple 3"	AB-66LN3	Nipple 3"	AB-88LN3	Nipple 3"
AB-22LR	Reducer	AB-44LR	Reducer	AB-64LR	Reducer	AB-86LR	Reducer
AB-22LBH	Bracket Hanger	AB-44LBH	Bracket Hanger	AB-66LBH	Bracket Hanger	AB-88LBH	Bracket Hanger
AB-22LDH	Drop Hanger	AB-44LDH	Drop Hanger	AB-66LDH	Drop Hanger	AB-88LDH	Drop Hanger
AB-22LEP	End Plate	AB-44LEP	End Plate	AB-66LEP	End Plate	AB-88LEP	End Plate
AB-22LFP	Flat Sealing Plate	AB-44LFP	Flat Sealing Plate	AB-66LFP	Flat Sealing Plate	AB-88LFP	Flat Sealing Plate
AB-22LNP	90 Sealing Plate	AB-44LNP	90 Sealing Plate	AB-66LNP	90 Sealing Plate	AB-88LNP	90 Sealing Plate

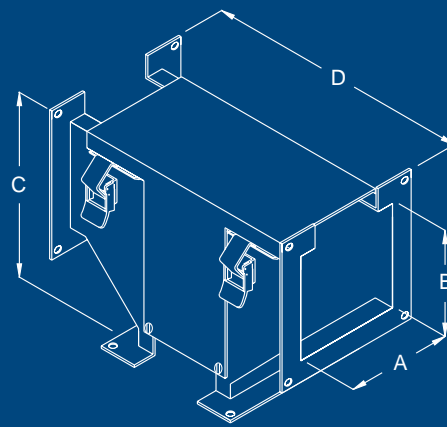
Wireways  
& Trough  
Products



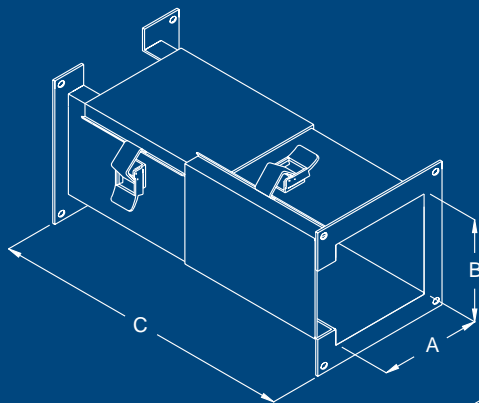
# JIC LAY-IN WIREWAY FITTINGS



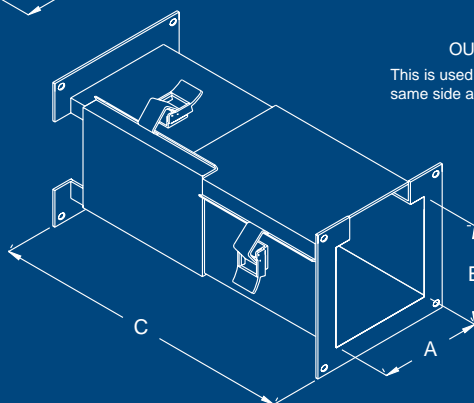
**TEE  
TOP OPENING**  
This is used when all the wireway branches open on the same side



**TEE  
OUTSIDE OPENING**  
This is used when two branches open on the same side and the third opens on another side



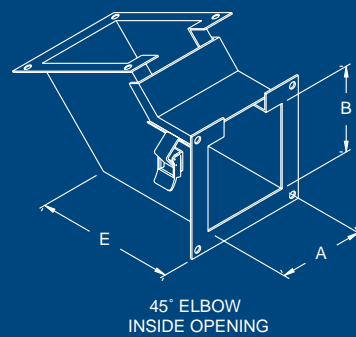
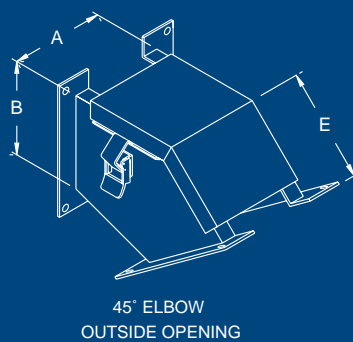
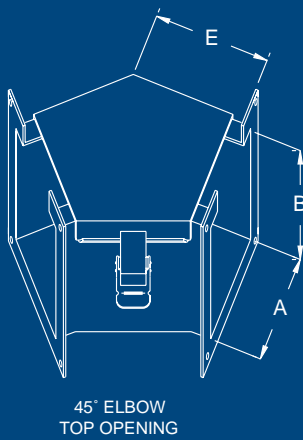
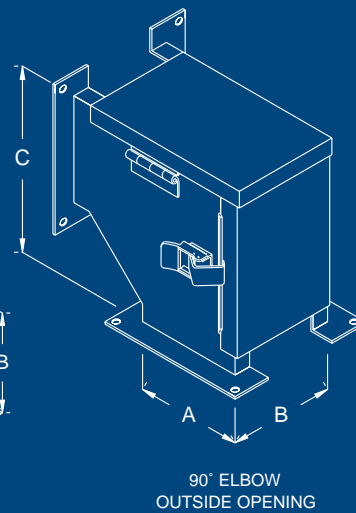
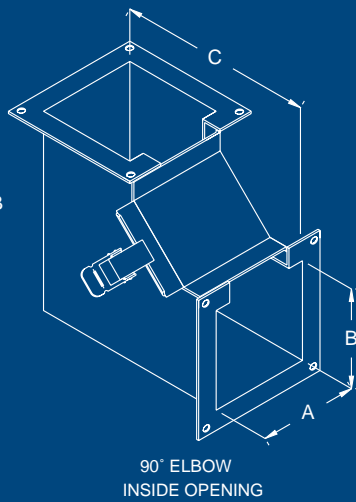
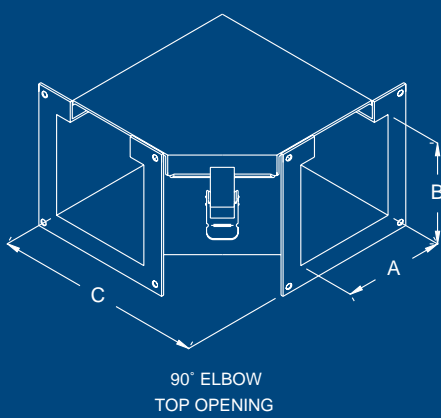
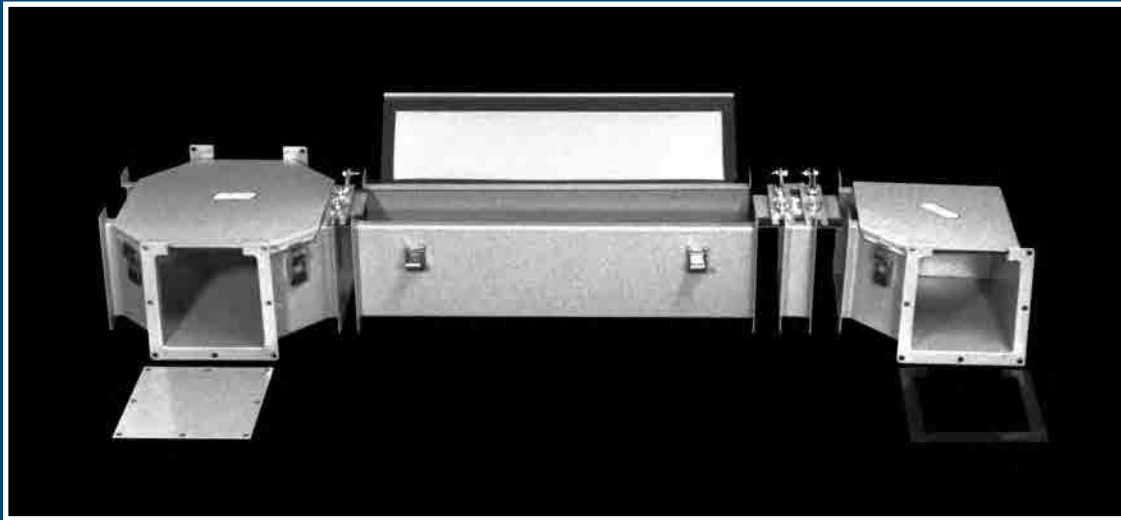
**STRAIGHT  
TRANSPOSITION  
CLOCKWISE**



**STRAIGHT  
TRANSPOSITION  
COUNTER CLOCKWISE**

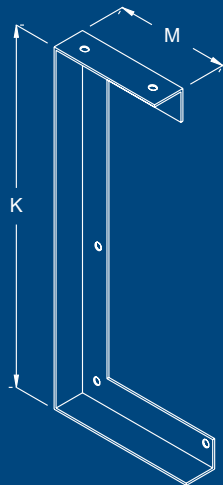
Wireways  
& Trough  
Products

# JIC LAY-IN WIREWAY FITTINGS



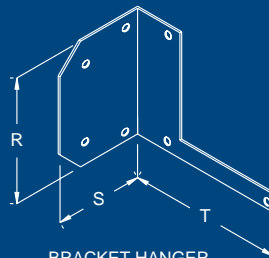
Wireways  
& Trough  
Products

# JIC LAY-IN WIREWAY FITTINGS



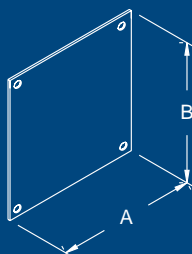
**DROP HANGER**

Allows a run of wireway to be suspended from the ceiling



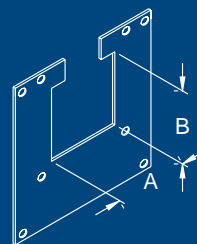
**BRACKET HANGER**

Allows a run of wireway to be attached to the wall, ceiling, or floor



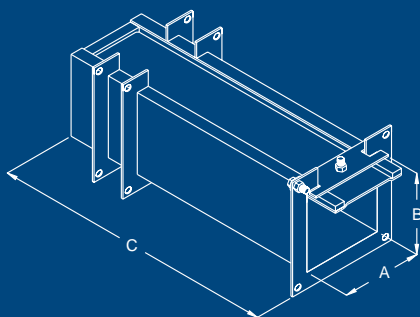
**END PLATE**

Used to close off the end of a wireway run



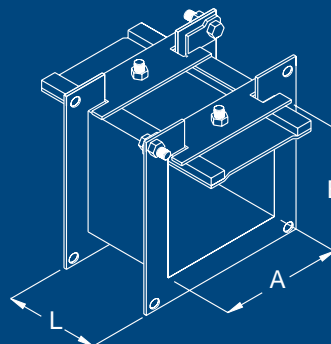
**REDUCER**

Reduces the run to a smaller wireway size without losing the lay-in feature. Furnished with special sealing plate



**TELESCOPE**

Allows easy adjustment for up to 12"



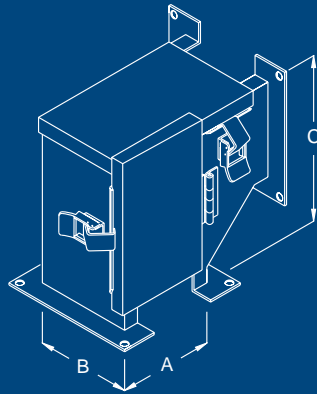
**NIPPLE**

Available in 1", 2", 3", and 6" lengths

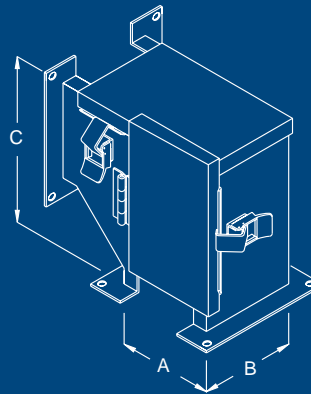
Wireways  
& Trough  
Products

# JIC LAY-IN WIREWAY FITTINGS

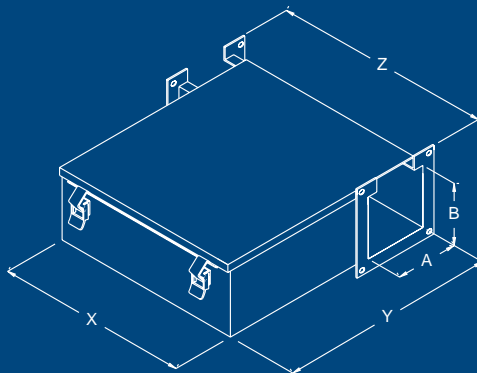
Wireway Size	A	B	C	D	E	F	G	K	M	R	S	T	X	Y	Z
2 1/2x2 1/2	2 1/2	2 1/2	6 1/2	10 1/2	3 3/8	NA	NA	11 3/4	4 5/8	4	4	4 1/2	10	10 1/2	12
4x4	4	4	8	12	4	2 1/2	2 1/2	13 1/4	6 1/8	5 1/2	5 1/2	6	12	14	14
6x6	6	6	10	14	4 7/8	4, 2 1/2	4, 2 1/2	15 1/4	8 1/8	7 1/2	5 1/2	8	14	18	16
8x8	8	8	12	16	5 5/8	6, 4, 2 1/2	6, 4, 2 1/2	19 1/4	10 1/8	9 1/2	5 1/2	10	16	22	18



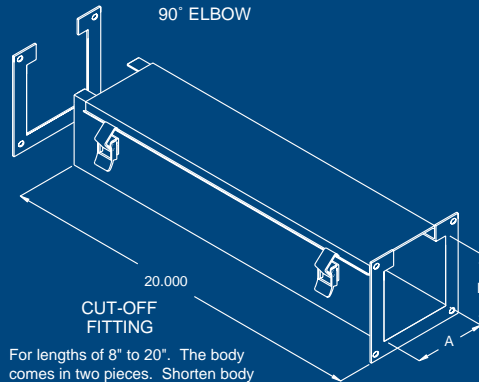
COUNTER CLOCKWISE  
TRANSPPOSITION  
90° ELBOW



CLOCKWISE  
TRANSPPOSITION  
90° ELBOW

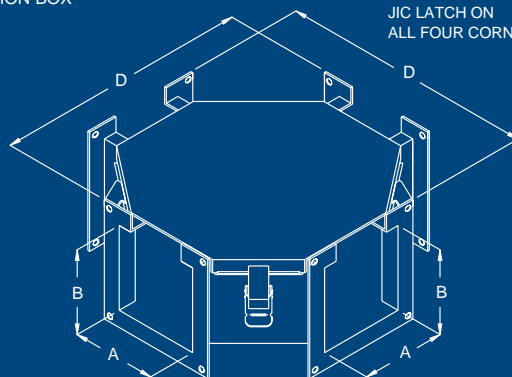


JUNCTION BOX



20.000  
CUT-OFF  
FITTING

For lengths of 8" to 20". The body comes in two pieces. Shorten body and cover to desired length and weld



CROSS

An intersection device used when all wireway opens on the same side

Wireways  
& Trough  
Products

# NEMA 1 X-RAY EQUIPMENT LAY-IN DUCT

Austin Lay-In wireway for X-Ray equipment is Underwriters Laboratories Listed and is designed to house electrical wiring where protection from dust, dirt, oil, and water are not necessary.

## Construction:

- Fabricated in accordance with UL specifications from code gauge steel.
- Single sheet steel for body.
- Cover attached to body with plated steel screws.

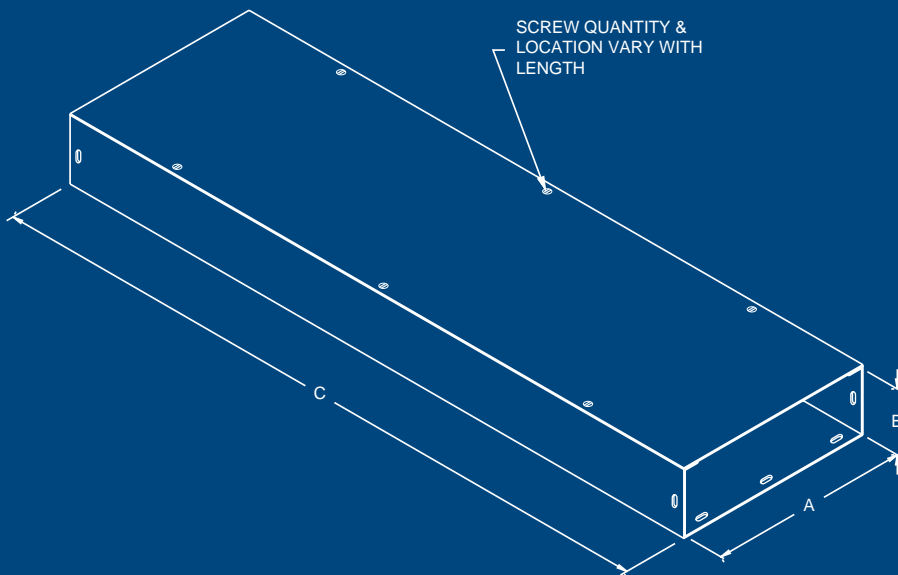
## Finish:

Austin Lay-In wireway for X-Ray equipment is provided standard with an ANSI 61 gray polyester powder coating inside and out.

## Options:

- Special materials.
- Special finishes.

Wireways  
& Trough  
Products



**INDUSTRY  
STANDARDS**

UL 870  
NEMA Type 1  
CUL 870

Austin Electrical Enclosures  
Post Office Box 2320  
Yadkinville, NC 27055

Phone: 336.468.2851  
800.288.2851

# NEMA 1 X-RAY EQUIPMENT LAY-IN DUCT

Catalog Number	Wireway Size (AxBxC)	Weight	Catalog Number	Wireway Size (AxBxC)	Weight
AB-1012YW	10x3 1/2x12	7	AB-1812YW	18x3 1/2x12	12
AB-1024YW	10x3 1/2x24	15	AB-1824YW	18x3 1/2x24	23
AB-1036YW	10x3 1/2x36	22	AB-1836YW	18x3 1/2x36	35
AB-1048YW	10x3 1/2x48	30	AB-1848YW	18x3 1/2x48	47
AB-1060YW	10x3 1/2x60	37	AB-1860YW	18x3 1/2x60	58
AB-1072YW	10x3 1/2x72	45	AB-1872YW	18x3 1/2x72	70
AB-1084YW	10x3 1/2x84	52	AB-1884YW	18x3 1/2x84	81
AB-1096YW	10x3 1/2x96	60	AB-1896YW	18x3 1/2x96	93
AB-10120YW	10x3 1/2x120	73	AB-18120YW	18x3 1/2x120	117

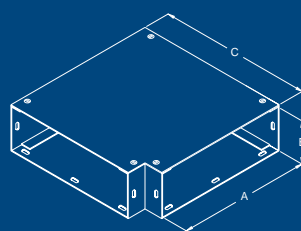
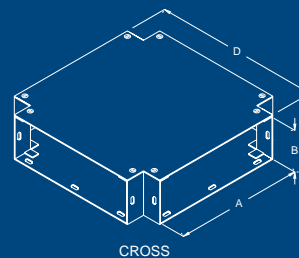
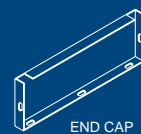
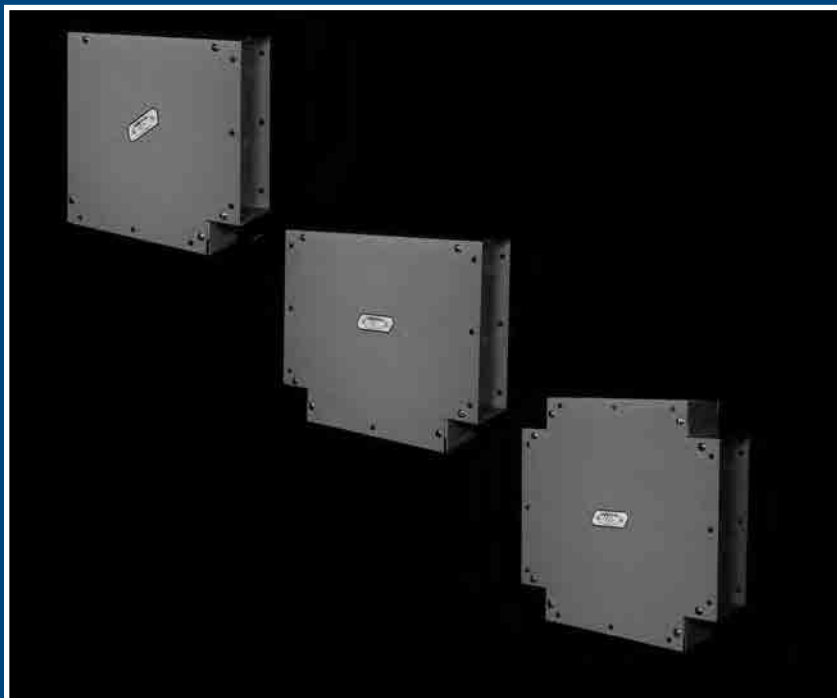
Catalog Number	Description	Weight	Catalog Number	Description	Weight
AB-60YD	60" Divider	5	AB-60YD	60" Divider	5
AB-10YHL	Horizontal 90 Elbow	8	AB-18YHL	Horizontal 90 Elbow	23
AB-10YVL	Vertical 90 Elbow	7	AB-18YVL	Vertical 90 Elbow	11
AB-10YHT	Horizontal Tee	7	AB-18YHT	Horizontal Tee	23
AB-10YVT	Vertical Tee	7	AB-18YVT	Vertical Tee	23
AB-10YX	Cross	8	AB-18YX	Cross	24
AB-10YEC	End Cap	1	AB-18YEC	End Cap	2
AB-10YC	U-Connector	1	AB-18YC	U-Connector	2
AB-10YPA	Panel Adapter	2	AB-18YPA	Panel Adapter	2



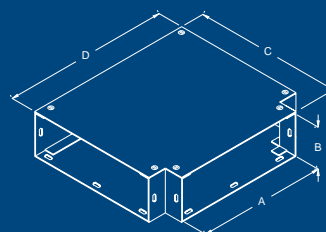
Wireways  
& Trough  
Products



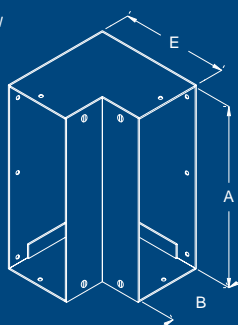
# NEMA 1 X-RAY DUCT EQUIPMENT FITTINGS



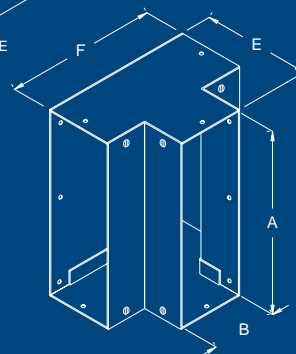
HORIZONTAL 90° ELBOW



HORIZONTAL TEE



VERTICAL 90° ELBOW



VERTICAL TEE

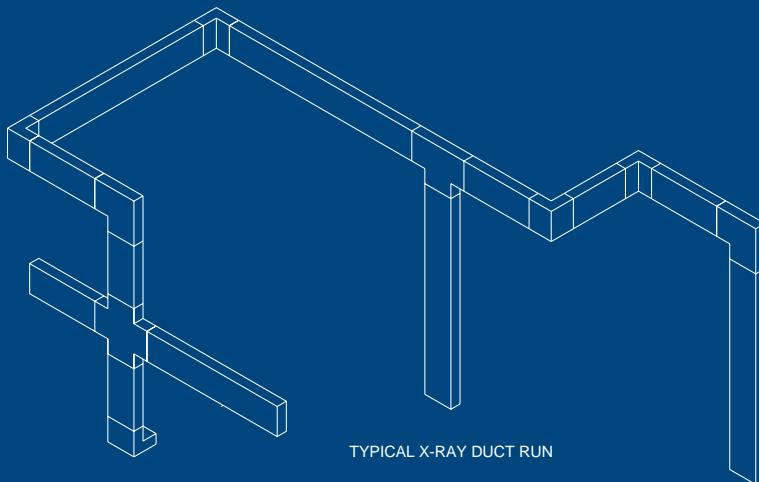
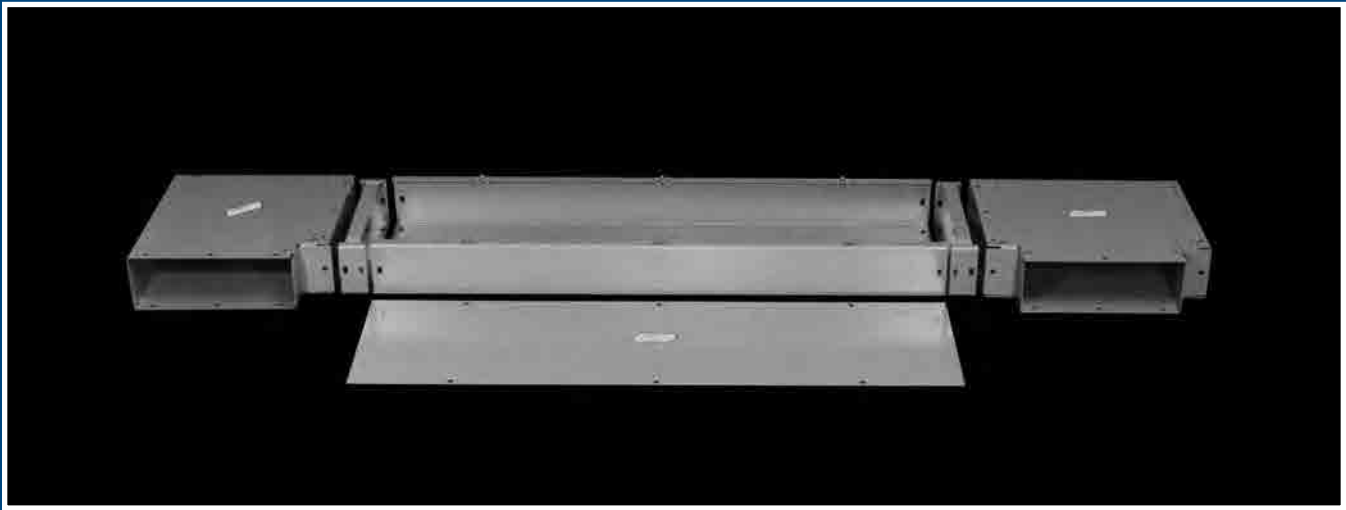
Wireway Size	A	B	C	D	E	F
10x3 1/2	10	3 1/2	12	14	6	8 1/2
18x3 1/2	18	3 1/2	20	22	6	8 1/2

Wireways  
& Trough  
Products

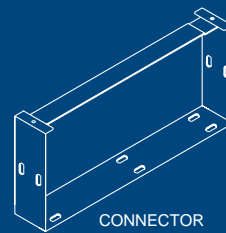
Austin Electrical Enclosures  
Post Office Box 2320  
Yadkinville, NC 27055

Phone: 336.468.2851  
800.288.2851

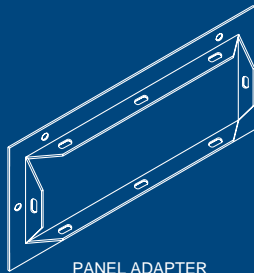
# NEMA 1 X-RAY DUCT EQUIPMENT FITTINGS



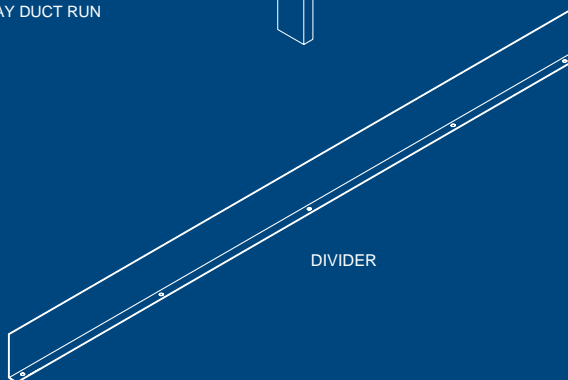
TYPICAL X-RAY DUCT RUN



CONNECTOR



PANEL ADAPTER



DIVIDER

Wireways  
& Trough  
Products