

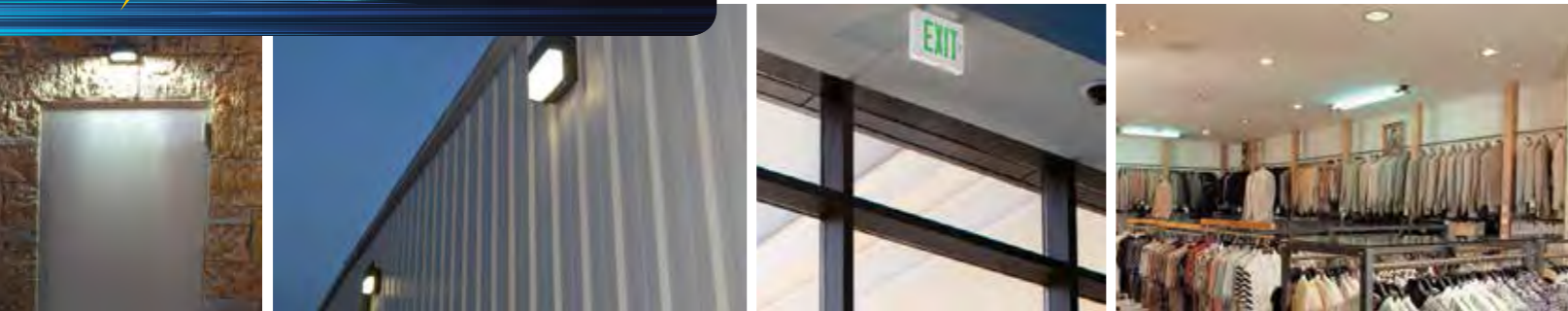
HUBBELL ExpressLine
 2016 HUBBELL LIGHTING EXPRESSTIME PROGRAM



Floodlighting • Wallpacks • Dusk-to-Dawn • Life Safety • Vaportites •
 Landscape • Ceiling / Surface • Industrial Highbay / Lowbay • Downlighting

2016
EXPRESSTIME





New LED Solutions

Hubbell Lighting's ExpressLine program offers a collection of our most popular items including our expanding line of LED wallpacks, floodlights, area/site/roadway luminaires, highbays, life safety and recessed downlight products (more below). Maximize your energy savings and reduce maintenance costs with the latest products.

LED Products
Life Safety Products
Landscape Lighting
LED Downlighting

Floodlighting
Wallpacks
Worklights
Ceiling/Surface

Motion Sensors
Dusk-To-Dawn
Walkway & Path
Industrial Bay Lights

Area/Site/Roadway
Lamp Holders
Vaportites
LED Highbays

Stock, Quick-Ship and Made-to-Order

Many ExpressLine items are stocked for immediate shipment while offering competitive pricing and great performance. Additionally, select items are included in our Quick-Ship 5, Quick-Ship 10 programs as well as Made-to-Order. Products throughout the catalog are marked with the icons below defining availability.

STOCK In stock products ship – 1 to 2 days

QS5 5-Day Quick Ship Ordering Guide
Order Limit Per Fixture Selection: 15 – BC Pkg Code

MADE-TO-ORDER Standard 4 to 6 week lead time

QS10 10-Day Quick Ship Ordering Guide
Order Limit Per Fixture Selection: 15 – BC Pkg Code

ExpressLine Merchandising and Product Information

ExpressLine program products are packaged in a variety of carton styles. The highest volume products for point of purchase merchandising are available in full color cartons. Product packaging information is provided in modules located on product pages throughout the full-line catalog. ExpressLine items are packaged according to their likelihood of being used for merchandising and POP advertisement. All items will fall into one of the following categories which are noted along with the product ordering information.



PACKAGING	PKG. CODE	DESCRIPTION
Full Color Carton	FCC	High impact multi-language cartons (four color with bright blue background) for simplified product selection including application guides, detailed product features, descriptions, and color photography. All cartons include bar codes (UPC) for inventory management.
Single Color Carton	SCC	Vibrant blue and white colored cartons (one or two color) to complement HLI's full color cartons. Product descriptions include basic information, basic features, and product line art. All cartons include bar codes (UPC) for inventory management.
Brown Carton	BC	Traditional brown craft carton with branded label including material number, basic description, wattage, and lamp type. Select products (those stocked by Hubbell Lighting) include bar codes (UPC) for inventory management.
Clear Poly Bag	CPB	Used exclusively for small items where product damage from mishandling isn't likely. All products include branded labels with the material number. Select products (those stocked by Hubbell Lighting) include bar codes (UPC) for inventory management.
Protective Wrapper	PW	Used exclusively for large items too bulky for traditional cartons. An examples would be a steel floodlight bracket. All products include branded labels with the material number. Select products (those stocked by Hubbell Lighting) include bar codes (UPC) for inventory management.

ExpressLine – ready to help you maximize sales

Hubbell Lighting's ExpressLine program offers high impact point-of-purchase product merchandise gondolas, literature, counter mats and counter displays to maximize your sales!

Selling & Merchandising Tools

To drive incremental sales, ExpressLine members have use of our displays, gondola headers, and promotional materials.



Counter Displays & Application Guides



Posters, Counter Mats & Web based Design Application Tools



Contractor Reward Incentives

New Features, LED Products Equivalency

Each LED product in the ExpressLine catalog includes complete information in easy to read modules. Information specific to energy-efficiency, LED performance, traditional luminaire source equivalency and CCT are available for each product.

Catalog Number	Mounting Height	Distribution	Wattage	# of Drivers/Current	Voltage	Color Temperature	Delivered Lumens	LPW	Weight lbs. (kg)	PKG. CODE
ASL-16L-3	up to 15 ft.	Type III	123w	1@2100mA	120V-277V	4000K	11153	91	18 (8.16)	SCC
ASL-24L-4	up to 25 ft.	Type IV	181w	1@2100mA	120V-277V	4000K	16752	93	20 (9.07)	SCC

Equivalent traditional light sources	Equivalency		Energy Savings
	MH	HPS	
	250w	250w	60%
	400w	400w	61%



Industry listings, energy-efficiency and environmental qualifications

Contents

FLOODLIGHTING	LED FLOODLIGHTING.....	4
	HID FLOODLIGHTING	14
	WORKLIGHTS	21
	MOTION SENSORS.....	22
ACCESSORIES	FLOODLIGHT MOUNTING ACCESSORIES.....	23
	PHOTOCONTROLS.....	25
WALLPACKS	LED ZERO UPLIGHT WALLPACKS.....	26
	LED REFRACTOR WALLPACKS.....	28
	HID ZERO UPLIGHT WALLPACKS.....	33
	HID REFRACTOR WALLPACKS	34
CEILING/SURFACE	LED CEILING/SURFACE	40
	HID CEILING/SURFACE.....	42
AREA/SITE ROADWAY	LED AREA/SITE ROADWAY.....	46
POLES/MOUNTING	POLES.....	48
	MOUNTING BRACKETS	50
SECURITY	LED DUSK-TO-DAWN.....	51
	HID DUSK-TO-DAWN	53
VAPORTITES	VAPORTITES.....	54
LANDSCAPE	LANDSCAPE (12V LED)	56
	LAMP HOLDERS.....	58
	BOXES, COVERS, LANDSCAPE ACCESSORIES	60
HIGHBAY/LOWBAYS INDUSTRIAL VAPORTITES	LED HIGHBAY INDUSTRIAL	62
	HID HIGHBAY/LOW BAY	64
	INDUSTRIAL VAPORTITES	65
DOWNLIGHTING	LED DOWNLIGHTING	66
LIFE SAFETY	EXIT SIGNS/EMERGENCY LIGHTING	71
	PRODUCT INDEX.....	84



MBUL

Mini LED Bullet

LANDSCAPE FLOOD

NEW



IP65

- General floodlighting, landscape lighting along paths, sidewalks and steps, accent and safety illumination
- Provides even floodlight distribution
- Units are 120V
- Listed to UL1598 for use in wet locations
- IP65
- NEMA 3R
- Stake included for easy installation and positioning
- Adjustable swivel for easy adjustment
- Two mounting capabilities:
 - 1/2" 14 NPS threaded mounting for box or pipe mounting
 - 7" stake with 8" SO cord for landscape applications

STOCK

ORDERING INFORMATION

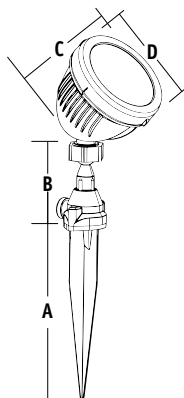
Catalog Number	Description	Finish	Weight lbs. (kg)	PKG. CODE
LED - Wet Location Listed - Universal Aiming				
MBUL-1L3K-1	LED bullet flood, 3000K CCT	Bronze	2 (0.9)	FCC

PERFORMANCE INFORMATION

Series Number	Equivalency			Delivered Lumens	System Watts	Lumens Per Watt	Beam Pattern	CCT	Voltage	# of Drivers/Current
	INC	HID	CFL							
78% SAVINGS! MBUL-1L3K-1	100w	50w-70w	2x42w	1115	13	84.5	6 x 6	3000K	120V	N/A



ADDITIONAL ACCESSORIES ON PG. 60



A	B	C	D
6.75"	2.875"	3.25"	3.5"
171 mm	73 mm	82 mm	89 mm



HUBBELL
Outdoor Lighting

Visit www.hubbelloutdoor.com/products for up-to-date availability information

- LED bullet is versatile, compact floodlight for landscape, accent, pole, column, facade and small area illumination
- Replaces up to 70w HID or 84w CFL
- Traditional 1/2" x 14 NPS threaded adjustable knuckle mounting
- 120-277V operation
- Die-cast aluminum housing
- Decorative dark bronze finish

- 3 distribution options in one carton (narrow, medium, wide)
- Rotatable hood for versatile glare control
- 3000K or 4000K color temperature
- IP65 and certified to UL 1598 for use in wet locations
- Certified up to 40°C ambient per UL 1598
- Accessory kits available for trunnion mount and color/tinted light applications



STOCK ORDERING INFORMATION

Catalog Number	Description	Finish	Weight lbs. (kg)	PKG. CODE
LED - Wet Location Listed - Universal Aiming				
BUL-1L3K-U	LED bullet flood, 3000K CCT	Bronze	5 (2.2)	FCC
BUL-1L4K-U	LED bullet flood, 4000K CCT	Bronze	5 (2.2)	FCC

PERFORMANCE INFORMATION

Series Number	Equivalency			Delivered Lumens	System Watts	Lumens Per Watt	Beam Pattern	CCT	Voltage	# of Drivers/ Current
	MH	HPS	CFL							
78% SAVINGS! BUL-1L3K-U (wide)	70w	70w	84w	1802	21.2	85	3 x 3, 4 X 4, 6 X 6	3000K	120-277V	1@350mA
78% SAVINGS! BUL-1L4K-U (wide)	70w	70w	84w	1886	21	90	3 x 3, 4 X 4, 6 X 6	4000K	120-277V	1@350mA
78% SAVINGS! BUL-1L3K-U (narrow)	70w	70w	84w	1935	21.2	91	3 x 3, 4 X 4, 6 X 6	3000K	120-277V	1@350mA
78% SAVINGS! BUL-1L4K-U (narrow)	70w	70w	84w	1965	21	93.5	3 x 3, 4 X 4, 6 X 6	4000K	120-277V	1@350mA

STOCK ACCESSORIES - Order Separately

Catalog Number	Description
BUL-COLOR	Lens kit with tinted color choices – Red, Blue, Green and Yellow
TRN-XX¹	Trunnion adaptor for 1/2" threaded knuckle mount

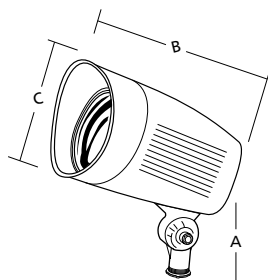
¹ Specify finish color to match fixture, e.g. DB - Bronze.



TRN-XX

ADDITIONAL ACCESSORIES ON PG. 60

DIMENSIONS



A	B	C
3"	6"	5"
76 mm	152 mm	127 mm



- Ultra-compact size measuring only 4.5" x 7.5" x 4"
- Wide NEMA 6 x 6 flood distribution for general purpose flood and facade lighting
- Traditional 1/2" x 14 NPS threaded adjustable knuckle mounting
- 120-277V operation (PC version 120V only)
- Rugged die-cast aluminum housing with dark bronze finish
- Vented housing isolates LED module from driver maximizing product life and performance
- High impact UV stabilized acrylic outer lens protects LEDs and allows for cleaning and debris removal
- DesignLights Consortium (DLC) qualified
- IP66, listed to UL1598 for use in wet locations
- Four color multi-language merchandising carton with application details
- Visor and vandal shield available

STOCK

ORDERING INFORMATION

Catalog Number	Mount	Max Candle Power	Beam Pattern	System Watts	# Drivers/ Current	Voltage	CCT/CRI	Delivered Lumens	LPW	Weight lbs. (kg)	PKG. CODE
FSL-7	1/2" thread	1760	Wide	26	1@1050mA	120-277V	5000K/70	2448	94	6 (2.7)	FCC
FSL-7-PC1	1/2" thread	1760	Wide	26	1@1050mA	120V	5000K/70	2448	94	6 (2.7)	FCC

EQUIVALENCY INFORMATION

Equivalency			Energy Savings
MH	HPS	CFL	
100w	100w	42w	79%

STOCK

ACCESSORIES/REPLACEMENT PARTS - (ORDER SEPARATELY)

Catalog Number	Description
FSL-SPC	Polycarbonate shield/lens (Replaces existing acrylic lens)
FSL-VISOR-XX ¹	Top/bottom visor (Tap holes in lens frame for field installation)
93047942AC	Acrylic lens w/ gasket
93047957	25w, 120-277V driver, 1040mA
20750110264	Knuckle mount, Dark Bronze finish; Contact factory for additional finishes
S-302	Slipfits 1 1/2" or 2" pipe (1.9" OD or 2 3/8" OD) with 1/2" N.P.S.M. hub; Gray
S-302-M51	Slipfits 1 1/2" or 2" pipe (1.9" OD or 2 3/8" OD) with 1/2" N.P.S.M. hub; Bronze
S-302-M52	Slipfits 1 1/2" or 2" pipe (1.9" OD or 2 3/8" OD) with 1/2" N.P.S.M. hub; White
TRN-XX ¹	Trunnion adaptor for 1/2" threaded knuckle mount

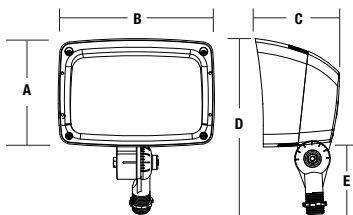


TRN-XX

ADDITIONAL ACCESSORIES ON PG. 60

¹ Specify finish color to match fixture, e.g. DB - Bronze.

DIMENSIONS



A	B	C	D	E	Weight
5.125"	7.5"	4"	8.625"	3.5"	6 lbs.
130 mm	190 mm	102 mm	219 mm	89 mm	2.7 kg

- Compact size measuring only 6.7" x 9.6" x 4.5"
- Wide NEMA 6 x 6 flood distribution for general purpose flood and facade lighting
- Traditional 1/2" x 14 NPS threaded adjustable knuckle mounting
- 120-277V operation (PC version 120V-277V)
- Rugged die-cast aluminum housing with dark bronze finish
- DesignLights Consortium (DLC) qualified
- High impact UV stabilized acrylic outer lens protects LEDs and allows for cleaning and debris removal
- IP65, listed to UL1598 for use in wet locations
- Four color multi-language merchandising carton with application details
- Visor and vandal shield available
- Vented housing isolates LED module from driver maximizing product life and performance



STOCK ORDERING INFORMATION

Catalog Number	Mount	Beam Pattern	System Watts	# Drivers/Current	Voltage	Color Temperature	Delivered Lumens	LPW	Weight lbs. (kg)	PKG. CODE
FML-14	1/2" thread	Wide	53	1@1050mA	120-277V	5000K	4285	81	8.5 (3.8)	FCC
FML-14-PC1	1/2" thread	Wide	53	1@1050mA	120V	5000K	4285	81	8.5 (3.8)	FCC

EQUIVALENCY INFORMATION

Equivalency			Energy Savings
MH	HPS	CFL	
150w	150w	2x42w	72%

STOCK ACCESSORIES/REPLACEMENT PARTS - (ORDER SEPARATELY)

Catalog Number	Description
FML-SPC	Polycarbonate shield/lens (Replaces existing acrylic lens)
FML-VISOR-XX ¹	Top/bottom visor (Tap holes in lens frame to field install)
93047961AC	Acrylic lens w/ gasket
93047971	50w, 120-277V driver, 1040mA
20750110264	Knuckle mount, Dark Bronze finish; Contact factory for additional finishes
S-302	Slipfits 1 1/2" or 2" pipe (1.9" OD or 2 3/8" OD) with 1/2" N.P.S.M. hub; Gray
S-302-M51	Slipfits 1 1/2" or 2" pipe (1.9" OD or 2 3/8" OD) with 1/2" N.P.S.M. hub; Bronze
S-302-M52	Slipfits 1 1/2" or 2" pipe (1.9" OD or 2 3/8" OD) with 1/2" N.P.S.M. hub; White
TRN-XX ¹	Trunnion adaptor for 1/2" threaded knuckle mount

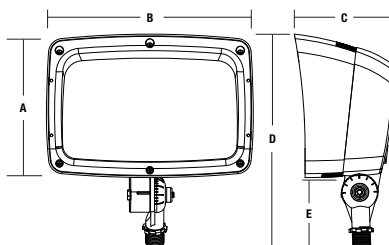


TRN-XX

ADDITIONAL ACCESSORIES ON PG. 60

¹ Specify finish color to match fixture, e.g. DB - Bronze.

DIMENSIONS



A	B	C	D	E	Weight
6.7"	9.6"	4.5"	10.20"	3.5"	8.5 lbs.
169 mm	224 mm	115 mm	259 mm	89 mm	3.8 kg



Large Flood - 28 LED high power or 140 LED mid-power



Large LED flood with wide beam NEMA 6 x 6 or 7 x 7 distribution for lighting applications such as safety/security, facade, area, or signs;

- Operating temperature range -35°C to 40°C
- Replaces 250w and 400w HID
- Rugged die-cast aluminum housing with dark bronze finish
- Tempered glass lens protects LEDs and allows for cleaning/debris removal
- 120-277V operation, 50/60Hz, 100w
- Visor, louver, and vandal shield accessories available

- Vented housing isolates LED module from driver, maximizing product life and performance
- DesignLights Consortium (DLC) qualified
- IP65, listed to UL1598 for use in wet locations
- Driver RoHS compliant and IP66
- Adjustable yoke mounting for both 28L and 140L series with 3' SE00W cord with yoke mount
- Knuckle mount available for 140L series

STOCK ORDERING INFORMATION

Catalog Number	Mount	Max Candle Power	Beam Pattern	System Watts	# of Drivers/ Current	Voltage	CCT/CRI	Delivered Lumens	LPW	Weight lbs. (kg)	PKG. CODE
FLL-28L	Yoke	6935	Wide	95w	1050mA	120-277V	5000K/70	9557	100.6	20 (9.0)	FCC
FLL-Y-140L4K-4	Yoke	5627	Wide	150w	158mA	120-277V	4000K/80	14665	98	20 (9.0)	FCC
FLL-Y-140L5K-4	Yoke	5731	Wide	150w	158mA	120-277V	5000K/70	14764	98.4	20 (9.0)	FCC
FLL-K-140L4K-4	Knuckle	5627	Wide	150w	158mA	120-277V	4000K/80	14665	98	20 (9.0)	FCC

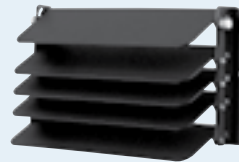
EQUIVALENCY INFORMATION

Equivalency			Energy Savings
MH	HPS	CFL	
250w	250w	2x42w+	66%

STOCK ACCESSORIES/REPLACEMENT PARTS - (ORDER SEPARATELY)

Catalog Number	Description
FLL-VISOR-DB	Top visor (Tap holes in lens frame for field installation)
93058186	96w, 120-277V driver, 1050mA (1 Qty)
FLL-LOUVER-BL	Black adjustable louver
ARF-SPC	Polycarbonate vandal shield

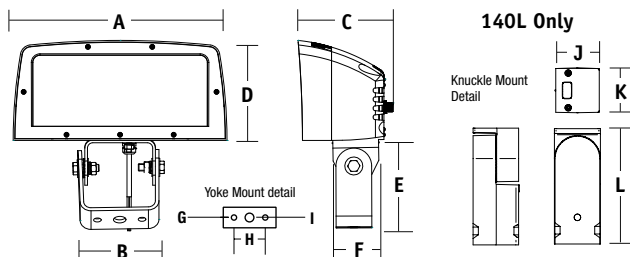
FLL-LOUVER-BL



FLL-VISOR-DB



DIMENSIONS



A	B	C	D	E	F	G
15"	5.5"	6.0"	7.0"	6.24"	3.3"	17/32"
378 mm	140 mm	152 mm	177 mm	158 mm	84 mm	14 mm

H	I	J	K	L	Weight
3-1/8"	7/8"	3.0"	2.9"	7.57"	20.6 lbs.
79 mm	22 mm	77 mm	75 mm	192 mm	9.3 kg

Extra large LED flood with wide beam NEMA 6 x 6 distribution for lighting applications such as safety/security, facade, area, or signs; Operating temperature range -35°C to 40°C

- Replaces up to 750w HID
- 5000K CCT, 70 CRI
- Rugged die-cast aluminum housing with dark bronze finish
- Tempered glass lens protects LEDs and allows for cleaning/debris removal
- 120-277V operation, 50/60Hz

- Visor, louver, and vandal shield accessories available
- Vented housing isolates LED module from driver, maximizing product life and performance
- DesignLights Consortium (DLC) qualified
- IP65, listed to UL1598 for use in wet locations
- Driver RoHS compliant and IP66
- Traditional adjustable yoke mounting
- 3' SEOW cord



STOCK ORDERING INFORMATION

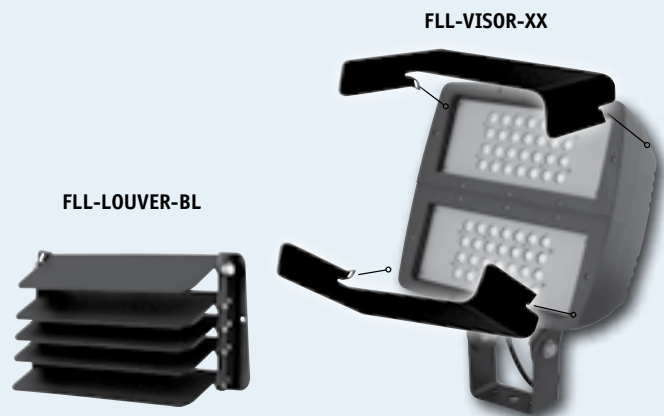
Catalog Number	Mount	Max Candle Power	Beam Pattern	System Watts	# Drivers/ Current	Voltage	Color Temperature	Delivered Lumens	LPW	Weight lbs. (kg)	PKG. CODE
FXL-56L	Yoke	15816	Wide	187w	2@1050mA	120-277V	5000K	21095	113	32 (14.5)	FCC

EQUIVALENCY INFORMATION

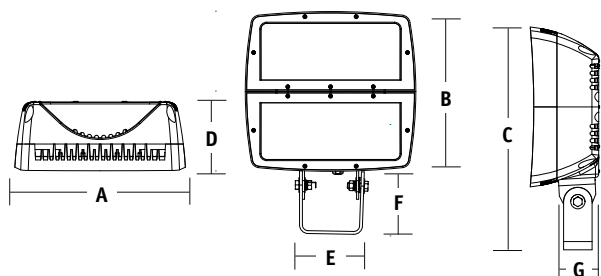
Equivalency			Energy Savings
MH	HPS	CFL	
400w-750w	400w	2x42w+	66%

STOCK ACCESSORIES/REPLACEMENT PARTS - (ORDER SEPARATELY)

Catalog Number	Description
FLL-VISOR-DB	Top/Bottom visor (Tap holes in lens frame for field installation)
93058186	96w, 120-277V driver, 1050mA (2 Qty per fixture)
FLL-LOUVER-BL	Black adjustable louver (order 2 per fixture)
ARF-SPC	Polycarbonate vandal shield
4024C	Steel slipfitter for 2" pipe, 2 3/8" OD yoke mount, Bronze finish
4040	Heavy-duty steel wall/pole bracket; bronze Lektrocote®



DIMENSIONS



A	B	C	D	E	F	G	Weight
15"	14.0"	19.6"	6.0"	5.5"	6.24"	3.3"	36.2 lbs.
380 mm	356 mm	498 mm	152 mm	139 mm	158 mm	84 mm	16.4 kg



MHS

Miniliter® LED Series

LED FLOODLIGHTING



MHS YOKE MOUNT



Energy-efficient LED floodlight for sign, facade, area, accent and general security lighting

- Die-cast aluminum housing and door
- Tempered, impact resistant glass lens
- Tool-free entry for easy maintenance – twin stainless steel latches
- Protective dark bronze powder paint finish
- Effective projected area (EPA) is 1.4 sq. ft.
- Replaces 250w HID
- Narrow, Medium, Rectangular and Wide distributions
- 10KA, 10KV surge protection included
- 3000K, 4000K and 5000K CCT
- Silicone lens/door gasket provides positive seal
- 0-10V dimming driver standard, order as special to have dimming leads pulled

- Flat glass lens protects LEDs and allows easy cleaning and debris removal
- Steel yoke (MHS-Y) with three-hole pattern allows versatile mounting
- Cast aluminum knuckle (MHS-K) slip-fits 2 3/8" OD tenons/pipe, provides concealed wiring for appearance and safety
- Listed to UL 1598 for use in wet locations
- 4K and 5K models meet DesignLights Consortium (DLC) qualifications, consult DLC website for more details: <http://www.designlights.org/QPL>

ORDERING INFORMATION



5-Day Quick Ship Ordering Guide
Order Limit Per Fixture Selection: 15 – BC Pkg Code

Catalog Number	Description	CCT	Lumens	Watts
MHS-Y-30LU-5K-W-BZ	Flood, Yoke, 30 LED, 120-277V, Wide Beam, Bronze	5000K	7860	70
MHS-Y-30LU-5K-M-BZ	Flood, Yoke, 30 LED, 120-277V, Medium Beam, Bronze	5000K	7707	70

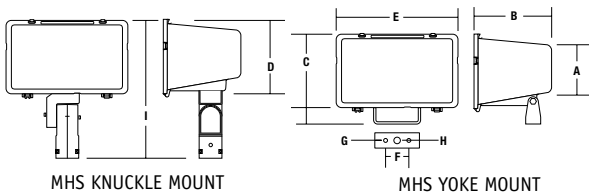
ORDERING INFORMATION



10-Day Quick Ship Ordering Guide
Order Limit Per Fixture Selection: 15 – BC Pkg Code

MHS		30L	U			BZ	
FAMILY	MOUNTING	# LEDS	VOLTAGE	CCT	BEAM	FIXTURE COLOR	OPTIONS
MHS	Y Yoke K Knuckle	30L	U 120V-277V	4K 4000K 5K 5000K	N 2x2 M 4x4 W 6x6	BZ Bronze	PC1 Button photocontrol 120V PC2 Button photocontrol 277V

DIMENSIONS



A	B	C	D	E	F	G	H	I	Weight
6 1/2"	14 1/2"	12"	9 7/8"	16 1/4"	3 1/8"	17/32"	7/8"	17"	20 lbs.
165 mm	368 mm	305 mm	251 mm	413 mm	79 mm	14 mm	22 mm	432 mm	(9.1) kgs.

MADE-TO-ORDER ORDERING INFORMATION – (BC PKG CODE)

MHS		30L							
FAMILY	MOUNTING	# LEDS	VOLTAGE ¹	CCT ²	BEAM	DRIVE CURRENT	FIXTURE COLOR	PC	OPTIONS
MHS	Y Yoke K Knuckle	30L	U 120V-277V 1 120V 2 208V 3 240V 4 277V 5 480V F 347V	3K ² 3000K, 80 CRI 4K 4000K, 70 CRI 5K 5000K, 67 CRI	N Narrow (Narrow 3x3) M Medium (Wide 3x3) RM Rectangular (5x5) W Wide (6x6)	BLANK 700mA	BL Black BZ Bronze GR Gray PL Platinum WH White CC Custom Color	PC Photo button Control (voltage specified and determined by voltage field) PR Twist lock photocontrol receptacle	F Fusing (voltage specified and determined by voltage field)

1 Specify voltage for PC and Fusing options
2 DLC qualification 4K and 5K models only

PERFORMANCE INFORMATION

Series Number	Equivalency		Delivered Lumens	System Watts	Energy Savings	Max Candle Power	Beam Pattern	CCT	# Drivers/Current
	MH	HPS							
MHS-X-30LU-3K-N	250w	250w	4500	71	75%	34958	Narrow 3 X 3	3000K	1@700mA
MHS-X-30LU-3K-M	250w	250w	4632	71	75%	19018	Wide 3 X 3	3000K	1@700mA
MHS-X-30LU3K-RM	250w	250w	4079	71	75%	7146	Rectangular 5 X 5	3000K	1@700mA
MHS-X-30LU-3K-W	250w	250w	4468	71	75%	3755	Wide 6 X 6	3000K	1@700mA
MHS-X-30LU-4K-N	250w	250w	5530	71	75%	43674	Narrow 3 X 3	4000K	1@700mA
MHS-X-30LU-4K-M	250w	250w	5996	71	75%	23391	Wide 3 X 3	4000K	1@700mA
MHS-X-30LU-4K-RM	250w	250w	5163	71	75%	9514	Rectangular 5 X 5	4000K	1@700mA
MHS-X-30LU-4K-W	250w	250w	5792	71	75%	4538	Wide 6 X 6	4000K	1@700mA
MHS-X-30LU-5K-N	250w	250w	6045	71	75%	45341	Narrow 3 X 3	5000K	1@700mA
MHS-X-30LU-5K-M	250w	250w	6233	71	75%	24530	Wide 3 X 3	5000K	1@700mA
MHS-X-30LU-5K-RM	250w	250w	5575	71	75%	9246	Rectangular 5 X 5	5000K	1@700mA
MHS-X-30LU-5K-W	250w	250w	6164	71	75%	4559	Wide 6 X 6	5000K	1@700mA

MLED

Magnuliter LED Floodlights

LED FLOODLIGHTING



The MLED family is a large area LED floodlight designed to provide multiple NEMA distributions for best beam utilization on your application. Typical uses are area lighting for safety and security, build façade illumination, flag lighting, large sign or statuary accent.

- Replaces up to 400w HID
- 3x3, 5x5, and 7x7 distributions
- LED drivers are universal 120-277V, 50/60Hz or 480V
- Sealed tempered molded glass outer lens

- The lens door is sealed with four stainless steel screws and features a convex molded glass protective lens sealed with silicone gaskets
- A heavy gauge steel full yoke with aiming angle increments provided along with locking washers and stars for vibration resistance
- Listed to UL1598 for use in wet locations, IP65 rated; Some models meet DesignLights Consortium (DLC) qualifications, consult DLC website for more details: <http://www.designlights.org/QPL>

MADE-TO-ORDER ORDERING INFORMATION – (BC PKG CODE)

MLED	-	80L		-	5K	-		-		-	
SERIES		NUMBER OF LEDES	VOLTAGE		CCT	BEAM SPREAD	FINISH		OPTIONS		
MLED Magnuliter LED Series		80L ¹ 80 LEDs	U 120-277V 5 480V		5K 5000K nominal	W Wide 7x7 M Medium 5x5 N ¹ Narrow 3x3	BZ Bronze BL Black GR Gray WH White		PRU Photocontrol receptacle 120-277V SP Surge protection		

1 - MLED-80LU-5K-N model DLC qualified

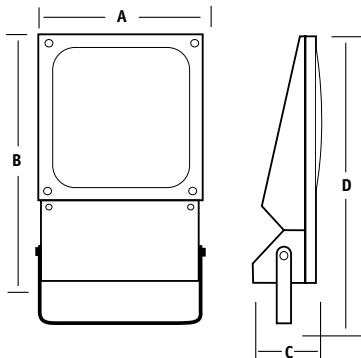
PERFORMANCE INFORMATION

Series Number	Equivalency		Delivered Lumens	System Watts	Lumens Per Watt	Max Candle Power	Beam Pattern	CCT	Drivers/Current
	MH	HPS							
61% SAVINGS! MLED-80LU-W	400w	400w	9874	176	55	3,585	7 X 7	5000K	2@525mA
61% SAVINGS! MLED-80LU-M	400w	400w	11226	178	62	17,648	5 X 5	5000K	2@525mA
60% SAVINGS! MLED-80LU-N	400w	400w	11532	179	64	61,540	3 X 3	5000K	2@525mA

STOCK ACCESSORIES/REPLACEMENT PARTS - (ORDER SEPARATELY)

Catalog Number	Description
4024C	2 3/8" O.D. slipfitter for yoke units – Bronze
4090	Heavy-duty cast iron crossarm fitting for horizontal trunnion; Bronze Lektrocote®

DIMENSIONS

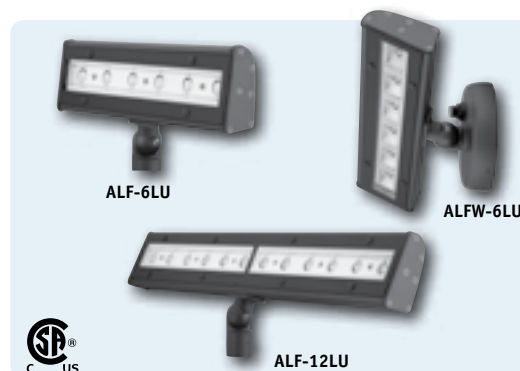


A	B	C	D	EPA	Weight
16"	18.8"	4.3"	21.0"	2.0 ft ²	20 lbs.
406 mm	476 mm	108 mm	534 mm	0.06 m ²	9.09 kg



Linear LED Floodlight/Wall Mount

- ALF is excellent for small floodlighting applications such as signs, façade, landscape accent or small area illumination
- The compact, low profile size allows the flood to be easily hidden or blend into the landscape environment
- Knuckle mount: Universal ½" swivel knuckle has serrated teeth for sure aiming
- Wall mount: Cast aluminum cover/quick mount plate and universal adapter allows easy installation to 3 1/2 or 4" standard junction boxes; Tilt for increased forward throw
- Universal voltage driver is 120-277V, 50/60Hz
- Impact resistant tempered glass lens seals to housing with silicone gaskets
- Dark bronze durable powder paint finish
- Wide 6x5 NEMA beam spread covers three times the set back distance with uniform light
- Listed to UL 1598 for use in wet locations
ALF-6: IP65, ALF12: IP64w



LED FLOODLIGHTING

STOCK

ORDERING INFORMATION

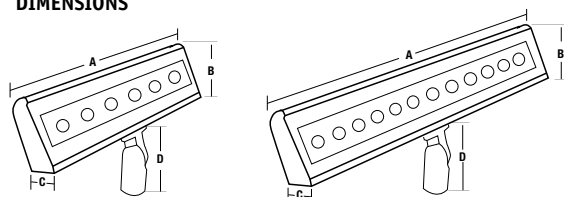
Catalog Number	System Watts	Number of LEDs	Voltage ¹	Delivered Lumens	Max Candle Power	CCT	Beam Pattern	# Drivers/ Current	Weight lbs. (kg)	PKG. CODE
1/2" Knuckle Mount										
ALF-6LU-5K-BZ	10.1w	6	120-277V	905	667	5000K	6 X 5	1@470mA	4.0 (1.8)	FCC
ALF-12LU-5K-BZ	21.4w	12	120-277V	1913	1395	5000K	6 X 5	2@470mA	8.0 (3.6)	FCC
Wall Mount										
ALFW-6LU-5K-BZ	10.7w	6	120-277V	905	-	5000K	-	1@470mA	4.5 (2.0)	FCC
ALFW-6LU-5K-BZ-PC	10.7w	6	120V	905	-	5000K	-	1@470mA	4.5 (2.0)	FCC

¹ Unit should not be used above 240V in Canada

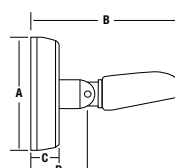
EQUIVALENCY INFORMATION

Series Number	Equivalency			Energy Savings
	MH	HPS	CFL	
ALF/ALFW-6L	70w	70w	26w	89%
ALF-12LU	100w	100w	42w	83%

DIMENSIONS



A	B	C	D
12/24"	3 1/2"	1 1/2"	3 1/2"
305/609.6 mm	89 mm	38 mm	89 mm



A	B	C	D
5 1/2"	6 1/2"	1 1/8"	2 1/8"
139 mm	165 mm	28 mm	54 mm

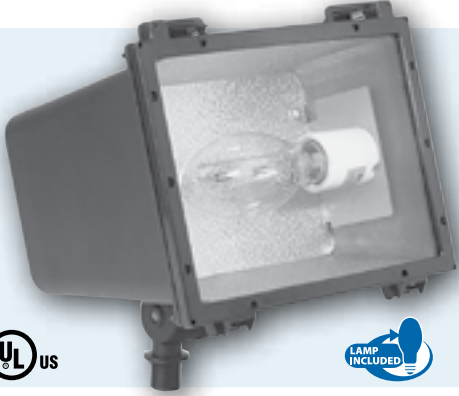


HUBBELL
Outdoor Lighting

Facade Flood

Close Setback Floodlight

HID FLOODLIGHTING



- Durable die-cast aluminum housing - has front gasket to seal to lens door
- Polycarbonate lens door retains tempered glass lens and provides tool-free entry
- Rugged 1/2" swivel knuckle for simple mounting to boxes or adapters (1/2-10NPSM)
- Wide, uniform beam spread designed for close set backs; Coverage is four times set back distance
- Ballastry -
 - HPS is reactor NPF 120V, -40°F starting
 - 70-100 PSMH is CWA HPF 120-277V, -20°F starting, wired to 120V
 - 42 CFL is electronic 50/60 Hz 120-277V, 0°F starting
- Bronze powder coat protective finish
- Lamp included
- Listed to UL1598 for use in wet locations



STOCK ORDERING INFORMATION

Catalog Number	Lamp Type/Wattage	NEMA Beam Type1 H° x V°	Voltage	Weight lbs. (kg)	EPA ft² (m²)	Ballast Type	PKG. CODE
High Pressure Sodium							
F-150S1	150	6(127°) x 7(146°)	120	8 (3.6)	.6 (0.1)	RX	FCC
Pulse Start Metal Halide							
F-070H1	70	6H x 7V	Quad-Tap®	9 (4.1)	.6 (0.1)	CWA	FCC
F-100H1	100	6(128°) x 7(146°)	Quad-Tap®	10 (4.5)	.6 (0.1)	CWA	FCC
Compact Fluorescent							
F-042F8†	42	6H x 7V	Quad-Tap®	5 (2.3)	.6 (0.1)	ELECTRONIC	FCC

Note: All HPS units are NPF; Pulse Start Metal Halide units are all HPF
 Note: Medium base lamps included
 † CFL lamp is 3500K

STOCK ACCESSORIES - (ORDER SEPARATELY, BC PKG CODE)

Catalog Number	Description
PBT-1	Photocontrol, button type, 120V
NMBC	Non-metallic, high-impact phenolic weatherproof box and cover; Box is drilled at 180° for two burial cable connectors which are included allowing feed-through capability; gasketed cover has weathertight 1/2" hub; Brass cover screws
S-302-M51	Pole-top slipfitter for 1/2" knuckle, slipfits 2 3/8" OD pipe, bronze finish
S-329-B	Cast round box with (4) 1/2" side hubs and (1) 1/2" back hub - cover included with 1/2" hub for fixture knuckle; natural aluminum finish
1031-3	Spike with splice box and 6 ft. cordset, portable; gray finish

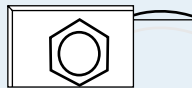
STOCK REPLACEMENT PARTS¹

Catalog Number	Description
FL214-FRAMEGLASS	Lens door assembly
FL214-GASKET	Door gasket
FL214-KNUCKLE	Bronze 1/2" knuckle

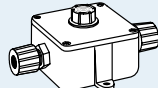
1 - BC Pkg Code



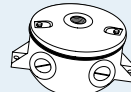
S-302-M51



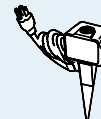
PBT-1



NMBC

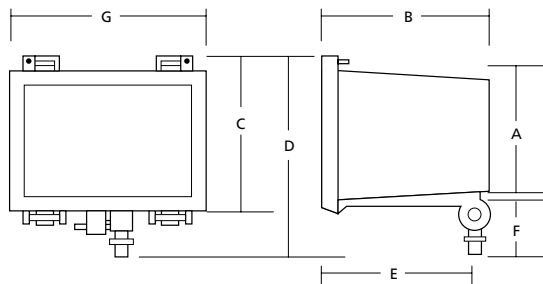


S-329-B



1031-1

DIMENSIONS



A	B	C	D	E	F	G
4 9/16"	6 7/8"	7 7/16"	8 1/16"	6 1/16"	2"	9"
116 mm	175 mm	189 mm	205 mm	154 mm	51 mm	229 mm



Microliter® MIC

Medium Beam Compact Floodlight

- Die-cast aluminum housing is light weight, yet rugged
- Cast door frame hinges and is removable for servicing, two screw closure
- Tempered, impact resistant glass lens, silicone gasket provides seal
- Large 1/2" universal aiming swivel knuckle (1/2 x 14 NPS)
- Rotatable optics for best beam utilization, medium base lamp included
- Medium and spot distributions available from 150w Pulse Start source; Standard medium distribution covers two times set back distance
- HPF Quad-Tap® ballast
- Bronze powder coat protective finish
- Lamp included
- Listed to UL1598 for use in wet locations



HID FLOODLIGHTING

STOCK ORDERING INFORMATION

Catalog Number ¹	Wattage	Photometry NEMA/IES H° x V°	Lamp Type	Voltage	Weight lbs. (kg)	EPA ft ² (m ²)	Ballast Type ²	PKG. CODE
High Power Factor, Pulse Start Metal Halide								
MIC-0070H-358 ³	70	5 (81°) x 4 (60°)	Clear	120/208/240/277	11 (5)	0.71 (0.1)	AL	BC
MIC-0100H-358 ³	100	5 (86°) x 4 (62°)	Clear	120/208/240/277	13 (5.9)	0.71 (0.1)	AL	FCC
MIC-0150P-338 ³	150	3 (32°) x 3 (36°)	Clear	120/208/240/277	14 (6.4)	0.71 (0.1)	PLA	FCC
MIC-0150P-358 ³	150	6 (103°) x 5 (81°)	Clear	120/208/240/277	14 (6.4)	0.71 (0.1)	PLA	BC

MADE-TO-ORDER ORDERING INFORMATION

Catalog Number ¹	Wattage	Photometry NEMA/IES H° x V°	Lamp Type	Voltage	Weight lbs. (kg)	EPA ft ² (m ²)	Ballast Type ²	PKG. CODE
Less Ballast - Medium Base Socket								
MIC-XXXX-XXX	Less Ballast	Varies	150 max	None	6 (2.7)	0.71 (0.1)	None	BC

- Lamp included
- Ballasts are Class H, -40°F starting (HPS), -20°F starting (PSMH)
- Quad-Tap® luminaires are shipped wired for 277V, easily changed to other voltages in the field

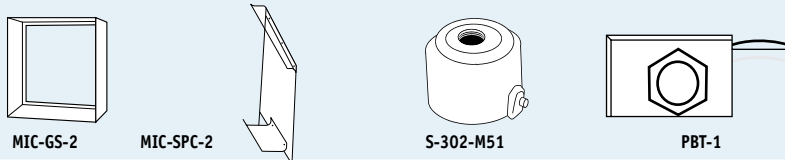
STOCK ACCESSORIES - (ORDER SEPARATELY, BC PKG CODE)

Catalog Number	Description
MIC-GS-2	Glare shield (360°) bronze
MIC-TB	Crossarm trunnion box, half yoke with large wiring box for mounting to any flat surface
MIC-SPC-2	Polycarbonate shield assembly
S-302-M51	Pole-top slipfitter for 1/2" knuckle, slipfits 2 3/8" OD pipe, bronze finish
PBT-1	Photocontrol, button type, 120V

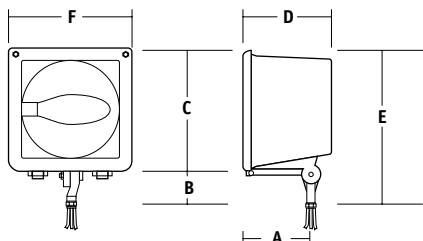
STOCK REPLACEMENT PARTS¹

Catalog Number	Description
264-0292-9903	Lens
800-2827-0100	Bronze lens/door assembly
207-5011-0264	Bronze knuckle

1 - BC Pkg Code



DIMENSIONS



A	B	C	D	E	F
4 7/8"	2 1/2"	9 1/4"	7 3/8"	12 1/8"	9 1/4"
124 mm	64 mm	235 mm	187 mm	308 mm	235 mm

Miniliter® V MHS

Compact Wide Beam Floodlight

HID FLOODLIGHTING



- Sign, facade, area, accent and general security lighting
- Die-cast housing and door, rugged but lightweight
- Tempered glass lens
- Tool-free entry for lamping or maintenance, silicone gasket provides seal
- Steel yoke (MHS-Y) or cast aluminum 2 3/8" knuckle slipfitter (MHS-K) mounting
- Lamp included
- HPF ballastry in Quad-Tap®, and 480V (consult listings below)
- Wide, uniform beam for illumination of signs, facades and large areas; coverage is four times set back distance; lamp included
- UST fixtures are built in Christiansburg, VA and meet ARRA level 2 requirements
- Available in dark bronze powder paint finish
- Listed to UL1598 for use in wet locations, CSA 22.2 No. 250.0-00, suitable for wet locations
- U.S. Patent No. 6,461,026

MHS-Y (Yoke Mount)



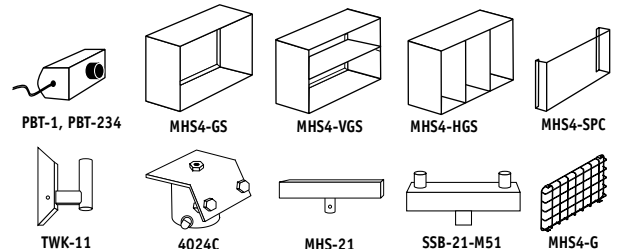
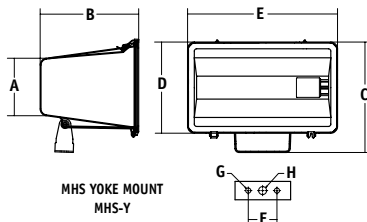
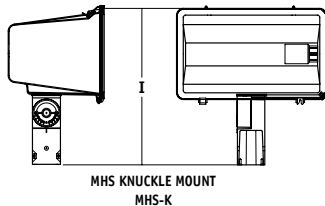
STOCK ORDERING INFORMATION					STOCK ACCESSORIES - (ORDER SEPARATELY, BC PKG CODE)	
Catalog Number	Lamp Type/Wattage ¹	Voltage	Weight lbs. (kg)	PKG. CODE	Catalog Number	Description
Pulse Start Metal Halide Yoke Mount						
MHS-Y150P8	150W MH ED28	Quad-Tap® (120, 208, 240, 277V)	21 (9.5)	BC	PBT-1	Photocontrol, button type, 120V
MHS-Y250P8	250W PS ED28	Quad-Tap® (120, 208, 240, 277V)	22 (10.0)	FCC	PBT-234	Photocontrol, button type, 208, 240, 277V
MHS-Y400P8	400W PS ED37	Quad-Tap® (120, 208, 240, 277V)	26 (11.8)	FCC	MHS4-SPC	Polycarbonate shield (for independent use only)
MHS-Y400P5	400W PS ED37	480V	26 (11.8)	BC	MHS4-G	Wire guard, 2" square grid (for independent use only)
Pulse Start Metal Halide Knuckle Mount						
MHS-K250P8	250W PS ED28	Quad-Tap® (120, 208, 240, 277V)	27 (12.2)	BC	4024C	Steel slipfitter for 2" pipe, 2 3/8" OD yoke mount, bronze finish
MHS-K400P8	400W PS ED37	Quad-Tap® (120, 208, 240, 277V)	31 (14.1)	BC	MHS4-GS	Glare shield, black finish (for independent use only)
High Pressure Sodium Yoke Mount						
MHS-Y400S8	400W HPS E18	Quad-Tap® (120, 208, 240, 277V)	28 (12.7)	FCC	MHS4-VGS	Vertical glare shield, black finish (for independent use only)
MHS-Y400S5	400W HPS E18	480V	28 (12.7)	BC	MHS4-HGS	Horizontal glare shield, black finish (for independent use only)
					MHS-21	Two light bracket, bolt on yoke mount, slipfits 2 3/8" OD tenons, bronze finish
					SSB-21-M51	Two light bracket, knuckle mount units, slipfits 2 3/8" OD tenons, bronze finish
					TWK-11	Steel wall bracket with 2 3/8" tenon, bronze finish (use with MHS-K)

¹ All fixtures have dark bronze powder finish and are shipped with mogul base lamp; NOTE: EPA is 1.4 sq. ft.

MADE-TO-ORDER ORDERING INFORMATION - (BC PKG CODE)

SERIES	MOUNTING	WATTAGE/SOURCE	VOLTS	FINISH	UST	OPTIONS
MHS Miniliter V Series	Y Yoke K Knuckle	PULSE START METAL HALIDE 150P 150w PSMH 250P 250w PSMH 320P 320w PSMH 400P 400w PSMH HIGH PRESSURE SODIUM 150S 150w HPS 250S 250w HPS 400S 400w HPS	5 480V 6 347V 8 Quad Tap® (120, 208, 240, 277V)	BL Black BZ Bronze GR Gray PL Platinum WH White CC Custom Color	UST U.S. transformed, ARRA level 2	QST Quartz standby Skt/Relay EM Quartz Skt C3 3ft. 16/3 SO C6 3ft. 16/3 SO PR(X) NEMA Photo cell receptacle (replace X with voltage: 1=120V, 2=208V, 3=240V, 4=277V, 5=480V, 6=347V) F(X) Fusing (replace X with voltage: 1-120V, 2-208V, 3-240V, 4-277V, 5-480V, 6-347V)

DIMENSIONS



A	B	C	D	E	F	G	H	I
6 1/2"	14 1/2"	12"	9 7/8"	16 1/4"	3 1/8"	17/32"	7/8"	17"
165 mm	368 mm	305 mm	251 mm	413 mm	79 mm	14 mm	22 mm	432 mm



- MV series features vertical lamp, wide uniform beam distribution (coverage is 4x set back distance)
- MH series features horizontal lamp, medium or narrow distribution (medium distribution is 2x set back distance)
- Twin closure screws are steel with protective HubbellGard® coating; Allow easy service and long-life
- Die-cast aluminum housing and door provide protection for internal components
- Tempered, clear glass lens, sealed with silicone door gasket
- PowrPanl® ballast tray allows easy access and ground maintenance of electrical package up to 400w
- Quad Tap® ballast standard; Change 8 to 5 for 480V, to 6 for Tri-Tap 120/277/347V, to E for 50Hz, 220/240V
- Standard dark bronze finish; Add M50 for black, M53 for gray
- Listed to UL1598 for use in wet locations
- High ambient versions available – consult factory



STOCK ORDERING INFORMATION

Catalog Number MVM ³ Trunnion Mount	Catalog Number MVK ^{1,3} Slipfitter Mount	Photometry NEMA/IES H° x V°	Source/ Wattage	Weight lbs. (kg)	EPA ft ² m ²	PKG. CODE
MVM-1000H-268 ²	MVK-1000H-268 ²	6(130°) x 6(114°)	1000w PSMH	44 (21.0)	2.3 .22	BC
MVM-1000H-265 ²	–	6(130°) x 6(114°)	1000w PSMH	44 (21.0)	2.3 .22	BC

MADE-TO-ORDER ORDERING INFORMATION

Catalog Number MVM ³ Trunnion Mount	Catalog Number MVK ^{1,3} Slipfitter Mount	Photometry NEMA/IES H° x V°	Source/ Wattage	Weight lbs. (kg)	EPA ft ² m ²	PKG. CODE
MVM-HPS-SEA2 ¹	–	7(146°) x 6(115°)	less ballast	19 (8.6)	2.3 .22	BC
MVM-0250P-268 ⁴	MVK-0250P-268 ⁴	7(146°) x 6(115°)	250w PSMH	36 (16.3)	2.3 .22	BC
–	MVK-0400P-268 ⁴	7(146°) x 6(119°)	400w PSMH	41 (18.6)	2.3 .22	BC
MVM-0250S-268	MVK-0250S-268	7(144°) x 6(113°)	250w HPS	36 (17.3)	2.3 .22	BC
MVM-0400S-268	MVK-0400S-268	7(144°) x 6(113°)	400w HPS	43 (19.5)	2.3 .22	BC
MHP-0400P-338	MHK-0400P-338	3(44°) x 3(37°)	400w PSMH	32 (14.5)	2.3 .22	BC
MHP-0400P-368	MHK-0400P-368	5(83°) x 5(85°)	400w PSMH	32 (14.5)	2.3 .22	BC
MHP-0400S-238	MHK-0400S-238	5(73°) x 3(32°)	400 HPS	43 (19.5)	2.3 .22	BC
MHP-0400S-268	MHK-0400S-268	7(144°) x 6(113°)	400 HPS	43 (19.5)	2.3 .22	BC

- 1 For use with remote ballasts, maximum wattage: 400; MHK slipfits 23/8" O.D
- 2 3 ft. of 16/3 S.O. cord (cord on MVM style only) included; Dark bronze finish is standard
- 3 Dark bronze finish is standard
- 4 ED28 lamp size is required; For lamp shipped in fixture carton add - LP

NOTE: Lamps are not included; All ballasts are HPF and Quad-Tap® 120/208/240/277V; For 480V, change last digit 8 to 5; For Tri-Tap® 120/277/347V, change last digit 8 to 6; For 220/240V, 50 Hz, consult factory; Order mounting accessories separately

MADE-TO-ORDER REPLACEMENT PART

Catalog Number	Description	PKG. CODE
800-2918-0115	Lens door assembly, bronze	BC

MV/MH

Magnuliter®

MADE-TO-ORDER ORDERING INFORMATION - OPTIONS

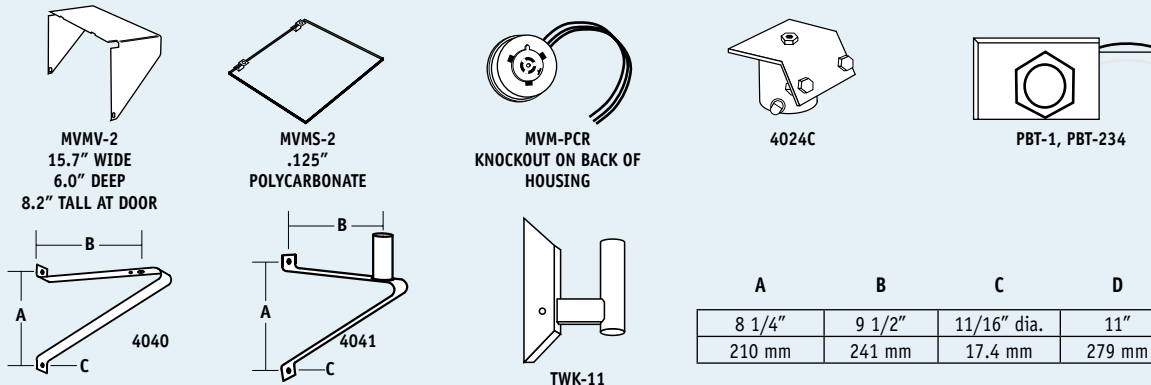
OPTIONS - Add Suffix

Catalog Number	Description
-F(X)	Single fuse for 120/277/347V; Double fuse for 208/240/480V; (specify voltage, e.g. "F(240)")
-PCR(X)	Twist-Lock™ photocontrol receptacle, specify voltage (e.g. "PCR(120)") when ordering with Quad-Tap or Tri-Tap (PTL photocontrol or WIH-OM ordered separately)
-C(X ₁)(X ₂)	16/3 pre-wired S.O. Cord - replace X ₁ with cord length desired: 3 - 3ft.; 6 - 6ft.; 12 -12ft.; specify voltage by replacing X ₂ (e.g. "C6(120)"); not available in knuckle style mounting
-L	Unit with lamp (shipped separately)
-LP	Unit with lamp (shipped in fixture carton)
-M53	Gray Lektrocote® finish
-M50	Black Lektrocote® finish

STOCK ACCESSORIES - (ORDER SEPARATELY)

Catalog Number	Description
MVM-V2 ¹	Top visor
MVM-S2 ^{1, 2}	Polycarbonate shield
MVM-PCR	Photocontrol receptacle (120-480V) less photocontrol
4024C	Steel slipfitter for MVM, mounts over 2 3/8" OD tenons
PBT-1	Button photocontrol 120 volt (knockout on back & door)
PBT-234	Button photocontrol 208, 240, 277 volt
4040	Steel angle bracket for MVM, bronze finish
4041	Steel angle bracket with 2 3/8" OD tenon for MVK, bronze finish
TWK-11	Steel wall bracket with 2 3/8" tenon, bronze finish (use with MVK/MHK)
WIH-OM-UNV	120/277/347VAC Wireless On/Off control, see PSG8 pg. 382
WIH-OM-480	480VAC Wireless On/Off control, see PSG8

- 1 Visor and polycarbonate shield may be used together; Visors are finished in bronze Lektrocote®
 2 For use with 400w and below



A	B	C	D	E	F
8 1/4"	9 1/2"	11/16" dia.	11"	8"	8"
210 mm	241 mm	17.4 mm	279 mm	203 mm	203 mm

DIMENSIONS

	A	B	C	D	E	F	G	H	I	J
MVM/MHP	3 1/8"	16 3/8"	25 1/2"	9"	17 7/8"	17/32"	7/8"	1 9/16"	12" R.	8 5/8" R.
	79 mm	416 mm	648 mm	229 mm	454 mm	14 mm	22 mm	40 mm	305 mm	219 mm
MVK/MHK	5 1/2"	16 3/8"	25 1/2"	9"	17 7/8"	-	-	-	-	-
	140 mm	416 mm	648 mm	229 mm	454 mm	-	-	-	-	-

Quartzliter® Series – Industrial Grade

- Die-cast aluminum housing and door, deep fin system maintains rated lamp life
- High temperature lens, silicone gasket, tool-free stainless latch entry
- Large 1/2" swivel knuckle provides versatile aiming
- QL produces a wide uniform beam with true color rendering
- QL505 suitable for 300-500w lamps, QL1505 suitable for 900-1500w lamps
- Models available with or without lamp, consult listings
- Gray and dark bronze finishes are available, consult listings
- Listed to UL1598 for use in wet locations



HID FLOODLIGHTING



STOCK ORDERING INFORMATION

Catalog Number	Max. Watts	Housing Finish	NEMA Beam Spread H° x V°	Weight lbs. (kg)	EPA ft² (m²)	PKG. CODE
Lamp Not Included						
QL-1505 ¹	1000/1500	Gray	6(115°) x 5(78°)	6 (2.7)	.9 (0.1)	BC
QL-505	300/500	Gray	5(88°) x 5(82°)	4 (1.8)	.5 (0.1)	BC
QL-505-BZ	300/500	Bronze	5(88°) x 5(82°)	4 (1.8)	.5 (0.1)	BC

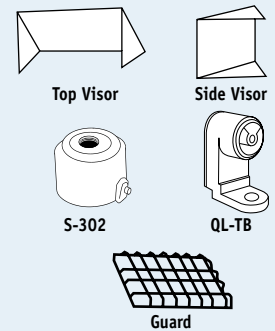
- 1 Do not aim at ±10° from horizontal or higher
 2 Fixture voltage is controlled by lamp voltage rating
 Note: Do not operate on voltage higher than lamp voltage rating, shortens lamp life and increases heat stress within the fixture

STOCK REPLACEMENT PARTS (BC PACKAGING CODE)

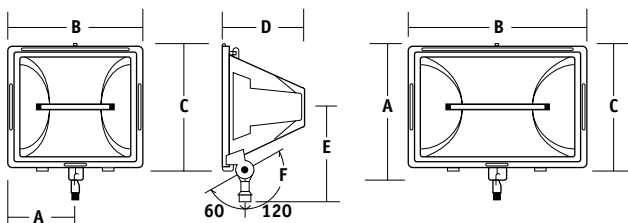
Catalog Number	Description
26401849803	Glass lens QL505
26401839805	Glass lens QL1505
20750110214	Knuckle, gray
80021660108	Replacement socket QL505
705327	Replacement socket QL1505

STOCK ACCESSORIES (BC PACKAGING CODE, ORDER SEPARATELY)

Catalog Number	Description	Weight lbs. (kg)
QL-505 Series		
QL-5G	Wire guard (2 inch square grid)	1 (0.5)
QL-VS	Top/side visor (max use two - at 180°)	.5 (0.2)
26100119905	500w 120V Quartz lamp	-
QL-1505 Series		
QL-15G	Wire guard (2 inch square grid)	1.3 (0.6)
QL-15V	Top visor / bottom visor	1.3 (0.6)
QL-VS	Side visor (will not work with QL-15V on same fixture)	.5 (0.2)
26100149902	1500w 240V Quartz lamp	-
QL-500 / QL-1500		
QL-TB	Crossarm trunnion box; Half yoke with large wiring box for mounting to any flat surface, natural aluminum	.8 (0.4)
S-302	Pole top slipfitter for 1/2" swivel knuckle; slipfits 2 3/8" OD pipe; gray finish	.8 (0.4)
S-302-M51	Pole-top slipfitter for 1/2" knuckle, slipfits 2 3/8" OD pipe; bronze finish	.8 (0.4)



DIMENSIONS

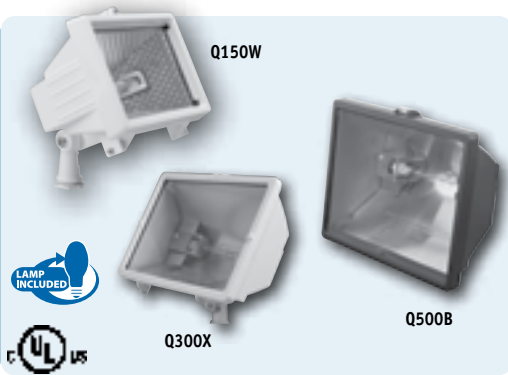


	A	B	C	D	E	F
QL-505	4 5/16"	8 5/8"	8 1/2"	5 1/4"	7"	2 1/2"
	110 mm	219 mm	216 mm	133 mm	178 mm	64 mm
QL-1505	4 1/2"	14"	8 1/2"	5 1/4"	7"	2 1/2"
	292 mm	356 mm	216 mm	133 mm	178 mm	64 mm

Q Series

Quartz Floods – Commercial Grade

HID FLOODLIGHTING



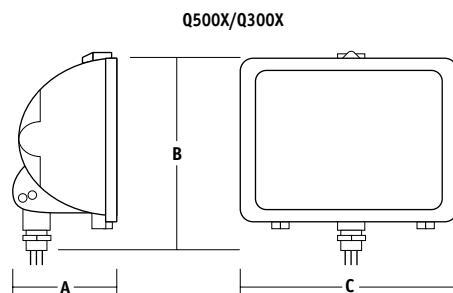
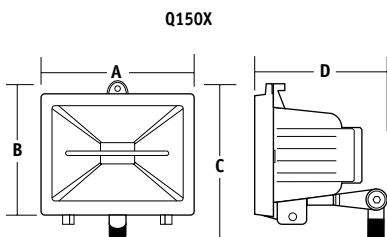
- General and accent flood lighting where short burning hours are planned
- Instant on/off
- 150 to 500w capability
- Die-cast aluminum construction for long life
- Single screw door closure for easy installation
- Tempered glass lens protects lamp
- 1/2" Cast swivel knuckle fits standard boxes and covers
- Wide, uniform beam for even illumination
- 120V lamps are included
- Units offered in dark bronze or white powder paint finish
- Listed to UL1598 for use in wet locations

STOCK

ORDERING INFORMATION

Catalog Number	Wattage/Voltage	Color	Photometry NEMA/IES H° x V°	Weight lbs. (kg)	EPA ft ² (m ²)	PKG. CODE
Lamp Included						
Q-150-B	150w/120V	Bronze	6(124°) x 6(124°)	1.4 (0.6)	.14 (.01)	FCC
Q-150-W	150w/120V	White	6(124°) x 6(124°)	1.4 (0.6)	.14 (.01)	FCC
Q-300-B	300w/120V	Bronze	6(109°) x 4(66°)	2.6 (1.2)	.6 (.05)	FCC
Q-500-B	500w/120V	Bronze	6(100°) x 5(86°)	2.6 (1.2)	.6 (.05)	FCC
Q-500-W	500w/120V	White	6(100°) x 5(86°)	2.6 (1.2)	.6 (.05)	FCC

DIMENSIONS



	A	B	C	D
Q150X	5 7/16"	3 7/8"	5 1/2"	4"
	138 mm	98 mm	139 mm	100 mm
Q500X/ Q300X	3 5/8"	7 23/32"	8 13/16"	
	92 mm	196 mm	227 mm	



QWL Series

Portable Quartz Work Lights

Versatile task lighting fixtures, five-foot cord set, weather-tight switch, 120V, protective guard, adjustable aiming. Lamps included. UL listed. QWL-1000T features adjustable tripod unit with handy removable top for maximum versatility. Twin 500w units with guards and individual switching. Tripod and fixtures are safety yellow finish with black accents.

- Three popular styles with five foot cord sets and weathertight switch
- Die-cast aluminum housing and door for light weight
- Adjustable fixture aiming after mounting

- Protective wire guards included
- Designed for standard 120V house current
- Mini-stand unit shipped with both 300 and 500w lamps for brightness choice and twice the life
- Tripod "2 in 1" unit adjusts from 33" to 69" height, twin 500w dual lamp upper assembly easily removes for table top or floor mount versatility
- Rigid steel tubing with tool-free nylon twist clamps
- Listed to UL1598 for use in wet locations



HID FLOODLIGHTING

QWL-500S



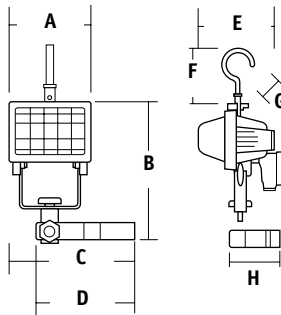
STOCK

ORDERING INFORMATION

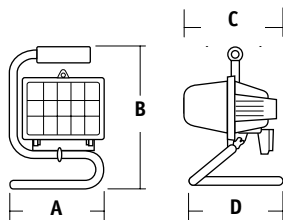
Catalog Number	Wattage/Voltage	Mounting	Weight lbs. (kg)	PKG. CODE
QWL-150C	150w/120V	Clamp/hook	2.0 (.91)	FCC
QWL-500S	500w/120V & 300w/120V	Mini-stand	4.0 (1.8)	FCC
QWL-1000T	2x500w/120V	Tripod	27.0 (12.3)	FCC

Note Lamp(s) included (T3-RSC)

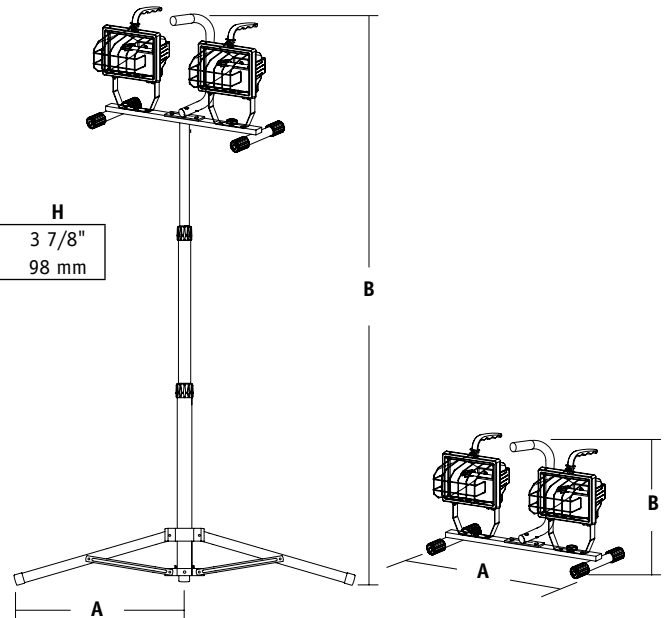
DIMENSIONS



	A	B	C	D	E	F	G	H
QWL-150C	5"	12 1/4"	7 5/8"	6"	5.5"	3.5"	1.25"	3 7/8"
	127 mm	311 mm	194 mm	152 mm	140 mm	89 mm	32 mm	98 mm



	A	B	C	D
QWL-500S	8"	12 1/4"	8 5/8"	8"
	203 mm	311 mm	219 mm	203 mm



	A	B	A	B
QWL-1000T Base	31"	69"		
	203 mm	1752 mm		
QWL-1000T Fixture	19"	14"		
	483 mm	356 mm		



HUBBELL
Outdoor Lighting

S/M Series

Motion Sensor Kit

MOTION SENSORS



MOW



M Series Motion Sensors

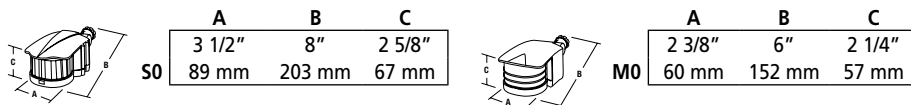
- 130° detection field
- Surge protection; 600V, 1200A, 14 Joules
- Center focus range to 40 feet
- Broad 20 ft. detection range
- 500w incandescent load capacity
- 120V, 60Hz
- Time on adjustment
- Sensitivity adjustment
- Night/daytime or night operation mode
- UL 1598 listed for use in wet locations

STOCK

ORDERING INFORMATION

Catalog Number	Description	Weight lbs. (kg)	PKG. CODE
MO-W	Sensor only, 130° detection range, white	0.5 (.23)	FCC

DIMENSIONS



Mounting Accessories

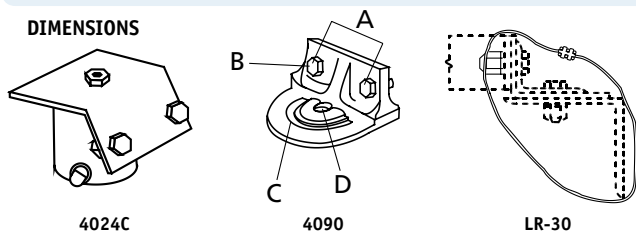
Accessories: Trunnion Mount Fittings

STOCK ORDERING INFORMATION

Catalog Number	Description	Weight lbs. (kg)
HID Floodlights		
4024C	Steel slipfitter for 2" pipe, 2 3/8" OD yoke mount, bronze finish; Also available in gray: 4024CM53 and galvanized: 4024CM38	4 (1.8)
4090	Heavy-duty cast iron crossarm fitting for horizontal trunnion; Bronze Lektrocote®	3 (1.4)
LR-30 ¹	Safety retainer complete with crimp clamp and 30" long 1/8" stranded metal cable	.3 (0.1)

1 For yoke (trunnion) mounted units only

DIMENSIONS



	A	B	C	D
4090	3 1/8" 79 mm	9/16" dia. 14 mm	5/16" slot 8 mm	13/16" dia. 21 mm

Accessories: Wall and Pole Mount Brackets

STOCK ORDERING INFORMATION (BC PACKAGING CODE)

Catalog Number ¹	Description	Weight lbs. (kg)	Maximum Loading Weight
For Use With Crossarm Fittings			
4040	Heavy-duty steel wall/pole bracket; bronze Lektrocote®	5.5 (2.5)	90 (40.8)
For Use With Slipfitter Fittings			
4041	Heavy-duty steel wall/pole bracket 2" pipe (2 3/8" OD) tenon fitting for use with slipfitter units or 4024C; bronze Lektrocote®	7 (3.2)	90 (40.8)
241-C-XX	Flat surface bracket - 90° horn steel (2 3/8" OD)	16 (7.3)	70 (30.7)
TWK-11	Wall bracket with splice compartment for thru-wiring with 2" pipe (2 3/8" OD) tenon	15 (6.8)	90 (40.8)
TCB-1	Wood pole clamp on bracket with 2" pipe (2 3/8" OD) tenon; Clamps 6" to 12" diameter	16 (7.3)	70 (31.7)
TCB-2	Wood pole clamp on bracket with 2" pipe (2 3/8" OD) tenon; Two tenons at 120° (clamps 6" to 12" diameter)	20 (9.1)	140 (63.4)
TCB-3	Wood pole clamp on bracket with 2" pipe (2 3/8" OD) tenon; Three tenons at 120° (clamps 6" to 12" diameter)	28 (12.7)	210 (95.1)
Tenon Reducers			
TPR-2 ²	2 1/2" to 2" pipe size tenon reducer	6 (2.7)	105 (47.6)
TPR-3 ³	3" to 2" pipe size tenon reducer	8 (3.6)	105 (47.6)
TPR-4 ⁴	4" to 2" pipe size tenon reducer	9 (4.1)	105 (47.6)

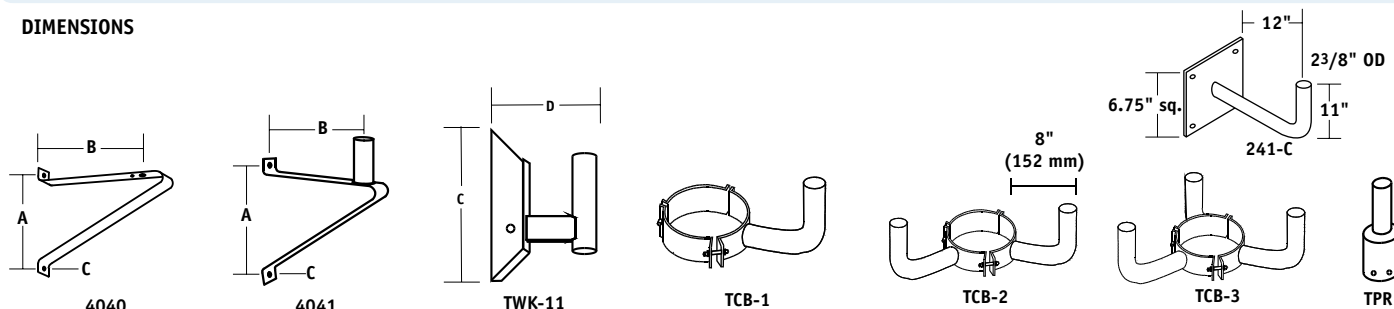
1 Bronze color standard, for other colors add suffix to catalog number: -M50 black finish, -M52 white finish, -M53 gray finish.

2 Bracket I.D., 3 1/16"

3 Bracket I.D., 3 1/2"

4 Bracket I.D., 4 5/8"

DIMENSIONS



	A	B	C	D	E
4040/4041	8 1/4" 210 mm	9 1/2" 241 mm	11" 279 mm	8" 203 mm	11/16" dia. 17 mm



Mounting Accessories

Accessories: Steel Bullhorns

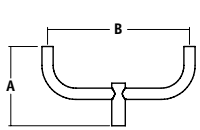
Steel "bull horn" floodlight brackets. Fixture mounting pipe or tenons are 2³/₈" O.D. and brackets mount on 2³/₈" O.D. pole tenons. Stainless steel set screws and thru-bolts included. Finishes as shown below.

MADE-TO-ORDER ORDERING INFORMATION

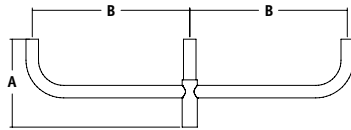
Catalog Number	Maximum Loading		Description	Finish	Weight lbs. (kg)	EPA ft ² (m ²)	PKG. CODE
	Fixture Qty.	Weight lbs (kg)					
THB-21	2	210 (95.3)	Two tenons at 180°	Bronze	17 (7.7)	.9 (0.1)	PW
THB-21-M53	2	210 (95.3)	Two tenons at 180°	Gray	17 (7.7)	.9 (0.1)	PW
THB-31	3	315 (142.9)	Three tenons at 180°	Bronze	30 (13.6)	1.5 (0.1)	PW
THB-32	3	315 (142.9)	Three tenons at 120°	Bronze	23 (10.4)	1.2 (0.1)	PW
THB-41	4	420 (190.5)	Four tenons at 180°	Bronze	43 (19.5)	2.2 (0.2)	PW
THB-43	4	420 (190.5)	Four tenons at 90°	Bronze	29 (13.1)	1.3 (0.1)	PW

Note: Tenon arm mounting accessory RATA-XX also available (see page 47)

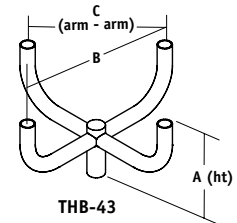
DIMENSIONS



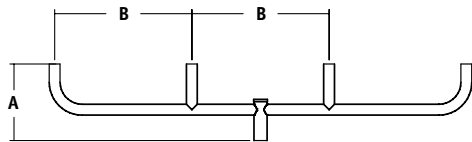
THB-21



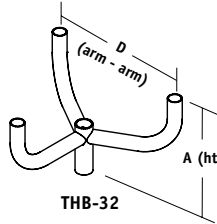
THB-31



THB-43



THB-41



THB-32

A	B	C	D
17"	30"	21.25"	26"
431 mm	762 mm	539 mm	660 mm

Accessories: Square Steel Brackets (Project finishes available)

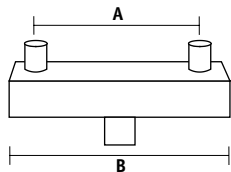
Decorative steel floodlight brackets. 4" square tubing with 2³/₈" O.D. fixture tenons. Square 4" bottom with 2¹/₂" I.D. internal adapter for standard round tenons. Available in multiple finishes as shown. Use with SSS series poles.

MADE-TO-ORDER ORDERING INFORMATION

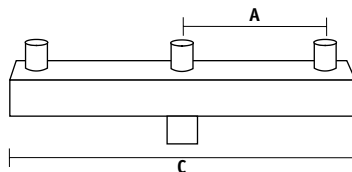
Catalog Number	Description	Maximum Weight Per Tenon		EPA		Weight		PKG. CODE
		lbs.	(kg)	ft ²	(m ²)	lbs.	(kg)	
SSB-21-M51	Twin 180°	60	(27.2)	1.2	(0.1)	24	(10.9)	PW
SSB-31-M51	Triple 180°	60	(27.2)	2.3	(0.2)	44	(19.9)	PW
SSB-41-M51	Quad 180°	60	(27.2)	3.4	(0.3)	64	(29)	PW
SSB-43-M51	Quad 90°	60	(27.2)	2.8	(0.3)	46	(20.8)	PW

Note: Bronze color standard, for others, add suffix to catalog number: -M50; Black finish; M52; White finish; M53; Gray finish.

DIMENSIONS

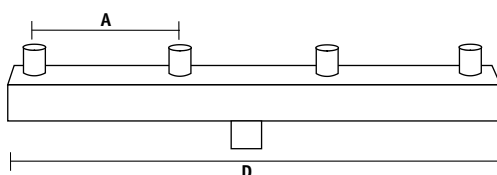


SSB-21

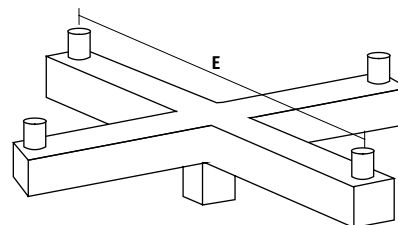


SSB-31

A	B	C	D	E
24"	30"	54"	78"	30"
610 mm	762 mm	1372 mm	1981 mm	762 mm



SSB-41




SSB-43

Photocontrols



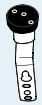



PHOTOCONTROLS

STOCK ORDERING INFORMATION

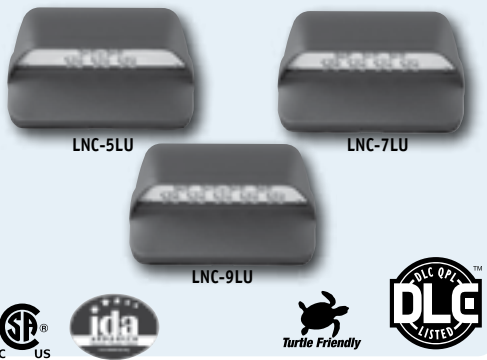
Catalog Number	Voltage	Max. Watts Incand.	Max. Watts HID		Weight lbs. (kg)	PKG. CODE
			HPF	NPF		
Photocontrol - Button Type¹						
 PBT-1 ⁶	120	1200	400	250	.125 (0.1)	SCC
PBT-234 ⁶	208/240/277	1200	400	250	.125 (0.1)	SCC

MADE-TO-ORDER ORDERING INFORMATION

Catalog Number	Voltage	Max. Watts Incand.	Max. Watts HID		Weight lbs. (kg)	PKG. CODE
			HPF	NPF		
Photocontrol - 1/2" Thread Mount²						
 PTA-1 ⁶	120	2000	1000	400	.25 (0.1)	SCC
PTA-8 ⁶	120-277	2000	1000	400	.25 (0.1)	SCC
PTA-5 ⁶	480	2000	1000	400	.25 (0.1)	SCC
Photocontrol - Twist-Lock[®] Cell³						
 PTL-1 ⁶	120	1800	1000	400	.25 (0.1)	SCC
PTL-8 ⁶	120-277	1800	1000	400	.25 (0.1)	SCC
PTL-5	480	1800	1000	400	.25 (0.1)	SCC
PTL-6 ⁶	347	1800	1000	400	.25 (0.1)	SCC
Receptacle - Remote Twist-Lock[®] Cell with Bracket⁴						
 PRR	120-480	1800	1000	400	.5 (0.2)	SCC
Shorting Cap - Twist-Lock[®] Mount⁵						
 PSC	Completes circuit - Eliminates PCR				.25 (0.1)	SCC

- 1 Miniature photocontrol sealed in a sturdy plastic housing 2 1/16" x 1 1/8" x 7/8" with 3/4" nipple length, nipple dia. is 3/8" pipe thread - 5/8" outside diameter fits 1/2" tapped hubs; Use in any suitable enclosed box or luminaire; A gasket and lock nut provide weather tight seal at exit point
- 2 Weatherproof photocontrol in a polycarbonate housing with field adjustable light sensitivity level feature; 3 5/8" x 2" x 1 1/2" housing with 5/8" nipple length
- 3 Weatherproof Twist-Lock[®] photocell enclosed in a high butyrate protective housing; Meets EMI-NEMA standards; For use with Twist-Lock[®] receptacles (PCR)
- 4 Remote receptacle for PTL Twist-Lock[®] cell; Includes aluminum angle bracket and color coded leads; Bolts to wood poles, crossarms, walls or any flat surface
- 5 Weatherproof shorting cap to complete circuit and allow fixture to operate when Twist-Lock[®] photocontrol (PTL) is not used; For use with Twist-Lock[®] receptacles (PCR)
- 6 CSA certified

Ultra Compact LED Wallpack – Zero Uplight



The compact LED LNC is designed for perimeter illumination, available in 3 lumen packages replacing up to 100w HID for safety, security and general illumination applications. This compact fixture is neighbor friendly with zero uplight. Typical mounting height up to 12 feet with 40ft fixture spacing (without acrylic diffuser) and 30ft spacing with acrylic diffuser installed. Photocontrol option is available.

- IES Progress Award Winner - 2012
- 4K and 5K models meet DesignLights

Consortium (DLC) qualifications, consult DLC website for more details:

<http://www.designlights.org/QPL>

APPLICATIONS

- Listed to UL1598 for use in wet locations
- Long-life (60,000hr L96 rated)
- Quick mount adapter and designed for both recessed box or surface conduit wiring

STOCK

ORDERING INFORMATION

Catalog Number	System Watts	Delivered Lumens	Voltage	CCT	# Drivers/Current	Mounting Height	Weight lbs. (kg)	PKG. CODE
LNC-5LU-5K	12.8w	1146	120-277V	5000K	1@700mA	up to 10 ft.	4.0 (1.8)	FCC
LNC-5LU-5K-PC	12.8w	1146	120V	5000K	1@700mA	up to 10 ft.	4.0 (1.8)	FCC
LNC-7LU-5K	16.4w	1557	120-277V	5000K	1@700mA	up to 11 ft.	4.0 (1.8)	FCC
LNC-9LU-5K	20.6w	2095	120-277V	5000K	1@700mA	10-12 ft.	4.0 (1.8)	FCC



10-Day Quick Ship Ordering Guide Order Limit Per Fixture Selection: 15 – BC Pkg Code

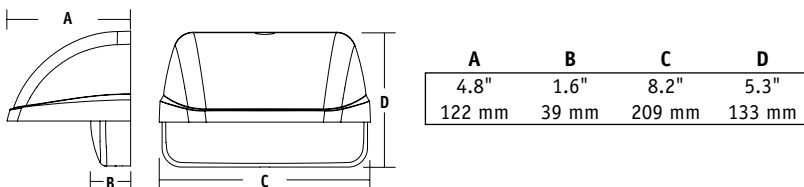
LNC		-	-	-	-	-	-	-
SERIES	NUMBER OF LEDS/SOURCE/VOLTAGE	CCT	IES DISTRIBUTION	FINISH	OPTIONS			
LNC LNC Zero uplight	7LU 7 LEDs, Universal voltage 120-277V	4K 4000K nominal	3 Type III	1 Bronze 2 Black 3 Gray 4 White 5 Platinum	PC(X)¹ Button photo-control, replace X with voltage, specify 1-120V, 2-208V, 3-240V, 4-277V			
	9LU 9 LEDs, Universal voltage 120-277V	5K 5000K nominal	4 Type IV					

MADE-TO-ORDER ORDERING INFORMATION – (BC PKG CODE)

LNC		-	-	-	-	-	-
SERIES	NUMBER OF LEDS/SOURCE/VOLTAGE	CCT	IES DISTRIBUTION	FINISH	OPTIONS		
LNC LNC Zero uplight	7LU 7 LEDs, Universal voltage 120-277V	3K 3000K nominal, 80 CRI	3 Type III	1 Bronze 2 Black 3 Gray 4 White 5 Platinum	PC(X)¹ Button photo-control, replace X with voltage, specify 1-120V, 2-208V, 3-240V, 4-277V		
	9LU 9 LEDs, Universal voltage 120-277V	AM² Amber (590 μm available for "Turtle Friendly"/observatory applications); Consult factory	4 Type IV				

1 When PC is ordered, input must match PC voltage
2 Amber LEDs are 035mA drive current

DIMENSIONS



PERFORMANCE INFORMATION

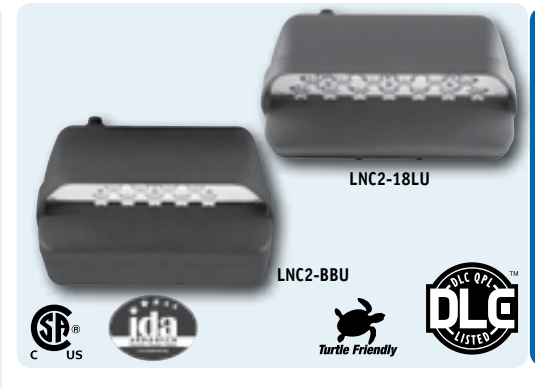
Series Number	Equivalency			Energy Savings
	MH	HPS	CFL	
LNC-5L	50w	50w	42w	82%
LNC/LNC2-7L	70w	70w	42w	82%
LNC/LNC2-9L	100w	100w	42w	82%
LNC2-12L/LNC2-18L	150w+	150w+	2x42w+	85%

Compact LED Wallpack – Zero Uplight

The compact LED LNC2, slightly larger than the LNC is designed for perimeter illumination for safety, security and general lighting application.

- IES Progress Award Winner - 2013 and Building Operating Management 2014 Top Products Award - LNC2-18LU
- DesignLights Consortium (DLC) qualified (Types III and IV), Consult DLC website for more details: <http://www.designlights.org/QPL>
- Zero-uplight, neighbor friendly
- Mounting height up to 15 feet and 60ft fixture spacing (without acrylic diffuser) and 40ft spacing with acrylic diffuser installed
- Available in four lumen packages, replaces up to 150w+

- Features long-life (60,000hr L96 rated), high CRI, 3000K, 4000K, and 5000K LEDs
- Includes quick-mount adapter
- Acrylic diffuser softens high angle output for use at entrances or pedestrian pathways
- Battery backup option in 12L versions for egress applications
- Photocell and occupancy sensor options available for complete on/off and dimming control
- Factory installed back box on BBU and motion sensor units (options cannot be combined)
- Listed to UL1598 for use in wet locations



LED WALLPACKS

STOCK ORDERING INFORMATION

Catalog Number	System Watts	Delivered Lumens	Voltage	CCT	# Drivers/Current	Mounting Height	Weight lbs. (kg)	PKG. CODE
LNC2-12LU-5K-3-1	28.6w	2868	120-277V	5000K	1@700mA	up to 11 ft.	7.0 (13.3)	FCC
LNC2-12LU-5K-3-1-PC-1	28.6w	2868	120V	5000K	1@700mA	10-12 ft.	7.0 (13.3)	FCC
LNC2-18LU-5K-3-1	44.5w	4106	120-277V	5000K	1@700mA	up to 15 ft.	7.0 (13.3)	FCC
LNC2-18LU-5K-3-1-PC-1	44.5w	4106	120V	5000K	2@700mA	up to 15 ft.	7.0 (13.3)	FCC



10-Day Quick Ship Ordering Guide
Order Limit Per Fixture Selection: 15 – BC Pkg Code



5-Day Quick Ship Available Visit Website for more info

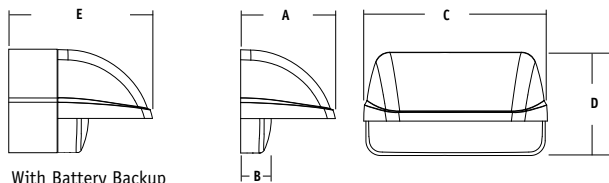
SERIES	NUMBER OF LEDS/SOURCE/VOLTAGE	CCT	IES DISTRIBUTION	FINISH	OPTIONS
LNC2 LNC2 Zero uplight	12LU 12 LEDs, 29w input, Universal voltage 120-277V	4K 4000K nominal	3 Type III	1 Bronze	PC1 Button photocontrol, 120V
	18LU 18 LEDs, 42w input, Universal voltage 120-277V	5K 5000K nominal	4 Type IV	2 Black 3 Gray 4 White 5 Platinum	PC4 Button photocontrol, 277V

MADE-TO-ORDER ORDERING INFORMATION – (BC PKG CODE)

SERIES	NUMBER OF LEDS/SOURCE/VOLTAGE	CCT	IES DISTRIBUTION	FINISH	OPTIONS
LNC2 LNC2 Zero uplight	5LU 5 LEDs, 120-277V	3K ³ 3000K nominal 80 CRI	2 ³ Type II	1 Bronze	PC(X) Button photocontrol, replace X with voltage, specify 1-120V, 2-208V, 3-240V, 4-277V
	7LU 7 LEDs, 120-277V	4K 4000K nominal 70 CRI	3 Type III	2 Black	
	9LU 9 LEDs, 120-277V		4 Type IV	3 Gray	
	12LU ⁴ 12 LEDs, 120-277V	5K 5000K nominal 67 CRI	AM ¹ Amber (590 μm available for "Turtle Friendly"/observatory applications, 350mA; consult factory	4 White	BBU ² Integral battery for 12L only (must specify 120V or 277V voltage in voltage category) rated for -20°C to 30°C
	18LU 18 LEDs, 120-277V			5 Platinum	
	12L5 12 LEDs, 480V				
12L6 12 LEDs, 347V					

- 1 Amber LEDs only available on 18LU configurations, 350 mA only; Universal Voltage 120V-277V
- 2 Battery backup only available 12L models, not available for Canada
- 3 Does not qualify for DLC
- 4 Replace U with 1 for 120V or 4 for 277V for 12L with BBU

DIMENSIONS



A	B	C	D	E	Weight	Weight w/BBU
6.25"	1.6"	10.25"	5.6"	10.25"	7.0 lbs.	15.0 lbs.
158.7 mm	40.2 mm	260.4 mm	142.2 mm	260.4 mm	3.2 kg	6.8 kg

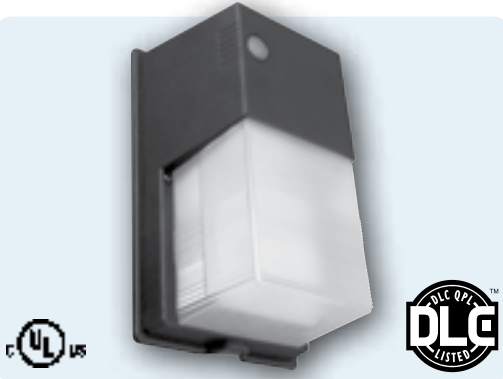


HUBBELL Outdoor Lighting

NRG® 300 Series

Perimeter LED Wallpack

LED WALLPACKS



- Full polycarbonate front provides vandal resistance and uniform light distribution; Internally painted bronze finish for lasting appearance
- 56 mid power LEDs unit provide long-life with up to 78% energy savings, a perfect upgrade for older units
- Available in 4000K and 5000K CCT models
- Rugged cast aluminum back housing for rigid mounting; Bottom 1/2" conduit knockout for surface conduit wiring
- Units available with or without 120V-277V button photocontrol, see ordering information
- Listed to UL 1598 for use in wet locations
- Tamper resistant center pin Torx hardware included
- DesignLights Consortium (DLC) qualified

Consult DLC website for more details:
<http://www.designlights.org/QPL>



STOCK

ORDERING INFORMATION

Catalog Number	System Watts	Delivered Lumens	Voltage	CCT	Mounting Height	# Drivers/Current	Weight lbs. (kg)	PKG. CODE
NRG-356LU-4K-U	20w	1513	120-277V	4000K	Up to 10 ft.	1@100mA	6 (2.7)	FCC
NRG-356LU-4K-U-PC	20w	1513	120-277V	4000K	Up to 10 ft.	1@100mA	6 (2.7)	FCC
NRG-356LU-5K-U	20w	1532	120-277V	5000K	Up to 10 ft.	1@100mA	6 (2.7)	FCC
NRG-356LU-5K-U-PC	20w	1532	120-277V	5000K	Up to 10 ft.	1@100mA	6 (2.7)	FCC

PERFORMANCE INFORMATION

Series Number	Equivalency			Energy Savings
	MH	HPS	CFL	
NRG-356LU	50w	50w	42w	78%

STOCK

ACCESSORIES - Order Separately

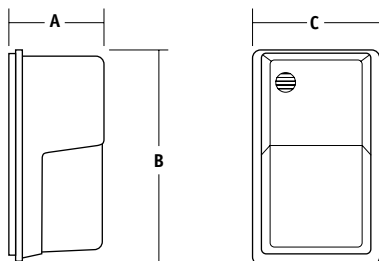
Catalog Number	Description	PKG. CODE
PBT-1	Button photocontrol, 120V	SCC
PBT-234	Button photocontrol, 208, 240, 277V	SCC

MADE-TO-ORDER

REPLACEMENT PART

Catalog Number	Description	PKG. CODE
SM352-COVER	Polycarbonate front cover, Bronze	BC

DIMENSIONS



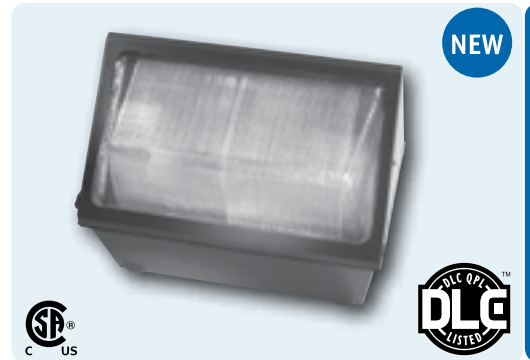
A	B	C
5.4"	11.0"	6.9"
137 mm	280 mm	175 mm



HUBBELL
Outdoor Lighting

Perimeter LED Glass Wallpacks

- Two sizes: Medium and Large provides energy-efficient one-for-one replacement of existing legacy technology
- Mid power LEDs offer lower glare, better uniformity, higher efficacies (up to 105 LPW) and lower thermals for longer lasting electronic components
- Borosilicate glass refractor softens LED and provides uniform distribution
- Cast aluminum frame holds lens, hinges to side of medium housing and hinges down on large housing; Seals with two stainless steel screws
- Both sizes available in 4000K
- Cast aluminum housing with three 1/2" conduit entries (on top and sides) for button photocontrol or surface conduit
- Listed to UL1598 for use in wet locations
- All units have dark bronze powder paint finish
- DesignLights Consortium (DLC) qualified (WGH-225L-4K-U-L, WGH-225L-4K-U-M), Consult DLC website for more details: <http://www.designlights.org/QPL>



LED WALLPACKS

STOCK

ORDERING INFORMATION

Catalog Number	System Watts	Delivered Lumens	Voltage	CCT	Dist. Type	Mounting Height	Weight lbs. (kg)	# Drivers/ Current	PKG. CODE
WGH-110L-4K-U-M*	53w	4888	120-277V	4000K	4	Up to 15 ft.	12.0 (5.4)	1@140mA	FCC
WGH-225L-4K-U-L*	97w	10151	120-277V	4000K	4	Up to 25 ft.	12.0 (5.4)	1@125mA	FCC
WGH-225L-4K-C-L	116w	10474	120-277V	4000K	4	Up to 25 ft.	12.0 (5.4)	1@125mA	FCC

* DLC listed

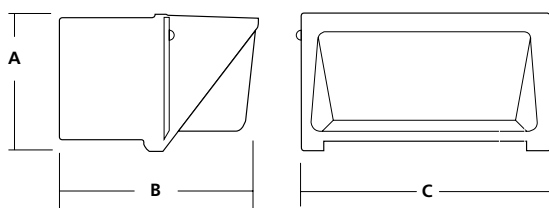
PERFORMANCE INFORMATION

Series Number	Equivalency			Energy Savings
	MH	HPS	CFL	
WGH-110L-4K-U-M	250w	250w	2x42w	82%
WGH-225L-4K-U-L	400w	400w	N/A	78%
WGH-225L-4K-C-L	400w	400w	N/A	74%

ACCESSORIES - Order Separately

Catalog Number	Description	PKG. CODE	SOURCE
PBT-1	Button photocontrol, 120V	SCC	STOCK
PBT-234	Button photocontrol, 208, 240, 277V	SCC	STOCK
SM106-SHIELD	Polycarbonate shield for M size	BC	MADE-TO-ORDER
SM106-VISOR	Top visor for M size	BC	MADE-TO-ORDER
SM708-GUARD	Wire guard for L size	BC	MADE-TO-ORDER
SM106-FRAME/GLASS	Glass and door frame for M size	BC	MADE-TO-ORDER
SM708-FRAME/GLASS	Glass and door frame for L size	BC	MADE-TO-ORDER

DIMENSIONS



	A	B	C
Mid-Size	9.0" 229 mm	7.3" 184 mm	13" 330 mm
Large	9.0" 229 mm	13.0" 330 mm	17.0" 432 mm

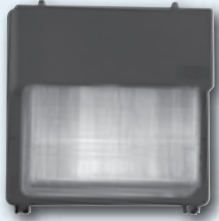


HUBBELL
Outdoor Lighting

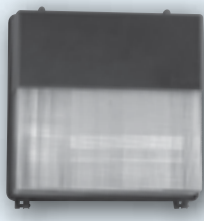
Perimaliter® PGM3 PVL3

Glass and Polycarbonate LED Wallpacks

LED WALLPACKS



PGM3



PVL3



- Perimeter lighting for safety, security and general illumination - LED units provide 60-70% energy savings over typical pulse start wallpacks. Uses include office buildings, shopping centers, restaurants, schools, warehouses, parking garages and other commercial applications
- The die-cast aluminum housing provides firm mounting over recessed junction boxes; 1/2" side hubs for surface conduit wiring; Housing includes a top hub for use with button photo controls for dusk-to-dawn control;
- Long life (50,000 hrs) LEDs with CCT of 5000K, 4000K and 3000K
- Two cover options available: A cast aluminum with prismatic borosilicate glass assembly (PGM3) and an all polycarbonate, one-piece, vandal resistant door (PVL3)
- Typical mounting heights of 12-15 feet; The lateral spread allows typical spacing of three to four times the mounting height with excellent uniformity
- Available in two lumen outputs
- Listed to UL1598 for use in wet locations
- BBU integral battery option for 120 or 277V, designed to provide minimum of 1fc in a 10ft square at 10-12' mounting height
- SCO/SCP option - motion sensor on/off or user programmable

STOCK ORDERING INFORMATION

Catalog Number	System Watts	Delivered Lumens	Voltage	CCT	# Drivers/Current	LPW	Mounting Height	Weight lbs. (kg)	PKG. CODE
PGM3-180L4K-U-DB	72w	6923	120-277V	4000K	2@700mA	99	15-18 ft.	20 (9)	SCC
PGM3-180L5K-U-DB	72w	7160	120-277V	5000K	2@700mA	96	15-18 ft.	20 (9)	SCC
PVL3-180L4K-U-DB	72w	5773	120-277V	4000K	2@700mA	80	15-18 ft.	13 (5.9)	SCC
PVL3-180L5K-U-DB	72w	5978	120-277V	5000K	2@700mA	83	15-18 ft.	13 (5.9)	SCC



10-Day Quick Ship Ordering Guide Order Limit Per Fixture Selection: 15 - BC Pkg Code

FAMILY	# LEDS	CCT	VOLTAGE	DRIVE CURRENT	FIXTURE COLOR	OPTIONS
PGM3 Glass Refractor	180L	4K 4000K	U 120V-277V	BLANK 700mA	DB ⁵ Bronze	PC1 Button photocontrol, 120V
PVL3 Polycarbonate Refractor		5K 5000K		035 ³ 350mA		PC4 Button photocontrol, 277V

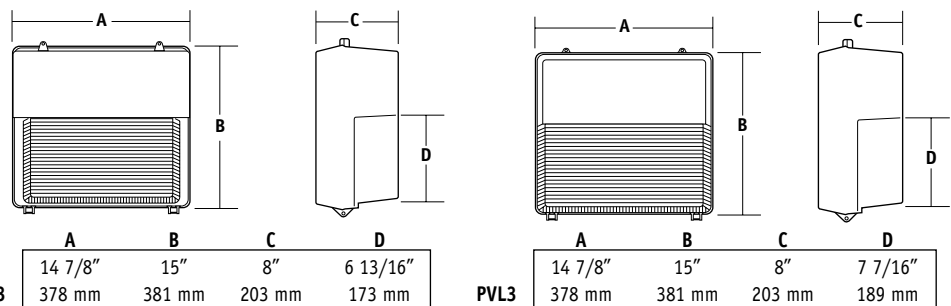
STOCK REPLACEMENT PARTS - Order Separately

Catalog Number	Description	PKG. CODE
200-0180-9904	Replacement lens/door PVL3	BC
80033990104	Replacement lens/door PGM3	BC
93044764	40w driver, 700mA, 120V-277V dimmable, 2x = 700mA, 1x = 350mA	BC
SCP-REMOTE ²	Remote control for SCP option. Order at least one per project to program and control	BC

PERFORMANCE INFORMATION

Series Number	Equivalency			Energy Savings
	MH	HPS	CFL	
PGM3	250w	250w	-	72%
PVL3	250w	250w	-	54%

DIMENSIONS



Perimaliter® PGM3 PVL3

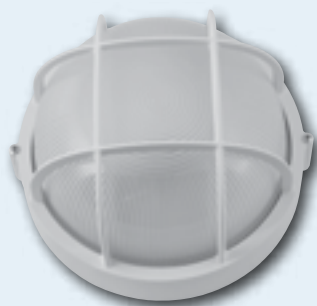
Glass and Polycarbonate LED Wallpacks

LED WALLPACKS

MADE-TO-ORDER ORDERING INFORMATION – (BC PKG CODE)

FAMILY		# LEDS	CCT	VOLTAGE ¹	DRIVE CURRENT	FIXTURE COLOR	OPTIONS
PGM3	Glass Refractor	180L	3K 3000K, 80 CRI	U 120V-277V	BLANK 700mA	BL Black	F¹ Fusing (voltage determined by voltage field), Single fusing only 120V, 277V or 347V
PVL3⁵	Polycarbonate Refractor		4K 4000K, 80 CRI	1 120V	035³ 350mA	BZ⁵ Bronze	PC¹ Button photocontrol, (Must specify individual voltage)
			5K 5000K, 80 CRI	2 208V		GR Gray	BBU^{1,3} Integral battery for 120 or 277V rated for -20°C to 25°C (Must specify individual voltage)
				3 240V		PL Platinum	SCO^{2,4} Motion sensor On/Off control, No light output when no motion detected
				4 277V		WH White	SCP^{2,4} Programmable motion control, factory default is 10%
				5 480V		CC Custom Color	SP Surge protector, 10KA 273 joules
				F 347V			

- 1 Voltage specific option, designate in voltage field
- 2 0-10V fully adjustable dimming with automatic daylight calibration and different time delay settings, must order minimum of one remote to program dimming settings, 120V or 277V only
- 3 BBU only available in 350mA, 120V or 277V only
- 4 PC option not applicable, included in sensor. For SCP, PC function turns on to lower setting until motion is detected
- 5 PVL3 only available in BZ Bronze fixture color



- Use for wall or ceiling applications at entrances, stairs, corridors or single story building accent
- Borosilicate glass lens with silicone gasket; Shields the lamp and softly spreads the light in a symmetrical distribution
- Die-cast aluminum housing and face trims; Two point lag mount or hickey mount to recessed wiring boxes; (no side conduit feeds); Twin stainless steel screws secure the trims and lens to the housing
- 50w HPS, 28w CFL (-20 degree starting) and 100w max incandescent
- BRLU LED unit available in 15w, 120-277V, 830 lumens, 5000K
- Lamp included on HPS and CFL sources
- Finishes in dark bronze, white and black
- Listed to UL1598 for use in wet locations

MADE-TO-ORDER ORDERING INFORMATION - (BC PKG CODE)

Catalog Number	Shape	Finish	Wattage	Volts	Weight lbs. (kg)	PKG. CODE
LED (lamps included)⁴						
BRLU-01	Round	Bronze	15w	120-277V	6.0 (2.7)	BC
BRLU-04	Round	White	15w	120-277V	6.0 (2.7)	BC
Incandescent - Medium Base Socket						
BRI-01	Round	Bronze	100 max.	120V	4 (1.8)	BC
BRI-02	Round	Black	100 max.	120V	4 (1.8)	BC
BRI-04	Round	White	100 max.	120V	4 (1.8)	BC
BOI-01	Oval	Bronze	100 max.	120V	3.5 (1.6)	BC
BOI-02	Oval	Black	100 max.	120V	3.5 (1.6)	BC
BOI-04	Oval	White	100 max.	120V	3.5 (1.6)	BC
High Pressure Sodium (lamp included)² - Medium Base Socket						
BRS-01	Round	Bronze	50	120V	7.5 (3.4)	BC
BRS-02	Round	Black	50	120V	7.5 (3.4)	BC
BRS-04	Round	White	50	120V	7.5 (3.4)	BC
BOS-01	Oval	Bronze	50	120V	7 (3.2)	BC
BOS-02	Oval	Black	50	120V	7 (3.2)	BC
BOS-04	Oval	White	50	120V	7 (3.2)	BC
Compact Fluorescent (lamp included)^{1, 3}						
BRF-01	Round	Bronze	28	120V	6 (2.7)	BC
BRF-02	Round	Black	28	120V	6 (2.7)	BC
BRF-04	Round	White	28	120V	6 (2.7)	BC
BOF-01	Oval	Bronze	28	120V	5.5 (2.5)	BC
BOF-02	Oval	Black	28	120V	5.5 (2.5)	BC
BOF-04	Oval	White	28	120V	5.5 (2.5)	BC

1 Fluorescent CSA certified for outdoor applications only, not available in 277V (Alternate: see Hercules HVS Series)

2 Pulse-rated medium base socket

3 Two-pin fluorescent socket - PLC28, 2700K, -20°F starting

4 LED Color temperature 5000K, 6 LEDs at 700mA, 830 lumens, 120-277V, 50/60Hz

MADE-TO-ORDER ACCESSORIES - Order Separately

Catalog Number	Description	PKG. CODE
BO-GX ¹	Cast aluminum guard for oval fixture	BC
BR-GX ¹	Cast aluminum guard for round fixture	BC
BO-SX ¹	Cast aluminum shield for oval fixture	BC
BR-SX ¹	Cast aluminum shield for round fixture	BC



Shield

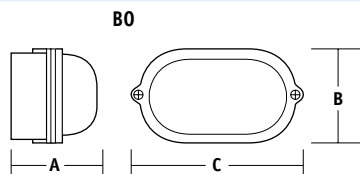
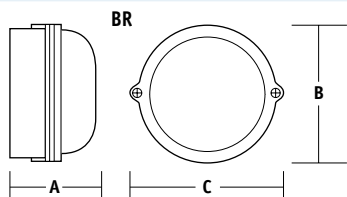
Guard

STOCK

REPLACEMENT PARTS

Catalog Number	Description	PKG. CODE
266-0067-9904	BR replacement lens	BC
266-0068-9904	BO replacement lens	BC

1 Finish must be specified, substitute X for: 1-bronze, 2-black, 4-white.



	A	B	C
BR Round	5 1/2"	9 1/2"	10 1/8"
	140 mm	241 mm	257 mm
BO Oval	5 1/2"	6 1/4"	11 1/4"
	140 mm	159 mm	286 mm

NRG[®] 1100

Compact Wallpack – Full Cut-off

Hubbell Outdoor Lighting's NRG[®] 1100 family is packed with owner benefits. The IDA compliant optics allow no up light, saving energy and keeping the neighbors happy!

Two sets of recessed closure screws are included – Phillips head and tamper resistant allen head.

For wall perimeter or entry at mounting heights of 8-15 feet. Decorative rugged styling with one piece polycarbonate front, painted bronze or white on the inside, that resists rocks and other small projectiles. The die-cast housing provides rigid mounting, conduit and photocontrol hubs, easy mount design and heat dissipation.

Listed to UL1598 for use in wet locations



HID WALLPACKS

STOCK

ORDERING INFORMATION

Catalog Number ¹	Wattage/Voltage	Finish	Weight lbs. (kg)	PKG. CODE
NRG-1111-W	100w PSMH, 120, 277, 347V	white	12 (5.4)	FCC
NRG-1112-W	100w HPS, 120, 277, 347V	white	10 (4.5)	BC
NRG-1151-W	50w, 120, 277	white	9 (4.1)	BC
NRG-1172-W	70w HPS, 120, 277, 347V	white	9 (4.1)	BC
NRG-1143-W	42w CFL, 120-277V, 60/50hz	white	7 (3)	FCC

¹ All fixtures include medium base or compact fluorescent lamps. CFL units use universal socket and are capable of operating 26 or 32w PLT lamps if substituted in the field; CFL lamps are 3500K, GX24q-4 base

STOCK

ACCESSORIES - Order Separately

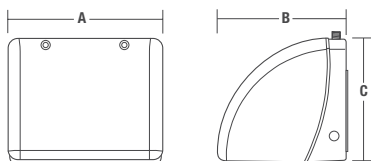
Catalog Number	Description	PKG. CODE
PBT-1	Photocontrol, button type, 120V	SCC
PBT-234	Photocontrol, button type, 277V	SCC

MADE-TO-ORDER

REPLACEMENT PARTS

Catalog Number	Description	PKG. CODE
NRG1100FHB	Polycarbonate front housing-bronze, 70w max.	BC
NRG1100FHW	Polycarbonate front housing-white, 70w max.	BC
NRG1111FHB	Polycarbonate front housing-bronze, 100w max.	BC
NRG1111FHW	Polycarbonate front housing-white, 100w max.	BC

DIMENSIONS



A	B	C
11 3/4"	9 1/2"	9 1/2"
298 mm	241 mm	241 mm



HUBBELL
Outdoor Lighting

Perimaliter® PVL3

Vertical Lamp Position Polycarbonate Refractor Wallpack

HID WALLPACKS



- One-piece polycarbonate lens, internally painted for lasting appearance; 6 to 1 spacing to mounting height ratio; Two HubbellGard® fasteners provide weathertight seal to housing; Door hinges and is removable
- Housing is die-cast aluminum for rugged mounting and heat dissipation; 1/2" feed-through hubs provided and top photocontrol hub location for field installation; Standard mount is over recessed wiring boxes; Fixtures have dark bronze finish
- Specular reflector, vertical lamps and refractor combine for efficient and uniform perimeter lighting; PVL3 is 150w max; 50 Hz ballastry available
- Socket is porcelain medium base with spring-loaded center contact
- Accessories: Photocontrols/ Full cut-off visors
- CFL egress units provide redundant lamp and battery backup
- Listed to UL1598 for use in wet locations

STOCK ORDERING INFORMATION

Catalog Number ¹	Wattage	Lamp Type	Voltage	Ballast	Lamp Included	Weight lbs. (kg)	PKG. CODE
PVL3-070S-18-BZ	70	HPS	Quad Tap	AL-HPF	No	18 (8.1)	BC
PVL3-100S-18-BZ	100	HPS	Quad Tap	AL-HPF	No	19 (8.6)	BC
PVL3-150S-18-BZ-L	150	HPS	Quad Tap	AL-HPF	Yes	20 (9.0)	BC
PVL3-150S-51-BZ-L	150	HPS	120V NPF	HX-NPF	Yes	7 (3.1)	BC
PVL3-242F-18-BZ-L	2x42	CFL	Quad Tap	-	GX24q-4 base	12.0 (5.4)	BC

PVL3 - HID¹

- L - Indicates lamp included with the fixture
- Above units (-18) are Quad Tap (120,208,240,277V); 480V available as Made-to-order on 150w unit, change -18 to -15
- For TriTap Canadian ballast (120,277,347V) change 18 to 16 (Made-to-order)
- All units are provided in BZ - dark bronze finish
- 50 Hz ballastry available - consult factory for availability

STOCK ACCESSORIES - Order Separately

Catalog Number	Description
PBT-1	Photocontrol, button type, 120V
PBT-234	Photocontrol, button type, 208, 240, 277V
PVL3V	Full cut-off visor, formed aluminum, bronze finish

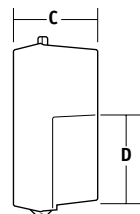
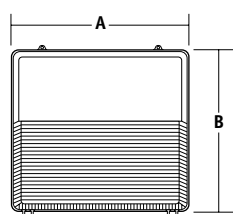
REPLACEMENT PARTS

Catalog Number	Description
200-0180-9904	Polycarbonate front
80033990104	Aluminum/glass front, bronze (glass conversion)

MADE-TO-ORDER OPTIONS - Add Suffix

Catalog Number	Description
-EM	Double contact socket for remote power (less lamp) all units
-QSS	Quartz restrike system including relay (less lamp) all units (Double contact bayonet socket)
-UST	Substantially transformed version in the U.S. meeting level 2 of the Buy American Act

DIMENSIONS



	A	B	C	D
PVL3	14 7/8"	15"	8"	7 7/16"
	378 mm	381 mm	203 mm	189 mm

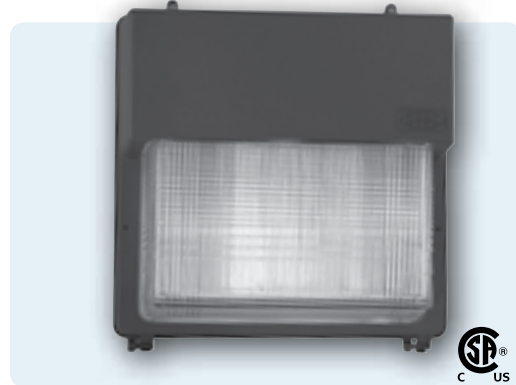


Perimaliter® PGM3

Vertical Lamp Position Glass Refractor Wallpack

- Cast aluminum door with borosilicate glass refractor; Bottom hinge allows door removal; Twin HubbellGard® screw closure for positive seal
- Cast aluminum back housing provides firm mounting and heat dissipation; Mounts over recessed wiring boxes; Has two 1/2" conduit hubs for feed-through wiring. Top hub for field installation of photocontrol

- Specular aluminum reflector, vertical lamp and refractor prisms combine for excellent perimeter lighting; Provides 5 times spacing-to-mounting height
- PGM3 is 250w max
- Socket is porcelain medium base with spring-loaded center contact, for all offerings below 250w; 250w units are mogul base
- Bronze powder paint finish is standard, other finishes available, consult factory
- Listed to UL1598 for use in wet locations



STOCK

ORDERING INFORMATION

Catalog Number	Wattage	Lamp Type	Voltage	Ballast	Lamp Included/Base	Weight lbs. (kg)	PKG. CODE
PGM3-100P-18-BZ-L	100	PSMH	Quad Tap	HX-HPF	Yes/Med.	25 (11.3)	BC
PGM3-150P-18-BZ	150	PSMH	Quad Tap	HX-HPF	No/Med.	25 (11.3)	BC
PGM3-150P-18-BZ-L	150	PSMH	Quad Tap	HX-HPF	Yes/Med.	25 (11.3)	BC
PGM3-250P-18-BZ	250	PSMH	Quad Tap	CWA-HPF	No/Mog.	27 (12.2)	BC
PGM3-250P-18-BZ-L	250	PSMH	Quad Tap	CWA-HPF	Yes/Mog.	27 (12.2)	BC
PGM3-150S-18-BZ-L	150	HPS	Quad Tap	AL-HPF	No/Med.	25 (11.3)	BC
PGM3-250S-18-BZ	250	HPS	Quad Tap	CWA-HPF	No/Mog.	30 (13.6)	BC
PGM3-250S-18-BZ-L	250	HPS	Quad Tap	CWA-HPF	Yes/Mog.	33 (14.9)	BC

- Notes:
- L - Indicates lamp included with the fixture
 - Above units (-18) are Quad Tap (120,208,240,277V) 480V available on 150/250w units, change 8 to 5
 - For TriTap Canadian ballast (120,277,347V) change 8 to 6
 - BZ - Dark Bronze finish is standard; For alternate finish - consult factory for price adder and availability
 - BL - Black, GR - Gray, WH - White, PS - Platinum
 - 50HZ ballast is available - consult factory

STOCK

REPLACEMENT PART

Catalog Number	Description
80033990104	Lens door assembly, bronze

STOCK

ACCESSORIES - Order Separately

Catalog Number	Description	PKG. CODE
PBT-1	Photocontrol, button type, 120V	SCC
PBT-234	Photocontrol, button type, 208, 240, 277V	SCC
PG-PS ¹	Polycarbonate shield for refractor	BC
PG-WG ¹	Wire guard for refractor	BC
PVL3V	Full cut-off visor, formed aluminum, bronze finish	BC

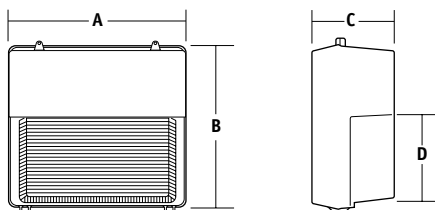
¹ Guard and shield can be used on the same fixture

MADE-TO-ORDER

OPTIONS - Add Suffix

Catalog Number	Description
-EM	Double contact socket for remote power (less lamp) all units
-QSS	Quartz restrike system including relay (less lamp) all units (double contact bayonet socket)
-UST	Substantially transformed version in the U.S. meeting level 2 of the Buy American Act

DIMENSIONS



	A	B	C	D
PGM3	14 7/8"	15"	8"	6 13/16"
	378 mm	381 mm	203 mm	173 mm



HUBBELL
Outdoor Lighting

Perimaliter® PGL

Vertical Lamp Position Glass Refractor Wallpack



- Cast aluminum door with borosilicate glass refractor; Bottom hinge allows door removal; Twin HubbellGard® screw closure for positive seal
- Cast aluminum back housing provides firm mounting and heat dissipation; Mounts over recessed wiring boxes; Has two 1/2" conduit hubs for feed-through wiring; Side hub for field installation of photocontrol
- Specular aluminum reflector, vertical lamp position and refractor prisms combine for excellent perimeter lighting; Provides 5 times spacing to mounting height
- PGL is mogul base 250-400w max
- Bronze powder paint finish is standard, other finishes available, consult factory
- Listed to UL1598 for use in wet locations

STOCK ORDERING INFORMATION

Catalog Number	Wattage	Lamp Type	Voltage	Ballast	Lamp Included	Weight lbs. (kg)	PKG. CODE
PGL-250P-128-1-LP	250	PSMH	Quad Tap	CWA-HPF	Yes	30 (13.6)	BC
PGL-350P-128-1-LP	350	PSMH	Quad Tap	CWA-HPF	Yes	27 (15.0)	BC

MADE-TO-ORDER ORDERING INFORMATION

Catalog Number	Wattage	Lamp Type	Voltage	Ballast	Lamp Included	Weight lbs. (kg)	PKG. CODE
PGL-250P-128-1-LP	250	PSMH	Quad Tap	CWA-HPF	Yes	30 (13.6)	BC
PGL-350P-128-1-LP	350	PSMH	Quad Tap	CWA-HPF	Yes	27 (15.0)	BC
PGL-250S-128-1	250	HPS	Quad Tap	CWA-HPF	No	32 (14.5)	BC
PGL-400S-128-1	400	HPS	Quad Tap	CWA-HPF	No	36 (16.3)	BC
PGL-400S-128-1-LP	400	HPS	Quad Tap	CWA-HPF	Yes	36 (16.3)	BC

Notes: • LP - Indicates lamp included with the fixture.

- Above units are Quad Tap (120,208,240,277V ED28 lamps are required)
- For Tri-Tap Canadian ballast (120,277,347 volt) change 8 to 6
- Dark Bronze finish (-1) is standard; For alternate finish (2- Black, 3- Gray, 4- White) - consult factory for price adder and availability
- 50Hz ballast is available - Consult factory

STOCK ACCESSORIES - Order Separately

Catalog Number	Description	PKG. CODE
PBT-1	Photocontrol, button type, 120V	SCC
PBT-234	Photocontrol, button type, 208, 240, 277V	SCC
PTA-8	Photocontrol, external, weather tight, 208, 240, 277V	BC
PG-PS ¹	Polycarbonate shield for refractor	BC
PG-WG ¹	Wire guard for refractor	BC
PVL3V	Full cut-off visor, formed aluminum, bronze finish	BC

¹ Guard and shield can be used on the same fixture

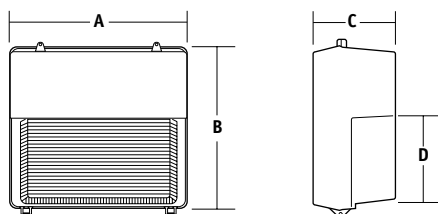
OPTIONS - Add Suffix

Catalog Number	Description
-EM	Double contact socket for remote power (less lamp) all units
-QSS	Quartz restrike system including relay (less lamp) all units (Double contact bayonet socket)
-UST	Substantially transformed version in the U.S. meeting level 2 of the Buy American Act

STOCK REPLACEMENT PART

Catalog Number	Description	PKG. CODE
80033990104	Lens door assembly, bronze	BC

DIMENSIONS

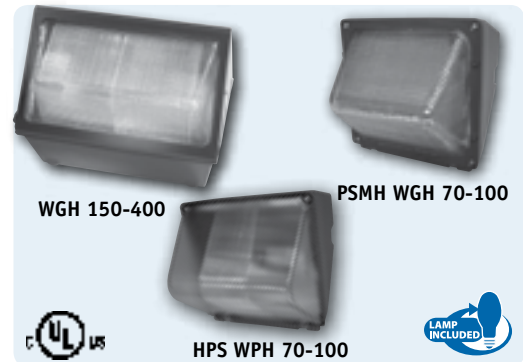


	A	B	C	D
PGL	14 7/8"	15"	9 7/8"	6 13/16"
	378 mm	381 mm	251 mm	173 mm

WGH/WPH

Glass Wallpacks – Horizontal Lamp

- Borosilicate glass refractor softens lamp image and provides uniform distribution - 4 times spacing to mounting height
- Cast aluminum frame holds lens, hinges to side of housing and seals with two stainless steel screws
- Cast aluminum housing with 1/2" conduit entries, button photocontrol can be field installed
- WGH Mid-size is 150w PSMH; WGH large handles 250-400w
- WGH-70/100 compact size PSMH and HPS
- Listed to UL1598 for use in wet locations
- All units have dark bronze powder paint finish, Quad-Tap® ballasts and lamps included; 150w PSMH is shipped with medium base lamp; All other HID wattages include mogul base lamp



HID WALLPACKS

STOCK ORDERING INFORMATION (WGH MEDIUM/LARGE)

Catalog Number ¹	Size	Wattage/Source	Voltage	Finish	Lamp	Weight lbs. (kg)	PKG. CODE
WGH-150P	Mid-Size	150w PSMH	120, 208, 240, 277V	Bronze	Included	19 (8.6)	FCC
WGH-150S	Mid-Size	150w HPS	120, 208, 240, 277V	Bronze	Included	18 (8.2)	FCC
WGH-150S120	Mid-Size	150w HPS	120V	Bronze	Included	15 (6.8)	FCC
WGH-250P	Large	250w PSMH	120, 208, 240, 277V	Bronze	Included	34 (15.4)	FCC
WGH-400P	Large	400w PSMH	120, 208, 240, 277V	Bronze	Included	37 (16.8)	FCC

(WGH SMALL)

Catalog Number	Source/ Lens	Wattage/Voltage	Finish	Start Temperature	Weight lbs. (kg)	PKG. CODE
WGH-70H	PSMH - Glass Refractor	70 PSMH 120/208/240/277V	Bronze	-20°F	9 (4.1)	FCC
WGH-100H	PSMH - Glass Refractor	100 PSMH 120/208/240/277V	Bronze	-20°F	10 (4.5)	FCC

STOCK ACCESSORIES - Order Separately

Catalog Number	Description	PKG. CODE
PBT-1	Photocontrol - button type 120V	SCC
PBT-234	Photocontrol - button type 208, 240, 277V	SCC
PTA -8	Photocontrol - external stem mount 120, 240, 277V	BC

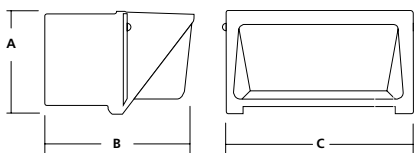
MADE-TO-ORDER ACCESSORIES - Order Separately

Catalog Number	Description	PKG. CODE
SM708-GUARD	Wireguard for large fixtures	BC
SM708-VISOR	Top visor for large fixtures	BC

MADE-TO-ORDER REPLACEMENT PARTS

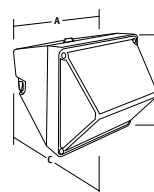
Catalog Number	Description	PKG. CODE
SM708-REPLGL	Glass only for WGH-250/400	BC
SM708-FRAME/GLASS	Lens door assembly for WGH-250/400	BC
SM704-REPLGL	Glass only for WGH-70H/100H	BC
SM704-FRAME/GLASS	Lens door assembly for WGH-70H/100H	BC
SM705-LENS	Polycarbonate refractor only for WPH-70S/100S	BC

DIMENSIONS -WGH 84/150/250/400



	A	B	C
Mid-Size	9" 229 mm	7.25" 184 mm	13" 330 mm
Large	9" 229 mm	13" 330 mm	17" 432 mm

DIMENSIONS -WPH/WGH 70/100



A	B	C
8 1/2" 216 mm	8 1/2" 216 mm	8 1/2" 216 mm



HUBBELL
Outdoor Lighting

NRG[®] 200B

Decorative Perimeter Wallpack

HID WALLPACKS



- Decorative polycarbonate front provides vandal resistance and efficient spread; Typical mounting height is up to 10 feet; Internally painted bronze finish for lasting appearance
- Rugged cast aluminum back housing for rigid mounting; Bottom 1/2" conduit knockout for surface conduit wiring (except on 'MS' unit); Back hub allows access to recessed wiring boxes; Two point mounting
- Motion controlled unit has 180° detection range – saves energy by providing illumination only when needed
- Motion sensor unit features multiple control settings - for more energy savings
- Most units available with or without 120V button photocontrol, see ordering information
- Tamper resistant center pin Torx hardware included for vandal prone applications
- Lamp included
- Listed to UL1598 for use in wet locations

STOCK ORDERING INFORMATION

Catalog Number ¹		Wattage	Voltage	Color	Weight lbs. (kg)	PKG. CODE
Without Photocontrol	With Photocontrol					
Pulse Start Metal Halide						
NRG-250B	NRG-250B-PC ^{1,2}	50w	120V ²	Bronze	6.5 (2.9)	FCC
Electronic Fluorescent³						
NRG-204B	-	42w	120-277V	Bronze	4.2 (1.9)	FCC
-	-	26w	120V	Bronze	4.2 (1.9)	FCC
Motion Controlled Electronic Fluorescent³						
NRG-204B-MS ⁴		42w	120V	Bronze	6.0 (2.7)	FCC

- 1 120V only when ordered with photocontrol
- 2 120V NPF ballast for H.I.D.
- 3 CFL lamps are 4-Pin, 3500K
- 4 Motion sensor has 180° detection range, adjustable time-on and sensitivity settings

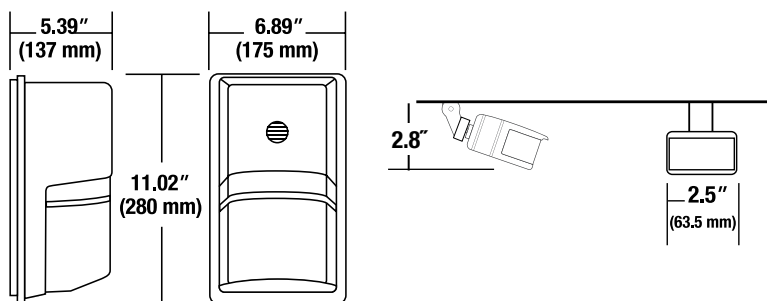
STOCK ACCESSORIES - Order Separately

Catalog Number	Description	PKG. CODE
PBT-1	Button photocontrol, 120V	BC
PBT-234	Button photocontrol, 208, 240, 277V	BC

STOCK REPLACEMENT PART

Catalog Number	Description	PKG. CODE
NRG200BLENS	Polycarbonate front cover, bronze	BC

DIMENSIONS



NRG-204B

NRG[®] 300B

Perimeter Wallpack

- Full polycarbonate front provides vandal resistance and efficient spread; Lateral coverage on HID units is 5 times the typical mounting height up to 10 feet; Internally painted bronze finish for lasting appearance; Fluorescent photocontrol version available in white
- Motion controlled unit has 180° detection range – saves energy by providing illumination only when needed
- Lamp included
- Rugged cast aluminum back housing for rigid mounting; Bottom 1/2" conduit knockout for surface conduit wiring (except on 'MS' unit); Back hub allows access to recessed wiring boxes; Two point mounting
- Units available with or without 120V button photocontrol, see ordering information
- Listed to UL1598 for use in wet locations
- Tamper resistant center pin Torx hardware included



HID WALLPACKS

STOCK ORDERING INFORMATION

Catalog Number ¹		Wattage	Voltage	Color	Weight lbs. (kg)	PKG. CODE
Without Photocontrol	With Photocontrol					
High Pressure Sodium						
–	NRG-301B-PC ^{1,2}	50w	120V	Bronze	5 (2.3)	FCC
NRG-307B	NRG-307B-PC ^{1,2}	70w	120V	Bronze	5 (2.3)	FCC
Pulse Start Metal Halide						
–	NRG-350B-PC ^{1,2}	50w	120V	Bronze	6.5 (2.9)	FCC
Electronic Fluorescent³						
–	–	26w	120-277V (-PC120)	White	4.2 (1.9)	FCC
–	–	26w	120-277V (-PC120)	Bronze	4.2 (1.9)	FCC
–	–	42w	120-277V (-PC120)	White	4.2 (1.9)	FCC
NRG-304B	NRG-304B-PC ¹	42w	120-277V (-PC120)	Bronze	4.2 (1.9)	FCC
Motion Controlled Electronic Fluorescent³						
–	NRG-304B-MS ⁴	42w	120V	Bronze	6 (2.7)	FCC

- Lamp included
- 120V NPF ballast for HID
- CFL lamps are 4-Pin, 3500K, GX24q-4
- Motion sensor has 180° detection range, adjustable time-on and sensitivity settings

STOCK ACCESSORIES - Order Separately

Catalog Number	Description	PKG. CODE
PBT-1	Button photocontrol, 120V	SCC
PBT-234	Button photocontrol, 208, 240, 277V	SCC

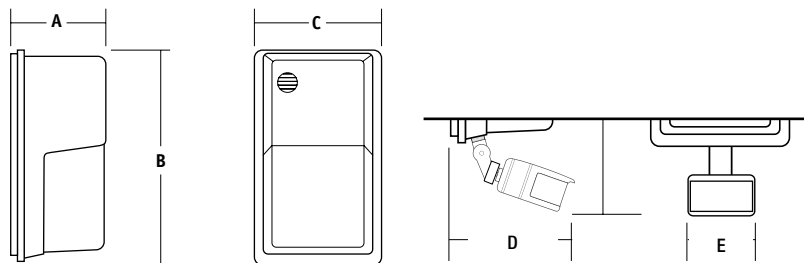
MADE-TO-ORDER REPLACEMENT PART

Catalog Number	Description	PKG. CODE
SM352-COVER	Polycarbonate front cover, Bronze	BC



NRG-304B-MS

DIMENSIONS



A	B	C	D	E
5.39"	11.02"	6.89"	6.50"	2.5"
137 mm	280 mm	175 mm	165 mm	63.5 mm



Dual-Lite
Ridgeline Battery Fixture
for 42w CFL egress unit with
battery back-up

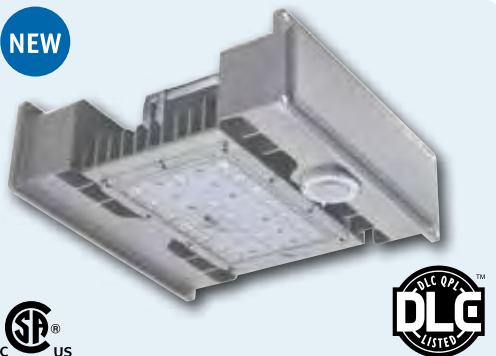


HUBBELL
Outdoor Lighting

Ceiling/Canopy/Garage LED Luminaire

LED CEILING/CANOPY/GARAGE

NEW



- Designed for a range of ceiling applications including parking garage, walkway or building canopies, corridors, tunnels, large stairwells and other cover applications; Two lumen packages and two optical distributions make the the GSL Series luminaire both versatile and functional for j-box or pendant mounting at 8'-15' ht
- Vertically finned cast aluminum housing for maximum heat dissipation ensuring long component life and performance
- Wattage: 53.5w or 74w, >81 LPW
- Gray powder coat paint finish
- 15KA surge protection included standard
- IP66 luminaire rating, Listed to UL1598 for use in wet locations
- Field configurable symmetric and asymmetric optic in a single SKU
- DesignLights Consortium Qualified
- Two 1/2" threaded hubs for accessories
- CCT: 4000K (70 CRI)
- Lumen packages ranging of 4,500 or 6,100 with 15 or 21 LEDs
- Designed for 40° C ambient temperatures
- Hinged mounting plate standard, allows single person installation
- Programmable motion sensor option available

STOCK ORDERING INFORMATION

Catalog Number	System Watts	Delivered Lumens	Voltage	CCT	# Drivers/Current	Mounting Height	Weight lbs. (kg)	PKG. CODE
GSL-15L	53.3w	4524	120-277V	4000K	1@1050mA	8-12 ft.	13.8 (6.2)	BC
GSL-21L	74w	6138	120-277V	4000K	1@1050mA	12-15 ft.	13.8 (6.2)	BC
GSL-15L-SCP	53.3w	4524	120-277V	4000K	1@1050mA	8-12 ft.	13.8 (6.2)	BC
GSL-21L-SCP	74w	6138	120-277V	4000K	1@1050mA	12-15 ft.	13.8 (6.2)	BC

PERFORMANCE INFORMATION

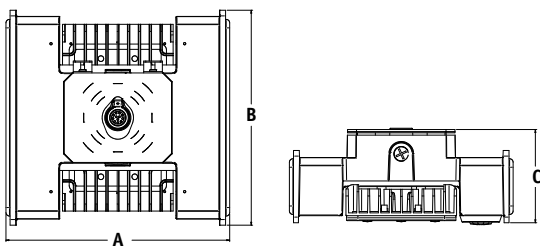
Series Number	Equivalency			Energy Savings
	MH	HPS	CFL	
GSL-15L	150w	150w	84w+	72%
GSL-21L	250w	250w	84w+	54%

MADE-TO-ORDER ACCESSORIES/REPLACEMENT PARTS - Order Separately (field installed)

Catalog Number	Description	PKG. CODE
GSL-SPC	Vandal shield, polycarbonate	BC
GSL-CS	Comfort shield, acrylic, improved uniformity, 8% lumen reduction	BC
93048453	Programmable motion sensor (High/low or on/off capability, user programmable low settings)	BC
95005520	Motion sensor lens (wide lens, 48 ft. diameter, 16ft. maximum mounting height)	BC
PTA-1	120V button photocell with 1/2" thread	BC
PTA-8	120V - 277V button photocell with 1/2" thread	BC
SCP-REMOTE	Infrared IR remote control to program motion sensor (Minimum 1 required per project)	BC
GSL-MTG-PL	Hinged mounting plate	BC
GSL-LENS-M	LED lens for symmetrical Type V	BC
GSL-LENS-R	LED lens for asymmetrical Type II rectangular	BC
GSL-Protector	15KA surge protector	BC

¹ Must order minimum of one remote to program dimming settings, consult factory for details, 0-10V fully adjustable dimming with automatic daylight calibration and different time delay settings, 120V or 277V only

DIMENSIONS



A	B	C	Weight
12.5" sq.	12.0"	5.2"	13.8 lbs.
317.5 mm	304 mm	132 mm	6.25 kg



Lumasquare® NRG® 4000

High Performance LED Indoor/Outdoor Lowbay Series

- Designed for illumination of commercial indoor/outdoor lowbay applications including: mechanical rooms, retail, covered loading docks and utility areas
- Rugged, die-cast housing has a durable powder coat paint finish available in bronze; Mounts over recessed J-box and features two convenient 1/2" side hubs for surface conduit mounting
- Stainless steel vandal-resistant screws standard
- Fully gasketed for weatherproof/bug-proof integrity
- 4000K CCT (70 CRI) nominal and 5000K

- CCT (70 CRI) nominal
- One-piece, injection-molded, clear prismatic acrylic refractor enhances space with 10% uplight; High temperature acrylic for reduced yellowing, uniform light distribution and low glare
- Listed to UL1598 for use in wet locations
- Five year limited warranty
- 10KA, 10KV surge protector standard
- DLC qualified NRG4-30LU-4K-BZ



LED CEILING/CANOPY/GARAGE



5-Day Quick Ship Ordering Guide
Order Limit Per Fixture Selection: 15 – BC Pkg Code

Catalog Number	System Watts	delivered Lumens	Voltage	CCT	# Drivers/Current	Mounting Height	Weight lbs. (kg)	PKG. CODE
NRG4-30LU-4K-035-BZ	35	3355	120-277V	4000K	1@350mA	up to 16 ft.	13.9 (6.3)	BC
NRG4-30LU-5K-035-BZ	35	3543	120-277V	5000K	1@350mA	up to 16 ft.	13.9 (6.3)	BC
NRG-4-30LU-4K-BZ	70	5872	120-277V	4000K	2@700mA	up to 16 ft.	13.9 (6.3)	BC
NRG-4-30LU-5K-BZ	70	6122	120-277V	5000K	2@700mA	up to 16 ft.	13.9 (6.3)	BC

STOCK

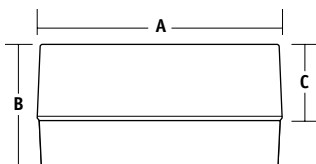
REPLACEMENT PART

Catalog Number	Description
800-3289-0100	Replacement refractor kit

PERFORMANCE INFORMATION

Series Number	Equivalency		Energy Savings
	MH	HPS	
NRG4-30LU-4K-035-BZ	70w	70w	63%
NRG4-30LU-4K-BZ	150w	150w	45%
NRG4-30LU-5K-035-BZ	70w	70w	64%
NRG4-30LU-5K-BZ	150w	150w	45%

DIMENSIONS



A	B	C	Weight
14" sq.	8 1/8"	4 3/4"	13.9 lbs.
356 mm	206 mm	121 mm	6.3 kg

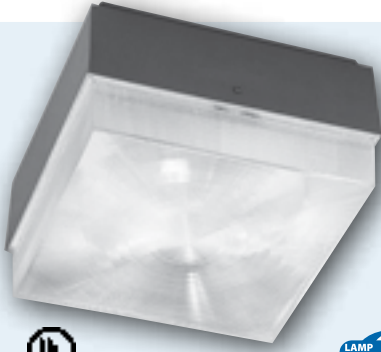


HUBBELL
Outdoor Lighting

NRG[®] 400 Series

Lumasquare[®] I Decorative Ceiling Series

CEILING/CANOPY/GARAGE



- Polycarbonate housing with molded-in dark bronze textured finish; Mounts directly to recessed junction boxes; "Hidden" latches secure refractor for tamper resistance and clean appearance; Shallow 5" depth
- Polycarbonate refractor minimizes side light while providing a uniform distribution from the bottom prisms; Excellent for low (7-10ft) mounting applications; HPS unit has hydroformed aluminum reflector, fluorescent reflectors are high gloss white to maximize lumens into the refractor
- Units provide a Type V distribution with good uniformity
- Available in 2x13w PL-S and 2x28w PLC CFL – all units 120V and include lamp(s)
- Listed to UL1598 for damp locations indoor and outdoor

MADE-TO-ORDER ORDERING INFORMATION

Catalog Number ¹	Wattage	Voltage	Ballast Type	Min. Start Temp	Input Amps	Weight lbs. (kg)	PKG. CODE
NRG-406-2 ¹	2 x 13w CFL	120	Preheat	32F	.7	5 (2.3)	BC
NRG-456 ¹	2 x 28w CFL	120	NPF Reactor	-20F	1.2	6 (2.7)	BC

¹ CSA certified for outdoor applications only; UL indoor/ outdoor, NRG-406 uses GX23 base, NRG-456 uses GX32d-3 base lamps

Note: Lamp included

STOCK

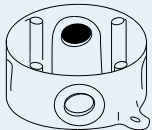
REPLACEMENT PART

Catalog Number	Description	PKG. CODE
264-0225-9904	Replacement refractor with molded hinges	BC

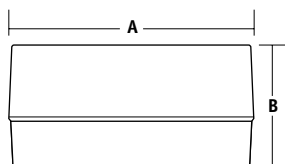
ACCESSORIES - Order Separately

Catalog Number	Description
S-319-B	4" Cast aluminum round junction box for surface conduit mounting with two mounting lugs, four 1/2" tapped hubs, and three plugs; leaves fixture 2" from ceiling

S-319-B



DIMENSIONS



A	B
10" sq.	5"
254 mm	127 mm

NRG® 4000 Series

Lumasquare® II High Performance Canopy/Parking Garage Series

- Cast aluminum housing for rugged mounting and heat dissipation; Two 1/2" hubs for feed-through wiring standard; Three point lag to ceiling over recessed junction boxes is wet location listed when mounted to smooth surfaces
- Refractor is high temperature acrylic; Side prisms minimize side brightness while bottom prisms spread the light uniformly; Vertical H.I.D. lamp reduces intensity below the fixture and provides more lateral lumens for better project uniformity
- Reflector is hydroformed with fluted segments for excellent performance
- CFL version has a flat, high reflectance white reflector with horizontal lamps
- Standard finish is dark bronze powder paint; White (-WH) available as shown
- Lamp is included
- Listed to UL1598 for use in wet locations



CEILING/CANOPY/GARAGE

MADE-TO-ORDER ORDERING INFORMATION

Catalog Number	Mounting	Wattage	Voltage	Power Factor	Refractor	Weight lbs. (kg)	PKG. CODE
NRG-413S8 ¹	Ceiling/conduit	100w HPS	Quad	HPF	High temp. acrylic	18 (8.2)	BC
NRG-414S8 ¹	Ceiling/conduit	150w HPS	Quad	HPF	High temp. acrylic	19 (8.6)	BC
NRG-413P8-WH ¹ (white)	Ceiling/conduit	100w PSMH	Quad	HPF	High temp. acrylic	18 (8.2)	BC
NRG-415P8-WH ¹ (white)	Ceiling/conduit	150w PSMH	Quad	HPF	High temp. acrylic	19 (8.6)	BC
NRG-484F8 ²	Ceiling/Conduit	2x42w CFL	120-277	HPF	High temp. acrylic	15 (6.8)	BC

1 Includes medium base lamp

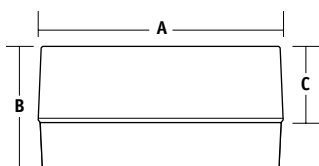
2 Includes two 3500K, 4-PIN lamps, two ballast design allows independent lamp operation

STOCK

REPLACEMENT PART

Catalog Number	Description	PKG. CODE
800-3289-0100	Replacement refractor kit	BC

DIMENSIONS



A	B	C
14" sq.	8 1/8"	4 3/4"
356 mm	206 mm	121 mm

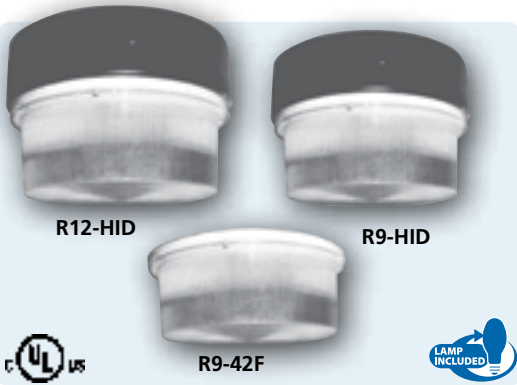


HUBBELL
Outdoor Lighting

R9/R12 Series

Round Vandal Resistant Ceiling/Wall Mount Units

HID/CFL CEILING



- Polycarbonate diffusers with center-pin torx tamper-proof hardware (driver bit included)
- Spun aluminum ballast enclosures with 1/2" knockouts
- Medium base lamp is included
- All units are Quad-Tap®
- Units have dark bronze protective paint finish
- Listed to UL1598 for use in wet locations

STOCK ORDERING INFORMATION

Catalog Number ¹	Wattage/ Source	Voltage ²	Weight lbs. (kg)	PKG. CODE
11 Inch Diameter				
R9-70H	70w PSMH	Quad-Tap®	10 (4.5)	BC
R9-70S	70w HPS	Quad-Tap®	10 (4.5)	BC
15 Inch Diameter				
R12-100H	100w PSMH	Quad-Tap®	15 (6.8)	BC

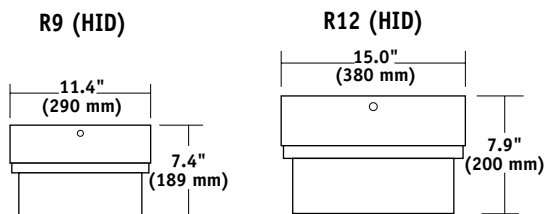
1 Lamp included

2 Quad-Tap® - 120,208,240,277V

MADE-TO-ORDER REPLACEMENT PARTS

Catalog Number	Description	PKG. CODE
SM020-LENS	Replacement lens only for R9 units	BC
SM021-LENS	Replacement lens only for R12 units	BC

DIMENSIONS

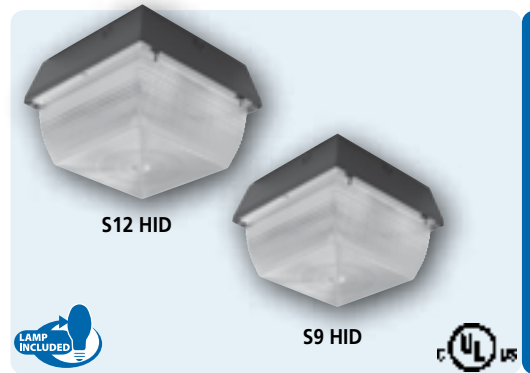


S9/S12 Series

Vandal Resistant Fixtures

- Die-cast aluminum housing with 1/2" conduit hubs on H.I.D. units;
- Vandal resistant prismatic polycarbonate refractor
- Bronze powder paint finish on H.I.D. units
- Medium base lamp included
- Listed to UL1598 for use in wet locations, wall or ceiling mount
- Center pin torx screws are standard (bit included)

- Typical mounting height ranges from 8 to 15 feet



HID CEILING

STOCK ORDERING INFORMATION

Catalog Number ¹	Wattage/ Source	Voltage	Finish	Weight lbs. (kg)	PKG. CODE
Wet Location - Ceiling / Wall Mount					
Compact S9 – 9 inch Square					
S9-70H	70w PSMH	120, 208, 240, 277	Bronze	10 (4.5)	FCC
Mid-Size S12 – 12 inch Square					
S12-100H	100w PSMH	120, 208, 240, 277	Bronze	15 (6.8)	FCC
S12-150P	150w PSMH	120, 208, 240, 277	Bronze	16 (7.3)	FCC

1 Lamp included

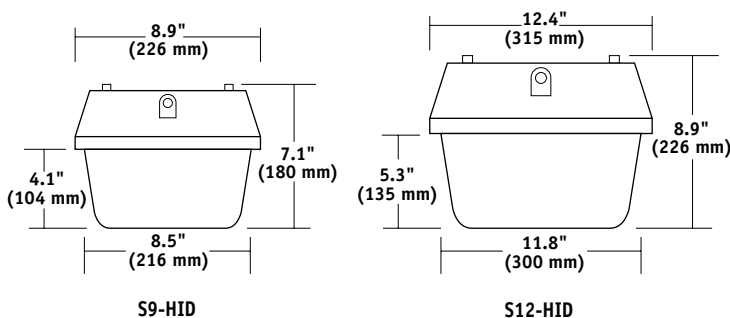
MADE-TO-ORDER REPLACEMENT PARTS

Catalog Number	Description	PKG. CODE
SM009-LENS	Refractor only for S9 units	BC
SM012-LENS	Refractor only for S12 units	BC



For egress applications, see Dual-Lite PSG8 page 945

DIMENSIONS



HUBBELL
Outdoor Lighting

ASL LED

Area/Site Roadway

NEW



- Sleek design with multiple optical configurations and easy installation features
- Applications include: area/site, roadway, and security lighting
- Replaces up to 400w HID
- Universal mounting block standard (#2 drill pattern); Mast arm fitter option available for 2 3/8" OD arms
- Lens distributions are field rotatable (in 90° increments) or exchangeable for job site fine tuning
- -40 deg C to 40 deg C ambient operation
- Compact and lightweight design with low EPA
- Tool-less entry to wiring/driver compartment
- 10KA surge protection standard; Automatically takes fixture off-line for protection when device is consumed
- 7-pin photocontrol receptacle option available for twist lock photocontrols or wireless control module (control accessories sold separately)
- Utilizes high current, high output LEDs
- ANSI 3G rated for high vibration applications
- DesignLights Consortium (DLC) qualified, consult DLC website for more details: <http://www.designlights.org/QPL>
- Listed to UL1598 for use in wet locations
- IP65 optical assembly

STOCK ORDERING INFORMATION

Catalog Number	Mounting Height	Distribution	System Watts	# of Drivers/Current	Voltage	Color Temperature	Delivered Lumens	LPW	Weight lbs. (kg)	PKG. CODE
ASL-16L-3	up to 15 ft.	Type III	123w	1@2100mA	120V-277V	4000K	11153	91	18 (8.16)	SCC
ASL-16L-4	up to 15 ft.	Type IV	123w	1@2100mA	120V-277V	4000K	11376	93	18 (8.16)	SCC
ASL-24L-3	up to 25 ft.	Type III	181w	1@2100mA	120V-277V	4000K	16364	91	20 (9.07)	SCC
ASL-24L-4	up to 25 ft.	Type IV	181w	1@2100mA	120V-277V	4000K	16752	93	20 (9.07)	SCC

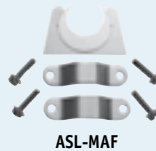


10-Day Quick Ship Ordering Guide Order Limit Per Fixture Selection: 15 – BC Pkg Code

ASL	-	A	-		-	210	-		-	U	-		-	
SERIES	MOUNTING	NUMBER OF LEDS	CCT	DRIVE CURRENT	DISTRIBUTION	VOLTAGE	FINISH	OPTION						
ASL Area/Site	A Arm	16L 12 LEDs 24L 24 LEDs	4K 4000K 5K 5000K	210 2100mA	3 Type III 4 Type IV	U Universal 120-277V	BZ Bronze BL Black PS Platinum	7PR Twist lock PC receptacle						

STOCK ACCESSORIES/REPLACEMENT PARTS - Order Separately

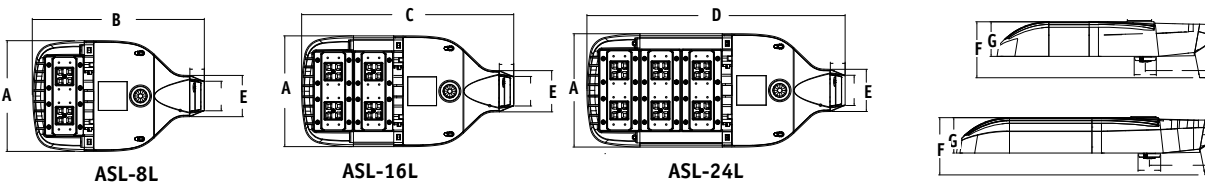
Catalog Number	Description
ASL-MAF	Mast arm kit and bird shield for mounting on 2 3/8" OD arms



PERFORMANCE INFORMATION

Series Number	Equivalency		Energy Savings
	MH	HPS	
ASL-8L	175w	175w	72%
ASL-16L	250w	250w	60%
ASL-24L	400w	400w	61%

DIMENSIONS



A	B	C	D	E	F	G	Max Weight	8L	16L	24L
11.7"	17.25"	22.4"	26.6"	4.3"	5.9"	3.6"	20 lbs.	.50 ft. ²	.62 ft. ²	.75 ft. ²
297 mm	438 mm	569 mm	675 mm	109 mm	150 mm	91 mm	9.07 kg	.15 m ²	.18 m ²	.22 m ²

MADE-TO-ORDER ORDERING INFORMATION - CONFIGURABLE

ASL - [] - [] - [] - **210** - [] - [] - [] - []

SERIES	MOUNTING	# LEDS	CCT	DRIVE CURRENT	DISTRIBUTION	VOLTAGE	FINISH	OPTIONS
ASL Small area LED housing	A Arm MAF Mast Arm Fitter	8L 8 High brightness LEDs 16L 16 High brightness LEDs 24L 24 High brightness LEDs	3K 3000K, 70 CRI 4K 4000K, 70 CRI 5K 5000K, 70 CRI	210 2100mA	2 IES Type II 3 IES Type III 4 IES Type IV 5 IES Type V	U 120V-277V 1 120V 2 208V 3 240V 4 277V	BL Black DB Dark Bronze GR Gray PS Platinum Silver WH White CC ¹ Custom Color (Reference RAL#)	F Fusing (voltage specific and determined by voltage field) 7PR 7-Pin ANSI twist-lock photocell receptacle (See spec sheet for details) RPA(X) Round pole adapter (Replace X with 3, 4, 5 or 6 indicating diameter) SCPW Program-mable motion sensor dimming control (See spec sheet for details); A minimum of one SCP-REMOTE accessory remote control required for configuration TB Terminal block

1 Contact factory for minimum order quantities

MADE-TO-ORDER ACCESSORIES/REPLACEMENT PARTS - Order Separately

Catalog Number	Description
RATA-XX ¹	Single round arm tenon fits 2 3/8" OD, requires ASL-MAF accessory kit for stacked configurations
SCP-REMOTE	Remote control for SCPW option. Order at least one per project to program and control
CR-RPA(X)-XX ¹	Round pole adapters are available for 3, 4, 5, and 6 inch diameter round poles. Requires universal mounting block option.
WB-CR-XX ¹	Wall bracket. Requires universal mounting block option.
PTL-1	Photocontrol - twist-lock cell (120V) - Requires 7PR option
PTL-8	Photocontrol - twist-lock cell (120-277V) - Requires 7PR option
PSC	Shorting cap - twist-lock - Requires 7PR option

1 - Replace XX with color choice, eg.: DB for Dark Bronze



RATA

Note: ASL fixtures compatible with Spaulding RDC stocked Square Straight Steel Poles

SSS-H

Square Straight Steel

- Square straight steel shaft
- One-piece construction
- Side or tenon mounting available
- Ground provision standard
- Galvanized anchor bolts and template included (4-bolt design)
- Base cover standard (Square)
- Gasketed hand hole cover standard (3"x5")
- Powder coat paint finish

MADE-TO-ORDER ORDERING INFORMATION

Catalog Number	Pole Ht.		Nominal Shaft Dim.	Wind Load Rating ¹					Wall Thick.	Bolt Circle (Sug.)	Bolt Circle	Bolt Sq.	Base Plate (sq.)	Anchor Bolt Size	Bolt Proj.	Pole Wt (lbs)
	ft	m		85 MPH	90 MPH	100 MPH	110 MPH	120 MPH								
SSS-H-10-40-A	10	3.0	4"	25.0	25.0	25.0	20.6	17.0	0.125"	9"	8" - 10"	5.66" - 7.07"	9"	3/4" x 30" x 3"	3.5	77
SSS-H-12-40-A	12	3.7	4"	25.0	25.0	20.0	16.1	13.2	0.125"	9"	8" - 10"	5.66" - 7.07"	9"	3/4" x 30" x 3"	3.5	90
SSS-H-14-40-A	14	4.3	4"	23.1	20.4	16.1	12.8	10.2	0.125"	9"	8" - 10"	5.66" - 7.07"	9"	3/4" x 30" x 3"	3.5	103
SSS-H-16-40-A	16	4.9	4"	19.0	16.7	13.0	10.1	7.9	0.125"	9"	8" - 10"	5.66" - 7.07"	9"	3/4" x 30" x 3"	3.5	116
SSS-H-18-40-A	18	5.5	4"	15.6	13.6	10.0	7.8	5.9	0.125"	9"	8" - 10"	5.66" - 7.07"	9"	3/4" x 30" x 3"	3.5	129
SSS-H-20-40-A	20	6.1	4"	12.7	10.9	7.9	5.9	4.2	0.125"	9"	8" - 10"	5.66" - 7.07"	9"	3/4" x 30" x 3"	3.5	142
SSS-H-25-40-A	25	7.6	4"	7.3	5.9	3.8	2.1	0.8	0.125"	9"	8" - 10"	5.66" - 7.07"	9"	3/4" x 30" x 3"	3.5	175
SSS-H-14-40-B	14	4.3	4"	25.0	25.0	23.3	18.6	15.1	0.188"	11"	10" - 12"	7.07" - 8.48"	10.50"	3/4" x 30" x 3"	3.5	152
SSS-H-16-40-B	16	4.9	4"	25.0	24.9	19.4	15.4	12.3	0.188"	11"	10" - 12"	7.07" - 8.48"	10.50"	3/4" x 30" x 3"	3.5	171
SSS-H-18-40-B	18	5.5	4"	24.0	20.8	16.1	12.5	9.8	0.188"	11"	10" - 12"	7.07" - 8.48"	10.50"	3/4" x 30" x 3"	3.5	190
SSS-H-20-40-B	20	6.1	4"	20.2	17.5	13.2	10.1	7.7	0.188"	11"	10" - 12"	7.07" - 8.48"	10.50"	3/4" x 30" x 3"	3.5	209
SSS-H-25-40-B	25	7.6	4"	12.8	11.0	7.9	5.5	3.7	0.188"	11"	10" - 12"	7.07" - 8.48"	10.50"	3/4" x 30" x 3"	3.5	257
SSS-H-30-40-B	30	9.1	4"	8.0	6.6	4.1	2.2	0.8	0.188"	11"	10" - 12"	7.07" - 8.48"	10.50"	3/4" x 30" x 3"	3.5	304
SSS-H-16-50-B	16	4.9	5"	25.0	25.0	25.0	24.8	20.1	0.188"	11"	10.25" - 13.25"	7.25" - 9.37"	11.50"	1" x 36" x 4"	4.5	219
SSS-H-18-50-B	18	5.5	5"	25.0	25.0	25.0	20.4	16.4	0.188"	11"	10.25" - 13.25"	7.25" - 9.37"	11.50"	1" x 36" x 4"	4.5	243
SSS-H-20-50-B	20	6.1	5"	25.0	25.0	21.3	16.7	13.2	0.188"	11"	10.25" - 13.25"	7.25" - 9.37"	11.50"	1" x 36" x 4"	4.5	267
SSS-H-25-50-B	25	7.6	5"	20.7	17.8	13.3	9.8	7.2	0.188"	11"	10.25" - 13.25"	7.25" - 9.37"	11.50"	1" x 36" x 4"	4.5	327
SSS-H-30-50-B	30	9.1	5"	13.5	11.3	7.7	4.9	2.8	0.188"	11"	10.25" - 13.25"	7.25" - 9.37"	11.50"	1" x 36" x 4"	4.5	387
SSS-H-25-50-C	25	7.6	5"	25.0	25.0	19.4	15.1	11.7	0.25"	11"	10.25" - 13.25"	7.25" - 9.37"	11.50"	1" x 36" x 4"	4.5	427
SSS-H-30-50-C	30	9.1	5"	20.1	17.3	12.7	9.3	6.6	0.25"	11"	10.25" - 13.25"	7.25" - 9.37"	11.50"	1" x 36" x 4"	4.5	507
SSS-H-20-60-B	20	6.1	6"	25.0	25.0	25.0	25.0	20.2	0.188"	12"	11.00" - 13.25"	7.81" - 9.37"	12.25"	1-1/4" x 42" x 6"	5.0	329
SSS-H-25-60-B	25	7.6	6"	25.0	25.0	20.6	15.6	11.8	0.188"	12"	11.00" - 13.25"	7.81" - 9.37"	12.25"	1-1/4" x 42" x 6"	5.0	404
SSS-H-30-60-B	30	9.1	6"	21.4	18.1	12.9	8.8	5.7	0.188"	12"	11.00" - 13.25"	7.81" - 9.37"	12.25"	1-1/4" x 42" x 6"	5.0	479
SSS-H-35-60-B	35	10.7	6"	14.0	11.3	6.9	3.6	1.0	0.188"	12"	11.00" - 13.25"	7.81" - 9.37"	12.25"	1-1/4" x 42" x 6"	5.0	554
SSS-H-40-60-B	40	12.2	6"	8.1	5.8	2.2	NR	NR	0.188"	12"	11.00" - 13.25"	7.81" - 9.37"	12.25"	1-1/4" x 42" x 6"	5.0	629
SSS-H-30-60-C	30	9.1	6"	24.3	20.5	14.6	10.2	6.8	0.25"	12"	11.00" - 13.25"	7.81" - 9.37"	12.25"	1-1/4" x 42" x 6"	5.0	614
SSS-H-35-60-C	35	10.7	6"	16.6	13.5	8.6	4.9	2.1	0.25"	12"	11.00" - 13.25"	7.81" - 9.37"	12.25"	1-1/4" x 42" x 6"	5.0	712
SSS-H-40-60-C	40	12.2	6"	10.6	7.9	3.7	0.6	NR	0.25"	12"	11.00" - 13.25"	7.81" - 9.37"	12.25"	1-1/4" x 42" x 6"	5.0	809

1 Allowable EPA. To determine maximum pole loading weight, multiply allowable EPA by 30 lbs; Example SSS-H-25-40-B pole in 90 mph zone = 330 lbs (11 x 30)

Note: Factory supplied template must be used when setting anchor bolts; Hubbell Lighting will deny any claim for incorrect anchorage placement resulting from failure to use factory supplied template and anchor bolts

ORDERING INFORMATION ORDERING EXAMPLE: SSS-H-25-40-A-1-S2-DB-VM1

STOCK AND QUICK SHIP POLES SEE PAGE 50

Complete part number requires shaft above plus mounting type, finish, and appropriate options below.

SIDE MOUNTING	TOP MOUNTING	FINISH	OPTIONS	OPTIONS (con't)
1-S2 Side - single	TA Tenon 2" pipe (2 3/8" OD)	BL Black	HSC Internal coating (Hubbell Seal)	C20 ³ 2" coupling
2L-S2 Side - double at 90°	TB Tenon 2.5" pipe (2 7/8" OD)	DB Dark Bronze	GFI ³ 20A GFCI receptacle & cover	MPB ³ Mid-pole luminaire bracket (12" long w/ 2 3/8" OD tenon)
2-S2 Side - double at 180°	TC Tenon 3" pipe (3 1/2" OD)	GR Gray	EHH ³ Extra hand hole	VM1 1st mode vibration damper
3T-S2 Side - triple at 90°	TR ² Removable tenon (2.375"x4.25")	PS Platinum	C05 ³ 1/2" coupling	VM2 2nd mode vibration damper
4-S2 Side - quad at 90°	OT No drilling (includes pole cap)	WH White	C07 ³ 3/4" coupling	LAB Less anchor bolts
		CC Custom Color (consult factory)		

1 DRILL PATTERN - #2 3 1/2" C-C

2 Removable tenon used in conjunction with side arm mounting; First specify desired arm configuration followed by the "TR" notation. Example: SSS-H-S2-40-A-1-S2-TR-DB

3 Specify option location using logic found in pole introduction pages; The location of all options must start a minimum of one foot above the hand hole and be located one foot apart from one another; Consult factory for any exceptions

- Round straight steel shaft
- One-piece construction
- Side or tenon mounting available
- Ground provision standard
- Galvanized anchor bolts and template included (4-bolt design)
- Base cover standard (Square)
- Gasketed hand hole cover standard (3"x5")
- Powder coat finish standard
- Optional round base cover

MADE-TO-ORDER ORDERING INFORMATION

Catalog Number	Pole Ht.		Nominal Shaft Dim.	Wind Load Rating ¹					Wall Thick.	Bolt Circle (Sug.)	Bolt Circle	Bolt Sq.	Base Plate (sq.)	Base Plate Thickness	Anchor Bolt Size	Bolt Proj.	Pole Wt (lbs)
	ft	m		85 MPH	90 MPH	100 MPH	110 MPH	120 MPH									
RSS-H-10-40-A	10	3.0	4"	21.0	18.7	15.0	12.2	10.1	0.125"	9"	7.5" - 10"	5.30" - 7.07"	9"	0.75"	3/4" x 30" x 3"	3.5	52
RSS-H-12-40-A	12	3.7	4"	16.8	14.8	11.8	9.5	7.7	0.125"	9"	7.5" - 10"	5.30" - 7.07"	9"	0.75"	3/4" x 30" x 3"	3.5	62
RSS-H-14-40-A	14	4.3	4"	13.6	12.0	9.4	7.4	5.9	0.125"	9"	7.5" - 10"	5.30" - 7.07"	9"	0.75"	3/4" x 30" x 3"	3.5	72
RSS-H-16-40-A	16	4.9	4"	11.1	9.7	7.5	5.8	4.5	0.125"	9"	7.5" - 10"	5.30" - 7.07"	9"	0.75"	3/4" x 30" x 3"	3.5	83
RSS-H-18-40-A	18	5.5	4"	9.0	7.8	5.8	4.4	3.3	0.125"	9"	7.5" - 10"	5.30" - 7.07"	9"	0.75"	3/4" x 30" x 3"	3.5	93
RSS-H-20-40-A	20	6.1	4"	7.2	6.2	4.5	3.1	2.2	0.125"	9"	7.5" - 10"	5.30" - 7.07"	9"	0.75"	3/4" x 30" x 3"	3.5	103
RSS-H-10-40-B	10	3.0	4"	31.1	27.7	22.4	18.4	15.3	0.188"	9"	7.5" - 10"	5.30" - 7.07"	9"	0.75"	3/4" x 30" x 3"	3.5	77
RSS-H-12-40-B	12	3.7	4"	25.0	22.3	17.9	14.5	12.0	0.188"	9"	7.5" - 10"	5.30" - 7.07"	9"	0.75"	3/4" x 30" x 3"	3.5	92
RSS-H-14-40-B	14	4.3	4"	20.6	18.3	14.6	11.7	9.6	0.188"	9"	7.5" - 10"	5.30" - 7.07"	9"	0.75"	3/4" x 30" x 3"	3.5	107
RSS-H-16-40-B	16	4.9	4"	17.2	15.2	12.0	9.5	7.7	0.188"	9"	7.5" - 10"	5.30" - 7.07"	9"	0.75"	3/4" x 30" x 3"	3.5	122
RSS-H-18-40-B	18	5.5	4"	14.3	12.6	9.8	7.6	6.1	0.188"	9"	7.5" - 10"	5.30" - 7.07"	9"	0.75"	3/4" x 30" x 3"	3.5	138
RSS-H-20-40-B	20	6.1	4"	11.8	10.3	7.9	6.0	4.7	0.188"	9"	7.5" - 10"	5.30" - 7.07"	9"	0.75"	3/4" x 30" x 3"	3.5	153
RSS-H-10-45-A	10	3.0	4.5"	25.0	24.3	19.5	16.0	13.5	0.125"	9"	7.5" - 10"	5.30" - 7.07"	9"	0.75"	3/4" x 30" x 3"	3.5	58
RSS-H-12-45-A	12	3.7	4.5"	21.8	19.4	15.4	12.6	10.6	0.125"	9"	7.5" - 10"	5.30" - 7.07"	9"	0.75"	3/4" x 30" x 3"	3.5	70
RSS-H-14-45-A	14	4.3	4.5"	17.9	15.8	12.4	10.1	8.4	0.125"	9"	7.5" - 10"	5.30" - 7.07"	9"	0.75"	3/4" x 30" x 3"	3.5	82
RSS-H-16-45-A	16	4.9	4.5"	14.8	13.0	10.1	8.1	6.7	0.125"	9"	7.5" - 10"	5.30" - 7.07"	9"	0.75"	3/4" x 30" x 3"	3.5	93
RSS-H-18-45-A	18	5.5	4.5"	12.1	10.6	8.0	6.3	5.2	0.125"	9"	7.5" - 10"	5.30" - 7.07"	9"	0.75"	3/4" x 30" x 3"	3.5	105
RSS-H-20-45-A	20	6.1	4.5"	9.9	8.5	6.3	4.9	3.9	0.125"	9"	7.5" - 10"	5.30" - 7.07"	9"	0.75"	3/4" x 30" x 3"	3.5	117
RSS-H-25-45-A	25	7.6	4.5"	5.7	4.7	3.0	2.0	1.5	0.125"	9"	7.5" - 10"	5.30" - 7.07"	9"	0.75"	3/4" x 30" x 3"	3.5	146
RSS-H-10-50-B	10	3.0	5"	25.0	25.0	25.0	25.0	25.0	0.188"	11"	8.0" - 11"	5.66" - 7.78"	10.25"	1.0"	3/4" x 30" x 3"	3.75	97
RSS-H-12-50-B	12	3.7	5"	25.0	25.0	25.0	24.8	20.8	0.188"	11"	8.0" - 11"	5.66" - 7.78"	10.25"	1.0"	3/4" x 30" x 3"	3.75	116
RSS-H-14-50-B	14	4.3	5"	25.0	25.0	24.7	20.5	17.2	0.188"	11"	8.0" - 11"	5.66" - 7.78"	10.25"	1.0"	3/4" x 30" x 3"	3.75	135
RSS-H-16-50-B	16	4.9	5"	25.0	25.0	20.7	17.1	14.3	0.188"	11"	8.0" - 11"	5.66" - 7.78"	10.25"	1.0"	3/4" x 30" x 3"	3.75	155
RSS-H-18-50-B	18	5.5	5"	24.5	21.6	17.3	14.3	11.9	0.188"	11"	8.0" - 11"	5.66" - 7.78"	10.25"	1.0"	3/4" x 30" x 3"	3.75	174
RSS-H-20-50-B	20	6.1	5"	20.6	18.1	14.4	11.8	9.8	0.188"	11"	8.0" - 11"	5.66" - 7.78"	10.25"	1.0"	3/4" x 30" x 3"	3.75	193
RSS-H-25-50-B	25	7.6	5"	13.6	11.7	9.1	7.3	6.0	0.188"	11"	8.0" - 11"	5.66" - 7.78"	10.25"	1.0"	3/4" x 30" x 3"	3.75	242
RSS-H-20-60-C	20	6.1	6"	25.0	25.0	25.0	25.0	21.5	0.25"	11"	9.0" - 11"	6.36" - 7.78"	10.25"	1.0"	1" x 36" x 4"	4.5	307
RSS-H-25-60-C	25	7.6	6"	25.0	25.0	21.9	18.0	15.0	0.25"	11"	9.0" - 11"	6.36" - 7.78"	10.25"	1.0"	1" x 36" x 4"	4.5	384
RSS-H-30-60-C	30	9.1	6"	21.8	19.4	15.6	12.7	10.6	0.25"	11"	9.0" - 11"	6.36" - 7.78"	10.25"	1.0"	1" x 36" x 4"	4.5	461

1 Allowable EPA. To determine maximum pole loading weight, multiply allowable EPA by 30 lbs; Example RSS-H-20-45-B pole in 90 mph zone = 255 lbs (8.5 x 30)

Note: Factory supplied template must be used when setting anchor bolts; Hubbell Lighting will deny any claim for incorrect anchorage placement resulting from failure to use factory supplied template and anchor bolts

ORDERING INFORMATION ORDERING EXAMPLE: RSS-H-20-45-A-2L-S2-DB-VM2

STOCK AND QUICK SHIP POLES SEE PAGE 50

Complete part number requires shaft above plus mounting type, finish, and appropriate options below.

SIDE MOUNTING	TOP MOUNTING	FINISH	OPTIONS	OPTIONS (con't)
1-S2 Side - single	TA Tenon 2" pipe (2 3/8" OD)	BL Black	HSC Internal coating (Hubbell Seal)	C20 ² 2" coupling
2L-S2 Side - double at 90°	TB Tenon 2.5" pipe (2 7/8" OD)	DB Dark Bronze	GFI ² 20A GFCI receptacle & cover	MPB ² Mid-pole luminaire bracket (12" long w/ 2 3/8" OD tenon)
2-S2 Side - double at 180°	TC Tenon 3" pipe (3 1/2" OD)	GR Gray	EHH ² Extra hand hole	VM2 2nd mode vibration damper
3T-S2 Side - triple at 90°	TR ² Removable tenon (2.375"x4.25")	PS Platinum	C05 ² 1/2" coupling	RBC Round Base Cover (Group 2 only)
3Y-S2 Side - triple at 120°	OT No drilling (includes pole cap)	WH White	C07 ² 3/4" coupling	LAB Less anchor bolts
4-S2 Side - quad at 90°		CC Custom Color (consult factory)		

1 DRILL PATTERN: #2 3/16" C-C

2 Specify option location using logic found in pole introduction pages; The location of all options must start a minimum of one foot above the hand hole and be located one foot apart from one another; Consult factory for any exceptions



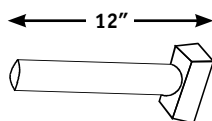
Mounting Brackets

Square Steel Pole Mounting Brackets

The ARM brackets are made from 2 3/8" OD steel tubing and are designed to mount on square steel poles (SSS Series). Units are offered in gray or dark bronze powder paint finishes to match our ASL luminaires. Brackets are the #2 drilling pattern on Hubbell / Spaulding poles. Mounting hardware for those poles is included.

MADE-TO-ORDER ORDERING INFORMATION

Catalog Number	Length (Inches)	OD	Finish	EPA	Weight lbs (kg)	PKG. CODE
ARM-F-M12-BL	12"	2 3/8"	Black	-	7 (3.2)	BC
ARM-F-M12-DB	12"	2 3/8"	Bronze	-	7 (3.2)	BC
ARM-F-M12-GR	12"	2 3/8"	Gray	-	7 (3.2)	BC
ARM-F-M12-PS	12"	2 3/8"	Platinum	-	7 (3.2)	BC
ARM-F-M12-WH	12"	2 3/8"	White	-	7 (3.2)	BC



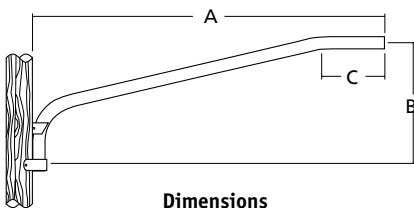
ARM - F - M12 - XX

Wood Pole Mounting Brackets

This section of aluminum and galvanized steel utility wood pole brackets provides a range of mounting capabilities from 1 1/4" pipe arms 2" pipe arms (2 3/8" OD) for ASL luminaires or DD/DDL Dusk-to-Dawn. Mounting hardware is not included and mounting holes vary slightly from bracket to bracket. Select hardware after your brackets arrive and in relation to the specific pole diameter on which it is to be mounted.

MADE-TO-ORDER ORDERING INFORMATION

Catalog Number	Dimensions (inches) (C) (B) (A)	OD	Weight		PKG. CODE
			lbs	Kg	
Aluminum					
WB-01A	10" 19" 42"	1 1/4"	4	1.8	BC
WB-04A	10" 19" 42"	2"	7	3.2	BC
WB-05A	12" 24" 66"	2"	10	4.5	BC
WB-07A	15" 30" 90"	2"	16	7.3	BC
Galvanized Steel					
WB-02S	10" 15" 30"	1 1/4"	9	4.1	BC
WB-03S	10" 19" 42"	1 1/4"	11	5	BC
WB-04S	12" 24" 66"	1 1/4"	15	6.8	BC
WB-06S	10" 19" 42"	2"	18	8.2	BC
WB-07S	12" 24" 66"	2"	24	10.9	BC
WB-08S	15" 30" 90"	2"	30	13.6	BC

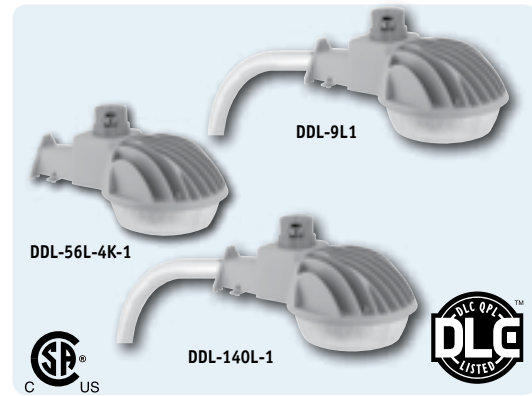


Dimensions

DDL Dusk-to-Dawn

Multi-purpose LED Luminaire

- Rugged die-cast aluminum housing with both 2-3/8" & 1-5/8" OD mast arm mount capability as well as direct wall/ surface mounting
- Less refractor provides zero uplight design for environmentally friendly installations
- Refractor provides enhanced security lighting and LED brightness control when installed
- Three models up to 5200 lumens, up to 43.5w, up to 121 LPW efficacy
- Symmetric lens installed standard
- 120V operation
- DDL-9L only: Field rotatable Type II LED lens included for pathway/ roadway applications
- All models are DesignLights Consortium Qualified
- 120V twist-lock style photocontrol included
- Textured gray powder paint finish
- 24" (18" projection) arm included for DDL-9L and DDL-140L only, arm not included for DDL-56L
- ANSI 3G Rated
- Five year limited warranty -for more information visit: <http://www.hubbelloutdoor.com/resources/warranty/>



LED DUSK-TO-DAWN

STOCK ORDERING INFORMATION

Catalog Number	Mounting Height	Mount	System Watts	# of Drivers/ Current	Voltage	Color Temperature	Delivered Lumens	LPW	Weight lbs. (kg)	PKG. CODE
DDL-9L1	up to 20 ft.	Wall/ Arm included	40	1@1280mA	120V	5000K	3437	86	6.8 (3.08)	FCC
DDL-56L-4K-1-NA	up to 15 ft.	Wall/ Arm (not included)	30	1@150mA	120V	4000K	2906	97	6.8 (3.08)	SCC
DDL-140L-1	up to 25 ft.	Wall/ Arm included	43.5	1@92mA	120V	5000K	5279	121	6.8 (3.08)	SCC

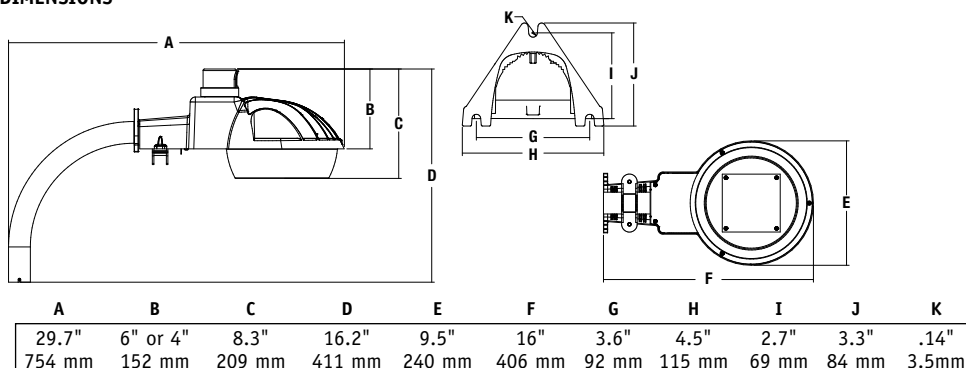
PERFORMANCE INFORMATION

Series Number	Equivalency			Energy Savings
	MH	HPS	CFL	
DDL-9L1 (Symmetric lens)	100w	100w	85w	68%
DDL-9L1 (Roadway lens)	100w	100w	85w	68%
DDL-56L-4K-1-NA	100w	100w	85w	76%
DDL-140L-1	175w	150w	125w	79%

STOCK ACCESSORIES/REPLACEMENT PARTS - Order Separately

Catalog Number	Description
ARM-DD24	24" aluminum arm with hardware
ARM-DD30	30" aluminum arm with hardware
DDL-DRIVER-120V	Driver for DDL9L (120V)
DDL-DRIVER-140	Diver for DDL-140L (120V)
DDL-DRIVER-56	Driver for DDL-56L (120V)
DDL-LENS-140	LED Symmetric lens for DDL-140L
DDL-LENS2	LED Asymmetric lens for DDL-9L
DDL-LENS5	LED Symmetric lens for DDL-9L or DDL-56L
DDL-REFR	Refractor for all DDL models

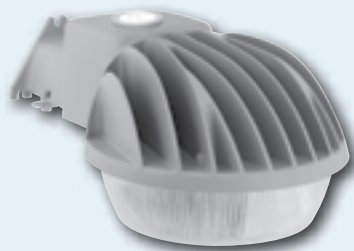
DIMENSIONS



DDL Utility Dusk-to-Dawn

Multi-purpose LED Utility Luminaire

LED DUSK-TO-DAWN



- Utility grade design and performance
- 8' supply leads
- Refractor installed standard to enhance security lighting and control LED brightness
- Removal of refractor provides zero uplight for environmentally friendly installations
- Rugged die-cast aluminum housing with both 2-3/8" & 1-5/8" OD mast arm mount capability as well as direct wall/surface mounting
- Textured gray powder paint finish
- 120V operation
- ANSI 3G Rated
- Consult factory for optional features
 - Universal 120-277V driver, 0-10V dimming
 - Universal 120-277V photocell
 - 10kV/10kA Surge protector
- Five year limited warranty -for more information visit:
 - <http://www.hubbelloutdoor.com/resources/warranty/>

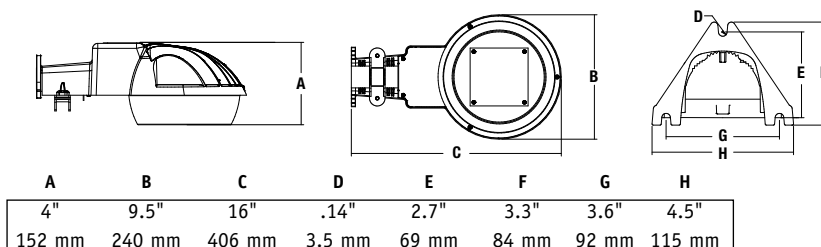
MADE-TO-ORDER ORDERING INFORMATION

Catalog Number	Construction	Mount	System Watts	# Drivers/ Current	Voltage	Color Temperature	Delivered Lumens	LPW	Weight lbs. (kg)	PKG. CODE
DDL9L1NANPC8C	Die-cast aluminum	up to 20 ft.	40	1@1280mA	120V	5000K	3437	86	6.8 (3.08)	BC

STOCK ACCESSORIES/REPLACEMENT PARTS - Order Separately

Catalog Number	Description	PKG. CODE
DDL-DRIVER-120V	Driver for DDL9L (120V)	BC
DDL-LENS2	LED Asymmetric lens for DDL-9L	BC
DDL-LENS5	LED Symmetric lens for DDL-9L	BC
DDL-REFR	Refractor for DDL-9L	BC
ARM-DD24	24" Aluminum arm with hardware	BC
ARM-DD30	30" Aluminum arm with hardware	BC
DDL-LENS	LED Asymmetric lens for DDL-9L	BC

DIMENSIONS



HUBBELL
Outdoor Lighting

B Dimension = 4" without photocontrol

DD Series

Dusk-To-Dawn

- The DD Series offers HID and CFL energy savings and safety/security lighting
- The Type V acrylic refractor provides wide, uniform coverage
- Units are designed in distributor or utility versions, see listings below
- Kits include 1 1/4" pipe arm, lamp, 120V photocontrol and mounting hardware
- PSMH and CFL units offer "white" light option; CFL unit is recommended for use in warmer climates; Minimum starting for CFL is 0°F; Nominal light output is at 77°F ambient
- Distributor kits are listed to UL1598 for use in wet locations (utility versions not listed)



HID DUSK-TO-DAWN

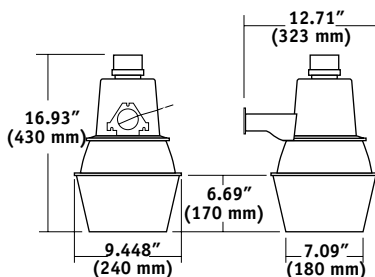
STOCK ORDERING INFORMATION

Catalog Number	Wattage	Source	Optic Dia.	Lamp	Weight lbs. (kg)	PKG. CODE
Distributor kits - 24" curved aluminum arm, UL listed. Screw-on optics						
High Pressure Sodium						
DDS-100S	100	HPS	12"	Med. Clear	4.5 (2.0)	FCC
DDS-150S	150	HPS	12"	Med. Clear	5.0 (2.3)	FCC
Pulse Start Metal Halide						
DDS-100P	100	PSMH	12"	Med. Clear	6.0 (2.7)	FCC
DDS-100PL	100	PSMH	12" with latches	Med. Clear	6.0 (2.7)	BC
Compact Fluorescent						
DDS-65F	65	CFL	12"	Med. Screw Base	4.0 (1.8)	FCC
Utility kits - 24" curved aluminum arm, terminal block, 60" leads, latch-on optics						
DDR100S	100	HPS	12"	Mogul Clear	6.5 (2.9)	BC
DDR150S	150	HPS	12"	Mogul Clear	6.5 (2.9)	BC

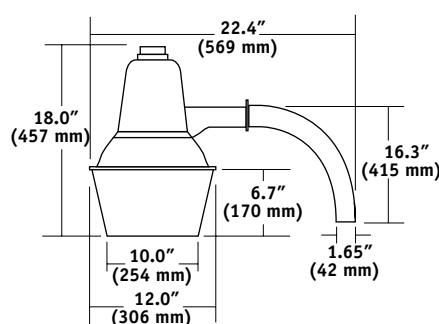
STOCK REPLACEMENT PARTS

Catalog Number	Description	Weight lbs. (kg)	PKG. CODE
DDR-5AP	Replacement optics, latch-on, Type V acrylic for DDR fixtures	1.5 (0.7)	BC
PTL-1	Replacement 120V twist lock photocontrol	0.1 (0.05)	BC
93023491	Replacement 65w CFL lamp	5 (2.25)	BC

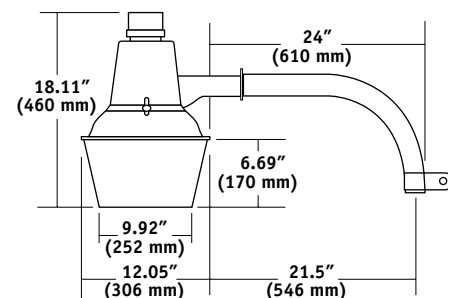
DIMENSIONS



DD



DDS



DDR



HUBBELL
Outdoor Lighting

VBGL/VWGL

Wet Location LED Vaportites

LED VAPORTITES



- Compact size measuring only 5.2" x 10.4" (wall mount version slightly larger)
- 757 lumens, 11w system, 70 LPW
- Frosted glass lens distributes light evenly without any LED brightness or glare
- Pendant mount version accommodates traditional 1/2" x 14 NPS threaded conduit
- 120-277V operation, 50/60Hz
- Rugged die-cast aluminum housing with removable cast aluminum guard and vandal resistant set screws included, gray finish
- IP66, listed to UL1598 for use in wet locations (unit is not rated for use in hazardous locations)
- Four color multi-language merchandising carton with application details
- Color globe accessories available: Green, Blue, Yellow and Red

STOCK ORDERING INFORMATION

Catalog Number	Construction	Mount	System Wattage	# Drivers/Current	Voltage	Color Temperature	Delivered Lumens	LPW	Weight lbs. (kg)	PKG. CODE
VBGL-1	Globe refractor	Ceiling/Pendant	11	1@250mA	120-277V	4000K	757	70	3.4 (1.54)	FCC
VWGL-1	Globe refractor	Wall	11	1@250mA	120-277V	4000K	757	70	3.6 (1.63)	FCC

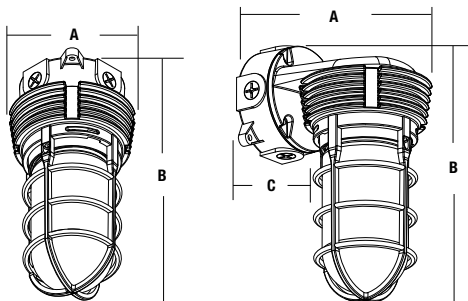
PERFORMANCE INFORMATION

Series Number	Equivalency		Energy Savings
	INC	CFL	
VBGL-1	150w	32w	88%
VWGL-1	150w	32w	88%

STOCK REPLACEMENT GLOBES

Catalog Number	Description	PKG. CODE
VGL-FG	Frosted globe	BC
VGL-GUARD	Guard with set screws	BC
Colored Globes		PKG. CODE
VGL-GN	Green globe	BC
VGL-YW	Yellow globe	BC
VGL-BU	Blue globe	BC
VGL-RD	Red globe	BC

DIMENSIONS



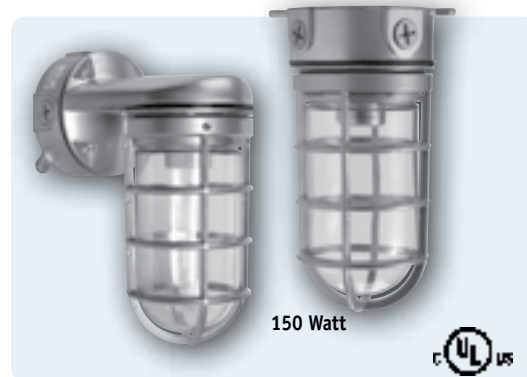
	A	B	C
VBGL-1	5.2" 132 mm	10.4" 263 mm	-
VWGL-1	7.3" 186 mm	11.0" 280 mm	5.2" 132 mm

VBGG/VWGG Series

Wet Location Vaportites

- Wall/ceiling/pendant entry, corridor, tunnel, service area, stairwell, or retro-accent
- 150w/300w maximum medium base incandescent
- Platinum silver protective finish
- VWGG has cast aluminum wall bracket with cast wiring box; Box has external lugs and four side 1/2" hubs for surface conduit and one rear 1/2" access hub
- VBGG has cast aluminum wiring box with external lugs for ceiling mount and four 1/2" hubs for surface conduit;

- Wiring box has top 1/2" hub for pendant mount
- All units have water/bug tight gasketing
- All units have medium base porcelain socket
- All units include clear glass protective globe with thread-on cast aluminum guard; Guard includes vandal-resistant set screw
- All units are UL listed for use in wet locations



INCANDESCENT VAPORTITES

STOCK ORDERING INFORMATION

Catalog Number	Wattage	Mounting	Weight lbs. (kg)	PKG. CODE
VBGG-150	150	Box/pendant	3 (1.36)	FCC
VWGG-150	150	Wall	3.5 (1.59)	FCC

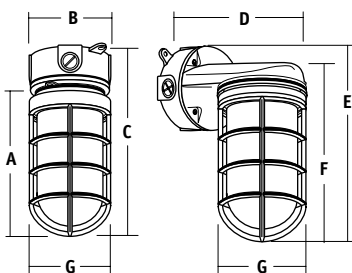
STOCK REPLACEMENT GLOBES

Catalog Number	Description	PKG. CODE
VRGP-100	Ruby, tempered	BC

MADE-TO-ORDER REPLACEMENT GLOBES

Catalog Number	Description	PKG. CODE
VAMG-100	Amber	BC
VBG-100	Blue	BC
VBGP-100	Blue, tempered	BC
VCGP-100	Clear, tempered	BC
VCGPT-100	Clear, tempered w/ Tuffskin® coating	BC
VGG-100	Blue Green	BC
VGGP-100	Blue Green, tempered	BC
VPG-100	Purple	BC
VRG-100	Ruby	BC
VRSG-100	Green	BC

DIMENSIONS



150w

Lugs: 5" center to center

	A	B	C	D	E	F	G
	7"	1 1/2"	9"	7 1/4"	9 3/4"	8 1/2"	4"
150w	178 mm	38 mm	229 mm	184 mm	248 mm	216 mm	102 mm



HUBBELL
Outdoor Lighting

12V LED Lightscape® System

Long Life, Easy to Install, No Maintenance Lighting System

LED LANDSCAPE



- LED landscape fixtures, long life, low energy consumption, no maintenance, three-year limited warranty
- Die-cast aluminum construction, professional grade, built to perform with durable design
- Powder coat polyester epoxy finish maintains lasting beauty
- 1.5w path fixtures in 3 styles; 3w flood and recessed uplight; 3000K CCT
- Path and flood fixtures are complete with stake, 4' fixture cable, and "Smart Connect" tool-free connector; Flat surface deck adapter included
- Control center is UL listed for wet locations and features non-metallic housing, grounded cord set, photocontrol, and easy cable connect

A simple system, easy to install and maintain, with low energy consumption for safety, security and property enhancement. Go Green with Hubbell Lightscape® LED products!

STOCK ORDERING INFORMATION

Catalog Number	Finish	Description	Weight	PKG. CODE
CONE				
CO-AB	Antique Bronze	Create a tropical image. The basic 7" dia. cone shape sits 15" high and creates a 5' lighted area with soft, indirect shielded light. Excellent for subtle illumination of plants or walkways.	2.0 lbs	FCC
GREENVILLE				
GN-AB	Antique Bronze	A stately appearance with classic shape. Stands 16" tall with 5" dia. head. Frosted lens provides soft lighting of taller surrounding plantings with 5' coverage. Use along walkways, steps. Typical spacing 8'-12'.	2.75 lbs	FCC
REIDVILLE				
RD-AB	Antique Bronze	Bell-shaped head supported by decorative arm and sturdy staff. Full cut-off pattern provides 5' light pool on ground with no glare. Perfect for highlighting walkways, flowers and specimen plants. Typical spacing 8'-10'.	3.25 lbs	FCC
EYELID				
EL-AB	Antique Bronze	Round eyelid for deck post or steplighting. Can be surface mounted or semi-recessed. Use for accent or small area illumination of perimeters or stairways. 2' mounting height provides soft coverage 5' w, 2' forward. 6' fixture cable.	1.0 lbs	FCC
RECESSED				
RE-PT	Pewter	Round recessed uplight for accent lighting of trees, columns and building facades. Powerful 3w LED projection beam. Provides hidden light source.	1.5 lbs	FCC
FLOODLIGHT				
FL-AB	Antique Bronze	Powerful 3w LED projection flood with adjustable knuckle for versatile aiming. Use for accent lighting of building facades, small signs or address numbers, columns, trees and residential flags to 20'.	2.0 lbs	FCC
CONTROL CENTER				
LVT56	Black	Non-metallic case protects timer controls and 120V to 12V transformer. Surge protected with grounded cord/plug set and easy 12V cable attachment. Photocontrol triggers "time on", eliminating seasonal adjustment. UL and cETL certified. 56w capacity.	4.0 lbs	FCC
CABLE				
CB-75	Black	Low voltage #14 cable runs from LVT56 transformer down path of lighting. UV protected, burial is not required, hide with mulch if desired. Perfect fit with fixture connectors for easy installation (150' is the max. run distance from transformer location to assure best fixture operation).	4.0 lbs	FCC
CB-150	Black		6.0 lbs	FCC

NOTE: All fixtures are complete with LED light engine, 4' minimum fixture cable and "Smart Connect" tool-free connector. Path lights and floods also include ground stake and a deck mount adapter for flat surfaces. When you purchase Lightscape®, you get it all!

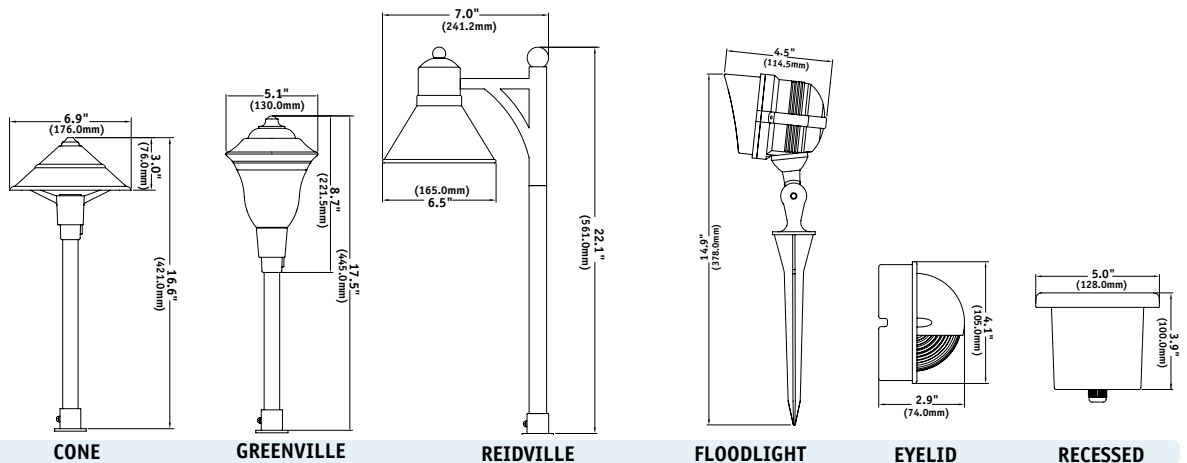
Lightscaper® Fixtures

12V LED

LED LANDSCAPE



DIMENSIONS



103/103-7/306 Series

PAR Lampholders

LAMP HOLDERS



103 LAMPHOLDER

- Full size lampholder with rugged construction. Large 1/2" swivel knuckle adds strength and allows universal aiming; Silicone gasket seals to PAR lamps for water-tight design; 150w max. Natural aluminum finish; Porcelain medium base socket; Listed to UL1598 for use in wet locations

103-7 SERIES

- Shielded lampholder for use with PAR lamps to 150w max; "Bell" shape has traditional styling; porcelain medium base socket; 1/2" cast aluminum swivel knuckle allows universal aiming; Various finishes available - gray, bronze, black, white, Shalda green; Listed to UL1598 for use in wet locations

306 SERIES

- Die-cast housing and door available in Gray powder paint protective finish with tempered glass lens with silicone gasket; PAR 56 lamps - 300w incandescent or 500w quartz (by others); Listed to UL1598 for use in wet locations



STOCK

ORDERING INFORMATION

103

Catalog Number	Description	Gasket	Finish	Weight lbs. (kg)	PKG. CODE
103	Unshielded, full size	Silicone	Natural Aluminum	.75 (.3)	BC

103-7 Series

Catalog Number	Description	Gasket	Finish	Weight lbs. (kg)	PKG. CODE
103-7	Shielded, bell shape	Silicone	Gray	1.25 (0.6)	FCC
103-71	Shielded, bell shape	Silicone	Bronze	1.25 (0.6)	BC
103-72	Shielded, bell shape	Silicone	Black	1.25 (0.6)	BC

306

Catalog Number	Description	Finish	Weight lbs. (kg)	PKG. CODE
306	1/2" Swivel knuckle mount, 12" leads, hinged door and lens	Gray	3.375 (1.7)	BC

Note PAR 56 lampholders for 300w (maximum) incandescent or 500w quartz; Lamp not included

STOCK

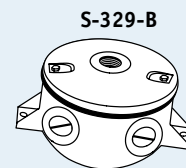
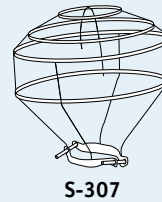
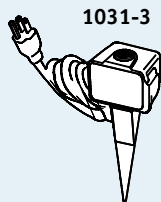
REPLACEMENT PARTS

Catalog Number	Description	PKG. CODE
207-5011-0264	Bronze knuckle	BC

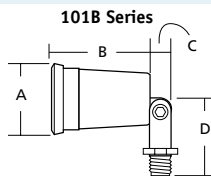
MADE-TO-ORDER

ACCESSORIES - Order Separately

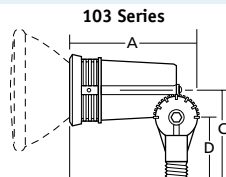
Catalog Number	Description	PKG. CODE
1306C	Lens & Gasket	BC
S-307	Wire guard for PAR and R lamps, for use with 103 fixture	BC
1324	Wire guard for PAR lamps, for use with 103-7 Series	BC
1308	Plated wire guard for 306 (0.2lbs (.09kg))	BC
1031-3	Ground spike with splice box and 6' cord set - 1/2" top hub	BC
S-329-B	4" Round wet location outlet box with cover - 1/2" hubs	BC



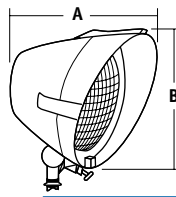
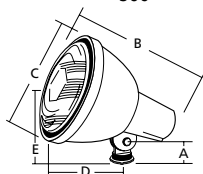
DIMENSIONS



103-7 Series



306



	A	B	C	D	E
101B	2 1/2"	3"	0.5"	1.5"	-
	55 mm	76 mm	13 mm	38 mm	-
103	4 13/16"	4"	3 7/16"	2 3/8"	-
	122 mm	102 mm	87 mm	60 mm	-
103-7	1 5/16"	6"	5 3/8"	4 1/16"	3 7/16"
	33 mm	152 mm	137 mm	103 mm	87 mm

	A	B
306 Series	8 1/8"	9 7/8"
	206 mm	251 mm



HUBBELL
Outdoor Lighting

308/309 Series

Bullet Lampholders

- PAR/BR Lampholders, 150w max.
- Energy-saving 10 LED/15w, nominal 315 lumens, 3500K
- Decorative finishes vary
- Die-cast aluminum housing (and doors)
- Tempered glass lens
- Large 1/2" swivel knuckle, 308 down aim outdoors, 309 is universal aim
- Medium base porcelain socket (150w max) for PAR/BR models
- Available in Gray, Black, Green, Bronze, White and Verdi finishes; See ordering information
- CSA certified to UL 1598, CSA 22.2 No. 250.0-00, Suitable for wet locations
- Deep shield, wire guard accessories available



LANDSCAPE

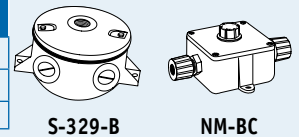
STOCK ORDERING INFORMATION

Catalog Number	Description	Finish	Weight lbs. (kg)	PKG. CODE
Damp Location Listed - Aim Down Outdoors¹				
308-13-M	8 1/4" long	Garden Green	2.25 (1)	BC
Wet Location Listed - Universal Aiming²				
309-ML	9 7/8" long	Gray	3 (1.4)	BC
309-13-ML	9 7/8" long	Garden Green	3 (1.4)	BC
309-14-ML	9 7/8" long	Matte Black	3 (1.4)	BC
309-VG-ML	9 7/8" long	Verdi	3 (1.4)	BC
309-M51-ML	9 7/8" long	Dark Bronze	3 (1.4)	FCC
309-M54-ML	9 7/8" long	White	3 (1.4)	BC

- 1 Use medium base PAR 38 lamps or smaller, 150w maximum
 2 Use PAR 38 or BR40 lamps, 150w maximum

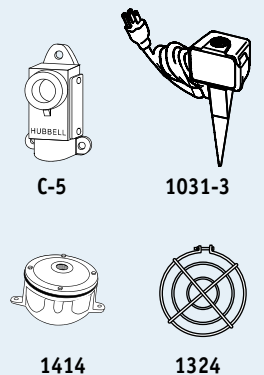
STOCK ACCESSORIES - Order Separately

Catalog Number	Description	Weight lbs. (kg)	PKG. CODE
264 0097 9702	Clear lens	.5 (0.2)	BC
S-302	Slipfits 1 1/2" or 2" pipe (1.9" OD or 2 3/8" OD) with 1/2" N.P.S.M. hub; Gray	.6 (0.3)	BC
S-302-M51	Slipfits 1 1/2" or 2" pipe (1.9" OD or 2 3/8" OD) with 1/2" N.P.S.M. hub; Bronze	.6 (0.3)	BC

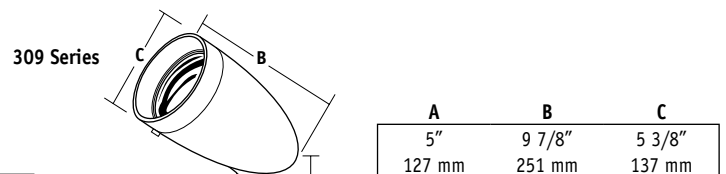
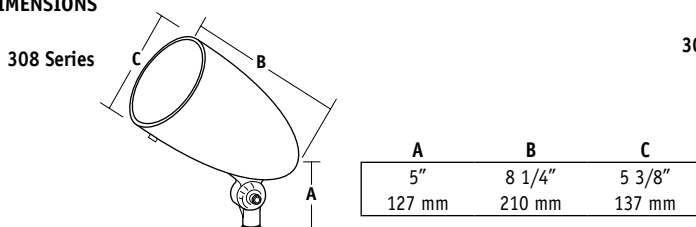


MADE-TO-ORDER ACCESSORIES - Order Separately

Catalog Number	Description	Weight lbs. (kg)	PKG. CODE
1324	Zinc-plated wire guard	.25 (0.1)	BC
C-5	Wall or tree box, 3 mounting lugs in body; 2 1/2" hubs in "L" shape layout, side access plate	.25 (.11)	BC
NM-BC	Non-metallic high impact phenolic weatherproof box & cover, box is drilled at 180° for two burial cable connectors (included), allowing feed-through capability; gasketed cover has weathertight 1/2" hub; brass cover with screws; gray		BC
1414-BOX	Cast iron box - two side hubs, one top (1/2"); heavy-duty; gray	.8 (.4)	BC
1031-3	Cast spike with internal splice box, 1/2" NPSM hub for fixture & 6' #18/3 grounded cord set; gray	1.75 (.8)	BC
S-329-B	Cast round box, 4", 6-sided 1/2" back hub (wall or ceiling)	.75 (.3)	BC



DIMENSIONS



Boxes & Covers

Hubbell has a variety of junction boxes and covers to allow easy installation of lampholders, compact floodlights and landscape luminaires. Cast aluminum construction, gasketed covers designed for

wet locations and conduit plugs are standard. Boxes have a natural aluminum finish. Covers are painted gray or black.

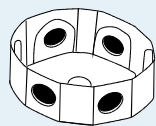
ORDERING INFORMATION: Cast Round Boxes

Catalog Number	Size in. (mm)	Hubs						Mt. Lugs	Weight lbs. (kg)	PKG. CODE	Source
		Side		Back		Cover					
		Qty.	Size	Qty.	Size	Qty.	Size				
S-314-B ¹	4 (102)	6	1/2"	1	1/2"	-	-	-	.75 (0.3)	BC	STOCK
S-329-B	4 (102)	4	1/2"	1	1/2"	1	1/2"	2	.75 (0.3)	BC	STOCK
S-319-B ¹	4 (102)	4	1/2"	1	1/2"	-	-	2	.75 (0.3)	BC	MADE-TO-ORDER

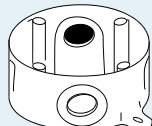
¹ Box furnished without cover; If cover required, order applicable cover as listed in covers for round boxes

MADE-TO-ORDER ORDERING INFORMATION: Specialty Boxes (All Hubs Tapped NPSM)

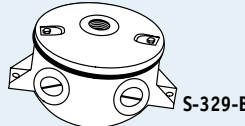
Catalog Number	Description	Weight lbs. (kg)	PKG. CODE
C-5	Wall or tree box: 3 mounting lugs in body; 2 1/2" hubs in "L" shape layout - side access plate	.25 (.11)	BC



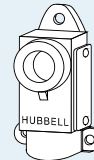
S-314-B



S-319-B



S-329-B



C-5



206-BC3

ORDERING INFORMATION: Round Covers - Cast Aluminum With Hubs

Catalog Number	Size in. (mm)	Boxes Used With	Tapped Hubs		Finish	Weight lbs. (kg)	PKG. CODE	Source
			Qty.	Size				
206-BC3	4 (102)	3 1/4" x 4" (83 mm x 102 mm)	3	1/2"	Gray	.5 (0.2)	BC	STOCK
206-BC3-B	4 (102)	3 1/4" x 4" (83 mm x 102 mm)	3	1/2"	Black	.5 (0.2)	BC	MADE-TO-ORDER

Landscape Accessories

- These accessories make it simple to install the various Lightscaper® fixtures.
- Two grades of burial junction boxes, portable spike mounts and 2 3/8" stub up fitters are specifically designed to mate with lampholders and louver lights

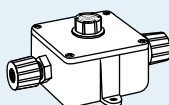
STOCK ORDERING INFORMATION: Landscape Accessories

Catalog Number	Description	Weight lbs. (kg)	PKG. CODE
Fitter			
S-302	Slipfits 1 1/2" or 2" pipe (1.9" OD or 2 3/8" OD) with 1/2" N.P.S.M. hub; Gray	.6 (0.3)	BC
S-302-M51	Slipfits 1 1/2" or 2" pipe (1.9" OD or 2 3/8" OD) with 1/2" N.P.S.M. hub; Bronze	.6 (0.3)	BC

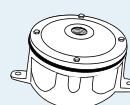
MADE-TO-ORDER ORDERING INFORMATION: Landscape Accessories

Catalog Number	Description	Weight lbs. (kg)	PKG. CODE
Junction Boxes			
NM-BC	Non-metallic high impact phenolic weatherproof box and cover; Box is drilled at 180° for two burial cable connectors, included, allowing feed-through capability; Gasketed cover has weathertight 1/2" hub; Brass cover screws; Gray	—	BC
1414-BOX	Cast Iron Box - 2 side hubs, one top (1/2"); Heavy Duty; Gray	5 (2.3)	BC
Ground Spikes			
1031-3	Cast spike with internal splice box, 1/2" N.P.S.M. hub for fixture and 6' #18/3 grounded cord set; Gray	1.75 (0.8)	BC
Fitters			
S-302-M52	Slipfits 1 1/2" or 2" pipe (1.9" OD or 2 3/8" OD) with 1/2" N.P.S.M. hub; White	.6 (0.3)	BC

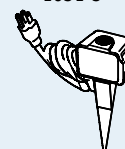
NM-BC



1414-BOX



1031-3



S-302



RU Series

Recessed Uplight

Recessed uplight used for accent lighting of building facades, columns, ground mount signs, and landscape trees. Recessed units provide low profile for "hidden" light source and easier landscape maintenance such as mowing, weed eating, etc.

- Non-metallic housing and lens frame
- Bronze finish
- Tempered, impact-resistant glass lens
- Stainless steel hardware

- Pulse Start Metal Halide systems complete with clear, medium base lamp
- 100w or 70w systems with Quad-Tap® ballastry (120, 208, 240, 277V)
- Listed to UL1598 for use in wet locations, ground mount/burial locations away from normal pedestrian path
- Accessory guards and wall wash/shield reflector available



RU70P8

LED FLOODLIGHTING

STOCK ORDERING INFORMATION

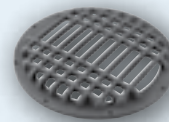
Catalog Number	Wattage	Voltage	Lamp Included	Weight lbs. (kg)
Pulse Start Metal Halide				
RU100P8	100w	120/208/240/277	Yes	14.5 (6.5)
RU70P8	70w	120/208/240/277	Yes	10 (4.5)

MADE-TO-ORDER ACCESSORIES

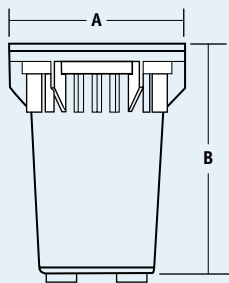
Catalog Number	Description
RU100G	100w guard
RU70G	70w guard
RU100WW	100w wall wash shield reflector
RU70WW	70w wall wash shield reflector



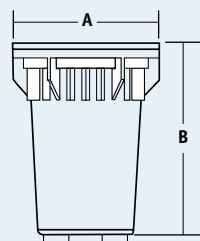
RU100G



RU70G



RU100P8



RU70P8

	A	B
100P	12.2" 310 mm	14.0" 357 mm
70P	9.6" 244 mm	13.0" 330 mm



HUBBELL
Outdoor Lighting

HBL

LED Highbay Series Severe Location

LED HIGHBAY



The LED Highbay Series is designed to efficiently light any large interior space with its high performance LED design and delivery of up to 100 lumens per watt of 5000 deg K light. The unique radial design with fins of durable cast aluminum allow it to operate in -40 °C to 55 °C ambient environments and keeps the LEDs cool resulting in an estimated 100,000 hours of life at L70.

The LED Highbay offers nine unique fixture versions for a wide variety of applications.

The LED Highbay is DesignLights Consortium® qualified for general highbay fixtures.

The total wattage ranges from 112-169 watts with a lumen output ranging from 10,000 to almost 17,000 lumens. The LED Highbay comes standard with 0-10v dimmable, universal voltage LED drivers with input from 120v to 277v at 50hz or 60 hz. Surge protection is included as standard. Complete fixture assembly is IP56. DLC Approved.

STOCK ORDERING INFORMATION

Catalog Number	Description	Voltage	Color	Weight lbs. (kg)	PKG. CODE
HBL-72LU-NN-5K-W-070-ND-WH	HBL LED Highbay, 72 LED, No Mount, 5K, Wide, Non Dimming, White	120-277V	White	36.6 (16.6)	BC
HBL-72LU-NN-5K-N-070-ND-WH	HBL LED Highbay, 72 LED, No Mount, 5K, Narrow, Non Dimming, White	120-277V	White	36.6 (16.6)	BC
HBA2B	Pendant, 3/4" White	-	White	3 (1.3)	BC

ORDERING INFORMATION



10-Day Quick Ship Ordering Guide
Order Limit Per Fixture Selection: 15 – BC Pkg Code

HBL	-		-	U	-	A	-	2	-		-		-	070	-	ND	-		-	
SERIES HBL LED Highbay				MOUNT A Pendant		HUB 2 3/4" Hub				DISTRIBUTION N Narrow W Wide				DRIVE CURRENT 070 700 MA						COLORS BL Black GR Gray WH White
NUMBER OF LEDs 60L 60 High brightness LEDs 72L 72 High brightness LEDs										COLOR TEMPERATURE 3K 3000K 4K 4000K 5K 5000K						DIMMING ND Non-Dimming				OPTIONS Fx Fusing (Replace "x" with voltage - Refer to spec sheet for more info.) ENCA Frosted Acrylic Protective Lens ENCG Glass Protective Lens OCS(X) Occupancy Sensor WG Bottom Wire Gaurd WIHUBB Wireless Control System
				VOLTAGE U 120 - 277V																

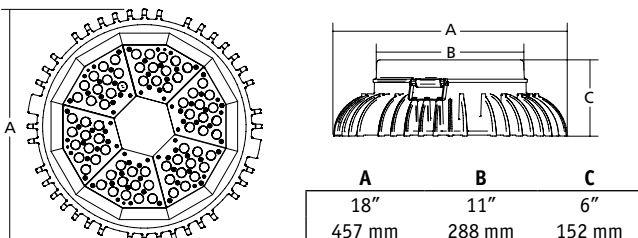
Notes: Voltage must be specified for Fusing and Occupancy Sensor compatibility. Refer to product spec sheet for 480V specification requirements

Accessories - Order Separately

Catalog Number	Description
HOOK/LOOP	Fixture Mounting Hook
BLA-C4HLPX	Cord and Plug Set
LG2S	DUAL-LITE 250 VA LiteGear Emergency Lighting Inverter

Note: One (1) LED Highbay per LG2S

DIMENSIONS



HUBBELL
Industrial Lighting

LED Highbay Series Severe Location

MADE-TO-ORDER ORDERING INFORMATION – (BC PKG CODE)

HBL	-		-		-		-		-		-	070	-		-		-	
SERIES HBL LED Highbay		MOUNT A Pendant C Cone S Straight stancheon X Ceiling Y Yoke		HUB 2 3/4" Hub Available with A, C, X and Y Mount 3 1" Hub Available with A, C, X Mount 4 1 1/4" Hub 5 1 1/2" Hub Available with S Mount		DISTRIBUTION N Narrow W Wide A Aisle		DRIVE CURRENT 070 700 MA		COLOR TEMPERATURE 27K 2700K 3K 3000K 35K 3500K 4K 4000K 5K 5000K Note: Refer to product spec sheet for more details		COLORS BL Black GR Gray WH White		DIMMING CD Continuous Dimming ND Non-Dimming		OPTIONS Fx Fusing (Replace "x" with voltage - Refer to spec sheet for more info.) ENCA Frosted Acrylic Protective Lens ENCG Glass Protective Lens OCS(X) Occupancy Sensor WG Bottom Wire Gaurd WIHUBB Wireless Control System		
NUMBER OF LEDS 48L 48 High brightness LEDs 60L 60 High brightness LEDs 72L 72 High brightness LEDs		VOLTAGE U 120 - 277V 1 120V 2 208V 3 240V 4 277V 5 480V Notes: Voltage must be specified for Fusing and Occupancy Sensor compatibility. Refer to product spec sheet for 480V specification requirements													Notes: 1. OCS unavailable with ENCA or ENCG options 2. OCS and WIHUBB options can not be specified together			

PERFORMANCE INFORMATION

Catalog Number	Input Watts	LEDs	Color Temperature	CRI	Total Lumens	Lumens per Watt	Ambient Temperature
HBL-48LU-5K-N-070-WH	112	48	5000°K	68	11206	100	45° C
HBL-48LU-5K-W-070-WH	112	48	5000°K	68	10778	96	45° C
HBL-48LU-5K-A-070-WH	112	48	5000°K	68	10213	91	45° C
HBL-60LU-5K-N-070-WH	139	60	5000°K	68	14007	101	45° C
HBL-60LU-5K-W-070-WH	139	60	5000°K	68	13472	97	45° C
HBL-60LU-5K-A-070-WH	139	60	5000°K	68	12776	92	45° C
HBL-72LU-5K-N-070-WH	169	72	5000°K	68	16808	99	45° C
HBL-72LU-5K-W-070-WH	169	72	5000°K	68	16166	96	45° C
HBL-72LU-5K-A-070-WH	169	72	5000°K	68	15319	91	45° C

BL-400

HID Utility Highbay



BL-400PHB

BL-400PLB

Ruggedly built industrials with cast aluminum ballast housing for heat dissipation and long ballast life. Cast aluminum safety hook included. 3/4" top hub on easy wire box. 400w pulse start metal halide lamp included. 16" diameter optics. Glass lens provided on BL-400PHB, drop acrylic on BL-400PLB.

Typical mounting height: Highbay 18'-25'/Lowbay 14'-20'. Quartz restrike units are available. (Quartz lamp included)

APPLICATIONS

- Warehouses, workshops, auto maintenance, factories, etc.
- For applications with ceiling heights of 15-30 ft

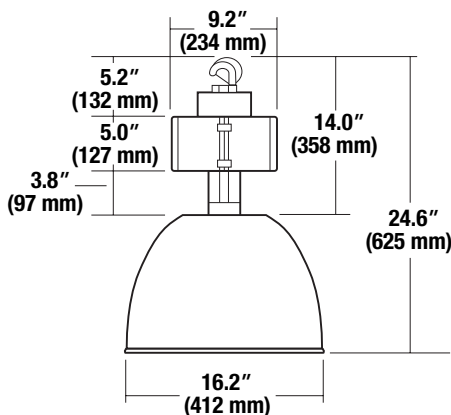
LISTINGS

- UL listed for use in damp locations

STOCK ORDERING INFORMATION

Catalog Number	Description	Voltage	Color	Weight lbs. (kg)	PKG. CODE
BL-400P-HB	Highbay, 400w PS	120/208/240/277V	White	24 (2.7)	FCC
BL-400P-HB-Q	Highbay, 400w PS, w/ Quartz restrike	120/208/240/277V	White	24 (2.7)	FCC
BL-400P-LB-EX	Lowbay, 400w PS	120/208/240/277V	White	24	FCC
BL-400P-LB-EX-Q	Lowbay, 400w PS, w/ Quartz restrike	120/208/240/277V	White	24	FCC

DIMENSIONS



HUBBELL
Industrial Lighting

NV2 Series

Enclosed & Gasketed

- Typical applications include manufacturing plants, chemical and petrochemical processing facilities, sewage treatment plants, offshore and dockside installations, agricultural, commercial, industrial, mining, and marine facilities
- NV2 Series non-metallic light fixtures combine an outstanding balance of strength, stiffness, toughness and electrical properties
- Energy and labor-saving fluorescent or incandescent models
- Accessories include polycarbonate dome reflectors and wall extension

- Molded from 30% glass-filled thermoset polyester for high strength
- Resists corrosive effects of most chemicals, hydrocarbons and solvents
- Designed for indoor and outdoor applications
- UL1598 Standard for luminaires
- UL 1598A Marine type luminaires
- UL 844 Standard for lighting fixtures for hazardous locations
- CSA C22.2 no. 137-M1981 electric luminaires for use in hazardous locations
- Enclosed and gasketed
- NEMA 3, 4X; IP66



HAZARDOUS SEALED

Class I, Div. 2, Groups A, B, C, D • Class I, Zone 2, Groups IIC, IIB, IIA
Class II, Div. 2, Groups F, G, C, D • Class III • NEMA 4X, IP66, Marine Rated

MADE-TO-ORDER ORDERING INFORMATION – (BC PKG CODE)

STOCK Components ¹	
Catalog Number	Description
040541B	Lamp, 32w SYLV CF32DT/E/IN/830
0460542B	Lamp, 42w SYLV CF42DT/E/IN/830
0460543B	Lamp, 26w SYLV CF26DT/E/IN/830
0460547B	Lamp, 18w SYLV CF18DT/E/IN/827
NV2AG	3/4" Pendant splice box
NV2XG	3/4" Ceiling splice box (M20 entry NV2MG)
NV2BG	Elbow (used between NV2XG & fixture body)
NV2GG	Guard
NV2FG18	18w Fluor. body 120VAC - 277V 50/60Hz
NV2FG26	26 Fluor. body 120VAC - 277V 50/60Hz
NV2FG32	32w Fluor. body 120VAC - 277V 50/60Hz
NV2FG42	42w Fluor. body 120VAC - 277V 50/60Hz
NV2CG	Gray blank cover for NV2XG
VG-15	Clear, standard
VRGP-100	Ruby, tempered

1 Fluorescent "bodies only" do not include lamps

Colored Globe Options²

Suffix Standard Globe	Suffix Tempered Globe	Description
A	A	Amber
B	B	Blue
R	R	Ruby
G	N/A	Green
P	N/A	Purple
BG	BG	Blue-Green

2 Tempered globes are required for Wet Location applications

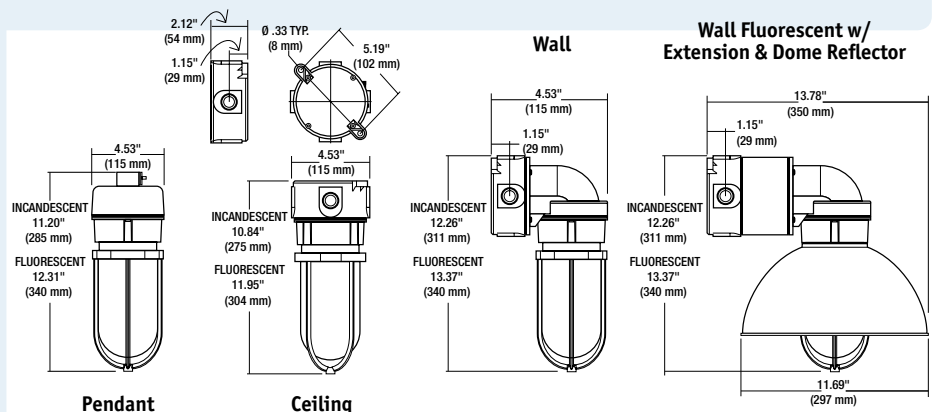
Catalog Number		Type	PKG. CODE
Standard Globe	Tempered Globe		
Pendant 3/4" Fixture with Clear Globe & Guard			
NV2IG15ASG	NV2IG15AHG	150w Incandescent	BC
NV2FG13ASG	NV2FG13AHG	13w Fluorescent	BC
NV2FG18ASG	NV2FG18AHG	18w Fluorescent	BC
NV2FG26ASG	NV2FG26AHG	26w Fluorescent	BC
NV2FG32ASG	NV2FG32AHG	32w Fluorescent	BC
NV2FG42ASG	NV2FG42AHG	42w Fluorescent	BC
Ceiling 3/4" Fixture with Clear Globe & Guard			
NV2IG15XSG	NV2IG15XHSG	150w Incandescent	BC
NV2FG13XSG	NV2FG13XHSG	13w Fluorescent	BC
NV2FG18XSG	NV2FG18XHSG	18w Fluorescent	BC
NV2FG26XSG	NV2FG26XHSG	26w Fluorescent	BC
NV2FG32XSG	NV2FG32XHSG	32w Fluorescent	BC
NV2FG42XSG	NV2FG42XHSG	42w Fluorescent	BC
Wall 3/4" Fixture with Clear Globe & Guard			
NV2IG15BSG	NV2IG15BHSG	150w Incandescent	BC
NV2FG13BSG	NV2FG13BHSG	13w Fluorescent	BC
NV2FG18BSG	NV2FG18BHSG	18w Fluorescent	BC
NV2FG26BSG	NV2FG26BHSG	26w Fluorescent	BC
NV2FG32BSG	NV2FG32BHSG	32w Fluorescent	BC
NV2FG42BSG	NV2FG42BHSG	42w Fluorescent	BC

- Notes:
- Tempered Globes are required for Wet Location applications
 - All assemblies are unit packed with required components (not assembled)
 - Fluorescent unit pack models (only) include the lamp
 - Reflector is sold separately; For wall mounting with reflector, the NVEXTG extension is required and sold separately
 - Fluorescent models use "world voltage" ballasts for 120VAC through 277VAC, 50/60Hz applications

MADE-TO-ORDER

ORDERING INFORMATION: 150w GLOBES V/NV/NVQ

Catalog Number	Description
VCGP-100	Clear, tempered
VCGPT-100	Clear, tempered w/ Tuffskin® coating
VAMG-100	Amber
VGG-100	Blue Green
VGGP-100	Blue Green, tempered
VBG-1001	Blue
VBGP-100	Blue, tempered
VRG-100	Ruby
VRGP-100	Ruby, tempered
VRSG-100	Green
VPG-100	Purple
VPLGC-100	Polycarbonate (cannot be used with guard or in high ambient temperature locations -40°C/104°F max.) Not UL listed



HUBBELL
Industrial Lighting

BX4QL/IBX4QL/RMN4QL 120

4" LED QuickLink

California Title 24 Compliant

RECESSED



IBX4QL-120



FEATURES

- Ideal for residential and light commercial lighting projects that require a small, concealed line-voltage source.
- RMN4QL-120 remodel housing allows for quick and easy installation into existing ceilings
- Nail included on bar hangers.
- Suitable for wet locations and through wiring
- Luminaires are certified by a National Recognized Testing Lab (NRTL), either UL or CSA

STOCK

ORDERING INFORMATION

EXAMPLE: BX4QL-120-LB4LEDA6L30K9 WH

LB4LEDA6L	30K	9	WH
TRIM	LED COLOR TEMP	CRI	TRIM COLOR
LB4LEDA6L ¹ 4" LED QuickLink trim	30K 3000 Kelvin	9 90+ CRI	WH White

MADE-TO-ORDER

ORDERING INFORMATION

BX4QL-120	
HOUSING	ACCESSORIES
BX4QL-120 4" line voltage Non-IC housing, new construction applications	G4² Ceiling gasket for the 4" line voltage housings. Seals housing to drywall opening
IBX4QL-120 4" line voltage IC housing, new construction applications, AirShield™ rated	ICBOX⁴ Recessed enclosure for Non-IC housing in IC applications. See page 274.
RMN4QL-120 4" line voltage Non-IC housing, Remodel applications.	
CP³ Chicago Plenum	



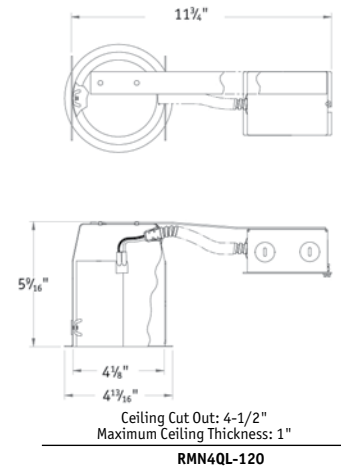
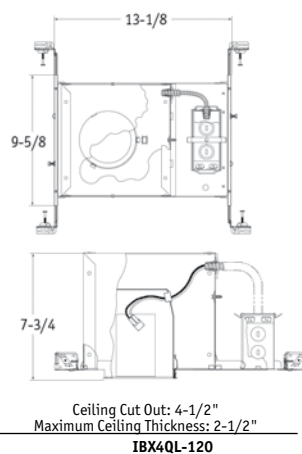
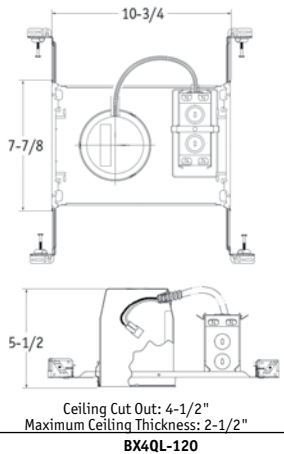
QuickLink: California Title 24 Compliant Connectors



QUICKLINK trims comply with the requirements of California Title 24 by providing a plug-in power connector in place of a screw shell socket. Ideal for residential and light commercial new construction applications where the use of screw shell sockets is restricted. The LB6LEDA trim is compatible with both an Edison Base and QL base housing.

NOTES

- ¹ See trim dimensions on page 330
- ² IBX4QL-120 only
- ³ BX4QL-120 only
- ⁴ Not available with CP option



LBSLED/LBSQLED

7" Surface Mount LED Downlight
120V

FEATURES

- Installs to Standard 4x4 J-Box
- Energy saving LED light engine with 17-watt input power
- Lumen out put and distribution comparable up to 100W incandescent
- Photometrics tested per IESNA-LM-79-2008 standards.
- Retrofit applications with compatible 4", 5", or 6" housings using the optional mounting kit.
- 42,000 hours life at 70% lumen maintenance per TM-21
- ENERGY STAR® Qualified
- IC/Non-IC rated. Suitable for wet locations.
- Luminaires are certified by a National Recognized Testing Lab (NRTL), either UL or CSA.
- 972 Delivered Lumens, 17 Watts
- Dimmable to 15% using many LED rated dimmers



LITEBOX

STOCK

ORDERING INFORMATION – (BC PKG CODE) EXAMPLE: LBSLEDA10L30K WH

LBSLEDA10L		30K		9		WH		
TRIM		LED COLOR		CRI		TRIM COLOR		ACCESSORIES
LBSLEDA10L	Surface Mount Round LED Module	27K¹	2700 Kelvin	8	80+ CRI	WH	White	LiteGear See spec sheet for availability
		30K¹	3000 Kelvin	9	90+ CRI	BL	Black	LBSMTGKIT Mounting kit for LiteBox LED Surface fixtures to install into most 4", 5", or 6" recessed cans. Set of 8.
		35K²	3500 Kelvin			Z	Zet	
LBSQLEDA10L	Surface Mount Square LED Module	40K²	4000 Kelvin			BZ	Bronze	
		50K²	5000 Kelvin					

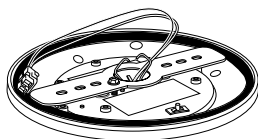
NOTES

¹ Available only in 90 CRI

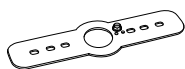
² Available only in 80 CRI

Mounting Options:

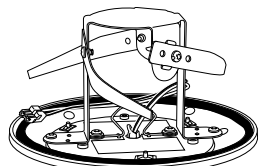
J-Box Mount with quick link



J-Box Adapter



Recessed Mount with optional LBSMTGKIT



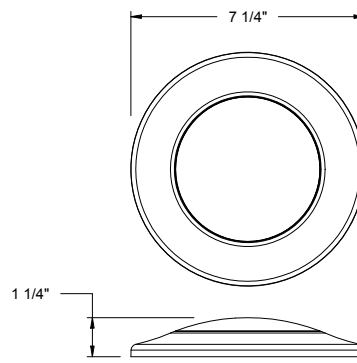
Recessed Adapter



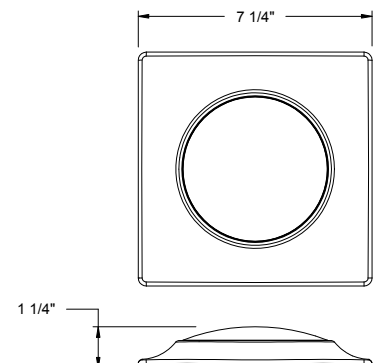
E26 Edison Base Adapter



7" Round LiteBox LED



7" Square LiteBox LED

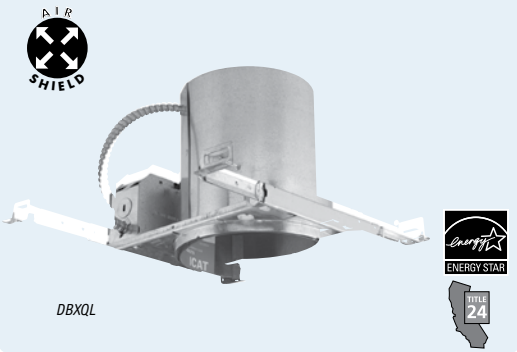


DBXQL

6" LED QuickLink

California Title 24 Compliant

LITEBOX



FEATURES

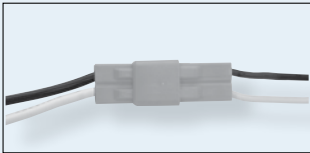
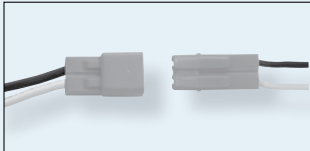
- Energy saving LED light engine with 12-14-watt input power
- California Title 24 compliant QuickLink connectors on housings and trims
- Lumen output and distribution comparable up to 75W PAR incandescent lamp.
- Photometrics tested per IESNA LM-79-2008 standards
- 60,000 hour life at 70% lumen maintenance per TM-21
- Heat sink to maximize life expectancy and lumen output.
- Excellent glare control and optical cutoff
- Dimmable to 15% with most standard dimmers
- IC/Non-IC, AirShield rated. Wet location with LB6LEDA.
- Luminaires are certified by a National Recognized Testing Lab (NRTL), either UL or CSA.

STOCK

ORDERING INFORMATION – (BC PKG CODE)

EXAMPLE: DBXQL-LB6LEDA30K WH

DBXQL	DBXQL	-	LB6LEDA	30K		WH
HOUSING	HOUSING OPTIONS	TRIM	LED COLOR TEMP	CRI	TRIM COLOR	
DBXQL 6" LED QuickLink housing	CP Chicago Plenum	LB6LEDA8L ¹ 6" 800 Lumen LED QuickLink trim LB6LEDA10L ¹ 6" 1000 Lumen LED QuickLink trim	30K 3000 Kelvin 35K ² 3500 Kelvin	Blank 80+ CRI	WH White BL ² Black Z ² Zet BZ ² Bronze	

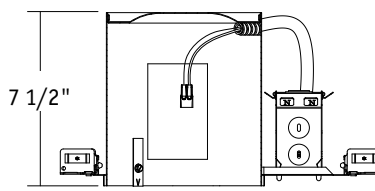
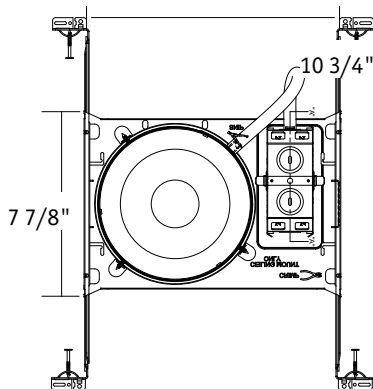


QuickLink: California Title 24 Compliant Connectors

QUICKLINK trims comply with the requirements of California Title 24 by providing a plug-in power connector in place of a screw shell socket. Ideal for residential and light commercial new construction applications where the use of screw shell sockets is restricted. The LB6LEDA trim is compatible with both an Edison Base and QL base housing.

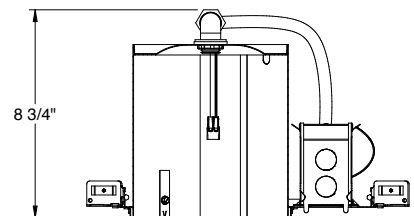
NOTES

- ¹ See trim dimensions on page 329
 - ² Not available for LB6LEDA8L
- * See spec sheet or www.dual-lite.com for LiteGear Compatibility Matrix



Ceiling Cut Out: 6-7/8"
Maximum Ceiling Thickness: 1-1/2"

DBXQL



LB6LEDA

6" LED Trims

FEATURES

- Energy saving LED light engine with 12-14-watt input power
- Lumen output and distribution comparable up to 75W PAR incandescent lamp
- Photometrics tested per IESNA LM-79-2008 standards
- New construction with DBXQL, California Title 24 compliant
- Retrofit applications with compatible 6" housings using the universal screw base adapter (see below)
- Dimmable to 15% with most standard dimmers
- Easy installation with (3) friction spring clips and diffuse acrylic lens controls direct glare
- 60,000 hours life at 70% lumen maintenance per TM-21
- Heat sink to maximize life expectancy and lumen output
- ENERGY STAR® Qualified
- IC/Non-IC rated. Suitable for wet locations.
- Luminaires are certified by a National Recognized Testing Lab (NRTL), either UL or CSA.

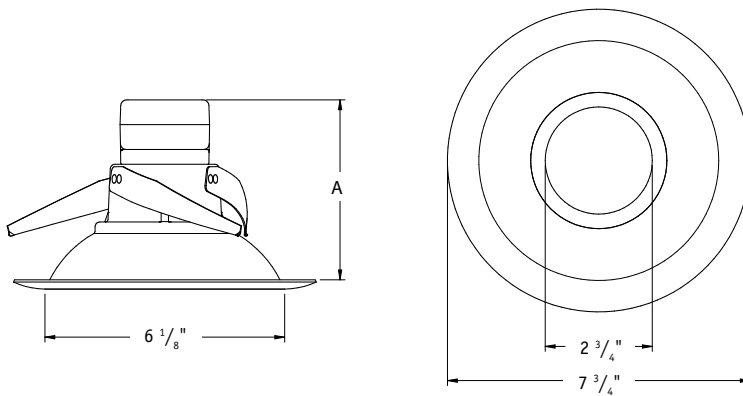


LITERBOX

STOCK

ORDERING INFORMATION – (BC PKG CODE) EXAMPLE: LB6LEDA30K WH

LB6LEDA	30K		WH	
TRIM	LED COLOR TEMP	CRI	TRIM COLOR	ACCESSORIES
LB6LEDA8L 6" 800 Lumen LED module with dimming to 15% 120V LB6LEDA10L 6" 1000 Lumen LED module with dimming to 15% 120V	30K 3000 Kelvin 35K¹ 3500 Kelvin	Blank 80+ CRI	WH White BL¹ Black Z¹ Zet BZ¹ Bronze	LiteGear See spec sheet for availability DBXQL IC/Non-IC, Airtight housing with supply wire quick connects
NOTES ¹ Available with LB6LEDA10L only. [*] See spec sheet or www.dual-lite.com for LiteGear Compatibility Matrix and compatible dimmers				
LB6LEDA Compatible for use with Prescolite DBX, IBXHW, RMNICD, & FT6. Partial list of competitor IC & Non-IC housings UL classified with 6" trims includes: Manufacturer Capri Commercial Electric Elco Emerald Halo Intense Jimway Juno Lithonia LumaPro Luminaire Nora Progress Sea Gull WAC For complete list of competitor part numbers, see spec sheet at www.Prescolite.com				



LB6LEDA

Dim. A	LB6LEDA8L = 3-5/8"
	LB6LEDA10L = 4-5/8"

LBS5LED/LBSQ5LED/LBSLED/LBSQLED LiteBox®

5" & 7" Surface Mount LED Downlight 120V

LITEBOX



LBSLEDA10L



LBSQLEDA10L



LBS5LEDA6L



LBSQ5LEDA6L

FEATURES

- Installs to Standard 4x4 J-Box
- Available in a 7", 1000+ Lumen output or a 5", 600+ lumen output.
- Lumen out put and distribution comparable up to 100W incandescent (7" models) and 65W incandescent (5" models)
- Dimmable to 15% using many LED rated dimmers
- Photometrics tested per IESNA-LM-79-2008 standards.
- Optional mounting to existing 4", 5", or 6" recessed can using the LBSMTGKIT (7" only).
- 60,000 hours life at 70% lumen maintenance per TM-21
- ENERGY STAR® Qualified , California Title 24 compliant
- IC/Non-IC rated. Suitable for wet locations.
- Luminaires are certified by a National Recognized Testing Lab (NRTL), either UL or CSA.

STOCK

ORDERING INFORMATION

EXAMPLE: LBSLEDA10L30K9 WH

LBSLEDA10L	30K	9	WH	
TRIM	LED COLOR	CRI	TRIM COLOR	ACCESSORIES
LBSLEDA10L Surface Mount Round LED Module	27K¹ 2700 Kelvin 30K¹ 3000 Kelvin 35K¹ 3500 Kelvin	8 80+ CRI 9 90+ CRI	WH White BL Black Z Zet BZ Bronze	LiteGear See spec sheet for availability LBSMTGKIT Mounting kit for LiteBox LED Surface fixtures to install into most 4", 5", or 6" recessed cans. Set of 8. Not required for J-Box mounting
LBSQLEDA10L Surface Mount Square LED Module	40K² 4000 Kelvin 50K² 5000 Kelvin			

NOTES

- ¹ Available only in 90 CRI
- ² Available only in 80 CRI

ORDERING INFORMATION

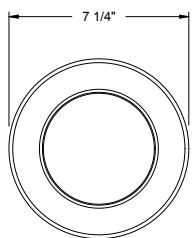
EXAMPLE: LBS5LEDA6L30K9 WH

LBS5LEDA6L	30K	9	WH
TRIM	LED COLOR	CRI	TRIM COLOR
LBS5LEDA6L 5" Round Surface Mount	30K¹ 3000 Kelvin	9 90+ CRI	WH White
LBSQ5LEDA6L 5" Square Surface Mount			

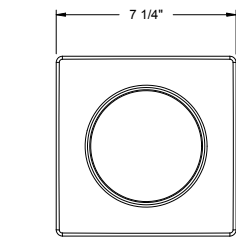
NOTES

- ¹ Available only in 90 CRI

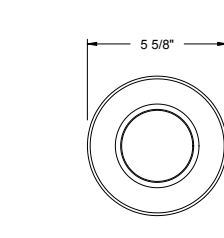
7" Round LiteBox LED



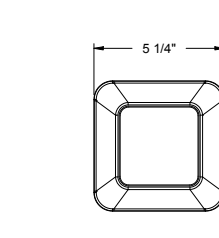
7" Square LiteBox LED



5" Round LiteBox LED



5" Square LiteBox LED



Mounting Options:

J-Box Mount with quick link



Recessed Mount with optional LBSMTGKIT (7" Only)



FEATURES

- LED life-cycle of more than 10 years
- Molded-in template for Quick installation
- Meets International input voltage requirements
- Optimal long-life 4.8V Nickel Cadmium battery for 90 minute emergency lighting
- Provided with test switch and AC-On indicator
- Canopy Included

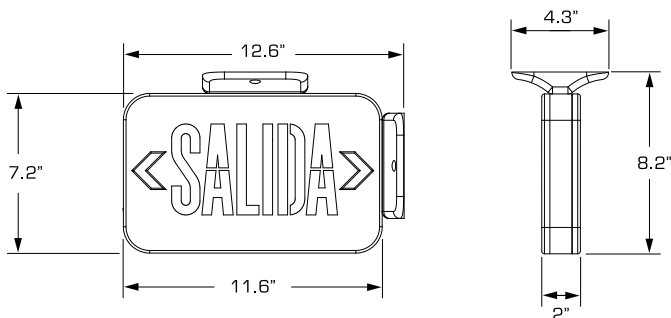


STOCK ORDERING INFORMATION

CATALOG NUMBER	DESCRIPTION	PKG. CODE
CSRIV	120/220-240VAC, 50/60Hz., Universal SALIDA Face, Red LED, AC only	SCC
CSREIV	120/220-240VAC, 50/60Hz., Univ. SALIDA Face, Red LED Emergency, NiCad battery	SCC

ENERGY CONSUMPTION

CATALOG NUMBER	INPUT WATT (W)		INPUT AMPS (A)	
	120 VAC	230VAC	120VAC	230VAC
CSR Models	3.8	3.8	0.034	0.02



Single Carton Weight: 2 lbs.
Master Carton Quantity: 6 each

Combination LED Exit/Light



FEATURES

- Combination unit for commercial applications
- UV stable thermoplastic white or black housing available
- Long life LED lamps in exit sign rated at 50,000 hour life expectancy
- LED Lamps with a life-cycle of more than 10 years
- Dual-voltage 120 or 277V AC input
- Remote capacity or extended runtime option
- Long-life Nickel Cadmium battery with fully automatic charger
- UL 924 Damp Location Listed

STOCK

ORDERING INFORMATION

CATALOG NUMBER	DESCRIPTION	PKG. CODE
CCR	White Thermoplastic, Combination Exit/Emergency Light, Universal Face, Red Letters	SCC
CCRB	Black Thermoplastic, Combination Exit/Emergency Light, Universal Face, Red Letters	SCC
CCG	White Thermoplastic, Combination Exit/Emergency Light, Universal Face, Green Letters	SCC
CCGB	Black Thermoplastic, Combination Exit/Emergency Light, Universal Face, Green Letters	SCC
CCRRC	White Thermoplastic, Combination Exit/Emergency Light, Universal Face, Red Letters, Remote Capacity	SCC
CCRRCB	Black Thermoplastic, Combination Exit/Emergency Light, Universal Face, Red Letters, Remote Capacity	SCC
CCGRC	White Thermoplastic, Combination Exit/Emergency Light, Universal Face, Green Letters, Remote Capacity	SCC

Note: Remote Capacity Unit will only power the Compass Indoor and Outdoor Remote(CIR and COR Series)

MATCHING REMOTE FIXTURES

MODEL	DESCRIPTION
CIR	LED Indoor Remote Heads
COR	LED Outdoor Remote Heads

ACCESSORIES

MODEL	DESCRIPTION
WGEL	Wall Mount Wireguard- 8" H X 20" W X 8" D



CCGB

ELECTRONICS

- 90 minute emergency operation with 1 double or 2 single remotes
- Test switch and LED AC-on indicator light



CIRS



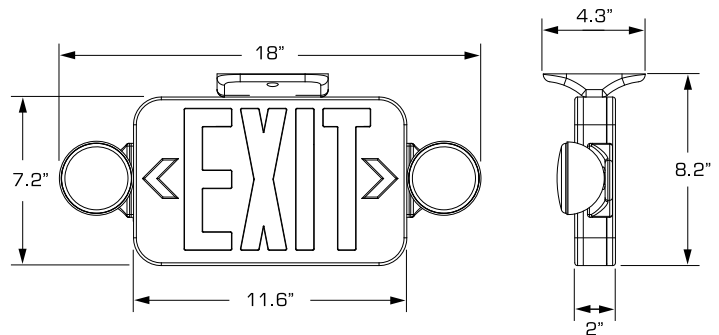
CIRD



CORD



CORS



Single Carton Weight: 2.5 lbs.
Master Carton Quantity: 6 each

Thin Die-Cast LED Emergency Exit

FEATURES

- Thin die-cast aluminum Exit sign for commercial or light industrial applications
- Painted black housing with brushed aluminum face
- Long life LED lamps provide bright, even illumination
- Universal end or ceiling mount with canopy included
- Dual-voltage 120 or 277V AC input
- Emergency models include long-life Nickel Cadmium battery
- UL 924 Damp Location Listed

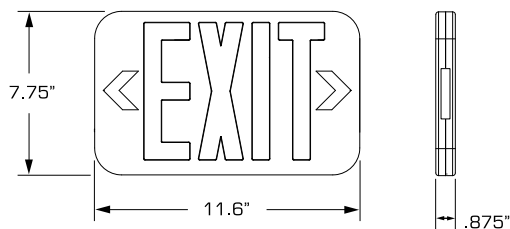


STOCK ORDERING INFORMATION

CATALOG NUMBER	DESCRIPTION	PKG. CODE
CCESRE	Die-Cast Exit, Brushed Face, Black Housing, Single-Face, Red Letters, Emergency	SCC
CCEDRE	Die-Cast Exit, Brushed Face, Black Housing, Double-Face, Red Letters, Emergency	SCC
CCESGE	Die-Cast Exit, Brushed Face, Black Housing, Single-Face, Green Letters, Emergency	SCC
CCEDGE	Die-Cast Exit, Brushed Face, Black Housing, Double-Face, Green Letters, Emergency	SCC
CCESR	Die-Cast Exit, Brushed Face, Black Housing, Single-Face, Red Letters, AC	SCC
CCEDR	Die-Cast Exit, Brushed Face, Black Housing, Double-Face, Red Letters, AC	SCC
CCESG	Die-Cast Exit, Brushed Face, Black Housing, Single-Face, Green Letters, AC	SCC
CCEDG	Die-Cast Exit, Brushed Face, Black Housing, Double-Face, Green Letters, AC	SCC

ELECTRONICS

- 90 minute emergency operation
- AC or Emergency operation
- Test switch and LED AC-on indicator light



Single Carton Weight: 2.8 lbs.
Master Carton Quantity: 8 each

LED Emergency Exit



FEATURES

- Exit sign for commercial applications
- UV stable thermoplastic white or black housing available
- Long life LED lamps provide bright, even illumination
- Universal end or ceiling mount
- Dual-voltage 120 or 277V AC input
- Remote capacity or extended runtime option
- Long-life Nickel Cadmium battery with fully automatic charger
- UL 924 Damp Location Listed

STOCK ORDERING INFORMATION

CATALOG NUMBER	DESCRIPTION	PKG. CODE
CER	White Thermoplastic Exit, Universal Face, Red LED Emergency Exit	SCC
CERB	Black Thermoplastic Exit, Universal Face, Red LED Emergency Exit	SCC
CEG	White Thermoplastic Exit, Universal Face, Green LED Emergency Exit	SCC
CEGB	Black Thermoplastic Exit, Universal Face, Green LED Emergency Exit	SCC
CERRC	White Thermoplastic Exit, Universal Face, Red LED Emergency Exit, Remote Capacity	SCC
CERRCB	Black Thermoplastic Exit, Universal Face, Red LED Emergency Exit, Remote Capacity	SCC
CEGRC	White Thermoplastic Exit, Universal Face, Green LED Emergency Exit, Remote Capacity	SCC

Note: Remote Capacity Unit will only power the Compass Indoor and Outdoor Remote(CIR and COR Series)

MATCHING REMOTE FIXTURES

MODEL	DESCRIPTION
CIR	LED Indoor Remote Heads
COR	LED Outdoor Remote Heads

ACCESSORIES

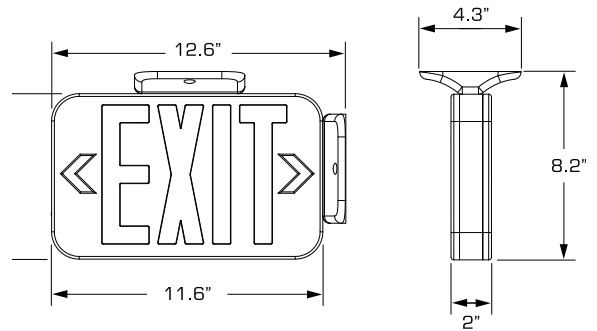
MODEL	DESCRIPTION
WGLX	Wall Mount Wireguard- 10" H X 14" W X 2.25" D

ELECTRONICS

- 90 minute emergency operation with 1 double or 2 single remotes
- Test switch and LED AC-on indicator light



CEGB



Single Carton Weight: 2 lbs.
Master Carton Quantity: 6 each



CIRS



CIRD



CORD



CORS

FEATURES

- Edgelit exit sign for architectural applications
- Brushed aluminum housing with field installed directional arrows
- Long life LED lamps provide bright, even illumination
- Recessed or surface mount with canopy included
- Mirror divider on single and double-face models
- Dual-voltage 120 or 277V AC input
- Emergency models include long-life Nickel Cadmium battery
- UL 924 listed



STOCK ORDERING INFORMATION

CATALOG NUMBER	DESCRIPTION	PKG. CODE
CELS1RNE	Edge-Lit Exit, Surface Mount, Single Face, Red Letters, Brushed Aluminum, Battery	SCC
CELS1GNE	Edge-Lit Exit, Surface Mount, Single Face, Green Letters, Brushed Aluminum, Battery	SCC
CELS2RNE	Edge-Lit Exit, Surface Mount, Double Face, Red Letters, Brushed Aluminum, Battery	SCC
CELS2GNE	Edge-Lit Exit, Surface Mount, Double Face, Green Letters, Brushed Aluminum, Battery	SCC
CELR1RNE	Edge-Lit Exit, Recessed Mount, Single Face, Red Letters, Brushed Aluminum, Battery	SCC
CELR1GNE	Edge-Lit Exit, Recessed Mount, Single Face, Green Letters, Brushed Aluminum, Battery	SCC
CELR2RNE	Edge-Lit Exit, Recessed Mount, Double Face, Red Letters, Brushed Aluminum, Battery	SCC
CELR2GNE	Edge-Lit Exit, Recessed Mount, Double Face, Green Letters, Brushed Aluminum, Battery	SCC

Note: Remote Capacity Unit will only power the Compass Indoor and Outdoor Remote(CIR and COR Series)

ELECTRONICS

- 90 minute emergency operation with 1 double or 2 single remotes
- Test switch and LED AC-on indicator light

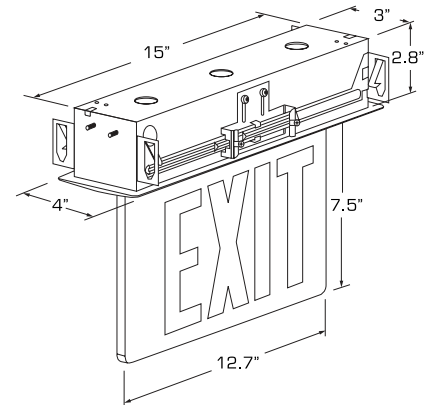
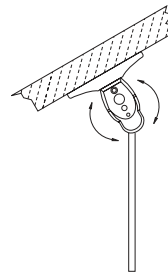
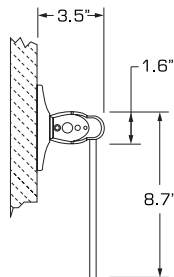
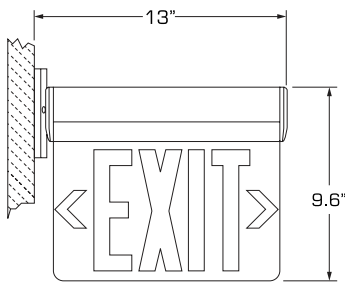
ADDITIONAL MOUNTING OPTIONS



Surface Mount

Recessed Wall

Recessed Ceiling



Wet Location LED Emergency Exit



FEATURES

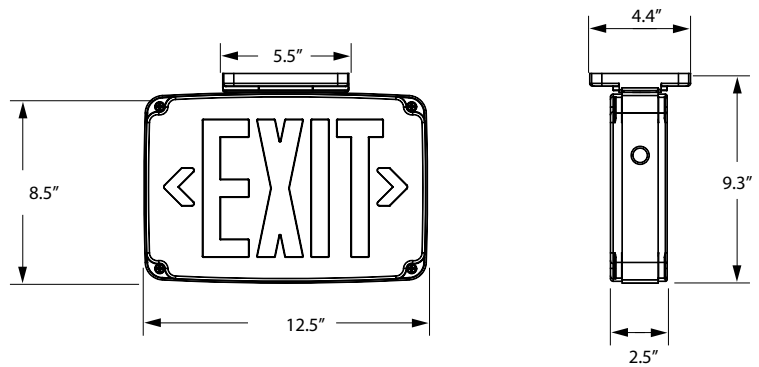
- Exit sign for wet location or light industrial environments
- UV stable thermoplastic grey housing with polycarbonate lens
- Long life LED lamps provide bright, even illumination
- Single face end, wall or ceiling mount
- Double face end or ceiling mount
- Dual-voltage 120 or 277V AC input
- Long-life Nickel Cadmium battery with fully automatic charger
- UL 924 Wet Location Listed

STOCK ORDERING INFORMATION

CATALOG NUMBER	DESCRIPTION	PKG. CODE
CEWSRE	Thermoplastic, Wet Location Exit, Single-Face, Red Letters, Emergency	SCC
CEWDRE	Thermoplastic, Wet Location Exit, Double-Face, Red Letters, Emergency	SCC
CEWSGE	Thermoplastic, Wet Location Exit, Single-Face, Green Letters, Emergency	SCC
CEWDGE	Thermoplastic, Wet Location Exit, Double-Face, Green Letters, Emergency	SCC

ELECTRONICS

- 90 minute emergency operation
- Test switch and LED AC-on indicator light



Single Carton Weight: 4.3 lbs.
Master Carton Quantity: 6 each

Wet Location Combination Exit/Emergency Light

FEATURES

- LED based exit/emergency light for wall, ceiling or end mounting
- Includes Self-Test/Self-Diagnostics
- Housing made of 5VA flame retardant polycarbonate in white finish
- Exit face-plate and lamp-head shield made from high impact, UV stable polycarbonate
- Fully adjustable LED lamp-heads at 3.6W each
- Long life Nickel Cadmium Battery
- Temperature Range: 0°C to 50°C, CT Option: -20°C to 50°C
- UL924 Wet Location Listed

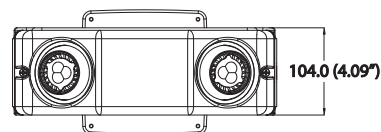
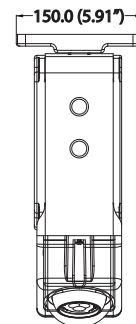
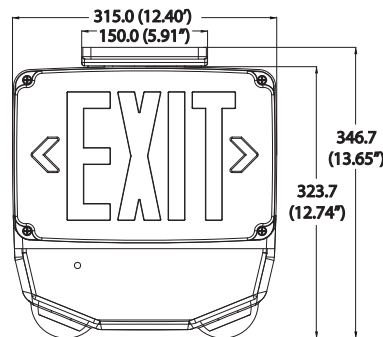


EXIT SIGNS

CATALOG NUMBER	DESCRIPTION
CWC1RW	White Housing, Single Face, Red Letters
CWC2RW	White Housing, Double Face, Red Letters
CWC1GW	White Housing, Single Face, Green Letters
CWC2GW	White Housing, Double Face, Green Letters
CWC1RW-CT	White Housing, Single Face, Red Letters, Cold Temperature Operation
CWC2RW-CT	White Housing, Double Face, Red Letters, Cold Temperature Operation
CWC1GW-CT	White Housing, Single Face, Green Letters, Cold Temperature Operation
CWC2GW-CT	White Housing, Double Face, Green Letters, Cold Temperature Operation

ELECTRONICS

- 120/277VAC input
- AC lockout and Low Voltage disconnect
- Battery re-charge within 24 hours
- Self-Test/Self-Diagnostic circuitry
- Magnetic No Touch Testing



Single Carton Weight: 8.0 lbs.
Master Carton Quantity: 4 each

J-Box Mounted Emergency Light

CJBL



CJB

FEATURES

- 2 designs for low-level or above the door mounting
- Models include PIR sensor for convenient night-light operation
- Thermoplastic housing in white or black finish
- Quick mount in a 4" j-box
- Long-life Nickel Metal Hydride Battery
- Temperature Range: Standard 10°C to 40°C
- UL924 Listed

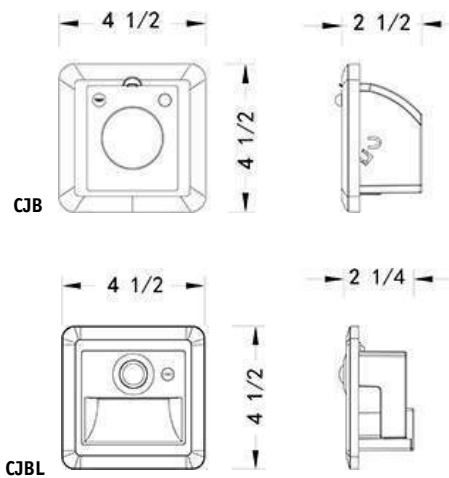
ORDERING INFORMATION

CATALOG NUMBER	DESCRIPTION
CJBLWE	Low level, white finish with battery
CJBLWEP	Low level, white finish, battery, PIR sensor
CJBLBE	Low level, black finish with battery
CJBLBEP	Low level, black finish, battery, PIR sensor
CJBWE	Adjustable angle, white finish with battery
CJBWEP	Adjustable angle, white finish, battery, PIR sensor
CJBBE	Adjustable angle, black finish with battery
CJBBEP	Adjustable angle, black finish, battery, PIR sensor

ELECTRONICS

- 120/277VAC input
- Battery re-charge within 24 hours
- Passive Infra-Red Sensor
- Ac-On and Push-to-Test Switch

DIMENSIONS



Single Carton Weight: 1.0 lb.
Master Carton Quantity: 12 each

CUW Series

Decorative LED AC/Emergency Light

FEATURES

- Normally-on and emergency operation
- Durable die-cast aluminum housing
- Prismatic polycarbonate refractor
- 10 year LED life cycle
- Long-life Nickel Cadmium battery
- Fully sealed and gasketed design
- Includes self-diagnostic/self-test
- Includes conduit entry at top of unit
- Optional heater and photo-cell
- Temp. range standard, 0°C to 50°C with heater, -20°C to 40°C
- UL924 Wet Location Listed

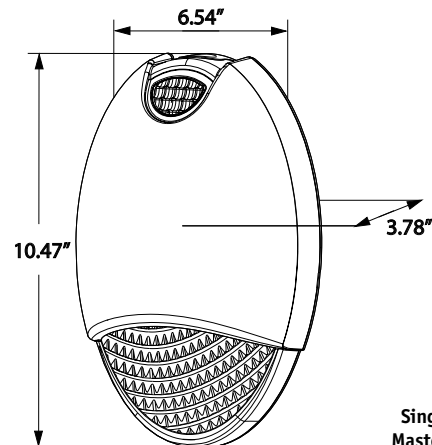


EMERGENCY LIGHT

CATALOG NUMBER	DESCRIPTION
CUWZ	Die-Cast, Normally on/Emergency, 0° to 50°C, Dark Bronze Finish
CUWZ-HTR	Die-Cast, Normally on/Emergency, -20° to 40°C, with Heater, Dark Bronze Finish
CUWZ-HTR-PC	Die-Cast, Normally on/Emergency, -20° to 40°C, with HTR and Photo-Control, Dark Bronze Finish

ELECTRONICS

- Universal 100-300VAC input
- 4.8VDC Nickel Cadmium battery
- Battery re-charge within 24 hours
- Fully automatic solid-state charger



Single Carton Weight: 4.0 lbs.
Master Carton Quantity: 6 each

CIR

LED Indoor Remote

REMOTE



FEATURES

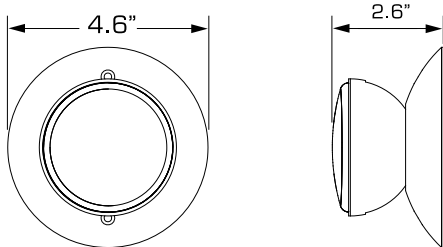
- Single or Double lamp-head remote with base-plate
- LED life-cycle of more than 10 years
- Quick installation
- Dual-voltage 120 or 277V AC input
- UL924 Damp Location Listed
- Fully adjustable lamp-heads

STOCK ORDERING INFORMATION

CATALOG NUMBER	DESCRIPTION	PKG. CODE
CIRS	LED Remote, Single Mounting Base, 3 VDC, 1 Watt	SCC
CIRD	LED Remote, Double Mounting Base, 3 VDC, 1 Watt	SCC

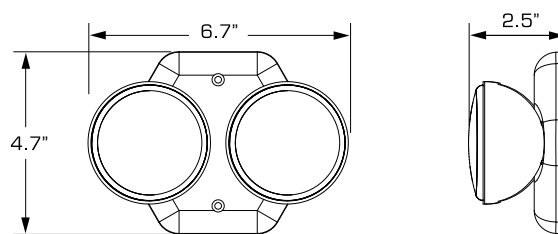
Note: Powered by the Compass Exit, Combo or Emergency Light with Remote Capacity

CIRS



Single Remote Carton Weight: 1 lbs.
Master Carton Quantity: 20 each

CIRD



Double Remote Carton Weight: 1.2 lbs.
Master Carton Quantity: 20 each

LED Outdoor Remote

FEATURES

- Single or Double lamp-head remote with base
- LED life-cycle of more than 10 years
- Quick installation
- Fully adjustable lamp-heads
- Fully gasketed for application in wet environment



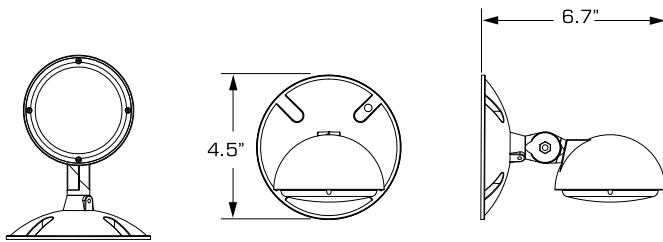
REMOTE

STOCK ORDERING INFORMATION

CATALOG NUMBER	DESCRIPTION	PKG. CODE
CORS	LED Outdoor Remote, Single, Mounting Base, 3 VDC, 1 Watt	SCC
CORD	LED Outdoor Remote, Double, Mounting Base, 3 VDC, 1 Watt	SCC

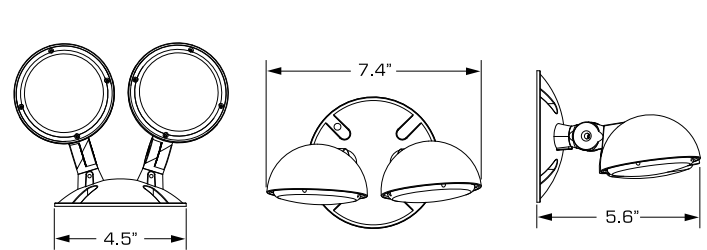
Note: Powered by Compass Exit, Combo or Emergency Light with Remote Capacity

CORS



Single Remote Carton Weight: 1 lbs.
Master Carton Quantity: 20 each

CORD



Double Remote Carton Weight: 1.2 lbs.
Master Carton Quantity: 20 each

CU2

LED Emergency Light

EMERGENCY



FEATURES

- Emergency unit for commercial applications
- UV stable thermoplastic white or black housing available
- Quick installation with fully adjustable lamp-heads
- LED Lamps with a life-cycle of more than 10 years
- Dual-voltage 120 or 277V AC input
- Remote capacity or extended runtime option
- Long-life Nickel Cadmium battery with fully automatic charger
- UL 924 Damp Location Listed

STOCK

ORDERING INFORMATION

CATALOG NUMBER	DESCRIPTION	PKG. CODE
CU2	White Thermoplastic, Dual-Head LED Emergency Light , 120/277 Input, Damp Location Listed, 3 VDC, 1 Watt	SCC
CU2B	Black Thermoplastic, Dual-Head LED Emergency Light, 120/277 Input, Damp Location Listed, 3 VDC, 1 Watt	SCC
CU2RC	White Thermoplastic, Dual-Head LED Emergency Light, 120/277 Input, Damp Location Listed, Remote Capacity, 3 VDC, 1 Watt	SCC
CU2RCB	Black Thermoplastic, Dual-Head LED Emergency Light, 120/277 Input, Damp Location Listed, Remote Capacity, 3 VDC, 1 Watt	SCC

Note: Remote Capacity Unit will only power the Compass Indoor and Outdoor Remote(CIR and COR Series)

MATCHING REMOTE FIXTURES

MODEL	DESCRIPTION
CIR	LED Indoor Remote Heads
COR	LED Outdoor Remote Heads



CU2B

ACCESSORIES

MODEL	DESCRIPTION
WGLZ	Wireguard- 6.25" H X 14" W X 4" D

ELECTRONICS

- 90 minute emergency operation
- Test switch and LED AC-on indicator light

Single Carton Weight: 1 lbs.
Master Carton Quantity: 12 each



CIRS



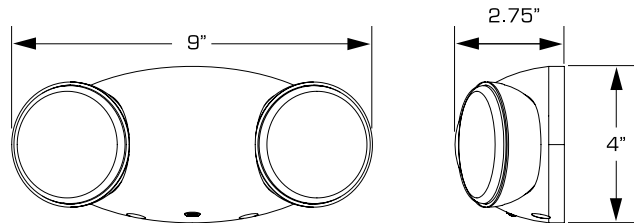
CIRD



CORD



CORS



Wet Location LED Emergency Light

FLOODLIGHTS

FEATURES

- Emergency unit for wet location or light industrial applications
- UV stable thermoplastic grey housing available
- Quick installation with fully adjustable lamp-heads
- LED Lamps with a life-cycle of more than 10 years
- Dual-voltage 120 or 277V AC input
- Provided with water-proof test switch and AC-On indicator
- Remote capacity or extended runtime standard
- Long-life Nickel Cadmium battery with fully automatic charger
- UL 924 Wet Location Listed



STOCK

ORDERING INFORMATION

CATALOG NUMBER	DESCRIPTION	PKG. CODE
CU2WG	Wet Location LED emergency light, Dual-Head Fully Adjustable, Grey Finish, Remote Capacity, 120/277 Input, 1.9 watts	SCC
CU2WB	Wet Location LED emergency light, Dual-Head Fully Adjustable, Black Finish, Remote Capacity, 120/277 Input, 1.9 watts	SCC

Note: Unit will only power 1 each Compass CWRD or 2 each CWRS remotes

MATCHING REMOTE FIXTURES

MODEL	DESCRIPTION
CWRS	LED Outdoor Remote, Single
CWRD	LED Outdoor Remote, Double

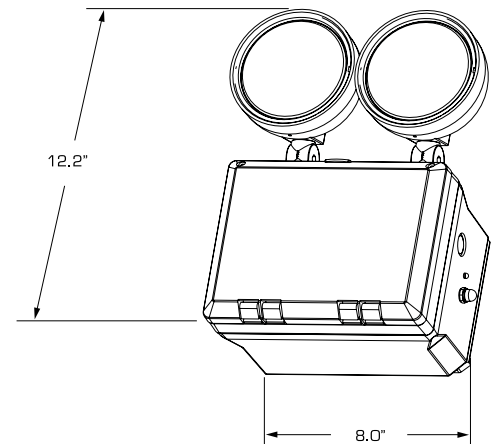
ACCESSORIES

MODEL	DESCRIPTION
WGEL	Wireguard- 8" H X 20" W X 8" D

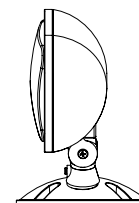
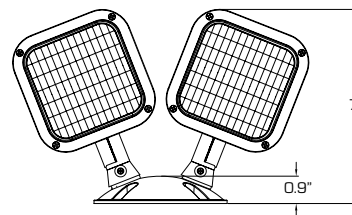
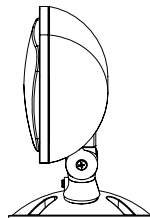
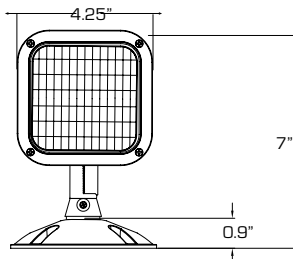
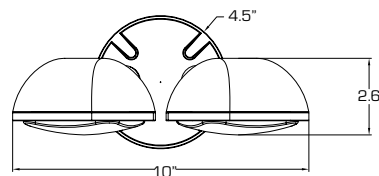
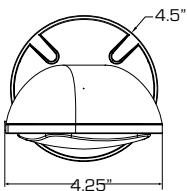
ELECTRONICS

- 90 minute emergency operation with 1 double or 2 single remotes
- Test switch and LED AC-on indicator light

CWRS



Single Carton Weight: 7.5 lbs.
Master Carton Quantity: 4 each



INDEX

Product Index

103.....	60.....	HUBBELL OUTDOOR	BL-400P-HB-Q.....	66.....	HUBBELL INDUSTRIAL	CSRIV.....	73.....	COMPASS
306.....	60.....	HUBBELL OUTDOOR	BL-400P-LB-EX.....	66.....	HUBBELL INDUSTRIAL	CU2.....	84.....	COMPASS
1308.....	60.....	HUBBELL OUTDOOR	BL-400P-LB-EX-Q.....	66.....	HUBBELL INDUSTRIAL	CU2B.....	84.....	COMPASS
1324.....	60,61.....	HUBBELL OUTDOOR	BO-GX.....	30.....	HUBBELL OUTDOOR	CU2RC.....	84.....	COMPASS
1324.....	60,61.....	HUBBELL OUTDOOR	BO-SX.....	30.....	HUBBELL OUTDOOR	CU2RCB.....	84.....	COMPASS
1324.....	63.....	HUBBELL OUTDOOR	BOF-01.....	30.....	HUBBELL OUTDOOR	CU2WB.....	85.....	COMPASS
4040.....	16.....	HUBBELL OUTDOOR	BOF-02.....	30.....	HUBBELL OUTDOOR	CU2WG.....	85.....	COMPASS
4040.....	21.....	HUBBELL OUTDOOR	BOF-04.....	30.....	HUBBELL OUTDOOR	DBXQL.....	70.....	PRESCOLITE
4041.....	16.....	HUBBELL OUTDOOR	BOI-01.....	30.....	HUBBELL OUTDOOR	DDL-140L-1.....	52.....	HUBBELL OUTDOOR
4041.....	21.....	HUBBELL OUTDOOR	BOI-02.....	30.....	HUBBELL OUTDOOR	DDL-56L-4K-1-NA.....	52.....	HUBBELL OUTDOOR
4090.....	21.....	HUBBELL OUTDOOR	BOI-04.....	30.....	HUBBELL OUTDOOR	DDL-9L1.....	52.....	HUBBELL OUTDOOR
705327.....	17.....	HUBBELL OUTDOOR	BOS-01.....	30.....	HUBBELL OUTDOOR	DDL-DRIVER-120V.....	52,53.....	HUBBELL OUTDOOR
93023491.....	52.....	HUBBELL OUTDOOR	BOS-02.....	30.....	HUBBELL OUTDOOR	DDL-DRIVER-140.....	52.....	HUBBELL OUTDOOR
93048453.....	40.....	HUBBELL OUTDOOR	BOS-04.....	30.....	HUBBELL OUTDOOR	DDL-DRIVER-56.....	52.....	HUBBELL OUTDOOR
95005520.....	40.....	HUBBELL OUTDOOR	BR-GX.....	30.....	HUBBELL OUTDOOR	DDL-LENS.....	53.....	HUBBELL OUTDOOR
20750110214.....	17.....	HUBBELL OUTDOOR	BR-SX.....	30.....	HUBBELL OUTDOOR	DDL-LENS-140.....	52.....	HUBBELL OUTDOOR
26100119905.....	17.....	HUBBELL OUTDOOR	BRF-01.....	30.....	HUBBELL OUTDOOR	DDL-LENS2.....	52.....	HUBBELL OUTDOOR
26100149902.....	17.....	HUBBELL OUTDOOR	BRF-02.....	30.....	HUBBELL OUTDOOR	DDL-LENS2.....	53.....	HUBBELL OUTDOOR
26401839805.....	17.....	HUBBELL OUTDOOR	BRF-04.....	30.....	HUBBELL OUTDOOR	DDL-LENS5.....	52.....	HUBBELL OUTDOOR
26401849803.....	17.....	HUBBELL OUTDOOR	BRI-01.....	30.....	HUBBELL OUTDOOR	DDL-LENS5.....	53.....	HUBBELL OUTDOOR
80021660108.....	17.....	HUBBELL OUTDOOR	BRI-02.....	30.....	HUBBELL OUTDOOR	DDL-REFR.....	52.....	HUBBELL OUTDOOR
80033990104.....	34.....	HUBBELL OUTDOOR	BRI-04.....	30.....	HUBBELL OUTDOOR	DDL-REFR.....	53.....	HUBBELL OUTDOOR
80033990104.....	35.....	HUBBELL OUTDOOR	BRLU-01.....	30.....	HUBBELL OUTDOOR	DDL9L1NANPC8C.....	53.....	HUBBELL OUTDOOR
103-7.....	60.....	HUBBELL OUTDOOR	BRLU-04.....	30.....	HUBBELL OUTDOOR	DDR-5AP.....	54.....	HUBBELL OUTDOOR
103-71.....	60.....	HUBBELL OUTDOOR	BRS-01.....	30.....	HUBBELL OUTDOOR	DDR100S.....	54.....	HUBBELL OUTDOOR
103-72.....	60.....	HUBBELL OUTDOOR	BRS-02.....	30.....	HUBBELL OUTDOOR	DDR150S.....	54.....	HUBBELL OUTDOOR
103-73.....	60.....	HUBBELL OUTDOOR	BRS-04.....	30.....	HUBBELL OUTDOOR	DDS-100P.....	54.....	HUBBELL OUTDOOR
103-74.....	60.....	HUBBELL OUTDOOR	BUL.....	11.....	HUBBELL OUTDOOR	DDS-100PL.....	54.....	HUBBELL OUTDOOR
1031-3.....	60.....	HUBBELL OUTDOOR	C-5.....	60.....	HUBBELL OUTDOOR	DDS-100S.....	54.....	HUBBELL OUTDOOR
1031-3.....	61.....	HUBBELL OUTDOOR	C-5.....	61.....	HUBBELL OUTDOOR	DDS-150S.....	54.....	HUBBELL OUTDOOR
1031-3.....	62.....	HUBBELL OUTDOOR	CB-150.....	57-58.....	HUBBELL OUTDOOR	DDS-65F.....	54.....	HUBBELL OUTDOOR
1052-C.....	60.....	HUBBELL OUTDOOR	CB-75.....	57-58.....	HUBBELL OUTDOOR	DDS-70S.....	54.....	HUBBELL OUTDOOR
1306C.....	60.....	HUBBELL OUTDOOR	CCEDGE.....	73.....	COMPASS	EL-AB.....	57-58.....	HUBBELL OUTDOOR
1414-BOX.....	62.....	HUBBELL OUTDOOR	CCEDGE.....	73.....	COMPASS	EL-PT.....	57-58.....	HUBBELL OUTDOOR
200-0180-9904.....	34.....	HUBBELL OUTDOOR	CCEDR.....	73.....	COMPASS	F-042F8.....	12.....	HUBBELL OUTDOOR
206-BC3.....	62.....	HUBBELL OUTDOOR	CCEDRE.....	73.....	COMPASS	F-050H1.....	12.....	HUBBELL OUTDOOR
206-BC3-B.....	62.....	HUBBELL OUTDOOR	CCESG.....	73.....	COMPASS	F-070H1.....	12.....	HUBBELL OUTDOOR
207-5011-0222.....	63.....	HUBBELL OUTDOOR	CCESGE.....	73.....	COMPASS	F-070S1.....	12.....	HUBBELL OUTDOOR
207-5011-0264.....	60.....	HUBBELL OUTDOOR	CCESR.....	73.....	COMPASS	F-100H1.....	12.....	HUBBELL OUTDOOR
241-C-XX.....	21.....	HUBBELL OUTDOOR	CCESRE.....	73.....	COMPASS	F-150S1.....	12.....	HUBBELL OUTDOOR
264 0097 9702.....	61.....	HUBBELL OUTDOOR	CCG.....	72.....	COMPASS	FL-AB.....	57-58.....	HUBBELL OUTDOOR
264 0097 9702.....	63.....	HUBBELL OUTDOOR	CCGB.....	72.....	COMPASS	FLL-28L.....	6.....	HUBBELL OUTDOOR
264-0225-9904.....	42.....	HUBBELL OUTDOOR	CCGRC.....	72.....	COMPASS	FML-14.....	5.....	HUBBELL OUTDOOR
308-13-M.....	61.....	HUBBELL OUTDOOR	CCR.....	72.....	COMPASS	FML-14-PC1.....	5.....	HUBBELL OUTDOOR
309-13-ML.....	61.....	HUBBELL OUTDOOR	CCRB.....	72.....	COMPASS	FSL-7.....	4.....	HUBBELL OUTDOOR
309-14-ML.....	61.....	HUBBELL OUTDOOR	CCRRC.....	72.....	COMPASS	FSL-7-PC1.....	4.....	HUBBELL OUTDOOR
309-7P.....	63.....	HUBBELL OUTDOOR	CCRCB.....	72.....	COMPASS	FXL-56L.....	7.....	HUBBELL OUTDOOR
309-8P.....	63.....	HUBBELL OUTDOOR	CEG.....	74.....	COMPASS	GN-AB.....	57-58.....	HUBBELL OUTDOOR
309-M51-ML.....	61.....	HUBBELL OUTDOOR	CEGB.....	74.....	COMPASS	GN-PT.....	57-58.....	HUBBELL OUTDOOR
309-M54-ML.....	61.....	HUBBELL OUTDOOR	CEGR.....	74.....	COMPASS	GSL-15L.....	40.....	HUBBELL OUTDOOR
309-ML.....	61.....	HUBBELL OUTDOOR	CELR1GNE.....	75.....	COMPASS	GSL-21L.....	40.....	HUBBELL OUTDOOR
309-S.....	61.....	HUBBELL OUTDOOR	CELR1RNE.....	75.....	COMPASS	GSL-CS.....	40.....	HUBBELL OUTDOOR
309-S.....	63.....	HUBBELL OUTDOOR	CELR2GNE.....	75.....	COMPASS	GSL-LENS-M.....	40.....	HUBBELL OUTDOOR
309-VG-ML.....	61.....	HUBBELL OUTDOOR	CELR2RNE.....	75.....	COMPASS	GSL-LENS-R.....	40.....	HUBBELL OUTDOOR
30910LEDML.....	61.....	HUBBELL OUTDOOR	CELS1GNE.....	75.....	COMPASS	GSL-MTG-PL.....	40.....	HUBBELL OUTDOOR
4024C.....	16.....	HUBBELL OUTDOOR	CELS1RNE.....	75.....	COMPASS	GSL-Protector.....	40.....	HUBBELL OUTDOOR
4024C.....	21.....	HUBBELL OUTDOOR	CELS2GNE.....	75.....	COMPASS	GSL-SPC.....	40.....	HUBBELL OUTDOOR
583-G.....	59.....	HUBBELL OUTDOOR	CELS2RNE.....	75.....	COMPASS	HBL-48LU-5K-A-070-WH.....	64.....	HUBBELL INDUSTRIAL
583M-VG.....	59.....	HUBBELL OUTDOOR	CER.....	74.....	COMPASS	HBL-48LU-5K-N-070-WH.....	64.....	HUBBELL INDUSTRIAL
800-3289-0100.....	43.....	HUBBELL OUTDOOR	CERB.....	74.....	COMPASS	HBL-48LU-5K-W-070-WH.....	64.....	HUBBELL INDUSTRIAL
ASL-16L.....	47.....	HUBBELL OUTDOOR	CERRC.....	74.....	COMPASS	HBL-60LU-5K-A-070-WH.....	64.....	HUBBELL INDUSTRIAL
ASL-24L.....	47.....	HUBBELL OUTDOOR	CERRCB.....	74.....	COMPASS	HBL-60LU-5K-N-070-WH.....	64.....	HUBBELL INDUSTRIAL
ALF-12LU-5K-BZ.....	10.....	HUBBELL OUTDOOR	CEWDC.....	76.....	COMPASS	HBL-60LU-5K-W-070-WH.....	64.....	HUBBELL INDUSTRIAL
ALF-6LU-5K-BZ.....	10.....	HUBBELL OUTDOOR	CEWDRE.....	76.....	COMPASS	HBL-72LU-5K-A-070-WH.....	64.....	HUBBELL INDUSTRIAL
ALFW-6LU-5K-BZ.....	10.....	HUBBELL OUTDOOR	CEWSGE.....	76.....	COMPASS	HBL-72LU-5K-N-070-WH.....	64.....	HUBBELL INDUSTRIAL
ALFW-6LU-5K-BZ-PC.....	10.....	HUBBELL OUTDOOR	CEWSRE.....	76.....	COMPASS	HBL-72LU-5K-W-070-WH.....	64.....	HUBBELL INDUSTRIAL
ARM-16-1.....	51.....	HUBBELL OUTDOOR	CIRD.....	82.....	COMPASS	LB6LEDA10L.....	71.....	PRESCOLITE
ARM-16-3.....	51.....	HUBBELL OUTDOOR	CIRS.....	82.....	COMPASS	LB6LEDA8L.....	71.....	PRESCOLITE
ARM-DD24.....	50.....	HUBBELL OUTDOOR	CO-AB.....	57-58.....	HUBBELL OUTDOOR	LBSLEDA10L.....	69.....	PRESCOLITE
ARM-DD24.....	51.....	HUBBELL OUTDOOR	CO-AG.....	57-58.....	HUBBELL OUTDOOR	LBSQLEDA10L.....	69.....	PRESCOLITE
ARM-DD30.....	50.....	HUBBELL OUTDOOR	COR.....	78.....	COMPASS	LNC-5LU-5K.....	24.....	HUBBELL OUTDOOR
ARM-DD30.....	51.....	HUBBELL OUTDOOR	CORS.....	78.....	COMPASS	LNC-5LU-5K-PC.....	24.....	HUBBELL OUTDOOR
BL-400P-HB.....	66.....	HUBBELL INDUSTRIAL	CSREIV.....	73.....	COMPASS	LNC-7LU.....	24.....	HUBBELL OUTDOOR

LNC-9LU.....	24	HUBBELL OUTDOOR	NRG-304B-PCW.....	39	HUBBELL OUTDOOR	NV2IG15ASG.....	67	HUBBELL INDUSTRIAL
LNC2-12LU-5K-3-1.....	25	HUBBELL OUTDOOR	NRG-306B.....	39	HUBBELL OUTDOOR	NV2IG15BHG.....	67	HUBBELL INDUSTRIAL
LNC2-18LU-5K-3-1.....	25	HUBBELL OUTDOOR	NRG-306B-PC.....	39	HUBBELL OUTDOOR	NV2IG15BSG.....	67	HUBBELL INDUSTRIAL
LNC2-7LU-5K.....	25	HUBBELL OUTDOOR	NRG-306B-PCW.....	39	HUBBELL OUTDOOR	NV2IG15XHG.....	67	HUBBELL INDUSTRIAL
LNC2-9LU-5K.....	25	HUBBELL OUTDOOR	NRG-307B.....	39	HUBBELL OUTDOOR	NV2IG15XSG.....	67	HUBBELL INDUSTRIAL
LR-30.....	21	HUBBELL OUTDOOR	NRG-307B-PC.....	39	HUBBELL OUTDOOR	NV2XG.....	67	HUBBELL INDUSTRIAL
LVT56.....	57-58	HUBBELL OUTDOOR	NRG-311.....	33	HUBBELL OUTDOOR	NVEXTG.....	67	HUBBELL INDUSTRIAL
M2LH.....	20	HUBBELL OUTDOOR	NRG-312LU-5K-BZ.....	26	HUBBELL OUTDOOR	NVPSD12.....	67	HUBBELL INDUSTRIAL
MHK-0400P-338.....	15	HUBBELL OUTDOOR	NRG-312LU-5K-BZ-PC.....	26	HUBBELL OUTDOOR	PBT-1.....	16	HUBBELL OUTDOOR
MHK-0400P-368.....	15	HUBBELL OUTDOOR	NRG-315.....	33	HUBBELL OUTDOOR	PBT-1.....	23	HUBBELL OUTDOOR
MHK-0400S-238.....	15	HUBBELL OUTDOOR	NRG-317.....	33	HUBBELL OUTDOOR	PBT-234.....	16	HUBBELL OUTDOOR
MHK-0400S-268.....	15	HUBBELL OUTDOOR	NRG-350B.....	39	HUBBELL OUTDOOR	PBT-234.....	23	HUBBELL OUTDOOR
MHP-0400P-338.....	15	HUBBELL OUTDOOR	NRG-350B-PC.....	39	HUBBELL OUTDOOR	PG-PS.....	36	HUBBELL OUTDOOR
MHP-0400P-368.....	15	HUBBELL OUTDOOR	NRG-401.....	42	HUBBELL OUTDOOR	PG-WG.....	36	HUBBELL OUTDOOR
MHP-0400S-238.....	15	HUBBELL OUTDOOR	NRG-406-2.....	42	HUBBELL OUTDOOR	PGL-250P-128-1-LP.....	36	HUBBELL OUTDOOR
MHP-0400S-268.....	15	HUBBELL OUTDOOR	NRG-413P8.....	43	HUBBELL OUTDOOR	PGL-250S-128-1.....	36	HUBBELL OUTDOOR
MHS-30L SERIES.....	8	HUBBELL OUTDOOR	NRG-413P8-WH.....	43	HUBBELL OUTDOOR	PGL-320P-128-1.....	36	HUBBELL OUTDOOR
MHS-K250P8.....	14	HUBBELL OUTDOOR	NRG-414S8.....	43	HUBBELL OUTDOOR	PGL-350P-128-1.....	36	HUBBELL OUTDOOR
MHS-K400P8.....	14	HUBBELL OUTDOOR	NRG-415P8.....	43	HUBBELL OUTDOOR	PGL-350P-128-1-LP.....	36	HUBBELL OUTDOOR
MHS-Y150P8.....	14	HUBBELL OUTDOOR	NRG-415P8-WH.....	43	HUBBELL OUTDOOR	PGL-400S-128-1.....	36	HUBBELL OUTDOOR
MHS-Y150S8.....	14	HUBBELL OUTDOOR	NRG-456.....	42	HUBBELL OUTDOOR	PGL-400S-128-1-LP.....	36	HUBBELL OUTDOOR
MHS-Y250P8.....	14	HUBBELL OUTDOOR	NRG1100FHB.....	27	HUBBELL OUTDOOR	PGM3-070S-18-BZ.....	35	HUBBELL OUTDOOR
MHS-Y250S8.....	14	HUBBELL OUTDOOR	NRG1100FHW.....	27	HUBBELL OUTDOOR	PGM3-100P-18-BZ-L.....	35	HUBBELL OUTDOOR
MHS-Y400P5.....	14	HUBBELL OUTDOOR	NRG1111FHB.....	27	HUBBELL OUTDOOR	PGM3-100S-18-BZ.....	35	HUBBELL OUTDOOR
MHS-Y400P8.....	14	HUBBELL OUTDOOR	NRG1111FHW.....	27	HUBBELL OUTDOOR	PGM3-150P-18-BZ-L.....	35	HUBBELL OUTDOOR
MHS-Y400S5.....	14	HUBBELL OUTDOOR	NRG200BLENS.....	38	HUBBELL OUTDOOR	PGM3-150S-18-BZ.....	35	HUBBELL OUTDOOR
MHS-Y400S8.....	14	HUBBELL OUTDOOR	NRG4-30LU-4K-035-BZ.....	41	HUBBELL OUTDOOR	PGM3-150S-18-BZ-L.....	35	HUBBELL OUTDOOR
MIC-0070H-358.....	13	HUBBELL OUTDOOR	NRG4-30LU-4K-BZ.....	41	HUBBELL OUTDOOR	PGM3-150S-18-BZ-L.....	35	HUBBELL OUTDOOR
MIC-0070S-651.....	13	HUBBELL OUTDOOR	NRG4-30LU-5K-035-BZ.....	41	HUBBELL OUTDOOR	PGM3-250P-18-BZ.....	35	HUBBELL OUTDOOR
MIC-0100H-358.....	13	HUBBELL OUTDOOR	NRG4-30LU-5K-BZ.....	41	HUBBELL OUTDOOR	PGM3-250S-18-BZ-L.....	35	HUBBELL OUTDOOR
MIC-0150P-338.....	13	HUBBELL OUTDOOR	NV2AG.....	67	HUBBELL INDUSTRIAL	PGM3-30LU.....	32	HUBBELL OUTDOOR
MIC-0150P-358.....	13	HUBBELL OUTDOOR	NV2BG.....	67	HUBBELL INDUSTRIAL	PGM3-LB.....	35	HUBBELL OUTDOOR
MIC-0150S-258.....	13	HUBBELL OUTDOOR	NV2CC.....	67	HUBBELL INDUSTRIAL	PRR.....	23	HUBBELL OUTDOOR
MIC-0150S-651.....	13	HUBBELL OUTDOOR	NV2CG.....	67	HUBBELL INDUSTRIAL	PSC.....	23	HUBBELL OUTDOOR
MLED-40L SERIES.....	9	HUBBELL OUTDOOR	NV2FG13.....	67	HUBBELL INDUSTRIAL	PTA-1.....	23	HUBBELL OUTDOOR
MLED-80L SERIES.....	9	HUBBELL OUTDOOR	NV2FG13AHG.....	67	HUBBELL INDUSTRIAL	PTA-1.....	40	HUBBELL OUTDOOR
MO.....	20	HUBBELL OUTDOOR	NV2FG13ASG.....	67	HUBBELL INDUSTRIAL	PTA-5.....	23	HUBBELL OUTDOOR
MO-W.....	20	HUBBELL OUTDOOR	NV2FG13BHG.....	67	HUBBELL INDUSTRIAL	PTA-8.....	23	HUBBELL OUTDOOR
MVK-0250P-268.....	15	HUBBELL OUTDOOR	NV2FG13BSG.....	67	HUBBELL INDUSTRIAL	PTA-8.....	40	HUBBELL OUTDOOR
MVK-0250S-268.....	15	HUBBELL OUTDOOR	NV2FG13XHG.....	67	HUBBELL INDUSTRIAL	PTL-1.....	23	HUBBELL OUTDOOR
MVK-0400P-268.....	15	HUBBELL OUTDOOR	NV2FG13XSG.....	67	HUBBELL INDUSTRIAL	PTL-5.....	23	HUBBELL OUTDOOR
MVK-0400S-268.....	15	HUBBELL OUTDOOR	NV2FG18AHG.....	67	HUBBELL INDUSTRIAL	PTL-6.....	23	HUBBELL OUTDOOR
MVM-0250P-268.....	15	HUBBELL OUTDOOR	NV2FG18ASG.....	67	HUBBELL INDUSTRIAL	PTL-8.....	23	HUBBELL OUTDOOR
MVM-0250S-268.....	15	HUBBELL OUTDOOR	NV2FG18BHG.....	67	HUBBELL INDUSTRIAL	PVL3-070P-18-BZ-L.....	34	HUBBELL OUTDOOR
MVM-0400P-268.....	15	HUBBELL OUTDOOR	NV2FG18BSG.....	67	HUBBELL INDUSTRIAL	PVL3-070S-18-BZ.....	34	HUBBELL OUTDOOR
MVM-0400S-268.....	15	HUBBELL OUTDOOR	NV2FG18XHG.....	67	HUBBELL INDUSTRIAL	PVL3-100P-18-BZ-L.....	34	HUBBELL OUTDOOR
MVM-HPS-SEA2.....	15	HUBBELL OUTDOOR	NV2FG18XSG.....	67	HUBBELL INDUSTRIAL	PVL3-100S-18-BZ.....	34	HUBBELL OUTDOOR
MVM-PCR.....	16	HUBBELL OUTDOOR	NV2FG26.....	67	HUBBELL INDUSTRIAL	PVL3-100S-18-BZ-L.....	34	HUBBELL OUTDOOR
MVM-S2.....	16	HUBBELL OUTDOOR	NV2FG26AHG.....	67	HUBBELL INDUSTRIAL	PVL3-150P-18-BZ.....	34	HUBBELL OUTDOOR
MVM-V2.....	16	HUBBELL OUTDOOR	NV2FG26ASG.....	67	HUBBELL INDUSTRIAL	PVL3-150P-18-BZ-L.....	34	HUBBELL OUTDOOR
NM-BC.....	62	HUBBELL OUTDOOR	NV2FG26BHG.....	67	HUBBELL INDUSTRIAL	PVL3-150S-18-BZ.....	34	HUBBELL OUTDOOR
NM-BC.....	61	HUBBELL OUTDOOR	NV2FG26BSG.....	67	HUBBELL INDUSTRIAL	PVL3-150S-18-BZ-L.....	34	HUBBELL OUTDOOR
NRG-1111-B.....	27	HUBBELL OUTDOOR	NV2FG26XHG.....	67	HUBBELL INDUSTRIAL	PVL3-150S-51-BZ-L.....	34	HUBBELL OUTDOOR
NRG-1111-W.....	27	HUBBELL OUTDOOR	NV2FG26XSG.....	67	HUBBELL INDUSTRIAL	PVL3-242F-18-BZ-L.....	34	HUBBELL OUTDOOR
NRG-1112-B.....	27	HUBBELL OUTDOOR	NV2FG32.....	67	HUBBELL INDUSTRIAL	PVL3-242F-18-BZ-L-2BOC.....	34	HUBBELL OUTDOOR
NRG-1112-W.....	27	HUBBELL OUTDOOR	NV2FG32AHG.....	67	HUBBELL INDUSTRIAL	PVL3-30LU.....	32	HUBBELL OUTDOOR
NRG-1143-W.....	27	HUBBELL OUTDOOR	NV2FG32ASG.....	67	HUBBELL INDUSTRIAL	PVL3V.....	36	HUBBELL OUTDOOR
NRG-1171-B.....	27	HUBBELL OUTDOOR	NV2FG32BHG.....	67	HUBBELL INDUSTRIAL	Q-150-B.....	18	HUBBELL OUTDOOR
NRG-1171-W.....	27	HUBBELL OUTDOOR	NV2FG32BSG.....	67	HUBBELL INDUSTRIAL	Q-150-W.....	18	HUBBELL OUTDOOR
NRG-1172-W.....	27	HUBBELL OUTDOOR	NV2FG32XHG.....	67	HUBBELL INDUSTRIAL	Q-300-B.....	18	HUBBELL OUTDOOR
NRG-204B.....	38	HUBBELL OUTDOOR	NV2FG32XSG.....	67	HUBBELL INDUSTRIAL	Q-300-W.....	18	HUBBELL OUTDOOR
NRG-204B-MS.....	38	HUBBELL OUTDOOR	NV2FG42.....	67	HUBBELL INDUSTRIAL	Q-500-B.....	18	HUBBELL OUTDOOR
NRG-204B-PC.....	38	HUBBELL OUTDOOR	NV2FG42AHG.....	67	HUBBELL INDUSTRIAL	Q-500-W.....	18	HUBBELL OUTDOOR
NRG-206B-PC.....	38	HUBBELL OUTDOOR	NV2FG42ASG.....	67	HUBBELL INDUSTRIAL	QL-150S.....	17	HUBBELL OUTDOOR
NRG-250.....	38	HUBBELL OUTDOOR	NV2FG42BHG.....	67	HUBBELL INDUSTRIAL	QL-15G.....	17	HUBBELL OUTDOOR
NRG-250B-PC.....	38	HUBBELL OUTDOOR	NV2FG42BSG.....	67	HUBBELL INDUSTRIAL	QL-15V.....	17	HUBBELL OUTDOOR
NRG-301B.....	39	HUBBELL OUTDOOR	NV2FG42XHG.....	67	HUBBELL INDUSTRIAL	QL-505.....	17	HUBBELL OUTDOOR
NRG-301B-PC.....	39	HUBBELL OUTDOOR	NV2FG42XSG.....	67	HUBBELL INDUSTRIAL	QL-505-BZ.....	17	HUBBELL OUTDOOR
NRG-304B.....	39	HUBBELL OUTDOOR	NV2GG.....	67	HUBBELL INDUSTRIAL	QL-5G.....	17	HUBBELL OUTDOOR
NRG-304B-MS.....	39	HUBBELL OUTDOOR	NV2IG15.....	67	HUBBELL INDUSTRIAL	QL-TB.....	17	HUBBELL OUTDOOR
NRG-304B-PC.....	39	HUBBELL OUTDOOR	NV2IG15AHG.....	67	HUBBELL INDUSTRIAL	QL-VS.....	17	HUBBELL OUTDOOR

INDEX

Product Index

QL-VS	17	HUBBELL OUTDOOR	S-319-B	42	HUBBELL OUTDOOR	VBGP-100.....	56	HUBBELL OUTDOOR
QWL-1000T.....	19	HUBBELL OUTDOOR	S-319-B	61	HUBBELL OUTDOOR	VBGP-100.....	67	HUBBELL INDUSTRIAL
QWL-150C	19	HUBBELL OUTDOOR	S-329-B	60	HUBBELL OUTDOOR	VCGP-100.....	56	HUBBELL OUTDOOR
QWL-500S	19	HUBBELL OUTDOOR	S-329-B	61	HUBBELL OUTDOOR	VCGP-100.....	67	HUBBELL INDUSTRIAL
R12-100H	44	HUBBELL OUTDOOR	S12-100H.....	45	HUBBELL OUTDOOR	VCGP-200.....	56	HUBBELL OUTDOOR
R2LHQ	20	HUBBELL OUTDOOR	S12-150P.....	45	HUBBELL OUTDOOR	VCGPT-100.....	56	HUBBELL OUTDOOR
R2LHQW.....	20	HUBBELL OUTDOOR	S2LH	20	HUBBELL OUTDOOR	VCGPT-100.....	67	HUBBELL INDUSTRIAL
R9-42F.....	44	HUBBELL OUTDOOR	S2LH-W.....	20	HUBBELL OUTDOOR	VG-15	56	HUBBELL OUTDOOR
R9-70H	44	HUBBELL OUTDOOR	S329B.....	59	HUBBELL OUTDOOR	VG-15	67	HUBBELL INDUSTRIAL
R9-70S.....	44	HUBBELL OUTDOOR	S9-42F.....	45	HUBBELL OUTDOOR	VG-30	56	HUBBELL OUTDOOR
RA-4P-M51-W	51	HUBBELL OUTDOOR	S9-70H	45	HUBBELL OUTDOOR	VGG-100	56	HUBBELL OUTDOOR
RA-4P-M53-W	51	HUBBELL OUTDOOR	SCP-REMOTE	40	HUBBELL OUTDOOR	VGG-100	67	HUBBELL INDUSTRIAL
RA-6P-M51-W	51	HUBBELL OUTDOOR	SM009-LENS.....	45	HUBBELL OUTDOOR	VGG-200	56	HUBBELL OUTDOOR
RA-6P-M53-W	51	HUBBELL OUTDOOR	SM012-LENS.....	45	HUBBELL OUTDOOR	VGGP-100.....	56	HUBBELL OUTDOOR
RD-AB	57-58	HUBBELL OUTDOOR	SM020-LENS.....	44	HUBBELL OUTDOOR	VGGP-100.....	67	HUBBELL INDUSTRIAL
RE-PT	57-58	HUBBELL OUTDOOR	SM021-LENS.....	44	HUBBELL OUTDOOR	VGGP-200.....	56	HUBBELL OUTDOOR
RL-60LU-3K.....	48	HUBBELL OUTDOOR	SM106-FRAME/GLASS.....	37	HUBBELL OUTDOOR	VGL-BU	55	HUBBELL OUTDOOR
RL-60LU-4K.....	48	HUBBELL OUTDOOR	SM106-GUARD.....	37	HUBBELL OUTDOOR	VGL-FG.....	55	HUBBELL OUTDOOR
RL-60LU-5K.....	48	HUBBELL OUTDOOR	SM106-SHIELD.....	37	HUBBELL OUTDOOR	VGL-GN	55	HUBBELL OUTDOOR
RLC-3-1.....	49	HUBBELL OUTDOOR	SM106-visor.....	37	HUBBELL OUTDOOR	VGL-GUARD	55	HUBBELL OUTDOOR
RLC-3-3.....	49	HUBBELL OUTDOOR	SM352-COVER.....	30	HUBBELL OUTDOOR	VGL-RD	56	HUBBELL OUTDOOR
RLD-25S35-1	49	HUBBELL OUTDOOR	SM352-COVER.....	39	HUBBELL OUTDOOR	VGL-YW.....	55	HUBBELL OUTDOOR
RLD-25S35-3	49	HUBBELL OUTDOOR	SM704-FRAME/GLASS.....	37	HUBBELL OUTDOOR	VPG-100.....	56	HUBBELL OUTDOOR
RLD-25S38-1	49	HUBBELL OUTDOOR	SM704-GUARD.....	37	HUBBELL OUTDOOR	VPG-100.....	67	HUBBELL INDUSTRIAL
RLD-25S38-3	49	HUBBELL OUTDOOR	SM704-REPLGL.....	37	HUBBELL OUTDOOR	VPLGC-100.....	67	HUBBELL INDUSTRIAL
RLD-40P35-1	49	HUBBELL OUTDOOR	SM704-shield.....	37	HUBBELL OUTDOOR	VRG-100	56	HUBBELL OUTDOOR
RLD-40P35-3	49	HUBBELL OUTDOOR	SM705-LENS.....	37	HUBBELL OUTDOOR	VRG-100	67	HUBBELL INDUSTRIAL
RLD-40P38-1	49	HUBBELL OUTDOOR	SM708-FRAME/GLASS.....	37	HUBBELL OUTDOOR	VRG-200.....	56	HUBBELL OUTDOOR
RLD-40P38-3	49	HUBBELL OUTDOOR	SM708-GUARD.....	37	HUBBELL OUTDOOR	VRGP-100.....	56	HUBBELL OUTDOOR
RLD-40S35-1	49	HUBBELL OUTDOOR	SM708-REPLGL.....	37	HUBBELL OUTDOOR	VRGP-100.....	67	HUBBELL INDUSTRIAL
RLD-40S35-3	49	HUBBELL OUTDOOR	SM708-visor.....	37	HUBBELL OUTDOOR	VRGP-100.....	67	HUBBELL INDUSTRIAL
RLD-40S38-1	49	HUBBELL OUTDOOR	SM765-frame/GLASS.....	28	HUBBELL OUTDOOR	VRSG-100.....	55	HUBBELL OUTDOOR
RLD-40S38-3	49	HUBBELL OUTDOOR	SM765-GLASS	28	HUBBELL OUTDOOR	VRSG-100.....	67	HUBBELL INDUSTRIAL
RM-30LU-3K.....	47	HUBBELL OUTDOOR	SO	20	HUBBELL OUTDOOR	VWGL-150.....	56	HUBBELL OUTDOOR
RM-30LU-4K.....	47	HUBBELL OUTDOOR	SO-W	20	HUBBELL OUTDOOR	VWL-1.....	55	HUBBELL OUTDOOR
RM-30LU-5K.....	47	HUBBELL OUTDOOR	SS-AB	57-58	HUBBELL OUTDOOR	WB-01A.....	51	HUBBELL OUTDOOR
RMA-3-1	50	HUBBELL OUTDOOR	SS-AG	57-58	HUBBELL OUTDOOR	WB-02S.....	51	HUBBELL OUTDOOR
RMA-3-3	50	HUBBELL OUTDOOR	SSB-21-M51	22	HUBBELL OUTDOOR	WB-03S.....	51	HUBBELL OUTDOOR
RMC-3-1.....	50	HUBBELL OUTDOOR	SSB-31-M51	22	HUBBELL OUTDOOR	WB-04A.....	51	HUBBELL OUTDOOR
RMC-3-3.....	50	HUBBELL OUTDOOR	SSB-41-M51	22	HUBBELL OUTDOOR	WB-04S.....	51	HUBBELL OUTDOOR
RMD-07S25-1	50	HUBBELL OUTDOOR	SSB-43-M51	22	HUBBELL OUTDOOR	WB-05A.....	51	HUBBELL OUTDOOR
RMD-07S25-3	50	HUBBELL OUTDOOR	TCB-1	21	HUBBELL OUTDOOR	WB-06S.....	51	HUBBELL OUTDOOR
RMD-07S28-1	50	HUBBELL OUTDOOR	TCB-2	21	HUBBELL OUTDOOR	WB-07A.....	51	HUBBELL OUTDOOR
RMD-07S28-3	50	HUBBELL OUTDOOR	TCB-3	21	HUBBELL OUTDOOR	WB-07S.....	51	HUBBELL OUTDOOR
RMD-10S25-1	50	HUBBELL OUTDOOR	THB-21.....	22	HUBBELL OUTDOOR	WB-08S.....	51	HUBBELL OUTDOOR
RMD-10S25-3	50	HUBBELL OUTDOOR	THB-21-M53.....	22	HUBBELL OUTDOOR	WGC-100H.....	28	HUBBELL OUTDOOR
RMD-10S28-1	50	HUBBELL OUTDOOR	THB-31.....	22	HUBBELL OUTDOOR	WGC-100S.....	28	HUBBELL OUTDOOR
RMD-10S28-3	50	HUBBELL OUTDOOR	THB-32.....	22	HUBBELL OUTDOOR	WGC-42F.....	28	HUBBELL OUTDOOR
RMD-15P35-1	50	HUBBELL OUTDOOR	THB-41.....	22	HUBBELL OUTDOOR	WGC-50H	28	HUBBELL OUTDOOR
RMD-15P35-3	50	HUBBELL OUTDOOR	THB-43.....	22	HUBBELL OUTDOOR	WGC-70H	28	HUBBELL OUTDOOR
RMD-15P38-1	50	HUBBELL OUTDOOR	TPR-2	21	HUBBELL OUTDOOR	WGH-100H.....	37	HUBBELL OUTDOOR
RMD-15P38-3	50	HUBBELL OUTDOOR	TPR-3	21	HUBBELL OUTDOOR	WGH-110-4K-U-M.....	31	HUBBELL OUTDOOR
RMD-15S25-1	50	HUBBELL OUTDOOR	TPR-4	21	HUBBELL OUTDOOR	WGH-150P.....	37	HUBBELL OUTDOOR
RMD-15S25-3	50	HUBBELL OUTDOOR	TWK-11.....	16	HUBBELL OUTDOOR	WGH-150S.....	37	HUBBELL OUTDOOR
RMD-15S28-1	50	HUBBELL OUTDOOR	TWK-11.....	21	HUBBELL OUTDOOR	WGH-150S120.....	37	HUBBELL OUTDOOR
RMD-15S28-3	50	HUBBELL OUTDOOR	UCT-1	46	HUBBELL OUTDOOR	WGH-11U-M.....	27	HUBBELL OUTDOOR
RMD-25P35-1	50	HUBBELL OUTDOOR	UCT-2	46	HUBBELL OUTDOOR	WGH-225L-4K-U-L.....	27	HUBBELL OUTDOOR
RMD-25P35-3	50	HUBBELL OUTDOOR	UCT-3	46	HUBBELL OUTDOOR	WGH-250P.....	37	HUBBELL OUTDOOR
RMD-25P38-1	50	HUBBELL OUTDOOR	UCT-4	46	HUBBELL OUTDOOR	WGH-250S.....	37	HUBBELL OUTDOOR
RMD-25P38-3	50	HUBBELL OUTDOOR	UCT-5	46	HUBBELL OUTDOOR	WGH-400P.....	37	HUBBELL OUTDOOR
RMD-25S35-1	50	HUBBELL OUTDOOR	UCT-6	46	HUBBELL OUTDOOR	WGH-400S.....	37	HUBBELL OUTDOOR
RMD-25S35-3	50	HUBBELL OUTDOOR	UCT-7	46	HUBBELL OUTDOOR	WGH-70H.....	37	HUBBELL OUTDOOR
RMD-25S38-1	50	HUBBELL OUTDOOR	UCT-8	46	HUBBELL OUTDOOR	WGH-84F-MS423.....	37	HUBBELL OUTDOOR
RMD-25S38-3	50	HUBBELL OUTDOOR	UCT-9	46	HUBBELL OUTDOOR	WGH-84F.....	37	HUBBELL OUTDOOR
RMG-3-1	50	HUBBELL OUTDOOR	VAMG-100	67	HUBBELL INDUSTRIAL	WIH-OM-480	16	HUBBELL OUTDOOR
RMG-3-3	50	HUBBELL OUTDOOR	VAMG-200	56	HUBBELL OUTDOOR	WIH-OM-UNV.....	16	HUBBELL OUTDOOR
S-302	17	HUBBELL OUTDOOR	VBG-100	56	HUBBELL OUTDOOR	WMR-42F1-PC.....	31	HUBBELL OUTDOOR
S-302	62	HUBBELL OUTDOOR	VBG-100.....	56	HUBBELL OUTDOOR	WMR-70P6	31	HUBBELL OUTDOOR
S-302-M51.....	17	HUBBELL OUTDOOR	VBG-1001.....	67	HUBBELL INDUSTRIAL	WPH-100S.....	37	HUBBELL OUTDOOR
S-302-M51.....	62	HUBBELL OUTDOOR	VBG-200	56	HUBBELL OUTDOOR	WPH-70S.....	37	HUBBELL OUTDOOR
S-302-M52.....	62	HUBBELL OUTDOOR	VBGG-150.....	56	HUBBELL OUTDOOR			
S-307	60	HUBBELL OUTDOOR	VBGG-300.....	56	HUBBELL OUTDOOR			
S-314-B	62	HUBBELL OUTDOOR	VBGL-1	55	HUBBELL OUTDOOR			