

INNOVATIVE LIGHTING SOLUTIONS

# NSL

NATIONAL SPECIALTY LIGHTING

2018 - 2019



ARCHITECTURAL AND DECORATIVE LIGHTING

# Table of Contents

Linear Lighting	LED Tape Light High Power Indoor .....	3
	LED Tape Light Low Power Indoor .....	5
	LED Tape Light High Power RGB Indoor .....	7
	LED Tape Light High Power RGBW Indoor .....	9
	LED Tape Light Low Power RGB Indoor .....	11
	LED Tape Light CCT Indoor .....	13
	LED Tape Light High Power Outdoor .....	15
	LED Tape Light Low Power Outdoor .....	17
	LED Tape Light RGB Outdoor .....	19
	LED Tape Light Low Power RGB Outdoor .....	21
	High Density LED Tape Light High Power Indoor .....	23
	High Density LED Tape Light Low Power Indoor .....	25
	LED Tape Light Extrusions .....	27
	LED eStrip .....	29
	High Power LED eStrip .....	31
	RGB LED eStrip .....	33
	LED Globe Light .....	35
	LED Wedge Light .....	37
	Gen 2 LED Hard Strip .....	39
	LED Thin Star .....	41
LED Britestrip .....	43	
Xenon Britestrip .....	45	
Under Cabinet Lighting	LED Task Star PRO .....	47
	LED Task Star .....	49
	Xenon Task Light .....	51
	LED Mini Star II .....	53
	LED LP Puck Lights .....	55
	LED Edgelit Puck Lights .....	57
	Xenon Mini Light .....	59
Landscape Lighting	LED Disc Light .....	61
	LED MiniDisc Light .....	63
	LED MiniDisc Light (Scoop) .....	65

<b>Decorative Lighting</b>	Ceiling Lights .....	67
	Vanity Lights and Wall Sconces .....	68
<b>Down Lighting</b>	Thin-line LED Down Lights .....	69
	High Power Thin-line LED Down Lights .....	71
	Thin-Line Square LED Down Lights .....	73
	Round LED Surface Mount Down Lights .....	75
	Square LED Surface Mount Down Lights .....	77
	Surface/Recessed LED Down Lights .....	79
	LV-DL Series .....	81
	LED Gimbal Down Lights GDL-3 .....	83
	LED Gimbal Down Lights GDL-4 .....	84
LED Panel Light .....	85	
<b>Industrial Lighting</b>	Tri-Proof Lights .....	87
	LED Parking Garage .....	89
	High Power LED Flood Light .....	91
	LED Work Light .....	93
<b>Wall Lighting</b>	LED Switch Star .....	95
	LED Step Star .....	97
	LED Brick Star .....	99
	LED Wall Star .....	101
	LED Wall Sconces .....	103
	LED Outdoor Sconces .....	105
	Low Voltage Mini Flood Light .....	107
	Xenon Brick Light .....	109
	Xenon Step Light .....	111
	Xenon Wall Light.....	113
Switchex® .....	115	
<b>LED Drivers, LED Controllers and Transformers</b>	LED Drivers Selector Chart .....	117
	LED Controllers Chart .....	119
	Cense Controller .....	121
	Transformers - Magnetic .....	123
	Transformers - Electronic .....	124

# LED Tape Light High Power Indoor

NSL offers a large variety of LED Tape Light ranging from 2.1 watts per foot to 5.8 watts per foot.



DIMMABLE



## High Power Single Color LTP-20 Series

### Features

- 50,000 hours life
- High brightness 5060 SMD LEDs
- Field cuttable
- Low power consumption
- Available in 20' (6.1m) rolls (custom cuts available)
- Safe, 24V class 2 power supplies (sold separately)
- Fully dimmable with dimmable power supplies (sold separately)
- 20' spools come with 6 ft. pre-soldered power feeds
- 3 year limited warranty

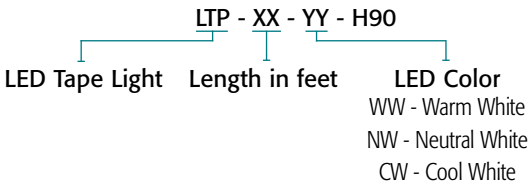
### Applications

- Aisle and stairway lighting
- Cabinet and cove lighting
- Back lighting
- Showcase lighting
- Linear decorative lighting

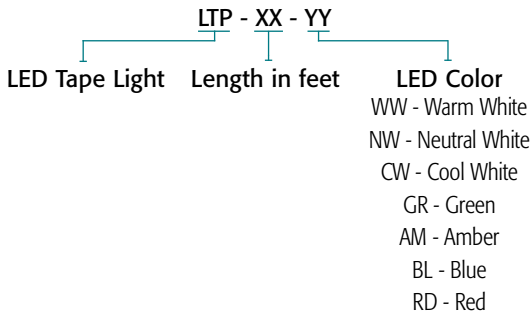
### Specifications

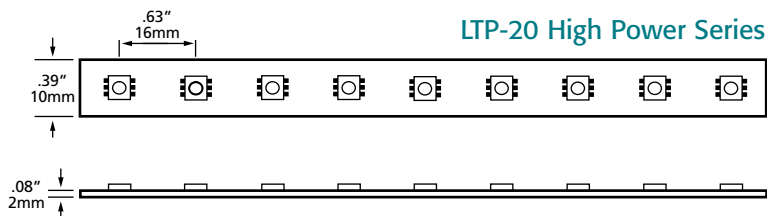
Electrical	24V DC, 4.3W/ft
LED Type	High Brightness 5060 SMD LEDs
Viewing Angle	120°
LED Life	50,000 hours to 70% initial lumen output
LED Spacing	16mm
# of LEDs per foot (304mm)	18
Maximum Single Run	20'
Custom Cuttable	4"
Lumen Output	325 Lumens per ft Cool White, 300 Lumens per ft Neutral White 285 Lumens per ft Warm White
Efficacy	75 LPW Cool White, 70 LPW Neutral White, 66 LPW Warm White
Color Temperature	Warm White 3000K, Neutral White 4000K, Cool White 6500K
CRI	> 80 , >90 (H90)
Approvals	cETLus

### 90 CRI Product Codes



### 80 CRI Product Codes





## Accessories



**LTP-001-6R**  
72" Power feed connector for single color indoor. Add "L" to code for opposite end, add "-CM" for through wall connections.

**LTP-001-12R**  
12FT Power Feed Connector.



**LTP-002**  
In-line connector for single color indoor.



**LTP-TBC**  
Terminal block connector for power feed and in-line connections



**LTP-STP-6IN**  
5.9" (15cm)

**LTP-STP-2IN**  
2" (5cm)

**LTP-STP-2**  
2' (61cm)

**LTP-STP-12**  
12' (3.65m)

In-line connector for single color indoor.



**LMSII-001**  
Terminal block and junction box for connection to additional lengths of power cable if needed.



**LTP-010-S**  
Clear PVC mounting "U" channel



**LTP-003-6DC**  
DC connector for LED Tape Light with 6" wire and DC connector



**LV-SPIR-1CH-LV**  
PIR Motion Sensor, 1 Channel, 24V DC

## Indoor/Outdoor Dimmable Drivers

### TRE24L40DC

Max recommended load 36W or 8' LED Tape Light,  
min 8W or 2' LED Tape Light  
6.77" x 2.67" x 1.26" (171 x 68 x 32mm)

### TRE24L96DC

Max recommended load 90W or 20' LED Tape Light,  
min 8W or 2' LED Tape Light  
6.77" x 2.67" x 1.26" (171 x 68 x 32mm)

## Non Dimmable Drivers

### LEDDR-24-120W

Indoor/Outdoor driver  
Max. recommended load 90W or 20' (6.1m) per single tap,  
120W or 27' (8.23m) combined two secondary taps.  
120W hardwire  
Input: 100 - 240V AC  
Output: 24V DC  
10" x 3 3/8" x 3 3/16" (254 x 85.7 x 80.9mm)

## Non-dimmable Plug In Drivers

### LMS-24-18W

### LMS-24-60W

# LED Tape Light Low Power Indoor

NSL offers a large variety of LED Tape Light ranging from 2.1 watts per foot to 5.8 watts per foot.



DIMMABLE



## Low Power Single Color LTP-20-LP Series

### Features

- 50,000 hours life
- High brightness 5060 SMD LEDs
- Field cuttable
- Low power consumption
- Available in 20' (6.1m) rolls (custom cuts available)
- Safe, 24V class 2 power supplies (sold separately)
- Fully dimmable with dimmable power supplies (sold separately)
- 20' spools come with 6 ft. pre-soldered power feeds
- 3 year limited warranty

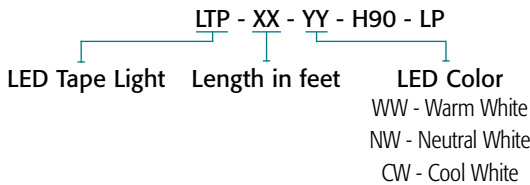
### Applications

- Aisle and stairway lighting
- Cabinet and cove lighting
- Back lighting
- Showcase lighting
- Linear decorative lighting

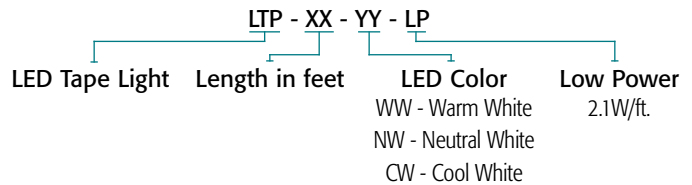
### Specifications

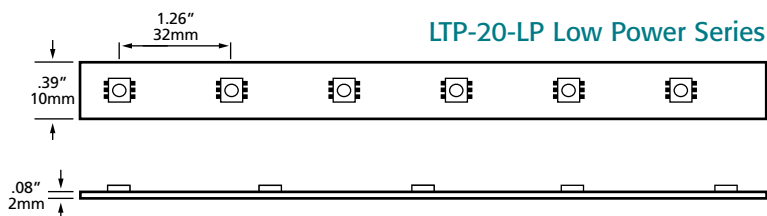
Electrical	24V DC, 2.1W/ft
LED Type	High Brightness 5060 SMD LEDs
Viewing Angle	120°
LED Life	50,000 hours to 70% initial lumen output
LED Spacing	32mm
# of LEDs per foot (304mm)	9
Maximum Single Run	40'
Custom Cuttable	6.5"
Lumen Output	165 Lumens per ft Cool White, 150 Lumens per ft Neutral White 145 Lumens per ft Warm White
Efficacy	75 LPW Cool White, 72 LPW Neutral White, 66 LPW Warm White
Color Temperature	Warm White 3000K, Neutral White 4000K, Cool White 6500K
CRI	> 80 , >90 (H90)
Approvals	cETLus

### 90 CRI Product Codes



### 80 CRI Product Codes





## Accessories



**LTP-001-6R**  
72" Power feed connector for single color indoor. Add "L" to code for opposite end, add "CM" for through wall connections.  
**LTP-001-12R**  
12FT Power Feed Connector.



**LTP-002**  
In-line connector for single color indoor.



**LTP-TBC**  
Terminal block connector for power feed and in-line connections



**LTP-STP-6IN**  
5.9" (15cm)  
**LTP-STP-2IN**  
2" (5cm)  
**LTP-STP-2**  
2' (61cm)  
**LTP-STP-12**  
12' (3.65m)  
In-line connector for single color indoor.



**LMSII-001**  
Terminal block and junction box for connection to additional lengths of power cable if needed.



**LTP-010-S**  
Clear PVC mounting "U" channel



**LTP-003-6DC**  
DC connector for LED Tape Light with 6" wire and DC connector



**LV-SPIR-1CH-LV**  
PIR Motion Sensor, 1 Channel, 24V DC

## Indoor/Outdoor Dimmable Drivers

**TRE24L40DC**  
Max recommended load 36W or 16' LED Tape Light, min 8W or 4' LED Tape Light  
6.77" x 2.67" x 1.26" (171 x 68 x 32mm)

**TRE24L96DC**  
Max recommended load 90W or 40' LED Tape Light, min 8W or 4' LED Tape Light  
6.77" x 2.67" x 1.26" (171 x 68 x 32mm)

## Non Dimmable Drivers

**LEDDR-24-120W**  
Indoor/Outdoor driver  
Max. recommended load 90W or 40' (12.1m) per single tap, 120W or 56' (17m) combined two secondary taps.  
120W hardwire  
Input: 100 - 240V AC  
Output: 24V DC  
10" x 3 3/8" x 3 3/16" (254 x 85.7 x 80.9mm)

## Non-dimmable Plug In Drivers

**LMS-24-18W**  
**LMS-24-60W**

# LED Tape Light High Power RGB Indoor

NSL offers a large variety of LED Tape Light ranging from 2.1 watts per foot to 5.8 watts per foot.



## High Power RGB LTP-20-RGB Series

### Features

- 50,000 hours life
- High brightness 5060 SMD LEDs
- Field cuttable
- Low power consumption
- Available in 20' (6.1m) rolls
- 20' spools come with 6 ft. pre-soldered power feeds
- Safe, 24V class 2 power supplies (sold separately)
- Controllers sold separately
- 3 year limited warranty

### Applications

- Aisle and stairway lighting
- Cabinet and cove lighting
- Back lighting
- Showcase lighting
- Linear decorative lighting

### Specifications

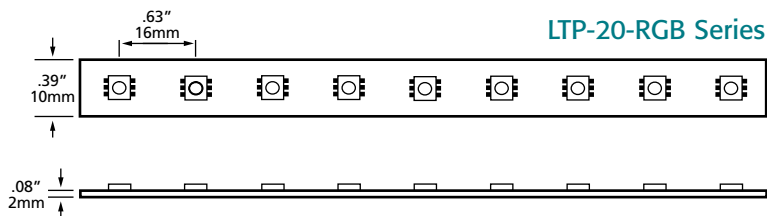
Electrical	24V DC, 4.3W/ft
LED Type	High Brightness 5060 SMD LEDs
Viewing Angle	120°
LED Life	50,000 hours to 70% initial lumen output
LED Spacing	16mm
# of LEDs per foot (304mm)	18
Maximum Single Run	20'
Custom Cuttable	4"
CRI	> 80
Approvals	cETLus

**NOTE:** Controllers and signal amplifiers on page 119.

### Product Codes







## Accessories



**LTP-001-RGB-6R**  
72" Power feed connector for RGB indoor. Add "L" for opposite end.



**LTP-002-RGB**  
In-line connector for RGB indoor.



**LTP-001-RGB-6IN**  
6" In-line connector for RGB indoor.

**LTP-001-RGB-2IN**  
2" In-line connector for RGB indoor.



**LMSII-001**  
Terminal block and junction box for connection to additional lengths of power cable if needed.



**LV-RF103EXSS**  
6" RF extension cable for RGB Tape Light



**LTP-010-S**  
Clear PVC mounting "U" channel



**LTP-09S-RF**  
6 Key RGB "touch" controller 12/24V DC



**LN-CON-WIFI-3CH-XV**  
WiFi controller for RGB, CCT, and dimming, c/w RF remote 12/24VDC

## Non Dimmable Drivers

### LEDDR-24-120W

Indoor/Outdoor driver

Max. recommended load 90W or 20' (6.1m) per single tap, 120W or 27' (8.23m) combined two secondary taps.

120W hardwire

Input: 100 - 240V AC

Output: 24V DC

10" x 3 3/8" x 3 3/16" (254 x 85.7 x 80.9mm)

# LED Tape Light High Power RGBW Indoor



NSL offers a large variety of LED Tape Light ranging from 2.1 watts per foot to 5.8 watts per foot.

## High Power RGBW LTP-20-RGBW Series

### Features

- 50,000 hours life
- High brightness 5050 SMD LEDs
- Field cuttable
- Low power consumption
- Available in 20' (6.1m) rolls
- RGB color change plus WW, NW, CW color temperatures
- 20' spools come with 6 ft. pre-soldered power feeds
- Safe, 24V class 2 power supplies (sold separately)
- 3 year limited warranty

### Applications

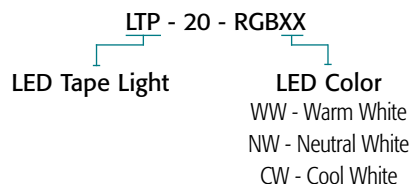
- Aisle and stairway lighting
- Cabinet and cove lighting
- Back lighting
- Showcase lighting
- Linear decorative lighting

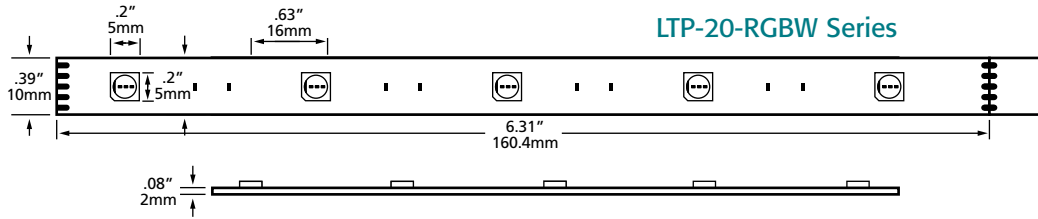
### Specifications

Electrical	24V DC, 3.5W/ft
LED Type	High Brightness 5050 SMD LEDs
Viewing Angle	120°
LED Life	50,000 hours to 70% initial lumen output
LED Spacing	16mm
# of LEDs per foot (304mm)	18
Maximum Single Run	20'
Color Temperature	RGBWW = 3000K RGBNW = 4000K RGBCW = 6500K
Custom Cuttable	4"
CRI	> 80
Approvals	cETLus

*NOTE: Controllers and signal amplifiers on page 119.*

### Product Codes





## Accessories



**LTP-001-RGBW-6**  
72" Power feed connector for RGBW indoor.



**LTP-002-RGBW**  
In-line connector for RGBW indoor.



**LTP-001-RGBW-6IN**  
6" In-line connector for RGBW indoor.



**LMSII-001**  
Terminal block and junction box for connection to additional lengths of power cable if needed.



**LTP-010-S**  
Clear PVC mounting "U" channel



**LT-11S-RF**  
RGBW controller

## Non Dimmable Drivers

### LEDDR-24-120W

Indoor/Outdoor driver

Max. recommended load 90W or 25' (7.6m) per single tap, 120W or 34' (10m) combined two secondary taps.

120W hardwire

Input: 100 - 240V AC

Output: 24V DC

10" x 3 3/8" x 3 3/16" (254 x 85.7 x 80.9mm)

# LED Tape Light Low Power RGB Indoor

NSL offers a large variety of LED Tape Light ranging from 2.1 watts per foot to 5.8 watts per foot.



## Low Power RGB LTP-20-RGB-LP Series

### Features

- 50,000 hours life
- High brightness 5060 SMD LEDs
- Field cuttable
- Low power consumption
- Available in 20' (6.1m) rolls
- 20' spools come with 6 ft. pre-soldered power feeds
- Safe, 24V class 2 power supplies (sold separately)
- 3 year limited warranty

### Applications

- Aisle and stairway lighting
- Cabinet and cove lighting
- Back lighting
- Showcase lighting
- Linear decorative lighting

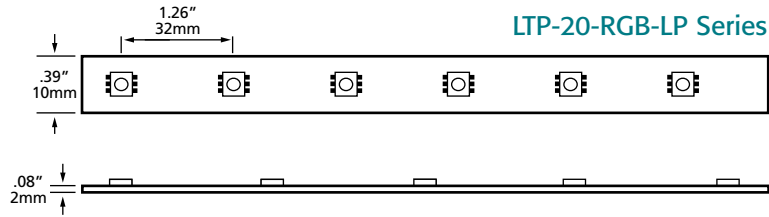
### Specifications

Electrical	24V DC, 2.1W/ft
LED Type	High Brightness 5060 SMD LEDs
Viewing Angle	120°
LED Life	50,000 hours to 70% initial lumen output
LED Spacing	32mm
# of LEDs per foot (304mm)	9
Maximum Single Run	40'
Custom Cuttable	6.5"
CRI	> 80
Approvals	cETLus

*NOTE: Controllers and signal amplifiers on page 119.*

### Product Codes





## Accessories



**LTP-001-RGB-6R**  
72" Power feed connector for RGB indoor. Add "L" for opposite end.



**LTP-002-RGB**  
In-line connector for RGB indoor.



**LTP-001-RGB-6IN**  
6" In-line connector for RGB indoor.

**LTP-001-RGB-2IN**  
2" In-line connector for RGB indoor.



**LMSII-001**  
Terminal block and junction box for connection to additional lengths of power cable if needed.



**LV-RF103EXSS**  
6" RF extension cable for RGB Tape Light



**LTP-010-S**  
Clear PVC mounting "U" channel



**LT-09S-RF**  
6 Key RGB "touch" controller 12/24V DC



**LN-CON-WIFI-3CH-XV**  
WiFi controller for RGB, CCT, and dimming, c/w RF remote 12/24VDC

## Non Dimmable Drivers

### LEDDR-24-120W

Indoor/Outdoor driver

Max. recommended load 90W or 40' (12.1m) per single tap, 120W or 56' (17m) combined two secondary taps.

120W hardwire

Input: 100 - 240V AC

Output: 24V DC

10" x 3 3/8" x 3 3/16" (254 x 85.7 x 80.9mm)

# LED Tape Light CCT Indoor

NSL offers a large variety of LED Tape Light ranging from 2.1 watts per foot to 5.8 watts per foot.



## CCT Color Temp Adjust Series

### Features

- 50,000 hours life
- High brightness 3528 SMD LEDs
- Field cuttable
- Low power consumption
- Available in 16' (4.88m) rolls
- 16' spools come with 6 ft. pre-soldered power feeds
- Safe, 24V class 2 power supplies (sold separately)
- Controller sold separately
- 3 year limited warranty

### Applications

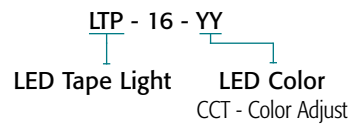
- Aisle and stairway lighting
- Cabinet and cove lighting
- Back lighting
- Showcase lighting
- Linear decorative lighting

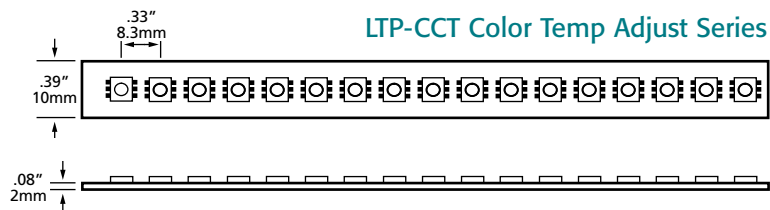
### Specifications

Electrical	24V DC, 5.8W/ft
LED Type	High Brightness 3528 SMD LEDs
Viewing Angle	120°
LED Life	50,000 hours to 70% initial lumen output
LED Spacing	8.3mm
# of LEDs per foot (304mm)	36
Maximum Single Run	16'
Custom Cuttable	2"
Lumen Output	300 Lumens per ft average
Color Temperature	2500K – 7000K
CRI	> 80
Approvals	cETLus

*NOTE: Controllers and signal amplifiers on page 119.*

### Product Codes





## Accessories



**LTP-001-CCT-6**  
6' Power feed connector for CCT series indoor.



**LTP-002-CCT**  
In-line connector for CCT series indoor.



**LTP-010-S**  
Clear PVC mounting "U" channel



**LT-031-RF**  
6 Key CCT Adjustable "touch" controller 12/24V DC

## Non Dimmable Drivers

### LEDDR-24-120W

Indoor/Outdoor driver

16' (4.88m) per single tap, 20' (6.1m) combined two secondary taps.

120W hardwire

Input: 100 - 240V AC

Output: 24V DC

10" x 3 3/8" x 3 3/16" (254 x 85.7 x 80.9mm)

# LED Tape Light High Power Outdoor

NSL offers a large variety of LED Tape Light ranging from 2.1 watts per foot to 5.8 watts per foot.



DIMMABLE



## High Power Single Color LTP-OD Series

### Features

- 50,000 hours life
- High brightness 5060 SMD LEDs
- Field cuttable
- Low power consumption
- Available in 20' (6.1m) rolls
- Safe, 24V class 2 power supplies (sold separately)
- Fully dimmable with dimmable power supplies (sold separately)
- 3 year limited warranty

### Applications

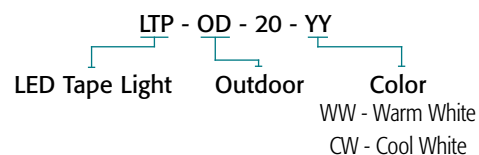
- Aisle and stairway lighting
- Cabinet and cove lighting
- Back lighting
- Showcase lighting
- Linear decorative lighting

NOTE: Outdoor Tape Light comes with liquid-tight connectors pre-installed on both ends, so it is necessary to make the cuts starting from extremities. Cut pieces can be terminated, but not joined together.

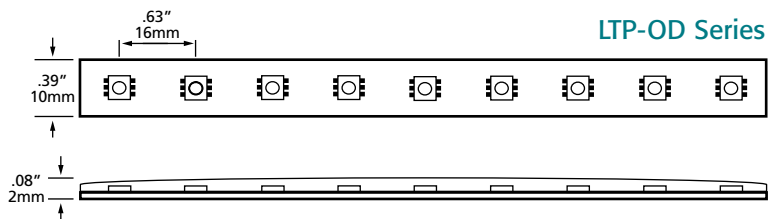
### Specifications

Electrical	24V DC, 4.3W/ft
LED Type	High Brightness 5060 SMD LEDs
Viewing Angle	120°
LED Life	50,000 hours to 70% initial lumen output
LED Spacing	16mm
# of LEDs per foot (304mm)	18
Maximum Single Run	20'
Custom Cuttable	4"
Lumen Output	325 Lumens per ft Cool White, 285 Lumens per ft Warm White
Efficacy	75 LPW Cool White, 66 LPW Warm White
Color Temperature	Warm White 3000K, Cool White 6500K
CRI	> 80
Approvals	cETLus

### Product Codes







## Accessories



**LTP-001-OD-6FT**  
72" Power feed connector  
for single color outdoor



**LMS11-001**  
Terminal block connector  
and junction box



**LV-FS-MC-004**  
Mounting clips



**LV-FS-EC-001**  
End caps



**LTP-010-S**  
Clear PVC mounting  
"U" channel



**LV-SPIR-1CH-LV**  
PIR Motion Sensor, 1  
Channel, 24V DC

## Indoor/Outdoor Dimmable Drivers

### TRE24L40DC

Max recommended load 36W or 8' LED Tape Light,  
min 8W or 2' LED Tape Light  
6.77" x 2.67" x 1.26" (171 x 68 x 32mm)

### TRE24L96DC

Max recommended load 90W or 20' LED Tape Light,  
min 8W or 2' LED Tape Light  
6.77" x 2.67" x 1.26" (171 x 68 x 32mm)

## Non Dimmable Drivers

### LEDDR-24-120W

Indoor/Outdoor driver  
Max. recommended load 90W or 20' (6.1m) per single tap,  
120W or 27' (8.23m) combined two secondary taps.  
120W hardwire  
Input: 100 - 240V AC  
Output: 24V DC  
10" x 3 3/8" x 3 3/16" (254 x 85.7 x 80.9mm)

NOTE: For outdoor installations, please add E-KO-SR strain relief.

# LED Tape Light Low Power Outdoor

NSL offers a large variety of LED Tape Light ranging from 2.1 watts per foot to 5.8 watts per foot.



DIMMABLE



## Low Power Single Color LTP-OD-LP Series

### Features

- 50,000 hours life
- High brightness 5060 SMD LEDs
- Field cuttable
- Low power consumption
- Available in 20' (6.1m) rolls
- Safe, 24V class 2 power supplies (sold separately)
- Fully dimmable with dimmable power supplies (sold separately)
- 3 year limited warranty

### Applications

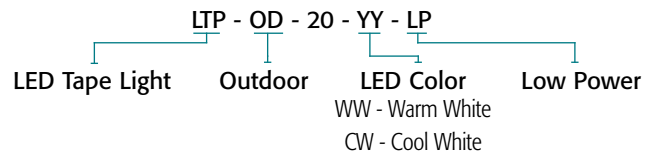
- Aisle and stairway lighting
- Cabinet and cove lighting
- Back lighting
- Showcase lighting
- Linear decorative lighting

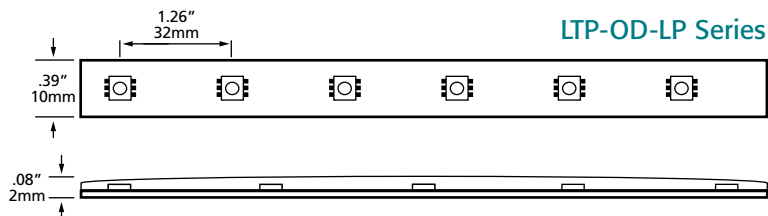
NOTE: Outdoor Tape Light comes with liquid-tight connectors pre-installed on both ends, so it is necessary to make the cuts starting from extremities. Cut pieces can be terminated, but not joined together.

### Specifications

Electrical	24V DC, 2.1W/ft
LED Type	High Brightness 5060 SMD LEDs
Viewing Angle	120°
LED Life	50,000 hours to 70% initial lumen output
LED Spacing	32mm
# of LEDs per foot (304mm)	9
Maximum Single Run	40'
Custom Cuttable	6.5"
Lumen Output	165 Lumens per ft Cool White, 145 Lumens per ft Warm White
Efficacy	75 LPW Cool White, 66 LPW Warm White
Color Temperature	Warm White 3000K, Cool White 6500K
CRI	> 80
Approvals	cETLus

### Product Codes





## Accessories



**LTP-001-OD-6FT**  
72" Power feed connector  
for single color outdoor



**LMS11-001**  
Terminal block connector  
and junction box



**LV-FS-MC-004**  
Mounting clips



**LV-FS-EC-001**  
End caps



**LTP-010-S**  
Clear PVC mounting  
"U" channel



**LV-SPIR-1CH-LV**  
PIR Motion Sensor, 1  
Channel, 24V DC

## Indoor/Outdoor Dimmable Drivers

### TRE24L40DC

Max recommended load 36W or 16' LED Tape Light,  
min 8W or 4' LED Tape Light  
6.77" x 2.67" x 1.26" (171 x 68 x 32mm)

### TRE24L96DC

Max recommended load 90W or 40' LED Tape Light,  
min 8W or 4' LED Tape Light  
6.77" x 2.67" x 1.26" (171 x 68 x 32mm)

## Non Dimmable Drivers

### LEDDR-24-120W

Indoor/Outdoor driver  
Max. recommended load 90W or 40' (12.1m) per single tap,  
120W or 56' (17m) combined two secondary taps.  
120W hardwire  
Input: 100 - 240V AC  
Output: 24V DC  
10" x 3 3/8" x 3 3/16" (254 x 85.7 x 80.9mm)

NOTE: For outdoor installations, please add E-KO-SR strain relief.

# LED Tape Light RGB Outdoor

NSL offers a large variety of LED Tape Light ranging from 2.1 watts per foot to 5.8 watts per foot.



## High Power RGB Outdoor LTP-OD-RGB Series

### Features

- 50,000 hours life
- High brightness 5060 SMD LEDs
- Field cuttable
- Low power consumption
- Available in 20' (6.1m) rolls
- Safe, 24V class 2 power supplies (sold separately)
- 3 year limited warranty

### Applications

- Aisle and stairway lighting
- Cabinet and cove lighting
- Back lighting
- Showcase lighting
- Linear decorative lighting

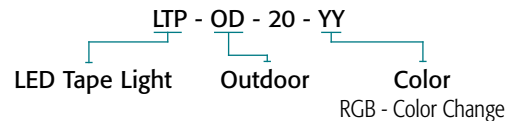
NOTE: Outdoor Tape Light comes with liquid-tight connectors pre-installed on both ends, so it is necessary to make the cuts starting from extremities. Cut pieces can be terminated, but not joined together.

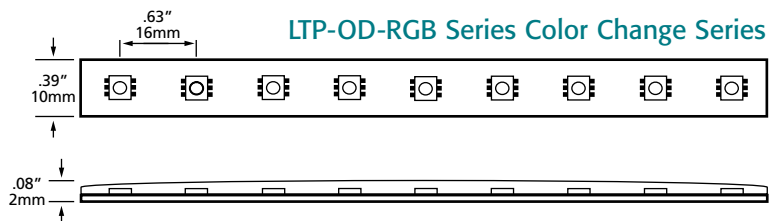
### Specifications

Electrical	24V DC, 4.3W/ft
LED Type	High Brightness 5060 SMD LEDs
Viewing Angle	120°
LED Life	50,000 hours to 70% initial lumen output
LED Spacing	16mm
# of LEDs per foot (304mm)	18
Maximum Single Run	20'
Custom Cuttable	4"
CRI	> 80
Approvals	cETLus

**NOTE: Controllers and signal amplifiers on page 119.**

### Product Codes





## Accessories



**LTP-RGB-001-OD-6FT**  
72" Power feed connector  
for RGB outdoor



**LV-FS-MC-004**  
Mounting clips



**LV-FS-EC-001**  
End caps



**LTP-010-S**  
Clear PVC mounting  
"U" channel



**LT-09S-RF**  
6 Key RGB "touch" controller  
12/24V DC



**LN-CON-WIFI-3CH-XV**  
WiFi controller for RGB,  
CCT, and dimming, c/w  
RF remote 12/24VDC

## Non Dimmable Drivers

### LEDDR-24-120W

Indoor/Outdoor driver

Max. recommended load 90W or 20' (6.1m) per single tap,  
120W or 27' (8.23m) combined two secondary taps.

120W hardwire

Input: 100 - 240V AC

Output: 24V DC

10" x 3 3/8" x 3 3/16" (254 x 85.7 x 80.9mm)

# LED Tape Light Low Power RGB Outdoor

NSL offers a large variety of LED Tape Light ranging from 2.1 watts per foot to 5.8 watts per foot.



## Low Power RGB LTP-OD-RGB-LP Series

### Features

- 50,000 hours life
- High brightness 5060 SMD LEDs
- Field cuttable
- Low power consumption
- Available in 20' (6.1m) rolls
- Safe, 24V class 2 power supplies (sold separately)
- 3 year limited warranty

### Applications

- Aisle and stairway lighting
- Cabinet and cove lighting
- Back lighting
- Showcase lighting
- Linear decorative lighting

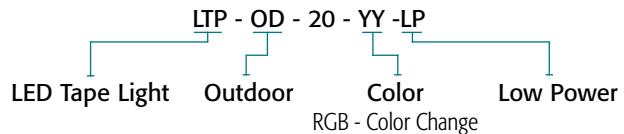
NOTE: Outdoor Tape Light comes with liquid-tight connectors pre-installed on both ends, so it is necessary to make the cuts starting from extremities. Cut pieces can be terminated, but not joined together.

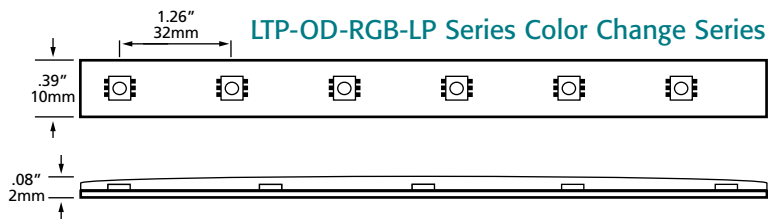
### Specifications

Electrical	24V DC, 2.1 W/ft
LED Type	High Brightness 5060 SMD LEDs
Viewing Angle	120°
LED Life	50,000 hours to 70% initial lumen output
LED Spacing	32mm
# of LEDs per foot (304mm)	9
Maximum Single Run	40'
Custom Cuttable	6.5"
CRI	> 80
Approvals	cETLus

**NOTE: Controllers and signal amplifiers on page 119.**

### Product Codes





## Accessories



**LTP-RGB-001-OD-6FT**  
72" Power feed connector for RGB outdoor



**LV-FS-MC-004**  
Mounting clips



**LV-FS-EC-001**  
End caps



**LTP-010-S**  
Clear PVC mounting "U" channel



**LT-09S-RF**  
6 Key RGB "touch" controller  
12/24V DC



**LN-CON-WIFI-3CH-XV**  
WiFi controller for RGB, CCT, and dimming, c/w RF remote 12/24VDC

## Non Dimmable Drivers

### LEDDR-24-120W

Indoor/Outdoor driver

Max. recommended load 90W or 40' (12.1m) per single tap, 120W or 56' (17m) combined two secondary taps.

120W hardwire

Input: 100 - 240V AC

Output: 24V DC

10" x 3 3/8" x 3 3/16" (254 x 85.7 x 80.9mm)

# High Density LED Tape Light High Power Indoor



NSL offers a large variety of LED Tape Light ranging from 2.1 watts per foot to 5.8 watts per foot.



## High Density Single Color LTP-HD Series

### Features

- 50,000 hours life
- High brightness 3528 Epistar LEDs
- Field cuttable
- Low power consumption
- Available in 16.4' (5m) rolls (custom cuts available)
- 16.4' spools come with 6Ft pre-soldered power feeds
- Safe, 24V class 2 power supplies (sold separately)
- Fully dimmable with dimmable power supplies (sold separately)
- 3 year limited warranty

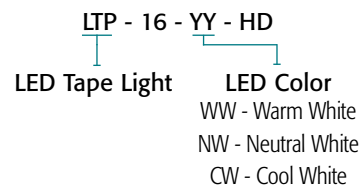
### Applications

- Aisle and stairway lighting
- Cabinet and cove lighting
- Back lighting
- Showcase lighting
- Linear decorative lighting

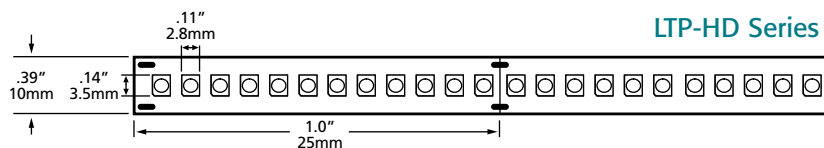
### Specifications

Electrical	24V DC, 5.8 W/ft
LED Type	High Brightness 3528 Epistar LEDs
Viewing Angle	120°
LED Life	50,000 hours to 70% initial lumen output
LED Spacing	4.2mm
# of LEDs per foot (304mm)	72
Maximum Single Run	16.4'
Custom Cuttable	1" (25mm)
Lumen Output	514 Lumens per ft Cool White, 450 Lumens per ft Warm White, 468 Lumens per ft Neutral White
Efficacy	88 LPW Cool White, 80 LPW Neutral White, 77 LPW Warm White
Color Temperature	Warm White 3000K, Neutral White 4000K, Cool White 6500K
CRI	> 80
Approvals	cETLus

### Product Codes







## Accessories



**LTP-001-HD-HP-6**  
72" Power feed connector for high density indoor



**LMSII-001**  
Terminal block and junction box for connection to additional lengths of power cable if needed.



**LTP-010-S**  
Clear PVC mounting "U" channel



**LV-SPIR-1CH-LV**  
PIR Motion Sensor, 1 Channel, 24V DC

## Indoor/Outdoor Dimmable Drivers

### TRE24L40DC

Max recommended load 36W or 6' LED Tape Light,  
min 8W or 2' LED Tape Light  
6.77" x 2.67" x 1.26" (171 x 68 x 32mm)

### TRE24L96DC

Max recommended load 90W or 16' LED Tape Light,  
min 8W or 2' LED Tape Light  
6.77" x 2.67" x 1.26" (171 x 68 x 32mm)

## Non Dimmable Drivers

### LEDDR-24-120W

Indoor/Outdoor driver  
Max. recommended load 90W or 16' (4.8m) per single tap,  
120W or 20' (6.1m) combined two secondary taps.  
120W hardwire  
Input: 100 - 240V AC  
Output: 24V DC  
10" x 3 3/8" x 3 3/16" (254 x 85.7 x 80.9mm)

# High Density LED Tape Light Low Power Indoor



NSL offers a large variety of LED Tape Light ranging from 2.1 watts per foot to 5.8 watts per foot.



## High Density Single Color LTP-HD-LP Series

### Features

- 50,000 hours life
- High brightness 3528 Epistar LEDs
- Field cuttable
- Low power consumption
- Available in 16.4' (5m) rolls (custom cuts available)
- 16.4' spools come with 6Ft pre-soldered power feeds
- Safe, 24V class 2 power supplies (sold separately)
- Fully dimmable with dimmable power supplies (sold separately)
- 3 year limited warranty

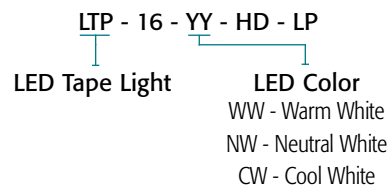
### Applications

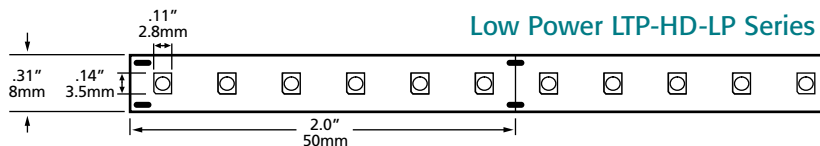
- Aisle and stairway lighting
- Cabinet and cove lighting
- Back lighting
- Showcase lighting
- Linear decorative lighting

### Specifications

Electrical	24V DC, 2.9 W/ft
LED Type	High Brightness 3528 Epistar LEDs
Viewing Angle	120°
LED Life	50,000 hours to 70% initial lumen output
LED Spacing	8.3mm
# of LEDs per foot (304mm)	36
Maximum Single Run	31'
Custom Cuttable	2" (50mm)
Lumen Output	257 Lumens per ft Cool White, 225 Lumens per ft Warm White, 234 Lumens per ft Neutral White
Efficacy	88 LPW Cool White, 80 LPW Neutral White, 77 LPW Warm White
Color Temperature	Warm White 3000K, Neutral White 4000K, Cool White 6500K
CRI	> 80
Approvals	cETLus

### Product Codes





## Accessories



**LTP-001-HD-6**  
72" Power feed connector for high density indoor



**LTP-002-HD**  
In-line connector for high density indoor



**LTP-STP-HD-6IN**  
6" In-line connector for high density indoor.



**LMSII-001**  
Terminal block and junction box for connection to additional lengths of power cable if needed.



**LTP-010-S**  
Clear PVC mounting "U" channel



**LV-SPIR-1CH-LV**  
PIR Motion Sensor, 1 Channel, 24V DC

## Indoor/Outdoor Dimmable Drivers

### TRE24L40DC

Max recommended load 36W or 12' LED Tape Light,  
min 8W or 3' LED Tape Light  
6.77" x 2.67" x 1.26" (171 x 68 x 32mm)

### TRE24L96DC

Max recommended load 90W or 31' LED Tape Light,  
min 8W or 3' LED Tape Light  
6.77" x 2.67" x 1.26" (171 x 68 x 32mm)

## Non Dimmable Drivers

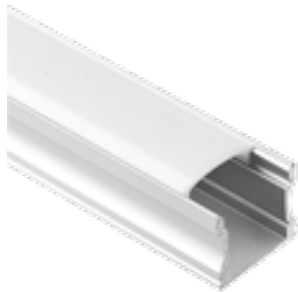
### LEDDR-24-120W

Indoor/Outdoor driver  
Max. recommended load 90W or 31' (9.4m) per single tap,  
120W or 41' (12.5m) combined two secondary taps.  
120W hardwire  
Input: 100 - 240V AC  
Output: 24V DC  
10" x 3 3/8" x 3 3/16" (254 x 85.7 x 80.9mm)

# LED Tape Light Extrusions

## LV-LB-D3-FR

Surface mount aluminum extrusion and frosted PC cover

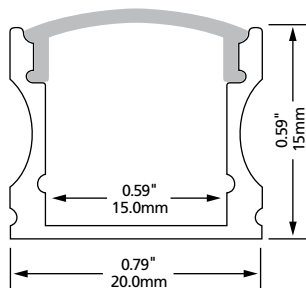


### End Caps

LV-D1/D3-EC  
LV-D1/D3-EC-WF

### Mounting Clips

LV-D1/D3-MC



NOTE: the extrusion comes in 1M (39") lengths.

## LV-ALP2208

Surface mount aluminum extrusion and frosted PC cover

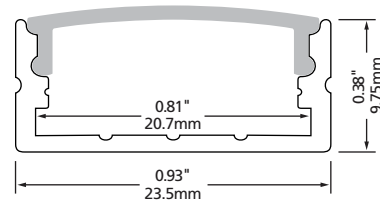


### End Caps

LV-ALP2208-EC  
LV-ALP2208-EC-WF

### Mounting Clips

LV-ALP2208-MC



NOTE: the extrusion comes in 1M (39") lengths.

## LV-ALP007

Surface mount aluminum extrusion and frosted PC cover

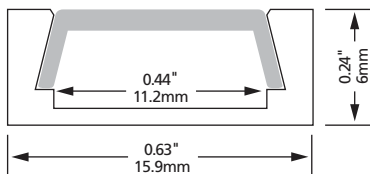


### End Caps

LV-ALP007-EC  
LV-ALP007-EC-WF

### Mounting Clips

LV-ALP007-MC



NOTE: the extrusion comes in 1M (39") lengths.

## LV-LB-V3-FR

Corner surface mounted aluminum extrusion and frosted PC cover

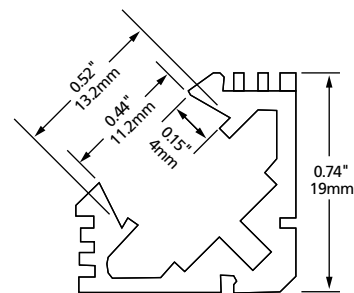


### End Caps

LV-V1/V3-EC  
LV-V1/V3-EC-WF

### Mounting Clips

LV-V1/V3-MC



NOTE: the extrusion comes in 1M (39") lengths.

**LV-LB-W3-FR**

Recessed aluminum extrusion and frosted PC cover

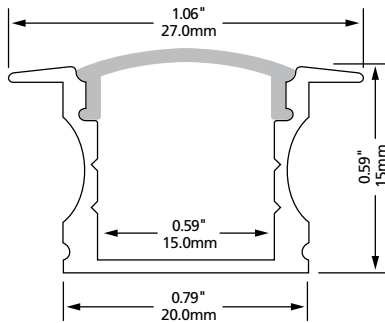


**End Caps**

LV-W1/W3-EC  
LV-W1/W3-EC-WF

**Mounting Clips**

LV-W1/W3-MC



NOTE: the extrusion comes in 1M (39") lengths.

**LV-ALP2908**

Recessed aluminum extrusion and frosted PC cover

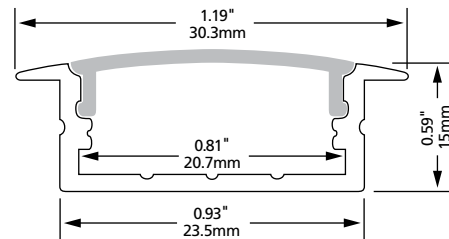


**End Caps**

LV-ALP2908-EC  
LV-ALP2908-EC-WF

**Mounting Clips**

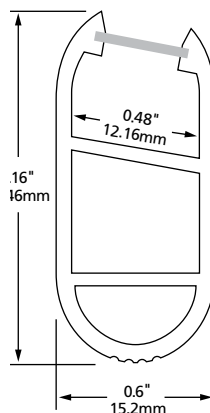
LV-ALP2908-MC



NOTE: the extrusion comes in 1M (39") lengths.

**LV-1401**

Closet aluminum extrusion with mounting brackets and frosted PC cover



1M (39") extrusion ships complete with two mounting end caps and one support bracket

# LED eStrip

LED eStrip is our most versatile linear lighting product. Now with 3014 type LEDs, LED eSTRIP is brighter and better than ever!



DIMMABLE



## Features

- 40,000 hours life
- Safe low voltage (24V)
- Virtually maintenance free
- Ultra low power consumption
- Crushproof to 100psi
- Field cuttable
- Inter-connectable
- Highly flexible (min. bend radius 1.5")
- Indoor/outdoor use
- Impact resistant
- Six brilliant colors
- Dimmable
- 2 year limited warranty

## Applications

- Building outlines
- Coves
- Stairway and aisle lighting
- Signage
- Backlit panels
- Decks
- Edgelit glow
- Emergency lighting
- Pathway lighting
- Billboards
- Highlighting architectural features
- Over/Under cabinets

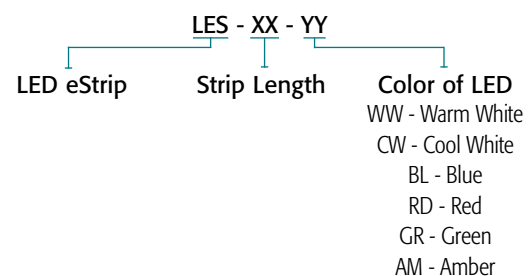
## Specifications

Electrical	24V DC, 0.96W/ft
Viewing Angle	120°
LED Life	40,000 hours
LED Spacing	1" (25.4mm)
Maximum length	90' (27.4m)
Cutting Lengths	6" (152.4mm)
Lumen Output	61 Lumens per ft. Cool White 55 Lumens per ft. Warm White
LED Colors	Amber, Red, Blue, Green, Cool White, Warm White
Min/Max Surface Temperature for Mounting	-40°C – 40°C (-40°F – 104°F)
PVC body color	Clear
Dimensions	.25" X .5" (6mm x 12mm)
Approvals	cETLus

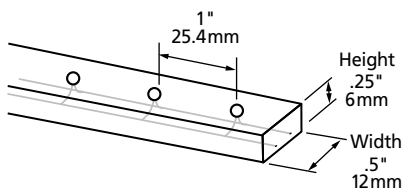
## Color Specifications

Color		Product Code
Amber	590 nm	LES-XX-AM
Red	630 nm	LES-XX-RD
Blue	465 nm	LES-XX-BL
Pure Green	525 nm	LES-XX-GR
Cool White	5800K (± 200K)	LES-XX-CW
Warm White	3000K (± 200K)	LES-XX-WW

## Product Codes



### LED Spacing



### Accessories



**LES-001-6BR**  
Outdoor 6' Power connector for burial connections, 1/4" x 1/2" (6mm x 12mm). Comes with end cap

**LES-001-6CL**  
Indoor 6' Power connector for through wall connections



**LES-001-12BR**  
Outdoor Power connector, with SJTW-2 12 ft wires 1/4" x 1/2" (6mm x 12mm) Comes with end cap

**LES-001-12CL**  
Indoor 12' Power connector for through wall connections



**LES-STP-2BR**  
Outdoor 2' Step cord for burial connections

**LES-STP-2CL**  
Indoor 2' Step cord (shown) for through wall connections



**LES-STP-12BR**  
Outdoor 12' Step cord (shown) for burial connections

**LES-STP-12CL**  
Indoor 12' Step cord for through wall connections



**LES-FLEX-BR**  
Outdoor Step cord for burial connections

**LES-FLEX-CL**  
Indoor Step cord (shown) for through wall connections



**LMSII-001**  
Terminal block and junction box for connection to additional lengths of power cable if needed.



**LES-BFLN**  
L type connector, 1/4" X 1/2" (6mm x 12mm)



**LES-002**  
In-Line connector set, male and female, 1/4" X 1/2" (6mm x 12mm)



**LES-BFTD**  
T type connector, 1/4" X 1/2" (6 x 12mm), male connector in bottom



**LES-003-2**  
Cutting end cap, 0.25" X 0.5" (6mm x 12mm)

**LES-003-3**  
Molded end cap (not shown)



**LES-BFTR**  
T type connector, 1/4" X 1/2" (6 x 12mm), male connector in right or left



**LES-005**  
Wood nail clips, 1/4" X 1/2" (6mm x 12mm)



**LES-008**  
Tie wrap and mounting saddle



**LES-BFXN**  
X type connector, 1/4" X 1/2" (6mm x 12mm)



**LES-BFDN**  
6 x 12mm splice kit (pins, pad and shrink tube)



**LES-010**  
4' plastic mounting channel, indoor use

**LES-010-S**  
Predrilled with screws

**LES-010-T**  
With double sided tape



**NN-C10-POLY**  
For outdoor use

### Indoor/Outdoor Dimmable Drivers

**TRE24L40DC**  
Max 37.5' (11.4m)  
Min 8 Watts, 9' LED eStrip (2.7m)  
6.77" x 2.67" x 1.26" (171 x 68 x 32mm)

**TRE24L96DC**  
Max 90' (27.4m)  
Min 8 Watts, 9' LED eStrip (2.7m)  
6.77" x 2.67" x 1.26" (171 x 68 x 32mm)

NOTE: For outdoor installations, please add E-KO-SR strain relief.

### Non Dimmable Drivers

**LEDDR-24-120W**  
Indoor/Outdoor driver  
Max 90' (27.4m) per single tap  
Max 120' (36.5m) combined  
2 secondary taps  
Input: 100 - 240V AC  
Output: 24V DC  
10" x 3 3/8" x 3 3/16" (254 x 85.7 x 80.9mm)

**LES-24-65W**  
Indoor Plug In Driver  
Input: 100-240V AC  
Output: 24V DC  
4.7" x 2" x 1.3" (119.4 x 50.8 x 33mm)

# High Power LED eStrip

New High Power eStrip with twice the lumen output of our regular eSTRIP!



DIMMABLE



## Features

- 40,000 hours life
- Safe low voltage (24V)
- Virtually maintenance free
- Ultra low power consumption
- Crushproof to 100psi
- Field cuttable
- Inter-connectable
- Highly flexible (min. bend radius 1.5")
- Indoor/outdoor use
- Impact resistant
- Dimmable
- 2 year limited warranty

## Applications

- Building outlines
- Coves
- Stairway and aisle lighting
- Signage
- Backlit panels
- Decks
- Edgelit glow
- Emergency lighting
- Pathway lighting
- Billboards
- Highlighting architectural features
- Over/Under cabinets

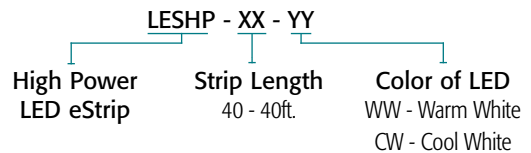
## Specifications

Electrical	24V DC, 2.2W/ft
Viewing Angle	120°
LED Life	40,000 hours
LED Spacing	1" (25.4mm)
Maximum length	40' (12m)
Cutting Lengths	6" (152.4mm)
Lumen Output	155 Lumens per ft. Cool White 137 Lumens per ft. Warm White
LED Colors	Cool White, Warm White
Min/Max Surface Temperature for Mounting	-40°C – 40°C (-40°F – 104°F)
PVC body color	Clear
Dimensions	.25" X .5" (6mm x 12mm)
Approvals	cETLus

## Color Specifications

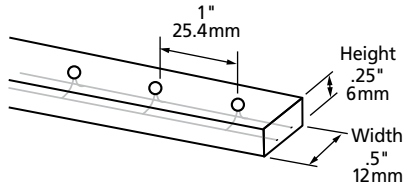
Color		Product Code
Cool White	5800K (± 200K)	LESHP-XX-CW
Warm White	3000K (± 200K)	LESHP-XX-WW

## Product Codes





**LED Spacing**



**Accessories**



**LES-001-6BR**  
Outdoor 6' Power connector for burial connections, 1/4" x 1/2" (6mm x 12mm). Comes with end cap

**LES-001-6CL**  
Indoor 6' Power connector for through wall connections



**LES-001-12BR**  
Outdoor Power connector, with SJTW-2 12 ft wires 1/4" x 1/2" (6mm x 12mm) Comes with end cap

**LES-001-12CL**  
Indoor 12' Power connector for through wall connections



**LES-STP-2BR**  
Outdoor 2' Step cord for burial connections

**LES-STP-2CL**  
Indoor 2' Step cord (shown) for through wall connections



**LES-STP-12BR**  
Outdoor 12' Step cord (shown) for burial connections

**LES-STP-12CL**  
Indoor 12' Step cord for through wall connections



**LES-FLEX-BR**  
Outdoor Step cord for burial connections

**LES-FLEX-CL**  
Indoor Step cord (shown) for through wall connections



**LMSII-001**  
Terminal block and junction box for connection to additional lengths of power cable if needed.



**LES-BFLN**  
L type connector, 1/4" X 1/2" (6mm x 12mm)



**LES-002**  
In-Line connector set, male and female, 1/4" X 1/2" (6mm x 12mm)



**LES-BFTD**  
T type connector, 1/4" X 1/2" (6 x 12mm), male connector in bottom



**LES-003-2**  
Cutting end cap, 0.25" X 0.5" (6mm x 12mm)  
**LES-003-3**  
Molded end cap (not shown)



**LES-BFTR**  
T type connector, 1/4" X 1/2" (6 x 12mm), male connector in right or left



**LES-005**  
Wood nail clips, 1/4" X 1/2" (6mm x 12mm)



**LES-008**  
Tie wrap and mounting saddle



**LES-BFXN**  
X type connector, 1/4" X 1/2" (6mm x 12mm)



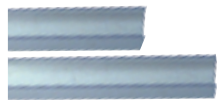
**LES-BFDN**  
6 x 12mm splice kit (pins, pad and shrink tube)



**LES-010**  
4' plastic mounting channel, indoor use

**LES-010-S**  
Predrilled with screws

**LES-010-T**  
With double sided tape



**NN-C10-POLY**  
For outdoor use

**Indoor/Outdoor Dimmable Drivers**

**TRE24L40DC**  
Max 16' (4.8m)  
Min 8 Watts, 4' LED eStrip (1.2m)  
6.77" x 2.67" x 1.26" (171 x 68 x 32mm)

**TRE24L96DC**  
Max 40' (12.1m)  
Min 8 Watts, 4' LED eStrip (1.2m)  
6.77" x 2.67" x 1.26" (171 x 68 x 32mm)

NOTE: For outdoor installations, please add E-KO-SR strain relief.

**Non Dimmable Drivers**

**LEDDR-24-120W**  
Indoor/Outdoor driver  
Max 40' (12m) per single tap  
Max 54' (16.4m) combined  
2 secondary taps  
Input: 100 - 240V AC  
Output: 24V DC  
10" x 3 3/8" x 3 3/16" (254 x 85.7 x 80.9mm)

**LES-24-65W**  
Indoor Plug In Driver  
Input: 100-240V AC  
Output: 24V DC  
4.7" x 2" x 1.3" (119.4 x 50.8 x 33mm)

# RGB LED eStrip

RGB eSTRIP utilizes RGB LEDs allowing you to produce dramatic color change effects for building outlines, architectural features or anywhere eye catching color changing display lighting is needed.



## Features

- 40,000 hours life
- Safe low voltage (24V)
- Virtually maintenance free
- Ultra low power consumption
- Crushproof to 100psi
- Field cuttable
- Inter-connectable
- Highly flexible (min. bend radius 1.5")
- Indoor/outdoor use
- Impact resistant
- 2 year limited warranty

## Applications

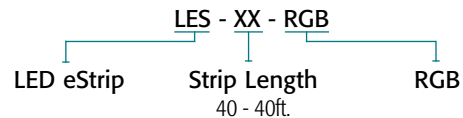
- Building outlines
- Covers
- Stairway and aisle lighting
- Signage
- Backlit panels
- Decks
- Edgelit glow
- Emergency lighting
- Pathway lighting
- Billboards
- Highlighting architectural features
- Over/Under cabinets

## Specifications

Electrical	24V DC, 2.2W/ft
Viewing Angle	120°
LED Life	40,000 hours
LED Spacing	1.3" (33mm)
Maximum length	40' (12m)
Cutting Lengths	8" (198mm)
LED Colors	RGB
Min/Max Surface Temperature for Mounting	-40°C – 40°C (-40°F – 104°F)
PVC body color	Clear
Dimensions	.3" X .6" (7.6mm x 15mm)
Approvals	cETLus

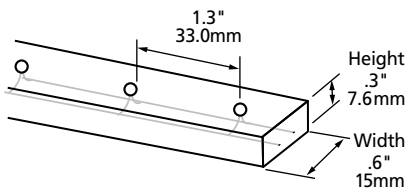
**NOTE: Controllers and signal amplifiers on page 119.**

## Product Codes



NOTE: Sold in 2ft. increments

### LED Spacing



### Accessories



**LES-BTFN**  
Female connector



**LES-BTMN**  
Male connector



**LES-BTSN**  
In line connector



**LES-BTMCJ-1.5**  
1.5' Power connector



**LES-BTMCJ-6**  
6' Power connector



**LES-BTMC-G4-SI**  
Signal in connector for RGB eStrip connection to outdoor signal amplifier



**LES-BTMC-G4-SO**  
Signal out connector for RGB eStrip connection to outdoor signal amplifier



**LES-001-OD-6FT**  
Power feed connector for connection to outdoor signal amplifier



**LES-STCN**  
Cutting end cap



**LES-STFN**  
Female end cap



**LES-STPV-T**  
Clear PVC mounting "U" channel (1M)



**LES-SNPT**  
Wood nail clips, 1/4" X 1/2" (6mm x 12mm)



**LES-C-6**  
Tie wrap



**LES-MX-1**  
Allen key



**TCJ-E06**  
6' (1.8m) Extension cord  
**TCJ-E30**  
30' (9.1m) Extension cord



**LT-09S-RF**  
6 Key RGB "touch" controller 12/24V DC



**LN-CON-WIFI-3CH-XV**  
WiFi controller for RGB, CCT, and dimming, c/w RF remote 12/24VDC

### Non Dimmable Drivers

#### LEDDR-24-120W

Indoor/Outdoor driver

Max 40' (12.1m) per single tap

Max 54' (16.46m) combined 2 secondary taps

Input: 100 - 240V AC

Output: 24V DC

10" x 3 3/8" x 3 3/16" (254 x 85.7 x 80.9mm)

# LED Globe Light

LED Globe Light is a Marquee style decorative string light designed for the toughest of weather conditions.



## Features

- 50,000 hours life
- Low power consumption
- Safe class 2, 24V power supply
- Field cuttable
- Multiple lamp spacings available
- Durable construction for indoor and outdoor use
- 2 year limited warranty

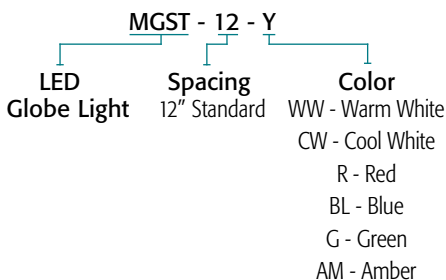
## Applications

- Building outlines
- String across patios, walk ways, streets and public areas
- Under soffits
- Bridges
- Architectural features
- Window decorations
- Decks and patios

## Specifications

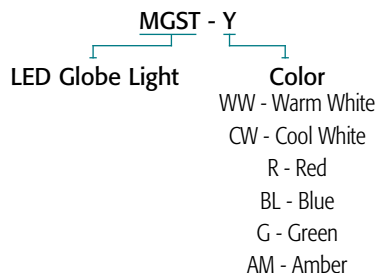
Electrical	24V DC, .5W
Wiring	Directly wired to class 2, 24V power supply
Cable	PVC black SPT2, 16AWG outdoor rated
LED Life	50,000 hours
Maximum length	150' (45.6M) Not to exceed 180 lamps
Lumen Output	50 Lumens
Efficacy	100 Lumens per Watt
CRI	> 80
LED Colors	Cool White 6000K, Warm White 2700K Red, Blue, Green and Amber also available upon request
Operating Temperature	-25°C to 65°C
Approvals	cETLus

## Product Codes



NOTE: Custom spacing available on request.

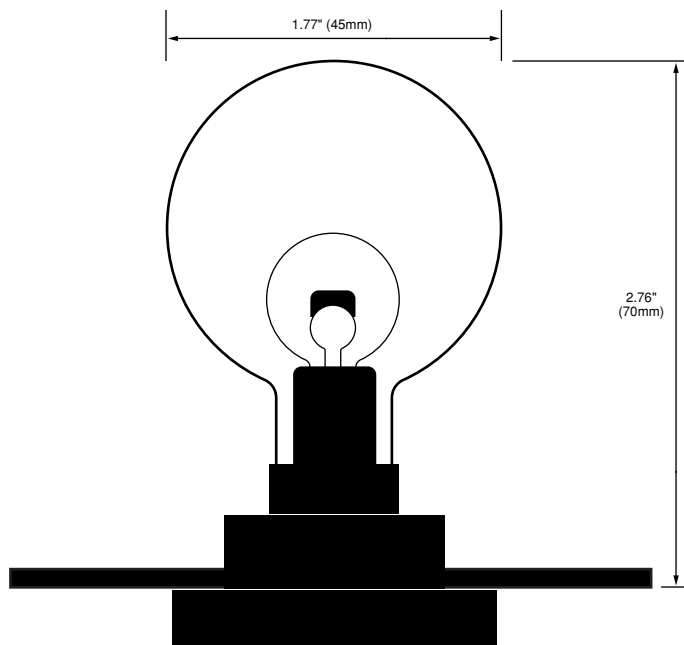
## Globe Light Assembly Product Codes



## Outdoor Rated Cable

for attaching Globe Light Lamp Assemblies

**ST16W**



Shown Actual Size

### Accessories



**MGST-XX-LAMP**  
Replacement lamp



**MGST-Y**  
LED Globe Light lamp assembly (Specify color – see product codes)



**MGEC**  
End cap for wire (Bag of 10)



**MGNC**  
Wood nail mounting clip (Bag of 100)



**MGWC**  
Tie wrap for mounting to wire (Bag of 100)

**ST16W**  
Outdoor rated cable for DIY mounting of LED Globe Light

**MGTP**  
Double sided tape (Bag of 50 pieces)

### Indoor/Outdoor Dimmable Drivers

**TRE24L40DC**  
Min 8 Watts, 16 Globes  
Max number of Globes = 80  
40 Watts  
6.77" x 2.67" x 1.26" (171 x 68 x 32mm)

**TRE24L96DC**  
Min 8 Watts, 16 Globes  
Max number of Globes = 180  
96 Watts  
6.77" x 2.67" x 1.26" (171 x 68 x 32mm)

NOTE: For outdoor installations, please add E-KO-SR strain relief.

### Non Dimmable Drivers

**LEDDR-24-120**  
Indoor/Outdoor driver  
Max number of Globes = 180\*  
120W hardwire  
Input: 100 - 240V AC  
Output: 24V DC  
120 Watts  
10" x 3 3/8" x 3 3/16" (254 x 85.7 x 80.9mm)

\* 180 on a single tap or 200 combined two secondary taps.

# LED Wedge Light

LED Wedge Light is a robust all-weather product, ideal for building outlines and other decorative lighting applications.



## Features

- 50,000 hours life
- Low power consumption
- Safe class 2, 12V power supply
- Field cuttable
- Multiple lamp spacings available
- Durable construction for indoor and outdoor use
- Available in Cool White and Warm White
- Optional Red, Blue, Green & Amber LEDs are also available
- 2 year limited warranty

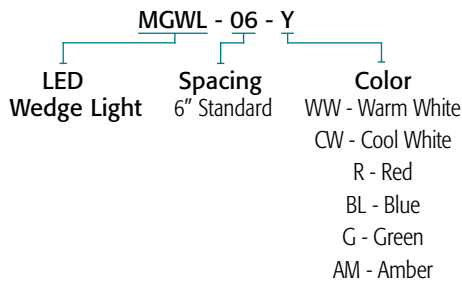
## Applications

- Building outlines
- Under soffits
- Bridges
- Architectural features
- Covers
- Window decorations
- Decks and patios

## Specifications

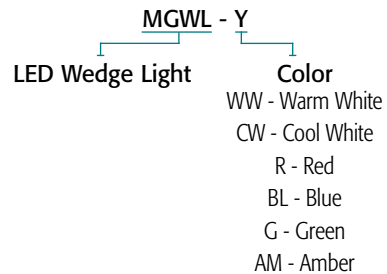
Electrical	12V DC, .25W
Wiring	Directly wired to class 2, 24V power supply
Cable	PVC black SPT2, 16AWG outdoor rated
LED Life	50,000 hours
Maximum length	150' (45.6M) Not to exceed 200 lamps
Lumen Output	15 lumens
Efficacy	60 Lumens per Watt
CRI	> 80
LED Colors	Cool White 6000K, Warm White 2700K Red, Blue, Green and Amber also available upon request
Operating Temperature	-25°C to 65°C
Approvals	cETLus

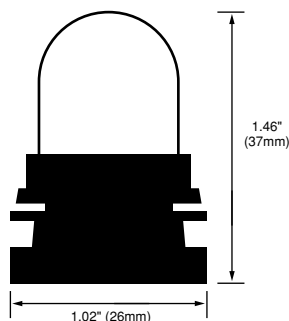
## Product Codes



NOTE: Custom spacing available on request.

## Wedge Light Assembly Product Codes





Shown Actual Size

### Accessories



**MGWL-XX-LAMP**  
Replacement Lamp



**MGWL-Y**  
LED Wedge Light lamp assembly (Specify color – see product codes)



**MGEC**  
End cap for wire (Bag of 10).



**MGNC**  
Wood nail mounting clip (Bag of 100)



**MGWC**  
Tie wrap for mounting to wire (Bag of 100)

**ST16W**  
Outdoor rated cable for DIY mounting of LED Wedge Light

**MGTP**  
Double sided tape (Bag of 50 pieces)

### Indoor/Outdoor Dimmable Drivers

**TRE12L20DC**  
Min 8 Watts, 32 Wedges  
Max number of Wedges = 80  
20 Watts  
6.77" x 2.67" x 1.26" (171 x 68 x 32mm)

**TRE12L60DC**  
Min 8 Watts, 32 Wedges  
Max number of Wedges = 200  
60 Watts  
6.77" x 2.67" x 1.26" (171 x 68 x 32mm)

### Non Dimmable Drivers

**LEDDR-12-60**  
Indoor/Outdoor driver  
Max number of Wedges = 200  
60W hardwire  
Input: 100 - 240V AC  
Output: 12V DC  
9 11/16" x 2 9/16" x 2 1/16" (246 x 65 x 52mm)

NOTE: For outdoor installations, please add E-KO-SR strain relief.

# Gen 2 LED Hard Strip



DIMMABLE

Gen 2 LED Hard Strip is a new and improved energy efficient linkable strip, that provides a smooth, even lighting, eliminating any hot spots. Encased in an aluminum casing, the LED's are cool to the touch and provide 120° beam spread. Available in 4 sizes.



## Features

- 50,000 hours life
- Use high brightness 0.5W Epistar LEDs as lighting source
- Even light distribution with 120° viewing angle
- 24V DC
- 4 sizes – 11 13/16", 19 11/16", 39 3/8", 47 1/4"
- Convenient connector between two strips
- Diffused frosted lens to reduce glare
- Temperature rating: -35C - 50C
- 3 year limited warranty

## Applications

- Under Counter
- Display Cases
- Cabinet Interiors
- Work Stations
- Linear interior decorative lighting

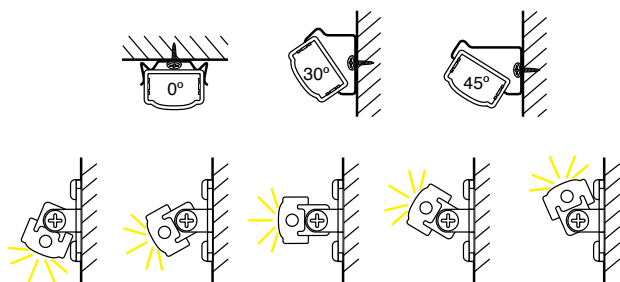
## Specifications

	LV-HS-PD20-24V-30-XX*	LV-HS-PD20-24V-50-XX*	LV-HS-PD20-24V-100-XX*	LV-HS-PD20-24V-120-XX*
Input Voltage (V DC)	24			
Power per strip	4W	7W	13W	16W
LED Qty. per strip	36	60	132	156
Lumens (lm)				
Neutral White	400	664	1066	1150
Warm White	380	621	1036	1100
Color Temperature				
Warm White	3000K +/- 200K	3000K +/- 200K	3000K +/- 200K	3000K +/- 200K
Neutral White	4200K +/- 200K	4200K +/- 200K	4200K +/- 200K	4200K +/- 200K
Viewing Angle	120°			
Lens	Frosted			
Size (inch)	11 13/16"	19 11/16"	39 3/8"	47 1/4"

\* XX = LED color: WW = Warm White (3000K), NW = Neutral White (4200K)

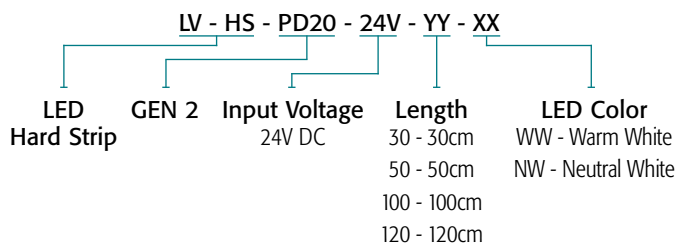
NOTE: Each Hard Strip bar ships with 2pcs of 0° mounting clips and one end cap.

## Mounting Options

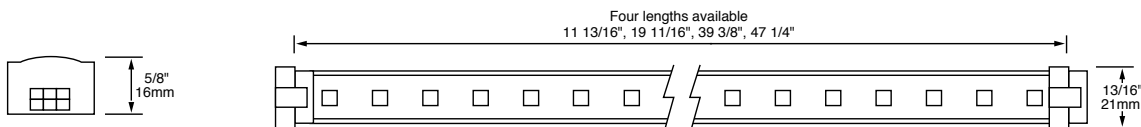


Rotary Mounting Clip

## Product Codes







## Accessories



**LV-HS-PD20-PF1-12**  
12" Power Feed for LED Hard Strip single color, Bar - DC plug power supply



**LV-HS-PD20-PF1-39**  
39" Power Feed for LED Hard Strip single color, Bar - DC plug power supply



**LV-HS-PD20-PF1-HW**  
39" Power Feed for LED Hard Strip single color, Bar - Hard wire power supply



**LV-HS-PD20-PC1-12**  
12" Power Connector for LED Hard Strip single color, Bar - Bar



**LV-HS-PD20-PC1-39**  
39" Power Connector for LED Hard Strip single color, Bar - Bar



**LV-HS-PD20-PC1-3**  
3" Power Connector for LED Hard Strip Single Color, Bar - Bar



**LV-HS-CN-3DC**  
Connector for Hard Strip, with 12" wire lead and 3 DC connectors



**LV-HS-EC**  
End Cap for LED Hard Strip



**LV-HS-MC0**  
Mounting clip (2pk)



**LV-HS-MC30**  
Mounting clip 30° (2pk)

**LV-HS-CN-2DC**  
Connector for Hard Strip, with 12" wire lead and 2 DC connectors



**LV-HS-MC45**  
Mounting clip 45° (2pk)



**LV-HS-MCRT**  
Rotary Mounting clip (2pk)

## Non Dimmable Portable Drivers

### LP-HSDR-36-24-PC

36W plug-in driver, 24V, DC Portable Driver, 1.5A output, 100V-240V input voltage; with six foot (72") power cord to polarized 2-prong AC plug and 60" lead wire to DC plug and switch cUL/us Listed

### LP-HSDR-60-24-PC

60W plug-in driver, 24V, DC Portable Driver, 2.5A output, 100V-240V input voltage; with six foot (72") power cord to polarized 2-prong AC plug and 60" lead wire to DC plug and switch cUL/us Listed

## Dimmable Drivers

### TRE24L40DC

Max recommended load 36W, min. 8W LED Hard Strip  
6.77" x 2.67" x 1.26" (171 x 68 x 32mm)

### TRE24L96DC

Max recommended load 90W, min. 8W LED Hard Strip  
6.77" x 2.67" x 1.26" (171 x 68 x 32mm)

## Non Dimmable Drivers

### LEDDR-24-120W

Indoor/Outdoor driver  
Max. recommended load 90W per single tap, 120W combined two secondary taps.  
120W hardwire  
Input: 100 - 240V AC  
Output: 24V DC  
10" x 3 3/8" x 3 3/16" (254 x 85.7 x 80.9mm)

# LED Thin Star

An elegantly thin fixture that provides excellent task lighting capabilities with a slim profile.



DIMMABLE



## Features

- Available in:  
6 LED (11" / 281mm)  
12 LED (21.8" / 553mm)
- 40,000 hour lamp life
- Low power consumption of 3.5W and 7.0W per respective lengths
- cETLus listed for indoor surface mount locations
- Available in White, Black, Bronze and Brushed Aluminum finishes
- Warm White 3000K color temperature
- Safe 24V class 2 operation
- Easy installation with double sided tape or mounting screws provided with fixture
- Quick connect joiners in various lengths for easy wiring
- Ultra slim profile
- Dimmable
- 3 year limited warranty

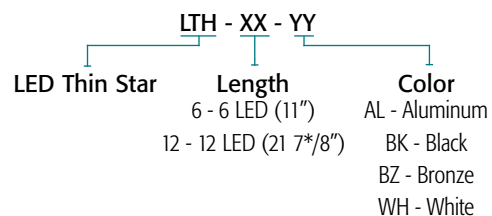
## Applications

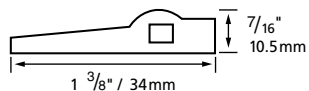
- Shelves
- Display cases
- Under cabinets
- Above cabinets
- Accent lighting
- Work stations
- Podiums and consoles

## Specifications

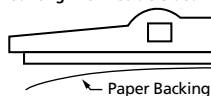
	LTH-6-YY	LTH-12-YY
Power consumption	3.5W (Max.)	7.0W (Max.)
Current	0.12A	0.24A
Voltage	24V DC	
LED Type	5630	
LED Life	40,000 hours	
LED Number	6 pcs	12 pcs
LED CRI	> 80	
Luminous flux (lm) (+/- 10% tolerance)	155 lm	300 lm
Luminous Efficiency	44 lm/w	43 lm/w
Illumination @ 45cm (+/- 10% tolerance)	345 Lux	594 Lux
CRI	> 80	
LED Colors	Warm White ( 3000K +/- 200K)	
Fixture Color	Aluminum / Black / White / Bronze	
Lens	Clear Glass	
Mounting	Double sided tape and wood screws (included)	
Size	11 1/8" x 1 3/8" x 7/16" (281 x 34 x 11mm)	21 7/8" x 1 3/8" x 7/16" (553 x 34 x 11mm)
Approvals	cETLus	

## Product Codes

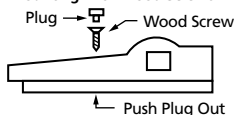




Mounting with Double-Sided Tape



Mounting with Wood Screws



## Accessories



**LTH-JOIN-WH**  
White Joiner Male/Male

**LTH-JOIN-BN**  
Brown Joiner Male/Male

**LTH-JOIN-BK**  
Black Joiner Male/Male



**LTH-001-6-WH**  
White Power Supply Cords  
Female (from Driver)  
6' (1.83m)

**LTH-001-12-WH**  
White Power Supply Cords  
Female (from Driver)  
12' (3.6m)



**LTH-001-6-BN**  
Brown Power Supply Cords  
Female (from Driver)  
6' (1.83m)

**LTH-001-12-BN**  
Brown Power Supply Cords  
Female (from Driver)  
12' (3.6m)



**LTH-001-6-BK**  
Black Power Supply Cords  
Female (from Driver)  
6' (1.83m)

**LTH-001-12-BK**  
Black Power Supply Cords  
Female (from Driver)  
12' (3.6m)



**LTHMM-1.5-WH**  
White Connector Cords  
Male/Male (between fixtures)  
LTHMM-1.5-WH - 1.5' (45.7cm)  
LTHMM-3-WH - 3' (91.4cm)  
LTHMM-6-WH - 6' (1.83m)



**LTHMM-1.5-BN**  
Bronze Connector Cords  
Male/Male (between fixtures)  
LTHMM-1.5-BN - 1.5' (45.7cm)  
LTHMM-3-BN - 3' (91.4cm)  
LTHMM-6-BN - 6' (1.83m)



**LTHMM-1.5-BK**  
Black Connector Cords  
Male/Male (between fixtures)  
LTHMM-1.5-BK - 1.5' (45.7cm)  
LTHMM-3-BK - 3' (91.4cm)  
LTHMM-6-BK - 6' (1.83m)



**WSC-004**  
Wire Screw Clips



**LMS11-001**  
Terminal block and  
junction box for  
connection to additional  
lengths of power cable  
if needed.

## Dimmable Drivers

### TRE24L40DC

Max. recommended load 36 watts or 60 Thin Star LEDs

Min. recommended load 8 watts or 18 Thin Star LEDs

(see number of LEDs per fixture in specs)

6.77" x 2.67" x 1.26" (171 x 68 x 32mm)

## Non Dimmable Drivers

### LTH-24-65W

65W plug in

Maximum 10 pcs LTH-6, maximum 5 pcs LTH-12 or any  
combination up to 60 LEDs

Input: 100 – 240 V AC

Output: 24 V DC

4 3/4" x 2 1/2" x 1 1/2" (120mm x 58mm x 38mm)

# LED Britestrip

NSL's popular Britestrip provides the ultimate in linear lighting systems.

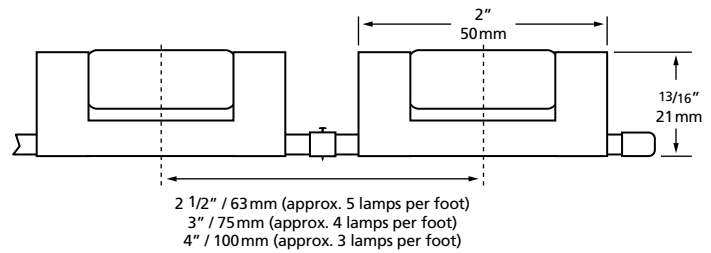
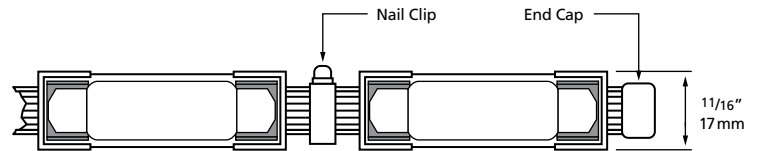


DIMMABLE



## Features

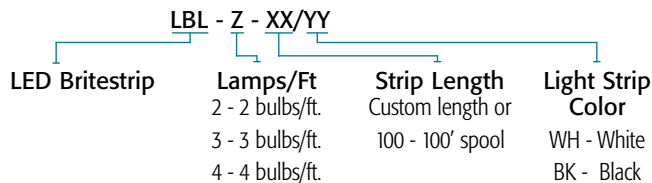
- Indoor use only
- 0.52W, 24V LED modules for up to 85% energy savings
- 3, 4 or 5 lamps per foot models
- Snap in lamp holders for easy lamp replacement
- MR-11 lamp adaptors for hi-lighting items in showcases
- Mounts with 3M double sided tape or mounting clips
- Parallel wiring means loss of one bulb does not affect others
- Field cuttable
- 50,000 hour average lamp life
- Fully dimmable with dimmable power supply (sold separately)
- 2 year limited warranty



## Applications

- Under cabinets
- Above cabinets
- Showcase lighting
- Cove lighting
- Indirect lighting
- Sign back lighting
- Shelf lighting
- Decorative accents

## Product Codes



## Lamp Product Codes

Festoon Lamps – LED  
 Average Lamp Life: 50,000 hours  
 Maximum Single Run: 158 LED festoon modules (82 Watts)

**LBL-24-.5CW**  
 24V, 0.52W,  
 5000-5300K, 36 lumens output

**LBL-24-.5WW**  
 24V, 0.52W,  
 2300-2600K, 32 lumens output



## Accessories



**BL-001/WH**  
White Assembly Kit  
(required to ship with every cut). Includes junction box, terminal block and end cap.  
2.2"L x 1.8"W x 1"H  
(55.9 x 45.7 x 25.4mm)

**BL-001/BK**  
Black Assembly Kit



**BL-003/WH**  
White End caps  
**BL-003/BK**  
Black End Caps



**LW-12G/WH**  
White Lead Wire  
**LW-12G/BK**  
Black Lead Wire

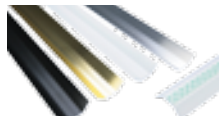
## Mounting Options



**Double Sided Tape**  
on every socket



**BL-005/WH**  
White Nail Clips  
**BL-005/BK**  
Black Nail Clips



**BLF-4-BA**  
**BLF-4-PB**  
**BLF-4-GW**  
**BLF-4-GB**  
Britestrip Reflector. Sold in 4' lengths only. Custom cutting for pieces less than 4' available.



**BLCOVE-4-GW**  
Cove Reflector. Sold in 4' lengths only. Custom cutting for pieces less than 4' available.

## Dimmable Drivers

### TRE24L40DC

Max 76 LED Britestrip lamps, Min 16 LED Britestrip lamps  
6.77" x 2.67" x 1.26" (171 x 68 x 32mm)

### TRE24L96DC

Max 180 LED Britestrip lamps, Min 16 LED Britestrip lamps  
6.77" x 2.67" x 1.26" (171 x 68 x 32mm)

## Non Dimmable Drivers

### LEDDR-24-120W

Indoor driver  
Max. 110 LED Britestrip lamps  
Single secondary tap, max. 185 total  
Input: 100 - 240V AC  
Output: 24V DC  
10" x 3 3/8" x 3 3/16" (254 x 85.7 x 55.6mm)

# Xenon Britestrip



DIMMABLE

NSL's popular Britestrip provides the ultimate in linear lighting systems. With a bend radius of 5.75 cm (inside or outside), Xenon Britestrip can evenly illuminate the tightest of curved surfaces. Even 90 degree corners are simple to do. The lamp holders have a metal reflector built in which deflects heat away from the mounting surface and reflects light onto the surface being illuminated.

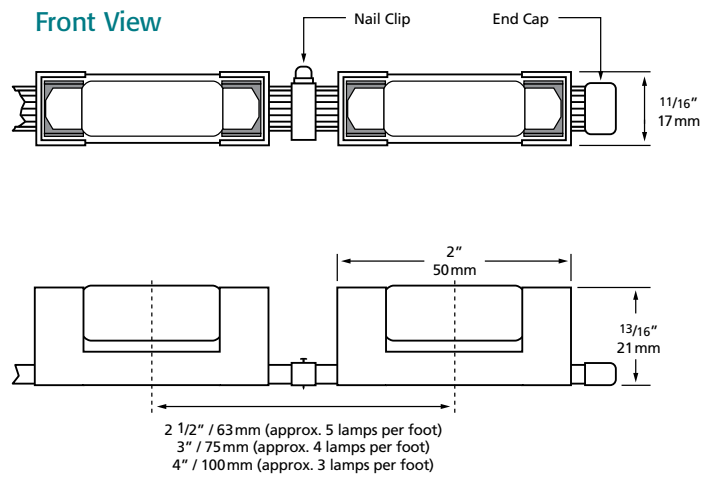


## Features

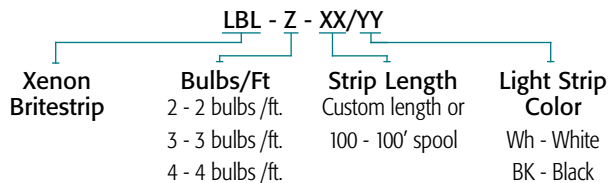
- Safe 24V operation
- Flexible design allows for wide variety of applications
- Parallel wiring means loss of a bulb does not affect remaining strip
- Snap in bulb socket design for ease of installation and replacement
- Field cuttable
- Simple, safe, effective terminal blocks and covers for connecting to power
- Each socket has its own 3M® double sided tape for mounting
- Optional nail clips for wood or porous surfaces
- 1 year limited warranty

## Applications

- Under cabinets
- Above cabinets
- Showcase lighting
- Cove lighting
- Indirect lighting
- Sign back lighting
- Shelf lighting
- Decorative accents



## Product Codes



## Lamps

### Festoon Lamps – Xenon

Average Lamp Life (24 volt, 3W): 10,000 hours

Average Lamp Life (24 volt, 5W): 15,000 hours

Maximum Single Run: 200 watts

See price list for product codes



## Accessories



**BL-001/WH**  
White Assembly Kit  
**BL-001/BK**  
Black Assembly Kit

Required to ship with every cut. Includes junction box, terminal block and end cap.  
2.2"L x 1.8"W x 1"H  
(55.9 x 45.7 x 25.4mm)

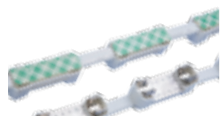


**BL-003/WH**  
White End caps  
**BL-003/BK**  
Black End Caps



**LW-12G/WH**  
White Lead Wire  
**LW-12G/BK**  
Black Lead Wire

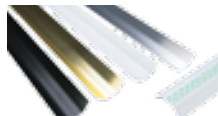
## Mounting Options



**Double Sided Tape**  
on every socket



**BL-005/WH**  
White Nail Clips  
**BL-005/BK**  
Black Nail Clips



**BLF-4-BA**  
**BLF-4-PB**  
**BLF-4-GW**  
**BLF-4-GB**  
Britestrip Reflector. Sold in 4' lengths only. Custom cutting for pieces less than 4' available.



**BLCOVE-4-GW**  
Cove Reflector. Sold in 4' lengths only. Custom cutting for pieces less than 4' available.

## Power Supplies

Use "TR" or "TECLT" transformers

# LED Task Star PRO

## Color CHANGEABLE

LTSPRO is constructed with aluminum housing and a matte polycarbonate diffuser. This sleek fixture features edge lit technology which means no hot spots on the polished marble or granite counter top.



DIMMABLE



### Features

- 50,000 hours life
- Adjustable to 3 color temperatures: 2700K, 3300K and 4000K (warm white to cool white)
- Dimmable with most ELV dimmers
- Comes with High / Low Switch
- Low power consumption
- Edge Lit technology eliminates hot spots – smooth luminance
- Fast and easy installation – quick connects, captive mounting holes
- Comes with cord and plug as well as knockouts for hardwire
- 3/8" connector provided
- Shallow profile conceals fixture
- Linkable up to 400 watts. Each fixture ships with 8" jumper cable and end-to-end connector
- 90 CRI – the best in the business!
- Available in 6 sizes – 9", 12", 18", 24", 32" and 40"
- cETLus and Energy Star listed
- 3 year limited warranty

### Applications

- Under cabinet task light
- Over cabinet accent light
- Display cases and exhibits
- Merchandising
- Indirect accent light
- Wall units and bars
- Office work stations

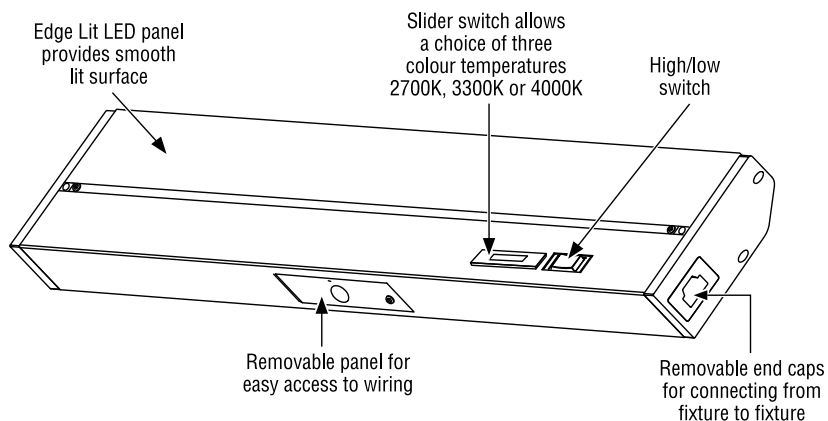
### Specifications

Input Voltage	120V AC
Power Consumption	9" = 3W 12" = 5W 18" = 8W 24" = 12W 32" = 16W 40" = 20W
Power Factor	0.95
LEDs	Epistar
LED Life	50,000 hours
CCT	2700K – 4000K
Lumen Output	9" = 150 – 200 Lumens 12" = 250 – 300 Lumens 18" = 380 – 450 Lumens 24" = 650 – 700 Lumens 32" = 850 – 900 Lumens 40" = 950 – 1000 Lumens
CRI	> 90
Cover Finish	Extruded Aluminum housing / High impact PC plastic end caps / Matte white polycarbonate diffuser
Appearance Size (L x W x H)	9" – 9" x 3.5" x 1" (22.9 x 8.9 x 2.5cm) 12" – 12" x 3.5" x 1" (30.5 x 8.9 x 2.5cm) 18" – 18" x 3.5" x 1" (45.7 x 8.9 x 2.5cm) 24" – 24" x 3.5" x 1" (61.0 x 8.9 x 2.5cm) 32" – 32" x 3.5" x 1" (81.3 x 8.9 x 2.5cm) 40" – 40" x 3.5" x 1" (101.6 x 8.9 x 2.5cm)
Approvals	cETLus listed and Energy Star rated

### Product Codes

<b>LTSPRO - XX – YY</b>		
LED Task Star PRO	Size	Trim Finish
	9 - 9"	WH - White
	12 - 12"	BK - Black
	18 - 18"	BZ - Bronze
	24 - 24"	SN - Satin Nickel
	32 - 32"	
	40 - 40"	





## Accessories (ordered separately)



**LTSPRO-J-12\***  
12" jumper cable  
**LTSPRO-J-18\***  
18" jumper cable  
**LTSPRO-J-24\***  
24" jumper cable  
**LTSPRO-J-32\***  
32" jumper cable



**LTSPRO-PC-72\***  
72" replacement power cord and plug



**LTSPRO-JB**  
Hardwire junction box for LTSPRO fixtures - allows for direct wiring installation, eliminating the visible household wire. Add (-BK) at the end of part number for black finish.



**RC-01**  
3/8" Romex connector

\* NOTE: add (-BK) at the end of part number for black cable.

\*\*Each fixture ships with one 8" jumper cable, one end-to-end connector and one 3/8" Romex connector.

## Replacement Parts

**LTSPRO-SW-BK (HI-OFF-LOW)**  
Replacement Rocker Switch, Black

**LTSPRO-SW-WH (HI-OFF-LOW)**  
Replacement Rocker Switch, White

# LED Task Star

All of the convenience and light output of traditional task lights with the benefits of dimmable LED technology. There are no remote or internal LED drivers to worry about as the replaceable modules work directly off of line voltage. Simply connect directly to 120 Volt power.



DIMMABLE



**Save up to 80% in energy consumption with same light output as 18 watt xenon!**



## Features

- Dimmable with most ELV dimmers
- Low power consumption – as low as 5.2 watts per module
- Warm White color temperature (3100K +/- 200)
- 40,000 hour useful lamp life
- Fast and easy installation – push in terminals for hard wire connection
- 120 volt through wiring
- Available in 1, 2, 3, 4 & 5 LED module units
- Secure hinged lens
- Captive mounting screws in lamp compartment
- Available in 4 colors: White, Bronze, Black and Brushed Aluminum
- 3 year limited warranty

## Applications

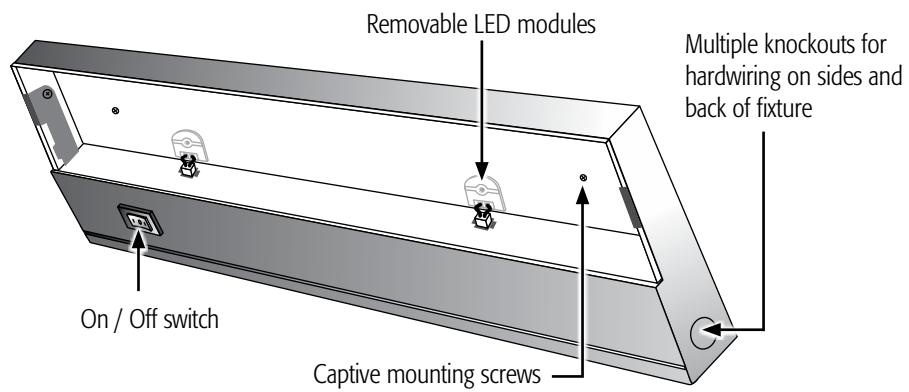
- Under cabinet task light
- Over cabinet accent light
- Display cases and exhibits
- Merchandising
- Indirect accent light
- Wall units and bars
- Office work stations

## Specifications

Electrical	Input: AC 120V 5.2 watts per LED module
LED Life	40,000 hours
Number of LED modules per fixture	1 – 5
Lumen Output	175 lumens/module
Color Temperature	3100K +/-200
CRI	≥ 80
LED Color	Warm White
LED Angle	125 degrees
Replacement LED Module	LEDMOD-32-FF
Product Finish	Black & White: Powder Coating Aluminum, Bronze: Anodized
Lens	Frosted Glass
Dimensions (L x W x H)	
1 LED Module Task Star	9" x 4 5/8" x 1 1/2" (229 x 113 x 39mm)
2 LED Module Task Star	17 1/2" x 4 5/8" x 1 1/2" (445 x 113 x 39mm)
3 LED Module Task Star	26" x 4 5/8" x 1 1/2" (659 x 113 x 39mm)
4 LED Module Task Star	34 1/2" x 4 5/8" x 1 1/2" (875 x 113 x 39mm)
5 LED Module Task Star	38 1/2" x 4 5/8" x 1 1/2" (967 x 113 x 39mm)
Approvals	cETLus listed

## Product Codes

LTS - X - HW/YY			
LED Task Star	Number of LED Modules	Wiring Option	Finish
	1 - 1 LED Module	HW - Hard Wire	WH - White
	2 - 2 LED Modules		BK - Black
	3 - 3 LED Modules		BZ - Bronze
	4 - 4 LED Modules		AL - Aluminum
	5 - 5 LED Modules		



Available in 1, 2, 3, 4 and 5 module units.

### Accessories



**LEDMOD-32-FF**  
Warm white LED  
replacement module  
3100K ± 200

# Xenon Task Light

Xenon Task Light (XTL) is the perfect affordable solution for under cabinet, counter and shelf lighting. Xenon bulbs burn significantly cooler, have four times the lamp life and are half the cost of halogen.



DIMMABLE



## Features

- Safety – low pressure 18 watt xenon lamps that burn cooler than halogen
- 10,000 hours lamp life
- Easily dimmable
- Fast and easy installation – push in terminals for wire connection, snap on covers
- 120 volt through wiring
- Available in 1, 2, 3, 4 & 5 lamp units
- Hinged lens for easy relamping
- Captive mounting screws included in bulb compartment
- Available in 4 colors: White, Bronze, Black and Brushed Aluminum
- 1 year limited warranty

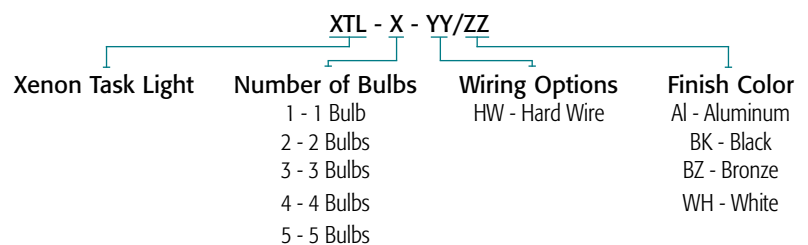
## Applications

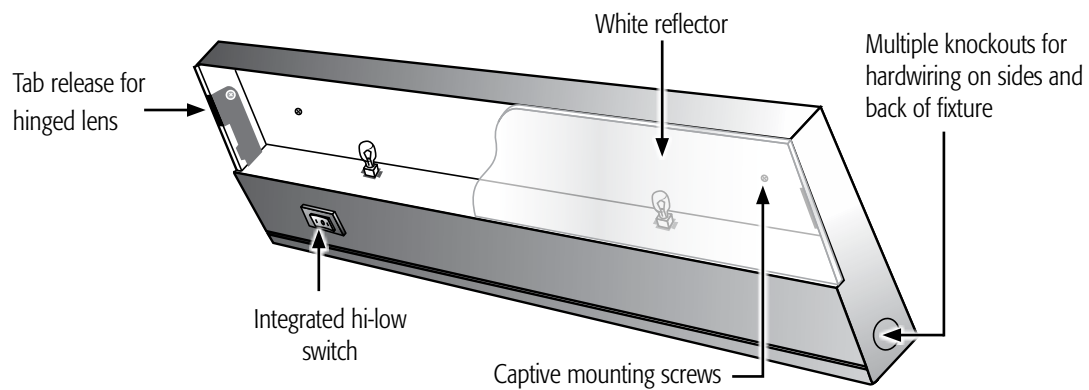
- Under cabinet task light
- Over cabinet accent light
- Display cases and exhibits
- Merchandising
- Indirect accent light
- Wall units and bars
- Office work stations

## Specifications

Operating Voltage	120V AC
Energy Usage	XTL-1 = 18W XTL-2 = 36W XTL-3 = 54W XTL-4 = 72W XTL-5 = 90W
Max. Number of bulbs per Circuit	Hardwire units can be daisy chained up to 66 bulbs or 1188 watts
Replacement Lamp	12 V, 18 W, product code XEN-12-18W
Product Material	Aluminum body, ABS end covers
Product Finish	Black & White: Powder Coating Aluminum, Bronze: Anodized
Product Color	Black, White, Aluminum, Bronze
Lens	Frosted Glass
Cover Finish	Side Cover (Black, White & Bronze): Plastic Injection Side Cover (Aluminum): Vacuum Plating
Dimensions	XTL-1 9" x 4 5/8" x 1 1/2" (229 x 113 x 39mm) XTL-2 17 1/2" x 4 5/8" x 1 1/2" (445 x 113 x 39mm) XTL-3 26" x 4 5/8" x 1 1/2" (659 x 113 x 39mm) XTL-4 34 1/2" x 4 5/8" x 1 1/2" (875 x 113 x 39mm) XTL-5 38 1/2" x 4 5/8" x 1 1/2" (967 x 113 x 39mm)
Weight	XTL-1 = 350g XTL-2 = 760g XTL-3 = 1100g XTL-4 = 1450g XTL-5 = 1680g
Approvals	cETLus

## Product Codes





Available in 1, 2, 3, 4 and 5 module units.

## Replacement Parts

**XEN-12-18W- 12V**  
18 watt Replacement Bulb

**XTL-12-60W- 12V**  
60 watt Replacement Transformer

**XTL-12-80W- 12V**  
80watt Replacement Transformer

**XTL-SW-2-BK (HI-OFF-LOW)**  
Replacement Rocker Switch, Black

**XTL-SW-2-WH (HI-OFF-LOW)**  
Replacement Rocker Switch, White

# LED Mini Star II

This award winning product is a sleek and powerful fixture ideal for in cabinet, under cabinet and showcase lighting.



## Features

- Light weight, ultra slim profile
- Fully dimmable with dimmable power supplies, sold separately
- Replaceable LED modules
- Long life 40,000 hours
- Comes with terminal block connector and cover for connection to low voltage power supply
- Available in 4 finishes White, Black, Bronze and Aluminum
- Safe 24V class 2 operation
- Easy to install
- 3 year limited warranty

## Applications

- Under cabinets
- Over cabinets
- Indirect lighting
- Display cases
- Furniture
- Shelf lighting
- Ceilings

## Specifications

Electrical	24V DC, 3.26W
Current	136mA
LED Life	40,000 hours
LEDs per fixture	6
Lumen Output of LED Module	137 lumens
Efficacy	42 Lumens per Watt
Fixture Illuminance	404 lux 17 3/4" (45cm) above surface
CRI	83
Color Temperature	3000K
Operating Temperature	-5°C to 50°C
Product Material	Aluminum base, PC cover
Lens	Frosted glass
Cover Colors	White, Black, Bronze, Aluminum
Mounting	Wood screws provided or double sided tape provided
Dimensions	2 15/16" x 2 15/16" x 1/2" (75mm x 75mm x 13mm)
Approvals	cETLus

## Product Codes

### Single Fixtures

LMSII - F - Y

LED Mini Star II

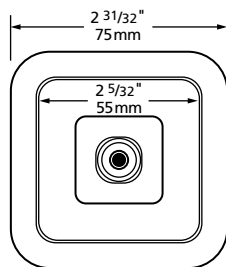
Cover Color

AL - Aluminum

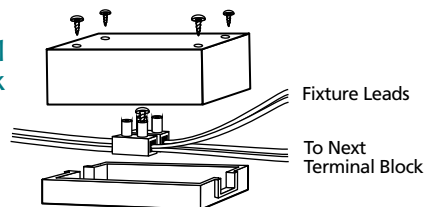
BK - Black

BZ - Bronze

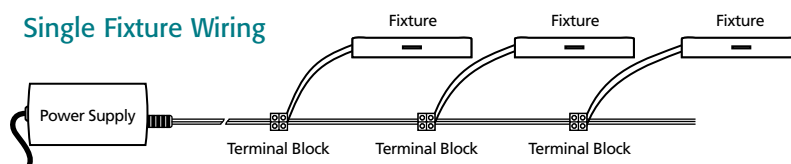
WH - White



Terminal Block



## Single Fixture Wiring



## Accessories



**LEDMOD-24-LP**  
Warm white LED replacement  
module, 2900K ± 200



**WSC-004**  
Wire screw clips



**LMSII-001**  
Terminal block and  
junction box for  
connection to additional  
lengths of power cable  
if needed.

## Indoor/Outdoor Dimmable Drivers

**TRE24L40DC**

Maximum 10 LED Mini Star II fixtures  
Min. load 8 watts or 3 LED Mini Star II fixtures  
6.77" x 2.67" x 1.26" (171 x 68 x 32mm)

**TRE24L96DC**

Maximum 25 LED Mini Star II fixtures  
Min. load 8 watts or 3 LED Mini Star II fixtures  
6.77" x 2.67" x 1.26" (171 x 68 x 32mm)

## Non Dimmable Drivers

**LMS-24-18W**

18 W plug in  
Maximum 4 LED Mini Star II fixtures  
Input: 100 – 240 V AC  
Output: 24 V DC  
3.46" x 1.97" x 1.34" (88 x 50 x 34mm)

**LMS-24-60W**

60 W plug in  
Maximum 16 LED Mini Star II fixtures  
Input: 100 – 240 V AC  
Output: 24 V DC  
4 3/4" x 2 1/2" x 1 1/2" (120 x 58 x 38mm)

**LEDDR-24-120W**

Indoor/Outdoor driver  
Maximum 32 LED Mini Star II fixtures,  
16 per single tap  
Input: 100 - 240V AC  
Output: 24V DC  
10" x 3 3/8" x 3 3/16" (254 x 85.7 x 55.6mm)

# LED LP Puck Lights

LED LP Puck Lights are a sleek and powerful lighting fixture ideal for in cabinet, under cabinet and show case lighting.



DIMMABLE



## Features

- Warm White (3000K) LED light with 80 CRI
- Produces minimal heat – helps keep displays cool
- Easy installation – no lamps to replace, no dimmers to install!
- Long life LEDs last up to 30,000 hours
- High light output – each puck delivers 125 lumens
- 2 year limited warranty

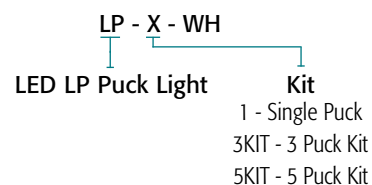
## Applications

- Under cabinets
- Over cabinets
- Indirect lighting
- Display cases
- Furniture
- Shelf lighting

## Specifications

Input Voltage	120V DC, 60 Hz AC operation (140mA driver output)
Wattage	LP-1-WH (Single Puck) = 2.9W LP-3-WH (3 Puck Kit) = 8.2W LP-5-WH (5 Puck Kit) = 13W
Lead Wires	60" lead wires
LED Specs	5630 SMD LEDs, 30,000 hours rated life
Maximum	Run 6 single pucks or one 5-light kit plus one single puck using LP-6P-15W (included with 5-light kits)
Efficacy	42 Lumens per Watt
Fixture Illuminance	404 lux 17 3/4" (45cm) above surface
Color Temperature	Warm White (3000K)
CRI	> 80
Dimmers	Dimmable with in-line dimmer attached to plug-in drivers (LP-3P-9W and LP-6P-15W)
Product Material	Heavy duty, hard durable plastic
Cover Colors	White
Mounting	Recessed or surface mount
Dimensions	H = 7/8" (surface mounted), H = 1/8" (recessed mounted), Diameter = 2-15/16"
Cut-out	2-5/8" hole size for recessed mounting
Approvals	cULus

## Product Codes

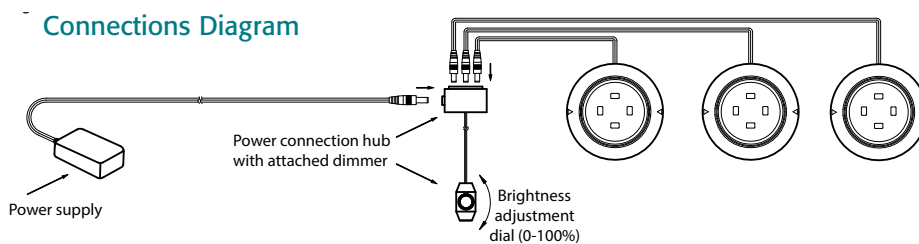
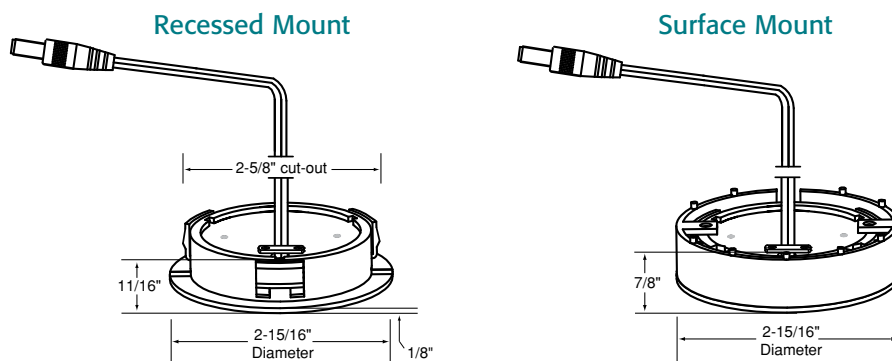


NOTE:

**LP-3KIT-WH** Kit includes 3-hub connector, 9W plug-in driver and in-line dimmer.

**LP-5KIT-WH** Kit includes 6-hub connector, 15W plug-in driver and in-line dimmer.





## Dimmable Drivers

### LP-3P-9W

9W plug-in driver  
 120V, AC input  
 15V, 140mA output  
 Six foot (72") power cord to polarized 2-prong AC plug and  
 60" lead wire to hub  
 Includes 3-port hub and in-line linear dimmer  
 58" lead wire  
 cUL/us Listed

### LP-6P-15W

15W plug-in driver  
 120V, AC input  
 15V, 140 mA output  
 Six foot (72") power cord to polarized 2-prong AC plug and  
 60" lead wire to hub  
 Includes 6-port hub and in-line linear dimmer  
 58" lead wire  
 cUL/us Listed

# LED Edgelit Puck Lights

The Edge Lit Puck Lights are sleek and powerful surface mount lighting fixtures, combining the easy installation with high performance LED's. Featuring strong internal magnets, these fixtures can be installed on metal surfaces, without screws or mounting holes.



## Features

- 30,000 hours life
- Edgelit design with smooth light output
- Safe 24V DC low voltage operation
- Operating temperature: -30°C to 40°C
- Durable die-cast aluminum housing suitable for dry location
- Strong magnet and stamped steel plate for surface mounting
- 72 inch pre-installed lead wire
- 3-year limited warranty

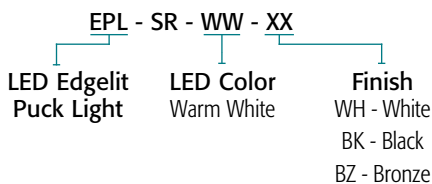
## Applications

- Under cabinets
- Over cabinets
- Indirect lighting
- Display cases
- Furniture
- Shelf lighting

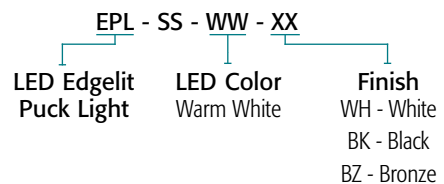
## Specifications

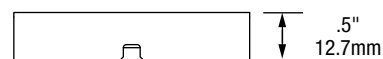
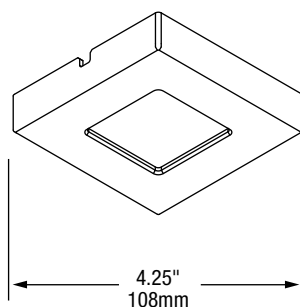
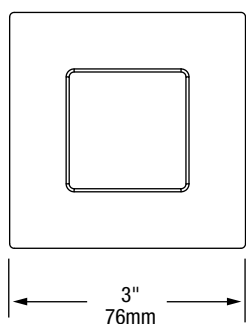
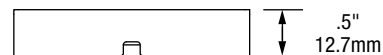
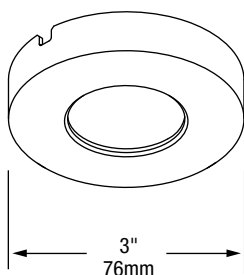
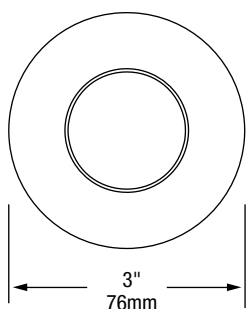
Electrical	24V DC, 4W
LED Specs	5630 SMD LEDs
Efficacy	50 Lumens per Watt
Fixture Illuminance	200 Lumens
Color Temperature	Warm White (3000K)
CRI	> 90
Product Material	Die-cast aluminum
Finish	White, Black, Bronze
Mounting	Surface mount
Approvals	cETLus

### Product Codes (Round)



### Product Codes (Square)





## Accessories



### LMSII-001

Terminal block and junction box for connection to additional lengths of power cable if needed.

## Indoor/Outdoor Dimmable Drivers

### TRE24L40DC

Max recommended load 36W or 9 Edge Lit Puck Lights,  
min 8W or 2 Edge Lit Puck Lights  
6.77" x 2.67" x 1.26" (171 x 68 x 32mm)

### TRE24L96DC

Max recommended load 92W or 23 Edge Lit Puck Lights,  
min 8W or 2 Edge Lit Puck Lights  
6.77" x 2.67" x 1.26" (171 x 68 x 32mm)

## Non-dimmable Drivers

### LEDDR-24-120W

Indoor/Outdoor driver  
Max. recommended load 96W or 24 Edge Lit Puck Lights per single tap,  
120W or 30 Edge Lit Puck Lights combined two secondary taps.  
120W hardwire  
Input: 100 - 240V AC  
Output: 24V DC  
10" x 3 3/8" x 3 3/16" (254 x 85.7 x 80.9mm)

## Non-dimmable Plug In Drivers

**LMS-24-18W** max. 16W or 4 Edge Lit Puck Lights

**LMS-24-60W** max. 56W or 14 Edge Lit Puck Lights

# Xenon Mini Light

Sleek design and beautiful finishes combined with xenon technology. Xenon Mini Light uses safe 12V, 18W xenon lamps that burn much cooler than halogen.



DIMMABLE



## Features

- 10,000 hours life
- Safety – burns significantly cooler than halogen
- Low pressure lamps safer than halogen
- Bulbs last 4 times longer than halogen – 10,000 hours
- No UV rays – won't damage articles under lamp, provides a whiter, more natural light
- Easy relamping
- Fast and easy installation – Surface or recess mount
- Innovative design – oval shaped trim is aesthetically pleasing
- Available individual or 3 light kits
- 1 year limited warranty

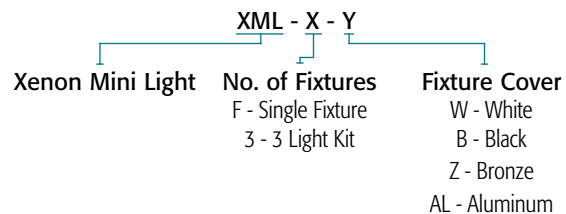
## Applications

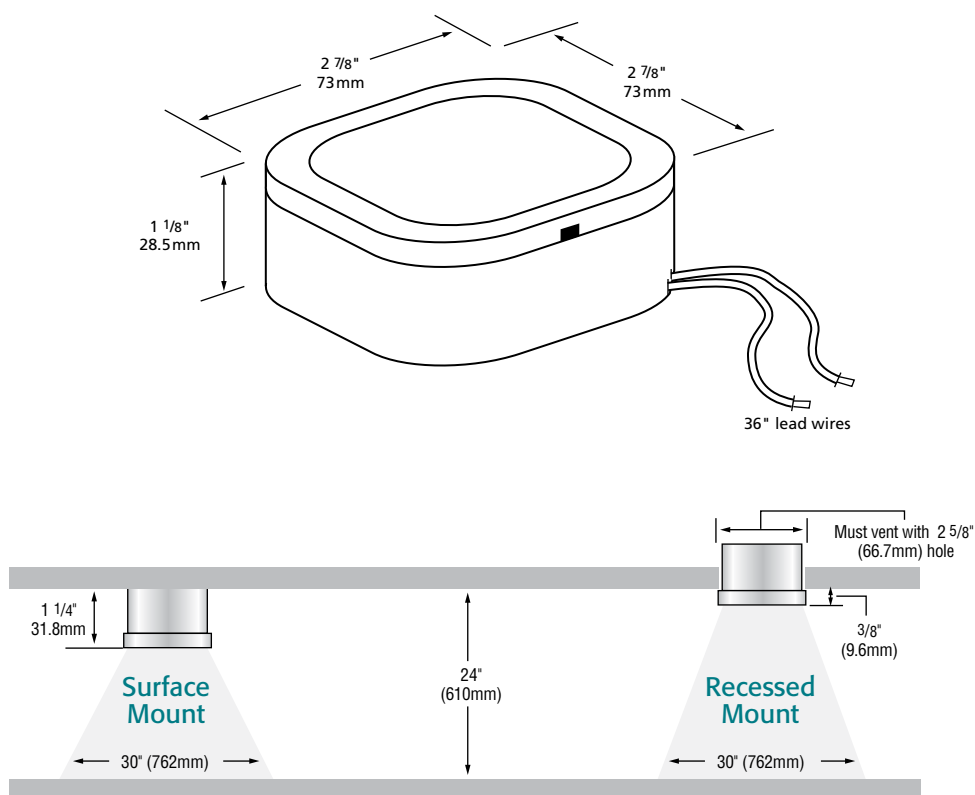
- Under cabinet task light
- Kitchen task lighting
- Display cases and exhibits
- Shelf lighting
- Wall units and bars
- Office task lighting

## Specifications

Electrical	12V, 18W
Lead wire	36"
Maximum Number of Fixtures	3 with 60W transformers (TECLT-12-60) 8 with 150W transformers (TECLT-12-150)
Replacement Lamp	12V, 18 W, product code XEN-12-18W
Product Finish	Black, White, Aluminum, Bronze
Dimensions	2 7/8" x 2 7/8" x 1 1/8" H (73 x 73 x 28.5mm)
Approvals	cETLus

## Product Codes





Xenon Mini Lights should be no closer than 3 1/2" (89mm) from any cabinet wall or in a compartment smaller than 7" x 7" x 4" (178mm x 178mm x 102mm)

## Power Supplies

### TECLT-12-60

Max. recommended load 3 fixtures

Electronic

Input: 120V AC

Output: 12V, 60W

6.5" x 1.5" x 1.5" (165.1mm x 38.1mm x 38.1mm)

### TECLT-12-150

Max. recommended load 8 fixtures

Electronic

Input: 120V AC

Output: 12V, 150W

7.1" x 1.75" x 1.75" (180.34mm x 44.5mm x 44.5mm)

# LED Disc Light

A robust LED marker light ideal for public or residential applications, indoor or outdoor.



DIMMABLE

Now available with Amber LED, that meets FWC requirements



## Features

- Fully dimmable with dimmable power supply (sold separately)
- Long life – 50,000 hours
- Low power consumption of 3 watts per fixture
- Safe 12 volt, Class 2 power supply (not included)
- Up to 30 fixtures per power supply
- cETLus listed for in-wall, IC ceiling, in-floor, outdoor wet, and outdoor burial applications
- Fits in any 1.5" diameter hole, 4" long
- No UV, no infrared, no radiated heat
- 3 year limited warranty

## Applications

- Steps
- Aisles
- Paths
- Driveways
- Direction lighting
- Information lighting
- Decorative lighting
- Merchandising
- Landscape accents

## Replacement LED Modules

### LEDD-MOD-WH

LED Disc Light module, 12V, white LED 5500K

### LEDD-MOD-WW

LED Disc Light module, 12V, warm white LED 2700K

## Installation Wire

### LW-18G-BUR

For outdoor burial connections

### LW-18G-CL2

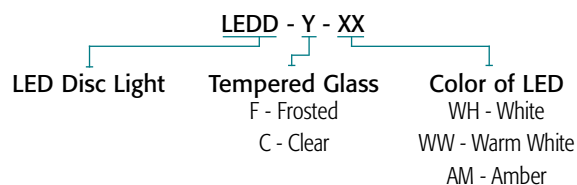
For indoor through wall connections

NOTE: One of the above wires MUST be used in order to maintain product warranty.

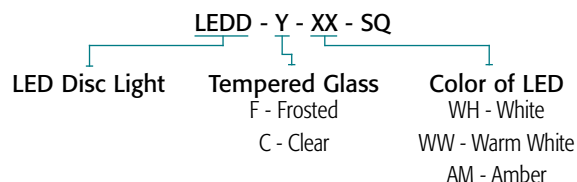
## Specifications

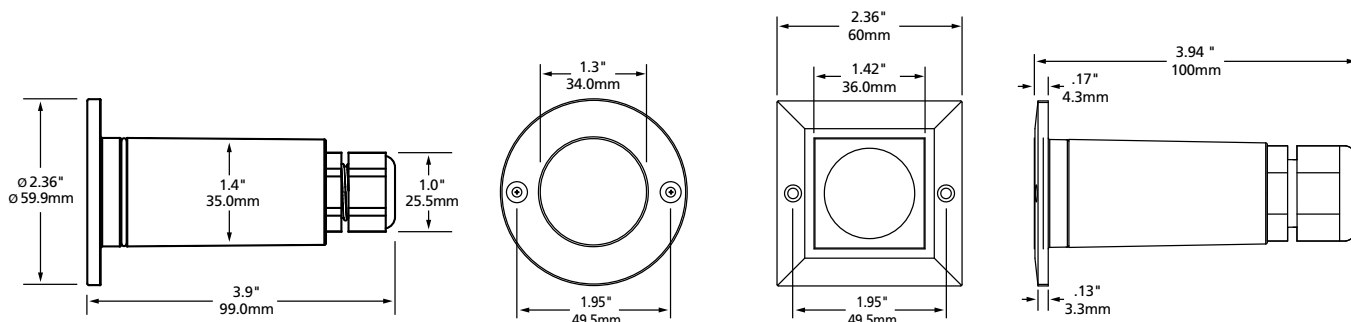
Electrical	12V DC, 3.0W
Wiring Options	Fixtures can be parallel wired or "Daisy chained" together with up to 18 fixtures on our largest driver. See adjacent power supply chart for details. NOTE: Use LW-18G-CL2 for all in-wall applications. Use LW-18G-BUR for all burial applications.
LED Specs	5050
LED Life	50,000 hours
Lumen Output and Color Options	Cool White 98 lumens @ 5500K Warm White 95 lumens @ 2700K
CRI	> 80
Cover Finish	Stainless Steel
Barrel Finish	Stainless Steel
Lens	Frosted or Clear Tempered Glass
Approvals	cETLus listed and labeled for wet, IC, ceiling, wall and direct burial applications.

## Product Codes



## Product Codes (Square)





## Accessories

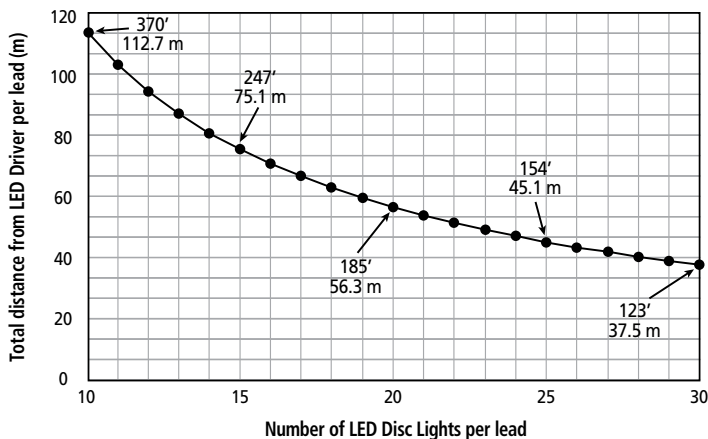


**LEDD-CF**  
LED Disc Light concrete form for concrete pour applications. Fits over most 3/4" conduit junction boxes.

**LEDD-CF-SQ**  
LED Disc Light Square concrete form for concrete pour applications. Fits over most 3/4" conduit junction boxes.

## 100% LED Light Output Chart

With every foot of lead wire and every light fixture, there is voltage loss. With too much voltage loss all light fixtures will not develop 100% of their potential output. Below is a chart of acceptable voltage loss which will maintain 100% of the potential light output of the LED Disc Light. Simply plot the number of LED Disc Light you wish to place on one lead on the horizontal axis, with the total distance from the LED Driver to the last LED Disc Light on the vertical axis. If the resulting plot is at or below the line shown, you will have acceptable voltage loss and your LED Disc Light will output 100% of their potential.



NOTE: No more than 18 LED Disc Lights per LEDDR-12-60W.

## Indoor/Outdoor Dimmable Drivers

### TRE12L20DC

20 Watts

Max. recommended load 18 W or 6 LED Disc Lights

Min. recommended load 8 W or 3 LED Disc Lights

6.77" x 2.67" x 1.26" (171 x 68 x 32mm)

### TRE12L60DC

60 Watts

Max. recommended load 54 W or 18 LED Disc Lights

Min. recommended load 8 W or 3 LED Disc Lights

6.77" x 2.67" x 1.26" (171 x 68 x 32mm)

## Non Dimmable Drivers

### LEDDR-12-60W

Indoor/Outdoor driver

60W hardwire

Input: 100 - 240V AC

Output: 12V DC

Max. 18 LED Disc Lights

9 11/16" x 2 9/16" x 2 1/16" (246 x 65 x 52mm)

NOTE: For outdoor installations, please add E-KO-SR strain relief.

# LED MiniDisc Light

A robust LED marker light ideal for public or residential applications, indoor or outdoor.



DIMMABLE

Now available with Amber LED, that meets FWC requirements



## Features

- Now dimmable on the primary power supply side with our new dimmable LED Drivers!
- Long life – 50,000 hours
- Low power consumption of 0.24 watts per fixture
- Safe 12 volt, Class 2 power supply (not included)
- Up to 100 fixtures per power supply
- cETLus listed for in-wall, IC ceiling, in-floor, outdoor wet, and outdoor burial applications
- Fits in any 1" diameter hole, 3 1/2" long
- 2 year limited warranty, 3 years on stainless steel

## Applications

- Steps
- Aisles
- Paths
- Driveways
- Direction lighting
- Information lighting
- Decorative lighting
- Merchandising
- Landscape accents

NOTE: When installing Mini Disc Lights in harsh environments (such as limestone, salted areas, coastal environments, etc.) please use the stainless steel version to avoid the risk of corrosion to the body of the fixture.

## Replacement LED Modules

### LCL-LEDMOD-WH

LED Mini Disc Light module, 12V, white LED 5400K

### LCL-LEDMOD-WW

LED Mini Disc Light module, 12V, warm white LED 2900K

## Installation Wire

### LW-18G-BUR

For outdoor burial connections

### LW-18G-CL2

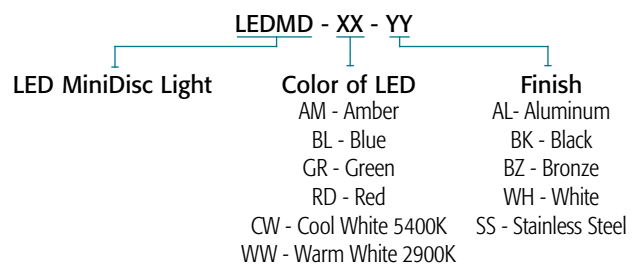
For indoor through wall connections

NOTE: One of the above wires MUST be used in order to maintain product warranty.

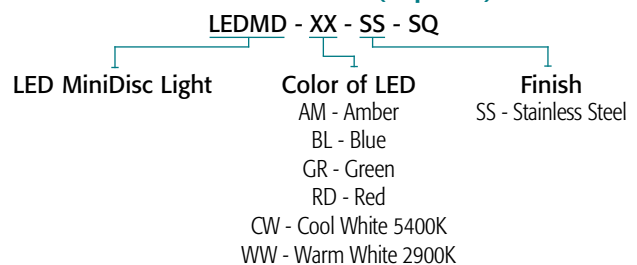
## Specifications

Electrical	12V DC, 20mA, 0.24W
Wiring Options	Each LED Driver can power up to 200 LED MiniDisc Lights by parallel wiring ("daisy chain") between fixtures. NOTE: Use LW-18G-CL2 for all in-wall applications. Use LW-18G-BUR for all burial applications.
LED Life	50,000 hours
LED Colors	Cool White 5400K, Warm White 2900K, Blue, Green, Amber, Red
Construction	Both cover and barrel are die cast aluminum or stainless steel for corrosion protection, strength, weight and consistency of finish.
Cover Finish	Aluminum, White, Bronze, Black, Stainless Steel
Barrel Finish	Aluminum, White, Bronze, Black, Stainless Steel
Lens	Frosted Tempered Glass
Approvals	cETLus listed and labeled for wet, IC, ceiling, wall and direct burial applications.

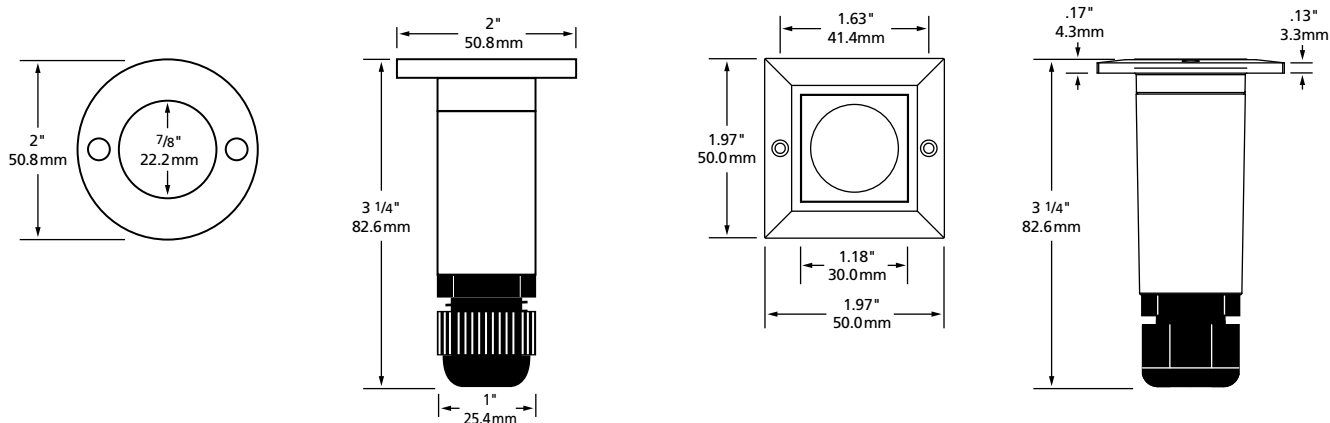
## Product Codes



## Product Codes (Square)







## Accessories



### LEDMD-CF

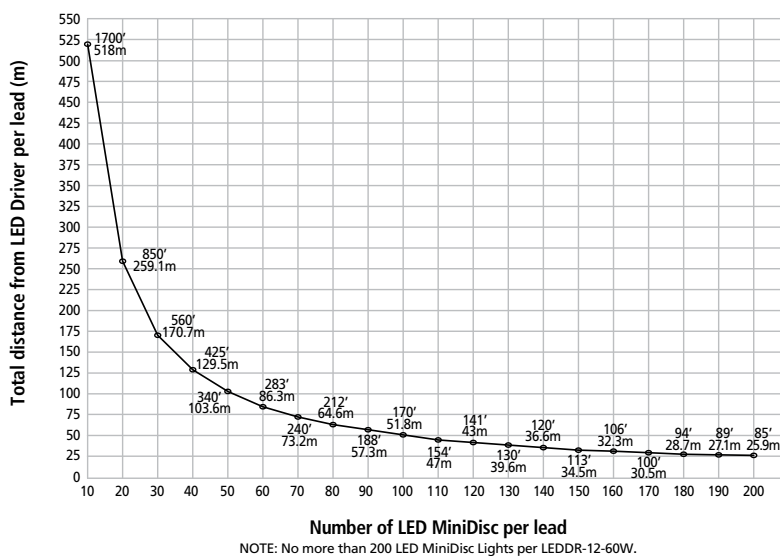
LED MiniDisc concrete form for concrete pour applications. Fits over most 1/2" (12.7mm) conduit junction boxes.

### LEDMD-CF-SQ

LED MiniDisc Light Square concrete form for concrete pour applications. Fits over most 1/2" (12.7mm) conduit junction boxes.

## 100% LED Light Output Chart

With every foot of lead wire and every light fixture, there is voltage loss. With too much voltage loss all light fixtures will not develop 100% of their potential output. Below is a chart of acceptable voltage loss which will maintain 100% of the potential light output of the LED MiniDisc Light. Simply plot the number of LED MiniDiscs you wish to place on one lead on the horizontal axis, with the total distance from the LED Driver to the last LED MiniDisc on the vertical axis. If the resulting plot is at or below the line shown, you will have acceptable voltage loss and your LED MiniDisc will output 100% of their potential.



## Indoor/Outdoor Dimmable Drivers

### TRE12L20DC

20 Watts

Max. recommended load 18 W or 75 LED MiniDisc Lights

Min. recommended load 8 W or 34 LED MiniDisc Lights

6.77" x 2.67" x 1.26" (171 x 68 x 32mm)

### TRE12L60DC

60 Watts

Max. recommended load 54 W or 200 LED MiniDisc Lights

Min. recommended load 8 W or 34 LED MiniDisc Lights

6.77" x 2.67" x 1.26" (171 x 68 x 32mm)

NOTE: For outdoor installations, please add E-KO-SR strain relief.

## Non Dimmable Drivers

### LEDDR-12-60W

Indoor/Outdoor driver

60W hardwire

Input: 100 - 240V AC

Output: 12V DC

Max. 200 MiniDisc Lights

9 11/16" x 2 9/16" x 2 1/16" (246 x 65 x 52mm)

# LED MiniDisc Light (Scoop)

LED MiniDisc Scoop is designed to direct light where you want it. Ideal for stair lighting when placed on risers to avoid glare. Great for theatre aisle ways.



DIMMABLE

*Now available with Amber LED, that meets FWC requirements*



## Features

- Now dimmable on the primary power supply side with our new dimmable LED Drivers!
- Long life – 50,000 hours
- Low power consumption of 0.24 watts per fixture
- Safe 12 volt, Class 2 power supply (not included)
- Up to 100 fixtures per power supply
- cETLus listed for in-wall, IC ceiling, in-floor, outdoor wet, and outdoor burial applications
- Fits in any 1" diameter hole, 3 1/2" long
- 2 year limited warranty, 3 years on stainless steel

## Applications

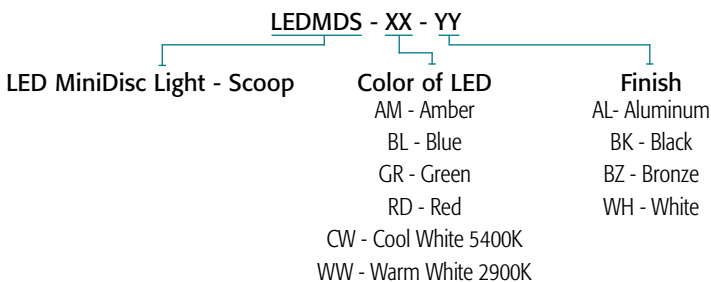
- Steps
- Aisles
- Paths
- Driveways
- Direction lighting
- Information lighting
- Decorative lighting
- Merchandising
- Landscape accents

NOTE: It is not recommended to install Mini Disc Lights Scoop in harsh environments (such as limestone, salted areas, coastal environments, etc.) to avoid the risk of corrosion to the body of the fixture.

## Specifications

Electrical	12V DC, 20mA, 0.24W
Wiring Options	Each LED Driver can power up to 200 LED MiniDisc Lights by parallel wiring ("daisy chain") between fixtures. NOTE: Use LW-18G-CL2 for all in-wall applications. Use LW-18G-BUR for all burial applications.
LED Life	50,000 hours
LED Colors	Cool White 5400K, Warm White 2900K, Blue, Green, Amber, Red
Construction	Both cover and barrel are die cast aluminum or stainless steel for corrosion protection, strength, weight and consistency of finish.
Cover Finish	Aluminum, White, Bronze, Black
Barrel Finish	Aluminum, White, Bronze, Black
Lens	Frosted Tempered Glass
Approvals	cETLus listed and labeled for wet, IC, ceiling, wall and direct burial applications.

## Product Codes



## Replacement LED Modules

### LCL-LEDMOD-WH

LED Mini Disc Light module, 12V, white LED 5400K

### LCL-LEDMOD-WW

LED Mini Disc Light module, 12V, warm white LED 2900K

## Installation Wire

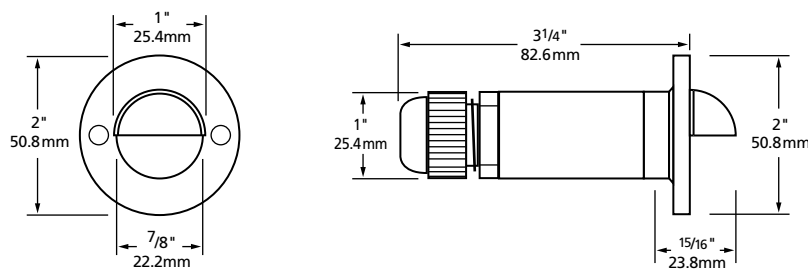
### LW-18G-BUR

For outdoor burial connections

### LW-18G-CL2

For indoor through wall connections

NOTE: One of the above wires MUST be used in order to maintain product warranty.



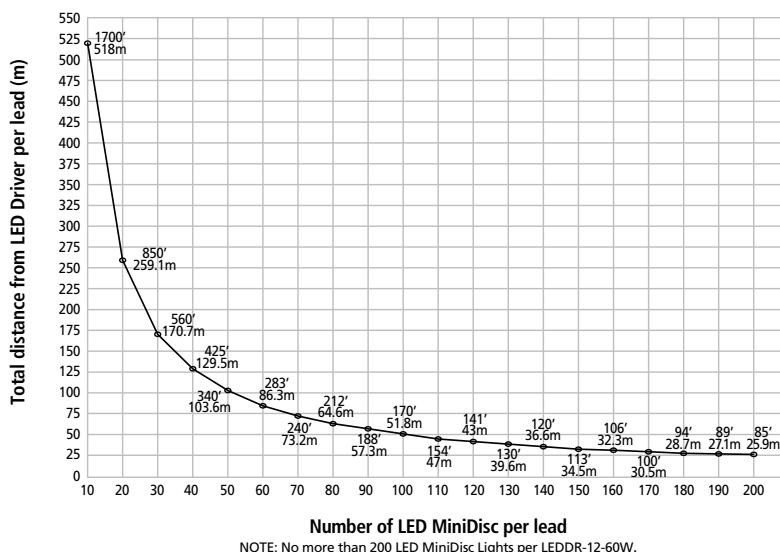
## Accessories



**LEDMD-CF**  
LED MiniDisc concrete form for concrete pour applications. Fits over most 1/2" (12.7mm) conduit junction boxes.

## 100% LED Light Output Chart

With every foot of lead wire and every light fixture, there is voltage loss. With too much voltage loss all light fixtures will not develop 100% of their potential output. Below is a chart of acceptable voltage loss which will maintain 100% of the potential light output of the LED MiniDisc Light. Simply plot the number of LED MiniDiscs you wish to place on one lead on the horizontal axis, with the total distance from the LED Driver to the last LED MiniDisc on the vertical axis. If the resulting plot is at or below the line shown, you will have acceptable voltage loss and your LED MiniDisc will output 100% of their potential.



## Indoor/Outdoor Dimmable Drivers

### TRE12L20DC

20 Watts

Max. recommended load 18 W or 75 LED MiniDisc Lights

Min. recommended load 8 W or 34 LED MiniDisc Lights

6.77" x 2.67" x 1.26" (171 x 68 x 32mm)

### TRE12L60DC

60 Watts

Max. recommended load 54 W or 200 LED MiniDisc Lights

Min. recommended load 8 W or 34 LED MiniDisc Lights

6.77" x 2.67" x 1.26" (171 x 68 x 32mm)

## Non Dimmable Drivers

### LEDDR-12-60W

Indoor/Outdoor driver

60W hardwire

Input: 100 - 240V AC

Output: 12V DC

Max. 200 MiniDisc Lights

9 11/16" x 2 9/16" x 2 1/16" (246 x 65 x 52mm)

NOTE: For outdoor installations, please add E-KO-SR strain relief.

# Ceiling Lights

Ceiling Lights will compliment any designer look, at home or in your place of business. Typically, these fixtures will replace any existing traditional indoor ceiling fixtures, providing designer quality light solutions, while creating tremendous energy savings.



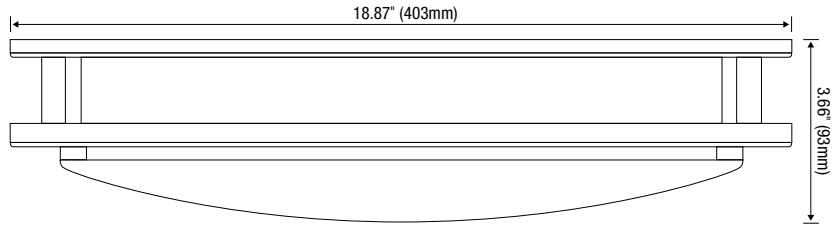
DIMMABLE

**UL2108 Certified**



## Features

- Elegant and energy efficient design
- Available in brushed nickel trim
- Suitable for damp location
- Input voltage 120VAC
- Dimmable with most ELV dimmers
- 50,000 hours life
- cETLus listed
- Easy installation
- Maintenance free
- Even light distribution
- 5 year warranty



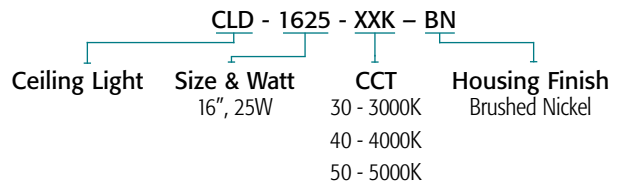
## Applications

- Kitchens
- Lobbies
- Hallways
- Banquet halls
- Retail
- Restaurants

## Specifications

Electrical	120 VAC, 25W
LED Life	50,000 hours
Lumen Output	1875 Lumens
CRI	≥ 80
Housing Finish	Brushed Nickel
Approvals	cETLus listed and Energy Star rated

## Product Codes



NOTE: 3000K is stock, all other color temperatures are special order, MOQ required.

# Vanity Lights and Wall Sconces

Beautifully designed, elegant and a great addition to any decor, Vanity Lights and Wall Sconces will compliment any designer look. These fixtures can replace any existing indoor accent lighting, creating tremendous energy savings, at an extremely affordable price.



DIMMABLE

UL2108 Certified



## Features

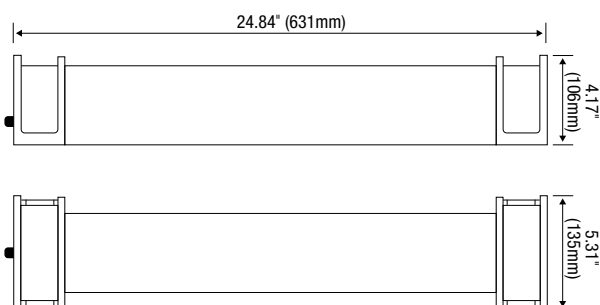
- Elegant and energy efficient design
- Brushed nickel trim finish
- Input voltage 120V AC
- Dimmable with most ELV dimmers
- 50,000 hours life
- Suitable for damp location
- cETLus listed
- Easy installation
- Maintenance free
- Even light distribution
- 5 year warranty

## Specifications

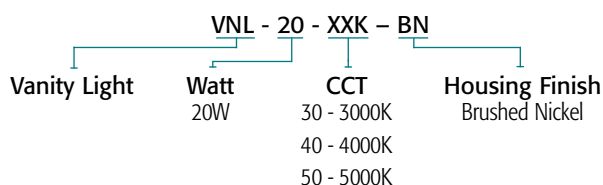
Electrical	
Vanity Light	120V AC, 20W
Wall Sconce	120V AC, 15W
LED Life	50,000 hours
Lumen Output	
Vanity Light	1200 Lumens
Wall Sconce	1600 Lumens
CRI	≥ 80
Housing Finish	Brushed Nickel
Approvals	cETLus listed and Energy Star rated

## Applications

- Hallways
- Lobbies
- Banquet halls
- Retail
- Restaurants

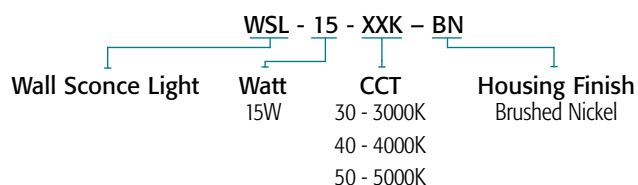


### Product Codes



NOTE: 3000K is stock, all other color temperatures are special order, MOQ required.

### Product Codes



NOTE: 3000K is stock, all other color temperatures are special order, MOQ required.

# Thin-line LED Down Lights

Thin-line LED Down Lights are a breakthrough in LED downlight technology. Clever placement of 2835 LEDs around our diffusing glass lens provide brilliant and efficient LED lighting from a fixture that is only 1/2" (13mm) thick. Thin-line LED Down Lights are designed for retrofit and new construction installations and are very simple to install. They are ideal for shallow ceiling plenums since no IC can or box is required above the fixture.



DIMMABLE

*We carry the widest selection of LED Down Light fixtures on the market!*

UL2108 Certified



## Features

- Energy Star rated - up to 80% energy savings
- Dimmable to 5% with most standard dimmers
- 120° beam spread
- Warm White and Neutral White color temperatures
- Two spring loaded clips to attach to any ceiling material
- 4 trim finishes available
- Suitable for wet location
- No IC can required, for direct contact with insulation and combustible materials
- Connects directly to 120V power supply
- Optional 277V Step-Down Transformer (non-dimmable)
- 50,000 hour life
- Airtight
- cETLus and Energy Star listed
- 5 year limited warranty

## Residential Applications

- Kitchens
- Pantries
- Laundry rooms
- Bathrooms
- In showers
- Under soffits (outdoor)

## Commercial Applications

- Lobbies
- Hallways
- Banquet halls
- Elevators
- Stairways
- Retail
- Restaurants
- Office lighting
- Under cabinet
- In cabinet
- Wall mount for egress lighting
- Under soffits (outdoor)

## Specifications

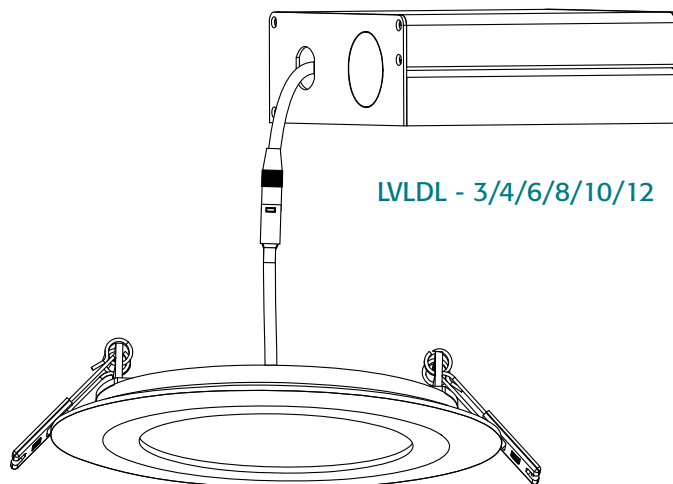
Electrical	Input: AC 100 – 120V 3" = 6W, 21V DC, 300mA constant current 4" = 9W, 21V DC, 320mA constant current 6" = 12W, 30V DC, 320mA constant current 8" = 15W, 18V DC, 700mA constant current 10" = 20W, 24V DC, 700mA constant current 12" = 24W, 42V DC, 600mA constant current
Number of SMD2835 LEDs	3" = 28 4" = 40 6" = 50 8" = 60 10" = 80 12" = 120
LED Life	50,000 hours
Lumen Output WW = Warm White NW = Neutral White	3" = 400 WW, 450 NW 4" = 575 WW, 600 NW 6" = 800 WW, 900 NW 8" = 1200 WW, 1300 NW 10" = 1700 WW, 1800 NW 12" = 1872 WW, 2110 NW
Lumen Efficacy (LPW) WW = Warm White NW = Neutral White	3" = 67 WW, 75 NW 4" = 64 WW, 67 NW 6" = 67 WW, 75 NW 8" = 80 WW, 87 NW 10" = 89 WW, 95 NW 12" = 78 WW, 88 NW
Color Temperature	Warm White 3000K, Neutral White 4000K
CRI	> 80
Approvals	cETLus listed for wet locations, Energy Star rated

NOTE: Each fixture ships with one constant current power supply.

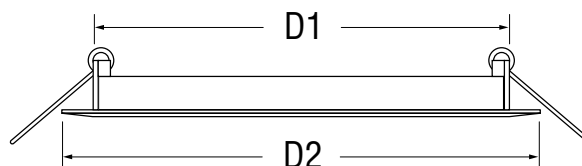
## Product Codes

LVL DL - XX - YY - ZZ - R - L			
Thin-line LED Down Light	Size	LED Color	Trim Color
	03 - 3"	WW - Warm White (3000K)	WH - White Gloss Enamel
	04 - 4"	NW - Neutral White (4000K)	BK - Black
	06 - 6"		BZ - Bronze
	08 - 8"		BN - Brushed Nickel
	10 - 10"		
	12 - 12"		

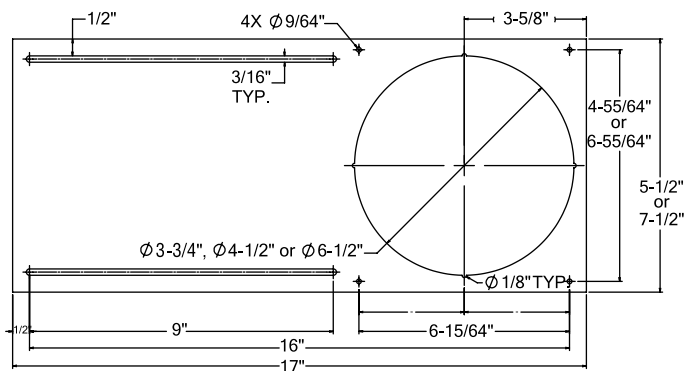
NOTE: WH, BZ and BN are stock, BK is special order, MOQ required.



Size	D1	D2
3"	3.35"	4"
4"	4.33"	4.875"
6"	6.3"	6.875"
8"	8.07"	8.78"
10"	10.39"	10.63"
12"	11.34"	11.81"



Standard Power



Construction Plate

LVLDL-CP-XX

3"/4"/6"

# High Power Thin-line LED Down Lights

High Power Thin-line LED Down Lights are a breakthrough in LED downlight technology. Clever placement of SMD2835 LEDs around our diffusing glass lens provide brilliant and efficient LED lighting from a fixture that is only 1" (25mm) thick. High Power Thin-line LED Down Lights are designed for retrofit and new construction installations and are very simple to install. They are ideal for shallow ceiling plenums since no IC can or box is required above the fixture.



DIMMABLE

UL2108 Certified



## Features

- Energy Star rated - up to 80% energy savings
- Dimmable to 5% with most standard dimmers
- 120° beam spread
- Warm White and Neutral White color temperatures
- Two spring loaded clips to attach to any ceiling material
- cETLus listed for damp locations
- No IC can required, for direct contact with insulation and combustible materials
- Connects directly to 120V power supply
- Optional 277V Step-Down Transformer (non-dimmable)
- 50,000 hour life
- 5 year limited warranty
- Airtight
- cETLus and Energy Star listed

## Residential Applications

- Kitchens
- Pantries
- Laundry rooms
- Under soffits (outdoor)

## Commercial Applications

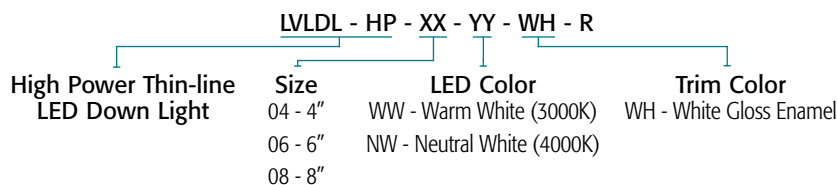
- Lobbies
- Hallways
- Banquet halls
- Elevators
- Stairways
- Retail
- Restaurants
- Office lighting
- Under cabinet
- In cabinet
- Wall mount for egress lighting
- Under soffits (outdoor)

## Specifications

Electrical	Input: AC100 – 120V 4" = 11W, 42V DC, 280mA constant current 6" = 15W, 42V DC, 350mA constant current 8" = 25W, 42V DC, 500mA constant current
Number of SMD2835 LEDs	4" = 72 6" = 120 8" = 192
LED Life	50,000 hours
Lumen Output WW = Warm White NW = Neutral White	4" = 1068 WW, 1072 NW 6" = 1425 WW, 1483 NW 8" = 2575 WW, 2648 NW
Lumen Efficacy (LPW) WW = Warm White NW = Neutral White	4" = 97 WW, 97 NW 6" = 95 WW, 99 NW 8" = 103 WW, 106 NW
Color Temperature	Warm White 3000K, Neutral White 4000K
CRI	> 80
Approvals	cETLus listed for damp locations, Energy Star rated

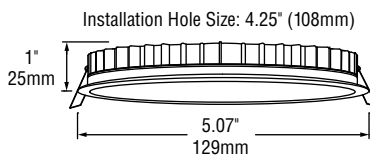
NOTE: Each fixture ships with one constant current power supply.

## Product Codes

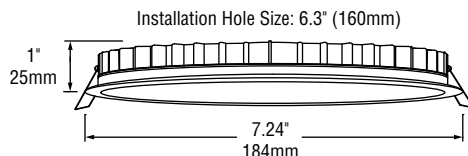




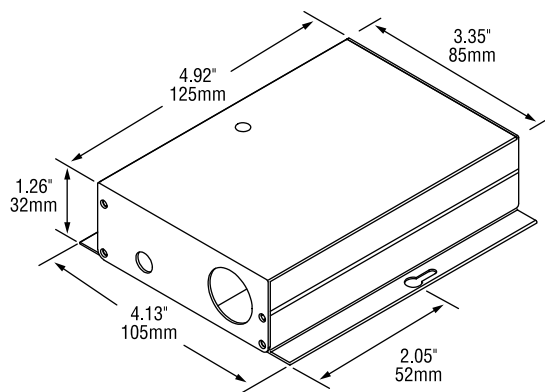
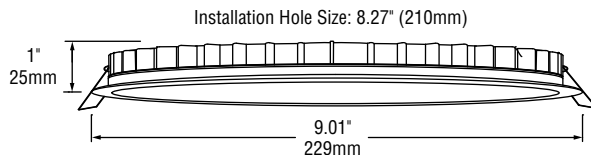
### 4" High Power Thin-line LED Down Light



### 6" High Power Thin-line LED Down Light



### 8" High Power Thin-line LED Down Light



### High Power Remote Driver

# Thin-Line Square LED Down Lights

The Thin-line Square Down Lights are rated for wet locations and designed for new construction and retrofit installations. They are ideal for shallow ceiling plenums since no IC can or box is required above the fixture.



DIMMABLE

UL2108 Certified



## Features

- Low profile, perfect for shallow ceiling plenums
- No IC can required, for direct contact with insulation and combustible materials
- 80+ CRI
- Two spring loaded clips to attach to any ceiling material
- 120 degrees beam spread
- Edge lit technology eliminates hot spots
- 50,000 hours life
- Dimmable with most standard dimmers
- cETLus listed for wet locations
- 5 year limited warranty

## Residential Applications

- Kitchens
- Pantries
- Laundry rooms
- Bathrooms
- In showers
- Under soffits (outdoor)

## Commercial Applications

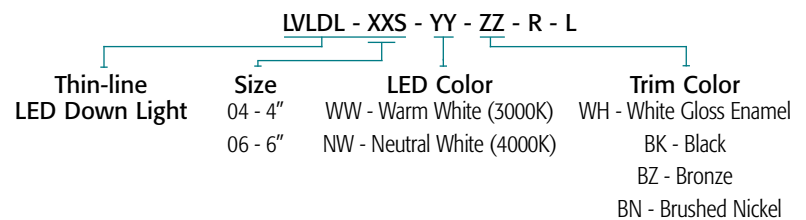
- Lobbies
- Hallways
- Banquet halls
- Elevators
- Stairways
- Retail
- Restaurants
- Office lighting
- Under cabinet
- In cabinet
- Wall mount for egress lighting
- Under soffits (outdoor)

## Specifications

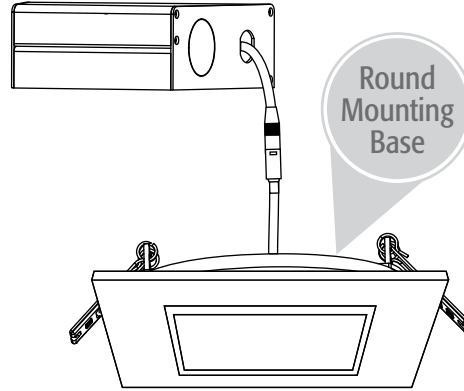
Electrical	Input: AC 100 – 120V 4"= 9W, 21V DC, 320mA constant current 6"= 12W, 30V DC, 320mA constant current
Power Factor	0.95
LEDs	Epistar
LED Life	50,000 hours
Lumen Output WW = Warm White NW = Neutral White	4" = 575 WW, 600 NW 6" = 800 WW, 900 NW
Lumen Efficacy (LPW) WW = Warm White NW = Neutral White	4" = 64 WW, 67 NW 6" = 67 WW, 75 NW
Color Temperature	Warm White 3000K, Neutral White 4000K
CRI	≥ 80
Appearance Size (L x W x H)	4" = 5.08" x 5.08" x 0.5" (129mm x 129mm x 13mm) 6" = 7.16" x 7.16" x 0.5" (182mm x 182mm x 13mm)
Dimensions (J-Box) (L x W x H)	4" = 3.31" x 3.31" x 1.14" (84mm x 84mm x 29mm) 6" = 3.31" x 3.31" x 1.14" (84mm x 84mm x 29mm)
Approvals	cETLus listed for wet locations, Energy Star rated

NOTE: Each fixture ships with one constant current power supply.

## Product Codes

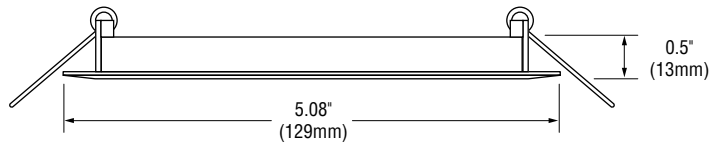


NOTE: WH, BZ, and BN are stock, BK is special order, MOQ required.



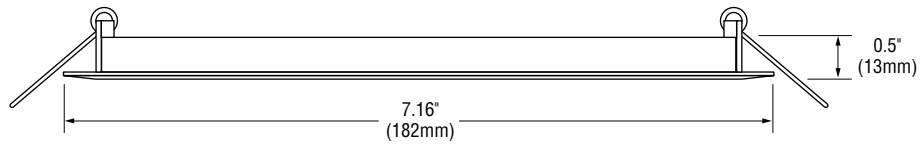
### 4" Thin-line Square Down Light

Installation Hole Size: 4.65" (118mm)



### 6" Thin-line Square Down Light

Installation Hole Size: 6.15" (156mm)



# Round LED Surface Mount Down Lights

LED Surface Mount Down Light is a low-profile downlight intended for ceiling mount applications. Features driver on board (DOB) technology, with no external driver needed. These flush mount LED ceiling lights mount directly into a 4" junction box. Ideal for general LED Lighting in residential and commercial applications.



DIMMABLE



## Features

- Driver on Board Technology, provides a 120V alternating current source and eliminates the need for traditional LED driver
- Quick & easy to install on standard junction box, ceiling mount with mounting plate
- Die-cast aluminum housing
- Smooth and continuous dimming, dimmable with most standard dimmers
- Rated for 50,000 hours
- No light bulbs to replace or dispose
- Instant full brightness (including in sub-zero temperatures)
- 80+ CRI
- cETLus listed for wet locations
- 5 year limited warranty

## Residential Applications

- Kitchens
- Pantries
- Laundry rooms
- Under soffits (outdoor)

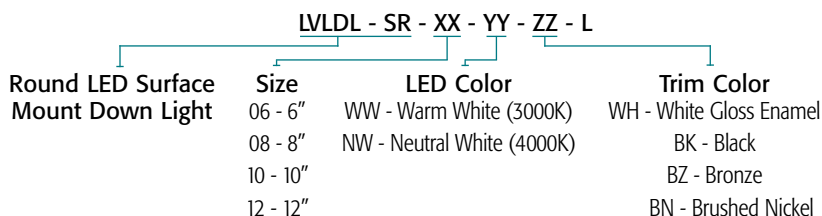
## Commercial Applications

- Lobbies
- Hallways
- Banquet halls
- Elevators
- Stairways
- Retail
- Restaurants
- Office lighting
- Under cabinet
- In cabinet
- Wall mount for egress lighting
- Under soffits (outdoor)

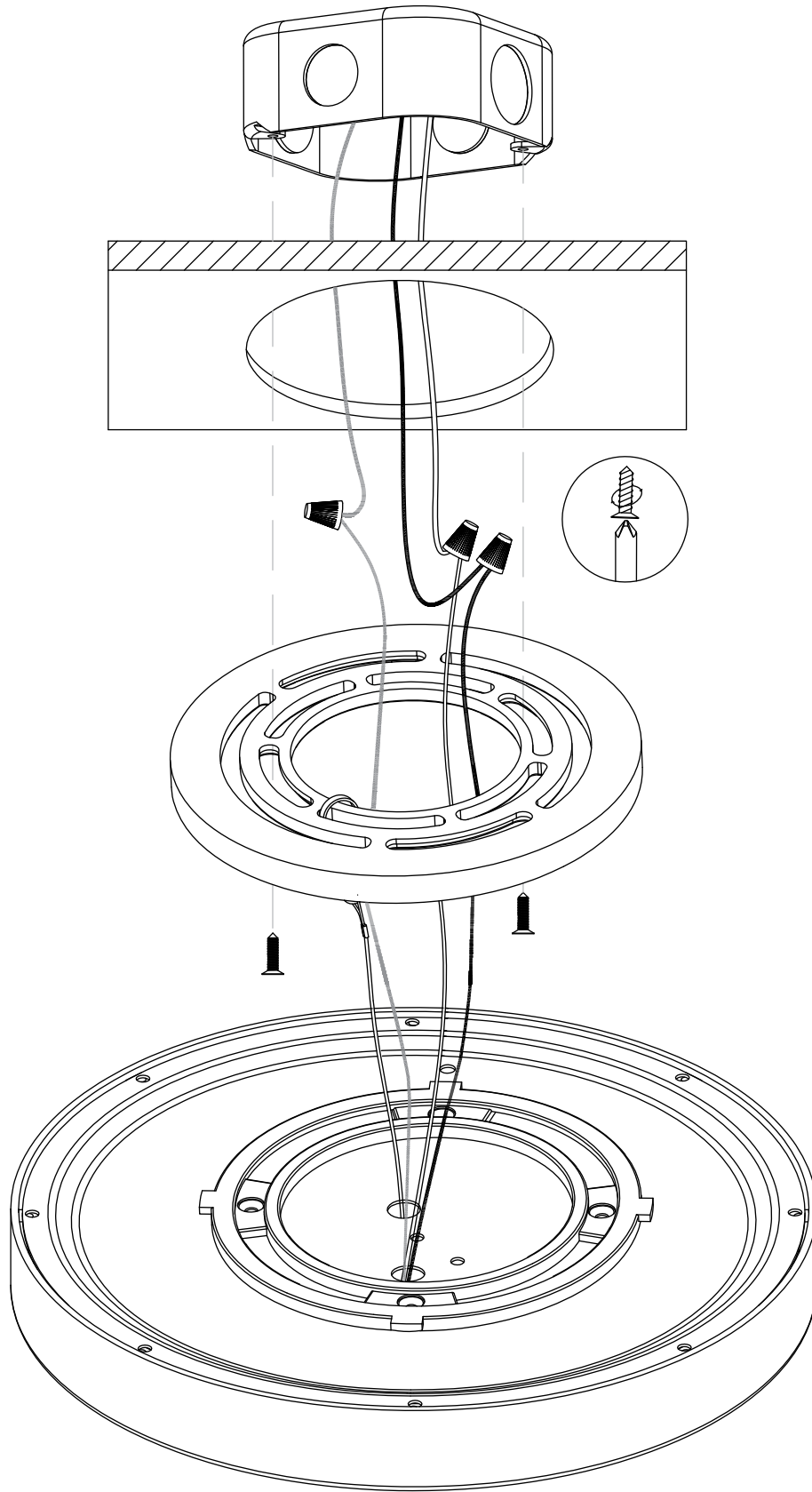
## Specifications

Electrical	Input: AC 100 – 120V 6" = 11W 8" = 14W 10" = 17W 12" = 22W
Power Factor	0.95
LEDs	Epistar
LED Life	50,000 hours
Lumen Output WW = Warm White NW = Neutral White	6" = 880 WW, 900 NW 8" = 1000 WW, 1050 NW 10" = 1200 WW, 1250 NW 12" = 1800 WW, 1850 NW
Lumen Efficacy (LPW) WW = Warm White NW = Neutral White	6" = 80 WW, 82 NW 8" = 71 WW, 75 NW 10" = 70 WW, 73 NW 12" = 82 WW, 84 NW
Color Temperature	Warm White 3000K, Neutral White 4000K
CRI	≥ 80
Appearance Size (D x H)	6" = 6" x 1" (152mm x 25mm) 8" = 8" x 1" (203mm x 25mm) 10" = 10" x 1" (254mm x 25mm) 12" = 12" x 1" (305mm x 25mm)
Approvals	cETLus listed for wet locations, Energy Star rated

## Product Codes



NOTE: WH, BZ, and BN are stock, BK is special order, MOQ required.

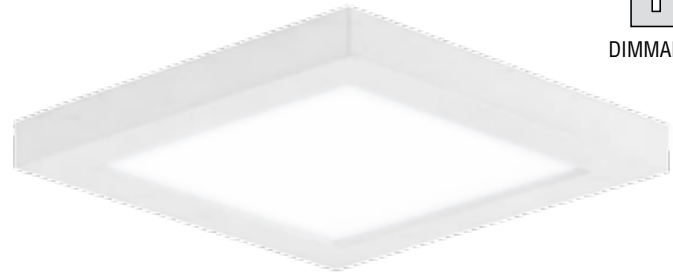


# Square LED Surface Mount Down Lights

LED Surface Mount Down Light is a low-profile downlight intended for ceiling mount applications. Features driver on board (DOB) technology, with no external driver needed. These flush mount LED ceiling lights mount directly into a 4" junction box. Ideal for general LED Lighting in residential and commercial applications.



DIMMABLE



## Features

- Driver on Board Technology, provides a 120V alternating current source and eliminates the need for traditional LED driver
- Quick & easy to install on standard junction box, ceiling mount with mounting plate
- Die-cast aluminum housing
- Smooth and continuous dimming, dimmable with most standard dimmers
- Rated for 50,000 hours
- No light bulbs to replace or dispose
- Instant full brightness (including in sub-zero temperatures)
- 80+ CRI
- cETLus listed for wet locations
- 5 year limited warranty

## Residential Applications

- Kitchens
- Pantries
- Laundry rooms
- Under soffits (outdoor)

## Commercial Applications

- Lobbies
- Hallways
- Banquet halls
- Elevators
- Stairways
- Retail
- Restaurants
- Office lighting
- Under cabinet
- In cabinet
- Wall mount for egress lighting
- Under soffits (outdoor)

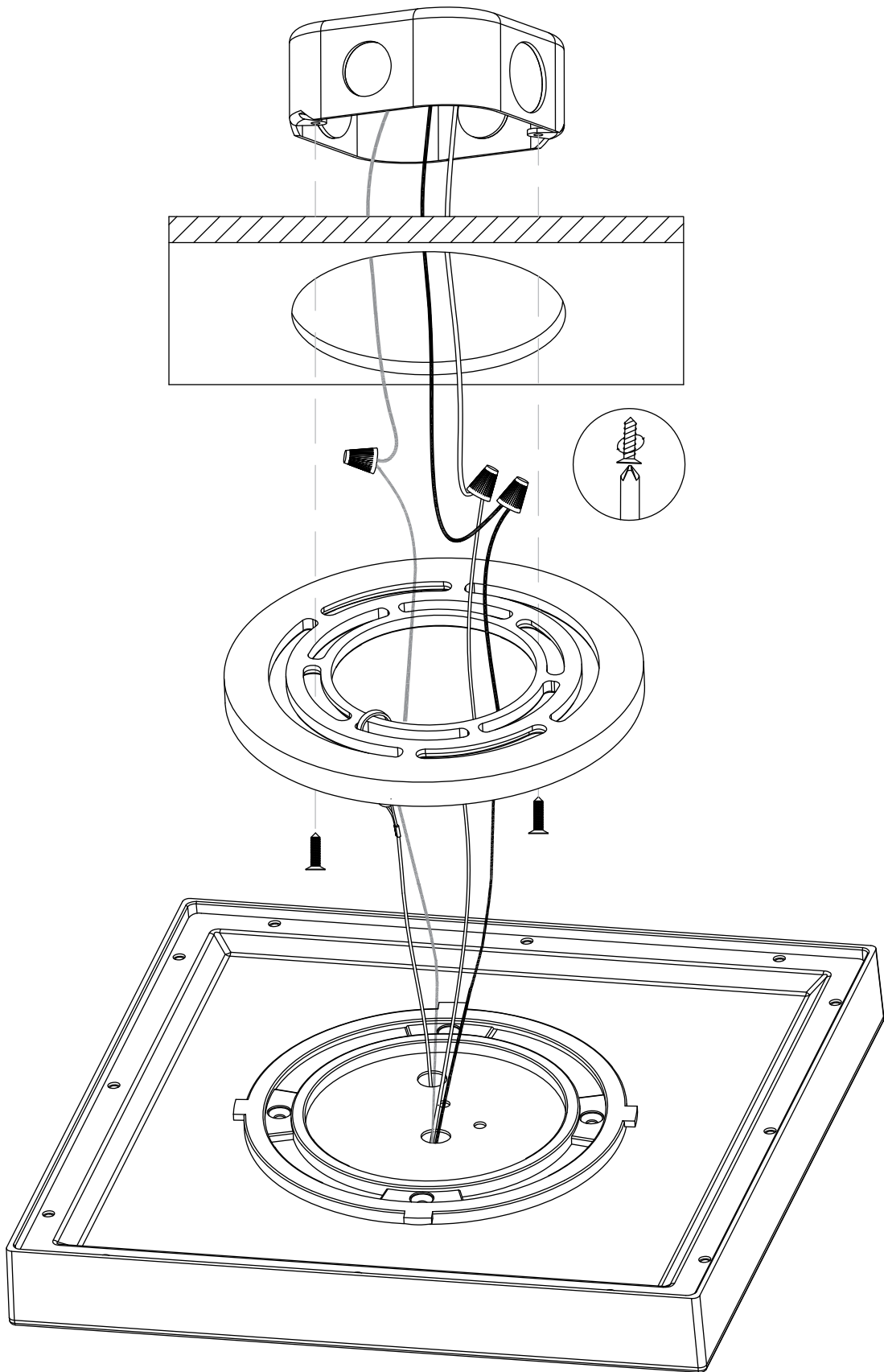
## Specifications

Electrical	Input: AC 100 – 120V 6" = 11W 8" = 14W 10" = 17W 12" = 22W
Power Factor	0.95
LEDs	Epistar
LED Life	50,000 hours
Lumen Output WW = Warm White NW = Neutral White	6" = 880 WW, 900 NW 8" = 1000 WW, 1050 NW 10" = 1200 WW, 1250 NW 12" = 1800 WW, 1850 NW
Lumen Efficacy (LPW) WW = Warm White NW = Neutral White	6" = 80 WW, 82 NW 8" = 71 WW, 75 NW 10" = 70 WW, 73 NW 12" = 82 WW, 84 NW
Color Temperature	Warm White 3000K, Neutral White 4000K
CRI	≥ 80
Appearance Size (L x W x H)	6" = 6" x 6" x 1" (152mm x 152mm x 25mm) 8" = 8" x 8" x 1" (203mm x 203mm x 25mm) 10" = 10" x 10" x 1" (254mm x 254mm x 25mm) 12" = 12" x 12" x 1" (305mm x 305mm x 25mm)
Approvals	cETLus listed for wet locations, Energy Star rated

## Product Codes

LVLDL - SS - XX - YY - ZZ - L			
Square LED Surface Mount Down Light	Size	LED Color	Trim Color
	06 = 6"	WW - Warm White (3000K)	WH - White Gloss Enamel
	08 = 8"	NW - Neutral White (4000K)	BK - Black
	10 = 10"		BZ - Bronze
	12 = 12"		BN - Brushed Nickel

NOTE: WH, BZ, and BN are stock, BK is special order, MOQ required.



# Surface/Recessed LED Down Lights

LED Down Light is a simple yet beautiful solution for flush mount and recessed applications without requiring the use of a recessed can. The DL-4-9D/DL-6-15D series features a 120V AC alternating current source which eliminates the need for a traditional LED driver. In addition, the DL-4-9D/DL-6-15D is wet location listed and installs easily on standard ceiling junction box or can be retrofitted to existing recessed cans with included hardware.



DIMMABLE



## Features

- 120V AC source, no driver needed
- Installs easily on standard ceiling junction box with included hardware
- Included mounting springs allow existing recessed cans to be retrofitted
- Die cast aluminum trim routes heat away from electrical components
- White polycarbonate diffuser eliminates hot spots creating uniform light distribution
- Wet location listed suitable for virtually any application
- Suitable for use in IC or NON-IC Applications
- 90+ CRI, the absolute best in the industry
- Dimmable to 5% with most standard dimmers
- Approved by ETL Standards for Canada and USA
- Energy Star / T24 Compliant
- 5 year limited warranty

## Applications

- Lobbies
- Hallways
- Banquet halls
- Elevators
- Stairways
- Retail
- Restaurants
- Residential

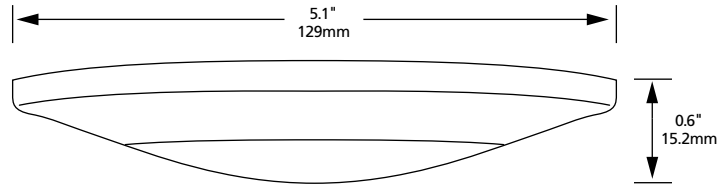
## Specifications

Electrical	4" = 120V AC, 9W 6" = 120V AC, 15W
LEDs	Epistar
LED Life	50,000 hours
Luminous Flux	4" = 650 lumens 6" = 1000 lumens
Beam Angle	120°
Color Temperature	2700K – 4000K
CRI	> 90
Operating Temperature	-40C – +40C
Construction	Die cast aluminum, white polycarbonate lens
Finish	White, Rubbed Oil Bronze, Satin Nickel
Appearance Size (W x H)	4" = 5.1" x 0.6" (129.5mm x 152.0mm) 6" = 7.2" x 0.78" (182.9mm x 19.8mm)
Approvals	cETLus listed for wet locations, Energy Star rated

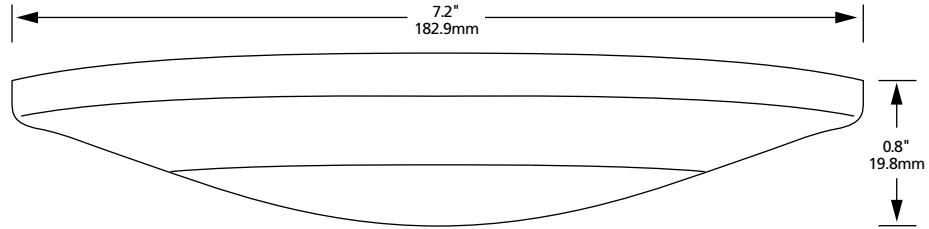
## Product Codes

DL - X - XD - YY - ZZ				
Surface/Recessed LED Down Light	Fixture Size	Watt	Color Temperature	Trim Color
	4 - 4" fixture	9D - 9 watts	27 - 2700K	WH - White
	6 - 6" fixture	15D - 15 watts	30 - 3000K 40 - 4000K	RB - Rubbed Oil Bronze SN - Satin Nickel



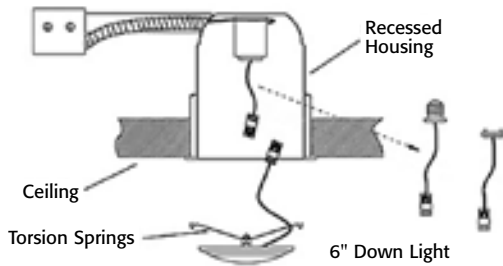
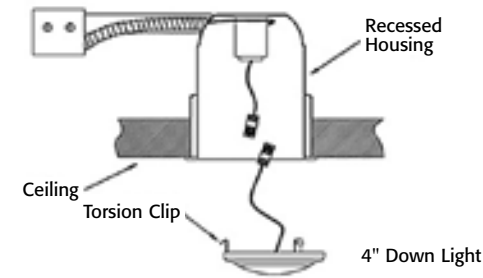


4" Surface/Recessed LED Down Light

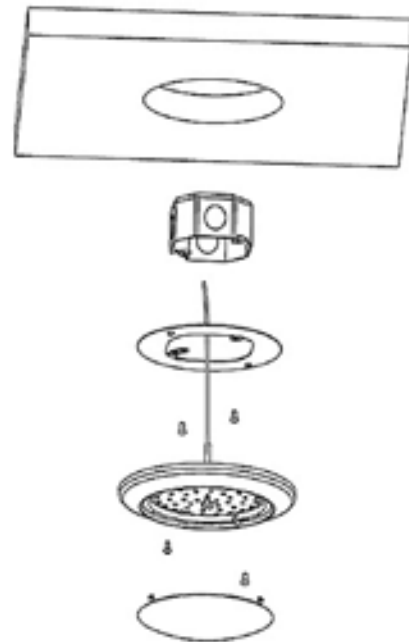


6" Surface/Recessed LED Down Light

Recessed Mounting



Junction Box Mounting



# LV-DL Series

The LV-DL Series Down Lights are easy to install and can replace traditional MR16 and PAR ceiling fixtures widely used indoors, in residential homes and commercial applications such as retail, hotel and museums. Both LV-DL down lights feature a custom designed heat sink to disperse heat and are powered by a constant current power supply that is dimmable with most trailing edge electronic dimming systems.



DIMMABLE

UL2108 Certified



## Features

- Energy efficient – up to 80% energy savings
- High Brightness COB LED's
- Low power consumption
- Warm White and Neutral White color temperatures
- Available in two standard beam angles
- New Construction, IC and remote installations
- ETL listed for direct contact with insulation and combustible materials (LV-DL13)
- Self resetting thermal protector
- Easy to install, modular design
- 50,000 hour life
- 5 year limited warranty

## Residential Applications

- Kitchens
- Pantries
- Laundry rooms
- Bathrooms

## Commercial Applications

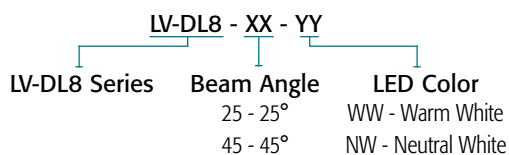
- Lobbies
- Hallways
- Elevators
- Stairways
- Retail
- Restaurants
- Office lighting

## Specifications

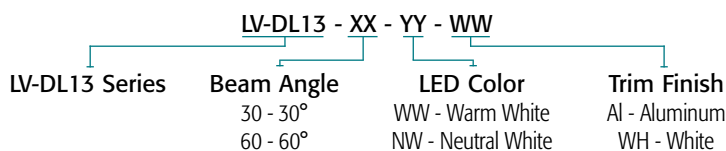
Electrical	LV-DL8: 8.5W, 29V DC*, 280mA constant current LV-DL13: 12W, 42V DC*, 280mA constant current
Beam Angle	LV-DL8: 25/45° LV-DL13: 30/60°
Color Temperature	Warm White 3000–3500K Neutral White 4000–4500K
Lumens	Warm White LV-DL8: 618 LV-DL13: 1080 Neutral White LV-DL8: 625 LV-DL13: 1240
Size (mm)	LV-DL8: $\phi$ 50 x 80 LV-DL13: $\phi$ 70 x 102 (cutout $\phi$ 90)
Approvals	cETLus listed, Energy Star rated

\* Each fixture requires one constant current power supply.

### Product Codes LV-DL8



### Product Codes LV-DL13



#### HOUSINGS:

New Construction: LV-DL8-NC-A, IC : LV-DL8-IC-A, Remote LV-DL8-R  
 Order as 3 separate components for complete fixture  
 I.E. LV-DL8-NC-B housing, LV-DL8-45-WW module, LV-DL8-B5-WH Trim

## LV-DL8 Trim Options

A Series	Description
LV-DL8-A1-AL	Regressed baffle trim, Aluminum, A Series $\phi 3 \frac{5}{32}$ " (80mm)
LV-DL8-A1-BK <sup>††</sup>	Regressed baffle trim, Black, A Series $\phi 3 \frac{5}{32}$ " (80mm)
LV-DL8-A1-WH	Regressed baffle trim, White, A Series $\phi 3 \frac{5}{32}$ " (80mm)
B Series	
LV-DL8-B5-AL	Double gimbal flush trim, Aluminum, B Series $\phi 4 \frac{1}{16}$ " (103mm)
LV-DL8-B5-WH	Double gimbal flush trim, White, B Series $\phi 4 \frac{1}{16}$ " (103mm)
C Series	
LV-DL8-C3-AL	Deep regressed baffle trim, Aluminum, C Series $\phi 4 \frac{11}{94}$ " (109mm)
LV-DL8-C3-WH	Deep regressed baffle trim, White, C Series $\phi 4 \frac{11}{94}$ " (109mm)
LV-DL8-C4-AL	Deep recessed square baffle trim, Aluminum, C Series $\phi 4 \frac{11}{94}$ " (109mm)
LV-DL8-C4-WH	Deep recessed square baffle trim, White, C Series $\phi 4 \frac{11}{94}$ " (109mm)

†† NOTE: White and aluminum are stock, black is special order.

## LV-DL8 Housings & Accessories

NC Housing	Description
LV-DL8-NC-A	Regressed baffle trim, Aluminum, A Series $\phi 3 \frac{5}{32}$ " (80mm)
LV-DL8-NC-B	Regressed baffle trim, Black, A Series $\phi 3 \frac{5}{32}$ " (80mm)
LV-DL8-NC-C	Regressed baffle trim, White, A Series $\phi 3 \frac{5}{32}$ " (80mm)
IC Housings	
LV-DL8-IC-A	Insulated ceiling housing c/w driver, A Series $\phi 2.69$ " (68mm)
LV-DL8-IC-B	Insulated ceiling housing c/w driver, B Series $\phi 3.125$ " (79mm)
LV-DL8-IC-C	Insulated ceiling housing c/w driver, C Series $\phi 3.75$ " (95mm)
Remote	
LV-DL8-R	Remote driver, 4.92" L x 3.35" W x 1.26" H (125mm x 85mm x 32mm), 280mA, constant current
Extension cords	
LV-DL-EX-10-CM	10' (304cm) Remote extension lead
LV-DL-EX-30-CM	30' (9.14m) Remote extension lead

## LV-DL13 Housings & Accessories

NC Housing	Description
LV-DL13-NC-C	New construction housing c/w driver, $\phi 3.75$ " (95mm)
IC Housings (optional)	
LV-DL13-IC-C*	Insulated ceiling housing c/w driver, $\phi 3.75$ " (95mm)
Remote	
LV-DL13-R	Remote driver, 4.92" L x 3.35" W x 1.26" H (125mm x 85mm x 32mm), 280mA, constant current
Extension cords	
LV-DL-EX-10-CM	10' (304cm) Remote extension lead
LV-DL-EX-30-CM	30' (9.14m) Remote extension lead

\* IC Housings are optional - all fixtures are IC rated without IC housing.

## Trim Options



LV-DL8-A1-WH



LV-DL8-B5-WH



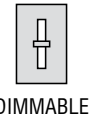
LV-DL8-C3-WH



LV-DL8-C4-WH

# LED Gimbal Down Lights

Our new and improved directional LED Gimbal Down Lights, are the perfect solution for a multitude of residential and commercial applications. The adjustable LED gimbal fixtures are 80% more efficient than incandescent luminaires and they are available in multiple trim finish options to match any style of décor.



UL2108 Certified



## GDL-3

### Features

- Energy efficient – up to 80% energy savings
- High Brightness COB LED's
- Low power consumption
- Warm White and Neutral White color temperatures
- Available in two standard beam angles
- New Construction, IC and remote installations
- cETLus listed for direct contact with insulation and combustible materials
- Easy to install, modular design
- 50,000 hour life
- 3 year limited warranty

### Specifications

Power Consumption	9W
Input Voltage	21V DC*, 320mA constant current
Beam Angle	25/36°
Color Temperature	
Warm White	3000K
Neutral White	4000K
Lumens	
Warm White	650
Neutral White	700
Size	3.8" x 1.7"
Approvals	cETLus listed for damp locations

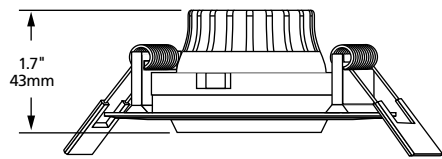
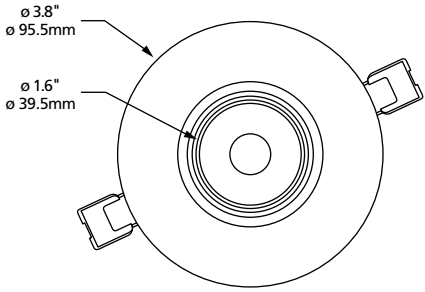
\* Each fixture ships with one constant current power supply.

### Residential Applications

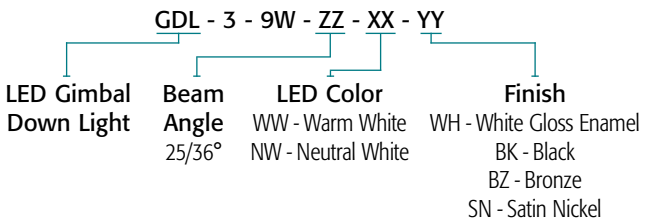
- Kitchens
- Pantries
- Laundry rooms
- Bathrooms

### Commercial Applications

- Lobbies
- Retail
- Hallways
- Restaurants
- Elevators
- Office lighting
- Stairways



### Product Code



NOTE: WH finish is stock, all other options are special order, MOQ required.

# LED Gimbal Down Lights

Our new and improved directional LED Gimbal Down Lights, are the perfect solution for a multitude of residential and commercial applications. The adjustable LED gimbal fixtures are 80% more efficient than incandescent luminaires and they are available in multiple trim finish options to match any style of décor.

## GDL-4

### Features

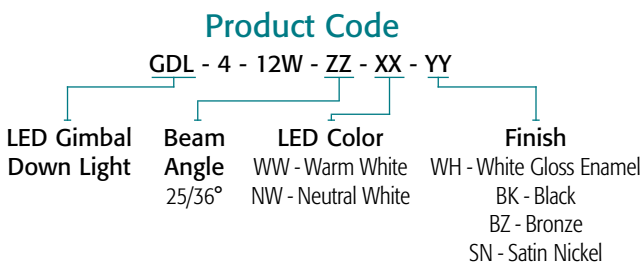
- Energy efficient – up to 80% energy savings
- High Brightness COB LED's
- Low power consumption
- Warm White and Neutral White color temperatures
- Available in two standard beam angles
- New Construction, IC and remote installations
- cETLus listed for direct contact with insulation and combustible materials
- Easy to install, modular design
- 50,000 hour life
- 3 year limited warranty

### Residential Applications

- Kitchens
- Pantries
- Laundry rooms
- Bathrooms

### Commercial Applications

- Lobbies
- Hallways
- Elevators
- Stairways
- Retail
- Restaurants
- Office lighting



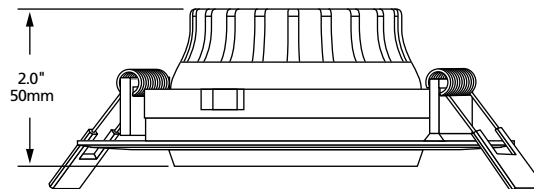
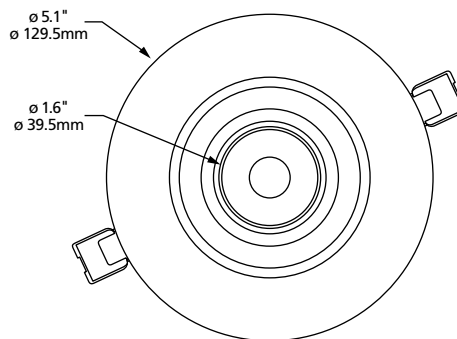
NOTE: WH finish is stock, all other options are special order, MOQ required.



### Specifications

Power Consumption	12W
Input Voltage	30V DC*, 320mA constant current
Beam Angle	25/36°
Color Temperature	
Warm White	3000K
Neutral White	4000K
Lumens	
Warm White	870
Neutral White	930
Size	5.1" x 2"
Approvals	cETLus listed for damp locations

\* Each fixture ships with one constant current power supply.



# LED Panel Light

NSL's LED Panel Lights are designed to replace traditional fluorescent troffers while providing superior light with virtually no maintenance. These state of the art, edge lit LED panels come in three sizes and are made with premium materials assuring you of optimum performance and the best lumen maintenance in the industry.

## Features

- Super bright LM80 LED 0.5W 2835SMD, Ra>80
- Lumen output: 110–120lm/w DLC4.2 Standard, 125–140lm/w DLC4.2 Premium
- Longbright brand isolated driver, PF>0.9, THD≤15%
- AC100–277V, 0–10V dimmable
- PMMA LGP 3mm thick, Anti-Yellowing
- Non-flicker, No glare, No dark spot
- cUL DLC certifications
- Ideal replacement for traditional troffer with over 35% energy saving
- 5 Years warranty

## Residential Applications

- Kitchens
- Bathrooms
- Laundry rooms
- Pantries
- Rec Rooms

## Commercial Applications

- Retail
- Offices
- Hallways
- Elevators
- Banquet Halls
- Restaurants



DIMMABLE  
0–10V Dimming

UL2108 Certified



## Specifications

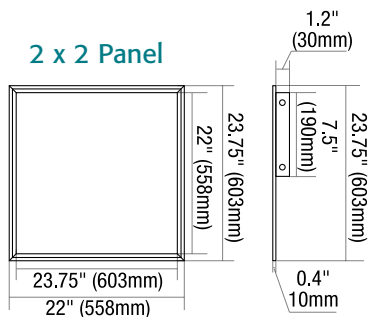
Electrical	120V AC, 277V AC
Power Factor	0.90 Non-Flicker, 40W/60W
LEDs	High bright SMD2835
Number of LEDs	PL-2X2-40W-XX = 192 PL-1X4-40W-XX = 192 PL-2X4-60W-XX = 336 PLP-2X2-40W-XX = 192 PLP-1X4-40W-XX = 192 PLP-2X4-60W-XX = 384
LED Life	50,000 hours
THD	≤ 15%
CCT	3000K, 4000K, 5000K
Lumen Output	PL-2X2-40W-XX = 4400 Lumens PL-1X4-40W-XX = 4400 Lumens PL-2X4-60W-XX = 6600 Lumens PLP-2X2-40W-XX = 5200 Lumens PLP-1X4-40W-XX = 5200 Lumens PLP-2X4-60W-XX = 7800 Lumens
CRI	> 80
Beam Angle	120°
Material	AL+PMMA
Working Temperature	-4°F ~ 112°F (-20°C ~ +45°C)
Storage Temperature	-13°F ~ 149°F (-25°C ~ +65°C)
IP Grade	IP44
Approvals	cUL listed

## Product Codes DLC 4.2 Standard

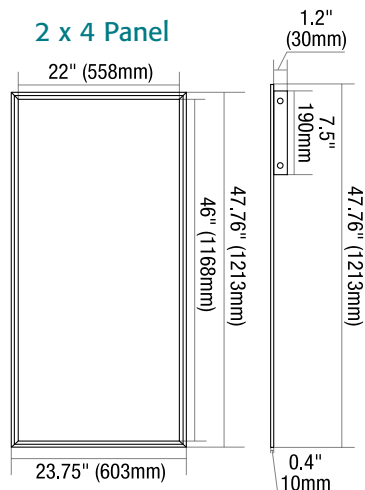
PL - XXX - YYW - ZZ			
LED Panel Light	Size	Watts	LED Color
	2X2 - 2' x 2'	40 - 40 Watts	30 - 3000K
	1X4 - 1' x 4'	60 - 60 Watts	40 - 4000K
	2X4 - 2' x 4'		50 - 5000K

## Product Codes DLC 4.2 Premium

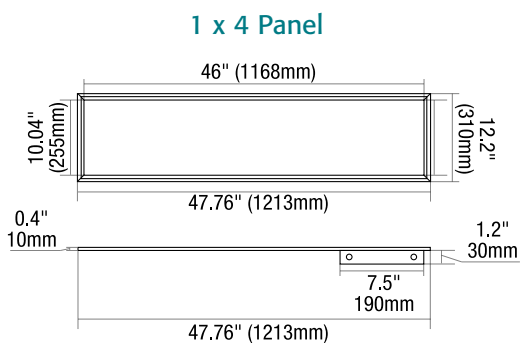
PLP - XXX - YYW - ZZ			
LED Panel Light	Size	Watts	LED Color
	2X2 - 2' x 2'	40 - 40 Watts	30 - 3000K
	1X4 - 1' x 4'	60 - 60 Watts	40 - 4000K
	2X4 - 2' x 4'		50 - 5000K



24" x 24" x 0.4" (603mm x 603mm x 10mm)



24" x 48" x 0.4" (603mm x 1213mm x 10mm)



12" x 48" x 0.4" (301mm x 1213mm x 10mm)

## Accessories



PL-2X2-SMK  
 PL-2X4-SMK  
 PL-1X4-SMK  
 Surface mount kit



Part# PL-2X2/1X4-SK  
 Suspension kit for use with  
 2 x 2 and 1 x 4 panels.  
 PL-2X4-SK  
 Suspension kit for use with  
 2 x 4 panels.

# Tri-Proof Lights

Tri-Proof Lights are an attractive and durable lighting solution that can replace traditional linear fluorescent luminaires. Tri-Proof Lights are extremely rugged, resistant to heavy impacts, dust proof, water proof and vandal resistant making them ideal for environments such as factories, warehouses, parking garages and car washes yet stylish enough for commercial and residential applications like stairwells, hallways, schools, supermarkets, apartment and condo complexes.

## Features

- Water-proof (IP66), Dust-proof, Pressure-proof (IK10)
- Luminous Efficacy (LPW): 110–120
- Available in 4 ft. length / 40W version
- Excellent heat dissipation
- 50,000 hours life
- Energy efficient – up to 80% energy savings
- Operating Temperature -22°F – 113°F (-30°C – 45°C)
- Vandal Resistant
- cETLus and DLC listed
- 5 year limited warranty

## Applications

- Parking garages
- Tunnels
- Airports
- Exhibition halls
- Railway, bus and subway stations
- Warehouses and factories
- Supermarkets
- Schools



## Specifications

Electrical	100–240V/277V
Working Voltage	34–40V DC, 40W
Power Efficiency	90%
LEDs	High bright SMD2835
Number of LEDs	240
Luminous Efficacy	110–120 LM/W
THD	< 15%
CRI	> 80
Beam Angle	120°
Approvals	cETLus listed, DLC certified

NOTE: Each fixture ships with two strain relief connectors

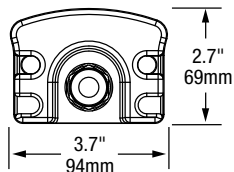
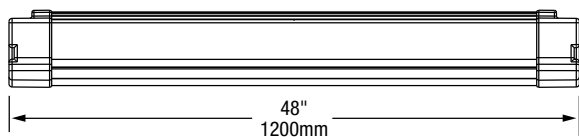
## Product Codes

<b>SL66 - 4FT - 40W - XX</b>	
Tri-Proof Light	LED Color
	30 - 3000K
	40 - 4000K
	50 - 5000K
	65 - 6500K

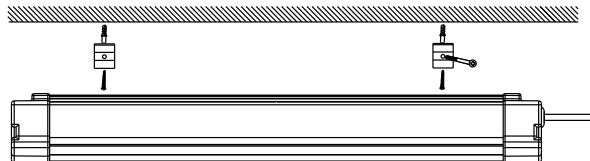
NOTE: 4000K is stock, all other color temperatures are special order, MOQ required.



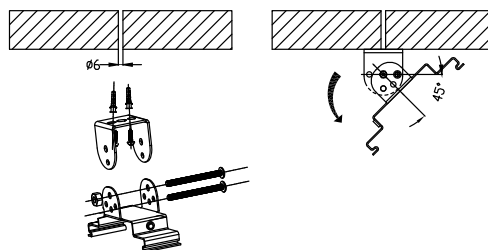
Dimensions



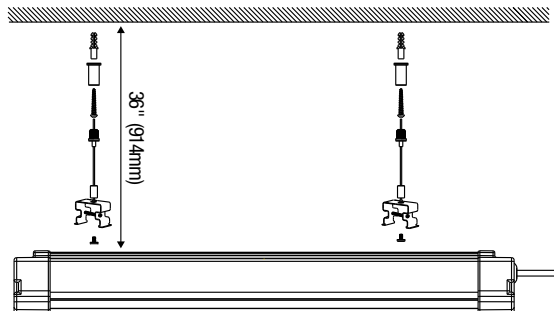
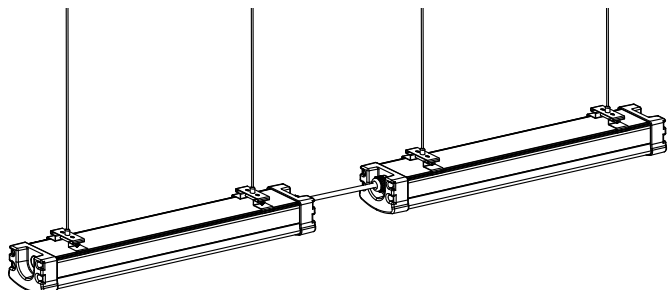
Surface Ceiling Mounting (Standard)



Swivel Mount Kit  
(Part# SL66-AD-MC) Sold Separately



Suspended Mounting (Suspension Kit - Part# SL66-SUS-KIT) Sold Separately



# LED Parking Garage Light

The LED Parking Garage Light delivers a bright, uniform illumination for improved visibility and safety in parking garages, gas stations, and warehouses.



## Features

- 50,000 hours life
- cULus certified
- IP65 wet location rated
- Excellent visibility for safer driving
- Easy installation
- 5 year limited warranty

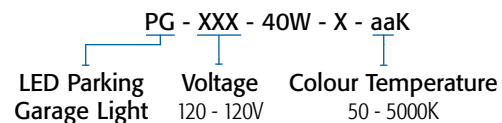
## Applications

- Gas stations
- Service stations
- Underground parking lots
- Warehouses
- Garages

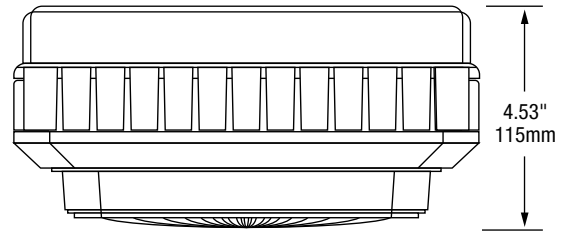
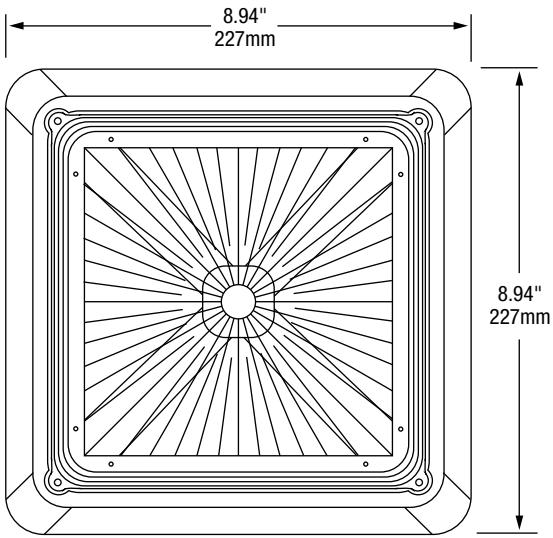
## Specifications

Electrical	40 W / 100-277V AC, 50/60Hz
Working Voltage	34-40V DC
Power Efficiency	90%
LEDs	Epistar SMD2835 (0.5W)
Number of LEDs	120
Lumen Output	5082 lumens
Luminous Efficacy	127 LM/W
THD	≤20%
PF	≥0.9
CRI	>80
Color Temperature	5000K
Viewing Angle	160°
Housing	Aluminum + PC
Housing Color	White
Cover	Striped lens
Operating Temperature	-20°C - 45°C
Operating Humidity	20-90 RH
Storage Temperature	-30°C - 80°C
Storage Humidity	10-95 RH
Application	Indoor / Outdoor
Dimensions	8.94" x 8.94" x 4.53" (227mm x 227mm x 115mm)
Approvals	cULus listed

## Product Codes



### Dimensions



# High Power LED Flood Light

Available in various beam angles and color temperatures these High Power LED Flood Lights are suitable for a variety of indoor or outdoor applications. With our unique beam profile and uniform photometric distribution, the LED Flood Light series achieves high optical efficiency with state-of-the-art technology to boost overall system efficiency.



DESIGNLIGHTS  
CONSORTIUM

## Features

### Fold-Fin Heatsink (FFH) technology

- Thin aluminum sheets that are pressed into the desired fin structures by fully automated machines
- The heatsink is soldered together using a high temperature furnace resulting in a large total surface area that is extremely light weight

### Air ventilation housing design

- Designed to allow very effective air flow across the heatsink
- Helps to direct the heat away from LED light source by natural convection

### Distributed heat source

- Evenly distributed light source panel configuration spreads the heat source over larger area
- Reduced thermal density lowers LED junction temperature

## Specifications

Operating Voltage	90 – 305V AC, 50/60 Hz	
LED Type	Phillips Lumileds, Cree, OSRAM	
LED Life	50,000 hours	
Beam Angle	15° / 30° / 40° / 60° / 60° x 135° / 85° x 135°	
System Power (W)	60 W = 66 80 W = 90 100 W = 110 150 W = 170 200 W = 220 250 W = 280 300 W = 330	350 W = 390 400 W = 440 500 W = 550 600 W = 640 800 W = 880 1000 W = 1100
Luminous Flux** (lm)	60 W = 6,600 80 W = 8,800 100 W = 11,000 150 W = 16,500 200 W = 22,000 250 W = 27,500 300 W = 33,000	350 W = 38,500 400 W = 44,000 500 W = 55,000 600 W = 64,000 800 W = 88,000 1000 W = 110,000
Color Temperature	3000K – 7000K	
CRI	70	
Operating Temperature	-40°C – +45°C	
Approvals	cETLus listed, DLC certified	

## Product Codes

FL - WWW - XX - YY - ZZ

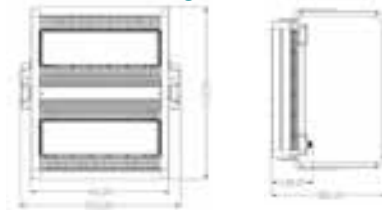
FL Series	Wattage	CCT	Voltage	Beam Angle
10°	060 - 60 W	300 = 300 W	UNV - 90-305V AC, 50/60 Hz	15 - 15°
10°	080 - 80 W	350 = 350 W	HV - 347-480V AC, 50/60 Hz	30 - 30°
10°	100 - 100 W	400 = 400 W		40 - 40°
10°	150 - 150 W	500 = 500 W		60 - 60°
10°	200 - 200 W	600 = 600 W		60F - 60° x 135°
10°	250 - 250 W	800 = 800 W		Blank - 85° x 135°
		1000 = 1000 W		

Optional slipfitter available FL-ST (60W-250W)

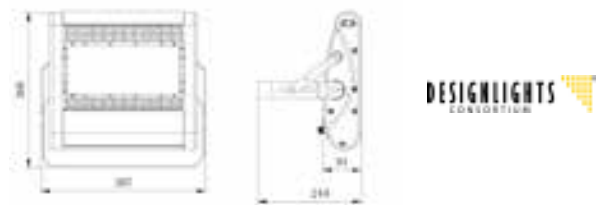
60W LED Flood Light



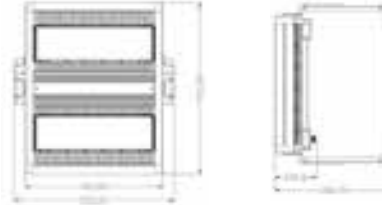
300W LED Flood Light



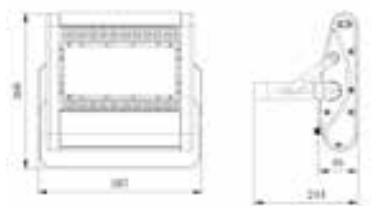
80W LED Flood Light



350W LED Flood Light



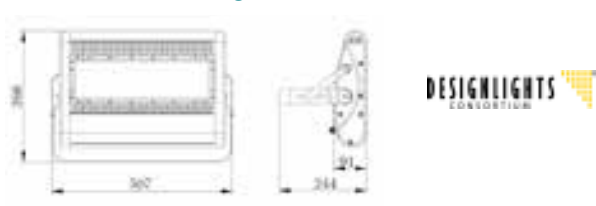
100W LED Flood Light



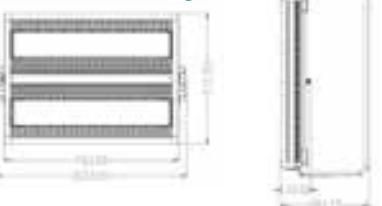
400W LED Flood Light



150W LED Flood Light



500W LED Flood Light



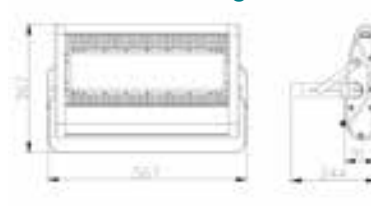
200W LED Flood Light



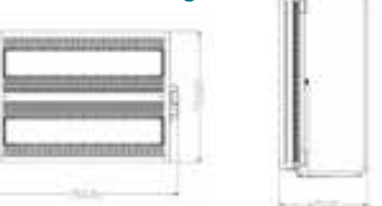
600W LED Flood Light



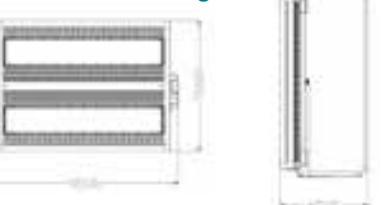
250W LED Flood Light



800W LED Flood Light



1000W LED Flood Light



# LED Work Light

The LED Work Light is an energy savings, impact resistant, long life temporary lighting solution for illuminating workplaces, shops, garages, and warehouses.



DIMMABLE



## Features

- 50,000 hours life
- Spring Loaded Hook
- 10ft power cord with plug
- 6 KV surge protection
- Hidden, built-in hidden socket
- Eye-catching housing
- Electrolytic stainless steel guard
- Epistar LEDs
- Hollow Heat Sink
- Silicone gaskets for damp location use
- 5 year limited warranty

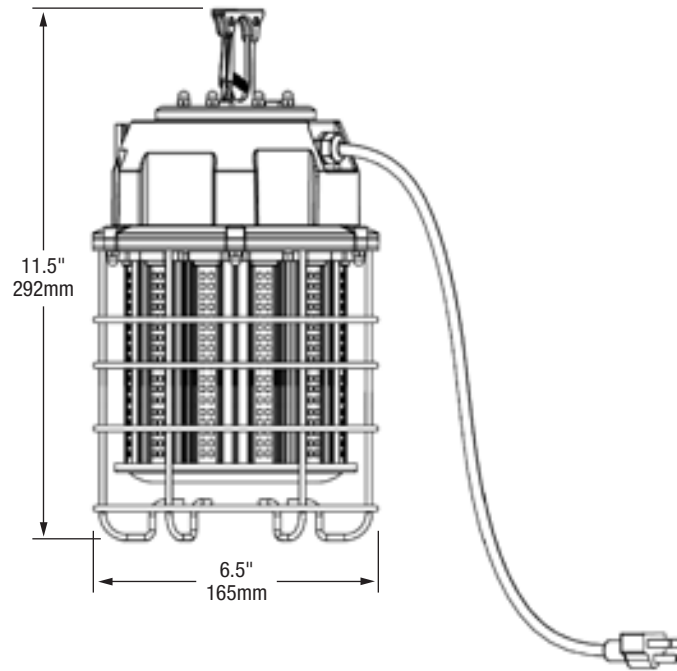
## Specifications

Electrical	AC100–277V, 100W, 50–60Hz
Surge Protection	6 KV
Driver	Internal Driver
LEDs	Epistar 2835
Number of LEDs	408
Life Span	50,000 hours
Lumen Output	12,500 lumens
Luminous Efficacy	125 LM/W
CRI	>80
CCT	5000 K
Beam Angle	360°
Dimensions	6.5" x 11.5" H (165 mm x 292 mm)
Net Weight	2.8 kg
Approvals	DLC, cUL, listed for damp location

## Product Code

LWL-100W-50

### Dimensions



### Accessories



**LWL-MM**  
Magnet mount kit



**LWL-FM**  
Floor mount kit



**LWL-TM**  
Tripod mount kit

# LED Switch Star

Suitable for indoor or outdoor use, LED Switch Star is the perfect fixture for security or egress lighting. There are no remote drivers to deal with – LED Switch Star connects directly to 120V and is extremely easy to install. Decorative covers available include Louver, scoop or prism in both horizontal as well as vertical mount options.



DIMMABLE



*Now available with Amber LED, that meets FWC requirements*

## Features

- Low power consumption (1.4 watts)
- Easy installation – mounts to standard 2" x 4" electrical box
- Indoor or outdoor applications
- 3 colors to choose from
- Dimmable
- 40,000 hour life
- cETLus listed
- 3 year warranty

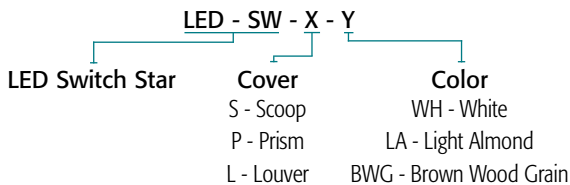
## Applications

- Hallways
- Stairways
- Night Light
- Decks and Patios
- Parking garages
- Elevators
- Exterior commercial or residential

## Specifications

Electrical	120V AC, 1.4W, .012A
LED Type	AC LED
LED Life	40,000 hours to 70% Lumen output
Lumen Output	80
Lumen Efficacy (LPW)	57
Color Temperature	2700K or Amber
CRI	≥ 80
Beam Pattern	120°
Operating Temperature	-30°C – +60°C
Construction	Polycarbonate (5VA flame rated, F1 UV rated) & Glass
Approvals	cETLus listed

### Product Codes



NOTE:

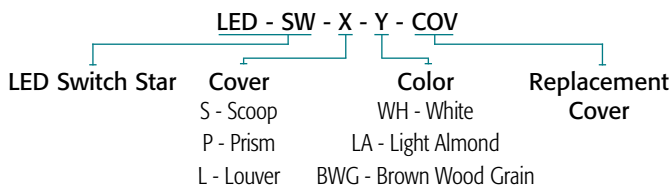
Add (-AM) on the part number for Amber LED fixture  
Scoop and Louver covers are supplied in both horizontal and vertical.

### Fixture Base Only

LED-SW-MOD

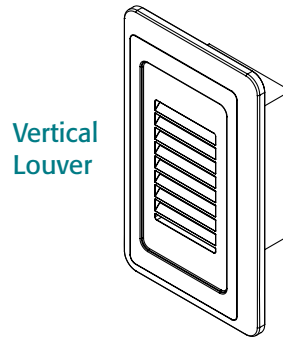
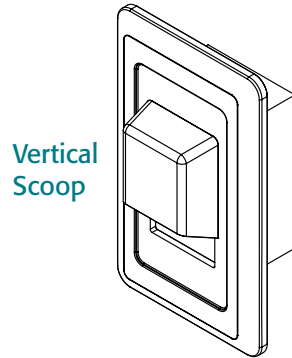
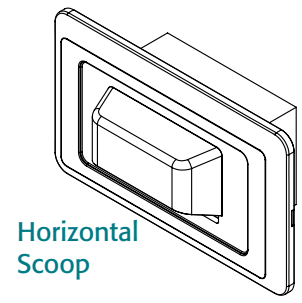
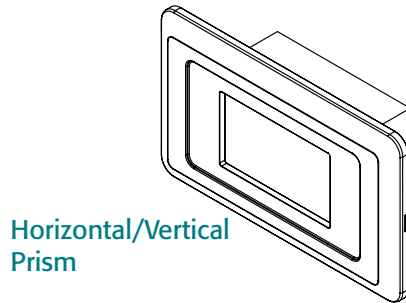
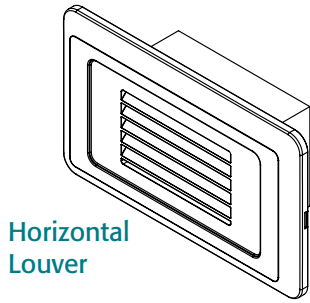
### Replacement Cover Product Codes

(sold separately)

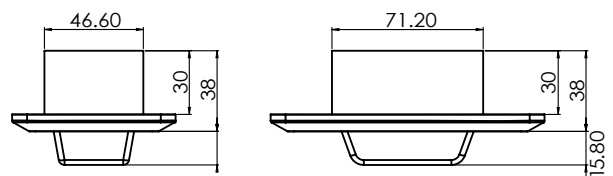
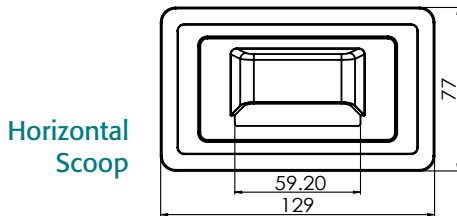
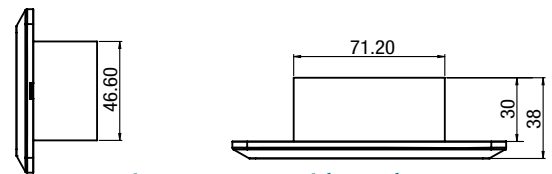
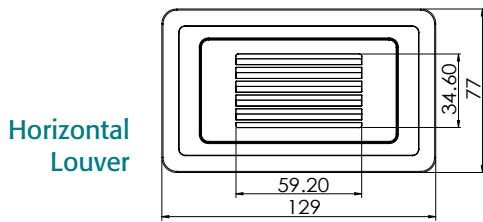
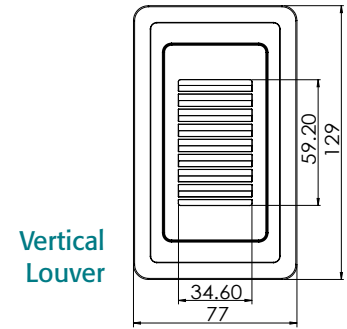
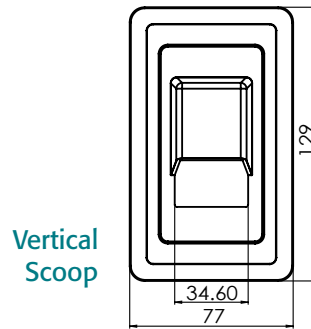
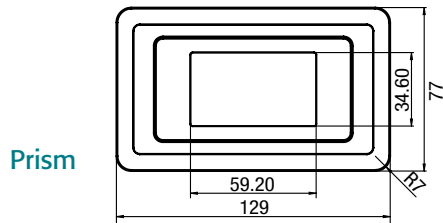




### Cover Styles



### Cover Dimensions



# LED Step Star

LED Step Star provides a safe, attractive and affordable way to light stairs, hallways and aisles. LED Step Star is a highly effective and energy efficient recessed fixture suitable for indoor and outdoor use. LED Step Stars are made of cast aluminum for strength and corrosion protection and are suitable for concrete pour installations.



DIMMABLE



## Features

- Low power consumption – just 5.2 watts
- 120V AC power input and output with quick connects for easy installation
- Long Life – 40,000 hours
- Warm color temperature 3100K +/-200K
- cETLus listed for wet and IC locations
- Suitable for concrete pour installations
- Die cast aluminum construction
- Replaceable 120V DC LED module
- Dimmable with most trailing edge electronic dimming systems
- 2 year limited warranty

## Applications

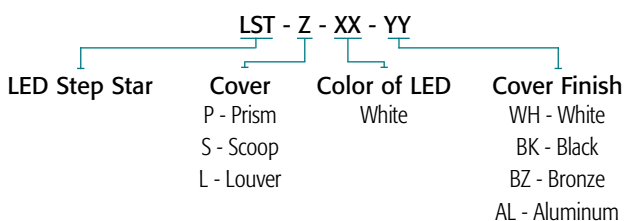
- Interior stairs
- Exterior stairs
- Aisles
- Hallways
- Paths
- Emergency lighting
- Theaters
- Public areas
- Patios
- Decks

Anywhere that requires security or safety lighting in an aesthetically pleasing manner!

## Specifications

Electrical	120V AC, 5.2W
Wiring Options	120V AC hardwire – can be daisy chained up to 150 fixtures per 15A circuit
LED Life	40,000 hours
Lumen Output	73.5
Color Temperature	3100K +/-200
CRI	≥ 80
LED Colors	Warm White
Cover Finish	Powder Coated White, Bronze, Brushed Aluminum, Black
Can Finish	Powder Coated White
Construction	Cover and can cast aluminum
Lens	Frosted Tempered Glass
Cover Dimensions	
Scoop	7 1/2" x 4 5/8" x 1 1/2" (190.5 x 117.5 x 38.1mm)
Prism	7 1/2" x 4 5/8" x 3/4" (190.5 x 117.5 x 19.1mm)
Louver	7 1/2" x 4 5/8" x 3/4" (190.5 x 117.5 x 19.1mm)
Can Dimensions	
Scoop	5 1/2" x 4" x 2 1/2" (139.7 x 101.5 x 63.5mm)
Prism	5 1/2" x 4" x 2 1/2" (139.7 x 101.5 x 63.5mm)
Louver	5 1/2" x 4" x 2 1/2" (139.7 x 101.5 x 63.5mm)
Approvals	cETLus listed for wall, ceiling, wet and IC locations

## Product Codes



## Replacement Kit

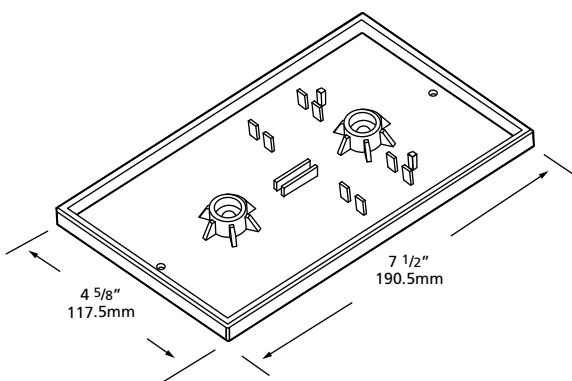
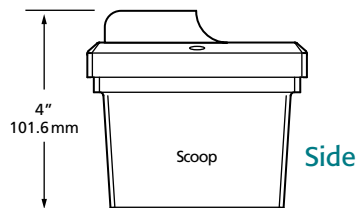
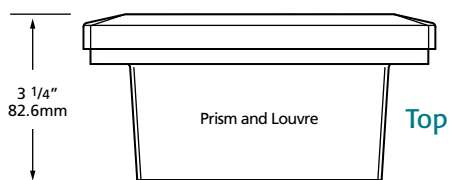
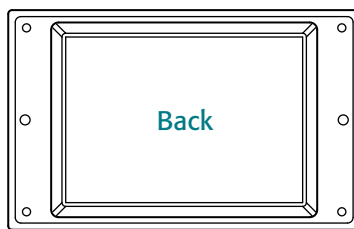
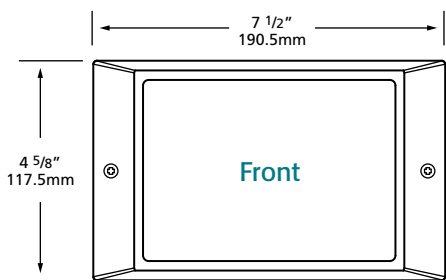
LST-KIT

## Product Code for Concrete Cap

SL-CC

Concrete cap for concrete pour installations

NOTE: For outdoor installations, a 1/2" strain relief cord connector is recommended.



### Concrete Cap for concrete pour installations

Product Code: SL-CC

IMPORTANT: It is recommended that you use NSL's Concrete Cap for concrete pour installations. These caps assist in providing a proper reveal for flush mount of fixture cover after concrete is dry.

### Accessories



**LEDMOD-32-FF**  
Replaceable LED Module

# LED Brick Star

LED Brick Star provides a safe, attractive and affordable way to light stairs, aisles, paths and entrance ways. LED Brick Star delivers excellent performance at an affordable price. The LED Brick Star has been uniquely designed to the specific size of a standard brick. This provides the perfect solution for those applications where a more linear fixture is required.



DIMMABLE



## Features

- Louver style now available in Stainless Steel
- Low power consumption – just 5.2 watts
- 120V AC power input and output with quick connects for easy installation
- Long life – 40,000 hours
- Warm color temperature 3100° K
- cETLus listed for wet and IC locations
- Available concrete cap for easy concrete pour installations
- Die cast aluminum construction
- Available in fluorocarbon lacquer can and stainless steel Louver cover for harsh locations
- Dimmable with most trailing edge dimming systems
- Up to 150 fixtures can be daisy chained on one 15 amp circuit
- 2 year limited warranty, 3 years on stainless steel

## Applications

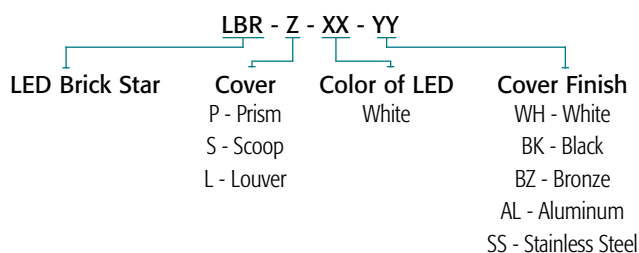
- Interior stairs
- Exterior stairs
- Aisles
- Hallways
- Paths
- Emergency lighting
- Theaters
- Public areas
- Patios
- Decks

Anywhere that requires security or safety lighting in an aesthetically pleasing manner!

## Specifications

Electrical	120V AC, 5.2W
Wiring Options	120V AC hardwire – can be daisy chained up to 150 fixtures per 15A circuit
LED Life	40,000 hours
Lumen Output	70.5
Color Temperature	3100K +/-200
CRI	≥ 80
LED Colors	Warm White
Cover Finish	Powder Coated White, Bronze, Brushed Aluminum, Black or Stainless Steel in Louver model
Can Finish	Powder Coated White or fluorocarbon lacquer
Construction	Cover and can cast aluminum
Lens	Frosted Tempered Glass
Cover Dimensions	Scoop 9" x 3" x 1 1/2" (228.6 x 76.2 x 38.1mm) Prism 9" x 3" x 3/4" (228.6 x 76.2 x 19.1mm) Louver 9" x 3" x 3/4" (228.6 x 76.2 x 19.1mm)
Can Dimensions	Scoop 7 11/16" x 2 13/32" x 3 7/32" (195.6 x 61.0 x 81.3mm) Prism 7 11/16" x 2 13/32" x 3 7/32" (195.6 x 61.0 x 81.3mm) Louver 7 11/16" x 2 13/32" x 3 7/32" (195.6 x 61.0 x 81.3mm)
Approvals	cETLus listed for wall, ceiling, wet and IC locations

## Product Codes



NOTE: Stainless Steel finish available in Louver cover only.

## Replacement Kit

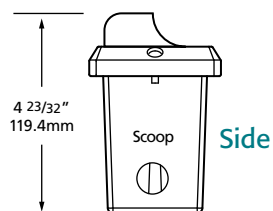
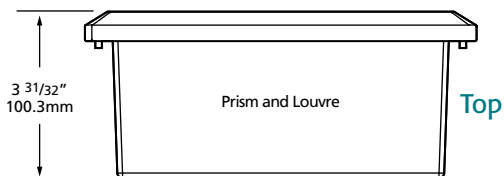
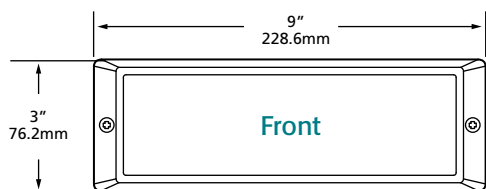
LBR-KIT

## Product Code for Concrete Cap

BL-CC

Concrete cap for concrete pour installations

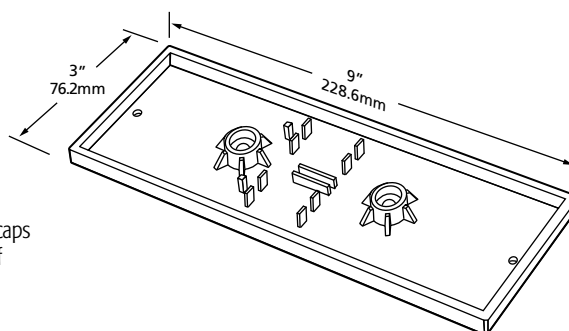
NOTE: For outdoor installations, a 1/2" strain relief cord connector is recommended.



### Concrete Cap for concrete pour installations

Product Code: BL-CC

IMPORTANT: It is recommended that you use NSL's Concrete Cap for concrete pour installations. These caps assist in providing a proper reveal for flush mount of fixture cover after concrete is dry.



### Accessories



**LEDMOD-32-FF**  
Replaceable LED Module

# LED Wall Star

LED Wall Star by NSL provides a safe, attractive and affordable way to light interior and exterior steps, aisles, halls, paths, entrance ways and patios & decks.



DIMMABLE



## Features

- Replaceable 120V DC LED module
- Pleasingly warm color temperature of 3100K
- Three cover designs: Louver, Prism and Scoop
- Four cover color options: White, Black, Bronze or Aluminum
- Dimmable
- cETLus listed for wet and IC locations
- Use in poured concrete
- Can be surface mounted or recessed into any hole 5" diameter and 3" deep
- 2 year limited warranty

## Applications

- Interior stairs
- Exterior stairs
- Aisles
- Hallways
- Paths
- Patios & Decks
- Entry lighting
- Post lighting
- Showers

Anywhere that requires security or safety lighting in an aesthetically pleasing manner!

## Mounting Options



Recessed

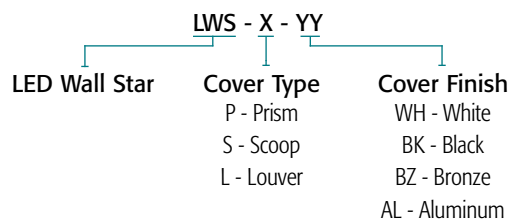


Surface mounted

## Specifications

Electrical	120V AC, 43mA, 5.2 watts
Wiring Options	120V AC hardwire – can be daisy chained up to 150 fixtures per 15A circuit
LED Module Life	Replaceable 120V DC LED module rated at 40,000 hours
Color Temperature	3100K +/-200
Wiring Options	120V AC hardwire – can be daisy chained up to 150 fixtures per 15A tap. Check local code and NEC for wiring selection.
LED Colors	Warm White
Cover Finish	Powder coated white, black, bronze or natural aluminum
Can Finish	Powder coated white with white reflector
Construction	Cover and can die cast aluminum
Lens	Frosted Tempered Glass
Approvals	cETLus listed for wet and IC locations

## Product Codes

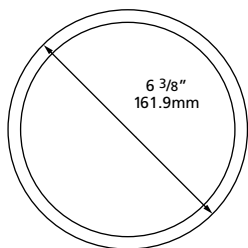


## Product Code for Concrete Cap

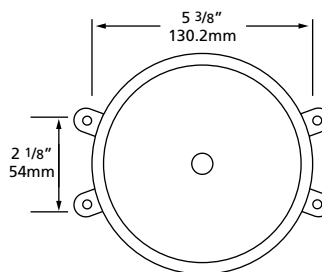
**WL-CC**

Required for all concrete pour and brick wall applications

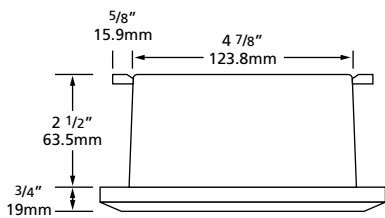
NOTE: For outdoor installations, a 1/2" strain relief cord connector is recommended.



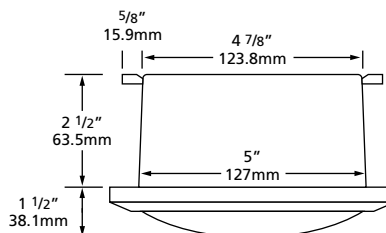
Cover Diameter



Mounting Hole Locations



Louver, Prism



Scoop

## Cover Types and Finish



Scoop Cover



Prism Cover



Louver Cover

## Accessories



**WL-CC**  
Wall Star Concrete Cap,  
required for all concrete  
pour and brick wall  
applications



**LEDMOD-32-FF**  
Replaceable LED Module

# LED Wall Sconces

Suitable for indoor or outdoor use, this attractively designed fixture provides both an up light and down light component utilizing our replaceable 5.2 watt LED modules. You can also elect to have only an up light or down light component if you wish. Rugged die-cast aluminum construction in four finishes make this fixture a natural choice that will last for many years.

## Features

- Replaceable 5.2 watt LED modules
- Energy efficient at just 10.4 watts overall power consumption
- Dimmable with most trailing edge electronic dimming systems
- Rugged Cast Aluminum construction
- 40,000 hour LED life
- Mounts to CSA listed 4" octagonal junction box
- White, Bronze, Black and Aluminum finishes available
- Dual top and bottom, or, top or bottom single light operation option
- cETLus listed wet location for exterior or interior applications
- Powder coated finish
- 2 year limited warranty

## Applications

- Exterior residential
- Exterior commercial
- Entrance ways
- Hallway lighting
- Hotel hallways
- Restaurants
- Stairways
- Lobbies
- Outside elevators
- Deck Lights
- Patio Lights



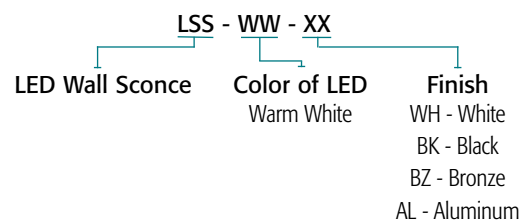
DIMMABLE



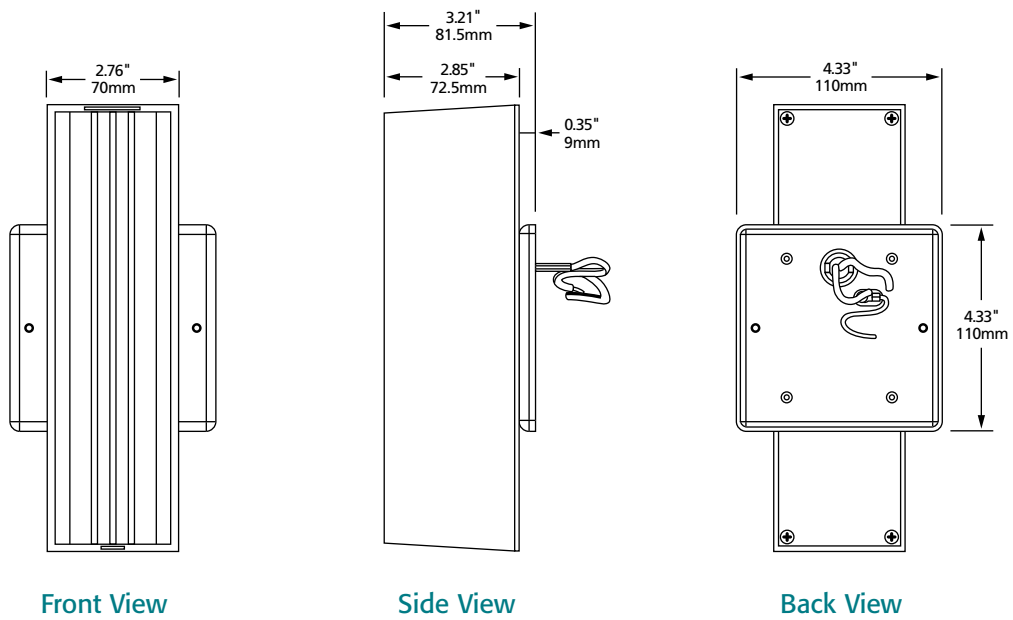
## Specifications

Electrical	Input: AC 120V 2 LED modules in use 10.4 watts 1 LED module in use 5.2 watts
Wiring Options	120V AC hardwire – can be daisy chained up to 150 fixtures per 15A circuit
LED Life	40,000 hours
Max. Number of Fixtures per Circuit	75
Lumen Output	70.5
Color Temperature	3100K +/-200
CRI	≥ 80
LED Color	Warm White
LED Angle	90 degrees
Replacement LED Module	LEDMOD-32-FF
Product Finish	Brushed Aluminum, Black, Bronze, White
Construction	Cast aluminum
Lens	Tempered Glass
Dimensions	9.375" H X 2.75" W X 3.0" D
Junction Box Cover	4.375" H X 4.375" W X 0.375" D
Approvals	cETLus listed wet locations, for indoor and outdoor applications

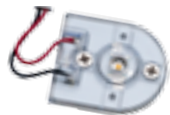
## Product Codes







### Accessories



**LEDMOD-32-FF**  
 Warm white LED  
 replacement module  
 3100K ± 200

# LED Outdoor Sconces

LED Outdoor Sconce combines the elegant design with high efficiency LEDs, making it ideal for use in up light and down light applications, for both indoor and outdoor.



## Features

- Housing – Rugged ADC12 die cast aluminum construction
- Mounts to CSA listed 4" octagonal junction box
- LED life: 50,000 hours
- Powder coated finish
- Photocell (optional)
- cULus listed for wet locations-IP65
- 5 year limited warranty

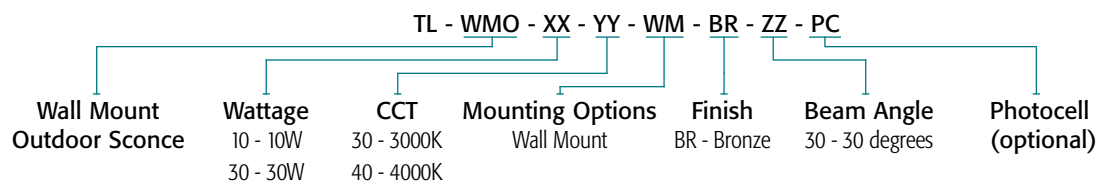
## Applications

- Exterior residential
- Exterior commercial
- Entrance ways
- Hallway lighting
- Hotel hallways
- Restaurants
- Stairways
- Lobbies
- Outside elevators
- Deck Lights
- Patio Lights

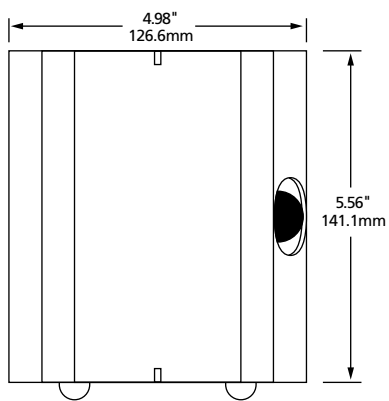
## Specifications

Electrical	
TL-WMO-10-YY-WM-BR-ZZ	100-277V AC, 10W, 0.15A
TL-WMO-30-YY-WM-BR-ZZ	100-277V AC, 30W, 0.38A
Power Factor	> 0.90
LED Lifetime	> 50,000 hrs.
Lumen Output	
TL-WMO-10-YY-WM-BR-ZZ	1000
TL-WMO-30-YY-WM-BR-ZZ	3000
Beam Angle	30°
Product Finish	Powder coated finish
Construction	ADC12-die cast aluminum
Dimensions	
TL-WMO-10-YY-WM-BR-ZZ	5 3/4" x 5" x 4 1/4" (145 x 126 x 106mm)
TL-WMO-30-YY-WM-BR-ZZ	7" x 5 5/8" x 4 5/8" (179 x 141 x 117mm)
Approvals	cULus listed wet locations-IP65

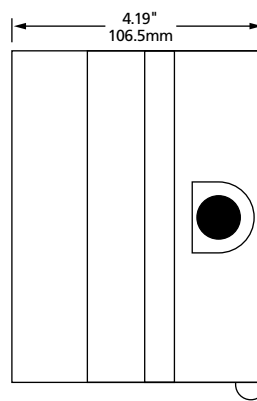
## Product Codes



### 10W LED Outdoor Sconce

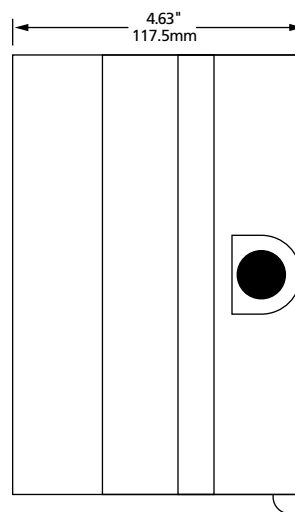
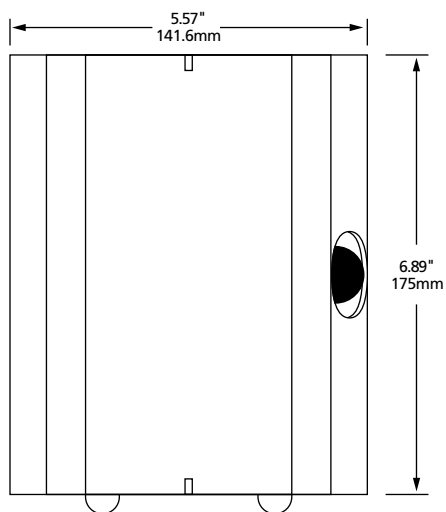


Front View

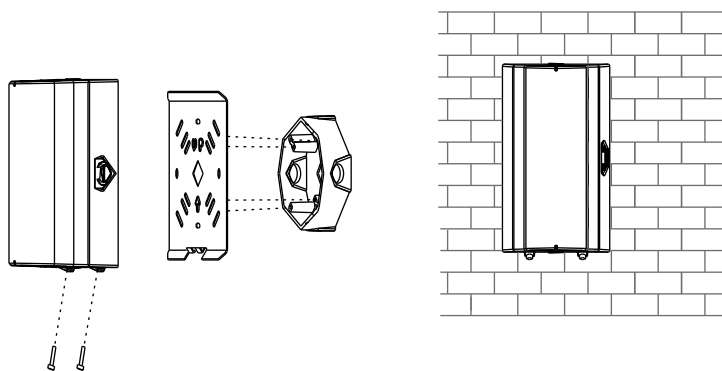


Side View

### 30W LED Outdoor Sconce



### Mounting Options



# Low Voltage Mini Flood Light

Low Voltage Mini Flood Lights provide exceptional illumination in a variety of beam spreads and colors and are IP65 rated for wet locations.



## Features

- Compact size
- Adjustable mounting arm with degree markings allows easy fixture aiming
- Safe 24 Volt operation
- Long life 50,000 hours
- Several mounting options including ground mount, wall mount, extended wall mount
- High lumen output
- Available in Warm White, Cool White, Blue and RGB color change
- Available in 10° and 30° beam spreads static colors, 40° for RGB
- Comes with 6' (1.8m) power feed wire for static colors, 6' with quick connect for RGB
- RGB can be controlled with stand alone controller or with existing DMX systems
- 2 year limited warranty

## Applications

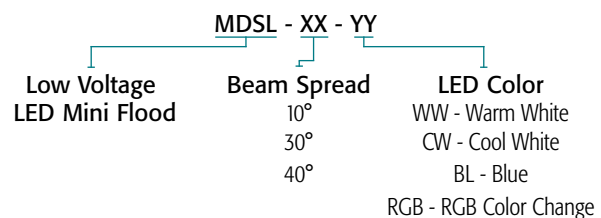
- Spot lighting architectural features
- Narrow spots for grazing building facades
- Signage illumination
- Dock lighting
- Parking lots
- Flag poles
- Landscape lighting

## Specifications

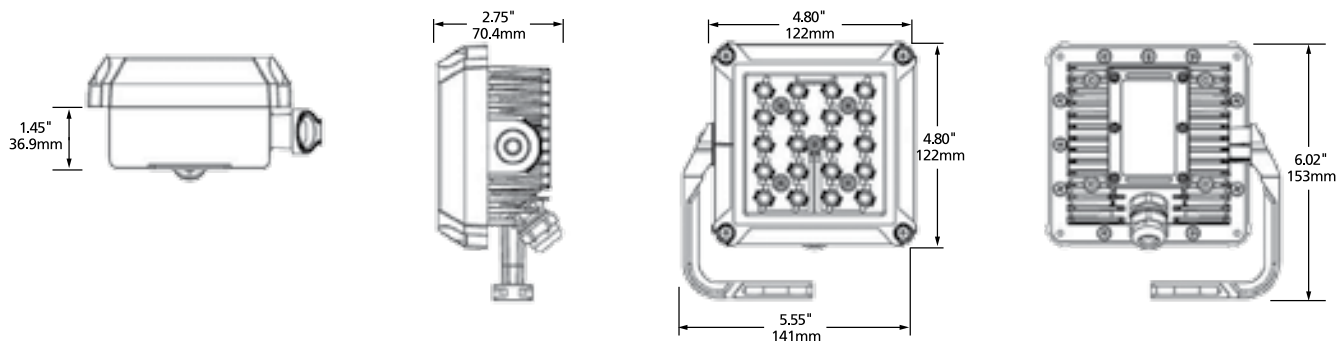
Electrical	Static Color = 24V DC, 28W max. RGB Color Change = 24V DC, 26.4W max.
Current (Static)	
Static Color	1.2A max.
RGB Color Change	1.1A max.
LED Life	50,000 hours (L70)
No. of LEDs per module	
Static Color MDSL-10	10 pcs. (OSRAM)
RGB Color Change	6pcs. (Helio)
Luminous Flux	
Warm White (WW)	1000 lumens
Cool White (CW)	1400 lumens
Color Temperature	
Warm White (WW)	3000K (+/-200K)
Cool White (CW)	6500K (+/-500K)
CRI	Warm White – ≥ 80, Cool White – >70
LED Color	Warm White, Cool White, Blue, RGB
Product Material	Aluminum Alloy
Product Finish	Plating & Sand Blast
Cover Color	Clear
Dimensions	4 13/16" x 4 13/16" x 2 3/4" (122 x 122 x 70mm)
Operating Temperature	-20°C – +50°C
Approvals	cETLus listed for wet locations

*For RGB version – controllers and signal amplifiers on page 119.*

## Product Codes



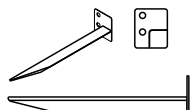
NOTE: Static Colors available in 10° & 30°, RGB available in 40°.  
Blue LED fixture is special order, MOQ required.



## Accessories



**HVDC-EXA**  
Extendable Arm Wall  
Bracket, 9" - 12"



**HVDC-GMS**  
Ground Mount Stake



**TCJ-E06**  
6' (1.8m) Extension Cord  
for RGB

**TCJ-E30**  
30' (9.1m) Extension Cord  
for RGB



**MDSL-Y-002**  
RGB Y connector



**LES-BTMC-G4-SI**  
Signal in connector for  
RGB eStrip connection to  
outdoor signal amplifier



**LES-BTMC-G4-SO**  
Signal out connector for RGB  
eStrip connection to outdoor  
signal amplifier



**LES-001-OD-6FT**  
Power feed connector for  
connection to outdoor  
signal amplifier



**LV-ZJFFS-3CH-6INW**  
WD Signal amplifier  
for RGB 12/24V DC, 3  
channel, outdoor



**LT-09S-RF**  
6 Key RGB "touch" controller  
12/24V DC



**LN-CON-WIFI-3CH-XV**  
WiFi controller for RGB,  
CCT, and dimming, c/w  
RF remote 12/24VDC

## Indoor/Outdoor Non Dimmable Drivers

### LEDDR-24-120W

Maximum 4 Low Voltage Mini Flood Lights.

120W hardwire

Input: 100 - 240V AC

Output: 24V DC

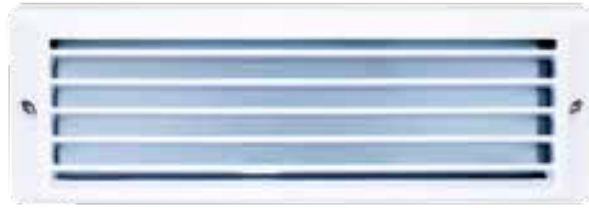
10" x 3 3/8" x 3 3/16" (254 x 85.7 x 80.9mm)

# Xenon Brick Light

Xenon Brick Light provides a safe, attractive and affordable way to light stairs, aisles, paths and entrance ways. Xenon Brick Light (XBL) comes with an 18 watt xenon lamp and has been uniquely designed to fit a standard brick void. This provides the perfect solution for those applications where a more linear fixture is required.



DIMMABLE



## Features

- Louver style now available in Stainless Steel
- Safety - burns significantly cooler than halogen
- Low pressure lamps are safer than halogen
- Easy to re-lamp
- Long life – 10,000 hours
- No harmful UV rays from lamp
- Fast and easy installation
- cETLus listed for wet locations
- Die cast aluminum construction suitable for concrete pour installations
- Available in fluorocarbon lacquer can and stainless steel Louver cover for harsh locations
- 120 volt push in connectors for ease of power input
- Bulb replacement has low voltage safety (12 volt class 2 transformer in each fixture)
- Dimmable
- 1 year limited warranty

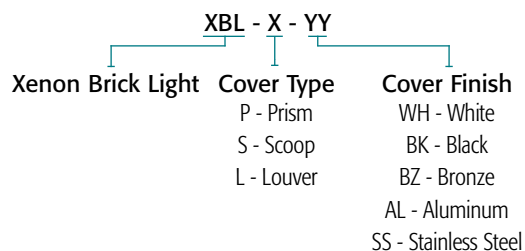
## Applications

- Interior stairs
  - Exterior stairs
  - Aisles
  - Hallways
  - Paths
  - Emergency lighting
  - Theaters
  - Public areas
  - Patios
  - Decks
- Anywhere that requires security or safety lighting in an aesthetically pleasing manner!

## Specifications

Electrical	120V AC, 18W
Wiring Options	120V AC hardwire – can be daisy chained up to 66 fixtures per 15A circuit
Average Lamp Life	10,000 hours
Color Temperature	2750K
Replacement Lamp	12V, 18W, product code XEN-12-18W
Cover Finish	Powder Coated White, Bronze, Brushed Aluminum, Black or Stainless Steel in Louver model
Can Finish	Powder Coated White or fluorocarbon lacquer
Construction	Cover and can cast aluminum
Lens	Frosted Tempered Glass
Cover Dimensions	
Scoop	9" x 3" x 1 1/2" (228.6 x 76.2 x 38.1mm)
Prism	9" x 3" x 3/4" (228.6 x 76.2 x 19.1mm)
Louver	9" x 3" x 3/4" (228.6 x 76.2 x 19.1mm)
Can Dimensions	
Scoop	7 11/16" x 2 13/32" x 3 7/32" (195.6 x 61.0 x 81.3mm)
Prism	7 11/16" x 2 13/32" x 3 7/32" (195.6 x 61.0 x 81.3mm)
Louver	7 11/16" x 2 13/32" x 3 7/32" (195.6 x 61.0 x 81.3mm)
Approvals	cETLus listed for wall, ceiling, wet and IC locations

## Product Codes



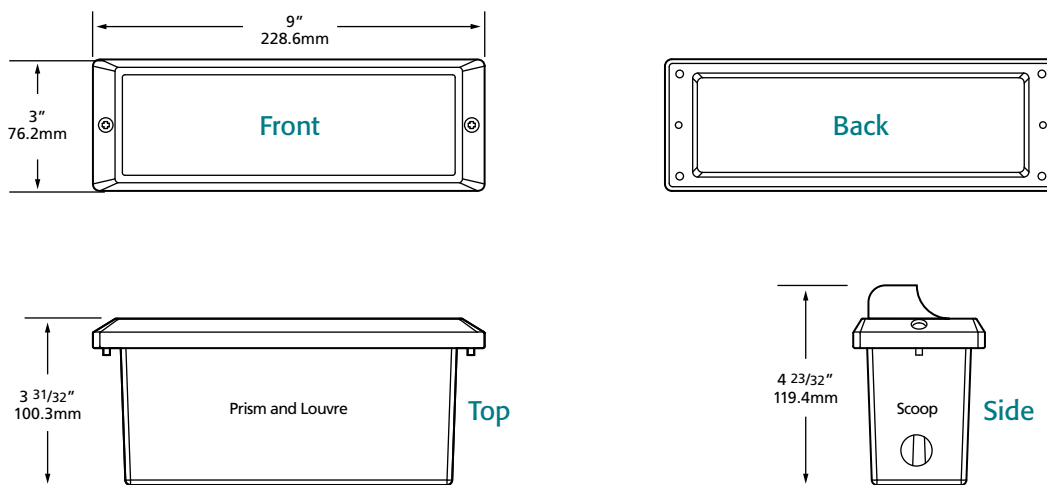
NOTE: Stainless Steel finish available in Louver cover only.

## Product Code for Concrete Cap

### BL-CC

Concrete cap for concrete pour installations

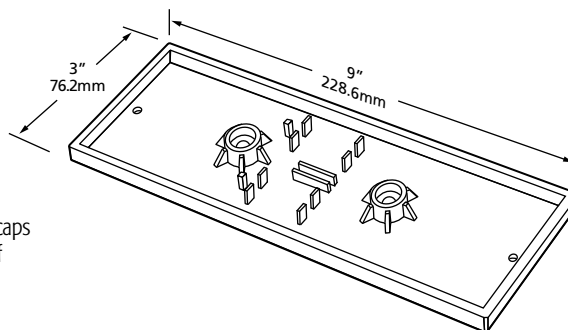
NOTE: For outdoor installations, a 1/2" strain relief cord connector is recommended.



### Concrete Cap for concrete pour installations

Product Code: BL-CC

IMPORTANT: It is recommended that you use NSL's Concrete Cap for concrete pour installations. These caps assist in providing a proper reveal for flush mount of fixture cover after concrete is dry.



### Replacement Transformer

XSL-TRANS

# Xenon Step Light

Xenon Step Light provides a safe, attractive and affordable way to light stairs, hallways and aisles. Xenon Step Light (XSL) comes with an 18 watt xenon lamp. Xenon Step Light is made of die cast aluminum and comes with integral 12 volt transformer and housing for easy installation into walls of any construction.



DIMMABLE



## Features

- Safety - burns significantly cooler than halogen
- Low pressure lamps are safer than halogen
- Easy to re-lamp
- Long life – 10,000 hours
- No harmful UV rays from lamp
- Lamp lumen output 264 lumens
- Fast and easy installation
- cETLus listed for wet locations
- Die cast aluminum construction suitable for concrete pour installations
- 120 volt push in connectors provided for ease of power input
- Bulb replacement has low voltage safety (12 volt class 2 transformer in each fixture)
- Dimmable
- 1 year limited warranty

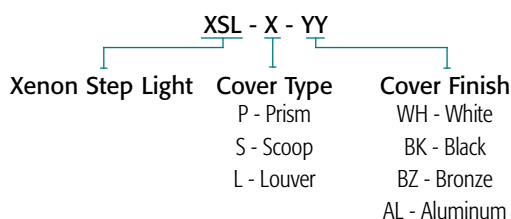
## Applications

- Interior stairs
  - Exterior stairs
  - Aisles
  - Hallways
  - Paths
  - Emergency lighting
  - Theaters
  - Public areas
  - Patios
  - Decks
- Anywhere that requires security or safety lighting in an aesthetically pleasing manner!

## Specifications

Electrical	120V AC, 18W
Wiring Options	120V AC hardwire – can be daisy chained up to 66 fixtures per 15A circuit
LED Life	10,000 hours
Color Temperature	2750K
Replacement Lamp	12V, 18W, product code XEN-12-18W
Cover Finish	Powder Coated White, Bronze, Black, Brushed Aluminum
Can Finish	Powder Coated White
Construction	Cover and can cast aluminum
Lens	Frosted Tempered Glass
Cover Dimensions	
Scoop	7 1/2" x 4 5/8" x 1 1/2" (190.5 x 117.5 x 38.1mm)
Prism	7 1/2" x 4 5/8" x 3/4" (190.5 x 117.5 x 19.1mm)
Louver	7 1/2" x 4 5/8" x 3/4" (190.5 x 117.5 x 19.1mm)
Can Dimensions	
Scoop	5 1/2" x 4" x 2 1/2" (139.7 x 101.5 x 63.5mm)
Prism	5 1/2" x 4" x 2 1/2" (139.7 x 101.5 x 63.5mm)
Louver	5 1/2" x 4" x 2 1/2" (139.7 x 101.5 x 63.5mm)
Approvals	cETLus listed for wall, ceiling, wet and IC locations

## Product Codes



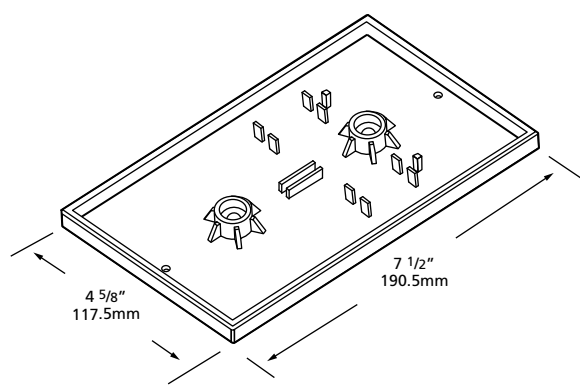
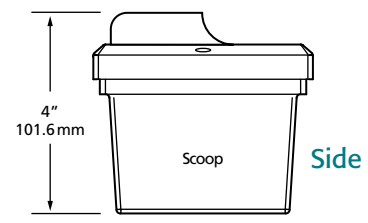
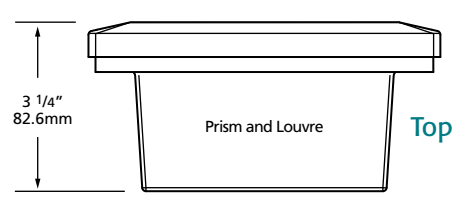
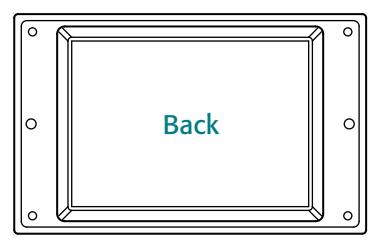
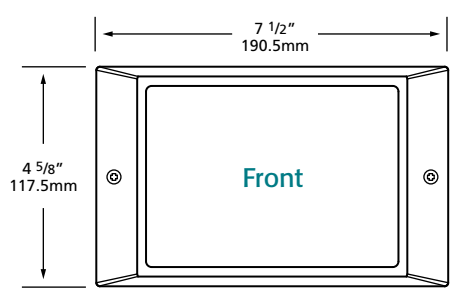
## Product Code for Concrete Cap

**SL-CC**

Concrete cap for concrete pour installations

NOTE: For outdoor installations, a 1/2" strain relief cord connector is recommended.





**Concrete Cap**  
for concrete pour installations  
Product Code: SL-CC

IMPORTANT: It is recommended that you use NSL's Concrete Cap for concrete pour installations. These caps assist in providing a proper reveal for flush mount of fixture cover after concrete is dry.

**Replacement Transformer**  
XSL-TRANS

# Xenon Wall Light

Xenon Wall Light by NSL provides a safe, attractive and affordable way to light interior and exterior steps, aisles, halls, paths, patios and entrance ways. There are three decorative covers to choose from: Louver, Scoop or Prism. Each cover is available in White, Black, Brushed Aluminum or Bronze.



DIMMABLE



## Features

- Xenon lamps burn significantly cooler than halogen
- Brighter than fluorescent
- Four times the lamp life, at half the replacement cost of 120 V halogen
- No harmful UV rays
- Safe low pressure bulbs
- Dimmable
- cETLus listed for wet and IC locations
- Diecast aluminum construction suitable for concrete pour installations
- 1 year limited warranty

## Applications

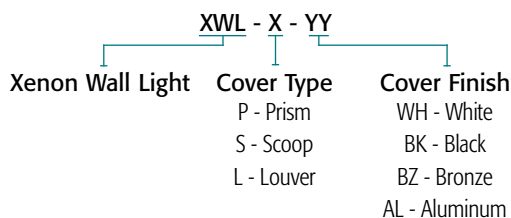
- Interior stairs
- Exterior stairs
- Aisles
- Hallways
- Paths
- Patios & Decks
- Emergency lighting
- Theaters
- Public areas
- Patios

Anywhere that requires security or safety lighting in an aesthetically pleasing manner!

## Specifications

Electrical	120V AC, 18W
Wiring Options	120V AC hardwire – can be daisy chained up to 66 fixtures per 15A circuit
LED Life	10,000 hours
Color Temperature	2750K
Replacement Lamp	12V, 18W, product code XEN-12-18W
Cover Finish	Powder Coated White, Bronze, Black, Brushed Aluminum
Can Finish	Powder Coated White
Construction	Cover and can cast aluminum
Lens	Frosted Tempered Glass
Cover Dimensions	
Scoop	6 3/8" x 1 1/2" (161.9 x 38.1mm)
Prism	6 3/8" x 5/8" (161.9 x 15.87mm)
Louver	6 3/8" x 3/4" (161.9 x 19.0mm)
Can Dimensions with surface mounting tabs	
Scoop	6 1/4" x 3" (159.0 x 76.2mm)
Prism	6 1/4" x 3" (159.0 x 76.2mm)
Louver	6 1/4" x 3" (159.0 x 76.2mm)
Can Dimensions with surface mounting tabs removed	
Scoop	4 7/8" x 3" (124.0 x 76.2mm)
Prism	4 7/8" x 3" (124.0 x 76.2mm)
Louver	4 7/8" x 3" (124.0 x 76.2mm)
Approvals	cETLus listed for wall, ceiling, wet and IC locations

## Product Codes

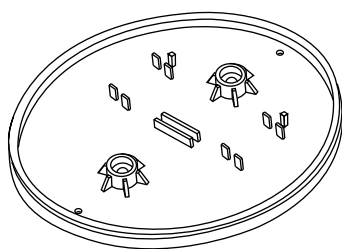
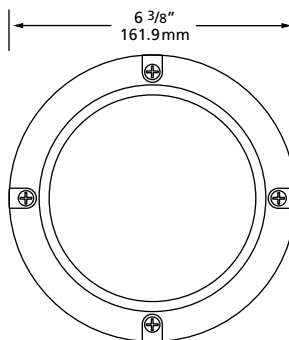
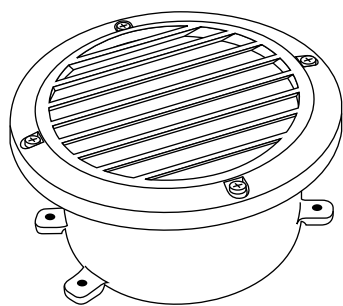


## Product Code for Concrete Cap

**WL-CC**

Concrete cap for concrete pour installations

NOTE: For outdoor installations, a 1/2" strain relief cord connector is recommended.



### Concrete Cap for concrete pour installations

Product Code: WL-CC

IMPORTANT: It is recommended that you use NSL's Concrete Cap for concrete pour installations. These caps assist in providing a proper reveal for flush mount of fixture cover after concrete is dry.

### Cover Types and Finish



Scoop Cover



Prism Cover



Louver Cover

### Replacement Transformer

XSL-TRANS

# Switchex®

## LED DRIVER + DIMMER IN ONE

SWITCHEX® is a dimmer with an integrated driver that converts 120VAC to either 12VDC or 24VDC. This means SWITCHEX® is all you need between your line voltage and low voltage LED lighting. Best of all, it fits in a standard electrical box.

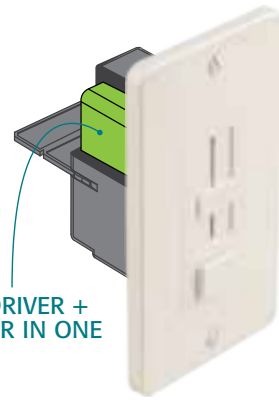
SWITCHEX® solves two of the most common LED lighting challenges:

- Poor dimming performance that often results when a dimmer and LED driver are made by different manufacturers
- Finding a place to fit the LED driver

### Features

- Eliminates driver/switch compatibility issues
- Easy in-line installation
- Integrated LED driver
- Excellent dimming performance
- Fits in a standard electrical box
- Preset dimmer with on/off switch
- 100W, 24V DC capacity  
60W, 12V DC capacity (separate model)
- 2 year limited warranty

LED DRIVER +  
DIMMER IN ONE



DIMMABLE

UL2108 Certified



3 switch plate faces included - Glossy Dark Brown, Glossy Light Almond, Glossy White. Glossy Black option sold separately. Electrical box not included.



### Specifications

Electrical	SX-12V-DD-60W = 120V AC input, 12V DC output SX-24V-DD-100W = 120V AC input, 24V DC output
Environment	Indoor
Connection Type	Hardwire
Mounting	Single-Gang Box
Approvals	UL Listed 2108

### Product Codes

SX - XXV - DD - YYW		
Switchex	Output Voltage	Wattage
	12 - 12VDC	60 - 60W
	24 - 24VDC	100 - 100W

### Trim Plate Product Codes (sold separately)

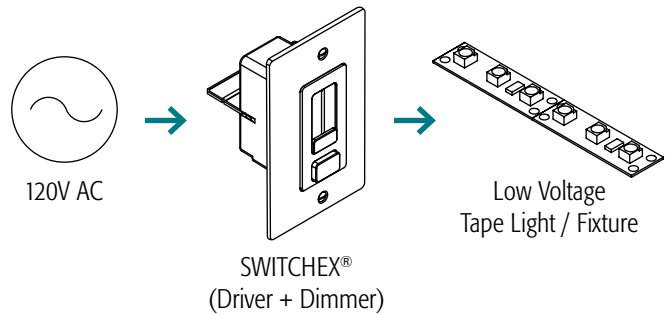
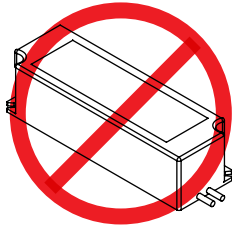
SX - TP - XX	
Switchex Trim Plate	Finish
	BR - Glossy Dark Brown
	LA - Glossy Light Almond
	WH - Glossy White
	BL - Glossy Black*

\* Ships with Face Plate and Trim Plate

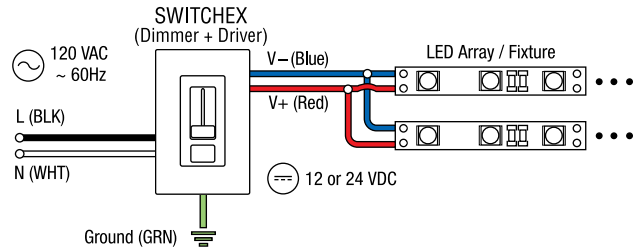
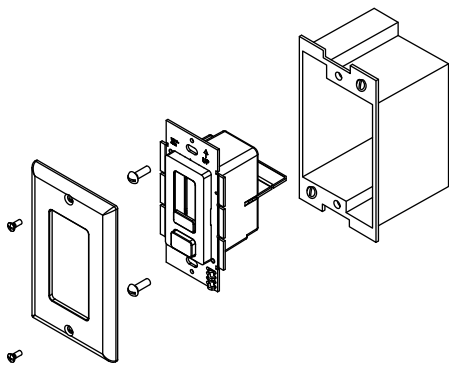
### The Driver Is Inside

SWITCHEX® is all you need between your line voltage and low voltage LED lighting. The integrated driver converts 120VAC to either 12VDC or 24VDC and it fits in a standard electrical box.

No Remote Driver Required



### SWITCHEX® Driver and Dimmer Switch Diagram



# LED Drivers Selector Chart

## NON DIMMABLE DRIVERS



## DIMMABLE DRIVERS

TRE12L20DC  
TRE12L60DC



Indoor, Non-Dimmable	Low Voltage Mini Flood Light	LED Mini Star II	LED Tape Light†	LED Globe Light	
LMS-24-18W 24V, 18W, plug in	-	Max. 4 LEDMS II	-	-	
LMS-24-60W 24V, 60W plug in	-	Max. 16 LEDMS II	-	-	
LTH-24-65W 24V, 60W, plug in	-	-	-	-	

Indoor/Outdoor Non-Dimmable					
LEDDR-12-60W 12V, 60W, hardwire, outdoor, Max. 60W	-	-	-	-	
LEDDR-24-120W 24V, 120W, hardwire, outdoor, Max. 120W	Max. 4 MDSL single color or RGB	Max. 32 LEDMS II 16 per single secondary tap	LED Tape Light: Max. recommended load 90W or 20' (6.1m) per single tap, 120W or 27' (8.23m) combined two secondary taps. CCT series: 16' (4.88m) per single tap, 22' (6.71m) combined two secondary taps.	Max. 180 Globes per single tap, max. 120 combined two secondary taps.	

Indoor/Outdoor Dimmable					
TRE12L20DC†† 12V, 20W, hardwire, outdoor, dimmable, Max. 18W, Min. 10W	-	-	-	-	
TRE12L60DC†† 12V, 60W, hardwire, outdoor, dimmable, Max. 54W, Min. 30W	-	-	-	-	
TRE24L40DC†† 24V, 40W, hardwire, outdoor, dimmable, Max. 36W, Min. 20W	Max. 1 MDSL single color	Max. 10, Min. load 10W or 3 LED Mini Star II	LED Tape Light: Max. recommended load 36W or 8' (2.44m), Min. 8W or 2' (.61m). CCT series: Max. 6' (1.83m), Min. 2' (.61m).	Max. 80 Globes	
TRE24L96DC†† 24V, 100W, hardwire, outdoor, dimmable, Max. 90W, Min. 50W	Max. 3 MDSL single color	Max. 25, Min. load 10W or 3 LED Mini Star II	LED Tape Light: Max. recommended load 90W or 20' (6.1m), Min. 8W or 2' (.61m). CCT series: Max. 16' (4.88m), Min. 2' (.61m).	Max. 180 Globes	

† Note: Above maximum and minimum lengths are for Standard Tape. You may double these when using LP, Low Power Tape.

†† TRE drivers require E-KO-SR for outdoor applications

	LED Wedge Light	LED Hard Strip	LED Thin Star	LED Britestrip	LED eSTRIP	LED Disc Light	LED MiniDisc Light
	-	-	-	-	-	-	-
	-	-	-	-	-	-	-
	-	-	Max. total 60 Thin Star LEDs*	-	-	-	-

	Max. 200 Globes	-	-	-	-	Max. 18 LEDD	Max. 200 LEDMD
	-	-	-	Festoon .52W LED modules: Max. 110 per single secondary tap, max. 185 total	Max. 90" (27.43m) per single secondary tap, max. 120' (36.58m) combined two secondary taps. RGB eStrip & HP eStrip: 40' (12.19m) per single secondary tap, 50' (15.24m) combined secondary taps	-	-

	Max. 80 Globes	-	-	-	-	Max. recommended load 18W or 6 LEDD Min. recommended load 8W or 3 LED Disc Lights	Max. 75 LEDMD Min. recommended load 8W or 34 LED MiniDisc Lights
	Max. 200 Globes	-	-	-	-	Max. recommended load 54W or 18 LEDD Min. recommended load 8W or 3 LED Disc Lights	Max. 200 LEDMD Min. recommended load 8W or 34 LED MiniDisc Lights
	-	Max. recommended load 36W, min. 8W LED Hard Strip	Max. total 60 Thin Star LEDs* Min. recommended load 8W or 18 Thin Star LEDs	Max. 76 LED lamps Min. 16 LED lamps	LED eStrip: Max. 37.5' (11.43m), Min. 8W, 9' LED eStrip (2.7m). High Power: Max. 18' (5.49m), Min. 4' (1.2m)	-	-
	-	Max. recommended load 90W, min. 8W LED Hard Strip	-	Max. 180 LED lamps Min. 16 LED lamps	LED eSTRIP: Max. 90' (27.4m), Min. 8W, 9' LED eStrip (2.7m). High Power: Max. 40' (12.19m), Min. 4' (1.2m)	-	-

\* Please refer to catalogue for # of LEDs per fixture.

# LED Controllers Chart

DMX DECODER	Description
LV-DMX-IP-RGB-3CH	3CH DMX Decoder 12/24V DC output, <4A MAX, 12<144W, 24v<288W
LV-DMX-IP-RGB-4CH	4CH DMX Decoder 12/24V DC output, <4A MAX, 12<192W, 24v<384W
DMX CABLE	Description
LVL-DMX-3PIN-1FT	1ft Long power cable with XLR waterproof connector
LVL-DMX-3PIN-5FT	5ft Long power cable with XLR waterproof connector
LVL-DMX-3PIN-10FT	10ft Long power cable with XLR waterproof connector
LVL-DMX-3PIN-25ft	25ft Long power cable with XLR waterproof connector
LVL-DMX-3PIN-50FT	50ft Long power cable with XLR waterproof connector
LVL-DMX-3PIN-60FT	60ft Long power cable with XLR waterproof connector
LVL-DMX-3PIN-100FT	100ft Long power cable with XLR waterproof connector
DMX CONTROLLERS	Description
SLESA-U9	Entry level, USB 256 channels
STICK-GA2	Mid range, touch control pad 512 channels
STICK-GU2	DMX, touch control pad, 128 channels
STICK-DE3	Professional, touch control Pad 1024 channels
DMX ACCESSORIES	Description
LV-DMX-XLR3-ST	XLR3 Signal terminator
LV-DMX-3PIN	Power cable XLR waterproof connector
SENSOR	Description
LV-SPIR-1CH-LV	PIR Motion sensor, 1 channel, 12/24V DC
CONTROLLERS & AMPLIFIERS	Description
LT-09S-RF	6 Key RGB "touch" controller 12/24V DC
LT-390A	Signal amplifier for RGB 12/24V DC, 3 channel, indoor
LT-031-RF	6 Key CCT Adjustable "touch" controller 12/24V DC
LT-290A	Signal amplifier for CCT color adjust tape light 12/24V DC
LT-032-RF	6 Key Dimming "touch" controller 12/24V DC
LT-190A	Dimming signal amplifier
LV-ZIFFS-3CH-6INW	WD Signal amplifier for RGB 12/24V DC, 3 channel, outdoor
LV-RF103	Wireless RF mini RGB controller 24V, 96W
LV-RF103-EXHS	6" Tape Light extension connector for LV-RF103 controller
LN-CON-WiFi-3CH-XV	WiFi controller for RGB, CCT, and dimming, c/w RF remote 12/24VDC
LT-10S-WH	Wall mount RGB controller
LT-11S-RF	RGBW controller
LT-490A	RGBW signal amplifier





LN-CON-WIFI-3CH-XV



STICK-DE3



STICK-J GA2



SLESA-U9



STICK-GU2



LV-RF103



LV-SPIR-1CH-LV



LT-390A  
NOT SHOWN: LT-290A



LV-ZJFFS-3CH-61NW



LV-DMX-IP-RGB-3CH  
LV-DMX-IP-RGB-4CH



LT-031-RF



LT-032-RF



LT-09S-RF



LVL-DMX-3PIN



- LVL-DMX-3PIN-1FT
- LVL-DMX-3PIN-5FT
- LVL-DMX-3PIN-10FT
- LVL-DMX-3PIN-25FT
- LVL-DMX-3PIN-50FT
- LVL-DMX-3PIN-60FT
- LVL-DMX-3PIN-100FT



LT-10S-WH



LV-DMX-XLR-ST



LV-HS-CN-3DC



LT-11S-RF

# Cense Controller

CENSE is a low voltage Direct Current energy system that transforms the energy of a home or business from conventional High Voltage to Safe Low Voltage. CENSE can be powered from different sources and allows for direct connection to renewable energy sources. Our first module LM1 powers and controls your LED lighting.

## Smart Control – Intelligent

The CENSE system is connected and intelligent. Inputs can be configured to turn off a single light, an entire building or set your lighting for movie time. Sensors can be attached to the system for full control and our THEA application puts you in control of your energy. CENSE is software controlled allowing a full integration platform to connect with other smart devices and systems.

## Modular Design – Efficient

CENSE is designed with our energy future in mind. CENSE can accept different modules to power and control many DC powered devices. Our first module LM1 focuses on LED Lighting power and control. LM1 provides a truly connected, highly efficient LED DC drive solution.

Power is changing and so is the way we think about it.

## Features

- Healthy lighting technology
- Flexible & capable with a total of 8 LM1 units per system
- 4 channels of control with up to 100w per channel power
- Hot swappable allowing rapid field service
- Dimming control
- Smart IoT compatibility
- Works with Apple Homekit, Google Home, and Amazon Alexa
- DALI with power
- DMX in/out
- BACnet ready
- API integration
- Operating Ambient Temperature: -10 to +40 C
- 10 year limited warranty



Phone: 877-682-5277

## Specifications

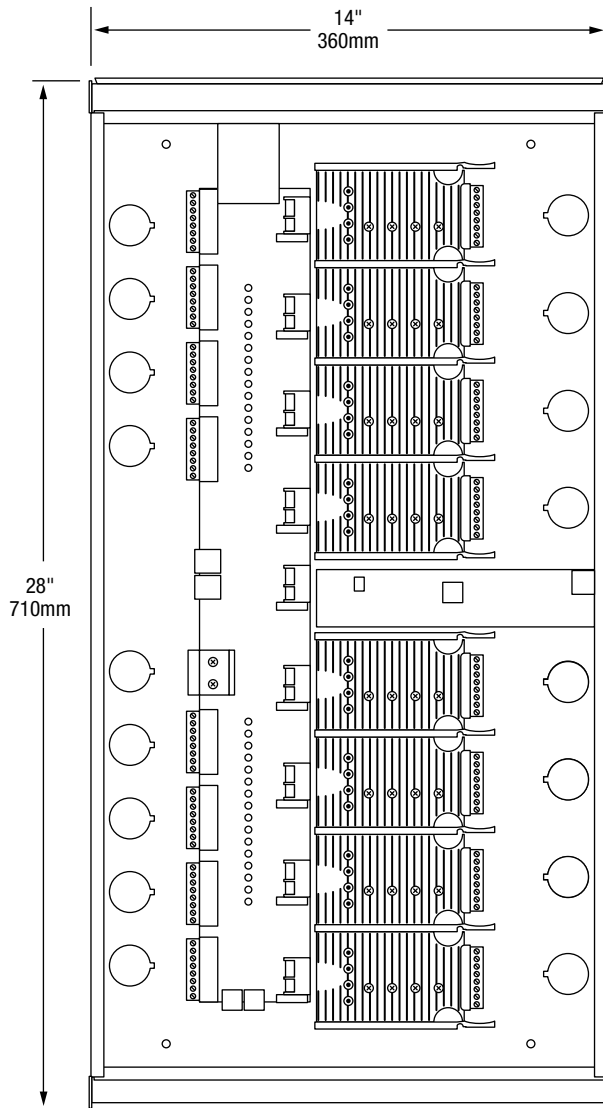
Electrical Input	48V DC
Input Options	32 zones of hard wired control inputs 32 zones of wireless control inputs
Electrical Output	Constant Current LM1, Class II power Up to 1.8A constant current channels
LM1 Output Power	100W per channel max
LM1 Output Current	50 to 1800mA per channel
Current Range	50 to 1800mA via programming
Operating Ambient Temperature	-10 to +40 C
Approvals	cULus listed

## LM1 Module



## Product Code

CENSE



**iDrive**  
SOLUTIONS  
drivers | energy | control

iLLUMA-Drive  
Authorized  
Master Dealer

Phone: 877-682-5277

# Transformers - Magnetic

ETL listed indoor and outdoor

## TR-12-150

10" x 3.1" x 3"  
1 circuit at 150 watts for 12V AC



## TR-12-240

10" x 4.25" x 3.6"  
1 circuit at 240 watts for 12V AC



## TR-12-300 or TR-24-300

10" x 4.25" x 3.6"  
2 circuits at 150 watts each for 12V AC  
1 circuit at 300 watts for 24V AC



## TR-24-480

11.1" x 4.75" x 4.25"  
1 circuit at 480 watts for 24V AC



## TR-24-600

11.1" x 4.75" x 4.25"  
2 circuits at 300 watts each for 24V AC



## TR-24-960

12.5" x 7.0" x 4.75"  
2 circuits at 480 watts each for 24V AC



### NOTE:

- All transformer and LED driver dimensions are Length x Width x Height
- All transformer dimensions are of enclosure including mounting flanges and included strain relief
- All transformers should be totally enclosed, and must ventilate
- All LED drivers, dimmers and transformers carry a two year warranty

## Transformers - Electronic

UL listed as a component ("RU" Marking).

### TER-12-60/W (white) TER-12-60/B (black)

3.5" x 1.5" x 1"  
1 circuit at 60 watts, class 2,  
for 11.6V AC



Check your fixture listing for acceptability.  
All connections must be made per fixture listing  
and NEC. 120V AC input/11.6V AC output.

### TE-12-80

2.125" x 1.25" x 0.75"  
1 circuit at 80 watts for 11.6V AC



### TE-12-105

3.0" x 1.25" x 0.75"  
1 circuit at 105 watts for 11.6V AC



### TE-12-150

4.0" x 1.6" x 1"  
1 circuit at 150 watts for 11.6V AC



## Transformers - Electronic

ETL listed as a stand alone power supply ("ETL" Marking).

### TECLT-12-60

6.5" x 1.5" x 1.5"  
Class 2, 1 circuit at 60 watts,  
for 11.7V AC



Each transformer is enclosed in a painted  
steel enclosure with 1/2" knockouts for the  
incoming 120V AC and the 11.7V AC output.

### TECLT-12-150

7.1" x 1.75" x 1.75"  
1 circuit at 150 watts,  
for 11.7V AC





## MISSION STATEMENT

NSL is dedicated to be a leader in providing quality innovative lighting solutions for our customers. Continuous attention to professionalism, efficiencies and ethics will allow our team to accomplish our goals in a profitable manner. Improvement is constant!

## WARRANTY

National Specialty Lighting (NSL) warrants this lighting system to be free from defects in material and/or workmanship, under normal use and service, for a period of ONE YEAR (TWO YEARS to FIVE YEARS for LED products) from the date of original purchase. Please note that incandescent/xenon lamps are EXCLUDED from this warranty.

In the event of a defect in material or workmanship during the warranty period, NSL will repair or replace (at its option) your Lighting System under the conditions of warranty. NSL will do this at its expense for the cost of materials but not for shipping. THIS REMEDY IS THE SOLE AND EXCLUSIVE REMEDY FOR ANY AND ALL CLAIMS RELATING TO ANY BREACH OF WARRANTY BY NSL.

### LIMITATIONS, EXCLUSIONS AND OTHER RIGHTS

- A. Except as provided herein, NSL makes no other warranties express or implied, including but not limited to the implied warranties or merchantability or fitness for a particular purpose, and all such warranties are expressly disclaimed.
- B. In no event shall NSL be liable for indirect, incidental or consequential damages, even if NSL has been advised of the possibility of such damage. This disclaimer applies during and after warranty period.
- C. NSL is not responsible for malfunctions in and/or damage to Lighting Systems where a sale is specifically made without warranty. In such an event the disclaimers of warrant and liability, set forth above, shall continue to apply.
- D. This warranty covers normal consumer use and does not cover damage which occurs during shipment or failure which results from alteration, accident, theft, misuse, abuse, abnormal use, negligent installation, improper maintenance or where adequate care has not been taken to prevent ice or snow damage to the lighting system.
- E. Specifically, when installing mini disc lights in harsh environments such as limestone, salted areas, coastal environments etc. Please use the stainless steel version to avoid the risk of corrosion to body of fixture and voiding warranty.

If you discover a defect or malfunction during the period to which this warranty applies, call or email NSL for information or to receive warranty service.

**Note: You must contact our office for a RETURN GOODS AUTHORIZATION number before returning product. After inspection it will be determined whether a credit is due.**

## DID YOU KNOW?



Once a customer has reached a cumulative purchase level of \$3,000.00 they are entitled to free normal UPS ground freight charges within the 48 contiguous states on every order\* (residential deliveries excluded) \*Minimum \$100.00 order to qualify for free freight. With our prompt delivery pledge National Specialty Lighting offers same day shipping on all non-custom orders placed before 12:00pm Eastern Time.



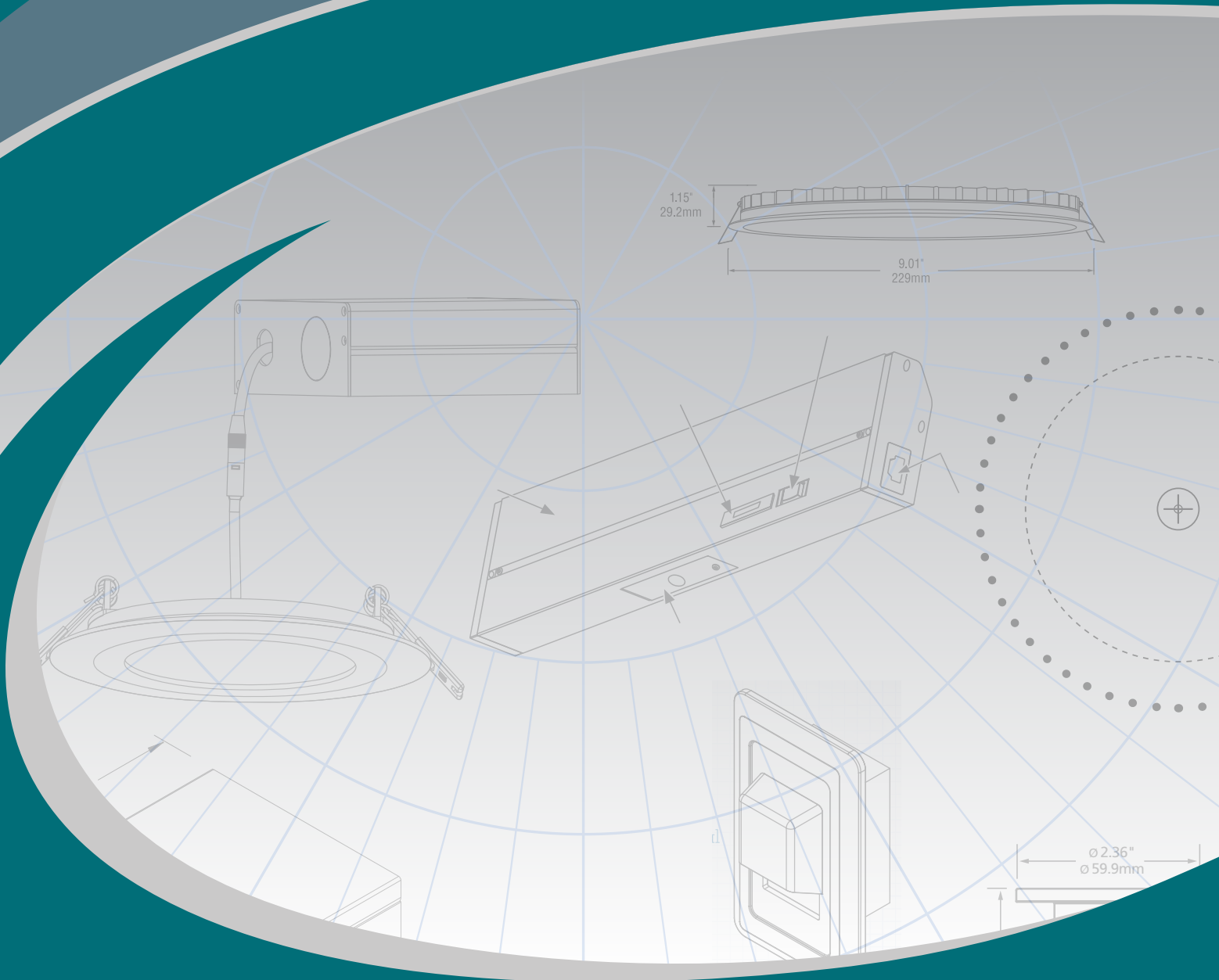
365 day return policy allow customers to take advantage of new National Specialty Lighting products, define new markets and help to build their business. A National Specialty Lighting Stocking Distributor may return any current stock item within 12 months of purchase date for a restocking fee of 50%. Restocking fee will be waived if distributor places a stock order of equal value or greater than the value of the items being returned. No special catches or exceptions. Items are sent back to National Specialty Lighting prepaid in the original packaging, and merchandise is in resalable condition.



National Specialty Lighting does not have a minimum order requirement, and never will. Some companies require you to purchase large quantities of product or meet a specific spending target. Companies use the excuse that it's the cost to process the order. National Specialty Lighting orders are filled regardless of how large or small it is! If you want to purchase just one item to finish a project no problem, your order is always treated as a priority.



Tracking Your Order has never been easier, simply provide us with an email address and you will automatically be notified when your order has been shipped. All orders are shipped though UPS. Send your email address to [nslsales@nslusa.com](mailto:nslsales@nslusa.com)



# NATIONAL SPECIALTY LIGHTING

[nslusa.com](http://nslusa.com)

2299 Kenmore Ave., Tonawanda, NY 14207

Tel: 303-926-1100 • Toll-Free: 1-800-527-2923 • Fax: 800-527-4358 • [nslsales@nslusa.com](mailto:nslsales@nslusa.com)