



# HPS Sentinel<sup>®</sup> Energy Efficient Distribution Transformer



Compliant to DOE 2016  
Efficiency Standards

power to perform



# HPS Sentinel®

## Energy Efficient Distribution Transformers

### TABLE OF CONTENTS

DOE 2016 Efficiency Guidelines	3
HPS DOE Compliant Products	3
Features & Benefits	4
Specifications & Accessories	6
Part Number Guide	7
Support & Resources	7
Selection Tables - HPS Sentinel G	8
Selection Tables - HPS Sentinel K	18
Selection Tables - HPS Sentinel H	24
Termination Details	26
Enclosure Dimensional Drawings	27
Enclosure Mounting Kits	29
Enclosure Wall & Ceiling Mounting Dimensions	30
Anti-Vibration Pads & Vibration Isolator Kits	31
Enclosure Spare Parts	32
Electrical Schematics & Connection Drawings	33

This catalog contains product information for DOE 2016 compliant energy efficient low voltage distribution transformers. For product information pertaining to the Canadian efficiency regulation SOR/94-651 (CSA C802.2), please refer to the HTP-16 catalog.



### Improved Efficiency For A Greener Tomorrow

Transformers have been and remain an essential part of our electrical infrastructure. Everywhere we look there is a transformer supplying power to industrial, commercial, or residential applications.

Improving the energy efficiency of new transformers is a primary goal of the U.S. Department of Energy (DOE). The DOE has established new and more stringent Energy Efficiency levels for transformers in the U.S. effective January 1<sup>st</sup>, 2016.

HPS proudly supports the new legislation and the environmental benefits resulting from using higher efficiency transformers.

**2.9**  
additional  
acres of forest  
in one year

#### DOE 2016 Environmental Benefits

Upgrading one 75kVA transformer to a new DOE 2016 design translates to one of the following environmental benefits per year\*:

**403**  
gallons of  
gasoline consumed

**1.3**  
tons of waste  
sent to the  
landfill

**3,846**  
pounds of  
coal burned

\*Estimated savings based on a pre TP-1 upgrade and a mix of energy sources. Calculations derived from [www.epa.gov/cleanenergy/energy-resources/calculator.html](http://www.epa.gov/cleanenergy/energy-resources/calculator.html)

## DOE 2016 Efficiency Guidelines

The latest Department of Energy (DOE) 10 CFR Part 431 ruling, originally published on April 18<sup>th</sup>, 2013, mandates new efficiency levels effective January 1<sup>st</sup>, 2016 known as DOE 2016. DOE 2016 will require all liquid filled and dry-type distribution transformers manufactured on or after January 1<sup>st</sup>, 2016 and sold into any U.S. state after this date to comply with the new energy efficiency standards. This applies to:

### Low Voltage Dry-type Distribution:



1PH 15-333kVA  
3PH 15-1000kVA

\* Non-ventilated and potted transformers are exempt from these efficiency requirements

## New Energy Efficiency Levels

The new energy efficiency levels for low voltage dry-type distribution transformers mandated as of January 1st, 2016 are as follows:

Single Phase		Three Phase	
kVA	Efficiency (%)	kVA	Efficiency (%)
15	97.70	15	97.89
25	98.00	30	98.23
37.5	98.20	45	98.40
50	98.30	75	98.60
75	98.50	112.5	98.74
100	98.60	150	98.83
167	98.70	225	98.94
250	98.80	300	99.02
333	98.90	500	99.14
		750	99.23
		1000	99.28

Note: All efficiency values are at 35% of nameplate-rated load, determined according to the DOE Test Method for Measuring the Energy Consumption of Distribution Transformers under Appendix A to Subpart K of 10 CFR part 431.

## DOE 2016 Compliant HPS Distribution Transformers

The DOE 2016 product lines have been redesigned based on extensive customer input resulting in industry leading technologies and materials to meet your most demanding applications.

HPS has three lines of low voltage DOE 2016 compliant energy efficient distribution transformers:

### Linear Load General Purpose Transformers - HPS Sentinel G:

Rated for 600 volts and below and are generally used for supplying appliance, lighting, heating, motorized machine and power loads from electrical distribution system.

### K-Factor Transformers - HPS Sentinel K:

Specifically designed to handle the harmonics generated by non-linear loads such as computer and telecommunication equipment, drives and other power electronics.

### Harmonic Mitigating Transformers - HPS Sentinel H:

Superior to k-rated transformers, they are designed to treat the harmonics generated by computer equipment and other non-linear, power electronic loads. HMT's combine zero sequence flux cancellation with phase shifting to mitigate 3rd, 5th, 7th, 9th, 15th, 17th, and 19th harmonics within their secondary windings.

# HPS Sentinel<sup>®</sup>

## Energy Efficient Distribution Transformers

### BENEFITS

- HPS Sentinel G, K, and H product lines meet the efficiency standards outlined in DOE 10 CFR Part 431 offering significant energy savings to our customers and positive societal/environmental benefits.
- Standard Type 3R enclosure suitable for indoor or outdoor applications.
- For our customers, higher efficiency translates into:
  - Increased profitability due to lower operating costs
  - Decreased cost of ownership over the lifetime of the transformer
  - Less air conditioning cost due to lower heat emissions
- Expanded catalog low voltage product - up to 1000kVA
- Standard 10kV BIL rating on DOE 2016 low voltage distribution transformer products providing increased reliability and protection against critical equipment failure (including voltage spikes and other line transients).
- Standard integral floor and wall mounting brackets up to 45kVA allow for faster installation.
- All units utilize a uniform 220°C insulation system with a 80°C, 115°C, or 150°C temperature rise.
- Industry leading design solutions, technology and materials continue the legacy of quality and reliability in all HPS products.



### FEATURES

#### Core & Coil Construction:

- Manufactured from quality non-aging, cold rolled, silicon steel laminations using state-of-the-art equipment
- Cores are precision cut to close tolerances which eliminates burrs and improves performance
- Core is coated to prevent the ingress of moisture
- Precision wound with copper or aluminum conductors that are electrically balanced to minimize axial forces during short-circuit conditions
- Robust interface between core & coils for better short circuit performance

**Conductor material:** Copper or Aluminum

**Temperature rise:** 150°C typical (low rise options avail.)

**Insulation system:** 220°C



Standard type 3R enclosure on all low voltage HPS transformers



Integrated wall mounting brackets for added convenience at no extra cost



Expanded neutral bar for multiple customer connections

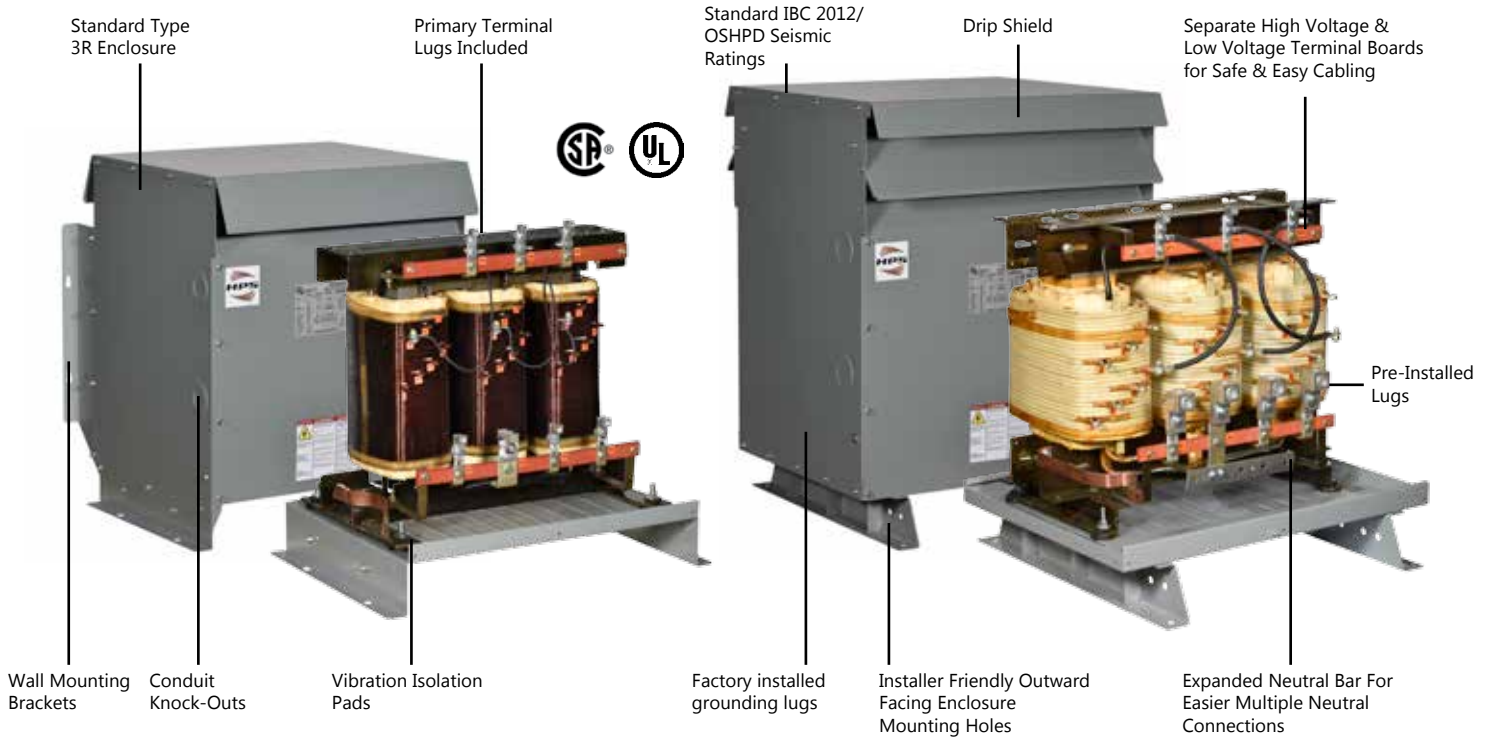
## Installation made fast & easy!

Tired of spending extra money on labor and material to install optional transformer features? Purchasing an HPS Sentinel Transformer will save you all these additional costs. HPS Sentinel has these optional features pre-installed as part of our standard product line.



## Testing

All HPS transformers are tested at HPS prior to shipment. They must meet very stringent quality criteria prior to release.



Factory installed main grounding lugs



Bottom cable entry area where applicable



Offset outward facing floor installation holes for easy power tool access

# HPS Sentinel®

## Energy Efficient Distribution Transformers

### Specifications & Accessories - Copper or Aluminum



**15 to 45 kVA**



**75 to 150 kVA**



**225 to 1000 kVA**

### STANDARD SPECIFICATIONS

<p><b>kVA:</b> 15-1000kVA</p> <p><b>UL Listed:</b> File: E112313</p> <p><b>CSA Certified:</b> File: LR3902</p> <p><b>Frequency:</b> 60 Hz (optional 50/60 Hz available)</p> <p><b>Insulation System:</b> 220°C (150°C rise) (optional 115°C &amp; 80°C rise available)</p> <p><b>BIL Rating:</b> 10 kV (on all 3PH low voltage products)</p> <p><b>Enclosure Type:</b> Heavy duty ventilated Type 3R standard (optional Type 4, 4X (stainless steel) &amp; 12)</p> <p><b>Enclosure Finish:</b> ANSI 61 Grey, UL50</p> <p><b>Neutral:</b> Neutral terminal for field connection (on applicable units)</p> <p><b>Standard Primary Taps:</b> Refer to wiring diagrams for details</p> <p><b>Optional Accessories:</b></p> <ul style="list-style-type: none"> <li>• Thermal sensing &amp; indication</li> <li>• Thermocouples</li> <li>• Thermometers (analog/digital)</li> <li>• Thermostat alarm / trip (N.O. /N.C. contacts)</li> <li>• Electrostatic shielding</li> <li>• Rated to handle current harmonics [K4] [K9] [K13]</li> <li>• Strip heater (space heater to prevent condensation)</li> <li>• Surge protection devices</li> <li>• Type 3R or 4X available in stainless steel</li> <li>• Type 3R enhanced with baffling for horizontal blowing rain and snow</li> </ul>	<p><b>Termination:</b> Front accessible separate high and low voltage terminals; connectors suitable for aluminum and copper are provided for easy cable installation.</p> <p><b>Conduit Entry:</b> Side knock-outs standard on all units; Bottom entry provision (exceptions apply)</p> <p><b>Impedance:</b> Typically 1.8% to 7.5%</p> <p><b>Mounting:</b> Floor or wall/ceiling mounting available. Refer to selection tables for details.</p> <p><b>Seismic:</b> Seismically qualified according to the International Building Code (IBC) 2012, and the American Society of Civil Engineers ASCE 7-10 specifications, with the following design parameters: Spectral acceleration: <math>S_{DS} \leq 2.0</math> g Importance factor: <math>I_p = 1.5</math> Attachment/height ratio: <math>z/h = 1.0</math>" O.S.H.P.D. California Certified</p> <p><b>Sound Level:</b> Meets NEMA ST-20 standards (optional low noise units available)</p> <p><b>Warranty:</b> 10 years</p>
--	--

## HPS Sentinel Part Number Guide

Example

Family	Appl. Type	Generation	Phase	kVA				Pri. Volt.	Sec. Volt.	K Rating	Winding Material/ Electrostatic Shield	Temp. Rise & Insul. Class	Enclosure	Sound Level	Special Duty
				0	0	4	5								
S	G	3	A	0	0	4	5	K	B	0	K	F	K	3	M

### Family:

S - Sentinel

### Type:

G - General  
K - K Rated  
H - Harmonic Mitigation

### Generation:

2 - current designs  
3 - current designs

### Phase (Pri-Sec):<sup>1</sup>

A - 3PH Delta-Wye-N  
B - 3PH Wye-N-Delta  
C - 3PH Delta-Delta/CT<sup>2</sup>  
D - 3PH Delta-Delta  
Y - 3PH Wye-N-Wye-N  
T - 3PH Delta Zig Zag- 0° PH Shift  
U - 3PH Wye-N Zig Zag- -30°PH Shift  
L - 1PH Single-Dual  
N - 1PH Dual-Dual  
M - 1PH Multiple-Dual

### kVA:

kVA Rating

### Primary Voltage:

1PH	3PH
B 208	208D, 208Y/120
D 240	240D
F 277	
H 416	416D
K 480	480D, 480Y/277
L 240x480	
P 600	600D, 600Y/347
X multiple	

### Secondary Voltage:

1PH	3PH
B 208	208D or 208Y/120
D 240	240D, 240D/120CT or 240Y/139
E 120/240	
K 480	480D or 480Y/277
P 600	600D or 600Y/347
Y	380Y/220V w taps at 400Y, 416Y and 430Y

### K Rating:

0 = None\*  
4 = K4  
9 = K9  
3 = K13  
2 = K20 (max. 300 kVA)

### Winding Material/Electrostatic Shield:

A - Aluminum\*  
S - AL + Shield  
C - Copper  
K - CU + Shield

### Temperature Rise at standard 220°C

#### Insulation Class:

B - 80°C  
F - 115°C  
G - 130°C  
H - 150°C\*

### Enclosure:

A - Type 1	F - Type 4 <sup>3</sup>
B - Type 2	G - Type 4X (304SS) <sup>3</sup>
C - Type 3R*	H - Type 4X (316SS) <sup>3</sup>
D - Type 3RE	K - Type 12 <sup>3</sup>
E - Type 3RX	X - None (Core & Coil)

### Sound Level:

0 = Standard\*  
3 = -3 dB  
5 = -5 dB  
8 = -8 dB

### Special Duty:

None = Default  
D = Land Drilling  
M = Marine Duty

<sup>1</sup> Standard configurations winding vector per UL 1560

<sup>2</sup> Available standard only with 240D/120CT secondaries

<sup>3</sup> Outside of DOE scope - non energy efficient product provided unless otherwise specified

\* Default options -ignore if all following characters are default values.

## Support & Resources

No other transformer company can offer our service and quality in a full range of products.

### Transformer Efficiency Calculator



The HPS Efficiency Calculator allows you to determine how much money and energy you can save by switching to a HPS Sentinel G, K, or H transformer. Visit the "Online Tools" area of the HPS website.

### Extensive Inventory



We carry a complete inventory of Distribution Transformers throughout North America to quickly meet your needs.

### Current Calculator



Calculate the Amps, Volts, or kVA of a transformer. Visit the "Online Tools" area of the HPS website.

### Live Telephone Technical Support



Our inside sales team is available to quickly answer your questions. They are technically trained and able to answer most questions right over the phone.

### Fast On-Site Response



On-site technicians are available to assist with any technical problems or issues that cannot be resolved over the phone.

### Easy-To-Access Installation Manuals



All transformer installation manuals are conveniently located on our website so you can access them anywhere, anytime.

# Selection Tables

## HPS Sentinel G

Energy Efficient General Purpose Distribution



### ALUMINUM WOUND, SINGLE PHASE

208 Primary Volts

120/240 Secondary Volts

60 Hz

kVA	Catalog Number	Case Style	Approx. Dimensions (Inches)			Approx. Weight (Lbs.)	Mtg Type W - Wall F - Floor	Wiring Diagram
			Width	Depth	Height			
15	<b>SG3L0015BE</b>	DH1-1	22.30	23.80	26.70	160	F or W*/C*	SCD 6
25	<b>SG3L0025BE</b>	DH1-1	22.30	23.80	26.70	210	F or W*/C*	SCD 6
37.5	<b>SG3L0037BE</b>	DH1-1	22.30	23.80	26.70	270	F or W*/C*	SCD 6
50	<b>SG3L0050BE</b>	DH2	25.75	23.75	28.75	330	F or W*/C*	SCD 6
75	<b>SG3L0075BE</b>	DH3	28.25	27.00	36.00	480	F (Opt W/C)	SCD 6
100	<b>SG3L0100BE</b>	DH3	28.25	27.00	36.00	540	F (Opt W/C)	SCD 6
150	<b>SG3L0150BE</b>	DH4	31.50	29.50	44.50	790	F	SCD 68
167	<b>SG3L0167BE</b>	DH4	31.50	29.50	44.50	880	F	SCD 68

W/C: Built-in Wall Ceiling Mounting Opt W/C: Wall Ceiling Mounting Kit "DW3" Available OSHPD Certified for Floor Mounting Only

240 X 480 Primary Volts

120/240 Secondary Volts

60 Hz

kVA	Catalog Number	Case Style	Approx. Dimensions (Inches)			Approx. Weight (Lbs.)	Mtg Type W - Wall F - Floor	Wiring Diagram
			Width	Depth	Height			
15	<b>SG3N0015LE</b>	DH1-1	22.30	23.80	26.70	160	F or W*/C*	SCD 17
25	<b>SG3N0025LE</b>	DH1-1	22.30	23.80	26.70	210	F or W*/C*	SCD 17
37.5	<b>SG3N0037LE</b>	DH1-1	22.30	23.80	26.70	270	F or W*/C*	SCD 17
50	<b>SG3N0050LE</b>	DH2	25.75	23.75	28.75	330	F or W*/C*	SCD 17
75	<b>SG3N0075LE</b>	DH3	28.25	27.00	36.00	480	F (Opt W/C)	SCD 17
100	<b>SG3N0100LE</b>	DH3	28.25	27.00	36.00	540	F (Opt W/C)	SCD 17
150	Available with 480V or 240V single primaries only. Please contact your HPS Sales Representative.							
167	Available with 480V or 240V single primaries only. Please contact your HPS Sales Representative.							

W/C: Built-in Wall Ceiling Mounting Opt W/C: Wall Ceiling Mounting Kit "DW3" Available OSHPD Certified for Floor Mounting Only

277 Primary Volts

120/240 Secondary Volts

60 Hz

kVA	Catalog Number	Case Style	Approx. Dimensions (Inches)			Approx. Weight (Lbs.)	Mtg Type W - Wall F - Floor	Wiring Diagram
			Width	Depth	Height			
15	<b>SG3L0015FE</b>	DH1-1	22.30	23.80	26.70	160	F or W*/C*	SCD 6
25	<b>SG3L0025FE</b>	DH1-1	22.30	23.80	26.70	210	F or W*/C*	SCD 6
37.5	<b>SG3L0037FE</b>	DH1-1	22.30	23.80	26.70	270	F or W*/C*	SCD 6
50	<b>SG3L0050FE</b>	DH2	25.75	23.75	28.75	330	F or W*/C*	SCD 6
75	<b>SG3L0075FE</b>	DH3	28.25	27.00	36.00	480	F (Opt W/C)	SCD 6
100	<b>SG3L0100FE</b>	DH3	28.25	27.00	36.00	540	F (Opt W/C)	SCD 6
150	<b>SG3L0150FE</b>	DH4	31.50	29.50	44.50	790	F	SCD 68
167	<b>SG3L0167FE</b>	DH4	31.50	29.50	44.50	880	F	SCD 68

W/C: Built-in Wall Ceiling Mounting Opt W/C: Wall Ceiling Mounting Kit "DW3" Available OSHPD Certified for Floor Mounting Only

416 Primary Volts

120/240 Secondary Volts

60 Hz

kVA	Catalog Number	Case Style	Approx. Dimensions (Inches)			Approx. Weight (Lbs.)	Mtg Type W - Wall F - Floor	Wiring Diagram
			Width	Depth	Height			
15	<b>SG3L0015HE</b>	DH1-1	22.30	23.80	26.70	160	F or W*/C*	SCD 6
25	<b>SG3L0025HE</b>	DH1-1	22.30	23.80	26.70	210	F or W*/C*	SCD 6
37.5	<b>SG3L0037HE</b>	DH1-1	22.30	23.80	26.70	270	F or W*/C*	SCD 6
50	<b>SG3L0050HE</b>	DH2	25.75	23.75	28.75	330	F or W*/C*	SCD 6
75	<b>SG3L0075HE</b>	DH3	28.25	27.00	36.00	480	F (Opt W/C)	SCD 6
100	<b>SG3L0100HE</b>	DH3	28.25	27.00	36.00	540	F (Opt W/C)	SCD 6
150	<b>SG3L0150HE</b>	DH4	31.50	29.50	44.50	790	F	SCD 39
167	<b>SG3L0167HE</b>	DH4	31.50	29.50	44.50	880	F	SCD 39

W/C: Built-in Wall Ceiling Mounting Opt W/C: Wall Ceiling Mounting Kit "DW3" Available OSHPD Certified for Floor Mounting Only



# Selection Tables

HPS Sentinel G  
Energy Efficient General Purpose Distribution



## ALUMINUM WOUND, SINGLE PHASE



600 Primary Volts      120/240 Secondary Volts      60 Hz

kVA	Catalog Number	Case Style	Approx. Dimensions (Inches)			Approx. Weight (Lbs.)	Mtg Type W - Wall F - Floor	Wiring Diagram
			Width	Depth	Height			
15	<b>SG3L0015PE</b>	DH1-1	22.30	23.80	26.70	160	F or W*/C*	SCD 6
25	<b>SG3L0025PE</b>	DH1-1	22.30	23.80	26.70	210	F or W*/C*	SCD 6
37.5	<b>SG3L0037PE</b>	DH1-1	22.30	23.80	26.70	270	F or W*/C*	SCD 6
50	<b>SG3L0050PE</b>	DH2	25.75	23.75	28.75	330	F or W*/C*	SCD 6
75	<b>SG3L0075PE</b>	DH3	28.25	27.00	36.00	480	F (Opt W/C)	SCD 6
100	<b>SG3L0100PE</b>	DH3	28.25	27.00	36.00	540	F (Opt W/C)	SCD 6
150	<b>SG3L0150PE</b>	DH4	31.50	29.50	44.50	790	F	SCD 39
167	<b>SG3L0167PE</b>	DH4	31.50	29.50	44.50	880	F	SCD 39

W/C: Built-in Wall Ceiling Mounting    Opt W/C: Wall Ceiling Mounting Kit "DW3" Available    OSHPD Certified for Floor Mounting Only

## SINGLE PHASE, EXPORT MODEL

190/200/208/220 X 380/400/416/440 Primary Volts      120/240 Secondary Volts      50/60 Hz\*\*

kVA	Catalog Number	Case Style	Approx. Dimensions (Inches)			Approx. Weight (Lbs.)	Mtg Type W - Wall F - Floor	Wiring Diagram
			Width	Depth	Height			
15	<b>SG3M0015XE</b>	DH1-1	22.30	23.80	26.70	160	F or W*/C*	SCD 30
25	<b>SG3M0025XE</b>	DH1-1	22.30	23.80	26.70	210	F or W*/C*	SCD 30
37.5	<b>SG3M0037XE</b>	DH1-1	22.30	23.80	26.70	270	F or W*/C*	SCD 30
50	<b>SG3M0050XE</b>	DH2	25.75	23.75	28.75	330	F or W*/C*	SCD 30
75	<b>SG3M0075XE</b>	DH3	28.25	27.00	36.00	480	F (Opt W/C)	SCD 30
100	<b>SG3M0100XE</b>	DH3	28.25	27.00	36.00	540	F (Opt W/C)	SCD 30
150	<b>SG3M0150XE</b>	Please contact your HPS Sales Representative						
167	<b>SG3M0167XE</b>	Please contact your HPS Sales Representative						

W/C: Built-in Wall Ceiling Mounting    Opt W/C: Wall Ceiling Mounting Kit "DW3" Available    OSHPD Certified for Floor Mounting Only

\*\*Note: Meets DOE 10 CFR Part 431 at 60 Hz.

## COPPER WOUND, SINGLE PHASE

208 Primary Volts      120/240 Secondary Volts      60 Hz

kVA	Catalog Number	Case Style	Approx. Dimensions (Inches)			Approx. Weight (Lbs.)	Mtg Type W - Wall F - Floor	Wiring Diagram
			Width	Depth	Height			
15	<b>SG3L0015BE0C</b>	DH1-1	22.30	23.80	26.70	175	F or W*/C*	SCD 6
25	<b>SG3L0025BE0C</b>	DH1-1	22.30	23.80	26.70	230	F or W*/C*	SCD 6
37.5	<b>SG3L0037BE0C</b>	DH1-1	22.30	23.80	26.70	300	F or W*/C*	SCD 6
50	<b>SG3L0050BE0C</b>	DH2	25.75	23.75	28.75	350	F or W*/C*	SCD 6
75	<b>SG3L0075BE0C</b>	DH3	28.25	27.00	36.00	520	F (Opt W/C)	SCD 6
100	<b>SG3L0100BE0C</b>	DH3	28.25	27.00	36.00	630	F (Opt W/C)	SCD 6
150	<b>SG3L0150BE0C</b>	DH4	31.50	29.50	44.50	920	F	SCD 68
167	<b>SG3L0167BE0C</b>	DH4	31.50	29.50	44.50	980	F	SCD 68

W/C: Built-in Wall Ceiling Mounting    Opt W/C: Wall Ceiling Mounting Kit "DW3" Available    OSHPD Certified for Floor Mounting Only

240 X 480 Primary Volts      120/240 Secondary Volts      60 Hz

kVA	Catalog Number	Case Style	Approx. Dimensions (Inches)			Approx. Weight (Lbs.)	Mtg Type W - Wall F - Floor	Wiring Diagram
			Width	Depth	Height			
15	<b>SG3N0015LE0C</b>	DH1-1	22.30	23.80	26.70	175	F or W*/C*	SCD 17
25	<b>SG3N0025LE0C</b>	DH1-1	22.30	23.80	26.70	230	F or W*/C*	SCD 17
37.5	<b>SG3N0037LE0C</b>	DH1-1	22.30	23.80	26.70	300	F or W*/C*	SCD 17
50	<b>SG3N0050LE0C</b>	DH2	25.75	23.75	28.75	350	F or W*/C*	SCD 17
75	<b>SG3N0075LE0C</b>	DH3	28.25	27.00	36.00	520	F (Opt W/C)	SCD 17
100	<b>SG3N0100LE0C</b>	DH3	28.25	27.00	36.00	630	F (Opt W/C)	SCD 17
150	Available with 480V or 240V single primaries only. Please contact your HPS Sales Representative.							
167	Available with 480V or 240V single primaries only. Please contact your HPS Sales Representative.							

W/C: Built-in Wall Ceiling Mounting    Opt W/C: Wall Ceiling Mounting Kit "DW3" Available    OSHPD Certified for Floor Mounting Only

# Selection Tables

## HPS Sentinel G

Energy Efficient General Purpose Distribution



### COPPER WOUND, SINGLE PHASE

277 Primary Volts

120/240 Secondary Volts

60 Hz

kVA	Catalog Number	Case Style	Approx. Dimensions (Inches)			Approx. Weight (Lbs.)	Mtg Type W - Wall F - Floor	Wiring Diagram
			Width	Depth	Height			
15	SG3L0015FE0C	DH1-1	22.30	23.80	26.70	175	F or W*/C*	SCD 6
25	SG3L0025FE0C	DH1-1	22.30	23.80	26.70	230	F or W*/C*	SCD 6
37.5	SG3L0037FE0C	DH1-1	22.30	23.80	26.70	300	F or W*/C*	SCD 6
50	SG3L0050FE0C	DH2	25.75	23.75	28.75	350	F or W*/C*	SCD 6
75	SG3L0075FE0C	DH3	28.25	27.00	36.00	520	F (Opt W/C)	SCD 6
100	SG3L0100FE0C	DH3	28.25	27.00	36.00	630	F (Opt W/C)	SCD 6
150	SG3L0150FE0C	DH4	31.50	29.50	44.50	920	F	SCD 68
167	SG3L0167FE0C	DH4	31.50	29.50	44.50	980	F	SCD 68

W/C: Built-in Wall Ceiling Mounting Opt W/C: Wall Ceiling Mounting Kit "DW3" Available OSHPD Certified for Floor Mounting Only

416 Primary Volts

120/240 Secondary Volts

60 Hz

kVA	Catalog Number	Case Style	Approx. Dimensions (Inches)			Approx. Weight (Lbs.)	Mtg Type W - Wall F - Floor	Wiring Diagram
			Width	Depth	Height			
15	SG3L0015HE0C	DH1-1	22.30	23.80	26.70	175	F or W*/C*	SCD 6
25	SG3L0025HE0C	DH1-1	22.30	23.80	26.70	230	F or W*/C*	SCD 6
37.5	SG3L0037HE0C	DH1-1	22.30	23.80	26.70	300	F or W*/C*	SCD 6
50	SG3L0050HE0C	DH2	25.75	23.75	28.75	350	F or W*/C*	SCD 6
75	SG3L0075HE0C	DH3	28.25	27.00	36.00	520	F (Opt W/C)	SCD 6
100	SG3L0100HE0C	DH3	28.25	27.00	36.00	630	F (Opt W/C)	SCD 6
150	SG3L0150HE0C	DH4	31.50	29.50	44.50	920	F	SCD 39
167	SG3L0167HE0C	DH4	31.50	29.50	44.50	980	F	SCD 39

W/C: Built-in Wall Ceiling Mounting Opt W/C: Wall Ceiling Mounting Kit "DW3" Available OSHPD Certified for Floor Mounting Only

600 Primary Volts

120/240 Secondary Volts

60 Hz

kVA	Catalog Number	Case Style	Approx. Dimensions (Inches)			Approx. Weight (Lbs.)	Mtg Type W - Wall F - Floor	Wiring Diagram
			Width	Depth	Height			
15	SG3L0015PE0C	DH1-1	22.30	23.80	26.70	175	F or W*/C*	SCD 6
25	SG3L0025PE0C	DH1-1	22.30	23.80	26.70	230	F or W*/C*	SCD 6
37.5	SG3L0037PE0C	DH1-1	22.30	23.80	26.70	300	F or W*/C*	SCD 6
50	SG3L0050PE0C	DH2	25.75	23.75	28.75	350	F or W*/C*	SCD 6
75	SG3L0075PE0C	DH3	28.25	27.00	36.00	520	F (Opt W/C)	SCD 6
100	SG3L0100PE0C	DH3	28.25	27.00	36.00	630	F (Opt W/C)	SCD 6
150	SG3L0150PE0C	DH4	31.50	29.50	44.50	920	F	SCD 39
167	SG3L0167PE0C	DH4	31.50	29.50	44.50	980	F	SCD 39

W/C: Built-in Wall Ceiling Mounting Opt W/C: Wall Ceiling Mounting Kit "DW3" Available OSHPD Certified for Floor Mounting Only

### SINGLE PHASE, EXPORT MODEL

190/200/208/220 X 380/400/416/440 Primary Volts

120/240 Secondary Volts

50/60 Hz\*\*

kVA	Catalog Number	Case Style	Approx. Dimensions (Inches)			Approx. Weight (Lbs.)	Mtg Type W - Wall F - Floor	Wiring Diagram
			Width	Depth	Height			
15	SG3M0015XE0C	DH1-1	22.30	23.80	26.70	175	F or W*/C*	SCD 30
25	SG3M0025XE0C	DH1-1	22.30	23.80	26.70	230	F or W*/C*	SCD 30
37.5	SG3M0037XE0C	DH1-1	22.30	23.80	26.70	300	F or W*/C*	SCD 30
50	SG3M0050XE0C	DH2	25.75	23.75	28.75	350	F or W*/C*	SCD 30
75	SG3M0075XE0C	DH3	28.25	27.00	36.00	520	F (Opt W/C)	SCD 30
100	SG3M0100XE0C	DH3	28.25	27.00	36.00	630	F (Opt W/C)	SCD 30
150	SG3M0150XE0C	Please contact your HPS Sales Representative						
167	SG3M0167XE0C	Please contact your HPS Sales Representative						

W/C: Built-in Wall Ceiling Mounting Opt W/C: Wall Ceiling Mounting Kit "DW3" Available OSHPD Certified for Floor Mounting Only

\*\*Note: Meets DOE 10 CFR Part 431 at 60 Hz.

# Selection Tables

HPS Sentinel G  
Energy Efficient General Purpose Distribution



## ALUMINUM WOUND, THREE PHASE



208 Delta Primary Volts

208Y/120 Secondary Volts

60 Hz

kVA	Catalog Number	Case Style	Approx. Dimensions (Inches)			Approx. Weight (Lbs.)	Mtg Type W - Wall F - Floor	Wiring Diagram
			Width	Depth	Height			
15	<b>SG3A0015BB</b>	DH1	21.5	20.1	22.0	210	F or W/C	SCD 19
30	<b>SG3A0030BB</b>	DH2	25.8	23.8	28.8	310	F or W/C	SCD 19
45	<b>SG3A0045BB</b>	DH2	25.8	23.8	28.8	380	F or W/C	SCD 19
75	<b>SG3A0075BB</b>	DH3	28.3	27.0	36.0	510	F (Opt W/C)	SCD 19
112.5	<b>SG3A0112BB</b>	DH3	28.3	27.0	36.0	680	F (Opt W/C)	SCD 19
150	<b>SG3A0150BB</b>	DH4	31.5	29.5	44.5	870	F	SCD 19
225	<b>SG3A0225BB</b>	DH5	38.0	34.0	52.0	1350	F	SCD 7A
300	<b>SG3A0300BB</b>	DH5	38.0	34.0	52.0	1800	F	SCD 7A
500	<b>SG3A0500BB</b>	DH6	49.0	42.0	64.0	2750	F	SCD 8
750	<b>SG3A0750BB</b>	DH7	54.0	47.0	72.0	4100	F	SCD 60
1000	<b>SG3A1000BB</b>	DH8	60.0	50.0	82.0	5400	F	SCD 60

W/C: Built-in Wall Ceiling Mounting Opt W/C: Wall Ceiling Mounting Kit "DW3" Available OSHPD Certified for Floor Mounting Only

208 Delta Primary Volts

480Y/277 Secondary Volts

60 Hz

kVA	Catalog Number	Case Style	Approx. Dimensions (Inches)			Approx. Weight (Lbs.)	Mtg Type W - Wall F - Floor	Wiring Diagram
			Width	Depth	Height			
15	<b>SG3A0015BK</b>	DH1	21.5	20.1	22.0	210	F or W/C	SCD 53
30	<b>SG3A0030BK</b>	DH2	25.8	23.8	28.8	310	F or W/C	SCD 53
45	<b>SG3A0045BK</b>	DH2	25.8	23.8	28.8	380	F or W/C	SCD 53
75	<b>SG3A0075BK</b>	DH3	28.3	27.0	36.0	510	F (Opt W/C)	SCD 53
112.5	<b>SG3A0112BK</b>	DH3	28.3	27.0	36.0	680	F (Opt W/C)	SCD 53
150	<b>SG3A0150BK</b>	DH4	31.5	29.5	44.5	870	F	SCD 53
225	<b>SG3A0225BK</b>	DH5	38.0	34.0	52.0	1350	F	SCD 56
300	<b>SG3A0300BK</b>	DH5	38.0	34.0	52.0	1800	F	SCD 56
500	<b>SG3A0500BK</b>	DH6	49.0	42.0	64.0	2750	F	SCD 23A
750	<b>SG3A0750BK</b>	DH7	54.0	47.0	72.0	4100	F	SCD 61
1000	<b>SG3A1000BK</b>	DH8	60.0	50.0	82.0	5400	F	SCD 61

W/C: Built-in Wall Ceiling Mounting Opt W/C: Wall Ceiling Mounting Kit "DW3" Available OSHPD Certified for Floor Mounting Only

240 Delta Primary Volts

208Y/120 Secondary Volts

60 Hz

kVA	Catalog Number	Case Style	Approx. Dimensions (Inches)			Approx. Weight (Lbs.)	Mtg Type W - Wall F - Floor	Wiring Diagram
			Width	Depth	Height			
15	<b>SG3A0015DB</b>	DH1	21.5	20.1	22.0	210	F or W/C	SCD 19
30	<b>SG3A0030DB</b>	DH2	25.8	23.8	28.8	310	F or W/C	SCD 19
45	<b>SG3A0045DB</b>	DH2	25.8	23.8	28.8	380	F or W/C	SCD 19
75	<b>SG3A0075DB</b>	DH3	28.3	27.0	36.0	510	F (Opt W/C)	SCD 19
112.5	<b>SG3A0112DB</b>	DH3	28.3	27.0	36.0	680	F (Opt W/C)	SCD 19
150	<b>SG3A0150DB</b>	DH4	31.5	29.5	44.5	870	F	SCD 19
225	<b>SG3A0225DB</b>	DH5	38.0	34.0	52.0	1350	F	SCD 7A
300	<b>SG3A0300DB</b>	DH5	38.0	34.0	52.0	1800	F	SCD 7A
500	<b>SG3A0500DB</b>	DH6	49.0	42.0	64.0	2750	F	SCD 8
750	<b>SG3A0750DB</b>	DH7	54.0	47.0	72.0	4100	F	SCD 60
1000	<b>SG3A1000DB</b>	DH8	60.0	50.0	82.0	5400	F	SCD 60

W/C: Built-in Wall Ceiling Mounting Opt W/C: Wall Ceiling Mounting Kit "DW3" Available OSHPD Certified for Floor Mounting Only

# Selection Tables

## HPS Sentinel G

Energy Efficient General Purpose Distribution



### ALUMINUM WOUND, THREE PHASE

240 Delta Primary Volts

480Y/277 Secondary Volts

60 Hz

kVA	Catalog Number	Case Style	Approx. Dimensions (Inches)			Approx. Weight (Lbs.)	Mtg Type W - Wall F - Floor	Wiring Diagram
			Width	Depth	Height			
15	<b>SG3A0015DK</b>	DH1	21.5	20.1	22.0	210	F or W/C	SCD 53
30	<b>SG3A0030DK</b>	DH2	25.8	23.8	28.8	310	F or W/C	SCD 53
45	<b>SG3A0045DK</b>	DH2	25.8	23.8	28.8	380	F or W/C	SCD 53
75	<b>SG3A0075DK</b>	DH3	28.3	27.0	36.0	510	F (Opt W/C)	SCD 53
112.5	<b>SG3A0112DK</b>	DH3	28.3	27.0	36.0	680	F (Opt W/C)	SCD 53
150	<b>SG3A0150DK</b>	DH4	31.5	29.5	44.5	870	F	SCD 53
225	<b>SG3A0225DK</b>	DH5	38.0	34.0	52.0	1350	F	SCD 56
300	<b>SG3A0300DK</b>	DH5	38.0	34.0	52.0	1800	F	SCD 56
500	<b>SG3A0500DK</b>	DH6	49.0	42.0	64.0	2750	F	SCD 23A
750	<b>SG3A0750DK</b>	DH7	54.0	47.0	72.0	4100	F	SCD 61
1000	<b>SG3A1000DK</b>	DH8	60.0	50.0	82.0	5400	F	SCD 61

W/C: Built-in Wall Ceiling Mounting Opt W/C: Wall Ceiling Mounting Kit "DW3" Available OSHPD Certified for Floor Mounting Only

480 Delta Primary Volts

208Y/120 Secondary Volts

60 Hz

kVA	Catalog Number	Case Style	Approx. Dimensions (Inches)			Approx. Weight (Lbs.)	Mtg Type W - Wall F - Floor	Wiring Diagram
			Width	Depth	Height			
15	<b>SG3A0015KB</b>	DH1	21.5	20.1	22.0	210	F or W/C	SCD 19
30	<b>SG3A0030KB</b>	DH2	25.8	23.8	28.8	310	F or W/C	SCD 19
45	<b>SG3A0045KB</b>	DH2	25.8	23.8	28.8	380	F or W/C	SCD 19
75	<b>SG3A0075KB</b>	DH3	28.3	27.0	36.0	510	F (Opt W/C)	SCD 19
112.5	<b>SG3A0112KB</b>	DH3	28.3	27.0	36.0	680	F (Opt W/C)	SCD 19
150	<b>SG3A0150KB</b>	DH4	31.5	29.5	44.5	870	F	SCD 19
225	<b>SG3A0225KB</b>	DH5	38.0	34.0	52.0	1350	F	SCD 19
300	<b>SG3A0300KB</b>	DH5	38.0	34.0	52.0	1800	F	SCD 19
500	<b>SG3A0500KB</b>	DH6	49.0	42.0	64.0	2750	F	SCD 20
750	<b>SG3A0750KB</b>	DH7	54.0	47.0	72.0	4100	F	SCD 20
1000	<b>SG3A1000KB</b>	DH8	60.0	50.0	82.0	5400	F	SCD 10

W/C: Built-in Wall Ceiling Mounting Opt W/C: Wall Ceiling Mounting Kit "DW3" Available OSHPD Certified for Floor Mounting Only

480 Delta Primary Volts

240 Delta/120 CT Secondary Volts

60 Hz

kVA	Catalog Number	Case Style	Approx. Dimensions (Inches)			Approx. Weight (Lbs.)	Mtg Type W - Wall F - Floor	Wiring Diagram
			Width	Depth	Height			
15	<b>SG3C0015KD</b>	DH1	21.5	20.1	22.0	210	F or W/C	SCD 21
30	<b>SG3C0030KD</b>	DH2	25.8	23.8	28.8	310	F or W/C	SCD 21
45	<b>SG3C0045KD</b>	DH2	25.8	23.8	28.8	380	F or W/C	SCD 21
75	<b>SG3C0075KD</b>	DH3	28.3	27.0	36.0	510	F (Opt W/C)	SCD 21
112.5	<b>SG3C0112KD</b>	DH3	28.3	27.0	36.0	680	F (Opt W/C)	SCD 21
150	<b>SG3C0150KD</b>	DH4	31.5	29.5	44.5	870	F	SCD 21
225	<b>SG3C0225KD</b>	DH5	38.0	34.0	52.0	1350	F	SCD 21
300	<b>SG3C0300KD</b>	DH5	38.0	34.0	52.0	1800	F	SCD 21
500	<b>SG3C0500KD</b>	DH6	49.0	42.0	64.0	2750	F	SCD 22
750	<b>SG3C0750KD</b>	DH7	54.0	47.0	72.0	4100	F	SCD 22
1000	<b>SG3C1000KD</b>	DH8	60.0	50.0	82.0	5400	F	SCD 59

W/C: Built-in Wall Ceiling Mounting Opt W/C: Wall Ceiling Mounting Kit "DW3" Available OSHPD Certified for Floor Mounting Only

# Selection Tables

HPS Sentinel G  
Energy Efficient General Purpose Distribution



## ALUMINUM WOUND, THREE PHASE



480 Delta Primary Volts      380Y/220, 400Y/231, 416Y/240, 430Y/248 Secondary Volts      60 Hz

kVA	Catalog Number	Case Style	Approx. Dimensions (Inches)			Approx. Weight (Lbs.)	Mtg Type W - Wall F - Floor	Wiring Diagram
			Width	Depth	Height			
15	<b>SG3A0015KY</b>	DH1	21.5	20.1	22.0	210	F or W/C	SCD 52
30	<b>SG3A0030KY</b>	DH2	25.8	23.8	28.8	310	F or W/C	SCD 52
45	<b>SG3A0045KY</b>	DH2	25.8	23.8	28.8	380	F or W/C	SCD 52
75	<b>SG3A0075KY</b>	DH3	28.3	27.0	36.0	510	F (Opt W/C)	SCD 52
112.5	<b>SG3A0112KY</b>	DH3	28.3	27.0	36.0	680	F (Opt W/C)	SCD 52
150	<b>SG3A0150KY</b>	DH4	31.5	29.5	44.5	870	F	SCD 52
225	<b>SG3A0225KY</b>							
300	<b>SG3A0300KY</b>							
500	<b>SG3A0500KY</b>							
750	<b>SG3A0750KY</b>							
1000	<b>SG3A1000KY</b>							

Please contact your HPS Sales Representative

W/C: Built-in Wall Ceiling Mounting    Opt W/C: Wall Ceiling Mounting Kit "DW3" Available    OSHPD Certified for Floor Mounting Only

480 Delta Primary Volts      480Y/277 Secondary Volts      60 Hz

kVA	Catalog Number	Case Style	Approx. Dimensions (Inches)			Approx. Weight (Lbs.)	Mtg Type W - Wall F - Floor	Wiring Diagram
			Width	Depth	Height			
15	<b>SG3A0015KK</b>	DH1	21.5	20.1	22.0	210	F or W/C	SCD 19
30	<b>SG3A0030KK</b>	DH2	25.8	23.8	28.8	310	F or W/C	SCD 19
45	<b>SG3A0045KK</b>	DH2	25.8	23.8	28.8	380	F or W/C	SCD 19
75	<b>SG3A0075KK</b>	DH3	28.3	27.0	36.0	510	F (Opt W/C)	SCD 19
112.5	<b>SG3A0112KK</b>	DH3	28.3	27.0	36.0	680	F (Opt W/C)	SCD 19
150	<b>SG3A0150KK</b>	DH4	31.5	29.5	44.5	870	F	SCD 19
225	<b>SG3A0225KK</b>	DH5	38.0	34.0	52.0	1350	F	SCD 19
300	<b>SG3A0300KK</b>	DH5	38.0	34.0	52.0	1800	F	SCD 19
500	<b>SG3A0500KK</b>	DH6	49.0	42.0	64.0	2750	F	SCD 20
750	<b>SG3A0750KK</b>	DH7	54.0	47.0	72.0	4100	F	SCD 20
1000	<b>SG3A1000KK</b>	DH8	60.0	50.0	82.0	5400	F	SCD 10

W/C: Built-in Wall Ceiling Mounting    Opt W/C: Wall Ceiling Mounting Kit "DW3" Available    OSHPD Certified for Floor Mounting Only

600 Delta Primary Volts      208Y/120 Secondary Volts      60 Hz

kVA	Catalog Number	Case Style	Approx. Dimensions (Inches)			Approx. Weight (Lbs.)	Mtg Type W - Wall F - Floor	Wiring Diagram
			Width	Depth	Height			
15	<b>SG3A0015PB</b>	DH1	21.5	20.1	22.0	210	F or W/C	SCD 19
30	<b>SG3A0030PB</b>	DH2	25.8	23.8	28.8	310	F or W/C	SCD 19
45	<b>SG3A0045PB</b>	DH2	25.8	23.8	28.8	380	F or W/C	SCD 19
75	<b>SG3A0075PB</b>	DH3	28.3	27.0	36.0	510	F (Opt W/C)	SCD 19
112.5	<b>SG3A0112PB</b>	DH3	28.3	27.0	36.0	680	F (Opt W/C)	SCD 19
150	<b>SG3A0150PB</b>	DH4	31.5	29.5	44.5	870	F	SCD 19
225	<b>SG3A0225PB</b>	DH5	38.0	34.0	52.0	1350	F	SCD 19
300	<b>SG3A0300PB</b>	DH5	38.0	34.0	52.0	1800	F	SCD 19
500	<b>SG3A0500PB</b>	DH6	49.0	42.0	64.0	2750	F	SCD 20
750	<b>SG3A0750PB</b>	DH7	54.0	47.0	72.0	4100	F	SCD 20
1000	<b>SG3A1000PB</b>	DH8	60.0	50.0	82.0	5400	F	SCD 10

W/C: Built-in Wall Ceiling Mounting    Opt W/C: Wall Ceiling Mounting Kit "DW3" Available    OSHPD Certified for Floor Mounting Only

# Selection Tables

## HPS Sentinel G

Energy Efficient General Purpose Distribution

### ALUMINUM WOUND, THREE PHASE



600 Delta Primary Volts

480Y/277 Secondary Volts

60 Hz

kVA	Catalog Number	Case Style	Approx. Dimensions (Inches)			Approx. Weight (Lbs.)	Mtg Type W - Wall F - Floor	Wiring Diagram
			Width	Depth	Height			
15	<b>SG3A0015PK</b>	DH1	21.5	20.1	22.0	210	F or W/C	SCD 19
30	<b>SG3A0030PK</b>	DH2	25.8	23.8	28.8	310	F or W/C	SCD 19
45	<b>SG3A0045PK</b>	DH2	25.8	23.8	28.8	380	F or W/C	SCD 19
75	<b>SG3A0075PK</b>	DH3	28.3	27.0	36.0	510	F (Opt W/C)	SCD 19
112.5	<b>SG3A0112PK</b>	DH3	28.3	27.0	36.0	680	F (Opt W/C)	SCD 19
150	<b>SG3A0150PK</b>	DH4	31.5	29.5	44.5	870	F	SCD 19
225	<b>SG3A0225PK</b>	DH5	38.0	34.0	52.0	1350	F	SCD 19
300	<b>SG3A0300PK</b>	DH5	38.0	34.0	52.0	1800	F	SCD 19
500	<b>SG3A0500PK</b>	DH6	49.0	42.0	64.0	2750	F	SCD 20
750	<b>SG3A0750PK</b>	DH7	54.0	47.0	72.0	4100	F	SCD 20
1000	<b>SG3A1000PK</b>	DH8	60.0	50.0	82.0	5400	F	SCD 10

W/C: Built-in Wall Ceiling Mounting Opt W/C: Wall Ceiling Mounting Kit "DW3" Available OSHPD Certified for Floor Mounting Only

### COPPER WOUND, THREE PHASE

208 Delta Primary Volts

208Y/120 Secondary Volts

60 Hz

kVA	Catalog Number	Case Style	Approx. Dimensions (Inches)			Approx. Weight (Lbs.)	Mtg Type W - Wall F - Floor	Wiring Diagram
			Width	Depth	Height			
15	<b>SG3A0015BB0C</b>	DH1	21.5	20.1	22.0	210	F or W/C	SCD 19
30	<b>SG3A0030BB0C</b>	DH2	25.8	23.8	28.8	340	F or W/C	SCD 19
45	<b>SG3A0045BB0C</b>	DH2	25.8	23.8	28.8	400	F or W/C	SCD 19
75	<b>SG3A0075BB0C</b>	DH3	28.3	27.0	36.0	590	F (Opt W/C)	SCD 19
112.5	<b>SG3A0112BB0C</b>	DH3	28.3	27.0	36.0	740	F (Opt W/C)	SCD 19
150	<b>SG3A0150BB0C</b>	DH4	31.5	29.5	44.5	930	F	SCD 19
225	<b>SG3A0225BB0C</b>	DH4	31.5	29.5	44.5	1350	F	SCD 7A
300	<b>SG3A0300BB0C</b>	DH5	38.0	34.0	52.0	1800	F	SCD 7A
500	<b>SG3A0500BB0C</b>	DH6	49.0	42.0	64.0	3200	F	SCD 8
750	<b>SG3A0750BB0C</b>	DH6	49.0	42.0	64.0	4050	F	SCD 60
1000	<b>SG3A1000BB0C</b>	DH7	54.0	47.0	72.0	5200	F	SCD 60

W/C: Built-in Wall Ceiling Mounting Opt W/C: Wall Ceiling Mounting Kit "DW3" Available OSHPD Certified for Floor Mounting Only

208 Delta Primary Volts

480Y/277 Secondary Volts

60 Hz

kVA	Catalog Number	Case Style	Approx. Dimensions (Inches)			Approx. Weight (Lbs.)	Mtg Type W - Wall F - Floor	Wiring Diagram
			Width	Depth	Height			
15	<b>SG3A0015BK0C</b>	DH1	21.5	20.1	22.0	210	F or W/C	SCD 53
30	<b>SG3A0030BK0C</b>	DH2	25.8	23.8	28.8	340	F or W/C	SCD 53
45	<b>SG3A0045BK0C</b>	DH2	25.8	23.8	28.8	400	F or W/C	SCD 53
75	<b>SG3A0075BK0C</b>	DH3	28.3	27.0	36.0	590	F (Opt W/C)	SCD 53
112.5	<b>SG3A0112BK0C</b>	DH3	28.3	27.0	36.0	740	F (Opt W/C)	SCD 53
150	<b>SG3A0150BK0C</b>	DH4	31.5	29.5	44.5	930	F	SCD 53
225	<b>SG3A0225BK0C</b>	DH4	31.5	29.5	44.5	1350	F	SCD 56
300	<b>SG3A0300BK0C</b>	DH5	38.0	34.0	52.0	1800	F	SCD 56
500	<b>SG3A0500BK0C</b>	DH6	49.0	42.0	64.0	3200	F	SCD 23A
750	<b>SG3A0750BK0C</b>	DH6	49.0	42.0	64.0	4050	F	SCD 61
1000	<b>SG3A1000BK0C</b>	DH7	54.0	47.0	72.0	5200	F	SCD 61

W/C: Built-in Wall Ceiling Mounting Opt W/C: Wall Ceiling Mounting Kit "DW3" Available OSHPD Certified for Floor Mounting Only

# Selection Tables

HPS Sentinel G  
Energy Efficient General Purpose Distribution



## COPPER WOUND, THREE PHASE

240 Delta Primary Volts

208Y/120 Secondary Volts

60 Hz

kVA	Catalog Number	Case Style	Approx. Dimensions (Inches)			Approx. Weight (Lbs.)	Mtg Type W - Wall F - Floor	Wiring Diagram
			Width	Depth	Height			
15	<b>SG3A0015DB0C</b>	DH1	21.5	20.1	22.0	210	F or W/C	SCD 19
30	<b>SG3A0030DB0C</b>	DH2	25.8	23.8	28.8	340	F or W/C	SCD 19
45	<b>SG3A0045DB0C</b>	DH2	25.8	23.8	28.8	400	F or W/C	SCD 19
75	<b>SG3A0075DB0C</b>	DH3	28.3	27.0	36.0	590	F (Opt W/C)	SCD 19
112.5	<b>SG3A0112DB0C</b>	DH3	28.3	27.0	36.0	740	F (Opt W/C)	SCD 19
150	<b>SG3A0150DB0C</b>	DH4	31.5	29.5	44.5	930	F	SCD 19
225	<b>SG3A0225DB0C</b>	DH4	31.5	29.5	44.5	1350	F	SCD 7A
300	<b>SG3A0300DB0C</b>	DH5	38.0	34.0	52.0	1800	F	SCD 7A
500	<b>SG3A0500DB0C</b>	DH6	49.0	42.0	64.0	3200	F	SCD 8
750	<b>SG3A0750DB0C</b>	DH6	49.0	42.0	64.0	4050	F	SCD 60
1000	<b>SG3A1000DB0C</b>	DH7	54.0	47.0	72.0	5200	F	SCD 60

W/C: Built-in Wall Ceiling Mounting Opt W/C: Wall Ceiling Mounting Kit "DW3" Available OSHPD Certified for Floor Mounting Only

240 Delta Primary Volts

480Y/277 Secondary Volts

60 Hz

kVA	Catalog Number	Case Style	Approx. Dimensions (Inches)			Approx. Weight (Lbs.)	Mtg Type W - Wall F - Floor	Wiring Diagram
			Width	Depth	Height			
15	<b>SG3A0015DK0C</b>	DH1	21.5	20.1	22.0	210	F or W/C	SCD 53
30	<b>SG3A0030DK0C</b>	DH2	25.8	23.8	28.8	340	F or W/C	SCD 53
45	<b>SG3A0045DK0C</b>	DH2	25.8	23.8	28.8	400	F or W/C	SCD 53
75	<b>SG3A0075DK0C</b>	DH3	28.3	27.0	36.0	590	F (Opt W/C)	SCD 53
112.5	<b>SG3A0112DK0C</b>	DH3	28.3	27.0	36.0	740	F (Opt W/C)	SCD 53
150	<b>SG3A0150DK0C</b>	DH4	31.5	29.5	44.5	930	F	SCD 53
225	<b>SG3A0225DK0C</b>	DH4	31.5	29.5	44.5	1350	F	SCD 56
300	<b>SG3A0300DK0C</b>	DH5	38.0	34.0	52.0	1800	F	SCD 56
500	<b>SG3A0500DK0C</b>	DH6	49.0	42.0	64.0	3200	F	SCD 23A
750	<b>SG3A0750DK0C</b>	DH6	49.0	42.0	64.0	4050	F	SCD 61
1000	<b>SG3A1000DK0C</b>	DH7	54.0	47.0	72.0	5200	F	SCD 61

W/C: Built-in Wall Ceiling Mounting Opt W/C: Wall Ceiling Mounting Kit "DW3" Available OSHPD Certified for Floor Mounting Only

480 Delta Primary Volts

208Y/120 Secondary Volts

60 Hz

kVA	Catalog Number	Case Style	Approx. Dimensions (Inches)			Approx. Weight (Lbs.)	Mtg Type W - Wall F - Floor	Wiring Diagram
			Width	Depth	Height			
15	<b>SG3A0015KB0C</b>	DH1	21.5	20.1	22.0	210	F or W/C	SCD 19
30	<b>SG3A0030KB0C</b>	DH2	25.8	23.8	28.8	340	F or W/C	SCD 19
45	<b>SG3A0045KB0C</b>	DH2	25.8	23.8	28.8	400	F or W/C	SCD 19
75	<b>SG3A0075KB0C</b>	DH3	28.3	27.0	36.0	590	F (Opt W/C)	SCD 19
112.5	<b>SG3A0112KB0C</b>	DH3	28.3	27.0	36.0	740	F (Opt W/C)	SCD 19
150	<b>SG3A0150KB0C</b>	DH4	31.5	29.5	44.5	930	F	SCD 19
225	<b>SG3A0225KB0C</b>	DH4	31.5	29.5	44.5	1350	F	SCD 19
300	<b>SG3A0300KB0C</b>	DH5	38.0	34.0	52.0	1800	F	SCD 19
500	<b>SG3A0500KB0C</b>	DH6	49.0	42.0	64.0	3200	F	SCD 20
750	<b>SG3A0750KB0C</b>	DH6	49.0	42.0	64.0	4050	F	SCD 20
1000	<b>SG3A1000KB0C</b>	DH7	54.0	47.0	72.0	5200	F	SCD 10

W/C: Built-in Wall Ceiling Mounting Opt W/C: Wall Ceiling Mounting Kit "DW3" Available OSHPD Certified for Floor Mounting Only

# Selection Tables

## HPS Sentinel G

Energy Efficient General Purpose Distribution



### COPPER WOUND, THREE PHASE

480 Delta Primary Volts

240 Delta/120 CT Secondary Volts

60 Hz

kVA	Catalog Number	Case Style	Approx. Dimensions (Inches)			Approx. Weight (Lbs.)	Mtg Type W - Wall F - Floor	Wiring Diagram
			Width	Depth	Height			
15	SG3C0015KD0C	DH1	21.5	20.1	22.0	210	F or W/C	SCD 21
30	SG3C0030KD0C	DH2	25.8	23.8	28.8	340	F or W/C	SCD 21
45	SG3C0045KD0C	DH2	25.8	23.8	28.8	400	F or W/C	SCD 21
75	SG3C0075KD0C	DH3	28.3	27.0	36.0	590	F (Opt W/C)	SCD 21
112.5	SG3C0112KD0C	DH3	28.3	27.0	36.0	740	F (Opt W/C)	SCD 21
150	SG3C0150KD0C	DH4	31.5	29.5	44.5	930	F	SCD 21
225	SG3C0225KD0C	DH4	31.5	29.5	44.5	1350	F	SCD 21
300	SG3C0300KD0C	DH5	38.0	34.0	52.0	1800	F	SCD 21
500	SG3C0500KD0C	DH6	49.0	42.0	64.0	3200	F	SCD 22
750	SG3C0750KD0C	DH6	49.0	42.0	64.0	4050	F	SCD 22
1000	SG3C1000KD0C	DH7	54.0	47.0	72.0	5200	F	SCD 59

W/C: Built-in Wall Ceiling Mounting Opt W/C: Wall Ceiling Mounting Kit "DW3" Available OSHPD Certified for Floor Mounting Only

480 Delta Primary Volts

380Y, 400Y, 416Y, 430Y Secondary Volts

60 Hz

kVA	Catalog Number	Case Style	Approx. Dimensions (Inches)			Approx. Weight (Lbs.)	Mtg Type W - Wall F - Floor	Wiring Diagram
			Width	Depth	Height			
15	SG3A0015KY0C	DH1	21.5	20.1	22.0	210	F or W/C	SCD 52
30	SG3A0030KY0C	DH2	25.8	23.8	28.8	340	F or W/C	SCD 52
45	SG3A0045KY0C	DH2	25.8	23.8	28.8	400	F or W/C	SCD 52
75	SG3A0075KY0C	DH3	28.3	27.0	36.0	590	F (Opt W/C)	SCD 52
112.5	SG3A0112KY0C	DH3	28.3	27.0	36.0	740	F (Opt W/C)	SCD 52
150	SG3A0150KY0C	DH4	31.5	29.5	44.5	930	F	SCD 52
225	SG3A0225KY0C							
300	SG3A0300KY0C							
500	SG3A0500KY0C							
750	SG3A0750KY0C							
1000	SG3A1000KY0C							

Please contact your HPS Sales Representative

W/C: Built-in Wall Ceiling Mounting Opt W/C: Wall Ceiling Mounting Kit "DW3" Available OSHPD Certified for Floor Mounting Only

480 Delta Primary Volts

480Y/277 Secondary Volts

60 Hz

kVA	Catalog Number	Case Style	Approx. Dimensions (Inches)			Approx. Weight (Lbs.)	Mtg Type W - Wall F - Floor	Wiring Diagram
			Width	Depth	Height			
15	SG3A0015KK0C	DH1	21.5	20.1	22.0	210	F or W/C	SCD 19
30	SG3A0030KK0C	DH2	25.8	23.8	28.8	340	F or W/C	SCD 19
45	SG3A0045KK0C	DH2	25.8	23.8	28.8	400	F or W/C	SCD 19
75	SG3A0075KK0C	DH3	28.3	27.0	36.0	590	F (Opt W/C)	SCD 19
112.5	SG3A0112KK0C	DH3	28.3	27.0	36.0	740	F (Opt W/C)	SCD 19
150	SG3A0150KK0C	DH4	31.5	29.5	44.5	930	F	SCD 19
225	SG3A0225KK0C	DH4	31.5	29.5	44.5	1350	F	SCD 19
300	SG3A0300KK0C	DH5	38.0	34.0	52.0	1800	F	SCD 19
500	SG3A0500KK0C	DH6	49.0	42.0	64.0	3200	F	SCD 20
750	SG3A0750KK0C	DH6	49.0	42.0	64.0	4050	F	SCD 20
1000	SG3A1000KK0C	DH7	54.0	47.0	72.0	5200	F	SCD 10

W/C: Built-in Wall Ceiling Mounting Opt W/C: Wall Ceiling Mounting Kit "DW3" Available OSHPD Certified for Floor Mounting Only



# Selection Tables

HPS Sentinel G  
Energy Efficient General Purpose Distribution



## COPPER WOUND, THREE PHASE



600 Delta Primary Volts

208Y/120 Secondary Volts

60 Hz

kVA	Catalog Number	Case Style	Approx. Dimensions (Inches)			Approx. Weight (Lbs.)	Mtg Type W - Wall F - Floor	Wiring Diagram
			Width	Depth	Height			
15	<b>SG3A0015PB0C</b>	DH1	21.5	20.1	22.0	210	F or W/C	SCD 19
30	<b>SG3A0030PB0C</b>	DH2	25.8	23.8	28.8	340	F or W/C	SCD 19
45	<b>SG3A0045PB0C</b>	DH2	25.8	23.8	28.8	400	F or W/C	SCD 19
75	<b>SG3A0075PB0C</b>	DH3	28.3	27.0	36.0	590	F (Opt W/C)	SCD 19
112.5	<b>SG3A0112PB0C</b>	DH3	28.3	27.0	36.0	740	F (Opt W/C)	SCD 19
150	<b>SG3A0150PB0C</b>	DH4	31.5	29.5	44.5	930	F	SCD 19
225	<b>SG3A0225PB0C</b>	DH4	31.5	29.5	44.5	1350	F	SCD 19
300	<b>SG3A0300PB0C</b>	DH5	38.0	34.0	52.0	1800	F	SCD 19
500	<b>SG3A0500PB0C</b>	DH6	49.0	42.0	64.0	3200	F	SCD 20
750	<b>SG3A0750PB0C</b>	DH6	49.0	42.0	64.0	4050	F	SCD 20
1000	<b>SG3A1000PB0C</b>	DH7	54.0	47.0	72.0	5200	F	SCD 10

W/C: Built-in Wall Ceiling Mounting Opt W/C: Wall Ceiling Mounting Kit "DW3" Available OSHPD Certified for Floor Mounting Only

600 Delta Primary Volts

480Y/277 Secondary Volts

60 Hz

kVA	Catalog Number	Case Style	Approx. Dimensions (Inches)			Approx. Weight (Lbs.)	Mtg Type W - Wall F - Floor	Wiring Diagram
			Width	Depth	Height			
15	<b>SG3A0015PK0C</b>	DH1	21.5	20.1	22.0	210	F or W/C	SCD 19
30	<b>SG3A0030PK0C</b>	DH2	25.8	23.8	28.8	340	F or W/C	SCD 19
45	<b>SG3A0045PK0C</b>	DH2	25.8	23.8	28.8	400	F or W/C	SCD 19
75	<b>SG3A0075PK0C</b>	DH3	28.3	27.0	36.0	590	F (Opt W/C)	SCD 19
112.5	<b>SG3A0112PK0C</b>	DH3	28.3	27.0	36.0	740	F (Opt W/C)	SCD 19
150	<b>SG3A0150PK0C</b>	DH4	31.5	29.5	44.5	930	F	SCD 19
225	<b>SG3A0225PK0C</b>	DH4	31.5	29.5	44.5	1350	F	SCD 19
300	<b>SG3A0300PK0C</b>	DH5	38.0	34.0	52.0	1800	F	SCD 19
500	<b>SG3A0500PK0C</b>	DH6	49.0	42.0	64.0	3200	F	SCD 20
750	<b>SG3A0750PK0C</b>	DH6	49.0	42.0	64.0	4050	F	SCD 20
1000	<b>SG3A1000PK0C</b>	DH7	54.0	47.0	72.0	5200	F	SCD 10

W/C: Built-in Wall Ceiling Mounting Opt W/C: Wall Ceiling Mounting Kit "DW3" Available OSHPD Certified for Floor Mounting Only

# Selection Tables

HPS Sentinel K  
Energy Efficient K-Factor

## K-FACTOR 4

### ALUMINUM WOUND, SHIELDED, THREE PHASE

480 Delta Primary Volts

208Y/120 Secondary Volts



kVA	Catalog Number	Case Style	Approx. Dimensions (Inches)			Approx. Weight (Lbs.)	Mtg Type W - Wall F - Floor	Wiring Diagram
			Width	Depth	Height			
15	SK3A0015KB4S	DH1	21.5	20.13	22	220	F or W/C	SCD 19
30	SK3A0030KB4S	DH2	25.75	23.75	28.75	320	F or W/C	SCD 19
45	SK3A0045KB4S	DH2	25.75	23.75	28.75	390	F or W/C	SCD 19
75	SK3A0075KB4S	DH3	28.25	27	36	530	F (Opt W/C)	SCD 19
112.5	SK3A0112KB4S	DH3	28.25	27	36	690	F (Opt W/C)	SCD 19
150	SK3A0150KB4S	DH4	31.5	29.5	44.5	900	F	SCD 19
225	SK3A0225KB4S	DH5	38.0	34	52	1380	F	SCD 19
300	SK3A0300KB4S	DH5	38.0	34	52	1830	F	SCD 19
500	SK3A0500KB4S	DH6	49.0	42.0	64.0	2800	F	SCD 20
750	SK3A0750KB4S	DH7	54.0	47.0	72.0	4200	F	SCD 20
1000	SK3A1000KB4S	DH8	60.0	50.0	82.0	5500	F	SCD 10

W/C: Built-in Wall Ceiling Mounting Opt W/C: Wall Ceiling Mounting Kit "DW3" Available OSHPD Certified for Floor Mounting Only

480 Delta Primary Volts

480Y/277 Secondary Volts

60 Hz

kVA	Catalog Number	Case Style	Approx. Dimensions (Inches)			Approx. Weight (Lbs.)	Mtg Type W - Wall F - Floor	Wiring Diagram
			Width	Depth	Height			
15	SK3A0015KK4S	DH1	21.5	20.13	22	220	F or W/C	SCD 19
30	SK3A0030KK4S	DH2	25.75	23.75	28.75	320	F or W/C	SCD 19
45	SK3A0045KK4S	DH2	25.75	23.75	28.75	390	F or W/C	SCD 19
75	SK3A0075KK4S	DH3	28.25	27	36	530	F (Opt W/C)	SCD 19
112.5	SK3A0112KK4S	DH3	28.25	27	36	690	F (Opt W/C)	SCD 19
150	SK3A0150KK4S	DH4	31.5	29.5	44.5	900	F	SCD 19
225	SK3A0225KK4S	DH5	38.0	34	52	1380	F	SCD 19
300	SK3A0300KK4S	DH5	38.0	34	52	1830	F	SCD 19
500	SK3A0500KK4S	DH6	49.0	42.0	64.0	2800	F	SCD 20
750	SK3A0750KK4S	DH7	54.0	47.0	72.0	4200	F	SCD 20
1000	SK3A1000KK4S	DH8	60.0	50.0	82.0	5500	F	SCD 10

W/C: Built-in Wall Ceiling Mounting Opt W/C: Wall Ceiling Mounting Kit "DW3" Available OSHPD Certified for Floor Mounting Only

600 Delta Primary Volts

208Y/120 Secondary Volts

60 Hz

kVA	Catalog Number	Case Style	Approx. Dimensions (Inches)			Approx. Weight (Lbs.)	Mtg Type W - Wall F - Floor	Wiring Diagram
			Width	Depth	Height			
15	SK3A0015PB4S	DH1	21.5	20.13	22	220	F or W/C	SCD 19
30	SK3A0030PB4S	DH2	25.75	23.75	28.75	320	F or W/C	SCD 19
45	SK3A0045PB4S	DH2	25.75	23.75	28.75	390	F or W/C	SCD 19
75	SK3A0075PB4S	DH3	28.25	27	36	530	F (Opt W/C)	SCD 19
112.5	SK3A0112PB4S	DH3	28.25	27	36	690	F (Opt W/C)	SCD 19
150	SK3A0150PB4S	DH4	31.5	29.5	44.5	900	F	SCD 19
225	SK3A0225PB4S	DH5	38.0	34	52	1380	F	SCD 19
300	SK3A0300PB4S	DH5	38.0	34	52	1830	F	SCD 19
500	SK3A0500PB4S	DH6	49.0	42.0	64.0	2800	F	SCD 20
750	SK3A0750PB4S	DH7	54.0	47.0	72.0	4200	F	SCD 20
1000	SK3A1000PB4S	DH8	60.0	50.0	82.0	5500	F	SCD 10

W/C: Built-in Wall Ceiling Mounting Opt W/C: Wall Ceiling Mounting Kit "DW3" Available OSHPD Certified for Floor Mounting Only

600 Delta Primary Volts

480Y/277 Secondary Volts

60 Hz

kVA	Catalog Number	Case Style	Approx. Dimensions (Inches)			Approx. Weight (Lbs.)	Mtg Type W - Wall F - Floor	Wiring Diagram
			Width	Depth	Height			
15	SK3A0015PK4S	DH1	21.5	20.13	22	220	F or W/C	SCD 19
30	SK3A0030PK4S	DH2	25.75	23.75	28.75	320	F or W/C	SCD 19
45	SK3A0045PK4S	DH2	25.75	23.75	28.75	390	F or W/C	SCD 19
75	SK3A0075PK4S	DH3	28.25	27	36	530	F (Opt W/C)	SCD 19
112.5	SK3A0112PK4S	DH3	28.25	27	36	690	F (Opt W/C)	SCD 19
150	SK3A0150PK4S	DH4	31.5	29.5	44.5	900	F	SCD 19
225	SK3A0225PK4S	DH5	38.0	34	52	1380	F	SCD 19
300	SK3A0300PK4S	DH5	38.0	34	52	1830	F	SCD 19
500	SK3A0500PK4S	DH6	49.0	42.0	64.0	2800	F	SCD 20
750	SK3A0750PK4S	DH7	54.0	47.0	72.0	4200	F	SCD 20
1000	SK3A1000PK4S	DH8	60.0	50.0	82.0	5500	F	SCD 10

W/C: Built-in Wall Ceiling Mounting Opt W/C: Wall Ceiling Mounting Kit "DW3" Available OSHPD Certified for Floor Mounting Only

# Selection Tables

HPS Sentinel K  
Energy Efficient K-Factor



## K-FACTOR 4 COPPER WOUND, SHIELDED, THREE PHASE

480 Delta Primary Volts                      208Y/120 Secondary Volts                      60 Hz

kVA	Catalog Number	Case Style	Approx. Dimensions (Inches)			Approx. Weight (Lbs.)	Mtg Type W - Wall F - Floor	Wiring Diagram
			Width	Depth	Height			
15	SK3A0015KB4K	DH1	21.5	20.13	22	220	F or W/C	SCD 19
30	SK3A0030KB4K	DH2	25.75	23.75	28.75	350	F or W/C	SCD 19
45	SK3A0045KB4K	DH2	25.75	23.75	28.75	410	F or W/C	SCD 19
75	SK3A0075KB4K	DH3	28.25	27	36	600	F (Opt W/C)	SCD 19
112.5	SK3A0112KB4K	DH3	28.25	27	36	760	F (Opt W/C)	SCD 19
150	SK3A0150KB4K	DH4	31.5	29.5	44.5	950	F	SCD 19
225	SK3A0225KB4K	DH4	31.5	29.5	44.5	1380	F	SCD 19
300	SK3A0300KB4K	DH5	38.0	34	52	1830	F	SCD 19
500	SK3A0500KB4K	DH6	49.0	42.0	64.0	3250	F	SCD 20
750	SK3A0750KB4K	DH6	49.0	42.0	64.0	4100	F	SCD 20
1000	SK3A1000KB4K	DH7	54.0	47.0	72.0	5300	F	SCD 10

W/C: Built-in Wall Ceiling Mounting    Opt W/C: Wall Ceiling Mounting Kit "DW3" Available    OSHPD Certified for Floor Mounting Only

480 Delta Primary Volts                      480Y/277 Secondary Volts                      60 Hz

kVA	Catalog Number	Case Style	Approx. Dimensions (Inches)			Approx. Weight (Lbs.)	Mtg Type W - Wall F - Floor	Wiring Diagram
			Width	Depth	Height			
15	SK3A0015KK4K	DH1	21.5	20.13	22	220	F or W/C	SCD 19
30	SK3A0030KK4K	DH2	25.75	23.75	28.75	350	F or W/C	SCD 19
45	SK3A0045KK4K	DH2	25.75	23.75	28.75	410	F or W/C	SCD 19
75	SK3A0075KK4K	DH3	28.25	27	36	600	F (Opt W/C)	SCD 19
112.5	SK3A0112KK4K	DH3	28.25	27	36	760	F (Opt W/C)	SCD 19
150	SK3A0150KK4K	DH4	31.5	29.5	44.5	950	F	SCD 19
225	SK3A0225KK4K	DH4	31.5	29.5	44.5	1380	F	SCD 19
300	SK3A0300KK4K	DH5	38.0	34	52	1830	F	SCD 19
500	SK3A0500KK4K	DH6	49.0	42.0	64.0	3250	F	SCD 20
750	SK3A0750KK4K	DH6	49.0	42.0	64.0	4100	F	SCD 20
1000	SK3A1000KK4K	DH7	54.0	47.0	72.0	5300	F	SCD 10

W/C: Built-in Wall Ceiling Mounting    Opt W/C: Wall Ceiling Mounting Kit "DW3" Available    OSHPD Certified for Floor Mounting Only

600 Delta Primary Volts                      208Y/120 Secondary Volts                      60 Hz

kVA	Catalog Number	Case Style	Approx. Dimensions (Inches)			Approx. Weight (Lbs.)	Mtg Type W - Wall F - Floor	Wiring Diagram
			Width	Depth	Height			
15	SK3A0015PB4K	DH1	21.5	20.13	22	220	F or W/C	SCD 19
30	SK3A0030PB4K	DH2	25.75	23.75	28.75	350	F or W/C	SCD 19
45	SK3A0045PB4K	DH2	25.75	23.75	28.75	410	F or W/C	SCD 19
75	SK3A0075PB4K	DH3	28.25	27	36	600	F (Opt W/C)	SCD 19
112.5	SK3A0112PB4K	DH3	28.25	27	36	760	F (Opt W/C)	SCD 19
150	SK3A0150PB4K	DH4	31.5	29.5	44.5	950	F	SCD 19
225	SK3A0225PB4K	DH4	31.5	29.5	44.5	1380	F	SCD 19
300	SK3A0300PB4K	DH5	38.0	34	52	1830	F	SCD 19
500	SK3A0500PB4K	DH6	49.0	42.0	64.0	3250	F	SCD 20
750	SK3A0750PB4K	DH6	49.0	42.0	64.0	4100	F	SCD 20
1000	SK3A1000PB4K	DH7	54.0	47.0	72.0	5300	F	SCD 10

W/C: Built-in Wall Ceiling Mounting    Opt W/C: Wall Ceiling Mounting Kit "DW3" Available    OSHPD Certified for Floor Mounting Only

600 Delta Primary Volts                      480Y/277 Secondary Volts                      60 Hz

kVA	Catalog Number	Case Style	Approx. Dimensions (Inches)			Approx. Weight (Lbs.)	Mtg Type W - Wall F - Floor	Wiring Diagram
			Width	Depth	Height			
15	SK3A0015PK4K	DH1	21.5	20.13	22	220	F or W/C	SCD 19
30	SK3A0030PK4K	DH2	25.75	23.75	28.75	350	F or W/C	SCD 19
45	SK3A0045PK4K	DH2	25.75	23.75	28.75	410	F or W/C	SCD 19
75	SK3A0075PK4K	DH3	28.25	27	36	600	F (Opt W/C)	SCD 19
112.5	SK3A0112PK4K	DH3	28.25	27	36	760	F (Opt W/C)	SCD 19
150	SK3A0150PK4K	DH4	31.5	29.5	44.5	950	F	SCD 19
225	SK3A0225PK4K	DH4	31.5	29.5	44.5	1380	F	SCD 19
300	SK3A0300PK4K	DH5	38.0	34	52	1830	F	SCD 19
500	SK3A0500PK4K	DH6	49.0	42.0	64.0	3250	F	SCD 20
750	SK3A0750PK4K	DH6	49.0	42.0	64.0	4100	F	SCD 20
1000	SK3A1000PK4K	DH7	54.0	47.0	72.0	5300	F	SCD 10

W/C: Built-in Wall Ceiling Mounting    Opt W/C: Wall Ceiling Mounting Kit "DW3" Available    OSHPD Certified for Floor Mounting Only

# Selection Tables

HPS Sentinel K  
Energy Efficient K-Factor

## K-FACTOR 9

### ALUMINUM WOUND, SHIELDED, THREE PHASE



480 Delta Primary Volts

208Y/120 Secondary Volts

60 Hz

kVA	Catalog Number	Case Style	Approx. Dimensions (Inches)			Approx. Weight (Lbs.)	Mtg Type W - Wall F - Floor	Wiring Diagram
			Width	Depth	Height			
15	SK3A0015KB9S	DH1	21.5	20.13	22	230	F or W/C	SCD 19
30	SK3A0030KB9S	DH2	25.75	23.75	28.75	330	F or W/C	SCD 19
45	SK3A0045KB9S	DH2	25.75	23.75	28.75	410	F or W/C	SCD 19
75	SK3A0075KB9S	DH3	28.25	27	36	550	F (Opt W/C)	SCD 19
112.5	SK3A0112KB9S	DH3	28.25	27	36	720	F (Opt W/C)	SCD 19
150	SK3A0150KB9S	DH4	31.5	29.5	44.5	1040	F	SCD 19
225	SK3A0225KB9S	DH5	38.0	34	52	1470	F	SCD 19
300	SK3A0300KB9S	DH5	38.0	34	52	1930	F	SCD 19
500	SK3A0500KB9S	DH6	49.0	42.0	64.0	2850	F	SCD 20
750	SK3A0750KB9S	DH7	54.0	47.0	72.0	4250	F	SCD 20
1000	SK3A1000KB9S	DH8	60.0	50.0	82.0	5600	F	SCD 10

W/C: Built-in Wall Ceiling Mounting Opt W/C: Wall Ceiling Mounting Kit "DW3" Available OSHPD Certified for Floor Mounting Only

480 Delta Primary Volts

480Y/277 Secondary Volts

60 Hz

kVA	Catalog Number	Case Style	Approx. Dimensions (Inches)			Approx. Weight (Lbs.)	Mtg Type W - Wall F - Floor	Wiring Diagram
			Width	Depth	Height			
15	SK3A0015KK9S	DH1	21.5	20.13	22	230	F or W/C	SCD 19
30	SK3A0030KK9S	DH2	25.75	23.75	28.75	330	F or W/C	SCD 19
45	SK3A0045KK9S	DH2	25.75	23.75	28.75	410	F or W/C	SCD 19
75	SK3A0075KK9S	DH3	28.25	27	36	550	F (Opt W/C)	SCD 19
112.5	SK3A0112KK9S	DH3	28.25	27	36	720	F (Opt W/C)	SCD 19
150	SK3A0150KK9S	DH4	31.5	29.5	44.5	1040	F	SCD 19
225	SK3A0225KK9S	DH5	38.0	34	52	1470	F	SCD 19
300	SK3A0300KK9S	DH5	38.0	34	52	1930	F	SCD 19
500	SK3A0500KK9S	DH6	49.0	42.0	64.0	2850	F	SCD 20
750	SK3A0750KK9S	DH7	54.0	47.0	72.0	4250	F	SCD 20
1000	SK3A1000KK9S	DH8	60.0	50.0	82.0	5600	F	SCD 10

W/C: Built-in Wall Ceiling Mounting Opt W/C: Wall Ceiling Mounting Kit "DW3" Available OSHPD Certified for Floor Mounting Only

600 Delta Primary Volts

208Y/120 Secondary Volts

60 Hz

kVA	Catalog Number	Case Style	Approx. Dimensions (Inches)			Approx. Weight (Lbs.)	Mtg Type W - Wall F - Floor	Wiring Diagram
			Width	Depth	Height			
15	SK3A0015PB9S	DH1	21.5	20.13	22	230	F or W/C	SCD 19
30	SK3A0030PB9S	DH2	25.75	23.75	28.75	330	F or W/C	SCD 19
45	SK3A0045PB9S	DH2	25.75	23.75	28.75	410	F or W/C	SCD 19
75	SK3A0075PB9S	DH3	28.25	27	36	550	F (Opt W/C)	SCD 19
112.5	SK3A0112PB9S	DH3	28.25	27	36	720	F (Opt W/C)	SCD 19
150	SK3A0150PB9S	DH4	31.5	29.5	44.5	1040	F	SCD 19
225	SK3A0225PB9S	DH5	38.0	34	52	1470	F	SCD 19
300	SK3A0300PB9S	DH5	38.0	34	52	1930	F	SCD 19
500	SK3A0500PB9S	DH6	49.0	42.0	64.0	2850	F	SCD 20
750	SK3A0750PB9S	DH7	54.0	47.0	72.0	4250	F	SCD 20
1000	SK3A1000PB9S	DH8	60.0	50.0	82.0	5600	F	SCD 10

W/C: Built-in Wall Ceiling Mounting Opt W/C: Wall Ceiling Mounting Kit "DW3" Available OSHPD Certified for Floor Mounting Only

600 Delta Primary Volts

480Y/277 Secondary Volts

60 Hz

kVA	Catalog Number	Case Style	Approx. Dimensions (Inches)			Approx. Weight (Lbs.)	Mtg Type W - Wall F - Floor	Wiring Diagram
			Width	Depth	Height			
15	SK3A0015PK9S	DH1	21.5	20.13	22	230	F or W/C	SCD 19
30	SK3A0030PK9S	DH2	25.75	23.75	28.75	330	F or W/C	SCD 19
45	SK3A0045PK9S	DH2	25.75	23.75	28.75	410	F or W/C	SCD 19
75	SK3A0075PK9S	DH3	28.25	27	36	550	F (Opt W/C)	SCD 19
112.5	SK3A0112PK9S	DH3	28.25	27	36	720	F (Opt W/C)	SCD 19
150	SK3A0150PK9S	DH4	31.5	29.5	44.5	1040	F	SCD 19
225	SK3A0225PK9S	DH5	38.0	34	52	1470	F	SCD 19
300	SK3A0300PK9S	DH5	38.0	34	52	1930	F	SCD 19
500	SK3A0500PK9S	DH6	49.0	42.0	64.0	2850	F	SCD 20
750	SK3A0750PK9S	DH7	54.0	47.0	72.0	4250	F	SCD 20
1000	SK3A1000PK9S	DH8	60.0	50.0	82.0	5600	F	SCD 10

W/C: Built-in Wall Ceiling Mounting Opt W/C: Wall Ceiling Mounting Kit "DW3" Available OSHPD Certified for Floor Mounting Only

# Selection Tables

HPS Sentinel K  
Energy Efficient K-Factor



## K-FACTOR 9 COPPER WOUND, SHIELDED, THREE PHASE

480 Delta Primary Volts

208Y/120 Secondary Volts

60 Hz

kVA	Catalog Number	Case Style	Approx. Dimensions (Inches)			Approx. Weight (Lbs.)	Mtg Type W - Wall F - Floor	Wiring Diagram
			Width	Depth	Height			
15	SK3A0015KB9K	DH1	21.5	20.13	22	230	F or W/C	SCD 19
30	SK3A0030KB9K	DH2	25.75	23.75	28.75	360	F or W/C	SCD 19
45	SK3A0045KB9K	DH2	25.75	23.75	28.75	420	F or W/C	SCD 19
75	SK3A0075KB9K	DH3	28.25	27	36	610	F (Opt W/C)	SCD 19
112.5	SK3A0112KB9K	DH3	28.25	27	36	830	F (Opt W/C)	SCD 19
150	SK3A0150KB9K	DH4	31.5	29.5	44.5	1080	F	SCD 19
225	SK3A0225KB9K	DH4	31.5	29.5	44.5	1600	F	SCD 19
300	SK3A0300KB9K	DH5	38.0	34	52	2040	F	SCD 19
500	SK3A0500KB9K	DH6	49.0	42.0	64.0	3300	F	SCD 20
750	SK3A0750KB9K	DH6	49.0	42.0	64.0	4400	F	SCD 20
1000	SK3A1000KB9K	DH7	54.0	47.0	72.0	5400	F	SCD 10

W/C: Built-in Wall Ceiling Mounting Opt W/C: Wall Ceiling Mounting Kit "DW3" Available OSHPD Certified for Floor Mounting Only

480 Delta Primary Volts

480Y/277 Secondary Volts

60 Hz

kVA	Catalog Number	Case Style	Approx. Dimensions (Inches)			Approx. Weight (Lbs.)	Mtg Type W - Wall F - Floor	Wiring Diagram
			Width	Depth	Height			
15	SK3A0015KK9K	DH1	21.5	20.13	22	230	F or W/C	SCD 19
30	SK3A0030KK9K	DH2	25.75	23.75	28.75	360	F or W/C	SCD 19
45	SK3A0045KK9K	DH2	25.75	23.75	28.75	420	F or W/C	SCD 19
75	SK3A0075KK9K	DH3	28.25	27	36	610	F (Opt W/C)	SCD 19
112.5	SK3A0112KK9K	DH3	28.25	27	36	830	F (Opt W/C)	SCD 19
150	SK3A0150KK9K	DH4	31.5	29.5	44.5	1080	F	SCD 19
225	SK3A0225KK9K	DH4	31.5	29.5	44.5	1600	F	SCD 19
300	SK3A0300KK9K	DH5	38.0	34	52	2040	F	SCD 19
500	SK3A0500KK9K	DH6	49.0	42.0	64.0	3300	F	SCD 20
750	SK3A0750KK9K	DH6	49.0	42.0	64.0	4400	F	SCD 20
1000	SK3A1000KK9K	DH7	54.0	47.0	72.0	5400	F	SCD 10

W/C: Built-in Wall Ceiling Mounting Opt W/C: Wall Ceiling Mounting Kit "DW3" Available OSHPD Certified for Floor Mounting Only

600 Delta Primary Volts

208Y/120 Secondary Volts

60 Hz

kVA	Catalog Number	Case Style	Approx. Dimensions (Inches)			Approx. Weight (Lbs.)	Mtg Type W - Wall F - Floor	Wiring Diagram
			Width	Depth	Height			
15	SK3A0015PB9K	DH1	21.5	20.13	22	230	F or W/C	SCD 19
30	SK3A0030PB9K	DH2	25.75	23.75	28.75	360	F or W/C	SCD 19
45	SK3A0045PB9K	DH2	25.75	23.75	28.75	420	F or W/C	SCD 19
75	SK3A0075PB9K	DH3	28.25	27	36	610	F (Opt W/C)	SCD 19
112.5	SK3A0112PB9K	DH3	28.25	27	36	830	F (Opt W/C)	SCD 19
150	SK3A0150PB9K	DH4	31.5	29.5	44.5	1080	F	SCD 19
225	SK3A0225PB9K	DH4	31.5	29.5	44.5	1600	F	SCD 19
300	SK3A0300PB9K	DH5	38.0	34	52	2040	F	SCD 19
500	SK3A0500PB9K	DH6	49.0	42.0	64.0	3300	F	SCD 20
750	SK3A0750PB9K	DH6	49.0	42.0	64.0	4400	F	SCD 20
1000	SK3A1000PB9K	DH7	54.0	47.0	72.0	5400	F	SCD 10

W/C: Built-in Wall Ceiling Mounting Opt W/C: Wall Ceiling Mounting Kit "DW3" Available OSHPD Certified for Floor Mounting Only

600 Delta Primary Volts

480Y/277 Secondary Volts

60 Hz

kVA	Catalog Number	Case Style	Approx. Dimensions (Inches)			Approx. Weight (Lbs.)	Mtg Type W - Wall F - Floor	Wiring Diagram
			Width	Depth	Height			
15	SK3A0015PK9K	DH1	21.5	20.13	22	230	F or W/C	SCD 19
30	SK3A0030PK9K	DH2	25.75	23.75	28.75	360	F or W/C	SCD 19
45	SK3A0045PK9K	DH2	25.75	23.75	28.75	420	F or W/C	SCD 19
75	SK3A0075PK9K	DH3	28.25	27	36	610	F (Opt W/C)	SCD 19
112.5	SK3A0112PK9K	DH3	28.25	27	36	830	F (Opt W/C)	SCD 19
150	SK3A0150PK9K	DH4	31.5	29.5	44.5	1080	F	SCD 19
225	SK3A0225PK9K	DH4	31.5	29.5	44.5	1600	F	SCD 19
300	SK3A0300PK9K	DH5	38.0	34	52	2040	F	SCD 19
500	SK3A0500PK9K	DH6	49.0	42.0	64.0	3300	F	SCD 20
750	SK3A0750PK9K	DH6	49.0	42.0	64.0	4400	F	SCD 20
1000	SK3A1000PK9K	DH7	54.0	47.0	72.0	5400	F	SCD 10

W/C: Built-in Wall Ceiling Mounting Opt W/C: Wall Ceiling Mounting Kit "DW3" Available OSHPD Certified for Floor Mounting Only

# Selection Tables

HPS Sentinel K  
Energy Efficient K-Factor

## K-FACTOR 13

### ALUMINUM WOUND, SHIELDED, THREE PHASE

480 Delta Primary Volts

208Y/120 Secondary Volts

60 Hz

kVA	Catalog Number	Case Style	Approx. Dimensions (Inches)			Approx. Weight (Lbs.)	Mtg Type W - Wall F - Floor	Wiring Diagram
			Width	Depth	Height			
15	SK3A0015KB3S	DH1	21.5	20.13	22	240	F or W/C	SCD 19
30	SK3A0030KB3S	DH2	25.75	23.75	28.75	340	F or W/C	SCD 19
45	SK3A0045KB3S	DH2	25.75	23.75	28.75	420	F or W/C	SCD 19
75	SK3A0075KB3S	DH3	28.25	27	36	560	F (Opt W/C)	SCD 19
112.5	SK3A0112KB3S	DH3	28.25	27	36	730	F (Opt W/C)	SCD 19
150	SK3A0150KB3S	DH4	31.5	29.5	44.5	1070	F	SCD 19
225	SK3A0225KB3S	DH5	38.0	34	52	1500	F	SCD 19
300	SK3A0300KB3S	DH5	38.0	34	52	1950	F	SCD 19
500	SK3A0500KB3S	DH6	49.0	42.0	64.0	2900	F	SCD 20
750	SK3A0750KB3S	DH7	54.0	47.0	72.0	4400	F	SCD 20
1000	SK3A1000KB3S	DH8	60.0	50.0	82.0	5700	F	SCD 10

W/C: Built-in Wall Ceiling Mounting Opt W/C: Wall Ceiling Mounting Kit "DW3" Available OSHPD Certified for Floor Mounting Only

480 Delta Primary Volts

480Y/277 Secondary Volts

60 Hz

kVA	Catalog Number	Case Style	Approx. Dimensions (Inches)			Approx. Weight (Lbs.)	Mtg Type W - Wall F - Floor	Wiring Diagram
			Width	Depth	Height			
15	SK3A0015KK3S	DH1	21.5	20.13	22	240	F or W/C	SCD 19
30	SK3A0030KK3S	DH2	25.75	23.75	28.75	340	F or W/C	SCD 19
45	SK3A0045KK3S	DH2	25.75	23.75	28.75	420	F or W/C	SCD 19
75	SK3A0075KK3S	DH3	28.25	27	36	560	F (Opt W/C)	SCD 19
112.5	SK3A0112KK3S	DH3	28.25	27	36	730	F (Opt W/C)	SCD 19
150	SK3A0150KK3S	DH4	31.5	29.5	44.5	1070	F	SCD 19
225	SK3A0225KK3S	DH5	38.0	34	52	1500	F	SCD 19
300	SK3A0300KK3S	DH5	38.0	34	52	1950	F	SCD 19
500	SK3A0500KK3S	DH6	49.0	42.0	64.0	2900	F	SCD 20
750	SK3A0750KK3S	DH7	54.0	47.0	72.0	4400	F	SCD 20
1000	SK3A1000KK3S	DH8	60.0	50.0	82.0	5700	F	SCD 10

W/C: Built-in Wall Ceiling Mounting Opt W/C: Wall Ceiling Mounting Kit "DW3" Available OSHPD Certified for Floor Mounting Only

600 Delta Primary Volts

208Y/120 Secondary Volts

60 Hz

kVA	Catalog Number	Case Style	Approx. Dimensions (Inches)			Approx. Weight (Lbs.)	Mtg Type W - Wall F - Floor	Wiring Diagram
			Width	Depth	Height			
15	SK3A0015PB3S	DH1	21.5	20.13	22	240	F or W/C	SCD 19
30	SK3A0030PB3S	DH2	25.75	23.75	28.75	340	F or W/C	SCD 19
45	SK3A0045PB3S	DH2	25.75	23.75	28.75	420	F or W/C	SCD 19
75	SK3A0075PB3S	DH3	28.25	27	36	560	F (Opt W/C)	SCD 19
112.5	SK3A0112PB3S	DH3	28.25	27	36	730	F (Opt W/C)	SCD 19
150	SK3A0150PB3S	DH4	31.5	29.5	44.5	1070	F	SCD 19
225	SK3A0225PB3S	DH5	38.0	34	52	1500	F	SCD 19
300	SK3A0300PB3S	DH5	38.0	34	52	1950	F	SCD 19
500	SK3A0500PB3S	DH6	49.0	42.0	64.0	2900	F	SCD 20
750	SK3A0750PB3S	DH7	54.0	47.0	72.0	4400	F	SCD 20
1000	SK3A1000PB3S	DH8	60.0	50.0	82.0	5700	F	SCD 10

W/C: Built-in Wall Ceiling Mounting Opt W/C: Wall Ceiling Mounting Kit "DW3" Available OSHPD Certified for Floor Mounting Only

600 Delta Primary Volts

480Y/277 Secondary Volts

60 Hz

kVA	Catalog Number	Case Style	Approx. Dimensions (Inches)			Approx. Weight (Lbs.)	Mtg Type W - Wall F - Floor	Wiring Diagram
			Width	Depth	Height			
15	SK3A0015PK3S	DH1	21.5	20.13	22	240	F or W/C	SCD 19
30	SK3A0030PK3S	DH2	25.75	23.75	28.75	340	F or W/C	SCD 19
45	SK3A0045PK3S	DH2	25.75	23.75	28.75	420	F or W/C	SCD 19
75	SK3A0075PK3S	DH3	28.25	27	36	560	F (Opt W/C)	SCD 19
112.5	SK3A0112PK3S	DH3	28.25	27	36	730	F (Opt W/C)	SCD 19
150	SK3A0150PK3S	DH4	31.5	29.5	44.5	1070	F	SCD 19
225	SK3A0225PK3S	DH5	38.0	34	52	1500	F	SCD 19
300	SK3A0300PK3S	DH5	38.0	34	52	1950	F	SCD 19
500	SK3A0500PK3S	DH6	49.0	42.0	64.0	2900	F	SCD 20
750	SK3A0750PK3S	DH7	54.0	47.0	72.0	4400	F	SCD 20
1000	SK3A1000PK3S	DH8	60.0	50.0	82.0	5700	F	SCD 10

W/C: Built-in Wall Ceiling Mounting Opt W/C: Wall Ceiling Mounting Kit "DW3" Available OSHPD Certified for Floor Mounting Only

# Selection Tables

HPS Sentinel K  
Energy Efficient K-Factor



## K-FACTOR 13 COPPER WOUND, SHIELDED, THREE PHASE

480 Delta Primary Volts

208Y/120 Secondary Volts

60 Hz

kVA	Catalog Number	Case Style	Approx. Dimensions (Inches)			Approx. Weight (Lbs.)	Mtg Type W - Wall F - Floor	Wiring Diagram
			Width	Depth	Height			
15	SK3A0015KB3K	DH1	21.5	20.13	22	240	F or W/C	SCD 19
30	SK3A0030KB3K	DH2	25.75	23.75	28.75	370	F or W/C	SCD 19
45	SK3A0045KB3K	DH2	25.75	23.75	28.75	430	F or W/C	SCD 19
75	SK3A0075KB3K	DH3	28.25	27	36	620	F (Opt W/C)	SCD 19
112.5	SK3A0112KB3K	DH3	28.25	27	36	840	F (Opt W/C)	SCD 19
150	SK3A0150KB3K	DH4	31.5	29.5	44.5	1100	F	SCD 19
225	SK3A0225KB3K	DH4	31.5	29.5	44.5	1620	F	SCD 19
300	SK3A0300KB3K	DH5	38.0	34	52	2060	F	SCD 19
500	SK3A0500KB3K	DH6	49.0	42.0	64.0	3400	F	SCD 20
750	SK3A0750KB3K	DH6	49.0	42.0	64.0	4500	F	SCD 20
1000	SK3A1000KB3K	DH7	54.0	47.0	72.0	5700	F	SCD 10

W/C: Built-in Wall Ceiling Mounting Opt W/C: Wall Ceiling Mounting Kit "DW3" Available OSHPD Certified for Floor Mounting Only

480 Delta Primary Volts

480Y/277 Secondary Volts

60 Hz

kVA	Catalog Number	Case Style	Approx. Dimensions (Inches)			Approx. Weight (Lbs.)	Mtg Type W - Wall F - Floor	Wiring Diagram
			Width	Depth	Height			
15	SK3A0015KK3K	DH1	21.5	20.13	22	240	F or W/C	SCD 19
30	SK3A0030KK3K	DH2	25.75	23.75	28.75	370	F or W/C	SCD 19
45	SK3A0045KK3K	DH2	25.75	23.75	28.75	430	F or W/C	SCD 19
75	SK3A0075KK3K	DH3	28.25	27	36	620	F (Opt W/C)	SCD 19
112.5	SK3A0112KK3K	DH3	28.25	27	36	840	F (Opt W/C)	SCD 19
150	SK3A0150KK3K	DH4	31.5	29.5	44.5	1100	F	SCD 19
225	SK3A0225KK3K	DH4	31.5	29.5	44.5	1620	F	SCD 19
300	SK3A0300KK3K	DH5	38.0	34	52	2060	F	SCD 19
500	SK3A0500KK3K	DH6	49.0	42.0	64.0	3400	F	SCD 20
750	SK3A0750KK3K	DH6	49.0	42.0	64.0	4500	F	SCD 20
1000	SK3A1000KK3K	DH7	54.0	47.0	72.0	5700	F	SCD 10

W/C: Built-in Wall Ceiling Mounting Opt W/C: Wall Ceiling Mounting Kit "DW3" Available OSHPD Certified for Floor Mounting Only

600 Delta Primary Volts

208Y/120 Secondary Volts

60 Hz

kVA	Catalog Number	Case Style	Approx. Dimensions (Inches)			Approx. Weight (Lbs.)	Mtg Type W - Wall F - Floor	Wiring Diagram
			Width	Depth	Height			
15	SK3A0015PB3K	DH1	21.5	20.13	22	240	F or W/C	SCD 19
30	SK3A0030PB3K	DH2	25.75	23.75	28.75	370	F or W/C	SCD 19
45	SK3A0045PB3K	DH2	25.75	23.75	28.75	430	F or W/C	SCD 19
75	SK3A0075PB3K	DH3	28.25	27	36	620	F (Opt W/C)	SCD 19
112.5	SK3A0112PB3K	DH3	28.25	27	36	840	F (Opt W/C)	SCD 19
150	SK3A0150PB3K	DH4	31.5	29.5	44.5	1100	F	SCD 19
225	SK3A0225PB3K	DH4	31.5	29.5	44.5	1620	F	SCD 19
300	SK3A0300PB3K	DH5	38.0	34	52	2060	F	SCD 19
500	SK3A0500PB3K	DH6	49.0	42.0	64.0	3400	F	SCD 20
750	SK3A0750PB3K	DH6	49.0	42.0	64.0	4500	F	SCD 20
1000	SK3A1000PB3K	DH7	54.0	47.0	72.0	5700	F	SCD 10

W/C: Built-in Wall Ceiling Mounting Opt W/C: Wall Ceiling Mounting Kit "DW3" Available OSHPD Certified for Floor Mounting Only

600 Delta Primary Volts

480Y/277 Secondary Volts

60 Hz

kVA	Catalog Number	Case Style	Approx. Dimensions (Inches)			Approx. Weight (Lbs.)	Mtg Type W - Wall F - Floor	Wiring Diagram
			Width	Depth	Height			
15	SK3A0015PK3K	DH1	21.5	20.13	22	240	F or W/C	SCD 19
30	SK3A0030PK3K	DH2	25.75	23.75	28.75	370	F or W/C	SCD 19
45	SK3A0045PK3K	DH2	25.75	23.75	28.75	430	F or W/C	SCD 19
75	SK3A0075PK3K	DH3	28.25	27	36	620	F (Opt W/C)	SCD 19
112.5	SK3A0112PK3K	DH3	28.25	27	36	840	F (Opt W/C)	SCD 19
150	SK3A0150PK3K	DH4	31.5	29.5	44.5	1100	F	SCD 19
225	SK3A0225PK3K	DH4	31.5	29.5	44.5	1620	F	SCD 19
300	SK3A0300PK3K	DH5	38.0	34	52	2060	F	SCD 19
500	SK3A0500PK3K	DH6	49.0	42.0	64.0	3400	F	SCD 20
750	SK3A0750PK3K	DH6	49.0	42.0	64.0	4500	F	SCD 20
1000	SK3A1000PK3K	DH7	54.0	47.0	72.0	5700	F	SCD 10

W/C: Built-in Wall Ceiling Mounting Opt W/C: Wall Ceiling Mounting Kit "DW3" Available OSHPD Certified for Floor Mounting Only

# Selection Tables

HPS Sentinel H  
Energy Efficient Harmonic Mitigation

## ALUMINUM WOUND, SHIELDED, THREE PHASE 0° PHASE SHIFT

480 Delta Primary Volts

208Y/120 Secondary Volts

60 Hz



kVA	Catalog Number	Case Style	Approx. Dimensions (Inches)			Approx. Weight (Lbs.)	Mtg Type W - Wall F - Floor	Wiring Diagram
			Width	Depth	Height			
15	SH3T0015KB3S	DH1	21.5	20.13	22.0	250	F or W/C	SCD62
30	SH3T0030KB3S	DH2	25.75	23.75	28.75	380	F or W/C	SCD62
45	SH3T0045KB3S	DH2	25.75	23.75	28.75	450	F or W/C	SCD62
75	SH3T0075KB3S	DH3	28.25	27.0	36.0	650	F (Opt W/C)	SCD62
112.5	SH3T0112KB3S	DH3	28.25	27.0	36.0	880	F (Opt W/C)	SCD62
150	SH3T0150KB3S	DH4	31.5	29.5	44.5	1160	F	SCD62
225	SH3T0225KB3S	DH5	38.0	34.0	52.0	1720	F	SCD62
300	SH3T0300KB3S	DH5	38.0	34.0	52.0	2150	F	SCD63
500	SH3T0500KB3S	DH6	49.0	42.0	64.0	3600	F	SCD63
750	SH3T0750KB3S	DH7	54.0	47.0	72.0	4800	F	SCD66
1000	SH3T1000KB3S	DH8	60.0	50.0	82.0	6000	F	SCD66

W/C: Built-in Wall Ceiling Mounting Opt W/C: Wall Ceiling Mounting Kit "DW3" Available OSHPD Certified for Floor Mounting Only

600 Delta Primary Volts

208Y/120 Secondary Volts

60 Hz

kVA	Catalog Number	Case Style	Approx. Dimensions (Inches)			Approx. Weight (Lbs.)	Mtg Type W - Wall F - Floor	Wiring Diagram
			Width	Depth	Height			
15	SH3T0015PB3S	DH1	21.5	20.13	22.0	250	F or W/C	SCD62
30	SH3T0030PB3S	DH2	25.75	23.75	28.75	380	F or W/C	SCD62
45	SH3T0045PB3S	DH2	25.75	23.75	28.75	450	F or W/C	SCD62
75	SH3T0075PB3S	DH3	28.25	27.0	36.0	650	F (Opt W/C)	SCD62
112.5	SH3T0112PB3S	DH3	28.25	27.0	36.0	880	F (Opt W/C)	SCD62
150	SH3T0150PB3S	DH4	31.5	29.5	44.5	1160	F	SCD62
225	SH3T0225PB3S	DH5	38.0	34.0	52.0	1720	F	SCD62
300	SH3T0300PB3S	DH5	38.0	34.0	52.0	2150	F	SCD63
500	SH3T0500PB3S	DH6	49.0	42.0	64.0	3600	F	SCD63
750	SH3T0750PB3S	DH7	54.0	47.0	72.0	4800	F	SCD66
1000	SH3T1000PB3S	DH8	60.0	50.0	82.0	6000	F	SCD66

W/C: Built-in Wall Ceiling Mounting Opt W/C: Wall Ceiling Mounting Kit "DW3" Available OSHPD Certified for Floor Mounting Only

## COPPER WOUND, SHIELDED, THREE PHASE 0° PHASE SHIFT

480 Delta Primary Volts

208Y/120 Secondary Volts

60 Hz



kVA	Catalog Number	Case Style	Approx. Dimensions (Inches)			Approx. Weight (Lbs.)	Mtg Type W - Wall F - Floor	Wiring Diagram
			Width	Depth	Height			
15	SH3T0015KB3K	DH1	21.5	20.13	22.0	270	F or W/C	SCD62
30	SH3T0030KB3K	DH2	25.75	23.75	28.75	410	F or W/C	SCD62
45	SH3T0045KB3K	DH2	25.75	23.75	28.75	480	F or W/C	SCD62
75	SH3T0075KB3K	DH3	28.25	27.0	36.0	700	F (Opt W/C)	SCD62
112.5	SH3T0112KB3K	DH3	28.25	27.0	36.0	940	F (Opt W/C)	SCD62
150	SH3T0150KB3K	DH4	31.5	29.5	44.5	1250	F	SCD62
225	SH3T0225KB3K	DH4	31.5	29.5	44.5	1850	F	SCD62
300	SH3T0300KB3K	DH5	38.0	34.0	52.0	2300	F	SCD63
500	SH3T0500KB3K	DH6	49.0	42.0	64.0	3800	F	SCD63
750	SH3T0750KB3K	DH6	49.0	42.0	64.0	5100	F	SCD66
1000	SH3T1000KB3K	DH7	54.0	47.0	72.0	6400	F	SCD66

W/C: Built-in Wall Ceiling Mounting Opt W/C: Wall Ceiling Mounting Kit "DW3" Available OSHPD Certified for Floor Mounting Only

600 Delta Primary Volts

208Y/120 Secondary Volts

60 Hz

kVA	Catalog Number	Case Style	Approx. Dimensions (Inches)			Approx. Weight (Lbs.)	Mtg Type W - Wall F - Floor	Wiring Diagram
			Width	Depth	Height			
15	SH3T0015PB3K	DH1	21.5	20.13	22.0	270	F or W/C	SCD62
30	SH3T0030PB3K	DH2	25.75	23.75	28.75	410	F or W/C	SCD62
45	SH3T0045PB3K	DH2	25.75	23.75	28.75	480	F or W/C	SCD62
75	SH3T0075PB3K	DH3	28.25	27.0	36.0	700	F (Opt W/C)	SCD62
112.5	SH3T0112PB3K	DH3	28.25	27.0	36.0	940	F (Opt W/C)	SCD62
150	SH3T0150PB3K	DH4	31.5	29.5	44.5	1250	F	SCD62
225	SH3T0225PB3K	DH4	31.5	29.5	44.5	1850	F	SCD62
300	SH3T0300PB3K	DH5	38.0	34.0	52.0	2300	F	SCD63
500	SH3T0500PB3K	DH6	49.0	42.0	64.0	3800	F	SCD63
750	SH3T0750PB3K	DH6	49.0	42.0	64.0	5100	F	SCD66
1000	SH3T1000PB3K	DH7	54.0	47.0	72.0	6400	F	SCD66

W/C: Built-in Wall Ceiling Mounting Opt W/C: Wall Ceiling Mounting Kit "DW3" Available OSHPD Certified for Floor Mounting Only



# Selection Tables

HPS Sentinel H  
Energy Efficient Harmonic Mitigation



## ALUMINUM WOUND, SHIELDED, THREE PHASE -30° PHASE SHIFT



480Y Delta Primary Volts                      208Y/120 Secondary Volts                      60 Hz

kVA	Catalog Number	Case Style	Approx. Dimensions (Inches)			Approx. Weight (Lbs.)	Mtg Type W - Wall F - Floor	Wiring Diagram
			Width	Depth	Height			
15	SH3U0015KB3S	DH1	21.5	20.13	22.0	260	F or W/C	SCD62
30	SH3U0030KB3S	DH2	25.75	23.75	28.75	400	F or W/C	SCD62
45	SH3U0045KB3S	DH2	25.75	23.75	28.75	480	F or W/C	SCD62
75	SH3U0075KB3S	DH3	28.25	27.0	36.0	690	F (Opt W/C)	SCD62
112.5	SH3U0112KB3S	DH3	28.25	27.0	36.0	930	F (Opt W/C)	SCD62
150	SH3U0150KB3S	DH4	31.5	29.5	44.5	1220	F	SCD62
225	SH3U0225KB3S	DH5	38.0	34.0	52.0	1800	F	SCD67
300	SH3U0300KB3S	DH5	38.0	34.0	52.0	2250	F	SCD64
500	SH3U0500KB3S	DH6	49.0	42.0	64.0	3800	F	SCD64
750	SH3U0750KB3S	DH7	54.0	47.0	72.0	5100	F	SCD65
1000	SH3U1000KB3S	DH8	60.0	50.0	82.0	6300	F	SCD65

W/C: Built-in Wall Ceiling Mounting    Opt W/C: Wall Ceiling Mounting Kit "DW3" Available    OSHPD Certified for Floor Mounting Only

600Y Delta Primary Volts                      208Y/120 Secondary Volts                      60 Hz

kVA	Catalog Number	Case Style	Approx. Dimensions (Inches)			Approx. Weight (Lbs.)	Mtg Type W - Wall F - Floor	Wiring Diagram
			Width	Depth	Height			
15	SH3U0015PB3S	DH1	21.5	20.13	22.0	260	F or W/C	SCD62
30	SH3U0030PB3S	DH2	25.75	23.75	28.75	400	F or W/C	SCD62
45	SH3U0045PB3S	DH2	25.75	23.75	28.75	480	F or W/C	SCD62
75	SH3U0075PB3S	DH3	28.25	27.0	36.0	690	F (Opt W/C)	SCD62
112.5	SH3U0112PB3S	DH3	28.25	27.0	36.0	930	F (Opt W/C)	SCD62
150	SH3U0150PB3S	DH4	31.5	29.5	44.5	1220	F	SCD62
225	SH3U0225PB3S	DH5	38.0	34.0	52.0	1800	F	SCD67
300	SH3U0300PB3S	DH5	38.0	34.0	52.0	2250	F	SCD64
500	SH3U0500PB3S	DH6	49.0	42.0	64.0	3800	F	SCD64
750	SH3U0750PB3S	DH7	54.0	47.0	72.0	5100	F	SCD65
1000	SH3U1000PB3S	DH8	60.0	50.0	82.0	6300	F	SCD65

W/C: Built-in Wall Ceiling Mounting    Opt W/C: Wall Ceiling Mounting Kit "DW3" Available    OSHPD Certified for Floor Mounting Only

## COPPER WOUND, SHIELDED, THREE PHASE -30° PHASE SHIFT



480Y Delta Primary Volts                      208Y/120 Secondary Volts                      60 Hz

kVA	Catalog Number	Case Style	Approx. Dimensions (Inches)			Approx. Weight (Lbs.)	Mtg Type W - Wall F - Floor	Wiring Diagram
			Width	Depth	Height			
15	SH3U0015KB3K	DH1	21.5	20.13	22.0	270	F or W/C	SCD62
30	SH3U0030KB3K	DH2	25.75	23.75	28.75	410	F or W/C	SCD62
45	SH3U0045KB3K	DH2	25.75	23.75	28.75	480	F or W/C	SCD62
75	SH3U0075KB3K	DH3	28.25	27.0	36.0	700	F (Opt W/C)	SCD62
112.5	SH3U0112KB3K	DH3	28.25	27.0	36.0	940	F (Opt W/C)	SCD62
150	SH3U0150KB3K	DH4	31.5	29.5	44.5	1250	F	SCD62
225	SH3U0225KB3K	DH4	31.5	29.5	44.5	1850	F	SCD67
300	SH3U0300KB3K	DH5	38.0	34.0	52.0	2300	F	SCD64
500	SH3U0500KB3K	DH6	49.0	42.0	64.0	3800	F	SCD64
750	SH3U0750KB3K	DH6	49.0	42.0	64.0	5100	F	SCD65
1000	SH3U1000KB3K	DH7	54.0	47.0	72.0	6400	F	SCD65

W/C: Built-in Wall Ceiling Mounting    Opt W/C: Wall Ceiling Mounting Kit "DW3" Available    OSHPD Certified for Floor Mounting Only

600Y Delta Primary Volts                      208Y/120 Secondary Volts                      60 Hz

kVA	Catalog Number	Case Style	Approx. Dimensions (Inches)			Approx. Weight (Lbs.)	Mtg Type W - Wall F - Floor	Wiring Diagram
			Width	Depth	Height			
15	SH3U0015PB3K	DH1	21.5	20.13	22.0	270	F or W/C	SCD62
30	SH3U0030PB3K	DH2	25.75	23.75	28.75	410	F or W/C	SCD62
45	SH3U0045PB3K	DH2	25.75	23.75	28.75	480	F or W/C	SCD62
75	SH3U0075PB3K	DH3	28.25	27.0	36.0	700	F (Opt W/C)	SCD62
112.5	SH3U0112PB3K	DH3	28.25	27.0	36.0	940	F (Opt W/C)	SCD62
150	SH3U0150PB3K	DH4	31.5	29.5	44.5	1250	F	SCD62
225	SH3U0225PB3K	DH4	31.5	29.5	44.5	1850	F	SCD67
300	SH3U0300PB3K	DH5	38.0	34.0	52.0	2300	F	SCD64
500	SH3U0500PB3K	DH6	49.0	42.0	64.0	3800	F	SCD64
750	SH3U0750PB3K	DH6	49.0	42.0	64.0	5100	F	SCD65
1000	SH3U1000PB3K	DH7	54.0	47.0	72.0	6400	F	SCD65

W/C: Built-in Wall Ceiling Mounting    Opt W/C: Wall Ceiling Mounting Kit "DW3" Available    OSHPD Certified for Floor Mounting Only

Sentinel H type Harmonic Mitigating transformers have a standard K13 load profile.  
Other K load profiles are available by contacting our sales offices.

Data subject to change without notice.

# Termination Details

## TERMINATION DETAILS - TYPE 3R

For standard 150°C temperature rise units.

### SINGLE PHASE, ALUMINUM AND COPPER TERMINATION - LUGS OR PADS

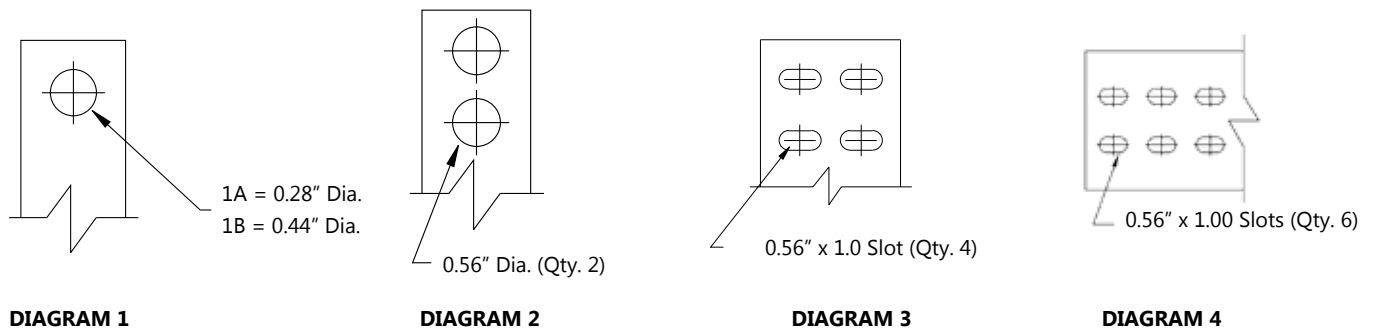
kVA	VOLTAGE									
	120	120/240	208	240	277	347	380	416	480	600
15	Lugs	Lugs	Lugs	Lugs	Lugs	Lugs	Lugs	Lugs	Lugs	Lugs
25	Lugs	Lugs	Lugs	Lugs	Lugs	Lugs	Lugs	Lugs	Lugs	Lugs
37.5	Dia. 1B	Lugs	Lugs	Lugs	Lugs	Lugs	Lugs	Lugs	Lugs	Lugs
50	Dia. 1B	Lugs	Lugs	Lugs	Lugs	Lugs	Lugs	Lugs	Lugs	Lugs
75	Dia. 2	Dia. 1B	Dia. 1B	Dia. 1B	Dia. 1B	Lugs	Lugs	Lugs	Lugs	Lugs
100	Dia. 2	Dia. 1B	Dia. 1B	Dia. 1B	Dia. 1B	Dia. 1B	Lugs	Lugs	Lugs	Lugs
150	Dia. 3	Dia. 2	Dia. 2	Dia. 2	Dia. 1B	Dia. 1B	Dia. 1B	Dia. 1B	Dia. 1B	Dia. 1B
167	Dia. 3	Dia. 2	Dia. 2	Dia. 2	Dia. 2	Dia. 1B	Dia. 1B	Dia. 1B	Dia. 1B	Dia. 1B

### THREE PHASE, ALUMINUM AND COPPER TERMINATION - LUGS OR PADS

kVA	VOLTAGE								
	208	230	240	277	380	416	480	600	
15	Lugs	Lugs	Lugs	Lugs	Lugs	Lugs	Lugs	Lugs	
30	Lugs	Lugs	Lugs	Lugs	Lugs	Lugs	Lugs	Lugs	
45	Lugs	Lugs	Lugs	Lugs	Lugs	Lugs	Lugs	Lugs	
75	Lugs	Lugs	Lugs	Lugs	Lugs	Lugs	Lugs	Lugs	
112.5	Lugs**	Dia. 1B	Lugs	Lugs	Lugs	Lugs	Lugs	Lugs	
150	Dia. 1B	Dia. 1B	Dia. 1B	Dia. 1B	Lugs	Lugs	Lugs	Lugs	
225	Dia. 2	Dia. 1B	Dia. 1B	Dia. 1B	Dia. 1B	Dia. 1B	Lugs	Lugs	
300	Dia. 2	Dia. 2	Dia. 2	Dia. 2	Dia. 1B	Dia. 1B	Dia. 1B	Dia. 1B	
500	Dia. 3	Dia. 3	Dia. 3	Dia. 3	Dia. 3	Dia. 2	Dia. 2	Dia. 1B	
750	Dia. 3	Dia. 3	Dia. 3	Dia. 3	Dia. 3	Dia. 3	Dia. 3	Dia. 2	
1000	Dia. 4	Dia. 4	Dia. 4	Dia. 4	Dia. 3	Dia. 3	Dia. 3	Dia. 3	

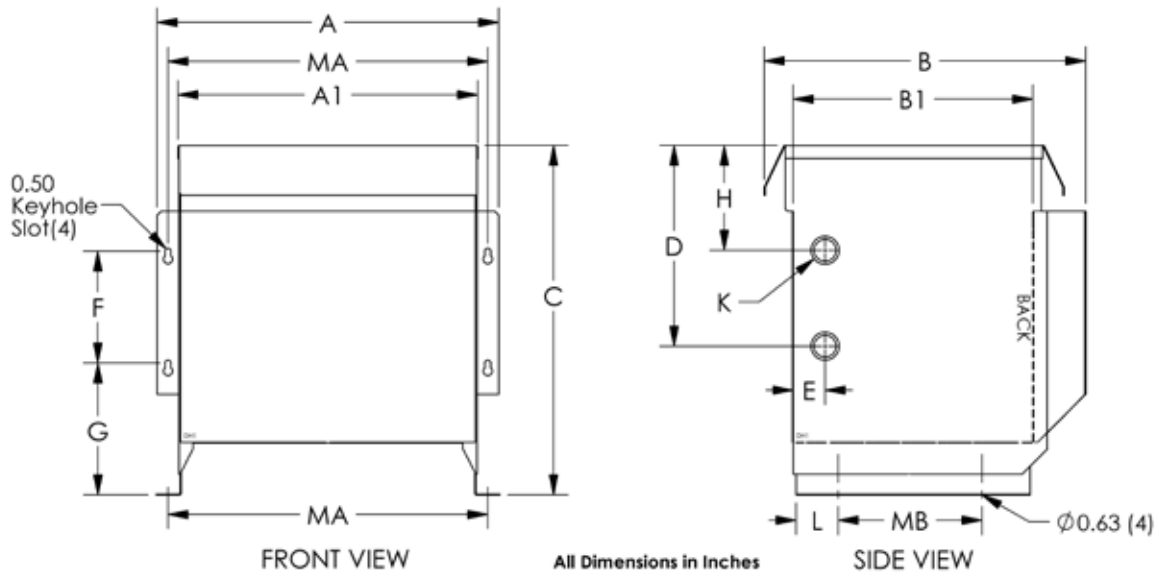
\*\* Lugs only supplied standard on 600V primary to 208Y/120V secondary units. (excluding K-Factor transformers)

All other voltages supplied standard with Diagram 1B pads.



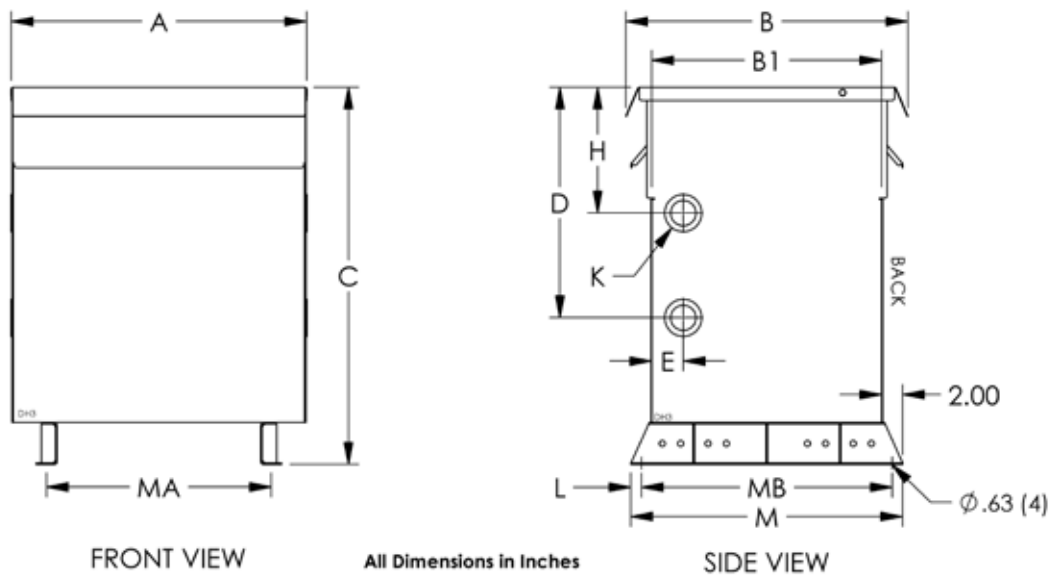
# Enclosure Drawings

## DH Series



Case Style	Dimensions in Inches														
	A	A1	B	B1	C	D	E	F	G	H	K	L	MA	MB	
DH1	21.5	18.8	20.1	15	22	12.6	2	7	8.3	6.6	1.38 X 1.75 K.O.	2.6	20	9	
DH1-1	22.3	19.8	23.8	18	26.7	16	2	8	9.2	8.6	1.38 X 2.50 K.O.	3.8	21.1	9	
DH2	25.8	23.3	23.8	18	28.8	17	2	8	10.3	8.6	1.75 X 2.50 K.O.	3.8	24.6	9	

<sup>1</sup> Knockout (K) sizes are actual diameters of knockout, not conduit sizes.

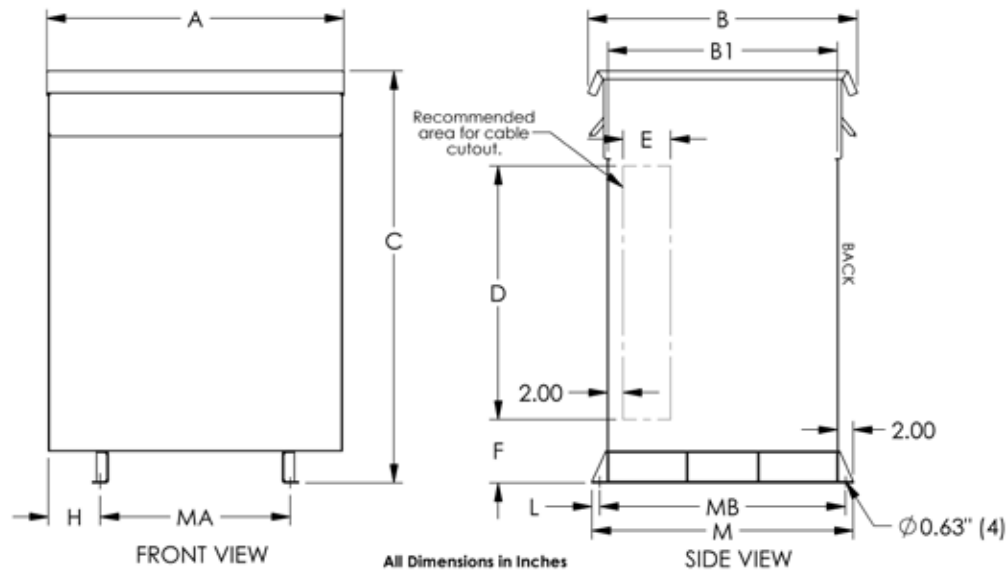


Case Style	Dimensions in Inches												
	A	B	B1	C	D	E	H	K	L	M	MA	MB	
DH3	28.3	27	22	36	22	3	12	2.00 X 3.00 K.O.	1	26	21.5	24	
DH4	31.5	29.5	24.5	44.5	27.5	3	14.5	2.00 X 3.00 K.O.	1	28.5	23.5	26.5	

<sup>1</sup> Knockout (K) sizes are actual diameters of knockout, not conduit sizes.

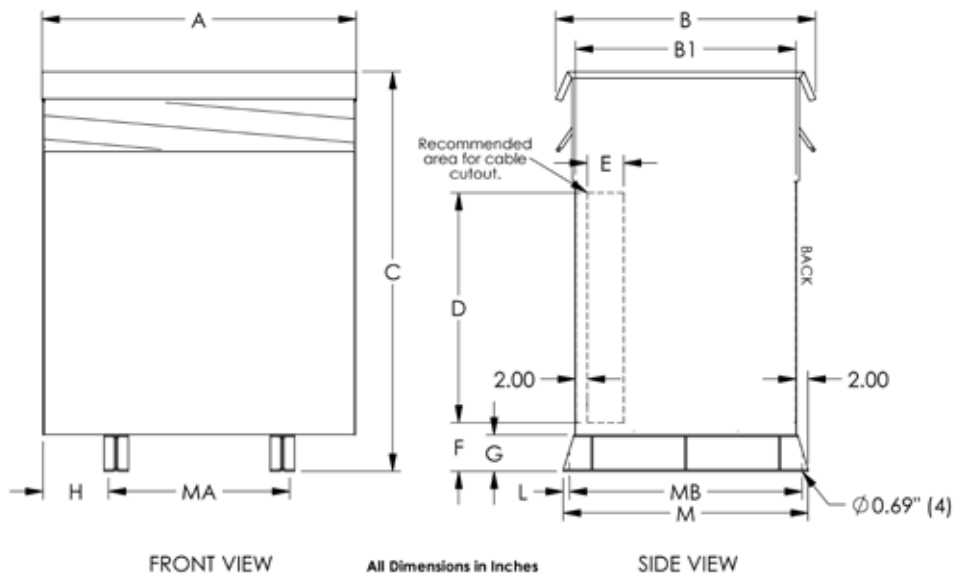
# Enclosure Drawings

## DH Series



Case Style	Dimensions in Inches											
	A	B	B1	C	D	E	F	H	L	M	MA	MB
<b>DH5</b>	38	34	29	52	32	6	8	6.6	1	33	24	31

<sup>1</sup> Knockout (K) sizes are actual diameters of knockout, not conduit sizes.



Case Style	Dimensions in Inches												
	A	B	B1	C	D	E	F	G	H	L	M	MA	MB
<b>DH6</b>	49	42	35	64	32	6	10	6	9.3	1	39	30	37
<b>DH7</b>	54	47	40	72	40	8	10	6	8.8	1	44	36	42
<b>DH8</b>	60	50	43	82	50	10	10	6	9.8	1	47	40	45
<b>DH9</b>	68	50	43	82	40	10	10	6	11.8	1	47	44	45
<b>DH10</b>	78	55	48	86	46	10	10	6	14.8	1	52	48	50

<sup>1</sup> Knockout (K) sizes are actual diameters of knockout, not conduit sizes.

## ENCLOSURE MOUNTING KITS

If wall and/or ceiling mounting is desired for a transformer, optional mounting kits can be ordered separately. These mounting kits are NOT available for all enclosure case styles. Therefore, it is important that you confirm your enclosure case style, then use the selection table to the right to determine if A) a mounting kit is available and B) determine the correct HPS "Mounting Kit" part number that you must order. One kit is required for each transformer. NOTE: Seismic qualification available for floor mounting only.

**Note:** Some of the mounting kits can be used for both wall and ceiling mount, while others are for wall mounting only. The table indicates which mounting methods are available for each kit. The DW3 wall/ceiling mounting kit also includes a drip plate.

**The DW3 wall/ceiling mounting kit is only designed for units up to 1000 pounds (453 kg) maximum.**

If it is intended to wall and/or ceiling mount an enclosure that does not have a wall/ceiling mount kit available, considerations must be made to mechanically support the transformer safely and to install per the local building code. A drip plate must be provided beneath the enclosure per UL 1561 and CSA C22.2 No. 47.

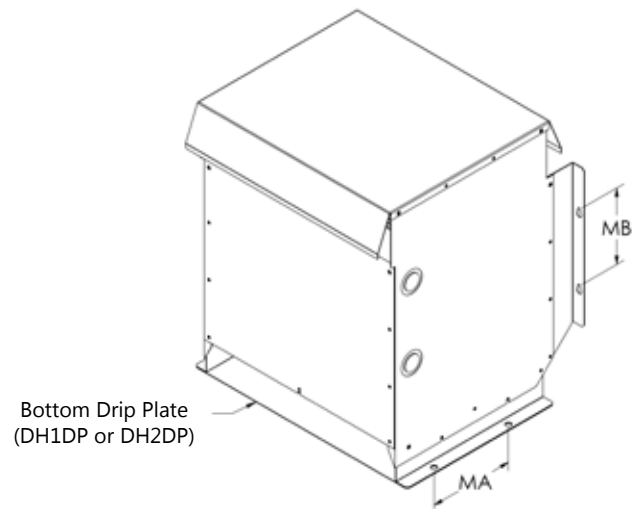
Enclosure Case Style	Wall Mount Available	Ceiling Mount Available	HPS Mounting Kit P/N
DH1	Yes	Yes	DH1DP
DH1-1	Yes	Yes	DH1-1DP
DH2	Yes	Yes	DH2DP
DH3	Yes	Yes	DW3
DH4	No	No	N/A
DH5	No	No	N/A
DH6	No	No	N/A
DH7	No	No	N/A
DH8	No	No	N/A

## DH1DP and DH2DP WALL/CEILING MOUNTING KITS

The DH1, DH1-1 and DH2 enclosures are designed with integral wall mounting capabilities. However, when you wall mount them, you must also install the bottom drip plate as shown below. The "MB" dimensions listed in the table below indicate the location for the wall mounting hardware.

For ceiling mounting of the DH1, DH1-1 and DH2, refer to the "MA" dimensions listed in the table below and hang the enclosure using appropriate sized ceiling hanger rods. However, you must be sure to install the bottom drip plate to the bottom of the enclosure, then bring the hanger rod down through both the enclosure bottom mounting holes, through the drip plate mounting holes, and install mounting hardware.

**Note:** Do not ceiling mount either the DH1, DH1-1 and DH2 enclosures without installing the bottom drip plate. All mounting hardware should be rated Grade 8 or higher.



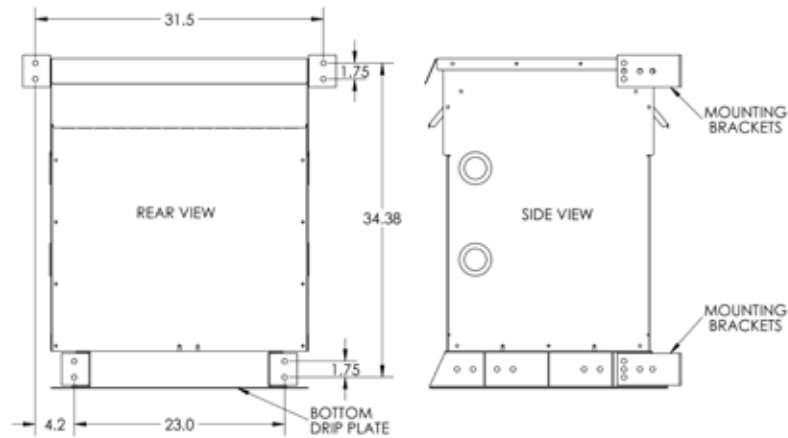
Mounting Kit P/N	Enclosure Style	MA Dimension	MB Dimension
DH1DP	DH1	9.00	7.00
DH1-1DP	DH1-1	9.00	8.00
DH2DP	DH2	9.00	8.00

# Enclosure Wall Mounting Dimensions

## DW3 WALL MOUNTING KIT DIMENSIONS

The following drawings detail the wall mounting dimensions required and method by which the DW3 kit are installed on their respective DH3 enclosures. The DW3 wall mounting kit also includes a drip plate.

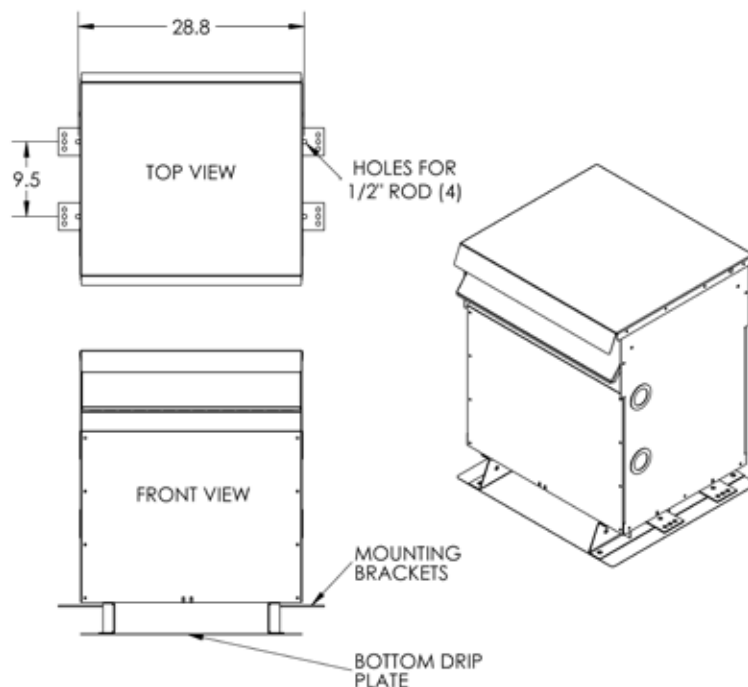
### DW3 Wall Mount Dimensions



## DW3 CEILING MOUNTING KIT DIMENSIONS

The following drawings detail the ceiling mounting dimensions required and method by which the DW3 kit are installed on the DH3 enclosure.

### DW3 Ceiling Mount - Mounting Dimensions for DH3 Enclosures





## ANTI-VIBRATION PAD AND VIBRATION ISOLATOR KITS

All standard transformers come with installed internal vibration absorbing pads to minimize noise during operation. Optional external “anti-vibration” pad and “vibration isolator” (for higher noise dampening) kits can be used to reduce operating noise even further. All pads are resistant to industrial contaminants like oil, acids and alkalines.

### Anti-Vibration Pad Kits

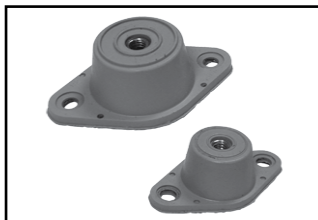
Part No.	Case Style	Description
PD1	DH1-DH5	Set of four (4) rubber anti-vibration pads which replace the standard steel enclosure washers.
PD2	DH6-DH8	



All anti-vibration pad kits and vibration isolator kits contain a set of four (4) pads or isolators. Therefore only one kit is required per transformer.

### Vibration Isolator Kits

Part No.	Transformer Weight (Lb)	Description
NMP1	Up to 340 lbs	Set of four (4) molded neoprene and steel plate assemblies that virtually eliminate vibration noise between the transformer and the mounting surface.
NMP2	341 to 680 lbs	
NMP3	681 to 1040 lbs	
NMP4	1041 to 1740 lbs	
NMP5	1741 to 2330 lbs	
NMP6	2331 to 3450 lbs	
NMP7	3451 to 4690 lbs	



All anti-vibration pad kits and vibration isolator kits contain a set of four (4) pads or isolators. Therefore only one kit is required per transformer.

# Enclosure Spare Parts



HPS Part No.	Part Description	Qty per Package
<b>DH1001</b>	DH1 Enclosure Top Panel	1
<b>DH1002</b>	DH1 Enclosure Left Side Panel	1
<b>DH1003</b>	DH1 Enclosure Right Side Panel	1
<b>DH2001</b>	DH2 Enclosure Top Panel	1
<b>DH2002</b>	DH2 Enclosure Left Side Panel	1
<b>DH2003</b>	DH2 Enclosure Right Side Panel	1
<b>DH3001</b>	DH3 Enclosure Top Cover	1
<b>DH3002</b>	DH3 Enclosure Left Side Panel	1
<b>DH3003</b>	DH3 Enclosure Right Side Panel	1
<b>DH3005</b>	DH3 Enclosure Back Panel	1
<b>DH3007</b>	DH3 Enclosure Drip-Shield	1
<b>DH4001</b>	DH3 Enclosure Top Cover	1
<b>DH4002</b>	DH4 Enclosure Left Side Panel	1
<b>DH4003</b>	DH4 Enclosure Right Side Panel	1
<b>DH4005</b>	DH3 Enclosure Back Panel	1
<b>DH4007</b>	DH4 Enclosure Drip-Shield	1
<b>DH5001</b>	DH5 Enclosure Top Cover	1
<b>DH5002</b>	DH5 Enclosure Left Side Panel	1
<b>DH5003</b>	DH5 Enclosure Right Side Panel	1
<b>DH5005</b>	DH5 Enclosure Back Panel	1
<b>DH5007</b>	DH5 Drip-Shield	1
<b>DH5008</b>	DH5 Enclosure Jacking Angle - Front	1
<b>DH5009</b>	DH5 Enclosure Jacking Angle - Back	1

Minimum Order Size applies to enclosure spare parts.

Due to technical and certification compliance reasons only selected enclosure parts are offered as spare parts (as per table). For front panel replacements please contact your HPS sales office.

## Touch-Up Paint

Please verify part number with HPS Customer Service to determine which shade of paint to use.

Monterrey Built Products:

**PNTB10098**

Canadian/Compton Built Products:

**PNTB10099**



# Electrical Schematics & Connection Drawings

## SCD 2

SCHEMATIC		CONNECTIONS			
	Primary Volts		Connect lines to	Inter-connect	
	504	440	218	H1, H2	1-2
	492	416	213	H1, H2	2-3
	480	400	208	H1, H2	3-4
	468	380	203	H1, H2	4-5
	456	220	198	H1, H2	5-6
	444	208	192	H1, H2	6-7
	432	200	187	H1, H2	7-8
	240	190		H1, H2	H1-2, H2-1
	228			H1, H2	H1-4, H2-3
216			H1, H2	H1-6, H2-5	
			H1, H2	H1-8, H2-7	
Secondary Volts		Connect lines to		Inter-connect	
240		X1, X4		X2-X3	
120		X1, X2		X2-X4, X1-X3	
120/240		X1, X2, X4		X2-X3	

## SCD 6

SCHEMATIC		CONNECTIONS					
	% Voltage		Primary Volts	Connect lines to	Inter-connect		
	105.0%	218	291	437	630	H1, H2	1-2
	102.5%	213	284	426	615	H1, H2	2-3
	<b>100.0%</b>	<b>208</b>	<b>277</b>	<b>416</b>	<b>600</b>	<b>H1, H2</b>	<b>3-4</b>
	97.5%	203	270	406	585	H1, H2	4-5
	95.0%	198	263	395	570	H1, H2	5-6
Secondary Volts		Connect lines to		Inter-connect			
240		X1, X4		X2-X3			
120		X1, X2		X2-X4, X1-X3			
120/240		X1, X2, X4		X2-X3			

## SCD 7A

SCHEMATIC		CONNECTIONS																
	% Voltage		Primary Volts	Connect lines to	Inter-connect													
	105.0%	218	242	252	437	483	504	604	630	H1, H2, H3	1							
	<b>100.0%</b>	<b>208</b>	<b>230</b>	<b>240</b>	<b>416</b>	<b>460</b>	<b>480</b>	<b>575</b>	<b>600</b>	<b>H1, H2, H3</b>	<b>2</b>							
	95.0%	198	219	228	395	437	456	546	570	H1, H2, H3	3							
Secondary Volts		Connect lines to		Inter-connect														
208		230		240		380		416		460		480		600		X1, X2, X3		
120		133		139		220		240		265		277		347		X1, X0	X2, X0	X3, X0

## SCD 7B

SCHEMATIC		CONNECTIONS																
	% Voltage		Primary Volts	Connect lines to	Inter-connect													
	<b>100.0%</b>		<b>208</b>	<b>480</b>	<b>H1, H2, H3</b>	<b>1</b>												
	95.0%		198	456	H1, H2, H3	2												
	90.0%		187	432	H1, H2, H3	3												
Secondary Volts		Connect lines to		Inter-connect														
208		230		240		380		416		460		480		600		X1, X2, X3		
120		133		139		220		240		265		277		347		X1, X0	X2, X0	X3, X0

Tap arrangements shown are for catalog products only. May not be applicable for other products.

# Electrical Schematics & Connection Drawings

## SCD 8

SCHEMATIC	CONNECTIONS										
	% Voltage	Primary Volts			Connect lines to	Inter-connect					
	105.0%	218	242	252	437	483	504	604	630	H1, H2, H3	1-2
	<b>100.0%</b>	<b>208</b>	<b>230</b>	<b>240</b>	<b>416</b>	<b>460</b>	<b>480</b>	<b>575</b>	<b>600</b>	<b>H1, H2, H3</b>	<b>2-3</b>
	95.0%	198	219	228	395	437	456	546	570	H1, H2, H3	3-4
	Secondary Volts			Connect lines to			Inter-connect				
	208	230	240	380	416	460	480	600	X1, X2, X3		
	120	133	139	220	240	265	277	347	X1, X0	X2, X0	X3, X0

## SCD 10

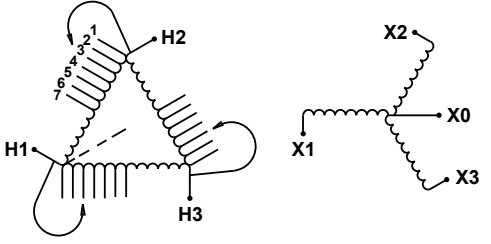
SCHEMATIC	CONNECTIONS										
	% Voltage	Primary Volts			Connect lines to	Inter-connect					
	105.0%	218	242	252	437	483	504	630	H1, H2, H3	1-2	
	102.5%	213	236	246	426	472	492	589	615	H1, H2, H3	2-3
	<b>100.0%</b>	<b>208</b>	<b>230</b>	<b>240</b>	<b>416</b>	<b>460</b>	<b>480</b>	<b>575</b>	<b>600</b>	<b>H1, H2, H3</b>	<b>3-4</b>
	97.5%	203	224	234	406	449	468	561	585	H1, H2, H3	4-5
95.0%	198	219	228	395	437	456	546	570	H1, H2, H3	5-6	
Secondary Volts			Connect lines to			Inter-connect					
	208	380	416	480	600	X1, X2, X3					
	120	220	240	277	347	X1, X0	X2, X0	X3, X0			

## SCD 17

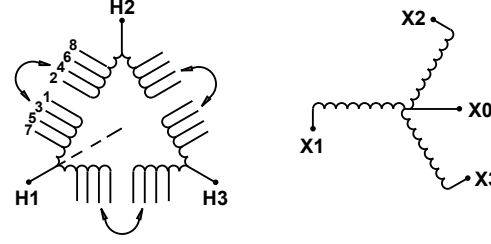
SCHEMATIC	CONNECTIONS			
	% Voltage	Primary Volts	Connect lines to	Inter-connect
	105.0%	252	H1, H2	1-H2, 2-H3, H1-H3, H2-H4
	<b>100.0%</b>	<b>240</b>	<b>H1, H2</b>	<b>3-H2, 4-H3, H1-H3, H2-H4</b>
	95.0%	228	H1, H2	5-H2, 6-H3, H1-H3, H2-H4
	90.0%	216	H1, H2	7-H2, 8-H3, H1-H3, H2-H4
	105.0%	504	H1, H4	1-H2, 2-H3, H2-H3
	102.5%	492	H1, H4	3-H2, 2-H3, H2-H3
	<b>100.0%</b>	<b>480</b>	<b>H1, H4</b>	<b>3-H2, 4-H3, H2-H3</b>
	97.5%	468	H1, H4	5-H2, 4-H3, H2-H3
	95.0%	456	H1, H4	5-H2, 6-H3, H2-H3
	92.5%	444	H1, H4	7-H2, 6-H3, H2-H3
	90.0%	432	H1, H4	7-H2, 8-H3, H2-H3
Secondary Volts		Connect lines to	Inter-connect	
	240	X1, X4	X2-X3	
	120	X1, X2	X2-X4, X1-X3	
	120/240	X1, X2, X4	X2-X3	

Tap arrangements shown are for catalog products only. May not be applicable for other products.

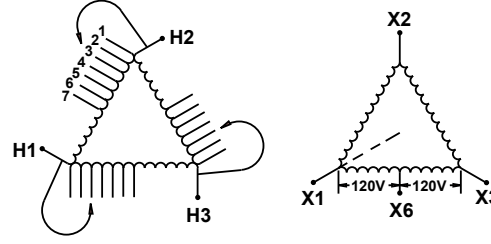
### SCD 19

SCHEMATIC	CONNECTIONS						
	% Voltage	Primary Volts		Connect lines to	Inter-connect		
	105.0%	218	252	504	630	H1, H2, H3	1
	102.5%	213	246	492	615	H1, H2, H3	2
	<b>100.0%</b>	<b>208</b>	<b>240</b>	<b>480</b>	<b>600</b>	<b>H1, H2, H3</b>	<b>3</b>
	97.5%	203	234	468	585	H1, H2, H3	4
	95.0%	198	228	456	570	H1, H2, H3	5
	92.5%	193	222	444	556	H1, H2, H3	6
	90.0%	188	216	432	542	H1, H2, H3	7
	Secondary Volts		Connect lines to		Inter-connect		
	208 480		X1, X2, X3				
120 277		X1, X0 X2, X0 X3, X0					

### SCD 20

SCHEMATIC	CONNECTIONS					
	% Voltage	Primary Volts		Connect lines to	Inter-connect	
	105.0%	218	504	630	H1, H2, H3	1-2
	102.5%	213	492	615	H1, H2, H3	2-3
	<b>100.0%</b>	<b>208</b>	<b>480</b>	<b>600</b>	<b>H1, H2, H3</b>	<b>3-4</b>
	97.5%	203	468	585	H1, H2, H3	4-5
	95.0%	198	456	570	H1, H2, H3	5-6
	92.5%	193	444	556	H1, H2, H3	6-7
	90.0%	188	432	542	H1, H2, H3	7-8
	Secondary Volts		Connect lines to		Inter-connect	
	208 480		X1, X2, X3			
120 277		X1, X0 X2, X0 X3, X0				

### SCD 21

SCHEMATIC	CONNECTIONS					
	% Voltage	Primary Volts		Connect lines to	Inter-connect	
	105.0%	504		H1, H2, H3	1	
	102.5%	492		H1, H2, H3	2	
	<b>100.0%</b>	<b>480</b>		<b>H1, H2, H3</b>	<b>3</b>	
	97.5%	468		H1, H2, H3	4	
	95.0%	456		H1, H2, H3	5	
	92.5%	444		H1, H2, H3	6	
	90.0%	432		H1, H2, H3	7	
	Secondary Volts		Connect lines to		Inter-connect	
	240		X1, X2, X3			
120		X1, X6 X3, X6				

Tap arrangements shown are for catalog products only. May not be applicable for other products.

# Electrical Schematics & Connection Drawings

## SCD 22

SCHEMATIC		CONNECTIONS				
		% Voltage	Primary Volts		Connect lines to	Inter-connect
		105.0%	504		H1, H2, H3	1-2
		102.5%	492		H1, H2, H3	2-3
		<b>100.0%</b>	<b>480</b>		<b>H1, H2, H3</b>	<b>3-4</b>
		97.5%	468		H1, H2, H3	4-5
		95.0%	456		H1, H2, H3	5-6
		92.5%	444		H1, H2, H3	6-7
		90.0%	432		H1, H2, H3	7-8
		Secondary Volts		Connect lines to	Inter-connect	
		240		X1, X2, X3		
		120		X1, X6 X3, X6		

## SCD 23A

SCHEMATIC		CONNECTIONS				
		% Voltage	Primary Volts		Connect lines to	Inter-connect
		105.0%	218 252		X1, X2, X3	1-2
		<b>100.0%</b>	<b>208 240</b>		<b>X1, X2, X3</b>	<b>2-3</b>
		95.0%	198 228		X1, X2, X3	3-4
		Secondary Volts		Connect lines to	Inter-connect	
		480		H1, H2, H3		
		277		H1, H0 H2, H0 H3, H0		

## SCD 23B

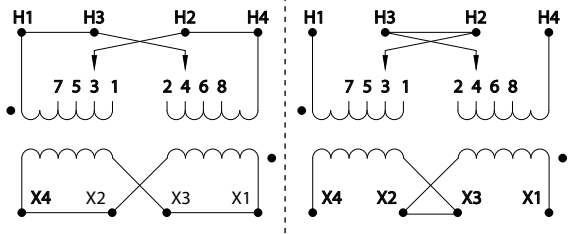
SCHEMATIC		CONNECTIONS				
		% Voltage	Primary Volts		Connect lines to	Inter-connect
		<b>100.0%</b>	<b>208 240</b>		<b>X1, X2, X3</b>	<b>1-2</b>
		95.0%	198 228		X1, X2, X3	2-3
		90.0%	188 216		X1, X2, X3	3-4
		Secondary Volts		Connect lines to	Inter-connect	
		230 260 460 480		H1, H2, H3		
		133 139 265 277		H1, H0 H2, H0 H3, H0		

## SCD 29

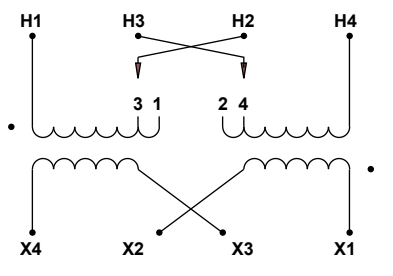
SCHEMATIC		CONNECTIONS				
		% Voltage	Primary Volts		Connect lines to	Inter-connect
		105.0%	630 504		H1, H2, H3	1-2
		102.5%	615 492		H1, H2, H3	2-3
		<b>100.0%</b>	<b>600 480</b>		<b>H1, H2, H3</b>	<b>3-4</b>
		97.5%	585 468		H1, H2, H3	4-5
		95.0%	570 456		H1, H2, H3	5-6
		Secondary Volts		Connect lines to	Inter-connect	
		240		X1, X2, X3		

Tap arrangements shown are for catalog products only. May not be applicable for other products.

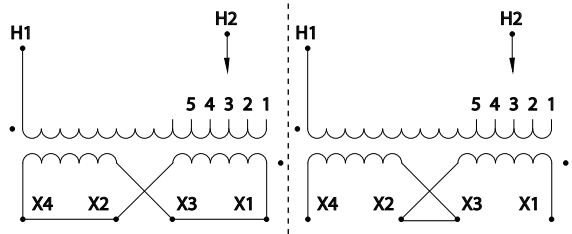
### SCD 30

SCHEMATIC		CONNECTIONS		
	Primary Volts	Connect lines to	Inter-connect	
	440	H1, H4	1-H2, 2-H3, H2-H3	
	416	H1, H4	3-H2, 4-H3, H2-H3	
	400	H1, H4	5-H2, 6-H3, H2-H3	
	380	H1, H4	7-H2, 8-H3, H2-H3	
	220	H1, H2	1-H2, 2-H3, H1-H3, H2-H4	
	208	H1, H2	3-H2, 4-H3, H1-H3, H2-H4	
	200	H1, H2	5-H2, 6-H3, H1-H3, H2-H4	
	190	H1, H2	7-H2, 8-H3, H1-H3, H2-H4	
	Secondary Volts	Connect lines to	Inter-connect	
240	X1, X4	X2-X3		
120	X1, X2	X2-X4, X1-X3		
120/240	X1, X2, X4	X2-X3		

### SCD 34

SCHEMATIC		CONNECTIONS			
	% Voltage	Primary Volts	Connect lines to	Inter-connect	
	<b>100.0%</b>	<b>240</b>	<b>H1, H4</b>	<b>1-H2, 2-H3, H1-H3, H2-H4</b>	
	90.0%	216	H1, H4	3-H2, 4-H3, H1-H3, H2-H4	
	<b>100.0%</b>	<b>480</b>	<b>H1, H4</b>	<b>1-H2, 2-H3, H2-H3</b>	
	95.0%	456	H1, H4	2-H3, 3-H2, H2-H3	
	90.0%	432	H1, H4	3-H2, 4-H3, H2-H3	
	Secondary Volts	Connect lines to	Inter-connect		
	240	X1, X4	X2-X3		
120/240	X1, X2, X4	X2-X3			
120	X1, X2	X2-X4, X1-X3			

### SCD 39

SCHEMATIC		CONNECTIONS			
	% Voltage	Primary Volts	Connect lines to	Inter-connect	
	105.0%	437 630	H1, H2	H2-1	
	102.5%	426 615	H1, H2	H2-2	
	<b>100.0%</b>	<b>416 600</b>	<b>H1, H2</b>	<b>H2-3</b>	
	97.5%	406 585	H1, H2	H2-4	
	95.0%	395 570	H1, H2	H2-5	
	Secondary Volts	Connect lines to	Inter-connect		
240	X1, X4	X2-X3			
120	X1, X2	X2-X4, X1-X3			
120/240	X1, X2, X4	X2-X3			

Tap arrangements shown are for catalog products only. May not be applicable for other products.

# Electrical Schematics & Connection Drawings

## SCD 52

SCHEMATIC	CONNECTIONS			
	% Voltage	Primary Volts	Connect lines to	Inter-connect
	105.0%	504	H1, H2, H3	1
	102.5%	492	H1, H2, H3	2
	<b>100.0%</b>	<b>480</b>	<b>H1, H2, H3</b>	<b>3</b>
	97.5%	468	H1, H2, H3	4
	95.0%	456	H1, H2, H3	5
	92.5%	444	H1, H2, H3	6
	90.0%	432	H1, H2, H3	7
		Secondary Volts	Connect lines to	Inter-connect
	107.5%	430	X1, X2, X3	X1-A, X2-A, X3-A
	104.0%	416	X1, X2, X3	X1-B, X2-B, X3-B
	<b>100.0%</b>	<b>400</b>	<b>X1, X2, X3</b>	<b>X1-C, X2-C, X3-C</b>
	95.0%	380	X1, X2, X3	X1-D, X2-D, X3-D
		248	X1,X0 X2,X0 X3,X0	X1-A, X2-A, X3-A
		240	X1,X0 X2,X0 X3,X0	X1-B, X2-B, X3-B
		231	X1,X0 X2,X0 X3,X0	X1-C, X2-C, X3-C
	219	X1,X0 X2,X0 X3,X0	X1-D, X2-D, X3-D	

## SCD 53

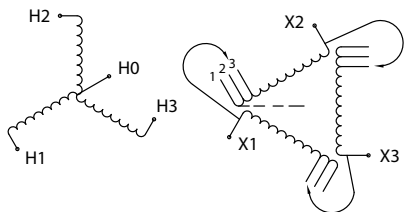
SCHEMATIC	CONNECTIONS			
	% Voltage	Primary Volts	Connect lines to	Inter-connect
	105.0%	218 252	X1, X2, X3	1
	102.5%	213 246	X1, X2, X3	2
	<b>100.0%</b>	<b>208 240</b>	<b>X1, X2, X3</b>	<b>3</b>
	97.5%	203 234	X1, X2, X3	4
	95.0%	198 228	X1, X2, X3	5
	92.5%	192 222	X1, X2, X3	6
	90.0%	187 216	X1, X2, X3	7
		Secondary Volts	Connect lines to	Inter-connect
		480	H1, H2, H3	
		277	H1,H0 H2,H0 H3,H0	

## SCD 54

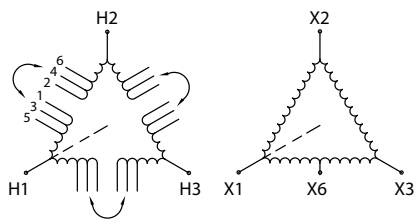
SCHEMATIC	CONNECTIONS			
	% Voltage	Primary Volts	Connect lines to	Inter-connect
	105.0%	630	H1, H2, H3	1
	102.5%	615	H1, H2, H3	2
	<b>100.0%</b>	<b>600</b>	<b>H1, H2, H3</b>	<b>3</b>
	97.5%	585	H1, H2, H3	4
	95.0%	570	H1, H2, H3	5
	92.5%	555	H1, H2, H3	6
	90.0%	540	H1, H2, H3	7
		Secondary Volts	Connect lines to	Inter-connect
		240	X1, X2, X3	

Tap arrangements shown are for catalog products only. May not be applicable for other products.

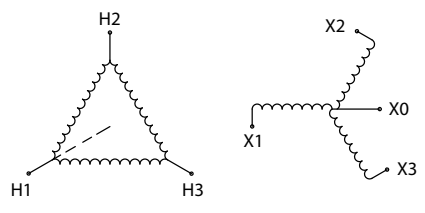
### SCD 56

SCHEMATIC	CONNECTIONS				
	% Voltage	Primary Volts		Connect lines to	Inter-connect
	105.0%	218	252	X1, X2, X3	1
	<b>100.0%</b>	<b>208</b>	<b>240</b>	<b>X1, X2, X3</b>	<b>2</b>
	95.0%	198	228	X1, X2, X3	3
	Secondary Volts		Connect lines to		Inter-connect
480		H1, H2, H3			
277		H1,H0 H2,H0 H3,H0			

### SCD 59

SCHEMATIC	CONNECTIONS				
	% Voltage	Primary Volts		Connect lines to	Inter-connect
	105.0%	504		H1, H2, H3	1-2
	102.5%	492		H1, H2, H3	2-3
	<b>100.0%</b>	<b>480</b>		<b>H1, H2, H3</b>	<b>3-4</b>
	97.5%	468		H1, H2, H3	4-5
	95.0%	456		H1, H2, H3	5-6
Secondary Volts		Connect lines to		Inter-connect	
240		X1, X2, X3			
120		X1,X6 X3,X6			

### SCD 60

SCHEMATIC	CONNECTIONS				
	% Voltage	Primary Volts		Connect lines to	Inter-connect
	100.0%	208 or 240		H1, H2, H3	
	Secondary Volts		Connect lines to		Inter-connect
208		X1, X2, X3			
120		X1,X0 X2,X0 X3,X0			

Tap arrangements shown are for catalog products only. May not be applicable for other products.

# Electrical Schematics & Connection Drawings

## SCD 61

SCHEMATIC	CONNECTIONS				
	% Voltage	Primary Volts		Connect lines to	Inter-connect
	100.0%	208 or 240		X1, X2, X3	
		Secondary Volts		Connect lines to	Inter-connect
		208		H1, H2, H3	
		277	H1,H0	H2,H0	H3,H0

## SCD 62

SCHEMATIC	CONNECTIONS				
	% Voltage	Primary Volts		Connect lines to	Inter-connect
	105.0%	630	504	H1, H2, H3	1
	102.5%	615	492	H1, H2, H3	2
	<b>100.0%</b>	<b>600</b>	<b>480</b>	<b>H1, H2, H3</b>	<b>3</b>
	97.5%	585	468	H1, H2, H3	4
	95.0%	570	456	H1, H2, H3	5
	92.5%	555	444	H1, H2, H3	6
	90.0%	540	432	H1, H2, H3	7
		Secondary Volts		Connect lines to	Inter-connect
	600	480 208	X1, X2, X3		
	346	277 120	X0-X1, X0-X2, X0-X3		


## SCD 63

SCHEMATIC	CONNECTIONS				
	% Voltage	Primary Volts		Connect lines to	Inter-connect
	105.0%	630	504	H1, H2, H3	1-2
	102.5%	615	492	H1, H2, H3	2-3
	<b>100.0%</b>	<b>600</b>	<b>480</b>	<b>H1, H2, H3</b>	<b>3-4</b>
	97.5%	585	468	H1, H2, H3	4-5
	95.0%	570	456	H1, H2, H3	5-6
	92.5%	555	444	H1, H2, H3	6-7
	90.0%	540	432	H1, H2, H3	7-8
		Secondary Volts		Connect lines to	Inter-connect
	600	480 208	X1, X2, X3		
	346	277 120	X0-X1, X0-X2, X0-X3		

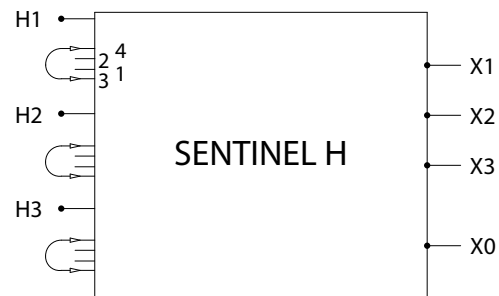
Tap arrangements shown are for catalog products only. May not be applicable for other products.



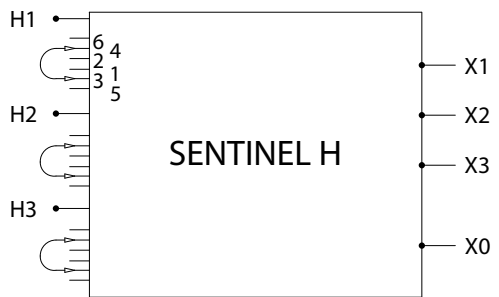
**SCD 64**

SCHEMATIC		CONNECTIONS			
	% Voltage	Primary Volts		Connect lines to	Inter-connect
	104.2%	625	500	H1, H2, H3	1
	<b>100.0%</b>	<b>600</b>	<b>480</b>	<b>H1, H2, H3</b>	<b>2</b>
	95.8%	575	468	H1, H2, H3	3
		Secondary Volts		Connect lines to	Inter-connect
		600	480 208	X1, X2, X3	
		346	277 120	X0-X1, X0-X2, X0-X3	

**SCD 65**

SCHEMATIC		CONNECTIONS			
	% Voltage	Primary Volts		Connect lines to	Inter-connect
	106.2%	637	510	H1, H2, H3	1-2
	<b>100.0%</b>	<b>600</b>	<b>480</b>	<b>H1, H2, H3</b>	<b>2-3</b>
	93.8%	563	450	H1, H2, H3	3-4
		Secondary Volts		Connect lines to	Inter-connect
		600	480 208	X1, X2, X3	
		346	277 120	X0-X1, X0-X2, X0-X3	

**SCD 66**

SCHEMATIC		CONNECTIONS			
	% Voltage	Primary Volts		Connect lines to	Inter-connect
	107.0%	642	514	H1, H2, H3	1-2
	103.5%	621	497	H1, H2, H3	2-3
	<b>100.0%</b>	<b>600</b>	<b>480</b>	<b>H1, H2, H3</b>	<b>3-4</b>
	96.5%	579	463	H1, H2, H3	4-5
	93.0%	558	446	H1, H2, H3	5-6
		Secondary Volts		Connect lines to	Inter-connect
		600	480 208	X1, X2, X3	
		346	277 120	X0-X1, X0-X2, X0-X3	

Tap arrangements shown are for catalog products only. May not be applicable for other products.

# Electrical Schematics & Connection Drawings

## SCD 67

SCHEMATIC		CONNECTIONS			
	% Voltage	Primary Volts		Connect lines to	Inter-connect
	107.0%	630	504	H1, H2, H3	1
	103.5%	615	492	H1, H2, H3	2
	<b>100.0%</b>	<b>600</b>	<b>480</b>	<b>H1, H2, H3</b>	<b>3</b>
	96.5%	585	468	H1, H2, H3	4
93.0%	570	456	H1, H2, H3	5	
	Secondary Volts		Connect lines to	Inter-connect	
	600	480	208	X1, X2, X3	
	346	277	120	X0-X1, X0-X2, X0-X3	

## SCD 68

SCHEMATIC		CONNECTIONS			
	% Voltage	Primary Volts		Connect lines to	Inter-connect
	105.0%	218	291	H1, H2	H2-1
	<b>100.0%</b>	<b>208</b>	<b>277</b>	<b>H1, H2</b>	<b>H2-2</b>
	95.0%	198	263	H1, H2	H2-3
	Secondary Volts		Connect Lines To		Inter-connect
240		X1, X4		X2-X3	
120		X1, X2		X2-X4, X1-X3	
120/240		X1, X2, X4		X2-X3	

## SCD 69

SCHEMATIC		CONNECTIONS				
	% Voltage	Primary Volts		Connect lines to	Inter-connect	
	105.0%	504		H1, H2	H2-1	
	102.5%	492		H1, H2	H2-2	
	<b>100.0%</b>	<b>480</b>		<b>H1, H2</b>	<b>H2-3</b>	
	97.5%	468		H1, H2	H2-4	
	95.0%	456		H1, H2	H2-5	
	92.5%	444		H1, H3	H2-6	
	90.0%	432		H1, H4	H2-7	
	Secondary Volts		Connect Lines To		Inter-connect	
	240		X1, X4		X2-X3	
120		X1, X2		X2-X4, X1-X3		
120/240		X1, X2, X4		X2-X3		

# Notes





CANADA



EUROPE



UNITED STATES



INDIA

**CANADA**

HPS  
595 Southgate Drive  
Guelph, Ontario N1G 3W6  
Tel: (519) 822-2441  
Fax: (519) 822-9701  
Toll Free: 1-888-798-8882  
sales@hammondpowersolutions.com

**EUROPE**

Hammond Power Solutions  
Via Angelo Schiatti, 12  
36040 Meledo di Sarego (VI) Italy  
Tel: +39 0444 822 000  
Fax: +39 0444 822 065  
info@hpseurope.eu

**UNITED STATES**

HPS  
1100 Lake Street  
Baraboo, Wisconsin 53913-2866  
Tel: (608) 356-3921  
Fax: (608) 355-7623  
Toll Free: 1-866-705-4684  
sales@hammondpowersolutions.com

**INDIA**

Hammond Power Solutions Pvt.  
D. No. 5-2/222/IP/B, II-Floor, Icon Plaza,  
Allwyn X-Roads, Miyapur, Hyderabad - 500 049  
Tel: 040-23813593, 23812291  
Fax: 040-23706741  
marketing@petetransformers.com



Distributed by: