

# MOBERN

L I G H T I N G



Manufacturing Quality Lighting Products In The USA Since 1944

## ESCO DLC LED Lighting Guide



[WWW.MOBERN.COM](http://WWW.MOBERN.COM)

# MOBERN

L I G H T I N G

Manufacturing Quality Lighting Products In The USA Since 1944

## Important Mobern Web Links

Click On Links Below

[Mobern Home Page](#)

[Mobern LED Lighting](#)

[LED Specification Sheets](#)

[Specification Sheets](#)

[Mobern QLC DLC Search](#)

["Patriot" Series USA Made Outdoor LED Lighting](#)

# MOBERN

L I G H T I N G

## Technology is changing

Light Emitting Diodes, more commonly known as LED's, are changing the way we see things. Research has shown that LED's offer the potential for cutting general lighting energy use nearly in half by 2030, saving energy dollars and carbon emissions in the process. Their unique characteristics-including compact size, long life and ease of maintenance, resistance to breakage and vibration, good performance in cold temperatures, lack of infrared or ultraviolet emissions, and instant-on performance are beneficial in many lighting applications. The ability to be dimmed and to provide color control are other benefits of LED lighting.



### Practical Energy Efficient Solutions

Mobern has partnered with industry leaders in LED to develop the latest in practical solution LED fixtures to complete any lighting projects. Using gear from the industry leaders like CREE, Philips, Samsung, Nichia, Universal and Osram Sylvania, Mobern is continuing to introduce the latest in cutting edge fixtures. Mobern has developed an expertise in ENERGY EFFICIENT SOLUTIONS. From building retrofits, developing custom solutions for a major airport, or providing the latest High Bay fluorescents, Mobern's custom capabilities have made us a leader as ENERGY MANAGEMENT SPECIALISTS and allows us to provide the most cost effective practical energy efficient solutions. Come explore Mobern as we continue to expand our LED product offering.



### Mass Customization

Mobern has addressed today's ever-expanding product options by re-engineering their manufacturing and assembly capabilities to provide an incredible amount of PRODUCT OPTIONS WITH OFF-THE-SHELF SERVICE and value. Whether it is a specific ballast, a specialized reflector, wire and mounting accessories factory installed to reduce installation time or simply a special finish, Mobern can react quickly to provide it your way.



"Made in the USA"

### Buy America

The majority of Mobern Lighting Products are domestically produced in their JESSUP, MARYLAND facility and therefore complies with the Buy American Act requirements. We can assist you in filling out all the necessary paperwork to both classify and certify our products as MADE IN AMERICA.

### Rooted in Tradition

For over 70 years, Mobern has been providing the industry with HIGH QUALITY, SPECIFICATION GRADE lighting products. Firmly rooted upon this foundation, Mobern also provides value-added engineering and exceptional personalized service through long-standing partner-centric relationships with its clients and vendors. Maintaining this foundation has enabled Mobern to continually meet the dynamic changes in the lighting industry.





## Introducing LED Lighting by Mobern

Mobern is excited to introduce a comprehensive solid-state, LED, product assortment. The following pages represent a wide variety of LED Specification Grade Products at Budget Pricing for most lighting applications. Our latest specification sheets and LED product information are available at [www.mobern.com](http://www.mobern.com). Check the LED sections of the website regularly for the latest information and more new product announcements.

## Mobern's LED Commitment

Mobern Lighting is investing heavily in developing practical and economical solid-state lighting solutions to create the next generation of lighting products to help our customers and end users enjoy the benefits of LED – better lighting, reduced maintenance, increased sustainability, enhanced control and reduced operating costs. We have significantly expanded our design, engineering and quality control departments to ensure reliable and effective LED products. In addition, we are working exclusively with some of the best suppliers of LED components – to ensure the products meet their stated specifications and life expectations. Every product is thoroughly tested for reliability and quality to insure that we optimize the optics and thermal properties.



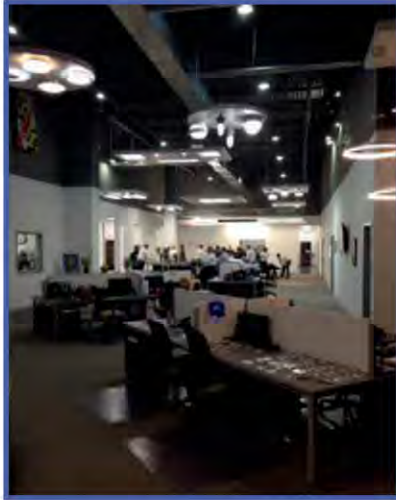
## LED Product Assortment

Our solid-state product line is devoted to fixtures utilizing LED arrays and drivers but Mobern Lighting also makes lighting fixtures that are **LED Ready** for Integral T8 lamps (single ended designated by LED or double ended designated by LED-2E) or fixtures ready to use the new “InstaFit” T8 technology that work with existing Fluorescent Instant Start ballasts. Mobern's flexible, experienced facilities are also equipped to “Factory Wire” their LED fixtures to reduce field wiring especially for 0 to 10 volt dimming, emergency/life safety options and continuous run configurations. Consult [www.mobern.com](http://www.mobern.com) or contact the factory for more information on these products.



## Mobern's LED Advantage

Over the last few years, Mobern has re-engineered their business to build on their long history while adapting to today's fast changing environment. A new facility in Maryland allows Mobern's experienced, aggressive and creative personnel to continually collaborate with customers, suppliers and each other to stay abreast of the latest in technology.



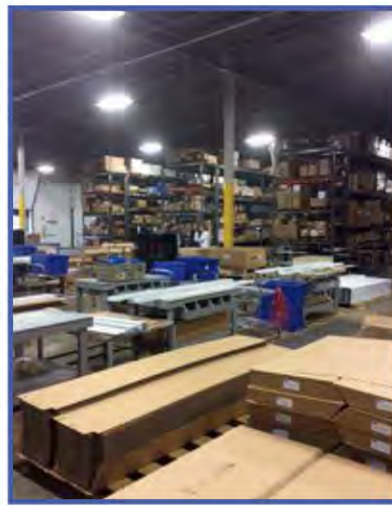
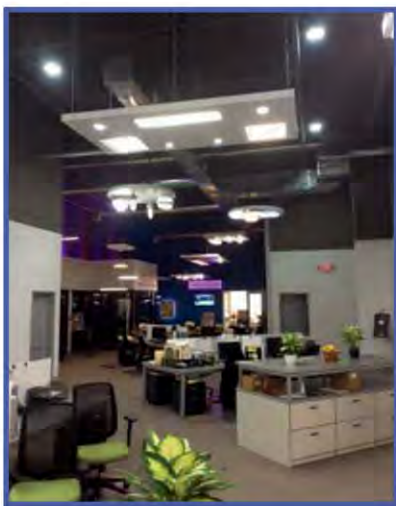
Moving quickly, changing directions, and having a sense of urgency is a terrific differentiator in today's market where large industry conglomerates have the resources but not the flexibility to respond to changing market demands as quickly as projects may require.

Mobern's facility is a working laboratory, showroom, training facility, and university that allows its personnel to help their customers understand one of the most complicated and sophisticated times in lighting.



Mobern's distinctive advantages also include fine tuning their product to exactly what is needed for the application; a "Yes We Can" philosophy, value pricing and fast turnaround.

**See for yourself how Mobern is moving forward to offer practical energy efficient solutions.**



**Go to [www.mobern.com](http://www.mobern.com) to sign up to receive our latest product information.**



# MOBERN

L I G H T I N G

## LED Recessed Fixtures



### APPLICATIONS

The RDISE LED is a specification grade, Volumetric Recessed LED Luminaire which provides smooth and uniform ambient lighting for all commercial and industrial buildings with recessed configurations. Reflected light from matte surfaces provide a softened appearance to the modern office environment.

### FEATURES & BENEFITS

- ◆ Volumetric recessed luminaire provides a low glare light source
- ◆ Matte white reflective surface for soft, uniform light distribution
- ◆ 0-10V dimming driver standard
- ◆ Easy access plate for quick wiring
- ◆ ETL Listed for damp locations



### SPECIFICATIONS

Housing is die-formed and embossed code 22 gauge steel. Luminaire body finish is high reflectance baked white enamel, with matte white reflectors. Wiring knockouts are provided on the back of housing. Center diffuser snaps into place; no tools are required for removal.

### ORDERING DATA

EXAMPLE: RDISE24-LED48FRDMV40

RDISE										
Series	Family		Size	Gear	Wattage / Lumens		Diffuser	Driver Type		Color Temp
RDISE	Blank VL	Standard	14 1x4	LED	<u>1x4 &amp; 2x4 Value Line</u> 45 45 Watts 5000 Lumens		FR Frosted Lens	DMV	120-277VAC	30 3000K
		Value	22 2x2						0-10V	35 3500K
		Line	24 2x4						Dimmable	40 4000K
					<u>1x4 Standard</u> 15 15 Watts 1880 Lumens 24 24 Watts 3145 Lumens 30 30 Watts 4015 Lumens 35 35 Watts 4580 Lumens 40 40 Watts 5140 Lumens 48 48 Watts 6025 Lumens 57 57 Watts 7020 Lumens			FIDMV	120-277VAC	50 5000K
								Factory installed		
								0-10 V Dimming		
					<u>2x4 Standard</u> 15 15 Watts 1990 Lumens 20 20 Watts 2565 Lumens 23 23 Watts 3145 Lumens 25 25 Watts 3440 Lumens 28 28 Watts 3805 Lumens 30 30 Watts 4095 Lumens 35 35 Watts 4535 Lumens 40 40 Watts 5245 Lumens 48 48 Watts 6155 Lumens 57 57 Watts 7210 Lumens			SDMV	120-277VAC	
								Step Dimmable		
								100%-40%		
					<u>2x2 Standard</u> 15 15 Watts 1599 Lumens 18 18 Watts 2115 Lumens 20 20 Watts 2535 Lumens 24 24 Watts 3015 Lumens 30 30 Watts 3605 Lumens					

\* Emergency Drivers may be remote mounted on 2x2 fixtures

Lumens are subject to a tolerance of ±10%  
Wattage is approximate and subject to a tolerance of ±5%

Options	
EM	Emergency Battery Pack 10W ~1300 Lumens
EM4F	Emergency Battery Pack 4W ~450 Lumens
EM5	Emergency Battery Pack 5W ~650 Lumens
EM7	Emergency Battery Pack 7W ~900 Lumens
SS	Occupancy Sensor Internal Microwave



Dimensions and specifications subject to change without notice.

◆ 800-444-WATT ◆ www.mobern.com ◆

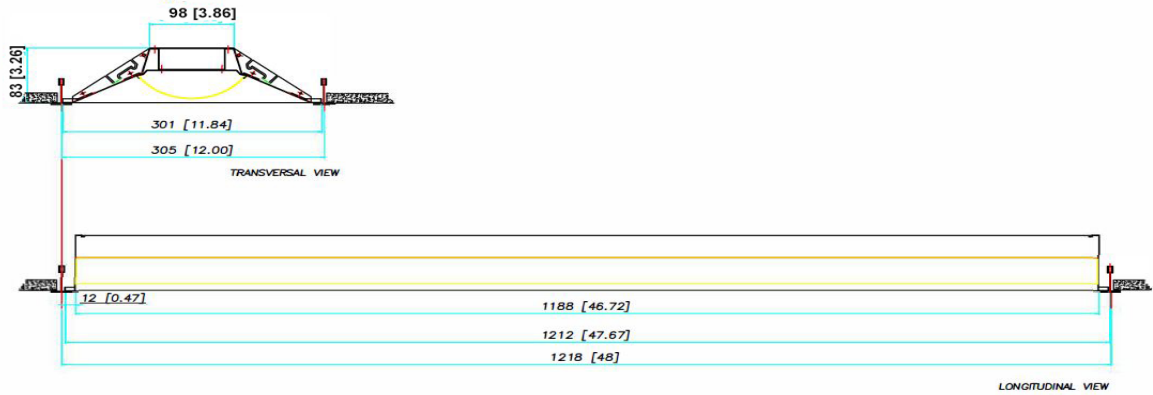
8200 Stayton Dr., Ste. 500, Jessup, MD 20794

CAT#

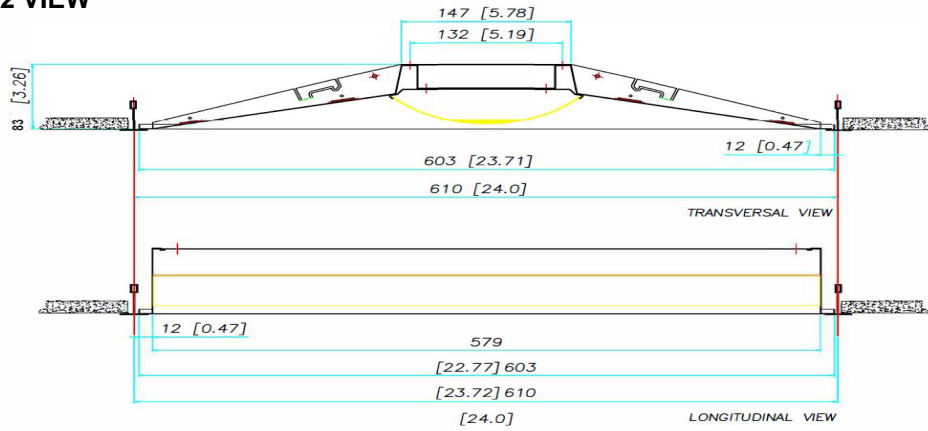
JOB NAME

TYPE

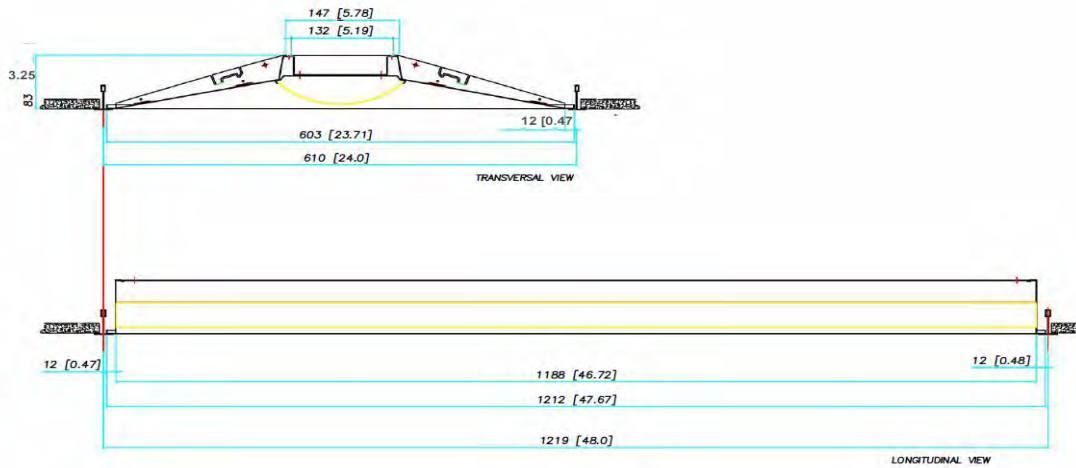
**1x4 VIEW**



**2x2 VIEW**



**2x4 VIEW**



Dimensions and specifications subject to change without notice.

CAT#	
JOB NAME	TYPE



### APPLICATIONS

Premium quality low profile troffer with an almost limitless range of applications. Ideal for all commercial and industrial buildings requiring general illumination with recessed configurations.

### FEATURES & BENEFITS

- ◆ Min 80 CRI
- ◆ Corrosion and scratch resistant
- ◆ Smooth edges for easy handling
- ◆ Ends are secured by snap-in interlocking system
- ◆ .100 acrylic prismatic lens is standard
- ◆ Exclusive "Light Lock" frame reduces light leaks
- ◆ Flush steel door with rotary action cam latches and hinges from either side
- ◆ Easy access plate for quick wiring
- ◆ Equipped with Integral Earthquake Clips
- ◆ **ETL** listed for damp location
- ◆ DLC listed in certain models - consult DLC QPL for verification



### SPECIFICATIONS

Housing is die-formed and embossed from cold rolled steel. Wiring access plate and knockouts are provided on back of housing allowing for flexible greenfield attachment. Driver cover snaps easily into place eliminating the need for tools when accessing the driver. Prismatic lens is held within a hinged steel frame door. The heavy gauge door frame hinges downward on either side and is held in the closed position by two positive cam latches. Knockouts are provided on ends for continuous wiring. Listed by and bears **ETL** label.

### ORDERING DATA

EXAMPLE: RG22-LED35DMV40

RG		Series		Size		Gear		Wattage & Lumens		Driver Type <sup>1</sup>		Color Temp		Options	
		<b>RG</b>		<b>14</b>	1x4	<b>LED</b>		<b>Standard 1x4</b>		<b>DMV</b>	120-277VAC	<b>30</b>	3000K	<b>See Below</b>	
		LED Grid		<b>22</b>	2x2			<b>22</b>	22 Watts 2810 Lumens		Multivolt	<b>35</b>	3500K		
				<b>24</b>	2x4			<b>30</b>	30 Watts 3585 Lumens		0-10V Dimming	<b>40</b>	4000K		
								<b>35</b>	35 Watts 4090 Lumens	<b>FIDMV</b>	120-277VAC	<b>50</b>	5000K		
								<b>40</b>	40 Watts 4590 Lumens		Input Factory Installed				
								<b>48</b>	48 Watts 5385 Lumens		0-10V Dimming				
								<b>57</b>	57 Watts 6370 Lumens	<b>SDMV</b>	Step dimming				
								<b>Standard 2x2</b>			Multivolt				
								<b>20</b>	20 Watts 2300 Lumens						
								<b>24</b>	24 Watts 2600 Lumens						
								<b>28</b>	28 Watts 3000 Lumens						
								<b>35</b>	35 Watts 3600 Lumens						
								<b>45</b>	45 Watts 4470 Lumens						
								<b>Standard 2x4</b>							
								<b>32</b>	32 Watts 3970 Lumens						
								<b>35</b>	35 Watts 4345 Lumens						
								<b>45</b>	45 Watts 4765 Lumens						
								<b>48</b>	48 Watts 5900 Lumens						
								<b>52</b>	52 Watts 5300 Lumens						
								<b>57</b>	57 Watts 6735 Lumens						
								<b>62</b>	62 Watts 7000 Lumens						

#### Notes:

1. Consult factory for Triac Dimming Options.

DLC Listed	
RG22-LED20DMVxx	xx=30,35,40,50
RG22-LED24DMVxx	xx=30,35,40,50
RG22-LED28DMVxx	xx=30,35,40,50
RG22-LED35DMVxx	xx=30,35,40,50
RG22-LED45DMVxx	xx=35,40,50
RG24-LED35DMVxx	xx=30,35,40,50
RG24-LED45DMVxx	xx=30,35,40,50
RG24-LED48DMVxx	xx=30,35,40,50
RG24-LED52DMVxx	xx=35,40
RG24-LED52FRDMVxx	xx=35,40
RG24-LED57DMVxx	xx=30,35,40,50

#### Options

<b>EM</b>	10W, 1300 lumen, battery backup
<b>EM5</b>	5W, 650 lumen, battery backup
<b>EM7</b>	7W, 900 lumen, battery backup
<b>EM12K</b>	1200 Board Lume LED Emergency Kit
<b>Blank</b>	A12 .100 thick lens
<b>125</b>	A12 .125 thick lens
<b>156</b>	A19 .156 thick lens
<b>CL</b>	Clear .100 thick lens
<b>CL125</b>	Clear .125 thick lens
<b>SW</b>	Smooth White .100 thick lens
<b>S5</b>	Specular Parabolic Louver (1/2"x1/2"x3/8")
<b>S75</b>	Specular Parabolic Louver (3/4"x3/4"x3/8")
<b>S15</b>	Specular Parabolic Louver (1 1/2"x1 1/2"x1")
<b>W5</b>	White Parabolic Louver (1/2"x1/2"x3/8")
<b>NL</b>	No Lens
<b>NFL</b>	No Frame and Lens
<b>FR</b>	High Optic Frosted
<b>G3</b>	Triple Gasketing
<b>FA</b>	Flush Aluminum

Dimensions and specifications subject to change without notice.



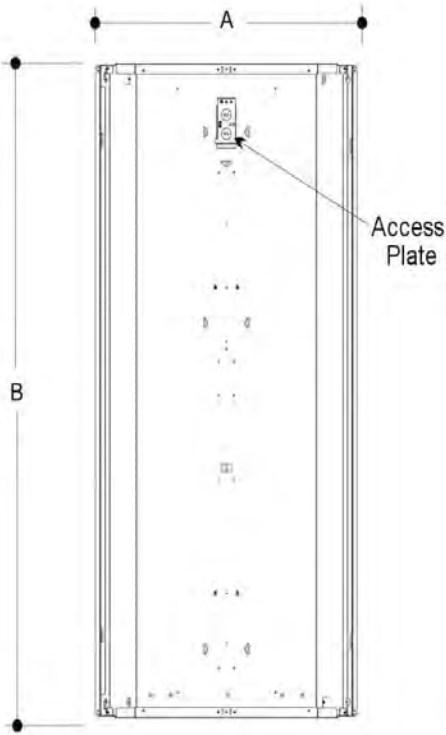
◆ 800-444-WATT ◆ www.mobern.com ◆

8200 Stayton Dr., Ste. 500, Jessup, MD 20794

CAT#	
JOB NAME	
TYPE	

**DIMENSIONS**

**TOP VIEWS**



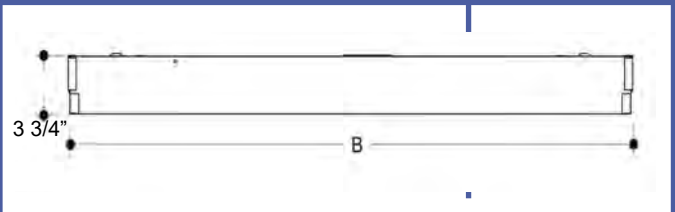
**MODEL CONFIGURATION**

**A**

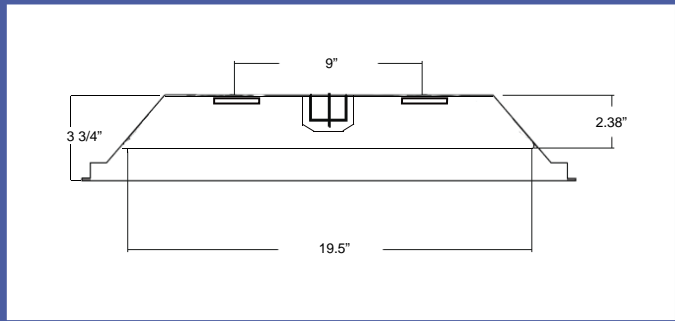
1' x 4'	12"	47 7/8"
2' x 2'	23 3/4"	23 3/4"
2' x 4'	23 3/4"	47 3/4"

**SIDE VIEW**

**B**



**END VIEW**



Dimensions and specifications subject to change without notice.

### APPLICATIONS

The Mobern MFPEL Edge Lit LED Flat Panel is a cleanly designed, high brightness lighting panel, made with high performance LED chips. This panel is ideal for replacing traditional fluorescent fixtures and is simple to fit and install. The MFPEL Edge Lit LED Flat Panel is a perfect choice for many applications including commercial, industrial, healthcare, hospitality and many more.

### FEATURES & BENEFITS

- ◆ Ultra thin LED panel light made from high-grade aluminum
- ◆ Environmentally friendly-mercury free
- ◆ Rated at 50,000 hrs of L70 LED life
- ◆ CRI >80
- ◆ 0-10 Volt dimmable 120-277V
- ◆ High efficacy and UV and IR Free
- ◆ RoHS Compliant
- ◆ 5 Year Warranty
- ◆ PF >99
- ◆ cULus Listed for damp locations
- ◆ DLC listed for certain models



### SPECIFICATIONS

Housing is white aluminum that is sealed and Non-IC type fixture. Lens is evenly diffused frosted material. The driver is a Class 2 compliant design, featuring low voltage, limited power and is capable of 0-10V dimming as standard. Fixture is 80CRI minimum, multiple color temperatures, sizes and wattages are available. 5 year limited system warranty. Listed by and bears cULus label.

### ORDERING DATA

EXAMPLE: MFPEL22-LED35DMVWH40

#### MFPEL

Series	Type	Gear	Wattage/Lumens	Driver	Frame Color	Color Temperature
<b>MFPEL</b>	<b>14</b> 1 x 4	<b>LED</b>	<b>1x4 only</b>	<b>DMV</b> 120-277VAC	<b>WH</b> White	<b>30</b> 3000K
LED Slim	<b>22</b> 2 x 2		<b>37</b> 37 Watts 3630 Lumens	Dimming Multivolt		<b>35</b> 3500K
Flat Panel	<b>24</b> 2 x 4		<b>2x2 only</b>	0-10V		<b>40</b> 4000K
			<b>35</b> 35 Watts 4000 Lumens			<b>50</b> 5000K
			<b>54</b> 54 Watts 4860 Lumens*			
			<b>2x4 only</b>			
			<b>50</b> 47 Watts 5245 Lumens			
			<b>75</b> 75 Watts 6850 Lumens*			

\*Special Order

DLC Listed	
MFPEL14-LED37DMVWHxx	xx=30,35,40,50
MFPEL14-LED35DMVWHxx	xx=30,35,40,50
MFPEL14-LED54DMVWHxx	xx=30,35,40,50
MFPEL14-LED50DMVWHxx	xx=30,35,40,50
MFPEL14-LED75DMVWHxx	xx=35,40,50

#### ACCESSORIES: Sold Separately

##### Surface Mounting Kits: (sold separately)

- SMKT14-MFPEL - 1x4
- SMKT22-MFPEL - 2x2
- SMKT24-MFPEL - 2x4

##### Hanging Kit:

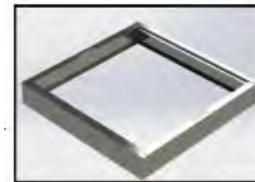
A-MFPEL-Cable kit 35 inches - aircraft cable kit

Consult for other options.

#### DIMENSIONS:

- 1x4 - 300mm x 1200mm x 12mm + Driver (11.8" x 47.25" x 0.5")
- 2x2 - 600mm x 600mm x 12mm + Driver (23.625" x 23.625" x 0.5")
- 2x4 - 600mm x 1200mm x 12mm + Driver (23.625" x 47.25" x 0.5")
- Driver - 10.625" x 3.0" x 1.7"

#### Wiring Diagram



Shroud for surface mounting

Not all color temperatures and wattages are stocked. Dimensions and specifications subject to change without notice. Consult factory for EM



◆ 800-444-WATT ◆ www.mobern.com ◆

8200 Stayton Dr., Ste. 500, Jessup, MD 20794

CAT#	
JOB NAME	
TYPE	

# MOBERN

L I G H T I N G

## LED High Bay Fixtures



### APPLICATIONS

The **FHBC LED** is a high efficiency premier high bay fixture engineered for premium performance. A precision-formed reflector system available in enhanced white reflector is designed to achieve maximum light output for ceilings from 15 feet to 40 feet. Based on ceiling height, these fixtures can replace a fluorescent or traditional HID high bay while using up to 50% less energy. Pendant, chain or stem mounting are available. The fixture is ideal suited for warehouses, manufacturing plants, sports facilities and retail spaces.

### FEATURES & BENEFITS

- ◆ 0-10V Dimming Driver standard
- ◆ Pendant, stem or chain hanging available
- ◆ Options and accessories include: Wireguard, lens, occupancy sensors, emergency packs and more
- ◆ DLC Model: FHBC-48LEDH118DMV50
- ◆ L70 >60,000 hrs.
- ◆ 80+ CRI
- ◆ **ETL** Listed



### SPECIFICATIONS

Housing is 22 gauge pre-painted steel. High reflective enhanced white reflectors are computer designed to maximize photometric performance and put the light where you need it. Access plate in the back makes wiring fast and hassle-free. Back of fixture is designed with built in mounting holes for tong hanger or cable kit. The fixture is not designed to be surface mounted to the ceiling or wall. Integral Occupancy Sensor is optional and is ideal for wire guard applications.

### ORDERING DATA

EXAMPLE: FHBC24LED48DMV40

FHBC

Series	Size	Gear	Wattage & Lumens		Driver Type	Color Temp	Options & Accessories
<b>FHBC</b>	24 24" Length	<b>LED</b>	<b>High Performance</b>		<b>DMV</b>	<b>30</b> 3000K	<b>See Options and Accessories Section</b>
LED Premier High Bay	48 48" Length		<b>24"</b>				
		<b>48</b>	48 Watts	6400 Lumens	<b>D480TF</b>	<b>40</b> 4000K	
		<b>57</b>	57 Watts	7640 Lumens		480V with transformer 0-10V Dimming	
		<b>72</b>	72 Watts	10440 Lumens			
		<b>90</b>	90 Watts	12060 Lumens			
		<b>100</b>	100 Watts	13480 Lumens			
		<b>118</b>	118 Watts	16600 Lumens			
			<b>48"</b>				
		<b>97</b>	97 Watts	10440 Lumens			
		<b>100</b>	100 Watts	13480 Lumens			
		<b>114</b>	114 Watts	14900 Lumens			
		<b>H118</b>	H118 Watts	16600 Lumens			
		<b>144</b>	144 Watts	19500 Lumens			
		<b>166</b>	166 Watts	22710 Lumens			
		<b>180</b>	180 Watts	24120 Lumens			
		<b>208</b>	208 Watts	29300 Lumens			
		<b>270</b>	270 Watts	36180 Lumens			
		<b>352</b>	352 Watts	47440 Lumens			

Wattage and Lumens are calculated at 25°C ambient temp and 5000K. A tolerance of ± 10% is standard for both wattage and lumens.



Dimensions and specifications subject to change without notice.

◆ 800-444-WATT ◆ www.mobern.com ◆  
8200 Stayton Drive, Ste. 500. Jessup, MD 20794

CAT#

JOB NAME

TYPE

### SUPER HIGH PERFORMANCE 150+ LPW

#### ORDERING DATA

EXAMPLE: FHBC242R-LEDSH48DMV30

FHBC		Wattage & Lumens		Driver Type		Color Temp		Options & Accessories	
Series	Size	24"		48"		30 3000K		See Options and Accessories Section	
<b>FHBC</b>	24 24" Length	<b>4R-LEDSH48</b>	48 Watts	7400 Lumens	<b>DMV</b>	0-10V Dimming	<b>35</b>	3500K	
LED Premier High Bay	48 48" Length	<b>4R-LEDSH57</b>	57 Watts	8600 Lumens		Multivolt	<b>40</b>	4000K	
		<b>6R-LEDSH87</b>	87 Watts	13050 Lumens	<b>D480TF</b>	120-277VAC	<b>50</b>	5000K	
		<b>8R-LEDSH121</b>	121 Watts	18220 Lumens		480V with transformer			
						0-10V Dimming			
		<b>3R-LEDSH87</b>	87 Watts	13050 Lumens					
		<b>4R-LEDSH121</b>	121 Watts	18220 Lumens					
		<b>5R-LEDSH131</b>	131 Watts	20030 Lumens					
		<b>6R-LEDSH161</b>	161 Watts	24290 Lumens					
		<b>8R-LEDSH195</b>	195 Watts	30030 Lumens					
		<b>8R-LEDSH230</b>	230 Watts	34500 Lumens					

Wattage and Lumens are calculated at 25°C ambient temp and 5000K.  
A tolerance of ± 10% is standard for both wattage and lumens.

#### TECHNICAL INFORMATION

##### OPTIONS-Factory Installed

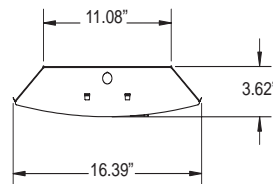
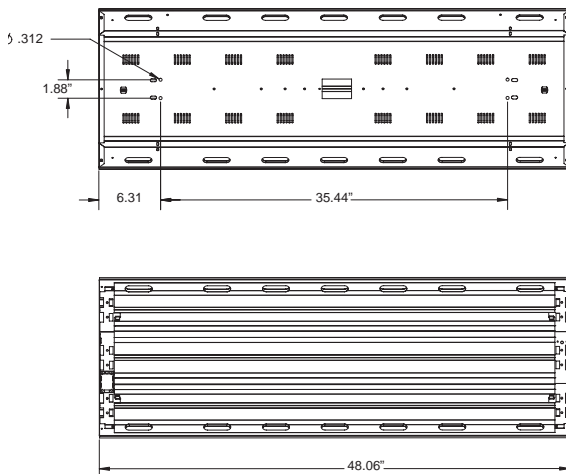
<b>EM5</b>	5 Watts, 800 Lumens Battery Backup
<b>EM7</b>	7 Watts, 1100 Lumens, Battery Backup
<b>EM</b>	10 Watts, 1600 Lumens Battery Backup
<b>EM12</b>	12 Watts, 1900 Lumens, Battery Backup
<b>OS</b>	Occupancy Sensor - On/Off
<b>OSD</b>	Occupancy Sensor w/Dimming
<b>DH</b>	Daylight Harvesting
<b>CS</b>	6' Cord 18/3
<b>CS8</b>	8' Cord 18/3
<b>CS12</b>	12' Cord 18/3
<b>CS8TL277</b>	8' Cordset 277V, 3-WIRE, NEMA L7-15P
<b>WP</b>	6' Whip-MC
<b>WP12</b>	12' Whip-MC
<b>WG</b>	Wraparound Wire Guard

##### ACCESSORIES

<b>L1080</b>	FHBC Lens Wraparound for 48" Body
<b>A-FHBC6WG</b>	Wireguard - No door frame
<b>L1080-2ft</b>	FHBC Lens Wraparound for 24" Body

##### MOUNTING

<b>A144-XX</b>	Footage - Tong hangers, End Mount (Pair) with footage of chain (xx=footage of chain)
<b>AC120-Toggle-2pk</b>	yhook - 10' Cable Mounting Kit and 2 Spring Clips
<b>AC180-Toggle-2pk</b>	yhook - 15' Cable Mounting Kit and 2 Spring Clips



Dimensions and specifications subject to change without notice.

◆ 800-444-WATT ◆ www.mobern.com ◆  
8200 Stayton Drive, Ste. 500. Jessup, MD 20794

CAT#	
JOB NAME	
TYPE	

### APPLICATION

The LHBIP LED is a high efficiency I-Beam style high bay fixture engineered for premium performance. A precision-formed silver reflector is designed to achieve maximum light output for ceilings from 15 feet to 40 feet. Based on ceiling height, these fixtures can replace a fluorescent or traditional HID high bay while using up to 50% less energy. Surface or chain mounting systems are available. The fixture is ideally suited for warehouses, manufacturing plants, sports facilities and retail spaces.

### FEATURES & BENEFITS

- ◆ 22 Gauge White Steel Vented Housing
- ◆ Chain kit included
- ◆ Environmentally Friendly - Mercury Free
- ◆ Rated at 50,000 hrs of L70 Life
- ◆ RoHS Compliant
- ◆ 5 Year Limited Warranty
- ◆ High Power Factor
- ◆ L70>50,000 hrs; L90>36,000 hrs
- ◆ ETL Listed
- ◆ DLC Premium Listed



### SIZE

110W - 11.80W x 21.50L x 2.00H  
 170W - 16.00W x 21.50L x 2.00H  
 230W - 11.80W x 43.00L x 2.00H

### SPECIFICATIONS

Housing is 22 gauge prepainted steel. Air vents surround the drivers in the back of the fixture to maximize LED and driver performance, reliability and life. Highly efficient silver reflectors are computer designed to maximize photometric performance and put the light where you need it. Back access plate allows for fast and hassle-free wiring. Back of fixture is designed with built-in mounting holes for tong hangers, cable kit, or surface mounting (with additional brackets). Chain kit included. 5 year limited system warranty. ETL Listed.

### MOUNTING OPTIONS

Designed for surface or chain hanging. Mounting holes are provided for simple fast installation. Chain kit included.

### ORDERING DATA

EXAMPLE: LHBIP-LED230MV50

LHBIP	LED	Wattage / Lumens		MV	Color Temp	Options	
Series	Gear			Driver			
LHBIP	LED	110	110 Watts 14,680 Lumens	MV	40	4000K	EM
		170	165 Watts 22,020 Lumens		50	5000K	OS
		230	220 Watts 29,370 Lumens				10 Watt Emergency Pack Occupancy Sensor

#### ACCESSORIES

- FL-LHBIP2x4-MW Door frame and matte white lens
- FL-LHBIP2x2-MW Door frame and matte white lens
- FL-LHBIP1x2-MW Door frame and matte white lens
- A-LHBIP2x4-WG Wireguard
- A-LHBIP1x2-WG Wireguard
- A-LHBIP1x2-WG Wireguard



Dimensions and specifications subject to change without notice.

CAT#	
JOB NAME	
TYPE	

Lens Installation Instructions:

fig. 1

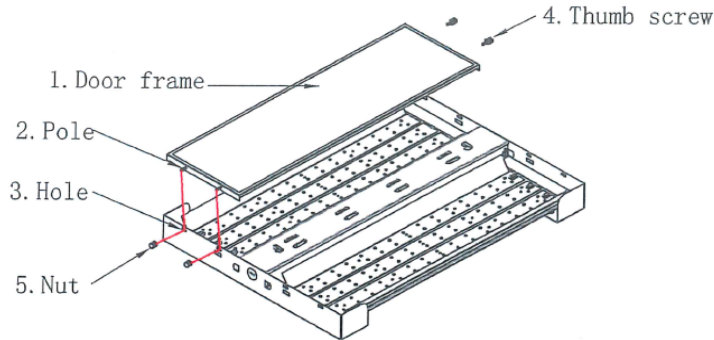
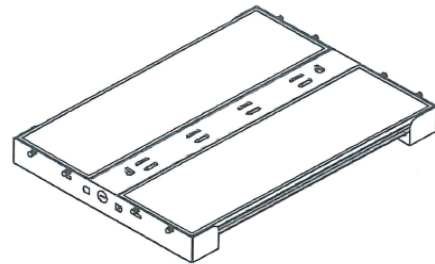


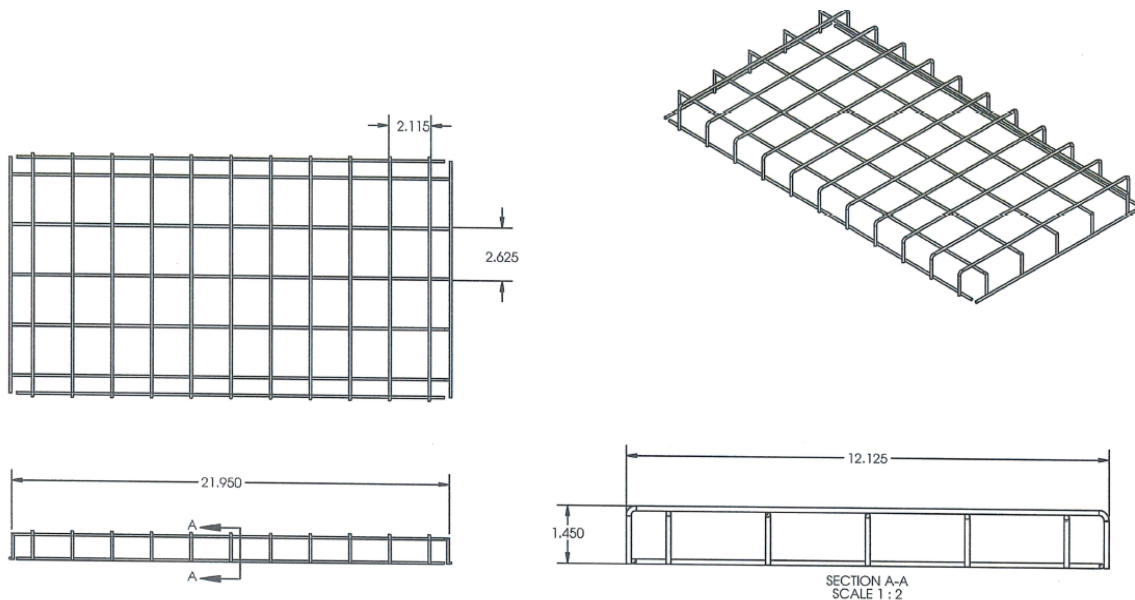
fig. 2



Installation Steps:

1. Take out the door frame (1), put the poles (2) through the holes (3), secure it to the fixture body with thumb screw (4) and nuts (5)
2. The same way to install the other door frame. See fig 2 when installation is completed.

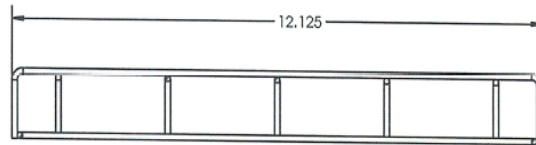
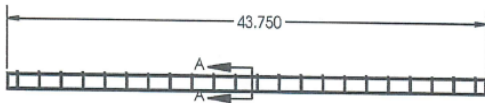
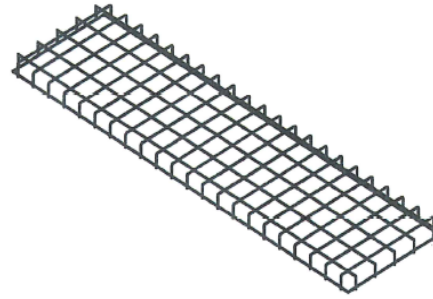
A-LHBI1x2WG:



Dimensions and specifications subject to change without notice.

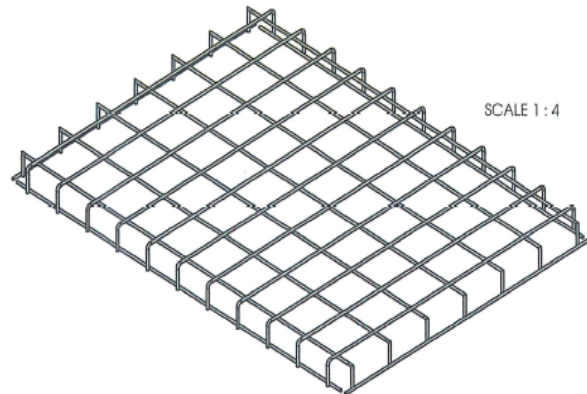
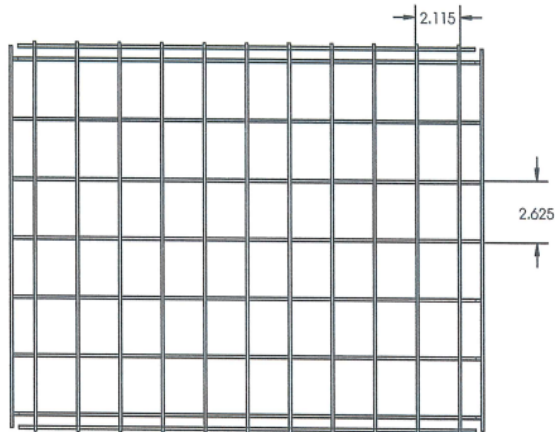


A-LHBI2x4WG:



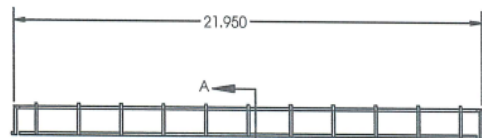
SECTION A-A  
SCALE 1:2

A-LHBI2x2WG:

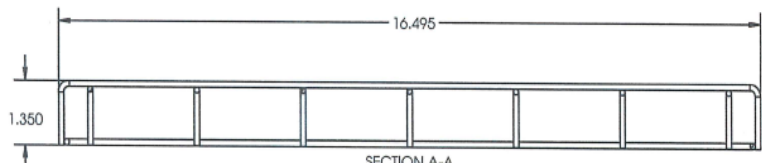


SCALE 1:4

SCALE 1:4



SCALE 1:4



SECTION A-A  
SCALE 1:2

Dimensions and specifications subject to change without notice.

CAT#	
JOB NAME	
TYPE	

#### APPLICATIONS

Introducing our LED industrial high bay fixtures styled to match conventional HID high bays. These fixtures not only provide great glare free, wide area lighting, but also provides a stylish and modern industrial look.

#### FEATURES & BENEFITS

- ◆ CREE XML12 LEDs
- ◆ Silver Housing
- ◆ Multivolt 120V-277V (50/60Hz)
- ◆ 50,000 hrs
- ◆ cUL Listed
- ◆ DLC Listed in certain models
- ◆ 5 year warranty
- ◆ Weighs less than 14 lbs.

#### SPECIFICATIONS

High purity aluminum alloy housing for reduced weight. Excellent thermal conductivity and fast cooling. Very low lumen depreciation and high light purity with a choice of 45 degree beam angle or a 90 degree beam angle.

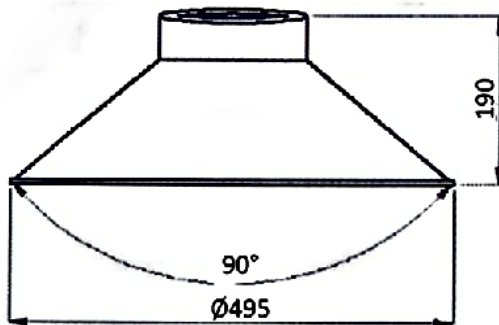


#### ORDERING DATA

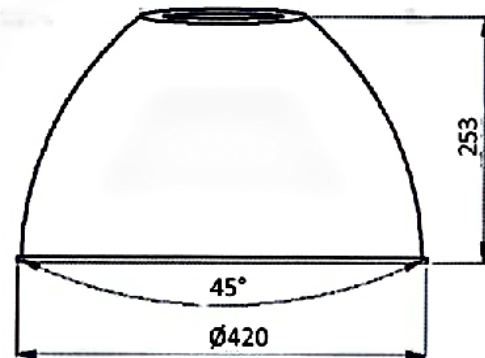
**EXAMPLE: MLHBLED60MV50C**

MLHB	LED		MV	50	
Series	Gear	Wattage & Lumens	Driver Type	Color Temperature	Reflector Type
<b>MLHB</b>	<b>LED</b>	<b>60</b> 60 watts 4650 Lumens <b>100</b> 100 watts 9950 Lumens <b>150</b> 150 watts 13500 Lumens <b>200</b> 200 watts 19300 Lumens	<b>MV</b> 120-277V	<b>50</b> 5000K	<b>C</b> Cone (45°) <b>D</b> Dome (90°) <b>CLD</b> Clear Dome <b>FRD</b> Frosted Dome <b>ALD</b> Faux Alabaste Dome

#### ALUMINUM REFLECTOR



**Reflector Cone**



**Reflector Dome**

DLC Listed
MLHBLED60MV50C
MLHBLED100MV50C
MLHBLED150MV50C



Dimensions and specifications subject to change without notice.

◆ 800-444-WATT ◆ www.mobern.com ◆  
8200 Stayton Dr., Ste. 500, Jessup, MD 20794

CAT#

JOB NAME

TYPE

**ACRYLIC REFLECTORS**



**Clear Dome  
(CL)**



**Frosted Dome  
(FR)**



**Faux Alabaster Dome  
(AL)**

**GENERAL DESCRIPTION**

The acrylic reflectors are a remote optic intended for use with POD style LED highbays and induction sources. Unlike traditional reflectors, it is shallow so as to allow high beam angles. Its large flat top allows it to be easily adapted to most any fixture without the need for expensive collars. The lower flange mimics traditional reflectors allowing for a wide range of bottom lenses and standard clamp bands.

- ◆ Standard clear acrylic version is cost effective and provides a traditional yet low profile appearance
- ◆ Interface® version yields high down light efficiency and a gentle glow for maximum brightness control
- ◆ Accommodates standard 16" diameter lenses including the Drop Lens, Conical Drop lens and flat lenses. Bottom lenses are primarily for lowbay applications where brightness control is paramount. Bottom lenses also enhance uplight.

**DIMENSIONS**

9"H x 16"Diameter

**ACCESSORIES/OPTIONS**

- A-MLHB816CDL:** Conical Drop Lens
- A-MLHB816SFL:** Smooth Flat Lens
- A-MLHB816CB:** Clamp Band
- A-MLHB816WG:** Wire Guard
- A-MLHB816TDL:** Tapered Drop Lens

Dimensions and specifications subject to change without notice.

CAT#			
JOB NAME		TYPE	

# MOBERN

L I G H T I N G

## LED Wraps, Strips & Vapor Tight Fixtures



### APPLICATIONS

Premium grade LED strip fixture. For use in indoor applications such as factories, warehouses, workshops, utility areas, coves and public buildings where industrial grade, ultimate energy savings is required.

### FEATURES & BENEFITS

- ◆ Snap-on components for easy assembly and maintenance
- ◆ Versatile end plate doubles as coupler for continuous row mounting
- ◆ Available in 24", 48", and 96" (2', 4', & 8' lengths). Consult for 3' and 6'
- ◆ Surface, stem or chain mountable
- ◆ CRI 80+
- ◆ ETL Listed for damp location
- ◆ Made in USA
- ◆ DLC listed in certain models

### SPECIFICATIONS

Housing is die-formed from cold rolled steel. Finish is high reflectance baked white enamel. Single wireway cover on non-tandem units. Knockouts are provided for flexible conduit attachment. Knockouts are provided for stem mounting. Mounting holes are provided.



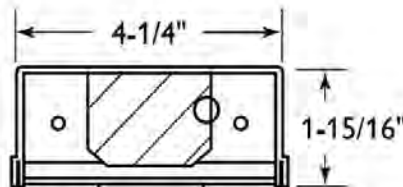
### ORDERING DATA

**EXAMPLE: 44-48LED48DMV40**

Series	Length	Gear	Wattage / Lumens	Driver*	Color Temperature	Options
44 LED Premium Channel	24 24" 48 48" 96 96" Consult for 3' & 6'	LED	<b>2 ft.</b> 24 24 Watts 2800 Lumens 28 28 Watts 3200 Lumens <b>4 ft.</b> 32 32 Watts 4050 Lumens 48 48 Watts 5650 Lumens 57 57 Watts 6400 Lumens 61 61 Watts 6850 Lumens <b>8 ft.</b> 48 48 Watts 5650 Lumens 61 61 Watts 6850 Lumens 97 97 Watts 11300 Lumens 114 114 Watts 12800 Lumens	<b>DMV</b> Dimmable 120-277VAC 0-10V <b>SDMV</b> Step Dimming 120-277VAC 100%-40%  *Consult for Triac dimming	<b>30</b> 3000K <b>35</b> 3500K <b>40</b> 4000K <b>50</b> 5000K	<b>LR</b> Lens ready (Lens must be ordered on separate line) <b>WP</b> 6' Whip 3 Wire <b>EM</b> Emergency Battery Pack 10W ~1300 Lumens <b>EM7</b> Emergency Battery Pack 7W ~900 Lumens <b>EM5</b> Emergency Battery Pack 5W ~650 Lumens

DLC Listed	
44-48LED28DMVxx	xx=30
44-48LED32DMVxx	xx=30,35,40,50
44-48LED48DMVxx	xx=30,35,40,50
44-48LED57DMVxx	xx=30,35,40,50
44-48LED61DMVxx	xx=30

### DIMENSIONS



### ACCESSORIES

- A69** - Wireguard per 4 ft.
- A144** - (2) V-Hook & (2) 2 ft chain
- L1085** - 4 ft. (Order 2 for tandem)
- M39-LED** - (ends to add lens; need 2 per fixture)



Dimensions and specifications subject to change without notice.

◆ 800-444-WATT ◆ www.mobern.com ◆  
8200 Stayton Dr., Ste. 500, Jessup, MD 20794

CAT#	
JOB NAME	
TYPE	

#### APPLICATIONS

Economically designed narrow wraparound provides reliable and efficient lighting. Ideal for use in indoor applications such as homes, modular homes, mobile homes, stores and public building where low glare and ease of installation is required.

#### FEATURES & BENEFITS

- ◆ 0-10V Dimming Driver standard
- ◆ Corrosion and scratch resistant
- ◆ Nominal 9" width with a shallow design
- ◆ Clear acrylic diffuser with prismatic bottom and ribbed linear sides
- ◆ Diffuser self-aligns and hinges from either side for easy maintenance
- ◆ Available in lengths from 24 to 48 inches - (2' & 4' lengths)
- ◆ Single or continuous row mounting capability
- ◆ Surface, stem or chain mountable
- ◆ ETL Listed for damp location



#### SPECIFICATIONS

Housing and ends are die-formed and embossed from cold rolled steel. Inspection knockouts provided for mounting to junction box. Driver cover snaps into place eliminating the need for tools when accessing. Diffuser hinges from either side in a lift and shift manner and is self-centering. End caps may be butted together for continuous row mounting. Knockouts are provided for stem mounting.

#### ORDERING DATA

EXAMPLE: 770-48LED48DMV40

Series		Nominal Size		Gear	Wattage & Lumens		Driver Type <sup>1</sup>		Color Temp		Options	
770												
<b>770</b>	<b>24</b>	24 inch		<b>LED</b>	<b>24"</b>		<b>DMV</b>	Dimming Multivolt 120-277V 0-10V	<b>30</b>	3000K	<b>WP</b>	6' whip, 3 wire
LED Premium	<b>48</b>	48 inch			<b>23</b>	23 Watts 2650 Lumens						
Wrap					<b>28</b>	28 Watts 2950 Lumens	<b>FIDMV</b>	120-277V Input Factory installed 0-10 V Dimming	<b>40</b>	4000K	<b>EM5</b>	5W, 600 Lumen Battery backup
				<b>35</b>	35 Watts 3800 Lumens	<b>48"</b>						
					<b>23</b>	23 Watts 2650 Lumens						
					<b>35</b>	35 Watts 3800 Lumens						
					<b>48</b>	48 Watts 5100 Lumens						
					<b>56</b>	56 Watts 6000 Lumens						

Notes:  
1. Consult factory for step dimming and Triac dimming options

DLC Listed	
770-48LED23DMVxx	xx=30,35,40,50
770-48LED35DMVxx	xx=30,35,40,50
770-48LED48DMVxx	xx=30,35,40,50
770-48LED56DMVxx	xx=30,35,40,50



Dimensions and specifications subject to change without notice.

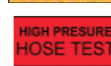
CAT#	
JOB NAME	
TYPE	

### APPLICATIONS

Introducing the Mobern VW-LED Premium grade enclosed and gasketed vaportight fixture. This Energy-Saving High Performance LED Vaportight is ideal for both indoor and outdoor applications where dust and water resistance is required. Ideal for parking garages, cold storage, marinas, barns, canopies, car washes, poultry farms, agricultural applications and other areas susceptible to corrosive and wet conditions.

### FEATURES & BENEFITS

- ◆ Designed for easy assembly
- ◆ Ease of Installation and Maintenance
- ◆ Visually familiar light sourcing
- ◆ Poured in place gasket seals the enclosures from most hostile environments
- ◆ Economical Mounting System can provide dramatic savings on installation labor, thus reducing costs
- ◆ Very tough diffusers resist breakage and reduce replacement and maintenance costs
- ◆ Available in 2', 4' & 8' lengths.
- ◆ Frosted lens for reducing direct glare and image of the LED
- ◆ Optional durable stainless steel mounting hardware
- ◆ No need to drill through the housing for installation
- ◆ Optional stainless steel bail for chain/cable hung installations
- ◆ CRI-Min 84
- ◆ Calculated Life: L70 >93,000 hrs
- ◆ ETL listed for wet location
- ◆ Consult for other options
- ◆ DLC listed in certain models



### SPECIFICATIONS

High quality enclosed fiberglass fixture features a unique continuous poured gasket which completely fills channel for maximum seal integrity. Diffuser is held in place with POM retaining latches. Stainless steel latches are recommended for the following applications: agriculture, car washes, food processing and swimming pools. Hole is 7/8" diameter and is provided with a plastic plug on one end for conduit attachment. Offset mounting pads which keeps luminaire level and slightly off of mounting surface are formed within the housing. Standard diffuser is high impact acrylic with textured pattern designed for high efficiency while providing reduced glare. Listed by and bears ETL label.

### ORDERING DATA

EXAMPLE: VW2WDLED28DMVSF40

VW		LED								
Series	Length	Distribution	Fixture	Lens Material	Lens	Color Temp	Options			
VW LED Vaportight	2' 4' 8'	Blank WD	Std. Wide LED	Blank High Impact Acrylic P Polycarbonate	RF Ribbed Frosted RC Ribbed Clear SF Smooth Frosted SC Smooth Clear SSF Shallow, smooth frosted* SSC Shallow, smooth clear*	30 3000K 35 3500K 40 4000K 50 5000K	CS OS OSW OSD SS PC120 PC277 EM EM4F EM5 EM7	Cord 18/3 6" Occupancy Sensor Occupancy Sensor - Wet Location Occupancy Sensor - 0-10V Dimmable Occupancy Sensor - Internal Microwave Photocell 120V Photocell 277V Emergency Battery Pack 10W ~1300 Lumens Emergency Battery Pack 4W ~450 Lumens Emergency Battery Pack 5W ~650 Lumens Emergency Battery Pack 7W ~900 Lumens		
<b>Wattage &amp; Lumens</b>				<b>Voltage</b>						
<b>2 Ft</b> 24 24W 2700 Lumens 28 28W 3300 Lumens 35 35W 4200 Lumens <b>4 Ft</b> 23 23W 3160 Lumens 35 35W 4500 Lumens 48 48W 5570 Lumens 57 57W 6790 Lumens <b>8 Ft</b> 48 48W 5570 Lumens 70 70W 9000 Lumens 97 97W 11140 Lumens 114 114W 13580 Lumens				DMV 120-277V Multivolt 0-10V Dimmable FIDMV 120-277V Factory installed 0-10 V Dimming						

Lumens are subject to a tolerance ±10%  
Wattage is approximate and subject to a tolerance of ±5%

Dimensions and specifications subject to change without notice.



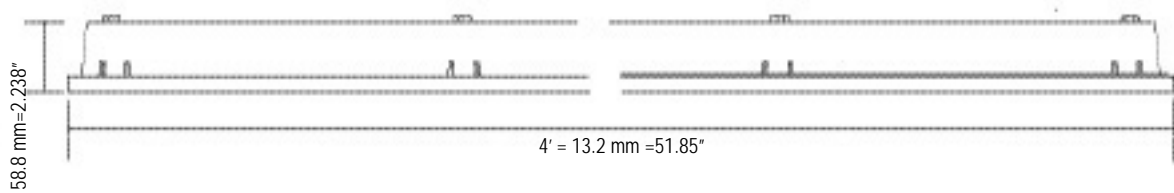
◆ 800-444-WATT ◆ www.mobern.com ◆

8200 Stayton Dr., Ste. 500, Jessup, MD 20794

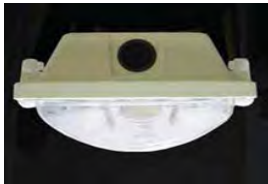
CAT#	
JOB NAME	
TYPE	

**DIMENSIONS**

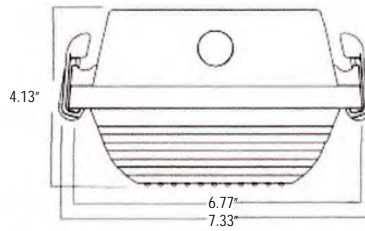
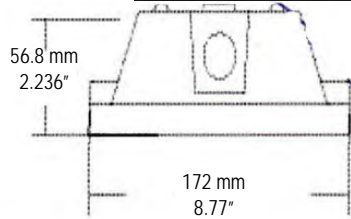
Side View



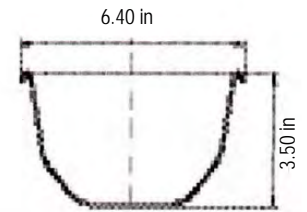
End View



SSF Lens  
SSC Lens



RC  
RF



SC  
SF

**ACCESSORIES**

Clips and Hangers Accessories



- ◆ Replacement white latch
- ◆ 2 Ft. & 4 Ft. - H123



- ◆ Stainless steel latch kit
- ◆ 2 Ft. & 4 Ft - H126



- ◆ Stainless steel mounting bracket
- ◆ VW-MB2L-2PK



- ◆ Stainless steel mounting bracket w/bail
- ◆ VW-MB2L-B-2PK
- ◆ (Recommended for cable hanging)

DLC Listed	
VW4-LED23DMVSSFxx	xx=30,35,40,50
VW4-LED35DMVSSFxx	xx=30,35,40,50
VW4-LED48DMVSSFxx	xx=30,35,40,50
VW4-LED57DMVSSFxx	xx=30,35,40,50



Dimensions and specifications subject to change without notice.



# MOBERN

L I G H T I N G

## LED Stairwell Lighting



### APPLICATIONS

Stylish ceiling/wall mounted luminaire in either white or walnut finish with a variety of LED combinations and sizes enhanced by linear sided acrylic diffuser. Designed for baths, kitchens, rec rooms, corridors, aisles, stairwells, over or beside mirrors, over bulletin boards, in vanities, in displays.

### FEATURES & BENEFITS

- ◆ Back plate provided with adequate knockouts and mounting holes for either wall or ceiling installation
- ◆ Enhanced by linear sided acrylic diffuser
- ◆ White with a variety of LED combinations
- ◆ Overlapping end caps for uniformity and dimensional stability
- ◆ Made in USA
- ◆ CRI 80+
- ◆ ETL Listed for damp locations



### SPECIFICATIONS

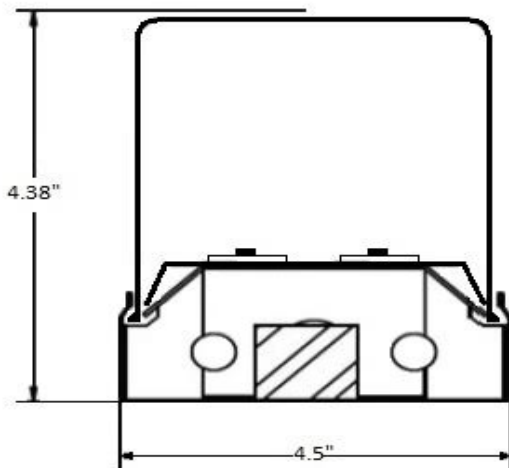
All metal parts are die formed from heavy gauge cold roll steel with overlapping end caps. Diffuser is a linear sided prismatic lens of extruded acrylic for controlled light.

### ORDERING DATA

**EXAMPLE: 155-24LED24DMVWH40**

Series	Size	Gear	Wattage /Lumens	Driver Type*	Finish	Color Temp	Options
155	24 24 inches 48 48 inches	LED	<b>2 ft.</b> 24 24 Watts 2900 Lumens 28 28 Watts 3400 Lumens  <b>4 ft.</b> 30 30 Watts 4065 Lumens 48 48 Watts 5985 Lumens 57 57 Watts 6855 Lumens	<b>DMV</b> Dimmable 120-277VAC 0-10V  <b>SDMV</b> Step Dimming 120-277VAC 100%-40%	<b>WH</b> White (Standard)  **Consult factory for other finish options	<b>30</b> 3000K <b>35</b> 3500K <b>40</b> 4000K <b>50</b> 5000K	<b>WP</b> 6' Whip 3 Wire Consult factory for other options

\*Consult for Triac dimming



#### DLC Listed (4 ft DMV only)

155-48LED30DMVWHxx	XX=30, 35,40, 50
155-48LED48DMVWHxx	XX=30, 35,40, 50
155-48LED57DMVWHxx	XX=30, 35,40, 50



Dimensions and specifications subject to change without notice.

◆ 800-444-WATT ◆ www.mobern.com ◆  
8200 Stayton Dr., Ste. 500, Jessup, MD 20794

CAT#

JOB NAME

TYPE

# MOBERN

L I G H T I N G

## LED Garage Lighting

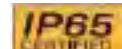


## APPLICATIONS

Introducing the Mobern VW-LED Premium grade enclosed and gasketed vaportight fixture. This Energy-Saving High Performance LED Vaportight is ideal for both indoor and outdoor applications where dust and water resistance is required. Ideal for parking garages, cold storage, marinas, barns, canopies, car washes, poultry farms, agricultural applications and other areas susceptible to corrosive and wet conditions.

## FEATURES & BENEFITS

- ◆ Designed for easy assembly
- ◆ Ease of Installation and Maintenance
- ◆ Visually familiar light sourcing
- ◆ Poured in place gasket seals the enclosures from most hostile environments
- ◆ Economical Mounting System can provide dramatic savings on installation labor, thus reducing costs
- ◆ Very tough diffusers resist breakage and reduce replacement and maintenance costs
- ◆ Available in 2', 4' & 8' lengths.
- ◆ Frosted lens for reducing direct glare and image of the LED
- ◆ Optional durable stainless steel mounting hardware
- ◆ No need to drill through the housing for installation
- ◆ Optional stainless steel bail for chain/cable hung installations
- ◆ ETL listed for wet location
- ◆ Consult for other options
- ◆ DLC Listed options below



## SPECIFICATIONS

High quality enclosed fiberglass fixture features a unique continuous poured gasket which completely fills channel for maximum seal integrity. Diffuser is held in place with POM retaining latches. Stainless steel latches are recommended for the following applications: agriculture, car washes, food processing and swimming pools. Hole is 7/8" diameter and is provided with a plastic plug on one end for conduit attachment. Offset mounting pads which keeps luminaire level and slightly off of mounting surface are formed within the housing. Standard diffuser is high impact acrylic with textured pattern designed for high efficiency while providing reduced glare. Listed by and bears ETL label.

## ORDERING DATA

EXAMPLE: VW4LBLED51UDMVSF40

VW4		LED		UD		MV		MV		Kelvin Temperature	
Series	Type*	Fixture	Wattage	Dimming	Voltage	Driver	Lens				
VW4 LED 4' Vaportight	LB Low Bay PG Parking Garage	LED	51 51 Watts 84 84 Watts	UD 0-10V Universal Step Dim	MV 120-277V	Blank 1 Driver 11 2 Driver	RF Ribbed Frosted RC Ribbed Clear SF Smooth Frosted SC Smooth Clear	30 3000K 35 3500K 40 4000K 50 5000K			

\*PG Fixtures must use either SF or SC Lens

Accessories  
See  
Accessories  
Page

### DLC Listed Models

Models	Input Watts	Color Temp(K)	Initial Lumens (lm)	Efficacy (lm/W)	CRI
VW4PG-LED51UDMVSF40	51	4000	5014	98.31	>80
VW4PG-LED84UDM11VSF40	84	4000	7648	91.05	>80
VW4LB-LED84UDMV11RF40	84	4000	8083	96	>80
VW4LB-LED84UDMV11SF40	84	4000	8670	103	>80



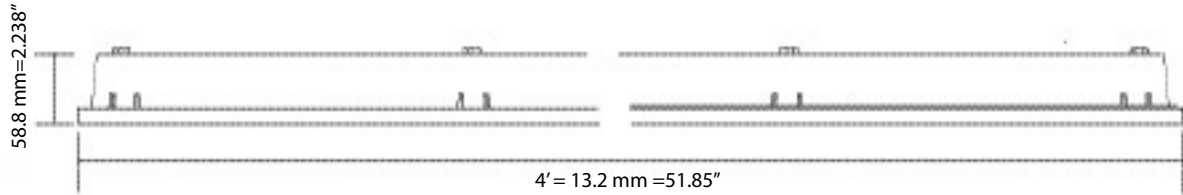
Dimensions and specifications subject to change without notice.

◆ 800-444-WATT ◆ www.mobern.com ◆  
8200 Stayton Dr., Ste. 500, Jessup, MD 20794

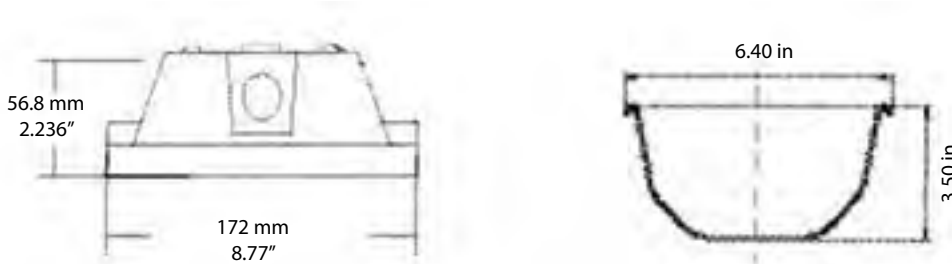
CAT#	
JOB NAME	
TYPE	

**DIMENSIONS**

Side View



End View



**ACCESSORIES**

Clips and Hangers Accessories



- ◆ Replacement white latch
- ◆ 2 Ft. & 4 Ft. - H123



- ◆ Stainless steel latch kit
- ◆ 2 Ft. & 4 Ft - H126



- ◆ Stainless steel mounting bracket
- ◆ VW-MB2L-2PK



- ◆ Stainless steel mounting bracket w/bail
- ◆ VW-MB2L-B-2PK
- ◆ (Recommended for cable hanging)

Occupancy Sensor and Photo Cell Accessories

- OS
- PC120
- PC277

- Occupancy Sensor
- Photo Cell, 120V
- Photo Cell, 277V



Dimensions and specifications subject to change without notice.

### APPLICATIONS

Energy efficient fixture for applications that are used frequently for long periods of time. Ideal for use for security, entryway and perimeter lighting, parking garages, shopping area walkways and exterior canopies.

### FEATURES & BENEFITS

- ◆ Easy installation
- ◆ Typical Mounting Height: 10 to 20 feet
- ◆ Typical Spacing: 1 to 1.5 times the mounting height
- ◆ Estimated 172,000 hours of maintenance-free operation to L70 at 25°C (77°F)
- ◆ Universal voltage (120V through 277V 50/60HZ)
- ◆ Minimum starting temperature -40°C (-40°F)
- ◆ Non Dimmable
- ◆ UL/cUL Listed for wet locations
- ◆ DLC Listed (40W version)



### SPECIFICATIONS

Low profile dark-bronze housing and ends are die-formed with decorative fins for heat dissipation. Durable polyester powder coat finish. Acrylic prismatic refractor lens.

### MOUNTING OPTIONS

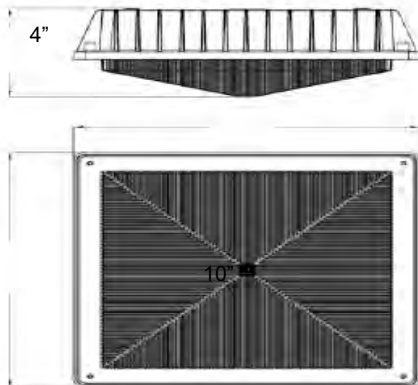
Can be surface or pendant mounted via 3/4" conduit on top. 1/2" threaded conduit entries on two sides

### ORDERING DATA

EXAMPLE: CPY10LED40MV50

CPY	10	LED		MV	50
Series	Size	Gear	Wattage & Lumens	Driver Type	Color Temperature
<b>CPY</b> LED Low Profile Canopy	<b>10</b> 10" x 10"	<b>LED</b>	<b>20</b> 20 Watts 2040 Lumens <b>40</b> 40 Watts 3100 Lumens* <b>58</b> 58 Watts 5500 Lumens <small>*DLC Listed</small>	<b>MV</b> 120-277V	<b>50</b> 5000K

### DIMENSIONS



Dimensions and specifications subject to change without notice.



◆ 800-444-WATT ◆ www.mobern.com ◆  
8200 Stayton Dr., Ste. 500, Jessup, MD 20794

CAT#

JOB NAME

TYPE

# MOBERN

L I G H T I N G

## LED Retrofit Kits



### APPLICATIONS

This unique LED Retrofit Kits are an energy efficient, easy to install solution to upgrade your fluorescent troffers to LED. Compatible with both standard and narrow T-grids, they offer a simple retrofit that will improve the look of your ceiling with its architectural styling without the need to actually break the ceiling plenum. This kit offers a true Indirect/Direct solution that not only provides a more energy efficient solution but also the true comfortable performance of an indirect/direct fixture designed especially for workspaces with CRTs. The main diffuser and slanted troffer help reduce glare and create a pleasant, uniform throw of light. This unique kit works with either a perforated basket or a highly efficient specially designed acrylic diffuser. With this kit, you will get the energy savings and performance of the latest technology without the fuss and mess of changing out fixtures completely.

### FEATURES & BENEFITS

- ◆ Constant current LED drive programmable
- ◆ Input voltage 120-277V
- ◆ ETL Listed
- ◆ 0-10V Dimmable
- ◆ 5 year warranty
- ◆ THD <10%
- ◆ PF >0.95
- ◆ <85 CRI



RKDIS 22 Series

### SPECIFICATIONS

The RKDIS retrofit kits are compatible with both standard and narrow T-grids. A great upgrade solution for fluorescent troffers to LED. Provides a stylish architectural look without breaking the ceiling plenum, also provides a more efficient solution with greater energy savings and performance of the latest technology without the fuss and mess of changing out fixtures completely.

### ORDERING DATA

### EXAMPLE: RKDIS24-LED48FRDMV35

RKDIS		LED		FR		Driver		Color Temp	
Series	Size	Gear	Wattages & Lumens			Lens Material	Driver		Color Temp
RKDIS	14 1x4 22 2x2 24 2x4	LED	<u>1x4</u>			FR Frosted lens	<b>DMV</b> 120-277V 0-10V Dimmable Feld installed dimming leads	<b>30</b> 3000K <b>35</b> 3500K <b>40</b> 4000K <b>50</b> 5000K	
			<b>15</b> 15 Watts 1950 Lumens <b>20</b> 20 Watts 2750 Lumens <b>24</b> 24 Watts 3205 Lumens <b>28</b> 28 Watts 3590 Lumens <b>32</b> 32 Watts 4305 Lumens <b>40</b> 40 Watts 5150 Lumens <b>48</b> 48 Watts 5860 Lumens <b>57</b> 57 Watts 6600 Lumens				<b>FIDMV</b> 120-277V 0-10V Dimmable Factory installed dimming leads		
			<u>2x2</u>		<u>2x4</u>		<b>SDMV</b> 120-277V 50% Step Dimming		
			<b>15</b> 15 Watts 1925 Lumens <b>20</b> 20 Watts 2690 Lumens <b>24</b> 24 Watts 3080 Lumens <b>28</b> 28 Watts 3360 Lumens <b>35</b> 35 Watts 4325 Lumens <b>40</b> 40 Watts 4765 Lumens <b>45</b> 45 Watts 5090 Lumens		<b>15</b> 15 Watts 2270 Lumens <b>20</b> 20 Watts 2855 Lumens <b>24</b> 24 Watts 3375 Lumens <b>28</b> 28 Watts 4040 Lumens <b>32</b> 32 Watts 4670 Lumens <b>48</b> 48 Watts 6780 Lumens <b>57</b> 57 Watts 7800 Lumens <b>62</b> 62 Watts 8130 Lumens				

\*Consult for Triac Dimming Options



Dimensions and specifications subject to change without notice.

◆ 800-444-WATT ◆ www.mobern.com ◆  
8200 Stayton Dr., Ste. 500, Jessup, MD 20794

CAT#	
JOB NAME	TYPE



**APPLICATIONS**

These unique LED Retrofit Kits are an energy efficient, easy to install door frame solution to upgrade your fluorescent troffers to LED. Compatible with both standard and narrow T-grids, they offer a simple retrofit that will improve the look of your ceiling with its architectural styling without the need to actually break the ceiling plenum. This kit offers a true Indirect/Direct solution that not only provides a more energy efficient solution but also the true comfortable performance of an indirect/direct fixture designed especially for workspaces with CRTs. The main diffuser and slanted troffer help reduce glare and create a pleasant, uniform throw of light. With this kit, you will get the energy savings and performance of the latest technology without the fuss and mess of changing out complete fixtures.

**FEATURES & BENEFITS**

- ◆ Constant current LED drive
- ◆ Input voltage 120-277V
- ◆ High efficiency 130+ Lumens per Watt
- ◆ 5 year warranty
- ◆ cULus Listed for Damp Locations



**SPECIFICATIONS**

The RKDIW retrofit kits are compatible with both standard and narrow T-grids. A great upgrade solution for fluorescent troffers to LED. Provides a stylish architectural look without breaking the ceiling plenum, also provides a more efficient solution with greater energy savings and performance of the latest technology without the fuss and mess of changing out fixtures completely.

**ORDERING DATA**

**EXAMPLE: RKDIW-24LED36FRDMV35**

RKDIW		LED		GW		DMV			
Series	Size	Gear	Wattages & Lumens		Lens	Driver	Color Temperature		
RKDIW	22 2x2 24 2x4	LED	<u>2x2</u> 25 25 Watts 3365 Lumens* 30 30 Watts 3900 Lumens* 36 36 Watts 4600 Lumens		GW Gloss white	DMV 120-277VAC 0-10V Dimmable	30 3000K 35 3500K 40 4000K 50 5000K		
			<u>2x4</u> 36 36 Watts 4950 Lumens 50 50 Watts 6360 Lumens*						

\*Special order

Dimensions and specifications subject to change without notice.



◆ 800-444-WATT ◆ www.mobern.com ◆  
8200 Stayton Dr., Ste. 500, Jessup, MD 20794

CAT#	
JOB NAME	
TYPE	

#### APPLICATIONS

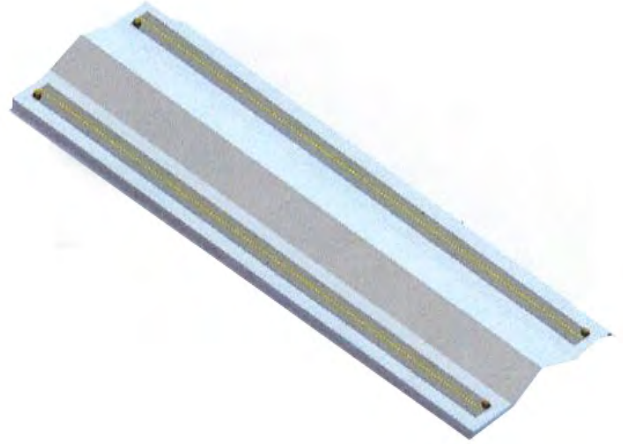
This kit is designed to convert most recessed fluorescent 1x4, 2x2 and 2x4 troffers and parabolics to long-life and efficient LED technology. These kits provide everything required to enhance the performance and energy savings of your recessed fixture while minimizing labor, clean up and expense. Kits include high-reflectance reflector with driver, LED boards and tek screws for easy assembly. Kits install with simple hand tools in minutes.

#### FEATURES & BENEFITS

- ◆ Constant Current LED Driver
- ◆ Input Voltage: 120-277V AC
- ◆ Input Frequency: 50/60Hz
- ◆ Reflectors are precision formed and high performance
- ◆ ETL Listed for damp locations
- ◆ DLC listed in certain models

#### SPECIFICATIONS

The RKT-LED retrofit kits mount easily, requiring only simple hand tools. The process includes removal of the existing ballast cover(s) and removal of the existing socket brackets and ballast. The driver is attached to the backside of the reflector.



#### ORDERING DATA

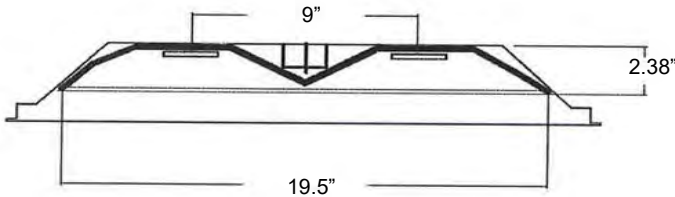
EXAMPLE: RKT24-LED48DMV40

RKT		LED		DMV	
Series	Troffer/Parabolic Size	Gear	~ Wattage & Lumens*	Driver Type	Color Temperature
<b>RKT</b>	<b>14</b> 1x4 Troffer/Parabolic	<b>LED</b>	<b>Standard 1x4</b>	<b>DMV</b> 0-10V	<b>30</b> 3000 K
Retrofit Kit	<b>22</b> 2x2 Troffer/Parabolic		35 35 Watt 4320 Lumens	Dimmable	<b>35</b> 3500 K
	<b>24</b> 2x4 Troffer/Parabolic		48 48 Watt 5680 Lumens	Multivolt 120-277VAC	<b>40</b> 4000 K
			57 57 Watt 6500 Lumens		<b>50</b> 5000 K

DLC Listed	
RKT22-LED20DMVxx	xx=30,35,40,50
RKT22-LED24DMVxx	xx=30,35,40,50
RKT22-LED28DMVxx	xx=30,35,40,50
RKT22-LED35DMVxx	xx=30,35,40,50
RKT22-LED45DMVxx	xx=30,35,40,50
RKT24-LED35DMVxx	xx=30,35,40,50
RKT24-LED48DMVxx	xx=30,35,40,50
RKT24-LED57DMVxx	xx=30,35,40,50
RKT22-LED20DMVxx	xx=35,40

Standard 2x2	
20	20 Watt 2300 Lumens
24	24 Watt 2800 Lumens
28	28 Watt 3200 Lumens
35	35 Watt 4100 Lumens
45	45 Watt 4470 Lumens
Standard 2x4	
35	35 Watt 4320 Lumens
48	48 Watt 5680 Lumens
57	57 Watt 6500 Lumens

\* ~Wattage & Lumens



Dimensions and specifications subject to change without notice.



Made in USA



◆ 800-444-WATT ◆ www.mobern.com ◆

8200 Stayton Dr., Ste. 500, Jessup, MD 20794

CAT#

JOB NAME

TYPE

**APPLICATIONS**

LED retrofit kit, converts an existing strip to carry excellent light output. Material is die-formed 22 gauge steel, with high reflectance baked white enamel finish



DLC PENDING



Frosted lens accessory reduces LED brightness

**ORDERING DATA**

**EXAMPLE: RKBC48424DMV30**

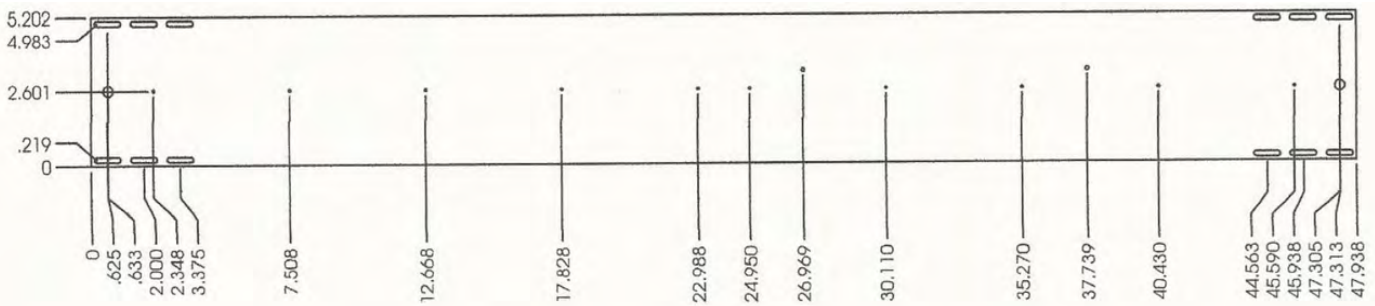
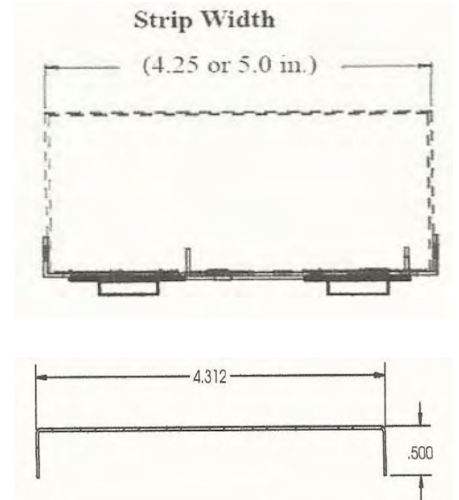
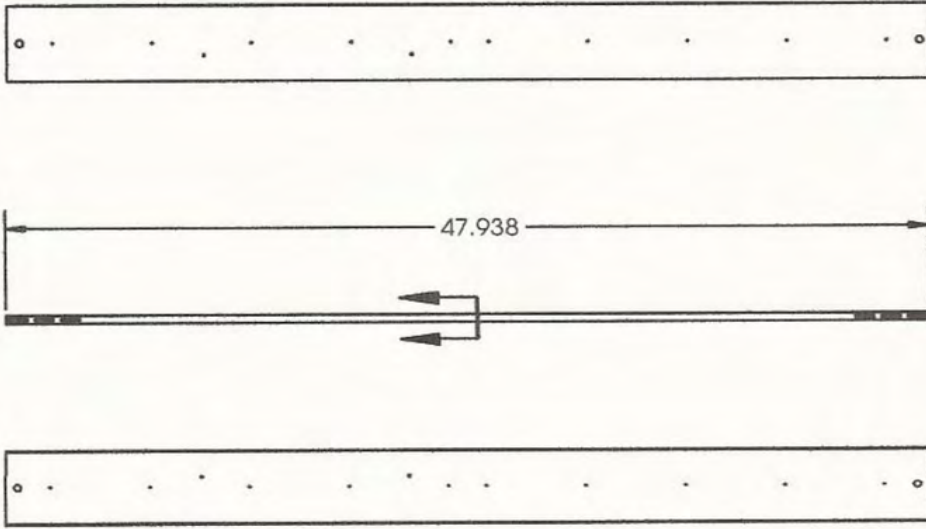
RKBC											
Series	Length		Width		Wattage		Driver		Kelvin Temperature		
<b>RKBC</b>	<b>48</b>	48 inch	<b>4</b>	4.25" inch	<u><b>4 ft.</b></u>	<b>DMV</b>	0-10V Dimming		<b>30</b>	3000K	
	<b>96</b>	96 inch	<b>5</b>	5.00" inch	<b>24</b>				<b>35</b>	3500K	
					<b>H35</b>				<b>40</b>	4000K	
					<b>48</b>				<b>50</b>	5000K	
					<b>57</b>						
					<b>H72</b>						
					<u><b>8 ft.</b></u>						
					<b>48</b>						
					<b>60</b>						
					<b>H72</b>						
					<b>97</b>						
					<b>114</b>						
					<b>H144</b>						

\* 4 Foot, 24 Watt & H35 Watt - 1 row LED module only  
\* 8 Foot, 48 Watt & H72 Watt - 1 row LED module only

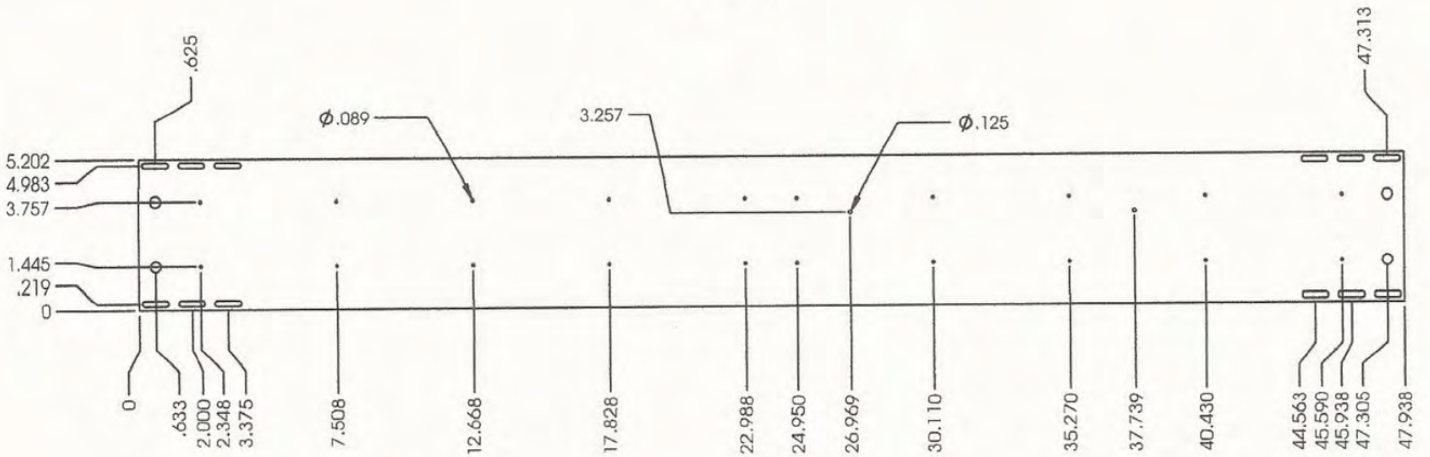
Dimensions and specifications subject to change without notice.

CAT#			
JOB NAME		TYPE	

**48 Inch**



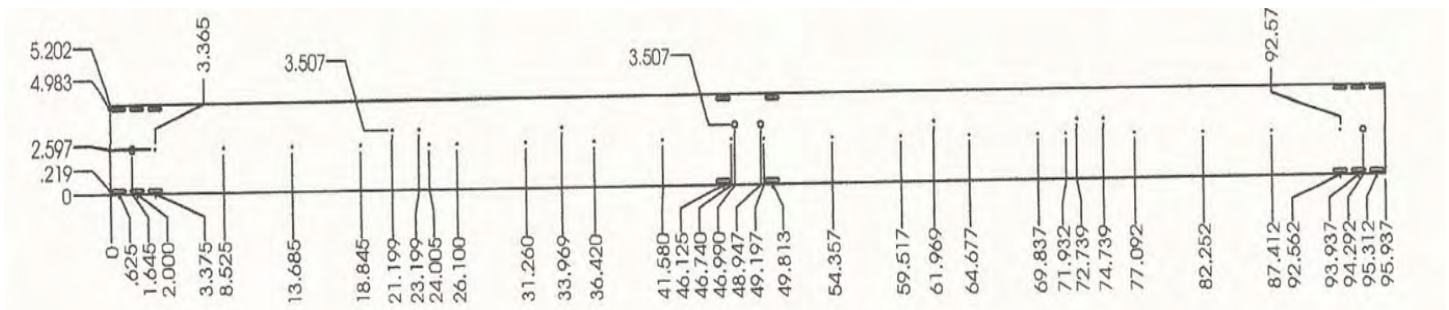
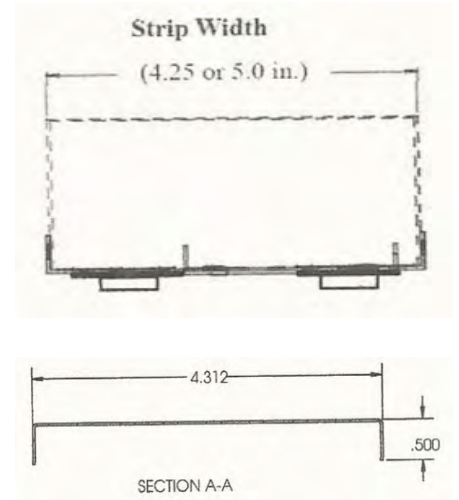
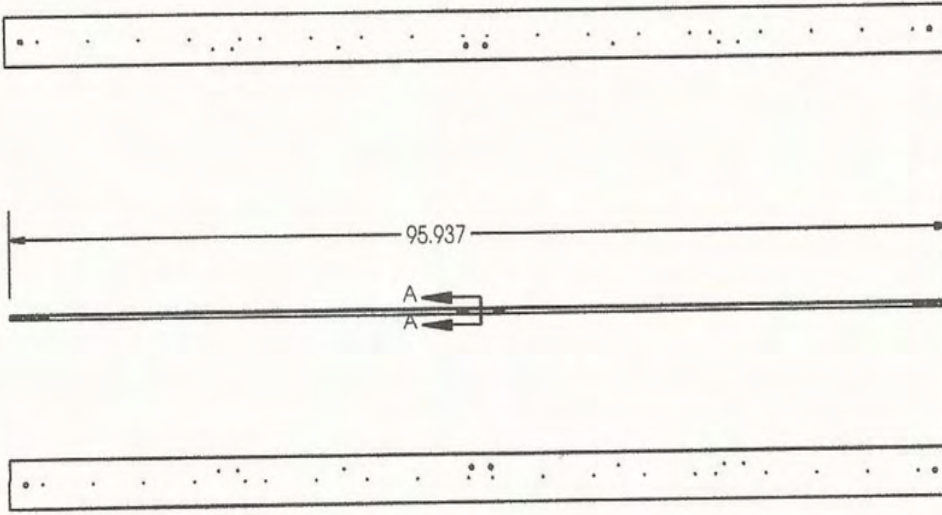
1 Row LED module



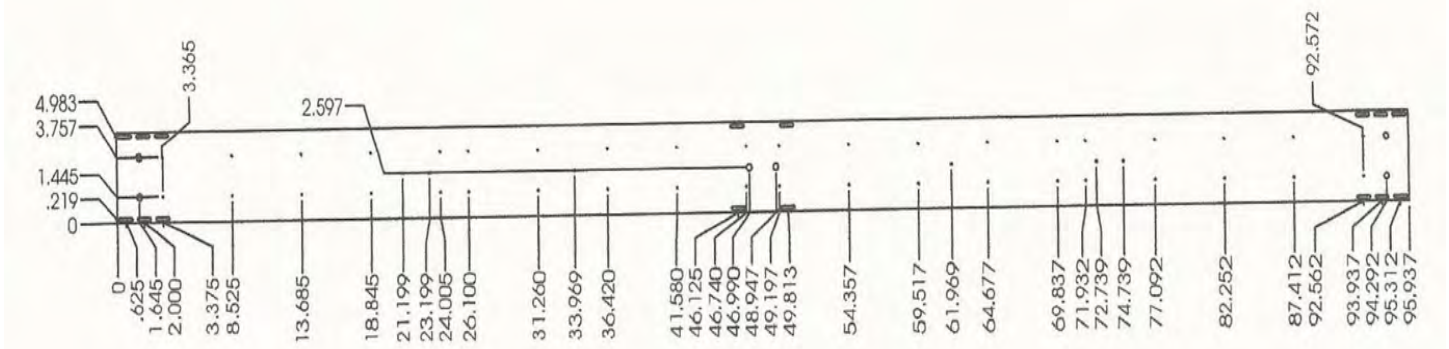
2 Rows LED module

Dimensions and specifications subject to change without notice.

**96 Inch**



1 Row LED boards



2 Rows LED boards

Dimensions and specifications subject to change without notice.

**FEATURES & BENEFITS**

- ◆ On board driver technology
- ◆ Polycarbonate protective optical lens
- ◆ Multiple mounting options
- ◆ Equivalent to 60W incandescent
- ◆ Size: 2.63"D x 0.33"H
- ◆ Constant current design
- ◆ Dimmable with most triac style dimmer control
- ◆ High power factor > 0.98
- ◆ Easy installation with center or screw mounting
- ◆ PC lens with 96% light transmission; provides UL required electrical protection



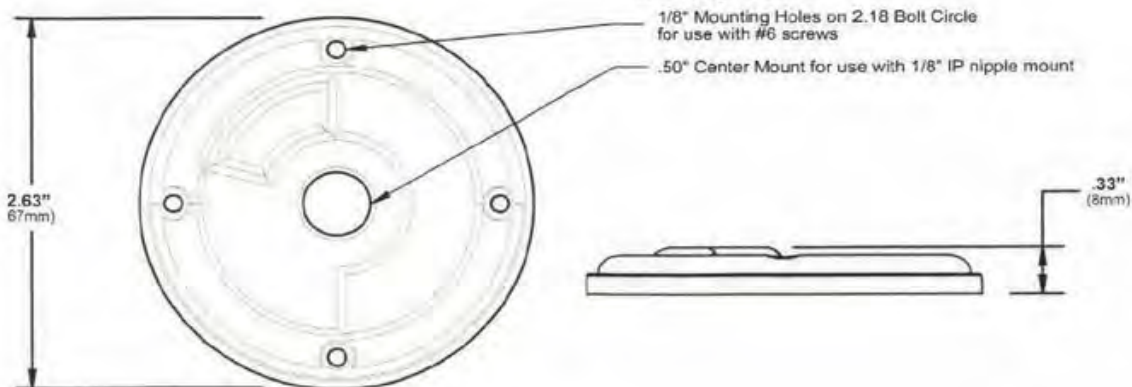
**ORDERING DATA**

EXAMPLE: RKREOS10LED12D12040

RKREOS	10	LED		120V	40
<b>Series</b>	<b>Size</b>	<b>Gear</b>	<b>Wattage</b>	<b>Voltage</b>	<b>Kelvin Temperature</b>
<b>RKREOS</b>	<b>10</b> 9.75 dia.	<b>LED</b>	<b>12</b> 12 Watts <b>15</b> 15 Watts <b>22</b> 22 Watts	<b>D120</b> 120 Volts	<b>40</b> 4000K

**DIMENSIONS**

**Mounting Options**



Dimensions and specifications subject to change without notice.

CAT#	
JOB NAME	TYPE

**APPLICATIONS**

The Mobern MLEDRT6 is a six-inch LED recessed downlight kit creating high performing white light and is optimized for new construction and retrofit applications. This downlight is an ideal choice for healthcare, hospitality, office, property management, residential and retail environments.

**FEATURES & BENEFITS**

- ◆ Lumen package:
  - 700 lumens @ 10 watts
  - 900 lumens @ 13 watts
- ◆ Replacement for up to 100W incandescent lamps
- ◆ Fits into most 6" recessed downlight fixtures
- ◆ CCT: 2700K/3000K
- ◆ CRI: up to 84
- ◆ Dimmable down to 10%
- ◆ 50,000 hour life (L70)
- ◆ Suitable for indoor dry and damp locations
- ◆ Reduces energy consumption up to 87%
- ◆ 120V input voltage
- ◆ Lasts up to 25 times longer than incandescent lamps
- ◆ No warm-up time, instant-on with full light output and stable lamp to lamp color
- ◆ Meets California Title 24 fixture requirements for high efficacy luminaire
- ◆ Integrated white trim, white baffle reflector and medium base socket adapter (included) for direct replacement
- ◆ Adjustable Gimbal feature (35° tilt)



The Mobern MLEDRT6 is a six-inch LED recessed downlight kit creating high performing white light and is optimized for new construction and retrofit applications. Installation is done quickly and easily in most standard six-inch Insulated Ceiling (IC) housings, Airtight (AT) housings and non-IC housings. The adjustable gimbal features a smooth travel from nadir to a 35° tilt, making it suitable for slanted ceilings and wall wash. The gimbal's friction blade design allows the downlight to be installed in any position within the housing aperture (360°).

**Dimming**

The Mobern MLEDRT Series downlight kit is dimmable to 10% with standard 120V electronic low voltage dimmers (recommended), incandescent or magnetic low voltage dimmers. In some cases, standard incandescent dimmers require a minimum load of typically >40 watts on the circuit for full range dimming performance (four LED modules). For dimming with digital (smart) multi-location dimmers or when dimming fewer than four LED modules, electronic low-voltage (ELV) dimmers are required (some ELV dimmers need a neutral connection in the wallbox).

**Quality of Light**

The Mobern MLEDRT Series provides excellent color rendering (82+ CRI), and a selection of color temperatures (2700K, 3000K). LEDs have virtually no UV or infrared radiation to damage or fade furnishings, art or other objects.

**Optical Design**

Optical design efficiently directs light output in an 80° beam angle with low glare.

**Accessories**

Assorted color retrofit trims, GU24 socket adapter, push wire adapter, retrofit band.

**ORDERING DATA**

EXAMPLE: MLEDRT67027WFL

MLEDRT	6					WFL	
<b>Series</b>	<b>Housing</b>	<b>Gimbal</b>	<b>Lumens</b>	<b>Kelvin Temperature</b>	<b>Reflector</b>	<b>Accessories</b>	
MLEDRT LED Recessed Downlight	6 6" Housing	G Gimbal Ring	70 700 90 900	27 2700K 30 3000K	WFL White	See Accessories Page	

Dimensions and specifications subject to change without notice.

CAT#	
JOB NAME	TYPE

## TECHNICAL INFORMATION

Model Number	Recessed Housing	Replaced Incandescent Wattage	Nominal Wattage (W)	Delivered Light Output (lm)	Color Temperature	CRI	Avg. Rated Life (hrs)*
MLEDRT6727K	6in.	65W	10	700	2700K	83	50,000
MLEDRT6730K	6in.	65W	10	700	3000K	84	50,000
MLEDRT6927K	6in.	100W	13	900	2700K	82	50,000
MLEDRT6930K	6in.	100W	13	900	3000K	84	50,000
MLEDRT69G27KWRFLWTR	6in.	100W	13	900	2700K	84	50,000
MLEDRT69G30KWRFLWTR	6in.	100W	13	900	3000K	84	50,000

\*LED Lamp life is defined as the number of hours when 50% of an average group of identical lamps reached 70% of its initial lumens.

## SPECIFICATIONS

### Energy Data

- ◆ **Minimum Starting Temp:** -4°F (-20°C)
- ◆ **EMI/RFI:** FCC Title 47 CFR, Part 15, Class B
- ◆ **Sound Rating:** <24dBA
- ◆ **Input Voltage:** 120V
- ◆ **Power Factor:** >0.90
- ◆ **Input Frequency:** 60Hz
- ◆ **THD:** <20%

- ◆ **Input Power:** 10W & 13W
- ◆ **Input Current:** 0.08A & 0.1A
- ◆ **Maximum Ambient Operating Temperature for Gimbal (Insulated Ceiling or Non-Insulated Ceiling):** 95°F (35°C)
- ◆ **Maximum Ambient Operating Temperature for non-Gimbal (Insulated Ceiling or Non-Insulated Ceiling):** 104°F (40°C)

### Lighting Data

- ◆ **Lumen Output:** 700 & 900
- ◆ **Lumens per Watt:** 70 for 700lm & 69 for 900lm

### Color

- ◆ **Correlated Color Temperature (CCT):** 2700K & 3000K
- ◆ **Color Rendering Index (CRI):** Up to 84
- ◆ **R9:** 15

## ENERGY SAVINGS

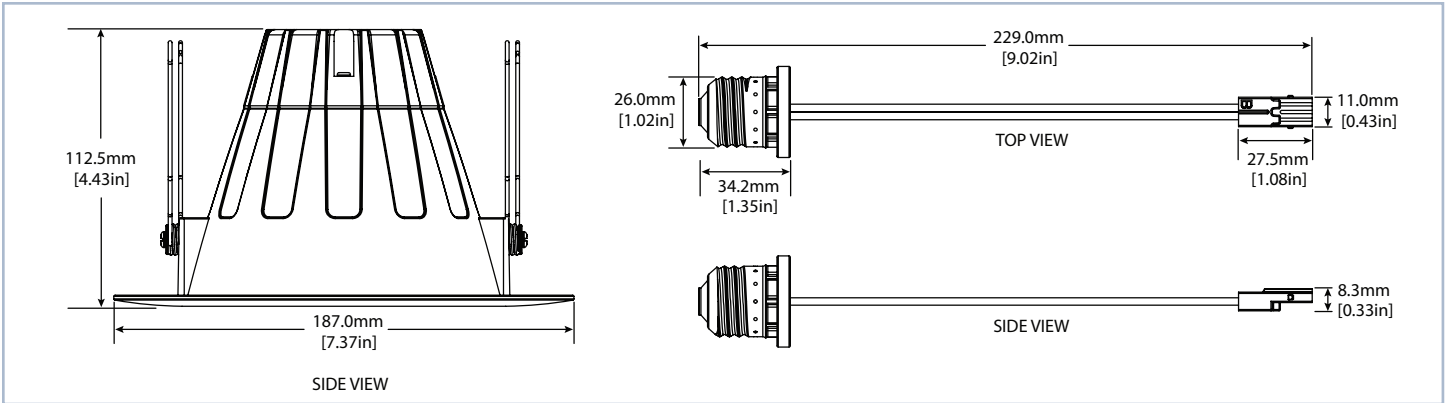
Basic Product Description	Lumens	Life	Traditional Lamp Types		Watts Saved With MLEDRT6	MLEDRT6 Energy Savings*	MLEDRT6 Life Benefit	
MLEDRT6 10W	700	50,000	Incandescent 65BR30	640	2000	55	\$302	25X
			Halogen 50WBR30/SS/HAL	585	2500	40	\$220	20X
			Halogen 50WPAR30LN/WFL	660	2500	40	\$220	20X
			Compact Fluorescent 15WBR30	600	8000	5	\$27	6X
MLEDRT6 13W	900	50,000	Incandescent 100BR40	935	2000	87	\$478	25X
			Halogen 80WBR40/SS/HAL	1080	2000	67	\$368	25X
			Halogen 75WPAR38/WFL	1060	2500	62	\$341	20X
			Compact Fluorescent 20WBR40	900	8000	7	\$38	6X

\*Based on \$0.11/kWh over 50,000 hours life.

Dimensions and specifications subject to change without notice.



### DIMENSIONS



### ACCESSORIES

<p>GU24 Socket Adaptor MLED/ADAPTOR/GU24 (for non-Gimbal, sold separately) MLED/CRT6/GU24/SOCKET/ADAPTOR (for Gimbal, sold separately)</p>	<p>Push Wire Adaptor MLED/ADAPTOR/PUSHWIRE (for non-Gimbal, sold separately) MLED/CRT6/RETROFIT/ADAPTOR (for Gimbal, sold separately)</p>
--	---

Retrofit Band (For 6" housing models Progress Lighting P87-AT and Lightolier 1104C)  
MLEDRT6/RETROFITBAND (sold separately)

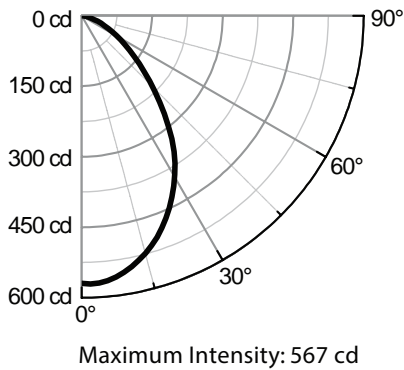
<p>Retrofit Trim (For non-Gimbal only, can not be used with Gimbal)</p> <p>MLEDRT6/TRIM/BLK One Tone: Black Trim &amp; Black Reflector</p> <p>MLEDRT6/TRIM/ORBZ One Tone: Bronze Trim &amp; Bronze Reflector</p> <p>MLEDRT6/TRIM/SN One Tone: Satin Nickel Trim &amp; Satin Nickel Reflector</p> <p>MLEDRT6/TRIM/BLKBAFFLE Two Tone: White Trim &amp; Black Baffle Reflector</p> <p>MLEDRT6/TRIM/WHTBAFFLE Two Tone: White Trim &amp; White Baffle Reflector</p> <p>MLEDRT6/TRIM/ALZAK Two Tone: White Trim &amp; Alzak Reflector</p>	
---	--

BLK	BRONZE	WHITE BAFFLE
BLACK BAFFLE	SATIN NICKEL	ALZAK

Dimensions and specifications subject to change without notice.

**PHOTOMETRICS**

Polar Chart



Illuminance at Distance

	Illuminance		Beam Diameter	
	Edge	Center	V	H
2 ft	35.0 fc	141.8 fc	3.1 ft	3.1 ft
4 ft	8.8 fc	35.4 fc	6.2 ft	6.1 ft
6 ft	3.9 fc	15.8 fc	9.3 ft	9.2 ft
8 ft	2.2 fc	8.9 fc	12.4 ft	12.3 ft
10 ft	1.4 fc	5.7 fc	15.5 ft	15.4 ft
12 ft	1.0 fc	3.9 fc	18.6 ft	18.4 ft

Vert. Spread: 75.5°

Horiz. Spread: 75.1°

Zonal Lumen Distribution

Zone	Lumens	% Fixture
0-30	393.6	43.2
0-40	589.4	64.7
0-60	828.9	91.0
60-90	81.7	9.0
0-90	910.6	100.0
90-180	0.0	0.0
0-180	910.6	100.0

Spacing to Mounting Height Ratio

Spacing Criteria (0-180°)	1.02
Spacing Criteria (90-270°)	1.04
Spacing Criteria (Diagonal)	1.10

Note: Photometric data for MLEDRT6 900 lumen version.

Application Notes

1. Operating temperature range between -4°F and 104°F (-20°C and 40°C).
2. Suitable for indoor and outdoor dry, damp and wet locations.
3. Suitable for dimmers or in housings controlled by a dimmer. For a list of compatible dimmers, please refer to [www.mobern.com](http://www.mobern.com).
4. Not intended for use with emergency light fixtures or exit lights.
5. For use in housings that can structurally support a lamp weighing one pound.
6. Designed to install in standard 4" insulated and non-insulated housings. For a list of compatible housings, please refer to [www.mobern.com](http://www.mobern.com).
7. For detailed warranty information, please refer to [www.mobern.com](http://www.mobern.com).

**WARRANTY**

Mobern Lighting Company warrants to the purchaser that this LED Fixture will be free from defects in material or workmanship for a period of 5 years from date of manufacture, when operated at a maximum ambient temperature of 104°F or 40°C, when properly installed and under normal conditions of use.



Dimensions and specifications subject to change without notice.



800-444-WATT ♦ [www.mobern.com](http://www.mobern.com) ♦

8200 Stayton Dr., Ste. 500, Laurel, MD 20794

CAT#	
JOB NAME	TYPE

# MOBERN

L I G H T I N G

## LED Outdoor Area Lighting

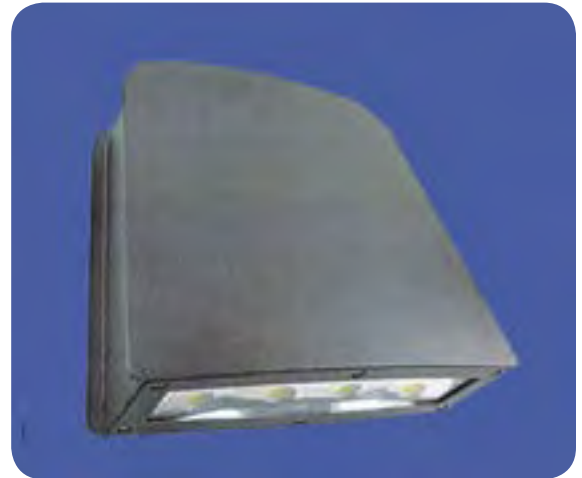


### APPLICATIONS

This newly designed luminaire featuring its versatility that can be served as wall light, flood light and etc. Incorporated with high performance LED module along with high quality optical reflector, this fixture performs efficiently and steadily against harsh outdoor environment.

### FEATURES & BENEFITS

- ◆ Housing is die-cast aluminum
- ◆ Powder coat finish
- ◆ Quality long life CREE LEDs
- ◆ Optional photo control
- ◆ High impact resistant tempered glass
- ◆ UL and cUL Listed for wet locations
- ◆ DLC Listed



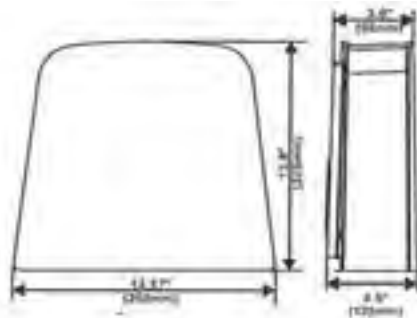
### SPECIFICATIONS

Solid construction and low lumen depreciation die-cast aluminum body standard bronze finish. IP65. Low Tj for long life.

### ORDERING DATA

**EXAMPLE: MWPKFLL-LED87MV50BZ**

MWPKFLL		Gear		Wattage & Lumens		Driver Type		Color Temperature		Finish	
Series											
MWPKFLL		LED		87	87 watts 7150 Lumens	MV	120-277V	50	5000K	BZ	Bronze (std)
				150	150 watts 13106 Lumens						



WC-BRKT



J Box



MIA-41

Powered by CREE LEDs



Dimensions and specifications subject to change without notice.

◆ 800-444-WATT ◆ www.mobern.com ◆  
8200 Stayton Dr., Ste. 500, Jessup, MD 20794

CAT#

JOB NAME

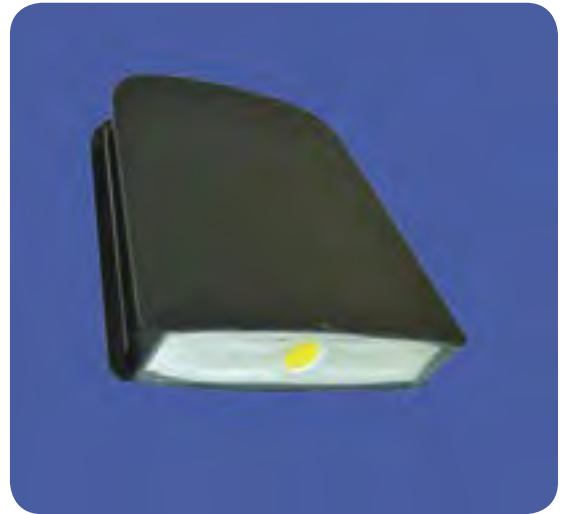
TYPE

### APPLICATIONS

This newly designed luminaire featuring its versatility that can be served as wall light, flood light and etc. Incorporated with high performance LED module along with high quality optical reflector, this fixture performs efficiently and steadily against harsh outdoor environment.

### FEATURES & BENEFITS

- ◆ Housing is die-cast aluminum
- ◆ High quality optical reflector
- ◆ Powder coat finish
- ◆ Quality long life CREE LEDs
- ◆ Multiple color temperatures available
- ◆ Optional photo control
- ◆ 347V optional
- ◆ UL and cUL Listed for wet locations
- ◆ DLC Listed



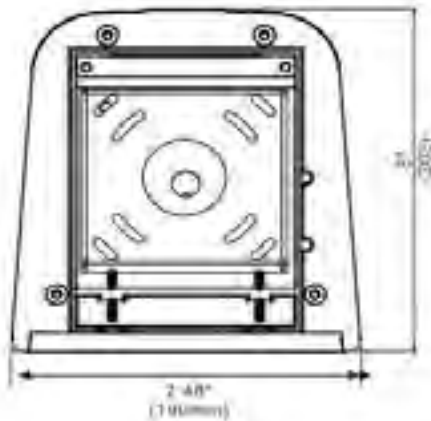
### SPECIFICATIONS

Solid die-cast aluminum housing, architectural bronze, UV resistant outdoor powder coat finish. IP65, Low Tj for long life, low lumen depreciation.

### ORDERING DATA

**EXAMPLE: MWPKFLS-LED40MV50BZ**

MWPKFLS									
Series	Gear	Wattage & Lumens		Driver Type	Color Temperature		Housing Color		
MWPKFLS	LED	40	40 watts 3250 Lumens	MV 120-277V	50	5000K	BZ Bronze		



Dimensions and specifications subject to change without notice.

◆ 800-444-WATT ◆ www.mobern.com ◆  
8200 Stayton Dr., Ste. 500, Jessup, MD 20794

CAT#

JOB NAME

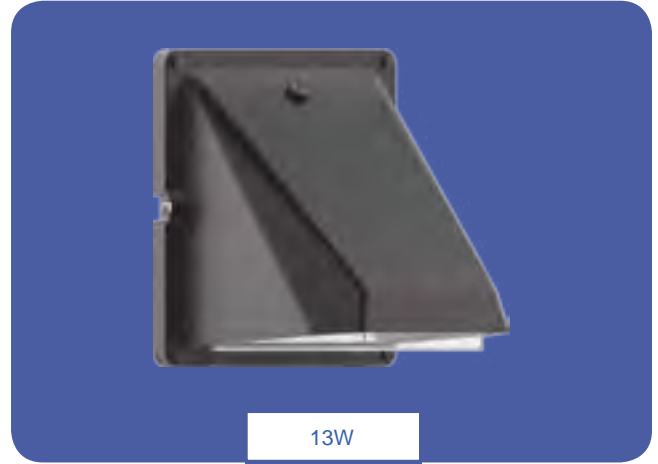
TYPE

### APPLICATIONS

The MISMCOWPK LED Architectural wall pack is a beautifully designed wall light that is suitable for indoor and outdoor use. The design is innovative and stylish. This LED wall pack is suitable for condos, apartments, hospitality, walkways and commercial buildings.

### FEATURES & BENEFITS

- ◆ Mercury and UV free with RoHS certified LEDs
- ◆ Corrosion resistant die-cast all aluminum construction
- ◆ Corrosion resistant hardware
- ◆ Superior powder coat bronze finish
- ◆ High-impact Polycarbonate Lens
- ◆ Weatherproof and durable silicone rubber gaskets, prevent water and bugs
- ◆ IP66, dust and waterjet tight
- ◆ UL and cUL listed for wet locations
- ◆ DLC Listed



13W

Replaces  
Up to 35HPS

### ORDERING DATA

EXAMPLE: MISMCOWPKLED13120/24050PC

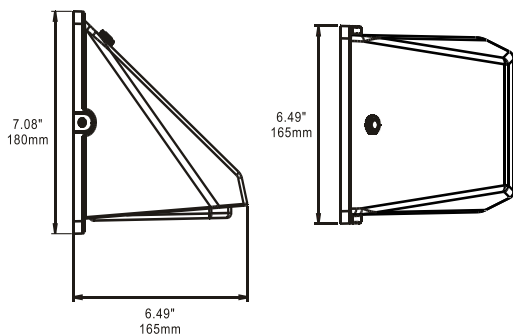
MISMCOWPK	LED	13	120/240	50	
<b>Series</b>	<b>Gear</b>	<b>Wattage</b>	<b>Ballast Type</b>	<b>Kelvin Temperature</b>	<b>Accessories</b>
MISMCOWPK LED Wall Pack	LED	13 13 Watts	120/240 120/240V	50 5000K	PC Photocell - 120V Only

### TECHNICAL INFORMATION

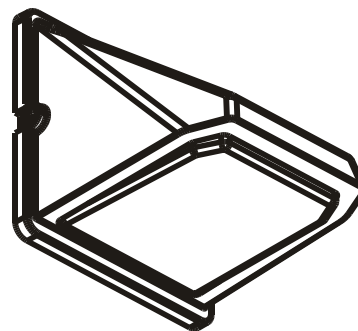
Model	Input Watts	Initial Lumens (lm)	CRI	Color Temp (K)	Efficacy (lm/W)	Life Rating	Operating Temperature
MISMCOWPK	13W	850	72	5000	65.38	60,000	-40°c (-40°f) to +40°c (105°f)

\* Data per Im79/Im80/tm21 available upon request

### DIMENSIONS



### LINE ART



Dimensions and specifications subject to change without notice.

◆ 800-444-WATT ◆ www.mobern.com ◆  
8200 Stayton Dr., Ste. 500, Jessup, MD 20794

CAT#	
JOB NAME	
TYPE	

**SPECIFICATION**



Dimensions and specifications subject to change without notice.

◆ 800-444-WATT ◆ [www.mobern.com](http://www.mobern.com) ◆  
8200 Stayton Dr., Ste. 500, Jessup, MD 20794

CAT#			
JOB NAME		TYPE	

**FEATURES & BENEFITS**

- ◆ High quality die cast housing
- ◆ Durable chip and fade resistant powder coat finish
- ◆ Sealed borosilicate glass lens
- ◆ High specular forward throw reflector
- ◆ Gasket sealed driver enclosure
- ◆ 90° adjustability of beam angle with full cut off option
- ◆ High power Citizen COB LEDs (73W)
- ◆ Ultimate versatility allows wall, post or bollard and horizontal floodlight installations
- ◆ Includes 120V photo cell
- ◆ UL/ cUL listed

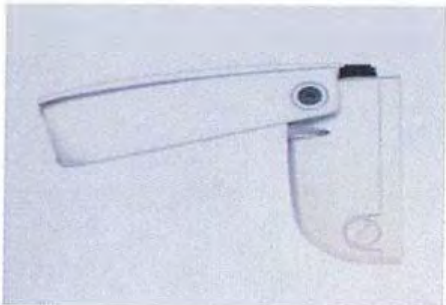


**ORDERING DATA**

**EXAMPLE: WPL 29W 1164L 50K BZ**

Series	Wattage	Lumens	Color Temperature	Fixture Color
WPL	14W 14 Wattage	1164L 1164 Lumens	50K 5000K	BZ Bronze
WPL	20W 20 Wattage	1848L 1848 Lumens	50K 5000K	BZ Bronze
WPL	29W 29 Wattage	2346L 2346 Lumens	50K 5000K	BZ Bronze

**90 Degree Beam Angle**



• Size: 6.22W x 6.25H x 8.54D

**Full Cut Off Beam Angle**



• Size: 6.22W x 7.22H x 3.81D

Dimensions and specifications subject to change without notice.

CAT#			
JOB NAME		TYPE	



#### APPLICATIONS

The MIMDCOWPK Decorative Full Cut-off Wall Pack is ideal for security, accent and perimeter lighting. Applications include entrance ways, garages, and commercial buildings.

#### FEATURES & BENEFITS

- ◆ Heavy Duty Die Cast Aluminum Housing
- ◆ Tempered Glass Lens
- ◆ Die Cast Hinged Front & Rear Housings, Gasket
- ◆ Coin Plugs on Sides and Back
- ◆ Built-In Template for Mounting to Electrical Box
- ◆ Chromate Conversion Coating
- ◆ Textured Bronze Finish
- ◆ DLC Model: MIMDCOWPKLED35MV50
- ◆ Meets Local "Dark Sky" Requirements
- ◆ cETLus or UL Listed (wet location)



28W - 42W

Replaces  
Up to 175W MH

#### SPECIFICATIONS

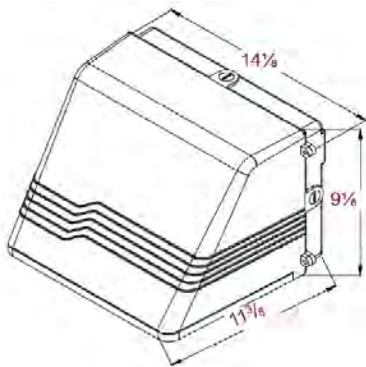
The MIMDCOWPK utilizes High-Power LEDs which produce no UV rays; are instant on/off are mounted on an aluminum heat sink. The driver is multi-volt and constant current design - solid state - high shock / vibration resistant. The housing is made of a die-cast aluminum. The Lens is a glass optical diffuser. Standard finish is bronze. Back plate with cast-in knockouts for alignment with all standard recessed boxes. Listed by and bears cETLus or UL label.

#### ORDERING DATA

EXAMPLE: MIMDCOWPKLED35MV50

MIMDCOWPK	LED			MV					
Series	Gear	Wattage		Ballast Type	Kelvin Temperature		Accessories		
MIMDCOWPK Decorative LED Wall Pack	LED	28	28 Watts	MV	120 - 277	30	3000K	PC120	Photo Cell, 120V
		35	35 Watts			40	4000K	PC277	Photo Cell, 277V
		42	42 Watts			50	5000K	EM	Emergency
						55	5500K		*See Chart below

#### DIMENSIONS



#### NOTES

- 1) 35W unit is UL Listed for Wet Locations.
- 2) 35W unit is available in 5000K only.

Dimensions and specifications subject to change



◆ 800-444-WATT ◆ www.mobern.com ◆  
8200 Stayton Dr., Ste. 500, Jessup, MD 20794

CAT#

JOB NAME

TYPE

**SPECIFICATIONS**

Technical Data	Specification
Input Voltage	120-277V, 50/60Hz
Lumen Maintenance	≥70% @5 years
Life Expectancy	Up to 50,000
LED Brand	CREE
LED TMP Temperature	@25°C 61.9°C
Driver Efficiency	88%
Power Factor@277V	0.999
THD @277V	8%
Driver TMP temp @25°C Ambient	48.2°C
Noise	<24dB
EMI	FCC part 15
Max Operating Temperature (-22°F)	45°C
Min Operation Temperature (+158°F)	-40°C



LED Array



Model	Total System Watts	System Lumens	Lumens Per Watt (lpW)	CRI	Color Temperature	Voltage	Replaces	Made In USA	EM
MIMDCOWPK	28	2560	91.43	80	3000, 4000, 5000, 5500	120 - 277V	Up to 150MH	Assembled in USA	No
	35	2526	73	75	5000	120 - 277V	Up to 150MH	Made in the USA	Yes
	42	3840	91.43	80	3000, 4000, 5000, 5500	120 - 277V	Up to 150MH	Made in the USA	No

*Note: LM79 and ies files are available upon request.*

**WARRANTY**

Mobern Lighting Company warrants to the purchaser that this LED Fixture will be free from defects in material or workmanship for a period of 5 years from date of manufacture, when operated at a maximum ambient temperature of 110°F or 45°C, when properly installed and under normal conditions of use.

Dimensions and specifications subject to change without notice.

**APPLICATIONS**

Introducing an innovative LED fixture. The intelligent design and flexible features will replace conventional wall packs. A multipurpose wall fixture that will meet specific requirements. The adjustable head makes it unique by giving precise aiming.

**FEATURES & BENEFITS**

- ◆ High quality die cast housing
- ◆ Durable chip and fade resistant powder coat finish
- ◆ Tempered glass lens
- ◆ Efficient design separates the driver from the LEDs to minimize heat
- ◆ Adjustable head for precise aiming
- ◆ High power Philips Rebel LEDs (29W & 56W)
- ◆ High power Citizen COB LEDs (73W)
- ◆ Includes 120V photo cell
- ◆ UL/ cUL listed
- ◆ DLC listed



**ORDERING DATA**

**EXAMPLE: WLL 29W2100L 57K BZ**

Series	Wattage	Lumens	Color Temperature	Fixture Color
WLL10L	29W 29 Wattage	2100L 2100 Lumens	57K 5700K	BZ Bronze
WLL15L	56W 56 Wattage	3980L 3980 Lumens	57K 5700K	BZ Bronze
WLL 15L	73W 73 Wattage	6231L 6231 Lumens	50K 5000K	BZ Bronze

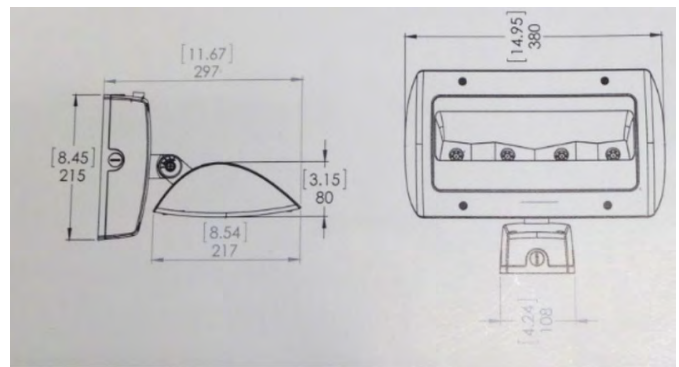
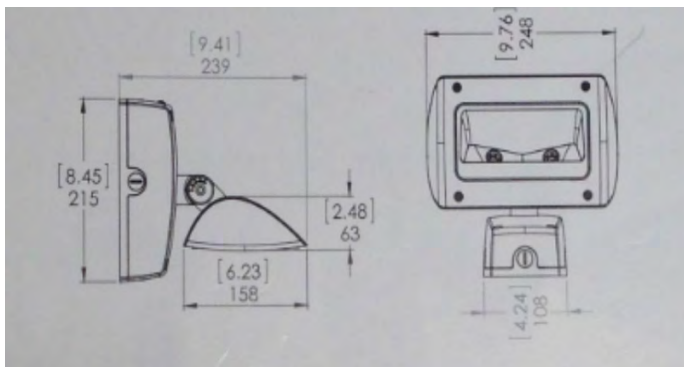
Option for finish:  
WH - White



Side View



Front View



Dimensions and specifications subject to change without notice.

### APPLICATIONS

The Mobern MPL LED is a great choice for your flood and area lighting requirements. This fixture provides an even distribution of light with good efficiency, long life and lower operating and maintenance costs. This fixture has multiple mounting options to suit your needs.

### FEATURES & BENEFITS

- ◆ Die-cast housing
- ◆ Architectural bronze UV resistant powder coat finish
- ◆ UL listed / CUL listed for damp locations
- ◆ Input voltage: 120-277V AC Consult for 480V
- ◆ State of the Art, Long Life Cree LEDs
- ◆ Input power – ~120 to 240 watts
- ◆ Low starting temp - 30°C
- ◆ Color temperature - 5000K
- ◆ DLC Listed options - Consult QPL
- ◆ 5 Year Warranty



### SPECIFICATIONS

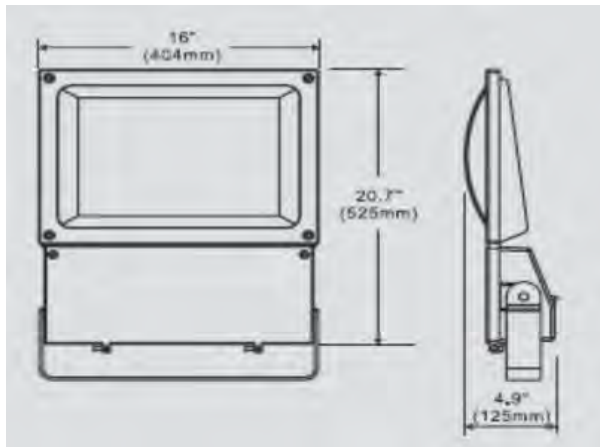
5 year limited system warranty. Listed by and bears cULus label.

### ORDERING DATA

EXAMPLE: MPLLED120MV50

MPLLED		Wattage/Lumens		Driver		Color Temperature	
Series	Gear						
MPLLED	LED	120	120 Watts 12560 Lumens	MV	120-277V	50	5000K
		150	150 Watts 14850 Lumens	480	480V		
		180	180 Watts 17882 Lumens				
		240	240 Watts 20649 Lumens				

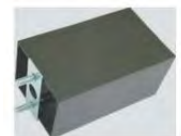
Consult factory for more options.



**MIA41**  
U-Bracket



**MI2AF**  
Adjustable  
slip fitter



**MPLARM6**  
Mounting Arm 6"



Dimensions and specifications subject to change without notice.

CAT#	
JOB NAME	TYPE

## APPLICATIONS

The **MAFCOLED** is an energy conserving powerful wall pack. Pro-environment, Green, Long life LED lighting fixture. Adapting the most dependable CREE LED Light source. This wall pack has a cast aluminum heat sync to ensure long life of the LED source. The MAFCO is ideal for security, accent and perimeter lighting. Applications include parking lots, garages, and commercial buildings.

## FEATURES & BENEFITS

- ◆ Die-cast Aluminum housing
- ◆ Architectural bronze UV resistant outdoor powder coat finish
- ◆ Input voltage: 120 - 277VAC
- ◆ Quality long life CREE LED's
- ◆ Low Tj for long life, low lumen depreciation
- ◆ Low starting temperature, -30°C
- ◆ Mercury and UV free with RoHS certified LEDs
- ◆ 5 Year Warranty
- ◆ UL and CUL listed for wet locations



58W

Replaces  
Up to 200W MH

## ORDERING DATA

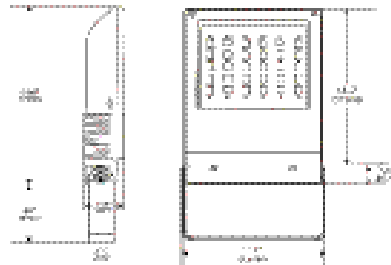
EXAMPLE: MAFCOLED58MV47

MAFCO	LED	58	MV	47
<b>Series</b>	<b>Gear</b>	<b>Wattage</b>	<b>Ballast Type</b>	<b>Kelvin Temperature</b>
<b>MAFCO</b> Wall Pack	<b>LED</b>	<b>58</b> 58 Watts	<b>MV</b> 120-277	<b>47</b> 4700K

## SPECIFICATIONS

Item	Specification
◆ Input Voltage	120-277V, 50/60Hz
◆ System Watts	58.3
◆ Fixture Lumens	4005
◆ Fixture Efficacy	69 Lumen/Watt
◆ Rated Life	50,000
◆ LED Quantity (Brand: Cree XTE R2)	30
◆ Driver	500MA
◆ Fixture CRI	75+
◆ LED Color Temperature	4700K
◆ Starting Temperature	-30°C

## TECHNICAL INFORMATION



## WARRANTY

Modern Lighting Company warrants to the purchaser that this LED Fixture will be free from defects in material or workmanship for a period of 5 years from date of manufacture, when operated at a maximum ambient temperature of 110°F or 45°C, when properly installed and under normal conditions of use.



Dimensions and specifications subject to change without notice.

◆ 800-444-WATT ◆ www.mobern.com ◆  
8200 Stayton Dr., Ste. 500, Jessup, MD 20794

CAT#

JOB NAME

TYPE

**APPLICATIONS**

This compact but powerful flood light is a true innovation combining practicality and aesthetics. With highly efficient LED engine and precise optical control, greater lighting performance adds the value to its exterior appearance. Multiple mounting methods enable this fixture to be installed in any given environment.

**FEATURES & BENEFITS**

- ◆ Housing is die cast aluminum
- ◆ Powder coat finish
- ◆ Versatile mounting options
- ◆ Optional photo control
- ◆ UL /cUL Listed for wet location
- ◆ DLC Listed

**SPECIFICATIONS**

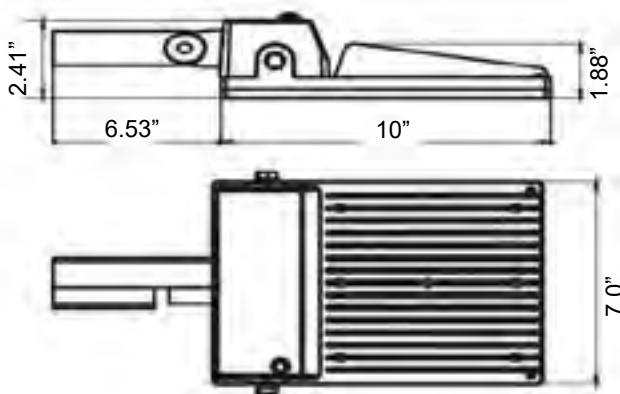
Solid construction die-cast aluminum body standard bronze finish. UV Stabilized powder coated finish. IP65 and custom finish available.



**ORDERING DATA**

**EXAMPLE: MLFL10-LED52MV50BZPC**

MLFL	10	LED	52	MV	50	BZ	PC
<b>Series</b>	<b>Size</b>	<b>Gear</b>	<b>Wattage &amp; Lumen</b>	<b>Driver</b>	<b>Color Temp</b>	<b>Finish</b>	<b>Options</b>
MLFL	10 10 inch	LED	52 52 Watts 5522 Lumens	MV 120-277V	50 5000K	BZ Bronze	PC Photocell



Dimensions and specifications subject to change without notice.

◆ 800-444-WATT ◆ www.mobern.com ◆  
8200 Stayton Dr., Ste. 500, Jessup, MD 20794

CAT#	
JOB NAME	TYPE

### APPLICATIONS

Energy efficient fixture for applications that are used frequently for long periods of time. Ideal for use for security, entryway and perimeter lighting, parking garages, shopping area walkways and exterior canopies.

### FEATURES & BENEFITS

- ◆ Easy installation
- ◆ Typical Mounting Height: 10 to 20 feet
- ◆ Typical Spacing: 1 to 1.5 times the mounting height
- ◆ Estimated 172,000 hours of maintenance-free operation to L70 at 25°C (77°F)
- ◆ Universal voltage (120V through 277V 50/60HZ)
- ◆ Minimum starting temperature -40°C (-40°F)
- ◆ Non Dimmable
- ◆ UL/cUL Listed for wet locations
- ◆ DLC Listed (40W version)



### SPECIFICATIONS

Low profile dark-bronze housing and ends are die-formed with decorative fins for heat dissipation. Durable polyester powder coat finish. Acrylic prismatic refractor lens.

### MOUNTING OPTIONS

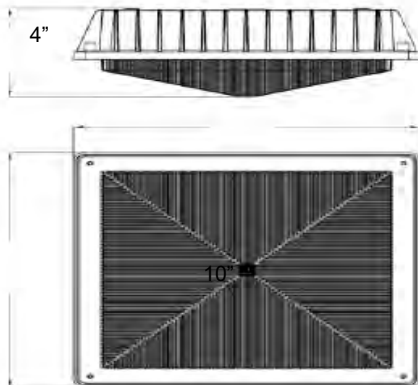
Can be surface or pendant mounted via 3/4" conduit on top. 1/2" threaded conduit entries on two sides

### ORDERING DATA

EXAMPLE: CPY10LED40MV50

Series	Size	Gear	Wattage & Lumens	Driver Type	Color Temperature
CPY LED Low Profile Canopy	10 10" x 10"	LED	20 20 Watts 2040 Lumens 40 40 Watts 3100 Lumens* 58 58 Watts 5500 Lumens <small>*DLC Listed</small>	MV 120-277V	50 5000K

### DIMENSIONS



Dimensions and specifications subject to change without notice.



◆ 800-444-WATT ◆ www.mobern.com ◆  
8200 Stayton Dr., Ste. 500, Jessup, MD 20794

CAT#

JOB NAME

TYPE