

# TORK<sup>®</sup>

## TORK ALERT<sup>™</sup>

### SIGNALING DEVICES



**JUNE 2007**

A DIVISION OF **NSi** NSi INDUSTRIES, LLC



# Table of Contents

Heavy Duty Bells .....	1	Industrial Warning Lights .....	8
Mechanical Horns .....	2	Vehicular Warning Lights & Back Up Alarm .....	9
Multi-Tone Electronic Signals .....	3	STAKALERT™ Beacons .....	10
Mechanical Strobe Horns .....	3	Illuminated & Non-Illuminated Push-Buttons .....	12
A.D.A. Strobe Horns .....	3	Weatherproof Push-Buttons .....	13
Multi-Tone Electronic Horn .....	4	Remote Control Electric Door Openers .....	13
Tri-Tone Electronic Horn .....	4	Contact Devices .....	15
Weatherproof Siren .....	4	Transformers .....	16
Telephone Strobe .....	5	Light Duty & General Purpose Bells & Buzzers .....	17
Telephone Horn .....	5	Chimes & Chime Kits .....	17
Telephone Relay .....	6	Digital Signal Timers .....	18
24 VDC Power Supplies .....	6	Incandescent Loading Dock Lights .....	19
Wall Clocks .....	7	Accessories & Replacement Parts .....	20
Manual Fire Alarm Pull Down Station .....	7		

# HEAVY DUTY BELLS

## AC VIBRATING BELLS

**TORK**  
TORK ALERT™  
SIGNALING  
DEVICES

### APPLICATIONS

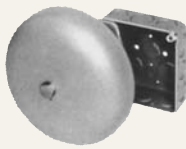
- Models available for indoor and outdoor applications
- For use where durable operation and dependable performance are needed.

### FEATURES

- High sound output with low current draw.
- Constructed of steel gong and cast aluminum housing.
- Screw terminals permit fast in-out field wiring of #12-22AWG wire.

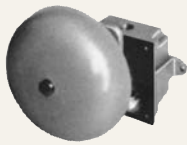
### MOUNTING OPTIONS

#### SURFACE



order TA-BBSF  
(add "R" to catalog  
number for red)

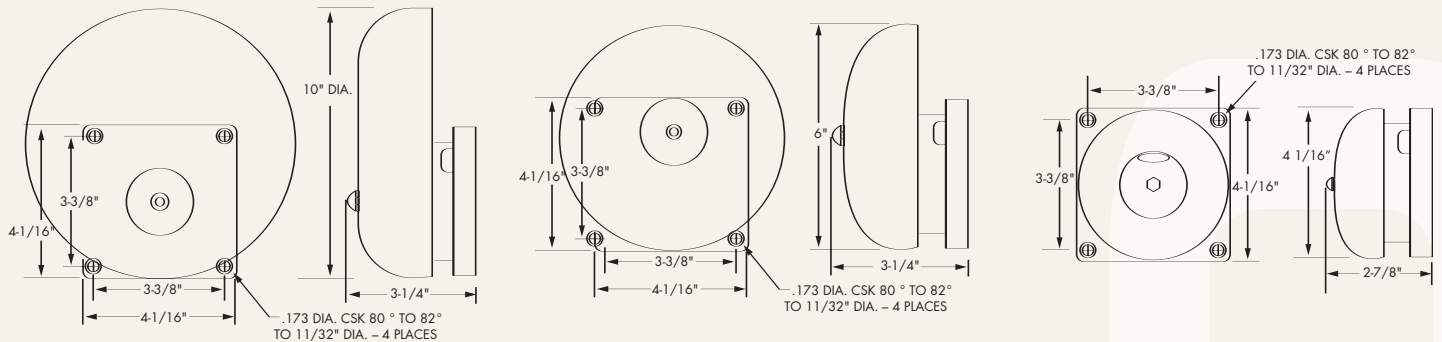
#### OUTDOOR NEMA 3R



order TA-WBBF  
(add "R" to catalog  
number for red)



### DIMENSIONS



10"

6"

4"

CATALOG NO	UPC CODE	SHELL SIZE	VOLTAGE	INPUT CURRENT (AMPS)	dB @ 10 FEET	COLOR
TA340-4G5	96001	4"	24 VAC	0.320	81-90	DAWN MIST
TA340-4N5	96002	4"	120 VAC	0.065	81-90	DAWN MIST
TA340-6G5	96003	6"	24 VAC	0.320	81-95	DAWN MIST
TA340-6N5	96004	6"	120 VAC	0.065	81-95	DAWN MIST
TA340-10N5	96006	10"	120 VAC	0.065	84-98	DAWN MIST
TA434-4N5	98005	4"	120 VAC	0.065	81-90	RED
TA434-6N5	97521	6"	120 VAC	0.065	81-95	RED
TA434-10N5	96522	10"	120 VAC	0.065	84-98	RED

# MECHANICAL HORNS

## APPLICATIONS

- Designed to produce a loud tone with typical decibel output of 102dB. Strong penetration due to resonance at low frequency.
- Boiler rooms and water pumping stations
- Elevators, air compressor rooms, electrical panels
- Cranes
- Available with optional twin sound projectors, Model TA-DUF

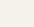
## FEATURES

- Steel housing, painted dawn mist.
- Resonant grill design for high sound output.
- Low current draw minimizes power supply and wiring costs.
- Wide input voltage ratings for compatibility with unregulated power supplies.
- Screw terminal inputs for convenient in-out wiring.



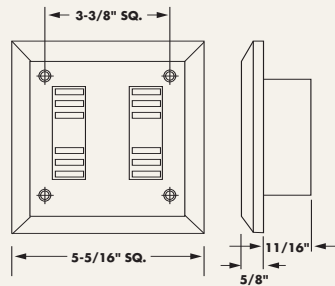
TA874-N5

TA870-N5

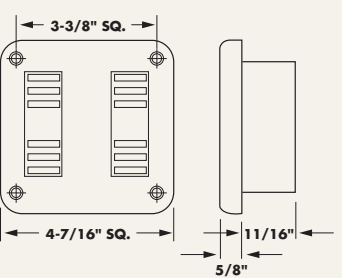
CATALOG NO	UPC CODE	INPUT VOLTAGE	INPUT CURRENT (AMPS)
<b>SURFACE TYPE</b>			
TA874-G5	96022	24VAC	0.350
TA874-N5	96023	120VAC, 60HZ	0.070
TA874-N5R* <small>*RED IN COLOR</small>	97613	120VAC, 60HZ	0.070
TA875-G1	97687	24VDC	0.035
<b>SEMI-FLUSH TYPE</b>			
TA870-N5	96017	120VAC, 60HZ	0.070
<b>WITH WEATHERPROOF BACKBOX TA-WBBF  LISTED FOR OUTDOOR USE</b>			
TA876-G5	96025	24VAC	0.350
TA876-N5	96026	120VAC, 60HZ	0.070
TA877-G1	98012	24VDC	0.035

## DIMENSIONS

### SEMI-FLUSH HORN

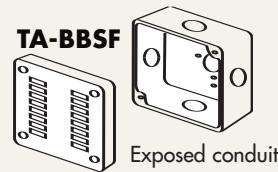
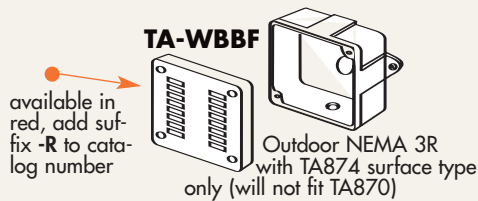


### SURFACE HORN

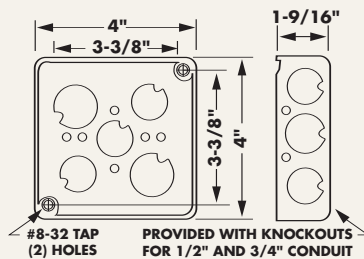


## MOUNTING OPTIONS

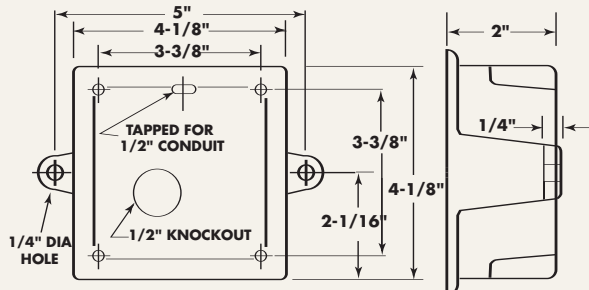
- MODEL TA870 now has an integral semi-flush plate. All other models have optional mounting plates and backboxes (order separately, see page X).



## INDOOR BACKBOX - TA-BBSF



## WEATHERPROOF BACKBOX TA-WBBF





# MECHANICAL STROBE HORN

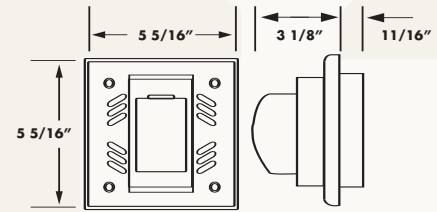
This high performance strobe horn is ideally suited for industrial signaling applications. It offers high sound output, low current draw and dependable operation.

### FEATURES

- Penetrating mechanical sound.
- 15 candela strobe.
- Standard 4" square surface mounting.

**TORK**  
TORK ALERT™  
SIGNALING  
DEVICES

### DIMENSIONS



CATALOG NO	UPC CODE	COLOR	VOLTAGE	INPUT CURRENT (AMPS)	dB @ 10 FEET
TA880-N5	96015	WHITE	120VAC	0.115	96

NOTE: for outdoor use, unit must be mounted in a TA-WBBF outdoor backbox.

# A.D.A. STROBE HORN

### APPLICATIONS

- 15/75 candela wall mounted model listed at 15 candela (UL 1971) and exceeding a near-axis 75 candela intensity for ADA guidelines with low current draw (outdoor models are 68 candela).
- 110 candela models listed for wall mounting in larger rooms and sleeping areas.
- Convenient strobe/plate retrofit assembly for upgrading strobes in existing installations.
- Housings are red.

### FEATURES

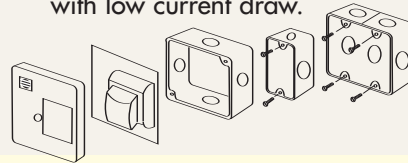
- Strobes use xenon flashtube with state-of-the art electronics for maximum efficiency and reliability.
- Lenses are rounded dome shape made of clear Lexan®.
- Horns have high dB output with low current draw.

### DIMENSIONS

- 4 3/4" H X 4 3/4" W X 1 3/8" D

### MOUNTING

- Can be mounted on 1 gang, 2 gang or 4" square box



CATALOG NO	UPC CODE	DESCRIPTION	VOLTAGE	CURRENT AMPS	CANDELA	dB @ 10 FT
TA5521D-UAD	96667	MULTI-TONE HORN/STROBE	24VDC	0.009	15/75	91-97

# 24VDC MULTI-TONE ELECTRONIC HORN

### APPLICATIONS

- One unit meets most signaling needs by providing a choice of 8 nationally recognized alerting sounds.
- Ideal for small electrical cabinets with limited space.

### FEATURES

- Constructed with the electronics in the housing instead of in the box, eliminating the possibility of ground faults due to crowded electrical boxes.
- Raised mounting design eliminates need for deeper backbox.
- Maximum reliability and low current drain.
- Screw terminals accept #12 AWG

### SPECIFICATIONS

- INPUT: 20-31 VDC
- HOUSING SIZE: 4 3/4" H X 4 3/4" W X 1 3/8" D
- COLOR: white
- INDOOR MOUNTING: 1 gang, 2 gang, or 4" square backbox.

ALARM TONE	CURRENT (AMPS)	TYPICAL dB @ 10FT
BELL	0.020	91
HI-LO	0.025	96
CHIME	0.028	93
SINGLE STROKE BELL	0.026	93
HORN	0.023	97
3 BEEPS, PAUSE	0.023	97
SIREN	0.040	95
SLOW WHOOP	0.040	96

CATALOG NO	UPC CODE	VOLTS	DESCRIPTION
TA875-1G1	97641	24 VDC	MULTI-TONE ELECTRONIC HORN



# 115 VAC MULTI-TONE ELECTRONIC HORN

## APPLICATIONS

This one unit can meet most signaling needs by providing a choice of eight (8) nationally recognized alerting sounds. It can provide superior sound penetration for various ambient and room conditions with two field selectable sound output levels – standard dB and high dB.

## FEATURES

- Suitable for indoor/outdoor use.
- Can be mounted on ceiling or wall
- No additional trimplate required for flush mounting.
- Screw terminals accept #12 AWG.
- UL and ULC listed.

CATALOG NO	UPC CODE	VOLTS AC
TA-MTS	97674	115 VAC

## SPECIFICATIONS

- 115VAC input
- Indoor/Outdoor mounting
- OPERATING TEMP:  
-31°F to +150°F  
(-35°C to +66°C)
- MAX HUMIDITY: 95%RH
- 4.12"H x 4.12"W x 3.52"D



ALARM TONE	AMPS @ 120VAC		TYPICAL dB @ 10FT	
	HIGH	STANDARD	HIGH OUTPUT	STANDARD OUTPUT
HORN	0.050	0.042	85	82
BELL	0.041	0.039	82	75
HORN 2	0.050	0.040	85	79
CODE 3 HORN	0.050	0.042	82	75
CODE 3 TONE	0.042	0.040	79	75
SLOW WHOOP	0.050	0.042	85	82
SIREN	0.045	0.041	85	82
HI/LO	0.042	0.039	82	79

# TRI-TONE ELECTRONIC HORN

## APPLICATIONS

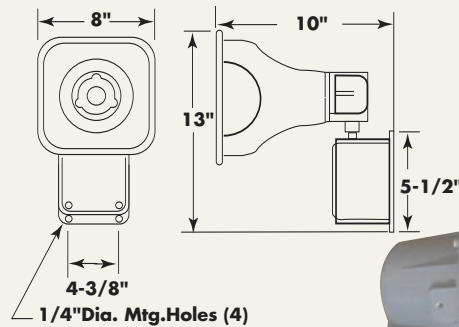
Three selectable tones with high dB make this device ideal for emergency alerts or evacuation in areas of high ambient noise.

## FEATURES

- 112 dB at 10 feet.
- Yowl, warble, or siren are field selectable.
- Grey finish over heavy duty die cast housing.
- Solid state circuitry.
- Housing tapped for 1/2" conduit.

CATALOG NO	UPC CODE	VOLTS AC	Hz	AMPS	VA
TA140N5	97655	120VAC	60	0.24	28.8

## DIMENSIONS



# WEATHERPROOF SIREN

## MOTOR DRIVEN SIREN

## APPLICATIONS

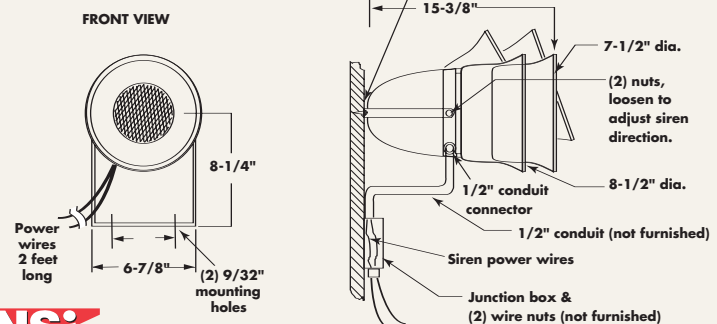
- Ideal for evacuation and other warning systems to meet municipal and industrial requirements.
- Loud, distinctive tone penetrates machinery and other competing noises more effectively than standard horns or bells.

CATALOG NO	UPC CODE	VOLTS AC	Hz	AMPS	VA
TA315-1N5	96599	120V AC/DC	60	2.5	300

## FEATURES

- 117 dB at 10 feet.
- Red enamel paint over heavy gauge aluminum housing.
- Carefully machined and balanced aluminum fan.
- Air intake is screened to prevent foreign matter from entering.
- Fully enclosed motor is protected.
- 180° swivel for adjustable siren direction.

## DIMENSIONS



# TELEPHONE STROBE

**TORK**<sup>®</sup>  
**TORK ALERT**<sup>™</sup>  
 SIGNALING  
 DEVICES

## APPLICATIONS

Emits a high intensity flashing light when the telephone rings. Ideal for alerting of the hearing impaired, for use in high ambient noise environments, quiet hospital zones, libraries and broadcast studios.

## COMMON FEATURES

- Designed for single line phones.
- Convenient RJ-11C modular plug-in connection
- Long life, low power consumption xenon flash tube
- Easily mounts to interior surfaces.
- For indoor use
- UL & CSA listed, ADA compliant.

## FEATURES: TA B-KHD-120VAC

- Powered by 120VAC
- Includes 120VAC power cord
- Bright 70,000 candlepower flash
- Designed for analog phone lines

## FEATURES: TA B-KHD-1000-PP

- Powered by telephone analog line ring voltage
- Designed for analog phone lines



CATALOG NO	UPC CODE	INPUT TELEPHONE RING VOLTAGE	AC INPUT VOLTAGE	RINGER EQUIVALENC	PEAK CANDLEPOWER
TA-B-KHD-120VAC	97101	45-130V, 20-30Hz	120VAC	0.4	70,000
TA-B-KHD-1000-PP	97102	50-130V, 20-30Hz	—	1.5	8,000

# TELEPHONE HORN

## APPLICATIONS

High quality, compact signaling device. Easily connects to phone systems and enables locations with moderate to high ambient noise to have a loud telephone alert.

## FEATURES

- Adjustable tone and volume.
- Standard RJ-11C modular plug in connection.
- Indoor use, surface mountable.
- Color: Grey
- UL & CSA listed; FCC approved.

CATALOG NO	UPC CODE	INPUT TELEPHONE RING VOLTAGE	dB @ 3 FT	RINGER EQUIVALENC
TA-B-KHS-1000-PP	97103	50-130V, 20-30Hz	90	0.8



# TELEPHONE RELAY

## APPLICATIONS

Telephone relay activates various appliances when a telephone ring voltage is detected. Indoor unit is used with horns, bells, strobes, or similar devices to provide a remote extension signal through the telephone ringing cycle. Recommended for use where ambient noise levels are high and personnel are unable to be near telephones, such as factories, lumber yards, loading docks, etc.

## FEATURES

- Weatherproof AC/DC relay.
- Includes mounting bracket.
- Hard wire connections.
- Accepts RJ-11C phone plug.
- Designed for analog phone lines.
- UL & CSA listed and FCC approved.



CATALOG NO	UPC CODE	INPUT TELEPHONE RING VOLTAGE	AC CONTACT RATINGS	DC CONTACT RATINGS	RINGER EQUIVALENCE
TA-B-8332	97100	39-150 V, 20-30Hz	115VAC-5A, 230VAC-2A	UP TO 115VDC-500MA	0.6

# 24 VDC POWER SUPPLIES

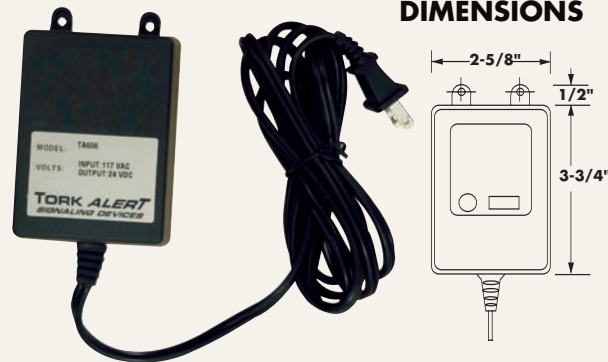
## TA606

### APPLICATIONS

Able to power several signaling devices depending on requirements of each unit. Easy to use screw terminals accept #16-24AWG. No conduit is required and installation is fast and simple.

### FEATURES

- Regulated and filtered 24VDC up to 600mA.
- Current limiting, short circuit and overload protection, with auto shutdown and reset.
- Convenient wall mounting with 6ft. power cord.



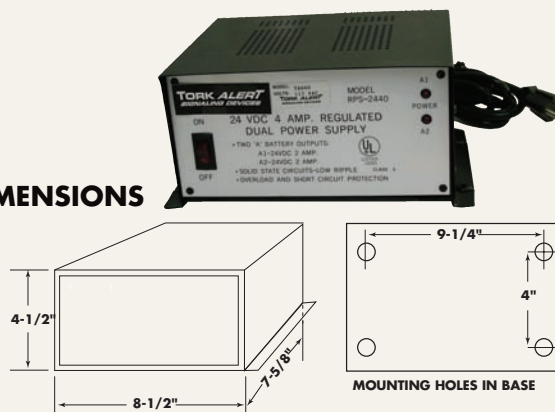
CATALOG NO	UPC CODE	INPUT VOLTAGE	OUTPUT VOLTAGE
TA606	96109	117VAC	24VDC

## TA640

### APPLICATIONS

Dual power supply consists of two outputs, each providing 2Amps of current at 24VDC. If connected in parallel, will provide up to 4Amps. Circuit breaker provides input protection.

### DIMENSIONS



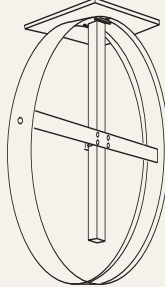
CATALOG NO	UPC CODE	INPUT VOLTAGE	OUTPUT VOLTAGE	OUTPUT CURRENT	REGULATION	RIPPLE VOLTAGE
TA640	96110	115VAC	24VDC	4A	+/- 5%	10mVRMS



# WALL CLOCKS

**FEATURES**

- All clocks provide second hand for accurate timing.
- Each model meets United States Government Specifications.
- Concealed mounting brackets allow for simple, neat placement on walls.



**TA-CWB**  
A double-face bracket for two 12" quartz clocks only. Shows time from two directions, ideal for schools and institutions. Color: Black. Clocks are not included.

**QUARTZ**

- Accurate to one minute per year
- Low power consumption for long battery life.
- Uses AA battery (not supplied).

CATALOG NO	UPC CODE	TYPE	SIZE	FRAME COLOR
TA1886 G	96154	QUARTZ	8"	GREY
TA1886 B	96155	QUARTZ	8"	BROWN
TA1887 G	96159	QUARTZ	12"	GREY
TA1887 B	96157	QUARTZ	12"	BROWN
TA1887 BK	96158	QUARTZ	12"	BLACK

**ELECTRIC**

- 110VAC, 60Hz synchronous motor.
- 66 inch line cord and plug
- Does not require grounding

CATALOG NO	UPC CODE	TYPE	SIZE	FRAME COLOR
TA1880 G	96152	ELECTRIC	8"	GREY
TA1880 B	96151	ELECTRIC	8"	BROWN
TA1882 G	96154	ELECTRIC	12"	GREY
TA1882 B	96153	ELECTRIC	12"	BROWN

# MANUAL FIRE ALARM

## PULL-DOWN STATION (NON-BREAK GLASS)

**APPLICATIONS**

- Designed for indoor use, this alarm allows any occupant to turn in a non-coded alarm quickly and without error. Ideal for schools, hospitals, industrial plants, warehouses and retail stores.
- Unit is compatible with any control panel to:
  - Initiate local alarm signals
  - Trip a municipal fire alarm box
  - Start fire pumps

**FEATURES**

- Sturdy metal construction.
- Permanent high tensile retainer spring eliminates the need for glass or replacement parts
- Mounts to a standard single gang electrical box
- Meets requirements of BSA (Chicago), MEA (NYC), California State Fire Marshall and UL.

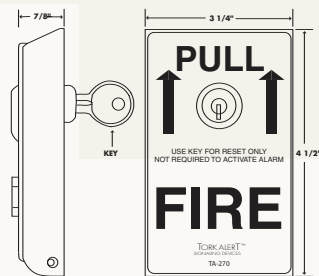
CATALOG NO	UPC CODE	SWITCH	VOLTS	AMPS
TA270	96520	SPST, NO	30V AC/DC	1

**OPERATION**

A single action pull on the cover causes a key latch to act against a retaining mechanism until adequate force opens the station. This causes the switch to release to initiate the alarm. Cover hangs down to indicate which station was used. Key is required to close and reset device. Normal bumping, jarring or shaking will not falsely activate the switch.



**DIMENSIONS**



# INDUSTRIAL WARNING LIGHTS

## 1/2" CONDUIT MOUNTING

(EXCEPT MODEL TA96, 3/4" CONDUIT MOUNTING)

FULL SELECTION OF DOME COLORS...FOR DESIRED DOME COLOR, SUBSTITUTE \*\*\* WITH FIRST LETTER OF COLOR.

**R RED**  
**A AMBER**  
**C CLEAR**

**B BLUE**  
**G GREEN**  
**WHITE**



**TA52**  
**COMPACT ROTATING BEACON**  
Light intensifying reflector rotates around a low current 25 watt bulb. Bayonet socket for easy lamp replacement. Ideal for restricted or danger areas.

- FEATURES**
- 80-90 FPM (flashes/min).
  - 360° rotation.
  - Dependable belt & turntable design.
  - Acrylic dome.
  - Nominal current draw.
  - 6 1/2"H x 5 5/8" Dia.



**TA47**  
**ALL PURPOSE 360° BEACON**  
Large parabolic reflector rotates around a 100 watt bulb. Long range beam. Use to indicate equipment malfunctions, security intrusion, etc.

- FEATURES**
- 90 FPM (flashes/min).
  - Corrosion resistant for outdoor use.
  - Glass filled polypropylene housing.
  - Acrylic dome.
  - Tamper resistant dome clamps.
  - Nominal current draw.
  - 9 1/2"H x 8 1/2" Dia.



**TA93-2**  
**MIDI-STROBE**  
Solid state circuitry in a low profile design. No moving parts means less maintenance.

- FEATURES**
- 70-80 FPM (flashes/min).
  - Solid state electronic circuitry.
  - High output 3-4 watt, 3.6 joules.
  - Vertically mounted flash tube with snap out socket base for easy changing.
  - 360° fresnel dome optics provide greater illumination
  - Nominal current draw
  - 6 1/2"H x 5 1/8" Dia.



**TA371L**  
**ROTATING SEALED TWIN BEAMS**  
Heavy duty, two sealed beam revolving light with 30 watt lamps. Each 35,000 CP bulb provides long range visibility.

- FEATURES**
- 80-90 FPM (flashes/min).
  - Lexan® dome\*
  - Quiet belt drive motor.
  - Anodized aluminum housing with polished aluminum, non-tarnishing base.
  - Snap lock retaining ring for quick & economical changeout.
  - 9 1/2"H x 8 1/2" Dia.



**TA96B**  
**LOW PROFILE STROBE**  
Compact Xenon strobe unit packed with features. Unique lens design gives appearance of two lamps within each beacon.

- FEATURES**
- 75 FPM (flashes/min).
  - Heavy duty metal base.
  - One piece Lexan® lens.
  - Gaskets on top and bottom of lens.
  - 4"H x 3 1/2" Dia.
  - NEMA 1, 3R, 12, 13



**TA94**  
**ELECTRONIC STROBE**  
High intensity strobe tube with inner fluted lens for maximum brilliance. No moving parts makes it immune to shock and vibration. Ideal for security alert.

- FEATURES**
- 70-80 FPM (flashes/min).
  - Solid state electronic circuitry.
  - High output 3-4 watt, 3.6 joules.
  - Acrylic dome.
  - Glass filled polypropylene housing.
  - Suitable for outdoor use.
  - 9 1/2"H x 8 1/2" Dia.



**TA131D**  
**DOUBLE FLASH SUPER STROBE**  
Ideal for industrial applications requiring extremely high visibility. One model covers all popular mounting methods (1/2" pipe, surface, flange, electrical box).

- FEATURES**
- 60 FPM (flashes/min).
  - High intensity 85,000 peak CP (clear) flashtube rated at 7000-8000 hours (non-replaceable).
  - 7 1/2 joules per flash
  - Durable, high impact Lexan® construction
  - 5"H x 7 1/4" dia.

CATALOG NO	UPC CODE	VOLTS	AMPS
<b>TA52*N5</b>			
R TA52RN5	96063	117 VAC	.21
A TA52AN5	96163		
C TA52CN5	96463		
B TA52BN5	96263		
G TA52GN5	96363		
<b>TA47*N5</b>			
<b>TA47*R5</b>			
R TA47RN5	96061	117 VAC	.9
A TA47AN5	96161	240VAC/60HZ	.9
C TA47CN5	96461		
B TA47BN5	96261		
G TA47GN5	96361		
<b>TA932*N5</b>			
R TA932RN5	99622	117 VAC	.04
A TA932AN5	97623		
C TA932CN5	96968		
B TA932BN5	97624		
<b>TA371L*N5</b>			
R TA371LRN5	96500	117 VAC	.8
A TA371LAN5	96501		
C TA371LCN5	96504		
B TA371LBN5	96502		
G TA371LGN5	96503		
*Green dome is acrylic and not UL listed.			
<b>TA96B*N5</b>			
R TA96BRN5	97642	120VAC	.08
A TA96BAN5	97643		
C TA96BCN5	97646		
B TA96BBN5	97644		
G TA96BGN5	97645		
TA96BWN5	97647		
<b>TA94*N5</b>			
R TA94RN5	97626	117 VAC	.04
A TA94AN5	97627		
C TA94CN5	97630		
B TA94BN5	97628		
G TA94GN5	97629		
<b>TA131D*N5</b>			
R TA131DRN5	96510	120 VAC	.2
A TA131DAN5	96610		
C TA131DCN5	96910		
B TA131DBN5	96710		

FOR OUTDOOR USE, ALL CONDUIT MOUNTED UNITS MUST BE MOUNTED VERTICALLY WITH BASE AT BOTTOM.

# VEHICULAR WARNING LIGHTS & BACKUP ALARM

**TORK**  
TORK ALERT™  
SIGNALING  
DEVICES

FULL SELECTION OF DOME COLORS...FOR  
DESIRED DOME COLOR, SUBSTITUTE ""\*"  
WITH FIRST LETTER OF COLOR.

**R RED**      **B BLUE**  
**A AMBER**   **G GREEN**  
**C CLEAR**



## TA131DU1 DOUBLE FLASH BRILLIANT STROBE

Maximum versatility and high performance. 110,000 peak CP (clear) flashtube rated at 7000-8000 hours (non-replaceable). One model covers all popular mounting methods (1/2" pipe, surface, flange, electrical box).

### FEATURES

- One model covers all standard battery voltages (10.5-31.0 VDC).
- High efficiency for longer battery life.
- Double flash operation (7½ joules per flash, 60 FPM).
- 110,000 peak CP
- Fresnel Lens.
- Neoprene gasket and flange mounting ring supplied on base
- High impact Lexan® construction.
- Lens colors per SAE specifications.
- 5"H x 7 ¼" Dia.

CATALOG NO	UPC CODE	VOLTS
------------	----------	-------

TA131D*U1		10.5-31.0 VDC
<b>R</b>	TA131DRU1	96511
<b>A</b>	TA131DAU1	97611
<b>C</b>	TA131DCU1	96911
<b>B</b>	TA131DBU1	96711



## TA53 PERMANENT SHOCK- MOUNTING ROTATING BEACON

Ideal for use on security or service vehicles. An economically priced professional unit for emergency vehicles. Single point shock mounting – no disassembly required.

### FEATURES

- 90-100 FPM
- Dependable belt & turntable design.
- 25 watt lamp
- Acrylic Dome
- Nominal current draw.
- 7 ½"H x 6" Dia.

TA53*E1		12 VDC
TA53*G1		24 VDC
TA53*F1		36 VDC

<b>R</b>	TA53RE1	96083	TA53RF1	96084	TA53RG1
<b>A</b>	TA53AE1	96183	TA53AF1	96185	TA53AG1
<b>C</b>	TA53CE1	96483	TA53CF1	96485	TA53CG1
<b>B</b>	TA53BE1	96283	TA53BF1	96285	TA53BG1
<b>G</b>	TA53GE1	96383	TA53GF1	96385	TA53GG1



## TA54 PORTABLE, MAGNETIC MOUNT- ING ROTATING BEACON

Designed with retaining ring to firmly secure dome to base. Holds to rooftop or dashboard. In-car lighter plug-in with coil cord.

### FEATURES

- 75 FPM
- Quiet belt-drive motor.
- Teardrop design fits under windshields.
- Includes glare shield.
- 12 watt lamp.
- Includes velcro tape for non-magnetic mounting on dashboard.
- 4 ½"H x 7 ½" Dia.

TA54*E1		12 VDC
---------	--	--------

<b>R</b>	TA54RE1	96087
<b>A</b>	TA54AE1	96187
<b>B</b>	TA54BE1	96287



## TA879 VEHICULAR BACKUP ALARM

Solid state electronic unit with water resistant housing. Usage helps to comply with OSHA and state regulations. This device makes a distinctive noise. Extreme variations in background noise levels, environmental conditions, and type of mechanism to which this device may be attached, make it imperative for the users to determine for themselves the suitability, safety or adequacy of this device for the application.

### FEATURES

- 2 sound levels
- 97 or 87 dB +/- 4 dB at 4 feet
- Multi-voltage.

<b>TA879</b>	96102	12-48 VDC
--------------	-------	-----------

# STAK-ALERT™ BEACONS

**UP TO 6 COLORS, UP TO 6 BEACONS, 3 TYPES. THE COMBINATIONS ARE ENDLESS... BUT THE RESULT IS SIMPLE: THE EASIEST WAY TO COLOR CODE MACHINERY OPERATIONS AND/OR MALFUNCTIONS!**



## APPLICATIONS

Status indicator lights are often used to denote machinery process functions, usually malfunctions. Stak-Alert™ Beacons can be mounted directly onto a piece of equipment or used remotely as an individual pilot light.

Typically triggered by proximity switch, oil pressure gauge, float switch or photocell, Stak-Alert™ Beacons are the perfect solution for one or multiple functions.

Designed to be seen at a glance from from a distance, different colored Stak-Alert™ Beacons can indicate that machinery is running properly, needs raw material or has a problem, by color and/or order.

## SPECIFICATIONS

- FLASH RATE: approximately 75FPM (flashing incandescent and strobe).
- OPERATING TEMPERATURE: -13° to +104°F (-25° to +40°C)
- STORAGE TEMPERATURE: -40° to +158°F (-40° to +70°C)

## FEATURES

- Available in 1 to 6 high stacks. Each Stak-Alert™ Beacon can be assigned a different color.
- Lights can be steady-on, flashing incandescent or flashing strobe.
- Standard models offer 120 or 240VAC and many other AC and DC voltages are available on special order.
- The standard unit meets NEMA 1, 3R, 12 and 13 specifications (without audible option).
- Readily available replacement lamps are easy to change.
- 2 extra lamps are supplied with every stack.
- Color lenses lift off easily and their positions are interchangeable!
- Unique lens design gives the appearance of two lamps within each beacon.
- Gasketed, one piece Lexan® lens for oil, dust, and raintight applications.
- Dependable hard wiring directly from each Stak-Alert™ Beacon with 18" wire leads.
- Mounts on 3/4" conduit.
- RELATIVE HUMIDITY: 5%-95% RH non-condensing.
- LAMPS: Standard type MB lamps.
- AUDIBLE OUTPUT/FREQUENCY: 95 dB at 1ft. 2800Hz +/- 500Hz tone frequency.
- 30.5Hz pulsation frequency.

## NEMA RATINGS (WITHOUT AUDIBLE OPTION)

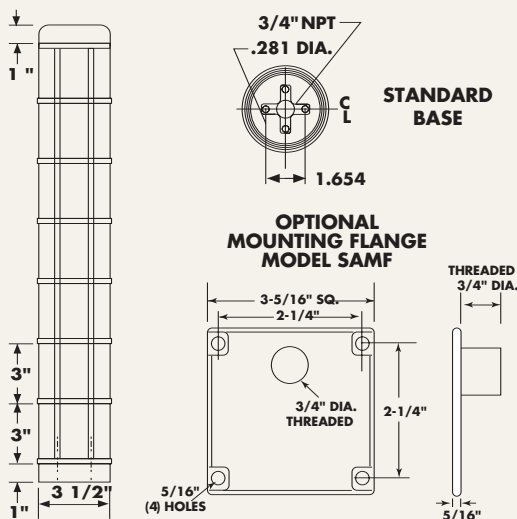
NEMA TYPE	APPLICATION
1	GENERAL PURPOSE
3R*	RAINTIGHT
12	OIL TIGHT
13	DUST PROOF

\*requires knocking out two bolt holes in base and allowing drainage. Optional NEMA 4X is available as special order; consult factory.

## ELECTRICAL RATINGS

INCANDESCENT		PWR RATING	MAX CURRENT
VOLTS AC	Hz		
120	50/60	6 watt	39mA
240	50/60	3 watt	13mA
XENON STROBE		CURRENT	ENERGY
VOLTS AC	Hz		
120	50/60	80mA	50joules
240	50/60	110mA	50joules

## DIMENSIONS



# STAK-ALERT™ BEACONS: DEPENDABLE DESIGN FOR STATUS INDICATION!

TO DESIGNATE LENS COLOR FOR EACH BEACON, ADD APPROPRIATE LETTER TO THE PART NUMBER IN PLACE OF THE STAR, IN ADDITION TO THE NUMBER OF LIGHTS IN STACK AND POSITION. CALL US FOR HELP IN ASSEMBLING YOUR STAK-ALERT STACK!

**R** RED  
**A** AMBER  
**C** CLEAR  
**B** BLUE  
**G** GREEN  
**W** WHITE

## ORDERING INFORMATION

DESCRIPTION	VOLTS AC	CAT. NO.
STEADY ON with wire leads	120	N*WN5
	240	N*WR5
STEADY ON prewired to terminal block	120	N*TN5
	240	N*TR5
FLASHING INCANDESCANT with wire leads	120	F*WN5
	240	F*WR5
FLASHING INCANDESCANT prewired to terminal block	120	F*TN5
	240	F*TR5
STROBE with wire leads	120	S*WN5
	240	S*WR5
STROBE prewired to terminal block	120	S*TN5
	240	S*TR5

## ACCESSORIES AND COMPONENTS

DESCRIPTION	VOLTS AC	CAT. NO.	UPC CODE
Audible Alarm (95 dB @ 1ft)	120	<b>AAN5</b>	95500
	240	<b>AAR5</b>	95501
Flasher Kit (flashes up to (3) incandescent beacons per kit)	120	<b>FKN5</b>	95502
	240	<b>FKR5</b>	95503
Terminal Board	-	<b>TB</b>	95504
Incandescent Replacement Lamp	120	<b>LN5</b>	95505
	240	<b>LR5</b>	95506
Xenon Strobe Replacement Lamp	120	<b>XN5</b>	95507
Retaining Cap (black is standard)	<b>R</b>	RCR	95508
	<b>A</b>	RCA	95509
	<b>C</b>	RCC	95510
	<b>B</b>	RCB	95511
	<b>G</b>	RCG	95512
	<b>W</b>	RCW	95513
	<b>CH</b>	RCCH	95514
Replacement Lens	<b>R</b>	LER	95515
	<b>A</b>	LEA	95516
	<b>C</b>	LEC	95517
	<b>B</b>	LEB	95518
	<b>G</b>	LEG	95519
	<b>W</b>	LEW	95520
Mounting Flange (cast aluminum) and gasket		<b>SAMF</b>	95521
4" extended tubing for SAMF		<b>ET4</b>	95522
8" extended tubing for SAMF		<b>ET8</b>	95523
16" extended tubing for SAMF		<b>ET16</b>	95524

# ILLUMINATED PUSH-BUTTONS UP TO 16VAC

CATALOG NO	UPC CODE	COLOR	SIZE
TA656B	96039	GOLD	1 <sup>5</sup> / <sub>16</sub> X 2 <sup>3</sup> / <sub>4</sub> "
TA656C	96040	SILVER	1 <sup>5</sup> / <sub>16</sub> X 2 <sup>3</sup> / <sub>4</sub> "



CATALOG NO	UPC CODE	COLOR	SIZE
TA631L	96089	WHITE	2 <sup>3</sup> / <sub>4</sub> X 1 <sup>7</sup> / <sub>8</sub> "

CATALOG NO	UPC CODE	COLOR	SIZE
TA602L	96037	GOLD	1 <sup>3</sup> / <sub>8</sub> X 5 <sup>1</sup> / <sub>4</sub> "



**STAINLESS STEEL PLATE TO  
FIT TA620 MODELS:  
ORDER TA147-1**

CATALOG NO	UPC CODE	COLOR	SIZE
TA620L	96037	CHROME	5/8" DIA
TA620LB	96038	BRASS	5/8" DIA



CATALOG NO	UPC CODE	COLOR	SIZE
TA603L	96035	GOLD	1 <sup>3</sup> / <sub>4</sub> DIA.



CATALOG NO	UPC CODE	COLOR	SIZE
TA262LB	96032	BRASS	1 <sup>3</sup> / <sub>16</sub> X 2 <sup>1</sup> / <sub>8</sub> "

CATALOG NO	UPC CODE	COLOR	SIZE
TA610LBK	96036	BLACK	1 <sup>1</sup> / <sub>4</sub> X 3 <sup>3</sup> / <sub>4</sub> "



CATALOG NO	UPC CODE	COLOR	SIZE
TA215LB	96031	BRASS	1 <sup>1</sup> / <sub>4</sub> X 2"



# NON-ILLUMINATED PUSH-BUTTONS UP TO 24VAC



**STAINLESS STEEL  
PLATE TO FIT  
TA620 MODELS:  
ORDER TA147-1**

CATALOG NO	UPC CODE	COLOR	SIZE
TA620	96045	CHROME	5/8" DIA
TA620B	96046	BRASS	5/8" DIA



CATALOG NO	UPC CODE	COLOR	SIZE
TA666BK	96048	BLACK/IVORY BAR	2 <sup>3</sup> / <sub>4</sub> X 3/4"
TA635	96047	IVORY/BLACK BAR	2 <sup>3</sup> / <sub>4</sub> X 3/4"
TA631	96088	WHITE	2 <sup>3</sup> / <sub>4</sub> X 1 <sup>7</sup> / <sub>8</sub> "

CATALOG NO	UPC CODE	COLOR	SIZE
TA600	96041	POLISHED BRASS	2 <sup>1</sup> / <sub>4</sub> " DIA
TA603	96044	POLISHED BRASS	1 <sup>3</sup> / <sub>4</sub> " DIA



CATALOG NO	UPC CODE	COLOR	SIZE
TA601	96042	SPRAYED BRASS	2 X 2 <sup>9</sup> / <sub>16</sub> "



CATALOG NO	UPC CODE	COLOR	SIZE
TA602	96043	POLISHED BRASS	2 X 4 <sup>3</sup> / <sub>8</sub> "



# WEATHERPROOF PUSH BUTTONS

## HIGH QUALITY SOLID CAST BRASS



**TA1786B**  
WITHOUT BACKPLATE

### APPLICATIONS

For outdoor use to activate low voltage bells, buzzers, horns or any other audible signal. Ideal for factory doors, receiving departments, small office buildings, limited access retail stores and private homes.

### FEATURES

- Solid cast brass construction including brass mounting screws
- Weatherproof design
- Internal diaphragm protects the contact springs
- Standard mounting holes for universal replacement
- TA1786CB includes threaded backplate for 1/2" conduit

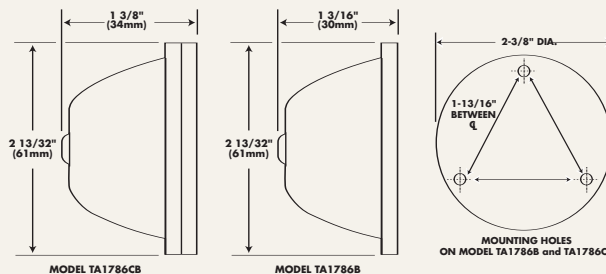
CATALOG NO	UPC CODE	MODEL
TA1786B	96090	WITHOUT CONDUIT BACKPLATE
TA1786CB	96091	WITH CONDUIT BACKPLATE

### SPECIFICATIONS

#### CONTACT RATINGS:

- 4 amps AC/DC @ 12V
  - 4 amps AC, 2 amps DC @ 24V
  - 2 amps AC, 1 amp DC @ 48V
- MOMENTARY CONTACTS, N.O.

### DIMENSIONS



# REMOTE CONTROL ELECTRIC DOOR OPENERS

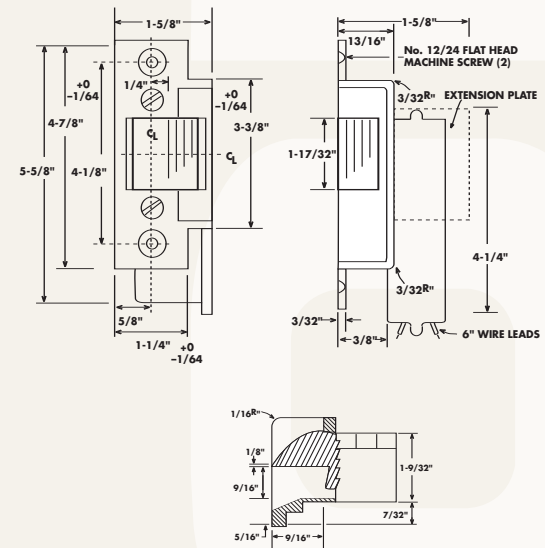


### MORTISE TYPE – ANSI STANDARDS FOR OUTSIDE DOORS

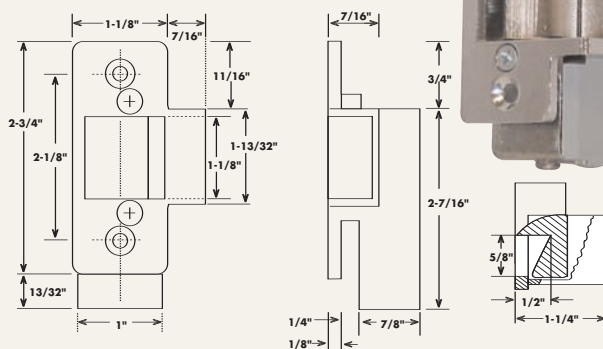
Heavy duty type for locks with dead locking latch bolt up to 1/16" throw. NORMALLY LOCKED. Reversible for right or left hand metal door. 6" wire leads. For AC, use TA592 or TA599 transformer.

CATALOG NO	UPC CODE	FINISH	VOLTS	AMPS
TA150	96990	BRASS MORTISE	24VAC/VDC	.21
TA151	96991	CHROME MORTISE	24VAC/VDC	.21

### DIMENSIONS



### DIMENSIONS



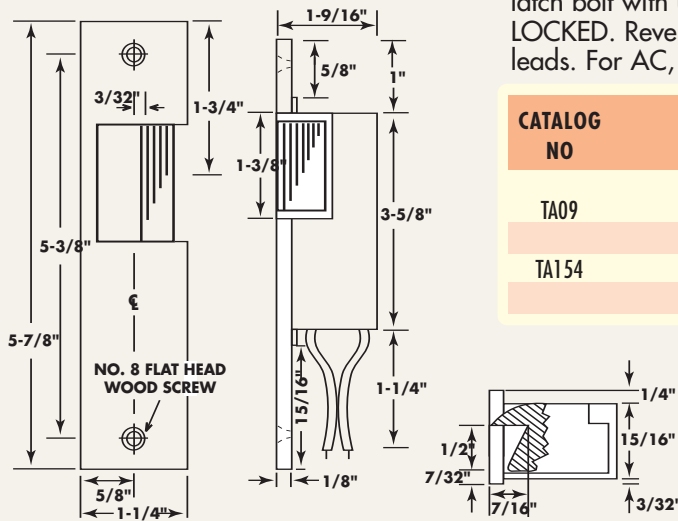
**ANSI CUTOUT SPECIFICATIONS A 115.3 FOR KEY & KNOB LATCHSETS OF OUTSIDE DOORS**  
Tucks in metal door jambs 1 1/2" and over. Only side jamb modification is required. High intensity conical spring/mini coil. NORMALLY LOCKED. For AC, use TA591 or TA592 transformer.

CATALOG NO	UPC CODE	FINISH	RATING
TA180	96992	SATIN BRASS	10-16VAC
TA181	96994	SATIN CHROME	10-16VAC

# REMOTE CONTROL ELECTRIC DOOR OPENERS



**DIMENSIONS TA09**



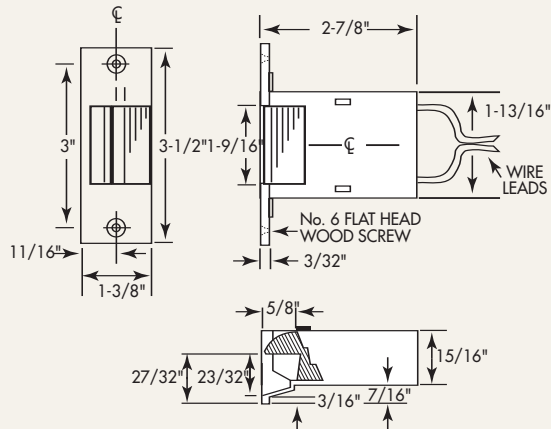
## MORTISE TYPE

For unlocking or locking metal or wood doors using low voltage wiring. Use with mortise entrance locks having a latch bolt with up to 1/2" width and throw. **NORMALLY LOCKED.** Reversible for right or left hand door. 6" wire leads. For AC, use TA591 or TA592 transformer.

CATALOG NO	UPC CODE	VOLTS	AMPS
TA09	96960	8-16VAC	.95-1.75
		3-6VDC	1.25-1.80
TA154	96262	16VAC	.95-1.75
		3-6VDC	1.25-1.80



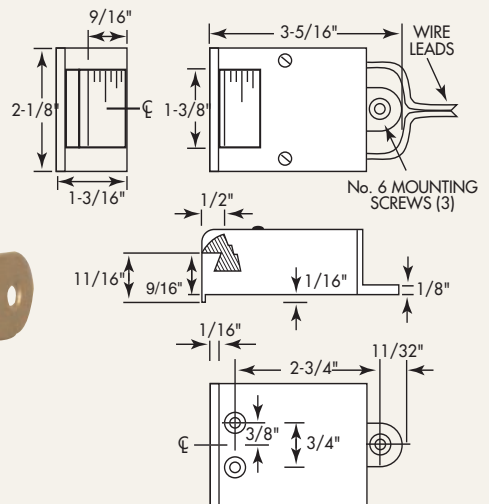
**DIMENSIONS TA154**



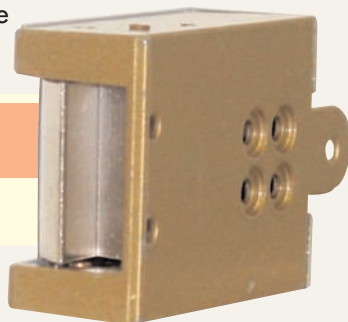
## RIM TYPE

For unlocking or locking metal or wood doors using low voltage wiring. Standard surface type used with lock latches with up to 5/8" width and throw. **NORMALLY LOCKED.** Reversible for right or left hand door. 6" wire leads. For AC, use TA591 or TA592 transformer.

**DIMENSIONS TA152**



CATALOG NO	UPC CODE	VOLTS
TA152	96961	8-16VAC, 3-6VDC





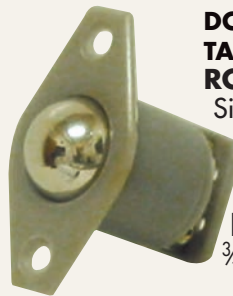
# CONTACT DEVICES



**MAGNETIC SWITCH CONTACTS  
TA60, TA61, TA62**

For activating a variety of signals. Ideal for limited space applications. Self-insulating and can be mounted in any direction. All units include companion magnet.

DIMENSIONS: 2 3/16" L x 1/2" W x 1/2" D



**DOOR & WINDOW CONTACTOR  
TA44, TA45, TA46  
ROLLING BALL TYPE**

Signals automatically with the opening/closing of doors, windows and transoms. Operates from pressure in any direction. Non-tilt, non-jamming design. Fully insulated, positive wiping action contacts. Fits 3/4" hole; no need to mortise.

CATALOG NO	UPC CODE	DESCRIPTION	VOLTS	AMPS MAX.
TA60	96975	CIRCUIT CLOSED WITH MAGNET ENGAGED	24VAC, 12VDC	.5
TA61	96976	MAKE & BREAK – N.O. AND N.C.	24VAC, 12VDC	.5
TA62	96977	CIRCUIT OPEN WITH MAGNET ENGAGED	24VAC, 12VDC	.5
TA66W	96978	INSULATING SPACER FOR TA60, TA61, TA62		
TA67W	96979	TERMINAL COVER – PROTECTS AGAINST TAMPERING		
TA44	96965	NORMALLY CLOSED – PUSH TO OPEN	12-24V AC/DC	2
TA45	96966	NORMALLY OPEN – PUSH TO CLOSE	12-24V AC/DC	2
TA46	96967	MOMENTARY CONTACT – PUSH TO MAKE & BREAK	12-24V AC/DC	2



**DOOR TRIP SWITCH**

Signals automatically as door is opened. Commonly used on store doors to announce entrance of customers. Mounts on top of door frame. Solid cast brass.

CATALOG NO	UPC CODE	SIZE	VOLTS	AMPS MAX.
TA236	96963	3 X 1 1/8"	12-24VAC	2



**PENDANT TYPE PUSHBUTTON**

Use where locking feature is not required. Beige plastic case. Uses flat wire (not included).



**ELECTRIC DOOR SWITCHES  
TA502, TA503**

For turning lights/signals on or off when doors are opened or closed. Ideal for closets, dark rooms, storage areas or walk-in refrigerator lights. Rust resistant steel case with 4 knockouts. White switch, antique brass plate. Replacement switch only (no housing) for TA502: TA502SW; for TA503: TA503SW (1 1/4 x 3 7/8").

CATALOG NO	UPC CODE	BOX SIZE	PLATE	VOLTS 50/60HZ	AMPS
TA502 (light ON when door is open)	96964	1 1/4" W X 3 7/8" H X 2" D	1 1/4" W	125VAC 250VAC	6 3
TA503 (light OFF when door is open)	96965	1 1/4" W X 3 7/8" H X 2" D	1 1/4" W	125VAC 250VAC	6 3

CATALOG NO	UPC CODE	VOLTS	AMPS MAX.
TA71	96998	8-16VAC	2

# TRANSFORMERS

## APPLICATIONS

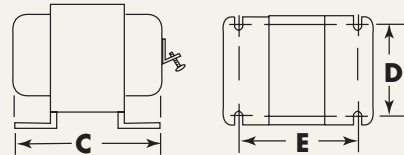
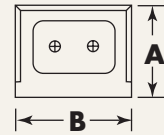
All transformers are of sturdy construction and are engineered to ensure long use on bells, buzzers and chimes. Most offer single-screw bracket for quick mounting on outlet boxes, wiring compartments, fuse boxes etc. Ground wire provided. Conventional mounting is also simple using screws through the mounting feet. Transformers can be mounted in either metal or non-metallic boxes.

## DIMENSIONS

CAT. NO.	IN INCHES				
	A	B	C	D	E
TA590	2 $\frac{3}{16}$	2 $\frac{5}{16}$	1 $\frac{11}{16}$	1 $\frac{7}{8}$	1 $\frac{13}{64}$
TA591	2 $\frac{9}{16}$	1 $\frac{15}{16}$	1 $\frac{13}{16}$	1 $\frac{1}{2}$	1 $\frac{39}{64}$
TA592	2 $\frac{3}{16}$	2 $\frac{5}{16}$	1 $\frac{11}{16}$	1 $\frac{7}{8}$	1 $\frac{13}{64}$
TA598	2 $\frac{3}{16}$	2 $\frac{5}{16}$	2 $\frac{1}{2}$	1 $\frac{7}{8}$	1 $\frac{13}{16}$
TA599	2 $\frac{3}{16}$	2 $\frac{5}{16}$	2 $\frac{1}{2}$	1 $\frac{7}{8}$	1 $\frac{13}{16}$
TA1245-Y50	3 $\frac{1}{4}$	2 $\frac{3}{16}$	2 $\frac{1}{2}$	1 $\frac{3}{4}$	1 $\frac{3}{4}$
TA1245-Y75	3 $\frac{1}{4}$	2 $\frac{3}{16}$	3	1 $\frac{3}{4}$	2 $\frac{3}{16}$



TA599



## MOUNTING OPTIONS



OUTLET BOX





WIRING CPTMT



SWITCH BOX



FUSE BOX

CATALOG NO	UPC CODE	TYPE	VOLTS-AMPS (VA)	PRIMARY VOLTAGE	SECONDARY VOLTAGE	Hz
TA590	96104	BELL	5	120	10	60
TA591	96105	CHIME	10	120	16	60
TA592	96106	TRI-VOLT	10-10-20	120	8-16-24	50/60
TA598	96102	TRI-VOLT	20-30-30	120	8-16-24	60
TA599	96108	HEAVY DUTY	40	120	24	60
 TA1245Y-50	96166	HEAVY DUTY	50VA	120/208/240	24	60
 TA1245Y-75	96167	HEAVY DUTY	75VA	120/208/240	24	60

# LIGHT DUTY AND GENERAL PURPOSE BELLS AND BUZZERS

Mechanisms are fully enclosed with sturdy steel bases and covers. Base and cover snap together with light pressure – no screws are required. Designed to operate on either bell ringing transformers or batteries. Non-adjustable sound. Surface or concealed wiring. All terminals are concealed.

MECHANISM DIMENSIONS: 3" H x 2 1/2" W x 1" D



TA 740/744

TA 725

CATALOG NO	UPC CODE	DESCRIPTION	VAC	VDC	AMPS	dB
TA740	96227	2 1/2" GONG	8-16	3-6	1	76 @ 10'
TA744	96230	4" GONG	8-16	3-6	1	78 @ 10'
TA725	96226	BUZZER	8-16	3-6	1	88 @ 3'

## CHIMES AND CHIME KITS

### COMMON FEATURES

- Powerful 16 volt, 10VA transformer, 120VAC input.
- Entrance chimes produce loud but pleasant sound.
- Chime housings are neutral white.

### TAC212WS

#### DESIGNED SPECIFICALLY FOR STUCCO APPLICATIONS!

- Pushbutton contains stucco clip made of high quality spring steel.
- Brass colored pushbutton plate, 2 1/2" diameter.
- Single entrance chime.
- 16 volt, 10VA transformer, 120VAC input.



TAC212WS



TAC212WL

### TAC212WL (CHIME KIT) TAC210W (CHIME ONLY)

- Sounds two notes for the front door, one for the rear door.
- Appropriate replacement for two bells or combination bell and buzzer. Two push-buttons: one illuminated and one non-illuminated.
- Ideal for use in homes, apartments, offices.
- 16 volt, 10VA transformer, 120VAC input.
- KIT or CHIME ONLY

### TAC130

- **MANUALLY OPERATED** non-electric two note chime with pleasing resonant tones.
- Ideal for small homes, apartments, mobile homes.
- No electricity, batteries, or wires needed; simple and inexpensive to install.
- Fits doors and walls 3/4" to 4 3/4" thick.
- Ivory faceplate mounts on outside, chime base and cover mount on inside.
- Templates, screws and instructions provided.
- Includes name card.



TAC130

CATALOG NO	UPC CODE	DIMENSIONS	CONTAINS
TAC212WS	96064	7 3/16" L X 4" W X 2" D	16VAC CHIME PUSHBUTTON CLIP FOR STUCCO 10VA TRANSFORMER
TAC212WL	96054	7 1/4" L X 4 3/4" W X 2 1/2" D	16VAC CHIME 2 PUSHBUTTONS 10VA TRANSFORMER
TAC210W	96052	7 1/4" L X 4 3/4" W X 2 1/2" D	16VAC CHIME ONLY
TAC130	96050	7" L X 3 1/2" W X 1 3/4" D	2 NOTE CHIME TEMPLATES, SCREWS

# DIGITAL SIGNAL TIMERS

## SINGLE CHANNEL - 7 DAY PROGRAMMABLE APPLICATIONS FOR SCHOOLS & FACTORIES

### APPLICATIONS

- Ideal for use in conjunction with TorkAlert™ bells, buzzers, horns and warning lights.
- 32 signals with 1 minute resolution. Every signal can have either of two duration settings of 1-99 seconds each.

### FEATURES

- Easy to read LCD Display.
- AM/PM or 24 hour format, user selectable.
- Special Day Scheduling
- Manual override to the next scheduled event (load status indicator flashes).
- Daylight Saving, user selectable.
- Automatic Leap Year compensation
- Battery Back-up (battery not supplied)
- Indoor/Outdoor Noryl enclosure is standard.

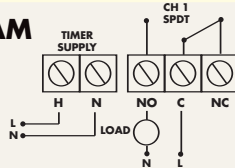


### SPECIFICATIONS

- CONTACTS: SPDT Dry Contacts (unpowered)
- CONTACT RATINGS: 20 AMP resistive N.O. 470VA @ 120/250VAC  
10 AMP resistive N.C. 690VA @ 277VAC

CATALOG NO	UPC CODE	INPUT VOLTAGE
DGS100	82102	120VAC
DGS180	82105	120VAC

### WIRING DIAGRAM



### SPECIFICATION WRITER'S GUIDE

1. Furnish and install TORK Model DGS100 digital signal/pulse timer with a choice of 2 different durations of 1-99 seconds.
2. Controller shall be capable of 32 set points.
3. Controller shall program in 1 minute resolution.
4. Controller shall be capable of a different schedule each day of the week.
5. Controller shall program in AM/PM or 24 Hour format.
6. Display shall be LCD.
7. Controller shall have daylight saving or standard time.
8. Controller shall have automatic leap year compensation.
9. Controller shall have battery backup capability of 450 hours with Lithium or 175 hours with Alkaline battery.
10. Controller shall be capable of manual override to activate pulse #1 duration.
11. Unit shall have an indoor/outdoor Noryl enclosure as standard.

## ONE AND TWO CHANNEL - 365 DAY

### APPLICATIONS

- Ideal for use to control TorkAlert™ bells, buzzers, horns and warning lights.
- 2 Channel units are ideal for automatic clock correction where one pulse provides hourly and another provides 12 hour corrections.
- 99 signals per week with two different duration settings per channel of 1-99 seconds each.

### PERMANENT SCHEDULE RETENTION

CATALOG NO	UPC CODE	TYPE	CLOCK INPUT VAC 50/60Hz	DRY CONTACTS (UNPOWERED)
DTS100B	82170	1 CHANNEL	120/ (208-240) / 277	DPDT
DTS200B	82171	2 CHANNEL	120/ (208-240) / 277	SPDT

**SEE OUR DIGITAL CONTROLS CATALOG FOR COMPLETE DETAILS, DIMENSIONS AND SPECIFICATIONS!**

### FEATURES

- Easy to read LCD Display.
- Holiday capability: 24 dates and 4 seasons.
- Manual override to the next scheduled event.
- Automatic Daylight Saving.
- Automatic Leap Year compensation
- Permanent (up to 40 years) retention of schedules without power.

TYPE	VOLTAGE	RATING	
		NO	NC
BALLAST	120VAC	20A	10A
	208-277VAC	10A	3A
TUNGSTEN	120-277VAC	5A	3A
	GENERAL PURPOSE	24-240VAC	20A
PILOT DUTY	277VAC	12A	6A
	277VAC	470VA	275VA
MOTOR LOAD	120VAC	690VA	
	208-240VAC	1HP	½HP
	277VAC	2HP	½HP
RESISTIVE	28VDC	1HP	
		20A	10A

### SPECIFICATION WRITER'S GUIDE

1. Furnish and install where noted a 2 (1) channel digital time switch.
2. Controller shall program in AM/PM (12 hour) or Military (24 hour) formats.
3. Controller shall program in one minute resolution.
4. Display shall be of LCD type.
5. Controller shall be capable of 99 set points; separate scheduling for each day of the week.
6. Controller shall have 365 day holiday capabilities with 24 single dates and 4 seasons of unlimited duration.
7. Different daily schedules shall be programmable within each season.
8. Controller shall have Daylight Saving or Standard time.
9. Controller shall have automatic Leap Year correction.
10. Controller shall have Permanent Schedule Retention.
11. Controller shall have 4 day backup for real time with built in supercapacitor.
12. Controller shall be capable of manual override ON to activate pulse #1 duration.
13. Unit shall have NEMA Type 3 indoor/outdoor enclosure as standard.
14. Controller shall be capable of having 2 different pulse durations 1-99 seconds, user settable and assignable to each channel.
15. To order specify TORK Model DTS100B (200B).

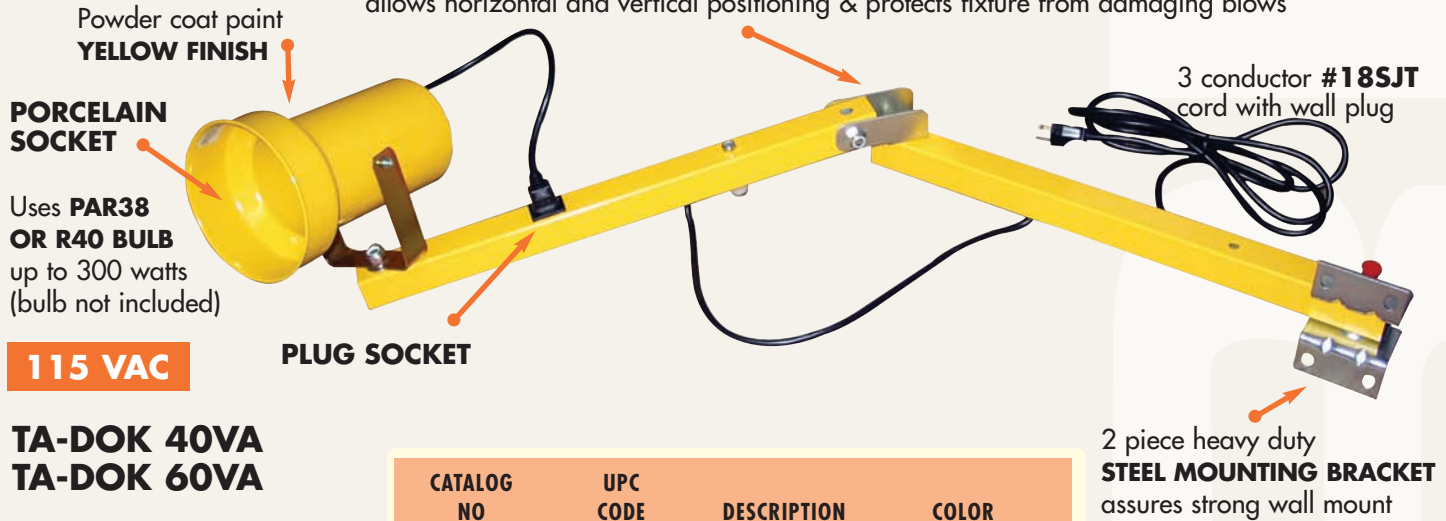
# INCANDESCENT LOADING DOCK LIGHTS

## COMMON FEATURES FOR ALL DOCK LIGHTS

- Adjustable pivot friction maintains intended position.
- 1½" square, 14 gauge steel arm resists damage from impact.
- Double strut design has inherent strength and maintains horizontal position (for 90" & 114" models only).
- 36", 3 conductor #18SJ cord with wall plug

### KNUCKLE-JOINT CONSTRUCTION

allows horizontal and vertical positioning & protects fixture from damaging blows

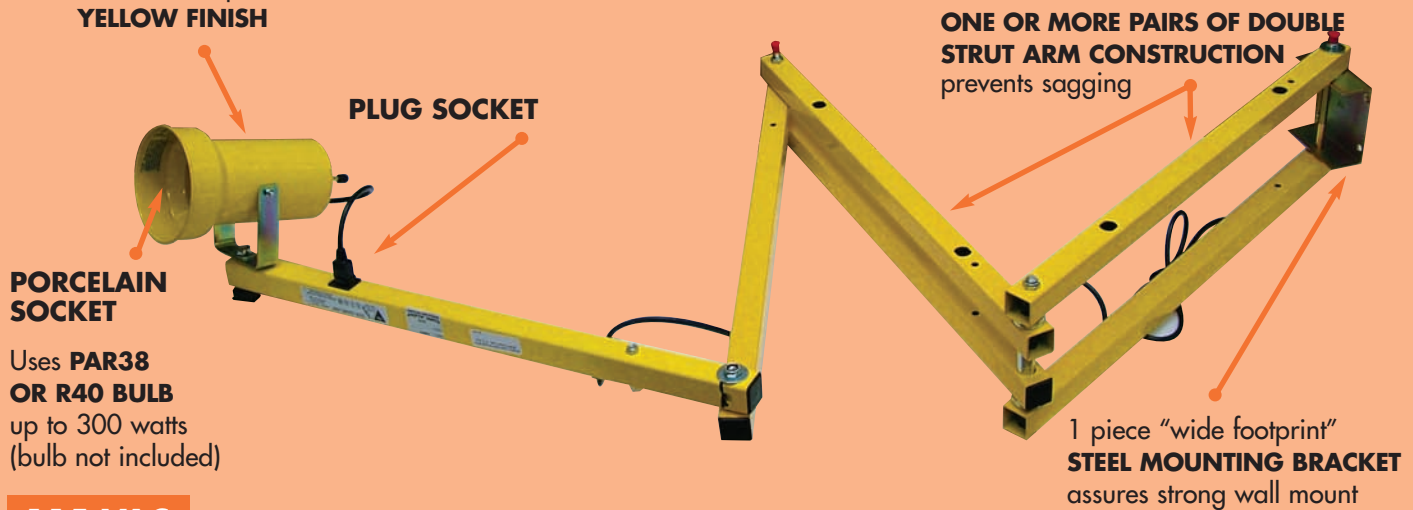


**115 VAC**

**TA-DOK 40VA**  
**TA-DOK 60VA**

CATALOG NO	UPC CODE	DESCRIPTION	COLOR
TA-DOK 40VA	96056	EXTENDS 40 INCHES	YELLOW
TA-DOK 60VA	96057	EXTENDS 60 INCHES	YELLOW
<b>COMMON ACCESSORIES</b>			
TA-WG	96060	WIRE LAMP GUARD	
TA-LDS	96550	UNIVERSAL SOCKET	
TA-DOKRL	96551	REPLACEMENT HEAD	
TA-DOK 90	96058	EXTENDS 90 INCHES	YELLOW
TA-DOK 114	96059	EXTENDS 114 INCHES	YELLOW

Powder coat paint  
**YELLOW FINISH**



**115 VAC**

**TA-DOK 90**  
**TA-DOK 114**

# ACCESSORIES AND REPLACEMENT PARTS

DESCRIPTION	CAT. NO.	UPC CODE
BACKBOX 4" painted down mist	TA-BBSF	97604
WEATHERPROOF BACKBOX 1/2" KOs for TA874 Series, 4" painted down mist	TA-WBBF	97692
WEATHERPROOF BACKBOX 3/4" KOs for TA874 Series, 4" painted down mist	TA-WBBF3	97705
SEMI-FLUSH PLATE painted down mist	TA-SFPF	97707
SEMI-FLUSH PLATE painted red	TA-SFPFR	97697
ACRYLIC DOME for TA47, TA94	TA-AD*	
<b>R</b>	TA-ADR	96111
<b>A</b>	TA-ADA	96311
<b>C</b>	TA-ADC*	96611
<b>B</b>	TA-ADB	96411
<b>G</b>	TA-ADG	96511
ACRYLIC DOME for TA52, TA53	TA-D5*	
<b>R</b>	TA-DSR	96119
<b>A</b>	TA-D5A	96319
<b>C</b>	TA-D5C	96619
<b>B</b>	TA-D5B	96419
<b>G</b>	TA-D5G	96519
DOMES for TA54	TA-D6*	
<b>R</b>	TA-D6R	96120
<b>A</b>	TA-D6A	96320
<b>B</b>	TA-D6C	96420
FRESNEL DOME for TA93, TA94	TA-D7*	
<b>R</b>	TA-D7R	96121
<b>A</b>	TA-D7A	96321
<b>C</b>	TA-D7C	96621
<b>B</b>	TA-D7B	96421
ACRYLIC DOME for TA131D	TA-D8*	
<b>R</b>	TA-D8R	96970
<b>A</b>	TA-D8A	96971
<b>C</b>	TA-D8C	96673
<b>B</b>	TA-D8B	96472
REPLACEMENT LENS for TA96B	LE*	
<b>R</b>	TA-LER	96113
<b>A</b>	TA-LEA	96313
<b>C</b>	TA-LEC	96613
<b>B</b>	TA-LEB	96413
<b>G</b>	TA-LEG	96513
<b>W</b>	TA-LEW	96213
12VDC MOTOR for TA53	TA-M1	96138
24VDC MOTOR for TA53	TA-M2	96139
117VAC MOTOR for TA52	TA-M5	96142
117VAC MOTOR for TA47	TA-M6	96143
117VAC MOTOR for TA371L	TA-M7	96145
SMALL DRIVE BELTS for TA53, TA54	TA-B1	96114
LARGE DRIVE BELTS for TA53, TA54	TA-B2	96115
DRIVE BELTS for TA371L	TA-B3	96116
12VDC BULB for TA53, TA54	TA-L3	96129
24VDC BULB for TA53	TA-L4	96130
110VAC XENON FLASH TUBE for TA93-2	TA-L6-2	96982
110VAC BULB for TA52	TA-L8	96134
110VAC BULB for TA47	TA-L9	96135
110VAC XENON FLASH TUBE for TA94	TA-L10	96136
110VAC BULB for TA371L	TA-L12	97625
120VAC XENON FLASH TUBE for TA96BN5	XN5	95507

## COLOR CHART

**R** RED  
**A** AMBER  
**C** CLEAR  
**B** BLUE  
**G** GREEN  
**W** WHITE

TO DESIGNATE  
 COLOR, PLACE  
 APPROPRIATE  
 LETTER IN  
 PLACE OF \*,  
 AS SHOWN.

## ALPHANUMERIC INDEX

CATALOG NUMBER	PAGE		PAGE
AA	11	TA60, 61, 62	13
DGS100	18	TA620	12
DTS100B, 200B	18	TA631	12
ET	11	TA635	12
FK	11	TA640	6
L	11	TA66W, 67W	13
LE	20	TA666	12
RC	11	TA71	13
TA09	14	TA725	17
TA1245Y	16	TA740	17
TA131D	8	TA744	17
TA131DU1	9	TA870-877	1
TA140N5	4	TA875-1G1	3
TA150, 151	13	TA879	9
TA152	14	TA88	16
TA154	14	TA880-N5	3
TA1786C, CB	13	TA93-2	8
TA180, 181	13	TA94	8
TA1880	7	TA96B	8
TA1882	7	TA-AD	20
TA1886, 1887	7	TA-B	20
TA215	12	TAB-8332	6
TA236	13	TA-BBSF	1,20
TA262	12	TA-B-KHD, -KHS	5
TA270	7	TA-D	20
TA310	12	TAC130	17
TA315-1N5	4	TAC210	17
TA340	1	TAC212	17
TA371L	8	TA-CWB	15
TA434	1	TA-DOK	19
TA44, 45, 46	13	TA-L	20
TA47	8	TA-MTS	4
TA502, 503	13	TA-WBBF	1,20
TA52	8	TA-WG	18
TA53, 54	9	TB	11
TA5521D-UAD	3	TA-M	20
TA590, 591, 592	16	SAMF	11
TA598, 599	16	Stak-Alert™ Beacons	8,9
TA600-603	12	XN5	20
TA606	6		

## TERMS OF SALE

**TORK VENDOR NUMBER: 786261**

- Prices are F.O.B. our plant.
- Prices do not include any sales tax.
- Freight charges will be prepaid on all orders \$250.00 and over shipping within continental USA using standard shipping methods and service.
- Minimum order – \$100.00.
- Claims for shortage, erroneous charges or price corrections shall be deemed waived unless made in writing, delivered to NSi within 30 days of invoice.
- Terms of payment – 2% 10<sup>th</sup> prox. net 25<sup>th</sup> following.
- Warranties – NSi guarantees all products to be free of defects in material and workmanship for a period of 1 year from date of sale. Any claims for defective material must be agreed to in writing by NSi. Defective material will be replaced on an F.O.B. – our factory basis. NSi disclaims the implied warranty of fitness for a particular application.

## OTHER PRODUCTS AVAILABLE

NSi can provide many other products for special applications which are not listed in this catalog. If you require an item which you do not find listed, please contact us. We would be pleased to provide a quotation upon receipt of a drawing or a sample.

## GUARANTEE

It is our goal to provide extraordinary products and service on a daily basis. If our products or service do not meet with your satisfaction, please let us know immediately and we promise to make every reasonable effort to remedy the situation.

---

**TORK TECHNICAL INFORMATION: 888.500.4598**  
**REQUEST YOUR COMPLETE SET OF TORK CATALOGS TODAY!**



NSI INDUSTRIES, LLC • USA • 800-321-5847 • FAX 800-841-5566 • [www.nsiindustries.com](http://www.nsiindustries.com)

**TORK<sup>®</sup>**