

Carlton®

**PRODUCT
SELECTION
GUIDE**

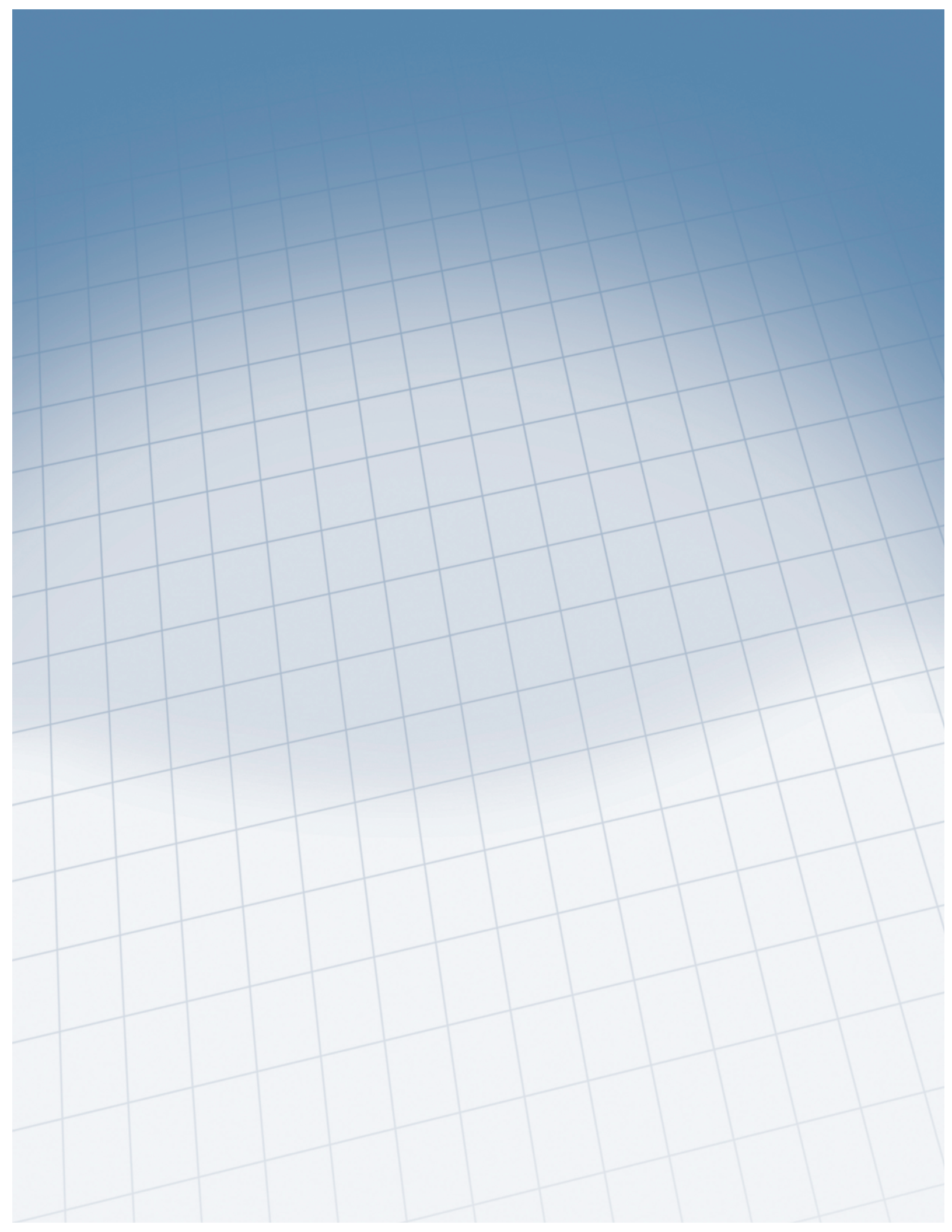


PRODUCT CATEGORIES

- Utility Elbows & Fittings
- Schedule 40 & 80 Elbows & Fittings
- Flexible Conduit & Fittings
- Accessories & Spacers

Thomas & Betts

utility.tnb.com



Carlton®

Utility Elbows & Fittings

product	page(s)
Overview	3
Rigid Nonmetallic Elbows & Sweeps	4-5
P&C® Duct Rigid Elbows & Sweeps	6-7
P&C® Duct Elbows & Sweeps	8-10
P&C® Duct Fittings	11-12
Canadian DB/2 Sweeps	13
Canadian DB/2 Duct Fittings	14

Schedule 40 & 80 Elbows & Fittings

product	page(s)
Overview	15
Elbows	16-20
Fittings	21-25
Conduit Bodies	26-27
Junction Boxes	28-29
Support Straps	30
Clamps	31
Slip Meter Risers	32-33

Flexible Conduit & Fittings

product	page(s)
Overview	35
P&C Flex® Conduit & Fittings	36-41
Carflex® Nonmetallic Conduit & Fittings	42-46
Technical Data	47
Carlton® Corrugated HDPE	48-50



Accessories & Spacers

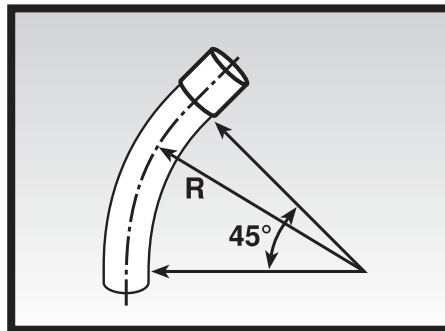
product	page(s)
Overview	51
Cements & Sealers	52-55
Technical Data	56-57
Rope & Tape	58
Spacers	59-64

Index

product	page(s)
Catalog Number Index	65-72

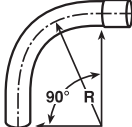
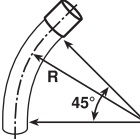
Utility Elbows & Fittings

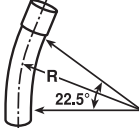
Elbows & Sweeps
Duct Fittings



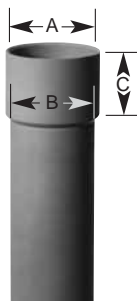
Deep Socket Schedule 40 Utility Elbows with Integral Belled Ends

Utility Elbows & Fittings

Segment	Part No.	Nom. Diameter	Radius (in.)	Std. Ctn. Qty.	Std. Ctn. Wt. (lbs.)	
90° Elbow 	UC9BHB	1 1/2"	12"	20	25.00	
	UC9DHB	1 1/2"	24"	1	2.13	
	UC9FHB	1 1/2"	36"	1	3.05	
	UC9BJB	2"	12"	1	1.44	
	UC9DJB	2"	24"	1	2.82	
	UC9FJB	2"	36"	1	4.14	
	UC9HJB	2"	48"	1	5.15	
	UC9DKB	2 1/2"	24"	1	5.00	
	UC9FKB	2 1/2"	36"	1	7.15	
	UC9DLB	3"	24"	1	6.57	
	UC9FLB	3"	36"	1	9.15	
	UC9DNB	4"	24"	1	10.59	
	UC9FNB	4"	36"	1	13.64	
	UC9HNB	4"	48"	1	17.72	
	UC9FRB	6"	36"	1	25.80	
	UC9HRB	6"	48"	1	32.24	
	45° Elbow 	UC7FHB	1 1/2"	36"	1	1.74
		UC7FJB	2"	36"	1	2.07
		UC7CKB	2 1/2"	18"	1	2.27
		UC7FKB	2 1/2"	36"	1	4.12
UC7FLB		3"	36"	1	5.00	
UC7FNB		4"	36"	1	8.15	
UC7HNB		4"	48"	1	9.36	
UC7HRB	6"	48"	1	17.19		
UC7ITB	8"	60"	1	33.00		

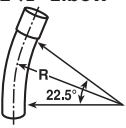
Segment	Part No.	Nom. Diameter	Radius (in.)	Std. Ctn. Qty.	Std. Ctn. Wt. (lbs.)
22 1/2° Elbow 	UC5CKB	2 1/2"	18"	1	1.45
	UC5FKB	2 1/2"	36"	1	2.49
	UC5FNB	4"	36"	1	5.18
	UC5FRB	6"	36"	1	11.82
	UC5HNB	4"	48"	1	5.57

Dimensions in Inches of Utility Elbows Bells



Trade Size	A At Entrance	B At Bottom	C Nominal Bell
1 1/2	1.921 ± .005	1.894 ± .006	2 5/8" ± 1/8"
2	2.400 ± .005	2.369 ± .012	2 3/4" ± 1/8"
2 1/2	2.906 ± .005	2.868 ± .007	3" ± 1/8"
3	3.538 ± .005	3.492 ± .008	3" ± 1/8"
4	4.544 ± .005	4.491 ± .009	3 5/8" ± 1/8"
5	5.614 ± .005	5.553 ± .010	4 1/8" ± 1/8"
6	6.687 ± .005	6.614 ± .011	5 1/8" ± 1/8"
8	8.687 ± .005	8.636 ± .005	6 1/8" ± 1/8"

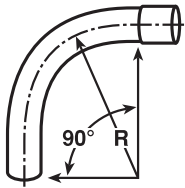
Specifications

22 1/2° Elbow	Part Number	Nom. Diameter	Radius (In.)	Std. Ctn. Qty.	Std. Ctn. Wt. (lbs.)
	UC5FRBLB	6"	36	1	9.6
45° Elbow	UC7CJBLB	2"	18	1	1.3
	UC7DJBLB	2"	24	1	1.4
	UC7DLBLB	3"	24	1	5.0
	UC7DNBLB	4"	24	1	5.8
	UC7DPBLB	5"	24	1	8.5
	UC7FJBLB	2"	36	1	2.2
	UC7FLBLB	3"	36	1	5.2
	UC7FNBLB	4"	36	1	7.8
	UC7FPBLB	5"	36	1	11.1
	UC7FRBLB	6"	36	1	9.6
	UC7HJBLB	2"	48	1	2.8
	UC7HLBLB	3"	48	1	6.6
	UC7HNBLB	4"	48	1	9.7
	UC7HPBLB	5"	48	1	13.7
	UC7HRBLB	6"	48	1	18.1
90° Elbow	UC9CJBLB	2"	18	1	1.3
	UC9DJBLB	2"	24	1	1.4
	UC9DLBLB	3"	24	1	5.0
	UC9DNBLB	4"	24	1	5.8
	UC9DPBLB	5"	24	1	8.5
	UC9FJBLB	2"	36	1	2.2
	UC9FLBLB	3"	36	1	5.2
	UC9FNBLB	4"	36	1	7.8
	UC9FPBLB	5"	36	1	11.1
	UC9FRBLB	6"	36	1	9.6
	UC9HJBLB	2"	48	1	2.8
	UC9HLBLB	3"	48	1	12.0
	UC9HNBLB	4"	48	1	9.7
	UC9HPBLB	5"	48	1	13.7
	UC9HRBLB	6"	48	1	18.1

DB-100 Sweeps – Belled

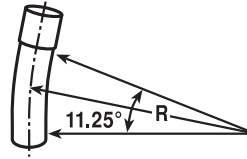
*Consult factory for additional sizes

90° Sweep – 48" Radius



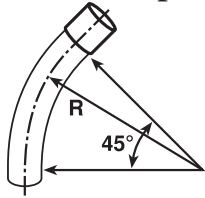
Part No.	Size	Std. Ctn. Qty.
PE9HN	4"	1
PE9HP	5"	1

11 1/4° Sweep – 150" Radius



Part No.	Size	Std. Ctn. Qty.
PE3SP	5"	1

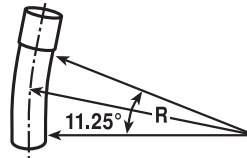
45° Sweep – 150" Radius



Part No.	Size	Std. Ctn. Qty.
PE7SP	5"	1

11 1/4° Sweep – 150" Radius

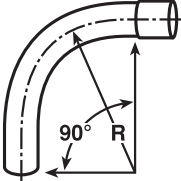
(Segmented sweeps)

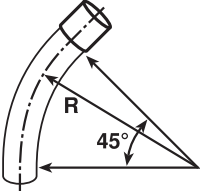


Part No.	Size	Std. Ctn. Qty.
PE3SNS	4"	1
PE3SPS	5"	1
PE3SRS	6"	1

DB-60 Sweeps

*Consult factory for additional sizes/configurations

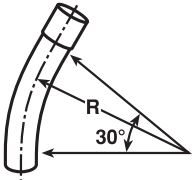
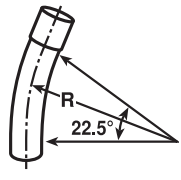
Segment	Part No.	Size	Radius (in.)	Std. Ctn. Qty.
 <p>90° Sweep</p>	PF9CH	1 1/2"	18"	1
	PF9CJ	2"	18"	1
	PF9CL	3"	18"	1
	PF9CN	4"	18"	1
	PF9DF	1"	24"	1
	PF9DH	1 1/2"	24"	1
	PF9DJ	2"	24"	1
	PF9DL	3"	24"	1
	PF9DN	4"	24"	1
	PF9DP	5"	24"	1
	PF9FF	1"	36"	1
	PF9FJ	2"	36"	1
	PF9FL	3"	36"	1
	PF9FN	4"	36"	1
	PF9FP	5"	36"	1
	PF9FR	6"	36"	1
	PF9HL	3"	48"	1
	PF9HN	4"	48"	1
	PF9HP	5"	48"	1
	PF9HR	6"	48"	1
	PF9IL	3"	60"	1
	PF9IN	4"	60"	1
	PF9IP	5"	60"	1
	PF9IR	6"	60"	1
	PF9SH	1 1/2"	150"	1
	PF9SJ	2"	150"	1
	PF9SL	3"	150"	1
	PF9SR	6"	150"	1
	PF9VL	3"	300"	1
	PF9VN	4"	300"	1
PF9VP	5"	300"	1	

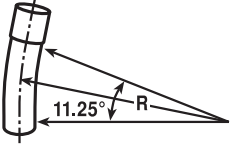
Segment	Part No.	Size	Radius (in.)	Std. Ctn. Qty.
 <p>45° Sweep</p>	PF7CF	1"	18"	1
	PF7CH	1 1/2"	18"	1
	PF7CJ	2"	18"	1
	PF7CL	3"	18"	1
	PF7DF	1"	24"	1
	PF7DH	1 1/2"	24"	1
	PF7DJ	2"	24"	1
	PF7DL	3"	24"	1
	PF7DN	4"	24"	1
	PF7FF	1"	36"	1
	PF7FH	1 1/2"	36"	1
	PF7FJ	2"	36"	1
	PF7FL	3"	36"	1
	PF7FN	4"	36"	1
	PF7FP	5"	36"	1
	PF7FR	6"	36"	1
	PF7HJ	2"	48"	1
	PF7HL	3"	48"	1
	PF7HN	4"	48"	1
	PF7HP	5"	48"	1
	PF7HR	6"	48"	1
	PF7IL	3"	60"	1
	PF7IP	5"	60"	1
	PF7NN	4"	120"	1
	PF7SH	1 1/2"	150"	1
	PF7SJ	2"	150"	1
	PF7SL	3"	150"	1
	PF7SN	4"	150"	1
	PF7SP	5"	150"	1
	PF7SR	6"	150"	1
PF7VN	4"	300"	1	
PF7VP	5"	300"	1	
PF7VR	6"	300"	1	

Note: Elbows 72" and larger may be shipped in segments. Consult factory for specifics.

DB-60 Sweeps

*Consult factory for additional sizes/configurations

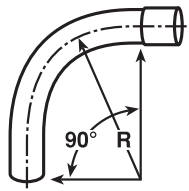
Segment	Part No.	Size	Radius (in.)	Std. Ctn. Qty.	
30° Sweep 	PF6CJ	2"	18"	1	
	PF6CL	3"	18"	1	
	PF6DL	3"	24"	1	
	PF6DN	4"	24"	1	
	PF6DP	5"	24"	1	
	PF6CH	1 1/2"	30"	1	
	PF6FJ	2"	36"	1	
	PF6FL	3"	36"	1	
	PF6FN	4"	36"	1	
	PF6FR	6"	36"	1	
	PF6HJ	2"	48"	1	
	PF6HN	4"	48"	1	
	PF6HP	5"	48"	1	
	PF6HR	6"	48"	1	
	PF6IN	4"	60"	1	
	PF6IP	5"	60"	1	
	PF6SJ	2"	150"	1	
	PF6SN	4"	150"	1	
	PF6SP	5"	150"	1	
	PF6VJ	2"	300"	1	
	PF6VN	4"	300"	1	
	PF6VR	6"	300"	1	
	22 1/2° Sweep 	PH5DL	3"	24"	1
		PF5DN	4"	24"	1
PF5DP		5"	24"	1	
PF5FF		1"	36"	1	
PF5FL		3"	36"	1	
PF5FN		4"	36"	1	
PF5FP		5"	36"	1	
PF5FR		6"	36"	1	
PF5HL		3"	48"	1	
PF5HN		4"	48"	1	
PF5HR		6"	48"	1	
PF5IJ		2"	60"	1	
PF5IL		3"	60"	1	
PF5IP		5"	60"	1	
PF5IR		6"	60"	1	
PF5SL		3"	150"	1	
PF5SN		4"	150"	1	
PF5SP		5"	150"	1	
PF5SR		6"	150"	1	
PF5VN		4"	300"	1	
PF5VP		5"	300"	1	
PF5VR		6"	300"	1	

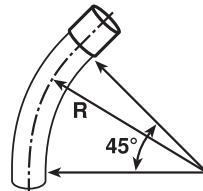
Segment	Part No.	Size	Radius (in.)	Std. Ctn. Qty.
11 1/4° Sweep 	PF3CJ	2"	18"	1
	PF3CL	3"	18"	1
	PF3DF	1"	24"	1
	PF3DH	1 1/2"	24"	1
	PF3DP	5"	24"	1
	PF3FJ	2"	36"	1
	PF3FL	3"	36"	1
	PF3FN	4"	36"	1
	PF3FP	5"	36"	1
	PF3FR	6"	36"	1
	PF3HL	3"	48"	1
	PF3HN	4"	48"	1
	PF3HP	5"	48"	1
	PF3HR	6"	48"	1
	PF3IJ	2"	60"	1
	PF3IR	6"	60"	1
	PF3SJ	2"	150"	1
	PF3SN	4"	150"	1
	PF3SP	5"	150"	1
	PF3SR	6"	150"	1
	PF3VJ	2"	300"	1
	PF3VL	3"	300"	1
	PF3VN	4"	300"	1
	PF3VP	5"	300"	1

Note: Elbows 72" and larger may be shipped in segments. Consult factory for specifics.

DB-120 Sweeps

*Consult factory for additional sizes/configurations

Segment	Part No.	Size	Radius (in.)	Std. Ctn. Qty.
90° Sweep 	PH9CJ	2"	18"	1
	PH9CL	3"	18"	1
	PH9CN	4"	18"	1
	PH9DJ	2"	24"	1
	PH9DL	3"	24"	1
	PH9DN	4"	24"	1
	PH9DP	5"	24"	1
	PH9FJ	2"	36"	1
	PH9FL	3"	36"	1
	PH9FN	4"	36"	1
	PH9FP	5"	36"	1
	PH9FR	6"	36"	1
	PH9HJ	2"	48"	1
	PH9HL	3"	48"	1
	PH9HN	4"	48"	1
	PH9HP	5"	48"	1
	PH9HR	6"	48"	1
	PH9IJ	2"	60"	1
	PH9IL	3"	60"	1
	PH9IN	4"	60"	1
	PH9IR	6"	60"	1
	PH9OJ	2"	66"	1
	PH9SJ	2"	150"	1
	PH9SL	3"	150"	1
	PH9SN	4"	150"	1
	PH9SP	5"	150"	1
	PH9SR	6"	150"	1
	PH9VN	4"	300"	1
PH9VP	5"	300"	1	
PH9VR	6"	300"	1	

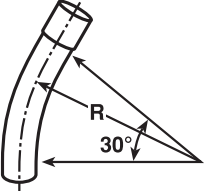
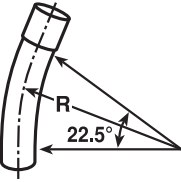
Segment	Part No.	Size	Radius (in.)	Std. Ctn. Qty.
45° Sweep 	PH7CJ	2"	18"	1
	PH7CL	3"	18"	1
	PH7CN	4"	18"	1
	PH7DJ	2"	24"	1
	PH7DL	3"	24"	1
	PH7DN	4"	24"	1
	PH7DP	5"	24"	1
	PH7FJ	2"	36"	1
	PH7FL	3"	36"	1
	PH7FN	4"	36"	1
	PH7FP	5"	36"	1
	PH7FR	6"	36"	1
	PH7HJ	2"	48"	1
	PH7HL	3"	48"	1
	PH7HN	4"	48"	1
	PH7HP	5"	48"	1
	PH7HR	6"	48"	1
	PH7IJ	2"	60"	1
	PH7IL	3"	60"	1
	PH7IP	5"	60"	1
	PH7IR	6"	60"	1
	PH7SJ	2"	150"	1
	PH7SN	4"	150"	1
	PH7SP	5"	150"	1
	PH7SR	6"	150"	1

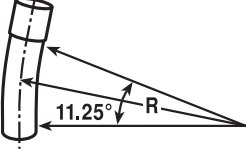
Note: Elbows 72" and larger may be shipped in segments. Consult factory for specifics.

DB-120 Sweeps

*Consult factory for additional sizes/configurations

Utility Elbows & Fittings

Segment	Part No.	Size	Radius (in.)	Std. Ctn. Qty.	
30° Sweep 	PH6CJ	2"	18"	1	
	PH6CL	3"	18"	1	
	PH6CN	4"	18"	1	
	PH6DJ	2"	24"	1	
	PH6DN	4"	24"	1	
	PH6DP	5"	24"	1	
	PH6FJ	2"	36"	1	
	PH6FL	3"	36"	1	
	PH6FN	4"	36"	1	
	PH6FP	5"	36"	1	
	PH6FR	6"	36"	1	
	PH6HN	4"	48"	1	
	PH6HR	6"	48"	1	
	PH6IN	4"	60"	1	
	PH6SL	3"	150"	1	
	22½° Sweep 	PH5CJ	2"	18"	1
		PH5CL	3"	18"	1
PH5CN		4"	18"	1	
PH5DJ		2"	24"	1	
PH5DL		3"	24"	1	
PH5DP		5"	24"	1	
PH5FJ		2"	36"	1	
PH5FL		3"	36"	1	
PH5FN		4"	36"	1	
PH5FP		5"	36"	1	
PH5HL		3"	48"	1	
PH5HN		4"	48"	1	
PH5HP		5"	48"	1	
PH5HR		6"	48"	1	
PH5IJ		2"	60"	1	
PH5IL		3"	60"	1	
PH5IR		6"	60"	1	
PH5SN		4"	150"	1	
PH5SP		5"	150"	1	
PH5SR		6"	150"	1	
PH5VJ		2"	300"	1	
PH5VN		4"	300"	1	

Segment	Part No.	Size	Radius (in.)	Std. Ctn. Qty.
11¼° Sweep 	PH3CJ	2"	18"	1
	PH3CN	4"	18"	1
	PH3DJ	2"	24"	1
	PH3DN	4"	24"	1
	PH3DP	5"	24"	1
	PH3FJ	2"	36"	1
	PH3FL	3"	36"	1
	PH3FN	4"	36"	1
	PH3FP	5"	36"	1
	PH3FR	6"	36"	1
	PH3HN	4"	48"	1
	PH3IN	4"	60"	1
	PH3IP	5"	60"	1
	PH3IR	6"	60"	1
	PH3SJ	2"	150"	1
	PH3SL	3"	150"	1
	PH3SN	4"	150"	1
	PH3SP	5"	150"	1
	PH3SR	6"	150"	1
	PH3VR	6"	300"	1

Note: For Nom. Diameter of 1": use 1" DB-60 Sweeps
For Nom. Diameter of 1½": use 1½" DB-60 Sweeps

Note: Elbows 72" and larger may be shipped in segments. Consult factory for specifics.

Couplings

Sleeve Coupling (for repair work)



No internal stop

Part No.	Size	Std. Ctn. Qty.
E200J	2"	30
E200L	3"	25
E200M	3 1/2"	20
E200N	4"	15
E200P	5"	8
E200R	6"	5

Coupling



Part No.	Size	Std. Ctn. Qty.
E940F	1"	50
E940H	1 1/2"	25
E940J	2"	30
E940K	2 1/2"	20
E240L	3"	30
E240N	4"	15
E240P	5"	20
E240RF	6"	5

Long Line Coupling



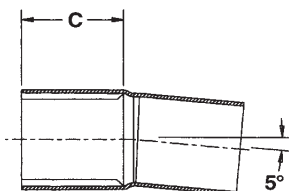
Part No.	Size	Std. Ctn. Qty.
E941H	1 1/2"	40
E941J	2"	25
E941K	2 1/2"	15
E241L	3"	15
E241N	4"	10

5° Angle Coupling BxS

(Bell x Spigot)



Part No.	Size	C	Std. Ctn. Qty.
E244J	2"	2.13	15
E244L	3"	3.25	5
E244NF	4"	3.50	15
E244NF5 (short)	4"	1.87	25
E244PF	5"	4.13	10
E244PF5 (short)	5"	2.00	20
E244RF	6"	5.13	5
E244RF5 (short)	6"	2.25	10



5° Angle Coupling BxB (Bell x Bell)



Part No.	Size	Std. Ctn. Qty.
E2440NF	4"	15
E2440PF	5"	10
E2440RF	6"	5

5° Angle Coupling BxB (Swedged)



Part No.	Size	Std. Ctn. Qty.
E245J	2"	20
E245N	4"	10
E245P	5"	10
E245R	6"	5

Plugs

Plug



Part No.	Size	Std. Ctn. Qty.
P258H	1 1/2"	50
P258K	2 1/2"	50

Plug with Pull Tab



Part No.	Size	Std. Ctn. Qty.
P258JT	2"	60
P258LT	3"	30
P258NT	4"	48
P258PT	5"	30
P258RT	6"	30

Swedge Coupling

Part No.	Size	Std. Ctn. Qty.
E242J	2"	48

5° Angle Coupling S x S

Part No.	Size	Std. Ctn. Qty.
E2440N5	4"	15
E2440P5	5"	20

Adapters

Male Adapter



Part No.	Size	Std. Ctn. Qty.
E943F	1"	50
E943H	1 1/2"	25
E943J	2"	50
E943L	3"	50
E943N	4"	20
E943P	5"	5
E943R	6"	10

End Bells

End Bell



Part No.	Size	Std. Ctn. Qty.
E997F	1"	50
E997H	1 1/2"	30
E997J	2"	40
E997L	3"	50
E997N	4"	30
E997P	5"	15
E997R	6"	10

Female Adapter



Part No.	Size	Std. Ctn. Qty.
E942F	1"	50
E942H	1 1/2"	25
E942J	2"	30
E942L	3"	25
E942N	4"	15
E942P	5"	8
E942R	6"	6

Molded End Bell



Part No.	Size	Std. Ctn. Qty.
E297J	2"	40
E297L	3"	50
E297N	4"	30
E297P	5"	15

Reducers

Swedge Reducer (Male x Male)



Part No.	Size	Std. Ctn. Qty.
E252LJ	3" x 2"	50
E252NJS	4" x 2"	25
E252NL	4" x 3"	25
E252PN	5" x 4"	20
E252RNS	6" x 4"	6
E252RP	6" x 5"	10

Fabricated End Bell



Part No.	Size	Std. Ctn. Qty.
E297JN	2" x 4"	25
E297LR	3" x 6"	20
E297NT	4" x 10"	15
E297PS	5" x 8"	10
E297PT	5" x 10"	10
E297RF	6" x 5"	10
E297RT	6" x 10"	6

Markers

Cable Marker



Part No.	Size	Std. Ctn. Qty.
E299JM	2" x 42"	1
E299JP	2" x 56"	1
E299JR	2" x 78"	1
E299LF	3" x 36"	1
E299LR	3" x 60"	1
E299NX7	4" x 84"	1

Long Length End Bell P&C Duct



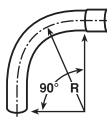
Part No.	Size	Std. Ctn. Qty.
E297RR	6" (6" long)	10

DB/2 Sweeps

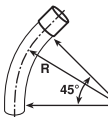


LR90813

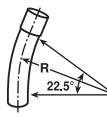
Utility Elbows & Fittings

Segment	Part No.	Size	Radius (in)	Std. Ctn. Qty.
90° Sweep 	CPF9DJ	2"	24"	1
	CPF9DL	3"	24"	1
	CPF9DM*	3 1/2"	24"	1
	CPF9DN	4"	24"	1
	CPF9DP*	5"	24"	1
	CPF9FJ	2"	36"	1
	CPF9FL	3"	36"	1
	CPF9FM*	3 1/2"	36"	1
	CPF9FN	4"	36"	1
	CPF9FP*	5"	36"	1
	CPF9FR*	6"	36"	1
	CPF9GJ*	2"	42"	1
	CPF9GL*	3"	42"	1
	CPF9GM*	3 1/2"	42"	1
	CPF9GN*	4"	42"	1
	CPF9GP	5"	42"	1
	CPF9GR*	6"	42"	1
	CPF9IJ	2"	60"	1
	CPF9IL	3"	60"	1
	CPF9IM*	3 1/2"	60"	1
	CPF9IN	4"	60"	1
	CPF9IP	5"	60"	1
	CPF9IR	6"	60"	1

*Non-stock special radius sweeps are available on request - Quote only.

Segment	Part No.	Size	Radius (in)	Std. Ctn. Qty.
45° Sweep 	CPF7DJ	2"	24"	1
	CPF7DL	3"	24"	1
	CPF7DM*	3 1/2"	24"	1
	CPF7DN	4"	24"	1
	CPF7DP*	5"	24"	1
	CPF7FJ	2"	36"	1
	CPF7FL	3"	36"	1
	CPF7FM*	3 1/2"	36"	1
	CPF7FN	4"	36"	1
	CPF7FP*	5"	36"	1
	CPF7FR*	6"	36"	1
	CPF7GJ*	2"	42"	1
	CPF7GL*	3"	42"	1
	CPF7GM*	3 1/2"	42"	1
	CPF7GN*	4"	42"	1
	CPF7GP	5"	42"	1
	CPF7GR*	6"	42"	1
	CPF7IJ*	2"	60"	1
	CPF7IL*	3"	60"	1
	CPF7IM*	3 1/2"	60"	1
	CPF7IN	4"	60"	1
	CPF7IP*	5"	60"	1
	CPF7IR	6"	60"	1

*Non-stock special radius sweeps are available on request - Quote only.

Segment	Part No.	Size	Radius (in)	Std. Ctn. Qty.
22 1/2° Sweep 	CPF5DJ*	2"	24"	1
	CPF5DL*	3"	24"	1
	CPF5DM*	3 1/2"	24"	1
	CPF5DN*	4"	24"	1
	CPF5DP*	5"	24"	1
	CPF5FJ*	2"	36"	1
	CPF5FL*	3"	36"	1
	CPF5FM*	3 1/2"	36"	1
	CPF5FN	4"	36"	1
	CPF5FP*	5"	36"	1
	CPF5GJ*	2"	42"	1
	CPF5GL*	3"	42"	1
	CPF5GM*	3 1/2"	42"	1
	CPF5GN*	4"	42"	1
	CPF5GP	5"	42"	1
	CPF5IJ*	2"	60"	1
	CPF5IL*	3"	60"	1
	CPF5IM*	3 1/2"	60"	1
	CPF5IN*	4"	60"	1
	CPF5IP*	5"	60"	1

*Non-stock special radius sweeps are available on request - Quote only.

Note: Elbows 72" and larger may be shipped in segments. Consult factory for specifics.

 **Couplings**

PVC 5° Coupling BxB – Solvent Weld



Part No.	Size	Std. Ctn. Qty.
CE245J	2"	30
CE245L	3"	15
CE245N	4"	10
CE245P	5"	20

PE Coupling – Push Fit



Part No.	Size	Std. Ctn. Qty.
CE242J	2"	213
CE242L	3"	100
CE242N	4"	100
CE242P	5"	12

PE 5° Coupling – Push Fit



Part No.	Size	Std. Ctn. Qty.
CE2440L	3"	100
CE2440N	4"	90

PVC Coupling – Solvent Weld



Part No.	Size	Std. Ctn. Qty.
CE240J	2"	30
CE240L	3"	30
CE240N	4"	15
CE240P	5"	20
CE240R	6"	1

Plugs

Plug with Pull Tab



Part No.	Size	Std. Ctn. Qty.
P258JT	2"	60
P258LT	3"	30
P258NT	4"	48
P258PT	5"	30
P258RT	6"	30

Adapters

PVC Female Adapter – I.P.S. Solvent Weld Duct



Part No.	Size	Std. Ctn. Qty.
CE942DJ	2"	25
CE942DL	3"	30
CE942DN	4"	50
CE942DP	5"	15

PVC Conduit to DB/2 Duct Adapter



Part No.	Size	Std. Ctn. Qty.
CE942RJ	2"	24
CE942RL	3"	1
CE942RN	4"	1

End Bells

End Bell

(For use with DB/2 Duct only)



Part No.	Size	Std. Ctn. Qty.
CE297J	2"	40
CE297L	3"	50
CE297N	4"	30
CE297P	5"	15

Caps

Cap – Solvent Weld



Part No.	Size	Std. Ctn. Qty.
CE935J	2"	25
CE935L	3"	25
CE935N	4"	50
CE935P	5"	25

Schedule 40 & 80 Elbows & Fittings

Elbows

Fittings

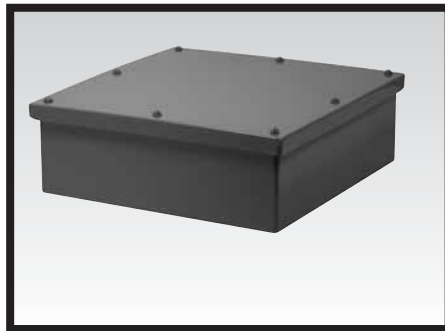
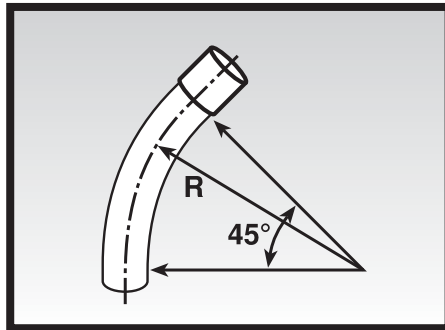
Conduit Bodies

Junction Boxes

Support Straps

Clamps

Slip Meter Risers

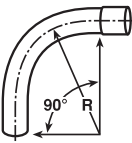
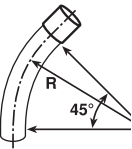
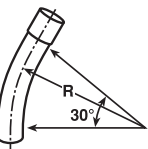


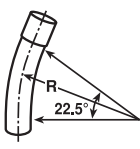
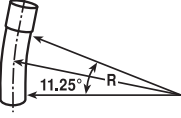
Schedule 40 Elbows Standard Radius

Available in plain and integral belled end for use with nonmetallic solvent weld fittings.

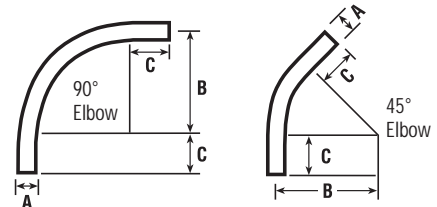


Schedule 40 & 80 Elbows & Fittings

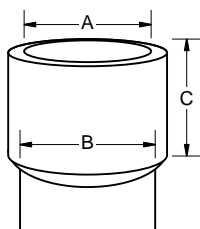
Item	Plain End Part No.	Belled End Part No.	Size	Plain End Std. Ctn. Qty.	Belled End Std. Ctn. Qty.
90° Elbow 	UA9AD	UA9ADB	1/2"	50	50
	UA9ADR-CAR	UA9ADB	1/2"	25	50
	UA9AE	UA9AEB	3/4"	25	25
	UA9AFR-CTN	UA9AFB-CTN	1"	25	25
	UA9AG	UA9AGB	1 1/4"	20	20
	UA9AH	UA9AHB	1 1/2"	25	25
	UA9AJ	UA9AJB	2"	20	20
	UA9AK-CAR	UA9AKB-CAR	2 1/2"	10	10
	UA9AL	UA9ALB	3"	1	5
	UA9AM	UA9AMB	3 1/2"	1	20
	UA9AN	UA9ANB	4"	1	1
	UA9AP	UA9APB	5"	1	1
	UA9AR	UA9ARB	6"	1	1
	45° Elbow 	UA7AD	UA7ADB	1/2"	50
UA7AE		UA7AEB	3/4"	25	25
UA7AF		UA7AFB	1"	20	20
UA7AF-CAR		UA7AFB	1"	15	20
UA7AG		UA7AGB	1 1/4"	20	20
UA7AH		UA7AHB	1 1/2"	20	20
UA7AJ		UA7AJB	2"	20	20
UA7AJ-CAR		-	2"	4	4
UA7AK		UA7AKB	2 1/2"	20	20
UA7AL		UA7ALB	3"	5	25
UA7AM		UA7AMB	3 1/2"	1	20
UA7AN		UA7ANB	4"	1	20
UA7AP		UA7APB	5"	1	1
UA7AR		UA7ARB	6"	1	1
30° Elbow 	UA6AD	UA6ADB	1/2"	50	50
	UA6AE	UA6AEB	3/4"	25	25
	UA6AF	UA6AFB	1"	25	1
	UA6AG	UA6AGB	1 1/4"	20	20
	UA6AH	UA6AHB	1 1/2"	25	1
	UA6AJ	UA6AJB	2"	20	20
	UA6AK	UA6AKB	2 1/2"	10	20
	UA6AL	UA6ALB	3"	1	1
	UA6AM	UA6AMB	3 1/2"	1	1
	UA6AN	UA6ANB	4"	1	1
	UA6AP	UA6APB	5"	1	1
	UA6AR	UA6ARB	6"	1	1

Item	Plain End Part No.	Belled End Part No.	Size	Plain End Std. Ctn. Qty.	Belled End Std. Ctn. Qty.
22 1/2° Elbow 	UA5AD	-	1/2"	1	-
	UA5AE	-	3/4"	1	-
	UA5AF	-	1"	1	-
	UA5AG	-	1 1/4"	1	-
	UA5AH	-	1 1/2"	1	-
	UA5AJ	UA5AJB	2"	25	1
	UA5AK	-	2 1/2"	20	-
	UA5AL	UA5ALB	3"	5	1
	UA5AM	-	3 1/2"	1	-
	UA5AN	UA5ANB	4"	1	1
	UA5AP	UA5APB	5"	1	1
11 1/4° Elbow 	UA3AD	-	1/2"	1	-
	UA3AE	-	3/4"	1	-
	UA3AF	-	1"	1	-
	UA3AG	-	1 1/4"	1	-
	UA3AH	-	1 1/2"	1	-
	UA3AJ	-	2"	1	-
	UA3AK	-	2 1/2"	1	-
	UA3AL	-	3"	1	-
	UA3AM	-	3 1/2"	1	-
	UA3AN	UA3ANB	4"	1	1
	UA3AP	-	5"	1	-
UA3AR	-	6"	1	-	

Standard Radius Elbow Dimensions



Integral Belled End Dimensions



Trade Size	A		B		C	
	At Entrance Max.	Min.	At Bottom Max.	Min.	Socket Depth Max.	Min.
1/2"	.860	0.844	0.844	0.828	1.500	0.652
3/4"	1.074	1.054	1.056	1.036	1.500	0.719
1"	1.340	1.320	1.320	1.300	1.875	0.875
1 1/4"	1.689	1.665	1.667	1.643	2.000	0.938
1 1/2"	1.930	1.906	1.906	1.882	2.000	1.062
2"	2.405	2.381	2.381	2.357	2.000	1.125
2 1/2"	2.905	2.875	2.883	2.853	3.000	1.469
3"	3.530	3.500	3.507	3.477	3.125	1.594
3 1/2"	4.065	3.965	4.007	3.977	3.250	1.687
4"	4.565	4.465	4.506	4.476	3.375	1.750
5"	5.643	5.543	5.583	5.523	3.625	1.937
6"	6.708	6.608	6.644	6.584	3.750	2.125

Size	A	B	C
		Min. (Radius)	Min.
1/2"	.840	4"	1 1/2"
3/4"	1.050	4 1/2"	1 1/2"
1"	1.315	5 3/4"	1 7/8"
1 1/4"	1.660	7 1/4"	2"
1 1/2"	1.900	8 1/4"	2"
2"	2.375	9 1/2"	2"
2 1/2"	2.875	10 1/2"	3"
3"	3.500	13"	3 1/8"
3 1/2"	4.000	15"	3 1/4"
4"	4.500	16"	3 3/8"
5"	5.563	24"	3 5/8"
6"	6.625	30"	3 3/4"

Schedule 40 Elbows Special Radius

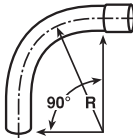
*Consult factory for additional sizes/configurations

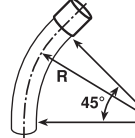


ETL Listed to UL 651 in compliance to the NEC



LISTED E35297

Segment	Plain End Part No.	Belled End Part No.	Nom. Diam.	Radius (in.)	Plain End Std. Ctn. Qty.	Belled End Std. Ctn. Qty.
90° Elbow 	UA9CF	UA9CFB	1"	18"	1	1
	UA9DF	UA9DFB	1"	24"	1	1
	UA9EF	UA9EFB	1"	30"	1	1
	UA9FF	-	1"	36"	1	-
	UA9HF	-	1"	48"	1	-
	UA9CG	UA9CGB	1 1/4"	18"	1	1
	UA9DG	UA9DGB	1 1/4"	24"	1	1
	UA9EG	UA9EGB	1 1/4"	30"	1	1
	UA9FG	UA9FGB	1 1/4"	36"	1	1
	UA9HG	-	1 1/4"	48"	1	-
	UA9CH	UA9CHB	1 1/2"	18"	1	1
	UA9DH	UA9DHB	1 1/2"	24"	1	1
	UA9EH	UA9EHB	1 1/2"	30"	1	1
	UA9FH	UA9FHB	1 1/2"	36"	1	1
	UA9HH	-	1 1/2"	48"	1	-
	UA9CJ	UA9CJB	2"	18"	1	1
	UA9DJ	UA9DJB-UPC	2"	24"	1	1
	UA9EJ	UA9EJB	2"	30"	1	1
	UA9FJ-UPC	UA9FJB	2"	36"	1	1
	UA9HJ	UA9HJB	2"	48"	1	1
	UA9JJ	-	2"	72"	1	-
	UA9CK	UA9CKB	2 1/2"	18"	1	1
	UA9DK	UA9DKB-UPC	2 1/2"	24"	1	1
	UA9EK	UA9EKB	2 1/2"	30"	1	1
	UA9FK-UPC	UA9FKB	2 1/2"	36"	1	1
	UA9HK	UA9HKB	2 1/2"	48"	1	1
	UA9CL	UA9CLB	3"	18"	1	1
	UA9DL	UA9DLB-UPC	3"	24"	1	1
	UA9EL	UA9ELB	3"	30"	1	1
	UA9FL	UA9FLB	3"	36"	1	1
	UA9HL	UA9HLB	3"	48"	1	1
	UA9IL	-	3"	60"	1	-
	UA9DM	UA9DMB	3 1/2"	24"	1	1
	UA9EM	UA9EMB	3 1/2"	30"	1	1
	UA9FM	UA9FMB	3 1/2"	36"	1	1
	UA9HM	UA9HMB	3 1/2"	48"	1	1
	-	UA9CNB	4"	18"	-	1
	UA9DN	UA9DNB	4"	24"	1	1
	UA9EN	UA9ENB	4"	30"	1	1
	UA9FN	UA9FNB	4"	36"	1	1
	UA9HN	UA9HNB	4"	48"	1	1
	UA9IN	UA9INB	4"	60"	1	1
	UA9JN	-	4"	72"	1	1
	UA9EP	UA9EPB	5"	30"	1	1
UA9FP	UA9FPB	5"	36"	1	1	
UA9HP	UA9HPB	5"	48"	1	1	
UA9IP	UA9IPB	5"	60"	1	1	
UA9FR	UA9FRB	6"	36"	1	1	
UA9HR	UA9HRB	6"	48"	1	1	
UA9IR	UA9IRB	6"	60"	1	1	
-	UA9TRB	6"	180"	-	1	
UA9HT	-	8"	48"	1	1	

Segment	Plain End Part No.	Belled End Part No.	Nom. Diam.	Radius (in.)	Plain End Std. Ctn. Qty.	Belled End Std. Ctn. Qty.
45° Elbow 	UA7CF	-	1"	18"	1	-
	UA7DF	-	1"	24"	1	-
	UA7EF	-	1"	30"	1	-
	UA7FF	-	1"	36"	1	-
	UA7HF	-	1"	48"	1	-
	UA7CG	-	1 1/4"	18"	1	-
	UA7DG	-	1 1/4"	24"	1	-
	UA7EG	-	1 1/4"	30"	1	-
	UA7FG	-	1 1/4"	36"	1	-
	UA7HG	-	1 1/4"	48"	1	-
	UA7CH	-	1 1/2"	18"	1	-
	UA7DH	-	1 1/2"	24"	1	-
	UA7EH	-	1 1/2"	30"	1	-
	UA7FH	UA7FHB	1 1/2"	36"	1	1
	UA7HH	-	1 1/2"	48"	1	-
	-	UA7BJB	2"	12"	-	1
	UA7CJ	UA7CJB	2"	18"	1	1
	UA7DJ	UA7DJB	2"	24"	1	1
	UA7EJ	UA7EJB	2"	30"	1	1
	UA7FJ	UA7FJB	2"	36"	1	1
	UA7HJ	UA7HJB	2"	48"	1	1
	UA7SJ	-	2"	150"	1	-
	UA7CK	-	2 1/2"	18"	1	-
	UA7DK	UA7DKB	2 1/2"	24"	1	1
	UA7EK	-	2 1/2"	30"	1	-
	UA7FK	UA7FKB	2 1/2"	36"	1	1
	UA7HK	-	2 1/2"	48"	1	-
	UA7CL	UA7CLB	3"	18"	1	1
	UA7DL	UA7DLB	3"	24"	1	1
	UA7EL	UA7ELB	3"	30"	1	1
	UA7FL	UA7FLB	3"	36"	1	1
	UA7HL	UA7HLB	3"	48"	1	1
	UA7DM	-	3 1/2"	24"	1	-
	UA7EM	-	3 1/2"	30"	1	-
	UA7FM	-	3 1/2"	36"	1	-
	UA7DN	UA7DNB	4"	24"	1	1
	UA7EN	UA7ENB	4"	30"	1	1
	UA7FN	UA7FNB	4"	36"	1	1
	UA7HN	UA7HNB	4"	48"	1	1
	-	UA7NNB	4"	120"	-	1
	UA7SN	UA7SNB	4"	150"	1	-
	UA7EP	UA7EPB	5"	30"	1	1
	UA7FP	UA7FPB	5"	36"	1	1
	UA7HP	UA7HPB	5"	48"	1	1
-	UA7IPB	5"	60"	-	1	
-	UA7NPB	5"	120"	-	1	
-	UA7SPB	5"	150"	-	1	
UA7FR	UA7FRB	6"	36"	1	1	
UA7HR	UA7HRB	6"	48"	1	1	
UA7FT	-	8"	36"	1	-	
UA7HT	-	8"	48"	1	-	

Note: Elbows 72" and larger may be shipped in segments. Consult factory for specifics.

Schedule 40 & 80 Elbows & Fittings

Schedule 40 Elbows Special Radius

*Consult factory for additional sizes/configurations

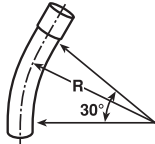


ETL Listed to UL 651 in compliance to the NEC



LISTED E35297

Schedule 40 & 80 Elbows & Fittings



Segment	Plain End Part No.	Belled End Part No.	Nom. Diam.	Radius (in.)	Plain End Std. Ctn. Qty.	Belled End Std. Ctn. Qty.
30° Elbow	UA6CJ	-	2"	18"	1	-
	UA6DJ	UA6DJB	2"	24"	1	1
	UA6FJ	UA6FJB	2"	36"	1	1
	UA6HJ	UA6HJB	2"	48"	1	1
	UA6CK	-	2 1/2"	18"	1	-
	UA6DK	-	2 1/2"	24"	1	-
	UA6CL	-	3"	18"	1	-
	UA6DL	UA6DLB	3"	24"	1	1
	UA6FL	UA6FLB	3"	36"	1	1
	UA6HL	UA6HLB	3"	48"	1	1
	UA6DM	-	3 1/2"	24"	1	-
	UA6FM	-	3 1/2"	36"	1	-
	UA6HM	-	3 1/2"	48"	1	-
	UA6DN	-	4"	24"	1	-
	UA6FN	UA6FNB	4"	36"	1	1
	UA6HN	UA6HNB	4"	48"	1	1
	UA6FP	UA6FPB	5"	36"	1	1
	UA6HP	UA6HPB	5"	48"	1	1
	UA6FR	UA6FRB	6"	36"	1	1
	UA6HR	UA6HRB	6"	48"	1	1



Segment	Plain End Part No.	Belled End Part No.	Nom. Diam.	Radius (in.)	Plain End Std. Ctn. Qty.	Belled End Std. Ctn. Qty.
22 1/2° Elbow	UA5FF	-	1"	36"	1	-
	UA5FG	-	1 1/4"	36"	1	-
	UA5FH	UA5FHB	1 1/2"	36"	1	1
	UA5CJ	UA5CJB	2"	18"	1	1
	UA5DJ	UA5DJB	2"	24"	1	25
	UA5EJ	UA5EJB	2"	30"	1	1
	UA5FJ	UA5FJB	2"	36"	1	1
	UA5HJ	-	2"	48"	1	-
	UA5VJ	-	2"	300"	1	-
	UA5CK	-	2 1/2"	18"	1	-
	UA5DK	-	2 1/2"	24"	1	-
	UA5EK	-	2 1/2"	30"	1	-
	UA5FK	-	2 1/2"	36"	1	-
	UA5HK	-	2 1/2"	48"	1	-
	-	UA5CLB	3"	18"	1	1
	UA5DL	UA5DLB	3"	24"	1	1
	UA5EL	UA5ELB	3"	30"	1	1
	UA5FL	UA5FLB	3"	36"	1	1
	UA5HL	-	3"	48"	1	-
	UA5VL	-	3"	300"	1	-
	UA5DM	-	3 1/2"	24"	1	-
	UA5EM	-	3 1/2"	30"	1	-
	UA5FM	-	3 1/2"	36"	1	-
	UA5HM	-	3 1/2"	48"	1	-
	UA5DN	UA5DNB	4"	24"	1	1
	UA5EN	UA5ENB	4"	30"	1	1
	UA5FN	UA5FNB	4"	36"	1	1
	UA5HN	UA5HNB	4"	48"	1	-
	UA5IN	-	4"	60"	1	-
	UA5JN	-	4"	72"	1	-
	UA5SN	UA5SNB	4"	150"	1	-
	-	UA5UNB	4"	240"	-	1
	-	UA5VNB	4"	300"	-	1
	-	UA5DPB	5"	24"	1	1
	UA5EP	UA5EPB	5"	30"	1	1
	UA5FP	UA5FPB	5"	36"	1	1
	UA5HP	UA5HPB	5"	48"	1	1
	UA5IP	-	5"	60"	1	-
	UA5SP	-	5"	150"	1	-
	-	UA5UPB	5"	240"	-	1
	-	UA5VPB	5"	300"	-	1
	UA5FR	UA5FRB	6"	36"	1	1
	UA5HR	UA5HRB	6"	48"	1	1
	UA5IR	-	6"	60"	1	-
	UA5RR	-	6"	144"	1	-
	UA5SR	-	6"	150"	1	-
	UA5VR	-	6"	300"	1	-
	UA5FT	-	8"	36"	1	-
	UA5HT	-	8"	48"	1	-

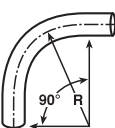
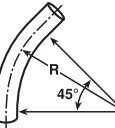
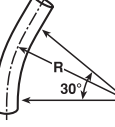
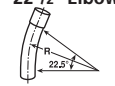
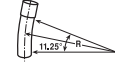
Segment	Plain End Part No.	Belled End Part No.	Nom. Diam.	Radius (in.)	Plain End Std. Ctn. Qty.	Belled End Std. Ctn. Qty.
11 1/4° Elbow	UA3DJ	UA3DJB	2"	24"	1	25
	UA3FJ	UA3FJB	2"	36"	1	1
	UA3HJ	-	2"	48"	1	-
	UA3HK	-	2 1/2"	48"	1	-
	UA3DL	UA3DLB	3"	24"	1	1
	UA3FL	UA3FLB	3"	36"	1	1
	UA3HL	-	3"	48"	1	-
	UA3DM	-	3 1/2"	24"	1	-
	UA3HM	-	3 1/2"	48"	1	-
	UA3DN	UA3DNB	4"	24"	1	1
	UA3FN	UA3FNB	4"	36"	1	1
	-	UA3SNB	4"	150"	-	1
	UA3HN	UA3HNB	4"	48"	1	1
	UA3FP	UA3FPB	5"	36"	1	1
	UA3HP	-	5"	48"	1	-
	-	UA3UPB	5"	240"	-	1
	UA3FR	UA3FRB	6"	36"	1	1
	UA3HR	-	6"	48"	1	-
	UA3FT	-	8"	36"	1	-

Note: Elbows 72" and larger may be shipped in segments. Consult factory for specifics.

Schedule 80 Elbows

Standard Radius

For use with nonmetallic solvent weld fittings.

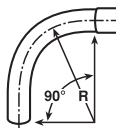
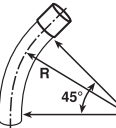
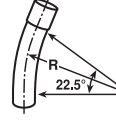
Item	Plain End Part No.	Belled End Part No.	Size	Plain End Std. Ctn. Qty.	Belled End Std. Ctn. Qty.	
90° Elbow 	UB9AD	-	1/2"	50	-	
	UB9AE	-	3/4"	25	-	
	UB9AF	-	1"	25	-	
	UB9AG	-	1 1/4"	20	-	
	UB9AH	-	1 1/2"	25	-	
	UB9AJ	-	2"	20	-	
	UB9AK	-	2 1/2"	10	-	
	UB9AL	-	3"	5	-	
	UB9AN	-	4"	1	-	
	UB9AP	UB9APB	5"	1	1	
	UB9AR	-	6"	1	-	
	45° Elbow 	UB7AD	-	1/2"	50	-
		UB7AE-UPC	-	3/4"	25	-
UB7AF-UPC		-	1"	20	-	
UB7AG		-	1 1/4"	20	-	
UB7AH		-	1 1/2"	20	-	
UB7AH-CAR		-	1 1/2"	5	-	
UB7AJ-UPC		-	2"	20	-	
UB7AK		-	2 1/2"	20	-	
UB7AL		-	3"	1	-	
UB7AN		-	4"	1	-	
UB7AP		UB7APB	5"	1	1	
UB7AR		-	6"	1	-	
30° Elbow 		UB6AD	-	1/2"	50	-
	UB6AE	-	3/4"	25	-	
	UB6AF	-	1"	25	-	
	UB6AG	-	1 1/4"	5	-	
	UB6AH	-	1 1/2"	25	-	
	UB6AJ	-	2"	20	-	
	UB6AK	-	2 1/2"	1	-	
	UB6AL	-	3"	1	-	
	UB6AN	-	4"	1	-	
	UB6AP	-	5"	1	-	
22 1/2° Elbow 	UB5AL	-	3"	5	-	
	UB5AN	-	4"	1	-	
	UB5AP	UB5APB	5"	1	1	
11 1/4° Elbow 	UB3AL	-	3"	1	-	
	UB3AR	-	6"	1	-	

Flexible PVC Elbows



- UL listed for exposed and direct burial applications in accordance with Article 356 of the NEC
- 0° - 90° bending and offset applications
- O-ring seal for moisture tight connections
- Maintains round shape throughout bend
- Sunlight resistant
- Non-corrosive - all PVC and Neoprene material
- Fully assembled and ready to use

Part No.	Size	Std. Ctn. Qty.	Std. Wt. (lbs.)	Length Fully Assembled
UAFAD	1/2"	8	1.6	8.5"
UAFAE	3/4"	6	1.9	9.6"
UAFAF	1"	6	2.4	11.9"

Segment	Plain End Part No.	Belled End Part No.	Nom. Diam.	Radius (in.)	Plain End Std. Ctn. Qty.	Belled End Std. Ctn. Qty.
90° Elbow 	UB9CF	-	1"	18"	1	-
	UB9DF	-	1"	24"	1	-
	UB9FF	-	1"	36"	1	-
	UB9HF	-	1"	48"	1	-
	UB9CG	-	1 1/4"	18"	1	-
	UB9DG	-	1 1/4"	24"	1	-
	UB9FG	-	1 1/4"	36"	1	-
	UB9HG	-	1 1/4"	48"	1	-
	UB9CH	-	1 1/2"	18"	1	-
	UB9DH-UPC	UB9DHB	1 1/2"	24"	1	1
	UB9FH	-	1 1/2"	36"	1	-
	UB9HH	-	1 1/2"	48"	1	-
	UB9CJ	-	2"	18"	1	-
	UB9DJ-UPC	UB9DJB	2"	24"	1	1
	UB9FJ	UB9FJB	2"	36"	1	1
	UB9HJ	-	2"	48"	1	-
	UB9CK	-	2 1/2"	18"	1	-
	UB9DK-UPC	UB9DKB	2 1/2"	24"	1	1
	UB9FK	UB9FKB	2 1/2"	36"	1	1
	UB9HK	-	2 1/2"	48"	1	-
	UB9CL	-	3"	18"	1	-
	UB9DL	UB9DLB	3"	24"	1	1
	UB9FL	UB9FLB	3"	36"	1	1
	UB9HL	-	3"	48"	1	-
	UB9DN	UB9DNB	4"	24"	1	1
	UB9FN	UB9FNB	4"	36"	1	1
	UB9HN	UB9HNB	4"	48"	1	1
	UB9NN	-	4"	120"	1	-
	UB9FP	-	5"	36"	1	-
	UB9HP	-	5"	48"	1	-
	UB9IP	-	5"	60"	1	-
	UB9FR	-	6"	36"	1	-
	UB9HR	-	6"	48"	1	-
	UB9IR	-	6"	60"	1	-
	45° Elbow 	UB7CF	-	1"	18"	1
UB7DF		-	1"	24"	1	-
UB7FF		-	1"	36"	1	-
UB7HF		-	1"	48"	1	-
UB7DG		-	1 1/4"	24"	1	-
UB7FG		-	1 1/4"	36"	1	-
UB7HG		-	1 1/4"	48"	1	-
UB7CH		-	1 1/2"	18"	1	-
UB7DH		UB7DHB	1 1/2"	24"	1	1
UB7FH		-	1 1/2"	36"	1	-
UB7HH		-	1 1/2"	48"	1	-
UB7CJ		-	2"	18"	1	-
UB7DJ		UB7DJB	2"	24"	1	1
UB7FJ		UB7FJB	2"	36"	1	1
UB7HJ		-	2"	48"	1	-
UB7DK		UB7DKB	2 1/2"	24"	1	1
UB7FK		-	2 1/2"	36"	1	-
UB7HK		-	2 1/2"	48"	1	-
UB7CL		-	3"	18"	1	-
UB7DL		UB7DLB	3"	24"	1	1
UB7FL		UB7FLB	3"	36"	1	1
UB7HL		-	3"	48"	1	-
UB7DN		UB7DNB	4"	24"	1	1
UB7FN		UB7FNB	4"	36"	1	1
UB7HN		-	4"	48"	1	-
UB7FP	-	5"	36"	1	-	
UB7HP	-	5"	48"	1	-	
UB7FR	-	6"	36"	1	-	
UB7HR	-	6"	48"	1	-	
UB7IR	-	6"	60"	1	-	
30° Elbow	UB6FN	-	4"	36"	1	-
	UB6FR	-	6"	36"	1	-
	UB6FR	-	6"	36"	1	-
22 1/2° Elbow 	-	UB5DHB	1 1/2"	24"	-	20
	-	UB5DJB	2"	24"	-	20
	-	UB5FJB	2"	36"	-	25
	-	UB5DKB	2 1/2"	24"	-	15
	UB5DL	UB5DLB	3"	24"	1	10
	-	UB5FLB	3"	36"	-	1
	UB5DN	UB5DNB	4"	24"	1	5
	-	UB5FNB	4"	36"	-	1
	UB5FP	-	5"	36"	1	-
	UB3FP	-	5"	36"	1	-

ETL
ETL Listed to UL 651 in compliance to the NEC

UL LISTED
E35297

Schedule 40 & 80 Elbows & Fittings

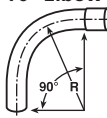
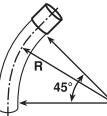
Note: Elbows 72" and larger may be shipped in segments. Consult factory for specifics.

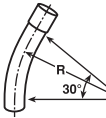
Schedule 40 Elbows Standard Radius

Available in plain and integral belled end for use with nonmetallic solvent weld fittings.

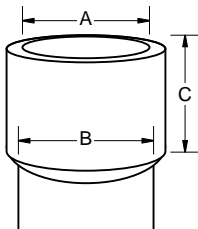


Schedule 40 & 80
Elbows & Fittings

Item	Belled End Part No.	Size	Belled End Std. Ctn. Qty.
90° Elbow 	UA9ADCB-CTN	1/2"	40
	UA9AECB-CTN	3/4"	25
	UA9AFCB-CTN	1"	25
	UA9AGCB-UPC	1 1/4"	20
	UA9AHCB-UPC	1 1/2"	25
	UA9AJCB-UPC	2"	20
	UA9AKCB-CTN	2 1/2"	10
	UA9ALCB-UPC	3"	25
	UA9AMCB	3 1/2"	1
	UA9ANCB	4"	1
	UA9APCB	5"	1
	UA9ARCB	6"	1
45° Elbow 	UA7AGCB	1 1/4"	1
	UA7AHCB	1 1/2"	20
	UA7AJCB	2"	20
	UA7AKCB	2 1/2"	1
	UA7ALCB	3"	5
	UA7AMCB	3 1/2"	1
	UA7ANCB	4"	1
	UA7APCB	5"	1
UA7ARCB	6"	1	

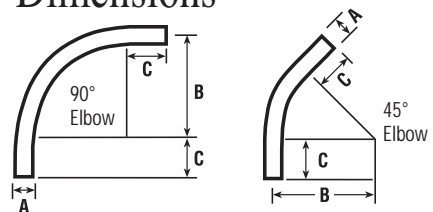
Item	Belled End Part No.	Size	Belled End Std. Ctn. Qty.
30° Elbow 	UA6AJCB	2"	20
	UA6ANCB	4"	1
	UA6ARCB	6"	1

Integral Belled End Dimensions



Trade Size	A		B		C	
	At Entrance Max.	Min.	At Bottom Max.	Min.	Socket Depth Max.	Min.
1/2"	.860	0.844	0.844	0.828	1.500	0.652
3/4"	1.074	1.054	1.056	1.036	1.500	0.719
1"	1.340	1.320	1.320	1.300	1.875	0.875
1 1/4"	1.689	1.665	1.667	1.643	2.000	0.938
1 1/2"	1.930	1.906	1.906	1.882	2.000	1.062
2"	2.405	2.381	2.381	2.357	2.000	1.125
2 1/2"	2.905	2.875	2.883	2.853	3.000	1.469
3"	3.530	3.500	3.507	3.477	3.125	1.594
3 1/2"	4.065	3.965	4.007	3.977	3.250	1.687
4"	4.565	4.465	4.506	4.476	3.375	1.750
5"	5.643	5.543	5.583	5.523	3.625	1.937
6"	6.708	6.608	6.644	6.584	3.750	2.125

Standard Radius Elbow Dimensions



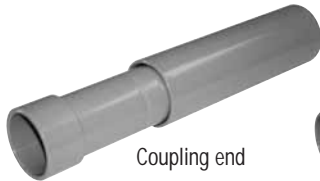
Size	A	B Min. (Radius)	C Min.
1/2"	.840	4"	1 1/2"
3/4"	1.050	4 1/2"	1 1/2"
1"	1.315	5 3/4"	1 7/8"
1 1/4"	1.660	7 1/4"	2"
1 1/2"	1.900	8 1/4"	2"
2"	2.375	9 1/2"	2"
2 1/2"	2.875	10 1/2"	3"
3"	3.500	13"	3 1/8"
3 1/2"	4.000	15"	3 1/4"
4"	4.500	16"	3 3/8"
5"	5.563	24"	3 5/8"
6"	6.625	30"	3 3/4"

Expansion Fittings



E945 series expansion fittings are designed to compensate for length changes due to temperature variations in exposed conduit runs.

- EXCLUSIVE Molded in Mid-point indicator on the piston.
- EXCLUSIVE 2" Expansion Fitting with an 8" travel distance.
- Two-piece molded design with lubricated seals for easier movement for the life of the product.
- Ridges on the fitting for easier installation (Sizes 2" through 6" only).
- Male terminal Adapter End design (1/2" – 2" NPT Threads, and 2 1/2" – 6" NPSC Threads).
- Two O-Rings to prevent leakage.
- Can be installed vertically or horizontally.



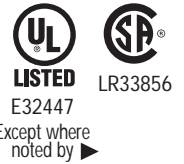
Coupling end



Male terminal adapter end

Coupling End Part No.	Male Terminal Adapter End Part No.	Size	Std. Ctn. Qty.	Travel Length (in.)
E945D	E945DX	1/2	20	4"
E945E	E945EX	3/4	15	4"
E945F	E945FX	1	10	4"
E945G	E945GX	1 1/4	5	4"
E945H	E945HX	1 1/2	5	4"
E945J	E945JX	2	15	8"
E945K	E945KX	2 1/2	10	8"
E945L	E945LX	3	10	8"
E945M	E945MX	3 1/2	5	8"
E945N	E945NX	4	5	8"
E945P	E945PX	5	1	8"
E945R	E945RX	6	1	8"

Couplings

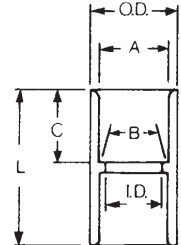


Standard Couplings

All socket fittings should be attached Using Carlon solvent cement.



Socket type for joining nonmetallic conduit.



Part No.	Size	Std. Ctn. Qty.	A Typical	B	I.D.	O.D.	C Typical	L
E940D	1/2	150	.852	.836	.728	1 7/64	1 1/16	1 1/2
☛ CE940DR-CTN	1/2	75	.852	.836	.728	1 7/64	1 1/16	1 1/2
E940E	3/4	100	1.064	1.046	.840	1 5/16	3/4	1 5/8
☛ CE940ER-CTN	3/4	45	1.064	1.046	.840	1 5/16	3/4	1 5/8
E940F	1	50	1.330	1.310	1.210	1 5/8	1 5/16	2
☛ CE940F-UPC	1	50	1.330	1.310	1.210	1 5/8	1 5/16	2
E940G	1 1/4	30	1.677	1.655	1.535	1 63/64	1	2 1/8
E940H	1 1/2	25	1.918	1.894	1.755	2 15/64	1 1/8	2 3/8
E940J	2	30	2.393	2.369	2.190	2 47/64	1 3/16	2 1/2
E940K	2 1/2	20	2.890	2.868	2.688	3 5/16	1 33/64	3 3/16
E940L	3	25	3.515	3.492	3.375	3 31/32	1 3/4	3 13/32
E940M	3 1/2	20	4.015	3.992	3.780	4 9/16	1 3/4	3 5/8
E940N	4	15	4.515	4.491	4.265	5 3/32	1 25/32	3 3/4
E940P	5	8	5.593	5.553	5.097	6 1/4	1 5/16	4 1/16
E940R	6	5	6.658	6.614	6.115	7 1/2	2 3/16	4 5/8

☛ Canada only

Schedule 40 & 80 Elbows & Fittings

Short Expansion Couplings

(Expands to a maximum of 2")



Part No.	Size	Std. Ctn. Qty.
E955D	1/2	40
E955E	3/4	40
E955F	1	25
E955G	1 1/4	15
E955H	1 1/2	10
E955J	2	6

Special Long Line Couplings



Long Line Couplings

Part No.	Size	Std. Ctn. Qty.	Std. Wt. (lbs.)	Length
E941H	1 1/2	40	9	3.19
E941J	2	25	8	3.59
E941K	2 1/2	15	8	4.29
E941L	3	15	14	6.44
E941N	4	10	15	6.96
E941PF	5	4	12	9.63
▶ E941RF	6	5	21	11.75

Fabricated Expansion Couplings



Part No.	Size	Std. Ctn. Qty.	Travel Length (in.)
E945KXL	2 1/2	10	12

Couplings



Special Long Line Couplings — Sleeve Couplings

Sleeve Coupling (For Repair Work)
No Internal Stop

Part No.	Size	Std. Ctn. Qty.	Std. Wt. (lbs.)	Length
▶ E948H	1½	25	6	4"
▶ E948J	2	25	5	3"
▶ E948K	2½	25	16	6"
▶ E948L	3	25	13	4"
▶ E948N	4	10	8	6.5"
▶ E948P	5	14	33	7"
▶ E948R	6	6	16	6"
▶ E948JR	2	15	8	6"
▶ E948JS	2" (Sch. 40 Split Duct)	25	6	
▶ E948KS7	2½" (Sch. 40 Split Duct)	25	19	7"
▶ E948L12	3	1	1	12"
▶ E948L6	3	15	15	6"
▶ E948LS	3" (Sch. 40 Split Duct)	25	17	
▶ E948N12	4	10	28	12"
▶ E948N7	4	15	25	7"
▶ E948NS	4" (Sch. 40 Split Duct)	10	15	
▶ E948PS	5" (Sch. 40 Split Duct)	1	2	
▶ E948R10	6	6	25	10"
▶ E948R12	6	6	25	12"
▶ E948RS	6" (Sch. 40 Split Duct)	1	2	

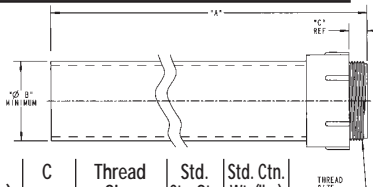
Special Schedule 40 Swedge Couplings

*Consult factory for additional sizes



Part No.	Size	Std. Ctn. Qty.	Std. Wt. (lbs.)
▶ E442K	2½	20	13
▶ E442R	6	6	27
▶ E442T	8	2	17

Risers Schedule 40



Part No.	Size	A (Length)	B (Min.)	C	Thread Size	Std. Ctn. Qty.	Std. Ctn. Wt. (lbs.)
▶ E954HX	1½	80.00	1.567	.950	1½" NPT	1	3.8
▶ E954J	2	60.00	2.024	.825	2" NPT	1	3.7
▶ E954JX	2	80.00	2.024	.825	2" NPT	1	5.0
▶ E954K	2½	60.00	2.418	.812	2½" NPSC	1	6.0
▶ E954KX	2½	80.00	2.418	.812	2½" NPSC	1	8.4
▶ E954L	3	60.00	3.012	.798	3" NPSC	1	8.7
▶ E954LX	3	80.00	3.012	.798	3" NPSC	1	11.0

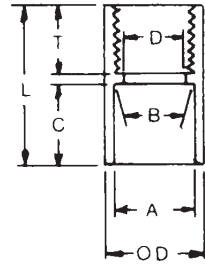
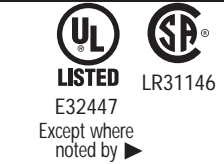


Adapters

Female Adapters



For adapting nonmetallic conduits to threaded fittings, metallic systems. Female threads on one end, socket end on other.



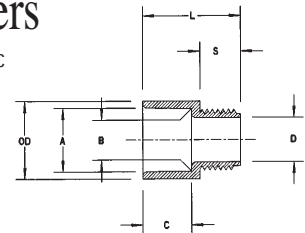
Part No.	Size	Std. Ctn. Qty.	A Typical	B Typical	Min. D	Max. OD	C	T Typical	L
E942D	½	150	.852	.836	.620	17/64	11/16	¾	19/16
E942E	¾	100	1.064	1.046	.822	15/16	13/16	¾	15/8
E942F	1	50	1.330	1.310	1.046	15/8	15/16	7/8	115/16
E942G	1¼	30	1.677	1.655	1.377	163/64	1	7/8	2
E942H	1½	25	1.918	1.894	1.607	25/32	11/8	7/8	27/32
E942J	2	30	2.393	2.369	2.064	247/64	13/16	1	25/16
E942K	2½	20	2.890	2.868	2.450	311/32	15/8	11/8	215/16
E942L	3	25	3.515	3.492	3.000	331/32	13/4	11/8	31/16
E942M	3½	20	4.015	3.992	3.500	41/2	17/8	11/8	31/4
E942N	4	15	4.515	4.491	4.000	51/64	13/4	11/16	313/64
▶ E942NX9*	4	15	(Call for information)						
E942P	5	8	5.593	5.553	5.047	61/4	115/16	11/16	33/16
E942R	6	6	6.658	6.614	6.055	71/4	21/8	11/16	33/8
▶ E942RX*	6	6	(Call for information)						

* Long Line Adapter

Male Terminal Adapters



For adapting nonmetallic conduits to boxes, threaded fittings, metallic systems. Male threads on one end, socket end on other.



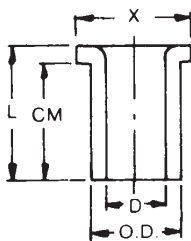
Part No.	Size	Std. Ctn. Qty.	A Typical	B Typical	Min. D	Max. OD	C	S Typical	L
E943D	½	150	.852	.836	.594	1.042	.652	.545	1.310
E943E	¾	125	1.064	1.046	.793	1.290	.809	.553	1.470
E943F	1	50	1.330	1.310	1.025	1.580	.965	.812	1.902
E943G	1¼	50	1.677	1.655	1.345	1.973	1.208	.816	1.986
E943H	1½	25	1.918	1.894	1.574	2.188	1.155	.802	2.105
E943J	2	50	2.393	2.369	1.998	2.713	1.145	.825	2.093
E943K	2½	25	2.890	2.868	2.400	3.290	1.490	.812	2.480
E943L	3	45	3.515	3.492	2.989	3.965	1.643	.797	2.660
E943M	3½	30	4.015	3.992	3.405	4.515	1.720	.802	2.740
E943N	4	20	4.515	4.491	3.895	5.065	1.788	.733	2.830
E943P	5	5	5.593	5.553	4.900	6.104	1.935	.990	3.200
E943R	6	10	6.658	6.614	5.900	7.288	2.128	.985	3.410

Adapters

Box Adapters for Enclosures



Adapts nonmetallic conduit to all electrical enclosures by inserting adapter through knockout and cementing into Carlon couplings.



Part No.	Size	Std. Ctn. Qty.	Min D	OD Typical	Max X	CM Typical	L
E996D	1/2	100	.662	.840	17/64	23/32	27/32
E996E	3/4	100	.824	1.050	121/64	25/32	29/32
E996F	1	100	1.049	1.315	15/8	61/64	13/32
E996G	1 1/4	50	1.380	1.660	131/32	11/16	11/4
E996H	1 1/2	50	1.610	1.900	213/64	13/16	13/8
E996J	2	25	2.067	2.375	229/32	1/4	17/16
E996K	2 1/2	15	2.469	2.875	37/16	17/8	115/16
E996L	3	20	3.068	3.500	41/8	2	2 1/16
E996N	4	10	4.026	4.500	51/8	2 1/2	2 1/4

Reducers

Fabricated Reducers



Fabricated Reducers

UL LISTED LR31146
E32447
Except where noted by ▶

Male x Male

Part No.	Size	Std. Ctn. Qty.	Std. Ctn. Wt. (lbs.)
▶ E952JH	1 1/2" x 2"	48	20
▶ E952KJ	2 1/2" x 2"	48	26
▶ E952LJ	3" x 2"	36	21
▶ E952LK	3" x 2 1/2"	36	32
▶ E952NL	4" x 3"	15	21
▶ E952NM	4" x 3 1/2"	15	25
▶ E952PN	5" x 4"	12	27
E952RP	6" x 5"	10	31

Male x Female

Part No.	Size	Std. Ctn. Qty.	Std. Ctn. Wt. (lbs.)
▶ E952NJF	4" x 2"	15	16
▶ E952RNF	6" x 4"	10	28

Threaded Adapters



Part No.	Size	Std. Ctn. Qty.
E9842D ¹	1/2	25
E9842E ²	3/4	25

¹ Fits 3/4" sockets ² Fits 1" sockets

Plugs

Reducer Plugs



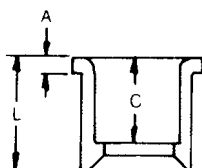
Part No.	Size	Std. Ctn. Qty.	Std. Ctn. Wt. (lbs.)
▶ E971C	3/4" x 1/2"	100	2
▶ E971D	1" x 3/4"	100	3

Reducers

Reducer Bushings



For connecting different sizes of conduit. Bell x Spigot.



Part No.	Size	Std. Ctn. Qty.	L Typical	A Typical	C Typical
E950ED	3/4" x 1/2"	100	15/32	13/64	11/32
E950FD-CAR	1" x 1/2"	25	111/32	3/16	57/64
E950FE	1" x 3/4"	100	111/32	3/16	11/64
E950GE-CAR	1 1/4" x 3/4"	10	115/32	3/16	11/64
E950GF	1 1/4" x 1"	50	115/32	3/16	19/64
E950HF-CAR	1 1/2" x 1"	10	119/32	3/16	19/64
E950HG-CAR	1 1/2" x 1 1/4"	10	119/32	3/16	117/64
E950JG-CAR	2" x 1 1/4"	10	13/4	7/32	117/64
E950JH-CAR	2" x 1 1/2"	10	13/4	7/32	125/64
E950KJ-CAR	2 1/2" x 2"	10	25/32	3/8	127/64
E950LJ-CAR	3" x 2"	10	21/8	1/4	17/8
▶ E950LK	3" x 2 1/2"	25	115/16	1/4	111/16
E950NL	4" x 3"	25	23/4	5/16	115/16

Plugs (Polyethylene)



Part No.	Size	Std. Ctn. Qty.	Std. Ctn. Wt. (lbs.)
▶ P258H	1 1/2"	50	2
▶ P258K	2 1/2"	25	1.5

Plugs with Pull Tabs (Polyethylene)

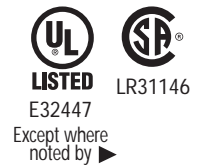


Part No.	Size	Std. Ctn. Qty.	Std. Ctn. Wt. (lbs.)
▶ P258JT	2	60	3
▶ P258LT	3	30	3
▶ P258NT	4	48	8
▶ P258PT	5	30	6
▶ P258RT	6	30	9

Schedule 40 & 80
Elbows & Fittings

Caps

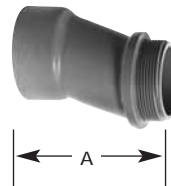
Service Entrance Caps



Part No.	Size	Std. Ctn. Qty.	Dimensions (in.)			
			E	F	G	H
E998D	1/2	5	1.76	.45	.45	-
E998E	3/4	20	1.76	.45	.45	-
E998E-CAR	3/4	5	1.76	.45	.45	-
E998F	1	15	2.26	.59	.58	-
E998F-CAR	1	5	2.26	.59	.58	-
E998G-CAR	1 1/4	5	3.52	.74	.71	.50
E998H-CAR	1 1/2	5	3.52	.74	.71	.50
E998J-CAR	2	5	4.26	.83	.78	.56
E998K-UPC	2 1/2	2	7.47	1.70	1.31	1.00
E998L	3	2	7.47	1.70	1.31	1.00
E998N	4	2	10.45	2.25	1.88	1.31

Offsets

Meter Offset



Part No.	Size	Std. Ctn. Qty.	Offset	A
▶ E995G	1 1/4	15	0.758	4.230
▶ E995J	2	8	0.684	4.270

Offset



Part No.	Size	Std. Ctn. Qty.	Std. Ctn. Qty. Wt. (lbs.)
▶ E994D	1/2	25	3
▶ E994E	3/4	25	3
▶ E994F	1	50	12

End Bells

End Bells



Part No.	Size	Std. Ctn. Qty.	Std. Ctn. Qty. Wt. (lbs.)
E997F	1	50	2.6
E997G	1 1/4	35	2.5
E997H	1 1/2	30	2.5
E997J	2	40	5.0
E997K	2 1/2	30	2
E997L	3	50	10
E997M	3 1/2	40	11
E997N	4	30	16
▶ E997P	5	15	8
▶ E997R	6	10	7
▶ E997T	8	3	15

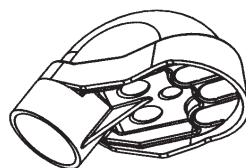
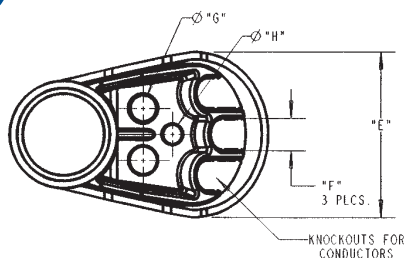
Fabricated End Bells

Schedule 40



Part No.	Size	Std. Ctn. Qty.	Std. Ctn. Qty. Wt. (lbs.)
▶ E949J5	2" x 5"	50	10
▶ E949J6	2" x 6"	25	12
▶ E949JN	2" x 4"	25	7
▶ E949JX	2" x 8"	12	7
▶ E949LR	3" x 6"	20	21
▶ E949N5	4" x 5"	20	2
▶ E949NR	4" x 6"	15	21
▶ E949R5	6" x 5"	12	27
▶ E949RX	6" x 8"	6	17

Schedule 40 & 80 Elbows & Fittings



End Caps



Part No.	Size	Std. Ctn. Qty.	Std. Ctn. Qty. Wt. (lbs.)
▶ E958D	1/2	100	3
▶ E958E	3/4	100	4
▶ E958F	1	75	5
▶ E958G	1 1/4	40	4
▶ E958H	1 1/2	30	4
▶ E958J	2	25	5
▶ E958K	2 1/2	10	4
▶ E958L	3	10	5
▶ E958N	4	5	17
▶ E958P	5	5	11
▶ E958R	6	5	13

PVC Riser Caps



Part No.	Size	Std. Ctn. Qty.	Std. Ctn. Qty. Wt. (lbs.)
▶ E935J	2	25	3
▶ E935L	3	25	5
▶ E935N	4	25	7
▶ E935P	5	25	35
▶ E935R	6	10	7

Lock Nuts



PVC Lock Nut



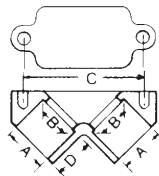
Part No.	Size	Std. Ctn. Qty.
▶ LT9LD	1/2	1200
▶ LT9LE	3/4	700
▶ LT9LF	1	600

Pull Elbows

Access Pull Elbows



Gasket included.



Part No.	Size	Std. Ctn. Qty.	A Typical	B Typical	C Typical	D Typical
† E990D	1/2	75	.852	.836	2.187	.718
† E990E	3/4	50	1.064	1.046	2.531	.781

Sleeves

HOLFORM™ Concrete Sleeves

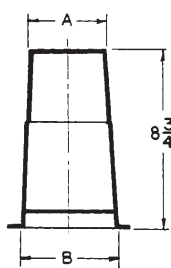
HOLFORM nonmetallic concrete sleeve forms are the easy way to form holes in concrete. They install in seconds with nails, screws or staples and are easily removed. Concrete will not adhere to them. HOLFORMS are adjustable to any slab thickness.



LISTED
E32447
Except where noted by ▶



LR31146
Except where noted by †



Part No.	Min. O.D. A	B	Std. Ctn. Qty.	Std. Ctn. Wt. (lbs.)
▶ E92CSH	1 1/2	1 3/4	20	3
▶ E92CSJ	2	2 13/32	25	6
▶ E92CSL	3	3 13/32	25	8
▶ E92CSN	4	4 13/32	18	8
▶ E92CSP	5	5 13/32	15	8
▶ E92CSR	6	6 13/32	12	8

Washers

Flat Sealing Washer

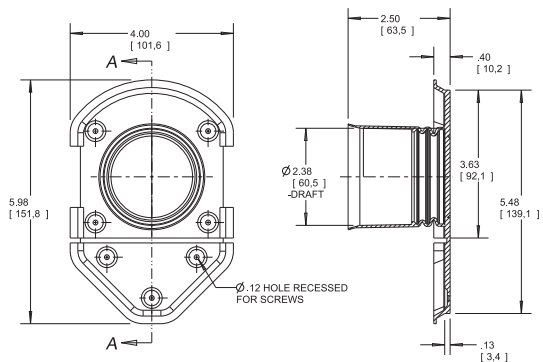
Where a waterproof termination is required into any enclosure (metallic or nonmetallic), install the neoprene washer over the threads of a terminal adapter before inserting into the enclosure. Use a standard locknut or threaded bushing to secure the assembly.



Part No.	Size	Std. Ctn. Qty.
▶ E943DW	1/2	125
▶ E943EW	3/4	125
▶ E943FW	1	100
▶ E943GW	1 1/4	50
▶ E943HW	1 1/2	50
▶ E943JW	2	25

Sleeve Couplings

Conduit Sleeve Couplings



Carlton Conduit Sleeve Couplings are specifically designed for pass-through applications in concrete construction. They're manufactured from Thermoplastic Elastomer (TPE) so they're concrete tight and flexible enough to mount to any surface. They can be mounted in vertical wall spans or angled wall spans up to 30 degrees per side.



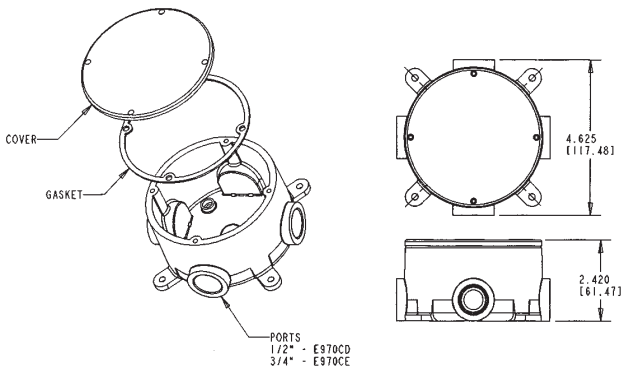
Part No.	Size	Std. Ctn. Qty.	Std. Ctn. Wt. (lbs.)
E992J	2"	84	13.0
E992L	3"	30	8.3
E992N	4"	22	8.6
E992R	6"	18	13.0

Conduit Bodies

Type X with Cover

Four knock-out type socket openings, 90° spacing. Available with 1/2" or 3/4" socket outlets. Includes cover and gasket.

Schedule 40 & 80
Elbows & Fittings

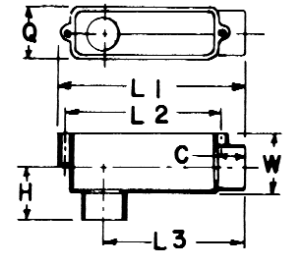
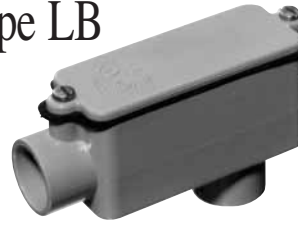


Part No.	Size	Vol. Cu. In.	Std. Ctn. Qty.
▶ E970CD	1/2	15.16	15
E970CE	3/4	15.16	15

Supplied with 4 stainless steel cover screws. Diameter 4 1/8", Thickness 1/4".

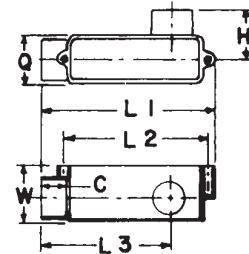
*Not designed for use with wiring devices or light fixtures.

Type LB



Part No.	Size	Std. Ctn. Qty.	C Typical	Max. L1	L2 Typical	L3	Max. H	Max. Q	Max. W	Vol. Cu. In.
E986D	1/2	25	11/16	4 5/16	3 7/32	3 1/16	1 5/16	1 11/32	1 1/2	4.0
E986E	3/4	15	29/32	6 9/32	5 9/32	4 25/32	1 25/32	1 3/4	2 1/32	12.0
E986F	1	10	29/32	6 9/32	5 9/32	4 25/32	1 25/32	1 3/4	2 1/32	12.0
E986G	1 1/4	10	1 3/32	7 31/32	6 13/32	6	2 5/16	2 1/2	2 3/4	32.0
E986H	1 1/2	10	1 3/32	7 31/32	6 13/32	6	2 5/16	2 1/2	2 3/4	32.0
E986J	2	10	1 5/32	9 31/32	8 13/32	7 1/4	2 9/16	3 5/32	3 15/32	63.0
▶ E986K	2 1/2	4	1 5/8	14 7/8	13 1/4	11 31/32	3 3/4	4 11/32	4 5/8	210.
▶ E986L	3	4	1 5/8	14 7/8	13 1/4	11 31/32	3 3/4	4 11/32	4 5/8	210.
▶ E986M	3 1/2	4	1 25/32	17 23/32	15 7/8	14 17/64	4 7/16	5 11/32	5 21/32	390.
▶ E986N	4	4	1 25/32	17 23/32	15 7/8	14 17/64	4 7/16	5 11/32	5 21/32	390.

Type LR



UL LISTED
E42728
Except where noted by ▶

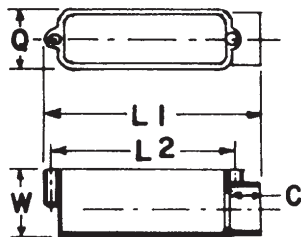
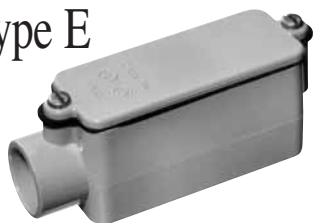
Part No.	Size	Std. Ctn. Qty.	C Typical	Max. L1	L2 Typical	L3	Max. H	Max. Q	Max. W	Vol. Cu. In.
E985D-CAR	1/2	10	11/16	4 5/16	3 7/32	3 1/16	1 5/16	1 11/32	1 1/2	4.0
E985E-CAR	3/4	10	29/32	6 9/32	5 9/32	4 25/32	1 25/32	1 3/4	2 1/32	12.0
E985F	1	10	29/32	6 9/32	5 9/32	4 25/32	1 25/32	1 3/4	2 1/32	12.0
E985G	1 1/4	10	1 3/32	7 31/32	6 13/32	6	2 5/16	2 1/2	2 3/4	32.0
E985H-CAR	1 1/2	5	1 3/32	7 31/32	6 13/32	6	2 5/16	2 1/2	2 3/4	32.0
E985J	2	10	1 5/32	9 31/32	8 13/32	7 1/4	2 9/16	3 5/32	3 15/32	63.0

- Hubs are not threaded
- Textured lids
- Foam-in-place gasket



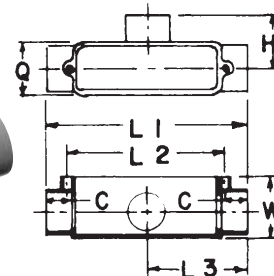
LR31146

Type E



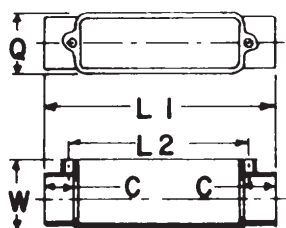
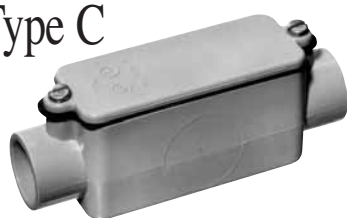
Part No.	Size	Std. Ctn. Qty.	C	L1	L2	Q	W	Vol. Cu. In.
E988D	1/2	25	1 ¹¹ / ₁₆	4 ⁵ / ₁₆	3 ¹ / ₂	1 ¹¹ / ₃₂	1 ¹ / ₂	4.0
E988E	3/4	20	2 ⁹ / ₃₂	6 ¹¹ / ₃₂	5 ⁹ / ₃₂	1 ³ / ₄	2 ¹ / ₃₂	12.0
E988F	1	10	2 ⁹ / ₃₂	6 ¹¹ / ₃₂	5 ⁹ / ₃₂	1 ³ / ₄	2 ¹ / ₃₂	12.0
E988G	1 ¹ / ₄	10	1 ³ / ₃₂	8	6 ¹³ / ₃₂	2 ¹ / ₂	2 ³ / ₄	32.0
E988H	1 ¹ / ₂	10	1 ³ / ₃₂	8	6 ¹³ / ₃₂	2 ¹ / ₂	2 ³ / ₄	32.0
E988J	2	5	1 ⁵ / ₃₂	9 ¹⁵ / ₃₂	8 ¹³ / ₃₂	3 ⁵ / ₃₂	3 ¹⁵ / ₃₂	63.0

Type T



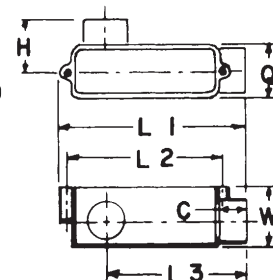
Part No.	Size	Std. Ctn. Qty.	C Typical	Max. L1	L2 Typical	L3	Max H	Max Q	Max. W	Vol. Cu. In.
E983D-CAR	1/2	10	1 ¹¹ / ₁₆	4 ¹¹ / ₁₆	3 ⁷ / ₃₂	2 ¹¹ / ₃₂	1 ⁵ / ₁₆	1 ¹¹ / ₃₂	1 ¹ / ₂	4.0
E983E	3/4	15	2 ⁹ / ₃₂	6 ⁷ / ₈	5 ⁹ / ₃₂	4 ⁷ / ₁₆	1 ²⁵ / ₃₂	1 ³ / ₄	2 ¹ / ₃₂	12.0
E983F	1	20	2 ⁹ / ₃₂	6 ⁷ / ₈	5 ⁹ / ₃₂	3 ⁷ / ₁₆	1 ²⁵ / ₃₂	1 ³ / ₄	2 ¹ / ₃₂	12.0
E983G	1 ¹ / ₄	10	1 ³ / ₃₂	8 ²¹ / ₃₂	6 ¹³ / ₃₂	4 ²¹ / ₆₄	2 ⁵ / ₁₆	2 ¹ / ₂	2 ³ / ₄	32.0
E983H	1 ¹ / ₂	10	1 ³ / ₃₂	8 ²¹ / ₃₂	6 ¹³ / ₃₂	4 ²¹ / ₆₄	2 ⁵ / ₁₆	2 ¹ / ₂	2 ³ / ₄	32.0
E983J	2	10	1 ⁵ / ₃₂	10 ⁹ / ₁₆	8 ¹³ / ₃₂	5 ⁵ / ₃₂	2 ⁹ / ₁₆	3 ⁵ / ₃₂	3 ¹⁵ / ₁₆	63.0

Type C



Part No.	Size	Std. Ctn. Qty.	C Typical	Max. L1	L2 Typical	Max Q	Max. W	Vol. Cu. In.
E987D	1/2	25	1 ¹¹ / ₁₆	4 ¹¹ / ₁₆	3 ¹ / ₂	1 ¹¹ / ₃₂	1 ¹ / ₂	4.0
E987E-CAR	3/4	10	2 ⁹ / ₃₂	6 ⁷ / ₈	5 ³² / ₆₄	1 ³ / ₄	2 ¹ / ₃₂	12.0
E987F-CAR	1	10	2 ⁹ / ₃₂	6 ⁷ / ₈	5 ⁹ / ₃₂	1 ³ / ₄	2 ¹ / ₃₂	12.0
E987G	1 ¹ / ₄	10	1 ³ / ₃₂	8 ²¹ / ₃₂	6 ¹³ / ₃₂	2 ¹ / ₂	2 ³ / ₄	32.0
E987H	1 ¹ / ₂	10	1 ³ / ₃₂	8 ²¹ / ₃₂	6 ¹³ / ₃₂	2 ¹ / ₂	2 ³ / ₄	32.0
E987J	2	15	1 ⁵ / ₃₂	10 ⁹ / ₁₆	8 ¹³ / ₃₂	3 ⁵ / ₃₂	3 ¹⁵ / ₃₂	63.0

Type LL



Part No.	Size	Std. Ctn. Qty.	C Typical	Max. L1	L2 Typical	L3	Max H	Max Q	Max. W	Vol. Cu. In.
E984D-CAR	1/2	10	1 ¹¹ / ₁₆	4 ⁵ / ₁₆	3 ⁷ / ₃₂	3 ¹ / ₁₆	1 ⁵ / ₁₆	1 ¹¹ / ₃₂	1 ¹ / ₂	4.0
E984E	3/4	20	2 ⁹ / ₃₂	6 ⁹ / ₃₂	5 ⁹ / ₃₂	4 ²⁵ / ₃₂	1 ²⁵ / ₃₂	1 ³ / ₄	2 ¹ / ₃₂	12.0
E984F-CAR	1	10	2 ⁹ / ₃₂	6 ⁹ / ₃₂	5 ⁹ / ₃₂	4 ²⁵ / ₃₂	1 ²⁵ / ₃₂	1 ³ / ₄	2 ¹ / ₃₂	12.0
E984G-CAR	1 ¹ / ₄	5	1 ³ / ₃₂	7 ³¹ / ₃₂	6 ¹³ / ₃₂	6	2 ⁵ / ₁₆	2 ¹ / ₂	2 ³ / ₄	32.0
E984H	1 ¹ / ₂	10	1 ³ / ₃₂	7 ³¹ / ₃₂	6 ¹³ / ₃₂	6	2 ⁵ / ₁₆	2 ¹ / ₂	2 ³ / ₄	32.0
E984J	2	10	1 ⁵ / ₃₂	9 ⁹ / ₃₂	8 ¹³ / ₃₂	7 ¹ / ₄	2 ⁹ / ₁₆	3 ⁵ / ₃₂	3 ¹⁵ / ₃₂	63.0

Schedule 40 & 80
Elbows & Fittings

Molded Nonmetallic Junction Boxes 6P Rated



Except where noted by †

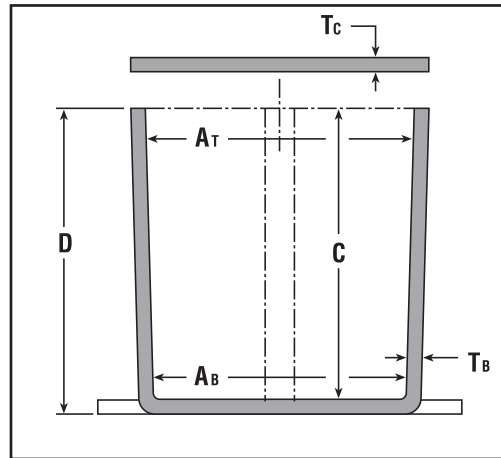
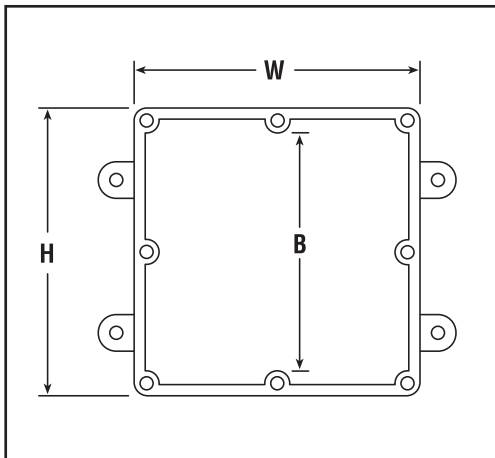


E42728

Schedule 40 & 80
Elbows & Fittings

Nonmetallic junction boxes are UL Listed with a NEMA 6P rating per Section 314.29, Exception of the National Electrical Code and CSA Certified per Section 12 of the Canadian Electrical Code. Manufactured from PVC or PPO thermoplastic molding compound and featuring foam-in-place gasketed lids attached with stainless steel screws, these rugged enclosures offer all the corrosion resistance and physical properties you need for direct burial applications.

Type 6P enclosures are intended for indoor or outdoor use, primarily to provide a degree of protection against contact with enclosed equipment, falling dirt, hose-directed water, entry of water during prolonged submersion at a limited depth, and external ice formation.



- All Carlon Junction Boxes are UL Listed / CSA Certified and maintain a minimum of a NEMA Type 4/4x Rating.
- Parts numbers with an asterisk (*) are UL Listed and maintain a NEMA Type 6P Rating and Type 4/4X Rating.

Specifications

Part No.	Size in Inches H x W x D	Std. Ctn. Qty.	Min A _T	Min. A _B	Min. B	Min. C	T _b Typical	T _c	Material		Std. Ctn. Wt. (Lbs.)
									PVC	Thermo-plastic	
E989NNJ*	4 x 4 x 2	10	3 11/16	3 5/8	N/A	2	.160	.155	X		3
E987N*	4 x 4 x 4	10	3 11/16	3 1/2	N/A	4	.160	.155	X		4
†E989NNR*	4 x 4 x 6	10	3 11/16	3 3/8	N/A	6	.160	.200	X		5
E989PPJ*	5 x 5 x 2	10	4 11/16	4 1/2	N/A	2	.110	.150		X	3
E987R-CAR*	6 x 6 x 4	2	6	5 5/8	N/A	4	.190	.190		X	3
E989RRR-UPC*	6 x 6 x 6	8	5 5/8	5 3/8	N/A	6	.160	.150		X	14
E989N-CAR	8 x 8 x 4	1	8	8	N/A	4	.185	.190		X	2
E989SSX-UPC	8 x 8 x 7	2	7 21/32	7 5/16	N/A	7	.160	.150		X	6
E989UUN	12 x 12 x 4	3	11 5/8	11 1/2	11 7/8	4	.160	.150		X	12
E989R-UPC	12 x 12 x 6	2	11 15/16	11 7/8	11 7/16	6	.265	.185		X	10

Large PVC Junction Boxes / NEMA 4X

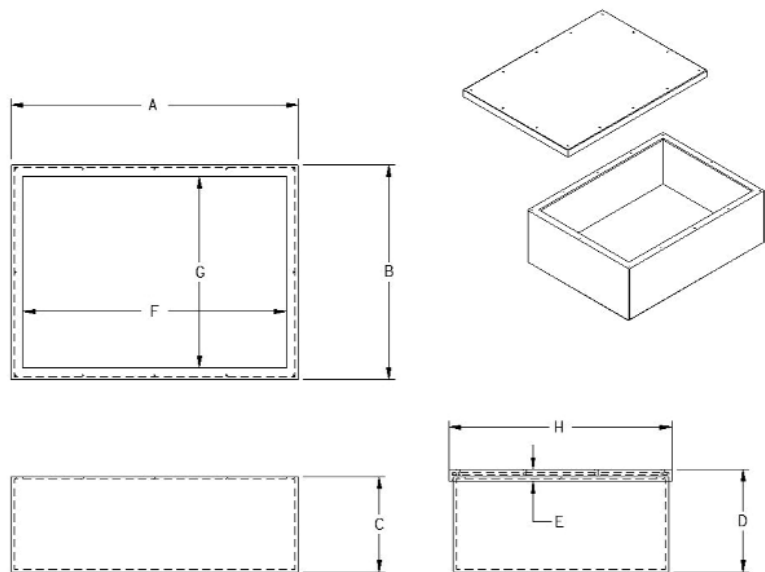
Large PVC Junction Boxes are fabricated from Type II PVC sheet using a patented technology. Reduce the use of steel boxes, and keep your wiring connections clean, safe and dry using these high-quality, fully gasketed junction boxes.

Features and Benefits:

- PVC Type II material with "Uni-Body" construction and penetration welding provides a very strong, durable enclosure
- UL-94V-0 Flame Rating
- Suitable for exposure of up to 90°C
- PVC material allows the use of standard solvent cements for fitting attachment
- Junction Boxes are available with mounting flanges or without mounting flanges
- Individual Mounting Feet are available and provided as kits of 4 mounting feet
- Custom features such as windows or panel mounts are available.
- Custom sizes are also available upon request
- Patent Numbers 6,110,086 / 5,555,989 / 5,316,165 / 5,377,396
- Made in the USA



Schedule 40 & 80
Elbows & Fittings



Specifications

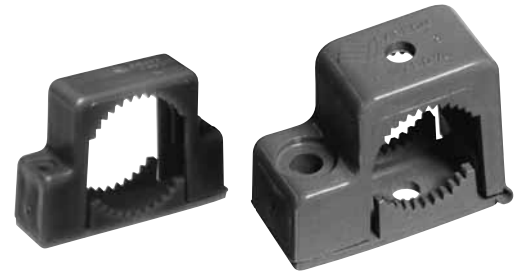
Part No.	A	B	C	D	E	F	G	H	Std. Ctn. Wt. (lbs.)
EP12128	12"	12"	8"	8.25"	1.00"	10.5"	10.5"	12.75"	11
EP181812	18"	18"	12"	12.25"	1.00"	16"	16"	18.75"	21
EP201808	20"	18"	8"	8.25"	1.00"	18"	16"	18.75"	20
EP202008	20"	20"	8"	8.25"	1.00"	18"	18"	20.75"	22
EP241808	24"	18"	8"	8.25"	1.00"	22"	16"	18.75"	24
EP242008	24"	20"	8"	8.25"	1.00"	21.5"	17.5"	20.75"	25
EP242408	24"	24"	8"	8.25"	1.00"	21.5"	21.5"	24.75"	29
EP302408	30"	24"	8"	8.25"	1.00"	27.5"	21.5"	24.75"	34
EP362408	36"	24"	8"	8.25"	1.00"	33.5"	21.5"	24.75"	39

Accessories

Part No.	Description	Std. Ctn. Wt. (lbs.)
ESMFK-1	"CleverMount" Mounting Feet (4 Feet & Fasteners)	5

Snap Strap® Conduit Support Straps

Carlon's Snap Strap® offers a unique support strap designed especially for the installation of PVC conduit. Also usable for installations of rigid steel. This high strength, nonmetallic clamp allows conduit to expand and contract freely, eliminating the bowing commonly seen from the expansion and contraction of conduit caused by varying temperature changes. Finished installations have a neat, attractive appearance on exposed applications.

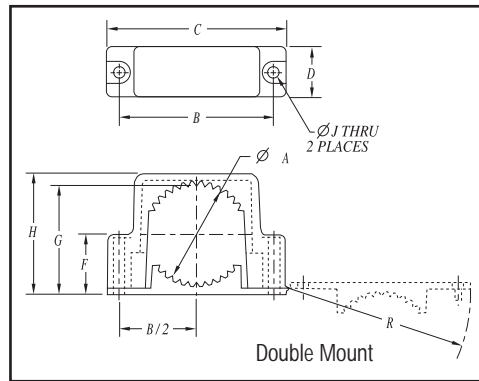
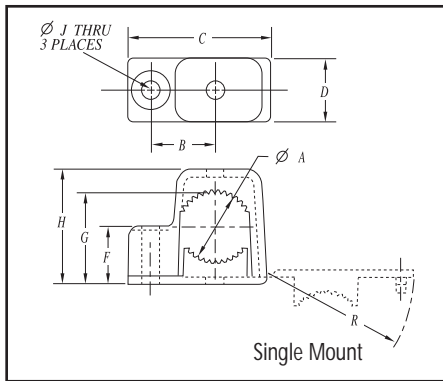


To be used in accordance with conduit spacing requirements per the NEC, Section 352.30 and 12-1114 of the CEC. This part is not supplied with screws.



Schedule 40 & 80
Elbows & Fittings

- UV inhibited for use in direct sunlight



Single Mount

Part No.	Size: inches (mm)	Std. Ctn. Qty.	Std. Ctn. Wt. (lbs.)	A	B	C	D	F	G	H	J	R
E978DC-CAR	1/2" (16)	40	1	0.80 (20.3)	.75 (1.90)	1.63 (41.4)	0.75 (19.1)	.59 (14.9)	.99 (25.1)	1.36 (34.5)	.21 (5.33)	1.67 (42.4)
E978EC-CAR	3/4" (21)	40	3	1.00 (25.4)	.88 (22.4)	1.92 (48.7)	0.75 (19.1)	.70 (17.8)	1.20 (30.4)	1.57 (39.9)	.21 (5.33)	1.96 (49.8)
E978FC-CAR	1" (27)	30	4	1.20 (30.5)	1.02 (25.9)	2.17 (55.1)	0.75 (19.1)	.83 (21.1)	1.43 (36.3)	1.84 (46.7)	.21 (5.33)	2.22 (56.3)

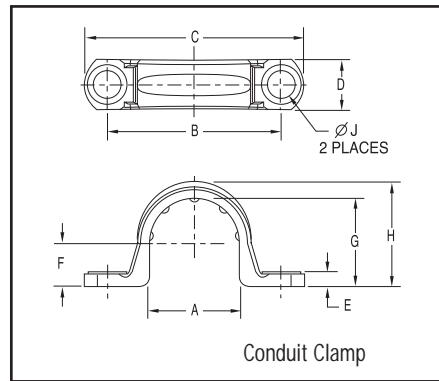
Double Mount

Part No.	Size: inches (mm)	Std. Ctn. Qty.	Std. Ctn. Wt. (lbs.)	A	B	C	D	F	G	H	J	R
E978GC-CAR	1 1/4" (35)	15	4	1.66 (42.16)	2.75 (69.9)	3.23 (82.0)	1.00 (25.4)	.95 (24.1)	1.78 (45.2)	2.15 (54.61)	.218 (5.54)	3.28 (83.3)
E978HC-CAR	1 1/2" (41)	15	5	1.92 (48.77)	3.05 (77.5)	3.53 (89.7)	1.00 (25.4)	1.08 (27.4)	2.04 (51.8)	2.40 (60.96)	.218 (5.54)	3.58 (90.9)
E978JC-CAR	2" (53)	10	5	2.34 (59.44)	3.50 (88.9)	4.00 (101.6)	1.00 (25.4)	1.31 (33.3)	2.48 (63.0)	2.86 (72.64)	.218 (5.54)	4.06 (103.1)

Nonmetallic Clamps

To be used in accordance with conduit spacing requirements per the NEC, Section 352.30, and 12-1114 of the NEC.

- UV inhibited for use in direct sunlight



Schedule 40 & 80
Elbows & Fittings

Conduit Clamps

Part No.	Size: inches (mm)	Std. Ctn. Qty.	Std. Ctn. Wt. (lbs.)	A	B	C	D	E	F	G	H	J
E977DC	1/2" (16)	100	1.2	0.892 (22.6)	1.71 (43.4)	2.16 (54.8)	0.50 (12.7)	.14 (3.5)	.42 (10.6)	.866 (21.9)	1.04 (26.4)	.260 (6.6)
E977EC	3/4" (21)	100	1.4	1.102 (27.9)	1.97 (50.0)	2.40 (60.9)	0.50 (12.7)	.14 (3.5)	.525 (13.3)	1.076 (27.3)	1.255 (31.8)	.260 (6.6)
E977FC	1" (27)	100	2	1.39 (35.3)	2.25 (57.1)	2.81 (71.3)	0.594 (15.0)	.14 (3.5)	.658 (16.7)	1.342 (34.0)	1.574 (39.9)	.260 (6.6)
E977GC	1 1/4" (35)	50	5	1.714 (43.5)	2.68 (68.0)	3.28 (83.3)	.64 (16.2)	.15 (3.8)	.83 (21.0)	1.687 (42.8)	1.89 (48.0)	.320 (8.1)
E977HC	1 1/2" (41)	50	6	1.92 (48.7)	2.82 (71.6)	3.44 (87.3)	.70 (17.7)	.15 (3.8)	.97 (24.6)	1.93 (49.0)	2.12 (53.8)	.312 (7.9)
E977JC	2" (53)	25	4.5	2.54 (64.5)	3.54 (89.9)	4.18 (106.1)	.76 (19.3)	.16 (4.0)	1.05 (26.6)	2.29 (58.1)	2.49 (63.2)	.315 (8.0)
E977KC-CAR	2 1/2" (63)	25	1.4	2.86 (72.6)	4.50 (114.3)	5.46 (138.7)	1.00 (25.4)	.20 (5.08)	1.43 (36.3)	2.86 (72.6)	3.12 (79.2)	.36 (9.14)
E977LC-CAR	3" (78)	20	1.4	3.47 (88.2)	5.00 (127.0)	6.00 (152.4)	1.00 (25.4)	.20 (5.08)	1.74 (44.3)	3.48 (88.4)	3.70 (94.0)	.36 (9.14)
E977NC-CAR	4" (103)	15	12.2	4.366 (110.9)	6.15 (156.2)	7.20 (182.9)	1.00 (25.4)	.20 (5.08)	2.32 (58.8)	4.50 (114.3)	4.70 (119.4)	.36 (9.14)

*Note: Some clamp applications require 2 screws, 2 nuts and 2 washers.

Slip Meter Risers

Carlon® Slip Meter Risers are designed for use in electrical service entrance applications. They provide solutions for applications requiring a non-rigid connection, with incoming service conduit diameters ranging from 2" to 4".

The Slip Meter Risers are fitted with a terminal adapter for easy installation at the service entrance location, and provide a low-cost method to comply with NEC 300.5(J), which requires protection for buried cables in areas subject to ground movement due to frost or trench settling.

Schedule 40 & 80
Elbows & Fittings

Features:

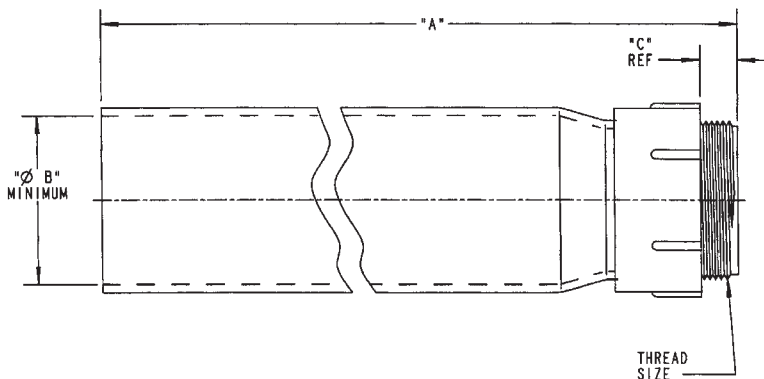
- Designed to provide faster and easier underground service entrance installations.
- Provides cable protection from ground movement.
- Accommodates incoming service conduit diameters ranging from 2" to 4".
- Fitted with Terminal Adapters for easy installing.
- Allows ground water in raceway system to drain.
- Complies with NEC 300.5(J)



Slip Meter Riser Specifications

Part Number	Size	A Length	B (Minimum)	C	Thread Size	Std. Carton Qty.	Std. Carton Wt. (lbs.)
E954JXX	2"	24.00	2.492	.83	2" NPT	20	46
E954JXS (split)	2"	24.00	2.492	.83	2" NPT	1	2.2
E954KXX	2 1/2"	24.00	2.961	.81	2 1/2" NPSC	10	28
E954LXX	3"	24.00	3.616	.80	3" NPSC	10	35
E954LXS (split)	3"	24.00	3.616	.80	3" NPSC	10	36
E954NXX	4"	24.00	4.859	.77	4" NPSC	5	23

Schedule 40 & 80
Elbows & Fittings



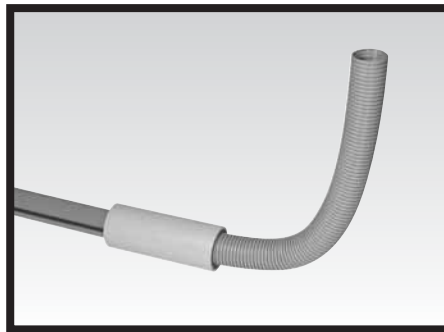
Article 300 Wiring Methods

(J) Ground Movement. Where direct buried conductors, raceways, or cables are subject to movement by settlement or frost, direct buried conductors, raceways, or cables shall be arranged to prevent damage to the enclosed conductors or to equipment connected to the raceways.

(FPN): This section recognizes "S" loops in underground direct burial to raceway transitions, expansion joints in raceway risers to fixed equipment, and, generally, the provision of flexible connections to equipment subject to settlement or frost heaves.

Flexible Conduit & Fittings

*P&C Flex®
Corrugated Flexible
Conduit & Fittings*



*Carflex® Liquidtight
Flexible Nonmetallic
Conduit & Fittings*



*Carlton® Corrugated
HDPE*



Flexible Conduit
& Fittings

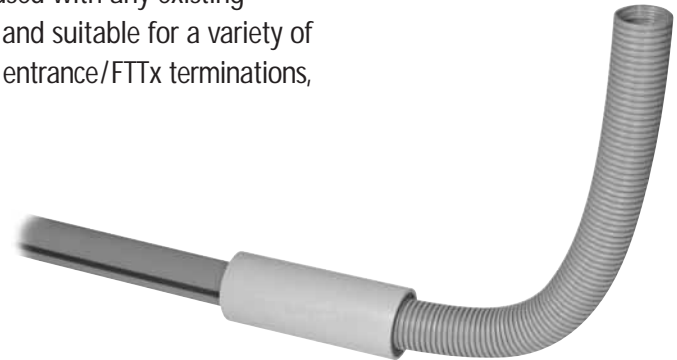
Carlon® P&C Flex® Corrugated Flexible Conduit

Carlon® P&C Flex® Nonmetallic Corrugated Conduit makes power and communication installations faster and easier by providing maximum installation flexibility. The corrugated design is flexible enough to accommodate any degree of bend requirement. Unlike rigid conduit, it has a tight bend radius, making this product ideal for shallow trenches.

P&C Flex is manufactured to IPS dimensions and can be used with any existing conduit system using standard fittings. It is UV Resistant and suitable for a variety of applications including direct burial, under bridges, service entrance/FTTx terminations, manhole terminations, pedestal/enclosure terminations and running up utility poles or outside of buildings.

P&C Flex is available in sizes 3/4" though 4", with or without pull tape (1" through 4" only) and comes in a variety of convenient standard put-ups.

**The NEW
Sweep
Alternative**



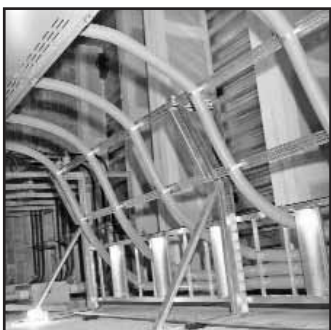
Features:

- Accommodates any degree of bend – ideal for shallow trenches.
 - For use with HDPE - Use ELA_ Series Fittings
 - For use with PVC - Use E940_ Series Fittings
- For use with HDPE - Use ELA_ Series Fittings
- Easily handles offsets
- Manufactured to IPS dimensions – can be used with standard IPS coupling/fittings
- UV Resistant
- Can be used as a flexible sweep or raceway – one SKU can do multiple bends
- Available in sizes 3/4" though 4"
- Small put-ups for easy handling

Note: Not UL Listed



Applications



P&C Flex Conduit

Part No.	Size	I.D.	O.D.	Pull Tape	Reel/Coil	Std. Ctn. Qty. (Ft.)	Std. Ctn. Wt. (lbs.)
11807-350	3/4"	.83	1.040	Empty	Coil	350	39.9
1808-250C	1"	1.000	1.315	Empty	Coil	250	36.3
11808-5200	1"	1.000	1.315	Empty	Reel	5200	1019.0
11809-900	1 1/4"	1.340	1.660	Empty	Reel	900	243.0
11809-4500	1 1/4"	1.340	1.660	Empty	Reel	4500	972.0
11810-250	1 1/2"	1.570	1.900	Empty	Reel	250	75.8
11810-4500	1 1/2"	1.570	1.900	Empty	Reel	4500	1080.0
11810T-2300	1 1/2"	1.570	1.900	1250 lb.	Reel	2300	720.0
11810T-250	1 1/2"	1.570	1.900	1250 lb.	Reel	250	78.0
11811-1100	2"	2.045	2.375	Empty	Reel	1100	521.4
11811-250	2"	2.045	2.375	Empty	Reel	250	87.0
11811-2500	2"	2.045	2.375	Empty	Reel	2500	815.0
11811-500	2"	2.045	2.375	Empty	Reel	500	201.6
11811-700	2"	2.045	2.375	Empty	Reel	700	269.0
11811T-250	2"	2.045	2.375	1250 lb	Reel	250	89.0
11812-250	2 1/2"	2.469	2.875	Empty	Reel	250	121.0
11812AG-001	2 1/2"	2.469	2.875	Empty	Reel	1300	516.1
11813-1200	3"	3.068	3.500	Empty	Reel	1200	850.8
11813-250	3"	3.068	3.500	Empty	Reel	250	192.0
11813-500	3"	3.068	3.500	Empty	Reel	500	523.0
11813-750	3"	3.068	3.500	Empty	Reel	750	554.3
11815-250	4"	4.026	4.500	Empty	Reel	250	324.0
11815-800	4"	4.026	4.500	Empty	Reel	800	778.4

Couplings



Female Adapters



Terminal Adapters



Bell Ends (Schedule 40)



Plugs



P&C Flex to HDPE Duct Transition Fittings



P&C Flex Fittings

Part No.	Size	Std. Ctn. Qty.	Std. Ctn. Wt. (lbs.)
E940E	3/4"	100	4.6
E940F	1"	50	3.5
E940G	1 1/4"	30	3.2
E940H	1 1/2"	25	3.4
E940J	2"	30	5.3
E940K	2 1/2"	20	7.5
E940L	3"	25	14.7
E940N	4"	15	12.5

Part No.	Size	Std. Ctn. Qty.	Std. Ctn. Wt. (lbs.)
E942E	3/4"	100	4.3
E942F	1"	50	3.7
E942G	1 1/4"	30	3.3
E942H	1 1/2"	25	3.3
E942J	2"	30	5.4
E942K	2 1/2"	20	6.6
E942L	3"	25	11.8
E942N	4"	15	10.8

Part No.	Size	Std. Ctn. Qty.	Std. Ctn. Wt. (lbs.)
E943E	3/4"	125	4.2
E943F	1"	50	3.0
E943G	1 1/4"	25	4.1
E943H	1 1/2"	25	2.7
E943J	2"	5	6.9
E943K	2 1/2"	20	6.3
E943L	3"	45	16.6
E943N	4"	15	11.7

Part No.	Size	Std. Ctn. Qty.	Std. Ctn. Wt. (lbs.)
E997F	1"	50	2.6
E997G	1 1/4"	35	2.5
E997H	1 1/2"	30	2.5
E997J	2"	10	4.8
E997K	2 1/2"	10	2.0
E997L	3"	10	10.0
E997N	4"	30	16.0

Part No.	Size	Std. Ctn. Qty.	Std. Ctn. Wt. (lbs.)
P258H	1 1/2"	50	1.7
P258JT	2"	60	3.1
P258K	2 1/2"	25	1.5
P258LT	3"	30	3.4
P258NT	4"	48	8.3

Part No.	Size	Std. Ctn. Qty.	Std. Ctn. Wt. (lbs.)
ELA-166154	1.66" to 1.54"	50	36.0
ELA-190154	1.90" to 1.54"	25	34.0

Flexible Conduit & Fittings

Technical Information

Performance Properties	3/4"	1"	1 1/4"	1 1/2"	2"	2 1/2"	3"	4"
Stiffness $E \Delta y$ at 5% deflection	200	200	200	200	200	130	130	90
Impact Strength (Ft./Lbs.) 72°	35	40	40	50	50	70	120	140
Impact Strength (Ft./Lbs.) 32°	5	8	8	15	25	35	60	60
Minimum Bending Radius (inches)	6	6	6	7	8	12	15	18
Conduit Tensile Strength	200	300	400	500	700	1000	1500	2000

- Storage: -4°F to 158°F
- Handling: -4°F to 104°F

Sweep and Elbow Conversion Chart

Radius (in.) Nom. Dia.	Segment	18" Required Length of P&C Flex (inches)	24" Required Length of P&C Flex (inches)	36" Required Length of P&C Flex (inches)	48" Required Length of P&C Flex (inches)	60" Required Length of P&C Flex (inches)
1 1/2"	90°	33	42	61	80	99
	45°	19	23	33	42	52
	30°	14	17	23	30	36
	22 1/2°	12	14	19	23	28
2"	90°	32	42	61	79	98
	45°	18	23	32	42	51
	30°	14	17	23	29	35
	22 1/2°	11	12	18	23	28
2 1/2"	90°	34	44	63	81	100
	45°	20	25	33	44	53
	30°	16	19	24	31	37
	22 1/2°	13	15	20	25	30
3"	90°	35	44	63	82	101
	45°	20	25	34	44	53
	30°	16	19	24	32	38
	22 1/2°	13	16	20	25	30
4"	90°	37	46	65	84	103
	45°	22	27	37	46	55
	30°	18	21	27	34	40
	22 1/2°	15	18	22	27	32

For other radius sweeps use this formula:

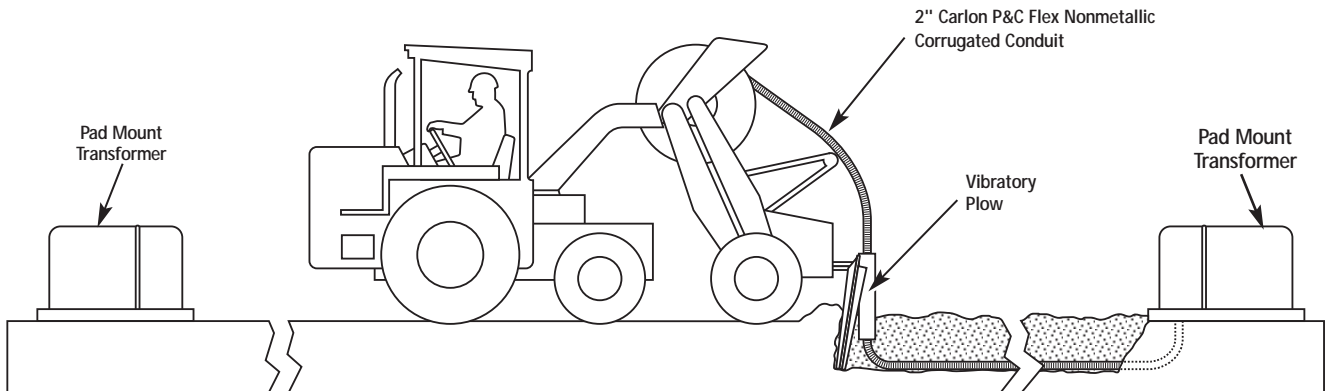
$$.0175 \times \text{Radius (inches)} \times \text{Angle}^\circ = \text{Required length of P\&C flex in inches}$$

Suggested Applications

Carlton® P&C Flex® Nonmetallic Corrugated Conduit is the most versatile system available for power and communications applications.

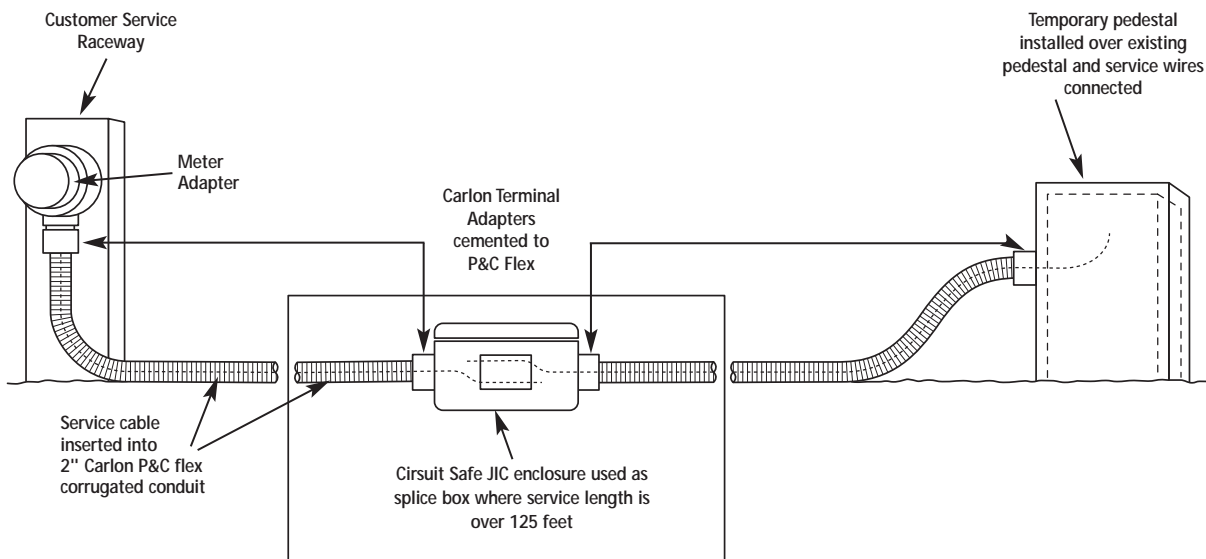
P&C Flex® combines high crush strength with flexibility. Longer coil lengths reduce installation time.

Here are a few application ideas that illustrate how P&C Flex® can be effectively used.

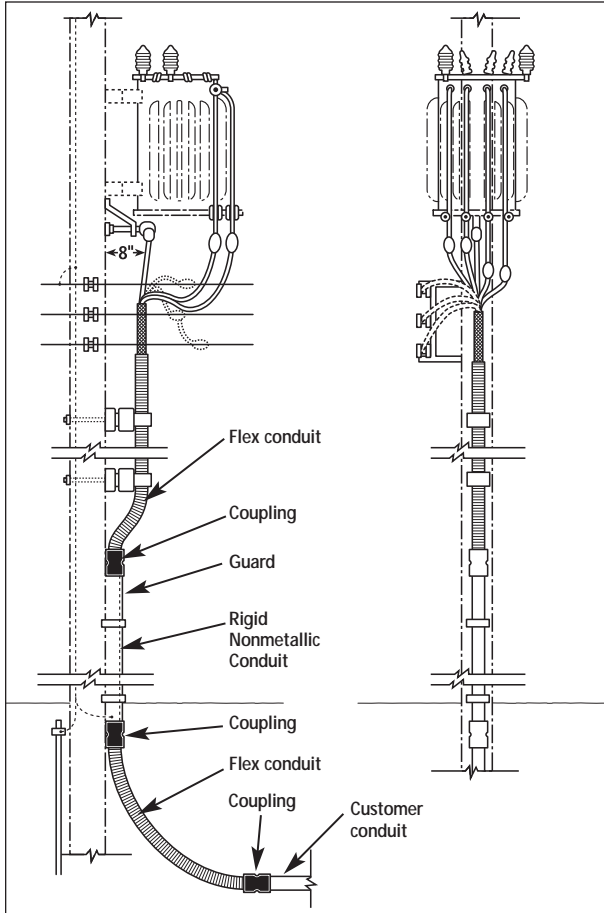


In single phase underground primary systems, lower the cost of direct buried and standard conduit systems by installing P&C Flex® Nonmetallic Corrugated Conduit with a vibratory plow.

Flexible Conduit & Fittings

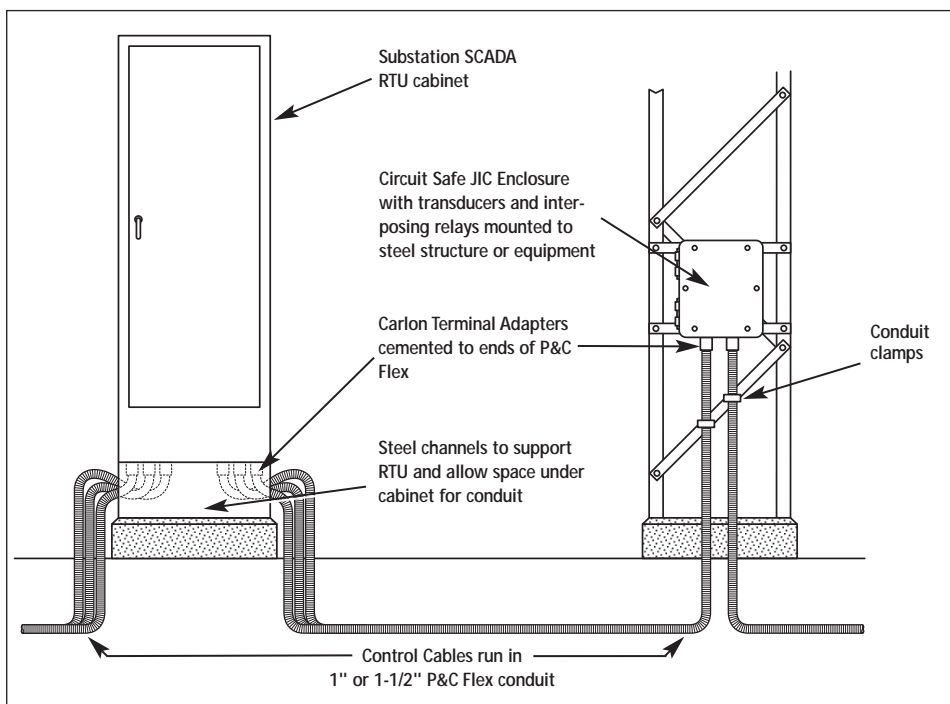


Digging up faulty cable in frozin ground can be expensive and time consuming. Use Carlton P&C Flex® from the customer service raceway to the temporary service pedestal to restore power on an interim basis. When the service length is over 250 feet, use a splice box and an additional length of P&C Flex® Nonmetallic Corrugated Conduit.



When soil conditions do not permit direct burial of cable, use Carlon P&C Flex® Nonmetallic Corrugated Conduit to protect the cable. A lower coefficient of friction provides easy wire pulls on location. flexibility eliminates the need for elbows.

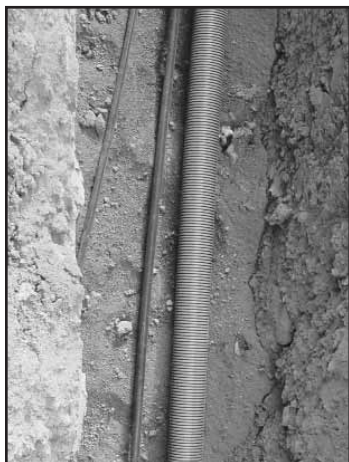
P&C Flex® conduit is flexible. Carlon P&C Flex® Nonmetallic Corrugated Conduit is used to transition from Carlon P&C® Duct Type DB. Despite equipment being mounted away from the pole, P&C Flex® conduit remains flush to the pole.



Carlon P&C Flex® Nonmetallic Corrugated Conduit protects control cables in supervisory control and data acquisition equipment (SCADA) in distribution substations. Flexibility provides maximum utilization of equipment.

Installation

Correct Method

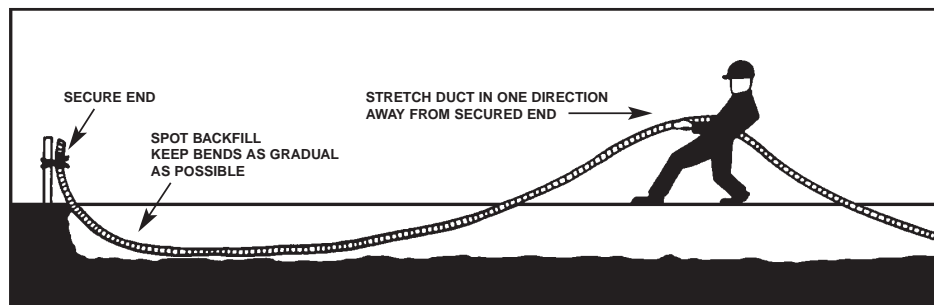


Lay conduit in the trench as straight as possible. Avoid undulations up and down and side to side.

Incorrect Method



Trenching



1. Trenching

Trench should be graded true and free from stones or soft spots. Backfill should also be free of stones and be firmly tamped around the sides of the conduit, to develop maximum supporting strength. Tamping on top of the conduit is not recommended.

2. Backfill

In rocky soil where it is impossible to have an even trench bottom, a selected backfill should be put in before laying the conduit. Selected backfill (not tamped) at least 6" over the top of the conduit is recommended. After final backfill is placed, tamping may be used to finish the grade.

3. Duct Placement

Duct may be unreeled directly into trench or along side trench and subsequently placed in trench. After placing in trench, secure one end and stretch it by hand to take up the slack. Spot backfill to hold in position. Do not use mechanical stretching equipment.

4. Changes in Direction

Avoid unnecessary turns, dips, or changes in direction. Keep bends as gradual as possible to assure ease of cable pull-in after duct installation.

5. Pneumatic Rodding

All commonly used vacuum or pressure can be used to rod P&C Flex. The line carrier (mouse, puck, rocket) should be soft, flexible material designed to fit snugly into duct without interference.

6. Mechanical Rodding

All commonly used mechanical rodding equipment can be used to rod P&C Flex. The tip should have a ball-type arrangement to keep rod from catching in the convolutions on the inside of duct.



Carflex Liquidtight Flexible Nonmetallic Conduit provides superior wire protection in harsh, damp environments. Carflex Conduit is nonconductive, noncorrosive, and resistant to oil, acid, ozone, and alkaline. Carflex Conduit is strong and lightweight, and because it weighs 50% less than metallic systems, it's easy to handle, transport and install. Carflex is ideal for industrial, air conditioning, heating, and outdoor lighting applications.

Features

- Nonconductive and noncorrosive
- Lightweight for easy handling, transportation, and installation
- Crush, abrasion, and strain resistant
- Provides superior wire protection
- Smooth interior ideal for pulling cable
- No jagged edges
- Maintains internal I.D. even in tight radius bends
- Type LFNC-B
- Resistant to oil, acid, ozone, and alkaline
- UL Listed for use as indicated in Article 356.2 of the NEC; and Section 12-1300 of the Canadian Electrical Code, Part 1.
- UL Listed for outdoor use
- UL Listed for sunlight resistant
- Trade sizes 1/2", 3/4", and 1" are UL Listed for direct bury and concrete encasement.

- Sequentially marked footage
- Suitable for use at conduit temperatures of 80°C dry, 60°C wet and 60°C oil resistant as required by section 15-6 of ANSI/NFPA 79-1985 and UL 1660.

Note: Liquidtight flexible conduits, metallic and non-metallic, in contrast to rigid PVC conduit and electrical nonmetallic tubing, does not have wire temperature limitations. Any temperature rated wire (for example, 90° wire) can be used as long as the temperature conditions marked on the conduit are not exceeded. UL Listed conduits that are not marked are limited to a maximum temperature of 60°C wet or dry.

Applications

- Control and motor
- Air conditioning and heating
- Computer power distribution
- Machine tools
- Console wiring
- Transformer connections
- Outdoor lighting

Custom Orders

- Available in black and gray. Consult factory for custom colors.
- Custom cut lengths available; consult factory for details.

Flexible Conduit & Fittings

Coils

Part No.	Nom. Size (in.)	Avg. O.D.	Avg. I.D.	Std. Ctn. Qty. (ft.)	Std. Ctn. Wt. (lbs.)
15004-100	3/8"	0.700	.4890	100	11.70
15005-50	1/2"	0.830	.6270	50	6.50
15005-100*	1/2"	0.830	.6270	100	13.00
15005BK-100*	1/2"	0.830	.6270	100	13.00
15007-100*	3/4"	1.040	.8250	100	18.00
15008-100*	1"	1.302	1.046	100	28.00
15009-100	1-1/4"	1.645	1.385	100	37.60
15010-50	1-1/2"	1.882	1.580	50	22.55
15010-100	1-1/2"	1.882	1.580	100	47.80
15011-050	2"	2.357	2.025	50	34.10

Standard color Grey

Reels

Part No.	Nom. Size (in.)	Avg. O.D.	Avg. I.D.	Std. Ctn. Qty. (ft.)	Std. Ctn. Wt. (lbs.)
15004-001	3/8"	0.700	.4890	1000	145.0
15005-001	1/2"	0.830	.6270	1000	157.0
15005BK-001	1/2"	0.830	.6270	1000	157.0
15007-001	3/4"	1.040	.8250	1000	212.0
15008-500	1"	1.302	1.046	500	155.0
15009-200	1-1/4"	1.645	1.385	200	100.0
15010-150	1-1/2"	1.882	1.580	150	95.7
15011-100	2"	2.357	2.025	100	94.6

Standard color Grey

*Joint listed UL/CSA Approved product available



E79553



Carflex X-Flex Extra Flexible Nonmetallic Mechanical Protection Tubing is ideal for applications requiring extra strength and flexibility such as robotics, and repetitive flexing arms. Carflex X-Flex is nonconductive, noncorrosive, and resistant to oil, acid, ozone, and alkaline. It's designed for use with standard Carflex fittings providing a complete nonmetallic system. Carflex X-Flex is lightweight for easier handling, transportation, and installation.

Features

- Extra strong and flexible to withstand repetitive motions
- Nonconductive and noncorrosive
- Resistant to oil, acid, ozone, and alkaline
- Lightweight for easy handling, transportation, and installation
- Crush, abrasion, and strain resistant
- Provides superior wire protection
- Smooth interior ideal for pulling cable
- No jagged edges
- Rated for continuous use at 60°C (140°F) ambient
- Type NMPT-8
- UL Recognized to UL Standard 1696

Applications

- Repetitive Flexing Arms
- Robotics
- Machine Tools
- Automatic/Moving Machinery
- Control and motor

Flexible Conduit & Fittings

Specifications

Coils

(Available in Black only)



E80040



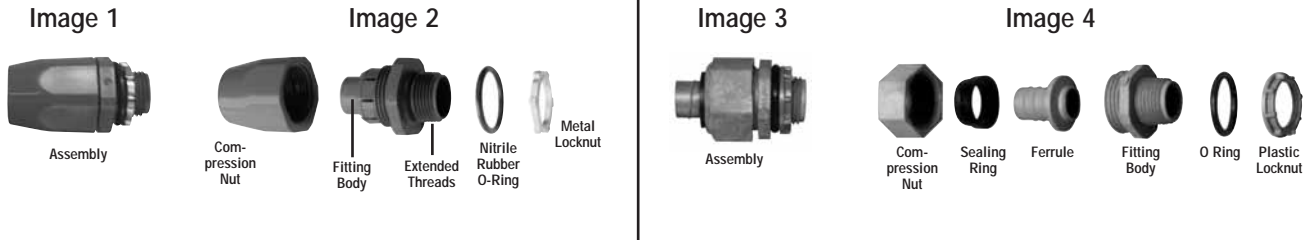
LR88170

Where noted by ♦

Part No.	Nom. Size (in.)	Avg. O.D.	Avg. I.D.	Std. Ctn. Qty. (ft.)	Std. Ctn. Wt. (lbs.)
15104-100	3/8"	0.700	0.489	100	9.09
♦ 15105-100	1/2"	0.830	0.627	100	10.01
♦ 15107-100	3/4"	1.040	0.825	100	13.91
15108-100	1"	1.302	1.046	100	18.25
15109-100	1-1/4"	1.645	1.385	100	27.65
15110-100	1-1/2"	1.882	1.580	100	38.00
15111-050	2"	2.357	2.025	50	24.22

Straight Fittings

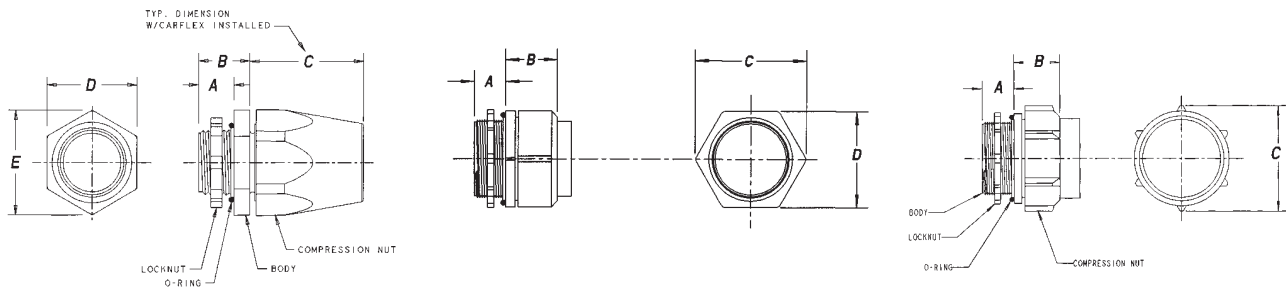
• For use with Carflex® conduit and Carflex® X-Flex™ conduit



Features

- Nonconductive and Noncorrosive
- Resistant to oil, acid, ozone, and alkaline
- Easy to install
- Approved for indoor and outdoor locations
- Listed for "Wet Locations"
- Nitrile rubber "O" ring for a liquidtight termination
- Temperatures up to 225°F (107°C)
- Meets UL Standard 514B

Flexible Conduit & Fittings



LT43C-CAR, LT43D-NEW, LT43E-NEW, LT43F

LT43G, LT43H

LT43J

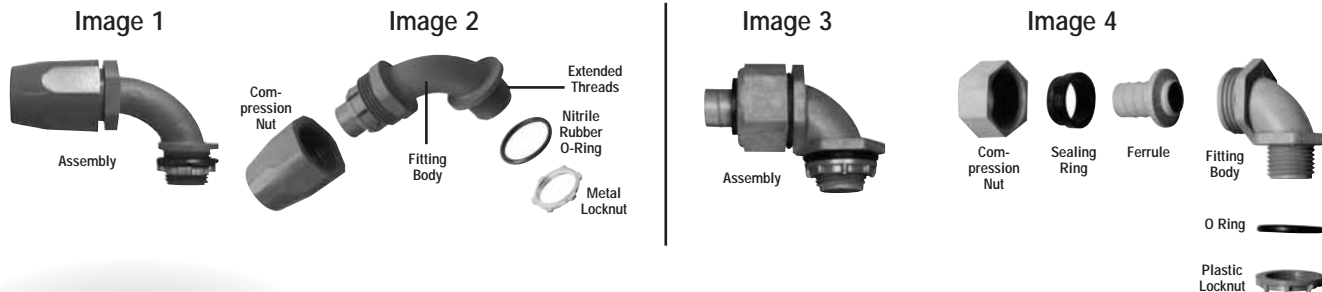
Specifications



Part No.	Size (in.)	Std. Ctn. Qty.	Std. Ctn. Wt. (lbs.)	A (inches)	B (inches)	C (inches)	D (inches)	E (inches)	Refer to Image
LT43C	3/8	50	3.6	.55	.75	1.60	1.30	1.40	1, 2
LT43C-CAR	3/8	15	1.4	.55	.75	1.60	1.30	1.40	1, 2
LT43D-NEW	1/2	50	4.2	.56	.91	1.62	1.30	1.40	1, 2
LT43E-NEW	3/4	50	6.6	.56	.91	1.88	1.61	1.71	1, 2
LT43F	1	25	5.5	.70	1.00	2.20	1.90	2.04	1, 2
LT43G	1-1/4	5	1.5	.71	1.16	2.50	2.17		3, 4
LT43H	1-1/2	5	2.0	.75	1.36	2.78	2.43		3, 4
LT43J	2	5	2.5	1.00	1.45	3.33			3, 4

90° Fittings

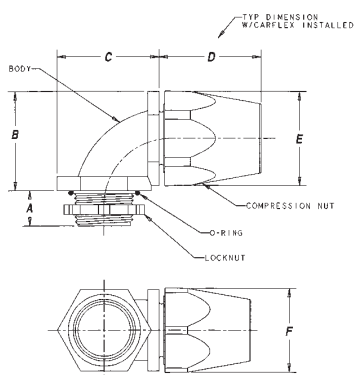
• For use with Carflex® conduit and Carflex® X-Flex™ conduit



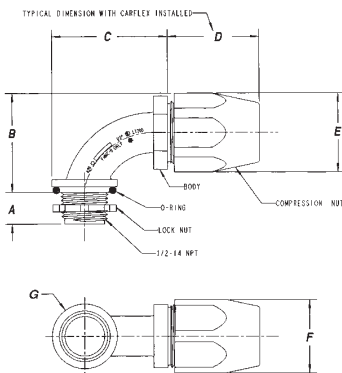
Features

- Nonconductive and Noncorrosive
- Resistant to oil, acid, ozone, and alkaline
- Easy to install
- Approved for indoor and outdoor locations
- Listed for "Wet Locations"
- Nitrile rubber "O" ring for a liquidtight termination
- Temperatures up to 225°F (107°C)
- Meets UL Standard 514B

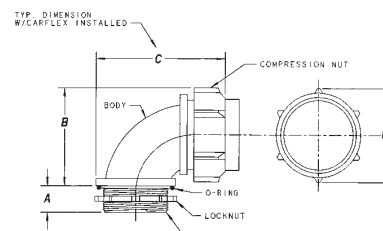
Flexible Conduit & Fittings



LT20C-CAR, LT20F-NEW



LT20D-NEW, LT20E-NEW



LT20G, LT20H, LT20J

Specifications



Part No.	Size (in.)	Std. Ctn. Qty.	Std. Ctn. Wt. (lbs.)	A (inches)	B (inches)	C (inches)	D (inches)	E (inches)	F (inches)	G (inches)	Refer to Image
LT20C	3/8	50	4.9	.56	1.44	1.44	1.56	1.39	1.26		3, 4
LT20C-CAR	3/8	15	1.8	.56	1.44	1.44	1.56	1.39	1.26		3, 4
LT20D-NEW	1/2	50	4.9	.56	1.76	2.05	1.62	1.40	1.30	1.15	1, 2
LT20E-NEW	3/4	50	8.0	.56	2.04	2.35	1.88	1.71	1.61	1.50	1, 2
LT20F	1	25	6.9	.70	2.01	2.01	2.26	2.04	1.90		3, 4
LT20G	1-1/4	5	1.9	.75	2.50	3.55	2.48				3, 4
LT20H	1-1/2	5	2.2	.75	2.80	3.98	2.77				3, 4
LT20J	2	5	3.4	.94	3.48	4.56	3.33				3, 4



Unique Design

The simple, one piece body design of the Carflex One Piece Liquidtight Nonmetallic Fitting requires no disassembly of components for installation. The system is so strong that there is no need for a compression nut.

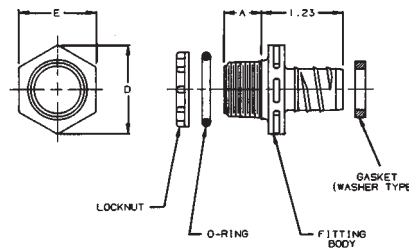
PVC Construction

PVC construction of the fitting and locknut provides unparalleled protection from water, oil and dust. Totally nonmetallic, the system is nonconductive and will not corrode or rust. Temperatures up to 140°F (60°C)

Features

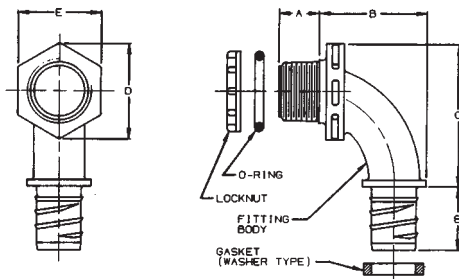
- Approved for indoor and outdoor locations
- Listed for "Wet Locations"

Straight Fittings



Part No.	Trade Size (in.)	Std. Ctn. Qty.	Std. Ctn. Wt. (lbs.)	A (inches)	D (inches)	E (inches)
LN43DA	1/2 - 14 NPT	100	2.8	0.56	1.34	1.19
LN43EA	3/4 - 14 NPT	50	2.2	0.56	1.63	1.44
LN43FA	1 - 11 1/2 NPT	25	3	0.69	1.99	1.75
LN43FA-CAR	1 - 11 1/2 NPT	15	1	0.69	1.99	1.75

90° Fittings



Part No.	Trade Size (in.)	Std. Ctn. Qty.	Std. Ctn. Wt. (lbs.)	Thread Size	A (inches)	B (inches)	C (inches)	D (inches)	E (inches)
LN20DA	1/2 - 14 NPT	100	4.3	1/2-14 NPT	0.56	1.50	1.99	1.34	1.19
LN20EA	3/4 - 14 NPT	50	3.1	3/4-14 NPT	0.56	1.73	2.25	1.63	1.44
LN20FA	1 - 11 1/2 NPT	25	3.2	1-11 1/2 NPT	0.69	1.86	2.58	1.99	1.75
LN20FA-CAR	1 - 11 1/2 NPT	10	1	1-11 1/2 NPT	0.69	1.86	2.58	1.99	1.75

Carflex Fittings Installation Instructions

LT43C-CAR, LT43F thru J, LT20C-CAR, LT20F thru J.

1. Cut the end of the Carflex conduit or Carflex® X-Flex™ tubing square.
2. Install compression nut and sealing gland ring over the end of the conduit or tubing.
3. Insert the ferrule end of the fitting into the conduit using a clockwise twisting action.
4. Screw fitting body into compression nut.
5. When installation is completed, use a wrench, tighten compression nut one-quarter (1/4) turn past hand-tight. Do not over tighten fitting.

*To prevent damage to conductors, conduit and fittings, do not twist Carflex during installation.

LT43D-New, LT43E-New, LT20D-New, LT20E-New.

1. Cut the end of the Carflex conduit or Carflex® X-Flex™ tubing square.
2. Install compression nut over the end of the conduit or tubing.
3. Insert the ferrule end of the fitting into the conduit using a clockwise twisting action. (Be sure conduit is fully inserted to the bottom of the fitting shoulder).
4. Screw compression nut onto fitting body.
5. Use a wrench, and tighten compression nut one (1) full turn past hand-tight. Do not over tighten fitting.

*To prevent damage to conductors, conduit and fittings, do not twist Carflex during installation.

Carflex Liquidtight Conduit Technical Information

1. There shall be no more than the equivalent of four (4) quarter (90°) bends (360° total) between pull points, conduit bodies, and boxes.
2. The radius of the curve of the center of the conduit or tubing shall not be less than that shown in the table below:

SIZE OF CONDUIT OR TUBING		RADIUS TO CENTER OF CONDUIT OR TUBING	
Inches	Metric Desgr.	Inches	(mm)
3/8	(14)	4	(101.6)
1/2	(16)	4	(101.6)
3/4	(21)	4 1/2	(114.3)
1	(27)	5 3/4	(146.0)
1 1/4	(35)	7 1/4	(184.1)
1 1/2	(41)	8 1/4	(209.5)
2	(53)	9 1/2	(241.3)

UL Listed for use as indicated in Article 356 of the National Electrical Code

- Cellular Metal Floor Raceways, Connections to Cabinets & Wall Outlets
- Class I, Div. 2, Hazardous Location
- Class II, Div. 1, Hazardous Location
- Class III, Div. 1, Hazardous Location
- Computer Room Raised Floor
- Concealed Locations
- Intrinsically Safe Systems
- Lighting Fixtures, Connection to Electric Discharge Fixture
- Nonmetallic Boxes
- RV Engine Generator
- Swimming Pool Pump Motor
- Tap Conductors (Fixture Whips)
- Underfloor Raceway, Connection to Cabinets & Wall Outlets
- Wireway, Extensions from Wireways, Wiring Methods
 - Agricultural Buildings, Flexible Connections
 - Electric Signs, 1000 Volts, Nominal, or Less
 - Electric Signs, Over 1000 Volts (per Section 600.32(A)(1))
 - Floating Buildings
 - Marinas and Boatyards
 - Service Entrance Conductors
- Wiring on Buildings, Outside Branch Circuits & Feeders
- Direct Burial Applications

Flexible Conduit & Fittings



Corrugated HDPE is manufactured from High Density Polyethylene (HDPE) and is intended for innerduct applications. It's ideal for pulls under 1000 ft. and is designed to reduce surface contact when pulling cable. And because this product is lightweight and offers maximum flexibility, installation in small or restricted locations is made easier. HDPE corrugated duct is available in sizes 1" through 2" and is offered in a variety of colors. Custom options are also available to satisfy the requirements of most installations.

Applications: Placed inside existing ducts (innerduct).

Installation method: Pulled through existing conduit.

Specifications

Installation temperature range: -20°F to 122°F

Handling: -20°F to 104°F

PE Corrugated Options

- Sizes 1" through 2"
- Sequentially marked footage
- Multiple colors and stripes
- Factory installed pull tape

Flexible Conduit & Fittings

Nom. Size	Nom. ID	Nom. OD	Min. Wall	Wt/ 100 Ft.	Min Bend Radius	Pull Tensile
1"	1.260	1.340	.035	10.6	14"	261 lbs.
1-1/4"	1.480	1.565	.035	11.2	5"	319 lbs.
1-1/2"	1.745	1.825	.035	18.0	6"	384 lbs.
2"	2.345	2.425	.035	20.8	5-1/2"	493 lbs.



Pulled through existing conduits

Custom Orders

- * Custom Orders are not returnable
- * Custom lengths are available in minimum order quantities. See Quote form.

How to Build a Part Number:

Position 1 Product	Position 2 Size	Position 3 Type	Position 4 Wall	Position 5 Options	Position 6 Splits	Position 7 Color	Position 8 Stripes	Position 9 Tape	Position 10 Length
A = HDPE	5 = 1" 6 = 1-1/4" 9 = 1-1/2" 13 = 2"	D = Corrugated	2 = None - Corr	N = None - Custom E = Slit S = Standard Length	1 = 1 Way Single 2 = 2 Way Segmented 3 = 3 Way Segmented 4 = 4 Way Segmented 5 = 2 Way Parallel 6 = 3 Way Parallel 7 = 4 Way Parallel	A = Black B = Blue C = Brown D = Buff E = Grey F = Green G = Lilac H = Lt. Green J = Orange K = Red L = Terra Cotta M = White N = Yellow	NN = None 1A = Black Stripe 1B = Blue Stripe 1C = Brown Stripe 1D = Buff Stripe 1E = Grey Stripe 1F = Green Stripe 1G = Lilac Stripe 1H = Lt. Green Stripe 1J = Orange Stripe 1K = Red Stripe 1L = Terra Cotta Stripe 1M = White Stripe 1N = Yellow Stripe	A = Empty B = 1130 lbs. Polyester Tape C = 1250 lbs. Polyester Tape E = 1800 lbs. Polyester Tape G = 200 lbs. Polyester Tape J = 2500 lbs. Polyester Tape	1500 (Equals 1500 Feet)

Flexible Conduit & Fittings



Corrugated HDPE is manufactured from High Density Polyethylene (HDPE) and is intended for innerduct applications. It's ideal for pulls under 1000 ft. and is designed to reduce surface contact when pulling cable. And because this product is lightweight and offers maximum flexibility, installation in small or restricted locations is made easier.

HDPE corrugated duct is available in sizes 1" through 2" and is offered in a variety of colors. Custom options are also available to satisfy the requirements of most installations.

Applications: Placed inside existing ducts (innerduct).

Installation method: Pulled through existing conduit.

PE Corrugated Options

- Sizes 1" through 2"
- Multiple colors and stripes
- Sequentially marked footage
- Factory installed pull tape

Specifications

Installation temperature range: -20°F to 122°F

Handling: -20°F to 104°F

Nom. Size	Nom. ID	Nom. OD	Min. Wall	Wt/ 100 Ft.	Min Bend Radius	Pull Tensile
1"	1.260	1.340	.035	10.6	14"	261 lbs.
1-1/4"	1.480	1.565	.035	11.2	5"	319 lbs.
1-1/2"	1.745	1.825	.035	18.0	6"	384 lbs.
2"	2.345	2.425	.035	20.8	5-1/2"	493 lbs.

Specifications

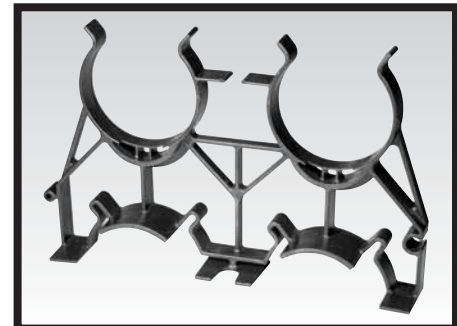
Size	I.D. Min. Ref.	Min. O.D.	Max. O.D.	Min. Bend Radius
3/4"	.74	1.025	1.075	6"
1"	.98	1.290	1.340	6"
1-1/4"	1.31	1.640	1.690	7"
1-1/2"	1.54	1.880	1.930	8-1/4"
2"	2.00	2.350	2.400	9-1/2"

Custom Orders

How to Build a Part Number:			
Position 1 Product	Position 2 Size	Position 3 Pull Line	Position 4 Length
4404 = Corrugated HDPE	04 = 1" 05 = 1-1/4" 06 = 1-1/2" 08 = 2"	T = 900 lb. Tape	Example -1000 = Feet

Accessories & Spacers

Cements & Sealers
Rope & Tape
Spacers



Accessories & Spacers

New

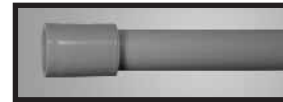
Multi-Purpose Spray-On PVC Cement

No Waste • Sprays on in seconds • Fast setting



- Equivalent to a medium bodied low-VOC, quick setting clear cement
- No more spills
- Reuse can until empty
- Installation: 50°F to 80°F
Storage: 35°F to 120°F
- Meets ASTM D-2564
- 3 year shelf life
- One 4 oz. can is equivalent to 4 oz. of non-aerosol PVC cement*

*Equivalence is subject to usage and will vary



Applications:

- For use up to 4" dia. Sch 40 or 80 PVC electrical conduit
- For use with PVC Raceways only. Not recommended for use on water, sewer, natural gas, compressed gas or air connections.

Temperature Range	RECOMMENDED SET TIME		
	Pipe Sizes 1/2" to 1-1/4"	Pipe Sizes 1-1/2" to 2"	Pipe Sizes 2-1/2" to 4"
60° - 100°F	2 min.	5 min.	30 min.
40° - 60°F	5 min.	10 min.	2 hrs.
0° - 40°F	10 min.	15 min.	12 hrs.

Recommended set time may vary depending on humidity

Part No	Size	Description	Ctn. Qty.	Ctn. Wt. (lbs.)
VC9AC5	4 oz.	PVC Spray-On Medium - Clear	12	5.6
VC9AC5C	4 oz.	PVC Spray-On Medium - Clear	12	5.6
VC9AC16	11 oz.	PVC Spray-On Medium - Clear	12	12.3
VC9AC16C	11 oz.	PVC Spray-On Medium - Clear	12	12.3

Canada only

Accessories & Spacers

Low VOC – Gray



Recommended pipe application and sizes	Set-up time (Evaporation Rate)	Recommended installation temp.	Lap Shear @ 73°F	Viscosity at 75° as manufactured
Recommended for all grades and types of Carlon wireway and fittings, except Flex-Plus® Blue™ ENT (Electrical Nonmetallic Tubing.) Up through 6" diameter. VOC emission of 490 grams/liter per the Bay and South Coast test method.	10°-30°F Not recommended 30°-50°F 5-6 minutes 50°-70°F 3-4 minutes 70°-90°F 1-2 minutes	40° to 100°F	2 hrs. 350 psi 16 hrs. 800 psi 72 hrs. 1,500 psi	500-900 cps

Part No	Size	Applicator	Description	Ctn. Qty.	Ctn. Wt. (lbs.)
VC9LV4-24	1/2 Pint	Dauber	Low VOC Gray	24	15.5
VC9LV3	Pint	Dauber	Low VOC Gray	24	27.0
VC9LV2	Quart	Dauber	Low VOC Gray	12	26.0

Meets ASTM D-2564

Medium - Clear



Recommended pipe application and sizes	Set-up time (Evaporation Rate)	Recommended installation temp.	Lap Shear @ 73°F	Viscosity at 75° as manufactured
Recommended for all grades and types of Carlon wireway and fittings, except Flex-Plus [®] Blue [™] ENT (Electrical Nonmetallic Tubing.) Up through 6" diameter.	10°-30°F Not recommended 30°-50°F 5-6 minutes 50°-70°F 3-4 minutes 70°-90°F 1-2 minutes	40° to 100°F	2 hrs. 350 psi 16 hrs. 800 psi 72 hrs. 1,500 psi	500-900 cps

Part No	Size	Applicator	Description	Ctn. Qty.	Ctn. Wt. (lbs.)
VC9963	Pint	Dauber	PVC Medium Clear	24	29.0
VC9962	Quart	Dauber	PVC Medium Clear	12	27.5
VC9961P	Gallon	-	PVC Medium Clear	6	53.5

Meets ASTM D-2564

Medium - Gray



Recommended pipe application and sizes	Set-up time (Evaporation Rate)	Recommended installation temp.	Lap Shear @ 73°F	Viscosity at 75° as manufactured
Recommended for all grades and types of Carlon wireway and fittings, except Flex-Plus [®] Blue [™] ENT (Electrical Nonmetallic Tubing.) Up through 6" diameter.	10°-30°F Not recommended 30°-50°F 5-6 minutes 50°-70°F 3-4 minutes 70°-90°F 1-2 minutes	40° to 100°F	2 hrs. 350 psi 16 hrs. 800 psi 72 hrs. 1,500 psi	500-900 cps

Part No	Size	Applicator	Description	Ctn. Qty.	Ctn. Wt. (lbs.)
VC9923	Pint	Dauber	PVC Medium Gray	24	29.0
VC9922	Quart	Dauber	PVC Medium Gray	12	27.5
VC9941P	Gallon	-	PVC Medium Gray	6	53.5

Meets ASTM D-2564

Regular - Clear



Recommended pipe application and sizes	Set-up time (Evaporation Rate)	Recommended installation temp.	Lap Shear @ 73°F	Viscosity at 75° as manufactured
Recommended for all grades and types of Carlon wireway and fittings, except Flex-Plus [®] Blue [™] ENT (Electrical Nonmetallic Tubing.) Up through 6" diameter.	10°-30°F Not recommended 30°-50°F 5-6 minutes 50°-70°F 3-4 minutes 70°-90°F 1-2 minutes	40° to 100°F	2 hrs. 350 psi 16 hrs. 800 psi 72 hrs. 1,500 psi	500-900 cps

Part No	Size	Applicator	Description	Ctn. Qty.	Ctn. Wt. (lbs.)
VC9964	1/2 Pint	Dauber	PVC Regular Clear	10	29.06.5

Meets ASTM D-2564

Regular - Gray



Recommended pipe application and sizes	Set-up time (Evaporation Rate)	Recommended installation temp.	Lap Shear @ 73°F	Viscosity at 75° as manufactured
Recommended for all grades and types of Carlon wireway and fittings, except Flex-Plus [®] Blue [™] ENT (Electrical Nonmetallic Tubing.) Up through 6" diameter.	10°-30°F Not recommended 30°-50°F 5-6 minutes 50°-70°F 3-4 minutes 70°-90°F 1-2 minutes	40° to 100°F	2 hrs. 350 psi 16 hrs. 800 psi 72 hrs. 1,500 psi	500-900 cps

Part No	Size	Applicator	Description	Ctn. Qty.	Ctn. Wt. (lbs.)
VC9924-24	1/2 Pint	Dauber	PVC Regular Gray	24	15.0

Meets ASTM D-2564

All Weather – Clear



Recommended pipe application and sizes	Set-up time (Evaporation Rate)	Recommended installation temperature	Lap Shear @ 73°F	Viscosity at 75° as manufactured
Recommended for all grades and types of Carlon wireway and fittings, except Flex-Plus® Blue™ ENT (Electrical Nonmetallic Tubing.) Up through 6" diameter.	-5°-10°F 6-8 minutes 10°-30°F 4-5 minutes 30°-50°F 3-4 minutes 50°-70°F 1-2 minutes 70°-90°F 1/2-1 1/2 minutes	-5° to 100°F	2 hrs. 350 psi 16 hrs. 800 psi 72 hrs. 1,500 psi	400-700 cps

Part No	Size	Applicator	Description	Ctn. Qty.	Ctn. Wt. (lbs.)
VC9984	1/2 Pint	Dauber	All Weather "Quick-Set" Cement	10	7.0
VC9983	Pint	Dauber	All Weather "Quick-Set" Cement	24	30.0
VC9982	Quart	Dauber	All Weather "Quick-Set" Cement	12	29.0
VC9981P	Gallon	-	All Weather "Quick-Set" Cement	6	54.0

Meets ASTM D-2564

All Weather – ENT Blue



Recommended pipe application and sizes	Set-up time (Evaporation Rate)	Recommended installation temperature	Lap Shear @ 73°F	Viscosity at 75° as manufactured
Required for use with Flex-Plus® Blue™ ENT (Electrical Nonmetallic Tubing), Riser-Gard®, P&C Flex®, and Carlon PVC fittings. Up through 6" diameter.	-5°-10°F 6-8 minutes 10°-30°F 4-5 minutes 30°-50°F 3-4 minutes 50°-70°F 1-2 minutes 70°-90°F 1/2-1 1/2 minutes	-5° to 100°F	2 hrs. 350 psi 16 hrs. 800 psi 72 hrs. 1,500 psi	400-700 cps

Part No	Size	Applicator	Description	Ctn. Qty.	Ctn. Wt. (lbs.)
VC9992	Quart	Dauber	All Weather "Quick-Set" Blue	12	29.0

Meets ASTM D-2564

Resi-Gard® – Clear



Recommended pipe application and sizes	Set-up time (Evaporation Rate)	Recommended installation temperature	Lap Shear @ 73°F	Viscosity at 75° as manufactured
For use with Resi-Gard®, Riser-Gard®, P&C Flex®, and Carlon PVC fittings. Up through 6" diameter.	10°-30°F Use extra caution 30°-50°F 5-6 minutes 50°-70°F 3-4 minutes 70°-90°F 1-2 minutes	40° to 100°F	2 hrs. 350 psi 16 hrs. 800 psi 72 hrs. 1,500 psi	500-900 cps

Part No	Size	Applicator	Description	Ctn. Qty.	Ctn. Wt. (lbs.)
VC9963SC	Pint	Brush	Resi-Gard® Solvent Cement Clear	24	28.0

Meets ASTM D-2564

Clear Primer



Recommended pipe application and sizes	Recommended installation temperature
Recommended for use with Carlon cement	5° to 100°F

Part No	Size	Applicator	Ctn. Qty.	Ctn. Wt. (lbs.)
VC9903	Pint	Dauber	24	27.0
VC9902	Quart	Dauber	12	25.0

Meets ASTM F-686

Purple Primer



Recommended pipe application and sizes	Recommended installation temperature
Recommended for use with Carlon cement	5° to 100°F

Part No	Size	Applicator	Ctn. Qty.	Ctn. Wt. (lbs.)
VC9932	Quart	Dauber	12	25.0

Meets ASTM F-686

Sealers

New

Multi-Purpose Weather-Gard™ Spray-On Rubber Film

No Waste • Sprays on in seconds • Fast setting



- Weatherproof
- Forms a protective weatherproof seal on electrical connections
- Dries in minutes to crystal clear rubber film
- Prevents corrosion on electrical connections
- Recommended installation temperatures 50°F to 80°F
- Can be used on wood and plastic
- 2 year shelf life

Applications:

- Electrical connections
- Outdoor lighting
- Panel boxes
- Pool motors and timers
- Water valves and connections
- Sprinkler connections and control box
- Marine applications



Part No	Size	Description	Ctn. Qty.	Ctn. Wt. (lbs.)
VC9WG5	4 oz.	Multi-Purpose Weather-Gard Spray-on Rubber Film	12	5.6
🍁 VC9WG5C	4 oz.	Multi-Purpose Weather-Gard Spray-on Rubber Film	12	5.6
VC9WG16	11 oz.	Multi-Purpose Weather-Gard Spray-on Rubber Film	12	12.3
🍁 VC9WG16C	11 oz.	Multi-Purpose Weather-Gard Spray-on Rubber Film	12	12.3

🍁 Canada only

New

Multi-Purpose Spray-On Rubber Thread Gasket

No Waste • Sprays on in seconds • Fast setting



- Dries to rubber gasket to seal pipe threads
- Seals out leaks
- Protects against rust and corrosion
- UV Resistant
- Weatherproof
- 2 year shelf life



Applications:

- PVC
- Iron
- Copper
- Brass

Part No	Size	Description	Ctn. Qty.	Ctn. Wt. (lbs.)
VC9TS5	4 oz.	Multi-Purpose Rubber Thread Sealer	12	5.6
🍁 VC9TS5C	4 oz.	Multi-Purpose Rubber Thread Sealer	12	5.6

🍁 Canada only

Accessories & Spacers

Installation Instructions

Cement Joints



Carlon nonmetallic products are joined by means of solvent cement joints. Sizes 1/2" through 1 1/2" should be cut square (using a fine tooth handsaw) and deburred. For sizes 2" through 6" a miter box or similar saw guide should be utilized to keep the material steady. After cutting and deburring, wipe ends clean of dust, dirt and shavings.

Joining process as follows: Be sure that conduit end is clean and dry. Apply coat of Carlon Solvent Cement (use dauber) to end of conduit, the length of the socket to be attached. Push conduit firmly into fitting while rotating conduit slightly about one-quarter turn to spread cement evenly. Allow joint to set approximately 10 minutes.

Carlon recommends the use of Carlon cement for proper solvent cement joints. Since this cement is prepared particularly for our product compounds and tolerances, we cannot guarantee joints assembled with cement materials supplied by other manufacturers. Regular grade grey solvent cement will accommodate most application situations being of a general purpose nature. In situations requiring an extremely fast-setting joint, (low temperature or difficult installation conditions) Carlon All Weather Quick-Set Cement is recommended. Standard grade clear cement is recommended for noncritical utility applications where gap filling and leak testing are not required.



Cementing PVC Conduit:

1. Make square saw cut with fine tooth saw.
2. Deburr and round inside edge of the cut end.
3. Clean socket ID and spigot OD of dirt and moisture.
4. Apply a uniform coat of cement to spigot end and push onto socket bottom, rotating 1/4 turn.
5. Allow time to set before disturbing. This will depend upon temperature.

Cementing PVC Conduit for Submerged Areas Requiring Air or Water Tightness:

1. Follow the procedure to the left for cementing conduit.
2. Test workmanship by conducting a low pressure air (3.0 - 5.0 psi) test after system is installed and cemented joints are set.
3. Plug and block ends to prevent movement prior to pressurization.
4. Check for leaks with soap solution.
5. Even low pressure air can cause high thrust loads and caution must be observed.

Cementing ENT for Concrete-Tight Applications:

1. Use Carlon Socket tight fittings or couplings.
2. **Do not** use chemical primer or cleaner.
3. Apply a light uniform coat of cement, labeled for use with ENT.
4. **A brush** shall be used to apply the cement.
5. Brush excess cement out of ENT grooves
6. Promptly insert ENT into fitting while cement is wet, until the fitting stop is reached, and give 1/4 turn.
7. Do not disturb until the joint is set.

Average number of joints per can

Trade Size	1/2 Pint 8 oz.	Pint 16 oz.	Quart 32 oz.	Gallon 128 oz.	Spray 4 oz.	Spray 16 oz.
1/2	140	275	550	2,200	70	275
3/4	90	180	360	1,440	45	180
1	70	140	280	1,120	35	140
1 1/4	50	100	200	800	25	100
1 1/2	37	75	150	600	18.5	75
2	20	40	80	320	10	40
2 1/2	17	35	70	280	8.5	35
3	15	30	60	240	7.5	30
3 1/2	13	27	54	216	6.5	27
4	12	25	50	200	6	25
5	9	19	38	150	N/A	N/A
6	6	12	24	95	N/A	N/A

CAN: Average shelf-life of all Carlon cement is 24 months (unopened cans stored below 80°F.)

SPRAY: Average shelf-life of all Carlon Spray PVC Cement is 3 years.

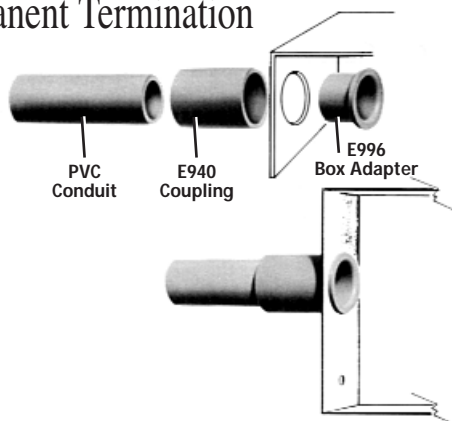
All Carlon cements are specially formulated to be used with Carlon PVC products, and do not require primers when parts are clean of dirt and moisture.

MSDS available at www.carlon.com

Fittings and Adapters for Terminating Nonmetallic Rigid Conduit

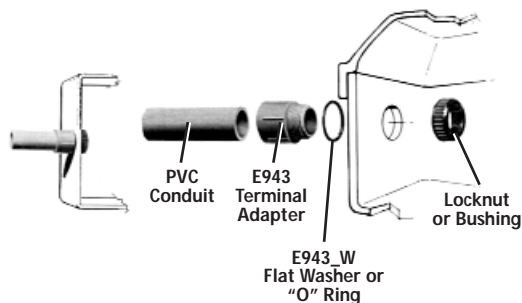
Terminating Nonmetallic Rigid Conduit is quick and easy utilizing either of the methods indicated below. Terminations may be made in any electrical box or enclosure using standard size knock-outs or drilled holes.

Method 1. Permanent Termination



Apply solvent cement to shoulder and shank of box adapter and insert through knock-out from inside the enclosure. Push coupling over the shank of the box adapter, tight against the enclosure wall. Rotate the coupling about one-half turn while installing, and hold in position for a few seconds to permit setting of solvent cement. The coupling is now ready for the conduit to be installed. Only the shoulder of the box adapter extends inside the enclosure.

Method 2. Separable Termination



If a "wet location" as defined in Article 100 of the NEC construction is required, place a flat washer or "O"-ring over the threads of the terminal adapter, securely against the shoulder. Insert the adapter threads through knock-out and secure using either a standard locknut or threaded bushing. If watertight construction is not required, eliminate flat washer.

Accessories & Spacers

Rope (Conduit Pulling Lines for Conductors or Fiber Optics)

White Diamond Braid Rope

This rope is constructed of polyethylene over polyester, designed specifically for fiber-optic pulling. The polyethylene jacket gives the “slippery” feel that gives less drag in pulling through conduit.

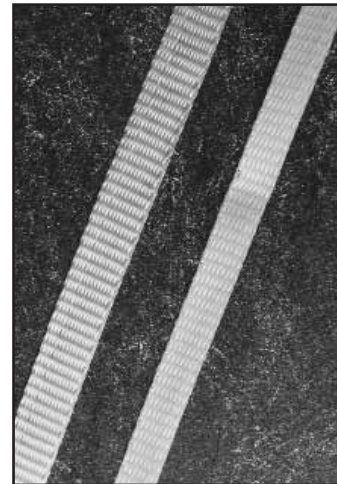
Part No.	Reel Lengths	Diameter	Recommended Working Load (lbs.)	Approximate Avg. Tensile (lbs.)	Std. Ctn. Wt. (lbs.)
SB14105	5,000 ft.	1/4"	260	1700	1000



Tape

Prelubricated, woven polyester tape made from low friction, high abrasion resistant yarns providing a low coefficient of friction. Tape is printed with sequential footage markings for accurate measurements.

Part No.	Size	Tensile Strength (lbs.)	Reel Lengths
TL14203	1/2"	1130	3,000 ft.
TL14505	1/2"	1250	5,000 ft.
TL14510	1/2"	1250	10,000 ft.
TL38203	5/8"	1800	3,000 ft.
TL38265	5/8"	1800	6,500 ft.
TL38210	5/8"	1800	10,000 ft.



Carlton® Snap-Loc® Spacers

NEW!
8" Spacers

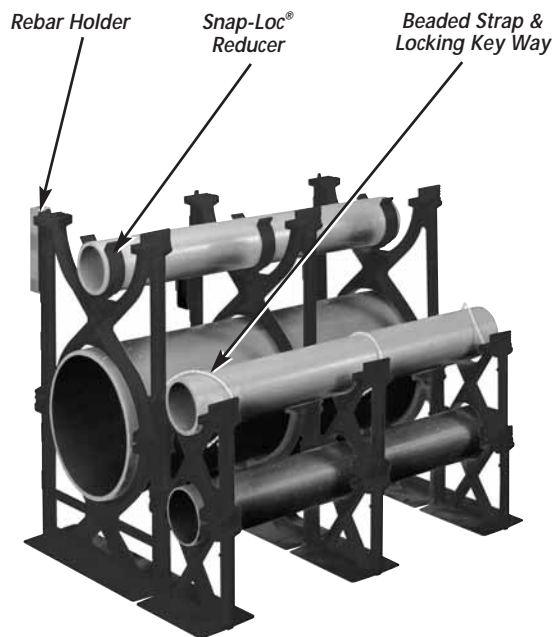
Carlton Snap-Loc duct spacers provide stability, consistent separation and relieve direct stress for duct materials encased in concrete, and direct bury applications.

Carlton Snap-Loc Spacers provide:

- A side dovetail rail and groove design allowing for side-by-side interchangeability of conduit spacer sizes while maintaining horizontal stability.
- Locking key ways incorporated into intermediate spacers eliminate the need for costly top spacers in each size. The locking key ways provide for the use of a beaded strap that secures the top section of conduit.
- 1" and 2" Snap-Loc Reducers allow fixturing of 1" or 2" conduit inside larger spacers.
- The Snap-Loc Rebar Holder provides stabilization on large banks of spacers.



Nonmetallic Snap-Loc Spacers are designed specifically for use with nonmetallic duct, with maximum O.D. dimensions as specified in NEMA TC-2, TC-6 & 8, TC-10 and ASTM F512. The innovative vertical and horizontal interlocking Snap-Loc design has tapered joining slots with maximum tolerances for easy job site assembly.



IMPORTANT:

1. The use of duct spacers for direct burial may result in excessive point deflections unless proper design engineering is applied, such as the proper compaction of the appropriate backfill material.
2. Carlton is NOT responsible for Snap-Loc Spacers used in direct bury applications... design engineers and contractors are responsible for the design of the installation.

Accessories & Spacers

Dimensions – Base Spacers

Part No.	Size*	A	C	D (Dia.)	Std. Ctn. Qty.
S288JHN	2x1 1/2	4.25	4.12	2.50	100
S288JJN	2x2	4.25	4.62	2.50	100
S288JLN	2x3	4.25	5.62	2.50	100
S288LHN	3x1 1/2	4.81	5.25	3.63	90
S288LJN	3x2	4.81	5.75	3.63	80
S288LLN	3x3	4.81	6.75	3.63	60
S288NFN	4x1	4.50	5.75	4.63	70
S288NHN	4x1 1/2	5.31	6.25	4.63	50
S288NJN	4x2	5.31	6.75	4.63	50
S288NLN	4x3	5.31	7.75	4.63	60
S288PHN	5x1 1/2	5.84	7.31	5.69	50
S288PJN	5x2	5.84	7.81	5.69	60
S288PLN	5x3	5.84	8.81	5.69	50
S288RHN	6x1 1/2	6.38	8.38	6.75	50
S288RJN	6x2	6.38	8.88	6.75	50
S288RLN	6x3	6.38	9.88	6.75	40
S288SHN	8x1 1/2	7.38	10.30	8.75	30
S288SJN	8x2	7.38	10.76	8.75	30

Dimensions – Intermediate Spacers

Part No.	Size*	B	C	D (Dia.)	Std. Ctn. Qty.
S289JHN	2x1 1/2	3.88	4.12	2.50	120
S289JJN	2x2	4.38	4.62	2.50	100
S289JLN	2x3	5.38	5.62	2.50	80
S289LHN	3x1 1/2	5.01	5.25	3.63	100
S289LJN	3x2	5.51	5.75	3.63	80
S289LLN	3x3	6.51	6.75	3.63	60
S289NFN	4x1	5.51	5.73	4.63	70
S289NHN	4x1 1/2	6.01	6.25	4.63	60
S289NJN	4x2	6.51	6.75	4.63	60
S289NLN	4x3	7.51	7.75	4.63	50
S289PHN	5x1 1/2	7.07	7.31	5.69	50
S289PJN	5x2	7.57	7.81	5.69	50
S289PLN	5x3	8.57	8.81	5.69	30
S289RHN	6x1 1/2	8.14	8.38	6.75	50
S289RJN	6x2	8.64	8.88	6.75	40
S289RLN	6x3	9.64	9.88	6.75	30
S289SHN	8x1 1/2	10.14	10.30	8.75	30
S289SJN	8x2	10.64	10.76	8.75	30

*First number indicates trade size of duct, second number indicates separation between conduits or ducts.

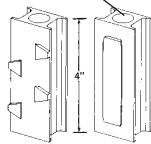
Accessories



Snap-Loc® Reducer

Part No.	Size	Std. Ctn. Qty.
S287F	1"	100
S287J	2"	100

Hole Dia. = .688 min.
.750 max.



Rebar Holder

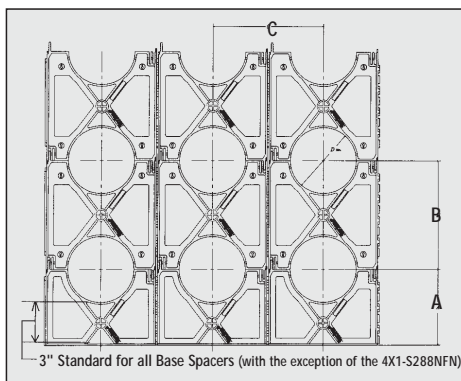
Part No.	Std. Ctn. Qty.
S258RH	100



Beaded Strap

Part No.	Std. Ctn. Qty.
S28612	1 Bag of 250

Specifications



Suggested Specification

(Duct) (Conduit) bank shall be encased in concrete with at least three inches of concrete at the top and bottom and two inches on each side. A horizontal and vertical separation between the ducts of ____* inches shall be maintained by installing Carlon high impact spacers with horizontal and vertical locking intervals of ____** feet.

*Standard Separations of 1", 1 1/2", 2", and 3" are available.

**Preferred interval between spacer assemblies is 8 to 10 feet.

Installation note

The Spacers and Rebar Holder are designed with a dovetail tongue and groove feature for easy installation.

If required to permanently fix the position of a group of Spacers and/or Rebar Holder, the following are recommended procedures:

1. Use Carlon Quick-set Cement glue during assembly or spot glue after assembly to secure.
2. During assembly, deform the edge of the tongue or groove portion of the dovetail slide with a pair of pliers or similar tool. This deformation will create an interference, restricting movement.
3. An assembled system may be wired together for additional support.

IMPORTANT:

1. The use of duct spacers for direct burial may result in excessive point deflections unless proper design engineering is applied, such as the proper compaction of the appropriate backfill material.
2. Carlon is not responsible for Snap-Loc Spacers used in direct bury applications... design engineers and contractors are responsible for the design of the installation.

Carlton® Snap-N-Stac™ Combo Spacers

NEW
2" and 4"
1- and 3-Way
Spacers

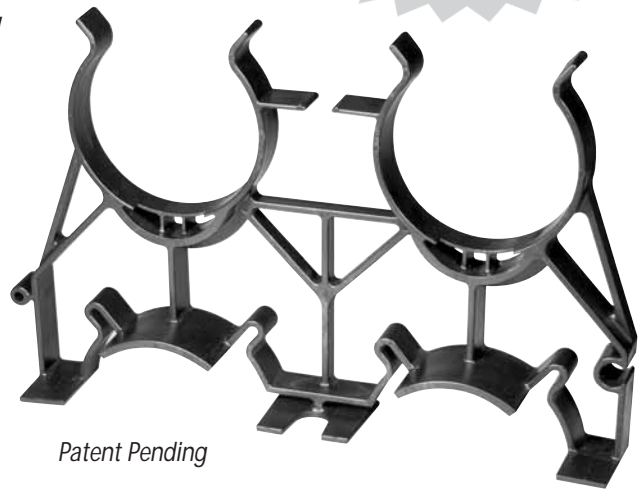
Carlton® Snap-N-Stac™ Combo Duct Spacers are specifically designed to replace the two-piece base and intermediate spacer system, by combining the conventional base and intermediate spacer into a single unit!

Manufactured out of highly engineered thermoplastic material, Snap-N-Stac Spacers are strong, durable and able to withstand the rigors of concrete construction. They feature an innovative horizontal and EXCLUSIVE vertical locking system and can be used as either a base or intermediate spacer.

Snap-N-Stac Spacers are available in one-way, two-way, and three-way configurations (one-way and three-way only available in sizes 2" and 4"). They accept 2", 3", 4", 5", and 6" pipe and can be installed horizontally, vertically or turned up-right for unique duct bank configurations.

This NEW one-piece design makes underground duct bank installations faster and easier than the conventional two-piece system— saving material and labor costs.

Carlton® Snap-N-Stac Combo Spacers...The IDEAL Solution for Underground Duct Bank Installations.



Patent Pending



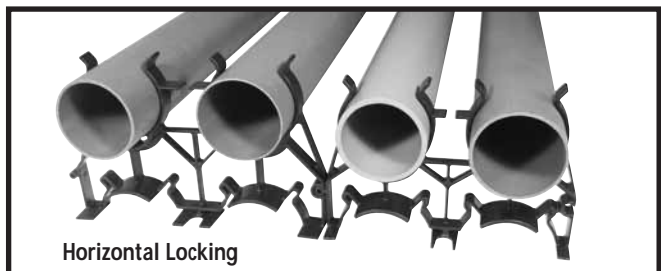
One-way

Three-way

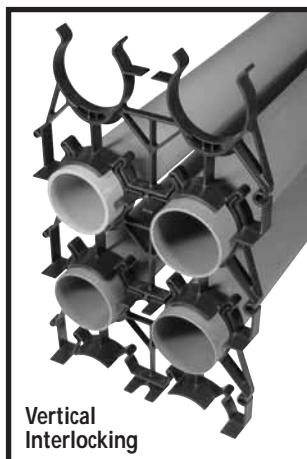
Features:

- Conventional base and intermediate spacer in a single unit!
- Less inventory required
- EXCLUSIVE vertical locking system
- Horizontal locking system
- Installs horizontally or turned upright
- Molded-in rebar holder on two-way and three-way
- One-, two-, and three-way configurations (one-way and three-way only available in sizes 2" and 4")
- 5 sizes: 2", 3", 4", 5", and 6"
- Reducer to accommodate smaller duct sizes
- Can be used as either an intermediate or base spacer
- Spacers interlock horizontally regardless of size
- Nonmetallic, noncorrosive, nonconductive
- Strong and durable
- Easy to handle
- Fast installation

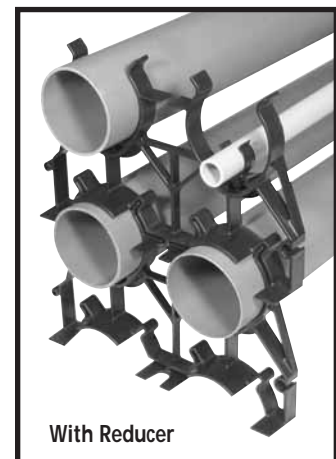
Installations



Horizontal Locking



Vertical Interlocking



With Reducer

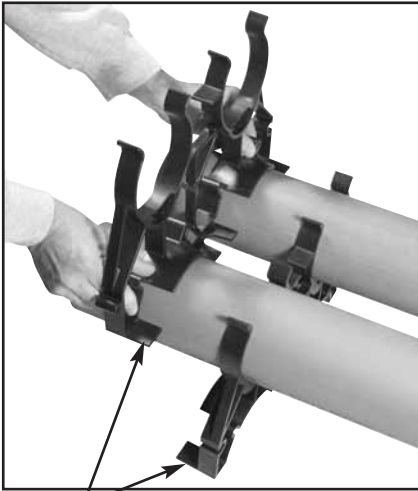
Accessories & Spacers

Installation Instructions

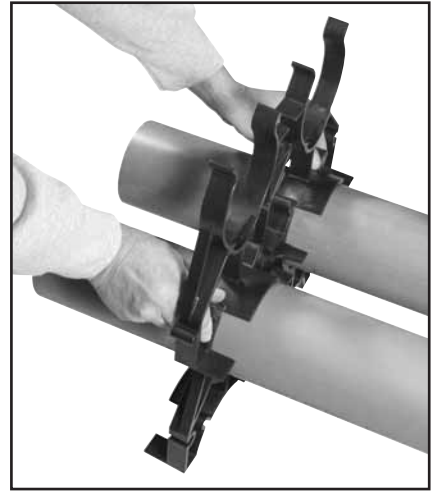
IMPORTANT:

1. Snap-N-Stack Spacers are recommended for concrete encased applications only.
2. The use of duct spacers for direct burial may result in excessive point deflections unless proper design engineering is applied, such as the proper compaction of the appropriate backfill material.
3. Carlon is NOT responsible for Snap-N-Stack Spacers used in direct bury applications...design engineers and contractors are responsible for the design of the installation.

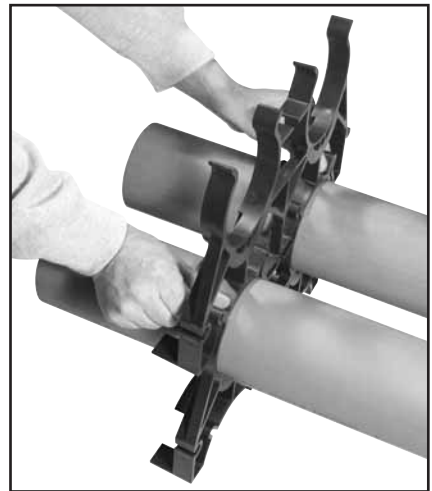
Vertical Interlocking Slide spacers together "Feet Facing Feet."



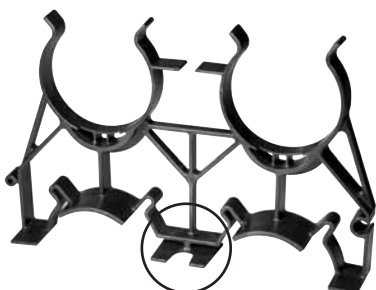
Feet Facing



Feet Opposite



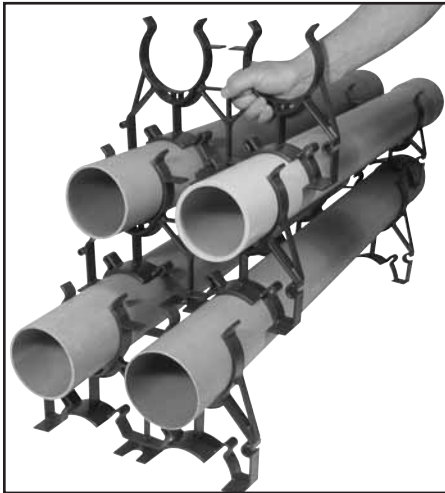
Molded-In Rebar Holder



Installation Instructions

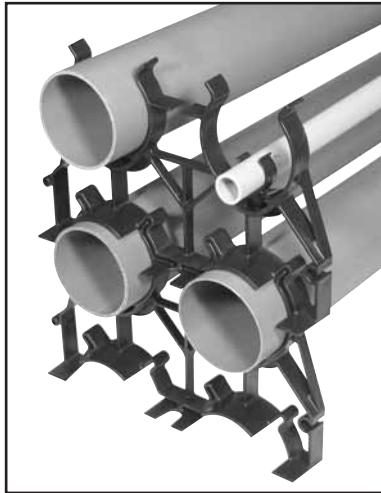
Vertical Free Standing

If spacers are installed using free standing method, it is recommended to install the spacer on the upper row mid-way between the two spacers on the bottom row.



Reducer

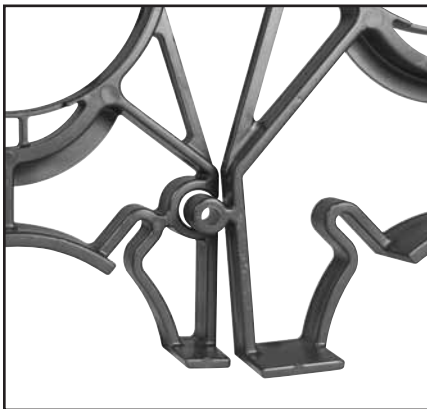
1" & 2" Snap-Loc Reducers allow fixturing of 1" and 2" conduit inside of larger spacers.



Transition To Various Duct Sizes

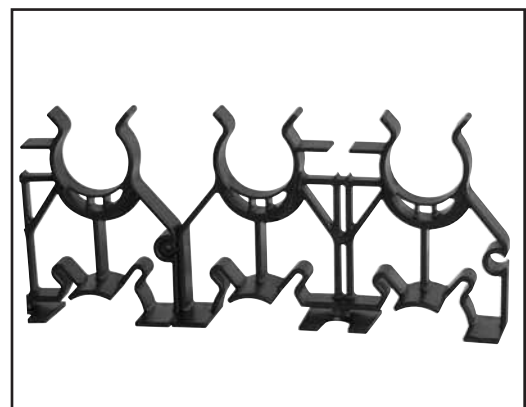
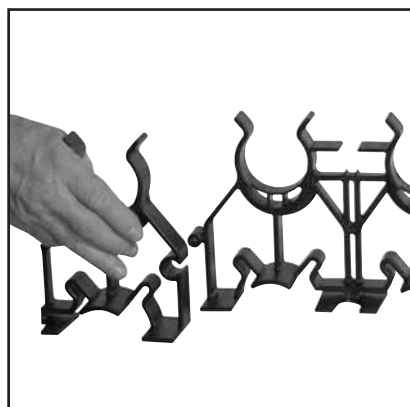
Install spacers side-by-side by inserting the male adapter into the female adapter.

Note: All Snap-N-Stack spacers are designed to interlock horizontally, regardless of size.



Odd Number of Ducts

Two-way spacers, size 2" and 4" only, can easily be cut apart to produce two one-way spacers. Create three-way and five-way spacers using the one-way spacer. Install spacers side-by-side by inserting the male adapter into the female adapter.



Specifications

Description	Part Number	Size	Separation	Std. Ctn. Qty.	Std. Ctn. Wt. (lbs.)
1-Way Spacers	SP2W20-1	2"	2"	56	15.0
	SP2W30-1	2"	3"	40	13.0
	SP4W15-1	4"	1-1/2"	26	9.6
	SP4W20-1	4"	2"	20	10.0
	SP4W30-1	4"	3"	20	9.4
2-Way Spacers	SP2W20-2*	2"	2"	56	28.5
	SP2W30-2*	2"	3"	40	23.8
	SP3W20-2	3"	2"	40	24.0
	SP3W30-2	3"	3"	24	17.9
	SP4W15-2*	4"	1-1/2"	26	18.3
	SP4W20-2*	4"	2"	24	18.8
	SP4W30-2*	4"	3"	20	17.6
	SP5W20-2	5"	2"	20	17.2
	SP5W30-2	5"	3"	14	15.5
	SP6W20-2	6"	2"	12	12.8
SP6W30-2	6"	3"	12	14.1	
3-Way Spacers	SP2W20-3	2"	2"	36	28.5
	SP2W30-3	2"	3"	18	17.8
	SP4W15-3	4"	1-1/2"	18	19.4
	SP4W20-3	4"	2"	16	19.3
	SP4W30-3	4"	3"	14	19.1

*Can be cut apart to make (2) one-way spacers

How to Interpret the Part Number

Position 1	Position 2	Position 3	Position 4
Product Type	Duct Size	Duct-To-Duct Spacing - Horizontal and Vertical	Horizontal Duct Positions
SP = Spacer	2W = 2" Width	15 = 1-1/2"	-1 = One-Way
	3W = 3" Width	20 = 2"	-2 = Two-Way
	4W = 4" Width	30 = 3"	-3 = Three-Way
	5W = 5" Width		
	6W = 6" Width		

Accessories



Snap-Loc® Reducer

Part No.	Size	Std. Ctn. Qty.
S287F	1"	100
S287J	2"	100



Beaded Strap

Part No.	Std. Ctn. Qty.
S28612	100

Technical Information

Part Number	Duct Size	Duct OD	Horizontal Duct Positions	Duct-To-Duct Spacing		Center-To-Center Spacing		Bottom of Trench to Bottom of Duct	Bottom of Trench to Center of Bottom Duct	Overall Length
				Vertical (Inches)	Horizontal (Inches)	Vertical	Horizontal			
SP2W20-1	2"	2.375	1	2	2	2.19	2.19	3.13	4.25	4.38
SP2W30-1	2"	2.375	1	3	3	2.69	2.69	4.13	5.25	5.38
SP4W15-1	4"	4.500	1	1.5	1.5	3.00	3.00	3.38	5.56	6.00
SP4W20-1	4"	4.500	1	2	2	3.25	3.25	3.88	6.06	6.50
SP4W30-1	4"	4.500	1	3	3	3.75	3.75	4.88	7.06	7.50
SP2W20-2	2"	2.375	2	2	2	4.38	4.38	3.13	4.25	8.75
SP2W30-2	2"	2.375	2	3	3	5.38	5.38	4.13	5.25	10.75
SP3W20-2	3"	3.500	2	2	2	5.50	5.50	3.63	5.38	11.00
SP3W30-2	3"	3.500	2	3	3	6.50	6.50	4.63	6.38	13.00
SP4W15-2	4"	4.500	2	1.5	1.5	6.00	6.00	3.38	5.56	12.00
SP4W20-2	4"	4.500	2	2	2	6.50	6.50	3.88	6.06	13.00
SP4W30-2	4"	4.500	2	3	3	7.50	7.50	4.88	7.06	15.00
SP5W20-2	5"	5.500	2	2	2	7.56	7.56	4.38	7.25	15.12
SP5W30-2	5"	5.500	2	3	3	8.56	8.56	5.38	8.25	17.14
SP6W20-2	6"	6.625	2	2	2	8.62	8.62	4.13	7.38	17.25
SP6W30-2	6"	6.625	2	3	3	9.62	9.62	5.13	8.38	19.25
SP2W20-3	2"	2.375	3	2	2	6.57	6.57	3.13	4.25	13.13
SP2W30-3	2"	2.375	3	3	3	8.07	8.07	4.13	5.25	16.13
SP4W15-3	4"	4.500	3	1.5	1.5	9.00	9.00	3.38	5.56	18.00
SP4W20-3	4"	4.500	3	2	2	9.75	9.75	3.88	6.06	19.50
SP4W30-3	4"	4.500	3	3	3	11.25	11.25	4.88	7.06	22.50

Cat. No. Page No.

1

11807-350	37
11808-5200	37
11809-4500	37
11809-900	37
11810-250	37
11810-4500	37
11810T-2300	37
11810T-250	37
11811-1100	37
11811-250	37
11811-2500	37
11811-500	37
11811-700	37
11811T-250	37
11812-250	37
11812AG-001	37
11813-1200	37
11813-250	37
11813-500	37
11813-750	37
11815-250	37
11815-800	37
15004-001	42
15004-100	42
15005-001	42
15005-100	42
15005-50	42
15005BK-001	42
15005BK-100	42
15007-001	42
15007-100	42
15008-100	42
15008-500	42
15009-100	42
15009-200	42
15010-100	42
15010-150	42
15010-50	42
15011-050	42
15011-100	42
15104-100	43
15105-100	43
15107-100	43
15108-100	43
15109-100	43
15110-100	43
15111-050	43
1808-250C	37

C

CE240J	14
CE240L	14
CE240N	14
CE240P	14
CE240R	14
CE242J	14
CE242L	14
CE242N	14
CE242P	14
CE2440L	14
CE2440N	14

Cat. No. Page No.

CE245J	14
CE245L	14
CE245N	14
CE245P	14
CE297J	14
CE297L	14
CE297N	14
CE297P	14
CE935J	14
CE935L	14
CE935N	14
CE935P	14
CE940DR-CTN	21
CE940ER-CTN	21
CE940F-UPC	21
CE942DJ	14
CE942DL	14
CE942DN	14
CE942DP	14
CE942RJ	14
CE942RL	14
CE942RN	14
CPF5DJ	13
CPF5DL	13
CPF5DM	13
CPF5DN	13
CPF5DP	13
CPF5FJ	13
CPF5FL	13
CPF5FM	13
CPF5FN	13
CPF5FP	13
CPF5GJ	13
CPF5GL	13
CPF5GM	13
CPF5GN	13
CPF5GP	13
CPF5J	13
CPF5IL	13
CPF5IM	13
CPF5IN	13
CPF5IP	13
CPF7DJ	13
CPF7DL	13
CPF7DM	13
CPF7DN	13
CPF7DP	13
CPF7FJ	13
CPF7FL	13
CPF7FM	13
CPF7FN	13
CPF7FP	13
CPF7FR	13
CPF7GJ	13
CPF7GL	13
CPF7GM	13
CPF7GN	13
CPF7GP	13
CPF7GR	13
CPF7IJ	13
CPF7IL	13
CPF7IM	13
CPF7IN	13
CPF7IP	13
CPF7IR	13

Cat. No. Page No.

CPF9DJ	13
CPF9DL	13
CPF9DM	13
CPF9DN	13
CPF9DP	13
CPF9FJ	13
CPF9FL	13
CPF9FM	13
CPF9FN	13
CPF9FP	13
CPF9FR	13
CPF9GJ	13
CPF9GL	13
CPF9GM	13
CPF9GN	13
CPF9GP	13
CPF9GR	13
CPF9IJ	13
CPF9IL	13
CPF9IM	13
CPF9IN	13
CPF9IP	13
CPF9IR	13

E

E2 - E4

E200J	11
E200L	11
E200M	11
E200N	11
E200P	11
E200R	11
E240L	11
E240N	11
E240P	11
E240RF	11
E241L	11
E241N	11
E242J	11
E2440N5	11
E2440NF	11
E2440P5	11
E2440PF	11
E2440RF	11
E244J	11
E244L	11
E244NF	11
E244NF5	11
E244PF	11
E244PF5	11
E244RF	11
E244RF5	11
E245J	11
E245N	11
E245P	11
E245R	11
E252LJ	12
E252NJS	12
E252NL	12
E252PN	12
E252RNS	12
E252RP	12
E297J	12

Cat. No.	Page No.
E297JN	12
E297L	12
E297LR	12
E297N	12
E297NT	12
E297P	12
E297PS	12
E297PT	12
E297RF	12
E297RR	12
E297RT	12
E299JM	12
E299JP	12
E299JR	12
E299LF	12
E299LR	12
E299NX7	12
E442K	22
E442R	22
E442T	22

E92 - E94

E92CSH	25
E92CSJ	25
E92CSL	25
E92CSN	25
E92CSP	25
E92CSR	25
E935J	24
E935L	24
E935N	24
E935P	24
E935R	24
E940D	21
E940E	21, 37
E940F	11, 21, 37
E940G	21, 37
E940H	11, 21, 37
E940J	11, 21, 37
E940K	11, 21, 37
E940L	21, 37
E940M	21
E940N	21, 37
E940P	21
E940R	21
E941H	11, 21
E941J	11, 21
E941K	11, 21
E941L	21
E941N	21
E941PF	21
E941RF	21
E942D	22
E942E	22, 37
E942F	12, 22, 37
E942G	22, 37
E942H	12, 22, 37
E942J	12, 22, 37
E942K	22, 37
E942L	12, 22, 37
E942M	22
E942N	12, 22, 37
E942NX9	22
E942P	12, 22
E942R	12, 22

Cat. No.	Page No.
E942RX	22
E943D	22
E943DW	25
E943E	22, 37
E943EW	25
E943F	12, 22, 37
E943FW	25
E943G	22, 37
E943GW	25
E943H	12, 22, 37
E943HW	25
E943J	12, 22, 37
E943JW	25
E943K	22, 37
E943L	12, 22, 37
E943M	22
E943N	12, 22, 37
E943P	12, 22
E943R	12, 22
E945D	21
E945DX	21
E945E	21
E945EX	21
E945F	21
E945FX	21
E945G	21
E945GX	21
E945H	21
E945HX	21
E945J	21
E945JX	21
E945K	21
E945KX	21
E945KXL	21
E945L	21
E945LX	21
E945M	21
E945MX	21
E945N	21
E945NX	21
E945P	21
E945PX	21
E945R	21
E945RX	21
E948H	22
E948J	22
E948JR	22
E948JS	22
E948K	22
E948KS7	22
E948L	22
E948L12	22
E948L6	22
E948LS	22
E948N	22
E948N12	22
E948N7	22
E948NS	22
E948P	22
E948PS	22
E948R	22
E948R10	22
E948R12	22
E948RS	22
E949J5	24

Cat. No.	Page No.
E949J6	24
E949JN	24
E949JX	24
E949LR	24
E949N5	24
E949NR	24
E949R5	24
E949RX	24

E95 - ES

E950ED	23
E950FD-CAR	23
E950FE	23
E950GE-CAR	23
E950GF	23
E950HF-CAR	23
E950HG-CAR	23
E950JG-CAR	23
E950JH-CAR	23
E950KJ-CAR	23
E950LJ-CAR	23
E950LK	23
E950NL	23
E952JH	23
E952KJ	23
E952LJ	23
E952LK	23
E952NJF	23
E952NL	23
E952NM	23
E952PN	23
E952RNF	23
E952RP	23
E954HX	22
E954J	22
E954JX	22
E954JXS	33
E954JXX	33
E954K	22
E954KX	22
E954KXX	33
E954L	22
E954LX	22
E954LXS	33
E954LXX	33
E954NXX	33
E955D	21
E955E	21
E955F	21
E955G	21
E955H	21
E955J	21
E958D	24
E958E	24
E958F	24
E958G	24
E958H	24
E958J	24
E958K	24
E958L	24
E958N	24
E958P	24
E958R	24
E970CD	26
E970CE	26

Cat. No.	Page No.
E971C	23
E971D	23
E977DC	31
E977EC	31
E977FC	31
E977GC	31
E977HC	31
E977JC	31
E977KC-CAR	31
E977LC-CAR	31
E977NC-CAR	31
E978DC-CAR	30
E978EC-CAR	30
E978FC-CAR	30
E978GC-CAR	30
E978HC-CAR	30
E978JC-CAR	30
E983D-CAR	27
E983E	27
E983F	27
E983G	27
E983H	27
E983J	27
E9842D	23
E9842E	23
E984D-CAR	27
E984E	27
E984F-CAR	27
E984G-CAR	27
E984H	27
E984J	27
E985D-CAR	26
E985E-CAR	26
E985F	26
E985G	26
E985H-CAR	26
E985J	26
E986D	26
E986E	26
E986F	26
E986G	26
E986H	26
E986J	26
E986K	26
E986L	26
E986M	26
E986N	26
E987D	27
E987E-CAR	27
E987F-CAR	27
E987G	27
E987H	27
E987J	27
E987N	28
E987R-CAR	28
E988D	27
E988E	27
E988F	27
E988G	27
E988H	27
E988J	27
E989N-CAR	28
E989NNJ	28
E989NNR	28
E989PPJ	28

Cat. No.	Page No.
E989R-UPC	28
E989RRR-UPC	28
E989SSX-UPC	28
E989UUN	28
E990D	25
E990E	25
E992J	25
E992L	25
E992N	25
E992R	25
E994D	24
E994E	24
E994F	24
E995G	24
E995J	24
E996D	23
E996E	23
E996F	23
E996G	23
E996H	23
E996J	23
E996K	23
E996L	23
E996N	23
E997F	12, 24, 37
E997G	24, 37
E997H	12, 24, 37
E997J	12, 24, 37
E997K	24, 37
E997L	12, 24, 37
E997M	24
E997N	12, 24, 37
E997P	12, 24
E997R	12, 24
E997T	24
E998D	24
E998E	24
E998E-CAR	24
E998F	24
E998F-CAR	24
E998G-CAR	24
E998H-CAR	24
E998J-CAR	24
E998K-UPC	24
E998L	24
E998N	24
ELA-166154	37
ELA-190154	37
EP12128	29
EP181812	29
EP201808	29
EP202008	29
EP241808	29
EP242008	29
EP242408	29
EP302408	29
EP362408	29
ESMFK-1	29

L

LN20DA	46
LN20EA	46
LN20FA	46
LN20FA-CAR	46

Cat. No.	Page No.
LN43DA	46
LN43EA	46
LN43FA	46
LN43FA-CAR	46
LT20C	45
LT20C-CAR	45
LT20D-NEW	45
LT20E-NEW	45
LT20F	45
LT20G	45
LT20H	45
LT20J	45
LT43C	44
LT43C-CAR	44
LT43D-NEW	44
LT43E-NEW	44
LT43F	44
LT43G	44
LT43H	44
LT43J	44
LT9LD	25
LT9LE	25
LT9LF	25

P

P2 - PF

P258H	11, 23, 37
P258JT	11, 14, 23, 37
P258K	11, 23, 37
P258LT	11, 14, 23, 37
P258NT	11, 14, 23, 37
P258PT	11, 14, 23
P258RT	11, 14, 23
PE3SNS	6
PE3SP	6
PE3SPS	6
PE3SRS	6
PE7SP	6
PE9HN	6
PE9HP	6
PF3CJ	8
PF3CL	8
PF3DF	8
PF3DH	8
PF3DP	8
PF3FJ	8
PF3FL	8
PF3FN	8
PF3FP	8
PF3FR	8
PF3HL	8
PF3HN	8
PF3HP	8
PF3HR	8
PF3IJ	8
PF3IR	8
PF3SJ	8
PF3SN	8
PF3SP	8
PF3SR	8
PF3VJ	8
PF3VL	8
PF3VN	8

Cat. No.	Page No.
PF3VP	8
PF5DN	8
PF5DP	8
PF5FF	8
PF5FL	8
PF5FN	8
PF5FP	8
PF5FR	8
PF5HL	8
PF5HN	8
PF5HR	8
PF5IJ	8
PF5IL	8
PF5IP	8
PF5IR	8
PF5SL	8
PF5SN	8
PF5SP	8
PF5SR	8
PF5VN	8
PF5VP	8
PF5VR	8
PF6CH	8
PF6CJ	8
PF6CL	8
PF6DL	8
PF6DN	8
PF6DP	8
PF6FJ	8
PF6FL	8
PF6FN	8
PF6FR	8
PF6HJ	8
PF6HN	8
PF6HP	8
PF6HR	8
PF6IN	8
PF6IP	8
PF6SJ	8
PF6SN	8
PF6SP	8
PF6VJ	8
PF6VN	8
PF6VR	8
PF7CF	7
PF7CH	7
PF7CJ	7
PF7CL	7
PF7DF	7
PF7DH	7
PF7DJ	7
PF7DL	7
PF7DN	7
PF7FF	7
PF7FH	7
PF7FJ	7
PF7FL	7
PF7FN	7
PF7FP	7
PF7FR	7
PF7HJ	7
PF7HL	7
PF7HN	7
PF7HP	7
PF7HR	7

Cat. No.	Page No.
PF7IL	7
PF7IP	7
PF7NN	7
PF7SH	7
PF7SJ	7
PF7SL	7
PF7SN	7
PF7SP	7
PF7SR	7
PF7VN	7
PF7VP	7
PF7VR	7
PF9CH	7
PF9CJ	7
PF9CL	7
PF9CN	7
PF9DF	7
PF9DH	7
PF9DJ	7
PF9DL	7
PF9DN	7
PF9DP	7
PF9FF	7
PF9FJ	7
PF9FL	7
PF9FN	7
PF9FP	7
PF9FR	7
PF9HL	7
PF9HN	7
PF9HP	7
PF9HR	7
PF9IL	7
PF9IN	7
PF9IP	7
PF9IR	7
PF9SH	7
PF9SJ	7
PF9SL	7
PF9SR	7
PF9VL	7
PF9VN	7
PF9VP	7

PH

PH3CJ	10
PH3CN	10
PH3DJ	10
PH3DN	10
PH3DP	10
PH3FJ	10
PH3FL	10
PH3FN	10
PH3FP	10
PH3FR	10
PH3HN	10
PH3IN	10
PH3IP	10
PH3IR	10
PH3SJ	10
PH3SL	10
PH3SN	10
PH3SP	10
PH3SR	10
PH3VR	10

Cat. No.	Page No.
PH5CJ	10
PH5CL	10
PH5CN	10
PH5DJ	10
PH5DL	8, 10
PH5DP	10
PH5FJ	10
PH5FL	10
PH5FN	10
PH5FP	10
PH5HL	10
PH5HN	10
PH5HP	10
PH5HR	10
PH5IJ	10
PH5IL	10
PH5IR	10
PH5SN	10
PH5SP	10
PH5SR	10
PH5VJ	10
PH5VN	10
PH6CJ	10
PH6CL	10
PH6CN	10
PH6DJ	10
PH6DN	10
PH6DP	10
PH6FJ	10
PH6FL	10
PH6FN	10
PH6FP	10
PH6FR	10
PH6HN	10
PH6HR	10
PH6IN	10
PH6SL	10
PH7CJ	9
PH7CL	9
PH7CN	9
PH7DJ	9
PH7DL	9
PH7DN	9
PH7DP	9
PH7FJ	9
PH7FL	9
PH7FN	9
PH7FP	9
PH7FR	9
PH7HJ	9
PH7HL	9
PH7HN	9
PH7HP	9
PH7HR	9
PH7IJ	9
PH7IL	9
PH7IP	9
PH7IR	9
PH7SJ	9
PH7SN	9
PH7SP	9
PH7SR	9
PH9CJ	9
PH9CL	9
PH9CN	9

Cat. No.	Page No.
PH9DJ	9
PH9DL	9
PH9DN	9
PH9DP	9
PH9FJ	9
PH9FL	9
PH9FN	9
PH9FP	9
PH9FR	9
PH9HJ	9
PH9HL	9
PH9HN	9
PH9HP	9
PH9HR	9
PH9IJ	9
PH9IL	9
PH9IN	9
PH9IR	9
PH9OJ	9
PH9SJ	9
PH9SL	9
PH9SN	9
PH9SP	9
PH9SR	9
PH9VN	9
PH9VP	9
PH9VR	9

S

S258RH	60
S28612	60, 64
S287F	60, 64
S287J	60, 64
S288JHN	60
S288JJN	60
S288JLN	60
S288LHN	60
S288LJN	60
S288LLN	60
S288NFN	60
S288NHN	60
S288NJN	60
S288NLN	60
S288PHN	60
S288PJN	60
S288PLN	60
S288RHN	60
S288RJN	60
S288RLN	60
S288SHN	60
S288SJN	60
S289JHN	60
S289JJN	60
S289JLN	60
S289LHN	60
S289LJN	60
S289LLN	60
S289NFN	60
S289NHN	60
S289NJN	60
S289NLN	60
S289PHN	60
S289PJN	60
S289PLN	60

Cat. No.	Page No.
S289RHN	60
S289RJN	60
S289RLN	60
S289SHN	60
S289SJN	60
SB14105	58
SP2W20-1	64
SP2W20-2	64
SP2W20-3	64
SP2W30-1	64
SP2W30-2	64
SP2W30-3	64
SP3W20-2	64
SP3W30-2	64
SP4W15-1	64
SP4W15-2	64
SP4W15-3	64
SP4W20-1	64
SP4W20-2	64
SP4W20-3	64
SP4W30-1	64
SP4W30-2	64
SP4W30-3	64
SP5W20-2	64
SP5W30-2	64
SP6W20-2	64
SP6W30-2	64

T

TL14203	58
TL14505	58
TL14510	58
TL38203	58
TL38210	58
TL38265	58

U

UA3 - UA5

UA3AD	16
UA3AE	16
UA3AF	16
UA3AG	16
UA3AH	16
UA3AJ	16
UA3AK	16
UA3AL	16
UA3AM	16
UA3AN	16
UA3ANB	16
UA3AP	16
UA3AR	16
UA3DJ	18
UA3DJB	18
UA3DL	18
UA3DLB	18
UA3DM	18
UA3DN	18
UA3DNB	18
UA3FJ	18
UA3FJB	18
UA3FL	18
UA3FLB	18

Cat. No.	Page No.
UA3FN	18
UA3FNB	18
UA3FP	18
UA3FPB	18
UA3FR	18
UA3FRB	18
UA3FT	18
UA3HJ	18
UA3HK	18
UA3HL	18
UA3HM	18
UA3HN	18
UA3HNB	18
UA3HP	18
UA3HR	18
UA3SNB	18
UA3UPB	18
UA5AD	16
UA5AE	16
UA5AF	16
UA5AG	16
UA5AH	16
UA5AJ	16
UA5AJB	16
UA5AK	16
UA5AL	16
UA5ALB	16
UA5AM	16
UA5AN	16
UA5ANB	16
UA5AP	16
UA5APB	16
UA5AR	16
UA5ARB	16
UA5CJ	18
UA5CJB	18
UA5CK	18
UA5CLB	18
UA5DJ	18
UA5DJB	18
UA5DK	18
UA5DL	18
UA5DLB	18
UA5DM	18
UA5DN	18
UA5DNB	18
UA5DPB	18
UA5EJ	18
UA5EJB	18
UA5EK	18
UA5EL	18
UA5ELB	18
UA5EM	18
UA5EN	18
UA5ENB	18
UA5EP	18
UA5EPB	18
UA5FF	18
UA5FG	18
UA5FH	18
UA5FHB	18
UA5FJ	18
UA5FJB	18
UA5FK	18
UA5FL	18

Cat. No.	Page No.
UA5FLB	18
UA5FM	18
UA5FN	18
UA5FNB	18
UA5FP	18
UA5FPB	18
UA5FR	18
UA5FRB	18
UA5FT	18
UA5HJ	18
UA5HK	18
UA5HL	18
UA5HM	18
UA5HN	18
UA5HNB	18
UA5HP	18
UA5HPB	18
UA5HR	18
UA5HRB	18
UA5HT	18
UA5IN	18
UA5IP	18
UA5IR	18
UA5JN	18
UA5RR	18
UA5SN	18
UA5SNB	18
UA5SP	18
UA5SR	18
UA5UNB	18
UA5UPB	18
UA5VJ	18
UA5VL	18
UA5VNB	18
UA5VPB	18
UA5VR	18

UA6 - UA7

UA6AD	16
UA6ADB	16
UA6AE	16
UA6AEB	16
UA6AF	16
UA6AFB	16
UA6AG	16
UA6AGB	16
UA6AH	16
UA6AHB	16
UA6AJ	16
UA6AJB	16
UA6AJCB	20
UA6AK	16
UA6AKB	16
UA6AL	16
UA6ALB	16
UA6AM	16
UA6AMB	16
UA6AN	16
UA6ANB	16
UA6ANCB	20
UA6AP	16
UA6APB	16
UA6AR	16
UA6ARB	16
UA6ARCB	20

Cat. No.	Page No.
UA6CJ	18
UA6CK	18
UA6CL	18
UA6DJ	18
UA6DJB	18
UA6DK	18
UA6DL	18
UA6DLB	18
UA6DM	18
UA6DN	18
UA6FJ	18
UA6FJB	18
UA6FL	18
UA6FLB	18
UA6FM	18
UA6FN	18
UA6FNB	18
UA6FP	18
UA6FPB	18
UA6FR	18
UA6FRB	18
UA6HJ	18
UA6HJB	18
UA6HL	18
UA6HLB	18
UA6HM	18
UA6HN	18
UA6HNB	18
UA6HP	18
UA6HPB	18
UA6HR	18
UA6HRB	18
UA7AD	16
UA7ADB	16
UA7AE	16
UA7AEB	16
UA7AF	16
UA7AF-CAR	16
UA7AFB	16
UA7AG	16
UA7AGB	16
UA7AGCB	20
UA7AH	16
UA7AHB	16
UA7AHCB	20
UA7AJ	16
UA7AJ-CAR	16
UA7AJB	16
UA7AJCB	20
UA7AK	16
UA7AKB	16
UA7AKCB	20
UA7AL	16
UA7ALB	16
UA7ALCB	20
UA7AM	16
UA7AMB	16
UA7AMCB	20
UA7AN	16
UA7ANB	16
UA7ANCB	20
UA7AP	16
UA7APB	16
UA7APCB	20
UA7AR	16

Cat. No.	Page No.
UA7ARB	16
UA7ARCB	20
UA7BJB	17
UA7CF	17
UA7CG	17
UA7CH	17
UA7CJ	17
UA7CJB	17
UA7CK	17
UA7CL	17
UA7CLB	17
UA7DF	17
UA7DG	17
UA7DH	17
UA7DJ	17
UA7DJB	17
UA7DK	17
UA7DKB	17
UA7DL	17
UA7DLB	17
UA7DM	17
UA7DN	17
UA7DNB	17
UA7EF	17
UA7EG	17
UA7EH	17
UA7EJ	17
UA7EJB	17
UA7EK	17
UA7EL	17
UA7ELB	17
UA7EM	17
UA7EN	17
UA7ENB	17
UA7EP	17
UA7EPB	17
UA7FF	17
UA7FG	17
UA7FH	17
UA7FHB	17
UA7FJ	17
UA7FJB	17
UA7FK	17
UA7FKB	17
UA7FL	17
UA7FLB	17
UA7FM	17
UA7FN	17
UA7FNB	17
UA7FP	17
UA7FPB	17
UA7FR	17
UA7FRB	17
UA7FT	17
UA7HF	17
UA7HG	17
UA7HH	17
UA7HJ	17
UA7HJB	17
UA7HK	17
UA7HL	17
UA7HLB	17
UA7HN	17
UA7HNB	17
UA7HP	17

<u>Cat. No.</u>	<u>Page No.</u>
UA7HPB.....	17
UA7HR.....	17
UA7HRB.....	17
UA7HT.....	17
UA7IPB.....	17
UA7NNB.....	17
UA7NPB.....	17
UA7SJ.....	17
UA7SN.....	17
UA7SNB.....	17
UA7SPB.....	17
UA9 - UAF	
UA9AD.....	16
UA9ADB.....	16
UA9ADCB-CTN.....	20
UA9ADR-CAR.....	16
UA9AE.....	16
UA9AEB.....	16
UA9AECB-CTN.....	20
UA9AFB-CTN.....	16
UA9AFCB-CTN.....	20
UA9AFR-CTN.....	16
UA9AG.....	16
UA9AGB.....	16
UA9AGCB-UPC.....	20
UA9AH.....	16
UA9AHB.....	16
UA9AHCB-UPC.....	20
UA9AJ.....	16
UA9AJB.....	16
UA9AJCB-UPC.....	20
UA9AK-CAR.....	16
UA9AKB-CAR.....	16
UA9AKCB-CTN.....	20
UA9AL.....	16
UA9ALB.....	16
UA9ALCB-UPC.....	20
UA9AM.....	16
UA9AMB.....	16
UA9AMCB.....	20
UA9AN.....	16
UA9ANB.....	16
UA9ANCB.....	20
UA9AP.....	16
UA9APB.....	16
UA9APCB.....	20
UA9AR.....	16
UA9ARB.....	16
UA9ARCB.....	20
UA9CF.....	17
UA9CFB.....	17
UA9CG.....	17
UA9CGB.....	17
UA9CH.....	17
UA9CHB.....	17
UA9CJ.....	17
UA9CJB.....	17
UA9CK.....	17
UA9CKB.....	17
UA9CL.....	17
UA9CLB.....	17
UA9CNB.....	17
UA9DF.....	17
UA9DFB.....	17

<u>Cat. No.</u>	<u>Page No.</u>
UA9DG.....	17
UA9DGB.....	17
UA9DH.....	17
UA9DHB.....	17
UA9DJ.....	17
UA9DJB-UPC.....	17
UA9DK.....	17
UA9DKB-UPC.....	17
UA9DL.....	17
UA9DLB-UPC.....	17
UA9DM.....	17
UA9DMB.....	17
UA9DN.....	17
UA9DNB.....	17
UA9EF.....	17
UA9EFB.....	17
UA9EG.....	17
UA9EGB.....	17
UA9EH.....	17
UA9EHB.....	17
UA9EJ.....	17
UA9EJB.....	17
UA9EK.....	17
UA9EKB.....	17
UA9EL.....	17
UA9ELB.....	17
UA9EM.....	17
UA9EMB.....	17
UA9EN.....	17
UA9ENB.....	17
UA9EP.....	17
UA9EPB.....	17
UA9FF.....	17
UA9FG.....	17
UA9FGB.....	17
UA9FH.....	17
UA9FHB.....	17
UA9FJ-UPC.....	17
UA9FJB.....	17
UA9FK-UPC.....	17
UA9FKB.....	17
UA9FL.....	17
UA9FLB.....	17
UA9FM.....	17
UA9FMB.....	17
UA9FN.....	17
UA9FNB.....	17
UA9FP.....	17
UA9FPB.....	17
UA9FR.....	17
UA9FRB.....	17
UA9HF.....	17
UA9HG.....	17
UA9HH.....	17
UA9HJ.....	17
UA9HJB.....	17
UA9HK.....	17
UA9HKB.....	17
UA9HL.....	17
UA9HLB.....	17
UA9HM.....	17
UA9HMB.....	17
UA9HN.....	17
UA9HNB.....	17
UA9HP.....	17

<u>Cat. No.</u>	<u>Page No.</u>
UA9HPB.....	17
UA9HR.....	17
UA9HRB.....	17
UA9HT.....	17
UA9IL.....	17
UA9IN.....	17
UA9INB.....	17
UA9IP.....	17
UA9IPB.....	17
UA9IR.....	17
UA9IRB.....	17
UA9JJ.....	17
UA9JN.....	17
UA9TRB.....	17
UAFAD.....	19
UAFAE.....	19
UAFAF.....	19
UB	
UB3AL.....	19
UB3AR.....	19
UB3FP.....	19
UB5AL.....	19
UB5AN.....	19
UB5AP.....	19
UB5APB.....	19
UB5DHB.....	19
UB5DJB.....	19
UB5DKB.....	19
UB5DL.....	19
UB5DLB.....	19
UB5DN.....	19
UB5DNB.....	19
UB5FJB.....	19
UB5FLB.....	19
UB5FNB.....	19
UB5FP.....	19
UB6AD.....	19
UB6AE.....	19
UB6AF.....	19
UB6AG.....	19
UB6AH.....	19
UB6AJ.....	19
UB6AK.....	19
UB6AL.....	19
UB6AN.....	19
UB6AP.....	19
UB6AR.....	19
UB6FN.....	19
UB6FR.....	19
UB7AD.....	19
UB7AE-UPC.....	19
UB7AF-UPC.....	19
UB7AG.....	19
UB7AH.....	19
UB7AH-CAR.....	19
UB7AJ-UPC.....	19
UB7AK.....	19
UB7AL.....	19
UB7AN.....	19
UB7AP.....	19
UB7APB.....	19
UB7AR.....	19
UB7CF.....	19
UB7CH.....	19

Cat. No.	Page No.
UB7CJ	19
UB7CL	19
UB7DF	19
UB7DG	19
UB7DH	19
UB7DHB	19
UB7DJ	19
UB7DJB	19
UB7DK	19
UB7DKB	19
UB7DL	19
UB7DLB	19
UB7DN	19
UB7DNB	19
UB7FF	19
UB7FG	19
UB7FH	19
UB7FJ	19
UB7FJB	19
UB7FK	19
UB7FL	19
UB7FLB	19
UB7FN	19
UB7FNB	19
UB7FP	19
UB7FR	19
UB7HF	19
UB7HG	19
UB7HH	19
UB7HJ	19
UB7HK	19
UB7HL	19
UB7HN	19
UB7HP	19
UB7HR	19
UB7IR	19
UB9AD	19
UB9AE	19
UB9AF	19
UB9AG	19
UB9AH	19
UB9AJ	19
UB9AK	19
UB9AL	19
UB9AN	19
UB9AP	19
UB9APB	19
UB9AR	19
UB9CF	19
UB9CG	19
UB9CH	19
UB9CJ	19
UB9CK	19
UB9CL	19
UB9DF	19
UB9DG	19
UB9DH-UPC	19
UB9DHB	19
UB9DJ-UPC	19
UB9DJB	19
UB9DK-UPC	19
UB9DKB	19
UB9DL	19
UB9DLB	19
UB9DN	19

Cat. No.	Page No.
UB9DNB	19
UB9FF	19
UB9FG	19
UB9FH	19
UB9FJ	19
UB9FJB	19
UB9FK	19
UB9FKB	19
UB9FL	19
UB9FLB	19
UB9FN	19
UB9FNB	19
UB9FP	19
UB9FR	19
UB9HF	19
UB9HG	19
UB9HH	19
UB9HJ	19
UB9HK	19
UB9HL	19
UB9HN	19
UB9HNB	19
UB9HP	19
UB9HR	19
UB9IP	19
UB9IR	19
UB9NN	19

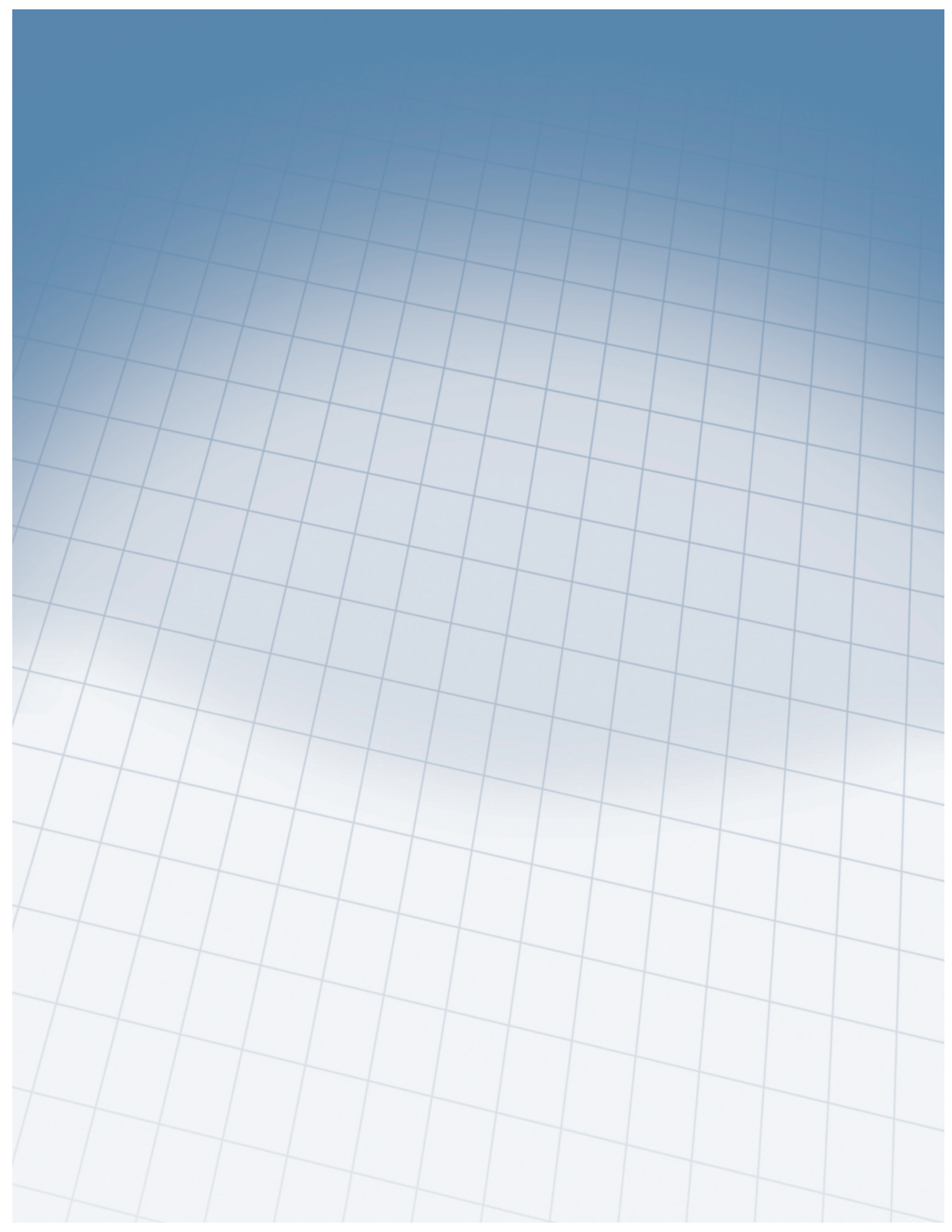
UC

UC5CKB	4
UC5FKB	4
UC5FNB	4
UC5FRB	4
UC5FRBLB	5
UC5HNB	4
UC7CJBLB	5
UC7CKB	4
UC7DJBLB	5
UC7DLBLB	5
UC7DNBLB	5
UC7DPBLB	5
UC7FHB	4
UC7FJB	4
UC7FJBLB	5
UC7FKB	4
UC7FLB	4
UC7FLBLB	5
UC7FNB	4
UC7FNBLB	5
UC7FPBLB	5
UC7FRBLB	5
UC7HJBLB	5
UC7HLBLB	5
UC7HNB	4
UC7HNBLB	5
UC7HPBLB	5
UC7HRB	4
UC7HRBLB	5
UC7ITB	4
UC9BHB	4
UC9BJB	4
UC9CJBLB	5
UC9DHB	4
UC9DJB	4
UC9DJB�	5

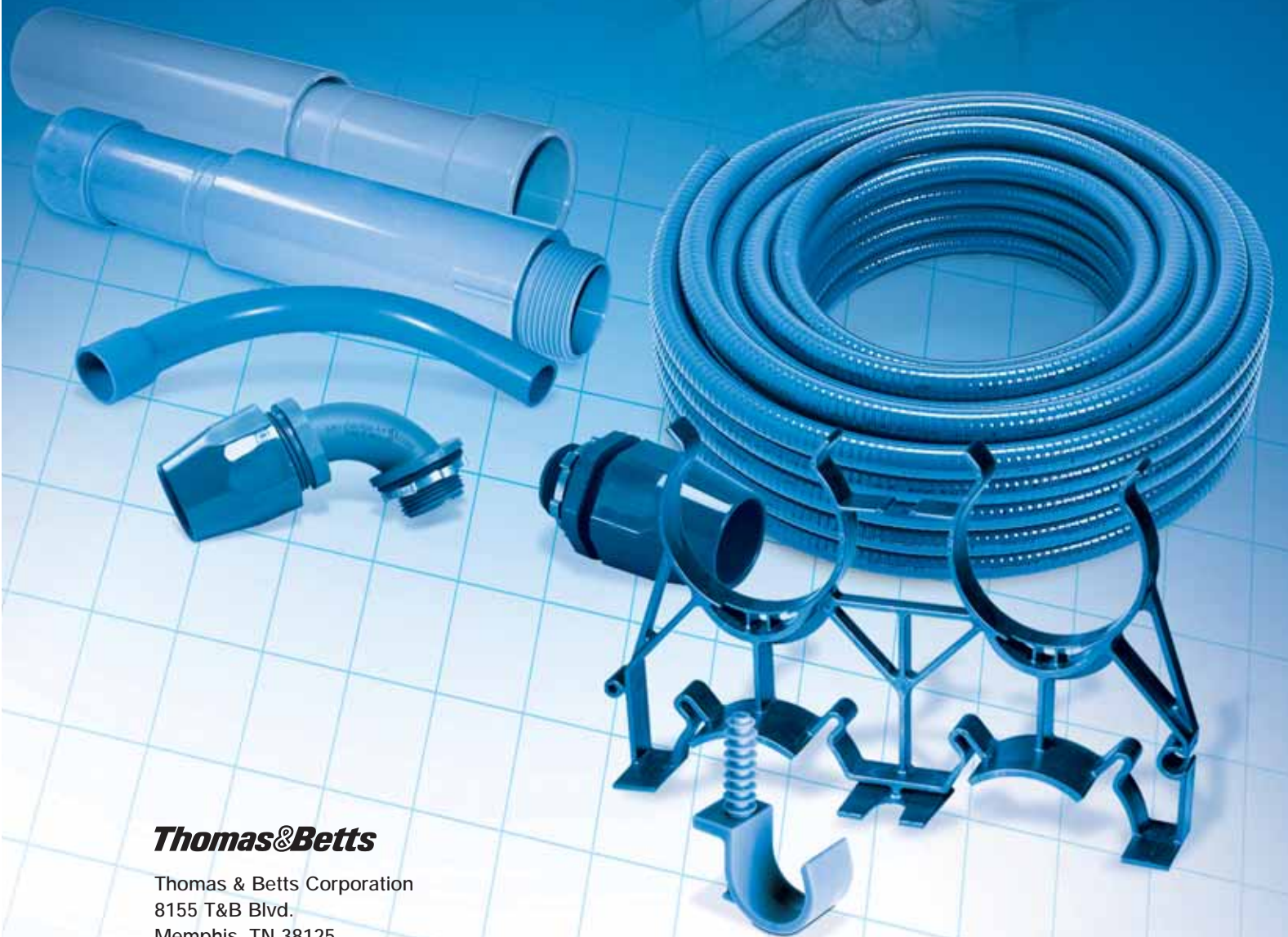
Cat. No.	Page No.
UC9DKB	4
UC9DLB	4
UC9DLBLB	5
UC9DNB	4
UC9DNBLB	5
UC9DPBLB	5
UC9FHB	4
UC9FJB	4
UC9FJBLB	5
UC9FKB	4
UC9FLB	4
UC9FLBLB	5
UC9FNB	4
UC9FNBLB	5
UC9FPBLB	5
UC9FRB	4
UC9FRBLB	5
UC9HJB	4
UC9HJBLB	5
UC9HLBLB	5
UC9HNB	4
UC9HNBLB	5
UC9HPBLB	5
UC9HRB	4
UC9HRBLB	5

V

VC9902	54
VC9903	54
VC9922	53
VC9923	53
VC9924-24	53
VC9932	54
VC9941P	53
VC9961P	53
VC9962	53
VC9963	53
VC9963SC	54
VC9964	53
VC9981P	54
VC9982	54
VC9983	54
VC9984	54
VC9992	54
VC9AC16	52
VC9AC16C	52
VC9AC5	52
VC9AC5C	52
VC9LV2	52
VC9LV3	52
VC9LV4-24	52
VC9TS5	55
VC9TS5C	55
VC9WG16	55
VC9WG16C	55
VC9WG5	55
VC9WG5C	55



Carlton®



Thomas & Betts

Thomas & Betts Corporation
8155 T&B Blvd.
Memphis, TN 38125
P: 800.816.7809
F: 901.252.1354

utility.tnb.com