

Bussed Gutters & Termination Cabinets



Universal Bussed Gutters, 400 -2000 Amp	49 - 50
Bussed Gutters for TB/MTB Units, 400 -800 Amp	51 - 52
Termination Enclosures, 100 -1200 Amp	53 - 54

Bussed Gutters &
Termination Cabinets

Universal Bussed Gutters

400 - 2000 Amp



R1060HEE (closed)



R1060HEE (open)



Application

- With KOs for ganging TB/MTB units under a common feed
- Surface mount

Construction

- NEMA Type 3R
- ANSI 61 gray E-coat finish
- Aluminum bussing

Standards

- UL 1773 Listed

Bussed Gutters & Termination Cabinets

Part/UPC Number	Catalog Number	Buss Amps	Service Type	AIC	Line	Connections Load	Neutral	Overall Height	Overall Width	Overall Depth	Knockout Layout
78205118055	R1024 HC	400	1Ø/3W	10K	#4 - 600 MCM	See Note *	#4 - 600 MCM	22"	24"	6"	Fig. 1
78205118065	R1036 HC	400	1Ø/3W	10K	#4 - 600 MCM	See Note *	#4 - 600 MCM	22"	36"	6"	Fig. 1
78205118075	R1048 HC	400	1Ø/3W	10K	#4 - 600 MCM	See Note *	#4 - 600 MCM	22"	48"	6"	Fig. 1
78205118085	R1060 HC	400	1Ø/3W	10K	#4 - 600 MCM	See Note *	#4 - 600 MCM	22"	60"	6"	Fig. 1
78205118095	R1072 HC	400	1Ø/3W	10K	#4 - 600 MCM	See Note *	#4 - 600 MCM	22"	72"	6"	Fig. 1
78205118115	R1036 HD	600	1Ø/3W	10K	(2) #4 - 600 MCM	See Note *	(2) #4 - 600 MCM	22"	36"	6"	Fig. 1
78205118125	R1048 HD	600	1Ø/3W	10K	(2) #4 - 600 MCM	See Note *	(2) #4 - 600 MCM	22"	48"	6"	Fig. 1
78205118135	R1060 HD	600	1Ø/3W	10K	(2) #4 - 600 MCM	See Note *	(2) #4 - 600 MCM	22"	60"	6"	Fig. 1
78205118145	R1072 HD	600	1Ø/3W	10K	(2) #4 - 600 MCM	See Note *	(2) #4 - 600 MCM	22"	72"	6"	Fig. 1
78205118325	R1048 HE	800	1Ø/3W	10K	(3) #4 - 600 MCM	See Note *	(3) #4 - 600 MCM	22"	48"	6"	Fig. 1
78205118335	R1060 HE	800	1Ø/3W	10K	(3) #4 - 600 MCM	See Note *	(3) #4 - 600 MCM	22"	60"	6"	Fig. 1
78205118345	R1072 HE	800	1Ø/3W	10K	(3) #4 - 600 MCM	See Note *	(3) #4 - 600 MCM	22"	72"	6"	Fig. 1
78205118215	R1024 HCC	400	3Ø/4W	10K	#4 - 600 MCM	See Note *	#4 - 600 MCM	22"	24"	6"	Fig. 1
78205118225	R1036 HCC	400	3Ø/4W	10K	#4 - 600 MCM	See Note *	#4 - 600 MCM	22"	36"	6"	Fig. 1
78205118235	R1048 HCC	400	3Ø/4W	10K	#4 - 600 MCM	See Note *	#4 - 600 MCM	22"	48"	6"	Fig. 1
78205118245	R1060 HCC	400	3Ø/4W	10K	#4 - 600 MCM	See Note *	#4 - 600 MCM	22"	60"	6"	Fig. 1
78205118255	R1072 HCC	400	3Ø/4W	10K	#4 - 600 MCM	See Note *	#4 - 600 MCM	22"	72"	6"	Fig. 1
78205108075	R1096 HCC	400	3Ø/4W	10K	#4 - 600 MCM	See Note *	#4 - 600 MCM	22"	96"	6"	Fig. 1
78205118275	R1036 HDD	600	3Ø/4W	10K	(2) #4 - 600 MCM	See Note *	(2) #4 - 600 MCM	28 1/2"	36"	6"	Fig. 1
78205118285	R1048 HDD	600	3Ø/4W	10K	(2) #4 - 600 MCM	See Note *	(2) #4 - 600 MCM	28 1/2"	48"	6"	Fig. 1
78205118295	R1060 HDD	600	3Ø/4W	10K	(2) #4 - 600 MCM	See Note *	(2) #4 - 600 MCM	28 1/2"	60"	6"	Fig. 1
78205118305	R1072 HDD	600	3Ø/4W	10K	(2) #4 - 600 MCM	See Note *	(2) #4 - 600 MCM	28 1/2"	72"	6"	Fig. 1
78205131978	R1096 HDD	600	3Ø/4W	10K	(2) #4 - 600 MCM	See Note *	(2) #4 - 600 MCM	28 1/2"	96"	6"	Fig. 1
78205118150	R10120 HDD	600	3Ø/4W	10K	(2) #4 - 600 MCM	See Note *	(2) #4 - 600 MCM	28 1/2"	120"	6"	Fig. 1
78205118375	R1048 HEE	800	3Ø/4W	10K	(3) #4 - 600 MCM	See Note *	(3) #4 - 600 MCM	28 1/2"	48"	6"	Fig. 1
78205118385	R1060 HEE	800	3Ø/4W	10K	(3) #4 - 600 MCM	See Note *	(3) #4 - 600 MCM	28 1/2"	60"	6"	Fig. 1
78205118395	R1072 HEE	800	3Ø/4W	10K	(3) #4 - 600 MCM	See Note *	(3) #4 - 600 MCM	28 1/2"	72"	6"	Fig. 1
78205118401	R1096 HEE	800	3Ø/4W	10K	(3) #4 - 600 MCM	See Note *	(3) #4 - 600 MCM	28 1/2"	96"	6"	Fig. 1
78205118160	R10120 HEE	800	3Ø/4W	10K	(3) #4 - 600 MCM	See Note *	(3) #4 - 600 MCM	28 1/2"	120"	6"	Fig. 1
78205131970	R1060 HFF	1200	3Ø/4W	10K	(4) #4 - 600 MCM	See Note *	(4) #4 - 600 MCM	36"	60"	6"	Fig. 1
78205131972	R1072 HFF	1200	3Ø/4W	10K	(4) #4 - 600 MCM	See Note *	(4) #4 - 600 MCM	36"	72"	6"	Fig. 1
78205118200	R1096 HFF	1200	3Ø/4W	10K	(4) #4 - 600 MCM	See Note *	(4) #4 - 600 MCM	36"	96"	6"	Fig. 1
78205118170	R10120 HFF	1200	3Ø/4W	10K	(4) #4 - 600 MCM	See Note *	(4) #4 - 600 MCM	36"	120"	6"	Fig. 1
78205131974	R1072 HGG	1600	3Ø/4W	10K	(6) #4 - 600 MCM	See Note *	(6) #4 - 600 MCM	36"	72"	8"	Fig. 1
78205118205	R1096 HGG	1600	3Ø/4W	10K	(6) #4 - 600 MCM	See Note *	(6) #4 - 600 MCM	36"	96"	8"	Fig. 1
78205118190	R10120 HGG	1600	3Ø/4W	10K	(6) #4 - 600 MCM	See Note *	(6) #4 - 600 MCM	36"	120"	8"	Fig. 1
78205131976	R1072 HHH	2000	3Ø/4W	10K	(6) #4 - 600 MCM	See Note *	(6) #4 - 600 MCM	36"	72"	8"	Fig. 1
78205118210	R1096 HHH	2000	3Ø/4W	10K	(6) #4 - 600 MCM	See Note *	(6) #4 - 600 MCM	36"	96"	8"	Fig. 1
78205118195	R10120 HHH	2000	3Ø/4W	10K	(6) #4 - 600 MCM	See Note *	(6) #4 - 600 MCM	36"	120"	8"	Fig. 1

Note: * 5/16" mounting holes for load lugs - single location per phase per foot of width.

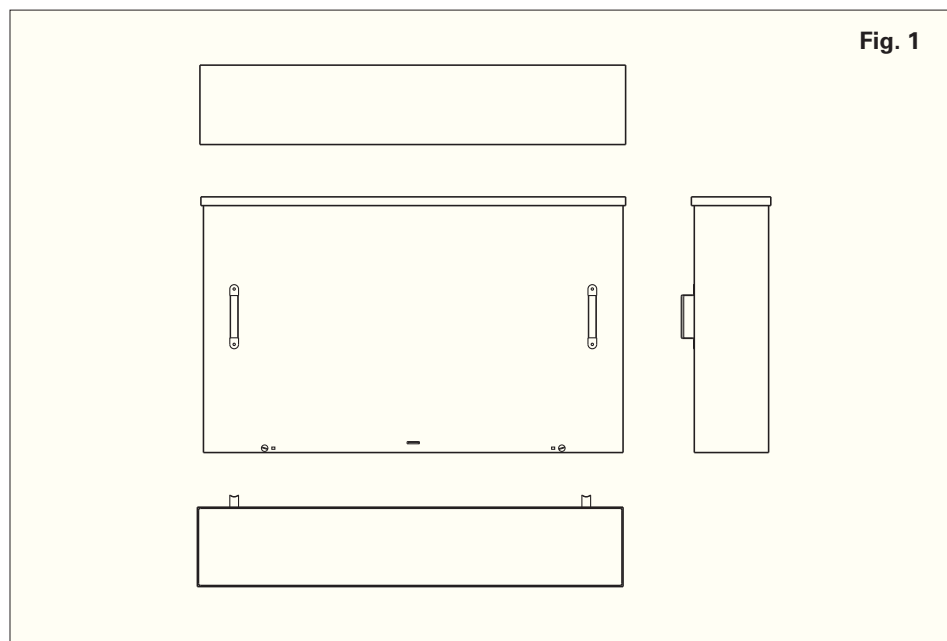
Note: Every 600 MCM lug barrel will accept (2) 1/0 - 250 MCM cables

Universal Bussed Gutters

400 - 2000 Amp

Style #	Suffixes
R1024	SS - Stainless Steel
R1036	/CU - Copper Buss
R1048	
R1060	
R1072	
R1096	
R10120	

Layouts



All cabinets 60" and wider have two (2) doors.
Cabinets 48" wide and 28¹/₂" tall also have two (2) doors.

Bussed Gutters &
Termination Cabinets

Bussed Gutters - For TB/MTB Units

400 - 800 Amp



R1123HCC (closed)



R1123HCC (open)



Application

- Used as a distribution point for multiple load applications under a common feed
- Surface mount

Construction

- NEMA Type 3R
- ANSI 61 gray E-coat finish
- Aluminum bussing

Standards

- UL 1773 Listed

Bussed Gutters & Termination Cabinets

Part/UPC Number	Catalog Number	Buss Amps	Service Type	Positions	Connections			Overall Dimensions			Knockout Layout
					Line	Load	Neutral	Height	Width	Depth	
78205157083	R1122 HC	400	1Ø/3W	2	#4 - 600 MCM	#6 - 600 MCM	#4 - 600 MCM	13"	28 ³ / ₈ "	6"	Fig. 1
78205157087	R1123 HC	400	1Ø/3W	3	#4 - 600 MCM	#6 - 600 MCM	#4 - 600 MCM	13"	42 ³ / ₄ "	6"	Fig. 2
78205157089	R1123 HD	600	1Ø/3W	3	(2) #4 - 600 MCM	#6 - 600 MCM	(2) #4 - 600 MCM	22"	42 ³ / ₄ "	6"	Fig. 2
78205157091	R1124 HD	600	1Ø/3W	4	(2) #4 - 600 MCM	#6 - 600 MCM	(2) #4 - 600 MCM	22"	57"	6"	Fig. 3
78205157107	R1125 HD	600	1Ø/3W	5	(2) #4 - 600 MCM	#6 - 600 MCM	(2) #4 - 600 MCM	22"	71 ¹ / ₄ "	6"	Fig. 4
78205157111	R1126 HD	600	1Ø/3W	6	(2) #4 - 600 MCM	#6 - 600 MCM	(2) #4 - 600 MCM	22"	85 ⁵ / ₈ "	6"	Fig. 5
78205157093	R1124 HE	800	1Ø/3W	4	(3) #4 - 600 MCM	#6 - 600 MCM	(3) #4 - 600 MCM	22"	57"	6"	Fig. 3
78205157109	R1125 HE	800	1Ø/3W	5	(3) #4 - 600 MCM	#6 - 600 MCM	(3) #4 - 600 MCM	22"	71 ¹ / ₄ "	6"	Fig. 4
78205157113	R1126 HE	800	1Ø/3W	6	(3) #4 - 600 MCM	#6 - 600 MCM	(3) #4 - 600 MCM	22"	85 ⁵ / ₈ "	6"	Fig. 5
78205157097	R1122 HCC	400	3Ø/4W	2	#4 - 600 MCM	#6 - 600 MCM	#4 - 600 MCM	22"	28 ³ / ₈ "	6"	Fig. 1
78205157099	R1123 HCC	400	3Ø/4W	3	#4 - 600 MCM	#6 - 600 MCM	#4 - 600 MCM	22"	42 ³ / ₄ "	6"	Fig. 2
78205157101	R1123 HDD	600	3Ø/4W	3	(2) #4 - 600 MCM	#6 - 600 MCM	(2) #4 - 600 MCM	22"	42 ³ / ₄ "	6"	Fig. 2
78205157103	R1124 HDD	600	3Ø/4W	4	(2) #4 - 600 MCM	#6 - 600 MCM	(2) #4 - 600 MCM	22"	57"	6"	Fig. 3
78205157115	R1125 HDD	600	3Ø/4W	5	(2) #4 - 600 MCM	#6 - 600 MCM	(2) #4 - 600 MCM	22"	71 ¹ / ₄ "	6"	Fig. 4
78205157119	R1126 HDD	600	3Ø/4W	6	(2) #4 - 600 MCM	#6 - 600 MCM	(2) #4 - 600 MCM	22"	85 ⁵ / ₈ "	6"	Fig. 5
78205157103	R1124 HEE	800	3Ø/4W	4	(3) #4 - 600 MCM	#6 - 600 MCM	(3) #4 - 600 MCM	28 ¹ / ₂ "	57"	6"	Fig. 3
78205157117	R1125 HEE	800	3Ø/4W	5	(3) #4 - 600 MCM	#6 - 600 MCM	(3) #4 - 600 MCM	28 ¹ / ₂ "	71 ¹ / ₄ "	6"	Fig. 4
78205157121	R1126 HEE	800	3Ø/4W	6	(3) #4 - 600 MCM	#6 - 600 MCM	(3) #4 - 600 MCM	28 ¹ / ₂ "	85 ⁵ / ₈ "	6"	Fig. 5

Notes:

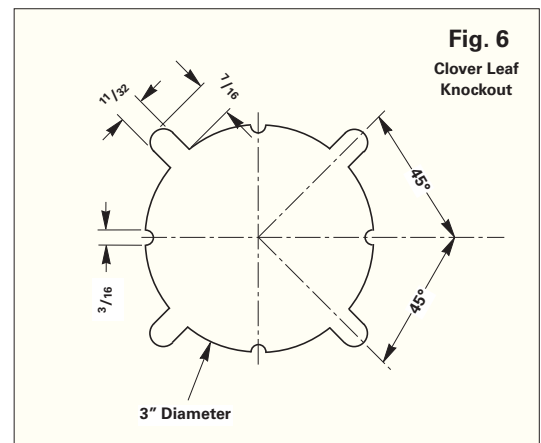
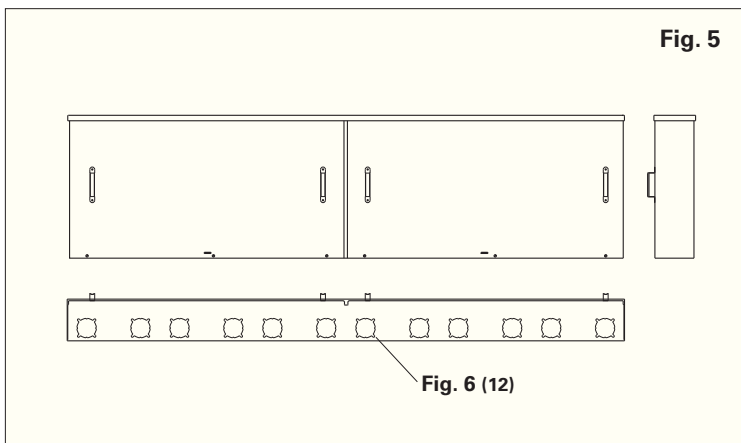
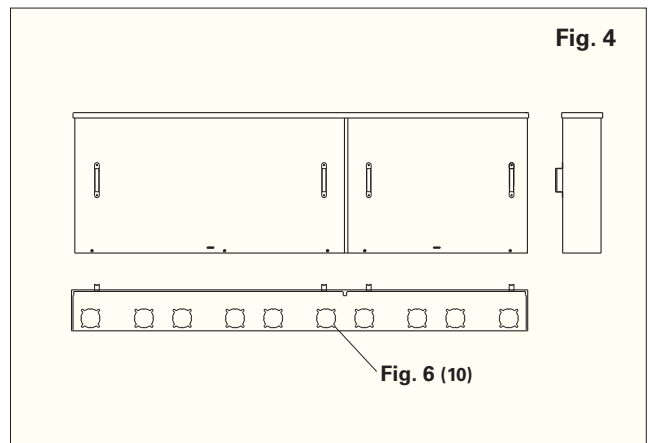
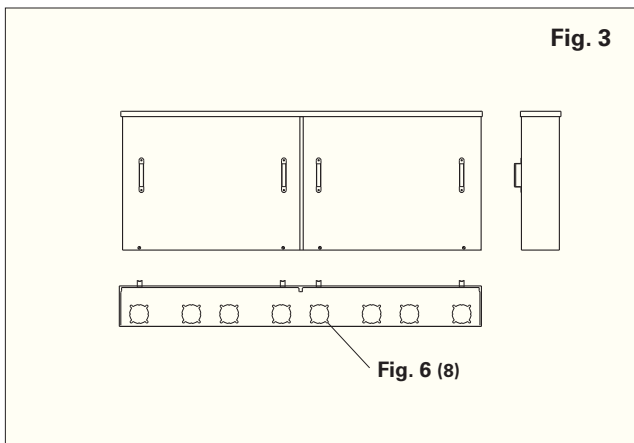
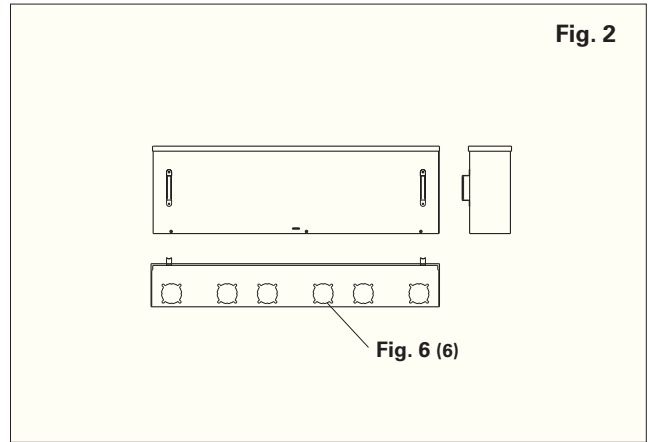
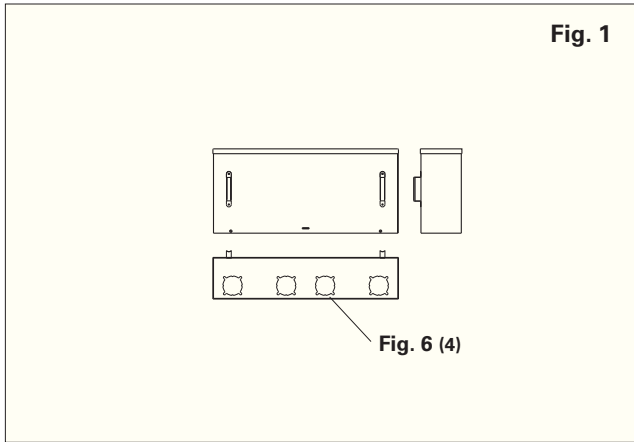
- All TB/MTB bussed gutters are rated at 10K AIC.
- All units have (1) #6 - 250 MCM ground lug secured to the neutral.
- Every 600 MCM lug barrel will accept (2) 1/0 - 250 MCM cables.

Bussed Gutters - For TB/MTB Units

400 - 800 Amps

Style #	Suffixes
R1122	SS - Stainless Steel
R1123	/CU - Copper Buss
R1124	
R1125	
R1126	

Knockout Layouts



Bussed Gutters & Termination Cabinets

Data subject to change without notice. Consult local utility for area acceptance. All dimensions are in inches.

Termination Enclosures

100 - 1200 Amp



R9000EE (closed)



R9000EE (open)

Application

- For termination of utility supply cables
- Used as a termination point before bussed gutters in underground applications
- Surface mount

Construction

- NEMA Type 3R
- ANSI 61 gray E-coat finish
- Aluminum bussing
- Removable door with sealing provision and lifting handles



Standards

- UL 1773 Listed
- EUSERC 343
- EUSERC 343A

Bussed Gutters & Termination Cabinets

Part/UPC Number	Catalog Number	Amp Rating	Service Type	Access	AIC	Phase & Neutral Connections		Overall Dimensions			Knockout Layout
						Line	Load	Height	Width	Depth	
78205153196	R9007 A	100	1Ø or 3Ø/3W	UG	10K	#14 - 2/0	#14 - 2/0	8"	12"	4"	Fig. 1
78205158183	R9000 B	200	1Ø or 3Ø/3W	UG	10K	#6 - 250 MCM	#6 - 250 MCM	26"	12"	6"	Fig. 1
78205153189	R9000 BB	200	3Ø/4W	UG	10K	#6 - 250 MCM	#6 - 250 MCM	26"	16"	6"	Fig. 1
78205153184	R9000 C	400	1Ø or 3Ø/3W	UG	42K	2 Studs / Ø	#6 - 600 MCM	44"	12"	7"	Fig. 1
78205153190	R9000 CC	400	3Ø/4W	UG	42K	2 Studs / Ø	#6 - 600 MCM	44"	18"	7"	Fig. 1
78205153186	R9000 E	800	1Ø or 3Ø/3W	UG	65K	4 Studs / Ø	(3) #4 - 600 MCM	52"	18"	11"	Fig. 1
78205153192	R9000 EE	800	3Ø/3W	UG	65K	4 Studs / Ø	(3) #4 - 600 MCM	52"	26"	11"	Fig. 1
78205153188	R9000 F	1200	1Ø or 3Ø/3W	UG	65K	6 Studs / Ø	(4) #4 - 600 MCM	52"	24"	11"	Fig. 1
78205153194	R9000 FF	1200	3Ø/4W	UG	65K	6 Studs / Ø	(4) #4 - 600 MCM	52"	36"	11"	Fig. 1
78205107197	R9000 CL	400	1Ø or 3Ø/3W	OH/UG	42K	#4 - 600 MCM	#4 - 600 MCM	44"	12"	7"	Fig. 1
78205107200	R9000 CCL	400	3Ø/4W	OH/UG	42K	#4 - 600 MCM	#4 - 600 MCM	44"	18"	7"	Fig. 1
78205107198	R9000 EL	800	1Ø or 3Ø/3W	OH/UG	65K	(3) #4 - 600 MCM	(3) #4 - 600 MCM	52"	18"	11"	Fig. 1
78205107201	R9000 EEL	800	3Ø/3W	OH/UG	65K	(3) #4 - 600 MCM	(3) #4 - 600 MCM	52"	26"	11"	Fig. 1
78205107199	R9000 FL	1200	1Ø or 3Ø/3W	OH/UG	65K	(4) #4 - 600 MCM	(3) #4 - 600 MCM	52"	24"	11"	Fig. 1
78205107202	R9000 FFL	1200	3Ø/4W	OH/UG	65K	(4) #4 - 600 MCM	(3) #4 - 600 MCM	52"	36"	11"	Fig. 1

Notes:

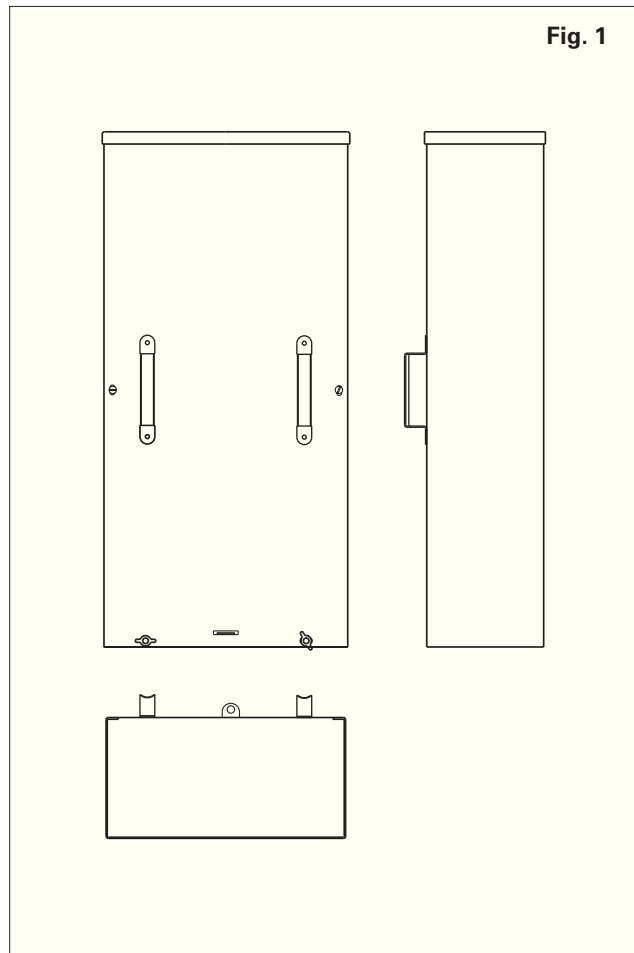
UG units comply with EUSERC 343A.

OH/UG units comply with EUSERC 343.

Every 600 MCM lug barrel will accept (2) 1/0 - 250 MCM cables.

Style #	Suffixes
R9000	SS - Stainless Steel

Layouts



52" tall cabinets have two (2) overlapping doors as shown on the R9000EE photo (page 53)

Bussed Gutters & Termination Cabinets

