

Table of Contents

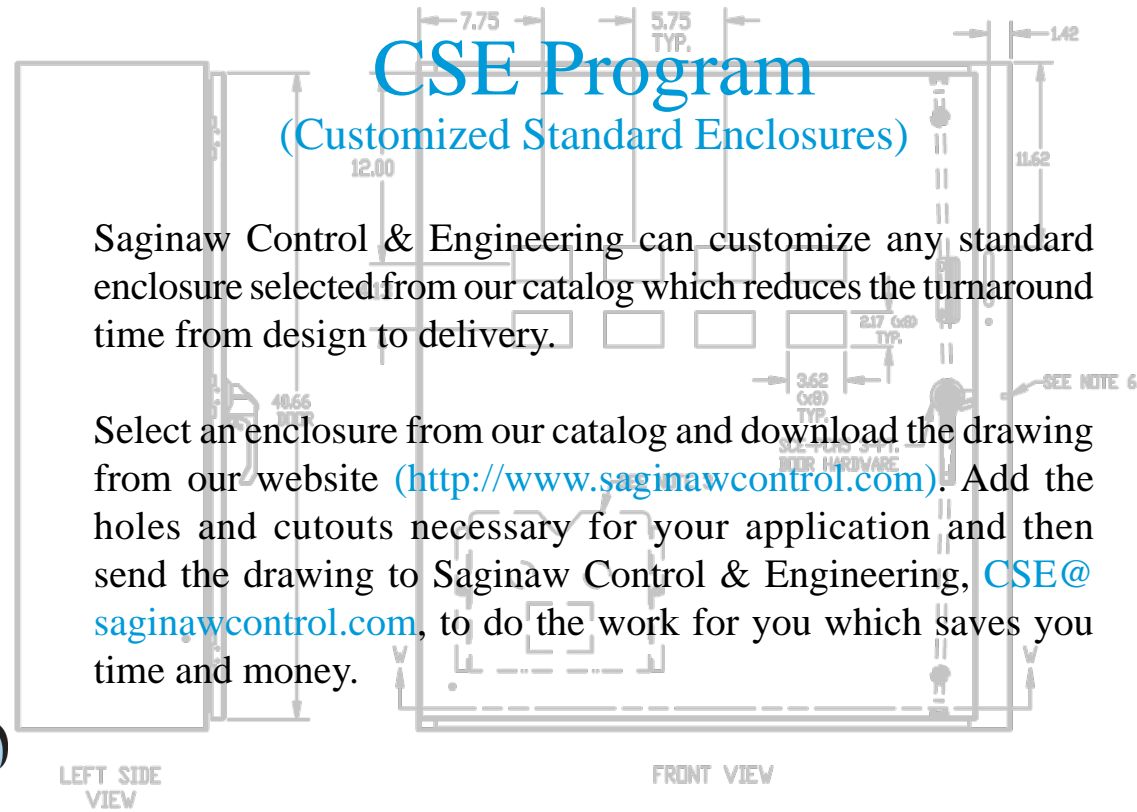
1. Operator System Enclosures		8 - 37	1 
2. Wall-Mount Enclosures		38 - 101	2 
3. Free-Standing & Floor-Mounted Enclosures		102 - 143	3 
4. Modular Enclosures		146 - 173	4 
5. Operator System Enclosures (Stainless Steel)		176 - 193	5 
6. Wall-Mount Enclosures (Stainless Steel)		196 - 237	6 
7. Free-Standing & Floor-Mounted Enclosures (Stainless Steel)		240 - 261	7 
8. Fiberglass Enclosures		264 - 275	8 
9. Accessories		278 - 329	9 
10. Technical Information		332 - 343	10 
11. Index		346 - 370	11 

CSE Program

(Customized Standard Enclosures)

Saginaw Control & Engineering can customize any standard enclosure selected from our catalog which reduces the turnaround time from design to delivery.

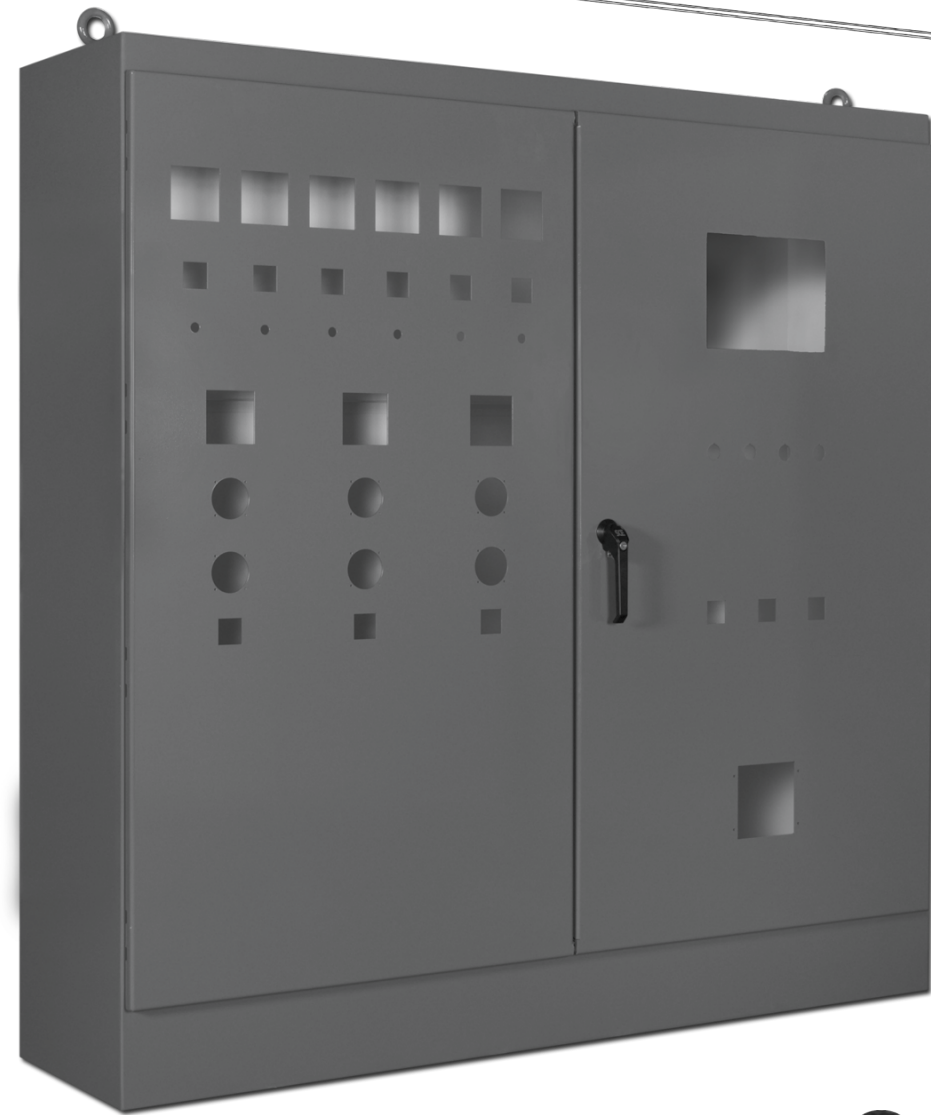
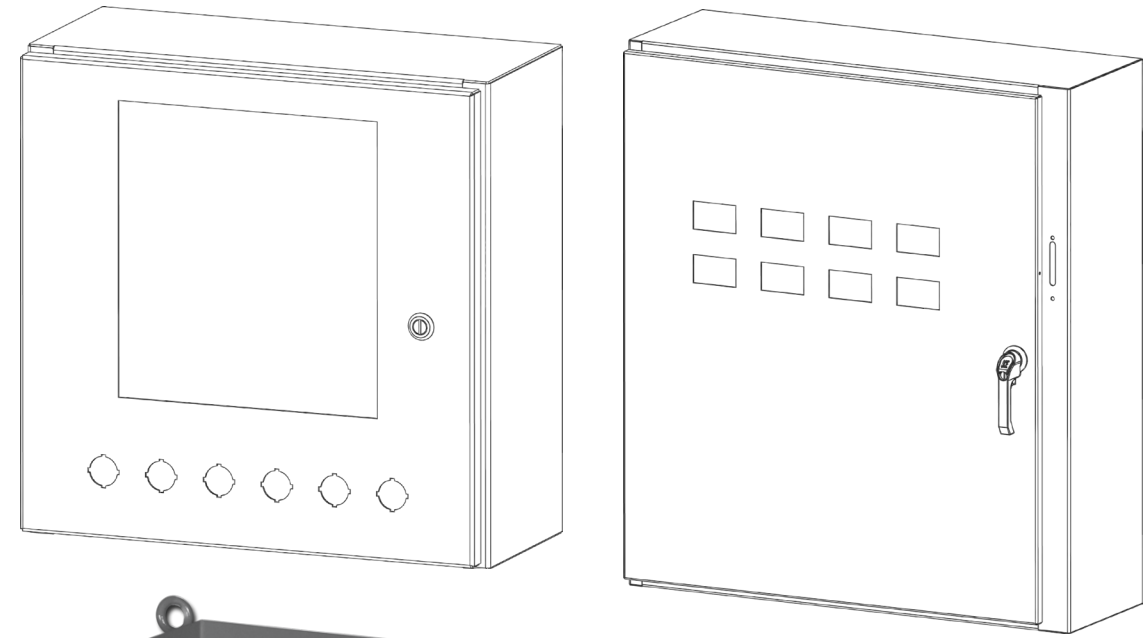
Select an enclosure from our catalog and download the drawing from our website (<http://www.saginawcontrol.com>). Add the holes and cutouts necessary for your application and then send the drawing to Saginaw Control & Engineering, CSE@saginawcontrol.com, to do the work for you which saves you time and money.



CSE Program



Phone (989) 799-6871
Fax (989) 799-4524



CSE Program



Phone (989) 799-6871
Fax (989) 799-4524



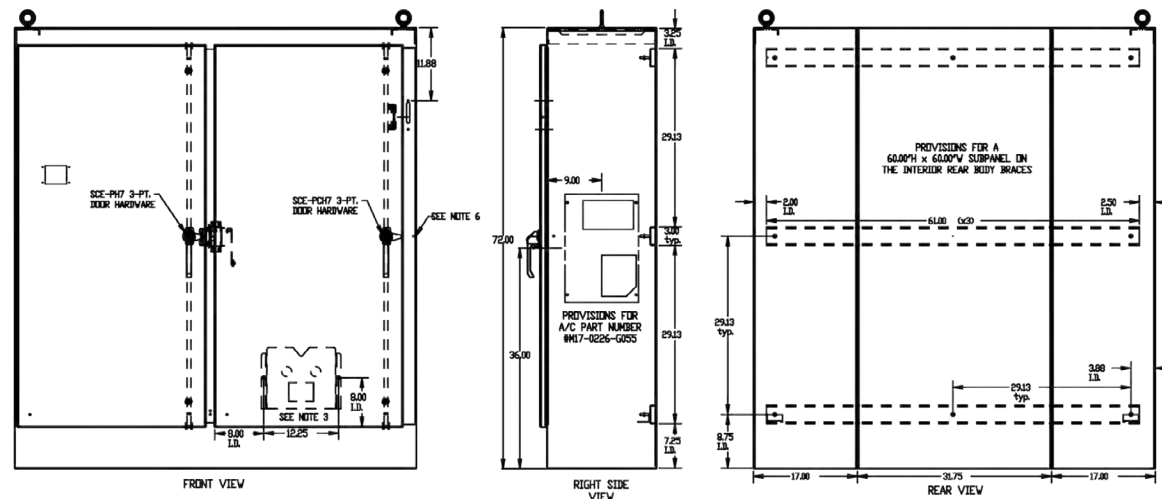
CSE Program

(Customized Standard Enclosures)

Customized Standard Enclosures Services:

- Precision cutting of all holes and cutouts.
- Selection of materials required for the environment or specification. Carbon steel, galvanized steel, Type 304 or 316/316L stainless steel.
- Finish painted to the color of your choice.
- Manufactured to meet industry standards UL and CSA, and maintain the environmental rating required for your application, type 1, 3R, 12, 4 or 4X.
- Assistance from our experienced design team.
- Manufactured to the highest quality standards.

CSE Program



Phone (989) 799-6871
Fax (989) 799-4524



CSE Program



Phone (989) 799-6871
Fax (989) 799-4524



Operator System Enclosures

ELJ Consolets.....10 – 11
 Go To

Series 9 Consoles.....12 – 13
 Go To

Series 14 Consoles & Accessories.....14 – 17
 Go To

Desk Consoles.....18 – 21
 Go To

Dimensions: 24.25 [616], 23.88 [606], 21.75 [552], 21.85 [555] OPENING, 19.25 [489], 7.80 [198], 5.84 [148], 1.25 [32], 90.00, 64.00 [16263], 1.50 [38] TYP, 18.75 [476], 3.75 [95], 28.39 [721] OPENING, 27.16 [690], 30.16 [766], 21.75 [552] OPENING, 1.25 [32], 1.03 [26] TYP, 1.25 [32].

Labels: VIEWING AREA (6.00[406] X 16.00[406]), KEYBOARD DRAWER, KEYBOARD SHELF, SUBPANEL (17.50 [444] X 12.00 [305]) OPTIONAL, AVAILABLE DOOR SPACE, ANGLES, OPTIONAL RACK, SIDE VIEW.

Back to Table of Contents



Phone (989) 799-6871
Fax (989) 799-4524



Operator System Enclosures

Work Stations22 – 23
 Go To

Pedestal Mounted / Desk Top Work Station24 – 25
 Go To

Slope Top Work Station26 – 27
 Go To

Work Station Accessories28 – 35
 Go To

Dimensions: 24.25 [616], 23.88 [606], 21.75 [552], 21.85 [555] OPENING, 19.25 [489], 7.80 [198], 5.84 [148], 1.25 [32], 90.00, 64.00 [16263], 1.50 [38] TYP, 18.75 [476], 3.75 [95], 28.39 [721] OPENING, 27.16 [690], 30.16 [766], 21.75 [552] OPENING, 1.25 [32], 1.03 [26] TYP, 1.25 [32].

Labels: VIEWING AREA (6.00[406] X 16.00[406]), KEYBOARD DRAWER, KEYBOARD SHELF, SUBPANEL (17.50 [444] X 12.00 [305]) OPTIONAL, AVAILABLE DOOR SPACE, ANGLES, OPTIONAL RACK, SIDE VIEW.



Phone (989) 799-6871
Fax (989) 799-4524



Back to Table of Contents

ELJ Consolets & Accessories

Application -

Designed to house electrical and electronic controls, instruments, and components. Provides protection from dust, dirt, oil and water. Consolets can be mounted on either of two sides to give a control surface inclined 30° or 60°. Can be mounted on desks, machines, or pedestals.

Construction -

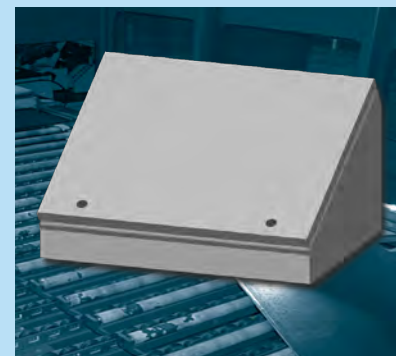
- 0.063" carbon steel.
- Seams continuously welded and ground smooth.
- Flange trough collar around all sides of door opening.
- Removable hinges.
- Oil-resistant gasket.
- Standoffs provided for mounting optional sub-panels.
- Cable door stops included on SCE-12C**, SCE-16C** & SCE-20C**
- Black mini quarter turn latches as required.
- Latches are opened or closed with a screwdriver.
- Ground studs on door and body.
- Mounting holes in back.

Finish -

ANSI -61 gray powder coated inside and out. Optional sub-panels are powder coated white.

IS2 - Industry Standards -

NEMA Type 4, 12 & Type 13
UL Listed Type 4 & 12
CA Type 4 & 12
IEC 60529 IP66



ELJ CONSOLETS

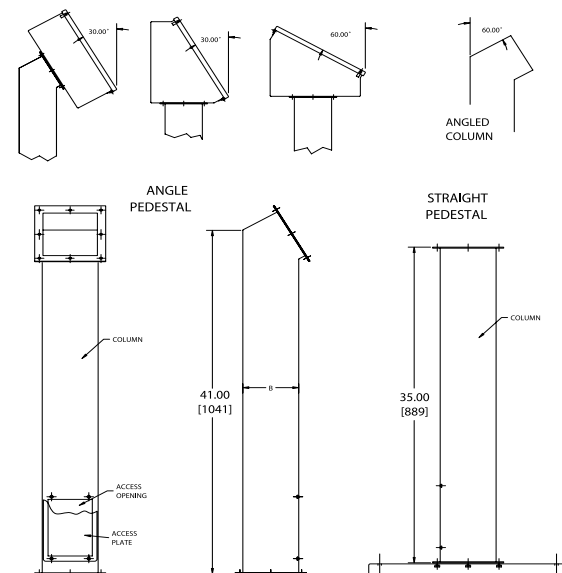
ENCLOSURE PRODUCT CODE A1						SUB-PANEL (P3)			
Catalog No.	Height (A)	Width (B)	Depth (C)	Depth (D)	List Price	Catalog No.	Panel Height (E)	Panel Width (F)	List Price
SCE-8C8ELJ	8.00	8.00	7.09	7.44	102.84	SCE-8P8C	6.00	6.75	5.27
SCE-8C12ELJ	8.00	12.00	7.09	7.44	112.87	SCE-8P12C	6.00	10.75	8.39
SCE-8C16ELJ	8.00	16.00	7.09	7.44	125.41	SCE-8P16C	6.00	14.75	11.50
SCE-8C20ELJ	8.00	20.00	7.09	7.44	135.44	SCE-8P20C	6.00	18.75	14.63
SCE-12C12ELJ	12.00	12.00	9.09	10.91	132.93	SCE-12P12C	9.50	10.75	13.28
SCE-12C16ELJ	12.00	16.00	9.09	10.91	147.97	SCE-12P16C	9.50	14.75	18.22
SCE-12C20ELJ	12.00	20.00	9.09	10.91	163.03	SCE-12P20C	9.50	18.75	23.16
SCE-12C24ELJ	12.00	24.00	9.09	10.91	175.57	SCE-12P24C	9.50	22.75	28.09
SCE-16C16ELJ	16.00	16.00	11.09	14.38	173.05	SCE-16P14	14.75	12.88	19.95
SCE-16C20ELJ	16.00	20.00	11.09	14.38	190.63	SCE-16P20C	12.88	18.75	31.40
SCE-16C24ELJ	16.00	24.00	11.09	14.38	208.17	SCE-16P24C	12.88	22.75	38.10
SCE-16C30ELJ	16.00	30.00	11.09	14.38	238.27	SCE-16P30C	12.88	28.75	44.80
SCE-20C20ELJ	20.00	20.00	13.09	17.84	218.21	SCE-20P20C	16.38	18.75	39.00
SCE-20C24ELJ	20.00	24.00	13.09	17.84	243.28	SCE-20P24C	16.38	22.75	42.30
SCE-20C30ELJ	20.00	30.00	13.09	17.84	278.41	SCE-20P30C	16.38	28.75	47.32

CABLE DOOR STOP

Catalog No.	Description	For use on	Product Code	List Price
SCE-CBL15	15 Inch 135° Door Stop	SCE-12C** & SCE-16C*	P2	13.75
SCE-CBL20	20 Inch 135° Door Stop	SCE-20C**	P2	14.25

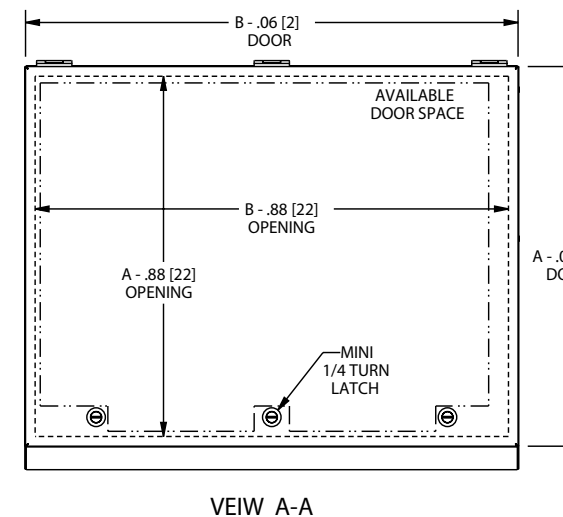
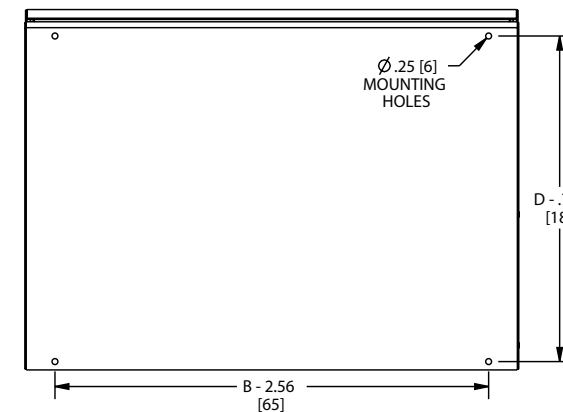
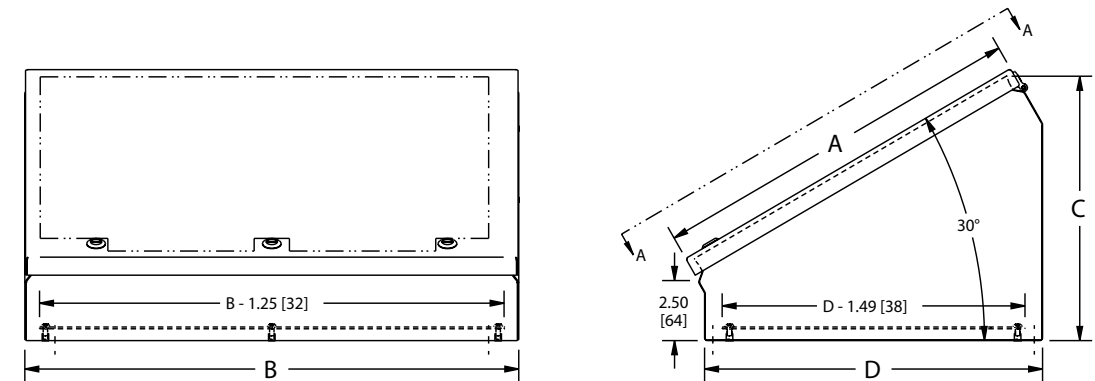
ACCESSORY COLUMNS AND BASES

Catalog No.	Description	Size	Product Code	List Price
SCE-18SBASE	Pedestal Base	18.00 x 18.00 x 1.00	P2	111.76
SCE-24SBASE	Pedestal Base	24.00 x 24.00 x 1.00	P2	253.32
SCE-44CCOL	Straight Column	4.00 x 4.00	P2	183.79
SCE-44PBCOL	Angled Column	4.00 x 4.00	P2	218.56
SCE-66CCOL	Straight Column	6.00 x 6.00	P2	275.68
SCE-66PBCOL	Angled Column	6.00 x 6.00	P2	327.83



[Back to Operator Systems](#)

ELJ CONSOLETS TECHNICAL DATA



NOTES:
Provisions for cable stops on door and body when "A" >= 12.00 [305]

LATCH NOTES:
One latch centered on door horizontally if "B" <= 14.00 [356]

Two latches located 3.00 [76] from right & left side of door if "B" > 14.00 [356]

Omit center latch if "B" > 14.00 [356] and <= 20.00 [508]

SUB-PANEL NOTES:
Provisions only for sub-panel in bottom.

Series 9 Consoles

Application -

Designed for electronic controls and instruments. Equipment can be mounted on the sloping control panel door. Interior components mount to stationary panels. Provides protection from dirt, oil, dust and water. For installation information, consult our Installation Manual at www.saginawcontrol.com.

Construction -

- 0.075" carbon steel.
- Sloping control panel door attached with concealed hinge on bottom edge.
- Door opens to 90°.
- Black zinc die cast keylocking/padlocking handle.
- 3-point latching mechanism.
- Seams continuously welded and ground smooth.
- Oil-resistant gasket on door.
- Interior print pocket.
- Optional back and side panels are mounted on collar studs.
- Removable eyebolts.
- Ground stud on door.

Finish -

ANSI-61 gray powder coated inside and out.

IS1 - Industry Standards -

- NEMA Type 12 & Type 13
- UL Listed Type 12
- CSA Type 12
- IEC 60529 IP 55



SERIES 9 CONSOLES

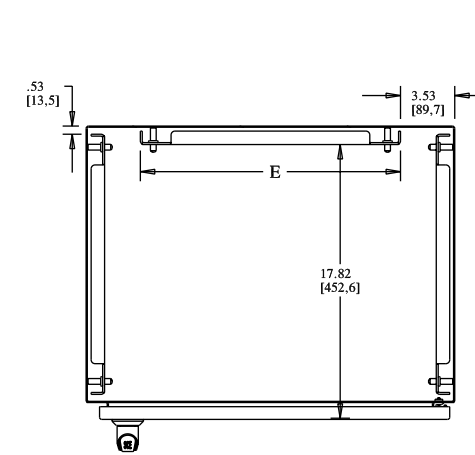
ENCLOSURE PRODUCT CODE C1						SUB-PANEL (P3)				
Catalog No.	Height (A)	Width (B)	Depth (C)	Industry Standard	List Price	Qty	Catalog No.	Panel Height (D)	Panel Width (E)	List Price
SCE-924B	48.00	24.00	18.00	IS1	1,210.24	3	SCE-30P20	27.00	17.00	55.70
SCE-936B	48.00	36.00	18.00	IS1	1,486.22	2	SCE-30P20 & SCE-30P30	27.00	17.00	55.70
						1	SCE-30P30	27.00	27.00	83.55

[Back to Operator Systems](#)

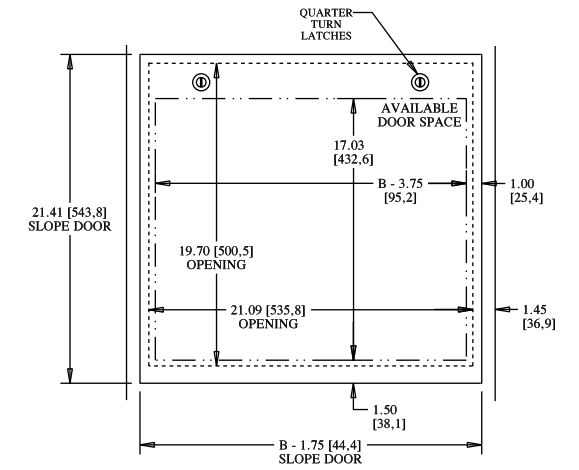
Phone (989) 799-6871
Fax (989) 799-4524



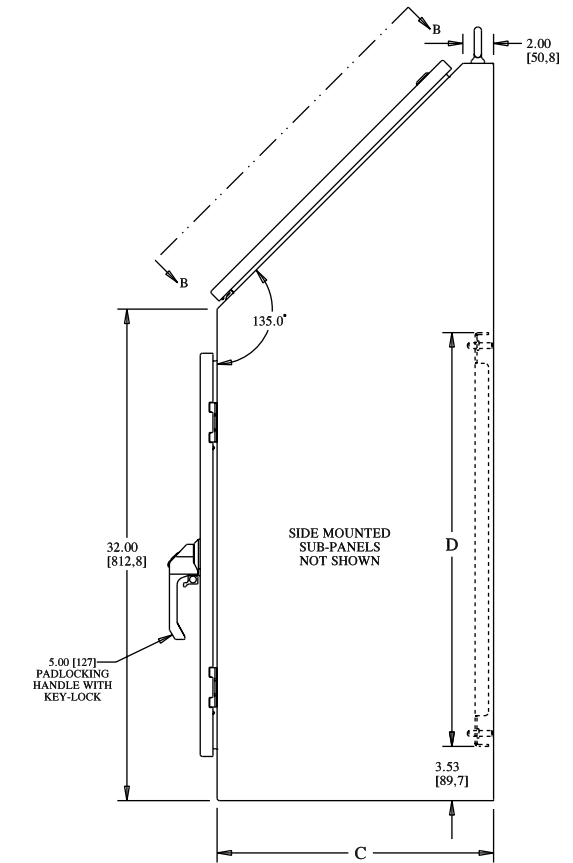
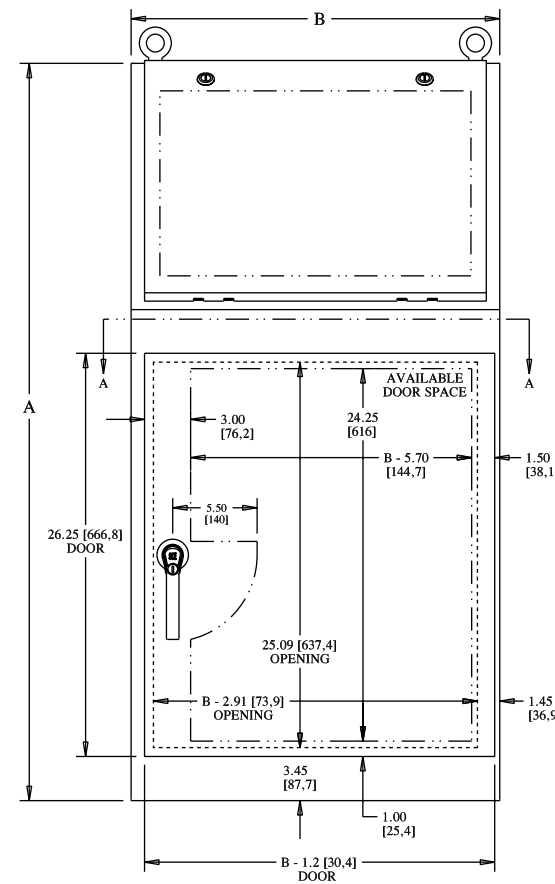
SERIES 9 CONSOLES TECHNICAL DATA



SECTION A-A



VIEW B-B



Phone (989) 799-6871
Fax (989) 799-4524

Series 14 Single Door Consoles

Application -

Designed for electronic controls and instruments. Equipment can be mounted on the sloping control panel door. Interior components mount to stationary panels. Heavy duty construction provides protection from dirt, oil, dust, and water. For installation information, consult our Installation Manual at www.saginawcontrol.com.

Construction -

- 0.104" carbon steel.
- Sloping control panel door attached with concealed hinge on bottom edge. Door opens to 90°.
- Black zinc die cast keylocking/padlocking handles on front and rear doors.
- 3-point latching mechanism.
- Seams continuously welded and ground smooth.
- Oil-resistant gasket on door.
- Optional equipment mounts to horizontal channels welded to sides.
- Flush mounted doors.
- Optional writing desk and top section available.
- Interior print pocket.
- Removable eyebolts in console body.
- Ground stud on door.

Finish -

ANSI-61 gray powder coated inside and out. Optional panels are powder coated white.

IS1 - Industry Standards -

- NEMA Type 12 & Type 13
- UL Listed Type 12
- CSA Type 12
- IEC 60529 IP 55

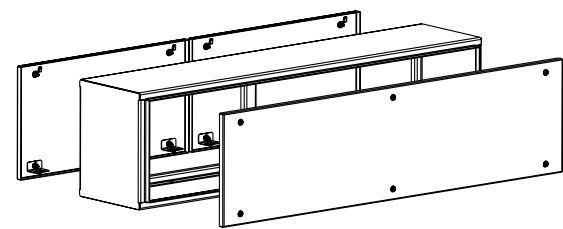


SERIES 14 SINGLE DOOR CONSOLES - 24" WIDE

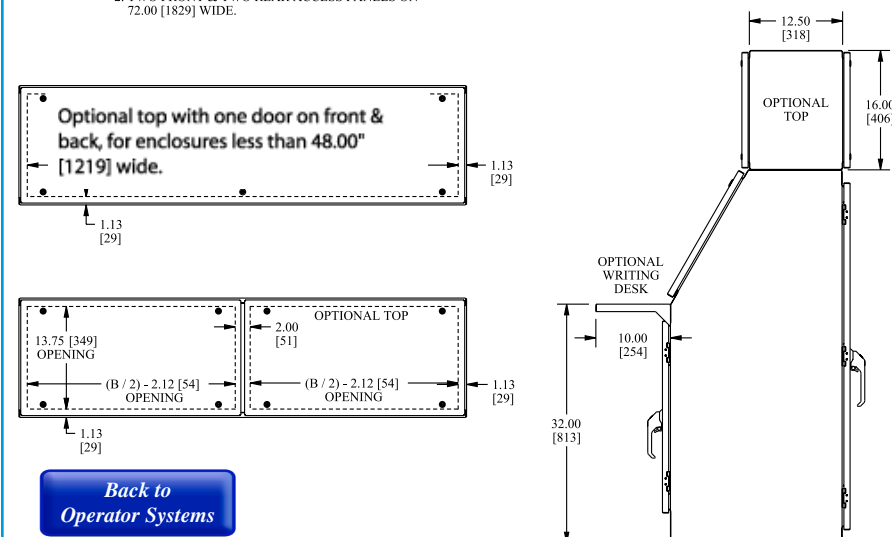
ENCLOSURES							
Catalog No.	Description	Height (A)	Width (B)	Depth (C)	Product Code	Industry Standard	List Price
SCE-14B	Console Body	50.00	24.00	23.00	C1	IS1	1,777.39
SCE-14T	Console Top	16.00	24.00	12.50	C1	IS1	453.21
SCE-14P1	Swing-Out Panel	22.00	18.12		P2	IS1	168.79
SCE-14P2	Half Panel	22.00	17.00		P3	IS1	144.32
SCE-14P3	Full Panel	42.25	17.00		P3	IS1	207.61
SCE-14R	Rack Angles	29.00 High (set of 2)			P2	IS1	149.50
SCE-14W	Writing Desk	24.00	10.00		P2	IS1	135.04

SERIES 14 SINGLE DOOR CONSOLES - 36" WIDE

ENCLOSURES							
Catalog No.	Description	Height (A)	Width (B)	Depth (C)	Product Code	Industry Standard	List Price
SCE-1436B	Console Body	50.00	36.00	23.00	C1	IS1	2,078.69
SCE-1436T	Console Top	16.00	36.00	12.50	C1	IS1	562.08
SCE-1436P1	Swing-Out Panel	22.00	30.12		P2	IS1	209.78
SCE-1436P2	Half Panel	22.00	29.00		P3	IS1	177.24
SCE-1436P3	Full Panel	42.25	29.00		P3	IS1	273.44
SCE-1436W	Writing Desk	36.00	10.00		P2	IS1	173.62

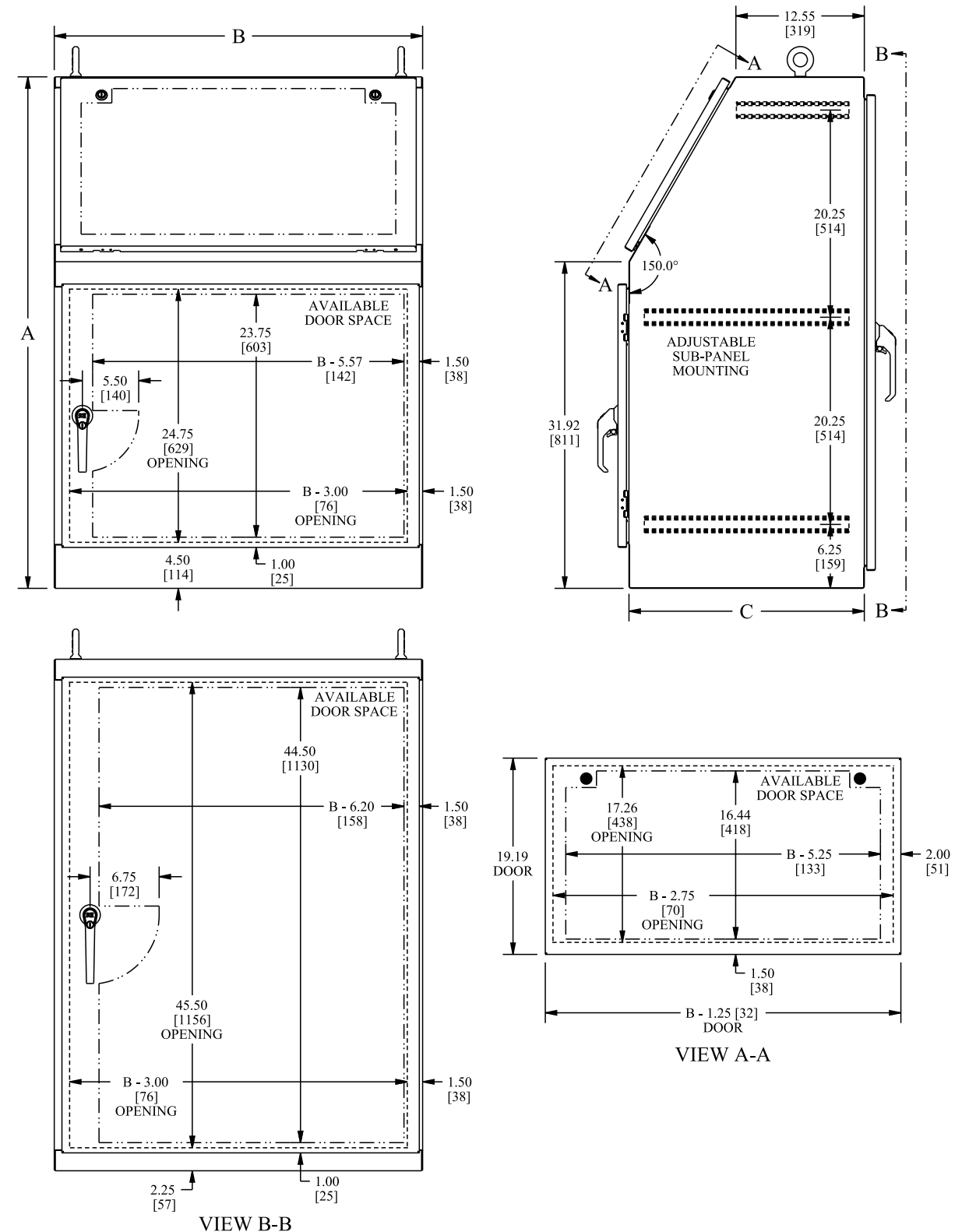


OPTIONAL TOP NOTES:
1. SINGLE FRONT & TWO REAR ACCESS PANELS ON 48.00 [1219] & 60.00 [1524] WIDE.
2. TWO FRONT & TWO REAR ACCESS PANELS ON 72.00 [1829] WIDE.



Back to
Operator Systems

SERIES 14 SINGLE DOOR CONSOLES TECHNICAL DATA



Phone (989) 799-6871
Fax (989) 799-4524

Your Enclosure Source

Series 14 Two Door Consoles

Application -

Designed for electronic controls and instruments. Equipment can be mounted on the sloping control panel door. Interior components mount to stationary panels. Heavy duty construction provides protection from dirt, oil, dust, and water. For installation information, consult our Installation Manual at www.saginawcontrol.com.

Construction -

- 0.104" carbon steel.
- Sloping control panel door attached with concealed hinge on bottom edge. Door opens to 90°.
- Black zinc die cast keylocking/padlocking handles on front and rear doors.
- 3-point latching mechanism.
- Seams continuously welded and ground smooth.
- Oil-resistant gasket on door.
- Optional equipment mounts to horizontal channels welded to sides.
- Flush mounted doors.
- Optional writing desk and top section available.
- Interior print pocket.
- Removable eyebolts in console body.
- Ground stud on door.

Finish -

ANSI-61 gray powder coated inside and out. Optional panels are powder coated white.

IS1 - Industry Standards -

- NEMA Type 12 & Type 13
- UL Listed Type 12
- CSA Type 12
- IEC 60529 IP 55



SERIES 14 TWO DOOR CONSOLES - 48" WIDE

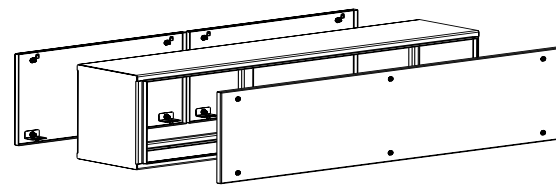
ENCLOSURES							
Catalog No.	Description	Height (A)	Width (B)	Depth (C)	Product Code	Industry Standard	List Price
SCE-1448BD	Console Body	50.00	48.00	23.00	C1	IS1	2,673.68
SCE-1448T	Console Top	16.00	48.00	12.50	C1	IS1	670.95
SCE-1448P2	Half Panel	22.00	41.00		P3	IS1	212.67
SCE-1448P3	Full Panel	42.25	41.00		P3	IS1	336.74
SCE-1448W	Writing Desk	48.00	10.00		P2	IS1	214.61

SERIES 14 TWO DOOR CONSOLES - 60" WIDE

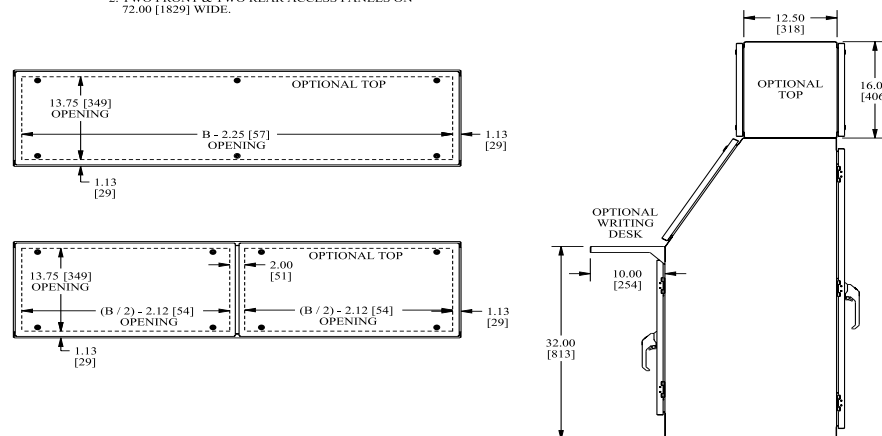
ENCLOSURES							
Catalog No.	Description	Height (A)	Width (B)	Depth (C)	Product Code	Industry Standard	List Price
SCE-1460BD	Console Body	50.00	60.00	23.00	C1	IS1	2,767.36
SCE-1460T	Console Top	16.00	60.00	12.50	C1	IS1	777.29
SCE-1460P2	Half Panel	22.00	53.00		P3	IS1	245.59
SCE-1460P3	Full Panel	42.25	53.00		P3	IS1	402.57
SCE-1460W	Writing Desk	60.00	10.00		C2	IS1	253.19

SERIES 14 TWO DOOR CONSOLES - 72" WIDE

ENCLOSURES							
Catalog No.	Description	Height (A)	Width (B)	Depth (C)	Product Code	Industry Standard	List Price
SCE-1472BD	Console Body	50.00	72.00	23.00	C1	IS1	3,030.68
SCE-1472T	Console Top	16.00	72.00	12.50	C1	IS1	886.17
SCE-1472P3	Full Panel	42.25	65.00		P3	IS1	465.86
SCE-1472W	Writing Desk	72.00	10.00		P2	IS1	291.78



OPTIONAL TOP NOTES:
1. SINGLE FRONT & TWO REAR ACCESS PANELS ON 48.00 [1219] & 60.00 [1524] WIDE.
2. TWO FRONT & TWO REAR ACCESS PANELS ON 72.00 [1829] WIDE.

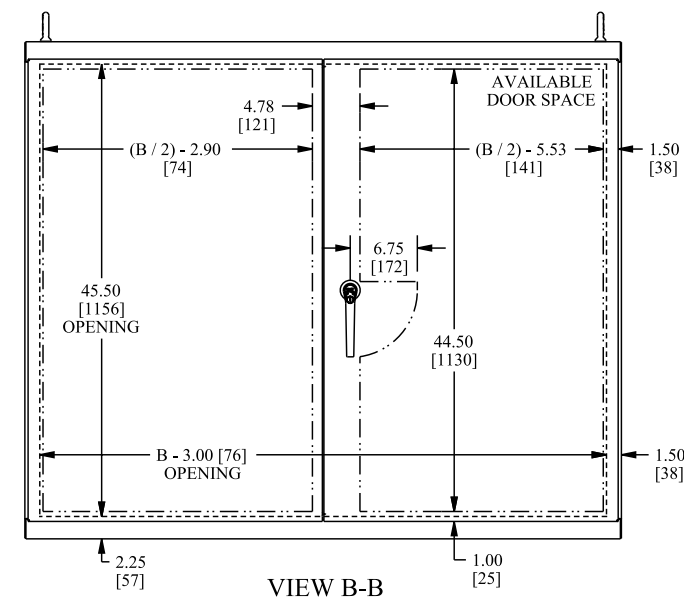
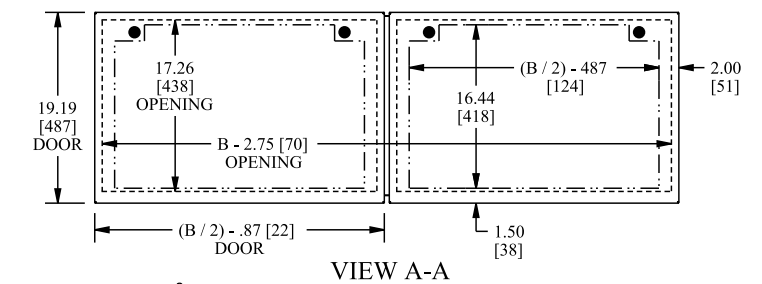
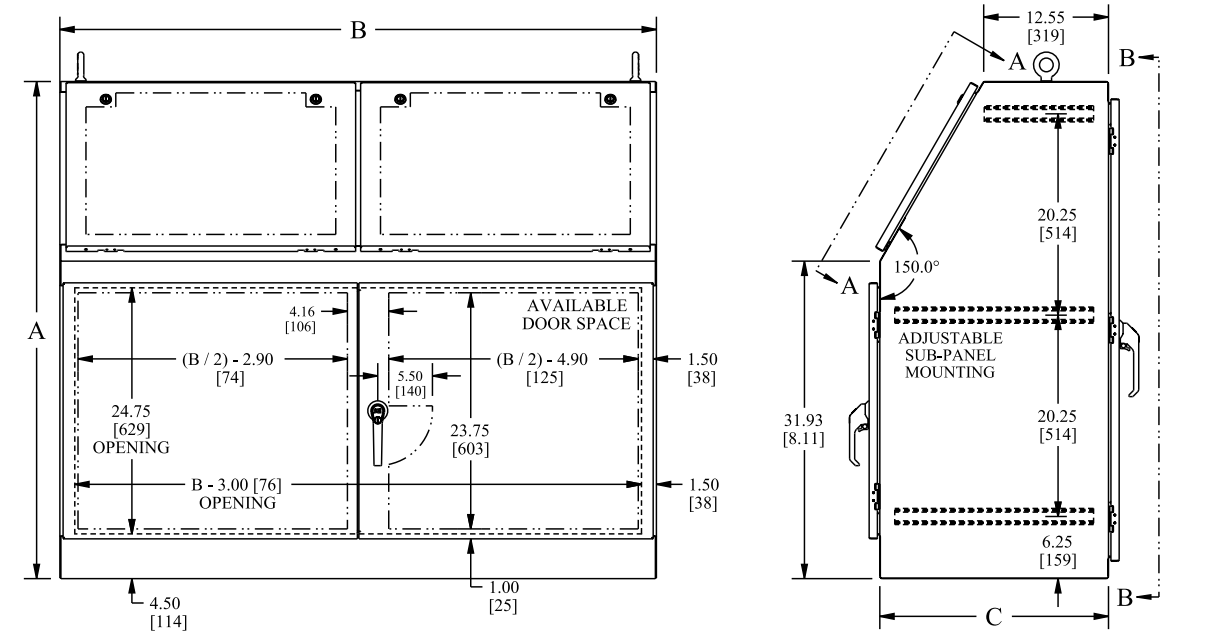


[Back to Operator Systems](#)

Phone (989) 799-6871
Fax (989) 799-4524



SERIES 14 TWO DOOR CONSOLES TECHNICAL DATA



Phone (989) 799-6871
Fax (989) 799-4524

DESK CONSOLES

Application -

Intended for indoor use to provide a degree of protection to personnel against access to hazardous parts also to provide a degree of protection for the equipment inside the enclosure against ingress of solid foreign objects and falling dirt, to provide a degree of protection with respect to harmful effects on the equipment due to the ingress of water, splashing water. Designed for use in a standing or sitting position with single and dual access and top that opens for easy accessibility. For installation information, consult our Installation Manual at www.saginawcontrol.com.

Construction -

- 0.075" carbon steel.
- Seams continuously welded and ground smooth.
- 25 Degree Sloped top.
- Door props on sloped door to hold in the open position.
- Oil and water resistant gasket.
- Flange trough collar around all sides of door opening.
- Concealed hinge.
- Removable doors.
- Removable print pocket.
- Ground studs on door and body.
- Rubber pads with provision for leveling pads on bottom of enclosure.
- Black, quarter turn latches on top door.
- Keylocking black 3-point flush swing handle in front door of single access, front and rear doors on dual access.
- Optional tamper-resistant inserts or padlocking handles are available.
- Mounting studs welded on interior back for mounting optional sub-panels on single access console.
- Mounting channels welded on sides of interior body for mounting optional sub-panels on dual access console.
- Mounting hardware included for (1) optional sub-panel.

Finish -

ANSI-61 gray powder coated inside and out. Optional sub-panels are powder coated white.

Options -

Can be special ordered in type 304 or 316/316L stainless steel.

IS1 - Industry Standards -

- NEMA Type 12 & Type 13
- UL Listed Type 12
- CSA Type 12
- IEC 60529 IP 55

IS2 - Industry Standards -

- NEMA Type 4, 12 & Type 13
- UL Listed Type 4 & 12
- CSA Type 4 & 12
- IEC 60529 IP66

DESK CONSOLES

ENCLOSURE PRODUCT CODE C1						SUB-PANEL (P3)	
Catalog No.	Height (A)	Width (B)	Depth (C)	Industry Standard	List Price	Catalog No.	List Price
Single Access Single Door							
SCE-402516SDC	40.25	25.25	15.50	IS2	942.59	SCE-30P24	63.29
SCE-403716SDC	40.25	37.25	15.50	IS1	1,071.39	SCE-36P30	101.27
SCE-462519SDC	46.25	25.25	18.50	IS2	1,298.64	SCE-36P24	75.96
SCE-463719SDC	46.25	37.25	18.50	IS1	1,441.43	SCE-36P36	118.99
Dual Access Single Door							
SCE-462519DC	46.25	25.25	18.50	IS2	1,383.50	SCE-36P24	75.96
SCE-463719DC	46.25	37.25	18.50	IS1	1,522.45	SCE-36P36	118.99
Single Access Two Door							
SCE-464919SDC	46.25	49.25	18.50	IS1	1,667.18	SCE-48P36	154.46
SCE-466019SDC	46.25	59.88	18.50	IS1	2,158.34	SCE-60PC36	181.41
Dual Access Overlapping Two Door							
SCE-464919DC	46.25	49.25	18.50	IS1	1,753.31	SCE-48P36	154.46
SCE-466019DC	46.25	59.88	18.50	IS1	2,330.54	SCE-60PC36	181.41
Dual Access Two Door with Center Channel							
SCE-464919DCC	46.25	49.25	18.50	IS2	2,061.51	SCE-48P36	154.46
SCE-466019DCC	46.25	59.88	18.50	IS2	2,648.34	SCE-60PC36	181.41



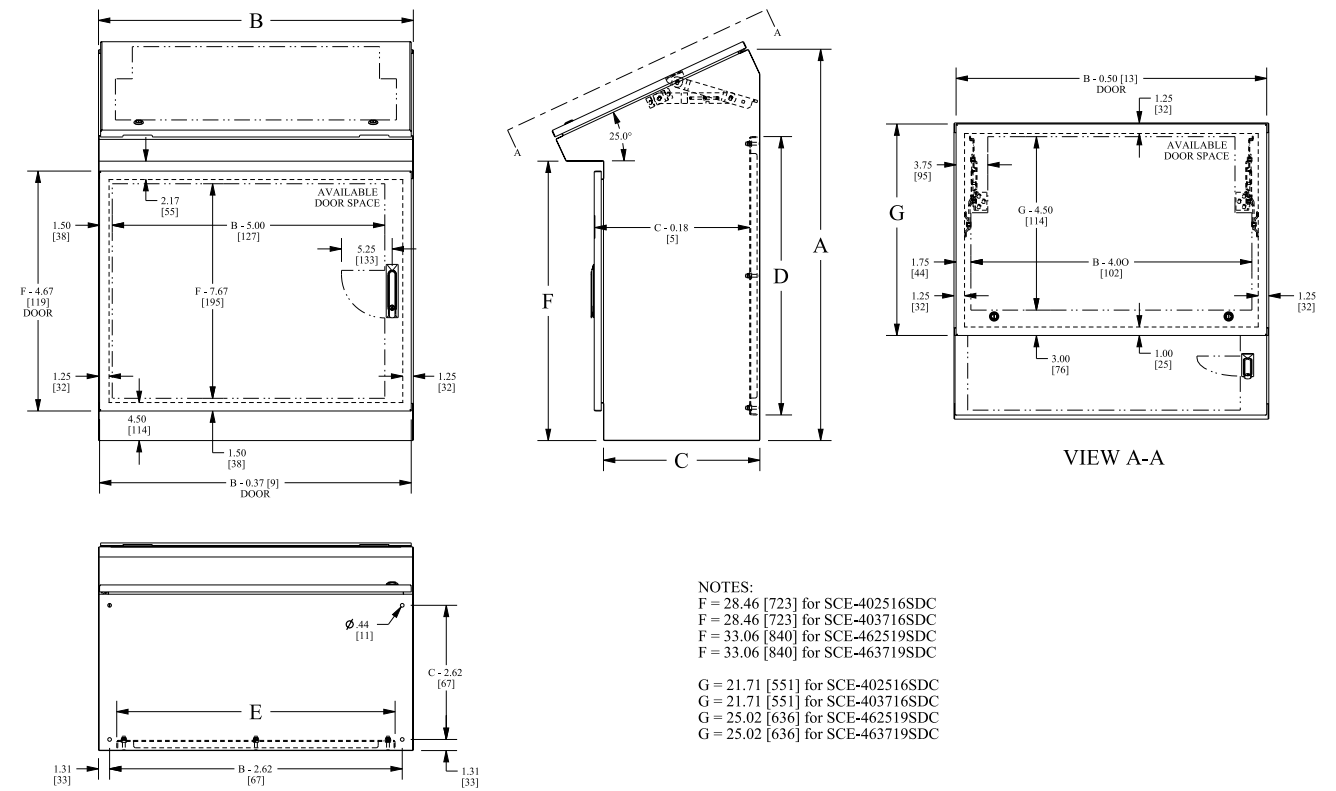
Back to
Operator Systems

Phone (989) 799-6871
Fax (989) 799-4524

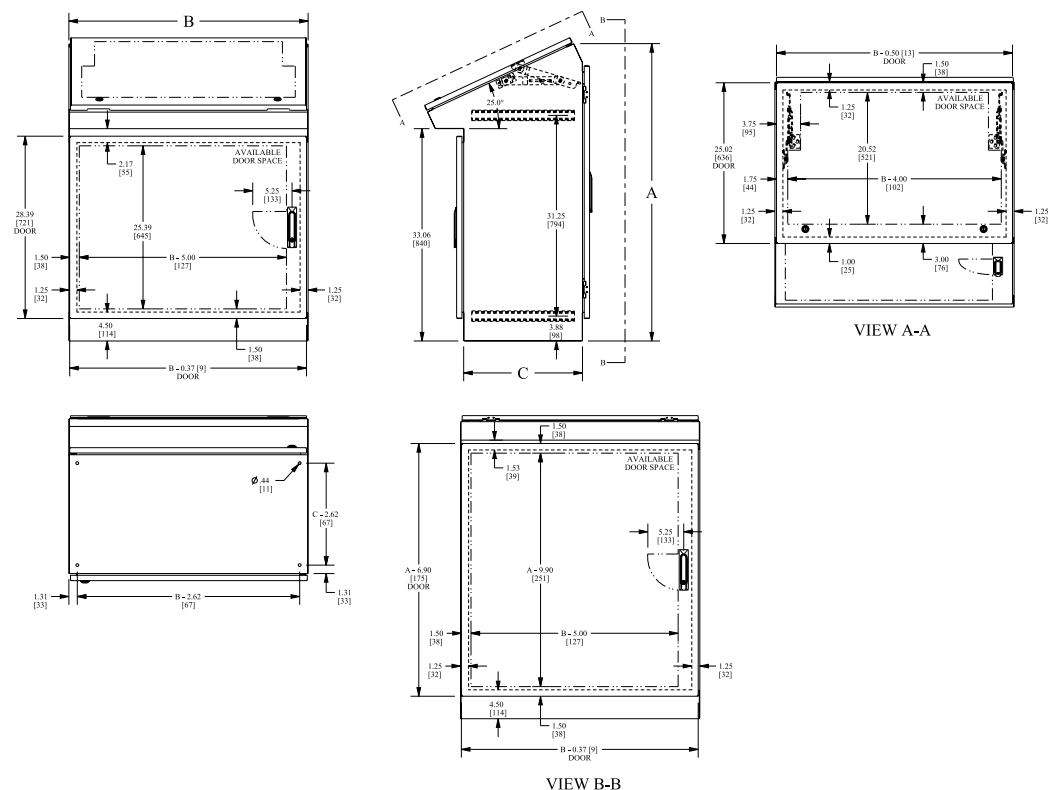


DESK CONSOLES TECHNICAL DATA

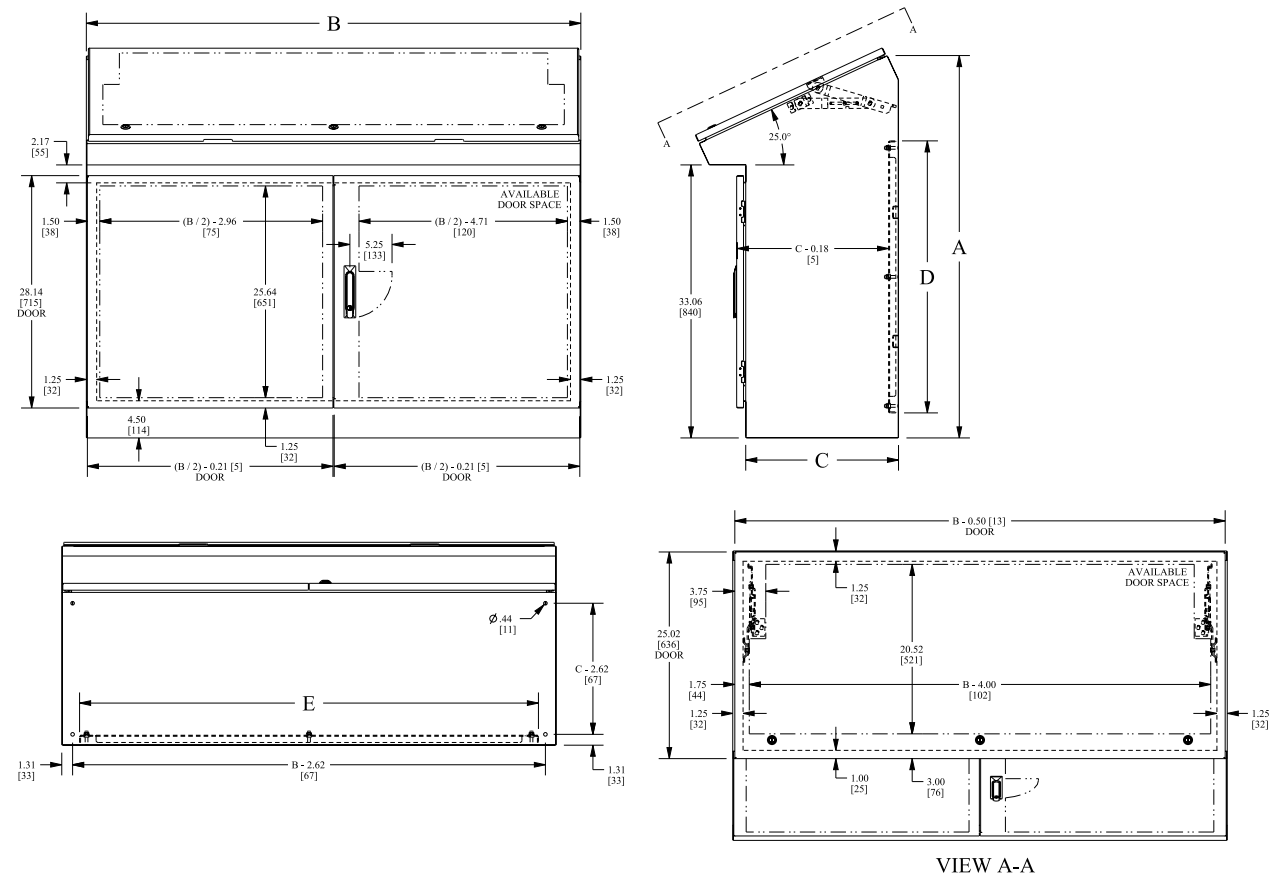
SINGLE ACCESS SINGLE DOOR



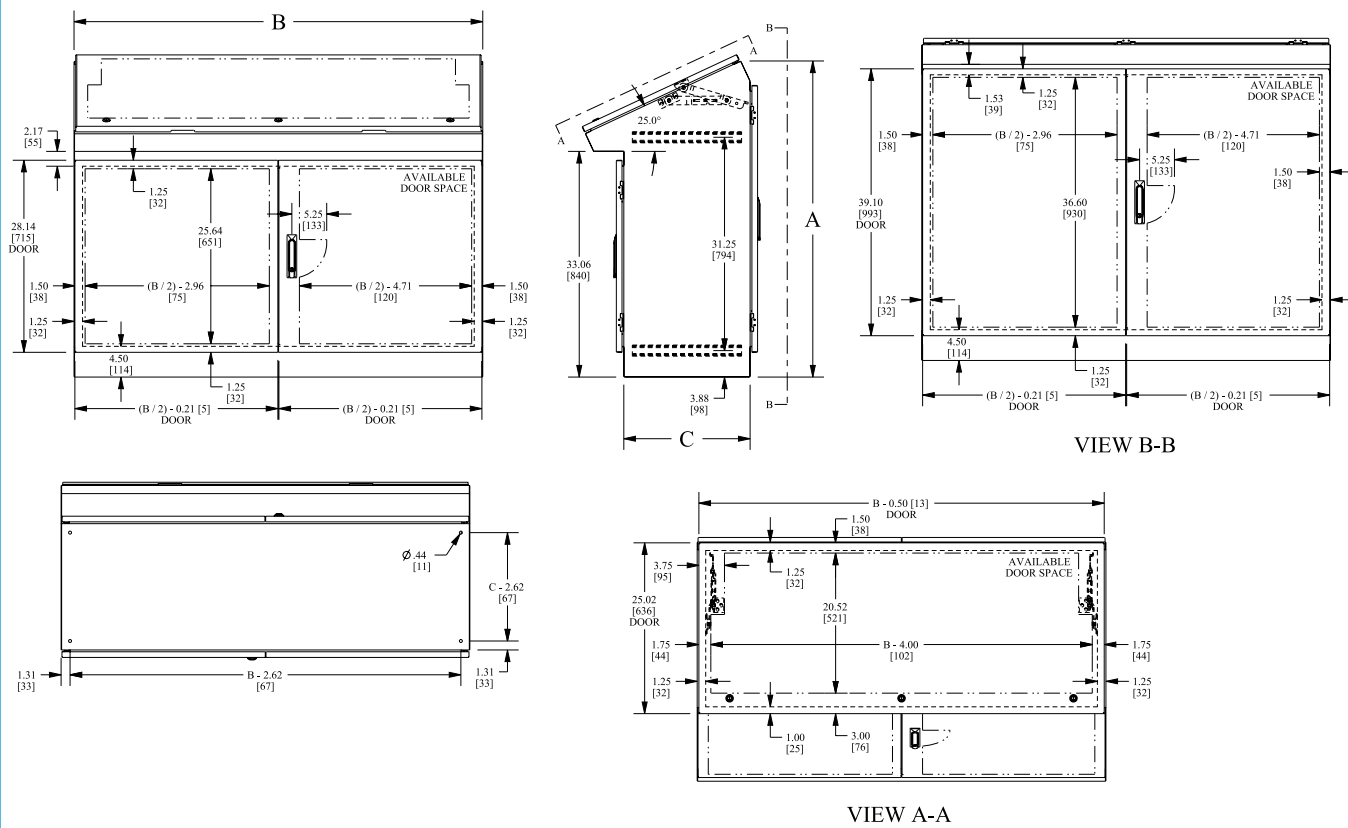
DUAL ACCESS SINGLE DOOR



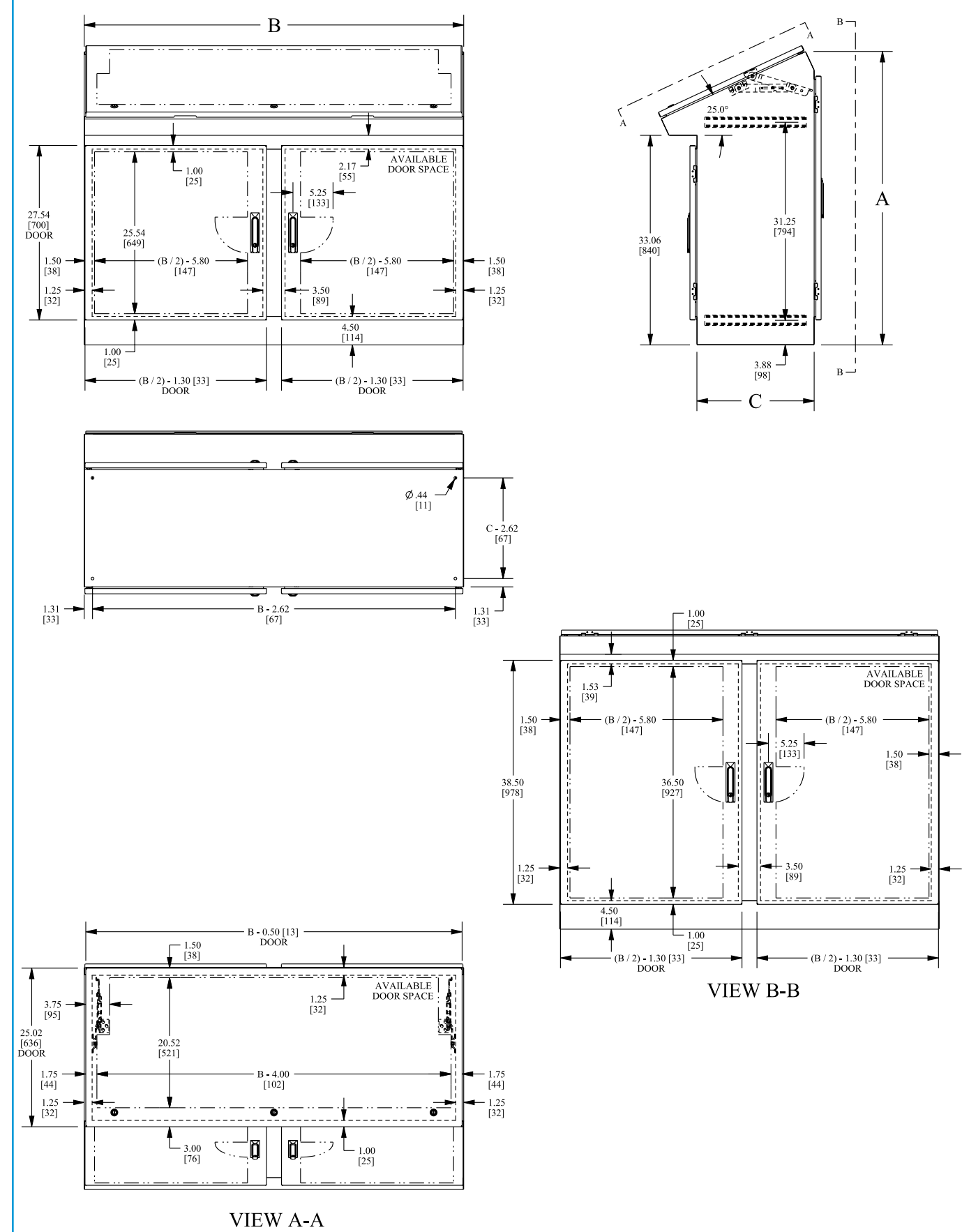
SINGLE ACCESS TWO DOOR



DUAL ACCESS OVERLAPPING TWO DOOR



DUAL ACCESS TWO DOOR WITH CENTER CHANNEL



Work Station

Application -

Designed to house a computer, keyboard, monitor and other additional computer equipment in an industrial environment and provide protection from dust, oil and moisture. Stainless steel work stations resist corrosion. For installation information, consult our Installation Manual at www.saginawcontrol.com.

Construction -

- 0.075" carbon steel.
- Seams continuously welded and ground smooth.
- Oil-resistant gasket.
- Flange trough collar around all sides of door opening.
- Concealed hinge.
- Removable doors.
- Ground studs on door and body.
- Large polycarbonate viewing window in top door.
- Lifting eyes for easy handling.
- Rubber pads with provision for leveling pads on bottom of enclosure.
- Black, quarter turn latches on top door.
- Black, quarter turn wing knob latches on keyboard door.
- Black 3-point flush swing handle in lower front and back doors.
- Gland plate on lower back of enclosure.
- Pull out keyboard shelf with attached self storing mouse shelf and mouse pad.
- Mounting channels welded on sides of interior body for mounting optional sub-panels, racks, mounting angles and shelves.

Options -

Optional tamper-resistant inserts or padlocking handles are available.

Note -

Optional sub-panels and accessories available.

Finish -

RAL 7035 gray powder coated inside and out.

IS1 - Industry Standards -

NEMA Type 12 & Type 13
UL Listed Type 12
CSA Type 12
IEC 60529 IP 55

WORK STATION

ENCLOSURE PRODUCT CODE C2						
Catalog No.	Height (A)	Width (B)	Depth (C)	Top Size (D)	Industry Standard	List Price
SCE-642424WS	64.00	24.25	24.25	22.15	IS1	2,316.68
SCE-642432WS	64.00	24.25	32.25	29.90	IS1	2,455.94

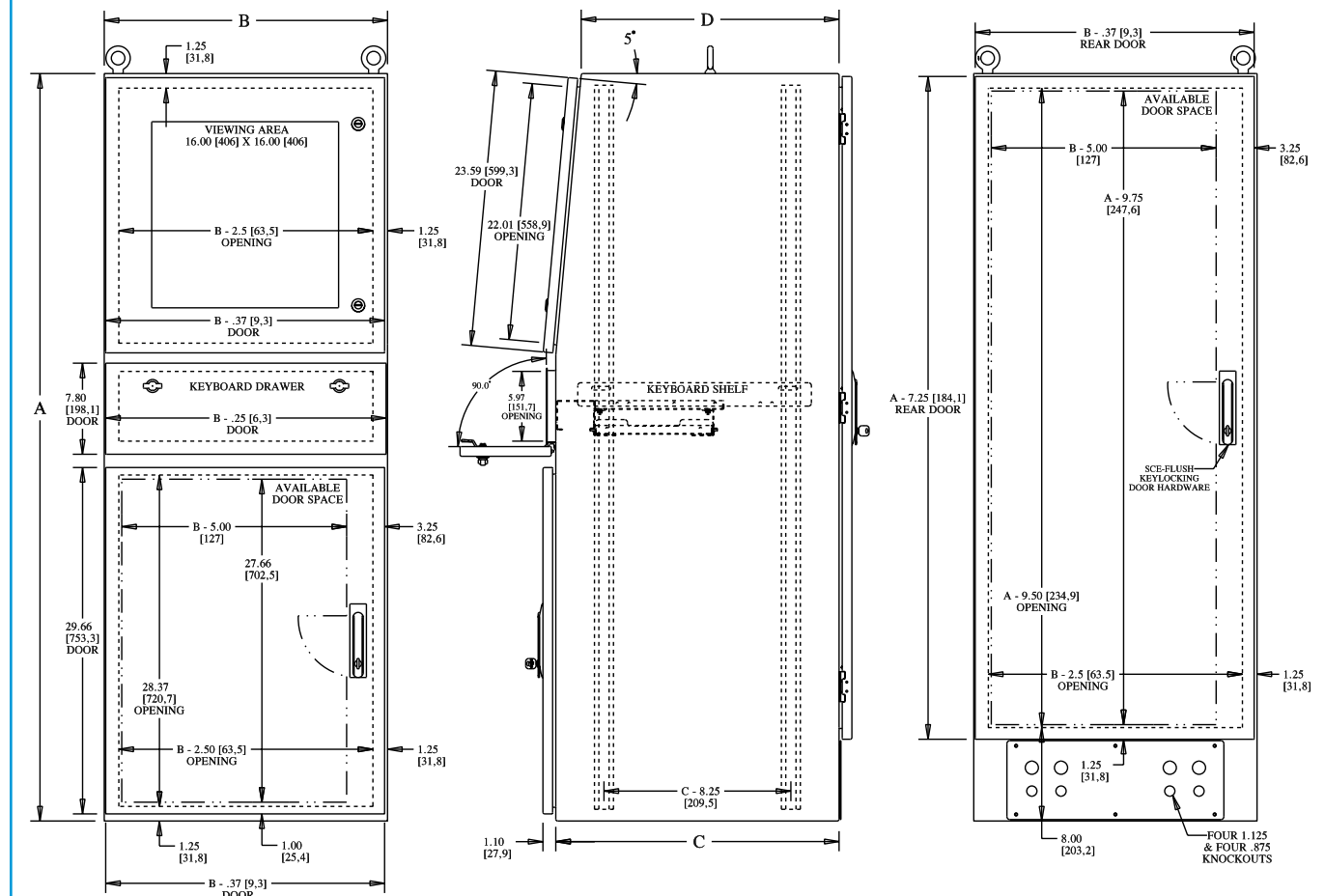


[Back to Operator Systems](#)

Phone (989) 799-6871
Fax (989) 799-4524



WORK STATION TECHNICAL DATA



Phone (989) 799-6871
Fax (989) 799-4524

Pedestal Mount/Desktop Work Station

Application -

Designed to house a computer, keyboard, monitor and other additional computer equipment in an industrial environment and provide protection from dust, oil and moisture. For installation information, consult our Installation Manual at www.saginawcontrol.com.

Construction -

- 0.075" carbon steel.
- Seams continuously welded and ground smooth.
- Oil-resistant gasket.
- Flange trough collar around all sides of door opening.
- Concealed hinge.
- Removable doors.
- Ground studs on door and body.
- Large polycarbonate viewing window.
- Lifting eyes for easy handling.
- Black, quarter turn latches on top door.
- Black, quarter turn wing knob latches on keyboard door.
- Black 3-point flush swing handle in back door.
- Pull out keyboard shelf with attached self storing mouse shelf and mouse pad.
- Mounting channels welded on sides of interior body for mounting optional sub-panels, racks, mounting angles and shelves.

Options -

Optional tamper-resistant inserts or padlocking handles are available.

Note -

Optional sub-panels and accessories available

Finish -

RAL 7035 gray powder coated inside and out.

IS1 - Industry Standards -

- NEMA Type 12 & Type 13
- UL Listed Type 12
- CSA Type 12
- IEC 60529 IP55

PEDESTAL MOUNT / DESKTOP WORK STATION

ENCLOSURE PRODUCT CODE C2						
Catalog No.	Height (A)	Width (B)	Depth (C)	Top Size (D)	Industry Standard	List Price
SCE-342424WS	34.00	24.25	24.25	22.15	IS1	1,676.11

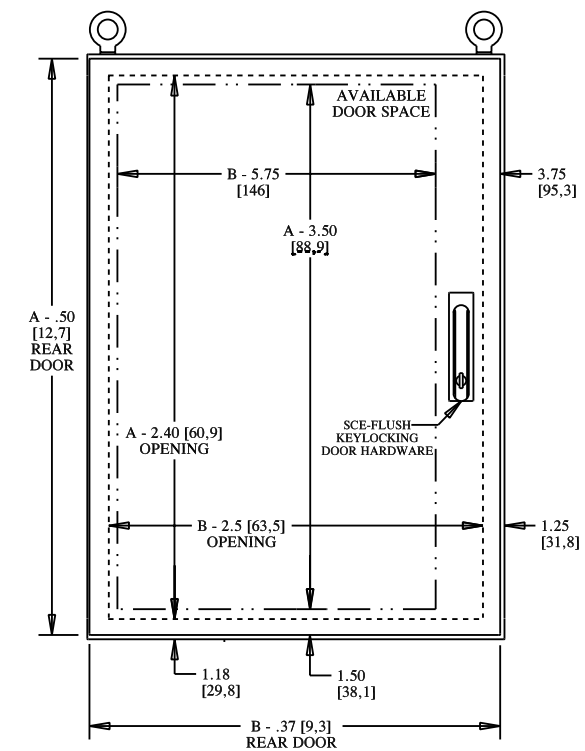
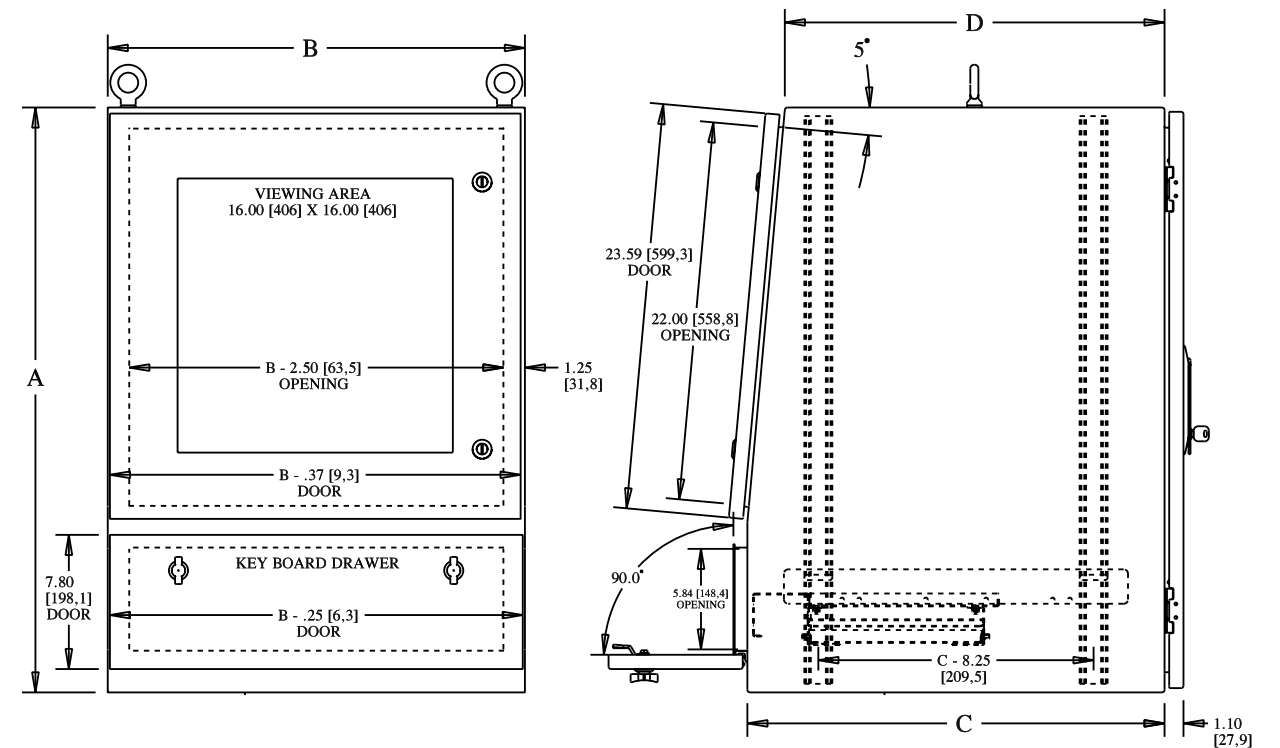


[Back to Operator Systems](#)

Phone (989) 799-6871
Fax (989) 799-4524



PEDESTAL MOUNT OR DESKTOP WORK STATION TECHNICAL DATA



Phone (989) 799-6871
Fax (989) 799-4524

WORK STATION ACCESSORY SELECTION GUIDE

PART NUMBER	DESCRIPTION									REQUIRES
		SCE-642424WS	SCE-642424SSWS	SCE-642432WS	SCE-642432SSWS	SCE-342424WS	SCE-342424SSWS	SCE-66ST2626WS	SCE-66ST2626SSWS	
SCE-20POS	Pull-Out Shelf	*	*			*	*		*	
SCE-22POS	Pull-Out Shelf							*	*	
SCE-26POS	Pull-Out Shelf			*	*					
SCE-22VEPOS	Vented Pull-Out Shelf							*	*	
SCE-20STS	Stationary Shelf	*	*			*	*			
SCE-22STS	Stationary Shelf							*	*	
SCE-26STS	Stationary Shelf			*	*					
SCE-20VESTS	Vented Stationary Shelf	*	*			*	*			
SCE-22VESTS	Vented Stationary Shelf							*	*	
SCE-26VESTS	Vented Stationary Shelf			*	*					
SCE-8STS	Monitor Shelf							*	*	
SCE-8VESTS	Vented Monitor Shelf							*	*	
SCE-STMMK	Monitor Mounting Bracket							*	*	
SCE-60RA19WS	Type RA Top Rack Angle	*	*	*	*	*	*			SCE-CN1032
SCE-60RA24WS	Type RA Bottom Rack Angle	*	*	*	*	*	*			SCE-CN1032
SCE-60RP19WS	Type RP Top Rack Angle	*	*	*	*	*	*			SCE-CN1032
SCE-60RP24F6	Type RP Bottom Rack Angle	*	*	*	*	*	*			SCE-CN1032
SCE-STWSPL	Pencil Edge/Palm Rest							*	*	Qty. 1 Included
SCE-STWSPLSS	Pencil Edge/Palm Rest							*	*	Qty. 1 Included
SCE-PSK24	Panel Support	*	*			*	*	*	*	
SCE-PSK32	Panel Support			*	*					
SCE-60P24WS	Side Mount Plate	*	*			*	*	*	*	
SCE-60P32WS	Side Mount Plate			*	*					
SCE-SB18	Support Bracket	*	*	*	*	*	*			Type RA Rack Angles
SCE-PE22	Pedestal					*	*			
SCE-PE22SS	Pedestal - Stainless Steel					*	*			
SCE-24PEBASE	Pedestal Base					*	*			
SCE-24PEBASESS	Pedestal Base - Stainless Steel					*	*			
SCE-LPD2	Leveling Pad	*	*	*	*	*	*	*	*	
SCE-STWBTD	Blank Top Door							*	*	
SCE-STWSSBTD	Blank Top Door - Stainless Steel							*	*	
SCE-WSBTD	Blank Top Door	*	*	*	*	*	*			
SCE-WSSBTD	Blank Top Door - Stainless Steel	*	*	*	*	*	*			
SCE-KBH	Keyboard Housing	*	*	*	*	*	*			
SCE-WSCC	Control Compartment	*	*	*	*	*	*			
SCE-WSCCSS	Control Compartment - Stainless Steel	*	*	*	*	*	*			
SCE-KBS	Keyboard Shelf	*	*	*	*	*	*			Qty. 1 Included

Back to
Operator Systems

WORK STATION ACCESSORIES

Pull-Out Shelf

Pull-out shelves are designed to allow easy access to the back of equipment. Extends 19" and mounts between the mounting channels provided inside the work station. Slides are included with the shelf. Made of heavy gauge steel and powder coated white. Mounting hardware is included.



Catalog No.	Height (A)	Width (B)	Depth (C)	Used In Enclosure Depth	Product Code	List Price
SCE-20POS	2.00	19.50	20.00	24.25	C2	247.74
SCE-22POS	2.00	23.75	22.00	26.00	C2	251.26
SCE-26POS	2.00	22.00	28.00	32.25	C2	254.25

Vented Pull-Out Shelf

Vented pull out shelves are designed to allow easy access to the back of equipment and to allow air circulation inside the work station. Extends 19" and mounts between the mounting channels provided inside the work station. Slides are included with the shelf. Made of heavy gauge steel and powder coated white. Mounting hardware is included.



Catalog No.	Height (A)	Width (B)	Depth (C)	Used In Enclosure Depth	Product Code	List Price
SCE-22VEPOS	2.00	23.75	22.00	26.00	C2	317.95

Stationary Shelf

Designed to support monitors, PC's, printers or any other equipment. Mounts between the mounting channels provided inside the work station. Made of heavy gauge steel and powder coated white. Mounting hardware is included.



Catalog No.	Height (A)	Width (B)	Depth (C)	Used In Enclosure Depth	Product Code	List Price
SCE-20STS	22.00	20.00	2.00	24.25	C2	70.41
SCE-22STS	22.00	23.75	2.00	26.00	C2	73.82
SCE-26STS	28.00	22.00	2.00	32.25	C2	76.92

Vented Stationary Shelf

Designed to support monitors, PC's, printers or any other equipment while allowing air circulation inside the work station. Mounts between the mounting channels provided inside the work station. Made of heavy gauge steel and powder coated white. Mounting hardware is included.



Catalog No.	Description	Height (A)	Width (B)	Depth (C)	Used In Enclosure Depth	Product Code	List Price
SCE-20VESTS		22.00	20.00	2.00	24.25	C2	169.51
SCE-22VESTS		22.00	23.75	2.00	26.00	C2	175.04
SCE-26VESTS		28.00	22.00	2.00	32.25	C2	182.54

Catalog No.	Description	Height (A)	Width (B)	Depth (C)	Product Code	List Price
SCE-8STS	Non-Vented	1.50	23.75	8.00	C2	53.03
SCE-8VESTS	Vented	1.50	23.75	8.00	C2	60.33



Monitor Shelf Non-Vented & Vented

Designed to support the monitor or other components in the upper section of the work station. Vented shelf allows air circulation inside the work station. Made of heavy gauge steel and powder coated white. Mounting hardware is included.

WORK STATION ACCESSORIES

Monitor Mounting System

Designed for direct mounting of a flat screen monitor to the Work Station window door. Can be used with Standard Work Station or Slope Top Workstation. Made of steel and black texture powder coated. Mounting hardware is included.

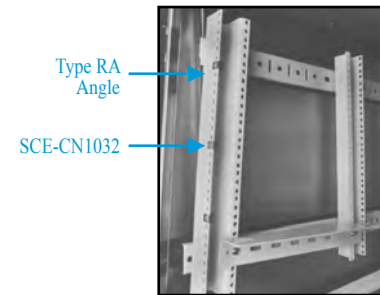


Catalog No.	Product Code	List Price
SCE-STMMK	P2	53.28

Rack Mounting Angle (Type RA) - "U-Shape"

Designed for mounting 19" rack mount equipment. Order clip nut package (CN1032) to provide tapped holes. Made of heavy gauge steel and powder coated white. Mounting hardware is included.

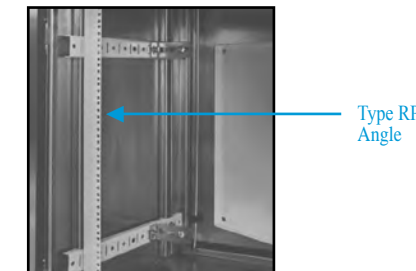
Catalog No.	Length	Mounting Location	Quantity Per Kit	Product Code	List Price
SCE-60RA19WS	19.25	Top	2	C2	119.96
SCE-60RA24WS	28.00	Bottom	2	C2	125.17



Rack Mounting Angle (Type RP) - "L-Shape"

Designed for mounting 19" rack mount equipment. Order clip nut package (SCE-CN1032) to provide tapped holes. Made of heavy gauge steel and powder coated white. Mounting hardware is included.

Catalog No.	Length	Mounting Location	Quantity Per Kit	Product Code	List Price
SCE-60RP19WS	19.25	Top	2	C2	58.68
SCE-60RP24F6	26.25	Bottom	2	P2	62.09



Pencil Edge/Palm Rest

Designed as a palm rest or retainer for the keyboard surface of the work station. Made of heavy gauge steel and powder coated white. "SS" part made of Type 304 stainless steel with #4 brushed finish. Mounting hardware is included.

Catalog No.	Height (A)	Width (B)	Depth (C)	Product Code	List Price
SCE-STWSPL	0.56	26.00	2.00	C2	32.91
SCE-STWSPLSS	0.56	23.00	2.00	C2	114.00



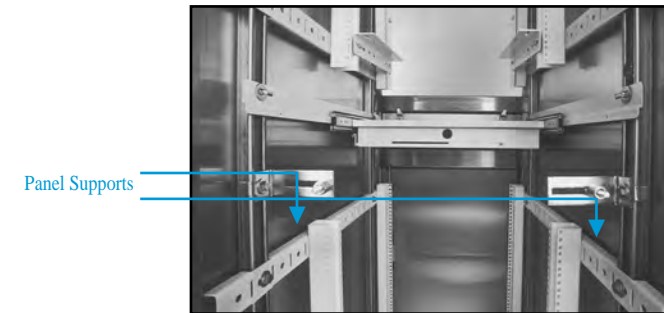
Phone (989) 799-6871
Fax (989) 799-4524



WORK STATION ACCESSORIES

Panel Support

Panel supports can be installed horizontally to the left and right side of enclosure. Allows easy installation of optional panels or (RA) and (RP) type rack mounting angles to make them adjustable from front to back of the enclosure. Made of heavy gauge steel with a white powder coat finish. Mounting hardware is included.



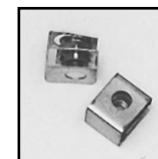
Catalog No.	Height (A)	Width (B)	Used in Enclosure Depth	Product Code	List Price
SCE-60P24WS	12.00	17.00	24.25	C2	61.28
SCE-60P32WS	12.00	25.50	32.25	C2	70.41



Side Mount Plate

Designed to provide extra mounting space on the sides of the enclosure. Can be securely attached to the mounting channels. Mounting hardware is included. Made of heavy gauge steel and powder coated white.

Catalog No.	Quantity Per Kit	Product Code	List Price
SCE-CN1032	20	P2	32.31



Clamping Nuts

Clamping nuts with a #10-32 retained nut will fit all rack mounting angles and rack mounting frames, to provide tapped holes. Nuts are zinc plated.



Phone (989) 799-6871
Fax (989) 799-4524

[Back to Work Station Accessory Guide](#)

WORK STATION ACCESSORIES

Individual Panel Supports

Individual Panel Supports are available for mounting sub-panels. Packaged in sets with all mounting hardware included. Made of heavy gauge steel and plated.

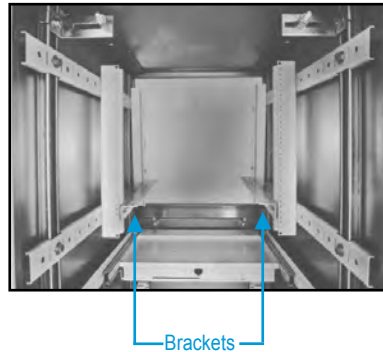
Catalog No.	Notes	Product Code	List Price
SCE-FSPS4	Set of 4	P2	55.88
SCE-FSPS6	Set of 6	P2	84.44
SCE-FSPS8	Set of 8	P2	126.66



Support Bracket

Equipment support brackets help support rack mounted equipment during installation. The support mounts between two pair of type (RA) rack mounting angles. Slotted holes are provided to allow adjustment. Made of heavy gauge carbon steel and powder coated white. Mounting hardware is included.

Catalog No.	Height (A)	Width (B)	Depth (C)	Quantity Per Kit	Product Code	List Price
SCE-SB18	2.00	2.00	15.00	2	C2	44.34



Channel Nuts

Designed to allow mounting of additional equipment to side channels. Zinc plated.

Catalog No.	Description	Quantity Per Kit	Product Code	List Price
SCE-PS3816CN	1/4 - 20 Strut Nut	20	P2	42.22
SCE-PS1420CN	3/8 - 16 Strut Nut	20	P2	42.22



SCE-PS1420CN



SCE-PS3816CN

Leveling Pads

Designed to attach to the bottom of the enclosure in the existing threaded holes. Allows for adjustments for uneven floors. Pads are zinc plated with a plastic base. Mounting hardware is included.

Catalog No.	Thread Size	Height	Quantity Per Kit	Product Code	List Price
SCE-LPD2	3/8 - 16	2.00	4	P2	37.25



Phone (989) 799-6871
Fax (989) 799-4524



WORK STATION ACCESSORIES

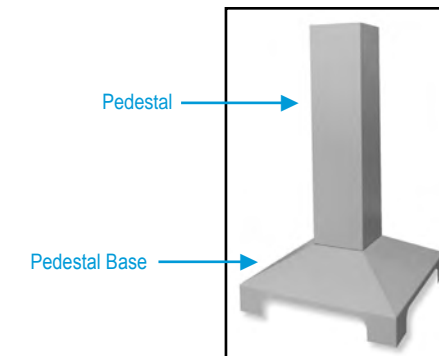
Blank Top Door

Designed to replace the top door when cutouts are desired. Oil resistant gasket. Installed by removing hinge pin. Black quarter turn latches. Made of heavy gauge carbon steel and powder coated. "SS" door is made of Type 304 stainless steel with #4 brushed finish. Mounting hardware is included.

Catalog No.	Height (A)	Width (B)	Finish	Product Code	List Price
SCE-STWBTD	21.50	25.63	White	C2	155.47
SCE-STWSSBTD	21.50	25.63	Stainless Steel	C2	462.20
SCE-WSBTD	23.60	23.86	RAL 7035 Gray	C2	247.74
SCE-WSSBTD	23.59	23.88	Stainless Steel	C2	365.08



Catalog No.	Height (A)	Width (B)	Depth (C)	Finish	Product Code	List Price
SCE-PE22	21.38	8.00	8.00	RAL 7035 Gray	C2	365.08
SCE-PE22SS	21.38	8.00	8.00	Stainless Steel	C2	912.72



Pedestal

Designed to allow desktop work stations to be floor mounted. Gasket and hardware provided to attach to work station. Made of heavy gauge carbon steel and powder coated RAL 7035 gray. "SS" pedestal is made of Type 304 stainless steel.

Catalog No.	Height (A)	Width (B)	Depth (C)	Finish	Product Code	List Price
SCE-24PEBASE	10.00	24.00	24.00	RAL 7035 Gray	C2	545.02
SCE-24PEBASESS	10.00	24.00	24.00	Stainless Steel	C2	1,363.86

Pedestal Base

Designed to mount pedestal to the floor. Made of heavy gauge carbon steel and powder coated RAL 7035 gray. "SS" base is made of Type 304 stainless steel. Mounting hardware is included.



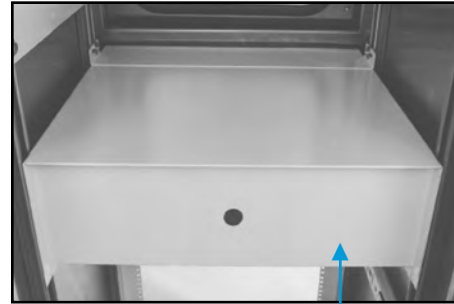
Phone (989) 799-6871
Fax (989) 799-4524



WORK STATION ACCESSORIES

Keyboard Housing

Provides protection from dust, dirt, oil and water for interior components when keyboard drawer is open. Mounts to mounting channels. Keyboard shelf with slides is mounted inside the housing. Hole grommet in rear provided for cords. Powder coated white. Mounting hardware is included.

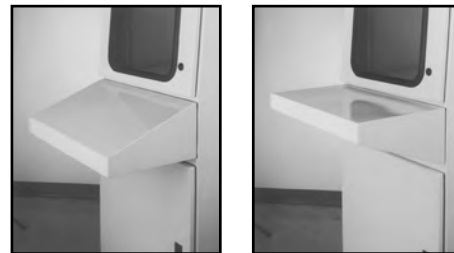


View from Rear

Control Compartment

Designed to be mounted to the front of the work station when installation of pushbuttons or control panels is desired. Installed after removing the pull-out keyboard drawer and door. Can be installed with the flat or sloped surface facing up. 20° slope on sloped surface. Gasket and mounting hardware included. Made of heavy gauge carbon steel and powder coated RAL 7035 gray. "SS" part is made of Type 304 stainless steel with #4 brushed finish.

Catalog No.	Height (A)	Width (B)	Depth (C)	Finish	Product Code	List Price
SCE-WSCC	8.00	24.25	14.50	RAL 7035 Gray	C2	286.86
SCE-WSCCSS	8.00	24.25	14.50	Stainless Steel	C2	664.98



Pull-Out Keyboard Drawer

Designed to hold a keyboard and mouse on a separate pull-out shelf. Mounts between mounting channels. Made of heavy gauge steel with a white powder coat finish. A mouse pad is included. Drawer is included with work station. Mounting hardware is included.

Catalog No.	Height (A)	Width (B)	Depth (C)	Used in Enclosure Depth	Product Code	List Price
SCE-KBS	3.00	20.00	14.00	24.25	P2	372.54
SCE-KBS32	3.00	20.00	14.00	32.25	P2	372.54



[Back to Work Station Accessory Guide](#)

Phone (989) 799-6871
Fax (989) 799-4524



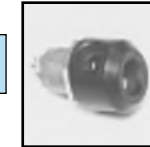
WORK STATION ACCESSORIES

Door Latch Inserts

Designed to replace black quarter turn latches when additional security is required.

Padlocking Housing Latch

Catalog No.	Qty. Per Kit	Finish	Product Code	List Price
SCE-PLHG	1	Black	P2	17.38



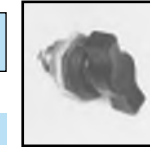
Slotted 2 x 4 Door Latch

Catalog No.	Qty. Per Kit	Finish	Product Code	List Price
SCE-DLSB	1	Chrome	P2	17.38
SCE-DLSBB	1	Black	P2	17.38
SCE-DLSSB	1	Stainless	P2	42.22



Wing Knob Door Latch

Catalog No.	Qty. Per Kit	Finish	Product Code	List Price
SCE-DLWKC	1	Chrome	P2	17.38
SCE-DLWKF	1	Black	P2	17.38



Square Latch with Skeleton Key (Key: SCE-101695)

Catalog No.	Qty. Per Kit	Finish	Product Code	List Price
SCE-DL7SC	1	Chrome	P2	17.38



Keylocking Wing Knob Latch (Key: SCE-K333)

Catalog No.	Qty. Per Kit	Finish	Product Code	List Price
SCE-KLWN	1	Chrome	P2	34.77
SCE-KLWNB	1	Black	P2	34.77



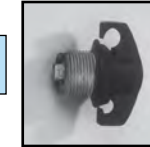
Triangular Latch with Skeleton Key (Key: SCE-107930)

Catalog No.	Qty. Per Kit	Finish	Product Code	List Price
SCE-DL7TE	1	Chrome	P2	17.38



Padlocking Wing Knob Latch

Catalog No.	Qty. Per Kit	Finish	Product Code	List Price
SCE-PLWKB	1	Black	P2	19.87



Non-Locking "T" Handle

Catalog No.	Qty. Per Kit	Finish	Product Code	List Price
SCE-NLTH	1	Chrome	P2	24.84



Keylocking Door Latch (Key: SCE-K333)

Catalog No.	Qty. Per Kit	Finish	Product Code	List Price
SCE-DLKLD	1	Chrome	P2	27.32
SCE-DLKLDB	1	Black	P2	27.99



Coinproof Door Latch

Catalog No.	Qty. Per Kit	Finish	Product Code	List Price
SCE-DLCA	1	Chrome	P2	14.90



Door Handles

Designed to replace the flush swing handle when alternative locking mechanism is desired. Zinc die cast steel with black textured finish.

Keylocking Flush Swing Handle (Key: SCE-K333)

Catalog No.	Qty. Per Kit	Product Code	List Price
SCE-FSH2	1	P2	63.34



Keylocking Flush Swing Handle with Padlock Provision (Key: SCE-K333)

Catalog No.	Qty. Per Kit	Product Code	List Price
SCE-FSH6	1	P2	81.96



Flush Swing Handle with 8mm Square Lock (Key: SCE-101697)

Catalog No.	Qty. Per Kit	Product Code	List Price
SCE-FSH4	1	P2	63.34



Padlocking Flush Swing Handle

Catalog No.	Qty. Per Kit	Product Code	List Price
SCE-FSH8	1	P2	72.03



NOTES

Phone (989) 799-6871
Fax (989) 799-4524



NOTES



Phone (989) 799-6871
Fax (989) 799-4524

Wall-Mount Enclosures

Pushbutton Enclosures & Hinged Pushbutton Enclosures 40 – 53



Slope Front Pushbutton Enclosures 54 – 57



Enviroline® Series Junction Enclosures 58 – 61



Enviroline® Series Trough Junction Enclosures 62 – 65



Continuous Hinge Junction Enclosures 66 – 67



Screw Cover Enclosures 68 – 69



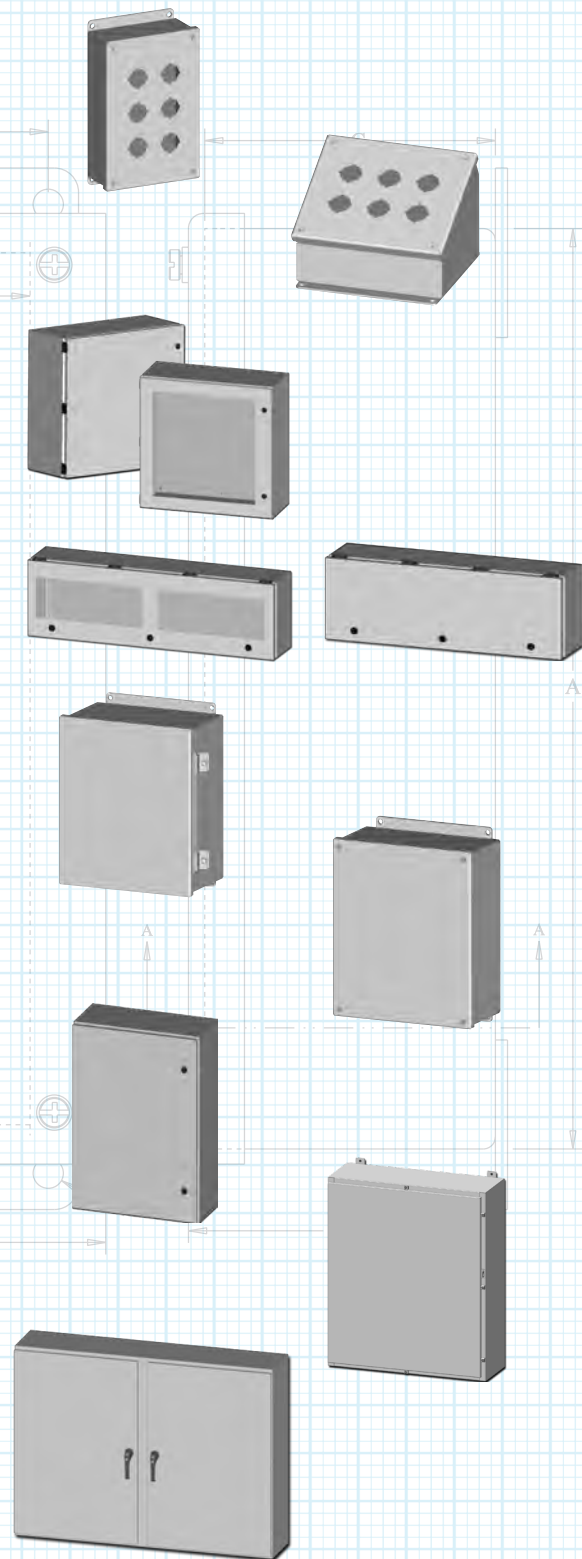
Enviroline® Series Single-Door Enclosures 70 – 73



Clamp Fastened Single-Door Enclosures 74 – 76



Enviroline® Series Two-Door Enclosures 78 – 79



[Back to Table of Contents](#)



Phone (989) 799-6871
Fax (989) 799-4524



Wall-Mount Enclosures

Overlapping Two-Door Enclosures 80 – 81



Enviroline® Series Single-Door Enclosures for Flange-Mounted Disconnects and SCE Door Hardware 82 – 83



Single-Door Enclosures for Flange-Mounted Disconnects with SCE Door Hardware 84 – 85



Clamp Fastened Single-Door Enclosures for Flange-Mounted Disconnects 86 – 87



Vented Type 3R Disconnect Enclosures 88 – 89



Vented Type 3R Enclosures 90 – 91



Hinged Cover Type 3R Enclosures 92 – 93



Screw Cover Type 3R Enclosures 94 – 95



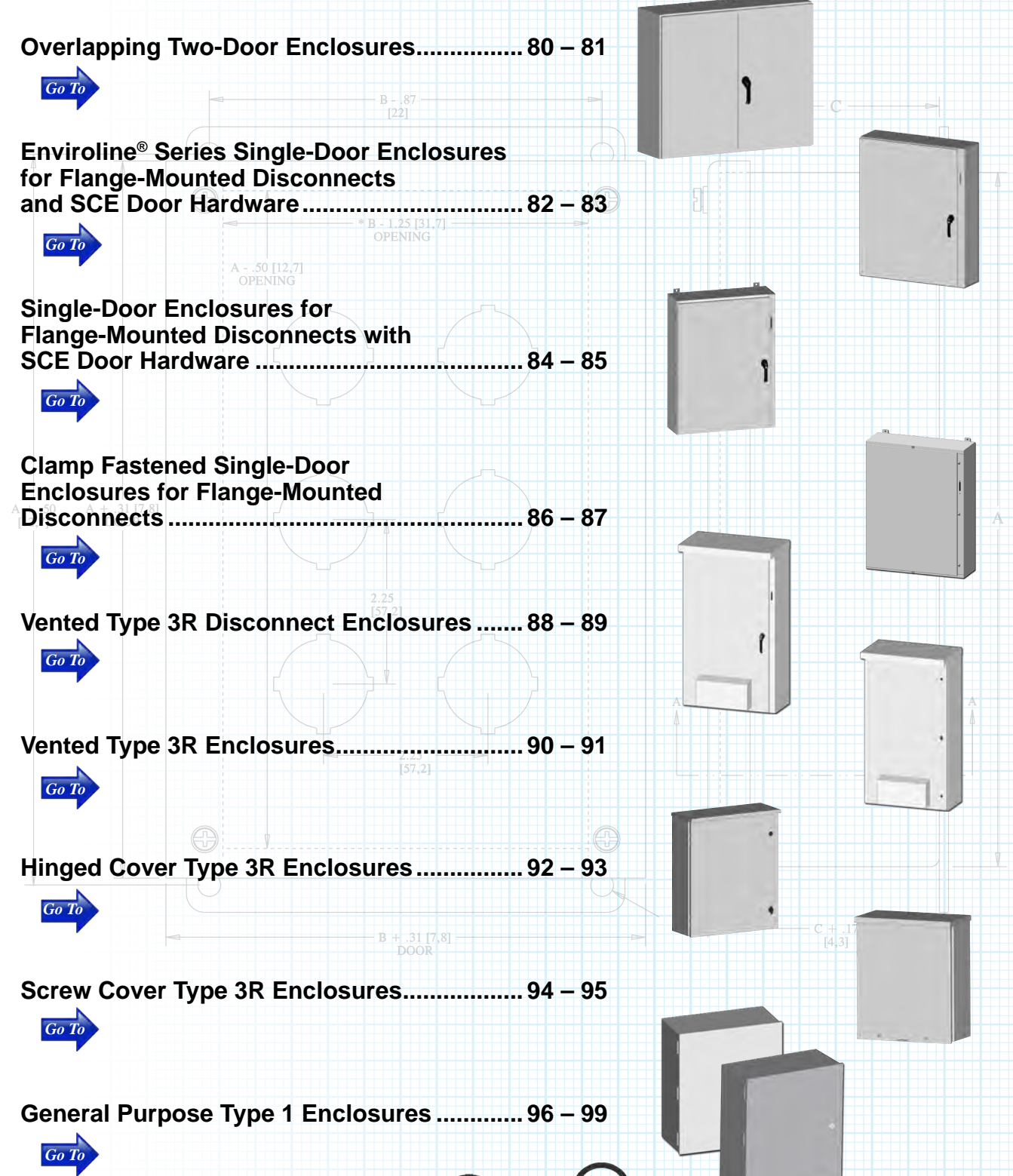
General Purpose Type 1 Enclosures 96 – 99



Phone (989) 799-6871
Fax (989) 799-4524



[Back to Table of Contents](#)



30.5 mm Pushbutton Enclosures

Application -

Designed to offer protection for oil-tight pushbuttons, switches, and pilot lights from dust, water, dirt and oil. For installation information, consult our Installation Manual at www.saginawcontrol.com.

Construction -

- 0.063" carbon steel.
- Continuously welded seams.
- Captivated cover screws thread into sealed wells.
- 4-way pushbutton holes accept all brands of oil-tight pushbuttons, switches and pilot lights. Hole diameter is 1.20" (30.5 mm).
- Immediate removal of cover is permitted.
- Oil-resistant gasket.

Finish -

ANSI-61 gray powder coated inside and out.

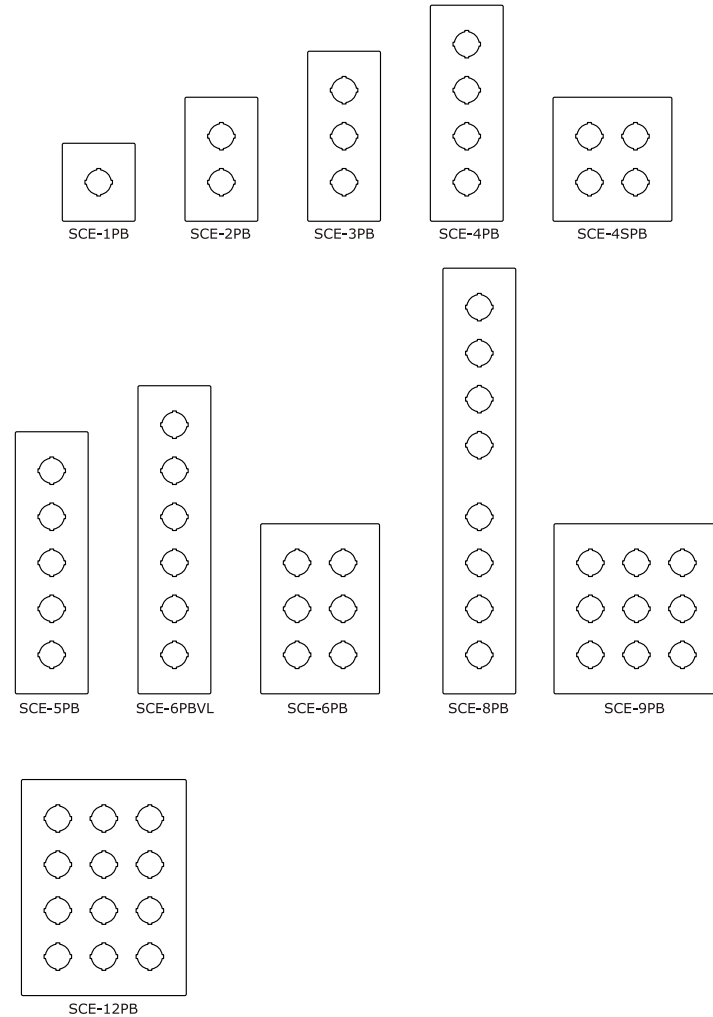
IS2 - Industry Standards -

NEMA Type 4, 12 & Type 13
UL Listed Type 4 & 12
CSA Type 4 & 12
IEC 60529 IP66



30.5 mm PUSHBUTTON ENCLOSURES

ENCLOSURE PRODUCT CODE A1					
Catalog No.	Height (A)	Width (B)	Depth (C)	Industry Standard	List Price
SCE-1PB	3.50	3.25	2.00	IS2	43.90
SCE-2PB	5.75	3.25	2.75	IS2	50.17
SCE-3PB	8.00	3.25	2.75	IS2	56.43
SCE-4PB	10.25	3.25	2.75	IS2	62.70
SCE-4SPB	7.25	6.25	3.00	IS2	70.23
SCE-5PB	12.50	3.25	2.75	IS2	68.98
SCE-6PB	9.50	6.25	3.00	IS2	80.26
SCE-6PBVL	14.75	3.25	2.75	IS2	75.24
SCE-8PB	20.25	3.25	2.75	IS2	90.29
SCE-9PB	9.50	8.50	3.00	IS2	92.80
SCE-12PB	11.75	8.50	3.00	IS2	104.08

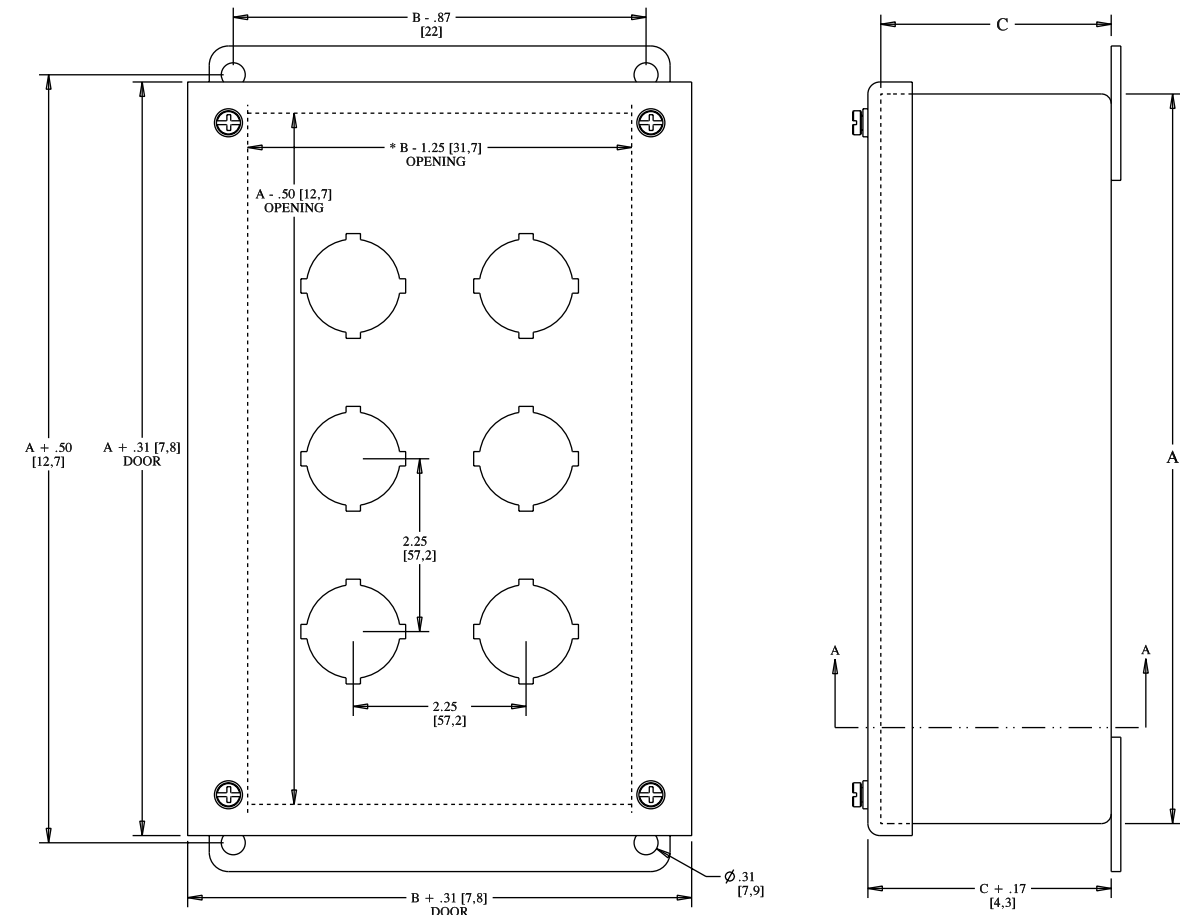


[Back to Wall-Mount Enclosures](#)

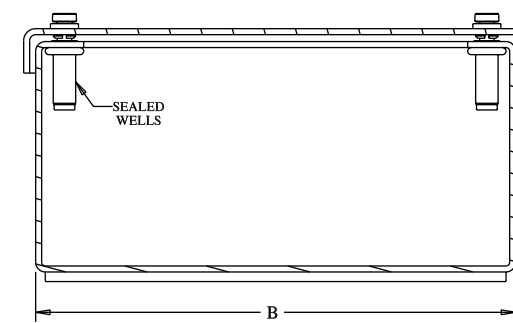
Phone (989) 799-6871
Fax (989) 799-4524



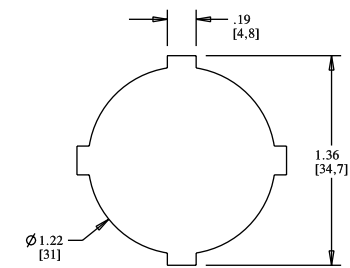
30.5 mm PUSHBUTTON ENCLOSURES TECHNICAL DATA



NOTE:
* B - .50 [12,7] ONE COLUMN OF PUSHBUTTONS



SECTION A-A



STANDARD 4-WAY



Phone (989) 799-6871
Fax (989) 799-4524

22.5 mm Pushbutton Enclosures

Application -

Designed to offer protection for oil-tight pushbuttons, switches, and pilot lights from dust, water, dirt and oil. For installation information, consult our Installation Manual at www.saginawcontrol.com.

Construction -

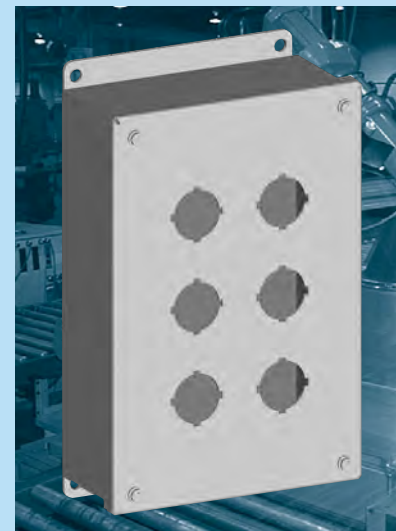
- 0.063" carbon steel.
- Continuously welded seams.
- Captivated cover screws thread into sealed wells.
- 4-way pushbutton holes accept all brands of oil-tight pushbuttons, switches and pilot lights. Hole diameter is 0.87" (22.5 mm).
- Immediate removal of cover is permitted.
- Oil-resistant gasket.

Finish -

ANSI-61 gray powder coated inside and out.

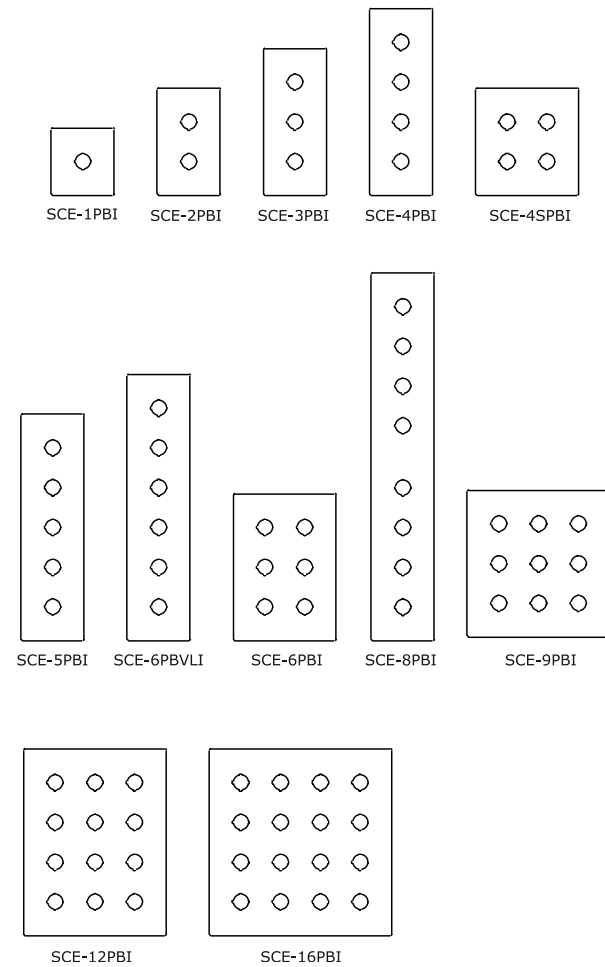
IS2 - Industry Standards -

- NEMA Type 4, 12 & Type 13
- UL Listed Type 4 & 12
- CSA Type 4 & 12
- IEC 60529 IP66



22.5 mm PUSHBUTTON ENCLOSURES

ENCLOSURE PRODUCT CODE A1					
Catalog No.	Height (A)	Width (B)	Depth (C)	Industry Standard	List Price
SCE-1PBI	3.50	3.25	2.75	IS2	43.90
SCE-2PBI	5.75	3.25	2.75	IS2	50.17
SCE-3PBI	8.00	3.25	2.75	IS2	56.43
SCE-4PBI	10.25	3.25	2.75	IS2	62.70
SCE-4SPBI	7.25	6.25	3.00	IS2	70.23
SCE-5PBI	12.50	3.25	2.75	IS2	68.98
SCE-6PBI	9.50	6.25	3.00	IS2	80.26
SCE-6PBVLI	14.75	3.25	2.75	IS2	75.24
SCE-8PBI	20.25	3.25	2.75	IS2	90.29
SCE-9PBI	9.50	8.50	3.00	IS2	92.80
SCE-12PBI	11.75	8.50	3.00	IS2	104.08
SCE-16PBI	11.75	10.75	3.00	IS2	120.40

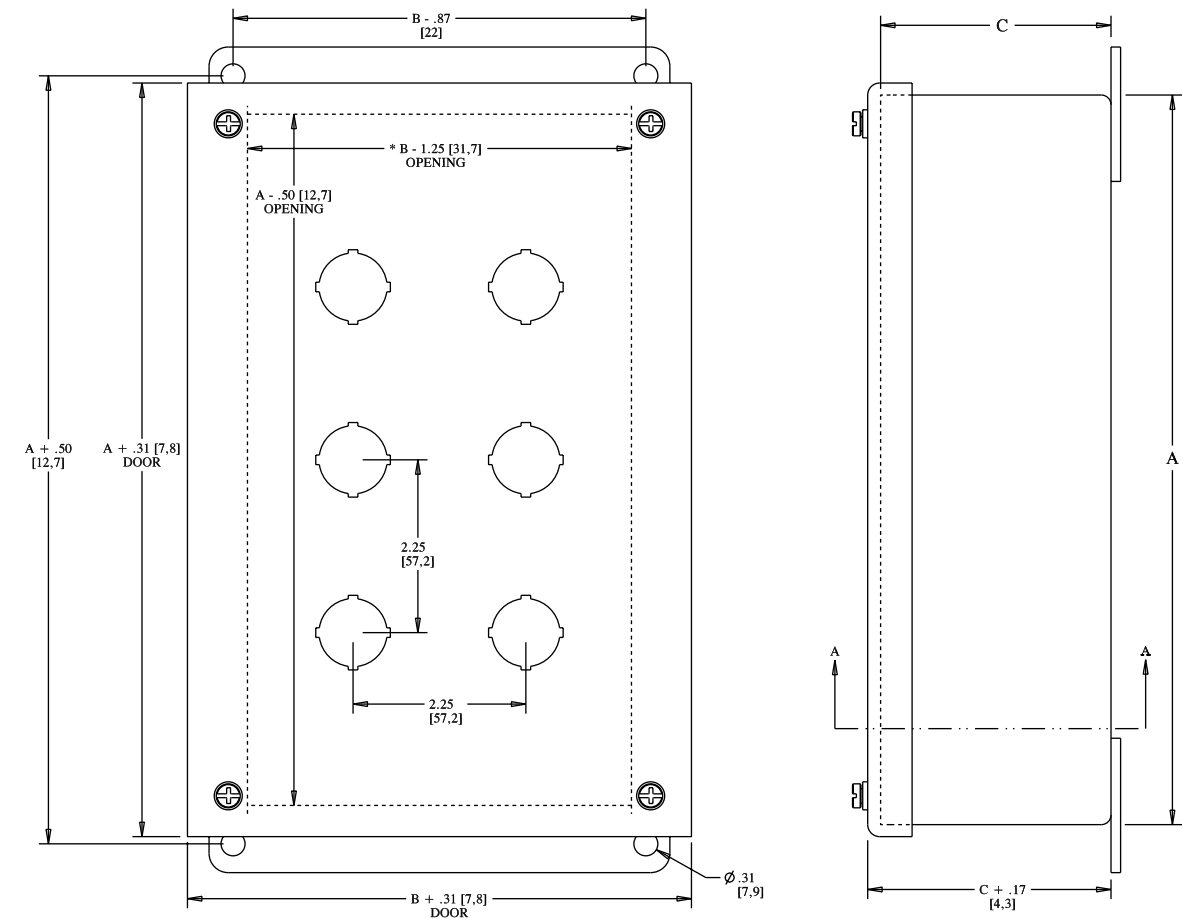


[Back to Wall-Mount Enclosures](#)

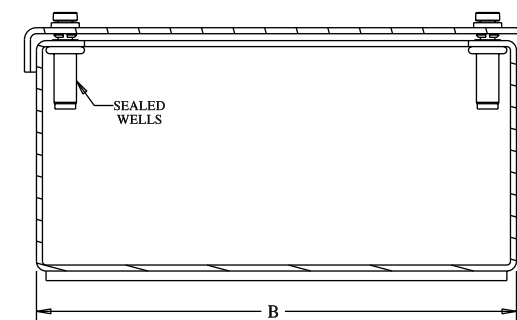
Phone (989) 799-6871
Fax (989) 799-4524



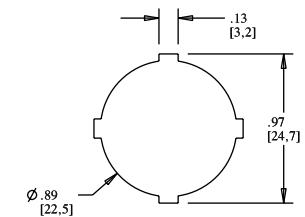
22.5 mm PUSHBUTTON ENCLOSURES TECHNICAL DATA



NOTE:
* B - .50 [12.7] ONE COLUMN OF PUSHBUTTONS



SECTION A-A



STANDARD 4-WAY



Phone (989) 799-6871
Fax (989) 799-4524

Extra Deep 30.5 mm Pushbutton Enclosures

Application -

Designed to offer protection for oil-tight pushbuttons, switches, and pilot lights from dust, water, dirt and oil. For installation information, consult our Installation Manual at www.saginawcontrol.com.

Construction -

- 0.063" carbon steel.
- Continuously welded seams.
- Captivated cover screws thread into sealed wells.
- 4-way pushbutton holes accept all brands of oil-tight pushbuttons, switches and pilot lights. Hole diameter is 1.20" (30.5 mm).
- Immediate removal of cover is permitted.
- Oil-resistant gasket.

Finish -

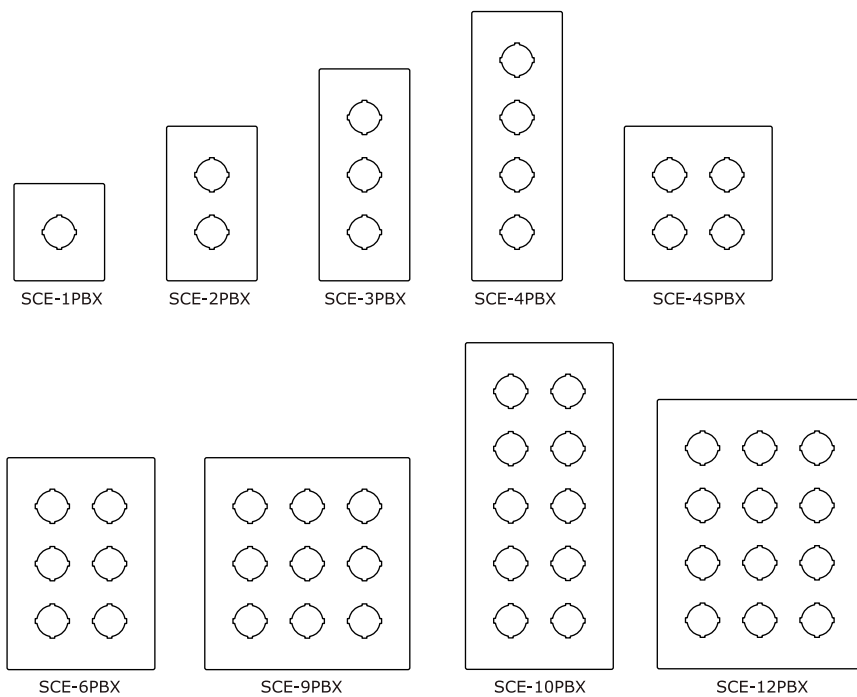
ANSI-61 gray powder coated inside and out.

IS2 - Industry Standards -
 NEMA Type 4, 12 & Type 13
 UL Listed Type 4 & 12
 CSA Type 4 & 12
 IEC 60529 IP66



EXTRA DEEP 30.5 mm PUSHBUTTON ENCLOSURES

ENCLOSURES PRODUCT CODE A1					
Catalog No.	Height (A)	Width (B)	Depth (C)	Industry Standard	List Price
SCE-1PBX	4.00	4.00	4.75	IS2	56.43
SCE-2PBX	6.00	4.00	4.75	IS2	65.22
SCE-3PBX	8.00	4.00	4.75	IS2	73.99
SCE-4PBX	10.00	4.00	4.75	IS2	81.51
SCE-4SPBX	7.25	6.25	4.75	IS2	82.76
SCE-6PBX	9.50	6.25	4.75	IS2	95.31
SCE-9PBX	9.50	8.50	4.75	IS2	107.85
SCE-10PBX	14.00	6.25	4.75	IS2	117.88
SCE-12PBX	11.75	8.50	4.75	IS2	124.15

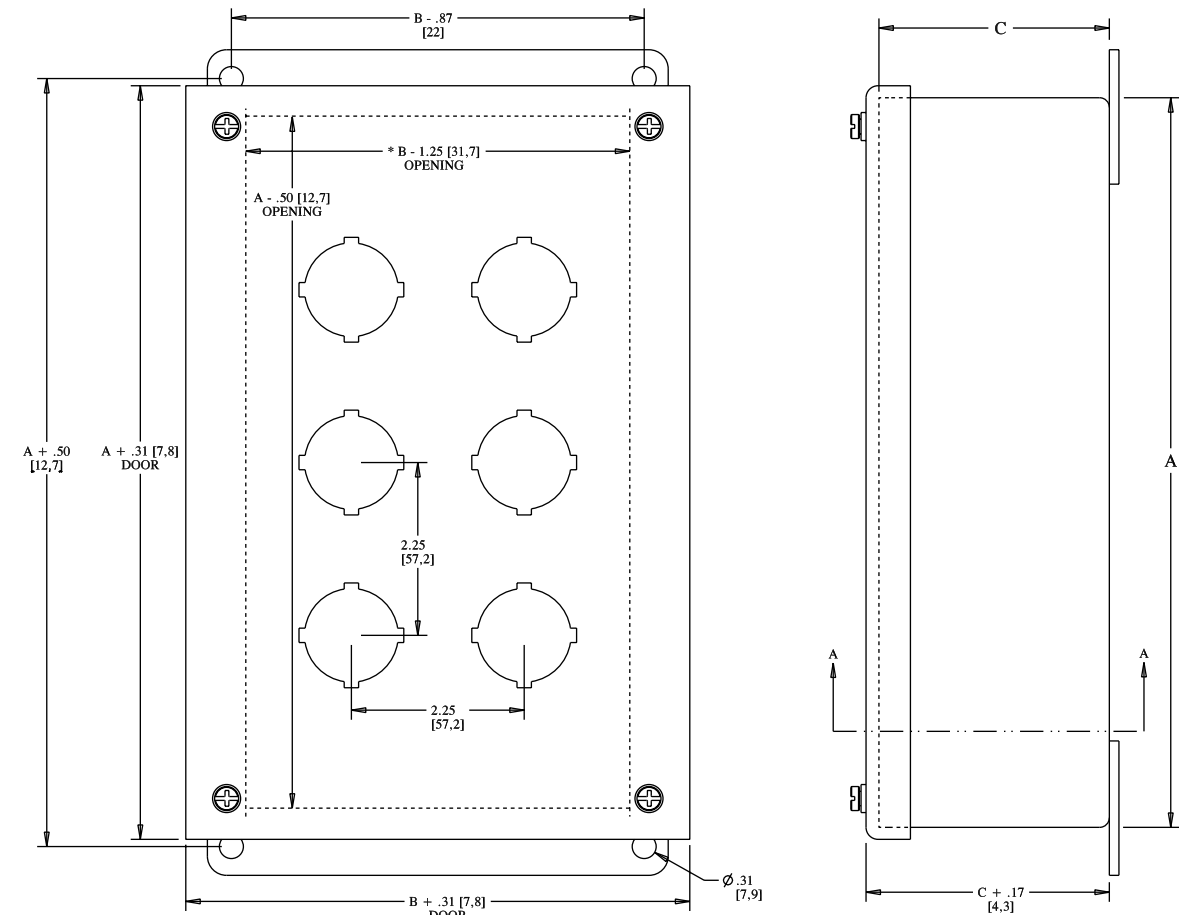


[Back to Wall-Mount Enclosures](#)

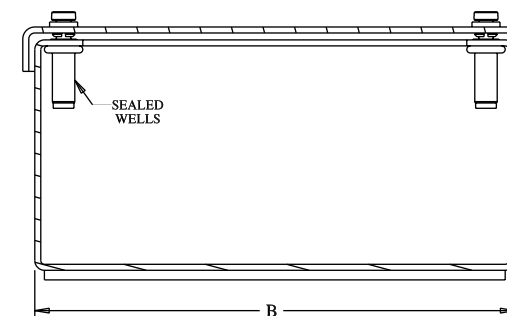
Phone (989) 799-6871
 Fax (989) 799-4524



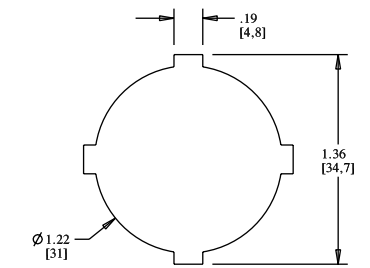
EXTRA DEEP 30.5 mm PUSHBUTTON ENCLOSURES TECHNICAL DATA



NOTE:
 * B - .50 [12.7] ONE COLUMN OF PUSHBUTTONS



SECTION A-A



STANDARD 4-WAY



Phone (989) 799-6871
 Fax (989) 799-4524

Extra Deep 22.5 mm Pushbutton Enclosures

Application -

Designed to offer protection for oil-tight pushbuttons, switches, and pilot lights from dust, water, dirt and oil. For installation information, consult our Installation Manual at www.saginawcontrol.com.

Construction -

- 0.063" carbon steel.
- Continuously welded seams.
- Captivated cover screws thread into sealed wells.
- 4-way pushbutton holes accept all brands of oil-tight push-buttons, switches and pilot lights. Hole diameter is 0.87" (22.5 mm).
- Immediate removal of cover is permitted.
- Oil-resistant gasket.

Finish -

ANSI-61 gray powder coated inside and out.

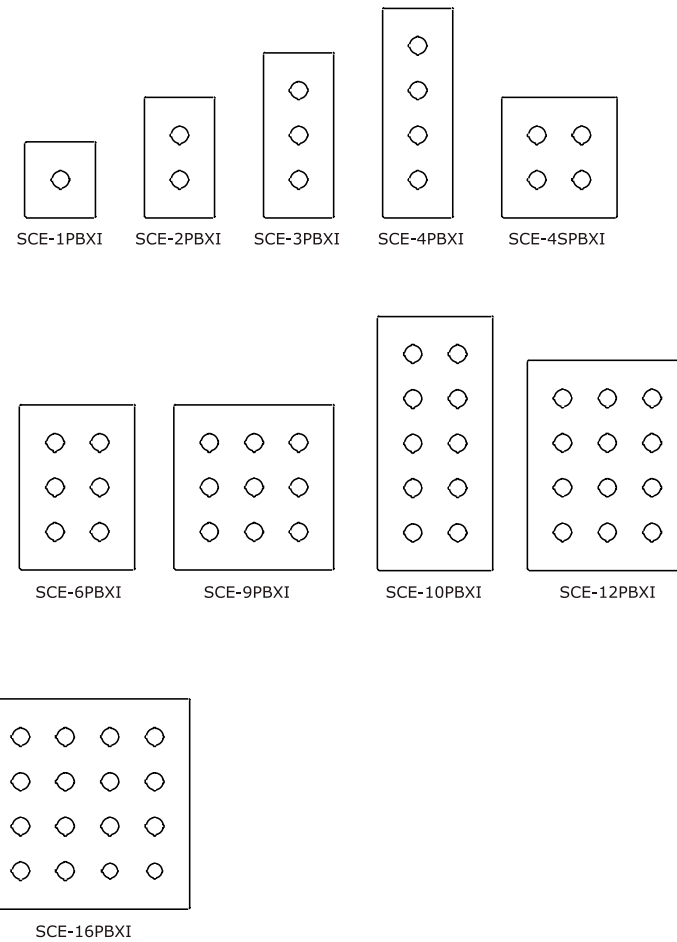
IS2 - Industry Standards -

- NEMA Type 4, 12 & Type 13
- UL Listed Type 4 & 12
- CSA Type 4 & 12
- IEC 60529 IP66



EXTRA DEEP 22.5 mm PUSHBUTTON ENCLOSURES

ENCLOSURE PRODUCT CODE A1					
Catalog No.	Height (A)	Width (B)	Depth (C)	Industry Standard	List Price
SCE-1PBXI	4.00	4.00	4.75	IS2	56.43
SCE-2PBXI	6.00	4.00	4.75	IS2	65.22
SCE-3PBXI	8.00	4.00	4.75	IS2	73.99
SCE-4PBXI	10.00	4.00	4.75	IS2	81.51
SCE-4SPBXI	7.25	6.25	4.75	IS2	82.76
SCE-6PBXI	9.50	6.25	4.75	IS2	95.31
SCE-9PBXI	9.50	8.50	4.75	IS2	107.85
SCE-10PBXI	14.00	6.25	4.75	IS2	117.88
SCE-12PBXI	11.75	8.50	4.75	IS2	124.15
SCE-16PBXI	11.75	10.75	4.75	IS2	141.70

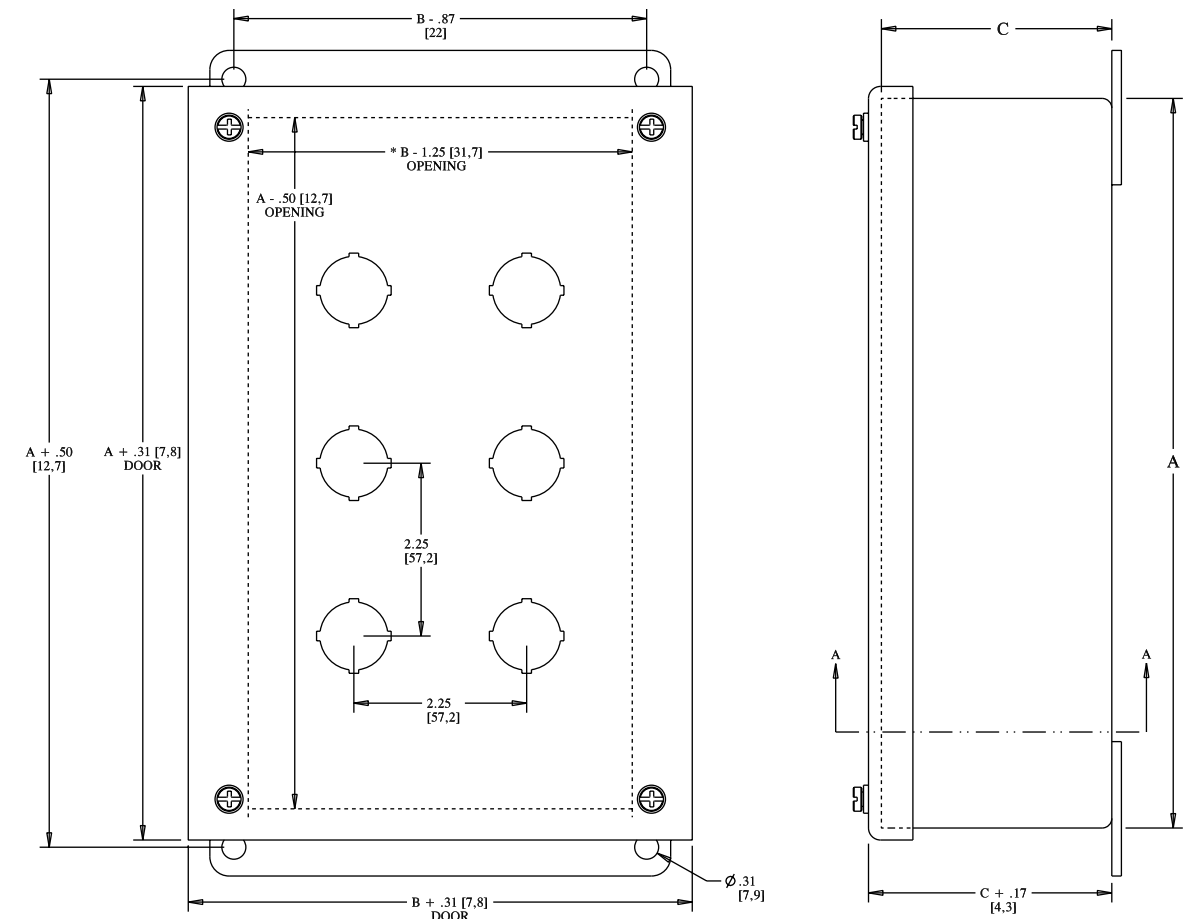


[Back to Wall-Mount Enclosures](#)

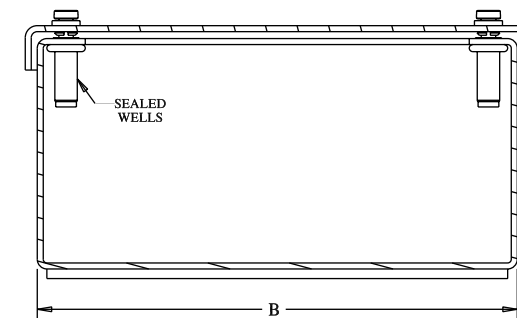
Phone (989) 799-6871
Fax (989) 799-4524



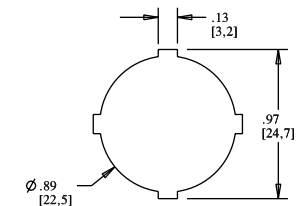
EXTRA DEEP 22.5 mm PUSHBUTTON ENCLOSURES TECHNICAL DATA



NOTE:
* B - .50 [12.7] ONE COLUMN OF PUSHBUTTONS



SECTION A-A



STANDARD 4-WAY



Phone (989) 799-6871
Fax (989) 799-4524

Pushbutton Enclosures for 22.5 mm Pushbuttons

Application -
Designed to offer protection for miniature oil-tight pushbuttons, switches, and pilot lights from dust, water, dirt and oil. For installation information, consult our Installation Manual at www.saginawcontrol.com.

- Construction -**
- 0.063" carbon steel.
 - Continuously welded seams.
 - Captivated cover screws thread into sealed wells.
 - 4-way miniature pushbutton holes accept all brands of oil-tight pushbuttons, switches and pilot lights. Hole diameter is 0.87" (22.5 mm).
 - Immediate removal of cover is permitted.
 - Oil-resistant gasket.

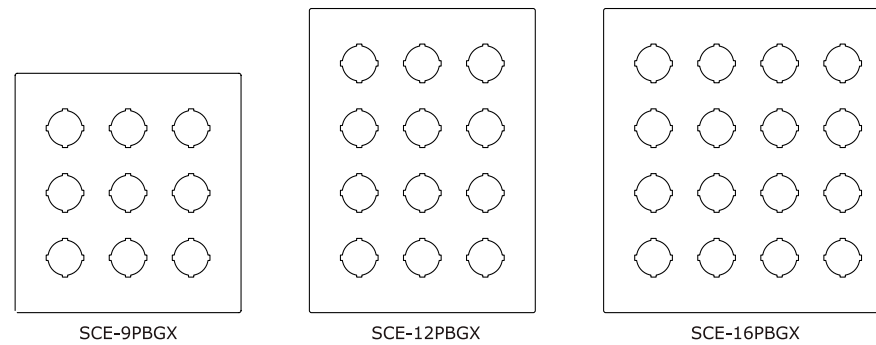
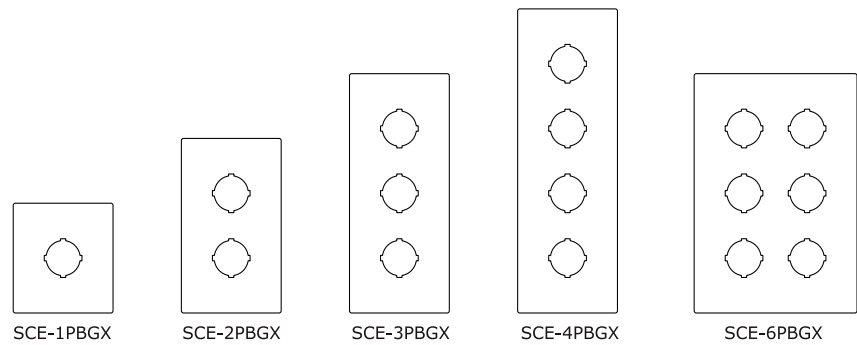
Finish -
ANSI-61 gray powder coated inside and out.

IS2 - Industry Standards -
NEMA Type 4, 12 & Type 13
UL Listed Type 4 & 12
CSA Type 4 & 12
IEC 60529 IP66



PUSHBUTTON ENCLOSURES FOR 22.5 mm PUSHBUTTONS

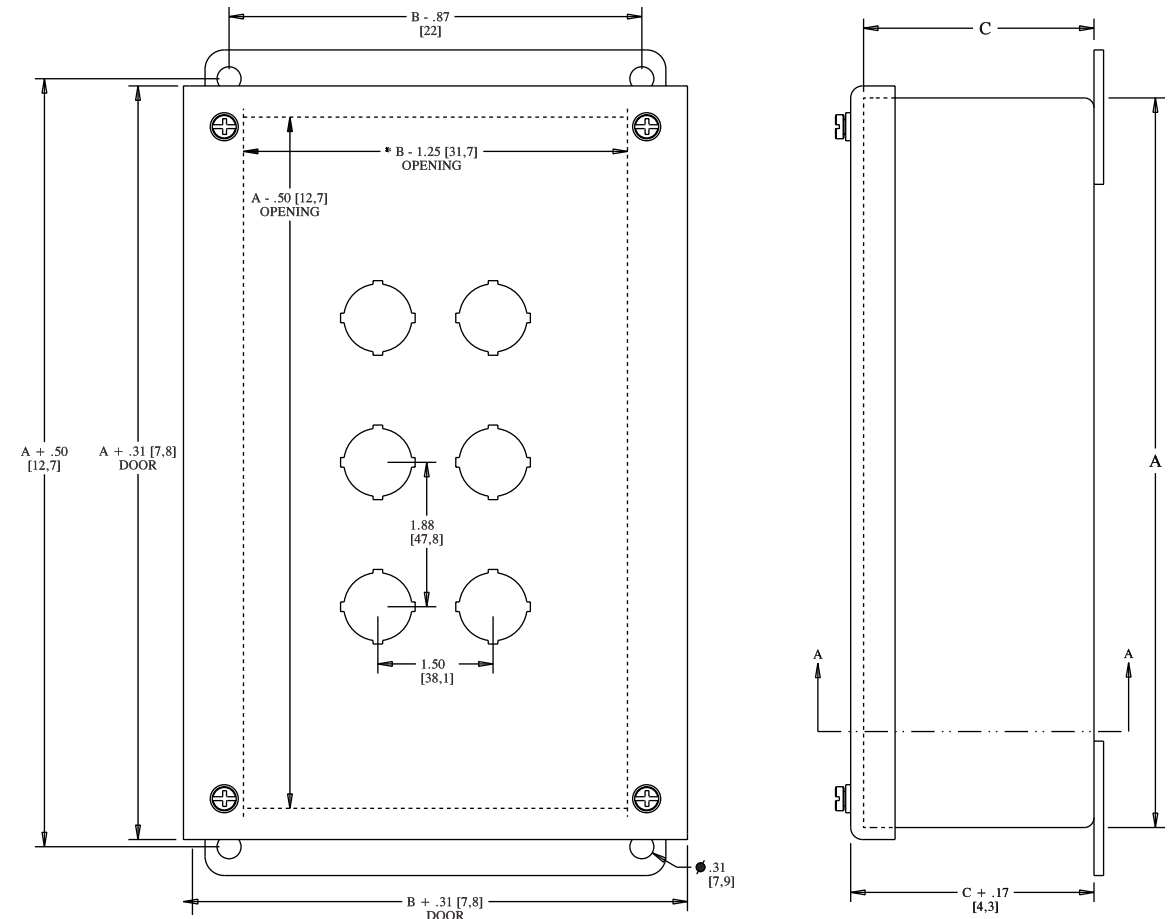
ENCLOSURE PRODUCT CODE A1					
Catalog No.	Height (A)	Width (B)	Depth (C)	Industry Standard	List Price
SCE-1PBGX	3.25	2.75	3.50	IS2	50.17
SCE-2PBGX	5.13	2.75	3.50	IS2	55.18
SCE-3PBGX	7.00	2.75	3.50	IS2	61.45
SCE-4PBGX	8.88	2.75	3.50	IS2	67.71
SCE-6PBGX	8.50	5.00	4.25	IS2	86.52
SCE-9PBGX	8.50	6.50	4.25	IS2	95.31
SCE-12PBGX	10.38	6.50	4.25	IS2	106.60
SCE-16PBGX	10.38	8.00	4.25	IS2	142.96



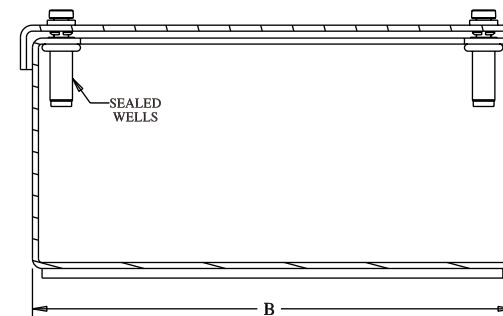
Back to Wall-Mount Enclosures

Phone (989) 799-6871
Fax (989) 799-4524
SCE SAGINAW CONTROL & ENGINEERING
Your Enclosure Source®

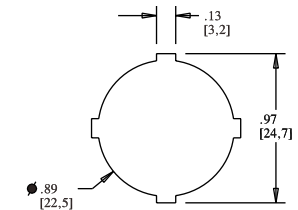
PUSHBUTTON ENCLOSURE FOR 22.5 mm PUSHBUTTONS TECHNICAL DATA



NOTE:
* B - .50 [12,7] ONE COLUMN OF PUSHBUTTONS



SECTION A-A



MINIATURE 4-WAY

SCE SAGINAW CONTROL & ENGINEERING
Your Enclosure Source®
Phone (989) 799-6871
Fax (989) 799-4524

Extra Large 30.5 mm Hinged Pushbutton Enclosures

Application -

Designed to offer protection for oil-tight pushbuttons, switches, and pilot lights from dust, water, dirt and oil. For installation information, consult our Installation Manual at www.saginawcontrol.com.

Construction -

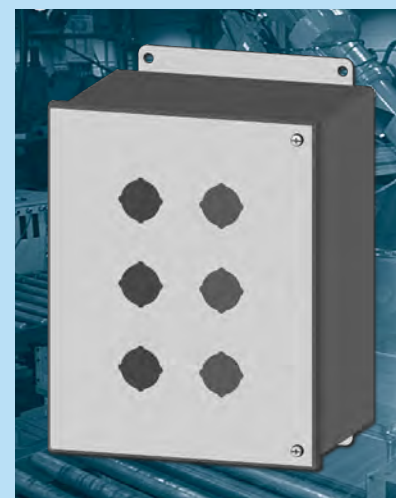
- 0.063" carbon steel.
- Continuously welded seams.
- Captivated cover screws thread into sealed wells.
- 4-way pushbutton holes accept all brands of oil-tight push-buttons, switches and pilot lights. Hole diameter is 1.20" (30.5 mm).
- Oil-resistant gasket.
- Provisions for sub-panel.
- Ground stud on door.
- Cover attached with continuous hinge.

Finish -

ANSI-61 gray powder coated inside and out. Optional sub-panels are powder coated white.

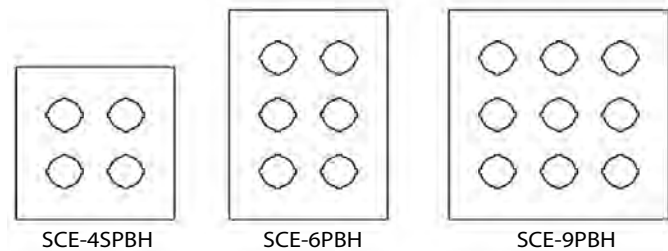
IS2 - Industry Standards -

- NEMA Type 4, 12 and Type 13
- UL Listed Type 4 and 12
- CSA Type 4 and 12
- IEC 60529 IP 66



EXTRA LARGE 30.5 mm HINGED PUSHBUTTON ENCLOSURES

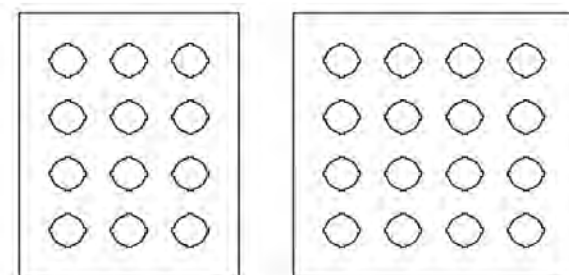
ENCLOSURE PRODUCT CODE A1						SUB-PANEL (P3)	
Catalog No.	Height (A)	Width (B)	Depth (C)	Industry Standard	List Price	Catalog No.	List Price
SCE-4SPBH	8.00	8.00	6.00	IS2	107.08	SCE-8P8	4.89
SCE-6PBH	10.00	8.00	6.00	IS2	122.63	SCE-10P8	5.70
SCE-9PBH	10.00	10.00	6.00	IS2	142.99	SCE-10P10	6.73
SCE-12PBH	12.00	10.00	6.00	IS2	162.14	SCE-12P10	7.72
SCE-16PBH	12.00	12.00	6.00	IS2	184.70	SCE-12P12	9.08
SCE-20PBH	16.00	12.00	6.00	IS2	287.54	SCE-16PB12	13.84



SCE-4SPBH

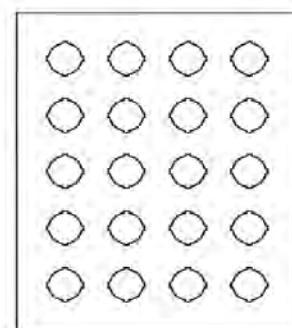
SCE-6PBH

SCE-9PBH



SCE-12PBH

SCE-16PBH



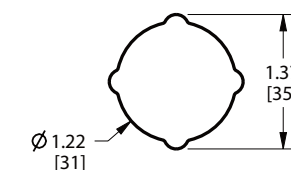
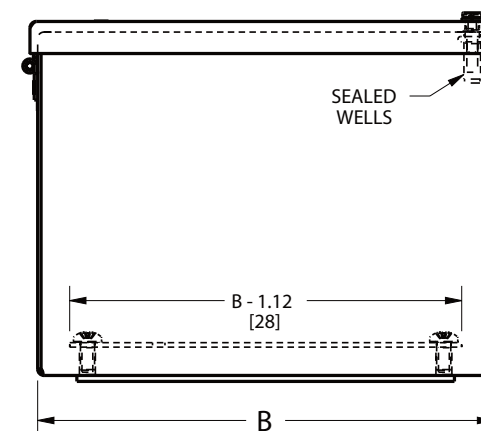
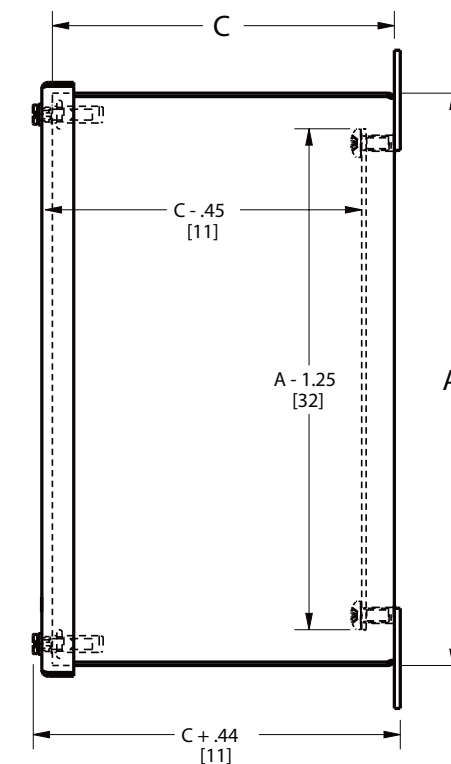
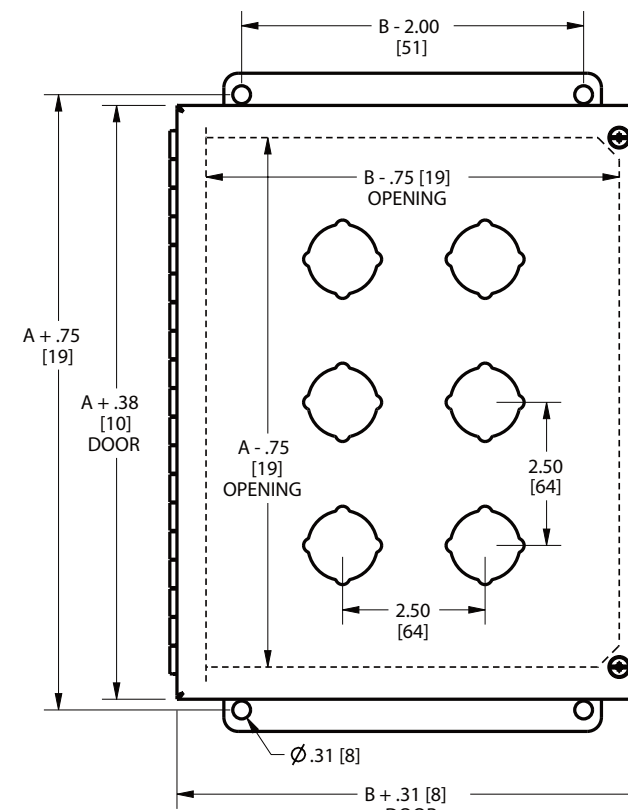
SCE-20PBH

[Back to Wall-Mount Enclosures](#)

Phone (989) 799-6871
Fax (989) 799-4524



EXTRA LARGE 30.5 mm HINGED PUSHBUTTON ENCLOSURES TECHNICAL DATA



STANDARD 4-WAY



Phone (989) 799-6871
Fax (989) 799-4524

Extra Large 22.5 mm Hinged Pushbutton Enclosures

Application -

Designed to offer protection for oil-tight pushbuttons, switches, and pilot lights from dust, water, dirt and oil. For installation information, consult our Installation Manual at www.saginawcontrol.com.

Construction -

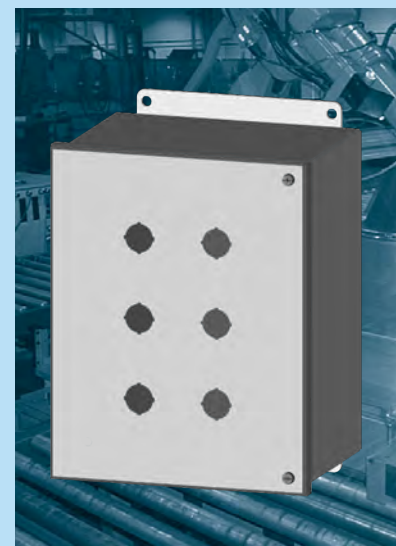
- 0.063" carbon steel.
- Continuously welded seams.
- Captivated cover screws thread into sealed wells.
- 4-way pushbutton holes accept all brands of oil-tight push-buttons, switches and pilot lights. Hole diameter is 0.87" (22.5 mm).
- Oil-resistant gasket.
- Provisions for sub-panel.
- Ground stud on door.
- Cover attached with continuous hinge.

Finish -

ANSI-61 gray powder coated inside and out. Optional sub-panels are powder coated white.

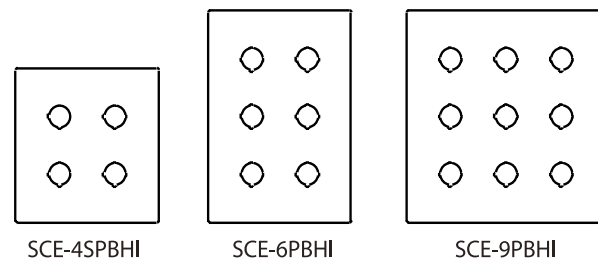
IS2 - Industry Standards -

- NEMA Type 4, 12 & Type 13
- UL Listed Type 4 & 12
- CSA Type 4 & 12
- IEC 60529 IP66

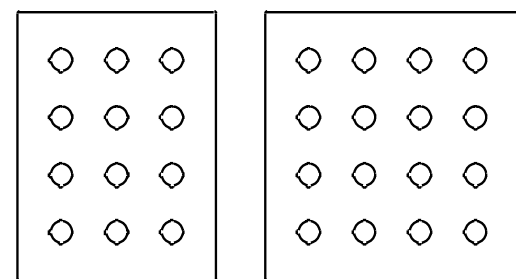


EXTRA LARGE 22.5 mm HINGED PUSHBUTTON ENCLOSURES

ENCLOSURE PRODUCT CODE A1						SUB-PANEL (P3)	
Catalog No.	Height (A)	Width (B)	Depth (C)	Industry Standard	List Price	Catalog No.	List Price
SCE-4SPBHI	8.00	8.00	6.00	IS2	107.08	SCE-8P8	4.89
SCE-6PBHI	10.00	8.00	6.00	IS2	122.63	SCE-10P8	5.70
SCE-9PBHI	10.00	10.00	6.00	IS2	142.99	SCE-10P10	6.73
SCE-12PBHI	12.00	10.00	6.00	IS2	162.14	SCE-12P10	7.72
SCE-16PBHI	12.00	12.00	6.00	IS2	184.70	SCE-12P12	9.08



SCE-4SPBHI SCE-6PBHI SCE-9PBHI



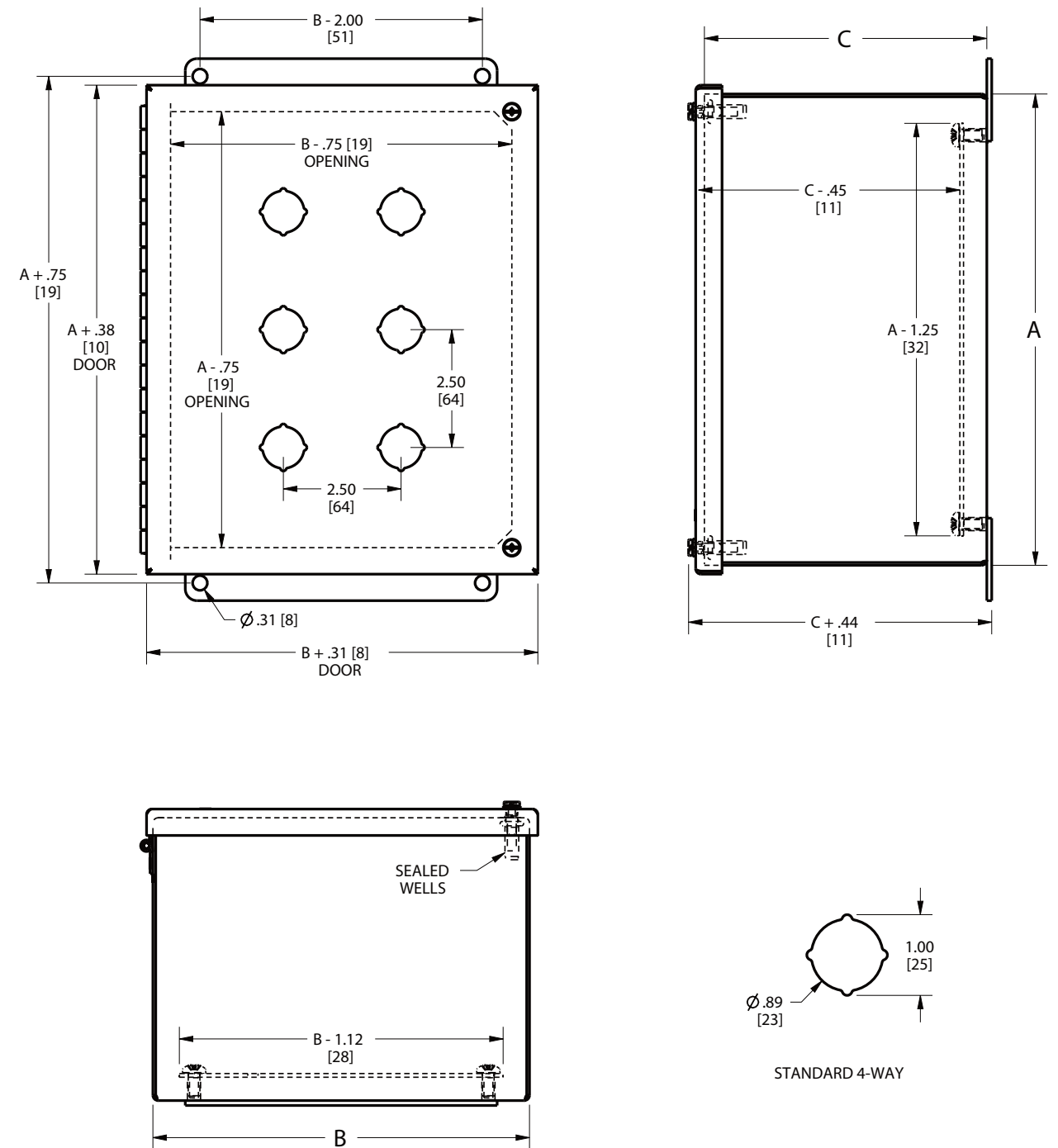
SCE-12PBHI SCE-16PBHI

[Back to Wall-Mount Enclosures](#)

Phone (989) 799-6871
Fax (989) 799-4524



EXTRA LARGE 22.5 mm HINGED PUSHBUTTON ENCLOSURES TECHNICAL DATA



Phone (989) 799-6871
Fax (989) 799-4524

Sloping Front 30.5 mm Pushbutton Enclosures

Application -

Designed to offer protection for all standard brands of oil-tight pushbuttons, switches, and pilot lights where slanted surfaces are desired. It offers protection from dust, dirt, oil and water. For installation information, consult our Installation Manual at www.saginawcontrol.com.

Construction -

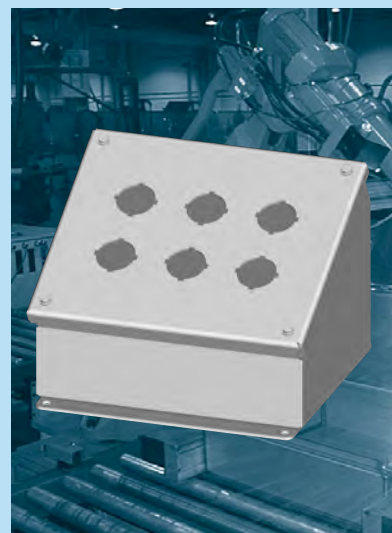
- 0.063" carbon steel.
- Continuously welded seams.
- Captivated cover screws thread into sealed wells.
- 4-way pushbutton holes accept all brands of oil-tight pushbuttons, switches and pilot lights. Hole diameter is 1.20" (30.5 mm).
- Immediate removal of cover is permitted.
- Oil-resistant gasket.

Finish -

ANSI-61 gray powder coated inside and out.

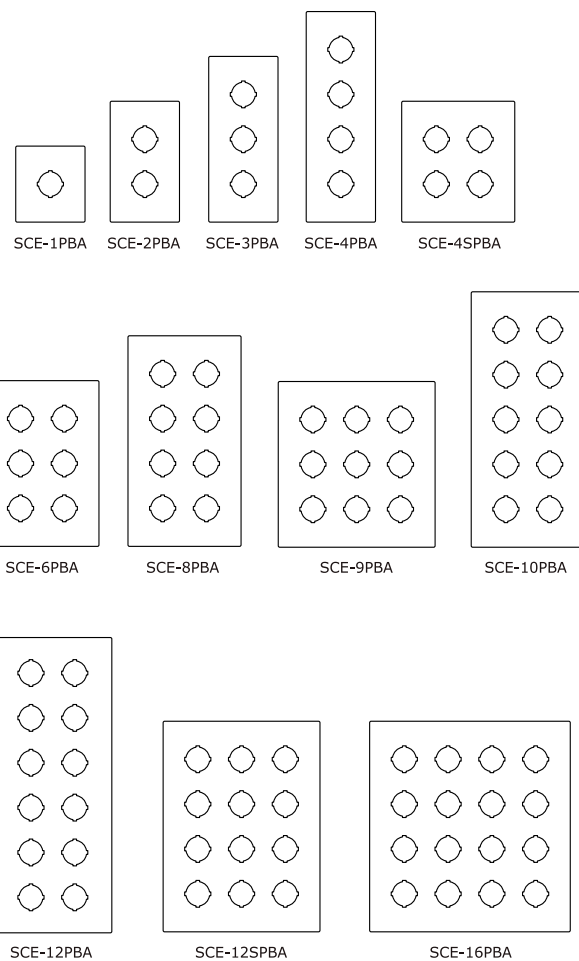
IS2 - Industry Standards -

NEMA Type 4, 12 & Type 13
UL Listed Type 4 & 12
CSA Type 4 & 12
IEC 60529 IP66



SLOPING FRONT 30.5 mm PUSHBUTTON ENCLOSURES

ENCLOSURE PRODUCT CODE A1						
Catalog No.	Height (A)	Width (B)	Depth (C)	Depth (D)	Industry Standard	List Price
SCE-1PBA	3.50	3.25	4.84	3.53	IS2	65.22
SCE-2PBA	3.50	5.50	4.84	3.53	IS2	75.24
SCE-3PBA	3.50	7.75	4.84	3.53	IS2	85.28
SCE-4PBA	3.50	10.00	4.84	3.53	IS2	96.56
SCE-4SPBA	7.25	6.25	6.75	6.78	IS2	107.85
SCE-6PBA	7.25	8.50	6.75	6.78	IS2	125.41
SCE-8PBA	7.25	10.75	6.75	6.78	IS2	141.70
SCE-9PBA	9.50	8.50	7.88	8.73	IS2	147.97
SCE-10PBA	7.25	13.00	6.75	6.78	IS2	158.02
SCE-12PBA	7.25	15.25	6.75	6.78	IS2	171.82
SCE-12SPBA	11.75	8.50	9.00	10.69	IS2	164.28
SCE-16PBA	11.75	10.75	9.00	10.69	IS2	183.10

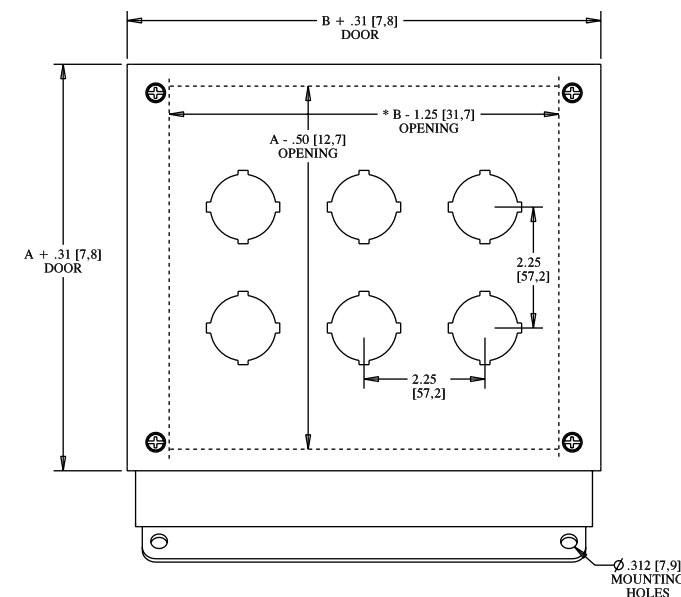
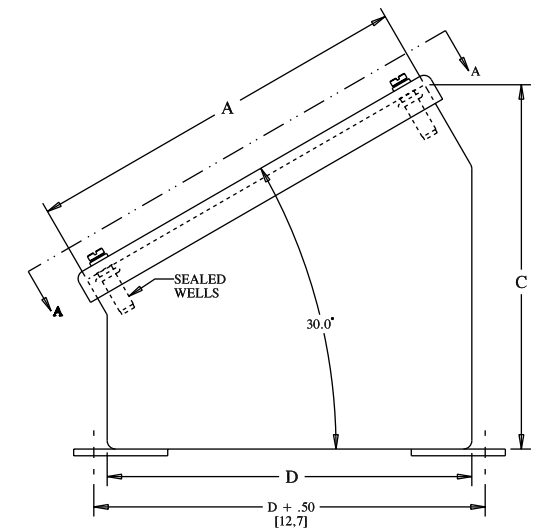
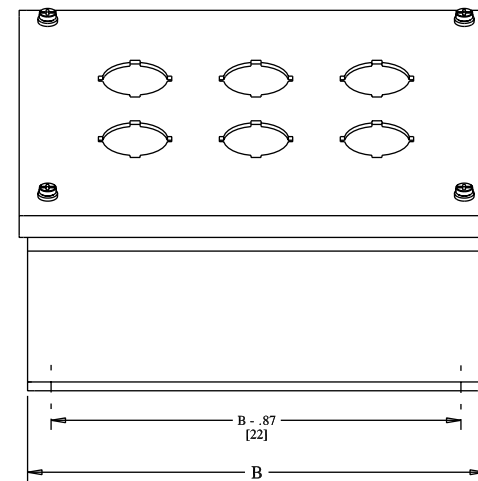


[Back to Wall-Mount Enclosures](#)

Phone (989) 799-6871
Fax (989) 799-4524

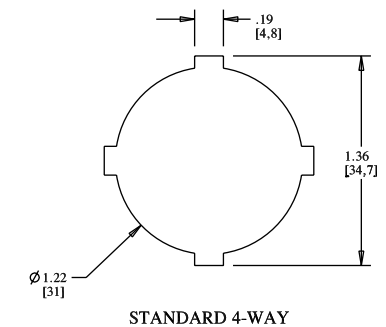


SLOPING FRONT 30.5 mm PUSHBUTTON ENCLOSURES TECHNICAL DATA



VIEW A-A

NOTE:
* B - .50 [12.7] ONE COLUMN OF PUSHBUTTONS



Phone (989) 799-6871
Fax (989) 799-4524

Sloping Front 22.5 mm Pushbutton Enclosures

Application -

Designed to offer protection for oil-tight pushbuttons, switches, and pilot lights from dust, water, dirt and oil. For installation information, consult our Installation Manual at www.saginawcontrol.com.

Construction -

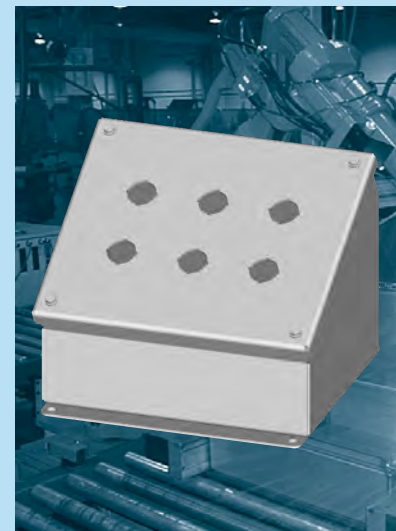
- 0.063" carbon steel.
- Continuously welded seams.
- Captivated cover screws thread into sealed wells.
- 4-way pushbutton holes accept all brands of oil-tight pushbuttons, switches and pilot lights. Hole diameter is 0.87" (22.5 mm).
- Immediate removal of cover is permitted.
- Oil-resistant gasket.

Finish -

ANSI-61 gray powder coated inside and out.

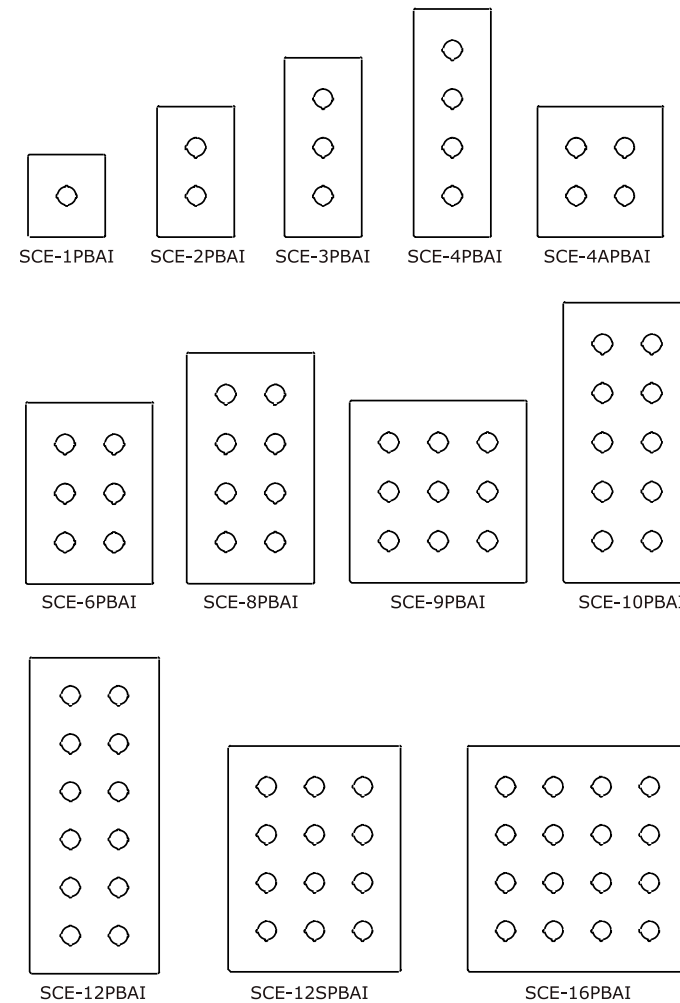
IS2 - Industry Standards -

NEMA Type 4, 12 & Type 13
UL Listed Type 4 & 12
CSA Type 4 & 12
IEC 60529 IP66



SLOPING FRONT 22.5 mm PUSHBUTTON ENCLOSURES

ENCLOSURE PRODUCT CODE A1						
Catalog No.	Height (A)	Width (B)	Depth (C)	Depth (D)	Industry Standard	List Price
SCE-1PBAI	3.50	3.25	4.84	3.53	IS2	65.22
SCE-2PBAI	3.50	5.50	4.84	3.53	IS2	75.24
SCE-3PBAI	3.50	7.75	4.84	3.53	IS2	85.28
SCE-4PBAI	3.50	10.00	4.84	3.53	IS2	96.56
SCE-4SPBAI	7.25	6.25	6.75	6.78	IS2	107.85
SCE-6PBAI	7.25	8.50	6.75	6.78	IS2	125.41
SCE-8PBAI	7.25	10.75	6.75	6.78	IS2	141.70
SCE-9PBAI	9.50	8.50	7.88	8.73	IS2	147.97
SCE-10PBAI	7.25	13.00	6.75	6.78	IS2	158.02
SCE-12PBAI	7.25	15.25	6.75	6.78	IS2	171.82
SCE-12SPBAI	11.75	8.50	9.00	10.69	IS2	164.28
SCE-16PBAI	11.75	10.75	9.00	10.69	IS2	183.10

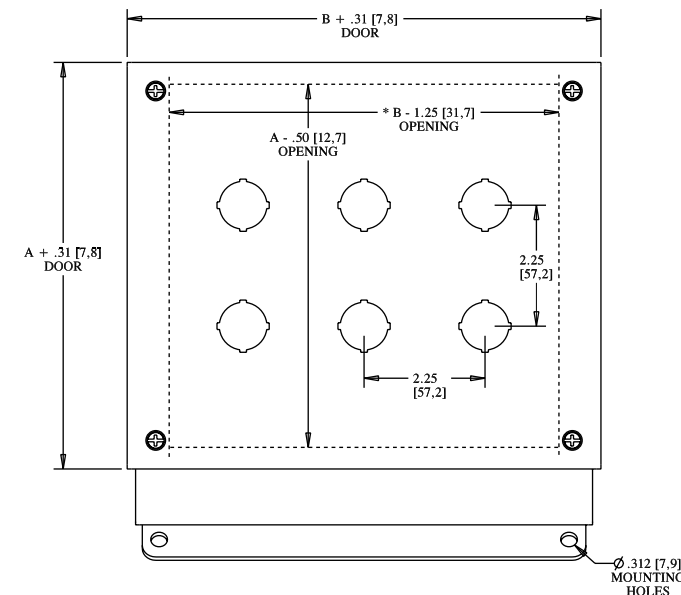
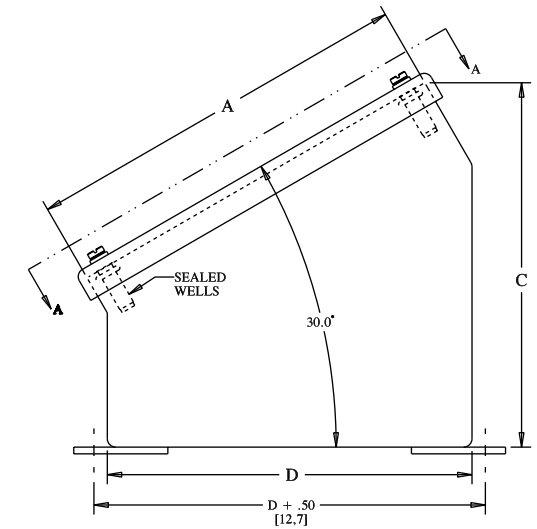
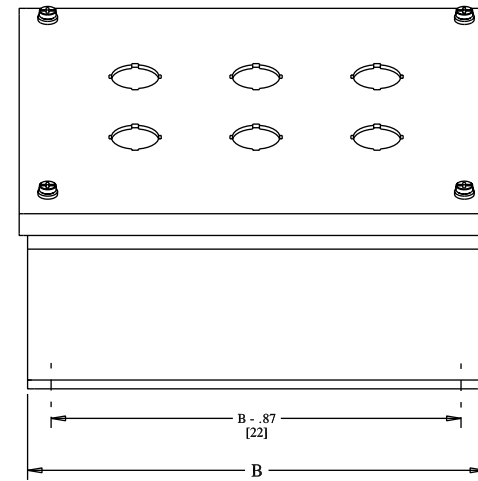


[Back to Wall-Mount Enclosures](#)

Phone (989) 799-6871
Fax (989) 799-4524

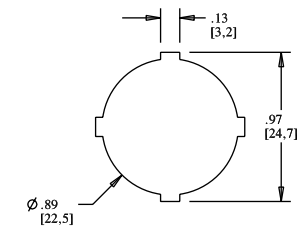


SLOPING FRONT 22.5 mm PUSHBUTTON ENCLOSURES TECHNICAL DATA



VIEW A-A

NOTE:
* B - .50 [12.7] ONE COLUMN OF PUSHBUTTONS



STANDARD 4-WAY



Phone (989) 799-6871
Fax (989) 799-4524

Enviroline® Series Junction Enclosures

Application -

Designed to house electrical controls, instruments and components in areas, which may be regularly hosed down or are in very wet or oily conditions. Provides protection from dust, dirt, oil, and water. For installation information, consult our Installation Manual at www.saginawcontrol.com.

Construction -

- 0.063" carbon steel.
- Seams continuously welded and ground smooth.
- Flange trough collar around all sides of door opening.
- Oil-resistant gasket.
- Standoffs provided for mounting optional sub-panels.
- Removable hinge.
- Doors open 180 degrees.
- Black mini quarter turn latches.
- Latches are opened or closed with a screwdriver.
- Sealing washers and hole plugs included.
- Ground stud on door & body.
- Mounting feet included.

Finish -

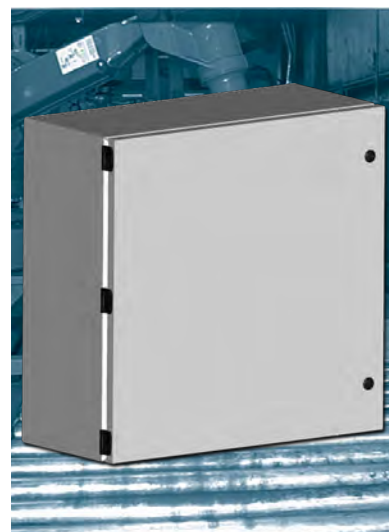
ANSI -61 gray powder coated inside and out. Optional sub-panels are powder coated white.

IS2 - Industry Standards -

NEMA Type 4, 12 & Type 13
UL Listed Type 4 & 12
CSA Type 4 & 12
IEC 60529 IP66

ENVIROLINE® SERIES JUNCTION ENCLOSURES

ENCLOSURE PRODUCT CODE E1						SUB-PANEL (P3)			
Catalog No.	Height (A)	Width (B)	Depth (C)	Industry Standard	List Price	Catalog No.	Panel Height (D)	Panel Width (E)	List Price
SCE-604ELJ	6.00	4.00	4.00	IS2	41.16	SCE-6P4J	5.00	3.00	3.02
SCE-606ELJ	6.00	6.00	4.00	IS2	47.98	SCE-6P6J	5.00	5.00	3.62
SCE-806ELJ	8.00	6.00	4.00	IS2	51.88	SCE-8P6J	7.00	5.00	4.17
SCE-8066ELJ	8.00	6.00	6.00	IS2	61.48	SCE-8P6J	7.00	5.00	4.17
SCE-808ELJ	8.00	8.00	4.00	IS2	63.72	SCE-8P8J	7.00	7.00	4.89
SCE-8086ELJ	8.00	8.00	6.00	IS2	68.18	SCE-8P8J	7.00	7.00	4.89
SCE-1008ELJ	10.00	8.00	4.00	IS2	70.76	SCE-10P8J	9.00	7.00	5.70
SCE-10086ELJ	10.00	8.00	6.00	IS2	79.12	SCE-10P8J	9.00	7.00	5.70
SCE-10106ELJ	10.00	10.00	6.00	IS2	83.56	SCE-10P10J	9.00	9.00	6.73
SCE-1210ELJ	12.00	10.00	6.00	IS2	86.48	SCE-12P10J	11.00	9.00	7.72
SCE-12108ELJ	12.00	10.00	8.00	IS2	98.72	SCE-12P10J	11.00	9.00	7.72
SCE-1212ELJ	12.00	12.00	6.00	IS2	100.96	SCE-12P12J	11.00	11.00	9.08
SCE-1412ELJ	14.00	12.00	6.00	IS2	111.20	SCE-14P12J	13.00	11.00	10.13
SCE-14128ELJ	14.00	12.00	8.00	IS2	118.44	SCE-14P12J	13.00	11.00	10.13
SCE-1614ELJ	16.00	14.00	6.00	IS2	130.82	SCE-16P14J	15.00	13.00	19.96
SCE-16148ELJ	16.00	14.00	8.00	IS2	143.42	SCE-16P14J	15.00	13.00	19.96
SCE-20166ELJ	20.00	16.00	6.00	IS2	151.40	SCE-20P16J	19.00	15.00	30.40
SCE-20168ELJ	20.00	16.00	8.00	IS2	157.76	SCE-20P16J	19.00	15.00	30.40
SCE-201610ELJ	20.00	16.00	10.00	IS2	185.13	SCE-20P16J	19.00	15.00	30.40
SCE-20206ELJ	20.00	20.00	6.00	IS2	168.36	SCE-20P20J	19.00	19.00	35.44
SCE-20208ELJ	20.00	20.00	8.00	IS2	178.20	SCE-20P20J	19.00	19.00	35.44
SCE-202010ELJ	20.00	20.00	10.00	IS2	187.50	SCE-20P20J	19.00	19.00	35.44

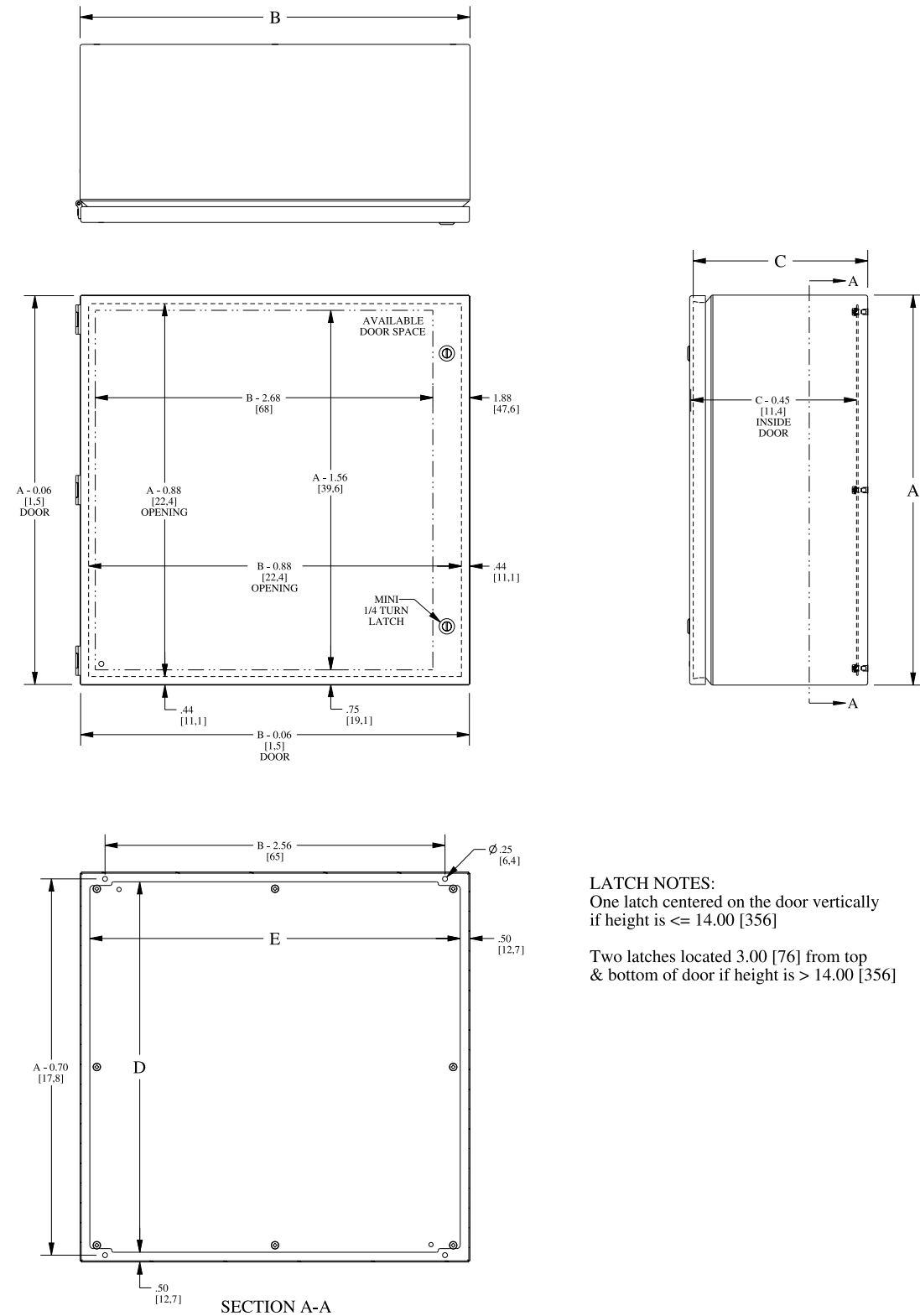


Back to
Wall-Mount
Enclosures

Phone (989) 799-6871
Fax (989) 799-4524



ENVIROLINE® SERIES JUNCTION ENCLOSURES TECHNICAL DATA



LATCH NOTES:
One latch centered on the door vertically if height is ≤ 14.00 [356]
Two latches located 3.00 [76] from top & bottom of door if height is > 14.00 [356]



Phone (989) 799-6871
Fax (989) 799-4524

Enviroline® Series Junction Enclosures with Viewing Window

Application -

Designed to house electrical controls, instruments and components that require unrestricted viewing of the gauges or controls, in areas which may be regularly hosed down or are in very wet or oily conditions. Provides protection from dust, dirt, oil, and water. For installation information, consult our Installation Manual at www.saginawcontrol.com.

Construction -

- 0.063" carbon steel.
- Seams continuously welded and ground smooth.
- Flange trough collar around all sides of door opening.
- Oil-resistant gasket.
- 0.25" polycarbonate viewing window.
- Standoffs provided for mounting optional panels.
- Removable hinge.
- Doors open 180 degrees.
- Black mini quarter turn latches.
- Latches are opened or closed with a screwdriver.
- Sealing washers and hole plugs included.
- Ground stud on door & body.
- Mounting feet included.

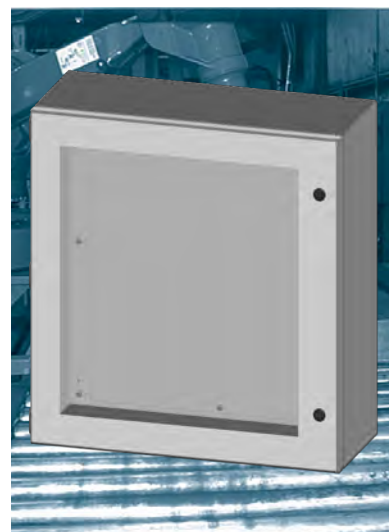
Finish -

ANSI-61 gray powder coated inside and out. Optional sub-panels are powder coated white.

- IS2 - Industry Standards -**
 NEMA Type 4, 12 & Type 13
 UL Listed Type 4 & 12
 CSA Type 4 & 12
 IEC 60529 IP66

ENVIROLINE® SERIES JUNCTION ENCLOSURES WITH VIEWING WINDOW

ENCLOSURE PRODUCT CODE E1							SUB-PANEL (P3)	
Catalog No.	Height (A)	Width (B)	Depth (C)	Window Viewing Size	Industry Standard	List Price	Catalog No.	List Price
SCE-1008ELJW	10.00	8.00	4.00	6.00 x 3.375	IS2	119.76	SCE-10P8J	5.70
SCE-10086ELJW	10.00	8.00	6.00	6.00 x 3.375	IS2	126.12	SCE-10P8J	5.70
SCE-1210ELJW	12.00	10.00	6.00	8.00 x 5.375	IS2	138.48	SCE-12P10J	7.72
SCE-12108ELJW	12.00	10.00	8.00	8.00 x 5.375	IS2	150.72	SCE-12P10J	7.72
SCE-1614ELJW	16.00	14.00	6.00	12.00 x 9.375	IS2	193.82	SCE-16P14J	19.96
SCE-16148ELJW	16.00	14.00	8.00	12.00 x 9.375	IS2	204.42	SCE-16P14J	19.96
SCE-20208ELJW	20.00	20.00	8.00	16.00 x 15.375	IS2	242.20	SCE-20P20J	35.44

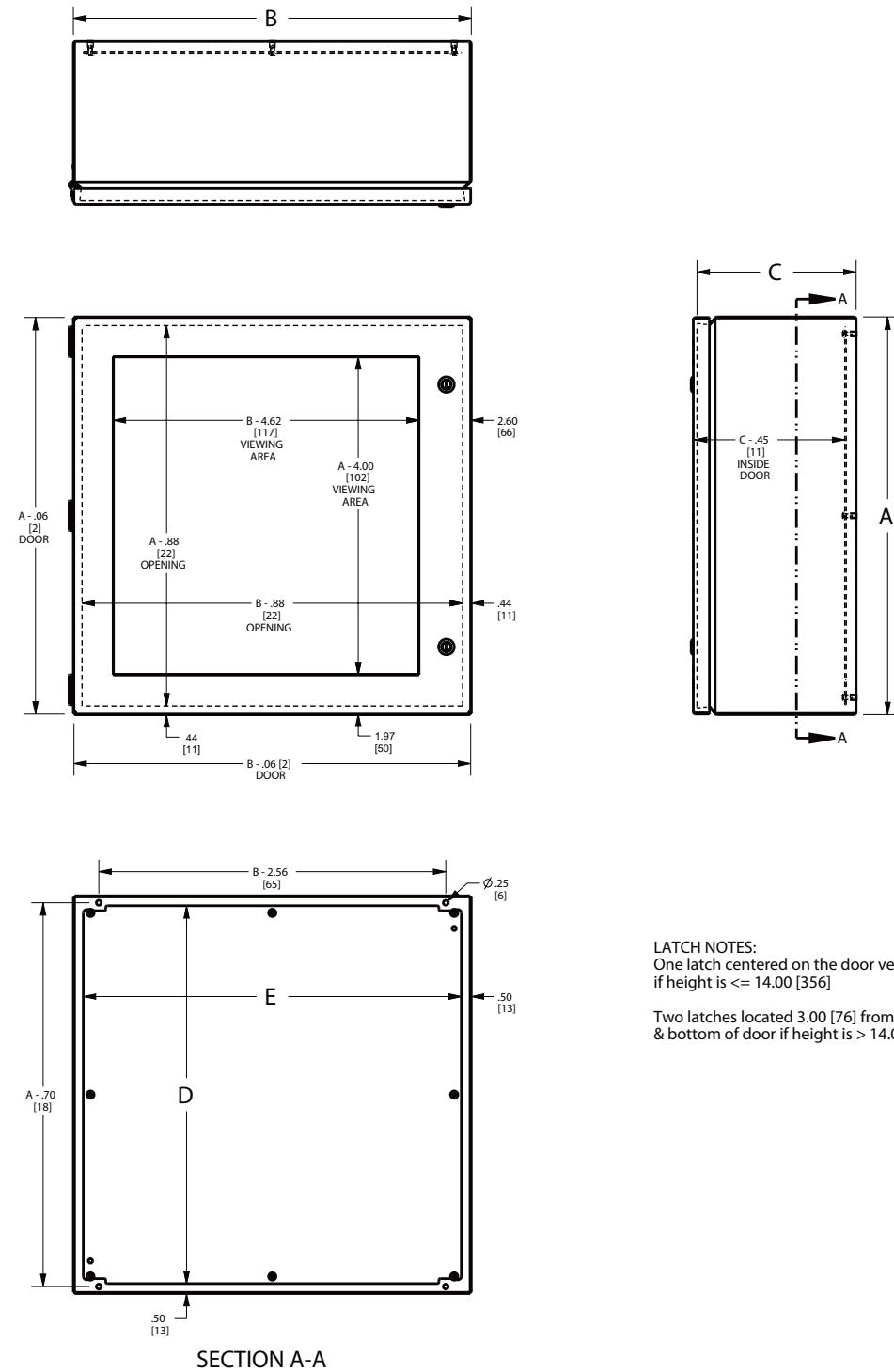


Back to
Wall-Mount
Enclosures

Phone (989) 799-6871
 Fax (989) 799-4524



ENVIROLINE® SERIES JUNCTION ENCLOSURES WITH VIEWING WINDOW TECHNICAL DATA



LATCH NOTES:
 One latch centered on the door vertically if height is <= 14.00 [356]
 Two latches located 3.00 [76] from top & bottom of door if height is > 14.00 [356]



Phone (989) 799-6871
 Fax (989) 799-4524

Enviroline® Series Trough Junction Enclosures

Application -

Designed to house electrical controls, instruments and components used in an indoor or outdoor environment to provide a degree of protection for the equipment inside the enclosure against ingress of solid foreign objects (falling dirt); and provide a degree of protection with respect to the harmful effects on the equipment due to the ingress of water (rain, sleet, snow). For installation information, consult our Installation Manual at www.saginawcontrol.com.

Construction -

- 0.063" carbon steel.
- Seams continuously welded and ground smooth.
- Flange trough collar around all sides of door opening.
- Oil-resistant gasket.
- Standoffs provided for mounting optional sub-panels.
- Removable hinges.
- Doors open 180 degrees.
- Black mini quarter turn latches.
- Latches are opened or closed with a screwdriver.
- Sealing washers and hole plugs included.
- Ground stud on door and body.
- Mounting holes in back.
- Mounting feet included.
- Padlocking or keylocking latches, and tamper-resistant hardware is available.

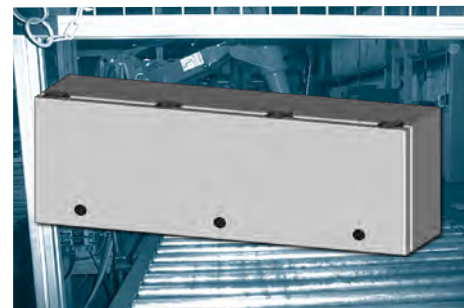
Finish -

ANSI-61 gray powder coated inside and out. Optional sub-panels are powder coated white.

IS2 - Industry Standards -
 NEMA Type 4, 12 & Type 13
 UL Listed Type 4 & 12
 CSA Type 4 & 12
 IEC 60529 IP66

ENVIROLINE® SERIES TROUGH JUNCTION ENCLOSURES

ENCLOSURE PRODUCT CODE E1						SUB-PANEL (P3)			
Catalog No.	Height (A)	Width (B)	Depth (C)	Industry Standard	List Price	Catalog No.	Panel Height (D)	Panel Width (E)	List Price
SCE-L9126ELJ	9.00	12.00	6.00	IS2	178.78	SCE-9P12L	8.00	11.00	18.86
SCE-L9186ELJ	9.00	18.00	6.00	IS2	180.51	SCE-9P18L	8.00	17.00	26.63
SCE-L9246ELJ	9.00	24.00	6.00	IS2	185.82	SCE-9P24L	8.00	23.00	29.14
SCE-L9306ELJ	9.00	30.00	6.00	IS2	187.24	SCE-9P30L	8.00	29.00	31.92
SCE-L9366ELJ	9.00	36.00	6.00	IS2	191.12	SCE-9P36L	8.00	35.00	34.97

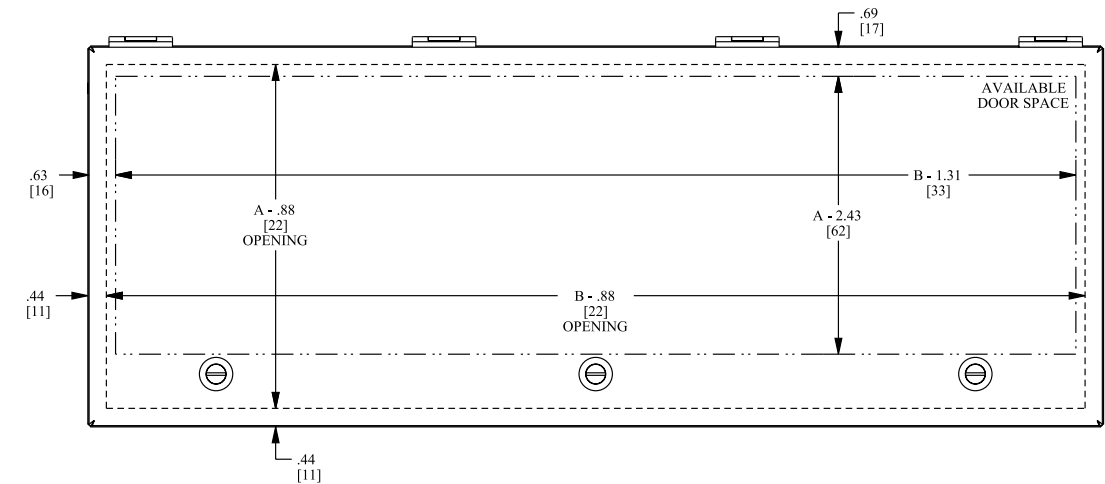
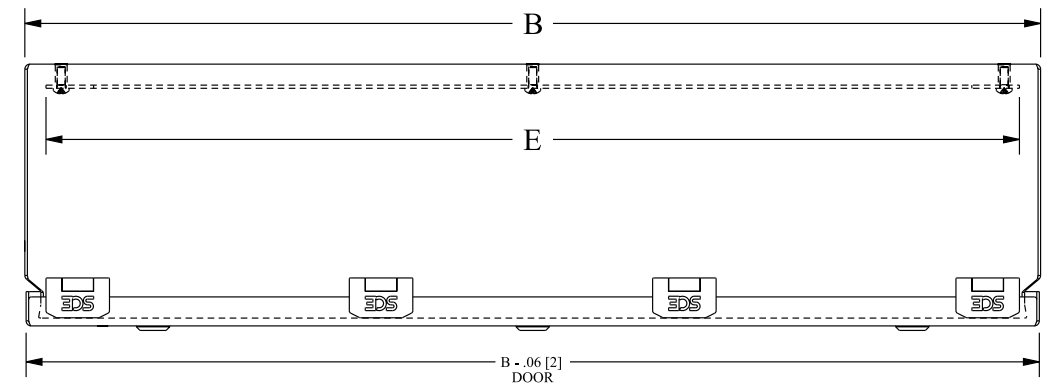


Back to
Wall-Mount
Enclosures

Phone (989) 799-6871
 Fax (989) 799-4524

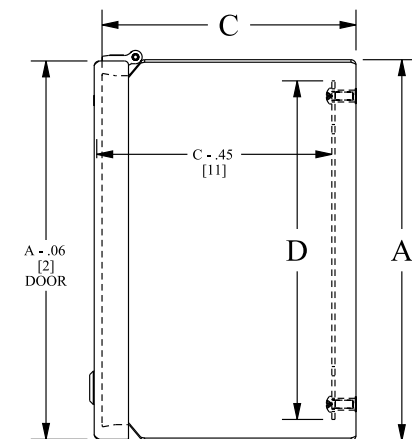


ENVIROLINE® SERIES TROUGH JUNCTION ENCLOSURES TECHNICAL DATA



LATCH NOTES:

1. One latch centered on the door horizontally if width is ≤ 14.00 [356]
2. Two latches located 3.00 [76] from sides of door if width is > 14.00 [356]
3. An additional latch is centered horizontally if width is > 20.00 [508]



Phone (989) 799-6871
 Fax (989) 799-4524

Enviroline® Series Trough Junction Enclosures with Viewing Window

Application -

Designed to house electrical controls, instruments and components used in an indoor or outdoor environment to provide a degree of protection for the equipment inside the enclosure against ingress of solid foreign objects (falling dirt); and provide a degree of protection with respect to the harmful effects on the equipment due to the ingress of water (rain, sleet, snow). For installation information, consult our Installation Manual at www.saginawcontrol.com.

Construction -

- 0.063" carbon steel.
- Seams continuously welded and ground smooth.
- Flange trough collar around all sides of door opening.
- Large viewing windows.
- Oil-resistant gasket.
- Standoffs provided for mounting optional sub-panels.
- Removable hinges.
- Doors open 180 degrees.
- Black mini quarter turn latches.
- Latches are opened or closed with a screwdriver.
- Sealing washers and hole plugs included.
- Ground stud on door and body.
- Mounting holes in back.
- Mounting feet included.
- Padlocking or keylocking latches, and tamper-resistant hardware is available.

Finish -

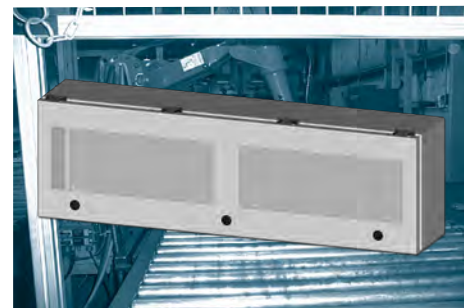
ANSI-61 gray powder coated inside and out. Optional sub-panels are powder coated white.

IS2 - Industry Standards -

- NEMA Type 4, 12 & Type 13
- UL Listed Type 4 & 12
- CSA Type 4 & 12
- IEC 60529 IP66

ENVIROLINE® SERIES TROUGH JUNCTION ENCLOSURES WITH VIEWING WINDOW

ENCLOSURE PRODUCT CODE E1						SUB-PANEL PRODUCT CODE (P3)			
Catalog No.	Height (A)	Width (B)	Depth (C)	Industry Standard	List Price	Catalog No.	Panel Height (D)	Panel Width (E)	List Price
SCE-L9126ELJW	9.00	12.00	6.00	IS2	275.71	SCE-9P12L	8.00	11.00	18.86
SCE-L9186ELJW	9.00	18.00	6.00	IS2	278.67	SCE-9P18L	8.00	17.00	26.63
SCE-L9246ELJW	9.00	24.00	6.00	IS2	303.78	SCE-9P24L	8.00	23.00	29.14
SCE-L9306ELJW	9.00	30.00	6.00	IS2	306.94	SCE-9P30L	8.00	29.00	31.92
SCE-L9366ELJW	9.00	36.00	6.00	IS2	309.80	SCE-9P36L	8.00	35.00	34.97

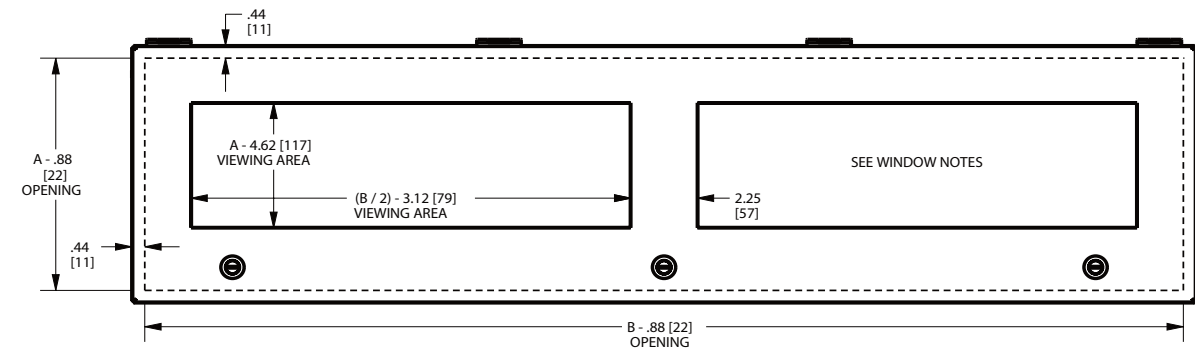
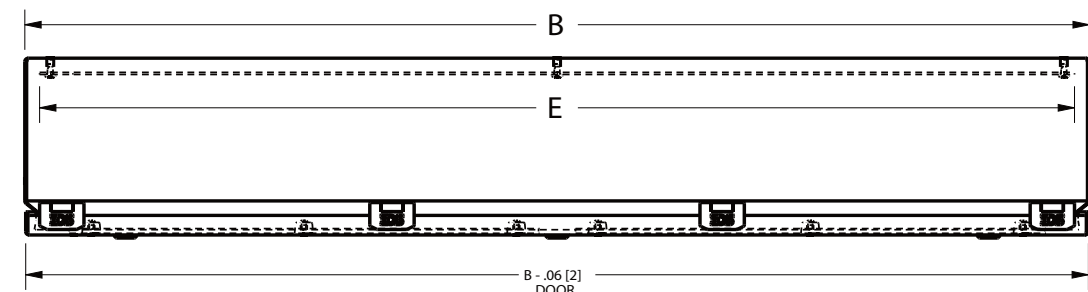


[Back to Wall-Mount Enclosures](#)

Phone (989) 799-6871
Fax (989) 799-4524



ENVIROLINE® SERIES TROUGH JUNCTION ENCLOSURES WITH VIEWING WINDOW TECHNICAL DATA

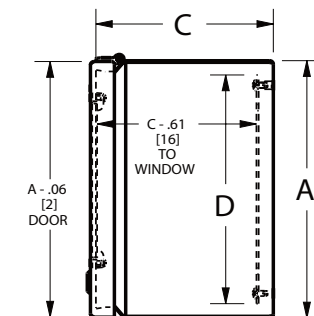


LATCH NOTES:

1. One latch centered on the door horizontally if width is ≤ 14.00 [356]
2. Two latches located 3.00 [76] from sides of door if width is > 14.00 [356]
3. An additional latch is centered horizontally if width is > 20.00 [508]

WINDOW NOTES:

1. Door has a single window when viewing area width is ≤ 16.00 [406]
2. door has two windows if viewing area width would be > 16.00 [406] for a single window.



Phone (989) 799-6871
Fax (989) 799-4524

Continuous Hinge Enclosures

Application -

Designed for use as electrical junction boxes, terminal wiring boxes, instrument housings, and electrical control enclosures. Provides protection from dust, dirt, oil and water. For installation information, consult our Installation Manual at www.saginawcontrol.com.

Construction -

- 0.063" carbon steel.
- Seams continuously welded and ground smooth, no holes or knockouts.
- Continuous hinge with stainless steel pin.
- Stainless steel external screw clamps are quick and easy to operate.
- Oil resistant gasket.
- Standoffs provided for mounting optional sub-panels.
- Ground stud on door and body.

Finish -

ANSI-61 gray powder coated inside and out. Optional sub-panels are powder coated white.

IS2 - Industry Standards -

NEMA Type 4, 12 & Type 13
UL Listed Type 4 & 12
CSA Type 4 & 12
IEC 60529 IP66



CONTINUOUS HINGE ENCLOSURES

ENCLOSURE PRODUCT CODE A1						SUB-PANEL (P3)			
Catalog No.	Height (A)	Width (B)	Depth (C)	Industry Standard	List Price	Catalog No.	Panel Height (D)	Panel Width (E)	List Price
SCE-404CHNF	4.00	4.00	3.00	IS2	37.68	No Panel		N/A	
SCE-4044CHNF	4.00	4.00	4.00	IS2	38.97	No Panel		N/A	
SCE-604CHNF	6.00	4.00	3.00	IS2	42.36	SCE-6P4	4.88	2.88	3.01
SCE-6044CHNF	6.00	4.00	4.00	IS2	45.48	SCE-6P4	4.88	2.88	3.01
SCE-606CHNF	6.00	6.00	4.00	IS2	49.37	SCE-6P6	4.88	4.88	3.61
SCE-806CHNF	8.00	6.00	3.50	IS2	53.27	SCE-8P6	6.75	4.88	4.17
SCE-8066CHNF	8.00	6.00	6.00	IS2	62.66	SCE-8P6	6.75	4.88	4.17
SCE-808CHNF	8.00	8.00	4.00	IS2	59.78	SCE-8P8	6.75	6.88	4.89
SCE-8086CHNF	8.00	8.00	6.00	IS2	68.69	SCE-8P8	6.75	6.88	4.89
SCE-1008CHNF	10.00	8.00	4.00	IS2	69.39	SCE-10P8	8.75	6.88	5.70
SCE-1008CHSNF	10.00	8.00	4.00	IS2	73.30	SCE-10P8	8.75	6.88	5.70
SCE-10086CHNF	10.00	8.00	6.00	IS2	79.24	SCE-10P8	8.75	6.88	5.70
SCE-10106CHNF	10.00	10.00	6.00	IS2	80.55	SCE-10P10	8.75	8.88	6.73
SCE-12064CHNF	12.00	6.00	4.00	IS2	63.66	SCE-12P6	10.75	4.88	5.35
SCE-1210CHNF	12.00	10.00	5.00	IS2	87.29	SCE-12P10	10.75	8.88	7.72
SCE-1210CHSNF	12.00	10.00	5.00	IS2	89.33	SCE-12P10	10.75	8.88	7.72
SCE-12106CHNF	12.00	10.00	6.00	IS2	91.96	SCE-12P10	10.75	8.88	7.72
SCE-12108CHNF	12.00	10.00	8.00	IS2	98.74	SCE-12P10	10.75	8.88	7.72
SCE-1212CHNF	12.00	12.00	6.00	IS2	101.32	SCE-12P12	10.75	10.88	9.08
SCE-14086CHNF	14.00	8.00	6.00	IS2	87.06	SCE-14P8	12.75	6.88	7.39
SCE-1412CHNF	14.00	12.00	6.00	IS2	112.50	SCE-14P12	12.75	10.88	10.13
SCE-1412CHSNF	14.00	12.00	6.00	IS2	118.13	SCE-14P12	12.75	10.88	10.13
SCE-14128CHNF	14.00	12.00	8.00	IS2	119.01	SCE-14P12	12.75	10.88	10.13
SCE-16106CHNF	16.00	10.00	6.00	IS2	102.65	SCE-16P10	14.75	8.88	9.90
SCE-1614CHNF	16.00	14.00	6.00	IS2	131.71	SCE-16P14	14.75	12.88	19.95
SCE-1614CHSNF	16.00	14.00	6.00	IS2	138.30	SCE-16P14	14.75	12.88	19.95
SCE-16148CHNF	16.00	14.00	8.00	IS2	143.66	SCE-16P14	14.75	12.88	19.95
SCE-161410CHNF	16.00	14.00	10.00	IS2	150.70	SCE-16P14	14.75	12.88	19.95

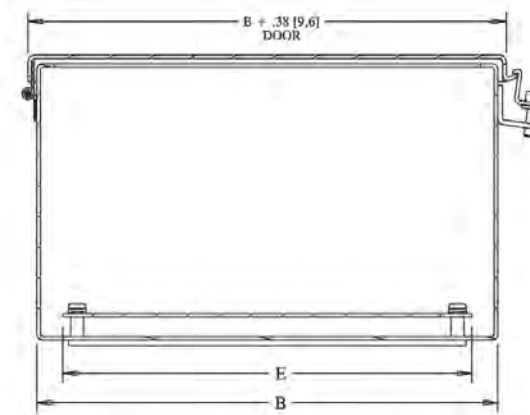
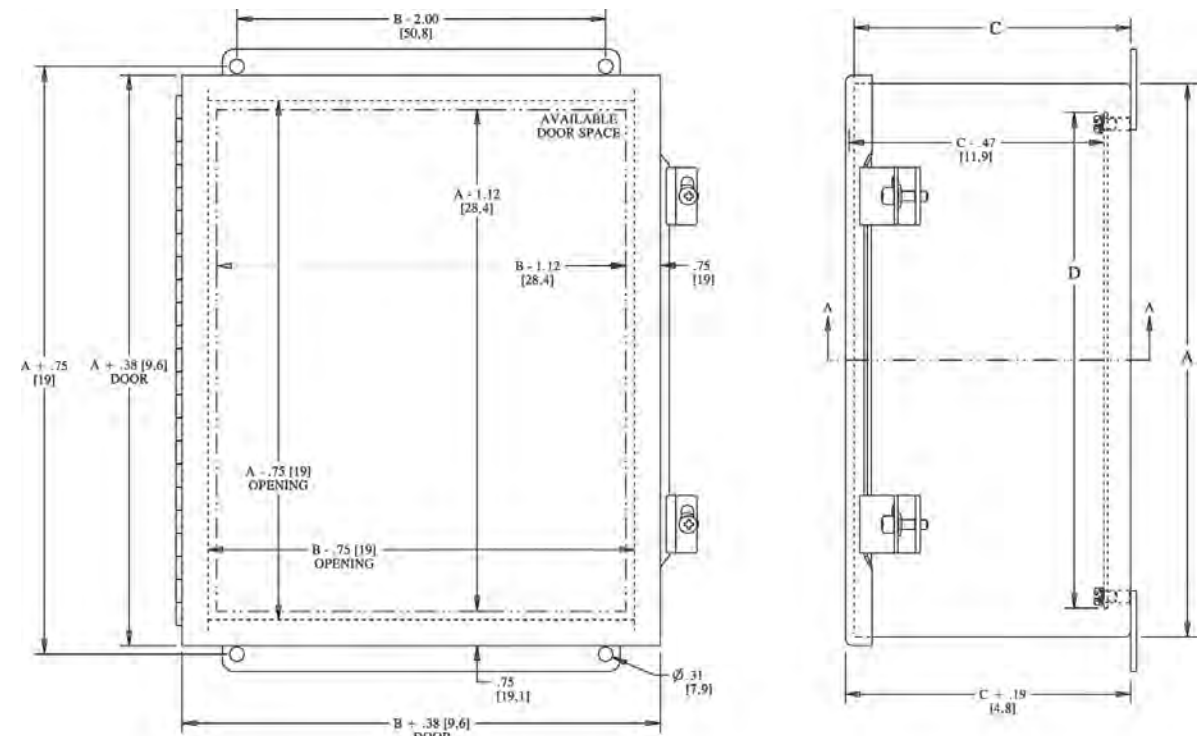
Catalog numbers containing an "S" are hinged on the short side.

Back to
Wall-Mount
Enclosures

Phone (989) 799-6871
Fax (989) 799-4524



CONTINUOUS HINGE ENCLOSURES TECHNICAL DATA



SECTION A-A

NOTE:
Sub-panel must be ordered separately

CLAMPING NOTE:
Enclosures < 10.00 [254] in height require one clamp centered vertically on door



Phone (989) 799-6871
Fax (989) 799-4524

Screw Cover Enclosures

Application -

Designed for use as electrical junction boxes, terminal wiring boxes, instrument housings, and electrical control enclosures. Provides protection from dust, oil and water. For installation information, consult our Installation Manual at www.saginawcontrol.com.

Construction -

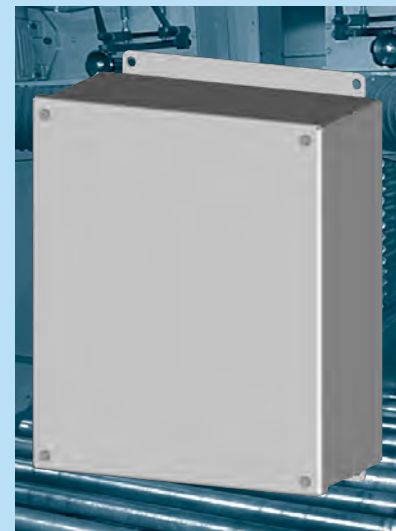
- 0.063" carbon steel.
- Seams continuously welded and ground smooth, no holes or knockouts.
- Captivated cover screws thread into sealed wells.
- Oil resistant gasket.
- Standoffs provided for mounting optional sub-panels.

Finish -

ANSI-61 gray powder coated inside and out. Optional sub-panels are powder coated white.

IS2 - Industry Standards -

NEMA Type 4, 12 & Type 13
UL Listed Type 4 & 12
CSA Type 4 & 12
IEC 60529 IP66



SCREW COVER ENCLOSURES

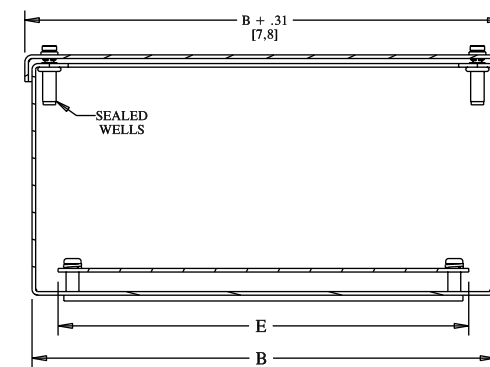
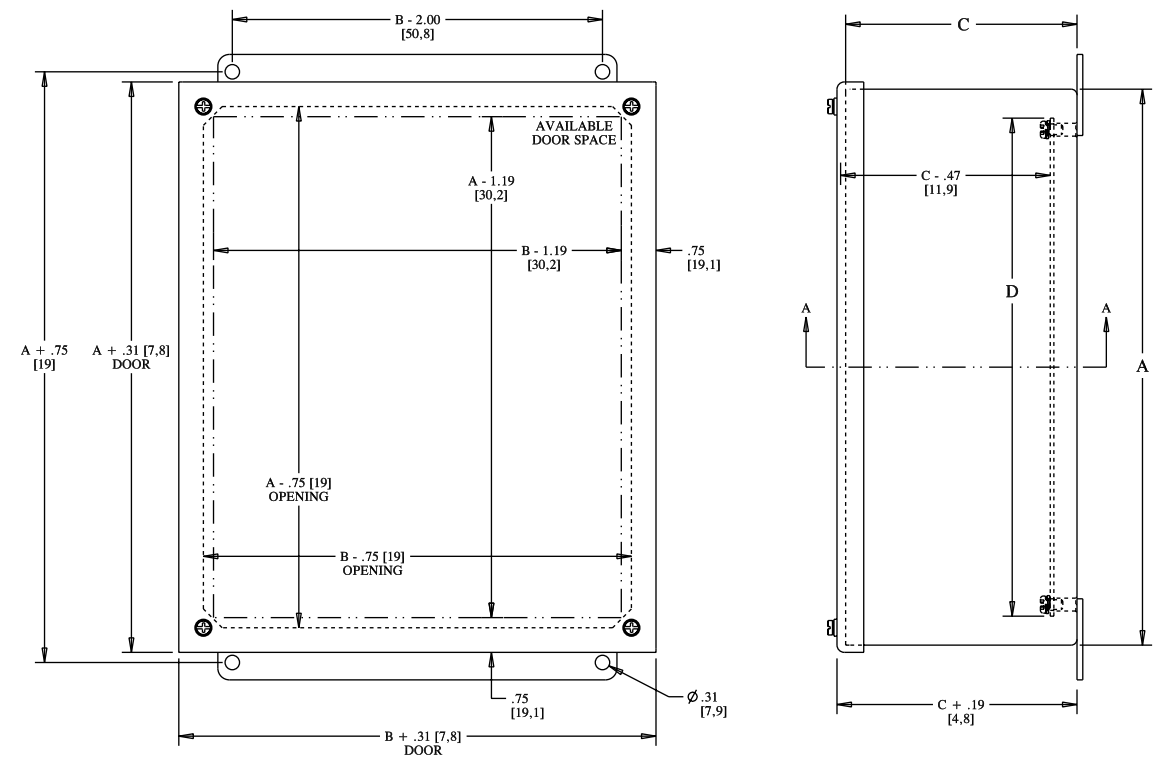
ENCLOSURE PRODUCT CODE A1						SUB-PANEL (P3)			
Catalog No.	Height (A)	Width (B)	Depth (C)	Industry Standard	List Price	Catalog No.	Panel Height (D)	Panel Width (E)	List Price
SCE-404SC	4.00	4.00	3.00	IS2	37.62	No Panel		N/A	
SCE-4044SC	4.00	4.00	4.00	IS2	37.62	No Panel		N/A	
SCE-604SC	6.00	4.00	3.00	IS2	42.64	SCE-6P4	4.88	2.88	3.01
SCE-6044SC	6.00	4.00	4.00	IS2	47.65	SCE-6P4	4.88	2.88	3.01
SCE-606SC	6.00	6.00	4.00	IS2	50.17	SCE-6P6	4.88	4.88	3.61
SCE-806SC	8.00	6.00	3.50	IS2	52.68	SCE-8P6	6.75	4.88	4.17
SCE-8066SC	8.00	6.00	6.00	IS2	60.19	SCE-8P6	6.75	4.88	4.17
SCE-808SC	8.00	8.00	4.00	IS2	60.19	SCE-8P8	6.75	6.88	4.89
SCE-1008SC	10.00	8.00	4.00	IS2	65.22	SCE-10P8	8.75	6.88	5.70
SCE-10086SC	10.00	8.00	6.00	IS2	73.99	SCE-10P8	8.75	6.88	5.70
SCE-1010SC	10.00	10.00	4.00	IS2	72.73	SCE-10P10	8.75	8.88	6.73
SCE-10106SC	10.00	10.00	6.00	IS2	81.51	SCE-10P10	8.75	8.88	6.73
SCE-1210SC	12.00	10.00	5.00	IS2	82.76	SCE-12P10	10.75	8.88	7.72
SCE-121010SC	12.00	10.00	10.00	IS2	125.41	SCE-12P10	10.75	8.88	7.72
SCE-1212SC	12.00	12.00	6.00	IS2	96.56	SCE-12P12	10.75	10.88	9.08
SCE-1412SC	14.00	12.00	6.00	IS2	105.34	SCE-14P12	12.75	10.88	10.13
SCE-1614SC	16.00	14.00	6.00	IS2	122.89	SCE-16P14	14.75	12.88	19.95

[Back to Wall-Mount Enclosures](#)

Phone (989) 799-6871
Fax (989) 799-4524



SCREW COVER ENCLOSURES TECHNICAL DATA



SECTION A-A

NOTE:
Sub-panel must be ordered separately



Phone (989) 799-6871
Fax (989) 799-4524

Enviroline® Series Single-Door Enclosures

Application -

Designed to house electrical and electronic controls, instruments and components. Provides protection from dust, oil and water. For outdoor application a drip shield is recommended. For installation information, consult our Installation Manual at www.saginawcontrol.com.

Construction -

- 0.075" carbon steel.
- Seams continuously welded and ground smooth.
- Flange trough collar around all sides of door opening.
- Oil-resistant gasket.
- Collar studs provided for mounting optional panels.
- Concealed hinge.
- Removable and interchangeable doors.
- Black quarter turn latches.
- Latches are opened or closed with a screwdriver.
- Mounting holes in back of enclosure.
- Mounting hardware, sealing washer and hole plug included.
- Removable print pocket.
- Ground studs on door and body.

Options -

- Optional tamper-resistant inserts are available.
- Optional mounting feet available.
- Door hardware available.

Finish -

ANSI-61 gray powder coated inside and out. Optional sub-panels are powder coated white.

Notes -

Interchangeable latches and handles available in the accessory section.

IS2 - Industry Standards -
NEMA Type 4, 12 & Type 13
UL Listed Type 4 & 12
CSA Type 4 & 12
IEC 60529 IP66

ENVIROLINE® SERIES SINGLE-DOOR ENCLOSURES

ENCLOSURE PRODUCT CODE E3						SUB-PANEL (P3)			
Catalog No.	Height (A)	Width (B)	Depth (C)	Industry Standard	List Price	Catalog No.	Panel Height (D)	Panel Width (E)	List Price
SCE-12EL1206LP	12.00	12.00	6.00	IS2	183.29	SCE-12DLP12	9.00	9.00	13.67
SCE-12EL2406LP	12.00	24.00	6.00	IS2	218.97	SCE-12P24	9.00	21.00	27.86
SCE-16EL1206LP	16.00	12.00	6.00	IS2	194.36	SCE-16P12	13.00	9.00	14.81
SCE-16EL1208LP	16.00	12.00	8.00	IS2	205.44	SCE-16P12	13.00	9.00	14.81
SCE-16EL1408LP	16.00	14.00	8.00	IS2	211.59	SCE-16DLP14	13.00	11.00	17.72
SCE-16EL1606LP	16.00	16.00	6.00	IS2	210.37	SCE-16P16	13.00	13.00	24.57
SCE-16EL1608LP	16.00	16.00	8.00	IS2	234.97	SCE-16P16	13.00	13.00	24.57
SCE-16EL2006LP	16.00	20.00	6.00	IS2	236.19	SCE-20P16	17.00	13.00	30.37
SCE-16EL2008LP	16.00	20.00	8.00	IS2	237.42	SCE-20P16	17.00	13.00	30.37
SCE-20EL1206LP	20.00	12.00	6.00	IS2	209.13	SCE-20P12	17.00	9.00	23.14
SCE-20EL1606LP	20.00	16.00	6.00	IS2	225.12	SCE-20P16	17.00	13.00	30.37
SCE-20EL1608LP	20.00	16.00	8.00	IS2	237.42	SCE-20P16	17.00	13.00	30.37
SCE-20EL1610LP	20.00	16.00	10.00	IS2	252.38	SCE-20P16	17.00	13.00	30.37
SCE-20EL1612LP	20.00	16.00	12.00	IS2	263.25	SCE-20P16	17.00	13.00	30.37
SCE-20EL2006LP	20.00	20.00	6.00	IS2	242.34	SCE-20P20	17.00	17.00	35.44
SCE-20EL2008LP	20.00	20.00	8.00	IS2	255.87	SCE-20P20	17.00	17.00	35.44
SCE-20EL2010LP	20.00	20.00	10.00	IS2	270.07	SCE-20P20	17.00	17.00	35.44
SCE-20EL2012LP	20.00	20.00	12.00	IS2	284.17	SCE-20P20	17.00	17.00	35.44
SCE-20EL2408LP	20.00	24.00	8.00	IS2	275.56	SCE-24P20	21.00	17.00	45.57
SCE-24EL1206LP	24.00	12.00	6.00	IS2	218.97	SCE-12P24	9.00	21.00	27.86
SCE-24EL1606LP	24.00	16.00	6.00	IS2	239.89	SCE-24P16	21.00	13.00	32.92
SCE-24EL1608LP	24.00	16.00	8.00	IS2	253.42	SCE-24P16	21.00	13.00	32.92
SCE-24EL2006LP	24.00	20.00	6.00	IS2	260.80	SCE-24P20	21.00	17.00	45.57
SCE-24EL2008LP	24.00	20.00	8.00	IS2	275.56	SCE-24P20	21.00	17.00	45.57
SCE-24EL2010LP	24.00	20.00	10.00	IS2	292.78	SCE-24P20	21.00	17.00	45.57
SCE-24EL2012LP	24.00	20.00	12.00	IS2	307.54	SCE-24P20	21.00	17.00	45.57
SCE-24EL2016LP	24.00	20.00	16.00	IS2	337.06	SCE-24P20	21.00	17.00	45.57
SCE-24EL2406LP	24.00	24.00	6.00	IS2	281.71	SCE-24P24	21.00	21.00	53.18
SCE-24EL2408LP	24.00	24.00	8.00	IS2	297.70	SCE-24P24	21.00	21.00	53.18
SCE-24EL2410LP	24.00	24.00	10.00	IS2	314.93	SCE-24P24	21.00	21.00	53.18
SCE-24EL2412LP	24.00	24.00	12.00	IS2	329.69	SCE-24P24	21.00	21.00	53.18
SCE-24EL2416LP	24.00	24.00	16.00	IS2	362.90	SCE-24P24	21.00	21.00	53.18
SCE-24EL3008LP	24.00	30.00	8.00	IS2	329.69	SCE-30P24	27.00	21.00	63.29
SCE-24EL3010LP	24.00	30.00	10.00	IS2	355.51	SCE-30P24	27.00	21.00	63.29
SCE-24EL3012LP	24.00	30.00	12.00	IS2	380.54	SCE-30P24	27.00	21.00	63.29
SCE-30EL1606LP	30.00	16.00	6.00	IS2	263.25	SCE-30P16	27.00	13.00	45.57
SCE-30EL2008LP	30.00	20.00	8.00	IS2	303.85	SCE-30P20	27.00	17.00	55.70
SCE-30EL2010LP	30.00	20.00	10.00	IS2	319.84	SCE-30P20	27.00	17.00	55.70
SCE-30EL2406LP	30.00	24.00	6.00	IS2	309.63	SCE-30P24	27.00	21.00	63.29
SCE-30EL2408LP	30.00	24.00	8.00	IS2	329.69	SCE-30P24	27.00	21.00	63.29
SCE-30EL2410LP	30.00	24.00	10.00	IS2	355.51	SCE-30P24	27.00	21.00	63.29
SCE-30EL2412LP	30.00	24.00	12.00	IS2	366.59	SCE-30P24	27.00	21.00	63.29
SCE-30EL2416LP	30.00	24.00	16.00	IS2	404.72	SCE-30P24	27.00	21.00	63.29
SCE-30EL2420LP	30.00	24.00	20.00	IS2	441.62	SCE-30P24	27.00	21.00	63.29
SCE-30EL2424LP	30.00	24.00	24.00	IS2	478.53	SCE-30P24	27.00	21.00	63.29
SCE-30EL3008LP	30.00	30.00	8.00	IS2	369.05	SCE-30P30	27.00	27.00	83.55
SCE-30EL3010LP	30.00	30.00	10.00	IS2	410.87	SCE-30P30	27.00	27.00	83.55
SCE-30EL3012LP	30.00	30.00	12.00	IS2	423.17	SCE-30P30	27.00	27.00	83.55
SCE-30EL3608LP	30.00	36.00	8.00	IS2	408.42	SCE-36P30	33.00	27.00	101.27
SCE-36EL2408LP	36.00	24.00	8.00	IS2	362.90	SCE-36P24	33.00	21.00	75.96
SCE-36EL2410LP	36.00	24.00	10.00	IS2	392.42	SCE-36P24	33.00	21.00	75.96

Phone (989) 799-6871
Fax (989) 799-4524



Enviroline® Series Single-Door Enclosures

Application -

Designed to house electrical and electronic controls, instruments and components. Provides protection from dust, oil and water. For outdoor application a drip shield is recommended. For installation information, consult our Installation Manual at www.saginawcontrol.com.

Construction -

- 0.075" carbon steel.
- Seams continuously welded and ground smooth.
- Flange trough collar around all sides of door opening.
- Oil-resistant gasket.
- Collar studs provided for mounting optional sub-panels.
- Concealed hinge.
- Removable and interchangeable doors.
- Black quarter turn latches.
- Latches are opened or closed with a screwdriver.
- Mounting holes in back of enclosure.
- Mounting hardware, sealing washer and hole plug included.
- Removable print pocket.
- Ground studs on door and body.

Options -

- Optional tamper-resistant inserts are available.
- Optional mounting feet available.
- Door hardware available.

Finish -

ANSI-61 gray powder coated inside and out. Optional sub-panels are powder coated white.

Notes -

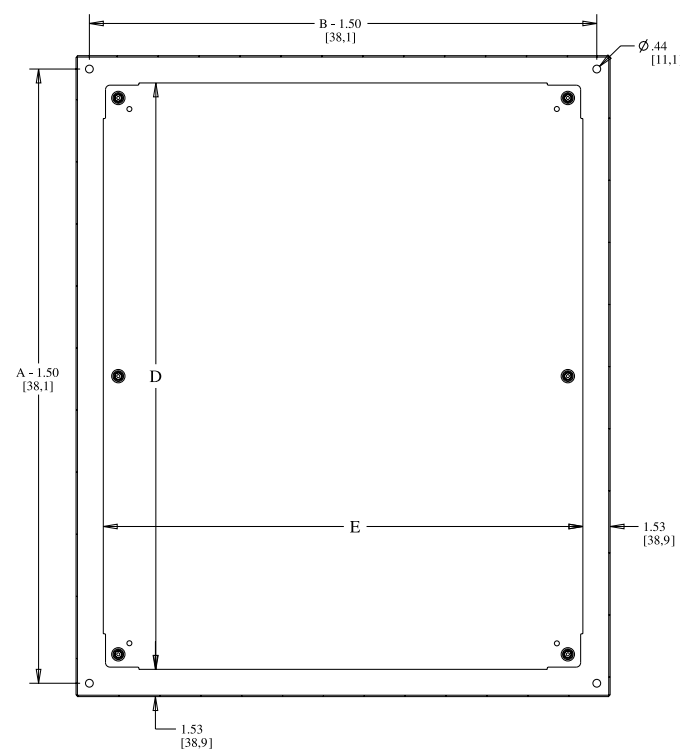
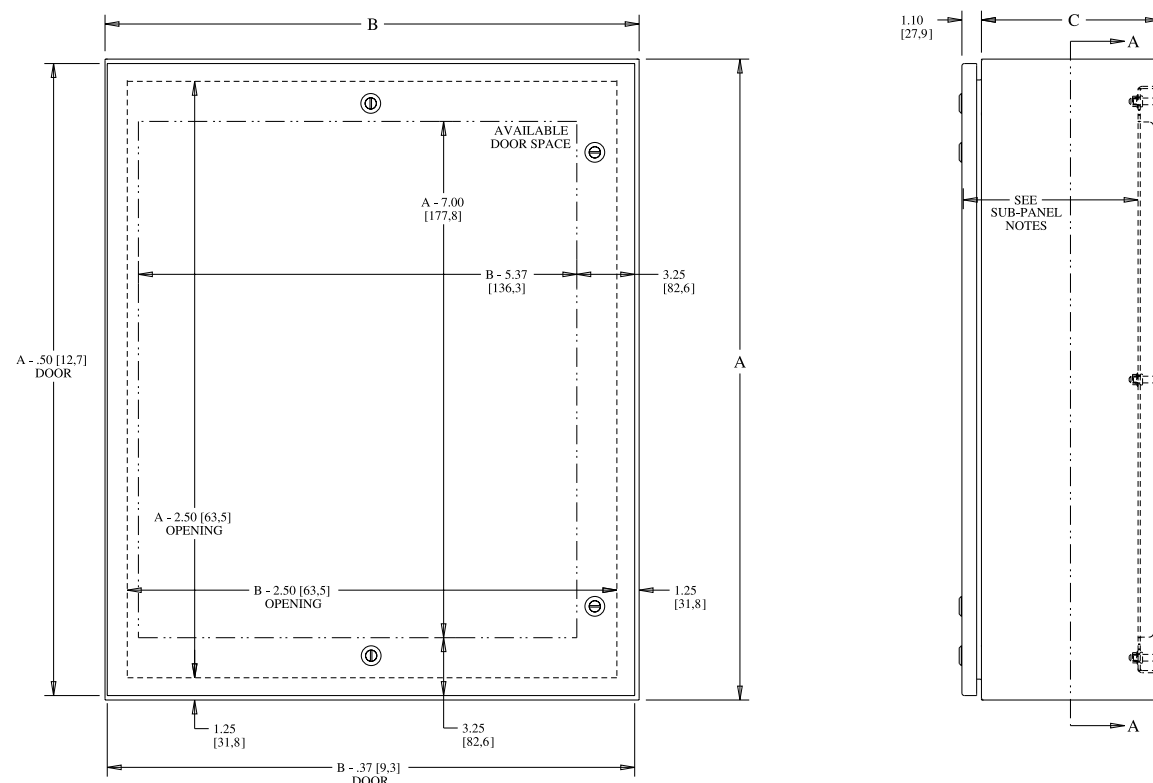
Interchangeable latches and handles available in the accessory section.

IS2 - Industry Standards -
NEMA Type 4, 12 & Type 13
UL Listed Type 4 & 12
CSA Type 4 & 12
IEC 60529 IP66

ENVIROLINE® SERIES SINGLE-DOOR ENCLOSURES

ENCLOSURE PRODUCT CODE E3						SUB-PANEL (P3)			
Catalog No.	Height (A)	Width (B)	Depth (C)	Industry Standard	List Price	Catalog No.	Panel Height (D)	Panel Width (E)	List Price
SCE-36EL2412LP	36.00	24.00	12.00	IS2	404.72	SCE-36P24	33.00	21.00	75.96
SCE-36EL2416LP	36.00	24.00	16.00	IS2	418.25	SCE-36P24	33.00	21.00	75.96
SCE-36EL3008LP	36.00	30.00	8.00	IS2	408.42	SCE-36P30	33.00	27.00	101.27
SCE-36EL3010LP	36.00	30.00	10.00	IS2	435.47	SCE-36P30	33.00	27.00	101.27
SCE-36EL3012LP	36.00	30.00	12.00	IS2	452.70	SCE-36P30	33.00	27.00	101.27
SCE-36EL3016LP	36.00	30.00	16.00	IS2	498.22	SCE-36P30	33.00	27.00	101.27
SCE-36EL3020LP	36.00	30.00	20.00	IS2	542.51	SCE-36P30	33.00	27.00	101.27
SCE-36EL3608LP	36.00	36.00	8.00	IS2	452.70	SCE-36P36	33.00	33.00	118.99
SCE-36EL3610LP	36.00	36.00	10.00	IS2	488.77	SCE-36P36	33.00	33.00	118.99
SCE-36EL3612LP	36.00	36.00	12.00	IS2	501.91	SCE-36P36	33.00	33.00	118.99
SCE-36EL3616LP	36.00	36.00	16.00	IS2	551.11	SCE-36P36	33.00	33.00	118.99
SCE-40EL2412LP	40.00	24.00	12.00	IS2	428.10	SCE-40P24	37.00	21.00	86.08
SCE-42EL2410LP	42.00	24.00	10.00	IS2	457.63	SCE-42P24	39.00	21.00	91.14
SCE-42EL3008LP	42.00	30.00	8.00	IS2	449.01	SCE-42P30	39.00	27.00	116.47
SCE-42EL3010LP	42.00	30.00	10.00	IS2	471.15	SCE-42P30	39.00	27.00	116.47
SCE-42EL3012LP	42.00	30.00	12.00	IS2	496.98	SCE-42P30	39.00	27.00	116.47
SCE-42EL3016LP	42.00	30.00	16.00	IS2	528.98	SCE-42P30	39.00	27.00	116.47
SCE-42EL3608LP	42.00	36.00	8.00	IS2	499.46	SCE-42P36	39.00	33.00	136.72
SCE-42EL3610LP	42.00	36.00	10.00	IS2	524.06	SCE-42P36	39.00	33.00	136.72
SCE-42EL3612LP	42.00	36.00	12.00	IS2	551.11	SCE-42P36	39.00	33.00	136.72
SCE-42EL3616LP	42.00	36.00	16.00	IS2	605.24	SCE-42P36	39.00	33.00	136.72
SCE-48EL2408LP	48.00	24.00	8.00	IS2	429.32	SCE-48P24	45.00	21.00	98.74
SCE-48EL2412LP	48.00	24.00	12.00	IS2	477.30	SCE-48P24	45.00	21.00	98.74
SCE-48EL3008LP	48.00	30.00	8.00	IS2	498.72	SCE-48P30	45.00	27.00	129.13
SCE-48EL3010LP	48.00	30.00	10.00	IS2	512.98	SCE-48P30	45.00	27.00	129.13
SCE-48EL3016LP	48.00	30.00	16.00	IS2	574.49	SCE-48P30	45.00	27.00	129.13
SCE-48EL3608LP	48.00	36.00	8.00	IS2	542.51	SCE-48P36	45.00	33.00	154.46
SCE-48EL3610LP	48.00	36.00	10.00	IS2	573.27	SCE-48P36	45.00	33.00	154.46
SCE-48EL3612LP	48.00	36.00	12.00	IS2	600.33	SCE-48P36	45.00	33.00	154.46
SCE-48EL3616LP	48.00	36.00	16.00	IS2	658.14	SCE-48P36	45.00	33.00	154.46
SCE-48EL3620LP	48.00	36.00	20.00	IS2	715.97	SCE-48P36	45.00	33.00	154.46
SCE-60EL2412LP	60.00	24.00	12.00	IS2	551.11	SCE-60P24	57.00	21.00	129.13
SCE-60EL3608LP	60.00	36.00	8.00	IS2	649.48	SCE-60P36	57.00	33.00	189.89
SCE-60EL3610LP	60.00	36.00	10.00	IS2	667.98	SCE-60P36	57.00	33.00	189.89
SCE-60EL3612LP	60.00	36.00	12.00	IS2	698.74	SCE-60P36	57.00	33.00	189.89
SCE-60EL3616LP	60.00	36.00	16.00	IS2	765.17	SCE-60P36	57.00	33.00	189.89
SCE-60EL3620LP	60.00	36.00	20.00	IS2	832.83	SCE-60P36	57.00	33.00	189.89
SCE-60EL3624LP	60.00	36.00	24.00	IS2	1,127.62	SCE-60P36	57.00	33.00	189.89
SCE-72EL3012LP	72.00	30.00	12.00	IS2	749.18	SCE-72P30	69.00	27.00	210.15
SCE-72EL3016LP	72.00								

ENVIROLINE® SERIES SINGLE-DOOR ENCLOSURES TECHNICAL DATA



SECTION A-A

SUB-PANEL NOTES:
Dimensions are from the inside of the door
C + 0.32 [8,1] for flat sub-panels
C - 0.18 [4,5] for bent sub-panels

LATCH NOTES:
Enclosures < 24.00" [609,6] in height require only one latch centered on door.
Enclosures ≥ 24.00" [609,6] and < 40.00" [1016] in height require two latches on door.
Enclosures ≥ 40.00" [1016] require three latches on door.
Omit center latch top and bottom of door when door width is ≤ 30.00" [762]

Phone (989) 799-6871
Fax (989) 799-4524



ENVIROLINE® SERIES ENCLOSURES

Enviroline® Series enclosures are an all purpose enclosure with a durable powder coat finish or #4 brushed finish in 304 & 316/316L stainless steel.

Available in carbon steel and stainless steel.

Available in disconnect styles, as well as free-standing enclosures.

Enviroline® Series enclosures are NEMA 12/4 or NEMA 12/4/4X enclosures with quarter turn latches.

Enviroline® Series enclosures feature the exclusive SCE removable hinge which allows the door to swing open 180°.

The SCE designed hinge can be removed by removing the retaining clip and pulling the pin.

The doors are interchangeable.

Flange trough collar around door opening channels liquids away from the door.

Easy to install swing-out panel kits that mount to the concealed hinges.

The quarter turn latches can be replaced with a variety of latches, including wing knob, keylocking, padlocking, coinproof, and tamper resistant inserts.

Quarter turn latches can also be replaced with several handles, including chrome keylocking & padlocking, and the black 5" and 7" SCE handles, including keylocking, padlocking, and coinproof.

A three-point latching system is available for enclosures over 40" high.

Holes in back of the enclosure for mounting or installing optional mounting foot kit (SCE-ELMFK4 or SCE-ELMFK4SS). A hole plug kit is included if holes are not needed.



Phone (989) 799-6871
Fax (989) 799-4524

Clamp Fastened Single-Door Enclosures

Application -

Designed to house electrical and electronic controls, instruments, and components. Provides protection from dust, dirt, oil and water. For installation information, consult our Installation Manual at www.saginawcontrol.com.

Construction -

- 0.075" carbon steel.
- Seams continuously welded and ground smooth, no holes or knockouts.
- Flange trough collar around all sides of door opening.
- Door clamps are quick and easy to operate.
- Concealed hinge.
- Hasp and staple for padlocking.
- Oil resistant gasket.
- Collar studs for mounting optional panels.
- Ground stud on door.
- Removable print pocket furnished if height and width of enclosure is 24" or more.

Finish -

ANSI-61 gray powder coated inside and out. Optional sub-panels are powder coated white.

IS2 - Industry Standards -
NEMA Type 4, 12 & Type 13
UL Listed Type 4 & 12
CSA Type 4 & 12
IEC 60529 IP66



CLAMP FASTENED SINGLE-DOOR ENCLOSURES

ENCLOSURE PRODUCT CODE A3						SUB-PANEL (P3)			
Catalog No.	Height (A)	Width (B)	Depth (C)	Industry Standard	List Price	Catalog No.	Panel Height (D)	Panel Width (E)	List Price
SCE-12H2406LP	12.00	24.00	6.00	IS2	238.27	SCE-12P24	9.00	21.00	27.86
SCE-12H2408LP	12.00	24.00	8.00	IS2	253.33	SCE-12P24	9.00	21.00	27.86
SCE-16H1206LP	16.00	12.00	6.00	IS2	213.19	SCE-16P12	13.00	9.00	14.81
SCE-16H1208LP	16.00	12.00	8.00	IS2	223.22	SCE-16P12	13.00	9.00	14.81
SCE-16H1210LP	16.00	12.00	10.00	IS2	233.25	SCE-16P12	13.00	9.00	14.81
SCE-16H1606LP	16.00	16.00	6.00	IS2	228.25	SCE-16P16	13.00	13.00	24.57
SCE-16H1608LP	16.00	16.00	8.00	IS2	240.78	SCE-16P16	13.00	13.00	24.57
SCE-16H2006LP	16.00	20.00	6.00	IS2	245.80	SCE-20P16	17.00	13.00	30.37
SCE-16H2008LP	16.00	20.00	8.00	IS2	258.34	SCE-20P16	17.00	13.00	30.37
SCE-20H1206LP	20.00	12.00	6.00	IS2	225.73	SCE-20P12	17.00	9.00	23.14
SCE-20H1208LP	20.00	12.00	8.00	IS2	238.27	SCE-20P12	17.00	9.00	23.14
SCE-20H1606LP	20.00	16.00	6.00	IS2	245.80	SCE-20P16	17.00	13.00	30.37
SCE-20H1608LP	20.00	16.00	8.00	IS2	258.34	SCE-20P16	17.00	13.00	30.37
SCE-20H1610LP	20.00	16.00	10.00	IS2	270.87	SCE-20P16	17.00	13.00	30.37
SCE-20H1612LP	20.00	16.00	12.00	IS2	285.93	SCE-20P16	17.00	13.00	30.37
SCE-20H2006LP	20.00	20.00	6.00	IS2	263.35	SCE-20P20	17.00	17.00	35.44
SCE-20H2008LP	20.00	20.00	8.00	IS2	278.41	SCE-20P20	17.00	17.00	35.44
SCE-20H2010LP	20.00	20.00	10.00	IS2	293.45	SCE-20P20	17.00	17.00	35.44
SCE-20H2406LP	20.00	24.00	6.00	IS2	283.43	SCE-24P20	21.00	17.00	45.57
SCE-20H2408LP	20.00	24.00	8.00	IS2	300.48	SCE-24P20	21.00	17.00	45.57
SCE-20H3006LP	20.00	30.00	6.00	IS2	341.10	SCE-30P20	27.00	17.00	55.70
SCE-24H1206LP	24.00	12.00	6.00	IS2	238.10	SCE-12P24	9.00	21.00	27.86
SCE-24H1208LP	24.00	12.00	8.00	IS2	253.33	SCE-12P24	9.00	21.00	27.86
SCE-24H1210LP	24.00	12.00	10.00	IS2	265.86	SCE-12P24	9.00	21.00	27.86
SCE-24H1606LP	24.00	16.00	6.00	IS2	260.85	SCE-24P16	21.00	13.00	32.92
SCE-24H1608LP	24.00	16.00	8.00	IS2	275.89	SCE-24P16	21.00	13.00	32.92
SCE-24H2006LP	24.00	20.00	6.00	IS2	283.43	SCE-24P20	21.00	17.00	45.57
SCE-24H2008LP	24.00	20.00	8.00	IS2	300.98	SCE-24P20	21.00	17.00	45.57
SCE-24H2010LP	24.00	20.00	10.00	IS2	316.04	SCE-24P20	21.00	17.00	45.57
SCE-24H2012LP	24.00	20.00	12.00	IS2	333.58	SCE-24P20	21.00	17.00	45.57
SCE-24H2016LP	24.00	20.00	16.00	IS2	366.19	SCE-24P20	21.00	17.00	45.57
SCE-24H2406LP	24.00	24.00	6.00	IS2	305.99	SCE-24P24	21.00	21.00	53.18
SCE-24H2408LP	24.00	24.00	8.00	IS2	323.55	SCE-24P24	21.00	21.00	53.18
SCE-24H2410LP	24.00	24.00	10.00	IS2	341.10	SCE-24P24	21.00	21.00	53.18
SCE-24H2412LP	24.00	24.00	12.00	IS2	358.66	SCE-24P24	21.00	21.00	53.18
SCE-24H2416LP	24.00	24.00	16.00	IS2	393.78	SCE-24P24	21.00	21.00	53.18
SCE-24H3008LP	24.00	30.00	8.00	IS2	358.66	SCE-30P24	27.00	21.00	63.29
SCE-30H1606LP	30.00	16.00	6.00	IS2	285.93	SCE-30P16	27.00	13.00	45.57
SCE-30H2006LP	30.00	20.00	6.00	IS2	311.00	SCE-30P20	27.00	17.00	55.70
SCE-30H2008LP	30.00	20.00	8.00	IS2	331.07	SCE-30P20	27.00	17.00	55.70
SCE-30H2010LP	30.00	20.00	10.00	IS2	348.61	SCE-30P20	27.00	17.00	55.70
SCE-30H2406LP	30.00	24.00	6.00	IS2	338.60	SCE-30P24	27.00	21.00	63.29
SCE-30H2408LP	30.00	24.00	8.00	IS2	358.66	SCE-30P24	27.00	21.00	63.29
SCE-30H2410LP	30.00	24.00	10.00	IS2	378.73	SCE-30P24	27.00	21.00	63.29
SCE-30H2412LP	30.00	24.00	12.00	IS2	398.79	SCE-30P24	27.00	21.00	63.29
SCE-30H2416LP	30.00	24.00	16.00	IS2	438.92	SCE-30P24	27.00	21.00	63.29
SCE-30H2420LP	30.00	24.00	20.00	IS2	479.05	SCE-30P24	27.00	21.00	63.29

Phone (989) 799-6871
Fax (989) 799-4524



Clamp Fastened Single-Door Enclosures

Application -

Designed to house electrical and electronic controls, instruments, and components. Provides protection from dust, dirt, oil and water. For installation information, consult our Installation Manual at www.saginawcontrol.com.

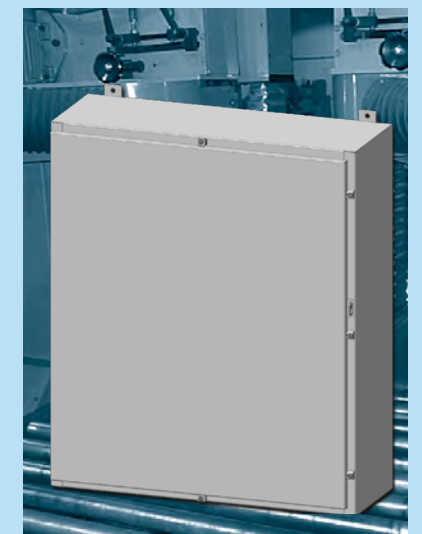
Construction -

- 0.075" carbon steel.
- Seams continuously welded and ground smooth, no holes or knockouts.
- Flange trough collar around all sides of door opening.
- Door clamps are quick and easy to operate.
- Concealed hinge.
- Hasp and staple for padlocking.
- Oil resistant gasket.
- Collar studs for mounting optional panels.
- Ground stud on door.
- Removable print pocket furnished if height and width of enclosure is 24" or more.

Finish -

ANSI-61 gray powder coated inside and out. Optional sub-panels are powder coated white.

IS2 - Industry Standards -
NEMA Type 4, 12 & Type 13
UL Listed Type 4 & 12
CSA Type 4 & 12
IEC 60529 IP66

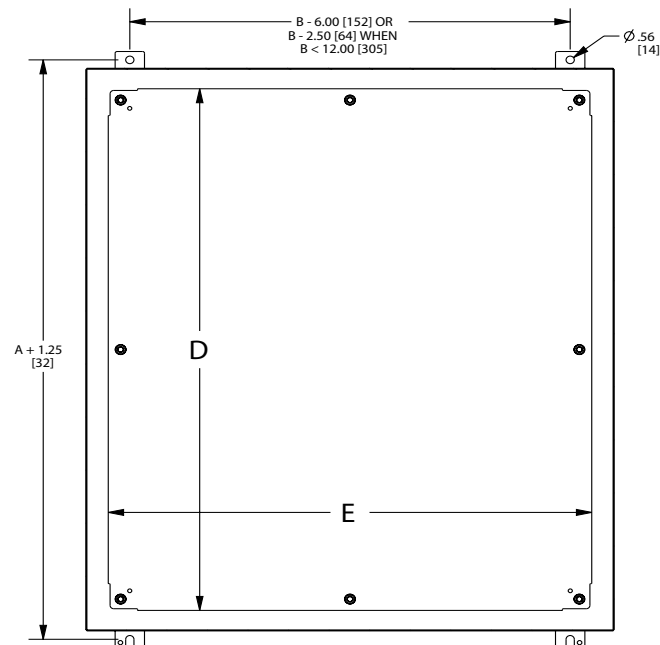
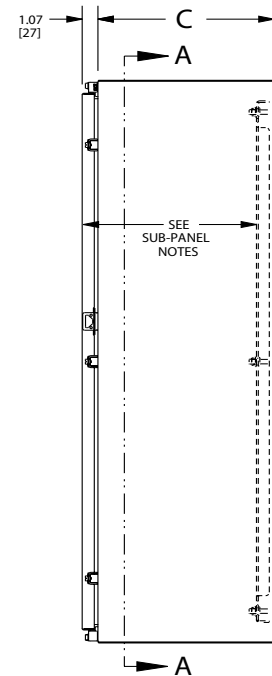
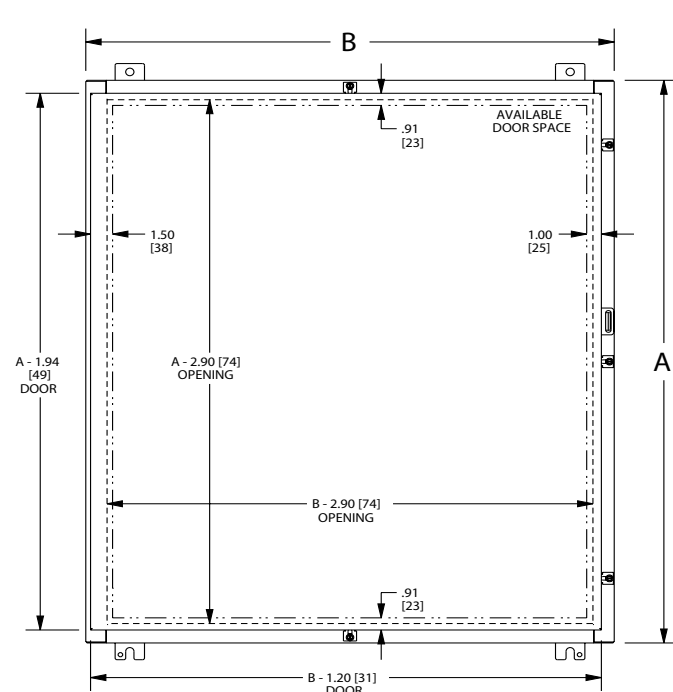


CLAMP FASTENED SINGLE-DOOR ENCLOSURES

ENCLOSURE PRODUCT CODE A3						SUB-PANEL (P3)			
Catalog No.	Height (A)	Width (B)	Depth (C)	Industry Standard	List Price	Catalog No.	Panel Height (D)	Panel Width (E)	List Price
SCE-30H2424LP	30.00	24.00	24.00	IS2	519.19	SCE-30P24	27.00	21.00	63.29
SCE-30H3008LP	30.00	30.00	8.00	IS2	401.30	SCE-30P30	27.00	27.00	83.55
SCE-30H3012LP	30.00	30.00	12.00	IS2	446.44	SCE-30P30	27.00	27.00	83.55
SCE-30H3608LP	30.00	36.00	8.00	IS2	443.93	SCE-36P30	33.00	27.00	101.27
SCE-36H1606LP	36.00	16.00	6.00	IS2	303.48	SCE-36P16	33.00	13.00	53.18
SCE-36H2406LP	36.00	24.00	6.00	IS2	371.21	SCE-36P24	33.00	21.00	75.96
SCE-36H2408LP	36.00	24.00	8.00	IS2	393.78	SCE-36P24	33.00	21.00	75.96
SCE-36H2410LP	36.00	24.00	10.00	IS2	416.36	SCE-36P24	33.00	21.00	75.96
SCE-36H2412LP	36.00	24.00	12.00	IS2	438.92	SCE-36P24	33.00	21.00	75.96
SCE-36H2416LP	36.00	24.00	16.00	IS2	489.09	SCE-36P24	33.00	21.00	75.96
SCE-36H3006LP	36.00	30.00	6.00	IS2	418.86	SCE-36P30	33.00	27.00	101.27
SCE-36H3008LP	36.00	30.00	8.00	IS2	443.93	SCE-36P30	33.00	27.00	101.27
SCE-36H3010LP	36.00	30.00	10.00	IS2	469.01	SCE-36P30	33.00	27.00	101.27
SCE-36H3012LP	36.00	30.00	12.00	IS2	491.60	SCE-36P30	33.00	27.00	101.27
SCE-36H3016LP	36.00	30.00	16.00	IS2	541.76	SCE-36P30	33.00	27.00	101.27
SCE-36H3020LP	36.00	30.00	20.00	IS2	589.41	SCE-36P30	33.00	27.00	101.27
SCE-36H3608LP	36.00	36.00	8.00	IS2	491.60	SCE-36P36	33.00	33.00	118.99
SCE-36H3612LP	36.00	36.00	12.00	IS2	546.77	SCE-36P36	33.00	33.00	118.99
SCE-36H3616LP	36.00	36.00	16.00	IS2	599.43	SCE-36P36	33.00	33.00	118.99
SCE-42H2408LP	42.00	24.00	8.00	IS2	431.40	SCE-42P24	39.00	21.00	91.14
SCE-42H3008LP	42.00	30.00	8.00	IS2	486.58	SCE-42P30	39.00	27.00	116.47
SCE-42H3010LP	42.00	30.00	10.00	IS2	511.65	SCE-42P30	39.00	27.00	116.47
SCE-42H3012LP	42.00	30.00	12.00	IS2	539.24	SCE-42P30	39.00	27.00	116.47
SCE-42H3016LP	42.00	30.00	16.00	IS2	594.42	SCE-42P30	39.00	27.00	116.47
SCE-42H3608LP	42.00	36.00	8.00	IS2	541.76	SCE-42P36	39.00	33.00	136.72
SCE-42H3610LP	42.00	36.00	10.00	IS2	569.34	SCE-42P36	39.00	33.00	136.72
SCE-42H3612LP	42.00	36.00	12.00	IS2	599.43	SCE-42P36	39.00	33.00	136.72
SCE-42H3616LP	42.00	36.00	16.00	IS2	657.13	SCE-42P36	39.00	33.00	136.72
SCE-48H2408LP	48.00	24.00	8.00	IS2	466.51	SCE-48P24	45.00	21.00	98.74
SCE-48H3008LP	48.00	30.00	8.00	IS2	529.22	SCE-48P30	45.00	27.00	129.13
SCE-48H3010LP	48.00	30.00	10.00	IS2	556.80	SCE-48P30	45.00	27.00	129.13
SCE-48H3016LP	48.00	30.00	16.00	IS2	644.58	SCE-48P30	45.00	27.00	129.13
SCE-48H3608LP	48.00	36.00	8.00	IS2	589.41	SCE-48P36	45.00	33.00	154.46
SCE-48H3610LP	48.00	36.00	10.00	IS2	622.02	SCE-48P36	45.00	33.00	154.46
SCE-48H3612LP	48.00	36.00	12.00	IS2	652.12	SCE-48P36	45.00	33.00	154.46
SCE-48H3616LP	48.00	36.00	16.00	IS2	714.82	SCE-48P36	45.00	33.00	154.46
SCE-48H3620LP	48.00	36.00	20.00	IS2	777.52	SCE-48P36	45.00	33.00	154.46
SCE-60H3608LP	60.00	36.00	8.00	IS2	687.22	SCE-60P36	57.00	33.00	189.89
SCE-60H3610LP	60.00	36.00	10.00	IS2	724.84	SCE-60P36	57.00	33.00	189.89
SCE-60H3612LP	60.00	36.00	12.00	IS2	759.96	SCE-60P36	57.00	33.00	189.89
SCE-60H3620LP	60.00	36.00	20.00	IS2	902.92	SCE-60P36	57.00	33.00	189.89
SCE-72H3012LP	72.00	30.00	12.00	IS2	812.62	SCE-72P30	69.00	27.00	210.15
SCE-72H3016LP	72.00	30.00	16.00	IS2	929.27	SCE-72P30	69.00	27.00	210.15
SCE-72H3024LP	72.00	30.00	24.00	IS2	1,020.81	SCE-72P30	69.00	27.00	210.15
SCE-72H3612LP	72.00	36.00	12.00	IS2	867.81	SCE-72P36	69.00	33.00	225.33
SCE-72H3616LP	72.00	36.00	16.00	IS2	985.70	SCE-72P36	69.00	33.00	225.33



CLAMP FASTENED SINGLE DOOR ENCLOSURES
TECHNICAL DATA



SECTION A-A

SUB-PANEL NOTES:
 Dimensions are from the inside of the door
 C + .30 [8] for flat sub-panels
 C - .20 [5] for bent sub-panels

CLAMPING NOTES:
 Enclosures < 27.00 [686] in height require two clamps on door.
 Enclosures >= 27.00 [686] in height require three clamps on door.
 Omit center clamp top and bottom of door when door width is <= 30.00 [762]

Phone (989) 799-6871
 Fax (989) 799-4524



NOTES



Phone (989) 799-6871
 Fax (989) 799-4524

Enviroline® Series Wall-Mount Two-Door Enclosures With 3-Point Hardware

Application -

Designed to house electrical and electronic controls, instrumentation and components. For installation information, consult our Installation Manual at www.saginawcontrol.com. For outdoor applications a drip shield is recommended.

Construction -

- 0.075" carbon steel.
- Seams continuously welded and ground smooth.
- Flange trough collar around all sides of door opening.
- Collar studs provided for mounting optional panels.
- Removable center posts permit easy panel installation.
- Mounting holes in back of the enclosure for wall mounting.
- Mounting hardware, sealing washers and hole plugs included.
- Stainless steel concealed hinges.
- Removable and interchangeable doors.
- Black keylocking/padlocking handles.
- 3-point latching mechanism.
- Removable print pocket.
- Oil & water resistant gasket.
- Ground stud on door and body.

Options -

Optional mounting foot kit available (SCE-ELMFK6).

Finish -

ANSI-61 gray powder coated inside and out. Optional sub-panels are powder coated white.

IS4 - Industry Standards -

- NEMA Type 3R, 4, 12 & Type 13
- UL Listed Type 3R, 4 & 12
- CSA Type 3R, 4 & 12
- IEC 60529 IP66

***Special Instructions apply for IS3, IS4 and IS6 to maintain the environmental rating of Type 3R for these parts. See the Special Instructions on the Industry Standards page in the Technical Information Section.

ENVIROLINE® SERIES WALL-MOUNT TWO-DOOR ENCLOSURES WITH 3-POINT HARDWARE

ENCLOSURE PRODUCT CODE A4						SUB-PANEL (P3)			
Catalog No.	Height (A)	Width (B)	Depth (C)	Industry Standard	List Price	Catalog No.	Panel Height (D)	Panel Width (E)	List Price
SCE-24EL4210WFLP	24.00	42.00	10.00	IS4	821.92	SCE-42P24	39.00	21.00	91.14
SCE-24EL4810WFLP	24.00	48.00	10.00	IS4	854.84	SCE-48P24	45.00	21.00	98.74
SCE-30EL4210WFLP	30.00	42.00	10.00	IS4	866.84	SCE-42P30	39.00	27.00	116.47
SCE-30EL4810WFLP	30.00	48.00	10.00	IS4	954.91	SCE-48P30	45.00	27.00	129.13
SCE-30EL6010WFLP	30.00	60.00	10.00	IS4	1,055.50	SCE-60P30	57.00	27.00	159.52
SCE-36EL4216WFLP	36.00	42.00	16.00	IS4	1,047.13	SCE-42P36	39.00	33.00	136.72
SCE-36EL4812WFLP	36.00	48.00	12.00	IS4	1,101.45	SCE-48P36	45.00	33.00	154.46
SCE-36EL6012WFLP	36.00	60.00	12.00	IS4	1,223.32	SCE-60P36	57.00	33.00	189.89
SCE-42EL4212WFLP	42.00	42.00	12.00	IS4	1,166.94	SCE-42P42	39.00	39.00	156.97
SCE-42EL4812WFLP	42.00	48.00	12.00	IS4	1,273.68	SCE-48P42	45.00	39.00	177.24
SCE-42EL6012WFALP	42.00	60.00	12.00	IS4	1,420.06	SCE-60BFP42	56.00	38.00	230.41
SCE-48EL4812WFLP	48.00	48.00	12.00	IS4	1,383.23	SCE-48P48	44.00	44.00	212.67

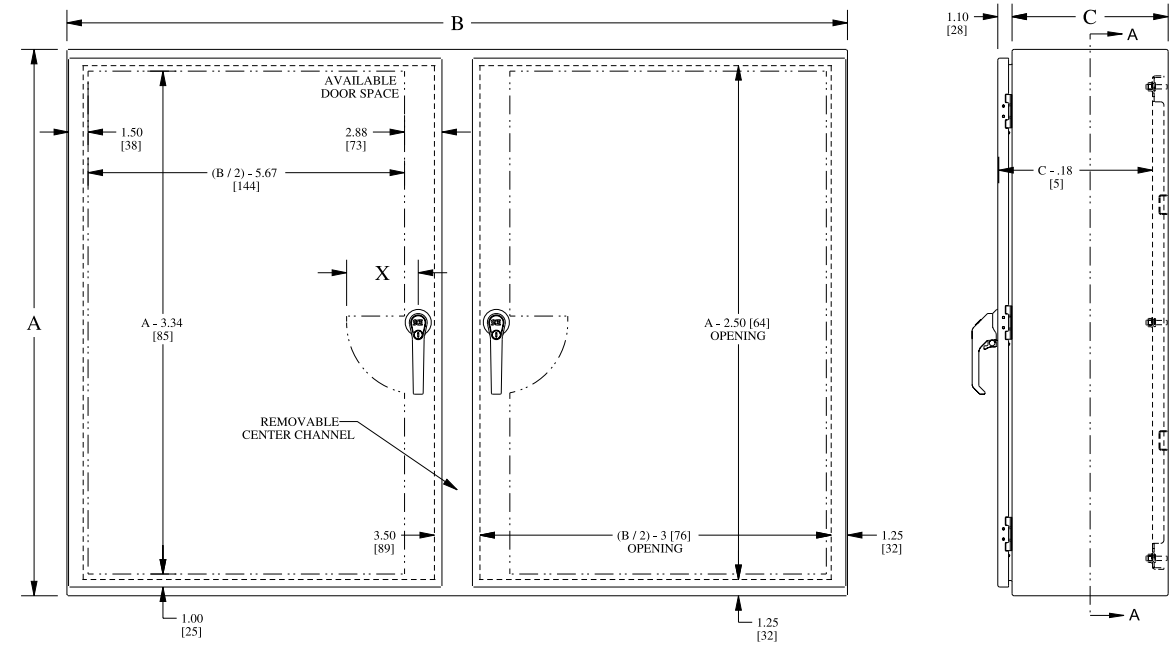


[Back to Wall-Mount Enclosures](#)

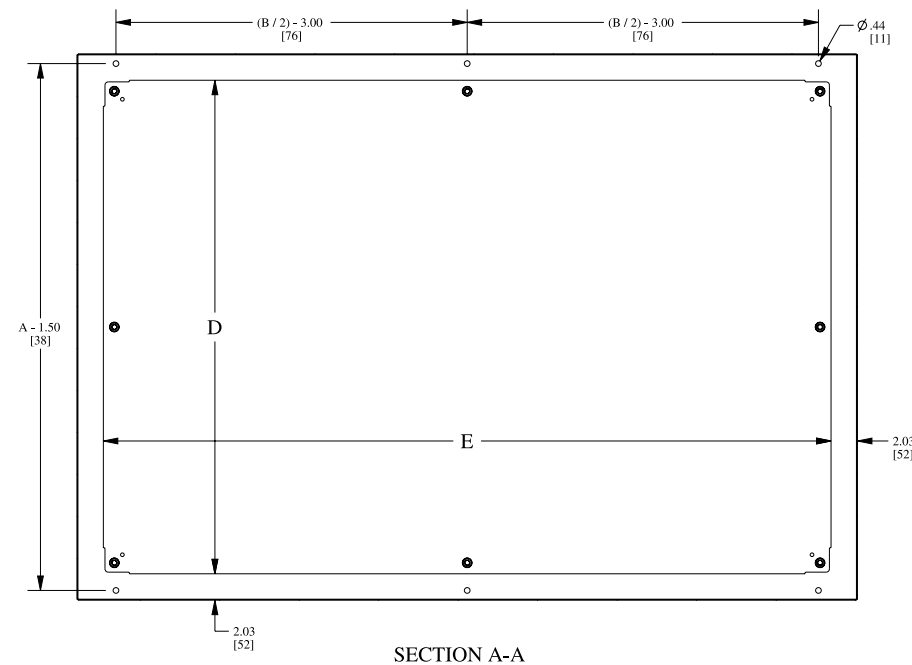
Phone (989) 799-6871
Fax (989) 799-4524



ENVIROLINE® SERIES WALL-MOUNT TWO-DOOR ENCLOSURES WITH 3-POINT HARDWARE TECHNICAL DATA



HANDLE NOTES:
Enclosures ≤ 42.00 [1067] in height X = 5.50 [140] and uses 5.00 [127] key-locking/padlocking handle.
Enclosures > 42.00 [1067] in height X = 6.75 [171] and uses 7.00 [178] key-locking/padlocking handle.



Phone (989) 799-6871
Fax (989) 799-4524

Overlapping Two-Door Wall-Mount Enclosures

Application -

Designed to house electrical and electronic controls, instruments and components. Provides protection from dust, oil and water. For outdoor application a drip shield and drain holes are required. For installation information, consult our Installation Manual at www.saginawcontrol.com.

Construction -

- 0.075" carbon steel or stainless steel.
- Seams continuously welded and ground smooth, no holes or knockouts.
- Flange trough collar around all sides of door opening.
- Gasketed overlapping doors eliminate need for center post.
- Black zinc die cast keylocking/padlocking handle.
- 3-point latching mechanism.
- Latch rods have ramp shoes for easier door closing.
- Concealed hinge.
- Removable and interchangeable doors.
- Removable print pocket provided on door with 3-point latch.
- Oil resistant door gasket.
- Collar studs for mounting optional sub-panel.
- Ground stud on door.
- Mounting hardware, sealing washer and hole plug included.

Options -

Optional mounting foot kit available (SCE-ELMFK6).

Finish -

ANSI-61 gray powder coated inside and out. Optional sub-panels are powder coated white.

IS3 - Industry Standards -

NEMA Type 3R, 12 & Type 13
UL Listed Type 3R & 12
CSA Type 3R & 12
IEC 60529 IP66

***Special Instructions apply for IS3, IS4 and IS6 to maintain the environmental rating of Type 3R for these parts. See the Special Instructions on the Industry Standards page in the Technical Information Section.

OVERLAPPING TWO-DOOR WALL-MOUNT ENCLOSURES

ENCLOSURE PRODUCT CODE A4						SUB-PANEL (P3)			
Catalog No.	Height (A)	Width (B)	Depth (C)	Industry Standard	List Price	Catalog No.	Panel Height (D)	Panel Width (E)	List Price
SCE-244208WFLP	24.00	42.00	8.00	IS3	531.50	SCE-42P24	39.00	21.00	91.14
SCE-244808WFLP	24.00	48.00	8.00	IS3	576.22	SCE-48P24	45.00	21.00	98.74
SCE-244812WFLP	24.00	48.00	12.00	IS3	615.84	SCE-48P24	45.00	21.00	98.74
SCE-304210WFLP	30.00	42.00	10.00	IS3	635.82	SCE-42P30	39.00	27.00	116.47
SCE-304810WFLP	30.00	48.00	10.00	IS3	690.46	SCE-48P30	45.00	27.00	129.13
SCE-306010WFLP	30.00	60.00	10.00	IS3	799.74	SCE-60P30	57.00	27.00	159.52
SCE-364212WFLP	36.00	42.00	12.00	IS3	740.14	SCE-42P36	39.00	33.00	136.72
SCE-364216WFLP	36.00	42.00	16.00	IS3	805.15	SCE-42P36	39.00	33.00	136.72
SCE-364810WFLP	36.00	48.00	10.00	IS3	794.78	SCE-48P36	45.00	33.00	154.46
SCE-364812WFLP	36.00	48.00	12.00	IS3	807.20	SCE-48P36	45.00	33.00	154.46
SCE-364816WFLP	36.00	48.00	16.00	IS3	881.94	SCE-48P36	45.00	33.00	154.46
SCE-366012WFLP	36.00	60.00	12.00	IS3	941.31	SCE-60P36	57.00	33.00	189.89
SCE-366016WFLP	36.00	60.00	16.00	IS3	1,048.69	SCE-60P36	57.00	33.00	189.89
SCE-424212WFLP	42.00	42.00	12.00	IS3	817.12	SCE-42P42	39.00	39.00	156.97
SCE-424216WFLP	42.00	42.00	16.00	IS3	928.01	SCE-42P42	39.00	39.00	156.97
SCE-424812WFLP	42.00	48.00	12.00	IS3	891.63	SCE-48P42	45.00	39.00	177.24
SCE-424816WFLP	42.00	48.00	16.00	IS3	1,000.42	SCE-48P42	45.00	39.00	177.24
SCE-426012WFALP	42.00	60.00	12.00	IS3	1,040.65	SCE-60BFP42	56.00	38.00	230.41
SCE-426016WFALP	42.00	60.00	16.00	IS3	1,193.48	SCE-60BFP42	56.00	38.00	230.41
SCE-484812WFLP	48.00	48.00	12.00	IS3	973.60	SCE-48P48	44.00	44.00	212.67
SCE-484816WFLP	48.00	48.00	16.00	IS3	1,138.64	SCE-48P48	44.00	44.00	212.67

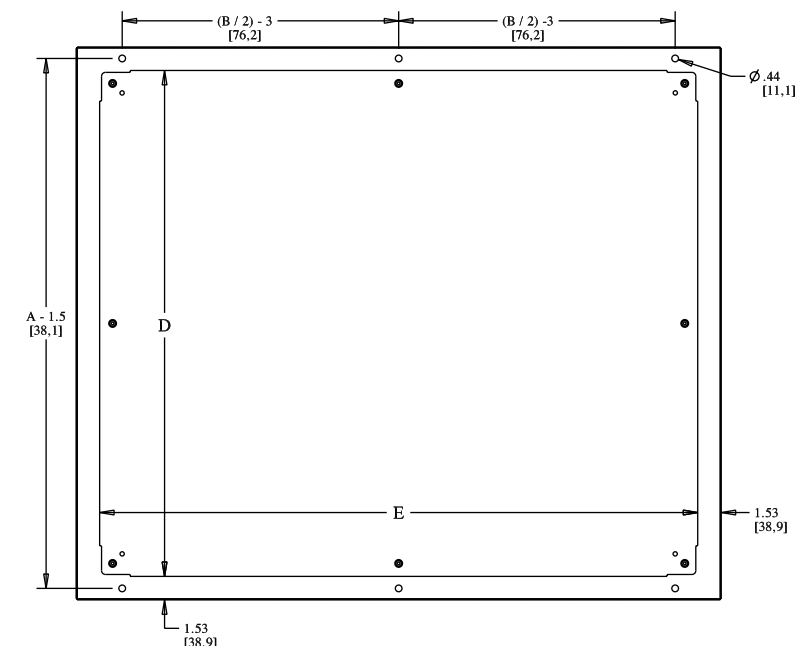
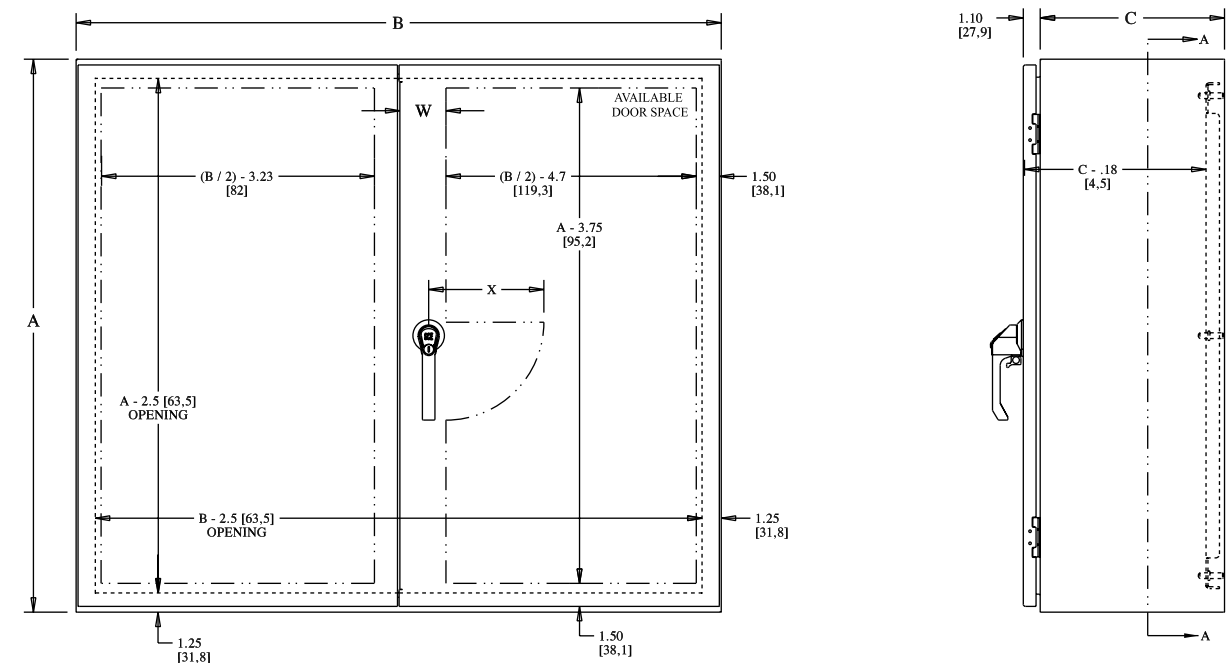


Back to
Wall-Mount
Enclosures

Phone (989) 799-6871
Fax (989) 799-4524



OVERLAPPING TWO-DOOR WALL-MOUNT ENCLOSURES TECHNICAL DATA



SECTION A-A

HANDLE NOTES:

Enclosures ≤ 42.00 [1067] in height
X = 5.50 [140] and uses 5.00 [127]
key-locking/padlocking handle.
Enclosures > 42.00 [1067] in height
X = 6.75 [171] and uses 7.00 [178]
key-locking/padlocking handle

W = 3.63 [92.2] with 7.00 [177.8] handle
W = 3.00 [76.2] with 5.00 [127] handle



Phone (989) 799-6871
Fax (989) 799-4524

**Enviroline® Series
Single-Door Enclosures
For Flange-Mounted
Disconnects**

Application -

Designed to house most standard type disconnects. For installation information, consult our Installation Manual at www.saginawcontrol.com. For outdoor application a drip shield is recommended.

Construction -

- 0.075" carbon steel.
- Seams continuously welded and ground smooth.
- Flange trough collar around all sides of door opening.
- Oil-resistant gasket.
- Collar studs provided for mounting optional sub-panels.
- Disconnect cutout provided on flange.
- Concealed hinge.
- Doors are interchangeable and easily removed by pulling hinge pins.
- 3-point latching mechanism.
- Latches are opened or closed with a screwdriver (optional tamper-resistant inserts are available).
- Mounting holes on back of enclosure.
- Mounting hardware, sealing washers, and hole plugs included.
- Ground studs on door and body.
- Black zinc die cast coinproof/padlocking handle.

Disconnect switch (or circuit breaker) and operating mechanism are not furnished with this enclosure.

Finish -

ANSI-61 gray powder coated inside and out. Optional sub-panels are powder coated white.

IS3 - Industry Standards -

- NEMA Type 3R, 12 & Type 13
- UL Listed Type 3R & 12
- CSA Type 3R & 12
- IEC 60529 IP 55

IS4 - Industry Standards -

- NEMA Type 3R, 4, 12 & Type 13
- UL Listed Type 3R, 4 & 12
- CSA Type 3R, 4 & 12
- IEC 60529 IP 66

***Special Instructions apply for IS3, IS4 and IS6 to maintain the environmental rating of Type 3R for these parts. See the Special Instructions on the Industry Standards page in the Technical Information Section.

**ENVIROLINE® SERIES SINGLE-DOOR ENCLOSURES
FOR FLANGE-MOUNTED DISCONNECTS**

ENCLOSURES PRODUCT CODE E3						SUB-PANEL (P3)			
Catalog No.	Height (A)	Width (B)	Depth (C)	Industry Standard	List Price	Catalog No.	Panel Height (D)	Panel Width (E)	List Price
SCE-20XEL2108LP	20.00	21.38	8.00	IS4	349.36	SCE-20P20	17.00	17.00	35.44
SCE-20XEL2110LP	20.00	21.38	10.00	IS4	367.82	SCE-20P20	17.00	17.00	35.44
SCE-24XEL2108LP	24.00	21.38	8.00	IS4	376.43	SCE-24P20	21.00	17.00	45.57
SCE-24XEL2508LP	24.00	25.38	8.00	IS4	405.95	SCE-24P24	21.00	21.00	53.18
SCE-24XEL2510LP	24.00	25.38	10.00	IS4	425.65	SCE-24P24	21.00	21.00	53.18
SCE-30XEL2508LP	30.00	25.38	8.00	IS4	450.25	SCE-30P24	27.00	21.00	63.29
SCE-30XEL2510LP	30.00	25.38	10.00	IS4	473.62	SCE-30P24	27.00	21.00	63.29
SCE-36XEL2508LP	36.00	25.38	8.00	IS4	496.98	SCE-36P24	33.00	21.00	75.96
SCE-36XEL2510LP	36.00	25.38	10.00	IS4	521.58	SCE-36P24	33.00	21.00	75.96
SCE-36XEL3108LP	36.00	31.38	8.00	IS4	554.81	SCE-36P30	33.00	27.00	101.27
SCE-36XEL3110LP	36.00	31.38	10.00	IS4	586.79	SCE-36P30	33.00	27.00	101.27
SCE-36XEL3112LP	36.00	31.38	12.00	IS4	618.78	SCE-36P30	33.00	27.00	101.27
SCE-36XEL3116LP	36.00	31.38	16.00	IS4	675.37	SCE-36P30	33.00	27.00	101.27
SCE-42XEL3110LP	42.00	31.38	10.00	IS4	642.15	SCE-42P30	39.00	27.00	116.47
SCE-42XEL3112LP	42.00	31.38	12.00	IS4	676.59	SCE-42P30	39.00	27.00	116.47
SCE-42XEL3116LP	42.00	31.38	16.00	IS4	735.64	SCE-42P30	39.00	27.00	116.47
SCE-42XEL3710LP	42.00	37.38	10.00	IS4	699.97	SCE-42P36	39.00	33.00	136.72
SCE-42XEL3712LP	42.00	37.38	12.00	IS4	752.87	SCE-42P36	39.00	33.00	136.72
SCE-42XEL3712LP12	42.00	37.38	12.00	IS3	908.77	SCE-42P36	39.00	33.00	136.72
SCE-42XEL3716LP	42.00	37.38	16.00	IS4	826.68	SCE-42P36	39.00	33.00	136.72
SCE-48XEL3710LP	48.00	37.38	10.00	IS4	778.70	SCE-48P36	45.00	33.00	154.46
SCE-48XEL3712LP	48.00	37.38	12.00	IS4	820.53	SCE-48P36	45.00	33.00	154.46
SCE-48XEL3712LP12	48.00	37.38	12.00	IS3	800.53	SCE-48P36	45.00	33.00	154.46
SCE-48XEL3716LP	48.00	37.38	16.00	IS4	889.41	SCE-48P36	45.00	33.00	154.46
SCE-60XEL3710LP	60.00	37.38	10.00	IS4	907.87	SCE-60P36	57.00	33.00	189.89
SCE-60XEL3712LP	60.00	37.38	12.00	IS4	953.38	SCE-60P36	57.00	33.00	189.89
SCE-60XEL3716LP	60.00	37.38	16.00	IS4	1,040.74	SCE-60P36	57.00	33.00	189.89
SCE-60XEL3716LP12	60.00	37.38	16.00	IS3	1,020.74	SCE-60P36	57.00	33.00	189.89

Part numbers that end in "LP12" omit center quarter turn latches on the top and bottom of the door.

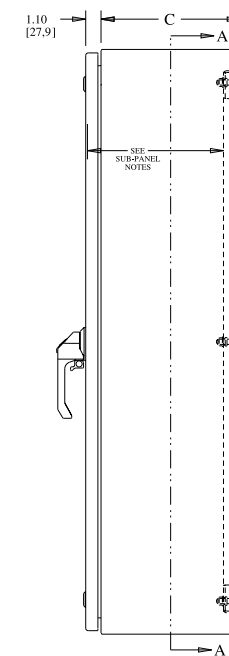
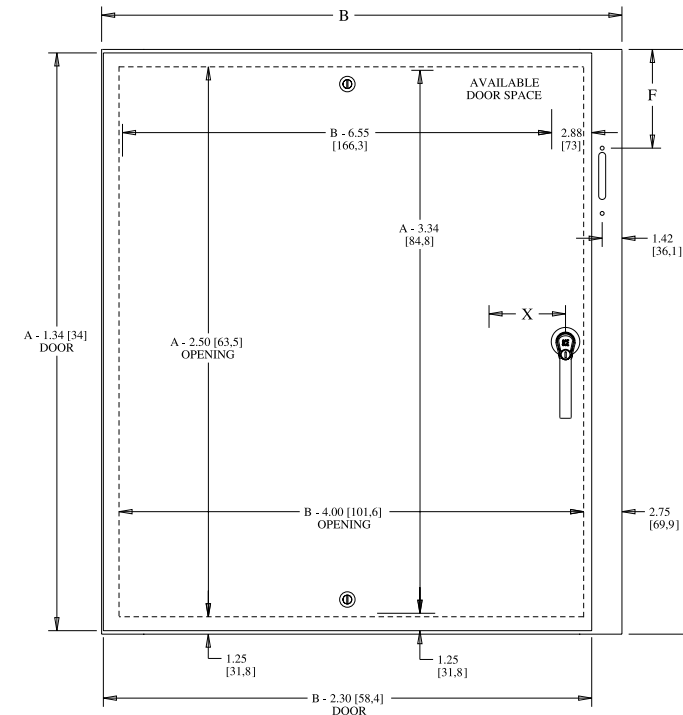


[Back to Wall-Mount Enclosures](#)

Phone (989) 799-6871
Fax (989) 799-4524



**ENVIROLINE® SERIES SINGLE-DOOR ENCLOSURES
FOR FLANGE-MOUNTED DISCONNECTS
TECHNICAL DATA**



SUB-PANEL NOTES:
Dimensions are from the inside of the door.
C + .32 [8.1] for flat sub-panels
C - .18 [4.5] for bent sub-panels

DISCONNECT NOTES:
F = 4.75 [121] when C = 8.00 [203]
F = 7.09 [180] when C = 10.00 [254]
F = 11.62 [295] when C = 12.00 [304]
F = 11.62 [295] when C = 16.00 [406]
F = 18.38 [467] for SCE-60XEL3712LP4

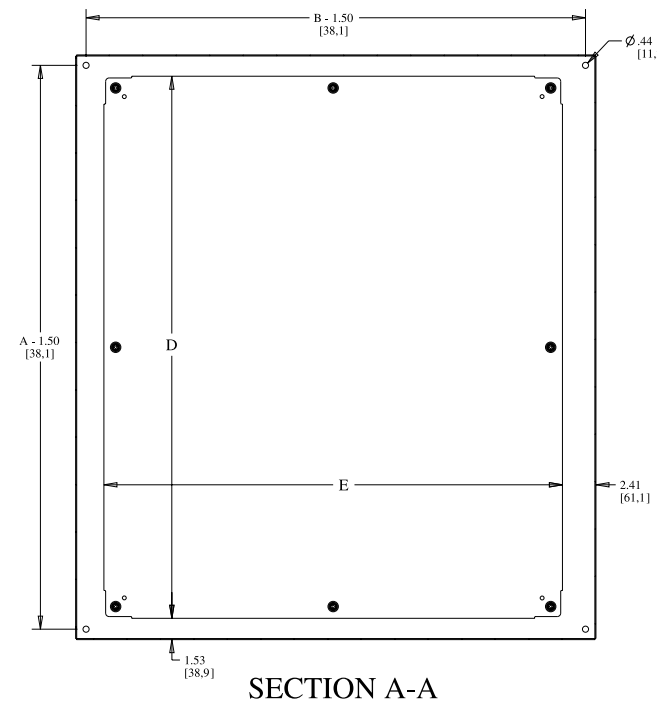
LATCH NOTES:
Omit center latch top and bottom of door when door width is <= 30.00" [762]

HANDLE NOTES:
On enclosures <= 42.00 [1067]
X = 5.50 [140] and use 5.00 [127] padlocking handle with coin-proof.
On enclosures > 42.00 [1067]
X = 6.75 [171] and use 7.00 [178] padlocking handle with coin-proof.

Enclosures with a height dimension < 40.00 [1016] have a 2-point door closing mechanism.

Enclosures with a height dimension of >= 40.00 [1016] have a 3-point door latching mechanism.

CONSTRUCTION NOTES:
Door will be 0.125 [3.1] thick material when enclosure height is >= 42.00 and door width is > 24.00



SECTION A-A



Phone (989) 799-6871
Fax (989) 799-4524

Single-Door Enclosures For Flange-Mounted Disconnects with SCE Door Hardware

Application -

Designed to house most standard type disconnects. For installation information, consult our Installation Manual at www.saginawcontrol.com.

Construction -

- 0.075" carbon steel.
- Seams continuously welded and ground smooth.
- Flange trough collar around all sides of door opening.
- Concealed hinge.
- Removable print pocket furnished if height and width of enclosure is 24" or more.
- Oil-resistant gasket.
- Collar studs provided for mounting optional sub-panels.
- Cutouts provided in flange for mounting disconnect operating handle.
- Ground stud on door.
- 3-point latching mechanism.
- Black zinc die cast coinproof/padlocking handle.

Disconnect switch (or circuit breaker) and operating mechanism are not furnished with this enclosure.

Finish -

ANSI-61 gray powder coated inside and out. Optional sub-panels are powder coated white.

IS1 - Industry Standards -

- NEMA Type 12 & Type 13
- UL Listed Type 12
- CSA Type 12
- IEC 60529 IP 55



SINGLE-DOOR ENCLOSURES FOR FLANGE-MOUNTED DISCONNECTS WITH SCE DOOR HARDWARE

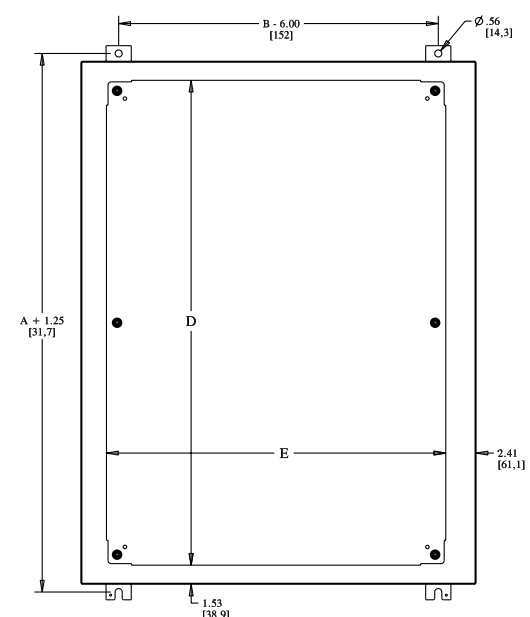
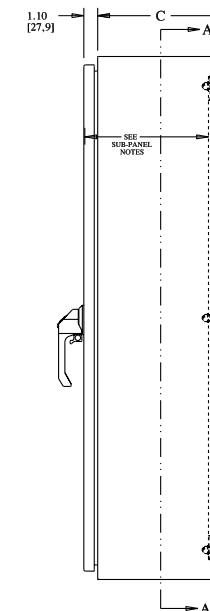
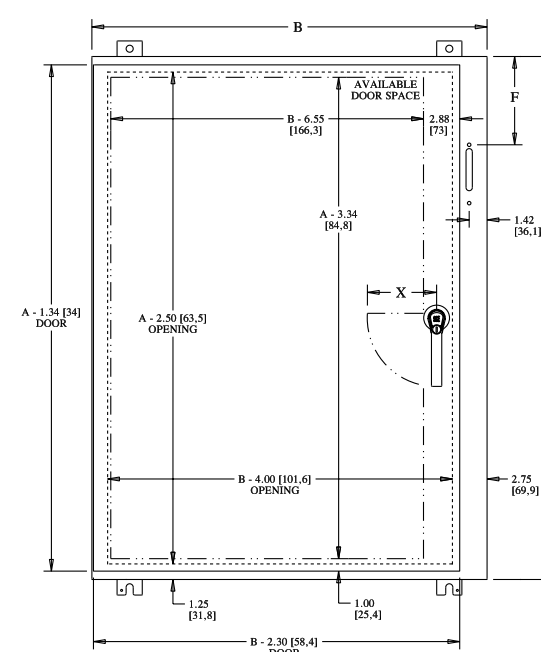
ENCLOSURE PRODUCT CODE A5					SUB-PANEL (P3)				
Catalog No.	Height (A)	Width (B)	Depth (C)	Industry Standard	List Price	Catalog No.	Panel Height (D)	Panel Width (E)	List Price
SCE-20SA2208LPPL	20.00	21.38	8.00	IS1	465.86	SCE-20P20	17.00	17.00	35.44
SCE-20SA2210LPPL	20.00	21.38	10.00	IS1	483.60	SCE-20P20	17.00	17.00	35.44
SCE-24SA2208LPPL	24.00	21.38	8.00	IS1	491.19	SCE-24P20	21.00	17.00	45.57
SCE-24SA2210LPPL	24.00	21.38	10.00	IS1	511.43	SCE-24P20	21.00	17.00	45.57
SCE-24SA2608LPPL	24.00	25.38	8.00	IS1	521.57	SCE-24P24	21.00	21.00	53.18
SCE-24SA2610LPPL	24.00	25.38	10.00	IS1	541.83	SCE-24P24	21.00	21.00	53.18
SCE-30SA2208LPPL	30.00	21.38	8.00	IS1	529.16	SCE-30P20	27.00	17.00	55.70
SCE-30SA2210LPPL	30.00	21.38	10.00	IS1	554.48	SCE-30P20	27.00	17.00	55.70
SCE-30SA2608LPPL	30.00	25.38	8.00	IS1	564.62	SCE-30P24	27.00	21.00	63.29
SCE-30SA2610LPPL	30.00	25.38	10.00	IS1	589.92	SCE-30P24	27.00	21.00	63.29
SCE-30SA2612LPPL	30.00	25.38	12.00	IS1	615.25	SCE-30P24	27.00	21.00	63.29
SCE-36SA2608LPPL	36.00	25.38	8.00	IS1	594.99	SCE-36P24	33.00	21.00	75.96
SCE-36SA2610LPPL	36.00	25.38	10.00	IS1	638.03	SCE-36P24	33.00	21.00	75.96
SCE-36SA3208LPPL	36.00	31.38	8.00	IS1	670.95	SCE-36P30	33.00	27.00	101.27
SCE-36SA3210LPPL	36.00	31.38	10.00	IS1	703.87	SCE-36P30	33.00	27.00	101.27
SCE-36SA3212LPPL	36.00	31.38	12.00	IS1	734.24	SCE-36P30	33.00	27.00	101.27
SCE-36SA3216LPPL	36.00	31.38	16.00	IS1	792.49	SCE-36P30	33.00	27.00	101.27
SCE-42SA3208LPPL	42.00	31.38	8.00	IS1	726.65	SCE-42P30	39.00	27.00	116.47
SCE-42SA3210LPPL	42.00	31.38	10.00	IS1	759.57	SCE-42P30	39.00	27.00	116.47
SCE-42SA3212LPPL	42.00	31.38	12.00	IS1	792.49	SCE-42P30	39.00	27.00	116.47
SCE-42SA3216LPPL	42.00	31.38	16.00	IS1	849.45	SCE-42P30	39.00	27.00	116.47
SCE-42SA3808LPPL	42.00	37.38	8.00	IS1	795.01	SCE-42P36	39.00	33.00	136.72
SCE-42SA3810LPPL	42.00	37.38	10.00	IS1	830.47	SCE-42P36	39.00	33.00	136.72
SCE-42SA3812LPPL	42.00	37.38	12.00	IS1	868.44	SCE-42P36	39.00	33.00	136.72
SCE-42SA3816LPPL	42.00	37.38	16.00	IS1	917.82	SCE-42P36	39.00	33.00	136.72
SCE-48SA2610LPPL	48.00	25.38	10.00	IS1	868.44	SCE-48P24	45.00	21.00	98.74
SCE-48SA3808LPPL	48.00	37.38	8.00	IS1	858.30	SCE-48P36	45.00	33.00	154.46
SCE-48SA3810LPPL	48.00	37.38	10.00	IS1	896.29	SCE-48P36	45.00	33.00	154.46
SCE-48SA3812LPPL	48.00	37.38	12.00	IS1	936.81	SCE-48P36	45.00	33.00	154.46
SCE-48SA3816LPPL	48.00	37.38	16.00	IS1	1,015.30	SCE-48P36	45.00	33.00	154.46
SCE-60SA3808LPPL	60.00	37.38	8.00	IS1	979.84	SCE-60P36	57.00	33.00	189.89
SCE-60SA3810LPPL	60.00	37.38	10.00	IS1	1,025.41	SCE-60P36	57.00	33.00	189.89
SCE-60SA3812LPPL	60.00	37.38	12.00	IS1	1,071.00	SCE-60P36	57.00	33.00	189.89
SCE-60SA3816LPPL	60.00	37.38	16.00	IS1	1,159.60	SCE-60P36	57.00	33.00	189.89

[Back to Wall-Mount Enclosures](#)

Phone (989) 799-6871
Fax (989) 799-4524



SINGLE-DOOR ENCLOSURES FOR FLANGE-MOUNTED DISCONNECTS TECHNICAL DATA



SECTION A-A

SUB-PANEL NOTES:
Dimensions are from the inside of the door.
C + .32 [8,1] for flat sub-panels
C - .18 [4,5] for bent sub-panels

DISCONNECT NOTES:
F = 4.75 [121] when C = 8.00 [203]
F = 7.09 [180] when C = 10.00 [254]
F = 11.62 [295] when C = 12.00 [304]
F = 11.62 [295] when C = 16.00 [406]
F = 18.38 [467] for SCE-60SA3824LPPL

HANDLE NOTES:
On enclosures <= 42.00 [1067]
X = 5.50 [140] and use 5.00 [127] padlocking handle with coin-proof.
On enclosures > 42.00 [1067]
X = 6.75 [171] and use 7.00 [178] padlocking handle with coin-proof.

Enclosures with a height dimension < 40.00 [1016] have a 2-point door closing mechanism.

Enclosures with a height dimension of >= 40.00 [1016] have a 3-point door latching mechanism.



Phone (989) 799-6871
Fax (989) 799-4524

Clamp Fastened Single-Door Enclosures For Flange-Mounted Disconnects

Application -

Designed to house most standard type disconnects. For installation information, consult our Installation Manual at www.saginawcontrol.com. For outdoor application a drip shield is recommended.

Construction -

- 0.075" carbon steel.
- Seams continuously welded and ground smooth.
- Continuous hinge with stainless steel hinge pin.
- Stainless steel clamps on three sides of door.
- Flange trough collar around all sides of door opening.
- Interior print pocket.
- Collar studs provided for mounting optional panels.
- Oil-resistant door gasket.
- Disconnect cutout provided on flange.
- Ground stud on door.
- No stiffener required.

Disconnect switch (or circuit breaker) and operating mechanism are not furnished with this enclosure.

Finish -

ANSI-61 gray powder coated inside and out. Optional sub-panels are powder coated white.

IS2 - Industry Standards -

- NEMA Type 4, 12 & Type 13
- UL Listed Type 4 & 12
- CSA Type 4 & 12
- IEC 60529 IP66

CLAMP FASTENED SINGLE-DOOR ENCLOSURES FOR FLANGE-MOUNTED DISCONNECTS

ENCLOSURE PRODUCT CODE A3						SUB-PANEL (P3)			
Catalog No.	Height (A)	Width (B)	Depth (C)	Industry Standard	List Price	Catalog No.	Panel Height (D)	Panel Width (E)	List Price
SCE-24HS2108LP	24.00	21.38	8.00	IS2	456.48	SCE-24P20	21.00	17.00	45.57
SCE-24HS2508LP	24.00	25.38	8.00	IS2	494.10	SCE-24P24	21.00	21.00	53.18
SCE-30HS2508LP	30.00	25.38	8.00	IS2	546.77	SCE-30P24	27.00	21.00	63.29
SCE-36HS2508LP	36.00	25.38	8.00	IS2	601.95	SCE-36P24	33.00	21.00	75.96
SCE-36HS3108LP	36.00	31.38	8.00	IS2	677.19	SCE-36P30	33.00	27.00	101.27
SCE-36HS3112LP	36.00	31.38	12.00	IS2	749.93	SCE-36P30	33.00	27.00	101.27
SCE-42HS3112LP	42.00	31.38	12.00	IS2	822.67	SCE-42P30	39.00	27.00	116.47
SCE-42HS3712LP	42.00	37.38	12.00	IS2	915.47	SCE-42P36	39.00	33.00	136.72
SCE-48HS3712LP	48.00	37.38	12.00	IS2	995.72	SCE-48P36	45.00	33.00	154.46
SCE-60HS3712LP	60.00	37.38	12.00	IS2	1,158.75	SCE-60P36	57.00	33.00	189.89



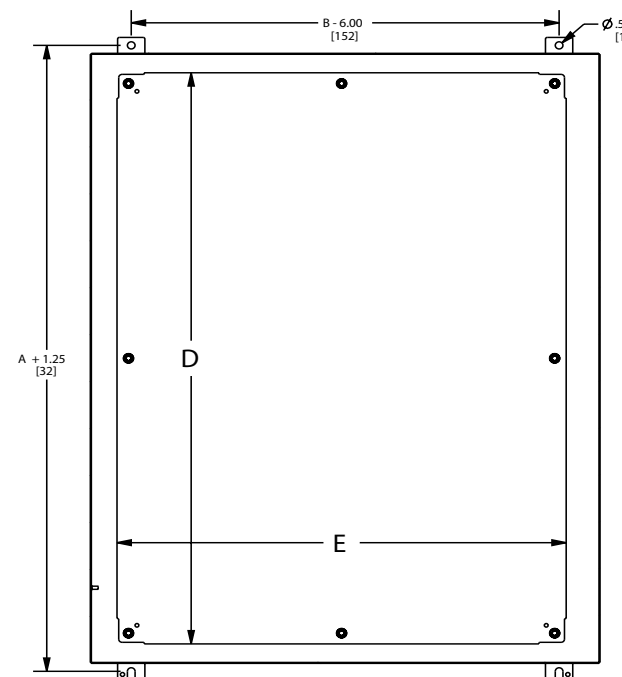
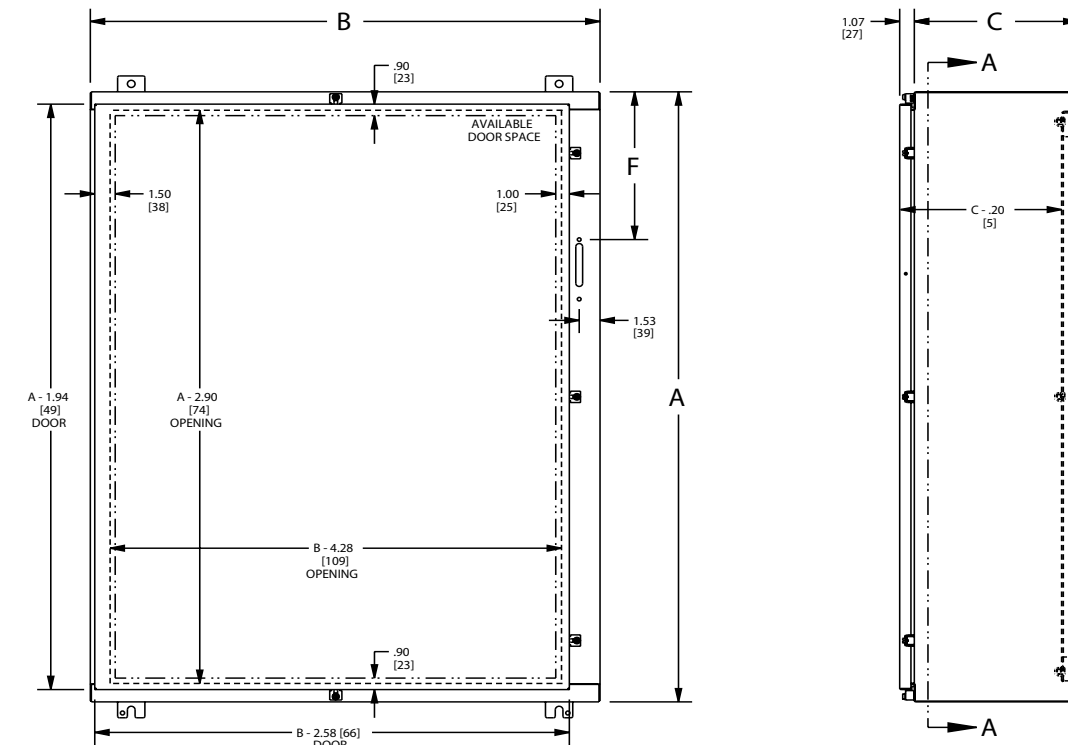
[Back to Wall-Mount Enclosures](#)

Phone (989) 799-6871
Fax (989) 799-4524



CLAMP FASTENED SINGLE-DOOR ENCLOSURES FOR FLANGE-MOUNTED DISCONNECTS

TECHNICAL DATA



SECTION A-A

DISCONNECT NOTES:
F = 8.63 [219] when C = 8.00 [203]
F = 11.63 [295] when C = 12.00 [304]

CLAMPING NOTES:
Enclosures < 27.00 [686] in height require two clamps on door.
Enclosures >= 27.00 [686] in height require three clamps on door.
Omit center clamp top and bottom of door when door width is <= 30.00 [762]



Phone (989) 799-6871
Fax (989) 799-4524

Vented Type 3R Disconnect Enclosure

Application -

Designed to house electrical controls, drives, instruments and components used in an outdoor environment to provide a degree of protection for the equipment inside the enclosure against ingress of solid foreign objects (falling dirt); and provide a degree of protection with respect to the harmful effects on the equipment due to the ingress of water (rain, sleet, snow). Designed to house most standard disconnects. For installation information, consult our Installation Manual at www.saginawcontrol.com.

Construction -

- 0.075" galvanized steel.
- 3-point latching mechanism.
- Provisions for sub-panel.
- Doors open 180 degrees.
- Disconnect cutout provided on flange.
- Concealed hinges.
- Vented top hood with bug screen.
- Top mounted fans.
- Vented rain hood with filter kits in door.
- Din Rail mounting provisions inside top for installation of thermostat and terminals.
- Oil resistant gasket.
- Ground studs on door and body.
- Mounting holes for optional mounting straps.
- 3/8-16 grounding kit.
- Sub-panel mounting hardware included.
- 115 volt fan.
- Black zinc die cast coinproof/padlocking handle.

Finish -

White powder coated inside and out. Optional sub-panels are powder coated white.

IS7 - Industry Standards -

- NEMA Type 3R
- UL Listed Type 3R
- CSA Type 3R
- IEC 60529 IP32

VENTED TYPE 3R ENCLOSURES FOR FLANGE-MOUNTED DISCONNECTS

ENCLOSURE PRODUCT CODE N3											
Catalog No.	Height (A)	Width (B)	Depth (C)	Fan Size	Fan Qty.	System CFM	Filter Size	Filter Qty.	Industry Standard	List Price	Sub-Panel
SCE-47XVR2514	47.00	25.38	14.00	10"	1	300	FLT66	2	IS7	1,217.47	SCE-42P24
SCE-53XVR3716	53.00	37.38	16.00	10"	1	300	FLT88	2	IS7	1,852.57	SCE-48P36
SCE-65XVR3716	65.00	37.38	16.00	10"	2	600	FLT88	2	IS7	2,073.52	SCE-60P36

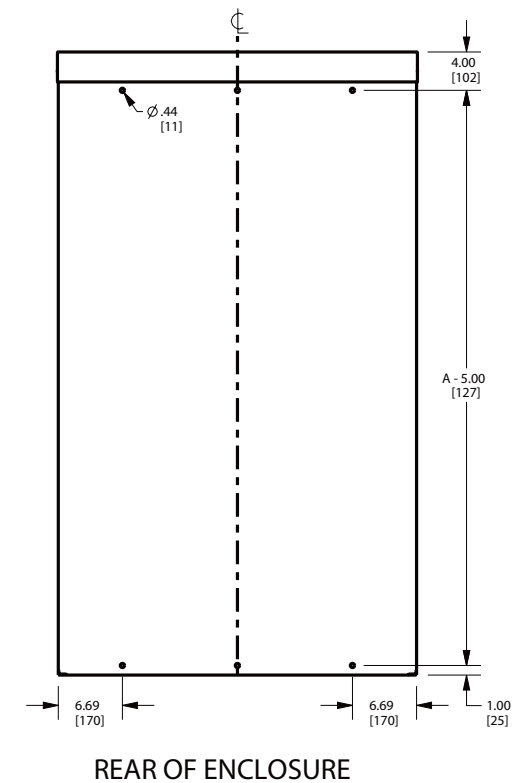
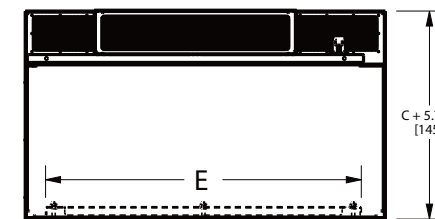
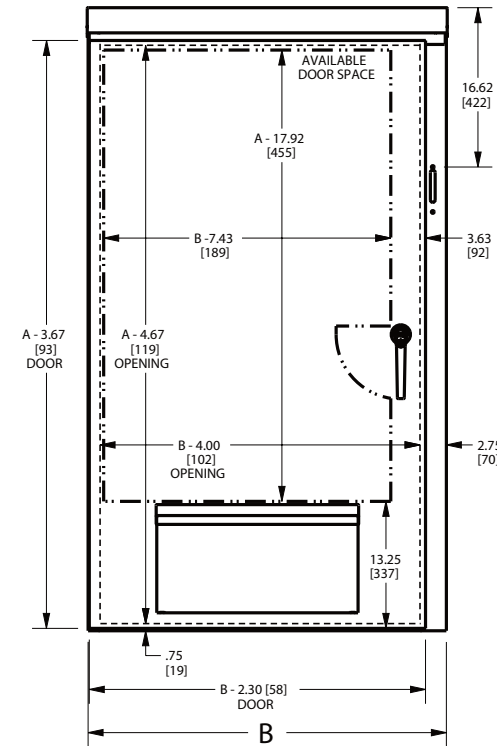


[Back to Wall-Mount Enclosures](#)

Phone (989) 799-6871
Fax (989) 799-4524



VENTED TYPE 3R DISCONNECT ENCLOSURES TECHNICAL DATA



Phone (989) 799-6871
Fax (989) 799-4524

Vented Type 3R Enclosure

Application -

Designed to house electrical controls, drives, instruments and components used in an outdoor environment to provide a degree of protection for the equipment inside the enclosure against ingress of solid foreign objects (falling dirt); and provide a degree of protection with respect to the harmful effects on the equipment due to the ingress of water (rain, sleet, snow). For installation information, consult our Installation Manual at www.saginawcontrol.com.

Construction -

- 0.075" galvanized steel.
- Black quarter turn latches and padlock wing knob.
- Provisions for sub-panel.
- Doors open 180 degrees.
- Concealed hinges.
- Vented top hood with bug screen.
- Top mounted fans.
- Vented rain hood with filter kits in door.
- Din Rail mounting provisions inside top for installation of thermostat and terminals.
- Oil resistant gasket.
- Ground studs on door and body.
- Mounting holes for optional mounting straps.
- 3/8-16 grounding kit.
- Sub-panel mounting hardware included.
- 115 volt fan.

Finish -

White powder coated inside and out. Optional sub-panels are powder coated white.

IS7 - Industry Standards -

- NEMA Type 3R
- UL Listed Type 3R
- CSA Type 3R
- IEC 60529 IP32

VENTED TYPE 3R ENCLOSURES

ENCLOSURE PRODUCT CODE N3											
Catalog No.	Height (A)	Width (B)	Depth (C)	Fan Size	Fan Qty.	System CFM	Filter Size	Filter Qty.	Industry Standard	List Price	Sub-Panel
SCE-29VR2412	29.00	24.00	12.00	6"	1	107	FLT66	2	IS7	672.08	SCE-24P24
SCE-35VR2412	35.00	24.00	12.00	6"	1	107	FLT66	2	IS7	751.88	SCE-30P24
SCE-41VR2412	41.00	24.00	12.00	6"	1	107	FLT66	2	IS7	850.26	SCE-36P24
SCE-47VR2414	47.00	24.00	14.00	10"	1	300	FLT66	2	IS7	1,027.03	SCE-42P24
SCE-53VR3616	53.00	36.00	16.00	10"	1	300	FLT88	2	IS7	1,652.13	SCE-48P36
SCE-65VR3616	65.00	36.00	16.00	10"	2	600	FLT88	2	IS7	1,868.78	SCE-60P36

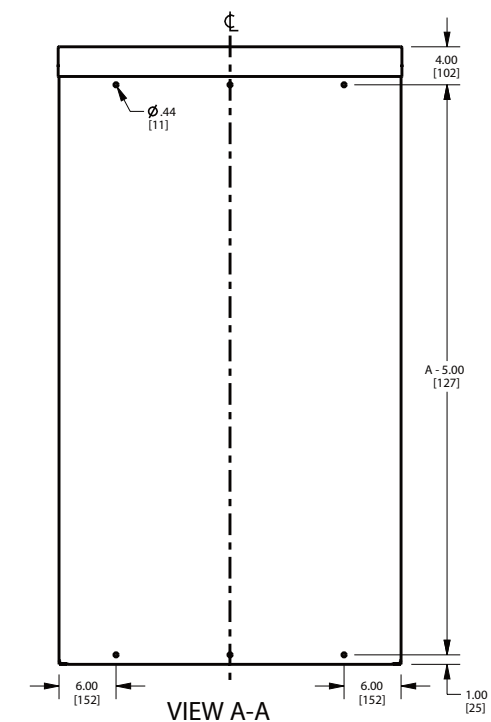
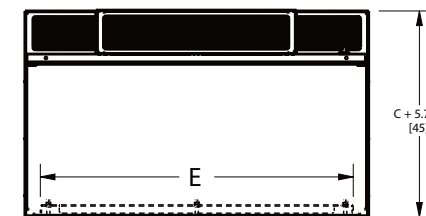
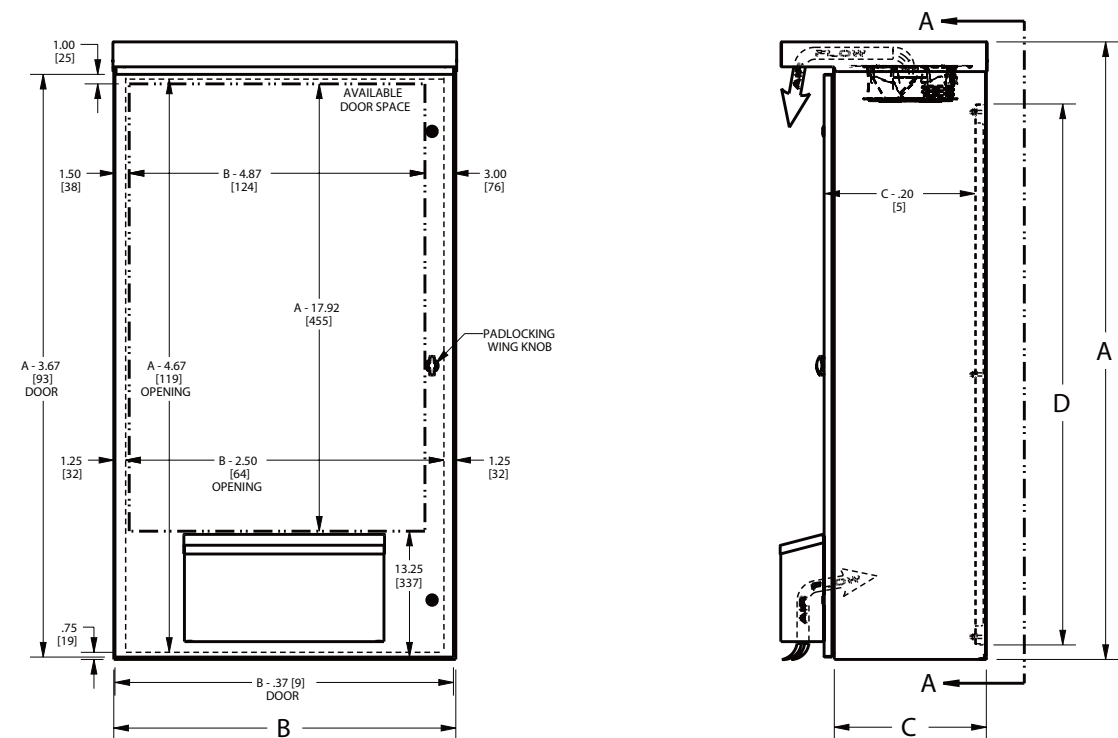


[Back to Wall-Mount Enclosures](#)

Phone (989) 799-6871
Fax (989) 799-4524



VENTED TYPE 3R ENCLOSURES TECHNICAL DATA



Phone (989) 799-6871
Fax (989) 799-4524

Hinged Cover Type 3R Enclosures

Application -

Designed to house electrical controls, instruments and components in an outdoor environment. Protects against rain, sleet and snow. For installation information, consult our Installation Manual at www.saginawcontrol.com.

Construction -

- 0.048", 0.060" & 0.075" galvanized steel.
- Concealed hinges.
- Spot weld construction.
- Rain cap.
- Mounting hole in back of enclosure.
- Provisions for sub-panel.
- Black quarter turn latches.
- Doors open 180 degrees.
- Black quarter turn latch with padlocking provisions.
- Oil resistant gasket.
- Ground studs on door and body.
- 3/8-16 grounding kit.
- Sub-panel mounting hardware included.

Options -

Optional mounting straps or mounting foot kits available.

Finish -

ANSI-61 gray powder coat inside and out. Optional sub-panels are powder coated white.

IS7 - Industry Standards -

- NEMA Type 3R
- UL Listed Type 3R
- CSA Type 3R
- IEC 60529 IP32

HINGED COVER TYPE 3R ENCLOSURES

ENCLOSURE PRODUCT CODE N3					SUB-PANEL (P3)				
Catalog No.	Height (A)	Width (B)	Depth (C)	Industry Standard	List Price	Catalog No.	Panel Height (D)	Panel Width (E)	List Price
SCE-12R1206LP	12.00	12.00	6.00	IS7	76.66	SCE-12DLP12	9.00	9.00	13.67
SCE-12R1208LP	12.00	12.00	8.00	IS7	80.71	SCE-12DLP12	9.00	9.00	13.67
SCE-16R1206LP	16.00	12.00	6.00	IS7	99.88	SCE-16P12	13.00	9.00	14.81
SCE-16R1208LP	16.00	12.00	8.00	IS7	104.67	SCE-16P12	13.00	9.00	14.81
SCE-20R1606LP	20.00	16.00	6.00	IS7	134.15	SCE-20P16	17.00	13.00	30.37
SCE-20R1608LP	20.00	16.00	8.00	IS7	140.54	SCE-20P16	17.00	13.00	30.37
SCE-24R2006LP	24.00	20.00	6.00	IS7	205.54	SCE-24P20	21.00	17.00	45.57
SCE-24R2008LP	24.00	20.00	8.00	IS7	215.39	SCE-24P20	21.00	17.00	45.57
SCE-24R2012LP	24.00	20.00	12.00	IS7	231.21	SCE-24P20	21.00	17.00	45.57
SCE-24R2016LP	24.00	20.00	16.00	IS7	250.38	SCE-24P20	21.00	17.00	45.57
SCE-30R2408LP	30.00	24.00	8.00	IS7	284.18	SCE-30P24	27.00	21.00	63.29
SCE-30R2412LP	30.00	24.00	12.00	IS7	300.86	SCE-30P24	27.00	21.00	63.29
SCE-30R2416LP	30.00	24.00	16.00	IS7	322.06	SCE-30P24	27.00	21.00	63.29
SCE-36R2408LP	36.00	24.00	8.00	IS7	416.42	SCE-36P24	33.00	21.00	75.96
SCE-36R2412LP	36.00	24.00	12.00	IS7	435.69	SCE-36P24	33.00	21.00	75.96
SCE-36R2416LP	36.00	24.00	16.00	IS7	454.97	SCE-36P24	33.00	21.00	75.96
SCE-36R3008LP	36.00	30.00	8.00	IS7	442.40	SCE-36P30	33.00	27.00	101.27
SCE-36R3012LP	36.00	30.00	12.00	IS7	463.04	SCE-36P30	33.00	27.00	101.27
SCE-36R3016LP	36.00	30.00	16.00	IS7	482.10	SCE-36P30	33.00	27.00	101.27
SCE-42R3012LP	42.00	30.00	12.00	IS7	522.38	SCE-42P30	39.00	27.00	116.47
SCE-42R3016LP	42.00	30.00	16.00	IS7	549.06	SCE-42P30	39.00	27.00	116.47

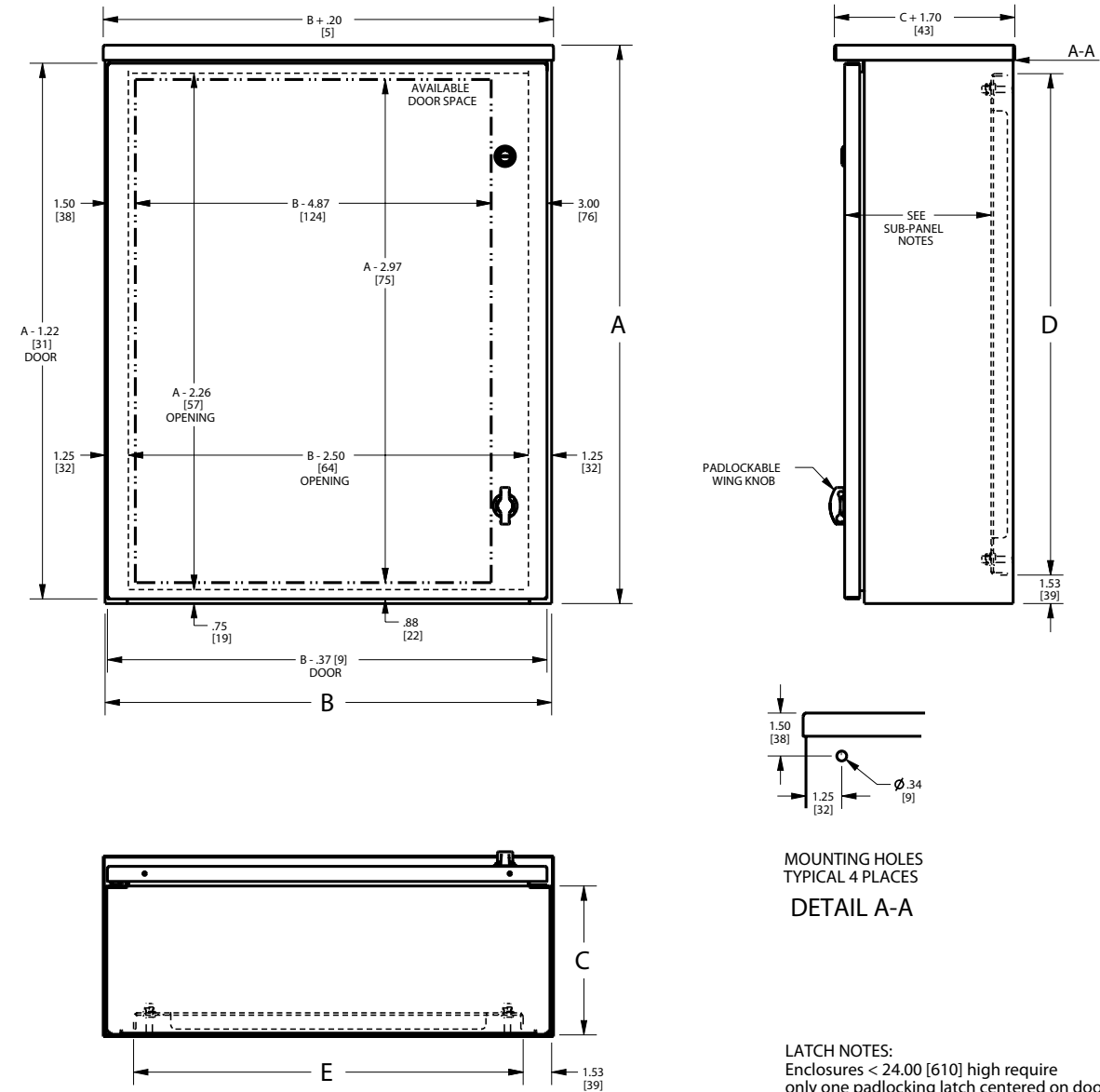


[Back to Wall-Mount Enclosures](#)

Phone (989) 799-6871
Fax (989) 799-4524



HINGED COVER TYPE 3R ENCLOSURES TECHNICAL DATA



Phone (989) 799-6871
Fax (989) 799-4524

Screw Cover Type 3R Enclosures

Application -

Designed to house electrical controls, instruments and components in an outdoor environment. Protects against rain, sleet and snow. For installation information, consult our Installation Manual at www.saginawcontrol.com.

Construction -

- 0.048" & 0.063" galvanized steel.
- Spot weld construction.
- Rain cap.
- Mounting hole in back of enclosure.
- Slip on removable screw.
- Padlocking provisions.
- No gasket.
- No sub-panel or provisions.
- Ground studs on door and body.

Options -

Optional mounting straps available.

Finish -

ANSI-61 gray powder coated inside and out.

IS7 - Industry Standards -

- NEMA Type 3R
- UL Listed Type 3R
- CSA Type 3R
- IEC 60529 IP32



SCREW COVER TYPE 3R ENCLOSURES

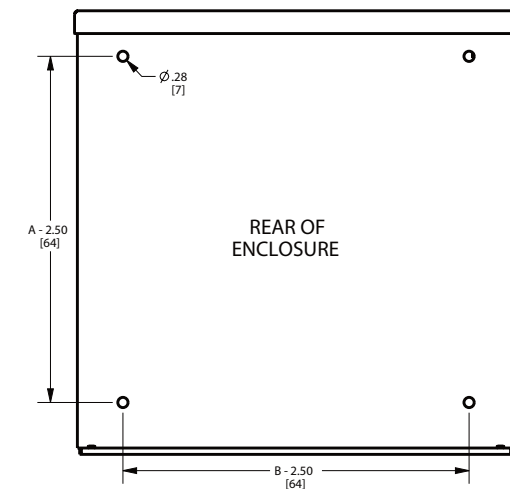
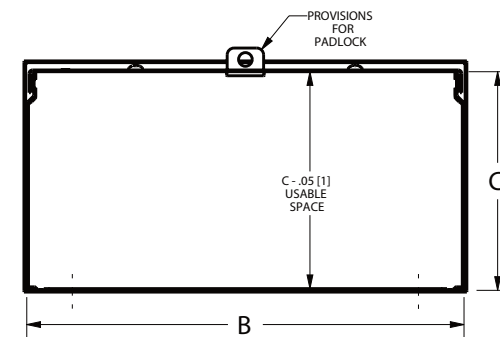
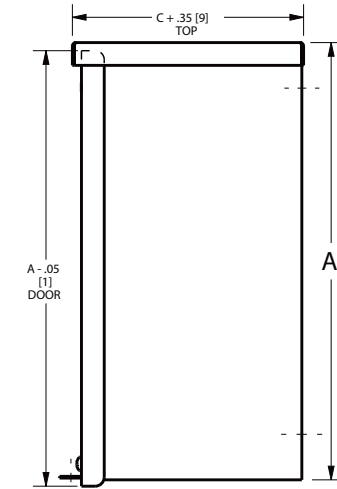
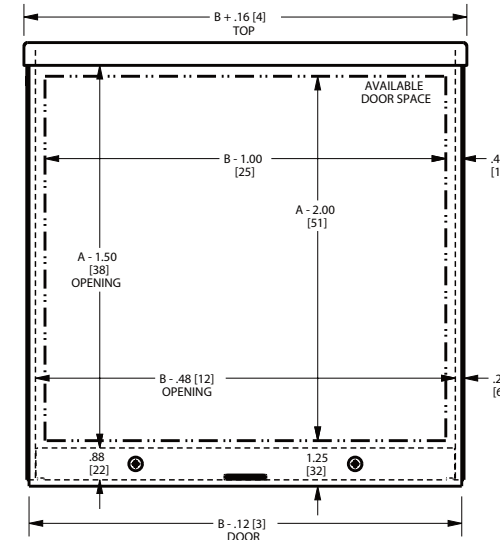
ENCLOSURE PRODUCT CODE N3					
Catalog No.	Height (A)	Width (B)	Depth (C)	Industry Standard	List Price
SCE-4R44	4.00	4.00	4.00	IS7	53.90
SCE-6R64	6.00	6.00	4.00	IS7	56.94
SCE-6R66	6.00	6.00	6.00	IS7	59.27
SCE-8R64	8.00	6.00	4.00	IS7	64.61
SCE-8R66	8.00	6.00	6.00	IS7	70.97
SCE-10R84	10.00	8.00	4.00	IS7	79.20
SCE-10R86	10.00	8.00	6.00	IS7	84.11
SCE-10R104	10.00	10.00	4.00	IS7	95.08
SCE-10R106	10.00	10.00	6.00	IS7	111.58
SCE-12R104	12.00	10.00	4.00	IS7	119.50
SCE-12R106	12.00	10.00	6.00	IS7	124.41
SCE-12R124	12.00	12.00	4.00	IS7	130.75
SCE-12R126	12.00	12.00	6.00	IS7	139.17

[Back to Wall-Mount Enclosures](#)

Phone (989) 799-6871
Fax (989) 799-4524



SCREW COVER TYPE 3R ENCLOSURES TECHNICAL DATA



Phone (989) 799-6871
Fax (989) 799-4524

General Purpose Type 1 Enclosures

Application -

Designed to house electrical controls, instruments and components in areas that do not require oil, water and dust tight protection. For installation information, consult our Installation Manual at www.saginawcontrol.com.

Construction -

- 0.048", 0.060" & 0.075" carbon steel depending on its size.
- Spot weld construction.
- Standoffs provided for mounting optional sub-panels.
- Butt hinge.
- Doors open 180 degrees.
- Black quarter turn latches.
- Latches are opened or closed with a screwdriver.
- Ground stud on door.
- Mounting holes in back of enclosure.
- Sub-panel mounting hardware included.

Options -

- Tamper-resistant inserts available.
- Optional mounting straps available

Finish -

ANSI-61 gray powder coated inside and out. Optional sub-panels are powder coated white.

IS8 - Industry Standards -

- NEMA Type 1
- UL Listed Type 1
- CSA Type 1
- IEC 60529 IP30



GENERAL PURPOSE TYPE 1 ENCLOSURES

ENCLOSURE PRODUCT CODE N1					SUB-PANEL (N1)				
Catalog No.	Height (A)	Width (B)	Depth (C)	Industry Standard	List Price	Catalog No.	Panel Height (D)	Panel Width (E)	List Price
SCE-6N604LP	6.00	6.00	4.00	IS8	30.27	SCE-6N6MP	4.00	4.00	2.82
SCE-8N604LP	8.00	6.00	4.00	IS8	33.04	SCE-8N6MP	6.00	4.00	3.26
SCE-8N804LP	8.00	8.00	4.00	IS8	36.68	SCE-8N8MP	6.00	6.00	3.82
SCE-8N806LP	8.00	8.00	6.00	IS8	41.28	SCE-8N8MP	6.00	6.00	3.82
SCE-10N804LP	10.00	8.00	4.00	IS8	40.29	SCE-10N8MP	8.00	6.00	4.46
SCE-10N806LP	10.00	8.00	6.00	IS8	45.52	SCE-10N8MP	8.00	6.00	4.46
SCE-10N1004LP	10.00	10.00	4.00	IS8	40.92	SCE-10N10MP	8.00	8.00	5.27
SCE-10N1006LP	10.00	10.00	6.00	IS8	50.23	SCE-10N10MP	8.00	8.00	5.27
SCE-12N1004LP	12.00	10.00	4.00	IS8	48.44	SCE-12N10MP	10.00	8.00	6.03
SCE-12N1006LP	12.00	10.00	6.00	IS8	54.80	SCE-12N10MP	10.00	8.00	6.03
SCE-12N1204LP	12.00	12.00	4.00	IS8	53.05	SCE-12N12MP	10.00	10.00	7.10
SCE-12N1206LP	12.00	12.00	6.00	IS8	60.13	SCE-12N12MP	10.00	10.00	7.10
SCE-12N1208LP	12.00	12.00	8.00	IS8	67.14	SCE-12N12MP	10.00	10.00	7.10
SCE-14N1204LP	14.00	12.00	4.00	IS8	57.79	SCE-14N12MP	12.00	10.00	7.92
SCE-14N1206LP	14.00	12.00	6.00	IS8	65.46	SCE-14N12MP	12.00	10.00	7.92
SCE-14N1208LP	14.00	12.00	8.00	IS8	73.08	SCE-14N12MP	12.00	10.00	7.92
SCE-16N1206LP	16.00	12.00	6.00	IS8	98.04	SCE-16N12MP	14.00	10.00	11.58
SCE-16N1208LP	16.00	12.00	8.00	IS8	106.84	SCE-16N12MP	14.00	10.00	11.58
SCE-16N1606LP	16.00	16.00	6.00	IS8	109.57	SCE-16N16MP	14.00	14.00	19.21
SCE-16N1608LP	16.00	16.00	8.00	IS8	119.19	SCE-16N16MP	14.00	14.00	19.21
SCE-16N2006LP	16.00	20.00	6.00	IS8	121.09	SCE-20N16MP	18.00	14.00	21.62
SCE-20N1606LP	20.00	16.00	6.00	IS8	121.09	SCE-20N16MP	18.00	14.00	21.62
SCE-20N1608LP	20.00	16.00	8.00	IS8	132.41	SCE-20N16MP	18.00	14.00	21.62
SCE-20N2006LP	20.00	20.00	6.00	IS8	132.99	SCE-20N20MP	18.00	18.00	27.84
SCE-20N2008LP	20.00	20.00	8.00	IS8	145.52	SCE-20N20MP	18.00	18.00	27.84
SCE-20N2010LP	20.00	20.00	10.00	IS8	158.06	SCE-20N20MP	18.00	18.00	27.84
SCE-24N1606LP	24.00	16.00	6.00	IS8	131.91	SCE-24N16MP	22.00	14.00	22.89
SCE-24N2006LP	24.00	20.00	6.00	IS8	147.17	SCE-24N20MP	22.00	18.00	31.67
SCE-24N2008LP	24.00	20.00	8.00	IS8	161.03	SCE-24N20MP	22.00	18.00	31.67
SCE-24N2010LP	24.00	20.00	10.00	IS8	174.83	SCE-24N20MP	22.00	18.00	31.67
SCE-24N2406LP	24.00	24.00	6.00	IS8	149.12	SCE-24N24MP	22.00	22.00	36.97
SCE-24N2408LP	24.00	24.00	8.00	IS8	164.32	SCE-24N24MP	22.00	22.00	36.97
SCE-24N2412LP	24.00	24.00	12.00	IS8	194.33	SCE-24N24MP	22.00	22.00	36.97
SCE-30N2406LP	30.00	24.00	6.00	IS8	165.84	SCE-30N24MP	28.00	22.00	43.99
SCE-30N2408LP	30.00	24.00	8.00	IS8	184.23	SCE-30N24MP	28.00	22.00	43.99
SCE-30N2412LP	30.00	24.00	12.00	IS8	216.79	SCE-30N24MP	28.00	22.00	43.99
SCE-30N3008LP	30.00	30.00	8.00	IS8	207.99	SCE-30N30MP	28.00	28.00	58.07
SCE-36N2406LP	36.00	24.00	6.00	IS8	192.87	SCE-36N24MP	34.00	22.00	52.80
SCE-36N2408LP	36.00	24.00	8.00	IS8	211.73	SCE-36N24MP	34.00	22.00	52.80
SCE-36N2412LP	36.00	24.00	12.00	IS8	245.16	SCE-36N24MP	34.00	22.00	52.80
SCE-36N3006LP	36.00	30.00	6.00	IS8	211.16	SCE-36N30MP	34.00	28.00	70.39
SCE-36N3008LP	36.00	30.00	8.00	IS8	231.98	SCE-36N30MP	34.00	28.00	70.39
SCE-36N3012LP	36.00	30.00	12.00	IS8	273.50	SCE-36N30MP	34.00	28.00	70.39

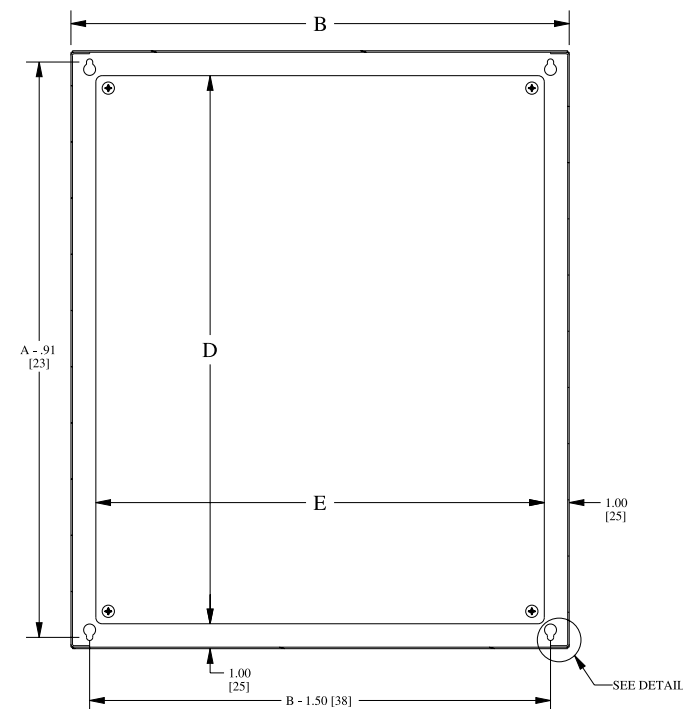
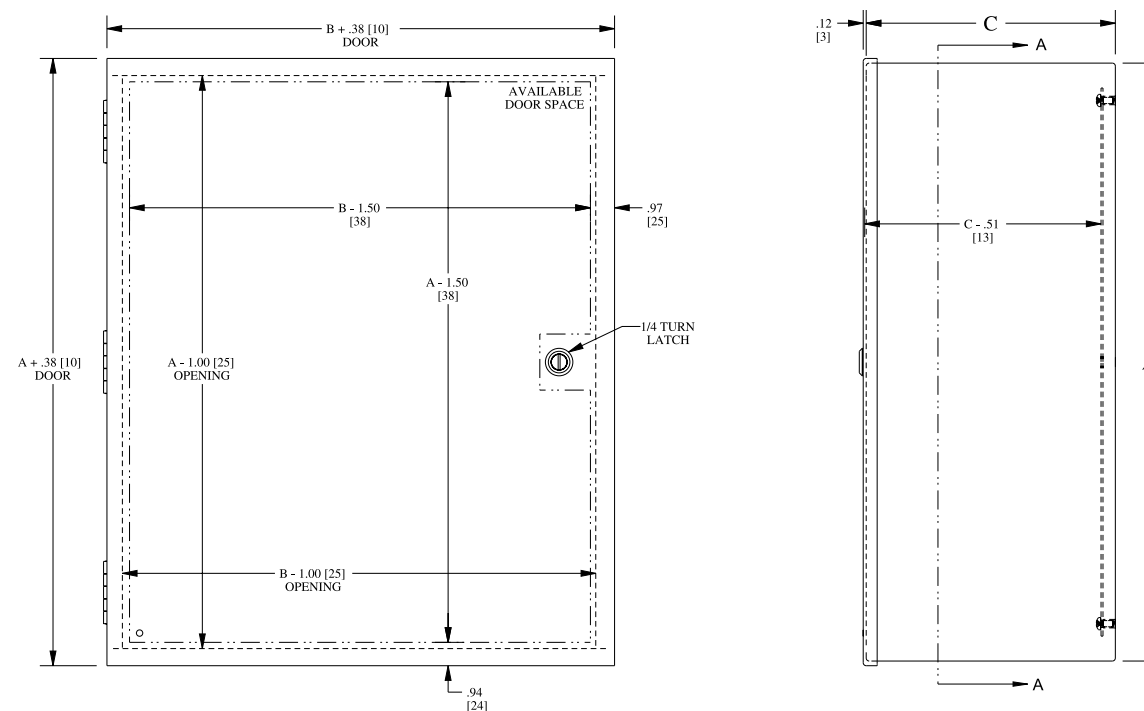
*Perforated sub-panels available in the accessory section.

Back to Wall-Mount Enclosures

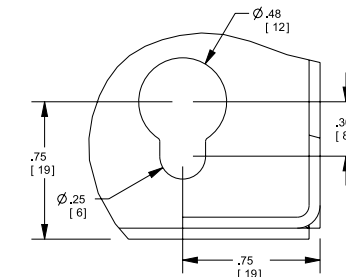
Phone (989) 799-6871
Fax (989) 799-4524



GENERAL PURPOSE TYPE 1 ENCLOSURES TECHNICAL DATA



CONSTRUCTION NOTES:
Enclosures < 24.00" [610] wide are made of 0.060" [2] material.
Enclosures => 24.00" [610] wide are made of 0.075" [2] material.



DETAIL A

SECTION A-A



Phone (989) 799-6871
Fax (989) 799-4524

General Purpose Type 1 Enclosures with Knockouts

Application-

Designed to house electrical controls, instruments and components in areas that do not require oil, water and dust tight protection. For installation information, consult our Installation Manual at www.saginawcontrol.com.

Construction -

- 0.048", 0.063" & 0.075" carbon steel depending on its size.
- Spot weld construction.
- Knockouts provided in the top, bottom, right and left side.
- Standoffs provided for mounting optional sub-panels.
- Butt hinge.
- Doors open 180 degrees.
- Keylocking quarter turn latch.
- Ground stud on door.
- Mounting holes in back of enclosure.
- Sub-panel with 2" x 2" mounting grid pattern included.

Options -

Optional mounting feet available.

Finish -

Precaution Blue, Safety Orange or Taupe Tan powder coat finish inside and out. Sub-panels are powder coated white.

IS8 - Industry Standards -

- NEMA Type 1
- UL Listed Type 1
- CSA Type 1
- IEC 60529 IP30

GENERAL PURPOSE TYPE 1 ENCLOSURES WITH KNOCKOUTS

Catalog No.	ENCLOSURE PRODUCT CODE N1					SUB-PANEL (N1)		
	Height (A)	Width (B)	Depth (C)	Industry Standard	List Price	Panel Height (D)	Panel Width (E)	List Price
SCE-18N1606NK-T	18.00	16.00	6.00	IS8	128.86	16.00	14.00	Included
SCE-18N1606NK-B	18.00	16.00	6.00	IS8	128.86	16.00	14.00	Included
SCE-18N1606NK-O	18.00	16.00	6.00	IS8	128.86	16.00	14.00	Included
SCE-24N2006NK-T	24.00	20.00	6.00	IS8	152.30	22.00	18.00	Included
SCE-24N2006NK-B	24.00	20.00	6.00	IS8	152.30	22.00	18.00	Included
SCE-24N2006NK-O	24.00	20.00	6.00	IS8	152.30	22.00	18.00	Included
SCE-36N2406NK-T	36.00	24.00	6.00	IS8	234.30	34.00	22.00	Included
SCE-36N2406NK-B	36.00	24.00	6.00	IS8	234.30	34.00	22.00	Included
SCE-36N2406NL-T*	36.00	24.00	6.00	IS17	201.28	34.00	22.00	Included
SCE-36N2406NL-B*	36.00	24.00	6.00	IS17	201.28	34.00	22.00	Included
SCE-36N2406NL-O*	36.00	24.00	6.00	IS17	201.28	34.00	22.00	Included

*UL-Non UL Listed 16 ga enclosures.

Note: Part Numbers ending in the letter:
 (B) Precaution Blue
 (O) RAL 8023 Orange
 (T) Taupe Tan

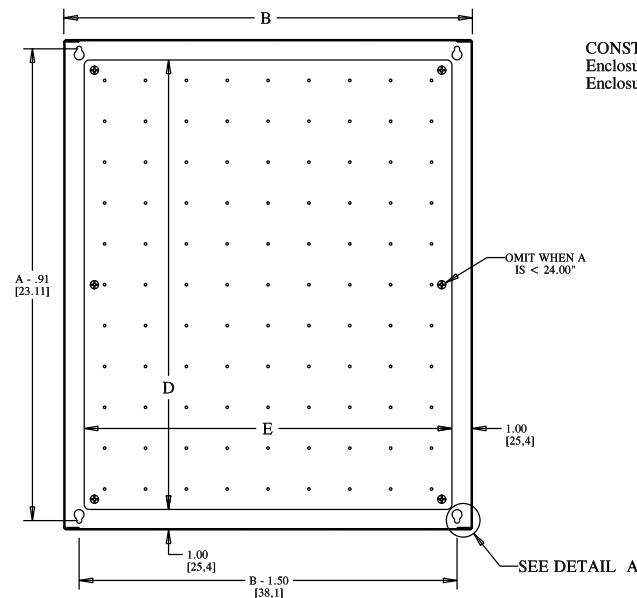
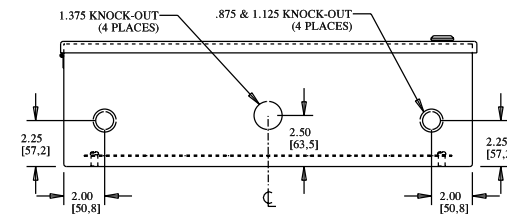
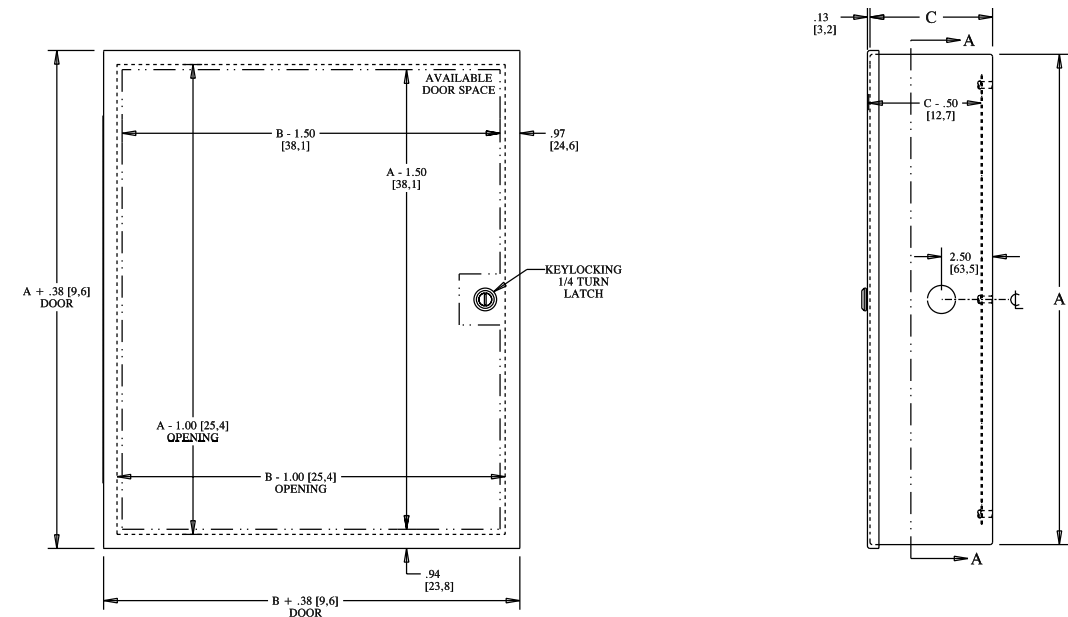


Back to Wall-Mount Enclosures

Phone (989) 799-6871
 Fax (989) 799-4524

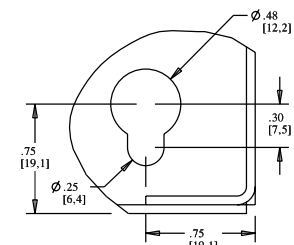


GENERAL PURPOSE TYPE 1 ENCLOSURES WITH KNOCKOUTS TECHNICAL DATA



SECTION A-A

CONSTRUCTION NOTES:
 Enclosures < 24.00" [609.6] wide are made of 0.060" [1.5] material.
 Enclosures = > 24.00" [609.6] wide are made of 0.075" [1.9] material.



DETAIL A



Phone (989) 799-6871
 Fax (989) 799-4524

NOTES

Phone (989) 799-6871
Fax (989) 799-4524



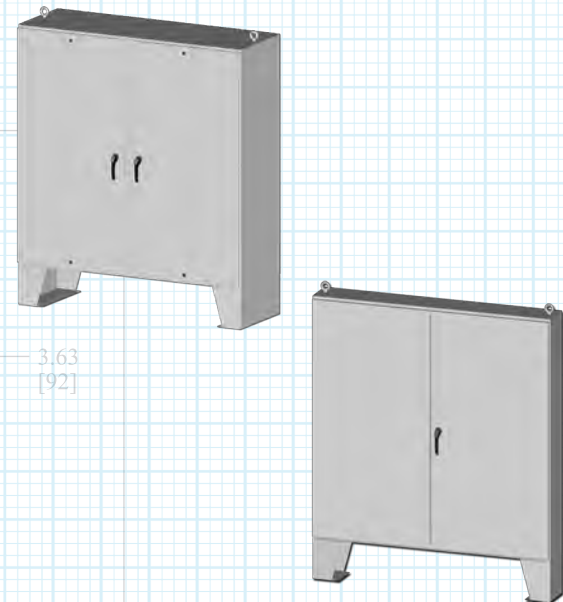
NOTES

Phone (989) 799-6871
Fax (989) 799-4524



Free-Standing & Floor Mounted Enclosures

Enviroline® Series Two-Door Enclosures 104 – 105



Overlapping Two-Door Enclosures 106 – 107

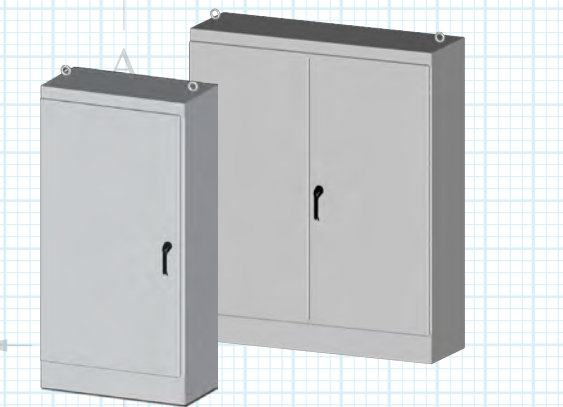


A - 9.50 [241] DOOR
A - 12.00 [305] OPENING

Free-Standing Single-Door, Two-Door, and Dual Access Enclosures 108 – 115



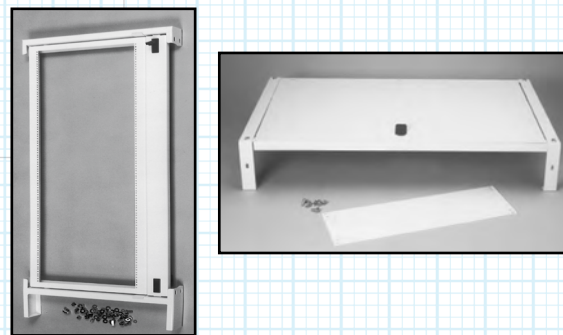
B - 3.25 [83] OPENING



Free-Standing Enclosure Accessories 116 – 123



7.50 [191]
1.13 [29]
B - 1.06 [25] DOOR



[Back to Table of Contents](#)

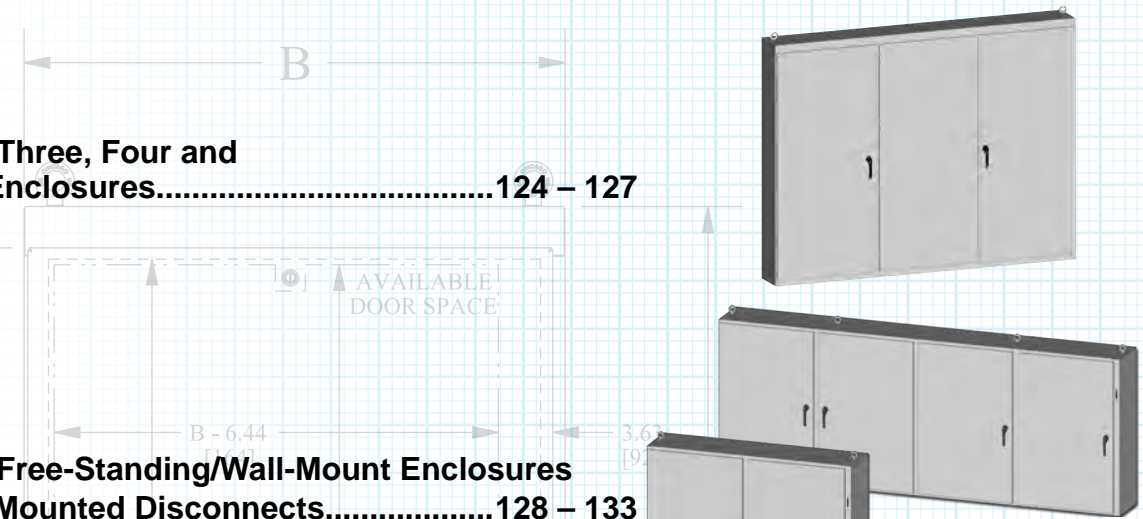


Phone (989) 799-6871
Fax (989) 799-4524



Free-Standing & Floor Mounted Enclosures

Multi-Door Three, Four and Five Door Enclosures 124 – 127



Multi-Door Free-Standing/Wall-Mount Enclosures for Flange-Mounted Disconnects 128 – 133



A - 9.50 [241] DOOR
A - 12.00 [305] OPENING

Enviroline® Series Two-Door Enclosures for Flange-Mounted Disconnects 134 – 135



Heavy Duty Free-Standing Enclosures for Flange-Disconnect Single, Two, Three, Four, Five and Six Door Enclosures 136 – 143



B - 3.25 [83] OPENING
1.63 [41]
7.50 [191]
1.13 [29]
B - 1.06 [25] DOOR



Phone (989) 799-6871
Fax (989) 799-4524



[Back to Table of Contents](#)

Enviroline® Series Two-Door Enclosures With 3-Point Hardware

Application -

Designed to house electrical and electronic controls, instrumentation and components in indoor & outdoor locations. For outdoor applications a drip shield is recommended. For installation information, consult our Installation Manual at www.saginawcontrol.com.

Construction -

- 0.104" carbon steel.
- Seams continuously welded and ground smooth.
- Flange trough collar around all sides of door opening.
- Removable center post.
- Heavy duty lifting eyes anchored into reinforced top.
- Body stiffeners.
- Concealed hinges.
- Black keylocking/padlocking handles.
- 3-point latching mechanism.
- Removable print pocket on main door.
- 12" removable floor stands.
- Panel supports.
- Black quarter turn latches as required.
- Provisions for mechanical interlock.
- Oil & water resistant gasket.
- Ground stud on door and body.

Options -

Provisions for mechanical interlock. See Accessory section to order.

Finish -

ANSI-61 gray powder coated inside and out. Optional sub-panels are powder coated white.

IS4 - Industry Standards -

- NEMA Type 3R, 4, 12 & Type 13
- UL Listed Type 3R, 4, & 12
- CSA Type 3R, 4 & 12
- IEC 60529 IP66

***Special Instructions apply for IS3, IS4 and IS6 to maintain the environmental rating of Type 3R for these parts. See the Special Instructions on the Industry Standards page in the Technical Information Section.

ENVIROLINE® SERIES TWO-DOOR ENCLOSURES WITH 3-POINT HARDWARE

ENCLOSURE PRODUCT CODE E2						SUB-PANEL (P3)			
Catalog No.	Height (A)	Width (B)	Depth (C)	Industry Standard	List Price	Catalog No.	Panel Height (D)	Panel Width (E)	List Price
SCE-60EL4812LPPL	60.00	48.00	12.00	IS4	1,997.80	SCE-60P48	56.00	44.00	268.38
SCE-60EL4818LPPL	60.00	48.00	18.00	IS4	2,037.17	SCE-60P48	56.00	44.00	268.38
SCE-60EL6012LPPL	60.00	60.00	12.00	IS4	2,189.71	SCE-60P60	56.00	56.00	331.68
SCE-60EL6018LPPL	60.00	60.00	18.00	IS4	2,229.09	SCE-60P60	56.00	56.00	331.68
SCE-72EL6012LPPL	72.00	60.00	12.00	IS4	2,448.04	SCE-72P60	68.00	56.00	394.98
SCE-72EL6018LPPL	72.00	60.00	18.00	IS4	2,478.80	SCE-72P60	68.00	56.00	394.98
SCE-72EL7212LPPL	72.00	72.00	12.00	IS4	2,743.30	SCE-72P72	68.00	68.00	470.93
SCE-72EL7218LPPL	72.00	72.00	18.00	IS4	2,817.10	SCE-72P72	68.00	68.00	470.93
SCE-72EL7224LPPL	72.00	72.00	24.00	IS4	3,186.15	SCE-72P72	68.00	68.00	470.93

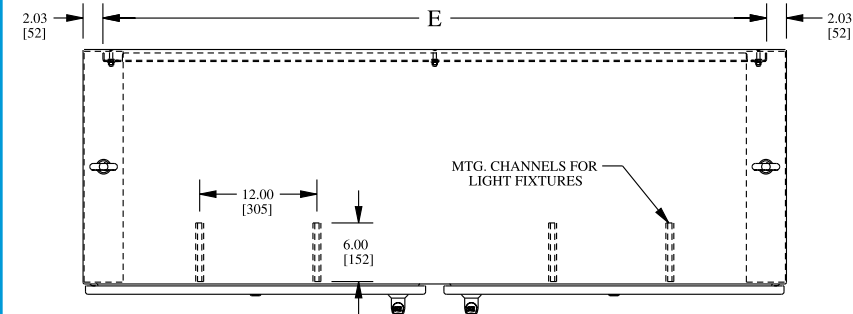


[Back to Free-Standing Enclosures](#)

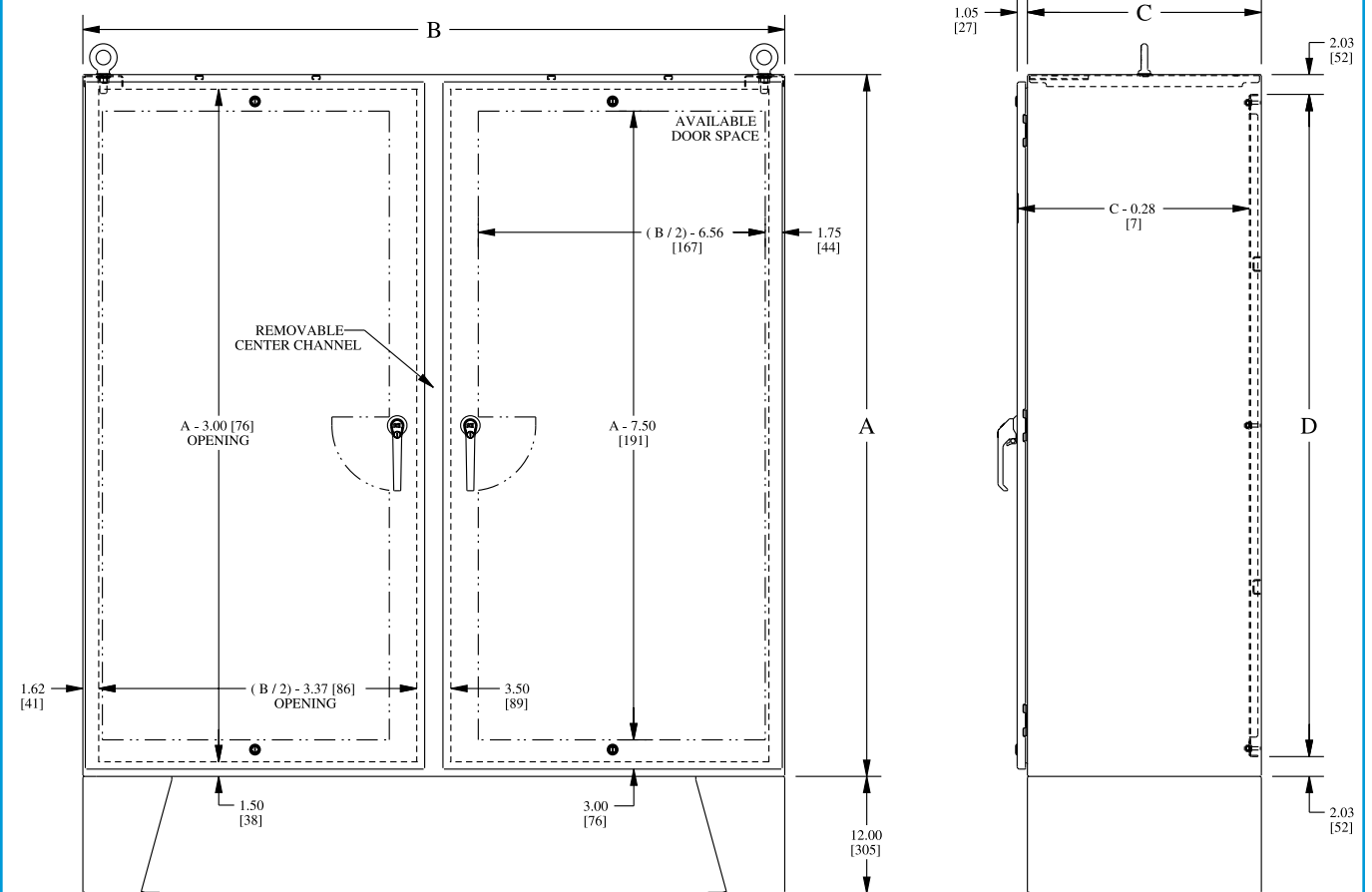
Phone (989) 799-6871
Fax (989) 799-4524



ENVIROLINE® SERIES TWO-DOOR ENCLOSURES WITH 3-POINT HARDWARE TECHNICAL DATA



LATCH NOTE:
Omit center latch top and bottom of door when door width is < 30.00 [762]



Phone (989) 799-6871
Fax (989) 799-4524

Overlapping Two-Door Enclosures

Application -

Designed to house electrical and electronic controls, instruments and components. Provides protection from dust, oil and water. For outdoor application a drip shield and drain holes are required. For installation information, consult our Installation Manual at www.saginawcontrol.com.

Construction -

- 0.104" carbon steel.
- Seams continuously welded and ground smooth, no holes or knockouts.
- Strong, rigid construction with body stiffeners.
- Gasketed overlapping doors eliminate need for center post.
- Black zinc die cast keylocking/padlocking handle.
- 3-point latching mechanism.
- Latch rods ramp shoes for easier door closing.
- Concealed hinge.
- Removable print pocket provided on door with 3-point latch.
- 12" removable floor stands.
- Heavy duty lifting eyes.
- Panel supports.
- Oil resistant door gasket.
- Collar studs for mounting optional sub-panel.
- Ground stud on door.

Finish -

ANSI-61 gray powder coated inside and out. Optional sub-panels are powder coated white.

IS3 - Industry Standards -

NEMA Type 3R, 12 & Type 13
UL Listed Type 3R & 12
CSA Type 3R & 12
IEC 60529 IP55

***Special Instructions apply for IS3, IS4 and IS6 to maintain the environmental rating of Type 3R for these parts. See the Special Instructions on the Industry Standards page in the Technical Information Section.

OVERLAPPING TWO-DOOR ENCLOSURES

ENCLOSURE PRODUCT CODE A2						SUB-PANEL (P3)			
Catalog No.	Height (A)	Width (B)	Depth (C)	Industry Standard	List Price	Catalog No.	Panel Height (D)	Panel Width (E)	List Price
SCE-604808LP	60.00	48.00	8.00	IS3	1,491.36	SCE-60P48	56.00	44.00	268.38
SCE-604810LP	60.00	48.00	10.00	IS3	1,539.46	SCE-60P48	56.00	44.00	268.38
SCE-604812LP	60.00	48.00	12.00	IS3	1,587.57	SCE-60P48	56.00	44.00	268.38
SCE-604816LP	60.00	48.00	16.00	IS3	1,681.26	SCE-60P48	56.00	44.00	268.38
SCE-604824LP	60.00	48.00	24.00	IS3	1,873.69	SCE-60P48	56.00	44.00	268.38
SCE-606010LP	60.00	60.00	10.00	IS3	1,724.30	SCE-60P60	56.00	56.00	331.68
SCE-606012LP	60.00	60.00	12.00	IS3	1,777.47	SCE-60P60	56.00	56.00	331.68
SCE-606016LP	60.00	60.00	16.00	IS3	1,883.81	SCE-60P60	56.00	56.00	331.68
SCE-606024LP	60.00	60.00	24.00	IS3	2,096.51	SCE-60P60	56.00	56.00	331.68
SCE-726010ULP	72.00	60.00	10.00	IS3	1,972.44	SCE-72P60	68.00	56.00	394.98
SCE-726012ULP	72.00	60.00	12.00	IS3	2,033.21	SCE-72P60	68.00	56.00	394.98
SCE-726016ULP	72.00	60.00	16.00	IS3	2,152.21	SCE-72P60	68.00	56.00	394.98
SCE-726024ULP	72.00	60.00	24.00	IS3	2,395.28	SCE-72P60	68.00	56.00	394.98
SCE-727210ULP	72.00	72.00	10.00	IS3	2,197.78	SCE-72P72	68.00	68.00	470.93
SCE-727212ULP	72.00	72.00	12.00	IS3	2,263.61	SCE-72P72	68.00	68.00	470.93
SCE-727216ULP	72.00	72.00	16.00	IS3	2,395.28	SCE-72P72	68.00	68.00	470.93
SCE-727224ULP	72.00	72.00	24.00	IS3	2,658.62	SCE-72P72	68.00	68.00	470.93

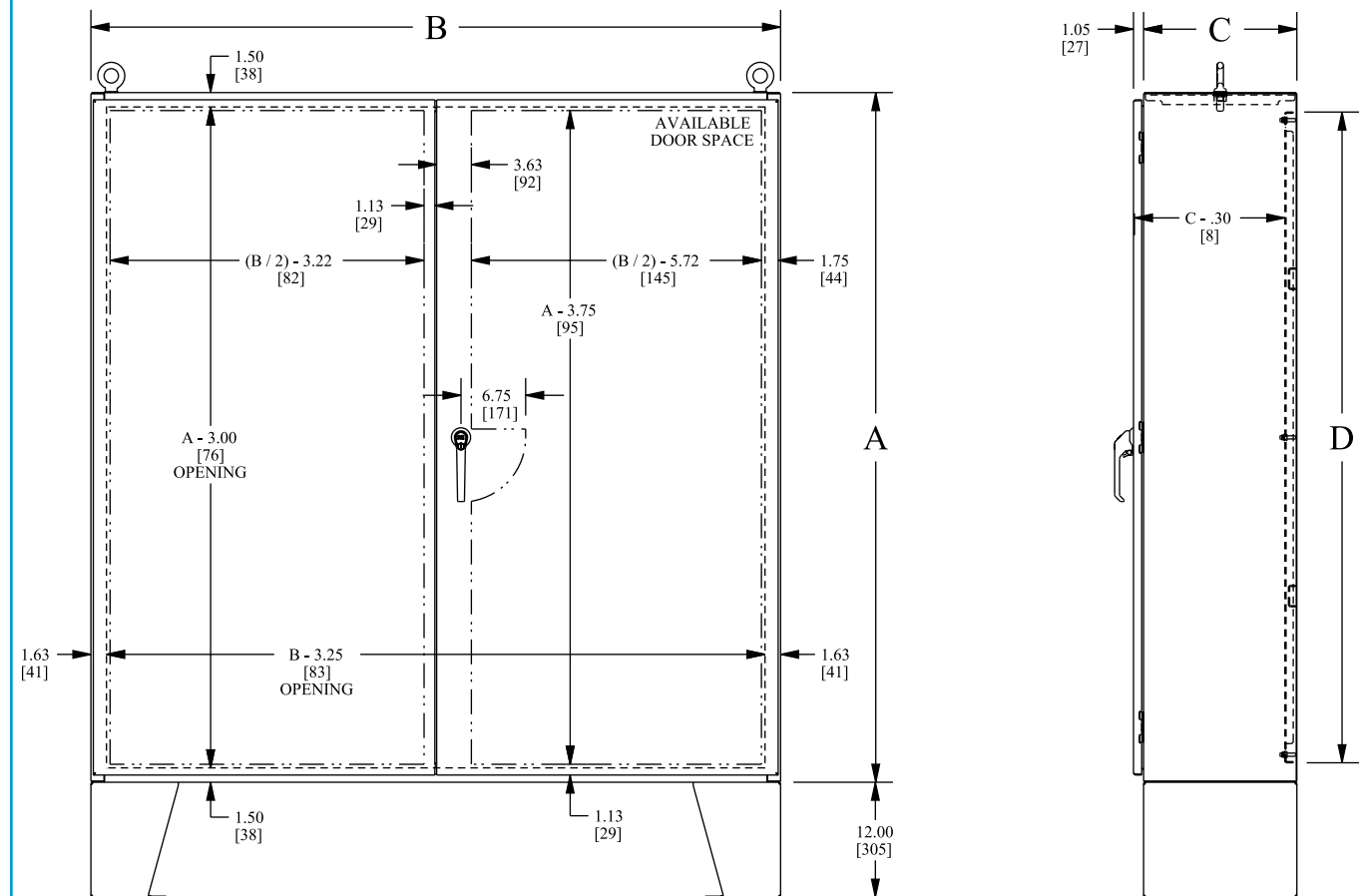
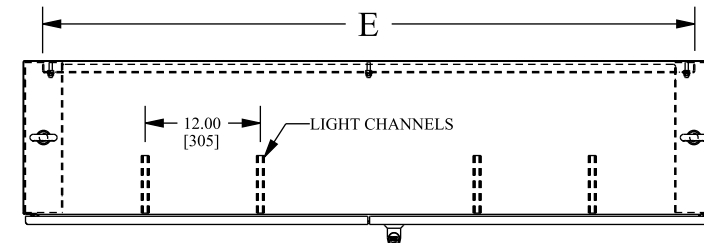


[Back to Free-Standing Enclosures](#)

Phone (989) 799-6871
Fax (989) 799-4524



TWO DOOR ENCLOSURES TECHNICAL DATA



Phone (989) 799-6871
Fax (989) 799-4524

Free-Standing Enclosures

Application -

Designed to house a variety of electrical and electronic controls and instruments. Provisions for optional surface mounting or rack mounting of almost any type of equipment. Provides protection from dust, dirt, water and oil. For outdoor application a drip shield and drain holes are required. The enclosures are extra deep for applications requiring more interior space. For installation information, consult our Installation Manual at www.saginawcontrol.com.

Construction -

- 0.104" carbon steel.
- Concealed hinge.
- Removable and interchangeable doors.
- Flange trough collar around all sides of door opening.
- Seams continuously welded and ground smooth, no holes or knockouts.
- Lifting eyes for easy handling.
- Black zinc die cast keylocking/padlocking handle.
- 3-point latching mechanism.
- Latch rods have ramp shoes for easier door closing.
- Removable print pocket provided on door.
- Black quarter turn latches as required.
- Mounting channels welded horizontally on sides of interior body at top, bottom and middle for mounting optional panels or rack mounting angles.
- Oil resistant gasket.
- Ground stud on door.

Finish -

ANSI-61 gray powder coated inside and out. Optional sub-panels are powder coated white.

Accessories - See pages 116-123

IS3 - Industry Standards -
 NEMA Type 3R, 12 & Type 13
 UL Listed Type 3R & 12
 CSA Type 3R & 12
 IEC 60529 IP55



IS4 - Industry Standards -
 NEMA Type 3R, 4, 12 & Type 13
 UL Listed Type 3R, 4 & 12
 CSA Type 3R, 4 & 12
 IEC 60529 IP66

***Special Instructions apply for IS3, IS4 and IS6 to maintain the environmental rating of Type 3R for these parts. See the Special Instructions on the Industry Standards page in the Technical Information Section.

FREE-STANDING SINGLE-DOOR SINGLE ACCESS ENCLOSURES

ENCLOSURE PRODUCT CODE A2					
Catalog No.	Height (A)	Width (B)	Depth (C)	Industry Standard	List Price
SCE-60EL2418FS	60.00	24.00	18.00	IS4	1,024.17
SCE-603624FS	60.00	36.00	24.00	IS3	1,356.97
SCE-72EL2418FS	72.00	24.00	18.00	IS4	1,135.10
SCE-72EL2424FS	72.00	24.00	24.00	IS4	1,261.50
SCE-72EL3018FS	72.00	30.00	18.00	IS4	1,251.20
SCE-72EL3024FS	72.00	30.00	24.00	IS4	1,387.93
SCE-72EL3624FS	72.00	36.00	24.00	IS4	1,559.76
SCE-723618FS	72.00	36.00	18.00	IS3	1,372.44
SCE-723624FS	72.00	36.00	24.00	IS3	1,514.33
SCE-723630FS	72.00	36.00	30.00	IS3	1,658.80
SCE-723636FS	72.00	36.00	36.00	IS3	1,800.69
SCE-90EL2420FS	90.00	24.00	20.00	IS4	1,351.80
SCE-903620FS	90.00	36.00	20.00	IS3	1,640.75
SCE-903624FS	90.00	36.00	24.00	IS3	1,754.25
SCE-903636FS	90.00	36.00	36.00	IS3	2,087.04

Part numbers that contain the letter "EL" that are over 30 Inches wide have quarter turn latches on the center of the door top and bottom.

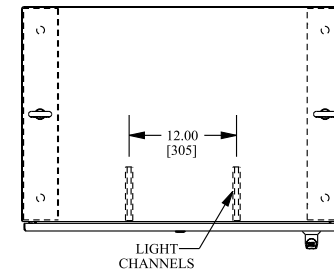


[Back to Free-Standing Enclosures](#)

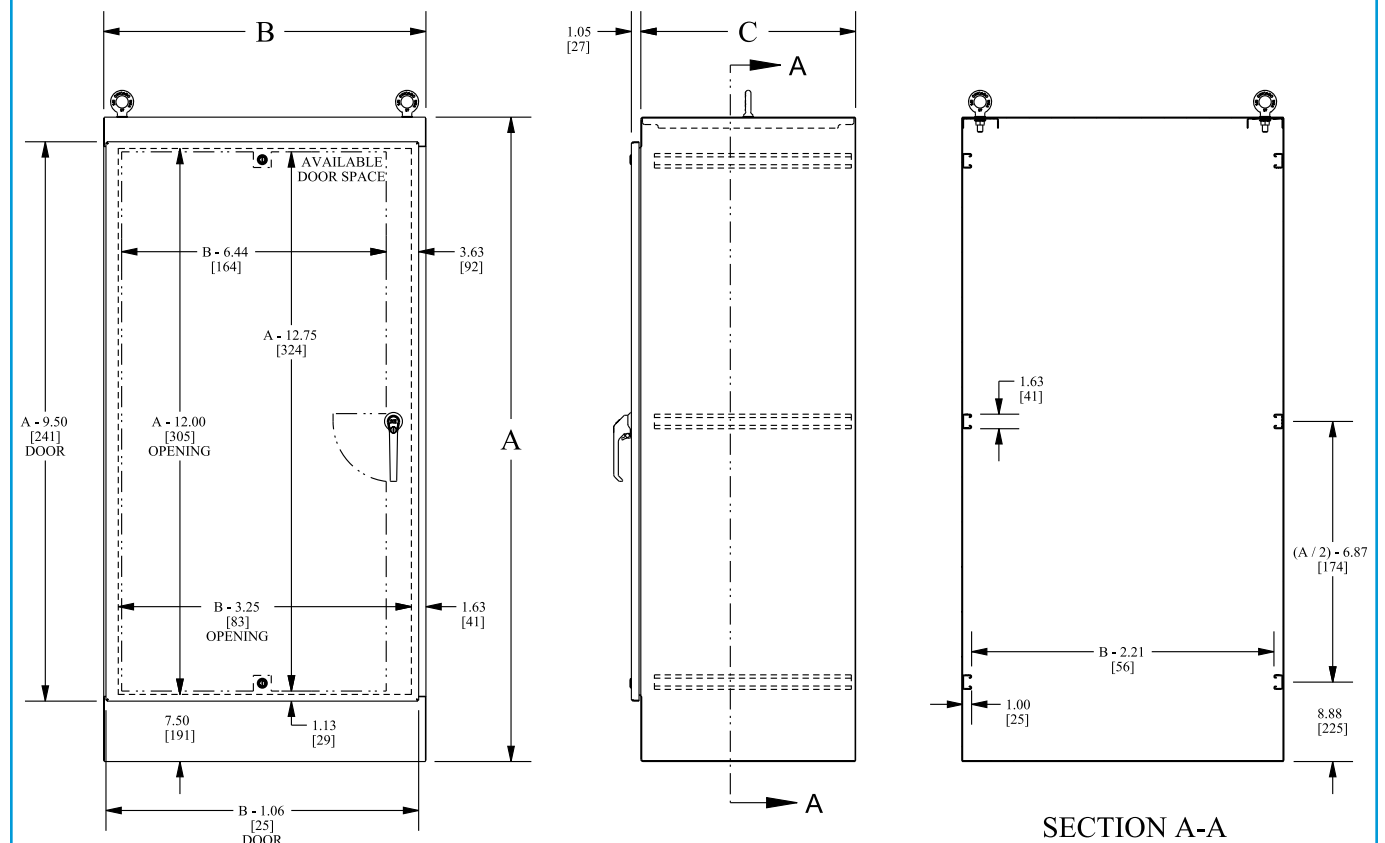
Phone (989) 799-6871
 Fax (989) 799-4524



FREE-STANDING SINGLE-DOOR SINGLE ACCESS ENCLOSURES TECHNICAL DATA



LATCH NOTE:
 1. "EL" part numbers >= 30.00 [762] in width have additional latch centered top and bottom of door.



Phone (989) 799-6871
 Fax (989) 799-4524

Free-Standing Enclosures

Application -

Designed to house a variety of electrical and electronic controls and instruments. Provisions for optional surface mounting or rack mounting of almost any type of equipment. Provides protection from dust, dirt, water and oil. For outdoor application a drip shield and drain holes are required. The enclosures are extra deep for applications requiring more interior space. For installation information, consult our Installation Manual at www.saginawcontrol.com.

Construction -

- 0.104" carbon steel.
- Removable and interchangeable doors.
- Concealed hinge.
- Seams continuously welded and ground smooth, no holes or knockouts.
- Strong, rigid construction with stiffeners welded on backs of single access boxes.
- Lifting eyes for easy handling.
- Black zinc die cast keylocking/padlocking handle.
- 3-point latching mechanism.
- Latch rods have ramp shoes for easier door closing.
- Flange trough collar around all sides of door opening.
- Removable print pocket on door.
- Mounting channels welded horizontally on sides of interior body at top, bottom and middle for mounting optional panels or rack mounting angles.
- Oil resistant gasket.
- Ground stud on door.

Finish -

ANSI-61 gray powder coated inside and out. Optional sub-panels are powder coated white.

Accessories - See pages 116-123

IS3 - Industry Standards -

- NEMA Type 3R, 12 & Type 13
- UL Listed Type 3R & 12
- CSA Type 3R & 12
- IEC 60529 IP55



***Special Instructions apply for IS3, IS4 and IS6 to maintain the environmental rating of Type 3R for these parts. See the Special Instructions on the Industry Standards page in the Technical Information Section.

FREE-STANDING TWO-DOOR SINGLE ACCESS ENCLOSURES

ENCLOSURE PRODUCT CODE A2					
Catalog No.	Height (A)	Width (B)	Depth (C)	Industry Standard	List Price
SCE-604818FSD	60.00	48.00	18.00	IS3	1,717.47
SCE-724818FSD	72.00	48.00	18.00	IS3	1,891.84
SCE-724824FSD	72.00	48.00	24.00	IS3	2,049.50
SCE-726018FSD	72.00	60.00	18.00	IS3	2,128.33
SCE-726024FSD	72.00	60.00	24.00	IS3	2,302.70
SCE-726036FSD	72.00	60.00	36.00	IS3	2,649.05
SCE-727218FSD	72.00	72.00	18.00	IS3	2,364.80
SCE-727224FSD	72.00	72.00	24.00	IS3	2,555.90
SCE-904820FSD	90.00	48.00	20.00	IS3	2,214.31
SCE-907220FSD	90.00	72.00	20.00	IS3	2,792.37
SCE-907224FSD	90.00	72.00	24.00	IS3	2,933.31
SCE-907236FSD	90.00	72.00	36.00	IS3	3,360.88

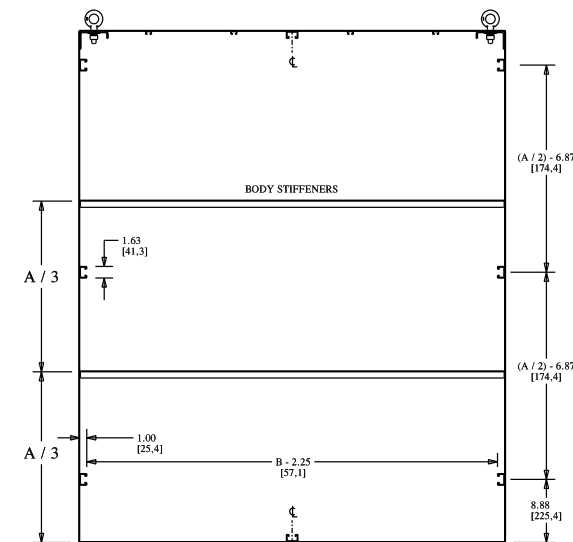
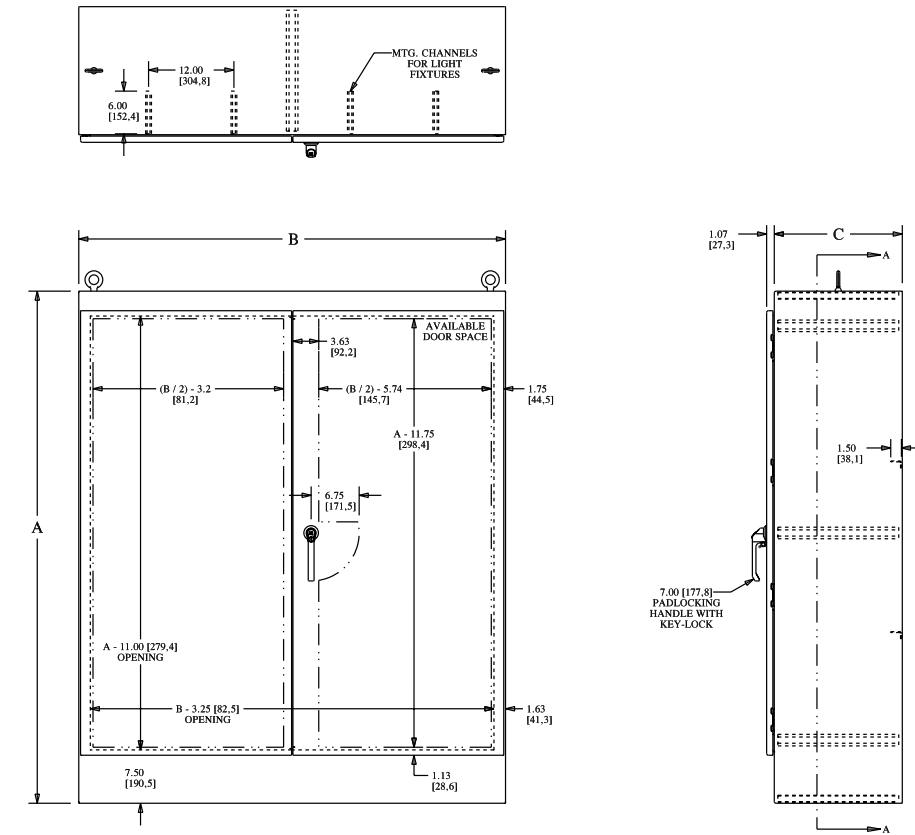


[Back to Free-Standing Enclosures](#)

Phone (989) 799-6871
Fax (989) 799-4524



FREE-STANDING TWO-DOOR SINGLE ACCESS ENCLOSURES TECHNICAL DATA



SECTION A-A



Phone (989) 799-6871
Fax (989) 799-4524

Free-Standing Enclosures

Application -

Designed to house a variety of electrical and electronic controls and instruments. Provisions for optional surface mounting or rack mounting of almost any type of equipment. Provides protection from dust, dirt, water and oil. For outdoor application a drip shield and drain holes are required. The enclosures are extra deep for applications requiring more interior space. For installation information, consult our Installation Manual at www.saginawcontrol.com.

Construction -

- 0.104" carbon steel.
- Seams continuously welded and ground smooth, no holes or knockouts.
- Strong, rigid construction.
- Lifting eyes for easy handling.
- Black zinc die cast keylocking/padlocking handle.
- 3-point latching mechanism.
- Latch rods have ramp shoes for easier door closing.
- Concealed hinge.
- Flange trough collar around all sides of door opening.
- Removable print pocket on door.
- Black quarter turn latches as required.
- Mounting channels welded horizontally on sides of interior body at top, bottom and middle for mounting optional panels or rack mounting angles.
- Oil resistant gasket.
- Ground stud on door.
- Removable and interchangeable doors.

Finish -

ANSI-61 gray powder coated inside and out. Optional sub-panels are powder coated white.

Accessories - See pages 116-123

IS3 - Industry Standards -

NEMA Type 3R, 12 & Type 13
UL Listed Type 3R & 12
CSA Type 3R & 12
IEC 60529 IP55



IS4 - Industry Standards -

NEMA Type 3R, 4, 12 & Type 13
UL Listed Type 3R, 4, & 12
CSA Type 3R, 4 & 12
IEC 60529 IP66

***Special Instructions apply for IS3, IS4 and IS6 to maintain the environmental rating of Type 3R for these parts. See the Special Instructions on the Industry Standards page in the Technical Information Section.

FREE-STANDING SINGLE-DOOR DUAL ACCESS ENCLOSURES

ENCLOSURE PRODUCT CODE A2					
Catalog No.	Height (A)	Width (B)	Depth (C)	Industry Standard	List Price
SCE-72EL2424FSDA	72.00	24.00	24.00	IS4	1,476.21
SCE-72EL2430FSDA	72.00	24.00	30.00	IS4	1,623.11
SCE-72EL2436FSDA	72.00	24.00	36.00	IS4	1,772.40
SCE-72EL3024FSDA	72.00	30.00	24.00	IS4	1,624.31
SCE-723624FSDA	72.00	36.00	24.00	IS3	1,772.40
SCE-723636FSDA	72.00	36.00	36.00	IS3	2,104.44
SCE-903624FSDA	90.00	36.00	24.00	IS3	2,049.50
SCE-903636FSDA	90.00	36.00	36.00	IS3	2,438.85

Part numbers that contain the letter "EL" that are over 30 Inches wide have quarter turn latches on the center of the door top and bottom.

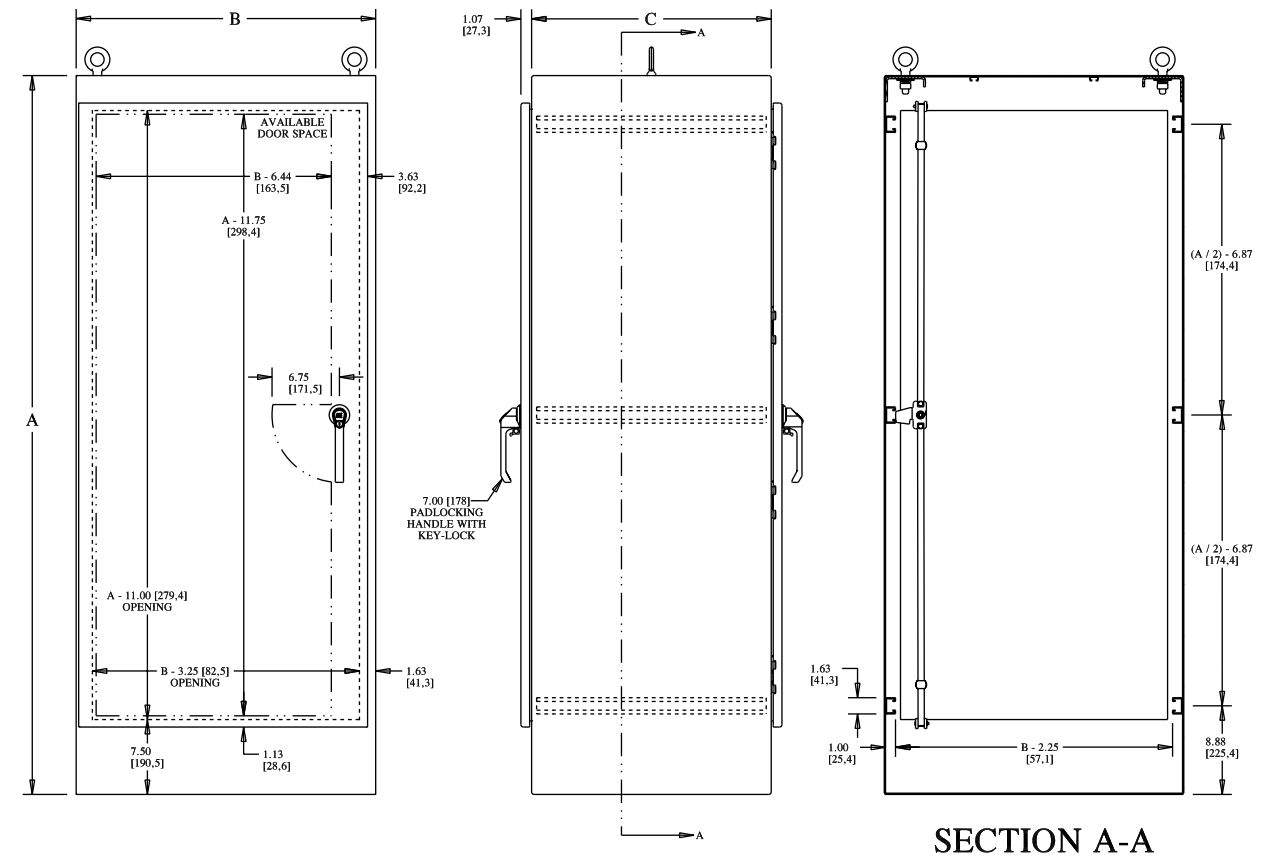
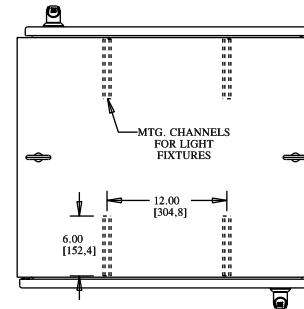


[Back to Free-Standing Enclosures](#)

Phone (989) 799-6871
Fax (989) 799-4524



FREE-STANDING SINGLE-DOOR DUAL ACCESS ENCLOSURES TECHNICAL DATA



Phone (989) 799-6871
Fax (989) 799-4524

Free-Standing Enclosures

Application -

Designed to house a variety of electrical and electronic controls and instruments. Provisions for optional surface mounting or rack mounting of almost any type of equipment. Provides protection from dust, dirt, water and oil. For outdoor application a drip shield and drain holes are required. The enclosures are extra deep for applications requiring more interior space. For installation information, consult our Installation Manual at www.saginawcontrol.com.

Construction -

- 0.104" carbon steel.
- Seams continuously welded and ground smooth, no holes or knockouts.
- Strong rigid construction.
- Lifting eyes for easy handling.
- Black zinc die cast keylocking/padlocking handle.
- 3-point latching mechanism.
- Latch rods have ramp shoes for easier door closing.
- Concealed hinge.
- Flange trough collar around all sides of door opening.
- Removable print pocket on door.
- Mounting channels welded horizontally on sides of interior body at top, bottom and middle for mounting optional panels or rack mounting angles.
- Oil resistant gasket.
- Ground stud on door.
- Removable and interchangeable doors.

Finish -

ANSI-61 gray powder coated inside and out. Optional sub-panels are powder coated white.

Accessories - See pages 116-123

IS3 - Industry Standards -
 NEMA Type 3R, 12 & Type 13
 UL Listed Type 3R & 12
 CSA Type 3R & 12
 IEC 60529 IP55



***Special Instructions apply for IS3, IS4 and IS6 to maintain the environmental rating of Type 3R for these parts. See the Special Instructions on the Industry Standards page in the Technical Information Section.

FREE-STANDING TWO-DOOR DUAL ACCESS ENCLOSURES

ENCLOSURE PRODUCT CODE A2					
Catalog No.	Height (A)	Width (B)	Depth (C)	Industry Standard	List Price
SCE-724824FSDAD	72.00	48.00	24.00	IS3	2,551.13
SCE-726024FSDAD	72.00	60.00	24.00	IS3	2,866.42
SCE-726036FSDAD	72.00	60.00	36.00	IS3	3,298.78
SCE-727224FSDAD	72.00	72.00	24.00	IS3	3,181.73
SCE-907224FSDAD	90.00	72.00	24.00	IS3	3,653.50

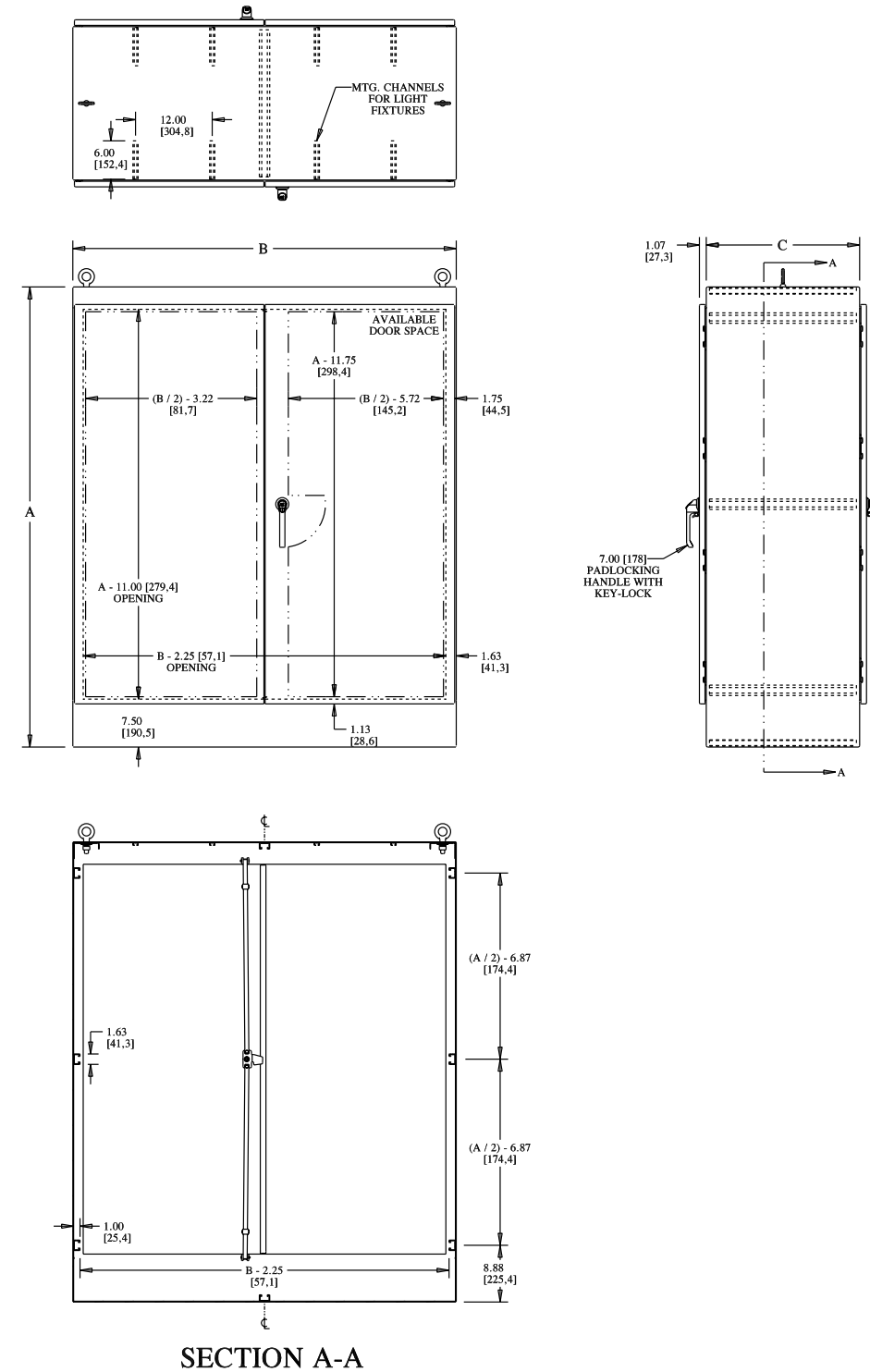


[Back to Free-Standing Enclosures](#)

Phone (989) 799-6871
 Fax (989) 799-4524



FREE-STANDING TWO-DOOR DUAL ACCESS ENCLOSURES TECHNICAL DATA



Phone (989) 799-6871
 Fax (989) 799-4524

**SINGLE DOOR - SINGLE ACCESS
ACCESSORY SELECTION GUIDE**

PART NUMBER	DESCRIPTION	SIZE	ACCESSORY SELECTION GUIDE												
			SCE-60EL2418FS/SSFS	SCE-603624FS/SSFS	SCE-72EL2418FS/SSFS	SCE-72EL2424FS/SSFS	SCE-72EL3018FS/SSFS	SCE-72EL3024FS/SSFS	SCE-723618FS/SSFS	SCE-723624FS/SSFS	SCE-723630FS/SSFS	SCE-723636FS/SSFS	SCE-90EL2420FS/SSFS	SCE-903620FS/SSFS	SCE-903624FS/SSFS
SCE-60P24F1	Full Panel	48.00H x 20.00W	.	A	A							A			
SCE-60P36F1	Full Panel	48.00H x 32.00W	.	.				A	A	A	A	A	A	A	A
SCE-72P24F1	Full Panel	60.00H x 20.00W		.	.							A			
SCE-72P30F1	Full Panel	60.00H x 26.00W				.	.								
SCE-72P36F1	Full Panel	60.00H x 32.00W						A	A	A	
SCE-90P24F1	Full Panel	78.00H x 20.00W										.			
SCE-90P36F1	Full Panel	78.00H x 32.00W										.	.	.	
SCE-60P24F2	Half Panel	24.88H x 20.00W	.	A	A							A			
SCE-60P36F2	Half Panel	24.88H x 32.00W	.	.				A	A	A	A	A	A	A	A
SCE-72P24F2	Half Panel	30.88H x 20.00W	A	.	.							A			
SCE-72P30F2	Half Panel	30.88H x 26.00W				.	.								
SCE-72P36F2	Half Panel	30.88H x 32.00W		A				A	A	A	
SCE-90P24F2	Half Panel	39.88H x 20.00W	A	A	A						.				
SCE-90P36F2	Half Panel	39.88H x 32.00W	A	A				A	A	A	A	.	.	.	
SCE-60SMP14	Side Panel	48.00H x 14.00W	.	.											
SCE-72SMP14	Side Panel	60.00H x 14.00W					
SCE-72SMP20	Side Panel	60.00H x 20.00W						
SCE-90SMP14	Side Panel	78.00H x 14.00W									
SCE-90SMP20	Side Panel	78.00H x 20.00W												.	
SCE-90SMP30	Side Panel	78.00H x 30.00W												.	
SCE-72SP24F3	Full Swing-Out Panel	60.00H x 18.81W		.	.										
SCE-72SP30F3	Full Swing-Out Panel	60.00H x 24.81W				.	.								
SCE-72SP36F3	Full Swing-Out Panel	60.00H x 30.81W									
SCE-90SP36F3	Full Swing-Out Panel	78.00H x 30.81W									.	.	.		
SCE-72SP24F4	Half Swing-Out Panel	30.88H x 18.81W		.	.										
SCE-72SP30F4	Half Swing-Out Panel	30.88H x 24.81W				.	.								
SCE-72SP36F4	Half Swing-Out Panel	30.88H x 30.81W									
SCE-90SP36F4	Half Swing-Out Panel	39.88H x 30.81W									.	.	.		
SCE-7230SOF19	Swing-Out Rack Frame	60.50H x 27.56W				.	.								
SCE-7236SOF19	Swing-Out Rack Frame	60.50H x 33.56W									
SCE-9036SOF19	Swing-Out Rack Frame	78.50H x 33.56W									.	.	.		
SCE-14RMW	Removable Wire Cover	14.00D
SCE-20RMW	Removable Wire Cover	20.00D
SCE-60RA19TH	Type RA Rack Angle	49.00H
SCE-72RA19TH	Type RA Rack Angle	61.25H	
SCE-72RA24TH	Type RA Rack Angle	61.25H		
SCE-90RA19TH	Type RA Rack Angle	78.75H			
SCE-60RP24F5	Type RP Full Rack Angle	49.00H
SCE-72RP24F5	Type RP Full Rack Angle	61.25H	
SCE-72RP30F5	Type RP Full Rack Angle	61.25H		
SCE-90RP24F5	Type RP Full Rack Angle	78.75H			
SCE-60RP24F6	Type RP Half Rack Angle	26.25H
SCE-72RP24F6	Type RP Half Rack Angle	31.50H
SCE-72RP30F6	Type RP Half Rack Angle	31.50H	
SCE-90RP24F6	Type RP Half Rack Angle	40.25H
SCE-60FSDPS	Heavy Duty Panel Support	57.25H
SCE-72FSDPS	Heavy Duty Panel Support	69.25H
SCE-90FSDPS	Heavy Duty Panel Support	87.25H

A - Requires heavy duty panel supports (SCE-FSDPS*)
 B - Requires center panel support (SCE-FSCPS*)
 C - Cannot be used when other panels are installed.
 * - Installation does not require additional supports or hardware.
 * Blank space - Height of enclosure.

**TWO DOOR - SINGLE ACCESS
ACCESSORY SELECTION GUIDE**

PART NUMBER	DESCRIPTION	SIZE	ACCESSORY SELECTION GUIDE												
			SCE-604818FSD/SSFSD	SCE-724818FSD/SSFSD	SCE-724824FSD/SSFSD	SCE-726018FSD/SSFSD	SCE-726024FSD/SSFSD	SCE-726036FSD/SSFSD	SCE-727218FSD/SSFSD	SCE-727224FSD/SSFSD	SCE-904820FSD/SSFSD	SCE-907220FSD/SSFSD	SCE-907224FSD/SSFSD	SCE-907236FSD/SSFSD	
SCE-60P24F1	Full Panel	48.00H x 20.00W	B	AB	AB										
SCE-60P36F1	Full Panel	48.00H x 32.00W									AB	AB			
SCE-60P48F1	Full Panel	48.00H x 44.00W	.	A	A								A		
SCE-72P24F1	Full Panel	60.00H x 20.00W		B	B								AB		
SCE-72P30F1	Full Panel	60.00H x 26.00W				B	B	B							
SCE-72P36F1	Full Panel	60.00H x 32.00W							B	B				AB	AB
SCE-72P48F1	Full Panel	60.00H x 44.00W	.	.									A		
SCE-72P60F1	Full Panel	60.00H x 56.00W				.	.	.							
SCE-72P72F1	Full Panel	60.00H x 68.00W							.	.				A	A
SCE-90P24F1	Full Panel	78.00H x 20.00W											B		
SCE-90P36F1	Full Panel	78.00H x 32.00W												B	B
SCE-90P48F1	Full Panel	78.00H x 44.00W											.		
SCE-90P72F1	Full Panel	78.00H x 68.00W											.	.	.
SCE-60P24F2	Half Panel	24.88H x 20.00W	B	AB	AB									AB	AB
SCE-60P36F2	Half Panel	24.88H x 32.00W									AB	AB		AB	AB
SCE-72P24F2	Half Panel	30.88H x 20.00W	AB	B	B								AB		
SCE-72P30F2	Half Panel	30.88H x 26.00W				B	B	B							
SCE-72P36F2	Half Panel	30.88H x 32.00W							B	B				AB	AB
SCE-72P48F2	Half Panel	30.88H x 44.00W	A	.	.								A		
SCE-72P60F2	Half Panel	30.88H x 56.00W				.	.	.							
SCE-72P72F2	Half Panel	30.88H x 68.00W							.	.				A	A
SCE-90P24F2	Half Panel	39.88H x 20.00W	AB	AB	AB								B		
SCE-90P36F2	Half Panel	39.88H x 32.00W									AB	AB		B	B
SCE-90P48F2	Half Panel	39.88H x 44.00W		A	A								.		
SCE-90P72F2	Half Panel	39.88H x 68.00W									A	A		.	.
SCE-60SMP14	Side Panel	48.00H x 14.00W	C												
SCE-72SMP14	Side Panel	60.00H x 14.00W		C		C	.	.	.	C	.				
SCE-72SMP20	Side Panel	60.00H x 20.00W			C		C	.	.	.	C	.			
SCE-90SMP14	Side Panel	78.00H x 14.00W											.	.	.
SCE-90SMP20	Side Panel	78.00H x 20.00W												C	.
SCE-90SMP30	Side Panel	78.00H x 30.00W													.
SCE-72SP24F3	Full Swing-Out Panel	60.00H x 18.81W		B	B										
SCE-72SP30F3	Full Swing-Out Panel	60.00H x 24.81W				B	B	B							
SCE-72SP36F3	Full Swing-Out Panel	60.00H x 30.81W											B	B	B
SCE-90SP36F3	Full Swing-Out Panel	78.00H x 30.81W													
SCE-72SP24F4	Half Swing-Out Panel	30.88H x 18.81W		B	B										
SCE-72SP30F4	Half Swing-Out Panel	30.88H x 24.81W				B	B	B							
SCE-72SP36F4	Half Swing-Out Panel	30.88H x 30.81W							B	B					
SCE-90SP36F4	Half Swing-Out Panel	39.88H x 30.81W													
SCE-7230SOF19	Swing-Out Rack Frame	60.50H x 27.56W				B	B	B							
SCE-7236SOF19	Swing-Out Rack Frame	60.50H x 33.56W									B	B			
SCE-9036SOF19	Swing-Out Rack Frame	78.50H x 33.56W												B	B
SCE-14RMW	Removable Wire Cover	14.00D
SCE-20RMW	Removable Wire Cover	20.00D
SCE-60RA19TH	Type RA Rack Angle	49.00H	B	B	B									B	
SCE-72RA19TH	Type RA Rack Angle	61.25H		B	B									B	
SCE-72RA24TH	Type RA Rack Angle	61.25H				B	B	B							
SCE-90RA19TH	Type RA Rack Angle	78.75H												B	
SCE-60RP24F5	Type RP Full Rack Angle	49.00H		B	B									B	
SCE-72RP24F5	Type RP Full Rack Angle	61.25H	B	B	B									B	
SCE-72RP30F5	Type RP Full Rack Angle	61.25H				B	B	B							
SCE-90RP24F5	Type RP Full Rack Angle	78.75H												B	
SCE-60RP24F6	Type RP Half Rack Angle	26.25H	B												
SCE-72RP24F6	Type RP Half Rack Angle	31.50H	B	B	B										
SCE-72RP30F6	Type RP Half Rack Angle	31.50H				B	B	B							
SCE-90RP24F6	Type RP Half Rack Angle	40.25H	B	B	B									B	
SCE-60FSDPS	Heavy Duty Panel Support	57.25H	B												
SCE-72FSDPS	Heavy Duty Panel Support	69.25H		B	B	B	B	B	B	B	B	B			
SCE-90FSDPS	Heavy Duty Panel Support	87.25H												B	B
SCE-60FSCPS	Center Panel Support	56.00H
SCE-72FSCPS	Center Panel Support	68.00H	
SCE-90FSCPS	Center Panel Support	86.00H	
SCE-72FSCS	Center Support	69.50H
SCE-90FSCS	Center Support	87.50H	

A - Requires heavy duty panel supports (SCE-FSDPS*)
 B - Requires center panel support (SCE-FSCPS*)
 C - Cannot be used when other panels are installed.
 * - Installation does not require additional supports or hardware.
 * Blank space - Height of enclosure.


SINGLE DOOR - DUAL ACCESS ACCESSORY SELECTION GUIDE

PART NUMBER	DESCRIPTION	SIZE	ACCESSORY SELECTION GUIDE								
			SCE-72EL2424FSDA/SSFSDA	SCE-72EL2430FSDA/SSFSDA	SCE-72EL2436FSDA/SSFSDA	SCE-72EL3024FSDA/SSFSDA	SCE-723624FSDA/SSFSDA	SCE-723636FSDA/SSFSDA	SCE-903624FSDA/SSFSDA	SCE-903636FSDA/SSFSDA	
SCE-60P24F1	Full Panel	48.00H x 20.00W	A	A	A						
SCE-60P36F1	Full Panel	48.00H x 32.00W					A	A	A	A	
SCE-72P24F1	Full Panel	60.00H x 20.00W	•	•	•						
SCE-72P30F1	Full Panel	60.00H x 26.00W				•					
SCE-72P36F1	Full Panel	60.00H x 32.00W					•	•	A	A	
SCE-90P36F1	Full Panel	78.00H x 32.00W							•	•	
SCE-60P24F2	Half Panel	24.88H x 20.00W	A	A	A						
SCE-60P36F2	Half Panel	24.88H x 32.00W					A	A	A	A	
SCE-72P24F2	Half Panel	30.88H x 20.00W	•	•	•						
SCE-72P30F2	Half Panel	30.88H x 26.00W				•					
SCE-72P36F2	Half Panel	30.88H x 32.00W					•	•	A	A	
SCE-90P24F2	Half Panel	39.88H x 20.00W	A	A	A						
SCE-90P36F2	Half Panel	39.88H x 32.00W					A	A	•	•	
SCE-72SMP14	Side Panel	60.00H x 14.00W	•	•	•	•	•	•			
SCE-72SMP20	Side Panel	60.00H x 20.00W	•	•	•	•	•	•			
SCE-90SMP14	Side Panel	78.00H x 14.00W							•	•	
SCE-90SMP20	Side Panel	78.00H x 20.00W							•	•	
SCE-90SMP30	Side Panel	78.00H x 30.00W								•	
SCE-72SP24F3	Full Swing-Out Panel	60.00H x 18.81W	•	•	•						
SCE-72SP30F3	Full Swing-Out Panel	60.00H x 24.81W				•					
SCE-72SP36F3	Full Swing-Out Panel	60.00H x 30.81W					•	•			
SCE-90SP36F3	Full Swing-Out Panel	78.00H x 30.81W							•	•	
SCE-72SP24F4	Half Swing-Out Panel	30.88H x 18.81W	•	•	•						
SCE-72SP30F4	Half Swing-Out Panel	30.88H x 24.81W				•					
SCE-72SP36F4	Half Swing-Out Panel	30.88H x 30.81W					•	•			
SCE-90SP36F4	Half Swing-Out Panel	30.88H x 30.81W							•	•	
SCE-7230SOF19	Swing-Out Rack Frame	60.50H x 27.56W				•					
SCE-7236SOF19	Swing-Out Rack Frame	60.50H x 33.56W					•	•			
SCE-9036SOF19	Swing-Out Rack Frame	78.50H x 33.56W							•	•	
SCE-20RMW	Removable Wire Cover	20.00D	•	•	•	•	•	•	•	•	
SCE-60RA19TH	Type RA Rack Angle	49.00H	•	•	•						
SCE-72RA19TH	Type RA Rack Angle	61.25H	•	•	•						
SCE-72RA24TH	Type RA Rack Angle	61.25H				•					
SCE-60RP24F5	Type RP Full Rack Angle	49.00H	•	•	•						
SCE-72RP24F5	Type RP Full Rack Angle	61.25H	•	•	•						
SCE-72RP30F5	Type RP Full Rack Angle	61.25H				•					
SCE-72RP24F6	Type RP Half Rack Angle	31.50H	•	•	•						
SCE-72RP30F6	Type RP Half Rack Angle	31.50H				•					
SCE-90RP24F6	Type RP Half Rack Angle	40.25H	•	•	•	•	•	•			
SCE-72FSDPS	Heavy Duty Panel Support	69.25H	•	•	•	•	•	•			
SCE-90FSDPS	Heavy Duty Panel Support	87.25H							•	•	

• - Installation does not require additional supports or hardware.
 A - Requires heavy duty panel supports (SCE-FSHDPS*)
 B - Requires center panel support (SCE-FSCPS*)
 C - Cannot be used when other panels are installed.
 * Blank space - Height of enclosure.

Back to
Free-Standing
Enclosures

Back to
SS Free Standing
Enclosures

Phone (989) 799-6871
 Fax (989) 799-4524


TWO DOOR - DUAL ACCESS ACCESSORY SELECTION GUIDE

PART NUMBER	DESCRIPTION	SIZE	ACCESSORY SELECTION GUIDE							
			SCE-72AB24FSDA/SSFSDA	SCE-72AB30FSDA/SSFSDA	SCE-72AB36FSDA/SSFSDA	SCE-72AB36FSDA/SSFSDA	SCE-72AB24FSDA/SSFSDA	SCE-907224FSDA/SSFSDA		
SCE-60P24F1	Full Panel	48.00H x 20.00W	AB							
SCE-60P36F1	Full Panel	48.00H x 32.00W						AB	AB	
SCE-60P48F1	Full Panel	48.00H x 44.00W	A							
SCE-72P24F1	Full Panel	60.00H x 20.00W	B							
SCE-72P30F1	Full Panel	60.00H x 26.00W		B	B					
SCE-72P36F1	Full Panel	60.00H x 32.00W						B	AB	
SCE-72P48F1	Full Panel	60.00H x 44.00W	•							
SCE-72P60F1	Full Panel	60.00H x 56.00W		•	•					
SCE-72P72F1	Full Panel	60.00H x 68.00W						•	B	
SCE-90P36F1	Full Panel	78.00H x 32.00W							B	
SCE-90P72F1	Full Panel	78.00H x 68.00W							•	
SCE-60P24F2	Half Panel	24.88H x 20.00W	AB							
SCE-60P36F2	Half Panel	24.88H x 32.00W						AB	AB	
SCE-72P24F2	Half Panel	30.88H x 20.00W	B							
SCE-72P30F2	Half Panel	30.88H x 26.00W		B	B					
SCE-72P36F2	Half Panel	30.88H x 32.00W						B	AB	
SCE-72P48F2	Half Panel	30.88H x 44.00W	•							
SCE-72P60F2	Half Panel	30.88H x 56.00W		•	•					
SCE-72P72F2	Half Panel	30.88H x 68.00W						•	B	
SCE-90P24F2	Half Panel	39.88H x 20.00W	AB							
SCE-90P36F2	Half Panel	39.88H x 32.00W						AB	B	
SCE-90P48F2	Half Panel	39.88H x 44.00W	A							
SCE-90P72F2	Half Panel	39.88H x 68.00W						A	•	
SCE-72SMP14	Side Panel	60.00H x 14.00W	•	•	•	•	•			
SCE-72SMP20	Side Panel	60.00H x 20.00W	•	•	•	•	•			
SCE-90SMP14	Side Panel	78.00H x 14.00W							•	•
SCE-90SMP20	Side Panel	78.00H x 20.00W							•	•
SCE-90SMP30	Side Panel	78.00H x 30.00W								•
SCE-72SP24F3	Full Swing-Out Panel	60.00H x 18.81W	•	•	•					
SCE-72SP30F3	Full Swing-Out Panel	60.00H x 24.81W				•				
SCE-72SP36F3	Full Swing-Out Panel	60.00H x 30.81W					•	•		
SCE-90SP36F3	Full Swing-Out Panel	78.00H x 30.81W							•	•
SCE-72SP24F4	Half Swing-Out Panel	30.88H x 18.81W	•	•	•					
SCE-72SP30F4	Half Swing-Out Panel	30.88H x 24.81W				•				
SCE-72SP36F4	Half Swing-Out Panel	30.88H x 30.81W					•	•		
SCE-90SP36F4	Half Swing-Out Panel	30.88H x 30.81W							•	•
SCE-7230SOF19	Swing-Out Rack Frame	60.50H x 27.56W				•				
SCE-7236SOF19	Swing-Out Rack Frame	60.50H x 33.56W					•	•		
SCE-9036SOF19	Swing-Out Rack Frame	78.50H x 33.56W							•	•
SCE-20RMW	Removable Wire Cover	20.00D	•	•	•	•	•	•	•	
SCE-60RA19TH	Type RA Rack Angle	49.00H	•	•	•					
SCE-72RA19TH	Type RA Rack Angle	61.25H	•	•	•					
SCE-72RA24TH	Type RA Rack Angle	61.25H				•				
SCE-60RP24F5	Type RP Full Rack Angle	49.00H	•	•	•					
SCE-72RP24F5	Type RP Full Rack Angle	61.25H	•	•	•					
SCE-72RP30F5	Type RP Full Rack Angle	61.25H				•				
SCE-72RP24F6	Type RP Half Rack Angle	31.50H	•	•	•					
SCE-72RP30F6	Type RP Half Rack Angle	31.50H				•				
SCE-90RP24F6	Type RP Half Rack Angle	40.25H	•	•	•	•	•	•		
SCE-72FSDPS	Heavy Duty Panel Support	69.25H	•	•	•	•	•	•		
SCE-90FSDPS	Heavy Duty Panel Support	87.25H							•	•
SCE-72FSCPS	Center Panel Support	68.00H	•	•	•	•	•			
SCE-90FSCPS	Center Panel Support	86.00H							•	
SCE-72FSCS	Center Support	69.50H	•	•	•	•	•			
SCE-90FSCS	Center Support	87.50H							•	

FREE-STANDING ENCLOSURE ACCESSORIES

Panels (Full & Half Length) For Single-Door Enclosures

Panels for single-door enclosures can be positioned anywhere along the horizontal mounting channels. Half-length panels can be located in the upper or lower portion of the enclosure. Mounting hardware is included. All panels are made of heavy gauge steel and powder coated white.

Panels (Full & Half Length) For Two-Door Enclosures

Panels for two-door enclosures can be positioned anywhere along the horizontal mounting channels. Half-length panels can be located in the upper or lower portion of the enclosure. Mounting hardware is included. All panels are made of heavy gauge steel and powder coated white.

Side Mount Panels

Designed to provide extra mounting space on the side of an enclosure. Can be securely attached to the mounting channels. Plated mounting hardware is supplied. Bent on vertical sides. Made of heavy gauge steel and powder coated white.

Individual Panel Supports

Individual panel supports are available for additional equipment mounting. All mounting hardware included. Made of heavy gauge steel and plated.

Catalog No.	Panel Height	Panel Width	Enclosure Height	Enclosure Width	Product Code	List Price
Full Panel						
SCE-60P24F1	48.00	20.00	60.00	24.00	P3	173.85
SCE-60P36F1	48.00	32.00	60.00	36.00	P3	226.00
SCE-72P24F1	60.00	20.00	72.00	24.00	P3	196.20
SCE-72P30F1	60.00	26.00	72.00	30.00	P3	228.49
SCE-72P36F1	60.00	32.00	72.00	36.00	P3	258.29
SCE-90P24F1	78.00	20.00	90.00	24.00	P3	228.49
SCE-90P36F1	78.00	32.00	90.00	36.00	P3	310.45
Half Panel						
SCE-60P24F2	24.88	20.00	60.00	24.00	P3	116.72
SCE-60P36F2	24.88	32.00	60.00	36.00	P3	141.56
SCE-72P24F2	30.88	20.00	72.00	24.00	P3	126.66
SCE-72P30F2	30.88	26.00	72.00	30.00	P3	141.56
SCE-72P36F2	30.88	32.00	72.00	36.00	P3	158.95
SCE-90P24F2	39.88	20.00	90.00	24.00	P3	141.56
SCE-90P36F2	39.88	32.00	90.00	36.00	P3	183.79

Catalog No.	Panel Height	Panel Width	Enclosure Height	Enclosure Width	Product Code	List Price
Full Panel						
SCE-60P48F1	48.00	44.00	60.00	48.00	P3	362.60
SCE-72P48F1	60.00	44.00	72.00	48.00	P3	409.79
SCE-72P60F1	60.00	56.00	72.00	60.00	P3	474.36
SCE-72P72F1	60.00	68.00	72.00	72.00	P3	541.42
SCE-90P48F1	78.00	44.00	90.00	48.00	P3	481.82
SCE-90P72F1	78.00	68.00	90.00	72.00	P3	650.69
Half Panel						
SCE-72P48F2	30.88	44.00	72.00	48.00	P3	260.78
SCE-72P60F2	30.88	56.00	72.00	60.00	P3	295.55
SCE-72P72F2	30.88	68.00	72.00	72.00	P3	327.83
SCE-90P48F2	39.88	44.00	90.00	48.00	P3	298.03
SCE-90P72F2	39.88	68.00	90.00	72.00	P3	384.95

Catalog No.	Panel Height	Panel Width	Enclosure Height	Enclosure Width	Product Code	List Price
SCE-60SMP14	48.00	14.00	60.00	18.00	P3	138.74
SCE-72SMP14	60.00	14.00	72.00	18.00	P3	155.72
SCE-72SMP20	60.00	20.00	72.00	24.00	P3	192.53
SCE-90SMP14	78.00	14.00	90.00	18.00	P3	226.51
SCE-90SMP20	78.00	20.00	90.00	24.00	P3	235.00
SCE-90SMP30	78.00	30.00	90.00	36.00	P3	254.81

Catalog No.	Notes	Product Code	List Price
SCE-FSPS4	Set of 4	P2	55.88
SCE-FSPS6	Set of 6	P2	84.44
SCE-FSPS8	Set of 8	P2	126.66

FREE-STANDING ENCLOSURE ACCESSORIES

Swing-Out Panels

Panels are available full length and half length and can be mounted on either side of the enclosure. Panels have heavy gauge steel support frames and heavy gauge continuous hinges to allow the panel to swing completely out of the enclosure. Mounting hardware is included. Made of heavy gauge steel and powder coated white. For technical information, consult our Installation Manual at www.saginawcontrol.com.



Catalog No.	Panel Height	Panel Width	Enclosure Height	Enclosure Width	Product Code	List Price
Full Panel						
SCE-72SP24F3	60.00	18.81	72.00	24.00	P2	392.41
SCE-72SP30F3	60.00	24.81	72.00	30.00	P2	454.50
SCE-72SP36F3	60.00	30.81	72.00	36.00	P2	516.59
SCE-90SP36F3	78.00	30.81	90.00	36.00	P2	613.44
Half Panel						
SCE-72SP24F4	30.88	18.81	72.00	24.00	P3	279.03
SCE-72SP30F4	30.88	24.81	72.00	30.00	P2	300.51
SCE-72SP36F4	30.88	30.81	72.00	36.00	P2	335.28
SCE-90SP36F4	39.88	30.81	90.00	36.00	P2	387.44

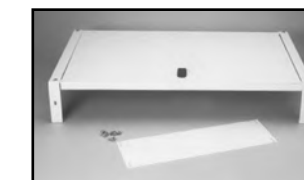
Catalog No.	No. of Units	Enclosure Height	Enclosure Width	Product Code	List Price
SCE-7230SOF19	33	72.00	30.00	P2	389.92
SCE-7236SOF19	33	72.00	36.00	P2	419.73
SCE-9036SOF19	43	90.00	36.00	P2	442.08



Swing-Out Rack Mounting Frames

Designed for mounting 19.00" rack-mounting equipment. The frame pivots within the enclosure for access to the back of the mounted equipment. A nylon bearing allows easy movement. Quick release latches hold the frame closed. One clip nut package (CN1032) is included. Made of heavy gauge steel and powder coated white. For technical information, consult our Installation Manual at www.saginawcontrol.com.

Catalog No.	Height (A)	Width (B)	Depth (C)	Enclosure Depth	Product Code	List Price
SCE-14RMW	6.00	35.00	14.00	18.00	P2	198.69
SCE-20RMW	6.00	35.00	20.00	24.00	P2	223.52



Removable Wire Cover

Designed to cover the wires in the bottom of the enclosure. One wire cover required per door. Mounting hardware is included. Made of heavy gauge steel and powder coated white.

Back to
Free-Standing
Accessory Guide

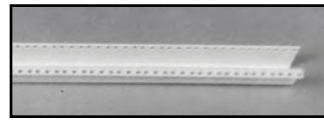


Phone (989) 799-6871
Fax (989) 799-4524

FREE-STANDING ENCLOSURE ACCESSORIES

Rack Mounting Angle (Type RA) - "U Shape"

Designed for mounting 19 inch and 24 inch rack mount equipment. Available in pairs of full length angles with mounting holes. Use clip nut package (CN1032) to provide tapped holes. Mounting hardware is supplied. Made of heavy gauge steel and powder coated white.



Rack Mounting Angle (Type RP) - "L Shape"

Designed for mounting 19 inch and 24 inch rack mount equipment. Available in pairs of full length angles with mounting holes. Use clip nut package (CN1032) to provide tapped holes. Mounting hardware is supplied. Made of heavy gauge steel and powder coated white.

Catalog No.	Angle Length	Enclosure Height	Enclosure Width	Length	Rack Size	Product Code	List Price
SCE-60RA19TH	49.00	60.00	24.00		19	P2	106.80
SCE-72RA19TH	61.25	72.00	24.00		19	P2	114.24
SCE-72RA24TH	61.25	72.00	30.00		24	P2	114.24
SCE-90RA19TH	78.75	90.00	24.00		19	P2	124.18
SCE-60RP24F5	49.00	60.00	24.00	Full	19	P2	106.80
SCE-72RP24F5	61.25	72.00	24.00	Full	19	P2	124.18
SCE-72RP30F5	61.25	72.00	30.00	Full	24	P2	124.18
SCE-90RP24F5	78.75	90.00	24.00	Full	19	P2	166.40
SCE-60RP24F6	26.25	60.00	24.00	Half	19	P2	62.09
SCE-72RP24F6	31.50	72.00	24.00	Half	19	P2	76.99
SCE-72RP30F6	31.50	72.00	30.00	Half	24	P2	76.99
SCE-90RP24F6	40.25	90.00	24.00	Half	19	P2	94.38



Clamping Nuts

Clamping nuts with a #10-32 retained nut will fit all rack mounting angles and rack mounting frames, to provide tapped holes. Nuts are zinc plated.

Catalog No.	Quantity Per Kit	Product Code	List Price
SCE-CN1032	20	P2	32.31

Channel Nuts

Designed for use in free-standing enclosures to allow mounting of additional equipment. Nuts are zinc plated.

Catalog No.	Description	Quantity Per Kit	Product Code	List Price
SCE-PS1420CN	1/4 - 20 Strut Nut	20	P2	42.22
SCE-PS3816CN	3/8 - 16 Strut Nut	20	P2	42.22

Channel Nut Kit

Designed for use with the light channels on the inside top of SCE larger enclosures to allow easy installation of lights. Nuts are zinc plated.

Catalog No.	Description	Quantity Per Kit	Product Code	List Price
SCE-PS1032CN	10-32 Channel Nut	20	P2	36.02

Phone (989) 799-6871
Fax (989) 799-4524



FREE-STANDING ENCLOSURE ACCESSORIES

Heavy-Duty Panel Supports

Available in pairs to mount panels when heavy equipment is installed on the panels. Panel mounting studs are adjustable so a panel of any height can be mounted. Used in place of individual supports. Mounting hardware furnished with enclosures. Made of heavy gauge steel and powder coated white. For technical information consult our Installation Manual at www.saginawcontrol.com.

HEAVY-DUTY PANEL SUPPORTS				
Catalog No.	Enclosure Height	Support Length	Product Code	List Price
SCE-60FSHDPS	60.00	57.25	P2	114.24
SCE-72FSHDPS	72.00	69.25	P2	124.18
SCE-90FSHDPS	90.00	87.25	P2	136.60

CENTER PANEL SUPPORTS			
Catalog No.	Enclosure Height	Product Code	List Price
SCE-60FSCPS	60.00	P2	119.22
SCE-72FSCPS	72.00	P2	131.63
SCE-90FSCPS	90.00	P2	156.47

CENTER SUPPORTS			
Catalog No.	Enclosure Height	Product Code	List Price
SCE-72FSCS	72.00	P2	131.63
SCE-90FSCS	90.00	P2	156.47



Heavy-Duty Panel Supports



Center Panel Supports



Center Supports

Center Panel Supports

Designed to be installed in any two-door single access or dual access free-standing enclosure. For installation of panels, swing-out panels, rack mounting angles, and swing-out rack mounting frames. The center panel support can be positioned from front to back in the enclosure. Plated mounting hardware is supplied. Made of heavy gauge steel and powder coated white. For technical information consult our Installation Manual at www.saginawcontrol.com.

Center Supports

Designed to attach to the top and bottom mounting channels of the enclosure. Provides support for full and half panels in any free-standing two-door enclosure. Can be positioned from front to back in the enclosure. Can be used with heavy duty panel supports to use panels of various heights. Mounting hardware is included. Made of heavy gauge steel and powder coated white.



Phone (989) 799-6871
Fax (989) 799-4524

[Back to Free-Standing Accessory Guide](#)

Multi-Door Free-Standing / Wall- Mount Enclosures For Flange-Mounted Disconnects

Application -

Designed to easily accommodate various types of mounting methods with minimal modifications. Provisions are provided in the back of the enclosure for wall or frame mounting, and in the bottom for wall mount brackets, frame mount, or partial provisions for a floor stand kit. Enclosure is designed to house most standard type disconnects. For installation information, consult our Installation Manual at www.saginawcontrol.com.

Construction -

- 0.104" carbon steel.
- Seams continuously welded and ground smooth.
- Flange trough collar around all sides of door opening.
- Body stiffeners in large enclosures for extra rigidity.
- Heavy duty lifting eyes anchor into reinforced top.
- Removable center posts permit easy panel installation.
- Concealed hinges.
- Black zinc die cast coinproof/padlocking handle on main door with black zinc die cast padlocking handle on slave doors.
- 3-point latching mechanism.
- Ends of latch rods have ramp shoes for easier door closing.
- Panel supports.
- Large removable print pockets.
- Oil-resistant gasket.
- Defeater on master door requires a screwdriver to open.
- Ground stud on door.
- Collar studs for mounting optional sub-panel.

Disconnect switch (or circuit breaker) and operating mechanism are not furnished with enclosure.

Finish -

ANSI-61 gray powder coated inside and out. Optional sub-panels are powder coated white.

IS3 - Industry Standards -

NEMA Type 3R, 12 & Type 13
UL Listed Type 3R & 12
CSA Type 3R & 12
IEC 60529 IP 55

IS4 - Industry Standards -

NEMA Type 3R, 4, 12 & Type 13
UL Listed Type 3R, 4 & 12
CSA Type 3R, 4 & 12
IEC 60529 IP 66

***Special Instructions apply for IS3, IS4 and IS6 to maintain the environmental rating of Type 3R for these parts. See the Special Instructions on the Industry Standards page in the Technical Information Section.

TWO-DOOR FREE-STANDING / WALL-MOUNT ENCLOSURES FOR FLANGE-MOUNTED DISCONNECTS

ENCLOSURE PRODUCT CODE A2						SUB-PANEL (P3)			
Catalog No.	Height (A)	Width (B)	Depth (C)	Industry Standard	List Price	Catalog No.	Panel Height (D)	Panel Width (E)	List Price
SCE-36X2D5412	36.00	53.75	12.00	IS4	1,463.80	SCE-36P52	32.00	48.00	161.54
SCE-42X2D5412	42.00	53.75	12.00	IS4	1,530.37	SCE-42P52	38.00	48.00	209.39
SCE-48X2D7812	48.00	77.75	12.00	IS3	1,904.94	SCE-48P76	44.00	72.00	351.48
SCE-48X2D7818	48.00	77.75	18.00	IS3	2,125.52	SCE-48P76	44.00	72.00	351.48



[Back to
Free-Standing
Enclosures](#)

Phone (989) 799-6871
Fax (989) 799-4524

SCE SAGINAW
CONTROL &
ENGINEERING
Your Enclosure Source®

THREE-DOOR FREE-STANDING / WALL-MOUNT ENCLOSURES FOR FLANGE-MOUNTED DISCONNECTS

ENCLOSURE PRODUCT CODE A2						SUB-PANEL (P3)			
Catalog No.	Height (A)	Width (B)	Depth (C)	Industry Standard	List Price	Catalog No.	Panel Height (D)	Panel Width (E)	List Price
SCE-48X3D11818	48.00	117.50	18.00	IS3	3,065.56	SCE-48P76 & SCE-48P37	44.00	72.00 34.00	351.48 148.54

FOUR-DOOR FREE-STANDING / WALL-MOUNT ENCLOSURES FOR FLANGE-MOUNTED DISCONNECTS

ENCLOSURE PRODUCT CODE A2						SUB-PANEL (P3)			
Catalog No.	Height (A)	Width (B)	Depth (C)	Industry Standard	List Price	Catalog No.	Panel Height (D)	Panel Width (E)	List Price
SCE-48X4D15818	48.00	157.50	18.00	IS3	4,186.87	SCE-48P76 (2)	44.00	72.00	351.48



SCE SAGINAW
CONTROL &
ENGINEERING
Your Enclosure Source®

Phone (989) 799-6871
Fax (989) 799-4524

Multi-Door Free-Standing / Wall- Mount Enclosures For Flange-Mounted Disconnects

Application -

Designed to easily accommodate various types of mounting methods with minimal modifications. Provisions are provided in the back of the enclosure for wall or frame mounting, and in the bottom for wall mount brackets, frame mount, or partial provisions for a floor stand kit. Enclosure is designed to house most standard type disconnects. For installation information, consult our Installation Manual at www.saginawcontrol.com.

Construction -

- 0.104" carbon steel.
- Seams continuously welded and ground smooth.
- Flange trough collar around all sides of door opening.
- Body stiffeners in large enclosures for extra rigidity.
- Heavy duty lifting eyes anchor into reinforced top.
- Removable center posts permit easy panel installation.
- Concealed hinges.
- Black zinc die cast coinproof/padlocking handle on main door with black zinc die cast padlocking handle on slave doors.
- 3-point latching mechanism.
- Ends of latch rods have ramp shoes for easier door closing.
- Panel supports.
- Large removable print pockets.
- Oil-resistant gasket.
- Defeater on master door requires a screwdriver to open.
- Ground stud on door.
- Collar studs for mounting optional sub-panel.

Disconnect switch (or circuit breaker) and operating mechanism are not furnished with enclosure.

Finish -

ANSI-61 gray powder coated inside and out. Optional sub-panels are powder coated white.

IS3 - Industry Standards -

NEMA Type 3R, 12 & Type 13
UL Listed Type 3R & 12
CSA Type 3R & 12
IEC 60529 IP 55

IS4 - Industry Standards -

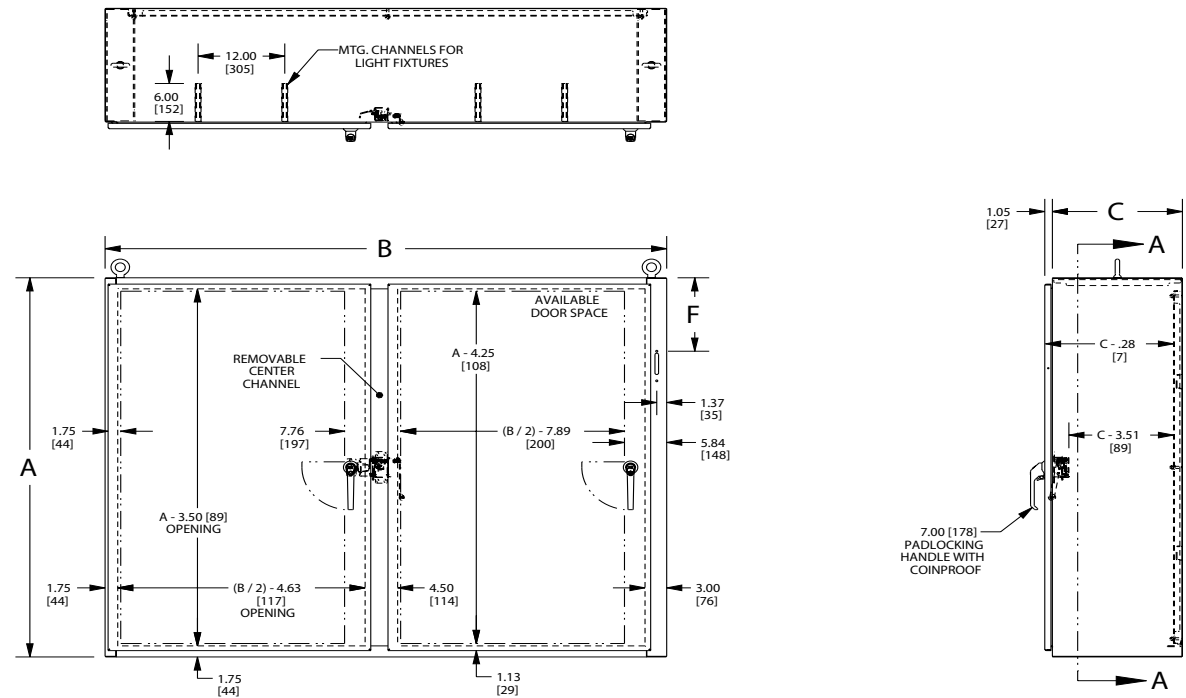
NEMA Type 3R, 4, 12 & Type 13
UL Listed Type 3R, 4 & 12
CSA Type 3R, 4 & 12
IEC 60529 IP 66

***Special Instructions apply for IS3, IS4 and IS6 to maintain the environmental rating of Type 3R for these parts. See the Special Instructions on the Industry Standards page in the Technical Information Section.

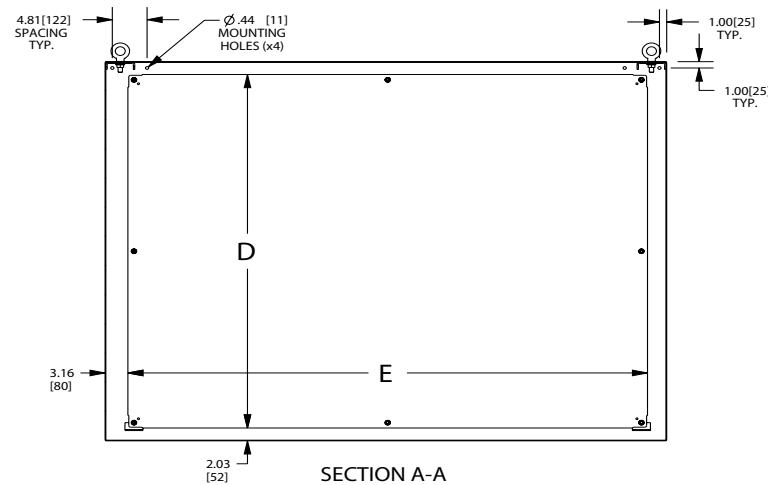
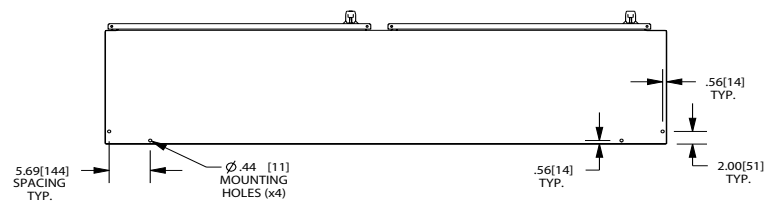
MULTI-DOOR FREE-STANDING / WALL-MOUNT ENCLOSURES FOR FLANGE-MOUNTED DISCONNECTS

TECHNICAL DATA

TWO-DOOR ENCLOSURE



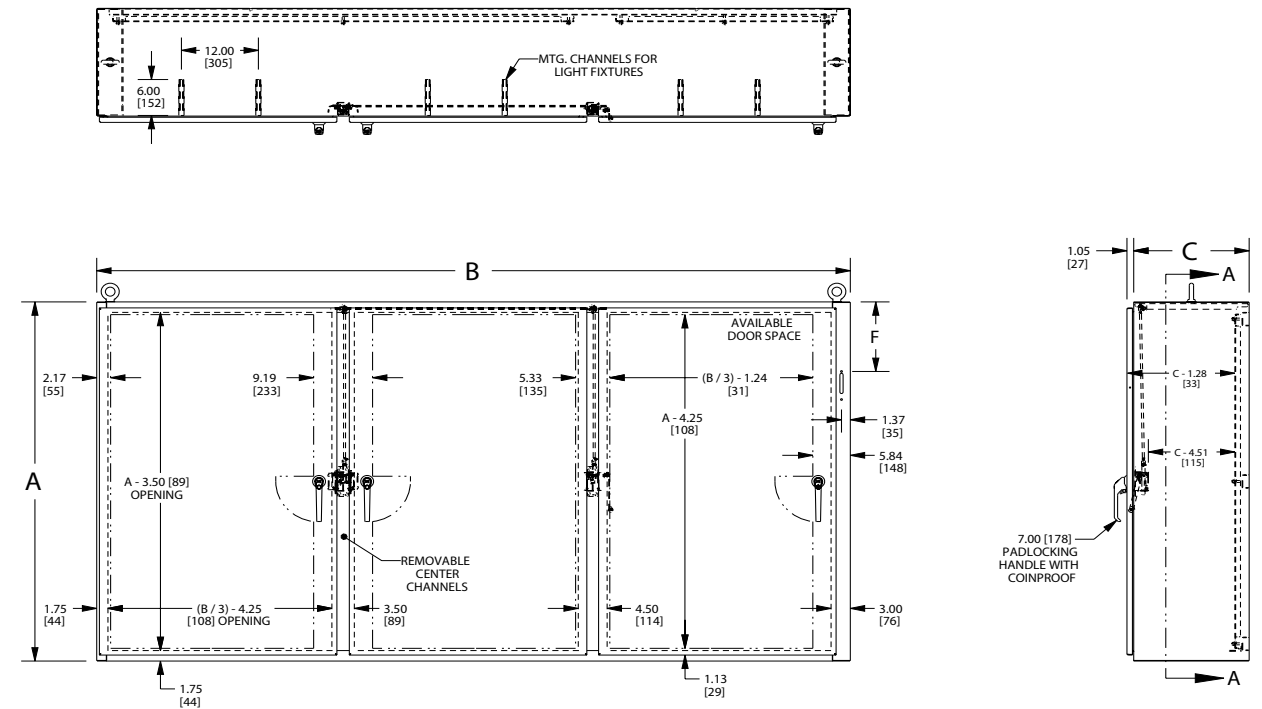
DISCONNECT NOTES:
 F = 4.75 [121] when C = 8.00 [203]
 F = 7.09 [180] when C = 10.00 [254]
 F = 11.62 [295] when C = 18.00 [457]



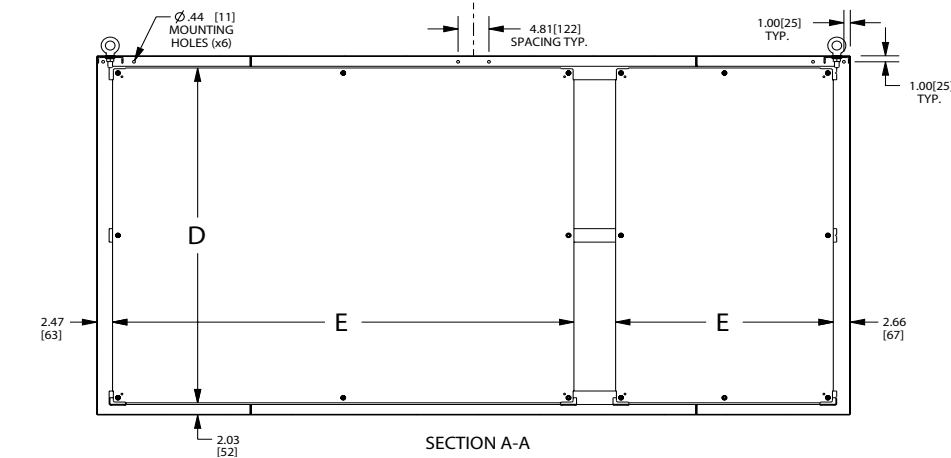
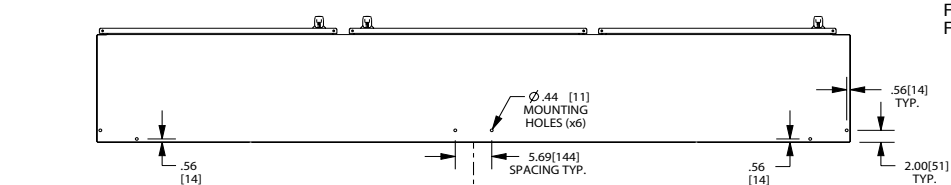
MULTI-DOOR FREE-STANDING / WALL-MOUNT ENCLOSURES FOR FLANGE-MOUNTED DISCONNECTS

TECHNICAL DATA

THREE-DOOR ENCLOSURE



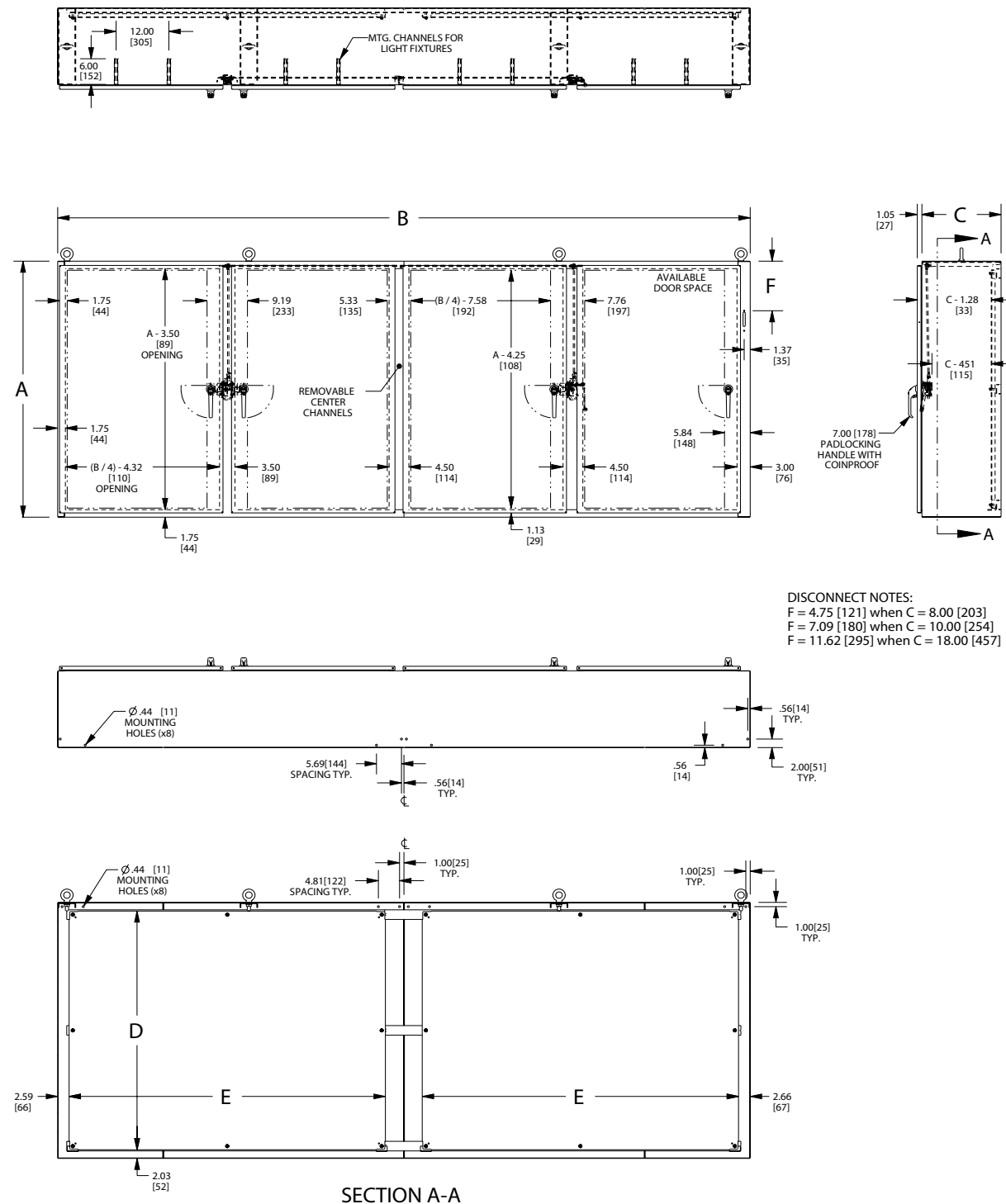
DISCONNECT NOTES:
 F = 4.75 [121] when C = 8.00 [203]
 F = 7.09 [180] when C = 10.00 [254]
 F = 11.62 [295] when C = 18.00 [457]



MULTI-DOOR FREE-STANDING / WALL-MOUNT ENCLOSURES FOR FLANGE-MOUNTED DISCONNECTS

TECHNICAL DATA

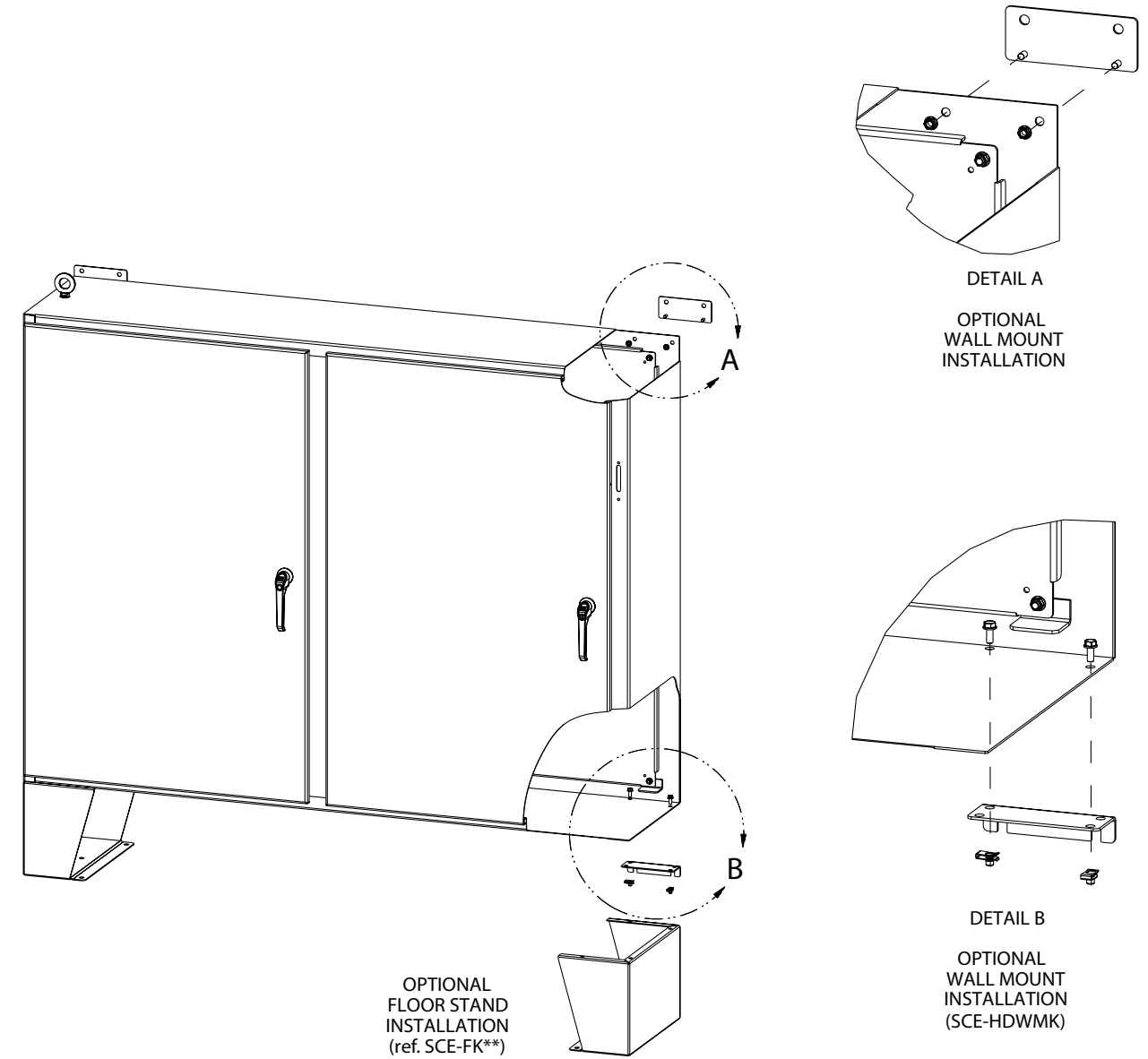
FOUR-DOOR ENCLOSURE



MULTI-DOOR FREE-STANDING / WALL-MOUNT ENCLOSURES FOR FLANGE-MOUNTED DISCONNECTS

TECHNICAL DATA

INSTALLATION OPTIONS



NOTE: PREFERRED INSTALLATION IS TO MOUNT ENCLOSURE THROUGH THE BACK AND BOTTOM TO THE MOUNTING SURFACE.

Two-Door Disconnect Enclosures

Application -

Designed to house most standard type disconnects. For outdoor applications a drip shield and drain holes are required. For installation information, consult our Installation Manual at www.saginawcontrol.com.

Construction -

- 0.104" carbon steel.
- Seams continuously welded and ground smooth.
- Flange trough collar around all sides of door opening.
- Oil-resistant gasket.
- Concealed hinge.
- Removable and interchangeable doors.
- 3-point latching mechanism.
- Removable print pocket.
- Lifting eyes for easy handling.
- Ground studs on door and body.
- Collar studs provided for mounting optional sub-panels.
- Black quarter turn latches as required.
- 15" removable floor stands.
- Removable center post.
- Mechanical interlock
- No door stiffeners required.
- Black zinc die cast coinproof/padlocking handle on main door with black zinc die cast padlocking handle on slave door.

Disconnect switch (or circuit breaker) and operating mechanism are not furnished with this enclosure.

Finish -

ANSI-61 gray powder coated inside and out. Optional sub-panels are powder coated white.

IS1 - Industry Standards -

NEMA Type 12 & Type 13
UL Listed Type 12
CSA Type 12
IEC 60529 IP55

IS4 - Industry Standards -

NEMA Type 3R, 4, 12 & Type 13
UL Listed Type 3R, 4, & 12
CSA Type 3R, 4 & 12
IEC 60529 IP66

***Special Instructions apply for IS3, IS4 and IS6 to maintain the environmental rating of Type 3R for these parts. See the Special Instructions on the Industry Standards page in the Technical Information Section.

TWO-DOOR ENCLOSURES WITH PROVISION FOR DISCONNECT ON RIGHT FLANGE

ENCLOSURE PRODUCT CODE A2						SUB-PANEL (P3)			
Catalog No.	Height (A)	Width (B)	Depth (C)	Industry Standard	List Price	Catalog No.	Panel Height (D)	Panel Width (E)	List Price
SCE-60XEL4912LP	60.00	49.00	12.00	IS4	2,142.65	SCE-60P48	56.00	44.00	268.38
SCE-60XEL4918LP	60.00	49.00	18.00	IS4	2,333.74	SCE-60P48	56.00	44.00	268.38
SCE-60XEL4924LP	60.00	49.00	24.00	IS4	2,524.84	SCE-60P48	56.00	44.00	268.38
SCE-60XEL6112LP	60.00	61.00	12.00	IS4	2,395.85	SCE-60P60	56.00	56.00	331.68
SCE-60XEL6118LP	60.00	61.00	18.00	IS4	2,609.64	SCE-60P60	56.00	56.00	331.68
SCE-60XEL6124LP	60.00	61.00	24.00	IS4	2,823.42	SCE-60P60	56.00	56.00	331.68
SCE-72XEL6112LP	72.00	61.00	12.00	IS4	2,653.84	SCE-72P60	68.00	56.00	394.98
SCE-72XEL6118LP	72.00	61.00	18.00	IS4	2,883.15	SCE-72P60	68.00	56.00	394.98
SCE-72X7312LP	72.00	73.00	12.00	IS3	2,947.64	SCE-72P72	68.00	68.00	470.93
SCE-72XEL7312LP	72.00	73.00	12.00	IS4	3,036.06	SCE-72P72	68.00	68.00	470.93
SCE-72X7318LP	72.00	73.00	18.00	IS3	3,202.04	SCE-72P72	68.00	68.00	470.93
SCE-72XEL7318LP	72.00	73.00	18.00	IS4	3,298.10	SCE-72P72	68.00	68.00	470.93
SCE-72X7324LP	72.00	73.00	24.00	IS3	3,457.63	SCE-72P72	68.00	68.00	470.93
SCE-72XEL7324LP	72.00	73.00	24.00	IS4	3,561.36	SCE-72P72	68.00	68.00	470.93

Part numbers that contain the letter "EL" that are over 30 Inches wide have quarter turn latches on the center of the door top and bottom.

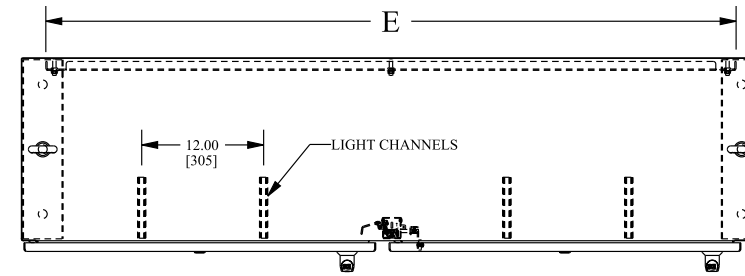


[Back to Free-Standing Enclosures](#)

Phone (989) 799-6871
Fax (989) 799-4524

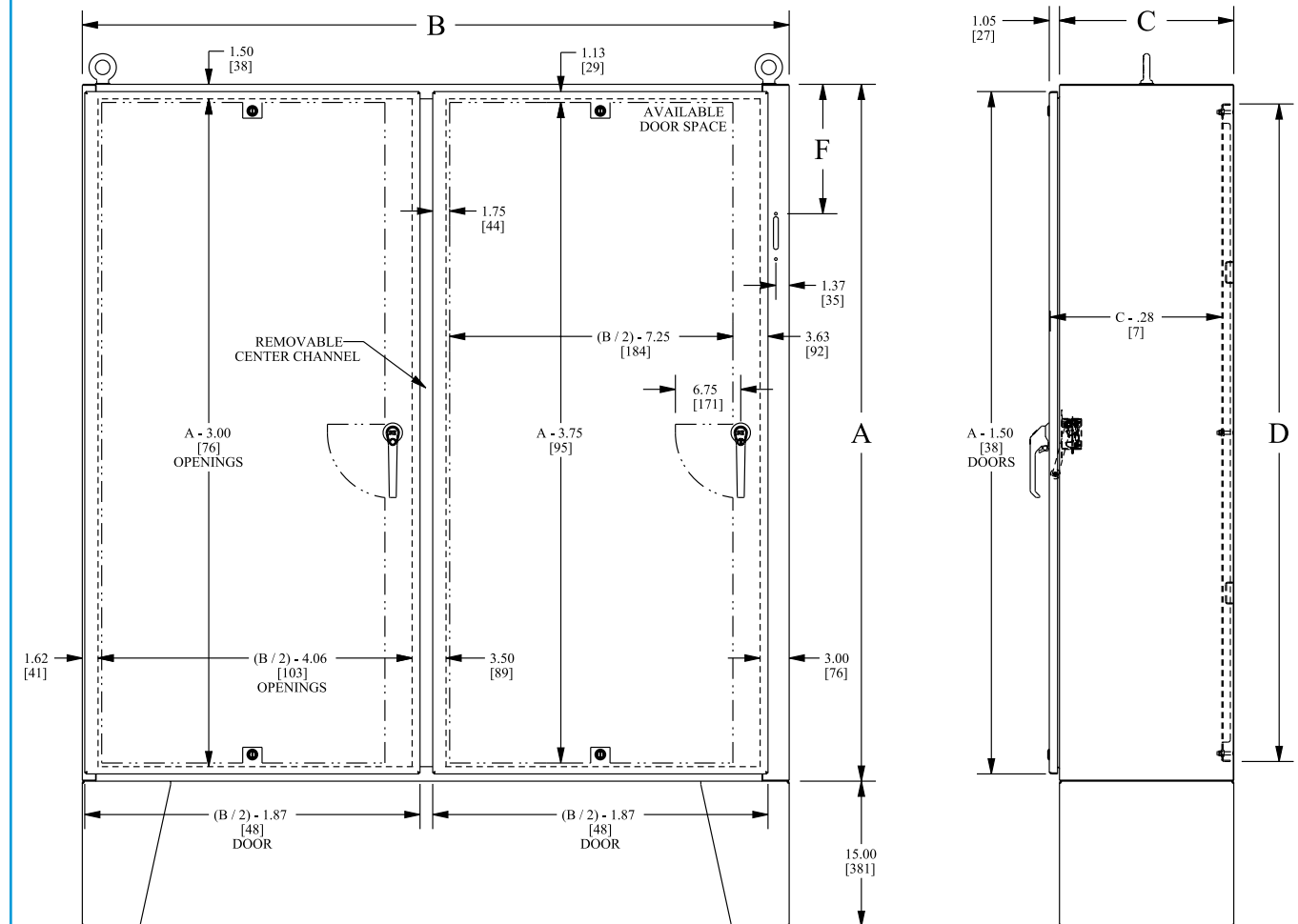


TWO-DOOR DISCONNECT ENCLOSURES TECHNICAL DATA



DISCONNECT NOTES:
F= 7.88 [200] when A = 60.00 [1524]
F= 13.38 [340] when A = 72.00 [1829]

LATCH NOTES:
"EL" part numbers >= 30.00 [762] in width have additional latch centered top and bottom of door.



Phone (989) 799-6871
Fax (989) 799-4524

Heavy Duty Free-Standing Enclosures For Flange-Mounted Disconnects

Application -

Designed to house electrical equipment and provide protection from dirt, dust, oil and water and to house most standard type disconnects. For installation information, consult our Installation Manual at www.saginawcontrol.com.

Construction -

- 0.125" carbon steel.
- Seams continuously welded and ground smooth.
- Flange trough collar around all sides of door opening.
- Body stiffeners in large enclosures for extra rigidity.
- Heavy duty lifting eyes anchor into reinforced top.
- Removable center posts permit easy sub-panel installation.
- Concealed hinges.
- Black zinc die cast coinproof/padlocking handle on main door with black zinc die cast padlocking handle on slave doors.
- 3-point latching mechanism.
- Ends of latch rods have ramp shoes for easier door closing.
- Panel supports.
- Large removable print pockets.
- Oil-resistant gasket.
- Removable sub-panels mount on collar studs.
- Defeater on master door requires a screwdriver to open.
- Ground stud on door.

Disconnect switch (or circuit breaker) and operating mechanism are not furnished with enclosure.

Finish -

ANSI-61 gray powder coated inside and out. Sub-panels are powder coated white.

IS3 - Industry Standards -

NEMA Type 3R, 12 & Type 13
UL Listed Type 3R & 12
CSA Type 3R & 12
IEC 60529 IP 55

IS4 - Industry Standards -

NEMA Type 3R, 4, 12 & Type 13
UL Listed Type 3R, 4 & 12
CSA Type 3R, 4 & 12
IEC 60529 IP 66

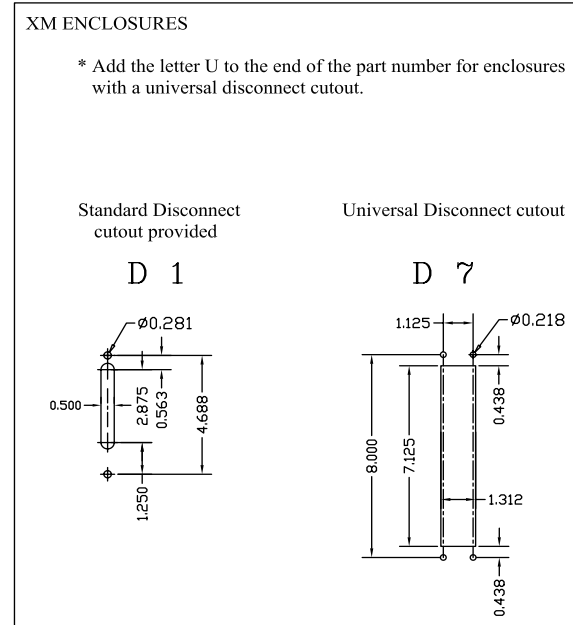
***Special Instructions apply for IS3, IS4 and IS6 to maintain the environmental rating of Type 3R for these parts. See the Special Instructions on the Industry Standards page in the Technical Information Section.

HEAVY DUTY FREE-STANDING ENCLOSURES FOR FLANGE-MOUNTED DISCONNECTS SINGLE-DOOR ENCLOSURES

ENCLOSURE PRODUCT CODE A2						SUB-PANEL (P3)			
Catalog No.	Height (A)	Width (B)	Depth (C)	Industry Standard	List Price	Catalog No.	Panel Height (D)	Panel Width (E)	List Price
SCE-72XM2818	72.00	27.50	18.00	IS4	1,565.79	SCE-64P25**	60.00	21.75	Included
SCE-72XM3418	72.00	33.50	18.00	IS3	1,735.38	SCE-64P31**	60.00	27.75	Included
SCE-72XM4018	72.00	39.50	18.00	IS3	1,904.98	SCE-64P37**	60.00	33.75	Included
SCE-84XM4018	84.00	39.50	18.00	IS3	2,117.56	SCE-76P37**	72.00	33.75	Included
SCE-84XM4024	84.00	39.50	24.00	IS3	2,177.29	SCE-76P37**	72.00	33.75	Included
SCE-90XM4018	90.00	39.50	18.00	IS3	2,268.06	SCE-82P37**	78.00	33.75	Included
SCE-90XM4024	90.00	39.50	24.00	IS3	2,428.09	SCE-82P37**	78.00	33.75	Included

Galvanized Sub-Panel Installed

SCE-84XM4018G	84.00	39.50	18.00	IS3	2,117.56	SCE-76P37GALV**	72.00	33.75	Included
---------------	-------	-------	-------	-----	----------	-----------------	-------	-------	----------



**Sub-panel included with enclosure. Replacement sub-panels can be ordered. Prices found in the accessory section.

Available within 10 working days if not in stock

Back to Free-Standing Enclosures

Phone (989) 799-6871
Fax (989) 799-4524

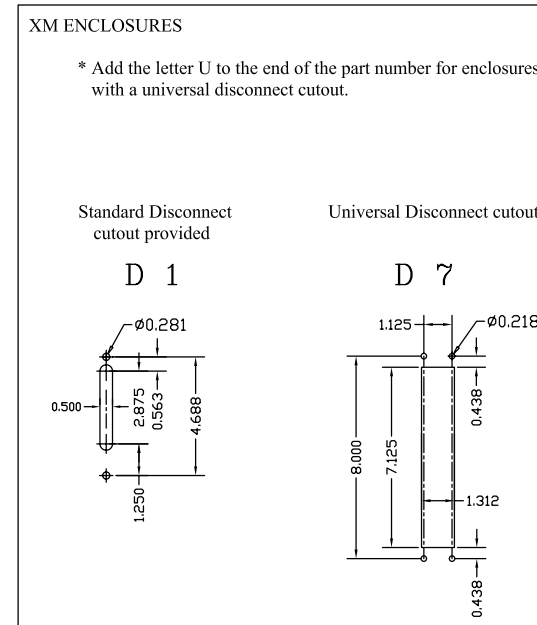


HEAVY DUTY FREE-STANDING ENCLOSURES FOR FLANGE-MOUNTED DISCONNECTS TWO-DOOR ENCLOSURES

ENCLOSURE PRODUCT CODE A2						SUB-PANEL (P3)			
Catalog No.	Height (A)	Width (B)	Depth (C)	Industry Standard	List Price	Catalog No.	Panel Height (D)	Panel Width (E)	List Price
SCE-72XM5418	72.00	53.75	18.00	IS4	2,748.19	SCE-64P52**	60.00	48.00	Included
SCE-72XM6618	72.00	65.75	18.00	IS3	3,096.93	SCE-64P64**	60.00	60.00	Included
SCE-72XM7818	72.00	77.75	18.00	IS3	3,444.49	SCE-64P76**	60.00	72.00	Included
SCE-72XM7824	72.00	77.75	24.00	IS3	3,691.72	SCE-64P76**	60.00	72.00	Included
SCE-84XM7818	84.00	77.75	18.00	IS3	3,823.10	SCE-76P76**	72.00	72.00	Included
SCE-84XM7824	84.00	77.75	24.00	IS3	3,870.87	SCE-76P76**	72.00	72.00	Included
SCE-90XM7818	90.00	77.75	18.00	IS3	4,082.27	SCE-82P76**	78.00	72.00	Included
SCE-90XM7824	90.00	77.75	24.00	IS3	4,284.12	SCE-82P76**	78.00	72.00	Included

Galvanized Sub-Panel Installed

SCE-72XM6618G	72.00	65.75	18.00	IS3	3,220.91	SCE-64P64GALV**	60.00	60.00	Included
SCE-84XM7818G	84.00	77.75	18.00	IS3	3,934.93	SCE-76P76GALV**	72.00	72.00	Included



**Sub-panel included with enclosure. Replacement sub-panels can be ordered. Prices found in the accessory section.

Available within 10 working days if not in stock



Phone (989) 799-6871
Fax (989) 799-4524



Heavy Duty Free-Standing Enclosures For Flange-Mounted Disconnects

Application -

Designed to house electrical equipment and provide protection from dirt, dust, oil and water and to house most standard type disconnects. For installation information, consult our Installation Manual at www.saginawcontrol.com.

Construction -

- 0.125" carbon steel.
- Seams continuously welded and ground smooth.
- Flange trough collar around all sides of door opening.
- Body stiffeners in large enclosures for extra rigidity.
- Heavy duty lifting eyes anchor into reinforced top.
- Removable center posts permit easy sub-panel installation.
- Concealed hinges.
- Black zinc die cast coinproof/padlocking handle on main door with black zinc die cast padlocking handle on slave doors.
- 3-point latching mechanism.
- Ends of latch rods have ramp shoes for easier door closing.
- Panel supports.
- Large removable print pockets.
- Oil-resistant gasket.
- Removable sub-panels mount on collar studs.
- Master door is far right-hand door on all enclosures.
- Defeater on master door requires a screwdriver to open.
- Mechanical interlock activated by master door prevents slave doors from being opened first. Doors can be closed in any order.
- Ground stud on door.

Disconnect switch (or circuit breaker) and operating mechanism are not furnished with enclosure.

Finish -

ANSI-61 gray powder coated inside and out. Sub-panels are powder coated white.

IS3 - Industry Standards -

NEMA Type 3R, 12 & Type 13
UL Listed Type 3R & 12
CSA Type 3R & 12
IEC 60529 IP 55

IS4 - Industry Standards -

NEMA Type 3R, 4, 12 & Type 13
UL Listed Type 3R, 4 & 12
CSA Type 3R, 4 & 12
IEC 60529 IP 66

***Special Instructions apply for IS3, IS4 and IS6 to maintain the environmental rating of Type 3R for these parts. See the Special Instructions on the Industry Standards page in the Technical Information Section.

Heavy Duty Free-Standing Enclosures For Flange-Mounted Disconnects

Application -

Designed to house electrical equipment and provide protection from dirt, dust, oil and water and to house most standard type disconnects. For installation information, consult our Installation Manual at www.saginawcontrol.com.

Construction -

- 0.125" carbon steel.
 - Seams continuously welded and ground smooth.
 - Flange trough collar around all sides of door opening.
 - Body stiffeners in large enclosures for extra rigidity.
 - Heavy duty lifting eyes anchor into reinforced top.
 - Removable center posts permit easy sub-panel installation.
 - Concealed hinges.
 - Black zinc die cast coinproof/padlocking handle on main door with black zinc die cast padlocking handle on slave doors.
 - 3-point latching mechanism.
 - Ends of latch rods have ramp shoes for easier door closing.
 - Panel supports.
 - Large removable print pockets.
 - Oil-resistant gasket.
 - Removable panels mount on collar studs.
 - Master door is far right-hand door on all enclosures.
 - Defeater on master door requires a screwdriver to open.
 - Mechanical interlock activated by master door prevents slave doors from being opened first. Doors can be closed in any order.
 - Ground stud on door.
- Disconnect switch (or circuit breaker) and operating mechanism are not furnished with enclosure.**

Finish -

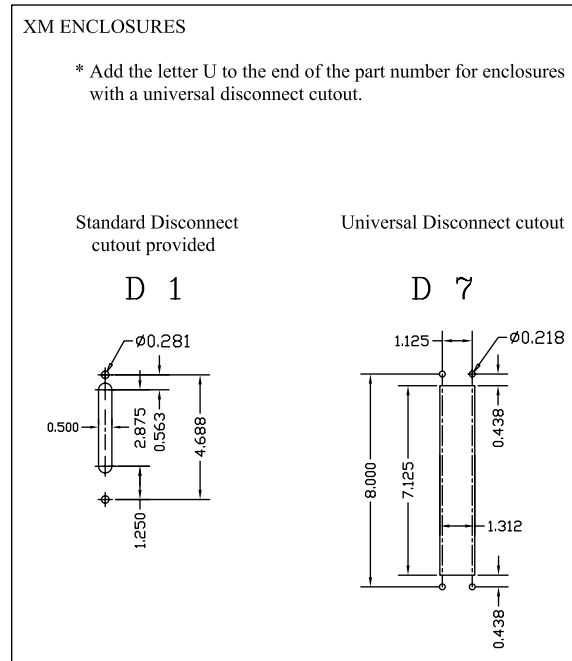
ANSI-61 gray powder coated inside and out. Panels are powder coated white.

IS3 - Industry Standards -
NEMA Type 3R, 12 & Type 13
UL Listed Type 3R & 12
CSA Type 3R & 12
IEC 60529 IP 55

***Special Instructions apply for IS3, IS4 and IS6 to maintain the environmental rating of Type 3R for these parts. See the Special Instructions on the Industry Standards page in the Technical Information Section.

HEAVY DUTY FREE-STANDING ENCLOSURES FOR FLANGE-MOUNTED DISCONNECTS THREE-DOOR ENCLOSURES

ENCLOSURE PRODUCT CODE A2						SUB-PANEL (P3)			
Catalog No.	Height (A)	Width (B)	Depth (C)	Industry Standard	List Price	Catalog No.	Panel Height (D)	Panel Width (E)	List Price
SCE-72XM3EQ18	72.00	99.50	18.00	IS3	4,116.91	SCE-64P31** & SCE-64P64**	60.00	27.75	Included
SCE-72XM3EW18	72.00	117.50	18.00	IS3	4,634.06	SCE-64P37** & SCE-64P76**	60.00	33.75	Included
SCE-84XM3EW18	84.00	117.50	18.00	IS3	5,166.74	SCE-76P37** & SCE-76P76**	72.00	33.75	Included
SCE-84XM3EW24	84.00	117.50	24.00	IS3	5,227.65	SCE-76P37** & SCE-76P76**	72.00	33.75	Included
SCE-90XM3EW24	90.00	117.50	24.00	IS3	5,765.10	SCE-82P37** & SCE-82P76**	78.00	33.75	Included
Galvanized Sub-Panel Installed									
SCE-84XM3EW18G	84.00	117.50	18.00	IS3	5,475.55	SCE-76P37GALV** & SCE-76P76GALV**	72.00	33.75	Included
							72.00	72.00	Included



**Sub-panel included with enclosure. Replacement sub-panels can be ordered. Prices found in the accessory section.

Available within 10 working days if not in stock

Back to Free-Standing Enclosures

Phone (989) 799-6871
Fax (989) 799-4524



HEAVY DUTY FREE-STANDING ENCLOSURES FOR FLANGE-MOUNTED DISCONNECTS FOUR-DOOR ENCLOSURES



ENCLOSURE PRODUCT CODE A2						SUB-PANEL (P3)			
Catalog No.	Height (A)	Width (B)	Depth (C)	Industry Standard	List Price	Catalog No.	Panel Height (D)	Panel Width (E)	List Price
SCE-84XM4EW18	84.00	157.50	18.00	IS3	6,983.19	SCE-76P76**(2)	72.00	72.00	Included
SCE-84XM4EW24	84.00	157.50	24.00	IS3	7,057.72	SCE-76P76**(2)	72.00	72.00	Included
SCE-90XM4EW18	90.00	157.50	18.00	IS3	7,253.97	SCE-82P76**(2)	78.00	72.00	Included
SCE-90XM4EW24	90.00	157.50	24.00	IS3	7,427.87	SCE-82P76**(2)	78.00	72.00	Included

FIVE-DOOR ENCLOSURES

ENCLOSURE PRODUCT CODE A2						SUB-PANEL (P3)			
Catalog No.	Height (A)	Width (B)	Depth (C)	Industry Standard	List Price	Catalog No.	Panel Height (D)	Panel Width (E)	List Price
SCE-84XM5EW18	84.00	196.75	18.00	IS3	8,340.83	SCE-76P76**(2) & SCE-76P37**	72.00	72.00	Included
SCE-84XM5EW24	84.00	196.75	24.00	IS3	8,595.45	SCE-76P76**(2) & SCE-76P37**	72.00	72.00	Included
SCE-90XM5EW18	90.00	196.75	18.00	IS3	8,713.45	SCE-82P76**(2) & SCE-82P37**	78.00	72.00	Included
SCE-90XM5EW24	90.00	196.75	24.00	IS3	9,005.36	SCE-82P76**(2) & SCE-82P37**	78.00	72.00	Included

SIX-DOOR ENCLOSURES

ENCLOSURE PRODUCT CODE A2						SUB-PANEL (P3)			
Catalog No.	Height (A)	Width (B)	Depth (C)	Industry Standard	List Price	Catalog No.	Panel Height (D)	Panel Width (E)	List Price
SCE-84XM6EW24	84.00	235.00	24.00	IS3	10,474.79	SCE-76P76**(2)	72.00	72.00	Included
SCE-90XM6EW24	90.00	235.00	24.00	IS3	10,859.84	SCE-82P76**(2)	78.00	72.00	Included

Available within 10 working days if not in stock

ACCESSORIES

REMOVABLE WIRE COVER						
Catalog No.	Height (A)	Width (B)	Depth (C)	Enclosure Depth	Product Code	List Price
SCE-14RMW	6.00	35.00	14.00	18.00	P2	198.69
SCE-20RMW	6.00	35.00	20.00	24.00	P2	223.52

Note: Use with enclosure width: 1 Door Enclosure 39.50", 2 Door Enclosure 77.75", 3 Door Enclosure 117.50" and all 4 & 5 Door Enclosures.

FILLER PLATES					
Catalog No.	Height (A)	Width (B)	Enclosure Height	Product Code	List Price
SCE-72FP	60.00	9.38	72.00	P3	78.49
SCE-84FP	72.00	9.38	84.00	P3	88.62
SCE-90FP	78.00	9.38	86.00 or 90.00	P3	96.21

**Sub-panel included with enclosure. Replacement sub-panels can be ordered. Prices found in the accessory section.

Heavy Duty Free-Standing Enclosures For Flange-Mounted Disconnects

Application -

Designed to house electrical equipment and provide protection from dirt, dust, oil and water and to house most standard type disconnects. For installation information, consult our Installation Manual at www.saginawcontrol.com.

Construction -

- 0.125" carbon steel.
 - Seams continuously welded and ground smooth.
 - Flange trough collar around all sides of door opening.
 - Body stiffeners in large enclosures for extra rigidity.
 - Heavy duty lifting eyes anchor into reinforced top.
 - Removable center posts permit easy sub-panel installation.
 - Concealed hinges.
 - Black zinc die cast coinproof/padlocking handle on main door with black zinc die cast padlocking handle on slave doors.
 - 3-point latching mechanism.
 - Ends of latch rods have ramp shoes for easier door closing.
 - Panel supports.
 - Large removable print pockets.
 - Oil-resistant gasket.
 - Removable panels mount on collar studs.
 - Master door is far right-hand door on all enclosures.
 - Defeater on master door requires a screwdriver to open.
 - Mechanical interlock activated by master door prevents slave doors from being opened first. Doors can be closed in any order.
 - Ground stud on door.
- Disconnect switch (or circuit breaker) and operating mechanism are not furnished with enclosure.**

Finish -

ANSI-61 gray powder coated inside and out. Panels are powder coated white.

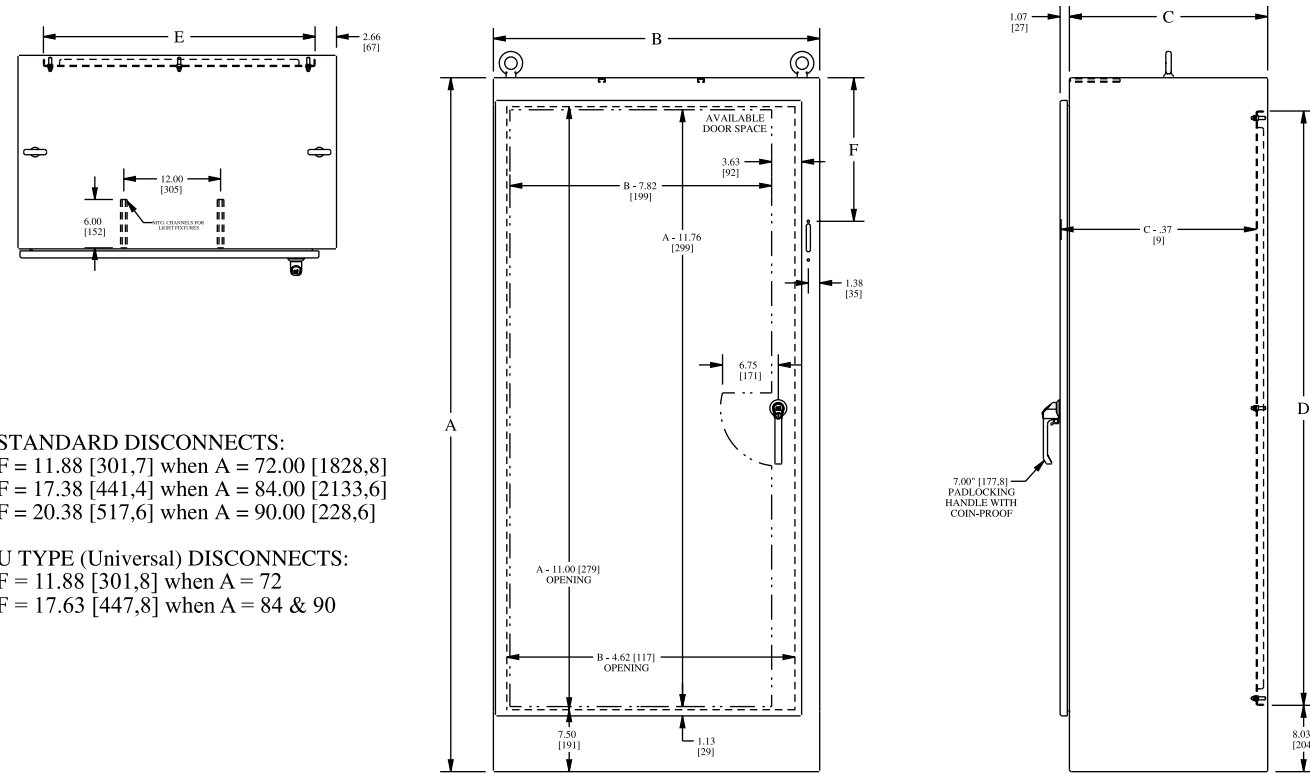
IS3 - Industry Standards -
NEMA Type 3R, 12 & Type 13
UL Listed Type 3R & 12
CSA Type 3R & 12
IEC 60529 IP 55

***Special Instructions apply for IS3, IS4 and IS6 to maintain the environmental rating of Type 3R for these parts. See the Special Instructions on the Industry Standards page in the Technical Information Section.

FREE-STANDING ENCLOSURES FOR FLANGE-MOUNTED DISCONNECTS

TECHNICAL DATA

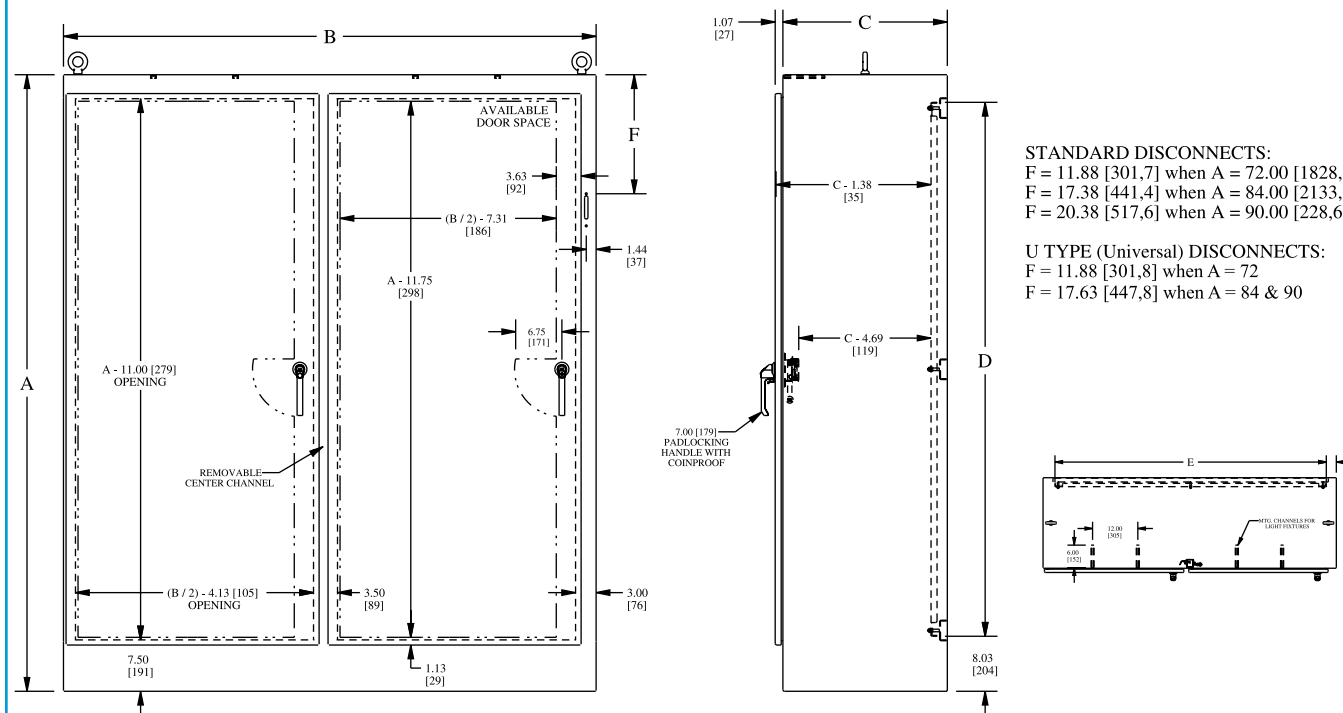
SINGLE-DOOR ENCLOSURE



STANDARD DISCONNECTS:
 F = 11.88 [301.7] when A = 72.00 [1828.8]
 F = 17.38 [441.4] when A = 84.00 [2133.6]
 F = 20.38 [517.6] when A = 90.00 [228.6]

U TYPE (Universal) DISCONNECTS:
 F = 11.88 [301.8] when A = 72
 F = 17.63 [447.8] when A = 84 & 90

TWO-DOOR ENCLOSURE



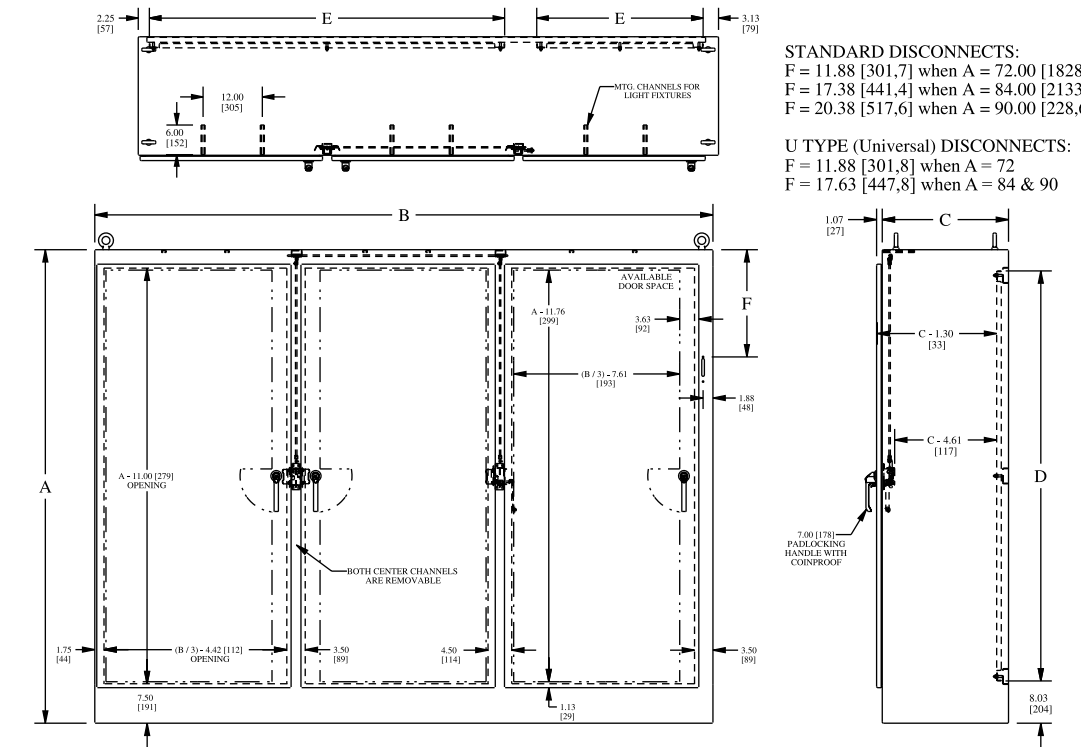
STANDARD DISCONNECTS:
 F = 11.88 [301.7] when A = 72.00 [1828.8]
 F = 17.38 [441.4] when A = 84.00 [2133.6]
 F = 20.38 [517.6] when A = 90.00 [228.6]

U TYPE (Universal) DISCONNECTS:
 F = 11.88 [301.8] when A = 72
 F = 17.63 [447.8] when A = 84 & 90

FREE-STANDING ENCLOSURES FOR FLANGE-MOUNTED DISCONNECTS

TECHNICAL DATA

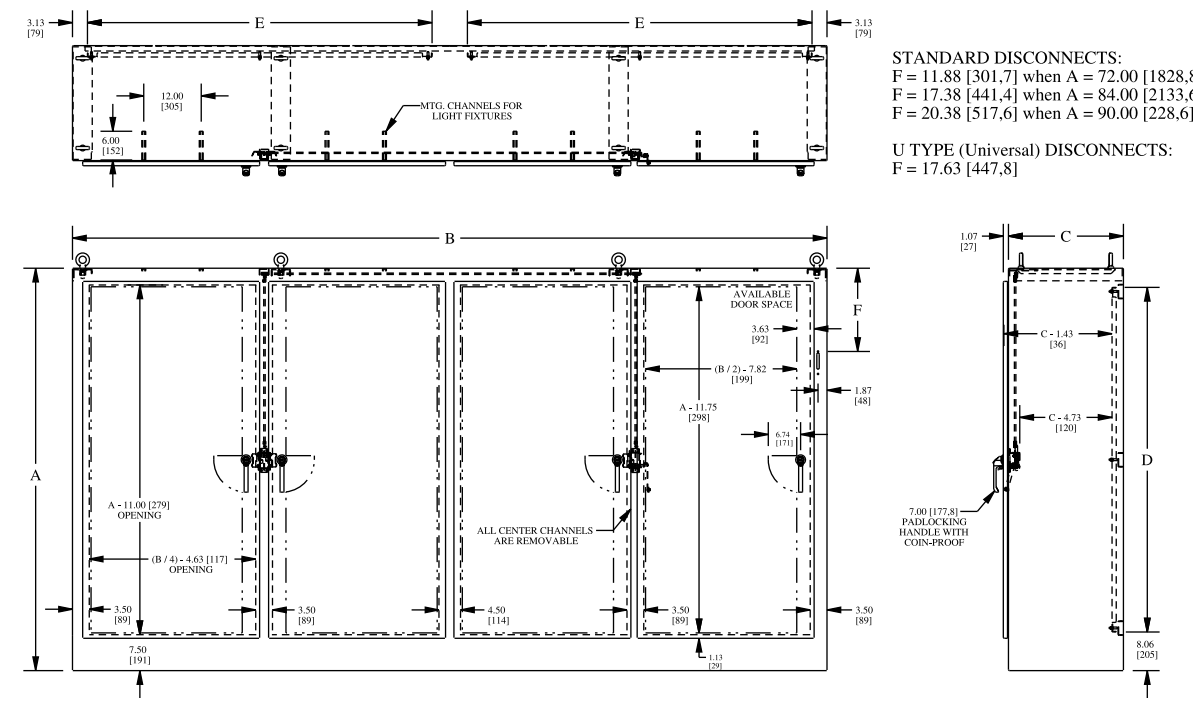
THREE-DOOR ENCLOSURE



STANDARD DISCONNECTS:
 F = 11.88 [301.7] when A = 72.00 [1828.8]
 F = 17.38 [441.4] when A = 84.00 [2133.6]
 F = 20.38 [517.6] when A = 90.00 [228.6]

U TYPE (Universal) DISCONNECTS:
 F = 11.88 [301.8] when A = 72
 F = 17.63 [447.8] when A = 84 & 90

FOUR-DOOR ENCLOSURE



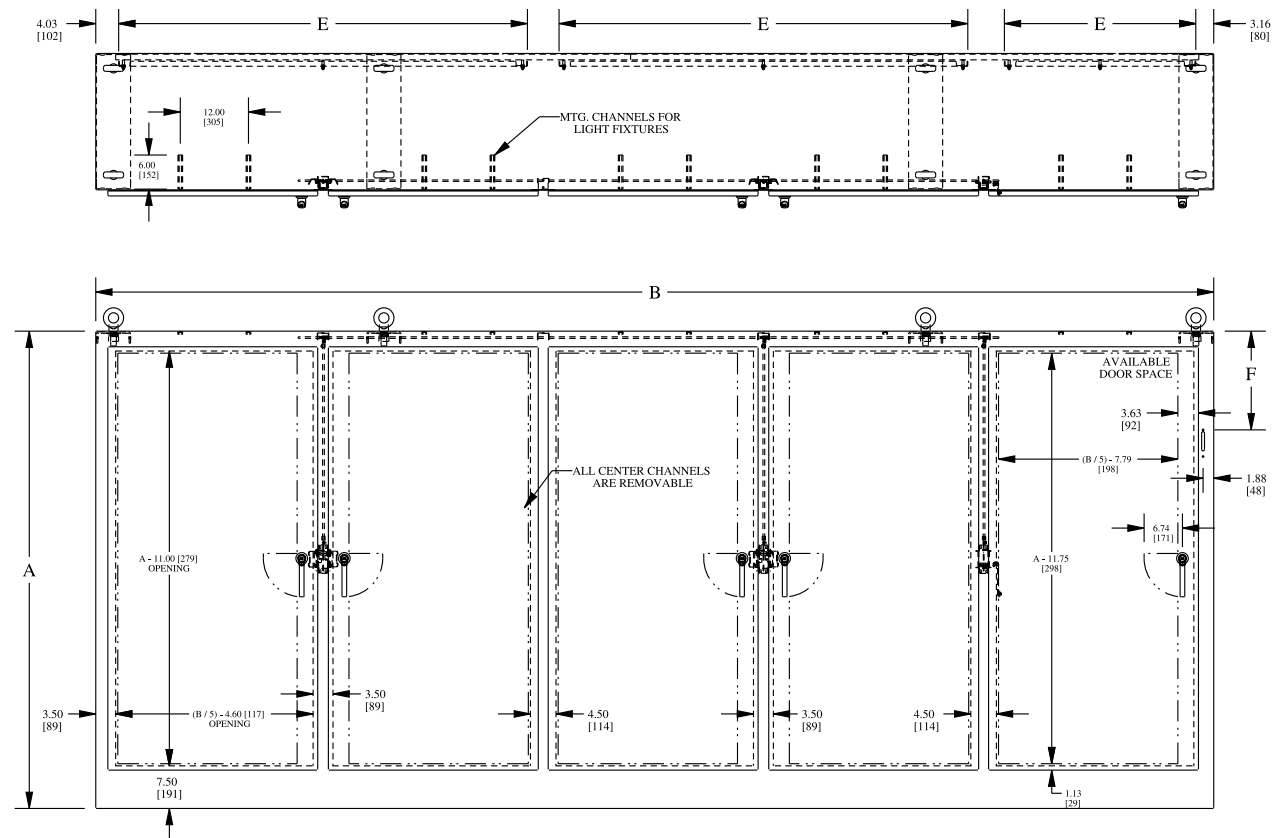
STANDARD DISCONNECTS:
 F = 11.88 [301.7] when A = 72.00 [1828.8]
 F = 17.38 [441.4] when A = 84.00 [2133.6]
 F = 20.38 [517.6] when A = 90.00 [228.6]

U TYPE (Universal) DISCONNECTS:
 F = 17.63 [447.8]

FREE-STANDING ENCLOSURES FOR FLANGE-MOUNTED DISCONNECTS

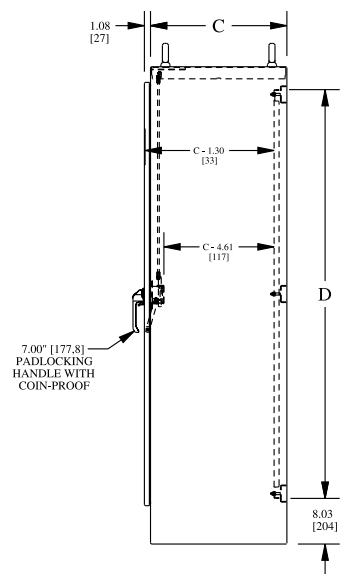
TECHNICAL DATA

FIVE-DOOR ENCLOSURE



STANDARD DISCONNECTS:
 F = 11.88 [301,7] when A = 72.00 [1828,8]
 F = 17.38 [441,4] when A = 84.00 [2133,6]
 F = 20.38 [517,6] when A = 90.00 [228,6]

U TYPE (Universal) DISCONNECTS:
 F = 17.63 [447,8]



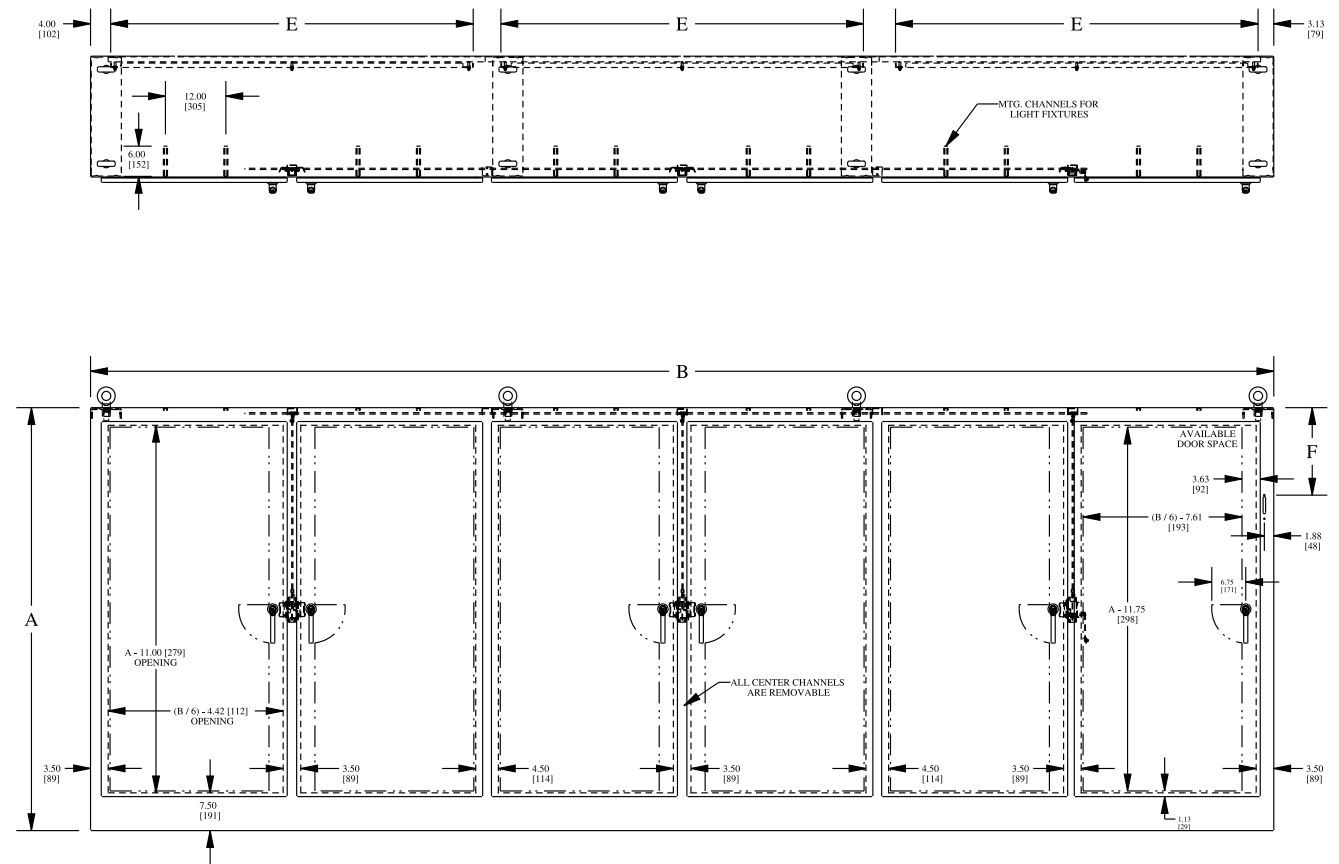
Phone (989) 799-6871
 Fax (989) 799-4524



FREE-STANDING ENCLOSURES FOR FLANGE-MOUNTED DISCONNECTS

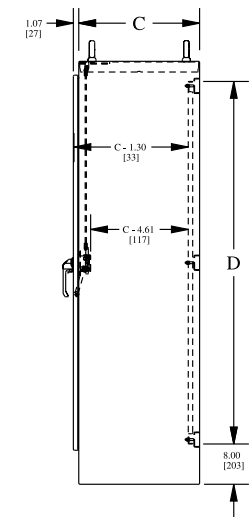
TECHNICAL DATA

SIX-DOOR ENCLOSURE



STANDARD DISCONNECTS:
 F = 11.88 [301,7] when A = 72.00 [1828,8]
 F = 17.38 [441,4] when A = 84.00 [2133,6]
 F = 20.38 [517,6] when A = 90.00 [228,6]

U TYPE (Universal) DISCONNECTS:
 F = 17.63 [447,8]



Phone (989) 799-6871
 Fax (989) 799-4524



NOTES

Phone (989) 799-6871
Fax (989) 799-4524



NOTES



Phone (989) 799-6871
Fax (989) 799-4524

Modular Enclosures

Modular Enclosures 148 – 153



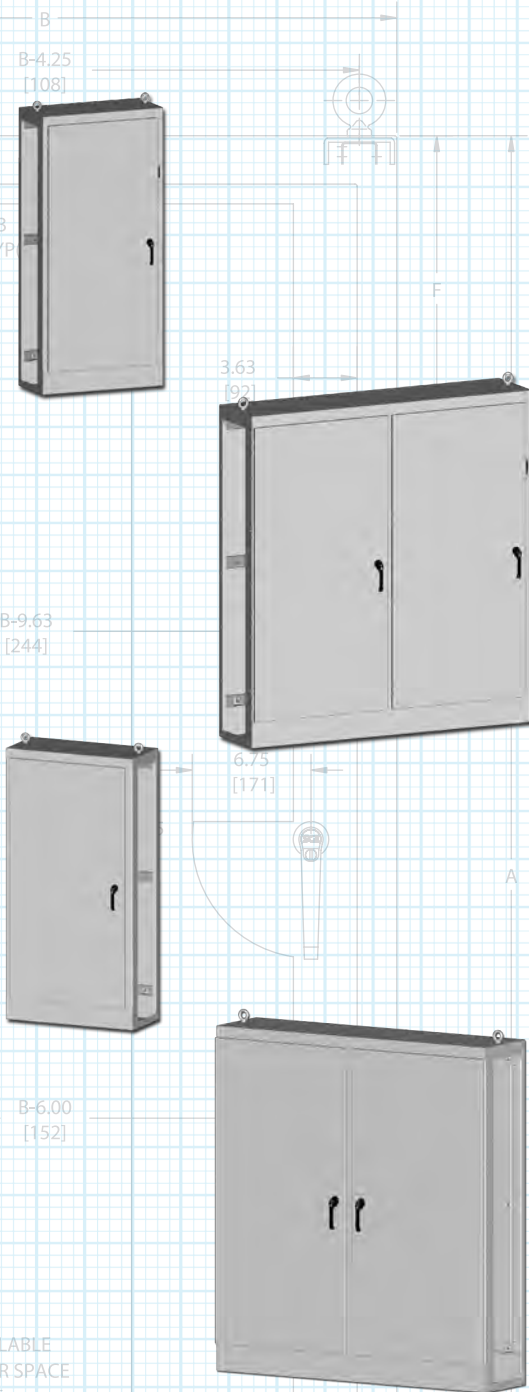
• Modular Single-Door Enclosures for Flange-Mounted Disconnects

• Modular Two-Door Enclosures for Flange-Mounted Disconnects

• Modular Single-Door Enclosures

• Modular Two-Door Enclosures

• Modular Enclosure Accessories



[Back to Table of Contents](#)



Phone (989) 799-6871
Fax (989) 799-4524



Modular Enclosures

IMS Single-Door Enclosures 154 – 155



IMS Two-Door Enclosures 156 – 157



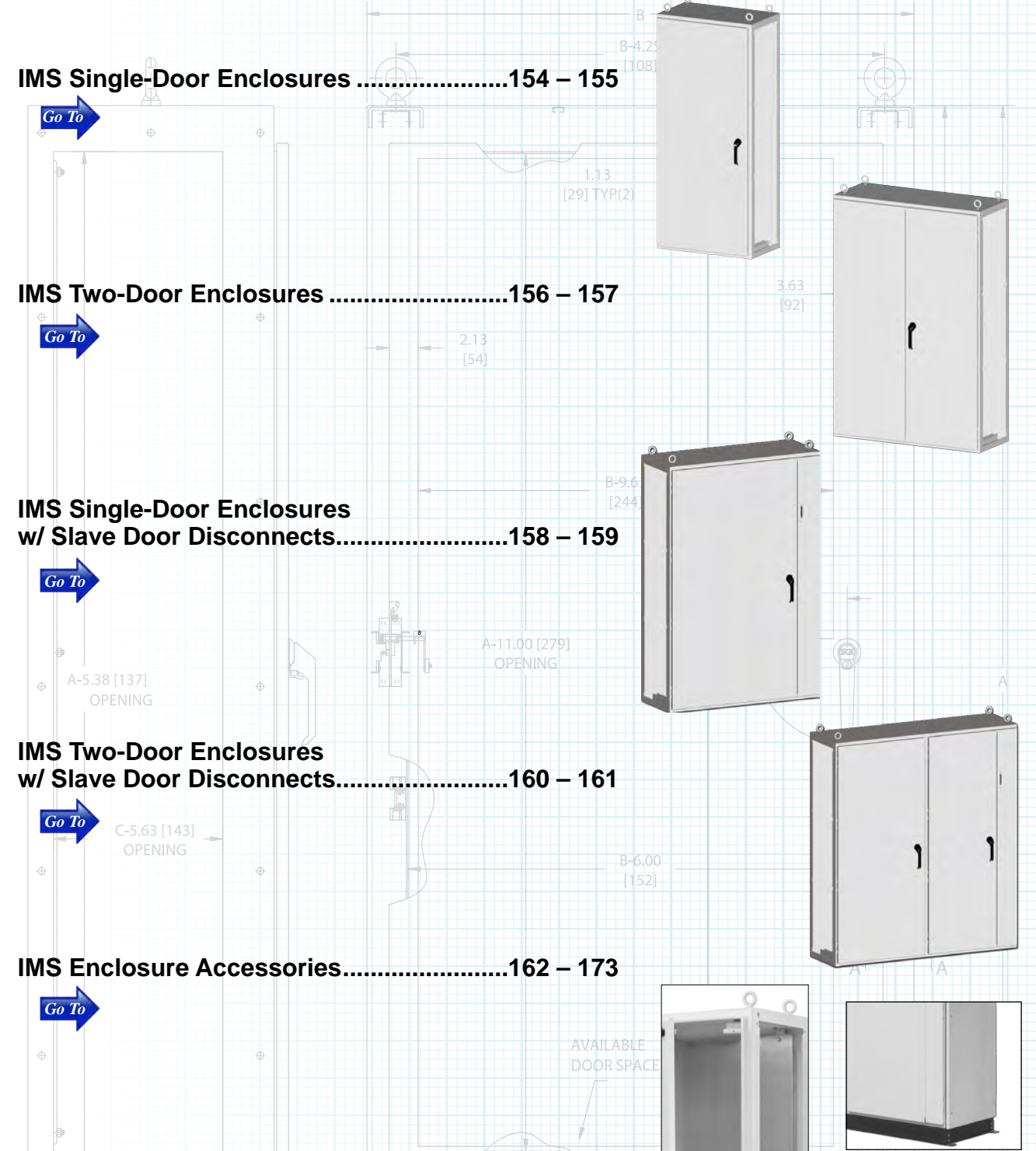
IMS Single-Door Enclosures w/ Slave Door Disconnects..... 158 – 159



IMS Two-Door Enclosures w/ Slave Door Disconnects..... 160 – 161



IMS Enclosure Accessories..... 162 – 173



Phone (989) 799-6871
Fax (989) 799-4524



[Back to Table of Contents](#)

Modular Enclosures For Flange-Mounted Disconnects

Application -

Can be bolted together in any desired multiple door arrangement for maximum versatility. Slave enclosures can be added or removed as required.

Designed to house most standard type disconnect. For installation information, consult our Installation Manual at www.saginawcontrol.com.

Construction -

- 0.125" carbon steel.
- Seams continuously welded and ground smooth.
- Body stiffeners for extra rigidity.
- Door and side openings are flanged to provide extra strength and smooth edges.
- Flange trough collar around all sides of door opening.
- Heavy duty lifting eyes anchor into reinforced top.
- Concealed hinge.
- Removable and interchangeable doors.
- Black zinc die cast coinproof/padlocking handle on main door of disconnect enclosures. Black zinc die cast padlocking handle on all other doors.
- 3-point latching mechanism.
- Ramp shoes on ends of latch rods for easier door closing.
- Panel supports.
- Large removable print pockets.
- Oil-resistant door gasket.
- Removable panels mount on collar studs.
- Mechanical interlock standard on each enclosure. Parts required to connect interlock system between adjacent enclosures are provided.
- Ground stud on door and body.

Finish -

ANSI-61 gray finish inside and out. Panels are powder coated white.

IS1 - Industry Standards -
 NEMA Type 12 & Type 13
 UL Listed Type 12
 CSA Type 12
 IEC 60529 IP 55

Note -

- Disconnect ordered separately.
- SCE-MODGK sold separately, required when bolting one enclosure to another.
- Part numbers ending with "G" indicate a galvanized sub-panel installed.

MODULAR ENCLOSURES

SINGLE-DOOR DISCONNECT ENCLOSURE (LEFT SIDE OPEN)

ENCLOSURE PRODUCT CODE A2						SUB-PANEL (P3)			
Catalog No.	Height (A)	Width (B)	Depth (C)	Industry Standard	List Price	Catalog No.	Panel Height (D)	Panel Width (E)	List Price
SCE-MOD72X4018	72.00	40.00	18.00	IS1	1,693.58	SCE-64P37*	60.00	33.75	Included
SCE-MOD84X4018	84.00	40.00	18.00	IS1	1,883.48	SCE-76P37*	72.00	33.75	Included
SCE-MOD84X4024	84.00	40.00	24.00	IS1	2,054.27	SCE-76P37*	72.00	33.75	Included

TWO-DOOR DISCONNECT ENCLOSURE (LEFT SIDE OPEN)

ENCLOSURE PRODUCT CODE A2						SUB-PANEL (P3)			
Catalog No.	Height (A)	Width (B)	Depth (C)	Industry Standard	List Price	Catalog No.	Panel Height (D)	Panel Width (E)	List Price
SCE-MOD72X7818	72.00	78.00	18.00	IS1	3,063.50	SCE-64P76*	60.00	72.00	Included
SCE-MOD84X7818	84.00	78.00	18.00	IS1	3,397.91	SCE-76P76*	72.00	72.00	Included
SCE-MOD84X7818G	84.00	78.00	18.00	IS1	3,509.74	SCE-76P76GALV*	72.00	72.00	Included
SCE-MOD84X7824	84.00	78.00	24.00	IS1	3,629.61	SCE-76P76*	72.00	72.00	Included

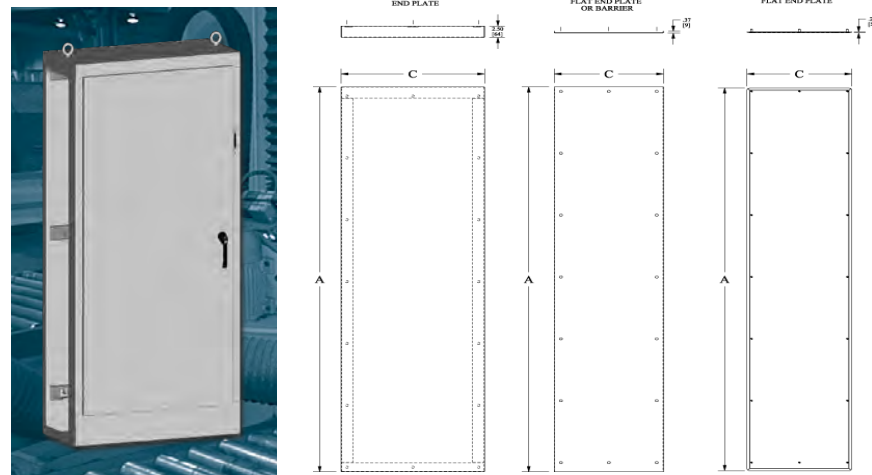
SINGLE-DOOR SLAVE ENCLOSURE (BOTH SIDES OPEN)

ENCLOSURE PRODUCT CODE A2						SUB-PANEL (P3)			
Catalog No.	Height (A)	Width (B)	Depth (C)	Industry Standard	List Price	Catalog No.	Panel Height (D)	Panel Width (E)	List Price
SCE-MOD724018	72.00	40.00	18.00	IS1	1,672.08	SCE-64P37*	60.00	33.75	Included
SCE-MOD844018	84.00	40.00	18.00	IS1	1,859.60	SCE-76P37*	72.00	33.75	Included
SCE-MOD844018G	84.00	39.50	18.00	IS1	1,909.60	SCE-76P37GALV*	72.00	33.75	Included
SCE-MOD844024	84.00	40.00	24.00	IS1	2,030.39	SCE-76P37*	72.00	33.75	Included

TWO-DOOR SLAVE ENCLOSURE (BOTH SIDES OPEN)

ENCLOSURE PRODUCT CODE A2						SUB-PANEL (P3)			
Catalog No.	Height (A)	Width (B)	Depth (C)	Industry Standard	List Price	Catalog No.	Panel Height (D)	Panel Width (E)	List Price
SCE-MOD727718	72.00	77.00	18.00	IS1	3,042.00	SCE-64P76*	60.00	72.00	Included
SCE-MOD847718	84.00	77.00	18.00	IS1	3,374.03	SCE-76P76*	72.00	72.00	Included
SCE-MOD847718G	84.00	77.00	18.00	IS1	3,632.84	SCE-76P76GALV*	72.00	72.00	Included
SCE-MOD847724	84.00	77.00	24.00	IS1	3,603.34	SCE-76P76*	72.00	72.00	Included

Part numbers ending in "G" have galvanized sub-panels installed.
 * Sub-panel included with enclosure. Replacement plates can be ordered. Prices found in the accessory section.



MODULAR ENCLOSURE ACCESSORIES

End Plates

Designed to provide a sealed cover for the open end of a modular enclosure. Provides additional wiring space along the side of the enclosure. Gasket and mounting hardware is included. Made of heavy gauge steel and powder coated ANSI-61 gray.

Barrier/Flat End Plates

Designed to serve as a barrier between two modular enclosure sections. Also can be used to provide a lower profile sealed cover for the open end of a modular enclosure. Mounting holes. Gasket and hardware is included. Made of heavy gauge steel and powder coated ANSI-61 gray.

Flat End Plates

Designed to provide a lower profile sealed cover with a finished appearance for the open end of a modular enclosure. Studded for easy installation. Gasket and mounting hardware is included. Made of heavy gauge steel and powder coated ANSI-61 gray.

Gasket and Bolt Kit

Designed to be used as an additional gasket or to replace gasket kits when changing modular enclosure configurations. Includes oil resistant gasket and zinc coated nuts and bolts. Required when bolting one enclosure to another.

Removable Wire Cover

Designed to cover the wires in the bottom of the enclosure. One wire cover required per door. Made of heavy gauge steel and powder coated white.

Filler Plates

Designed to provide additional mounting surface between sub-panels or sections of a modular enclosure. Slotted mounting holes allow flexible installation. Made of heavy gauge carbon steel. Panels are powder coated white.

Catalog No.	Size	Enclosure Depth	Enclosure Height	Product Code	List Price
SCE-MOD72EPT	72.00 x 18.00 x 2.50	18.00	72.00	P2	326.59
SCE-MOD84EPT	84.00 x 18.00 x 2.50	18.00	84.00	P2	358.87
SCE-MOD8424EPT	84.00 x 24.00 x 2.50	24.00	84.00	P2	391.16

Catalog No.	Size	Enclosure Depth	Enclosure Height	Product Code	List Price
SCE-MOD72FTPT	72.00 x 18.25 x 0.375	18.00	72.00	P2	238.42
SCE-MOD84FTPT	84.00 x 18.25 x 0.375	18.00	84.00	P2	262.02
SCE-MOD8424FTPT	84.00 x 24.25 x 0.375	24.00	84.00	P2	293.07

Catalog No.	Size	Enclosure Depth	Enclosure Height	Product Code	List Price
SCE-MOD72FEP	71.50 x 17.50 x 1.00	18.00	72.00	P2	288.09
SCE-MOD84FEP	83.50 x 17.50 x 1.00	18.00	84.00	P2	311.69
SCE-MOD8424FEP	83.50 x 23.50 x 1.00	24.00	84.00	P2	342.74

Catalog No.	Enclosure Depth	Enclosure Height	Product Code	List Price
SCE-MODGK	18.00 & 24.00	72.00 & 84.00	P2	79.47

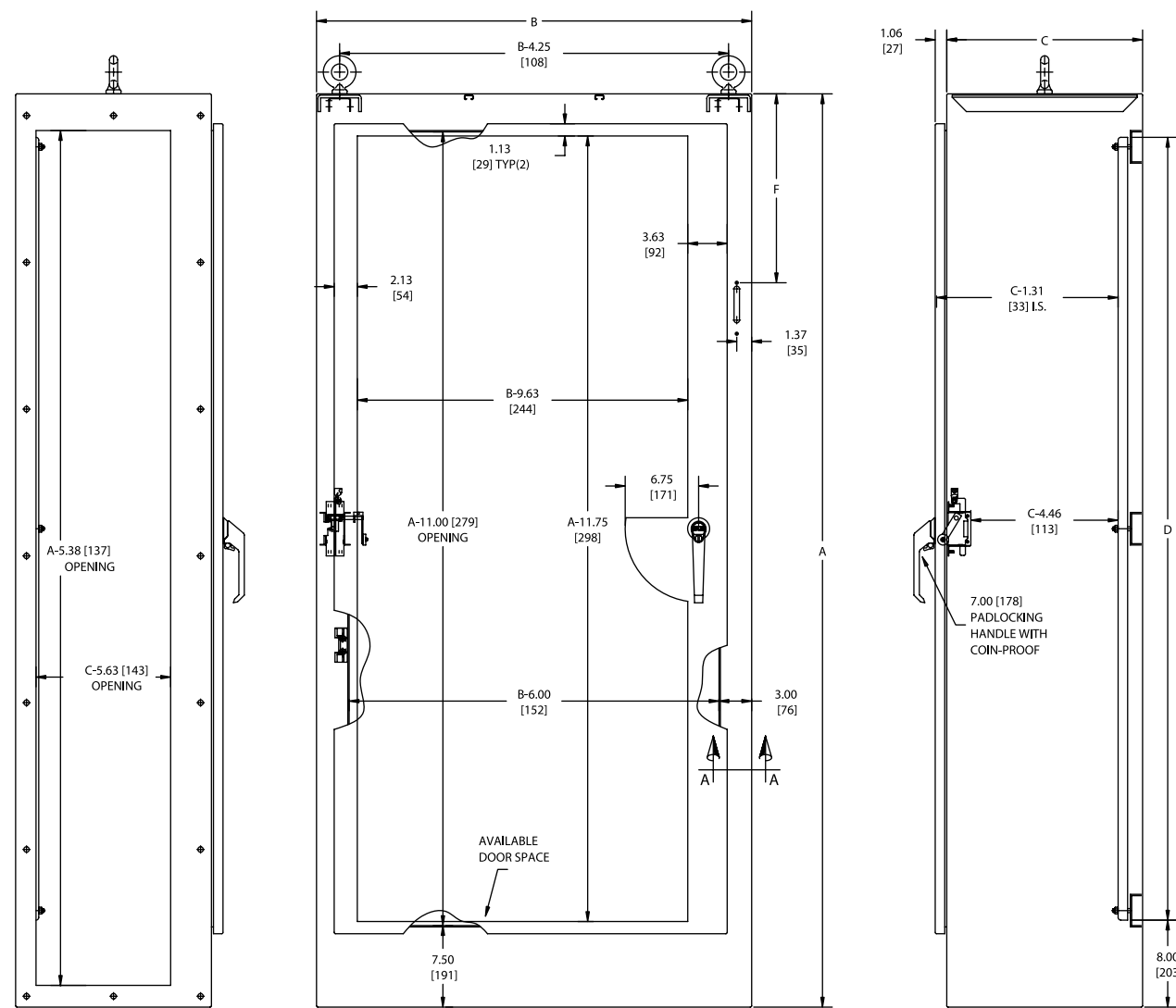
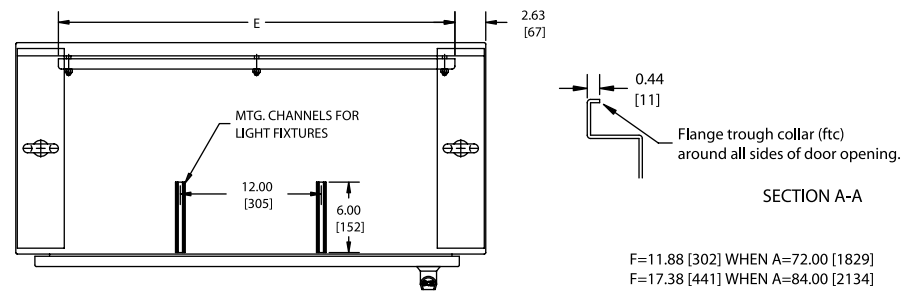
Catalog No.	Size	Enclosure Depth	Product Code	List Price
SCE-14RMW	6.00 x 35.00 x 14.00	18.00	P2	198.69
SCE-20RMW	6.00 x 35.00 x 20.00	24.00	P2	223.52

Catalog No.	Size	Enclosure Height	Product Code	List Price
SCE-72FP	60.00 x 9.38 x 0.125	72.00	P3	78.49
SCE-84FP	72.00 x 9.38 x 0.125	84.00	P3	88.62
SCE-90FP	78.00 x 9.38 x 0.125	90.00	P3	96.21

[Back to Modular Enclosures](#)

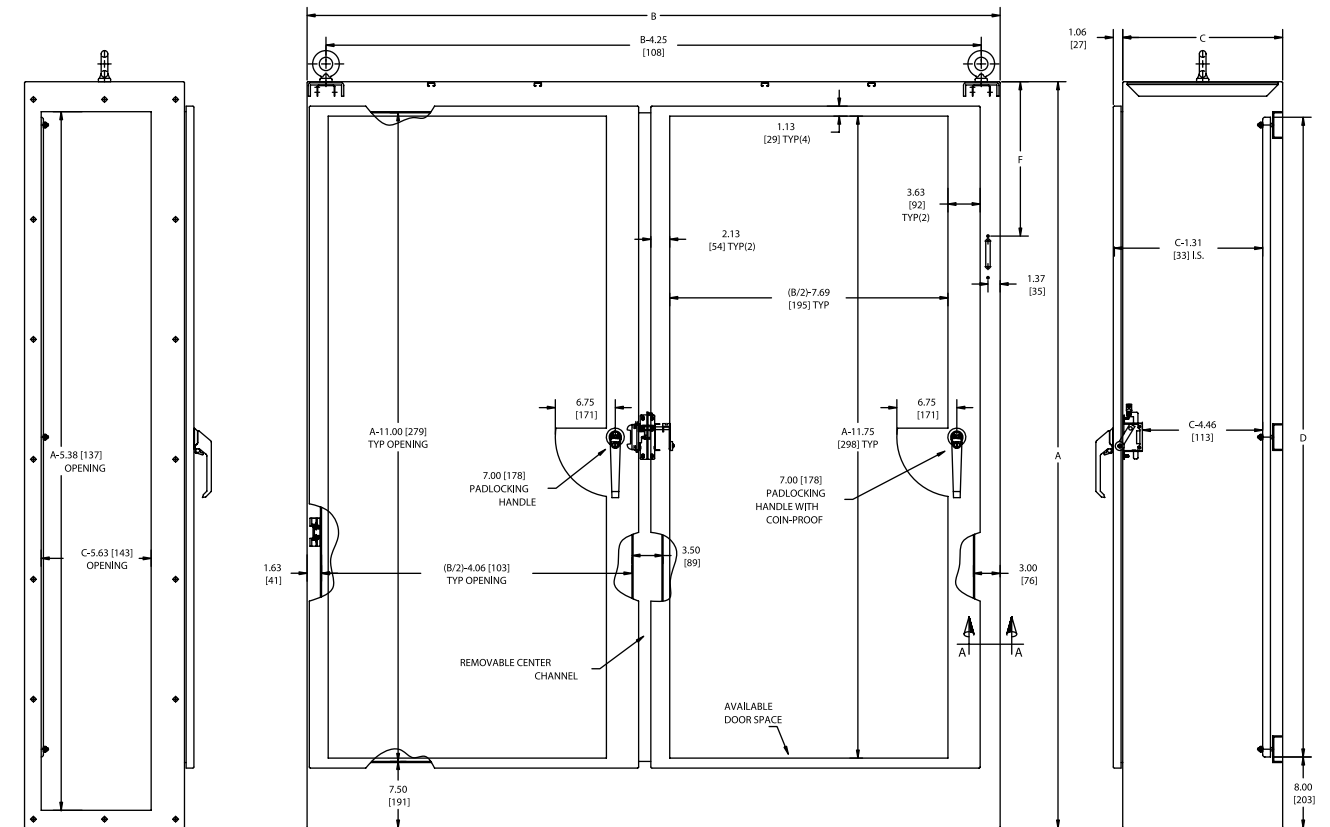
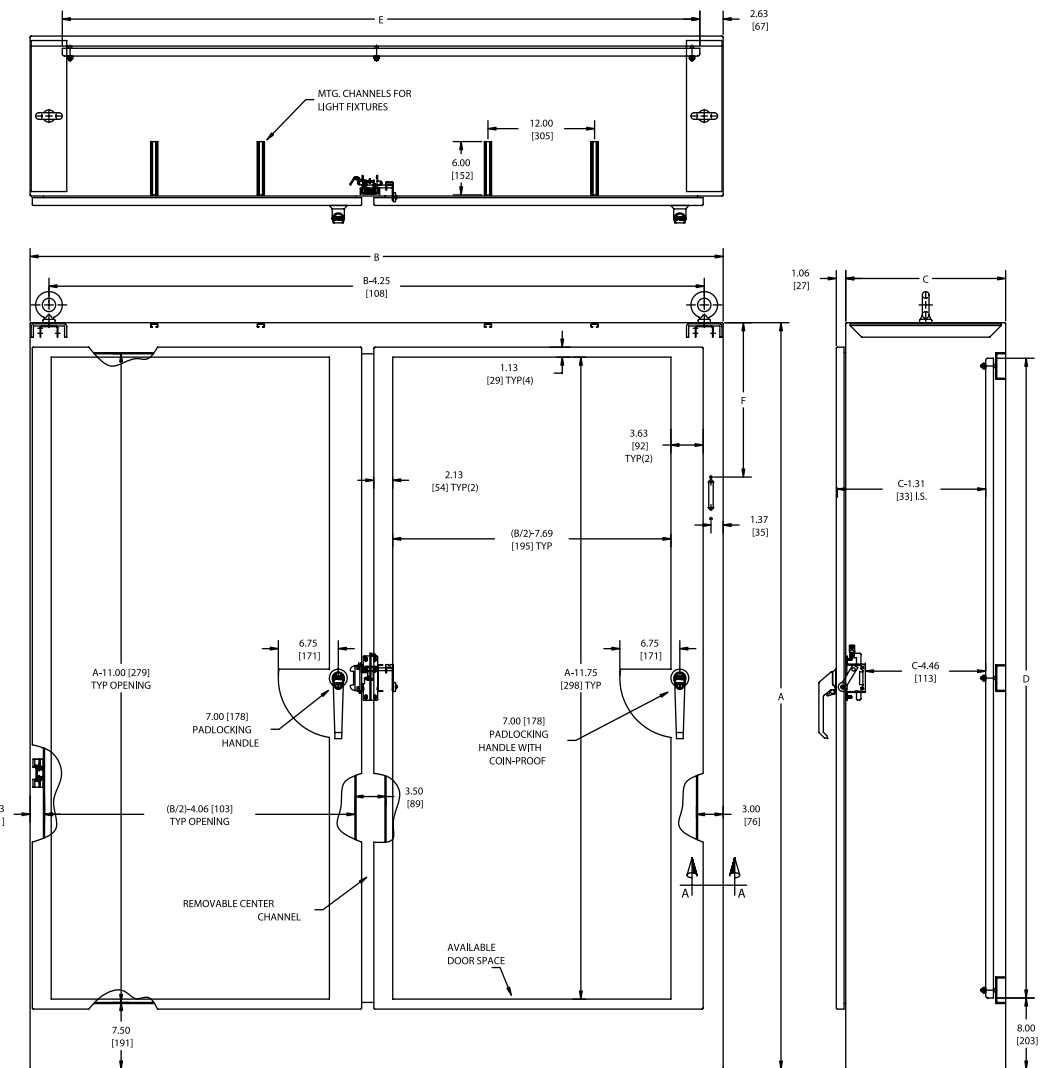
MODULAR ENCLOSURES TECHNICAL DATA

SINGLE-DOOR MODULAR ENCLOSURE WITH DISCONNECT (LEFT SIDE OPEN)



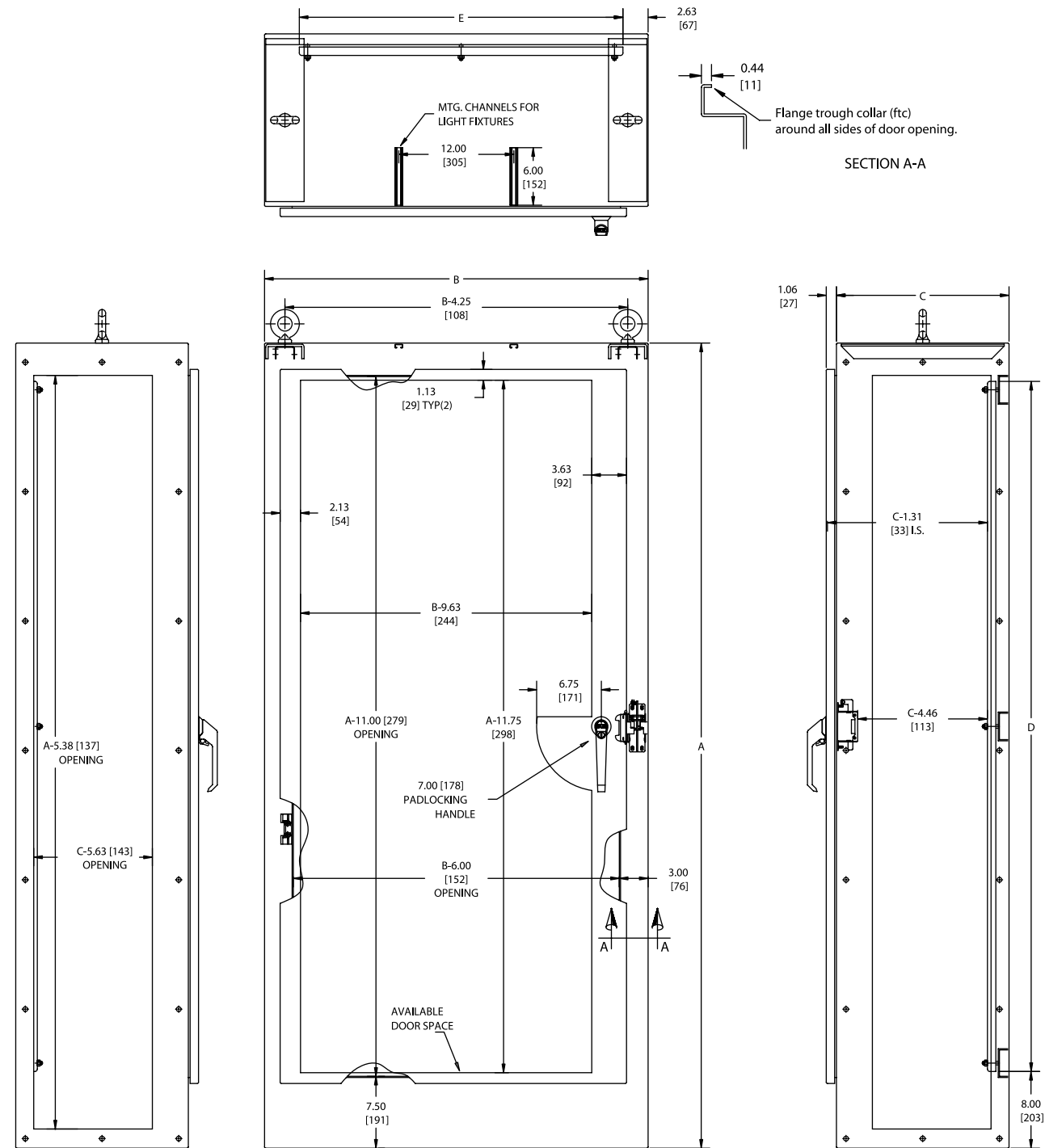
MODULAR ENCLOSURES TECHNICAL DATA

TWO-DOOR MODULAR ENCLOSURE WITH DISCONNECT (LEFT SIDE OPEN)



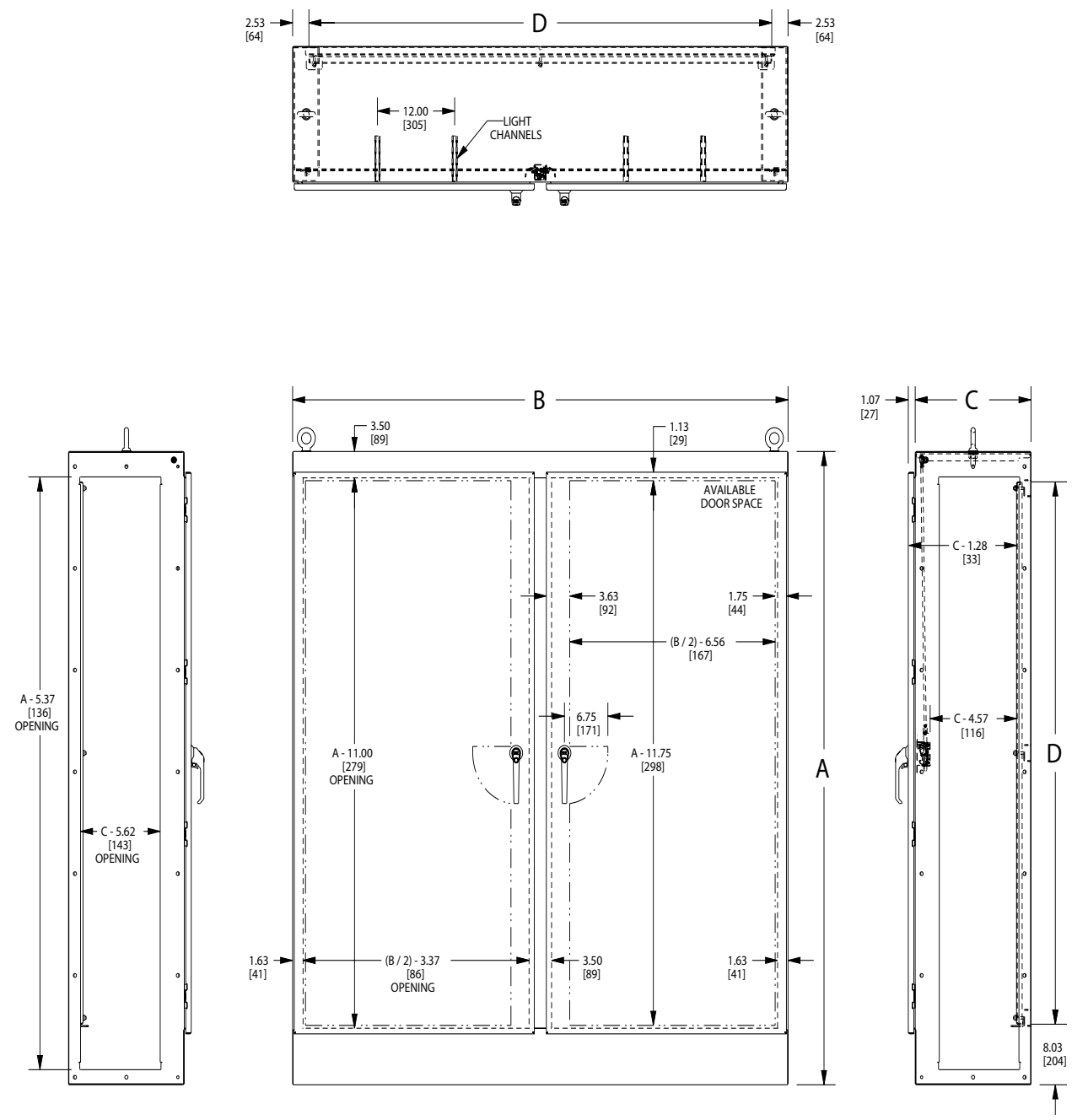
MODULAR ENCLOSURES TECHNICAL DATA

SINGLE-DOOR SLAVE ENCLOSURE (BOTH SIDES OPEN)



MODULAR ENCLOSURES TECHNICAL DATA

TWO-DOOR SLAVE ENCLOSURE (BOTH SIDES OPEN)



IMS Single-Door Enclosures

Application -

Can be bolted together in any desired multiple door arrangement.

Designed to house electrical equipment and provide protection from dust, dirt, water and oil. For installation information, consult our Installation Manual at www.saginawcontrol.com.

Construction -

- 0.104" carbon steel.
- Seams continuously welded and ground smooth.
- Flange trough collar around all sides of door opening.
- Heavy duty lifting eyes anchor into reinforced top.
- Body stiffeners in large enclosures for extra rigidity.
- Mounting holes provided in bottom of enclosure for installing plinth base or securing to the floor.
- Concealed hinges.
- Removable and interchangeable doors.
- Black zinc die cast padlocking handle.
- 3-point latching mechanism.
- Mounting channels provided in top and bottom of enclosure.
- Oil resistant gasket.
- Enclosures are provided with provisions for mechanical interlock system expansion.
- Ground stud on door and body.

Note -

SCE-IMSBK sold separately, required when bolting one enclosure to another.

Finish -

Powder coated white inside and out.

IS1 - Industry Standards -

- NEMA Type 12 & Type 13
- UL Listed Type 12
- CSA Type 12
- IEC 60529 IP 55

(IMS) INDUSTRIAL MODULAR SYSTEM SINGLE-DOOR ENCLOSURES

ENCLOSURE PRODUCT CODE I1								
Catalog No.	Height (A)	Ref. mm Height (A)	Width (B)	Ref. mm Width (B)	Depth (C)	Ref. mm Depth (C)	Industry Standard	List Price
SCE-S180605	70.87	1800	23.62	600	18.00	500	IS1	1,295.18
SCE-S180606	70.87	1800	23.62	600	22.00	600	IS1	1,369.60
SCE-S180805	70.87	1800	31.50	800	18.00	500	IS1	1,500.83
SCE-S180806	70.87	1800	31.50	800	22.00	600	IS1	1,592.96
SCE-S181005	70.87	1800	39.37	1000	18.00	500	IS1	1,658.32
SCE-S181006	70.87	1800	39.37	1000	22.00	600	IS1	1,757.74
SCE-S200605	78.74	2000	23.62	600	18.00	500	IS1	1,375.64
SCE-S200606	78.74	2000	23.62	600	22.00	600	IS1	1,457.21
SCE-S200805	78.74	2000	31.50	800	18.00	500	IS1	1,588.55
SCE-S200806	78.74	2000	31.50	800	22.00	600	IS1	1,687.83
SCE-S201005	78.74	2000	39.37	1000	18.00	500	IS1	1,760.00
SCE-S201006	78.74	2000	39.37	1000	22.00	600	IS1	1,866.38

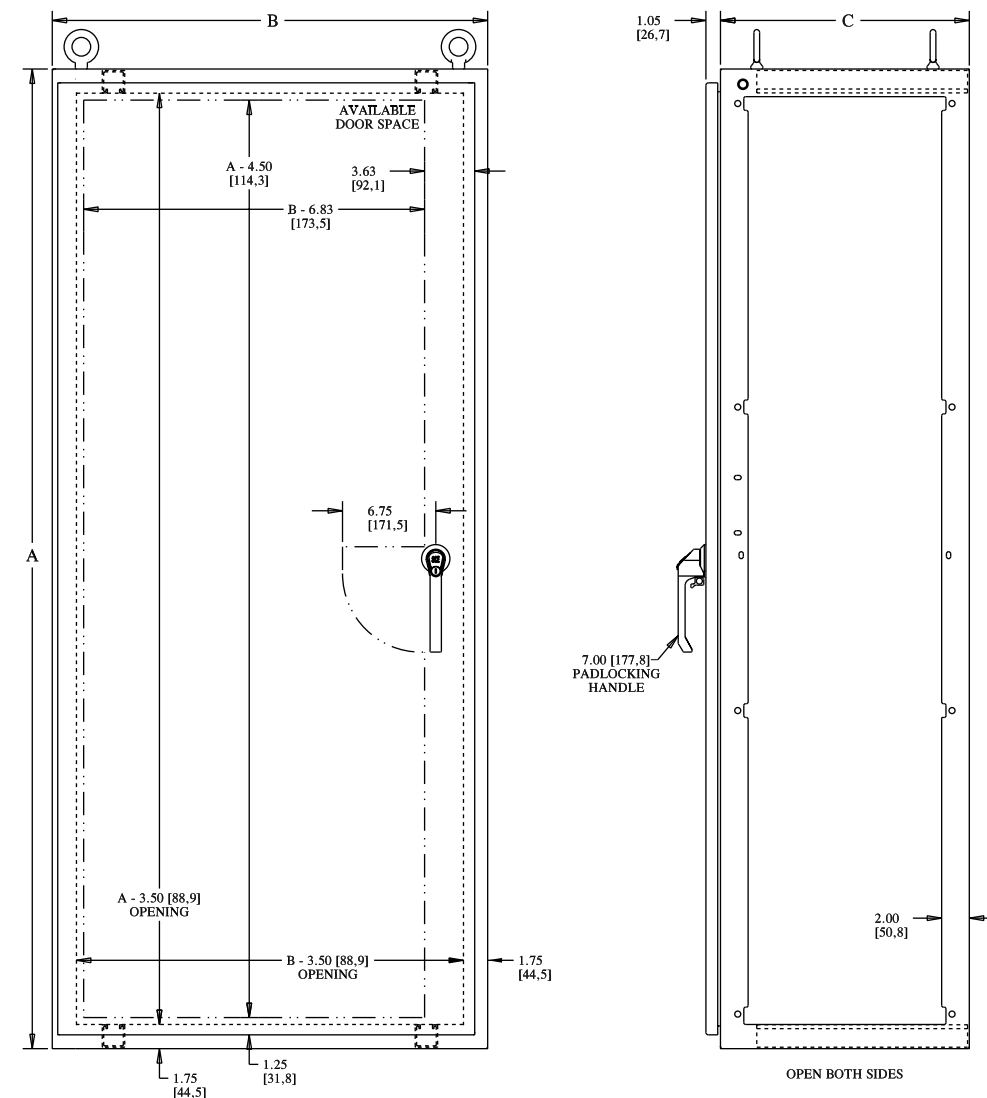
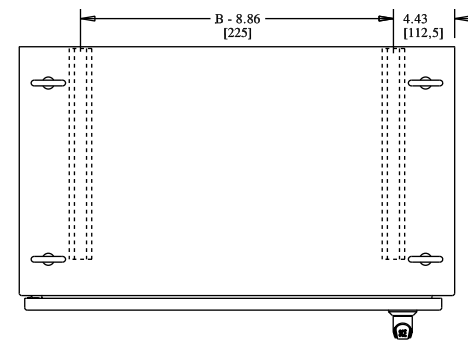


[Back to Modular Enclosures](#)

Phone (989) 799-6871
Fax (989) 799-4524



IMS SINGLE-DOOR ENCLOSURE TECHNICAL DATA



Phone (989) 799-6871
Fax (989) 799-4524

IMS Two-Door Enclosures

Application -

Can be bolted together in any desired multiple door arrangement.

Designed to house electrical equipment and provide protection from dust, dirt, water and oil. For installation information, consult our Installation Manual at www.saginawcontrol.com.

Construction -

- 0.104" carbon steel.
- Seams continuously welded and ground smooth.
- Flange trough collar around all sides of door opening.
- Overlapping doors.
- Heavy duty lifting eyes anchor into reinforced top.
- Body stiffeners in large enclosures for extra rigidity.
- Mounting holes provided in bottom of enclosure for installing plinth base or securing to the floor.
- Concealed hinges.
- Removable and interchangeable doors.
- Black zinc die cast padlocking handle.
- 3-point latching mechanism.
- Mounting channels provided in top and bottom of enclosure.
- Oil resistant gasket.
- Enclosures are provided with provisions for mechanical interlock system expansion.
- Ground stud on door and body.

Note -

SCE-IMSBK sold separately, required when bolting one enclosure to another.

Finish -

Powder coated white inside and out.

IS1 - Industry Standards -

- NEMA Type 12 & Type 13
- UL Listed Type 12
- CSA Type 12
- IEC 60529 IP 55

(IMS) INDUSTRIAL MODULAR SYSTEM TWO-DOOR ENCLOSURES

ENCLOSURE PRODUCT CODE I1								
Catalog No.	Height (A)	Ref. mm Height (A)	Width (B)	Ref. mm Width (B)	Depth (C)	Ref. mm Depth (C)	Industry Standard	List Price
SCE-T181205	70.87	1800	47.24	1200	18.00	500	IS1	1,898.23
SCE-T181206	70.87	1800	47.24	1200	22.00	600	IS1	2,004.13
SCE-T181605	70.87	1800	62.99	1600	18.00	500	IS1	2,217.42
SCE-T181606	70.87	1800	62.99	1600	22.00	600	IS1	2,328.65
SCE-T201205	78.74	2000	47.24	1200	18.00	500	IS1	2,014.20
SCE-T201206	78.74	2000	47.24	1200	22.00	600	IS1	2,127.40
SCE-T201605	78.75	2000	63.00	1600	18.00	500	IS1	2,367.49
SCE-T201606	78.74	2000	62.99	1600	22.00	600	IS1	2,486.21

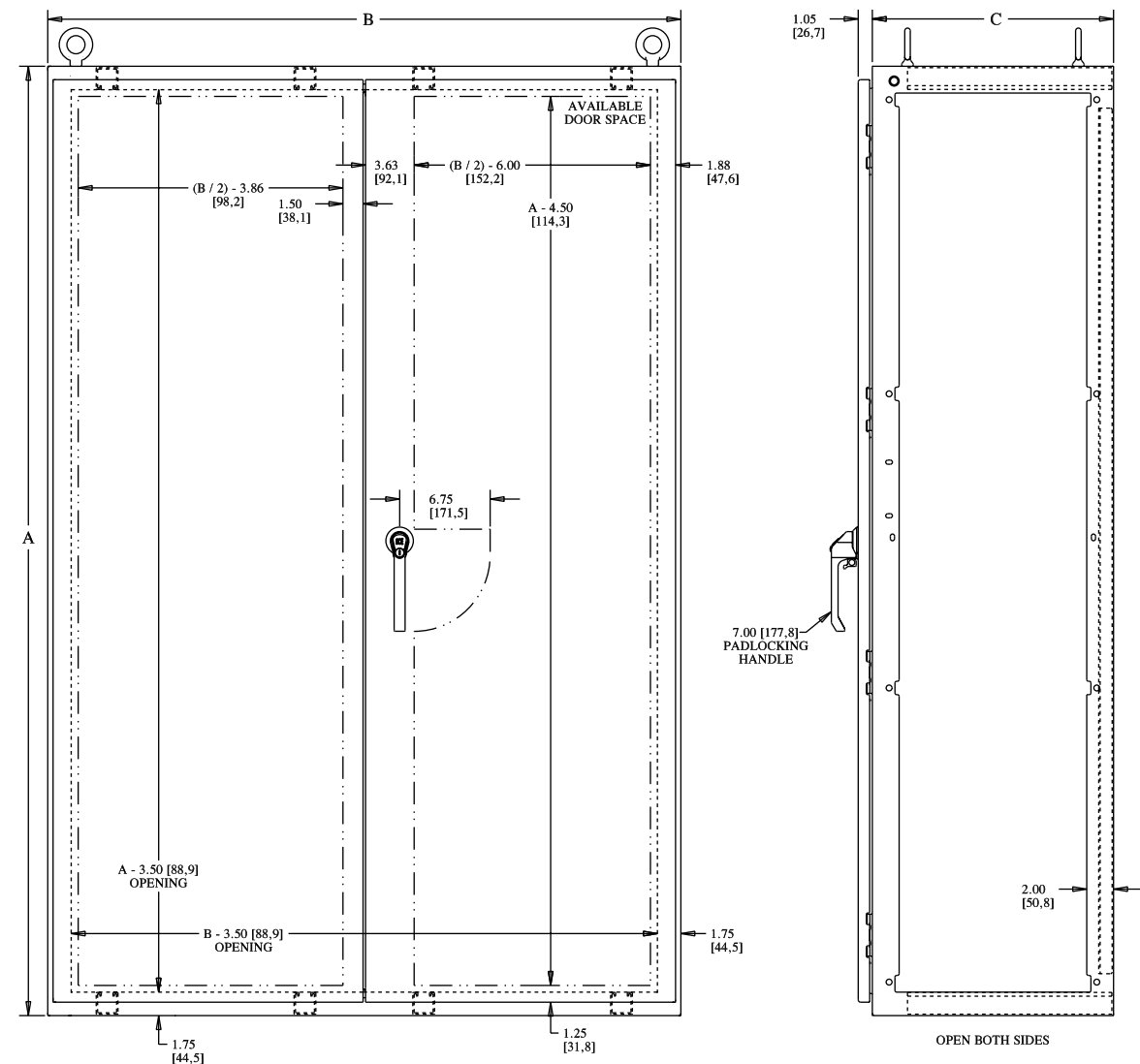
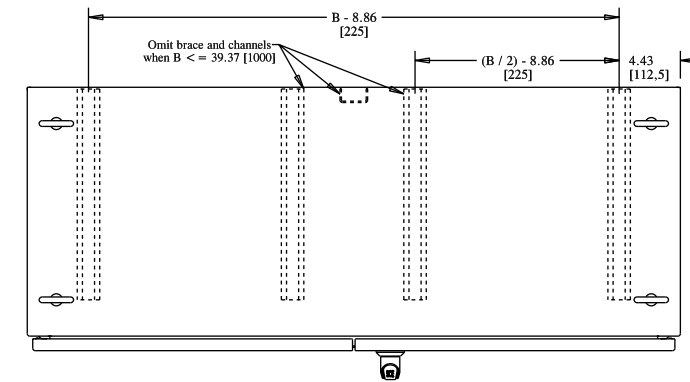


[Back to Modular Enclosures](#)

Phone (989) 799-6871
Fax (989) 799-4524



IMS TWO-DOOR ENCLOSURE TECHNICAL DATA



Phone (989) 799-6871
Fax (989) 799-4524

IMS Single-Door Enclosure with Slave Door Disconnect

Application -

Can be bolted together in any desired multiple door arrangement.

Designed to house electrical equipment and most standard type disconnects and circuit breakers, and provide protection from dust, dirt, water and oil. For installation information, consult our Installation Manual at www.saginawcontrol.com.

Construction -

- 0.104" carbon steel.
- Seams continuously welded and ground smooth.
- Flange trough collar around all sides of door opening.
- Heavy duty lifting eyes anchor into reinforced top.
- Body stiffeners in large enclosures for extra rigidity.
- Mounting holes provided in bottom of enclosure for installing plinth base or securing to the floor.
- Concealed hinges.
- Removable and interchangeable doors.
- Black zinc die cast coinproof/padlocking handle.
- 3-point latching mechanism.
- Large removable print pocket on main door of disconnect enclosures.
- Mounting channels provided in top and bottom of enclosure.
- Oil resistant gasket.
- Enclosures are provided with provisions for mechanical interlock system expansion.
- Ground stud on door and body.

Note -

SCE-IMSBK sold separately, required when bolting one enclosure to another.

Finish -

Powder coated white inside and out.

IS1 - Industry Standards -

- NEMA Type 12 & Type 13
- UL Listed Type 12
- CSA Type 12
- IEC 60529 IP 55

(IMS) INDUSTRIAL MODULAR SYSTEM SINGLE-DOOR ENCLOSURE WITH SLAVE DOOR DISCONNECT

ENCLOSURE PRODUCT CODE I1								
Catalog No.	Height (A)	Ref. mm Height (A)	Width (B)	Ref. mm Width (B)	Depth (C)	Ref. mm Depth (C)	Industry Standard	List Price
SCE-SD180805	70.87	1800	31.50	800	18.00	500	IS1	1,809.40
SCE-SD180806	70.87	1800	31.50	800	22.00	600	IS1	1,901.53
SCE-SD181005	70.87	1800	39.37	1000	18.00	500	IS1	1,966.89
SCE-SD181006	70.87	1800	39.37	1000	22.00	600	IS1	2,066.31
SCE-SD181205	70.87	1800	47.24	1200	18.00	500	IS1	2,124.52
SCE-SD181206	70.87	1800	47.24	1200	22.00	600	IS1	2,230.42
SCE-SD200805	78.74	2000	31.50	800	18.00	500	IS1	1,897.12
SCE-SD200806	78.74	2000	31.50	800	22.00	600	IS1	1,996.40
SCE-SD201005	78.74	2000	39.37	1000	18.00	500	IS1	2,068.57
SCE-SD201006	78.74	2000	39.37	1000	22.00	600	IS1	2,174.95
SCE-SD201205	78.74	2000	47.24	1200	18.00	500	IS1	2,294.38
SCE-SD201206	78.74	2000	47.24	1200	22.00	600	IS1	2,371.41

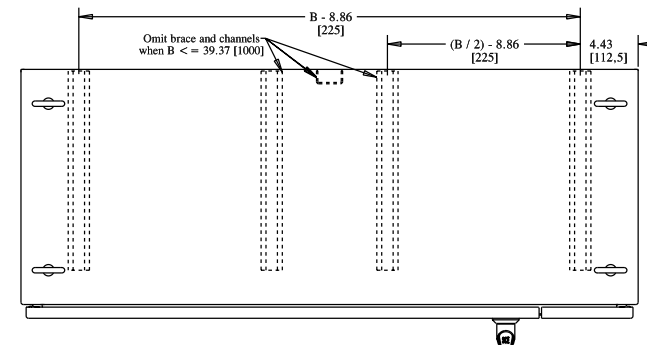


[Back to Modular Enclosures](#)

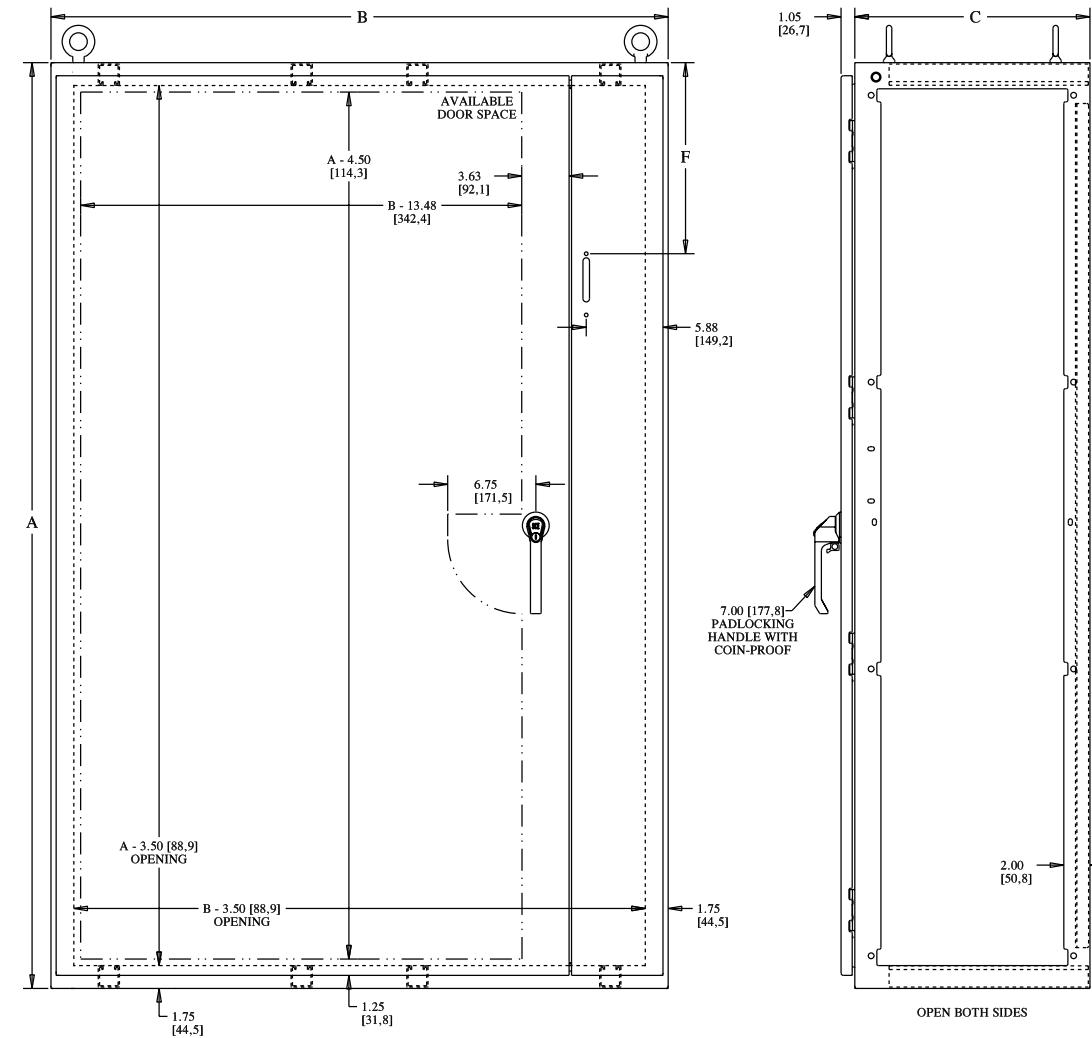
Phone (989) 799-6871
Fax (989) 799-4524



IMS SINGLE-DOOR ENCLOSURE WITH SLAVE DOOR DISCONNECT TECHNICAL DATA



DISCONNECT NOTES:
F = 14.625 [371.48] when A = 70.87 [1800]
F = 18.625 [473.08] when A = 78.74 [2000]



Phone (989) 799-6871
Fax (989) 799-4524

IMS Two-Door Enclosure with Slave Door Disconnect

Application -

Can be bolted together in any desired multiple door arrangement.

Designed to house electrical equipment and most standard type disconnects and circuit breakers, and provide protection from dust, dirt, water and oil. For installation information, consult our Installation Manual at www.saginawcontrol.com.

Construction -

- 0.104" carbon steel.
- Seams continuously welded and ground smooth.
- Flange trough collar around all sides of door opening.
- Heavy duty lifting eyes anchor into reinforced top.
- Body stiffeners in large enclosures for extra rigidity.
- Mounting holes provided in bottom of enclosure for installing plinth base or securing to the floor.
- Concealed hinges.
- Removable and interchangeable doors.
- Black zinc die cast coinproof/padlocking handle on main door, padlocking on all other doors.
- 3-point latching mechanism.
- Large removable print pocket on main door of disconnect enclosures.
- Mounting channels provided in top and bottom of enclosure.
- Oil resistant gasket.
- Mechanical interlock provided on two door disconnect enclosures and all enclosures are provided with provisions for system expansion.
- Ground stud on door and body.

Note -

SCE-IMSBK sold separately, required when bolting one enclosure to another.

Finish -

Powder coated white inside and out.

IS1 - Industry Standards -

- NEMA Type 12 & Type 13
- UL Listed Type 12
- CSA Type 12
- IEC 60529 IP 55

(IMS) INDUSTRIAL MODULAR SYSTEM TWO-DOOR ENCLOSURE WITH SLAVE DOOR DISCONNECT

ENCLOSURE PRODUCT CODE 11								
Catalog No.	Height (A)	Ref. mm Height (A)	Width (B)	Ref. mm Width (B)	Depth (C)	Ref. mm Depth (C)	Industry Standard	List Price
SCE-TD181605	70.87	1800	62.99	1600	18.00	500	IS1	2,289.09
SCE-TD181606	70.87	1800	62.99	1600	22.00	600	IS1	2,394.99
SCE-TD181805	70.87	1800	70.87	1800	18.00	500	IS1	2,608.27
SCE-TD181806	70.87	1800	70.87	1800	22.00	600	IS1	2,719.51
SCE-TD201605	78.74	2000	62.99	1600	18.00	500	IS1	2,405.06
SCE-TD201606	78.74	2000	62.99	1600	22.00	600	IS1	2,518.26
SCE-TD201805	78.74	2000	70.87	1800	18.00	500	IS1	2,758.35
SCE-TD201806	78.74	2000	70.87	1800	22.00	600	IS1	2,877.07

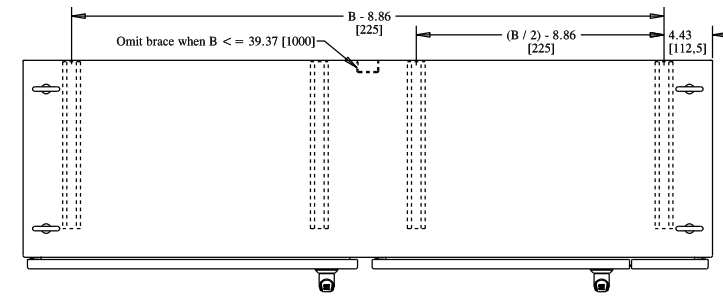


[Back to Modular Enclosures](#)

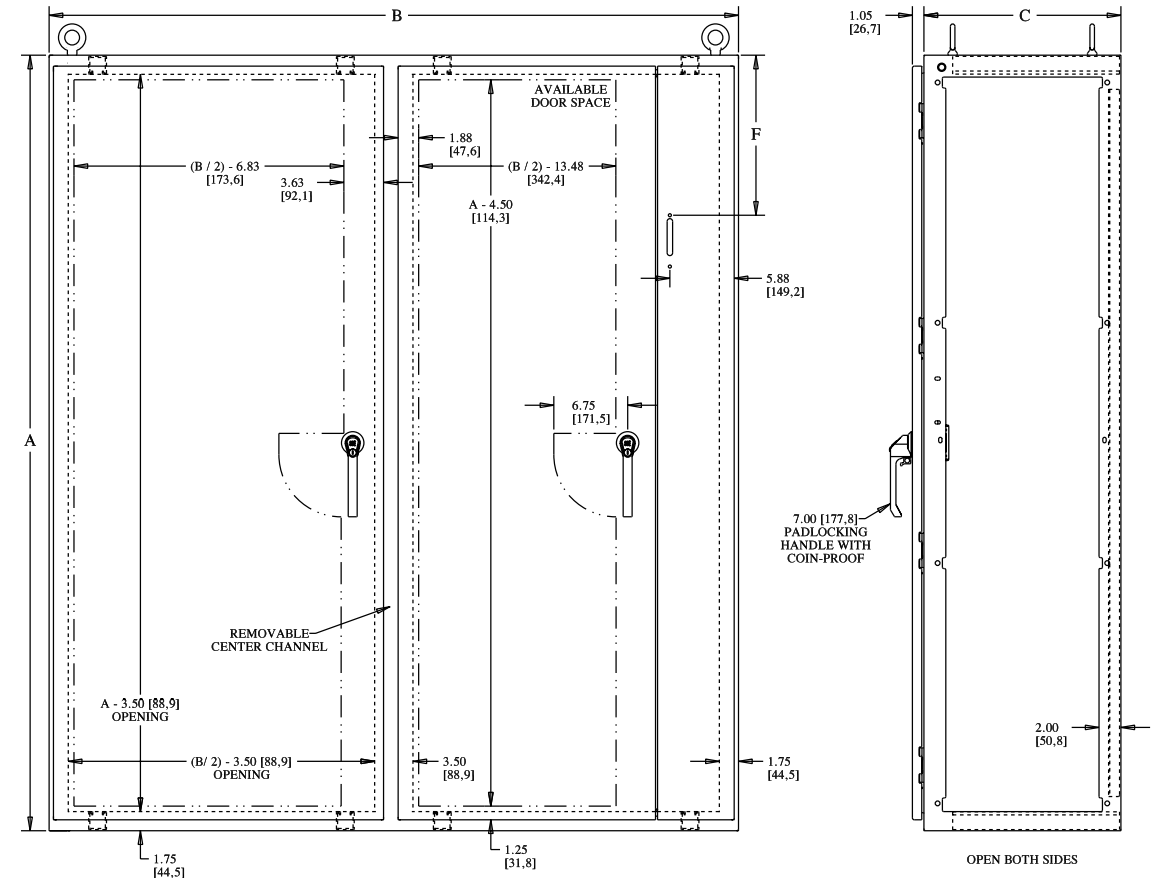
Phone (989) 799-6871
Fax (989) 799-4524



IMS TWO-DOOR ENCLOSURE WITH SLAVE DOOR DISCONNECT TECHNICAL DATA



DISCONNECT NOTES:
F = 14.625 [371.48] when A = 70.87 [1800]
F = 18.625 [473.08] when A = 78.74 [2000]



Phone (989) 799-6871
Fax (989) 799-4524

IMS SINGLE-DOOR ENCLOSURES

PART NUMBER	DESCRIPTION												
		SCE-S180605	SCE-S180606	SCE-S180805	SCE-S180806	SCE-S181005	SCE-S181006	SCE-S200605	SCE-S200606	SCE-S200805	SCE-S200806	SCE-S201005	SCE-S201006
SCE-BP1805	Barrier Plate	*		*		*							
SCE-BP1806	Barrier Plate		*		*		*						
SCE-BP2005	Barrier Plate							*	*		*	*	
SCE-BP2006	Barrier Plate							*	*	*	*	*	*
SCE-EP1805	End Plate	*		*		*							
SCE-EP1806	End Plate		*		*		*						
SCE-EP2005	End Plate							*	*		*	*	
SCE-EP2006	End Plate							*	*	*	*	*	*
SCE-P010605	Single Door Plinth Base	*						*					
SCE-P010606	Single Door Plinth Base		*					*					
SCE-P010805	Single Door Plinth Base			*					*				
SCE-P010806	Single Door Plinth Base			*					*	*			
SCE-P011005	Single Door Plinth Base					*					*		
SCE-P011006	Single Door Plinth Base					*					*		*
SCE-SP1806G	Single Door Sub-panel (Galvanized)	*	*										
SCE-SP1808G	Single Door Sub-panel (Galvanized)			*	*								
SCE-SP1810G	Single Door Sub-panel (Galvanized)					*	*						
SCE-SP2006G	Single Door Sub-panel (Galvanized)							*	*				
SCE-SP2008G	Single Door Sub-panel (Galvanized)							*	*				
SCE-SP2010G	Single Door Sub-panel (Galvanized)							*	*		*	*	*
SCE-FP18G	Filler plates (Galvanized)	*	*	*	*	*	*						
SCE-FP20G	Filler plates (Galvanized)							*	*	*	*	*	*
SCE-SPMP05	Sub-Panel Mounting Strap	*	*	*	*	*	*	*	*	*	*	*	*
SCE-SPMP06	Sub-Panel Mounting Strap	*	*	*	*	*	*	*	*	*	*	*	*
SCE-FMA	Floor Mounting Angles	*	*	*	*	*	*	*	*	*	*	*	*
SCE-IMSBK	IMS Bolt Pack	*	*	*	*	*	*	*	*	*	*	*	*
SCE-DF1806	Dead Front/Swing Panel	*	*										
SCE-DF1808	Dead Front/Swing Panel			*	*								
SCE-DF1810	Dead Front/Swing Panel			*	*	*	*						
SCE-DF2006	Dead Front/Swing Panel							*	*				
SCE-DF2008	Dead Front/Swing Panel							*	*				
SCE-DF2010	Dead Front/Swing Panel							*	*		*	*	*
SCE-URA18	U - Shape Rack Angles	*	*	*	*	*	*						
SCE-URA20	U - Shape Rack Angles							*	*	*	*	*	*
SCE-LRA18	L - Shape Rack Angles	*	*	*	*	*	*						
SCE-LRA20	L - Shape Rack Angles							*	*	*	*	*	*
SCE-SDMI	IMS Slave Door Mechanical Interlock Kit	*	*	*	*	*	*	*	*	*	*	*	*
SCE-MDMI	IMS Main Single Door Interlock Kit	*	*	*	*	*	*	*	*	*	*	*	*
SCE-VMG18	Vertical Mounting Grid	*	*	*	*	*	*						
SCE-VMG20	Vertical Mounting Grid							*	*	*	*	*	*
SCE-TEMG	Top, End Mounting Grid	*	*	*	*	*	*	*	*	*	*	*	*
SCE-EMG	End Mounting Grid	*	*	*	*	*	*	*	*	*	*	*	*
SCE-FMG06	Filler Mounting Grid	*	*					*	*				
SCE-FMG08	Filler Mounting Grid			*	*			*	*				
SCE-FMG10	Filler Mounting Grid			*	*	*	*			*	*	*	*
SCE-20POS	Pull-Out Shelf			*	*	*	*			*	*	*	*
SCE-22VEPOS	Vented Pull-Out Shelf			*	*	*	*			*	*	*	*
SCE-20STS	Stationary Shelf			*	*	*	*			*	*	*	*
SCE-20VESTS	Vented Stationary Shelf			*	*	*	*			*	*	*	*

[Back to Modular Enclosures](#)

IMS TWO-DOOR ENCLOSURES

PART NUMBER	DESCRIPTION								
		SCE-T181205	SCE-T181206	SCE-T181605	SCE-T181606	SCE-T201205	SCE-T201206	SCE-T201605	SCE-T201606
SCE-BP1805	Barrier Plate	*		*					
SCE-BP1806	Barrier Plate		*		*				
SCE-BP2005	Barrier Plate					*	*	*	*
SCE-BP2006	Barrier Plate					*	*	*	*
SCE-EP1805	End Plate	*		*					
SCE-EP1806	End Plate		*		*				
SCE-EP2005	End Plate					*	*	*	*
SCE-EP2006	End Plate					*	*	*	*
SCE-P011205	Two Door Plinth Base	*				*			
SCE-P011206	Two Door Plinth Base		*			*			
SCE-P011605	Two Door Plinth Base			*			*	*	*
SCE-P011606	Two Door Plinth Base			*			*	*	*
SCE-SP1806G	Single Door Sub-panel (Galvanized)	*	*						
SCE-SP1808G	Single Door Sub-panel (Galvanized)			*	*				
SCE-SP2006G	Single Door Sub-panel (Galvanized)					*	*		
SCE-SP2008G	Single Door Sub-panel (Galvanized)					*	*	*	*
SCE-SP1812G	Two Door Sub-panel (Galvanized)	*	*						
SCE-SP1816G	Two Door Sub-panel (Galvanized)			*	*				
SCE-SP2012G	Two Door Sub-panel (Galvanized)					*	*		
SCE-SP2016G	Two Door Sub-panel (Galvanized)					*	*	*	*
SCE-FP18G	Filler plates (Galvanized)	*	*	*	*				
SCE-FP20G	Filler plates (Galvanized)					*	*	*	*
SCE-SPMP05	Sub-Panel Mounting Strap	*	*	*	*	*	*	*	*
SCE-SPMP06	Sub-Panel Mounting Strap	*	*	*	*	*	*	*	*
SCE-FMA	Floor Mounting Angles	*	*	*	*	*	*	*	*
SCE-IMSBK	IMS Bolt Pack	*	*	*	*	*	*	*	*
SCE-DF1806	Dead Front/Swing Panel	*	*						
SCE-DF1808	Dead Front/Swing Panel			*	*				
SCE-DF2006	Dead Front/Swing Panel					*	*		
SCE-DF2008	Dead Front/Swing Panel					*	*		
SCE-DF2010	Dead Front/Swing Panel					*	*	*	*
SCE-URA18	U - Shape Rack Angles	*	*	*	*				
SCE-URA20	U - Shape Rack Angles					*	*	*	*
SCE-LRA18	L - Shape Rack Angles	*	*	*	*				
SCE-LRA20	L - Shape Rack Angles					*	*	*	*
SCE-SDMI	IMS Slave Door Mechanical Interlock Kit	*	*	*	*	*	*	*	*
SCE-MDMI	IMS Main Single Door Interlock Kit	*	*	*	*	*	*	*	*
SCE-VMG18	Vertical Mounting Grid	*	*	*	*				
SCE-VMG20	Vertical Mounting Grid					*	*	*	*
SCE-TEMG	Top, End Mounting Grid	*	*	*	*	*	*	*	*
SCE-EMG	End Mounting Grid	*	*	*	*	*	*	*	*
SCE-FMG06	Filler Mounting Grid	*	*			*	*		
SCE-FMG08	Filler Mounting Grid			*	*	*	*		
SCE-FMG	Center Filler Mounting Grid	*	*	*	*	*	*	*	*
SCE-20POS	Pull-Out Shelf			*	*	*	*	*	*
SCE-22VEPOS	Vented Pull-Out Shelf			*	*	*	*	*	*
SCE-20STS	Stationary Shelf			*	*	*	*	*	*
SCE-20VESTS	Vented Stationary Shelf			*	*	*	*	*	*

[Back to Modular Enclosures](#)

IMS SINGLE-DOOR ENCLOSURES WITH SLAVE DOOR DISCONNECT

PART NUMBER	DESCRIPTION												
		SCE-SD180805	SCE-SD180806	SCE-SD181005	SCE-SD181006	SCE-SD181205	SCE-SD181206	SCE-SD200805	SCE-SD200806	SCE-SD201005	SCE-SD201006	SCE-SD201205	SCE-SD201206
SCE-BP1805	Barrier Plate	*		*		*							
SCE-BP1806	Barrier Plate		*		*		*						
SCE-BP2005	Barrier Plate						*		*		*	*	
SCE-BP2006	Barrier Plate							*		*		*	*
SCE-EP1805	End Plate	*		*		*							
SCE-EP1806	End Plate		*		*		*						
SCE-EP2005	End Plate						*		*		*	*	
SCE-EP2006	End Plate							*		*		*	*
SCE-P010805	Single Door Plinth Base	*					*						
SCE-P010806	Single Door Plinth Base		*					*					
SCE-P011005	Single Door Plinth Base			*					*				
SCE-P011006	Single Door Plinth Base				*					*			
SCE-P011205	Two Door Plinth Base					*					*		
SCE-P011206	Two Door Plinth Base						*					*	
SCE-SP1806G	Single Door Sub-panel (Galvanized)					*	*						
SCE-SP1808G	Single Door Sub-panel (Galvanized)	*	*										
SCE-SP1810G	Single Door Sub-panel (Galvanized)			*	*								
SCE-SP1812G	Two Door Sub-Panel (Galvanized)					*	*						
SCE-SP2006G	Single Door Sub-panel (Galvanized)									*	*		*
SCE-SP2008G	Single Door Sub-panel (Galvanized)					*	*						
SCE-SP2010G	Single Door Sub-panel (Galvanized)							*	*				
SCE-SP2012G	Two Door Sub Panel (Galvanized)									*	*		*
SCE-FP18G	Filler plates (Galvanized)	*	*	*	*	*	*						
SCE-FP20G	Filler plates (Galvanized)					*	*	*	*	*	*	*	*
SCE-SPMP05	Sub-Panel Mounting Strap	*	*	*	*	*	*	*	*	*	*	*	*
SCE-SPMP06	Sub-Panel Mounting Strap			*	*	*	*	*	*	*	*	*	*
SCE-FMA	Floor Mounting Angles	*	*	*	*	*	*	*	*	*	*	*	*
SCE-IMSBK	IMS Bolt Pack	*	*	*	*	*	*	*	*	*	*	*	*
SCE-DF1806	Dead Front/Swing Panel				*	*							
SCE-DF1808	Dead Front/Swing Panel	*	*										
SCE-DF1810	Dead Front/Swing Panel			*	*								
SCE-DF2006	Dead Front/Swing Panel						*	*			*	*	
SCE-DF2008	Dead Front/Swing Panel						*	*					
SCE-DF2010	Dead Front/Swing Panel							*	*				
SCE-URA18	U - Shape Rack Angles	*	*	*	*	*	*	*	*	*	*	*	*
SCE-URA20	U - Shape Rack Angles					*	*	*	*	*	*	*	*
SCE-LRA18	L - Shape Rack Angles	*	*	*	*	*	*	*	*	*	*	*	*
SCE-LRA20	L - Shape Rack Angles					*	*	*	*	*	*	*	*
SCE-SDMI	IMS Slave Door Mechanical Interlock Kit	*	*	*	*	*	*	*	*	*	*	*	*
SCE-MDMI	IMS Main Single Door Interlock Kit	*	*	*	*	*	*	*	*	*	*	*	*
SCE-VMG18	Vertical Mounting Grid	*	*	*	*	*	*	*	*	*	*	*	*
SCE-VMG20	Vertical Mounting Grid					*	*	*	*	*	*	*	*
SCE-TEMG	Top, End Mounting Grid	*	*	*	*	*	*	*	*	*	*	*	*
SCE-EMG	End Mounting Grid	*	*	*	*	*	*	*	*	*	*	*	*
SCE-FMG06	Filler Mounting Grid			*	*	*	*	*	*	*	*	*	*
SCE-FMG08	Filler Mounting Grid	*	*			*	*	*	*	*	*	*	*
SCE-FMG10	Filler Mounting Grid			*	*			*	*				
SCE-FMG	Center Filler Mounting Grid				*	*				*	*		*
SCE-20POS	Pull-Out Shelf		*		*	*	*	*	*	*	*	*	*
SCE-22VEPOS	Vented Pull-Out Shelf		*		*	*	*	*	*	*	*	*	*
SCE-20STS	Stationary Shelf		*		*	*	*	*	*	*	*	*	*
SCE-20VESTS	Vented Stationary Shelf		*		*	*	*	*	*	*	*	*	*

IMS TWO-DOOR ENCLOSURES WITH SLAVE DOOR DISCONNECT

PART NUMBER	DESCRIPTION								
		SCE-TD181605	SCE-TD181606	SCE-TD181805	SCE-TD181806	SCE-TD201605	SCE-TD201606	SCE-TD201805	SCE-TD201806
SCE-BP1805	Barrier Plate	*		*					
SCE-BP1806	Barrier Plate		*		*				
SCE-BP2005	Barrier Plate				*		*	*	*
SCE-BP2006	Barrier Plate					*	*	*	*
SCE-EP1805	End Plate	*		*					
SCE-EP1806	End Plate		*		*				
SCE-EP2005	End Plate					*	*	*	*
SCE-EP2006	End Plate					*	*	*	*
SCE-P011605	Two Door Plinth Base	*			*				
SCE-P011606	Two Door Plinth Base		*			*			
SCE-P011805	Two Door Plinth Base			*			*	*	*
SCE-P011806	Two Door Plinth Base			*			*	*	*
SCE-SP1808G	Single Door Sub-panel (Galvanized)	*	*						
SCE-SP1809G	Single Door Sub-panel (Galvanized)			*	*				
SCE-SP2008G	Single Door Sub-panel (Galvanized)				*	*			
SCE-SP2009G	Single Door Sub-panel (Galvanized)					*	*	*	*
SCE-SP1816G	Two Door Sub-panel (Galvanized)	*	*						
SCE-SP1818G	Two Door Sub-panel (Galvanized)			*	*				
SCE-SP2016G	Two Door Sub-panel (Galvanized)				*	*		*	*
SCE-SP2018G	Two Door Sub-panel (Galvanized)				*	*		*	*
SCE-FP18G	Filler plates (Galvanized)	*	*	*	*				
SCE-FP20G	Filler plates (Galvanized)				*	*	*	*	*
SCE-SPMP05	Sub-Panel Mounting Strap	*	*	*	*	*	*	*	*
SCE-SPMP06	Sub-Panel Mounting Strap		*	*	*	*	*	*	*
SCE-FMA	Floor Mounting Angles	*	*	*	*	*	*	*	*
SCE-IMSBK	IMS Bolt Pack	*	*	*	*	*	*	*	*
SCE-DF1808	Dead Front/Swing Panel	*	*						
SCE-DF1809	Dead Front/Swing Panel		*	*	*				
SCE-DF2008	Dead Front/Swing Panel			*	*	*	*	*	*
SCE-DF2009	Dead Front/Swing Panel					*	*	*	*
SCE-URA18	U - Shape Rack Angles	*	*	*	*				
SCE-URA20	U - Shape Rack Angles				*	*	*	*	*
SCE-LRA18	L - Shape Rack Angles	*	*	*	*				
SCE-LRA20	L - Shape Rack Angles				*	*	*	*	*
SCE-MDMI	IMS Main Single Door Interlock Kit	*	*	*	*	*	*	*	*
SCE-MDMI2	IMS Main Two Door Interlock Kit	*	*	*	*	*	*	*	*
SCE-VMG18	Vertical Mounting Grid	*	*	*	*	*	*	*	*
SCE-VMG20	Vertical Mounting Grid				*	*	*	*	*
SCE-TEMG	Top, End Mounting Grid	*	*	*	*	*	*	*	*
SCE-EMG	End Mounting Grid	*	*	*	*	*	*	*	*
SCE-FMG08	Filler Mounting Grid	*	*		*	*	*	*	*
SCE-FMG09	Filler Mounting Grid			*	*	*	*	*	*
SCE-FMG	Center Filler Mounting Grid	*	*	*	*	*	*	*	*
SCE-20POS	Pull-Out Shelf		*		*	*	*	*	*
SCE-22VEPOS	Vented Pull-Out Shelf		*		*	*	*	*	*
SCE-20STS	Stationary Shelf		*		*	*	*	*	*
SCE-20VESTS	Vented Stationary Shelf		*		*	*	*	*	*

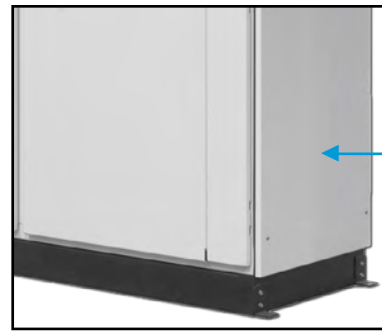
IMS
(Industrial Modular System)
ACCESSORIES

End Plate

Designed to provide a sealed cover for the open end of IMS enclosures. Provides additional wiring space along the side of the enclosure. Gasket and mounting hardware is included. Made of heavy gauge steel and powder coated white.

End Plate

Catalog No.	Height (A)	Used With Enclosure Ref. mm Height	Width (B)	Used With Enclosure Ref. mm Depth	Product Code	List Price
SCE-EP1805	70.62	1800	17.75	500	P5	225.83
SCE-EP1806	70.62	1800	21.75	600	P5	249.45
SCE-EP2005	78.48	2000	17.75	500	P5	238.94
SCE-EP2006	78.48	2000	21.75	600	P5	265.23



End Plate

Plinth Base

Designed to install under an enclosure to provide space for cables to enter from below and raise the enclosure up off the floor. Plinth bases are stackable to acquire desired height off the floor. Black textured powder coat finish.

Single Door Plinth Base

Catalog No.	Height (A)	Red. mm Height (A)	Width (B)	Used With Enclosure Ref. mm Width	Depth (C)	Used With Enclosure Ref. mm Depth	Product Code	List Price
SCE-P010605	3.94	100	23.62	600	18.00	500	P5	166.64
SCE-P010606	3.94	100	23.62	600	22.00	600	P5	174.75
SCE-P010805	3.94	100	31.50	800	18.00	500	P5	182.67
SCE-P010806	3.94	100	31.50	800	22.00	600	P5	190.78
SCE-P011005	3.94	100	39.37	1000	18.00	500	P5	198.93
SCE-P011006	3.94	100	39.37	1000	22.00	600	P5	206.70

Two Door Plinth Base

Catalog No.	Height (A)	Ref. mm Height (A)	Width (B)	Used With Enclosure Ref. mm Width	Depth (C)	Used With Enclosure Ref. mm Depth	Product Code	List Price
SCE-P011205	3.94	100	47.24	1200	18.00	500	P5	235.05
SCE-P011206	3.94	100	47.24	1200	22.00	600	P5	243.45
SCE-P011605	3.94	100	62.99	1600	18.00	500	P5	267.15
SCE-P011606	3.94	100	62.99	1600	22.00	600	P5	275.26
SCE-P011805	3.94	100	70.87	1800	18.00	500	P5	298.92
SCE-P011806	3.94	100	70.87	1800	22.00	600	P5	307.03



Plinth Base

Phone (989) 799-6871
Fax (989) 799-4524



IMS
(Industrial Modular System)
ACCESSORIES

Galvanized Sub-Panel

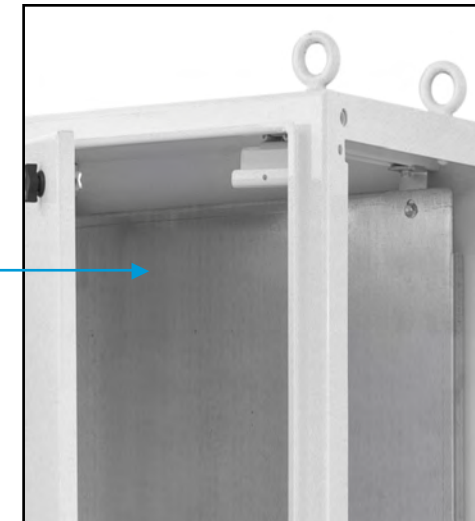
Sub-panels are constructed from galvanized steel for direct bonding of electrical components.

Single Door Galvanized Sub-Panel

Catalog No.	Height (A)	Ref. mm Height (A)	Used With Enclosure Ref. mm Height	Width (B)	Ref. mm Width (B)	Used With Enclosure Ref. mm Width	Product Code	List Price
SCE-SP1806G	66.44	1687.50	1800	19.69	500	600 & 1200	P5	252.06
SCE-SP1808G	66.44	1687.50	1800	27.56	700	800 & 1600	P5	311.26
SCE-SP1809G	66.44	1687.50	1800	31.50	800	900 & 1800	P5	340.09
SCE-SP1810G	66.44	1687.50	1800	35.43	900	1000	P5	368.92
SCE-SP2006G	74.31	1887.50	2000	19.69	500	600 & 1200	P5	273.49
SCE-SP2008G	74.31	1887.50	2000	27.56	700	800 & 1600	P5	337.77
SCE-SP2009G	74.31	1887.50	2000	31.50	800	900 & 1800	P5	370.01
SCE-SP2010G	74.31	1887.50	2000	35.43	900	1000	P5	402.22

Two Door Galvanized Sub-Panel

Catalog No.	Height (A)	Ref. mm Height (A)	Used With Enclosure Ref. mm Height	Width (B)	Ref. mm Width (B)	2 Piece Sub-panel	Used With Enclosure Ref. mm Width	Product Code	List Price
SCE-SP1812G	66.44	1687.50	1800	43.31	1100		1200	P5	478.73
SCE-SP1816G	66.44	1687.50	1800	59.06	1500	*	1600	P5	594.01
SCE-SP1818G	66.44	1687.50	1800	66.93	1700	*	1800	P5	651.70
SCE-SP2012G	74.31	1887.50	2000	43.31	1100		1200	P5	520.20
SCE-SP2016G	74.31	1887.50	2000	59.06	1500	*	1600	P5	648.92
SCE-SP2018G	74.31	1887.50	2000	66.93	1700	*	1800	P5	713.23



Galvanized Sub Panel

Barrier Plate

Catalog No.	Height (A)	Used With Enclosure Ref. mm Height	Width (B)	Used With Enclosure Ref. mm Depth	Product Code	List Price
SCE-BP1805	70.37	1800	17.50	500	P5	174.00
SCE-BP1806	70.37	1800	21.50	600	P5	180.00
SCE-BP2005	78.24	2000	17.50	500	P5	186.00
SCE-BP2006	78.24	2000	21.50	600	P5	200.00

Barrier Plate

Designed to serve as a barrier between two IMS enclosure sections. Mounting holes. Gasket is included. Made of heavy gauge carbon steel and powder coated white. Bolt Pack SCE-IMSBK sold separately.



Phone (989) 799-6871
Fax (989) 799-4524



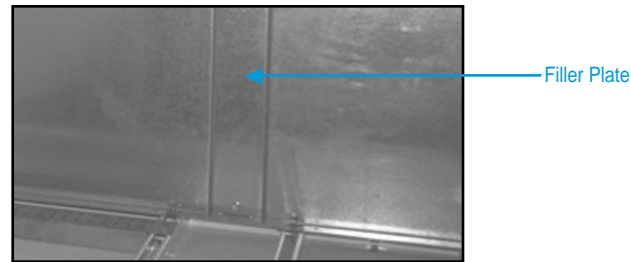
IMS (Industrial Modular System) ACCESSORIES

Galvanized Filler Plates

Designed to provide additional mounting surface between sub-panels or sections of a modular enclosure. Slotted mounting holes allow flexible installation.

Filler Plates (Galvanized)

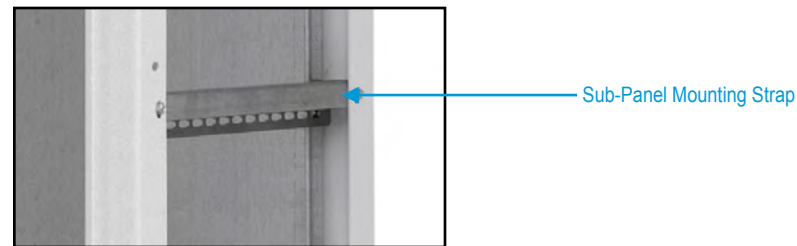
Catalog No.	Height (A)	Ref. mm Height (A)	Width (B)	Ref. mm Width(B)	Used With Enclosure Ref. mm Height	Product Code	List Price
SCE-FP18G	66.44	1687.50	3.88	98.50	1800	P5	97.10
SCE-FP20G	74.31	1887.50	3.88	98.50	2000	P5	104.66



Sub-Panel Mounting Strap

Designed to provide additional mounting to the center of sub-panels on the right and left sides of a modular enclosure. Made of galvanized material.

Catalog No.	Length (C)	Ref. mm Length (C)	Used With Enclosure Ref. mm Depth	Parts Per Kit	Product Code	List Price
SCE-SPMP05	16.75	425.45	500	2	P5	28.74
SCE-SPMP06	20.75	527.05	600	2	P5	33.54



U-Shape Rack Angles

Designed for use in IMS enclosure to provide provisions for the installation of rack mounted equipment and allow position at the desired rack mounting width and depth. Made of galvanized material and powder coated white.

U-Shape Rack Angles

Catalog No.	Height (A)	Ref. mm Height (A)	Used With Enclosure Ref. mm Height	Quantity Per Kit	Product Code	List Price
SCE-URA18	66.94	1689	1800	2	P5	110.32
SCE-URA20	74.94	1867	2000	2	P5	116.96

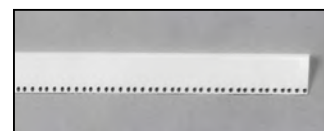


L-Shape Rack Angles

Designed for use in IMS enclosure to provide provisions for the installation of rack mounted equipment and allow position at the desired rack mounting width and depth. Made of galvanized material and powder coated white.

L-Shape Rack Angles

Catalog No.	Height (A)	Ref. mm Height (A)	Used With Enclosure Ref. mm Height	Quantity Per Kit	Product Code	List Price
SCE-LRA18	66.50	1689	1800	2	P5	110.32
SCE-LRA20	75.00	1867	2000	2	P5	116.96



Phone (989) 799-6871
Fax (989) 799-4524



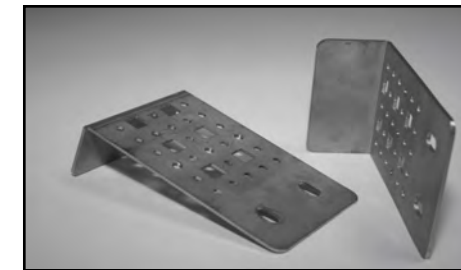
IMS (Industrial Modular System) ACCESSORIES

Top End Mounting Grid

Designed to provide a flexible extension to the mounting system. Top-end grid to be installed in the top of the enclosure between the mounting channel and the side of the enclosure. Made of galvanized material.

Top End Mounting Grid

Catalog No.	Parts Per Kit	Product Code	List Price
SCE-TEMG	2	P5	24.38

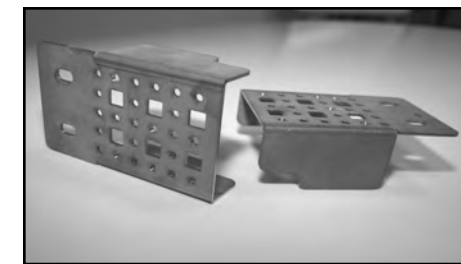


End Mounting Grid

End Mounting Grid

Designed to provide a flexible extension to the mounting system. End grid to be attached to the mounting channel in the top or bottom of the enclosure. Made of galvanized material.

Catalog No.	Parts Per Kit	Product Code	List Price
SCE-EMG	2	P5	26.74

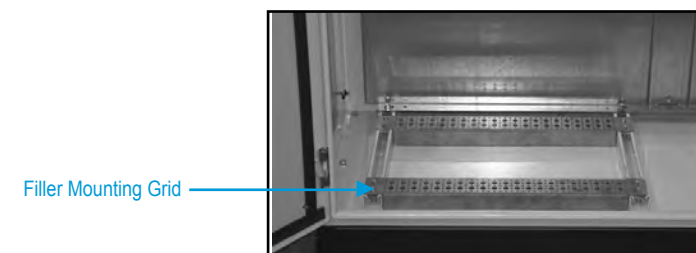


Filler Mounting Grid

Filler Mounting Grid

Designed to provide a flexible extension to the internal mounting system. Filler grid to be installed between the mounting channels and top or bottom of the modular enclosure. Made of galvanized material.

Catalog No.	Length (C)	Ref. mm Length (C)	Used With Enclosure Ref. mm Width	Quantity Per Kit	Product Code	List Price
SCE-FMG05	12.80	325	500	2	P5	28.74
SCE-FMG06	16.73	425	600 & 1200	2	P5	33.54
SCE-FMG08	24.61	625	800 & 1600	2	P5	42.86
SCE-FMG09	28.54	725	900 & 1800	2	P5	47.39
SCE-FMG10	32.47	825	1000	2	P5	51.92
SCE-FMG	10.51	267	1200, 1600 & 1800	2	P5	26.21



Phone (989) 799-6871
Fax (989) 799-4524

[Back to
IMS Accessory
Guide](#)

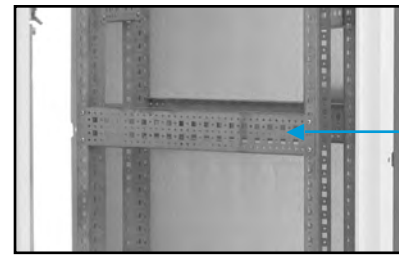
IMS (Industrial Modular System) ACCESSORIES

Horizontal Mounting Grid

Designed to provide a horizontal extension of the frame holes in the sides of a modular enclosure. Sold in sets of two with mounting hardware included. Made of galvanized material.

Horizontal Mounting Angle

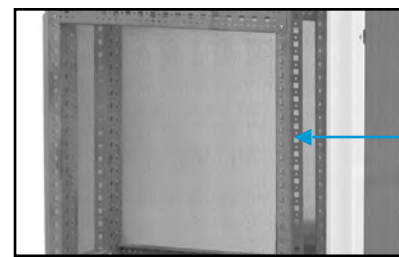
Catalog No.	Width (B)	Ref. mm Width (B)	Quantity Per Kit	Product Code	List Price
SCE-HMG175	6.89	175	2	P5	19.27
SCE-HMG225	8.88	225	2	P5	20.90
SCE-HMG300	11.81	300	2	P5	23.19
SCE-HMG400	15.75	400	2	P5	26.45
SCE-HMG475	18.70	475	2	P5	28.75
SCE-HMG575	22.62	575	2	P5	32.75
SCE-HMG675	26.56	675	2	P5	35.93
SCE-HMG775	30.50	775	2	P5	38.97



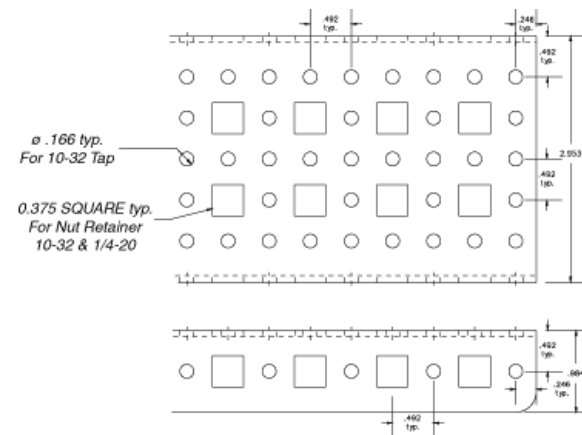
Horizontal Mounting Grid

Vertical Mounting Grid With Angle Mounting Brackets

Catalog No.	Height (A)	Ref. mm Height (A)	Used With Enclosure Ref. mm Height	Quantity Per Kit	Product Code	List Price
SCE-VMG18	66.93	1687.50	1800	2	P5	81.19
SCE-VMG20	74.80	1887.50	2000	2	P5	87.71



Vertical Mounting Grid



MOUNTING GRID DETAILS FOR INDUSTRIAL MODULAR SYSTEM MISC. COMPONENTS

Back to
IMS Accessory
Guide

Phone (989) 799-6871
Fax (989) 799-4524



IMS (Industrial Modular System) ACCESSORIES

Grid Mounting Angle

Designed to provide flexible mounting of horizontal and vertical mounting grids. Made of galvanized material.

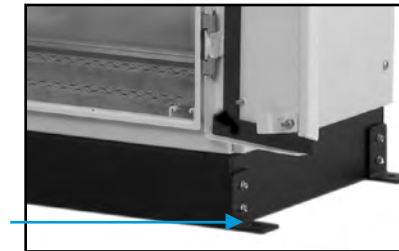


Grid Mounting Angle

Catalog No.	Parts Per Kit	Product Code	List Price
SCE-GMA	4	P5	20.23

Floor Mounting Angles

Catalog No.	Parts Per Kit	Product Code	List Price
SCE-FMA	4	P5	36.00



Floor Mounting Angle

Dead Front/Swing Panel

Catalog No.	Height (A)	Ref. mm Height (A)	Width (B)	Ref. mm Width (B)	Used With Enclosure Ref. mm Height	Used With Enclosure Ref. mm Width	Product Code	List Price
SCE-DF1806	65.88	1675.35	19.38	492.25	1800	600 & 1200	P5	308.83
SCE-DF1808	65.88	1675.35	27.25	692.15	1800	800 & 1600	P5	351.82
SCE-DF1809	65.88	1675.35	31.25	793.75	1800	1800	P5	373.63
SCE-DF1810	65.88	1675.35	35.13	892.30	1800	1000	P5	394.84
SCE-DF2006	73.75	1873.25	19.38	492.25	2000	600 & 1200	P5	322.38
SCE-DF2008	73.75	1873.25	27.25	692.15	2000	800 & 1600	P5	370.37
SCE-DF2009	73.75	1873.25	31.25	793.75	2000	1800	P5	394.69
SCE-DF2010	73.75	1873.25	35.13	892.30	2000	1000	P5	418.36



Dead Front/Swing Panel

Floor Mounting Angles

Designed for use with IMS enclosures when the enclosure must be secured to the floor. Kit contains four floor mounting angles and mounting hardware. Powder coated Black Texture.

Dead Front/Swing Panel

Designed for installation into IMS enclosures, to be installed in the front of an enclosure and to swing out of the enclosure. Kit consists of heavy gauge brackets, hinges, and mounting hardware. Installed by detaching door hinge from enclosure and installing swing out panel kit to the existing holes and hinge supplied with the enclosure. Made of heavy gauge steel and powder coated white.



Phone (989) 799-6871
Fax (989) 799-4524

**IMS
(Industrial Modular System)
ACCESSORIES**

Nut Retainer

Designed to install in the square holes provided in mounting grids.

Nut Retainer

Catalog No.	Size	Quantity Per Kit	Product Code	List Price
SCE-NR1032	10-32	20	P5	25.20
SCE-NR1420	1/4 - 20	20	P5	25.20



Channel Nuts

Designed for use in IMS enclosures to allow mounting of additional equipment.

Channel Nuts

Catalog No.	Size	Quantity Per Kit	Product Code	List Price
SCE-PS1420	1/4 - 20	20	P2	46.94
SCE-PS51618CN	5/16 - 18	20	P5	48.97



**Main Single Door
Mechanical Interlock**

Interlock kit designed for use on the main door of IMS single door enclosures.

Main Single Door Mechanical Interlock

Catalog No.	Product Code	List Price
SCE-MDMI	P5	150.46

**Main Two Door
Mechanical Interlock**

Interlock kit designed for use on the main door of IMS two door enclosures.

Main Two Door Mechanical Interlock

Catalog No.	Product Code	List Price
SCE-MDMI2	P5	81.14

**Slave Door Mechanical
Interlock**

Interlock kit designed for use on the slave door of IMS enclosures.

Slave Door Mechanical Interlock

Catalog No.	Product Code	List Price
SCE-SDMI	P5	75.23

IMS Bolt Pack

Designed to be used as an additional gasket or to replace gasket kits when changing modular enclosure configurations. Includes oil resistant gasket and zinc coated nuts and bolts. Required when bolting one enclosure to another.

IMS Bolt Pack

Catalog No.	Product Code	List Price
SCE-IMSBK	P5	42.00

[Back to
IMS Accessory
Guide](#)

Phone (989) 799-6871
Fax (989) 799-4524



Phone (989) 799-6871
Fax (989) 799-4524

NOTES

Phone (989) 799-6871
Fax (989) 799-4524

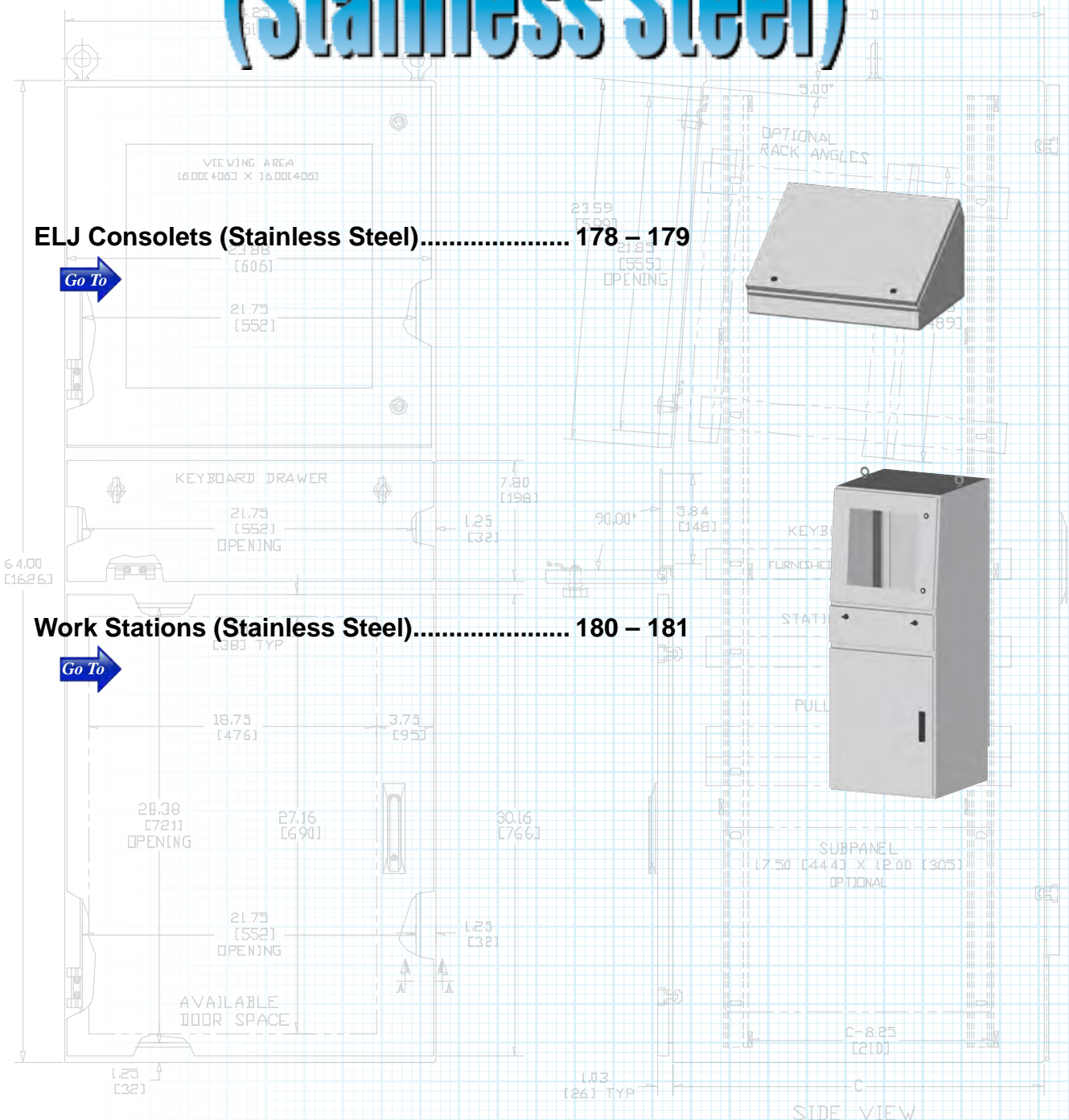


NOTES

Phone (989) 799-6871
Fax (989) 799-4524



Operator System Enclosures (Stainless Steel)



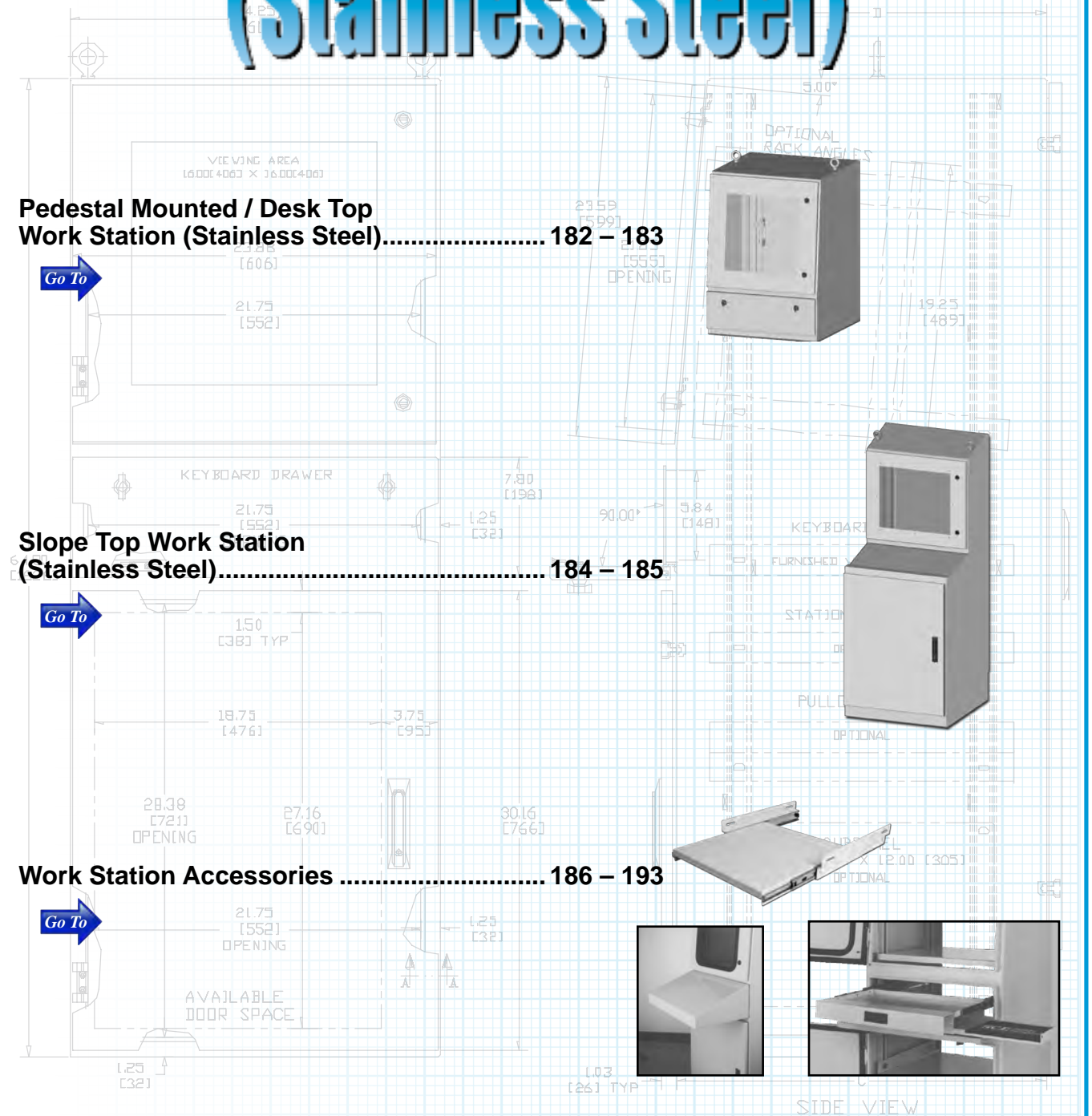
Back to Table of Contents



Phone (989) 799-6871
Fax (989) 799-4524



Operator System Enclosures (Stainless Steel)



Phone (989) 799-6871
Fax (989) 799-4524



Back to Table of Contents

Stainless Steel ELJ Consoles & Accessories

Application -

Designed to house electrical and electronic controls, instruments, and components. Provides protection from dust, dirt, oil and water. Consoles can be mounted on either of two sides to give a control surface inclined 30° or 60°. Can be mounted on desks, machines, or pedestals.

Construction -

- 0.063" stainless steel Type 304. Seams continuously welded and ground smooth.
- Flange trough collar around all sides of enclosure.
- Removable hinges.
- Oil-resistant gasket.
- Standoffs provided for mounting optional sub-panels.
- Cable door stops included on SCE-12C**, SCE-16C** & SCE-20C**
- Black mini quarter turn latches.
- Latches are opened or closed with a screwdriver.
- Ground stud on door and body.
- Mounting holes in back.

Finish -

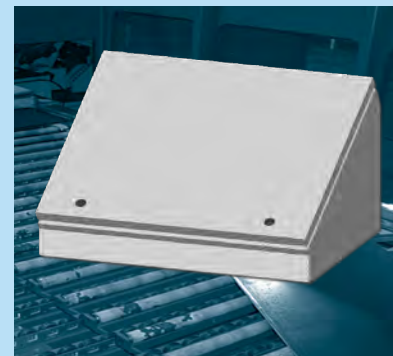
#4 brushed finish on all exterior surfaces. Optional sub-panels are powder coated white.

Options -

Can be special ordered in Type 316/316L stainless steel.

IS5 - Industry Standards -

- NEMA Type 4, 4X, 12 & Type 13
- UL Listed Type 4, 4X & 12
- CSA Type 4, 4X & 12
- IEC 60529 IP66



STAINLESS STEEL ELJ CONSOLES

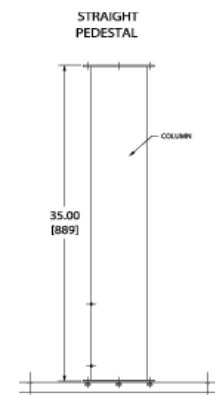
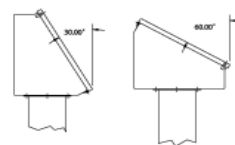
ENCLOSURE PRODUCT CODE A1						SUB-PANEL (P3)			
Catalog No.	Height (A)	Width (B)	Depth (C)	Depth (D)	List Price	Catalog No.	Panel Height (E)	Panel Width (F)	List Price
SCE-8C8ELJSS	8.00	8.00	7.09	7.44	586.80	SCE-8P8C	6.00	6.75	5.27
SCE-8C12ELJSS	8.00	12.00	7.09	7.44	627.16	SCE-8P12C	6.00	10.75	8.39
SCE-8C16ELJSS	8.00	16.00	7.09	7.44	708.62	SCE-8P16C	6.00	14.75	11.50
SCE-8C20ELJSS	8.00	20.00	7.09	7.44	787.24	SCE-8P20C	6.00	18.75	14.63
SCE-12C12ELJSS	12.00	12.00	9.09	10.91	771.99	SCE-12P12C	9.50	10.75	13.28
SCE-12C16ELJSS	12.00	16.00	9.09	10.91	796.98	SCE-12P16C	9.50	14.75	18.22
SCE-12C20ELJSS	12.00	20.00	9.09	10.91	817.75	SCE-12P20C	9.50	18.75	23.16
SCE-12C24ELJSS	12.00	24.00	9.09	10.91	888.79	SCE-12P24C	9.50	22.75	28.09
SCE-16C16ELJSS	16.00	16.00	11.09	14.38	817.75	SCE-16P14	14.75	12.88	19.95
SCE-16C20ELJSS	16.00	20.00	11.09	14.38	888.79	SCE-16P20C	12.88	18.75	31.40
SCE-16C24ELJSS	16.00	24.00	11.09	14.38	957.18	SCE-16P24C	12.88	22.75	38.10
SCE-20C20ELJSS	20.00	20.00	13.09	17.84	957.18	SCE-20P20C	16.38	18.75	39.00
SCE-20C24ELJSS	20.00	24.00	13.09	17.84	1,100.25	SCE-20P24C	16.38	22.75	42.30
SCE-20C30ELJSS	20.00	30.00	13.09	17.84	1,320.04	SCE-20P30C	16.38	28.75	47.32

CABLE DOOR STOP

Catalog No.	Description	For use on	Product Code	List Price
SCE-CBL15	15 Inch 135° Door Stop	SCE-12C** & SCE-16C*	P2	13.75
SCE-CBL20	20 Inch 135° Door Stop	SCE-20C**	P2	14.25

ACCESSORY COLUMNS AND BASES

Catalog No.	Description	Size	Product Code	List Price
SCE-18SBASESS	Stainless Steel Pedestal Base	18.00 x 18.00 x 1.00	P2	424.63
SCE-24SBASESS	Stainless Steel Pedestal Base	24.00 x 24.00 x 1.00	P2	451.45
SCE-44CCOLSS	Stainless Steel Straight Column	4.00 x 4.00	P2	524.13
SCE-66CCOLSS	Stainless Steel Straight Column	6.00 x 6.00	P2	554.52

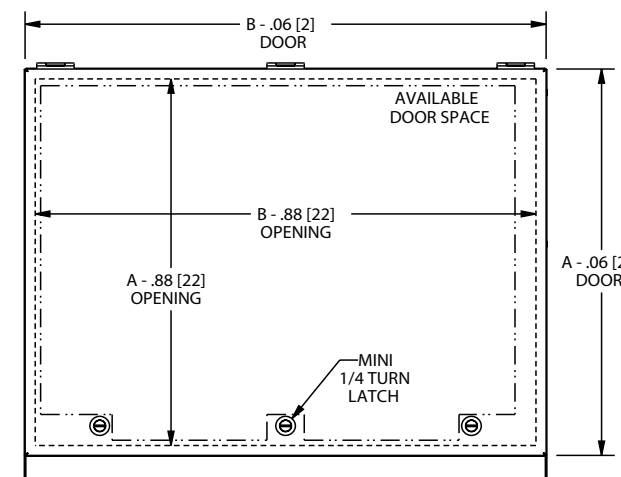
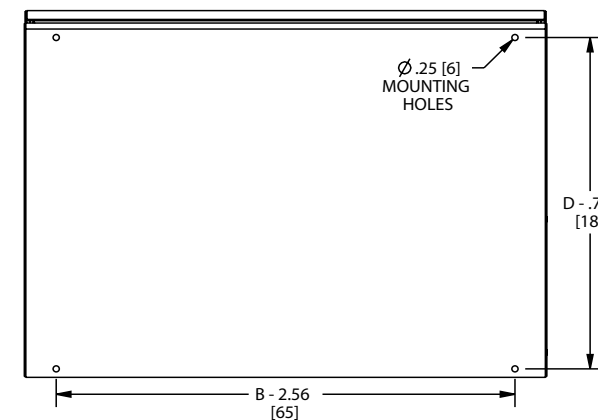
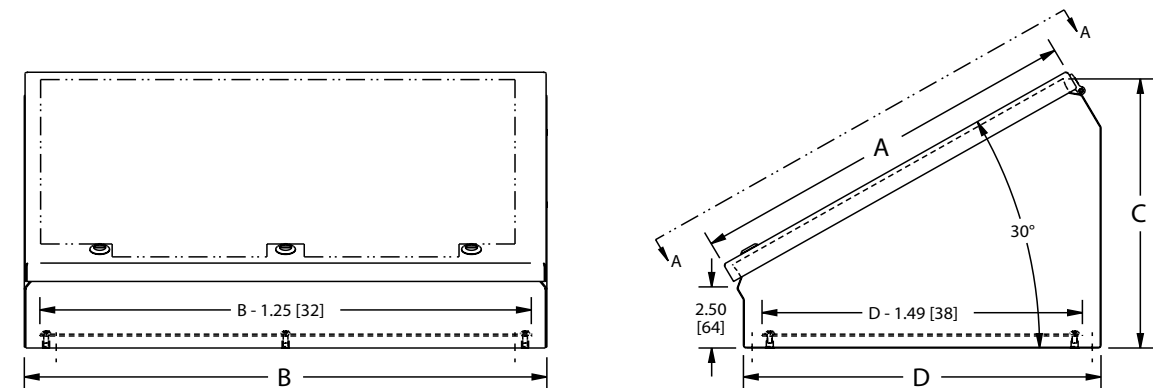


Back to
SS Operator
Systems

Phone (989) 799-6871
Fax (989) 799-4524



STAINLESS STEEL ELJ CONSOLES TECHNICAL DATA



NOTES:
Provisions for cable stops on door and body when "A" >= 12.00 [305]

LATCH NOTES:
One latch centered on door horizontally if "B" <= 14.00 [356]

Two latches located 3.00 [76] from right & left side of door if "B" > 14.00 [356]

Omit center latch if "B" > 14.00 [356] and <= 20.00 [508]

SUB-PANEL NOTES:
Provisions only for sub-panel in bottom.



Phone (989) 799-6871
Fax (989) 799-4524

Stainless Steel Work Station

Application -

Designed to house a computer, keyboard, monitor and other additional computer equipment in an industrial environment and provide protection from dust, oil and moisture. Stainless steel work stations resist corrosion. For installation information, consult our Installation Manual at www.saginawcontrol.com.

Construction -

- 0.075" stainless steel Type 304.
- Seams continuously welded and ground smooth.
- Oil-resistant gasket.
- Flange trough collar around all sides of door opening.
- Concealed hinge.
- Removable doors.
- Ground studs on door and body.
- Large polycarbonate viewing window in top door.
- Lifting eyes for easy handling.
- Rubber pads with provision for leveling pads on bottom of enclosure.
- Black, quarter turn latches on top door.
- Black, quarter turn wing knob latches on keyboard door.
- Black 3-point flush swing handle in lower front and back doors.
- Gland plate on lower back of enclosure.
- Pull out keyboard shelf with attached self storing mouse shelf and mouse pad.
- Mounting channels welded on sides of interior body for mounting optional sub-panels, racks, mounting angles and shelves.

Finish -

#4 brushed finish on all exterior surfaces.

Options -

- Optional tamper-resistant inserts or padlocking handles are available.
- Can be special ordered in Type 316/316L stainless steel.

Note -

Optional sub-panels and accessories available.

IS1 - Industry Standards -

- NEMA Type 12 & Type 13
- UL Listed Type 12
- CSA Type 12
- IEC 60529 IP 55

WORK STATION - STAINLESS STEEL

ENCLOSURE PRODUCT CODE S3						
Catalog No.	Height (A)	Width (B)	Depth (C)	Top Size (D)	Industry Standard	List Price
SCE-642424SSWS	64.00	24.25	24.25	22.15	IS1	6,379.61
SCE-642432SSWS	64.00	24.25	32.25	29.90	IS1	6,583.22

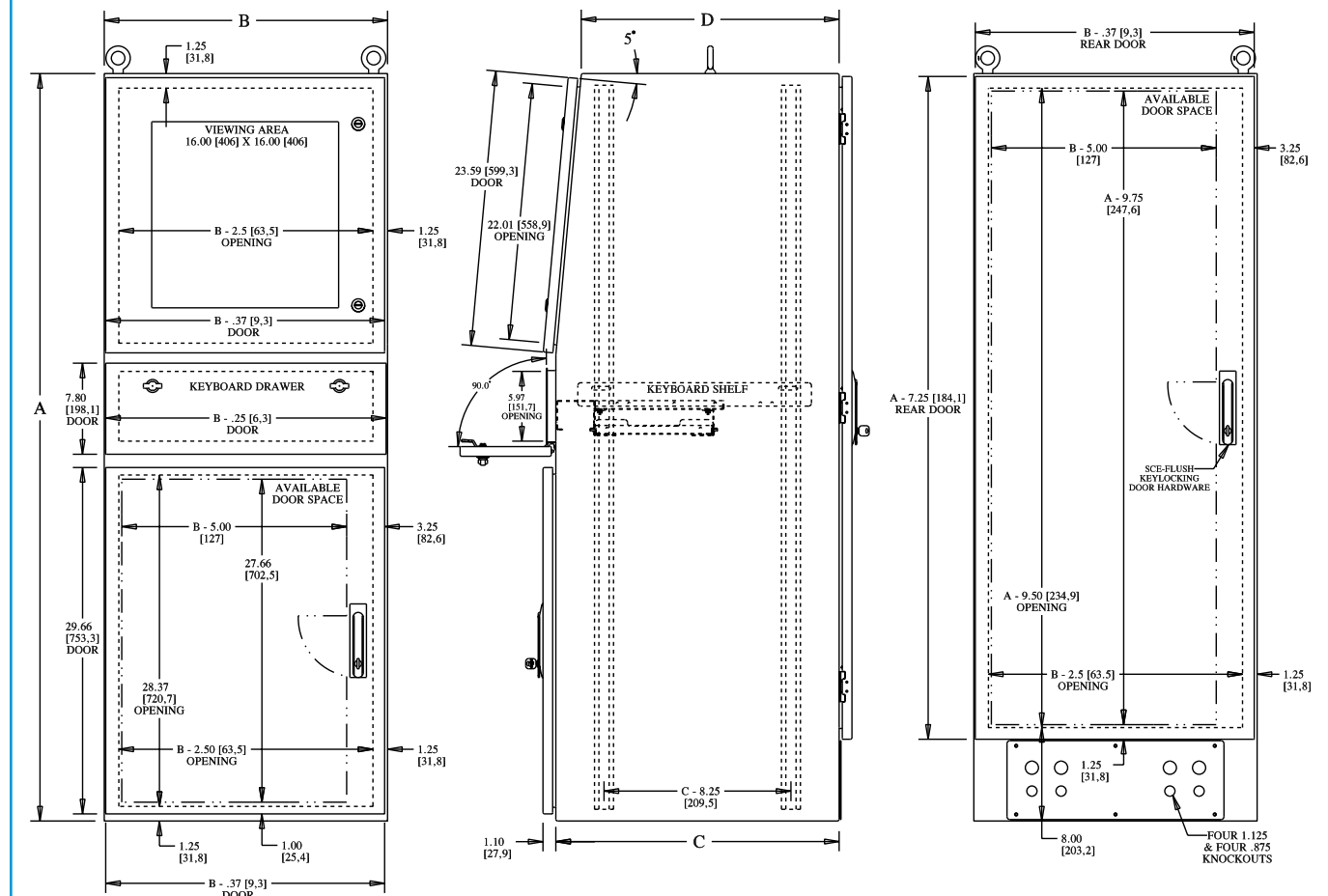


Back to
SS Operator
Systems

Phone (989) 799-6871
Fax (989) 799-4524



STAINLESS STEEL WORK STATION TECHNICAL DATA



Phone (989) 799-6871
Fax (989) 799-4524

Stainless Steel Pedestal Mount / Desktop Work Station

Application -

Designed to house a computer, keyboard, monitor and other additional computer equipment in an industrial environment and provide protection from dust, oil and moisture. Stainless steel work stations resist corrosion. For installation information, consult our Installation Manual at www.saginawcontrol.com.

Construction -

- 0.075" stainless steel Type 304.
- Seams continuously welded and ground smooth.
- Oil-resistant gasket.
- Flange trough collar around all sides of door opening.
- Concealed hinge.
- Removable doors.
- Ground studs on door and body.
- Large polycarbonate viewing window.
- Lifting eyes for easy handling.
- Black, quarter turn latches on top door.
- Black, quarter turn wing knob latches on keyboard door.
- Black 3-point flush swing handle in back door.
- Pull out keyboard shelf with attached self storing mouse shelf and mouse pad.
- Mounting channels welded on sides of interior body for mounting optional sub-panels, racks, mounting angles and shelves.

Finish -

#4 brushed finish on all exterior surfaces.

Options -

- Optional tamper-resistant inserts or padlocking handles are available.
- Can be special ordered in Type 316/316L stainless steel.

Note -

Optional sub-panels and accessories available.

IS5 - Industry Standards -

NEMA Type 4, 4X, 12 & Type 13
UL Listed Type 4, 4X & 12
CSA Type 4, 4X & 12
IEC 60529 IP66

PEDESTAL MOUNT / DESKTOP WORK STATION - STAINLESS STEEL

ENCLOSURE PRODUCT CODE S3						
Catalog No.	Height (A)	Width (B)	Depth (C)	Top Size (D)	Industry Standard	List Price
SCE-342424SSWS	34.00	24.25	24.25	22.15	IS5	5,768.79

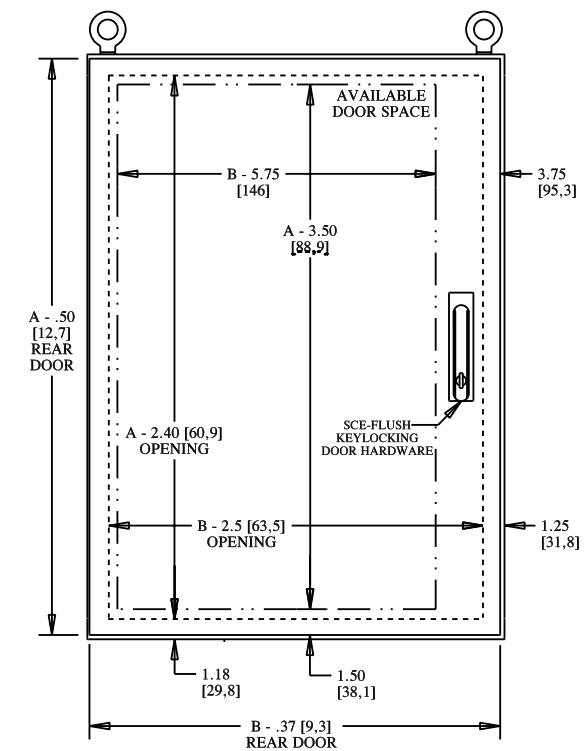
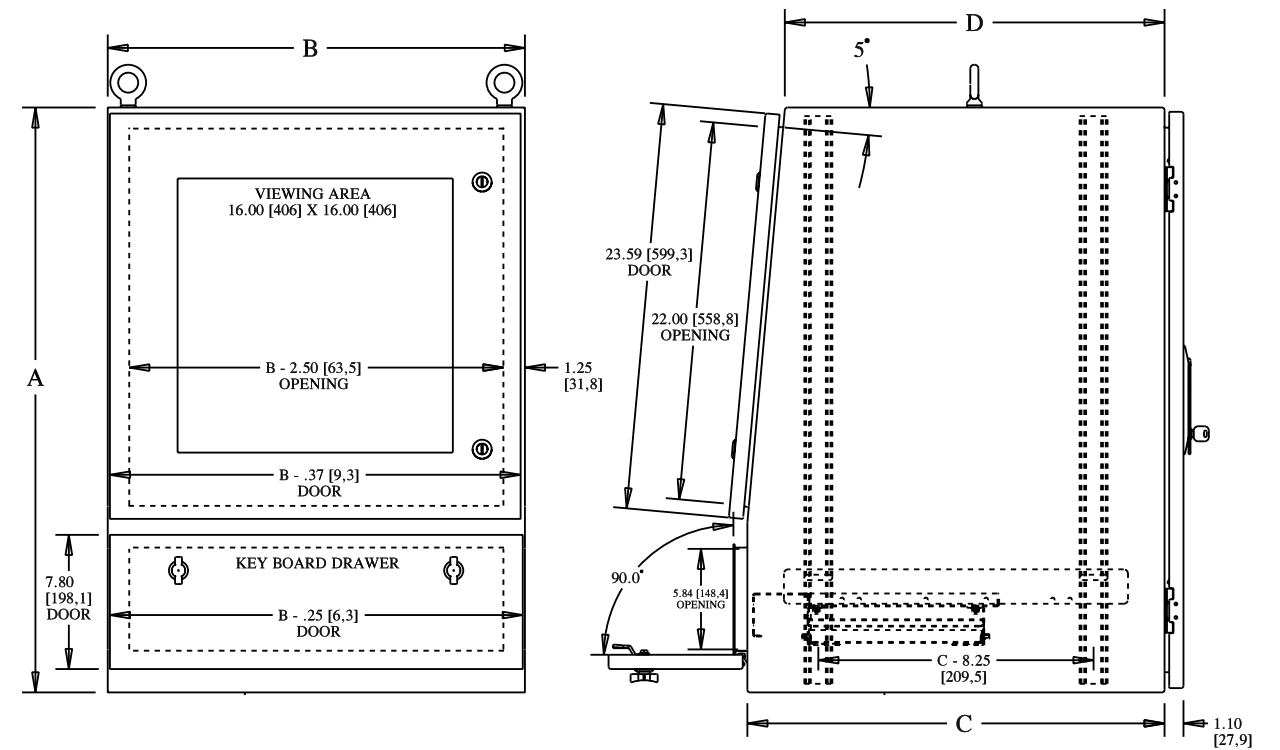


Back to
SS Operator
Systems

Phone (989) 799-6871
Fax (989) 799-4524



PEDESTAL MOUNT OR DESKTOP WORK STATION TECHNICAL DATA



Phone (989) 799-6871
Fax (989) 799-4524

Stainless Steel Slope Top Work Station

Application -

Designed to house a computer, keyboard, monitor and other additional computer equipment in an industrial environment or an environment which may be regularly hosed down or in very wet or oily conditions. Provides protection from dust, dirt, water and oil. Stainless steel work stations resist corrosion. For installation information, consult our Installation Manual at www.saginawcontrol.com.

Construction -

- 0.075" stainless steel Type 304.
- Seams continuously welded and ground smooth.
- 15 degree sloped top.
- 12.5 degree sloped keyboard desk.
- Oil-resistant gasket.
- Flange trough collar around all sides of door opening.
- Concealed hinge.
- Removable doors.
- Ground studs on door and body.
- Large polycarbonate viewing window in top door.
- Lifting eyes for easy handling.
- Rubber pads with provision for leveling pads on bottom of enclosure.
- Black, quarter turn latches on top door.
- Black 3-point flush swing handle in lower front and back doors.
- Gland plate on lower back of enclosure.
- Mounting channels welded on sides of interior body for mounting optional sub-panels, racks, mounting angles and shelves.
- Provisions for Monitor Mounting System.
- Pencil edge palm rest.

Finish -

#4 brushed finish on all exterior surfaces.

Options -

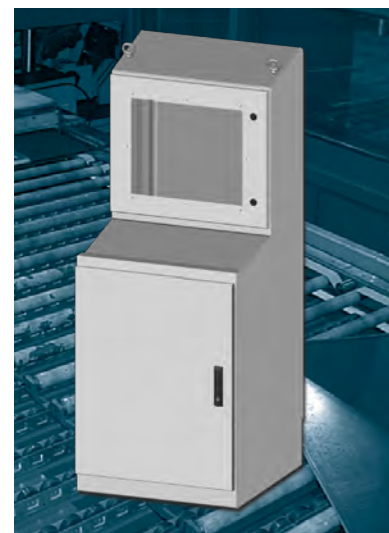
Can be special ordered in Type 316/316L stainless steel.

IS1 - Industry Standards -

- NEMA Type 12 & Type 13
- UL Listed Type 12
- CSA Type 2
- IEC 60529 IP55

SLOPE TOP WORK STATION - STAINLESS STEEL

ENCLOSURE PRODUCT CODE S3					
Catalog No.	Height (A)	Width (B)	Depth (C)	Industry Standard	List Price
SCE-66ST2626SSWS	65.59	26.00	26.00	IS1	7,354.91

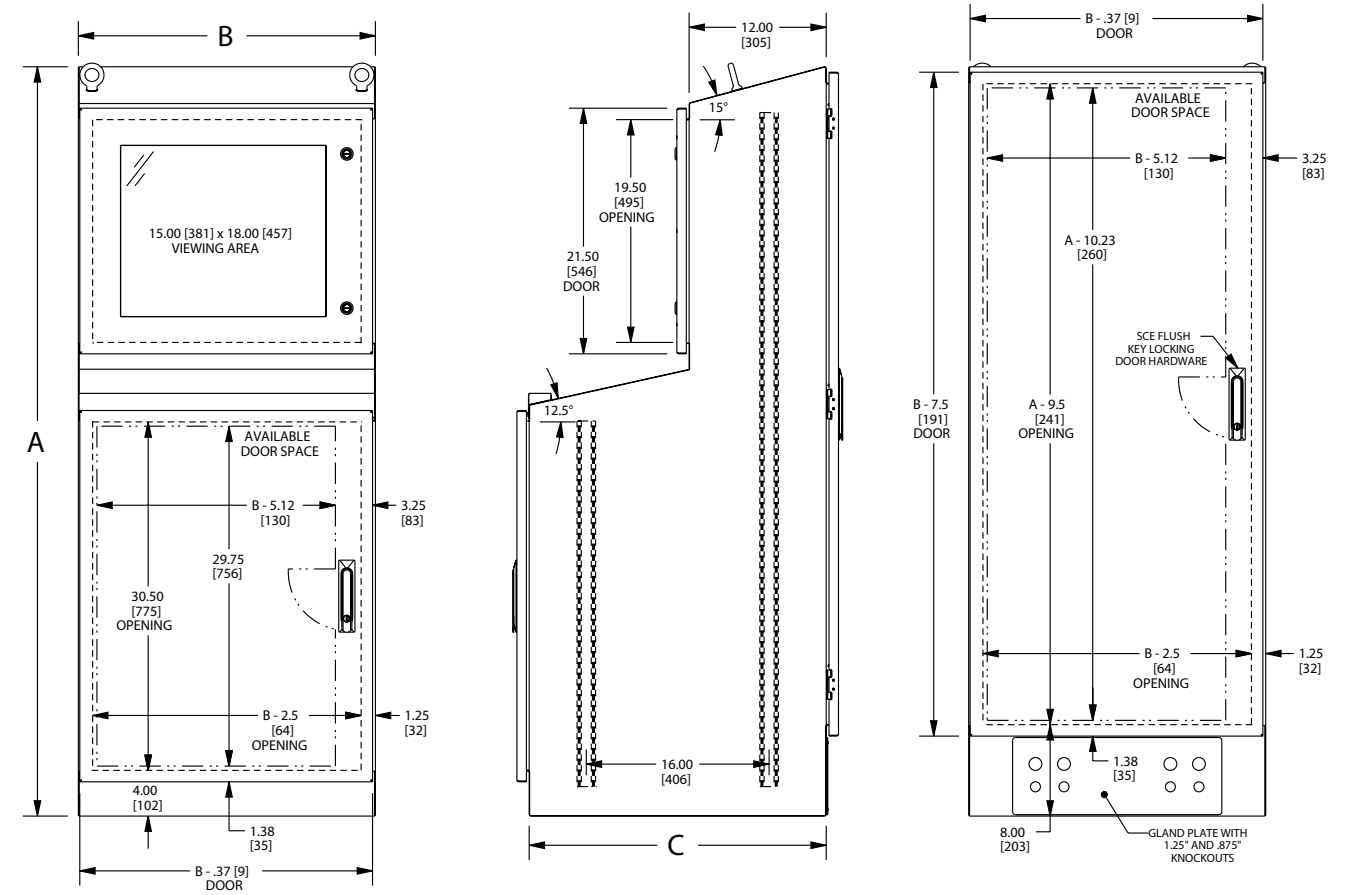


Back to
SS Operator
Systems

Phone (989) 799-6871
Fax (989) 799-4524



SLOPE TOP WORK STATION TECHNICAL DATA



Phone (989) 799-6871
Fax (989) 799-4524

WORK STATION ACCESSORY SELECTION GUIDE

PART NUMBER	DESCRIPTION									REQUIRES
		SCE-642424SSWS	SCE-642424WS	SCE-642432SSWS	SCE-642432WS	SCE-342424SSWS	SCE-342424WS	SCE-66ST2626WS	SCE-66ST2626SSWS	
SCE-20POS	Pull-Out Shelf	*	*			*	*		*	
SCE-22POS	Pull-Out Shelf							*	*	
SCE-26POS	Pull-Out Shelf			*	*				*	
SCE-22VEPOS	Vented Pull-Out Shelf							*	*	
SCE-20STS	Stationary Shelf	*	*			*	*			
SCE-22STS	Stationary Shelf							*	*	
SCE-26STS	Stationary Shelf			*	*				*	
SCE-20VESTS	Vented Stationary Shelf	*	*			*	*			
SCE-22VESTS	Vented Stationary Shelf							*	*	
SCE-26VESTS	Vented Stationary Shelf			*	*				*	
SCE-8STS	Monitor Shelf							*	*	
SCE-8VESTS	Vented Monitor Shelf							*	*	
SCE-STMMK	Monitor Mounting Bracket							*	*	
SCE-60RA19WS	Type RA Top Rack Angle	*	*	*	*	*	*			SCE-CN1032
SCE-60RA24WS	Type RA Bottom Rack Angle	*	*	*	*	*	*			SCE-CN1032
SCE-60RP19WS	Type RP Top Rack Angle	*	*	*	*	*	*			SCE-CN1032
SCE-60RP24F6	Type RP Bottom Rack Angle	*	*	*	*	*	*			SCE-CN1032
SCE-STWSPL	Pencil Edge/Palm Rest							*	*	Qty. 1 Included
SCE-STWSPLSS	Pencil Edge/Palm Rest							*	*	Qty. 1 Included
SCE-PSK24	Panel Support	*	*			*	*	*	*	
SCE-PSK32	Panel Support	*	*	*	*	*	*	*	*	
SCE-60P24WS	Side Mount Plate	*	*			*	*	*	*	
SCE-60P32WS	Side Mount Plate			*	*					
SCE-SB18	Support Bracket	*	*	*	*	*	*			Type RA Rack Angles
SCE-PE22	Pedestal							*	*	
SCE-PE22SS	Pedestal - Stainless Steel					*	*			
SCE-24PEBASE	Pedestal Base							*	*	
SCE-24PEBASESS	Pedestal Base - Stainless Steel					*	*			
SCE-LPD2	Leveling Pad	*	*	*	*	*	*	*	*	
SCE-STWBTD	Blank Top Door							*	*	
SCE-STWSSBTD	Blank Top Door - Stainless Steel							*	*	
SCE-WSBTD	Blank Top Door	*	*	*	*	*	*			
SCE-WSSBTD	Blank Top Door - Stainless Steel	*	*	*	*	*	*			
SCE-KBH	Keyboard Housing	*	*	*	*	*	*			
SCE-WSCC	Control Compartment	*	*	*	*	*	*			
SCE-WSCCSS	Control Compartment - Stainless Steel	*	*	*	*	*	*			
SCE-KBS	Keyboard Shelf	*	*	*	*	*	*			Qty. 1 Included

Back to SS Operator Systems

Phone (989) 799-6871
Fax (989) 799-4524



WORK STATION ACCESSORIES

Pull-Out Shelf

Pull-out shelves are designed to allow easy access to the back of equipment. Extends 19" and mounts between the mounting channels provided inside the work station. Slides are included with shelf. Made of heavy gauge steel and powder coated white. Mounting hardware is included.



Vented Pull-Out Shelf

Vented pull out shelves are designed to allow easy access to the back of equipment and to allow air circulation inside the work station. Extends 19" and mounts between the mounting channels provided inside the work station. Slides are included with the shelf. Made of heavy steel and powder coated white. Mounting hardware is included.



Stationary Shelf

Designed to support monitors, PC's, printers or any other equipment. Mounts between the mounting channels provided inside the work station. Made of heavy gauge steel and powder coated white. Mounting hardware is included.



Vented Stationary Shelf

Designed to support monitors, PC's, printers or any other equipment while allowing air circulation inside the work station. Mounts between the mounting channels provided inside the work station. Made of heavy gauge steel and powder coated white. Mounting hardware is included.



Monitor Shelf Non-Vented & Vented

Designed to support the monitor or other components in the upper section of the work station. Vented shelf allows air circulation inside the work station. Made of heavy gauge steel and powder coated white. Mounting hardware is included.



Catalog No.	Height (A)	Width (B)	Depth (C)	Used In Enclosure Depth	Product Code	List Price
SCE-20POS	2.00	19.50	20.00	24.25	C2	247.74
SCE-22POS	2.00	23.75	22.00	26.00	C2	251.26
SCE-26POS	2.00	22.00	28.00	32.25	C2	254.25

Catalog No.	Height (A)	Width (B)	Depth (C)	Used In Enclosure Depth	Product Code	List Price
SCE-22VEPOS	2.00	23.75	22.00	26.00	C2	317.95

Catalog No.	Height (A)	Width (B)	Depth (C)	Used In Enclosure Depth	Product Code	List Price
SCE-20STS	22.00	20.00	2.00	24.25	C2	70.41
SCE-22STS	22.00	23.75	2.00	26.00	C2	73.82
SCE-26STS	28.00	22.00	2.00	32.25	C2	76.92

Catalog No.	Description	Height (A)	Width (B)	Depth (C)	Product Code	List Price
SCE-20VESTS		22.00	20.00	2.00	C2	169.51
SCE-22VESTS		22.00	23.75	2.00	C2	175.04
SCE-26VESTS		28.00	22.00	2.00	C2	182.54

Catalog No.	Description	Height (A)	Width (B)	Depth (C)	Product Code	List Price
SCE-8STS	Non-Vented	1.50	23.75	8.00	C2	53.03
SCE-8VESTS	Vented	1.50	23.75	8.00	C2	60.33



Phone (989) 799-6871
Fax (989) 799-4524

WORK STATION ACCESSORIES

Monitor Mounting System

Designed for direct mounting of a flat screen monitor to the Work Station window door. Can be used with Standard Work Station or Slope Top Workstation. Made of steel and black texture powder coated. Mounting hardware is included.

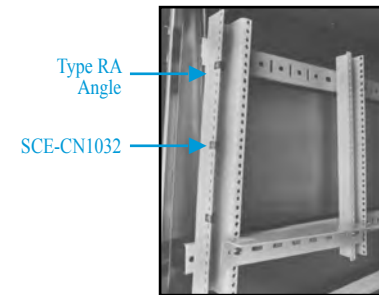


Catalog No.	Product Code	List Price
SCE-STMMK	P2	53.28

Rack Mounting Angle (Type RA) - "U-Shape"

Designed for mounting 19" rack mount equipment. Order clip nut package (CN1032) to provide tapped holes. Made of heavy gauge steel and powder coated white. Mounting hardware is included.

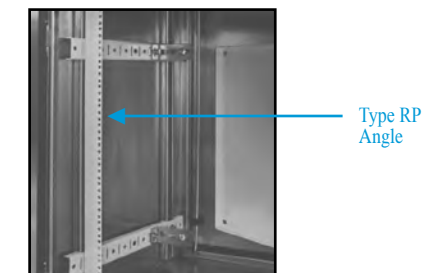
Catalog No.	Length	Mounting Location	Quantity Per Kit	Product Code	List Price
SCE-60RA19WS	19.25	Top	2	C2	119.96
SCE-60RA24WS	28.00	Bottom	2	C2	125.17



Rack Mounting Angle (Type RP) - "L-Shape"

Designed for mounting 19" rack mount equipment. Order clip nut package (CN1032) to provide tapped holes. Made of heavy gauge steel and powder coated white. Mounting hardware is included.

Catalog No.	Length	Mounting Location	Quantity Per Kit	Product Code	List Price
SCE-60RP19WS	19.25	Top	2	C2	58.68
SCE-60RP24F6	26.25	Bottom	2	P2	62.09



Pencil Edge/Palm Rest

Designed as a palm rest or retainer for the keyboard surface of the work station. Made of heavy gauge steel and powder coated white. "SS" part made of Type 304 stainless steel with #4 brushed finish. Mounting hardware is included.

Catalog No.	Height (A)	Width (B)	Depth (C)	Product Code	List Price
SCE-STWSPL	0.56	26.00	2.00	C2	32.91
SCE-STWSPLSS	0.56	23.00	2.00	C2	114.00



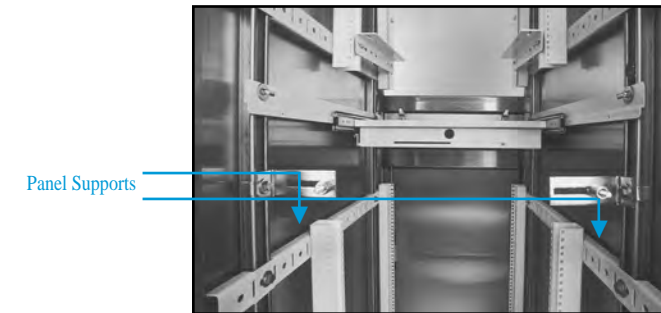
Phone (989) 799-6871
Fax (989) 799-4524



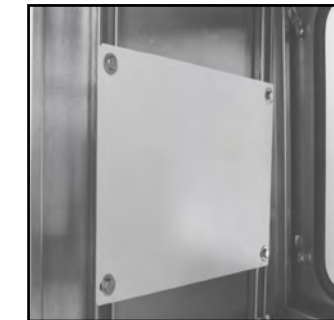
WORK STATION ACCESSORIES

Panel Support

Panel supports can be installed horizontally to the left and right side of enclosure. Allows easy installation of optional panels or (RA) and (RP) type rack mounting angles to make them adjustable from front to back of the enclosure. Made of heavy gauge steel with a white powder coat finish. Mounting hardware is included.



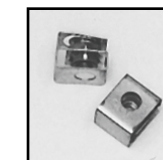
Catalog No.	Height (A)	Width (B)	Used in Enclosure Depth	Product Code	List Price
SCE-60P24WS	12.00	17.00	24.25	C2	61.28
SCE-60P32WS	12.00	25.50	32.25	C2	70.41



Side Mount Plate

Designed to provide extra mounting space on the sides of the enclosure. Can be securely attached to the mounting channels. Mounting hardware is included. Made of heavy gauge steel and powder coated white.

Catalog No.	Quantity Per Kit	Product Code	List Price
SCE-CN1032	20	P2	32.31



Clamping Nuts

Clamping nuts with a #10-32 retained nut will fit all rack mounting angles and rack mounting frames, to provide tapped holes. Nuts are zinc plated.



Phone (989) 799-6871
Fax (989) 799-4524

[Back to Work Station Accessory Guide](#)

WORK STATION ACCESSORIES

Individual Panel Supports

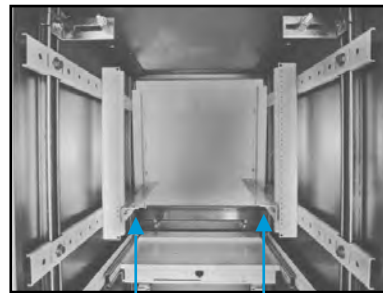
Individual Panel Supports are available for mounting sub-panels. Packaged in sets with all mounting hardware included. Made of heavy gauge steel and plated.



Catalog No.	Notes	Product Code	List Price
SCE-FSPS4	Set of 4	P2	55.88
SCE-FSPS6	Set of 6	P2	84.44
SCE-FSPS8	Set of 8	P2	126.66

Support Bracket

Equipment support brackets help support rack mounted equipment during installation. The support mounts between two pair of type (RA) rack mounting angles. Slotted holes are provided to allow adjustment. Made of heavy gauge carbon steel and powder coated white. Mounting hardware is included.



Brackets

Catalog No.	Height (A)	Width (B)	Depth (C)	Quantity Per Kit	Product Code	List Price
SCE-SB18	2.00	2.00	15.00	2	C2	44.34

Channel Nuts

Designed to allow mounting of additional equipment to side channels. Zinc plated.



SCE-PS1420CN



SCE-PS3816CN

Catalog No.	Description	Quantity Per Kit	Product Code	List Price
SCE-PS3816CN	1/4 - 20 Strut Nut	20	P2	42.22
SCE-PS1420CN	3/8 - 16 Strut Nut	20	P2	42.22

Leveling Pads

Designed to attach to the bottom of the enclosure to allow for adjustments for uneven floors. Pads are zinc plated with a plastic base. Mounting hardware is included.



Catalog No.	Thread Size	Height	Quantity Per Kit	Product Code	List Price
SCE-LPD2	3/8 - 16	2.00	4	P2	37.25

Phone (989) 799-6871
Fax (989) 799-4524



WORK STATION ACCESSORIES

Blank Top Door

Designed to replace the top door when cutouts are desired. Oil resistant gasket. Installed by removing hinge pin. Black quarter turn latches. Made of heavy gauge carbon steel and powder coated. "SS" door is made of Type 304 stainless steel with #4 brushed finish. Mounting hardware is included.

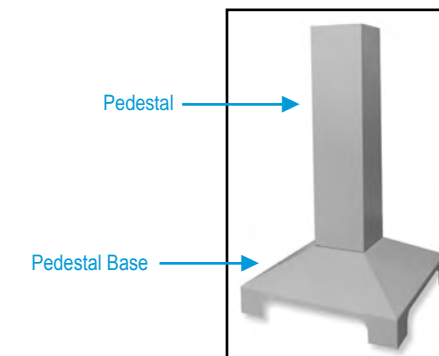


Blank Top Door

Catalog No.	Height (A)	Width (B)	Finish	Product Code	List Price
SCE-STWBTD	21.50	25.63	White	C2	155.47
SCE-STWSSBTD	21.50	25.63	Stainless Steel	C2	462.20
SCE-WSBTD	23.60	23.86	RAL 7035 Gray	C2	247.74
SCE-WSSBTD	23.59	23.88	Stainless Steel	C2	365.08

Pedestal

Designed to allow desktop work stations to be floor mounted. Gasket and hardware provided to attach to work station. Made of heavy gauge carbon steel and powder coated RAL 7035 gray. "SS" pedestal is made of Type 304 stainless steel.



Pedestal

Pedestal Base

Catalog No.	Height (A)	Width (B)	Depth (C)	Finish	Product Code	List Price
SCE-PE22	21.38	8.00	8.00	RAL 7035 Gray	C2	365.08
SCE-PE22SS	21.38	8.00	8.00	Stainless Steel	C2	912.72

Pedestal Base

Designed to mount pedestal to the floor. Made of heavy gauge carbon steel and powder coated RAL 7035 gray. "SS" base is made of Type 304 stainless steel. Mounting hardware is included.

Catalog No.	Height (A)	Width (B)	Depth (C)	Finish	Product Code	List Price
SCE-24PEBASE	10.00	24.00	24.00	RAL 7035 Gray	C2	545.02
SCE-24PEBASESS	10.00	24.00	24.00	Stainless Steel	C2	1,363.86



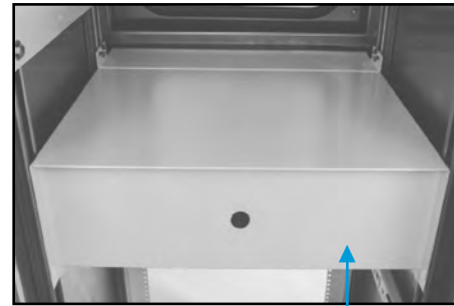
Phone (989) 799-6871
Fax (989) 799-4524

Back to
Work Station
Accessory Guide

WORK STATION ACCESSORIES

Keyboard Housing

Provides protection from dust, dirt, oil and water for interior components when keyboard drawer is open. Mounts to mounting channels. Keyboard shelf with slides is mounted inside the housing. Oil resistant gasket. Hole grommet in rear provided for cords. Powder coated white. Mounting hardware is included.



View from Rear

Control Compartment

Designed to be mounted to the front of the work station when installation of pushbuttons or control panels is desired. Installed after removing the pull-out keyboard drawer and door. Can be installed with the flat or sloped surface facing up. 20° slope on sloped surface. Gasket and mounting hardware included. Made of heavy gauge steel and powder coated RAL 7035 gray. "SS" part is made of Type 304 stainless steel with #4 brushed finish.

Catalog No.	Height (A)	Width (B)	Depth (C)	Finish	Product Code	List Price
SCE-WSCC	8.00	24.25	14.50	RAL 7035 Gray	C2	286.86
SCE-WSCSS	8.00	24.25	14.50	Stainless Steel	C2	664.98



Pull-Out Keyboard Drawer

Designed to hold a keyboard and mouse on a separate pull-out shelf. Mounts between mounting channels. Made of heavy gauge steel with a white powder coat finish. A mouse pad is included. Drawer is included with work station. Mounting hardware is included.

Catalog No.	Height (A)	Width (B)	Depth (C)	Used in Enclosure Depth	Product Code	List Price
SCE-KBS	3.00	20.00	14.00	24.25	P2	372.54
SCE-KBS32	3.00	20.00	14.00	32.25	P2	372.54



[Back to Work Station Accessory Guide](#)

Phone (989) 799-6871
Fax (989) 799-4524



WORK STATION ACCESSORIES

Door Latch Inserts

Designed to replace black quarter turn latches when additional security is required.

Padlocking Housing Latch

Catalog No.	Qty. Per Kit	Finish	Product Code	List Price
SCE-PLHG	1	Black	P2	17.38



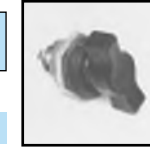
Slotted 2 x 4 Door Latch

Catalog No.	Qty. Per Kit	Finish	Product Code	List Price
SCE-DLSB	1	Chrome	P2	17.38
SCE-DLSBB	1	Black	P2	17.38
SCE-DLSSB	1	Stainless	P2	42.22



Wing Knob Door Latch

Catalog No.	Qty. Per Kit	Finish	Product Code	List Price
SCE-DLWKC	1	Chrome	P2	17.38
SCE-DLWKF	1	Black	P2	17.38



Square Latch with Skeleton Key (Key: SCE-101695)

Catalog No.	Qty. Per Kit	Finish	Product Code	List Price
SCE-DL7SC	1	Chrome	P2	17.38



Keylocking Wing Knob Latch (Key: SCE-K333)

Catalog No.	Qty. Per Kit	Finish	Product Code	List Price
SCE-KLWN	1	Chrome	P2	34.77
SCE-KLWNB	1	Black	P2	34.77



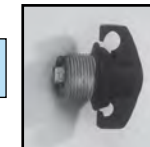
Triangular Latch with Skeleton Key (Key: SCE-107930)

Catalog No.	Qty. Per Kit	Finish	Product Code	List Price
SCE-DL7TE	1	Chrome	P2	17.38



Padlocking Wing Knob Latch

Catalog No.	Qty. Per Kit	Finish	Product Code	List Price
SCE-PLWKB	1	Black	P2	19.87



Non-Locking "T" Handle

Catalog No.	Qty. Per Kit	Finish	Product Code	List Price
SCE-NLTH	1	Chrome	P2	24.84



Keylock Door Latch (Key: SCE-K333)

Catalog No.	Qty. Per Kit	Finish	Product Code	List Price
SCE-DLKLD	1	Chrome	P2	27.32
SCE-DLKLDB	1	Black	P2	27.99



Coinproof Door Latch

Catalog No.	Qty. Per Kit	Finish	Product Code	List Price
SCE-DLCA	1	Chrome	P2	14.90



Door Handles

Designed to replace the flush swing handle when alternative locking mechanism is desired. Zinc die cast steel with black textured finish.

Keylocking Flush Swing Handle (Key: SCE-K333)

Catalog No.	Qty. Per Kit	Product Code	List Price
SCE-FSH2	1	P2	63.34



Keylocking Flush Swing Handle with Padlock Provision (Key: SCE-K333)

Catalog No.	Qty. Per Kit	Product Code	List Price
SCE-FSH6	1	P2	81.96



Flush Swing Handle with 8mm Square Lock (Key: SCE-101697)

Catalog No.	Qty. Per Kit	Product Code	List Price
SCE-FSH4	1	P2	63.34



Padlocking Flush Swing Handle

Catalog No.	Qty. Per Kit	Product Code	List Price
SCE-FSH8	1	P2	72.03



NOTES

Phone (989) 799-6871
Fax (989) 799-4524



NOTES



Phone (989) 799-6871
Fax (989) 799-4524

Wall-Mount Enclosures (Stainless Steel)

Pushbutton Enclosures (Stainless Steel)..... 198 – 205



Envioline® Series Junction Enclosures (304 & 316 Stainless Steel) 206 – 209



Envioline® Series Trough Junction Enclosures (Stainless Steel) 210 – 213



Continuous Hinge Junction Enclosures (304 & 316 Stainless Steel) 214 – 215



Envioline® Series Single-Door Enclosures with 3-Point Hardware (304 & 316 Stainless Steel) 216 – 217



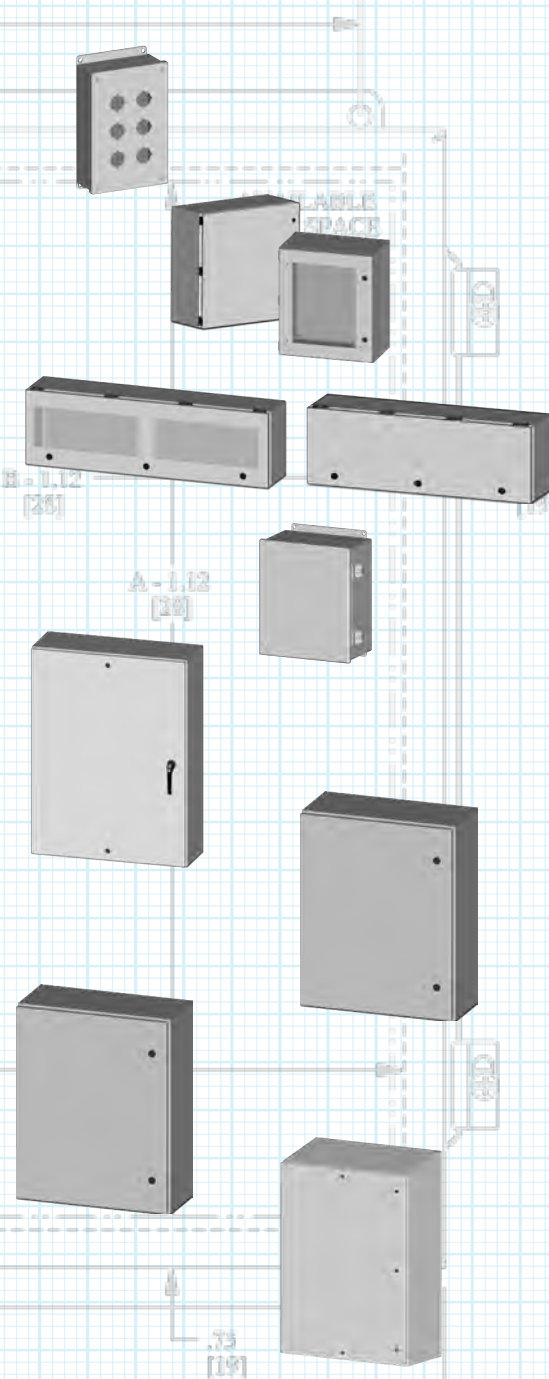
Envioline® Series Single-Door Enclosures (304 Stainless Steel)..... 218 – 219



Envioline® Series Single-Door Enclosures (316 Stainless Steel)..... 220 – 221



Envioline® Series Sloping Top Single-Door Enclosures (Stainless Steel) 222 – 223



[Back to Table of Contents](#)



Phone (989) 799-6871
Fax (989) 799-4524



Wall-Mount Enclosures (Stainless Steel)

Clamp Fastened Single-Door Enclosures (304 Stainless Steel)..... 224 – 225



Clamp Fastened Single-Door Enclosures (316 Stainless Steel)..... 226 – 227



Envioline® Series Two-Door Enclosures (Stainless Steel)..... 228 – 229



Envioline® Series Single-Door Enclosures for Flange-Mounted Disconnects with SCE Door Hardware (304 Stainless Steel)..... 230 – 231



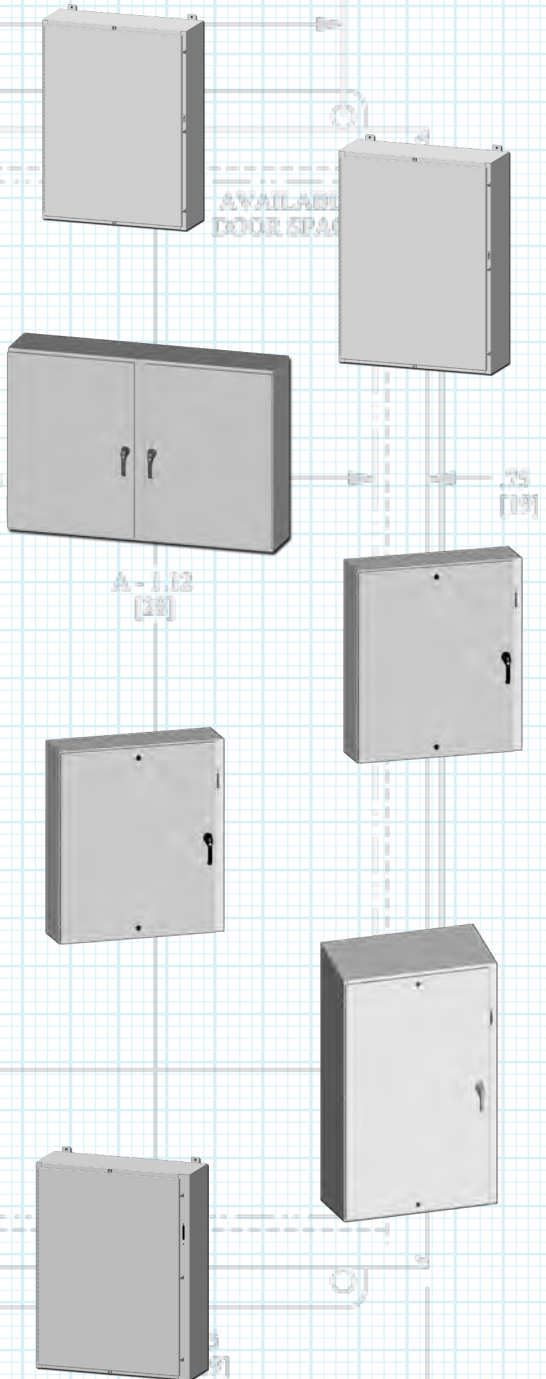
Envioline® Series Single-Door Enclosures for Flange-Mounted Disconnects with SCE Door Hardware (316 Stainless Steel)..... 232 – 233



Envioline® Series Sloping Top Single-Door Enclosures for Flange-Mounted Disconnects with SCE Door Hardware (Stainless Steel)..... 234 – 235



Clamp Fastened Single-Door Enclosures for Flange-Mounted Disconnects (304 & 316 Stainless Steel) 236 – 237



Phone (989) 799-6871
Fax (989) 799-4524



[Back to Table of Contents](#)

Stainless Steel 30.5 mm Pushbutton Enclosures

Application -

Designed to house standard pushbuttons, switches and pilot lights in wet and hosed down areas and in corrosive atmospheres. For installation information, consult our Installation Manual at www.saginawcontrol.com.

Construction -

- 0.063" stainless steel Type 304.
- Seams continuously welded and ground smooth.
- Captivated cover screws thread into sealed wells.
- 4-way pushbutton holes accept all brands of oil-tight pushbuttons, switches and pilot lights. Hole diameter 1.20" (30.5 mm).
- Immediate removal of cover is permitted.
- Oil-resistant door gasket.

Options -

Can be special ordered in Type 316/316L stainless steel.

Finish -

#4 brushed finish on all exterior surfaces.

IS5 - Industry Standards -

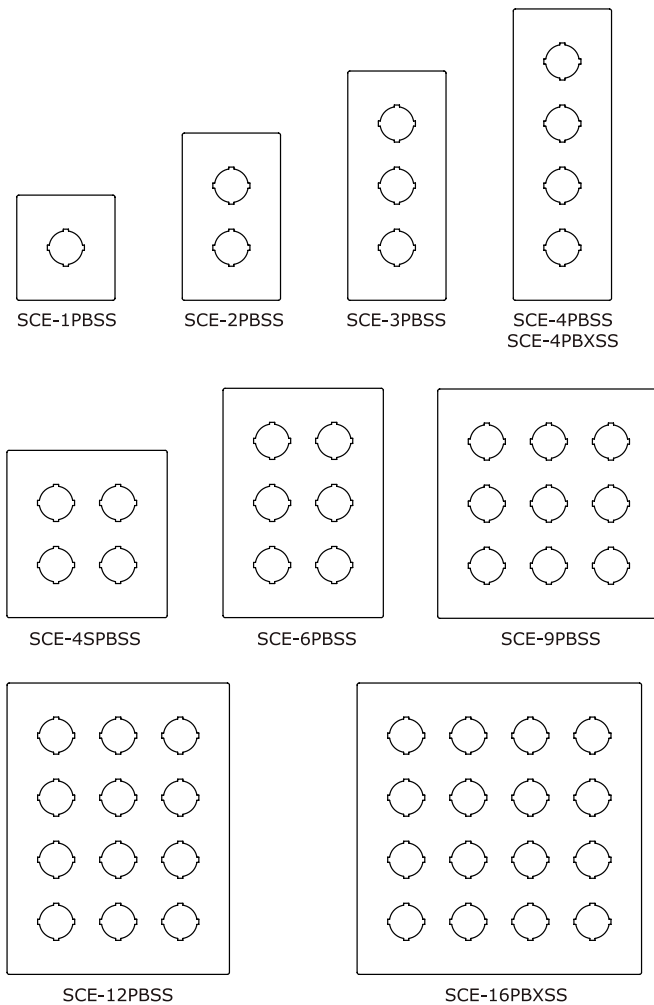
- NEMA Type 4, 4X, 12 & Type 13
- UL Listed Type 4, 4X & 12
- CSA Type 4, 4X & 12
- IEC 60529 IP66



STAINLESS STEEL 30.5 mm PUSHBUTTON ENCLOSURES

ENCLOSURE PRODUCT CODE S1					
Catalog No.	Height (A)	Width (B)	Depth (C)	Industry Standard	List Price
SCE-1PBSS	3.50	3.25	2.75	IS5	134.38
SCE-1PBXSS	4.00	4.00	4.75	IS5	179.00
SCE-2PBSS	5.75	3.25	2.75	IS5	168.31
SCE-2PBXSS	6.00	4.00	4.75	IS5	224.05
SCE-3PBSS	8.00	3.25	2.75	IS5	183.25
SCE-4PBSS	10.25	3.25	2.75	IS5	207.67
SCE-4PBXSS	10.00	4.00	4.75	IS5	247.05
SCE-4SPBSS	7.25	6.25	3.00	IS5	228.03
SCE-6PBSS	9.50	6.25	3.00	IS5	272.84
SCE-9PBSS	9.50	8.50	3.00	IS5	308.12
SCE-12PBSS	11.75	8.50	3.00	IS5	351.56
SCE-16PBXSS	11.75	10.75	4.75	IS5	442.51

Available within 10 working days if not in stock

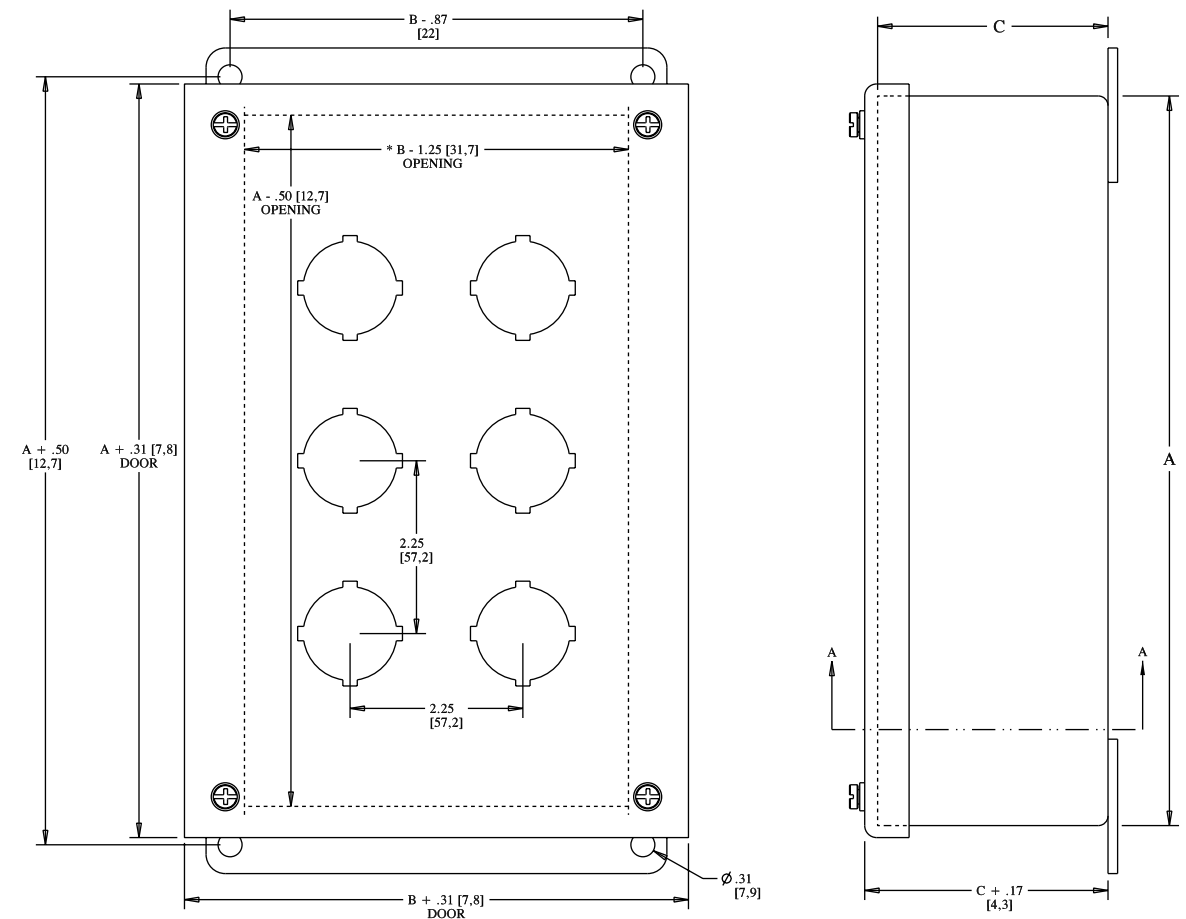


Back to SS Wall-Mount Enclosures

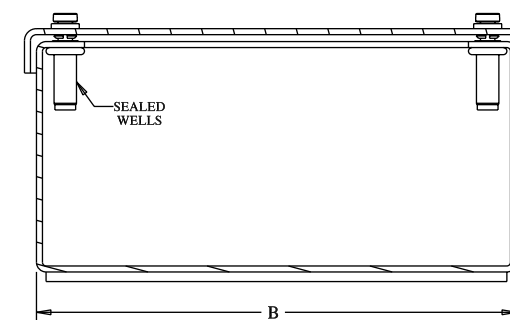
Phone (989) 799-6871
Fax (989) 799-4524



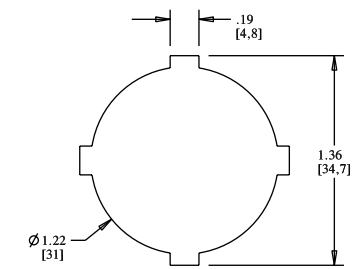
STAINLESS STEEL 30.5 mm PUSHBUTTON ENCLOSURES TECHNICAL DATA



NOTE:
* B - .50 [12.7] ONE COLUMN OF PUSHBUTTONS



SECTION A-A



STANDARD 4-WAY



Phone (989) 799-6871
Fax (989) 799-4524

Stainless Steel 22.5 mm Pushbutton Enclosures

Application -

Designed to house standard pushbuttons, switches and pilot lights in wet and hosed down areas and in corrosive atmospheres. For installation information, consult our Installation Manual at www.saginawcontrol.com.

Construction -

- 0.063" stainless steel Type 304.
- Seams continuously welded and ground smooth.
- Captivated cover screws thread into sealed wells.
- 4-way pushbutton holes accept all brands of oil-tight pushbuttons, switches and pilot lights. Hole diameter 0.87" (22.5 mm).
- Immediate removal of cover is permitted.
- Oil-resistant door gasket.

Options -

Can be special ordered in Type 316/316L stainless steel.

Finish -

#4 brushed finish on all exterior surfaces.

IS5 - Industry Standards -

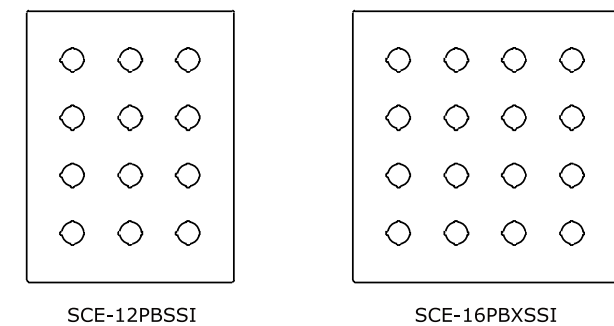
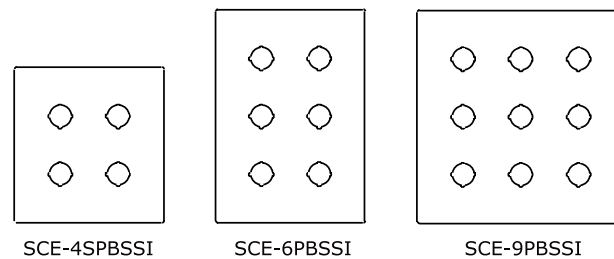
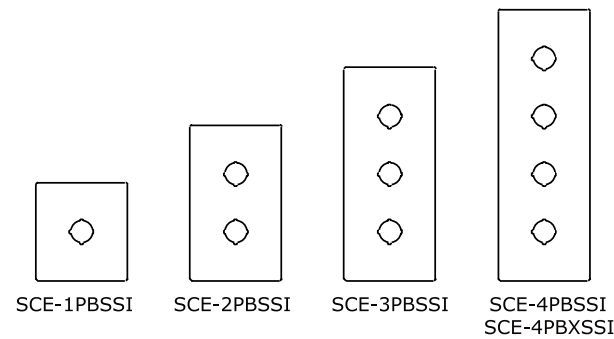
- NEMA Type 4, 4X, 12 & Type 13
- UL Listed Type 4, 4X & 12
- CSA Type 4, 4X & 12
- IEC 60529 IP66



STAINLESS STEEL 22.5 mm PUSHBUTTON ENCLOSURES

ENCLOSURE PRODUCT CODE S1					
Catalog No.	Height (A)	Width (B)	Depth (C)	Industry Standard	List Price
SCE-1PBSSI	3.50	3.25	2.75	IS5	134.38
SCE-1PBXSSI	4.00	4.00	4.75	IS5	179.00
SCE-2PBSSI	5.75	3.25	2.75	IS5	168.31
SCE-3PBSSI	8.00	3.25	2.75	IS5	183.25
SCE-4PBSSI	10.25	3.25	2.75	IS5	207.67
SCE-4PBXSSI	10.00	4.00	4.75	IS5	247.05
SCE-4SPBSSI	7.25	6.25	3.00	IS5	228.03
SCE-6PBSSI	9.50	6.25	3.00	IS5	272.84
SCE-9PBSSI	9.50	8.50	3.00	IS5	308.12
SCE-12PBSSI	11.75	8.50	3.00	IS5	351.56
SCE-16PBXSSI	11.75	10.75	4.75	IS5	442.51

Available within 10 working days if not in stock

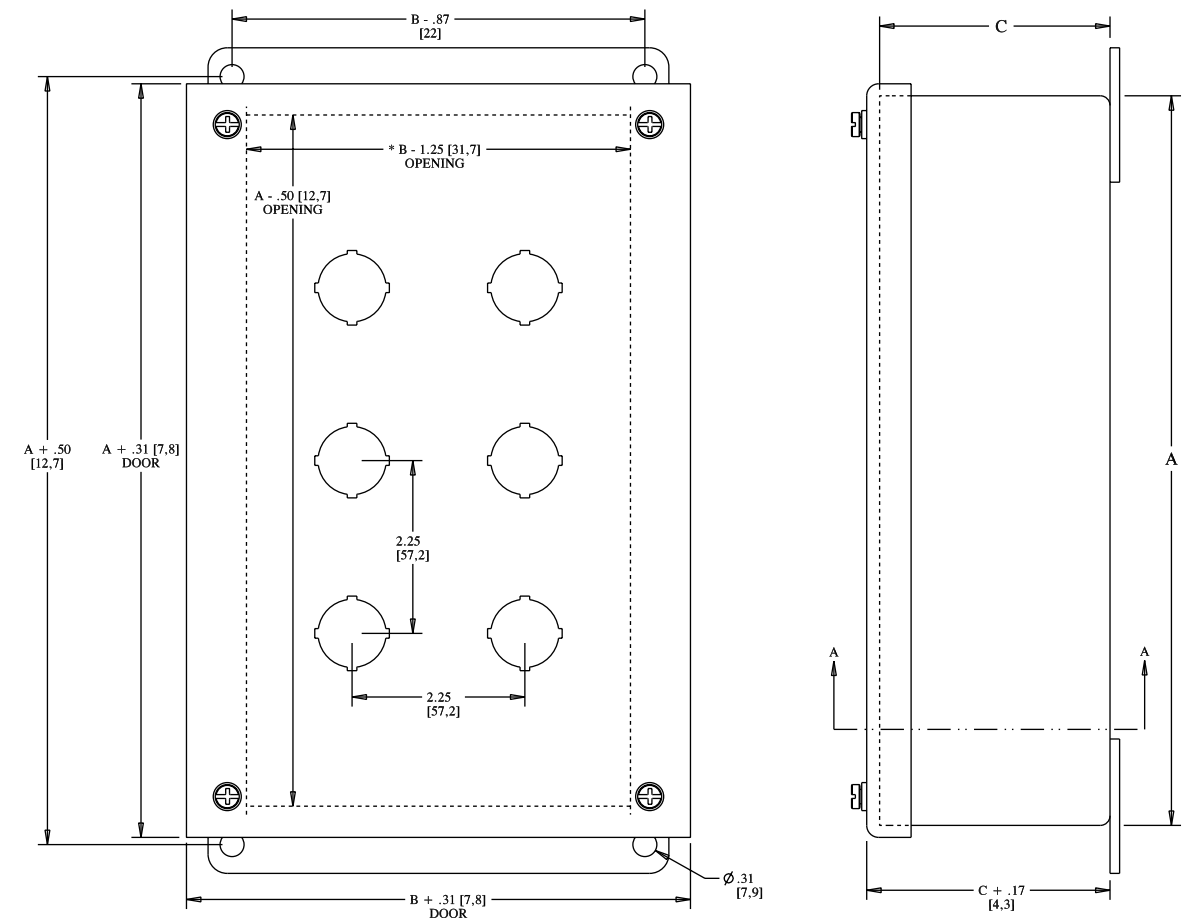


[Back to SS Wall-Mount Enclosures](#)

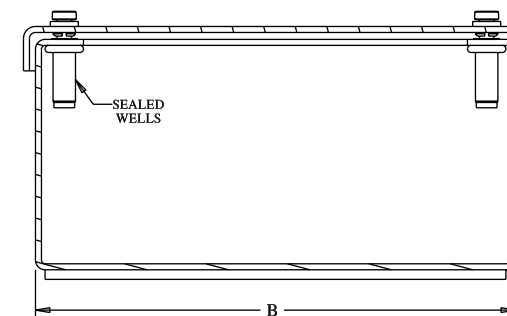
Phone (989) 799-6871
Fax (989) 799-4524



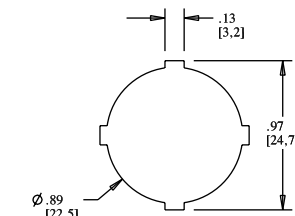
STAINLESS STEEL 22.5 mm PUSHBUTTON ENCLOSURES TECHNICAL DATA



NOTE:
* B - .50 [12.7] ONE COLUMN OF PUSHBUTTONS



SECTION A-A



STANDARD 4-WAY



Phone (989) 799-6871
Fax (989) 799-4524

Stainless Steel Extra Large 30.5 mm Hinged Pushbutton Enclosures

Application -

Designed to house standard pushbuttons, switches and pilot lights in wet and hosed down areas and in corrosive atmospheres. For installation information, consult our Installation Manual at www.saginawcontrol.com.

Construction -

- 0.063" stainless steel Type 304.
- Seams continuously welded and ground smooth.
- Captivated cover screws thread into sealed wells.
- 4-way pushbutton holes accept all brands of oil-tight pushbuttons, switches and pilot lights. Hole diameter 1.20" (30.5 mm).
- Oil-resistant door gasket.
- Provisions for sub-panel.
- Ground stud on door.
- Cover attached with continuous hinge.

Options -

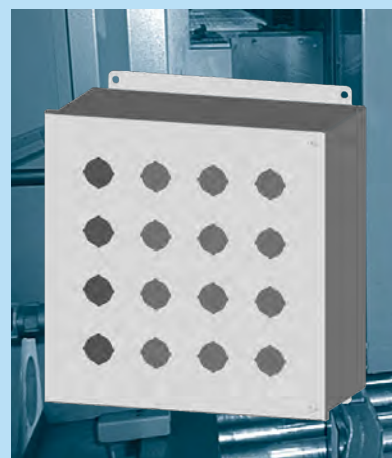
Can be ordered in Type 316/316L stainless steel.

Finish -

#4 brushed finish on all exterior surfaces. Optional sub-panels are powder coated white.

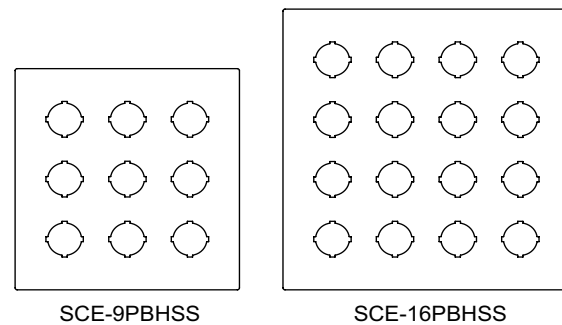
IS5 - Industry Standards -

NEMA Type 4, 4X, 12 & Type 13
UL Listed Type 4, 4X & 12
CSA Type 4, 4X & 12
IEC 60529 IP66



STAINLESS STEEL 30.5 mm EXTRA LARGE HINGED PUSHBUTTON ENCLOSURES

ENCLOSURE PRODUCT CODE S1					SUB-PANEL (P3)				
Catalog No.	Height (A)	Width (B)	Depth (C)	Industry Standard	List Price	Catalog No.	Panel Height (D)	Panel Width (E)	List Price
SCE-9PBHSS	10.00	10.00	6.00	IS5	287.73	SCE-10P10	8.75	8.88	6.73
SCE-16PBHSS	12.00	12.00	6.00	IS5	491.20	SCE-12P12	10.75	10.88	9.08

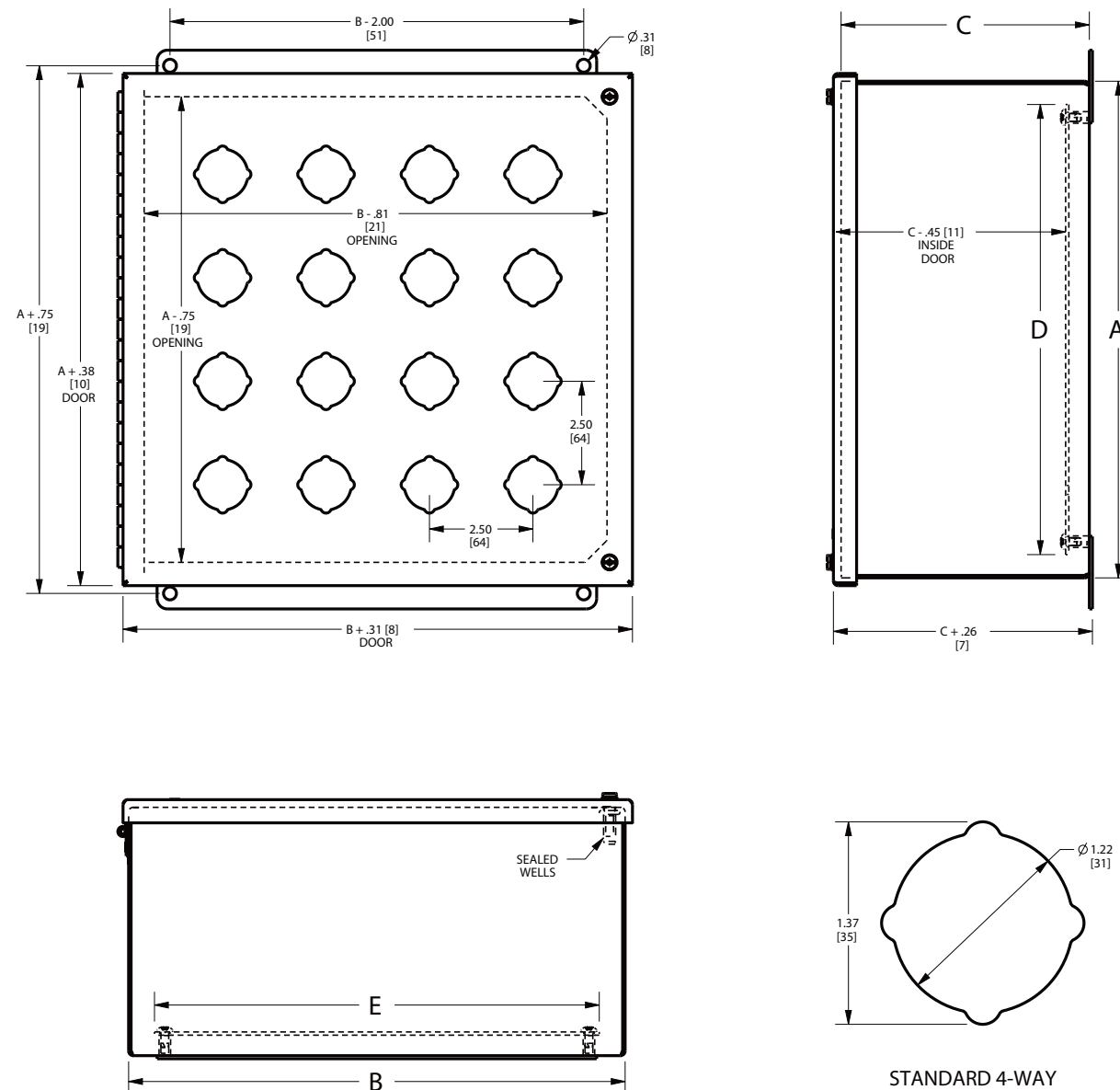


Back to
SS Wall-Mount
Enclosures

Phone (989) 799-6871
Fax (989) 799-4524



STAINLESS STEEL EXTRA LARGE 30.5 mm HINGED PUSHBUTTON ENCLOSURES TECHNICAL DATA



Phone (989) 799-6871
Fax (989) 799-4524

Stainless Steel Extra Large 22.5 mm Hinged Pushbutton Enclosures

Application -

Designed to house standard pushbuttons, switches and pilot lights in wet and hosed down areas and in corrosive atmospheres. For installation information, consult our Installation Manual at www.saginawcontrol.com.

Construction -

- 0.063" stainless steel Type 304.
- Seams continuously welded and ground smooth.
- Captivated cover screws thread into sealed wells.
- 4-way pushbutton holes accept all brands of oil-tight pushbuttons, switches and pilot lights. Hole diameter 0.87" (22.5 mm).
- Oil-resistant door gasket.
- Provisions for sub-panel.
- Ground stud on door.
- Cover attached with continuous hinge.

Options -

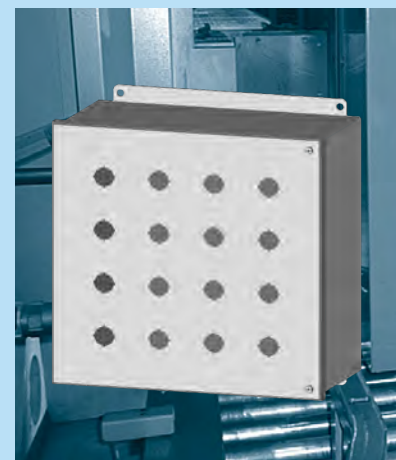
Can be ordered in Type 316/316L stainless steel.

Finish -

#4 brushed finish on all exterior surfaces. Optional sub-panels are powder coated white.

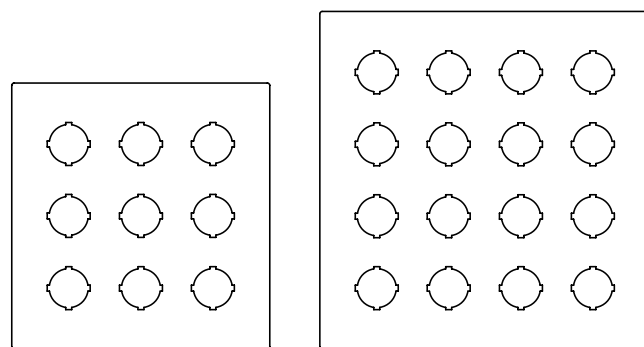
IS5 - Industry Standards -

NEMA Type 4, 4X, 12 & Type 13
UL Listed Type 4, 4X & 12
CSA Type 4, 4X & 12
IEC 60529 IP66



STAINLESS STEEL EXTRA LARGE 22.5 mm HINGED PUSHBUTTON ENCLOSURES

ENCLOSURE PRODUCT CODE S1						SUB-PANEL (P3)			
Catalog No.	Height (A)	Width (B)	Depth (C)	Industry Standard	List Price	Catalog No.	Panel Height (D)	Panel Width (E)	List Price
SCE-9PBHSSI	10.00	10.00	6.00	IS5	287.73	SCE-10P10	8.75	8.88	6.73
SCE-16PBHSSI	12.00	12.00	6.00	IS5	491.20	SCE-12P12	10.75	10.88	9.08



SCE-9PBHSSI

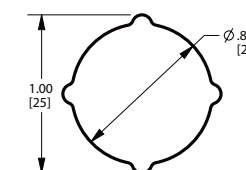
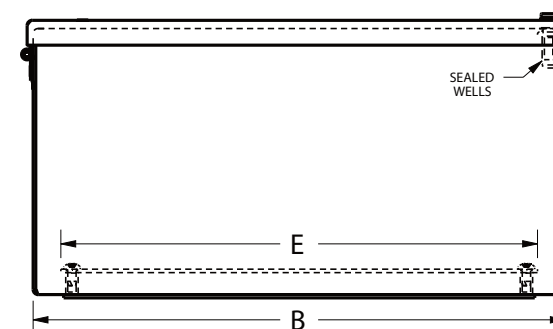
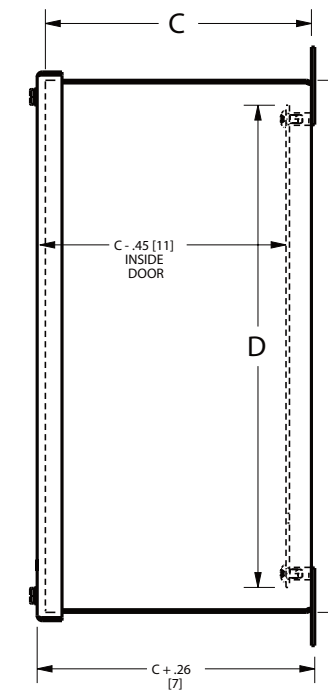
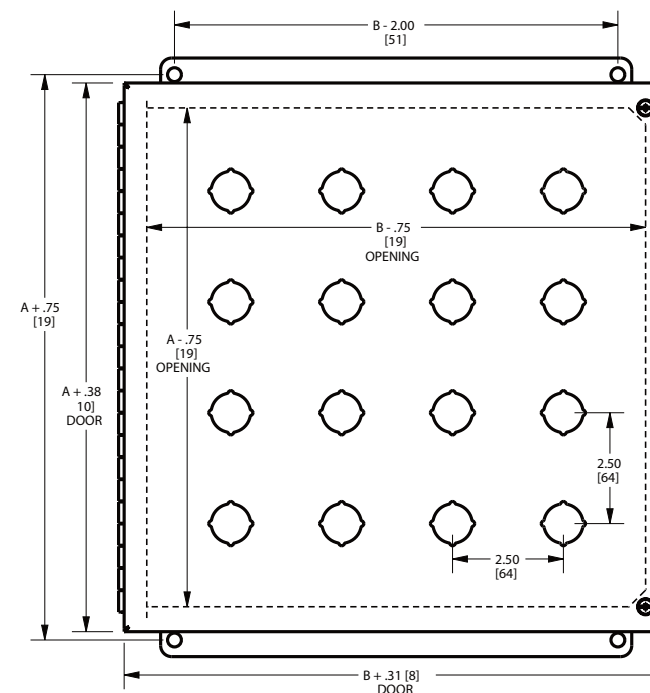
SCE-16PBHSSI

[Back to SS Wall-Mount Enclosures](#)

Phone (989) 799-6871
Fax (989) 799-4524



STAINLESS STEEL EXTRA LARGE 22.5 mm HINGED PUSHBUTTON ENCLOSURES TECHNICAL DATA



STANDARD 4-WAY



Phone (989) 799-6871
Fax (989) 799-4524

304 & 316 Stainless Steel Enviroline® Series Junction Enclosures

Application -

Designed to house electrical controls, instruments and components in areas, which may be regularly hosed down or are in very wet or oily conditions. Provides protection from dust, dirt, oil, and water. For outdoor application a drip shield is recommended. For installation information, consult our Installation Manual at www.saginawcontrol.com.

Construction -

- 0.063" stainless steel Type 304 & 316/316L.
- Seams continuously welded and ground smooth.
- Flange trough collar around all sides of door opening.
- Oil-resistant gasket.
- Standoffs provided for mounting optional panels.
- Removable hinge.
- Doors open 180 degrees.
- Black mini quarter turn latches.
- Latches are opened or closed with a screwdriver.
- Sealing washers and hole plugs included.
- Ground stud on door & body.
- Mounting feet included.
- Optional latches available.

Finish -

#4 brushed finish on all exterior surfaces. Optional sub-panels are powder coated white.

IS5 - Industry Standards -

NEMA Type 4, 4X, 12 & Type 13
UL Listed Type 4, 4X & 12
CSA Type 4, 4X & 12
IEC 60529 IP66

304 STAINLESS STEEL ENVIROLINE® SERIES JUNCTION ENCLOSURES

ENCLOSURE PRODUCT CODE S6						SUB-PANEL (P3)			
Catalog No.	Height (A)	Width (B)	Depth (C)	Industry Standard	List Price	Catalog No.	Panel Height (D)	Panel Width (E)	List Price
SCE-604ELJSS	6.00	4.00	4.00	IS5	135.53	SCE-6P4J	5.00	3.00	3.02
SCE-606ELJSS	6.00	6.00	4.00	IS5	169.40	SCE-6P6J	5.00	5.00	3.62
SCE-806ELJSS	8.00	6.00	4.00	IS5	176.82	SCE-8P6J	7.00	5.00	4.17
SCE-8066ELJSS	8.00	6.00	6.00	IS5	202.17	SCE-8P6J	7.00	5.00	4.17
SCE-1008ELJSS	10.00	8.00	4.00	IS5	260.94	SCE-10P8J	9.00	7.00	5.70
SCE-10086ELJSS	10.00	8.00	6.00	IS5	290.44	SCE-10P8J	9.00	7.00	5.70
SCE-1210ELJSS	12.00	10.00	6.00	IS5	328.93	SCE-12P10J	11.00	9.00	7.72
SCE-12108ELJSS	12.00	10.00	8.00	IS5	352.80	SCE-12P10J	11.00	9.00	7.72
SCE-1212ELJSS	12.00	12.00	6.00	IS5	355.50	SCE-12P12J	11.00	11.00	9.08
SCE-1412ELJSS	14.00	12.00	6.00	IS5	378.21	SCE-14P12J	13.00	11.00	10.13
SCE-14128ELJSS	14.00	12.00	8.00	IS5	400.92	SCE-14P12J	13.00	11.00	10.13
SCE-1614ELJSS	16.00	14.00	6.00	IS5	444.87	SCE-16P14J	15.00	13.00	19.96
SCE-16148ELJSS	16.00	14.00	8.00	IS5	508.38	SCE-16P14J	15.00	13.00	19.96

316 STAINLESS STEEL ENVIROLINE® SERIES JUNCTION ENCLOSURES

ENCLOSURE PRODUCT CODE S7						SUB-PANEL (P3)			
Catalog No.	Height (A)	Width (B)	Depth (C)	Industry Standard	List Price	Catalog No.	Panel Height (D)	Panel Width (E)	List Price
SCE-604ELJSS6	6.00	4.00	4.00	IS5	162.64	SCE-6P4J	5.00	3.00	3.02
SCE-606ELJSS6	6.00	6.00	4.00	IS5	203.28	SCE-6P6J	5.00	5.00	3.62
SCE-806ELJSS6	8.00	6.00	4.00	IS5	212.18	SCE-8P6J	7.00	5.00	4.17
SCE-8066ELJSS6	8.00	6.00	6.00	IS5	242.60	SCE-8P6J	7.00	5.00	4.17
SCE-1008ELJSS6	10.00	8.00	4.00	IS5	313.13	SCE-10P8J	9.00	7.00	5.70
SCE-10086ELJSS6	10.00	8.00	6.00	IS5	348.53	SCE-10P8J	9.00	7.00	5.70
SCE-1210ELJSS6	12.00	10.00	6.00	IS5	394.72	SCE-12P10J	11.00	9.00	7.72
SCE-12108ELJSS6	12.00	10.00	8.00	IS5	423.36	SCE-12P10J	11.00	9.00	7.72
SCE-1212ELJSS6	12.00	12.00	6.00	IS5	426.60	SCE-12P12J	11.00	11.00	9.08
SCE-1412ELJSS6	14.00	12.00	6.00	IS5	453.85	SCE-14P12J	13.00	11.00	10.13
SCE-14128ELJSS6	14.00	12.00	8.00	IS5	481.10	SCE-14P12J	13.00	11.00	10.13
SCE-1614ELJSS6	16.00	14.00	6.00	IS5	533.84	SCE-16P14J	15.00	13.00	19.96
SCE-16148ELJSS6	16.00	14.00	8.00	IS5	610.06	SCE-16P14J	15.00	13.00	19.96



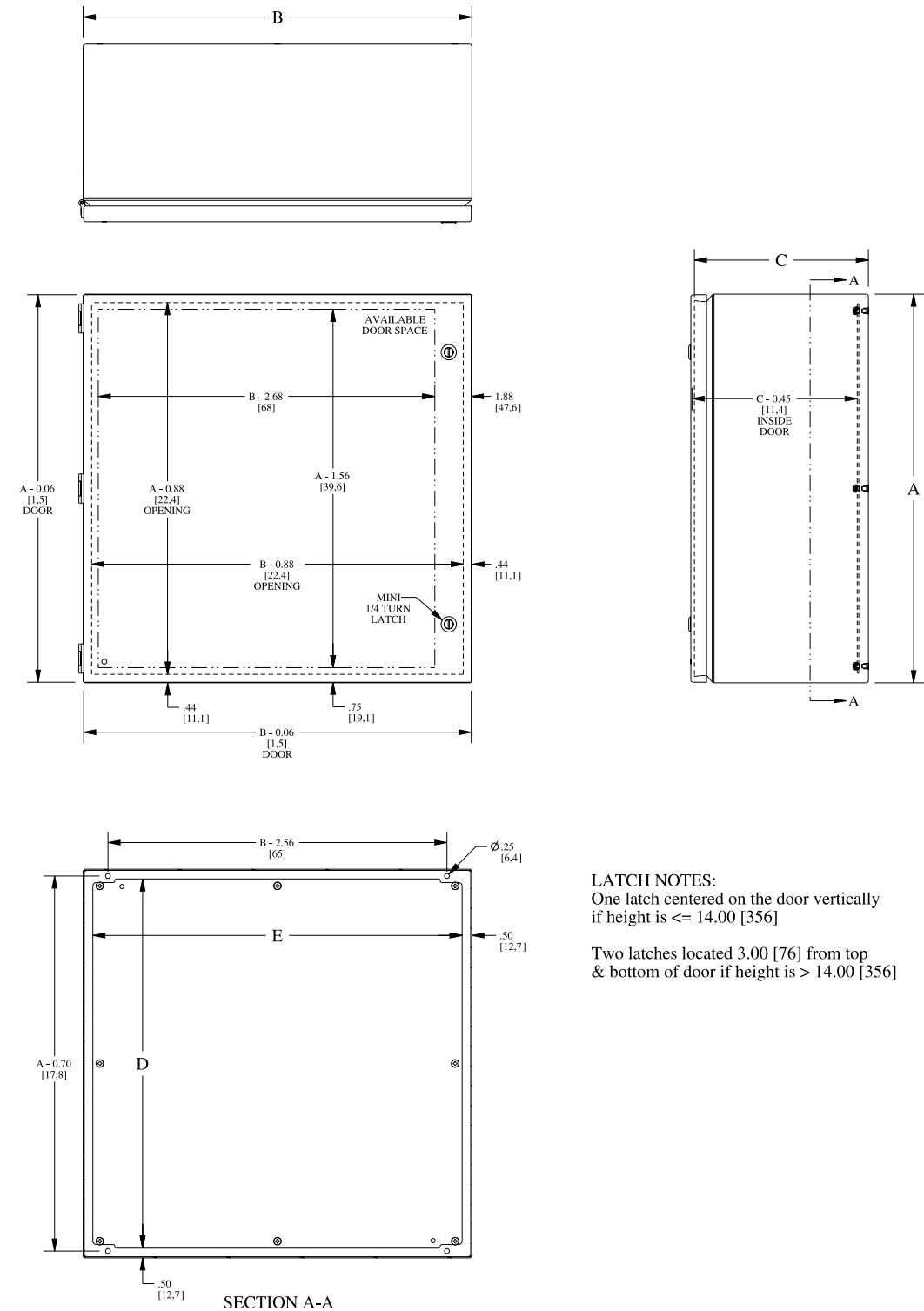
Available within 10 working days if not in stock

Back to
SS Wall-Mount
Enclosures

Phone (989) 799-6871
Fax (989) 799-4524



STAINLESS STEEL ENVIROLINE® SERIES JUNCTION ENCLOSURES TECHNICAL DATA



LATCH NOTES:
One latch centered on the door vertically if height is ≤ 14.00 [356]
Two latches located 3.00 [76] from top & bottom of door if height is > 14.00 [356]



Phone (989) 799-6871
Fax (989) 799-4524

304 & 316 Stainless Steel Enviroline® Series Junction Enclosures with Viewing Window

Application -

Designed to house electrical controls, instruments and components that require unrestricted viewing of the gages or controls, in areas, which may be regularly hosed down or are in very wet or oily conditions. Provides protection from dust, dirt, oil, and water. For outdoor application a drip shield is recommended. For installation information, consult our Installation Manual at www.saginawcontrol.com.

Construction -

- 0.063" stainless steel Type 304 & 316/316L.
- Seams continuously welded and ground smooth.
- Flange trough collar around all sides of door opening.
- Oil-resistant gasket.
- 0.25" polycarbonate viewing window.
- Standoffs provided for mounting optional panels.
- Removable hinge.
- Doors open 180 degrees.
- Black mini quarter turn latches.
- Latches are opened or closed with a screwdriver.
- Sealing washers and hole plugs included.
- Ground stud on door & body.
- Mounting feet included.
- Optional latches available.

Finish -

#4 brushed finish on all exterior surfaces. Optional panels are powder coated white.

IS5 - Industry Standards -

NEMA Type 4, 4X, 12 & Type 13
UL Listed Type 4, 4X & 12
CSA Type 4, 4X & 12
IEC 60529 IP66

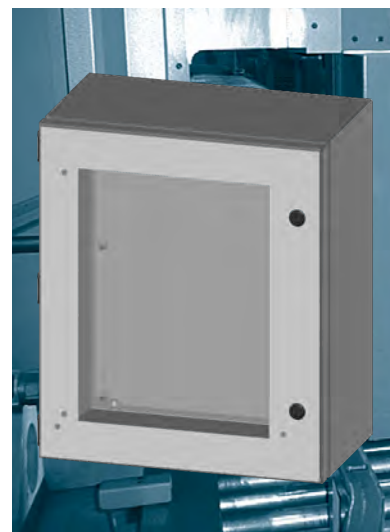
304 Stainless Steel Enviroline® Series Junction Enclosures with Viewing Window

ENCLOSURE PRODUCT CODE S6							SUB-PANEL (P3)	
Catalog No.	Height (A)	Width (B)	Depth (C)	Window Viewing Size	Industry Standard	List Price	Catalog No.	List Price
SCE-1008ELJWSS	10.00	8.00	4.00	6.00 x 3.375	IS5	359.33	SCE-10P8J	5.70
SCE-10086ELJWSS	10.00	8.00	6.00	6.00 x 3.375	IS5	378.97	SCE-10P8J	5.70
SCE-1210ELJWSS	12.00	10.00	6.00	8.00 x 5.375	IS5	418.25	SCE-12P10J	7.72
SCE-12108ELJWSS	12.00	10.00	8.00	8.00 x 5.375	IS5	432.12	SCE-12P10J	7.72
SCE-1614ELJWSS	16.00	14.00	6.00	12.00 x 9.375	IS5	563.84	SCE-16P14J	19.96
SCE-16148ELJWSS	16.00	14.00	8.00	12.00 x 9.375	IS5	597.34	SCE-16P14J	19.96

316 Stainless Steel Enviroline® Series Junction Enclosures with Viewing Window

ENCLOSURE PRODUCT CODE S7							SUB-PANEL (P3)	
Catalog No.	Height (A)	Width (B)	Depth (C)	Window Viewing Size	Industry Standard	List Price	Catalog No.	List Price
SCE-1008ELJWSS6	10.00	8.00	4.00	6.00 x 3.375	IS5	431.20	SCE-10P8J	5.70
SCE-10086ELJWSS6	10.00	8.00	6.00	6.00 x 3.375	IS5	454.77	SCE-10P8J	5.70
SCE-1210ELJWSS6	12.00	10.00	6.00	8.00 x 5.375	IS5	501.91	SCE-12P10J	7.72
SCE-12108ELJWSS6	12.00	10.00	8.00	8.00 x 5.375	IS5	518.54	SCE-12P10J	7.72
SCE-1614ELJWSS6	16.00	14.00	6.00	12.00 x 9.375	IS5	676.60	SCE-16P14J	19.96
SCE-16148ELJWSS6	16.00	14.00	8.00	12.00 x 9.375	IS5	716.81	SCE-16P14J	19.96

Available within 10 working days if not in stock

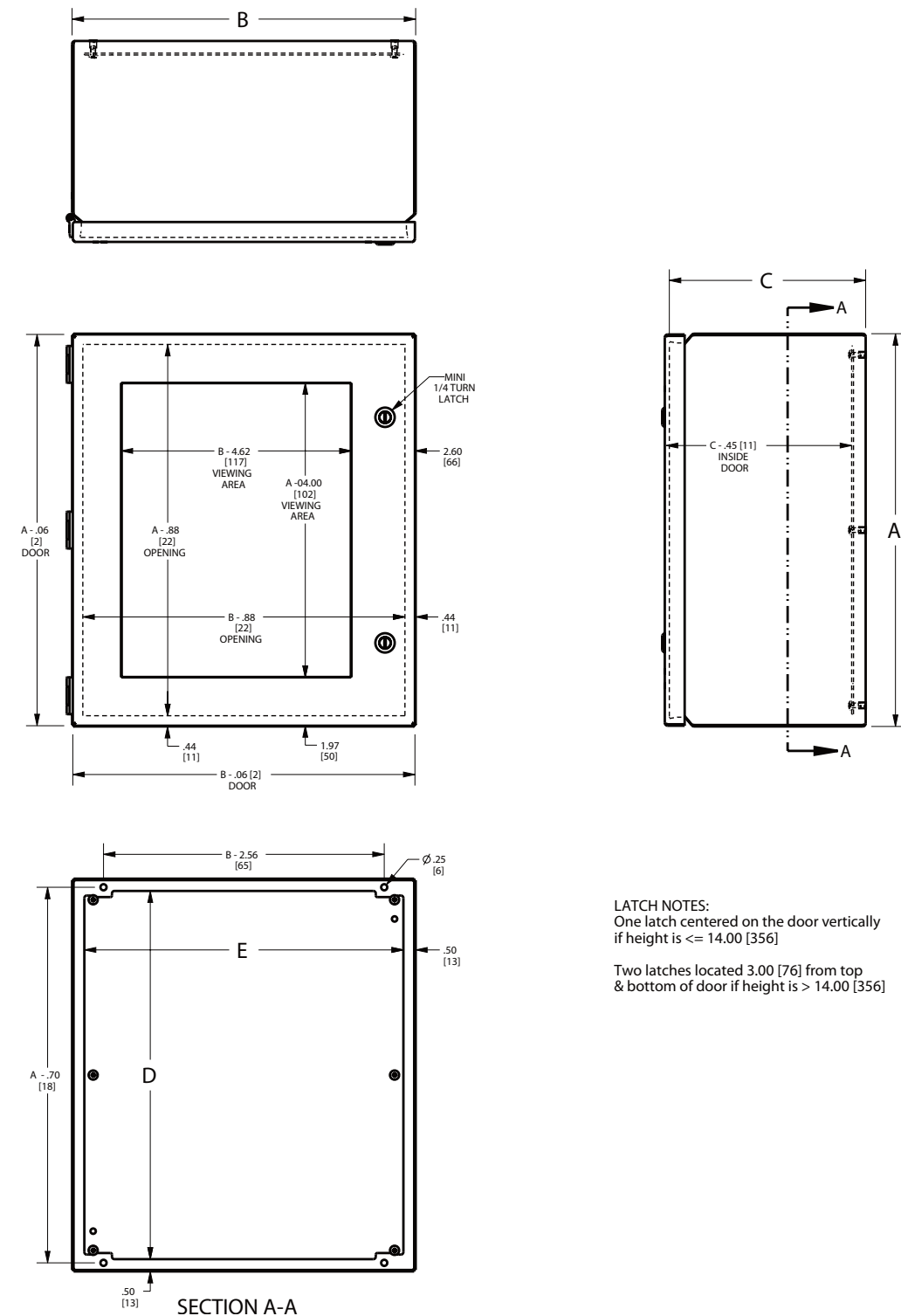


Back to
SS Wall-Mount
Enclosures

Phone (989) 799-6871
Fax (989) 799-4524



STAINLESS STEEL ENVIROLINE® SERIES JUNCTION ENCLOSURES WITH VIEWING WINDOW TECHNICAL DATA



LATCH NOTES:
One latch centered on the door vertically if height is ≤ 14.00 [356]
Two latches located 3.00 [76] from top & bottom of door if height is > 14.00 [356]



Phone (989) 799-6871
Fax (989) 799-4524

Enviroline® Series Trough Junction Enclosures

Application -

Designed to house electrical controls, instruments and components used in an indoor or outdoor environment to provide a degree of protection for the equipment inside the enclosure against ingress of solid foreign objects (falling dirt); and provide a degree of protection with respect to the harmful effects on the equipment due to the ingress of water (rain, sleet, snow). For installation information, consult our Installation Manual at www.saginawcontrol.com.

Construction -

- 0.063" stainless steel Type 304.
- Seams continuously welded and ground smooth.
- Flange trough collar around all sides of door opening.
- Oil-resistant gasket.
- Standoffs provided for mounting optional sub-panels.
- Removable hinges.
- Doors open 180 degrees.
- Black mini quarter turn latches.
- Latches are opened or closed with a screwdriver.
- Sealing washers and hole plugs included.
- Ground stud on door and body.
- Mounting feet included.
- Padlocking or keylocking latches, and tamper-resistant hardware is available.

Finish -

#4 brushed finish on all exterior surfaces. Optional sub-panels are powder coated white.

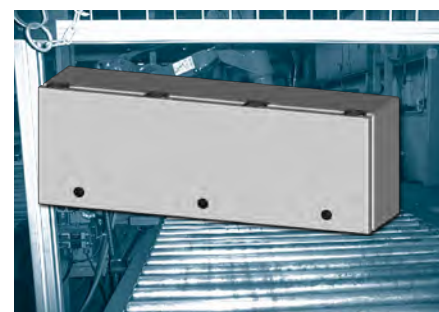
IS5 - Industry Standards -

- NEMA Type 4, 4X, 12 & Type 13
- UL Listed Type 4, 4X & 12
- CSA Type 4, 4X & 12
- IEC 60529 IP66

STAINLESS STEEL ENVIROLINE® SERIES TROUGH JUNCTION ENCLOSURES

ENCLOSURE PRODUCT CODE E1						SUB-PANEL (P3)			
Catalog No.	Height (A)	Width (B)	Depth (C)	Industry Standard	List Price	Catalog No.	Panel Height (D)	Panel Width (E)	List Price
SCE-L9126ELJSS	9.00	12.00	6.00	IS5	646.71	SCE-9P12L	8.00	11.00	18.86
SCE-L9186ELJSS	9.00	18.00	6.00	IS5	718.82	SCE-9P18L	8.00	17.00	26.63
SCE-L9246ELJSS	9.00	24.00	6.00	IS5	724.61	SCE-9P24L	8.00	23.00	29.14
SCE-L9306ELJSS	9.00	30.00	6.00	IS5	786.43	SCE-9P30L	8.00	29.00	31.92
SCE-L9366ELJSS	9.00	36.00	6.00	IS5	844.61	SCE-9P36L	8.00	35.00	34.97

Available within 10 working days if not in stock

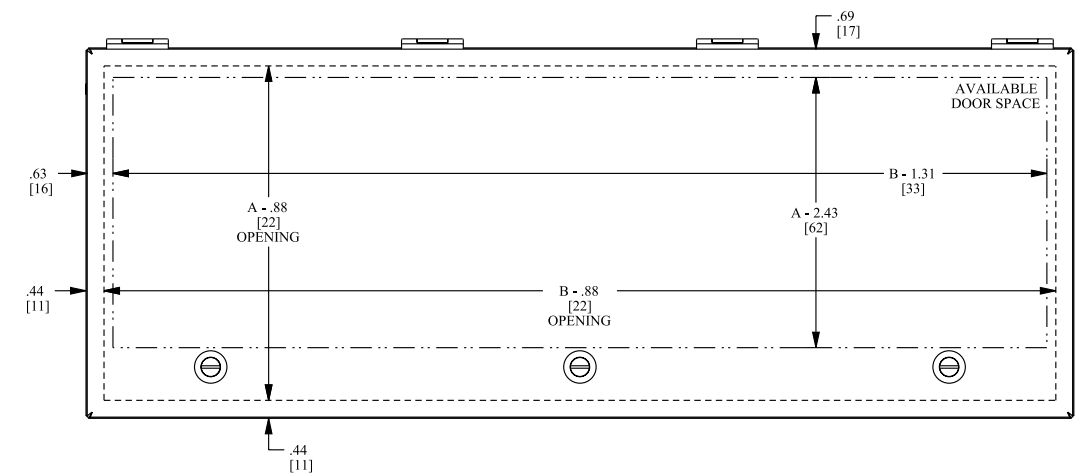
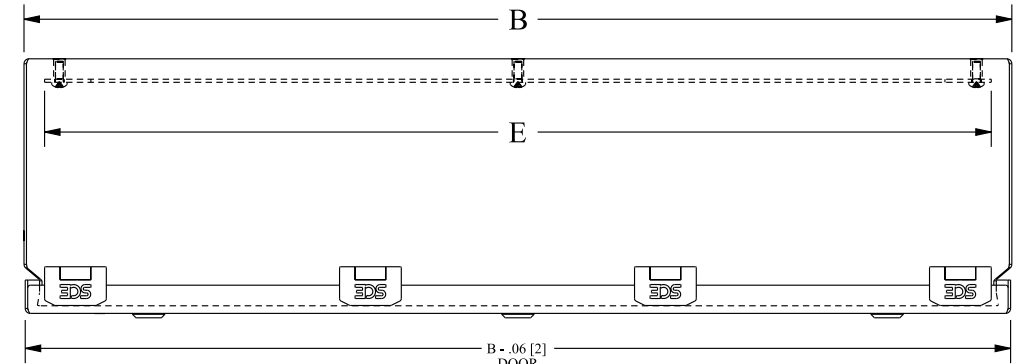


Back to SS Wall-Mount Enclosures

Phone (989) 799-6871
Fax (989) 799-4524

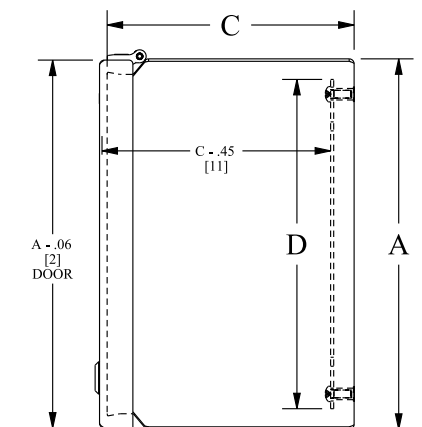


STAINLESS STEEL ENVIROLINE® SERIES TROUGH JUNCTION ENCLOSURES TECHNICAL DATA



LATCH NOTES:

1. One latch centered on the door horizontally if width is ≤ 14.00 [356]
2. Two latches located 3.00 [76] from sides of door if width is > 14.00 [356]
3. An additional latch is centered horizontally if width is > 20.00 [508]



Phone (989) 799-6871
Fax (989) 799-4524

Stainless Steel Enviroline® Series Trough Junction Enclosures with Viewing Window

Application -

Designed to house electrical controls, drives, instruments and components used in an indoor or outdoor environment to provide a degree of protection for the equipment inside the enclosure against ingress of solid foreign objects (falling dirt); and provide a degree of protection with respect to the harmful effects on the equipment due to the ingress of water (rain, sleet, snow). For installation information, consult our Installation Manual at www.saginawcontrol.com.

Construction -

- 0.063" stainless steel Type 304.
- Seams continuously welded and ground smooth.
- Flange trough collar around all sides of door opening.
- Large viewing windows.
- Oil-resistant gasket.
- Standoffs provided for mounting optional sub-panels.
- Removable hinges.
- Doors open 180 degrees.
- Black mini quarter turn latches.
- Latches are opened or closed with a screwdriver.
- Sealing washers and hole plugs included.
- Ground stud on door and body.
- Mounting holes in back.
- Mounting feet included.
- Padlocking or keylocking latches, and tamper-resistant hardware is available.

Finish -

#4 brushed finish on all exterior surfaces. Optional sub-panels are powder coated white.

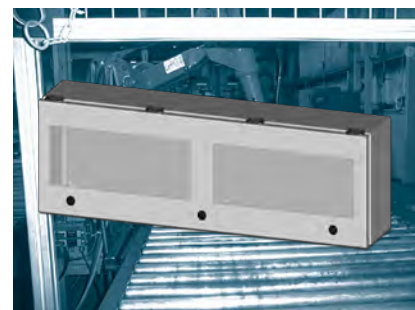
IS5 - Industry Standards -

- NEMA Type 4, 4X, 12 & Type 13
- UL Listed Type 4, 4X & 12
- CSA Type 4, 4X & 12
- IEC 60529 IP66

STAINLESS STEEL ENVIROLINE® SERIES TROUGH JUNCTION ENCLOSURES WITH VIEWING WINDOW

ENCLOSURE PRODUCT CODE S6						SUB-PANEL (P3)			
Catalog No.	Height (A)	Width (B)	Depth (C)	Industry Standard	List Price	Catalog No.	Panel Height (D)	Panel Width (E)	List Price
SCE-L9126ELJWSS	9.00	12.00	6.00	IS5	933.54	SCE-9P12L	8.00	11.00	18.86
SCE-L9186ELJWSS	9.00	18.00	6.00	IS5	942.86	SCE-9P18L	8.00	17.00	26.63
SCE-L9246ELJWSS	9.00	24.00	6.00	IS5	1,028.89	SCE-9P24L	8.00	23.00	29.14
SCE-L9306ELJWSS	9.00	30.00	6.00	IS5	1,039.07	SCE-9P30L	8.00	29.00	31.92
SCE-L9366ELJWSS	9.00	36.00	6.00	IS5	1,049.68	SCE-9P36L	8.00	35.00	34.97

Available within 10 working days if not in stock

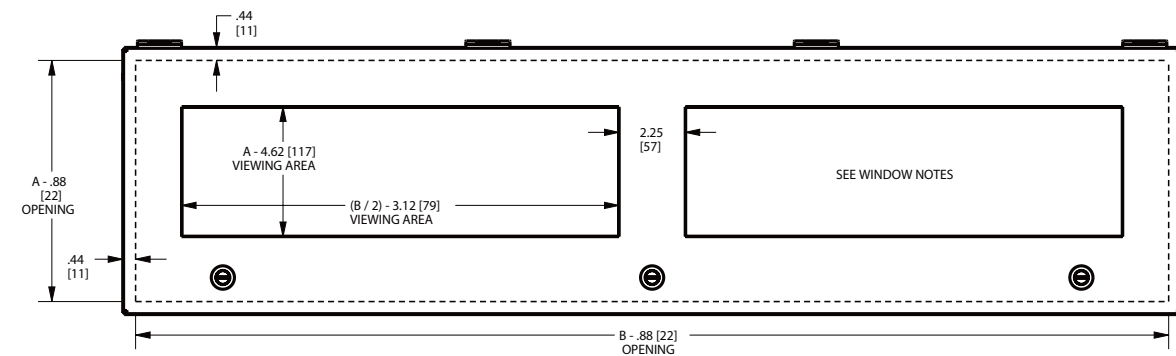
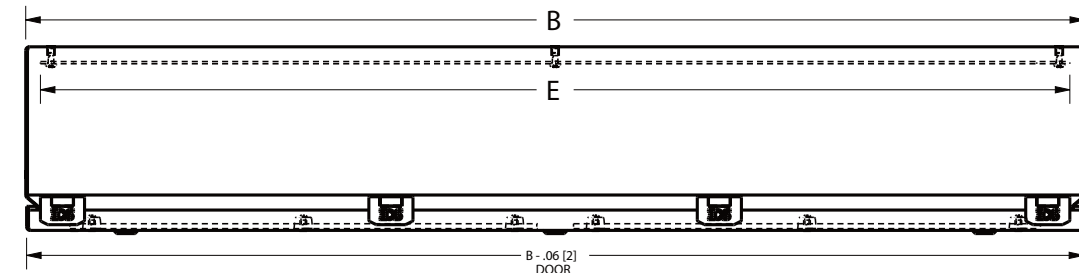


Back to SS Wall-Mount Enclosures

Phone (989) 799-6871
Fax (989) 799-4524



STAINLESS STEEL ENVIROLINE® SERIES TROUGH JUNCTION ENCLOSURES WITH VIEWING WINDOW TECHNICAL DATA



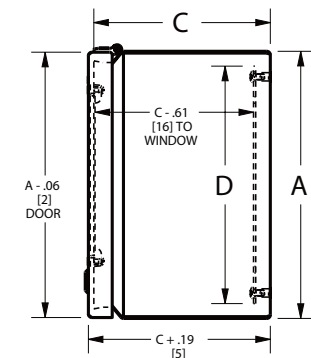
LATCH NOTES:
One latch centered on door horizontally if width is <= 14.00 [356]

Two latches located 3.00 [76] from sides of door if width is > 14.00 [356]

An Additional latch is centered horizontally if width is > 20.00 [508]

WINDOW NOTES:
Door has a single window when viewing area width is <= 16.00 [406]

Door has two windows if viewing area width would be > 16.00 for a single window.



Phone (989) 799-6871
Fax (989) 799-4524

304 & 316 Stainless Steel Continuous Hinge Enclosures

Application -

Designed for use as electrical junction boxes, terminal wiring boxes, instrument housings, and electrical control enclosures. For use in wet and hosed down areas and in corrosive atmospheres. For installation information, consult our Installation Manual at www.saginawcontrol.com.

Construction -

- 0.075" stainless steel Type 304 & 316/316L
- Seams continuously welded and ground smooth.
- Oil-resistant door gasket.
- Ground stud on door.
- Stainless steel continuous hinge.
- Standoffs provided for mounting optional sub-panels.

Finish -

#4 brushed finish on all exterior surfaces. Optional sub-panels are powder coated white.

IS5 - Industry Standards -

NEMA Type 4, 4X, 12 & Type 13
UL Listed Type 4, 4X & 12
CSA Type 4, 4X & 12
IEC 60529 IP66



304 STAINLESS STEEL CONTINUOUS HINGE ENCLOSURES

ENCLOSURE PRODUCT CODE S1						SUB-PANEL (P3)			
Catalog No.	Height (A)	Width (B)	Depth (C)	Industry Standard	List Price	Catalog No.	Panel Height (D)	Panel Width (E)	List Price
SCE-6044CHNFSS	6.00	4.00	4.00	IS5	176.45	SCE-6P4	4.88	2.88	3.01
SCE-606CHNFSS	6.00	6.00	4.00	IS5	220.89	SCE-6P6	4.88	4.88	3.61
SCE-8064CHNFSS	8.00	6.00	4.00	IS5	229.90	SCE-8P6	6.75	4.88	4.17
SCE-1008CHNFSS	10.00	8.00	4.00	IS5	332.84	SCE-10P8	8.75	6.88	5.70
SCE-10086CHNFSS	10.00	8.00	6.00	IS5	364.04	SCE-10P8	8.75	6.88	5.70
SCE-12106CHNFSS	12.00	10.00	6.00	IS5	411.42	SCE-12P10	10.75	8.88	7.72
SCE-12108CHNFSS	12.00	10.00	8.00	IS5	438.43	SCE-12P10	10.75	8.88	7.72
SCE-1212CHNFSS	12.00	12.00	6.00	IS5	440.78	SCE-12P12	10.75	10.88	9.08
SCE-1412CHNFSS	14.00	12.00	6.00	IS5	465.15	SCE-14P12	12.75	10.88	10.13
SCE-1614CHNFSS	16.00	14.00	6.00	IS5	548.38	SCE-16P14	14.75	12.88	19.95

316 STAINLESS STEEL CONTINUOUS HINGE ENCLOSURES

ENCLOSURE PRODUCT CODE S7						SUB-PANEL (P3)			
Catalog No.	Height (A)	Width (B)	Depth (C)	Industry Standard	List Price	Catalog No.	Panel Height (D)	Panel Width (E)	List Price
SCE-6044CHNFSS6	6.00	4.00	4.00	IS5	211.74	SCE-6P4	4.88	2.88	3.01
SCE-606CHNFSS6	6.00	6.00	4.00	IS5	241.06	SCE-6P6	4.88	4.88	3.61
SCE-8064CHNFSS6	8.00	6.00	4.00	IS5	263.88	SCE-8P6	6.75	4.88	4.17
SCE-1008CHNFSS6	10.00	8.00	4.00	IS5	389.42	SCE-10P8	8.75	6.88	5.70
SCE-10086CHNFSS6	10.00	8.00	6.00	IS5	425.88	SCE-10P8	8.75	6.88	5.70
SCE-12106CHNFSS6	12.00	10.00	6.00	IS5	457.71	SCE-12P10	10.75	8.88	7.72
SCE-12108CHNFSS6	12.00	10.00	8.00	IS5	526.12	SCE-12P10	10.75	8.88	7.72
SCE-1212CHNFSS6	12.00	12.00	6.00	IS5	504.94	SCE-12P12	10.75	10.88	9.08
SCE-1412CHNFSS6	14.00	12.00	6.00	IS5	552.19	SCE-14P12	12.75	10.88	10.13
SCE-1614CHNFSS6	16.00	14.00	6.00	IS5	658.05	SCE-16P14	14.75	12.88	19.95

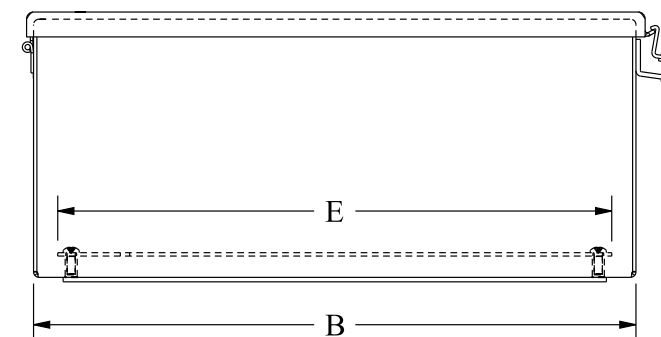
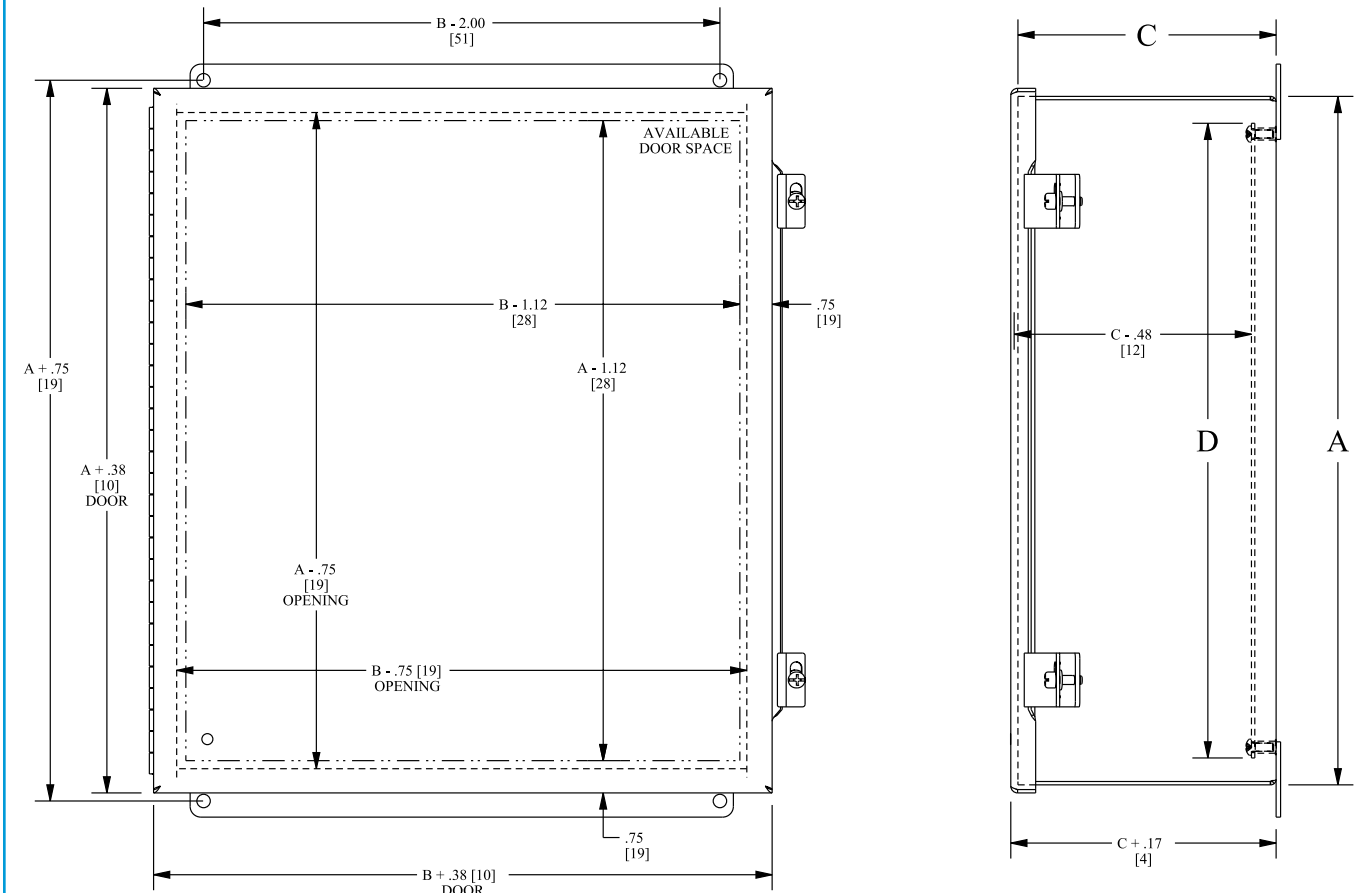
Available within 10 working days if not in stock

Back to
SS Wall-Mount
Enclosures

Phone (989) 799-6871
Fax (989) 799-4524



STAINLESS STEEL CONTINUOUS HINGE ENCLOSURES TECHNICAL DATA



NOTE:
SUB-PANEL MUST BE ORDERED SEPARATELY
CLAMPING NOTE:
ENCLOSURES < 10.00 [254] IN HEIGHT REQUIRE
1 CLAMP CENTERED VERTICALLY ON DOOR



Phone (989) 799-6871
Fax (989) 799-4524

Stainless Steel Enviroline® Series Wall-Mount Enclosures with 3-Point Hardware

Application -

Designed to house electrical and electronic controls, instrumentation and components in indoor or outdoor locations. For outdoor applications a drip shield is recommended. For installation information, consult our Installation Manual at www.saginawcontrol.com.

Construction -

- 0.075" stainless steel Type 304 & 316/316L.
- Seams continuously welded and ground smooth.
- Flange trough collar around all sides of door opening.
- Collar studs provided for mounting optional sub-panels.
- Mounting holes in back of the enclosure for wall mounting.
- Mounting hardware, sealing washers and hole plugs included.
- Stainless steel concealed hinges.
- Removable and interchangeable doors.
- Black zinc die cast keylocking/padlocking handles.
- 3-point latching mechanism.
- Black quarter turn latches as required.
- Removable print pocket.
- Oil and water resistant gasket.
- Ground stud on door and body.

Finish -

#4 brushed finish on all exterior surfaces. Optional sub-panels are powder coated white.

IS5 - Industry Standards -

NEMA Type 4, 4X, 12 & Type 13
UL Listed Type 4, 4X & 12
CSA Type 4, 4X & 12
IEC 60529 IP66

IS6 - Industry Standards -

NEMA Type 3R, 4, 4X, 12 & Type 13
UL Listed Type 3R, 4, 4X & 12
CSA Type 4, 4X & 12
IEC 60529 IP66

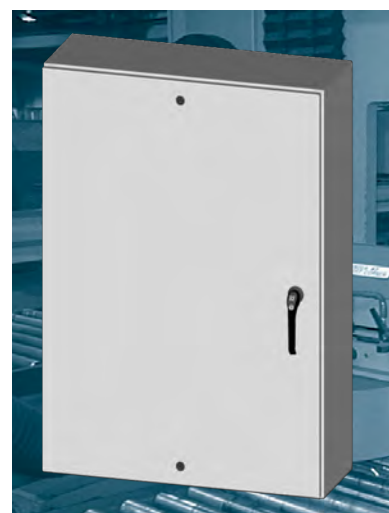
***Special Instructions apply for IS3, IS4 and IS6 to maintain the environmental rating of Type 3R for these parts. See the Special Instructions on the Industry Standards page in the Technical Information Section.

304 STAINLESS STEEL ENVIROLINE® SERIES WALL-MOUNT ENCLOSURES WITH 3-POINT HARDWARE

ENCLOSURE PRODUCT CODE S9						SUB-PANEL (P3)			
Catalog No.	Height (A)	Width (B)	Depth (C)	Industry Standard	List Price	Catalog No.	Panel Height (D)	Panel Width (E)	List Price
SCE-24EL2010SSLPPL	24.00	20.00	10.00	IS6	1,119.15	SCE-24P20	21.00	17.00	45.57
SCE-24EL2410SSLPPL	24.00	24.00	10.00	IS6	1,218.22	SCE-24P24	21.00	21.00	53.18
SCE-30EL2412SSLPPL	30.00	24.00	12.00	IS5	1,454.07	SCE-30P24	27.00	21.00	63.29
SCE-30EL3012SSLPPL	30.00	30.00	12.00	IS6	1,630.53	SCE-30P30	27.00	27.00	83.55
SCE-36EL2412SSLPPL	36.00	24.00	12.00	IS5	1,611.48	SCE-36P24	33.00	21.00	75.96
SCE-36EL3012SSLPPL	36.00	30.00	12.00	IS6	1,829.72	SCE-36P30	33.00	27.00	101.27
SCE-42EL3612SSLPPL	42.00	36.00	12.00	IS6	2,227.75	SCE-42P36	39.00	33.00	136.72
SCE-48EL3612SSLPPL	48.00	36.00	12.00	IS6	2,458.17	SCE-48P36	45.00	33.00	154.46
SCE-60EL3612SSLPPL	60.00	36.00	12.00	IS6	2,881.32	SCE-60P36	57.00	33.00	189.89

316 STAINLESS STEEL ENVIROLINE® SERIES WALL-MOUNT ENCLOSURES WITH 3-POINT HARDWARE

ENCLOSURE PRODUCT CODE S9						SUB-PANEL (P3)			
Catalog No.	Height (A)	Width (B)	Depth (C)	Industry Standard	List Price	Catalog No.	Panel Height (D)	Panel Width (E)	List Price
SCE-24EL2010SS6LPPL	24.00	20.00	10.00	IS5	1,342.98	SCE-24P20	21.00	17.00	45.57
SCE-24EL2410SS6LPPL	24.00	24.00	10.00	IS5	1,461.86	SCE-24P24	21.00	21.00	53.18
SCE-30EL2412SS6LPPL	30.00	24.00	12.00	IS5	1,744.88	SCE-30P24	27.00	21.00	63.29
SCE-30EL3012SS6LPPL	30.00	30.00	12.00	IS5	1,956.64	SCE-30P30	27.00	27.00	83.55
SCE-36EL2412SS6LPPL	36.00	24.00	12.00	IS5	1,933.78	SCE-36P24	33.00	21.00	75.96
SCE-36EL3012SS6LPPL	36.00	30.00	12.00	IS5	2,195.66	SCE-36P30	33.00	27.00	101.27
SCE-42EL3612SS6LPPL	42.00	36.00	12.00	IS5	2,673.30	SCE-42P36	39.00	33.00	136.72
SCE-48EL3612SS6LPPL	48.00	36.00	12.00	IS5	2,949.80	SCE-48P36	45.00	33.00	154.46
SCE-60EL3612SS6LPPL	60.00	36.00	12.00	IS5	3,457.58	SCE-60P36	57.00	33.00	189.89

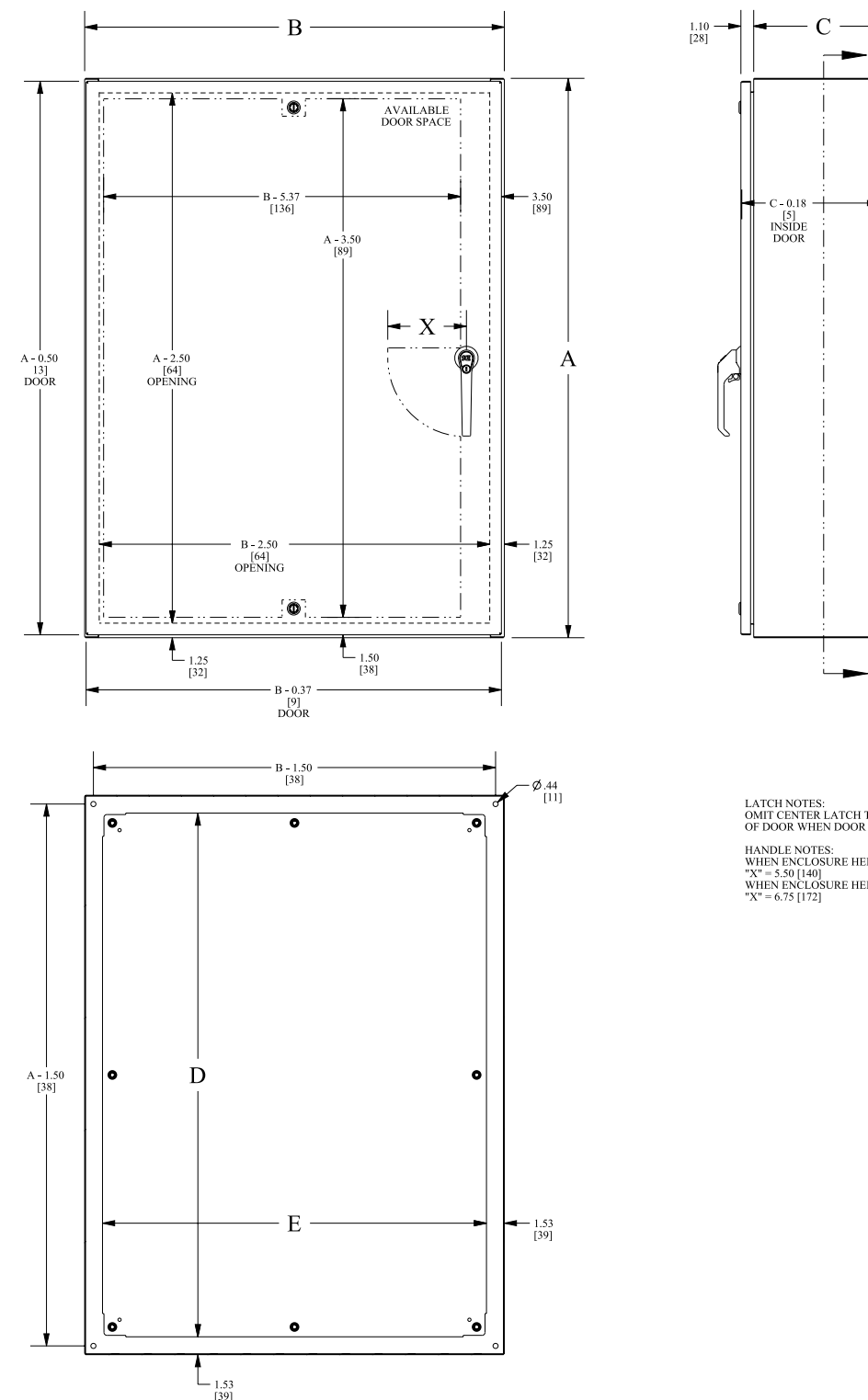


Back to SS Wall-Mount Enclosures

Phone (989) 799-6871
Fax (989) 799-4524



STAINLESS STEEL ENVIROLINE® SERIES WALL-MOUNT ENCLOSURES WITH 3-POINT HARDWARE TECHNICAL DATA



Phone (989) 799-6871
Fax (989) 799-4524

304 Stainless Steel EnviroLine® Series Enclosures

Application -

Designed to house electrical and electronic controls, instruments and components in areas which may be regularly hosed down or are in very wet conditions. Provides protection from dust, dirt, oil, and water. For outdoor application a drip shield is recommended. For installation information, consult our Installation Manual at www.saginawcontrol.com.

Construction -

- 0.075" stainless steel Type 304.
- Seams continuously welded and ground smooth.
- Flange trough collar around all sides of door opening.
- Oil-resistant gasket.
- Collar studs provided for mounting optional sub-panels.
- Stainless steel concealed hinge.
- Removable and interchangeable doors.
- Black quarter turn latches.
- Latches are opened or closed with a screwdriver (optional tamper-resistant inserts are available).
- Mounting holes in back of enclosure.
- Mounting hardware, sealing washer and hole plug included.
- Removable print pocket.
- Ground studs on door and body.

Options -

- Optional mounting feet available.
- Door hardware available.

Finish -

#4 brushed finish on all exterior surfaces. Optional sub-panels are powder coated white.

IS5 - Industry Standards -
 NEMA Type 4, 4X, 12 & Type 13
 UL Listed Type 4, 4X & 12
 CSA Type 4, 4X & 12
 IEC 60529 IP66

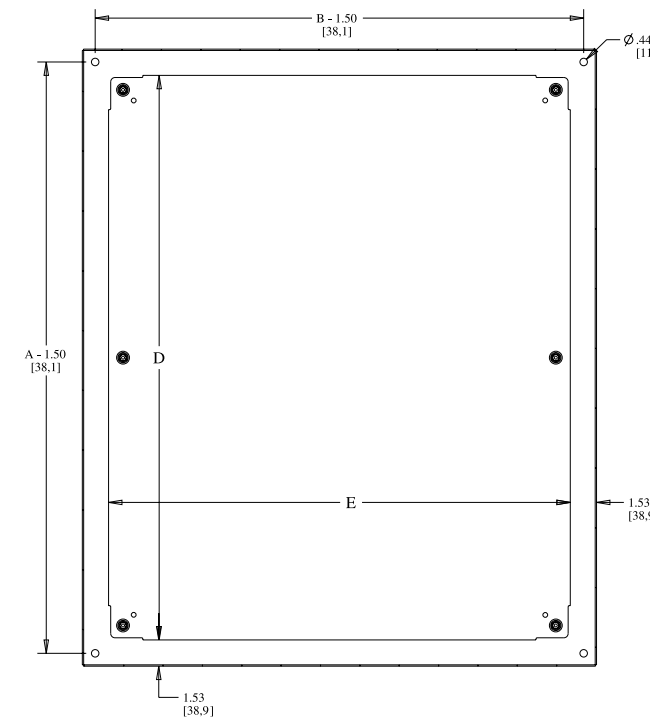
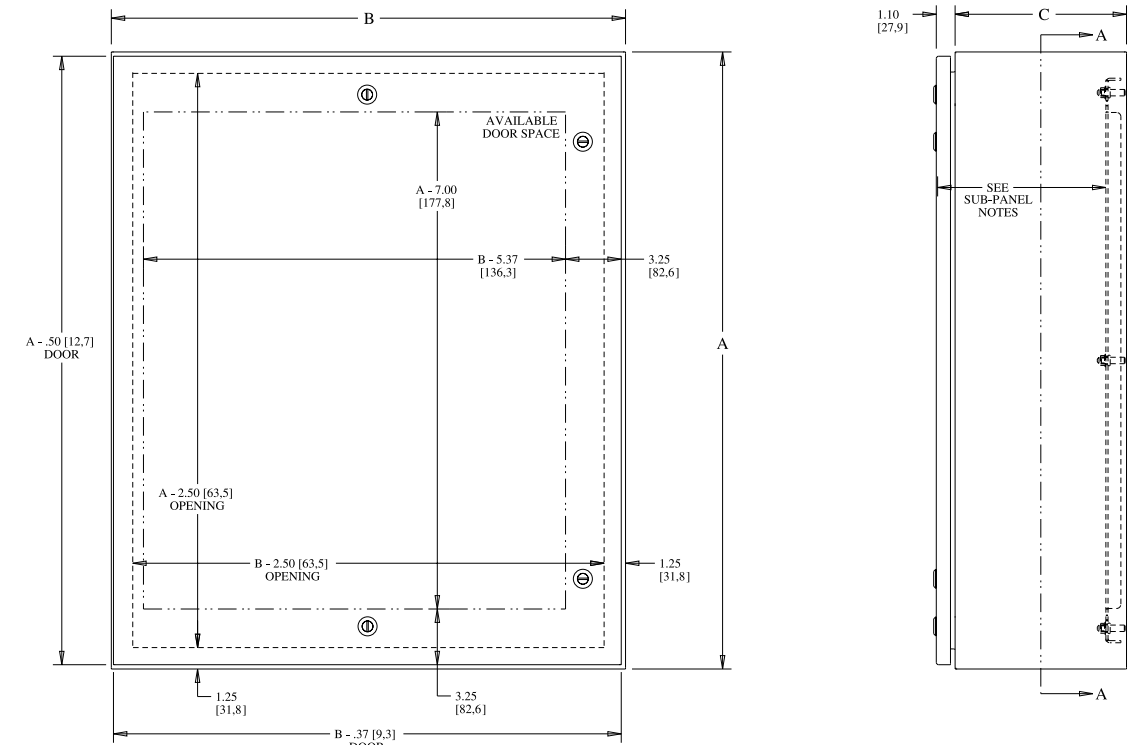


304 STAINLESS STEEL ENVIROLINE® SERIES ENCLOSURES

ENCLOSURE PRODUCT CODE S5						SUB-PANEL (P3)			
Catalog No.	Height (A)	Width (B)	Depth (C)	Industry Standard	List Price	Catalog No.	Panel Height (D)	Panel Width (E)	List Price
SCE-12EL1206SSLP	12.00	12.00	6.00	IS5	536.16	SCE-12DLP12	9.00	9.00	13.67
SCE-12EL2406SSLP	12.00	24.00	6.00	IS5	712.62	SCE-12P24	9.00	21.00	27.86
SCE-16EL1206SSLP	16.00	12.00	6.00	IS5	590.45	SCE-16P12	13.00	9.00	14.81
SCE-16EL1208SSLP	16.00	12.00	8.00	IS5	631.18	SCE-16P12	13.00	9.00	14.81
SCE-16EL1606SSLP	16.00	16.00	6.00	IS5	654.26	SCE-16P16	13.00	13.00	24.57
SCE-16EL1608SSLP	16.00	16.00	8.00	IS5	688.19	SCE-16P16	13.00	13.00	24.57
SCE-16EL2008SSLP	16.00	20.00	8.00	IS5	770.98	SCE-20P16	17.00	13.00	30.37
SCE-20EL1606SSLP	20.00	16.00	6.00	IS5	726.19	SCE-20P16	17.00	13.00	30.37
SCE-20EL1608SSLP	20.00	16.00	8.00	IS5	770.98	SCE-20P16	17.00	13.00	30.37
SCE-20EL1610SSLP	20.00	16.00	10.00	IS5	822.57	SCE-20P16	17.00	13.00	30.37
SCE-20EL2006SSLP	20.00	20.00	6.00	IS5	794.06	SCE-20P20	17.00	17.00	35.44
SCE-20EL2008SSLP	20.00	20.00	8.00	IS5	853.79	SCE-20P20	17.00	17.00	35.44
SCE-20EL2010SSLP	20.00	20.00	10.00	IS5	909.44	SCE-20P20	17.00	17.00	35.44
SCE-20EL2408SSLP	20.00	24.00	8.00	IS5	933.87	SCE-24P20	21.00	17.00	45.57
SCE-24EL1608SSLP	24.00	16.00	8.00	IS5	840.20	SCE-24P16	21.00	13.00	32.92
SCE-24EL2006SSLP	24.00	20.00	6.00	IS5	890.43	SCE-24P20	21.00	17.00	45.57
SCE-24EL2008SSLP	24.00	20.00	8.00	IS5	933.87	SCE-24P20	21.00	17.00	45.57
SCE-24EL2010SSLP	24.00	20.00	10.00	IS5	997.67	SCE-24P20	21.00	17.00	45.57
SCE-24EL2012SSLP	24.00	20.00	12.00	IS5	1,058.74	SCE-24P20	21.00	17.00	45.57
SCE-24EL2408SSLP	24.00	24.00	8.00	IS5	1,026.17	SCE-24P24	21.00	21.00	53.18
SCE-24EL2410SSLP	24.00	24.00	10.00	IS5	1,096.74	SCE-24P24	21.00	21.00	53.18
SCE-24EL2412SSLP	24.00	24.00	12.00	IS5	1,167.34	SCE-24P24	21.00	21.00	53.18
SCE-24EL2416SSLP	24.00	24.00	16.00	IS5	1,323.43	SCE-24P24	21.00	21.00	53.18
SCE-24EL3008SSLP	24.00	30.00	8.00	IS5	1,165.97	SCE-30P24	27.00	21.00	63.29
SCE-24EL3010SSLP	24.00	30.00	10.00	IS5	1,254.20	SCE-30P24	27.00	21.00	63.29
SCE-30EL1606SSLP	30.00	16.00	6.00	IS5	977.30	SCE-30P16	27.00	13.00	45.57
SCE-30EL2008SSLP	30.00	20.00	8.00	IS5	1,058.74	SCE-30P20	27.00	17.00	55.70
SCE-30EL2010SSLP	30.00	20.00	10.00	IS5	1,146.97	SCE-30P20	27.00	17.00	55.70
SCE-30EL2408SSLP	30.00	24.00	8.00	IS5	1,167.34	SCE-30P24	27.00	21.00	63.29
SCE-30EL2410SSLP	30.00	24.00	10.00	IS5	1,255.56	SCE-30P24	27.00	21.00	63.29
SCE-30EL2412SSLP	30.00	24.00	12.00	IS5	1,330.21	SCE-30P24	27.00	21.00	63.29
SCE-30EL2416SSLP	30.00	24.00	16.00	IS5	1,465.95	SCE-30P24	27.00	21.00	63.29
SCE-30EL3008SSLP	30.00	30.00	8.00	IS5	1,337.00	SCE-30P30	27.00	27.00	83.55
SCE-30EL3010SSLP	30.00	30.00	10.00	IS5	1,418.45	SCE-30P30	27.00	27.00	83.55
SCE-30EL3012SSLP	30.00	30.00	12.00	IS5	1,506.67	SCE-30P30	27.00	27.00	83.55
SCE-30EL3608SSLP	30.00	36.00	8.00	IS5	1,495.82	SCE-36P30	33.00	27.00	101.27
SCE-36EL2408SSLP	36.00	24.00	8.00	IS5	1,316.64	SCE-36P24	33.00	21.00	75.96
SCE-36EL2410SSLP	36.00	24.00	10.00	IS5	1,404.88	SCE-36P24	33.00	21.00	75.96
SCE-36EL3008SSLP	36.00	30.00	8.00	IS5	1,495.82	SCE-36P30	33.00	27.00	101.27
SCE-36EL3010SSLP	36.00	30.00	10.00	IS5	1,607.12	SCE-36P30	33.00	27.00	101.27
SCE-36EL3012SSLP	36.00	30.00	12.00	IS5	1,703.48	SCE-36P30	33.00	27.00	101.27
SCE-36EL3016SSLP	36.00	30.00	16.00	IS5	1,797.36	SCE-36P30	33.00	27.00	101.27
SCE-36EL3608SSLP	36.00	36.00	8.00	IS5	1,723.86	SCE-36P36	33.00	33.00	118.99
SCE-36EL3612SSLP	36.00	36.00	12.00	IS5	1,913.89	SCE-36P36	33.00	33.00	118.99
SCE-42EL2410SSLP	42.00	24.00	10.00	IS5	1,628.84	SCE-42P24	39.00	21.00	91.14
SCE-42EL3010SSLP	42.00	30.00	10.00	IS5	1,783.57	SCE-42P30	39.00	27.00	116.47
SCE-42EL3612SSLP	42.00	36.00	12.00	IS5	2,106.63	SCE-42P36	39.00	33.00	136.72
SCE-42EL3616SSLP	42.00	36.00	16.00	IS5	2,236.93	SCE-42P36	39.00	33.00	136.72
SCE-48EL3612SSLP	48.00	36.00	12.00	IS5	2,334.67	SCE-48P36	45.00	33.00	154.46
SCE-48EL3616SSLP	48.00	36.00	16.00	IS5	2,545.05	SCE-48P36	45.00	33.00	154.46
SCE-60EL3612SSLP	60.00	36.00	12.00	IS5	2,755.44	SCE-60P36	57.00	33.00	189.89
SCE-60EL3616SSLP	60.00	36.00	16.00	IS5	2,972.63	SCE-60P36	57.00	33.00	189.89
SCE-60EL3624SSLP	60.00	36.00	24.00	IS5	3,580.50	SCE-60P36	57.00	33.00	189.89
SCE-72EL3016SSLP	72.00	30.00	16.00	IS5	3,189.81	SCE-72P30	69.00	27.00	210.15
SCE-72EL3612SSLP	72.00	36.00	12.00	IS5	3,278.03	SCE-72P36	69.00	33.00	225.33
SCE-72EL3616SSLP	72.00	36.00	16.00	IS5	3,461.27	SCE-72P36	69.00	33.00	225.33

STAINLESS STEEL ENVIROLINE® SERIES ENCLOSURES

TECHNICAL DATA



SECTION A-A

SUB-PANEL NOTES:
 Dimensions are from the inside of the door
 C + 0.32 [8.1] for flat sub-panels
 C - 0.18 [4.5] for bent sub-panels

LATCH NOTES:
 Enclosures < 24.00" [609.6] in height require only one latch centered on door.
 Enclosures >= 24.00" [609.6] and < 40.00" [1016] in height require two latches on door.
 Enclosures >= 40.00" [1016] require three latches on door.
 Omit center latch top and bottom of door when door width is <= 30.00" [762]



Phone (989) 799-6871
 Fax (989) 799-4524

[Back to SS Wall-Mount Enclosures](#)

316 Stainless Steel Enviroline® Series Enclosures

Application -

Designed to house electrical and electronic controls, instruments and components in areas which may be regularly hosed down or are in very wet conditions. Provides protection from dust, dirt, oil, and water. For outdoor application a drip shield is recommended. For installation information, consult our Installation Manual at www.saginawcontrol.com.

Construction -

- 0.075" stainless steel Type 316/316L.
- Seams continuously welded and ground smooth.
- Flange trough collar around all sides of door opening.
- Oil-resistant gasket.
- Collar studs provided for mounting optional sub-panels.
- Stainless steel concealed hinge.
- Removable and interchangeable doors.
- Black quarter turn latches.
- Latches are opened or closed with a screwdriver (optional tamper-resistant inserts are available).
- Mounting holes in back of enclosure.
- Mounting hardware, sealing washer and hole plug included.
- Removable print pocket.
- Ground studs on door and body.

Options -

- Optional mounting feet available.
- Door hardware available.

Finish -

#4 brushed finish on all exterior surfaces. Optional sub-panels are powder coated white.

IS5 - Industry Standards -
 NEMA Type 4, 4X, 12 & Type 13
 UL Listed Type 4, 4X & 12
 CSA Type 4, 4X & 12
 IEC 60529 IP66

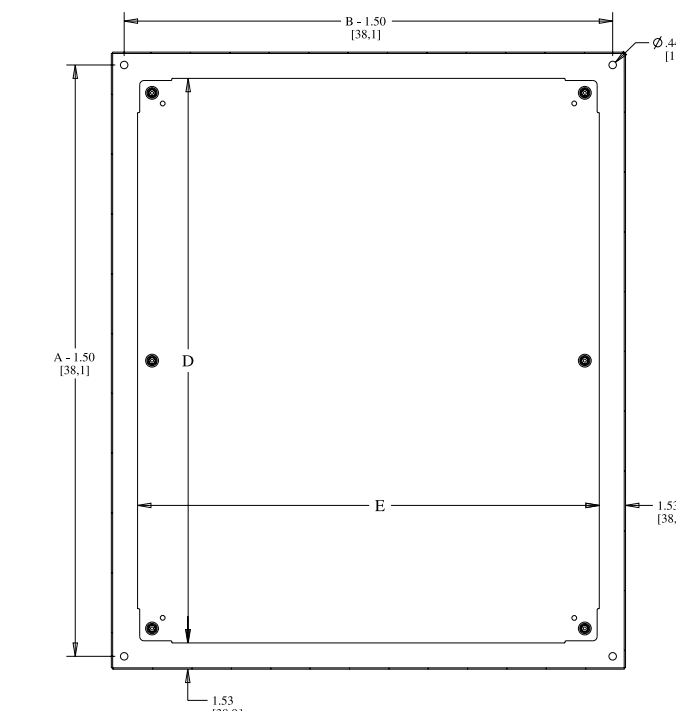
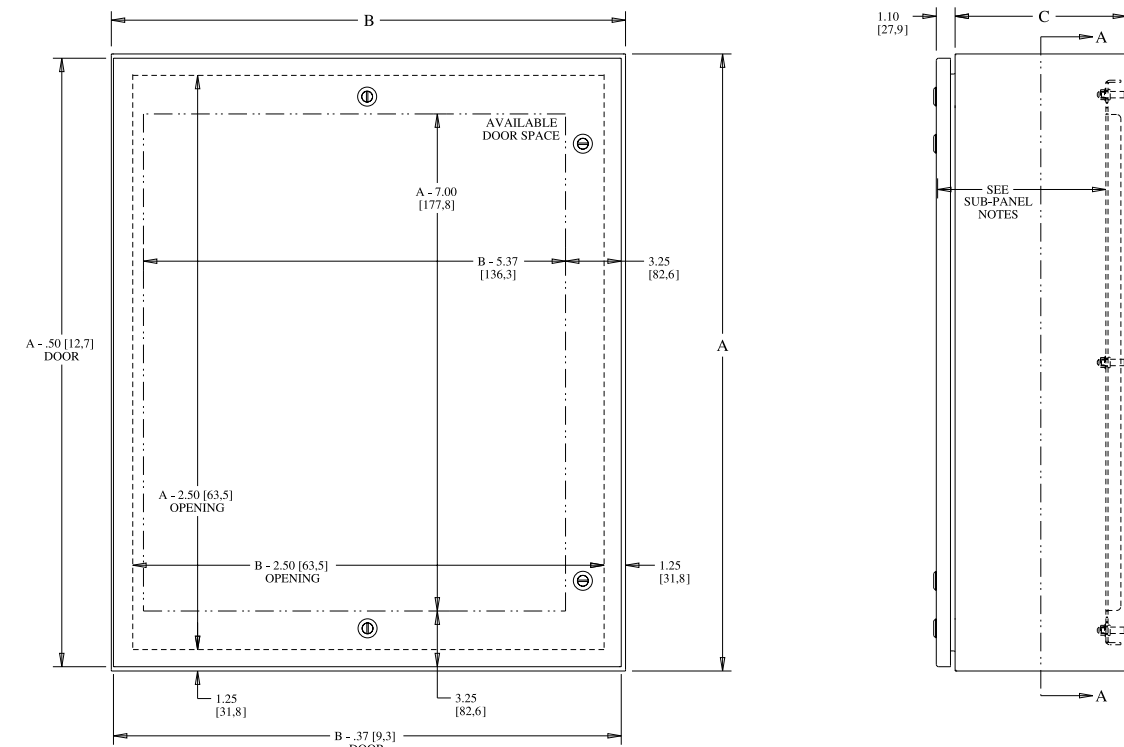


316 STAINLESS STEEL ENVIROLINE® SERIES ENCLOSURES

ENCLOSURE PRODUCT CODE S7						SUB-PANEL (P3)			
Catalog No.	Height (A)	Width (B)	Depth (C)	Industry Standard	List Price	Catalog No.	Panel Height (D)	Panel Width (E)	List Price
SCE-12EL1206SS6LP	12.00	12.00	6.00	IS5	643.39	SCE-12DLP12	9.00	9.00	13.67
SCE-12EL2406SS6LP	12.00	24.00	6.00	IS5	855.14	SCE-12P24	9.00	21.00	27.86
SCE-16EL1206SS6LP	16.00	12.00	6.00	IS5	708.54	SCE-16P12	13.00	9.00	14.81
SCE-16EL1208SS6LP	16.00	12.00	8.00	IS5	757.41	SCE-16P12	13.00	9.00	14.81
SCE-16EL1606SS6LP	16.00	16.00	6.00	IS5	785.11	SCE-16P16	13.00	13.00	24.57
SCE-16EL1608SS6LP	16.00	16.00	8.00	IS5	825.83	SCE-16P16	13.00	13.00	24.57
SCE-16EL2008SS6LP	16.00	20.00	8.00	IS5	925.17	SCE-20P16	17.00	13.00	30.37
SCE-20EL1606SS6LP	20.00	16.00	6.00	IS5	871.43	SCE-20P16	17.00	13.00	30.37
SCE-20EL1608SS6LP	20.00	16.00	8.00	IS5	925.17	SCE-20P16	17.00	13.00	30.37
SCE-20EL1610SS6LP	20.00	16.00	10.00	IS5	987.08	SCE-20P16	17.00	13.00	30.37
SCE-20EL2006SS6LP	20.00	20.00	6.00	IS5	952.88	SCE-20P20	17.00	17.00	35.44
SCE-20EL2008SS6LP	20.00	20.00	8.00	IS5	1,024.54	SCE-20P20	17.00	17.00	35.44
SCE-20EL2010SS6LP	20.00	20.00	10.00	IS5	1,091.33	SCE-20P20	17.00	17.00	35.44
SCE-20EL2408SS6LP	20.00	24.00	8.00	IS5	1,120.64	SCE-24P20	21.00	17.00	45.57
SCE-24EL1608SS6LP	24.00	16.00	8.00	IS5	1,008.25	SCE-24P16	21.00	13.00	32.92
SCE-24EL2006SS6LP	24.00	20.00	6.00	IS5	1,068.52	SCE-24P20	21.00	17.00	45.57
SCE-24EL2008SS6LP	24.00	20.00	8.00	IS5	1,120.64	SCE-24P20	21.00	17.00	45.57
SCE-24EL2010SS6LP	24.00	20.00	10.00	IS5	1,197.20	SCE-24P20	21.00	17.00	45.57
SCE-24EL2012SS6LP	24.00	20.00	12.00	IS5	1,270.49	SCE-24P20	21.00	17.00	45.57
SCE-24EL2408SS6LP	24.00	24.00	8.00	IS5	1,231.40	SCE-24P24	21.00	21.00	53.18
SCE-24EL2410SS6LP	24.00	24.00	10.00	IS5	1,316.08	SCE-24P24	21.00	21.00	53.18
SCE-24EL2412SS6LP	24.00	24.00	12.00	IS5	1,400.80	SCE-24P24	21.00	21.00	53.18
SCE-24EL2416SS6LP	24.00	24.00	16.00	IS5	1,588.12	SCE-24P24	21.00	21.00	53.18
SCE-24EL3008SS6LP	24.00	30.00	8.00	IS5	1,399.17	SCE-30P24	27.00	21.00	63.29
SCE-24EL3010SS6LP	24.00	30.00	10.00	IS5	1,505.04	SCE-30P24	27.00	21.00	63.29
SCE-30EL1606SS6LP	30.00	16.00	6.00	IS5	1,172.77	SCE-30P16	27.00	13.00	45.57
SCE-30EL2008SS6LP	30.00	20.00	8.00	IS5	1,270.49	SCE-30P20	27.00	17.00	55.70
SCE-30EL2010SS6LP	30.00	20.00	10.00	IS5	1,376.37	SCE-30P20	27.00	17.00	55.70
SCE-30EL2408SS6LP	30.00	24.00	8.00	IS5	1,400.80	SCE-30P24	27.00	21.00	63.29
SCE-30EL2410SS6LP	30.00	24.00	10.00	IS5	1,506.67	SCE-30P24	27.00	21.00	63.29
SCE-30EL2412SS6LP	30.00	24.00	12.00	IS5	1,596.26	SCE-30P24	27.00	21.00	63.29
SCE-30EL2416SS6LP	30.00	24.00	16.00	IS5	1,759.14	SCE-30P24	27.00	21.00	63.29
SCE-30EL3008SS6LP	30.00	30.00	8.00	IS5	1,604.41	SCE-30P30	27.00	27.00	83.55
SCE-30EL3010SS6LP	30.00	30.00	10.00	IS5	1,702.14	SCE-30P30	27.00	27.00	83.55
SCE-30EL3012SS6LP	30.00	30.00	12.00	IS5	1,808.01	SCE-30P30	27.00	27.00	83.55
SCE-30EL3608SS6LP	30.00	36.00	8.00	IS5	1,794.98	SCE-36P30	33.00	27.00	101.27
SCE-36EL2408SS6LP	36.00	24.00	8.00	IS5	1,579.97	SCE-36P24	33.00	21.00	75.96
SCE-36EL2410SS6LP	36.00	24.00	10.00	IS5	1,685.86	SCE-36P24	33.00	21.00	75.96
SCE-36EL3008SS6LP	36.00	30.00	8.00	IS5	1,794.98	SCE-36P30	33.00	27.00	101.27
SCE-36EL3010SS6LP	36.00	30.00	10.00	IS5	1,928.54	SCE-36P30	33.00	27.00	101.27
SCE-36EL3012SS6LP	36.00	30.00	12.00	IS5	2,044.18	SCE-36P30	33.00	27.00	101.27
SCE-36EL3608SS6LP	36.00	36.00	8.00	IS5	2,068.63	SCE-36P36	33.00	33.00	118.99
SCE-36EL3612SS6LP	36.00	36.00	12.00	IS5	2,296.66	SCE-36P36	33.00	33.00	118.99
SCE-42EL2410SS6LP	42.00	24.00	10.00	IS5	1,954.61	SCE-42P24	39.00	21.00	91.14
SCE-42EL3010SS6LP	42.00	30.00	10.00	IS5	2,140.28	SCE-42P30	39.00	27.00	116.47
SCE-42EL3612SS6LP	42.00	36.00	12.00	IS5	2,527.96	SCE-42P36	39.00	33.00	136.72
SCE-42EL3616SS6LP	42.00	36.00	16.00	IS5	2,684.32	SCE-42P36	39.00	33.00	136.72
SCE-48EL3612SS6LP	48.00	36.00	12.00	IS5	2,801.61	SCE-48P36	45.00	33.00	154.46
SCE-48EL3616SS6LP	48.00	36.00	16.00	IS5	3,054.06	SCE-48P36	45.00	33.00	154.46
SCE-60EL3612SS6LP	60.00	36.00	12.00	IS5	3,306.53	SCE-60P36	57.00	33.00	189.89
SCE-60EL3616SS6LP	60.00	36.00	16.00	IS5	3,567.15	SCE-60P36	57.00	33.00	189.89
SCE-72EL3016SS6LP	72.00	30.00	16.00	IS5	3,827.77	SCE-72P30	69.00	27.00	210.15
SCE-72EL3612SS6LP	72.00	36.00	12.00	IS5	3,933.64	SCE-72P36	69.00	33.00	225.33
SCE-72EL3616SS6LP	72.00	36.00	16.00	IS5	4,153.63	SCE-72P36	69.00	33.00	225.33

STAINLESS STEEL ENVIROLINE® SERIES ENCLOSURES

TECHNICAL DATA



SECTION A-A

SUB-PANEL NOTES:
 Dimensions are from the inside of the door
 C + 0.32 [8.1] for flat sub-panels
 C - 0.18 [4.5] for bent sub-panels

LATCH NOTES:
 Enclosures < 24.00" [609.6] in height require only one latch centered on door.
 Enclosures >= 24.00" [609.6] and < 40.00" [1016] in height require two latches on door.
 Enclosures >= 40.00" [1016] require three latches on door.
 Omit center latch top and bottom of door when door width is <= 30.00" [762]

Stainless Steel Enviroline® Series Wall-Mount Sloping Top Enclosures

Application -

Designed to house electrical and electronic controls, instrumentation and components in indoor, outdoor and sanitary locations. For installation information, consult our Installation Manual at www.saginawcontrol.com.

Construction -

- 0.075" stainless steel Type 304.
- Seams continuously welded and ground smooth.
- Flange trough collar around all sides of door opening.
- 15 Degree Sloping Top.
- Collar studs provided for mounting optional sub-panels.
- Mounting holes in back of the enclosure for wall mounting.
- Mounting hardware, sealing washers and hole plugs included.
- Stainless steel concealed hinges.
- Removable and interchangeable doors.
- Black quarter turn latches.
- Latches are opened or closed with a screwdriver (optional tamper resistant latches are available).
- Removable print pocket.
- Oil & water resistant gasket.
- Ground stud on door and body.

Finish -

4 Brushed finish on all exterior surfaces. Optional sub-panels are powder coated white.

IS5 - Industry Standards -

NEMA Type 4, 4X, 12 & Type 13
UL Listed Type 4, 4X & 12
CSA Type 4, 4X & 12
IEC 60529 IP66

STAINLESS STEEL ENVIROLINE® SERIES WALL-MOUNT SLOPING TOP ENCLOSURES

ENCLOSURE PRODUCT CODE S8					SUB-PANEL (P3)				
Catalog No.	Height (A)	Width (B)	Depth (C)	Industry Standard	List Price	Catalog No.	Panel Height (D)	Panel Width (E)	List Price
SCE-16EL1208SSST	16.00	12.00	8.00	IS5	883.65	SCE-16P12	13.00	9.00	14.81
SCE-16EL1608SSST	16.00	16.00	8.00	IS5	963.47	SCE-16P16	13.00	13.00	24.57
SCE-20EL1608SSST	20.00	16.00	8.00	IS5	1,079.37	SCE-20P16	17.00	13.00	30.37
SCE-20EL1612SSST	20.00	16.00	12.00	IS5	1,210.13	SCE-20P16	17.00	13.00	30.37
SCE-20EL2008SSST	20.00	20.00	8.00	IS5	1,195.31	SCE-20P20	17.00	17.00	35.44
SCE-20EL2012SSST	20.00	20.00	12.00	IS5	1,343.69	SCE-20P20	17.00	17.00	35.44
SCE-24EL2008SSST	24.00	20.00	8.00	IS5	1,307.56	SCE-24P20	21.00	17.00	45.57
SCE-24EL2012SSST	24.00	20.00	12.00	IS5	1,482.24	SCE-24P20	21.00	17.00	45.57
SCE-24EL2408SSST	24.00	24.00	8.00	IS5	1,436.64	SCE-24P24	21.00	21.00	53.18
SCE-24EL2412SSST	24.00	24.00	12.00	IS5	1,634.28	SCE-24P24	21.00	21.00	53.18
SCE-30EL2408SSST	30.00	24.00	8.00	IS5	1,634.28	SCE-30P24	27.00	21.00	63.29
SCE-30EL2412SSST	30.00	24.00	12.00	IS5	1,862.29	SCE-30P24	27.00	21.00	63.29
SCE-30EL3008SSST	30.00	30.00	8.00	IS5	1,871.80	SCE-30P30	27.00	27.00	83.55
SCE-36EL2408SSST	36.00	24.00	8.00	IS5	1,843.30	SCE-36P24	33.00	21.00	75.96
SCE-36EL2412SSST	36.00	24.00	12.00	IS5	2,072.73	SCE-36P24	33.00	21.00	75.96
SCE-36EL3008SSST	36.00	30.00	8.00	IS5	2,094.15	SCE-36P30	33.00	27.00	101.27
SCE-36EL3012SSST	36.00	30.00	12.00	IS5	2,384.87	SCE-36P30	33.00	27.00	101.27
SCE-36EL3016SSST	36.00	30.00	16.00	IS5	2,528.04	SCE-36P30	33.00	27.00	101.27
SCE-36EL3612SSST	36.00	36.00	12.00	IS5	2,435.89	SCE-36P36	33.00	33.00	118.99
SCE-48EL3616SSST	48.00	36.00	16.00	IS5	3,563.07	SCE-48P36	45.00	33.00	154.46
SCE-60EL3616SSST	60.00	36.00	16.00	IS5	4,162.10	SCE-60P36	57.00	33.00	189.89

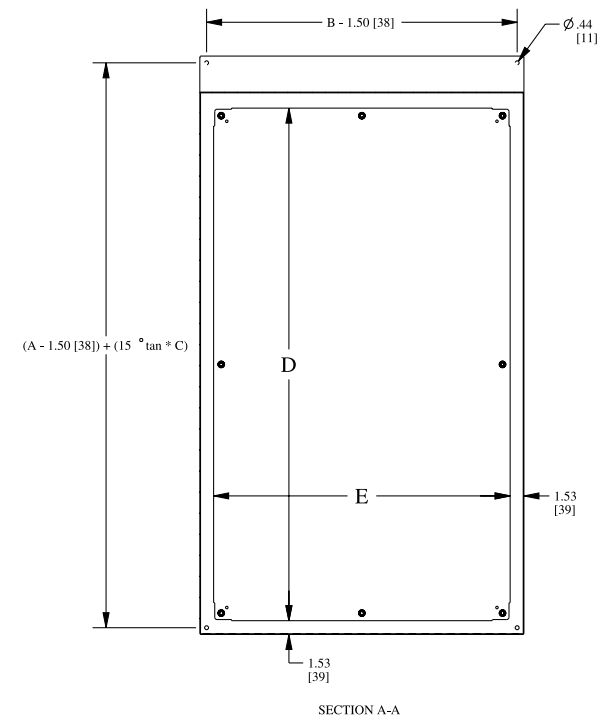
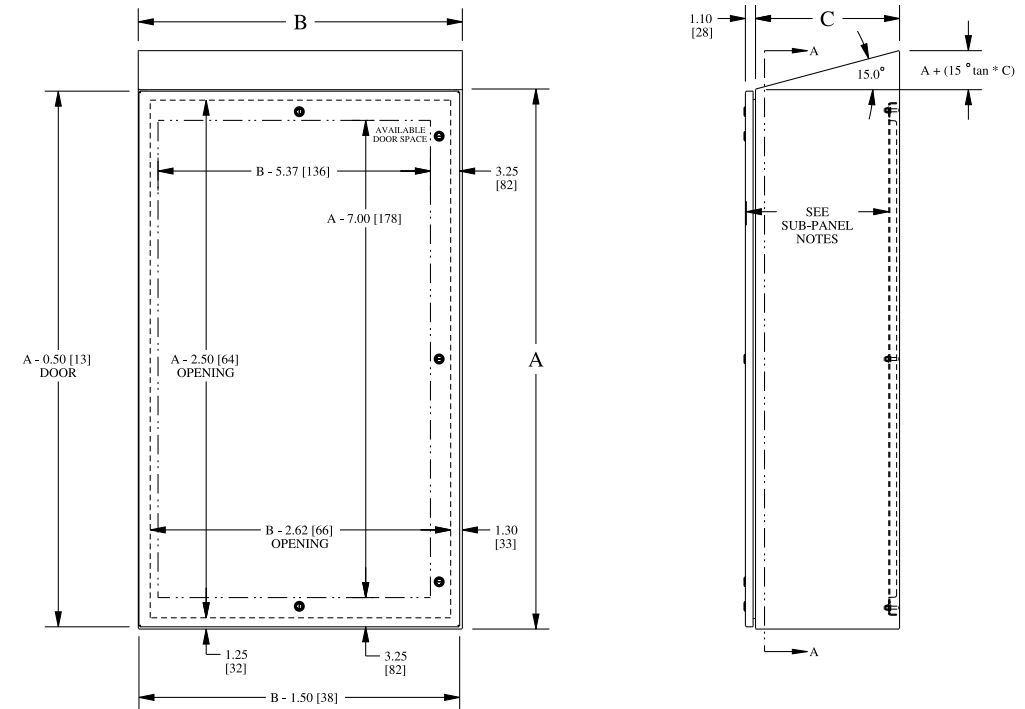


Back to
SS Wall-Mount
Enclosures

Phone (989) 799-6871
Fax (989) 799-4524



STAINLESS STEEL ENVIROLINE® SERIES WALL-MOUNT SLOPING TOP ENCLOSURES TECHNICAL DATA



SUB-PANEL NOTES:
Dimensions are from the inside of the door
C = 0.32 [x,1] for flat sub-panels
C = 0.18 [4,5] for bent sub-panels

LATCH NOTES:
Enclosures < 24.00" [609,6] in height require only one latch centered on door.
Enclosures >= 24.00" [609,6] and < 40.00" [1016] in height require two latches on door.
Enclosures >= 40.00" [1016] require three latches on door.
Omit center latch top and bottom of door when door width is <= 30.00" [762]



Phone (989) 799-6871
Fax (989) 799-4524

304 Stainless Steel Clamp Fastened Single-Door Enclosures

Application -

Designed to house electrical and electronic controls, instruments and components in areas which may be regularly hosed down or are in very wet conditions. Provides protection from dust, dirt, oil and water. For outdoor application a drip shield is recommended. For installation information, consult our Installation Manual at www.saginawcontrol.com.

Construction -

- 0.075" stainless steel Type 304.
- No holes or knockouts, continuously welded seams ground smooth.
- Flange trough collar around all sides of door opening.
- Oil-resistant door gasket.
- Collar studs provided for mounting optional sub-panels.
- Hasp and staple for padlocking.
- Stainless steel continuous hinge.
- Print pocket.
- Ground stud on door.
- Stainless steel clamps.

Finish -

#4 brushed finish on all exterior surfaces. Optional panels are powder coated white.

IS5 - Industry Standards -
 NEMA Type 4, 4X, 12 & Type 13
 UL Listed Type 4, 4X & 12
 CSA Type 4, 4X & 12
 IEC 60529 IP66



304 STAINLESS STEEL CLAMP FASTENED SINGLE-DOOR ENCLOSURES

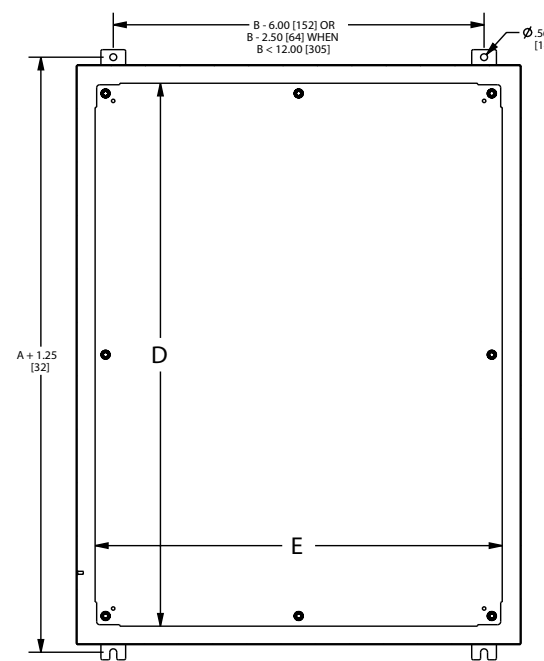
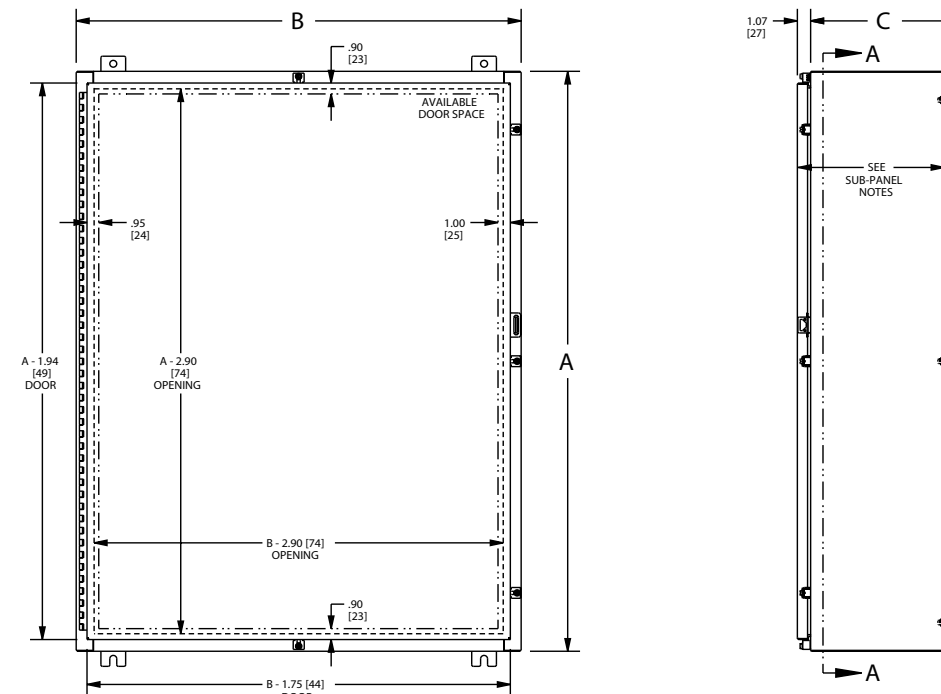
ENCLOSURE PRODUCT CODE S3						SUB-PANEL (P3)			
Catalog No.	Height (A)	Width (B)	Depth (C)	Industry Standard	List Price	Catalog No.	Panel Height (D)	Panel Width (E)	List Price
SCE-16H1206SSLP	16.00	12.00	6.00	IS5	627.11	SCE-16P12	13.00	9.00	14.81
SCE-16H1208SSLP	16.00	12.00	8.00	IS5	671.90	SCE-16P12	13.00	9.00	14.81
SCE-16H1606SSLP	16.00	16.00	6.00	IS5	696.32	SCE-16P16	13.00	13.00	24.57
SCE-16H2006SSLP	16.00	20.00	6.00	IS5	765.54	SCE-20P16	17.00	13.00	30.37
SCE-20H1606SSLP	20.00	16.00	6.00	IS5	765.54	SCE-20P16	17.00	13.00	30.37
SCE-20H1608SSLP	20.00	16.00	8.00	IS5	819.84	SCE-20P16	17.00	13.00	30.37
SCE-20H1610SSLP	20.00	16.00	10.00	IS5	875.50	SCE-20P16	17.00	13.00	30.37
SCE-20H2006SSLP	20.00	20.00	6.00	IS5	844.28	SCE-20P20	17.00	17.00	35.44
SCE-20H2408SSLP	20.00	24.00	8.00	IS5	990.88	SCE-24P20	21.00	17.00	45.57
SCE-24H1608SSLP	24.00	16.00	8.00	IS5	891.79	SCE-24P16	21.00	13.00	32.92
SCE-24H2006SSLP	24.00	20.00	6.00	IS5	924.36	SCE-24P20	21.00	17.00	45.57
SCE-24H2008SSLP	24.00	20.00	8.00	IS5	990.88	SCE-24P20	21.00	17.00	45.57
SCE-24H2010SSLP	24.00	20.00	10.00	IS5	1,058.74	SCE-24P20	21.00	17.00	45.57
SCE-24H2406SSLP	24.00	24.00	6.00	IS5	950.00	SCE-24P24	21.00	21.00	53.18
SCE-24H2408SSLP	24.00	24.00	8.00	IS5	1,089.96	SCE-24P24	21.00	21.00	53.18
SCE-24H2412SSLP	24.00	24.00	12.00	IS5	1,237.92	SCE-24P24	21.00	21.00	53.18
SCE-24H3008SSLP	24.00	30.00	8.00	IS5	1,237.92	SCE-30P24	27.00	21.00	63.29
SCE-30H2008SSLP	30.00	20.00	8.00	IS5	1,121.18	SCE-30P20	27.00	17.00	55.70
SCE-30H2408SSLP	30.00	24.00	8.00	IS5	1,237.92	SCE-30P24	27.00	21.00	63.29
SCE-30H2412SSLP	30.00	24.00	12.00	IS5	1,403.51	SCE-30P24	27.00	21.00	63.29
SCE-30H2416SSLP	30.00	24.00	16.00	IS5	1,571.81	SCE-30P24	27.00	21.00	63.29
SCE-30H3008SSLP	30.00	30.00	8.00	IS5	1,414.38	SCE-30P30	27.00	27.00	83.55
SCE-36H2408SSLP	36.00	24.00	8.00	IS5	1,385.87	SCE-36P24	33.00	21.00	75.96
SCE-36H2410SSLP	36.00	24.00	10.00	IS5	1,479.52	SCE-36P24	33.00	21.00	75.96
SCE-36H3008SSLP	36.00	30.00	8.00	IS5	1,589.47	SCE-36P30	33.00	27.00	101.27
SCE-36H3010SSLP	36.00	30.00	10.00	IS5	1,691.28	SCE-36P30	33.00	27.00	101.27
SCE-36H3012SSLP	36.00	30.00	12.00	IS5	1,793.07	SCE-36P30	33.00	27.00	101.27
SCE-36H3016SSLP	36.00	30.00	16.00	IS5	1,995.33	SCE-36P30	33.00	27.00	101.27
SCE-36H3612SSLP	36.00	36.00	12.00	IS5	2,014.32	SCE-36P36	33.00	33.00	118.99
SCE-42H3010SSLP	42.00	30.00	10.00	IS5	1,875.88	SCE-42P30	39.00	27.00	116.47
SCE-42H3608SSLP	42.00	36.00	8.00	IS5	1,995.33	SCE-42P36	39.00	33.00	136.72
SCE-48H3608SSLP	48.00	36.00	8.00	IS5	2,198.93	SCE-48P36	45.00	33.00	154.46
SCE-48H3612SSLP	48.00	36.00	12.00	IS5	2,456.83	SCE-48P36	45.00	33.00	154.46
SCE-48H3616SSLP	48.00	36.00	16.00	IS5	2,716.09	SCE-48P36	45.00	33.00	154.46
SCE-60H3612SSLP	60.00	36.00	12.00	IS5	2,900.69	SCE-60P36	57.00	33.00	189.89

Back to
 SS Wall-Mount
 Enclosures

Phone (989) 799-6871
 Fax (989) 799-4524



STAINLESS STEEL CLAMP FASTENED SINGLE-DOOR ENCLOSURES TECHNICAL DATA



SECTION A-A

SUB-PANEL NOTES:
 Dimensions are from the inside of the door
 C + .30 [8] for flat sub-panels
 C - .20 [5] for bent sub-panels

CLAMPING NOTES:
 Enclosures < 27.00 [686] in height require two clamps on door.
 Enclosures >= 27.00 [686] in height require three clamps on door.
 Omit center clamps top and bottom of door when door width is <= 30.00 [762]

N4XSSDF



Phone (989) 799-6871
 Fax (989) 799-4524

316 Stainless Steel Clamp Fastened Single-Door Enclosures

Application -

Designed to house electrical and electronic controls, instruments and components in areas which may be regularly hosed down or are in very wet conditions. Provides protection from dust, dirt, oil and water. For outdoor application a drip shield is recommended. For installation information, consult our Installation Manual at www.saginawcontrol.com.

Construction -

- 0.075" stainless steel Type 316/316L.
- No holes or knockouts, continuously welded seams ground smooth.
- Flange trough collar around all sides of door opening.
- Oil-resistant door gasket.
- Collar studs provided for mounting optional sub-panels.
- Hasp and staple for padlocking.
- Stainless steel continuous hinge.
- Print pocket.
- Ground stud on door.
- Stainless steel clamps.

Finish -

#4 brushed finish on all exterior surfaces. Optional panels are powder coated white.

IS5 - Industry Standards -

- NEMA Type 4, 4X, 12 & Type 13
- UL Listed Type 4, 4X & 12
- CSA Type 4, 4X & 12
- IEC 60529 IP66



316 STAINLESS STEEL CLAMP FASTENED SINGLE-DOOR ENCLOSURES

ENCLOSURE PRODUCT CODE S7						SUB-PANEL (P3)			
Catalog No.	Height (A)	Width (B)	Depth (C)	Industry Standard	List Price	Catalog No.	Panel Height (D)	Panel Width (E)	List Price
SCE-16H1206SS6LP	16.00	12.00	6.00	IS5	752.53	SCE-16P12	13.00	9.00	14.81
SCE-16H1208SS6LP	16.00	12.00	8.00	IS5	806.28	SCE-16P12	13.00	9.00	14.81
SCE-16H1606SS6LP	16.00	16.00	6.00	IS5	835.59	SCE-16P16	13.00	13.00	24.57
SCE-16H2006SS6LP	16.00	20.00	6.00	IS5	918.65	SCE-20P16	17.00	13.00	30.37
SCE-20H1606SS6LP	20.00	16.00	6.00	IS5	918.65	SCE-20P16	17.00	13.00	30.37
SCE-20H1608SS6LP	20.00	16.00	8.00	IS5	983.81	SCE-20P16	17.00	13.00	30.37
SCE-20H1610SS6LP	20.00	16.00	10.00	IS5	1,050.60	SCE-20P16	17.00	13.00	30.37
SCE-20H2006SS6LP	20.00	20.00	6.00	IS5	1,013.14	SCE-20P20	17.00	17.00	35.44
SCE-20H2408SS6LP	20.00	24.00	8.00	IS5	1,189.05	SCE-24P20	21.00	17.00	45.57
SCE-24H1608SS6LP	24.00	16.00	8.00	IS5	1,070.15	SCE-24P16	21.00	13.00	32.92
SCE-24H2006SS6LP	24.00	20.00	6.00	IS5	1,109.24	SCE-24P20	21.00	17.00	45.57
SCE-24H2008SS6LP	24.00	20.00	8.00	IS5	1,189.05	SCE-24P20	21.00	17.00	45.57
SCE-24H2010SS6LP	24.00	20.00	10.00	IS5	1,270.49	SCE-24P20	21.00	17.00	45.57
SCE-24H2408SS6LP	24.00	24.00	8.00	IS5	1,307.95	SCE-24P24	21.00	21.00	53.18
SCE-24H2412SS6LP	24.00	24.00	12.00	IS5	1,485.51	SCE-24P24	21.00	21.00	53.18
SCE-24H3008SS6LP	24.00	30.00	8.00	IS5	1,485.51	SCE-30P24	27.00	21.00	63.29
SCE-30H2008SS6LP	30.00	20.00	8.00	IS5	1,345.42	SCE-30P20	27.00	17.00	55.70
SCE-30H2408SS6LP	30.00	24.00	8.00	IS5	1,485.51	SCE-30P24	27.00	21.00	63.29
SCE-30H2412SS6LP	30.00	24.00	12.00	IS5	1,684.21	SCE-30P24	27.00	21.00	63.29
SCE-30H2416SS6LP	30.00	24.00	16.00	IS5	1,886.18	SCE-30P24	27.00	21.00	63.29
SCE-30H3008SS6LP	30.00	30.00	8.00	IS5	1,697.26	SCE-30P30	27.00	27.00	83.55
SCE-36H2408SS6LP	36.00	24.00	8.00	IS5	1,663.04	SCE-36P24	33.00	21.00	75.96
SCE-36H2410SS6LP	36.00	24.00	10.00	IS5	1,775.43	SCE-36P24	33.00	21.00	75.96
SCE-36H3008SS6LP	36.00	30.00	8.00	IS5	1,907.36	SCE-36P30	33.00	27.00	101.27
SCE-36H3010SS6LP	36.00	30.00	10.00	IS5	2,029.53	SCE-36P30	33.00	27.00	101.27
SCE-36H3012SS6LP	36.00	30.00	12.00	IS5	2,151.69	SCE-36P30	33.00	27.00	101.27
SCE-36H3016SS6LP	36.00	30.00	16.00	IS5	2,394.40	SCE-36P30	33.00	27.00	101.27
SCE-36H3612SS6LP	36.00	36.00	12.00	IS5	2,417.18	SCE-36P36	33.00	33.00	118.99
SCE-42H3010SS6LP	42.00	30.00	10.00	IS5	2,251.05	SCE-42P30	39.00	27.00	116.47
SCE-42H3608SS6LP	42.00	36.00	8.00	IS5	2,394.40	SCE-42P36	39.00	33.00	136.72
SCE-48H3608SS6LP	48.00	36.00	8.00	IS5	2,638.72	SCE-48P36	45.00	33.00	154.46
SCE-48H3612SS6LP	48.00	36.00	12.00	IS5	2,948.19	SCE-48P36	45.00	33.00	154.46
SCE-48H3616SS6LP	48.00	36.00	16.00	IS5	3,259.31	SCE-48P36	45.00	33.00	154.46
SCE-60H3612SS6LP	60.00	36.00	12.00	IS5	3,480.82	SCE-60P36	57.00	33.00	189.89

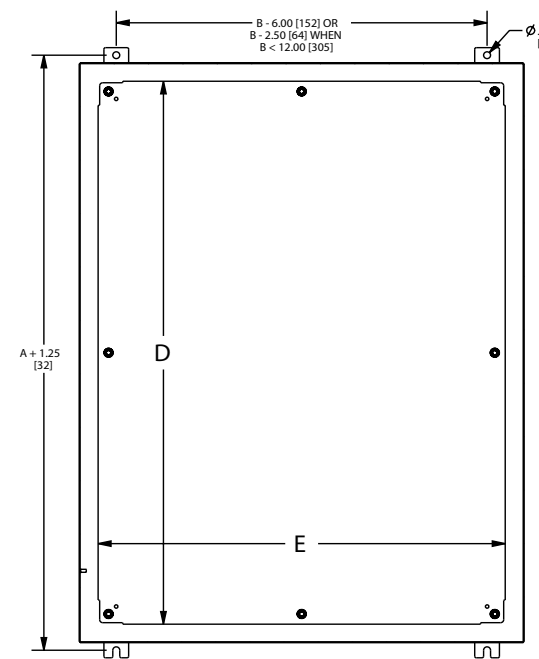
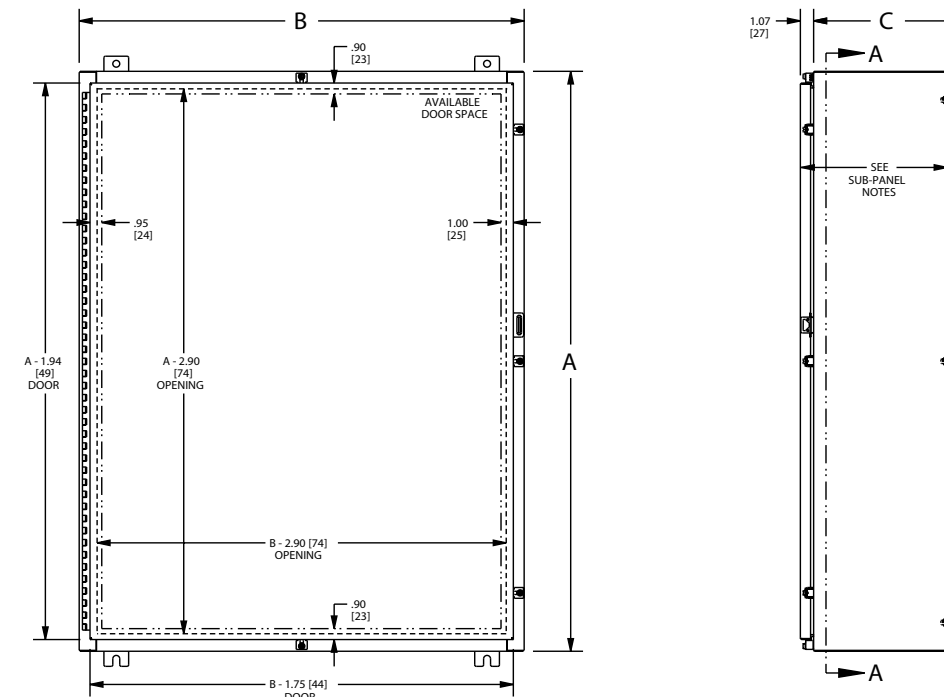
Available within 10 working days if not in stock

Back to
SS Wall-Mount
Enclosures

Phone (989) 799-6871
Fax (989) 799-4524



STAINLESS STEEL CLAMP FASTENED SINGLE-DOOR ENCLOSURES TECHNICAL DATA



SECTION A-A

SUB-PANEL NOTES:
Dimensions are from the inside of the door
C + .30 [8] for flat sub-panels
C - .20 [5] for bent sub-panels

CLAMPING NOTES:
Enclosures < 27.00 [686] in height require two clamps on door.
Enclosures >= 27.00 [686] in height require three clamps on door.
Omit center clamps top and bottom of door when door width is <= 30.00 [762]

N4XSSDF



Phone (989) 799-6871
Fax (989) 799-4524

**Stainless Steel
Enviroline® Series
Wall-Mount Two-Door
Enclosures With
3-Point Hardware**

Application -

Designed to house electrical and electronic controls, instrumentation and components. For outdoor applications a drip shield is recommended. For installation information, consult our Installation Manual at www.saginawcontrol.com.

Construction -

- 0.075" stainless steel Type 304.
- Seams continuously welded and ground smooth.
- Flange trough collar around all sides of door opening.
- Collar studs provided for mounting optional sub-panels.
- Removable center posts permit easy panel installation.
- Mounting holes in back of the enclosure for wall mounting.
- Mounting hardware, sealing washers and hole plugs included.
- Stainless steel concealed hinges.
- Removable and interchangeable doors.
- Black keylocking padlocking handles.
- 3-point latching mechanism.
- Removable print pocket.
- Oil & water resistant gasket.
- Ground stud on door and body.

Options -

Provisions for mechanical interlock. See accessory section to order.

Finish -

#4 Brushed finish on all exterior surfaces. Optional sub-panels are powder coated white.

IS5 - Industry Standards -

- NEMA Type 4, 4X, 12 & Type 13
- UL Listed Type 4, 4X & 12
- CSA Type 4, 4X & 12
- IEC 60529 IP66

STAINLESS STEEL ENVIROLINE® SERIES WALL-MOUNT TWO-DOOR ENCLOSURES WITH 3-POINT HARDWARE

ENCLOSURE PRODUCT CODE S5					SUB-PANEL (P3)				
Catalog No.	Height (A)	Width (B)	Depth (C)	Industry Standard	List Price	Catalog No.	Panel Height (D)	Panel Width (E)	List Price
SCE-24EL4210SSWFLP	24.00	42.00	10.00	IS5	2,990.12	SCE-42P24	39.00	21.00	91.14
SCE-24EL4810SSWFLP	24.00	48.00	10.00	IS5	3,108.66	SCE-48P24	45.00	21.00	98.74
SCE-30EL4210SSWFLP	30.00	42.00	10.00	IS5	3,168.28	SCE-42P30	39.00	27.00	116.47
SCE-30EL4810SSWFLP	30.00	48.00	10.00	IS5	3,347.42	SCE-48P30	45.00	27.00	129.13
SCE-30EL6010SSWFLP	30.00	60.00	10.00	IS5	3,758.21	SCE-60P30	57.00	27.00	159.52
SCE-36EL4212SSWFLP	36.00	42.00	12.00	IS5	3,772.54	SCE-42P36	39.00	33.00	136.72
SCE-36EL4812SSWFLP	36.00	48.00	12.00	IS5	3,866.89	SCE-48P36	45.00	33.00	154.46
SCE-36EL6012SSWFLP	36.00	60.00	12.00	IS5	4,269.15	SCE-60P36	57.00	33.00	189.89
SCE-42EL4212SSWFLP	42.00	42.00	12.00	IS5	3,824.34	SCE-42P42	39.00	39.00	156.97
SCE-42EL4812SSWFLP	42.00	48.00	12.00	IS5	4,248.08	SCE-48P42	45.00	39.00	177.24
SCE-42EL6012SSWFLP	42.00	60.00	12.00	IS5	4,460.85	SCE-60P42	56.00	38.00	230.41
SCE-48EL4812SSWFLP	48.00	48.00	12.00	IS5	4,359.04	SCE-48P48	44.00	44.00	212.67

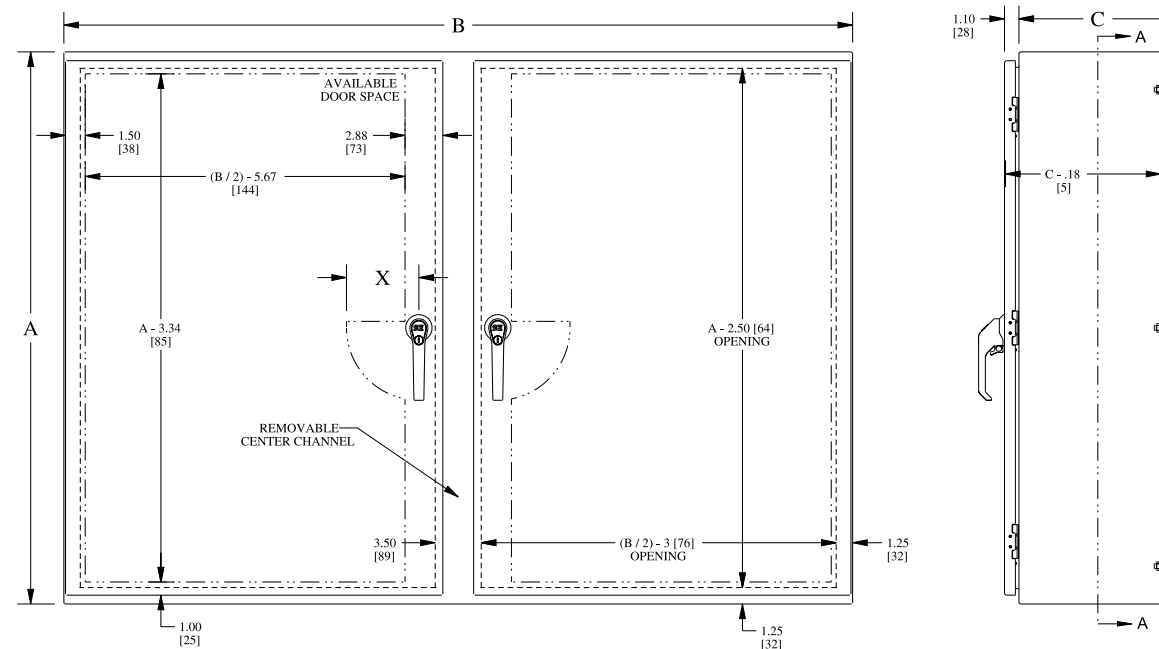


*Back to
SS Wall-Mount
Enclosures*

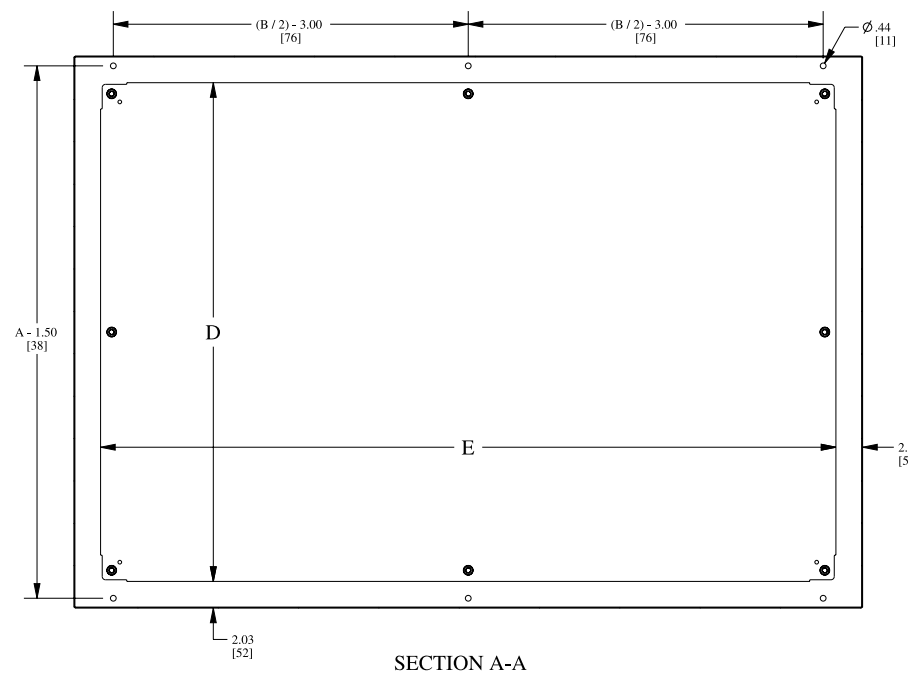
Phone (989) 799-6871
Fax (989) 799-4524



STAINLESS STEEL ENVIROLINE® SERIES WALL-MOUNT TWO-DOOR ENCLOSURES WITH 3-POINT HARDWARE
TECHNICAL DATA



HANDLE NOTES:
Enclosures <= 42.00 [1067] in height X = 5.50 [140] and uses 5.00 [127] key-locking/padlocking handle.
Enclosures >42.00 [1067] in height X = 6.75 [171] and uses 7.00 [178] key-locking/padlocking handle.



Phone (989) 799-6871
Fax (989) 799-4524

304 Stainless Steel Enviroline® Series Single-Door Enclosures For Flange-Mounted Disconnects

Application -

Designed to house most standard type disconnects. For installation information, consult our Installation Manual at www.saginawcontrol.com. For outdoor application a drip shield is recommended.

Construction -

- 0.075" stainless steel Type 304.
- Seams continuously welded and ground smooth.
- Flange trough collar around all sides of door opening.
- Oil-resistant gasket.
- Collar studs provided for mounting optional sub-panels.
- Holes provided in body for mounting disconnect operating handle and operating mechanism.
- Stainless steel concealed hinge.
- Doors are interchangeable and easily removed by pulling hinge pin.
- 3-point latching mechanism.
- Latches are opened or closed with screwdriver (optional tamper-resistant inserts available).
- Mounting holes in back of enclosure.
- Mounting hardware, sealing washer and hole plug included.
- Black quarter turn latches as required.
- Ground studs on door and body.
- Black zinc die cast coinproof/padlocking handle.

Disconnect switch (or circuit breaker) and operating mechanism are not furnished with this enclosure.

Finish -

#4 brushed finish on all exterior surfaces. Optional sub-panels are powder coated white.

IS6 - Industry Standards -

NEMA Type 3R, 4, 4X, 12 & Type 13
UL Listed Type 3R, 4, 4X & 12
CSA Type 4, 4X & 12
IEC 60529 IP66

***Special Instructions apply for IS3, IS4 and IS6 to maintain the environmental rating of Type 3R for these parts. See the Special Instructions on the Industry Standards page in the Technical Information Section.

304 STAINLESS STEEL ENVIROLINE® SERIES SINGLE-DOOR ENCLOSURES FOR FLANGE-MOUNTED DISCONNECTS

ENCLOSURE PRODUCT CODE S5					SUB-PANEL (P3)				
Catalog No.	Height (A)	Width (B)	Depth (C)	Industry Standard	List Price	Catalog No.	Panel Height (D)	Panel Width (E)	List Price
SCE-20XEL2108SSLP	20.00	21.38	8.00	IS6	909.44	SCE-20P20	17.00	17.00	35.44
SCE-24XEL2108SSLP	24.00	21.38	8.00	IS6	990.88	SCE-24P20	21.00	17.00	45.57
SCE-24XEL2508SSLP	24.00	25.38	8.00	IS6	1,077.75	SCE-24P24	21.00	21.00	53.18
SCE-24XEL2510SSLP	24.00	25.38	10.00	IS6	1,152.39	SCE-24P24	21.00	21.00	53.18
SCE-30XEL2508SSLP	30.00	25.38	8.00	IS6	1,262.54	SCE-30P24	27.00	21.00	63.29
SCE-30XEL2510SSLP	30.00	25.38	10.00	IS6	1,375.82	SCE-30P24	27.00	21.00	63.29
SCE-36XEL2508SSLP	36.00	25.38	8.00	IS6	1,448.47	SCE-36P24	33.00	21.00	75.96
SCE-36XEL3110SSLP	36.00	31.38	10.00	IS6	1,704.24	SCE-36P30	33.00	27.00	101.27
SCE-36XEL3112SSLP	36.00	31.38	12.00	IS6	1,802.42	SCE-36P30	33.00	27.00	101.27
SCE-42XEL3110SSLP	42.00	31.38	10.00	IS6	1,941.03	SCE-42P30	39.00	27.00	116.47
SCE-42XEL3112SSLP	42.00	31.38	12.00	IS6	2,049.63	SCE-42P30	39.00	27.00	116.47
SCE-42XEL3712SSLP	42.00	37.38	12.00	IS6	2,226.07	SCE-42P36	39.00	33.00	136.72
SCE-42XEL3716SSLP	42.00	37.38	16.00	IS6	2,490.77	SCE-42P36	39.00	33.00	136.72
SCE-48XEL3710SSLP	48.00	37.38	10.00	IS6	2,293.94	SCE-48P36	45.00	33.00	154.46
SCE-48XEL3712SSLP	48.00	37.38	12.00	IS6	2,422.90	SCE-48P36	45.00	33.00	154.46
SCE-48XEL3716SSLP	48.00	37.38	16.00	IS6	2,694.37	SCE-48P36	45.00	33.00	154.46
SCE-60XEL3712SSLP	60.00	37.38	12.00	IS6	3,024.20	SCE-60P36	57.00	33.00	189.89
SCE-60XEL3716SSLP	60.00	37.38	16.00	IS6	3,309.25	SCE-60P36	57.00	33.00	189.89

Available within 10 working days if not in stock

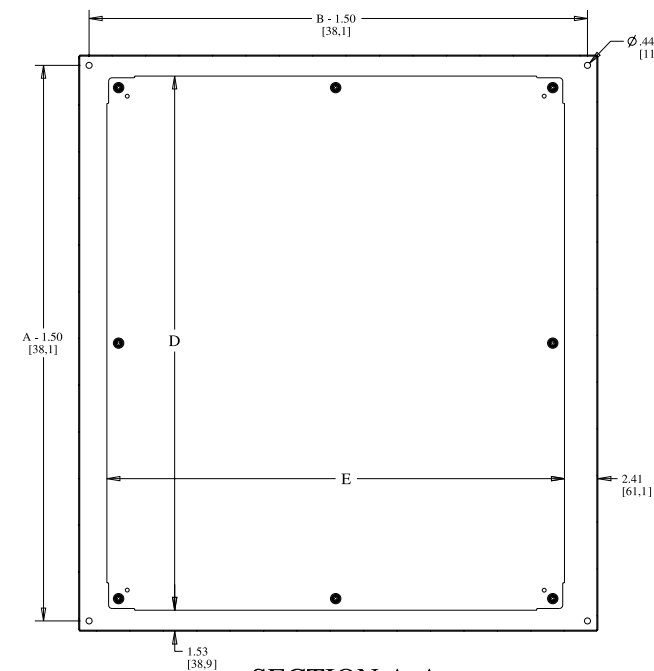
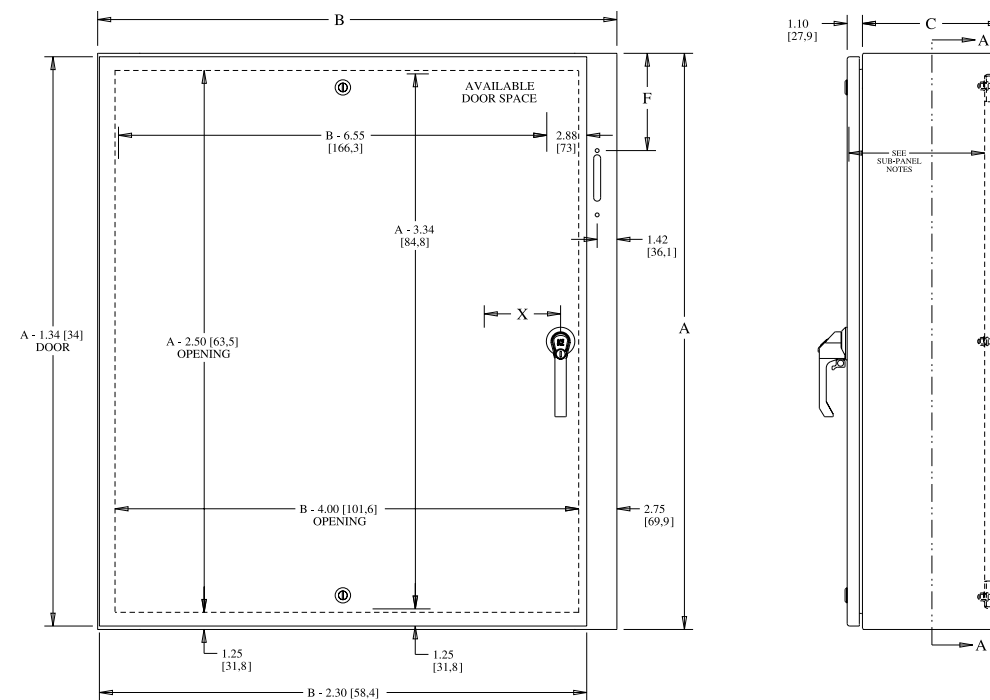


Back to
SS Wall-Mount
Enclosures

Phone (989) 799-6871
Fax (989) 799-4524



STAINLESS STEEL ENVIROLINE® SERIES SINGLE-DOOR ENCLOSURES FOR FLANGE-MOUNTED DISCONNECTS TECHNICAL DATA



SECTION A-A

SUB-PANEL NOTES:
Dimensions are from the inside of the door.
C + .32 [8,1] for flat sub-panels
C - .18 [4,5] for bent sub-panels

DISCONNECT NOTES:
F = 4.75 [121] when C = 8.00 [203]
F = 7.09 [180] when C = 10.00 [254]
F = 11.62 [295] when C = 12.00 [304]
F = 11.62 [295] when C = 16.00 [406]
F = 18.38 [467] for SCE-60XEL3712LP4

LATCH NOTES:
Omit center latch top and bottom of door when door width is <= 30.00" [762]

HANDLE NOTES:
On enclosures <= 42.00 [1067]
X = 5.50 [140] and use 5.00 [127] padlocking handle with coin-proof.
On enclosures > 42.00 [1067]
X = 6.75 [171] and use 7.00 [178] padlocking handle with coin-proof.

Enclosures with a height dimension < 40.00 [1016] have a 2-point door closing mechanism.

Enclosures with a height dimension of >= 40.00 [1016] have a 3-point door latching mechanism.

CONSTRUCTION NOTES:
Door will be 0.125 [3,1] thick material when enclosure height is >= 42.00 and door width is > 24.00



Phone (989) 799-6871
Fax (989) 799-4524

316 Stainless Steel Enviroline® Series Single-Door Enclosures For Flange-Mounted Disconnects

Application -

Designed to house most standard type disconnects. For installation information, consult our Installation Manual at www.saginawcontrol.com. For outdoor application a drip shield is recommended.

Construction -

- 0.075" stainless steel Type 316/316L.
- Seams continuously welded and ground smooth.
- Flange trough collar around all sides of door opening.
- Oil-resistant gasket.
- Collar studs provided for mounting optional sub-panels.
- Holes provided in body for mounting disconnect operating handle and operating mechanism.
- Stainless steel concealed hinge.
- Doors are interchangeable and easily removed by pulling hinge pin.
- 3-point latching mechanism.
- Latches are opened or closed with screwdriver (optional tamper-resistant inserts available).
- Mounting holes in back of enclosure.
- Mounting hardware, sealing washer and hole plug included.
- Black quarter turn latches as required.
- Ground studs on door and body.
- Black zinc die cast coinproof/padlocking handle.

Disconnect switch (or circuit breaker) and operating mechanism are not furnished with this enclosure.

Finish -

#4 brushed finish on all exterior surfaces. Optional sub-panels are powder coated white.

IS6 - Industry Standards -

NEMA Type 3R, 4, 4X, 12 & Type 13
UL Listed Type 3R, 4, 4X & 12
CSA Type 4, 4X & 12
IEC 60529 IP66

***Special Instructions apply for IS3, IS4 and IS6 to maintain the environmental rating of Type 3R for these parts. See the Special Instructions on the Industry Standards page in the Technical Information Section.

316 STAINLESS STEEL ENVIROLINE® SERIES SINGLE-DOOR ENCLOSURES FOR FLANGE-MOUNTED DISCONNECTS

ENCLOSURE PRODUCT CODE S7					SUB-PANEL (P3)				
Catalog No.	Height (A)	Width (B)	Depth (C)	Industry Standard	List Price	Catalog No.	Panel Height (D)	Panel Width (E)	List Price
SCE-20XEL2108SS6LP	20.00	21.38	8.00	IS6	1,091.33	SCE-20P20	17.00	17.00	35.44
SCE-24XEL2108SS6LP	24.00	21.38	8.00	IS6	1,189.05	SCE-24P20	21.00	17.00	45.57
SCE-24XEL2508SS6LP	24.00	25.38	8.00	IS6	1,293.30	SCE-24P24	21.00	21.00	53.18
SCE-24XEL2510SS6LP	24.00	25.38	10.00	IS6	1,382.87	SCE-24P24	21.00	21.00	53.18
SCE-30XEL2508SS6LP	30.00	25.38	8.00	IS6	1,515.05	SCE-30P24	27.00	21.00	63.29
SCE-30XEL2510SS6LP	30.00	25.38	10.00	IS6	1,650.98	SCE-30P24	27.00	21.00	63.29
SCE-36XEL2508SS6LP	36.00	25.38	8.00	IS6	1,738.16	SCE-36P24	33.00	21.00	75.96
SCE-36XEL3110SS6LP	36.00	31.38	10.00	IS6	2,045.09	SCE-36P30	33.00	27.00	101.27
SCE-36XEL3112SS6LP	36.00	31.38	12.00	IS6	2,162.90	SCE-36P30	33.00	27.00	101.27
SCE-42XEL3110SS6LP	42.00	31.38	10.00	IS6	2,329.23	SCE-42P30	39.00	27.00	116.47
SCE-42XEL3112SS6LP	42.00	31.38	12.00	IS6	2,459.55	SCE-42P30	39.00	27.00	116.47
SCE-42XEL3712SS6LP	42.00	37.38	12.00	IS6	2,671.29	SCE-42P36	39.00	33.00	136.72
SCE-48XEL3710SS6LP	48.00	37.38	10.00	IS6	2,752.73	SCE-48P36	45.00	33.00	154.46
SCE-48XEL3712SS6LP	48.00	37.38	12.00	IS6	2,907.47	SCE-48P36	45.00	33.00	154.46
SCE-48XEL3716SS6LP	48.00	37.38	16.00	IS6	3,233.25	SCE-48P36	45.00	33.00	154.46
SCE-60XEL3712SS6LP	60.00	37.38	12.00	IS6	3,629.05	SCE-60P36	57.00	33.00	189.89
SCE-60XEL3716SS6LP	60.00	37.38	16.00	IS6	3,971.10	SCE-60P36	57.00	33.00	189.89

Available within 10 working days if not in stock

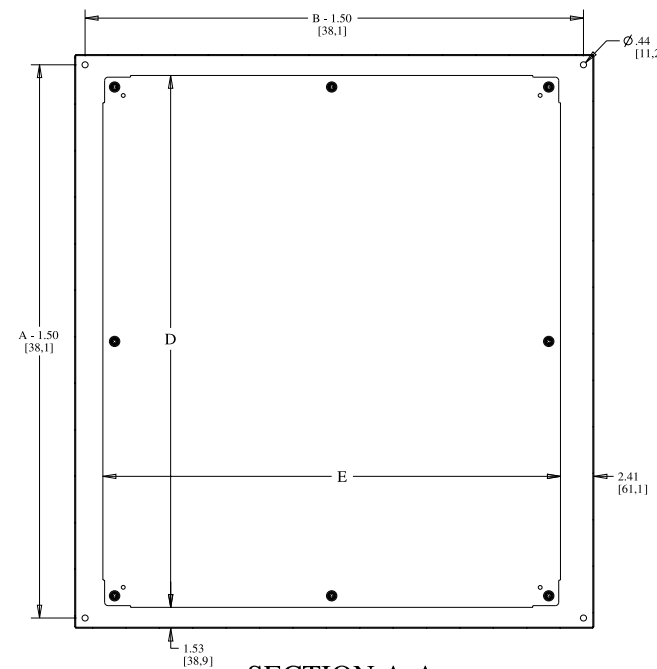
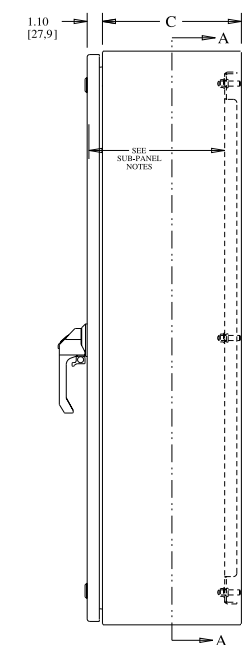
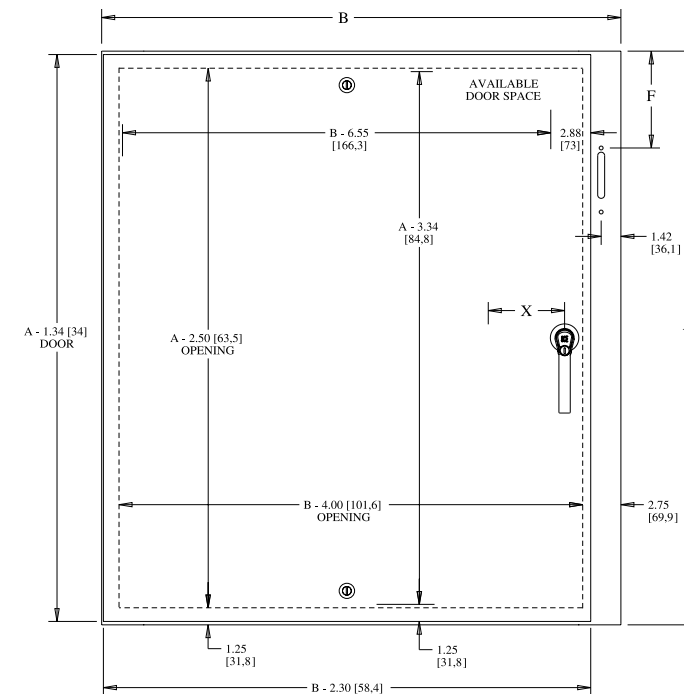


Back to
SS Wall-Mount
Enclosures

Phone (989) 799-6871
Fax (989) 799-4524



STAINLESS STEEL ENVIROLINE® SERIES SINGLE-DOOR ENCLOSURES FOR FLANGE-MOUNTED DISCONNECTS TECHNICAL DATA



SUB-PANEL NOTES:
Dimensions are from the inside of the door.
C + .32 [8.1] for flat sub-panels
C - .18 [4.5] for bent sub-panels

DISCONNECT NOTES:
F = 4.75 [121] when C = 8.00 [203]
F = 7.09 [180] when C = 10.00 [254]
F = 11.62 [295] when C = 12.00 [304]
F = 11.62 [295] when C = 16.00 [406]
F = 18.38 [467] for SCE-60XEL3712LP4

LATCH NOTES:
Omit center latch top and bottom of door when door width is <= 30.00" [762]

HANDLE NOTES:
On enclosures <= 42.00 [1067]
X = 5.50 [140] and use 5.00 [127] padlocking handle with coin-proof.
On enclosures > 42.00 [1067]
X = 6.75 [171] and use 7.00 [178] padlocking handle with coin-proof.

Enclosures with a height dimension < 40.00 [1016] have a 2-point door closing mechanism.

Enclosures with a height dimension of >= 40.00 [1016] have a 3-point door latching mechanism.

CONSTRUCTION NOTES:
Door will be 0.125 [3,1] thick material when enclosure height is >= 42.00 and door width is > 24.00



Phone (989) 799-6871
Fax (989) 799-4524

Stainless Steel Enviroline® Series Wall-Mount Sloping Top Disconnect Enclosures

Application -

Designed to house most standard type disconnects. For installation information, consult our Installation Manual at www.saginawcontrol.com.

Construction -

- 0.075" stainless steel Type 304.
- Seams continuously welded and ground smooth.
- Flange trough collar around all sides of door opening.
- 15 Degree Sloping Top.
- Stainless steel concealed hinges.
- Stainless steel coinproof/padlocking handle.
- 3-point latching mechanism.
- Removable print pocket on main door of disconnect enclosures.
- Oil & water resistant gasket.
- Mounting hardware, sealing washer and hole plug included.
- Black quarter turn latches as required.
- Ground stud on door and body.

Disconnect switch (or circuit breaker) and operating mechanism are not furnished with this enclosure.

Finish -

4 Brushed finish on all exterior surfaces. Optional sub-panels are powder coated white.

IS5 - Industry Standards -

NEMA Type 4, 4X, 12 & Type 13
UL Listed Type 4, 4X & 12
CSA Type 4, 4X & 12
IEC 60529 IP66

STAINLESS STEEL ENVIROLINE® SERIES WALL-MOUNT SLOPING TOP DISCONNECT ENCLOSURES

ENCLOSURE PRODUCT CODE S8					SUB-PANEL (P3)				
Catalog No.	Height (A)	Width (B)	Depth (C)	Industry Standard	List Price	Catalog No.	Panel Height (D)	Panel Width (E)	List Price
SCE-24XEL2510SSST	24.00	25.38	10.00	IS5	1,555.73	SCE-24P24	21.00	21.00	53.18
SCE-30XEL2510SSST	30.00	25.38	10.00	IS5	1,759.14	SCE-30P24	27.00	21.00	63.29
SCE-36XEL3110SSST	36.00	31.38	10.00	IS5	1,968.03	SCE-36P30	33.00	27.00	101.27
SCE-48XEL3716SSST	48.00	37.38	16.00	IS5	3,637.40	SCE-48P36	45.00	33.00	154.46
SCE-60XEL3716SSST	60.00	37.38	16.00	IS5	4,467.49	SCE-60P36	57.00	33.00	189.89

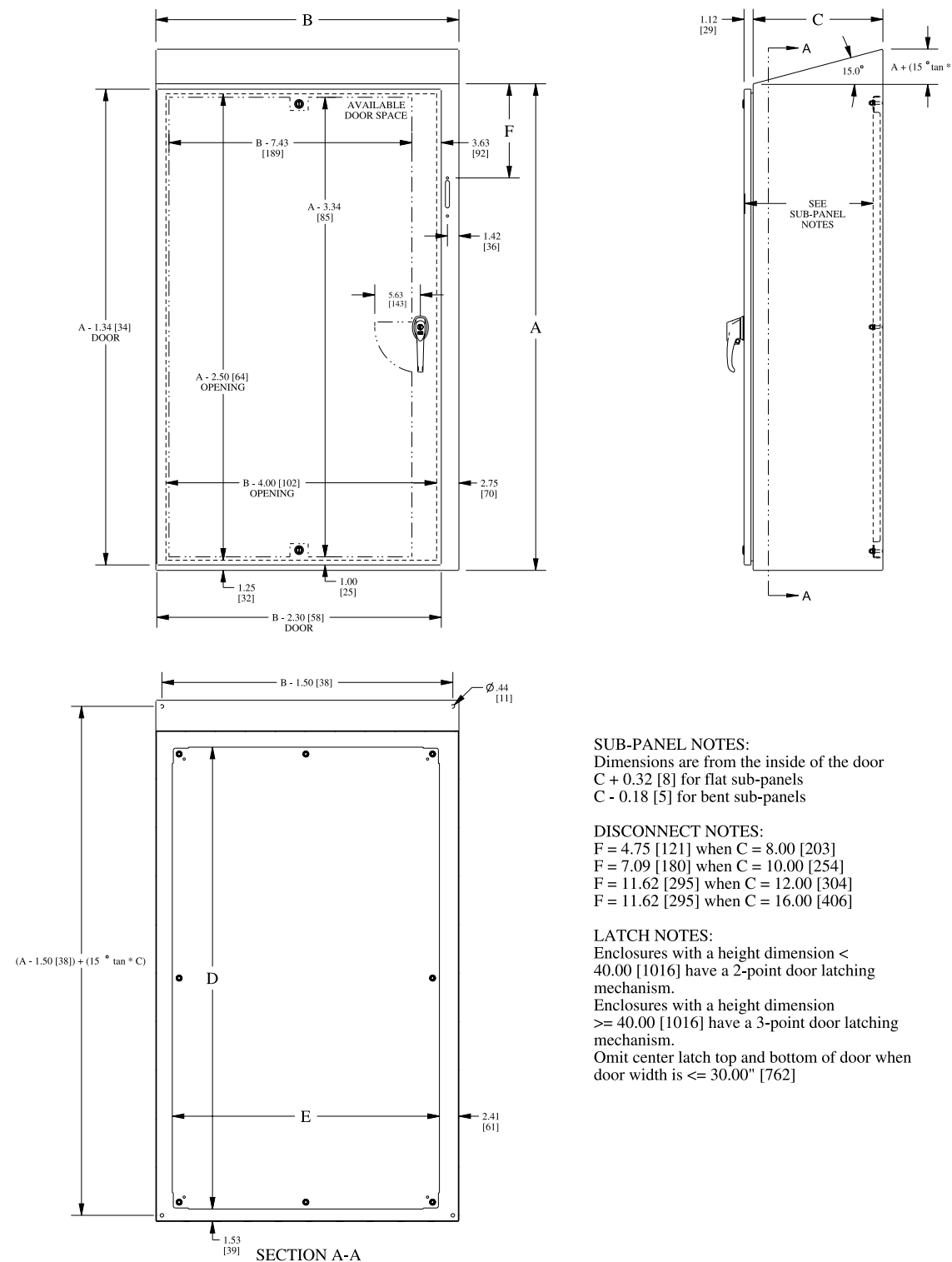


Back to SS Wall-Mount Enclosures

Phone (989) 799-6871
Fax (989) 799-4524



STAINLESS STEEL ENVIROLINE® SERIES WALL-MOUNT SLOPING TOP DISCONNECT ENCLOSURES TECHNICAL DATA



Phone (989) 799-6871
Fax (989) 799-4524

304 & 316 Stainless Steel Clamp Fastened Enclosures For Flange-Mounted Disconnects

Application -

Designed to house most standard type disconnects. For installation information, consult our Installation Manual at www.saginawcontrol.com. For outdoor application a drip shield is recommended.

Construction -

- 0.075" stainless steel Type 304 & 316/316L.
- Seams continuously welded and ground smooth.
- Stainless steel continuous hinge.
- Flange trough collar around all sides of door opening.
- Interior print pocket.
- Oil-resistant door gasket.
- Ground studs on door and body.
- Disconnect cutout provided on flange.
- Stainless steel clamps.
- No door stiffeners required.
- Collar studs provided for mounting optional sub-panels.

Disconnect switch (or circuit breaker) and operating mechanism are not furnished with this enclosure.

Finish -

#4 brushed finish on all exterior surfaces. Optional sub-panels are powder coated white.

IS5 - Industry Standards -
 NEMA Type 4, 4X, 12 & Type 13
 UL Listed Type 4, 4X & 12
 CSA Type 4, 4X & 12
 IEC 60529 IP66

304 STAINLESS STEEL CLAMP FASTENED ENCLOSURES FOR FLANGE-MOUNTED DISCONNECTS

ENCLOSURE PRODUCT CODE S3						SUB-PANEL (P3)			
Catalog No.	Height (A)	Width (B)	Depth (C)	Industry Standard	List Price	Catalog No.	Panel Height (D)	Panel Width (E)	List Price
SCE-24HS2108SSLP	24.00	21.38	8.00	IS5	1,115.76	SCE-24P20	21.00	17.00	45.57
SCE-24HS2508SSLP	24.00	25.38	8.00	IS5	1,227.06	SCE-24P24	21.00	21.00	53.18
SCE-30HS2508SSLP	30.00	25.38	8.00	IS5	1,392.66	SCE-30P24	27.00	21.00	63.29
SCE-36HS2508SSLP	36.00	25.38	8.00	IS5	1,558.25	SCE-36P24	33.00	21.00	75.96
SCE-36HS3108SSLP	36.00	31.38	8.00	IS5	1,786.29	SCE-36P30	33.00	27.00	101.27
SCE-42HS3112SSLP	42.00	31.38	12.00	IS5	2,236.93	SCE-42P30	39.00	27.00	116.47
SCE-42HS3712SSLP	42.00	37.38	12.00	IS5	2,513.83	SCE-42P36	39.00	33.00	136.72
SCE-48HS3712SSLP	48.00	37.38	12.00	IS5	2,763.60	SCE-48P36	45.00	33.00	154.46
SCE-60HS3712SSLP	60.00	37.38	12.00	IS5	3,265.81	SCE-60P36	57.00	33.00	189.89

316 STAINLESS STEEL ENCLOSURES FOR FLANGE-MOUNTED DISCONNECTS

ENCLOSURE PRODUCT CODE S7						SUB-PANEL (P3)			
Catalog No.	Height (A)	Width (B)	Depth (C)	Industry Standard	List Price	Catalog No.	Panel Height (D)	Panel Width (E)	List Price
SCE-24HS2108SS6LP	24.00	21.38	8.00	IS5	1,338.91	SCE-24P20	21.00	17.00	45.57
SCE-24HS2508SS6LP	24.00	25.38	8.00	IS5	1,472.47	SCE-24P24	21.00	21.00	53.18
SCE-30HS2508SS6LP	30.00	25.38	8.00	IS5	1,671.19	SCE-30P24	27.00	21.00	63.29
SCE-36HS2508SS6LP	36.00	25.38	8.00	IS5	1,869.90	SCE-36P24	33.00	21.00	75.96
SCE-36HS3108SS6LP	36.00	31.38	8.00	IS5	2,143.55	SCE-36P30	33.00	27.00	101.27
SCE-42HS3112SS6LP	42.00	31.38	12.00	IS5	2,684.32	SCE-42P30	39.00	27.00	116.47
SCE-42HS3712SS6LP	42.00	37.38	12.00	IS5	3,016.60	SCE-42P36	39.00	33.00	136.72
SCE-48HS3712SS6LP	48.00	37.38	12.00	IS5	3,316.32	SCE-48P36	45.00	33.00	154.46
SCE-60HS3712SS6LP	60.00	37.38	12.00	IS5	3,918.98	SCE-60P36	57.00	33.00	189.89

Available within 10 working days if not in stock



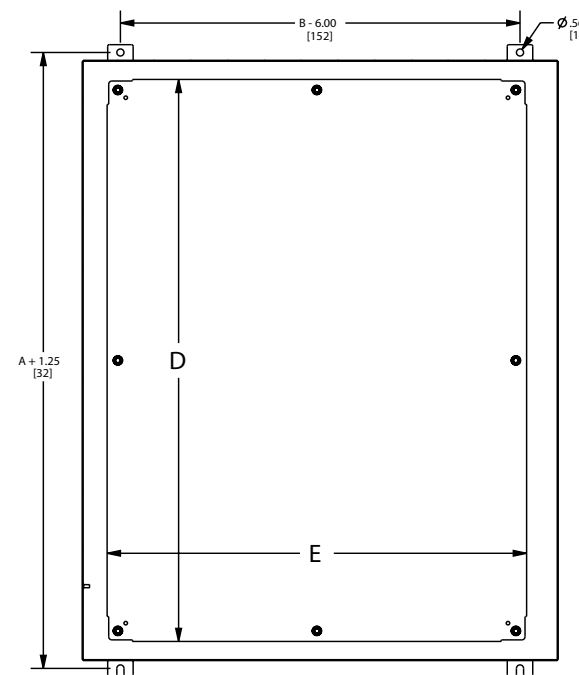
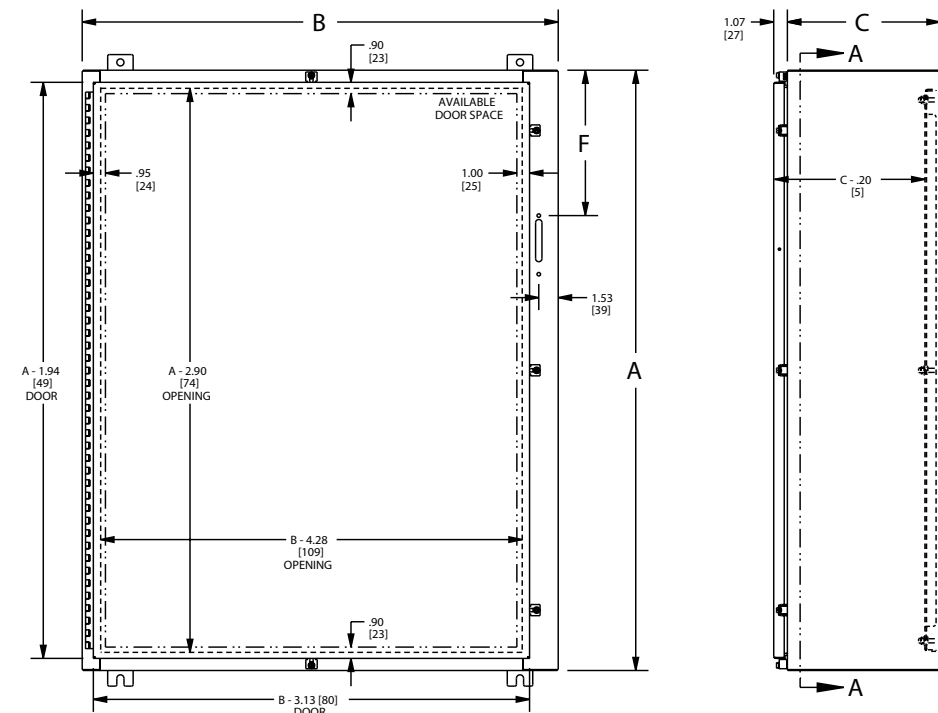
Back to
 SS Wall-Mount
 Enclosures

Phone (989) 799-6871
 Fax (989) 799-4524



STAINLESS STEEL CLAMP FASTENED ENCLOSURES FOR FLANGE-MOUNTED DISCONNECTS

TECHNICAL DATA



SECTION A-A

DISCONNECT NOTES:
 F = 8.63 [219] when C = 8.00 [203]
 F = 11.63 [295] when C = 12.00 [304]

CLAMPING NOTES:
 Enclosures < 27.00 [686] in height require two clamps on door.
 Enclosures >= 27.00 [686] in height require three clamps on door.
 Omit center clamp top and bottom of door when door width is <= 30.00 [762]



Phone (989) 799-6871
 Fax (989) 799-4524

NOTES

Phone (989) 799-6871
Fax (989) 799-4524



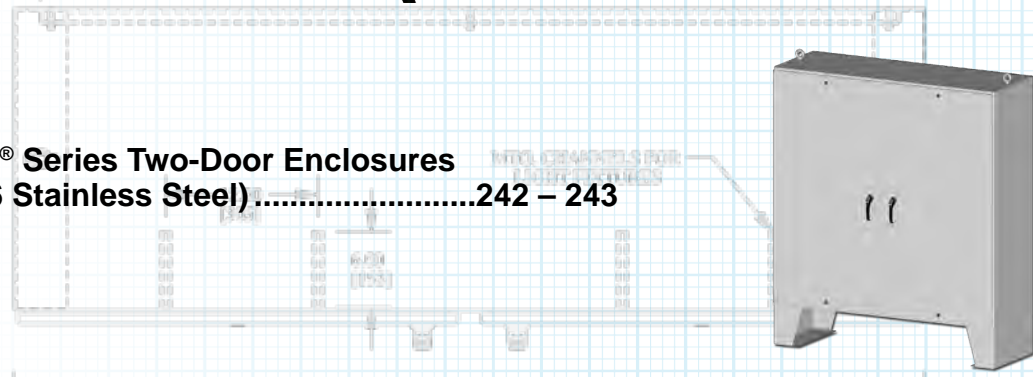
NOTES

Phone (989) 799-6871
Fax (989) 799-4524

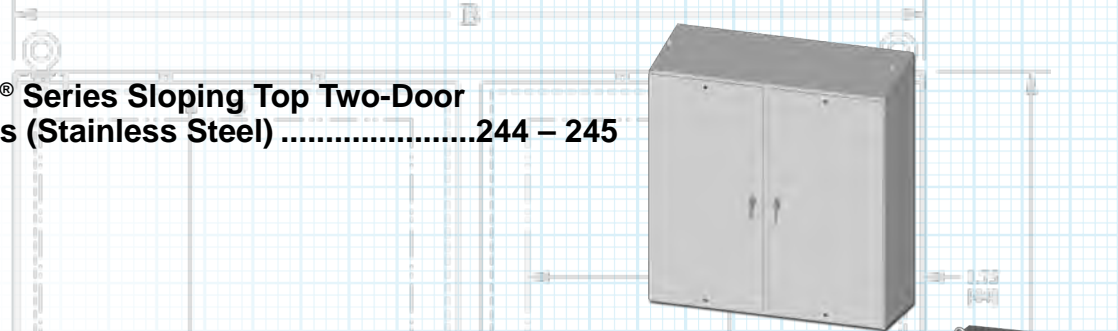


Free-Standing & Floor-Mounted Enclosures (Stainless Steel)

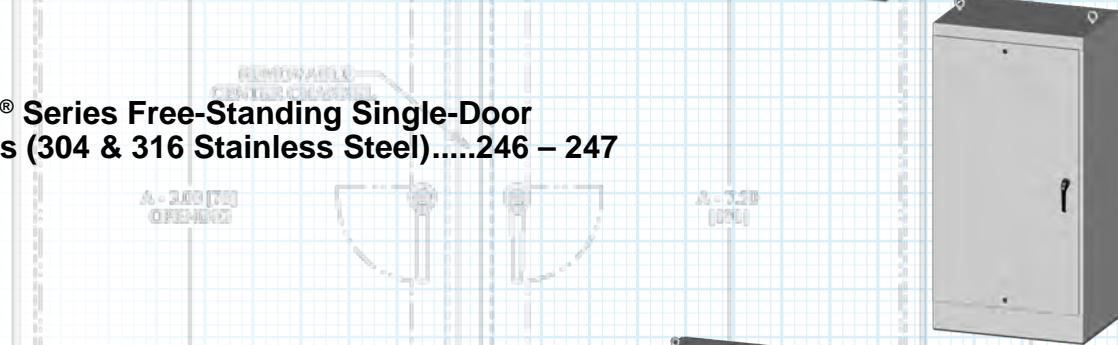
Envioline® Series Two-Door Enclosures (304 & 316 Stainless Steel)242 – 243



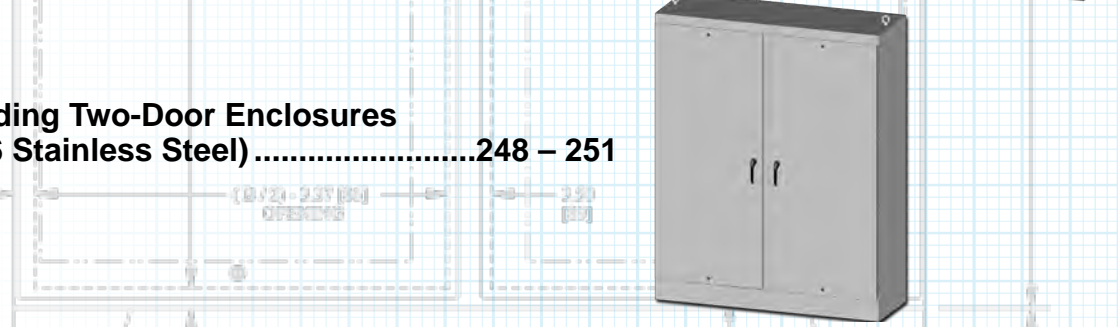
Envioline® Series Sloping Top Two-Door Enclosures (Stainless Steel)244 – 245



Envioline® Series Free-Standing Single-Door Enclosures (304 & 316 Stainless Steel).....246 – 247



Free-Standing Two-Door Enclosures (304 & 316 Stainless Steel)248 – 251



Back to Table of Contents

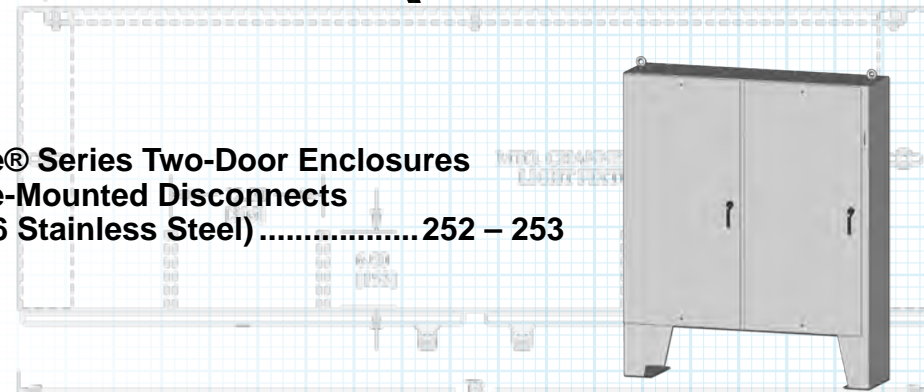


Phone (989) 799-6871 Fax (989) 799-4524

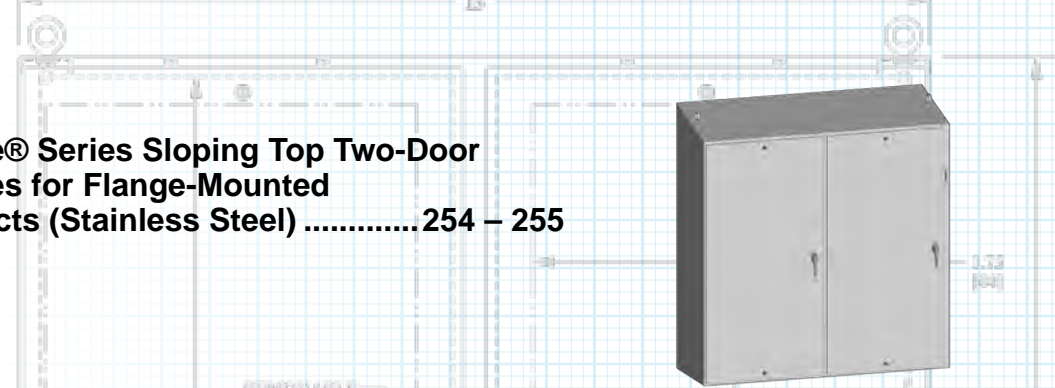


Free-Standing & Floor-Mounted Enclosures (Stainless Steel)

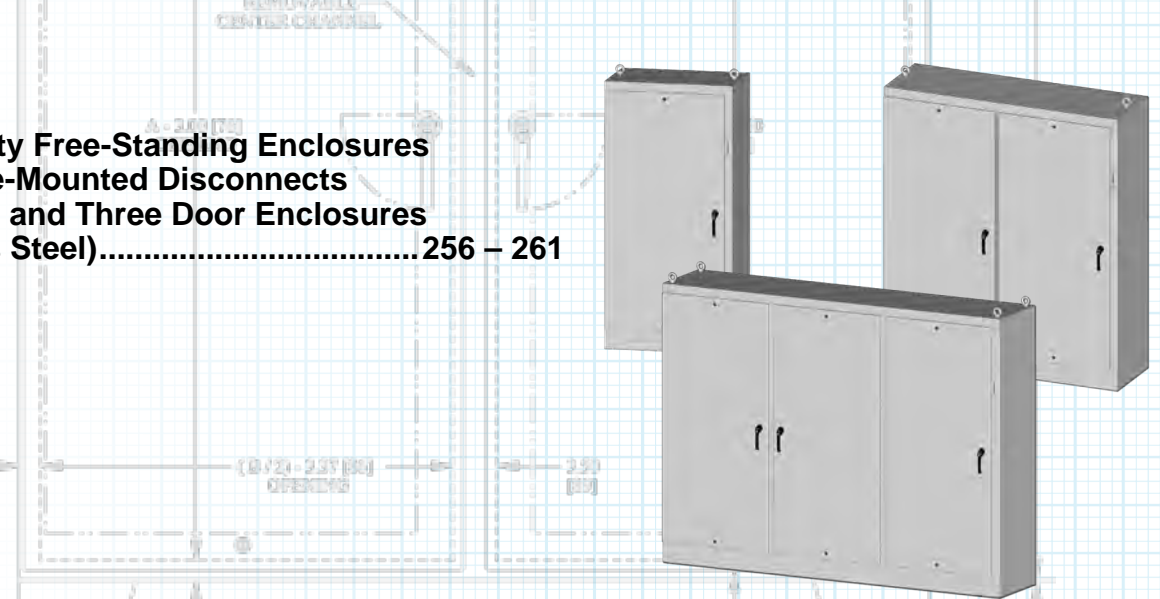
Envioline® Series Two-Door Enclosures for Flange-Mounted Disconnects (304 & 316 Stainless Steel)252 – 253



Envioline® Series Sloping Top Two-Door Enclosures for Flange-Mounted Disconnects (Stainless Steel)254 – 255



Heavy Duty Free-Standing Enclosures for Flange-Mounted Disconnects One, Two, and Three Door Enclosures (Stainless Steel).....256 – 261



Phone (989) 799-6871 Fax (989) 799-4524



Back to Table of Contents

**Stainless Steel
Enviroline® Series
Two-Door Enclosures
With 3-Point Hardware**

Application -

Designed to house electrical and electronic controls, instrumentation and components in indoor & outdoor locations. For outdoor applications a drip shield is recommended. For installation information, consult our Installation Manual at www.saginawcontrol.com.

Construction -

- 0.104" stainless steel Type 304 & 316/316L.
- Seams continuously welded and ground smooth.
- Flange trough collar around all sides of door opening.
- Removable center post.
- Heavy duty lifting eyes anchored into reinforced top.
- Body stiffeners.
- Black quarter turn latches as required.
- Stainless steel concealed hinges.
- Black keylocking/padlocking handles.
- 3-point latching mechanism.
- Removable print pocket on main door of disconnect enclosures.
- 12" removable floor stands.
- Panel supports.
- Provisions for mechanical interlock.
- Oil & water resistant gasket.
- Ground stud on door and body.

Options -

Provisions for mechanical interlock. See Accessory section to order.

Finish -

#4 brushed finish on all exterior surfaces. Optional sub-panels are powder coated white.

IS5 - Industry Standards -

- NEMA Type 4, 4X, 12 & Type 13
- UL Listed Type 4, 4X & 12
- CSA Type 4, 4X & 12
- IEC 60529 IP66

**304 STAINLESS STEEL ENVIROLINE® SERIES
TWO-DOOR ENCLOSURES WITH 3-POINT HARDWARE**

ENCLOSURE PRODUCT CODE S4						SUB-PANEL (P3)			
Catalog No.	Height (A)	Width (B)	Depth (C)	Industry Standard	List Price	Catalog No.	Panel Height (D)	Panel Width (E)	List Price
SCE-60EL4812SSLPPL	60.00	48.00	12.00	IS5	6,956.49	SCE-60P48	56.00	44.00	268.38
SCE-60EL4818SSLPPL	60.00	48.00	18.00	IS5	7,378.64	SCE-60P48	56.00	44.00	268.38
SCE-60EL6012SSLPPL	60.00	60.00	12.00	IS5	7,807.56	SCE-60P60	56.00	56.00	331.68
SCE-60EL6018SSLPPL	60.00	60.00	18.00	IS5	8,176.75	SCE-60P60	56.00	56.00	331.68
SCE-72EL6012SSLPPL	72.00	60.00	12.00	IS5	8,904.31	SCE-72P60	68.00	56.00	394.98
SCE-72EL6018SSLPPL	72.00	60.00	18.00	IS5	9,094.34	SCE-72P60	68.00	56.00	394.98
SCE-72EL7212SSLPPL	72.00	72.00	12.00	IS5	9,615.57	SCE-72P72	68.00	68.00	470.93
SCE-72EL7218SSLPPL	72.00	72.00	18.00	IS5	10,334.97	SCE-72P72	68.00	68.00	470.93
SCE-72EL7224SSLPPL	72.00	72.00	24.00	IS5	10,702.00	SCE-72P72	68.00	68.00	470.93

**316 STAINLESS STEEL ENVIROLINE® SERIES
TWO-DOOR ENCLOSURES WITH 3-POINT HARDWARE**

ENCLOSURE PRODUCT CODE S7						SUB-PANEL (P3)			
Catalog No.	Height (A)	Width (B)	Depth (C)	Industry Standard	List Price	Catalog No.	Panel Height (D)	Panel Width (E)	List Price
SCE-60EL4812SS6LPPL	60.00	48.00	12.00	IS5	8,347.79	SCE-60P48	56.00	44.00	268.38
SCE-60EL4818SS6LPPL	60.00	48.00	18.00	IS5	8,854.36	SCE-60P48	56.00	44.00	268.38
SCE-60EL6012SS6LPPL	60.00	60.00	12.00	IS5	9,369.07	SCE-60P60	56.00	56.00	331.68
SCE-60EL6018SS6LPPL	60.00	60.00	18.00	IS5	9,812.11	SCE-60P60	56.00	56.00	331.68
SCE-72EL6012SS6LPPL	72.00	60.00	12.00	IS5	10,685.17	SCE-72P60	68.00	56.00	394.98
SCE-72EL6018SS6LPPL	72.00	60.00	18.00	IS5	10,913.21	SCE-72P60	68.00	56.00	394.98
SCE-72EL7212SS6LPPL	72.00	72.00	12.00	IS5	11,538.68	SCE-72P72	68.00	68.00	470.93
SCE-72EL7218SS6LPPL	72.00	72.00	18.00	IS5	12,401.96	SCE-72P72	68.00	68.00	470.93
SCE-72EL7224SS6LPPL	72.00	72.00	24.00	IS5	12,842.40	SCE-72P72	68.00	68.00	470.93

Available within 10 working days if not in stock

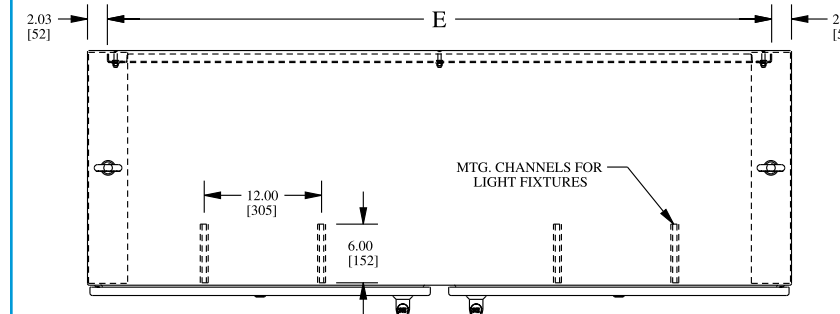


Back to
SS Free Standing
Enclosures

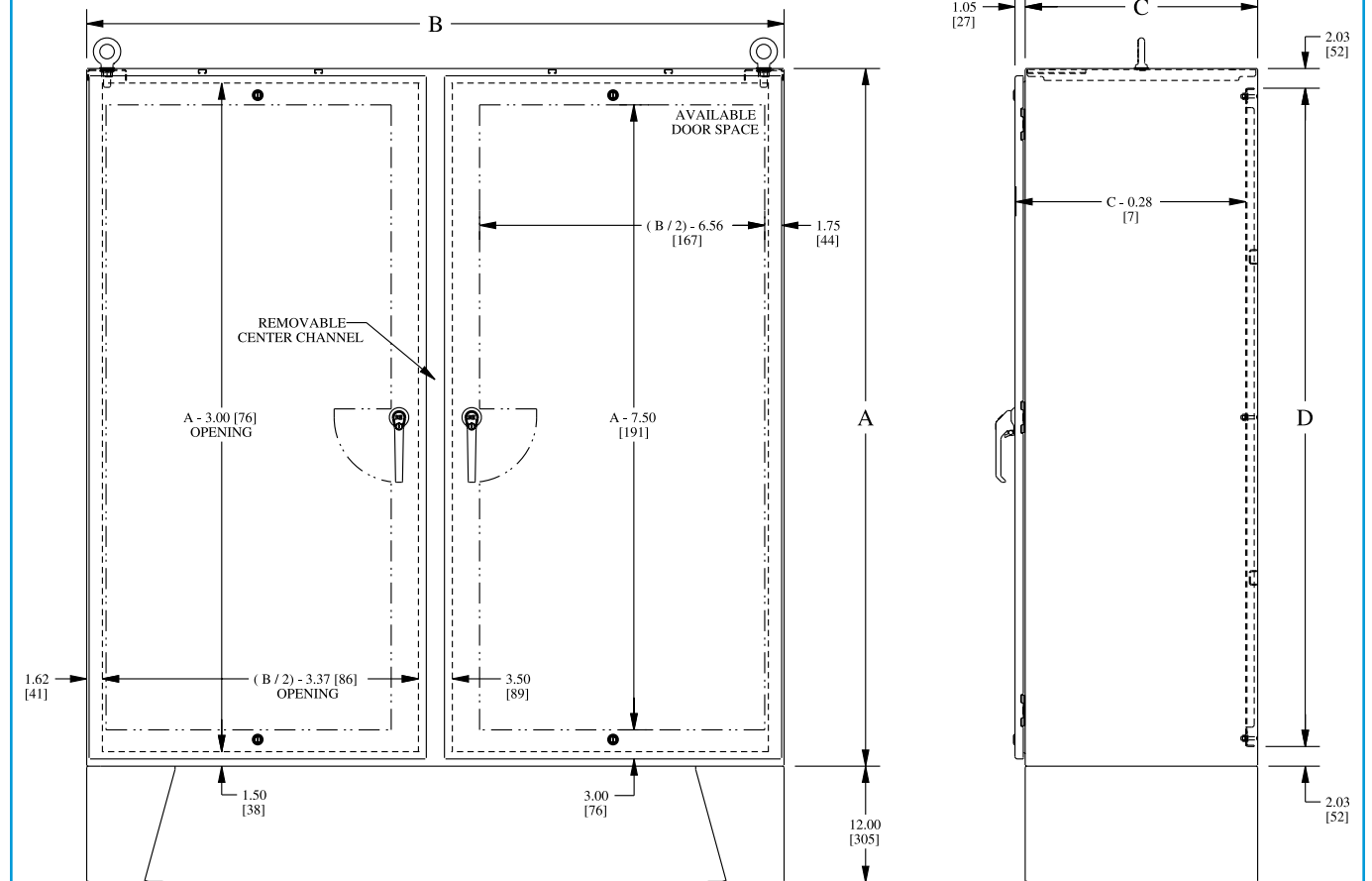
Phone (989) 799-6871
Fax (989) 799-4524



**STAINLESS STEEL ENVIROLINE® SERIES TWO-DOOR
ENCLOSURES WITH 3-POINT HARDWARE
TECHNICAL DATA**



LATCH NOTE:
Omit center latch top and bottom of door when door width is < 30.00 [762]



Phone (989) 799-6871
Fax (989) 799-4524

Stainless Steel Enviroline® Series Two-Door Sloping Top Enclosures

Application -

Designed to house electrical and electronic controls, instrumentation and components in indoor, outdoor and sanitary locations. For installation information, consult our Installation Manual at www.saginawcontrol.com.

Construction -

- 0.104" stainless steel Type 304.
- Seams continuously welded and ground smooth.
- Flange trough collar around all sides of door opening.
- 15 Degree Sloping Top.
- Removable center post.
- Heavy duty lifting eyes anchor into reinforced top.
- Body stiffeners.
- Black quarter turn latches as required.
- Stainless steel concealed hinges.
- Stainless steel padlocking handles.
- 3-point latching mechanism.
- Removable print pocket on main door of disconnect enclosures.
- Provisions for floor stands.
- Panel supports.
- Oil & water resistant gasket.
- Ground stud on door and body.

Finish -

#4 brushed finish on all exterior surfaces.
Optional sub-panels are powder coated white.

IS5 - Industry Standards -

NEMA Type 4, 4X, 12 & Type 13
UL Listed Type 4, 4X & 12
CSA Type 4, 4X & 12
IEC 60529 IP66

STAINLESS STEEL ENVIROLINE® SERIES TWO-DOOR SLOPING TOP ENCLOSURES

ENCLOSURE PRODUCT CODE S8						SUB-PANEL (P3)			
Catalog No.	Height (A)	Width (B)	Depth (C)	Industry Standard	List Price	Catalog No.	Panel Height (D)	Panel Width (E)	List Price
SCE-60EL4812SSST	60.00	48.00	12.00	IS5	9,739.09	SCE-60P48	56.00	44.00	268.38
SCE-60EL4818SSST	60.00	48.00	18.00	IS5	10,330.10	SCE-60P48	56.00	44.00	268.38
SCE-60EL6012SSST	60.00	60.00	12.00	IS5	10,930.58	SCE-60P60	56.00	56.00	331.68
SCE-60EL6018SSST	60.00	60.00	18.00	IS5	11,447.45	SCE-60P60	56.00	56.00	331.68
SCE-72EL6012SSST	72.00	60.00	12.00	IS5	12,466.03	SCE-72P60	68.00	56.00	394.98
SCE-72EL6018SSST	72.00	60.00	18.00	IS5	12,732.08	SCE-72P60	68.00	56.00	394.98
SCE-72EL7212SSST	72.00	72.00	12.00	IS5	13,461.80	SCE-72P72	68.00	68.00	470.93
SCE-72EL7218SSST	72.00	72.00	18.00	IS5	14,468.96	SCE-72P72	68.00	68.00	470.93
SCE-72EL7224SSST	72.00	72.00	24.00	IS5	14,982.80	SCE-72P72	68.00	68.00	470.93

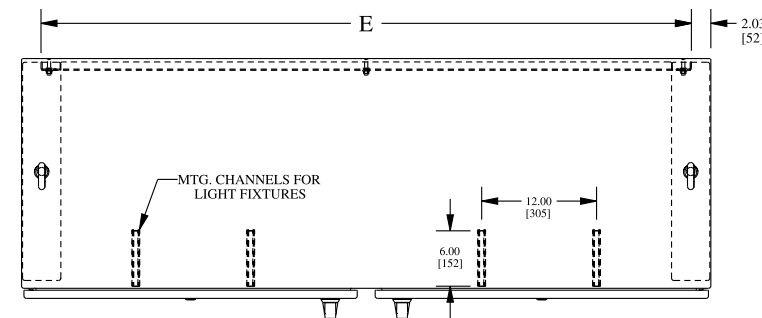


Back to
SS Free Standing
Enclosures

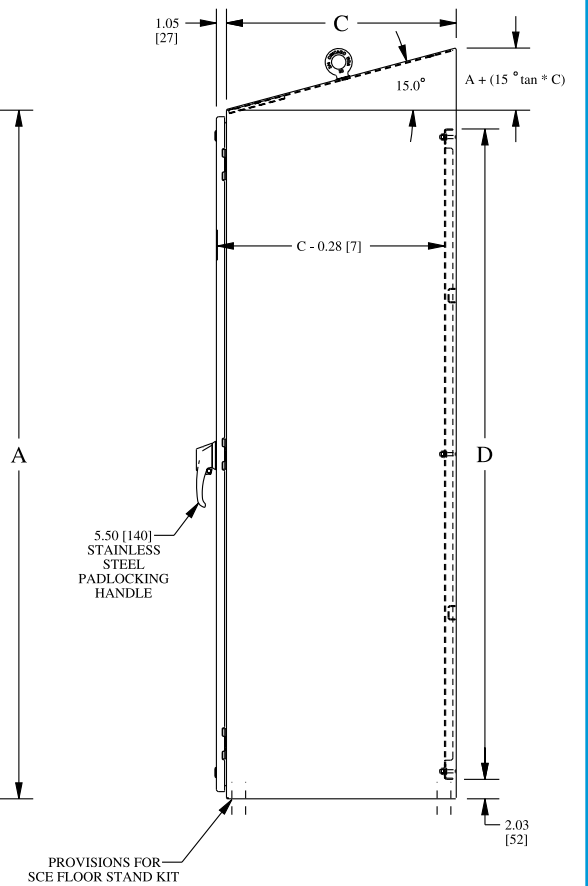
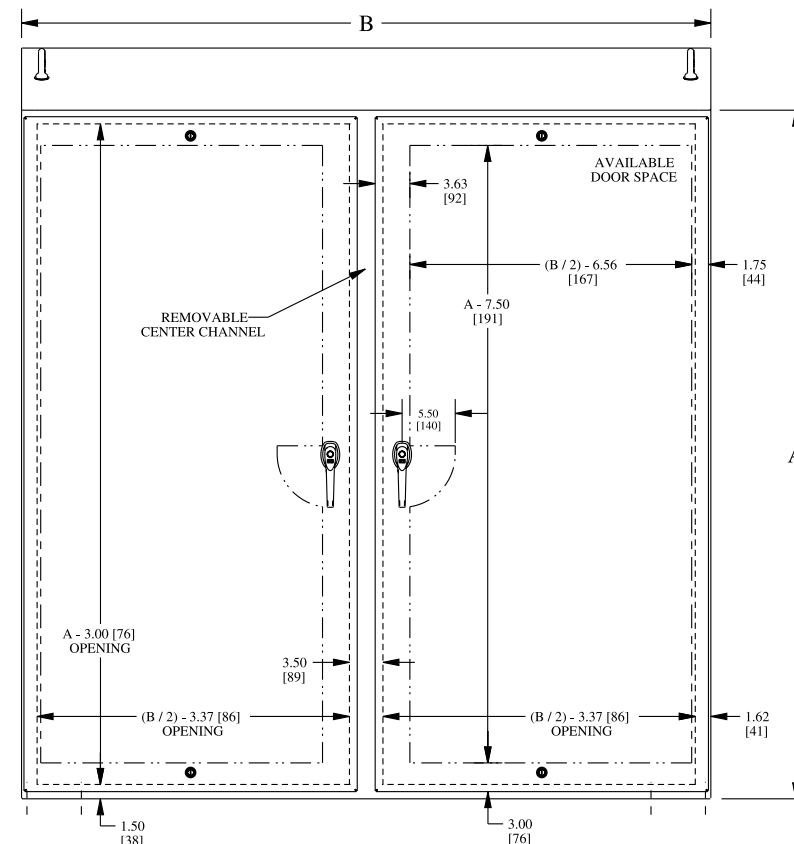
Phone (989) 799-6871
Fax (989) 799-4524



STAINLESS STEEL ENVIROLINE® SERIES TWO-DOOR SLOPING TOP ENCLOSURES TECHNICAL DATA



LATCH NOTE:
Omit center latch top and bottom of door when door width is < 30.00 [762]



Phone (989) 799-6871
Fax (989) 799-4524

Stainless Steel Enviroline® Series Free-Standing Single-Door Enclosures

Application -

Designed to house electrical and electronic controls, instruments and components. Provides protection from dust, oil and water. For installation information, consult our Installation Manual at www.saginawcontrol.com. For outdoor application a drip shield is recommended.

Construction -

- 0.104" stainless steel Type 304 & 316/316L.
- Seams continuously welded and ground smooth.
- Oil-resistant gasket.
- Flange trough collar around all sides of door opening.
- Stainless steel concealed hinge.
- Black zinc die cast keylocking/padlocking handle.
- Removable and interchangeable doors.
- Black quarter turn latches as required.
- Removable print pocket.
- Lifting eyes for easy handling.
- Ground studs on door and body.
- Mounting channels welded horizontally on sides of interior body at top, bottom and middle for mounting optional panels or rack mounting angles.
- No door stiffeners required.

Finish -

#4 brushed finish on all exterior surfaces. Optional sub-panels are powder coated white.

Accessories - See pages 116-123



IS6 - Industry Standards -

NEMA Type 3R, 4, 4X, 12 & Type 13
UL Listed Type 3R, 4, 4X & 12
CSA Type 4, 4X & 12
IEC 60529 IP66

***Special Instructions apply for IS3, IS4 and IS6 to maintain the environmental rating of Type 3R for these parts. See the Special Instructions on the Industry Standards page in the Technical Information Section.

304 STAINLESS STEEL ENVIROLINE® SERIES SINGLE-DOOR SINGLE-ACCESS ENCLOSURES

ENCLOSURE PRODUCT CODE S4					
Catalog No.	Height (A)	Width (B)	Depth (C)	Industry Standard	List Price
SCE-60EL2418SSF5	60.00	24.00	18.00	IS6	4,239.55
SCE-60EL3624SSF5	60.00	36.00	24.00	IS6	5,108.64
SCE-72EL2418SSF5	72.00	24.00	18.00	IS6	4,502.73
SCE-72EL2424SSF5	72.00	24.00	24.00	IS6	4,849.77
SCE-72EL3018SSF5	72.00	30.00	18.00	IS5	4,833.41
SCE-72EL3024SSF5	72.00	30.00	24.00	IS6	5,367.27
SCE-72EL3618SSF5	72.00	36.00	18.00	IS6	5,345.91
SCE-72EL3624SSF5	72.00	36.00	24.00	IS6	5,981.36
SCE-72EL3630SSF5	72.00	36.00	30.00	IS6	6,616.82
SCE-72EL3636SSF5	72.00	36.00	36.00	IS6	7,252.27
SCE-90EL2420SSF5	90.00	24.00	20.00	IS6	5,325.00
SCE-90EL3620SSF5	90.00	36.00	20.00	IS6	6,618.18
SCE-90EL3624SSF5	90.00	36.00	24.00	IS6	7,188.18
SCE-90EL3636SSF5	90.00	36.00	36.00	IS6	8,386.82

316 STAINLESS STEEL ENVIROLINE® SERIES SINGLE-DOOR SINGLE-ACCESS ENCLOSURES

ENCLOSURE PRODUCT CODE S7					
Catalog No.	Height (A)	Width (B)	Depth (C)	Industry Standard	List Price
SCE-60EL2418SS6FS	60.00	24.00	18.00	IS6	5,087.45
SCE-60EL3624SS6FS	60.00	36.00	24.00	IS6	6,130.36
SCE-72EL2418SS6FS	72.00	24.00	18.00	IS6	5,403.27
SCE-72EL2424SS6FS	72.00	24.00	24.00	IS6	5,819.73
SCE-72EL3018SS6FS	72.00	30.00	18.00	IS6	5,800.09
SCE-72EL3024SS6FS	72.00	30.00	24.00	IS6	6,440.73
SCE-72EL3618SS6FS	72.00	36.00	18.00	IS6	6,415.09
SCE-72EL3624SS6FS	72.00	36.00	24.00	IS6	7,177.64
SCE-72EL3630SS6FS	72.00	36.00	30.00	IS6	7,940.18
SCE-72EL3636SS6FS	72.00	36.00	36.00	IS6	8,702.73
SCE-90EL2420SS6FS	90.00	24.00	20.00	IS6	6,390.00
SCE-90EL3620SS6FS	90.00	36.00	20.00	IS6	7,941.82
SCE-90EL3624SS6FS	90.00	36.00	24.00	IS6	8,625.82
SCE-90EL3636SS6FS	90.00	36.00	36.00	IS6	10,064.18



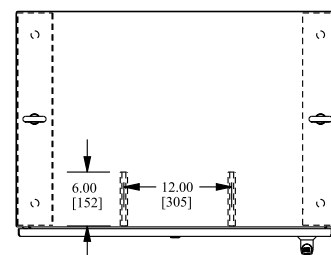
Available within 10 working days if not in stock

Back to
SS Free Standing
Enclosures

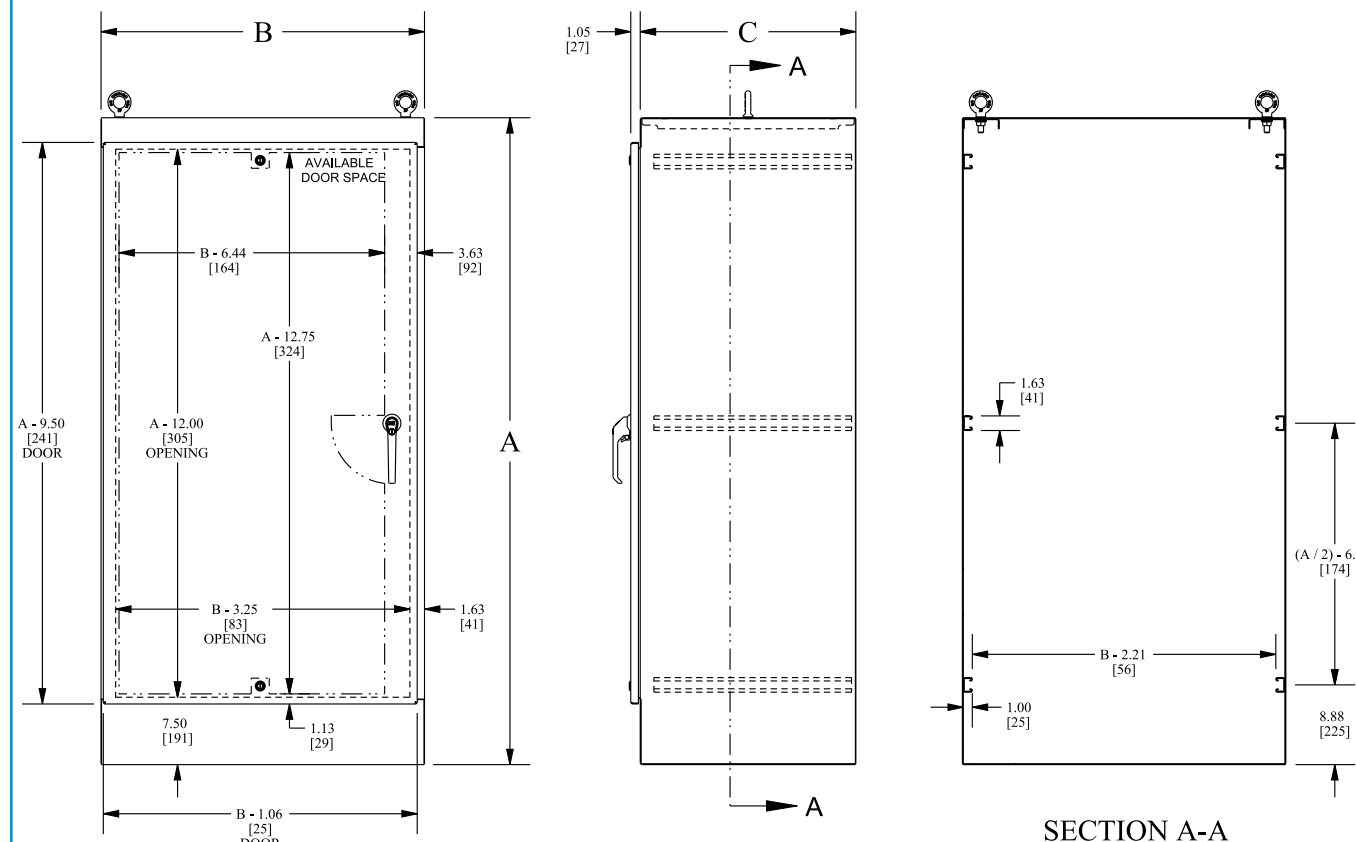
Phone (989) 799-6871
Fax (989) 799-4524



STAINLESS STEEL ENVIROLINE® SERIES FREE-STANDING SINGLE-DOOR SINGLE-ACCESS ENCLOSURES TECHNICAL DATA



LATCH NOTE:
OMIT CENTER LATCH TOP
AND BOTTOM OF DOOR WHEN
DOOR WIDTH IS < 30.00 [762]



Phone (989) 799-6871
Fax (989) 799-4524

7 Free-Standing & Floor-Mounted Enclosures (Stainless Steel)

7 Free-Standing & Floor-Mounted Enclosures (Stainless Steel)

Stainless Steel Enviroline® Series Free-Standing Two-Door Enclosures

Application -

Designed to house a variety of electrical and electronic controls and instruments. Provisions for optional surface mounting or rack mounting of almost any type of equipment. Provides protection from dust, dirt, water and oil. The enclosures are extra deep for applications requiring more interior space.

Construction -

- 0.104" Stainless Steel Type 304 & 316/316L.
- Removable and interchangeable doors.
- Concealed hinge.
- Seams continuously welded and ground smooth.
- Strong, rigid construction with stiffeners welded on backs of single access boxes.
- Lifting eyes for easy handling.
- Black zinc die cast keylocking/padlocking handle.
- 3-point latching mechanism.
- Black quarter turn latches as required.
- Latch rods have rollers for easier door closing.
- Flange trough collar around all sides of door opening.
- Removable center post.
- Removable print pocket.
- Mounting channels welded horizontally on sides of interior body at top, bottom and middle for mounting optional panels or rack mounting angles.
- Oil resistant gasket.
- Ground stud on door.
- Provisions for light kit.

Finish -

#4 brushed finish on all exterior surfaces. Optional sub-panels are powder coated white.

Accessories - See pages 116-123

IS5 - Industry Standards -
NEMA Type 4, 4X, 12 & Type 13
UL Listed Type 4, 4X & 12
CSA Type 4, 4X & 12
IEC 60529 IP66



304 STAINLESS STEEL ENVIROLINE® SERIES FREE-STANDING TWO-DOOR ENCLOSURES

ENCLOSURE PRODUCT CODE S4					
Catalog No.	Height (A)	Width (B)	Depth (C)	Industry Standard	List Price
SCE-60EL4818SSFSD	60.00	48.00	18.00	IS5	8,019.42
SCE-72EL4818SSFSD	72.00	48.00	18.00	IS5	8,840.69
SCE-72EL4824SSFSD	72.00	48.00	24.00	IS5	9,521.55
SCE-72EL6018SSFSD	72.00	60.00	18.00	IS5	9,861.99
SCE-72EL6024SSFSD	72.00	60.00	24.00	IS5	10,615.02
SCE-72EL6036SSFSD	72.00	60.00	36.00	IS5	12,110.83
SCE-72EL7218SSFSD	72.00	72.00	18.00	IS5	10,906.00
SCE-72EL7224SSFSD	72.00	72.00	24.00	IS5	11,731.26
SCE-90EL4820SSFSD	90.00	48.00	20.00	IS5	10,321.52
SCE-90EL7220SSFSD	90.00	72.00	20.00	IS5	12,820.70
SCE-90EL7224SSFSD	90.00	72.00	24.00	IS5	13,429.38
SCE-90EL7236SSFSD	90.00	72.00	36.00	IS5	15,275.91

316 STAINLESS STEEL ENVIROLINE® SERIES FREE-STANDING TWO-DOOR ENCLOSURES

ENCLOSURE PRODUCT CODE S7					
Catalog No.	Height (A)	Width (B)	Depth (C)	Industry Standard	List Price
SCE-60EL4818SS6FSD	60.00	48.00	18.00	IS5	9,623.31
SCE-72EL4818SS6FSD	72.00	48.00	18.00	IS5	10,608.83
SCE-72EL4824SS6FSD	72.00	48.00	24.00	IS5	11,425.87
SCE-72EL6018SS6FSD	72.00	60.00	18.00	IS5	11,834.39
SCE-72EL6024SS6FSD	72.00	60.00	24.00	IS5	12,738.03
SCE-72EL6036SS6FSD	72.00	60.00	36.00	IS5	14,533.00
SCE-72EL7218SS6FSD	72.00	72.00	18.00	IS5	13,087.20
SCE-72EL7224SS6FSD	72.00	72.00	24.00	IS5	14,077.51
SCE-90EL4820SS6FSD	90.00	48.00	20.00	IS5	12,385.82
SCE-90EL7220SS6FSD	90.00	72.00	20.00	IS5	15,384.84
SCE-90EL7224SS6FSD	90.00	72.00	24.00	IS5	16,115.26
SCE-90EL7236SS6FSD	90.00	72.00	36.00	IS5	18,331.10



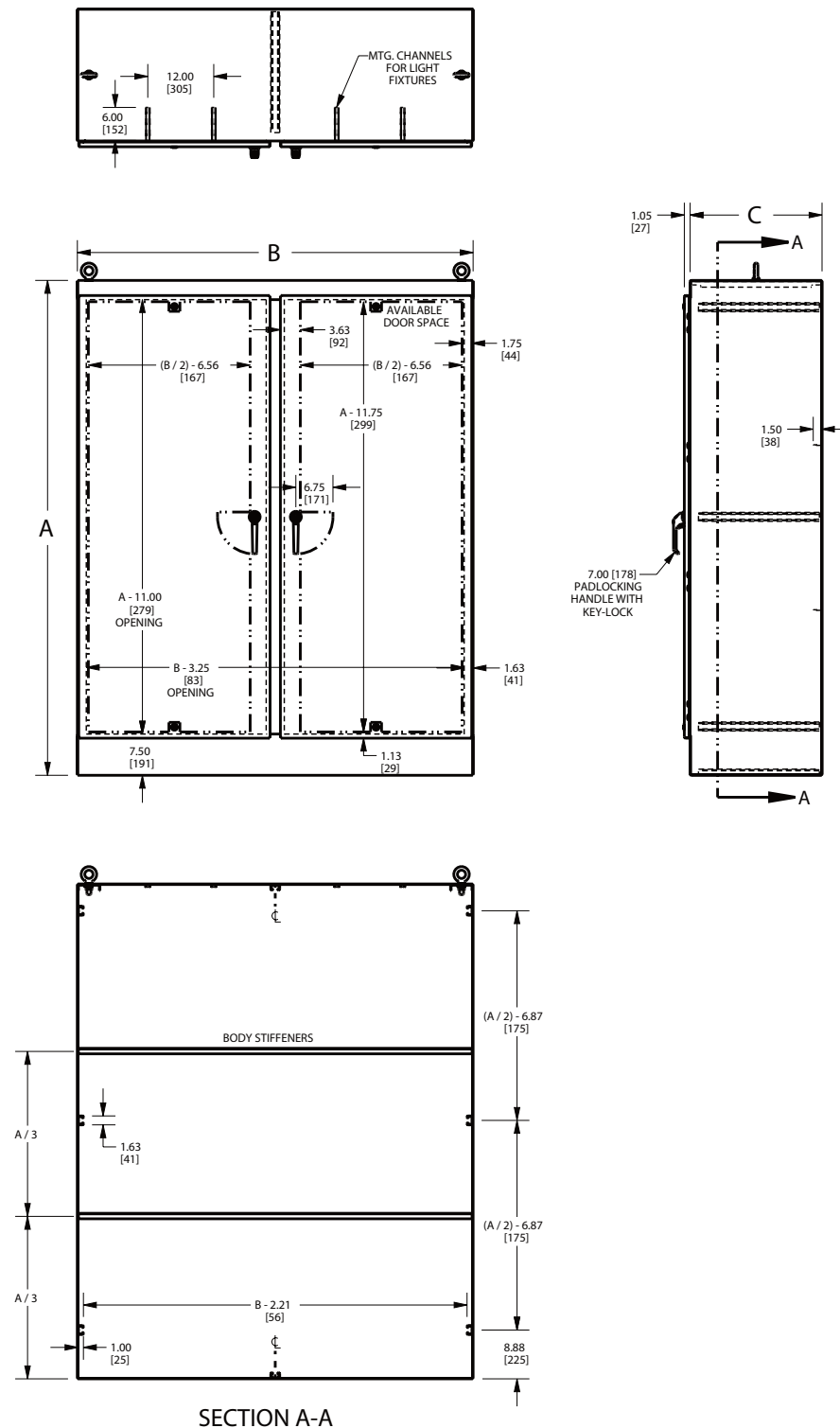
Available within 10 working days if not in stock

Back to
SS Free Standing
Enclosures

Phone (989) 799-6871
Fax (989) 799-4524



STAINLESS STEEL ENVIROLINE® SERIES FREE-STANDING TWO-DOOR ENCLOSURES TECHNICAL DATA



Phone (989) 799-6871
Fax (989) 799-4524

Stainless Steel Free-Standing Enclosures

Application -

Designed to house a variety of electrical and electronic controls and instruments. Provisions for optional surface mounting or rack mounting of almost any type of equipment. Provides protection from dust, dirt, water and oil. The enclosures are extra deep for applications requiring more interior space.

Construction -

- 0.104" stainless steel Type 304.
- Removable and interchangeable doors.
- Concealed hinge.
- Seams continuously welded and ground smooth.
- Strong, rigid construction with stiffeners welded on backs of single access boxes.
- Lifting eyes for easy handling.
- Black zinc die cast keylocking/padlocking handle.
- 3-point latching mechanism.
- Latch rods have rollers for easier door closing.
- Flange trough collar around all sides of door opening.
- Removable print pocket provided on door with 3-point latch.
- Mounting channels welded horizontally on sides of interior body at top, bottom and middle for mounting optional panels or rack mounting angles.
- Oil resistant gasket.
- Ground stud on door.

Finish -

Type 304 stainless steel with #4 brushed finish. Optional sub-panels are powder coated white.

Accessories - See pages 116-123



IS3 - Industry Standards -
 NEMA Type 3R, 12 & Type 13
 UL Listed Type 3R & 12
 CSA Type 3R & 12
 IEC 60529 IP 55

***Special Instructions apply for IS3, IS4 and IS6 to maintain the environmental rating of Type 3R for these parts. See the Special Instructions on the Industry Standards page in the Technical Information Section.

STAINLESS STEEL FREE-STANDING TWO-DOOR SINGLE ACCESS ENCLOSURES

ENCLOSURE PRODUCT CODE S7					
Catalog No.	Height (A)	Width (B)	Depth (C)	Industry Standard	List Price
SCE-604818SSFSD	60.00	48.00	18.00	IS3	7,417.15
SCE-724818SSFSD	72.00	48.00	18.00	IS3	8,170.24
SCE-724824SSFSD	72.00	48.00	24.00	IS3	8,851.10
SCE-726018SSFSD	72.00	60.00	18.00	IS3	9,191.54
SCE-726024SSFSD	72.00	60.00	24.00	IS3	9,944.57
SCE-726036SSFSD	72.00	60.00	36.00	IS3	11,440.38
SCE-727218SSFSD	72.00	72.00	18.00	IS3	10,212.82
SCE-727224SSFSD	72.00	72.00	24.00	IS3	11,038.08
SCE-904820SSFSD	90.00	48.00	20.00	IS3	9,562.88
SCE-907220SSFSD	90.00	72.00	20.00	IS3	12,059.34
SCE-907224SSFSD	90.00	72.00	24.00	IS3	12,668.02
SCE-907236SSFSD	90.00	72.00	36.00	IS3	14,514.55

Available within 10 working days if not in stock

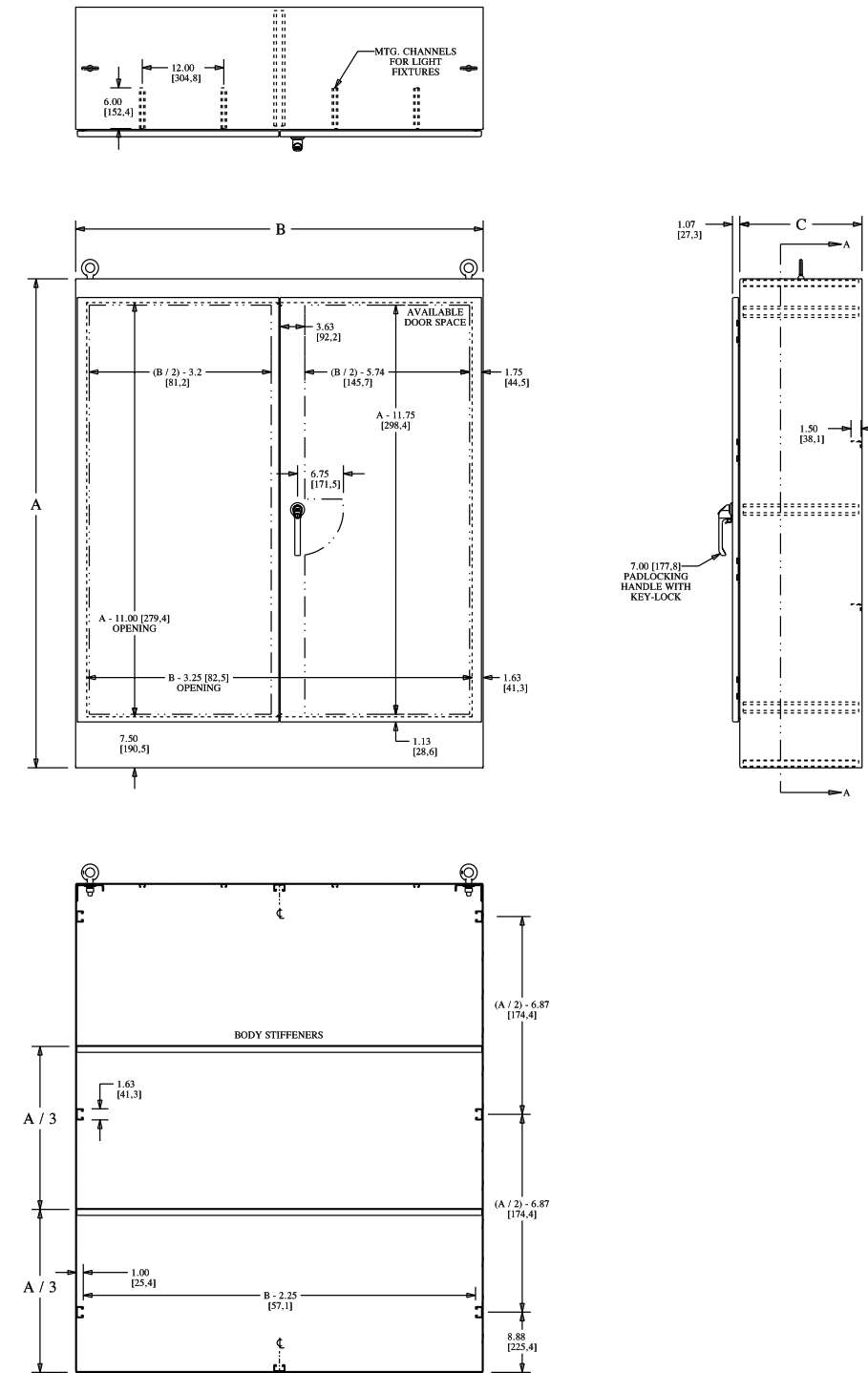


Back to
 SS Free Standing
 Enclosures

Phone (989) 799-6871
 Fax (989) 799-4524



STAINLESS STEEL FREE-STANDING TWO-DOOR SINGLE ACCESS ENCLOSURES TECHNICAL DATA



SECTION A-A



Phone (989) 799-6871
 Fax (989) 799-4524

Enviroline® Series 304 & 316 Stainless Steel Two-Door Disconnect Enclosures

Application -

Designed to house most standard type disconnects. For installation information, consult our Installation Manual at www.saginawcontrol.com. For outdoor application a drip shield is recommended.

Construction -

- 0.104" stainless steel Type 304 & 316/316L.
- Seams continuously welded and ground smooth.
- Oil-resistant gasket.
- Flange trough collar around all sides of door opening.
- Stainless steel concealed hinge.
- Removable and interchangeable doors.
- 3-point latching mechanism.
- Black quarter turn latches as required.
- Removable print pocket.
- Lifting eyes for easy handling.
- Ground studs on door and body.
- Collar studs provided for mounting optional sub-panels.
- 15" removable floor stands.
- Removable center post.
- Mechanical interlock.
- No door stiffeners required.
- Black zinc die cast coinproof/padlocking handle on main door of disconnect enclosures.
- Black zinc die cast padlocking handle on all other doors.

Disconnect switch (or circuit breaker) and operating mechanism are not furnished with this enclosure.

Finish -

#4 brushed finish on all exterior surfaces. Optional sub-panels are powder coated white.

IS5 - Industry Standards -

- NEMA Type 4, 4X, 12 & Type 13
- UL Listed Type 4, 4X & 12
- CSA Type 4, 4X & 12
- IEC 60529 IP66

304 STAINLESS STEEL ENVIROLINE® SERIES TWO-DOOR ENCLOSURES FOR FLANGE-MOUNTED DISCONNECTS

ENCLOSURE PRODUCT CODE S4						SUB-PANEL (P3)			
Catalog No.	Height (A)	Width (B)	Depth (C)	Industry Standard	List Price	Catalog No.	Panel Height (D)	Panel Width (E)	List Price
SCE-60XEL4912SSLP	60.00	49.00	12.00	IS5	8,096.67	SCE-60P48	56.00	44.00	268.38
SCE-60XEL4918SSLP	60.00	49.00	18.00	IS5	8,820.15	SCE-60P48	56.00	44.00	268.38
SCE-60XEL6112SSLP	60.00	61.00	12.00	IS5	9,053.63	SCE-60P60	56.00	56.00	331.68
SCE-60XEL6118SSLP	60.00	61.00	18.00	IS5	9,859.88	SCE-60P60	56.00	56.00	331.68
SCE-72XEL6112SSLP	72.00	61.00	12.00	IS5	10,028.21	SCE-72P60	68.00	56.00	394.98
SCE-72XEL6118SSLP	72.00	61.00	18.00	IS5	10,894.21	SCE-72P60	68.00	56.00	394.98
SCE-72XEL7312SSLP	72.00	73.00	12.00	IS5	11,138.52	SCE-72P72	68.00	68.00	470.93
SCE-72XEL7318SSLP	72.00	73.00	18.00	IS5	11,571.56	SCE-72P72	68.00	68.00	470.93
SCE-72XEL7324SSLP	72.00	73.00	24.00	IS5	12,099.53	SCE-72P72	68.00	68.00	470.93

316 STAINLESS STEEL ENVIROLINE® SERIES TWO-DOOR ENCLOSURES FOR FLANGE-MOUNTED DISCONNECTS

ENCLOSURE PRODUCT CODE S7						SUB-PANEL (P3)			
Catalog No.	Height (A)	Width (B)	Depth (C)	Industry Standard	List Price	Catalog No.	Panel Height (D)	Panel Width (E)	List Price
SCE-60XEL4912SS6LP	60.00	49.00	12.00	IS5	9,716.01	SCE-60P48	56.00	44.00	268.38
SCE-60XEL4918SS6LP	60.00	49.00	18.00	IS5	10,584.18	SCE-60P48	56.00	44.00	268.38
SCE-60XEL6112SS6LP	60.00	61.00	12.00	IS5	10,864.35	SCE-60P60	56.00	56.00	331.68
SCE-60XEL6118SS6LP	60.00	61.00	18.00	IS5	11,831.85	SCE-60P60	56.00	56.00	331.68
SCE-72XEL6112SS6LP	72.00	61.00	12.00	IS5	12,033.85	SCE-72P60	68.00	56.00	394.98
SCE-72XEL6118SS6LP	72.00	61.00	18.00	IS5	13,073.05	SCE-72P60	68.00	56.00	394.98
SCE-72XEL7312SS6LP	72.00	73.00	12.00	IS5	13,366.23	SCE-72P72	68.00	68.00	470.93
SCE-72XEL7318SS6LP	72.00	73.00	18.00	IS5	13,849.87	SCE-72P72	68.00	68.00	470.93
SCE-72XEL7324SS6LP	72.00	73.00	24.00	IS5	14,519.44	SCE-72P72	68.00	68.00	470.93

Available within 10 working days if not in stock

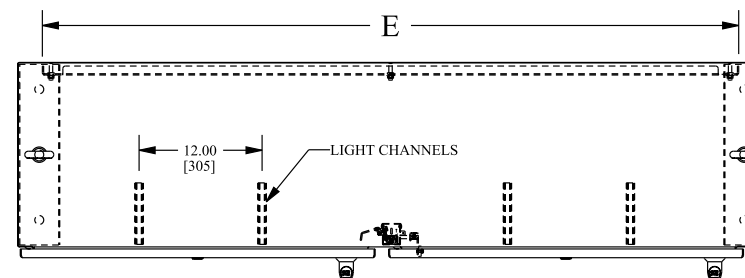


Back to
SS Free Standing
Enclosures

Phone (989) 799-6871
Fax (989) 799-4524

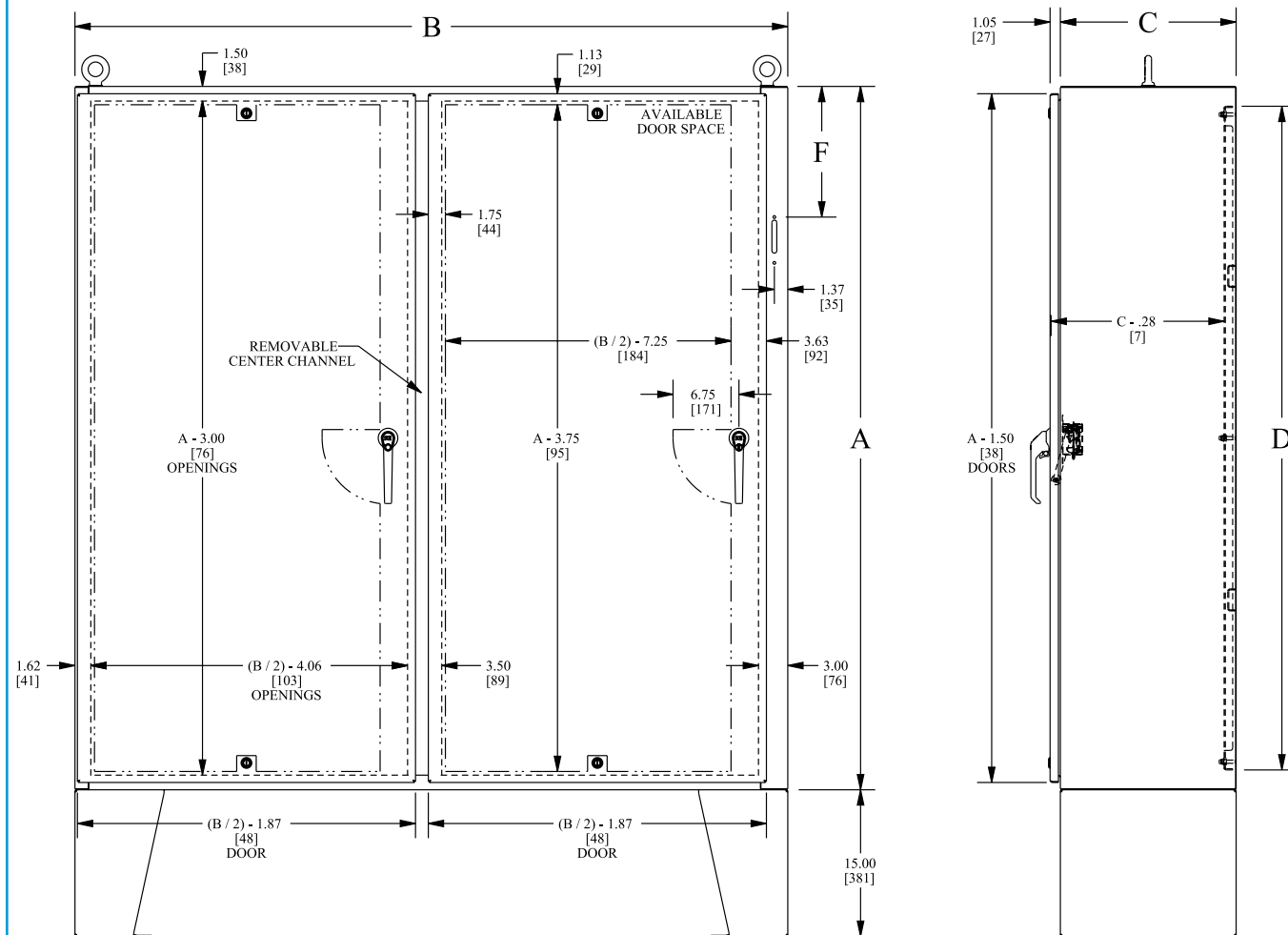


STAINLESS STEEL ENVIROLINE® SERIES TWO-DOOR ENCLOSURES FOR FLANGE-MOUNTED DISCONNECTS TECHNICAL DATA



DISCONNECT NOTES:
F= 7.88 [200] when A = 60.00 [1524]
F= 13.38 [340] when A = 72.00 [1829]

LATCH NOTES:
"EL" part numbers >= 30.00 [762]
in width have additional latch centered
top and bottom of door.



Phone (989) 799-6871
Fax (989) 799-4524

Stainless Steel Enviroline® Series Two-Door Sloping Top Disconnect Enclosures

Application -

Designed to house most standard type disconnects. For installation information, consult our Installation Manual at www.saginawcontrol.com.

Construction -

- 0.104" stainless steel Type 304.
- Seams continuously welded and ground smooth.
- Flange trough collar around all sides of door opening.
- 15 Degree Sloping Top.
- Removable center post.
- Heavy duty lifting eyes anchor into reinforced top.
- Body stiffeners.
- Stainless steel concealed hinges.
- Mechanical interlock.
- Stainless steel coinproof/padlocking handle on main door with stainless steel padlocking handle on slave doors.
- 3-point latching mechanism.
- Black quarter turn latches as required.
- Removable print pocket on main door of disconnect enclosures.
- Provisions for floor stands.
- Panel supports.
- Oil & water resistant gasket.
- Ground stud on door and body.

Disconnect switch (or circuit breaker) and operating mechanism are not furnished with this enclosure.

Finish -

#4 brushed finish on all exterior surfaces. Optional sub-panels are powder coated white.

IS5 - Industry Standards -

- NEMA Type 4, 4X, 12 & Type 13
- UL Listed Type 4, 4X & 12
- CSA Type 4, 4X & 12
- IEC 60529 IP66

STAINLESS STEEL ENVIROLINE® SERIES TWO-DOOR SLOPING TOP DISCONNECT ENCLOSURES

ENCLOSURE PRODUCT CODE S8						SUB-PANEL (P3)			
Catalog No.	Height (A)	Width (B)	Depth (C)	Industry Standard	List Price	Catalog No.	Panel Height (D)	Panel Width (E)	List Price
SCE-60XEL4912SSST	60.00	49.00	12.00	IS5	10,930.50	SCE-60P48	56.00	44.00	268.38
SCE-60XEL4918SSST	60.00	49.00	18.00	IS5	11,907.20	SCE-60P48	56.00	44.00	268.38
SCE-60XEL6112SSST	60.00	61.00	12.00	IS5	12,222.40	SCE-60P60	56.00	56.00	331.68
SCE-60XEL6118SSST	60.00	61.00	18.00	IS5	13,310.84	SCE-60P60	56.00	56.00	331.68
SCE-72XEL6112SSST	72.00	61.00	12.00	IS5	13,538.08	SCE-72P60	68.00	56.00	394.98
SCE-72XEL6118SSST	72.00	61.00	18.00	IS5	14,707.18	SCE-72P60	68.00	56.00	394.98
SCE-72XEL7312SSST	72.00	73.00	12.00	IS5	15,037.00	SCE-72P72	68.00	68.00	470.93
SCE-72XEL7318SSST	72.00	73.00	18.00	IS5	15,621.61	SCE-72P72	68.00	68.00	470.93
SCE-72XEL7324SSST	72.00	73.00	24.00	IS5	16,334.37	SCE-72P72	68.00	68.00	470.93

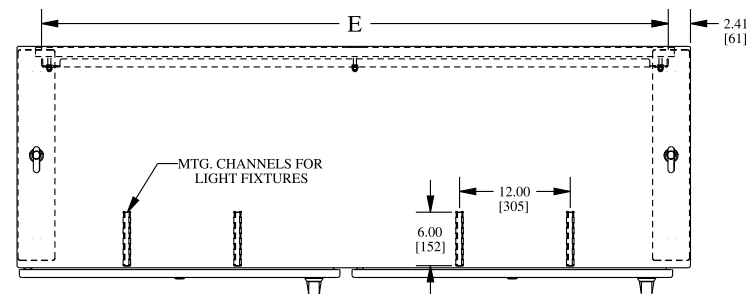


Back to SS Free Standing Enclosures

Phone (989) 799-6871
Fax (989) 799-4524

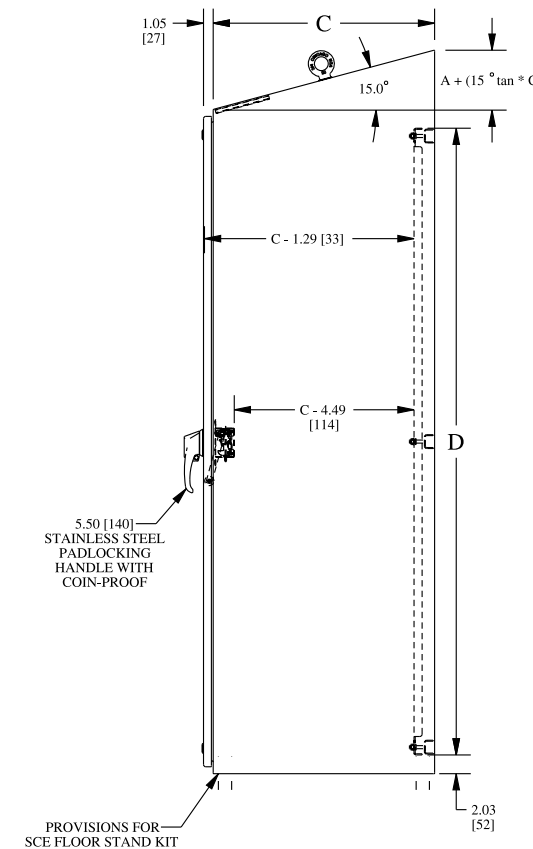
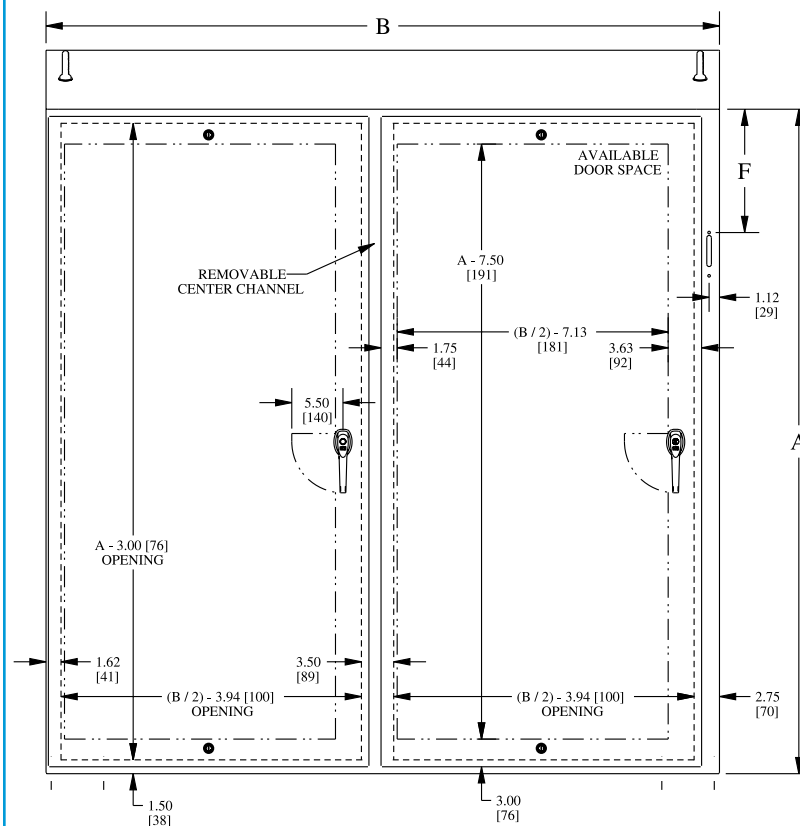


STAINLESS STEEL ENVIROLINE® SERIES TWO-DOOR SLOPING TOP DISCONNECT ENCLOSURES TECHNICAL DATA



DISCONNECT NOTES:
F = 7.88 [200] when A = 60.00 [1524]
F = 13.38 [340] when A = 72.00 [1829]

LATCH NOTE:
Omit center latch top and bottom of door when door width is < 30.00 [762]



Phone (989) 799-6871
Fax (989) 799-4524

Heavy Duty Free-Standing Stainless Steel Enclosures For Flange-Mounted Disconnects

Application -

Designed to house electrical equipment and provide protection from dirt, dust, oil and water and to house most standard type disconnects. For installation information, consult our Installation Manual at www.saginawcontrol.com.

Construction -

- 0.104" stainless steel Type 304.
- Seams continuously welded and ground smooth.
- Flange trough collar around all sides of door opening.
- Body stiffeners in large enclosures for extra rigidity.
- Heavy duty lifting eyes anchor into reinforced top.
- Stainless steel concealed hinges.
- Black zinc die cast coinproof/padlocking handle.
- 3-point latching mechanism.
- Black quarter turn latches as required.
- Panel supports.
- Large removable print pockets.
- Oil-resistant gasket.
- Removable sub-panels mount on collar studs.
- Defeater on master door requires a screwdriver to open.
- Ground stud on door.

Disconnect switch (or circuit breaker) and operating mechanism are not furnished with enclosure.

Finish -

#4 brushed finish on all exterior surfaces. Sub-panels are powder coated white.

IS5 - Industry Standards -

NEMA Type 4, 4X, 12 & Type 13
UL Listed Type 4, 4X & 12
CSA Type 4, 4X & 12
IEC 60529 IP66

HEAVY DUTY FREE-STANDING ENCLOSURES FOR FLANGE-MOUNTED DISCONNECTS SINGLE-DOOR STAINLESS STEEL ENCLOSURES

ENCLOSURE PRODUCT CODE S2						SUB-PANEL (P3)			
Catalog No.	Height (A)	Width (B)	Depth (C)	Industry Standard	List Price	Catalog No.	Panel Height (D)	Panel Width (E)	List Price
SCE-72XM2818SS	72.00	27.50	18.00	IS5	5,635.10	SCE-64P25**	60.00	21.75	Included
SCE-72XM3418SS	72.00	33.50	18.00	IS5	6,245.44	SCE-64P31**	60.00	27.75	Included
SCE-72XM4018SS	72.00	39.50	18.00	IS5	6,855.82	SCE-64P37**	60.00	33.75	Included
SCE-84XM4018SS	84.00	39.50	18.00	IS5	7,620.90	SCE-76P37**	72.00	33.75	Included
SCE-84XM4024SS	84.00	39.50	24.00	IS5	7,835.81	SCE-76P37**	72.00	33.75	Included
SCE-90XM4018SS	90.00	39.50	18.00	IS5	8,162.50	SCE-82P37**	78.00	33.75	Included
SCE-90XM4020SS	90.00	39.50	20.00	IS5	8,450.48	SCE-82P37**	78.00	33.75	Included
SCE-90XM4024SS	90.00	39.50	24.00	IS5	8,738.46	SCE-82P37**	78.00	33.75	Included

Available within 10 working days if not in stock



**Sub-panel included with enclosure.
Replacement panels can be ordered. Prices found in the accessory section.

Back to
SS Free Standing
Enclosures

Phone (989) 799-6871
Fax (989) 799-4524



HEAVY DUTY FREE-STANDING ENCLOSURES FOR FLANGE-MOUNTED DISCONNECTS TWO-DOOR STAINLESS STEEL ENCLOSURES

ENCLOSURE PRODUCT CODE S2						SUB-PANEL (P3)			
Catalog No.	Height (A)	Width (B)	Depth (C)	Industry Standard	List Price	Catalog No.	Panel Height (D)	Panel Width (E)	List Price
SCE-72XM5418SS	72.00	53.75	18.00	IS5	9,890.44	SCE-64P52**	60.00	48.00	Included
SCE-72XM6618SS	72.00	65.75	18.00	IS5	11,145.52	SCE-64P64**	60.00	60.00	Included
SCE-72XM7818SS	72.00	77.75	18.00	IS5	12,396.34	SCE-64P76**	60.00	72.00	Included
SCE-72XM7824SS	72.00	77.75	24.00	IS5	13,286.12	SCE-64P76**	60.00	72.00	Included
SCE-84XM7818SS	84.00	77.75	18.00	IS5	13,758.93	SCE-76P76**	72.00	72.00	Included
SCE-84XM7824SS	84.00	77.75	24.00	IS5	13,930.86	SCE-76P76**	72.00	72.00	Included
SCE-90XM7818SS	90.00	77.75	18.00	IS5	14,691.64	SCE-82P76**	78.00	72.00	Included
SCE-90XM7820SS	90.00	77.75	20.00	IS5	14,777.60	SCE-82P76**	78.00	72.00	Included
SCE-90XM7824SS	90.00	77.75	24.00	IS5	15,418.09	SCE-82P76**	78.00	72.00	Included

Available within 10 working days if not in stock

**Sub-panel included with enclosure.
Replacement panels can be ordered. Prices found in the accessory section.



Phone (989) 799-6871
Fax (989) 799-4524

Heavy Duty Free-Standing Stainless Steel Enclosures For Flange-Mounted Disconnects

Application -

Designed to house electrical equipment and provide protection from dirt, dust, oil and water and to house most standard type disconnects. For installation information, consult our Installation Manual at www.saginawcontrol.com.

Construction -

- 0.104" stainless steel Type 304.
- Seams continuously welded and ground smooth.
- Flange trough collar around all sides of door opening.
- Body stiffeners in large enclosures for extra rigidity.
- Heavy duty lifting eyes anchor into reinforced top.
- Removable center posts permit easy sub-panel installation.
- Stainless steel concealed hinges.
- Black zinc die cast coinproof/padlocking handle on main door with black zinc die cast padlocking handle on slave doors.
- 3-point latching mechanism.
- Black quarter turn latches as required.
- Panel supports.
- Large removable print pockets.
- Oil-resistant gasket.
- Removable sub-panels mount on collar studs.
- Master door is far right-hand door on all enclosures.
- Defeater on master door requires a screwdriver to open.
- Mechanical interlock activated by master door prevents slave doors from being opened first. Doors can be closed in any order.
- Ground stud on door.

Disconnect switch (or circuit breaker) and operating mechanism are not furnished with enclosure.

Finish -

#4 brushed finish on all exterior surfaces. Sub-panels are powder coated white.

IS5 - Industry Standards -

NEMA Type 4, 4X, 12 & Type 13
UL Listed Type 4, 4X & 12
CSA Type 4, 4X & 12
IEC 60529 IP66

Heavy Duty Free-Standing Stainless Steel Enclosures For Flange-Mounted Disconnects

Application -

Designed to house electrical equipment and provide protection from dirt, dust, oil and water and to house most standard type disconnects. For installation information, consult our Installation Manual at www.saginawcontrol.com.

Construction -

- 0.104" stainless steel Type 304.
- Seams continuously welded and ground smooth.
- Flange trough collar around all sides of door opening.
- Body stiffeners in large enclosures for extra rigidity.
- Heavy duty lifting eyes anchor into reinforced top.
- Removable center posts permit easy sub-panel installation.
- Stainless steel concealed hinges.
- Black zinc die cast coinproof/padlocking handle on main door with black zinc die cast padlocking handle on slave doors.
- 3-point latching mechanism.
- Black quarter turn latches as required.
- Panel supports.
- Large removable print pockets.
- Oil-resistant gasket.
- Removable sub-panels mount on collar studs.
- Master door is far right-hand door on all enclosures.
- Defeater on master door requires a screwdriver to open.
- Mechanical interlock activated by master door prevents slave doors from being opened first. Doors can be closed in any order.
- Ground stud on door.

Disconnect switch (or circuit breaker) and operating mechanism are not furnished with enclosure.

Finish -

#4 brushed finish on all exterior surfaces. Sub-panels are powder coated white.

IS5 - Industry Standards -
 NEMA Type 4, 4X, 12 & Type 13
 UL Listed Type 4, 4X & 12
 CSA Type 4, 4X & 12
 IEC 60529 IP66

HEAVY DUTY FREE-STANDING ENCLOSURES FOR FLANGE-MOUNTED DISCONNECTS THREE-DOOR STAINLESS STEEL ENCLOSURES

ENCLOSURE PRODUCT CODE S2						SUB-PANEL (P3)			
Catalog No.	Height (A)	Width (B)	Depth (C)	Industry Standard	List Price	Catalog No.	Panel Height (D)	Panel Width (E)	List Price
SCE-72XM3EQ18SS	72.00	99.50	18.00	IS5	14,816.33	SCE-64P31** & SCE-64P64**	60.00	27.75	Included
SCE-72XM3EW18SS	72.00	117.50	18.00	IS5	16,677.48	SCE-64P37** & SCE-64P76**	60.00	33.75	Included
SCE-84XM3EW18SS	84.00	117.50	18.00	IS5	18,594.54	SCE-76P37** & SCE-76P76**	72.00	33.75	Included
SCE-84XM3EW24SS	84.00	117.50	24.00	IS5	18,813.76	SCE-76P37** & SCE-76P76**	72.00	33.75	Included
SCE-90XM3EW24SS	90.00	117.50	24.00	IS5	20,748.01	SCE-82P37** & SCE-82P76**	78.00	33.75	Included

Available within 10 working days if not in stock

**Sub-panel included with enclosure. Replacement panels can be ordered. Prices found in the accessory section.



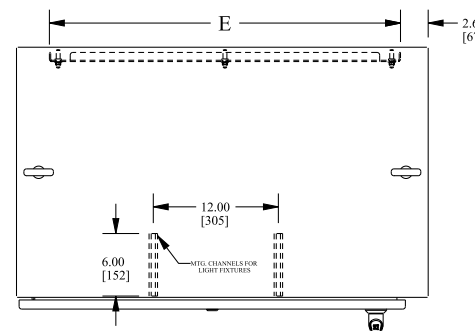
[Back to SS Free Standing Enclosures](#)

Phone (989) 799-6871
 Fax (989) 799-4524



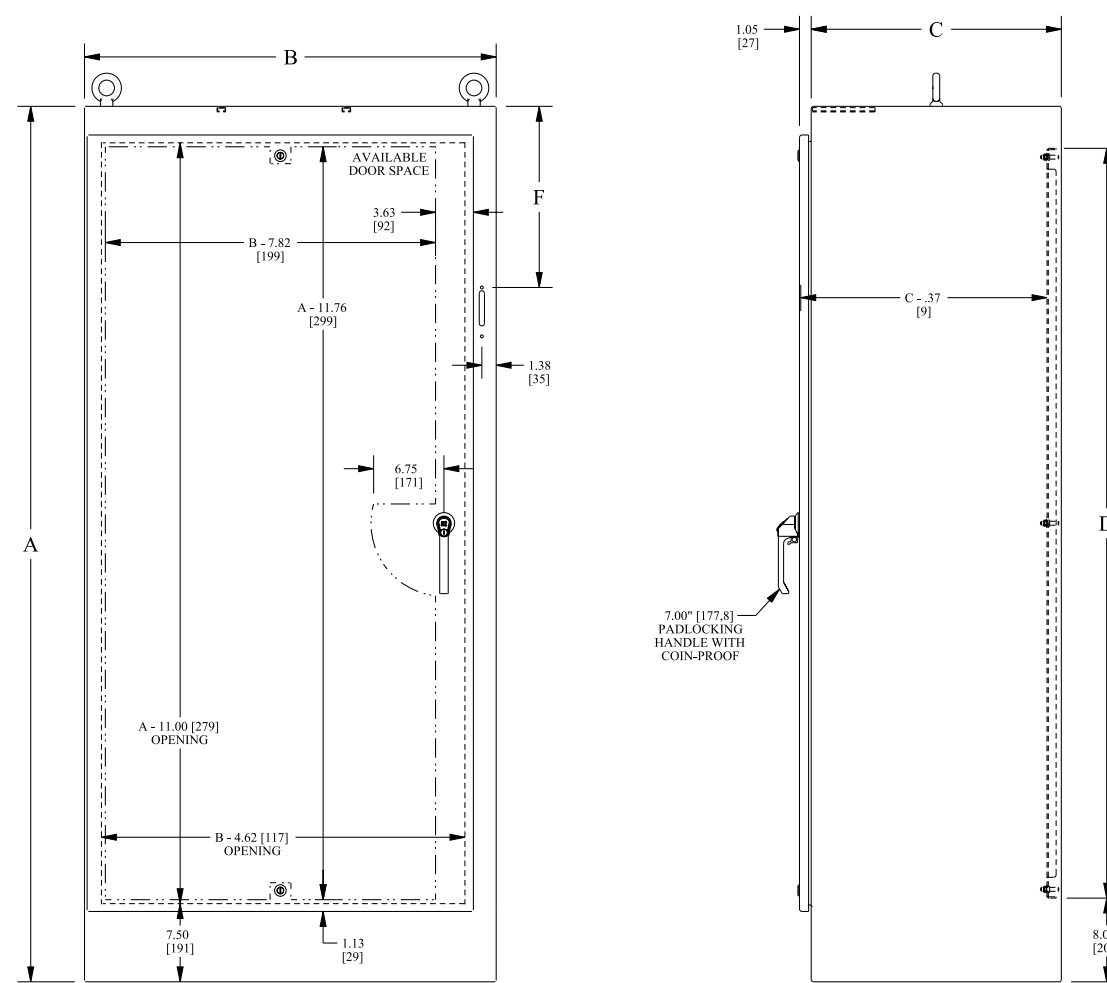
FREE-STANDING STAINLESS STEEL ENCLOSURES FOR FLANGE-MOUNTED DISCONNECTS TECHNICAL DATA

SINGLE-DOOR ENCLOSURE



STANDARD DISCONNECTS:
 F = 11.88 [301,7] when A = 72.00 [1828,8]
 F = 17.38 [441,4] when A = 84.00 [2133,6]
 F = 20.38 [517,6] when A = 90.00 [228,6]

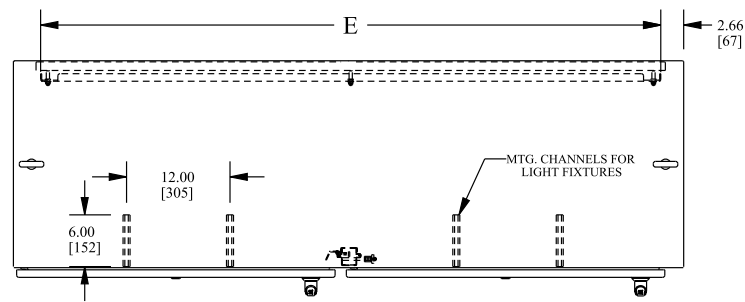
LATCH NOTES:
 Omit center latch top and bottom of door when door width is < 30.00 [762]



Phone (989) 799-6871
 Fax (989) 799-4524

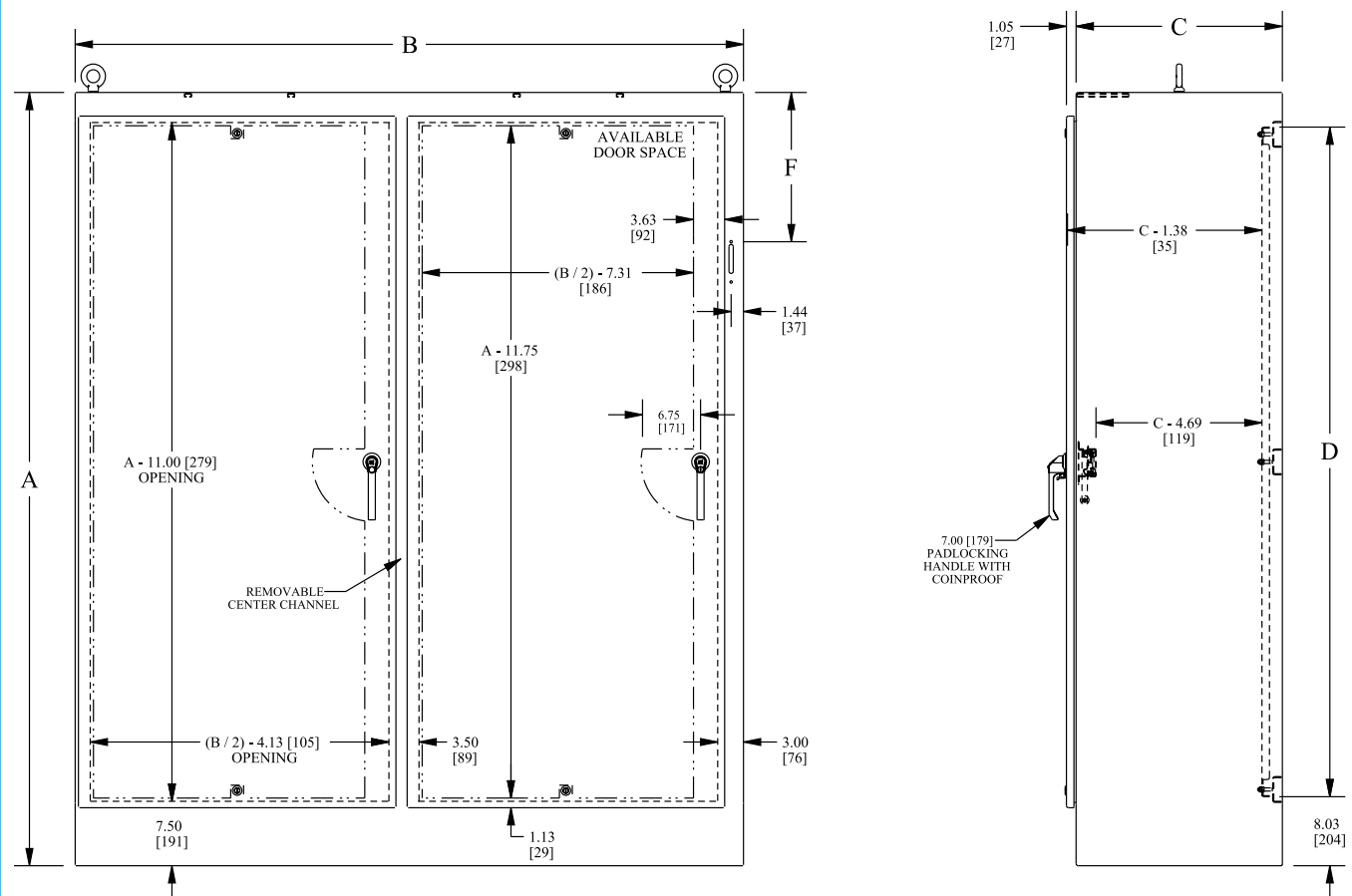
FREE-STANDING STAINLESS STEEL ENCLOSURES FOR FLANGE-MOUNTED DISCONNECTS TECHNICAL DATA

TWO-DOOR ENCLOSURE



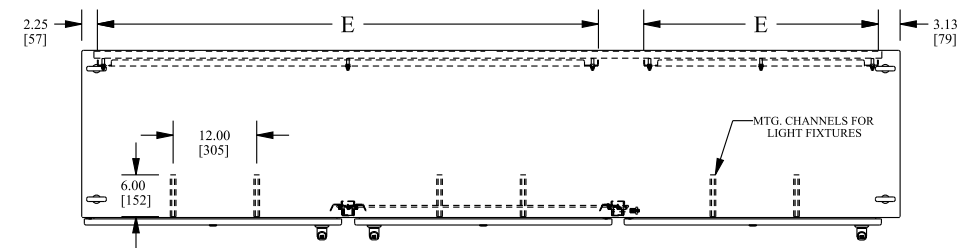
STANDARD DISCONNECTS:
 F = 11.88 [301,7] when A = 72.00 [1828,8]
 F = 17.38 [441,4] when A = 84.00 [2133,6]
 F = 20.38 [517,6] when A = 90.00 [228,6]

LATCH NOTES:
 Omit center latch top and bottom of door
 when door width is < 30.00 [762]



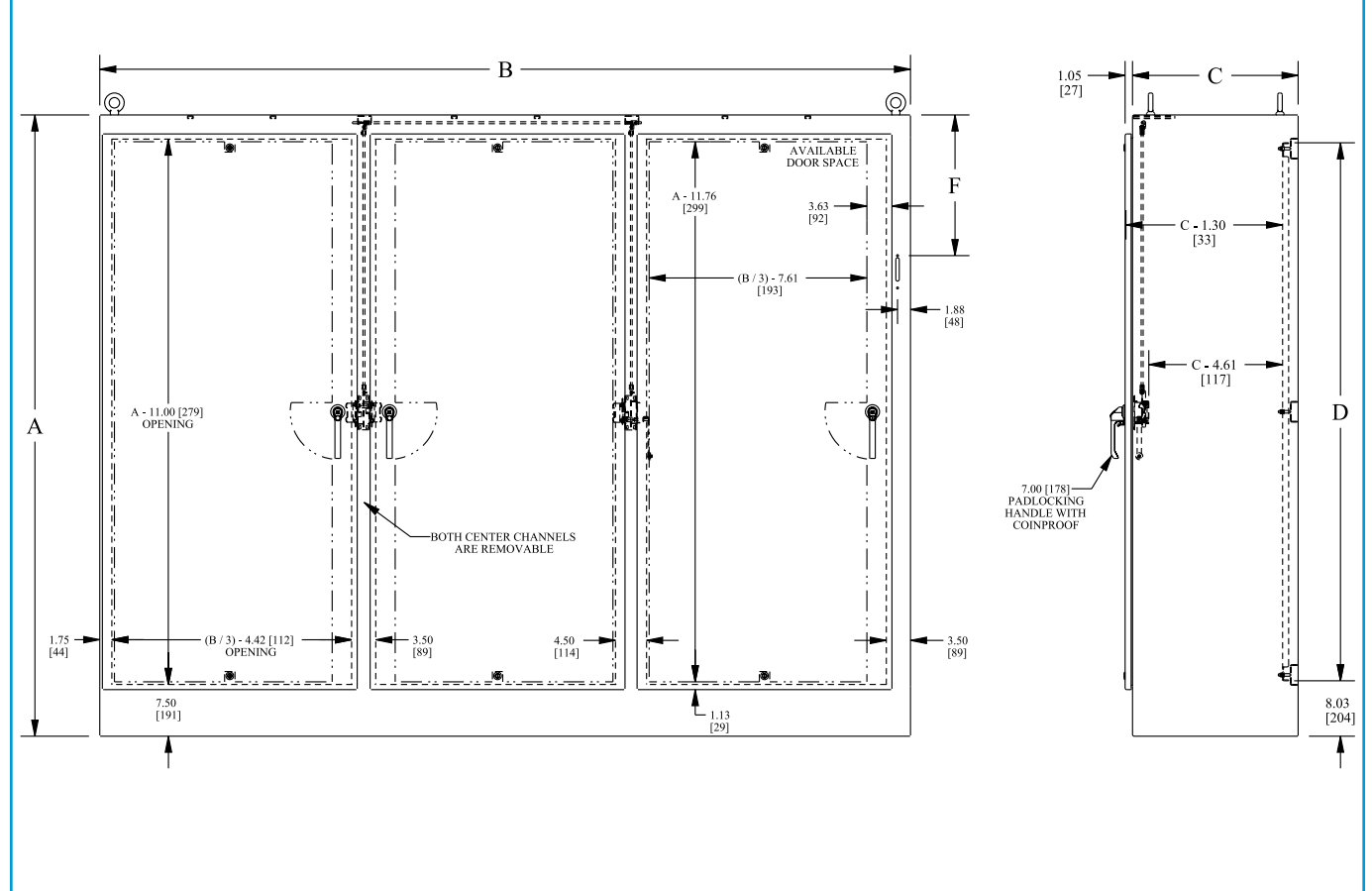
FREE-STANDING STAINLESS STEEL ENCLOSURES FOR FLANGE-MOUNTED DISCONNECTS TECHNICAL DATA

THREE-DOOR ENCLOSURE



STANDARD DISCONNECTS:
 F = 11.88 [301,7] when A = 72.00 [1828,8]
 F = 17.38 [441,4] when A = 84.00 [2133,6]
 F = 20.38 [517,6] when A = 90.00 [228,6]

LATCH NOTES:
 Omit center latch top and bottom of door
 when door width is < 30.00 [762]



NOTES

Phone (989) 799-6871
Fax (989) 799-4524



NOTES

Phone (989) 799-6871
Fax (989) 799-4524



Fiberglass Enclosures

Pushbutton Enclosures (Fiberglass) 266 – 267



Screw Cover Junction Enclosures (Fiberglass) 268 – 269



Quick Release Junction Enclosures (Fiberglass) 270 – 271



[Back to Table of Contents](#)



Phone (989) 799-6871
Fax (989) 799-4524



Fiberglass Enclosures

Quick Release Junction Enclosures with Window (Fiberglass).....272 – 273



Clamp Cover Enclosures (Fiberglass).....274 – 275



Phone (989) 799-6871
Fax (989) 799-4524



[Back to Table of Contents](#)

Fiberglass Pushbutton Enclosures

Application -

Designed for indoor or outdoor use to house pushbuttons, switches, and pilot lights in areas that may be regularly hosed down, are in very wet conditions, or are exposed to corrosive agents. Provides protection from dust, dirt, oil and water.

Construction -

- Fiberglass reinforced compression molded polyester.
- Continuous memory retaining gasket.
- Hole diameter is 1.20" (30.5 mm).

Finish -

Light gray fiberglass.

IS5 - Industry Standards -

- NEMA Type 4, 4X, 12 & Type 13
- UL Listed Type 4, 4X & 12
- CSA Type 4, 4X & 12
- IEC 60529 IP 66



FIBERGLASS PUSHBUTTON ENCLOSURES

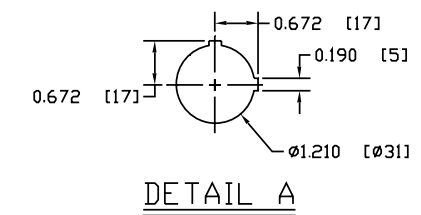
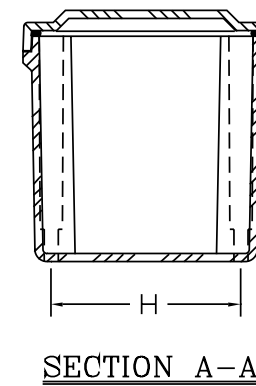
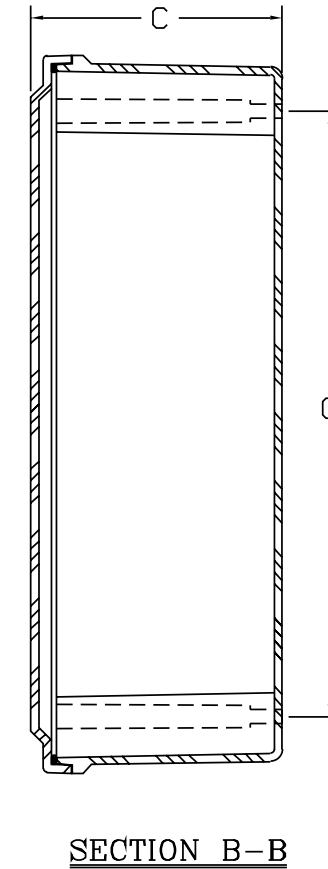
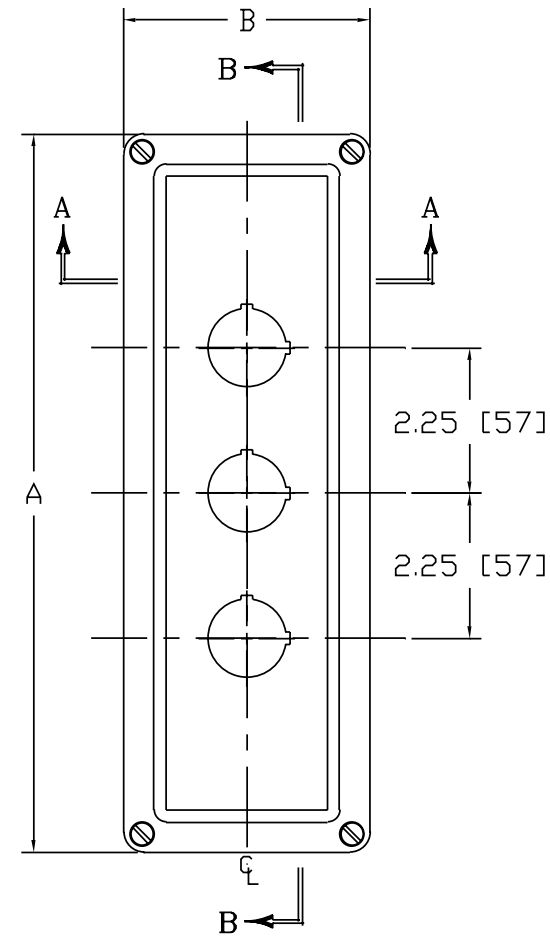
ENCLOSURE PRODUCT CODE F1						
Catalog No.	Height (A)	Width (B)	Depth (C)	Mounting (G)	Mounting (H)	Industry Standard
SCE-1PBFG	6.63	3.81	3.89	4.88	2.94	IS5
SCE-2PBFG	6.63	3.81	3.89	4.88	2.94	IS5
SCE-3PBFG	8.88	3.81	3.89	7.13	2.94	IS5

[Back to Fiberglass Enclosures](#)

Phone (989) 799-6871
Fax (989) 799-4524



FIBERGLASS PUSHBUTTON ENCLOSURES TECHNICAL DATA



Phone (989) 799-6871
Fax (989) 799-4524

Fiberglass Screw Cover Junction Enclosures

Application -

Designed for indoor or outdoor use to house electronic controls, instruments and components in areas that may be regularly hosed down, are in very wet conditions, or are exposed to corrosive agents. Provides protection from dust, dirt, oil and water.

Construction -

- Fiberglass reinforced compression molded polyester.
- Continuous memory retaining gasket.
- Mounting strips molded in.
- Captive screw fasteners.
- Integral panel mounting inserts.
- Stainless steel continuous hinge.

Finish -

Light gray fiberglass. Optional sub-panels are marine grade aluminum.

IS5 - Industry Standards -

NEMA Type 4, 4X, 12 & Type 13
UL Listed Type 4, 4X & 12
CSA Type 4, 4X & 12
IEC 60529 IP66



FIBERGLASS SCREW COVER JUNCTION ENCLOSURES

ENCLOSURE PRODUCT CODE F1									
Catalog No.	Height (A)	Width (B)	Depth (C)	Mounting (G)	Mounting (H)	Interior (J)	Interior (K)	Interior (L)	Industry Standard
SCE-604FG	7.39	5.43	4.75	6.75	2.00	5.84	3.85	4.00	IS5
SCE-606FG	7.52	7.50	4.75	6.75	4.00	5.72	5.72	4.00	IS5
SCE-806FG	9.50	7.50	4.75	8.88	4.00	7.73	5.74	4.00	IS5
SCE-808FG	9.50	9.41	4.25	8.75	6.00	7.73	7.73	4.06	IS5
SCE-1008FG	11.35	9.41	4.25	10.75	6.00	9.73	7.73	3.50	IS5
SCE-10086FG	11.38	9.38	5.06	10.75	6.00	9.73	7.73	4.37	IS5
SCE-1210FG	13.41	11.43	5.21	12.75	8.00	11.79	9.80	4.50	IS5
SCE-1212FG	13.41	13.50	6.25	12.75	10.00	11.70	11.70	5.53	IS5
SCE-1407FG	15.75	8.75	6.81	15.00	5.00	14.00	7.00	6.12	IS5
SCE-1412FG	15.47	13.50	6.25	14.62	10.00	13.53	11.55	5.37	IS5
SCE-1614FG	17.45	15.46	6.23	16.75	12.00	15.63	13.60	5.36	IS5
SCE-1816FG	19.61	17.61	8.82	18.88	12.00	17.69	15.69	7.99	IS5
SCE-2016FG	21.68	17.68	8.83	21.25	10.00	19.72	15.72	8.00	IS5

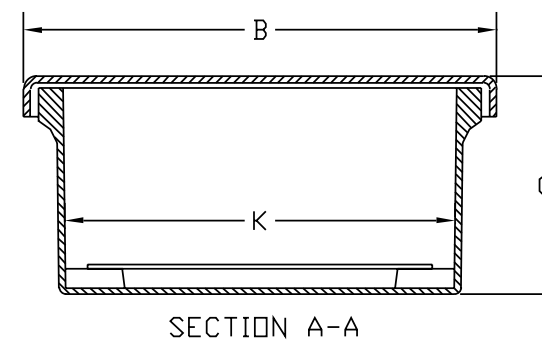
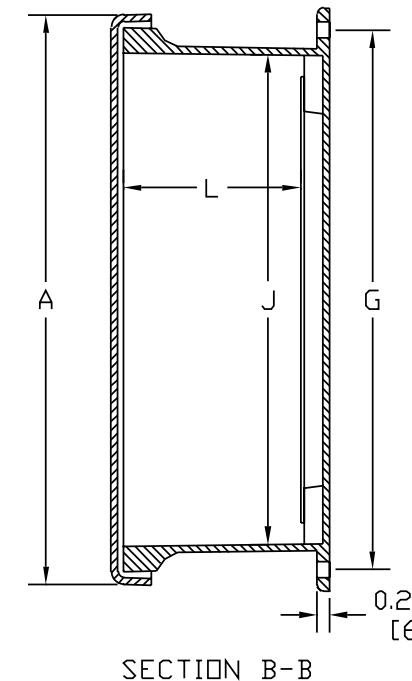
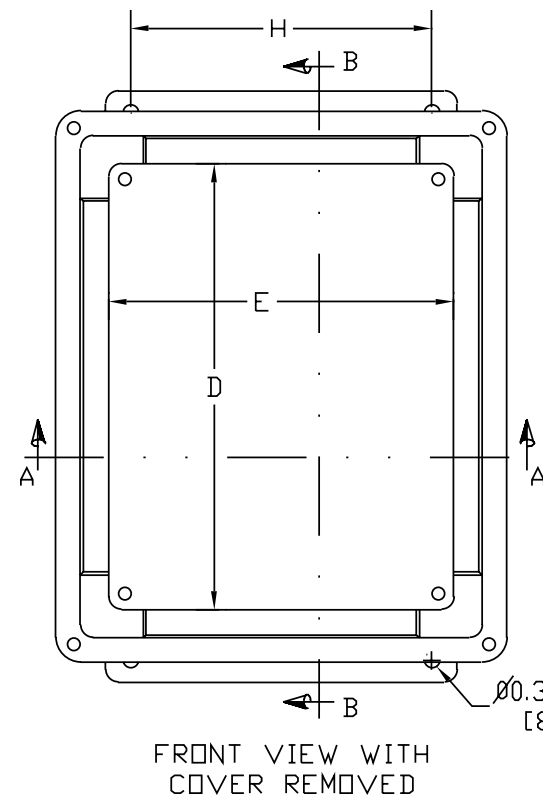
SUB-PANELS (F2)		
Catalog No.	Panel Height (D)	Panel Width (E)
SCE-6P4AL	4.88	2.88
SCE-6P6AL	4.88	4.88
SCE-8P6AL	6.88	4.88
SCE-8P8AL	6.88	6.88
SCE-10P8AL	8.88	6.88
SCE-12P10AL	10.88	8.88
SCE-12P12AL	10.88	10.88
SCE-14P8AL	12.88	5.88
SCE-14P12AL	12.88	10.88
SCE-16P14AL	14.88	12.88
SCE-18P16AL	16.88	14.88
SCE-20PJ16AL	18.88	14.88

[Back to Fiberglass Enclosures](#)

Phone (989) 799-6871
Fax (989) 799-4524



FIBERGLASS SCREW COVER JUNCTION ENCLOSURES TECHNICAL DATA



Phone (989) 799-6871
Fax (989) 799-4524

Fiberglass Junction Enclosures

Application -

Designed for indoor or outdoor use to house electrical and electronic controls, instruments and components in areas that may be regularly hosed down, are in very wet conditions, or are exposed to corrosive agents. Provides protection from dust, dirt, oil and water. Provides protection from occasional temporary or prolonged submersion.

Construction -

- Fiberglass reinforced compression molded polyester.
- Oil-resistant door gasket.
- Mounting strip molded in.
- Quick release padlock latch.
- Integral panel mounting inserts.
- Stainless steel continuous hinge.

Finish -

Light gray fiberglass. Optional sub-panels are marine grade aluminum.

IS5 - Industry Standards -

NEMA Type 4, 4X, 12 & Type 13
UL Listed Type 4, 4X & 12
CSA Type 4, 4X & 12
IEC 60529 IP66



FIBERGLASS JUNCTION ENCLOSURES

ENCLOSURE PRODUCT CODE F1									
Catalog No.	Height (A)	Width (B)	Depth (C)	Mounting (G)	Mounting (H)	Interior (J)	Interior (K)	Interior (L)	Industry Standard
SCE-6045CHQRFG	7.39	5.43	4.75	6.75	2.00	5.84	3.85	4.00	IS5
SCE-6065CHQRFG	7.52	7.50	4.75	6.75	4.00	5.72	5.72	4.00	IS5
SCE-8065CHQRFG	9.50	7.50	4.74	8.88	4.00	7.73	5.74	4.00	IS5
SCE-808CHQRFG	9.50	9.41	4.75	8.75	6.00	7.73	7.73	4.06	IS5
SCE-10085CHQRFG	11.35	9.41	4.25	10.75	6.00	9.73	7.73	3.50	IS5
SCE-12105CHQRFG	13.41	11.43	5.06	12.75	8.00	11.79	9.80	4.50	IS5
SCE-1212CHQRFG	13.41	13.50	6.36	12.75	10.00	11.70	11.70	5.53	IS5
SCE-14087CHQRFG	15.75	8.75	6.81	15.00	5.00	14.00	7.00	6.12	IS5
SCE-14127CHQRFG	15.47	13.50	6.25	14.62	10.00	13.53	11.55	5.37	IS5
SCE-16147CHQRFG	17.45	15.46	6.23	16.75	12.00	15.63	13.60	5.36	IS5
SCE-18169CHQRFG	19.61	17.61	8.82	18.88	12.00	17.69	15.69	7.99	IS5
SCE-2016CHQRFG	21.68	17.68	8.83	21.25	10.00	19.72	15.72	8.00	IS5

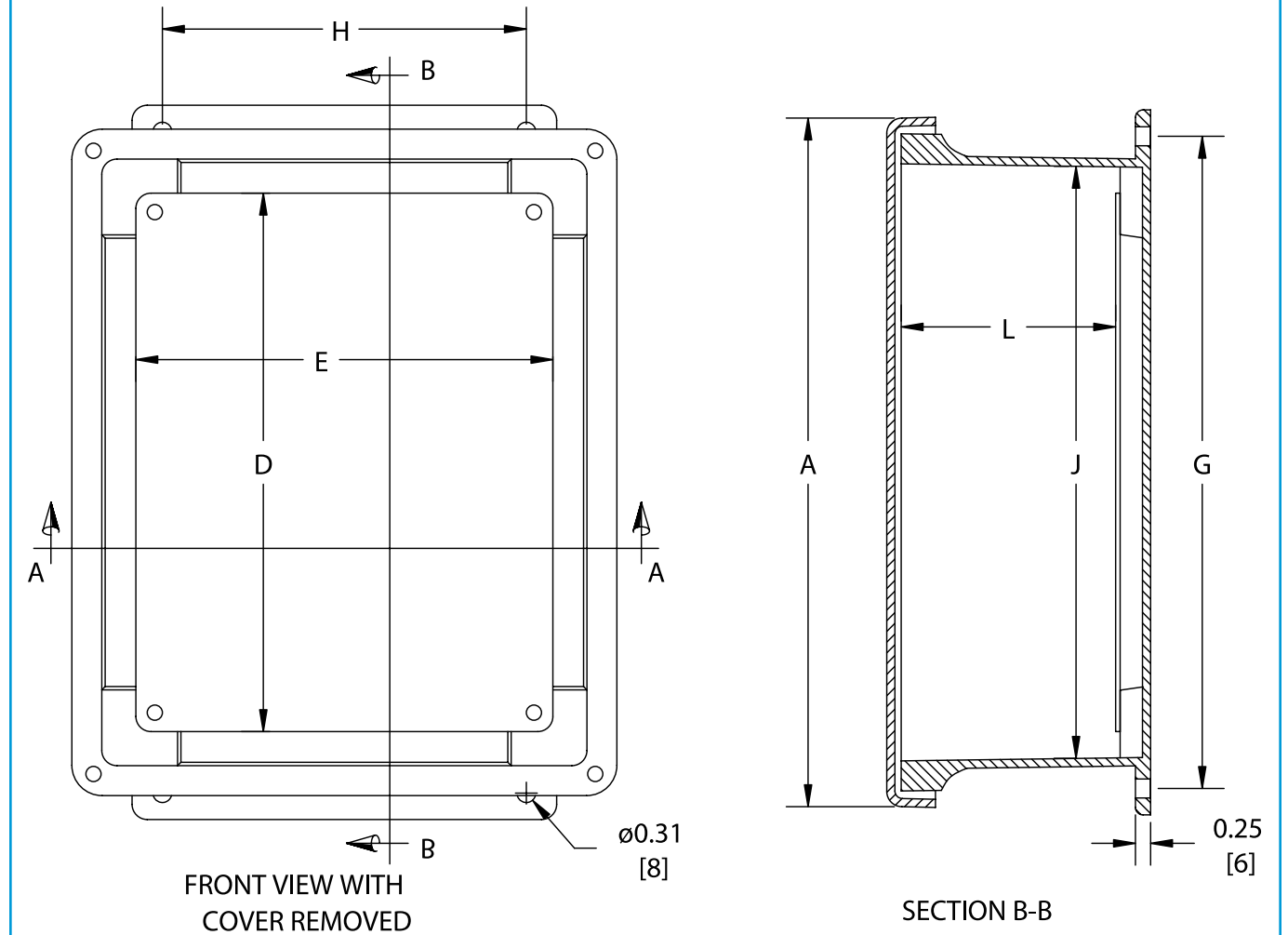
SUB-PANELS (F2)		
Catalog No.	Panel Height (D)	Panel Width (E)
SCE-6P4AL	4.88	2.88
SCE-6P6AL	4.88	4.88
SCE-8P6AL	6.88	4.88
SCE-8P8AL	6.88	6.88
SCE-10P8AL	8.88	6.88
SCE-12P10AL	10.88	8.88
SCE-12P12AL	10.88	10.88
SCE-14P8AL	12.88	5.88
SCE-14P12AL	12.88	10.88
SCE-16P14AL	14.88	12.88
SCE-18P16AL	16.88	14.88
SCE-20PJ16AL	18.88	14.88

[Back to Fiberglass Enclosures](#)

Phone (989) 799-6871
Fax (989) 799-4524



FIBERGLASS JUNCTION ENCLOSURES TECHNICAL DATA



Phone (989) 799-6871
Fax (989) 799-4524

Fiberglass Junction Enclosures With Window

Application -

Designed for indoor or outdoor use to house electronic controls, instruments and components in areas that may be regularly hosed down, are in very wet conditions, or are exposed to corrosive agents and require unrestricted viewing of gauges or controls. Provides protection from dust, dirt, oil and water.

Construction -

- Fiberglass reinforced compression molded polyester.
- Continuous memory retaining gasket.
- Mounting strips molded in.
- Quick release padlock latch.
- Integral panel mounting inserts.
- Stainless steel continuous hinge.
- UVA acrylic bonded window

Finish -

Light gray fiberglass. Optional sub-panels are marine grade aluminum.

IS5 - Industry Standards -

NEMA Type 4, 4X, 12 & Type 13
UL Listed Type 4, 4X & 12
CSA Type 4, 4X & 12
IEC 60529 IP66



FIBERGLASS JUNCTION ENCLOSURES WITH WINDOW

ENCLOSURE PRODUCT CODE F1									
Catalog No.	Height (A)	Width (B)	Depth (C)	Mounting (G)	Mounting (H)	Interior (J)	Interior (K)	Interior (L)	Industry Standard
SCE-604FW	7.39	5.43	4.75	6.75	2.00	5.84	3.85	4.00	IS5
SCE-606FW	7.52	7.50	4.75	6.75	4.00	5.72	5.72	4.00	IS5
SCE-806FW	9.50	7.50	4.75	8.88	4.00	7.73	5.74	4.00	IS5
SCE-808FW	9.50	9.41	4.75	8.75	6.00	7.73	7.73	4.06	IS5
SCE-1008FW	11.35	9.41	4.25	10.75	6.00	9.73	7.73	3.50	IS5
SCE-10086FW	11.37	9.37	5.06	10.75	6.00	9.73	7.73	4.37	IS5
SCE-1210FW	13.41	11.43	5.21	12.75	8.00	11.79	9.80	4.50	IS5
SCE-1212FW	13.41	13.50	5.21	12.75	10.00	11.70	11.70	5.53	IS5
SCE-1407FW	15.75	8.75	6.81	15.00	5.00	14.00	7.00	6.12	IS5
SCE-1412FW	15.47	13.50	6.25	14.62	10.00	13.53	11.55	5.37	IS5
SCE-1614FW	17.45	15.46	6.23	16.75	12.00	15.63	13.60	5.36	IS5
SCE-1816FW	19.61	17.61	8.82	18.88	12.00	17.69	15.69	7.99	IS5
SCE-2016FW	21.68	17.68	8.83	21.25	10.00	19.72	15.72	8.00	IS5

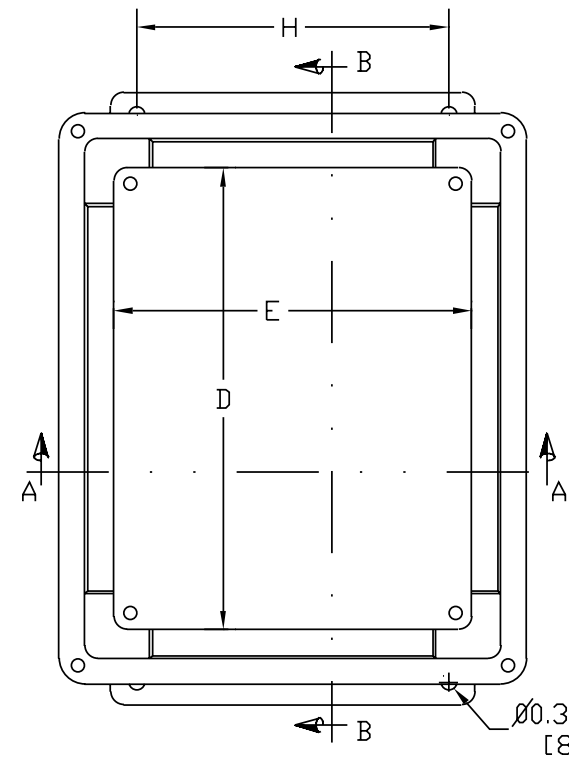
SUB-PANELS (F2)		
Catalog No.	Panel Height (D)	Panel Width (E)
SCE-6P4AL	4.88	2.88
SCE-6P6AL	4.88	4.88
SCE-8P6AL	6.88	4.88
SCE-8P8AL	6.88	6.88
SCE-10P8AL	8.88	6.88
SCE-12P10AL	10.88	8.88
SCE-12P12AL	10.88	10.88
SCE-14P8AL	12.88	5.88
SCE-14P12AL	12.88	10.88
SCE-16P14AL	14.88	12.88
SCE-18P16AL	16.88	14.88
SCE-20PJ16AL	18.88	14.88

[Back to Fiberglass Enclosures](#)

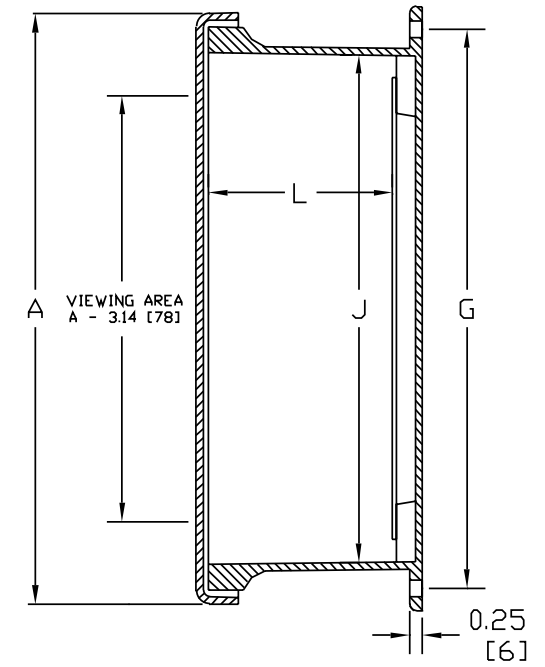
Phone (989) 799-6871
Fax (989) 799-4524



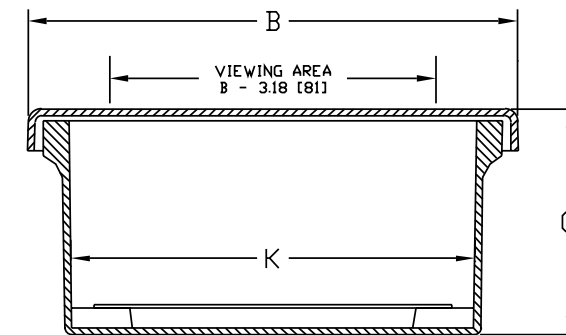
FIBERGLASS JUNCTION ENCLOSURES WITH WINDOW TECHNICAL DATA



FRONT VIEW WITH COVER REMOVED



SECTION B-B



SECTION A-A



Phone (989) 799-6871
Fax (989) 799-4524

Fiberglass Wall-Mount Enclosures

Application -

Designed for indoor or outdoor use to house electrical and electronic controls, instruments and components in areas that may be regularly hosed down, are in very wet conditions, or are exposed to corrosive agents. Provides protection from dust, dirt, oil and water.

Construction -

- Fiberglass reinforced compression molded polyester.
- Oil-resistant door gasket.
- Mounting feet molded in.
- Quick release latches.
- Padlock hasp and staple.
- Integral panel mounting inserts.
- Stainless steel continuous hinge.

Finish -

Light gray fiberglass. Optional sub-panels are marine grade aluminum.

IS5 - Industry Standards -

NEMA Type 4, 4X, 12 & Type 13
UL Listed Type 4, 4X & 12
CSA Type 4, 4X & 12
IEC 60529 IP66



FIBERGLASS WALL-MOUNT ENCLOSURES

ENCLOSURE PRODUCT CODE F1									
Catalog No.	Height (A)	Width (B)	Depth (C)	Mounting (G)	Mounting (H)	Interior (J)	Interior (K)	Interior (L)	Industry Standard
SCE-16H1009QFGLP	18.75	10.96	9.03	17.50	7.00	15.92	10.27	7.80	IS5
SCE-20H1608QFGLP	22.75	16.87	7.77	21.50	10.12	19.70	16.04	6.26	IS5
SCE-20H1610QFGLP	22.75	16.87	9.77	21.50	10.12	19.70	16.04	8.26	IS5
SCE-20H1612QFGLP	22.75	16.87	11.77	21.50	10.12	19.70	16.04	10.26	IS5
SCE-24H2010QFGLP	27.00	21.24	9.90	25.75	14.00	24.05	20.39	8.25	IS5
SCE-30H2010QFGLP	32.86	20.99	9.89	31.75	14.25	29.90	20.14	8.23	IS5
SCE-30H2409QFGLP	33.41	26.32	8.81	32.25	18.50	30.46	25.47	7.12	IS5
SCE-30H2412QFGLP	33.41	26.32	11.95	32.25	18.50	30.46	25.47	10.27	IS5
SCE-30H2414QFGLP	33.41	26.32	13.79	32.25	18.50	30.46	25.47	12.10	IS5
SCE-36H3010QFGLP	39.31	32.50	10.05	38.13	23.88	36.31	31.69	8.36	IS5
SCE-36H3012QFGLP	39.31	32.50	12.05	38.13	23.88	36.31	31.69	10.36	IS5
SCE-36H3014QFGLP	39.31	32.50	14.05	38.13	23.88	36.31	31.69	12.36	IS5

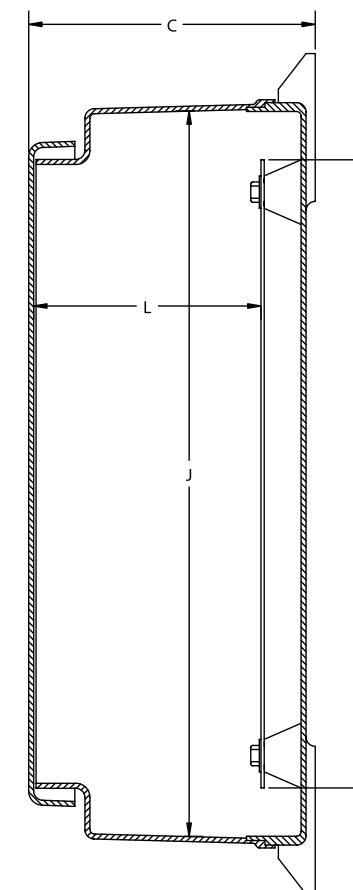
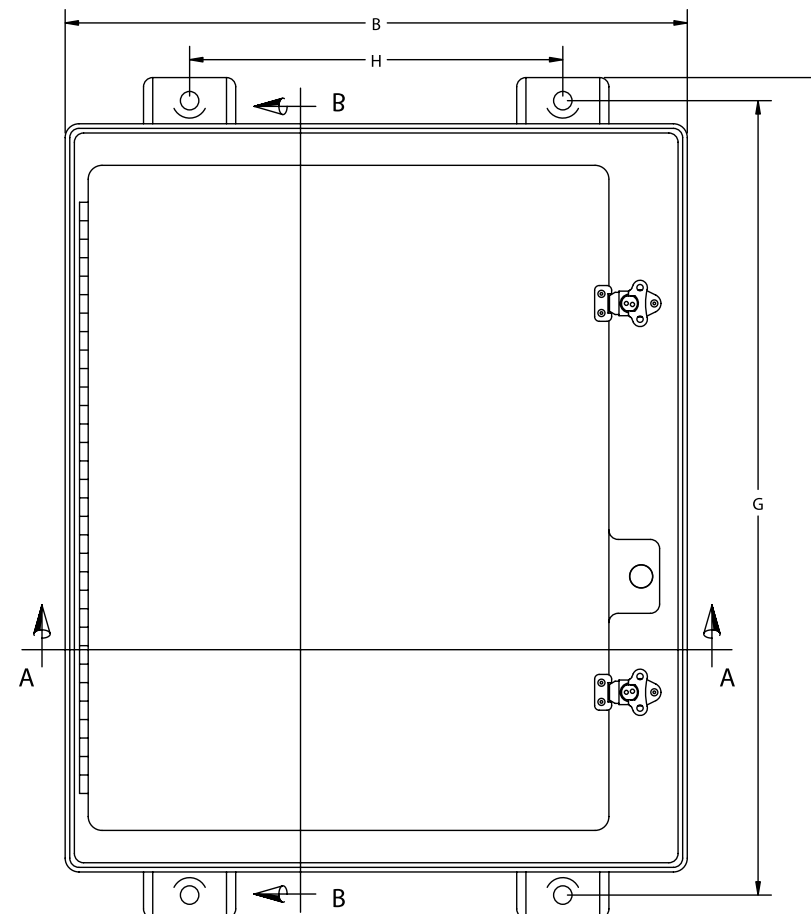
SUB-PANELS (F2)		
Catalog No.	Panel Height (D)	Panel Width (E)
SCE-16P10AL	13.00	8.50
SCE-20P16AL	17.00	13.00
SCE-24P12AL	21.00	9.00
SCE-24P20AL	21.00	17.00
SCE-30P20AL	27.00	17.00
SCE-30P24AL	27.00	21.00
SCE-36P30AL	33.00	27.00

[Back to Fiberglass Enclosures](#)

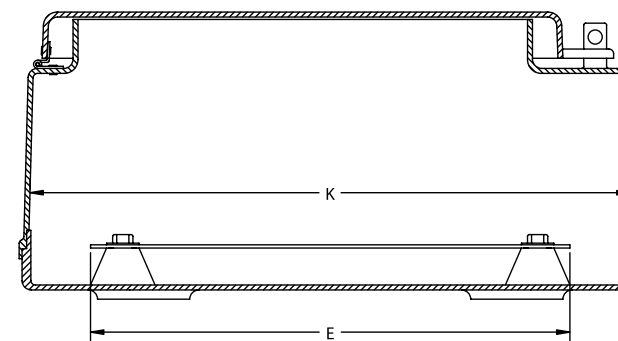
Phone (989) 799-6871
Fax (989) 799-4524



FIBERGLASS WALL-MOUNT ENCLOSURES TECHNICAL DATA



SECTION B-B



SECTION A-A

Note: SCE-16H1009QFGLP has no padlock feature.



Phone (989) 799-6871
Fax (989) 799-4524

NOTES

Phone (989) 799-6871
Fax (989) 799-4524



NOTES



Phone (989) 799-6871
Fax (989) 799-4524

Accessories

Thermal Management 280 – 288 [Go To](#)

- Air Conditioners & Heat Exchangers
- Thermostats
- Drain/Vents
- Louver & Filter Kits
- Fan & Grille Kits
- Type 12 Fan / Filter Packages
- Blower Packages
- Rain Hoods
- Cooling Fans
- Anti-Condensation Heaters
- Fan/Heater with Thermostats

Door Hardware 290 – 293 [Go To](#)

- Quarter Turn Latches
- Pull Handles
- Stainless Steel L-Handle
- Three Point Door Rod Kit
- SCE Door Handles
- Flush Swing Handles
- Clamps

Program Ports 294 – 295 [Go To](#)

General Accessories 296 – 302 [Go To](#)

- Grounding Bars & Straps
- Door Stop Kit
- Removable Wire Covers
- Keyboard Kit
- Pull-Out Keyboard Drawers
- Drip Shield Kits
- Folding Shelf
- Columns & Bases
- LED Light Fixtures
- Light Switch Mounting Bracket
- Hole Plugs
- Disconnect Adapters
- Mechanical Interlock
- Electrical Interlock
- Electrical Interlock Defeater

[Back to Table of Contents](#)



Phone (989) 799-6871
Fax (989) 799-4524



Accessories

Mounting Options 303 – 307 [Go To](#)

- Nema 1 Mounting Straps
- Nema 3R Mounting Straps
- Eyebolts
- Lifting Lugs
- Caster Kits
- Leveling Pads
- Angle Iron Mounting Feet
- Nema 3R Mounting Foot Kit
- Mounting Foot Kit for (ELJ) Enviroline® Enclosures
- Mounting Foot Kit for Enviroline® Enclosures
- Floor Stand Kits
- EL Flush Mount Frames

Mounting Panels..... 308 – 319 [Go To](#)

- Sub-panels
- Filler Plates
- Individual Panel Supports
- Dead Front Panels
- Swing Panel Assembly for “LP” Enclosures
- Swing Panel Assembly for Enviroline® Enclosures
- XM Barrier Plates

Media Pockets & Windows 320 – 321 [Go To](#)

- Exterior Print Pockets
- CD & Disk Pockets
- Print Pockets
- NEMA 4 Window Kits

Protective Access Enclosures..... 322 – 324 [Go To](#)

- Hinged Window Enclosures
- Hinged Access Enclosures
- Internal Disconnect Enclosures
- External Disconnect Enclosure

Service Parts 326 – 329 [Go To](#)

- Door Gasket
- EMI Gasket
- Mechanical Defeater
- Sealing Washers
- Channel Nuts & Clip Nuts
- Touch Up Paint
- Keys
- Hinges



Phone (989) 799-6871
Fax (989) 799-4524



[Back to Table of Contents](#)

Thermal Management

Side Mount Air Conditioner

SCE can supply cooling components for your electrical enclosure. McLean Midwest Air Conditioner packages include thermostat control and EMI/RFI noise suppressors. For lead times please consult an SCE sales representative.

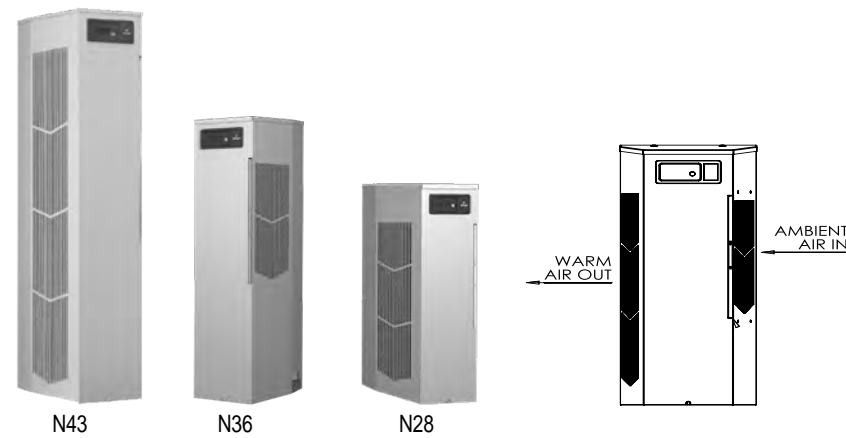
- Thermostat control and digital display.
- Malfunction pressure switch.
- Door switch input.
- Internal active condensate management plan.
- Motorized impeller air movers.
- Coated condenser coil to resist against airborne contaminants.

Finish -
Powder coated RAL 7035 semi-texture

**Note: Normal discount rates may not apply. Consult your local Distribution Center*

SIDE MOUNT UNITS							
Catalog No.	Height (A)	Width (B)	Depth (C)	Spec. BTU	Spec. Hz	Spec. Volt	Product Code
N17-0116-G010	17.64	12.00	8.40	908/1025	50/60	115	P1
N17-0126-G010	17.64	12.00	8.40	908/1025	50/60	230	P1
N17-0216-G010	17.64	12.00	8.40	1500/1800	50/60	115	P1
N17-0226-G010	17.64	12.00	8.40	1500/1800	50/60	230	P1
<i>*Note: UL listed Type 12.</i>							
N28-0416-G050	28.00	11.50	14.00	3800/4000	50/60	115	P1
N28-0426-G050	28.00	11.50	14.00	4000	60	230	P1
N36-0616-G050	36.00	11.50	14.00	5400/6000	50/60	115	P1
N36-0626-G050	36.00	11.50	14.00	5400/6000	50/60	230	P1
N36-0646-G050	36.00	11.50	14.00	5400/6000	50/60	460	P1
N36-0816-G050	36.00	11.50	14.00	8250/8500	50/60	115	P1
N36-0826-G050	36.00	11.50	14.00	8250/8500	50/60	230	P1
N36-0846-G050	36.00	11.50	14.00	8250/8500	50/60	460	P1
N43-1216-G050	43.00	11.50	14.00	10400/11000	50/60	115	P1
N43-1226-G050	43.00	11.50	14.00	10400/11000	50/60	230	P1
N43-1246-G050	43.00	11.50	14.00	10400/11000	50/60	460	P1

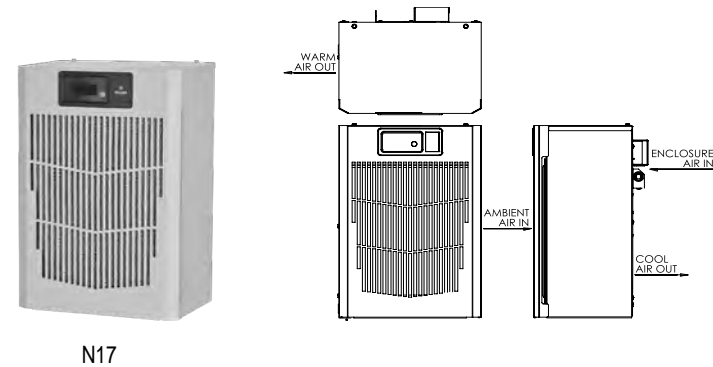
**Note: UL listed Type 3R, 4, & 12.*



N43

N36

N28



N17

[Back to Accessories](#)

Phone (989) 799-6871
Fax (989) 799-4524



Thermal Management

Side Mount Air Conditioner

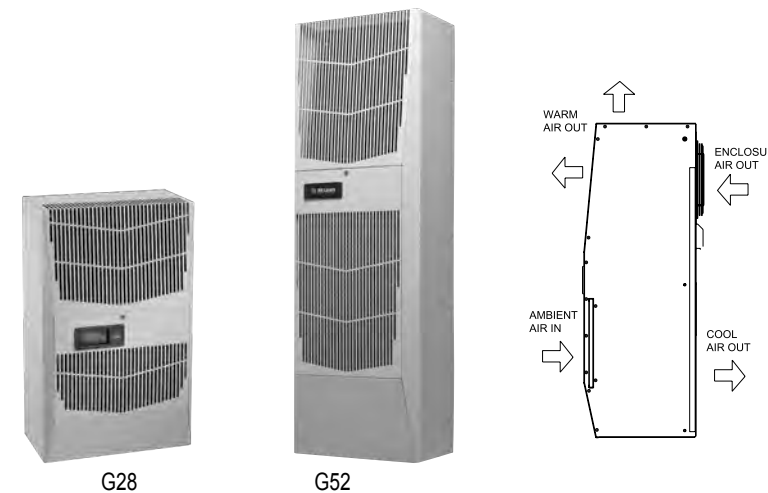
SCE can supply cooling components for your electrical enclosure. McLean Midwest Air Conditioner packages include thermostat control and EMI/RFI noise suppressors. For lead times please consult an SCE sales representative. UL listed Type 3R, 4, & 12.

- Thermostat control and digital display.
- Malfunction pressure switch.
- Door switch input.
- Internal active condensate management plan.
- Motorized impeller air movers.
- Coated condenser coil to resist against airborne contaminants.

Finish -
Powder coated RAL 7035 semi-texture

**Note: Normal discount rates may not apply. Consult your local Distribution Center*

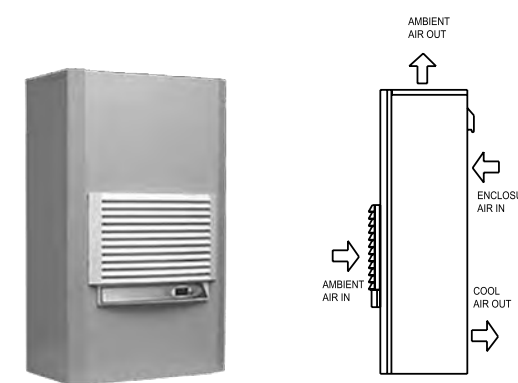
SIDE MOUNT UNITS							
Catalog No.	Height (A)	Width (B)	Depth (C)	Spec. BTU	Spec. Hz	Spec. Volt	Product Code
G28-0416-G050	28.55	16.97	10.10	4600/4900	50/60	115	P1
G28-0426-G050	28.55	16.97	10.10	4600/4900	50/60	230	P1
G28-0446-G050	28.55	16.97	10.10	4600/4900	50/60	460	P1
G28-0616-G050	28.55	16.97	10.10	6000/6400	50/60	115	P1
G28-0626-G050	28.55	16.97	10.10	6000/6400	50/60	230	P1
G28-0646-G050	28.55	16.97	10.10	5400/6000	50/60	460	P1
G52-0816-G050	52.69	17.12	11.66	8000	50/60	115	P1
G52-0826-G050	52.69	17.12	11.66	8000	50/60	230	P1
G52-0846-G050	52.69	17.12	11.66	8000	50/60	460	P1
G52-1216-G050	52.69	17.12	11.66	12000	50/60	115	P1
G52-1226-G050	52.69	17.12	11.66	12000	50/60	230	P1
G52-1246-G050	52.69	17.12	11.66	12000	50/60	460	P1



G28

G52

SIDE MOUNT UNITS							
Catalog No.	Height (A)	Width (B)	Depth (C)	Spec. BTU	Spec. Hz	Spec. Volt	Product Code
M28-0216-G013	28.50	17.00	11.33	908/1025	50/60	115	P1
M28-0226-G004	28.50	17.00	11.33	908/1025	50/60	230	P1



Phone (989) 799-6871
Fax (989) 799-4524

Thermal Management

Top Mount Air Conditioner

SCE can supply cooling components for your electrical enclosure. McLean Midwest Air Conditioner packages include thermostat control and EMI/RFI noise suppressors. For lead times please consult an SCE sales representative. UL listed Type 12.

- Thermostat control and digital display.
- Surge suppressor.
- Condensate management plan.

Finish -
Powder coated RAL 7042

**Note: Normal discount rates may not apply. Consult your local Distribution Center*

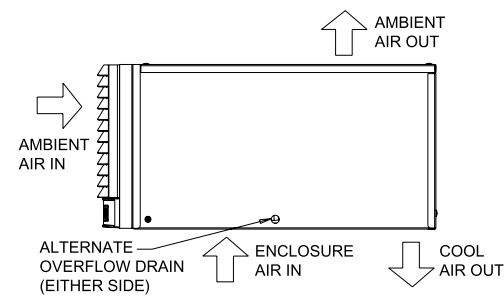
Heat Exchanger

SCE can supply cooling components for your electrical enclosure. Heat Exchanger packages include thermostat control and EMI/RFI noise suppressors. For lead times please consult an SCE sales representative. UL type 12.

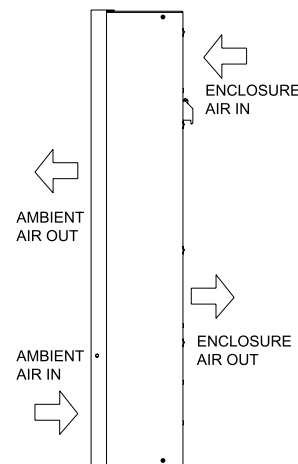
Finish -
Powder coated RAL 7035 semi-texture

**Note: Normal discount rates may not apply. Consult your local Distribution Center*

TOP MOUNT UNITS							
Catalog No.	Height (A)	Width (B)	Depth (C)	Spec. BTU	Spec. Hz	Spec. Volt	Product Code
MHB11-0216-G306	10.25	17.00	21.08	2200/2200	50/60	115	P1
MHB11-0226-G306	10.25	17.00	21.08	2200/2200	50/60	230	P1
MHB11-0416-G307	10.25	17.00	21.08	3300/4000	50/60	115	P1
MHB11-0426-G306	10.25	17.00	21.08	3300/4000	50/60	230	P1



HEAT EXCHANGERS							
Catalog No.	Height (A)	Width (B)	Depth (C)	Cooling Performance	Spec. Hz	Spec. Volt	Product Code
XR20-0416-012	20.00	7.50	3.00	4 W/F (7 W/C)	50/60	115	P1
XR29-0816-012	29.50	10.00	3.09	8 W/F (14 W/C)	50/60	115	P1
XR29-1816-012	29.66	10.24	5.92	18 W/F (32 W/C)	50/60	115	P1
XR47-2416-012	47.16	10.24	5.92	24 W/F (43 W/C)	50/60	115	P1



[Back to Accessories](#)

Phone (989) 799-6871
Fax (989) 799-4524



Thermal Management

Thermostat

Designed to regulate air temperature in enclosures that operate with heaters or fans. This mechanical bi-metallic thermostat has a set point range of 30° to 140°F and is easily installed on 35mm mounting rail. (NC) Contact normally closed, or (NO) Contact normally open, switch capacity 10 amp 120-250 VAC Resistive load and 1 amp 120-250V AC Inductive load, 1.25 amp 24V DC.



Dual Thermostat

Designed to regulate air temperature in enclosures that operate with heaters and fans. This mechanical bi-metallic thermostat has a set point range of 30° to 140°F and is easily installed on 35mm mounting rail. Dual functions as (NC) contact normally closed, or (NO) contact normally open, switch capacity 10 amp 120-250 VAC Resistive load and 1 amp 120-250V AC Inductive load, 1.25 amp 24V DC.



Mechanical Hygrostat

Designed to regulate relative air humidity in enclosures. Mechanical hygrostats can operate with heaters, fans, or warning lights. Adjustable set point range of 30 to 90 humidity, maximum switch capacity 250V AC.



Breather & Drain Vents

Add vents or drain breather and maintain Type 4X seal against dust, dirt, oil and water. Vents and drain breather are made of corrosion and UV resistant fiberglass and supplied with gasket. UL recognized 3, 4, 4X & 12

Catalog No.	Used With	Height (A)	Width (B)	Depth (C)	Contact	Product Code	List Price
SCE-TEMNC	Heater	2.40	1.26	1.42	NC	P2	32.55
SCE-TEMNO	Fan	2.40	1.26	1.42	NO	P2	32.55

Catalog No.	Used With	Height (A)	Width (B)	Depth (C)	Contact	Product Code	List Price
SCE-TEMD	Heater & Fan	2.00	2.00	2.00	NC & NO	P2	82.79

Catalog No.	Used With	Height (A)	Width (B)	Depth (C)	Product Code	List Price
SCE-HYGRO	Heater, Fan, Light	2.60	2.00	1.42	P2	188.42

Catalog No.	Height (A)	Width (B)	Depth (C)	Product Code
SCE-BV4XKIT	2.76	1.97	1.00	F1
SCE-DV4XKIT	2.76	1.97	0.69	F1



Breather Vents



Drain Vents



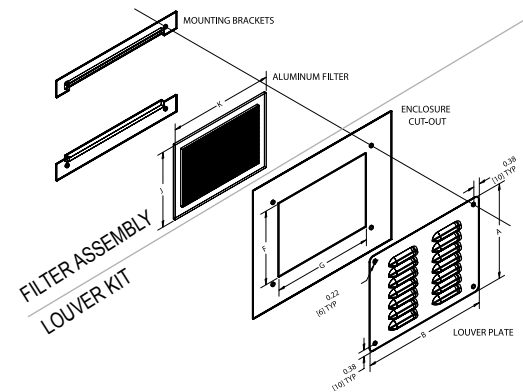
Phone (989) 799-6871
Fax (989) 799-4524

Thermal Management

Louver Kit

Designed for ventilation in enclosures where excessive heat or moisture is a problem. Kits may be installed in the field by making a cutout of the proper size. Louver plates are made of heavy gauge steel and powder coated ANSI-61 gray. "SS" parts are made of Type 304 stainless with #4 brushed finish.

Catalog No.	Height (A)	Width (B)	Cutout Size (F)	Cutout Size (G)	Product Code	List Price
SCE-AVK23	3.25	3.25	2.00	1.75	P2	16.64
SCE-AVK33	3.88	4.50	2.62	3.00	P2	17.38
SCE-AVK34	4.75	4.50	3.50	3.00	P2	18.38
SCE-AVK43	4.50	5.50	3.25	4.00	P2	18.87
SCE-AVK44	5.63	5.50	4.38	4.00	P2	19.87
SCE-AVK64	5.63	7.50	4.38	6.00	P2	21.85
SCE-AVK66	7.88	7.50	6.62	6.00	P2	22.60
SCE-AVK812	15.31	9.50	14.06	8.00	P2	34.77
SCE-AVK84	5.81	9.50	4.56	8.00	P2	23.34
SCE-AVK86	8.18	9.50	6.94	8.00	P2	26.33
SCE-AVK88	10.56	9.50	9.31	8.00	P2	29.31
Stainless Steel						
SCE-AVK23SS	3.25	3.25	2.00	1.75	P2	41.60
SCE-AVK33SS	3.88	4.50	2.62	3.00	P2	43.46
SCE-AVK34SS	4.80	4.50	3.50	3.00	P2	45.94
SCE-AVK43SS	4.50	5.50	3.25	4.00	P2	47.19
SCE-AVK44SS	5.63	5.50	4.38	4.00	P2	49.67
SCE-AVK64SS	5.63	7.50	4.48	6.00	P2	54.63
SCE-AVK66SS	7.88	7.50	6.62	6.00	P2	55.88
SCE-AVK812SS	15.31	9.50	14.06	8.00	P2	86.93
SCE-AVK84SS	5.81	9.50	4.56	8.00	P2	57.13
SCE-AVK86SS	8.19	9.50	6.94	8.00	P2	58.36
SCE-AVK88SS	10.56	9.50	9.31	8.00	P2	65.82



Filter Assembly

Designed for use with louver kit. Consists of aluminum filter brackets with mounting holes to align with louver mounting holes and a washable aluminum air filter to provide good air filtration. For installation information, please consult our Installation Manual at www.saginawcontrol.com.

Catalog No.	Filter Size (J)	Filter Size (K)	Product Code	List Price
SCE-FLT33	3.22	3.25	P2	22.35
SCE-FLT34	4.09	3.25	P2	22.35
SCE-FLT43	3.84	4.25	P2	22.35
SCE-FLT44	4.97	4.25	P2	22.35
SCE-FLT64	4.45	6.25	P2	24.84
SCE-FLT66	6.72	6.25	P2	24.84
SCE-FLT84	4.64	8.25	P2	27.32
SCE-FLT86	7.02	8.25	P2	27.32
SCE-FLT88	9.39	8.25	P2	27.32
SCE-FLT812	14.14	8.25	P2	29.80

Phone (989) 799-6871
Fax (989) 799-4524

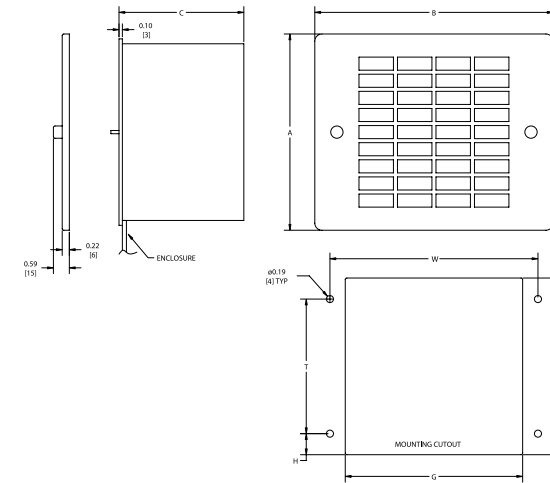


Thermal Management

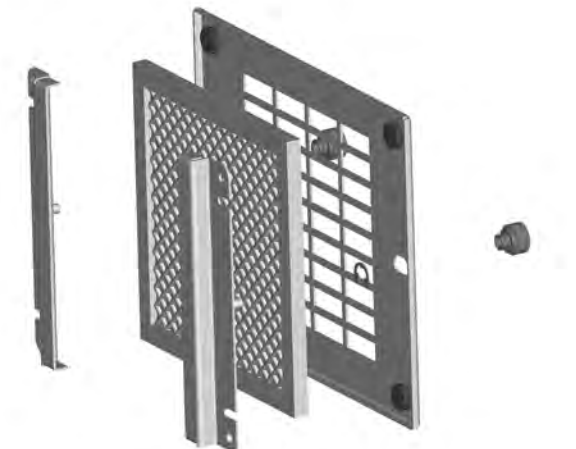
Fan Package

Designed for use in enclosures that require cooling but have limited space. Consists of a washable aluminum filter, steel air plenum, removable stainless steel grille, single phase fan, and approximately 14 inch of lead wire. Grille has captivated thumb nuts for easy access to the filter from the outside. Fans are available in 115 or 230 volt AC, 60/50 Hertz (HZ) single phase. Air plenum is ANSI-61 gray powder coated. For installation information, please consult our Installation Manual at www.saginawcontrol.com. UL listed motor.

Catalog No.	Height (A)	Width (B)	Depth (C)	Cutout Size (F)	Cutout Size (G)	Mounting Dimensions (H)	Mounting Dimensions (T)	CFM	Mounting Dimensions (W)	Product Code	List Price
SCE-FA44	6.11	7.38	3.28	5.66	5.66	0.77	4.12	115	6.38	P2	146.53
SCE-FA66	7.61	8.88	3.75	7.16	7.16	1.33	4.50	238	7.88	P2	260.78
SCE-FA1010	11.62	12.88	5.25	11.16	11.16	2.14	6.88	665	11.88	P2	347.70
SCE-FA44-230	6.11	7.38	3.28	5.66	5.66	0.77	4.12	115	6.38	P2	161.18
SCE-FA66-230	7.61	8.88	3.75	7.16	7.16	1.33	4.50	238	7.88	P2	286.85
SCE-FA1010-230	11.62	12.88	5.25	11.16	11.16	2.14	6.88	665	11.88	P2	382.46



Catalog No.	Height (A)	Width (B)	Cutout Size (F)	Cutout Size (G)	Mounting Dimensions (H)	Mounting Dimensions (T)	Mounting Dimensions (W)	Product Code	List Price
SCE-FGA44	6.11	7.38	5.66	5.66	0.77	4.12	6.38	P2	67.05
SCE-FGA66	7.61	8.88	7.16	7.16	1.33	4.50	7.88	P2	69.54
SCE-FGA1010	11.62	12.88	11.16	11.16	2.14	6.88	11.88	P2	91.89



Filter and Grille Package

Designed for use on air discharge side of cooling fan package. Stainless steel grille with captivated thumb screws. Aluminum mounting brackets and aluminum filter. Mounting hardware is furnished.



Phone (989) 799-6871
Fax (989) 799-4524

[Back to Accessories](#)

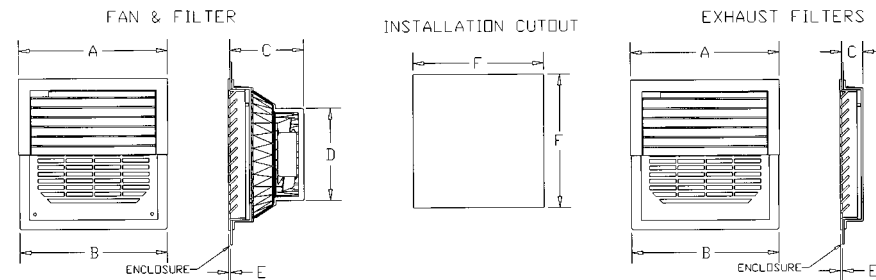
Thermal Management

Type 12 Fans & Filters

Easy to install snap fit design for use in enclosures that require cooling but have limited space in Type 1 & 12 applications. Housing and grille are made of black heat resistant (ABS-FR), self-extinguishing material. Includes Type 12 Filter. Fans are available in 115, 230 AC, 60/50 Hertz (Hz) single phase or 24 Volt DC.

UL Recognized Type 12

Catalog No.	Height (A)	Width (B)	Depth (C)	CFM 50/60 Hz	Product Code	Cutout Size (F)	List Price
SCE-N12FA44	5.91	5.91	2.88	26/29	P2	5.03 Sq.	152.13
SCE-N12FA66	9.84	9.84	4.75	135/159	P2	8.91 Sq.	215.08
SCE-N12FA1010	12.60	12.60	6.23	306/341	P2	11.57 Sq.	375.08
SCE-N12FA44-230	5.91	5.91	2.88	39/46	P2	5.03 Sq.	191.80
SCE-N12FA66-230	9.84	9.84	4.91	62/70	P2	8.91 Sq.	342.30
SCE-N12FA1010-230	12.80	12.80	6.30	306/341	P2	11.57 Sq.	413.11
SCE-N12FA44-24VDC	5.91	5.91	2.88	27/37	P2	5.03 Sq.	324.59
SCE-N12FA66-24VDC	9.84	9.84	4.40	82/88	P2	8.91 Sq.	401.31



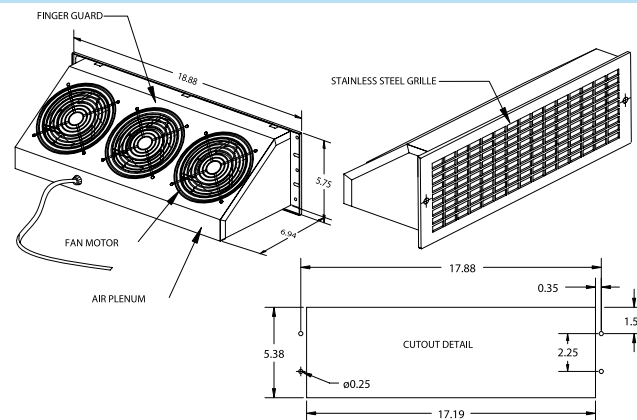
Type 12 Exhaust Filters

Easy to install snap fit design for use on air discharge side of cooling fan package for Type 1 & 12 applications. Housing and grille are made of black heat resistant (ABS-FR), self-extinguishing material with a Type 12 filter.

UL Recognized Type 12

Catalog No.	Height (A)	Width (B)	Depth (C)	Product Code	Cutout Size (F)	List Price
SCE-N12FGA44	5.91	5.91	1.22	P2	5.03 Sq.	41.31
SCE-N12FGA66	9.84	9.84	1.42	P2	8.91 Sq.	55.08
SCE-N12FGA1010	12.80	12.80	1.42	P2	11.57 Sq.	68.85

Catalog No.	Height (A)	Width (B)	Depth (C)	CFM	Product Code	List Price
SCE-BP115	5.75	18.88	6.95	324	P2	484.30
SCE-BP230	5.75	18.88	6.95	324	P2	484.30



Catalog No.	Height (A)	Width (B)	Depth (C)	Product Code	List Price
SCE-FGABP	5.75	18.88	0.22	P2	101.89

Blower Package (Filter and Grille)

Designed for use with SCE Fan Packages and Filter and Grille Package. Aluminum washable filters provide good air filtration.

Phone (989) 799-6871
Fax (989) 799-4524



Thermal Management

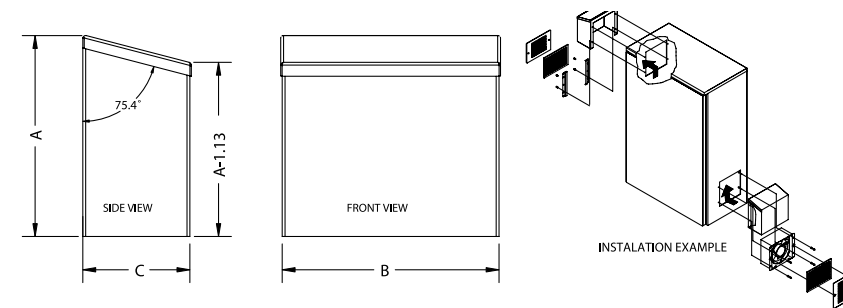
Rain Hood

Designed for use with standard fan and filter kits to prevent rain, sleet, snow, dropping water or fluids from being drawn into the enclosure. Made of heavy gauge galvanized steel and powder coated ANSI-61 gray. "SS" kits are made of Type 304 stainless steel with #4 brushed finish. UL Recognized. For installation information, please consult our Installation Manual at www.saginawcontrol.com.

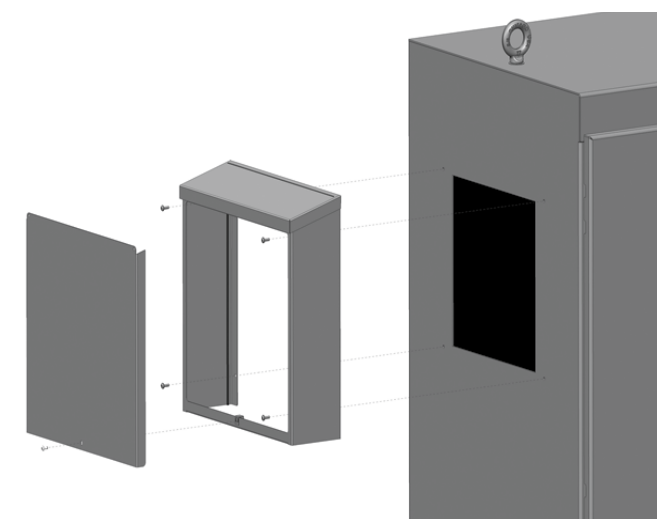
Note: Fan and Filter Kit are sold separately.

UL Recognized Type 3R

Catalog No.	Height (A)	Width (B)	Depth (C)	Product Code	List Price
SCE-RH44	8.09	7.62	4.50	P2	39.94
SCE-RH66	8.46	9.24	4.56	P2	42.60
SCE-RH1010	12.34	13.12	4.50	P2	47.93
Stainless Steel					
SCE-RH44SS	8.09	7.62	4.50	P2	55.91
SCE-RH66SS	8.46	9.24	4.56	P2	59.64
SCE-RH1010SS	12.34	13.12	4.50	P2	67.10



Catalog No.	Height (A)	Width (B)	Depth (C)	Product Code	List Price
SCE-RH4N12	9.44	8.25	4.50	P2	49.93
SCE-RH6N12	13.44	12.25	4.50	P2	53.25
SCE-RH10N12	16.44	15.25	4.50	P2	59.92
Stainless Steel					
SCE-RH4N12SS	9.44	8.25	4.50	P2	69.89
SCE-RH6N12SS	13.44	12.25	4.50	P2	74.55
SCE-RH10N12SS	16.44	15.25	4.50	P2	83.87



Rain Hood with Access Cover

Designed for use with Type 12 fan and filter kits to prevent rain, sleet, snow, dropping water or fluids from being drawn into the enclosure. Removable cover for easy access to fan and filter kits. Made of heavy gauge galvanized steel and powder coated ANSI-61 gray. "SS" kits are made of Type 304 stainless steel with #4 brushed finish. UL Recognized. For installation information, please consult our Installation Manual at www.saginawcontrol.com.

Note: Fan and Filter Kit are sold separately.

UL Recognized Type 3R

Phone (989) 799-6871
Fax (989) 799-4524



[Back to Accessories](#)

Thermal Management

Cooling Fans

Designed for use in enclosures where space is limited and reliable cooling is required. 115 or 230 volt AC 60/50hz. Single phase motor. A finger guard is included. UL listed motor.

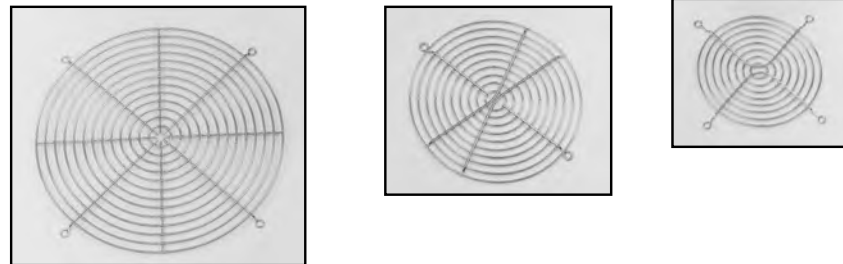
Catalog No.	Air Flow CU Feet Per Min.	Diameter	Fan Dim. Square	Depth	Product Code	List Price
SCE-CF4	108		4.69	1.52	P2	60.84
SCE-CF6	235	6.72		2.00	P2	153.98
SCE-CF10	550	10.00		3.50	P2	161.43
SCE-CF4-230	108		4.69	1.52	P2	66.95
SCE-CF6-230	235	6.72		2.00	P2	170.55
SCE-CF10-230	550	10.00		3.50	P2	177.58



Finger Guards

A finger guard is included with each cooling fan. An additional finger guard can be mounted on either of the fans for maximum safety. Chrome plated.

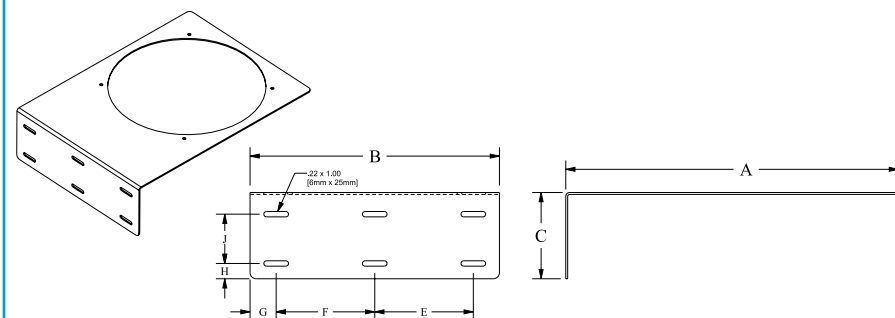
Catalog No.	Use on Cooling Fan Cat. No.	Product Code	List Price
SCE-GARD4	SCE-CF4	P2	17.38
SCE-GARD6	SCE-CF6	P2	21.11
SCE-GARD10	SCE-CF10	P2	26.08



Cooling Fan Bracket

Cooling fan brackets are designed for general circulation or to direct air in a problem area. Brackets are made of heavy gauge steel and powder coated white. Fans and finger guards are ordered separately.

Catalog No.	Description	Height (A)	Width (B)	Depth (C)	(E)	(F)	(J)	Product Code	List Price
SCE-112399	4" Fan Bracket	6.00	5.00	1.50	-	3.00	0.62	P2	20.52
SCE-111252	6" Fan Bracket	10.00	6.88	2.00	-	5.00	1.00	P2	24.31
SCE-110551	10" Fan Bracket	13.50	10.12	3.50	4.00	4.00	2.00	P2	44.52



Phone (989) 799-6871
Fax (989) 799-4524



Thermal Management

Anti-Condensation Heater

Helps prevent condensation thus preventing corrosion and keeping electrical equipment on line. "AHC" Touch Safe Series Anti-Condensation Space heater is designed to keep the temperature inside of an enclosure several degrees above the external ambient temperature and above the dew point. There are no moving parts, no thermostat to set or malfunction, and no adjustments are needed for ambient temperature changes. Easy to install, with two wires to connect and two mounting screws. Made of extruded black anodized aluminum. Operating temperatures -30°C to 60°C, 120VAC. When possible, two smaller units are more efficient than one larger unit. For technical information consult our Installation Manual at www.saginawcontrol.com.



Catalog No.	Watt @ 60 Hz	Volt	Height	Width	Depth
SCE-HF1251A	125	115	5.50	4.00	4.50
SCE-HF1252A	125	230	5.50	4.00	4.50
SCE-HF2001A	200	115	5.50	4.00	4.50
SCE-HF2002A	200	230	5.50	4.00	4.50
SCE-HF4001B	400	115	7.50	4.00	4.50
SCE-HF4002B	400	230	7.50	4.00	4.50
SCE-HF8001B	800	115	7.50	4.00	4.50
SCE-HF8002B	800	230	7.50	4.00	4.50

Fan Heater with Thermostat

Designed to protect electrical controls, instruments and sensitive components from low temperatures and the effects of condensation and corrosion by maintaining a stable temperature within the electrical enclosure. These heaters are not intended for use in hazardous, wet, dusty or dirty locations. For installation information, consult our Installation Manual at www.saginawcontrol.com.



- Brushed Aluminum Housing
- Thermostat Range 0° to 100°F (-18° to 38°C)
- Heat discharge at the top of the heater
- Panel mount
- Air volume of 16 CFM on 125 & 200 Watt heaters, 26 CFM on 400 & 800 Watt heaters
- Heat indicator light
- Switch for Auto or Fan
- UL Recognized
- CSA Approved
- CE



Phone (989) 799-6871
Fax (989) 799-4524

[Back to Accessories](#)

DOOR HARDWARE

1/4 Turn Door Latch Inserts

Designed to replace black quarter turn latches when additional security is required.

Slotted 2 x 4 Door Latch (28mm cam included)

Catalog No.	Qty. Per Kit	Finish	Product Code	List Price
SCE-DLSB	1	Chrome	P2	17.38
SCE-DLSBB	1	Black	P2	17.38
SCE-DLSSB	1	Stainless	P2	42.22



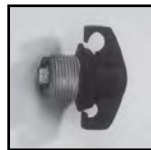
Wing Knob Door Latch (28mm cam included)

Catalog No.	Qty. Per Kit	Finish	Product Code	List Price
SCE-DLWKC	1	Chrome	P2	17.38
SCE-DLWKF	1	Black	P2	17.38
SCE-DLWKF-25	25	Black	V1	284.83



Padlocking Wing Knob Latch (28mm cam included)

Catalog No.	Qty. Per Kit	Finish	Product Code	List Price
SCE-PLWKB	1	Black	P2	19.87
SCE-PLWKB-50	50	Black	V1	651.65



7mm Triangular Latch with Key (28mm cam included)

(Key: SCE-107930)

Catalog No.	Qty. Per Kit	Finish	Product Code	List Price
SCE-DL7TE	1	Chrome	P2	17.38



Coinproof Door Latch (28mm cam included)

Catalog No.	Qty. Per Kit	Finish	Product Code	List Price
SCE-DLCA	1	Chrome	P2	14.90



5mm Double Bit Door Latch with Key (28mm cam included)

(Key: SCE-110047)

Catalog No.	Qty. Per Kit	Finish	Product Code	List Price
SCE-DL5MDB	1	Chrome	P2	12.91
SCE-DL5MDBB	1	Black	P2	12.91



Small Three Point Cam, Plated Steel for use with SCE 5" Handles.

Catalog No.	Qty. Per Kit	Product Code	List Price
SCE-3PTSMC	1	P2	13.12



6 mm External Stop Cam, Plated Steel for use with Quarter Turn Latch.

Catalog No.	Qty. Per Kit	Product Code	List Price
SCE-100814	10	P2	24.00



Padlocking Housing Latch (28mm cam included)

Catalog No.	Qty. Per Kit	Finish	Product Code	List Price
SCE-PLHG	1	Black	P2	17.38



Keylocking Wing Knob Latch (28mm cam included)

(Key: SCE-K333)

Catalog No.	Qty. Per Kit	Finish	Product Code	List Price
SCE-KLWN	1	Chrome	P2	34.77
SCE-KLWNB	1	Black	P2	34.77



Keylocking Door Latch (28mm cam included)

(Key: SCE-K333)

Catalog No.	Qty. Per Kit	Finish	Product Code	List Price
SCE-DLKLD	1	Chrome	P2	27.32
SCE-DLKLDB	1	Black	P2	27.99
SCE-DLKLDB-25	25	Black	V1	543.12



7mm Square Door Latch with Key (28mm cam included)

(Key: SCE-101695)

Catalog No.	Qty. Per Kit	Finish	Product Code	List Price
SCE-DL7SC	1	Chrome	P2	17.38



8mm Square Door Latch with Key (28mm cam included)

(Key: SCE-101697)

Catalog No.	Qty. Per Kit	Finish	Product Code	List Price
SCE-DL8SB	1	Black	P2	12.91
SCE-DL8SC	1	Chrome	P2	12.91



Non-Locking "T" Handle (28mm cam included)

Catalog No.	Qty. Per Kit	Finish	Product Code	List Price
SCE-NLTH	1	Chrome	P2	24.84



Keylocking "T" Handle (28mm cam included)

(Key: SCE-K333)

Catalog No.	Qty. Per Kit	Finish	Product Code	List Price
SCE-ELKLT	1	Chrome	P2	39.19



28 mm External Stop Cam, Plated Steel for use with Quarter Turn Latch.

Catalog No.	Qty. Per Kit	Product Code	List Price
SCE-102804	10	P2	24.00



DOOR HARDWARE

Mini Quarter Turn Latches

Designed for use on ELJ enclosures and window kits. (35° cam included)

Catalog No.	Qty. Per Kit	Finish	Product Code	List Price
SCE-MINQ	1	Chrome	P2	9.94
SCE-MINQB	1	Black	P2	9.94



"SCE" Handle

Designed for use on custom and stock SCE enclosures. Can be used as replacements for installed SCE hardware when a different locking mechanism is desired. 7" and 5" lengths for different size enclosures. Black zinc die cast. For 2 or 3-point latch, use SCE-ARK Door Rod Kit.

Catalog No.	Description	Length	Qty. Per Kit	Product Code	List Price
SCE-PCH5	Coinproof/Padlocking	5 in.	1	P2	86.93
SCE-PH5	Padlocking	5 in.	1	P2	86.93
SCE-PKH5	Keylocking/Padlocking	5 in.	1	P2	86.93
SCE-PCH5-7SC	7 mm Square Insert	5 in.	1	P2	86.93
SCE-PCH7	Coinproof/Padlocking	7 in.	1	P2	99.34
SCE-PH7	Padlocking	7 in.	1	P2	99.34
SCE-PKH7	Keylocking/Padlocking	7 in.	1	P2	99.34
SCE-PCH7-7SC	7 mm Square Insert	7 in.	1	P2	99.34



SCE-PCH5
SCE-PCH7



SCE-PKH5
SCE-PKH7
Key: SCE-KC101



SCE-PH5
SCE-PH7



SCE-PCH5-7SC
SCE-PCH7-7SC
Key: SCE-101695

Mini Quarter Turn Latch Options

304 Stainless Steel Padlock Bracket for Miniature Quarter Turn. (ELJ & HWK)

Catalog No.	Qty. Per Kit	Product Code	List Price
SCE-MINQPL	1	P2	8.52



Black Keylocking Lever Knob for Miniature Quarter Turn. (ELJ & HWK)

(No cam included)

Catalog No.	Qty. Per Kit	Product Code	List Price
SCE-MINQKLB	1	P2	49.52



Key: SCE-2233X

Black Non-Locking Lever Knob for Miniature Quarter Turn. (ELJ & HWK)

(No cam included)

Catalog No.	Qty. Per Kit	Product Code	List Price
SCE-MINQLB	1	P2	28.56



Black 6 mm Square Miniature Quarter Turn with Key. (ELJ & HWK)

(No cam included)

Catalog No.	Qty. Per Kit	Product Code	List Price
SCE-MINQ6MS	1	P2	34.19



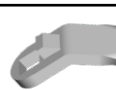
28 mm Cam, Plated Steel for use with Miniature Quarter

Catalog No.	Qty. Per Kit	Product Code	List Price
SCE-105419	1	P2	2.04



35° Cam, Plated Steel for use with Miniature Quarter Turns on ELJ Enclosures. (ELJ, HWK & HA)

Catalog No.	Qty. Per Kit	Product Code	List Price
SCE-112984	1	P2	1.73

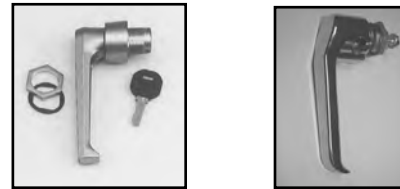


DOOR HARDWARE

Enviroline® Series Handles

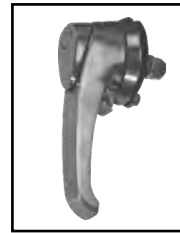
Designed for use in the Enviroline® Series enclosures, for a quick and easy conversion from the standard quarter turn latch with no added holes or cutouts necessary for installation. **(Key: SCE-K333)**

Catalog No.	Description	Qty. Per Kit	Product Code	List Price
SCE-ELKL	Keylocking Handle	1	P2	62.09
SCE-ELPL	Padlocking Handle	1	P2	62.09



Stainless Steel Handle (KEY: SCE-KC101)

Catalog No.	Description	Qty. Per Kit	Product Code	List Price
SCE-SSPCH5	Coinproof/Padlocking	1	P2	173.86
SCE-SSPH5	Padlocking	1	P2	173.86
SCE-SSPKH5	Keylocking	1	P2	191.88



Flush Swing Handles

Designed for use on custom and stock SCE enclosures. Can be used as replacements on SCE work stations when a different locking mechanism is required. Zinc die cast metal powder coated black.

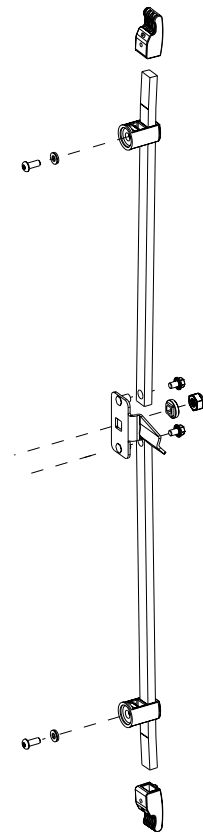
Catalog No.	Description	Qty. Per Kit	Product Code	List Price
SCE-FSH2	Keylocking	1	P2	63.34
SCE-FSH4	8mm Square Lock	1	P2	63.34
SCE-FSH6	Keylocking/Padlocking	1	P2	81.96
SCE-FSH8	Padlocking	1	P2	72.03



SCE-FSH2 Key: SCE-K333
SCE-FSH4 Key: SCE-101697
SCE-FSH6 Key: SCE-K333
SCE-FSH8

Aluminum Rod Kit With Ramp Shoes

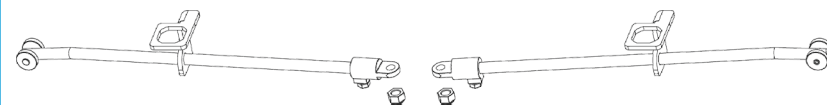
Catalog No.	Rod Size	Qty. Per Kit	Product Code	List Price
SCE-ARK36	0.375 x 0.625	1	P2	115.23
SCE-103370	0.25 x 0.50	1	P2	57.80



Enviroline® Three-Point Latch Kit

Designed for use with all Enviroline® Series enclosures. This latch kit will add a two or three point latching system to the enclosures with easy to cut and install rod guides and 5/16 inch round rods with rollers for a strong easy functioning latching system. No added holes or cutouts in enclosure necessary for installation.

Catalog No.	Qty. Per Kit	Product Code	List Price
SCE-3PTL	1	P2	62.09



[Back to Accessories](#)

Phone (989) 799-6871
Fax (989) 799-4524



DOOR HARDWARE

Quick Release Clamp Assembly

Designed for quick access to an enclosure with standard screw clamps. Clamps can be used on Type 4, 4X, and 12 enclosures.

Catalog No.	Enclosure Type	Thread Type	Finish	Qty. Per Kit	Product Code	List Price
SCE-QR1	"CHNF"	1/4-28	Chrome	1	P2	9.94
SCE-QR1SS	"CHNF"	1/4-28	Stainless	1	P2	19.87
SCE-QR2	"LP"	1/4-28	Stainless	2	P2	22.97
SCE-QRLP	"LP"	1/4-20	Stainless	2	P2	12.87

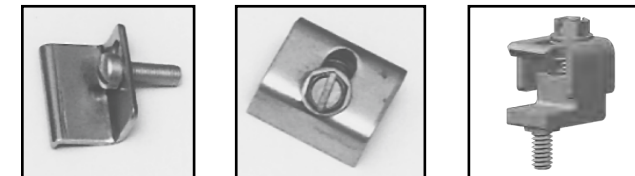


SCE-QR1 SCE-QR2 SCE-QRLP

Replacement Clamps

Designed as replacement clamps for SCE enclosures.

Catalog No.	Enclosure Type	Thread Type	Finish	Qty. Per Kit	Product Code	List Price
SCE-DRL-6	"CHNF"	1/4-28	Stainless	2	P2	7.46
SCE-DRL-4K	"LP"	1/4-28	Stainless	2	P2	12.42
SCE-LPCLAMP	"LP"	1/4-20	Chrome	2	P2	17.38
SCE-LPCLAMPSS	"LP"	1/4-20	Stainless	2	P2	21.87



SCE-DRL-6 SCE-DRL-4K SCE-LPCLAMP/SS

Pull Handle

Designed for use as a handle on enclosures. Handle is a steel tube plastic coated black with black molded polyamide plastic end stays.

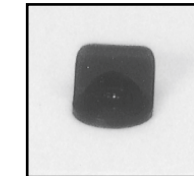
Catalog No.	Qty. Per Kit	Size	Product Code	List Price
SCE-UHK13	1	3.15 x 13.00	P2	39.74



Finger Pull

Designed for use as pull latch for the removable wireway.

Catalog No.	Description	Qty. Per Kit	Product Code	List Price
SCE-ELFP	Aluminum	1	P2	9.94



Padlock Kit For Junction Boxes

Designed for "CHNF" enclosures. Maintains water-tight and dust-tight seal. Made of plated steel.

Catalog No.	Qty. Per Kit	Product Code	List Price
SCE-PLKJC	1	P2	9.94



Pull Handles - 4"

Designed for use on keyboard drawers, swing out panels, etc. Mounting hardware is included.

Catalog No.	Finish	Hole Center	Qty. Per Kit	Product Code	List Price
SCE-APH	Aluminum	4.00	1	P2	7.46



SCE-APH



Phone (989) 799-6871
Fax (989) 799-4524

PROGRAM PORTS

Application -

This product line is designed to help increase your compliance with NFPA 70E and reduce the risk of personal exposure of arc flash by reducing the need to access the enclosure, by bringing GFCI utility outlets and data interface ports outside the enclosures.

Construction -

- Transparent sealed cover.
- Quick release padlocking latch.
- 120 VAC Simplex Outside.
- Available with Ethernet, Control Net, Serial or Device Net data interface ports

Options -

- Contact the factory for availability of any other data interface ports or type 4X designs.

Finish -

Powder coated light gray.

Industry Standards -

- UL Recognized Type 1, 12 or 4
- CSA Approved Type 1, 12 or 4
- CE & NFPA 70E Compliant

Catalog No.	Qty. Per Kit	Interface	Type	Product Code
-------------	--------------	-----------	------	--------------

P-R2-F3R3-U450	1	(Ethernet)	4	P4
----------------	---	------------	---	----

RJ-45 CAT5 F/F connector with 120 VAC Simplex outlet & 3 Amp circuit breaker



Catalog No.	Qty. Per Kit	Interface	Type	Product Code
-------------	--------------	-----------	------	--------------

P-B15-F3R3-U450	1	(Control Net)	4	P4
-----------------	---	---------------	---	----

RJ-45 CAT5 F/F connector with 120 VAC Simplex outlet & 3 Amp circuit breaker



Catalog No.	Qty. Per Kit	Interface	Type	Product Code
-------------	--------------	-----------	------	--------------

P-Q7-F3R3-U450	1	(Serial)	4	P4
----------------	---	----------	---	----

DB9 F/M connector with 120 VAC Simplex outlet & 3 Amp circuit breaker



Catalog No.	Qty. Per Kit	Interface	Type	Product Code
-------------	--------------	-----------	------	--------------

P-Q9-F3R3-U450	1	(Serial)	4	P4
----------------	---	----------	---	----

DB9 M/F connector with 120 VAC Simplex outlet & 3 Amp circuit breaker



Catalog No.	Qty. Per Kit	Interface	Type	Product Code
-------------	--------------	-----------	------	--------------

P-D4-H3R3-U450	1	(Device Net)	4	P4
----------------	---	--------------	---	----

Network Tap PC Board with 120 VAC Simplex outlet & 3 Amp circuit breaker



[Back to Accessories](#)

PROGRAM PORTS

Application -

This product line is designed to help increase your compliance with NFPA 70E and reduce the risk of personal exposure of arc flash by reducing the need to access the enclosure, by bringing GFCI utility outlets and data interface ports outside the enclosures.

Construction -

- Transparent sealed cover.
- Quick release padlocking latch.
- GFCI Ground fault circuit interrupters with exclusive three outlet design, GFCI Duplex outside the enclosure with GFCI Simplex inside.
- Available with Ethernet, Control Net, Serial or Device Net data interface ports

Options -

- Contact the factory for availability of any other data interface ports or type 4X designs.

Finish -

Powder coated light gray.

Industry Standards -

- UL Recognized Type 1, 12 or 4
- CSA Approved Type 1, 12 or 4
- CE & NFPA 70E Compliant

Catalog No.	Qty. Per Kit	Interface	Type	Product Code
-------------	--------------	-----------	------	--------------

P-B15-K3RF3-U450	1	(Control Net)	4	P4
------------------	---	---------------	---	----

P-B15-K4RF3-U450	1	(Control Net)	12	P4
------------------	---	---------------	----	----



RJ-45 CAT5 F/F connector with 120 VAC Duplex GFCI with internal Simplex GFCI & 3 Amp circuit breaker

Catalog No.	Qty. Per Kit	Interface	Type	Product Code
-------------	--------------	-----------	------	--------------

P-Q7-K3RF3-U450	1	(Serial)	4	P4
-----------------	---	----------	---	----

P-Q7-K4RF3-U450	1	(Serial)	12	P4
-----------------	---	----------	----	----



DB9 F/M connector with 120 VAC Duplex GFCI with internal Simplex GFCI & 3 Amp circuit breaker

Catalog No.	Qty. Per Kit	Interface	Type	Product Code
-------------	--------------	-----------	------	--------------

P-Q9-K3RF3-U450	1	(Serial)	4	P4
-----------------	---	----------	---	----

P-Q9-K4RF3-U450	1	(Serial)	12	P4
-----------------	---	----------	----	----



DB9 M/F connector with 120 VAC Duplex GFCI with internal Simplex GFCI & 3 Amp circuit breaker

Catalog No.	Qty. Per Kit	Interface	Type	Product Code
-------------	--------------	-----------	------	--------------

P-R2-K3RF3-U450	1	(Ethernet)	4	P4
-----------------	---	------------	---	----

P-R2-K4RF3-U450	1	(Ethernet)	12	P4
-----------------	---	------------	----	----



RJ-45 CAT5 F/F connector with 120 VAC Duplex GFCI with internal Simplex GFCI & 3 Amp circuit breaker

Catalog No.	Qty. Per Kit	Interface	Type	Product Code
-------------	--------------	-----------	------	--------------

P-D4-M3RF3-U450	1	(Device Net)	4	P4
-----------------	---	--------------	---	----

P-D4-M4RF3-U450	1	(Device Net)	12	P4
-----------------	---	--------------	----	----



Network Tap PC Board with 120 VAC Duplex GFCI with internal Simplex GFCI & 3 Amp circuit breaker

GENERAL ACCESSORIES

Grounding Straps

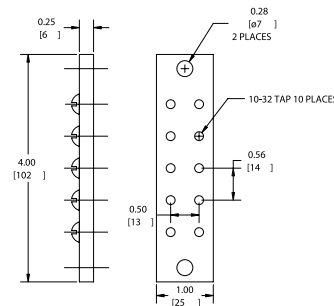
Grounding straps can be used to provide electrical continuity between metal parts which must be electrically connected. Consists of braided copper with a ring terminal at both ends. Braid is insulated with green and yellow striped plastic.



Catalog No.	Approx. Wire Size (AWG)	Length Between Ring Terminals (CTOC)	Ring Terminal Hole Size	Product Code	List Price
SCE-GS808	#8	8.00	0.330	P2	33.92

Grounding Bars

Designed to provide a grounding area for controls and equipment. Has ten 10-32 tapped conductor holes and two mounting holes. Made of copper.



Catalog No.	Height (A)	Width (B)	Depth (C)	Product Code	List Price
SCE-GB10	1.00	4.00	0.25	P2	86.93

Door Stop Kit

For use on most SCE Type 4, 4X and 12 enclosures to lock door in the open position. Door opening must be at least 12 inches and must open horizontally. Designed to be installed at the bottom of the door opening. For installation information, consult our Installation Manual at www.saginawcontrol.com.

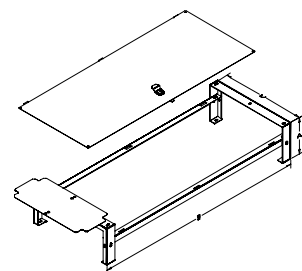


Catalog No.	Finish	Product Code	List Price
SCE-DSTOPK	Zinc Plated	P2	67.05

Provided with UL Recognized sealing washer to maintain Environmental Rating of the enclosure.

Removable Wire Cover

Designed to provide a "false" bottom in an enclosure with a bottom flange larger than 7 inches. Cover is bolted to a frame made of heavy gauge steel. Opens with a finger pull latch. A plate is provided to connect wire covers for a continuous bottom. Made of steel and powder coated white. For installation information, consult our Installation Manual at www.saginawcontrol.com.



Catalog No.	Length (A)	Width (B)	Depth (C)	Enclosure Depth	Product Code	List Price
SCE-14RMW	6.00	35.00	14.00	18.00	P2	198.69
SCE-20RMW	6.00	35.00	20.00	24.00	P2	223.52

Phone (989) 799-6871
Fax (989) 799-4524



GENERAL ACCESSORIES

Keyboard Kit

Designed to house a keyboard input. Mounted on the outside of an enclosure. Enviroline® type construction with concealed hinge and quarter turn latches. Mouse drawer. Made of heavy gauge steel and powder coated ANSI-61 gray. For installation information, consult our Installation Manual at www.saginawcontrol.com.

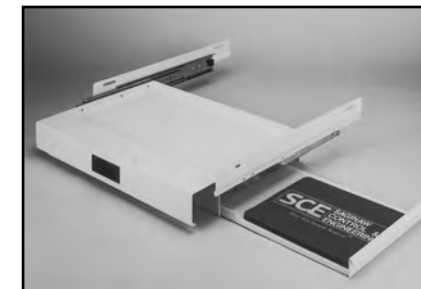


Provided with UL Recognized sealing washer to maintain Environmental Rating of the enclosure.

Catalog No.	Height (A)	Width (B)	Depth (C)	Product Code	List Price
SCE-24KB	12.25	24.00	5.62	P2	447.04

Pull-Out Keyboard Drawer

Designed to hold a keyboard and mouse on a separate pull-out shelf. Mounts between mounting channels. Made of heavy gauge steel with a white powder coat finish. A mouse pad is included.



Catalog No.	Height (A)	Width (B)	Depth (C)	Enclosure Depth	Product Code	List Price
SCE-KBS	3.00	20.00	14.00	24.25	P2	372.54
SCE-KBS32	3.00	20.00	14.00	32.25	P2	372.54



Phone (989) 799-6871
Fax (989) 799-4524



GENERAL ACCESSORIES

Drip Shield Kit For Type 12 & 4 Enclosures

Protects door against dripping water and settling dust. Stainless steel screws and sealing washers are supplied with each kit. Made of steel and powder coated ANSI-61 gray.

Provided with UL Recognized sealing washer to maintain Environmental Rating of the enclosure.

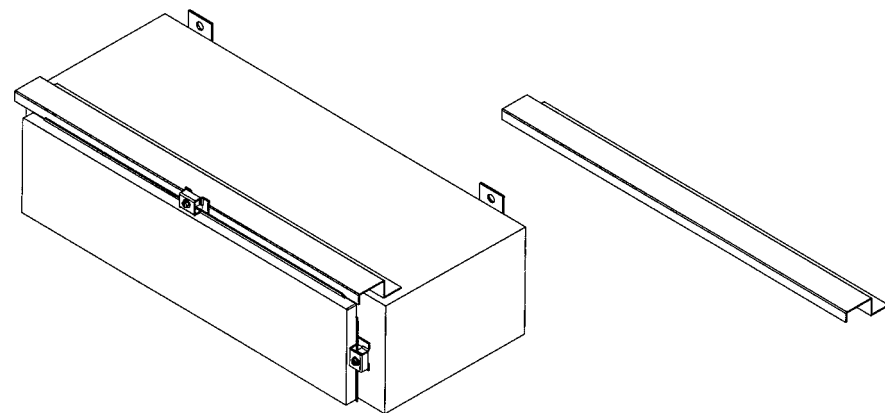
Stainless Steel Drip Shield Kit For Type 4X Enclosures

Protects door against dripping water and settling dust. Furnished with stainless steel screws and sealing washers. Kit made of stainless steel Type 304.

Provided with UL Recognized sealing washer to maintain Environmental Rating of the enclosure.

Catalog No.	Fits Enclosure Width (B)	Product Code	List Price
SCE-DS12N4	12.00	P2	35.83
SCE-DS16N4	16.00	P2	40.80
SCE-DS20N4	20.00	P2	43.28
SCE-DS24N4	24.00	P2	50.74
SCE-DS30N4	30.00	P2	53.22
SCE-DS36N4	36.00	P2	56.40
SCE-DS42N4	42.00	P2	60.31
SCE-DS48N4	48.00	P2	68.82
SCE-DS60N4	60.00	P2	80.17
SCE-DS72N4	72.00	P2	90.43

Catalog No.	Fits Enclosure Width (B)	Product Code	List Price
SCE-DS12SS	12.00	P2	81.96
SCE-DS16SS	16.00	P2	89.41
SCE-DS20SS	20.00	P2	96.86
SCE-DS24SS	24.00	P2	104.31
SCE-DS30SS	30.00	P2	116.72
SCE-DS36SS	36.00	P2	129.14
SCE-DS42SS	42.00	P2	141.56
SCE-DS48SS	48.00	P2	158.95
SCE-DS60SS	60.00	P2	181.31
SCE-DS72SS	72.00	P2	216.07



[Back to Accessories](#)

Phone (989) 799-6871
Fax (989) 799-4524



GENERAL ACCESSORIES

Folding Shelf

Folding shelves can be installed on the inside or outside of large enclosures. They are designed to support test equipment and programmers. Locks in the horizontal position. When not in use, shelf can be folded down. Made of heavy gauge steel and powder coated white. "SS" parts are stainless steel Type 304 with #4 brush finish. For installation information, consult our Installation Manual at www.saginawcontrol.com.

Provided with UL Recognized sealing washer to maintain Environmental Rating of the enclosure.



Catalog No.	Height	Width	Product Code	List Price
SCE-FS1212	12.00	12.00	P2	146.53
SCE-FS1818	18.00	18.00	P2	183.79
SCE-FS2424	24.00	24.00	P2	221.04

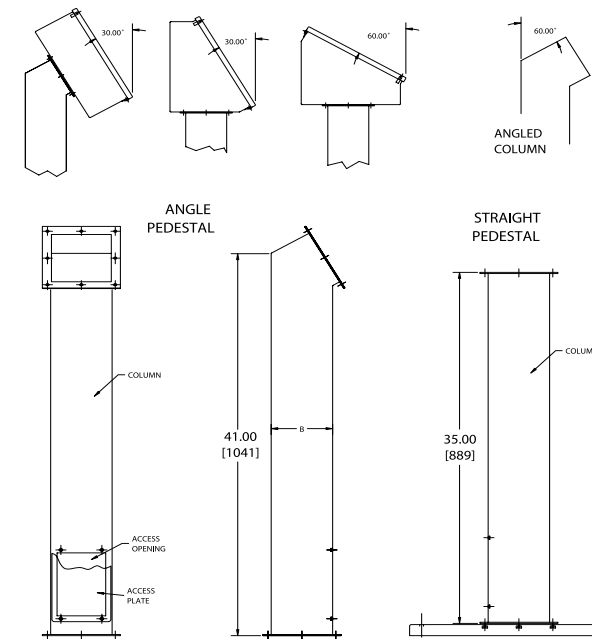
Stainless Steel

SCE-FS1212SS	12.00	12.00	P2	418.00
SCE-FS1818SS	18.00	18.00	P2	476.22
SCE-FS2424SS	24.00	24.00	P2	496.72

Catalog No.	Description	Depth	Width	Product Code	List Price
SCE-18SBASE	Pedestal Base	18.00	18.00	P2	111.76
SCE-24SBASE	Pedestal Base	24.00	24.00	P2	253.32
SCE-44CCOL	Straight Column	4.00	4.00	P2	183.79
SCE-44PBCOL	Angled Column	4.00	4.00	P2	218.56
SCE-66CCOL	Straight Column	6.00	6.00	P2	275.68
SCE-66PBCOL	Angled Column	6.00	6.00	P2	327.83

Stainless Steel

SCE-18SBASESS	Pedestal Base, Stainless Steel	18.00	18.00	P2	424.63
SCE-24SBASESS	Pedestal Base, Stainless Steel	24.00	24.00	P2	451.45
SCE-44CCOLSS	Straight Column, Stainless Steel	4.00	4.00	P2	524.13
SCE-66CCOLSS	Straight Column, Stainless Steel	6.00	6.00	P2	554.52



Accessory Columns and Bases

Designed to allow enclosures to be floor mounted. Columns can be mounted to either size base. Columns have flanges at each end and a gasketed access plate. Bases are to be bolted to the floor. Gasket and mounting hardware included. For technical information, consult the Installation Manual at www.saginawcontrol.com. Pedestals and bases are ANSI-61 gray powder coated. "SS" parts are stainless steel Type 304 with #4 brush finish.

GENERAL ACCESSORIES

LED Light Fixture

Application -

LED light fixture is designed to provide interior lighting for an enclosure. Can be mounted to light channels in the top of an enclosure or on the front flange of most enclosures. Door activated adjustable switch, switch can be removed and relocated. Terminal block on each end of fixture, making it easy to wire and daisy chain multiple lights continuously. LED bulb with PVC frosted white protective light diffuser included. Housing made from steel and powder coated white. Units with convenience receptacle outlet are 120 VAC with ground 50/60 HZ. Without convenience receptacle outlet 100 to 277 VAC 50/60 HZ.

Construction -

- 4000K Frosted White
- 18 inch 850 Lumens
- 24 inch 900 Lumens

IS10 - Industry Standards -

UL Component Recognized

Light Switch Mounting Bracket

Designed to remote mount the door activated light switch when space is limited. Light Switch Mounting Bracket may be used with SCE-LF18, SCE-LF18NO, SCE-LF24 & SCE-LF24NO. For installation information, consult our Installation Manual at www.saginawcontrol.com.

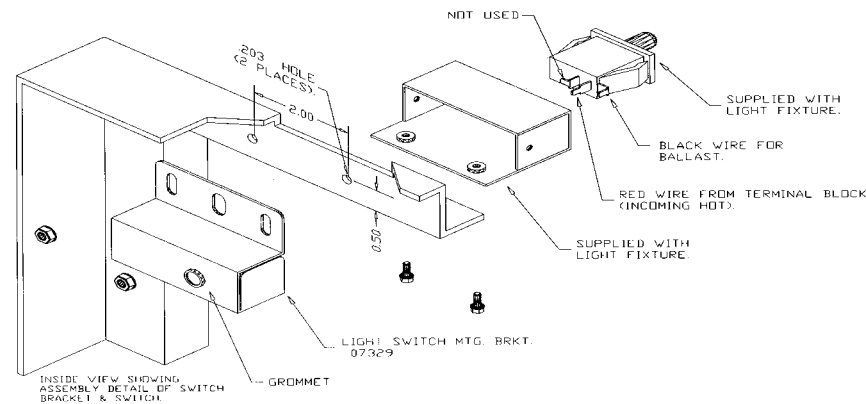
Full Light Switch Assembly

Designed to remote mount the light switch when space is limited.

Catalog No.	Height (A)	Width (B)	Depth (C)	AMP	VAC	Hz	Product Code	List Price
SCE-LF18	2.75	18.18	4.00	0.105	100-125	50/60	P2	206.55
SCE-LF24	2.75	24.18	4.00	0.105	100-125	50/60	P2	218.03
SCE-LF18NO (No Outlet)	2.75	18.18	4.00	0.105	100-240	50/60	P2	185.90
SCE-LF24NO (No Outlet)	2.75	24.18	4.00	0.105	100-240	50/60	P2	196.72
SCE-LF1824VDC	2.75	18.18	4.00	0.300	24VDC	---	P2	195.90



Catalog No.	Height (A)	Width (B)	Depth (C)	Product Code	List Price
SCE-LSMB	2.00	2.68	1.00	P2	25.56



Catalog No.	Product Code	List Price
SCE-LSA	P2	38.34



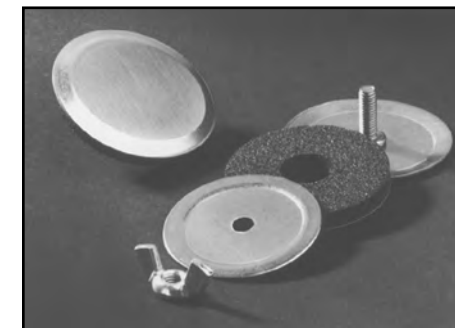
Phone (989) 799-6871
Fax (989) 799-4524



GENERAL ACCESSORIES

Oil Tight Hole Seals

Extra push button holes can be sealed against dust, dirt, oil, and water with a SCE hole seal. Seals will cover most pushbutton hole sizes. Hole seals come with oil-resistant gasket, #10-32 x 3/8" stud, zinc plated wing nut and plated steel back plate. Available in stainless steel or ANSI-61 gray powder coated finish.



Catalog No.	Description	Diameter Inches	Diameter MM	Max. Hole Diameter Inches	Max. Hole Diameter MM	Quantity Per Kit	Product Code	List Price
SCE-ASPB-09	Steel	1.75	44	1.25	30	1	P2	5.13
SCE-ASPBG-09	Steel	1.22	31	.875	22	1	P2	3.63
SCE-ASPB-SS	Stainless Steel	1.75	44	1.25	30	1	P2	19.13
SCE-ASPBG-SS	Stainless Steel	1.22	31	.875	22	1	P2	17.88

Catalog No.	Outside Diameter	Min. Hole Size	Max. Hole Size	Product Code
SCE-HPSERIES1	1.00	0.50	0.81	F1
SCE-HPSERIES15	1.20	0.88	0.88	F1
SCE-HPSERIES2	1.50	1.00	1.28	F1
SCE-HPSERIES3	2.00	1.38	1.75	F1
SCE-HPSERIES4	2.75	2.00	2.56	F1



Hole Seals

Extra pushbutton holes can be sealed against dust, dirt, oil and water. Hole seals are made of corrosion and UV resistant fiberglass, and supplied with gasket and backing nut.

UL recognized 3, 4, 4X, 12, 6P
IEC tested to IP66 and IP68



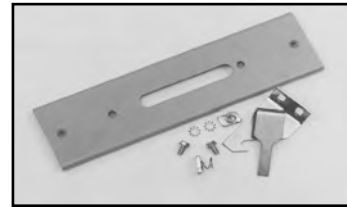
Phone (989) 799-6871
Fax (989) 799-4524



GENERAL ACCESSORIES

Disconnect Adapter Kit

Designed to convert a SCE - (U) style enclosure to a (V) style. Will accept the following: Allen-Bradley 1494V; Culter-Hammer C361/C371; General Electric Type TDA; ITE Max-Flex FHOH; Square D Class 9422. For Installation information consult our Installation Manual at www.saginawcontrol.com. Made of heavy gauge steel and powder coated ANSI-61 gray.



Blank Disconnect Cover Plate

Designed to cover disconnect cutouts in the flange of the enclosure and has an oil-resistant gasket to seal against oil, dust, dirt, and water. Made of heavy gauge steel and powder coated ANSI-61 gray. Stainless plate is made of Type 304 stainless with #4 brushed finish.

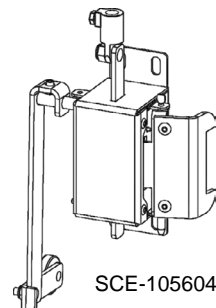
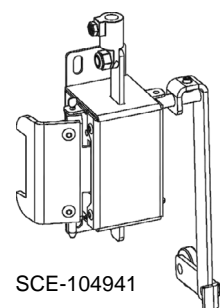
Catalog No.	Description	Product Code	List Price
SCE-UA400V	"U" Style to 400 Amp Style	P2	47.19
SCE-UAV	"U" Style to V Style	P2	47.19

Catalog No.	Description	Product Code	List Price
SCE-ABDCP	Carbon Steel for Allen-Bradley F/D Cutout	P2	42.22
SCE-DCP	Carbon Steel for Standard SCE Cutout	P2	42.22
SCE-DCPSS	Stainless Steel for Standard SCE Cutout	P2	53.40

Mechanical Interlock

Designed for use with Enviroline® two-door enclosures to interlock the master door to the slave door.

Catalog No.	Description	Quantity Per Kit	Product Code	List Price
SCE-104941	Interlock for Left Door as Main	1	P2	143.31
SCE-105604	Interlock for Right Door as Main	1	P2	143.31



Electrical Interlock

Designed to provide a safety lockout on an enclosure when the circuits are energized. UL recognized. Works with SCE hardware. For installation information, consult our Installation Manual at www.saginawcontrol.com.

Catalog No.	AMPS	Hz	Volt	Product Code	List Price
SCE-E1151	.100 / .63	50/60	115	P2	144.68



Electrical Interlock Defeater

Designed to provide a key operated momentary contact switch with the contacts normally closed. Turning the key disengages the circuit to the electrical interlock, allowing access to the enclosure. May be used with SCE-E1151 Electrical Interlock. 4 amp, 125 vac.

Catalog No.	AMPS	Hz	Volt	Product Code	List Price
SCE-EKDF	10	60	120	P2	36.21



[Back to Accessories](#)

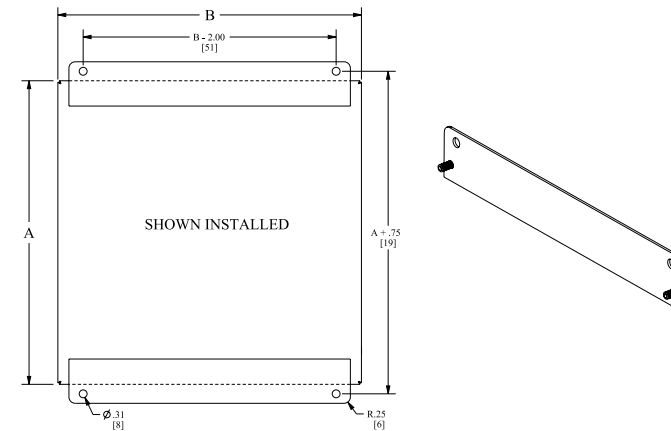
MOUNTING OPTIONS

Type 1 Mounting Straps

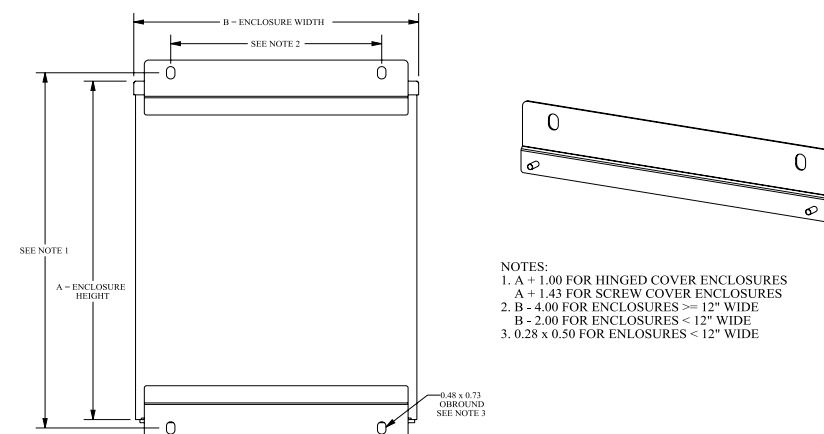
Designed to install on wall-mount Type 1 enclosures. Two mounting straps per kit. Made of heavy gauge carbon steel, powder coated ANSI-61 gray. Hardware is included to fasten mounting strap kit to the enclosure. For installation information, consult our Installation Manual at www.saginawcontrol.com.

Provided with UL Recognized sealing washer to maintain Environmental Rating of the enclosure.

Catalog No.	For Use With	Product Code	List Price
SCE-NMST6	6 Inch Wide NEMA 1 Enclosure	P2	15.98
SCE-NMST8	8 Inch Wide NEMA 1 Enclosure	P2	17.04
SCE-NMST10	10 Inch Wide NEMA 1 Enclosure	P2	18.10
SCE-NMST12	12 Inch Wide NEMA 1 Enclosure	P2	19.17
SCE-NMST16	16 Inch Wide NEMA 1 Enclosure	P2	21.30
SCE-NMST20	20 Inch Wide NEMA 1 Enclosure	P2	23.42
SCE-NMST24	24 Inch Wide NEMA 1 Enclosure	P2	25.56



Catalog No.	For Use With	Product Code	List Price
SCE-MST4	4 Inch Wide 3R Enclosure	P2	17.04
SCE-MST6	6 Inch Wide 3R Enclosure	P2	18.10
SCE-MST8	8 Inch Wide 3R Enclosure	P2	19.17
SCE-MST10	10 Inch Wide 3R Enclosure	P2	20.24
SCE-MST12	12 Inch Wide 3R Enclosure	P2	21.30
SCE-MST16	16 Inch Wide 3R Enclosure	P2	23.42
SCE-MST20	20 Inch Wide 3R Enclosure	P2	25.56
SCE-MST24	24 Inch Wide 3R Enclosure	P2	27.69



Catalog No.	For Use With	Product Code	List Price
SCE-VRMS24	24 Inch Wide Vented 3R Enclosure	P2	42.67
SCE-VRMS36	36 Inch Wide Vented 3R Enclosure	P2	53.21

Type 3R Mounting Straps

Designed to install on wall-mount Type 3R enclosures. Two mounting straps per kit. Made of heavy gauge carbon steel, powder coated ANSI-61 gray. Hardware is included to fasten mounting strap kit to the enclosure. For installation information, consult our Installation Manual at www.saginawcontrol.com.

Provided with UL Recognized sealing washer to maintain Environmental Rating of the enclosure.

Mounting Straps For Vented 3R Enclosures

Designed to install on wall-mount Vented 3R enclosures. Two mounting straps per kit. Made of heavy gauge carbon steel, powder coated white. Hardware is included to fasten mounting strap kit to the enclosure.

Provided with UL Recognized sealing washer to maintain Environmental Rating of the enclosure.

MOUNTING OPTIONS

Eyebolts

Set of two eyebolts to use for lifting an enclosure. Includes sealing washers and flange nuts. Carbon steel plated zinc clear. For technical information, consult our Installation Manual at www.saginawcontrol.com.



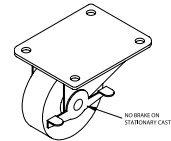
Lifting Lugs

Lifting lugs are designed to be mounted to the left and right side of a standard wall-mount type enclosure for easy handling of fully wired enclosures. Mounting hardware is included. UL Recognized sealing washers supplied to maintain UL ratings of Type 3R, 4, 4X and 12.



Casters

Set of 4 casters. Swivel casters have ball bearing pivots and brakes. Load rating 250 lbs for each caster. For technical information, consult our Installation Manual at www.saginawcontrol.com.



Leveling Pads

Designed to attach to the bottom of the enclosure to allow for adjustments for uneven floors. Pads are zinc plated with a plastic base.

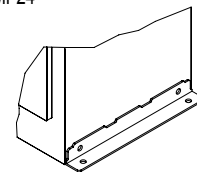
Catalog No.	Quantity Per Kit	Thread Size	Height	Product Code	List Price
SCE-LPD2	4	3/8 - 16	2.00	P2	37.25



Angle Iron Mounting Feet

Designed for use with free-standing type enclosures when the enclosure must be secured to a concrete floor or base. Two angle iron-mounting feet per kit. Made of heavy gauge carbon steel powder coated ANSI-61 gray. Hardware is included to fasten mounting foot kit to the enclosure.

Catalog No.	Used on Enclosure Depth	Product Code	List Price
SCE-XMAIMF18	18"	P2	38.34
SCE-XMAIMF20	20"	P2	42.60
SCE-XMAIMF24	24"	P2	51.12

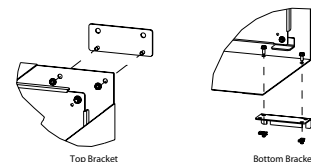


Provided with UL Recognized sealing washer to maintain Environmental Rating of the enclosure.

Heavy Duty Mounting Kit for Free-Standing / Wall-Mount Enclosures

Designed for use on SCE Multi-Door Free-Standing/Wall-Mount enclosures. Four mounting feet per kit, made of heavy gauge carbon steel with a black textured finish. Hardware is included to fasten mounting foot kit to the enclosure.

Catalog No.	Description	Quantity Per Kit	Product Code	List Price
SCE-HDWMK	Mounting Kit for use with Multi-Door Free-Standing / Wall-Mount Enclosures	4	P2	78.54



Phone (989) 799-6871
Fax (989) 799-4524



MOUNTING OPTIONS

Mounting Foot Kit

Made for use with all SCE Enviroline® Series enclosures and two-door wall-mount enclosures. Chemical and Corrosion resistant Polyamide material rated for type 3, 3R, 4, 4X and 12. Available in kits of four or six, with plated steel or stainless steel fasteners.

Catalog No.	Fasteners	Quantity Per Kit	NEMA Rating	Product Code	List Price
SCE-ELMFK4	Zinc Plated	4	4 & 12	P2	17.69
SCE-ELMFK4SS	Stainless Steel	4	4, 4X & 12	P2	26.05
SCE-ELMFK6	Zinc Plated	6	4 & 12	P2	23.86
SCE-ELMFK6SS	Stainless Steel	6	4, 4X & 12	P2	31.02

Bulk Parts - 25 Kits per Package

SCE-ELMFK4-25	Zinc Plated	25	4 & 12	V1	307.85
SCE-ELMFK4SS-25	Stainless Steel	25	4, 4X & 12	V1	448.36

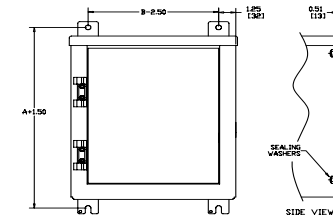


Type 3R Mounting Foot Kit

Designed for use on large wall-mount type 3R enclosures. Four mounting feet per kit, made of heavy gauge carbon steel and powder coated ANSI-61 gray. Hardware is included to fasten mounting foot kit to the enclosure.

Provided with UL Recognized sealing washer to maintain Environmental Rating of the enclosure.

Catalog No.	Height (A)	Width (B)	Depth (C)	Product Code	List Price
SCE-N3RMFK4	3.25	2.00	0.51	P2	26.00



Enviroline® Junction Enclosure (ELJ) Mounting Foot Kit

Made for use with all SCE Enviroline® Series junction enclosures. Chemical and Corrosion resistant Polyamide material rated for type 3, 3R, 4, 4X and 12 with stainless steel fasteners. Four mounting feet per kit. Hardware is included to fasten mounting foot kit to the enclosure.

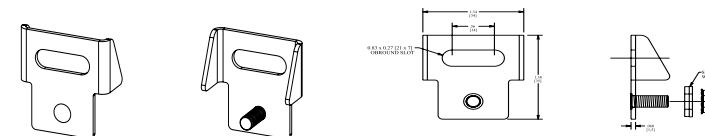
Catalog No.	Height (A)	Width (B)	Product Code	List Price
SCE-ELJMFKSS	2.13	1.25	P2	46.86



S.S. Enviroline® Junction Enclosure (ELJ) Mounting Foot Kit

Made for use with all SCE Enviroline® Series junction enclosures. Four mounting feet per kit, made from type 304 stainless steel. Hardware is included to fasten the mounting foot kit to the enclosure.

Catalog No.	Height (A)	Width (B)	Product Code	List Price
SCE-ELJMFKSS-OS	6.00	6.00	P2	48.86



Catalog No.	Description	Quantity Per Kit	NEMA Rating	Product Code	List Price
SCE-ELMFK4SS6-OS	Stainless Steel Type 316	4	4, 4X & 12	P2	53.50



Phone (989) 799-6871
Fax (989) 799-4524

[Back to Accessories](#)

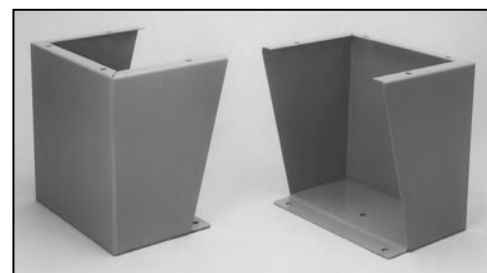
MOUNTING OPTIONS

Floor Stand Kit

Can be installed on most wall-mounted enclosures with a width of 20 inches or more. Can also be installed on SCE free-standing enclosures. Kits include two stands. This configuration can be ordered in special sizes. Consult a factory representative for price and delivery. For specifications, consult our Installation Manual at www.saginawcontrol.com. Made of carbon steel and finished with ANSI-61 recoatable gray finish. "SS" parts are made of stainless steel Type 304 with #4 brushed finish. "SS6" parts are made of stainless steel Type 316/316L with #4 brushed finish.

Catalog No.	Height (A)	Width (B)	Product Code	List Price
SCE-FK0608	6.00	8.00	P2	111.76
SCE-FK0610	6.00	10.00	P2	116.72
SCE-FK0612	6.00	12.00	P2	131.63
SCE-FK0618	6.00	18.00	P2	153.98
SCE-FK0624	6.00	24.00	P2	178.81
SCE-FK1208	12.00	8.00	P2	139.08
SCE-FK1210	12.00	10.00	P2	146.53
SCE-FK1212	12.00	12.00	P2	153.98
SCE-FK1216	12.00	16.00	P2	178.81
SCE-FK1218	12.00	18.00	P2	186.27
SCE-FK1220	12.00	20.00	P2	196.20
SCE-FK1224	12.00	24.00	P2	201.17
SCE-FK1512	15.00	12.00	P2	178.81
SCE-FK1516	15.00	16.00	P2	186.27
SCE-FK1518	15.00	18.00	P2	202.77
SCE-FK1524	15.00	24.00	P2	221.04
SCE-FK1808	18.00	8.00	P2	168.89
SCE-FK1810	18.00	10.00	P2	178.81
SCE-FK1812	18.00	12.00	P2	186.27
SCE-FK1816	18.00	16.00	P2	206.14
SCE-FK1824	18.00	24.00	P2	260.78
SCE-FK2412	24.00	12.00	P2	196.93
Stainless Steel				
SCE-FK1208SS	12.00	8.00	P2	379.99
SCE-FK1210SS	12.00	10.00	P2	409.79
SCE-FK1212SS	12.00	12.00	P2	437.11
SCE-FK1216SS	12.00	16.00	P2	496.72
SCE-FK1218SS	12.00	18.00	P2	524.03
SCE-FK1224SS	12.00	24.00	P2	552.60
SCE-FK1512SS	15.00	12.00	P2	536.45
SCE-FK1518SS	15.00	18.00	P2	584.89
SCE-FK1524SS	15.00	24.00	P2	618.41
SCE-FK2410SS	24.00	10.00	P2	581.16
SCE-FK2412SS	24.00	12.00	P2	608.48
SCE-FK1212SS6	12.00	12.00	P2	524.53
SCE-FK1218SS6	12.00	18.00	P2	628.84
SCE-FK1224SS6	12.00	24.00	P2	663.12
SCE-FK1512SS6	15.00	12.00	P2	643.74
SCE-FK1518SS6	15.00	18.00	P2	701.87
SCE-FK1524SS6	15.00	24.00	P2	742.09
SCE-FK2412SS6	24.00	12.00	P2	730.18

Available within 10 working days if not in stock



Phone (989) 799-6871
Fax (989) 799-4524



MOUNTING OPTIONS

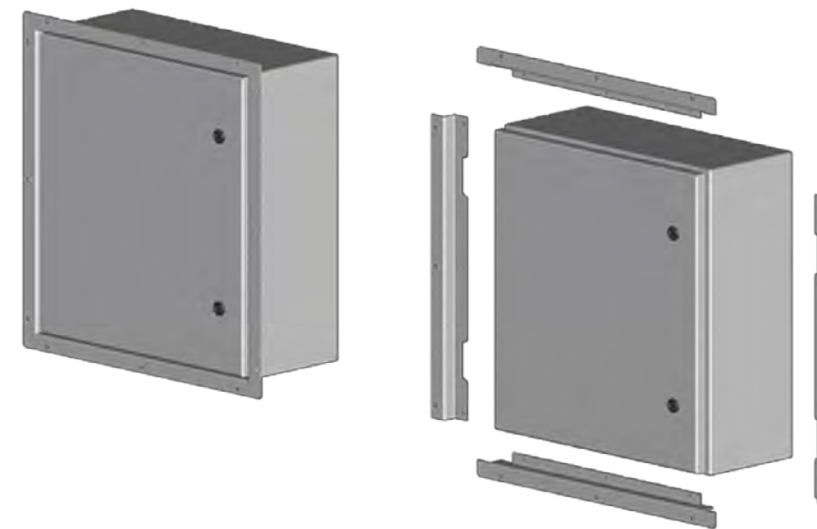
EL Flush Mount Frame

Flush Mount Frames are designed for use with the Enviroline® Series Wall-Mount Enclosures, quickly converting the wall-mount enclosure to a flush mount enclosure.

Two part numbers are required to complete the assembly: one part number for the height of the enclosure and one part number for the width of the enclosure.

All kits are provided with hardware to assemble the frame to the enclosure and maintain the environmental rating of the enclosure. For technical information, consult our Installation Manual at www.saginawcontrol.com. Frame is made of heavy gauge steel and finished with ANSI-61 gray powder coat. "SS" parts are made of heavy gauge Type 316/316L stainless steel with #4 brushed finish.

Catalog No.	Enclosure Height	Enclosure Width	Product Code	List Price
SCE-ELFM12H	12.00		P2	51.20
SCE-ELFM16H	16.00		P2	54.47
SCE-ELFM20H	20.00		P2	56.85
SCE-ELFM24H	24.00		P2	60.89
SCE-ELFM30H	30.00		P2	64.95
SCE-ELFM36H	36.00		P2	70.16
SCE-ELFM12HSS	12.00		P2	122.88
SCE-ELFM16HSS	16.00		P2	130.73
SCE-ELFM20HSS	20.00		P2	136.44
SCE-ELFM24HSS	24.00		P2	146.14
SCE-ELFM30HSS	30.00		P2	155.88
SCE-ELFM36HSS	36.00		P2	168.38
<hr/>				
SCE-ELFM12W		12.00	P2	47.10
SCE-ELFM16W		16.00	P2	50.33
SCE-ELFM20W		20.00	P2	52.75
SCE-ELFM24W		24.00	P2	56.79
SCE-ELFM30W		30.00	P2	60.85
SCE-ELFM36W		36.00	P2	66.10
SCE-ELFM12WSS		12.00	P2	113.04
SCE-ELFM16WSS		16.00	P2	120.79
SCE-ELFM20WSS		20.00	P2	126.60
SCE-ELFM24WSS		24.00	P2	136.60
SCE-ELFM30WSS		30.00	P2	146.04
SCE-ELFM36WSS		36.00	P2	158.64



Phone (989) 799-6871
Fax (989) 799-4524

[Back to Accessories](#)

MOUNTING PANELS SUB-PANELS

Construction -
Sub-panels are constructed from carbon steel. Size determines steel thickness.

Finish -
Powder coated white.

Options -
Configuration A - Add (SS) to the end of the sub-panel part number. (Example: SCE-12P10SS). Sub-panels are made of 316/316L stainless steel.

Configuration B & C - Add (SS) to the end of the sub-panel part number for 304 stainless steel (Example: SCE-30P30SS). Add (SS6) to the end of the sub-panel part number for 316/316L stainless steel (Example: SCE-30P30SS6).

Available within 10 working days if not in stock

Catalog No.	Height (A)	Width (B)	Configuration	Edge Flanges	Product Code	List Price
SCE-6P4	4.88	2.88	A	Flat	P3	3.01
SCE-6P6	4.88	4.88	A	Flat	P3	3.61
SCE-8P6	6.75	4.88	A	Flat	P3	4.17
SCE-8P8	6.75	6.88	A	Flat	P3	4.89
SCE-10P8	8.75	6.88	A	Flat	P3	5.70
SCE-10P10	8.75	8.88	A	Flat	P3	6.73
SCE-12DLP12	9.00	9.00	B	Flat	P3	13.67
SCE-12P10	10.75	8.88	C	Four	P3	7.72
SCE-12P12	10.75	10.88	A	Flat	P3	9.08
SCE-12P24	9.00	21.00	A	Flat	P3	27.86
SCE-12P6	10.75	4.88	A	Flat	P3	5.35
SCE-14P8	12.75	6.88	A	Flat	P3	7.39
SCE-14P12	12.75	10.88	A	Flat	P3	10.13
SCE-16P12	13.00	9.00	B	Flat	P3	14.81
SCE-16DLP14	13.00	11.00	B	Flat	P3	17.72
SCE-16P16	13.00	13.00	B	Flat	P3	24.57
SCE-16P10	14.75	8.88	A	Flat	P3	9.90
SCE-16P14	14.75	12.88	A	Flat	P3	19.95
SCE-20P12	17.00	9.00	B	Flat	P3	23.14
SCE-20P16	17.00	13.00	B	Flat	P3	30.37
SCE-20P20	17.00	17.00	B	Flat	P3	35.44
SCE-24P16	21.00	13.00	C	Two	P3	32.92
SCE-24P20	21.00	17.00	C	Two	P3	45.57
SCE-24P24	21.00	21.00	C	Four	P3	53.18
SCE-30P16	27.00	13.00	C	Two	P3	45.57
SCE-30P20	27.00	17.00	C	Two	P3	55.70
SCE-30P24	27.00	21.00	C	Four	P3	63.29
SCE-30P30	27.00	27.00	C	Four	P3	83.55
SCE-36P16	33.00	13.00	C	Two	P3	53.18
SCE-36P24	33.00	21.00	C	Four	P3	75.96
SCE-36P30	33.00	27.00	C	Four	P3	101.27
SCE-36P36	33.00	33.00	C	Four	P3	118.99
SCE-40P24	37.00	21.00	C	Four	P3	86.08
SCE-42P24	39.00	21.00	C	Four	P3	91.14
SCE-42P30	39.00	27.00	C	Four	P3	116.47
SCE-42P36	39.00	33.00	C	Four	P3	136.72
SCE-42P42	39.00	39.00	C	Four	P3	156.97
SCE-48P48	44.00	44.00	C	Four	P3	212.67
SCE-48P24	45.00	21.00	C	Four	P3	98.74
SCE-48P30	45.00	27.00	C	Four	P3	129.13
SCE-48P36	45.00	33.00	C	Four	P3	154.46
SCE-48P42	45.00	39.00	C	Four	P3	177.24
SCE-60BFP42	56.00	38.00	C	Four	P3	230.41
SCE-60PC36	55.63	33.00	C	Four	P3	181.41
SCE-60P24	57.00	21.00	C	Four	P3	129.13
SCE-60P30	57.00	27.00	C	Four	P3	159.52
SCE-60P36	57.00	33.00	C	Four	P3	189.89
SCE-60P48	56.00	44.00	C	Four	P3	268.38
SCE-60P60	56.00	56.00	C	Four	P3	331.68
SCE-64P25	60.00	21.75	C	Four	P3	159.52
SCE-64P31	60.00	27.75	C	Four	P3	167.11
SCE-64P37	60.00	33.75	C	Four	P3	182.30

MOUNTING PANELS SUB-PANELS

Construction -
Sub-panels are constructed from carbon steel. Size determines steel thickness.

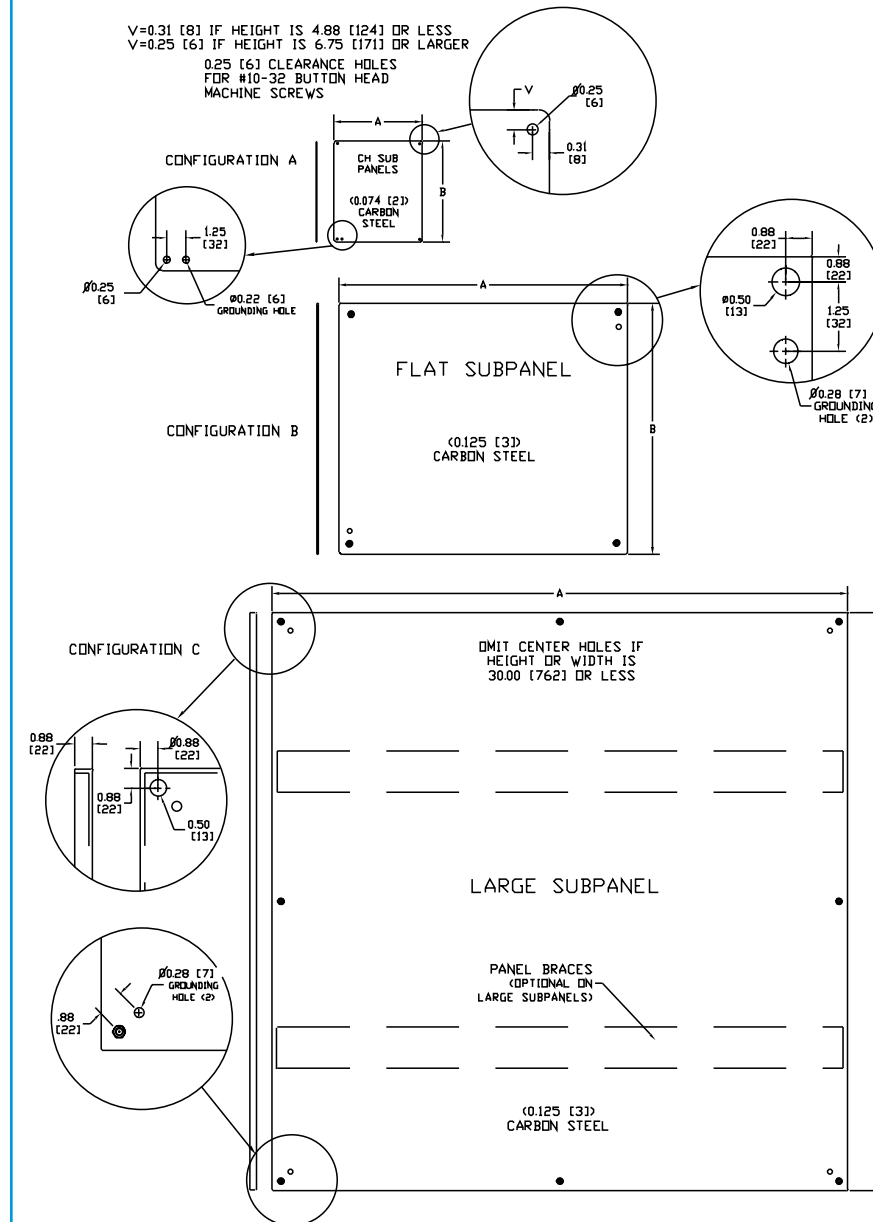
Finish -
Powder coated white.

Options -
Configuration A - Add (SS) to the end of the sub-panel part number. (Example: SCE-12P10SS). Sub-panels are made of 316/316L stainless steel.

Configuration B & C - Add (SS) to the end of the sub-panel part number for 304 stainless steel (Example: SCE-30P30SS). Add (SS6) to the end of the sub-panel part number for 316/316L stainless steel (Example: SCE-30P30SS6).

Available within 10 working days if not in stock

Catalog No.	Height (A)	Width (B)	Configuration	Edge Flanges	Product Code	List Price
SCE-64P52	60.00	48.00	C	Four	P3	334.21
SCE-64P64	60.00	60.00	C	Four	P3	362.06
SCE-64P76	60.00	72.00	C	Four	P3	425.36
SCE-72P60	68.00	56.00	C	Four	P3	394.98
SCE-72P72	68.00	68.00	C	Four	P3	470.93
SCE-72P30	69.00	27.00	C	Four	P3	210.15
SCE-72P36	69.00	33.00	C	Four	P3	225.33
SCE-76P37	72.00	33.75	C	Four	P3	250.65
SCE-76P76	72.00	72.00	C	Four	P3	498.78
SCE-82P37	78.00	33.75	C	Four	P3	278.51
SCE-82P76	78.00	72.00	C	Four	P3	501.32



Phone (989) 799-6871
Fax (989) 799-4524

[Back to Accessories](#)

MOUNTING PANELS

GALVANIZED SUB-PANELS

Sub-panels are constructed from galvanized steel for direct bonding of electrical components. Size determines steel thickness.

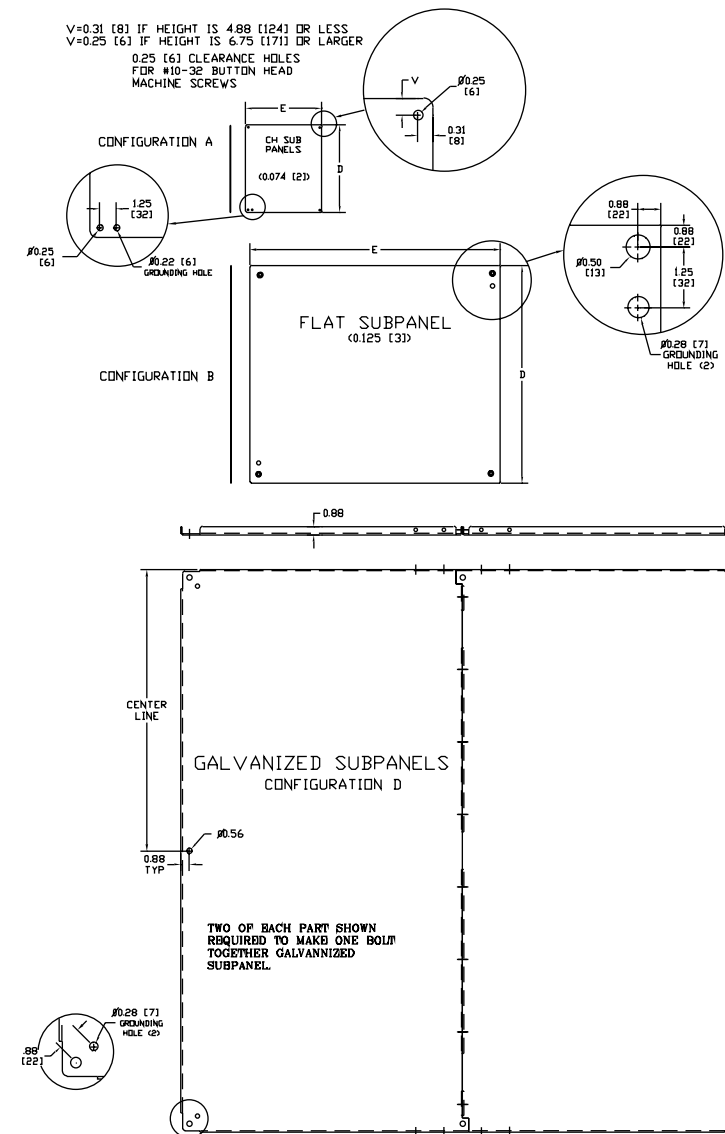
Catalog No.	Height (A)	Width (B)	Configuration	Edge Flanges	Product Code	List Price
SCE-6P4GALV	4.88	2.88	A	Flat	P3	3.01
SCE-6P6GALV	4.88	4.88	A	Flat	P3	3.61
SCE-8P6GALV	6.75	4.88	A	Flat	P3	4.17
SCE-8P8GALV	6.75	6.88	A	Flat	P3	4.89
SCE-10P8GALV	8.75	6.88	A	Flat	P3	5.70
SCE-10P10GALV	8.75	8.88	A	Flat	P3	6.73
SCE-12DLP12GALV	9.00	9.00	B	Flat	P3	13.67
SCE-12P24GALV	9.00	21.00	C	Four	P3	27.86
SCE-12P6GALV	10.75	4.88	A	Flat	P3	5.35
SCE-12P10GALV	10.75	8.88	A	Flat	P3	7.72
SCE-12P12GALV	10.75	10.88	A	Flat	P3	9.08
SCE-14P8GALV	12.75	6.88	A	Flat	P3	7.39
SCE-14P12GALV	12.75	10.88	A	Flat	P3	10.13
SCE-16P12GALV	13.00	9.00	B	Flat	P3	14.81
SCE-16DLP14GALV	13.00	11.00	B	Flat	P3	17.72
SCE-16P16GALV	13.00	13.00	B	Flat	P3	24.57
SCE-16P10GALV	14.75	8.88	A	Flat	P3	9.90
SCE-16P14GALV	14.75	12.88	A	Flat	P3	19.95
SCE-20P12GALV	17.00	9.00	B	Flat	P3	23.14
SCE-20P16GALV	17.00	13.00	B	Flat	P3	30.37
SCE-20P20GALV	17.00	17.00	B	Flat	P3	35.44
SCE-24P16GALV	21.00	13.00	C	Two	P3	32.92
SCE-24P20GALV	21.00	17.00	C	Two	P3	47.85
SCE-24P24GALV	21.00	21.00	C	Four	P3	55.84
SCE-30P16GALV	27.00	13.00	C	Two	P3	47.85
SCE-30P20GALV	27.00	17.00	C	Two	P3	58.49
SCE-30P24GALV	27.00	21.00	C	Four	P3	66.45
SCE-30P30GALV	27.00	27.00	C	Four	P3	87.73
SCE-36P16GALV	33.00	13.00	C	Two	P3	55.84
SCE-36P24GALV	33.00	21.00	C	Four	P3	79.76
SCE-36P30GALV	33.00	27.00	C	Four	P3	111.40
SCE-36P36GALV	33.00	33.00	C	Four	P3	130.89
SCE-40P24GALV	37.00	21.00	C	Four	P3	94.69
SCE-42P24GALV	39.00	21.00	C	Four	P3	100.25
SCE-42P42GALV	39.00	39.00	C	Four	P3	180.52
SCE-42P30GALV	39.00	27.00	C	Four	P3	128.12
SCE-42P36GALV	39.00	33.00	C	Four	P3	157.23
SCE-48P48GALV	44.00	44.00	C	Four	P3	244.57
SCE-48P24GALV	45.00	21.00	C	Four	P3	108.61
SCE-48P30GALV	45.00	27.00	C	Four	P3	142.04
SCE-48P36GALV	45.00	33.00	C	Four	P3	177.63
SCE-48P42GALV	45.00	39.00	C	Four	P3	203.83
SCE-60BFP42GALV	56.00	38.00	C	Four	P3	264.97
SCE-60P48GALV	56.00	44.00	C	Four	P3	308.64
SCE-60P60GALV	56.00	56.00	D	Four	P3	381.43
SCE-60P24GALV	57.00	21.00	C	Four	P3	142.04
SCE-60P30GALV	57.00	27.00	C	Four	P3	183.45
SCE-60P36GALV	57.00	33.00	C	Four	P3	218.37
SCE-64P25GALV	60.00	21.75	C	Four	P3	183.45
SCE-64P31GALV	60.00	27.75	C	Four	P3	192.18
SCE-64P37GALV	60.00	33.75	C	Four	P3	209.65

MOUNTING PANELS

GALVANIZED SUB-PANELS

Sub-panels are constructed from galvanized steel for direct bonding of electrical components. Size determines steel thickness.

Catalog No.	Height (A)	Width (B)	Configuration	Edge Flanges	Product Code	List Price
SCE-64P52GALV	60.00	48.00	D	Four	P3	384.34
SCE-64P64GALV	60.00	60.00	D	Four	P3	452.58
SCE-64P76GALV	60.00	72.00	D	Four	P3	531.70
SCE-72P60GALV	68.00	56.00	D	Four	P3	454.23
SCE-72P72GALV	68.00	68.00	D	Four	P3	588.66
SCE-72P30GALV	69.00	27.00	C	Four	P3	241.67
SCE-72P36GALV	69.00	33.00	C	Four	P3	259.13
SCE-76P37GALV	72.00	33.75	C	Four	P3	288.25
SCE-76P76GALV	72.00	72.00	D	Four	P3	623.48
SCE-82P37GALV	78.00	33.75	C	Four	P3	320.29
SCE-82P76GALV	78.00	72.00	D	Four	P3	626.65



Phone (989) 799-6871
Fax (989) 799-4524

[Back to Accessories](#)

MOUNTING PANELS

Aluminum Sub-Panels For Fiberglass Enclosures

Designed to mount in the back of an enclosure. Made of marine grade aluminum.

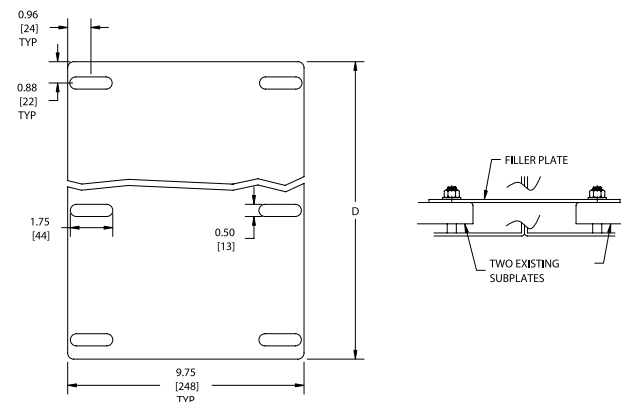
Catalog No.	Height (A)	Width (B)	Edge Flanges	Product Code
SCE-6P4AL	4.88	2.88	Flat	F2
SCE-6P6AL	4.88	4.88	Flat	F2
SCE-8P6AL	6.88	4.88	Flat	F2
SCE-8P8AL	6.88	6.88	Flat	F2
SCE-10P8AL	8.88	6.88	Flat	F2
SCE-12P10AL	10.88	8.88	Flat	F2
SCE-12P12AL	10.88	10.88	Flat	F2
SCE-14P8AL	12.88	5.88	Flat	F2
SCE-14P12AL	12.88	10.88	Flat	F2
SCE-16P10AL	13.00	8.50	Flat	F2
SCE-16P14AL	14.88	12.88	Flat	F2
SCE-18P16AL	16.88	14.88	Flat	F2
SCE-20P16AL	17.00	13.00	Flat	F2
SCE-20PJ16AL	18.88	14.88	Flat	F2
SCE-24P12AL	21.00	9.00	Flat	F2
SCE-24P20AL	21.00	17.00	Formed	F2
SCE-30P20AL	27.00	17.00	Formed	F2
SCE-30P24AL	27.00	21.00	Formed	F2
SCE-36P30AL	33.00	27.00	Formed	F2
SCE-36P36AL	31.00	33.00	Formed	F2
SCE-48P36AL	45.00	33.00	Formed	F2
SCE-60P36AL	57.00	33.00	Formed	F2

Filler Plates

Designed to provide additional mounting surface between sub-panels in a large enclosure or between sub-panels or sections of a modular enclosure. Slotted mounting holes allow flexible installation. Panels are powder coated white.

Catalog No.	Height (D)	Width	Enclosure Height	Product Code	List Price
SCE-72FP	60.00	9.75	72.00	P3	78.49
SCE-84FP	72.00	9.75	84.00	P3	88.62
SCE-90FP	78.00	9.75	90.00	P3	96.21

Available within 10 working days if not in stock

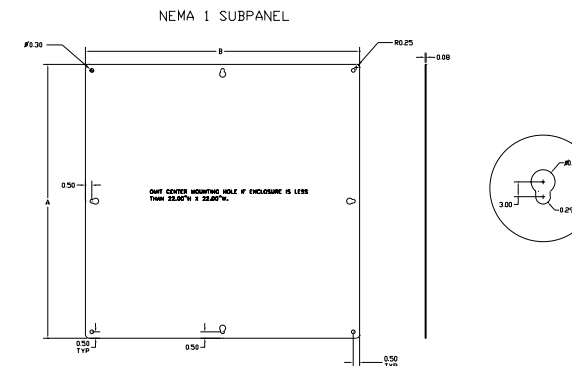


MOUNTING PANELS

Type 1 Sub-Panels

Designed to be used with Nema 1 enclosures. Made of heavy gauge steel and powder coated white.

Catalog No.	Height (A)	Width (B)	Product Code	List Price
SCE-6N6MP	4.00	4.00	N1	2.82
SCE-8N6MP	6.00	4.00	N1	3.26
SCE-8N8MP	6.00	6.00	N1	3.82
SCE-10N8MP	8.00	6.00	N1	4.46
SCE-10N10MP	8.00	8.00	N1	5.27
SCE-12N10MP	10.00	8.00	N1	6.03
SCE-12N12MP	10.00	10.00	N1	7.10
SCE-14N12MP	12.00	10.00	N1	7.92
SCE-16N12MP	14.00	10.00	N1	11.58
SCE-16N16MP	14.00	14.00	N1	19.21
SCE-20N16MP	18.00	14.00	N1	21.62
SCE-20N20MP	18.00	18.00	N1	27.84
SCE-24N16MP	22.00	14.00	N1	22.89
SCE-24N20MP	22.00	18.00	N1	31.67
SCE-24N24MP	22.00	22.00	N1	36.97
SCE-30N24MP	28.00	22.00	N1	43.99
SCE-30N30MP	28.00	28.00	N1	58.07
SCE-36N24MP	34.00	22.00	N1	52.80
SCE-36N30MP	34.00	28.00	N1	70.39



Catalog No.	Notes	Product Code	List Price
SCE-FSPS4	Set of 4	P2	55.88
SCE-FSPS6	Set of 6	P2	84.44
SCE-FSPS8	Set of 8	P2	126.66



[Back to Accessories](#)

Individual Panel Supports

Individual Panel Supports are available for mounting sub-panels. Packaged in sets with all mounting hardware included. Made of heavy gauge steel and plated. For technical information, consult our Installation Manual at www.saginawcontrol.com.

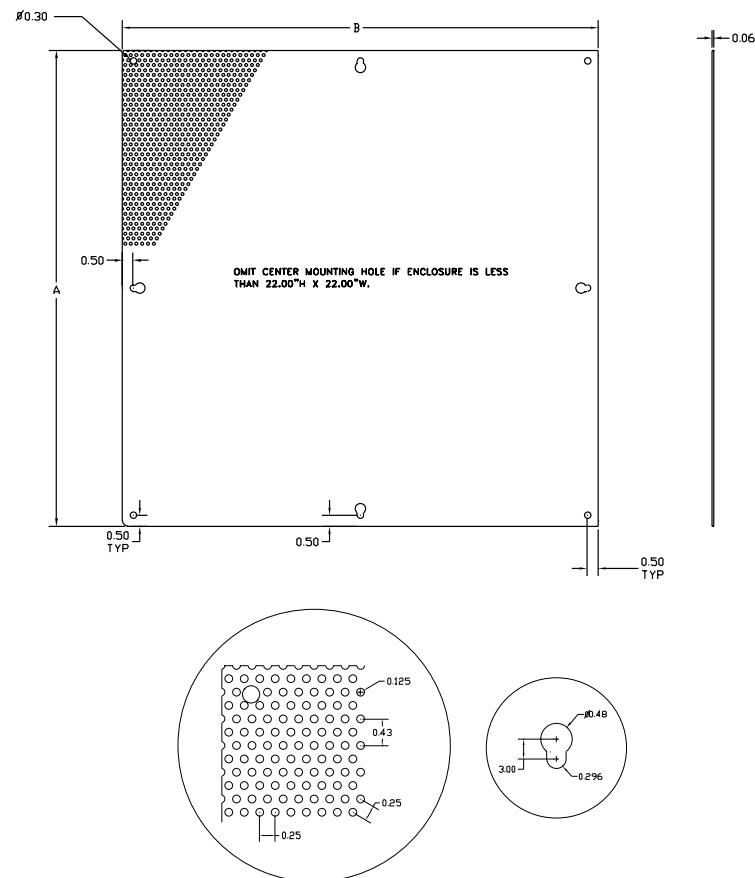
MOUNTING PANELS

Perforated Sub-Panels

Perforated Sub-panels have 0.13 mounting holes with 0.25 staggered patterns for the installation of lightweight control components with #8 self threading screws, for use in small and medium size Type 1 enclosures.

Catalog No.	Height (A)	Width (B)	Product Code	List Price
SCE-6N6MPP	4.00	4.00	N1	7.36
SCE-8N6MPP	6.00	4.00	N1	8.71
SCE-8N8MPP	6.00	6.00	N1	9.83
SCE-10N8MPP	8.00	6.00	N1	11.58
SCE-10N10MPP	8.00	8.00	N1	13.47
SCE-12N10MPP	10.00	8.00	N1	15.11
SCE-12N12MPP	10.00	10.00	N1	15.94
SCE-14N12MPP	12.00	10.00	N1	17.14
SCE-16N12MPP	14.00	10.00	N1	19.25
SCE-16N16MPP	14.00	14.00	N1	22.58
SCE-20N16MPP	18.00	14.00	N1	26.46
SCE-20N20MPP	18.00	18.00	N1	30.55
SCE-24N16MPP	22.00	14.00	N1	30.55
SCE-24N20MPP	22.00	18.00	N1	36.52
SCE-24N24MPP	22.00	22.00	N1	53.44
SCE-30N24MPP	28.00	22.00	N1	68.13
SCE-30N30MPP	28.00	28.00	N1	85.12
SCE-36N24MPP	34.00	22.00	N1	85.12
SCE-36N30MPP	34.00	28.00	N1	100.48

NEMA 1 PERFORATED SUBPANEL



MOUNTING PANELS

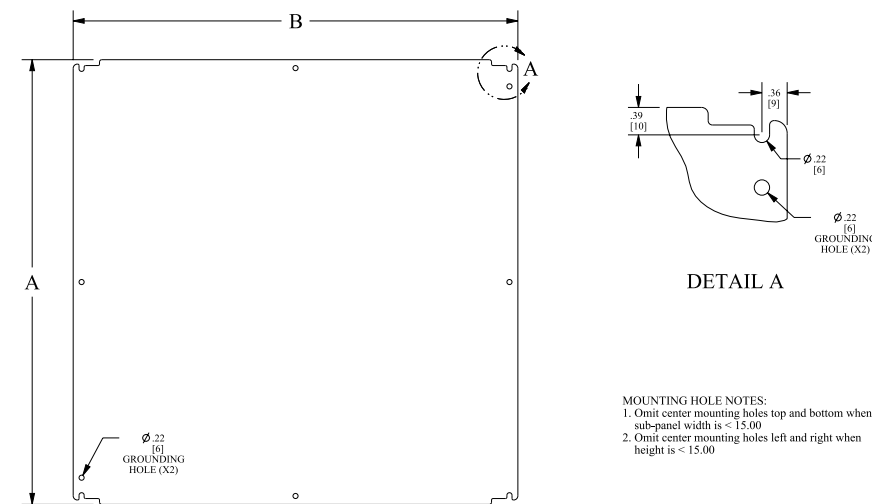
Enviroline® Junction Enclosure (ELJ) Sub-Panels

Designed to be used with Enviroline® Series Junction Enclosures. Made of heavy gauge steel and powder coated white.

Catalog No.	Height (A)	Width (B)	Product Code	List Price
SCE-6P4J	5.00	3.00	P3	3.02
SCE-6P6J	5.00	5.00	P3	3.62
SCE-8P6J	7.00	5.00	P3	4.17
SCE-8P8J	7.00	7.00	P3	4.89
SCE-10P8J	9.00	7.00	P3	5.70
SCE-10P10J	9.00	9.00	P3	6.73
SCE-12P10J	11.00	9.00	P3	7.72
SCE-12P12J	11.00	11.00	P3	9.08
SCE-14P12J	13.00	11.00	P3	10.13
SCE-16P14J	15.00	13.00	P3	19.96
SCE-20P16J	19.00	15.00	P3	30.40
SCE-20P20J	19.00	19.00	P3	35.44

Catalog No.	Height (A)	Width (B)	Product Code	List Price
SCE-9P12L	8.00	11.00	P3	18.86
SCE-9P18L	8.00	17.00	P3	26.63
SCE-9P24L	8.00	23.00	P3	29.14
SCE-9P30L	8.00	29.00	P3	31.92
SCE-9P36L	8.00	35.00	P3	34.97

Enclosure Size - 0.75 = Sub-Panel Size



MOUNTING HOLE NOTES:
 1. Omit center mounting holes top and bottom when sub-panel width is < 15.00
 2. Omit center mounting holes left and right when height is < 15.00

Enviroline® Trough Enclosure (ELJ) Sub-Panels

Designed to be used with Enviroline® Series Trough Enclosures. Made of heavy gauge steel and powder coated white.

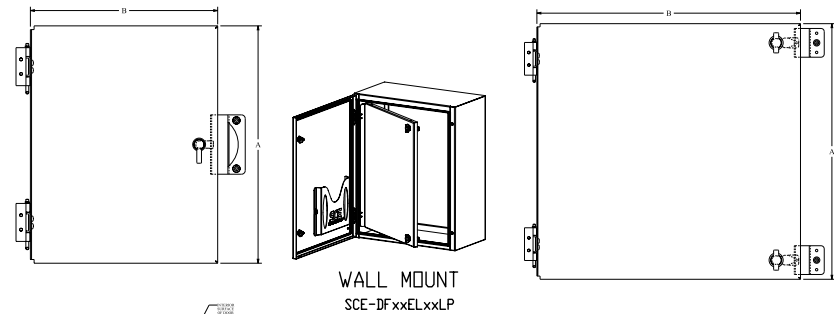
MOUNTING PANELS

Dead Front Panel For Wall-Mount Enclosures

Designed for installation into Envirolite® Series wall-mount enclosures, to be installed in the front of an enclosure and to swing out of the enclosure. Kit consists of heavy gauge brackets, hinges, and mounting hardware. Installed by detaching door hinge from enclosure and installing swing out panel kit to the existing holes. Hinge supplied with the enclosure. Made of steel and powder coated white.

Provided with UL Recognized sealing washer to maintain Environmental Rating of the enclosure.

Catalog No.	Height	Width	Product Code	List Price
SCE-DF20EL16LP	16.00	12.63	P2	72.59
SCE-DF20EL20LP	16.00	16.63	P2	77.44
SCE-DF24EL20LP	20.00	16.63	P2	80.84
SCE-DF24EL24LP	20.00	20.63	P2	87.32
SCE-DF30EL20LP	26.00	16.63	P2	92.78
SCE-DF30EL24LP	26.00	20.63	P2	98.27
SCE-DF30EL30LP	26.00	26.63	P2	116.19
SCE-DF36EL20LP	32.00	17.63	P2	105.54
SCE-DF36EL24LP	32.00	20.63	P2	113.74
SCE-DF36EL30LP	32.00	26.63	P2	134.11
SCE-DF36EL36LP	32.00	32.63	P2	152.14
SCE-DF42EL24LP	38.00	20.63	P2	131.34
SCE-DF42EL30LP	38.00	26.63	P2	154.88
SCE-DF42EL36LP	38.00	32.63	P2	170.17
SCE-DF48EL24LP	44.00	20.63	P2	158.72
SCE-DF48EL36LP	44.00	32.63	P2	189.95
SCE-DF60EL36LP	56.00	32.63	P2	224.79
SCE-DF72EL36LP	68.00	32.63	P2	236.75



Enclosures 20 Inches High and Less

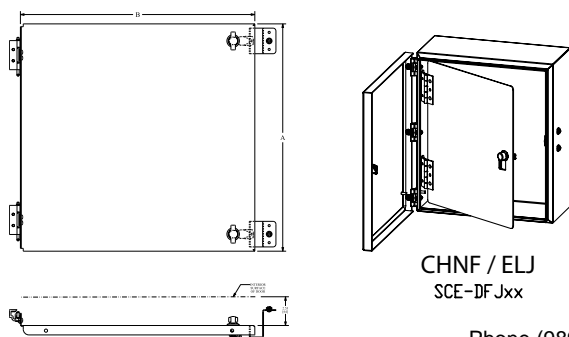
Enclosures Greater than 20 Inches

Dead Front Panel For CHNF & ELJ Enclosures

Designed for installation into Envirolite® Series junction enclosures and continuous hinged junction enclosures, to be installed in the front of an enclosure and to swing out of the enclosure. Kit consists of heavy gauge brackets, hinges, and mounting hardware. Installed by drilling hole in the side of the enclosure. Made of steel and powder coated white.

Provided with UL Recognized sealing washer to maintain Environmental Rating of the enclosure.

Catalog No.	Height	Width	Product Code	List Price
SCE-DFJ1008	8.50	6.50	P2	49.54
SCE-DFJ1210	10.50	8.50	P2	53.75
SCE-DFJ1212	10.50	10.50	P2	55.79
SCE-DFJ1412	12.50	10.50	P2	57.83
SCE-DFJ1614	14.50	12.50	P2	62.22
SCE-DFJ2016	18.50	14.50	P2	67.54



Phone (989) 799-6871
Fax (989) 799-4524



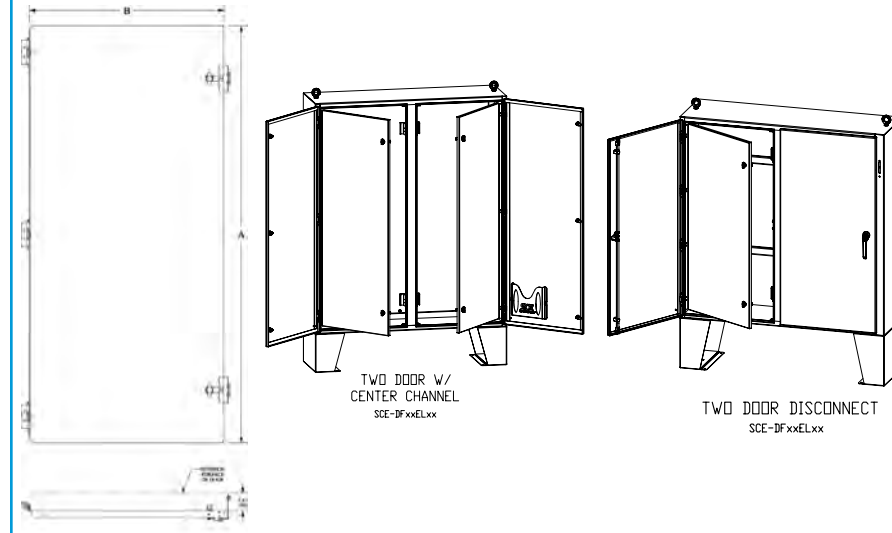
MOUNTING PANELS

Dead Front Panel For Two Door Enclosures with Center Channel

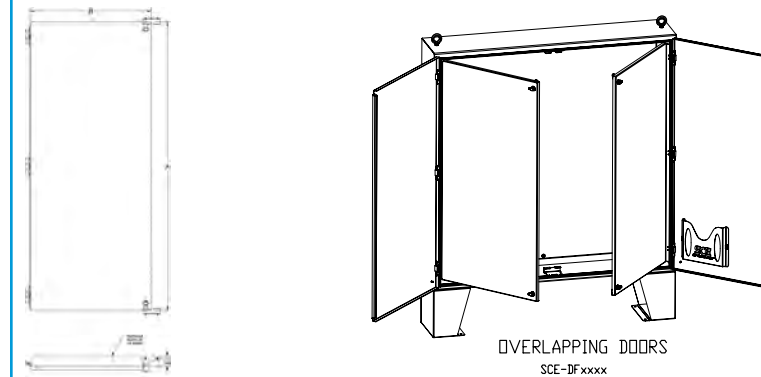
Designed for installation into Envirolite® Series two-door enclosures with center channel, to be installed in the front of an enclosure and to swing out of the enclosure. Kit consists of heavy gauge brackets, hinges, and mounting hardware. Installed by detaching door hinge from enclosure and installing swing out panel kit to the existing holes. Hinge is supplied with the enclosure. Made of steel and powder coated white. Kit contains one panel and all hardware for one dead front behind one door.

Provided with UL Recognized sealing washer to maintain Environmental Rating of the enclosure.

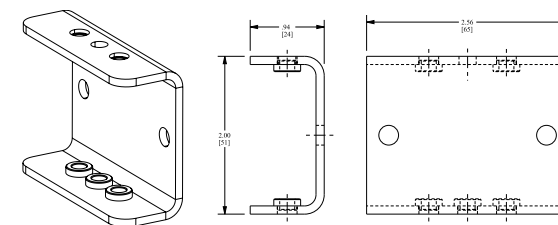
Catalog No.	Height	Width	Qty. Per Kit	Product Code	List Price
SCE-DF60EL48	56.00	19.88	1	P2	345.67
SCE-DF60EL60	56.00	25.88	1	P2	385.11
SCE-DF72EL60	68.00	25.88	1	P2	425.77
SCE-DF72EL72	68.00	31.88	1	P2	475.40



Catalog No.	Height	Width	Qty. Per Kit	Product Code	List Price
SCE-DF6048	56.00	22.13	1	P2	356.31
SCE-DF6060	56.00	28.13	1	P2	396.74
SCE-DF7260	68.00	28.13	1	P2	438.41
SCE-DF7272	68.00	34.13	1	P2	489.29



Catalog No.	Description	Product Code	List Price
SCE-115259	For use with Envirolite® Wall-Mount Enclosures	P2	34.43



Dead Front Panel For Two Door Enclosures with Overlapping Doors

Designed for installation into two-door enclosures with overlapping doors, to be installed in the front of an enclosure and to swing out of the enclosure. Kit consists of heavy gauge brackets, hinges, and mounting hardware. Installed by detaching door hinge from enclosure and installing swing out panel kit to the existing holes. Hinge is supplied with the enclosure. Made of steel and powder coated white. Kit contains one panel and all hardware for one dead front behind one door.

Provided with UL Recognized sealing washer to maintain Environmental Rating of the enclosure.

Dead Front Extension Brackets for Wall Mount Enclosures

Designed to increase the distance from the door to the dead front. Brackets can be used when additional space is required when mounting parts to the dead front. Five brackets provided per kit.

Phone (989) 799-6871
Fax (989) 799-4524



[Back to Accessories](#)

MOUNTING PANELS

Swing Out Panel Kits For Type 4 & 12 Enclosures

Designed to allow a standard sub-panel to be installed in the front of an enclosure and to swing out of the enclosure. Kits consist of heavy gauge brackets and hinges. Installed by drilling small hole in the side of the enclosure and bolting the bracket in place. Sealing washers are provided to insure that the enclosure will meet original standards after installation. For use in any Type 4 & 12 LP style wall mount enclosure where A x B dimensions are 12" x 12" or larger.

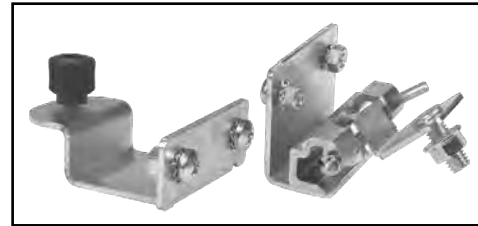
Provided with UL Recognized sealing washer to maintain Environmental Rating of the enclosure.

Swing Out Panel Kits For Envirolite®, Wall-mount, 3R Hinged Enclosures

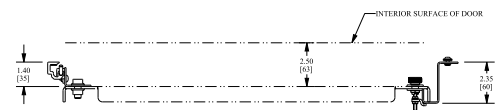
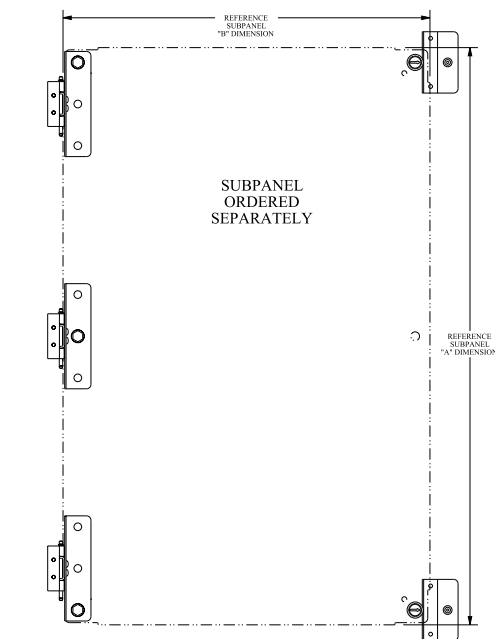
Designed to allow a standard sub-panel to be installed in the front of an enclosure and to swing out of the enclosure. Kit consists of heavy gauge brackets, hinges, and mounting hardware. Installed by detaching door hinge from enclosure and installing swing out panel kit to the existing holes and hinge supplied with the enclosure. Made of steel and zinc plated.

Provided with UL Recognized sealing washer to maintain Environmental Rating of the enclosure.

Catalog No.	Description	Product Code	List Price
SCE-NADFK	Swing Panel Kit (used with panels 30 inches and under)	P2	44.71
SCE-NADFK-3	Swing Panel Kit (used with panels over 30 inches)	P2	55.89
SCE-NADFKSS	Swing Panel Kit - Stainless Steel	P2	159.02



Catalog No.	Enclosure Height	Product Code	List Price
SCE-ELSP	12 to 16	P2	45.00
SCE-ELSP3	20 to 60	P2	56.00



Phone (989) 799-6871
Fax (989) 799-4524

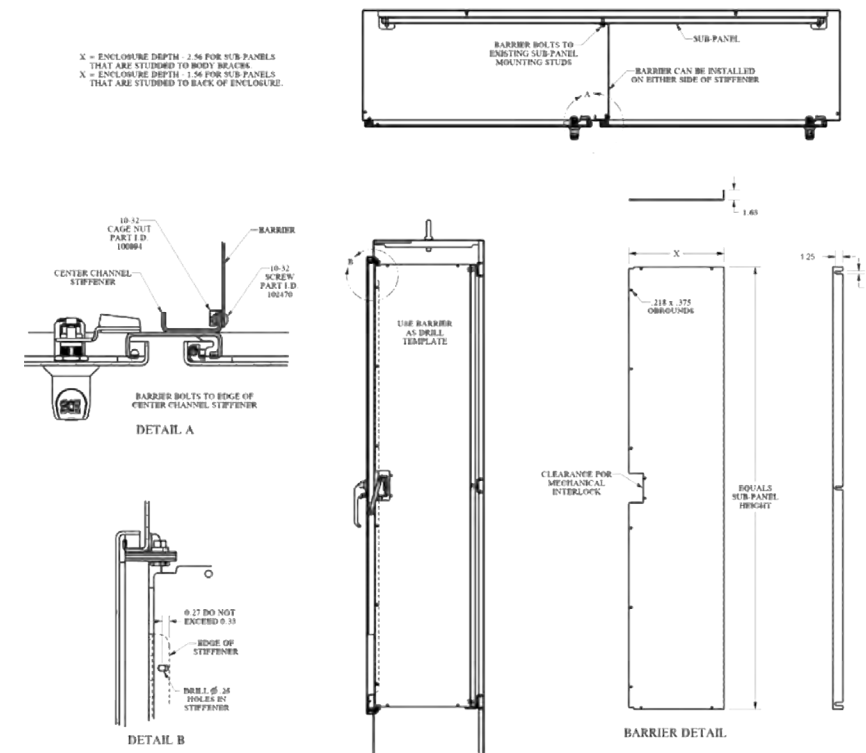


MOUNTING PANELS

XM Barrier Plates

Designed to be installed on the back panel of XM Enclosures to provide protection against Arc Flash the height of the sub-plate, and allowing you to separate the high voltage and low voltage within the enclosure. Made of heavy gauge carbon steel and powder coated white. Mounting hardware included.

Catalog No.	Height (A)	Width (B)	Product Code	List Price
SCE-BP72XM18	60.00	15.44	P2	239.58
SCE-BP72XM24	60.00	21.44	P2	260.66
SCE-BP84XM18	72.00	15.44	P2	254.10
SCE-BP84XM24	72.00	21.44	P2	277.23
SCE-BP90XM18	78.00	15.44	P2	270.84
SCE-BP90XM24	78.00	21.44	P2	294.94



Catalog No.	For Use With	Length	Product Code	List Price
SCE-BPEX18	18 Inch Wide XM Barrier Plates	13.50	P2	91.48
SCE-BPEX24	24 Inch Wide XM Barrier Plates	19.50	P2	101.52

Barrier Extension for XM Barrier Plates

Designed to be used with the XM Barrier Plates to extend the barrier, closing up the space between barrier plate and top or bottom of enclosure. Made of heavy gauge carbon steel and powder coated white.



Phone (989) 799-6871
Fax (989) 799-4524

[Back to Accessories](#)

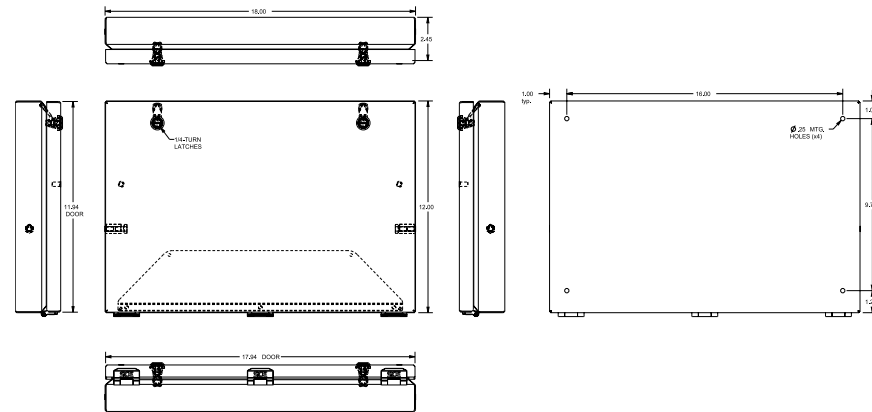
MEDIA POCKETS & WINDOWS

Exterior Print Pocket

Designed for use on the exterior of an enclosure or door to keep prints clean and easy to access. Exterior print pockets have a hinged cover with cable stops to hold the door at 90 degrees open position and black quarter turn latches. Made of steel and powder coated RAL 7035 gray.

Provided with UL Recognized sealing washer to maintain Environmental Rating of the enclosure.

Catalog No.	Height	Width	Depth	Product Code	List Price
SCE-13ELJEXPP	13.00	19.00	2.45	P2	152.23
SCE-19ELJEXPP	19.00	13.00	2.45	P2	152.23



Media Storage Pockets

Designed to provide storage for electronic media. Padlockable. This pocket is not fire proof. Made of steel and powder coated white. For technical information, consult our Installation Manual at www.saginawcontrol.com.

Catalog No.	Description	Height	Width	Depth	Product Code	List Price
SCE-CDPK	CD Pocket	6.00	6.00	2.00	P2	124.18
SCE-DISKPK	Disk Pocket	4.31	5.50	1.50	P2	124.18



Print Pockets

Designed to provide storage for prints on the interior of an enclosure. Intended for use as a replacement or as an additional pocket.

Catalog No.	Description	Height	Width	Depth	Product Code	List Price
SCE-PP7701	Small Standard Print Pocket White Polypropylene material	7.00	7.00	1.00	P2	22.35
SCE-PP101201	Large Standard Print Pocket White Polypropylene material	10.00	11.50	1.00	P2	24.84
SCE-PP101203	Extra Deep Print Pocket Heavy gauge steel powder coated white	10.00	11.50	3.00	P2	27.32



Phone (989) 799-6871
Fax (989) 799-4524



MEDIA POCKETS & WINDOWS

Window Kits

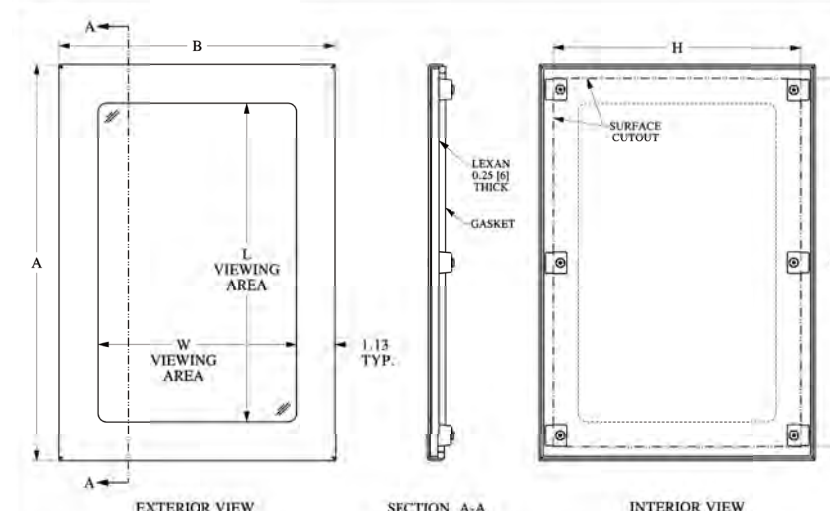
Designed for use on most SCE Type 4, 4X and 12 enclosures. Consists of frame, window, oil-resistant gasket, and mounting hardware. Installed by making a cutout in the enclosure and fastening the window and frame in place. For technical information, consult our Installation Manual at www.saginawcontrol.com. The window is 0.25" polycarbonate material. Made of heavy gauge steel and powder coated ANSI-61 gray. "SS" kits are made of Type 304 stainless with #4 brushed finish.

UL Recognized Type 1, 3R & 12

Catalog No.	Viewing Area (L)	Viewing Area (W)	Cut-Out Size (G)	Cut-Out Size (H)	Height (A)	Width (B)	Product Code	List Price
SCE-PWK53NF	5.25	3.25	6.69	4.69	7.50	5.50	P2	99.34
SCE-PWK63NF	6.55	2.85	7.99	4.29	8.80	5.10	P2	109.28
SCE-PWK95NF	9.25	5.75	10.69	7.19	11.50	8.00	P2	119.22
SCE-PWK138NF	13.25	8.25	14.69	9.69	15.50	10.50	P2	151.50
SCE-PWK1711NF	17.25	11.25	18.69	12.69	19.50	13.50	P2	208.62
SCE-PWK2315NF	23.25	15.25	24.69	16.69	25.50	17.50	P2	257.05
SCE-PWK2919NF	29.25	19.25	30.69	20.69	31.50	21.50	P2	382.47

Stainless Steel

SCE-PWK53NFSS	5.25	3.25	6.69	4.69	7.50	5.50	P2	149.01
SCE-PWK95NFSS	9.25	5.75	10.69	7.19	11.50	8.00	P2	180.06
SCE-PWK138NFSS	13.25	8.25	14.69	9.69	15.50	10.50	P2	228.49
SCE-PWK1711NFSS	17.25	11.25	18.69	12.69	19.50	13.50	P2	300.51
SCE-PWK2315NFSS	23.25	15.25	24.69	16.69	25.50	17.50	P2	388.68
SCE-PWK2919NFSS	29.25	19.25	30.69	20.69	31.50	21.50	P2	576.19



Phone (989) 799-6871
Fax (989) 799-4524

[Back to Accessories](#)

Protective Access Enclosures

Hinged Window Enclosure

Designed to mount on the exterior of an enclosure to provide protection for controls with easy access. Concealed hinges. Black mini quarter turn latches. Polycarbonate viewing window. Gasket and hardware included. For installation information, consult our Installation Manual at www.saginawcontrol.com. Made of heavy gauge carbon steel and powder coated ANSI-61 gray. "SS" parts made of heavy gauge stainless steel Type 304 with #4 brushed finish.

IS1 - Industry Standards -
NEMA Type 12 & Type 13
UL Listed Type 12
CSA Type 12
IEC 60529 IP 55

IS2 - Industry Standards -
NEMA Type 4, 12 & Type 13
UL Listed Type 4 & 12
CSA Type 4 & 12
IEC 60529 IP66

IS5 - Industry Standards -
NEMA Type 4, 4X, 12 & Type 13
UL Listed Type 4, 4X & 12
CSA Type 4, 4X & 12
IEC 60529 IP66

Hinged Access Enclosure

Designed to house electrical controls, instruments and components used in an indoor or outdoor environment to provide a degree of protection for the equipment inside the enclosure against ingress of solid foreign objects (falling dirt); and provide a degree of protection with respect to the harmful effects on the equipment due to the ingress of water (rain, sleet, snow).

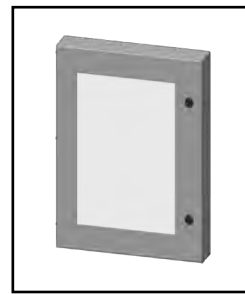
IS2 - Industry Standards -
NEMA Type 4, 12 & Type 13
UL Listed Type 4 & 12
CSA Type 4 & 12
IEC 60529 IP66

IS5 - Industry Standards -
NEMA Type 4, 4X, 12 & Type 13
UL Listed Type 4, 4X & 12
CSA Type 4, 4X & 12
IEC 60529 IP66

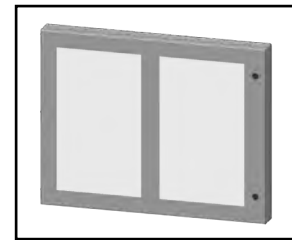
Catalog No.	Height (A)	Width (B)	Depth (C)	Number Windows	Viewing Area Height x Width	Industry Standard	Product Code	List Price
SCE-HWK1212	12.00	12.00	1.50	1	8.00 x 7.38	IS2	P6	310.45
SCE-HWK1814	18.00	14.00	1.50	1	14.00 x 9.38	IS2	P6	360.12
SCE-HWK2218	22.00	18.00	1.50	1	18.00 x 13.38	IS1	P6	434.63
SCE-HWK2228	22.00	28.00	1.50	2	18.00 x 10.56	IS1	P6	496.72
SCE-HWK2822	28.00	22.00	1.50	2	10.88 x 17.38	IS1	P6	496.72

Stainless Steel

SCE-HWK1212SS	12.00	12.00	1.50	1	8.00 x 7.38	IS5	P6	640.77
SCE-HWK1814SS	18.00	14.00	1.50	1	14.00 x 9.38	IS5	P6	869.25
SCE-HWK2218SS	22.00	18.00	1.50	1	18.00 x 13.38	IS1	P6	1,048.07
SCE-HWK2228SS	22.00	28.00	1.50	2	18.00 x 10.56	IS1	P6	1,296.42
SCE-HWK2822SS	28.00	22.00	1.50	2	10.88 x 17.38	IS1	P6	1,296.42



SCE-HWK1212(SS)
SCE-HWK1814(SS)
SCE-HWK2218(SS)



SCE-HWK2228(SS)



SCE-HWK2822(SS)

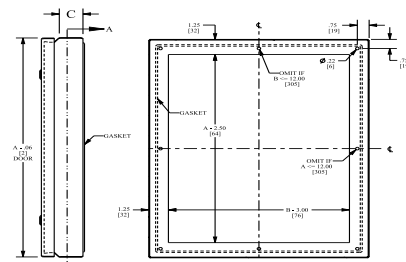
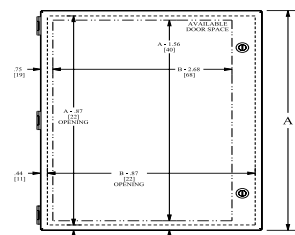
Catalog No.	Height (A)	Width (B)	Depth (C)	Industry Standard	Product Code	List Price
SCE-HA1010	10.00	10.00	1.50	IS2	P6	247.95
SCE-HA1212	12.00	12.00	1.50	IS2	P6	268.92
SCE-HA1814	18.00	14.00	1.50	IS2	P6	318.22

Stainless Steel

SCE-HA1010SS	10.00	10.00	1.50	IS5	P6	566.45
SCE-HA1212SS	12.00	12.00	1.50	IS5	P6	592.52
SCE-HA1814SS	18.00	14.00	1.50	IS5	P6	811.61



LATCH NOTES:
1. Latch face centered on the door of height H = 14.00 (354)
2. Latch face located 0.1875 (4.76) from the right edge of the door. (Height H = 14.00 (354))



Phone (989) 799-6871
Fax (989) 799-4524



TYPE 1 INTERNAL DISCONNECT ENCLOSURE

Catalog No.	Description	Height	Width	Depth	Min Depth of Enclosure	Product Code	List Price
SCE-60AFSD	30 to 60 amp Non-fusible Disconnect & Small Circuit Breaker	13.50	12.00	6.50	10 inches	P2	171.23
SCE-100AFSD	30 to 100 amp Fusible Disconnect & Large Circuit Breaker	22.00	12.00	6.50	10 inches	P2	183.20
SCE-400AFSD	200 to 600 amp Fusible & Non-Fusible Disconnects	32.00	15.00	9.75	16 inches	P2	208.76



Protective Access Enclosures

INTERNAL DISCONNECT ENCLOSURE

Application -

Designed for use with enclosures that require additional protection against Arc Flash. This enclosure can be used within an environmentally rated enclosure to isolate the main power supply. Increasing personal protection by preventing incidental contact or exposure to the high voltage arc flash and shock hazard, and potentially reducing the PPE level for the lower risk components when the Internal Disconnect Enclosure cover is closed. The Internal Disconnect Enclosure can be easily incorporated into a new system or added to a pre-existing system on variable depth or cable operated disconnects. Aids in achieving compliance with NFPA 70E by concealing main power supply. For installation information, consult our Installation Manual at www.saginawcontrol.com.

Construction -

- 0.060" carbon steel
- Enclosures are symmetrical for use with left or right hand disconnects.
- Removable continuous hinges.
- 110 degree door stop prevents incidental contact with other components.
- Black quarter turn latch.
- Black spring loaded quarter turn latch with 7mm square insert and key.
- Latches automatically when door is closed.
- Gland plate top and bottom provides easy installation of wires.
- Mounting holes provided in back for securing to the sub-panel.
- Ground stud on door and body.

Finish -

Orange Texture powder coated inside and out.

IS8 - Industry Standards -

Nema Type 1
UL Listed Type 1
CSA Type 1
IEC 60529 IP 30



Phone (989) 799-6871
Fax (989) 799-4524

[Back to Accessories](#)

Protective Access Enclosures

EXTERNAL DISCONNECT ENCLOSURE

Application -

Designed for use with enclosures that require additional protection against Arc Flash. This enclosure can be used with an environmentally rated enclosure to isolate the main power supply. Increasing personal protection by preventing incidental contact or exposure to the high voltage arc flash and shock hazard, and potentially reducing the PPE level for the lower risk components of the main enclosure. The External Disconnect Enclosure bolts to the exterior right side of a single or multi door primary enclosure. Aids in achieving compliance with NFPA 70E by concealing main power supply. For Installation Information, consult our Installation Manual at www.saginawcontrol.com.

Construction -

- 0.075" carbon steel.
- Seams continuously welded and ground smooth.
- Flange trough collar around all sides of door opening.
- Oil-resistant gasket.
- Black quarter turn latch.
- Collar studs provided for mounting panels.
- 31H X 12W galvanized sub-panel installed.
- Concealed hinge.
- Latches are opened or closed with a screwdriver.
- Mounting hardware included.
- Mechanical interlock and mounting hardware included.
- Mechanical defeater to bypass and open main enclosure requires Square 7 mm Key.

Finish -

ANSI-61 gray powder coated inside and out.

IS1 Industry Standards -

Nema Type 12 and Type 13
UL Listed Type 12
CSA Type 12
IEC 60529 IP 55

Catalog No.	Height	Width	Depth	Product Code	List Price
SCE-EXD18	34.50	14.00	18.00	P2	606.55



[Back to Accessories](#)

Phone (989) 799-6871
Fax (989) 799-4524



NOTES



Phone (989) 799-6871
Fax (989) 799-4524

Service Parts

Gasket Rolls

Oil-resistant gasket made of a urethane closed cell sponge material. Self adhesive backing. For installation information, consult our Installation Manual at www.saginawcontrol.com. UL, CSA recognized.

IS9 - Industry Standards -
UL Component Recognized
CSA Component Recognized

EMI/RFI Shielded Gasket

Specifically designed to combine outstanding attenuation characteristics and environmental protection against dust, dirt, moisture, and severe temperature variations. For Technical Information, consult our Installation Manual at www.saginawcontrol.com. Made of urethane foam wrapped in nickel plated copper fabric with adhesive backing.

Conductive Tape

Copper foil tape with conductive adhesive backing. Makes it unnecessary to plate an enclosure in preparation for shielding protection. Apply the tape over unprotected steel in a small free area around the perimeter of the door. Provides protection to the steel against corrosion and rusting as well as grounding protection necessary in shielding protection.

Mechanical Defeater for V-Style Disconnects

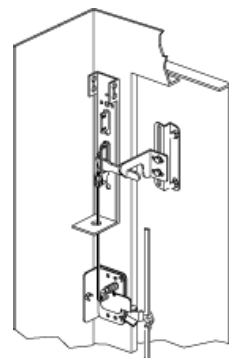
Designed to prevent the disconnect from being turned to the on position, until the master door is shut and the handle or latch is in the closed/latched position. Works with most standard enclosures with SCE three-point door hardware or quarter turn latches. For Technical Information, consult our Installation Manual at www.saginawcontrol.com.

Catalog No.	Length	Size	Product Code	List Price
SCE-GA14X1	40 Feet	0.25 x 1.00	P2	29.80
SCE-GA14X75	40 Feet	0.25 x 0.75	P2	28.56
SCE-GA18X50	50 Feet	0.13 x 0.75	P2	21.11

Catalog No.	Length	Size	Product Code	List Price
SCE-EMIG	7 Feet	0.25 x 1.00	P2	119.22

Catalog No.	Length	Size	Product Code	List Price
SCE-SLT	50 Feet	3 MILS x 1.00	P2	144.05

Catalog No.	Description	Product Code	List Price
SCE-MDV	Mechanical Defeater	P2	181.05



Phone (989) 799-6871
Fax (989) 799-4524



Service Parts

Sealing Washers

Designed for use on the flat surface of environmentally rated enclosures to maintain the rating of type 2, 3, 3R, 3S, 4, 4X & 12 when holes for fastener must be provided for the installation of mounting brackets, drip shields and other accessories on the inside or outside of the enclosure body or doors.

IS10 - Industry Standards -
UL Component Recognized



Catalog No.	Suitable For Use With	Qty. Per Kit	Product Code	List Price
SCE-BSW19SS	10-32	50	P2	20.43
SCE-BSW25SS	1/4-20	50	P2	21.69
SCE-BSW31SS	5/16	50	P2	22.38
SCE-BSW38SS	3/8	50	P2	29.95

Catalog No.	Description	Qty. Per Kit	Product Code	List Price
SCE-PS3816CN	3/8 - 16 Strut Nut	20	P2	42.22
SCE-PS1420CN	1/4-20 Strut Nut	20	P2	42.22



SCE-PS1420CN

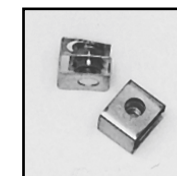


SCE-PS3816CN

Catalog No.	Description	Qty. Per Kit	Product Code	List Price
SCE-PS1032CN	10-32 for Small Channel	20	P2	36.02



Catalog No.	Description	Qty. Per Kit	Product Code	List Price
SCE-CN1032	10-32 for Rack Angles	20	P2	32.31



Phone (989) 799-6871
Fax (989) 799-4524

[Back to Accessories](#)

Channel Nuts

Designed for use in free-standing enclosures to allow mounting of additional equipment.

Channel Nuts

Designed for use with the SCE light channels on the inside top of larger enclosures. For quick easy installation of lights.

Clamping Nuts

Clamping nuts with a #10-32 retained nut to fit all rack mounting angles and rack mounting frames to provide tapped holes. Nuts are zinc plated.

Service Parts

Touch Up Paint

12 ounce spray cans.

*Consult factory for pricing of custom colors.

Replacement Key

Standard keys for standard and optional door hardware.

Replacement Hinge

Standard hinges for standard SCE enclosures. Includes hinge, pin and clip.

Captive Screw

Standard captive screw for use on screw cover enclosures. Stainless steel with nylon retainer.

Catalog No.	Color	Product Code	List Price
SCE-TU05	White	P2	45.16
SCE-TU09	ANSI-61 Gray	P2	45.16

Catalog No.	Description	Qty. Per Package	Product Code	List Price
SCE-K333	Standard Key for Standard Quarter Turn	2	P2	6.56
SCE-KC101	Standard Key for SCE L-Handle	2	P2	6.56
SCE-2233X	Standard Key for Mini Quarter Turn	1	P2	11.50
SCE-110047	5mm Double Bit	1	P2	11.50
SCE-101695	7mm Square	1	P2	11.50
SCE-101697	8mm Square	1	P2	11.50
SCE-107930	7mm Triangular	1	P2	11.50

Catalog No.	Description	Qty. Per Package	Product Code	List Price
SCE-3916	Large Concealed Hinge	1	P2	10.27
SCE-3916SS	Large Concealed Stainless Steel Hinge	1	P2	21.69
SCE-3918	Small Concealed Hinge	2	P2	16.62
SCE-3918SS	Small Concealed Stainless Steel Hinge	2	P2	39.84
SCE-ELJHINGE	ELJ Hinge	1	P2	5.60
SCE-101670	Retaining Clip for Concealed Hinge	20	P2	10.57

Catalog No.	Description	Qty. Per Package	Product Code	List Price
SCE-102534	10-32 X 5/8 Captive Screw for PB & Screw Cover Enclosure	12	P2	19.03

Phone (989) 799-6871
Fax (989) 799-4524



Service Parts

Replacement Filter

Designed for use with SCE Fan Packages and Filter and Grille Package. Aluminum washable filters provide good air filtration.

Type 12 Replacement Filter

Designed for use with SCE Type 12 Fan Packages and Filter and Grille Package. Filters are made of non-woven polyolefin fiber. Washable up to 10 times.

Bolt Packs

Standard bolt packs for wall-mounting, sub-panels, and grounding for standard SCE enclosures.

Catalog No.	Fits Fan Package No.	Fits Filter Assembly No.	Qty. Per Package	Product Code	List Price
SCE-RF44	SCE-FA44/230	SCE-FGA44	1	P2	8.07
SCE-RF66	SCE-FA66/230	SCE-FGA66	1	P2	9.32
SCE-RF1010	SCE-FA1010/230	SCE-FGA1010	1	P2	17.38
SCE-RF517	SCE-BP115/230	SCE-FGABP	1	P2	12.78

Catalog No.	Fits Fan Package No.	Fits Filter Assembly No.	Qty. Per Package	Product Code	List Price
SCE-113947	SCE-N12FA44	SCE-N12FGA44	6	P2	65.57
SCE-113188	SCE-N12FA66	SCE-N12FGA66	6	P2	91.80
SCE-108401	SCE-N12FA1010	SCE-N12FGA1010	6	P2	117.05

Catalog No.	Description	Qty. Per Package	Product Code	List Price
SCE-101974	Wall Mount Bolt Pack 3/8-16	4	P2	5.00
SCE-102297	Sub-Panel Ground Kit 3/8-16	1	P2	2.50
SCE-102300	Sub-Panel Bolt Pack 3/8-16	8	P2	8.61
SCE-102686	ELJ Wall Mount Bolt Pack	4	P2	4.98
SCE-103736	MDV Bolt Pack	1	P2	63.20
SCE-102022	Standard Defeater Hook Bolt Pack	1	P2	36.82
SCE-101966	Grounding Kit 10-32	1	P2	2.50



Phone (989) 799-6871
Fax (989) 799-4524

[Back to Accessories](#)

NOTES

Phone (989) 799-6871
Fax (989) 799-4524



NOTES



Phone (989) 799-6871
Fax (989) 799-4524

Technical Information

NEMA NEMA NEMA NEMA NEMA



SAE SAE SAE SAE SAE

Phone (989) 799-6871
Fax (989) 799-4524



Technical Information

NEMA NEMA NEMA NEMA NEMA

Industry Standards..... 334 – 336 [Go To](#)

Thermal Management Chart..... 337 [Go To](#)

Material Specifications..... 338 [Go To](#)

Coating Performance..... 339 [Go To](#)

Gasket Performance..... 340 [Go To](#)

Hinge..... 341 [Go To](#)

General Product Information..... 342 – 343 [Go To](#)

SAE SAE SAE SAE SAE



Phone (989) 799-6871
Fax (989) 799-4524

[Back to Table of Contents](#)

INDUSTRY STANDARDS / SOURCES OF STANDARDS

These ratings are intended as a guide to help you select the proper enclosure for the environments where it will be installed. These rating descriptions are not complete representations of NEMA or IEC standards.

Type 1

For indoor use. To prevent accidental contact with enclosure equipment, in areas where unusual conditions do not exist. Protects against falling dirt.

Type 3

For indoor or outdoor use. To provide protection against falling dirt, rain, sleet, snow, windblown dust, and external formation of ice.

Type 3R

For indoor or outdoor use. To provide protection against windblown rain, snow, sleet, and external formation of ice.

Type 3S

For outdoor use to provide a degree of protection against wind blown dust, windblown rain and sleet; external mechanisms remain operable, while ice laden.

Type 4

For indoor or outdoor use. To provide protection against windblown rain and dust, splashing or hose directed water, and external formation of ice.

Type 4X

For indoor or outdoor use. To provide protection against windblown rain and dust, splashing or hose directed water, and external formation of ice. Corrosion resistant.

Type 6P

For indoor or outdoor use. To provide protection against falling dirt, hose directed water, entry of water during prolonged submersion at a limited depth, and external formation of ice.

Type 12

For indoor use. To provide protection against dust, falling dirt, dripping non-corrosive liquids, lint, fibers, external condensation of non-corrosive liquids, and light splashing of water.

Type 13

For indoor use primarily to provide a degree of protection against dust, spraying of water, oil, and noncorrosive coolant.

IP 30*

Protects against incidental contact with wiring and components.

IP 32*

Protects against incidental contact with wiring and components and spraying water 60 degrees from vertical.

IP 54*

Protected against the penetration of dust. Limited ingress with no harmful penetration of dust. Protected against water spray from all directions. Limited ingress permitted.

IP 66*

Totally protected against the penetration of dust. Protected against strong jets of water.

*IEC Publication 60529 Classification of degrees of protection by enclosures from surrounding environment.

NEMA NATIONAL ELECTRICAL MANUFACTURERS ASSOCIATION

2101 L. Street Northwest • Washington, D.C. 20037

NEMA Standards Publication No. 250 - Enclosures for Electrical Equipment (1000 Volts Maximum)

NEMA Standards Publication No. ICS6 - Enclosures for Industrial Controls and Systems



INTERNATIONAL ELECTROTECHNICAL COMMISSION

3 Rue de Varembe • CH-1211 • Geneva 20, Switzerland

IEC 60529 Classification of Degrees of Protection Provided by Enclosures



UNDERWRITERS LABORATORIES, INC.

333 Plingsten Road • Northbrook, IL 60062-2096

UL50 Cabinets and Boxes

UL508 Industrial Control Equipment



CANADIAN STANDARDS ASSOCIATION

178 Rexdale Blvd. • Rexdale (Toronto), Ontario, Canada M9W 1R3

CSA Standard C22.2 No. 94 Industrial Control Equipment for Use in Ordinary (Non-Hazardous) Locations

NATIONAL FIRE PROTECTION ASSOCIATION

One Battery March Park • Quincy, MA 02269

NFPA 70 National Electrical (1999)



SOCIETY OF AUTOMOTIVE ENGINEERS, INC.

MANUFACTURING STANDARDS OF GENERAL MOTORS, FORD MOTOR COMPANY, AND DAIMLER CHRYSLER CORP.

400 Commonwealth Drive • Warrendale, PA 15096-0001

SAE Supplement to NFPA 79-1991

FORD MANUFACTURING STANDARDS

Ford Motor Company • The American Road • Dearborn, MI 48121

Back to
Technical
Information

INDUSTRY STANDARDS / CATALOG REFERENCES

On Each Catalog page you will find the Industry Standards as listed below identifying the industry standards to the series of parts on that page, adjacent to each part number you find a corresponding number IS1 through IS17 indicating the specific Industry Standards that apply to the specific part.

IS1 - Industry Standards -

NEMA Type 12 & Type 13
UL Listed Type 12
CSA Type 12
IEC 60529 IP 55

IS2 - Industry Standards -

NEMA Type 4, 12 & Type 13
UL Listed Type 4 & 12
CSA Type 4 & 12
IEC 60529 IP66

IS3 - Industry Standards -

NEMA Type 3R, 12 & Type 13
UL Listed Type 3R & 12
CSA Type 3R & 12
IEC 60529 IP55

IS4 - Industry Standards -

NEMA Type 3R, 4, 12 & Type 13
UL Listed Type 3R, 4, & 12
CSA Type 3R, 4 & 12
IEC 60529 IP66

IS5 - Industry Standards -

NEMA Type 4, 4X, 12 & Type 13
UL Listed Type 4, 4X & 12
CSA Type 4, 4X & 12
IEC 60529 IP66

IS6 - Industry Standards -

NEMA Type 3R, 4, 4X, 12 & Type 13
UL Listed Type 3R, 4, 4X & 12
CSA Type 3R, 4, 4X & 12
IEC 60529 IP66

IS7 - Industry Standards -

NEMA Type 3R
UL Listed Type 3R
CSA Type 3R
IEC 60529 IP32

IS8 - Industry Standards -

NEMA Type 1
UL Listed Type 1
CSA Type 1
IEC 60529 IP30

IS9 - Industry Standards -

UL Component Recognized
CSA Component Recognized

IS10 - Industry Standards -

UL Component Recognized

IS11 - Industry Standards -

UL Component Recognized Type 3R

IS16 - Industry Standards -

NEMA Type 3RX
UL Listed Type 3RX
CSA Type 3RX
IEC 60529 IP32

IS17 - Industry Standards -

NEMA Not Applicable
UL Not Applicable
CSA N/A

Special Instructions apply for IS3, IS4 and IS6 to maintain the environmental rating of Type 3R for these parts. Instructions are located on the enclosure door. Drip shield is required on IS3, drip shield is recommended on IS4 and IS6. Drain holes are required on all.

COMPARISON OF IEC AND CSA NEMA, UL AND CUL RATING

NEMA 250 and UL 50 specify requirements and test for the degree of protection against entry as well as environmental conditions such as falling dirt, ice, corrosion, oil and coolants whereas IEC 60529 does not have such requirements. Different rating requirements make comparison difficult and disagreements are common.

The IEC designation consist of the letters IP followed by two numerals. The first number indicates the degree and solid foreign objects entering the enclosure. The second number indicates the degree of protection provided by the enclosure with respect to the harmful ingress of water.

CAUTION IS NECESSARY WHEN ATTEMPTING TO EQUATE IEC AND NEMA ENCLOSURE RATINGS BECAUSE AN EXACT EQUIVALENCE IS NOT POSSIBLE.

IP FIRST CHARACTER	"TYPE" RATED ENCLOSURES														IP SECOND CHARACTER			
	1	2	3	3R	3S	4	4X	5	6	6P	12	12K	13					
IP0_																		IP_0
IP1_																		IP_1
IP2_																		IP_2
IP3_																		IP_3
IP4_																		IP_4
IP5_																		IP_5
IP6_																		IP_6
																		IP_7
																		IP_8
	A	B	A	B	A	B	A	B	A	B	A	B	A	B	A	B	A	B

A = IP FIRST CHARACTER

A shaded block in the "A" column indicates that the enclosure type exceeds the requirements for the respective IEC 60529 IP first character designation. The IP first character designation is the protection against access to hazardous parts and solid foreign objects.

B = SECOND CHARACTER

A shaded block in the "B" column indicates that the NEMA Enclosure type exceeds the requirements for the respective IEC 60529 IP second character designation. The IP second character designation is the protection against the ingress of water.

Back to Technical Information

Phone (989) 799-6871
Fax (989) 799-4524



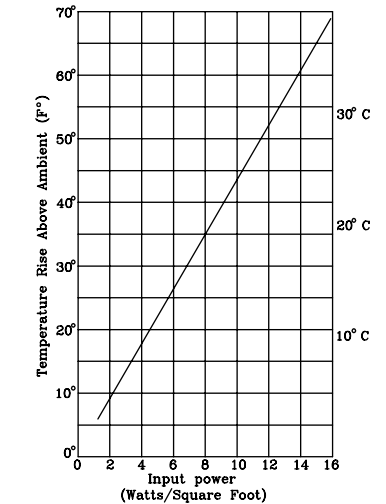
THERMAL MANAGEMENT

ENCLOSURE TEMPERATURE RISE
HEAT DISSIPATION IN ELECTRICAL ENCLOSURES.

$$\text{SURFACE AREA} = 2[(\text{HEIGHT} \times \text{WIDTH}) + (\text{HEIGHT} \times \text{DEPTH}) + (\text{WIDTH} \times \text{DEPTH})] / 144 = \text{TOTAL Sq. FEET.}$$

$$\text{INPUT POWER} = \text{WATTS} / \text{TOTAL Sq. FEET} = \text{WATTS PER Sq. FOOT.}$$

EXAMPLE
SURFACE AREA = 2[(48*36) + (48*16) + (36*16)] / 144 = 42 Sq. FEET.
INPUT POWER = 300 / 42 = 7.1 WATTS PER Sq. FOOT



STEP #1
Determine the internal heat load in watts.

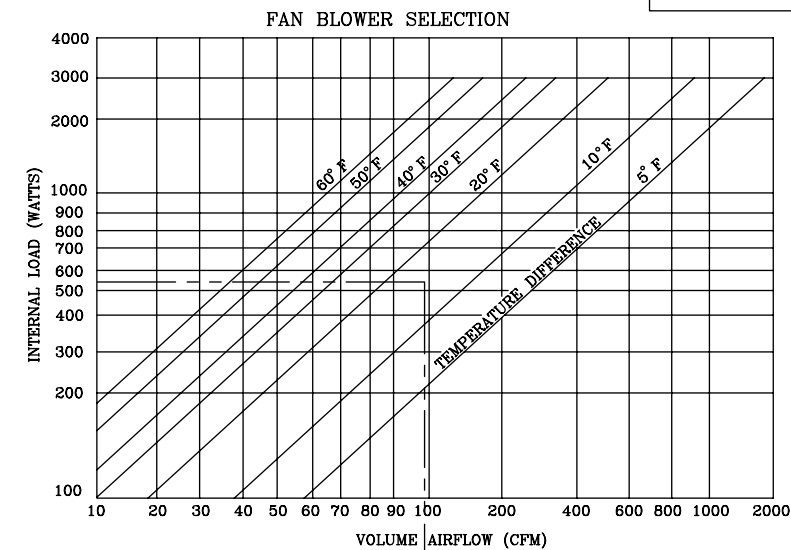
Help Note: 1 Watt = 3.413 BTU/Hr.nclosure.

STEP #2
Determine temperature difference between the maximum temperature outside the enclosure and the maximum allowable temperature inside the enclosure.

STEP #3
Plot your application on the chart.

- Find the internal heat load in watts. (vertical scale).
- Draw a horizontal line to the point of intersection with the diagonal line representing temperature difference.
- From that point extend a vertical line down to the horizontal scale to determine your CFM requirement.
- continue the vertical line to the table to identify applicable filter fan package(s).

STEP #4
Select the filter fan package and exhaust grille kit which best fits the application.



PART #S	AIR FLOW AT 50Hz
SCE-FA44 SCE-CF4	92/108 CFM
SCE-FA66 SCE-CF6	200/235 CFM
SCE-FA1010 SCE-CF10	455/550 CFM
SCE-BP115 SCE-BP230	276/324 CFM

CHART USED WITH 120 VOLT & 230 VOLT FANS.

SCE-FA (FAN PACKAGE) FILTER, FAN & GRILL.
SCE-CF (COOLING FAN) FAN MOTOR & FINGER GUARD.
SCE-BP (BLOWER PACKAGE)

EXAMPLE

An enclosure generates 500 watts of internal heat. Maximum temp. inside the enclosure is 100 F. The maximum temp. outside the enclosure is 85 F.

STEP #1 500 Watts

STEP #2 100 F - 85 F = 15 F (internal temp. difference.)

STEP #3 Plot application .

STEP #4 Select best combination for filter fan package(s) and exhaust grille kit(s).

Alternate Method of Selection:

- Choose a filter fan package.
- Draw a vertical line from the fan package.
- Draw a horizontal line from the internal heat load in Watts.
- The point of intersection is the approximate internal temperature difference using the selected fan package.

HELP NOTES: ELECTRONIC CONVERSIONS

1 WATT = 3.413 BTU
VOLTS X AMPS = WATTS

MATERIAL SPECIFICATIONS

Hot Rolled Steel (ASTM A569)

A low carbon, hot finished steel, produced by passing bar stock between a set of rolls at a temperature above the recrystallation temperature. Scale is removed by means of a hot, weak sulfuric acid bath, after which an oil film is applied.

Cold Rolled Steel (ASTM A366)

A low carbon, cold finished steel, produced by passing bar stock between a set of rolls.

Galvanized Steel (ASTM A526)

Steel which is zinc coated to provide corrosion resistance. Hot dip galvanizing is the most common method of applying zinc coating. Other methods include electrodeposition and metal spraying. Galvanizing provides protection against corrosion by serving as a sacrificial barrier and providing cathodic protection.

Galvannealed Steel (ASTM A525)

Steel which is zinc coated on both sides. It is designed to be used in the painted condition. Typically hot dipped to A40 and A60 designations.

Features of galvannealed steel:

- Corrosion resistance.
- Excellent for paint.
- Easy for weld.
- The combination of galvannealed steel and properly selected paint offers resistance to peeling and blistering.

Fiberglass

Thermoset polyester reinforced with glass fiber, processed by injection molding, compression molding, pultrusion, and open molding.

Features of fiberglass:

- High impact resistance.
- A superior range of temperature limits.
- Excellent dimensional stability.
- Excellent electrical properties.
- Excellent chemical resistance.
- Excellent moisture resistance.

Polyamide (Nylon)

A high performance thermoplastic processed by injection molding.

Features of polyamide:

- High impact resistance.
- Wide temperature limits.
- Excellent wear resistance.
- Excellent chemical resistance.

Stainless Steel (Type 304)

Stainless steel is a highly corrosion resistant iron based alloy containing between 18% and 20% chromium. Stainless steel is a good corrosion resistant material which is generally considered non-magnetic. It exhibits many of the same resistances attributed to fiberglass material and resistance to highly polar solvents such as acetone.

Stainless Steel (Type 316/316L)

Type 316/316L provides improved corrosion resistance to that of other chrome nickel steels. It is used when exposed to chemical corrosives, as well as marine atmospheres. It provides improved resistance to salt, some acids and high temperature. Resistance to sulfates and chlorine is less than type 304.

Aluminum (Type 5052)

A lightweight metal that forms a natural oxide layer which shields its surface from most corrosive elements. Type 5052 is the strongest non-heat treatable aluminum alloy.

Polycarbonate

A high performance thermoplastic resin that is processed by injection molding or sheet extrusion.

Features of polycarbonate:

- High impact resistance.
- A wide range of temperature limits.
- Good dimensional stability.
- Good electrical properties.

Polyester (PBT)

A high performance thermoplastic resin that is processed by injection molding.

Features of polyester:

- High impact resistance.
- A wide range of temperature limits.
- Good dimensional stability.
- Excellent electrical properties.
- Excellent chemical resistance.
- Excellent moisture resistance.

Zinc Die Casting (Zamak #5)

A zinc die cast is formed when a molten zinc alloy is forced under high pressure into a steel die. SCE uses zinc die casting application Zamak #5, which is the addition of approx. 1% copper to the #3 alloy. This increases the tensile strength of the casting approx. 15%.

Features of Zinc die casting:

- Zinc die castings are strong, economical and often cast to the exact shape needed without additional machining.
- Zinc is a non-ferrous metal, it will not rust.
- Zinc is an abundant natural element which is mined and used in many applications.

COATING PERFORMANCE CHARACTERISTICS

	POWDER COAT				HIGH SOLIDS	
	Polyester TGIC	Urethane	Hybrid	Epoxy	Monobake	Permaclad
Pencil Hardness	2H - 3H	H - 2H	H - 2H	3H - 5H	H - 2H	H - 2H
Stain Resistance	EXCELLENT	GOOD	GOOD	EXCELLENT	GOOD	GOOD
Adhesion to C.R.S.	EXCELLENT	EXCELLENT	EXCELLENT	EXCELLENT	GOOD	EXCELLENT
Mar Resistance	EXCELLENT	GOOD	GOOD	EXCELLENT	GOOD	EXCELLENT
Chip Resistance	EXCELLENT	EXCELLENT	EXCELLENT	EXCELLENT	GOOD	EXCELLENT
Flexibility	PASS 1/8"	PASS 1/8"	PASS 1/8"	PASS 1/8"	PASS 1/8"	PASS 1/8"
Direct Impact	60-160IN-LBS.	60-160IN-LBS.	60-160IN-LBS.	60-160IN-LBS.	60-160IN-LBS.	60-160IN-LBS.
Salt Spray	> 800 HRS	> 600 HRS	> 600 HRS	> 800 HRS	> 600 HRS	> 600 HRS
UV Resistance	EXCELLENT	EXCELLENT	POOR	POOR	POOR	EXCELLENT
Heat Resistance	300F	250F	250F	300F	250F	250F
Humidity	> 1200 HRS	> 1000 HRS	> 1000 HRS	> 1200 HRS	> 1000 HRS	> 1000 HRS
Solvent Resistance	GOOD	GOOD	GOOD	EXCELLENT	GOOD	GOOD
MEK	LITTLE EFFECT	DULLS GLOSS	DULLS GLOSS	NO EFFECT	DULLS GLOSS	DULLS GLOSS
Xylene	NO EFFECT	NO EFFECT	NO EFFECT	NO EFFECT	LITTLE EFFECT	NO EFFECT

AUTOMOTIVE FLUID RESISTANCE 16 HOUR IMMERSION

Gasohol	NO EFFECT	SWELLS	LITTLE EFFECT	NO EFFECT	LITTLE EFFECT	NO EFFECT
Brake Fluid	DULLS GLOSS	BLISTERS	BLISTERS	DULLS GLOSS	BLISTERS	DULLS GLOSS
Antifreeze	NO EFFECT	NO EFFECT	NO EFFECT	NO EFFECT	NO EFFECT	NO EFFECT
Motor Oil	NO EFFECT	SWELLS	NO EFFECT	NO EFFECT	NO EFFECT	NO EFFECT

GASKET PERFORMANCE CHARACTERISTICS

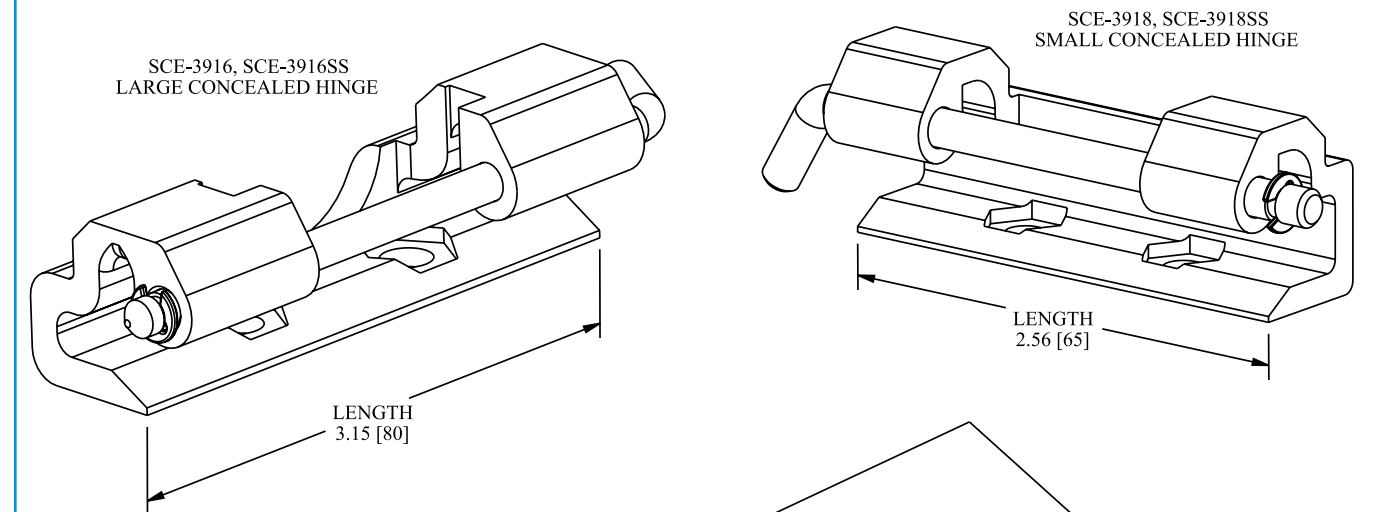
	FOR REFERENCE ONLY				
	SCE STANDARD STRIP GASKET URETHANE SPONGE RUBBER	SCE STANDARD POUR IN PLACE GASKET URETHANE SPONGE RUBBER	NEOPREN SPONGE RUBBER	SILICONE SPONGE RUBBER	VITON SPONGE RUBBER
	10 LBS / 15LBS	10 LBS / 15LBS	10 LBS / 15LBS	10 LBS / 15LBS	10 LBS / 15LBS
COLD FLEXABILITY	EXCELLENT	EXCELLENT	EXCELLENT	EXCELLENT	EXCELLENT
STAIN RESISTANCE	GOOD	GOOD	POOR	EXCELLENT	GOOD
COMPRESSION SET	EXCELLENT	EXCELLENT	POOR	EXCELLENT	EXCELLENT
HEAT RESISTANCE 220°	GOOD	GOOD	POOR	EXCELLENT	EXCELLENT
UV RESISTANCE	EXCELLENT	EXCELLENT	GOOD	EXCELLENT	GOOD
CORROSION RESISTANCE	EXCELLENT	EXCELLENT	GOOD	EXCELLENT	EXCELLENT
WATER RESISTANCE	GOOD	GOOD	GOOD	EXCELLENT	EXCELLENT
FUNGAL RESISTANCE	GOOD	GOOD	POOR	GOOD	GOOD
SEA WATER	EXCELLENT	EXCELLENT	EXCELLENT	EXCELLENT	EXCELLENT
CHLORINE WATER	EXCELLENT	EXCELLENT	GOOD	EXCELLENT	EXCELLENT
DARK CUTTING OIL	EXCELLENT	EXCELLENT	POOR	POOR	EXCELLENT
CUTTING FLUID	EXCELLENT	EXCELLENT	POOR	EXCELLENT	POOR
MEK	GOOD	GOOD	POOR	POOR	POOR
XYLENE	GOOD	GOOD	POOR	POOR	POOR
SURFURIC ACID	POOR	POOR	EXCELLENT	EXCELLENT	EXCELLENT
PHOSPHORIC ACID	POOR	POOR	EXCELLENT	EXCELLENT	EXCELLENT
CITRIC ACID	POOR	POOR	POOR	EXCELLENT	EXCELLENT

AUTOMOTIVE FLUID RESISTANCE

UNLEADED GASOLINE	EXCELLENT	EXCELLENT	POOR	POOR	POOR
BRAKE FLUID	GOOD	GOOD	POOR	POOR	EXCELLENT
ANTIFREEZE	GOOD	GOOD	GOOD	GOOD	GOOD
MOTOR OIL	EXCELLENT	EXCELLENT	POOR	POOR	EXCELLENT

Back to Technical Information

Phone (989) 799-6871
Fax (989) 799-4524



SCE Concealed Hinge
SCE Concealed Hinges are made of Zinc (Zamak #5) Stainless Steel. Doors easily removed for field replacements or to make modifications and add your cutouts, without being concerned with hinge alignment. Hinges are concealed for increased cosmetic appearance and makes the hinge pin tamper resistant. Increased corrosion protection because the hinges are installed after the coating operation. Hinge pins are Stainless Steel. Doors open 180 degrees.

SCE-3916 Large Concealed Hinge.
SCE-3916SS Large Concealed Hinge Stainless Steel.

Maximum Recommended Weight Added to the door.
Two Hinge 100 lbs
Three Hinge 250 lbs
Four Hinge 350 lbs

SCE-3918 Small Concealed Hinge.
SCE-3918SS Small Concealed Hinge Stainless Steel.

Maximum Recommended Weight Added to the door.

Two Hinge 75 lbs
Three Hinge 175 lbs
Four Hinge 250 lbs

Note: It is always recommended that the weight is distributed equally through out the door or nearest the hinge side of the door with any type of hinge. Maximum recommended door width 40 in.



Phone (989) 799-6871
Fax (989) 799-4524

GENERAL PRODUCT INFORMATION

Ordering Information

Orders can be placed with Saginaw Control directly through the sales department at our factory or with an authorized sales representative. All items which must be added to the enclosure must be ordered separately. Prices printed in this catalog supersede all previously published lists. Prices are subject to change without notice, and any errors in this publication will be corrected on the succeeding price list. Prices do not include sub-panels unless the sub-panel has been specified as included with the enclosure.

Installation Instructions

For the convenience of our customers, SCE has an Installation Manual available at www.saginawcontrol.com. These instructions cover a wide range of topics from disconnect information to detailed drawings of parts.

Cooling and Air Conditioning

A variety of air conditioning and cooling options are available for stock and custom ordered enclosures. Please contact a sales representative to solve your air conditioning needs.

Application

Saginaw Control & Engineering products are designed primarily for industrial or commercial electrical applications. Utilization of the products shown in this catalog for this purpose should be done only by qualified electrical technicians or professional electricians. Design, selection, installation and use of SCE products must conform to all applicable local, state and federal laws, regulations and ordinances.

Shipping, Storage, Assembly and Mounting

Enclosures are designed and manufactured for permanent floor or wall mounting. Until securely mounted, many enclosures require stabilizing support. Care should be taken during storage, handling, and assembly to avoid severe impacts or shocks. Enclosures must be mounted securely to structures which can completely support the weight of the enclosure and components. SCE is not responsible for damage to enclosures due to improper packaging after installation of equipment and components.

Dimensions, Specifications and Weights

Dimensions, specifications and weights are intended as representations of the size, function, appearance and weight of our products. They are not intended to show details of construction, design, or to be used as engineering specifications. Shipping weights included in this catalog do not include the weight of the sub-panel or any other accessories unless specified as included with the enclosure. Because technical details of construction and design are subject to change without notice, we recommend that you consult Saginaw Control and Engineering for current technical data.

Environmental Protection and Finish

SCE enclosures, unless otherwise specified, are finished with either an epoxy polyester powder coat or a high solids recoatable finish over phosphatized surfaces. These finishes will provide ordinary protection against corrosion in average industrial indoor areas. Special materials and finishes are available for outdoor use or special environments, and must be specified at the time of the order.

Additions, Alterations, Connections and Wiring

SCE enclosures are designed to meet the specifications as described in this catalog. The safety or effectiveness of any additions or alterations cannot be assured if they are not made in the plant. Accessory items are designed to function with SCE enclosures. Accessories are for use only as described in this catalog. Before any circuits are energized, all internal and external electrical and mechanical clearances must be checked to assure proper functioning. Due to the variety of installed equipment, applications, and location, SCE cannot anticipate all possible interferences. Designers, assemblers and installers must consult with equipment manufacturers and observe all safe practices and procedures.

Back to
Technical
Information

Phone (989) 799-6871
Fax (989) 799-4524



GENERAL PRODUCT INFORMATION

Materials

Saginaw Control & Engineering is using laser technology in production of our enclosures. This technology requires that the steel used meet exacting specifications. In order to reflect this change, we have changed our material specifications for the enclosures. The use of actual dimensions is more accurate than stating an enclosure is made of a certain gauge of steel. For example, we list our Pushbutton enclosures as being made of 0.075" carbon steel. Previously, this would have been listed as a 14 gauge steel. 14 gauge steel can range from .0677" to .0817" thick. Therefore, by specifying the thickness, SCE can produce a more consistent product.

carbon steel – For interior or exterior applications. This steel must have a corrosion resistant finish applied.

Type 304 Stainless – For interior or exterior applications, especially dairies, breweries, food processing areas, or areas that are wet or regularly hosed down. No additional finish is necessary.

Type 316/316L Stainless – For interior or exterior applications, especially marine environments with increased exposure to salt, or areas with extremely high temperatures. No additional finish is necessary. Most SCE enclosures can be custom built from Type 316/316L material.

Fiberglass – For interior or exterior applications, especially for exposure to salt, corrosive agents, chemicals, or extremely wet areas. No additional finish is necessary.

Design Support

Saginaw Control has a skilled, experienced design team ready to help you design your enclosure to fit your specific requirements. Simply fax your sketch and/or specifications, and our staff will design your enclosure, console, or precision sheet metal fabrication. If you prefer, you can send your own drawings to SCE via electronic mail or fax and let SCE handle the rest.

For your convenience, CAD drawings of stock SCE enclosures are now available from our Internet web site. Simply move the CAD drawings of a stock enclosure to your system, make the desired modifications, and send it to SCE!

Finishes

Finish Types include both high solids and powder coat finishes.

Epoxy Polyester Powder – Suitable for interior or exterior applications. Offers superior corrosion resistance, chemical resistance, weather protection, and resistance to scrapes and scratches.

Textured Polyester Powder – A powder finish with an irregular surface. Suitable for interior or exterior applications. Offers superior corrosion resistance, chemical resistance, weather protection, and resistance to scrapes and scratches.

High Solids Finish – Suitable for interior or exterior applications. Corrosion resistant, solvent resistant, solvent free formula, mar and chip resistant.

Recoating – All SCE stock enclosures can be easily recoated. To ensure good adhesion, sand all surfaces with 360 or 400 grit sandpaper. Wet wipe all surfaces with Aliphatic Solvent or detergent wash. (Always follow instructions provided by your paint manufacturer). Surface must be dry and free of oil, dust, dirt or any other foreign substances before recoating. To avoid discoloration of Alkyd finishes, do not bake over 250° F.

Compatible paints are:

1. All Industrial Enamel
2. Acrylic Enamel
3. Epoxy

For any other type of paint, check with your paint manufacturer to be sure that the paint you are applying is compatible with the paint on your SCE product.

Custom Orders

Contact your local Sales Representative or a factory representative. They will assist you in quoting price and delivery for your needs.

Your purchase order should include:

- Quantity
- Size (Height x Width x Depth)
- Sub-panel Size (Height x Width)
- Sub-panel Location
- Finish Specifications
- Lead Time / Delivery Deadline
- Material
- Special Instructions
- Drawing Numbers (If Applicable)



Phone (989) 799-6871
Fax (989) 799-4524

NOTES

Phone (989) 799-6871
Fax (989) 799-4524



NOTES



Phone (989) 799-6871
Fax (989) 799-4524

PRODUCT NAME INDEX

PRODUCT NAME	PAGE NO.	PRODUCT NAME	PAGE NO.
A			
Accessories, Free-Standing	116-123	Disconnect Enclosures, Enviroline Two-Door	134
Accessories, Industrial Modular System (IMS)	162-172	Disconnect Enclosures, Heavy Duty	136-143
Accessories, Modular Enclosures	149	Disconnect Enclosures, Heavy Duty Stainless Steel	256-261
Accessories, Work Station	28-35	Disconnect Enclosures, Single Door with SCE Hardware	84
Accessories, Work Station Stainless Steel	186-193	Disconnect Enclosures, Vented Type 3R	88
Air Conditioners, Side Mount	280-281	Disconnect Two-Door Enviroline Sloping Top S.S. Encl.	254
Air Conditioners, Top Mount	282	Disconnect Two-Door Enviroline Stainless Steel Encl.	252
Aluminum Sub-panels	312	Disk Pocket	320
Angle Iron Mounting Feet	304	Door Gasket	326
Anti-Condensation Heater	289	Door Hardware	290-293
B			
Barrier Plates for XM Enclosures	319	Door Stop Kit	296
Bases	299	Drain Vent	283
Blower Package	286	Drip Shield Kit Assembly	298
Bolt Packs	329	Dual Access, Single Door Free-Standing Enclosures	112
Breather Vent	283	Dual Access, Two-Door Free-Standing Enclosures	114
C			
Cable Door Stops	10	E	
Captive Screws	328	EL Flush Mount Frames	307
Caster Kit	304	Electrical Interlock	302
CD Pocket	320	Electrical Interlock Defeater	302
Channel Nuts	327	ELJ Console, Stainless Steel	178
Clamp Cover Enclosures, Fiberglass	274	ELJ Consolets	10
Clamp Fastened Single Door Disconnect Encl., Stainless Steel	236	EMI Gasket	326
Clamp Fastened Single Door Disconnect Enclosures	86	Enviroline Free-Standing Single Door Encl. S.S.	246
Clamp Fastened Single Door Encl., Stainless Steel	224-227	Enviroline Free-Standing Two-Door Encl. S.S.	248
Clamp Fastened Single Door Enclosures	74-77	Enviroline Junction Enclosure Sub-panels	315
Clamping Nuts	327	Enviroline Junction Enclosures w/ Viewing Window	60
Clamps	293	Enviroline Junction Enclosures, Stainless Steel	206
Columns	299	Enviroline Junction Enclosures, w/Viewing Window S.S.	208
Conductive Tape	326	Enviroline Junction Trough Encl. w/Viewing Window	64
Consoles, Desk	18-21	Enviroline Junction Trough Encl. w/Viewing Window S.S.	212
Consoles, Series 14	14-17	Enviroline Junction Trough Enclosures	62
Consoles, Series 9	12	Enviroline Junction Trough Enclosures, Stainless Steel	210
Consolets, ELJ	10	Enviroline Junction Enclosures	58
Consolets, ELJ Stainless Steel	178	Enviroline Single Door Disconnect Enclosures	82
Continuous Hinge Junction Enclosures	66	Enviroline Single Door Disconnect Encl., Stainless Steel	230-233
Continuous Hinge Junction Enclosures, Stainless Steel	214	Enviroline Single Door Enclosures	70-73
Convenience Receptacles	294-295	Enviroline Single Door Enclosures, Stainless Steel	218-221
Cooling Fan	288	Enviroline Single Door, 3-point hardware. Stainless Steel	216
CSE Program	4-7	Enviroline Sloping Top Single Door Encl. Stainless Steel	222
D			
Dead Front Panels	316-317	Enviroline Sloping Top Two-Door Encl. Stainless Steel	244
Desk Consoles	18-21	Enviroline Sloping Top Wall-Mount Disconnect Encl. S.S.	234
Desktop Work Station	24	Enviroline Trough Enclosures	62
Desktop Work Station Stainless Steel	182	Enviroline Trough Enclosures w/ Viewing Window	64
Disconnect Adapter	302	Enviroline Trough Junction Enclosure Sub-panels	315
Disconnect Cover Plate	302	Enviroline Two-Door Disconnect Enclosures	134
Disconnect Encl., Enviroline Sloping Top Single Door S.S.	234	Enviroline Two-Door Disconnect Encl., Stainless Steel	252
Disconnect Enclosures, Clamp Fastened Single Door	86	Enviroline Two-Door Enclosures, Floor Mounted	104
Disconnect Enclosures, Clamp Fastened Single Door S.S.	236	Enviroline Two-Door Encl., Floor Mounted Stainless Steel	242
Disconnect Enclosures, Enviroline Single Door	82	Enviroline Two-Door Encl., Wall Mount Stainless Steel	228
Disconnect Enclosures, Enviroline Single Door	82	Enviroline Two-Door Enclosures, Wall Mount	78
Disconnect Enclosures, Enviroline Single Door S.S.	230-233	Exterior Print Pocket	320
		External Disconnect Enclosure	324
		Eyebolts	304

Back to
Table of Contents

Phone (989) 799-6871
Fax (989) 799-4524



PRODUCT NAME	PAGE NO.	PRODUCT NAME	PAGE NO.
F			
Fan & Grille Kit	285	Junction Enclosures, Enviroline w/ Viewing Window	60
Fan, Cooling	288	Junction Enclosures, Enviroline w/ Viewing Window S.S.	208
Fan/Filter Package, Type 12	285	Junction Enclosures, Fiberglass	270
Fan/Heater with Thermostat	289	Junction Enclosures, Fiberglass with Viewing Window	272
Fiberglass Clamp Cover Enclosures	274	K	
Fiberglass Junction Enclosures	270	Keyboard Drawer, Pull-Out	297
Fiberglass Junction Enclosures w/ Viewing window	272	Keyboard Kit	297
Fiberglass Pushbutton Enclosures	266	Keys	328
Fiberglass Screw Cover Enclosures	268	L	
Filler Plates	312	Latches, Mini Quarter Turn	291
Filter Assembly	284	Latches, Quarter Turn	290
Filter, Replacement	329	LED Light Kit	300
Floor Mounted, Enviroline Two-Door Enclosures	104	Leveling Pads	304
Floor Mounted, Enviroline Two-Door Encl. Stainless Steel	242	Lifting Lugs	304
Floor Mounted, Overlapping Two-Door Enclosures	106	Light Kit	300
Floor Stand Kit	306	Light Switch Assembly	301
Flush Mount Frame for Enviroline Wall Mount Enclosures	307	Light Switch Mounting Bracket	300
Folding Shelf	299	Louver & Filter Kit	284
Free-Standing Enclosure Accessories	116-123	M	
Free-Standing Single Door, Dual Access Enclosures	112	Mechanical Defeater	326
Free-Standing Single Door, Single Access Enclosures	108	Mechanical Hygrostat	283
Free-Standing Two-Door, Dual Access Enclosures	114	Mechanical Interlock	302
Free-Standing Two-Door, Single Access Enclosures	110	Mini Quarter Turn Latches	291
Free-Standing, Enviroline Stainless Steel Single Door	246	Modular Enclosure Accessories	149
Free-Standing, Enviroline Stainless Steel Two-Door	248	Modular Enclosures	148
Free-Standing, Heavy Duty Disconnect Enclosures	136-143	Monitor Mounting Bracket	30
Free-Standing, Heavy Duty Stainless Disconnect Enclosures	256-261	Mounting Feet, Angle Iron	304
G			
Galvanized Sub-panels	310	Mounting Foot Kit for ELJ Enviroline Enclosures	305
Gasket	326	Mounting Foot Kit for Enviroline Enclosures	305
General Purpose Type 1 Enclosures	96	Mounting Foot Kit Type 3R	305
General Purpose Type 1 Enclosures with Knockouts	98	Mounting Strap Type 1	303
Grounding Bars	296	Mounting Strap Type 3R	303
Grounding Straps	296	Multi Door Free-Standing / Wall-Mount Disconnect Enclosures	128-133
H			
Heat Exchanger	282	Multi Door Free-Standing Enclosures	124
Heavy Duty Free-Standing Enclosures	136-143	N	
Heavy Duty Free-Standing Stainless Disconnect Enclosures	256-261	NEMA 1 General Purpose Enclosures	96-99
Hinge	328	O	
Hinged Access Enclosure	322	Overlapping Two-Door Floor Mounted Enclosures	106
Hinged Cover 3R Enclosures	92	Overlapping Two-Door Wall Mount Enclosures	80
Hinged Window Enclosure	322	P	
Hole Plugs	301	Padlock Kit for Junction Boxes	293
I			
Individual Panel Supports	313	Pedestal Mount Work Station	24
Industrial Modular System (IMS) Accessories	162-172	Pedestal Mount Work Station, Stainless Steel	182
Industrial Modular System (IMS) Enclosures	154-161	Perforated Sub-panels, Type 1	314
Internal Disconnect Enclosure	323	Print Pocket	320
J			
Junction Enclosures, Continuous Hinge	66	Program Ports	294-295
Junction Enclosures, Continuous Hinge Stainless Steel	214	Protective Access Enclosures	322-324
Junction Enclosures, Enviroline	58	Pull Handle	293
Junction Enclosures, Enviroline Stainless Steel	206	Pull Out Keyboard Drawer	297
		Pushbutton Enclosures	40-53
		Pushbutton Enclosures, Fiberglass	266
		Pushbutton Enclosures, Sloping Front	54-57
		Pushbutton Enclosures, Stainless Steel	198-205



Phone (989) 799-6871
Fax (989) 799-4524

Back to
Table of Contents

PRODUCT NAME	PAGE NO.	PRODUCT NAME	PAGE NO.
Q		Sub-panels, Enviroline Trough Junction Enclosures	315
Quarter Turn Latches	290	Sub-panels, Galvanized	310
		Sub-panels, Steel	308
R		Sub-panels, Type 1	313
Rain Hood	287	Sub-panels, Type 1 Perforated	314
Removable Wire Cover	296	Swing Panel Assembly for Enviroline Enclosures	318
		Swing Panel Assembly for LP Enclosures	318
S		T	
Screw Cover 3R Enclosures	94	Table of Contents	3
Screw Cover Enclosures	68	Technical Information	332-343
Screw Cover Enclosures, Fiberglass	268	Terms and Conditions of Sale	2
Sealing Washers	327	Thermostat	283
Series 14 Consoles	14-17	Three Point Door Rod Kit	292
Series 9 Consoles	12	Top Mount Air Conditioners	282
Shelf, Folding	299	Touch Up Paint	328
Side Mount Air Conditioners	280	Trough Enclosures, Enviroline	62
Single Access, Single Door Free-Standing Enclosures	108	Trough Enclosures, Enviroline Stainless Steel	210
Single Access, Two-Door Free-Standing Enclosures	110	Trough Enclosures, Enviroline w/ Viewing Window	64
Single Door Disconnect Enclosures with SCE Hardware	84	Trough Enclosures, Enviroline w/ Viewing Window S.S.	212
Single Door Disconnect Enclosures, Clamp Fastened	86	Two-Door Enviroline Floor Mounted Enclosures	104
Single Door Enclosures, Clamp Fastened	74-77	Two-Door Enviroline Wall Mount Enclosure	78
Single Door Enviroline Disconnect Enclosures	82	Type 1 Perforated Sub-panels	314
Single Door Enviroline Enclosures	70-73	Type 1 Sub-panels	313
Single Door Type 1 Enclosures	96	Type 12 Fan / Filter Package	286
Single Door Type 1 Enclosures with Knockouts	98	Type 3R Enclosures, Hinged Cover	92
Slope Top Work Station	26	Type 3R Enclosures, Screw Cover	94
Slope Top Work Station, Stainless Steel	184	Type 3R Enclosures, Vented	90
Sloping Front Pushbutton Enclosures	54-57	Type 3R Enclosures, Vented Disconnect	88
Sloping Top Two-Door S.S. Disconnect Enviroline Encl.	254	U	
Sloping Top Two-Door Stainless Steel Enviroline Encl.	244	V	
Stainless Steel Clamp Fastened Single Door Encl.	224-227	Vent, Breather	283
Stainless Steel Continuous Hinge Junction Enclosures	214	Vent, Drain	283
Stainless Steel Desktop Work Station	182	Vented Type 3R Disconnect Enclosures	88
Stainless Steel Disconnect Clamp Fastened Single Door	236	Vented Type 3R Enclosures	90
Stainless Steel Disconnect Enviroline Single Door Encl.	230-233	W	
Stainless Steel Disconnect Enviroline Sloping Top Single Door	234	Wall Mount Enclosures, Overlapping Two-Door	80
Stainless Steel Disconnect Enviroline Sloping Top Two-Door	254	Window Kit, Type 4	321
Stainless Steel Disconnect Enviroline Two-Door Enclosure.	252	Wire Cover, Removable	296
Stainless Steel ELJ Consoles	178	Work Station	22
Stainless Steel Enviroline Free-Standing Single Door Encl.	246	Work Station Accessories	28-35
Stainless Steel Enviroline Free-Standing Two-Door Encl.	248	Work Station Accessories, Stainless Steel	186-193
Stainless Steel Enviroline Junction Encl. w/ Viewing Window	208	Work Station, Desktop	24
Stainless Steel Enviroline Junction Enclosures	206	Work Station, Desktop Stainless Steel	182
Stainless Steel Enviroline Junction Trough Encl. w/Viewing Window	212	Work Station, Pedestal Mount	24
Stainless Steel Enviroline Junction Trough Enclosures	210	Work Station, Pedestal Mount Stainless Steel	182
Stainless Steel Enviroline Single Door Enclosures	218-221	Work Station, Slope Top	26
Stainless Steel Enviroline Single Door w/ 3-point hardware	216	Work Station, Slope Top Stainless Steel	184
Stainless Steel Enviroline Sloping Top Single Door Encl.	222	Work Station, Stainless Steel	180
Stainless Steel Enviroline Sloping Top Two-Door Encl.	244	X	
Stainless Steel Enviroline Sloping Top Two-Door Encl.	244	XM Barrier Plates	319
Stainless Steel Enviroline Two-Door Disconnect Encl.	252	Y	
Stainless Steel Enviroline Two-Door Encl. Floor Mounted	242	Z	
Stainless Steel Enviroline Two-Door Encl. Wall Mount	228		
Stainless Steel Heavy Duty Free-Standing Disconnect Encl.	256-261		
Stainless Steel L-Handle	292		
Stainless Steel Pedestal Mounted Work Station	182		
Stainless Steel Pushbutton Enclosures	198-205		
Stainless Steel Slope Top Work Station	184		
Stainless Steel Work Station	180		
Stainless Steel Work Station Accessories	186-193		
Sub-panels, Aluminum	312		
Sub-panels, Enviroline Junction Enclosures	315		

Phone (989) 799-6871
Fax (989) 799-4524



NUMERICAL INDEX

PART NUMBER	PRICE CODE	ESTIMATED SHIPPING WT.	LIST PRICE	PAGE NUMBER	PART NUMBER	PRICE CODE	ESTIMATED SHIPPING WT.	LIST PRICE	PAGE
G28-0416-G050	P1	114	*	281	SCE-10086CHNF	A1	10	79.24	66
G28-0426-G050	P1	125	*	281	SCE-10086CHNFSS	S1	11	364.04	214
G28-0446-G050	P1	84	*	281	SCE-10086CHNFSS6	S7	11	425.88	214
G28-0616-G050	P1	139	*	281	SCE-10086ELJ	E1	7	79.12	58
G28-0626-G050	P1	138	*	281	SCE-10086ELJSS	S6	8	290.44	206
G28-0646-G050	P1	155	*	281	SCE-10086ELJSS6	S7	8	348.53	206
G52-0816-G050	P1	168	*	281	SCE-10086ELJW	E1	8	126.12	60
G52-0826-G050	P1	200	*	281	SCE-10086ELJWSS	S6	9	378.97	208
G52-0846-G050	P1	185	*	281	SCE-10086ELJWSS6	S7	8	454.77	208
G52-1216-G050	P1	163	*	281	SCE-10086FG	F1	5	*	268
G52-1226-G050	P1	186	*	281	SCE-10086FW	F1	5	*	272
G52-1246-G050	P1	205	*	281	SCE-10086SC	A1	10	73.99	68
M28-0216-G013	P1	137	*	281	SCE-1008CHNF	A1	9	69.39	66
M28-0226-G004	P1	141	*	281	SCE-1008CHNFSS	S1	9	332.84	214
MHB11-0216-G306	P1	94	*	282	SCE-1008CHNFSS6	S7	9	389.42	214
MHB11-0226-G306	P1	115	*	282	SCE-1008CHSNF	A1	9	73.30	66
MHB11-0416-G307	P1	108	*	282	SCE-1008ELJ	E1	6	70.76	58
MHB11-0426-G306	P1	141	*	282	SCE-1008ELJSS	S6	6	260.94	206
N17-0116-G010	P1	109	*	280	SCE-1008ELJSS6	S7	7	313.13	206
N17-0126-G010	P1	50	*	280	SCE-1008ELJW	E1	6	119.76	60
N17-0216-G010	P1	100	*	280	SCE-1008ELJWSS	S6	7	359.33	208
N17-0226-G010	P1	85	*	280	SCE-1008ELJWSS6	S7	7	431.20	208
N28-0416-G050	P1	120	*	280	SCE-1008FG	F1	5	*	268
N28-0426-G050	P1	113	*	280	SCE-1008FW	F1	5	*	272
N36-0616-G050	P1	145	*	280	SCE-1008SC	A1	9	65.22	68
N36-0626-G050	P1	100	*	280	SCE-100AFSD	P2	17	183.20	323
N36-0646-G050	P1	130	*	280	SCE-10106CHNF	A1	12	80.55	66
N36-0816-G050	P1	106	*	280	SCE-10106ELJ	E1	9	83.56	58
N36-0826-G050	P1	106	*	280	SCE-10106SC	A1	11	81.51	68
N36-0846-G050	P1	165	*	280	SCE-1010SC	A1	10	72.73	68
N43-1216-G050	P1	133	*	280	SCE-101670	P2	1	10.57	328
N43-1226-G050	P1	127	*	280	SCE-101695	P2	1	11.50	328
N43-1246-G050	P1	170	*	280	SCE-101697	P2	1	11.50	328
P-B15-F3R3-U450	P4	1	*	294	SCE-101966	P2	1	2.50	329
P-B15-K3RF3-U450	P4	1	*	295	SCE-101974	P2	1	5.00	329
P-B15-K4RF3-U450	P4	1	*	295	SCE-102022	P2	1	36.82	329
P-D4-H3R3-U450	P4	1	*	294	SCE-102297	P2	1	2.50	329
P-D4-M3RF3-U450	P4	1	*	295	SCE-102300	P2	1	8.61	329
P-D4-M4RF3-U450	P4	1	*	295	SCE-102534	P2	1	19.03	328
P-Q7-F3R3-U450	P4	1	*	294	SCE-102686	P2	1	4.98	329
P-Q7-K3RF3-U450	P4	1	*	295	SCE-102804	P2	1	24.00	290
P-Q7-K4RF3-U450	P4	1	*	295	SCE-103370	P2	3	57.80	292
P-Q9-F3R3-U450	P4	1	*	294	SCE-103736	P2	1	63.20	329
P-Q9-K3RF3-U450	P4	1	*	295	SCE-104941	P2	2	143.31	302
P-Q9-K4RF3-U450	P4	1	*	295	SCE-105419	P2	1	2.04	291
P-R2-F3R3-U450	P4	1	*	294	SCE-105604	P2	2	143.31	302
P-R2-K3RF3-U450	P4	1	*	295	SCE-107930	P2	1	11.50	328
P-R2-K4RF3-U450	P4	1	*	295	SCE-108401	P2	1	117.05	329
SCE-100814	P2	1	24.00	290	SCE-10N1004LP	N1	9	40.92	96
SCE-10085CHQRFG	F1	5	*	270	SCE-10N1006LP	N1	9	50.23	96
					SCE-10N10MP	N1	1	5.27	313
					SCE-10N10MPP	N1	1	13.47	314
					SCE-10N804LP	N1	7	40.29	96



Phone (989) 799-6871
Fax (989) 799-4524

PART NUMBER	PRICE CODE	ESTIMATED SHIPPING WT.	LIST PRICE	PAGE NUMBER	PART NUMBER	PRICE CODE	ESTIMATED SHIPPING WT.	LIST PRICE	PAGE NUMBER
SCE-10N806LP	N1	8	45.52	96	SCE-1212ELJ	E1	11	100.96	58
SCE-10N8MP	N1	2	4.46	313	SCE-1212ELJSS	S6	11	355.50	206
SCE-10N8MPP	N1	1	11.58	314	SCE-1212ELJSS6	S7	11	426.60	206
SCE-10P10	P3	2	6.73	308	SCE-1212FG	F1	8	*	268
SCE-10P10GALV	P3	2	6.73	310	SCE-1212FW	F1	7	*	272
SCE-10P10J	P3	4	6.73	315	SCE-1212SC	A1	15	96.56	68
SCE-10P8	P3	1	5.70	308	SCE-12C12ELJ	A1	14	132.93	58
SCE-10P8AL	F2	2	*	312	SCE-12C12ELJSS	S1	14	771.99	206
SCE-10P8GALV	P3	1	5.70	310	SCE-12C16ELJ	A1	17	147.97	58
SCE-10P8J	P3	2	5.70	315	SCE-12C16ELJSS	S1	14	796.98	206
SCE-10PBA	A1	11	158.02	54	SCE-12C20ELJ	A1	21	163.03	58
SCE-10PBAI	A1	11	158.02	56	SCE-12C20ELJSS	S1	18	817.75	206
SCE-10PBX	A1	11	117.88	44	SCE-12C24ELJ	A1	24	175.57	58
SCE-10PBXI	A1	11	117.88	46	SCE-12C24ELJSS	S1	22	888.79	206
SCE-10R104	N3	8	95.08	94	SCE-12DLP12	P3	3	13.67	308
SCE-10R106	N3	10	111.58	94	SCE-12DLP12GALV	P3	4	13.67	310
SCE-10R84	N3	6	79.20	94	SCE-12EL1206LP	E3	16	183.29	70
SCE-10R86	N3	8	84.11	94	SCE-12EL1206SS6LP	S7	17	643.39	220
SCE-110047	P2	1	11.50	328	SCE-12EL1206SSLP	S5	16	536.16	218
SCE-110551	P2	1	44.52	288	SCE-12EL2406LP	E3	26	218.97	70
SCE-111252	P2	1	24.31	288	SCE-12EL2406SS6LP	S7	24	855.14	220
SCE-112399	P2	1	20.52	288	SCE-12EL2406SSLP	S5	27	712.62	218
SCE-112984	P2	1	1.73	291	SCE-12H2406LP	A3	28	238.27	74
SCE-113188	P2	1	91.80	329	SCE-12H2408LP	A3	28	253.33	74
SCE-113947	P2	1	65.57	329	SCE-12N1004LP	N1	5	48.44	96
SCE-115259	P2	2	34.43	317	SCE-12N1006LP	N1	10	54.80	96
SCE-12064CHNF	A1	8	63.66	66	SCE-12N10MP	N1	3	6.03	313
SCE-121010SC	A1	17	125.41	68	SCE-12N10MPP	N1	1	15.11	314
SCE-12105CHQRFG	F1	6	*	270	SCE-12N1204LP	N1	10	53.05	96
SCE-12106CHNF	A1	14	91.96	66	SCE-12N1206LP	N1	9	60.13	96
SCE-12106CHNFSS	S1	14	411.42	214	SCE-12N1208LP	N1	12	67.14	96
SCE-12106CHNFSS6	S7	14	457.71	214	SCE-12N12MP	N1	4	7.10	313
SCE-12108CHNF	A1	15	98.74	66	SCE-12N12MPP	N1	2	15.94	314
SCE-12108CHNFSS	S1	16	438.43	214	SCE-12P10	P3	2	7.72	308
SCE-12108CHNFSS6	S7	16	526.12	214	SCE-12P10AL	F2	2	*	312
SCE-12108ELJ	E1	11	98.72	58	SCE-12P10GALV	P3	3	7.72	310
SCE-12108ELJSS	S6	11	352.80	206	SCE-12P10J	P3	2	7.72	315
SCE-12108ELJSS6	S7	12	423.36	206	SCE-12P12	P3	3	9.08	308
SCE-12108ELJW	E1	11	150.72	60	SCE-12P12AL	F2	2	*	312
SCE-12108ELJWSS	S6	11	432.12	208	SCE-12P12C	P3	2	13.28	10
SCE-12108ELJWSS6	S7	12	518.54	208	SCE-12P12GALV	P3	4	9.08	310
SCE-1210CHNF	A1	13	87.29	66	SCE-12P12J	P3	3	9.08	315
SCE-1210CHSNF	A1	13	89.33	66	SCE-12P16C	P3	3	18.22	10
SCE-1210ELJ	E1	10	86.48	58	SCE-12P20C	P3	4	23.16	10
SCE-1210ELJSS	S6	10	328.93	206	SCE-12P24	P3	8	27.86	308
SCE-1210ELJSS6	S7	10	394.72	206	SCE-12P24C	P3	5	28.09	10
SCE-1210ELJW	E1	10	138.48	60	SCE-12P24GALV	P3	8	27.86	310
SCE-1210ELJWSS	S6	10	418.25	208	SCE-12P6	P3	1	5.35	308
SCE-1210ELJWSS6	S7	10	501.91	208	SCE-12P6GALV	P3	2	5.35	310
SCE-1210FG	F1	6	*	268	SCE-12PB	A1	8	104.08	40
SCE-1210FW	F1	7	*	272	SCE-12PBA	A1	13	171.82	54
SCE-1210SC	A1	12	82.76	68	SCE-12PBAI	A1	13	171.82	56
SCE-1212CHNF	A1	15	101.32	66	SCE-12PBGX	A1	8	106.60	48
SCE-1212CHNFSS	S1	15	440.78	214	SCE-12PBH	A1	16	162.14	50
SCE-1212CHNFSS6	S7	16	504.94	214					
SCE-1212CHQRFG	F1	7	*	270					

Phone (989) 799-6871

Fax (989) 799-4524



PART NUMBER	PRICE CODE	ESTIMATED SHIPPING WT.	LIST PRICE	PAGE NUMBER	PART NUMBER	PRICE CODE	ESTIMATED SHIPPING WT.	LIST PRICE	PAGE NUMBER
SCE-12PBHI	A1	17	162.14	52	SCE-14B	C1	255	1,777.39	14
SCE-12PBI	A1	9	104.08	42	SCE-14N1204LP	N1	11	57.79	96
SCE-12PBSS	S1	8	351.56	198	SCE-14N1206LP	N1	10	65.46	96
SCE-12PBSSI	S1	8	351.56	200	SCE-14N1208LP	N1	14	73.08	96
SCE-12PBX	A1	11	124.15	44	SCE-14N12MP	N1	3	7.92	313
SCE-12PBXI	A1	11	124.15	46	SCE-14N12MPP	N1	2	17.14	314
SCE-12R104	N3	9	119.50	94	SCE-14P1	P2	31	168.79	14
SCE-12R106	N3	10	124.41	94	SCE-14P12	P3	3	10.13	308
SCE-12R1206LP	N3	15	76.66	92	SCE-14P12AL	F2	2	*	312
SCE-12R1208LP	N3	16	80.71	92	SCE-14P12GALV	P3	5	10.13	310
SCE-12R124	N3	9	130.75	94	SCE-14P12J	P3	3	10.13	315
SCE-12R126	N3	12	139.17	94	SCE-14P2	P3	15	144.32	14
SCE-12SPBA	A1	12	164.28	54	SCE-14P3	P3	27	207.61	14
SCE-12SPBAI	A1	12	164.28	56	SCE-14P8	P3	2	7.39	308
SCE-13ELJEXPP	P2	12	152.23	320	SCE-14P8AL	F2	2	*	312
SCE-1407FG	F1	5	*	268	SCE-14P8GALV	P3	4	7.39	310
SCE-1407FW	F1	5	*	272	SCE-14R	P2	8	149.50	14
SCE-14086CHNF	A1	13	87.06	66	SCE-14RMW	P2	16	198.69	296
SCE-14087CHQRFG	F1	6	*	270	SCE-14T	C1	72	453.21	14
SCE-14127CHQRFG	F1	10	*	270	SCE-14W	P2	9	135.04	14
SCE-14128CHNF	A1	19	119.01	66	SCE-16106CHNF	A1	17	102.65	66
SCE-14128ELJ	E1	14	118.44	58	SCE-161410CHNF	A1	26	150.70	66
SCE-14128ELJSS	S6	15	400.92	206	SCE-16147CHQRFG	F1	11	*	270
SCE-14128ELJSS6	S7	15	481.10	206	SCE-16148CHNF	A1	23	143.66	66
SCE-1412CHNF	A1	17	112.50	66	SCE-16148ELJ	E1	18	143.42	58
SCE-1412CHNFSS	S1	17	465.15	214	SCE-16148ELJSS	S6	18	508.38	206
SCE-1412CHNFSS6	S7	17	552.19	214	SCE-16148ELJSS6	S7	18	610.06	206
SCE-1412CHSNF	A1	17	118.13	66	SCE-16148ELJW	E1	18	204.42	60
SCE-1412ELJ	E1	13	111.20	58	SCE-16148ELJWSS	S6	18	597.34	208
SCE-1412ELJSS	S6	13	378.21	206	SCE-16148ELJWSS6	S7	18	716.81	208
SCE-1412ELJSS6	S7	13	453.85	206	SCE-1614CHNF	A1	20	131.71	66
SCE-1412FG	F1	9	*	268	SCE-1614CHNFSS	S1	21	548.38	214
SCE-1412FW	F1	9	*	272	SCE-1614CHNFSS6	S7	20	658.05	214
SCE-1412SC	A1	16	105.34	68	SCE-1614CHSNF	A1	20	138.30	66
SCE-1436B	C1	323	2,078.69	14	SCE-1614ELJ	E1	16	130.82	58
SCE-1436P1	P2	37	209.78	14	SCE-1614ELJSS	S6	16	444.87	206
SCE-1436P2	P3	24	177.24	14	SCE-1614ELJSS6	S7	16	533.84	206
SCE-1436P3	P3	45	273.44	14	SCE-1614ELJW	E1	16	193.82	60
SCE-1436T	C1	97	562.08	14	SCE-1614ELJWSS	S6	16	563.84	208
SCE-1436W	P2	13	173.62	14	SCE-1614ELJWSS6	S7	16	676.60	208
SCE-1448BD	C1	405	2,673.68	16	SCE-1614FG	F1	12	*	268
SCE-1448P2	P3	38	212.67	16	SCE-1614FW	F1	12	*	272
SCE-1448P3	P3	64	336.74	16	SCE-1614SC	A1	17	122.89	68
SCE-1448T	C1	126	670.95	16	SCE-16C16ELJ	A1	23	173.05	58
SCE-1448W	P2	14	214.61	16	SCE-16C16ELJSS	S1	24	817.75	206
SCE-1460BD	C1	462	2,767.36	16	SCE-16C20ELJ	A1	25	190.63	58
SCE-1460P2	P3	44	245.59	16	SCE-16C20ELJSS	S1	28	888.79	206
SCE-1460P3	P3	80	402.57	16	SCE-16C24ELJ	A1	30	208.17	58
SCE-1460T	C1	150	777.29	16	SCE-16C24ELJSS	S1	32	957.18	206
SCE-1460W	C2	21	253.19	16	SCE-16C30ELJ	A1	53	238.27	58
SCE-1472BD	C1	581	3,030.68	16	SCE-16DLP14	P3	4	17.72	308
SCE-1472P3	P3	97	465.86	16	SCE-16DLP14GALV	P3	5	17.72	310
SCE-1472T	C1	182	886.17	16	SCE-16EL1206LP	E3	20	194.36	70
SCE-1472W	P2	23	291.78	16	SCE-16EL1206SS6LP	S7	17	708.54	220
					SCE-16EL1206SSLP	S5	17	590.45	218
					SCE-16EL1208LP	E3	21	205.44	70

Phone (989) 799-6871

Fax (989) 799-4524



350 SAGINAW CONTROL & ENGINEERING • STOCK PRICE LIST

PART NUMBER	PRICE CODE	ESTIMATED SHIPPING WT.	LIST PRICE	PAGE NUMBER	PART NUMBER	PRICE CODE	ESTIMATED SHIPPING WT.	LIST PRICE	PAGE NUMBER
SCE-16EL1208SS6LP	S7	26	757.41	220	SCE-16PBGX	A1	9	142.96	48
SCE-16EL1208SSLP	S5	26	631.18	218	SCE-16PBH	A1	19	184.70	50
SCE-16EL1208SSST	S8	18	883.65	222	SCE-16PBHI	A1	19	184.70	52
SCE-16EL1408LP	E3	25	211.59	70	SCE-16PBHSS	S1	12	491.20	202
SCE-16EL1606LP	E3	24	210.37	70	SCE-16PBHSSI	S1	10	491.20	204
SCE-16EL1606SS6LP	S7	21	785.11	220	SCE-16PBI	A1	11	120.40	42
SCE-16EL1606SSLP	S5	21	654.26	218	SCE-16PBXI	A1	13	141.70	46
SCE-16EL1608LP	E3	27	234.97	70	SCE-16PBXSS	S1	12	442.51	198
SCE-16EL1608SS6LP	S7	28	825.83	220	SCE-16PBXSSI	S1	11	442.51	200
SCE-16EL1608SSLP	S5	28	688.19	218	SCE-16R1206LP	N3	16	99.88	92
SCE-16EL1608SSST	S8	22	963.47	222	SCE-16R1208LP	N3	19	104.67	92
SCE-16EL2006LP	E3	28	236.19	70	SCE-18169CHQRFG	F1	19	*	270
SCE-16EL2008LP	E3	31	237.42	70	SCE-1816FG	F1	20	*	268
SCE-16EL2008SS6LP	S7	29	925.17	220	SCE-1816FW	F1	20	*	272
SCE-16EL2008SSLP	S5	30	770.98	218	SCE-18N1606NK-B	N1	22	128.86	98
SCE-16H1009QFGLP	F1	10	*	274	SCE-18N1606NK-O	N1	22	128.86	98
SCE-16H1206LP	A3	21	213.19	74	SCE-18N1606NK-T	N1	22	128.86	98
SCE-16H1206SS6LP	S7	23	752.53	226	SCE-18P16AL	F2	3	*	312
SCE-16H1206SSLP	S3	23	627.11	224	SCE-18SBASE	P2	21	111.76	299
SCE-16H1208LP	A3	22	223.22	74	SCE-18SBASESS	P2	16	424.63	299
SCE-16H1208SS6LP	S7	24	806.28	226	SCE-19ELJEXPP	P2	13	152.23	320
SCE-16H1208SSLP	S3	24	671.90	224	SCE-1PB	A1	2	43.90	40
SCE-16H1210LP	A3	26	233.25	74	SCE-1PBA	A1	3	65.22	54
SCE-16H1606LP	A3	27	228.25	74	SCE-1PBAI	A1	3	65.22	56
SCE-16H1606SS6LP	S7	26	835.59	226	SCE-1PBF	F1	2	*	266
SCE-16H1606SSLP	S3	26	696.32	224	SCE-1PBGX	A1	2	50.17	48
SCE-16H1608LP	A3	27	240.78	74	SCE-1PBI	A1	2	43.90	42
SCE-16H2006LP	A3	30	245.80	74	SCE-1PBSS	S1	2	134.38	198
SCE-16H2006SS6LP	S7	30	918.65	226	SCE-1PBSSI	S1	2	134.38	200
SCE-16H2006SSLP	S3	30	765.54	224	SCE-1PBX	A1	3	56.43	44
SCE-16H2008LP	A3	33	258.34	74	SCE-1PBXI	A1	3	56.43	46
SCE-16N1206LP	N1	11	98.04	96	SCE-1PBXSS	S1	3	179.00	198
SCE-16N1208LP	N1	17	106.84	96	SCE-1PBXSSI	S1	3	179.00	200
SCE-16N12MPP	N1	2	19.25	314	SCE-201610ELJ	E1	26	185.13	58
SCE-16N1606LP	N1	16	109.57	96	SCE-20166ELJ	E1	22	151.40	58
SCE-16N1608LP	N1	20	119.19	96	SCE-20168ELJ	E1	23	157.76	58
SCE-16N16MP	N1	4	19.21	313	SCE-2016CHQRFG	F1	21	*	270
SCE-16N16MPP	N1	2	22.58	314	SCE-2016FG	F1	21	*	268
SCE-16N2006LP	N1	21	121.09	96	SCE-2016FW	F1	21	*	272
SCE-16P10	P3	3	9.90	308	SCE-202010ELJ	E1	30	187.50	58
SCE-16P10AL	F2	2	*	312	SCE-20206ELJ	E1	24	168.36	58
SCE-16P10GALV	P3	5	9.90	310	SCE-20208ELJ	E1	27	178.20	58
SCE-16P12	P3	4	14.81	308	SCE-20208ELJW	E1	27	242.20	60
SCE-16P12GALV	P3	6	14.81	310	SCE-20C20ELJ	A1	34	218.21	58
SCE-16P14	P3	4	19.95	308	SCE-20C20ELJSS	S1	25	957.18	206
SCE-16P14AL	F2	2	*	312	SCE-20C24ELJ	A1	42	243.28	58
SCE-16P14GALV	P3	6	19.95	310	SCE-20C24ELJSS	S1	31	1,100.25	206
SCE-16P14J	P3	4	19.96	315	SCE-20C30ELJ	A1	60	278.41	58
SCE-16P16	P3	6	24.57	308	SCE-20C30ELJSS	S1	125	1,320.04	206
SCE-16P16GALV	P3	6	24.57	310	SCE-20EL1206LP	E3	23	209.13	70
SCE-16P20C	P3	5	31.40	10	SCE-20EL1606LP	E3	28	225.12	70
SCE-16P24C	P3	6	38.10	10	SCE-20EL1606SS6LP	S7	28	871.43	220
SCE-16P30C	P3	8	44.80	10	SCE-20EL1606SSLP	S5	28	726.19	218
SCE-16PB12	P3	5	13.84	50	SCE-20EL1608LP	E3	30	237.42	70
SCE-16PBA	A1	13	183.10	54					
SCE-16PBAI	A1	13	183.10	56					

Phone (989) 799-6871
Fax (989) 799-4524



SAGINAW CONTROL & ENGINEERING • STOCK PRICE LIST 351

PART NUMBER	PRICE CODE	ESTIMATED SHIPPING WT.	LIST PRICE	PAGE NUMBER	PART NUMBER	PRICE CODE	ESTIMATED SHIPPING WT.	LIST PRICE	PAGE NUMBER
SCE-20EL1608SS6LP	S7	32	925.17	220	SCE-20N2010LP	N1	31	158.06	96
SCE-20EL1608SSLP	S5	30	770.98	218	SCE-20N20MP	N1	7	27.84	313
SCE-20EL1608SSST	S8	30	1,079.37	222	SCE-20N20MPP	N1	4	30.55	314
SCE-20EL1610LP	E3	41	252.38	70	SCE-20P12	P3	5	23.14	308
SCE-20EL1610SS6LP	S7	36	987.08	220	SCE-20P12GALV	P3	6	23.14	310
SCE-20EL1610SSLP	S5	34	822.57	218	SCE-20P16	P3	8	30.37	308
SCE-20EL1612LP	E3	38	263.25	70	SCE-20P16AL	F2	3	*	312
SCE-20EL1612SSST	S8	39	1,210.13	222	SCE-20P16GALV	P3	7	30.37	310
SCE-20EL2006LP	E3	33	242.34	70	SCE-20P16J	P3	5	30.40	315
SCE-20EL2006SS6LP	S7	33	952.88	220	SCE-20P20	P3	10	35.44	308
SCE-20EL2006SSLP	S5	34	794.06	218	SCE-20P20C	P3	7	39.00	10
SCE-20EL2008LP	E3	36	255.87	70	SCE-20P20GALV	P3	10	35.44	310
SCE-20EL2008SS6LP	S7	38	1,024.54	220	SCE-20P20J	P3	8	35.44	315
SCE-20EL2008SSLP	S5	37	853.79	218	SCE-20P24C	P3	8	42.30	10
SCE-20EL2008SSST	S8	38	1,195.31	222	SCE-20P30C	P3	10	47.32	10
SCE-20EL2010LP	E3	42	270.07	70	SCE-20PBH	A1	22	287.54	50
SCE-20EL2010SS6LP	S7	40	1,091.33	220	SCE-20PJ16AL	F2	4	*	312
SCE-20EL2010SSLP	S5	40	909.44	218	SCE-20POS	C2	17	247.74	29
SCE-20EL2012LP	E3	43	284.17	70	SCE-20R1606LP	N3	25	134.15	92
SCE-20EL2012SSST	S8	47	1,343.69	222	SCE-20R1608LP	N3	28	140.54	92
SCE-20EL2408LP	E3	42	275.56	70	SCE-20RMW	P2	18	223.52	296
SCE-20EL2408SS6LP	S7	46	1,120.64	220	SCE-20SA2208LPPL	A5	42	465.86	84
SCE-20EL2408SSLP	S5	43	933.87	218	SCE-20SA2210LPPL	A5	44	483.60	84
SCE-20H1206LP	A3	24	225.73	74	SCE-20STS	C2	13	70.41	29
SCE-20H1208LP	A3	26	238.27	74	SCE-20VESTS	C2	13	169.51	29
SCE-20H1606LP	A3	30	245.80	74	SCE-20XEL2108LP	E3	40	349.36	82
SCE-20H1606SS6LP	S7	30	918.65	226	SCE-20XEL2108SS6LP	S7	41	1,091.33	232
SCE-20H1606SSLP	S3	30	765.54	224	SCE-20XEL2108SSLP	S5	41	909.44	230
SCE-20H1608LP	A3	31	258.34	74	SCE-20XEL2110LP	E3	43	367.82	82
SCE-20H1608QFGLP	F1	18	*	274	SCE-2233X	P2	1	11.50	328
SCE-20H1608SS6LP	S7	34	983.81	226	SCE-22POS	C2	18	251.26	29
SCE-20H1608SSLP	S3	33	819.84	224	SCE-22STS	C2	16	73.82	29
SCE-20H1610LP	A3	34	270.87	74	SCE-22VEPOS	C2	18	317.95	29
SCE-20H1610QFGLP	F1	19	*	274	SCE-22VESTS	C2	16	175.04	29
SCE-20H1610SS6LP	S7	36	1,050.60	226	SCE-244208WFLP	A4	80	531.50	80
SCE-20H1610SSLP	S3	35	875.50	224	SCE-244808WFLP	A4	94	576.22	80
SCE-20H1612LP	A3	37	285.93	74	SCE-244812WFLP	A4	131	615.84	80
SCE-20H1612QFGLP	F1	22	*	274	SCE-24EL1206LP	E3	28	218.97	70
SCE-20H2006LP	A3	34	263.35	74	SCE-24EL1606LP	E3	33	239.89	70
SCE-20H2006SS6LP	S7	36	1,013.14	226	SCE-24EL1608LP	E3	36	253.42	70
SCE-20H2006SSLP	S3	35	844.28	224	SCE-24EL1608SS6LP	S7	38	1,008.25	220
SCE-20H2008LP	A3	33	278.41	74	SCE-24EL1608SSLP	S5	36	840.20	218
SCE-20H2010LP	A3	41	293.45	74	SCE-24EL2006LP	E3	38	260.80	70
SCE-20H2406LP	A3	40	283.43	74	SCE-24EL2006SS6LP	S7	42	1,068.52	220
SCE-20H2408LP	A3	44	300.48	74	SCE-24EL2006SSLP	S5	40	890.43	218
SCE-20H2408SS6LP	S7	44	1,189.05	226	SCE-24EL2008LP	E3	42	275.56	70
SCE-20H2408SSLP	S3	45	990.88	224	SCE-24EL2008SS6LP	S7	44	1,120.64	220
SCE-20H3006LP	A3	48	341.10	74	SCE-24EL2008SSLP	S5	43	933.87	218
SCE-20N1606LP	N1	21	121.09	96	SCE-24EL2008SSST	S8	40	1,307.56	222
SCE-20N1608LP	N1	24	132.41	96	SCE-24EL2010LP	E3	46	292.78	70
SCE-20N16MP	N1	6	21.62	313	SCE-24EL2010SS6LP	S7	48	1,197.20	220
SCE-20N16MPP	N1	3	26.46	314	SCE-24EL2010SS6LPPL	S7	61	1,342.98	216
SCE-20N2006LP	N1	25	132.99	96	SCE-24EL2010SSLP	S5	48	997.67	218
SCE-20N2008LP	N1	28	145.52	96	SCE-24EL2010SSLPPL	S9	48	1,119.15	216
					SCE-24EL2012LP	E3	50	307.54	70
					SCE-24EL2012SS6LP	S7	52	1,270.49	220

Phone (989) 799-6871
Fax (989) 799-4524



PART NUMBER	PRICE CODE	ESTIMATED SHIPPING WT.	LIST PRICE	PAGE NUMBER	PART NUMBER	PRICE CODE	ESTIMATED SHIPPING WT.	LIST PRICE	PAGE NUMBER
SCE-24EL2012SSLP	S5	53	1,058.74	218	SCE-24H2412LP	A3	56	358.66	74
SCE-24EL2012SSST	S8	56	1,482.24	222	SCE-24H2412SS6LP	S7	60	1,485.51	226
SCE-24EL2016LP	E3	63	337.06	70	SCE-24H2412SSLP	S3	58	1,237.92	224
SCE-24EL2406LP	E3	45	281.71	70	SCE-24H2416LP	A3	72	393.78	74
SCE-24EL2408LP	E3	48	297.70	70	SCE-24H3008LP	A3	48	358.66	74
SCE-24EL2408SS6LP	S7	51	1,231.40	220	SCE-24H3008SS6LP	S7	61	1,485.51	226
SCE-24EL2408SSLP	S5	49	1,026.17	218	SCE-24H3008SSLP	S3	61	1,237.92	224
SCE-24EL2408SSST	S8	50	1,436.64	222	SCE-24HS2108LP	A3	45	456.48	86
SCE-24EL2410LP	E3	53	314.93	70	SCE-24HS2108SS6LP	S7	48	1,338.91	236
SCE-24EL2410SS6LP	S7	55	1,316.08	220	SCE-24HS2108SSLP	S3	47	1,115.76	236
SCE-24EL2410SS6LPPL	S7	56	1,461.86	216	SCE-24HS2508LP	A3	52	494.10	86
SCE-24EL2410SSLP	S5	54	1,096.74	218	SCE-24HS2508SS6LP	S7	51	1,472.47	236
SCE-24EL2410SSLPPL	S9	54	1,218.22	216	SCE-24HS2508SSLP	S3	51	1,227.06	236
SCE-24EL2412LP	E3	56	329.69	70	SCE-24KB	P2	32	447.04	297
SCE-24EL2412SS6LP	S7	58	1,400.80	220	SCE-24N1606LP	N1	27	131.91	96
SCE-24EL2412SSLP	S5	58	1,167.34	218	SCE-24N16MP	N1	7	22.89	313
SCE-24EL2412SSST	S8	66	1,634.28	222	SCE-24N16MPP	N1	5	30.55	314
SCE-24EL2416LP	E3	71	362.90	70	SCE-24N2006LP	N1	32	147.17	96
SCE-24EL2416SS6LP	S7	72	1,588.12	220	SCE-24N2006NK-B	N1	35	152.30	98
SCE-24EL2416SSLP	S5	72	1,323.43	218	SCE-24N2006NK-O	N1	35	152.30	98
SCE-24EL3008LP	E3	53	329.69	70	SCE-24N2006NK-T	N1	35	152.30	98
SCE-24EL3008SS6LP	S7	58	1,399.17	220	SCE-24N2008LP	N1	33	161.03	96
SCE-24EL3008SSLP	S5	58	1,165.97	218	SCE-24N2010LP	N1	35	174.83	96
SCE-24EL3010LP	E3	63	355.51	70	SCE-24N20MP	N1	9	31.67	313
SCE-24EL3010SS6LP	S7	64	1,505.04	220	SCE-24N20MPP	N1	7	36.52	314
SCE-24EL3010SSLP	S5	64	1,254.20	218	SCE-24N2406LP	N1	41	149.12	96
SCE-24EL3012LP	E3	78	380.54	70	SCE-24N2408LP	N1	46	164.32	96
SCE-24EL4210SSWFLP	S5	91	2,990.12	228	SCE-24N2412LP	N1	53	194.33	96
SCE-24EL4210WFLP	A4	91	821.92	78	SCE-24N24MP	N1	11	36.97	313
SCE-24EL4810SSWFLP	S5	99	3,108.66	228	SCE-24N24MPP	N1	8	53.44	314
SCE-24EL4810WFLP	A4	99	854.84	78	SCE-24P12AL	F2	4	*	312
SCE-24H1206LP	A3	28	238.10	74	SCE-24P16	P3	11	32.92	308
SCE-24H1208LP	A3	32	253.33	74	SCE-24P16GALV	P3	11	32.92	310
SCE-24H1210LP	A3	39	265.86	74	SCE-24P20	P3	14	45.57	308
SCE-24H1606LP	A3	32	260.85	74	SCE-24P20AL	F2	4	*	312
SCE-24H1608LP	A3	36	275.89	74	SCE-24P20GALV	P3	14	47.85	310
SCE-24H1608SS6LP	S7	37	1,070.15	226	SCE-24P24	P3	17	53.18	308
SCE-24H1608SSLP	S3	39	891.79	224	SCE-24P24GALV	P3	17	55.84	310
SCE-24H2006LP	A3	39	283.43	74	SCE-24PEBASE	C2	21	545.02	33
SCE-24H2006SS6LP	S7	41	1,109.24	226	SCE-24PEBASESS	C2	23	1,363.86	33
SCE-24H2006SSLP	S3	40	924.36	224	SCE-24R2006LP	N3	35	205.54	92
SCE-24H2008LP	A3	43	300.98	74	SCE-24R2008LP	N3	32	215.39	92
SCE-24H2008SS6LP	S7	45	1,189.05	226	SCE-24R2012LP	N3	44	231.21	92
SCE-24H2008SSLP	S3	44	990.88	224	SCE-24R2016LP	N3	42	250.38	92
SCE-24H2010LP	A3	46	316.04	74	SCE-24SA2208LPPL	A5	49	491.19	84
SCE-24H2010QFGLP	F1	32	*	274	SCE-24SA2210LPPL	A5	50	511.43	84
SCE-24H2010SS6LP	S7	49	1,270.49	226	SCE-24SA2608LPPL	A5	54	521.57	84
SCE-24H2010SSLP	S3	48	1,058.74	224	SCE-24SA2610LPPL	A5	57	541.83	84
SCE-24H2012LP	A3	50	333.58	74	SCE-24SBASE	P2	47	253.32	299
SCE-24H2016LP	A3	60	366.19	74	SCE-24SBASESS	P2	25	451.45	299
SCE-24H2406LP	A3	43	305.99	74	SCE-24XEL2108LP	E3	47	376.43	82
SCE-24H2406SSLP	S3	45	950.00	224	SCE-24XEL2108SS6LP	S7	48	1,189.05	232
SCE-24H2408LP	A3	50	323.55	74	SCE-24XEL2108SSLP	S5	47	990.88	230
SCE-24H2408SS6LP	S7	51	1,307.95	226	SCE-24XEL2508LP	E3	54	405.95	82
SCE-24H2408SSLP	S3	50	1,089.96	224					
SCE-24H2410LP	A3	55	341.10	74					

Phone (989) 799-6871

Fax (989) 799-4524



PART NUMBER	PRICE CODE	ESTIMATED SHIPPING WT.	LIST PRICE	PAGE NUMBER	PART NUMBER	PRICE CODE	ESTIMATED SHIPPING WT.	LIST PRICE	PAGE NUMBER
SCE-24XEL2508SS6LP	S7	49	1,293.30	232	SCE-30EL3008SSLP	S5	67	1,337.00	218
SCE-24XEL2508SSLP	S5	57	1,077.75	230	SCE-30EL3008SSST	S8	73	1,871.80	222
SCE-24XEL2510LP	E3	59	425.65	82	SCE-30EL3010LP	E3	82	410.87	70
SCE-24XEL2510SS6LP	S7	60	1,382.87	232	SCE-30EL3010SS6LP	S7	81	1,702.14	220
SCE-24XEL2510SSLP	S5	57	1,152.39	230	SCE-30EL3010SSLP	S5	81	1,418.45	218
SCE-24XEL2510SSST	S8	55	1,555.73	234	SCE-30EL3012LP	E3	82	423.17	70
SCE-26POS	C2	18	254.25	29	SCE-30EL3012SS6LP	S7	89	1,808.01	220
SCE-26STS	C2	18	76.92	29	SCE-30EL3012SS6LPPL	S7	89	1,956.64	216
SCE-26VESTS	C2	17	182.54	29	SCE-30EL3012SSLP	S5	89	1,506.67	218
SCE-29VR2412	N3	125	672.08	90	SCE-30EL3012SSLPPL	S9	89	1,630.53	216
SCE-2PB	A1	2	50.17	40	SCE-30EL3608LP	E3	84	408.42	70
SCE-2PBA	A1	3	75.24	54	SCE-30EL3608SS6LP	S7	84	1,794.98	220
SCE-2PBAI	A1	3	75.24	56	SCE-30EL3608SSLP	S5	84	1,495.82	218
SCE-2PBF	F1	2	*	266	SCE-30EL4210SSWFLP	S5	120	3,168.28	228
SCE-2PBGX	A1	2	55.18	48	SCE-30EL4210WFLP	A4	120	866.84	78
SCE-2PBI	A1	3	50.17	42	SCE-30EL4810SSWFLP	S5	127	3,347.42	228
SCE-2PBSS	S1	2	168.31	198	SCE-30EL4810WFLP	A4	127	954.91	78
SCE-2PBSSI	S1	2	168.31	200	SCE-30EL6010SSWFLP	S5	187	3,758.21	228
SCE-2PBX	A1	3	65.22	44	SCE-30EL6010WFLP	A4	187	1,055.50	78
SCE-2PBXI	A1	4	65.22	46	SCE-30H1606LP	A3	41	285.93	74
SCE-2PBXSS	S1	4	224.05	198	SCE-30H2006LP	A3	48	311.00	74
SCE-304210WFLP	A4	113	635.82	80	SCE-30H2008LP	A3	50	331.07	74
SCE-304810WFLP	A4	117	690.46	80	SCE-30H2008SS6LP	S7	53	1,345.42	226
SCE-306010WFLP	A4	143	799.74	80	SCE-30H2008SSLP	S3	52	1,121.18	224
SCE-30EL1606LP	E3	37	263.25	70	SCE-30H2010LP	A3	55	348.61	74
SCE-30EL1606SS6LP	S7	42	1,172.77	220	SCE-30H2010QFGLP	F1	37	*	274
SCE-30EL1606SSLP	S5	41	977.30	218	SCE-30H2406LP	A3	56	338.60	74
SCE-30EL2008LP	E3	50	303.85	70	SCE-30H2408LP	A3	61	358.66	74
SCE-30EL2008SS6LP	S7	52	1,270.49	220	SCE-30H2408SS6LP	S7	61	1,485.51	226
SCE-30EL2008SSLP	S5	52	1,058.74	218	SCE-30H2408SSLP	S3	60	1,237.92	224
SCE-30EL2010LP	E3	53	319.84	70	SCE-30H2409QFGLP	F1	46	*	274
SCE-30EL2010SS6LP	S7	57	1,376.37	220	SCE-30H2410LP	A3	68	378.73	74
SCE-30EL2010SSLP	S5	56	1,146.97	218	SCE-30H2412LP	A3	73	398.79	74
SCE-30EL2406LP	E3	31	309.63	70	SCE-30H2412QFGLP	F1	51	*	274
SCE-30EL2408LP	E3	55	329.69	70	SCE-30H2412SS6LP	S7	69	1,684.21	226
SCE-30EL2408SS6LP	S7	53	1,400.80	220	SCE-30H2412SSLP	S3	69	1,403.51	224
SCE-30EL2408SSLP	S5	53	1,167.34	218	SCE-30H2414QFGLP	F1	55	*	274
SCE-30EL2408SSST	S8	90	1,634.28	222	SCE-30H2416LP	A3	80	438.92	74
SCE-30EL2410LP	E3	68	355.51	70	SCE-30H2416SS6LP	S7	81	1,886.18	226
SCE-30EL2410SS6LP	S7	68	1,506.67	220	SCE-30H2416SSLP	S3	81	1,571.81	224
SCE-30EL2410SSLP	S5	68	1,255.56	218	SCE-30H2420LP	A3	91	479.05	74
SCE-30EL2412LP	E3	63	366.59	70	SCE-30H2424LP	A3	99	519.19	75
SCE-30EL2412SS6LP	S7	69	1,596.26	220	SCE-30H3008LP	A3	74	401.30	75
SCE-30EL2412SS6LPPL	S7	79	1,744.88	216	SCE-30H3008SS6LP	S7	74	1,697.26	226
SCE-30EL2412SSLP	S5	69	1,330.21	218	SCE-30H3008SSLP	S3	74	1,414.38	224
SCE-30EL2412SSLPPL	S9	69	1,454.07	216	SCE-30H3012LP	A3	89	446.44	75
SCE-30EL2412SSST	S8	71	1,862.29	222	SCE-30H3608LP	A3	84	443.93	75
SCE-30EL2416LP	E3	80	404.72	70	SCE-30HS2508LP	A3	66	546.77	86
SCE-30EL2416SS6LP	S7	80	1,759.14	220	SCE-30HS2508SS6LP	S7	61	1,671.19	236
SCE-30EL2416SSLP	S5	80	1,465.95	218	SCE-30HS2508SSLP	S3	61	1,392.66	236
SCE-30EL2420LP	E3	91	441.62	70	SCE-30N2406LP	N1	86	165.84	96
SCE-30EL2424LP	E3	99	478.53	70	SCE-30N2408LP	N1	54	184.23	96
SCE-30EL3008LP	E3	63	369.05	70	SCE-30N2412LP	N1	61	216.79	96
SCE-30EL3008SS6LP	S7	67	1,604.41	220	SCE-30N24MP	N1	13	43.99	313

Phone (989) 799-6871

Fax (989) 799-4524



PART NUMBER	PRICE CODE	ESTIMATED SHIPPING WT.	LIST PRICE	PAGE NUMBER	PART NUMBER	PRICE CODE	ESTIMATED SHIPPING WT.	LIST PRICE	PAGE NUMBER
SCE-30N30MP	N1	17	58.07	313	SCE-36EL3012LP	E3	87	452.70	71
SCE-30N30MPP	N1	14	85.12	314	SCE-36EL3012SS6LP	S7	94	2,044.18	220
SCE-30P16	P3	14	45.57	308	SCE-36EL3012SS6LPPL	S7	111	2,195.66	216
SCE-30P16GALV	P3	14	47.85	310	SCE-36EL3012SSLP	S5	94	1,703.48	218
SCE-30P20	P3	18	55.70	308	SCE-36EL3012SSLPPL	S9	94	1,829.72	216
SCE-30P20AL	F2	5	*	312	SCE-36EL3012SSST	S8	99	2,384.87	222
SCE-30P20GALV	P3	18	58.49	310	SCE-36EL3016LP	E3	114	498.22	71
SCE-30P24	P3	22	63.29	308	SCE-36EL3016SSLP	S5	141	1,797.36	218
SCE-30P24AL	F2	6	*	312	SCE-36EL3016SSST	S8	110	2,528.04	222
SCE-30P24GALV	P3	22	66.45	310	SCE-36EL3020LP	E3	123	542.51	71
SCE-30P30	P3	28	83.55	308	SCE-36EL3608LP	E3	102	452.70	71
SCE-30P30GALV	P3	28	87.73	310	SCE-36EL3608SS6LP	S7	102	2,068.63	220
SCE-30R2408LP	N3	60	284.18	92	SCE-36EL3608SSLP	S5	102	1,723.86	218
SCE-30R2412LP	N3	64	300.86	92	SCE-36EL3610LP	E3	136	488.77	71
SCE-30R2416LP	N3	58	322.06	92	SCE-36EL3612LP	E3	111	501.91	71
SCE-30SA2208LPPL	A5	96	529.16	84	SCE-36EL3612SS6LP	S7	111	2,296.66	220
SCE-30SA2210LPPL	A5	105	554.48	84	SCE-36EL3612SSLP	S5	111	1,913.89	218
SCE-30SA2608LPPL	A5	67	564.62	84	SCE-36EL3612SSST	S8	129	2,435.89	222
SCE-30SA2610LPPL	A5	70	589.92	84	SCE-36EL3616LP	E3	122	551.11	71
SCE-30SA2612LPPL	A5	76	615.25	84	SCE-36EL4212SSWFLP	S5	155	3,772.54	228
SCE-30XEL2508LP	E3	63	450.25	82	SCE-36EL4216WFLP	A4	155	1,047.13	78
SCE-30XEL2508SS6LP	S7	54	1,515.05	232	SCE-36EL4812SSWFLP	S5	134	3,866.89	228
SCE-30XEL2508SSLP	S5	54	1,262.54	230	SCE-36EL4812WFLP	A4	134	1,101.45	78
SCE-30XEL2510LP	E3	67	473.62	82	SCE-36EL6012SSWFLP	S5	153	4,269.15	228
SCE-30XEL2510SS6LP	S7	70	1,650.98	232	SCE-36EL6012WFLP	A4	153	1,223.32	78
SCE-30XEL2510SSLP	S5	70	1,375.82	230	SCE-36H1606LP	A3	48	303.48	75
SCE-30XEL2510SSST	S8	61	1,759.14	234	SCE-36H2406LP	A3	63	371.21	75
SCE-342424SSWS	S3	198	5,768.79	182	SCE-36H2408LP	A3	65	393.78	75
SCE-342424WS	C2	193	1,676.11	24	SCE-36H2408SS6LP	S7	66	1,663.04	226
SCE-35VR2412	N3	131	751.88	90	SCE-36H2408SSLP	S3	66	1,385.87	224
SCE-364212WFLP	A4	135	740.14	80	SCE-36H2410LP	A3	74	416.36	75
SCE-364216WFLP	A4	145	805.15	80	SCE-36H2410SS6LP	S7	72	1,775.43	226
SCE-364810WFLP	A4	137	794.78	80	SCE-36H2410SSLP	S3	72	1,479.52	224
SCE-364812WFLP	A4	140	807.20	80	SCE-36H2412LP	A3	77	438.92	75
SCE-364816WFLP	A4	150	881.94	80	SCE-36H2416LP	A3	80	489.09	75
SCE-366012WFLP	A4	191	941.31	80	SCE-36H3006LP	A3	110	418.86	75
SCE-366016WFLP	A4	208	1,048.69	80	SCE-36H3008LP	A3	84	443.93	75
SCE-36EL2408LP	E3	64	362.90	70	SCE-36H3008SS6LP	S7	87	1,907.36	226
SCE-36EL2408SS6LP	S7	66	1,579.97	220	SCE-36H3008SSLP	S3	87	1,589.47	224
SCE-36EL2408SSLP	S5	66	1,316.64	218	SCE-36H3010LP	A3	89	469.01	75
SCE-36EL2408SSST	S8	71	1,843.30	222	SCE-36H3010QFGLP	F1	76	*	274
SCE-36EL2410LP	E3	74	392.42	70	SCE-36H3010SS6LP	S7	89	2,029.53	226
SCE-36EL2410SS6LP	S7	74	1,685.86	220	SCE-36H3010SSLP	S3	89	1,691.28	224
SCE-36EL2410SSLP	S5	74	1,404.88	218	SCE-36H3012LP	A3	94	491.60	75
SCE-36EL2412LP	E3	77	404.72	71	SCE-36H3012QFGLP	F1	79	*	274
SCE-36EL2412SS6LPPL	S7	86	1,933.78	216	SCE-36H3012SS6LP	S7	97	2,151.69	226
SCE-36EL2412SSLPPL	S9	90	1,611.48	216	SCE-36H3012SSLP	S3	97	1,793.07	224
SCE-36EL2412SSST	S8	78	2,072.73	222	SCE-36H3014QFGLP	F1	82	*	274
SCE-36EL2416LP	E3	82	418.25	71	SCE-36H3016LP	A3	106	541.76	75
SCE-36EL3008LP	E3	73	408.42	71	SCE-36H3016SS6LP	S7	105	2,394.40	226
SCE-36EL3008SS6LP	S7	75	1,794.98	220	SCE-36H3016SSLP	S3	105	1,995.33	224
SCE-36EL3008SSLP	S5	75	1,495.82	218	SCE-36H3020LP	A3	103	589.41	75
SCE-36EL3008SSST	S8	77	2,094.15	222	SCE-36H3608LP	A3	102	491.60	75
SCE-36EL3010LP	E3	89	435.47	71	SCE-36H3612LP	A3	114	546.77	75
SCE-36EL3010SS6LP	S7	89	1,928.54	220					
SCE-36EL3010SSLP	S5	89	1,607.12	218					

Phone (989) 799-6871

Fax (989) 799-4524



PART NUMBER	PRICE CODE	ESTIMATED SHIPPING WT.	LIST PRICE	PAGE NUMBER	PART NUMBER	PRICE CODE	ESTIMATED SHIPPING WT.	LIST PRICE	PAGE NUMBER
SCE-36H3612SS6LP	S7	113	2,417.18	226	SCE-36XEL3110LP	E3	96	586.79	82
SCE-36H3612SSLP	S3	113	2,014.32	224	SCE-36XEL3110SS6LP	S7	96	2,045.09	232
SCE-36H3616LP	A3	126	599.43	75	SCE-36XEL3110SSLP	S5	96	1,704.24	230
SCE-36HS2508LP	A3	72	601.95	86	SCE-36XEL3110SSST	S8	77	1,968.03	234
SCE-36HS2508SS6LP	S7	69	1,869.90	236	SCE-36XEL3112LP	E3	105	618.78	82
SCE-36HS2508SSLP	S3	69	1,558.25	236	SCE-36XEL3112SS6LP	S7	84	2,162.90	232
SCE-36HS3108LP	A3	85	677.19	86	SCE-36XEL3112SSLP	S5	84	1,802.42	230
SCE-36HS3108SS6LP	S7	83	2,143.55	236	SCE-36XEL3116LP	E3	113	675.37	82
SCE-36HS3108SSLP	S3	83	1,786.29	236	SCE-3916	P2	1	10.27	328
SCE-36HS3112LP	A3	94	749.93	86	SCE-3916SS	P2	1	21.69	328
SCE-36N2406LP	N1	99	192.87	96	SCE-3918	P2	1	16.62	328
SCE-36N2406NK-B	N1	69	234.30	98	SCE-3918SS	P2	1	39.84	328
SCE-36N2406NK-T	N1	69	234.30	98	SCE-3PB	A1	3	56.43	40
SCE-36N2406NL-B*	N1	58	201.28	98	SCE-3PBA	A1	4	85.28	54
SCE-36N2406NL-O*	N1	105	201.28	98	SCE-3PBAI	A1	4	85.28	56
SCE-36N2406NL-T*	N1	58	201.28	98	SCE-3PBFG	F1	2	*	266
SCE-36N2408LP	N1	62	211.73	96	SCE-3PBGX	A1	4	61.45	48
SCE-36N2412LP	N1	73	245.16	96	SCE-3PBI	A1	3	56.43	42
SCE-36N24MP	N1	21	52.80	313	SCE-3PBSS	S1	3	183.25	198
SCE-36N24MPP	N1	13	85.12	314	SCE-3PBSSI	S1	3	183.25	200
SCE-36N3006LP	N1	68	211.16	96	SCE-3PBX	A1	3	73.99	44
SCE-36N3008LP	N1	69	231.98	96	SCE-3PBXI	A1	4	73.99	46
SCE-36N3012LP	N1	83	273.50	96	SCE-3PTL	P2	1	62.09	292
SCE-36N30MP	N1	21	70.39	313	SCE-3PTSMC	P2	1	13.12	290
SCE-36N30MPP	N1	17	100.48	314	SCE-400AFSD	P2	25	208.76	323
SCE-36P16	P3	17	53.18	308	SCE-402516SDC	C1	147	942.59	18
SCE-36P16GALV	P3	14	55.84	310	SCE-403716SDC	C1	167	1,071.39	18
SCE-36P24	P3	27	75.96	308	SCE-4044CHNF	A1	3	38.97	66
SCE-36P24GALV	P3	27	79.76	310	SCE-4044SC	A1	3	37.62	68
SCE-36P30	P3	34	101.27	308	SCE-404CHNF	A1	3	37.68	66
SCE-36P30AL	F2	9	*	312	SCE-404SC	A1	2	37.62	68
SCE-36P30GALV	P3	27	111.40	310	SCE-40EL2412LP	E3	89	428.10	71
SCE-36P36	P3	35	118.99	308	SCE-40P24	P3	40	86.08	308
SCE-36P36AL	F2	11	*	312	SCE-40P24GALV	P3	40	94.69	310
SCE-36P36GALV	P3	35	130.89	310	SCE-41VR2412	N3	144	850.26	90
SCE-36P52	P3	56	161.54	308	SCE-424212WFLP	A4	162	817.12	80
SCE-36R2408LP	N3	62	416.42	92	SCE-424216WFLP	A4	179	928.01	80
SCE-36R2412LP	N3	73	435.69	92	SCE-424812WFLP	A4	171	891.63	80
SCE-36R2416LP	N3	77	454.97	92	SCE-424816WFLP	A4	187	1,000.42	80
SCE-36R3008LP	N3	70	442.40	92	SCE-426012WFALP	A4	213	1,040.65	80
SCE-36R3012LP	N3	85	463.04	92	SCE-426016WFALP	A4	231	1,193.48	80
SCE-36R3016LP	N3	89	482.10	92	SCE-42EL2410LP	E3	79	457.63	71
SCE-36SA2608LPPL	A5	75	594.99	84	SCE-42EL2410SS6LP	S7	84	1,954.61	220
SCE-36SA2610LPPL	A5	80	638.03	84	SCE-42EL2410SSLP	S5	84	1,628.84	218
SCE-36SA3208LPPL	A5	92	670.95	84	SCE-42EL3008LP	E3	101	449.01	71
SCE-36SA3210LPPL	A5	96	703.87	84	SCE-42EL3010LP	E3	105	471.15	71
SCE-36SA3212LPPL	A5	100	734.24	84	SCE-42EL3010SS6LP	S7	105	2,140.28	220
SCE-36SA3216LPPL	A5	113	792.49	84	SCE-42EL3010SSLP	S5	105	1,783.57	218
SCE-36X2D5412	A2	187	1,463.80	128	SCE-42EL3012LP	E3	111	496.98	71
SCE-36XEL2508LP	E3	75	496.98	82	SCE-42EL3016LP	E3	117	528.98	71
SCE-36XEL2508SS6LP	S7	68	1,738.16	232	SCE-42EL3608LP	E3	117	499.46	71
SCE-36XEL2508SSLP	S5	68	1,448.47	230	SCE-42EL3610LP	E3	127	524.06	71
SCE-36XEL2510LP	E3	75	521.58	82	SCE-42EL3612LP	E3	123	551.11	71
SCE-36XEL3108LP	E3	92	554.81	82	SCE-42EL3612SS6LP	S7	124	2,527.96	220
					SCE-42EL3612SSLPPL	S7	155	2,673.30	216
					SCE-42EL3612SSLP	S5	124	2,106.63	218

Phone (989) 799-6871

Fax (989) 799-4524



PART NUMBER	PRICE CODE	ESTIMATED SHIPPING WT.	LIST PRICE	PAGE NUMBER	PART NUMBER	PRICE CODE	ESTIMATED SHIPPING WT.	LIST PRICE	PAGE NUMBER
SCE-42EL3612SSLPPL	S9	124	2,227.75	216	SCE-42XEL3710LP	E3	117	699.97	82
SCE-42EL3616LP	E3	149	605.24	71	SCE-42XEL3712LP	E3	136	752.87	82
SCE-42EL3616SS6LP	S7	149	2,684.32	220	SCE-42XEL3712LP12	E3	117	908.77	234
SCE-42EL3616SSLP	S5	149	2,236.93	218	SCE-42XEL3712SS6LP	S7	127	2,671.29	232
SCE-42EL4212SSWFLP	S5	147	3,824.34	228	SCE-42XEL3712SSLP	S5	127	2,226.07	230
SCE-42EL4212WFLP	A4	147	1,166.94	78	SCE-42XEL3716LP	E3	150	826.68	82
SCE-42EL4812SSWFLP	S5	148	4,248.08	228	SCE-42XEL3716SS6LP	S7	150	2,988.92	232
SCE-42EL4812WFLP	A4	148	1,273.68	78	SCE-42XEL3716SSLP	S5	150	2,490.77	230
SCE-42EL6012SSWFALP	S5	158	4,460.85	228	SCE-44CCOL	P2	15	183.79	299
SCE-42EL6012WFALP	A4	158	1,420.06	80	SCE-44CCOLSS	P2	15	524.13	299
SCE-42H2408LP	A3	79	431.40	75	SCE-44PBCOL	P2	18	218.56	299
SCE-42H3008LP	A3	101	486.58	75	SCE-462519DC	C1	140	1,383.50	18
SCE-42H3010LP	A3	105	511.65	75	SCE-462519SDC	C1	172	1,298.64	18
SCE-42H3010SS6LP	S7	102	2,251.05	226	SCE-463719DC	C1	192	1,522.45	18
SCE-42H3010SSLP	S3	102	1,875.88	224	SCE-463719SDC	C1	200	1,441.43	18
SCE-42H3012LP	A3	111	539.24	75	SCE-464919DC	C1	215	1,753.31	18
SCE-42H3016LP	A3	120	594.42	75	SCE-464919DCC	C1	235	2,061.51	18
SCE-42H3608LP	A3	117	541.76	75	SCE-464919SDC	C1	225	1,667.18	18
SCE-42H3608SS6LP	S7	114	2,394.40	226	SCE-466019DC	C1	240	2,330.54	18
SCE-42H3608SSLP	S3	114	1,995.33	224	SCE-466019DCC	C1	255	2,648.34	18
SCE-42H3610LP	A3	127	569.34	75	SCE-466019SDC	C1	250	2,158.34	18
SCE-42H3612LP	A3	140	599.43	75	SCE-47VVR2414	N3	160	1,027.03	90
SCE-42H3616LP	A3	149	657.13	75	SCE-47XVR2514	N3	215	1,217.47	88
SCE-42HS3112LP	A3	118	822.67	86	SCE-484812WFLP	A4	223	973.60	80
SCE-42HS3112SS6LP	S7	111	2,684.32	236	SCE-484816WFLP	A4	248	1,138.64	80
SCE-42HS3112SSLP	S3	111	2,236.93	236	SCE-48EL2408LP	E3	83	429.32	71
SCE-42HS3712LP	A3	136	915.47	86	SCE-48EL2412LP	E3	99	477.30	71
SCE-42HS3712SS6LP	S7	132	3,016.60	236	SCE-48EL3008LP	E3	125	498.72	71
SCE-42HS3712SSLP	S3	132	2,513.83	236	SCE-48EL3010LP	E3	117	512.98	71
SCE-42P24	P3	31	91.14	308	SCE-48EL3016LP	E3	159	574.49	71
SCE-42P24GALV	P3	25	100.25	310	SCE-48EL3608LP	E3	129	542.51	71
SCE-42P30	P3	33	116.47	308	SCE-48EL3610LP	E3	137	573.27	71
SCE-42P30GALV	P3	33	128.12	310	SCE-48EL3612LP	E3	133	600.33	71
SCE-42P36	P3	39	136.72	308	SCE-48EL3612SS6LP	S7	131	2,801.61	220
SCE-42P36GALV	P3	39	157.23	310	SCE-48EL3612SS6LPPL	S7	188	2,949.80	216
SCE-42P42	P3	50	156.97	308	SCE-48EL3612SSLP	S5	131	2,334.67	218
SCE-42P42GALV	P3	50	180.52	310	SCE-48EL3612SSLPPL	S9	131	2,458.17	216
SCE-42P52	P3	64	209.39	308	SCE-48EL3616LP	E3	149	658.14	71
SCE-42R3012LP	N3	114	522.38	92	SCE-48EL3616SS6LP	S7	153	3,054.06	220
SCE-42R3016LP	N3	104	549.06	92	SCE-48EL3616SSLP	S5	153	2,545.05	218
SCE-42SA3208LPPL	A5	103	726.65	84	SCE-48EL3616SSST	S8	173	3,563.07	222
SCE-42SA3210LPPL	A5	108	759.57	84	SCE-48EL3620LP	E3	173	715.97	71
SCE-42SA3212LPPL	A5	117	792.49	84	SCE-48EL4812SSWFLP	S5	152	4,359.04	228
SCE-42SA3216LPPL	A5	132	849.45	84	SCE-48EL4812WFLP	A4	152	1,383.23	78
SCE-42SA3808LPPL	A5	122	795.01	84	SCE-48H2408LP	A3	83	466.51	75
SCE-42SA3810LPPL	A5	127	830.47	84	SCE-48H3008LP	A3	104	529.22	75
SCE-42SA3812LPPL	A5	134	868.44	84	SCE-48H3010LP	A3	117	556.80	75
SCE-42SA3816LPPL	A5	150	917.82	84	SCE-48H3016LP	A3	134	644.58	75
SCE-42X2D5412	A2	212	1,530.37	128	SCE-48H3608LP	A3	129	589.41	75
SCE-42XEL3110LP	E3	108	642.15	82	SCE-48H3608SS6LP	S7	126	2,638.72	226
SCE-42XEL3110SS6LP	S7	108	2,329.23	232	SCE-48H3608SSLP	S3	126	2,198.93	224
SCE-42XEL3110SSLP	S5	108	1,941.03	230	SCE-48H3610LP	A3	137	622.02	75
SCE-42XEL3112LP	E3	122	676.59	82	SCE-48H3612LP	A3	145	652.12	75
SCE-42XEL3112SS6LP	S7	117	2,459.55	232	SCE-48H3612SS6LP	S7	140	2,948.19	226
SCE-42XEL3112SSLP	S5	117	2,049.63	230					
SCE-42XEL3116LP	E3	132	735.64	82					

Phone (989) 799-6871

Fax (989) 799-4524



PART NUMBER	PRICE CODE	ESTIMATED SHIPPING WT.	LIST PRICE	PAGE NUMBER	PART NUMBER	PRICE CODE	ESTIMATED SHIPPING WT.	LIST PRICE	PAGE NUMBER
SCE-48H3612SSLP	S3	140	2,456.83	224	SCE-4SPBAI	A1	7	107.85	56
SCE-48H3616LP	A3	153	714.82	75	SCE-4SPBH	A1	10	107.08	50
SCE-48H3616SS6LP	S7	158	3,259.31	226	SCE-4SPBHI	A1	7	107.08	52
SCE-48H3616SSLP	S3	158	2,716.09	224	SCE-4SPBI	A1	6	70.23	42
SCE-48H3620LP	A3	173	777.52	75	SCE-4SPBSS	S1	5	228.03	198
SCE-48HS3712LP	A3	153	995.72	86	SCE-4SPBSSI	S1	6	228.03	200
SCE-48HS3712SS6LP	S7	147	3,316.32	236	SCE-4SPBX	A1	5	82.76	44
SCE-48HS3712SSLP	S3	147	2,763.60	236	SCE-4SPBXI	A1	5	82.76	46
SCE-48P24	P3	36	98.74	308	SCE-53VVR3616	N3	221	1,652.13	90
SCE-48P24GALV	P3	31	108.61	310	SCE-53VVR3716	N3	235	1,852.57	88
SCE-48P30	P3	45	129.13	308	SCE-5PB	A1	4	68.98	40
SCE-48P30GALV	P3	45	142.04	310	SCE-5PBI	A1	4	68.98	42
SCE-48P36	P3	55	154.46	308	SCE-603624FS	A2	327	1,356.97	108
SCE-48P36AL	F2	15	*	312	SCE-6044CHNF	A1	5	45.48	66
SCE-48P36GALV	P3	46	177.63	310	SCE-6044CHNFSS	S1	4	176.45	214
SCE-48P37	P3	52	148.54	308	SCE-6044CHNFSS6	S7	4	211.74	214
SCE-48P42	P3	56	177.24	308	SCE-6044SC	A1	4	47.65	68
SCE-48P42GALV	P3	56	203.83	310	SCE-6045CHQRFG	F1	3	*	270
SCE-48P48	P3	80	212.67	308	SCE-604808LP	A2	337	1,491.36	106
SCE-48P48GALV	P3	80	244.57	310	SCE-604810LP	A2	360	1,539.46	106
SCE-48SA2610LPPL	A5	119	868.44	84	SCE-604812LP	A2	379	1,587.57	106
SCE-48SA3808LPPL	A5	131	858.30	84	SCE-604816LP	A2	407	1,681.26	106
SCE-48SA3810LPPL	A5	140	896.29	84	SCE-604818FSD	A2	372	1,717.47	110
SCE-48SA3812LPPL	A5	147	936.81	84	SCE-604818SSFSD	S2	372	7,417.15	250
SCE-48SA3816LPPL	A5	169	1,015.30	84	SCE-604824LP	A2	430	1,873.69	106
SCE-48X2D7812	A2	325	1,904.94	128	SCE-604CHNF	A1	3	42.36	66
SCE-48X2D7818	A2	372	2,125.52	128	SCE-604ELJ	E1	3	41.16	58
SCE-48X3D11818	A2	738	3,065.56	129	SCE-604ELJSS	S6	3	135.53	206
SCE-48X4D15818	A2	699	4,186.87	129	SCE-604ELJSS6	S7	3	162.64	206
SCE-48XEL3710LP	E3	127	778.70	82	SCE-604FG	F1	3	*	268
SCE-48XEL3710SS6LP	S7	140	2,752.73	232	SCE-604FW	F1	5	*	272
SCE-48XEL3710SSLP	S5	140	2,293.94	230	SCE-604SC	A1	3	42.64	68
SCE-48XEL3712LP	E3	152	820.53	82	SCE-606010LP	A2	425	1,724.30	106
SCE-48XEL3712LP12	E3	152	800.53	234	SCE-606012LP	A2	436	1,777.47	106
SCE-48XEL3712SS6LP	S7	134	2,907.47	232	SCE-606016LP	A2	466	1,883.81	106
SCE-48XEL3712SSLP	S5	134	2,422.90	230	SCE-606024LP	A2	525	2,096.51	106
SCE-48XEL3716LP	E3	169	889.41	82	SCE-6065CHQRFG	F1	4	*	270
SCE-48XEL3716SS6LP	S7	169	3,233.25	232	SCE-606CHNF	A1	5	49.37	66
SCE-48XEL3716SSLP	S5	169	2,694.37	230	SCE-606CHNFSS	S1	5	220.89	214
SCE-48XEL3716SSST	S8	176	3,637.40	234	SCE-606CHNFSS6	S7	5	241.06	214
SCE-4PB	A1	5	62.70	40	SCE-606ELJ	E1	3	47.98	58
SCE-4PBA	A1	5	96.56	54	SCE-606ELJSS	S6	4	169.40	206
SCE-4PBAI	A1	5	96.56	56	SCE-606ELJSS6	S7	4	203.28	206
SCE-4PBGX	A1	4	67.71	48	SCE-606FG	F1	3	*	268
SCE-4PBI	A1	5	62.70	42	SCE-606FW	F1	3	*	272
SCE-4PBSS	S1	5	207.67	198	SCE-606SC	A1	5	50.17	68
SCE-4PBSSI	S1	5	207.67	200	SCE-60AFSD	P2	13	171.23	323
SCE-4PBX	A1	5	81.51	44	SCE-60BFP42	P3	58	230.41	308
SCE-4PBXI	A1	6	81.51	46	SCE-60BFP42GALV	P3	58	264.97	310
SCE-4PBXSS	S1	6	247.05	198	SCE-60EL2412LP	E3	141	551.11	71
SCE-4PBXSSI	S1	6	247.05	200	SCE-60EL2418FS	A2	233	1,024.17	108
SCE-4R44	N3	3	53.90	94	SCE-60EL2418SS6FS	S7	183	5,087.45	246
SCE-4SPB	A1	6	70.23	40	SCE-60EL2418SSFSS	S4	183	4,239.55	246
SCE-4SPBA	A1	6	107.85	54	SCE-60EL3608LP	E3	205	649.48	71
					SCE-60EL3610LP	E3	164	667.98	71
					SCE-60EL3612LP	E3	162	698.74	71

Phone (989) 799-6871

Fax (989) 799-4524



PART NUMBER	PRICE CODE	ESTIMATED SHIPPING WT.	LIST PRICE	PAGE NUMBER	PART NUMBER	PRICE CODE	ESTIMATED SHIPPING WT.	LIST PRICE	PAGE NUMBER
SCE-60EL3612SS6LP	S7	162	3,306.53	220	SCE-60P48F1	P3	98	362.60	120
SCE-60EL3612SS6LPPL	S7	173	3,457.58	242	SCE-60P48GALV	P3	100	308.64	310
SCE-60EL3612SSLP	S5	162	2,755.44	218	SCE-60P60	P3	123	331.68	308
SCE-60EL3612SSLPPL	S9	162	2,881.32	242	SCE-60P60GALV	P3	165	381.43	310
SCE-60EL3616LP	E3	195	765.17	71	SCE-60PC36	P3	41	181.41	308
SCE-60EL3616SS6LP	S7	195	3,567.15	220	SCE-60RA19TH	P2	14	106.80	122
SCE-60EL3616SSLP	S5	195	2,972.63	218	SCE-60RA19WS	C2	14	119.96	30
SCE-60EL3616SSST	S8	180	4,162.10	222	SCE-60RA24WS	C2	14	125.17	30
SCE-60EL3620LP	E3	209	832.83	71	SCE-60RP19WS	C2	7	58.68	30
SCE-60EL3624LP	E3	265	1,127.62	71	SCE-60RP24F5	P2	17	106.80	122
SCE-60EL3624SS6FS	S7	277	6,130.36	246	SCE-60RP24F6	P2	6	62.09	122
SCE-60EL3624SSFS	S4	345	5,108.64	246	SCE-60SA3808LPPL	A5	166	979.84	84
SCE-60EL3624SSLP	S4	265	3,580.50	218	SCE-60SA3810LPPL	A5	167	1,025.41	84
SCE-60EL4812LPPL	E2	509	1,997.80	104	SCE-60SA3812LPPL	A5	182	1,071.00	84
SCE-60EL4812SS6LPPL	S7	509	8,347.79	242	SCE-60SA3816LPPL	A5	198	1,159.60	84
SCE-60EL4812SSLPPL	S4	509	6,956.49	242	SCE-60SMP14	P3	25	138.74	120
SCE-60EL4812SSST	S8	519	9,739.09	222	SCE-60XEL3710LP	E3	167	907.87	82
SCE-60EL4818LPPL	E2	515	2,037.17	104	SCE-60XEL3712LP	E3	187	953.38	82
SCE-60EL4818SS6FSD	S7	394	9,623.31	248	SCE-60XEL3712SS6LP	S7	189	3,629.05	232
SCE-60EL4818SS6LPPL	S7	515	8,854.36	242	SCE-60XEL3712SSLP	S5	189	3,024.20	230
SCE-60EL4818SSFSD	S4	394	8,019.42	248	SCE-60XEL3716LP	E3	198	1,040.74	82
SCE-60EL4818SSLPPL	S4	515	7,378.64	242	SCE-60XEL3716LP12	E3	198	1,020.74	82
SCE-60EL4818SSST	S8	525	10,330.10	222	SCE-60XEL3716SS6LP	S7	198	3,971.10	232
SCE-60EL6012LPPL	E2	561	2,189.71	104	SCE-60XEL3716SSLP	S5	198	3,309.25	230
SCE-60EL6012SS6LPPL	S7	561	9,369.07	242	SCE-60XEL3716SSST	S8	188	4,467.49	234
SCE-60EL6012SSLPPL	S4	561	7,807.56	242	SCE-60XEL4912LP	A2	488	2,142.65	134
SCE-60EL6012SSST	S8	571	10,930.58	222	SCE-60XEL4912SS6LP	S7	569	9,716.01	252
SCE-60EL6018LPPL	E2	590	2,229.09	104	SCE-60XEL4912SSLP	S4	569	8,096.67	252
SCE-60EL6018SS6LPPL	S7	590	9,812.11	242	SCE-60XEL4912SSST	S8	529	10,930.50	254
SCE-60EL6018SSLPPL	S4	590	8,176.75	242	SCE-60XEL4918LP	A2	525	2,333.74	134
SCE-60EL6018SSST	S8	602	11,447.45	222	SCE-60XEL4918SS6LP	S7	525	10,584.18	252
SCE-60FSCPS	P2	23	119.22	123	SCE-60XEL4918SSLP	S4	525	8,820.15	252
SCE-60FSDPS	P2	18	114.24	123	SCE-60XEL4918SSST	S8	535	11,907.20	254
SCE-60H3608LP	A3	159	687.22	75	SCE-60XEL4924LP	A2	590	2,524.84	134
SCE-60H3610LP	A3	164	724.84	75	SCE-60XEL6112LP	A2	571	2,395.85	134
SCE-60H3612LP	A3	173	759.96	75	SCE-60XEL6112SS6LP	S7	571	10,864.35	252
SCE-60H3612SS6LP	S7	179	3,480.82	226	SCE-60XEL6112SSLP	S4	571	9,053.63	252
SCE-60H3612SSLP	S3	179	2,900.69	224	SCE-60XEL6112SSST	S8	584	12,222.40	254
SCE-60H3620LP	A3	235	902.92	75	SCE-60XEL6118LP	A2	600	2,609.64	134
SCE-60HS3712LP	A3	187	1,158.75	86	SCE-60XEL6118SS6LP	S7	600	11,831.85	252
SCE-60HS3712SS6LP	S7	179	3,918.98	236	SCE-60XEL6118SSLP	S4	600	9,859.88	252
SCE-60HS3712SSLP	S3	179	3,265.81	236	SCE-60XEL6118SSST	S8	616	13,310.84	254
SCE-60P24	P3	50	129.13	308	SCE-60XEL6124LP	A2	650	2,823.42	134
SCE-60P24F1	P3	37	173.85	120	SCE-642424SSWS	S3	295	6,379.61	180
SCE-60P24F2	P3	23	116.72	120	SCE-642424WS	C2	285	2,316.68	22
SCE-60P24GALV	P3	50	142.04	310	SCE-642432SSWS	S3	300	6,583.22	180
SCE-60P24WS	C2	7	61.28	31	SCE-642432WS	C2	290	2,455.94	22
SCE-60P30	P3	57	159.52	308	SCE-64P25	P3	50	159.52	308
SCE-60P30GALV	P3	54	183.45	310	SCE-64P25GALV	P3	50	183.45	310
SCE-60P32WS	C2	9	70.41	31	SCE-64P31	P3	53	167.11	308
SCE-60P36	P3	58	189.89	308	SCE-64P31GALV	P3	55	192.18	310
SCE-60P36AL	F2	19	*	310	SCE-64P37	P3	61	182.30	308
SCE-60P36F1	P3	57	226.00	120	SCE-64P37GALV	P3	62	209.65	310
SCE-60P36F2	P3	35	141.56	120	SCE-64P52	P3	111	334.21	309
SCE-60P36GALV	P3	58	218.37	310					
SCE-60P48	P3	100	268.38	308					

Phone (989) 799-6871

Fax (989) 799-4524



PART NUMBER	PRICE CODE	ESTIMATED SHIPPING WT.	LIST PRICE	PAGE NUMBER	PART NUMBER	PRICE CODE	ESTIMATED SHIPPING WT.	LIST PRICE	PAGE NUMBER
SCE-64P52GALV	P3	111	384.34	311	SCE-726018FSD	A2	517	2,128.33	110
SCE-64P64	P3	130	362.06	309	SCE-726018SSFSD	S2	517	9,191.54	250
SCE-64P64GALV	P3	135	452.58	311	SCE-726024FSD	A2	573	2,302.70	110
SCE-64P76	P3	140	425.36	309	SCE-726024FSDAD	A2	545	2,866.42	114
SCE-64P76GALV	P3	164	531.70	311	SCE-726024SSFSD	S2	573	9,944.57	250
SCE-65VR3616	N3	244	1,868.78	90	SCE-726024ULP	A2	545	2,395.28	106
SCE-65XVR3716	N3	278	2,073.52	88	SCE-726036FSD	A2	700	2,649.05	110
SCE-66CCOL	P2	21	275.68	299	SCE-726036FSDAD	A2	674	3,298.78	114
SCE-66CCOLSS	P2	20	554.52	299	SCE-726036SSFSD	S2	698	11,440.38	250
SCE-66PBCOL	P2	24	327.83	299	SCE-727210ULP	A2	547	2,197.78	106
SCE-66ST2626SSWS	S3	246	7,354.91	184	SCE-727212ULP	A2	557	2,263.61	106
SCE-66ST2626WS	C2	245	2,330.53	26	SCE-727216ULP	A2	570	2,395.28	106
SCE-6N604LP	N1	4	30.27	96	SCE-727218FSD	A2	599	2,364.80	110
SCE-6N6MP	N1	1	2.82	313	SCE-727218SSFSD	S2	599	10,212.82	250
SCE-6N6MPP	N1	1	7.36	314	SCE-727224FSD	A2	663	2,555.90	110
SCE-6P4	P3	1	3.01	308	SCE-727224FSDAD	A2	628	3,181.73	114
SCE-6P4AL	F2	1	*	312	SCE-727224SSFSD	S2	663	11,038.08	250
SCE-6P4GALV	P3	1	3.01	310	SCE-727224ULP	A2	594	2,658.62	106
SCE-6P4J	P3	1	3.02	315	SCE-72EL2418FS	A2	258	1,135.10	108
SCE-6P6	P3	1	3.61	308	SCE-72EL2418SS6FS	S7	290	5,403.27	246
SCE-6P6AL	F2	1	*	312	SCE-72EL2418SSFS	S4	290	4,502.73	246
SCE-6P6GALV	P3	1	3.61	310	SCE-72EL2424FS	A2	305	1,261.50	108
SCE-6P6J	P3	1	3.62	315	SCE-72EL2424FSDA	A2	318	1,476.21	112
SCE-6PB	A1	8	80.26	40	SCE-72EL2424SS6FS	S7	250	5,819.73	246
SCE-6PBA	A1	6	125.41	54	SCE-72EL2424SSFS	S4	250	4,849.77	246
SCE-6PBAI	A1	8	125.41	56	SCE-72EL2430FSDA	A2	360	1,623.11	112
SCE-6PBGX	A1	6	86.52	48	SCE-72EL2436FSDA	A2	401	1,772.40	112
SCE-6PBH	A1	12	122.63	50	SCE-72EL3012LP	E3	217	749.18	71
SCE-6PBHI	A1	11	122.63	52	SCE-72EL3016LP	E3	236	856.21	71
SCE-6PBI	A1	5	80.26	42	SCE-72EL3016SS6LP	S7	236	3,827.77	220
SCE-6PBSS	S1	5	272.84	198	SCE-72EL3016SSLP	S5	236	3,189.81	218
SCE-6PBSSI	S1	6	272.84	200	SCE-72EL3018FS	A2	294	1,251.20	108
SCE-6PBVL	A1	5	75.24	40	SCE-72EL3018SS6FS	S7	248	5,800.09	246
SCE-6PBVLI	A1	5	75.24	42	SCE-72EL3018SSFS	S4	294	4,833.41	246
SCE-6PBX	A1	8	95.31	44	SCE-72EL3024FS	A2	329	1,387.93	108
SCE-6PBXI	A1	8	95.31	46	SCE-72EL3024FSDA	A2	362	1,624.31	112
SCE-6R64	N3	4	56.94	94	SCE-72EL3024LP	E3	242	941.08	71
SCE-6R66	N3	5	59.27	94	SCE-72EL3024SS6FS	S7	360	6,440.73	246
SCE-7230SOF19	P2	63	389.92	121	SCE-72EL3024SSFS	S4	360	5,367.27	246
SCE-723618FS	A2	324	1,372.44	108	SCE-72EL3612LP	E3	222	799.62	71
SCE-723624FS	A2	363	1,514.33	108	SCE-72EL3612SS6LP	S7	222	3,933.64	220
SCE-723624FSDA	A2	389	1,772.40	112	SCE-72EL3612SSLP	S5	257	3,278.03	218
SCE-723630FS	A2	423	1,658.80	108	SCE-72EL3616LP	E3	234	910.33	71
SCE-723636FS	A2	468	1,800.69	108	SCE-72EL3616SS6LP	S7	234	4,153.63	220
SCE-723636FSDA	A2	478	2,104.44	112	SCE-72EL3616SSLP	S5	234	3,461.27	218
SCE-7236SOF19	P2	73	419.73	121	SCE-72EL3618SS6FS	S7	354	6,415.09	246
SCE-724818FSD	A2	450	1,891.84	110	SCE-72EL3618SSFS	S4	324	5,345.91	246
SCE-724818SSFSD	S2	450	8,170.24	250	SCE-72EL3624FS	E2	363	1,559.76	108
SCE-724824FSD	A2	494	2,049.50	110	SCE-72EL3624SS6FS	S7	390	7,177.64	246
SCE-724824FSDAD	A2	479	2,551.13	114	SCE-72EL3624SSFS	S4	390	5,981.36	246
SCE-724824SSFSD	S2	494	8,851.10	250	SCE-72EL3630SS6FS	S7	362	7,940.18	246
SCE-726010ULP	A2	540	1,972.44	106	SCE-72EL3630SSFS	S4	362	6,616.82	246
SCE-726012ULP	A2	490	2,033.21	106	SCE-72EL3636SS6FS	S7	489	8,702.73	246
SCE-726016ULP	A2	520	2,152.21	106	SCE-72EL3636SSFS	S4	489	7,252.27	246
					SCE-72EL4818SS6FSD	S7	523	10,608.83	248
					SCE-72EL4818SSFSD	S4	460	8,840.69	248

Phone (989) 799-6871

Fax (989) 799-4524



PART NUMBER	PRICE CODE	ESTIMATED SHIPPING WT.	LIST PRICE	PAGE NUMBER	PART NUMBER	PRICE CODE	ESTIMATED SHIPPING WT.	LIST PRICE	PAGE NUMBER
SCE-72EL4824SS6FSD	S7	523	11,425.87	248	SCE-72P60GALV	P3	153	454.23	311
SCE-72EL4824SSFSD	S4	519	9,521.55	248	SCE-72P72	P3	181	470.93	309
SCE-72EL6012LPPL	E2	639	2,448.04	104	SCE-72P72F1	P3	180	541.42	120
SCE-72EL6012SS6LPPL	S7	639	10,685.17	242	SCE-72P72F2	P3	103	327.83	120
SCE-72EL6012SSLPPL	S4	639	8,904.31	242	SCE-72P72GALV	P3	203	588.66	311
SCE-72EL6012SSST	S8	649	12,466.03	244	SCE-72RA19TH	P2	17	114.24	122
SCE-72EL6018LPPL	E2	670	2,478.80	104	SCE-72RA24TH	P2	20	114.24	122
SCE-72EL6018SS6FSD	S7	550	11,834.39	248	SCE-72RP24F5	P2	20	124.18	122
SCE-72EL6018SS6LPPL	S7	670	10,913.21	242	SCE-72RP24F6	P2	11	76.99	122
SCE-72EL6018SSFSD	S4	415	9,861.99	248	SCE-72RP30F5	P2	24	124.18	122
SCE-72EL6018SSLPPL	S4	670	9,094.34	242	SCE-72RP30F6	P2	13	76.99	122
SCE-72EL6018SSST	S8	682	12,732.08	244	SCE-72SMP14	P3	30	155.72	120
SCE-72EL6024SS6FSD	S7	560	12,738.03	248	SCE-72SMP20	P3	41	192.53	120
SCE-72EL6024SSFSD	S4	560	10,615.02	248	SCE-72SP24F3	P2	73	392.41	121
SCE-72EL6036SS6FSD	S7	563	14,533.00	248	SCE-72SP24F4	P3	41	279.03	121
SCE-72EL6036SSFSD	S4	563	12,110.83	248	SCE-72SP30F3	P2	87	454.50	121
SCE-72EL7212LPPL	E2	720	2,743.30	104	SCE-72SP30F4	P2	46	300.51	121
SCE-72EL7212SS6LPPL	S7	720	11,538.68	242	SCE-72SP36F3	P2	99	516.59	121
SCE-72EL7212SSLPPL	S4	720	9,615.57	242	SCE-72SP36F4	P2	51	335.28	121
SCE-72EL7212SSST	S8	740	13,461.80	244	SCE-72X7312LP	A2	730	2,947.64	134
SCE-72EL7218LPPL	E2	763	2,817.10	104	SCE-72X7318LP	A2	773	3,202.04	134
SCE-72EL7218SS6FSD	S7	483	13,087.20	248	SCE-72X7324LP	A2	894	3,457.63	134
SCE-72EL7218SS6LPPL	S7	763	12,401.96	242	SCE-72XEL6112LP	A2	649	2,653.84	134
SCE-72EL7218SSFSD	S4	483	10,906.00	248	SCE-72XEL6112SS6LP	S7	281	12,033.85	252
SCE-72EL7218SSLPPL	S4	763	10,334.97	242	SCE-72XEL6112SSLP	S4	649	10,028.21	252
SCE-72EL7218SSST	S8	783	14,468.96	244	SCE-72XEL6112SSST	S8	664	13,538.08	254
SCE-72EL7224LPPL	E2	884	3,186.15	104	SCE-72XEL6118LP	A2	680	2,883.15	134
SCE-72EL7224SS6FSD	S7	695	14,077.51	248	SCE-72XEL6118SS6LP	S7	680	13,073.05	252
SCE-72EL7224SS6LPPL	S7	884	12,842.40	242	SCE-72XEL6118SSLP	S4	680	10,894.21	252
SCE-72EL7224SSFSD	S4	658	11,731.26	248	SCE-72XEL6118SSST	S8	702	14,707.18	254
SCE-72EL7224SSLPPL	S4	884	10,702.00	242	SCE-72XEL7312LP	A2	730	3,036.06	134
SCE-72EL7224SSST	S8	904	14,982.80	244	SCE-72XEL7312SS6LP	S7	730	13,366.23	252
SCE-72FP	P3	30	78.49	312	SCE-72XEL7312SSLP	S4	730	11,138.52	252
SCE-72FSCPS	P2	25	131.63	123	SCE-72XEL7312SSST	S8	770	15,037.00	254
SCE-72FSCS	P2	23	131.63	123	SCE-72XEL7318LP	A2	773	3,298.10	134
SCE-72FSDPS	P2	23	124.18	123	SCE-72XEL7318SS6LP	S7	773	13,849.87	252
SCE-72H3012LP	A3	205	812.62	71	SCE-72XEL7318SSLP	S4	773	11,571.56	252
SCE-72H3016LP	A3	202	929.27	71	SCE-72XEL7318SSST	S8	812	15,621.61	254
SCE-72H3024LP	A3	247	1,020.81	71	SCE-72XEL7324LP	A2	773	3,561.36	134
SCE-72H3612LP	A3	222	867.81	71	SCE-72XEL7324SS6LP	S7	894	14,519.44	252
SCE-72H3616LP	A3	236	985.70	71	SCE-72XEL7324SSLP	S4	894	12,099.53	252
SCE-72P24F1	P3	46	196.20	120	SCE-72XEL7324SSST	S8	1,039	16,334.37	254
SCE-72P24F2	P3	23	126.66	120	SCE-72XM2818	A2	390	1,565.79	136
SCE-72P30	P3	71	210.15	309	SCE-72XM2818SS	S2	390	5,635.10	256
SCE-72P30F1	P3	59	228.49	120	SCE-72XM3418	A2	460	1,735.38	136
SCE-72P30F2	P3	30	141.56	120	SCE-72XM3418SS	S2	460	6,245.44	256
SCE-72P30GALV	P3	71	241.67	311	SCE-72XM3EQ18	A2	1,279	4,116.91	138
SCE-72P36	P3	74	225.33	309	SCE-72XM3EQ18SS	S2	1,279	14,816.33	258
SCE-72P36F1	P3	67	258.29	120	SCE-72XM3EW18	A2	1,450	4,634.06	138
SCE-72P36F2	P3	40	158.95	120	SCE-72XM3EW18SS	S2	1,450	16,677.48	258
SCE-72P36GALV	P3	74	259.13	311	SCE-72XM4018	A2	500	1,904.98	136
SCE-72P48F1	P3	121	409.79	120	SCE-72XM4018SS	S2	500	6,855.82	256
SCE-72P48F2	P3	73	260.78	120	SCE-72XM5418	A2	694	2,748.19	137
SCE-72P60	P3	149	394.98	309	SCE-72XM5418SS	S2	694	9,890.44	257
SCE-72P60F1	P3	154	474.36	120					
SCE-72P60F2	P3	87	295.55	120					

Phone (989) 799-6871
Fax (989) 799-4524



PART NUMBER	PRICE CODE	ESTIMATED SHIPPING WT.	LIST PRICE	PAGE NUMBER	PART NUMBER	PRICE CODE	ESTIMATED SHIPPING WT.	LIST PRICE	PAGE NUMBER
SCE-72XM6618	A2	798	3,096.93	137	SCE-84XM7818	A2	1,090	3,823.10	137
SCE-72XM6618G	A2	790	3,220.91	137	SCE-84XM7818G	A2	1,090	3,934.93	137
SCE-72XM6618SS	S2	798	11,145.52	257	SCE-84XM7818SS	S2	1,090	13,758.93	257
SCE-72XM7818	A2	905	3,444.49	137	SCE-84XM7824	A2	1,155	3,870.87	137
SCE-72XM7818SS	S2	905	12,396.34	257	SCE-84XM7824SS	S2	1,155	13,930.86	257
SCE-72XM7824	A2	1,015	3,691.72	137	SCE-86M3E	A2	1,510	4,868.15	124
SCE-72XM7824SS	S2	1,015	13,286.12	257	SCE-86M3E20	A2	1,590	5,379.02	124
SCE-76P37	P3	93	250.65	309	SCE-86M4E	A2	1,958	6,110.26	124
SCE-76P37GALV	P3	93	288.25	311	SCE-86M4E20	A2	2,059	6,966.56	124
SCE-76P76	P3	194	498.78	309	SCE-86M5E	A2	2,475	7,651.45	124
SCE-76P76GALV	P3	223	623.48	311	SCE-86M5E20	A2	2,590	8,449.43	124
SCE-8064CHNFSS	S1	6	229.90	214	SCE-8C12ELJ	A1	10	112.87	10
SCE-8064CHNFSS6	S7	6	263.88	214	SCE-8C12ELJSS	S1	11	627.16	178
SCE-8065CHQRFSG	F1	4	*	270	SCE-8C16ELJ	A1	15	125.41	10
SCE-8066CHNF	A1	7	62.66	66	SCE-8C16ELJSS	S1	10	708.62	178
SCE-8066ELJ	E1	5	61.48	58	SCE-8C20ELJ	A1	15	135.44	10
SCE-8066ELJSS	S6	5	202.17	206	SCE-8C20ELJSS	S1	12	787.24	178
SCE-8066ELJSS6	S7	5	242.60	206	SCE-8C8ELJ	A1	8	102.84	10
SCE-8066SC	A1	6	60.19	68	SCE-8C8ELJSS	S1	6	586.80	178
SCE-806CHNF	A1	6	53.27	66	SCE-8N604LP	N1	5	33.04	96
SCE-806ELJ	E1	4	51.88	58	SCE-8N6MP	N1	1	3.26	313
SCE-806ELJSS	S6	4	176.82	206	SCE-8N6MPP	N1	1	8.71	314
SCE-806ELJSS6	S7	5	212.18	206	SCE-8N804LP	N1	6	36.68	96
SCE-806FG	F1	4	*	268	SCE-8N806LP	N1	7	41.28	96
SCE-806FW	F1	4	*	272	SCE-8N8MP	N1	1	3.82	313
SCE-806SC	A1	6	52.68	68	SCE-8N8MPP	N1	1	9.83	314
SCE-8086CHNF	A1	9	68.69	66	SCE-8P12C	P3	2	8.39	10
SCE-8086ELJ	E1	11	68.18	58	SCE-8P16C	P3	2	11.50	10
SCE-808CHNF	A1	7	59.78	66	SCE-8P20C	P3	3	14.63	10
SCE-808CHQRFSG	F1	4	*	270	SCE-8P6	P3	1	4.17	308
SCE-808ELJ	E1	8	63.72	58	SCE-8P6AL	F2	1	*	312
SCE-808FG	F1	4	*	268	SCE-8P6GALV	P3	1	4.17	310
SCE-808FW	F1	4	*	272	SCE-8P6J	P3	1	4.17	315
SCE-808SC	A1	7	60.19	68	SCE-8P8	P3	1	4.89	308
SCE-82P37	P3	105	278.51	309	SCE-8P8AL	F2	1	*	312
SCE-82P37GALV	P3	105	320.29	311	SCE-8P8C	P3	1	5.27	10
SCE-82P76	P3	210	501.32	309	SCE-8P8GALV	P3	1	4.89	310
SCE-82P76GALV	P3	236	626.65	311	SCE-8P8J	P3	3	4.89	315
SCE-84FP	P3	35	88.62	312	SCE-8PB	A1	7	90.29	40
SCE-84XM3EW18	A2	1,620	5,166.74	138	SCE-8PBA	A1	9	141.70	54
SCE-84XM3EW18G	A2	1,442	5,475.55	138	SCE-8PBAI	A1	9	141.70	56
SCE-84XM3EW18SS	S2	1,620	18,594.54	258	SCE-8PBI	A1	8	90.29	42
SCE-84XM3EW24	A2	1,535	5,227.65	138	SCE-8R64	N3	4	64.61	94
SCE-84XM3EW24SS	S2	1,705	18,813.76	258	SCE-8R66	N3	6	70.97	94
SCE-84XM4018	A2	568	2,117.56	136	SCE-8STS	C2	7	53.03	29
SCE-84XM4018G	A2	460	2,117.56	136	SCE-8VESTS	C2	7	60.33	29
SCE-84XM4018SS	S2	568	7,620.90	256	SCE-903620FS	A2	400	1,640.75	108
SCE-84XM4024	A2	618	2,177.29	136	SCE-903624FS	A2	436	1,754.25	108
SCE-84XM4024SS	S2	618	7,835.81	256	SCE-903624FSDA	A2	456	2,049.50	112
SCE-84XM4EW18	A2	1,850	6,983.19	139	SCE-903636FS	A2	559	2,087.04	108
SCE-84XM4EW24	A2	1,950	7,057.72	139	SCE-903636FSDA	A2	563	2,438.85	112
SCE-84XM5EW18	A2	2,411	8,340.83	139	SCE-9036SOF19	P2	84	442.08	121
SCE-84XM5EW24	A2	2,500	8,595.45	139	SCE-904820FSD	A2	549	2,214.31	110
SCE-84XM6EW24	A2	2,880	10,474.79	139	SCE-904820SSFSD	S2	549	9,562.88	250
					SCE-907220FSD	A2	733	2,792.37	110
					SCE-907220SSFSD	S2	732	12,059.34	250



Phone (989) 799-6871
Fax (989) 799-4524

PART NUMBER	PRICE CODE	ESTIMATED SHIPPING WT.	LIST PRICE	PAGE NUMBER	PART NUMBER	PRICE CODE	ESTIMATED SHIPPING WT.	LIST PRICE	PAGE NUMBER
SCE-907224FSD	A2	773	2,933.31	110	SCE-90XM7820SS	S2	1,150	14,777.60	257
SCE-907224FSDAD	A2	743	3,653.50	114	SCE-90XM7824	A2	1,210	4,284.12	137
SCE-907224SSFSD	S2	772	12,668.02	250	SCE-90XM7824SS	S2	1,210	15,418.09	257
SCE-907236FSD	A2	940	3,360.88	110	SCE-924B	C1	114	1,210.24	12
SCE-907236SSFSD	S2	937	14,514.55	250	SCE-936B	C1	153	1,486.22	12
SCE-90EL2420FS	A2	330	1,351.80	108	SCE-9P12L	P3	3	18.86	315
SCE-90EL2420SS6FS	S7	278	6,390.00	246	SCE-9P18L	P3	3	26.63	315
SCE-90EL2420SSFSS	S4	278	5,325.00	246	SCE-9P24L	P3	4	29.14	315
SCE-90EL3620SS6FS	S7	622	7,941.82	246	SCE-9P30L	P3	4	31.92	315
SCE-90EL3620SSFSS	S4	622	6,618.18	246	SCE-9P36L	P3	6	34.97	315
SCE-90EL3624SS6FS	S7	470	8,625.82	246	SCE-9PB	A1	8	92.80	40
SCE-90EL3624SSFSS	S4	490	7,188.18	246	SCE-9PBA	A1	10	147.97	54
SCE-90EL3636SS6FS	S7	575	10,064.18	246	SCE-9PBAI	A1	10	147.97	56
SCE-90EL3636SSFSS	S4	575	8,386.82	246	SCE-9PBGX	A1	5	95.31	48
SCE-90EL4820SS6FSD	S7	550	12,385.82	248	SCE-9PBH	A1	13	142.99	50
SCE-90EL4820SSFSD	S4	550	10,321.52	248	SCE-9PBHI	A1	10	142.99	52
SCE-90EL7220SS6FSD	S7	296	15,384.84	248	SCE-9PBHSS	S1	14	287.73	202
SCE-90EL7220SSFSD	S4	296	12,820.70	248	SCE-9PBHSSI	S1	14	287.73	204
SCE-90EL7224SS6FSD	S7	782	16,115.26	248	SCE-9PBI	A1	8	92.80	42
SCE-90EL7224SSFSD	S4	792	13,429.38	248	SCE-9PBSS	S1	8	308.12	198
SCE-90EL7236SS6FSD	S7	374	18,331.10	248	SCE-9PBSSI	S1	8	308.12	200
SCE-90EL7236SSFSD	S4	764	15,275.91	248	SCE-9PBX	A1	9	107.85	44
SCE-90FP	P3	38	96.21	312	SCE-9PBXI	A1	8	107.85	46
SCE-90FSCPS	P2	29	156.47	123	SCE-ABDCP	P2	1	42.22	302
SCE-90FSCS	P2	29	156.47	123	SCE-AHC15	P2	4	108.03	289
SCE-90FSDPS	P2	29	136.60	123	SCE-AHC30	P2	4	108.03	289
SCE-90P24F1	P3	59	228.49	120	SCE-AHC50	P2	4	108.03	289
SCE-90P24F2	P3	33	141.56	120	SCE-APH	P2	1	7.46	293
SCE-90P36F1	P3	89	310.45	120	SCE-ARK36	P2	4	115.23	292
SCE-90P36F2	P3	46	183.79	120	SCE-ASPB-09	P2	1	5.13	301
SCE-90P48F1	P3	145	481.82	120	SCE-ASPBG-09	P2	1	3.63	301
SCE-90P48F2	P3	75	298.03	120	SCE-ASPBG-SS	P2	1	17.88	301
SCE-90P72F1	P3	230	650.69	120	SCE-ASPB-SS	P2	1	19.13	301
SCE-90P72F2	P3	131	384.95	120	SCE-AVK23	P2	1	16.64	284
SCE-90RA19TH	P2	24	124.18	122	SCE-AVK23SS	P2	1	41.60	284
SCE-90RP24F5	P2	27	166.40	122	SCE-AVK33	P2	1	17.38	284
SCE-90RP24F6	P2	14	94.38	122	SCE-AVK33SS	P2	1	43.46	284
SCE-90SMP14	P3	37	226.51	120	SCE-AVK34	P2	1	18.38	284
SCE-90SMP20	P3	58	235.00	120	SCE-AVK34SS	P2	1	45.94	284
SCE-90SMP30	P3	69	254.81	120	SCE-AVK43	P2	1	18.87	284
SCE-90SP36F3	P2	123	613.44	121	SCE-AVK43SS	P2	1	47.19	284
SCE-90SP36F4	P2	68	387.44	121	SCE-AVK44	P2	1	19.87	284
SCE-90XM3EW24	A2	2,190	5,765.10	138	SCE-AVK44SS	P2	1	49.67	284
SCE-90XM3EW24SS	S2	2,190	20,748.01	258	SCE-AVK64	P2	1	21.85	284
SCE-90XM4018	A2	620	2,268.06	136	SCE-AVK64SS	P2	1	54.63	284
SCE-90XM4018SS	S2	620	8,162.50	256	SCE-AVK66	P2	2	22.60	284
SCE-90XM4020SS	S2	640	8,450.48	256	SCE-AVK66SS	P2	2	55.88	284
SCE-90XM4024	A2	700	2,428.09	136	SCE-AVK812	P2	3	34.77	284
SCE-90XM4024SS	S2	700	8,738.46	256	SCE-AVK812SS	P2	3	86.93	284
SCE-90XM4EW18	A2	1,940	7,253.97	139	SCE-AVK84	P2	2	23.34	284
SCE-90XM4EW24	A2	2,030	7,427.87	139	SCE-AVK84SS	P2	2	57.13	284
SCE-90XM5EW18	A2	2,350	8,713.45	139	SCE-AVK86	P2	2	26.33	284
SCE-90XM5EW24	A2	2,450	9,005.36	139	SCE-AVK86SS	P2	2	58.36	284
SCE-90XM6EW24	A2	3,000	10,859.84	139	SCE-AVK88	P2	3	29.31	284
SCE-90XM7818	A2	1,140	4,082.27	137					
SCE-90XM7818SS	S2	1,140	14,691.64	257					

Phone (989) 799-6871

Fax (989) 799-4524



PART NUMBER	PRICE CODE	ESTIMATED SHIPPING WT.	LIST PRICE	PAGE NUMBER	PART NUMBER	PRICE CODE	ESTIMATED SHIPPING WT.	LIST PRICE	PAGE NUMBER
SCE-AVK88SS	P2	3	65.82	284	SCE-DF36EL36LP	P2	28	152.14	316
SCE-BP115	P2	12	484.30	286	SCE-DF42EL24LP	P2	20	131.34	316
SCE-BP1805	P5	37	174.00	167	SCE-DF42EL30LP	P2	24	154.88	316
SCE-BP1806	P5	44	180.00	167	SCE-DF42EL36LP	P2	26	170.17	316
SCE-BP2005	P5	41	186.00	167	SCE-DF48EL24LP	P2	45	158.72	316
SCE-BP2006	P5	49	200.00	167	SCE-DF48EL36LP	P2	40	189.95	316
SCE-BP230	P2	12	484.30	286	SCE-DF6048	P2	48	356.31	317
SCE-BP72XM18	P2	23	239.58	319	SCE-DF6060	P2	66	396.74	317
SCE-BP72XM24	P2	31	260.66	319	SCE-DF60EL36LP	P2	88	224.79	316
SCE-BP84XM18	P2	27	254.10	319	SCE-DF60EL48	P2	47	345.67	317
SCE-BP84XM24	P2	38	277.23	319	SCE-DF60EL60	P2	62	385.11	317
SCE-BP90XM18	P2	33	270.84	319	SCE-DF7260	P2	75	438.41	317
SCE-BP90XM24	P2	44	294.94	319	SCE-DF7272	P2	88	489.29	317
SCE-BPEX18	P2	2	91.48	319	SCE-DF72EL36LP	P2	94	236.75	316
SCE-BPEX24	P2	3	101.52	319	SCE-DF72EL60	P2	63	425.77	317
SCE-BSW19SS	P2	1	20.43	327	SCE-DF72EL72	P2	93	475.40	317
SCE-BSW25SS	P2	1	21.69	327	SCE-DFJ1008	P2	6	49.54	316
SCE-BSW31SS	P2	1	22.38	327	SCE-DFJ1210	P2	9	53.75	316
SCE-BSW38SS	P2	1	29.95	327	SCE-DFJ1212	P2	10	55.79	316
SCE-BV4XKIT	F1	1	*	283	SCE-DFJ1412	P2	11	57.83	316
SCE-CAKR	P2	8	109.28	304	SCE-DFJ1614	P2	13	62.22	316
SCE-CAKR4	P2	9	163.91	304	SCE-DFJ2016	P2	15	67.54	316
SCE-CAKS	P2	8	136.60	304	SCE-DISKPK	P2	5	124.18	320
SCE-CAKS4	P2	9	191.23	304	SCE-DL5MDB	P2	1	12.91	290
SCE-CBL15	P2	1	13.75	10	SCE-DL5MDBB	P2	1	12.91	290
SCE-CBL20	P2	1	14.25	10	SCE-DL7SC	P2	1	17.38	290
SCE-CDPK	P2	6	124.18	320	SCE-DL7TE	P2	1	17.38	290
SCE-CF10	P2	12	161.43	288	SCE-DL8SB	P2	1	12.91	290
SCE-CF10-230	P2	9	177.58	288	SCE-DL8SC	P2	1	12.91	290
SCE-CF4	P2	3	60.84	288	SCE-DLCA	P2	1	14.90	290
SCE-CF4-230	P2	2	66.95	288	SCE-DLKLD	P2	1	27.32	290
SCE-CF6	P2	5	153.98	288	SCE-DLKLDDB	P2	1	27.99	290
SCE-CF6-230	P2	5	170.55	288	SCE-DLKLDDB-25	V1	3	543.12	290
SCE-CN1032	P2	1	32.31	327	SCE-DLSB	P2	1	17.38	290
SCE-DCP	P2	1	42.22	302	SCE-DLSBB	P2	1	17.38	290
SCE-DCPSS	P2	1	53.40	302	SCE-DLSSB	P2	1	42.22	290
SCE-DF1806	P5	61	308.83	171	SCE-DLWKC	P2	1	17.38	290
SCE-DF1808	P5	68	351.82	171	SCE-DLWKF	P2	1	17.38	290
SCE-DF1809	P5	73	373.63	171	SCE-DLWKF-25	V1	5	284.83	290
SCE-DF1810	P5	78	394.84	171	SCE-DRL-4K	P2	1	12.42	293
SCE-DF2006	P5	66	322.38	171	SCE-DRL-6	P2	1	7.46	293
SCE-DF2008	P5	68	370.37	171	SCE-DS12N4	P2	2	35.83	298
SCE-DF2009	P5	77	394.69	171	SCE-DS12SS	P2	2	81.96	298
SCE-DF2010	P5	82	418.36	171	SCE-DS16N4	P2	2	40.80	298
SCE-DF20EL16LP	P2	12	72.59	316	SCE-DS16SS	P2	2	89.41	298
SCE-DF20EL20LP	P2	10	77.44	316	SCE-DS20N4	P2	3	43.28	298
SCE-DF24EL20LP	P2	14	80.84	316	SCE-DS20SS	P2	3	96.86	298
SCE-DF24EL24LP	P2	15	87.32	316	SCE-DS24N4	P2	4	50.74	298
SCE-DF30EL20LP	P2	22	92.78	316	SCE-DS24SS	P2	3	104.31	298
SCE-DF30EL24LP	P2	19	98.27	316	SCE-DS30N4	P2	4	53.22	298
SCE-DF30EL30LP	P2	37	116.19	316	SCE-DS30SS	P2	4	116.72	298
SCE-DF36EL20LP	P2	22	105.54	316	SCE-DS36N4	P2	4	56.40	298
SCE-DF36EL24LP	P2	19	113.74	316	SCE-DS36SS	P2	4	129.14	298
SCE-DF36EL30LP	P2	22	134.11	316	SCE-DS42N4	P2	5	60.31	298
					SCE-DS42SS	P2	5	141.56	298
					SCE-DS48N4	P2	5	68.82	298

Phone (989) 799-6871

Fax (989) 799-4524



PART NUMBER	PRICE CODE	ESTIMATED SHIPPING WT.	LIST PRICE	PAGE NUMBER	PART NUMBER	PRICE CODE	ESTIMATED SHIPPING WT.	LIST PRICE	PAGE NUMBER
SCE-DS48SS	P2	5	158.95	298	SCE-EYE50	P2	2	24.84	304
SCE-DS60N4	P2	5	80.17	298	SCE-EYE63	P2	2	28.56	304
SCE-DS60SS	P2	5	181.31	298	SCE-EYE75	P2	2	32.29	304
SCE-DS72N4	P2	7	90.43	298	SCE-FA1010	P2	13	347.70	285
SCE-DS72SS	P2	7	216.07	298	SCE-FA1010-230	P2	13	382.46	285
SCE-DSTOPK	P2	2	67.05	296	SCE-FA44	P2	3	146.53	285
SCE-DV4XKIT	F1	1	*	283	SCE-FA44-230	P2	3	161.18	285
SCE-E115I	P2	5	144.68	302	SCE-FA66	P2	4	260.78	285
SCE-EKDF	P2	1	36.21	302	SCE-FA66-230	P2	4	286.85	285
SCE-ELFM12H	P2	3	51.20	307	SCE-FGA1010	P2	2	91.89	285
SCE-ELFM12HSS	P2	3	122.88	307	SCE-FGA44	P2	3	67.05	285
SCE-ELFM12W	P2	3	47.10	307	SCE-FGA66	P2	4	69.54	285
SCE-ELFM12WSS	P2	3	113.04	307	SCE-FGABP	P2	3	101.89	286
SCE-ELFM16H	P2	3	54.47	307	SCE-FK0608	P2	15	111.76	306
SCE-ELFM16HSS	P2	3	130.73	307	SCE-FK0610	P2	17	116.72	306
SCE-ELFM16W	P2	3	50.33	307	SCE-FK0612	P2	19	131.63	306
SCE-ELFM16WSS	P2	3	120.79	307	SCE-FK0618	P2	30	153.98	306
SCE-ELFM20H	P2	3	56.85	307	SCE-FK0624	P2	33	178.81	306
SCE-ELFM20HSS	P2	4	136.44	307	SCE-FK1208	P2	23	139.08	306
SCE-ELFM20W	P2	4	52.75	307	SCE-FK1208SS	P2	24	379.99	306
SCE-ELFM20WSS	P2	4	126.60	307	SCE-FK1210	P2	27	146.53	306
SCE-ELFM24H	P2	4	60.89	307	SCE-FK1210SS	P2	27	409.79	306
SCE-ELFM24HSS	P2	4	146.14	307	SCE-FK1212	P2	29	153.98	306
SCE-ELFM24W	P2	4	56.79	307	SCE-FK1212SS	P2	30	437.11	306
SCE-ELFM24WSS	P2	4	136.60	307	SCE-FK1212SS6	P2	30	524.53	306
SCE-ELFM30H	P2	5	64.95	307	SCE-FK1216	P2	34	178.81	306
SCE-ELFM30HSS	P2	5	155.88	307	SCE-FK1216SS	P2	36	496.72	306
SCE-ELFM30W	P2	5	60.85	307	SCE-FK1218	P2	41	186.27	306
SCE-ELFM30WSS	P2	5	146.04	307	SCE-FK1218SS	P2	42	524.03	306
SCE-ELFM36H	P2	6	70.16	307	SCE-FK1218SS6	P2	42	628.84	306
SCE-ELFM36HSS	P2	6	168.38	307	SCE-FK1220	P2	42	196.20	306
SCE-ELFM36W	P2	6	66.10	307	SCE-FK1224	P2	43	201.17	306
SCE-ELFM36WSS	P2	6	158.64	307	SCE-FK1224SS	P2	44	552.60	306
SCE-ELFP	P2	1	9.94	293	SCE-FK1224SS6	P2	44	663.12	306
SCE-ELJHINGE	P2	1	5.60	328	SCE-FK1512	P2	42	178.81	306
SCE-ELJMFKSS	P2	1	46.86	305	SCE-FK1512SS	P2	43	536.45	306
SCE-ELJMFKSS-OS	P2	1	48.86	305	SCE-FK1512SS6	P2	43	643.74	306
SCE-ELKL	P2	1	62.09	292	SCE-FK1516	P2	43	186.27	306
SCE-ELKLT	P2	1	39.19	290	SCE-FK1518	P2	45	202.77	306
SCE-ELMFK4	P2	2	17.69	305	SCE-FK1518SS	P2	47	584.89	306
SCE-ELMFK4-25	V1	13	307.85	305	SCE-FK1518SS6	P2	47	701.87	306
SCE-ELMFK4SS	P2	2	26.05	305	SCE-FK1524	P2	46	221.04	306
SCE-ELMFK4SS-25	V1	13	448.36	305	SCE-FK1524SS	P2	50	618.41	306
SCE-ELMFK4SS6-OS	P2	1	53.50	305	SCE-FK1524SS6	P2	50	742.09	306
SCE-ELMFK6	P2	3	23.86	305	SCE-FK1808	P2	31	168.89	306
SCE-ELMFK6SS	P2	3	31.02	305	SCE-FK1810	P2	35	178.81	306
SCE-ELPL	P2	1	62.09	292	SCE-FK1812	P2	37	186.27	306
SCE-ELSP	P2	6	45.00	318	SCE-FK1816	P2	45	206.14	306
SCE-ELSP3	P2	7	56.00	318	SCE-FK1824	P2	47	260.78	306
SCE-EMG	P5	2	26.74	169	SCE-FK2410SS	P2	45	581.16	306
SCE-EMIG	P2	3	119.22	326	SCE-FK2412	P2	49	196.93	306
SCE-EP1805	P5	37	225.83	166	SCE-FK2412SS	P2	49	608.48	306
SCE-EP1806	P5	44	249.45	166	SCE-FK2412SS6	P2	49	730.18	306
SCE-EP2005	P5	41	238.94	166	SCE-FLT33	P2	1	22.35	284
SCE-EP2006	P5	49	265.23	166					
SCE-EXD18	P2	110	606.55	324					

Phone (989) 799-6871
Fax (989) 799-4524



PART NUMBER	PRICE CODE	ESTIMATED SHIPPING WT.	LIST PRICE	PAGE NUMBER	PART NUMBER	PRICE CODE	ESTIMATED SHIPPING WT.	LIST PRICE	PAGE NUMBER
SCE-FLT34	P2	1	22.35	284	SCE-HF8002B	P4	4	*	289
SCE-FLT43	P2	1	22.35	284	SCE-HMG175	P5	4	19.27	170
SCE-FLT44	P2	1	22.35	284	SCE-HMG225	P5	5	20.90	170
SCE-FLT64	P2	1	24.84	284	SCE-HMG300	P5	6	23.19	170
SCE-FLT66	P2	2	24.84	284	SCE-HMG400	P5	1	26.45	170
SCE-FLT812	P2	2	29.80	284	SCE-HMG475	P5	8	28.75	170
SCE-FLT84	P2	2	27.32	284	SCE-HMG575	P5	16	32.75	170
SCE-FLT86	P2	2	27.32	284	SCE-HMG675	P5	18	35.93	170
SCE-FLT88	P2	2	27.32	284	SCE-HMG775	P5	35	38.97	170
SCE-FMA	P5	8	36.00	171	SCE-HPSERIES1	F1	1	*	301
SCE-FMG	P5	6	26.21	169	SCE-HPSERIES15	F1	1	*	301
SCE-FMG05	P5	8	28.74	169	SCE-HPSERIES2	F1	1	*	301
SCE-FMG06	P5	9	33.54	169	SCE-HPSERIES3	F1	1	*	301
SCE-FMG08	P5	7	42.86	169	SCE-HPSERIES4	F1	1	*	301
SCE-FMG09	P5	7	47.39	169	SCE-HWK1212	P6	9	310.45	322
SCE-FMG10	P5	12	51.92	169	SCE-HWK1212SS	P6	10	640.77	322
SCE-FP18G	P5	16	97.10	168	SCE-HWK1814	P6	15	360.12	322
SCE-FP20G	P5	18	104.66	168	SCE-HWK1814SS	P6	16	869.25	322
SCE-FS1212	P2	11	146.53	299	SCE-HWK2218	P6	16	434.63	322
SCE-FS1212SS	P2	10	418.00	299	SCE-HWK2218SS	P6	18	1,048.07	322
SCE-FS1818	P2	17	183.79	299	SCE-HWK2228	P6	24	496.72	322
SCE-FS1818SS	P2	17	476.22	299	SCE-HWK2228SS	P6	25	1,296.42	322
SCE-FS2424	P2	25	221.04	299	SCE-HWK2822	P6	24	496.72	322
SCE-FS2424SS	P2	28	496.72	299	SCE-HWK2822SS	P6	26	1,296.42	322
SCE-FSH2	P2	3	63.34	292	SCE-HYGRO	P2	1	188.42	283
SCE-FSH4	P2	3	63.34	292	SCE-IMSBK	P5	3	42.00	172
SCE-FSH6	P2	3	81.96	292	SCE-K333	P2	1	6.56	328
SCE-FSH8	P2	3	72.03	292	SCE-KBH	C2	35	247.74	34
SCE-FSPS4	P2	4	55.88	313	SCE-KBS	P2	23	372.54	297
SCE-FSPS6	P2	6	84.44	313	SCE-KBS32	P2	8	372.54	297
SCE-FSPS8	P2	9	126.66	313	SCE-KC101	P2	1	6.56	328
SCE-GA14X1	P2	2	29.80	326	SCE-KLWN	P2	1	34.77	290
SCE-GA14X75	P2	2	28.56	326	SCE-KLWNB	P2	1	34.77	290
SCE-GA18X50	P2	2	21.11	326	SCE-L9126ELJ	E1	9	178.78	62
SCE-GARD10	P2	1	26.08	288	SCE-L9126ELJSS	S6	9	646.71	210
SCE-GARD4	P2	1	17.38	288	SCE-L9126ELJW	E1	6	275.71	64
SCE-GARD6	P2	1	21.11	288	SCE-L9126ELJWSS	S6	6	933.54	212
SCE-GB10	P2	2	86.93	296	SCE-L9186ELJ	E1	9	180.51	62
SCE-GMA	P5	1	20.23	171	SCE-L9186ELJSS	S6	9	718.82	210
SCE-GS808	P2	1	33.92	296	SCE-L9186ELJW	E1	9	278.67	64
SCE-HA1010	P6	9	247.95	322	SCE-L9186ELJWSS	S6	9	942.86	212
SCE-HA1010SS	P6	9	566.45	322	SCE-L9246ELJ	E1	11	185.82	62
SCE-HA1212	P6	14	268.92	322	SCE-L9246ELJSS	S6	11	724.61	210
SCE-HA1212SS	P6	14	592.52	322	SCE-L9246ELJW	E1	11	303.78	64
SCE-HA1814	P6	18	318.22	322	SCE-L9246ELJWSS	S6	11	1,028.89	212
SCE-HA1814SS	P6	18	811.61	322	SCE-L9306ELJ	E1	16	187.24	62
SCE-HDWMK	P2	2	78.54	305	SCE-L9306ELJSS	S6	16	786.43	210
SCE-HF1251A	P4	4	*	289	SCE-L9306ELJW	E1	16	306.94	64
SCE-HF1252A	P4	4	*	289	SCE-L9306ELJWSS	S6	16	1,039.07	212
SCE-HF2001A	P4	4	*	289	SCE-L9366ELJ	E1	20	191.12	62
SCE-HF2002A	P4	4	*	289	SCE-L9366ELJSS	S6	20	844.61	210
SCE-HF4001B	P4	4	*	289	SCE-L9366ELJW	E1	20	309.80	64
SCE-HF4002B	P4	4	*	289	SCE-L9366ELJWSS	S6	20	1,049.68	212
SCE-HF8001B	P4	4	*	289	SCE-LF18	P2	6	206.55	300
					SCE-LF18NO	P2	6	185.90	300
					SCE-LF24	P2	7	218.03	300

Phone (989) 799-6871
Fax (989) 799-4524



PART NUMBER	PRICE CODE	ESTIMATED SHIPPING WT.	LIST PRICE	PAGE NUMBER	PART NUMBER	PRICE CODE	ESTIMATED SHIPPING WT.	LIST PRICE	PAGE NUMBER
SCE-LF24NO	P2	7	196.72	300	SCE-N12FA44-230	P2	2	191.80	286
SCE-LLB5	P2	1	26.55	304	SCE-N12FA44-24VDC	P2	1	324.59	286
SCE-LLB5SS	P2	1	39.86	304	SCE-N12FA66	P2	4	215.08	286
SCE-LLB7	P2	2	30.32	304	SCE-N12FA66-230	P2	4	342.30	286
SCE-LPCLAMP	P2	1	17.38	293	SCE-N12FA66-24VDC	P2	3	401.31	286
SCE-LPCLAMPSS	P2	1	21.87	293	SCE-N12FGA1010	P2	5	68.85	286
SCE-LPD2	P2	1	37.25	304	SCE-N12FGA44	P2	3	41.31	286
SCE-LRA18	P5	13	110.32	168	SCE-N12FGA66	P2	4	55.08	286
SCE-LRA20	P5	15	116.96	168	SCE-N3RMFK4	P2	1	26.00	305
SCE-LSA	P2	1	38.34	301	SCE-NADFK	P2	3	44.71	318
SCE-LSMB	P2	1	25.56	300	SCE-NADFK-3	P2	1	55.89	318
SCE-MDMI	P5	2	150.46	172	SCE-NADFKSS	P2	2	159.02	318
SCE-MDMI2	P5	3	81.14	172	SCE-NLTH	P2	2	24.84	290
SCE-MDV	P2	3	181.05	326	SCE-NMST10	P2	1	18.10	303
SCE-MINQ	P2	1	9.94	291	SCE-NMST12	P2	2	19.17	303
SCE-MINQ6MS	P2	1	34.19	291	SCE-NMST16	P2	2	21.30	303
SCE-MINQB	P2	1	9.94	291	SCE-NMST20	P2	2	23.42	303
SCE-MINQKLB	P2	1	49.52	291	SCE-NMST24	P2	3	25.56	303
SCE-MINQLB	P2	1	28.56	291	SCE-NMST6	P2	1	15.98	303
SCE-MINQPL	P2	1	8.52	291	SCE-NMST8	P2	1	17.04	303
SCE-MOD724018	A2	470	1,672.08	148	SCE-NR1032	P5	2	25.20	172
SCE-MOD727718	A2	900	3,042.00	148	SCE-NR1420	P5	2	25.20	172
SCE-MOD72EPT	P2	69	326.59	149	SCE-P010605	P5	26	166.64	166
SCE-MOD72FEP	P2	69	288.09	149	SCE-P010606	P5	28	174.75	166
SCE-MOD72FTPT	P2	51	238.42	149	SCE-P010805	P5	30	182.67	166
SCE-MOD72X4018	A2	510	1,693.58	148	SCE-P010806	P5	33	190.78	166
SCE-MOD72X7818	A2	915	3,063.50	148	SCE-P011005	P5	61	198.93	166
SCE-MOD8424EPT	P2	89	391.16	149	SCE-P011006	P5	37	206.70	166
SCE-MOD8424FEP	P2	73	342.74	149	SCE-P011205	P5	40	235.05	166
SCE-MOD8424FTPT	P2	73	293.07	149	SCE-P011206	P5	42	243.45	166
SCE-MOD844018	A2	540	1,859.60	148	SCE-P011605	P5	49	267.15	166
SCE-MOD844018G	A2	414	1,909.60	148	SCE-P011606	P5	52	275.26	166
SCE-MOD844024	A2	580	2,030.39	148	SCE-P011805	P5	66	298.92	166
SCE-MOD847718	A2	1,020	3,374.03	148	SCE-P011806	P5	1	307.03	166
SCE-MOD847718G	A2	920	3,632.84	148	SCE-PCH5	P2	4	86.93	291
SCE-MOD847724	A2	1,060	3,603.34	148	SCE-PCH5-7SC	P2	1	86.93	291
SCE-MOD84EPT	P2	73	358.87	149	SCE-PCH7	P2	4	99.34	291
SCE-MOD84FEP	P2	89	311.69	149	SCE-PCH7-7SC	P2	1	99.34	291
SCE-MOD84FTPT	P2	60	262.02	149	SCE-PE22	C2	18	365.08	33
SCE-MOD84X4018	A2	580	1,883.48	148	SCE-PE22SS	C2	28	912.72	33
SCE-MOD84X4024	A2	650	2,054.27	148	SCE-PH5	P2	4	86.93	291
SCE-MOD84X7818	A2	1,025	3,397.91	148	SCE-PH7	P2	4	99.34	291
SCE-MOD84X7818G	A2	779	3,509.74	148	SCE-PKH5	P2	4	86.93	291
SCE-MOD84X7824	A2	1,150	3,629.61	148	SCE-PKH7	P2	4	99.34	291
SCE-MODGK	P2	5	79.47	149	SCE-PLHG	P2	1	17.38	290
SCE-MST10	P2	2	20.24	303	SCE-PLKJIC	P2	1	9.94	293
SCE-MST12	P2	2	21.30	303	SCE-PLWKB	P2	1	19.87	290
SCE-MST16	P2	3	23.42	303	SCE-PLWKB-50	V1	17	651.65	290
SCE-MST20	P2	4	25.56	303	SCE-PP101201	P2	1	24.84	320
SCE-MST24	P2	4	27.69	303	SCE-PP101203	P2	6	27.32	320
SCE-MST4	P2	1	17.04	303	SCE-PP7701	P2	4	22.35	320
SCE-MST6	P2	1	18.10	303	SCE-PS1032CN	P2	2	36.02	327
SCE-MST8	P2	2	19.17	303	SCE-PS1420	P2	2	46.94	172
SCE-N12FA1010	P2	6	375.08	286	SCE-PS1420CN	P2	2	42.22	327
SCE-N12FA1010-230	P2	6	413.11	286					
SCE-N12FA44	P2	3	152.13	286					

Phone (989) 799-6871

Fax (989) 799-4524



PART NUMBER	PRICE CODE	ESTIMATED SHIPPING WT.	LIST PRICE	PAGE NUMBER	PART NUMBER	PRICE CODE	ESTIMATED SHIPPING WT.	LIST PRICE	PAGE NUMBER
SCE-PS3816CN	P2	2	42.22	327	SCE-SD181205	I1	405	2,124.52	158
SCE-PS51618CN	P5	2	48.97	172	SCE-SD181206	I1	433	2,230.42	158
SCE-PSK24	C2	5	59.98	31	SCE-SD200805	I1	322	1,897.12	158
SCE-PSK32	C2	7	63.90	31	SCE-SD200806	I1	349	1,996.40	158
SCE-PWK138NF	P2	4	151.50	321	SCE-SD201005	I1	380	2,068.57	158
SCE-PWK138NFSS	P2	4	228.49	321	SCE-SD201006	I1	409	2,174.95	158
SCE-PWK1711NF	P2	6	208.62	321	SCE-SD201205	I1	405	2,294.38	158
SCE-PWK1711NFSS	P2	6	300.51	321	SCE-SD201206	I1	433	2,371.41	158
SCE-PWK2315NF	P2	8	257.05	321	SCE-SDMI	P5	6	75.23	172
SCE-PWK2315NFSS	P2	8	388.68	321	SCE-SLT	P2	3	144.05	326
SCE-PWK2919NF	P2	12	382.47	321	SCE-SP1806G	P5	73	252.06	167
SCE-PWK2919NFSS	P2	12	576.19	321	SCE-SP1808G	P5	82	311.26	167
SCE-PWK53NF	P2	2	99.34	321	SCE-SP1809G	P5	91	340.09	167
SCE-PWK53NFSS	P2	2	149.01	321	SCE-SP1810G	P5	91	368.92	167
SCE-PWK63NF	P2	2	109.28	321	SCE-SP1812G	P5	113	478.73	167
SCE-PWK95NF	P2	3	119.22	321	SCE-SP1816G	P5	149	594.01	167
SCE-PWK95NFSS	P2	3	180.06	321	SCE-SP1818G	P5	149	651.70	167
SCE-QR1	P2	1	9.94	293	SCE-SP2006G	P5	167	273.49	167
SCE-QR1SS	P2	1	19.87	293	SCE-SP2008G	P5	81	337.77	167
SCE-QR2	P2	1	22.97	293	SCE-SP2009G	P5	91	370.01	167
SCE-QRLP	P2	1	12.87	293	SCE-SP2010G	P5	101	402.22	167
SCE-RF1010	P2	1	17.38	329	SCE-SP2012G	P5	126	520.20	167
SCE-RF44	P2	1	8.07	329	SCE-SP2016G	P5	167	648.92	167
SCE-RF517	P2	1	12.78	329	SCE-SP2018G	P5	187	713.23	167
SCE-RF66	P2	1	9.32	329	SCE-SPMP05	P5	4	28.74	168
SCE-RH1010	P2	9	47.93	287	SCE-SPMP06	P5	5	33.54	168
SCE-RH1010SS	P2	9	67.10	287	SCE-SSPCH5	P2	2	173.86	292
SCE-RH10N12	P2	9	59.92	287	SCE-SSPH5	P2	2	173.86	292
SCE-RH10N12SS	P2	5	83.87	287	SCE-SSPKH5	P2	3	191.88	292
SCE-RH44	P2	3	39.94	287	SCE-STMMK	P2	1	53.28	30
SCE-RH44SS	P2	3	55.91	287	SCE-STWBTD	C2	18	155.47	33
SCE-RH4N12	P2	2	49.93	287	SCE-STWSPL	C2	3	32.91	30
SCE-RH4N12SS	P2	2	69.89	287	SCE-STWSPLSS	C2	4	114.00	30
SCE-RH66	P2	4	42.60	287	SCE-STWSSBTD	C2	16	462.20	33
SCE-RH66SS	P2	4	59.64	287	SCE-T181205	I1	405	1,898.23	156
SCE-RH6N12	P2	4	53.25	287	SCE-T181206	I1	433	2,004.13	156
SCE-RH6N12SS	P2	4	74.55	287	SCE-T181605	I1	522	2,217.42	156
SCE-S180605	I1	232	1,295.18	154	SCE-T181606	I1	552	2,328.65	156
SCE-S180606	I1	252	1,369.60	154	SCE-T201205	I1	436	2,014.20	156
SCE-S180805	I1	299	1,500.83	154	SCE-T201206	I1	467	2,127.40	156
SCE-S180806	I1	324	1,592.96	154	SCE-T201605	I1	562	2,367.49	156
SCE-S181005	I1	353	1,658.32	154	SCE-T201606	I1	594	2,486.21	156
SCE-S181006	I1	379	1,757.74	154	SCE-TD181605	I1	435	2,289.09	160
SCE-S200605	I1	254	1,375.64	154	SCE-TD181606	I1	464	2,394.99	160
SCE-S200606	I1	276	1,457.21	154	SCE-TD181805	I1	530	2,608.27	160
SCE-S200805	I1	322	1,588.55	154	SCE-TD181806	I1	560	2,719.51	160
SCE-S200806	I1	349	1,687.83	154	SCE-TD201605	I1	467	2,405.06	160
SCE-S201005	I1	380	1,760.00	154	SCE-TD201606	I1	497	2,518.26	160
SCE-S201006	I1	409	1,866.38	154	SCE-TD201805	I1	570	2,758.35	160
SCE-SB18	C2	3	44.34	32	SCE-TD201806	I1	602	2,877.07	160
SCE-SD180805	I1	299	1,809.40	158	SCE-TEMD	P2	1	82.79	283
SCE-SD180806	I1	324	1,901.53	158	SCE-TEMG	P5	2	24.38	169
SCE-SD181005	I1	353	1,966.89	158	SCE-TEMNC	P2	1	32.55	283
SCE-SD181006	I1	379	2,066.31	158	SCE-TEMNO	P2	1	32.55	283
					SCE-TU05	P2	1	45.16	328
					SCE-TU09	P2	1	45.16	328

Phone (989) 799-6871

Fax (989) 799-4524



PART NUMBER	PRICE CODE	ESTIMATED SHIPPING WT.	LIST PRICE	PAGE NUMBER	PART NUMBER	PRICE CODE	ESTIMATED SHIPPING WT.	LIST PRICE	PAGE NUMBER
SCE-UA400V	P2	2	47.19	302	SCE-WSCC	C2	23	286.86	34
SCE-UAV	P2	2	47.19	302	SCE-WSCCSS	C2	23	664.98	34
SCE-UHK13	P2	2	39.74	293	SCE-WSSBTD	C2	18	365.08	33
SCE-URA18	P5	15	110.32	168	SCE-XMAIMF18	P2	3	38.34	304
SCE-URA20	P5	17	116.96	168	SCE-XMAIMF20	P2	3	42.60	304
SCE-VMG18	P5	54	81.19	170	SCE-XMAIMF24	P2	4	51.12	304
SCE-VMG20	P5	61	87.71	170	XR20-0416-012	P1	16	*	282
SCE-VRMS24	P2	7	42.67	303	XR29-0816-012	P1	26	*	282
SCE-VRMS36	P2	8	53.21	303	XR29-1816-012	P1	43	*	282
SCE-WSBTD	C2	18	247.74	33	XR47-2416-012	P1	95	*	282

[Back to
Table of Contents](#)

Phone (989) 799-6871
Fax (989) 799-4524



NOTES



Phone (989) 799-6871
Fax (989) 799-4524

NOTES

Phone (989) 799-6871
Fax (989) 799-4524



NOTES



Phone (989) 799-6871
Fax (989) 799-4524

NOTES

Phone (989) 799-6871
Fax (989) 799-4524



NOTES

Phone (989) 799-6871
Fax (989) 799-4524



NOTES