



**GMLighting**

*"Lighting Enhanced by Design"*

## **2017 Products Catalog**

**Linear LED Tape**

**Lightbars**

**Undercabinet Lighting**

**Pucks and Downlights**

**Path and Accent Lighting**

**we bring you light**

The catalog that you are holding shows a product line that is a result of our reputation. Known for great customer service, we've also kept up with LED technology by introducing new linear tape, new RGBW tape, new under cabinet and downlights and other fixtures that not only carry the GM Lighting name; but also high CRI and lumen output. Our

website has become more specifier friendly with the introduction of photometrics and new specification literature. Finding our products online has never been easier. Easily searched and seen on many distributor's websites, our brand and reputation will continue to serve the residential, commercial and hospitality lighting industry for many years to come.

**Rob Gerber**  
**President**  
**GM Lighting**



**PREPARE TO BE ILLUMINATED**

**GMLighting**

*"Lighting Enhanced by Design"*

# TABLE OF CONTENTS

<b>12VDC / 24VDC LEDTask™ Flexible LED Linear Tape</b> .....	<b>7</b>
12VDC Standard Output.....	8
12VDC High Output.....	10
12VDC Standard Output Wet Location.....	12
12VDC High Output Wet Location.....	14
12VDC Side View Tape.....	16
<b>NEW!</b> 12VDC Twist-Task™.....	18
12VDC MagneTask™.....	20
12VDC Color Changing RGB Dry and Wet Location.....	22
12VDC RGB Controller and Accessories.....	24
24VDC Standard Output.....	26
24VDC High Output.....	28
24VDC Super-High Output.....	30
24VDC 90+ CRI High Output Dry Location.....	31
24VDC Super-High Output Wet Location.....	32
<b>LEDensity™ and RGBW Flexible RGB LED Linear Tape</b> .....	<b>35</b>
24VDC LEDensity™ 90+ CRI, Standard, High and Super High.....	36
<b>NEW!</b> 24VDC LEDensity™ 90+ CRI Super High.....	37
<b>NEW!</b> 24VDC RGBW Dry and Wet Location Color Changing with True-White 3000K Tape.....	38
<b>NEW!</b> RGBW Controller and Accessories.....	39
<b>Linear LED Design Guide</b> .....	<b>40</b>
<b>120V Line Voltage Field Cuttable LineBrite LED</b> .....	<b>45</b>
120V LineBrite™ LED - 3000K and 4000K.....	46
<b>NEW!</b> 120V LineBrite™ LED - Colors.....	48
<b>12VDC / 24VDC LightBars</b> .....	<b>51</b>
LTAB-N 12VDC Aluminum High Output Wet Location.....	52
LTB 12VDC Rigid High Output LightBar.....	53
<b>NEW!</b> SlimEdge™ 24VDC Modular LightBar.....	54
LARC4 24VDC LightBar.....	56
LARC5 24VDC LightBar with Frosted Lens.....	57
LARC6 24VDC Architectural LightBar.....	58
<b>120V Undercabinet</b> .....	<b>61</b>
SLCB 120V Driverless Cove Undercabinet.....	62
SLCB Accessories.....	63
LumenTask™ 120V Xenon.....	64
LEDTask™ 120V LED.....	65



# TABLE OF CONTENTS

<b>Accent / Task Pucks</b> .....	<b>69</b>
12VDC 3W LED Dimmable Individual Puck and Puck Kit .....	<b>70</b>
12VDC 3W High Power LED Dimmable Individual Puck and Puck Kit .....	<b>71</b>
12VAC Xenon Dimmable Individual Puck and Puck Kit .....	<b>72</b>
12VAC Puck Power Supplies .....	<b>73</b>
<b>LED Downlights</b> .....	<b>75</b>
<b>NEW!</b> 120V SQR4 and SQR6 Series Square LED Downlight .....	<b>76</b>
12VDC Mini Recessed 3W GMR4 .....	<b>77</b>
12VDC Mini Recessed 6W GMR6 .....	<b>78</b>
120VAC IC Rated Mini-Dimmable and Adjustable .....	<b>79</b>
<b>NEW!</b> 120V IC Rated Compact Downlight .....	<b>80</b>
120VAC LED Surface Downlight .....	<b>81</b>
<b>Step, Pathway and Sconce Fixtures</b> .....	<b>83</b>
120V LED Family of Step and Pathway Lighting .....	<b>84</b>
<b>Outdoor Fixture Design Guide</b> .....	<b>86</b>
120V Constellation Series LED Wall Sconces .....	<b>88</b>
<b>Power Supplies</b> .....	<b>91</b>
12VDC / 24VDC Electronic LED Dimmable Power Supplies .....	<b>92</b>
12VDC Electronic Non-Dimmable Power Supplies .....	<b>94</b>
12VDC Magnetic LED Dimmable Power Supplies .....	<b>96</b>
12VDC / 24VDC Magnetic LED Dimmable Power Supplies .....	<b>97</b>
12VDC / 24VDC 0-10V Dimming Drivers .....	<b>98</b>
<b>NEW!</b> SwitchEx 12VDC / 24VDC LED Wall Dimmer / Power Supply .....	<b>100</b>
Quick-Guide to Picking Power Supplies (Class 2) and Dimming .....	<b>101</b>
12VDC Voltage Drop Guide .....	<b>102</b>
24VDC Voltage Drop Guide .....	<b>103</b>
<b>Channels, Connectors and Accessories</b> .....	<b>107</b>
SureTite™ LED Tape Connectors .....	<b>108</b>
EZ Tape Connectors .....	<b>109</b>
<b>NEW!</b> GM Lighting Wire and Double-Stick Adhesive Tape .....	<b>109</b>
Aluminum Architectural LED Tape Mounting Channels .....	<b>110, 111</b>
<b>NEW!</b> Aluminum Architectural Surface and Recessed LED Tape Mounting Channels .....	<b>112</b>
<b>GM Lighting Online</b> .....	<b>114</b>
<b>Index</b> .....	<b>116</b>

LEDTASK™ HIGH OUTPUT  
LED FLEXIBLE TAPE

120V IC RATED  
GMR12 LED DOWNLIGHT

GMR4 12VDC 3W  
MINI-DOWNLIGHT

LARC6 24VDC MODULAR  
ADJUSTABLE  
ARCHITECTURAL LIGHTBAR







**12VDC / 24VDC LEDTASK™ FLEXIBLE LED TAPE**



**12VDC STANDARD  
and HIGH OUTPUT TAPE**

PAGES 8, 10



**12VDC WET LOCATION  
STANDARD and HIGH OUTPUT  
TAPE**

PAGES 12, 14



**12VDC STANDARD  
OUTPUT 'SIDE VIEW' TAPE**

PAGE 16



**NEW! 12VDC 90+ CRI  
TWIST-TASK™ LED TAPE**

PAGE 18



**NEW! 12VDC 80+ CRI  
MAGNETASK™ LED TAPE**

PAGE 20



**12VDC RGB DRY and WET  
LOCATION TAPE AND  
CONTROLLER / AMPLIFIER**

PAGES 22, 24



**24VDC STANDARD  
and HIGH OUTPUT TAPE**

PAGES 26, 28



**24VDC 90+ CRI HIGH OUTPUT  
TAPE**

PAGE 31



**24VDC SUPER HIGH OUTPUT  
TAPE - DRY and WET  
LOCATION**

PAGES 30, 32



### PRODUCT DESCRIPTION

LEDtask™ is a flexible standard output LED linear tape that conforms to straight, curved and irregular architectural coves, banisters, recesses, and other constructs where even, energy saving LED illumination is specified. LEDTask can be cut in the field to achieve virtually any custom installation.

Custom lengths available - consult factory

Aluminum architectural mounting channels for interior and exterior available - see page 110

Power supplies are available - see page 91



## LEDTASK™ 12VDC FLEXIBLE LED TAPE STANDARD OUTPUT

### KEY FEATURES

- Flexible LED tape that is cuttable in the field (cuttable every 3 diodes or 2" / 51mm).
- Mounts with 3M VHB™ double stick tape.
- Flexible tape to tape and tape to power supply connectors available (see next page).
- Dimmable (see page 101).
- Maximum run on a given lead is 32'-8".
- Shipped in anti-static packaging.
- Available in 39" (1M), 16'-4" (5M) & 98'-6" (30M) reels.

### ELECTRICAL

- 12VDC remote power supply required (see page 91).
- Rated at 1.52W per foot.
- 50,000 hr. operation.

### OPTICS

- 2400K, 2700K, 3000K, 3500K, 4200K, 5500K. Colors available (see next page)
- 120° viewing angle.
- Up to 153 lumens per foot.

### CERTIFICATION

- ETL
- IP20 dry location

### WARRANTY

- 5 year warranty.



### PRODUCT ORDERING MATRIX

Catalog No.	Length	Wattage	Lumens	CRI	Color Temp.*	Mounting Channels
LTR60-S0-24	39" / 1M	1.52W/ft.	107/ft.	82	2400K	This LED Tape will fit into the following mounting channels:
LTR60-S0-27	39" / 1M	1.52W/ft.	111/ft.	82	2700K	
LTR60-S0-30	39" / 1M	1.52W/ft.	115/ft.	82	3000K	
LTR60-S0-WW	39" / 1M	1.52W/ft.	134/ft.	87	3500K	
LTR60-S0-42	39" / 1M	1.52W/ft.	144/ft.	83	4200K	
LTR60-S0-PW	39" / 1M	1.52W/ft.	153/ft.	85	5500K	
<i>Each 39" reel includes: (1) STW-60 connector; (1) STC-1 and 24" of lead affixed at start of reel.</i>						
LTR300-S0-24	16'-4" / 5M	1.52W/ft.	107/ft.	82	2400K	LED-CHL LED-CHL-D LED-CHL-XD LED-CHL-XD-F LED-CHL-45 LED-CHL-W
LTR300-S0-27	16'-4" / 5M	1.52W/ft.	111/ft.	82	2700K	
LTR300-S0-30	16'-4" / 5M	1.52W/ft.	115/ft.	82	3000K	
LTR300-S0-WW	16'-4" / 5M	1.52W/ft.	134/ft.	87	3500K	
LTR300-S0-42	16'-4" / 5M	1.52W/ft.	144/ft.	83	4200K	
LTR300-S0-PW	16'-4" / 5M	1.52W/ft.	153/ft.	85	5500K	
<i>Each 16'-4" reel includes: (3) STW-60 connectors and 24" of lead affixed at start of reel.</i>						
LTR300-100-S0-24	98'-6" / 30M	1.52W/ft.	107/ft.	82	2400K	NOTE: When using the above channels, use only Sure-Tite™ connectors. See page 108.
LTR300-100-S0-27	98'-6" / 30M	1.52W/ft.	111/ft.	82	2700K	
LTR300-100-S0-30	98'-6" / 30M	1.52W/ft.	115/ft.	82	3000K	
LTR300-100-S0-WW	98'-6" / 30M	1.52W/ft.	134/ft.	87	3500K	
LTR300-100-S0-42	98'-6" / 30M	1.52W/ft.	144/ft.	83	4200K	
LTR300-100-S0-PW	98'-6" / 30M	1.52W/ft.	153/ft.	85	5500K	
<i>Each 98'-6" reel includes: (15) STW-60 connectors and 24" of lead affixed at start of reel.</i>						

\* Kelvin temperature (color) ±200K



## CONNECTORS AND ACCESSORIES

### KEY FEATURES

- SureTite™ connectors enable a ‘contractor preferred’ quality connection.
- EZ Connectors make multiple connections quick and easy.
- Flexible tape to tape and tape to power supply connectors. Check what is included with each reel (varies by length).



### CONNECTORS AND ACCESSORIES

Cat. No.	Description
LTC-1	Tape to tape connector
LTC-3	3" flexible tape to tape connector
LTC-12	12" flexible tape to tape connector
LTC-24	24" flexible tape to tape connector
LTC-36	36" flexible tape to tape connector
LTC-60	60" flexible tape to tape connector
LTC-T	3" flexible tape to tape T connector
LTW-6	6" flexible tape to power supply connector

Cat. No.	Description
LTW-24	24" flexible tape to power supply connector
LTW-48	48" flexible tape to power supply connector
LTW-60	60" flexible tape to power supply connector
STC-1	SureTite tape to tape connector
STLK-60	60" SureTite flexible tape to tape connector
STW-60	60" SureTite flexible tape to power supply connector
GMSB-W(B)	Splice Box in White (W) or Black (B) 2"L x 1"W x 5/8"D

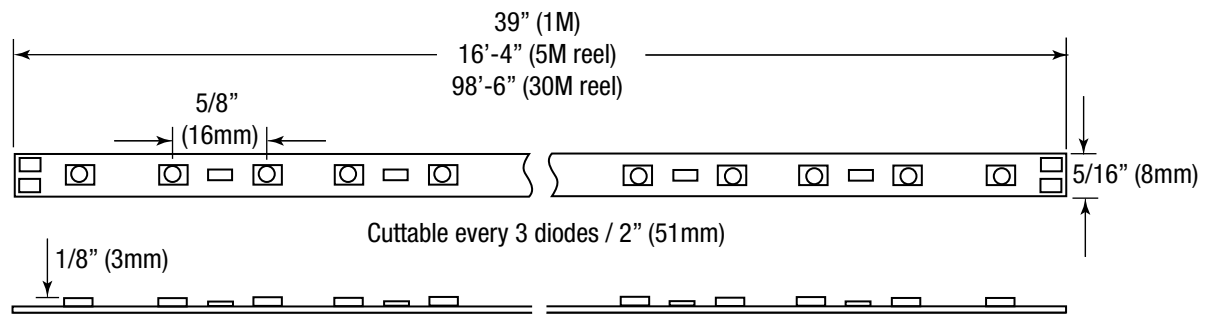
**POWER SUPPLIES:**  
Please see power supply section on page 91.

**PHOTOMETRICS:**  
Please see product page at [www.gmlighting.net](http://www.gmlighting.net)

### PRODUCT ORDERING MATRIX - COLORS

Catalog No.	Length	Wattage	Lumens	CRI	Color	Mounting Channels
LTR300-AM	16'-4" / 5M	1.52W/ft.	10/ft.	NA	AMBER	This LED Tape uses same mounting channels as shown in ordering chart on previous page.
LTR300-BL	16'-4" / 5M	1.52W/ft.	12/ft.	NA	BLUE	
LTR300-GR	16'-4" / 5M	1.52W/ft.	34/ft.	NA	GREEN	
LTR300-PR	16'-4" / 5M	1.52W/ft.	0.4/ft.	NA	PURPLE	
LTR300-RD	16'-4" / 5M	1.52W/ft.	9/ft.	NA	RED	
Each 16'-4" reel includes: (3) STW-60 connectors and 24" of lead affixed at start of reel.						

### PRODUCT DIAGRAM



See our Design Guide beginning on Page 40



**PRODUCT DESCRIPTION**

LEDtask™ is a flexible high output LED linear tape that conforms to straight, curved and irregular architectural coves, banisters, recesses, and other constructs where even, energy saving LED illumination is specified. LEDTask can be cut in the field to achieve virtually any custom installation.

Custom lengths available - consult factory

Aluminum architectural mounting channels for interior and exterior available - see page 110

Power supplies are available - see page 91

12  
VOLT

DRY  
LOCATION

80+  
CRI

CLASS  
2

FIELD  
CUTTABLE

5 Yr.  
WARRANTY

**LEDTASK™ 12VDC FLEXIBLE LED TAPE  
HIGH OUTPUT**

**KEY FEATURES**

- Flexible LED tape that is cuttable in the field (cuttable every 3 diodes or 2" / 51mm).
- Mounts with 3M VHB™ double stick tape.
- Flexible tape to tape and tape to power supply connectors available (see next page).
- Dimmable (see page 101).
- Maximum run on a given lead is 16'.
- Shipped in anti-static packaging.
- Available in 39" (1M), 16'-4" (5M) & 98'-6" (30M) reels.

**ELECTRICAL**

- 12VDC remote power supply required (see page 91).
- Rated at 2.2W per foot.
- 50,000 hr. operation.

**OPTICS**

- 2700K, 3000K, 3500K, 4200K. Colors in std. output.
- 120° viewing angle.
- Up to 222 lumens per foot.

**CERTIFICATION**

- ETL
- IP20 dry location

**WARRANTY**

- 5 year warranty.



**PRODUCT ORDERING MATRIX**

Catalog No.	Length	Wattage	Lumens	CRI	Color Temp.*	Mounting Channels
LTR60-27	39" / 1M	2.2W/ft.	152/ft.	82	2700K	This LED Tape will fit into the following mounting channels:
LTR60-30	39" / 1M	2.2W/ft.	195/ft.	82	3000K	
LTR60-WW	39" / 1M	2.2W/ft.	198/ft.	87	3500K	
LTR60-42	39" / 1M	2.2W/ft.	222/ft.	83	4200K	
<i>Each 39" reel includes: (1) STW-60 connector, (1) STC-1 and 24" of lead affixed at start of reel.</i>						
LTR300-27	16'-4" / 5M	2.2W/ft.	152/ft.	82	2700K	LED-CHL LED-CHL-D LED-CHL-XD LED-CHL-XD-F LED-CHL-45 LED-CHL-W
LTR300-30	16'-4" / 5M	2.2W/ft.	195/ft.	82	3000K	
LTR300-WW	16'-4" / 5M	2.2W/ft.	198/ft.	87	3500K	
LTR300-42	16'-4" / 5M	2.2W/ft.	222/ft.	83	4200K	
<i>Each 16'-4" reel includes: (3) STW-60 connectors and 24" of lead affixed at start of reel.</i>						
LTR300-100-27	98'-6" / 30M	2.2W/ft.	152/ft.	82	2700K	NOTE: When using the above channels, use only Sure-Tite™ connectors. See page 108.
LTR300-100-30	98'-6" / 30M	2.2W/ft.	195/ft.	82	3000K	
LTR300-100-WW	98'-6" / 30M	2.2W/ft.	198/ft.	87	3500K	
LTR300-100-42	98'-6" / 30M	2.2W/ft.	222/ft.	83	4200K	
<i>Each 98'-6" reel includes: (15) STW-60 connectors and 24" of lead affixed at start of reel.</i>						

\* Kelvin temperature (color) ±200K

## CONNECTORS AND ACCESSORIES

### KEY FEATURES

- SureTite™ connectors enable a 'contractor preferred' quality connection.
- EZ Connectors make multiple connections quick and easy.
- Flexible tape to tape and tape to power supply connectors. Check what is included with each reel (varies by length).



### CONNECTORS AND ACCESSORIES

Cat. No.	Description
LTC-1	Tape to tape connector
LTC-3	3" flexible tape to tape connector
LTC-12	12" flexible tape to tape connector
LTC-24	24" flexible tape to tape connector
LTC-36	36" flexible tape to tape connector
LTC-60	60" flexible tape to tape connector
LTC-T	3" flexible tape to tape T connector
LTW-6	6" flexible tape to power supply connector

Cat. No.	Description
LTW-24	24" flexible tape to power supply connector
LTW-48	48" flexible tape to power supply connector
LTW-60	60" flexible tape to power supply connector
STC-1	SureTite tape to tape connector
STLK-60	60" SureTite flexible tape to tape connector
STW-60	60" SureTite flexible tape to power supply connector
GMSB-W(B)	Splice Box in White (W) or Black (B) 2"L x 1"W x 5/8"D

**POWER SUPPLIES:**  
Please see power supply section on page 91.

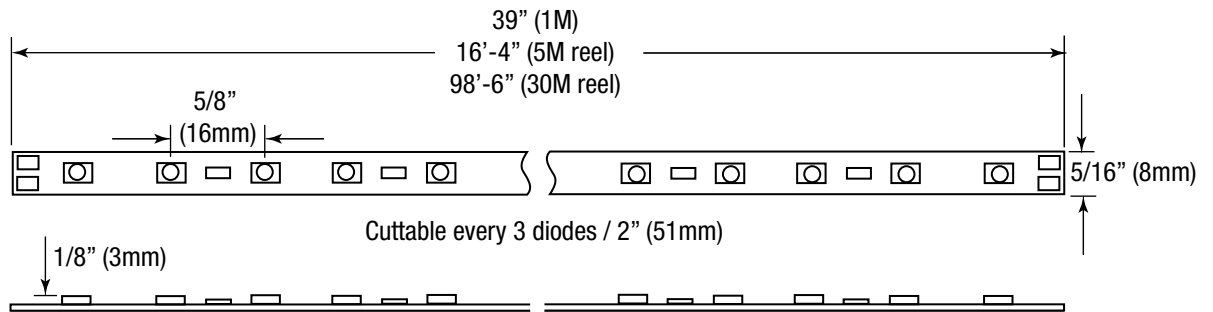
**PHOTOMETRICS:**  
Please see product page at [www.gmlighting.net](http://www.gmlighting.net)

### PRODUCT ORDERING MATRIX - STANDARD OUTPUT COLORS

Catalog No.	Length	Wattage	Lumens	CRI	Color	Mounting Channels
LTR300-AM	16'-4" / 5M	1.52W/ft.	10/ft.	NA	AMBER	This LED Tape uses same mounting channels as shown in ordering chart on previous page.
LTR300-BL	16'-4" / 5M	1.52W/ft.	12/ft.	NA	BLUE	
LTR300-GR	16'-4" / 5M	1.52W/ft.	34/ft.	NA	GREEN	
LTR300-PR	16'-4" / 5M	1.52W/ft.	0.4/ft.	NA	PURPLE	
LTR300-RD	16'-4" / 5M	1.52W/ft.	9/ft.	NA	RED	

*Each 16'-4" reel includes: (3) STW-60 connectors and 24" of lead affixed at start of reel.*

### PRODUCT DIAGRAM



See our Design Guide beginning on Page 40





**PRODUCT DESCRIPTION**

A wet location standard output flexible LED linear tape that conforms to straight, curved and irregular architectural coves, outdoor steps and banisters, fountain exteriors, outdoor cooking islands and food stations, recesses, and other constructs where even, energy saving LED illumination is specified in environments that are exposed to moisture. **Not to be submerged directly in water.**

Custom lengths available - consult factory

Does not come with double-stick tape. Use mounting clips supplied.

Aluminum architectural mounting channels for interior and exterior available - see page 110

Power supplies are available - see page 91

12  
VOLT

JWET  
LOCATION

80+  
CRI

CLASS  
2

FIELD  
CUTTABLE

5 Yr.  
WARRANTY

**LEDTASK™ 12VDC FLEXIBLE LED TAPE  
WET LOCATION STANDARD OUTPUT**

**KEY FEATURES**

- Flexible wet location LED tape that is cuttable in the field (cuttable every 3 diodes or 2" / 51mm).
- Fully surrounded in optical clear silicone weather proof sheath.
- Flexible tape to tape and tape to power supply connectors available (see next page).
- Dimmable (see page 101.)
- Maximum run on a given lead is 32'-8".
- Shipped in anti-static packaging.
- Available in 39" (1M) and 16'-4" (5M) reels.

**ELECTRICAL**

- 12VDC remote power supply required (see page 91).
- Rated at 1.52W per foot.
- 50,000 hr. operation.

**OPTICS**

- 2700K, 3000K, 3500K, 4200K, 5500K.
- Colors available.
- 120° viewing angle.
- Up to 153 lumens per foot.

**CERTIFICATION**

- ETL
- IP67 wet location

**WARRANTY**

- 5 year warranty.



**PRODUCT ORDERING MATRIX**

Catalog No.	Length	Wattage	Lumens	CRI	Color Temp.*	Mounting Channels
LTR60WP-SO-27	39" / 1M	1.52W/ft.	111/ft.	82	2700K	This LED Tape will fit into the following mounting channels:  LED-CHL-XD LED-CHL-XD-F LED-CHL-45 LED-CHL-W
LTR60WP-SO-30	39" / 1M	1.52W/ft.	115/ft.	82	3000K	
LTR60WP-SO-WW	39" / 1M	1.52W/ft.	134/ft.	87	3500K	
LTR60WP-SO-42	39" / 1M	1.52W/ft.	144/ft.	83	4200K	
LTR60WP-SO-PW	39" / 1M	1.52W/ft.	153/ft.	85	5500K	
Each 39" reel includes: (1) LTW-24-WP connector, 6 silicone mounting clips, 12 stainless steel screws, 2 silicone end caps, 1 male plug for plugging end of run and a tube of silicone sealant.						
LTR300WP-SO-27	16'-4" / 5M	1.52W/ft.	111/ft.	82	2700K	NOTE: When using the above channels, use only Sure-Tite™ connectors. See page 108.
LTR300WP-SO-30	16'-4" / 5M	1.52W/ft.	115/ft.	82	3000K	
LTR300WP-SO-WW	16'-4" / 5M	1.52W/ft.	134/ft.	87	3500K	
LTR300WP-SO-42	16'-4" / 5M	1.52W/ft.	144/ft.	83	4200K	
LTR300WP-SO-PW	16'-4" / 5M	1.52W/ft.	153/ft.	85	5500K	
Each 16'-4" reel includes: (1) LTW-24-WP connector, 20 silicone mounting clips, 40 stainless steel screws, 2 silicone end caps, 1 male plug for plugging end of run and a tube of silicone sealant.						

\* Kelvin temperature (color) ±200K

## CONNECTORS AND ACCESSORIES

### KEY FEATURES

- Flexible tape to tape and tape to power supply connectors.
- Check what is included with each reel (varies by reel length).
- Reel is field cuttable - cut and terminate only.



### CONNECTORS AND ACCESSORIES

Cat. No.	Description
LTCWP-12*	12" flexible tape to tape connector
LTCWP-24*	24" flexible tape to tape connector
LTCWP-36*	36" flexible tape to tape connector
LTCWP-60*	60" flexible tape to tape connector For use with 39" (1M) reels only.

\* For use with 39" (1M) reels only

Cat. No.	Description
LTW-24-WP	24" flexible tape to power supply connector
LTW-48-WP	48" flexible tape to power supply connector
LTW-60-WP	60" flexible tape to power supply connector
WPKT	Waterproof accessory kit: Small tube of silicone sealant, silicone end cap, 6 silicone clips, 12 screws and 1 male.

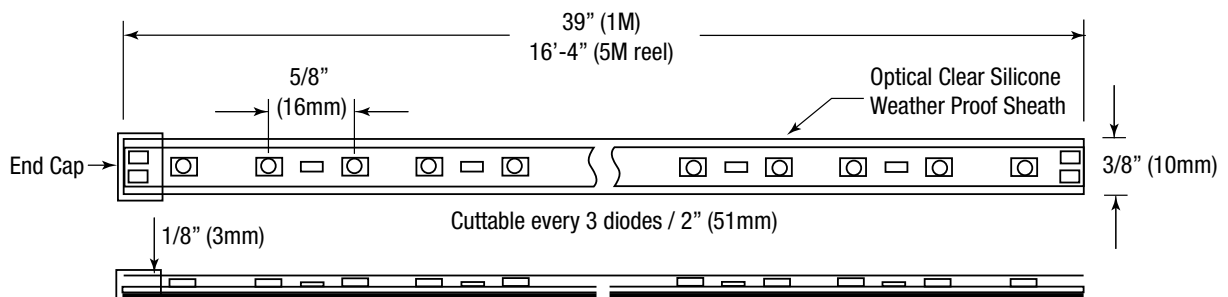
**POWER SUPPLIES:**  
Please see power supply section on page 91.

**PHOTOMETRICS:**  
Please see product page at [www.gmlighting.net](http://www.gmlighting.net)

### PRODUCT ORDERING MATRIX

Catalog No.	Length	Wattage	Lumens	CRI	Color	Mounting Channels
LTR300WP-AM	16'-4" / 5M	1.52W/ft.	10/ft.	NA	AMBER	This LED Tape uses same mounting channels as shown in ordering chart on previous page.
LTR300WP-BL	16'-4" / 5M	1.52W/ft.	12/ft.	NA	BLUE	
LTR300WP-GR	16'-4" / 5M	1.52W/ft.	34/ft.	NA	GREEN	
LTR300WP-RD	16'-4" / 5M	1.52W/ft.	9/ft.	NA	RED	
Each 16'-4" reel includes: (1) LTW-24-WP connector, 20 silicone mounting clips, 40 stainless steel screws, 2 silicone end caps, male plug for plugging end of run and a tube of silicone sealant.						

### PRODUCT DIAGRAM



See our Design Guide beginning on Page 40



**PRODUCT DESCRIPTION**

A wet location high output flexible LED linear tape that conforms to straight, curved and irregular architectural coves, outdoor steps and banisters, fountain exteriors, outdoor cooking islands and food stations, recesses, and other constructs where even, energy saving LED illumination is specified in environments that are exposed to moisture. **Not to be submerged directly in water.**

Custom lengths available - consult factory

Aluminum architectural mounting channels for interior and exterior available - see page 110

Power supplies are available - see page 91

12  
VOLT

JWET  
LOCATION

80+  
CRI

CLASS  
2

FIELD  
CUTTABLE

5 Yr.  
WARRANTY

**LEDTASK™ 12VDC FLEXIBLE LED TAPE  
WET LOCATION HIGH OUTPUT**

**KEY FEATURES**

- Flexible wet location LED tape that is cuttable in the field (cuttable every 3 diodes or 2" / 51 mm).
- Fully surrounded in optical clear silicone weather proof sheath.
- Flexible tape to tape and tape to power supply. connectors available (see next page).
- Dimmable (see page 101)
- Maximum run on a given lead is 16'
- Shipped in anti-static packaging.
- Available in 39" (1M) and 16'-4" (5M) reels.

**ELECTRICAL**

- 12VDC remote power supply required (see page 91)
- Rated at 2.2W per foot
- 50,000 hr. operation

**OPTICS**

- 2700K, 3000K, 3500K, 4200K
- Colors available in standard output only.
- 120° viewing angle
- Up to 222 lumens per foot.

**CERTIFICATION**

- ETL
- IP67 wet location

**WARRANTY**

- 5 year warranty



**PRODUCT ORDERING MATRIX**

Catalog No.	Length	Wattage	Lumens	CRI	Color Temp.*	Mounting Channels
LTR60WP-27	39" / 1M	2.2W/ft.	152/ft.	82	2700K	This LED Tape will fit into the following mounting channels:
LTR60WP-30	39" / 1M	2.2W/ft.	195/ft.	82	3000K	
LTR60WP-WW	39" / 1M	2.2W/ft.	198/ft.	87	3500K	
LTR60WP-42	39" / 1M	2.2W/ft.	222/ft.	83	4200K	
<i>Each 39" reel includes: (1) LTW-24-WP connector, 6 silicone mounting clips, 12 stainless steel screws, 2 silicone end caps, 1 male plug for plugging end of run and a tube of silicone sealant.</i>						
LTR300WP-27	16'-4" / 5M	2.2W/ft.	152/ft.	82	2700K	<b>LED-CHL-XD</b> <b>LED-CHL-XD-F</b> <b>LED-CHL-45</b> <b>LED-CHL-W</b>  <b>NOTE: When using the above channels, use only Sure-Tite™ connectors. See page 108.</b>
LTR300WP-30	16'-4" / 5M	2.2W/ft.	195/ft.	82	3000K	
LTR300WP-WW	16'-4" / 5M	2.2W/ft.	198/ft.	87	3500K	
LTR300WP-42	16'-4" / 5M	2.2W/ft.	222/ft.	83	4200K	
<i>Each 16'-4" reel includes: (1) LTW-24-WP connector, 20 silicone mounting clips, 40 stainless steel screws, 2 silicone end caps, 1 male plug for plugging end of run and a tube of silicone sealant.</i>						

\* Kelvin temperature (color) ±200K



## CONNECTORS AND ACCESSORIES

### KEY FEATURES

- Flexible tape to tape and tape to power supply connectors. Check what is included with each reel (varies by reel length)
- Reel is field cuttable - cut and terminate only.



### CONNECTORS AND ACCESSORIES

Cat. No.	Description
LTCWP-12*	12" flexible tape to tape connector
LTCWP-24*	24" flexible tape to tape connector
LTCWP-36*	36" flexible tape to tape connector
LTCWP-60*	60" flexible tape to tape connector For use with 39" (1M) reels only.

\* For use with 39" (1M) reels only

Cat. No.	Description
LTW-24-WP	24" flexible tape to power supply connector
LTW-48-WP	48" flexible tape to power supply connector
LTW-60-WP	60" flexible tape to power supply connector
WPKT	Waterproof accessory kit: Small tube of silicone sealant, silicone end cap, 6 silicone clips, 12 screws and 1 male.

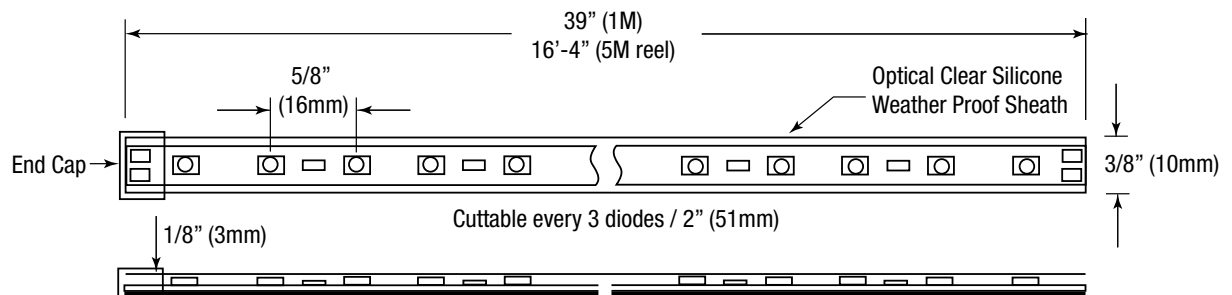
**POWER SUPPLIES:**  
Please see power supply section on page 91

**PHOTOMETRICS:**  
Please see product page at [www.gmlighting.net](http://www.gmlighting.net)

### PRODUCT ORDERING MATRIX - STANDARD OUTPUT COLORS

Catalog No.	Length	Wattage	Lumens	CRI	Color	Mounting Channels
LTR300WP-AM	16'-4" / 5M	1.52W/ft.	10/ft.	NA	AMBER	This LED Tape uses same mounting channels as shown in ordering chart on previous page.
LTR300WP-BL	16'-4" / 5M	1.52W/ft.	12/ft.	NA	BLUE	
LTR300WP-GR	16'-4" / 5M	1.52W/ft.	34/ft.	NA	GREEN	
LTR300WP-RD	16'-4" / 5M	1.52W/ft.	9/ft.	NA	RED	
Each 16'-4" reel includes: (1) LTW-24-WP connector, 20 silicone mounting clips, 40 stainless steel screws, 2 silicone end caps, male plug for plugging end of run and a tube of silicone sealant.						

### PRODUCT DIAGRAM



See our Design Guide beginning on Page 40



**PRODUCT DESCRIPTION**

LEDtask™ Side View is a flexible LED linear tape that conforms to straight, curved and irregular architectural coves, banisters, recesses, and other constructs where even, energy saving LED illumination is specified. Available in 39" (1M) and a 16'-4" (5M) reel, this LED tape features diodes placed strategically in order to throw light out at an angle (see diagram on next page). Available in 3000K, 3500K and 4200K.

Custom lengths available - consult factory

Power supplies are available - see page 91

12  
VOLT

DRY  
LOCATION

FIELD  
CUTTABLE

80+  
CRI

5 Yr.  
WARRANTY

**LEDTASK™ 12VDC FLEXIBLE LED TAPE  
STANDARD OUTPUT 'SIDE VIEW'**

**KEY FEATURES**

- Flexible LED tape that is cuttable in the field (cuttable every 3 diodes or 2" / 51mm).
- Mounts with 3M VHB™ double stick tape.
- Diodes placed near one edge to throw light out at an angle (see diagram on next page).
- Flexible tape to tape and tape to power supply connectors available (see next page).
- Dimmable (see page 101).
- Maximum run on a given lead is 32'-8".
- Shipped in anti-static packaging.
- Available in 39" (1M) and 16'-4" (5M) reels.

**ELECTRICAL**

- 12VDC remote power supply required (see page 91).
- Rated at 1.46W per foot.
- 120° viewing angle.
- 50,000 hr. operation.

**OPTICS**

- 3000K, 3500K, 4200K.
- 80+ CRI.
- Up to 128 lumens per foot.

**CERTIFICATION**

- ETL
- IP20 dry location

**WARRANTY**

- 5 year warranty.



**PRODUCT ORDERING MATRIX**

Catalog No.	Length	Wattage	Lumens	CRI	Color Temp.*	Mounting Channels	
LTRSV-60-S0-30	39" / 1M	1.46W/ft.	110/ft.	80+	3000K	Not applicable. Use of channels will impair side-throw direction of beam spread.	
LTRSV-60-S0-35	39" / 1M	1.46W/ft.	120/ft.	80+	3500K		
LTRSV-60-S0-42	39" / 1M	1.46W/ft.	128/ft.	80+	4200K		
<i>Each 39" reel includes: (1) 24" lead affixed at start of tape, (1) STW-60 and (1) STC-1 connector.</i>							
LTRSV-300-S0-30	16'-4" / 5M	1.46W/ft.	110/ft.	80+	3000K		
LTRSV-300-S0-35	16'-4" / 5M	1.46W/ft.	120/ft.	80+	3500K		
LTRSV-300-S0-42	16'-4" / 5M	1.46W/ft.	128/ft.	80+	4200K		
<i>Each 16'-4" reel includes: (1) 24" lead affixed at start of tape, (3) STW-60 and (3) STC-1 connectors.</i>							

\* Kelvin temperature (color) ±200K

## CONNECTORS AND ACCESSORIES

### KEY FEATURES

- SureTite™ connectors enable a ‘contractor preferred’ quality connection.
- EZ Connectors make multiple connections quick and easy.
- Flexible tape to tape and tape to power supply connectors. Check what is included with each reel (varies by length).



### CONNECTORS AND ACCESSORIES

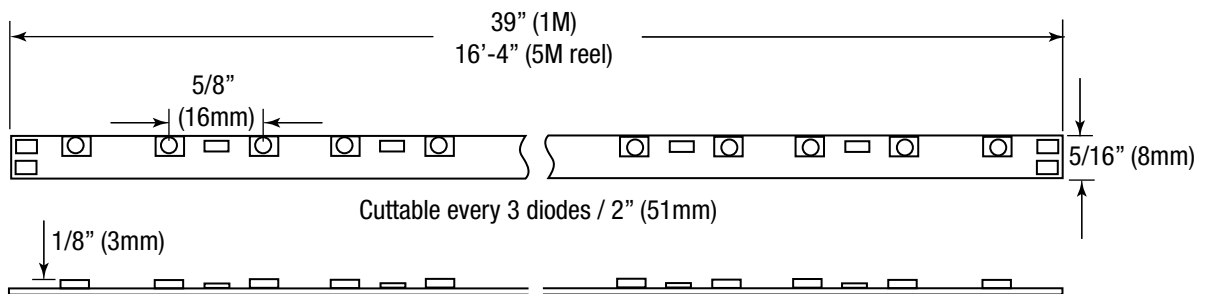
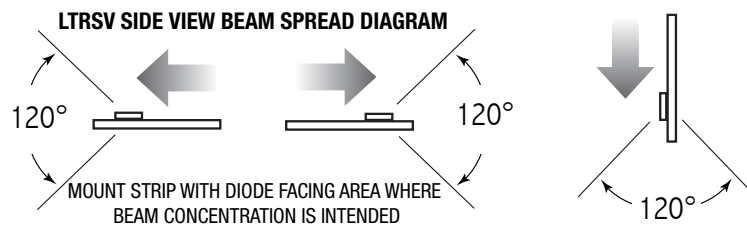
Cat. No.	Description
LTC-1	Tape to tape connector
LTC-3	3" flexible tape to tape connector
LTC-12	12" flexible tape to tape connector
LTC-24	24" flexible tape to tape connector
LTC-36	36" flexible tape to tape connector
LTC-60	60" flexible tape to tape connector
LTC-T	3" flexible tape to tape T connector
LTW-6	6" flexible tape to power supply connector

Cat. No.	Description
LTW-24	24" flexible tape to power supply connector
LTW-48	48" flexible tape to power supply connector
LTW-60	60" flexible tape to power supply connector
STC-1	SureTite tape to tape connector
STLK-60	60" SureTite flexible tape to tape connector
STW-60	60" SureTite flexible tape to power supply connector
GMSB-W(B)	Splice Box in White (W) or Black (B) 2"L x 1"W x 5/8"D

**POWER SUPPLIES:**  
Please see power supply section on page 91

**PHOTOMETRICS:**  
Please see product page at [www.gmlighting.net](http://www.gmlighting.net)

### PRODUCT DIAGRAMS



See our Design Guide beginning on Page 40





### PRODUCT DESCRIPTION

TWIST-TASK™ is a high output, 90+ CRI flexible LED linear tape that is segmented, enabling intricate mounting that follows complex shapes and forms. 3M adhesive mounting back. Available in a 17' (5.18M) reel.

Custom lengths available - consult factory

Power supplies are available - see page 91



### PRODUCT ORDERING MATRIX

Catalog No.	Length	Wattage	Lumens	CRI	Color Temp.*
TWR300-27	17' (5.18M)	2.2W/ft.	189/ft.	90+	2700K
TWR300-30	17' (5.18M)	2.2W/ft.	196/ft.	90+	3000K
TWR300-35	17' (5.18M)	2.2W/ft.	198/ft.	90+	3500K
TWR300-42	17' (5.18M)	2.2W/ft.	207/ft.	90+	4200K

*Each 17' reel includes: (3) ESTW-60 Sure-Tite™ connectors and 24" of lead affixed at start of tape*

\* Kelvin temperature (color) ±200K

### CONNECTORS AND ACCESSORIES

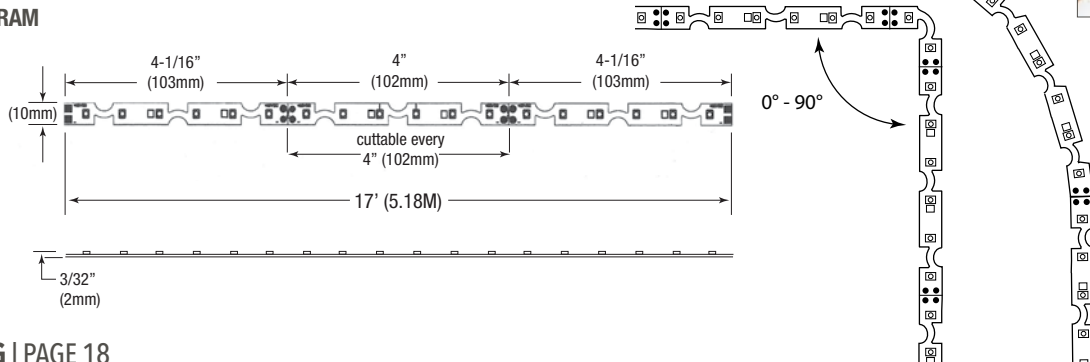
Cat. No.	Description
ESTC-1	SureTite™ tape to tape rigid connector
ESTLK-60	60" SureTite™ flexible tape to tape connector
ESTW-60	60" SureTite™ flexible tape to power supply connector

### KEY FEATURES

- SureTite™ connectors enable a 'contractor preferred' quality connection.
- ESTLK-60 and ESTW-60 are adjustable to any length desired, and cuttable in the field.



### PRODUCT DIAGRAM



## NEW! TWIST-TASK™ 12VDC HIGH OUTPUT 90+ CRI FLEXIBLE LED TAPE

### KEY FEATURES

- Flexible segmented LED tape that is cuttable in the field (cuttable every 4" / 102mm).
- Mounts with 3M VHB™ double stick tape.
- SureTite™ tape to tape and tape to power supply connectors available (see below).
- Dimmable (see page 101).
- Maximum run on a given lead is 17'.
- Shipped in anti-static packaging.
- Available in 17' (5.18M) reels.

### ELECTRICAL

- 12VDC remote power supply required (see page 91).
- Rated at 2.2W per foot.
- 120° viewing angle.
- 50,000 hr. operation.

### OPTICS

- 2700K, 3000K, 3500K, 4200K.
- Up to 207 lumens per foot.

### CERTIFICATION

- ETL
- IP20 dry location

### WARRANTY

- 5 year warranty.





TWIST-TASK 12VDC  
HIGH OUTPUT 90+ CRI  
FLEXIBLE LED TAPE





**PRODUCT DESCRIPTION**

A high output linear tape that features a magnetic back that mounts to metal constructs or retail shelving, metal cabinets, commercial workspaces, grocery store shelving, or where magnetic / portable mounting is ideal. 80+ CRI available in 3000K and 4200K. Available in a high output, high efficiency 16'-4" (5M) reel.

Custom lengths available - consult factory

Aluminum architectural mounting channels for interior and exterior available - see page 110

Power supplies are available - see page 91



**NEW! MAGNETASK 12VDC  
HIGH OUTPUT 80+ CRI LED TAPE**

**KEY FEATURES**

- Magnetic strip backed LED tape that is cuttable in the field (cuttable every 3 diodes or 2" / 51mm).
- SureTite™ tape to tape and tape to power supply connectors available (see below).
- Maximum run on a given lead is 16'
- Dimmable (see page 101).
- Shipped in anti-static packaging.
- Available in 16'-4" (5M) reels.

**ELECTRICAL**

- 12VDC remote power supply required (see page 91).
- Rated at 2.2W per foot.
- 120° viewing angle.
- 50,000 hr. operation.

**OPTICS**

- 3000K, 4200K.
- Up to 222 lumens per foot.

**CERTIFICATION**

- ETL
- IP20 dry location

**WARRANTY**

- 5 year warranty.



**PRODUCT ORDERING MATRIX**

Catalog No.	Length	Wattage	Lumens	Color Temp.*
MTR300-30	16'-4" / 5M	2.2W / ft.	195 / ft.	3000K
MTR300-42	16'-4" / 5M	2.2W / ft.	222 / ft.	4200K

*Each 16'-4" reel includes: (1) 24" lead affixed at start of tape and (3) STW-60 tape to power supply connectors.*

\* Kelvin temperature (color) ±200K

**CONNECTORS AND ACCESSORIES**

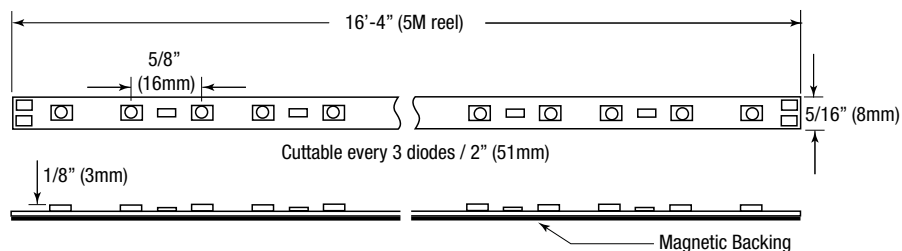
Cat. No.	Description
STC-1	SureTite™ tape to tape rigid connector
STLK-60	60" SureTite™ flexible tape to tape connector
STW-60	60" SureTite™ flexible tape to power supply connector

**KEY FEATURES**

- SureTite™ connectors enable a 'contractor preferred' quality connection.
- STLK-60 and STW-60 are adjustable to any length desired, and cuttable in the field.
- Magnetic backing must be removed where connectors touch tape. See instructions on product page at [www.gmlighting.net](http://www.gmlighting.net)



**PRODUCT DIAGRAM**







MAGNETASK™ 80+ CRI  
HIGH OUTPUT LED TAPE



DRY LOCATION

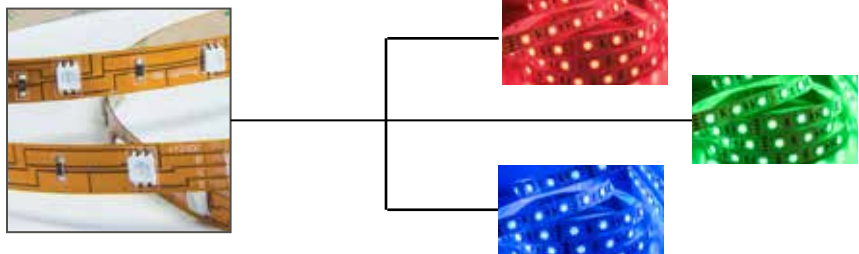
**PRODUCT DESCRIPTION**

Perfect for themed environments or anywhere that dramatic RGB linear effects are desired. GM Lighting's LTR150 Series provides energy efficient RGB LED lighting in a 16'-4" (5M) reel. By utilizing GM Lighting's Touch Controller and Remote (page 24), your color palette will continue to change with different color effects and transitions. **Wet location not to be submerged directly in water.**

Custom lengths available - consult factory

Aluminum architectural mounting channels for interior and exterior available - see page 110

NOTE: 12VDC non-dimming power supply required. See page 91.



**PRODUCT ORDERING MATRIX**

Catalog No.	Location	Length	Wattage	Lumens	Mounting Channels
LTR150-RGB	DRY	16'-4" (5M)	2.2W/ft.	64	This LED Tape will fit into the following mounting channels:
<i>Each 16'-4" reel includes: (3) RPS-24 and a 24" lead affixed at start of reel.*</i>					
LTR30WP-RGB	WET	39" (1M)	2.2W/ft.	64	
LTR150WP-RGB	WET	16'-4" (5M)	2.2W/ft.	64	<b>LED-CHL-XD</b> <b>LED-CHL-XD-F</b> <b>LED-CHL-45</b> <b>LED-CHL-W</b> <b>LED-CHL-45-1200</b>
<i>Each 39" wet location reel includes: (1) RPS-24 wet location tape to RGB controller connector, (1) male waterproof connector affixed to end of tape, (1) female waterproof connector affixed to opposite end of tape which allows the tapes to be connected together for various length applications, (6) silicone mounting clips, (12) stainless steel screws, (1) tube of silicone sealant, (2) silicone end caps and (1) male silicone plug for plugging end of run.</i>					
<i>Each 16'-4" wet location reel includes: (1) RPS-24 wet location tape to RGB controller connector, (1) male waterproof connector affixed at start of reel, (20) silicone mounting clips, (40) stainless steel screws, (1) tube of silicone sealant, (2) silicone end caps.</i>					

\* Each 16'-4" reel must be wired directly back to the controller. Suitable for installation from -12°F to 150°F.

**LEDTask™ 12VDC RGB FLEXIBLE COLOR CHANGING LED TAPE FOR DRY OR WET LOCATION**

**KEY FEATURES**

- Flexible color changing LED tape that is cuttable in the field (cuttable every 3 diodes or 4" / 102mm).
- Mounts with 3M VHB™ double stick tape- wet location utilizes mounting clips, not tape).
- Maximum run on a given lead is 16'.
- Create dazzling, colorful linear displays.
- Flexible tape to tape and tape to power supply connectors available (see next page).
- Shipped in anti-static packaging.
- Available in 39" (1M - wet only) and 16'-4" (5M) reels.

**ELECTRICAL**

- 12VDC remote non-dimming power supply required (see page 91).
- 4-wire available (see page 109).
- Rated at 2.2W per foot.
- 120° viewing angle.
- 50,000 hr. operation.

**CONTROL**

- For use with LEDTask™ 12VDC Color Changing Controller (page 24).
- Hand held remote available.
- Creates fades and effects for up to 4 reels.

**CERTIFICATION**

- IP20 dry location
- IP67 wet location
- ETL



**WARRANTY**

- 5 year warranty

**HOW RGB WORKS**

Through the blending of red, blue and green - virtually millions of brilliant and colorful shades and hues are possible. Our controller (page 24) enables color changing transitions and visual pre-set modes.

## CONNECTORS AND ACCESSORIES

### KEY FEATURES

- Flexible tape to tape and tape to power supply connectors.
- Check what is included with each reel.
- Dry location is field cuttable
- Wet location is cut and terminate only



RTR SERIES



RPS SERIES



RTR-EZ SERIES CONNECTOR

### DRY LOCATION CONNECTORS

Cat. No.	Description
RTR-1	Flexible tape to tape connector
RTR-3	3" flexible tape to tape connector
RTR-12	12" flexible tape to tape connector
RTR-24	24" flexible tape to tape connector
RTR-36	36" flexible tape to tape connector
RTR-60	60" flexible tape to tape connector
RPS-24	24" flexible tape to RGB controller
RPS-72	72" flexible tape to RGB controller

Cat. No.	Description
RTR-EZ-1	RGB EZ connector
RTR-EZ-3	3" EZ tape to tape connector
RTR-EZ-12	12" EZ tape to tape connector
RTR-EZ-24	24" EZ tape to tape connector
RTR-EZ-36	36" EZ tape to tape connector
RTR-EZ-60	60" EZ tape to tape connector
RPS-EZ-24	24" EZ tape to controller connector
RPS-EZ-72	72" EZ tape to controller connector

**POWER SUPPLIES:**  
Please see power supply section on page 91

### WET LOCATION CONNECTORS

Cat. No.	Description
RPS-24-WP	24" flexible tape to RGB controller
RPS-72-WP	72" flexible tape to RGB controller
RTRWP-12*	12" flexible tape to tape connector
RTRWP-24*	24" flexible tape to tape connector
RTRWP-36*	36" flexible tape to tape connector
RTRWP-60*	60" flexible tape to tape connector
WPKT-RGB	Waterproof accessory kit. Includes small tube of silicone sealant, 1 silicone end cap, 6 silicone mounting clips and 12 stainless steel screws

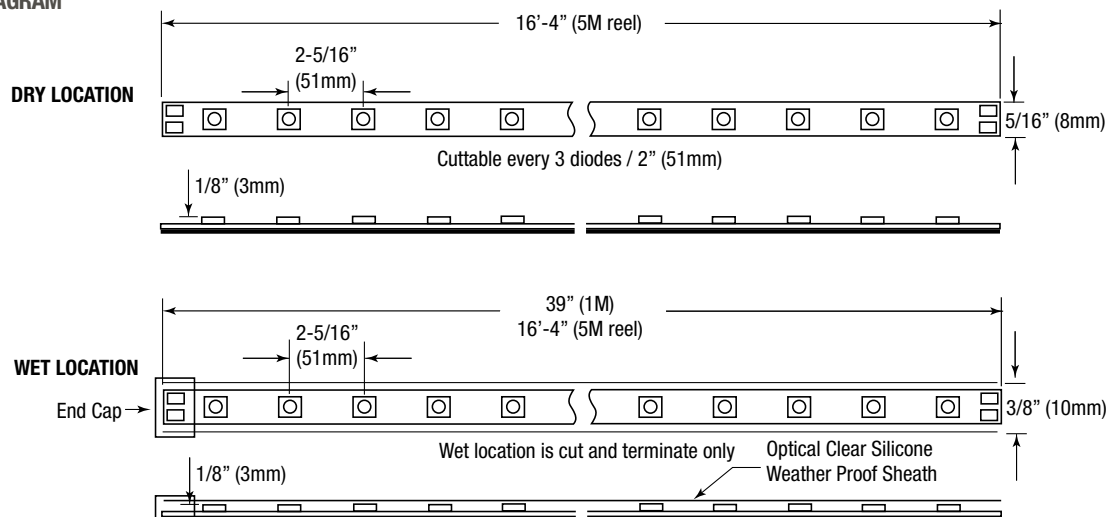


RPS CONNECTOR



RTRWP CONNECTOR

### PRODUCT DIAGRAM



\* For use with 39" / 1M TAPES only

See our Design Guide beginning on Page 40





## LEDTASK™ 12VDC RGB COLOR CHANGING FLEXIBLE LED LINEAR TAPE CONTROLLER AND AMPLIFIER

### COLOR EFFECTS

- Static Red, Green, Blue, Yellow, Purple, Cyan and White
- 2-Color Skipping
- 7-Color Skipping
- White Color Strobe
- 3-Color Smooth
- Full Color Smooth
- Red-Green Color Smooth
- Red-Blue Color Smooth
- Green-Blue Color Smooth
- White Color Fade and Change

### PRODUCT DESCRIPTION

Create fades and colorful lighting effects with this easy to use RGB LED Linear Tape Controller and Remote. Allows the ability to program 16 preset modes that enable a palette of colors to remain constant, or to have the colors fade and transition to other colors. Brightness and speed adjustable. One of the most powerful and versatile RGB controllers on the market.

For runs over 65'-6" (20M) (4 x 16'-4" (5M) meter reels), an amplifier is required. GM Lighting's RGB-AMP enables easy installation over long runs.

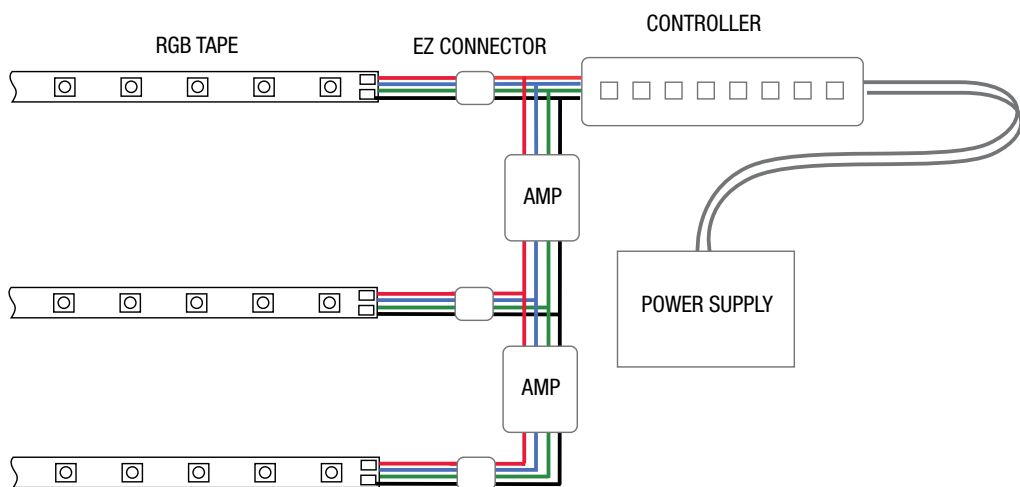
For runs of 5 reels or more, use amplifier.

**NOTE: 12VDC non-dimming power supply required. See page 91.**

**Four or five wire available. See page 109 for wire.**



### MULTIPLE RUNS FROM ONE CONTROLLER DIAGRAM



### PRODUCT ORDERING MATRIX

Catalog No.	Description	Wattage	Amps	Finish
RGB-12-CONTROLLER	12VDC RGB Touch Controller with Wireless Remote	200W	6.0 per channel	White
RGB-AMP	12VDC RGB LED Linear Tape Amplifier	144W	16.0 max.	White





LEDTASK™ 12VDC STANDARD OUTPUT  
DRY LOCATION TAPE IN RED

GMR6 MINI-RECESSED  
ADJUSTABLE DOWNLIGHTS

RGB COLOR CHANGING TAPE  
FOR FLOATING BAR EFFECT



**PRODUCT DESCRIPTION**

LEDTask™ is a flexible standard output LED linear tape that conforms to straight, curved and irregular architectural coves, banisters, recesses, and other constructs where even, energy saving LED illumination is specified. LEDTask can be cut in the field to achieve virtually any custom installation.

Custom lengths available - consult factory

Aluminum architectural mounting channels for interior and exterior available - see page 110

Power supplies are available - see page 91

24  
VOLT

DRY  
LOCATION

80+  
CRI

CLASS  
2

FIELD  
CUTTABLE

5 Yr.  
WARRANTY

**LEDTASK™ 24VDC FLEXIBLE LED TAPE  
STANDARD OUTPUT**

**KEY FEATURES**

- Flexible LED tape that is cuttable in the field (cuttable every 6 diodes or 4" / 102mm).
- Mounts with 3M VHB™ double stick tape
- Flexible tape to tape and tape to power supply connectors available (see next page).
- Dimmable (see page 101)
- Maximum run on a given lead is 32'-8".
- Shipped in anti-static packaging.
- Available in 39" (1M), 16'-4" (5M) & 98'-6" (30M) reels.

**ELECTRICAL**

- 24VDC remote power supply required (see page 91)
- Rated at 1.44W per foot
- 120° viewing angle
- 50,000 hr. operation

**OPTICS**

- 2700K, 3000K, 3500K, 5500K.
- Up to 170 lumens per foot.

**CERTIFICATION**

- IP20 dry location
- ETL

**WARRANTY**

- 5 year warranty



**PRODUCT ORDERING MATRIX**

Catalog No.	Length	Wattage	Lumens	CRI	Color Temp.*	Mounting Channels
GM60-24-SO-27	39" / 1M	1.44W/ft.	80/ft.	80	2700K	This LED Tape will fit into the following mounting channels:
GM60-24-SO-30	39" / 1M	1.44W/ft.	90/ft.	82	3000K	
GM60-24-SO-WW	39" / 1M	1.44W/ft.	95/ft.	83	3500K	
GM60-24-SO-PW	39" / 1M	1.44W/ft.	125/ft.	85	5500K	
<i>Each 39" reel includes: (1) STW-60 connector, (1) STC-1 and 24" of lead affixed at start of reel.</i>						
GM300-24-SO-27	16'-4" / 5M	1.44W/ft.	80/ft.	80	2700K	<b>LED-CHL</b> <b>LED-CHL-D</b> <b>LED-CHL-XD</b> <b>LED-CHL-XD-F</b> <b>LED-CHL-45</b> <b>LED-CHL-W</b>
GM300-24-SO-30	16'-4" / 5M	1.44W/ft.	90/ft.	82	3000K	
GM300-24-SO-WW	16'-4" / 5M	1.44W/ft.	95/ft.	83	3500K	
GM300-24-SO-PW	16'-4" / 5M	1.44W/ft.	125/ft.	85	5500K	
<i>Each 16'-4" reel includes: (3) STW-60 connectors and 24" of lead affixed at start of reel.</i>						
GM100-24-SO-27	98'-6" / 30M	1.44W/ft.	80/ft.	80	2700K	<b>NOTE: When using the above channels, use only Sure-Tite™ connectors. See page 108.</b>
GM100-24-SO-30	98'-6" / 30M	1.44W/ft.	90/ft.	82	3000K	
GM100-24-SO-WW	98'-6" / 30M	1.44W/ft.	95/ft.	83	3500K	
GM100-24-SO-PW	98'-6" / 30M	1.44W/ft.	125/ft.	85	5500K	
<i>Each 98'-6" reel includes: (15) STW-60 connectors and 24" of lead affixed at start of reel.</i>						

\* Kelvin temperature (color) ±200K



## CONNECTORS AND ACCESSORIES

### KEY FEATURES

- SureTite™ connectors enable a ‘contractor preferred’ quality connection.
- EZ Connectors make multiple connections quick and easy.
- Flexible tape to tape and tape to power supply connectors. Check what is included with each reel (varies by length).



### CONNECTORS AND ACCESSORIES

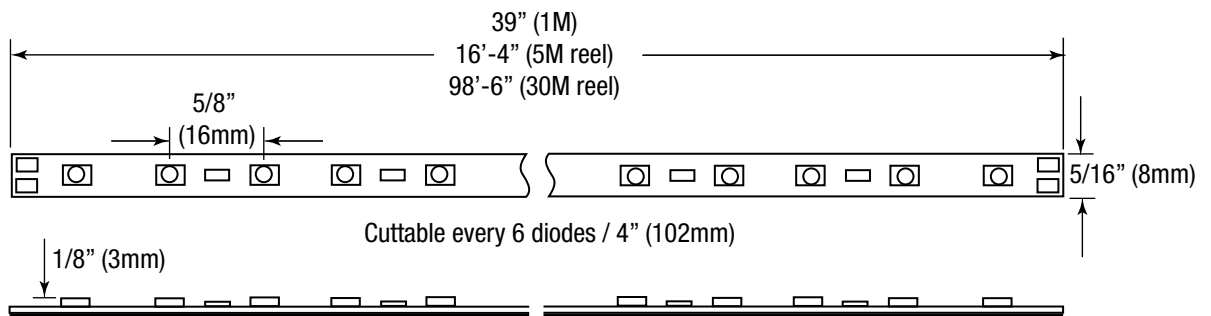
Cat. No.	Description
LTC-1	Tape to tape connector
LTC-3	3" flexible tape to tape connector
LTC-12	12" flexible tape to tape connector
LTC-24	24" flexible tape to tape connector
LTC-36	36" flexible tape to tape connector
LTC-60	60" flexible tape to tape connector
LTC-T	3" flexible tape to tape T connector
LTW-6	6" flexible tape to power supply connector

Cat. No.	Description
LTW-24	24" flexible tape to power supply connector
LTW-48	48" flexible tape to power supply connector
LTW-60	60" flexible tape to power supply connector
STC-1	SureTite tape to tape connector
STLK-60	60" SureTite flexible tape to tape connector
STW-60	60" SureTite flexible tape to power supply connector
GMSB-W(B)	Splice Box in White (W) or Black (B) 2"L x 1"W x 5/8"D

**POWER SUPPLIES:**  
Please see power supply section on page 91

**PHOTOMETRICS:**  
Please see website at [www.gmlighting.net](http://www.gmlighting.net)

### PRODUCT DIAGRAM



See our Design Guide beginning on Page 40



**PRODUCT DESCRIPTION**

LEDTask™ is a flexible high output LED linear tape that conforms to straight, curved and irregular architectural coves, banisters, recesses, and other constructs where even, energy saving LED illumination is specified. LEDTask can be cut in the field to achieve virtually any custom installation.

Custom lengths available - consult factory

Aluminum architectural mounting channels for interior and exterior available - see page 110

Power supplies are available - see page 91



**LEDTASK™ 24VDC FLEXIBLE LED TAPE  
HIGH OUTPUT**

**KEY FEATURES**

- Flexible LED tape that is cuttable in the field (cuttable every 6 diodes or 4" / 102mm).
- Mounts with 3M VHB™ double stick tape.
- Flexible tape to tape and tape to power supply connectors available (see next page).
- Dimmable (see page 101).
- Maximum run on a given lead is 22'.
- Shipped in anti-static packaging.
- Available in 39" (1M), 16'-4" (5M) & 98'-6" (30M) reels.

**ELECTRICAL**

- 24VDC remote power supply required (see page 91).
- Rated at 2.2W per foot.
- 120° viewing angle.
- 50,000 hr. operation .

**OPTICS**

- 2700K, 3000K, 3500K, 4200K.
- Up to 222 lumens per foot.

**CERTIFICATION**

- IP20 dry location

**WARRANTY**

- ETL
- 5 year warranty.



**PRODUCT ORDERING MATRIX**

Catalog No.	Length	Wattage	Lumens	CRI	Color Temp.*	Mounting Channels
LTR6024-27	39" / 1M	2.2W/ft.	152/ft.	82	2700K	This LED Tape will fit into the following mounting channels:
LTR6024-30	39" / 1M	2.2W/ft.	195/ft.	83	3000K	
LTR6024-35	39" / 1M	2.2W/ft.	198/ft.	87	3500K	
LTR6024-42	39" / 1M	2.2W/ft.	222/ft.	83	4200K	
<i>Each 39" reel includes: (1) STW-60 connector, (1) STC-1 and 24" of lead affixed at start of reel.</i>						
LTR30024-27	16'-4" / 5M	2.2W/ft.	152/ft.	82	2700K	LED-CHL LED-CHL-D LED-CHL-XD LED-CHL-XD-F LED-CHL-45 LED-CHL-W
LTR30024-30	16'-4" / 5M	2.2W/ft.	195/ft.	83	3000K	
LTR30024-35	16'-4" / 5M	2.2W/ft.	198/ft.	87	3500K	
LTR30024-42	16'-4" / 5M	2.2W/ft.	222/ft.	83	4200K	
<i>Each 16'-4" reel includes: (3) STW-60 connectors and 24" of lead affixed at start of reel.</i>						
LTR30024-100-27	98'-6" / 30M	2.2W/ft.	152/ft.	82	2700K	NOTE: When using the above channels, use only Sure-Tite™ connectors. See page 108.
LTR30024-100-30	98'-6" / 30M	2.2W/ft.	195/ft.	83	3000K	
LTR30024-100-35	98'-6" / 30M	2.2W/ft.	198/ft.	87	3500K	
LTR30024-100-42	98'-6" / 30M	2.2W/ft.	222/ft.	83	4200K	
<i>Each 98'-6" reel includes: (15) STW-60 connectors and 24" of lead affixed at start of reel.</i>						

\* Kelvin temperature (color) ±200K



## CONNECTORS AND ACCESSORIES

### KEY FEATURES

- SureTite™ connectors enable a ‘contractor preferred’ quality connection.
- EZ Connectors make multiple connections quick and easy.
- Flexible tape to tape and tape to power supply connectors. Check what is included with each reel (varies by length).



### CONNECTORS AND ACCESSORIES

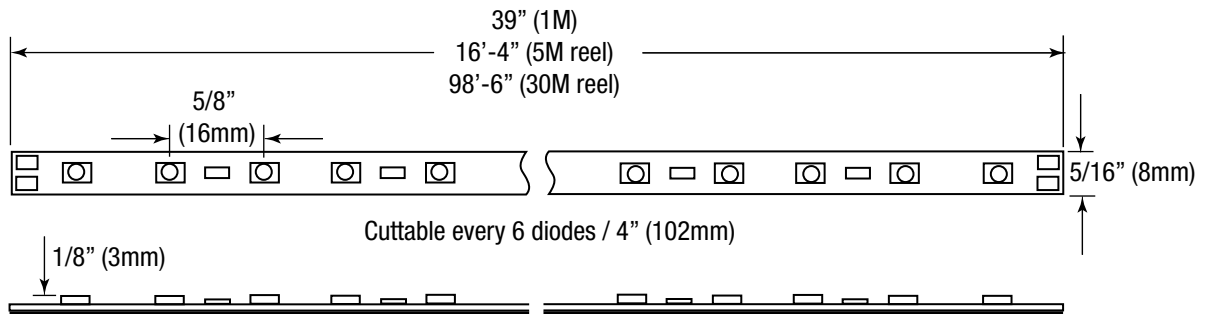
Cat. No.	Description
LTC-1	Tape to tape connector
LTC-3	3" flexible tape to tape connector
LTC-12	12" flexible tape to tape connector
LTC-24	24" flexible tape to tape connector
LTC-36	36" flexible tape to tape connector
LTC-60	60" flexible tape to tape connector
LTC-T	3" flexible tape to tape T connector
LTW-6	6" flexible tape to power supply connector

Cat. No.	Description
LTW-24	24" flexible tape to power supply connector
LTW-48	48" flexible tape to power supply connector
LTW-60	60" flexible tape to power supply connector
STC-1	SureTite tape to tape connector
STLK-60	60" SureTite flexible tape to tape connector
STW-60	60" SureTite flexible tape to power supply connector
GMSB-W(B)	Splice Box in White (W) or Black (B) 2"L x 1"W x 5/8"D

**POWER SUPPLIES:**  
Please see power supply section on page 91

**PHOTOMETRICS:**  
Please see website at [www.gmlighting.net](http://www.gmlighting.net)

### PRODUCT DIAGRAM



See our Design Guide beginning on Page 40



### PRODUCT DESCRIPTION

GM Lighting's LEDTask 24VDC Super High Output Flexible LED Tape may be the brightest flexible LED linear tape on the market. The intense light output is perfect for areas that demand a strong and energy efficient light source. Available in 2700K, 3000K, 3500K or 4200K.

Custom lengths available - consult factory

Aluminum architectural mounting channels for interior and exterior available - see pages 110-112

Power supplies are available - see page 91



### PRODUCT ORDERING MATRIX

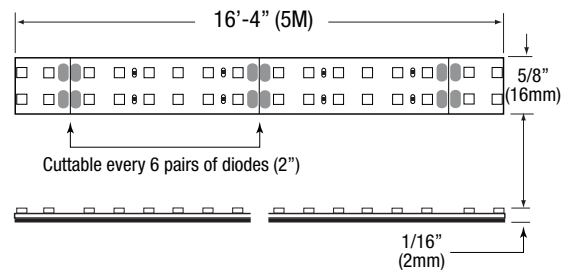
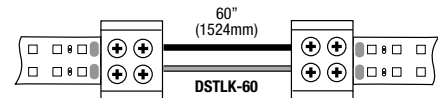
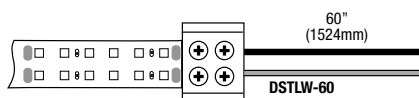
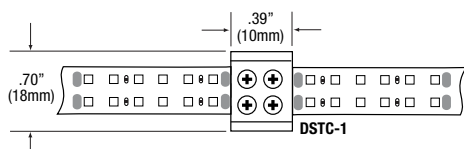
Catalog No.	Length	Wattage	Lumens	CRI	Color Temp.*	Mounting Channels
LTR24024-HO-27	39" / 1M	5.9W/ft.	314/ft.	82	2700K	This LED Tape will fit into the following mounting channels: <b>LED-CHL-W</b> <b>LED-CHL-45-1200</b> <b>LED-CHL-XD</b> <b>LED-CHL-XD-F</b>  <b>NOTE: When using the above channels, use only Sure-Tite™ connectors. See page 108.</b>
LTR24024-HO-30	39" / 1M	5.9W/ft.	350/ft.	83	3000K	
LTR24024-HO-35	39" / 1M	5.9W/ft.	379/ft.	87	3500K	
LTR24024-HO-42	39" / 1M	5.9W/ft.	427/ft.	84	4200K	
<i>Each 39" reel includes: (1) DSTW-60 connector, (1) DSTC-1 connector and 24" of lead affixed at start of reel.</i>						
LTR120024-HO-27	16'-4" / 5M	5.9W/ft.	314/ft.	82	2700K	
LTR120024-HO-30	16'-4" / 5M	5.9W/ft.	350/ft.	83	3000K	
LTR120024-HO-35	16'-4" / 5M	5.9W/ft.	379/ft.	87	3500K	
LTR120024-HO-42	16'-4" / 5M	5.9W/ft.	427/ft.	84	4200K	
<i>Each 16'-4" reel includes: (3) DSTW-60 connectors and 24" of lead affixed at start of reel.</i>						

\* Kelvin temperature (color) ±200K

### CONNECTORS AND ACCESSORIES

Cat. No.	Description
DSTC-1	Sure-Tite tape to tape connector
DSTLK-60	Sure-Tite 60" tape to tape connector
DSTW-60	Sure-Tite 60" tape to power connector

### CONNECTOR DIAGRAMS



## LEDTASK™ 24VDC FLEXIBLE SUPER HIGH OUTPUT LED TAPE

### KEY FEATURES

- Flexible super high output LED tape that is cuttable in the field (cuttable every 6 pairs of diodes).
- Mounts with 3M VHB™ double stick tape.
- Flexible tape to tape and tape to power supply connectors available (see below).
- Dimmable (see page 101).
- Maximum run on a given lead is 16'.
- Shipped in anti-static packaging.
- Available in 39" (1M) and 16'-4" (5M) reels.

### ELECTRICAL

- 24VDC remote power supply required (see page 91).
- Rated at 5.9W per foot.
- 120° viewing angle.
- 50,000 hr. operation.

### OPTICS

- 2700K, 3000K, 3500K, 4200K.
- Up to 427 lumens per foot.

### CERTIFICATION

- IP20 dry location
- ETL

### WARRANTY

- 5 year warranty.





### PRODUCT DESCRIPTION

GM Lighting's LEDTask 24VDC 90+ CRI flexible LED linear tape for architectural coves, bannisters, interior recesses, undercabinet and task areas, and other applications is perfect for where even, energy saving LED illumination is specified. Available in 2700K or 3000K.

Custom lengths available - consult factory

Aluminum architectural mounting channels for interior and exterior available - see page 110

Power supplies are available - see page 91



## LEDTASK™ 24VDC 90+ CRI FLEXIBLE HIGH OUTPUT LED TAPE

### KEY FEATURES

- Flexible super high output LED tape that is cuttable in the field (cuttable every 6 diodes or 4").
- Mounts with 3M VHB™ double stick tape.
- Flexible tape to tape and tape to power supply connectors available (see below).
- Dimmable (see page 101).
- Maximum run on a given lead is 16'.
- Shipped in anti-static packaging.
- Available in 16'-4" (5M) reels.

### ELECTRICAL

- 24VDC remote power supply required (see page 91).
- Rated at 4.75W per foot.
- 120° viewing angle.
- 50,000 hr. operation.

### OPTICS

- 2700K, 3000K.
- Up to 407 lumens per foot.

### CERTIFICATION

- IP20 dry location
- ETL

### WARRANTY

- 5 year warranty.



### PRODUCT ORDERING MATRIX

Catalog No.	Length	Wattage	Lumens	CRI	Color Temp.*	Mounting Channels
LTR30024-90-27	16'-4" / 5M	4.75W/ft.	389/ft.	90+	2700K	This LED Tape will fit into the following mounting channels: LED-CHL-W LED-CHL-45-1200 LED-CHL-XD LED-CHL-XD-F
LTR30024-90-30	16'-4" / 5M	4.75W/ft.	407/ft.	90+	3000K	

*Each 16'-4" reel includes: (3) LTW90-24 connectors and 24" of lead affixed at start of reel.*

\* Kelvin temperature (color) ±200K

### CONNECTORS AND ACCESSORIES

Cat. No.	Description
LTC-1	Tape to tape connector
LTC-3	3" flexible tape to tape connector
LTC-12	12" flexible tape to tape connector
LTC-24	24" flexible tape to tape connector
LTC-36	36" flexible tape to tape connector
LTC-60	60" flexible tape to tape connector
LTC-T	3" flexible tape to tape T connector
LTW-6	6" flexible tape to power supply connector

Cat. No.	Description
LTW-24	24" flexible tape to power supply connector
LTW-48	48" flexible tape to power supply connector
LTW-60	60" flexible tape to power supply connector
STC-1	SureTite tape to tape connector
STLK-60	60" SureTite flexible tape to tape connector
STW-60	60" SureTite flexible tape to power supply connector
GMSB-W(B)	Splice Box in White (W) or Black (B) 2"L x 1"W x 5/8"D

NOTE: When using the above channels, use only Sure-Tite™ connectors. See page 108.

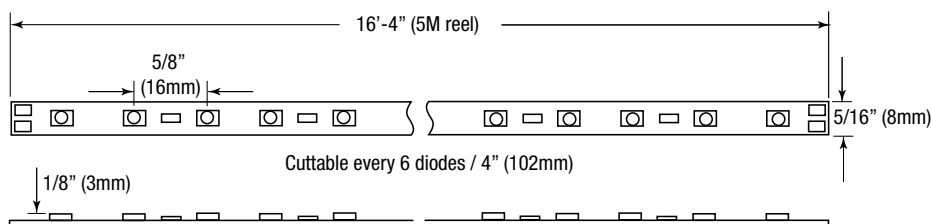


LTC TAPE TO TAPE



LTW TAPE TO POWER

### PRODUCT DIAGRAM





**PRODUCT DESCRIPTION**

GM Lighting's LEDTask 24VDC Super High Output Wet Location Flexible LED Tape may be the brightest flexible LED linear tape on the market. The intense light output is perfect for areas that demand a strong and energy efficient light source. Available in 2700K, 3000K, 3500K or 4200K. **Cuttable in the field (see diagram below). Not to be submerged directly in water.**

Custom lengths available - consult factory

Aluminum architectural mounting channels for interior and exterior available - see pgs. 110-112

Power supplies are available - see page 91



**PRODUCT ORDERING MATRIX**

Catalog No.	Length	Wattage	Lumens	CRI	Color Temp.*	Mounting Channels
LTR24024WP-HO-27	39" / 1M	5.9W/ft.	314/ft.	82	2700K	This LED Tape will fit into the following mounting channels: <b>LED-CHL-W</b> <b>LED-CHL-45-1200</b> <b>LED-CHL-XD</b> <b>LED-CHL-XD-F</b> <b>NOTE: When using the above channels, use only Sure-Tite™ connectors. See page 108.</b>
LTR24024WP-HO-30	39" / 1M	5.9W/ft.	350/ft.	83	3000K	
LTR24024WP-HO-35	39" / 1M	5.9W/ft.	379/ft.	87	3500K	
LTR24024WP-HO-42	39" / 1M	5.9W/ft.	427/ft.	84	4200K	
<i>39" reel includes: (1) 24" female to power supply connector, (10) silicone clips, (20) screws, (1) silicone end cap and (1) tube of silicone sealant.</i>						
LTR120024WP-HO-27	16'-4" / 5M	5.9W/ft.	314/ft.	82	2700K	
LTR120024WP-HO-30	16'-4" / 5M	5.9W/ft.	350/ft.	83	3000K	
LTR120024WP-HO-35	16'-4" / 5M	5.9W/ft.	379/ft.	87	3500K	
LTR120024WP-HO-42	16'-4" / 5M	5.9W/ft.	427/ft.	84	4200K	
<i>16'-4" reel includes: (1) 24" female to power supply connector, (20) silicone clips, (40) screws, (2) silicone end cap and (1) tube of silicone sealant.</i>						

\* Kelvin temperature (color) ±200K

**CONNECTORS AND ACCESSORIES**

Cat. No.	Description
LTCWP-12*	12" flexible tape to tape connector
LTCWP-24*	24" flexible tape to tape connector
LTCWP-36*	36" flexible tape to tape connector
LTCWP-60*	60" flexible tape to tape connector
LTW-24-WP	24" flexible tape to power supply connector
LTW-48-WP	48" flexible tape to power supply connector
LTW-60-WP	60" flexible tape to power supply connector
WPKT-1200	Waterproof accessory kit: Small tube of silicone sealant, silicone end cap, 6 silicone clips, 12 screws and 1 male end plug.

\* For use with 39" (1M) reels only.

**LEDTASK™ 24VDC FLEXIBLE SUPER HIGH OUTPUT WET LOCATION LED TAPE**

**KEY FEATURES**

- Flexible super high output LED tape that is cuttable in the field (cuttable every 6 pairs of diodes or 2").
- Fully surrounded in optical clear silicone weather proof sheath.
- Flexible tape to tape and tape to power supply connectors available (see below).
- Dimmable (see page 101).
- Maximum run on a given lead is 16'.
- Shipped in anti-static packaging.
- Available in 39" (1M) and 16'-4" (5M) reels.

**ELECTRICAL**

- 24VDC remote power supply required (see page 91).
- Rated at 5.9W per foot.
- 120° viewing angle. • 50,000 hr. operation.

**OPTICS**

- 2700K, 3000K, 3500K, 4200K.
- Up to 427 lumens per foot.

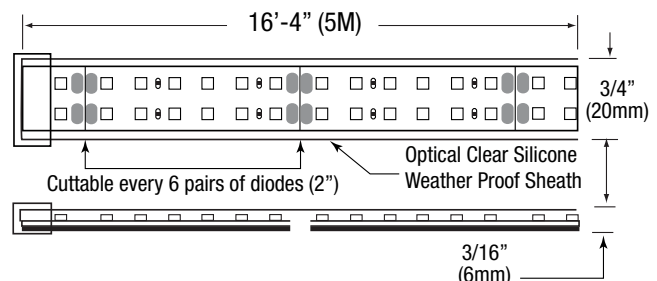
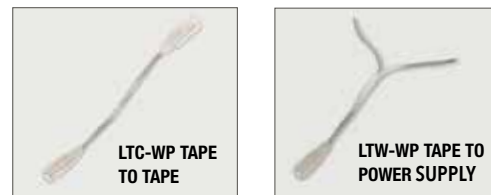
**CERTIFICATION**

- IP67 wet location

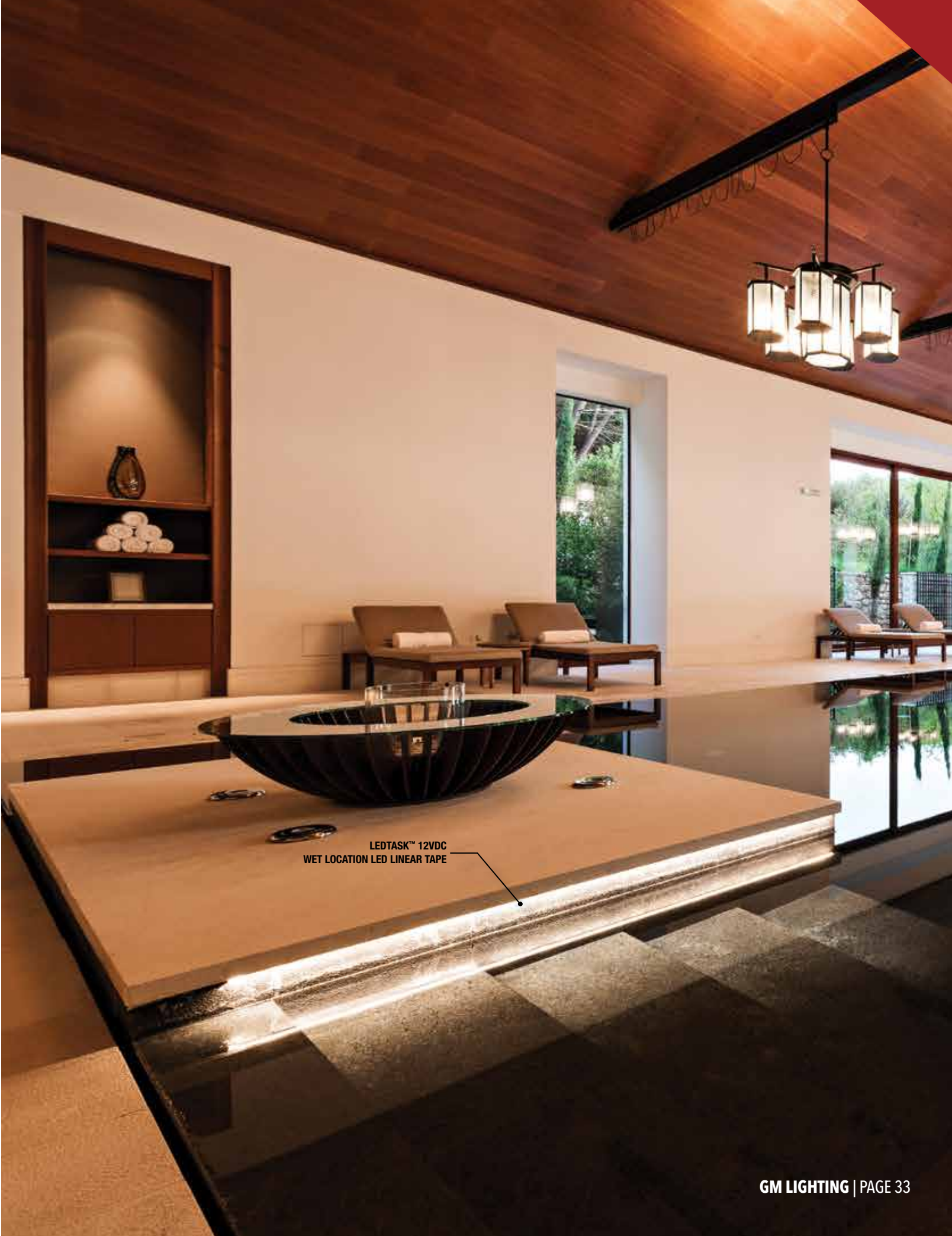
• ETL

**WARRANTY**

- 5 year warranty.







LEDTASK™ 12VDC  
WET LOCATION LED LINEAR TAPE



RGBW COLOR CHANGING DRY LOCATION  
TAPE ARRANGED IN VERTICAL CHANNELS  
BEHIND FROSTED PLEXI-GLASS SCREENS

RGBW COLOR CHANGING WET LOCATION  
TAPE WITH TRUE WHITE 3000K MOUNTED UNDER  
TRANSLUCENT TABLE TOPS





**NEW! LEDTENSITY™ AND RGBW LED TAPE**



**NEW! LEDTENSITY™ 24VDC  
STANDARD and HIGH OUTPUT  
94 CRI TAPE**  
PAGE 36



**NEW! LEDTENSITY™ 24VDC  
SUPER HIGH OUTPUT 94CRI  
TAPE**  
PAGE 37



**NEW! RGBW 24VDC COLOR  
CHANGING DRY OR WET  
LOCATION TAPE**  
PAGE 38



**NEW! RGBW CONTROLLER  
AND HAND-HELD REMOTE**  
PAGE 39



### PRODUCT DESCRIPTION

LEDTENSITY™ is a 94CRI flexible LED linear tape that features superior construction and easy mounting. Excellent color rendition and high lumens make this tape perfect for wherever superior color rendition and optimum optics are required. Available in 2700K, 3000K and 4000K color temperatures.

Custom lengths available - consult factory

Aluminum architectural mounting channels for interior and exterior available - see page 110

Power supplies are available - see page 91



### PRODUCT ORDERING MATRIX

Catalog No.	Output	Length	Wattage	Lumens	CRI	Color Temp.*	Mounting Channels	
ESR15024-S0-27	STANDARD	16'-4" / 5M	2.2W/ft.	146/ft.	94	2700K	This LED Tape will fit into the following mounting channels:  LED-CHL-D LED-CHL-XD LED-CHL-XD-F LED-CHL-45 LED-CHL-W	
ESR15024-S0-30	STANDARD	16'-4" / 5M	2.2W/ft.	152/ft.	94	3000K		
ESR15024-S0-35	STANDARD	16'-4" / 5M	2.2W/ft.	157/ft.	94	3500K		
ESR15024-S0-40	STANDARD	16'-4" / 5M	2.2W/ft.	161/ft.	94	4000K		
ESR30024-H0-27	HIGH	16'-4" / 5M	4.4W/ft.	292/ft.	94	2700K		
ESR30024-H0-30	HIGH	16'-4" / 5M	4.4W/ft.	304/ft.	94	3000K		
ESR30024-H0-35	HIGH	16'-4" / 5M	4.4W/ft.	310/ft.	94	3500K		
ESR30024-H0-40	HIGH	16'-4" / 5M	4.4W/ft.	317/ft.	94	4000K		
<i>Each 16'-4" reel includes: (3) ESTW-60 connectors and 24" of lead affixed at start of reel.</i>								
ESR90024-100-S0-27	STANDARD	98'-6" / 30M	2.2W/ft.	146/ft.	94	2700K		
ESR90024-100-S0-30	STANDARD	98'-6" / 30M	2.2W/ft.	152/ft.	94	3000K		
ESR90024-100-S0-35	STANDARD	98'-6" / 30M	2.2W/ft.	157/ft.	94	3500K		
ESR90024-100-S0-40	STANDARD	98'-6" / 30M	2.2W/ft.	161/ft.	94	4000K		
ESR180024-100-H0-27	HIGH	98'-6" / 30M	4.4W/ft.	292/ft.	94	2700K		
ESR180024-100-H0-30	HIGH	98'-6" / 30M	4.4W/ft.	304/ft.	94	3000K		
ESR180024-100-H0-35	HIGH	98'-6" / 30M	4.4W/ft.	310/ft.	94	3500K		
ESR180024-100-H0-40	HIGH	98'-6" / 30M	4.4W/ft.	317/ft.	94	4000K		
<i>Each 98'-6" reel includes: (15) ESTW-60 connectors and 24" of lead affixed at start of reel.</i>								

\* Kelvin temperature (color) ±200K.

### SURE-TITE™ CONNECTORS

Cat. No.	Description
ESTC-1	Tape to tape connector
ESTLK-60	60" flexible tape to tape connector
ESTW-60	60" flexible tape to power supply connector

## LEDTENSITY™ 24VDC FLEXIBLE 94CRI STANDARD AND HIGH OUTPUT TAPE

### KEY FEATURES

- Flexible LED tape that is cuttable in the field (cuttable every 6 diodes or 4" / 102mm).
- Mounts with 3M VHB double stick tape (attached) or mounting channels.
- Flexible SureTite™ tape to tape and tape to power supply connectors available (see below).
- Dimmable (see page 101).
- Maximum run on a given lead is 32' (std. output) and 16' (high output).
- Shipped in anti-static packaging.
- Available in 16'-4" (5M) and 98'-6" (30M) reels.

### ELECTRICAL

- 24VDC remote power supply required (see page 91).
- Rated at 2.2W per foot (standard output) and 4.4W per foot (high output). • 120° viewing angle.
- 50,000 hr. operation.

### OPTICS

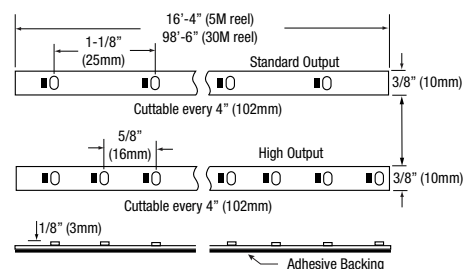
- 2700K, 3000K, 3500K, 4000K.
- Up to 161 lumens/ft. (std.) and 317 lumens/ft. (high).

### CERTIFICATION

- UL

### WARRANTY

- 5 year warranty







## NEW! LEDTENSITY™ 24VDC FLEXIBLE 94CRI SUPER HIGH OUTPUT TAPE

### KEY FEATURES

- Flexible LED tape that is cuttable in the field (cuttable every 2-13/16" / 71mm).
- Mounts with 3M VHB double stick tape (attached) or mounting channels.
- Flexible SureTite™ tape to tape and tape to power supply connectors available (see below).
- Dimmable (see page 101).
- Maximum run on a given lead is 13'
- Shipped in anti-static packaging.
- Available in 13' (4M).

### ELECTRICAL

- 24VDC remote power supply required (see page 91).
- Rated at 7W per foot
- 120° viewing angle
- 50,000 hr. operation

### OPTICS

- 2700K, 3000K, 3500K, 4000K.
- Up to 487 lumens per foot

### CERTIFICATION

- UL

### WARRANTY

- 5 year warranty



### PRODUCT DESCRIPTION

Excellent color rendition and high lumens is a hallmark of LEDTensity. We have increased the output to a 7W powerhouse making this tape perfect for wherever intense illumination along with superior color rendition and optimum performance are required. Available in 2700K, 3000K and 4000K color temperatures in a 13' (4M) reel. **NOTE: Must be used with aluminum channel for thermal control.**

Custom lengths available - consult factory

Aluminum architectural mounting channels for interior and exterior available - see page 110

Power supplies are available - see page 91



### PRODUCT ORDERING MATRIX

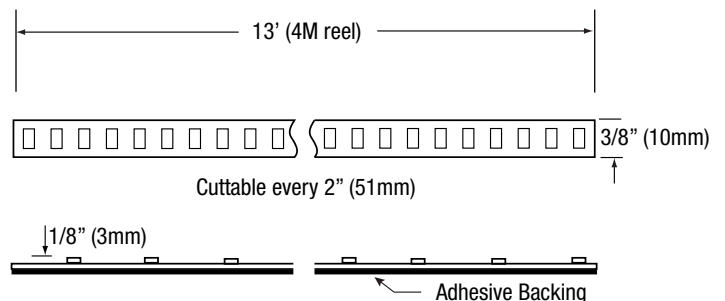
Catalog No.	Output	Length	Wattage	Lumens	CRI	Color Temp.*	Mounting Channels	
ESR600-24-SHO-27	SUPER HIGH	13' / 4M	7W/ft.	450/ft.	94	2700K	This LED Tape will fit into the following mounting channels:	
ESR600-24-SHO-30	SUPER HIGH	13' / 4M	7W/ft.	460/ft.	94	3000K		
ESR600-24-SHO-35	SUPER HIGH	13' / 4M	7W/ft.	469/ft.	94	3500K		
ESR600-24-SHO-40	SUPER HIGH	13' / 4M	7W/ft.	487/ft.	94	4000K		
<i>Each 13' reel includes: (3) ESTW-60 connectors and 24" of lead affixed at start of reel.</i>								LED-CHL-D LED-CHL-XD LED-CHL-XD-F LED-CHL-45 LED-CHL-W

\* Kelvin temperature (color) ±200K

**NOTE:** When using the above channels, use only Sure-Tite™ connectors. See page 108.

### SURE-TITE™ CONNECTORS

Cat. No.	Description
ESTC-1	Tape to tape connector
ESTLK-60	60" flexible tape to tape connector
ESTW-60	60" flexible tape to power supply connector



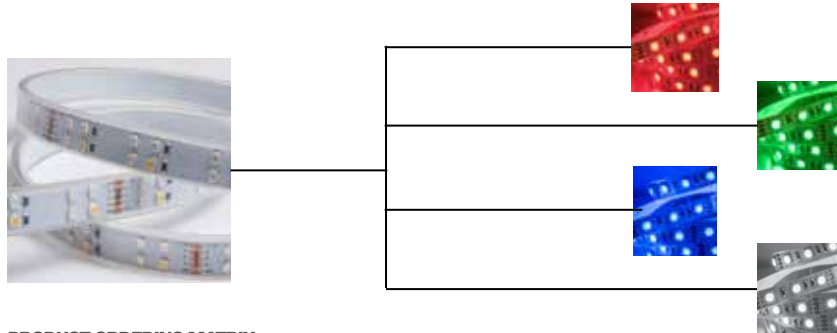


**PRODUCT DESCRIPTION**

RGBW is the next step in color changing RGB linear lighting technology. With the RGBW, not only do you have a virtually unlimited palette of color combinations, you are also able to add true white 3000K as an alternate mode. With both a dry and wet location 24VDC tape any environment can be home to true white 3000K, intense color saturation, transition effects, and fade to white effects. Available in 16'-4" (5M) reels. **Wet location not to be submerged directly in water.**

Custom lengths available - consult factory

Aluminum architectural mounting channels for interior and exterior available - see page 110



**NEW! LEDTASK™ RGBW 24VDC FLEXIBLE COLOR CHANGING LED TAPE FOR DRY OR WET LOCATION**

**KEY FEATURES**

- True white 3000K alternate mode available
- Create dazzling, colorful linear displays
- True 3000K white adds another lighting variation
- Flexible LED tape that is cuttable in the field (cuttable every 6 diodes or 4" / 102mm).
- Tight diode spacing enables even light distribution
- Flexible tape to tape and tape to power supply
- EZ connectors available (see next page).
- Shipped in anti-static packaging.
- Available in 16'-4" (5M) reels.

**ELECTRICAL**

- 24VDC non-dimming remote power supply required (see page 91).
- Rated at 4W / 6W per foot
- 120° viewing angle
- 50,000 hr. operation

**CONTROL**

- For use with LEDTask™ 24VDC Color Changing Controller (page 39)
- Hand held remote available
- Creates fades and effects for up to 4 reels

**CERTIFICATION**

- ETL

**WARRANTY**

- 5 year warranty



**HOW RGBW WORKS**

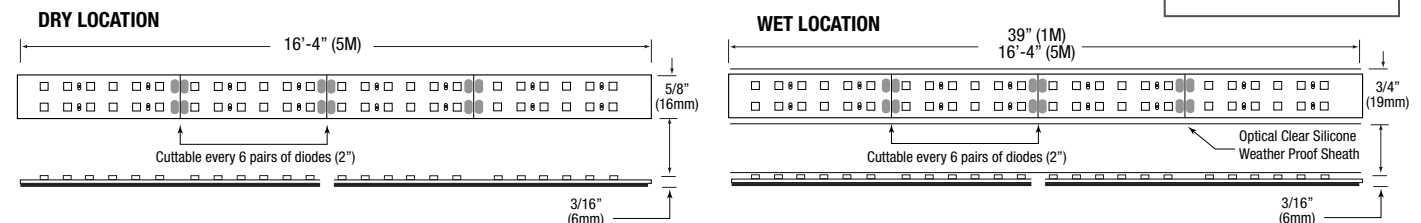
By including a true white 3000K diode within a mix of RGB diodes, color effects are enhanced. The addition of the white enables not only a more traditional white light, but when combined with RGB sequencing, the additional light source brightens, enhances and creates even more stunning effects.

**PRODUCT ORDERING MATRIX**

Catalog No.	Location	Length	Wattage	Lumens	Mounting Channels
ESR5-RGBW-24VDC-30K	DRY	16'-4" (5M)	6W / ft.	N/A	This LED Tape will fit into the following channels:  <b>LED-CHL-XD</b> <b>LED-CHL-XD-F</b> <b>LED-CHL-W</b> <b>LED-CHL-45-1200</b>
ESR5WP-RGBW-24VDC-30K	WET	16'-4" (5M)	4W / ft.	N/A	

*5M Dry includes 60" of lead affixed at start of reel, (3) 24" tape to controller connector,s (1) EZ1 tape to tape connector*  
*5M Wet includes 60" of lead affixed at start of reel. (1) end cap with silicone, (20) mounting clips with screws*  
**NOTE: Wet location reel is field cuttable. Cut and terminate only.**

**PRODUCT DIAGRAM**

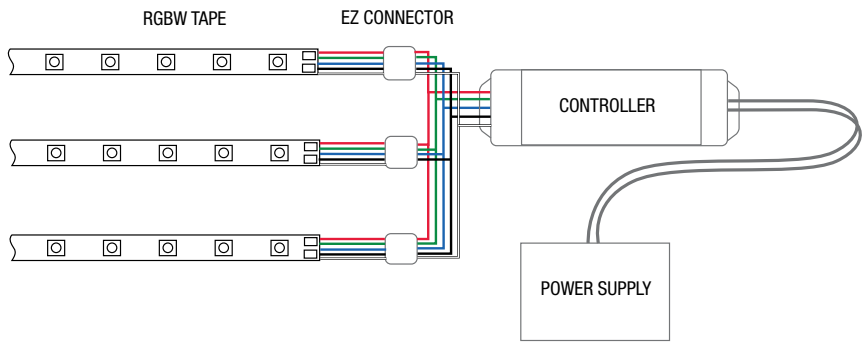




**PRODUCT DESCRIPTION**

RGBW is the next generation of color changing effects that adds the pulsating colors of a nightclub, the unforgettable vibe in themed environments, and dazzling outdoor displays around water or architectural constructs - with the added element of true white 3000K. This controller/amp and hand held unit enable a limitless variety of color effects and patterns.

**MULTIPLE RUNS FROM ONE CONTROLLER DIAGRAM**



**RGBW TAPE CONNECTOR FEATURES**

- Flexible tape to tape and tape to power supply connectors. Check what is included with each reel under ordering matrix at left.
- EZ Connectors make multiple connections quick and easy. Modular plug 'n play.

**FLEXIBLE EZ TAPE CONNECTORS FOR DRY LOCATION ONLY AND WET LOCATION ACCESSORY KIT**

Cat. No.	Description
RGBW-RTR-EZ-1	EZ connector
RGBW-RTR-EZ-3	3" EZ tape to tape connector
RGBW-RTR-EZ-12	12" EZ tape to tape connector
RGBW-RTR-EZ-24	24" EZ tape to tape connector
RGBW-RTR-EZ-36	36" EZ tape to tape connector
RGBW-RTR-EZ-60	60" EZ tape to tape connector
RGBW-RPS-EZ-60	60" EZ tape to controller connector
RGBW-WPKT	RGBW wet location accessory kit that contains: tube of silicone sealant, (6) silicone mounting clips (RGBW size), (12) stainless steel screws and (1) silicone end cap.

**NEW! LEDTASK™ FLEXIBLE COLOR CHANGING 24VDC RGBW**

**KEY FEATURES**

- Remote wall mounted bracket included
- 433 Hz. RF wireless
- One controller can be commanded by up to ten remotes
- One remote can command unlimited controllers
- Max. 10 remotes
- Energy saving sleep mode

**COLOR EFFECTS**

- Static Red, Green, Blue, Yellow, Purple, Cyan and 3000K White
- 2-Color Skipping
- 7-Color Skipping
- White Color Strobe
- 3-Color Smooth
- Full Color Smooth
- Red-Green Color Smooth
- Red-Blue Color Smooth
- Green-Blue Color Smooth
- White Color Fade and Change
- 50 levels of brightness and speed adjustment

**WARRANTY**

- 5 year warranty

**RGBW CONTROLLER**

Cat. No.	Description
RGBW-RWC	RGB controller/amp with battery powered remote

See our Design Guide beginning on Page 40

## LINEAR LED DESIGN GUIDE

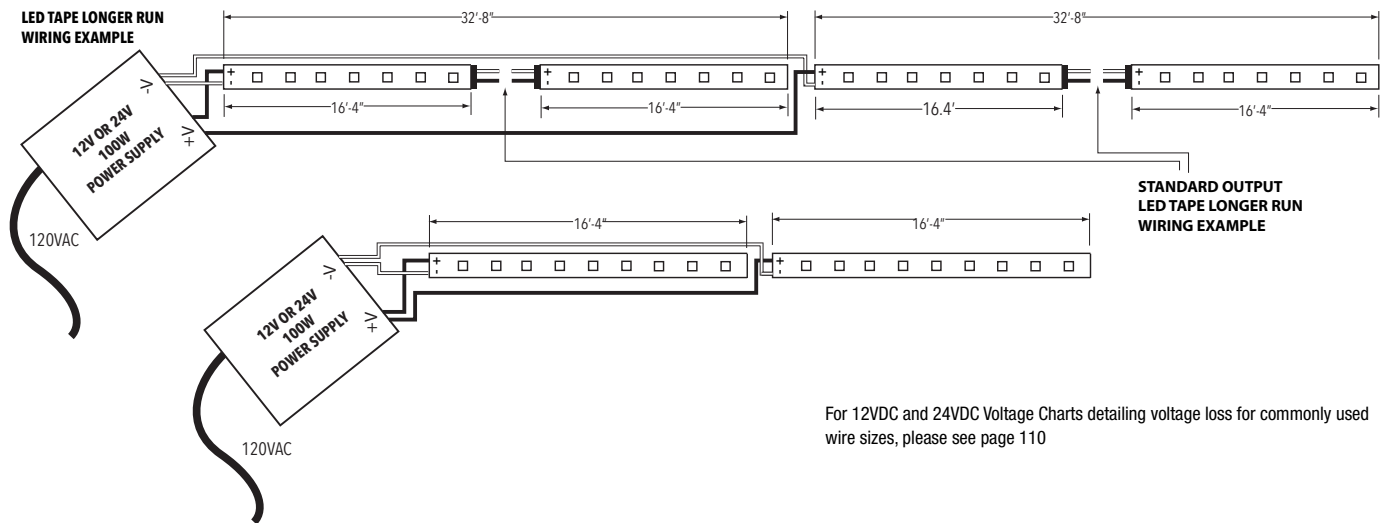
GM Lighting's linear tape is designed for easy mounting, and fits a wide variety of applications, both indoor and outdoor. All 12VDC and 24VDC tape require remotely positioned power supplies (see page 91). This design and layout guide can assist you in:

- Determining proper placement and installation
- Matching length of run to power supply needed
- Maximum run on a single power source

### CLASS 2

The NEC defines a Class 2 circuit as that portion of the wiring system between the load side of a Class 2 power source and the connected equipment. Due to its power limitations, a Class 2 circuit is considered safe and provides acceptable protection from electrical shock. Look for the Class 2 logo on GM Lighting products that conform to this standard.

## MAXIMUM RUN POWER LAYOUT



For 12VDC and 24VDC Voltage Charts detailing voltage loss for commonly used wire sizes, please see page 110

## 12VDC MAXIMUM RUN CHART

Product	See Page No.	Watts per Foot	Reel Lengths	Maximum Single Run*
12VDC LTR STANDARD OUTPUT	8	1.52W	39" (1M), 16'-4" (5M), 98'-6" (30M)	32'-8"
12VDC LTR HIGH OUTPUT	10	2.2W	39" (1M), 16'-4" (5M), 98'-6" (30M)	16'
12VDC LTR WET LOCATION STANDARD OUTPUT (NOT COLORS)	12	1.52W	39" (1M), 16'-4" (5M)	32'-8"
12VDC LTR WET LOCATION HIGH OUTPUT	14	2.2W	39" (1M), 16'-4" (5M)	16'
12VDC LTRSV SIDE VIEW STANDARD OUTPUT	16	1.46W	39" (1M), 16'-4" (5M)	32'-8"
12VDC TWIST-TASK™ 90+ CRI HIGH OUTPUT	18	2.2W	17' (5.18M)	17'
12VDC MAGNETASK™ 80+ CRI HIGH OUTPUT	20	2.2W	16'-4" (5M)	16'-4"
12VDC RGB COLOR CHANGING (DRY OR WET)	22	2.2W	39" (1M), 16'-4" (5M)	16'

\* Maximum single run defines the maximum length of tape that can be powered on a given lead. Longer runs can be achieved by using multiple power leads.



## TYPICAL APPLICATIONS



### ENTRYWAY / STUDIO

- 1 Bookshelf Illumination: LED tape concealed under shelves adds dimmable illumination.
- 2 Toe-kick: Create a floating effect by mounting LED tape under cabinet edge above floor line.
- 3 Soffits and Coves: Illuminating ceiling planes by mounting LED tape in soffits achieves ambient room light and a less confined feeling.

### LIVING ROOM

- 1 Grand ceiling illumination: Concealed LED tape creates an architectural floating ceiling effect.
- 2 Under bar: LED tape creates a soft glow by mounting close to bar edge, underneath bar.
- 3 Entertainment center: Strategically mounted LED tape behind monitor adds drama and dimensionality. RGB adds a 'theatre experience'.
- 4 Undercabinet: Either high CRI LED tape or GM Lightbars illuminate books, curios, photographs, and objects 'd art with excellent color rendition.

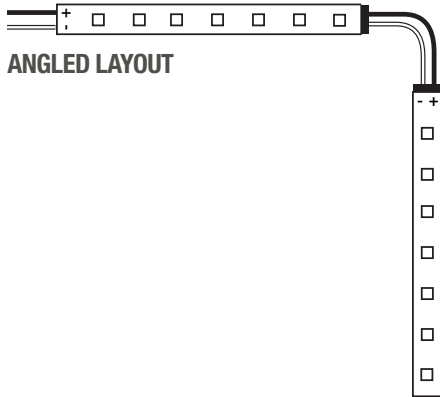


### 24VDC MAXIMUM RUN CHART

Product	See Page No.	Watts per Foot	Reel Lengths	Maximum Single Run*
24VDC GM STANDARD OUTPUT	26	1.52W	39" (1M), 16'-4" (5M), 98'-6" (30M)	32'-8"
24VDC LTR HIGH OUTPUT	28	2.2W	39" (1M), 16'-4" (5M), 98'-6" (30M)	32'
24VDC LTR SUPER HIGH OUTPUT	30	5.9W	39" (1M), 16'-4" (5M)	16'
24VDC LTR SUPER HIGH OUTPUT WET LOCATION	32	5.9W	39" (1M), 16'-4" (5M)	16'
24VDC LEDTENSITY 94 CRI STANDARD OUTPUT	36	2.2W	16'-4" (5M), 98'-6" (30M)	32'
24VDC LEDTENSITY 94 CRI HIGH OUTPUT	36	4.4W	16'-4" (5M), 98'-6" (30M)	16'
24VDC LEDTENSITY 94 CRI SUPER HIGH OUTPUT	37	7W	13' (4M)	13'
24VDC RGBW COLOR CHANGING (DRY OR WET)	38	4W (WET) / 6W (DRY)	16'-4" (5M)	16'

\* Maximum single run defines the maximum length of tape that can be powered on a given lead. Longer runs can be achieved by using multiple power leads.

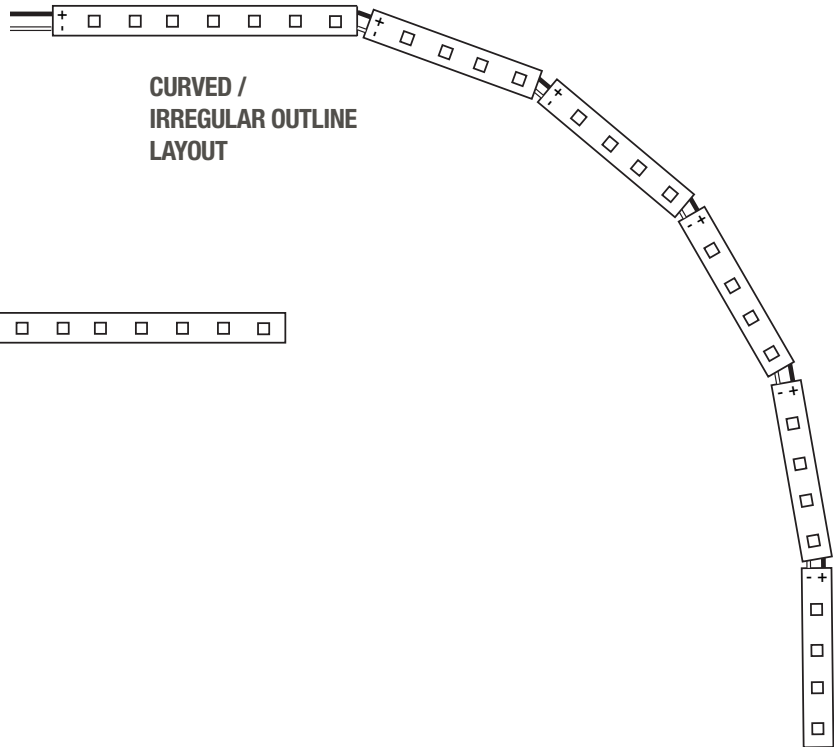
## TYPICAL TAPE LAYOUTS



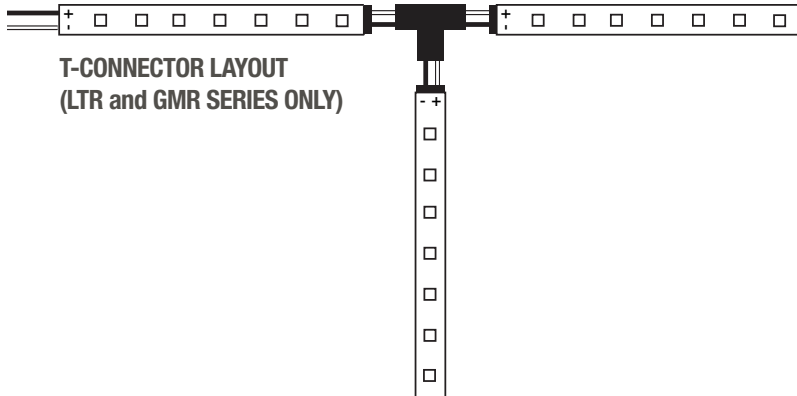
ANGLED LAYOUT



SURE-TITE™ LAYOUT



CURVED /  
IRREGULAR OUTLINE  
LAYOUT



T-CONNECTOR LAYOUT  
(LTR and GMR SERIES ONLY)

## QUICK SPECIALTY CONNECTOR LOOK-UP

Product	See Page No.	Description	For Tape
Sure-Tite™ Series	108	Contractor preferred connectors	12VDC Std. & High Output 12VDC Side View 12VDC Twist-Task™
EZ Connector Series	109	Snap-In connectors	24VDC Std. & High Output 24VDC LEDtensity

**NOTE:** GM Lighting offers a unique assortment of various connectors, from standard to snap-in EZ Connectors, as well as Sure-Tite™ architectural connectors.

The product matrix at left will enable you to access all types of specialty connectors that will insure a successful and long lasting installation.

## LINEBRITE™ CUSTOM LENGTH MATRIX

CUSTOM LENGTH	TOTAL INCHES (includes connector, rectifier and cord)	CUSTOM LENGTH	TOTAL INCHES (includes connector, rectifier and cord)	CUSTOM LENGTH	TOTAL INCHES (includes connector, rectifier and cord)
1'-8"	20"	51'-8"	620"	101'-8"	1220"
3'-4"	40"	53'-4"	640"	103'-4"	1240"
6'	60"	55'	660"	105'	1260"
6'-8"	80"	56'-8"	680"	106'-8"	1280"
8'-4"	100"	58'-4"	700"	108'-4"	1300"
10'	120"	60'	720"	110'	1320"
11'-8"	140"	61'-8"	740"	111'-8"	1340"
13'-4"	160"	64'-4"	760"	113'-4"	1360"
16'	180"	65'	780"	115'	1380"
16'-8"	200"	66'-8"	800"	116'-8"	1400"
18'-4"	220"	68'-4"	820"	118'-4"	1420"
20'	240"	70'	840"	120'	1440"
21'-8"	260"	71'-8"	860"	121'-8"	1460"
23'-4"	280"	73'-4"	880"	123'-4"	1480"
25'	300"	75'	900"	125'	1500"
26'-8"	320"	76'-8"	920"	126'-8"	1520"
28'-4"	340"	78'-4"	940"	128'-4"	1540"
30'	360"	80'	960"	130'	1560"
31'-8"	380"	81'-8"	980"	131'-8"	1580"
33'-4"	400"	83'-4"	1000"	133'-4"	1600"
35'	420"	85'	1020"	135'	1620"
36'-8"	440"	86'-8"	1040"	136'-8"	1640"
38'-4"	460"	88'-4"	1060"	138'-4"	1660"
40'	480"	90'	1080"	140'	1680"
41'-8"	500"	91'-8"	1100"	141'-8"	1700"
43'-4"	520"	93'-4"	1120"	143'-4"	1720"
45'	540"	95'	1140"	145'	1740"
46'-8"	560"	96'-8"	1160"	146'-8"	1760"
48'-4"	580"	98'-4"	1180"	148'-4"	1780"
50'	600"	100'	1200"	150'	1800"
				151'-8"	1820"
				153'-4"	1840"
				155'	1860"
				156'-8"	1880"
				158'-4"	1900"
				160'	1920"
				161'-8"	1940"
				163'-4"	1960"

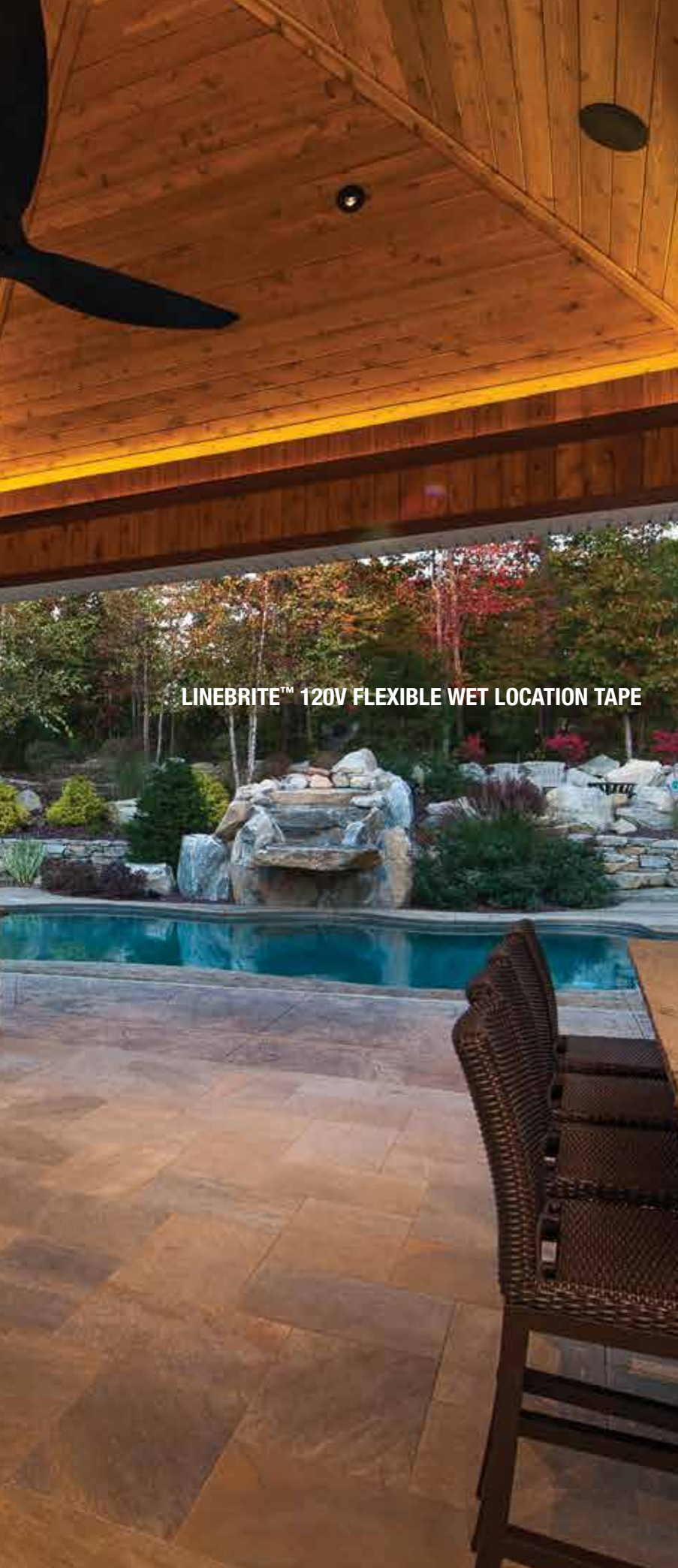


120V LINEBRITE™ WET LOCATION  
FLEXIBLE LED TAPE



Photo courtesy of SK & Associates - Canton, MA  
Robin Doerfler - Lighting Designer  
Amy Etra Photography





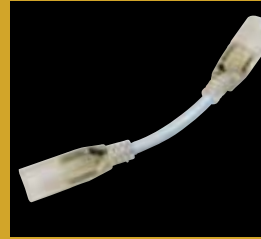
**LINEBRITE™ 120V FLEXIBLE WET LOCATION TAPE**



**120V LINEBRITE™  
FLEXIBLE LED TAPE  
3000K and 4000K  
PAGE 46**



***NEW!* 120V LINEBRITE™  
FLEXIBLE LED  
COLOR TAPE  
PAGE 48**



**120V LINEBRITE™  
FLEXIBLE LED TAPE  
ACCESSORIES  
PAGE 47, 49**



**PRODUCT DESCRIPTION**

GM Lighting introduces a plug-in or hardwire, high-output, wet location LED flexible linear tape, encased in a UV stabilized sturdy clear acrylic, flexible sheath that shields the individual diodes and copper linear buss from exposure to the elements and moisture. Available in a 164' (50M) reel and in 3000K and 4000K. **Not to be submerged directly in water.**

Custom lengths available - See page 43

LineBrite is available in colors! See page 48.



**LINEBRITE 120V LED WET LOCATION FLEXIBLE LINEAR TAPE 164' (50M) REEL**

**FEATURES**

- 120VDC operation that does not require a remote power supply
- Wet location - IP67
- Utilizes high output 90+CRI 5630 diodes
- Diodes mounted to flexible copper buss
- Tape encased in water resistant clear poly flexible sheath
- Dimmable (see page 101)
- 164' reel
- Available with connectors and end caps
- Cuttable every 20"
- Maximum run: 164 feet
- Uses mounting clips or channel

**ELECTRICAL**

- 120VDC
- Only 2.6W per foot
- 3000K or 4000K
- Up to 293 lumens per foot
- 90+ CRI
- Rated LED life: 50,000 hrs.

**LABEL**

- ETL
- IP67
- Conforms to UL94V-0, UL746C F(1)

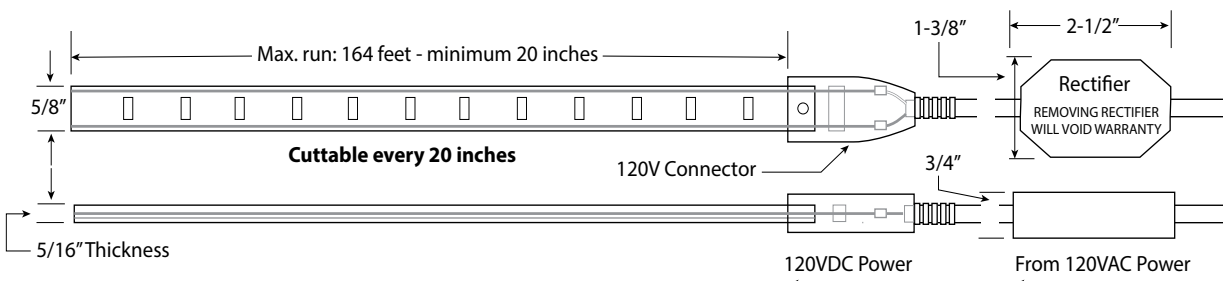


**PRODUCT ORDERING MATRIX**

Catalog No.	Length	Wattage	Lumens	CRI	Color Temp.*	Mounting Channels
GM-120VH0164-30	164' / 50M	2.6W/ft.	270/ft.	90+	3000K	120V-CHL
GM-120VH0164-40	164' / 50M	2.6W/ft.	293/ft.	90+	4000K	120V-CHL-P
Each 164' reel includes: (1) 22" power cord. All connectors and accessories are sold separately.						See description at right.

\* Kelvin temperature (color) ±200K

**PRODUCT DIAGRAM**



## CONNECTORS AND ACCESSORIES

### WORKING WITH LINEBRITE LED

LineBrite features an optional flexible mounting connector, optional hardwire connector, and a 48" aluminum or plastic mounting channel. With a maximum run of 164 feet and a minimum run of 20 inches, LineBrite LED is perfect for all indoor or outdoor lighting challenge.

Please consult website for installation details.

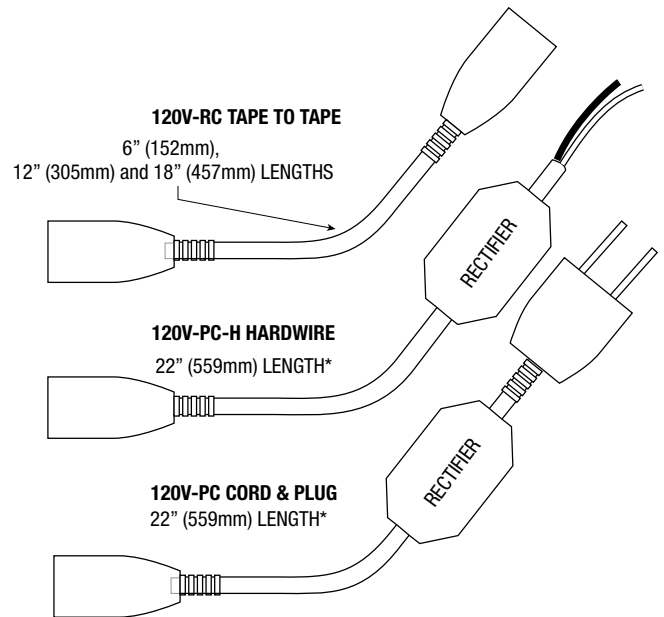


SEE OUR LINEBRITE INSTALLATION VIDEO @ [WWW.GMLIGHTING.NET](http://WWW.GMLIGHTING.NET)

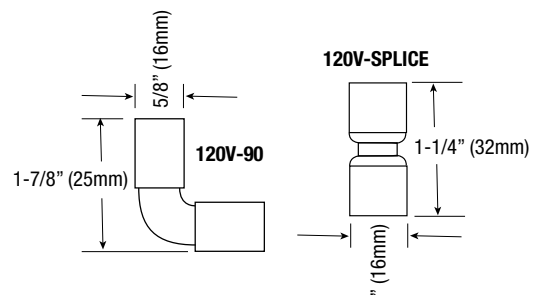
### CONNECTORS AND ACCESSORIES

Cat. No.	Description
120V-PC	Power connector with 2-prong polarized plug - 22"
120V-PC-6'	Power connector with 2-prong polarized plug - 72"
120V-PC-H	Hardwire power connector - 22"
120V-PC-H-6'	Hardwire power connector - 72"
120V-RC	6" tape to tape connector with pins
120V-RC-12	12" tape to tape connector with pins
120V-RC-18	18" tape to tape connector with pins
120V-SPLICE	Tape to tape direct connector with pins
120V-90	90° tape to tape connector
120V-EC	End caps - bag of 10
120V-MC	Mounting clips - bag of 10 (1 per ft. minimum)
3M-VHB-48	3M mounting tape to mount LineBrite into XD/XDF channel
120V-CHL	Aluminum mounting channel (no lens) - 39"
120V-CHL-P	Plastic mounting channel (no lens) - 39"

### CONNECTOR DIAGRAMS



\*Also available: Hardwire and Cord & Plug with 72" lead / cord. See ordering chart below left



See our Custom Length Matrix on Page 43



**PRODUCT DESCRIPTION**

GM Lighting introduces a plug-in or hardwire, high-output, wet location LED flexible linear tape, encased in a UV stabilized sturdy clear acrylic, flexible sheath that shields the individual diodes and copper linear buss from exposure to the elements and moisture. Available in a 164' (50M) reel and in Red, Green, Amber and Blue. **Not to be submerged directly in water.**

Custom lengths available - See page 43

LineBrite is also available in 3000K and 4000K. See page 46



**NEW! LINEBRITE 120V LED WET LOCATION FLEXIBLE LINEAR COLOR TAPE 164' (50M) REEL**

**FEATURES**

- 120VDC operation that does not require a remote power supply.
- Wet location - IP67.
- Utilizes high output 5050 diodes.
- Diodes mounted to flexible copper buss.
- Tape encased in water resistant clear poly flexible sheath.
- Dimmable (see page 101).
- 164' reel.
- Available with connectors and end caps.
- Cuttable every 20".
- Maximum run: 164 feet.
- Uses mounting clips or channel.

**ELECTRICAL**

- 120VDC
- Only 2.6W per foot .
- Rated LED life: 50,000 hrs.

**LABEL**

- ETL • IP67
- Conforms to UL94V-0, UL746C F(1)

**WARRANTY**

- 5 year warranty

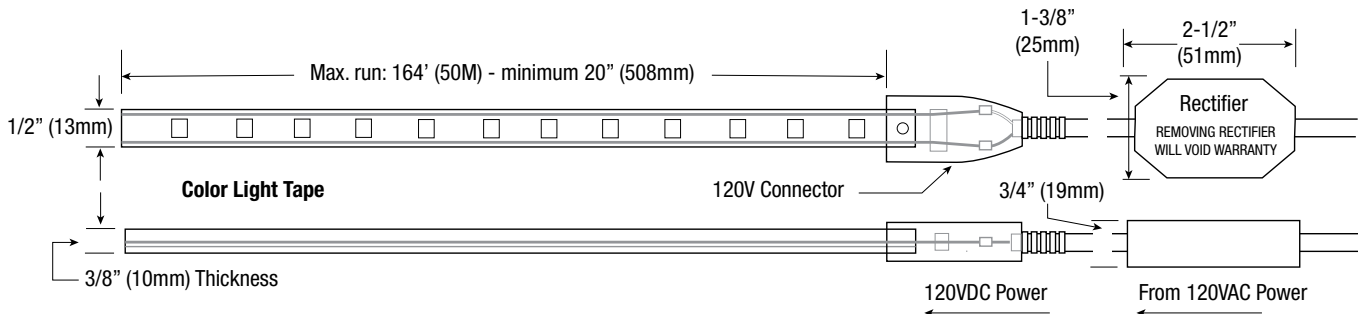


**PRODUCT ORDERING MATRIX**

Catalog No.	Length	Wattage	Lumens	Color	Mounting Channels
GM-120VH0164-AM	164' / 50M	2.6W/ft.	N/A	AMBER	120V-CHL-C 120V-CHL-P-C See description at right.
GM-120VH0164-BL	164' / 50M	2.6W/ft.	N/A	BLUE	
GM-120VH0164-GR	164' / 50M	2.6W/ft.	N/A	GREEN	
GM-120VH0164-RD	164' / 50M	2.6W/ft.	N/A	RED	

*Each 164' reel includes: (1) 22" power cord. All connectors and accessories are sold separately.*

**PRODUCT DIAGRAM**





## CONNECTORS AND ACCESSORIES

### WORKING WITH LINEBRITE LED

LineBrite features an optional flexible mounting connector, optional hardwire connector, and a 48" aluminum or plastic mounting channel. With a maximum run of 164 feet and a minimum run of 20 inches, LineBrite LED is perfect for all indoor or outdoor lighting challenge.

Please consult website for installation details.



LINEBRITE 120V-RC-C CONNECTOR

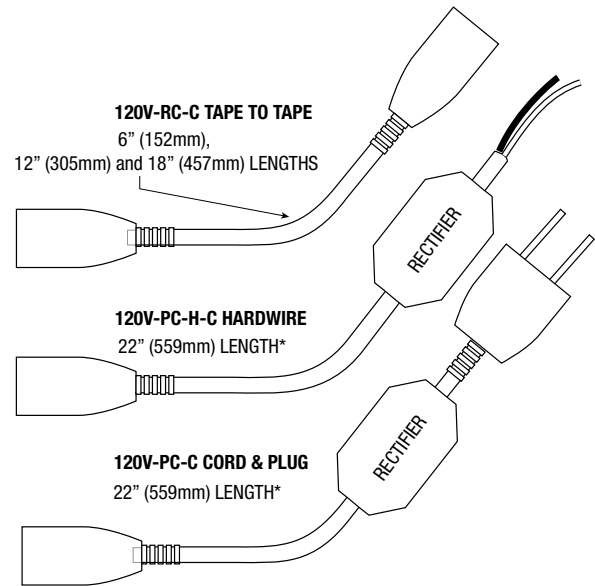


SEE OUR LINEBRITE INSTALLATION VIDEO @ [WWW.GMLIGHTING.NET](http://WWW.GMLIGHTING.NET)

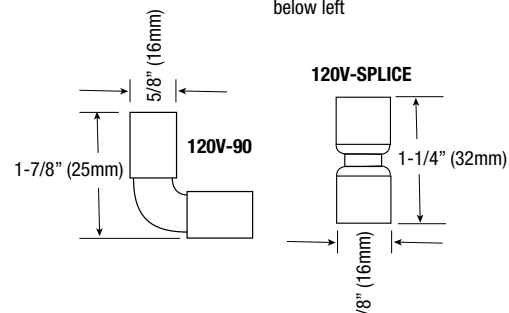
### CONNECTORS AND ACCESSORIES

Cat. No.	Description
120V-PC-C	Power connector with 2-prong polarized plug - 22"
120V-PC-C-6'	Power connector with 2-prong polarized plug - 72"
120V-PC-H-C	Hardwire power connector - 22"
120V-PC-H-C-6'	Hardwire power connector - 72"
120V-RC-C	6" tape to tape connector with pins
120V-RC-12-C	12" tape to tape connector with pins
120V-RC-18-C	18" tape to tape connector with pins
120V-SPLICE	Tape to tape direct connector with pins
120V-90	90° tape to tape connector
120V EC-C	End caps - bag of 10
120V-MC	Mounting clips - bag of 10
3M-VHB-48	3M mounting tape to mount LineBrite into XD/XDF channel
120V-CHL-C	Aluminum mounting channel (no lens) - 39"
120V-CHL-P-C	Plastic mounting channel (no lens) - 39"

### CONNECTOR DIAGRAMS



\*Also available: Hardwire and Cord & Plug with 72" lead / cord. See ordering chart below left



LINEBRITE INSTALLED IN 120V-CHL-C / 120V-CHL-P-C ALUMINUM OR PLASTIC MOUNTING CHANNEL. CAN ALSO BE INSTALLED IN CHL-XD OR CHL-XD-F CHANNEL. SEE PAGE 112.

See our Custom Length Matrix on Page 43



SQR SERIES 120V SQUARE DOWNLIGHT  
WITH EDGELIT TECHNOLOGY



SLIM EDGE™ 24VDC 90+ CRI  
ADJUSTABLE LIGHTBAR

## 12VDC / 24VDC / 120V LIGHTBARS



LTAB-N 12VDC ALUMINUM  
HIGH OUTPUT WET LOCATION  
LIGHTBAR  
PAGE 52



LTB 12VDC RIGID HIGH  
OUTPUT LED LINEAR  
LIGHTBAR  
PAGE 53



**NEW!** SLIM EDGE™ 24VDC  
90+ CRI ADJUSTABLE LIGHT-  
BAR AND CONNECTORS  
PAGE 54



LARC4 24VDC  
ARCHITECTURAL LINEAR  
LENSED LIGHTBAR  
PAGE 56



LARC5 24VDC LIGHTBAR  
WITH FROSTED LENS  
PAGE 57



LARC6 24VDC  
ARCHITECTURAL MODULAR  
LIGHTBAR  
PAGE 58





FLEXIBLE LIGHTBAR TO LIGHTBAR or LIGHTBAR to POWER SUPPLY CONNECTOR

**PRODUCT DESCRIPTION**

Ideal for outdoor wet bar and commercial kitchen applications. GM Lighting's LTAB-N Series provides high output energy efficient LED lighting in an enclosed sealed aluminum housing. Suitable for installations from -12°F to 120°F. Approved for indoor and outdoor.

See page 91 for power supplies.

Photometrics available, see product page at [www.gmlighting.net](http://www.gmlighting.net)



**PRODUCT ORDERING MATRIX**

Catalog No.	Length	Wattage	Lumens	Color Temp*	Finish
LTAB-N-8-27	7-3/4" / 197mm	2W / bar	101 / bar	2700K	Brushed Aluminum
LTAB-N-16-27	15-1/4" / 387mm	4W / bar	203 / bar	2700K	Brushed Aluminum
LTAB-N-24-27	23-5/8" / 600mm	6W / bar	304 / bar	2700K	Brushed Aluminum
LTAB-N-8	7-3/4" / 197mm	2W / bar	132 / bar	3500K	Brushed Aluminum
LTAB-N-16	15-1/4" / 387mm	4W / bar	264 / bar	3500K	Brushed Aluminum
LTAB-N-24	23-5/8" / 600mm	6W / bar	396 / bar	3500K	Brushed Aluminum
LTAB-N-8-PW	7-3/4" / 197mm	2W / bar	168 / bar	5500K	Brushed Aluminum
LTAB-N-16-PW	15-1/4" / 387mm	4W / bar	336 / bar	5500K	Brushed Aluminum
LTAB-N-24-PW	23-5/8" / 600mm	6W / bar	504 / bar	5500K	Brushed Aluminum

*Includes attached 3M double stick mounting tape, (2) plastic mounting clips, (4) stainless steel screws, (1) male plug to seal end of run and 2-way double stick tape for concealing connectors to mounting surface. (1) 24" lightbar to power supply connector (LTW-24-WP) included with each lightbar...*

\* Kelvin temperature (color) ±200K

CONNECTORS AND ACCESSORIES	
LTCWP-12	12" flexible lightbar to lightbar connector
LTCWP-24	24" flexible lightbar to lightbar connector
LTCWP-36	36" flexible lightbar to lightbar connector
LTCWP-60	60" flexible lightbar to lightbar connector
LTW-24-WP	24" flexible lightbar to lightbar connector
LTW-48-WP	48" flexible lightbar to lightbar connector
LTW-60-WP	60" flexible lightbar to lightbar connector
LTAB-N-SB	(Pair) swivel brackets with stainless steel screws
GMSB-W (B)	Splice box - White or Black - 2"L x 1"W x 5/8"D

**LTAB-N 12VDC ARCHITECTURAL ALUMINUM HIGH OUTPUT WET LOCATION LED LIGHTBAR**

**KEY FEATURES**

- Rigid lensed lightbar
- Mounts with 3M double stick tape, affixed to rear of lightbar
- Units join securely together with flexible lightbar to lightbar connectors
- Dimmable (see page 101)
- Class 2. Maximum run on a given lead is 16'

**ELECTRICAL**

- 12VDC remote power supply required (see page 91)
- Rated at 3W per foot
- 50,000 hr. operation

**OPTICS**

- 120° viewing angle
- 2700K, 3500K, 5500K

**CERTIFICATION**

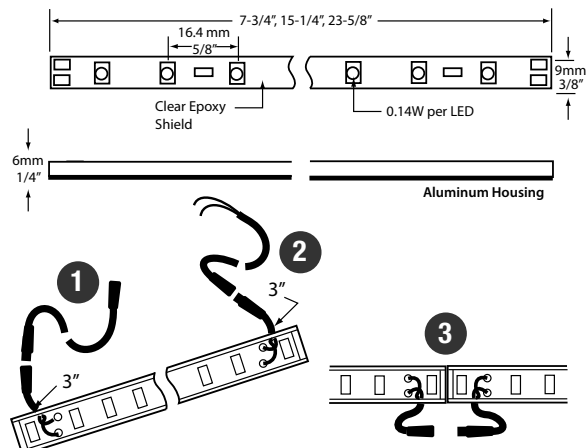
- ETL

**WARRANTY**

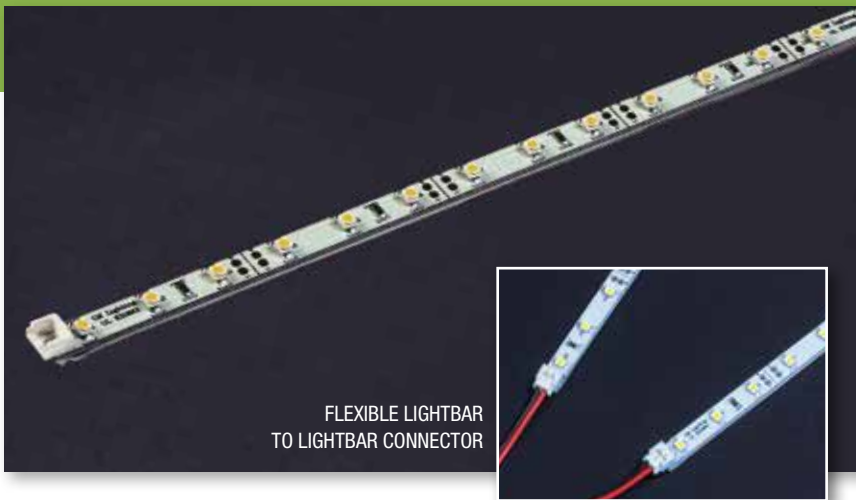
- 5 year warranty



**PRODUCT DIAGRAM**



**Key to Connector Diagrams (above):** 1. Flexible lightbar to lightbar connector. Available in 12", 24", 36", 60". 2. Lightbar to power supply connector. Available in 24", 48" 60". 3. Lightbars can be butted together. Please see Quick Reference Guide on page 102 for maximum single runs.



FLEXIBLE LIGHTBAR  
TO LIGHTBAR CONNECTOR

### PRODUCT DESCRIPTION

High output LED lighting for superior lumen performance for a wide variety of lighting applications. GM Lighting's LTB Rigid High Output LED Linear Lightbar Series provides a warm 3500K light source that is easily configurable by utilizing GM Lighting's flexible lightbar to lightbar connectors (below). The LTB Series fixtures are extremely easy to mount with the attached 3M double stick padded mounting tape on the back of each lightbar.

See page 91 for power supplies.

Photometrics available, see product page at [www.gmlighting.net](http://www.gmlighting.net)



## LTB 12VDC RIGID HIGH OUTPUT LED LINEAR LIGHTBAR

### KEY FEATURES

- Rigid lightbar
- Mounts with 3M double stick tape, affixed to rear of lightbar
- Units join securely together with flexible lightbar to lightbar connectors
- Dimmable (see page 101)
- Class 2. Maximum run on a given lead is 16'

### ELECTRICAL

- 12VDC remote power supply required (see page 91)
- Rated at 3W per foot
- 50,000 hr. operation

### OPTICS

- 120° viewing angle
- 3500K

### CERTIFICATION

- ETL

### WARRANTY

- 5 year warranty



### PRODUCT ORDERING MATRIX

Catalog No.	Length	Wattage	Lumens	Color Temp*
LTB-8	7-3/4" / 197mm	2W / bar	132 / bar	3500K
LTB-16	15-1/4" / 387mm	4W / bar	264 / bar	3500K

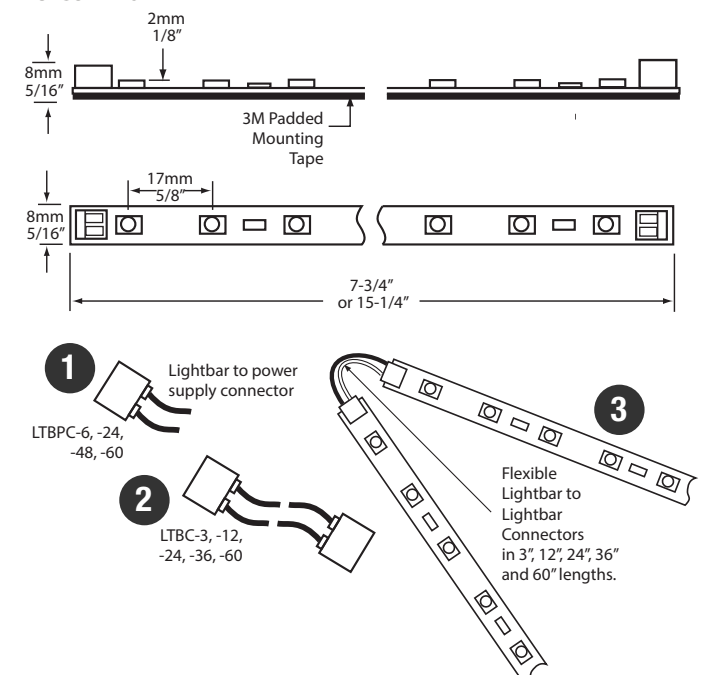
*Includes attached 3M double stick mounting tape, (1) lightbar to power supply connector (LTBPC-6) included with each lightbar...*

\* Kelvin temperature (color) ±200K

**Key to Connector Diagrams (right):** 1. Flexible lightbar to power supply connector. Available in 6", 24", 48", 60". 2. Flexible lightbar to lightbar connector. Available in 3", 12", 24", 36", 60". 3. Diagram of flexible lightbar to lightbar connector configuration. Please see Quick Reference Guide on page 14 for maximum single runs.

CONNECTORS AND ACCESSORIES	
LTBC-3	3" flexible lightbar to lightbar connector
LTBC-12	12" flexible lightbar to lightbar connector
LTBC-24	24" flexible lightbar to lightbar connector
LTBC-36	36" flexible lightbar to lightbar connector
LTBC-60	60" flexible lightbar to lightbar connector
LTBPC-6	6" flexible lightbar to power supply connector
LTBPC-24	24" flexible lightbar to power supply connector
LTBPC-48	48" flexible lightbar to power supply connector
LTBPC-60	60" flexible lightbar to power supply connector
LTMC	(Pair) lightbar mounting clips with 4 screws
GMSB-W (B)	Splice box - White or Black - 2"L x 1"W x 5/8"D

### PRODUCT DIAGRAM





**PRODUCT DESCRIPTION**

Slim Edge™ is a 24VDC architectural LED linear thin lightbar that is the next evolution in undercabinet lighting. Using high-tech Edgelite technology - Slim Edge creates an even luminance while producing a gentle, soft light. 90+ CRI optics that present no diode imaging on polished surfaces. Available in 8", 16", 24" or 32" in white or bronze. Utilizing the wide array of connectors, Slim Edge can be configured to adapt to virtually any application.

See page 91 for power supplies.

24 VOLT
90+ CRI
DRY LOCATION
CLASS 2
5 Yr. WARRANTY

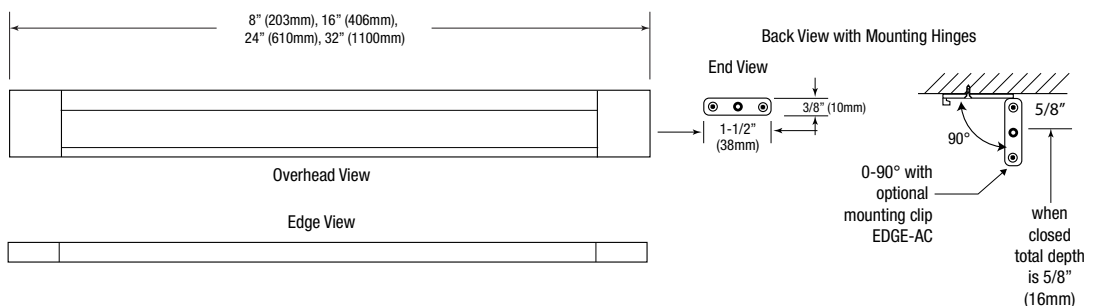
**PRODUCT ORDERING MATRIX**

Catalog No.	Length	Wattage	Lumens	CRI	Color Temp*	Finish
EDGE-8-27-W	8" / 203mm	3W / bar	150 / bar	90+	2700K	White
EDGE-16-27-W	16" / 406mm	6W / bar	325 / bar	90+	2700K	White
EDGE-24-27-W	24" / 610 mm	10W / bar	550 / bar	90+	2700K	White
EDGE-32-27-W	32" / 1100mm	13W / bar	750 / bar	90+	2700K	White
EDGE-8-27-BZ	8" / 203mm	3W / bar	150 / bar	90+	2700K	Bronze
EDGE-16-27-BZ	16" / 406mm	6W / bar	325 / bar	90+	2700K	Bronze
EDGE-24-27-BZ	24" / 610 mm	10W / bar	550 / bar	90+	2700K	Bronze
EDGE-32-27-BZ	32" / 1100mm	13W / bar	750 / bar	90+	2700K	Bronze
EDGE-8-30-W	8" / 203mm	3W / bar	200 / bar	90+	3000K	White
EDGE-16-30-W	16" / 406mm	6W / bar	375 / bar	90+	3000K	White
EDGE-24-30-W	24" / 610 mm	10W / bar	600 / bar	90+	3000K	White
EDGE-32-30-W	32" / 1100mm	13W / bar	800 / bar	90+	3000K	White
EDGE-8-30-BZ	8" / 203mm	3W / bar	200 / bar	90+	3000K	Bronze
EDGE-16-30-BZ	16" / 406mm	6W / bar	375 / bar	90+	3000K	Bronze
EDGE-24-30-BZ	24" / 610 mm	10W / bar	600 / bar	90+	3000K	Bronze
EDGE-32-30-BZ	32" / 1100mm	13W / bar	800 / bar	90+	3000K	Bronze

Includes (2) mounting clips with screws, (1) lightbar to power supply connector (GMC-PS-24) and (1) rigid bar to bar connector (EDGE-BB-1) included with each lightbar. NOTE: White bar is supplied with white connectors. Bronze bar is supplied with black connectors.

\* Kelvin temperature (color) ±200K

**PRODUCT DIAGRAM**



**NEW! SLIM EDGE™ 24VDC MODULAR ARCHITECTURAL LIGHTBAR**

**KEY FEATURES**

- Rigid modular edge lit lightbar.
- 0 - 90° with optional mounting clip.
- Mounting clips and screws included.
- Units join securely together with modular connectors.
- Dimmable (see page 101).
- Class 2. Maximum run on a given lead is 16'.

**ELECTRICAL**

- 24VDC remote power supply required (see page 91).
- Rated at 3.5W per foot.
- 50,000 hr. operation

**OPTICS**

- Edge-lit technology results in diode-free imaging on polished surfaces
- 90+ CRI
- 2700K, 3000K

**CERTIFICATION**

- ETL

**WARRANTY**

- 5 year warranty

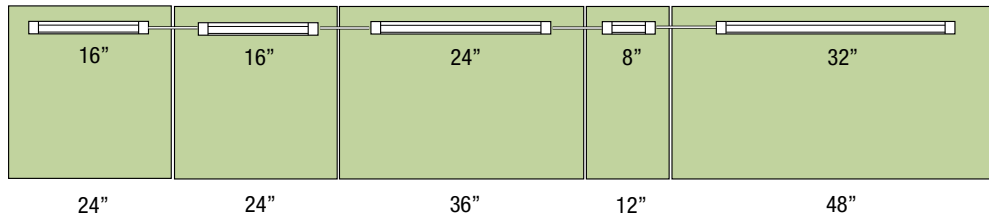




## NEW! SLIM EDGE™ TYPICAL CABINET LAYOUT

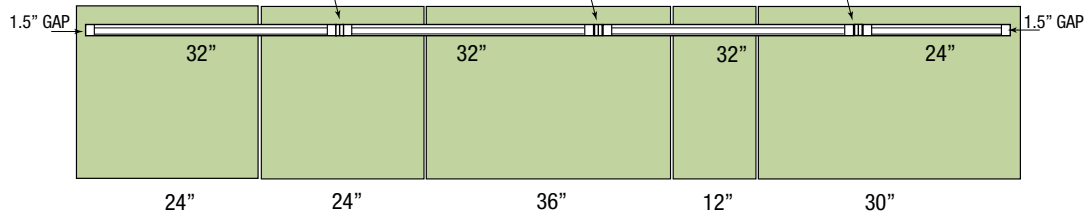
### CABINET LAYOUT ONE - 144" CABINET CONFIGURATION

SLIM EDGE™ FIXTURES LINKED WITH GMC-MM-12 CONNECTORS



### CABINET LAYOUT TWO - 126" CABINET CONFIGURATION

3 EDGE-BB-1 CONNECTORS (FIXTURE TO FIXTURE) SLIM EDGE™ FIXTURES LINKED WITH EDGE-BB-1 CONNECTORS



## NEW! SLIM EDGE™ CONNECTORS AND MODULAR ACCESSORIES

### CONNECTORS AND ACCESSORIES

<b>DPPS-12-24V</b>	Class 2, plug w/48" lead - 24VDC - for use w/ LARC6 or Slim Edge
<b>DPPS-36-24V</b>	Class 2, 48" cord & plug - 24VDC - for use w/ LARC6 or Slim Edge
<b>DPSW-4-W(B)</b>	4" port splitter - White or Black
<b>DPSW-8-W(B)</b>	8" port splitter - White or Black
<b>EDGE-BB-1-BZ</b>	SlimEdge to SlimEdge bar to bar connector - Bronze
<b>EDGE-BB-1-W</b>	SlimEdge to SlimEdge bar to bar connector - White
<b>EDGE-90-BZ</b>	SlimEdge to SlimEdge 90° connector - Bronze
<b>EDGE-90-W</b>	SlimEdge to SlimEdge 90° connector - White
<b>EDGE-IC-BZ</b>	SlimEdge to SlimEdge inside corner connector - Bronze
<b>EDGE-IC-W</b>	SlimEdge to SlimEdge inside corner connector - White
<b>EDGE-TD-BZ</b>	SlimEdge touch dimmer - Bronze
<b>EDGE-TD-W</b>	SlimEdge touch dimmer - White
<b>EDGE-MS-BZ</b>	SlimEdge mechanical switch - on/off - Bronze
<b>EDGE-MS-W</b>	SlimEdge mechanical switch - on/off - White
<b>GMC-MM-3-W(B)</b>	3" male to male cable connector - White or Black
<b>GMC-MM-6-W(B)</b>	6" male to male cable connector - White or Black
<b>GMC-MM-12-W(B)</b>	12" male to male cable connector - White or Black
<b>GMC-MM-24-W(B)</b>	24" male to male cable connector - White or Black
<b>GMC-MM-39-W(B)</b>	39" male to male cable connector - White or Black
<b>GMC-MM-60-W(B)</b>	60" male to male cable connector - White or Black
<b>GMC-FF-3-W(B)</b>	3" female to female connector - White or Black
<b>GMC-PS-3-W(B)</b>	3" lightbar to power supply connector - White or Black
<b>GMC-PS-24-W(B)</b>	24" lightbar to power supply connector - White or Black
<b>GMC-PS-48-W(B)</b>	48" lightbar to power supply connector - White or Black
<b>GMC-PS-60-W(B)</b>	60" lightbar to power supply connector - White or Black



EDGE-90-W



EDGE-MS-W



EDGE-BB-1-W



EDGE-IC-W



EDGE-MS-W



GMC-MM-6-W



FLEXIBLE LIGHTBAR  
TO LIGHTBAR CONNECTOR

**PRODUCT DESCRIPTION**

GM Lighting's LARC4 Series provides 24VDC energy efficient LED lighting in an enclosed housing. LARC4 lightbars can be securely snapped together or connected using flexible lightbar to lightbar connectors. Suitable for installations from -40°F to 104°F. Designed for cove lighting, commercial and architectural lighting applications. Brushed aluminum.

See page 91 for power supplies. Photometrics available, see product page at [www.gmlighting.net](http://www.gmlighting.net)

24 VOLT    JWET LOCATION    CLASS 2    80+ CRI    5 Yr. WARRANTY

**PRODUCT ORDERING MATRIX**

Catalog No.	Length	Wattage	Lumens	CRI	Color Temp*
LARC4-9-27-BA	9-7/8" / 251mm	5W / bar	391 / bar	80+	2700K
LARC4-19-27-BA	19-3/4" / 251mm	10W / bar	780 / bar	80+	2700K
LARC4-39-27-BA	39-3/8" / 1575 mm	20W / bar	1575 / bar	80+	2700K
LARC4-9-WW-BA	9-7/8" / 251mm	5W / bar	411 / bar	80+	3500K
LARC4-19-WW-BA	19-3/4" / 251mm	10W / bar	819 / bar	80+	3500K
LARC4-39-WW-BA	39-3/8" / 1575 mm	20W / bar	1654 / bar	80+	3500K
LARC4-9-42-BA	9-7/8" / 251mm	5W / bar	444 / bar	80+	4200K
LARC4-19-42-BA	19-3/4" / 251mm	10W / bar	878 / bar	80+	4200K
LARC4-39-42-BA	39-3/8" / 1575 mm	20W / bar	1772 / bar	80+	4200K
LARC4-9-PW-BA	9-7/8" / 251mm	5W / bar	454 / bar	80+	5500K
LARC4-19-PW-BA	19-3/4" / 251mm	10W / bar	897 / bar	80+	5500K
LARC4-39-PW-BA	39-3/8" / 1575 mm	20W / bar	1811 / bar	80+	5500K

*Includes attached 3M double stick mounting tape, (2) mounting clips, (1) end cap and (1) 60" lightbar to power supply connector (LARC4-PS-60).*

\* Kelvin temperature (color) ±200K

CONNECTORS AND ACCESSORIES	
LARC4-BB-6	6" flexible lightbar to lightbar connector
LARC4-BB-24	24" flexible lightbar to lightbar connector
LARC4-BB-36	36" flexible lightbar to lightbar connector
LARC4-BB-60	60" flexible lightbar to lightbar connector
LARC4-PS-60	60" flexible lightbar to power supply connector
LARC4-SB	(Pair) swivel brackets with 4 stainless steel screws
GMSB-W (B)	Splice box - White or Black - 2"L x 1"W x 5/8"D

Key to Connector Diagrams (right): 1. Flexible lightbar to lightbar connector. Available in 6", 24", 36", 60". 2. Lightbar to power supply connector. Available in 60" 3. Lightbars can be snapped together. No in-line connector needed. 4. Optional LARC4-SB Swivel Bracket.

**LARC4 24VDC ARCHITECTURAL LINEAR LENSED LIGHTBAR**

**KEY FEATURES**

- Rigid lensed lightbar
- Mounts with 3M double stick tape, affixed to rear of lightbar
- Units join securely together with flexible lightbar to lightbar connectors
- Dimmable (see page 101)
- Class 2. Maximum run on a given lead is 20'.

**ELECTRICAL**

- 24VDC remote power supply required (see page 91)
- Rated at 6W per foot
- 50,000 hr. operation

**OPTICS**

- 80+ CRI
- 120° viewing angle
- 2700K, 3500K, 4200K, 5500K

**CERTIFICATION**

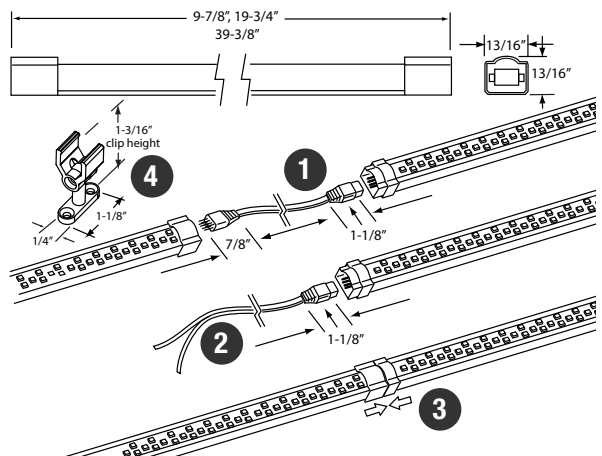
- ETL

**WARRANTY**

- 5 year warranty



**PRODUCT DIAGRAM**





LARC5 LIGHTBARS ARE ABLE TO MODULARLY CONNECT TO OTHER LARC5 LIGHTBARS

### PRODUCT DESCRIPTION

The LARC5 24VDC Architectural LED Linear Lightbar is an 8", 16", 24" or 32" brushed aluminum, rigid and unobtrusive (only 13/16" wide and 5/8" high) dimmable LED Lightbar that utilizes a dense array of strategically placed LED's. LARC5 can be interconnected end to end from one 24VDC power source. Only 4W for 8", 8W for 16", 12W for 24" and 16.0W for 32" with a 50,000 hr. LED life. The frosted lens assures an even glow over the length of the fixture with ***no visible diode imaging on polished granite counters.*** Designed for undercabinet lighting, cove lighting, commercial and architectural applications.

See page 91 for power supplies. Photometrics available, see product page at [www.gmlighting.net](http://www.gmlighting.net)



### PRODUCT ORDERING MATRIX

Catalog No.	Length	Wattage	Lumens	CRI	Color Temp*
LARC5-8-30	8" / 203mm	4W / bar	182 / bar	80+	3000K
LARC5-16-30	16" / 406mm	8W / bar	364 / bar	80+	3000K
LARC5-24-30	24" / 610mm	12W / bar	546 / bar	80+	3000K
LARC5-32-30	32" / 203mm	16W / bar	728 / bar	80+	3000K
LARC5-8-42	8" / 203mm	4W / bar	200 / bar	80+	4200K
LARC5-16-42	16" / 406mm	8W / bar	382 / bar	80+	4200K
LARC5-24-42	24" / 610mm	12W / bar	564 / bar	80+	4200K
LARC5-32-42	32" / 203mm	16W / bar	764 / bar	80+	4200K

*Includes attached 3M double stick mounting tape, (2) mounting clips with screws, (1) 24" lightbar to power supply connector (LARC5-PS-24) included with each lightbar.*

\* Kelvin temperature (color) ±200K

CONNECTORS AND ACCESSORIES	
LARC5-BB-4	4" flexible lightbar to lightbar connector
LARC5-BB-12	12" flexible lightbar to lightbar connector
LARC5-BB-24	24" flexible lightbar to lightbar connector
LARC5-BB-36	36" flexible lightbar to lightbar connector
LARC5-BB-60	60" flexible lightbar to lightbar connector
LARC5-PS-24	24" flexible lightbar to power supply connector
LARC5-PS-48	48" flexible lightbar to power supply connector
LARC5-PS-60	60" flexible lightbar to power supply connector
GMSB-W (B)	Splice box - White or Black - 2"L x 1"W x 5/8"D

**Key to Connector Diagrams (right):** 1. Flexible lightbar to lightbar connector. Available in 4", 12", 24", 36", 60" 2. Lightbar to power supply connector. Available in 24", 48" 60" 3. Lightbars can be snapped together.

## LARC5 24VDC ARCHITECTURAL LED LINEAR LIGHTBAR WITH FROSTED LENS

### KEY FEATURES

- Rigid lightbar with frosted lens
- Mounts with 3M double stick tape, affixed to rear of lightbar or mounting clips
- Units join securely together with modular connectors
- Dimmable (see page 101)
- Maximum run on a given lead is 16'.

### ELECTRICAL

- 24VDC remote power supply required
- Rated at 6W per foot
- Remote power supply required (see page 91)
- 50,000 hr. operation

### OPTICS

- 80+ CRI
- 120° viewing angle
- 3000K, 4200K

### CERTIFICATION

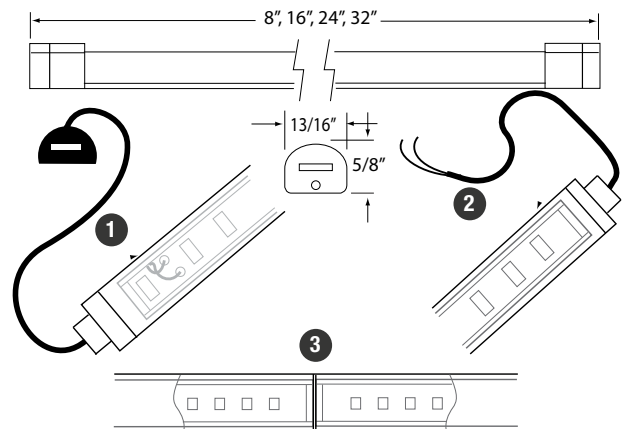
- ETL

### WARRANTY

- 5 year warranty



### PRODUCT DIAGRAM







LARC6 INLINE MASTER POWER SWITCH

**PRODUCT DESCRIPTION**

LARC6 24VDC Architectural LED Linear Lightbar is an 8", 16", 24" or 32" white, rigid and unobtrusive (only 3/8" thickness) dimmable LED Lightbar. LARC6 can be interconnected in series from one 24VDC power source. Designed for undercabinet, commercial, architectural and task applications.

See page 91 for power supplies. Photometrics available, see product page at [www.gmlighting.net](http://www.gmlighting.net)

**24**  
VOLT

**80+**  
CRI

DRY  
LOCATION

**CLASS**  
**2**

**5Yr.**  
WARRANTY

**PRODUCT ORDERING MATRIX**

Catalog No.	Length	Wattage	Lumens	CRI	Color Temp*	Finish
LARC6-8-WW-W	8" / 203mm	3W / bar	200 / bar	80+	3000K	White
LARC6-16-WW-W	16" / 406mm	7W / bar	450 / bar	80+	3000K	White
LARC6-24-WW-W	24" / 610 mm	10W / bar	720 / bar	80+	3000K	White
LARC6-32-WW-W	32" / 1100mm	13W / bar	1100 / bar	80+	3000K	White

*Includes (2) mounting clips with screws, (1) lightbar to power supply connector (GMC-PS-24-W) and (1) rigid bar to bar connector (LARC6-BB-1-W) included with each lightbar.*

\* Kelvin temperature (color) ±200K

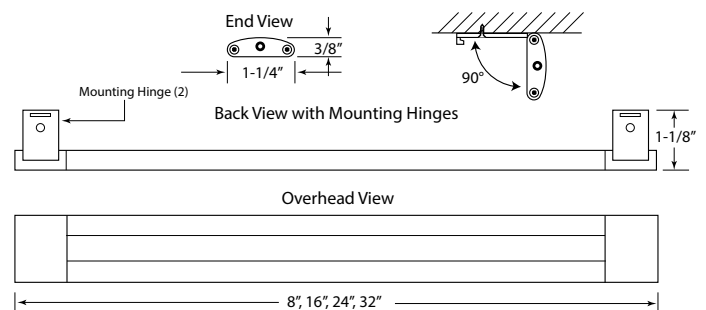
CONNECTORS AND ACCESSORIES	
DPPS-12-24	12W 24V power supply with 39" cord and plug
DPPS-36-24	36W 24V plug-in non-dimmable power supply
DPSW-4-W	4" port splitter - white
DPSW-8-W	8" port splitter - white
LARC6-BB-1-W	Rigid bar to bar connector - white
GMC-MM-3-W	3" male to male cable connector - white
GMC-MM-6-W	6" male to male cable connector - white
GMC-MM-12-W	12" male to male cable connector - white
GMC-MM-24-W	24" male to male cable connector - white
GMC-MM-39-W	39" male to male cable connector - white
GMC-MM-60-W	60" male to male cable connector - white
GMC-FF-3-W	3" female to female cable connector - white
GMC-PS-24-W	24" lightbar to power connector - white
GMC-PS-48-W	48" lightbar to power connector - white

CONNECTORS AND ACCESSORIES	
LARC6-TD-W*	Rigid inline touch dimmer - white
LARC6-MS-W	Inline master power switch - white
LARC6-OS-W	Inline occupancy sensor - white
GMSB-W (B)	Splice box - White or Black - 2"L x 1"W x 5/8"D

\* Use only non-dimmable power supplies with LARC6-TD-W

**NOTE:** When using a LARC6-TD-W you cannot use a wall switch dimmer. Together, they are not compatible.

**PRODUCT DIAGRAM**



**LARC6 24VDC MODULAR ADJUSTABLE ARCHITECTURAL LIGHTBAR**

**KEY FEATURES**

- Rigid modular lightbar
- Built-in adjustable clips allows for easy mounting
- Units join securely together with modular connectors
- Dimmable (see page 101)
- Class 2. Maximum run on a given lead is 16'.

**ELECTRICAL**

- 24VDC remote power supply required (see page 91)
- Rated at 3.5W per foot
- 50,000 hr. operation

**OPTICS**

- Adjustable to 90°
- 3000K

**CERTIFICATION**

- ETL

**WARRANTY**

- 5 year warranty





LARC6 24VDC MODULAR  
ADJUSTABLE ARCHITECTURAL  
LIGHTBAR

GMR6 120V IC RATED  
MINI-DOWNLIGHT







## 120V UNDERCABINET LIGHTING

SLCB 120V  
UNDERCABINET  
LIGHTING



SLCB 120V ARCHITECTURAL  
UNDERCABINET

PAGE 62



120V XENON LUMENTASK™  
UNDERCABINET

PAGE 64



120V LED LUMENTASK™  
UNDERCABINET

PAGE 65





SLCB IS EASILY SWITCHED

#### PRODUCT DESCRIPTION

An Energy Star compliant fully encapsulated driverless 120V architectural LED linear lightbar available in 9", 18", 24", 36" or 48" lengths. Rigid and unobtrusive (only 1-3/16" thick), this dimmable LED lightbar utilizes a dense array of strategically placed LEDs. Frosted lens assures an even glow over the length of the fixture.

Photometrics available, see product page at [www.gmlighting.net](http://www.gmlighting.net)

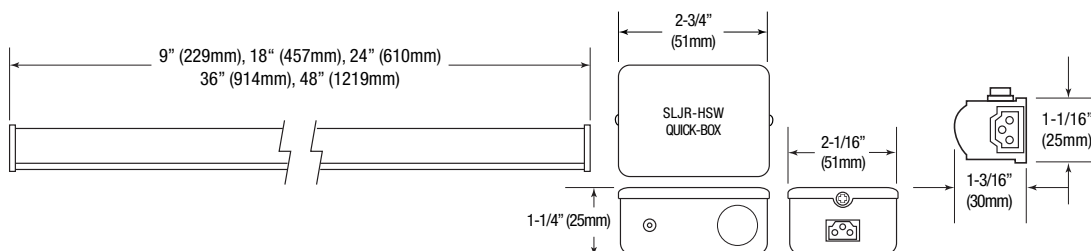


#### PRODUCT ORDERING MATRIX

Catalog No.	Length	Wattage	Lumens	CRI	Color Temp*
SLCB-9-27-WH	9" / 229mm	4W / bar	90+	2700K	2700K
SLCB-18-27-WH	18" / 457mm	7W / bar	90+	2700K	2700K
SLCB-24-27-WH	24" / 610mm	9W / bar	90+	2700K	2700K
SLCB-36-27-WH	36" / 914mm	13W / bar	90+	2700K	2700K
SLCB-48-27-WH	48" / 1219mm	17W / bar	90+	2700K	2700K
SLCB-9-30-WH	9" / 229mm	4W / bar	80+	3000K	3000K
SLCB-18-30-WH	18" / 457mm	7W / bar	80+	3000K	3000K
SLCB-24-30-WH	24" / 610mm	9W / bar	80+	3000K	3000K
SLCB-36-30-WH	36" / 914mm	13W / bar	80+	3000K	3000K
SLCB-48-30-WH	48" / 1219mm	17W / bar	80+	3000K	3000K
SLCB-9-40-WH	9" / 229mm	4W / bar	80+	4000K	4000K
SLCB-18-40-WH	18" / 457mm	7W / bar	80+	4000K	4000K
SLCB-24-40-WH	24" / 610mm	9W / bar	80+	4000K	4000K
SLCB-36-40-WH	36" / 914mm	13W / bar	80+	4000K	4000K
SLCB-48-40-WH	48" / 1219mm	17W / bar	80+	4000K	4000K

Fixture comes with (2) mounting clips and (2) screws for surface mounting, (2) mounting clips and (2) screws for 45° mounting, and (1) SLD-1 lightbar to lightbar connector. Fixture must be used with SLD-1 or SLJ connectors. All accessories sold separately.

#### PRODUCT DIAGRAM



## SLCB 120V LED ARCHITECTURAL LINEAR LED UNDERCABINET

#### KEY FEATURES

- Rigid lensed undercabinet lightbar
- Mounts with mounting clips (supplied)
- Units join securely together with flexible lightbar to lightbar connectors (see next page)
- Dimmable (see page 101)
- Maximum run on a given lead is 50'.

#### ELECTRICAL

- 120V • Rated at 4.5W per foot
- Remote power supply not required
- 50,000 hr. operation

#### OPTICS

- 120° viewing angle
- 2700K, 3000K, 4000K

#### CERTIFICATION

- CSA
  - Energy Star
- WARRANTY**
- 5 year warranty

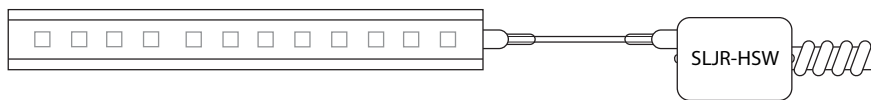


## SLCB CONNECTORS AND MODULAR ACCESSORIES



### SLJR-HSW "QUICK BOX" JUNCTION BOX

- 120V
- Terminal block connectors
- Designed for undercabinet mount
- Multiple knock-outs
- On/off rocker switch
- Use with SLD-1, SLJ Series or EZ Series connectors



FOR USE WITH THE FOLLOWING CONNECTORS:

CONNECTORS AND ACCESSORIES	
SLD-HW-72	72" flexible lightbar to power hardwire connector
SLD-C6	6' cord and plug
SLD-1	Lightbar to lightbar connector
SLJ-6	6" flexible lightbar to lightbar connector
SLJ-12	12" flexible lightbar to lightbar connector
SLJ-24	24" flexible lightbar to lightbar connector
SLJ-36	36" flexible lightbar to lightbar connector



EZ CONNECTORS (FOR PLUG AND PLAY)

SLJR-HSW QUICK BOX	
SLJR-HSW	120V junction box for undercabinet or other shallow mountings. Multiple knock-outs. On/off switch. 2-3/4"L x 2-1/16"W x 1-1/4"H (see image above)



SLD-1, SLJ CONNECTORS FOR SLCB SERIES



120V G9 LAMPS  
AND REFLECTORS

**PRODUCT DESCRIPTION**

120V Xenon offers rich color and clarity with high intensity, low maintenance Xenon lighting in 5 lengths and 3 finishes. LumenTask undercabinet lighting incorporates a sleek, clean and unobtrusive housing that was designed by contractors for contractors. Xenon has a brilliant history in the medical and automotive field where efficiency is key.



**LUMENTASK™ 120V XENON  
UNDERCABINET / TASK LIGHTING**

**KEY FEATURES**

- Rigid lensed undercabinet lighting fixture
- Mounts directly to surface
- Optional connectors for multiple unit runs available (see page 67)
- Dimmable
- End caps feature standard / Wiremold™ combo knock-outs
- Open Wide hinged system for easy installation

**ELECTRICAL**

- 120V
- Remote power supply not required
- Rated lamp life: 5,000 hrs.

**OPTICS**

- 2900K
- 120V G9 Xenon lamping

**CERTIFICATION**

- UL

**WARRANTY**

- 1 year warranty



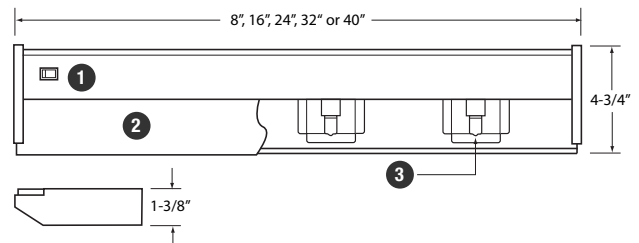
**PRODUCT ORDERING MATRIX**

Catalog No.	Length	Wattage	Lamp	Color Temp.*	Finish
X8-120-WH	8" / 203mm	35W / bar	120V G9 Xenon	2900K	White
X8-120-BZ	8" / 203mm	35W / bar	120V G9 Xenon	2900K	Bronze
X8-120-SS	8" / 203mm	35W / bar	120V G9 Xenon	2900K	Stainless Steel
X16-120-WH	16" / 406mm	2 x 35W / bar	120V G9 Xenon	2900K	White
X16-120-BZ	16" / 406mm	2 x 35W / bar	120V G9 Xenon	2900K	Bronze
X16-120-SS	16" / 406mm	2 x 35W / bar	120V G9 Xenon	2900K	Stainless Steel
X24-120-WH	24" / 610mm	3 x 35W / bar	120V G9 Xenon	2900K	White
X24-120-BZ	24" / 610mm	3 x 35W / bar	120V G9 Xenon	2900K	Bronze
X24-120-SS	24" / 610mm	3 x 35W / bar	120V G9 Xenon	2900K	Stainless Steel
X32-120-WH	32" / 813mm	4 x 35W / bar	120V G9 Xenon	2900K	White
X32-120-BZ	32" / 813mm	4 x 35W / bar	120V G9 Xenon	2900K	Bronze
X32-120-SS	32" / 813mm	4 x 35W / bar	120V G9 Xenon	2900K	Stainless Steel
X40-120-WH	40" / 1016mm	5 x 35W / bar	120V G9 Xenon	2900K	White
X40-120-BZ	40" / 1016mm	5 x 35W / bar	120V G9 Xenon	2900K	Bronze
X40-120-SS	40" / 1016mm	5 x 35W / bar	120V G9 Xenon	2900K	Stainless Steel

\* Kelvin temperature (color) ±200K

REPLACEMENT LAMP	
G9-120VCL	120V 35W Xenon Replacement Lamp for 120V Lumentask G9 base. Clear.

120V XENON LAMP PERFORMANCE DATA	
LAMP LIFE	5,000 HRS.
KELVIN TEMP.	2900K



**Key to LumenTask Diagram:**

1. Hi-Low-Off switch enables full or 50% lighting level.
2. Tempered frosted, prismatic glass lens that slides in for easy installation.
3. Xenon lamp with anodized aluminum reflector.





LED PCB BOARD

**PRODUCT DESCRIPTION**

The industry standard for LED undercabinet lighting is Energy Star™ compliant! With the rising costs of energy, both home and business owners are looking for ways to not only cut down on their energy expenses, but also to utilize more earth friendly light sources. GM Lighting's LumenTask™ LED undercabinet fixtures alleviates both of these concerns while offering an attractive and low maintenance, high 90+ CRI performance, and dimmable fixture.



**LUMENTASK™ 120V LED UNDERCABINET / TASK LIGHTING**

**KEY FEATURES**

- Rigid lensed undercabinet lighting fixture
- Mounts directly to surface
- Optional connectors for multiple unit runs available (see page 67)
- Dimmable with standard dimmer
- End caps feature standard / Wiremold™ combo knock-outs
- Open Wide hinged system for easy installation

**ELECTRICAL**

- 120V
- Remote power supply not required
- Rated lamp life: 50,000 hrs.

**OPTICS**

- 3000K
- 90+ CRI

**CERTIFICATION**

- ETL
  - Energy Star
- WARRANTY**
- 5 year warranty



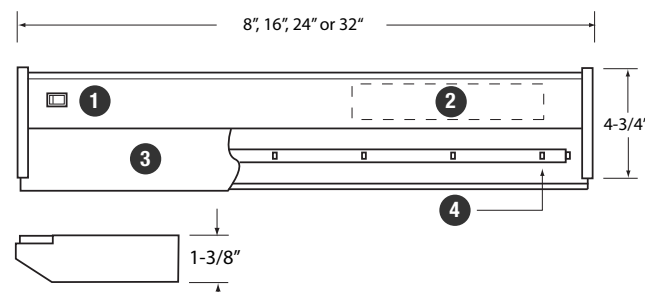
**PRODUCT ORDERING MATRIX**

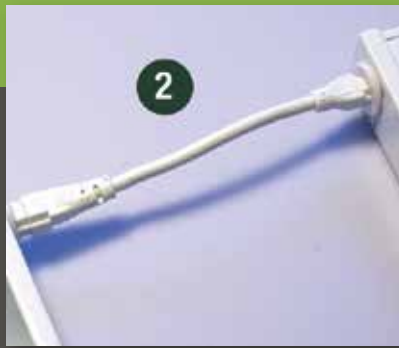
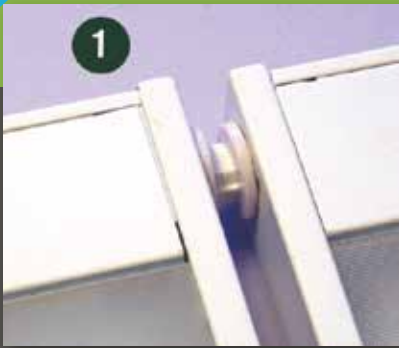
Catalog No.	Length	Wattage	Lumens	CRI	Color Temp.*	Finish
UCLED-8-WH-DIM-30	8" / 203mm	7W	382	90+	3000K	White
UCLED-8-BZ-DIM-30	8" / 203mm	7W	382	90+	3000K	Bronze
UCLED-8-SS-DIM-30	8" / 203mm	7W	382	90+	3000K	Stainless Steel
UCLED-16-WH-DIM-30	16" / 406mm	11W	625	90+	3000K	White
UCLED-16-BZ-DIM-30	16" / 406mm	11W	625	90+	3000K	Bronze
UCLED-16-SS-DIM-30	16" / 406mm	11W	625	90+	3000K	Stainless Steel
UCLED-24-WH-DIM-30	24" / 610mm	19W	1002	90+	3000K	White
UCLED-24-BZ-DIM-30	24" / 610mm	19W	1002	90+	3000K	Bronze
UCLED-24-SS-DIM-30	24" / 610mm	19W	1002	90+	3000K	Stainless Steel
UCLED-32-WH-DIM-30	32" / 1016mm	23W	1166	90+	3000K	White
UCLED-32-BZ-DIM-30	32" / 1016mm	23W	1166	90+	3000K	Bronze
UCLED-32-SS-DIM-30	32" / 1016mm	23W	1166	90+	3000K	Stainless Steel

\* Kelvin temperature (color) ±200K

**Key to LED LumenTask Diagram:**

1. On/off switch.
2. Integral dimmable LED power supply.
3. Tempered frosted, prismatic glass lens that slides in for easy installation.
4. LED PCB board.





## LUMENTASK™ ACCESSORIES and FEATURES

### KEY TO CONNECTOR DIAGRAMS

1. EZ-1 connects two LumenTask™ fixtures in series.

2. EZ Connectors connects two LumenTask™ fixtures with a flexible cord:

EZ-3 (3" connector)      EZ-6 (6" connector)  
EZ-12 (12" connector)      EZ-18 (18" connector)

3. SLJR-HSW Quick-Box.  
2-3/4"L x 2-1/16"H x 1-1/4"W

4. CP-6 72" cord and plug.

**NOTE:** EZ Connectors, SLJR-HSW and CP-6 are available in white only.

Accessing the interior of LumenTask™ without removing the fixture is easy. See Open Wide feature at bottom left.

### LUMENTASK™ ACCESSORIES

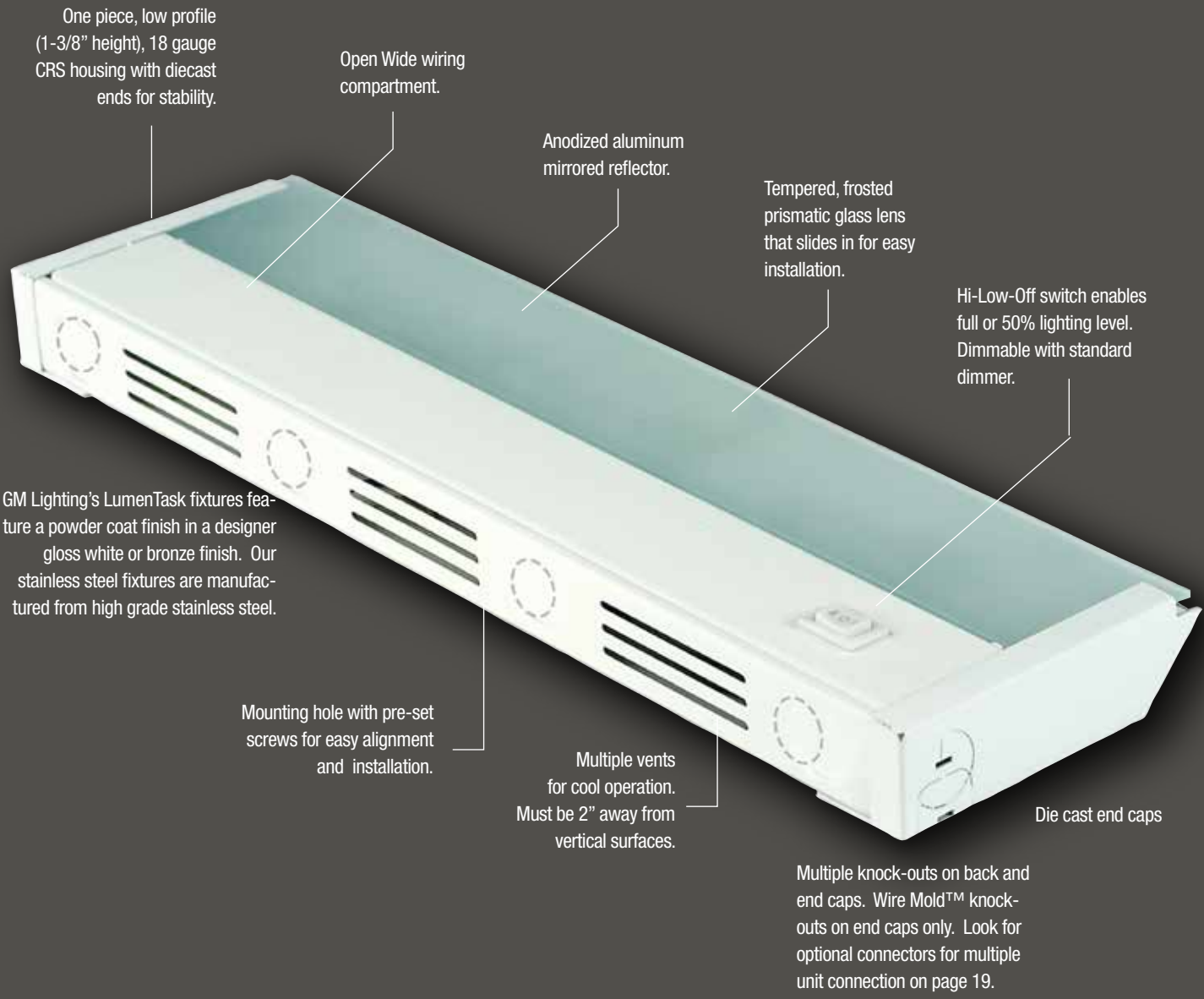
<b>EZ-1</b>	CONNECTS TWO LUMENTASK FIXTURES DIRECTLY TOGETHER
<b>EZ-3</b>	3" FLEXIBLE LUMENTASK FIXTURE TO FIXTURE CONNECTOR
<b>EZ-6</b>	6" FLEXIBLE LUMENTASK FIXTURE TO FIXTURE CONNECTOR
<b>EZ-12</b>	12" FLEXIBLE LUMENTASK FIXTURE TO FIXTURE CONNECTOR
<b>EZ-18</b>	18" FLEXIBLE LUMENTASK FIXTURE TO FIXTURE CONNECTOR
<b>SLJR-HSW</b>	QUICK-BOX JUNCTION BOX FOR HARDWIRE INSTALLATION MUST BE USED WITH EZ CONNECTOR. SEE PAGE 63.
<b>CP-6</b>	72" CORD AND PLUG WITH MODULAR CONNECTOR
<b>G9-120VCL</b>	35W XENON REPLACEMENT LAMP FOR 120V LUMENTASK - G9 BASE
<b>GL8</b>	8" REPLACEMENT LENS FOR 8" LUMENTASK MODELS
<b>GL16</b>	16" REPLACEMENT LENS FOR 16" LUMENTASK MODELS
<b>GL24</b>	24" REPLACEMENT LENS FOR 24" LUMENTASK MODELS
<b>GL32</b>	32" REPLACEMENT LENS FOR 32" LUMENTASK MODELS
<b>GL40</b>	40" REPLACEMENT LENS FOR 40" LUMENTASK MODELS



Open Wide keeps the fixture open and your hands free to wire. By simply pressing the wiring compartment holding tab, the wiring compartment cover swings down and out and stays in position until you're ready to snap it back in its closed position and slide the lens back in place.



# LUMENTASK™ 120V XENON SPECIFICATIONS



GM Lighting's LumenTask fixtures feature a powder coat finish in a designer gloss white or bronze finish. Our stainless steel fixtures are manufactured from high grade stainless steel.

MODEL	LENGTH	WIDTH	HEIGHT	KNOCK-OUTS
<b>X8</b>	8"	4-3/4"	1-3/8"	4 x 1/2"
<b>X16</b>	16"			6 x 1/2"
<b>X24</b>	24"			8 x 1/2"
<b>X32</b>	32"			10 x 1/2"
<b>X40</b>	40"			12 x 1/2"

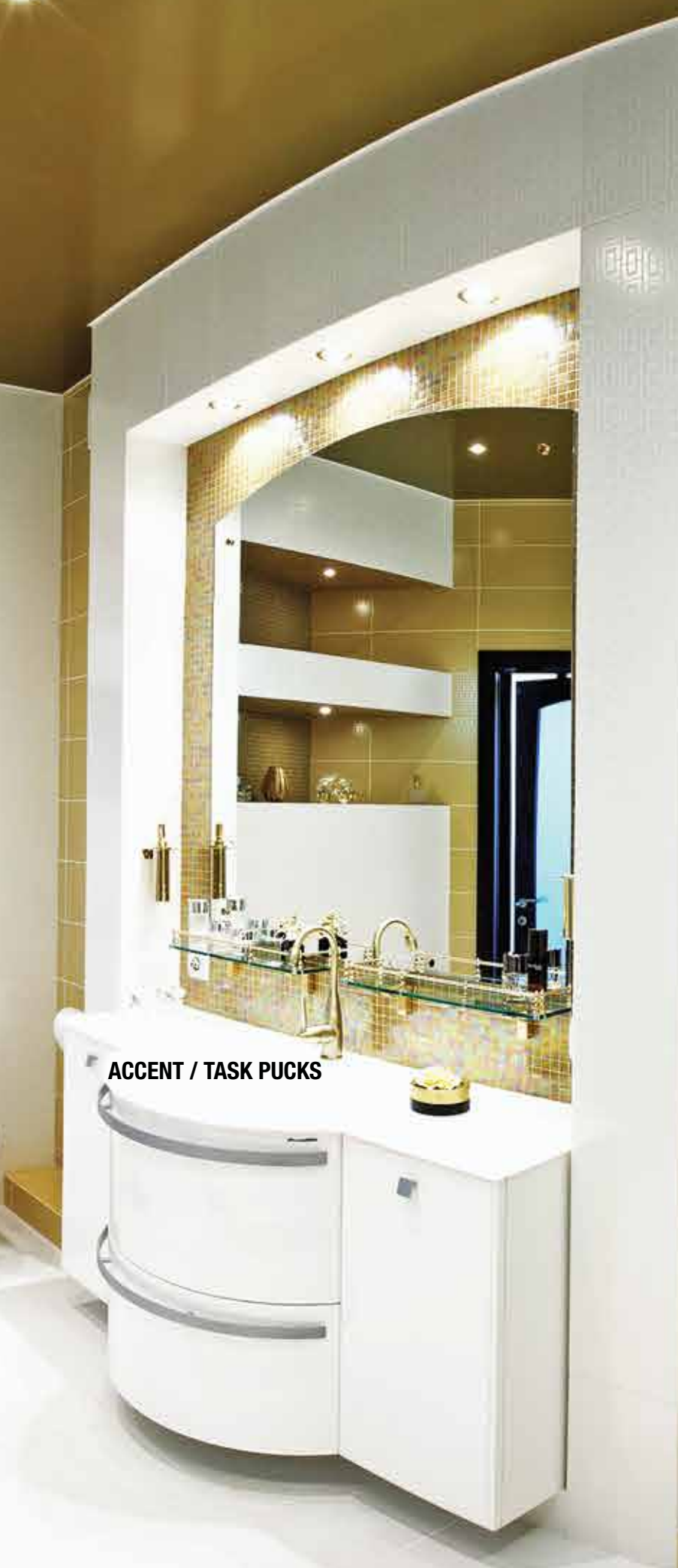
Multiple knock-outs on back and end caps. Wire Mold™ knock-outs on end caps only. Look for optional connectors for multiple unit connection on page 19.



GMR9 LED DOWNLIGHT

12VDC 3W LED  
DIMMABLE  
PUCKS





**ACCENT / TASK PUCKS**



**12VDC 3W LED ACCENT / TASK DIMMABLE PUCK LIGHTING**  
PAGE 70



**12VDC 3W HIGH POWER LED ACCENT / TASK DIMMABLE PUCK LIGHTING**  
PAGE 71



**12VDC XENON ACCENT/TASK DIMMABLE PUCK LIGHTING**  
PAGE 72



**12VAC ELECTRONIC REMOTE TRANSFORMERS FOR 12V PUCKS**  
PAGE 73



## 12VDC 3W LED ACCENT / TASK DIMMABLE PUCK LIGHTING

### KEY FEATURES

- Surface mount 3W LED puck
- Mounts directly to surface
- Available in a 3-puck kit with 58" switched cord and plug, inline dimmer and power supply.
- Dimmable with inline dimmer switch (see below), or dimmable power supplies (see page 101)

### ELECTRICAL

- 12VDC remote power supply required (included in kit)
- 50,000 hr. operation

### OPTICS

- 3000K
- 80+ CRI
- 3W LED
- 150° beam spread
- Captive frosted lens

### CERTIFICATION

- UL
- WARRANTY

- 5 year warranty



### PRODUCT DESCRIPTION

Available as a single puck, or in a 3-puck kit with power supply, GM Lighting's 3W Accent / Task Dimmable Puck is an easy to install solution for undercabinet lighting where shallow surface mount ability is desired, as well as a modern, clean look. The DPK Series packs in a lot of features that will insure years of maintenance free, warm and natural illumination.



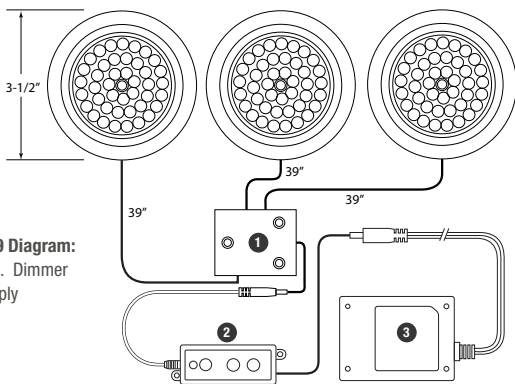
### PRODUCT ORDERING MATRIX

Catalog No.	Length	Lumens	Beam Spread	Color Temp.*	Finish
DP-3-W		3W	150°	3000K	White
DP-3-BZ	Individual Puck with 39" Lead with Male Plug.	3W	150°	3000K	Bronze
DP-3-BNK		3W	150°	3000K	Brushed Nickel
DPK-9-W	3-Puck with 58" Switched Cord and Plug, Inline Dimmer and Power Supply	3W	3 X 150°	3000K	White
DPK-9-BZ		3W	3 X 150°	3000K	Bronze
DPK-9-BNK		3W	3 X 150°	3000K	Brushed Nickel

Individual pucks are supplied with 39" lead with male plug. \* Kelvin temperature (color) ±200K

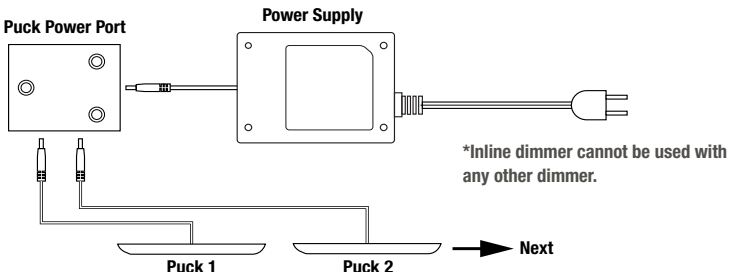
CONNECTORS AND ACCESSORIES	
DPDS-B (W)	In-line dimmer switch - black / white
DPPS-24-12V	24W, Class 2, 48" cord/plug - 12VDC
DPSP-4-B (W)	4-puck power port - black / white
DPSP-8-B (W)	8-puck power port - black / white
GMC-MF-24-B (W)	24" male to female connector - black / white
GMC-MF-39-B (W)	39" male to female connector - black / white
GMC-MF-60-B (W)	60" male to female connector - black / white
GMC-MM-3-B (W)	3" male to male connector - black / white
GMC-MM-6-B (W)	6" male to male connector - black / white
GMC-MM-12-B (W)	12" male to male connector - black / white
GMC-MM-24-B (W)	24" male to male connector - black / white
GMC-MM-39-B (W)	39" male to male connector - black / white
GMC-FF-3-B (W)	3" female to female connector - black / white
GMC-PS-24-B (W)	24" power supply connector - black / white
GMC-PS-48-B (W)	48" power supply connector - black / white
GMC-PS-60-B (W)	60" power supply connector - black / white

### PRODUCT DIAGRAM



Key to DPK-9 Diagram:  
1. Splitter 2. Dimmer  
3. Power Supply

### Wiring Example:





## 12VDC 3W HIGH POWER LED ACCENT/ TASK DIMMABLE PUCK LIGHTING

### KEY FEATURES

- Adjustable lensed undercabinet lighting fixture
- Mounts directly to surface or recessed mount
- Available in a 3-puck kit with 72" switched cord and plug, inline dimmer and power supply.
- Dimmable with magnetic power supply (see page 101)
- Only 2-7/8" x 1"
- Easy to mount

### ELECTRICAL

- 12VDC remote power supply required (included in kit)
- Rated lamp life: 50,000 hrs.

### OPTICS

- 3000K
- 80+ CRI

### CERTIFICATION

- ETL

### WARRANTY

- 5 year warranty



### PRODUCT DESCRIPTION

A surface or recess mount 12VDC, 3W high power 3000K LED puck that is available in white, black, bronze or brushed nickel. The prismatic glass lens delivers even light distribution. Available as single pucks or in a 3-puck kit that includes switched cord and plug with inline power supply.



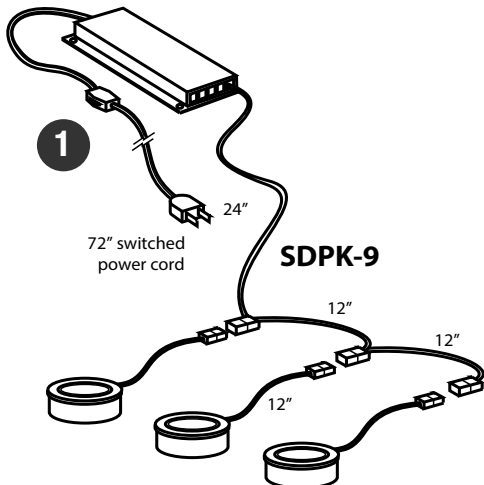
### PRODUCT ORDERING MATRIX

Catalog No.	Length	Wattage	Lumens	Color Temp.*	Finish
SDP-3-W		3W	110	3000K	White
SDP-3-B	Individual Puck with 48" Stripped Wire Leads.	3W	110	3000K	Black
SDP-3-BZ		3W	110	3000K	Bronze
SDP-3-BNK		3W	110	3000K	Brushed Nickel
SDPK-9-W		3-Puck with 72" Switched Cord and Plug, Includes Power Supply. Non-dimmable.	3 X 3W	3 X 110	3000K
SDPK-9-B	3 X 3W		3 X 110	3000K	Black
SDPK-9-BZ	3 X 3W		3 X 110	3000K	Bronze
SDPK-9-BNK	3 X 3W		3 X 110	3000K	Brushed Nickel

\* Kelvin temperature (color)  $\pm 200K$

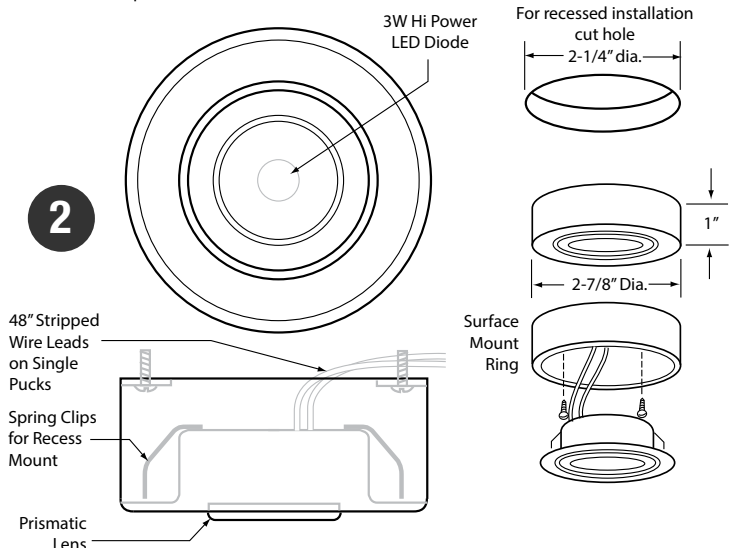
### LED PUCK EXTENSIONS

XDP-12	12" LED puck extension
XDP-24	24" LED puck extension



### Key to SDP-3 and SDPK-9 Diagrams

1. SDPK-9, 3 light kit with switched cord & plug & power supply.
2. SDP-3 individual pucks come with 48" leads.



XP20-BZ



XP20-3-BNK

**PRODUCT DESCRIPTION**

The standard in low voltage puck lighting has never been easier to specify and install. GM Lighting's 12V Xenon Accent/Task Puck is offered either as a single puck, or as a 3 light kit with switched cord, plug and transformer.



**12VAC XENON ACCENT / TASK DIMMABLE PUCK LIGHTING**

**KEY FEATURES**

- Surface or recessed mount Xenon puck
- Available as single puck with 48" stripped wire lead or in a 3-puck kit with 72" switched cord and plug with transformer.

**ELECTRICAL**

- See next page for transformer.
- Rated lamp life: 5,000 hrs.

**OPTICS**

- 2900K
- 300 lumens per puck
- 20W pre-installed Xenon lamp
- Easy lamp replacement

**CERTIFICATION**

- UL

**WARRANTY**

- 1 year warranty



**PRODUCT ORDERING MATRIX**

Catalog No.	Length	Wattage	Lumens	Color Temp.*	Finish
XP20-W		20W	300	2900K	White
XP20-B	Individual Puck with 48" Stripped Wire Leads	20W	300	2900K	Black
XP20-BZ		20W	300	2900K	Bronze
XP20-BNK		20W	300	2900K	Brushed Nickel
XP20-3-W	3-Puck with 72" Switched Cord and Plug. Includes Power Supply	3 x 20W	3 X 300	2900K	White
XP20-3-B		3 x 20W	3 X 300	2900K	Black
XP20-3-BZ		3 x 20W	3 X 300	2900K	Bronze
XP20-3-BNK		3 x 20W	3 X 300	2900K	Brushed Nickel

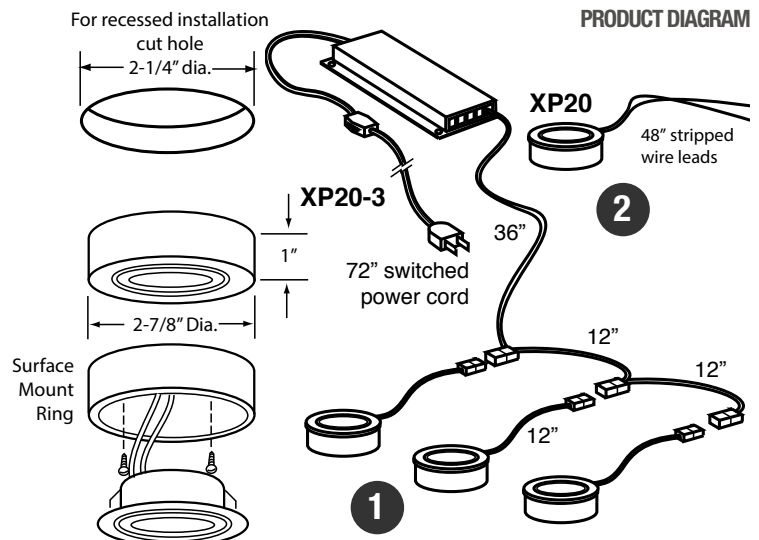
Individual pucks are supplied with 48" stripped wire lead. \* Kelvin temperature (color) ±200K

XP20 SERIES ACCESSORIES	
XPE-4	4' xenon puck extender
XPE-8	8' xenon puck extender
XPE-12	12' xenon puck extender
G4-12V	20W xenon puck replacement lamp

**NOTE:** XPE xenon puck extensions are for use with XP20-3, 3 light xenon puck kits only.

**Key to XP20 Diagrams (right):**

1. XP20-3, 3 light kit with switched cord & plug & transformer.
2. XP20 individual pucks come with 48" wire leads.







LET105

**PRODUCT DESCRIPTION**

GM Lighting's electronic transformers feature economical operation in a light weight compact design. Use with GM Lighting's XP20 individual 20W Xenon pucks as well as many other 12VAC lighting products

**12VAC ELECTRONIC REMOTE TRANSFORMER FOR 12V XENON PUCKS**

**KEY FEATURES**

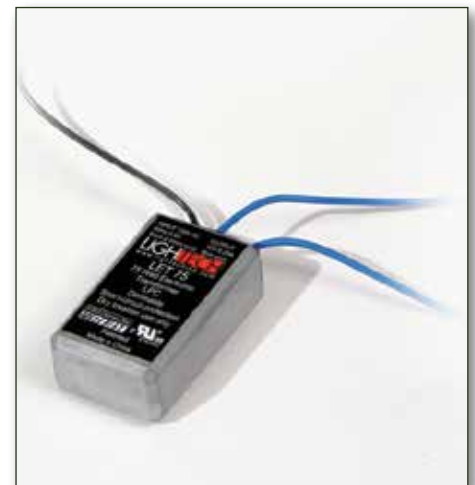
- Electronic transformers are not for use with LED
- All compact in size, easy to mount or conceal
- Available in 20W - 150W

**CERTIFICATION**

- ETL

**WARRANTY**

- 1 year warranty



LET75

**ORDERING INFORMATION**

Catalog No.	Description	Wattage	Weight	Dimensions
LET60	12VAC - 20W-60W, Class 2	20W - 60W	3.0 oz.	2"L x 1.25"W x .75"D
LET75	12VAC - 20W - 75W	20W - 75W	3.1 oz.	2.1"L x 1.4"W x .75"D
LET105	12VAC - 50W - 105W	50W - 105W	4.4 oz.	3.1"L x 1.33"W x .86"D
LET151	12VAC - 50W - 150W	50W - 150W	6.8 oz.	3.4"L x 1.38"W x 1"D
GMT60-C	Replacement transformer for XP20-3 - Xenon 3 Light Puck Kit	60W	8.8 oz.	6.5"L x 2.25"W x .74"D



GMR12 SERIES  
WITH SQUARE TRIM

GMR9 SERIES  
WITH ROUND TRIM

LEDTASK™ STANDARD OUTPUT  
AMBER LED TAPE



RGBW COLOR CHANGING  
RGB WITH TRUE WHITE 3000K TAPE

LED DOWN LIGHTS



**NEW!** 120VAC SQR SERIES  
SQUARE LED DOWNLIGHT

PAGE 76



12VDC GMR4 3W MINI  
ADJUSTABLE LED DOWNLIGHT

PAGE 77



12VDC 6W GMR6 MINI  
ADJUSTABLE LED DOWNLIGHT

PAGE 78



120VAC 6W GMR6 IC RATED  
MINI ADJUSTABLE LED  
DOWNLIGHT

PAGE 79



**NEW!** 120VAC GMR9 / 12  
9W AND 12W IC RATED LED  
COMPACT DOWNLIGHT

PAGE 80



120VAC S4 / S6 SURFACE  
DOWNLIGHT

PAGE 81



**PRODUCT DESCRIPTION**

A 120VAC wet location 4" or 6" LED square surface mount downlight with frosted lens that mounts directly to a J-Box. Utilizes Edgelit technology for a clean, smooth light that is free of diode imaging and hot spots. The SQR Series is perfect for all applications where modern styling and clean light is required.



**NEW! 120VAC 10W / 15W SQUARE SURFACE MOUNT DOWNLIGHT**

**KEY FEATURES**

- Surface mount to standard J-box with snap-in bracket
- Position orientation enabled by slotted mounting ring - squares the fixture precisely to ceiling plane
- Available in a 4-15/16" square or 7-7/16" square
- Dimmable (see page 101)
- Edgelit technology for smooth, clean, diode free light

**ELECTRICAL**

- 120VAC LED module with integrated driver
- SQR4: 10W SQR6: 15W
- 50,000 hr. operation

**OPTICS**

- 3000K
- 90+ CRI
- Up to 980 lumens

**CERTIFICATION**

- CSA
- Energy Star

**WARRANTY**

- 5 year warranty



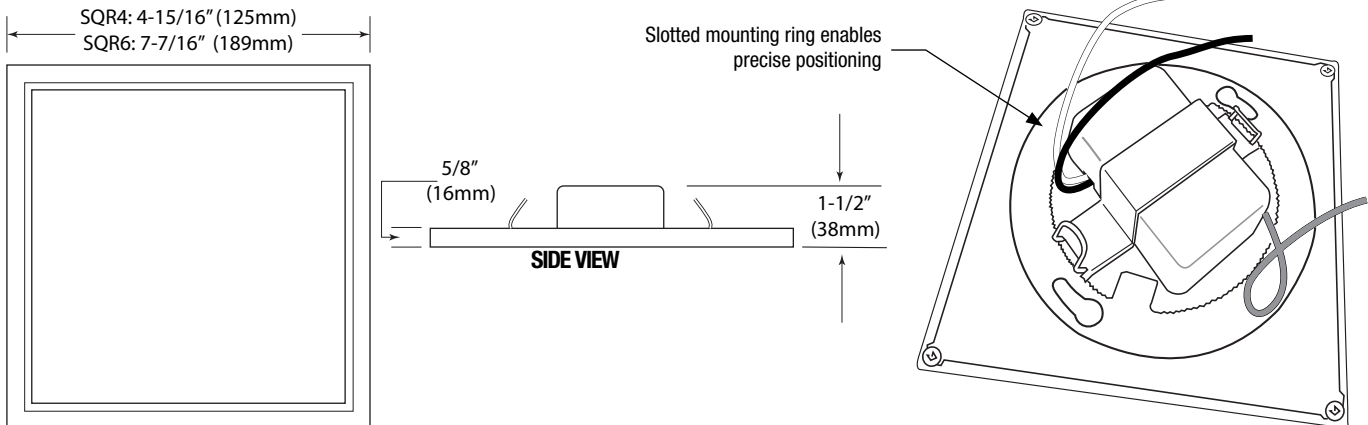
**PRODUCT ORDERING MATRIX**

Catalog No.	Dimensions	Wattage	Lumens	CRI	Color Temp*
SQR4-30	4-15/16" SQ. x 1-1/2"H	10W	630	90+	3000K
SQR4-40	4-15/16" SQ. x 1-1/2"H	10W	630	90+	4000K
SQR6-30	7-7/16" SQ. x 1-1/2"H	15W	980	90+	3000K
SQR6-40	7-7/16" SQ. x 1-1/2"H	15W	980	90+	4000K

**NOTE:** Mounts to standard 4" J-Box. Mounting screws not provided

RETROFIT KIT FOR EXISTING RECESSED CANS	
S4-RKT	Retrofit kit for SQR4 fixture (sold separately)
S6-RKT	Retrofit kit for SQR6 fixture (sold separately)

**PRODUCT DIAGRAM**







**PRODUCT DESCRIPTION**

GM Lighting's GMR4-WW mini-downlight is a perfect compact luminaire that is well suited for book shelves, entertainment centers, elevators, and other applications where high performance lighting in a tight space is required. Available in white, black or brushed aluminum and fully dimmable.

**12**  
VOLT

DRY  
LOCATION

**80+**  
CRI

**5 Yr.**  
WARRANTY

**12VDC 3W MINI-DIMMABLE  
and ADJUSTABLE LED DOWNLIGHT**

**KEY FEATURES**

- Adjustable mini lensed recessed downlight
- Available in white, black, or brushed aluminum
- Dimmable (see page 101)
- 2" dia. x 1-1/4" recess depth
- 30° adjustable gimble

**ELECTRICAL**

- 12VDC remote power supply required
- 3W
- 50,000 hr. operation

**OPTICS**

- 3000K
- 80+ CRI
- 120 lumens
- 30° beam spread

**CERTIFICATION**

- ETL

**WARRANTY**

- 5 year warranty



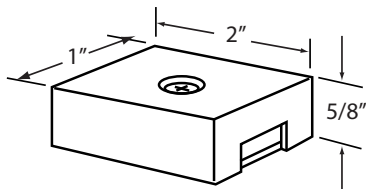
**PRODUCT ORDERING MATRIX**

Catalog No.	Dimensions	Wattage	Lumens	CRI	Color Temp*	Finish
GMR4-WW-W	2" Dia. x 1-1/4" Depth	3W	120	80+	3000K	White
GMR4-WW-B	2" Dia. x 1-1/4" Depth	3W	120	80+	3000K	Black
GMR4-WW-BA	2" Dia. x 1-1/4" Depth	3W	120	80+	3000K	Brushed Aluminum

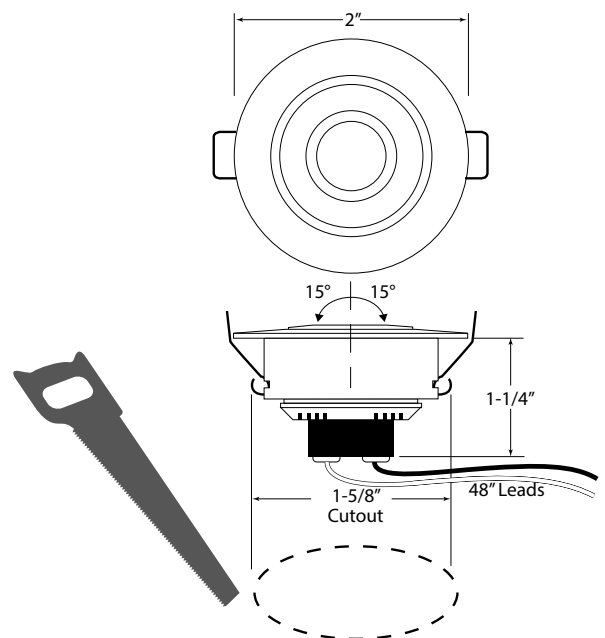
\* Kelvin temperature (color) ±200K

**MINI LED ADJUSTABLE RECESSED DOWNLIGHT ACCESSORIES**

GMSB-W	Splice box - white - 2"L x 1"W x 5/8"D
GMSB-B	Splice box - black - 2"L x 1"W x 5/8"D



**PRODUCT DIAGRAM**





**PRODUCT DESCRIPTION**

Imagine an application where a low heat and lower profile mini-downlight is required. Now imagine GM Lighting's GMR6-WW, a mini-downlight boasting an 80+ CRI light source. Available in white, black or brushed aluminum, and fully dimmable.

**12**  
VOLT

DRY  
LOCATION

**80+**  
CRI

**5 Yr.**  
WARRANTY

**12VDC 6W MINI-DIMMABLE  
and ADJUSTABLE LED DOWNLIGHT**

**KEY FEATURES**

- Adjustable mini lensed recessed downlight
- Available in white, black, or brushed aluminum
- Dimmable (see page 101)
- 2-7/8" dia. x 2-5/8" recess depth
- 30° adjustable gimble

**ELECTRICAL**

- 12VDC remote power supply required
- 6W
- 50,000 hr. operation

**OPTICS**

- 3000K
- 80+ CRI
- 375 lumens
- 30° beam spread

**CERTIFICATION**

- ETL

**WARRANTY**

- 5 year warranty

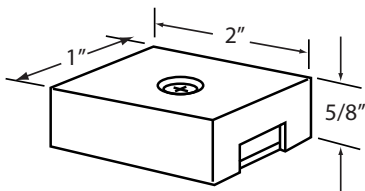


**PRODUCT ORDERING MATRIX**

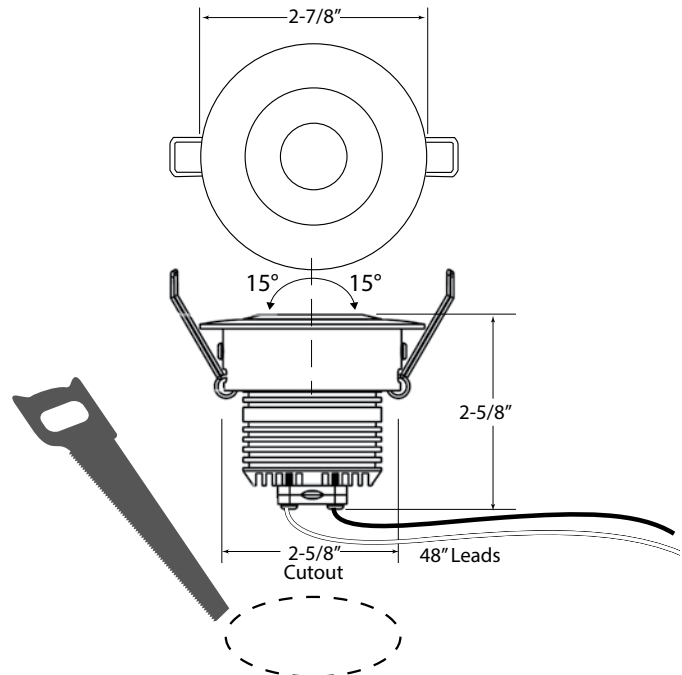
Catalog No.	Dimensions	Wattage	Lumens	CRI	Color Temp*	Finish
GMR6-WW-W	2-7/8" Dia. x 2-5/8" Depth	6W	375	80+	3000K	White
GMR6-WW-B	2-7/8" Dia. x 2-5/8" Depth	6W	375	80+	3000K	Black
GMR6-WW-BA	2-7/8" Dia. x 2-5/8" Depth	6W	375	80+	3000K	Brushed Aluminum

\* Kelvin temperature (color) ±200K

MINI LED ADJUSTABLE RECESSED DOWNLIGHT ACCESSORIES	
GMSB-W	Splice box - white - 2"L x 1"W x 5/8"D
GMSB-B	Splice box - black - 2"L x 1"W x 5/8"D



**PRODUCT DIAGRAM**





**PRODUCT DESCRIPTION**

GM Lighting's 120VAC 6W Mini LED Adjustable Shallow Recessed Downlight packs a lot of performance in a compact, easy to install dimmable luminaire. 3-3/4" optional trim ring is included with each fixture. Additional trim rings can be ordered separately.



**120VAC IC RATED MINI-DIMMABLE and ADJUSTABLE LED DOWNLIGHT**

**KEY FEATURES**

- Adjustable mini lensed recessed downlight
- IC rated
- Damp location
- Available in white, black, or brushed aluminum
- Dimmable (see page 101)
- 3" dia. x 3" recess depth
- 30° adjustable gimble

**ELECTRICAL**

- 120VAC
- 6W
- Remote power supply not required
- Quick through-wiring knock outs
- 50,000 hr. operation

**OPTICS**

- 3000K
- 80+ CRI
- Up to 499 lumens
- 24°, 38°, 55° beam spreads

**CERTIFICATION**

- ETL

**WARRANTY**

- 5 year warranty



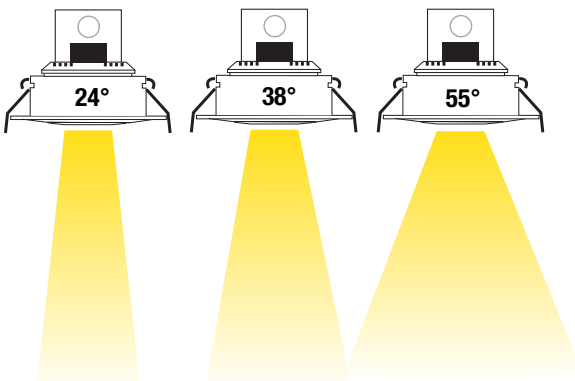
**PRODUCT ORDERING MATRIX**

Catalog No.	Dimensions	Wattage	Beam Spread	Lumens	CRI	Color Temp*	Finish
GMR6-120V-IC-SP-W	3" Dia. x 3" Depth	6W	24°	499	80+	3000K	White
GMR6-120V-IC-FL-W	3" Dia. x 3" Depth	6W	38°	455	80+	3000K	White
GMR6-120V-IC-WFL-W	3" Dia. x 3" Depth	6W	55°	467	80+	3000K	White
GMR6-120V-IC-SP-B	3" Dia. x 3" Depth	6W	24°	499	80+	3000K	Black
GMR6-120V-IC-FL-B	3" Dia. x 3" Depth	6W	38°	455	80+	3000K	Black
GMR6-120V-IC-WFL-B	3" Dia. x 3" Depth	6W	55°	467	80+	3000K	Black
GMR6-120V-IC-SP-BA	3" Dia. x 3" Depth	6W	24°	499	80+	3000K	Brushed Aluminum
GMR6-120V-IC-FL-BA	3" Dia. x 3" Depth	6W	38°	455	80+	3000K	Brushed Aluminum
GMR6-120V-IC-WFL-BA	3" Dia. x 3" Depth	6W	55°	467	80+	3000K	Brushed Aluminum

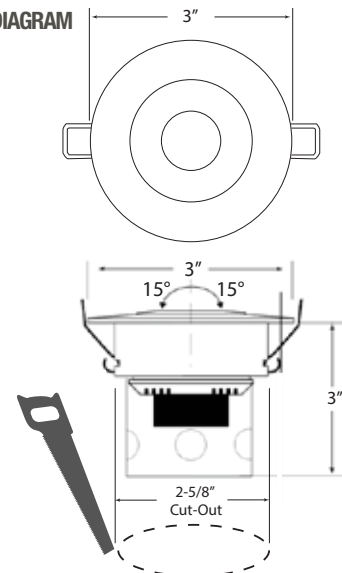
\* Kelvin temperature (color) ±200K

GMR6 120V TRIM RING ACCESSORY (1 INCLUDED WITH FIXTURE)	
OTR-WH	Optional 3-3/4" trim ring - white

**BEAM SPREAD DIAGRAMS**



**PRODUCT DIAGRAM**





**PRODUCT DESCRIPTION**

Compact-recessed 120V, high quality die-cast aluminum body and trims that is IC rated and approved for damp location. Ideal for residential and commercial spaces insulated ceilings, where space is limited. Perfect for niche lighting, bookshelves, entertainment centers, elevators and other installations.



**NEW! 120V GMR 9W / 12W 120V IC RATED COMPACT LED DOWNLIGHT**

**KEY FEATURES**

- 120V operation.
- IC rated
- Approved for damp location
- Dimmable (see page 101)
- Smart-Spring pre-locking mechanism
- Available in white and bronze, in square or round trims
- Die cast housing and trims

**ELECTRICAL**

- 120V
- Remote power supply not required
- 9W or 12W

**OPTICS**

- 2700K, 3000K
- 90+ CRI
- 500 - 800 lumens

**LABEL**

- UL (GMR9 Series)
- ETL (GMR12 Series)

**WARRANTY**

- 5 year warranty



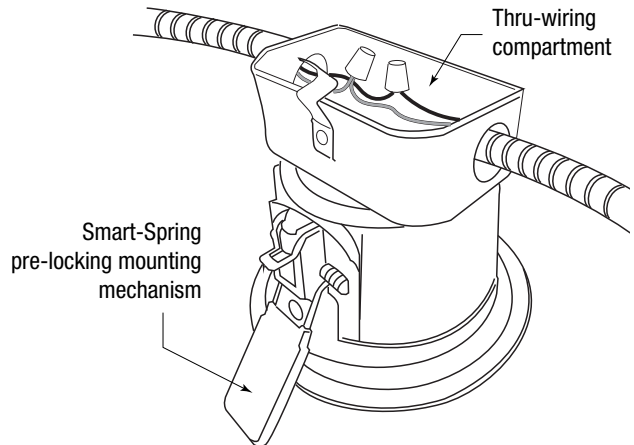
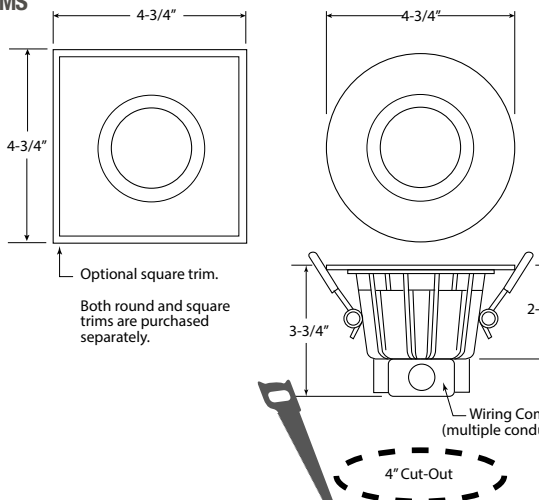
**PRODUCT ORDERING MATRIX (Must order trims separately below)**

Catalog No.	Wattage	Lumens	CRI	Beam Spread	Color Temp.*
GMR9-120V-IC-27-FL	9W	500	90+	40°	2700K
GMR9-120V-IC-30-FL	9W	550	90+	40°	3000K
GMR12-120V-IC-27-FL	12W	750	90+	40°	2700K
GMR12-120V-IC-30-FL	12W	800	90+	40°	3000K

\* Kelvin temperature (color) ±200K

TRIMS	
GMR9/12-RT-W	Matte white round trim
GMR9/12-RT-BZ	Bronze round trim
GMR9/12-SQT-W	Matte white square trim
GMR9/12-SQT-BZ	Bronze square trim

**PRODUCT DIAGRAMS**

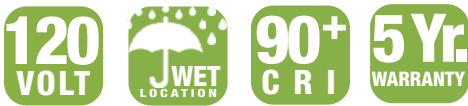






**PRODUCT DESCRIPTION**

A round, driverless 120VAC LED surface downlight that is available with a recessed kit for mounting into existing cans. The S-4 and S-6 feature a polycarbonate housing with white opal lens. At 12W for the 6" diameter S-4 and 15W for the 7-1/4" diameter S-6, energy savings can be realized, especially for large commercial or institutional applications. White finish.



**PRODUCT ORDERING MATRIX**

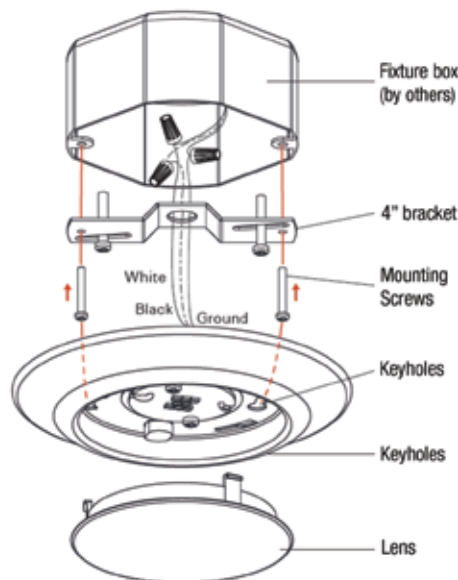
Catalog No.	Dimensions	Wattage	Lumens	CRI	Color Temp.*
S4-2790-WH	6" Dia. x 1-1/2"Depth	12W	540	90+	2700K
S6-2790-WH	7-1/4" Dia. x 1-3/8"Depth	15W	920	90+	2700K
S4-3090-WH	6" Dia. x 1-1/2"Depth	12W	670	90+	3000K
S6-3090-WH	7-1/4" Dia. x 1-3/8"Depth	15W	950	90+	3000K
S6-4090-WH	7-1/4" Dia. x 1-3/8"Depth	15W	1050	90+	4000K

NOTE: 4" bracket and mounting screws included. \* Kelvin temperature (color) ±200K

**MOUNTING ACCESSORIES**

S4-RKT	Retrofit kit for S-4. Includes hardware and screw-in 120V adapter (right)
S6-RKT	Retrofit kit for S-6. Includes hardware and screw-in 120V adapter (right)

**PRODUCT DIAGRAM**



**120VAC LED SURFACE DOWNLIGHT**

**S4 SERIES KEY FEATURES**

- 6" diameter • 12W - 120VAC
- White powder coat housing with white opal lens
- 2700K - 540 lumens - 90+ CRI
- 3000K - 670 lumens - 90+ CRI
- Dimmable (see page 101)
- Mounts to standard 4" outlet box or a 4" recessed downlight which requires our recessed mounting kit, the S4-RKT
- Wet location • Corrosion resistant finish

**S6 SERIES KEY FEATURES**

- 7-1/4" diameter • 15W - 120VAC
- White powder coat housing with white opal lens
- 2700K - 920 lumens - 90+ CRI
- 3000K - 950 lumens - 90+ CRI
- 4000K - 1050 lumens - 90+ CRI
- Dimmable (see page 101)
- Mounts to standard 4" outlet box or a 6" recessed downlight which requires our recessed mounting kit, the S4-RKT
- Wet location • Corrosion resistant finish



Left: Hanger bar hardware. Below: 120V screw-in adapter







120V RECTANGULAR  
STEP LIGHT





**STEP, PATHWAY  
AND SCONCE FIXTURES**



**120V ROUND / RECTANGULAR  
STEP and PATHWAY LIGHT**

**PAGE 84**



**120V VERTICAL LOUVERED  
SCOOP STEP and PATHWAY  
LIGHT**

**PAGE 85**



**120V CONSTELLATION SERIES  
SCONCES**

**PAGE 89**



**PRODUCT DESCRIPTION**

Step and pathway lighting has become a bit brighter with the introduction of GM Lighting's 120V LED Round Step and Pathway Light, and the Rectangular Step and Pathway Light. Ensure that your interior and exterior walkways are well lit and safe with these two transitional styles that features energy saving LED.



**120V LED FAMILY OF STEP AND PATHWAY LIGHTING**

**FEATURES**

- Fully gasketed wiring compartment
- Wet location
- Solid die-cast face plate
- Non-dimmable
- Available in brushed nickel, black, white, copper or dark bronze finishes
- Easy to mount

**ELECTRICAL**

- 120VAC
- Remote power supply not required
- 2W
- 50,000 hour operation

**OPTICS**

- 3000K
- Lensed or louvered

**LABEL**

- ETL

**WARRANTY**

- 5 year warranty



**PRODUCT ORDERING MATRIX**

Catalog No.	Description	Wattage	Color Temp.*	Finish	LED Life
STLR-FT-W	Round Shield - 4-3/4" Dia. x 5/16" Depth	2W	3000K	White	50,000 hours
STLR-FT-B	Round Shield - 4-3/4" Dia. x 5/16" Depth	2W	3000K	Black	50,000 hours
STLR-FT-BNK	Round Shield - 4-3/4" Dia. x 5/16" Depth	2W	3000K	Brushed Nickel	50,000 hours
STLR-FT-CP	Round Shield - 4-3/4" Dia. x 5/16" Depth	2W	3000K	Copper	50,000 hours
STLR-FT-DBZ	Round Shield - 4-3/4" Dia. x 5/16" Depth	2W	3000K	Dark Bronze	50,000 hours
STLR-LT-W	Round Louvered - 4-3/4" Dia. x 5/16" Depth	2W	3000K	White	50,000 hours
STLR-LT-B	Round Louvered - 4-3/4" Dia. x 5/16" Depth	2W	3000K	Black	50,000 hours
STLR-LT-BNK	Round Louvered - 4-3/4" Dia. x 5/16" Depth	2W	3000K	Brushed Nickel	50,000 hours
STLR-LT-CP	Round Louvered - 4-3/4" Dia. x 5/16" Depth	2W	3000K	Copper	50,000 hours
STLR-LT-DBZ	Round Louvered - 4-3/4" Dia. x 5/16" Depth	2W	3000K	Dark Bronze	50,000 hours
STLS-FT-W	Rectangular Shield - 5-1/4" W x 3-1/4"H x 3/8" Depth	2W	3000K	White	50,000 hours
STLS-FT-B	Rectangular Shield - 5-1/4" W x 3-1/4"H x 3/8" Depth	2W	3000K	Black	50,000 hours
STLS-FT-BNK	Rectangular Shield - 5-1/4" W x 3-1/4"H x 3/8" Depth	2W	3000K	Brushed Nickel	50,000 hours
STLS-FT-CP	Rectangular Shield - 5-1/4" W x 3-1/4"H x 3/8" Depth	2W	3000K	Copper	50,000 hours
STLS-FT-DBZ	Rectangular Shield - 5-1/4" W x 3-1/4"H x 3/8" Depth	2W	3000K	Dark Bronze	50,000 hours
STLS-LT-W	Rectangular Louvered - 5-1/4" W x 3-1/4"H x 3/8" Depth	2W	3000K	White	50,000 hours
STLS-LT-B	Rectangular Louvered - 5-1/4" W x 3-1/4"H x 3/8" Depth	2W	3000K	Black	50,000 hours
STLS-LT-BNK	Rectangular Louvered - 5-1/4" W x 3-1/4"H x 3/8" Depth	2W	3000K	Brushed Nickel	50,000 hours
STLS-LT-CP	Rectangular Louvered - 5-1/4" W x 3-1/4"H x 3/8" Depth	2W	3000K	Copper	50,000 hours
STLS-LT-DBZ	Rectangular Louvered - 5-1/4" W x 3-1/4"H x 3/8" Depth	2W	3000K	Dark Bronze	50,000 hours

\* Kelvin temperature (color) ±200K





STLV-LT-DBZ

STLS-ST-BNK

**PRODUCT DESCRIPTION**

A vertical orientation enables applications like columns and other outdoor path and accent lighting areas that would benefit from a scoop or louvered orientation. With a 50,000 hour operation lifetime, solid die-cast faceplate and a fully gasketed wiring compartment - GM Lighting's Vertical Louvered and Scoop Step and Pathway Light will deliver superior optics and low maintenance for many years.



**120V LED FAMILY OF STEP AND PATHWAY LIGHTING**

**FEATURES**

- Fully gasketed wiring compartment
- Wet location
- Solid die-cast face plate
- Non-dimmable
- Available in brushed nickel, black, white, copper or dark bronze finishes
- Easy to mount

**ELECTRICAL**

- 120VAC
- Remote power supply not required
- 2W
- 50,000 hour operation

**OPTICS**

- 3000K
- Lensed or louvered

**LABEL**

- ETL
- WARRANTY**
- 5 year warranty

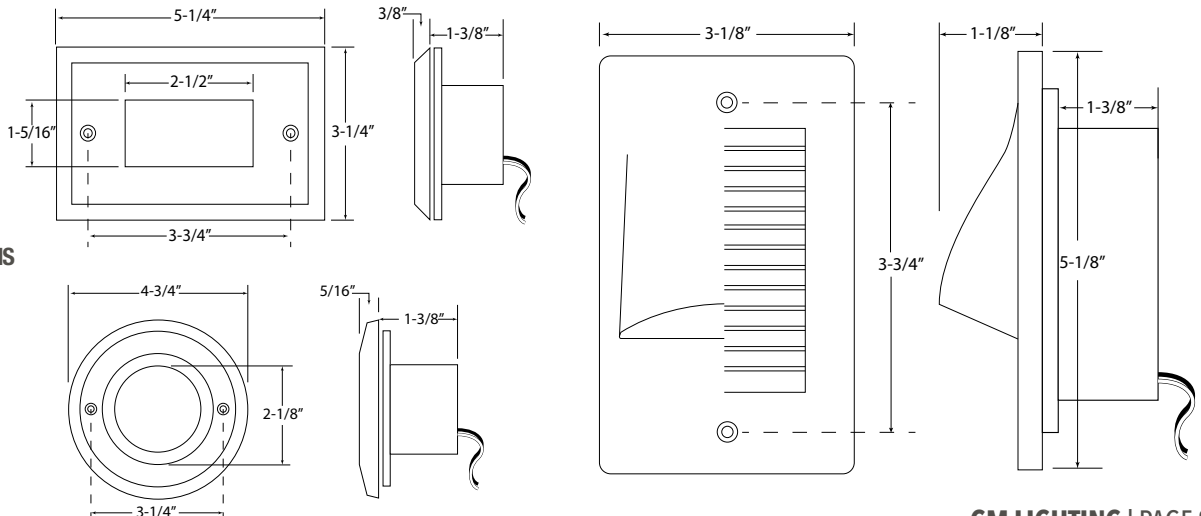


**PRODUCT ORDERING MATRIX**

Catalog No.	Description	Wattage	Color Temp.*	Finish	LED Life
STLS-ST-W	Scoop Shield - 5-1/8" High x 3-1/8" Wide x 1-1/8" Depth	2W	3000K	White	50,000 hours
STLS-ST-B	Scoop Shield - 5-1/8" High x 3-1/8" Wide x 1-1/8" Depth	2W	3000K	Black	50,000 hours
STLS-ST-BNK	Scoop Shield - 5-1/8" High x 3-1/8" Wide x 1-1/8" Depth	2W	3000K	Brushed Nickel	50,000 hours
STLS-ST-CP	Scoop Shield - 5-1/8" High x 3-1/8" Wide x 1-1/8" Depth	2W	3000K	Copper	50,000 hours
STLS-ST-DBZ	Scoop Shield - 5-1/8" High x 3-1/8" Wide x 1-1/8" Depth	2W	3000K	Dark Bronze	50,000 hours
STLV-LT-W	Louvered Shield - 5-1/8" High x 3-1/8" Wide x 1-1/8" Depth	2W	3000K	White	50,000 hours
STLV-LT-B	Louvered Shield - 5-1/8" High x 3-1/8" Wide x 1-1/8" Depth	2W	3000K	Black	50,000 hours
STLV-LT-BNK	Louvered Shield - 5-1/8" High x 3-1/8" Wide x 1-1/8" Depth	2W	3000K	Brushed Nickel	50,000 hours
STLV-LT-CP	Louvered Shield - 5-1/8" High x 3-1/8" Wide x 1-1/8" Depth	2W	3000K	Copper	50,000 hours
STLV-LT-DBZ	Louvered Shield - 5-1/8" High x 3-1/8" Wide x 1-1/8" Depth	2W	3000K	Dark Bronze	50,000 hours

\* Kelvin temperature (color) ±200K

**PRODUCT DIAGRAMS**



## OUTDOOR ENVIRONMENTS DESIGN GUIDE

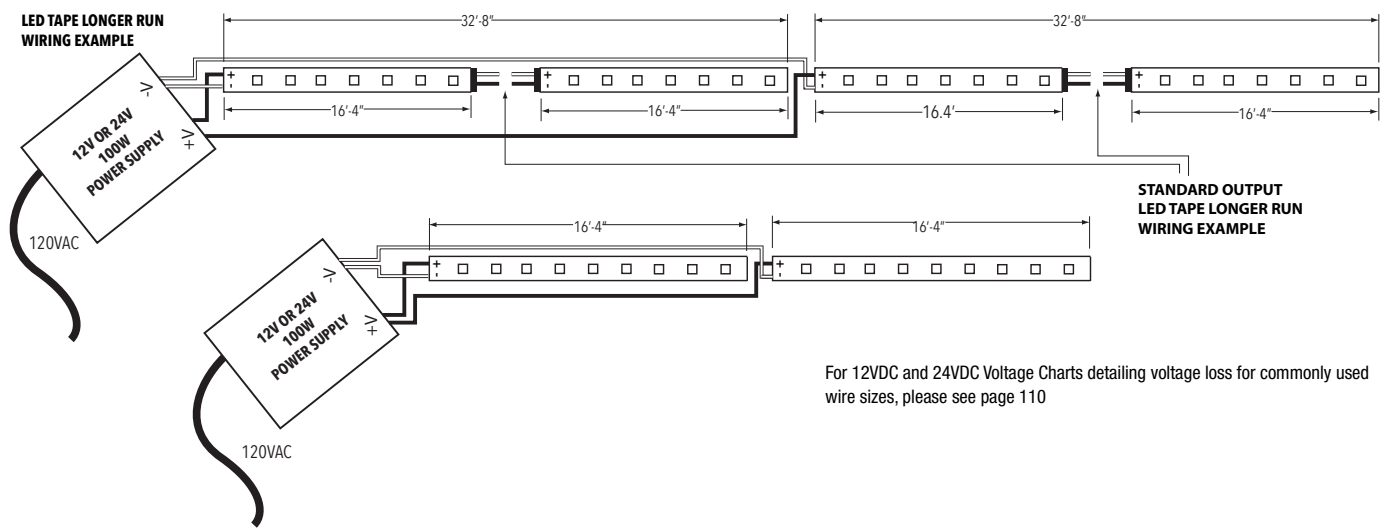
GM Lighting provides an extensive array of damp and wet location fixtures that not only enhance an outdoor lighting scheme - but also provides lighting focal points that enable accent, path and signage. We've put together a collection of GM outdoor-appropriate fixtures along with a guide for their use.

- Wet location tape for patios, entertainment areas and highlighting architectural detail
- Wet location downlighting for task and public areas
- Wet location undercabinet lightbars for outdoor shelving • A huge array of step and pathway lighting
- Wet location RGB with wireless controllers for themed and water areas

## ADA COMPLIANCE

The Americans with Disabilities Act (ADA) was enacted to address the needs of those of us who are handicapped. The ability to freely access the environment and outdoor areas without challenge to those whose movements are hampered is a concern that GM shares with the lighting industry. We illuminate the outdoors with flat to surface step and pathway lights and concealed linear LED lightbars and tape that falls well short of the 4" fixture extension limit.

## MAXIMUM RUN POWER LAYOUT - WET LOCATION TAPE



## 12VDC MAXIMUM RUN CHART

Product	See Page No.	Watts per Foot	Reel Lengths	Maximum Single Run*
12VDC LTR WET LOCATION STANDARD OUTPUT (NOT COLORS)	12	1.52W	39" (1M), 16'-4" (5M)	32'-8"
12VDC LTR WET LOCATION HIGH OUTPUT	14	2.2W	39" (1M), 16'-4" (5M)	16'
12VDC RGB COLOR CHANGING (WET)	22	2.2W	39" (1M), 16'-4" (5M)	16'

\* Maximum single run defines the maximum length of tape that can be powered on a given lead. Longer runs can be achieved by using multiple power leads.

## 24VDC MAXIMUM RUN CHART

Product	See Page No.	Watts per Foot	Reel Lengths	Maximum Single Run*
24VDC LTR SUPER HIGH OUTPUT WET LOCATION	32	5.9W	39" (1M), 16'-4" (5M)	16'
24VDC RGBW COLOR CHANGING (DRY OR WET)	38	3.6W	39" (1M), 16'-4" (5M)	32'

\* Maximum single run defines the maximum length of tape that can be powered on a given lead. Longer runs can be achieved by using multiple power leads.

## TYPICAL APPLICATIONS



### PATIO / DECK

- 1 Concealed 120V LineBrite tape runs underneath deck outer perimeter to create a floating effect.
- 2 RGBW 24V color changing tape with true white 3000K enhances statuary and fountains with brilliant changing color patterns and dissolves.
- 3 Entertainment center: Strategically mounted LED tape behind monitor adds drama and dimensionality.
- 4 Wet location, shielded lightbars like GM Lighting's LTAB provide task lighting when used in outdoor kitchens or food prep areas.

### STEP / ENTRYWAY

- 5 Step and pathway lighting is enabled with 2W LED step and pathway fixtures.
- 6 Entry way illumination provided by 120VAC IC rated small GMR9 downlight.





WSL-1



WSL-2



WSL-3



WSL-4

## 120V CONSTELLATION LED WALL SCONCES

### FEATURES

- Mounts directly to standard J-box
- Dry location
- Satin nickel lamp holder
- Dimmable using standard 120V TRIAC dimmers
- Frosted glass diffuser / shade

### ELECTRICAL

- 120VAC
- Remote power supply not required
- 8W, 9W
- 50,000 hour LED life

### OPTICS

- 3000K
- 80+ CRI

### LABEL

- ETL
- ADA Compliant

### WARRANTY

- 5 year warranty



### PRODUCT DESCRIPTION

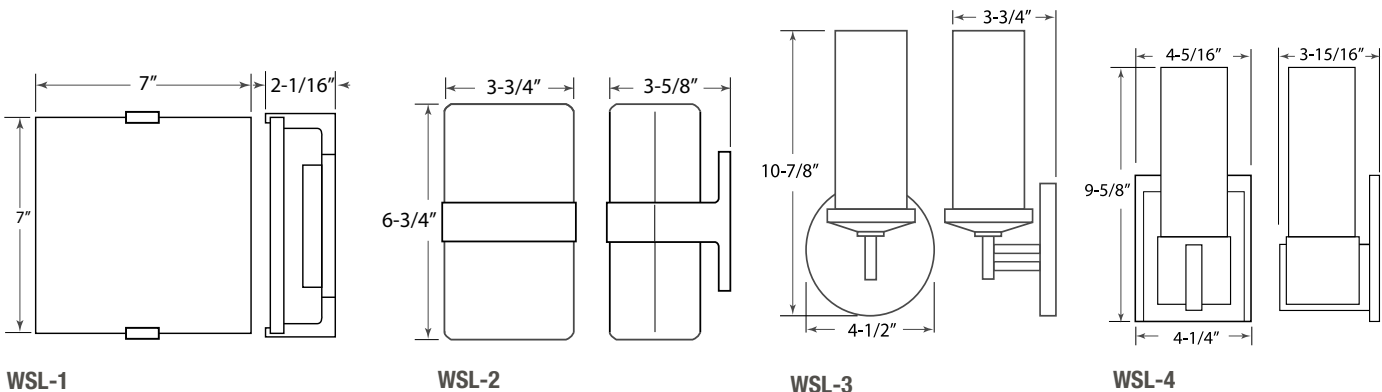
GM Lighting's collection of 120V LED Wall Sconces is quite a departure from undercabinet and LED flexible linear lighting. However different this direction is for GM, they once again meet the demand for something different and unique in Residential, commercial and hospitality interior lighting. Each sconce is uniquely styled and easy to mount.

### PRODUCT ORDERING MATRIX

Catalog No.	Diffuser	Wattage	Color Temp.*	Lumens	CRI	Lens Holder Finish
WSL-1	Aqua Glass Shield	9W	3000K	830	80+	Satin Nickel
WSL-2	Oblong Frosted Glass	8W	3000K	750	80+	Satin Nickel
WSL-3	Frosted Glass Cylinder	12W	3000K	870	80+	Satin Nickel
WSL-4	Frosted Glass Cylinder	12W	3000K	870	80+	Satin Nickel

\* Kelvin temperature (color)  $\pm 200K$

### PRODUCT DIAGRAMS



WSL-1

WSL-2

WSL-3

WSL-4



120V CONSTELLATION SERIES  
WSL-3 LED WALL SCONCE









GM POWER SUPPLIES ENABLE  
LONG RUNS OF LED LINEAR TAPE

## POWER SUPPLIES



12VDC / 24VDC LED  
ELECTRONIC DIMMABLE  
POWER SUPPLIES  
PAGES 92, 93



12VDC / 24VDC LED  
ELECTRONIC NON-DIMMABLE  
POWER SUPPLIES  
PAGES 94, 95



12VDC / 24VDC LED  
MAGNETIC LED DIMMABLE  
POWER SUPPLIES  
PAGE 96, 97



12V / 24V 0-10  
DIMMING DRIVERS  
PAGE 98



**NEW!** SWITCHEX 12V / 24V  
LED WALL DIMMER /  
POWER SUPPLY  
PAGE 100

---

QUICK GUIDE TO PICKING POWER SUPPLIES  
(CLASS 2) AND DIMMING  
PAGE 101



LTHE-20-DIM-12



LTHE-60-DIM-12

## 12VDC and 24VDC ELECTRONIC LED DIMMABLE POWER SUPPLIES

### KEY FEATURES

- Compact design allows for undercabinet mounting
- Class 2
- Auto reset
- ETL listed

**12**  
VOLT

**24**  
VOLT

**5 Yr.**  
WARRANTY

**CLASS**  
**2**



### PRODUCT DESCRIPTION

Two new additions to our line of electronic dimmable Class 2 power supplies are these two hardwire 12VDC and 24VDC LED dimming power supplies that works with conventional TRIAC wall dimmers.

### PRODUCT ORDERING MATRIX

Catalog No.	Description	Watts	Weight	Dimensions
<b>LTHE-20-DIM-12</b>	12VDC - 20W - 1.67 amps High efficiency: >84%. Input voltage is 120V/60Hz. Output constant voltage: 12VDC - Class 2	20W	0.41 lbs.	5-3/4"L x 2-3/8"W x 13/16"H
<b>LTHE-60-DIM-12</b>	12VDC - 60W - 5.0 amps Maximum load is 60W @ 90% efficiency. Input voltage is 120V @ 60 Hz. Auto reset - Class 2	60W	1.2 lbs.	6-3/4"L x 2-5/8"W x 1-1/4"H
<b>LTHE-20-DIM-24</b>	24VDC - 20W - .83 amps High efficiency: >84%. Input voltage is 120V/60Hz. Output constant voltage: 24VDC - Class 2	20W	0.41 lbs.	5-3/4"L x 2-3/8"W x 13/16"H
<b>LTHE-96-DIM-24</b>	24VDC - 96W - 4.2 amps Maximum load is 96W @ 90% efficiency. Input voltage is 120V @ 60 Hz. Auto reset - Class 2	96W	1.2 lbs.	6-3/4"L x 2-5/8"W x 1-1/4"H

*Please see our website for updated power supply specifications and information*



LTF-60-12

## 12VDC and 24VDC ELECTRONIC LED DIMMABLE POWER SUPPLIES

### KEY FEATURES

- 100% fully load tested
- Class 2
- Short circuit protection

### PRODUCT DESCRIPTION

Electronic LED Dimmable Power Supplies features modern electronic power supply technology in a reliable Class 2 format. 5 year warranty. Short circuit protection. 100% fully load tested. Dimmer Compatibility Chart for Electronic Power Supplies



### DIMMER COMPATIBILITY

The following dimmers are compatible with GM Lighting LTF Series 12V and 24V power supplies. Please read dimmer load requirements to ensure proper dimming.

Mfg.	Model Name	Model Number
Leviton		6615 6672 6674/IPL06
		IPE04 IPI06 VP106
		VPE04 VPM06 VRE04 VRM10
Creston		CLS-C6, CLS-C6M, CLS-C6EX, CLS-C6MEX
		CLS-C6MRF, CLS-C6RF
		CLS-EXP-DIM, CLS-EXP-DIMU
Creston		CLX-1DIM4, CLX-1DIM8, CLX-2DIM2, CLX-2DIM8
		CLX-1DELV4 DIN-1DIM4 DIN-1DIMU4
Lutron	Diva CL	DVCL-153P
	Diva ELV	DVELV-303P

Mfg.	Model Name	Model Number
Lutron	Home Works	HQRD-6A & HQRD-6NA
	Skylark	SELV300-P & SELV-600
	Skylark Contour	CTELV-303P
	Maestro Wireless	MRF2-6ELV-120
	Maestro	MAELV-600
	Maestro	MSCELV-600M
	Maestro IR	MIRELV-600
	Nova	NVELV-600
	Nova T	NTELV-600
	Verti	VTELV-600

### PRODUCT ORDERING MATRIX

Catalog No.	Description	Watts	Weight	Dimensions
LTFD-60	12VDC - 60W - Dimmable Class 2 - 120V Cord and (39") Plug	60W	1.0 lbs.	3.0"L x 1.5"W x 2.0"H
LTF-30-12	12VDC - 30W - Dimmable Class 2 - 120VAC Input - 6 Standard Knockouts	30W	2.0 lbs.	8.0"L x 2.5"W x 2.0"H
LTF-30-24	24VDC - 30W - Dimmable Class 2 - 120VAC Input - 6 Standard Knockouts	30W	2.0 lbs.	8.0"L x 2.5"W x 2.0"H
LTF-60-12	12VDC - 60W - Dimmable Class 2 - 120VAC Input - 6 Standard Knockouts	60W	1.25 lbs.	8.125"L x 2.0"W x 2.0"H
LTF-60-24	24VDC - 60W - Dimmable Class 2 - 120VAC Input - 6 Standard Knockouts	60W	1.25 lbs.	8.125"L x 2.0"W x 2.0"H
LTF-100-12	12VDC - 100W - Dimmable - 120VAC Input - 6 Standard Knockouts	100W	2.0 lbs.	8.0"L x 2.5"W x 2.0"H
LTF-100-24	24VDC - 100W - Dimmable - 120VAC Input - 6 Standard Knockouts	100W	2.0 lbs.	8.0"L x 2.5"W x 2.0"H
LTF-200-12	12VDC - 200W - Dimmable - 120VAC Input - 6 Standard Knockouts	200W	2.0 lbs.	8.0"L x 2.5"W x 2.0"H
LTF-200-24	24VDC - 200W - Dimmable - 120VAC Input - 6 Standard Knockouts	200W	2.0 lbs.	8.0"L x 2.5"W x 2.0"H
LTF-300-12	12VDC - 300W - Dimmable - 120VAC Input - 6 Standard Knockouts	300W	2.0 lbs.	9.00"L x 3.5"W x 2.0"H
LTF-300-24	24VDC - 300W - Dimmable - 120VAC Input - 6 Standard Knockouts	300W	2.0 lbs.	9.00"L x 3.5"W x 2.0"H





LTP-6

**PRODUCT DESCRIPTION**

LTP Series Cord and Plug 12VDC Electronic LED Power Supplies feature LED indicator for 'power on' and 5 year warranty. Each LTP Electronic Power Supply incorporates short circuit, over-voltage and over-temperature protection.

LTH Series Hardwire 12VDC Electronic LED Power Supplies feature 100-240V A/C input, LED indicator for 'power on' and 5 year warranty. Each LTH Electronic Power Supply incorporates short circuit, over-voltage and over-temperature protection.

**12VDC ELECTRONIC  
NON-DIMMABLE POWER SUPPLIES**

**LTP SERIES KEY FEATURES**

- 100% fully load tested
- Class 2
- Overload, short-circuit and temp. protection

**LTH SERIES KEY FEATURES**

- 100 - 240V A/C input
- 100% fully load tested
- Overload, short-circuit and temp. protection



**PRODUCT ORDERING MATRIX**

Catalog No.	Description	Watts	Weight	Dimensions
LTP-2	12VDC - 25W - 2.0 amps - Class 2 - 120V Cord (126") and Plug	25W	10.4 oz.	3.25"L x 1.75"W x 1.25"H
LTP-6	12VDC - 60W - 5.0 amps - Class 2 - 120V Cord (126") and Plug	60W	14.8 oz.	5.50"L x 2.25"W x 1.25"H
LTH-2*	12VDC - 25W - 2.0 amps - Metal chassis with screw terminals 1 set DC output screw terminals	25W	6.9 oz.	3.25"L x 1.75"W x 1.25"H
LTH-4*	12VDC - 50W - 4.2 amps - Metal chassis with screw terminals 1 set DC output screw terminals.	50W	14.3 oz.	4"L x 4"W x 1.125"H
LTH-8*	12VDC - 100W - 8.5 amps - Metal chassis with screw terminals and mounting feet. 2 sets DC output screw terminals.	100W	1.08 lbs.	7.5"L x 4"W x 2"H
LTH-16*	12VDC - 200W - 16.7 amps - Metal chassis with screw terminals and mounting feet. Fan cooled. 2 sets DC output screw terminals.	200W	1.15 lbs.	8.25"L x 4"W x 2"H
LTH-25*	12VDC - 320W - 25 amps - Metal chassis with screw terminals and mounting feet. Fan cooled. 3 sets DC output screw terminals.	320W	1.5 lbs.	9"L x 4.5"W x 2"H
DPPS-24-12V	12VDC - 24W - Class 2 with 48" cord and plug for DP pucks only	24W		

\*Recommended for commercial applications.



LTH24-8

**PRODUCT DESCRIPTION**

LTP Series Cord and Plug 12VDC Electronic LED Power Supplies feature LED indicator for 'power on' and 5 year warranty. Each LTP Electronic Power Supply incorporates short circuit, over-voltage and over-temperature protection.

LTH Series Hardwire 12VDC Electronic LED Power Supplies feature 100-240V A/C input, LED indicator for 'power on' and 5 year warranty. Each LTH Electronic Power Supply incorporates short circuit, over-voltage and over-temperature protection.

**24VDC ELECTRONIC  
NON-DIMMABLE POWER SUPPLIES**

**LTP SERIES KEY FEATURES**

- 100% fully load tested
- Class 2
- Overload, short-circuit and temp. protection

**LTH SERIES KEY FEATURES**

- 100 - 240V A/C input
- 100% fully load tested
- Overload, short-circuit and temp. protection



**PRODUCT ORDERING MATRIX**

Catalog No.	Description	Watts	Weight	Dimensions
LTP24-48	24VDC - 48W - 2 amps - 120V - 120V Cord (72") and plug. Short circuit, overload protection - LED indicator for power on. UL listed.	48W	1.8 lbs.	4.68"L x 2.05"W x 1.25"H
LTP24-90	24VDC - 90W - 3.75 amps - 120V - Cord (72") and Plug Short circuit, overload protection - LED indicator for power on. UL listed	90W	1.8 lbs.	5.75"L x 2.375"W x 1.25"H
LTH24-2	24VDC - 24W - 1.2 amps - 120V Short circuit, overload protection - LED indicator for power on. RU listed.	24W	6.9 oz.	3-3/16"L x 2"W x 1-1/8"H
LTH24-4	Hardwire 24VDC - 100W - 4.2 amps - 100-240VAC Input - Short circuit, overload protection - LED indicator for power on Metal chassis with screw terminals and mounting feet 2 sets of DC screw terminals. RU listed.	100W	1.6 lbs.	7"L x 3.875"W x 1.75"H
LTH24-8	Hardwire 24VDC, - 200W - 8.4 amps - 120V - 100-240VAC Input Short circuit, overload protection - LED indicator for power on Metal chassis with screw terminals and mounting feet 2 sets of DC screw terminals. RU listed.	200W	2.0 lbs.	7.84"L x 3.90"W x 1.97"H
DPPS-12-24V	24VDC - 12W - Class 2, plug with 48" lead for use with LARC6 or Slim Edge	12W	8 oz.	2.75"L x 2"W x 1"H
DPPS-36-24V	24VDC - 36W - Class 2 with 48" cord and plug for for use with LARC6 or Slim Edge	36W	12 oz.	4"L x 1-3/4"W x 1.125"H

Please see our website for updated power supply specifications and information. 5 year warranty.



LTHM50-DIM

**PRODUCT DESCRIPTION**

LTHM Power Supplies features short circuit protection, and a 5 year warranty. Dimmable with magnetic low voltage dimmer. 5 year warranty.

**12VDC / 24VDC MAGNETIC LED DIMMABLE POWER SUPPLIES**

**KEY FEATURES**

- 120 VAC input
- 12 VDC output
- Dimmable with MLV Dimmers\*
- Overload, short-circuit and temp. protection
- Recommended 25% - 80% loading for optimal performance

\* GMWD-600 or Lutron DVLV Series or equivalent



**PRODUCT ORDERING MATRIX**

Catalog No.	Description	Watts	Weight	Dimensions
LTHM30-DIM	12VDC - 30W - 120V/60Hz - 2.5 amps - Class 2 - Auto reset ETL for indoor and outdoor use	30W	2.0 lbs.	7.3"L x 1.6"H x 2"W
LTHM50-DIM	12VDC - 50W - 4 amps - Class 2 - 120V/60Hz Auto reset - ETL for indoor and outdoor use	50W	3.3 lbs.	6.06"L x 2.33"H x 2.59"W
LTH-60-DIM	12VDC - 5 amps or 24VDC - 2.5 amps - 60W - Auto reset 120V, 240V or 277V - 50 or 60 Hz. No external fusing required - For indoor use only.	60W	4.11 lbs.	7"L x 3.88"H x 3"W
LTHM100-DIM	12VDC - 100W - 8 amps - 120V/60Hz - Auto reset - ETL for indoor and outdoor use.	100W	6.0 lbs.	9.21"L x 2.93"H x 3.11"W
LTHM200-DIM	12VDC - 200W - 16 amps - 120V/60Hz. Manual reset - ETL for indoor and outdoor use	200W	6.0 lbs.	8.79"L x 4.15"W x 3.43"H
LTHM300-DIM	12VDC - 300W - 25 amps - 120V/60Hz. ETL for indoor and outdoor use - Manual reset	300W	8.4 lbs.	10.2"L x 5.69"W x 3.43"H
LTHM-30-DIM-24	24VDC - 1.25 amps - Class 2 - 30W - Auto reset - ETL for indoor or outdoor. 120V - 50 or 60 Hz. No external fusing required. Dimmable.	30W	3.75 lbs.	7.3"L x 1.6"H x 2"W
LTHM-60-DIM-24	24VDC - 2.55 amps - 60W - Auto reset. 120V - 60 Hz. No external fusing required. Dimmable.	60W	4.11 lbs.	7"L x 3.88"W x 3"H
LTHM100-DIM-24	24VDC - 100W - 4 amps - 120V/60Hz. Double section bobbin - ETL for indoor and outdoor use. Manual reset. Dimmable.	100W	3.3 lbs.	6.06"L x 2.59"W x 2.33"H
LTHM200-DIM-24	24VDC - 200W - 8 amps - 120V/60Hz Double section bobbin - ETL for indoor and outdoor use. Manual reset. Dimmable.	200W	7.0 lbs.	8.79"L x 4.15"W x 3.43"H
LTHM300-DIM-24	24VDC - 300W - 12 amps - 120V/60Hz Double section bobbin - ETL for indoor and outdoor use. Manual reset. Dimmable.	300W	9.0 lbs.	10.2"L x 5.69"W x 3.43"H
GMWD-600	600W magnetic low voltage wall dimmer with on/off switch. Single pole - 120V/60Hz - White. Wall plate not included. For use with all GM Lighting 12VDC magnetic dimmable power supplies Fits standard wall outlets.	600W		

Please see our website for updated power supply specifications and information.





LTHM300-CL2-DIM

**PRODUCT DESCRIPTION**

LTHM150-CL2 and 300-CL2 Power Supplies enable multiple circuit connections in a 5 amp, Class 2 ETL approved power supply that is approved for indoor and outdoor use.

12  
VOLT

CLASS  
2

DIMMABLE

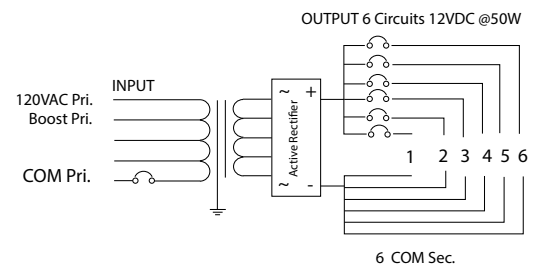
5Yr.  
WARRANTY

**12VDC MAGNETIC LED DIMMABLE POWER SUPPLIES**

**KEY FEATURES**

- Transformer encapsulated within enclosure
- Dimmable with MLV dimmers\*
- Manual reset thermal 3A circuit breaker on primary side
- Class 2
- 3 x 50W Class 2 circuits
- 6 x 50W Class 2 circuits
- Black powder coat enclosure

\* GMWD-600 or Lutron DVLV Series or equivalent



**PRODUCT ORDERING MATRIX**

Catalog No.	Description	Watts	Weight	Dimensions
<b>LTHM150-CL2-DIM</b>	12VDC - 3 x 50W - 5 amps - 120V/60Hz 1400mA input current - Double section bobbin - Manual reset Runs 3 separate 50W Class 2 5 amps circuits - ETL for indoor and outdoor use - Class 2	3 x 50W	7.5 lbs.	10"L x 5.69"W x 3.43"H
<b>LTHM300-CL2-DIM</b>	12VDC - 6 x 50W - 5 amps - 120V/60Hz 2800mA input current - Double section bobbin - Manual reset Runs 6 separate 50W Class 2 5 amps circuits - ETL for indoor and outdoor use - Class 2	6 x 50W	8.4 lbs.	10"L x 5.69"W x 3.43"H

Please see our website for updated power supply specifications and information.



**LTF60-12-010**

**PRODUCT DESCRIPTION**

GM Lighting's 60W and 96W LED driver is a compact and light weight powerhouse that features high efficiency to reduce total power consumption.

**12V / 24V 0-10 DIMMING DRIVERS**

**FEATURES**

- No minimum load technology
- 120V/277V input
- Soft start feature
- Constant voltage output - 0-10V dimming (switch by others)
- ETL listed for outdoor installation
- Overload / short circuit / over-voltage / thermal protection
- High efficiency to reduce total power consumption
- Compact size and light weight
- 5 year warranty

**12 VOLT**
**24 VOLT**
**CLASS 2**
**5 Yr. WARRANTY**



**PRODUCT ORDERING MATRIX**

Catalog No.	Description	Watts	Weight	Dimensions
<b>LTF60-12-010</b>	12VDC - 60W - Constant voltage output - ETL listed for outdoor	60W	2 lbs.	9.3"L x 4"W x 2"D
<b>LTF96-24-010</b>	24VDC - 96W - Constant voltage output - ETL listed for outdoor	96W	2 lbs.	9.3"L x 4"W x 2"D

Please see our website for updated power supply specifications and information.



TWIST-TASK 12VDC  
HIGH OUTPUT 90+ CRI  
FLEXIBLE LED TAPE

GMR9 LED DOWNLIGHT





### PRODUCT DESCRIPTION

SwitchEx is a driver and dimmer in one reliable wall fixture. SwitchEx drives and dims either 12VDC or 24VDC LED lighting from your 120VAC current. Available with three interchangeable face plate finishes, SwitchEx fits standard electrical boxes. Winner of the Architectural SSL Product Innovation Award.



## NEW! SWITCHEX 12VDC / 24VDC LED WALL DIMMER / POWER SUPPLY

### FEATURES

- All in one power supply and wall dimmer.
- Eliminates compatibility issues found in other dimmers.
- Fits in standard recessed electrical box.
- 100% - 1% smooth dimming.
- No minimum load.
- Single pole preset dimmer with on/off sliding switch.
- Adjustable voltage output dial.
- Includes a voltage barrier partition that enables installation of high and low voltage circuit in same box.
- No de-rating required when ganging units.
- Power failure memory.
- Includes Gloss White, Gloss Light Almond and Gloss Dark Brown face plates. Trim plate by others.

### SPECIFICATIONS

- Input Voltage: 120VAC (108 - 132VAC), 50/60Hz (47-63Hz)
- Power Factor: >0.9 @ 120VAC 60Hz max. load
- Stand-by Power: ≤0.5W

### LABEL

- UL
- FCC approved
- Complies with limits for a Class B digital device.
- Conforms to NEC Code 725.136. Class 1 and Class 2 circuit in same enclosure must be separated by partition, unless Class 2 circuit conductors are installed in accordance with 725.41 Class 1 circuits.

### WARRANTY

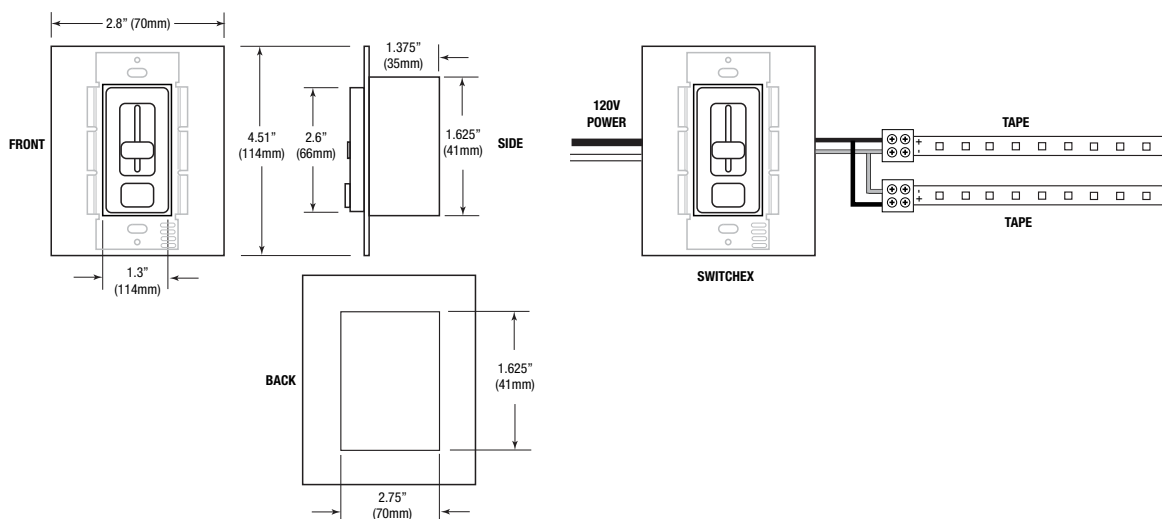
- 5 year warranty

### PRODUCT ORDERING MATRIX

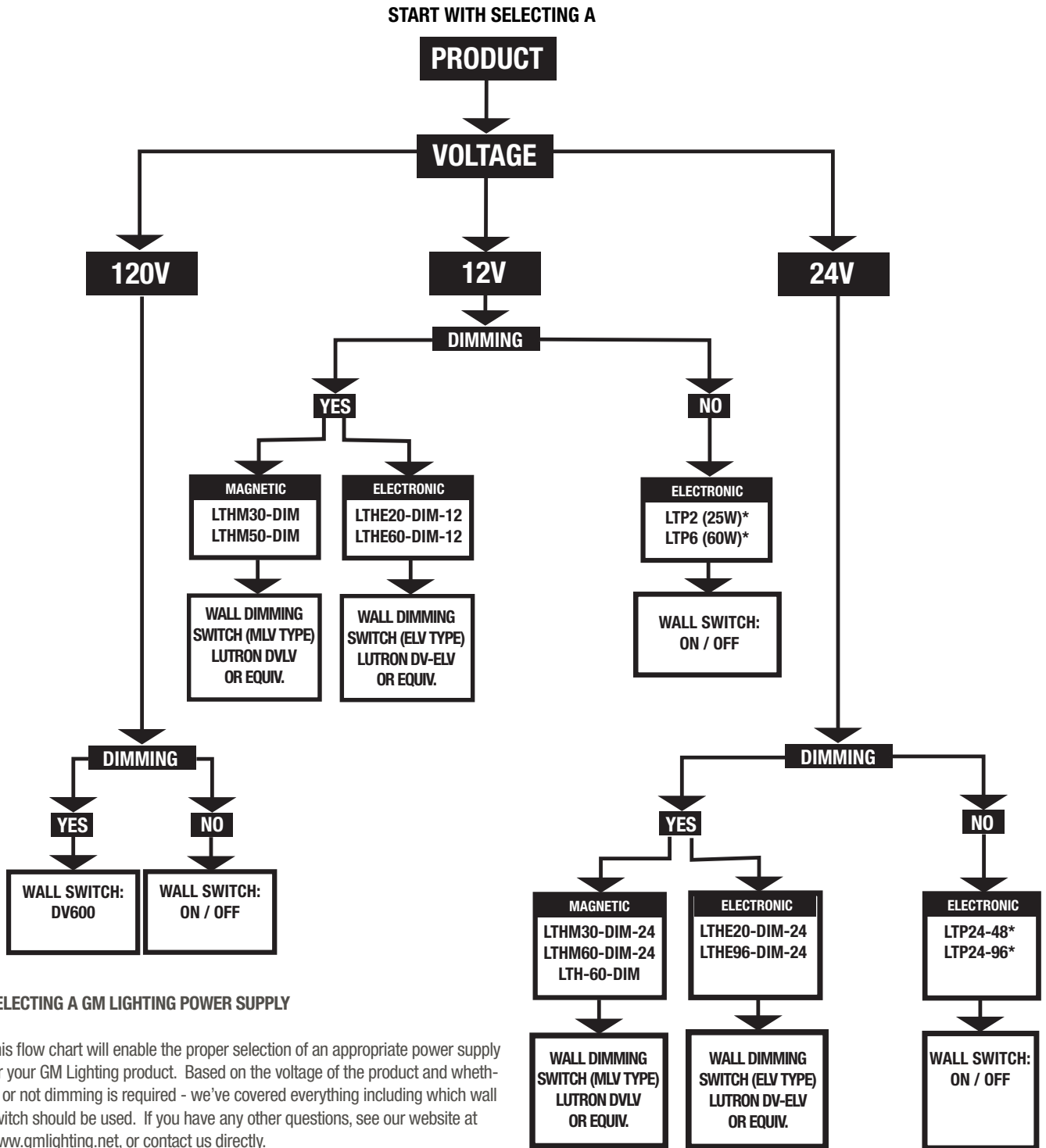
Catalog No.	Voltage In	Voltage Out	Watts	Face Plate Finishes*
SWD-40W-12VDC-DIM	120VAC	12VDC	40W	Gloss White, Gloss Light Almond, Gloss Dark Brown
SWD-60W-12VDC-DIM	120VAC	12VDC	60W	Gloss White, Gloss Light Almond, Gloss Dark Brown
SWD-60W-24VDC-DIM	120VAC	24VDC	60W	Gloss White, Gloss Light Almond, Gloss Dark Brown
SWD-100W-24VDC-DIM	120VAC	24VDC	100W	Gloss White, Gloss Light Almond, Gloss Dark Brown

\* Switch-Ex comes with 3 interchangeable face plates. Trim plate by others.

### PRODUCT DIAGRAM



# QUICK GUIDE TO PICKING POWER SUPPLIES (CLASS 2) AND DIMMING



## SELECTING A GM LIGHTING POWER SUPPLY

This flow chart will enable the proper selection of an appropriate power supply for your GM Lighting product. Based on the voltage of the product and whether or not dimming is required - we've covered everything including which wall switch should be used. If you have any other questions, see our website at [www.gmlighting.net](http://www.gmlighting.net), or contact us directly.

\* Power supplies have cord & plug, and requires standard electronic outlet.

For higher wattage power supply options, please see Power Supply section on page 91.

## LEDTASK™ VOLTAGE DROP CHART FOR 12VDC

MINIMUM VOLTAGE REQUIRED FOR MAXIMUM LIGHT OUTPUT: 11.3V AT BEGINNING OF RUN

THIS CHART INDICATES DC VOLTAGE AT THE BEGINNING OF YOUR LED LINEAR RUN

Wire Size	Distance	Load Current in amps (per run)	
		2 amps / 24W	4 amps / 48W
<b>18 AWG</b>	10 ft.	11.7	11.4
	25 ft.	11.3	10.5
	50 ft.	11.0	9.0
	100 ft.	9.4	6.1
	200 ft.	6.7	
<b>14 AWG</b>	10 ft.	11.9	11.8
	25 ft.	11.7	11.4
	50 ft.	11.5	10.8
	100 ft.	11.0	9.7
	200 ft.	10.0	7.6
<b>12 AWG</b>	10 ft.	11.9	11.9
	25 ft.	11.8	11.6
	50 ft.	11.7	11.3
	100 ft.	11.3	10.5
	200 ft.	10.7	9.0
<b>10 AWG</b>	10 ft.	12.0	11.9
	25 ft.	11.9	11.8
	50 ft.	11.8	11.5
	100 ft.	11.6	11.1
	200 ft.	11.2	10.2



## LEDTASK™ VOLTAGE DROP CHART FOR 24VDC

MINIMUM VOLTAGE REQUIRED FOR MAXIMUM LIGHT OUTPUT: 22.8V AT BEGINNING OF RUN

THIS CHART INDICATES DC VOLTAGE AT THE BEGINNING OF YOUR LED LINEAR RUN

Wire Size	Load Current in amps (per run)	
	Distance	4 amps / 96W
<b>18 AWG</b>	10 ft.	22.8
	25 ft.	21.0
	50 ft.	18.0
	100 ft.	
	200 ft.	
<b>14 AWG</b>	10 ft.	23.6
	25 ft.	22.8
	50 ft.	21.6
	100 ft.	19.4
	200 ft.	15.4
<b>12 AWG</b>	10 ft.	23.8
	25 ft.	23.2
	50 ft.	22.6
	100 ft.	21.0
	200 ft.	18.0
<b>10 AWG</b>	10 ft.	23.8
	25 ft.	23.6
	50 ft.	23.0
	100 ft.	22.2
	200 ft.	20.4











12VDC WET LOCATION STANDARD OUTPUT  
BLUE LED TAPE

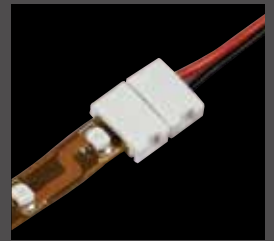




**CHANNELS, CONNECTORS AND ACCESSORIES**



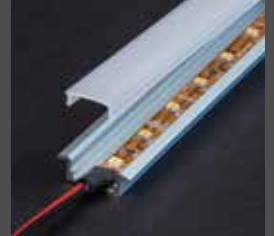
**SURE-TITE™  
ARCHITECTURAL  
CONNECTORS  
PAGE 108**



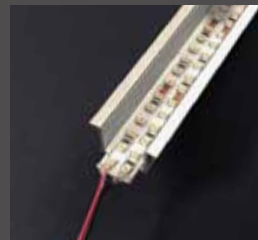
**LED EZ TAPE  
CONNECTORS  
PAGE 109**



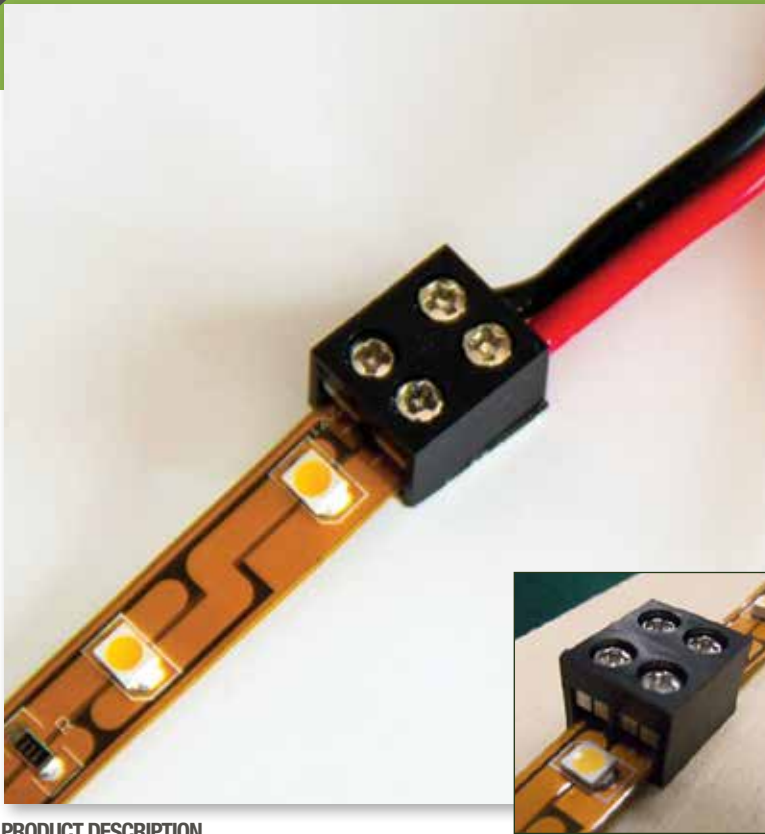
**NEW! GM LIGHTING WIRE  
PAGE 94**



**ALUMINUM ARCHITECTURAL  
LED MOUNTING CHANNELS  
PAGE 110, 111**



**NEW! XD AND XDF DEEP  
RECESSED MOUNTING  
CHANNEL  
PAGE 112**



## SURE-TITE™ DRY LOCATION “CONTRACTOR PREFERRED” CONNECTORS

### KEY FEATURES

GM Lighting's Sure-Tite™ connectors ensures a tight, architectural connection for the following GM Lighting LED Flexible Linear Tape:

SURE-TITE™ CONNECTOR	APPLICABLE TAPE
DSTC / DSTLK / DSTW	LTR120024, 24024 series
ESTC / ESTLK / ESTW	TWR “Twist-Task™” series ESR “LEDtensity™” series
STC / STW / STLK	LTR 300 Series dry location (not RGB) LTRSV “Side View” series MTR300 “MagneTask™” series GM series

*It's like a splice box for your LED tape!*

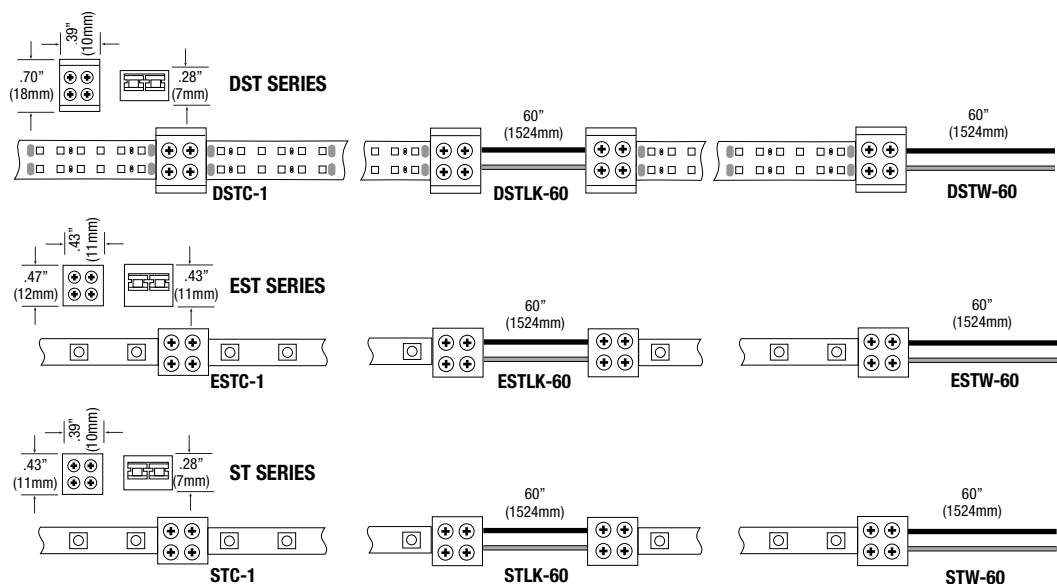
### PRODUCT DESCRIPTION

Sure-Tite™ is a new development in connector technology that ensures a positive and tight connection in applications that challenge mounting and reliability.

### PRODUCT ORDERING MATRIX

Product	Description	Amps	Voltage	Finish
DSTC-1	TAPE TO TAPE CONNECTOR	6A MAX.	12/24V	BLACK
DSTLK-60	60" TAPE TO TAPE CONNECTOR	6A MAX.	12/24V	BLACK
DSTW-60	60" TAPE TO POWER CONNECTOR	6A MAX..	12/24V	BLACK
ESTC-1	TAPE TO TAPE CONNECTOR	6A MAX.	12/24V	BLACK
ESTLK-60	60" TAPE TO TAPE CONNECTOR	6A MAX.	12/24V	BLACK
ESTW-60	60" TAPE TO POWER SUPPLY CONNECTOR	6A MAX..	12/24V	BLACK
STW-60	60" TAPE TO POWER CONNECTOR	6A MAX.	12/24V	BLACK
STC-1	TAPE TO TAPE CONNECTOR	6A MAX.	12/24V	BLACK
STLK-60	60" TAPE TO TAPE CONNECTOR	6A MAX.	12/24V	BLACK

### PRODUCT DIAGRAMS

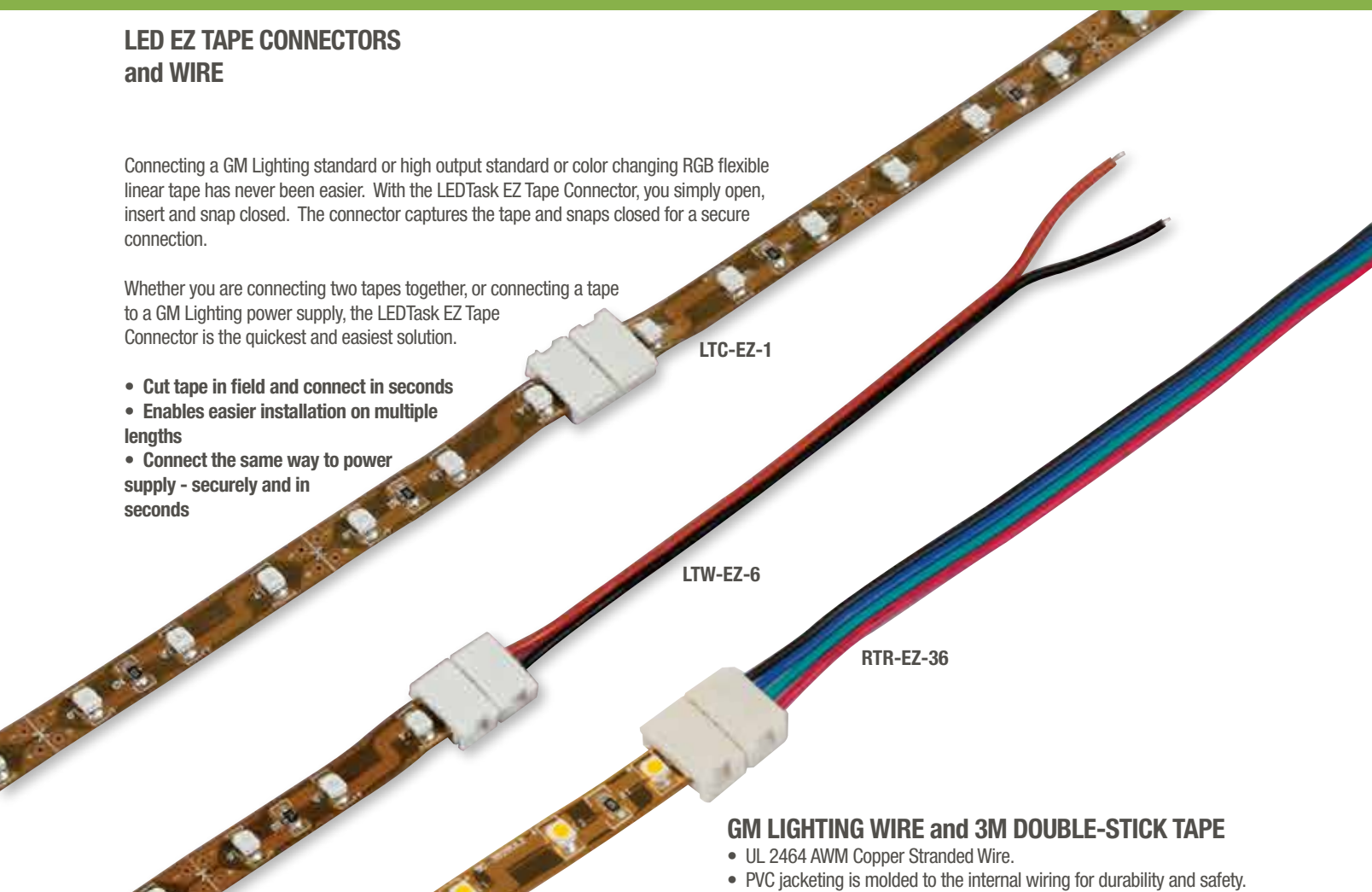


## LED EZ TAPE CONNECTORS and WIRE

Connecting a GM Lighting standard or high output standard or color changing RGB flexible linear tape has never been easier. With the LEDTask EZ Tape Connector, you simply open, insert and snap closed. The connector captures the tape and snaps closed for a secure connection.

Whether you are connecting two tapes together, or connecting a tape to a GM Lighting power supply, the LEDTask EZ Tape Connector is the quickest and easiest solution.

- Cut tape in field and connect in seconds
- Enables easier installation on multiple lengths
- Connect the same way to power supply - securely and in seconds



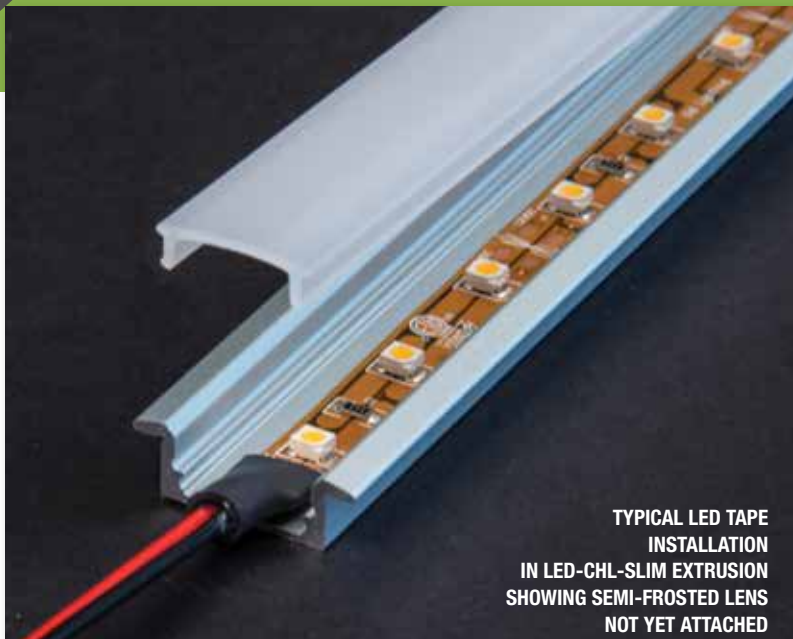
EZ TAPE CONNECTORS	
LTC-EZ-1	EZ TAPE TO TAPE CONNECTOR
LTC-EZ-3	3" EZ TAPE TO TAPE CONNECTOR
LTC-EZ-12	12" EZ TAPE TO TAPE CONNECTOR
LTC-EZ-24	24" EZ TAPE TO TAPE CONNECTOR
LTC-EZ-60	60" EZ TAPE TO TAPE CONNECTOR
LTW-EZ-6	6" EZ TAPE TO POWER SUPPLY CONNECTOR
LTW-EZ-24	24" EZ TAPE TO POWER SUPPLY CONNECTOR
LTW-EZ-60	60" EZ TAPE TO POWER SUPPLY CONNECTOR
RTR-EZ-1	RGB EZ TAPE TO TAPE CONNECTOR
RTR-EZ-3	3" RGB EZ TAPE TO TAPE CONNECTOR
RTR-EZ-12	12" RGB EZ TAPE TO TAPE CONNECTOR
RTR-EZ-24	24" RGB EZ TAPE TO TAPE CONNECTOR
RTR-EZ-36	36" RGB EZ TAPE TO TAPE CONNECTOR
RTR-EZ-60	60" RGB EZ TAPE TO TAPE CONNECTOR
RPS-EZ-24	24" RGB EZ TAPE TO CONTROLLER CONNECTOR
RPS-EZ-72	72" RGB EZ TAPE TO CONTROLLER CONNECTOR

### GM LIGHTING WIRE and 3M DOUBLE-STICK TAPE

- UL 2464 AWM Copper Stranded Wire.
- PVC jacketing is molded to the internal wiring for durability and safety.
- Highly flexible for easy installation.
- Internal wires color coded for easy recognition during installation.
- Available in 250' reel or by the foot
- 3M VHB tape available in 4' lengths

18 GA. WIRE	
18-2-WIRE-1FT	18/2 stranded with a gray PVC jacket, color code black/red - per foot
18-2-WIRE-250FT	18/2 stranded with a gray PVC jacket, color code black/red
18-4-WIRE-1FT	18/4 stranded with a gray PVC jacket, color code black/red/green/white - per foot
18-4-WIRE-250FT	18/4 stranded with a gray PVC jacket, color code black/red/green/white
18-5-WIRE-1FT	18/5 stranded with a gray PVC jacket, color code black/red/green/blue/brown - per foot
18-5-WIRE-250FT	18/5 stranded with a gray PVC jacket, color code black/red/green/blue/brown
3M-VHB-48	Double-stick tape. 4 foot length.

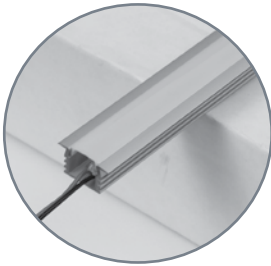




TYPICAL LED TAPE  
INSTALLATION  
IN LED-CHL-SLIM EXTRUSION  
SHOWING SEMI-FROSTED LENS  
NOT YET ATTACHED

## ALUMINUM ARCHITECTURAL LED TAPE MOUNTING CHANNELS INTERIOR/EXTERIOR

GM Lighting's aluminum channels accept all GM Lighting LEDTask flexible LED Linear tape. Perfect for installations that require a rigid extruded channel that the LED tape can be mounted into. Each channel and lens can be cut in the field to the desired length needed.



Choice of widths and  
positions assures a fit for all GM LED  
Linear Tape - dry and wet location.

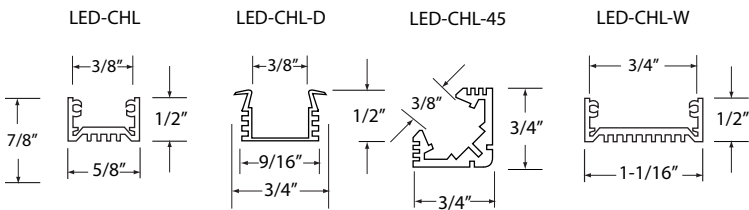
LED-CHL  
shown with snap-in  
frosted lens

LED-CHL-D  
shown with  
snap-in frosted lens

LED-CHL-45  
shown with  
snap-in frosted lens

LED-CHL-W  
shown with snap-in  
frosted lens

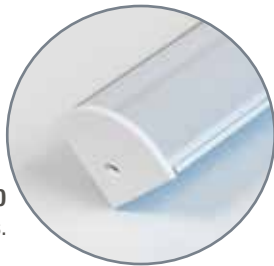
### PRODUCT DIAGRAMS



Catalog No.	Description	Length	For LEDTask™ TAPE Series	Finish
LED-CHL	Extruded channel. Includes snap-on frosted lens with mounting screws.	48"	LTR60, LTR300 Dry Location, GM100-24	Aluminum
LED-CHL-D	Extruded deep recessed channel with lens.	48"	LTR60, LTR300 Dry Location, GM100-24	Aluminum
LED-CHL-45	Extruded angled (45°) channel comes complete with (2) mounting clips and lens.	48"	LTR60, LTR 300 Dry Location, GM100-24, LTR150-RGB	Aluminum
LED-CHL-W	Extruded wide recessed channel with mounting screws and lens	48"	LTR150-RGB, LTR150WP-RGB, LTR1200, LTR30024-90 ESR Series	Aluminum

Please check our website at [www.gmlighting.net](http://www.gmlighting.net) for new additions to our line of architectural mounting extrusions.

## ALUMINUM ARCHITECTURAL LED TAPE MOUNTING CHANNELS INTERIOR/EXTERIOR



**LED-CHL-45-1200**  
with optional end caps.

**LED-CHL-45-1200**  
shown with semi-frosted lens  
and without optional  
end caps.



**LED-CHL-SLIM**  
shown with semi-frosted  
lens and optional end caps.

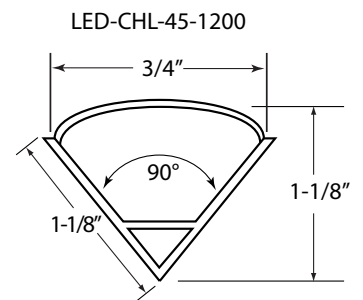
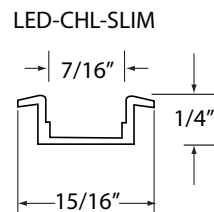
Catalog No.	Description	Length	For LED Task Series	Finish
<b>LED-CHL-SLIM</b>	Extruded slim mount architectural aluminum channel with semi-frosted lens	48"	LTR60, 300, 300-100 Std. and High, Dry location GM60, 100, 300 LTR6024, 30024, 30024-100 ESR15024, 30024, 600-24, 90024, 180024	Aluminum
<b>LED-CHL-45-1200</b>	Extruded angled (45°) aluminum channel with semi-frosted lens	48"	ALL TAPE	Aluminum

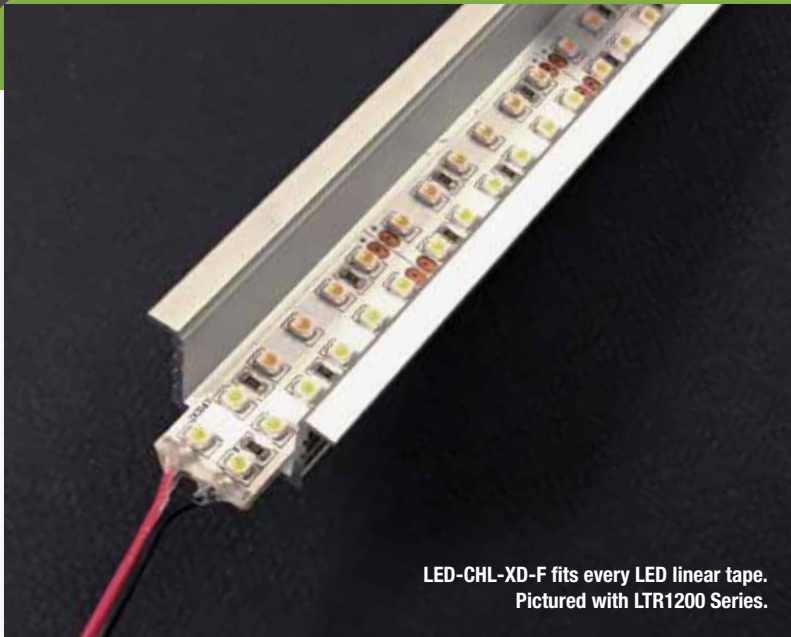
Please check our website at [www.gmlighting.net](http://www.gmlighting.net) for new additions to our line of architectural mounting extrusions.

### ACCESSORIES FOR LED ALUMINUM CHANNELS

<b>LED-CHL-D-EC</b>	Solid end caps (2) for LED-CHL-D
<b>LED-CHL-D-EC-H</b>	End caps with holes (2) for LED-CHL-D
<b>LED-CHL-45-EC</b>	Solid end caps (2) for LED-CHL-45
<b>LED-CHL-45-EC-H</b>	End caps with holes (2) for LED-CHL-45
<b>LED-CHL-45-MC</b>	Additional mounting clips (2) for LED-CHL-45
<b>LED-CHL-SLIM-EC-H</b>	End caps with holes for Slim Channel
<b>LED-CHL-SLIM-EC</b>	End caps for LED-CHL-SLIM Channel
<b>LED-CHL-45-1200-EC</b>	End caps for LED-CHL-45-1200 Channel
<b>LED-CHL-45-1200-EC-H</b>	End caps with holes for LED-CHL-45-1200 Channel

### PRODUCT DIAGRAMS



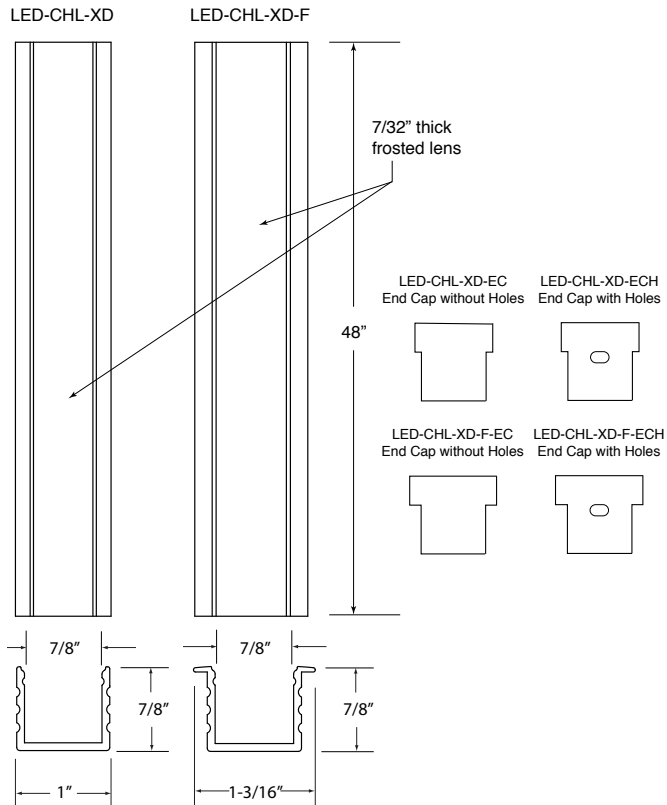


LED-CHL-XD-F fits every LED linear tape.  
Pictured with LTR1200 Series.

## NEW! DEEP RECESSED ALUMINUM ARCHITECTURAL LED TAPE MOUNTING CHANNELS

Now there's a channel for every LED linear tape width. Wider and deeper installations are enabled with our LED-CHL-XD and LED-CHL-XD-F aluminum architectural LED mounting channels. Included frosted lens enables a seamless linear light with **no diode imaging**.

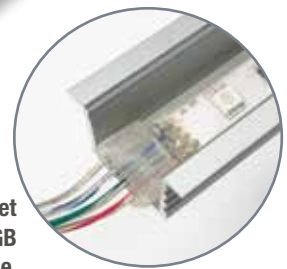
### PRODUCT DIAGRAMS



LED-CHL-XD-F  
shown with snap-in  
frosted lens



LED-CHL-XD  
shown with snap-in  
frosted lens



Perfect for wider wet  
location and RGB  
tape.

Catalog No.	Description	Length	For LEDTask™ TAPE Series	Finish
<b>NEW! LED-CHL-XD</b>	Extruded extra deep and wide recessed channel with lens.	48"	All GM Lighting LED linear tape and Sure-Tite™ connectors.	Aluminum
<b>NEW! LED-CHL-XD-F</b>	Extruded, flanged extra deep and wide recessed channel with lens.	48"	All GM Lighting LED linear tape and Sure-Tite™ connectors.	Aluminum

Please check our website at [www.gmlighting.net](http://www.gmlighting.net) for new additions to our line of architectural mounting extrusions.





## GM Lighting Online - Find us everywhere you are!

GM's commitment to product support and customer service is evident in our presence on the Internet. Our new website enables visitors to not only browse through our extensive product line of linear LED tape, lightbars, undercabinet lighting, pucks, downlights, power supplies, etc. - it also enables content downloads that make specifying GM Products a no-brainer!

### Products

Each product is displayed on its own page that features content downloads:

- Interactive spec sheets
- Product sales literature
- Photometric reports from independent testing labs
- IES files
- CAD-ready .dwg files

### Videos

Our installation videos not only show how easy it is to install and mount GM Lighting products - they also go in-depth on product features, recent enhancements, and impart some great tips! No wonder they are so popular!

### Application Images

You'll find many instances throughout our website where GM application images, slide shows, and suggested application renderings inspire creativity. If you have any images where GM Lighting fixtures are being used, please send them to us! We'll publish them online and give you and the design firm / electrical contractor credit.

### Rep-Finder

Finding a GM Lighting rep is easy! Either browse by state or search by name. We have the best reps in the lighting business, and you can contact any of them through our website.

**GM Lighting**  
Lighting. Invented. Designed.

About Us | Lighting Products | Power Supplies | Product Downloads | Product Videos | Find-A-Rep | Contact

Search Products

**Kitchen Undercabinet Lighting - LumenTask™ 120V Xenon**

**GM Lighting - The Movie!**  
**The GM Lighting Story**  
You know us for our great products. Check out our corporate video and know us for the wonderful people who work hard to make sure that your experience with GM Lighting is memorable, reliable and successful! We are about more than just lighting products. We are about concerned people who are dedicated to our customers, our reps and distributors, and our product line.  
[Read More](#)

**New Product Spec Sheets**  
**Can't Wait for the New Catalog?**  
Here are spec sheets for our latest fixtures. Click to download!

- LineBrite 120V 3000K and 4000K LED Tape
- LineBrite 120V Color LED Tape
- LEDensity™ 24VDC Ultra High Output LED Tape
- RGBW Color Changing RGB Tape with True White 3000K
- Slim Edge™ 24VDC Light Bar
- SQR Series Square Surface Mount Downlight
- GMR9 and 12 Series 120V IC Rated Compact Downlight
- Deep Recessed Aluminum Architectural LED Tape Mounting Channels
- Switch-Ex LED Wall Dimmer / Power Supply

**Product Support**  
**Installation and Product Videos**  
GM Lighting has a collection of installation and product demonstration videos ready to help you utilize our products! Click the link below to take a look at our ever growing collection of videos!  
[Read More](#)

**GM Lighting**  
Lighting. Invented. Designed.

9830 W. 150th Street  
Mokena, IL 60448  
Toll-Free (866) 671-0811  
Fax: (708) 479-2540  
info@gmlighting.net

LED Lightbars  
12VDC LED Linear Tape  
12VDC RGB LED Linear Tape  
24VDC LED Linear Tape  
Puck Surface and Recessed Lighting  
Ring Lights  
Decorative Lighting  
Mounting Channels  
Power Supplies

Photometrics / LM79 Reports  
Spec Sheets  
Application Gallery  
Media  
Find-A-Rep  
Contact Us

Copyright © 2017, GM Lighting Inc. All Rights Reserved.

[www.gmlighting.net](http://www.gmlighting.net)



## Engaging in Social Media



**Facebook** has become an influential presence in our daily lives. More and more companies are relying on Facebook to keep in touch with those who they do business with.

We're no exception! Our Facebook page features breaking news, product information, videos and application images.

What's great about Facebook is that we get to expand our online community to include everyone from architects to electrical contractors, and distributors to lighting showrooms.

Please access our website and click on the Facebook icon in the upper right section of our home page. Become part of our Facebook family and you'll be among those first to know about everything that is happening at GM Lighting.

Invite your friends!



**Pinterest** is a fast-paced visual platform that appeals to a tech-savvy, mobile customer base. "Pins", the content that we put on Pinterest, lasts 'forever', which means that our messages have a longer shelf-life than almost anywhere else.

Discovery and search powers Pinterest, which is perfect for a company like ours that features cutting edge products that can be searched through keywords like 'LED', 'Undercabinet', 'Lightbar' and other terms that are both utilitarian and unique.

That makes the people who use Pinterest, the type of people who connect to brands. With the reputation for great products and superlative customer service, the GM Lighting brand is making a huge impact in the lighting industry.

We look forward to having you connect with us on Pinterest! Go to our website's home page and click to connect!



**Instagram** is all about visual marketing, and with some of the great application images that feature GM Lighting products, Instagram is a great platform to show these applications off.

Every business has a story and a personality, and GM Lighting is no different. Instagram also enables us to really show off what is unique about GM Lighting. Showcasing our products and our people allows us to connect with our reps, specifiers, showrooms and customers through the visual marketing that Instagram enables.

If a picture is worth a thousand words, then what better way to show why GM Lighting has been so successful in a very competitive industry during challenging economic times.

Please check us out on Instagram by accessing our home page, and clicking on the Instagram icon.



**Twitter** is communication. When you are limited to a set amount of characters, then you are forced to create a focused message.

Twitter is also 'viral'. That means that our message can be seen by an electrical contractor in Skokie, who then re-Tweets it to a lighting designer in Las Vegas, who 'favorites' it to his entire community - and that's branding marketing that exposes GM Lighting to an ever-growing customer base.

The Internet is all about 'immediacy', and Twitter delivers that. It's become a huge part of our daily information feed, and we see our message constantly being picked up by existing customers and new customers.

You can follow us on Twitter by going to our home page and clicking the Twitter icon.



**YouTube** is home to our growing collection of product information and installation videos.

If you've never seen one, please go to our website and check them out. As an extension of our superlative customer service, we continue to provide visual support in the form of helpful videos that are loaded with product information and installation tips.

All of our videos are mirrored on our website, and arranged by product type.

See you at the movies!

**Coming soon! Linked In and Google Groups!**



## Index

18-2-WIRE-1T .....	109	DPK-9-W .....	70
18-2-WIRE-250FT .....	109	DPPS-12-24V .....	95
18-4-WIRE-1FT .....	109	DPPS-36-24V .....	95
18-4-WIRE-250FT .....	109	DPPS-24-12V .....	94
18-5-WIRE-1FT .....	109	DPSP-4-B .....	70
18-5-WIRE-250T .....	109	DPSP-4-W .....	70
120V-90 .....	47	DPSP-8-B .....	70
120V-CHL .....	47	DPSP-8-W .....	70
120V-CHL-C .....	49	DPPS-24-12 .....	70
120V-CHL-P .....	47	DPPS-36-24 .....	58
120V-CHL-P-C .....	49	DPSP-4-B .....	58
120V-EC .....	47	DPSP-4-W .....	58
120V-EC-C .....	49	DSTC-1 .....	30, 108
120V-MC .....	47	DSTLK-60 .....	30, 108
120V-PC .....	47	DSTW-60 .....	30
120V-PC-6' .....	47	EDGE-8-27-BZ .....	54
120V-PC--C-6' .....	49	EDGE-8-27-W .....	54
120VPC-C .....	49	EDGE-8-30-BZ .....	54
120V-PC-H .....	47	EDGE-8-30-W .....	54
120V-PC-H-6' .....	47	EDGE-16-27-BZ .....	54
120V-PC-H-C .....	49	EDG-16-27-W .....	54
120V-PC-H-C-6' .....	49	EDGE-16-30-BZ .....	54
120V-RC .....	47	EDGE-16-30-W .....	54
120V-RC-12 .....	47	EDGE-24-27-BZ .....	54
120V-RC-12-C .....	49	EDGE-24-27-W .....	54
120V-RC-18 .....	47	EDGE-24-30-BZ .....	54
120V-RC-18-C .....	49	EDGE-24-30-W .....	54
120V-RC-C .....	49	EDGE-32-27-BZ .....	54
120V-SPLICE .....	47	EDGE-32-27-W .....	54
3M-VHB-48 .....	47, 49, 109	EDGE-32-30-BZ .....	54
CP-6 .....	66	EDGE-32-30-W .....	54
DP-3-BNK .....	70	EDGE-90-BZ .....	55
DP-3-BZ .....	70	EDGE-90-W .....	55
DP-3-W .....	70	EDGE-BB-1-BZ .....	55
DPDS-B .....	70	EDGE-BB-1-W .....	55
DPDS-W .....	70	EDGE-IC-BZ .....	55
DPK-9-BNK .....	70	EDGE-IC-W .....	55
DPK-9-BZ .....	70	EDGE-MS-BZ .....	55

## Index

EDGE-MS-W .....	55	GL32 .....	66
EDGE-TD-BZ .....	55	GL40 .....	66
EDGE-TD-W .....	55	GM-120VHO164-30 .....	46
ESR5-RGBW-24VDC-30K .....	38	GM-120VHO164-40 .....	46
ESR5-RGBW-24VDC-30K .....	38	GM-120VHO164-AM .....	48
ESR600-24-SHO-27 .....	37	GM-120VHO164-BL .....	48
ESR600-24-SHO-30 .....	37	GM-120VHO164-GR .....	48
ESR600-24-SHO-35 .....	37	GM-120VHO164-RD .....	48
ESR600-24-SHO-40 .....	37	GM60-24-SO-27 .....	26
ESR15024-SO-27 .....	36	GM60-24-SO-30 .....	26
ESR15024-SO-30 .....	36	GM60-24-SO-WW .....	26
ESR15024-SO-35 .....	36	GM60-24-SO-PW .....	26
ESR15024-SO-40 .....	36	GM100-24-SO-27 .....	26
ESR30024-HO-27 .....	36	GM100-24-SO-30 .....	26
ESR30024-HO-30 .....	36	GM100-24-SO-PW .....	26
ESR30024-HO-35 .....	36	GM100-24-SO-WW .....	26
ESR30024-HO-40 .....	36	GM300-24-SO-27 .....	26
ESR90024-100-SO-27 .....	36	GM300-24-SO-30 .....	26
ESR90024-100-SO-30 .....	36	GM300-24-SO-WW .....	26
ESR90024-100-SO-35 .....	36	GM300-24-SO-PW .....	26
ESR90024-100-SO-40 .....	36	GMC-FF-3-B .....	55, 70
ESR180024-100-HO-27 .....	36	GMC-FF-3-W .....	55, 58, 70
ESR180024-100-HO-30 .....	36	GMC-MF-24-B .....	55, 70
ESR180024-100-HO-35 .....	36	GMC-MF-24-W .....	55, 58, 70
ESR180024-100-HO-40 .....	36	GMC-MF-39-B .....	55, 70
ESTC-1 .....	18, 36, 37, 108	GMC-MF-39-W .....	55, 70
ESTLK-60 .....	18, 36, 37, 108	GMC-MF-60-B .....	67, 70
ESTW-60 .....	18, 36, 37, 108	GMC-MF-60-W .....	67, 70
EZ-1 .....	66	GMC-MM-3-B .....	55, 70
EZ-3 .....	66	GMC-MM-3-W .....	55, 58, 70
EZ-6 .....	66	GMC-MM-6-B .....	55, 70
EZ-12 .....	66	GMC-MM-6-W .....	55, 58, 70
EZ-18 .....	66	GMC-MM-12-B .....	55, 70
G4-12V .....	72	GMC-MM-12-W .....	55, 58, 70
G9-120VCL .....	64, 66	GMC-MM-24-B .....	55, 70
GL8 .....	66	GMC-MM-24-W .....	55, 58, 70
GL16 .....	66	GMC-MM-39-B .....	55, 70
GL24 .....	66	GMC-MM-39-W .....	55, 58, 70

## Index

GMC-PS-3-B.....	55	LARC4-9-WW-BA.....	56
GMC-PS-3-W.....	55	LARC4-19-27-BA.....	56
GMC-PS-24-B.....	55, 70	LARC4-19-42-BA.....	56
GMC-PS-24-W.....	55, 70	LARC4-19-PW-BA.....	56
GMC-PS-48-B.....	55, 70, 70	LARC4-19-WW-BA.....	56
GMC-PS-48-W.....	55, 58, 70	LARC4-39-27-BA.....	56
GMC-PS-60-B.....	55, 70	LARC4-39-42-BA.....	56
GMC-PS-60-W.....	55, 70	LARC4-39-PW-BA.....	56
GMR4-WW-B.....	77	LARC4-39-WW-BA.....	56
GMR4-WW-BA.....	77	LARC4-BB-6.....	56
GMR4-WW-W.....	77	LARC4-BB-24.....	56
GMR6-120V-IC-SP-W.....	79	LARC4-BB-36.....	56
GMR6-120V-IC-FL-W.....	79	LARC4-BB-60.....	56
GMR6-120V-IC-WFL-W.....	79	LARC4-PS-60.....	56
GMR6-120V-IC-SP-B.....	79	LARC4-SB.....	56
GMR6-120V-IC-FL-B.....	79	LARC5-8-30.....	57
GMR6-120V-IC-WFL-B.....	79	LARC5-16-30.....	57
GMR6-120V-IC-SP-BA.....	79	LARC5-24-30.....	57
GMR6-120V-IC-FL-BA.....	79	LARC5-32-30.....	57
GMR6-120V-IC-WFL-BA.....	79	LARC5-BB-4.....	57
GMR6-WW-B.....	78	LARC5-BB-12.....	57
GMR6-WW-BA.....	78	LARC5-BB-24.....	57
GMR6-WW-W.....	78	LARC5-BB-36.....	57
GMR9/12-RT-W.....	80	LARC5-BB-60.....	57
GMR9/12-RT-BZ.....	80	LARC5-PS-24.....	57
GMR9/12-SQT-W.....	80	LARC5-PS-48.....	57
GMR9/12-SQT-BZ.....	80	LARC5-PS-60.....	57
GMR9-120V-IC-27-FL.....	80	LARC6-8-WW-W.....	58
GMR9-120V-IC-30-FL.....	80	LARC6-16-WW-W.....	58
GMR12-120V-IC-27-FL.....	80	LARC6-24-WW-W.....	58
GMR12-120V-IC-30-FL.....	80	LARC6-32-WW-W.....	58
GMSB-B.....	9, 11, 17, 27, 29, 52, 53, 56, 57, 58, 77, 78	LARC6-BB-1-W.....	58
GMSB-W.....	9, 11, 17, 27, 29, 52, 53, 56, 57, 58, 77, 78	LARC6-MS-W.....	58
GMT60-C.....	73	LARC6-OS-W.....	58
GMWD-600.....	96	LARC6-TD-W.....	58
LARC4-9-27-BA.....	56	LED-CHL.....	110
LARC4-9-42-BA.....	56	LED-CHL-45.....	110
LARC4-9-PW-BA.....	56	LED-CHL-45-1200.....	111



## Index

LED-CHL-45-1200-EC .....	111	LTBPC-6 .....	53
LED-CHL-45-1200-EC-H.....	111	LTBPC-24 .....	53
LED-CHL-45-EC.....	111	LTBPC-48 .....	53
LED-CHL-45-EC-H.....	111	LTBPC-60 .....	53
LED-CHL-45-MC.....	111	LTC-1.....	9, 11, 17, 27, 29
LED-CHL-D.....	110	LTC-3.....	9, 11, 17, 27, 29
LED-CHL-D-EC .....	111	LTC-12.....	9, 11, 17, 27, 29
LED-CHL-D-EC-H.....	111	LTC-24.....	9, 11, 17, 27, 29
LED-CHL-SLIM.....	111	LTC-36.....	9, 11, 17, 27, 29
LED-CHL-SLIM-EC.....	111	LTC-60.....	9, 11, 17, 27, 29
LED-CHL-SLIM-EC-H .....	111	LTC-EZ-1 .....	109
LED-CHL-STL .....	111	LTC-EZ-3 .....	109
LED-CHL-ST-EC.....	111	LTC-EZ-12 .....	109
LED-CHL-STL-EC-H .....	111	LTC-EZ-24 .....	109
LED-CHL-W .....	110	LTC-EZ-60 .....	109
LED-CHL-XD .....	112	LTC-T.....	9, 11, 17, 27, 29
LED-CHL-XD-F.....	112	LTCWP-12.....	13, 15, 32, 52
LET60.....	73	LTCWP-24.....	13, 15, 32, 52
LET75.....	73	LTCWP-36.....	13, 15, 32, 52
LET105.....	73	LTCWP-60.....	13, 15, 32, 52
LET151 .....	73	LTF-30-12 .....	93
LTAB-N-8.....	52	LTF-30-24 .....	93
LTAB-N-16.....	52	LTF-60-12 .....	93
LTAB-N-24.....	52	LTF-60-24 .....	93
LTAB-N-8-27 .....	52	LTF-60-12-010.....	98
LTAB-N-16-27 .....	52	LTF-96-24-010.....	98
LTAB-N-24-27 .....	52	LTF-100-12 .....	93
LTAB-N-8-PW .....	52	LTF-100-24 .....	93
LTAB-N-16-PW .....	52	LTF-200-12 .....	93
LTAB-N-24-PW .....	52	LTF-200-24 .....	93
LTAB-N-SB.....	52	LTF-300-12 .....	93
LTB-8.....	53	LTF-300-24 .....	93
LTB-16.....	53	LTFD-60.....	93
LTBC-3 .....	53	LTH-2 .....	94
LTBC-12 .....	53	LTH-4 .....	94
LTBC-24 .....	53	LTH-8 .....	94
LTBC-48 .....	53	LTH-16 .....	94
LTBC-60 .....	53	LTH-25 .....	94

## Index

LTH-60-DIM.....	96	LTR24024-HO-35.....	30
LTH24-2.....	95	LTR24024WP-HO-35.....	32
LTH24-4.....	95	LTR24024-HO-42.....	30
LTH24-8.....	95	LTR24024WP-HO-42.....	32
LTHE-20-DIM-12.....	92	LTR30WP-RGB.....	22
LTHE-20-DIM-24.....	92	LTR150WP-RGB.....	22
LTHE-60-DIM-12.....	92	LTR60-27.....	10
LTHE-96-DIM-24.....	92	LTR60-30.....	10
LTHM30-DIM.....	96	LTR60-WW.....	10
LTHM50-DIM.....	96	LTR60-42.....	10
LTHM100-DIM.....	96	LTR60-SO-24.....	8
LTHM-30-DIM-24.....	96	LTR60-SO-27.....	8
LTHM-60-DIM-24.....	96	LTR60-SO-30.....	8
LTHM100-DIM-24.....	96	LTR60-SO-WW.....	8
LTHM200-DIM-24.....	96	LTR60-SO-42.....	8
LTHM300-DIM-24.....	96	LTR60-SO-PW.....	8
LTHM150-CL2-DIM.....	97	LTR6024-27.....	28
LTHM200-DIM.....	96	LTR6024-30.....	28
LTHM300-DIM.....	96	LTR6024-35.....	28
LTHM300-CL2-DIM.....	97	LTR6024-42.....	28
LTMC.....	53	LTR60WP-SO-27.....	12
LTP-2.....	94	LTR60WP-SO-30.....	12
LTP-6.....	94	LTR60WP-SO-WW.....	12
LTP24-48.....	95	LTR60WP-SO-42.....	12
LTP24-90.....	95	LTR60WP-SO-PW.....	12
LTR120024-HO-27.....	30	LTR60WP-27.....	14
LTR120024WP-HO-27.....	32	LTR60WP-30.....	14
LTR120024-HO-30.....	30	LTR60WP-WW.....	14
LTR120024WP-HO-30.....	32	LTR60WP-42.....	14
LTR120024-HO-35.....	30	LTR150-RGB.....	22
LTR240024WP-HO-35.....	32	LTR300-27.....	10
LTR120024-HO-42.....	30	LTR300-30.....	10
LTR120024-HO-42.....	30	LTR300-WW.....	10
LTR120024WP-HO-42.....	32	LTR300-42.....	10
LTR24024-HO-27.....	30	LTR300-SO-24.....	8
LTR24024WP-HO-27.....	32	LTR300-SO-27.....	8
LTR24024-HO-30.....	30	LTR300-SO-30.....	8
LTR24024WP-HO-30.....	32	LTR300-SO-WW.....	8

## Index

LTR300-SO-42.....	8	LTR300WP-SO-42.....	12
LT300-SO-PW.....	8	LTR300WP-SO-PW.....	12
LTR300-100-27.....	10	LTRSV-60-SO-30.....	16
LTR300-100-30.....	10	LTRSV-60-SO-35.....	16
LTR300-100-WW.....	10	LTRSV-60-SO-42.....	16
LTR300-100-42.....	10	LTRSV-300-SO-30.....	16
LTR300-100-SO-24.....	8	LTRSV-300-SO-35.....	16
LTR300-100-SO-27.....	8	LTRSV-300-SO-42.....	16
LTR300-100-SO-30.....	8	LTW-6.....	9, 11, 17, 27, 29
LTR300-100-SO-WW.....	8	LTW-24.....	9, 11, 17, 27, 29
LTR300-100-SO-42.....	8	LTW-48.....	9, 11, 17, 27, 29
LTR300-100-SO-PW.....	8	LTW-60.....	9, 11, 17, 27, 29
LTR300-AM.....	9, 11	LTW-24-WP.....	13, 15, 32, 52
LTR300-BL.....	9, 11	LTW-48-WP.....	13, 15, 32, 52
LTR300-GR.....	9, 11	LTW-60-WP.....	13, 15, 32, 52
LTR300-PR.....	9, 11	LTW-EZ-6.....	109
LTR300-RD.....	9, 11	LTW-EZ-24.....	109
LTR30024-27.....	28	LTW-EZ-60.....	109
LTR30024-30.....	28	LTW90-36.....	31
LTR30024-35.....	28	MTR300-30.....	20
LTR30024-42.....	28	MTR300-42.....	20
LTR30024-90-27.....	31	OTR-WH.....	79
LTR30024-90-30.....	31	RGB-12-CONTROLLER.....	24
LTR30024-100-27.....	28	RGB-AMP.....	24
LTR30024-100-30.....	28	RGBW-RTR-EZ-1.....	39
LTR30024-100-35.....	28	RGBW-RTR-EZ-3.....	39
LTR30024-100-42.....	28	RGBW-RTR-EZ-12.....	39
LTR300WP-AM.....	13, 15	RGBW-RTR-EZ-24.....	39
LTR300WP-BL.....	13, 15	RGBW-RTR-EZ-36.....	39
LTR300WP-GR.....	13, 15	RGBW-RTR-EZ-60.....	39
LTR300WP-RD.....	13, 15	RGBW-RPS-EZ-60.....	39
LTR300WP-27.....	14	RGBW-RWC.....	39
LTR300WP-30.....	14	RGBW-WPKT.....	39
LTR300WP-WW.....	14	RPS-24.....	23
LTR300WP-42.....	14	RPS-24-WP.....	23
LTR300WP-SO-27.....	12	RPS-72.....	23
LTR300WP-SO-30.....	12		
LTR300WP-SO-WW.....	12		



## Index

RPS-72-WP .....	23	SLCB-24-27-WH.....	62
RPS-EZ-24 .....	23, 109	SLCB-36-27-WH.....	62
RPS-EZ-72 .....	23, 109	SLCB-48-27=WH.....	62
RTR-1 .....	23	SLCB-9-30-WH.....	62
RTR-3 .....	23	SLCB-18-30-WH.....	62
RTR-12 .....	23	SLCB-24-30-WH.....	62
RTR-24 .....	23	SLCB-36-30-WH.....	62
RTR-36 .....	23	SLCB-48-WH .....	62
RTR-60 .....	23	SLCB-9-40-WH.....	62
RTR-EZ-1 .....	23, 109	SLCB-18-40-WH.....	62
RTR-EZ-3.....	23, 109	SLCB-24-40-WH.....	62
RTR-EZ-12.....	23, 109	SLCB-36-40-WH.....	62
RTR-EZ-24.....	23, 109	SLCB-48-40-WH.....	62
RTR-EZ-36.....	23, 109	SLD-C6.....	63
RTR-EZ-60.....	23, 109	SLD-1 .....	63
RTRWP-12.....	23	SLJ-6 .....	63
RTRWP-24.....	23	SWD-40W-12VDC-DIM .....	100
RTRWP-36.....	23	SWD-60W-12VDC-DIM .....	100
RTRWP-60.....	23	SWD-60W-24VDC-DIM .....	100
S4-2790-WH .....	81	SWD-100W-24VDC-DIM .....	100
S4-3090-WH .....	81	UCLED-8-BZ-DIM-30 .....	65
S6-2790-WH .....	81	UCLED-8-SS-DIM-30 .....	65
S6-3090-WH .....	81	UCLED-8-WH-DIM-30 .....	65
S6-4090-WH .....	81	UCLED-16-BZ-DIM-30 .....	65
S4-RKT.....	76, 81	UCLED-16-SS-DIM-30 .....	65
S6-RKT.....	76, 81	UCLED-16-WH-DIM-30 .....	65
SDP-3-B.....	71	UCLED-24-BZ-DIM-30 .....	65
SDP-3-BNK.....	71	UCLED-24-SS-DIM-30 .....	65
SDP-3-BZ .....	71	UCLED-24-WH-DIM-30 .....	65
SDP-3-W .....	71	UCLED-32-BZ-DIM-30 .....	65
SDPK-9-B .....	71	UCLED-32-SS-DIM-30 .....	65
SDPK-9-BNK.....	71	UCLED-32-WH-DIM-30 .....	65
SDPK-9-BZ .....	71	WPKT.....	13, 15
SDPK-9-W .....	71	WPKT-1200 .....	32
SLCB-9-27-WH.....	62	WPKT-RGB.....	23
SLCB-18-27-WH.....	62	WSL-1 .....	88
		WSL-2 .....	88

## Index

WSL-3 .....	88
WSL-4 .....	88
X8-120-BZ.....	64
X8-120-SS .....	64
X8-120-WH .....	64
X16-120-BZ.....	64
X16-120-SS .....	64
X16-120-WH .....	64
X24-120-BZ.....	64
X24-120-SS .....	64
X24-120-WH .....	64
X32-120-BZ.....	64
X32-120-SS .....	64
X32-120-WH .....	64
X40-120-BZ.....	64
X40-120-SS .....	64
X40-120-WH .....	64
XDP-12.....	71
XDP-24.....	71
XP20-B.....	72
XP20-BNK.....	72
XP20-BZ.....	72
XP20-W .....	72
XP20-3-B .....	72
XP20-3-BNK .....	72
XP20-3-BZ.....	72
XP20-3-W.....	72
XPE-4 .....	72
XPE-8 .....	72
XPE-12 .....	72



GMR9 DOWNLIGHTS

LEDTASK™ 12VDC  
"SIDE VIEW" LED LINEAR TAPE

**GM Lighting**

*"Lighting Enhanced by Design"*



120VAC SQR SERIES  
SQUARE DOWNLIGHTS

24VDC LEDTENSITY™  
STANDARD OUTPUT LED TAPE

**GM Lighting**

*"Lighting Enhanced by Design"*





9830 W. 190th Street • Unit F  
Mokena, IL 60448  
Toll-Free (866) 671-0811  
FAX: (708) 478-2640  
[www.gmlighting.net](http://www.gmlighting.net)

Printed in the U.S.A.  
March 2017

©2017 GM Lighting, LLC  
Specifications are subject to change without notice.