

CATALOG



**CONDUIT, ELBOWS, COUPLINGS AND NIPPLES**

Steel (IMC, GRC, EMT) • Aluminum • PVC

Individual Specification Sheets Available at [www.alliedeg.com](http://www.alliedeg.com)

A PART OF



## Allied Tube & Conduit...

a part of Atkore International, is a leading provider of electrical conduit solutions for your infrastructure requirements.

Since 1959, Allied Tube & Conduit has been reshaping the pipe and tube industry. The company began with a small 24,000 square foot facility, an innovative idea to galvanize EMT conduit while still “in line”, one tube mill, and 10 employees. The tubing industry was changed forever and Allied Tube & Conduit was positioned for growth and expansion.

Today, Allied Tube & Conduit is stronger than ever and now is a part of Atkore International. Atkore International has a global manufacturing footprint with service to customers all over the globe. From construction to manufacturing, our products are hard at work in the center of it all. Whether they're part of a building as electrical raceways, sprinkler pipes, structural tubes and perimeter security or being used by an OEM to make their product, just check the schematics. We are there! Beyond that, we strive to be core to each customer's business as well, understanding what they value and need, and providing essential solutions that improve their day-to-day operations.

Allied Tube & Conduit embodies the same entrepreneurial spirit and innovation that shaped the company back in 1959. We are positioned for continued growth, expansion and innovation, which means our best days – and products – are yet to come.

## Product Innovation & Excellence

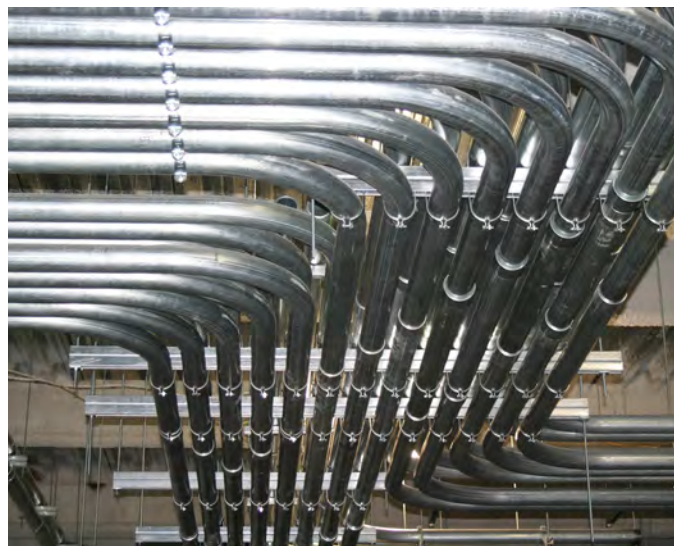
Allied Tube & Conduit is a leading brand for EMT, IMC, and Rigid conduits made of steel, PVC, and Aluminum. We have products and engineered solutions to meet every application challenge and are continually evolving to serve you better.

Allied has the most specified line of EMT, IMC, and GRC conduits, including a complimentary line of products, such as:

- EMT elbows
- GRC elbows, couplings and nipples
- Aluminum rigid conduit, elbows and couplings
- PVC conduit, boxes and fittings

Allied's True Color™ EMT provides instant identification of individual power, datacom, and emergency electrical systems. The eight (8) bright colors eliminate the need to spray, powder coat, or tape in the field so installation is quicker, easier and safer. Allied is the innovator of the E-Z Pull® interior finish for faster wire pulling and a galvanizing process both proven to last.

Allied's Kwik-Fit® EMT has an integral steel setscrew coupling and the Kwik-Fit Compression EMT features built-in steel compression coupling. These innovative built-in couplings significantly reduce installation time up to 50%, and eliminate the need to purchase, store, and install separate couplings.



Allied's Rigid conduit offerings include GRC, Stainless Steel, Aluminum, PVC and IMC. As for IMC, don't let the name fool you. It's true the acronym came from Intermediate Metal Conduit, but the intermediate is specific to the weight and NOT the performance of the conduit. The National Electrical Code recognizes IMC “for the same use as Rigid, including all hazardous location (classified) applications.” When compared with Rigid, Allied's IMC is up to 30% lighter in weight and saves up to 30% on costs. Ask your electrical installer which conduit would he prefer to lift over and over again?






Allied's factory-installed Kwik-Couple® couplings are available on both IMC and GRC conduit and GRC elbows. These patented couplings eliminate the need to buy expensive unions and 3-piece couplings. Simply line up the conduit ends, spin the Kwik-Couple coupling forward onto the next piece, then wrench-tighten. There is no need to spin the heavy conduit or elbows.

Aluminum rigid conduit combines light weight and corrosion resistance to provide a full-line of easy to install, low maintenance conduit whenever specifications call for aluminum. Allied Tube & Conduit offers a broad line of rigid Aluminum conduit, couplings, and elbows in standard 45°, 90° and custom sized radiuses.

Allied's PVC Conduit is proven durable and effective for years of maintenance-free performance in underground, encased and exposed applications. Rigid PVC conduit fittings are available and can be used with all brands of rigid PVC conduit.

Our agents, sales and customer service teams are available to assist with questions on application, installation and availability of our products. Thank you for considering Allied Tube & Conduit for your conduit and fitting requirements.

## Table of Contents

<b>EMT • Electrical Metallic Tubing</b>	
	E-Z Pull® EMT 4-5
	True Color™ EMT 4-5
	EMT Elbows 6-8
	Kwik-Fit® EMT 9-10
	Kwik-Fit® Compression EMT 9-10
<b>IMC • Intermediate Metallic Tubing</b>	
	IMC Conduit 11-12
	Kwik-Couple® IMC Conduit 11-12
<b>GRC • Galvanized Rigid Conduit</b>	
	GRC Rigid Steel Conduit 13-14
	Kwik-Couple® GRC Rigid Conduit 13-14
	GRC Couplings, Elbows & Nipples 15-20
<b>ARC • Aluminum Rigid Conduit</b>	
	Aluminum Rigid Conduit 21
	Aluminum Couplings 22
	Aluminum Elbows 22
<b>PVC Conduit &amp; Fittings</b>	
	PVC Rigid Conduit Sch40 & Sch80 23-24
	PVC Conduit Utility Duct DB60 & DB120 25
	PVC Conduit Utility Duct EB20 & EB35 25
	PVC Elbows 26-30
	Plastic Duct Spacers 31
	PVC Couplings, Adapters, Strap & Meter Accessories 32-33
	PVC Fittings, Plates, Cover Boxes & Misc 34-41
	Warranty 42



For your 24/7 online resource, visit our website at [www.alliedeg.com](http://www.alliedeg.com)

- Downloadable Literature
- How To Videos
- Atkore News Briefs

Visit [www.kwikcalculator.com](http://www.kwikcalculator.com) to estimate your Material and Labor Savings by using Kwik-Fit® products.



NOTE: Special orders are non-cancelable, non-returnable and non-refundable.

# Electrical Metallic Tubing (EMT) and True Color™ EMT

## E-Z Pull® EMT

- Hot galvanized steel using patented inline Flo-Coat® process for long lasting exterior protection
- E-Z Pull interior coating provides a smooth raceway for fast, easier wire-pulling
- Excellent mechanical protection for conductors
- Ductility for faster and easier bending
- Optimal EMI shielding characteristics
- Listed to Underwriters Laboratories Safety Standard UL 797
- Manufactured in accordance with ANSI C80.3
- Available in sizes 1/2 (16) - 4 (103)

## True Color™ EMT

- All the benefits of E-Z Pull EMT
- Instant identification of multiple circuits
- Fire Alarm® Red EMT
- Healthcare Green EMT
- Data Com Blue EMT
- Available in 8 colors
- Available in sizes 1/2 (16) - 4 (103)

## Quality Electrical Metallic Tubing



## Identify Important Circuits Instantly!



## True Color™ Applications

### Black EMT

- Blends in dark colored areas

### Fire Alarm® EMT

- Emergency circuits
- Fire alarm and Security systems

### Orange EMT

- Construction/research areas
- Fiber optic systems
- Auto repair/maintenance

### Yellow EMT

- High voltage wiring
- Caution areas
- Special equipment

### Green EMT

- Hospital and healthcare areas
- Nurse call stations
- Critical circuits

### Blue EMT

- Low voltage wiring
- Data com/video
- Network security

### Purple EMT

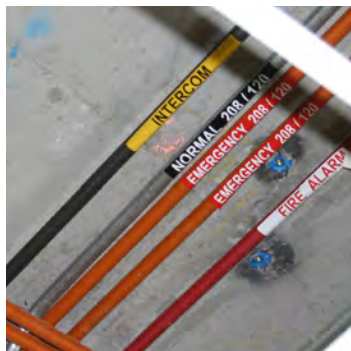
- Specialty wiring systems
- Security systems

### White EMT

- Blends in light colored areas

### Silver EMT

- Standard Use
- Contemporary architecture



# Electrical Metallic Tubing (EMT) and True Color™ EMT

## FEATURES & SPECIFICATIONS

### Manufactured for Long Life

Allied Tube & Conduit® EMT is precision manufactured from high grade mild strip steel for exceptional durability and long-lasting life. Allied EMT is hot galvanized using a patented inline Flo-Coat® process. This process combines zinc, a conversion coating, and a clear organic polymer topcoat to form a triple layer of protection against corrosion and abrasion.

E-Z Pull® EMT combines strength with ductility, providing easy bending, cutting and joining while resisting flattening, kinking and splitting. Available in sizes 1/2 (16) - 4 (103).

### Coatings

Allied's EMT (Electrical Metallic Tubing) has a special low friction ID coating called E-Z Pull that greatly improves the slip properties between conduit and wire. With E-Z Pull EMT, wire pulls through the EMT smoothly and easily, making installation easier and faster.

### EMI Shielding

Allied EMT is very effective in reducing electromagnetic field levels for encased power distribution circuits, shielding computers and other sensitive electronic equipment from the effects of electromagnetic interference.

For more information on EMT shielding, visit [www.alliedeg.com](http://www.alliedeg.com) to obtain the **GEMI** (Grounding and Electro-Magnetic Interference) software analysis program.

## Electrical Metallic Tubing (EMT) and True Color™ EMT

Listed to Underwriters Laboratories Safety Standard UL 797  
Manufactured in accordance with ANSI C80.3



### Codes & Standards Compliance

Allied EMT is listed to Underwriters Laboratories Safety Standard UL 797 and meets ANSI C80.3. These standards have been adopted as federal specifications in lieu of WWC 563. EMT is recognized as an equipment grounding conductor by NEC Section 250-118. Documentation for compliance with NEC Article 250 is also available in the **GEMI** (Grounding and Electro-Magnetic Interference) analysis software and related research studies found at the [www.alliedeg.com](http://www.alliedeg.com) website.

Installation of EMT shall be in accordance with the National Electrical Code and the UL listing information. Allied EMT is listed in category FJMX. Master bundles conform to NEMA Standard RN2.

### Specification Data

To specify Allied EMT, include the following: Electrical Metallic Tubing shall be equal to that manufactured by Allied Tube & Conduit Corporation. EMT shall be hot galvanized steel O.D. with an organic corrosion resistant I.D. coating, and shall be listed to UL Safety Standard 797 and manufactured in accordance with ANSI C80.3.

Trade Size	Metric Designator	Outside Diameter <sup>1</sup>		Nominal Wall Thickness <sup>2</sup>		Approximate Weight Per 100 Ft. (30.5M)		Red and Galvanized Master Bundle Quantity		True Color** Bundle Qty.	
		in	mm	in	mm	lb	kg	ft	m	ft	m
1/2	16	0.706	17.93	0.042	1.07	30	13.6	7000	2135	3500	1066.8
3/4	21	0.922	23.42	0.049	1.24	46	20.9	5000	1525	2500	762.0
1	27	1.163	29.54	0.057	1.45	67	30.4	3000	915	1500*	457.2
1-1/4	35	1.510	38.35	0.065	1.65	101	45.8	2000	610	2000	609.6
1-1/2	41	1.740	44.20	0.065	1.65	116	52.6	1500	457.5	1500	457.2
2	53	2.197	55.80	0.065	1.65	148	67.1	1200	366.0	1200	365.7
2-1/2	63	2.875	73.03	0.072	1.83	216	98.0	610	186.1	610	185.9
3	78	3.500	88.90	0.072	1.83	263	119.3	510	155.6	510	155.4
3-1/2	91	4.000	101.60	0.083	2.11	349	158.3	370	112.9	370	112.7
4	103	4.500	114.30	0.083	2.11	393	178.3	300	91.5	300	91.5

<sup>1</sup>Outside diameter tolerances: +/- .005 in. (.13mm) for trade sizes 1/2 (16mm) through 2 (53mm);

+/- .010 in. (.25mm) for trade sizes 2-1/2 (63mm);

+/- .015 in. (.38mm) for trade size 3 (78mm);

+/- .020 in. (.51mm) for trade sizes 3-1/2 (91mm) and 4 (103mm).

\*Blue trade size 1 master bundle size: 3000 ft / 915 m

\*\* Other Color Trade Sizes 2 - 4 are available thru special order

NOTE: Length = 10 ft. (3.05m) with a tolerance of +/- .25 in. (6.35 mm)

NOTE: Special orders are non-cancelable, non-returnable and non-refundable.

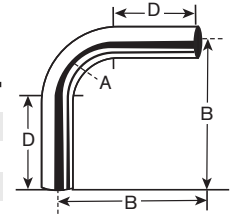
# Electrical Metallic Tubing (EMT) Elbows

## EMT 90° Elbows

Listed to Underwriters Laboratories Safety Standard UL 797  
 Manufactured in accordance with ANSI C80.3



Trade Size	Metric Designator	Radius (A) <sup>1</sup>		Offset (B) <sup>2</sup>		Straight (D) <sup>1</sup>		Approximate Weight Per 100 Pieces		Standard Package
		in	mm	in	mm	in	mm	lb	kg	
1/2	16	4	102	5 7/8	149	1 1/2	38	25	11.3	25
3/4	21	4 1/2	114	7	178	1 1/2	38	46	20.9	50
1	27	5 3/4	146	8 3/4	222	1 7/8	48	84	38.1	25
1 1/4	35	7 1/4	184	10 1/8	257	2	51	144	65.3	20
1 1/2	41	8 1/4	210	11 3/4	298	2	51	193	87.5	15
2	53	9 1/2	241	14	356	2	51	296	134.3	10
2 1/2	63	10 1/2	267	16 1/4	413	3	76	504	228.6	1
3	78	13	330	18 3/4	476	3 1/8	79	701	318.0	1
3 1/2	91	15	381	21 1/4	540	3 1/4	83	1047	474.9	1
4	103	16	406	23 3/8	594	3 3/8	86	1310	594.2	1



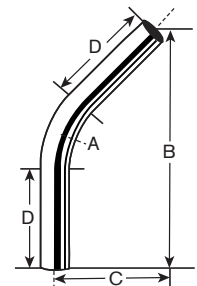
<sup>1</sup>Minimum requirement as per UL Standard  
<sup>2</sup>Dimensions and weights are approximate  
 Sizes 2-1/2 (63) and larger shipped in palletized cartons or bulk.  
 Also available in the following Degrees (60°, 45°, 30°, 22-1/2°, 15° & 11-1/4°)

## EMT 45° Elbows

Listed to Underwriters Laboratories Safety Standard UL 797  
 Manufactured in accordance with ANSI C80.3



Trade Size	Metric Designator	Radius (A) <sup>1</sup>		Offset (B) <sup>2</sup>		Offset (C) <sup>2</sup>		Straight (D) <sup>1</sup>		Approximate Weight Per 100 Pieces		Standard Package
		in	mm	in	mm	in	mm	in	mm	lb	kg	
1/2	16	4	102	6 1/8	156	2 1/2	64	1 1/2	38	18	8.2	25
3/4	21	4 1/2	114	7 3/8	187	3 1/8	79	1 1/2	38	33	15.0	50
1	27	5 3/4	146	8 3/4	222	3 5/8	92	1 7/8	48	56	25.4	25
1 1/4	35	7 1/4	184	10 1/8	257	4 1/8	105	2	51	97	44.0	20
1 1/2	41	8 1/4	210	13 1/8	333	5 3/8	137	2	51	145	65.8	15
2	53	9 1/2	241	13 1/8	333	5 1/2	140	2	51	185	83.9	10
2 1/2	63	10 1/2	267	17 1/2	445	7 1/4	184	3	76	360	163.3	1
3	78	13	330	17 1/2	445	7 1/4	184	3 1/8	79	438	198.7	1
3 1/2	91	15	381	26 1/8	664	10 7/8	276	3 1/4	83	873	396.0	1
4	103	16	406	26 1/4	667	10 7/8	276	3 3/8	86	983	445.9	1

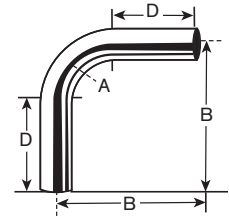


<sup>1</sup>Minimum requirement as per UL Standard  
<sup>2</sup>Dimensions and weights are approximate  
 Sizes 2-1/2 (63) and larger shipped in palletized cartons or bulk.  
 Also available in the following Degrees (90°, 60°, 30°, 22-1/2°, 15° & 11-1/4°)

# Electrical Metallic Tubing (EMT) Elbows

## EMT Large Radius 90° Elbows

Listed to Underwriters Laboratories Safety Standard UL 797  
 Manufactured in accordance with ANSI C80.3



Trade Size	Metric Designator	Radius (A)		Offset (B) <sup>2</sup>		Straight (D) <sup>2</sup>		Approximate Weight Per 100 Pieces	
		in	mm	in	mm	in	mm	lb	kg
1	27	12	305	20 5/8	524	8 5/8	219	201	91.2
1	27	15	381	24 1/4	616	9 1/4	235	235	106.6
1	27	18	457	27 7/8	708	9 7/8	251	268	121.6
1	27	24	610	34 5/8	879	10 5/8	270	329	149.2
1	27	30	762	41	1041	11	279	385	174.6
1	27	36	914	46 3/4	1187	10 3/4	273	436	197.8
1	27	42	1067	54	1372	12	305	503	228.2
1	27	48	1219	60 1/4	1530	12 1/4	311	558	253.1
1 1/4	35	12	305	20 5/8	524	8 5/8	219	303	137.4
1 1/4	35	15	381	24 1/4	616	9 1/4	235	354	160.6
1 1/4	35	18	457	27 7/8	708	9 7/8	251	404	183.3
1 1/4	35	24	610	34 5/8	879	10 5/8	270	497	225.4
1 1/4	35	30	762	41	1041	11	279	581	263.5
1 1/4	35	36	914	46 3/4	1187	10 3/4	273	657	298.0
1 1/4	35	42	1067	54	1372	12	305	758	343.8
1 1/4	35	48	1219	60 1/4	1530	12 1/4	311	842	381.9
1 1/2	41	15	381	24 1/4	616	9 1/4	235	406	184.2
1 1/2	41	18	457	27 7/8	708	9 7/8	251	464	210.5
1 1/2	41	24	610	34 5/8	879	10 5/8	270	570	258.6
1 1/2	41	30	762	41	1041	11	279	667	302.6
1 1/2	41	36	914	46 3/4	1187	10 3/4	273	754	342.0
1 1/2	41	42	1067	54	1372	12	305	870	394.6
1 1/2	41	48	1219	60 1/4	1530	12 1/4	311	967	438.6
2	53	15	381	24 1/4	616	9 1/4	235	518	235.0
2	53	18	457	27 7/8	708	9 7/8	251	592	268.5
2	53	24	610	34 5/8	879	10 5/8	270	728	330.2
2	53	30	762	41	1041	11	279	851	386.0
2	53	36	914	46 3/4	1187	10 3/4	273	962	436.4
2	53	42	1067	54	1372	12	305	1110	503.5
2	53	48	1219	60 1/4	1530	12 1/4	311	1233	559.3
2 1/2	63	18	457	27 7/8	708	9 7/8	251	864	391.9
2 1/2	63	24	610	34 5/8	879	10 5/8	270	1062	481.7
2 1/2	63	30	762	41	1041	11	279	1242	563.4
2 1/2	63	36	914	46 3/4	1187	10 3/4	273	1404	636.9
2 1/2	63	42	1067	54	1372	12	305	1620	734.8
2 1/2	63	48	1219	60 1/4	1530	12 1/4	311	1800	816.5

<sup>2</sup>For information only, not a requirement as per UL Standard  
 Sizes 2-1/2 (63) and larger shipped in palletized cartons or bulk.  
 Also available in the following Degrees (60°, 45°, 30°, 22-1/2°, 15° & 11-1/4°)

Chart continued on the next page

NOTE: Special orders are non-cancelable, non-returnable and non-refundable.

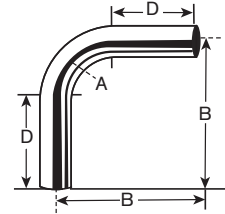
# Electrical Metallic Tubing (EMT) Elbows

## EMT Large Radius 90° Elbows (continued)

Listed to Underwriters Laboratories Safety Standard UL 797  
 Manufactured in accordance with ANSI C80.3



Trade Size	Metric Designator	Radius (A)		Offset (B) <sup>2</sup>		Straight (D) <sup>2</sup>		Approximate Weight Per 100 Pieces	
		in	mm	in	mm	in	mm	lb	kg
3	78	15	381	24 1/4	616	9 1/4	235	921	417.8
3	78	18	457	27 7/8	708	9 7/8	251	1052	477.2
3	78	24	610	34 5/8	879	10 5/8	270	1293	586.5
3	78	30	762	41	1041	11	279	1512	685.8
3	78	36	914	46 3/4	1187	10 3/4	273	1710	775.7
3	78	42	1067	54	1372	12	305	1973	895.0
3	78	48	1219	60 1/4	1530	12 1/4	311	2192	994.3
3 1/2	91	18	457	27 7/8	708	9 7/8	251	1396	633.2
3 1/2	91	24	610	34 5/8	879	10 5/8	270	1716	778.4
3 1/2	91	30	762	41	1041	11	279	2007	910.4
3 1/2	91	36	914	46 3/4	1187	10 3/4	273	2269	1029.2
3 1/2	91	42	1067	54	1372	12	305	2618	1187.5
3 1/2	91	48	1219	60 1/4	1530	12 1/4	311	2908	1319.1
4	103	24	610	34 5/8	879	10 5/8	270	1932	876.4
4	103	30	762	41	1041	11	279	2260	1025.1
4	103	36	914	46 3/4	1187	10 3/4	273	2555	1158.9
4	103	42	1067	54	1372	12	305	2948	1337.2
4	103	48	1219	60 1/4	1530	12 1/4	311	3275	1485.5



<sup>2</sup>For information only, not a requirement as per UL Standard  
 Sizes 2-1/2 (63) and larger shipped in palletized cartons or bulk.  
 Also available in the following Degrees (60°, 45°, 30°, 22-1/2°, 15° & 11-1/4°)

NOTE: Special orders are non-cancelable, non-returnable and non-refundable.



# Kwik-Fit® & Kwik-Fit® Compression EMT

## Kwik-Fit EMT

- Integral steel set-screw coupling formed on one end of each length of EMT
- Fast two step installation
- Material and labor savings up to 50%\*
- No couplings to purchase, inventory or install
- Hot galvanized steel using patented inline Flo-Coat® process for long lasting exterior protection
- E-Z Pull® interior coating provides a smooth raceway for faster, easier wire pulling
- Excellent mechanical protection for conductors
- Ductility for faster and easier bending
- Optimal EMI shielding characteristics
- Listed to UL Safety Standards 797 and to 514-B.
- Manufactured in accordance with ANSI C80.3
- Available in sizes 1 1/4 (35) - 4 (103)

## Kwik Challenge “We Dare You” Video



See our other videos at

<http://www.youtube.com/user/AtkoreInternational/videos>

## Kwik-Fit Compression EMT

- Integral compression coupling on one end of each length of EMT
- Fast two step installation
- Material and labor savings of up to 50%\*
- No couplings to purchase, inventory, or install
- Couplings seal tight eliminating hours of taping seams
- Hot galvanized steel using patented inline Flo-Coat process for long lasting exterior protection
- E-Z Pull® interior coating provides a smooth raceway for faster, easier wire pulling
- Excellent mechanical protection for conductors
- Ductility for faster and easier bending
- Optimal EMI shielding characteristics
- Listed to UL Safety Standards 797 and to 514-B.
- Manufactured in accordance with ANSI C80.3
- Available in sizes 1 1/4 (35) - 4 (103)

Visit [www.kwikcalculator.com](http://www.kwikcalculator.com) to estimate your Material and Labor Savings by using Kwik-Fit® products

\* Installation time will vary with job site conditions.

NOTE: Special orders are non-cancelable, non-returnable and non-refundable.

[www.alliedeg.com](http://www.alliedeg.com)

## Faster EMT Installations



## Labor & Material Savings EMT



## Patent Pending



# Kwik-Fit® & Kwik-Fit® Compression EMT

## FEATURES & SPECIFICATIONS

### Kwik-Fit and Kwik-Fit Compression EMT

Kwik-Fit and Kwik-Fit Compression EMT have all the benefits of E-Z Pull™ EMT with integrated couplings. These built-in couplings significantly reduce installation time, and eliminate the need to purchase, inventory, and install separate couplings.

With **Kwik-Fit EMT** simply insert the plain end of the Kwik-Fit into the coupling end and tighten the set-screws. Unlike traditional set-screw couplings, only two screws need to be tightened.

On the **Kwik-Fit Compression EMT**, simply insert the plain end of the EMT into the compression coupling end and tighten the gland nut. Unlike traditional compression couplings, only one gland nut needs to be tightened.

Kwik-Fit and Kwik-Fit Compression EMT can reduce the installation time up to 50%. Installation time will vary with job site conditions.

### Coatings

Both Kwik-Fit EMT and Kwik-Fit Compression EMT are made from our E-Z Pull EMT. The all steel combinations result in superior strength, performance and an excellent ground return path along with the benefits of built-in couplings. Allied's

superior E-Z Pull interior coating allows easier wire pulling while lowering the coefficient of static friction.

E-Z Pull EMT is hot galvanized on the exterior with a patented inline Flo-Coat process providing long-lasting protection. This process combines zinc, a conversion coating, and a clear organic polymer topcoat to form a triple layer of protection against corrosion and abrasion.

### Codes & Standards Compliance

Kwik-Fit EMT and Kwik-Fit Compression EMT are allowed for PLENUM USE and meet the requirements of section 300.22 of the National Electrical Code® (NEC®). Kwik-Fit Compression EMT meets the requirements of sections 18-27-300.22(b)(1) and 18-27-300.22(c)(1)(a) of the Chicago Electrical Code.

Allied's Kwik-Fit EMT is Listed to UL Safety Standards 797 and to 514-B.

Kwik-Fit Compression EMT is Listed to UL Safety Standards 797 and 514-B and is UL listed as CONCRETE-TIGHT. Kwik-Fit Compression EMT also meets ANSI Standard C80.3.

Note that these UL and ANSI standards have been adopted by the federal government and separate military specifications no longer exist.



### Kwik-Fit EMT

Trade Size	Metric Designator	Outside Diameter <sup>1</sup>		Nominal Wall Thickness		Approximate Weight Per 100 Ft. (30.5M)		Quantity in Master Bundle	
		in	mm	in	mm	lb	kg	ft	m
1 1/4	35	1.510	38.35	0.065	1.65	101	45.8	840	256.0
1 1/2	41	1.740	44.20	0.065	1.65	116	52.6	720	219.5
2	53	2.197	55.80	0.065	1.65	148	67.1	500	152.4
2 1/2	63	2.875	73.03	0.072	1.83	216	98.0	350	106.7
3	78	3.500	88.90	0.072	1.83	263	119.3	300	91.4
3 1/2	91	4.000	101.60	0.083	2.11	349	158.3	250	76.2
4	103	4.500	114.30	0.083	2.11	393	178.3	250	76.2



### Kwik-Fit Compression EMT

Trade Size	Metric Designator	Outside Diameter <sup>1</sup>		Nominal Wall Thickness		Approximate Weight Per 100 Ft. (30.5M)		Quantity in Master Bundle	
		in	mm	in	mm	lb	kg	ft	m
1 1/4	35	1.510	38.35	0.065	1.65	107	48.5	840	256.0
1 1/2	41	1.740	44.20	0.065	1.65	125	56.7	720	219.5
2	53	2.197	55.80	0.065	1.65	162	73.5	500	152.4
2 1/2	63	2.875	73.03	0.072	1.83	239	108.4	350	106.7
3	78	3.500	88.90	0.072	1.83	291	132.0	300	91.4
3 1/2	91	4.000	101.60	0.083	2.11	383	173.7	250	76.2
4	103	4.500	114.30	0.083	2.11	431	195.5	250	76.2

<sup>1</sup>Outside diameter tolerances +/- .005 in. (.13mm) for size 1-1/4 (35) through 2 (53)  
 +/- .010 in. (.25mm) for size 2-1/2 (63);  
 +/- .015 in. (.38mm) for size 3 (78);  
 +/- .020 in. (.50mm) for sizes 3-1/2 (91) and 4 (103).

NOTE: Length = 10 ft. (3.05m) with a tolerance of +/- .25 in. (6mm)

# Intermediate Metal Conduit (IMC) and Kwik-Couple® IMC

NEC recognizes Allied IMC for same uses as RIGID

## IMC Conduit

- Light-weight ductile steel conduit for long life and easy bending
- Weighs 1/3 less than rigid conduit
- Saves up to 30% in cost over GRC
- Hot galvanized exterior to increase corrosion resistance and protect against white rust
- Interior coating creates a smooth, continuous raceway for fast wire-pulling
- UL 1242 listed and manufactured in accordance with ANSI C80.6
- True Color IMC special orders available
- Available in trade sizes 1/2(16) thru 4(103)

## Kwik-Release End Cap No Tools Needed!



## Kwik-Couple® IMC Steel Conduit

- Factory-installed Kwik-Couple couplings are available on IMC rigid conduits
- No separate couplings to purchase, store, carry or install  
**Just line up the ends, spin the coupling forward onto the next piece and wrench tighten. It's that easy!**
- Kwik-Release End Cap · Requires no tools
- All the benefits of IMC Conduit
- True Color IMC special orders available
- Patented
- Trade Sizes 2-1/2(63) thru 4(103)



## IMC (Intermediate Metal Conduit) Weights and Dimensions

Trade Size	Metric Designator	Average Outside Diameter <sup>1</sup>		Average Wall Thickness <sup>2</sup>		Approximate Weight Per 100 Ft. (30.5M)		Quantity in Master Bundle	
		in.	mm.	in.	mm.	lb.	kg.	ft.	m.
1/2	16	0.815	20.70	0.070	1.79	62	28.1	3500	1067.5
3/4	21	1.029	26.13	0.075	1.90	84	38.1	2500	762.5
1	27	1.290	32.76	0.085	2.16	119	54.0	1700	518.5
1-1/4	35	1.638	41.60	0.085	2.16	158	71.7	1350	411.8
1-1/2	41	1.883	47.82	0.090	2.29	194	88.0	1100	335.5
2	53	2.360	59.94	0.095	2.41	256	116.1	800	244.0
2-1/2	63	2.857	72.56	0.140	3.56	441	200.0	370	112.9
3	78	3.476	88.29	0.140	3.56	543	246.3	300	91.5
3-1/2	91	3.971	100.86	0.140	3.56	629	285.3	240	73.2
4	103	4.466	113.43	0.140	3.56	700	317.5	240	73.2

<sup>1</sup>Outside diameter tolerances:

- +/- .005 in. (.13mm) for trade sizes 1/2 (16mm) through 1 (25mm)
- +/- .0075 in. (.19mm) for trade sizes 1-1/4 (36mm) through 2 (53mm)
- +/- 0.10 in. (.25mm) for trade sizes 2-1/2 (63mm) through 4 (103mm).

<sup>2</sup>Wall thickness tolerances:

- + 0.15 in. (.38mm) and - .000 for trade sizes 1/2 (13mm) through 2 (53mm)
- + 0.20 in. (.51mm) and - .000 for trade sizes 2-1/2 (63mm) through 4 (103mm).

NOTE: Length = 10 ft. (3.05m) with a tolerance of +/- .25 in. (6.35mm).  
NEMA Standard

## Kwik-Couple IMC Conduit Weights and Dimensions

Trade Size	Metric Designator	Average Outside Diameter <sup>1</sup>		Average Wall Thickness <sup>2</sup>		Approximate Weight Per 100 Ft. (30.5M)		Quantity In Master Bundle	
		in.	mm.	in.	mm.	lb.	kg.	ft.	m.
2-1/2	63	2.857	72.56	0.140	3.56	441	200.0	400	122.0
3	78	3.476	88.29	0.140	3.56	543	246.3	300	91.5
3-1/2	91	3.971	100.86	0.140	3.56	629	285.3	250	76.3
4	103	4.466	113.4	0.140	3.56	700	317.5	200	61.0

<sup>1</sup>Outside diameter tolerances: +/- .010 in. (.25mm)

<sup>2</sup>Wall thickness tolerances: + .020 in. (.51mm) and - .000

NOTE: Length (w/coupling) = 10 ft. (3.05m) with a tolerance of +/- .25in. (6.35mm).

NOTE: Special orders are non-cancelable, non-returnable and non-refundable.

# Intermediate Metal Conduit (IMC) and Kwik-Couple® IMC

## FEATURES & SPECIFICATIONS

Allied IMC is precision manufactured for economical protection and long lasting value for the electrical raceway system. Manufactured from premium, work hardened steel combining electrical and mechanical performance with ductility. Allied IMC is resistant to impact and is easy to cut, bend and join for smooth, continuous raceways. Allied IMC is as strong, lighter in weight, and less expensive than Rigid. In fact, it can save you as much as 30% in overall costs. Intermediate Metal Conduit, covered by Article 342 in the National Electrical Code® (NEC®), is recognized as an equipment grounding conductor in Article 250 of the NEC and also provides excellent shielding from electromagnetic fields.

## Kwik-Couple IMC Conduit

### Innovation from the conduit leaders at Allied

Allied's patented Kwik-Couple IMC reduces threaded conduit installation time and cost significantly. Kwik-Couple has an integrated coupling on the conduit exactly where you need it.

## The Allied Advantage

Allied IMC has a larger internal diameter than RIGID conduit to allow for easier fishing and wire-pulling. Allied IMC is also more "rigid" than RIGID to provide superior wiring protection in many applications.

## The National Electrical Code recognizes Allied IMC for the same uses as RIGID, including all hazardous location (classified) applications.

Allied IMC uses the same threaded couplings and fittings as RIGID conduit, and the 3/4" NPT threads (ANSI B1.20.1) are also full cut and galvanized after cutting. Color-coded end-cap thread protectors keep the threads clean and sharp, and also help to provide instant trade size recognition. Even sizes are color-coded orange, 1/2 trade sizes are yellow, and 1/4 trade sizes are green.

## Coatings

Allied's IMC is hot galvanized using Allied's patented inline Flo-Coat® process. This process combines zinc, a conversion coating, and a clear organic polymer topcoat to form a triple layer of protection against corrosion and abrasion. The interior of Allied IMC is coated with a highly corrosion-resistant lubricating finish for easier wire-pulling. No need to worry about damage to the conduit system even when pulling through multiple 90° bends.

## EMI Shielding

Allied IMC is very effective in reducing the effects of electromagnetic fields on encased power distribution circuits, shielding computers and other sensitive electronic equipment from the effects of electromagnetic interference.

Visit [www.alliedeg.com](http://www.alliedeg.com) to obtain the **GEMI** (Grounding and Electromagnetic Interference) software analysis program.

## Codes & Standards Compliance

IMC is covered by Article 342 of the National Electric Code (NEC). It can be installed in all occupancies and locations, including Class I, Division I hazardous locations. Allied IMC is listed to Underwriters Laboratories Safety Standard UL 1242 and meets ANSI C80.6. These standards have been adopted as Federal Specifications in lieu of WWC-581-Type 2. IMC is recognized as an equipment grounding conductor by NEC Section 250-118.

Installation of IMC conduit and elbows shall be in accordance with the National Electrical Code and the UL listing information. Allied IMC is listed in UL category DYBY. Master bundles conform to NEMA standard RN2.

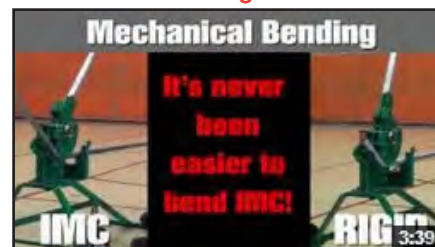
## Specification Data

Intermediate Metal Conduit (IMC) conduit and elbows shall be equal to that manufactured by Allied Tube & Conduit Corporation. IMC shall be hot galvanized steel O.D. with an organic corrosion resistant I.D. coating and shall be Listed to UL Safety Standard 1242 and manufactured in accordance with ANSI C80.6. It shall be listed by a nationally recognized testing laboratory with follow-up service. Threads shall be hot galvanized after cutting.

Kwik-Couple IMC is Listed to UL Safety Standard 1242 and UL 514-B. Kwik-Couple IMC is Listed for CONCRETE-TIGHT applications.

It is noted that these U.L. standards have been adopted by the federal government and separate military specifications no longer exist.

## IMC vs. GRC Bending Video



See our other videos at <http://www.youtube.com/user/AtkoreInternational/videos>

# Galvanized Rigid Conduit (GRC) and Kwik-Couple® GRC

## Galvanized Rigid Conduit (GRC)

- Hot-dip galvanized for excellent corrosion resistance
- High strength ductile steel for long life and easy bending
- Smooth, continuous raceways for fast wire pulling
- Kwik-Release End Cap to protect threads
- True Color™ GRC special orders available
- Listed to Safety Standard UL 6
- Manufactured in accordance with ANSI C80.1
- Available in sizes 1/2 (16) - 6 (155)

## Kwik-Couple Galvanized Rigid Conduit (GRC)

- All the benefits of GRC Conduit
- Factory installed Kwik-Couple™ couplings are available on GRC conduit

**Just line up the ends, spin the coupling forward onto the next piece and wrench tighten. It's that easy!**

- No separate couplings to purchase, inventory or install
- Kwik-Release End Cap to protect threads
- True Color™ Kwik-Couple® GRC special orders available
- Manufactured in accordance with ANSI C80.1
- Available in sizes 2 1/2 (63) - 5 (129)

Chart on the following page

## Kwik-Couple Rigid Elbows

- Also available with pre-installed Kwik-Couple Couplings
- Made to order, contact us for lead times

## Quality, Long Lasting Heavy Duty Steel Conduit



## For Faster Installations Use the Kwik-Couple GRC Connection



\* U.S. Patent Numbers 7,404,582 and 7,726,001.

## Galvanized Rigid Conduit (GRC)

Listed to UL 6, manufactured in accordance with ANSI C80.1



Trade Size	Metric Designator	Outside Diameter <sup>1</sup>		Nominal Wall Thickness <sup>2</sup>		Approximate Weight Per 100 Ft. (30.5M)		Quantity in Master Bundle*	
		in	mm	in	mm	lb	kg	ft	m
1/2	16	0.840	21.34	0.104	2.64	82	37.2	2500	762.5
3/4	21	1.050	26.67	0.107	2.72	109	49.4	2000	610.0
1	27	1.315	33.40	0.126	3.20	161	73.0	1250	381.3
1 1/4	35	1.660	42.16	0.133	3.38	218	98.9	900	274.5
1 1/2	41	1.900	48.26	0.138	3.51	263	119.3	800	244.0
2	53	2.375	60.33	0.146	3.71	350	158.8	600	183.0
2 1/2	63	2.875	73.03	0.193	4.90	559	253.6	370	112.9
3	78	3.500	88.90	0.205	5.21	727	329.8	300	91.5
3 1/2	91	4.000	101.60	0.215	5.46	880	399.2	250	76.3
4	103	4.500	114.30	0.225	5.72	1030	467.2	200	61.0
5	129	5.563	141.30	0.245	6.22	1520	689.5	150	45.8
6	155	6.625	168.28	0.266	6.76	1785	809.7	100	30.5

<sup>1</sup> Tolerances: Trade Size 1/2 to 1-1/2: ±0.015" (0.38mm); Trade Size 2-6: ±1%

Length equals 10 ft. (3.05m) with a tolerance of +/- .25 in. (6.35mm)

<sup>2</sup> For information only. Not a requirement of the UL standard.

\* NEMA RN-3 Standard

NOTE: Special orders are non-cancelable, non-returnable and non-refundable.

# Galvanized Rigid Conduit (GRC) and Kwik-Couple® GRC

## FEATURES & SPECIFICATIONS

### Full Electrical System Protection

Manufactured from mild steel, Allied's Rigid Conduit is highly resistant to damage from impact yet ductile to facilitate bending.

The 3/4" taper NPT threads (ANSI B1.20.1) are full cut and hot galvanized after cutting. Color-coded end cap thread protectors keep the threads clean, sharp and also provide instant trade size recognition. Even sizes are color-coded blue, 1/2 sizes black, and 1/4 sizes red.

### Coatings

Hot-dip galvanized inside and out to provide galvanic corrosion protection. Also topcoated with a compatible organic layer to protect against white rust. The inside surface is evenly coated for wire-pulling ease, even through multiple 90° bends.

### EMI Shielding

Allied RIGID is very effective in reducing the effects of electromagnetic field levels for encased power distribution circuits, shielding computers and other sensitive electronic equipment from the effects of electromagnetic interference.

Visit [www.alliedeg.com](http://www.alliedeg.com) to obtain the **GEMI** (Grounding and Electro-Magnetic Interference) software analysis program.

### Codes & Standards Compliance

Allied Rigid Steel Conduit is precision manufactured for dependable, long-lasting value and ultimate protection for electrical conductors. Covered by article 344 of the National Electrical Code® (NEC), rigid steel conduit is highly resistant to damage from impact. It can be installed in all occupancies

and locations, including Class I Division 1 hazardous locations. Rigid steel conduit is recognized as an equipment grounding conductor in Section 250.118 of the NEC. It is listed to Underwriters Laboratories Safety Standard UL 6, and is manufactured to ANSI C80.1, both of which have been adopted as Federal Specifications in lieu of WWC 581.

Installation of Rigid Metal Conduit shall be in accordance with the National Electrical Code and UL General Information card #DYIX. Master bundles conform to NEMA standard RN2.

### Specification Data

Rigid Steel Conduit shall be hot-dip galvanized and manufactured by Allied Tube & Conduit. Threads shall be hot galvanized after cutting. Rigid steel conduit shall be listed to UL Safety Standard 6 by a nationally-recognized testing laboratory with follow up service. It shall be manufactured in accordance with ANSI C80.1.

Kwik-Couple Rigid steel conduit shall be listed to UL 6 and UL 514B and manufactured in accordance with ANSI C80.1.

Note: Federal specification WW-C-581, Class 1, Type A has been superseded by UL Standard 6, which has been adopted by the federal government.

**KWIK-COUPLE AVAILABLE**  
Trade Size 2-1/2 to 5

### Kwik-Couple (GRC)

UL Safety Standard 6  
Manufactured in accordance with ANSI C80.1



Trade Size	Metric Designator	Outside Diameter <sup>1</sup>		Nominal Wall Thickness <sup>2</sup>		Approximate Weight Per 100 Ft. (30.5M)		Bundle Quantity	
		in	mm	in	mm	lb	kg	ft	m
2 1/2	63	2.875	73.03	0.193	4.90	559	253.6	400	121.9
3	78	3.500	88.90	0.205	5.21	727	329.8	300	91.4
3 1/2	91	4.000	101.60	0.215	5.46	880	399.2	250	76.2
4	103	4.500	114.30	0.225	5.72	1030	467.2	200	61.0
5	129	5.563	141.30	0.245	6.22	1400	635.0	150	45.7

<sup>1</sup>Tolerances: Trade Size 2-1/2 to 5: ± 1%

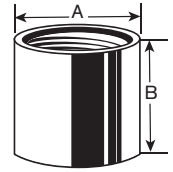
<sup>2</sup>For information only. Not a requirement of the UL standard.

# Galvanized Rigid Conduit (GRC) Couplings & Elbows

## Galvanized Rigid Conduit (GRC) Couplings

Manufactured to Underwriters Laboratory Safety Standards UL 6  
 Manufactured in accordance with ANSI C80.1

Trade Size	Metric Designator	Nominal O.D. (A) <sup>2</sup>		Length (B) <sup>1</sup>		Threads Per Inch <sup>1</sup>	Approximate Weight Per 100 Pieces		Standard Package
		in	mm	in	mm		lb	kg	
1/2	16	1.01	25.7	1 5/8	41.3	14	12	5.4	100
3/4	21	1.25	31.8	1 41/64	41.7	14	18	8.2	50
1	27	1.53	38.7	1 31/32	50.0	11 1/2	30	13.6	30
1 1/4	35	1.87	47.5	2 1/32	51.6	11 1/2	37	16.8	25
1 1/2	41	2.16	54.7	2 1/16	52.4	11 1/2	52	23.6	25
2	53	2.65	67.3	2 1/8	54.0	11 1/2	72	32.7	20
2 1/2	63	3.25	82.6	3 3/16	81.0	8	170	77.1	1
3	78	3.87	98.3	3 5/16	84.1	8	210	95.3	1
3 1/2	91	4.50	114.3	3 13/32	86.5	8	340	154.2	1
4	103	4.88	123.8	3 33/64	89.3	8	300	136.1	1
5	129	6.00	152.4	3 61/64	100.4	8	475	215.5	1
6	155	7.20	182.9	4 1/4	108.0	8	765	347.0	1



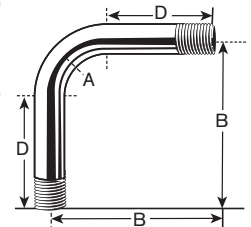
<sup>1</sup>Minimum requirement as per UL Standard

## Galvanized Rigid Conduit (GRC) 90 Degree Elbows

Listed to UL Safety Standard 6  
 Manufactured in accordance with ANSI C80.1



Trade Size	Metric Designator	Radius (A) <sup>1</sup>		Offset (B) <sup>2</sup>		Straight (D) <sup>1</sup>		Approximate Weight Per 100 Pieces		Standard Package
		in	mm	in	mm	in	mm	lb	kg	
1/2	16	4	102	5 7/8	149	1 1/2	38	68	30.8	50
3/4	21	4 1/2	114	7	178	1 1/2	38	109	49.4	50
1	27	5 3/4	146	8 3/4	222	1 7/8	48	201	91.2	25
1 1/4	35	7 1/4	184	10 3/4	273	2	51	336	152.4	20
1 1/2	41	8 1/4	210	12 1/4	311	2	51	460	208.7	15
2	53	9 1/2	241	14 1/2	368	2	51	729	330.7	10
2 1/2	63	10 1/2	267	17	432	3	76	1374	623.2	1
3	78	13	330	19 5/8	498	3 1/8	79	2045	927.6	1
3 1/2	91	15	381	22 3/4	578	3 1/4	83	2860	1297.3	1
4	103	16	406	23 7/8	606	3 3/8	86	3519	1596.2	1
5	129	24	610	34 7/8	886	3 5/8	92	6942	3148.9	1
6	155	30	762	45 1/2	1156	3 3/4	95	11960	5425.1	1



<sup>1</sup>Minimum requirement as per UL Standard

<sup>2</sup>For information only, not a requirement as per UL Standard

Sizes 2 1/2 (63) and larger shipped in palletized cartons or bulk.

Also available in the following Degrees (60°, 45°, 30°, 22-1/2°, 15° & 11-1/4°)

**KWIK-COUPLE ELBOWS AVAILABLE**  
 by special order in Trade Size 2-1/2 to 5

NOTE: Special orders are non-cancelable, non-returnable and non-refundable.

# Galvanized Rigid Conduit (GRC) Elbows

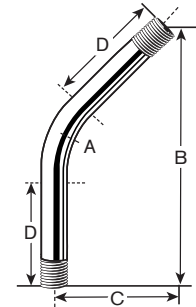
## Galvanized Rigid Conduit (GRC) 45 Degree Elbows

Listed to UL Safety Standard 6

Manufactured in accordance with ANSI C80.1



Trade Size	Metric Designator	Radius (A) <sup>1</sup>		Offset (B) <sup>2</sup>		Offset (C) <sup>2</sup>		Straight (D) <sup>1</sup>		Approximate Weight Per 100 Pieces		Standard Package
		in	mm	in	mm	in	mm	in	mm	lb	kg	
1/2	16	4	102	7	178	2 7/8	73	1 1/2	38	55	24.9	50
3/4	21	4 1/2	114	7 7/8	200	3 1/4	83	1 1/2	38	82	37.2	50
1	27	5 3/4	146	9 5/8	244	4	102	1 7/8	48	148	67.1	25
1 1/4	35	7 1/4	184	11 1/8	283	4 5/8	117	2	51	232	105.2	20
1 1/2	41	8 1/4	210	13 1/8	333	5 3/8	137	2	51	329	149.2	15
2	53	9 1/2	241	15 3/4	400	6 1/2	165	2	51	525	238.1	10
2 1/2	63	10 1/2	267	17 1/2	445	7 1/4	184	3	76	932	422.8	1
3	78	13	330	21 7/8	556	9	229	3 1/8	79	1515	687.2	1
3 1/2	91	15	381	26 1/8	664	10 7/8	276	3 1/4	83	2200	997.9	1
4	103	16	406	26 1/4	667	10 7/8	276	3 3/8	86	2575	1168.0	1
5	129	24	610	35 7/8	911	14 7/8	378	3 5/8	92	4783	2169.6	1
6	155	30	762	43 3/8	1102	18	457	3 3/4	95	7590	3442.8	1



<sup>1</sup>Minimum requirement as per UL Standard

<sup>2</sup>For information only, not a requirement as per UL Standard

Sizes 2 1/2 (63) and larger shipped in palletized cartons or bulk.

Also available in the following Degrees (60°, 45°, 30°, 22-1/2°, 15° & 11-1/4°)

**KWIK-COUPLE ELBOWS AVAILABLE**  
by special order in Trade Size 2-1/2 to 5

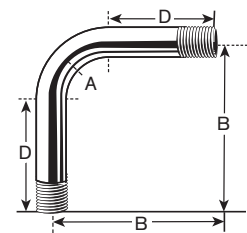
## Galvanized Rigid Conduit (GRC) Large Radius 90 Degree Elbows

Listed to UL Safety Standard 6

Manufactured in accordance with ANSI C80.1



Trade Size	Metric Designator	Radius (A)		Offset (B) <sup>2</sup>		Straight (D) <sup>2</sup>		Approximate Weight Per 100 Pieces	
		in	mm	in	mm	in	mm	lb	kg
1	27	12	305	20 5/8	524	8 5/8	219	483	219.1
1	27	15	381	24 1/4	616	9 1/4	235	564	255.8
1	27	18	457	27 7/8	708	9 7/8	251	644	292.1
1	27	24	610	34 5/8	879	10 5/8	270	792	359.3
1	27	30	762	41	1041	11	279	926	420.0
1	27	36	914	46 3/4	1187	10 3/4	273	1047	474.9
1	27	42	1067	54	1372	12	305	1208	547.9
1	27	48	1219	61 1/4	1556	13 1/4	337	1369	621.0
1 1/4	35	12	305	20 5/8	524	8 5/8	219	654	296.7
1 1/4	35	15	381	24 1/4	616	9 1/4	235	763	346.1
1 1/4	35	18	457	27 7/8	708	9 7/8	251	872	395.5
1 1/4	35	24	610	34 5/8	879	10 5/8	270	1072	486.3
1 1/4	35	30	762	41	1041	11	279	1254	568.8
1 1/4	35	36	914	46 3/4	1187	10 3/4	273	1417	642.8
1 1/4	35	42	1067	54	1372	12	305	1635	741.6
1 1/4	35	48	1219	61 1/4	1556	13 1/4	337	1853	840.5



<sup>2</sup>For information only, not a requirement as per UL Standard

Shipped in palletized cartons or bulk.

Also available in the following Degrees (90°, 60°, 30°, 22-1/2°, 15° & 11-1/4°)

Chart continued on the next page



# Galvanized Rigid Conduit (GRC) Elbows

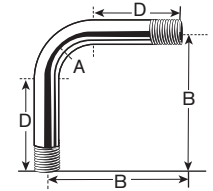
## Galvanized Rigid Conduit (GRC) Large Radius 90 Degree Elbows (continued)

Listed UL Safety Standard 6

Manufactured in accordance with ANSI C80.1



Trade Size	Metric Designator	Radius (A)		Offset (B) <sup>2</sup>		Straight (D) <sup>2</sup>		Approximate Weight Per 100 Pieces	
		in	mm	in	mm	in	mm	lb	kg
1 1/2	41	12	305	20 5/8	524	8 5/8	219	789	357.9
1 1/2	41	15	381	24 1/4	616	9 1/4	235	921	417.8
1 1/2	41	18	457	27 7/8	708	9 7/8	251	1052	477.2
1 1/2	41	24	610	34 5/8	879	10 5/8	270	1293	586.5
1 1/2	41	30	762	41	1041	11	279	1512	685.8
1 1/2	41	36	914	46 3/4	1187	10 3/4	273	1710	775.7
1 1/2	41	42	1067	54	1372	12	305	1973	895.0
1 1/2	41	48	1219	61 1/4	1556	13 1/4	337	2236	1014.2
2	53	15	381	24 1/4	616	9 1/4	235	1225	555.7
2	53	18	457	27 7/8	708	9 7/8	251	1400	635.0
2	53	24	610	30 3/8	772	6 3/8	162	1473	668.2
2	53	30	762	41	1041	11	279	2013	913.1
2	53	36	914	46 3/4	1187	10 3/4	273	2275	1031.9
2	53	42	1067	54	1372	12	305	2625	1190.7
2	53	48	1219	61 1/4	1556	13 1/4	337	2975	1349.5
2 1/2	63	18	457	24 3/8	619	6 3/8	162	1910	866.4
2 1/2	63	24	610	31 1/8	791	7 1/8	181	2422	1098.6
2 1/2	63	30	762	37 1/2	953	7 1/2	191	2888	1310.0
2 1/2	63	36	914	44 3/4	1137	8 3/4	222	3447	1563.6
2 1/2	63	42	1067	54	1372	12	305	4193	1901.9
2 1/2	63	48	1219	61 1/4	1556	13 1/4	337	4752	2155.5
3	78	15	381	24 1/4	616	9 1/4	235	2545	1154.4
3	78	18	457	24 3/8	619	6 3/8	162	2484	1126.7
3	78	24	610	33 1/8	841	9 1/8	232	3393	1539.1
3	78	30	762	38 5/8	981	8 5/8	219	3892	1765.4
3	78	36	914	46 7/8	1191	10 7/8	276	4741	2150.5
3	78	42	1067	54	1372	12	305	5453	2473.5
3	78	48	1219	60 1/4	1530	12 1/4	311	6058	2747.9
3	78	60	1524	75 7/8	1927	15 7/8	403	7634	3462.8
3 1/2	91	18	457	26 3/8	670	8 3/8	213	3300	1496.9
3 1/2	91	24	610	35 1/8	892	11 1/8	283	4400	1995.8
3 1/2	91	30	762	38 1/2	978	8 1/2	216	4693	2128.7
3 1/2	91	36	914	47	1194	11	279	5757	2611.4
3 1/2	91	42	1067	54	1372	12	305	6600	2993.8
3 1/2	91	48	1219	60 1/4	1530	12 1/4	311	7333	3326.2
4	103	18	457	27 3/8	695	9 3/8	238	4034	1829.8
4	103	24	610	35 1/8	892	11 1/8	283	5150	2336.0
4	103	30	762	39 3/8	1000	9 3/8	238	5644	2560.1
4	103	36	914	47	1194	11	279	6738	3056.4
4	103	42	1067	54	1372	12	305	7725	3504.1
4	103	48	1219	60 1/4	1530	12 1/4	311	8583	3893.2
4	103	60	1524	75 7/8	1927	15 7/8	403	10815	4905.7



<sup>2</sup>For information only, not a requirement as per UL Standard

Chart continued on the next page

Shipped in palletized cartons or bulk.

Also available in the following Degrees (60°, 45°, 30°, 22-1/2°, 15° & 11-1/4°)

**KWIK-COUPLE AVAILABLE**  
Trade Size 2-1/2 to 5 by special order

NOTE: Special orders are non-cancelable, non-returnable and non-refundable.

# Galvanized Rigid Conduit (GRC) Elbows & Nipples

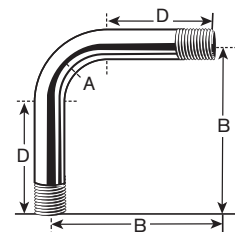
## Galvanized Rigid Conduit (GRC) Large Radius 90 Degree Elbows (continued)

Listed to UL Safety Standard 6

Manufactured in accordance with ANSI C80.1



Trade Size	Metric Designator	Radius (A)		Offset (B) <sup>2</sup>		Straight (D) <sup>2</sup>		Approximate Weight Per 100 Pieces	
		in	mm	in	mm	in	mm	lb	kg
5	129	36	914	50 3/4	1289	14 3/4	375	10033	4551.0
5	129	48	1219	65 1/4	1657	17 1/4	438	12833	5821.0
5	129	60	1524	75 7/8	1927	15 7/8	403	14700	6667.9
6	155	36	914	50 3/4	1289	14 3/4	375	13187	5981.6
6	155	48	1219	65 1/4	1657	17 1/4	438	16867	7650.9
6	155	60	1524	75 7/8	1927	15 7/8	403	19320	8763.6



<sup>2</sup>For information only, not a requirement as per UL Standard

Shipped in palletized cartons or bulk.

Also available in the following Degrees (60°, 45°, 30°, 22-1/2°, 15° & 11-1/4°)

**KWIK-COUPLE AVAILABLE**  
Trade Size 2-1/2 to 5 by special order

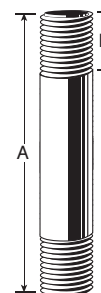
## Galvanized Rigid Conduit (GRC) Nipples

Listed to UL Safety Standard 6

Manufactured in accordance with ANSI C80.1



Trade Size	Metric Designator	Length (A)		Total Thread Length (B) <sup>1</sup>		Threads Per Inch <sup>1</sup>	Approximate Weight Per 100 Pieces		Standard Package
		in	mm	in	mm		lb	kg	
1/2	16	(Close) 1 1/8	29	0.78	19.8	14	6	2.7	25
1/2	16	1 1/2	38	0.78	19.8	14	8	3.6	25
1/2	16	2	51	0.78	19.8	14	12	5.4	25
1/2	16	2 1/2	64	0.78	19.8	14	15	6.8	25
1/2	16	3	76	0.78	19.8	14	19	8.6	25
1/2	16	3 1/2	89	0.78	19.8	14	22	10.0	25
1/2	16	4	102	0.78	19.8	14	26	11.8	25
1/2	16	5	127	0.78	19.8	14	33	15.0	25
1/2	16	6	152	0.78	19.8	14	40	18.1	25
1/2	16	8	203	0.78	19.8	14	54	24.5	25
1/2	16	10	254	0.78	19.8	14	68	30.8	25
1/2	16	12	305	0.78	19.8	14	82	37.2	25
3/4	21	(Close) 1 3/8	35	0.79	20.1	14	9	4.1	25
3/4	21	1 1/2	38	0.79	20.1	14	10	4.5	25
3/4	21	2	51	0.79	20.1	14	14	6.4	25
3/4	21	2 1/2	64	0.79	20.1	14	19	8.6	25
3/4	21	3	76	0.79	20.1	14	24	10.9	25
3/4	21	3 1/2	89	0.79	20.1	14	28	12.7	25
3/4	21	4	102	0.79	20.1	14	34	15.4	25
3/4	21	5	127	0.79	20.1	14	43	19.5	25
3/4	21	6	152	0.79	20.1	14	52	23.6	25
3/4	21	8	203	0.79	20.1	14	73	33.1	25
3/4	21	10	254	0.79	20.1	14	89	40.4	25
3/4	21	12	305	0.79	20.1	14	109	49.4	25



<sup>1</sup>Minimum requirement as per UL Standard

A tolerance of minus one thread applies to Total length of Thread

Chart continued on the next page

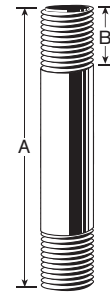
# Galvanized Rigid Conduit (GRC) Nipples

## Galvanized Rigid Conduit (GRC) Nipples (continued)

Listed to UL Safety Standard 6  
 Manufactured in accordance with ANSI C80.1



Trade Size	Metric Designator	Length (A)		Total Thread Length (B) <sup>1</sup>		Threads Per Inch <sup>1</sup>	Approximate Weight Per 100 Pieces		Standard Package
		in	mm	in	mm		lb	kg	
1	27	(Close) 1 1/2	38	0.98	24.9	11 1/2	16	7.3	25
1	27	2	51	0.98	24.9	11 1/2	22	10.0	25
1	27	2 1/2	64	0.98	24.9	11 1/2	28	12.7	25
1	27	3	76	0.98	24.9	11 1/2	36	16.3	25
1	27	3 1/2	89	0.98	24.9	11 1/2	43	19.5	25
1	27	4	102	0.98	24.9	11 1/2	49	22.2	25
1	27	5	127	0.98	24.9	11 1/2	64	29.0	25
1	27	6	152	0.98	24.9	11 1/2	78	35.4	25
1	27	8	203	0.98	24.9	11 1/2	109	49.4	25
1	27	10	254	0.98	24.9	11 1/2	138	62.6	25
1	27	12	305	0.98	24.9	11 1/2	166	75.3	25
1 1/4	35	(Close) 1 5/8	41	1.01	25.7	11 1/2	22	10.0	25
1 1/4	35	2	51	1.01	25.7	11 1/2	28	12.7	25
1 1/4	35	2 1/2	64	1.01	25.7	11 1/2	37	16.8	25
1 1/4	35	3	76	1.01	25.7	11 1/2	47	21.3	25
1 1/4	35	3 1/2	89	1.01	25.7	11 1/2	55	24.9	25
1 1/4	35	4	102	1.01	25.7	11 1/2	66	29.9	25
1 1/4	35	5	127	1.01	25.7	11 1/2	84	38.1	25
1 1/4	35	6	152	1.01	25.7	11 1/2	100	45.4	25
1 1/4	35	8	203	1.01	25.7	11 1/2	136	61.7	25
1 1/4	35	10	254	1.01	25.7	11 1/2	176	79.8	40
1 1/4	35	12	305	1.01	25.7	11 1/2	216	98.0	30
1 1/2	41	(Close) 1 3/4	44	1.03	26.2	11 1/2	28	12.7	25
1 1/2	41	2	51	1.03	26.2	11 1/2	34	15.4	25
1 1/2	41	2 1/2	64	1.03	26.2	11 1/2	44	20.0	25
1 1/2	41	3	76	1.03	26.2	11 1/2	56	25.4	25
1 1/2	41	3 1/2	89	1.03	26.2	11 1/2	68	30.8	25
1 1/2	41	4	102	1.03	26.2	11 1/2	80	36.3	25
1 1/2	41	5	127	1.03	26.2	11 1/2	103	46.7	25
1 1/2	41	6	152	1.03	26.2	11 1/2	122	55.3	50
1 1/2	41	8	203	1.03	26.2	11 1/2	170	77.1	40
1 1/2	41	10	254	1.03	26.2	11 1/2	216	98.0	30
1 1/2	41	12	305	1.03	26.2	11 1/2	260	117.9	20
2	53	(Close) 2	51	1.06	26.9	11 1/2	44	20.0	25
2	53	2 1/2	64	1.06	26.9	11 1/2	59	26.8	25
2	53	3	76	1.06	26.9	11 1/2	72	32.7	25
2	53	3 1/2	89	1.06	26.9	11 1/2	88	39.9	40
2	53	4	102	1.06	26.9	11 1/2	103	46.7	40
2	53	5	127	1.06	26.9	11 1/2	132	59.9	40
2	53	6	152	1.06	26.9	11 1/2	160	72.6	30
2	53	8	203	1.06	26.9	11 1/2	220	99.8	20
2	53	10	254	1.06	26.9	11 1/2	285	129.3	20
2	53	12	305	1.06	26.9	11 1/2	335	152.0	15



<sup>1</sup>Minimum requirement as per UL Standard  
 A tolerance of minus one thread applies to Total length of Thread

Chart continued on the next page

NOTE: Special orders are non-cancelable, non-returnable and non-refundable.

# Galvanized Rigid Conduit (GRC) Nipples

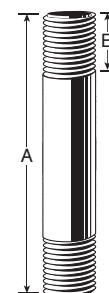
## Galvanized Rigid Conduit (GRC) Nipples (continued)

Listed to UL Safety Standard 6

Manufactured in accordance with ANSI C80.1



Trade Size	Metric Designator	Length (A)		Total Thread Length (B) <sup>1</sup>		Threads Per Inch <sup>1</sup>	Approximate Weight Per 100 Pieces		Standard Package
		in	mm	in	mm		lb	kg	
2 1/2	63	(Close) 2 3/4	70	1.57	39.9	8	84	38.1	1
2 1/2	63	3	76	1.57	39.9	8	100	45.4	1
2 1/2	63	3 1/2	89	1.57	39.9	8	120	54.4	1
2 1/2	63	4	102	1.57	39.9	8	150	68.0	1
2 1/2	63	5	127	1.57	39.9	8	197	89.4	1
2 1/2	63	6	152	1.57	39.9	8	240	108.9	1
2 1/2	63	8	203	1.57	39.9	8	329	149.2	1
2 1/2	63	10	254	1.57	39.9	8	422	191.4	1
2 1/2	63	12	305	1.57	39.9	8	505	229.1	1
3	78	(Close) 2 5/8	67	1.63	41.4	8	118	53.5	1
3	78	3	76	1.63	41.4	8	130	59.0	1
3	78	3 1/2	89	1.63	41.4	8	157	71.2	1
3	78	4	102	1.63	41.4	8	200	90.7	1
3	78	5	127	1.63	41.4	8	260	117.9	1
3	78	6	152	1.63	41.4	8	300	136.1	1
3	78	8	203	1.63	41.4	8	411	186.4	1
3	78	10	254	1.63	41.4	8	528	239.5	1
3	78	12	305	1.63	41.4	8	630	285.8	1
3 1/2	91	(Close) 2 3/4	70	1.68	42.7	8	160	72.6	1
3 1/2	91	4	102	1.68	42.7	8	240	108.9	1
3 1/2	91	5	127	1.68	42.7	8	320	145.2	1
3 1/2	91	6	152	1.68	42.7	8	373	169.2	1
3 1/2	91	8	203	1.68	42.7	8	510	231.3	1
3 1/2	91	10	254	1.68	42.7	8	655	297.1	1
3 1/2	91	12	305	1.68	42.7	8	785	356.1	1
4	103	(Close) 2 7/8	73	1.73	43.9	8	180	81.6	1
4	103	4	102	1.73	43.9	8	285	129.3	1
4	103	5	127	1.73	43.9	8	380	172.4	1
4	103	6	152	1.73	43.9	8	440	199.6	1
4	103	8	203	1.73	43.9	8	600	272.2	1
4	103	10	254	1.73	43.9	8	775	351.5	1
4	103	12	305	1.73	43.9	8	925	419.6	1
5	129	(Close) 3	76	1.84	46.7	8	240	108.9	1
5	129	5	127	1.84	46.7	8	480	217.7	1
5	129	6	152	1.84	46.7	8	600	272.2	1
5	129	8	203	1.84	46.7	8	825	374.2	1
5	129	10	254	1.84	46.7	8	1055	478.5	1
5	129	12	305	1.84	46.7	8	1260	571.5	1
6	155	(Close) 3 1/8	79	1.95	49.5	8	350	158.8	1
6	155	5	127	1.95	49.5	8	660	299.4	1
6	155	6	152	1.95	49.5	8	820	372.0	1
6	155	8	203	1.95	49.5	8	1125	510.3	1
6	155	10	254	1.95	49.5	8	1440	653.2	1
6	155	12	305	1.95	49.5	8	1720	780.2	1



<sup>1</sup>Minimum requirement as per UL Standard

A tolerance of minus one thread applies to Total length of Thread

# Aluminum Rigid Conduit (ARC)

## Aluminum Rigid Conduit (ARC)

- Aluminum Rigid Conduit is light weight and is approximately one-third the weight of steel
- Corrosion Resistant aluminum resists most corrosive atmospheres in industrial environments
- Easy to install, no special tools needed to cut, bend or thread
- Low maintenance, doesn't leave discoloring streaks or stains
- Listed to UL Safety Standard 6A
- Manufactured in accordance with ANSI C80.5
- Complete line of elbows, nipples and couplings
- Available in sizes 1/2 (16) - 6 (155)

## FEATURES & SPECIFICATIONS

### Codes & Standards Compliance

#### Alloy

Allied Rigid Aluminum Conduits and Fittings are all manufactured of 6063 alloy in temper designation T-1 to ensure maximum performance in electrical installations.

#### Standards

Allied Rigid Aluminum Conduit is listed by Underwriters' Laboratories to UL 6A, "Standard for Electrical Rigid Metal Conduit — Aluminum, Red Brass and Stainless Steel" and is manufactured to ANSI C80.5 (Replaces Federal specification WWC- 540C).

#### Thread Protectors

Color-Coded end caps keep threads clean and sharp and help provide trade size recognition. Even sizes are blue; 1/2 trade sizes are black; and 1/4 trade sizes are red.



## Aluminum Rigid Conduit (ARC)

Listed to UL Safety Standard 6A

Manufactured in accordance with ANSI C80.5



Trade Size	Metric Designator	Outside Diameter <sup>1</sup>		Nominal Wall Thickness		Approximate Weight Per 100 Ft. (30.5M)		Quantity in Master Bundle	
		in	mm	in	mm	lb	kg	ft	m
1/2	16	0.840	21.34	0.104	2.64	28	12.7	2500	762.5
3/4	21	1.050	26.67	0.107	2.72	37	17.0	2500	762.5
1	27	1.315	33.40	0.126	3.20	55	24.7	2000	610.0
1 1/4	35	1.660	42.16	0.133	3.38	72	32.5	1000	304.8
1 1/2	41	1.900	48.26	0.138	3.51	89	40.2	1000	304.8
2	53	2.375	60.33	0.146	3.71	119	53.8	450	137.2
2 1/2	63	2.875	73.03	0.193	4.90	188	85.0	300	91.5
3	78	3.500	88.90	0.205	5.21	246	111.7	200	61.0
3 1/2	91	4.000	101.60	0.215	5.46	296	134.1	200	61.0
4	103	4.500	114.30	0.225	5.72	350	158.9	200	61.0
5	129	5.563	141.30	0.245	6.22	479	217.2	80	23.4
6	155	6.625	168.28	0.266	6.76	635	287.8	60	18.3

NOTE: <sup>1</sup>Tolerances: 1/2 to 1-1/2 trade sizes +/- 0.15 in. 2 to 6 trade sizes +/- 1%

\*Each length of conduit with coupling attached will be nominally 10 feet

NOTE: Special orders are non-cancelable, non-returnable and non-refundable.

# Aluminum Rigid Conduit (ARC) Couplings and Elbows

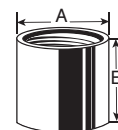
Listed to UL Safety Standard 6A

Manufactured in accordance with ANSI C80.5



## Aluminum Rigid Conduit (ARC) Couplings

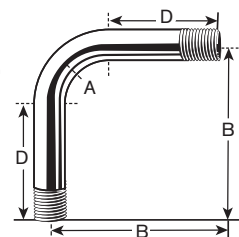
Trade Size	Metric Designator	Nominal Outside Dimensions (A)		Minimum Acceptable Length (B)		Threads Per Inch	Approximate Weight Per 100 Pieces		Standard Package
		in	mm	in	mm		lb	kg	
1/2	16	1.078	27.38	1 5/8	41.3	14	6	2.7	100
3/4	21	1.328	33.73	1 41/64	41.7	14	9	4.1	50
1	27	1.562	39.67	1 31/32	50.0	11 1/2	13	5.9	30
1 1/4	35	1.953	49.61	2 1/32	51.6	11 1/2	19	8.6	25
1 1/2	41	2.219	56.36	2 1/16	52.4	11 1/2	23	10.4	25
2	53	2.750	69.85	2 1/8	54.0	11 1/2	35	15.9	15
2 1/2	63	3.281	83.34	3 3/16	81.0	8	68	30.8	20
3	78	3.812	96.84	3 5/16	84.1	8	91	41.3	15
3 1/2	91	4.438	112.71	3 13/32	86.5	8	108	49.0	12
4	103	5.000	127.00	3 33/64	89.3	8	142	64.4	12
5	129	6.219	157.96	3 61/64	100.4	8	242	109.8	8
6	155	7.312	185.74	4 1/4	108.0	8	320	145.2	6



## Aluminum Rigid Conduit (ARC) 90 Degree Elbows



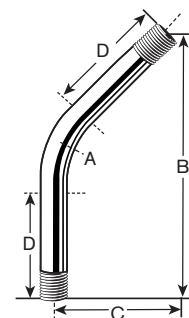
Trade Size	Metric Designator	Nominal Dimensions						Approximate Weight Per 100 Pieces		Standard Package
		Radius (A)		Offset (B)		Straight (D)		lb	kg	
		in	mm	in	mm	in	mm			
1/2	16	4	102	5 7/8	149	1 1/2	38	22	10.0	25
3/4	21	4 1/2	114	7	178	1 1/2	38	32	14.5	40
1	27	5 3/4	146	8 3/4	222	1 7/8	48	62	28.1	25
1 1/4	35	7 1/4	184	10 1/2	267	2	51	99	44.9	10
1 1/2	41	8 1/4	210	11 3/4	298	2	51	137	62.1	10
2	53	9 1/2	241	14 1/2	368	2	51	228	103.4	5
2 1/2	63	10 1/2	267	17 1/4	438	3	76	427	193.7	80
3	78	13	330	22 3/4	578	3 1/8	79	752	341.1	50
3 1/2	91	15	381	23 1/4	591	3 1/4	83	889	403.3	50
4	103	16	406	23 3/8	594	3 3/8	86	1049	475.8	36
5	129	24	610	34 7/8	886	3 5/8	92	2125	963.9	1
6	155	30	762	45 1/2	1156	3 3/4	95	3738	1695.6	1



## Aluminum Rigid Conduit (ARC) 45 Degree Elbows



Trade Size	Metric Designator	Nominal Dimensions								Approximate Weight Per 100 Pieces		Standard Package
		Radius (A)		Offset (B)		Offset (C)		Straight (D)		lb	kg	
		in	mm	in	mm	in	mm	in	mm			
1/2	16	4	102	7	178	2 7/8	73	1 1/2	38	18	8.2	25
3/4	21	4 1/2	114	7 7/8	200	3 1/4	83	1 1/2	38	23	10.4	40
1	27	5 3/4	146	8 3/4	222	3 5/8	92	1 7/8	48	40	18.1	25
1 1/4	35	7 1/4	184	10 1/2	267	4 3/8	111	2	51	65	29.5	10
1 1/2	41	8 1/4	210	13 1/8	333	5 3/8	137	2	51	102	46.3	10
2	53	9 1/2	241	14 1/2	368	6	152	2	51	150	68.0	5
2 1/2	63	10 1/2	267	17 1/2	445	7 1/4	184	3	76	278	126.1	80
3	78	13	330	21	533	8 5/8	219	3 1/8	79	442	200.5	50
3 1/2	91	15	381	26 1/8	664	10 7/8	276	3 1/4	83	659	298.9	50
4	103	16	406	26 1/4	667	10 7/8	276	3 3/8	86	777	352.4	36
5	129	24	610	35 7/8	911	14 7/8	378	3 5/8	92	1446	655.9	1
6	155	30	762	43 3/8	1102	18	457	3 3/4	95	2347	1064.6	1



# Rigid PVC Conduit & Fittings

- Commercial, Industrial and Utility Usage
- Corrosion Resistant
- Non-Magnetic and non-galvanic
- Self Extinguishing
- Impact Resistant

## FEATURES & SPECIFICATIONS

Allied Tube & Conduit offers a complete line of rigid PVC conduit and fittings and PVC utility duct. For commercial, industrial and utility usage, Allied PVC conduit and duct is proven durable and effective for years of maintenance-free performance in underground, encased and exposed applications in accordance with the National Electrical Code.

### Corrosion Proof:

Resistant to most chemicals, PVC is typically not affected by corrosive soils or salts.

### Non-Magnetic and Non-Galvanic:

Properties of Allied PVC Conduit provide good insulation and no power loss or conductor heating.

### Self Extinguishing:

Properties make PVC fire resistant.

### Impact Resistant:

Tough, durable, with high tensile strength, yet easy to handle and install right on the jobsite.

**Schedule 40 & 80** rigid PVC conduit systems are sunlight resistant and are used exposed, encased in concrete, concealed in walls and in direct burial applications including systems for:

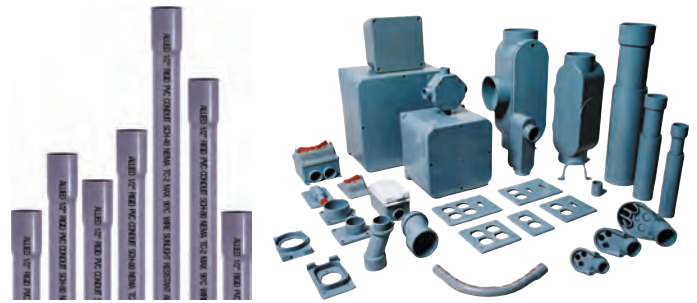
- Utilities
- Cable, data and communication lines
- Institutional, commercial, industrial buildings
- Residential applications, & service entrances
- Street and highway underground feeds
- Transportation systems - subways, bridges, tunnels, airports
- Water and wastewater treatment plants
- Marinas
- Mines and mills

**Type DB-60 and DB-120** utility duct are designed for direct burial applications. **Type EB-20 and EB-35** are designed for burial encased in concrete.

**PVC Conduit & Fittings are not available in all markets.**

Please contact your Allied representative or distributor for details.

[www.alliedeg.com](http://www.alliedeg.com)



## Codes And Standards Compliance

Allied Schedule 40 and Schedule 80 rigid conduits are third-party certified to UL 651 and are allowed for use with 90° C conductors, in accordance with the National Electrical Code. They are manufactured in accordance with NEMA TC2.

Allied Type DB and EB ducts are manufactured in accordance with NEMA TC 6&8 and are allowed for use with 90° C conductors.

Allied PVC fittings are manufactured in accordance with NEMA TC3. The UL standard for PVC fittings is UL 651; for boxes UL 514C, for cover plates UL 514D and for enclosures UL 50.

See product pages for UL listing information.

## Specification

All wiring shall be installed in Allied Tube & Conduit rigid PVC conduit and secured by means of proper fittings. All fittings shall be offered by Allied Tube & Conduit. All outlets, pull boxes and junction points shall be fitted with Allied outlet boxes, fittings and junction boxes.

Exposed conduit shall be securely attached and supported by means of straps. The straps shall be installed at the recommended spacing as specified in the National Electrical Code (NEC). The straps must allow for linear expansion and contraction of the conduit due to temperature change. If the variance in temperature exceeds 25°F, expansion joints shall be installed according to the manufacturer's recommendations.

If rigid PVC conduit is embedded in concrete or direct buried, support straps are not required.

# Rigid PVC Conduit - Schedule 40 & 80

## Schedule-40 PVC Rigid Conduit Rated for 90° C Wiring

ALLIED 1/2" RIGID PVC CONDUIT SCH-40 NEMA TC-2 MAX 90°C WIRE SUNLIGHT RESISTANT ALL

Allied Schedule-40 is sunlight resistant. Meets or exceeds the requirements of NEMA TC-2 and UL-651 for Schedule 40 Conduit\*.

### Schedule 40 PVC Conduit Weight and Dimensions (10' lengths with belled ends)

Trade Size	Metric Designator	Average Outside Dia (in)	Minimum Average I.D. (in)	Min. Wall Thickness (in)	Weight Per Foot	Master Bundle Qty. (ft)	Nominal Bell (Socket) Depth/Inches
1/2	16	.840 ±0.004	.578	.109	.164	6000	1.8
3/4	21	1.050 ±0.004	.780	.113	.218	4400	1.8
1	27	1.315 ±0.005	1.004	.133	.321	3600	2
1-1/4	35	1.660 ±0.005	1.335	.140	.434	3300	2.5
1-1/2	41	1.900 ±0.006	1.564	.145	.518	2250	2.5
2	53	2.375 ±0.006	2.021	.154	.695	1400	4.5
2-1/2	63	2.875 ±0.007	2.414	.203	1.096	930	4.5
3	78	3.500 ±0.008	3.008	.216	1.435	880	4.5
3-1/2	91	4.000 ±0.008	3.486	.226	1.729	630	4.5
4	103	4.500 ±0.009	3.961	.237	2.043	570	5
5	129	5.563 ±0.010	4.975	.258	2.776	380	6
6	155	6.625 ±0.011	5.986	.280	3.600	260	6
8*	200	8.652 ±0.013	7.981	.322	5.474	180	6.5

**SPECIAL INFORMATION**

- 1. 20' lengths available on special request.
  - 2. Minimum shipment: full pallet quantity per size.
- Third-party certified to UL651  
\*Not UL Listed

## Extra Heavy Wall Schedule-80 PVC Rigid Conduit Rated for 90° C Wiring

ALLIED 1/2" RIGID PVC CONDUIT SCH-80 NEMA TC-2 MAX 90°C WIRE SUNLIGHT RESISTA

Allied Schedule-80 is sunlight resistant. Meets or exceeds the requirements of NEMA TC-2 and UL-651 for Schedule 80 Conduit.

### Schedule 80 PVC Conduit Weight and Dimensions (10' lengths with belled ends)

Trade Size	Metric Designator	Average Outside Dia (in)	Minimum Average I.D. (in)	Min. Wall Thickness (in)	Weight Per Foot	Master Bundle Qty. (ft)	Nominal Bell (Socket) Depth/Inches
1/2	16	.840 ±0.004	.502	.147	.205	6000	1.8
3/4	21	1.050 ±0.004	.698	.154	.278	4400	1.8
1	29	1.315 ±0.005	.910	.179	.409	3600	2
1-1/4	35	1.660 ±0.005	1.227	.191	.567	3300	2.5
1-1/2	41	1.900 ±0.006	1.446	.200	.686	2250	2.5
2	53	2.375 ±0.006	1.881	.218	.949	1400	3
2-1/2	63	2.875 ±0.007	2.250	.276	1.449	930	4
3	78	3.500 ±0.008	2.820	.300	1.938	880	4
4	103	4.500 ±0.008	3.737	.377	2.833	570	4.5
5	129	5.563 ±0.009	4.713	.375	3.850	380	5
6	155	6.625 ±0.010	5.646	.432	5.411	260	5

**SPECIAL INFORMATION**

- 1. 20' lengths available on special request.
  - 2. Minimum shipment: full pallet quantity per size.
- Third-party certified to UL651

**PVC Conduit & Fittings are not available in all markets.**

Please contact your Allied representative or distributor for details.

NOTE: Special orders are non-cancelable, non-returnable and non-refundable.



## Rigid PVC Conduit - Utility Duct

### Rigid PVC Utility Duct - Type DB-60 for Direct Burial Rated for 90° C Wiring

ALLIED TUBE 2" PVC NEMA TC-6 TYPE DB 1/2" RIGID PVC CONDUIT

Trade Size	Metric Designator	Average Outside Diameter (in)	Min. Wall Thickness (in)	Weight/Ft	Master Bundle Qty. (ft)	Nominal Bell (Socket) Depth/Inches
2	53	2.375	.060	.361	2800	3
3	78	3.500	.092	.716	1760	4
4	103	4.500	.121	1.171	1140	4.5
5	129	5.563	.152	1.778	760	5
6	155	6.625	.182	2.500	520	5

**SPECIAL INFORMATION:** 1. 20' lengths are standard, 10' lengths available on special request. 2. Minimum shipment: full pallet quantity per size. Type DB-60 for direct burial meets NEMA TC-6 and 8

### Rigid PVC Utility Duct - Type DB-120 for Direct Burial Rated for 90° C Wiring

ALLIED TUBE 2" PVC NEMA TC-8 TYPE DB 1/2" RIGID PVC CONDUIT

Trade Size	Metric Designator	Average Outside Diameter (in)	Min. Wall Thickness (in)	Weight/Ft	Master Bundle Qty. (ft)	Nominal Bell (Socket) Depth/Inches
2	53	2.375	.077	.371	2800	3
3	78	3.500	.118	.836	1760	4
4	103	4.500	.154	1.402	1140	4.5
5	129	5.563	.191	2.150	760	5
6	155	6.625	.227	3.045	520	5

**SPECIAL INFORMATION:** 1. 20' lengths are standard, 10' lengths available on special request. 2. Minimum shipment: full pallet quantity per size. Type DB-120 for direct burial meets NEMA TC-6 and 8

### Rigid PVC Utility Duct - Type EB-20 for Encased Burial Rated for 90° C Wiring

ALLIED TUBE 2" PVC NEMA TC-6 TYPE EB 1/2" RIGID PVC CONDUIT

Trade Size	Metric Designator	Average Outside Diameter (in)	Min. Wall Thickness (in)	Weight/Ft	Master Bundle Qty. (ft)	Nominal Bell (Socket) Depth/Inches
2	53	2.375	.060	.361	2800	3
3	78	3.500	.061	.514	1760	4
4	103	4.500	.082	.843	1140	4.5
5	129	5.563	.103	1.268	760	5
6	155	6.625	.125	1.729	520	5

**SPECIAL INFORMATION:** 1. 20' lengths are standard, 10' lengths available on special request. 2. Minimum shipment: full pallet quantity per size. Type EB-20 for direct burial meets NEMA TC-6 and 8

### Rigid PVC Utility Duct - Type EB-35 for Encased Burial Rated for 90° C Wiring

ALLIED TUBE 2" PVC NEMA TC-8 TYPE EB 1/2" RIGID PVC CONDUIT

Trade Size	Metric Designator	Average Outside Diameter (in)	Min. Wall Thickness (in)	Weight/Ft	Master Bundle Qty. (ft)	Nominal Bell (Socket) Depth/Inches
2	53	2.375	.060	.361	2800	3
3	78	3.500	.076	.533	1760	4
4	103	4.500	.100	.923	1140	4.5
5	129	5.563	.126	1.437	760	5
6	155	6.625	.152	2.064	520	5

**SPECIAL INFORMATION:** 1. 20' lengths are standard, 10' lengths available on special request. 2. Minimum shipment: full pallet quantity per size. Type EB-35 for direct burial meets NEMA TC-6 and 8

#### PVC Conduit & Fittings are not available in all markets.

Please contact your Allied representative or distributor for details.

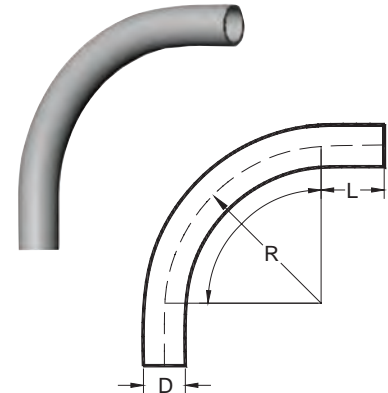
NOTE: Special orders are non-cancelable, non-returnable and non-refundable.

# PVC Schedule 40 - Standard Radius Elbows (Plain End)

## 90° Elbows - Plain End

Trade Size	Part Number	Unit Quantity	Diameter (D) (in)	Length (L) (in)	Radius (R) (in)
1/2	59588	35	0.840	1.500	4.00
3/4	59589	50	1.050	1.500	4.50
1	59590	25	1.315	1.875	5.75
1-1/4	59591	30	1.660	2.000	7.25
1-1/2	59592	15	1.900	2.000	8.25
2	59593	20	2.375	2.000	9.50
2-1/2	59594	1	2.875	3.000	10.50
3	59595	1	3.500	3.125	13.00
3-1/2	59596	1	4.000	3.250	15.00
4	59597	1	4.500	3.375	16.00
5	59598	1	5.565	3.622	24.00
6	59599	1	6.625	3.740	30.00

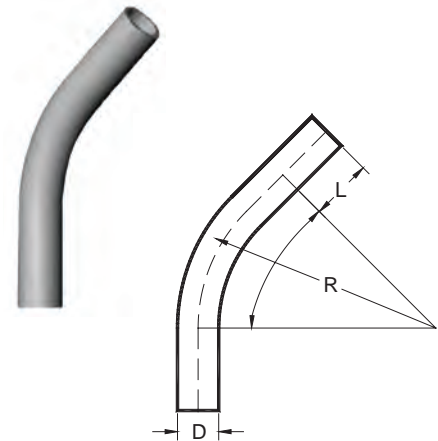
Third-party certified to UL651



## 45° Elbows - Plain End

Trade Size	Part Number	Unit Quantity	Diameter (D) (in)	Length (L) (in)	Radius (R) (in)
1/2	59575	70	0.840	1.500	4.00
3/4	59576	50	1.050	1.500	4.50
1	59577	50	1.315	1.875	5.75
1-1/4	59578	30	1.660	2.000	7.25
1-1/2	59579	20	1.900	2.000	8.25
2	59580	20	2.375	2.000	9.50
2-1/2	59581	12	2.875	3.000	10.50
3	59582	10	3.500	3.125	13.00
3-1/2	59583	1	4.000	3.250	15.00
4	59584	1	4.500	3.375	16.00
5	59585	1	5.565	3.625	24.00
6	59586	1	6.625	3.750	30.00

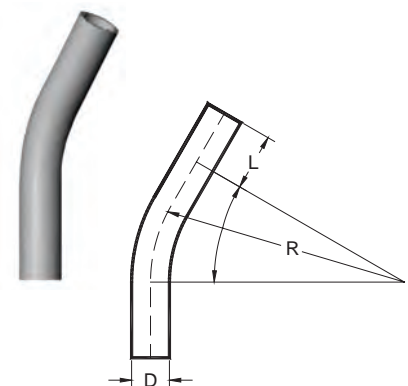
Third-party certified to UL651



## 30° Elbows - Plain End

Trade Size	Part Number	Unit Quantity	Diameter (D) (in)	Length (L) (in)	Radius (R) (in)
1/2	59561	50	0.840	1.500	4.00
3/4	59562	50	1.050	1.500	4.50
1	59563	50	1.315	1.875	5.75
1-1/4	59564	30	1.660	2.000	7.25
1-1/2	59565	25	1.900	2.000	8.25
2	59566	15	2.375	2.000	9.50
2-1/2	59567	10	2.875	3.000	10.50
3	59568	10	3.500	3.125	13.00
3-1/2	59569	1	4.000	3.250	15.00
4	59570	1	4.500	3.375	16.00
5	59571	1	5.565	3.625	24.00
6	59572	1	6.625	3.750	30.00

Third-party certified to UL651



**PVC Conduit & Fittings are not available in all markets.**

Please contact your Allied representative or distributor for details.

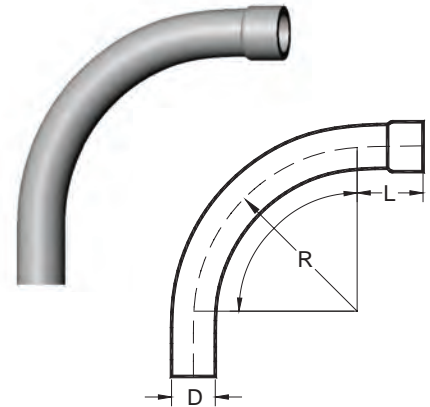
NOTE: Special orders are non-cancelable, non-returnable and non-refundable.

# PVC Schedule 40 - Standard Radius Elbows (Bell End)

## 90° Elbows - Bell End\*

Trade Size	Part Number	Unit Quantity	Diameter (D) (in)	Length (L) (in)	Radius (R) (in)
1/2	802752	35	0.840	1.500	4.00
3/4	802753	50	1.050	1.500	4.50
1	802754	25	1.315	1.875	5.75
1-1/4	802755	20	1.660	2.000	7.25
1-1/2	802756	15	1.900	2.000	8.25
2	802757	10	2.375	2.000	9.50
2-1/2	802758	1	2.875	3.000	10.50
3	802759	1	3.500	3.125	13.00
3-1/2	802761	1	4.000	3.250	15.00
4	802762	1	4.500	3.375	16.00
5	802763	1	5.565	3.622	24.00
6	802764	1	6.625	3.740	30.00

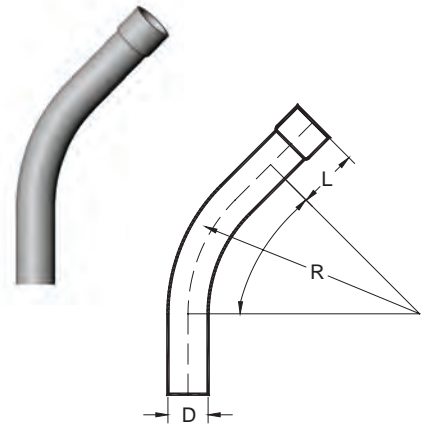
\*Special radius available upon request.  
Third-party certified to UL651



## 45° Elbows - Bell End\*

Trade Size	Part Number	Unit Quantity	Diameter (D) (in)	Length (L) (in)	Radius (R) (in)
1/2	802765	70	0.840	1.500	4.00
3/4	802767	50	1.050	1.500	4.50
1	802768	50	1.315	1.875	5.75
1-1/4	802769	30	1.660	2.000	7.25
1-1/2	802770	15	1.900	2.000	8.25
2	802771	10	2.375	2.000	9.50
2-1/2	802772	1	2.875	3.000	10.50
3	802773	1	3.500	3.125	13.00
3-1/2	802774	1	4.000	3.250	15.00
4	802775	1	4.500	3.375	16.00
5	802776	1	5.565	3.625	24.00
6	802777	1	6.625	3.750	30.00

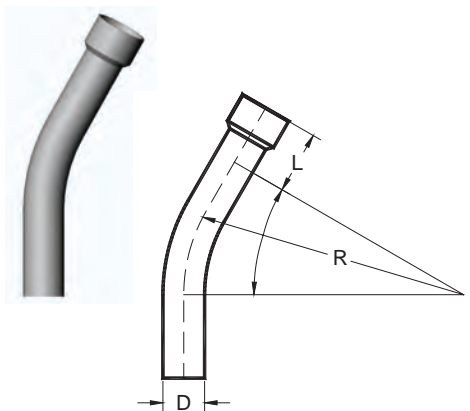
\*Special radius available upon request.  
Third-party certified to UL651



## 30° Elbows - Bell End\*

Trade Size	Part Number	Unit Quantity	Diameter (D) (in)	Length (L) (in)	Radius (R) (in)
1/2	802778	50	0.840	1.500	4.00
3/4	802779	35	1.050	1.500	4.50
1	802780	50	1.315	1.875	5.75
1-1/4	802781	30	1.660	2.000	7.25
1-1/2	802782	50	1.900	2.000	8.25
2	802783	30	2.375	2.000	9.50
2-1/2	802784	1	2.875	3.000	10.50
3	802785	1	3.500	3.125	13.00
3-1/2	802786	1	4.000	3.250	15.00
4	802787	1	4.500	3.375	16.00
5	802788	1	5.565	3.625	24.00
6	802789	1	6.625	3.750	30.00

\*Special radius available upon request.  
Third-party certified to UL651



**PVC Conduit & Fittings are not available in all markets.**

Please contact your Allied representative or distributor for details.

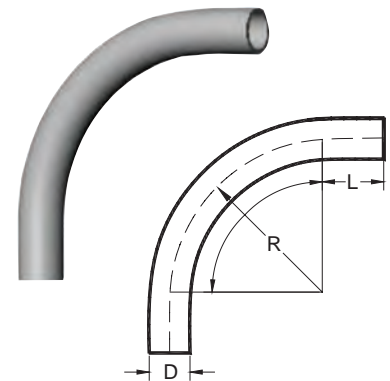
NOTE: Special orders are non-cancelable, non-returnable and non-refundable.

# PVC Schedule 80 - Standard Radius Elbows (Plain End)

## 90° Elbows - Plain End\*

Trade Size	Part Number	Unit Quantity	Diameter (D) (in)	Length (L) (in)	Radius (R) (in)
1/2	59012	50	0.840	1.500	4.00
3/4	59013	35	1.050	1.500	4.50
1	59014	20	1.315	1.875	5.75
1-1/4	59015	30	1.660	2.000	7.25
1-1/2	59016	30	1.900	2.000	8.25
2	59017	15	2.375	2.000	9.50
2-1/2	59018	8	2.875	3.000	10.50
3	59019	1	3.500	3.125	13.00
4	59021	1	4.500	3.375	16.00
5	59022	1	5.565	3.622	24.00
6	59023	1	6.625	3.740	30.00

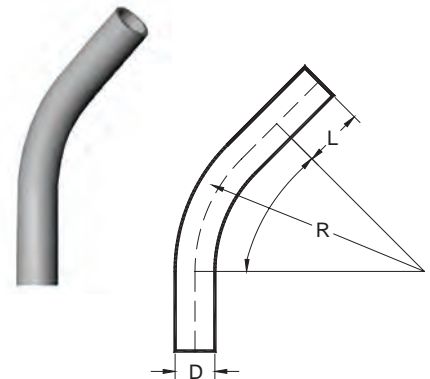
\*Belled end available upon request  
Third-party certified to UL651



## 45° Elbows - Plain End\*

Trade Size	Part Number	Unit Quantity	Diameter (D) (in)	Length (L) (in)	Radius (R) (in)
1/2	59000	50	0.840	1.500	4.00
3/4	59001	25	1.050	1.500	4.50
1	59002	20	1.315	1.875	5.75
1-1/4	59003	25	1.660	2.000	7.25
1-1/2	59004	20	1.900	2.000	8.25
2	59005	10	2.375	2.000	9.50
2-1/2	59006	20	2.875	3.000	10.50
3	59007	1	3.500	3.125	13.00
4	59009	1	4.500	3.375	16.00
5	59010	1	5.565	3.622	24.00
6	59011	1	6.625	3.750	30.00

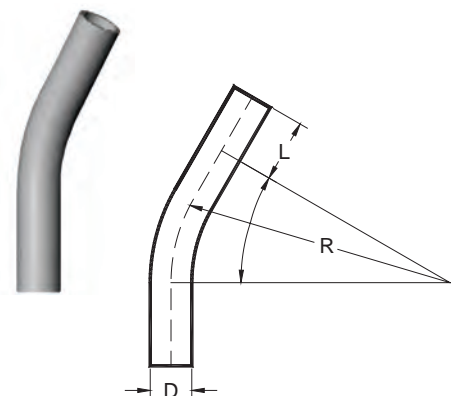
\*Belled end available upon request  
Third-party certified to UL651



## 30° Elbows - Plain End\*

Trade Size	Part Number	Unit Quantity	Diameter (D) (in)	Length (L) (in)	Radius (R) (in)
1/2	59064	50	0.840	1.500	4.00
3/4	59065	25	1.050	1.500	4.50
1	59066	25	1.315	1.875	5.75
1-1/4	59067	20	1.660	2.000	7.25
1-1/2	59068	25	1.900	2.000	8.25
2	59069	20	2.375	2.000	9.50
2-1/2	59070	1	2.875	3.000	10.50
3	59071	1	3.500	3.125	13.00
4	59072	1	4.500	3.375	16.00
5	59073	1	5.565	3.622	24.00
6	59074	1	6.625	3.750	30.00

\*Belled end available upon request  
Third-party certified to UL651



**PVC Conduit & Fittings are not available in all markets.**

Please contact your Allied representative or distributor for details.

NOTE: Special orders are non-cancelable, non-returnable and non-refundable.

# PVC Schedule 40 - Special Radius Elbows (Plain End)

## Schedule 40 - Special Radius Elbows

Trade Size	Degree	18" Radius		24" Radius		30" Radius		36" Radius		48" Radius	
		Part Number	Bundle Quantity	Part Number	Bundle Quantity	Part Number	Bundle Quantity	Part Number	Bundle Quantity	Part Number	Bundle Quantity
1	90°	59701	1 pc.	59708	1 pc.	59717	1 pc.	59727	1 pc.	59738	1 pc.
	45°	59749	1 pc.	59756	1 pc.	59765	1 pc.	59775	1 pc.	59786	1 pc.
	30°	59797	1 pc.	59804	1 pc.	59813	1 pc.	59823	1 pc.	59834	1 pc.
	22-1/2°	59845	1 pc.	59854	1 pc.	59864	1 pc.	59875	1 pc.	59886	1 pc.
1-1/4	90°	59702	1 pc.	59709	1 pc.	59718	1 pc.	59728	1 pc.	59739	1 pc.
	45°	59750	1 pc.	59757	1 pc.	59766	1 pc.	59776	1 pc.	59787	1 pc.
	30°	59798	1 pc.	59805	1 pc.	59814	1 pc.	59824	1 pc.	59835	1 pc.
	22-1/2°	59846	1 pc.	59855	1 pc.	59865	1 pc.	59876	1 pc.	59887	1 pc.
1-1/2	90°	59703	1 pc.	59710	1 pc.	59719	1 pc.	59729	1 pc.	59740	1 pc.
	45°	59751	1 pc.	59758	1 pc.	59767	1 pc.	59777	1 pc.	59788	1 pc.
	30°	59799	1 pc.	59806	1 pc.	59815	1 pc.	59825	1 pc.	59836	1 pc.
	22-1/2°	59847	1 pc.	59856	1 pc.	59866	1 pc.	59877	1 pc.	59888	1 pc.
2	90°	59704	1 pc.	59711	1 pc.	59720	1 pc.	59730	1 pc.	59741	1 pc.
	45°	59752	1 pc.	59759	1 pc.	59768	1 pc.	59778	1 pc.	59789	1 pc.
	30°	59800	1 pc.	59807	1 pc.	59816	1 pc.	59826	1 pc.	59837	1 pc.
	22-1/2°	59848	1 pc.	59857	1 pc.	59867	1 pc.	59878	1 pc.	59889	1 pc.
2-1/2	90°	59705	1 pc.	59712	1 pc.	59721	1 pc.	59731	1 pc.	59742	1 pc.
	45°	59753	1 pc.	59760	1 pc.	59769	1 pc.	59779	1 pc.	59790	1 pc.
	30°	59801	1 pc.	59808	1 pc.	59817	1 pc.	59827	1 pc.	59838	1 pc.
	22-1/2°	59849	1 pc.	59898	1 pc.	59868	1 pc.	59879	1 pc.	59890	1 pc.
3	90°	59706	1 pc.	59713	1 pc.	59722	1 pc.	59732	1 pc.	59743	1 pc.
	45°	59754	1 pc.	59761	1 pc.	59770	1 pc.	59780	1 pc.	59791	1 pc.
	30°	59802	1 pc.	59809	1 pc.	59818	1 pc.	59828	1 pc.	59839	1 pc.
	22-1/2°	59850	1 pc.	59859	1 pc.	59869	1 pc.	59880	1 pc.	59891	1 pc.
3-1/2	90°	Use Standard Schedule 40 Radius (15")		59714	1 pc.	59723	1 pc.	59733	1 pc.	59744	1 pc.
	45°			59762	1 pc.	59771	1 pc.	59781	1 pc.	59792	1 pc.
	30°			59810	1 pc.	59819	1 pc.	59829	1 pc.	59840	1 pc.
	22-1/2°			59860	1 pc.	59870	1 pc.	59881	1 pc.	59892	1 pc.
4	90°	Use Standard Schedule 40 Radius (16")		59715	1 pc.	59724	1 pc.	59734	1 pc.	59745	1 pc.
	45°			59763	1 pc.	59772	1 pc.	59782	1 pc.	59793	1 pc.
	30°			59811	1 pc.	59820	1 pc.	59830	1 pc.	59841	1 pc.
	22-1/2°			59861	1 pc.	59871	1 pc.	59882	1 pc.	59893	1 pc.
5	90°	Use Standard Schedule 40 Radius (24")			***	59725	1 pc.	59735	1 pc.	59746	1 pc.
	45°				***	59773	1 pc.	59783	1 pc.	59794	1 pc.
	30°				***	59821	1 pc.	59831	1 pc.	59842	1 pc.
	22-1/2°				***	59872	1 pc.	59883	1 pc.	59894	1 pc.
6	90°	Use Standard Schedule 40 Radius (30")					****	59736	1 pc.	59747	1 pc.
	45°						****	59784	1 pc.	59795	1 pc.
	30°						****	59832	1 pc.	59843	1 pc.
	22-1/2°						****	59884	1 pc.	59895	1 pc.

- 60" radius available upon request
- Special radius bell end elbows available upon request
- Contact your Allied Tube & Conduit Electrical Representative for more information

**PVC Conduit & Fittings are not available in all markets.**

Please contact your Allied representative or distributor for details.

NOTE: Special orders are non-cancelable, non-returnable and non-refundable.

# PVC Schedule 80 - Special Radius Elbows (Plain End)

## Schedule 80 - Special Radius Elbows

Trade Size	Degree	18" Radius		24" Radius		30" Radius		36" Radius	
		Part Number	Bundle Quantity	Part Number	Bundle Quantity	Part Number	Bundle Quantity	Part Number	Bundle Quantity
1	90°	808827	1 pc.	808831	1 pc.	808835	1 pc.	808845	1 pc.
	45°	808828	1 pc.	808832	1 pc.	808842	1 pc.	808846	1 pc.
	30°	808829	1 pc.	808833	1 pc.	808843	1 pc.	808847	1 pc.
	22-1/2°	808830	1 pc.	808834	1 pc.	808844	1 pc.	808848	1 pc.
1-1/4	90°	808849	1 pc.	808854	1 pc.	808858	1 pc.	808862	1 pc.
	45°	808850	1 pc.	808855	1 pc.	808859	1 pc.	808863	1 pc.
	30°	808851	1 pc.	808856	1 pc.	808860	1 pc.	808864	1 pc.
	22-1/2°	808852	1 pc.	808857	1 pc.	808861	1 pc.	808865	1 pc.
1-1/2	90°	805133	1 pc.	808868	1 pc.	809049	1 pc.	809053	1 pc.
	45°	805131	1 pc.	808869	1 pc.	809050	1 pc.	809054	1 pc.
	30°	808866	1 pc.	808870	1 pc.	809051	1 pc.	809055	1 pc.
	22-1/2°	808867	1 pc.	808871	1 pc.	809052	1 pc.	809056	1 pc.
2	90°	809057	1 pc.	805916	1 pc.	597394	1 pc.	597493	1 pc.
	45°	809058	1 pc.	809061	1 pc.	809067	1 pc.	809070	1 pc.
	30°	809059	1 pc.	809065	1 pc.	809068	1 pc.	809071	1 pc.
	22-1/2°	809060	1 pc.	809066	1 pc.	809069	1 pc.	809072	1 pc.
2-1/2	90°	597043	1 pc.	597123	1 pc.	597391	1 pc.	809081	1 pc.
	45°	805132	1 pc.	809078	1 pc.	809075	1 pc.	809082	1 pc.
	30°	809073	1 pc.	809079	1 pc.	809076	1 pc.	809083	1 pc.
	22-1/2°	809074	1 pc.	809080	1 pc.	809077	1 pc.	809084	1 pc.
3	90°	597063	1 pc.	597152	1 pc.	597392	1 pc.	597494	1 pc.
	45°	809085	1 pc.	809088	1 pc.	809091	1 pc.	809094	1 pc.
	30°	809086	1 pc.	809089	1 pc.	809092	1 pc.	809095	1 pc.
	22-1/2°	809087	1 pc.	809090	1 pc.	809093	1 pc.	809096	1 pc.
4	90°	Use Standard Schedule 40 Radius (16")		597153	1 pc.	597393	1 pc.	597492	1 pc.
	45°			809205	1 pc.	597823	1 pc.	597944	1 pc.
	30°			809206	1 pc.	809208	1 pc.	809210	1 pc.
	22-1/2°			809207	1 pc.	809209	1 pc.	809211	1 pc.
5	90°	-	-	Use Standard Schedule 40 Radius (24")		597395	1 pc.	597495	1 pc.
	45°	-	-			597824	1 pc.	597946	1 pc.
	30°	-	-			809212	1 pc.	809214	1 pc.
	22-1/2°	-	-			809213	1 pc.	809215	1 pc.
6	90°	-	-	-	-	809249	1 pc.	597491	1 pc.
	45°	-	-	-	-	809250	1 pc.	597945	1 pc.
	30°	-	-	-	-	809251	1 pc.	809253	1 pc.
	22-1/2°	-	-	-	-	809252	1 pc.	809254	1 pc.

- 60" radius available upon request
- Contact your Allied Tube & Conduit Electrical Representative for more information

**PVC Conduit & Fittings are not available in all markets.**

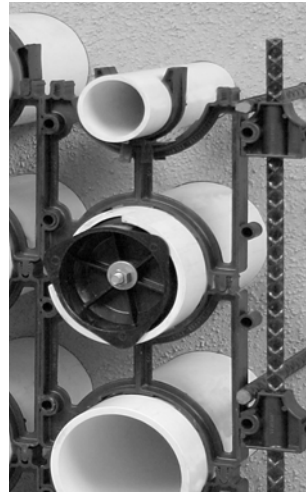
Please contact your Allied representative or distributor for details.

NOTE: Special orders are non-cancelable, non-returnable and non-refundable.

# Plastic Duct Spacers

## Plastic duct spacers for completely enclosed and locked-in duct banks.

- They snap together, vertically, slide together horizontally for fast, secure field assembly.
- Only two components, base and intermediate, are needed. Banding is not necessary.
- With the Vertical-lok spacer, ducts are accurately separated. Spacers lock firmly together, preventing separation.
- Alignment of the duct bank sections is relatively easy with this completely locked-in construction.
- To prevent the top tier from floating during encased burial, it is suggested that an intermediate spacer be used as a cap.
- Used in both EB and DB installations.
- Vertical and horizontal interlocking permits building a strong, lock-in duct bank. A wide baseplate provides solid support for heaviest loads.
- Units slide together for horizontal locking.



## Intermediate & Base Spacer Dimensions\*

Trade Size	1" Separation			1-1/2" Separation			2" Separation			3" Separation		
	R	A	C	R	A	C	R	A	C	R	A	C
2	Saddle spacers only			1.2	4.0	1.5	1.2	4.5	2.0	1.2	5.5	3.0
3	Saddle spacers only			1.8	5.1	1.5	1.8	5.6	2.0	1.8	6.6	3.0
4	2.3	5.6	1.0	2.3	6.1	1.5	12.3	6.6	2.0	2.3	7.6	3.0
5	Saddle spacers only			2.9	7.3	1.5	2.9	7.9	2.0	2.9	8.9	3.0
6	-	-	-	3.3	8.2	1.5	3.4	6.7	2.0	3.4	9.0	3.0

\* Base spacers provide a 3" separation between bottom row of ducts & trench floor, except for 4" x 1", which is 1-3/4".

\* All Dimensions are in inches.

\* Not UL Listed



## Intermediate Spacers\*

Trade Size	1" Separation			1-1/2" Separation			2" Separation			3" Separation		
	Part No.	Std. Pack	Wgt. lbs.	Part No.	Std. Pack	Wgt. lbs.	Part No.	Std. Pack	Wgt. lbs.	Part No.	Std. Pack	Wgt. lbs.
2	-	-	-	150-1	350	34	152-1	300	31	154-1	200	27
3	-	-	-	156-1	225	32	158-1	200	31	160-1	125	23
4	120-1	200	37	185-1	150	30	124-1	125	28	189-1	90	26
5	-	-	-	128-1	100	28	130-1	100	30	191-1	80	23
6	-	-	-	132-1	100	27	134-1	90	31	162-1	70	26

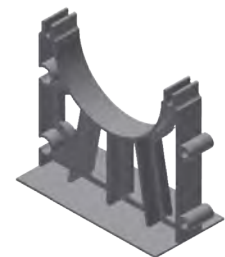
\* Not UL Listed



## Base Spacers\*

Trade Size	1" Separation			1-1/2" Separation			2" Separation			3" Separation		
	Part No.	Std. Pack	Wgt. lbs.	Part No.	Std. Pack	Wgt. lbs.	Part No.	Std. Pack	Wgt. lbs.	Part No.	Std. Pack	Wgt. lbs.
2	-	-	-	151-1	250	31	153-1	225	33	155-1	225	35
3	-	-	-	157-1	175	31	159-1	155	28	161-1	150	32
4	121-1	175	35	186-1	140	39	125-1	140	42	190-1	120	40
5	-	-	-	129-1	120	42	131-1	120	42	192-1	100	38
6	-	-	-	133-1	100	32	135-1	100	42	163-1	95	38

\* Not UL Listed



## PVC Conduit & Fittings are not available in all markets.

Please contact your Allied representative or distributor for details.

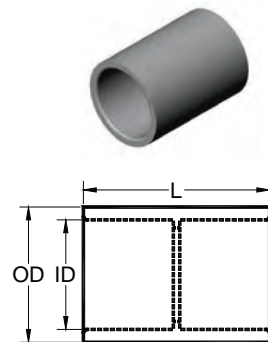
NOTE: Special orders are non-cancelable, non-returnable and non-refundable.

# PVC Couplings and Adapters

## Couplings

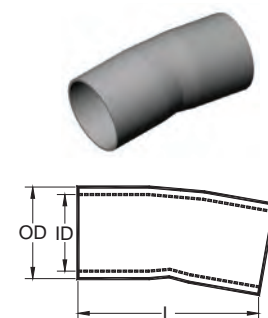
Trade Size	Part Number	Unit Quantity	Outside (OD) Diameter (in)	Inside (ID) Diameter (in)	Length (L) (in)
1/2	59601	200	1.080	0.840	1.437
3/4	59602	125	1.300	1.050	1.703
1	59603	70	1.590	1.315	2.031
1-1/4	59604	40	2.000	1.660	2.156
1-1/2	59605	30	2.230	1.900	2.281
2	59606	40	2.720	2.375	2.406
2-1/2	59607	20	3.320	2.875	3.187
3	59608	40	4.000	3.500	3.437
3-1/2	59609	30	4.500	4.000	3.625
4	59610	20	5.000	4.500	3.750
5	59611	10	6.120	5.565	4.187
6	59612	8	7.370	6.625	4.562

Listed to UL651



## 5° Couplings

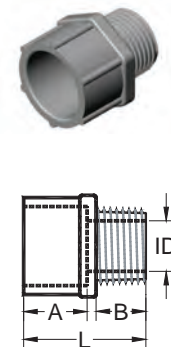
Trade Size	Part Number	Unit Quantity	Outside (OD) Diameter (in)	Inside (ID) Diameter (in)	Length (L) (in)
2	802731	20	2.375	2.049	4.0
2-1/2	802732	12	2.875	2.445	5.5
3	802733	25	3.500	3.042	6.0
3-1/2	802734	15	4.000	3.521	7.0
4	802735	15	4.500	3.998	7.0
5	802736	8	5.565	5.018	7.5
6	802737	4	6.625	6.031	11.0



## Terminal Adapters

Trade Size	Part Number	Unit Quantity	A (in)	B (in)	Inside (ID) Diameter (in)	Length (L) (in)
1/2	59615	200	0.750	0.700	0.591	1.550
3/4	59616	125	1.000	0.675	0.790	1.750
1	59617	70	1.115	0.625	1.000	1.860
1-1/4	59618	40	1.300	0.640	1.311	2.125
1-1/2	59619	30	1.425	0.725	1.530	2.250
2	59620	40	1.150	0.800	1.970	2.100
2-1/2	59621	20	1.900	0.800	2.346	2.930
3	59622	40	2.000	0.815	2.915	3.055
3-1/2	59623	30	1.715	1.000	3.385	3.055
4	59624	20	1.990	0.815	3.850	3.215
5	59625	10	2.000	1.725	5.015	5.985
6	59626	8	2.130	1.875	6.025	6.500

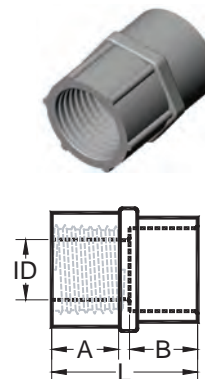
Listed to UL651



## Female Adapters - NPT Tapered Thread

Trade Size	Part Number	Unit Quantity	A (in)	B (in)	Inside (ID) Diameter (in)	Length (L) (in)
1/2	59630	200	0.800	0.825	0.620	1.725
3/4	59631	125	0.800	1.000	0.820	1.900
1	59632	70	1.000	1.200	1.065	2.300
1-1/4	59633	40	1.015	1.300	1.395	2.425
1-1/2	59634	30	1.050	1.290	1.575	2.440
2	59635	40	1.075	1.375	2.050	2.550
2-1/2	59636	20	1.675	1.985	2.470	3.760
3	59637	40	1.630	2.150	3.090	4.100
3-1/2	59638	30	1.800	2.000	3.540	3.985
4	59639	20	1.755	2.185	4.025	4.210
5	59640	10	2.065	3.000	5.035	5.240
6	59641	8	2.065	3.000	6.045	5.235

Listed to UL651



**PVC Conduit & Fittings are not available in all markets.**

Please contact your Allied representative or distributor for details.

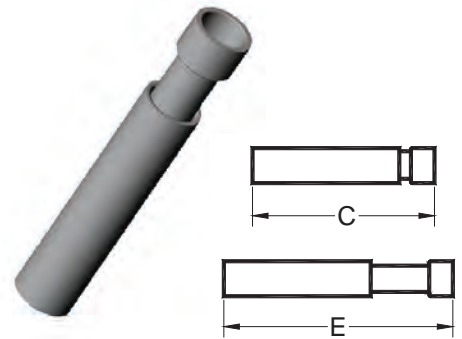
NOTE: Special orders are non-cancelable, non-returnable and non-refundable.



# PVC Expansion Couplings, Straps, Meter Accessories

## Expansion Couplings - Two Piece

Trade Size	Part Number	Unit Quantity	Expanded (E) (in)	Contracted (C) (in)	Travel (in)
1/2*	789646	25	12.00	8.00	4.00
3/4	789647	10	12.00	8.00	4.00
1	789648	10	12.50	8.50	4.00
1-1/4	789649	5	13.00	9.00	4.00
1-1/2	789650	5	13.00	9.00	4.00
2	789651	25	13.25	9.25	4.00
2-1/2*	789652	12	13.25	9.25	4.00
3	789653	12	22.25	14.25	8.00
3-1/2*	789654	6	22.25	14.25	8.00
4	789655	6	22.25	14.25	8.00
5*	789656	1	22.25	14.25	8.00
6	789657	1	22.25	14.25	8.00



Third-party certified to UL 651 except for trade sizes marked with an asterisk\*

## Pipe Straps\* - PVC - 2 Hole

Trade Size	Part Number	Unit Quantity
1/2	59280	300
3/4	59281	200
1	59282	200
1-1/4	59283	200
1-1/2	59284	200
2	59285	200



Listed to UL651

## Meter Hubs

Trade Size	Part Number	Unit Quantity
1-1/4	802801	50
1-1/2	802802	25
2	802803	50



Listed to UL651

## Meter Offsets

Trade Size	Part Number	Unit Quantity
1-1/4	59193	15
2	59194	8



Listed to UL651

## Service Entrance Fittings

Trade Size	Part Number	Unit Quantity
1/2	59269	10
3/4	59270	10
1	59271	20
1-1/4	59272	20
1-1/2	59273	20
2	59274	5
2-1/2*	59275	5
3	59276	5
3-1/2*	59277	5
4	59278	1



Listed to UL651

## Pulling Elbow

Trade Size	Part Number	Unit Quantity
1/2	52400	75
3/4	52401	50



Listed to UL651

**PVC Conduit & Fittings are not available in all markets.**

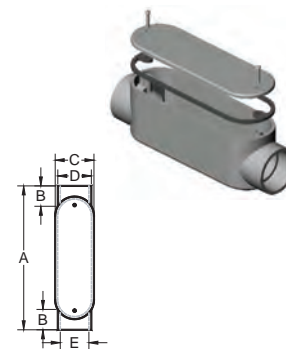
Please contact your Allied representative or distributor for details.  
NOTE: Special orders are non-cancelable, non-returnable and non-refundable.

# PVC Access Fittings

## Type C

Trade Size	Part Number	Unit Quantity	A (in)	B (in)	C (in)	D (in)	E (in)
1/2	59260	25	5.606	0.639	1.268	1.100	0.840
3/4	59261	15	5.606	0.810	1.536	1.325	1.050
1	59262	10	6.500	0.910	1.700	1.600	1.335
1-1/4	59263	10	7.900	1.050	2.300	2.250	1.100
1-1/2	59264	10	8.500	1.125	2.675	2.250	1.900
2	59265	5	10.875	1.160	3.188	2.820	2.375
2-1/2	59266	5	14.600	1.750	4.500	3.950	2.870
3	59267	5	14.600	1.900	4.500	3.950	3.510
3-1/2	59268	4	17.040	2.125	5.536	5.000	4.000
4	59279	4	17.040	2.125	5.536	5.000	4.530

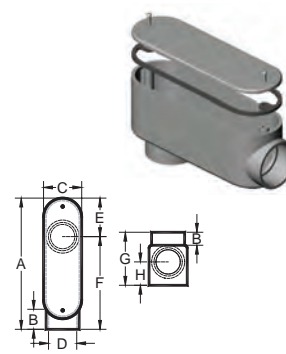
Listed to UL651



## Type LB

Trade Size	Part Number	Unit Quantity	A (in)	B (in)	C (in)	D (in)	E (in)	F (in)	G (in)	H (in)
1/2	59200	25	4.337	0.639	1.268	0.840	1.297	4.095	2.487	1.005
3/4	59201	15	5.395	0.810	1.536	1.050	1.297	4.095	2.487	1.005
1	59202	10	6.250	0.910	1.700	1.335	1.500	4.750	2.075	1.125
1-1/4	59203	10	7.625	1.050	2.300	1.100	1.750	5.750	3.575	1.562
1-1/2	59204	10	8.250	1.125	2.675	1.900	1.750	6.500	3.938	1.656
2	59205	5	10.531	1.160	3.188	2.375	2.344	8.156	4.535	1.968
2-1/2	59206	5	13.630	1.750	4.500	2.870	3.805	9.825	6.240	2.610
3	59207	5	13.630	1.900	4.500	3.510	2.733	10.897	6.240	2.610
3-1/2	59208	4	16.000	2.125	5.536	4.000	4.535	11.465	7.500	2.975
4	59209	4	16.000	2.125	5.536	4.530	4.535	11.465	7.500	2.975

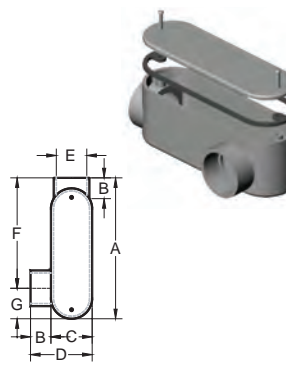
Listed to UL651



## Type LL

Trade Size	Part Number	Unit Quantity	A (in)	B (in)	C (in)	D (in)	E (in)	F (in)	G (in)
1/2	59210	25	4.337	0.639	1.268	2.487	0.840	4.095	1.297
3/4	59211	15	5.395	0.810	1.536	2.487	1.050	4.095	1.297
1	59212	10	6.250	0.910	1.700	2.075	1.335	4.750	1.500
1-1/4	59213	10	7.625	1.050	2.300	3.575	1.100	5.750	1.750
1-1/2	59214	10	8.250	1.125	2.675	3.938	1.900	6.500	1.750
2	59215	5	10.531	1.160	3.188	4.535	2.375	8.156	2.344
2-1/2	59216	5	13.630	1.750	4.500	6.240	2.870	9.825	3.805
3	59217	5	13.630	1.900	4.500	6.240	3.510	10.897	2.733
3-1/2	59218	4	16.000	2.125	5.536	7.500	4.000	11.465	4.535
4	59219	4	16.000	2.125	5.536	7.500	4.530	11.465	4.535

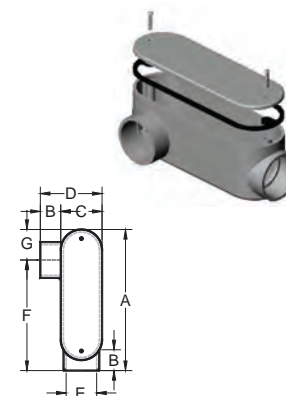
Listed to UL651



## Type LR

Trade Size	Part Number	Unit Quantity	A (in)	B (in)	C (in)	D (in)	E (in)	F (in)	G (in)
1/2	59220	25	4.337	0.639	1.268	2.487	0.840	4.095	1.297
3/4	59221	15	5.395	0.810	1.536	2.487	1.050	4.095	1.297
1	59222	10	6.250	0.910	1.700	2.075	1.335	4.750	1.500
1-1/4	59223	10	7.625	1.050	2.300	3.575	1.100	5.750	1.750
1-1/2	59224	10	8.250	1.125	2.675	3.938	1.900	6.500	1.750
2	59225	5	10.531	1.160	3.188	4.535	2.375	8.156	2.344
2-1/2	59226	5	13.630	1.750	4.500	6.240	2.870	9.825	3.805
3	59227	5	13.630	1.900	4.500	6.240	3.510	10.897	2.733
3-1/2	59228	4	16.000	2.125	5.536	7.500	4.000	11.465	4.535
4	59229	4	16.000	2.125	5.536	7.500	4.530	11.465	4.535

Listed to UL651



**PVC Conduit & Fittings are not available in all markets.**

Please contact your Allied representative or distributor for details.

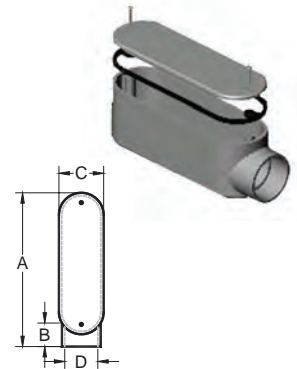
NOTE: Special orders are non-cancelable, non-returnable and non-refundable.

# PVC Access Fittings

## Type E

Trade Size	Part Number	Unit Quantity	A (in)	B (in)	C (in)	D (in)
1/2	59090	30	4.337	0.639	1.268	0.840
3/4	59091	20	5.395	0.810	1.536	1.050
1	59092	15	6.250	0.910	1.700	1.335
1-1/4	59093	20	7.625	1.050	2.300	1.100
1-1/2	59094	10	8.250	1.125	2.675	1.900
2	59095	15	10.531	1.160	3.188	2.375
2-1/2	59296	4	13.630	1.750	4.500	2.870
3	59297	4	13.630	1.900	4.500	3.510
3-1/2	59298	4	16.000	2.125	5.536	4.000
4	59299	4	16.000	2.125	5.536	4.530

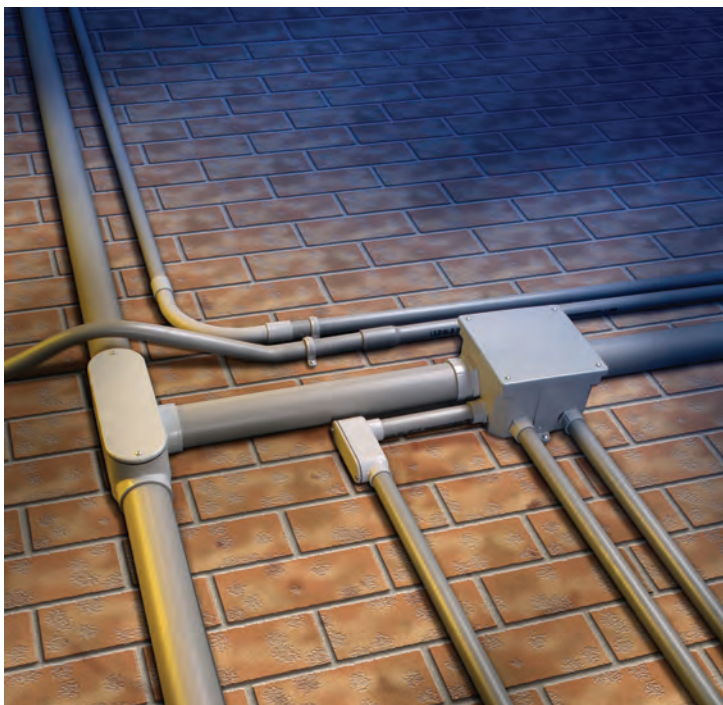
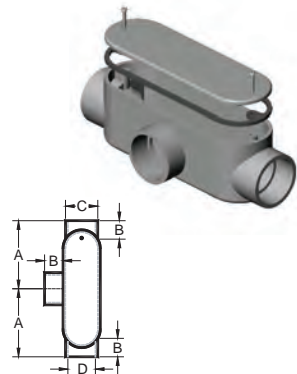
Listed to UL651



## Type T

Trade Size	Part Number	Unit Quantity	A (in)	B (in)	C (in)	D (in)
1/2	59230	25	2.280	0.639	1.100	0.840
3/4	59231	15	2.803	0.810	1.325	1.050
1	59232	10	3.250	0.910	1.600	1.335
1-1/4	59233	10	3.950	1.050	2.250	1.100
1-1/2	59234	10	4.250	1.125	2.250	1.900
2	59235	5	5.438	1.160	2.820	2.375
2-1/2	59236	2	7.300	1.750	3.950	2.870
3	59237	2	7.300	1.900	3.950	3.510
3-1/2	59238	1	8.535	2.125	5.000	4.000
4	59239	1	8.535	2.125	5.000	4.530

Listed to UL651



**PVC Conduit & Fittings are not available in all markets.**

Please contact your Allied representative or distributor for details.

NOTE: Special orders are non-cancelable, non-returnable and non-refundable.

[www.alliedeg.com](http://www.alliedeg.com)

# PVC Cover Plates

## Single Gang Cover Plates - F Series



802883



802884



59162



802885



59164



59165

Description	Part Number	Unit Quantity
Toggle Switch	802883	100
Duplex Receptacle	802884	100
Single Receptacle - 15 Amp	59162	100
Single Receptacle - 20 Amp	802885	100
Single Receptacle - 30 Amp	59164	100
Single Blank with Gasket	59165	50

Listed to UL651

## Double Gang Cover Plates - F Series



59156



802904



802905



59159

Description	Part Number	Unit Quantity
Double Switch	59156	50
Combo Switch/Receptacle	802904	50
Double Duplex	802905	50
Double Blank with Gasket	59159	50

Listed to UL651

## Triple Gang Cover Plates - F Series



802909



802914



802915



802916



802917

Description	Part Number	Unit Quantity
Triple Switch	802909	50
Double Switch/Receptacle	802914	50
Double Receptacle/Switch	802915	50
Triple Receptacle	802916	50
Triple Blank with Gasket	802917	50

Listed to UL651

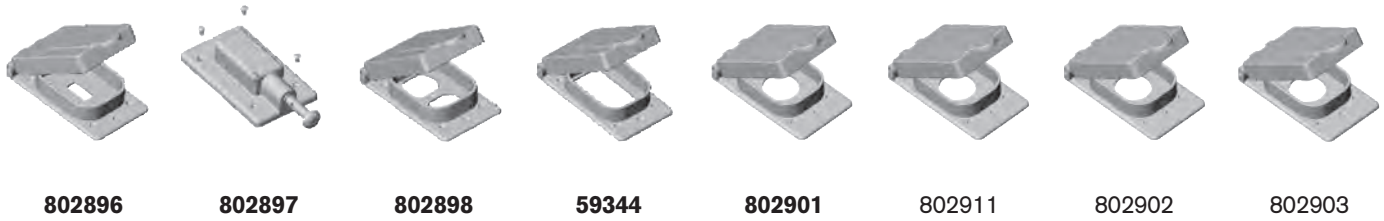
**PVC Conduit & Fittings are not available in all markets.**

Please contact your Allied representative or distributor for details.

NOTE: Special orders are non-cancelable, non-returnable and non-refundable.

# PVC Weatherproof Box Covers

## Single Gang Box Covers



Description	Part Number	Unit Quantity
Toggle Switch	802896	10
Plunger Switch	802897	10
Duplex Receptacle	802898	10
GFI Receptacle	59344	10
Receptacle - 15 Amp	802901	10
Receptacle - 20 Amp	802911	10
Receptacle - 30 Amp	802902	10
Receptacle - 50 Amp	802903	10

Listed to UL651

## Double Gang Box Covers



Description	Part Number	Unit Quantity
Toggle Switch	802906	10
Combo Switch/Receptacle	59142	10
Combo Switch/GFI	802907	10

Listed to UL651

**PVC Conduit & Fittings are not available in all markets.**

Please contact your Allied representative or distributor for details.

NOTE: Special orders are non-cancelable, non-returnable and non-refundable.

# PVC Exposed Boxes

## Single Gang Boxes - F Series



FS FSS FSC FSCC

Description	Part Number	Unit Quantity	Volume (in <sup>3</sup> )
1/2" FS	59240	10	17.0
3/4" FS	59241	10	17.0
1/2" FSS	59243	10	17.5
3/4" FSS	59244	10	17.5
1/2" FSC	59246	10	16.3
3/4" FSC	59247	10	16.3
1/2" FSCC	59345	10	17.0
3/4" FSCC	59346	10	17.0

Listed to UL651

## Double Gang Boxes - F Series



FS FSS FSC FSCC BLANK

Description	Part Number	Unit Quantity	Volume (in <sup>3</sup> )
Outside Dimensions: Length = 4.5", Width = 4.75", Height = 2.5", except BLANK, L = 4.75", W = 4.75", H = 3.0"			
1/2" FS	802861	5	39.5
3/4" FS	802862	5	39.5
1" FS	59153	5	39.5
1/2" FSS	802864	5	37.0
3/4" FSS	802865	5	37.0
1" FSS	59348	5	37.0
1/2" FSC	802867	5	37.0
3/4" FSC	802868	5	37.0
1" FSC	802869	5	37.0
1/2" FSCC	802870	5	36.0
3/4" FSCC	802871	5	36.0
1" FSCC	59349	5	36.0
BLANK	59155	5	52.0

Listed to UL651

## Triple Gang Boxes - F Series



FS FSC BLANK

Description	Part Number	Unit Quantity	Volume (in <sup>3</sup> )
Outside Dimensions: Length = 4.5", Width = 6.6", Height = 2.5", except BLANK, L = 4.5", W = 6.6", H = 3.0"			
1/2" FSC	802874	10	56.0
3/4" FSC	802876	10	56.0
1" FSC	59146	10	56.0
1/2" FS	802878	10	54.0
3/4" FS	802879	10	54.0
1" FS	802880	10	54.0
BLANK	802881	10	73.8

**PVC Conduit & Fittings are not available in all markets.**

Please contact your Allied representative or distributor for details.

NOTE: Special orders are non-cancelable, non-returnable and non-refundable.

# PVC Exposed Boxes

## Octagonal Boxes

Size (in)	Part Number	Unit Quantity
4 x 1-1/2	802804	20
4 x 2	802805	12
3/4 KO PLUG	802806	1
1 KO PLUG	802807	1

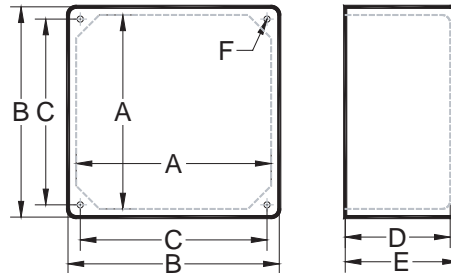
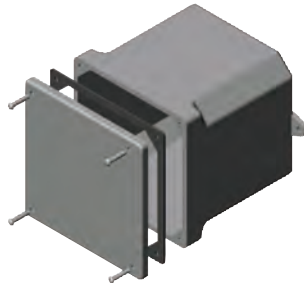
Listed to UL651



## Octagonal Box Extension Rings

Size (in)	Part Number	Unit Quantity
1	802808	20
2	802809	20

Listed to UL651



## Junction Boxes with Gasket

Nominal Size (in)	Part Number	Unit Quantity	Inside Length & Width (A) (in)	Outside Length Width (B) (in)	Length Screw to Screw (C) (in)	Outside Height (E) (in)	Inside Height (D) (in)	Screw Size (F)	Volume (in <sup>3</sup> )
4 x 4 x 2	59250	10	3.675	4.000	3.450	2.125	2.000	8-32	25.4
4 x 4 x 4	59251	10	3.675	4.000	3.450	4.188	3.750	8-32	47.5
4 x 4 x 6	59252	10	3.675	4.000	3.450	6.225	6.000	8-32	76.1
5 x 5 x 2	59253	10	4.680	5.000	4.485	2.000	1.845	8-32	38.7
6 x 6 x 4	59254	10	6.000	6.375	5.813	4.188	4.000	10-32	139.5
6 x 6 x 6	59255	5	6.000	6.375	5.813	6.188	6.000	10-32	209.3
8 x 8 x 4	59256	5	8.075	8.625	7.996	4.230	4.005	1/4-20	258.6
8 x 8 x 7	59257	4	8.100	8.625	7.996	7.250	7.035	1/4-20	455.6
12 x 12 x 4	59258	2	12.085	12.580	11.874	4.256	4.030	1/4-20	578.3
12 x 12 x 6	59259	2	12.085	12.580	11.874	6.240	6.025	1/4-20	864.6
12 x 12 x 8	802944	3	12.085	12.580	11.874	8.250	8.025	1/4-20	1,151.6

Solid box - no knockouts

Listed to UL651



**PVC Conduit & Fittings are not available in all markets.**

Please contact your Allied representative or distributor for details.

NOTE: Special orders are non-cancelable, non-returnable and non-refundable.

# PVC Fittings - Misc., & Solvent Cement

## End Cap

Trade Size	Part Number	Unit Quantity
1/2	59645	100
3/4	59646	100
1	59647	50
1-1/4	59648	25
1-1/2	59649	25
2	59125	50
2-1/2	59126	25
3	59127	25
4	59128	25
5	59129	25
6	59130	10



## End Bell Molded

Trade Size	Part Number	Unit Quantity
1/2	59673	100
3/4	59674	100
1	59675	50
1-1/4	59676	50
1-1/2	59677	50
2	59678	40
2-1/2	59679	50
3	59680	50
3-1/2	59681	50
4	59682	50
5	59683	25
6	59684	15



## Junction Box Adapters

Trade Size	Part Number	Unit Quantity
1/2	33715	100
3/4	33716	100
1	33717	100
1-1/4	33718	50
1-1/2	33719	50
2	33720	25
2-1/2	33721	10
3	33722	10
3-1/2	33723	10
4	33724	10



## Reducer Bushings

Trade Size	Part Number	Unit Quantity
<b>3/4 x 1/2</b>	59897	100
1 x 1/2*	802738	300
<b>1 x 3/4</b>	59899	100
1-1/4 x 3/4*	802739	100
1-1/4 x 1*	59901	50
1-1/2 x 1*	802740	50
1-1/2 x 1-1/4*	59903	50
2 x 1*	802741	50
2 x 1-1/4*	802742	25
<b>2 x 1-1/2</b>	59905	25
2-1/2 x 2*	59906	25
3 x 2*	802743	25
3 x 2-1/2*	59909	25
4 x 2*	802744	15
4 x 3*	59908	20
4 x 3-1/2*	59910	20



## Poly Plug with Pulling Eye

Trade Size	Part Number	Unit Quantity
2	802918	60
3	802919	30
4	802920	48
5	802921	30
6	802922	30



UL Listed - **Bolded**

\* Not UL Listed

## Conduit Cement #99

Size	Part Number	Unit Quantity
1/2 Pint	85177	24
Pint	85174	12
Quart	85175	12
Gallon	85176	6



## Primer Clear

Size	Part Number	Unit Quantity
1/2 Pint	813088	24
Pint	813085	12
Quart	813087	12
Gallon	813091	6



- Purple primer and gray conduit cement available upon request.
- Contact your Allied Tube & Conduit Electrical Representative for more information





# Warranty

**Warranties.** Seller warrants the products will meet Underwriter's Laboratory (UL) specifications if such products are UL listed. No warranty is given for products or components that have been (i) manufactured by companies other than Seller; (ii) subject to misuse, improper installation, corrosion, or negligence; (iii) disassembled, modified or repaired by unauthorized persons; (iv) used in any manner contrary to Seller's instructions or recommendations; or (v) subject to (1) corrosion beyond normal weathering; (2) corrosion caused by disruption of any product coating after production; (3) corrosion occurring at points in the product that have been drilled, cut or welded; or (4) corrosion occurring in unusual or highly corrosive soil, environmental or industrial conditions (in case of corrosion under this subsection (v)(4), Seller's limited obligation is to ensure that the product complies with its published specifications). SELLER DISCLAIMS ALL OTHER WARRANTIES, WHETHER EXPRESS OR IMPLIED, INCLUDING, WITHOUT LIMITATION, ANY WARRANTY OF MERCHANTABILITY OR FITNESS FOR A PARTICULAR PURPOSE, ANY WARRANTY THAT THE PRODUCTS WILL CONFORM TO ANY SAMPLES, ANY WARRANTY THAT THE PRODUCTS WILL NOT DISCOLOR OR THE TEXTURE OR FINISH WILL NOT CORRODE OR DETERIORATE, ANY WARRANTY RELATED TO THE FAILURE OF ANY SOLVENT WELD JOINT OR DEFECTIVE SOLVENT USED IN MAKING ANY SUCH JOINT (EXCLUDING SOLVENT WELDS MADE BY SELLER), AND ANY WARRANTY REGARDING ANY ANCILLARY SERVICES RENDERED.

**Remedy and Limitation of Liability.** If the products do not comply with the warranties set forth above, Buyer must provide prompt written notice to Seller of the non-conformance in reasonably sufficient detail (and such other detail as Seller requests) and must comply with Seller's instructions and policies regarding the non-conforming product. Buyer must provide such notice within 30 days of receipt of the products. Seller's liability will terminate upon expiration of the notice period. Seller's sole liability for non-conforming products will be to repair or replace the non-conforming product or return the purchase price paid therefore, at Seller's sole option. Buyer will bear all disassembly, shipment and reinstallation costs of repaired or replaced products. IN NO EVENT WILL SELLER BE LIABLE IN CONTRACT, TORT, STRICT LIABILITY OR OTHERWISE FOR INCIDENTAL, INDIRECT, SPECIAL OR CONSEQUENTIAL DAMAGES, REGARDLESS OF WHETHER SELLER WAS INFORMED OF THE POSSIBILITY OF SUCH DAMAGES, AND IN NO EVENT WILL SELLER'S LIABILITY EXCEED AN AMOUNT EQUAL TO THE SALES PRICE OF THE PRODUCTS.

All trademarks, trade names, logos and similar marks used herein are the property of their respective owners.

**LIGHT ON WEIGHT  
HEAVY ON SAVINGS**



**PRACTICALLY PUTS  
ITSELF TOGETHER**



**IDENTIFY THE  
CULPRIT QUICKLY**

**CRITICAL CIRCUIT LINE UP**



## SAVING YOU TIME AND MONEY!



TUBE & CONDUIT®

A PART OF  **Atkore**  
INTERNATIONAL

**UP TO 25% LOWER MATERIAL COST THAN RIGID STEEL WITH IMC AND KWIK-COUPLE® IMC**

Up to 30% lighter in weight  
Can be used for the same applications as Rigid Steel

Save even more with Kwik-Couple® IMC by eliminating the need for separate couplings and reducing the time of installation

**UP TO 50% LOWER LABOR COST WITH KWIK SOLUTIONS**

Built in coupling cuts installation time and minimizes inventory

Estimate your savings at [kwikcalculator.com](http://kwikcalculator.com)



Installation time will vary with job site conditions

**IDENTIFY CRITICAL CIRCUITS AT A GLANCE WITH TRUE COLOR™ EMT**

True Colors IMC, Rigid and Special Orders Available

Available in 8 colors





**Visit [alliedeg.us](http://alliedeg.us) to learn more**







**Conduit Systems**

**Steel Conduit**

- E-Z Pull® & True Color™ EMT
- EMT Elbows
- IMC
- Rigid (GRC)
- GRC Elbows, Nipples & Couplings

**Kwik Products**

- Kwik-Fit® EMT (built-in set-screw coupling)
- Kwik-Couple® IMC/GRC (built-in rotating coupling)
- Kwik-Fit® Compression EMT

**Aluminum Conduit**

- Rigid
- Aluminum Elbows
- Aluminum Couplings

**PVC**

- Schedule - 40 & 80 Rigid PVC
- EB/DB Duct
- PVC Elbows
- Fittings, Spacers & Accessories



**Conduit Systems Canada**

- All items listed above, plus
- Aluminum Nipples and **except** for the following:
  - IMC
  - Kwik-Couple IMC
  - PVC

**Cable Systems**

**AC & MC Cable**

- MC TUFF® Lightweight Steel (MC) Cable
- MC TUFF® IG (MC) Cable with Isolated Ground
- MC Lite® Metal Clad Aluminum (MC) Cable
- MC-Quik® (MC) Cable
- MC-Stat® (MC) Cable
- MC-Plus® (MC) Cable
- HCF-90® & HCF-Lite™
- AC-90® & AC-Lite™
- Fire Alarm® Cable
- Home Run Cable®
- Parking Deck/Lot Cable®
- Super Neutral Cable®

**Flexible Conduit**

- LIQUID-TUFF® Liquid-Tight Flexible Conduit
- Full and Reduced Wall Flexible Metal Conduit

**Fittings**

- EMT Steel Compression & Set-Screw Fittings
- Liquid-Tight Metallic & Non-Metallic Fittings
- MC/AC Cable Connectors

**AFC Accessories**

- Light, Power, & Appliance Whips
- Temp-Lites™
- Bare Armored Ground



**Modular Wiring Systems**

**ACS/Uni-Fab**

- Modular Lighting Systems
- Raised Floor Assemblies
- Pre-Fab Assemblies

**Framing Systems**

**Channel**

- Steel Channel
- Aluminum Channel
- Stainless Steel Channel
- Fiberglass Channel
- Junior Channel

**Fittings & Accessories**

- Channel Brackets
- Channel Fittings
- Pipe Clamps
- Threaded Rods
- Fiberglass Fittings
- Junior Channel Fittings
- Concrete Inserts
- Slotted Angles

**Finishes**

- Pre-Galvanized Channel
- Green Channel
- Hot-Dip Galv. Channel
- Gold Channel

**Solar Products**



**Framing Systems**

- All items listed above, **plus** the following:
- Gratings
  - Roof Walks
  - Solar Products
  - Telestrut® Telescoping Strut System
  - UniPier® Rooftop Supports

**Cable Tray Systems**

**Aluminum Tray**

- Aluminum Ladder Tray
- Aluminum Trof Tray
- Aluminum Channel
- Aluminum Fittings

**Steel Tray**

- Steel Ladder Tray
- Steel Trof Tray
- Steel Channel
- Steel Fittings

**I-Beam™ Cable Tray**

- I-BEAM™ Aluminum Tray
- I-BEAM™ Accessories

**Fiberglass Tray**

- Cope-glas™ Fiberglass Tray
- Fiberglass Fittings

**Other Cope Products**

- Cable Channel

**Wire Basket**

- Wire Basket Tray
- Wire Basket Accessories

16100 South Lathrop Ave  
Harvey, IL 60426  
PHONE / 708-339-1610  
TOLL-FREE / 800-882-5543

[www.alliedeg.com](http://www.alliedeg.com)



**UNISTRUT**



**RAZOR**  
RIBBON

**FLEXHEAD**  
INDUSTRIES



**Columbia-MBF**



**UNISTRUT**  
Construction



**TECTRON**Tube



**SprinkFLEX**

**KAF-TECH**