

# Milbank® Commercial and Industrial Products



**MILBANK®**





Charles A. Milbank  
1879-1966



Bill Martin  
1916-1998



Robert F. Waldrop,  
1922-2002



Robert F. Waldrop, II  
Chairman



Katrina Waldrop Henke  
Vice Chairman

## Milbank—Quality Metering Products for 80 Years

Milbank Manufacturing Company was established in 1927 by Charles A. Milbank. Originally, the company manufactured high voltage switches; however, by 1941 Milbank devoted itself primarily to the manufacture of sheet metal enclosures and related equipment for the electrical generation and distribution industry. Today we are an industry leader in the manufacture of electrical meter sockets. Through a national network of manufacturer's representatives we provide wholesale electrical distributors with quality electrical products for the utility, contractor, industrial and OEM markets.

As the meter standards have changed, Milbank has been successful in adapting its product line to these changes. Our full scale engineering department designs products to meet customer specifications and satisfy all utility requirements. Milbank's employee base of over 1,000 workers, along with our five manufacturing facilities com-

prising almost 550,000 square feet give us the flexibility to schedule, produce, and ship orders quickly. Currently, Milbank manufactures over 10,000 different catalog items, and this list continues to grow. Our unique product offering includes: Residential & Commercial Meter Sockets; Residential & Commercial Meter Pedestals; RV/MH Power Outlets, Service Pedestals, and Transformers; Commercial & Industrial Electrical Enclosures; Circuit Breakers; Disconnects & Safety Switches; Safety Sockets; Utility & Residential Secondary Pedestals; Hubs, and related accessories. If you don't find a unit in this catalog to service your needs, send us your specifications and we will be happy to work with you.

Our success has come from a loyal customer base that can rely on us to build quality products at a fair price in a timely manner. Our willingness and ability to design and produce new products to meet our customer demands is an important factor to remain competitive in today's electrical market.

Milbank has been serving the electric utility & wholesale distribution industries for 80 years with innovative, quality engineered products. So remember us for all of your meter mounting and related requirements, and we will be happy to serve you as we have in the past—with dependable service and quality products!

We take great pride in being one of the few family-owned businesses left in our industry. We are a third generation run business and truly believe that...

**FAMILY MAKES A DIFFERENCE!**





Description	Page	Description	Page
<b>COMMERCIAL SECTION . . . . . A1</b>		HC1—Hinge Cover Junction Boxes— Type 1 . . . . .	B6
<b>NEMA &amp; UL RATINGS . . . . . A2</b>		LC1—Hinged Cover Panel Enclosure— Type 1 . . . . .	B7
<b>COMMERCIAL METER PEDESTALS . . . . . A3</b>		SC3R—Screw Cover Junction Boxes— Type 3R . . . . .	B8-B10
Commercial Meter Pedestals Overview . . . . .	A4	HC3R—Hinged Cover Junction Boxes— Type 3R . . . . .	B11
Applications & Accessories . . . . .	A5	TC3R—Hinged Cover Telephone Cabinet/Panel Enclosure—Type 3R . . . . .	B12
Catalog Number Logic . . . . .	A6	CT3R—Current Transformer Cabinet / Panel Enclosure— Type 3R . . . . .	B13
ML Series—Main Load Center . . . . .	A7	WSC—Gasketed Screw Cover Junction Boxes— Type 3, 4, 12, & 13 . . . . .	B14
SL Series—Switched Load Center . . . . .	A8	TFLC—Telephone Cabinet Covers— Flush Mount —Type 1 . . . . .	B15
400 Amp Series . . . . .	A9	TSC—Telephone Cabinet Covers—Type 1— Surface Mount . . . . .	B16
IR Series—Irrigation Control . . . . .	A10	FLC—Blank Covers . . . . .	B17
BBS Series . . . . .	A11	P Series Steel Back Panels – P Series Wood Back Panels . . . . .	B18
Power Transfer Series—Metered & Unmetered. . . . .	A12	SBP Series Steel Back Panels – WB Series Wood Back Panels . . . . .	B19
General Specifications . . . . .	A13	GSC1 Lay-In Wireways Type 1 . . . . .	B20-B22
Commercial Meter Pedestal Drawings— 16" Metered & Unmetered. . . . .	A14	GHC1 Lay-In Wireways Type 1 . . . . .	B23-B24
Commercial Meter Pedestal Drawings— 24" Metered & Unmetered. . . . .	A15	GSC3R—Screw Cover Wiring Trough— Type 3R . . . . .	B25-B27
Commercial Meter Pedestal Drawings— 32" Metered. . . . .	A16	Wireway Fittings—for Use with GSC1 and GHC1 Wireway . . . . .	B28-B31
Commercial Meter Pedestal Drawings— 32" Unmetered . . . . .	A17	Wireway Fittings—for Use with GSC1 and GHC1 Wireway—Hole Seals . . . . .	B32
Commercial Meter Pedestal Drawings—Metered. . . . .	A18	Accessories—Locks . . . . .	B33
Commercial Pedestal Worksheet . . . . .	A19	Accessories . . . . .	B34
Commercial Pedestal – Application Samples . . . . .	A20-A29		
<b>COMMERCIAL ENCLOSURES . . . . . B1</b>			
SC1—Screw Cover Junction Boxes— Type 1 . . . . .	B2-B5		

Description	Page
<b>INDUSTRIAL SECTION . . . . . C1</b>	
<b>INDUSTRIAL ENCLOSURES . . . . . C3</b>	
Environmental Ratings, UL, CSA Cross Reference . . . . .	C4
IEC 529 Definition Of Protection Grades . . . . .	C5-C6
Modification & Drawing Requirements . . . . .	C7
Type 12 – Junction Enclosures JIC Screw Cover Enclosures . . . . .	C8
Type 12 – Junction Enclosures Clamp Cover Enclosure . . . . .	C9
Type 12 – Junction Enclosures JIC Wiring Troughs with Lift-Off Covers . . . . .	C10
Type 12 – Junction Enclosures Continuous Hinge Cover Enclosures . . . . .	C11
Type 12 – Junction Enclosures – Large Continuous Hinge Cover . . . . .	C12
Type 12 – Junction Enclosures – JIC Wiring Troughs Continuous Hinged Cover . . . . .	C13
Type 12 – Standard Oil – Tight Pushbutton Enclosure . . . . .	C14-C15
Type 12 – Extra Deep Oil-Tight Pushbutton Enclosure . . . . .	C16
Type 12 – Pendant Oil-Tight Pushbutton Enclosure . . . . .	C17
Type 12 – Sloping Front Oil-Tight Pushbutton Enclosures . . . . .	C18
Type 12 – Large Continuous Hinge Cover Pushbutton Enclosure . . . . .	C19
Type 12 – Slimline Oil-Tight Pushbutton Enclosures . . . . .	C20
Type 12 – Oil-Tight Consolets . . . . .	C21
Type 12 – Single Door Wall Mount Enclosures . . . . .	C22-C24

Description	Page
Type 12 – Double Door Wall Mount Enclosures . . . . .	C25-C26
Type 12 – Flush Mounted Enclosure . . . . .	C27
Type 12 – Two Door – Floor Mount Enclosures . . . . .	C28-C29
Type 12 – Single Door & Dual Access – Freestanding Enclosures . . . . .	C30-C31
Type 12 – Two Door & Two Door Dual Access – Freestanding Enclosures . . . . .	C32-C33
Type 12 – Multi-Door Enclosures with Sub Panels . . . . .	C34-C37
Type 12 – Disconnect Enclosures – Wall Mount Single Door Disconnect with Handles . . . . .	C38-C39
Type 12 – Disconnect Enclosures – Wall Mount Single Door Disconnect without Handles . . . . .	C40-C41
Type 12 – Disconnect Enclosures – Wall Mount Single Door Disconnect . . . . .	C42
Type 12 – Disconnect Enclosures – Wall Mount Allen Bradley 1494F & D Single Door Disconnect . . . . .	C43-C44
Type 12 – Disconnect Enclosures – Floor Mount Double Door Right Flange . . . . .	C45-C47
Type 12 – Heavy-Duty Enclosures Freestanding Disconnect With Sub Panel . . . . .	C48-C49
Type 12 – Heavy-Duty Enclosures – Single & Double Doors Freestanding Disconnect With Sub Panel . . . . .	C50
Type 12 – Heavy-Duty Enclosures – Three Door Freestanding Disconnect with Sub Panel . . . . .	C51
Type 12 – Heavy-Duty Enclosures – Four Door Freestanding Disconnect with Sub Panel . . . . .	C52
Type 12 – Heavy-Duty Enclosures – Five Door Freestanding Disconnect with Sub Panel . . . . .	C53

Description	Page	Description	Page
Type 12 – Modular Enclosures . . . . .	C54-C56	Industrial Enclosure Accessories – Handles – Custom Handle Kits – Custom Latches & Clamps . . . . .	C92
Multi-Door and Modular Enclosures Disconnect Information . . . . .	C57	Industrial Enclosure Accessories – Clamps – Latches – Oil Tight Hole Seals – Grounding Kits . . . . .	C93
Disconnect Enclosure Information . . . . .	C58-C64	Industrial Enclosure Accessories – Floor Mount & Freestanding Sub Panels . . . . .	C94
Type 12 – Series 1 and Series 9 Consoles . . . . .	C65-C67	Industrial Enclosure Accessories – Freestanding Side Sub Panels . . . . .	C95
Type 12 – Series 14 Consoles . . . . .	C68-C69	Industrial Enclosure Accessories – Mounting Hardware & End Plates . . . . .	C96
Type 4 – Junction Enclosures – Clamp Cover Enclosures . . . . .	C70	Industrial Enclosure Accessories – Economy Swing Panel Kit . . . . .	C97
Type 4 – Junction Enclosures – Continous Hinge Cover Enclosures . . . . .	C71	Industrial Enclosure Accessories – Semi-Adjustable Swing Panel Kit . . . . .	C98
Type 4 & 4X Single Door – Wall Mount Enclosures . . . . .	C72-C74	Industrial Enclosure Accessories – Fully Adjustable Swing Panel Kit . . . . .	C99
Type 4 – Double Door – Floor Mount Enclosures . . . . .	C75-C76	Industrial Enclosure Accessories – Heavy Duty Swing Panel Kit . . . . .	C100
Type 4 – Single Door – Freestanding Enclosure . . . . .	C77-C78	Industrial Enclosure Accessories – Swing Panels . . . . .	C101
Type 4 – Single Door Wall Mounted Disconnect Enclosure . . . . .	C79-C80	Industrial Enclosure Accessories – Pedestal . . . . .	C102
Type 4, 12 & 13 – Single Door – Millennium Series Enclosures . . . . .	C81-C83	Industrial Enclosures – Exterior Color Chart . . . . .	C103-C104
Type 4, 12 & 13 – Millennium Series Enclosures – Slope Top – Stainless Steel . . . . .	C84-C85	Industrial Enclosures – Specials . . . . .	C105-C109
Industrial Enclosure Accessories Drip Shield & Rack Mounting Angle Kits . . . . .	C86		
Industrial Enclosure Accessories Floor Stand, Door Stop Kits & Touch Up Paint . . . . .	C87		
Industrial Enclosure Accessories – Print Pockets & Folding Shelf . . . . .	C88		
Industrial Enclosure Accessories – Louver Skirt & Plate Kits . . . . .	C89		
Industrial Enclosure Accessories – Louver Kit Filters & Window Kits . . . . .	C90		
Industrial Enclosure Accessories – Hinged Window Kit & Replacement Latches & Clamps . . . . .	C91		
		<b>FIBERGLASS . . . . . D1</b>	
		FGJIC Series . . . . .	D2
		FRP NEMA Type 3, 3R, 4, 4X, 12 & 13 FGJIC Series - JICPL . . . . .	D3-D4
		FRP NEMA Type 3, 3R, 4, 4X, 12 & 13 FGJIC Series - JICLL . . . . .	D5-D6
		FRP NEMA Type 3, 3R, 4, 4X, 12 & 13 FGJIC Series - JICNPL . . . . .	D7-D8

Description	Page
FRP NEMA Type 3, 3R, 4, 4X, 12 & 13 FGJIC Series - JICNWLL . . . . .	D9-D10
FG Millennium Series - FRP NEMA Type 3, 3R, 4, 4X, 12 & 13 - 1/4 Turn Handle Opening . . . . .	D11-D12
FG Millennium Series - FRP NEMA Type 3, 3R, 4, 4X, 12 & 13 - with 2 Padlockable Latches . . . . .	D13-D14
FG Accessories . . . . .	D15-D17

**THERMAL MANAGEMENT . . . . . E1**

**AIR CONDITIONING DESIGNED FOR INDUSTRIAL ELECTRICAL ENCLOSURES NEMA TYPE. . . . . E3**

Cooling Technology . . . . .	E4-E7
Type 12 – Cooling Unit – DTS 1200 (900-1200 Btu/H) . . . . .	E8-E9
Type 12 – Cooling Unit – DTS 2000 (1700-2000 Btu/H) . . . . .	E10-E11
Type 12 – Cooling Unit – DTS 3041 (2000-3000 Btu/H) . . . . .	E12-E13
Type 12 – Cooling Unit – DTS 3141 (3000-4000 Btu/H) . . . . .	E14-E15
Type 12 – Cooling Unit – DTS 3145 (5000-7000 Btu/H) . . . . .	E16-E17
Type 12 – Cooling Unit – DTS 3241 (7000-8500 Btu/H) . . . . .	E18-E19
Type 12 – Cooling Unit – DTS 3245 (9000-12000 Btu/H) . . . . .	E20-E21
Type 12 – Cooling Unit – DTS 3341 (12000-14000 Btu/H) . . . . .	E22-E23
Type 12 – Cooling Unit – DTS 3541 (16000-18000 Btu/H) . . . . .	E24-E25
Type 12 – Cooling Unit – DTS 3641 (20000-24000 Btu/H) . . . . .	E26-E27

Description	Page
Top Mounted Cooling Unit DTT 6101 (1200-2000 Btu/H) DTT 6201 (2500-4000 Btu/H) . . . . .	E28-E29
Top Mounted Cooling Unit DTT 6301 (4000-5500 Btu/H) DTT 6401 (5500-7000 Btu/H) . . . . .	E30-E31
Top Mounted Cooling Units DTT 6601 (7000-10000 Btu/H) DTT 6801 (12000-14000 Btu/H) . . . . .	E32-E33
Type 3R/4 – Outdoor Cooling Unit – DTS 3061 (2000-3000 Btu/H) . . . . .	E34-E35
Type 3R/4 – Outdoor Cooling Unit – DTS 3161 (3000-4000 Btu/H) . . . . .	E36-E37
Type 3R/4 – Outdoor Cooling Unit – DTS 3165 (5000-8000 Btu/H) . . . . .	E38-E39
Type 3R/4 – Outdoor Cooling Unit – DTS 3261 (7000-8500 Btu/H) . . . . .	E40-E41
Type 3R/4 – Outdoor Cooling Unit – DTS 3265 (9000-12000 Btu/H) . . . . .	E42-E43
Type 3R/4 – Outdoor Cooling Unit – DTS 3361 (12000-14000 Btu/H) . . . . .	E44-E45
Type 3R/4 – Outdoor Cooling Unit – DTS 3561 (16000-18000 Btu/H) . . . . .	E46-E47
Type 3R/4 – Outdoor Cooling Unit – DTS 3661 (20000-24000 Btu/H) . . . . .	E48-E49
Type 4/4X – Outdoor Cooling Unit – DTS 3081 (2000-3000 Btu/H) . . . . .	E50-E51
Type 4/4X – Cooling Unit – DTS 3181 (3000-4000 Btu/H) . . . . .	E52-E53
Type 4/4X – Cooling Unit – DTS 3185 (5000-7000 Btu/H) . . . . .	E54-E55
Type 4/4X – Cooling Unit – DTS 3281 (7000-5800 Btu/H) . . . . .	E56-E57
Type 4/4X – Cooling Unit – DTS 3285 (9000-12000 Btu/H) . . . . .	E58-E59
Type 4/4X – Cooling Unit – DTS 3381 (12000-14000 Btu/H) . . . . .	E60-E61



Description	Page
Type 4/4X – Cooling Unit – DTS 3581 (16000-18000 Btu/H) . . . . .	E62-E63
Type 4/4X – Cooling Unit – DTS 3681 (20000-24000 Btu/H) . . . . .	E64-E65
4th Generation Filterfan® . . . . .	E66
Peltier Cooling Units (100-500W) – PTM 100 / PTM 150 / PTM 500 . . . . .	E67-E68
4th Generation Filterfan® . . . . .	E69
Filterfan® – PF 11000 & PF 10000 . . . . .	E70-E71
Filterfan® PF 22000 – Exhaust Filter PF 20000 . . . . .	E72-E73
Filterfan® PF 32000 – Exhaust Filter PF 30000 . . . . .	E74-E75
Filterfan® Pf 42500 – Exhaust Filter PF 40000 . . . . .	E76-E77
Filterfan® PF 43000 – Exhaust Filter PFA 40000 . . . . .	E78-E79
Filterfan® PF 65000 – Exhaust Filter PFA 60000 . . . . .	E80-E81
Filterfan® PF 66000 – Exhaust Filter PFA 60000 . . . . .	E82-E83
Filterfan® PF 67000 – Exhaust Filter PFA 60000 . . . . .	E84-E85
Slimline Filterfan® PF33000 SL . . . . .	E86-E87
Slimline Filterfan® PF 65000 SL . . . . .	E88-E89
Slim Line Filterfan® PF 67000 SL . . . . .	E90-E91

Description	Page
Filterfans® – 3rd & 4th Generation . . . . .	E92
Filterfans® – 3rd Generation . . . . .	E93
Roof Mounting Filterfan® – PTF 60500 / 60700 / 61000 – Top Exhaust PTFA 60000 . . . . .	E94-E95

**HEATING . . . . . F1**



SL 025 Slimline Light . . . . .	F2
DL 026 Dual Light . . . . .	F3
KL 025 Compact Enclosure Light . . . . .	F4
HG 140 PTC Heater 15-150W . . . . .	F5
HVL 031 Fan Heater 100-400W . . . . .	F6
HVL 046 Fan Heater 250 & 400W . . . . .	F7
Heaters – FLH-TF Heater With Thermostat . . . . .	F8
CR 027 PTC Fan Heater – 400-650W . . . . .	F9
KT 011 Small Thermostat . . . . .	F10
DA 284 Vent Plug . . . . .	F11
DA 284S Stainless Steel Vent Plug . . . . .	F12
DA084 Vent Plug . . . . .	F13
SD 035 Enclosure Receptacle . . . . .	F14
Stegofix Self-Adhesive Mounting Aid . . . . .	F15

**PRODUCT INDEX . . . . . G1-G11**

---

# Commercial Section



<p><b>NEMA &amp; UL</b> are standard writing organizations commonly recognized in the North American continent. The following ratings are based on similar application descriptions and expected performance. UL requires enclosure testing by qualified evaluators. The Milbank Test Lab is certified in the UL Client Test Data Program. They also send site inspectors to check manufacturer adherence to prescribed manufacturing methods and material specifications. NEMA does not require independent testing, which leaves compliance totally up to the manufacturer.</p>			
<b>RATING</b>	<b>NEMA</b> National Electrical Manufacturers Association (NEMA Standard 250)	 Underwriters Laboratories Inc. (UL 50)	 Canadian Standards* CAN/CSA—C22.2 No. 94-M91
<b>TYPE 1</b>	Enclosures are intended for indoor use primarily to provide a degree of protection against limited amounts of falling dirt. (NEMA Standard 7-15-1991)	Indoor use primarily to provide a degree of protection against limited amounts of falling dirt.	General purpose enclosure. Protects against accidental contact with live parts.
<b>TYPE 3</b>	Enclosures are intended for outdoor use primarily to provide a degree of protection against rain, sleet, windblown dust, and damage from external ice formation. (NEMA Standard 7-15-1991)	Outdoor use primarily to provide a degree of protection against rain, sleet, windblown dust, and damage from external ice formation.	An Enclosure for either indoor or outdoor use, constructed so as to provide a degree of protection against rain, snow, and windblown dust; undamaged by the external formation of ice on the enclosure.
<b>TYPE 3R</b>	Enclosures are intended for outdoor use primarily to provide a degree of protection against rain, sleet, and damage from external ice formation. (NEMA Standard 7-15-1991)	Outdoor use primarily to provide a degree of protection against rain, sleet, and damage from external ice formation.	An Enclosure for either indoor or outdoor use, constructed so as to provide a degree of protection against rain, snow, and windblown dust, splashing and hose-directed water; undamaged by the external formation of ice on the enclosure.
<b>TYPE 4</b>	Enclosures are intended for indoor and outdoor use primarily to provide a degree of protection against windblown dust and rain, splashing water, hose-directed water, and damage from external ice formation. (NEMA Standard 1-10-1979)	Indoor or outdoor use primarily to provide a degree of protection against windblown dust and rain, splashing water, hose-directed water, and damage from external ice formation.	An Enclosure for either indoor or outdoor use, constructed so as to provide a degree of protection against rain, snow, and windblown dust, splashing and hose-directed water; undamaged by the external formation of ice on the enclosure.
<b>TYPE 4X</b>	Enclosures are intended for indoor and outdoor use primarily to provide a degree of protection against corrosion, windblown dust and rain, splashing water, hose-directed water, and damage from external ice formation. (NEMA Standard 1-10-1979)	Indoor or outdoor use primarily to provide a degree of protection against corrosion, windblown dust and rain, splashing water, hose-directed water, and damage from external ice formation.	An Enclosure for either indoor or outdoor use, constructed so as to provide a degree of protection against rain, snow, and windblown dust, splashing and hose-directed water; undamaged by the external formation of ice on the enclosure; resists corrosion.
<b>TYPE 12</b>	Enclosures are intended for indoor use primarily to provide a degree of protection against circulating dust, falling dirt, and dripping noncorrosive liquids. (NEMA Standard 7-15-1991)	Indoor use primarily to provide a degree of protection against circulating dust, falling dirt, and dripping noncorrosive liquids.	An Enclosure for either indoor use, constructed so as to provide a degree of protection against circulating dust, lint, fibers, and flyings; dripping and light splashing of noncorrosive liquids; not provided with knockouts.
<b>TYPE 13</b>	Enclosures are intended for indoor use primarily to provide a degree of protection against dust, spraying of water, oil, and noncorrosive coolant.	Indoor use primarily to provide a degree of protection against lint, dust, seepage, external condensation, and spraying of water, oil, and noncorrosive liquids.	Indoor use; provides a degree of protection against circulating dust, lint, fibers, and flyings; seepage and spraying of noncorrosive liquids, including oils and coolants.
<b>DISCLAIMERS</b>	The definitions on this page are reproduced with permission from NEMA. These descriptions are not intended to be complete representations of National Electrical Manufacturers Association standards.	The preceding definitions were reproduced with permission from Underwriters Laboratories Inc. Enclosures for Electrical Equipment. UL 50, Copywrite 1995.  Underwriters Laboratories Inc. (UL) shall not be responsible for the use of or reliance upon a UL Standard by anyone. UL shall not incur any obligation or liability for damages, including consequential damages, arising out of or connection with the use, interpretation of or reliance upon a UL Standard.	*Our enclosures are tested to CSA Standards by Underwriters Laboratories and bear the CUL Listing Mark.  The definitions on this page are reproduced with permission from CSA. These descriptions are not intended to be complete representations of CSA standards.

# Commercial Meter Pedestals

---




**MILBANK<sup>®</sup>**





# Commercial Pedestals

- Attractive
- Easy to install
- Secure
- Cost effective

 Milbank Commercial Pedestals are pad-mounted, weatherproof electrical enclosures consisting of a utility pull section with optional meter socket, and a customer section containing distribution and control equipment. Milbank

Commercial Pedestals are an attractive, secure, easy to install and cost-effective solution when underground remote site power distribution and control equipment is required, replacing unsightly and inefficient strut and backboard structures.



Strut and backboard design



Commercial Pedestal

## Un-Strut Your Stuff...

UL Listed as Industrial Control Panels (File E154253).



Ringless Socket



Ring-type Socket



Utility Lug Landing



Customer Interior

### STANDARD FEATURES –COMMERCIAL PEDESTALS

- Type 3R rainproof, vandal-resistant cabinet of powder-coated steel (aluminum or stainless steel also available)
- UL Listed as Industrial Control Panels (UL 508)
- Isolated, lockable & sealable utility metering & lug landing sections
- Lockable customer section for distribution & control equipment with internal deadfront
- Print pocket inside customer section door contains wiring schematics and installation instructions
- Most load centers are UL Listed for use with various manufacturers' circuit breakers
- All stainless steel external hardware (screws, bolts, hinges, handles, hasps and sealing screws)
- Meets EUSERC 308 and other utility standards.



*Utility requirements for this equipment may vary. Always consult the serving utility for their requirements before ordering or installing equipment in this catalog.*



**APPLICATIONS:**

These units are ideal for controlling and metering:

- Traffic signals
- Street lighting
- Irrigation / sprinkler systems
- Cell towers / telephone vaults
- Pump stations
- Temporary power for fairgrounds, swap meets, outdoor markets, portable offices, holiday lights, etc.
- Outdoor lighting for athletic fields, tennis and basketball courts, parking lots, landscaping and subdivision entrances, etc.



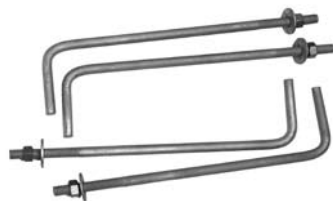
COMMERCIAL  
METER PEDESTALS

APPLICATIONS & ACCESSORIES

**AVAILABLE FACTORY-INSTALLED OPTIONS:**

- Meter sockets – **ring type** or **ringless**, to 400 amp (unmetered and dual-metered pedestals also available)
- Main and branch breakers or T fuses
- Distribution – copper load centers & panel boards
- Clocks / timers / relays
- Photoelectric cells and controls
- Power receptacles – pin & sleeve, twist lock or straight blade
- Contactors – definite purpose, electrical or mechanically held, IEC and mercury types
- Surge protection & lightning arrestors
- Reserve inlet generator receptacle with interlocked circuit breakers
- Motor starters, relays
- Push button controls
- Thermostat controls, fans and heating strips
- Power blocks and terminal blocks
- Steel, aluminum and plywood back boards
- Transformers
- Interlock devices for circuit breakers
- Available in steel, aluminum (raw painted or anodized) or stainless steel construction with powder-coated finish available in 8 standard colors or special ordered RAL colors.
- Available for applications up to 400 amp, 120V, 208V, 240V, 277V, 480V – 1Ø or 3Ø.

**ACCESSORIES**



**CP-ABK5/8**  
Anchor bolt kit  
(includes four 5/8 -  
13" x 18" anchor bolts)



**K3865**  
Fifth terminal kit  
for use with ringless  
lever bypass meter  
sockets



**105J**  
Fifth terminal kit for use  
with ring-type meter sockets



**CP-TC7D**  
7-day time clock kit

**CP-TC24H**  
24-hour time clock kit

**CP-TCWIRE**  
Male four-pin connector  
and wiring harness for use  
with time clocks other  
than shown



**CP-16PDMNT-CALT**  
Pedestal mounting base for  
16" pedestal

**CP-24PDMNT-CALT**  
Pedestal mounting base for 24"  
pedestal (includes mounting hardware)

**CP-32PDMNT**  
Pedestal mounting base for 32" pedestal  
(includes mounting hardware)



**CP-16FPAD**  
Fiberglass pedestal  
mounting base  
for 16" pedestal (direct  
buried)

*Utility requirements for this equipment may vary. Always consult the serving utility for their requirements before ordering or installing equipment in this catalog.*





- 1. METER SOCKET**
- 0 – No Socket
  - 1 – 1 Ring Type Socket (w/Test Bypass)
  - 2 – 2 Ring Type Sockets (w/Test Bypass)
  - 3 – 2 Ring Type Sockets  
(1 w/Test Bypass, 1 w/out Test Bypass)
  - 4 – 1 Ring Type Socket (No Test Bypass)
  - 5 – 1 Ringless Socket (w/Lever Bypass)
  - 6 – 2 Ringless Sockets (w/Lever Bypass)
  - 7 – 1 Ringless Socket (No Test Bypass)
  - 8 – 1 Bolt On Meter (w/Manual Bypass)
  - 9 – 1 Ringless Socket (KK Horn Bypass)
  - A – 2 Ringless Sockets (KK Horn Bypass)
  - B – 1 Ring Type Socket (w/Test Switches)
  - C – 1 Ringless Type Socket (w/Test Switches)

- 2. AMP RATING**
- 0 – No Rating
  - 1 – 100 Amp
  - 2 – 200 Amp
  - 3 – 125 Amp
  - 4 – 400 Amp
  - 5 – (Reserved)
  - 6 – 600 Amp

- 3. SYSTEM VOLTAGE**
- 0 – 120V, 1Ø, 2W (4 Jaw)
  - 1 – 120V/240V, 1Ø, 3W (4 Jaw)
  - 2 – 208Y/120V, 1Ø, 3W (4 Jaw + 105J)
  - 3 – 240/480V, 1Ø, 3W (4 Jaw)
  - 4 – 480Y/277V, 1Ø, 3W (4 Jaw + 105J)
  - 5 – 208Y/120V, 3Ø, 4W (7 Jaw)
  - 6 – 240Δ/120V, 3Ø, 4W (7 Jaw)
  - 7 – 240ΔV, 3Ø, 4W (5 Jaw)
  - 8 – 480Y/277V, 3Ø, 4W (7 Jaw)
  - 9 – 480ΔV, 3Ø, 3W (5 Jaw)
  - A – No Rating
  - B – 480Δ/240V, 3Ø, 4W (7 Jaw)
  - C – 120/240V, 1Ø, 3W (5 Jaw)
  - D – 240/480V, 1Ø, 3W (5 Jaw)
  - E – 480V, 1Ø, 2W (4 Jaw)

- 4. MAIN DISCONNECT**
- 0 – No Main (Up to 6 Disconnects Max)
  - 1 – (1) Circuit Breaker Main
  - 2 – (2) Circuit Breaker Mains
  - 3 – (1) T-Fuse Pullout Main
  - 4 – (3) Circuit Breaker Mains
  - 5 – (Obsolete)
  - 6 – (1) 4-Pole Main (100 Amp Max)
  - 7 – (Obsolete)
  - 8 – (1) 4-Pole 100A & (1) 2-Pole 100A
  - 9 – (Reserved)
  - A – (Obsolete)
  - B – (2) Circuit Breaker Mains w/Interlock
  - C – (2) T-Fuse Pullout Mains

- 6. ENCLOSURE SIZE**
- A – 16"W x 17"D x 48"H
  - B – 24"W x 17"D x 48"H
  - C – 24"W x 30"D x 48"H
  - C – 16"W x 5"D x 46"H (CP2B)
  - D – 44"W x 24"D x 60"H
  - D – 12"W x 9"D x 64"H (CP3A)
  - E – 16"W x 17"D x 41"H
  - F – 12"W x 9"D x 64"H
  - G – 16"W x 17"D x 48"H
  - H – 24"W x 17"D x 48"H
  - J – 16"W x 17"D x 32"H
  - K – 32"W x 20"D x 60"H
  - L – 16"W x 17"D x 48"H
  - M – 24"W x 17"D x 41"H
  - N – 16"W x 6"D x 46"H
  - X – 24"W x 24"D x 48"H
  - Y – 32"W x 24"D x 48"H

- 5. DISTRIBUTION INTERIOR**
- 0 – (2) 16-Circuit Loadcenters
  - 1 – (1) Metered 8-Circuit Loadcenter & (1) Unmetered 8-Circuit Loadcenter
  - 2 – (2) 8-Circuit Loadcenters
  - 3 – (1) 12-Circuit Loadcenter
  - 4 – (1) 12-Circuit Loadcenter & (1) 8-Circuit Loadcenter
  - 5 – (1) 16-Circuit Loadcenter
  - 6 – Lug-Lug Main & Branch Breakers Only
  - 7 – (1) 8-Circuit Loadcenter & (1) 16-Circuit Loadcenter
  - 8 – Fused Pullout Switch
  - 9 – (1) 24 Circuit Loadcenter
  - A – (2) Metered 8-Circuit Loadcenters & (1) Unmetered 8-Circuit Loadcenters
  - B – (2) 24-Circuit Loadcenters
  - C – (1) 24-Circuit Panelboard
  - D – (1) 42-Circuit Panelboard
  - E – (1) 30-Circuit Panelboard
  - F – (1) 18-Circuit Panelboard
  - G – (1) 30-Circuit Loadcenter
  - H – (2) 12-Circuit Loadcenters
  - J – No Distribution (Main Only)
  - K – (1) Metered 4-Circuit Loadcenter & (1) Unmetered 4-Circuit Loadcenter
  - L – No Branch Breakers (Distribution Blocks Only)
  - M – (Obsolete)
  - N – Metered & Unmetered Lug-Lug Breakers
  - P – Metered Lug-Lug Breakers
  - R – (1) Metered 8-Circuit Loadcenter, (1) Unmetered 8-Circuit Loadcenter, & (1) Metered 12-Circuit Loadcenter
  - T – (1) 8-Circuit Loadcenter
  - U – Unmetered Lug-Lug Breakers
  - V – (1) 6-Circuit Loadcenter
  - W – (2) 6-Circuit Loadcenters
  - X – Non Standard
  - Y – (1) 42 Circuit Loadcenter

**NOTE:** Due to size and regulatory constraints, not all combinations will result in a valid catalog number.

*Logic description subject to change and factory interpretation.*



# CP3B “ML” Series

## Main Load Center Series

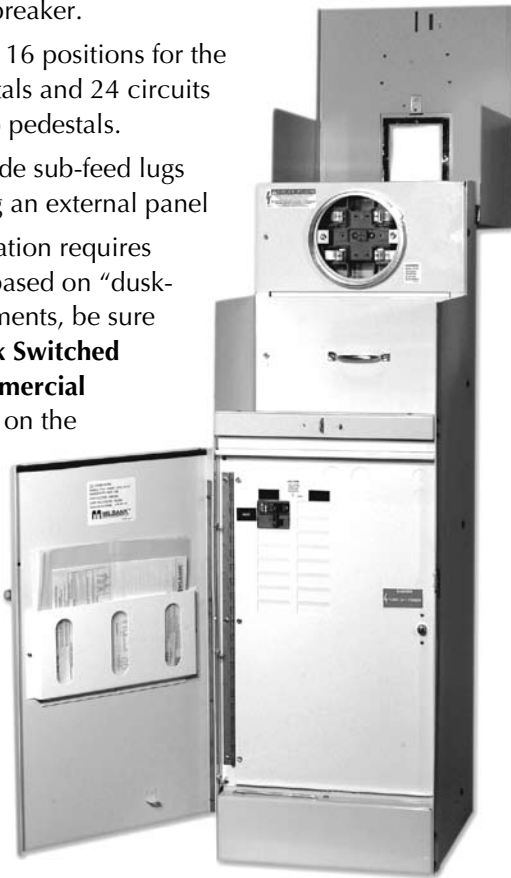
1Ø3 wire 120/240 or 208Y/120 volt

**Typical applications: Remote site service for multiple loads**

The Milbank Main Load Center Commercial Pedestals are designed to handle the vast majority of all requirements in a standard, stocked configuration.

- No waiting or extra charge
- Units all feature a load center with a plug-on, back-fed main breaker.
- Load center has 16 positions for the 100 amp pedestals and 24 circuits for the 200 amp pedestals.
- Both sizes include sub-feed lugs to allow feeding an external panel

If your application requires turning loads on based on “dusk-to-dawn” requirements, be sure to see the **Milbank Switched Load Center Commercial Pedestal** products on the following page.



### Features:

These units include everything required for remote site service:

- Type 3R construction
- Expandable – Load centers allow for future expansion without costly modifications
- All units feature 200 amp meter socket with optional field-installable fifth terminal kit available
- Optional mounting base can be embedded in concrete for fast, easy installation
- Separate sealable and lockable utility termination section
- Separate sealable and lockable metering section with the option of:

#### EITHER

- Milbank ring-type socket with test / bypass blocks (conforms to EUSERC 308)

#### OR

- Milbank heavy duty ringless socket with lever bypass
- A separate sealable and lockable customer section with a load center for “always on” loads that includes:
  - Main circuit breaker
  - Twenty (200 or 125 amp model) or fourteen (100 amp model) blank breaker spaces
  - A circuit directory to document configuration

STOCKED PEDESTALS*	OPTIONAL FIFTH TERMINAL KIT	MAIN CB		LOAD CENTER CIRCUITS	METER SOCKET TYPE
		AMPS	SPACES		
CP3B11115A22	105J	100	1,2	16	Ring-type with test / bypass blocks
CP3B12119A22	105J	200	1,2,3,4	24	Ring-type with test / bypass blocks
CP3B51115A22	K3865	100	1,2	16	Ringless socket with lever bypass
CP3B52119A22	K3865	200	1,2,3,4	24	Ringless socket with lever bypass

*\*NOTE: Chart shows standard, stocked items. Other options and features are available. Contact factory for options details and availability.*

**Utility requirements for this equipment may vary. Always consult the serving utility for their requirements before ordering or installing equipment in this catalog.**



# CP3B “SL” Series

## Switched Load Center Series

1Ø 3 wire 120/240 or 208Y/120 volt

**Typical applications: Traffic signal, parking lot, highway, & athletic field lighting**

The Milbank Switched Load Center Commercial Pedestals are designed to not only provide power for various loads, but also to switch specific loads on and off under certain conditions. A photoelectric cell is used for these controlled loads, and an optional time clock is also available.



### Features:

These units include everything required for remote service:

- Type 3R construction
- Expandable – Load centers allow for future expansion without costly modifications
- All units feature 200 amp meter socket with optional field-installable fifth terminal kit available
- Optional mounting base can be embedded in concrete for fast, easy installation
- Separate sealable and lockable utility termination section
- Separate sealable and lockable metering section with the option of:

**EITHER**

- Milbank ring-type socket with test / bypass blocks (conforms to EUSERC 308)

**OR**

- Milbank heavy duty ringless socket with lever bypass
- A separate sealable and lockable customer section with:
  - Control circuit including:
    - PE receptacle, Lexan® window and glare shield
    - Hand-Off-Auto (HOA) switch
    - Contactor controlling a 16-circuit load center for controlled loads
    - Pre-mounted DIN rail and pre-wired connector to add an optional “plug and play” time clock kit for PE on and TC off operation
    - A circuit directory to document configuration
    - A load center for “always on” loads that includes:
      - Main circuit breaker
      - Control power circuit breaker
      - Switched load center main breaker
      - Nine (200 amp model) or eleven (100 amp model) blank breaker spaces
      - A circuit directory to document configuration

STOCKED PEDESTALS*	OPTIONAL FIFTH TERMINAL KIT	MAIN CB		CONTACTOR AMPERAGE	METER SOCKET TYPE
		AMPS	SPACES		
CP3B11110A22SL1	105J	100	1,3	60	Ring-type with test / bypass blocks
CP3B12110A22SL1	150J	200	1,2,3,4	100	Ring-type with test / bypass blocks
CP3B51110A22SL1	K3865	100	1,3	60	Ringless socket with lever bypass
CP3B52110A22SL1	K3865	200	1,2,3,4	100	Ringless socket with lever bypass

*\*NOTE: Chart shows standard, stocked items. Other options and features are available. Contact factory for options details and availability.*

**Utility requirements for this equipment may vary. Always consult the serving utility for their requirements before ordering or installing equipment in this catalog.**



COMMERCIAL METER PEDESTALS  
SL SERIES—SWITCHED LOAD CENTER

# CP3B “400” Series

## 400 amp Series

1Ø 3 wire 120/240 or 208Y/120 volt

**Typical applications: Remote site service for residential and commercial jobsites**

The Milbank 400 amp Commercial Pedestal is designed to provide a weather and vandal resistant metered enclosure for various loads and distribution. Each pedestal has been designed to handle a wide range of applications using standard, stocked configurations.

- Choice of a single main breaker or twin service disconnect breakers gives flexibility to the pedestal design.
- Optional distribution with feed-thru lugs below the service disconnect breakers allows the pedestal to handle numerous applications.
- Typical applications include remote homes where the metering is best located at the curb side or other remote area. The pedestal can also provide power to secondary residence, on-site business, workshop, irrigation, lighting, security or other secondary load.
- Available in custom colors to match home or landscaping.



### Features:

These units include everything required for remote site service:

- Type 3R construction
- Main circuit breaker or dual service disconnects
- Expandable – Load center units allow for future expansion without costly modifications
- Optional mounting base can be embedded in concrete for fast, easy installation
- Separate sealable and lockable utility termination section with lug termination
- Separate sealable and lockable metering section
- A separate sealable and lockable customer section with a circuit directory and a print pocket to hold all documentation

### Meter Socket Options:

- Ring type with bypass studs
- Ringless with heavy duty lever bypass
- K type bolt-on

STANDARD PEDESTALS*	OPTIONAL FIFTH TERMINAL KIT	MAIN CB	LOAD CENTER CIRCUITS	METER SOCKET TYPE
CP3B1411JB22	N/A	320 Amp (400 Max.)	0	Ring-type with test / bypass studs
CP3B14120B22	N/A	2-200 Amp	(2) 12 CKT <sup>1</sup>	Ring-type with test / bypass studs
CP3B54120B22	K3865	2-200 Amp	(2) 12 CKT <sup>1</sup>	Ringless with lever bypass

**\*NOTE:** Chart shows standard, stocked items. Other options and features are available. Contact factory for options details and availability.

Stud utility landing is standard. Lug kits are available from factory.

<sup>1</sup> Units with load centers have (2) #6-250 sub-feed lugs on each load center. (Each load center is 200 amp rated and UL Listed with: Siemens, General Electric and Cutler-Hammer plug-in style circuit breakers.)

Utility requirements for this equipment may vary. Always consult the serving utility for their requirements before ordering or installing equipment in this catalog.

# CP3B “IR” Series

## Irrigation Control Pedestals

1Ø 3 wire 120/240 or 208Y/120 volt

**Typical application: Metered Power Pedestal for Irrigation Systems**

COMMERCIAL  
METER PEDESTALS

The Milbank “IR” series Commercial Pedestals are designed to provide a weather and vandal resistant metered enclosure for irrigation controllers. Breakers and a GFI duplex receptacle are provided to power the irrigation controllers supplied by others. A plywood backboard is mounted behind the deadfront door for mounting the irrigation controller. A large plan pocket is mounted inside the customer section door to hold plans and specifications. Light green powder coated steel or stainless steel pedestals are normally in stock.



### Features:

These units include everything required for remote site service:

- Type 3R construction
- 2 each 20 amp single pole circuit breakers: one breaker for standard 20 amp GFCI receptacle and one breaker for irrigation control circuit
- Large plywood back panel for mounting irrigation controller
- All units feature 200 amp meter socket with optional field-installable fifth terminal kit available
- Optional mounting base can be embedded in concrete for fast, easy installation
- Separate sealable and lockable utility termination section
- Separate sealable and lockable metering section with the option of

**EITHER:**

- Milbank ring-type socket with test / bypass blocks (conforms to EUSERC 308)

**OR**

- Milbank heavy duty ringless socket with lever bypass

STOCKED PEDESTALS*	OPTIONAL FIFTH** TERMINAL KIT	EXTERIOR CABINET	METER SOCKET TYPE
CP3B111IRASP	105J	Steel, Light Green	Ring-type meter socket with test / bypass blocks
CP3B111IRASS	105J	Stainless Steel	Ring-type meter socket with test / bypass blocks

*\*NOTE: Chart shows standard, stocked items. Other options and features are available. Contact factory for options details and availability.*

*Utility requirements for this equipment may vary. Always consult the serving utility for their requirements before ordering or installing equipment in this catalog.*



# CP3B BBS Series

**1Ø 3 wire 120/240 or 120/208 volt**

**Typical applications: Metered emergency uninterrupted power for traffic intersections, wireless, phone and communication equipment, parking lots, camera and security locations.**

The Milbank BBS Series Commercial Pedestals are designed to provide battery backup power for various loads, and to switch specific loads on and off under certain conditions; a photoelectric cell or time clock to control lighting circuits, as an example. Metered and non-metered power distribution options are available. The back-up power pedestal is designed to handle the vast majority of today's back-up power requirements. By using 19" rack design, shelves can be adjusted to accommodate the required batteries and manufactures DC to AC inverters, transfer switches and other related equipment. This design gives the user a wide range of design and configuration options. Complete turnkey, ready to power-up pedestals are offered along with basic

units ready to accept batteries and inverters supplied by others.



## Features:

- Type 3R construction
- 100 through 320 amp meter socket with the option of either:
  - Milbank ring type socket (conforms to EUSERC 308) with or without test / bypass blocks
  - Milbank heavy duty ringless socket with lever bypass
- Separate sealable utility termination compartment
- An isolated separate customer section with:
  - Service disconnects
  - Power distribution options
  - Power control
- 19" wide rack in customer compartment for easy layout of equipment
- Battery trays
- Thermostat with cooling fan
- Filtered louvers for heat rise flow through ventilation
- Three point door latch (key or pad lockable)

## Options:

- Manual Bypass switch (used for maintenance of BBS/UPS)
- Transfer switch for generator power back-up
- Generator inlet receptacles 30 amps through 200 amps
- Pad lockable provision for receptacles
- Police access door
- Metered load center distribution
- Non metered load center distribution
- Photo electric controls (for street lighting)
- Time clocks
- HOA switches
- Contactors
- GFI duplex receptacles
- Thermostat for heating control
- Heating pads or elements
- Roll out shelves for batteries
- Surge arrestors and lighting arrestors

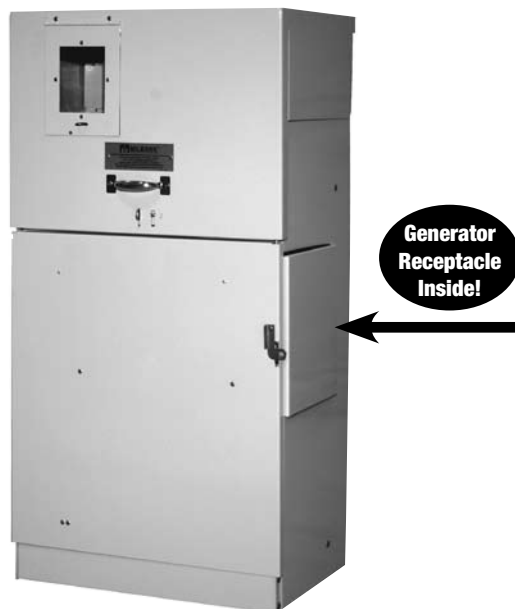
*Utility requirements for this equipment may vary. Always consult the serving utility for their requirements before ordering or installing equipment in this catalog.*



## CP3B “Power Transfer” Series

1Ø3W 120/240 volt thru 3Ø4W 277/480 volt

**Typical applications: Traffic intersections, Cell sites, Phone company broadband service, Cable TV, Pump and Lift stations requiring utility power with back up generator power**



## CP3B “Power Transfer” Series – Metered

The Milbank Commercial Pedestal “Power Transfer Series” provides metered AC power, distribution, surge suppression, mechanical interlock and stand by generator receptacle. All electrical equipment including the generator receptacle is built inside the pedestal, giving it a clean appearance and making it extremely vandal resistant.

### Features & Options:

- 120/240v 1Ø3W thru 277/480v 3Ø4W ratings
- Choice of EUSERC ring type or **ringless** meter sockets
- 60 amps thru 400 amp ratings
- UL Listed Type 3R rated
- Pad lockable, isolated utility compartments
- 20 amp GFI convenience receptacle
- Lockable recessed generator receptacle door
- Utility and generator indicator light options
- All stainless steel hardware
- Galvanized steel, aluminum or stainless steel cabinet options
- Custom designs available

## CP3B “Power Transfer” Series – Unmetered

The Milbank Commercial Pedestal “Power Transfer Series” provides non metered AC power, distribution, surge suppression, mechanical interlock and stand-by generator receptacle – all in a neat, compact pedestal.

### Features & Options:

- 120/240v 1Ø3W thru 277/480v 3Ø4W ratings
- 60 amps thru 400 amp ratings
- UL Listed 508A, Type 3R rated
- Pad lockable, isolated utility compartments
- 20 amp GFI convenience receptacle
- Utility and generator indicator light options
- All stainless steel hardware
- Galvanized steel, aluminum or stainless steel cabinet options
- Custom designs available

*Utility requirements for this equipment may vary. Always consult the serving utility for their requirements before ordering or installing equipment in this catalog.*

**Example of specifications for a Metered Commercial Pedestal**

Commercial pedestal shall be type \_\_\_\_\_ .  
Catalog # \_\_\_\_\_

Voltage rating :\_\_\_\_(120/240v 1P 3W)\_\_\_\_

SCCR rating: \_\_\_\_10\_\_\_\_

Amperage rating :\_\_\_\_(100 amps)\_\_\_\_

The pedestal shall be of NEMA Type 3R rainproof construction and shall be UL Listed as “Enclosed Industrial Control Equipment” (UL 508A). External construction shall comply with UL50 requirements and shall be of G90 galvanized steel with light green #14672 Federal Specification 595 polyurethane industrial grade powder paint of 1.7 mil minimum thickness (unless otherwise specified). Aluminum and stainless steel are other factory options available. Internal construction shall be G90 galvanized steel and 1.7 mil minimum thickness polyurethane industrial grade powder coat painted or bare aluminum. No fasteners except sealing screws shall be removable by external access. Hinges shall be stainless steel and of the continuous piano hinge type.

The pedestal mounting bolts shall not be externally accessible. The pedestal shall be offered with an optional base designed to be embedded in concrete in place of anchor bolts. Either pedestal mounting base or anchor bolt kit is required for installation.

The service pedestal must have three separate isolated sections for metering equipment, utility termination and customer equipment.

The metering section must be pad-lockable and sealable and have a hinged swing back hood with an integral hinged polycarbonate sealable window for access to demand meters. An external nameplate shall

be permanently attached to the hood. A stainless steel handle shall be provided on the front exterior of the hood. Meter socket type shall meet the requirements of the serving utility.

The utility termination section must be pad-lockable and sealable and shall have a stainless steel handle provided on a lift-off cover. Sufficient clearance shall be provided for a 4-inch diameter conduit for utility cables entrance. Utility landing lugs shall accommodate #6 – 350 kcmil conductors.

The customer compartment door to be hinged on the left hand side. A stainless pad-lockable hasp provided to secure customer compartment. A door keeper provided to keep the door in an open position. A print pocket on the inside of the door shall hold all wiring schematics, circuit directories and instructions in a clear, weatherproof sleeve. Required labeling shall be located on the inside of the customer door. Distribution and control equipment shall be behind an internal dead-front door with a quarter-turn securing latch and be hinged to open more than 90 degrees. The dead-front door shall be hinged on the same side as the customer section door. All distribution and control equipment shall be factory wired using 600 volt wire sized to UL requirements.

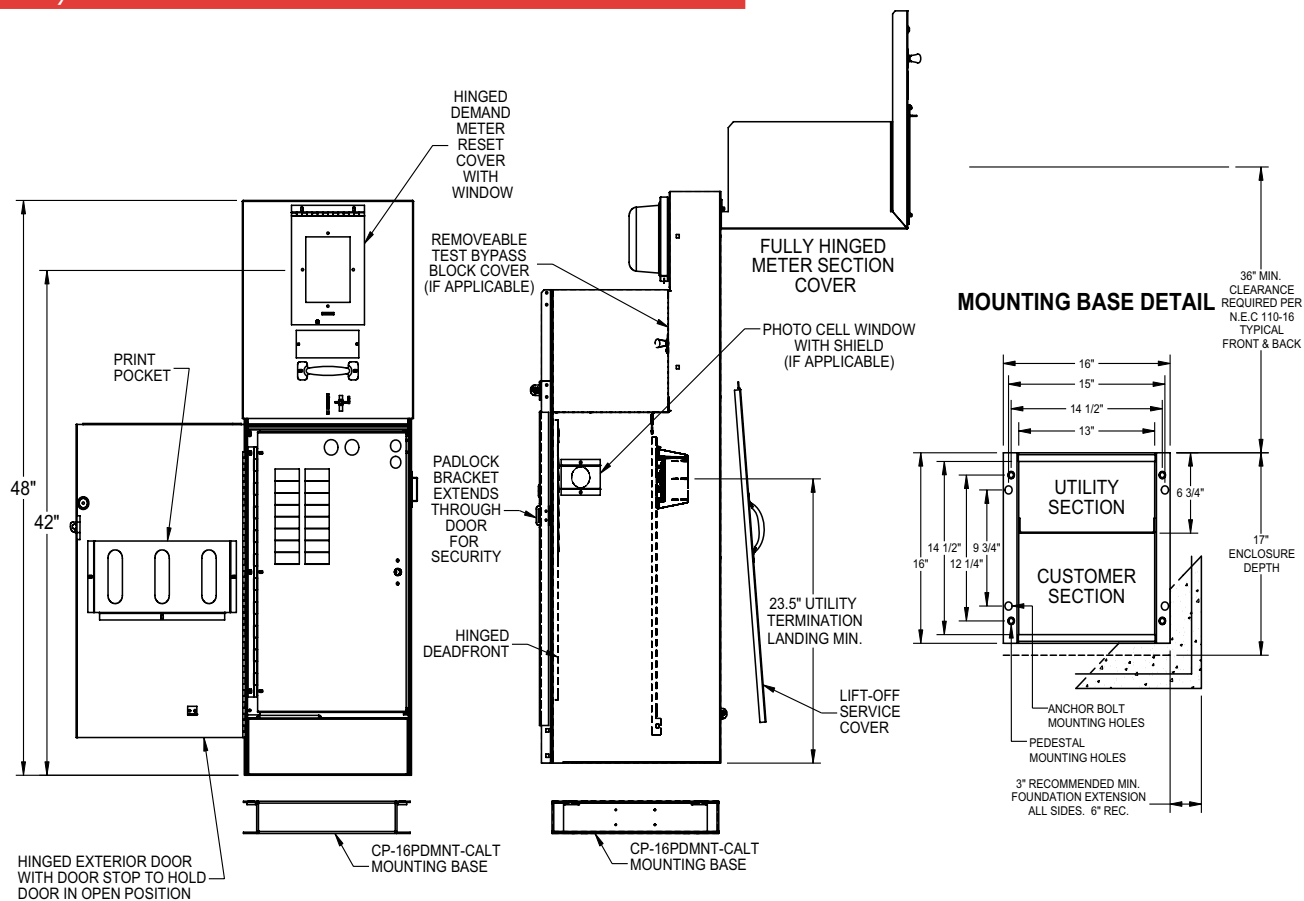
The provided documentation shall list circuit breaker combinations and those to be used for de-rated operation for series ratings.

Utility requirements for this equipment vary. Always consult the serving utility for their requirements before ordering or installing this equipment.

*Utility requirements for this equipment may vary. Always consult the serving utility for their requirements before ordering or installing equipment in this catalog.*

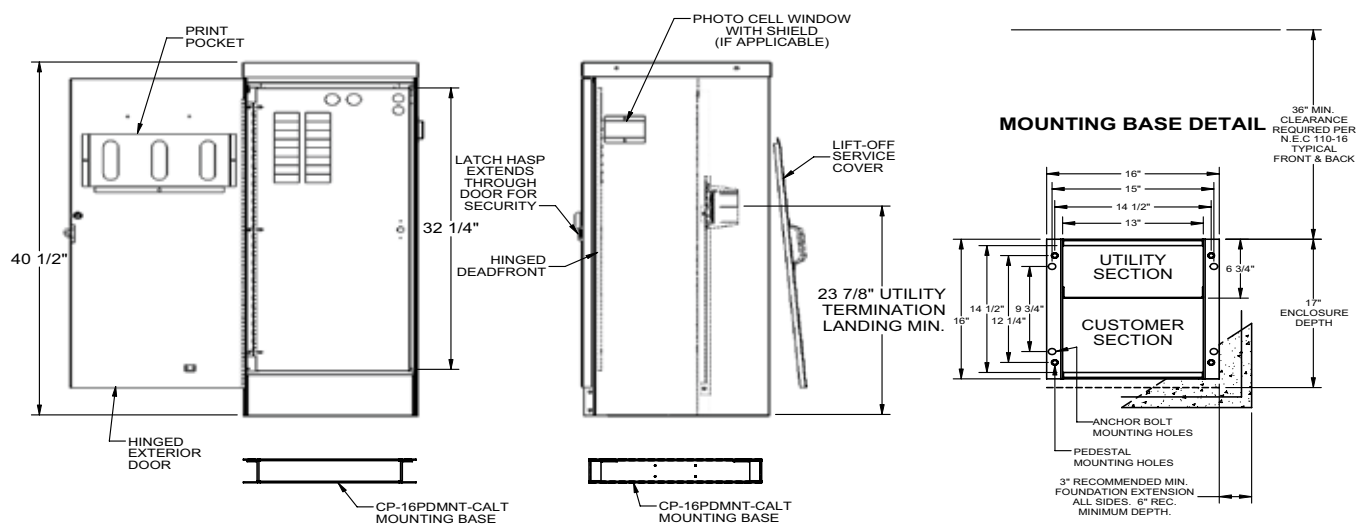


**"A" Style 16" Metered Commercial Pedestal**



Pad Mount Base or (4) 5/8-11 X 18" Anchor Bolts Recommended

**"E" Style 16" Unmetered Commercial Pedestal-Low Profile**



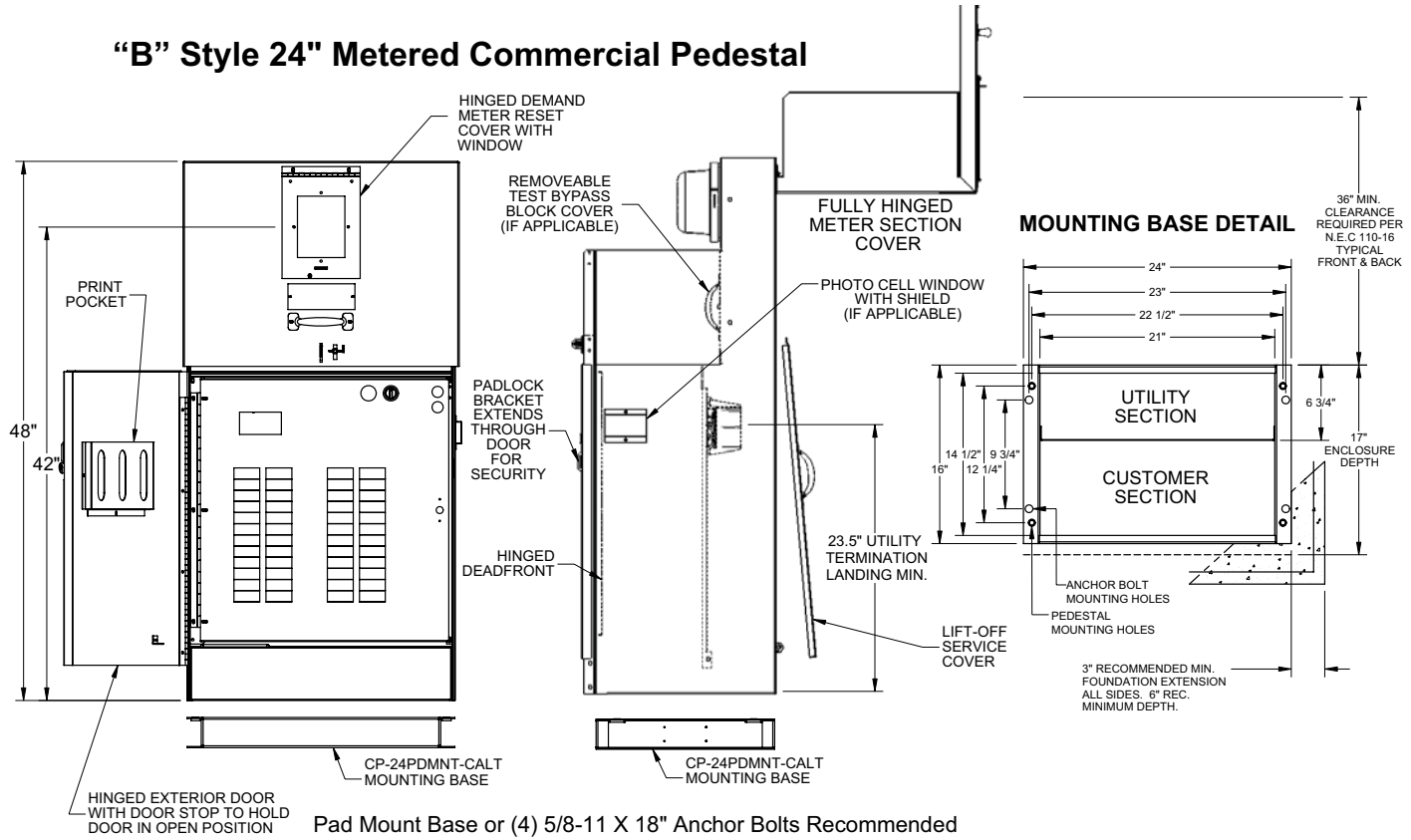
Pad Mount Base or (4) 5/8-11 X 18" Anchor Bolts Recommended

*Utility requirements for this equipment may vary. Always consult the serving utility for their requirements before ordering or installing equipment in this catalog.*

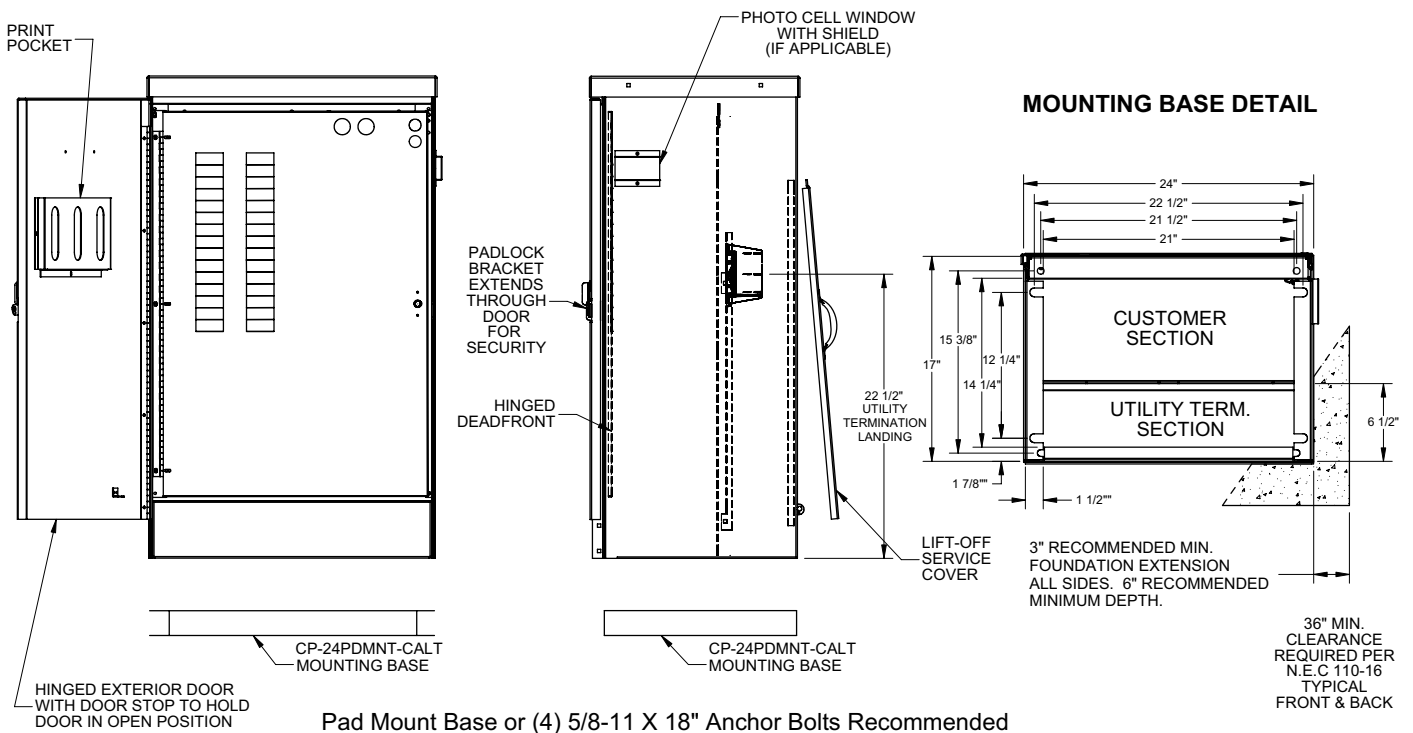


**"B" Style 24" Metered Commercial Pedestal (with one or two meters)**

COMMERCIAL METER PEDESTALS  
COMMERCIAL METER PEDESTAL DRAWINGS-24" METERED & UNMETERED



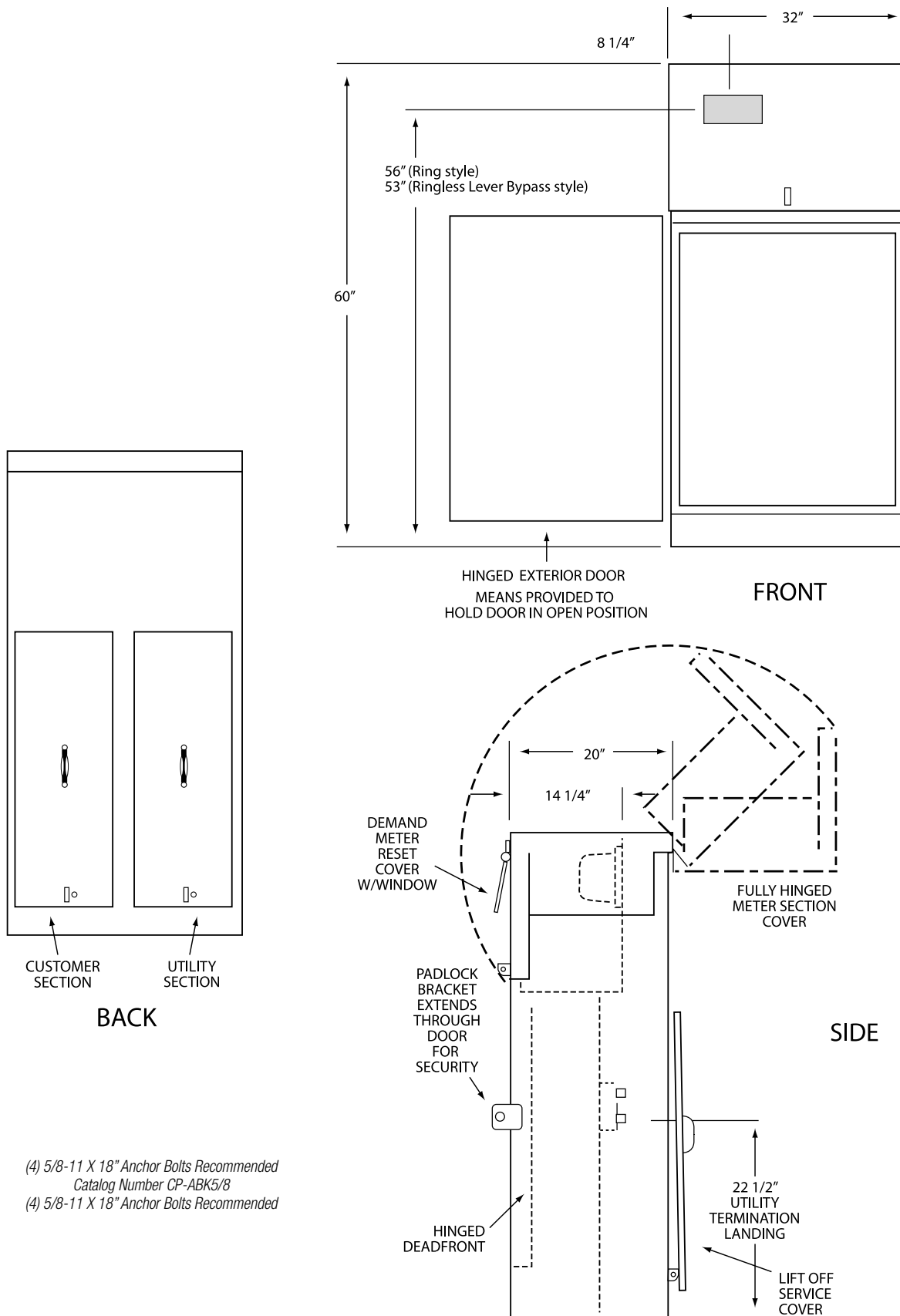
**"M" Style 24" Unmetered Commercial Pedestal**



Utility requirements for this equipment may vary. Always consult the serving utility for their requirements before ordering or installing equipment in this catalog.



**"K" Style 32" Metered Commercial Pedestal (with one or two meters)**



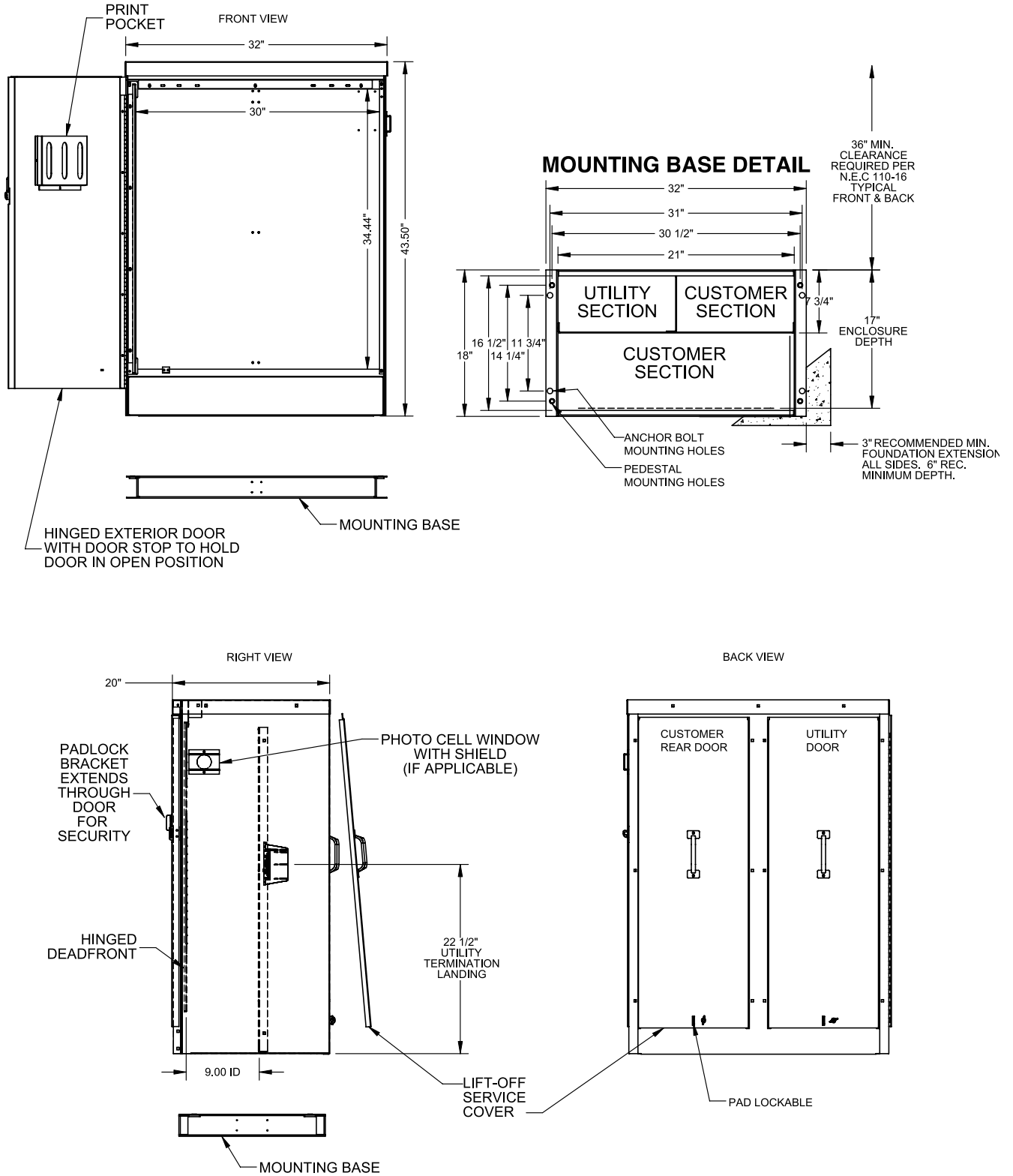
(4) 5/8-11 X 18" Anchor Bolts Recommended  
 Catalog Number CP-ABK5/8  
 (4) 5/8-11 X 18" Anchor Bolts Recommended

**Utility requirements for this equipment may vary. Always consult the serving utility for their requirements before ordering or installing equipment in this catalog.**



"Q" Style 32" Unmetered Commercial Pedestal

COMMERCIAL METER PEDESTALS  
COMMERCIAL METER PEDESTAL DRAWINGS-32" UNMETERED



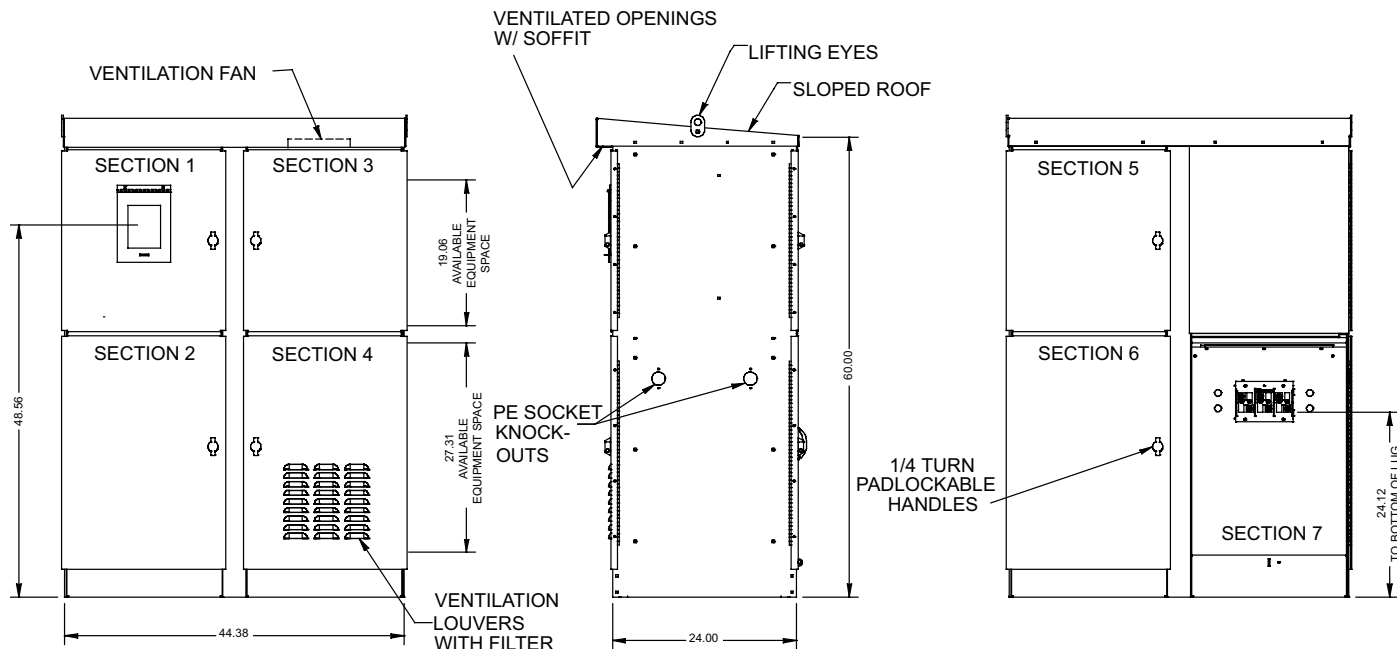
Recommended:  
 Milbank Mounting Base  
 CP-32PDMNT,  
 AlterNet mounting with  
 (4) 5/8-11 x 18" Anchor Bolts

Utility requirements for this equipment may vary. Always consult the serving utility for their requirements before ordering or installing equipment in this catalog.

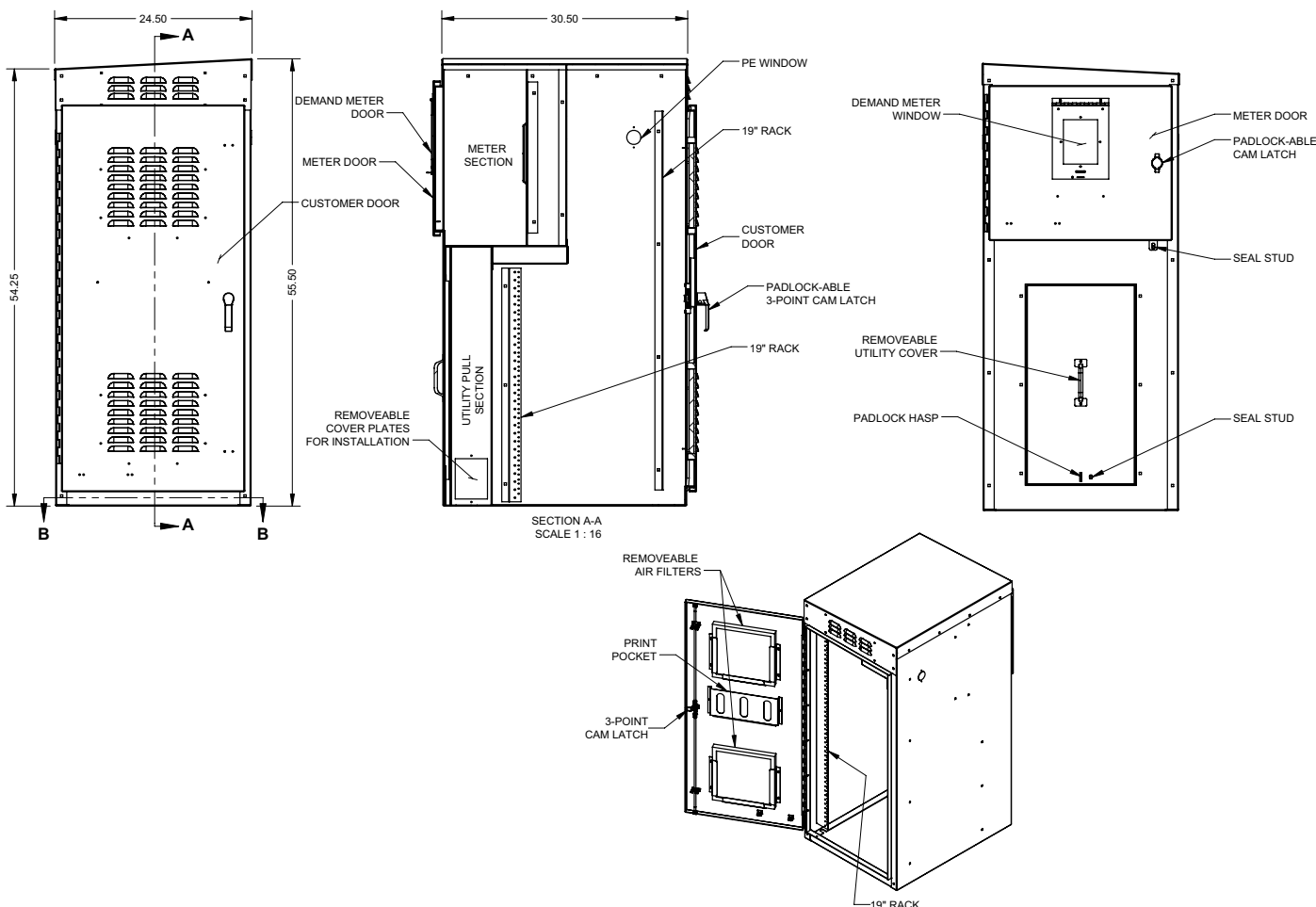




**“D” Style Metered Commercial Pedestal**



**“C” Style 54” Metered Commercial Pedestal**



*Utility requirements for this equipment may vary. Always consult the serving utility for their requirements before ordering or installing equipment in this catalog.*



**Commercial Pedestal Worksheet**

**Phone: 660-463-0805 Fax: 660-463-7950**

Please answer all of the questions listed below. Any additional information regarding application and/or future requirements will enable Milbank to configure the best product for your project.

Distributor: \_\_\_\_\_ Phone: \_\_\_\_\_ Fax: \_\_\_\_\_

Contact Name: \_\_\_\_\_ Application: \_\_\_\_\_

Milbank Representative: \_\_\_\_\_ Salesmen: \_\_\_\_\_

Project Name & Location: \_\_\_\_\_

Agency Specifications: (DOT-City-Other) \_\_\_\_\_

Unit Amperage: \_\_\_\_\_ Voltage: \_\_\_\_\_ Phase: \_\_\_\_\_ Wire: \_\_\_\_\_

Meter socket (200 Amp) RING-TYPE RINGLESS Fifth Terminal? NO YES (at \_\_\_\_\_ o'clock)

Meter socket (200 Amp) RING-TYPE RINGLESS Fifth Terminal? NO YES (at \_\_\_\_\_ o'clock)

Main breaker requirements: Amp: \_\_\_\_\_ Poles: \_\_\_\_\_ KAIC: \_\_\_\_\_

Main breaker requirements: Amp: \_\_\_\_\_ Poles: \_\_\_\_\_ KAIC: \_\_\_\_\_

Interior #1 0-42 circuits \_\_\_\_\_ Load center \_\_\_\_\_ Panel board \_\_\_\_\_ Metered? YES NO

Interior #2 0-42 circuits \_\_\_\_\_ Load center \_\_\_\_\_ Panel board \_\_\_\_\_ Metered? YES NO

**Branch breakers:** Amps: \_\_\_\_\_ Poles: \_\_\_\_\_ KAIC: \_\_\_\_\_ Label & Special Requirements: \_\_\_\_\_

Qty \_\_\_\_\_ Breakers \_\_\_\_\_

Qty \_\_\_\_\_ Breakers \_\_\_\_\_

Qty \_\_\_\_\_ Breakers \_\_\_\_\_

Qty \_\_\_\_\_ Breakers \_\_\_\_\_

Qty \_\_\_\_\_ Breakers \_\_\_\_\_

Qty \_\_\_\_\_ Breakers \_\_\_\_\_

**Controls:**

Qty \_\_\_\_\_ Time Clock: 24 Hr \_\_\_\_\_ 7 Day \_\_\_\_\_ 365 Day Astro \_\_\_\_\_ Description: \_\_\_\_\_

Qty \_\_\_\_\_ Photo Electric Control Receptacle

Qty \_\_\_\_\_ Test switch: 2 Pos. \_\_\_\_\_ 3 Pos. \_\_\_\_\_ HOA Type \_\_\_\_\_ Other \_\_\_\_\_

Qty \_\_\_\_\_ Control Transformer \_\_\_\_\_ Voltage \_\_\_\_\_ VA Size (required for all 277/480v)

**Contractors:**

Type: Lighting - LT / Definite Purpose - DP / Mechanical Held - MH / Mercury - MV / IEC - IC

Qty \_\_\_\_\_ Type \_\_\_\_\_ Amps \_\_\_\_\_ Poles \_\_\_\_\_ Coil voltage \_\_\_\_\_ Other \_\_\_\_\_

Qty \_\_\_\_\_ Type \_\_\_\_\_ Amps \_\_\_\_\_ Poles \_\_\_\_\_ Coil voltage \_\_\_\_\_ Other \_\_\_\_\_

Qty \_\_\_\_\_ Type \_\_\_\_\_ Amps \_\_\_\_\_ Poles \_\_\_\_\_ Coil voltage \_\_\_\_\_ Other \_\_\_\_\_

**Cabinet / Finish requirements:** Alum - Untreated = AO / Alum Anodized = AL / Stainless Steel = SS

Aluminum - Painted = A / GALVANIZED STEEL PAINTED (standard) \_\_\_\_\_ (specify paint below):

MINT GREEN (standad) = G / PINE GREEN = PG / Dark Green = DG / Black = BK / Desert Tan = DT

White = W / Gray = P / Summerland Gray = SG / Other: (RAL finish number) \_\_\_\_\_

Other Requirements: \_\_\_\_\_

*Please send any drawings, plans, specifications, and load/panel board schedules with worksheet.*





**Location:** Huntington Beach, CA  
**Description:** Wells Fargo ATM parking lot kiosk. Milbank pedestal supplies power for the ATM machine, irrigation controller and overhead lighting. In addition to the power distribution equipment is a isolated compartment for phone company phone lines and equipment. Telco 24 volt equipment must be separated from the high voltage 120 volt equipment. Steel powder painted.







**Location:** Mission Viejo, CA

**Description:** Pedestal is supplying power for the irrigation and pump control pedestals left of the Milbank pedestal. Also includes walk-way lighting control equipment. Anodized aluminum.



**Location:** Costa Mesa, CA

**Description:** Milbank commercial pedestal supplying power for an underground telephone equipment vault. Meter socket, generator receptacle and surge protection are all installed inside this pedestal.

**Location:** *Lacy, Washington*

**Description:** Traffic signal control cabinet next to a Milbank power supply and street lighting control pedestal. Mounted on a raised pad for winter snow conditions. Anodized aluminum.



**Location:** *Cleveland, OH  
(Euclid Corridor Street  
Scape Improvements)*

**Description:** Milbank pedestals supplied for Rapid Transit Bus Stops providing security and normal lighting. Pedestals looped together for efficiency.





**Location:** Interstate 70 MO  
(Numerous locations)

**Description:** Milbank pedestal providing remote distribution for Dynamic Message Signs along I-70 between Kansas City and St. Louis, MO. Operated through MoDOT, these stationary traffic control devices provide travelers with real-time traffic-related messages.





**Location:** *Manchester, TN*

**Description:** Milbank pedestals used for annual outdoor music and arts festival. Operating in remote farmland, multiple pedestals provide temporary power receptacles for organizer's use. Shown with in-use cover which allows for security and safety for plugs-in-use.





**Location:** *Rio Rancho, NM*

**Description:** Battery back-up pedestal. The unit contains an inverter and batteries providing uninterrupted power to traffic signals at a busy intersection in the event of a utility power failure. Milbank pedestal supplies power for the intersection signal heads and control cabinet using utility power and, if necessary, a backup system. The batteries can run the entire intersection traffic lights for 4 hours in full operation mode and an additional 4 hours in flashing mode. Aluminum powder painted tan.





**Location:** Anaheim, CA  
**Description:** Disneyland parking lot lighting and control. Two pedestals were provided as customer required both 120 and 480 volts. Steel painted customer-requested green.



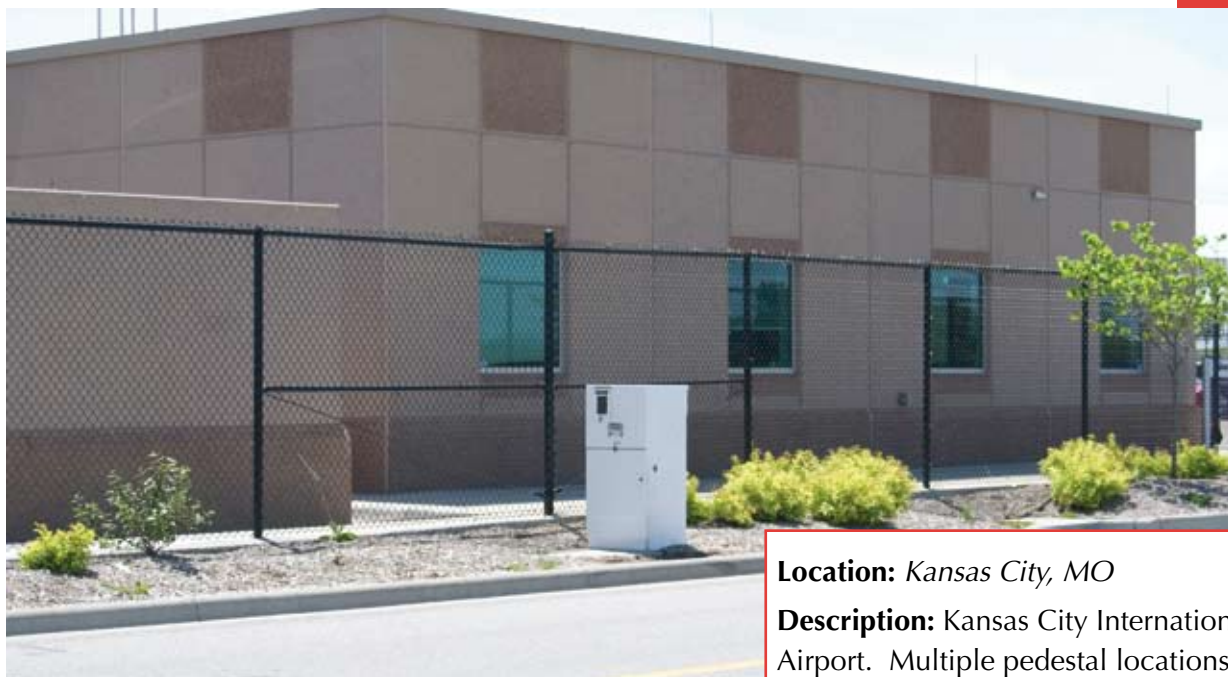
**Location:** Dubuque, IA  
**Description:** Parking lot lighting power and control application. Steel painted black.



**Location:** *Kansas City, MO*  
**Description:** Zona Rosa Shopping Center. Multiple pedestal locations throughout shopping area providing street lighting and traffic signal distribution.







**Location:** *Kansas City, MO*

**Description:** Kansas City International Airport. Multiple pedestal locations providing lighting distribution for rental car facility parking lot.



**Location:** *Anaheim, CA*

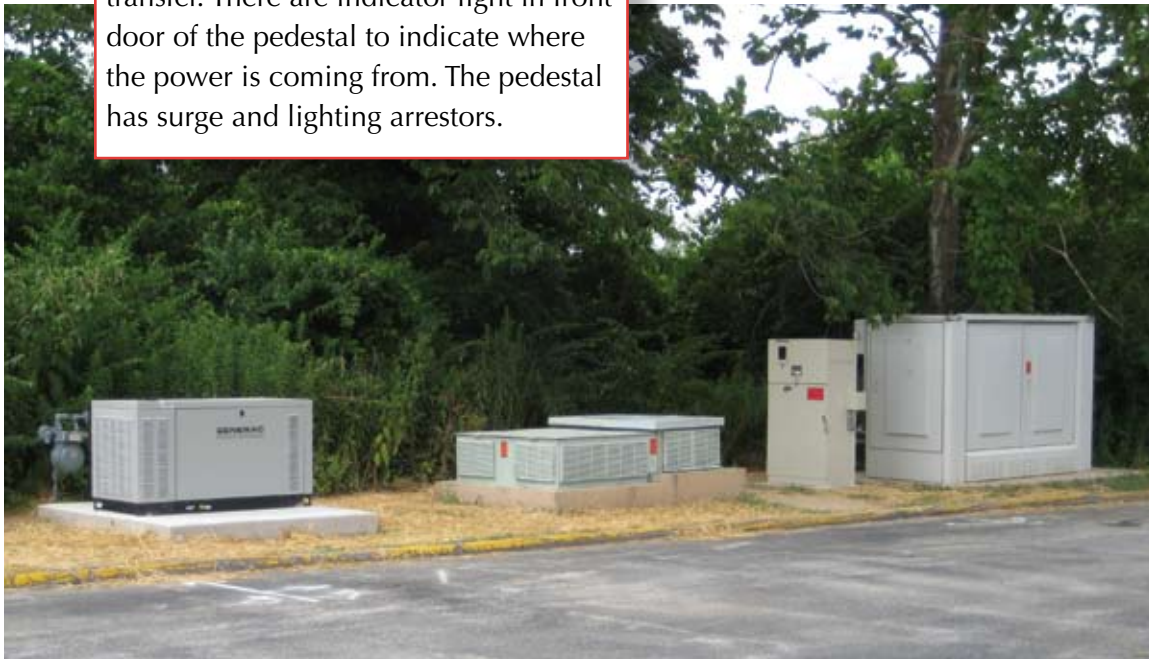
**Description:** Milbank pedestal supplying power for the traffic signal cabinet (seen in picture). Pedestal also holds the control equipment for the intersection and roadway street lighting. Anodized aluminum.





**Location:** *St. Louis, MO*

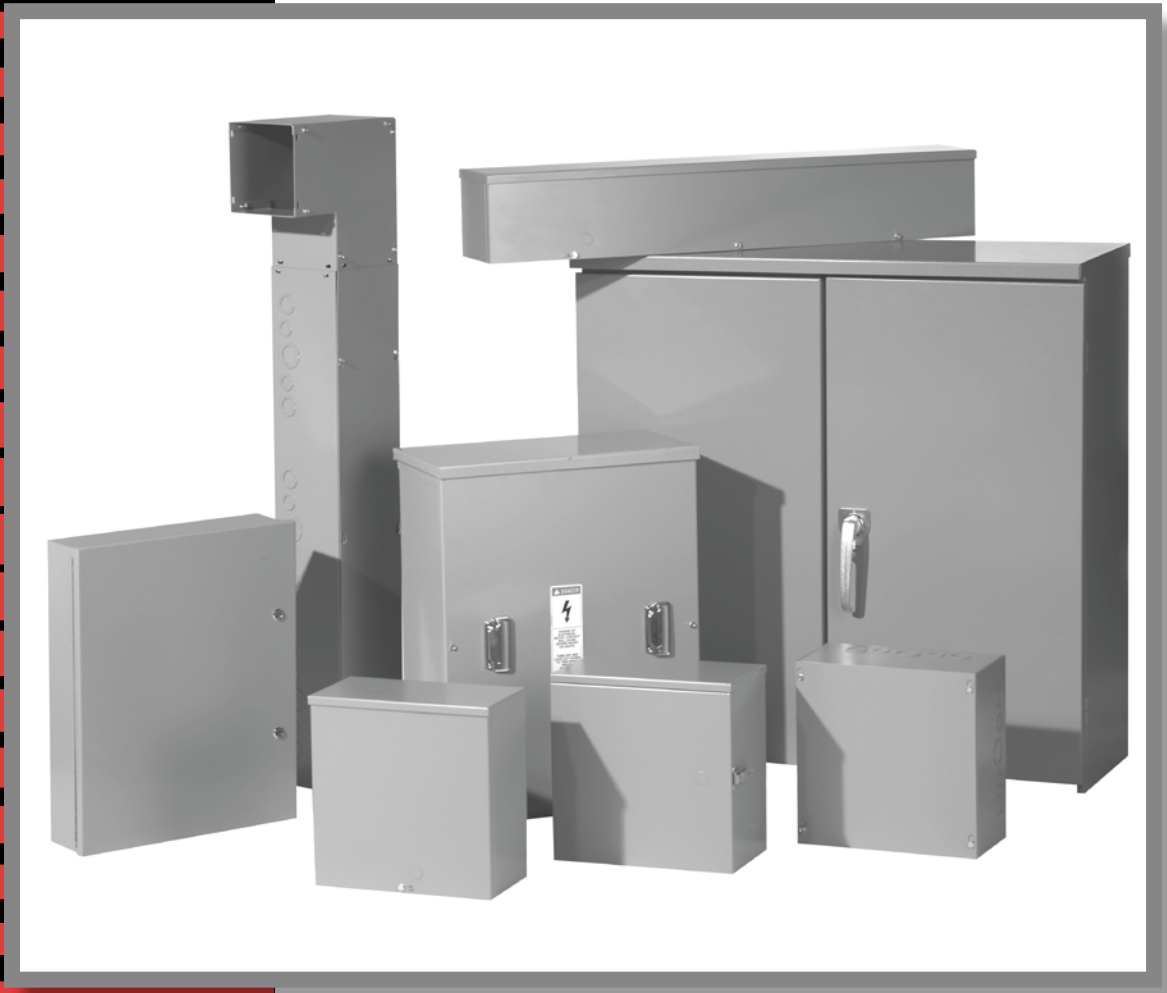
**Description:** Milbank pedestal is supplying power to the underground phone company vaults. The vaults are supply power and communication equipment for a cell tower. The pedestal and has a 200 amp automatic power transfer switch in side. The generator to the right is hard wired to the pedestal. Power relays in the pedestal signal the natural gas generator to turn on and the transfer switch makes a power source transfer. There are indicator light in front door of the pedestal to indicate where the power is coming from. The pedestal has surge and lighting arrestors.







# Commercial Enclosures



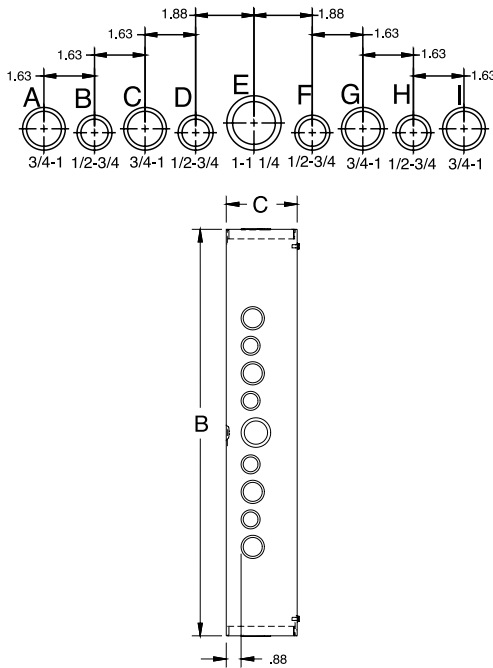
**MILBANK<sup>®</sup>**





**INDUSTRY STANDARDS**

- NEMA Type 1
- UL 50—Type 1
- CUL Type 1 (Equivalent to CSA)



**APPLICATION**

- Designed for use as a junction box or pull box.
- For indoor use to provide protection against contact with enclosed equipment where moisture and dust are not a problem.

**CONSTRUCTION**

- Enclosure and cover are manufactured from 16, 14, or 12 gauge **G90** steel.
- Available with or without knockouts. For no knockouts, refer to suffix **-NK** in catalog number.
- Available with or without paint. For no paint, refer to suffix **-NP** in catalog number. Note: Unpainted enclosures are made from galvanized steel.

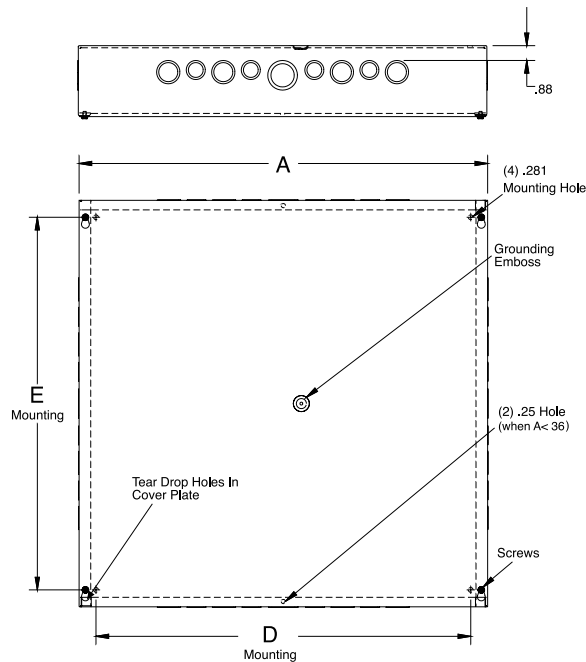
- Covers have teardrop slots for easy installation and are attached to body with plated screws.
- Grounding emboss provided with green plated grounding screw.
- Holes are incorporated into the back of enclosure for mounting.

**FINISH**

- ANSI 61 gray polyester powder coating inside and out unless otherwise specified.

**ACCESSORIES**

- Replacement Covers – see Covers, pg. B5.
- Touch-up paint – see Accessories, pg. B34.
- Wood Back Panels – see Panels, pg. B18-B19.
- Replacement Screws – see Accessories, pg. B34.



CATALOG NUMBER	PRODUCT FAMILY	UPC NUMBER 7-84572-	WEIGHT (LBS)	CARTON QUANTITY	W X H X D	KNOCKOUT	
						A SIDE	B SIDE
444-SC1	SC1C	10650	2.2	6	4 x 4 x 4	B-C	NONE
444-SC1-NK	SC1C	10652	2.2	6	4 x 4 x 4	NONE	NONE
444-SC1-NK-NP	SC1C	15483	2.2	6	4 x 4 x 4	NONE	NONE
464-SC1	SC1C	10704	2.8	4	4 x 6 x 4	B-C	B-C-D
464-SC1-NK	SC1C	10705	4.5	4	4 x 6 x 4	NONE	NONE
464-SC1-NK-NP	SC1C	19632	2.8	4	4 x 6 x 4	NONE	NONE
464-SC1-NP	SC1C	31193	2.8	4	4 x 6 x 4	B-C	B-C-D
663-SC1	SC1C	10790	2.9	12	6 x 6 x 3	B-C-D	B-C-D
663-SC1-NK	SC1C	10791	2.9	12	6 x 6 x 3	NONE	NONE
663-SC1-NK-NP	SC1C	21830	2.9	12	6 x 6 x 3	NONE	NONE
664-SC1	SC1C	10801	3.4	9	6 x 6 x 4	B-C-D	NONE
664-SC1-NK	SC1C	10803	3.4	9	6 x 6 x 4	NONE	NONE
664-SC1-NK-NP	SC1C	10804	3.4	9	6 x 6 x 4	NONE	NONE
664-SC1-NP	SC1C	16191	3.4	9	6 x 6 x 4	B-C-D	NONE
666-SC1	SC1C	10818	4.5	6	6 x 6 x 6	B-C-D	NONE
666-SC1-NK	SC1C	10819	4.5	6	6 x 6 x 6	NONE	NONE

Utility requirements for this equipment may vary. Always consult the serving utility for their requirements before ordering or installing equipment in this catalog.



CATALOG NUMBER	PRODUCT FAMILY	UPC NUMBER 7-84572-	WEIGHT (LBS)	CARTON QUANTITY	W X H X D	KNOCKOUT	
						A SIDE	B SIDE
666-SC1-NK-NP	SC1C	15355	4.5	6	6 x 6 x 6	NONE	NONE
666-SC1-NP	SC1C	30985	4.5	6	6 x 6 x 6	B-C-D	NONE
684-SC1	SC1C	10859	4	9	6 x 8 x 4	B-C-D	F-G-H-I
684-SC1-NK	SC1C	10860	4	9	6 x 8 x 4	NONE	NONE
684-SC1-NK-NP	SC1C	20886	4	9	6 x 8 x 4	NONE	NONE
684-SC1-NP	SC1C	18007	4	9	6 x 8 x 4	B-C-D	F-G-H-I
686-SC1	SC1C	10863	5.2	6	6 x 8 x 6	B-C-D	F-G-H-I
686-SC1-NK	SC1C	10864	5.2	6	6 x 8 x 6	NONE	NONE
686-SC1-NK-NP	SC1C	21059	5.2	6	6 x 8 x 6	NONE	NONE
686-SC1-NP	SC1C	30159	5.2	6	6 x 8 x 6	B-C-D	F-G-H-I
6124-SC1	SC1C	10764	5.5	6	6 x 12 x 4	B-C-D	C-D-E-F-G
6124-SC1-NK	SC1C	15543	5.5	6	6 x 12 x 4	NONE	NONE
6126-SC1	SC1C	10765	7	2	6 x 12 x 6	B-C-D	C-D-E-F-G
6126-SC1-NK	SC1C	17754	7	2	6 x 12 x 6	NONE	NONE
884-SC1	SC1C	10938	5	6	8 x 8 x 4	F-G-H-I	NONE
884-SC1-NK	SC1C	10940	5	6	8 x 8 x 4	NONE	NONE
884-SC1-NK-NP	SC1C	15357	5	6	8 x 8 x 4	NONE	NONE
886-SC1	SC1C	10955	6.5	4	8 x 8 x 6	F-G-H-I	NONE
886-SC1-NK	SC1C	10956	6.5	4	8 x 8 x 6	NONE	NONE
886-SC1-NK-NP	SC1C	15358	6.5	4	8 x 8 x 6	NONE	NONE
886-SC1-NP	SC1C	19650	6.5	4	8 x 8 x 6	F-G-H-I	NONE
888-SC1	SC1C	10971	7.5	2	8 x 8 x 8	F-G-H-I	NONE
888-SC1-NK	SC1C	10972	7.5	2	8 x 8 x 8	NONE	NONE
888-SC1-NK-NP	SC1C	15509	7.5	2	8 x 8 x 8	NONE	NONE
888-SC1-NP	SC1C	32326	7.5	2	8 x 8 x 8	F-G-H-I	NONE
8104-SC1	SC1C	10879	7	5	8 x 10 x 4	F-G-H-I	F-G-H-I
8104-SC1-NK	SC1C	10880	7	5	8 x 10 x 4	NONE	NONE
8104-SC1-NK-NP	SC1C	21057	7	5	8 x 10 x 4	NONE	NONE
8104-SC1-NP	SC1C	30485	7	5	8 x 10 x 4	F-G-H-I	F-G-H-I
8106-SC1	SC1C	10885	7.5	4	8 x 10 x 6	F-G-H-I	F-G-H-I
8106-SC1-NK	SC1C	10886	7.5	4	8 x 10 x 6	NONE	NONE
8106-SC1-NK-NP	SC1C	24737	7.5	4	8 x 10 x 6	NONE	NONE
8106-SC1-NP	SC1C	31005	7.5	4	8 x 10 x 6	F-G-H-I	F-G-H-I
8124-SC1	SC1C	10892	6.7	3	8 x 12 x 4	F-G-H-I	C-D-E-F-G
8124-SC1-NK	SC1C	10893	6.7	3	8 x 12 x 4	NONE	NONE
8124-SC1-NK-NP	SC1C	23645	6.7	3	8 x 12 x 4	NONE	NONE
8126-SC1	SC1C	10898	8.5	2	8 x 12 x 6	F-G-H-I	C-D-E-F-G
8126-SC1-NK	SC1C	10899	8.5	2	8 x 12 x 6	NONE	NONE
8126-SC1-NK-NP	SC1C	21060	8.5	2	8 x 12 x 6	NONE	NONE
10104-SC1	SC1C	10017	7	3	10 x 10 x 4	F-G-H-I	NONE
10104-SC1-NK	SC1C	10018	7	3	10 x 10 x 4	NONE	NONE
10104-SC1-NK-NP	SC1C	15344	7	3	10 x 10 x 4	NONE	NONE
10104-SC1-NP	SC1C	16190	7	3	10 x 10 x 4	F-G-H-I	NONE
10106-SC1	SC1C	10030	8.5	2	10 x 10 x 6	C-D-E-F-G	NONE
10106-SC1-NK	SC1C	10031	8.5	2	10 x 10 x 6	NONE	NONE
10106-SC1-NK-NP	SC1C	15456	8.5	2	10 x 10 x 6	NONE	NONE
10106-SC1-NP	SC1C	20888	8.5	2	10 x 10 x 6	C-D-E-F-G	NONE
10124-SC1	SC1C	10065	8	3	10 x 12 x 4	C-D-E-F-G	C-D-E-F-G
10124-SC1-NK	SC1C	10066	8	3	10 x 12 x 4	NONE	NONE
10124-SC1-NK-NP	SC1C	15345	8	3	10 x 12 x 4	NONE	NONE
10124-SC1-NP	SC1C	31006	8	3	10 x 12 x 4	C-D-E-F-G	C-D-E-F-G
10126-SC1	SC1C	10071	9.5	2	10 x 12 x 6	C-D-E-F-G	C-D-E-F-G
10126-SC1-NK	SC1C	10072	9.5	2	10 x 12 x 6	NONE	NONE
10126-SC1-NP	SC1C	32327	9.5	2	10 x 12 x 6	C-D-E-F-G	C-D-E-F-G
12124-SC1	SC1C	10113	9.2	4	12 x 12 x 4	C-D-E-F-G	NONE
12124-SC1-NK	SC1C	10115	9.2	4	12 x 12 x 4	NONE	NONE
12124-SC1-NK-NP	SC1C	10116	9.2	4	12 x 12 x 4	NONE	NONE
12124-SC1-NP	SC1C	17591	9.2	4	12 x 12 x 4	C-D-E-F-G	NONE
12126-SC1	SC1C	10133	11	3	12 x 12 x 6	C-D-E-F-G	NONE
12126-SC1-NK	SC1C	10135	11	3	12 x 12 x 6	NONE	NONE
12126-SC1-NK-NP	SC1C	10136	11	3	12 x 12 x 6	NONE	NONE
12126-SC1-NP	SC1C	16189	11	3	12 x 12 x 6	C-D-E-F-G	NONE
12128-SC1	SC1C	10153	13	2	12 x 12 x 8	C-D-E-F-G	NONE
12128-SC1-NK	SC1C	10154	13	2	12 x 12 x 8	NONE	NONE
12128-SC1-NK-NP	SC1C	15469	13	2	12 x 12 x 8	NONE	NONE
12128-SC1-NP	SC1C	20537	13	2	12 x 12 x 8	C-D-E-F-G	NONE
121212-SC1-NK	SC1C	24378	15.4	1	12 x 12 x 12	NONE	NONE
12164-SC1	SC1C	10177	11.3	3	12 x 16 x 4	C-D-E-F-G	B-C-D-E-F-G-H
12164-SC1-NK	SC1C	10178	11.3	3	12 x 16 x 4	NONE	NONE
12164-SC1-NK-NP	SC1C	15346	11.3	3	12 x 16 x 4	NONE	NONE
12164-SC1-NP	SC1C	32328	11.3	3	12 x 16 x 4	C-D-E-F-G	B-C-D-E-F-G-H
12166-SC1	SC1C	10183	13.5	2	12 x 16 x 6	C-D-E-F-G	B-C-D-E-F-G-H
12166-SC1-NK	SC1C	10184	13.5	2	12 x 16 x 6	NONE	NONE
12166-SC1-NK-NP	SC1C	15347	13.5	2	12 x 16 x 6	NONE	NONE
12166-SC1-NP	SC1C	30984	13.5	2	12 x 16 x 6	C-D-E-F-G	B-C-D-E-F-G-H

 COMMERCIAL  
ENCLOSURES

SC1—SCREW COVER JUNCTION BOXES—TYPE 1

Utility requirements for this equipment may vary. Always consult the serving utility for their requirements before ordering or installing equipment in this catalog.



CATALOG NUMBER	PRODUCT FAMILY	UPC NUMBER 7-84572-	WEIGHT (LBS)	CARTON QUANTITY	W X H X D	KNOCKOUT	
						A SIDE	B SIDE
12184-SC1	SC1C	10202	12.7	3	12 x 18 x 4	C-D-E-F-G	A-B-C-D-E-F-G-H-I
12184-SC1-NK	SC1C	10203	12.7	3	12 x 18 x 4	NONE	NONE
12184-SC1-NK-NP	SC1C	21058	12.7	3	12 x 18 x 4	NONE	NONE
12186-SC1	SC1C	10209	14.5	2	12 x 18 x 6	C-D-E-F-G	A-B-C-D-E-F-G-H-I
12186-SC1-NK	SC1C	10210	14.5	2	12 x 18 x 6	NONE	NONE
12186-SC1-NK-NP	SC1C	16421	14.5	2	12 x 18 x 6	NONE	NONE
12188-SC1	SC1C	10216	17	1	12 x 18 x 8	C-D-E-F-G	A-B-C-D-E-F-G-H-I
12188-SC1-NK	SC1C	10217	17	1	12 x 18 x 8	NONE	NONE
12188-SC1-NK-NP	SC1C	31727	17	1	12 x 18 x 8	NONE	NONE
121810-SC1	SC1C	10198	19	1	12 x 18 x 10	C-D-E-F-G	A-B-C-D-E-F-G-H-I
12244-SC1	SC1C	10229	15.8	3	12 x 24 x 4	C-D-E-F-G	A-B-C-D-E-F-G-H-I
12244-SC1-NK	SC1C	15584	15.8	3	12 x 24 x 4	NONE	NONE
12246-SC1	SC1C	10232	18.8	2	12 x 24 x 6	C-D-E-F-G	A-B-C-D-E-F-G-H-I
12246-SC1-NK	SC1C	10233	18.8	2	12 x 24 x 6	NONE	NONE
12246-SC1-NK-NP	SC1C	23762	18.8	2	12 x 24 x 6	NONE	NONE
15186-SC1	SC1C	10265	17.5	2	15 x 18 x 6	B-C-D-E-F-G-H	A-B-C-D-E-F-G-H-I
15186-SC1-NK	SC1C	10266	17.5	2	15 x 18 x 6	NONE	NONE
15186-SC1-NK-NP	SC1C	28142	17.5	2	15 x 18 x 6	NONE	NONE
16164-SC1	SC1C	10283	14	3	16 x 16 x 4	B-C-D-E-F-G-H	NONE
16164-SC1-NK	SC1C	10284	14	3	16 x 16 x 4	NONE	NONE
16164-SC1-NK-NP	SC1C	25802	14	3	16 x 16 x 4	NONE	NONE
16166-SC1	SC1C	10285	16.5	2	16 x 16 x 6	B-C-D-E-F-G-H	NONE
16166-SC1-NK	SC1C	10286	16.5	2	16 x 16 x 6	NONE	NONE
16166-SC1-NK-NP	SC1C	15348	16.5	2	16 x 16 x 6	NONE	NONE
16166-SC1-NP	SC1C	30484	16.5	2	16 x 16 x 6	B-C-D-E-F-G-H	NONE
18184-SC1	SC1C	10300	17	3	18 x 18 x 4	A-B-C-D-E-F-G-H-I	NONE
18184-SC1-NK	SC1C	10301	17	3	18 x 18 x 4	NONE	NONE
18184-SC1-NK-NP	SC1C	10302	17	3	18 x 18 x 4	NONE	NONE
18184-SC1-NP	SC1C	20538	17	3	18 x 18 x 4	A-B-C-D-E-F-G-H-I	NONE
18186-SC1	SC1C	10309	20.5	2	18 x 18 x 6	A-B-C-D-E-F-G-H-I	NONE
18186-SC1-NK	SC1C	10310	20.5	2	18 x 18 x 6	NONE	NONE
18186-SC1-NK-NP	SC1C	10311	20.5	2	18 x 18 x 6	NONE	NONE
18186-SC1-NP	SC1C	15955	20.5	2	18 x 18 x 6	A-B-C-D-E-F-G-H-I	NONE
18188-SC1	SC1C	10319	24	1	18 x 18 x 8	A-B-C-D-E-F-G-H-I	NONE
18188-SC1-NK	SC1C	10320	24	1	18 x 18 x 8	NONE	NONE
18188-SC1-NK-NP	SC1C	15349	24	1	18 x 18 x 8	NONE	NONE
18188-SC1-NP	SC1C	20536	24	1	18 x 18 x 8	A-B-C-D-E-F-G-H-I	NONE
181810-SC1	SC1C	10294	25	1	18 x 18 x 10	A-B-C-D-E-F-G-H-I	NONE
181810-SC1-NK	SC1C	10295	25	1	18 x 18 x 10	NONE	NONE
181810-SC1-NK-NP	SC1C	21064	25	1	18 x 18 x 10	NONE	NONE
181812-SC1	SC1C	10298	28	1	18 x 18 x 12	A-B-C-D-E-F-G-H-I	NONE
181812-SC1-NK	SC1C	10299	28	1	18 x 18 x 12	NONE	NONE
181812-SC1-NK-NP	SC1C	24736	28	1	18 x 18 x 12	NONE	NONE
18244-SC1	SC1C	10333	23.5	2	18 x 24 x 4	A-B-C-D-E-F-G-H-I	A-B-C-D-E-F-G-H-I
18244-SC1-NK	SC1C	10334	23.5	2	18 x 24 x 4	NONE	NONE
18244-SC1-NK-NP	SC1C	32330	23.5	2	18 x 24 x 4	NONE	NONE
18246-SC1	SC1C	10338	27	1	18 x 24 x 6	A-B-C-D-E-F-G-H-I	A-B-C-D-E-F-G-H-I
18246-SC1-NK	SC1C	10339	27	1	18 x 24 x 6	NONE	NONE
18246-SC1-NK-NP	SC1C	15350	27	1	18 x 24 x 6	NONE	NONE
18246-SC1-NP	SC1C	32331	27	1	18 x 24 x 6	A-B-C-D-E-F-G-H-I	A-B-C-D-E-F-G-H-I
18248-SC1	SC1C	10346	30	1	18 x 24 x 8	A-B-C-D-E-F-G-H-I	A-B-C-D-E-F-G-H-I
18248-SC1-NK	SC1C	10347	30	1	18 x 24 x 8	NONE	NONE
18248-SC1-NK-NP	SC1C	21063	30	1	18 x 24 x 8	NONE	NONE
182410-SC1	SC1C	10330	34	1	18 x 24 x 10	A-B-C-D-E-F-G-H-I	A-B-C-D-E-F-G-H-I
182410-SC1-NK	SC1C	24593	34	1	18 x 24 x 10	NONE	NONE
182410-SC1-NK-NP	SC1C	32332	34	1	18 x 24 x 10	NONE	NONE
182412-SC1	SC1C	10332	36	1	18 x 24 x 12	A-B-C-D-E-F-G-H-I	A-B-C-D-E-F-G-H-I
182412-SC1-NK	SC1C	20294	36	1	18 x 24 x 12	NONE	NONE
182412-SC1-NK-NP	SC1C	24797	36	1	18 x 24 x 12	NONE	NONE
24244-SC1	SC1C	10417	30.5	2	24 x 24 x 4	A-B-C-D-E-F-G-H-I	NONE
24244-SC1-NK	SC1C	10418	30.5	2	24 x 24 x 4	NONE	NONE
24244-SC1-NK-NP	SC1C	15473	30.5	2	24 x 24 x 4	NONE	NONE
24244-SC1-NP	SC1C	32333	30.5	2	24 x 24 x 4	A-B-C-D-E-F-G-H-I	NONE
24246-SC1	SC1C	10423	33.5	1	24 x 24 x 6	A-B-C-D-E-F-G-H-I	NONE
24246-SC1-NK	SC1C	10424	33.5	1	24 x 24 x 6	NONE	NONE
24246-SC1-NK-NP	SC1C	15352	33.5	1	24 x 24 x 6	NONE	NONE
24246-SC1-NP	SC1C	20539	33.5	1	24 x 24 x 6	A-B-C-D-E-F-G-H-I	NONE
24248-SC1	SC1C	10434	38	1	24 x 24 x 8	A-B-C-D-E-F-G-H-I	NONE
24248-SC1-NK	SC1C	10435	38	1	24 x 24 x 8	NONE	NONE
24248-SC1-NK-NP	SC1C	10436	38	1	24 x 24 x 8	NONE	NONE
242410-SC1	SC1C	10408	41	1	24 x 24 x 10	A-B-C-D-E-F-G-H-I	NONE
242410-SC1-NK	SC1C	10409	41	1	24 x 24 x 10	NONE	NONE
242410-SC1-NK-NP	SC1C	20887	41	1	24 x 24 x 10	NONE	NONE
242412-SC1	SC1C	10413	44	1	24 x 24 x 12	A-B-C-D-E-F-G-H-I	NONE
242412-SC1-NK	SC1C	10414	44	1	24 x 24 x 12	NONE	NONE
242412-SC1-NK-NP	SC1C	20648	44	1	24 x 24 x 12	NONE	NONE
24308-SC1	SC1C	10460	45	1	24 x 30 x 8	A-B-C-D-E-F-G-H-I	A-B-C-D-E-F-G-H-I

Utility requirements for this equipment may vary. Always consult the serving utility for their requirements before ordering or installing equipment in this catalog.

COMMERCIAL ENCLOSURES

SC1—SCREW COVER JUNCTION BOXES—TYPE 1



CATALOG NUMBER	PRODUCT FAMILY	UPC NUMBER 7-84572-	WEIGHT (LBS)	CARTON QUANTITY	W X H X D	KNOCKOUT	
						A SIDE	B SIDE
24308-SC1-NK	SC1C	10461	45	1	24 x 30 x 8	NONE	NONE
24308-SC1-NK-NP	SC1C	32334	45	1	24 x 30 x 8	NONE	NONE
243010-SC1	SC1C	10447	50	1	24 x 30 x 10	A-B-C-D-E-F-G-H-I	A-B-C-D-E-F-G-H-I
243010-SC1-NK	SC1C	10448	50	1	24 x 30 x 10	NONE	NONE
243010-SC1-NK-NP	SC1C	21065	50	1	24 x 30 x 10	NONE	NONE
243012-SC1	SC1C	10450	54	1	24 x 30 x 12	A-B-C-D-E-F-G-H-I	A-B-C-D-E-F-G-H-I
243012-SC1-NK-NP	SC1C	21067	54	1	24 x 30 x 12	NONE	NONE
24366-SC1	SC1C	10479	54	1	24 x 36 x 6	A-B-C-D-E-F-G-H-I	A-B-C-D-E-F-G-H-I
24366-SC1-NK	SC1C	10480	54	1	24 x 36 x 6	NONE	NONE
24366-SC1-NK-NP	SC1C	32335	54	1	24 x 36 x 6	NONE	NONE
24366-SC1-NP	SC1C	32336	54	1	24 x 36 x 6	A-B-C-D-E-F-G-H-I	A-B-C-D-E-F-G-H-I
24368-SC1	SC1C	10485	59	1	24 x 36 x 8	A-B-C-D-E-F-G-H-I	A-B-C-D-E-F-G-H-I
24368-SC1-NK	SC1C	10486	59	1	24 x 36 x 8	NONE	NONE
24368-SC1-NK-NP	SC1C	10487	59	1	24 x 36 x 8	NONE	NONE
243610-SC1	SC1C	10470	77	1	24 x 36 x 10	A-B-C-D-E-F-G-H-I	A-B-C-D-E-F-G-H-I
243610-SC1-NK	SC1C	24105	77	1	24 x 36 x 10	NONE	NONE
243612-SC1	SC1C	10471	83	1	24 x 36 x 12	A-B-C-D-E-F-G-H-I	A-B-C-D-E-F-G-H-I
243612-SC1-NK	SC1C	19903	83	1	24 x 36 x 12	NONE	NONE
243612-SC1-NK-NP	SC1C	10472	83	1	24 x 36 x 12	NONE	NONE
30306-SC1-NK	SC1C	10521	66	1	30 x 30 x 6	NONE	NONE
30306-SC1-NK-NP	SC1C	15475	66	1	30 x 30 x 6	NONE	NONE
30308-SC1-NK	SC1C	10528	76	1	30 x 30 x 8	NONE	NONE
30308-SC1-NK-NP	SC1C	24913	76	1	30 x 30 x 8	NONE	NONE
303010-SC1-NK	SC1C	10508	81	1	30 x 30 x 10	NONE	NONE
303010-SC1-NK-NP	SC1C	21066	81	1	30 x 30 x 10	NONE	NONE
303012-SC1-NK	SC1C	10511	95	1	30 x 30 x 12	NONE	NONE
303012-SC1-NK-NP	SC1C	21068	95	1	30 x 30 x 12	NONE	NONE
30366-SC1-NK	SC1C	10543	87	1	30 x 36 x 6	NONE	NONE
30366-SC1-NK-NP	SC1C	32337	87	1	30 x 36 x 6	NONE	NONE
30368-SC1-NK	SC1C	23846	95	1	30 x 36 x 8	NONE	NONE
30368-SC1-NK-NP	SC1C	16466	95	1	30 x 36 x 8	NONE	NONE
303610-SC1-NK-NP	SC1C	32338	103	1	30 x 36 x 10	NONE	NONE
303612-SC1-NK	SC1C	17923	111	1	30 x 36 x 12	NONE	NONE
303612-SC1-NK-NP	SC1C	32339	111	1	30 x 36 x 12	NONE	NONE
36364-SC1-NK	SC1C	10591	105	1	36 x 36 x 4	NONE	NONE
36366-SC1-NK	SC1C	10596	115	1	36 x 36 x 6	NONE	NONE
36366-SC1-NK-NP	SC1C	15477	115	1	36 x 36 x 6	NONE	NONE
36368-SC1	SC1C	24886	124	1	36 x 36 x 8	NONE	NONE
36368-SC1-NK	SC1C	10601	124	1	36 x 36 x 8	NONE	NONE
36368-SC1-NK-NP	SC1C	15353	124	1	36 x 36 x 8	NONE	NONE
363610-SC1-NK	SC1C	10584	134	1	36 x 36 x 10	NONE	NONE
363610-SC1-NK-NP	SC1C	24032	134	1	36 x 36 x 10	NONE	NONE
363612-SC1-NK	SC1C	10586	144	1	36 x 36 x 12	NONE	NONE
363612-SC1-NK-NP	SC1C	17418	144	1	36 x 36 x 12	NONE	NONE
363618-SC1-NK	SC1C	10590	173	1	36 x 36 x 18	NONE	NONE
36486-SC1-NK	SC1C	10612	150	1	36 x 48 x 6	NONE	NONE
48486-SC1-NK	SC1C	10731	192	1	48 x 48 x 6	NONE	NONE
484812-SC1-NK	SC1C	10724	220	1	48 x 48 x 12	NONE	NONE
<b>COVERS</b>							
44XSC1	CNAC	10694	0.3	1	4 x 4		
46XSC1	CNAC	10719	0.4	1	4 x 6		
66XSC1	CNAC	10857	0.8	1	6 x 6		
68XSC1	CNAC	10867	1	1	6 x 8		
612XSC1	CNAC	10767	1.5	1	6 x 12		
88XSC1	CNAC	10999	1	1	8 x 8		
810XSC1	CNAC	10890	1.2	1	8 x 10		
812XSC1	CNAC	10908	1.4	1	8 x 12		
1010XSC1	CNAC	10062	2	1	10 x 10		
1012XSC1	CNAC	10081	2.2	1	10 x 12		
1212XSC1	CNAC	10175	2.5	1	12 x 12		
1216XSC1	CNAC	10197	2.9	1	12 x 16		
1218XSC1	CNAC	10225	3.2	1	12 x 18		
1224XSC1	CNAC	10244	4.3	1	12 x 24		
1518XSC1	CNAC	10274	4	1	15 x 18		
1616XSC1	CNAC	10288	3.8	1	16 x 16		
1818XSC1	CNAC	10328	4.8	1	18 x 18		
1824XSC1	CNAC	10354	6.4	1	18 x 24		
1830XSC1	CNAC	10366	8	1	18 x 30		
2424XSC1	CNAC	10446	10.9	1	24 x 24		
2430XSC1	CNAC	10468	12.3	1	24 x 30		
2436XSC1	CNAC	10492	16.4	1	24 x 36		
3030XSC1	CNAC	10535	12.3	1	30 x 30		
3036XSC1	CNAC	10553	19	1	30 x 36		
3636XSC1	CNAC	10606	23	1	36 x 36		
3648XSC1	CNAC	10621	26	1	36 x 48		
4848XSC1	CNAC	10740	42	1	48 x 48		

Utility requirements for this equipment may vary. Always consult the serving utility for their requirements before ordering or installing equipment in this catalog.





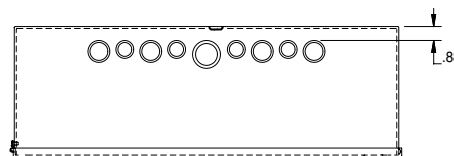
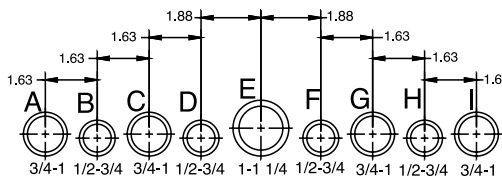
- Formed stainless hinges.
- Mounting holes on back.
- Provision for grounding, with green grounding screw.
- Flush pull ring for easy opening of door.

**FINISH**

- Finish: ANSI 61 gray polyester finish inside and out unless otherwise specified.

**ACCESSORIES**

- Note: Use wood panels only for HC1 enclosures (WB series, pg. B19).
- Touch-up paint – see Accessories pg. B34.



**INDUSTRY STANDARDS**

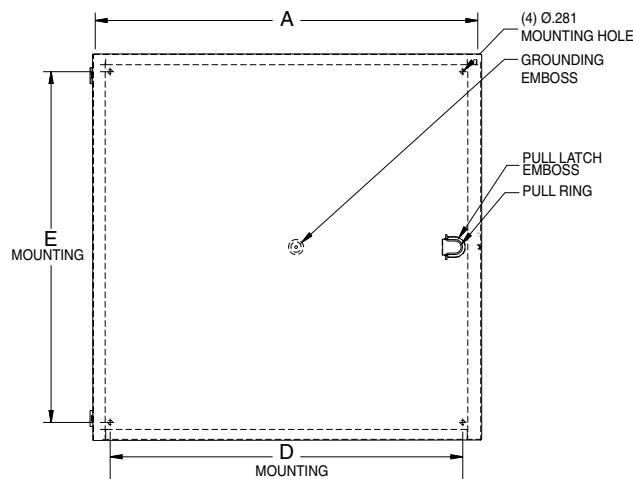
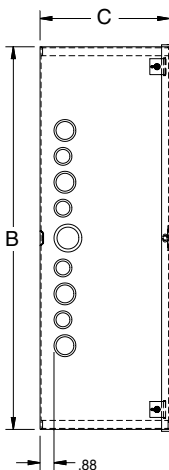
- NEMA - Type 1
- UL 50 - Type 1
- CUL - Type 1 (Equivalent to CSA)

**APPLICATION**

- Designed for use as a junction or pull box
- For indoor use to provide protection against contact with enclosed equipment where dust and moisture are not a problem.

**CONSTRUCTION**

- Enclosure made from 16 or 14 gauge steel.
- Available with or without knockouts. For no knockouts, refer to suffix **-NK** in catalog number.
- Available with or without paint. For no paint, refer to suffix **-NP** in catalog number. Note: Unpainted enclosures are made from galvanized steel.



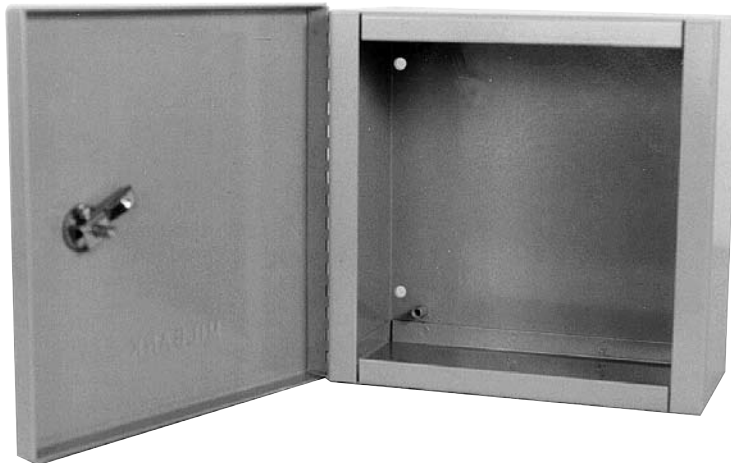
HC1—HINGE COVER JUNCTION BOXES—TYPE 1

COMMERCIAL ENCLOSURES

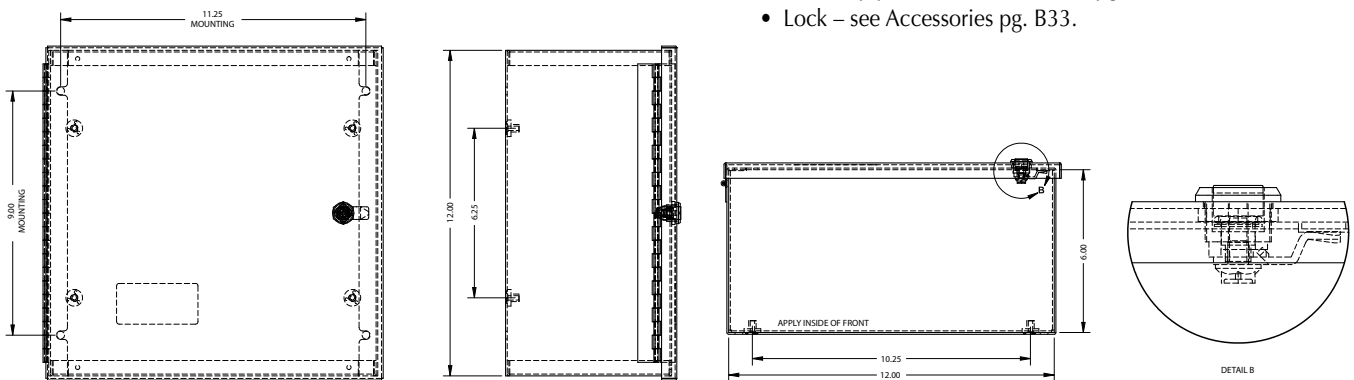
CATALOG NUMBER	PRODUCT FAMILY	UPC NUMBER 7-84572-	WEIGHT (LBS)	CARTON QUANTITY	W X H X D	KNOCKOUT	
						A SIDE	B SIDE
664-HC1	HC1C	10798	3.4	9	6 x 6 x 4	B-C-D	NONE
664-HC1-NK	HC1C	19930	3.4	9	6 x 6 x 4	NONE	NONE
664-HC1-NK-NP	HC1C	21398	3.4	9	6 x 6 x 4	NONE	NONE
666-HC1	HC1C	10817	4.3	6	6 x 6 x 6	B-C-D	NONE
666-HC1-NK	HC1C	15354	4.3	6	6 x 6 x 6	NONE	NONE
684-HC1	HC1C	31817	4	9	6 x 8 x 4	B-C-D	F-G-H-I
684-HC1-NK	HC1C	21532	4	9	6 x 8 x 4	NONE	NONE
884-HC1	HC1C	10935	5.2	6	8 x 8 x 4	F-G-H-I	NONE
884-HC1-NK	HC1C	10936	5.2	6	8 x 8 x 4	NONE	NONE
884-HC1-NP	HC1C	30189	5.2	6	8 x 8 x 4	F-G-H-I	NONE
886-HC1	HC1C	10953	6.5	4	8 x 8 x 6	F-G-H-I	NONE
886-HC1-NK	HC1C	10954	6.5	4	8 x 8 x 6	NONE	NONE
886-HC1-NP	HC1C	30190	6.5	4	8 x 8 x 6	F-G-H-I	NONE
8124-HC1-NK	HC1C	32340	7	3	8 x 12 x 4	NONE	NONE
10104-HC1	HC1C	10013	7.3	3	10 x 10 x 4	C-D-E-F-G	NONE
10104-HC1-NK	HC1C	10014	7.3	3	10 x 10 x 4	NONE	NONE
10106-HC1	HC1C	10028	8	2	10 x 10 x 6	C-D-E-F-G	NONE
10106-HC1-NK	HC1C	10029	8	2	10 x 10 x 6	NONE	NONE
10124-HC1	HC1C	10064	7.9	3	10 x 12 x 4	C-D-E-F-G	C-D-E-F-G
1284-HC1	HC1C	10252	6.7	3	12 x 8 x 4	C-D-E-F-G	F-G-H-I
12124-HC1	HC1C	10110	9.3	4	12 x 12 x 4	C-D-E-F-G	NONE
12124-HC1-NK	HC1C	10111	9.3	4	12 x 12 x 4	NONE	NONE
12124-HC1-NK-NP	HC1C	21399	9.3	4	12 x 12 x 4	NONE	NONE
12126-HC1	HC1C	10129	11	3	12 x 12 x 6	C-D-E-F-G	NONE
12126-HC1-NK	HC1C	10130	11	3	12 x 12 x 6	NONE	NONE
12126-HC1-NK-NP	HC1C	30187	11	3	12 x 12 x 6	NONE	NONE
12184-HC1	HC1C	10201	12.5		12 x 18 x 4	C-D-E-F-G	A-B-C-D-E-F-G-H-I
18186-HC1	HC1C	10308	19.5	2	18 x 18 x 6	A-B-C-D-E-F-G-H-I	NONE
18186-HC1-NK	HC1C	32006	19.5	2	18 x 18 x 6	NONE	NONE
18186-HC1-NK-NP	HC1C	30188	19.5	2	18 x 18 x 6	NONE	NONE
18246-HC1	HC1C	10337	26	1	18 x 24 x 6	A-B-C-D-E-F-G-H-I	A-B-C-D-E-F-G-H-I
18246-HC1-NK	HC1C	32005	26	1	18 x 24 x 6	NONE	NONE

Utility requirements for this equipment may vary. Always consult the serving utility for their requirements before ordering or installing equipment in this catalog.




**INDUSTRY STANDARDS**

- NEMA Type 1
- UL 50—Type 1
- CUL-Type1 (Equivalent to CSA)


**APPLICATION**

- Designed for use in control and instrumentation applications.
- For indoor use in applications where moisture and dust are not a problem.

**CONSTRUCTION**

- Enclosure and cover manufactured from 16 gauge steel.
- The door is attached to the enclosure with a continuous hinge.
- The door is secured closed by a quarter-turn, screwdriver-operated flush catch.
- Panel mounting studs are provided for optional back panel.
- Provisions for mounting optional cylinder lock.
- Mounting holes are provided on the back of enclosure.

**FINISH**

- ANSI 61 gray polyester powder coating over phosphatized G90 galvanized steel.

**ACCESSORIES**

- Panel nos. listed below— see optional SBP Series pg. B19 for specification information.
- Touch-up paint – see Accessories pg. B34.
- Lock – see Accessories pg. B33.

CATALOG NUMBER	PRODUCT FAMILY	UPC NUMBER 7-84572-	WEIGHT (LBS)	CARTON QUANTITY	W X H X D	KNOCKOUT	
						A SIDE	B SIDE
664-LC1	CAB1	18731	3.3	9	6 x 6 x 4	A-66SBP	NONE
684-LC1	CAB1	18734	4.1	9	6 x 8 x 4	A-86SBP	NONE
884-LC1	CAB1	18955	5.1	6	8 x 8 x 4	A-88SBP	NONE
8104-LC1	CAB1	18733	6	5	8 x 10 x 4	A-108SBP	NONE
8106-LC1	CAB1	18113	7.4	4	8 x 10 x 6	A-108SBP	NONE
10104-LC1	CAB1	18732	7.1	3	10 x 10 x 4	A-1010SBP	F-G-H-I
10106-LC1	CAB1	18098	8.6	2	10 x 10 x 6	A-1010SBP	NONE
10124-LC1	CAB1	18099	8.1	3	10 x 12 x 4	A-1210SBP	NONE
10126-LC1	CAB1	18100	9.8	2	10 x 12 x 6	A-1210SBP	NONE
12124-LC1	CAB1	16261	9.3	4	12 x 12 x 4	A-1212SBP	NONE
12126-LC1	CAB1	18101	11.5	3	12 x 12 x 6	A-1212SBP	NONE
12166-LC1	CAB1	18106	15	2	12 x 16 x 6	A-1612SBP	NONE
12206-LC1	CAB1	18107	17	2	12 x 20 x 6	A-2012SBP	NONE
16166-LC1	CAB1	27625	22.5	2	16 x 16 x 6	A-1616SBP	NONE
16206-LC1	CAB1	27623	24	2	16 x 20 x 6	A-2016SBP	NONE
18186-LC1	CAB1	26910	25	2	18 x 18 x 6	a-1818sbp	NONE
20206-LC1	CAB1	27635	26	1	20 x 20 x 6	A-2020SBP	NONE
20246-LC1	CAB1	27633	30	1	20 x 24 x 6	A-2420SBP	NONE
20248-LC1	CAB1	27632	32	1	20 x 24 x 8	A-2420SBP	C-D-E-F-G
24246-LC1	CAB1	26313	40	1	24 x 24 x 6	A-2424SBP	F-G-H-I
24248-LC1	CAB1	27631	42	1	24 x 24 x 8	A-2424SBP	NONE
242412-LC1	CAB1	18956	46	1	24 x 24 x 12	A-2424SBP	NONE
24306-LC1	CAB1	32296	47	1	24 x 30 x 6	A-3024SBP	NONE
24366-LC1	CAB1	26564	57.4	1	24 x 36 x 6	A-3624SBP	NONE
24368-LC1	CAB1	27629	62	1	24 x 36 x 8	A-3624SBP	NONE
30308-LC1	CAB1	27628	63.6	1	30 x 30 x 8	A-3030SBP	NONE
30366-LC1	CAB1	27627	69	1	30 x 36 x 6	A-3630SBP	A-B-C-D-E-F-G-H-I

*Utility requirements for this equipment may vary. Always consult the serving utility for their requirements before ordering or installing equipment in this catalog.*





**INDUSTRY STANDARDS**

- NEMA —Type 3R
- UL 50—Type 3R
- CUL Type 3R (Equivalent to CSA)

**APPLICATION**

- Designed for use as a junction box or pull box.
- For outdoor use to provide protection against rain, sleet or snow, or indoors where dripping water is a problem.

**CONSTRUCTION**

- Enclosure and cover are manufactured from 16, 14, or 12 gauge **G90** galvanized steel.
- The cover is designed to fit under the drip shield top, held in place with a plated steel screw.
- Available with or without paint—for no paint refer to suffix **-NP** in the catalog number.

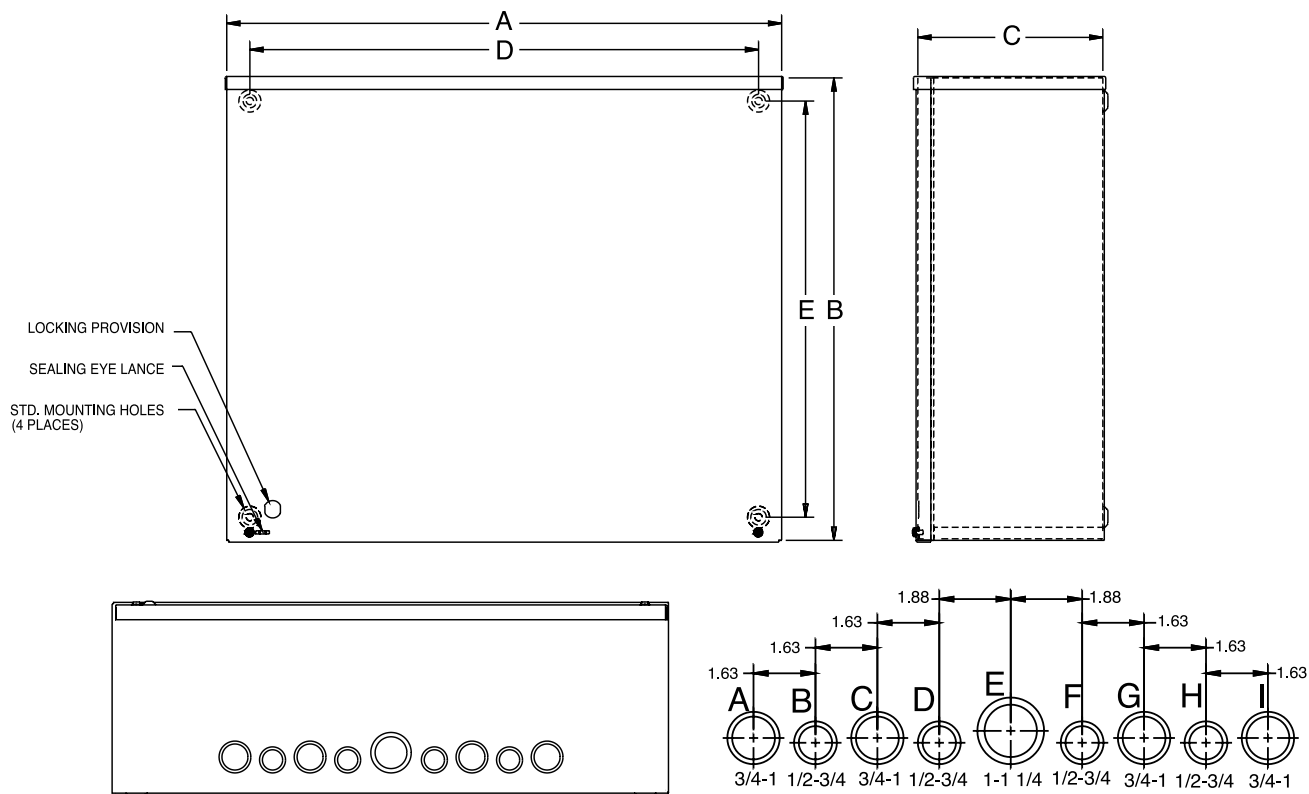
- Boxes are available with or without concentric knockouts on the bottom—for no knockouts refer to suffix **-NK** in the catalog number.
- Mounting embosses are provided on the back of each enclosure.
- Sealing provisions on the front cover.

**FINISH**

- ANSI 61 gray polyester powder coating over phosphatized **G90** galvanized steel.

**ACCESSORIES**

- Replacement cover – see pg B10.
- Touch-up paint – see Accessories pg. B34.
- Cylinder Lock – see Accessories pg. B33.



CATALOG NUMBER	PRODUCT FAMILY	UPC NUMBER 7-84572-	WEIGHT (LBS)	CARTON QUANTITY	W X H X D	KO PATTERN
444-SC3R	SC3R	10653	2.2	6	4 x 4 x 4	B-C
444-SC3R-NK	SC3R	10654	2.2	6	4 x 4 x 4	NONE
444-SC3R-NK-NP	SC3R	15484	2.2	6	4 x 4 x 4	NONE
464-SC3R	SC3R	10706	2.8	4	4 x 6 x 4	B-C
464-SC3R-NK	SC3R	22258	2.8	4	4 x 6 x 4	NONE
664-SC3R	SC3R	10805	3.4	9	6 x 6 x 4	B-C-D
664-SC3R-NK	SC3R	10806	3.4	9	6 x 6 x 4	NONE
664-SC3R-NK-NP	SC3R	15495	3.4	9	6 x 6 x 4	NONE
664-SC3R-NP	SC3R	23225	3.4	9	6 x 6 x 4	B-C-D
666-SC3R	SC3R	10820	4.5	6	6 x 6 x 6	B-C
666-SC3R-NK	SC3R	10821	4.5	6	6 x 6 x 6	NONE

Utility requirements for this equipment may vary. Always consult the serving utility for their requirements before ordering or installing equipment in this catalog.



CATALOG NUMBER	PRODUCT FAMILY	UPC NUMBER 7-84572-	WEIGHT (LBS)	CARTON QUANTITY	W X H X D	KO PATTERN
444-SC3R	SC3R	10653	2.2	6	4 x 4 x 4	B-C
444-SC3R-NK	SC3R	10654	2.2	6	4 x 4 x 4	NONE
444-SC3R-NK-NP	SC3R	15484	2.2	6	4 x 4 x 4	NONE
464-SC3R	SC3R	10706	2.8	4	4 x 6 x 4	B-C
464-SC3R-NK	SC3R	22258	2.8	4	4 x 6 x 4	NONE
664-SC3R	SC3R	10805	3.4	9	6 x 6 x 4	B-C-D
664-SC3R-NK	SC3R	10806	3.4	9	6 x 6 x 4	NONE
664-SC3R-NK-NP	SC3R	15495	3.4	9	6 x 6 x 4	NONE
664-SC3R-NP	SC3R	23225	3.4	9	6 x 6 x 4	B-C-D
666-SC3R	SC3R	10820	4.5	6	6 x 6 x 6	B-C
666-SC3R-NK	SC3R	10821	4.5	6	6 x 6 x 6	NONE
666-SC3R-NK-NP	SC3R	16179	4.5	6	6 x 6 x 6	NONE
684-SC3R	SC3R	10861	4.2	9	6 x 8 x 4	B-C-D
684-SC3R-NK	SC3R	15781	4.2	9	6 x 8 x 4	NONE
684-SC3R-NK-NP	SC3R	21089	4.2	9	6 x 8 x 4	NONE
686-SC3R	SC3R	10865	5.3	6	6 x 8 x 6	B-C-D
686-SC3R-NK	SC3R	15632	5.3	6	6 x 8 x 6	NONE
6124-SC3R	SC3R	21446	5.5	6	6 x 12 x 4	B-C-D
884-SC3R	SC3R	10941	5.2	6	8 x 8 x 4	F-G-H-I
884-SC3R-NK	SC3R	10942	5.2	6	8 x 8 x 4	NONE
884-SC3R-NK-NP	SC3R	15505	5.2	6	8 x 8 x 4	NONE
884-SC3R-NP	SC3R	23226	5.2	6	8 x 8 x 4	F-G-H-I
886-SC3R	SC3R	10957	6.5	4	8 x 8 x 6	F-G-H-I
886-SC3R-NK	SC3R	10958	6.5	4	8 x 8 x 6	NONE
886-SC3R-NK-NP	SC3R	16178	6.5	4	8 x 8 x 6	NONE
886-SC3R-NP	SC3R	23227	6.5	4	8 x 8 x 6	F-G-H-I
888-SC3R	SC3R	19529	7.5	2	8 x 8 x 8	F-G-H-I
888-SC3R-NK	SC3R	28467	7.5	2	8 x 8 x 8	NONE
8104-SC3R	SC3R	10882	6	6	8 x 10 x 4	F-G-H-I
8104-SC3R-NK	SC3R	10883	6	6	8 x 10 x 4	NONE
8106-SC3R	SC3R	10887	7.5	4	8 x 10 x 6	F-G-H-I
8106-SC3R-NK	SC3R	10888	7.5	4	8 x 10 x 6	NONE
8106-SC3R-NK-NP	SC3R	32341	7.5	4	8 x 10 x 6	NONE
8124-SC3R	SC3R	10895	7	3	8 x 12 x 4	F-G-H-I
8124-SC3R-NK	SC3R	15911	7	3	8 x 12 x 4	NONE
8126-SC3R	SC3R	10900	8.5	2	8 x 12 x 6	F-G-H-I
8126-SC3R-NK	SC3R	26004	8.5	2	8 x 12 x 6	NONE
10104-SC3R	SC3R	10019	7.3	3	10 x 10 x 4	C-D-E-F-G
10104-SC3R-NK	SC3R	10020	7.3	3	10 x 10 x 4	NONE
10104-SC3R-NK-NP	SC3R	18371	7.3	3	10 x 10 x 4	NONE
10104-SC3R-NP	SC3R	23228	7.3	3	10 x 10 x 4	C-D-E-F-G
10106-SC3R	SC3R	10032	9	2	10 x 10 x 6	C-D-E-F-G
10106-SC3R-NK	SC3R	10033	9	2	10 x 10 x 6	NONE
10106-SC3R-NK-NP	SC3R	15457	9	2	10 x 10 x 6	NONE
10124-SC3R	SC3R	10067	8.3	3	10 x 12 x 4	C-D-E-F-G
10126-SC3R	SC3R	10073	10	2	10 x 12 x 6	C-D-E-F-G
10126-SC3R-NK	SC3R	10074	10	2	10 x 12 x 6	NONE
10126-SC3R-NK-NP	SC3R	32342	10	2	10 x 12 x 6	NONE
12124-SC3R	SC3R	10117	9.5	4	12 x 12 x 4	C-D-E-F-G
12124-SC3R-NK	SC3R	10118	9.5	4	12 x 12 x 4	NONE
12124-SC3R-NK-NP	SC3R	15465	9.5	4	12 x 12 x 4	NONE
12124-SC3R-NP	SC3R	17679	9.5	4	12 x 12 x 4	C-D-E-F-G
12126-SC3R	SC3R	10137	11.5	3	12 x 12 x 6	C-D-E-F-G
12126-SC3R-NK	SC3R	10138	11.5	3	12 x 12 x 6	NONE
12126-SC3R-NK-NP	SC3R	15467	11.5	3	12 x 12 x 6	NONE
12126-SC3R-NP	SC3R	23229	11.5	3	12 x 12 x 6	C-D-E-F-G
12128-SC3R	SC3R	10156	13.7	2	12 x 12 x 8	C-D-E-F-G
12128-SC3R-NK	SC3R	10157	13.7	2	12 x 12 x 8	NONE
12128-SC3R-NK-NP	SC3R	19306	13.7	2	12 x 12 x 8	NONE
121212-SC3R-NK	SC3R	19257	17.2	1	12 x 12 x 12	NONE
121212-SC3R-NK-NP	SC3R	19429	17.2	1	12 x 12 x 12	NONE
12164-SC3R	SC3R	10179	11.7	3	12 x 16 x 4	C-D-E-F-G
12164-SC3R-NK	SC3R	22231	11.7	3	12 x 16 x 4	NONE
12166-SC3R	SC3R	10185	14.5	2	12 x 16 x 6	C-D-E-F-G
12166-SC3R-NK	SC3R	10186	14.5	2	12 x 16 x 6	NONE
12184-SC3R	SC3R	10204	12.7	3	12 x 18 x 4	C-D-E-F-G
12184-SC3R-NK	SC3R	21547	12.7	3	12 x 18 x 4	NONE
12186-SC3R	SC3R	10211	15.5	2	12 x 18 x 6	C-D-E-F-G
12186-SC3R-NK	SC3R	10212	15.5	2	12 x 18 x 6	NONE
12186-SC3R-NK-NP	SC3R	21091	15.5	2	12 x 18 x 6	NONE
12188-SC3R	SC3R	10219	18	1	12 x 18 x 8	C-D-E-F-G
12188-SC3R-NK	SC3R	10220	18	1	12 x 18 x 8	NONE
12188-SC3R-NK-NP	SC3R	21093	18	1	12 x 18 x 8	NONE
121810-SC3R	SC3R	10200	20	1	12 x 18 x 10	C-D-E-F-G
121812-SC3R-NK	SC3R	22432	22.3	1	12 x 18 x 12	NONE
12246-SC3R	SC3R	10235	18.8	2	12 x 24 x 6	C-D-E-F-G

*Utility requirements for this equipment may vary. Always consult the serving utility for their requirements before ordering or installing equipment in this catalog.*

**COMMERCIAL ENCLOSURES**

**SC3R—SCREW COVER JUNCTION BOXES—TYPE 3R**



COMMERCIAL ENCLOSURES

SC3R—SCREW COVER JUNCTION BOXES—TYPE 3R

CATALOG NUMBER	PRODUCT FAMILY	UPC NUMBER 7-84572-	WEIGHT (LBS)	CARTON QUANTITY	W X H X D	KO PATTERN
16164-SC3R	SC3R	19380	14	3	16 x 16 x 4	B-C-D-E-F-G-H
16166-SC3R	SC3R	24648	16.5	2	16 x 16 x 6	B-C-D-E-F-G-H
16166-SC3R-NK	SC3R	26704	16.5	2	16 x 16 x 6	NONE
18184-SC3R	SC3R	10303	18.7	3	18 x 18 x 4	A-B-C-D-E-F-G-H-I
18184-SC3R-NK	SC3R	18648	18.7	3	18 x 18 x 4	NONE
18184-SC3R-NK-NP	SC3R	19308	18.7	3	18 x 18 x 4	NONE
18186-SC3R	SC3R	10312	21	2	18 x 18 x 6	A-B-C-D-E-F-G-H-I
18186-SC3R-NK	SC3R	10313	21	2	18 x 18 x 6	NONE
18186-SC3R-NK-NP	SC3R	19307	21	2	18 x 18 x 6	NONE
18188-SC3R	SC3R	10321	24	1	18 x 18 x 8	A-B-C-D-E-F-G-H-I
18188-SC3R-NK	SC3R	10322	24	1	18 x 18 x 8	NONE
18188-SC3R-NK-NP	SC3R	19417	24	1	18 x 18 x 8	NONE
18188-SC3R-NP	SC3R	23230	24	1	18 x 18 x 8	A-B-C-D-E-F-G-H-I
181810-SC3R	SC3R	10296	26	1	18 x 18 x 10	A-B-C-D-E-F-G-H-I
181810-SC3R-NK	SC3R	10297	26	1	18 x 18 x 10	NONE
181812-SC3R	SC3R	17317	28	1	18 x 18 x 12	A-B-C-D-E-F-G-H-I
181812-SC3R-NK	SC3R	32283	28	1	18 x 18 x 12	NONE
18246-SC3R	SC3R	10340	30	1	18 x 24 x 6	A-B-C-D-E-F-G-H-I
18246-SC3R-NK	SC3R	21148	30	1	18 x 24 x 6	NONE
18246-SC3R-NK-NP	SC3R	21092	30	1	18 x 24 x 6	NONE
18248-SC3R	SC3R	10348	33	1	18 x 24 x 8	A-B-C-D-E-F-G-H-I
18248-SC3R-NK	SC3R	21168	33	1	18 x 24 x 8	NONE
18248-SC3R-NK-NP	SC3R	21094	33	1	18 x 24 x 8	NONE
182410-SC3R	SC3R	10331	34	1	18 x 24 x 10	A-B-C-D-E-F-G-H-I
24244-SC3R	SC3R	23803	32	2	24 x 24 x 4	A-B-C-D-E-F-G-H-I
24244-SC3R-NP	SC3R	32343	32	2	24 x 24 x 4	A-B-C-D-E-F-G-H-I
24246-SC3R	SC3R	10427	34.5	1	24 x 24 x 6	A-B-C-D-E-F-G-H-I
24246-SC3R-NK	SC3R	10428	34.5	1	24 x 24 x 6	NONE
24246-SC3R-NK-NP	SC3R	15474	34.5	1	24 x 24 x 6	NONE
24248-SC3R	SC3R	10437	39	1	24 x 24 x 8	A-B-C-D-E-F-G-H-I
24248-SC3R-NK	SC3R	10438	39	1	24 x 24 x 8	NONE
24248-SC3R-NK-NP	SC3R	19305	39	1	24 x 24 x 8	NONE
242410-SC3R	SC3R	10410	43	1	24 x 24 x 10	A-B-C-D-E-F-G-H-I
242410-SC3R-NK	SC3R	10411	43	1	24 x 24 x 10	NONE
242410-SC3R-NK-NP	SC3R	21095	43	1	24 x 24 x 10	NONE
242412-SC3R	SC3R	10415	44	1	24 x 24 x 12	A-B-C-D-E-F-G-H-I
242412-SC3R-NK	SC3R	10416	44	1	24 x 24 x 12	NONE
242412-SC3R-NK-NP	SC3R	15472	44	1	24 x 24 x 12	NONE
243010-SC3R	SC3R	10449	50	1	24 x 30 x 10	A-B-C-D-E-F-G-H-I
243010-SC3R-NK	SC3R	26705	50	1	24 x 30 x 10	NONE
243012-SC3R	SC3R	21511	51	1	24 x 30 x 12	A-B-C-D-E-F-G-H-I
243612-SC3R	SC3R	10473	70	1	24 x 36 x 12	A-B-C-D-E-F-G-H-I
243612-SC3R-NK	SC3R	22433	70	1	24 x 36 x 12	NONE
30306-SC3R	SC3R	10522	66	1	30 x 30 x 6	A-B-C-D-E-F-G-H-I
30306-SC3R-NK	SC3R	20249	66	1	30 x 30 x 6	NONE
30308-SC3R	SC3R	23298	71	1	30 x 30 x 8	NONE
30308-SC3R-NK	SC3R	30025	71	1	30 x 30 x 8	NONE
303010-SC3R	SC3R	10509	62	1	30 x 30 x 10	NONE
303010-SC3R-NK	SC3R	19153	62	1	30 x 30 x 10	NONE
303010-SC3R-NK-NP	SC3R	21098	62	1	30 x 30 x 10	NONE
303012-SC3R	SC3R	23270	67	1	30 x 30 x 12	NONE
303012-SC3R-NK-NP	SC3R	32344	67	1	30 x 30 x 12	NONE
303612-SC3R-NK	SC3R	20927	77	1	30 x 36 x 12	NONE
36368-SC3R	SC3R	21637	77	1	36 x 36 x 8	NONE
363612-SC3R	SC3R	10587	88.8	1	36 x 36 x 12	NONE
363612-SC3R-NK	SC3R	10588	88.8	1	36 x 36 x 12	NONE
363612-SC3R-NK-NP	SC3R	15476	88.8	1	36 x 36 x 12	NONE
363618-SC3R-NK	SC3R	19959	107	1	36 x 36 x 18	NONE
364816-SC3R-NK	SC3R	23807	126.5	1	36 x 48 x 16	NONE
COVERS						
44XSC3R	CNAC	10695	0.3	1	4 x 4	
46XSC3R	CNAC	19155	0.4	1	4 x 6	
66XSC3R	CNAC	10858	0.8	1	6 x 6	
68XSC3R	CNAC	10868	1	1	6 x 8	
88XSC3R	CNAC	11000	1.1	1	8 x 8	
810XSC3R	CNAC	15932	1.2	1	8 x 10	
1010XSC3R	CNAC	10063	2	1	10 x 10	
1012XSC3R	CNAC	15547	2.4	1	10 x 12	
1212XSC3R	CNAC	10176	2.8	1	12 x 12	
1818XSC3R	CNAC	10329	4.8	1	18 x 18	
1824XSC3R	CNAC	15548	8.2	1	18 x 24	
2424XSC3R	CNAC	20563	10.9	1	24 x 24	

Utility requirements for this equipment may vary. Always consult the serving utility for their requirements before ordering or installing equipment in this catalog.






**INDUSTRY STANDARDS**

- NEMA Type 3R
- UL 50—Type 3R
- CUL—Type 3R (Equivalent to CSA)

**APPLICATION**

- Designed for use as a junction box or pull box.
- For outdoor use to provide protection against rain, sleet, or snow, or indoors where dripping water is a problem.

**CONSTRUCTION**

- Enclosure and cover are manufactured from 16, 14, and 12 gauge **G90** galvanized steel.
- Formed steel hinge with padlockable flip latch.

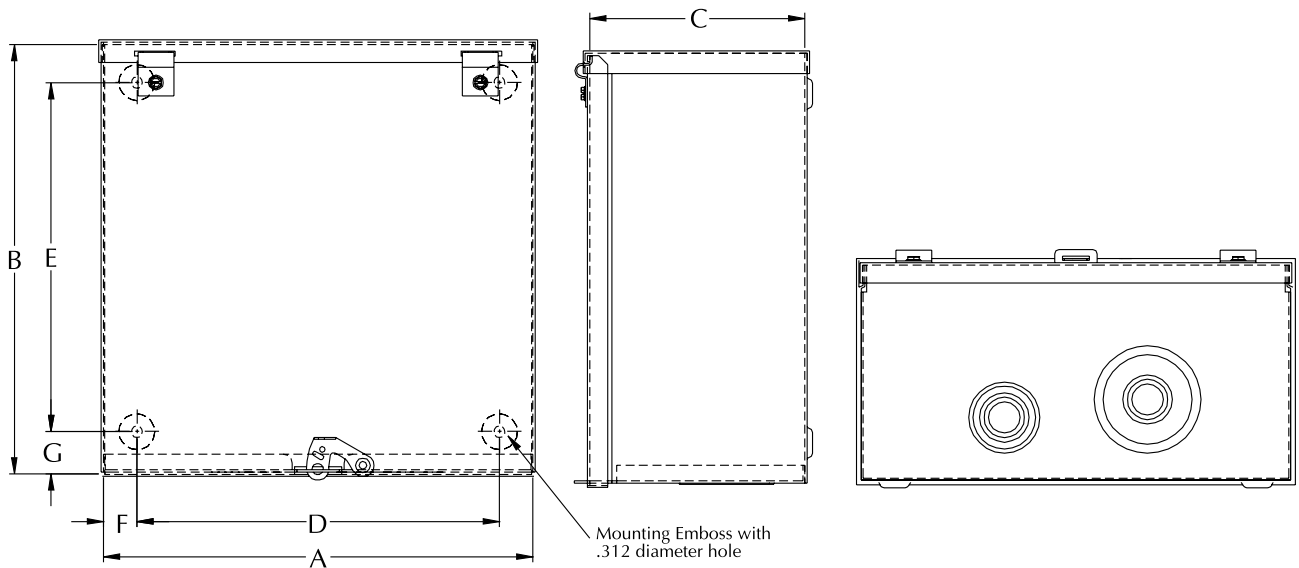
- Available with or without concentric knockouts on the bottom—for no knockouts refer to suffix **-NK** in the catalog number.
- 4 mounting holes are supplied on back of box.
- Features a drip shield top and seam-free sides, front and back.

**FINISH**

- ANSI 61 gray polyester powder coating over phosphatized **G90** galvanized steel.

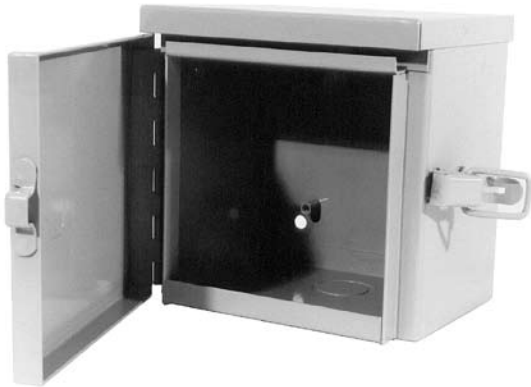
**ACCESSORIES**

- Touch-up paint – see Accessories pg. B34.

**COMMERCIAL ENCLOSURES**
**HC3R—HINGED COVER JUNCTION BOXES—TYPE 3R**


CATALOG NUMBER	PRODUCT FAMILY	UPC NUMBER	7-84572-	WEIGHT (LBS)	CARTON QUANTITY	W X H X D	KO PATTERN
664-HC3R	HC3R	10800		3.5	9	6 x 6 x 4	D-D
884-HC3R	HC3R	10937		5.2	6	8 x 8 x 4	C-C
10104-HC3R	HC3R	10016		7	3	10 x 10 x 4	C-C
12124-HC3R	HC3R	10112		9.2	4	12 x 12 x 4	C-C-C
12126-HC3R	HC3R	10132		11	3	12 x 12 x 6	C-A
12126-HC3R-NK	HC3R	15839		11	3	12 x 12 x 6	NONE
12186-HC3R	HC3R	10208		15.7	2	12 x 18 x 6	C-A
18188-HC3R	HC3R	10318		24	1	18 x 18 x 8	C-A-C
242410-HC3R	HC3R	10407		42	1	24 x 24 x 10	C-C-A-C-C

*Utility requirements for this equipment may vary. Always consult the serving utility for their requirements before ordering or installing equipment in this catalog.*



**INDUSTRY STANDARDS**

- NEMA —Type 3R
- UL 50—Type 3R
- CUL—Type 3R (Equivalent to CSA)

**APPLICATION**

- Designed for use as a telephone cabinet, panel enclosure, or junction box.
- For outdoor use to provide protection against rain, sleet, or snow, or indoors where dripping water is a problem.

**CONSTRUCTION**

- Enclosure and cover are manufactured from 16, 14, 12, or 11 gauge **G90** galvanized steel.
- The cover is mounted on galvanized lift-off hinges with stainless steel hinge pins. Cover is fastened with a padlockable draw latch.
- Panel mounting studs provided for optional back panel.
- Embossed mounting holes on back.

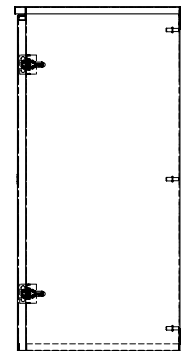
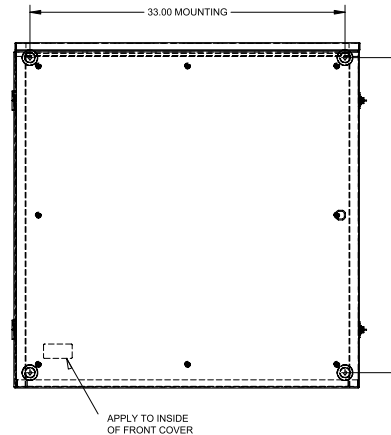
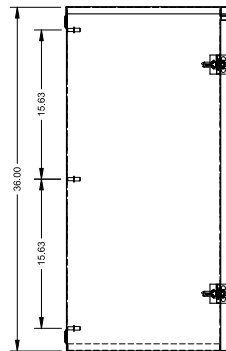
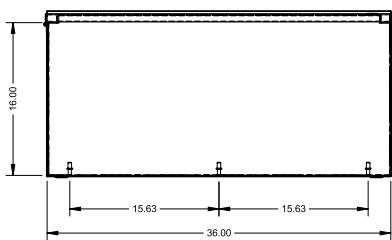
- Knockouts provided on the bottom of the **12126-TC3R** and smaller sizes.
- Drip shield top and seam-free sides, front and back.

**FINISH**

- ANSI 61 gray polyester powder coating over phosphatized **G90** galvanized steel.

**ACCESSORIES**

- Panel – see optional P Series pg. B18.
- Touch-up paint—see Accessories pg. B34.
- T-Handle Lock—see Accessories pg. B33.
- External mounting-foot kit—see Accessories pg. B34.



CATALOG NUMBER	PRODUCT FAMILY	UPC NUMBER 7-84572-	WEIGHT (LBS)	CARTON QUANTITY	W X H X D	KO PATTERN	PANEL CATALOG NO.
664-TC3R	TC3R	18756	3.3	9	6 x 6 x 4	B-A-B	A-6P6R
684-TC3R	TC3R	18757	5.8	9	6 x 8 x 4	B-A-B	A-8P6R
886-TC3R	TC3R	18758	7.5	4	8 x 8 x 6	B-A-B-A	A-8P8R
8106-TC3R	TC3R	18759	8.8	4	8 x 10 x 6	B-A-B-A	A-10P8R
10126-TC3R	TC3R	18761	12.3	3	10 x 12 x 6	B-A-B-A-B	A-12P10R
12126-TC3R	TC3R	10143	14	3	12 x 12 x 6	B-A-B-A-B	A-12P12R
12166-TC3R	TC3R	15549	16	2	12 x 16 x 6	NONE	A-16P12
12186-TC3R	TC3R	10215	17	2	12 x 18 x 6	NONE	A-18P12
16166-TC3R	TC3R	22600	18	2	16 x 16 x 6	NONE	A-16P16
16206-TC3R	TC3R	22601	25	1	16 x 20 x 6	NONE	A-20P16
18186-TC3R	TC3R	10316	23	2	18 x 18 x 6	NONE	A-18P18
18246-TC3R	TC3R	10344	28	2	18 x 24 x 6	NONE	A-24P18
20208-TC3R	TC3R	22602	29.5	1	20 x 20 x 8	NONE	A-20P20
20248-TC3R	TC3R	22603	34	1	20 x 24 x 8	NONE	A-24P20
24248-TC3R	TC3R	22604	39.2	1	24 x 24 x 8	NONE	A-24P24
242410-TC3R	TC3R	22508	43.1	1	24 x 24 x 10	NONE	A-24P24
24306-TC3R	TC3R	10459	42.6	1	24 x 30 x 6	NONE	A-30P24
24366-TC3R	TC3R	10484	53	1	24 x 36 x 6	NONE	A-36P24
303012-TC3R	TC3R	22606	84	1	30 x 30 x 12	NONE	A-30P30
303612-TC3R	TC3R	23124	118	1	30 x 36 x 12	NONE	A-36P30
363010-TC3R	TC3R	27606	110	1	36 x 30 x 10	NONE	A-36P30
36366-TC3R	TC3R	15478	90	1	36 x 36 x 6	NONE	A-36P36
363612-TC3R	TC3R	22608	112	1	36 x 36 x 12	NONE	A-36P36
363616-TC3R	TC3R	27605	127	1	36 x 36 x 16	NONE	A-36P36
364812-TC3R	TC3R	24504	156	1	36 x 48 x 12	NONE	A-48P36
364816-TC3R	TC3R	22611	170	1	36 x 48 x 16	NONE	A-48P36

*Utility requirements for this equipment may vary. Always consult the serving utility for their requirements before ordering or installing equipment in this catalog.*




**APPLICATION**

- Designed for use as a current transformer cabinet or panel enclosure.
- For outdoor use to provide protection against rain, sleet, and snow, or indoor use to protect against dripping water.

**CONSTRUCTION**

- Enclosure and cover manufactured from 16 or 14 gauge **G90** galvanized steel.
- The doors are overlapping with no center post.
- The cover is mounted on galvanized lift-off hinges with stainless steel hinge pins. Cover is fastened with a padlockable draw latch.
- Three point pad-lockable handle.
- Panel mounting studs provided for optional back panels.
- Drip shield top and seam-free sides, front and back.

**FINISH**

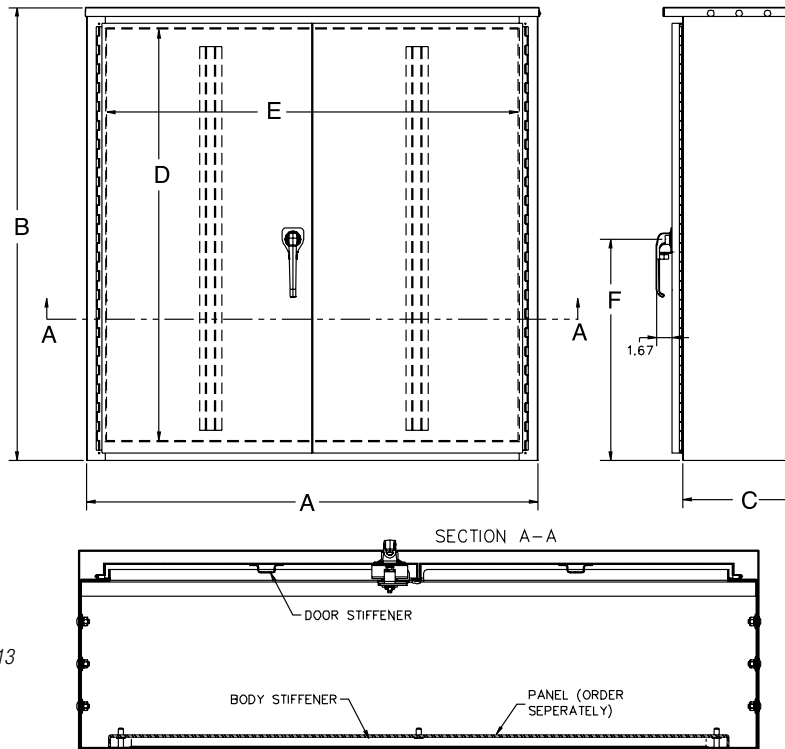
- ANSI 61 gray polyester powder coating over phosphatized **G90** galvanized steel.

**ACCESSORIES**

- Panel – see optional P Series pg. B18.
- Touch-up paint – see Accessories pg. B34.

**INDUSTRY STANDARDS**

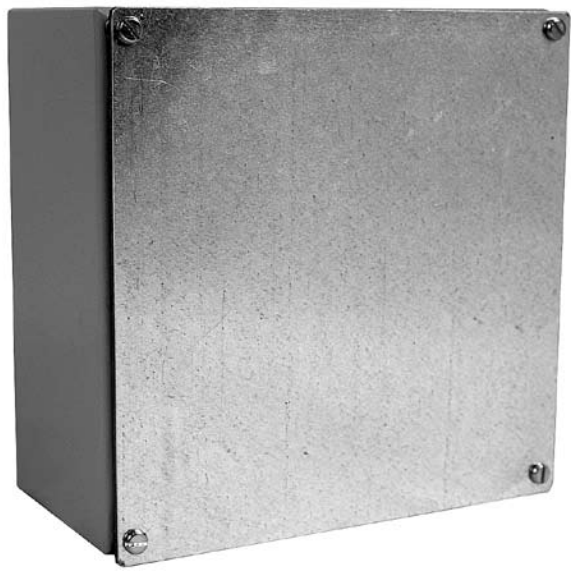
- NEMA —Type 3R
- UL 50—Type 3R
- CUL—Type 3R (Equivalent to CSA)



*\*Lift-Off Hinge except on 606013 which has continuous hinge*

CATALOG NUMBER	PRODUCT FAMILY	UPC NUMBER 7-84572-	WEIGHT (LBS)	CARTON QUANTITY	W X H X D	PANEL CATALOG NO.
363010-CT3R	CN3R	18823	99	1	36 x 30 x 10	A-36P30
363016-CT3R	CN3R	16181	121.5	1	36 x 30 x 16	A-36P30
363610-CT3R	CN3R	17368	113	1	36 x 36 x 10	A-36P36
363612-CT3R	CN3R	16185	118	1	36 x 36 x 12	A-36P36
363616-CT3R	CN3R	18819	139	1	36 x 36 x 16	A-36P36
483616-CT3R	CN3R	25707	163	1	48 x 36 x 16	A-48P36
484812-CT3R	CN3R	16184	210	1	48 x 48 x 12	A-48P48
606013-CT3R*	CN3R	18252	274	1	60 x 60 x 13	A-60P60

*Utility requirements for this equipment may vary. Always consult the serving utility for their requirements before ordering or installing equipment in this catalog.*



**INDUSTRY STANDARDS**

- NEMA —Type 4, Type 12, Type 13, Type 3
- UL 508—Type 4, Type 12, Type 13, Type 3
- CUL—Type 4, Type 12, Type 13 (Equivalent to CSA)

**APPLICATION**

- Designed for use as a junction box or pull box.
- For indoor or outdoor use to provide protection against dust and moisture.

**CONSTRUCTION**

- Bodies are made from 14 gauge **G90** galvanized steel.
- Covers are made from 12 or 10 gauge **G90** galvanized steel.
- Seam welded construction with no holes or knockouts.
- Captivated stainless steel screws thread into sealed wells.
- Seamless gasket assures water-tight and dust-tight seal.
- Grounding stud on inside back of box.

**FINISH**

- Body—ANSI 61 gray polyester powder coating over phosphatized **G90** galvanized steel.
- Cover—Unpainted **G90** galvanized steel.

**ACCESSORIES**

- Touch-up paint – see Accessories pg. B34.

CATALOG NUMBER	PRODUCT FAMILY	UPC NUMBER 7-84572-	WEIGHT (LBS)	CARTON QUANTITY	W X H X D
664-WSC	CNSP	10810	3.2	9	6 x 6 x 4
666-WSC	CNSP	10822	4.2	6	6 x 6 x 6
684-WSC	CNSP	10862	3.8	9	6 x 8 x 4
884-WSC	CNSP	10946	4.8	6	8 x 8 x 4
886-WSC	CNSP	10959	6.5	4	8 x 8 x 6
888-WSC	CNSP	10973	7.8	2	8 x 8 x 8
10104-WSC	CNSP	10023	6.7	3	10 x 10 x 4
10106-WSC	CNSP	10036	8	2	10 x 10 x 6
12124-WSC	CNSP	10124	8.8	4	12 x 12 x 4
12126-WSC	CNSP	10144	10.5	3	12 x 12 x 6
12128-WSC	CNSP	10158	11.3	2	12 x 12 x 8
16166-WSC	CNSP	23749	15.1	1	16 x 16 x 6
18186-WSC	CNSP	10317	18.2	2	18 x 18 x 6
24246-WSC	CNSP	10433	30	1	24 x 24 x 6
24248-WSC	CNSP	10440	52	1	24 x 24 x 8

Utility requirements for this equipment may vary. Always consult the serving utility for their requirements before ordering or installing equipment in this catalog.





(Photo shows SC1 box with TFLC attached)

**INDUSTRY STANDARDS**

- NEMA Type 1
- UL 50—Type 1
- CUL Type 1 (Equivalent to CSA)

**APPLICATION—TFLC**

- Designed for use with the SC1 series enclosures for flush mount telephone cabinet applications.
- For indoor use to provide protection against contact with enclosed equipment where moisture and dust are not a problem.

**CONSTRUCTION**

- Covers are manufactured from 16, 14, and 12 **G90** gauge steel.
- The continuous hinge is made of stainless steel with a stainless steel hinge pin.
- Tumbler lock features slam-latching action on single door (24 wide or less.) Key is removable in unlocked position. Case is zinc-plated steel; lift lever is steel with a dull chrome finish.
- Double door (30 and wider) uses overlapping doors with 3 point latching mechanism.

**ORDERING INFORMATION**

- To order a complete telephone cabinet, pick the SC1 enclosure of the appropriate size and match it with the corresponding cover (height and width must match).

**FINISH**

- ANSI 61 gray polyester powder coating over phosphatized **G90** galvanized steel.

**ACCESSORIES**

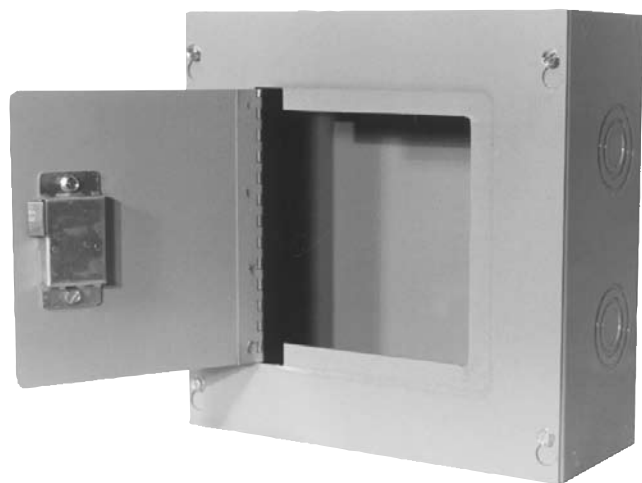
- Plywood Panel – furnished by contractor.
- Touch-up paint – see Accessories pg. B34.

CATALOG NUMBER	PRODUCT FAMILY	UPC NUMBER 7-84572-	WEIGHT (LBS)	ENCLOSURE SIZE
812TFLC	CNAC	10905	3.7	8 x 12
1010TFLC	CNAC	10059	3.8	10 x 10
1012TFLC	CNAC	10078	4	10 x 12
1212TFLC	CNAC	10172	4.9	12 x 12
1218TFLC	CNAC	10222	6.9	12 x 18
1224TFLC	CNAC	10241	9	12 x 24
1818TFLC	CNAC	10325	10.5	18 x 18
1824TFLC	CNAC	10350	13.7	18 x 24
2424TFLC	CNAC	10442	17.8	24 x 24
2430TFLC	CNAC	10464	21.9	24 x 30
2436TFLC	CNAC	10489	26	24 x 36
2448TFLC	CNAC	10501	34	24 x 48
3030TFLC	CNAC	10531	27	30 x 30
3036TFLC	CNAC	10549	32	30 x 36
3636TFLC	CNAC	10603	38	36 x 36
3648TFLC	CNAC	10618	51	36 x 48
4848TFLC	CNAC	10737	95	48 x 48

*Utility requirements for this equipment may vary. Always consult the serving utility for their requirements before ordering or installing equipment in this catalog.*







(Photo shows SC1 box with TSC attached)

**INDUSTRY STANDARDS**

- NEMA Type 1
- UL 50—Type 1
- CUL-Type1 (Equivalent to CSA)

**APPLICATION—TSC**

- Designed for use with the SC1 series enclosures for surface mount telephone cabinet applications.
- For indoor use to provide protection against contact with enclosed equipment where moisture and dust are not a problem.

**CONSTRUCTION**

- Covers are manufactured from 16, 14, and 12 G90 gauge steel.
- The continuous hinge is made of stainless steel with a stainless steel hinge pin.
- Tumbler lock with self-latching bolt on single door (24 wide or less). Key is removable in unlocked position.
- Overlapping double door (30 and wider) uses 3 point latching mechanism.

**ORDERING INFORMATION**

- To order a complete telephone cabinet, pick the SC1 enclosure of the appropriate size and match it with the corresponding cover (height and width must match).

**FINISH**

- ANSI 61 gray polyester powder coating over phosphatized G90 galvanized steel.

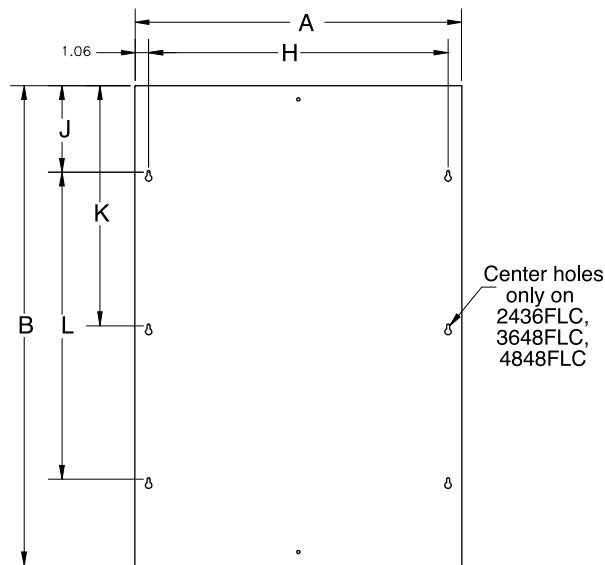
**ACCESSORIES**

- Plywood Panel – furnished by contractor.
- Touch-up paint – see Accessories pg. B34.

CATALOG NUMBER	PRODUCT FAMILY	UPC NUMBER 7-84572-	WEIGHT (LBS)	ENCLOSURE SIZE
88TSC	CNAC	10997	1.7	8 x 8
812TSC	CNAC	10906	2.5	8 x 12
1010TSC	CNAC	10060	2.6	10 x 10
1012TSC	CNAC	10079	3.5	10 x 12
1212TSC	CNAC	10173	3.8	12 x 12
1218TSC	CNAC	10223	5.6	12 x 18
1224TSC	CNAC	10242	7.6	12 x 24
1818TSC	CNAC	10326	8.5	18 x 18
1824TSC	CNAC	10351	11.4	18 x 24
2424TSC	CNAC	10443	15.2	24 x 24
2430TSC	CNAC	10465	19	24 x 30
2436TSC	CNAC	10490	23	24 x 36
2448TSC	CNAC	10502	33	24 x 48
3030TSC	CNAC	10532	24	30 x 30
3036TSC	CNAC	10550	28	30 x 36
3636TSC	CNAC	10604	38	36 x 36
3648TSC	CNAC	10619	50	36 x 48
4848TSC	CNAC	10738	88	48 x 48

Utility requirements for this equipment may vary. Always consult the serving utility for their requirements before ordering or installing equipment in this catalog.





FLC Cover

**INDUSTRY STANDARDS**

- NEMA Type 1
- UL 50—Type 1
- CUL Type 1 (Equivalent to CSA)

**APPLICATION-FLC**

- Designed for use on a screw cover Type 1 (SC1) enclosures to add a flush edge.
- For Indoor use to provide protection against contact with enclosed equipment where moisture and dust are not a problem.
- Cover provides a 3/4 flange on each side of enclosure.

**CONSTRUCTION**

- Covers are manufactured from 16,14, or 12 gauge **G90** galvanized steel.
- Covers have teardrop slots for easy installation and are attached to the body with plated steel screws.

**FINISH**

- ANSI 61 gray polyester powder coating over phosphatized **G90** galvanized steel.

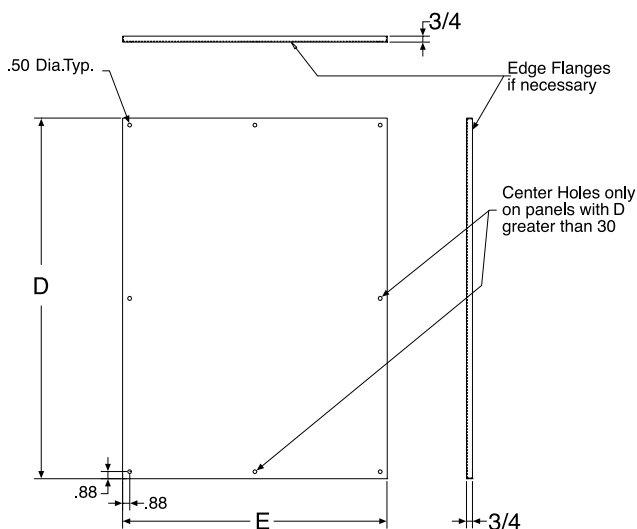
**ACCESSORIES**

- Touch-up paint—see Accessories pg. B34.

 COMMERCIAL ENCLOSURES  
 FLC-BLANK COVERS

CATALOG NUMBER	PRODUCT FAMILY	UPC NUMBER 7-84572-	WEIGHT (LBS)	ENCLOSURE SIZE
44FLC	CNAC	10673	0.3	4 x 4
66FLC	CNAC	10836	0.6	6 x 6
88FLC	CNAC	10976	1.3	8 x 8
612FLC	CNAC	10766	1.2	6 x 12
810FLC	CNAC	10889	1.8	8 x 10
1010FLC	CNAC	10046	2	10 x 10
1012FLC	CNAC	10077	2.5	10 x 12
1212FLC	CNAC	10159	2.7	12 x 12
1216FLC	CNAC	10192	3.5	12 x 16
1218FLC	CNAC	10221	3.9	12 x 18
1224FLC	CNAC	10240	5.1	12 x 24
1616FLC	CNAC	10287	4.6	16 x 16
1818FLC	CNAC	10324	5.7	18 x 18
1824FLC	CNAC	10349	9.4	18 x 24
2424FLC	CNAC	10441	14.4	24 x 24
2430FLC	CNAC	10463	16.2	24 x 30
2436FLC	CNAC	10488	19.4	24 x 36
3030FLC	CNAC	10530	20.2	30 x 30
3036FLC	CNAC	10548	22	30 x 36
3636FLC	CNAC	10602	23	36 x 36
3648FLC	CNAC	10617	26	36 x 48

Utility requirements for this equipment may vary. Always consult the serving utility for their requirements before ordering or installing equipment in this catalog.



**APPLICATION**

- For use in electrical enclosures for mounting electronic controls and equipment.

**CONSTRUCTION**

- Steel panels are 10 or 12 **G90** gauge steel.
- Wood panels are made from 3/4-inch 7-ply plywood.
- Panel mounting hardware is furnished with all enclosures that accept these panels.

**FINISH**

- Painted White (Steel)
- Unpainted (Wood)

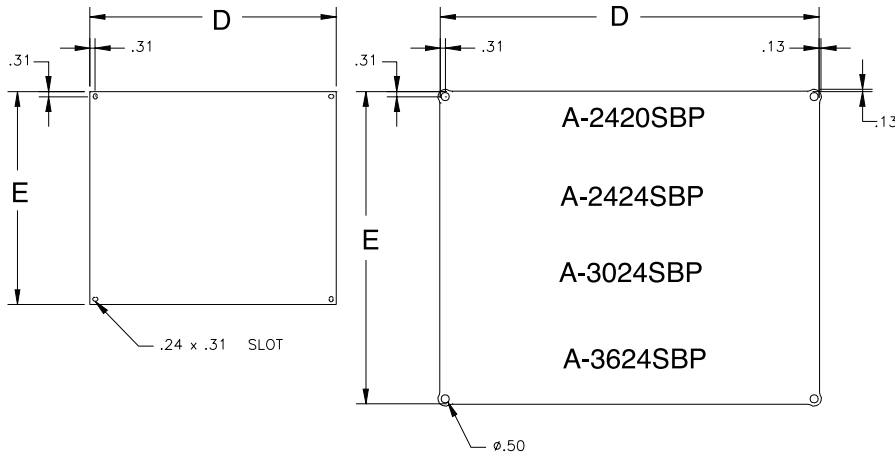
**ACCESSORIES**

- Touch-up paint – see Accessories pg. B34.

CATALOG NUMBER	PRODUCT FAMILY	UPC NUMBER 7-84572-	WEIGHT (LBS)	CARTON QUANTITY	H X W
<b>STEEL</b>					
A-6P6R	IIAC	23988	0.3	1	6 x 6
A-8P6R	IIAC	23989	0.4	1	8 x 6
A-8P8R	IIAC	23990	0.53	1	8 x 8
A-10P8R	IIAC	23712	0.66	1	10 x 8
A-12P10R	IIAC	23391	2	1	12 x 10
A-12P12R	IIAC	23922	2.5	1	12 x 12
A-16P12	IIAC	17583	2.9	1	16 x 12
A-16P16	IIAC	17215	3.7	1	16 x 16
A-18P12	IIAC	22543	3.6	1	18 x 12
A-18P18	IIAC	18980	4.9	1	18 x 18
A-20P16	IIAC	22547	7	1	20 x 16
A-20P20	IIAC	18284	8.75	1	20 x 20
A-24P18	IIAC	18988	10	1	24 x 18
A-24P20	IIAC	22550	11.3	1	24 x 20
A-24P24	IIAC	17946	13.9	1	24 x 24
A-30P24	IIAC	16474	16	1	30 x 24
A-30P30	IIAC	18312	24	1	30 x 30
A-36P24	IIAC	18280	22	1	36 x 24
A-36P30	IIAC	18297	30	1	36 x 30
A-36P36	IIAC	18299	34	1	36 x 36
A-48P48	IIAC	17746	58	1	48 x 48
A-60P60	IIAC	18115	134	1	60 x 60
<b>WOOD</b>					
A-12P12W	CNAI	18873	2.1	1	12 x 12
A-16P12W	CNAI	18707	2.5	1	16 x 12
A-16P16W	CNAI	18717	3.4	1	16 x 16
A-18P18W	CNAI	18878	4.5	1	18 x 18
A-18P24W	CNAI	18877	5.1	1	18 x 24
A-20P20W	CNAI	18710	8.6	1	20 x 20
A-20P24W	CNAI	18711	10.5	1	20 x 24
A-24P24W	CNAI	18713	12.5	1	24 x 24
A-30P24W	CNAI	18716	15	1	30 x 24
A-30P30W	CNAI	18718	21	1	30 x 30
A-36P24W	CNAI	18289	20	1	36 x 24
A-36P30W	CNAI	18290	24	1	36 x 30
A-36P36W	CNAI	18721	29	1	36 x 36
A-48P36W	CNAI	18719	44	1	48 x 36
A-48P48W	CNAI	18720	56	1	48 x 48
A-60P60W	CNAI	21952	88	1	60 x 60

Utility requirements for this equipment may vary. Always consult the serving utility for their requirements before ordering or installing equipment in this catalog.




**APPLICATION**

- For use in electrical enclosures for mounting electronic controls and equipment.

**CONSTRUCTION**

- Steel panels are 16 or 12 **G90** gauge steel and have a white finish.
- Wood back panels are made from 3/4-inch 7-ply plywood.
- Panel mounting hardware is furnished with all enclosures that accept these panels.

**FINISH**

- Painted White (Steel)
- Unpainted (Wood)

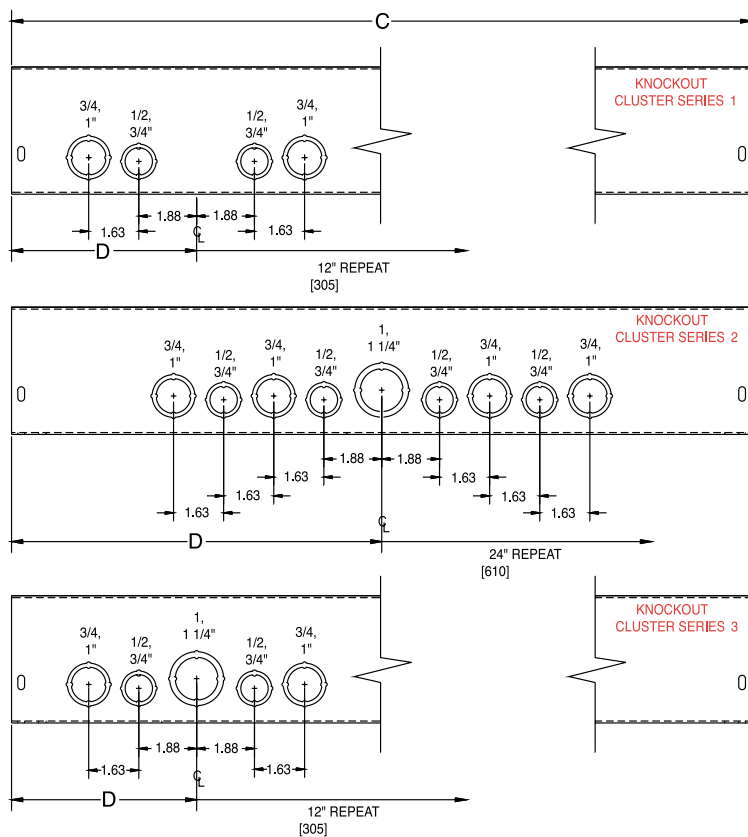
**ACCESSORIES**

- Touch-up paint – see pg. B34.

CATALOG NUMBER	PRODUCT FAMILY	UPC NUMBER 7-84572-	WEIGHT (LBS)	CARTON QUANTITY	H X W
<b>STEEL</b>					
A-66SBP	IIAC	17412	0.25	1	6 x 6
A-86SBP	IIAC	17411	0.44	1	8 x 6
A-88SBP	IIAC	17410	0.58	1	8 x 8
A-108SBP	IIAC	17223	1.3	1	10 x 8
A-1010SBP	IIAC	17409	1.6	1	10 x 10
A-1210SBP	IIAC	17408	2	1	12 x 10
A-1212SBP	IIAC	17107	2.5	1	12 x 12
A-1612SBP	IIAC	18959	2.9	1	16 x 12
A-1616SBP	IIAC	18961	3.7	1	16 x 16
A-1818SBP	IIAC	17210	4.9	1	18 x 18
A-2012SBP	IIAC	18960	3.5	1	20 x 12
A-2016SBP	IIAC	19381	4.1	1	20 x 16
A-2020SBP	IIAC	29002	9.8	1	20 x 20
A-2420SBP	IIAC	17405	16.1	1	24 x 20
A-2424SBP	IIAC	18912	16.5	1	24 x 24
A-3024SBP	IIAC	18914	18	1	30 x 24
A-3030SBP	IIAC	32002	20	1	30 x 30
A-3624SBP	IIAC	18913	22	1	36 x 24
A-3630SBP	IIAC	28868	24	1	36 x 30
<b>WOOD</b>					
88WB	CNAC	10998	0.5	1	8 x 8
812WB	CNAC	10907	0.75	1	8 x 12
1010WB	CNAC	10061	0.8	1	10 x 10
1012WB	CNAC	10080	1	1	10 x 12
1212WB	CNAC	10174	1.5	1	12 x 12
1218WB	CNAC	10224	2	1	12 x 18
1224WB	CNAC	10243	2.8	1	12 x 24
1818WB	CNAC	10327	3.5	1	18 x 18
1824WB	CNAC	10352	4	1	18 x 24
2424WB	CNAC	10444	6.8	1	24 x 24
2430WB	CNAC	10466	8.5	1	24 x 30
2436WB	CNAC	10491	10.3	1	24 x 36
2448WB	CNAC	10503	14	1	24 x 48
3036WB	CNAC	10551	13.3	1	30 x 36
3636WB	CNAC	10605	16	1	36 x 36
3648WB	CNAC	10620	21.5	1	36 x 48
4848WB	CNAC	10739	29.3	1	48 x 48

*Utility requirements for this equipment may vary. Always consult the serving utility for their requirements before ordering or installing equipment in this catalog.*





**INDUSTRY STANDARDS**

- NEMA - Type 1
- UL 870-Type 1
- CUL - Type 1 (Equivalent to CSA)

**APPLICATION**

- Designed to allow long interrupted runs of electrical wiring in applications where moisture and dust are not a problem.
- All straight sections and fittings are completely open on one side so wires can be laid-in to the wireway.

**CONSTRUCTION**

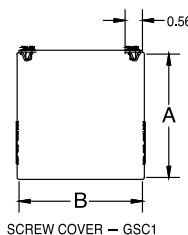
- Wireway and cover are manufactured from code **G90** gauge steel.
- Available with or without knockouts. For no knockouts, refer to suffix **-NK** in catalog number.
- Available with or without paint. For no paint, refer to suffix **-NP** in catalog number. Note: Unpainted enclosures are made from **G90** galvanized steel.
- Covers incorporate teardrop slots for easy installation and are attached with plated steel screws.
- Available in seven standard sizes, 2.5x2.5, 4x4, 4x6, 6x6, 8x8, 10x10, and 12x12.
- Wide range of fittings allows for change of direction, junctions, terminations as well as transition from competitors products.

**FINISH**

- ANSI 61 gray polyester powder paint coating.

**ACCESSORIES**

- Replacement Covers – see pg. B22.
- Touch-Up paint – see Accessories pg. B34.
- Barrier Kit – see Accessories pg. B34.



SCREW COVER – GSC1

CATALOG NUMBER	PRODUCT FAMILY	UPC NUMBER 7-84572-	WEIGHT (LBS)	CARTON QUANTITY	H X D X L	KO CLUSTERS PER SIDE	NUMBER OF CLUSTERS
2212-GSC1	GSC1	26598	2.5	4	2.5 x 2.5 x 12	Series 1	1
2212-GSC1-NK	GSC1	26573	2.5	4	2.5 x 2.5 x 12	NONE	NONE
2212-GSC1-NK-NP	GSC1	26599	2.5	4	2.5 x 2.5 x 12	NONE	NONE
2218-GSC1	GSC1	26600	3.6	4	2.5 x 2.5 x 18	Series 1	1
2218-GSC1-NK	GSC1	26601	3.6	4	2.5 x 2.5 x 18	NONE	NONE
2218-GSC1-NK-NP	GSC1	26602	3.6	4	2.5 x 2.5 x 18	NONE	NONE
2218-GSC1-NP	GSC1	26621	3.6	4	2.5 x 2.5 x 18	Series 1	1
2224-GSC1	GSC1	26574	5	4	2.5 x 2.5 x 24	Series 1	2
2224-GSC1-NK	GSC1	26603	5	4	2.5 x 2.5 x 24	NONE	NONE
2224-GSC1-NK-NP	GSC1	26604	5	4	2.5 x 2.5 x 24	NONE	NONE
2236-GSC1	GSC1	26605	7	4	2.5 x 2.5 x 36	Series 1	3
2236-GSC1-NK	GSC1	26606	7	4	2.5 x 2.5 x 36	NONE	NONE
2248-GSC1	GSC1	26608	10	4	2.5 x 2.5 x 48	Series 1	4
2248-GSC1-NK	GSC1	26609	10	4	2.5 x 2.5 x 48	NONE	NONE
2260-GSC1	GSC1	26611	12	4	2.5 x 2.5 x 60	Series 1	5
2260-GSC1-NK	GSC1	26612	12	4	2.5 x 2.5 x 60	NONE	NONE
2272-GSC1	GSC1	26614	14	4	2.5 x 2.5 x 72	Series 1	6
2272-GSC1-NK	GSC1	26615	14	4	2.5 x 2.5 x 72	NONE	NONE
2272-GSC1-NK-NP	GSC1	26616	14	4	2.5 x 2.5 x 72	NONE	NONE
2296-GSC1-NK	GSC1	26782	19	4	2.5 x 2.5 x 96	NONE	NONE
22120-GSC1	GSC1	26617	25	4	2.5 x 2.5 x 120	Series 1	10
22120-GSC1-NK	GSC1	26618	25	4	2.5 x 2.5 x 120	NONE	NONE
22120-GSC1-NK-NP	GSC1	26619	25	4	2.5 x 2.5 x 120	NONE	NONE
4412-GSC1	GSC1	10627	3.8	4	4 x 4 x 12	Series 3	1

Utility requirements for this equipment may vary. Always consult the serving utility for their requirements before ordering or installing equipment in this catalog.





4412-GSC1-NK	GSC1	10628	3.8	4	4 x 4 x 12	NONE	NONE
4412-GSC1-NK-NP	GSC1	15479	3.8	4	4 x 4 x 12	NONE	NONE
4418-GSC1	GSC1	10635	5.5	4	4 x 4 x 18	Series 2	1
4418-GSC1-NK	GSC1	10636	5.5	4	4 x 4 x 18	NONE	NONE
4418-GSC1-NK-NP	GSC1	21069	5.5	4	4 x 4 x 18	NONE	NONE
4424-GSC1	GSC1	10640	7	4	4 x 4 x 24	Series 2	1
4424-GSC1-NK	GSC1	10641	7	4	4 x 4 x 24	NONE	NONE
4424-GSC1-NK-NP	GSC1	15481	7	4	4 x 4 x 24	NONE	NONE
4436-GSC1	GSC1	10646	7.8	4	4 x 4 x 36	Series 3	3
4436-GSC1-NK	GSC1	10647	7.8	4	4 x 4 x 36	NONE	NONE
4436-GSC1-NK-NP	GSC1	15482	7.8	4	4 x 4 x 36	NONE	NONE
4448-GSC1	GSC1	10658	14	4	4 x 4 x 48	Series 2	2
4448-GSC1-NK	GSC1	10659	14	4	4 x 4 x 48	NONE	NONE
4448-GSC1-NK-NP	GSC1	15485	14	4	4 x 4 x 48	NONE	NONE
4460-GSC1	GSC1	10664	17.5	4	4 x 4 x 60	Series 3	5
4460-GSC1-NK	GSC1	10665	17.5	4	4 x 4 x 60	NONE	NONE
4460-GSC1-NK-NP	GSC1	15486	17.5	4	4 x 4 x 60	NONE	NONE
4472-GSC1	GSC1	10669	20.8	4	4 x 4 x 72	Series 2	3
4472-GSC1-NK	GSC1	10670	20.8	4	4 x 4 x 72	NONE	NONE
4472-GSC1-NK-NP	GSC1	15487	20.8	4	4 x 4 x 72	NONE	NONE
4496-GSC1	GSC1	26542	27.5	2	4 x 4 x 96	Series 2	4
4496-GSC1-NK	GSC1	28677	27.5	2	4 x 4 x 96	NONE	NONE
44120-GSC1	GSC1	10633	35	2	4 x 4 x 120	Series 2	6
44120-GSC1-NK	GSC1	10634	35	2	4 x 4 x 120	NONE	NONE
44120-GSC1-NK-NP	GSC1	15480	35	2	4 x 4 x 120	NONE	NONE
6612-GSC1	GSC1	10772	5	2	6 x 6 x 12	Series 3	1
6612-GSC1-NK	GSC1	10773	5	2	6 x 6 x 12	NONE	NONE
6612-GSC1-NK-NP	GSC1	15491	5	2	6 x 6 x 12	NONE	NONE
6618-GSC1	GSC1	10780	8	2	6 x 6 x 18	Series 2	1
6618-GSC1-NK	GSC1	10781	8	2	6 x 6 x 18	NONE	NONE
6618-GSC1-NK-NP	GSC1	21070	8	2	6 x 6 x 18	NONE	NONE
6624-GSC1	GSC1	10786	10.5	2	6 x 6 x 24	Series 2	1
6624-GSC1-NK	GSC1	10787	10.5	2	6 x 6 x 24	NONE	NONE
6624-GSC1-NK-NP	GSC1	15493	10.5	2	6 x 6 x 24	NONE	NONE
6636-GSC1	GSC1	10794	16.5	2	6 x 6 x 36	Series 3	3
6636-GSC1-NK	GSC1	10795	16.5	2	6 x 6 x 36	NONE	NONE
6636-GSC1-NK-NP	GSC1	15494	16.5	2	6 x 6 x 36	NONE	NONE
6648-GSC1	GSC1	10813	21	2	6 x 6 x 48	Series 2	2
6648-GSC1-NK	GSC1	10814	21	2	6 x 6 x 48	NONE	NONE
6648-GSC1-NK-NP	GSC1	15496	21	2	6 x 6 x 48	NONE	NONE
6660-GSC1	GSC1	10824	25.5	2	6 x 6 x 60	Series 3	5
6660-GSC1-NK	GSC1	10825	25.5	2	6 x 6 x 60	NONE	NONE
6660-GSC1-NK-NP	GSC1	15497	25.5	2	6 x 6 x 60	NONE	NONE
6672-GSC1	GSC1	10828	30.5	2	6 x 6 x 72	Series 2	3
6672-GSC1-NK	GSC1	10829	30.5	2	6 x 6 x 72	NONE	NONE
6672-GSC1-NK-NP	GSC1	15498	30.5	2	6 x 6 x 72	NONE	NONE
6696-GSC1	GSC1	27610	40.2	1	6 x 6 x 96	Series 2	4
6696-GSC1-NK	GSC1	31180	40.2	1	6 x 6 x 96	NONE	NONE
6696-GSC1-NK-NP	GSC1	31181	40.2	1	6 x 6 x 96	NONE	NONE
6696-GSC1-NP	GSC1	32345	40.2	1	6 x 6 x 96	Series 2	4
66120-GSC1	GSC1	10778	55	1	6 x 6 x 120	Series 2	6
66120-GSC1-NK	GSC1	10779	55	1	6 x 6 x 120	NONE	NONE
66120-GSC1-NK-NP	GSC1	15492	55	1	6 x 6 x 120	NONE	NONE
66120-GSC1-NP	GSC1	32346	55	1	6 x 6 x 120	Series 2	6
8812-GSC1	GSC1	10916	8	1	8 x 8 x 12	Series 3	1
8812-GSC1-NK	GSC1	10917	8	1	8 x 8 x 12	NONE	NONE
8812-GSC1-NK-NP	GSC1	15501	8	1	8 x 8 x 12	NONE	NONE
8818-GSC1	GSC1	10922	18	1	8 x 8 x 18	Series 2	1
8818-GSC1-NK	GSC1	19154	18	1	8 x 8 x 18	NONE	NONE
8824-GSC1	GSC1	10925	13	1	8 x 8 x 24	Series 2	1
8824-GSC1-NK	GSC1	10926	13	1	8 x 8 x 24	NONE	NONE
8824-GSC1-NK-NP	GSC1	15503	13	1	8 x 8 x 24	NONE	NONE
8836-GSC1	GSC1	10931	20	1	8 x 8 x 36	Series 3	3
8836-GSC1-NK	GSC1	10932	20	1	8 x 8 x 36	NONE	NONE
8836-GSC1-NK-NP	GSC1	15504	20	1	8 x 8 x 36	NONE	NONE
8848-GSC1	GSC1	10949	33	1	8 x 8 x 48	Series 2	2
8848-GSC1-NK	GSC1	10950	33	1	8 x 8 x 48	NONE	NONE
8848-GSC1-NK-NP	GSC1	15506	33	1	8 x 8 x 48	NONE	NONE
8860-GSC1	GSC1	10963	35	1	8 x 8 x 60	Series 3	5
8860-GSC1-NK	GSC1	10964	35	1	8 x 8 x 60	NONE	NONE
8860-GSC1-NK-NP	GSC1	15507	35	1	8 x 8 x 60	NONE	NONE
8872-GSC1	GSC1	10967	40	1	8 x 8 x 72	Series 2	3
8872-GSC1-NK	GSC1	10968	40	1	8 x 8 x 72	NONE	NONE
8872-GSC1-NK-NP	GSC1	15508	40	1	8 x 8 x 72	NONE	NONE
8896-GSC1	GSC1	21348	53.3	1	8 x 8 x 96	Series 2	4
8896-GSC1-NK	GSC1	21347	53.3	1	8 x 8 x 96	NONE	NONE
8896-GSC1-NK-NP	GSC1	21346	53.3	1	8 x 8 x 96	NONE	NONE
88120-GSC1	GSC1	10920	83.6	1	8 x 8 x 120	Series 2	6
88120-GSC1-NK	GSC1	10921	83.6	1	8 x 8 x 120	NONE	NONE
88120-GSC1-NK-NP	GSC1	15502	83.6	1	8 x 8 x 120	NONE	NONE

*Utility requirements for this equipment may vary. Always consult the serving utility for their requirements before ordering or installing equipment in this catalog.*

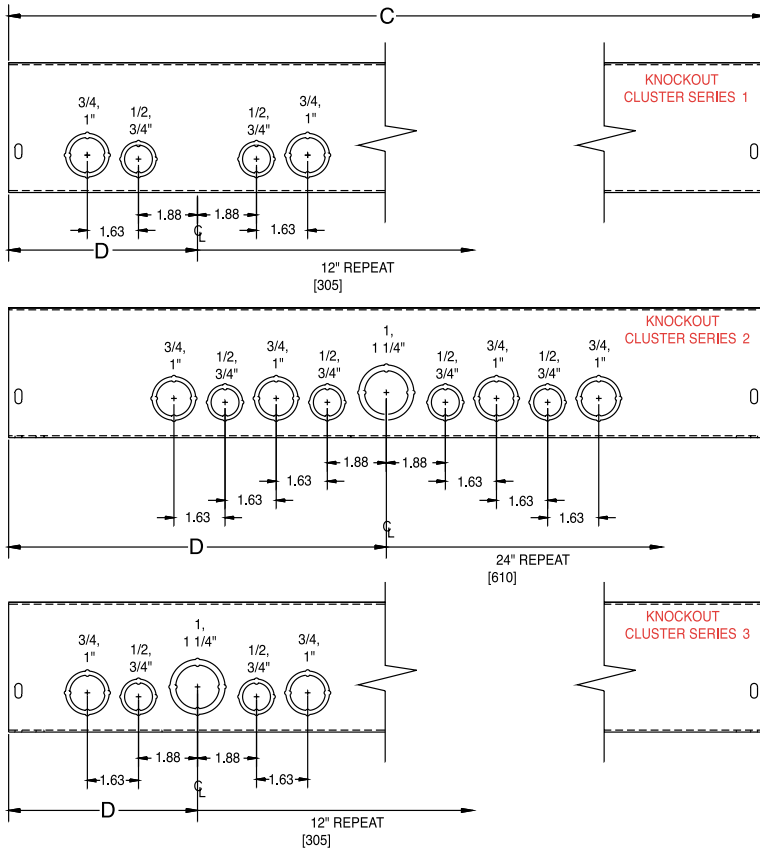
COMMERCIAL ENCLOSURES

GSC1 LAY-IN WIREWAYS TYPE 1

CATALOG NUMBER	PRODUCT FAMILY	UPC NUMBER 7-84572-	WEIGHT (LBS)	CARTON QUANTITY	H X D X L	KO CLUSTERS PER SIDE	NUMBER OF CLUSTERS
101012-GSC1	GSC1	10004	9	1	10 x 10 x 12	Series 3	1
101012-GSC1-NK	GSC1	15704	9	1	10 x 10 x 12	NONE	NONE
101012-GSC1-NK-NP	GSC1	19317	9	1	10 x 10 x 12	NONE	NONE
101024-GSC1	GSC1	10006	17	1	10 x 10 x 24	Series 2	1
101024-GSC1-NK	GSC1	10007	17	1	10 x 10 x 24	NONE	NONE
101024-GSC1-NK-NP	GSC1	19316	17	1	10 x 10 x 24	NONE	NONE
101036-GSC1	GSC1	10009	25	1	10 x 10 x 36	Series 3	3
101036-GSC1-NK	GSC1	10010	25	1	10 x 10 x 36	NONE	NONE
101036-GSC1-NK-NP	GSC1	15454	25	1	10 x 10 x 36	NONE	NONE
101048-GSC1	GSC1	10024	34	1	10 x 10 x 48	Series 2	2
101048-GSC1-NK	GSC1	10025	34	1	10 x 10 x 48	NONE	NONE
101048-GSC1-NK-NP	GSC1	15455	34	1	10 x 10 x 48	NONE	NONE
101060-GSC1	GSC1	10037	42	1	10 x 10 x 60	Series 3	5
101060-GSC1-NK	GSC1	10038	42	1	10 x 10 x 60	NONE	NONE
101060-GSC1-NK-NP	GSC1	15458	42	1	10 x 10 x 60	NONE	NONE
101072-GSC1	GSC1	10041	50	1	10 x 10 x 72	Series 2	3
101072-GSC1-NK	GSC1	10042	50	1	10 x 10 x 72	NONE	NONE
101072-GSC1-NK-NP	GSC1	15459	50	1	10 x 10 x 72	NONE	NONE
101096-GSC1	GSC1	24664	71	1	10 x 10 x 96	Series 2	4
101096-GSC1-NK	GSC1	26911	71	1	10 x 10 x 96	NONE	NONE
101096-GSC1-NK-NP	GSC1	24600	71	1	10 x 10 x 96	NONE	NONE
1010120-GSC1	GSC1	19100	80	1	10 x 10 x 120	Series 2	6
1010120-GSC1-NK	GSC1	24933	80	1	10 x 10 x 120	NONE	NONE
1010120-GSC1-NK-NP	GSC1	32347	80	1	10 x 10 x 120	NONE	NONE
121212-GSC1	GSC1	10100	10	1	12 x 12 x 12	Series 3	1
121212-GSC1-NK	GSC1	10101	10	1	12 x 12 x 12	NONE	NONE
121212-GSC1-NK-NP	GSC1	15462	10	1	12 x 12 x 12	NONE	NONE
121224-GSC1	GSC1	10102	25	1	12 x 12 x 24	Series 2	1
121224-GSC1-NK	GSC1	10103	25	1	12 x 12 x 24	NONE	NONE
121224-GSC1-NK-NP	GSC1	15463	25	1	12 x 12 x 24	NONE	NONE
121236-GSC1	GSC1	10106	37	1	12 x 12 x 36	Series 3	3
121236-GSC1-NK	GSC1	10107	37	1	12 x 12 x 36	NONE	NONE
121236-GSC1-NK-NP	GSC1	15464	37	1	12 x 12 x 36	NONE	NONE
121248-GSC1	GSC1	10125	48	1	12 x 12 x 48	Series 2	2
121248-GSC1-NK	GSC1	10126	48	1	12 x 12 x 48	NONE	NONE
121248-GSC1-NK-NP	GSC1	15466	48	1	12 x 12 x 48	NONE	NONE
121260-GSC1	GSC1	10145	50	1	12 x 12 x 60	Series 3	5
121260-GSC1-NK	GSC1	10146	50	1	12 x 12 x 60	NONE	NONE
121260-GSC1-NK-NP	GSC1	15468	50	1	12 x 12 x 60	NONE	NONE
121272-GSC1	GSC1	10149	71	1	12 x 12 x 72	Series 2	3
121272-GSC1-NK	GSC1	10150	71	1	12 x 12 x 72	NONE	NONE
121272-GSC1-NK-NP	GSC1	20932	71	1	12 x 12 x 72	NONE	NONE
121296-GSC1	GSC1	24665	99	1	12 x 12 x 96	Series 2	4
121296-GSC1-NK	GSC1	27284	99	1	12 x 12 x 96	NONE	NONE
121296-GSC1-NK-NP	GSC1	24658	99	1	12 x 12 x 96	NONE	NONE
1212120-GSC1	GSC1	24705	120	1	12 x 12 x 120	Series 2	6
1212120-GSC1-NK	GSC1	24706	120	1	12 x 12 x 120	NONE	NONE
1212120-GSC1-NK-NP	GSC1	24707	120	1	12 x 12 x 120	NONE	NONE
1212120-GSC1-NP	GSC1	24708	120	1	12 x 12 x 120	Series 2	6
<b>COVERS</b>							
4X12GSC1	CNAC	10742	0.75	1	4 x 12		
4X18GSC1	CNAC	10743	1.1	1	4 x 18		
4X24GSC1	CNAC	10744	1.4	1	4 x 24		
4X36GSC1	CNAC	10745	2	1	4 x 36		
4X48GSC1	CNAC	10746	2.6	1	4 x 48		
4X60GSC1	CNAC	10747	3.2	1	4 x 60		
4X72GSC1	CNAC	10748	3.8	1	4 x 72		
6X12GSC1	CNAC	10869	1	1	6 x 12		
6X18GSC1	CNAC	15356	1.5	1	6 x 18		
6X24GSC1	CNAC	10870	2	1	6 x 24		
6X36GSC1	CNAC	10871	3	1	6 x 36		
6X48GSC1	CNAC	10873	4	1	6 x 48		
6X60GSC1	CNAC	10874	5	1	6 x 60		
6X72GSC1	CNAC	10875	6	1	6 x 72		
8X12GSC1	CNAC	11002	1.3	1	8 x 12		
8X18GSC1	CNAC	17266	1.9	1	8 x 18		
8X24GSC1	CNAC	11003	2.5	1	8 x 24		
8X36GSC1	CNAC	11004	3.7	1	8 x 36		
8X48GSC1	CNAC	11005	5	1	8 x 48		
8X60GSC1	CNAC	11006	6.2	1	8 x 60		
8X72GSC1	CNAC	20901	7.4	1	8 x 72		
10X12GSC1	CNAC	19597	1.5	1	10 x 12		
10X24GSC1	CNAC	10087	3	1	10 x 24		
10X36GSC1	CNAC	10088	4.5	1	10 x 36		
10X48GSC1	CNAC	10089	6	1	10 x 48		
10X60GSC1	CNAC	10090	7.5	1	10 x 60		
12X24GSC1	CNAC	10253	3.6	1	12 x 24		
12X36GSC1	CNAC	10254	5.4	1	12 x 36		
12X48GSC1	CNAC	10255	7.2	1	12 x 48		
12X60GSC1	CNAC	10256	9	1	12 x 60		
12X72GSC1	CNAC	10257	10.8	1	12 x 72		

*Utility requirements for this equipment may vary. Always consult the serving utility for their requirements before ordering or installing equipment in this catalog.*





HINGE COVER – GHC1

**INDUSTRY STANDARDS**

- NEMA - Type 1
- UL 870-Type 1
- CUL - Type 1 (Equivalent to CSA)

**APPLICATION**

- Designed to allow long interrupted runs of electrical wiring in applications where moisture and dust are not a problem.
- All straight sections and fittings are completely open on one side so wires can be laid-in to the wireway.

**CONSTRUCTION**

- Wireway and cover are manufactured from code gauge steel.
- Available with or without knockouts. For no knockouts, refer to suffix **-NK** in catalog number.
- Available with or without paint. For no paint, refer to suffix **-NP** in catalog number. Note: Unpainted enclosures are made from **G90** galvanized steel.
- Covers incorporate teardrop slots for easy installation and are attached with plated steel screws.
- Available in seven standard sizes, 2.5x2.5, 4x4, 4x6, 6x6, 8x8, 10x10, and 12x12.
- Wide range of fittings allows for change of direction, junctions, terminations as well as transition from competitors products.

**FINISH**

- ANSI 61 gray polyester powder paint coating.

**ACCESSORIES**

- Touch-up paint – see Accessories B34.
- Barrier Kit – see Accessories pg. B34.

CATALOG NUMBER	PRODUCT FAMILY	UPC NUMBER 7-84572-	WEIGHT (LBS)	CARTON QUANTITY	H X D X L	KO CLUSTERS PER SIDE	NUMBER OF CLUSTERS
2212-GHC1	GHC1	26572	2.5	4	2.5 x 2.5 x 12	Series 1	1
2212-GHC1-NK	GHC1	26576	2.5	4	2.5 x 2.5 x 12	NONE	NONE
2212-GHC1-NK-NP	GHC1	26587	2.5	4	2.5 x 2.5 x 12	NONE	NONE
2218-GHC1	GHC1	26801	3.6	4	2.5 x 2.5 x 18	Series 1	1
2218-GHC1-NK-NP	GHC1	26810	3.6	4	2.5 x 2.5 x 18	NONE	NONE
2224-GHC1	GHC1	26577	5	4	2.5 x 2.5 x 24	Series 1	2
2224-GHC1-NK	GHC1	26575	5	4	2.5 x 2.5 x 24	NONE	NONE
2236-GHC1	GHC1	26578	7	4	2.5 x 2.5 x 36	Series 1	3
2236-GHC1-NK	GHC1	32349	7	4	2.5 x 2.5 x 36	NONE	NONE
2236-GHC1-NK-NP	GHC1	26591	7	4	2.5 x 2.5 x 36	NONE	NONE
2248-GHC1	GHC1	26580	10	4	2.5 x 2.5 x 48	Series 1	4
2248-GHC1-NK	GHC1	26581	10	4	2.5 x 2.5 x 48	NONE	NONE
2260-GHC1	GHC1	26582	12	4	2.5 x 2.5 x 60	Series 1	5
2260-GHC1-NK	GHC1	26583	12	4	2.5 x 2.5 x 60	NONE	NONE
2272-GHC1	GHC1	26802	14	4	2.5 x 2.5 x 72	Series 1	6
2272-GHC1-NK	GHC1	26805	14	4	2.5 x 2.5 x 72	NONE	NONE
2296-GHC1-NK	GHC1	26806	19	4	2.5 x 2.5 x 96	NONE	NONE
22120-GHC1	GHC1	26584	25	4	2.5 x 2.5 x 120	Series 1	10
22120-GHC1-NK	GHC1	26585	25	4	2.5 x 2.5 x 120	NONE	NONE
4412-GHC1	GHC1	10625	3.5	4	4 x 4 x 12	Series 3	1
4412-GHC1-NK	GHC1	10626	3.5	4	4 x 4 x 12	NONE	NONE
4424-GHC1	GHC1	10638	7.3	4	4 x 4 x 24	Series 2	1

Utility requirements for this equipment may vary. Always consult the serving utility for their requirements before ordering or installing equipment in this catalog.



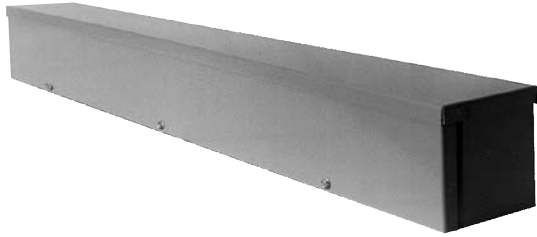
COMMERCIAL ENCLOSURES

GHC1 LAY-IN WIREWAYS TYPE 1

CATALOG NUMBER	PRODUCT FAMILY	UPC NUMBER 7-84572-	WEIGHT (LBS)	CARTON QUANTITY	H X D X L	KO CLUSTERS PER SIDE	NUMBER OF CLUSTERS
4424-GHC1-NK	GHC1	10639	7.3	4	4 x 4 x 24	NONE	NONE
4436-GHC1	GHC1	10644	10.8	4	4 x 4 x 36	Series 3	3
4436-GHC1-NK	GHC1	10645	10.8	4	4 x 4 x 36	NONE	NONE
4448-GHC1	GHC1	10656	14	4	4 x 4 x 48	Series 2	2
4448-GHC1-NK	GHC1	10657	14	4	4 x 4 x 48	NONE	NONE
4460-GHC1	GHC1	10662	17.5	4	4 x 4 x 60	Series 3	5
4460-GHC1-NK	GHC1	10663	17.5	4	4 x 4 x 60	NONE	NONE
4472-GHC1-NK	GHC1	27373	20.8	4	4 x 4 x 72	NONE	NONE
4496-GHC1-NK	GHC1	28961	27.5	4	4 x 4 x 96	NONE	NONE
44120-GHC1	GHC1	10631	35.5	2	4 x 4 x 120	Series 2	6
44120-GHC1-NK	GHC1	10632	35.5	2	4 x 4 x 120	NONE	NONE
6612-GHC1	GHC1	10770	6	2	6 x 6 x 12	Series 3	1
6612-GHC1-NK	GHC1	10771	6	2	6 x 6 x 12	NONE	NONE
6612-GHC1-NP	GHC1	32350	6	2	6 x 6 x 12	Series 3	1
6624-GHC1	GHC1	10784	10.5	2	6 x 6 x 24	Series 2	1
6624-GHC1-NK	GHC1	10785	10.5	2	6 x 6 x 24	NONE	NONE
6636-GHC1	GHC1	10792	16.5	2	6 x 6 x 36	Series 3	3
6636-GHC1-NK	GHC1	10793	16.5	2	6 x 6 x 36	NONE	NONE
6648-GHC1	GHC1	10811	21.5	2	6 x 6 x 48	Series 2	2
6648-GHC1-NK	GHC1	10812	21.5	2	6 x 6 x 48	NONE	NONE
6648-GHC1-NP	GHC1	32351	21.5	2	6 x 6 x 48	Series 2	2
6660-GHC1	GHC1	10823	27	2	6 x 6 x 60	Series 3	5
6660-GHC1-NK	GHC1	18647	27	2	6 x 6 x 60	NONE	NONE
6660-GHC1-NP	GHC1	32352	27	2	6 x 6 x 60	Series 3	5
6672-GHC1	GHC1	28944	32	2	6 x 6 x 72	Series 2	3
6672-GHC1-NK	GHC1	28954	32	2	6 x 6 x 72	NONE	NONE
66120-GHC1	GHC1	10776	57	1	6 x 6 x 120	Series 2	6
66120-GHC1-NK	GHC1	10777	57	1	6 x 6 x 120	NONE	NONE
66120-GHC1-NK-NP	GHC1	23372	57	1	6 x 6 x 120	NONE	NONE
66120-GHC1-NP	GHC1	32353	57	1	6 x 6 x 120	Series 2	6
8812-GHC1	GHC1	10914	8.5	1	8 x 8 x 12	Series 3	1
8812-GHC1-NK	GHC1	10915	8.5	1	8 x 8 x 12	NONE	NONE
8818-GHC1-NK	GHC1	28965	11.6	1	8 x 8 x 18	NONE	NONE
8824-GHC1	GHC1	10924	14	1	8 x 8 x 24	Series 2	1
8824-GHC1-NK	GHC1	17655	14	1	8 x 8 x 24	NONE	NONE
8836-GHC1	GHC1	10929	21	1	8 x 8 x 36	Series 3	3
8836-GHC1-NK	GHC1	10930	21	1	8 x 8 x 36	NONE	NONE
8848-GHC1	GHC1	10947	28	1	8 x 8 x 48	Series 2	2
8848-GHC1-NK	GHC1	10948	28	1	8 x 8 x 48	NONE	NONE
8860-GHC1	GHC1	10960	35	1	8 x 8 x 60	Series 3	5
8860-GHC1-NK	GHC1	10961	35	1	8 x 8 x 60	NONE	NONE
8872-GHC1	GHC1	28946	40	1	8 x 8 x 72	Series 2	3
8872-GHC1-NK	GHC1	28947	40	1	8 x 8 x 72	NONE	NONE
88120-GHC1	GHC1	10919	69	1	8 x 8 x 120	Series 2	6
88120-GHC1-NK	GHC1	15705	69	1	8 x 8 x 120	NONE	NONE
101012-GHC1-NK	GHC1	28166	12	1	10 x 10 x 12	NONE	NONE
101024-GHC1-NK	GHC1	27094	20.4	1	10 x 10 x 24	NONE	NONE
101036-GHC1-NK	GHC1	27093	25	1	10 x 10 x 36	NONE	NONE
101048-GHC1-NK	GHC1	27092	43.4	1	10 x 10 x 48	NONE	NONE
101060-GHC1	GHC1	15880	49	1	10 x 10 x 60	Series 3	5
101060-GHC1-NK	GHC1	27091	49	1	10 x 10 x 60	NONE	NONE
101072-GHC1	GHC1	27962	58	1	10 x 10 x 72	Series 2	3
101096-GHC1-NK	GHC1	32012	76	1	10 x 10 x 96	NONE	NONE
1010120-GHC1-NK	GHC1	17625	90	1	10 x 10 x 120	NONE	NONE
121224-GHC1	GHC1	32354	25.2	1	12 x 12 x 24	Series 2	1
121224-GHC1-NK	GHC1	27090	25.2	1	12 x 12 x 24	NONE	NONE
121236-GHC1-NK	GHC1	27089	37.4	1	12 x 12 x 36	NONE	NONE
121236-GHC1-NK-NP	GHC1	32355	37.4	1	12 x 12 x 36	NONE	NONE
121248-GHC1-NK	GHC1	27088	49	1	12 x 12 x 48	NONE	NONE
121260-GHC1	GHC1	15881	58	1	12 x 12 x 60	Series 3	5
121260-GHC1-NK	GHC1	27087	58	1	12 x 12 x 60	NONE	NONE
121260-GHC1-NK-NP	GHC1	32356	58	1	12 x 12 x 60	NONE	NONE
121296-GHC1	GHC1	28118	90	1	12 x 12 x 96	Series 2	4
121296-GHC1-NK	GHC1	28119	90	1	12 x 12 x 96	NONE	NONE
1212120-GHC1	GHC1	18006	120	1	12 x 12 x 120	Series 2	6
1212120-GHC1-NK	GHC1	24050	120	1	12 x 12 x 120	NONE	NONE

Utility requirements for this equipment may vary. Always consult the serving utility for their requirements before ordering or installing equipment in this catalog.




**INDUSTRY STANDARDS**

- NEMA —Type 3R
- UL 870—Type 3R
- CUL—Type 3R (Equivalent to CSA)

**APPLICATION**

- Designed to protect wiring in outdoor installations against rain, sleet, or snow, or indoors against dripping water.

**CONSTRUCTION**

- Trough and cover are manufactured from 16 gauge **G90** galvanized steel.
- Available with or without paint—for no paint refer to suffix **-NP** in the catalog number.
- Cover is designed to fit under the drip shield top, and is held in place with plated steel screws.

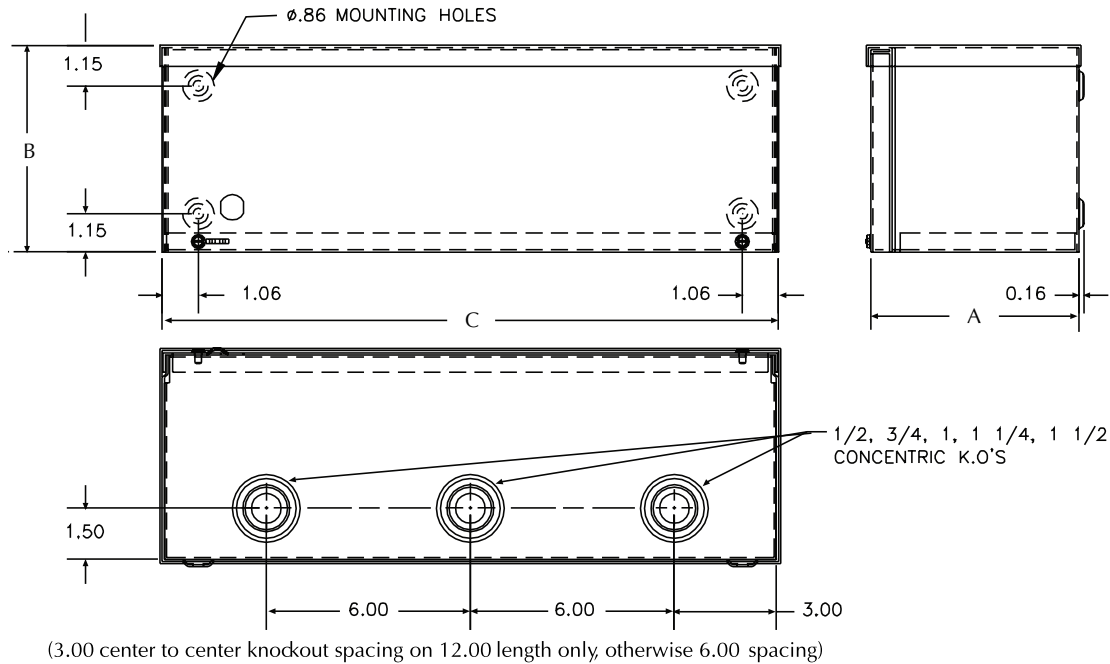
- Wireway is available with or without concentric knockouts on the bottom—for no knockouts refer to suffix **-NK** in the catalog number.
- Embossed mounting holes are provided on the backs of the units.

**FINISH**

- ANSI 61 gray polyester powder coating over phosphatized **G90** galvanized steel.

**ACCESSORIES**

- Touch-up paint – see Accessories pg. B34.
- Locks – see Accessories pg. B33.


**COMMERCIAL ENCLOSURES**
**GSC3R—SCREW COVER WIRING TROUGH—TYPE 3R**

CATALOG NUMBER	PRODUCT FAMILY	UPC NUMBER 7-84572-	WEIGHT (LBS)	CARTON QUANTITY	H X D X L	NUMBER OF KOS
4412-GSC3R	GS3R	10629	4.5	4	4 x 4 x 12	3
4412-GSC3R-NK	GS3R	10630	4.5	4	4 x 4 x 12	NONE
4412-GSC3R-NK-NP	GS3R	16177	4.5	4	4 x 4 x 12	NONE
4418-GSC3R	GS3R	10637	6.5	4	4 x 4 x 18	3
4418-GSC3R-NK	GS3R	21813	6.5	4	4 x 4 x 18	NONE
4424-GSC3R	GS3R	10642	8.5	4	4 x 4 x 24	3
4424-GSC3R-NK	GS3R	10643	8.5	4	4 x 4 x 24	NONE
4424-GSC3R-NK-NP	GS3R	16176	8.5	4	4 x 4 x 24	NONE
4436-GSC3R	GS3R	10648	12	4	4 x 4 x 36	5
4436-GSC3R-NK	GS3R	10649	12	4	4 x 4 x 36	NONE
4436-GSC3R-NK-NP	GS3R	16175	12	4	4 x 4 x 36	NONE
4448-GSC3R	GS3R	10660	15.8	4	4 x 4 x 48	7
4448-GSC3R-NK	GS3R	10661	15.8	4	4 x 4 x 48	NONE
4448-GSC3R-NK-NP	GS3R	16174	15.8	4	4 x 4 x 48	NONE
4460-GSC3R	GS3R	10666	19.5	4	4 x 4 x 60	9
4460-GSC3R-NK	GS3R	10667	19.5	4	4 x 4 x 60	NONE
4460-GSC3R-NK-NP	GS3R	16173	19.5	4	4 x 4 x 60	NONE

*Utility requirements for this equipment may vary. Always consult the serving utility for their requirements before ordering or installing equipment in this catalog.*

NK=no knockout, NP=no paint

**B25**




COMMERCIAL ENCLOSURES

GSC3R—SCREW COVER WIRING TROUGH—TYPE 3R

CATALOG NUMBER	PRODUCT FAMILY	UPC NUMBER 7-84572-	WEIGHT (LBS)	CARTON QUANTITY	H X D X L	NUMBER OF KOS
4472-GSC3R	GS3R	10671	23.5	4	4 x 4 x 72	11
4472-GSC3R-NK	GS3R	10672	23.5	4	4 x 4 x 72	NONE
4472-GSC3R-NK-NP	GS3R	19304	23.5	4	4 x 4 x 72	NONE
4496-GSC3R	GS3R	21984	31.1	2	4 x 4 x 96	15
44120-GSC3R	GS3R	21985	38.7	2	4 x 4 x 120	19
6612-GSC3R	GS3R	10774	7	2	6 x 6 x 12	3
6612-GSC3R-NK	GS3R	10775	7	2	6 x 6 x 12	NONE
6612-GSC3R-NK-NP	GS3R	17550	7	2	6 x 6 x 12	NONE
6618-GSC3R	GS3R	10782	10	2	6 x 6 x 18	3
6618-GSC3R-NK	GS3R	10783	10	2	6 x 6 x 18	NONE
6618-GSC3R-NK-NP	GS3R	21096	10	2	6 x 6 x 18	NONE
6624-GSC3R	GS3R	10788	12.5	2	6 x 6 x 24	3
6624-GSC3R-NK	GS3R	10789	12.5	2	6 x 6 x 24	NONE
6624-GSC3R-NK-NP	GS3R	16172	12.5	2	6 x 6 x 24	NONE
6636-GSC3R	GS3R	10796	18	2	6 x 6 x 36	5
6636-GSC3R-NK	GS3R	10797	18	2	6 x 6 x 36	NONE
6636-GSC3R-NK-NP	GS3R	16171	18	2	6 x 6 x 36	NONE
6648-GSC3R	GS3R	10815	24	2	6 x 6 x 48	7
6648-GSC3R-NK	GS3R	10816	24	2	6 x 6 x 48	NONE
6648-GSC3R-NK-NP	GS3R	16170	24	2	6 x 6 x 48	NONE
6660-GSC3R	GS3R	10826	28.5	2	6 x 6 x 60	9
6660-GSC3R-NK	GS3R	10827	28.5	2	6 x 6 x 60	NONE
6660-GSC3R-NK-NP	GS3R	19303	28.5	2	6 x 6 x 60	NONE
6672-GSC3R	GS3R	10830	34	2	6 x 6 x 72	11
6672-GSC3R-NK	GS3R	10831	34	2	6 x 6 x 72	NONE
6672-GSC3R-NK-NP	GS3R	19004	34	2	6 x 6 x 72	NONE
6696-GSC3R	GS3R	10834	45	1	6 x 6 x 96	15
6696-GSC3R-NK	GS3R	10835	45	1	6 x 6 x 96	NONE
6696-GSC3R-NK-NP	GS3R	23847	45	1	6 x 6 x 96	NONE
66120-GSC3R	GS3R	20971	55	1	6 x 6 x 120	19
66120-GSC3R-NK	GS3R	26496	55	1	6 x 6 x 120	NONE
8812-GSC3R	GS3R	10918	9	1	8 x 8 x 12	3
8812-GSC3R-NK	GS3R	26487	9	1	8 x 8 x 12	NONE
8812-GSC3R-NK-NP	GS3R	16169	9	1	8 x 8 x 12	NONE
8818-GSC3R	GS3R	10923	14	1	8 x 8 x 18	3
8818-GSC3R-NK	GS3R	25662	14	1	8 x 8 x 18	NONE
8818-GSC3R-NK-NP	GS3R	21097	14	1	8 x 8 x 18	NONE
8824-GSC3R	GS3R	10927	17	1	8 x 8 x 24	3
8824-GSC3R-NK	GS3R	10928	17	1	8 x 8 x 24	NONE
8824-GSC3R-NK-NP	GS3R	16168	17	1	8 x 8 x 24	NONE
8836-GSC3R	GS3R	10933	24	1	8 x 8 x 36	5
8836-GSC3R-NK	GS3R	10934	24	1	8 x 8 x 36	NONE
8836-GSC3R-NK-NP	GS3R	16167	24	1	8 x 8 x 36	NONE
8848-GSC3R	GS3R	10951	32	1	8 x 8 x 48	7
8848-GSC3R-NK	GS3R	10952	32	1	8 x 8 x 48	NONE
8848-GSC3R-NK-NP	GS3R	16166	32	1	8 x 8 x 48	NONE
8860-GSC3R	GS3R	10965	38	1	8 x 8 x 60	9
8860-GSC3R-NK	GS3R	10966	38	1	8 x 8 x 60	NONE
8860-GSC3R-NK-NP	GS3R	19302	38	1	8 x 8 x 60	NONE
8872-GSC3R	GS3R	10969	45	1	8 x 8 x 72	11
8872-GSC3R-NK	GS3R	10970	45	1	8 x 8 x 72	NONE
8872-GSC3R-NK-NP	GS3R	16165	45	1	8 x 8 x 72	NONE
8896-GSC3R	GS3R	10974	59	1	8 x 8 x 96	15

Utility requirements for this equipment may vary. Always consult the serving utility for their requirements before ordering or installing equipment in this catalog.



CATALOG NUMBER	PRODUCT FAMILY	UPC NUMBER 7-84572-	WEIGHT (LBS)	CARTON QUANTITY	H X D X L	NUMBER OF KOS
8896-GSC3R-NK	GS3R	10975	59	1	8 x 8 x 96	NONE
8896-GSC3R-NK-NP	GS3R	21099	59	1	8 x 8 x 96	NONE
88120-GSC3R	GS3R	20882	67	1	8 x 8 x 120	19
88120-GSC3R-NK	GS3R	21811	67	1	8 x 8 x 120	NONE
88120-GSC3R-NK-NP	GS3R	26498	67	1	8 x 8 x 120	NONE
101024-GSC3R	GS3R	21550	17	1	10 x 10 x 24	3
101024-GSC3R-NK	GS3R	10008	17	1	10 x 10 x 24	NONE
101024-GSC3R-NK-NP	GS3R	19301	17	1	10 x 10 x 24	NONE
101036-GSC3R	GS3R	10011	30	1	10 x 10 x 36	5
101036-GSC3R-NK	GS3R	10012	30	1	10 x 10 x 36	NONE
101036-GSC3R-NK-NP	GS3R	18370	30	1	10 x 10 x 36	NONE
101048-GSC3R	GS3R	10026	39	1	10 x 10 x 48	7
101048-GSC3R-NK	GS3R	10027	39	1	10 x 10 x 48	NONE
101048-GSC3R-NK-NP	GS3R	18368	39	1	10 x 10 x 48	NONE
101060-GSC3R	GS3R	10039	48	1	10 x 10 x 60	9
101060-GSC3R-NK	GS3R	10040	48	1	10 x 10 x 60	NONE
101060-GSC3R-NK-NP	GS3R	19320	48	1	10 x 10 x 60	NONE
101072-GSC3R	GS3R	10043	55	1	10 x 10 x 72	11
101072-GSC3R-NK	GS3R	10044	55	1	10 x 10 x 72	NONE
101072-GSC3R-NK-NP	GS3R	17816	55	1	10 x 10 x 72	NONE
101096-GSC3R	GS3R	20455	78	1	10 x 10 x 96	15
101096-GSC3R-NK	GS3R	19985	78	1	10 x 10 x 96	NONE
101096-GSC3R-NK-NP	GS3R	24662	78	1	10 x 10 x 96	NONE
1010120-GSC3R	GS3R	21986	97	1	10 x 10 x 120	19
1010120-GSC3R-NK	GS3R	22991	97	1	10 x 10 x 120	NONE
1010120-GSC3R-NK-NP	GS3R	26499	97	1	10 x 10 x 120	NONE
1010120-GSC3R-NK-NP	GS3R	26499	97	1	10 x 10 x 120	NONE
121224-GSC3R	GS3R	10104	26	1	12 x 12 x 24	3
121224-GSC3R-NK	GS3R	10105	26	1	12 x 12 x 24	NONE
121224-GSC3R-NK-NP	GS3R	19430	26	1	12 x 12 x 24	NONE
121236-GSC3R	GS3R	10108	43	1	12 x 12 x 36	5
121236-GSC3R-NK	GS3R	10109	43	1	12 x 12 x 36	NONE
121236-GSC3R-NK-NP	GS3R	17773	43	1	12 x 12 x 36	NONE
121248-GSC3R	GS3R	10127	47	1	12 x 12 x 48	7
121248-GSC3R-NK	GS3R	10128	47	1	12 x 12 x 48	NONE
121248-GSC3R-NK-NP	GS3R	19431	47	1	12 x 12 x 48	NONE
121260-GSC3R	GS3R	10147	57	1	12 x 12 x 60	9
121260-GSC3R-NK	GS3R	10148	57	1	12 x 12 x 60	NONE
121260-GSC3R-NK-NP	GS3R	18369	57	1	12 x 12 x 60	NONE
121272-GSC3R	GS3R	10151	67	1	12 x 12 x 72	11
121272-GSC3R-NK	GS3R	10152	67	1	12 x 12 x 72	NONE
121272-GSC3R-NK-NP	GS3R	19432	67	1	12 x 12 x 72	NONE
121296-GSC3R	GS3R	16420	88	1	12 x 12 x 96	15
121296-GSC3R-NK	GS3R	16123	88	1	12 x 12 x 96	NONE
121296-GSC3R-NK-NP	GS3R	24018	88	1	12 x 12 x 96	NONE
1212120-GSC3R	GS3R	19101	125	1	12 x 12 x 120	19
1212120-GSC3R-NK	GS3R	16122	125	1	12 x 12 x 120	NONE
1212120-GSC3R-NK-NP	GS3R	26400	125	1	12 x 12 x 120	NONE
1212144-GSC3R	GS3R	27168	164	1	12 x 12 x 144	NONE
1212144-GSC3R-NK	GS3R	32357	164	1	12 x 12 x 144	NONE
1212144-GSC3R-NK-NP	GS3R	31063	164	1	12 x 12 x 144	NONE

COMMERCIAL ENCLOSURES

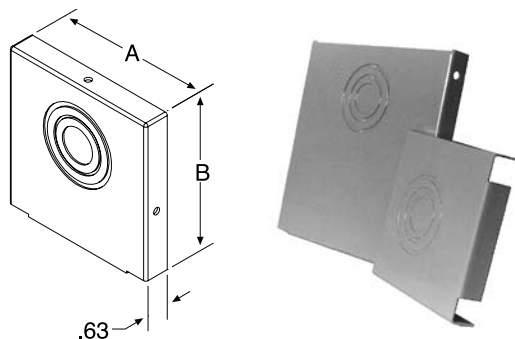
GSC3R—SCREW COVER WIRING TROUGH—TYPE 3R

Utility requirements for this equipment may vary. Always consult the serving utility for their requirements before ordering or installing equipment in this catalog.



**GE—ENDS\***

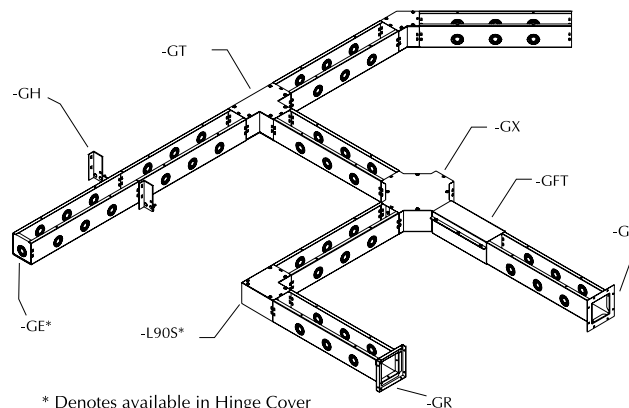
Closes the end of a wireway section or run. All knockouts are concentric 1/2", 3/4", 1", 1 1/4", 1 1/2".



CONT. FROM PREVIOUS COLUMN

1212GE	GFIT	10161	2.8	20	12 x 12
1212GE-NK	GFIT	10162	2.8	20	12 x 12
1212GE-NK-NP	GFIT	15534	2.8	20	12 x 12
1212GE-NP	GFIT	20891	2.8	20	12 x 12
1212GEU	GFIT	10163	2.8	20	12 x 12
1212GEU-NK	GFIT	32358	2.8	20	12 x 12
1212GEU-NK-NP	GFIT	21088	2.8	20	12 x 12

COMMERCIAL ENCLOSURES



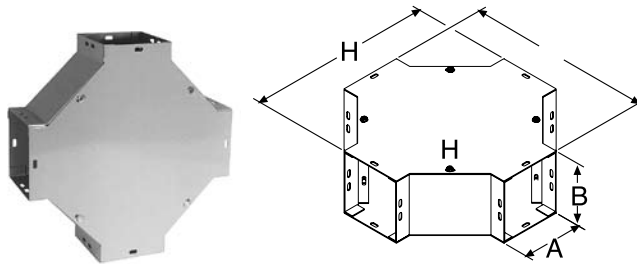
\* Denotes available in Hinge Cover

**INDUSTRY STANDARDS FOR FITTINGS**

- NEMA—Type 1
- UL 870—Type 1
- CUL—Type 1 (Equivalent to CSA)

**GX—CROSSES\***

The cross fitting is for connecting 4 merging wireway runs from 2 different directions.



CAT. #	PROD. FAM.	UPC # (7-84572)	WT. (LBS)	STD. PKG.	SIZE
22GX	GFIT	26469	4.3	1	2.5 x 2.5
22GX-NP	GFIT	26470	4.3	1	2.5 x 2.5
44GX	GFIT	10688	6.3	1	4 x 4
66GX	GFIT	10851	8.3	1	6 x 6
88GX	GFIT	10990	13.3	1	8 x 8
1010GX	GFIT	17214	14	1	10 x 10
1212GX	GFIT	17128	15	1	12 x 12

WIREWAY FITTINGS—FOR USE WITH GSC1 AND GHC1 WIREWAY

CAT. #	PROD. FAM.	UPC # (7-84572)	WT. (LBS)	STD. PKG.	SIZE
22GE	GFIT	26413	0.3	20	2.5 x 2.5
22GE-NK	GFIT	26414	0.3	20	2.5 x 2.5
22GE-NK-NP	GFIT	26415	0.3	20	2.5 x 2.5
22GE-NP	GFIT	26416	0.3	20	2.5 x 2.5
22GEU	GFIT	26426	0.3	20	2.5 x 2.5
22GFE	GFIT	26429	0.3	10	2.5 x 2.5
22GFE-NK	GFIT	26430	0.3	10	2.5 x 2.5
44GE	GFIT	10676	0.4	20	4 x 4
44GE-NK	GFIT	10677	0.4	20	4 x 4
44GE-NK-NP	GFIT	15538	0.4	20	4 x 4
44GE-NP	GFIT	20889	0.4	20	4 x 4
44GEU	GFIT	10678	0.4	20	4 x 4
44GEU-NK-NP	GFIT	21085	0.4	20	4 x 4
44GFE	GFIT	10680	0.4	10	4 x 4
44GFE-NK	GFIT	18771	0.4	10	4 x 4
66GE	GFIT	10839	0.8	20	6 x 6
66GE-NK	GFIT	10840	0.8	20	6 x 6
66GE-NK-NP	GFIT	15537	0.8	20	6 x 6
66GE-NP	GFIT	17355	0.8	20	6 x 6
66GEU	GFIT	10841	0.8	20	6 x 6
66GEU-NK	GFIT	24628	0.8	20	6 x 6
66GEU-NK-NP	GFIT	21084	0.8	20	6 x 6
66GFE	GFIT	10843	0.8	10	6 x 6
88GE	GFIT	10978	1.4	20	8 x 8
88GE-NK	GFIT	10979	1.4	20	8 x 8
88GE-NK-NP	GFIT	15535	1.4	20	8 x 8
88GE-NP	GFIT	20890	1.4	20	8 x 8
88GEU	GFIT	10980	1.4	20	8 x 8
88GEU-NK-NP	GFIT	21086	1.4	20	8 x 8
88GFE	GFIT	10982	2	10	8 x 8
88GFE-NK	GFIT	17686	2	10	8 x 8
1010GE	GFIT	10048	2.6	20	10 x 10
1010GE-NK	GFIT	10049	2.6	20	10 x 10
1010GE-NK-NP	GFIT	15536	2.6	20	10 x 10
1010GEU	GFIT	10050	2.6	20	10 x 10
1010GEU-NK	GFIT	31179	2.6	20	10 x 10
1010GEU-NK-NP	GFIT	21087	2.6	20	10 x 10

Utility requirements for this equipment may vary. Always consult the serving utility for their requirements before ordering or installing equipment in this catalog.

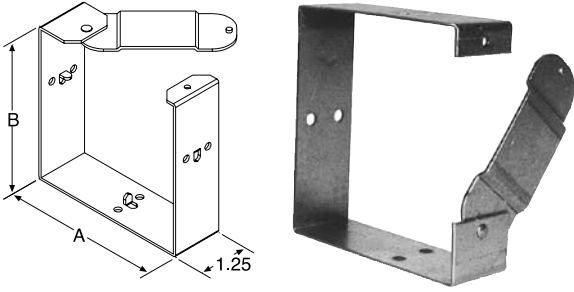


\*NOTE: Screws not included with fittings. Fitting attachment screws are included with straight sections of wireway.

NK=no knockout, NP=no paint

**GC—CONNECTORS\***

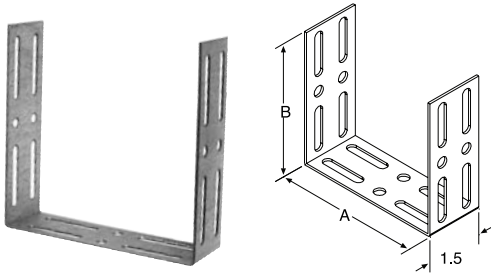
A connector is required at each wireway joint (except at telescopic fittings, ends or reducers). The swing portion allows for easy lay-in wiring.



CAT. #	PROD. FAM.	UPC # (7-84572)	WT. (LBS)	STD. PKG.	SIZE
22GC	GFIT	26412	0.3	12	2.5 x 2.5
44GC	GFIT	10674	0.5	12	4 x 4
66GC	GFIT	10837	0.6	12	6 x 6
88GC	GFIT	10977	0.8	12	8 x 8
1010GC	GFIT	10047	1	12	10 x 10
1212GC	GFIT	10160	1.44	12	12 x 12

**GCU—UNIVERSAL CONNECTORS\***

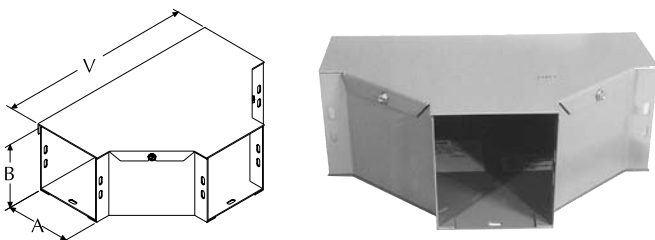
Universal Connectors can be used to connect a Milbank wireway to another brand of wireway.



CAT. #	PROD. FAM.	UPC # (7-84572)	WT. (LBS)	STD. PKG.	SIZE
22GCU	GFIT	26425	0.3	12	2.5 x 2.5
44GCU	GFIT	10675	0.5	12	4 x 4
66GCU	GFIT	10838	0.6	12	6 x 6
88GCU	GFIT	16255	0.8	12	8 x 8
1010GCU	GFIT	18917	1.2	12	10 x 10
1212GCU	GFIT	18996	1.7	12	12 x 12

**GFT—TEES (FOR HINGE COVERS)\***

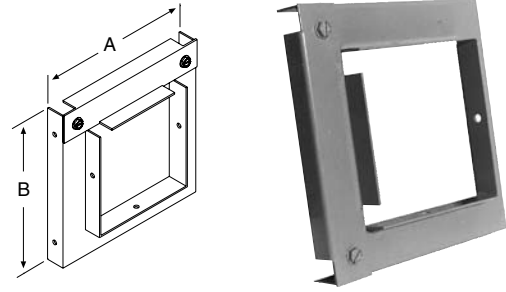
The GFT for hinged covers is used when all three branches of the wireway run are open along the same side.



CAT. #	PROD. FAM.	UPC # (7-84572)	WT. (LBS)	STD. PKG.	SIZE
2244GR	GFIT	26410	3	4	2.5 x 2.5-4 x 4
4466GR	GFIT	10668	4	4	4 x 4-6 x 6
6688GR	GFIT	10833	6	4	6 x 6-8 x 8
881010GR	GFIT	15669	10	4	8 x 8-10 x 10
881212GR	GFIT	32359	11	4	8 x 8-12 x 12
10101212GR	GFIT	15648	12	4	10 x 10-12 x 12

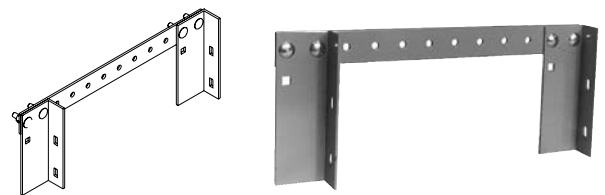
**GR—REDUCERS\***

Reduces one size wireway to a smaller size wireway. The inner opening is centered to keep the two wireway sizes relative to each other.



**GH—HANGERS\***

This adjustable hanger is used to support a wireway run and is placed at 5 foot intervals.



CAT. #	PROD. FAM.	UPC # (7-84572)	WT. (LBS)	STD. PKG.	SIZE
22GH	GFIT	26936	1	6	2.5 x 2.5
44GH	GFIT	10685	1.5	6	4 x 4
44GH-NP	GFIT	21072	1.5	6	4 x 4
66GH	GFIT	10848	2	6	6 x 6
66GH-NP	GFIT	21073	2	6	6 x 6
88GH	GFIT	10987	3	6	8 x 8
1010GH	GFIT	10052	7	6	10 x 10
1212GH	GFIT	10165	7	6	12 x 12

CAT. #	PROD. FAM.	UPC # (7-84572)	WT. (LBS)	STD. PKG.	SIZE
22GFT	GFIT	26463	2.5	1	2.5 x 2.5
22GFT-NP	GFIT	26464	2.5	10	2.5 x 2.5
44GFT	GFIT	10684	3	1	4 x 4
66GFT	GFIT	10847	7.3	1	6 x 6
66GFT-NP	GFIT	21079	7.3	10	6 x 6
88GFT	GFIT	10986	13	1	8 x 8
1212GFT	GFIT	15879	29	1	12 x 12

*Utility requirements for this equipment may vary. Always consult the serving utility for their requirements before ordering or installing equipment in this catalog.*

NK=no knockout, NP=no paint

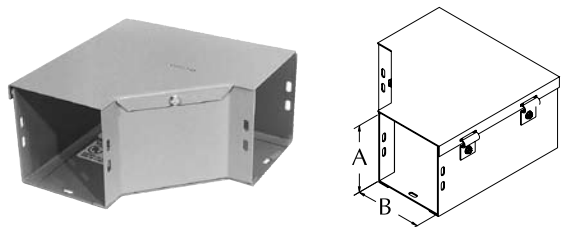
\*NOTE: Screws not included with fittings. Fitting attachment screws are included with straight sections of wireway.

COMMERCIAL ENCLOSURES  
WIREWAY FITTINGS—FOR USE WITH GSC1 AND GHC1 WIREWAY



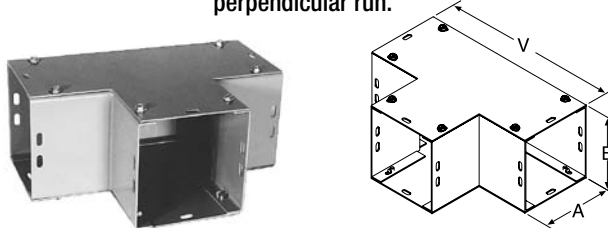
**GFL—90° ELBOWS (for Hinge Covers)\***

These elbows are designed to turn a 90° corner in a wireway run.



**GT—TEES\***

This fitting can be used to branch from a wireway run to a perpendicular run.



COMMERCIAL ENCLOSURES

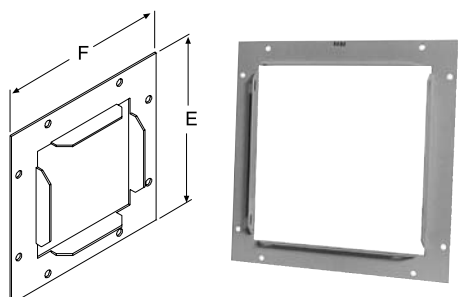
WIREWAY FITTINGS—FOR USE WITH GSC1 AND GHC1 WIREWAY

CAT. #	PROD. FAM.	UPC # (7-84572)	WT. (LBS)	STD. PKG.	SIZE
22GFL90IS	GFIT	26472	1.2	10	2.5 x 2.5
22GFL90OS	GFIT	26938	1.2	10	2.5 x 2.5
22GFL90OS-NP	GFIT	26939	1.2	10	2.5 x 2.5
22GFL90S	GFIT	26471	1.2	10	2.5 x 2.5
44GFL90IS	GFIT	10681	3	10	4 x 4
44GFL90OS	GFIT	10682	3	10	4 x 4
44GFL90S	GFIT	10683	3	10	4 x 4
66GFL90IS	GFIT	10844	5	10	6 x 6
66GFL90OS	GFIT	10845	5	10	6 x 6
66GFL90OS-NP	GFIT	32360	5	10	6 x 6
66GFL90S	GFIT	10846	5	10	6 x 6
88GFL90IS	GFIT	10983	11.5	10	8 x 8
88GFL90OS	GFIT	10984	11.5	10	8 x 8
88GFL90S	GFIT	10985	11.5	10	8 x 8
88GFL90S-NP	GFIT	32369	11.5	10	8 x 8
1010GFL90IS	GFIT	28354	18.2	10	10 x 10
1010GFL90OS	GFIT	28353	18.2	10	10 x 10
1010GFL90S	GFIT	17626	18.2	10	10 x 10
1212GFL90IS	GFIT	25494	19	10	12 x 12
1212GFL90S	GFIT	32362	19	10	12 x 12

CAT. #	PROD. FAM.	UPC # (7-84572)	WT. (LBS)	STD. PKG.	SIZE
22GT	GFIT	26417	2.5	1	2.5 x 2.5
22GT-NP	GFIT	26418	2.5	1	2.5 x 2.5
44GT	GFIT	10686	3.5	1	4 x 4
44GT-NP	GFIT	19315	3.5	1	4 x 4
66GT	GFIT	10849	7.3	1	6 x 6
66GT-NP	GFIT	16422	7.3	1	6 x 6
88GT	GFIT	10988	13	1	8 x 8
88GT-NP	GFIT	19314	13	1	8 x 8
1010GT	GFIT	10053	17	1	10 x 10
1010GT-NP	GFIT	19313	17	1	10 x 10
1212GT	GFIT	10166	23	1	12 x 12
1212GT-NP	GFIT	19312	23	1	12 x 12

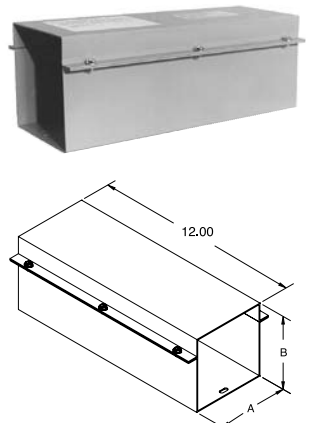
**GF—END FLANGES\***

When access from a junction enclosure to a wireway is required, this piece mounts onto the opening of the enclosure and then secures to the wireway.



**GTF—TELESCOPIC FITTINGS\***

This fitting will accommodate a wireway run where the remaining section is not a standard length. Attach fitting to the end of the short piece to fill in the required distance.



CAT. #	PROD. FAM.	UPC # (7-84572)	WT. (LBS)	STD. PKG.	SIZE
22GF	GFIT	26428	0.4	10	2.5 x 2.5
44GF	GFIT	10679	0.6	10	4 x 4
44GF-NP	GFIT	15520	0.6	10	4 x 4
66GF	GFIT	10842	0.8	10	6 x 6
66GF-NP	GFIT	15523	0.8	10	6 x 6
88GF	GFIT	10981	1	10	8 x 8
88GF-NP	GFIT	15526	1	10	8 x 8
1010GF	GFIT	10051	1.3	10	10 x 10
1010GF-NP	GFIT	15514	1.3	10	10 x 10
1212GF	GFIT	10164	1.5	10	12 x 12
1212GF-NP	GFIT	15517	1.5	10	12 x 12

CAT. #	PROD. FAM.	UPC # (7-84572)	WT. (LBS)	STD. PKG.	SIZE
22GTF	GFIT	26431	2.5	1	2.5 x 2.5
44GTF	GFIT	10687	3.5	1	4 x 4
66GTF	GFIT	10850	7.2	1	6 x 6
88GTF	GFIT	10989	13	1	8 x 8
1010GTF	GFIT	18918	20.3	1	10 x 10
1212GTF	GFIT	18995	29.2	1	12 x 12

**INDUSTRY STANDARDS FOR FITTINGS**

- NEMA —Type 1
- UL 870—Type 1
- CUL—Type 1 (Equivalent to CSA)

*Utility requirements for this equipment may vary. Always consult the serving utility for their requirements before ordering or installing equipment in this catalog.*



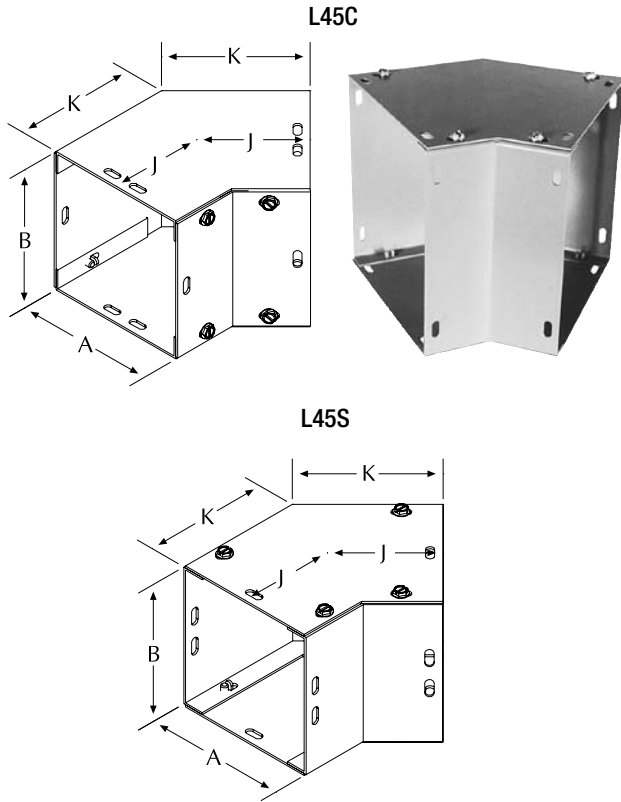
\*NOTE: Screws not included with fittings. Fitting attachment screws are included with straight sections of wireway.

NK=no knockout, NP=no paint



**L45C & L45S—45° ELBOWS\***

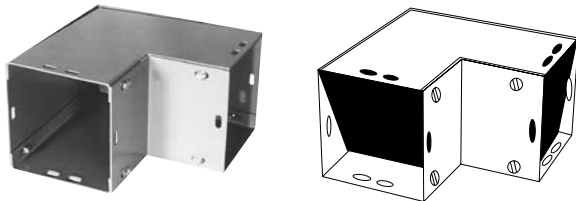
Similar to the 90° elbow in design and function, only used in 45° angle applications.



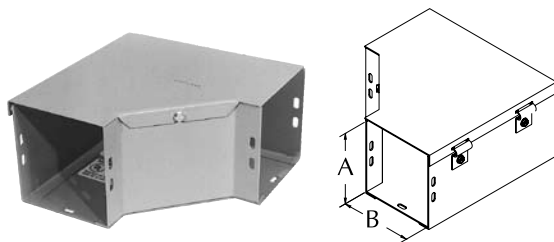
**90° ELBOWS\***

These elbows are designed to turn a 90° corner in a wireway run.

**90° ELBOWS (for Screw Covers)\***



**90° ELBOWS (for Hinge Covers)\***



CAT. #	PROD. FAM.	UPC # (7-84572)	WT. (LBS)	STD. PKG.	SIZE
22L45C	GFIT	26419	3.6	2	2.5 x 2.5
22L45C-NP	GFIT	26420	3.6	2	2.5 x 2.5
22L45S	GFIT	26432	3.6	2	2.5 x 2.5
22L45S-NP	GFIT	26433	3.6	2	2.5 x 2.5
22L90C	GFIT	26465	3.6	2	2.5 x 2.5
22L90C-NP	GFIT	26466	3.6	2	2.5 x 2.5
22L90S	GFIT	26467	3.6	2	2.5 x 2.5
22L90S-NP	GFIT	26468	3.6	2	2.5 x 2.5
44L45C	GFIT	10689	7.1	2	4 x 4
44L45S	GFIT	10690	7.1	2	4 x 4
44L90C	GFIT	10691	7	2	4 x 4
44L90C-NP	GFIT	15521	7	2	4 x 4
44L90S	GFIT	10692	7	2	4 x 4
44L90S-NP	GFIT	15522	7	2	4 x 4
66L45C	GFIT	10852	10.8	2	6 x 6
66L45C-NP	GFIT	15499	10.8	2	6 x 6
66L45S	GFIT	10853	10.8	2	6 x 6
66L45S-NP	GFIT	15500	10.8	2	6 x 6
66L90C	GFIT	10854	9	2	6 x 6
66L90C-NP	GFIT	15524	9	2	6 x 6
66L90S	GFIT	10855	9	2	6 x 6
66L90S-NP	GFIT	15525	9	2	6 x 6
88L45C	GFIT	10991	14.4	2	8 x 8
88L45C-NP	GFIT	15510	14.4	2	8 x 8
88L45S	GFIT	10992	14.4	2	8 x 8
88L90C	GFIT	10993	13	2	8 x 8
88L90C-NP	GFIT	15527	13	2	8 x 8
88L90S	GFIT	10994	13	2	8 x 8
88L90S-NP	GFIT	15528	13	2	8 x 8
1010L45C	GFIT	10054	16	2	10 x 10
1010L45C-NP	GFIT	15460	16	2	10 x 10
1010L45S	GFIT	10055	16	2	10 x 10
1010L45S-NP	GFIT	15461	16	2	10 x 10
1010L90C	GFIT	10056	15	2	10 x 10
1010L90C-NP	GFIT	15515	15	2	10 x 10
1010L90S	GFIT	10057	15	2	10 x 10
1010L90S-NP	GFIT	15516	15	2	10 x 10
1212L45C	GFIT	10167	23	2	12 x 12
1212L45C-NP	GFIT	15470	23	2	12 x 12
1212L45S	GFIT	10168	23	2	12 x 12
1212L45S-NP	GFIT	15471	23	2	12 x 12
1212L90C	GFIT	10169	22	2	12 x 12
1212L90C-NP	GFIT	15518	22	2	12 x 12
1212L90S	GFIT	10170	22	2	12 x 12
1212L90S-NP	GFIT	15519	22	2	12 x 12

COMMERCIAL ENCLOSURES

WIREWAY FITTINGS—FOR USE WITH GSC1 AND GHC1 WIREWAY

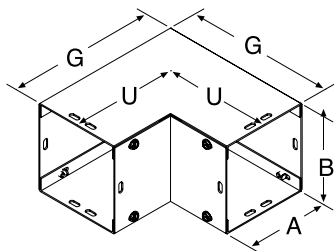
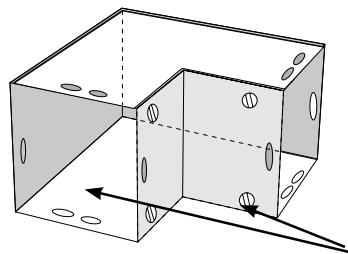
Utility requirements for this equipment may vary. Always consult the serving utility for their requirements before ordering or installing equipment in this catalog.

NK=no knockout, NP=no paint

\*NOTE: Screws not included with fittings. Fitting attachment screws are included with straight sections of wireway.



### Suffix Designations

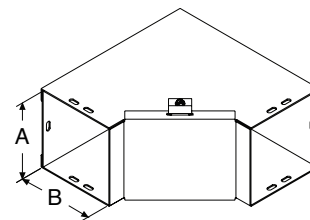


**C CORNER**

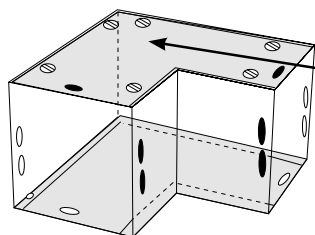
**C Configuration on 90° screw cover elbow**

Both inside and outside corners are removable for lay-in wiring.

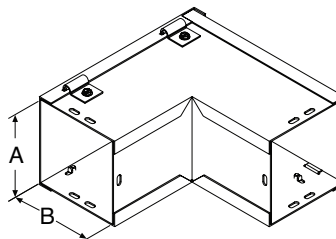
**Inside Opening  
IS Configuration  
on HingeCover Elbow**



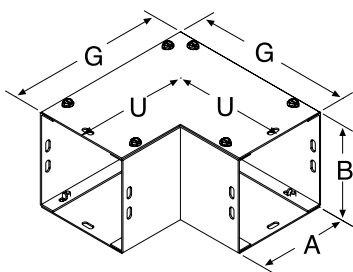
COMMERCIAL ENCLOSURES



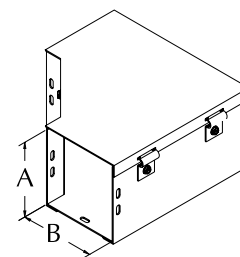
**S Side  
S Configuration on  
90° screw cover elbow**  
Top and bottom are removable for lay-in wiring.



**Outside Opening  
OS Configuration  
on Hinge Cover Elbow**



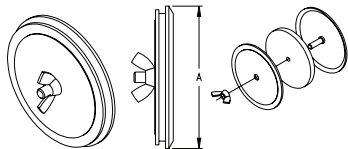
**Side Opening  
S Configuration  
on Hinge Cover Elbow**



**INTERCHANGEABLE FITTINGS**

The following fittings are interchangeable between the screw cover and hinge cover wireways:  
Connectors, Hangers, End Flanges, 45° Elbows, Crosses, Reducers, Telescopic Fittings.

### Hole Seals



**APPLICATION**

- Designed to seal extra push-button holes, knockout openings and conduit openings from dust, dirt, water and oil.
- A hole seal has a cover with a stud welded in the center and a gasket placed over the stud.

**CONSTRUCTION**

- **Steel**  
Cover is painted ANSI 61 Gray.  
Oil Resistant Gasket.  
Back Plate is unpainted galvanized steel.
- **Stainless Steel (-XS)**  
Cover is stainless steel with a #3 finish.  
Oil Resistant Gasket.  
Back Plate is stainless steel.

**INSTALLATION**

- The cover and gasket are typically placed on the outside of the enclosure, with the backplate and wing nut fastened to the seal from the inside of the enclosure.
- As the wing nut is tightened, the cover compresses the gasket and seals the hole. Can be used on holes ranging in size from .19 through 4.00 with a wall thickness of up to .31.

CAT. #	PROD. FAM.	UPC # (7-84572)	WT. (LBS)	MAX. HOLE DIA.	SEAL DIA.
A-HSPBM	IIAC	18781	0.1	0.88	1.22
A-HSPBMXS	IIAC	20435	0.1	0.88	1.22
A-HSPB	IIAC	18782	0.1	1.25	1.75
A-HSPBXS	IIAC	20436	0.1	1.25	1.75
A-HS050	IIAC	18783	0.1	0.88	1.38
A-HS050XS	IIAC	20439	0.1	0.88	1.38
A-HS075	IIAC	18784	0.1	1.06	1.56
A-HS075XS	IIAC	20438	0.1	1.06	1.56
A-HS100	IIAC	18785	0.1	1.38	1.88
A-HS100XS	IIAC	19738	0.1	1.38	1.88
A-HS125	IIAC	19858	0.1	1.69	2.19
A-HS125XS	IIAC	20437	0.1	1.69	2.19
A-HS150	IIAC	18786	0.2	2	2.5
A-HS150XS	IIAC	19737	0.2	2	2.5
A-HS200	IIAC	18787	0.2	2.5	3
A-HS200XS	IIAC	19736	0.2	2.5	3
A-HS250	IIAC	21753	0.3	3	3.5
A-HS300	IIAC	21387	0.6	3.62	4.12
A-HS350	IIAC	21754	0.7	4.12	4.62
A-HS400	IIAC	21755	0.9	4.62	5.12

*Utility requirements for this equipment may vary. Always consult the serving utility for their requirements before ordering or installing equipment in this catalog.*

WIREWAY FITTINGS—FOR USE WITH GSC1 AND GHC1 WIREWAY—HOLE SEALS



PART NUMBER	DESCRIPTION	PRODUCT FAMILY	UPC # (7-84572)
-------------	-------------	----------------	-----------------

<b>A. WING HANDLE—KEY LOCKING</b>			
A-LKWHK3R1	For TC3R Enclosures 30x30 & Under	IIAC	27210
A-LKWHK3R2	For TC3R Enclosures 30x30 & Over	IIAC	27211

<b>B. WING HANDLE—PAD LOCKING</b>			
A-LKWHP3R1	For TC3R Enclosures 30x30 & Under	IIAC	27214
A-LKWHP3R2	For TC3R Enclosures 30x30 & Over	IIAC	27215

<b>C. T-HANDLE LOCK</b>			
A-LKT3R1	For TC3R Enclosures 30x30 & Under	IIAC	27218
A-LKT3R2	For TC3R Enclosures 30x30 & Over	IIAC	27219
A-LKT3R1-K	Keys only for T-handle lock	IIAC	28209

<b>D. FLUSH MOUNT QUARTER TURN—KEY LOCKING</b>			
A-LKFMKEY3R1	For TC3R Enclosures 30x30 & Under	IIAC	27222
A-LKFMKEY3R2	For TC3R Enclosures 30x30 & Over	IIAC	27223
A-LKFMKEYM-K	Keys only for flush mount quarter turn lock	IIAC	28271

<b>E. FLUSH MOUNT QUARTER-TURN, SCREWDRIVER-OPERATED</b>			
A-LKFM3R1	For TC3R Enclosures 30x30 & Under	IIAC	27225
A-LKFM3R2	For TC3R Enclosures 30x30 & Over	IIAC	27226

<b>F. PADLOCKING L-HANDLE</b>			
A-LKLPAD3R1	For TC3R Enclosures 30x30 & Under	IIAC	27229
A-LKLPAD3R2	For TC3R Enclosures 30x30 & Over	IIAC	27230

<b>G. KEYLOCKING L-HANDLE</b>			
A-LKLKEY3R1	For TC3R Enclosures 30x30 & Under	IIAC	27233
A-LKLKEY3R2	For TC3R Enclosures 30x30 & Over	IIAC	27234

<b>H. KEY LOCKING CYLINDER LOCK</b>			
A-LK3R	For SC3R and GSC3R Enclosures	IIAC	27237

<b>I. SMALL FLUSH MOUNT - KEY LOCKING</b>			
A-LKSFKEYL	For LC1 Enclosures	IIAC	27236



**COMMERCIAL ENCLOSURES**  
**ACCESSORIES-LOCKS**

### Replacement Locks

PART NUMBER	DESCRIPTION	PRODUCT FAMILY	UPC # (7-84572)
-------------	-------------	----------------	-----------------

<b>1. SLAM LATCH LOCK</b>			
A-LK3	Replacement Lock for TSC and TFLC Cabinet Covers	IIAC	18800

<b>2. PADLOCKING L-HANDLE FOR CT3R</b>			
A-LKPH	Replacement Padlock Handle for CT3R Enclosures	IIAC	25061

<b>3. SMALL FLUSH MOUNT, SCREWDRIVER-OPERATED</b>			
A-LK10	Replacement Lock for LC1 Enclosures	IIAC	28068



Utility requirements for this equipment may vary. Always consult the serving utility for their requirements before ordering or installing equipment in this catalog.

COMMERCIAL ENCLOSURES ACCESSORIES



**EXTERNAL MOUNTING FOOT KITS (TC3R Enclosures)**

**APPLICATION**

- For use with TC3R Enclosures.

**FEATURES**

- Easy installation, no drilling.
- Manufactured from **G90** galvanized steel.
- Painted to match enclosure.

Catalog #	Enclosure Width B	Product Family	UPC # (7-84572)
A-TC3RMFK6	6	CNAC	26714
A-TC3RMFK8	8	CNAC	26715
A-TC3RMFK10	10	CNAC	26716
A-TC3RMFK12	12	CNAC	26717
A-TC3RMFK16	16	CNAC	26718
A-TC3RMFK18	18	CNAC	26719
A-TC3RMFK24	24	CNAC	26720
A-TC3RMFKLG	30 & over	CNAC	26721



A-FOC



A-FOCJIC(S)

**FAST OPERATING CLAMPS**

**APPLICATION**

- Provides quick access to enclosures without the need for any tools.

**FEATURES**

- Installs easily on standard clamp bracket (2 clamps per kit).

Catalog #	Use with:	Product Family	UPC # (7-84572)
A-FOCJIC	NEMA 12 JIC boxes	IIAC	18803
A-FOCJICS*	NEMA 4 / 4X JIC boxes	IIAC	25026

\*Stainless steel

**TOUCH UP PAINT**

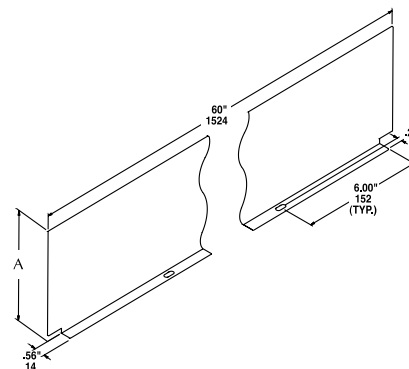


Catalog #	Color	Description	Product Family	UPC # (7-84572)
A-GP	Light Gray	16 oz. spray	IIAC	18795
A-WP	White	16 oz. spray	IIAC	18796

**BARRIER KITS**

For dividing wireway into two compartments. Barriers are easily secured to wireway with the use of screws (screws included).

Catalog #	Wireway Size	Dim. A	Product Family	UPC # (7-84572)
A-BK460	4 x 4	3.53	CNAC	18503
A-BK660	6 x 6	5.53	CNAC	18409
A-BK860	8 x 8	7.53	CNAC	18511
A-BK1060	10 x 10	9.53	CNAC	18517
A-BK1260	12 x 12	11.53	CNAC	18523



**SELF TAPPING SCREWS**

Catalog #	Description	Product Family	UPC # (7-84572)
A-GSC	Self tapping screw, 4 per bag	CNAC	18798

Utility requirements for this equipment may vary. Always consult the serving utility for their requirements before ordering or installing equipment in this catalog.

# Industrial Section

 **MILBANK**<sup>®</sup>

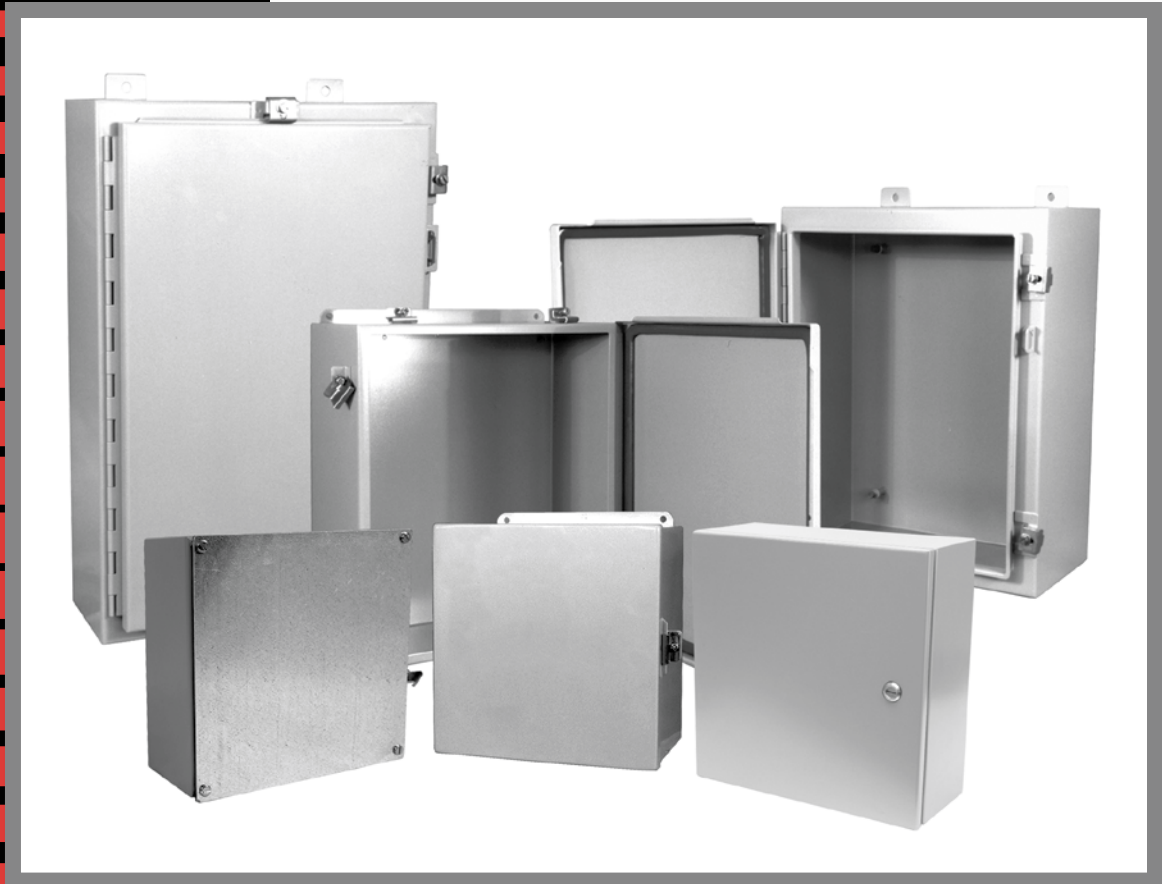






# Industrial Enclosures

---



**MILBANK<sup>®</sup>**



Type Designation	National Electrical Manufacturers' Association (NEMA Standard 250)	Underwriters' Laboratories Inc. (UL 50)	Canadian Standards Association (Standard C22.2, Nos. 14, 40, and 94)
1	Enclosures constructed for indoor use to provide a degree of protection to personnel against incidental contact with the enclosed equipment and to provide a degree of protection against falling dirt.	Indoor use primarily to provide a degree of protection against limited amount of falling dirt	General purpose enclosure in ordinary locations.
2	Enclosures constructed for indoor use to provide a degree of protection to personnel against incidental contact with the enclosed equipment, to provide a degree of protection against falling dirt, and to provide a degree of protection against dripping and light splashing of liquids.	Indoor use primarily to provide a degree of protection against limited amounts of falling water and dirt.	An enclosure for indoor use, constructed so as to provide a degree of protection against dripping and light splashing of noncorrosive liquids, and falling dirt.
3	Enclosures constructed for either indoor or outdoor use to provide a degree of protection to personnel against incidental contact with enclosed equipment, to provide a degree of protection against falling dirt, rain, sleet, snow and windblown dust and that will be undamaged by the external formation of ice on the enclosure.	Outdoor use primarily to provide a degree of protection against rain, sleet, windblown dust, and damage from external ice formation.	An enclosure for either indoor or outdoor use, constructed so as to provide a degree of protection against rain, snow, and windblown dust; undamaged by the external formation of ice on the enclosure.
3R	Enclosures constructed for either indoor or outdoor use to provide a degree of protection to personnel against incidental contact with enclosed equipment, to provide a degree of protection against falling dirt, rain, sleet, snow and that will be undamaged by the external formation of ice on the enclosure.	Outdoor use primarily to provide a degree of protection against rain, sleet; and damage from external ice formation.	An enclosure for either indoor or outdoor use, constructed so as to provide a degree of protection against rain, and snow, undamaged by the external formation of ice on the enclosure.
4	Enclosures constructed for either indoor or outdoor use to provide a degree of protection to personnel against incidental contact with the enclosed equipment, to provide a degree of protection against falling dirt, rain, sleet, snow, windblown dust, splashing water, and that will be undamaged by the external formation of ice on the enclosure.	Indoor or outdoor use primarily to provide a degree of protection against windblown dust, and rain, splashing water, hose-directed water; and damage from external ice formation.	An enclosure for either indoor or outdoor use, constructed so as to provide a degree of protection against rain, snow, windblown dust, splashing and hose-directed water; undamaged by the external formation of ice on the enclosure.
4X	Enclosures constructed for either indoor or outdoor use to provide a degree of protection to personnel against incidental contact with the enclosed equipment; to provide a degree of protection against falling dirt, rain, sleet, snow, windblown dust, splashing water, hose-directed water, and corrosion; and that will be undamaged by the external formation of ice on the enclosure.	Indoor or outdoor use primarily to provide a degree of protection against corrosion, windblown dust and rain, splashing water, hose-directed water; and damage from external ice formation.	An enclosure for either indoor or outdoor use, constructed so as to provide a degree of protection against rain, snow, windblown dust, splashing and hose-directed water; undamaged by the external formation of ice on the enclosure; resists corrosion.
12	Enclosures constructed (without knockouts) for indoor use to provide a degree of protection to personnel against incidental contact with the enclosed equipment; to provide a degree of protection against falling dirt; against circulating dust, lint, fibers and flyings; and against dripping and light splashing of liquids.	Indoor use primarily to provide a degree of protection against circulating dust, falling dirt, and dripping noncorrosive liquids.	An enclosure for indoor use, constructed so as to provide a degree of protection against circulating and settling dust, lint, fibres, and flyings; dripping and light splashing of non-corrosive liquids; not provided with knockouts.
13	Enclosures constructed for indoor use to provide a degree of protection to personnel against incidental contact with the enclosed equipment; to provide a degree of protection against falling dirt; against circulating dust, lint, fibers, and flyings; and against the spraying, splashing, and seepage of water, oil, and noncorrosive coolants.	Indoor use primarily to provide a degree of protection against dust, spraying of water, oil, and noncorrosive coolant.	An enclosure for indoor use, constructed so as to provide a degree of protection against circulating and settling dust, lint, fibres, and flyings; seepage and spraying of noncorrosive liquids including oils and coolants.

NOTE: The specifications on this page are for comparative reference only and are not intended to provide the complete requirements or test qualifications published by various associations and agencies. Complete information may be obtained by contacting the appropriate organization.

IEC publication 529, Classification of Degrees of Protection Provided by Enclosures, provides a system for specifying electrical equipment for enclosures on the basis of degree of protection provided by the enclosure. IEC 529 does not specify degrees of protection against mechanical damage of equipment, risk of explosions, or conditions such as moisture (produced for example by condensation), corrosive vapors, fungus or vermin. NEMA Standards Publication 250 does test for environmental conditions such as corrosion, rust, icing, oil and coolants. For this reason, and because the tests and evaluations for other characteristics are not identical, the IEC Enclosure Classification Designations cannot be exactly equated with NEMA Enclosure type Numbers.

The IEC designation consists of the letters IP followed by two numerals. The first characteristic numeral indicates the degree of protection provided by the enclosure with respect to persons and solid foreign objects entering the enclosure. The second characteristic numeral indicates the degree of protection provided by the enclosure with respect to the harmful ingress of water.

The IEC has established an enclosure grading system that produces an IP rating. (For example, IP 54 - 5 is the first character - refer to tables I & II. 4 is the second character - refer to table III - following page).

*The following is provided for information only.*

## Table I

### Degrees of Protection against Hazardous Parts

Degree of protection is indicated by the first characteristic numeral

First Characteristic Numeral	Protection of Persons	Protection of Equipment
0	Non Protected	Non-Protected
1	Protected against access to hazardous parts with the back of a hand.	Protected against objects of 50mm diameter and greater.
2	Protected against access to hazardous parts with a finger.	Protected against objects of 12.5mm diameter and greater.
3	Protected against access to hazardous parts with a tool of 2.5mm in diameter and greater.	Protected against objects of 2.5mm diameter and greater.
4	Protected against access to hazardous parts with a wire of 1.0mm in diameter and greater.	Protected against objects of 1.0mm diameter and greater.
5	Protected against access to hazardous parts with a wire of 1.0mm in diameter and greater.	Protected against dust. Ingress of dust is not totally prevented, but dust shall not penetrate in a quantity to interfere with satisfactory operation of the apparatus or to impair safety.
6	Protected against access to hazardous parts with a wire of 1.0mm in diameter and greater.	Protected against dust. No ingress of dust.

**NOTE:** In the case of the first characteristic numerals 3, 4, 5 and 6, protection against access to hazardous part is satisfied if adequate clearance is kept. The full diameter of the object probe shall not pass through an opening of the enclosure.

**Table II**  
**Degrees of Protection against Water**

Degree of protection is indicated by the second characteristic numeral

First Characteristic Numeral	Description	Definition
0	Non Protected	
1	Protected against vertically falling water drops	Vertically falling drops shall have no harmful effects
2	Protected against vertically falling water drops when enclosure tilted up to 15 degrees	Vertically falling drops shall have no harmful effects ° when the enclosure is tilted at any angle up to 15° on either side of the vertical.
3	Protected against spraying water.	Water sprayed at any angle up to 60° on either side of the vertical shall have no harmful effects.
4	Protected against splashing water	Water splashed against the enclosure from any direction shall have no harmful effects.
5	Protected against water jets	Water projected in jets against the enclosure from any direction shall have no harmful effects.
6	Protected against powerful water jets	Water projected in powerful jets against the enclosure from any direction shall have no harmful effects.
7	Protected against the effects of temporary immersion in water.	Ingress of water in quantities causing harmful effects shall not be possible when the enclosure is temporarily immersed in water under standardized conditions of pressure and time.
8	Protected against the effects of continuous immersion in water.	Ingress of water in quantities causing harmful effects shall not be possible when the enclosure is continuously immersed in water under conditions which shall be agreed between manufacturer and user but which are more severe than for numeral 7.

INDUSTRIAL ENCLOSURES

IEC 529 DEFINITION OF PROTECTION GRADES

**NEMA TO IEC Enclosure Rating Cross-Reference<sup>1</sup>**

NEMA TYPE	IP23	IP30	IP32	IP55	IP64	IP65	IP66	IP67
1	x							
2		x						
3					x			
3R			x					
4							x	
4X							x	
6								x
12				x				
13						x		

*1 This cross reference is an approximation of NEMA and IEC classifications for reference only. Please consult the appropriate JIC agencies for requirements and test qualifications for complete information.*

**Purge/Pressurization Systems**

Purge/pressurization systems allow the use of general-purpose enclosures in hazardous locations as an alternative to NEMA Type 7 or 9 enclosures or those rated for zone classification. Purge/pressurization accessories are attached to an enclosure to prevent explosions in hazardous locations by purging combustible gases or dust and then maintaining a positive pressure with clean dry air, or other inert gas.

**Purged and Pressurized Enclosures**

1. Purged/pressurized Enclosures for Class I Hazardous Locations Purging is defined as the process of supplying an enclosure with clean air or an inert gas, at sufficient flow and positive pressure to reduce to an acceptable safe level the concentrations of any flammable gases or vapors initially present, and to maintain this safe level by positive pressure with or without continuous flow.
2. Pressurized Enclosures for Class II Hazardous Locations Pressurizing is similar to purging except that pressurizing is used to prevent the entrance of hazardous dusts and cannot be used to clean out dust that already exists inside an enclosure.

Purged or pressurized enclosures are acceptable alternatives for use in hazardous location as permitted by Article 500 of the National Electrical Code and the inspection authority having jurisdiction provided that the requirements and safeguards specified by NFPA 496, "Purged and Pressurized Enclosures for Electrical Equipment in Hazardous Locations" are strictly followed.

Milbank Manufacturing Co. does not supply purged/pressurized enclosures. The above descriptions are provided for information only.





## Modification Services

Milbank Manufacturing Co. offers a series of standard options to complement our wide range of catalog products. These options meet common industry and application requirements and are designed to offer a wide range of flexibility to meet many different needs. By utilizing standard catalog enclosure types and standard accessories or options, you can keep your price and delivery times to a minimum.

### WALL-MOUNT ENCLOSURES

- Finish options
- Dimension changes
- Hole and cutout options
- Hinge options
- Studs, nuts and tapped holes
- Sub-panel options
- Ventilation options
- Window options
- Floor mounting options
- Assembled accessories
- Disconnect options
- Special latching

### LARGE MILD STEEL ENCLOSURES

- Finish options
- Dimensional changes
- Hole and cutout options
- Component mounting options
- Sub-panel options
- Ventilation options
- Window options
- Floor mounting options
- Hinge options
- Wire management choices
- Structural changes
- Assembled accessories
- Disconnect options
- Special latching

### STAINLESS STEEL ENCLOSURES

Type 304 or 316 stainless steel

- Hole and cutout options
- Studs, nuts and tapped holes
- Sub-panel options
- Ventilation options
- Window options
- Mounting options
- Drip shields
- Assembled accessories
- Disconnect options
- Hinge options
- Special latching

### CAD DRAWING REQUIREMENTS

- Drawings to be AutoCad .DXF or .DWG.
- Provide CAD Drawing scaled 1:1 (1" = 1 Drawing Unit / 1mm = 1 Drawing Unit) [Please specify on drawing 'Inch' or 'Metric' accordingly].
- Provide only Pertinent Information required to Modify the Enclosure. Electronic/component layout drawings not required.

### LAYER CONTROL

- Erase/Omit all unnecessary drawing information.
- Turn On/Thaw Layers in which modifications are necessary (should be only information on drawing).
- Purge all unnecessary Blocks / Layers / Line types / Text Styles / Dimension Styles.
- Clearly identify on the drawing, your company name and drawing number.
- Clearly identify revisions.

### EMAIL DRAWINGS

- Clearly state "Quote request" or "Engineering Drawings" in subject line. Provide brief explanation of revision or change if appropriate.

## Minimum Requirements For Engineering/Estimating

- 1) Clearly specify what you are sending (i.e. Order, RFQ, Information Request, Credit Information or Change).
- 2) Specify complete customer name, address, city, state, and zip.
- 3) Specify phone and fax number of customer.
- 4) Specify customer contact.
- 5) Specify exactly who is to receive a copy of the quote (i.e. Customer/Rep/Both).
- 6) Specify shipping information.
- 7) Specify requested ship date. Do not specify ASAP, Rush, or impossible dates.
- 8) Indicate on repeat orders when a change is taking place. Follow up with Engineering and Estimating to verify change.
- 9) Specify quantities required and indicate if a blanket order will be placed.
- 10) Specify part number if item is a repeat.
- 11) When referencing competitor's part numbers, cross-reference them before submitting RFQ.
- 12) Clearly describe product including environment (Nema), type, height, width, depth, number of doors, special construction (i.e. shelves, brackets, etc.), description of application is helpful.
- 13) Clearly specify if UL Environmental rating Labels Are Required. If so, specify type or indicate "none."
- 14) Clearly specify paint, paint type, paint color, paint part number, paint manufacture, and any special requirements if other than standard.
- 15) Specify type of finish for stainless enclosures (i.e. brushed, Scotch Brite). Indicate special requirements if other than standard.
- 16) Specify material requirements (i.e. stainless, mild steel).
- 17) Indicate if sub-panel is required.
- 18) When sending drawings, specify clear and complete information.
  - Engineering - specify customer name, job number, and revision if applicable.
  - Estimating – specify customer name and reference RFQ or quote number if applicable.
- 19) Specify any special requirements (i.e. penalty clauses, accessories, mil specs).



**APPLICATIONS**

For housing electrical controls, terminals, and instruments and to provide protection from dust, dirt, oil and water.

**CONSTRUCTION**

Fabricated from 16 or 14 gauge carbon steel, type 304 stainless steel and type 316 stainless steel. Enclosure feature:

- Lids secured with captivated cover screws
- Oil resistant gasket applied to the doors.
- External mounting feet for wall or machinery mounting.
- Weld nuts for mounting optional sub panel.

**FINISH**

Standard ANSI-61 gray finish on interior and exterior of enclosures. Recoatable, smooth, white or RAL 7035 texture polyester powder coat available at no charge. Standard RAL and custom match finishes available for an additional charge, please contact Milbank

Manufacturing Co. for further assistance. All powder coat finishes applied over cleaned phosphatized surfaces. Carbon steel sub panels have a white polyester powder coat finish. Stainless Steel enclosures have a polished #4 finish.

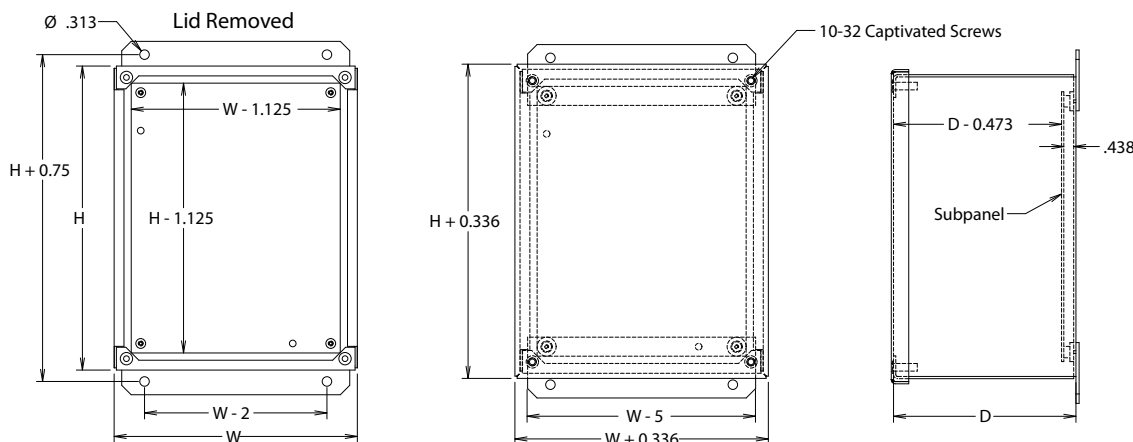
**OPTIONS**

Milbank Manufacturing Co. can modify standard enclosures or custom design enclosures according to your specifications. Holes, cutouts, sizes, materials, and many more options are available. Quotations upon request.

**INDUSTRY STANDARDS**

- UL 50 Listed
- CUL 50 Listed
- Type 12

JIC12 · JIC12XS · JIC12XZ



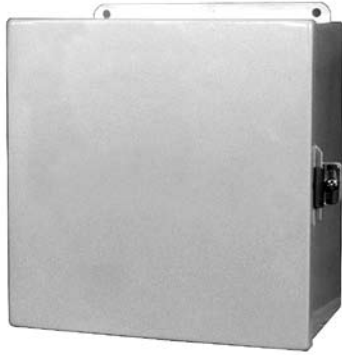
CATALOG NUMBER		316 STAINLESS STEEL #	PRODUCT SIZE H X W X D (INCHES)	SHPG. WT.	SUB PANEL PART #	SUB PANEL SIZE H X W (INCHES)
CARBON STEEL #	304 STAINLESS STEEL #					
SC443JIC12	SC443JIC12XS	SC443JIC12XZ	4 x 4 x 3	2	-	-
SC643JIC12	SC643JIC12XS	SC643JIC12XZ	6 x 4 x 3	3	A-64SBP	4.88 x 2.88
SC863JIC12	SC863JIC12XS	SC863JIC12XZ	8 x 6 x 3.5	5	A-86SBP	6.88 x 4.88
SC444JIC12	SC444JIC12XS	SC444JIC12XZ	4 x 4 x 4	2	-	-
SC644JIC12	SC644JIC12XS	SC644JIC12XZ	6 x 4 x 4	3	A-64SBP	4.88 x 2.88
SC884JIC12	SC884JIC12XS	SC884JIC12XZ	8 x 8 x 4	6	A-88SBP	6.88 x 6.88
SC664JIC12	SC664JIC12XS	SC664JIC12XZ	6 x 6 x 4	4	A-66SBP	4.88 x 4.88
SC666JIC12	SC666JIC12XS	SC666JIC12XZ	6 x 6 x 6	5	A-66SBP	4.88 x 4.88
SC866JIC12	SC866JIC12XS	SC866JIC12XZ	8 x 6 x 6	7	A-86SBP	6.88 x 4.88
SC1084JIC12	SC1084JIC12XS	SC1084JIC12XZ	10 x 8 x 4	8	A-108SBP	8.88 x 6.88
SC1264JIC12	SC1264JIC12XS	SC1264JIC12XZ	12 x 6 x 4	7	A-126SBP	10.88 x 4.88
SC12105JIC12	SC12105JIC12XS	SC12105JIC12XZ	12 x 10 x 5	12	A-1210SBP	10.88 x 8.88
SC1086JIC12	SC1086JIC12XS	SC1086JIC12XZ	10 x 8 x 6	9	A-108SBP	8.88 x 6.88
SC10106JIC12	SC10106JIC12XS	SC10106JIC12XZ	10 x 10 x 6	11	A-1010SBP	8.88 x 8.88
SC12126JIC12	SC12126JIC12XS	SC12126JIC12XZ	12 x 12 x 6	14	A-1212SBP	10.88 x 10.88
SC1486JIC12	SC1486JIC12XS	SC1486JIC12XZ	14 x 8 x 6	12	A-148SBP	12.88 x 6.88
SC14126JIC12	SC14126JIC12XS	SC14126JIC12XZ	14 x 12 x 6	16	A-1412SBP	12.88 x 10.88
SC16106JIC12	SC16106JIC12XS	SC16106JIC12XZ	16 x 10 x 6	16	A-1610SBP	14.88 x 8.88
SC16146JIC12	SC16146JIC12XS	SC16146JIC12XZ	16 x 14 x 6	20	A-1614SBP	14.88 x 12.88
SC12108JIC12	SC12108JIC12XS	SC12108JIC12XZ	12 x 10 x 8	15	A-1210SBP	10.88 x 8.88
SC14128JIC12	SC14128JIC12XS	SC14128JIC12XZ	14 x 12 x 8	19	A-1412SBP	12.88 x 10.88
SC16148JIC12	SC16148JIC12XS	SC16148JIC12XZ	16 x 14 x 8	23	A-1614SBP	14.88 x 12.88
SC161410JIC12	SC161410JIC12XS	SC161410JIC12XZ	16 x 14 x 10	26	A-1614SBP	14.88 x 12.88

NOTE: Sub panels must be ordered separately.

INDUSTRIAL ENCLOSURES

TYPE 12 – JUNCTION ENCLOSURES JIC SCREW COVER ENCLOSURES





**APPLICATIONS**

Designed to provide protection for electrical controls, instruments, and terminals from oil, dirt, dust and water entry.

**CONSTRUCTION**

Fabricated from 16 or 14 gauge carbon steel, 14 gauge type 304 or type 316 stainless steel with continuously welded seams. Enclosure features:

- Door secured with zinc coated clamps.
- Stainless steel doors are secured with type 316 stainless steel clamps.
- Oil resistant gasket applied to the doors.
- External mounting feet for wall or machinery mounting.
- Weld nuts for mounting optional sub-panel.

**FINISH**

Standard ANSI-61 gray finish on interior and exterior of enclosures. Recoatable, smooth, white or RAL 7035 texture polyester powder coat available at no charge. Standard RAL and custom match finishes available for an additional charge, please contact Milbank Manufacturing

Co. for further assistance. All powder coat finishes applied over cleaned phosphatized surfaces. Carbon steel sub panels have a white polyester powder coat finish. Stainless Steel enclosures have a polished #4 finish.

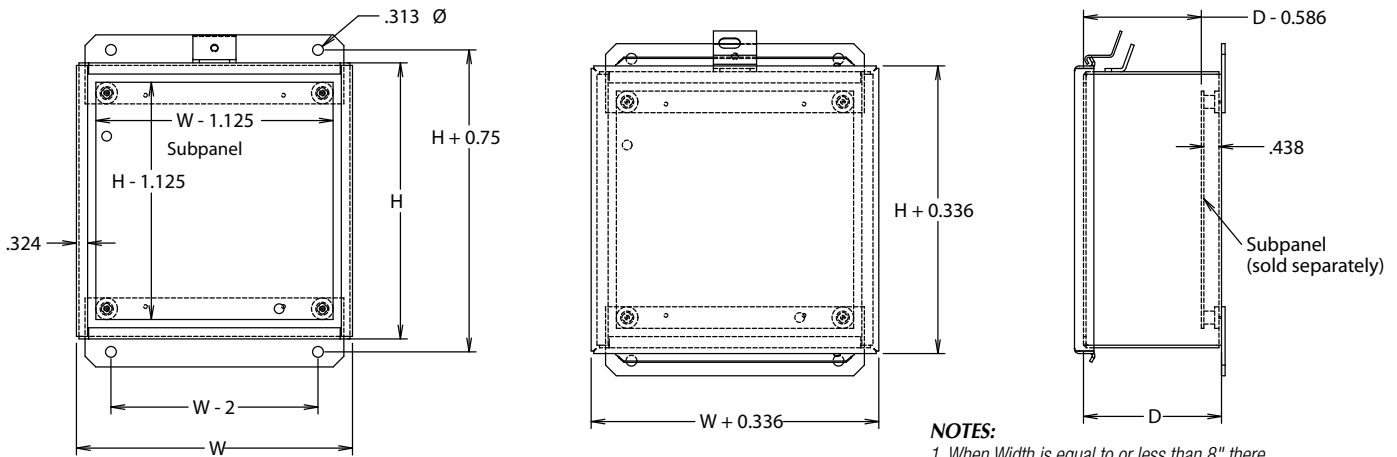
**OPTIONS**

Milbank Manufacturing Co. can modify standard enclosures or custom design enclosures according to your specifications. Holes, cutouts, sizes, materials, and many more options are available. Quotations upon request.

**INDUSTRY STANDARDS**

- UL 50 Listed
- CUL 50 Listed
- Type 12

**JIC12 • JIC12XS • JIC12XZ**



**NOTES:**  
1. When Width is equal to or less than 8" there will be one set of clamps on that side.

CARBON STEEL #	CATALOG NUMBER	ENCLOSURE SIZE H X W X D	SHPG. WT.	SUB PANEL PART #	SUB PANEL SIZE H X W (INCHES)
	304 STAINLESS STEEL #	316 STAINLESS STEEL #			
CC443JIC12	CC443JIC12XS	CC443JIC12XZ	4 x 4 x 3	2	-
CC643JIC12	CC643JIC12XS	CC643JIC12XZ	6 x 4 x 3	3	A-64SBP
CC863JIC12	CC863JIC12XS	CC863JIC12XZ	8 x 6 x 3.5	5	A-86SBP
CC444JIC12	CC444JIC12XS	CC444JIC12XZ	4 x 4 x 4	3	-
CC644JIC12	CC644JIC12XS	CC644JIC12XZ	6 x 4 x 4	4	A-64SBP
CC664JIC12	CC664JIC12XS	CC664JIC12XZ	6 x 6 x 4	5	A-66SBP
CC884JIC12	CC884JIC12XS	CC884JIC12XZ	8 x 8 x 4	8	A-88SBP
CC1084JIC12	CC1084JIC12XS	CC1084JIC12XZ	10 x 8 x 4	9	A-108SBP
CC1264JIC12	CC1264JIC12XS	CC1264JIC12XZ	12 x 6 x 4	9	A-126SBP
CC12105JIC12	CC12105JIC12XS	CC12105JIC12XZ	12 x 10 x 5	14	A-1210SBP
CC666JIC12	CC666JIC12XS	CC666JIC12XZ	6 x 6 x 6	6	A-66SBP
CC866JIC12	CC866JIC12XS	CC866JIC12XZ	8 x 6 x 6	8	A-86SBP
CC1086JIC12	CC1086JIC12XS	CC1086JIC12XZ	10 x 8 x 6	11	A-108SBP
CC10106JIC12	CC10106JIC12XS	CC10106JIC12XZ	10 x 10 x 6	13	A-1010SBP
CC12126JIC12	CC12126JIC12XS	CC12126JIC12XZ	12 x 12 x 6	17	A-1212SBP
CC1486JIC12	CC1486JIC12XS	CC1486JIC12XZ	14 x 8 x 6	15	A-148SBP
CC14126JIC12	CC14126JIC12XS	CC14126JIC12XZ	14 x 12 x 6	19	A-1412SBP
CC16106JIC12	CC16106JIC12XS	CC16106JIC12XZ	16 x 10 x 6	19	A-1610SBP
CC12108JIC12	CC12108JIC12XS	CC12108JIC12XZ	12 x 10 x 8	18	A-1210SBP
CC14128JIC12	CC14128JIC12XS	CC14128JIC12XZ	14 x 12 x 8	22	A-1412SBP
CC16146JIC12	CC16146JIC12XS	CC16146JIC12XZ	16 x 14 x 6	24	A-1614SBP
CC16148JIC12	CC16148JIC12XS	CC16148JIC12XZ	16 x 14 x 8	28	A-1614SBP
CC161410JIC12	CC161410JIC12XS	CC161410JIC12XZ	16 x 14 x 10	31	A-1614SBP

NOTE: Sub panels must be ordered separately.





**CONSTRUCTION**

Fabricated from 16 or 14 gauge carbon steel, 14 gauge type 304 or type 316 stainless steel with continuously welded seams. Enclosures feature:

- No holes or knockouts.
- Troughs with lift-off lids and external screw clamps to ensure a complete seal between cover and body.
- Mounting feet provided.

**FINISH**

Standard ANSI-61 gray finish on interior and exterior of enclosures. Recoatable, smooth, white or RAL 7035 texture polyester powder coat available at no charge. Standard RAL and custom match finishes available for

an additional charge, please contact Milbank Manufacturing Co. for further assistance. All powder coat finishes applied over cleaned phosphatized surfaces. Stainless Steel enclosures have a polished #4 finish.

**OPTIONS**

Milbank Manufacturing Co. can modify standard Flangeless Lay-in Wireways according to your specifications. Sizes and many more options are available. Quotations upon request.

**INDUSTRY STANDARDS**

- UL 50 Listed
- CUL 50 Listed
- Type 12

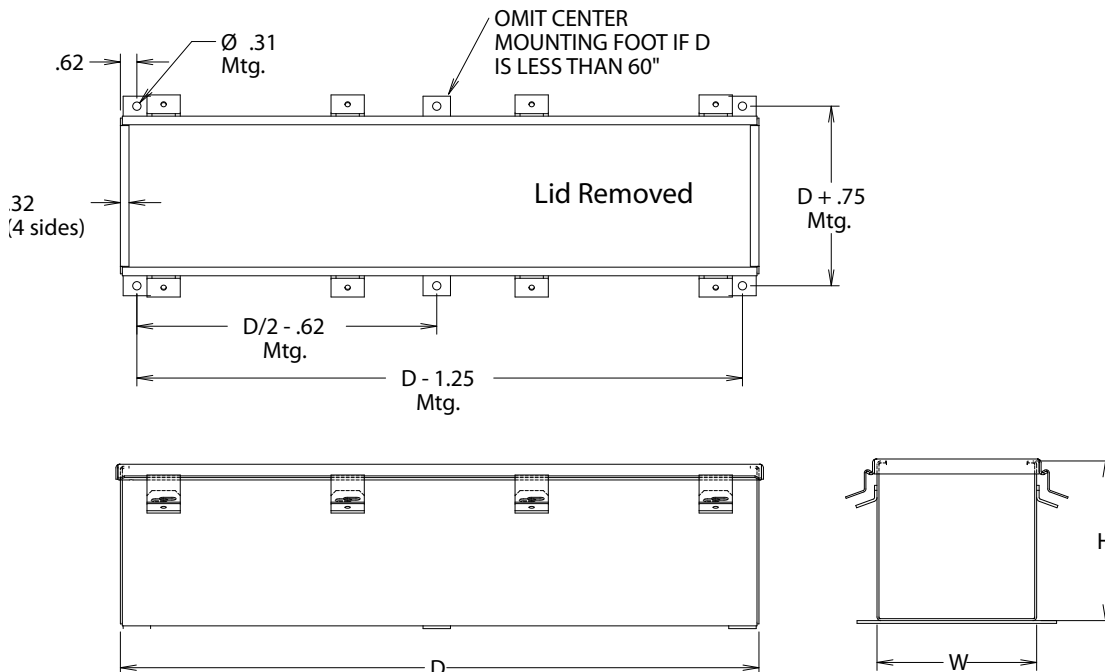
**APPLICATIONS**

Designed to house electrical wiring where dust, dirt, oil and water are not serious problems.

INDUSTRIAL ENCLOSURES

TYPE 12 – JUNCTION ENCLOSURES JIC WIRING TROUGHS WITH LIFT-OFF COVERS

**GCC12 • GCC12XS • GCC12XZ**



CARBON STEEL #	CATALOG NUMBER		PRODUCT SIZE H X W X D (INCHES)	SHPG. WT.	GAUGE	# OF MOUNTING FEET	QTY. CLAMPS & SCREWS
	304 STAINLESS STEEL #	316 STAINLESS STEEL #					
2212-GCC12	2212-GCC12XS	2212-GCC12XZ	2.5 x 2.5 x 12	5	16	2	2
2218-GCC12	2218-GCC12XS	2218-GCC12XZ	2.5 x 2.5 x 18	7	16	2	3
2224-GCC12	2224-GCC12XS	2224-GCC12XZ	2.5 x 2.5 x 24	8	16	2	3
4412-GCC12	4412-GCC12XS	4412-GCC12XZ	4 x 4 x 12	7	16	2	2
4418-GCC12	4418-GCC12XS	4418-GCC12XZ	4 x 4 x 18	9	16	2	3
4424-GCC12	4424-GCC12XS	4424-GCC12XZ	4 x 4 x 24	11	14	2	3
4436-GCC12	4436-GCC12XS	4436-GCC12XZ	4 x 4 x 36	17	14	2	4
4448-GCC12	4448-GCC12XS	4448-GCC12XZ	4 x 4 x 48	22	14	2	5
6612-GCC12	6612-GCC12XS	6612-GCC12XZ	6 x 6 x 12	10	14	2	2
6618-GCC12	6618-GCC12XS	6618-GCC12XZ	6 x 6 x 18	13	14	2	3
6624-GCC12	6624-GCC12XS	6624-GCC12XZ	6 x 6 x 24	17	14	2	3
6636-GCC12	6636-GCC12XS	6636-GCC12XZ	6 x 6 x 36	26	14	2	4
6648-GCC12	6648-GCC12XS	6648-GCC12XZ	6 x 6 x 48	31	14	2	5





**APPLICATIONS**

Designed to provide protection for electrical controls, instruments, and terminals from oil, dirt, and dust.

**CONSTRUCTION**

Fabricated from 16 or 14 gauge carbon steel, 14 gauge type 304 or type 316 stainless steel with continuously welded seams. Enclosure features:

- Door secured with a continuous hinge and clamps.
- Oil resistant gasket applied to the doors.
- External mounting feet for wall or machinery mounting.
- Weld nuts for mounting optional sub panel.

**FINISH**

Standard ANSI-61 gray finish on interior and exterior of enclosures. Recoatable, smooth, white or RAL 7035 texture polyester powder coat available at no charge. Standard RAL and custom match finishes available for an additional charge, please contact Milbank

Manufacturing Co. for further assistance. All powder coat finishes applied over cleaned phosphatized surfaces. Carbon steel sub panels have a white polyester powder coat finish. Stainless Steel enclosures have a polished #4 finish.

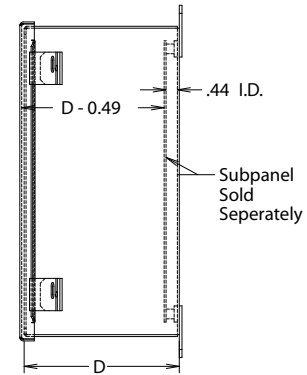
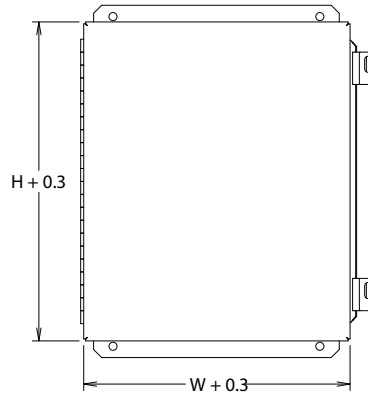
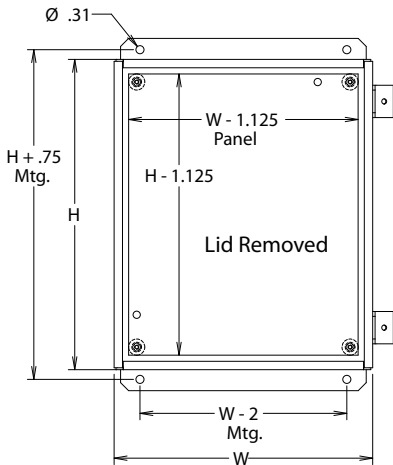
**OPTIONS**

Milbank Manufacturing Co. can modify standard enclosures or custom design enclosures according to your specifications. Holes, cutouts, sizes, materials, and many more options are available. Quotations upon request.

**INDUSTRY STANDARDS**

- UL 50 Listed
- CUL 50 Listed
- Type 12

**JIC12 • JIC12XS • JIC12XZ**



**NOTES:**

1. When Height or Width is equal to or less than 8" there will be one set of clamps on that side.

CARBON STEEL #	CATALOG NUMBER 304 STAINLESS STEEL #	316 STAINLESS STEEL #	PRODUCT SIZE H X W X D (INCHES)	SHPG. WT.	SUB PANEL PART #	SUB PANEL SIZE H X W (INCHES)
HC443JIC12	HC443JIC12XS	HC443JIC12XZ	4 x 4 x 3	2	-	-
HC643JIC12	HC643JIC12XS	HC643JIC12XZ	6 x 4 x 3	3	A-64SBP	4.88 x 2.88
HC863JIC12	HC863JIC12XS	HC863JIC12XZ	8 x 6 x 3.5	5	A-86SBP	6.88 x 4.88
HC444JIC12	HC444JIC12XS	HC444JIC12XZ	4 x 4 x 4	2	-	-
HC644JIC12	HC644JIC12XS	HC644JIC12XZ	6 x 4 x 4	3	A-64SBP	4.88 x 2.88
HC664JIC12	HC664JIC12XS	HC664JIC12XZ	6 x 6 x 4	4	A-66SBP	4.88 x 4.88
HC884JIC12	HC884JIC12XS	HC884JIC12XZ	8 x 8 x 4	6	A-88SBP	6.88 x 6.88
HC1084JIC12	HC1084JIC12XS	HC1084JIC12XZ	10 x 8 x 4	8	A-108SBP	8.88 x 6.88
HC1264JIC12	HC1264JIC12XS	HC1264JIC12XZ	12 x 6 x 4	7	A-126SBP	10.88 x 4.88
HC12105JIC12	HC12105JIC12XS	HC12105JIC12XZ	12 x 10 x 5	12	A-1210SBP	10.88 x 8.88
HC666JIC12	HC666JIC12XS	HC666JIC12XZ	6 x 6 x 6	5	A-66SBP	4.88 x 4.88
HC866JIC12	HC866JIC12XS	HC866JIC12XZ	8 x 6 x 6	7	A-86SBP	6.88 x 4.88
HC1086JIC12	HC1086JIC12XS	HC1086JIC12XZ	10 x 8 x 6	9	A-108SBP	8.88 x 6.88
HC10106JIC12	HC10106JIC12XS	HC10106JIC12XZ	10 x 10 x 6	11	A-1010SBP	8.88 x 8.88
HC12126JIC12	HC12126JIC12XS	HC12126JIC12XZ	12 x 12 x 6	14	A-1212SBP	10.88 x 10.88
HC1486JIC12	HC1486JIC12XS	HC1486JIC12XZ	14 x 8 x 6	12	A-148SBP	12.88 x 6.88
HC14126JIC12	HC14126JIC12XS	HC14126JIC12XZ	14 x 12 x 6	16	A-1412SBP	12.88 x 10.88
HC16106JIC12	HC16106JIC12XS	HC16106JIC12XZ	16 x 10 x 6	16	A-1610SBP	14.88 x 8.88
HC16146JIC12	HC16146JIC12XS	HC16146JIC12XZ	16 x 14 x 6	20	A-1614SBP	14.88 x 12.88
HC12108JIC12	HC12108JIC12XS	HC12108JIC12XZ	12 x 10 x 8	15	A-1210SBP	10.88 x 8.88
HC14128JIC12	HC14128JIC12XS	HC14128JIC12XZ	14 x 12 x 8	19	A-1412SBP	12.88 x 10.88
HC16148JIC12	HC16148JIC12XS	HC16148JIC12XZ	16 x 14 x 8	23	A-1614SBP	14.88 x 12.88
HC161410JIC12	HC161410JIC12XS	HC161410JIC12XZ	16 x 14 x 10	26	A-1614SBP	14.88 x 12.88

NOTE: Sub panels must be ordered separately.







**APPLICATIONS**

For housing electrical controls, terminals, and instruments and to provide protection from dust, dirt, oil and water.

**CONSTRUCTION**

Fabricated from 14 gauge carbon steel.

Enclosure feature:

- Door secured with continuous hinge and clamps.
- Oil resistant gasket applied to doors.
- External mounting feet for wall or machinery mounting.
- Collar studs for mounting optional sub panel.

**FINISH**

Standard ANSI-61 gray finish on interior and exterior of enclosures. Recoatable, smooth, white or RAL 7035 texture polyester powder coat available at no charge. Standard RAL and custom match finishes available for an additional charge, please contact Milbank

Manufacturing Co. for further assistance. All powder coat finishes applied over cleaned phosphatized surfaces. Carbon steel sub panels have a white polyester powder coat finish.

**OPTIONS**

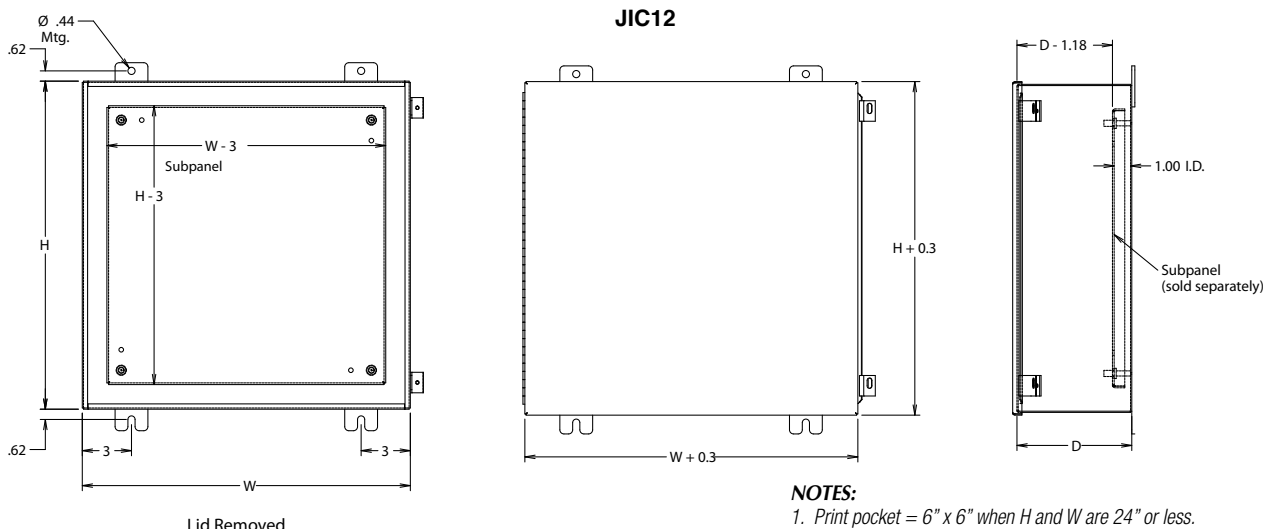
Milbank Manufacturing Co. can modify standard Enclosures or custom design enclosures according to your specifications. Holes, cutouts, sizes, materials, and many more options are available. Quotations upon request.

**INDUSTRY STANDARDS**

- UL 50 Listed
- CUL 50 Listed
- Type 12

INDUSTRIAL ENCLOSURES

TYPE 12 – JUNCTION ENCLOSURES – LARGE CONTINUOUS HINGE COVER



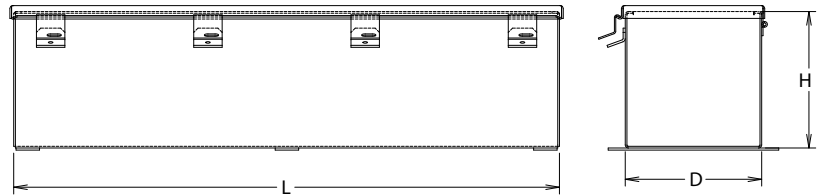
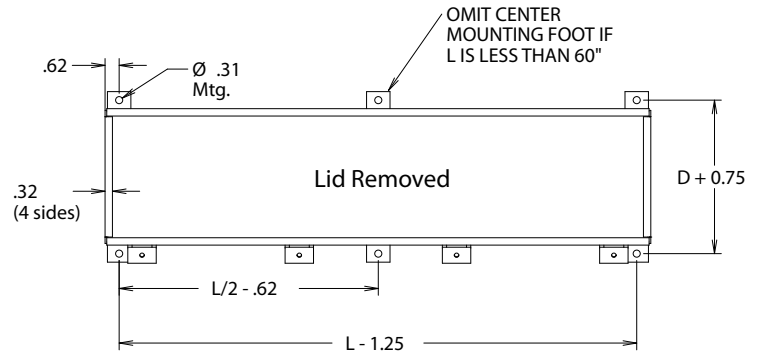
- NOTES:**
1. Print pocket = 6" x 6" when H and W are 24" or less.  
Print pocket = 9" x 9" when H and W are greater than 24".
  2. Panels will have formed flanges when either Height or Width is greater than or equal to 18".

CATALOG NUMBER	ENCLOSURE SIZE H X W X D (INCHES)	SHPG. WT.	SUB PANEL PART #	SUB PANEL SIZE H X W (INCHES)
HC20167JIC12	20 x 16 x 7	31	A-20P16	17 x 13
HC20207JIC12	20 x 20 x 7	37	A-20P20	17 x 17
HC24207JIC12	24 x 20 x 7	43	A-24P20	21 x 17
HC24247JIC12	24 x 24 x 7	48	A-24P24	21 x 21
HC30207JIC12	30 x 20 x 7	50	A-30P20	27 x 17
HC30247JIC12	30 x 24 x 7	58	A-30P24	27 x 21
HC36247JIC12	36 x 24 x 7	69	A-36P24	33 x 21
HC20169JIC12	20 x 16 x 9	36	A-20P16	17 x 13
HC20209JIC12	20 x 20 x 9	41	A-20P20	17 x 17
HC24209JIC12	24 x 20 x 9	47	A-24P20	21 x 17
HC24249JIC12	24 x 24 x 9	54	A-24P24	21 x 21
HC30209JIC12	30 x 20 x 9	55	A-30P20	27 x 17
HC30249JIC12	30 x 24 x 9	62	A-30P24	27 x 21
HC36249JIC12	36 x 24 x 9	76	A-36P24	33 x 21
HC36309JIC12	36 x 30 x 9	90	A-36P30	33 x 27
HC42309JIC12	42 x 30 x 9	103	A-42P30	39 x 27
HC42369JIC12	42 x 36 x 9	115	A-42P36	39 x 33
HC242411JIC12	24 x 24 x 11	58	A-24P24	21 x 21
HC362411JIC12	36 x 24 x 11	77	A-36P24	33 x 21
HC483611JIC12	48 x 36 x 11	139	A-48P36	45 x 33
HC302413JIC12	30 x 24 x 13	70	A-30P24	27 x 21
HC363013JIC12	36 x 30 x 13	100	A-36P30	33 x 27

NOTE: Sub panels must be ordered separately.



GHC12 • GHC12XS • GHC12XZ



**APPLICATIONS**

To protect wiring from dust, dirt, oil and water.

**CONSTRUCTION**

Fabricated from 14 gauge carbon steel, type 304 or type 316 stainless steel with continuously welded seams. Enclosures feature:

- No holes or knockouts.
- Troughs have continuous hinges and external screw clamps to ensure a complete seal between cover and body.
- Mounting feet provided.

**FINISH**

Standard ANSI-61 gray finish on interior and exterior of enclosures. Recoatable, smooth, white or RAL 7035 texture polyester powder coat available at no charge. Standard RAL and custom match finishes available for an additional charge, please contact Milbank Manufacturing Co. for further assistance. All powder coat finishes applied over cleaned phosphatized surfaces. Stainless Steel enclosures have a polished #4 finish.

**OPTIONS**

Milbank Manufacturing Co. can modify standard Flangeless Lay-in Wireways according to your specifications. Sizes and many more options are available. Quotations upon request.

**INDUSTRY STANDARDS**

- UL 50 Listed
- CUL 50 Listed
- Type 12

CATALOG NUMBER			PRODUCT SIZE H X D X L (INCHES)	SHPG. WT.	# OF MOUNTING FEET	QTY. CLAMPS & SCREWS
CARBON STEEL #	304 STAINLESS STEEL #	316 STAINLESS STEEL #				
2212-GHC12	2212-GHC12XS	2212-GHC12XZ	2.5 x 2.5 x 12	3	2	2
2218-GHC12	2218-GHC12XS	2218-GHC12XZ	2.5 x 2.5 x 18	5	2	3
2224-GHC12	2224-GHC12XS	2224-GHC12XZ	2.5 x 2.5 x 24	6	2	3
2230-GHC12	2230-GHC12XS	2230-GHC12XZ	2.5 x 2.5 x 30	9	2	3
2236-GHC12	2236-GHC12XS	2236-GHC12XZ	2.5 x 2.5 x 36	10	2	4
2248-GHC12	2248-GHC12XS	2248-GHC12XZ	2.5 x 2.5 x 48	13	2	5
2260-GHC12	2260-GHC12XS	2260-GHC12XZ	2.5 x 2.5 x 60	16	3	6
2272-GHC12	2272-GHC12XS	2272-GHC12XZ	2.5 x 2.5 x 72	19	3	6
4412-GHC12	4412-GHC12XS	4412-GHC12XZ	4 x 4 x 12	6	2	2
4418-GHC12	4418-GHC12XS	4418-GHC12XZ	4 x 4 x 18	10	2	3
4424-GHC12	4424-GHC12XS	4424-GHC12XZ	4 x 4 x 24	11	2	3
4430-GHC12	4430-GHC12XS	4430-GHC12XZ	4 x 4 x 30	15	2	3
4436-GHC12	4436-GHC12XS	4436-GHC12XZ	4 x 4 x 36	18	2	4
4448-GHC12	4448-GHC12XS	4448-GHC12XZ	4 x 4 x 48	22	2	5
4460-GHC12	4460-GHC12XS	4460-GHC12XZ	4 x 4 x 60	25	3	6
4472-GHC12	4472-GHC12XS	4472-GHC12XZ	4 x 4 x 72	30	3	6
6612-GHC12	6612-GHC12XS	6612-GHC12XZ	6 x 6 x 12	10	2	2
6618-GHC12	6618-GHC12XS	6618-GHC12XZ	6 x 6 x 18	12	2	3
6624-GHC12	6624-GHC12XS	6624-GHC12XZ	6 x 6 x 24	16	2	3
6630-GHC12	6630-GHC12XS	6630-GHC12XZ	6 x 6 x 30	19	2	3
6636-GHC12	6636-GHC12XS	6636-GHC12XZ	6 x 6 x 36	24	2	4
6648-GHC12	6648-GHC12XS	6648-GHC12XZ	6 x 6 x 48	30	2	5
6660-GHC12	6660-GHC12XS	6660-GHC12XZ	6 x 6 x 60	32	3	6
6672-GHC12	6672-GHC12XS	6672-GHC12XZ	6 x 6 x 72	44	3	6
8812-GHC12	8812-GHC12XS	8812-GHC12XZ	8 x 8 x 12	13	2	2
8824-GHC12	8824-GHC12XS	8824-GHC12XZ	8 x 8 x 24	23	2	3
8836-GHC12	8836-GHC12XS	8836-GHC12XZ	8 x 8 x 36	32	2	4
8848-GHC12	8848-GHC12XS	8848-GHC12XZ	8 x 8 x 48	40	2	5
8860-GHC12	8860-GHC12XS	8860-GHC12XZ	8 x 8 x 60	49	3	6
121224-GHC12	121224-GHC12XS	121224-GHC12XZ	12 x 12 x 24	34	2	3
121236-GHC12	121236-GHC12XS	121236-GHC12XZ	12 x 12 x 36	49	2	4
121248-GHC12	121248-GHC12XS	121248-GHC12XZ	12 x 12 x 48	60	2	5
121260-GHC12	121260-GHC12XS	121260-GHC12XZ	12 x 12 x 60	73	3	6





**APPLICATIONS**

Designed to provide protection from oil, dirt, and dust. Universal holes accommodate many types of pilot lights, switches and pushbuttons.

**CONSTRUCTION**

Fabricated from 14 gauge carbon steel or type 304 stainless steel with continuously welded seams.

Enclosures feature:

- Cover secured with captivated screws.
- Oil resistant gasket applied to the cover.
- External mounting feet for wall or machinery mounting.
- Universal pushbutton holes (30.5mm).
- 22mm available with: M addition to part number.

**FINISH**

Standard ANSI-61 gray finish on interior and exterior of enclosures. Recoatable, smooth, white or RAL 7035 texture

polyester powder coat available at no charge. Standard RAL and custom match finishes available for an additional charge, please contact Milbank Manufacturing Co. for further assistance. All powder coat finishes applied over cleaned phosphatized surfaces. Stainless steel enclosures have a polished #4 finish.

**OPTIONS**

Milbank Manufacturing Co. can modify standard enclosures or custom design enclosures according to your specifications. Custom sizes, materials, and many more options are available. Quotations upon request.

**INDUSTRY STANDARDS**

- UL 50 Listed
- CUL 50 Listed
- Type 12

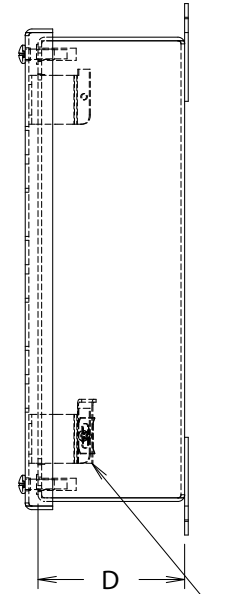
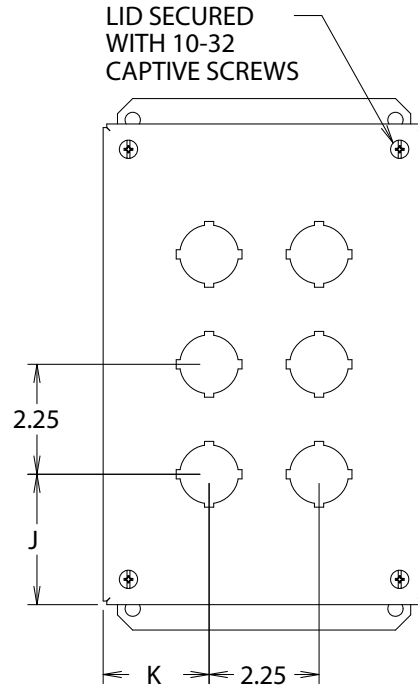
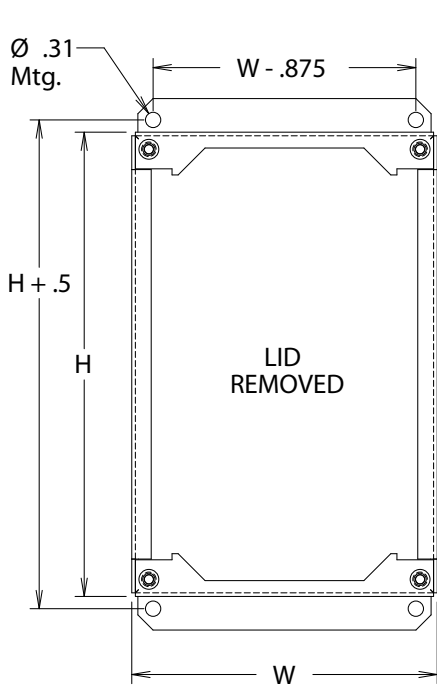
INDUSTRIAL ENCLOSURES

TYPE 12 – STANDARD OIL-TIGHT PUSHBUTTON ENCLOSURE

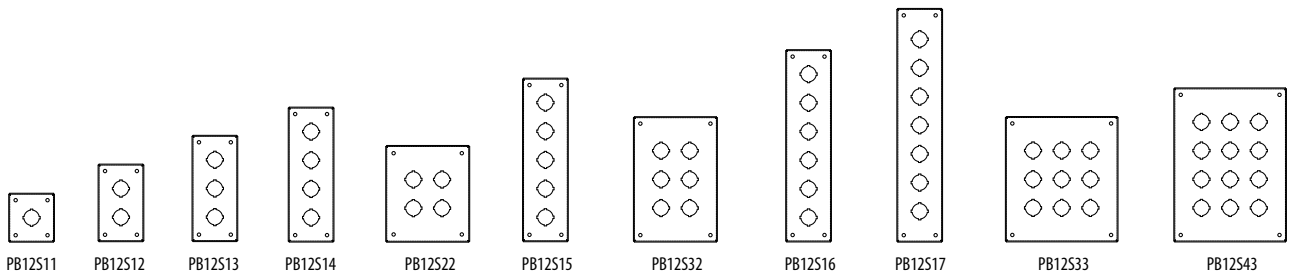
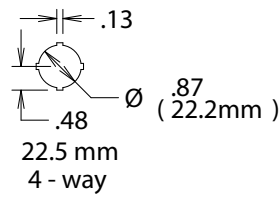
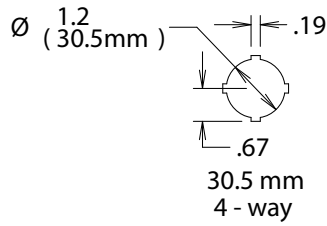
CATALOG NUMBER				HOLES	ENCLOSURE SIZE H X W X D (INCHES)	SHPG. WT.	HOLE LOCATION	
CARBON STEEL 30.5MM HOLE	304 STAINLESS STEEL 30.5MM HOLE	CARBON STEEL 22.5 MM HOLE	304 STAINLESS STEEL 22.5MM HOLE				J	K
PB12S11	PB12XS11	PBM12S11	PBM12XS11	1	3.5 x 3.25 x 2.75	2	1.918	1.793
PB12S12	PB12XS12	PBM12S12	PBM12XS12	2	5.75 x 3.25 x 2.75	3	1.918	1.793
PB12S13	PB12XS13	PBM12S13	PBM12XS13	3	8 x 3.25 x 2.75	3	1.918	1.793
PB12S14	PB12XS14	PBM12S14	PBM12XS14	4	10.25 x 3.25 x 2.75	4	1.918	1.793
PB12S22	PB12XS22	PBM12S22	PBM12XS22	4	7.25 x 6.25 x 3	5	2.668	2.168
PB12S15	PB12XS15	PBM12S15	PBM12XS15	5	12.5 x 3.25 x 2.75	5	1.918	1.793
PB12S32	PB12XS32	PBM12S32	PBM12XS32	6	9.5 x 6.25 x 3	6	2.668	2.168
PB12S16	PB12XS16	PBM12S16	PBM12XS16	6	14.75 x 3.25 x 2.75	6	1.918	1.793
PB12S17	PB12XS17	PBM12S17	PBM12XS17	7	18 x 3.25 x 2.75	6	2.418	1.793
PB12S18	PB12XS18	PBM12S18	PBM12XS18	8	20.25 x 3.25 x 2.75	8	2.418	1.793
PB12S33	PB12XS33	PBM12S33	PBM12XS33	9	9.5 x 8.5 x 3	8	2.668	2.168
PB12S19	PB12XS19	PBM12S19	PBM12XS19	9	22.5 x 3.25 x 2.75	8	2.418	1.793
PB12S110	PB12XS110	PBM12S110	PBM12XS110	10	24.75 x 3.25 x 2.75	8	2.418	1.793
PB12S43	PB12XS43	PBM12S43	PBM12XS43	12	11.75 x 8.5 x 3	9	2.668	2.168
PB12S44	PB12XS44	PBM12S44	PBM12XS44	16	11.75 x 10.75 x 3	11	2.668	2.168
PB12S54	PB12XS54	PBM12S54	PBM12XS54	20	14 x 10.75 x 3	12	2.668	2.168
PB12S55	PB12XS55	PBM12S55	PBM12XS55	25	14 x 13 x 3	14	2.668	2.168



PB • PBXS • PBM • PBMXS



INTERNAL LIFT-OFF HINGES ON UNITS WITH MORE THAN ONE COLUMN OF PUSHBUTTONS



INDUSTRIAL ENCLOSURES

TYPE 12 – STANDARD OIL-TIGHT PUSHBUTTON ENCLOSURE



**APPLICATIONS**

Designed to provide protection from oil, dirt, and dust. Universal holes accommodate many types of pilot lights, switches and pushbuttons.

**CONSTRUCTION**

Fabricated from 14 gauge carbon steel or type 304 stainless steel with continuously welded seams. Enclosures feature:

- Additional inch of depth.
- Cover secured with captivated screws.
- Oil resistant gasket applied to the cover.
- External mounting feet for wall or machinery mounting.
- Universal pushbutton holes (30.5mm).
- 22mm available with: M addition to part number.

**FINISH**

Standard ANSI-61 gray finish on interior and exterior of enclosures. Recoatable, smooth, white or RAL 7035 texture polyester powder coat available at no charge. Standard RAL

and custom match finishes available for an additional charge, please contact Milbank Manufacturing Co. for further assistance. All powder coat finishes applied over cleaned phosphatized surfaces. Stainless steel enclosures have a polished #4 finish.

**OPTIONS**

Milbank Manufacturing Co. can modify standard enclosures or custom design enclosures according to your specifications. Custom sizes, materials, and many more options are available. Quotations upon request.

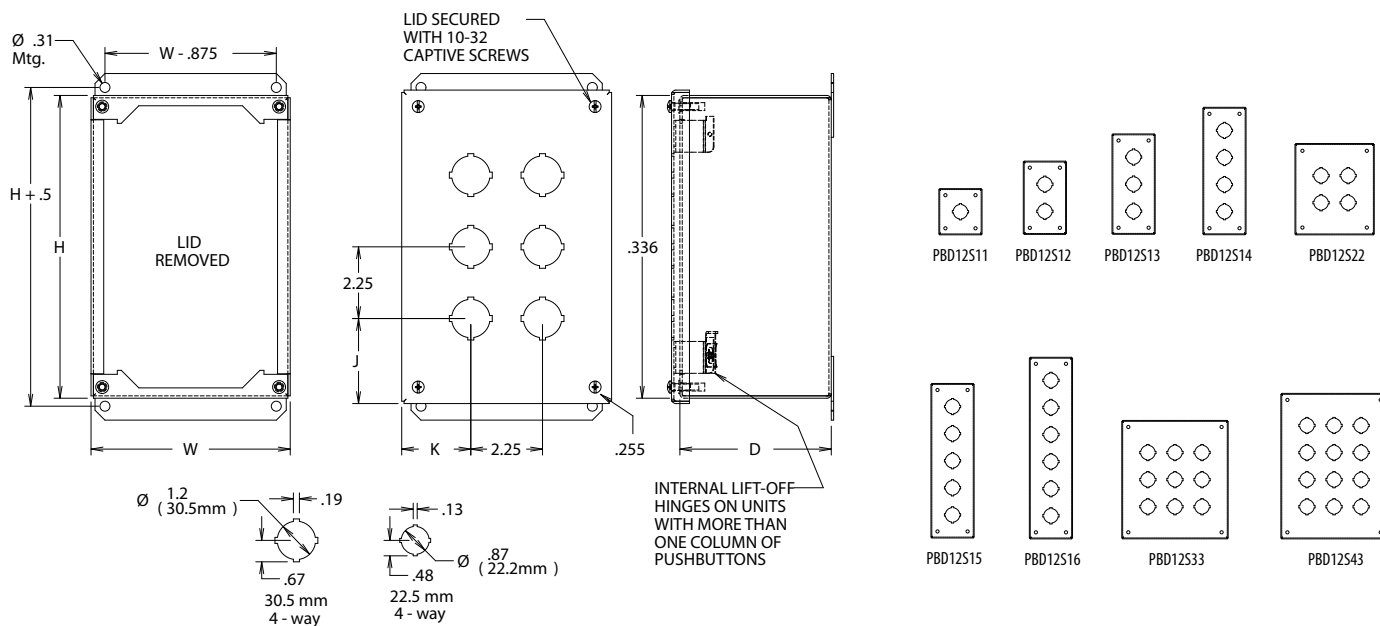
**INDUSTRY STANDARDS**

- UL 50 Listed
- CUL 50 Listed
- Type 12

INDUSTRIAL ENCLOSURES

TYPE 12 – EXTRA DEEP OIL-TIGHT PUSHBUTTON ENCLOSURE

**PBD • PBDXS • PBDM • PBDMS**



CATALOG NUMBER				HOLES	ENCLOSURE SIZE H X W X D (INCHES)	SHPG. WT.	HOLE LOCATION	
CARBON STEEL 30.5MM HOLE	304 STAINLESS STEEL 30.5MM HOLE	CARBON STEEL 22.5 MM HOLE	304 STAINLESS STEEL 22.5MM HOLE				J	K
PBD12S11	PBD12XS11	PBDM12S11	PBDM12XS11	1	4 x 4 x 4.75	3	2.168	2.168
PBD12S12	PBD12XS12	PBDM12S12	PBDM12XS12	2	6 x 4 x 4.75	4	2.043	2.168
PBD12S13	PBD12XS13	PBDM12S13	PBDM12XS13	3	8 x 4 x 4.75	5	1.918	2.168
PBD12S14	PBD12XS14	PBDM12S14	PBDM12XS14	4	10 x 4 x 4.75	6	1.793	2.168
PBD12S22	PBD12XS22	PBDM12S22	PBDM12XS22	4	7.25 x 6.25 x 4.75	6	2.668	2.168
PBD12S16	PBD12XS16	PBDM12S16	PBDM12XS16	6	9.5 x 6.25 x 4.75	8	2.668	2.168
PBD12S33	PBD12XS33	PBDM12S33	PBDM12XS33	9	9.5 x 8.5 x 4.75	9	2.668	2.168
PBD12S110	PBD12XS110	PBDM12S110	PBDM12XS110	10	14 x 6.25 x 4.75	10	2.668	2.168
PBD12S43	PBD12XS43	PBDM12S43	PBDM12XS43	12	11.75 x 8.5 x 4.75	9	2.668	2.168
PBD12S44	PBD12XS44	PBDM12S44	PBDM12XS44	16	11.75 x 10.75 x 4.75	12	2.668	2.168
PBD12S116	PBD12XS116	PBDM12S116	PBDM12XS116	16	20.75 x 6.25 x 4.75	13	2.668	2.168
PBD12S54	PBD12XS54	PBDM12S54	PBDM12XS54	20	14 x 10.75 x 4.75	15	2.668	2.168
PBD12S55	PBD12XS55	PBDM12S55	PBDM12XS55	25	14 x 13 x 4.75	16	2.668	2.168
PBD12S56	PBD12XS56	PBDM12S56	PBDM12XS56	30	16.25 x 13 x 4.75	18	2.668	2.168
PBD12S66	PBD12XS66	PBDM12S66	PBDM12XS66	36	16.25 x 15.25 x 4.75	20	2.668	2.168







**APPLICATIONS**

Designed to provide protection from oil, dirt, and dust. Universal holes accommodate many types of pilot lights, switches and pushbuttons.

**CONSTRUCTION**

Fabricated from 14 gauge carbon steel or type 304 stainless steel with continuously welded seams. Enclosures feature:

- Cover secured with captivated screws.
- Oil resistant gasket applied to the cover.
- External mounting feet for wall or machinery mounting.
- Universal pushbutton holes (30.5mm).

**FINISH**

Standard ANSI-61 gray finish on interior and exterior of enclosures. Recoatable, smooth, white or RAL 7035 texture polyester powder coat available at no charge. Standard RAL and custom match

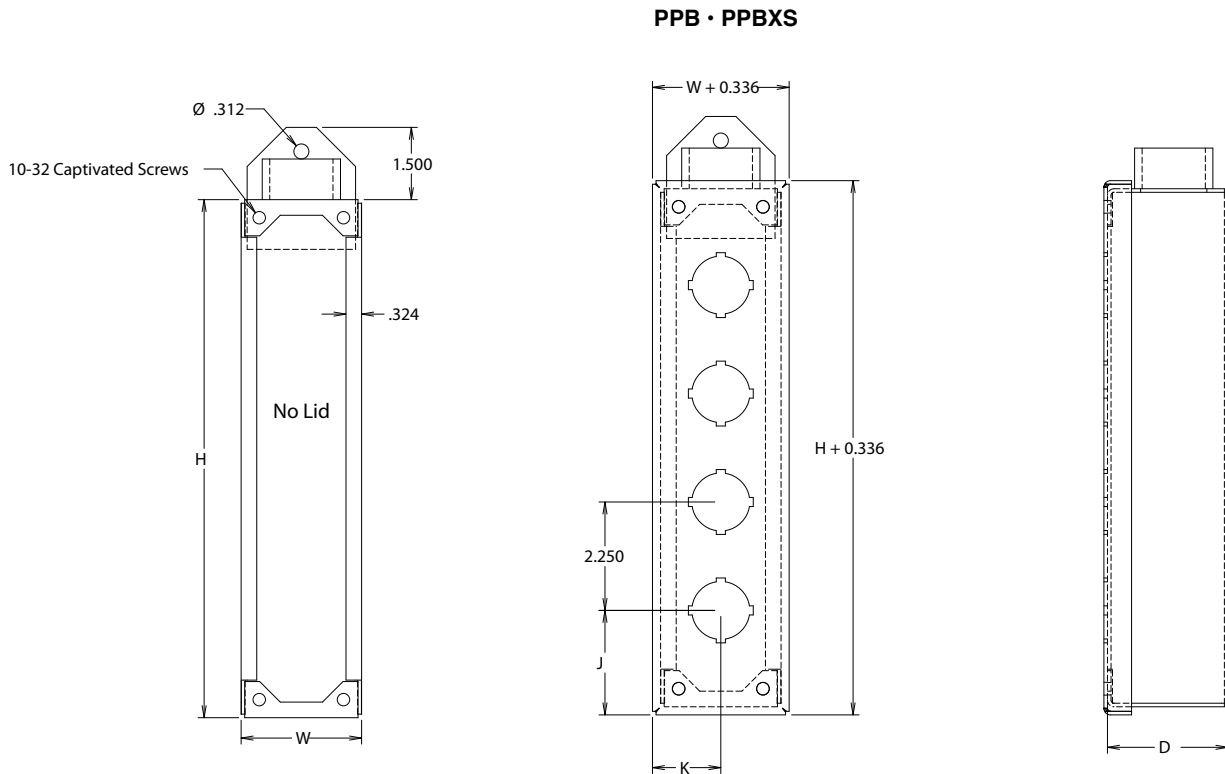
finishes available for an additional charge, please contact Milbank Manufacturing Co. for further assistance. All powder coat finishes applied over cleaned phosphatized surfaces. Stainless steel enclosures have a polished #4 finish.

**OPTIONS**

Milbank Manufacturing Co. can modify standard enclosures or custom design enclosures according to your specifications. 0.88" [22mm] pushbutton holes, sizes, materials, and many more options are available. Quotations upon request.

**INDUSTRY STANDARDS**

- UL 50 Listed
- CUL 50 Listed
- Type 12



CATALOG NUMBER		HOLES	ENCLOSURE SIZE H X W X D	SHPG. WT.	HOLE LOCATION	
CARBON STEEL 30.5MM HOLE	304 STAINLESS STEEL 30.5MM HOLE				J	K
PPB12S11	PPB12XS11	1	4 x 2.5 x 2.5	2	1.418	1.418
PPB12S12	PPB12XS12	2	6.25 x 2.5 x 2.5	3	2.168	1.418
PPB12S13	PPB12XS13	3	8.5 x 2.5 x 2.5	3	2.168	1.418
PPB12S14	PPB12XS14	4	10.75 x 2.5 x 2.5	4	2.168	1.418
PPB12S15	PPB12XS15	5	13 x 2.5 x 2.5	4	2.168	1.418
PPB12S16	PPB12XS16	6	16.25 x 2.5 x 2.5	5	2.668	1.418
PPB12S17	PPB12XS17	7	18.5 x 2.5 x 2.5	6	2.668	1.418
PPB12S18	PPB12XS18	8	20.75 x 2.5 x 2.5	6	2.668	1.418



**APPLICATIONS**

Designed to provide protection from oil, dirt, and dust. Universal holes accommodate many types of pilot lights, switches and pushbuttons.

**CONSTRUCTION**

Fabricated from 14 gauge carbon steel or type 304 stainless steel with continuously welded seams. Enclosures feature:

- Cover secured with captivated screws.
- Oil resistant gasket applied to the cover.
- External mounting feet for wall or machinery mounting.
- Universal pushbutton holes (30.5mm)
- 22mm available with: M addition to part number.

**FINISH**

Standard ANSI-61 gray finish on interior and exterior of enclosures. Recoatable, smooth, white or RAL 7035 texture polyester powder coat available at no charge. Standard RAL and custom match finishes available for an

additional charge, please contact Milbank Manufacturing Co. for further assistance. All powder coat finishes applied over cleaned phosphatized surfaces. Stainless steel enclosures have a polished #4 finish.

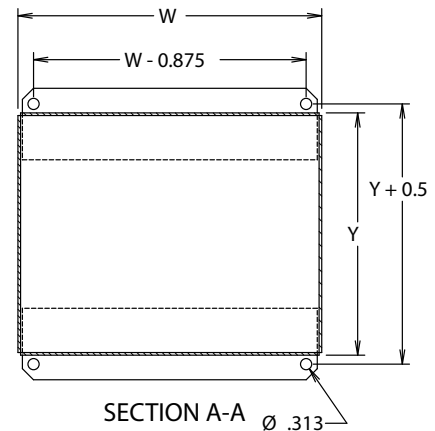
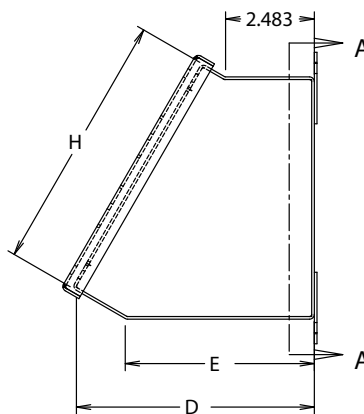
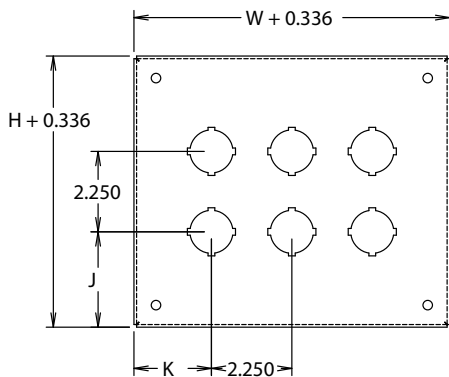
**OPTIONS**

Milbank Manufacturing Co. can modify standard enclosures or custom design enclosures according to your specifications. Custom sizes, materials, and many more options are available. Quotations upon request.

**INDUSTRY STANDARDS**

- UL 50 Listed
- CUL 50 Listed
- Type 12

PBSF • PBSFM



INDUSTRIAL ENCLOSURES

TYPE 12 – SLOPING FRONT OIL-TIGHT PUSHBUTTON ENCLOSURES

CATALOG NUMBER				HOLES	ENCLOSURE SIZE H X W X D	SHPG. WT.	HOLE LOCATION			
CARBON STEEL 30.5MM HOLE	304 STAINLESS STEEL 30.5MM HOLE	CARBON STEEL 22.5MM HOLE	304 STAINLESS STEEL 22.5MM HOLE				J	K	E	Y
PBSF12S11	PBSF12XS11	PBSFM12S11	PBSFM12XS11	1	3.5 x 3.25 x 4.87	7	1.86	1.73	3.34	3.53
PBSF12S12	PBSF12XS12	PBSFM12S12	PBSFM12XS12	2	3.5 x 5.5 x 4.87	4	1.86	1.73	3.34	3.53
PBSF12S13	PBSF12XS13	PBSFM12S13	PBSFM12XS13	3	3.5 x 7.75 x 4.87	4	1.86	1.73	3.34	3.53
PBSF12S14	PBSF12XS14	PBSFM12S14	PBSFM12XS14	4	3.5 x 10 x 4.87	5	1.86	1.73	3.34	3.53
PBSF12S22	PBSF12XS22	PBSFM12S22	PBSFM12XS22	4	7.25 x 6.25 x 6.75	6	2.61	2.11	5.22	6.78
PBSF12S23	PBSF12XS23	PBSFM12S23	PBSFM12XS23	6	7.25 x 8.5 x 6.75	7	2.61	2.11	5.22	6.78
PBSF12S24	PBSF12XS24	PBSFM12S24	PBSFM12XS24	8	7.25 x 10.75 x 6.75	9	2.61	2.11	5.22	6.78
PBSF12S33	PBSF12XS33	PBSFM12S33	PBSFM12XS33	9	9.5 x 8.50 x 7.87	10	2.61	2.11	6.34	8.73
PBSF12S25	PBSF12XS25	PBSFM12S25	PBSFM12XS25	10	7.25 x 13 x 6.75	13	2.61	2.11	5.22	6.78
PBSF12S26	PBSF12XS26	PBSFM12S26	PBSFM12XS26	12	7.25 x 15.25 x 6.75	13	2.61	2.11	5.22	6.78
PBSF12S43	PBSF12XS43	PBSFM12S43	PBSFM12XS43	12	11.75 x 8.50 x 9	11	2.61	2.11	7.47	10.69
PBSF12S28	PBSF12XS28	PBSFM12S28	PBSFM12XS28	16	7.25 x 19.75 x 6.75	16	2.61	2.11	5.22	6.78
PBSF12S44	PBSF12XS44	PBSFM12S44	PBSFM12XS44	16	11.75 x 10.75 x 9	13	2.61	2.11	7.47	10.69
PBSF12S45	PBSF12XS45	PBSFM12S45	PBSFM12XS45	20	11.75 x 13 x 9	16	2.61	2.11	7.49	10.69
PBSF12S55	PBSF12XS55	PBSFM12S55	PBSFM12XS55	25	14 x 13 x 10.12	20	2.61	2.11	8.59	12.62
PBSF12S56	PBSF12XS56	PBSFM12S56	PBSFM12XS56	30	14 x 15.25 x 10.12	20	2.61	2.11	8.59	12.62





**APPLICATIONS**

Designed to provide protection from oil, dirt, and dust. Universal holes accommodate many types of pilot lights, switches and pushbuttons.

**CONSTRUCTION**

Fabricated from 14 gauge carbon steel or type 304 stainless steel with continuously welded seams. Enclosures feature:

- Cover secured with captivated screws.
- Oil resistant gasket applied to the cover.
- External mounting feet for wall or machinery mounting.
- Universal pushbutton holes (30.5mm).
- 22mm available with: M addition to part number.
- Studs for optional panel included.

**FINISH**

Standard ANSI-61 gray finish on interior and exterior of enclosures. Recoatable, smooth, white or RAL 7035 texture polyester powder coat available at no charge. Standard RAL and custom match finishes available for an

additional charge, please contact Milbank Manufacturing Co. for further assistance. All powder coat finishes applied over cleaned phosphatized surfaces. Carbon steel sub panels have a white polyester powder coat finish. Stainless Steel enclosures have a polished #4 finish.

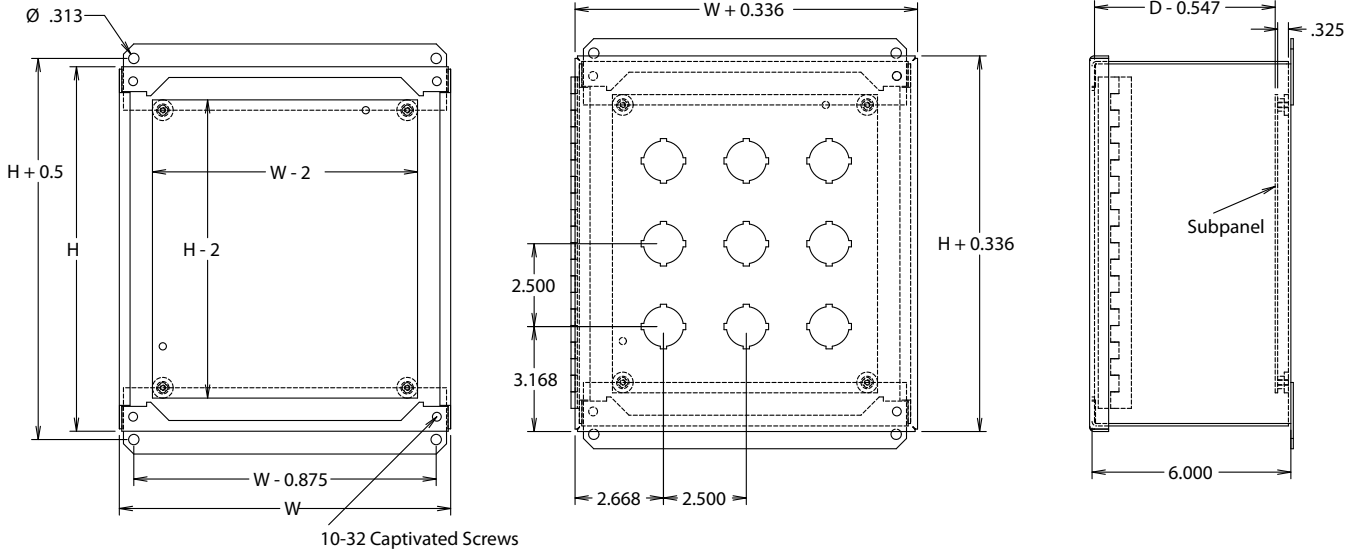
**OPTIONS**

Milbank Manufacturing Co. can modify standard enclosures or custom design enclosures according to your specifications. Custom sizes, materials, and many more options are available. Quotations upon request.

**INDUSTRY STANDARDS**

- UL 50 Listed
- CUL 50 Listed
- Type 12

**PBHC • PBHCM**



CATALOG NUMBER				HOLES	ENCLOSURE SIZE H X W X D	SUB PANEL PART #	SUB PANEL SIZE H X W (INCHES)	SHPG. WT.
CARBON STEEL 30.5MM HOLE	304 STAINLESS STEEL 30.5MM HOLE	CARBON STEEL 22.5MM HOLE	304 STAINLESS STEEL 22.5MM HOLE					
PBHC12S22	PBHC12XS22	PBHCM12S22	PBHCM12XS22	4	8.5 x 7.5 x 6	A-PB7P6	6.5 x 5.5	10
PBHC12S32	PBHC12XS32	PBHCM12S32	PBHCM12XS32	6	11 x 7 x 6	A-PB10P6	9 x 5	12
PBHC12S33	PBHC12XS33	PBHCM12S33	PBHCM12XS33	9	11 x 10 x 6	A-PB9P8	9 x 8	15
PBHC12S43	PBHC12XS43	PBHCM12S43	PBHCM12XS43	12	13.5 x 10 x 6	A-PB12P11	11.5 x 8	17
PBHC12S44	PBHC12XS44	PBHCM12S44	PBHCM12XS44	16	13.5 x 12.5 x 6	A-PB12P11	11.5 x 10.5	19
PBHC12S54	PBHC12XS54	PBHCM12S54	PBHCM12XS54	20	16 x 12.5 x 6	A-PB14P11	14 x 10.5	25
PBHC12S55	PBHC12XS55	PBHCM12S55	PBHCM12XS55	25	16 x 15 x 6	A-PB14P13	14 x 13	27
PBHC12S65	PBHC12XS65	PBHCM12S65	PBHCM12XS65	30	18.5 x 15 x 6	A-PB17P13	16.5 x 13	29
PBHC12S66	PBHC12XS66	PBHCM12S66	PBHCM12XS66	36	18.5 x 17.5 x 6	A-PB17P16	16.5 x 15.5	34
PBHC12S76	PBHC12XS76	PBHCM12S76	PBHCM12XS76	42	21 x 17.5 x 6	A-PB19P16	19 x 15.5	38

NOTE: Sub panels must be ordered separately.





**APPLICATIONS**

Designed to provide protection from oil, dirt, and dust. Universal holes accommodate many types of pilot lights, switches and pushbuttons.

**CONSTRUCTION**

Fabricated from 14 gauge carbon steel or type 304 stainless steel with continuously welded seams. Enclosures feature:

- Cover secured with captivated screws.
- Oil resistant gasket applied to the cover.
- External mounting feet for wall or machinery mounting.
- Universal pushbutton holes (30mm).
- 22mm available with: M addition to part number.

**FINISH**

Standard ANSI-61 gray finish on interior and exterior of enclosures. Recoatable, smooth, white or RAL 7035 texture polyester powder coat available at no charge. Standard RAL and custom match finishes available for an

additional charge, please contact Milbank Manufacturing Co. for further assistance. All powder coat finishes applied over cleaned phosphatized surfaces. Stainless steel enclosures have a polished #4 finish.

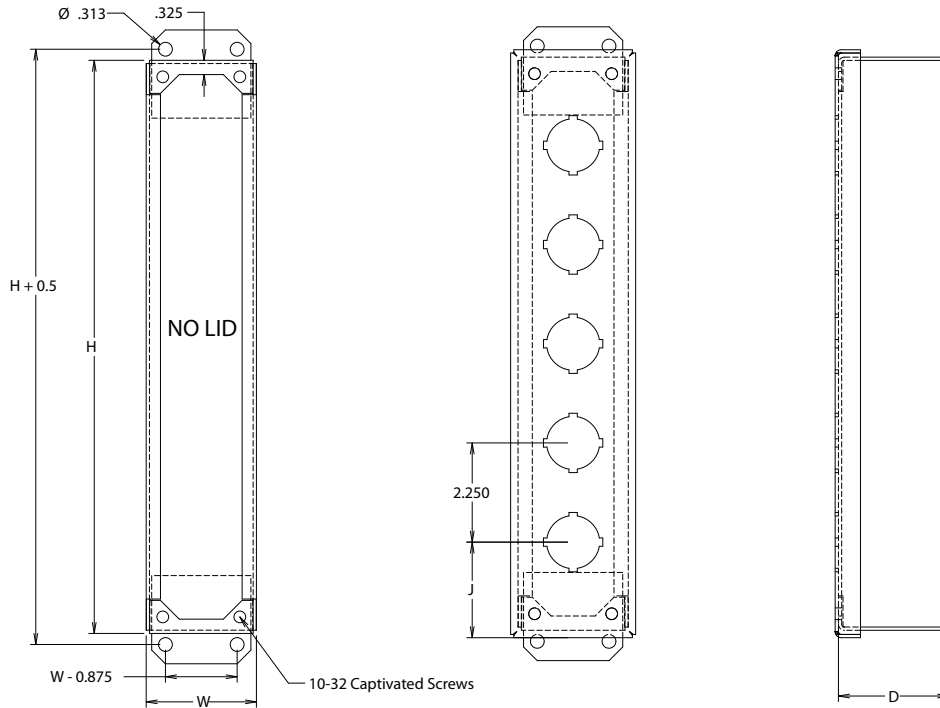
**OPTIONS**

Milbank Manufacturing Co. can modify standard enclosures or custom design enclosures according to your specifications. Custom sizes, materials, and many more options are available. Quotations upon request.

**INDUSTRY STANDARDS**

- UL 50 Listed
- CUL 50 Listed
- Type 12

**PBSL • PBSLM**



CATALOG NUMBER				HOLES	ENCLOSURE SIZE H X W X D	SHPG. WT.	J
CARBON STEEL 30MM HOLE	304 STAINLESS STEEL 30MM HOLE	CARBON STEEL 22.5MM HOLE	304 STAINLESS STEEL 22.5MM HOLE				
PBSL12S11	PBSL12XS11	PBSLM12S11	PBSLM12XS11	1	4 x 2.5 x 2.5	2	2.168
PBSL12S12	PBSL12XS12	PBSLM12S12	PBSLM12XS12	2	6.25 x 2.5 x 2.5	3	2.168
PBSL12S13	PBSL12XS13	PBSLM12S13	PBSLM12XS13	3	8.5 x 2.5 x 2.5	3	2.168
PBSL12S14	PBSL12XS14	PBSLM12S14	PBSLM12XS14	4	10.75 x 2.5 x 2.5	4	2.168
BPSL12S15	BPSL12XS15	BPSPML12S15	BPSPML12XS15	5	13 x 2.5 x 2.5	4	2.168
PBSL12S16	PBSL12XS16	PBSLM12S16	PBSLM12XS16	6	16.25 x 2.5 x 2.5	6	2.668
PBSL12S17	PBSL12XS17	PBSLM12S17	PBSLM12XS17	7	18.5 x 2.5 x 2.5	7	2.668
PBSL12S18	PBSL12XS18	PBSLM12S18	PBSLM12XS18	8	20.75 x 2.5 x 2.5	8	2.668
PBSL12S19	PBSL12XS19	PBSLM12S19	PBSLM12XS19	9	23 x 2.5 x 2.5	8	2.668
PBSL12S110	PBSL12SX110	PBSLM12S110	PBSLM12SX110	10	25.25 x 2.5 x 2.5	8	2.668

INDUSTRIAL ENCLOSURES

TYPE 12 – SLIMLINE OIL-TIGHT PUSHBUTTON ENCLOSURES





**APPLICATIONS**

Consoles provide protection from oil, dirt, and dust. They can be mounted on either of two sides, providing a 30 degree or 60 degree inclined control surface. These enclosures can be mounted on machines, pedestals, or desk tops, etc.

**CONSTRUCTION**

Fabricated from 14 gauge carbon steel or type 304 stainless steel with continuously welded seams.

Enclosures feature:

- Oil resistant adhesive gasket applied to the cover secured by captivated screws.
- A continuous hinge with a removable hinge pin on the long side.

**FINISH**

Standard ANSI-61 gray finish on interior and exterior of enclosures. Recoatable, smooth, white or RAL 7035 texture polyester powder coat available at no charge. Standard RAL and custom match finishes available

for an additional charge, please contact Milbank Manufacturing Co. for further assistance. All powder coat finishes applied over cleaned phosphatized surfaces. Stainless steel consoles are polished with a #4 finish on six sides.

**OPTIONS**

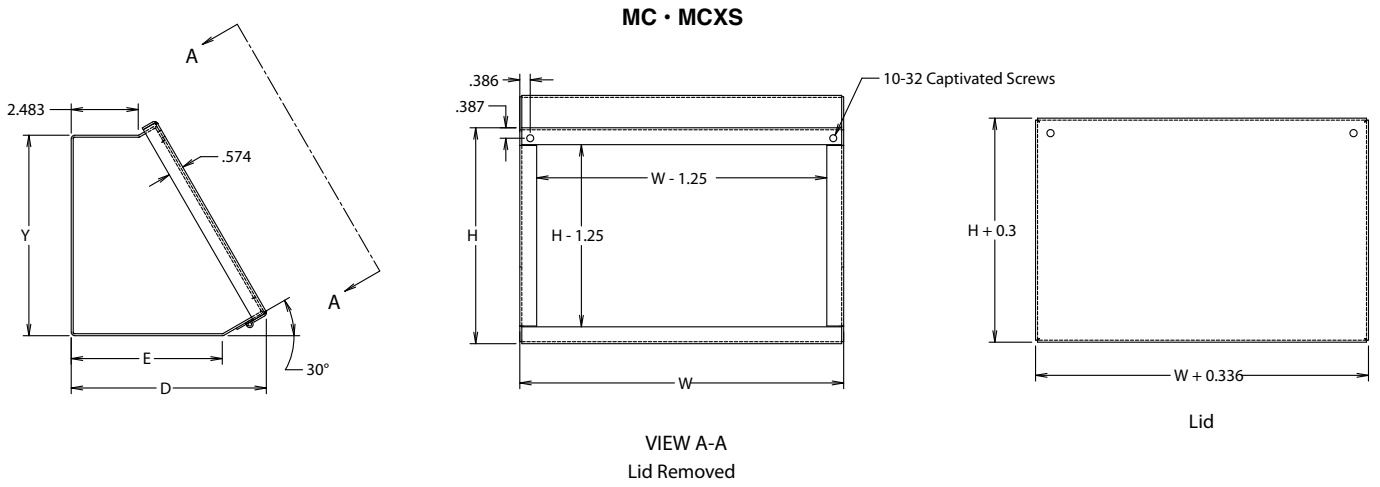
Milbank Manufacturing Co. can modify standard enclosures or custom design enclosures according to your specifications. Holes, hubs, cutouts, sizes, materials, and many more options are available. Quotations upon request.

**INDUSTRY STANDARDS**

- UL 50 Listed
- CUL 50 Listed
- Type 12

INDUSTRIAL ENCLOSURES

TYPE 12 – OIL-TIGHT CONSOLETS



CATALOG NUMBER		SURFACE SIZE H X W X D (INCHES)	SHPG. WT.	E (INCHES)	Y (INCHES)
CARBON STEEL #	304 STAINLESS STEEL #				
MC8C8	MCXS8C8	8 x 8 x 7.09	9	5.59	7.44
MC8C12	MCXS8C12	8 x 12 x 7.09	11	5.59	7.44
MC8C16	MCXS8C16	8 x 16 x 7.09	14	5.59	7.44
MC8C20	MCXS8C20	8 x 20 x 7.09	17	5.59	7.44
MC12C12	MCXS12C12	12 x 12 x 9.09	15	7.59	10.91
MC12C16	MCXS12C16	12 x 16 x 9.09	20	7.59	10.91
MC12C20	MCXS12C20	12 x 20 x 9.09	24	7.59	10.91
MC12C24	MCXS12C24	12 x 24 x 9.09	28	7.59	10.91
MC16C16	MCXS16C16	16 x 16 x 11.09	25	9.59	14.38
MC16C20	MCXS16C20	16 x 20 x 11.09	29	9.59	14.38
MC16C24	MCXS16C24	16 x 24 x 11.09	35	9.59	14.38
MC16C30	MCXS16C30	16 x 30 x 11.09	42	9.59	14.38
MC16C36	MCXS16C36	16 x 36 x 11.09	47	9.59	14.38
MC20C20	MCXS20C20	20 x 20 x 13.09	36	11.59	17.84
MC20C24	MCXS20C24	20 x 24 x 13.09	42	11.59	17.84
MC20C30	MCXS20C30	20 x 30 x 13.09	50	11.59	17.84







H32 aluminum with continuous welded seams. Enclosure features:

- Door secured with heavy-duty continuous hinge with removable hinge pin and clamps.
- Padlocking hasp and staple.
- Adhesive backed, oil resistant gasket applied to the doors.
- Print pocket.
- External mounting feet for wall or machinery mounting.
- Ground studs installed inside cabinet and door.
- Collar studs provided for mounting optional sub panels.

charge. Standard RAL and custom match finishes available for an additional charge, please contact Milbank Manufacturing Co. for further assistance. All powder coat finishes applied over cleaned phosphatized surfaces. Carbon steel sub panel have a white polyester powder coat finish. Stainless steel and aluminum enclosures have a polished #4 finish.

**OPTIONS**

Milbank Manufacturing Co. can modify standard enclosures or custom design enclosures according to your specifications. Holes, cutouts, louvers, sizes, materials, and many more options are available. Quotations upon request.

**INDUSTRY STANDARDS**

- UL 50 Listed
- CUL 50 Listed
- Type 12

**APPLICATIONS**

Designed to offer protection for electrical controls, instruments, and terminals from dust, dripping liquids, oil, and dirt.

**CONSTRUCTION**

Fabricated from 14 gauge carbon steel, type 304, type 316 stainless steel, or .125" 5052

**FINISH**

Standard ANSI-61 gray finish on interior and exterior of enclosures. Recoatable, smooth, white or RAL 7035 texture polyester powder coat available at no

INDUSTRIAL ENCLOSURES

TYPE 12 – SINGLE DOOR WALL MOUNT ENCLOSURES

CATALOG NUMBER				ENCLOSURE SIZE H X W X D (INCHES)	SHPG. WT.	SUB PANEL PART NUMBER	SUB PANEL SIZE (H X L)
CARBON STEEL #	304 STAINLESS STEEL #	316 STAINLESS STEEL #	ALUMINUM #				
M12S161206	M12XS161206	M12XZ161206	M12XA161206	16 x 12 x 6	24	A-16P12	13 x 9
M12S201206	M12XS201206	M12XZ201206	M12XA201206	20 x 12 x 6	29	A-20P12	17 x 9
M12S241206	M12XS241206	M12XZ241206	M12XA241206	24 x 12 x 6	32	A-24P12	21 x 9
M12S161606	M12XS161606	M12XZ161606	M12XA161606	16 x 16 x 6	29	A-16P16	13 x 13
M12S201606	M12XS201606	M12XZ201606	M12XA201606	20 x 16 x 6	33	A-20P16	17 x 13
M12S241606	M12XS241606	M12XZ241606	M12XA241606	24 x 16 x 6	39	A-24P16	21 x 13
M12S301606	M12XS301606	M12XZ301606	M12XA301606	30 x 16 x 6	46	A-30P16	27 x 13
M12S162006	M12XS162006	M12XZ162006	M12XA162006	16 x 20 x 6	33	A-20P16	17 x 13
M12S202006	M12XS202006	M12XZ202006	M12XA202006	20 x 20 x 6	38	A-20P20	17 x 17
M12S242006	M12XS242006	M12XZ242006	M12XA242006	24 x 20 x 6	45	A-24P20	21 x 17
M12S302006	M12XS302006	M12XZ302006	M12XA302006	30 x 20 x 6	53	A-30P20	27 x 17
M12S122406	M12XS122406	M12XZ122406	M12XA122406	12 x 24 x 6	32	A-24P12	21 x 9
M12S202406	M12XS202406	M12XZ202406	M12XA202406	20 x 24 x 6	46	A-24P20	17 x 21
M12S242406	M12XS242406	M12XZ242406	M12XA242406	24 x 24 x 6	51	A-24P24	21 x 21
M12S302406	M12XS302406	M12XZ302406	M12XA302406	30 x 24 x 6	61	A-30P24	21 x 21
M12S362406	M12XS362406	M12XZ362406	M12XA362406	36 x 24 x 6	69	A-36P24	33 x 21
M12S363006	M12XS363006	M12XZ363006	M12XA363006	36 x 30 x 6	86	A-36P30	33 x 27
M12S122408	M12XS122408	M12XZ122408	M12XA122408	12 x 24 x 8	35	A-24P12	9 x 21
M12S161208	M12XS161208	M12XZ161208	M12XA161208	16 x 12 x 8	27	A-16P12	13 x 9
M12S161608	M12XS161608	M12XZ161608	M12XA161608	16 x 16 x 8	31	A-16P16	13 x 13
M12S162008	M12XS162008	M12XZ162008	M12XA162008	16 x 20 x 8	29	A-20P16	13 x 17
M12S201208	M12XS201208	M12XZ201208	M12XA201208	20 x 12 x 8	30	A-20P12	17 x 9
M12S201608	M12XS201608	M12XZ201608	M12XA201608	20 x 16 x 8	36	A-20P16	17 x 13
M12S202008	M12XS202008	M12XZ202008	M12XA202008	20 x 20 x 8	43	A-20P20	17 x 17
M12S202408	M12XS202408	M12XZ202408	M12XA202408	20 x 24 x 8	50	A-24P20	17 x 21
M12S241608	M12XS241608	M12XZ241608	M12XA241608	24 x 16 x 8	41	A-24P16	21 x 13
M12S242008	M12XS242008	M12XZ242008	M12XA242008	24 x 20 x 8	50	A-24P20	21 x 17
M12S242408	M12XS242408	M12XZ242408	M12XA242408	24 x 24 x 8	57	A-24P24	21 x 21
M12S243008	M12XS243008	M12XZ243008	M12XA243008	24 x 30 x 8	66	A-30P24	21 x 27
M12S302008	M12XS302008	M12XZ302008	M12XA302008	30 x 20 x 8	56	A-30P20	27 x 17
M12S302408	M12XS302408	M12XZ302408	M12XA302408	30 x 24 x 8	67	A-30P24	27 x 21
M12S362408	M12XS362408	M12XZ362408	M12XA362408	36 x 24 x 8	75	A-36P24	33 x 21
M12S422408	M12XS422408	M12XZ422408	M12XA422408	42 x 24 x 8	85	A-42P24	39 x 21
M12S482408	M12XS482408	M12XZ482408	M12XA482408	48 x 24 x 8	97	A-48P24	45 x 21
M12S303008	M12XS303008	M12XZ303008	M12XA303008	30 x 30 x 8	79	A-30P30	27 x 27
M12S363008	M12XS363008	M12XZ363008	M12XA363008	36 x 30 x 8	95	A-36P30	33 x 27
M12S423008	M12XS423008	M12XZ423008	M12XA423008	42 x 30 x 8	105	A-42P30	39 x 27
M12S483008	M12XS483008	M12XZ483008	M12XA483008	48 x 30 x 8	119	A-48P30	45 x 27
M12S303608	M12XS303608	M12XZ303608	M12XA303608	30 x 36 x 8	90	A-36P30	27 x 33
M12S363608	M12XS363608	M12XZ363608	M12XA363608	36 x 36 x 8	104	A-36P36	33 x 33
M12S423608	M12XS423608	M12XZ423608	M12XA423608	42 x 36 x 8	120	A-42P36	39 x 33

NOTE: Sub panels must be ordered separately. Weights for Aluminum Enclosures are not listed. Please contact Milbank Manufacturing Co. for weight.

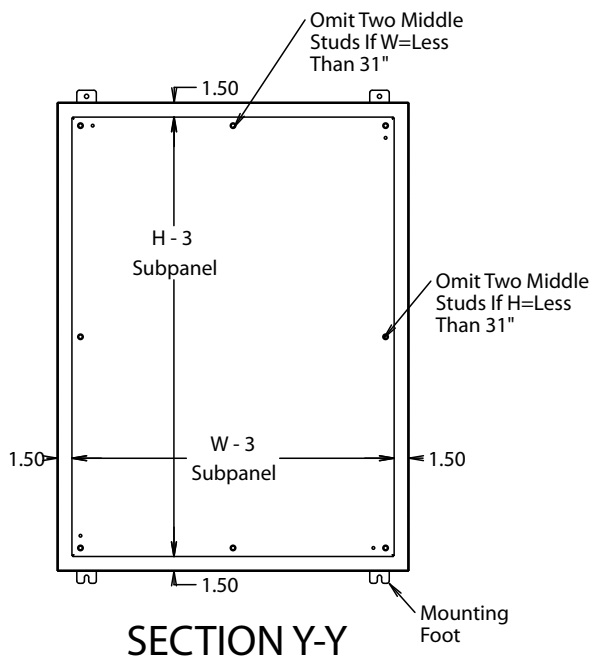
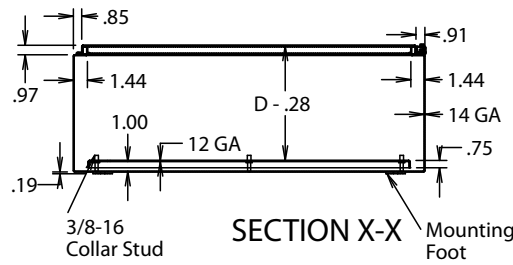
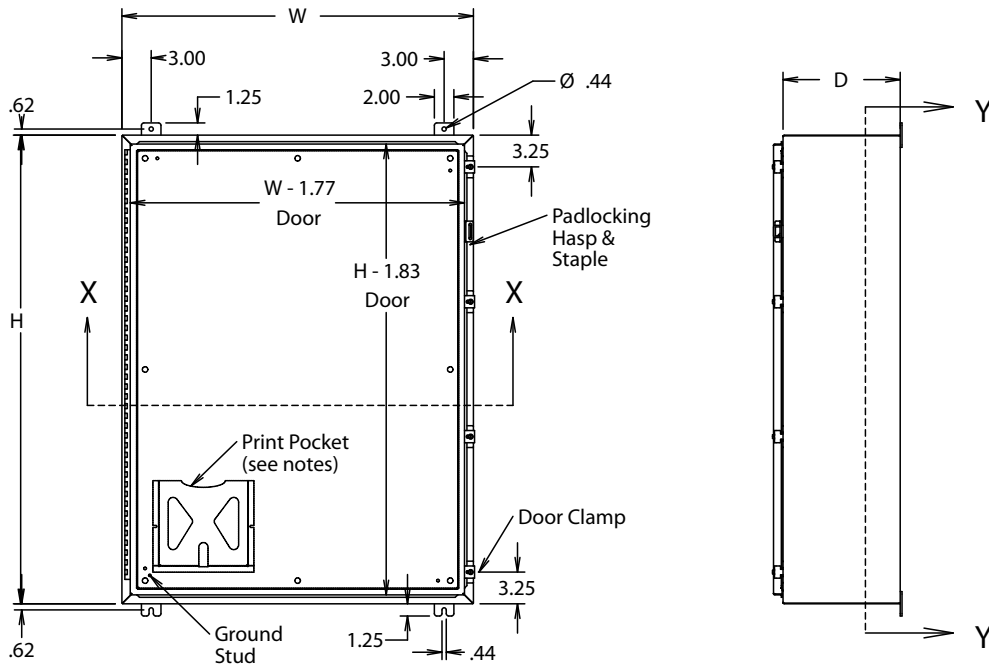


CATALOG NUMBER				ENCLOSURE SIZE H X W X D (INCHES)	SHPG. WT.	SUB PANEL PART NUMBER	SUB PANEL SIZE (H X L)
CARBON STEEL #	304 STAINLESS STEEL #	316 STAINLESS STEEL #	ALUMINUM #				
M12S483608	M12XS483608	M12XZ483608	M12XA483608	48 x 36 x 8	137	A-48P36	45 x 33
M12S603608	M12XS603608	M12XZ603608	M12XA603608	60 x 36 x 8	164	A-60P36	57 x 33
M12S161210	M12XS161210	M12XZ161210	M12XA161210	16 x 12 x 10	29	A-16P12	13 x 9
M12S241210	M12XS241210	M12XZ241210	M12XA241210	24 x 12 x 10	39	A-24P12	21 x 9
M12S201610	M12XS201610	M12XZ201610	M12XA201610	20 x 16 x 10	39	A-20P16	17 x 13
M12S242010	M12XS242010	M12XZ242010	M12XA242010	24 x 20 x 10	53	A-24P20	21 x 17
M12S302010	M12XS302010	M12XZ302010	M12XA302010	30 x 20 x 10	60	A-30P20	27 x 17
M12S242410	M12XS242410	M12XZ242410	M12XA242410	24 x 24 x 10	63	A-24P24	21 x 21
M12S302410	M12XS302410	M12XZ302410	M12XA302410	30 x 24 x 10	73	A-30P24	27 x 21
M12S362410	M12XS362410	M12XZ362410	M12XA362410	36 x 24 x 10	82	A-36P24	33 x 21
M12S363010	M12XS363010	M12XZ363010	M12XA363010	36 x 30 x 10	100	A-36P30	33 x 27
M12S423010	M12XS423010	M12XZ423010	M12XA423010	42 x 30 x 10	116	A-42P30	39 x 27
M12S483010	M12XS483010	M12XZ483010	M12XA483010	48 x 30 x 10	124	A-48P30	45 x 27
M12S423610	M12XS423610	M12XZ423610	M12XA423610	42 x 36 x 10	124	A-42P36	39 x 33
M12S483610	M12XS483610	M12XZ483610	M12XA483610	48 x 36 x 10	148	A-48P36	45 x 33
M12S603610	M12XS603610	M12XZ603610	M12XA603610	60 x 36 x 10	166	A-60P36	57 x 33
M12S201612	M12XS201612	M12XZ201612	M12XA201612	20 x 16 x 12	42	A-20P16	17 x 13
M12S242012	M12XS242012	M12XZ242012	M12XA242012	24 x 20 x 12	57	A-24P20	21 x 17
M12S242412	M12XS242412	M12XZ242412	M12XA242412	24 x 24 x 12	64	A-24P24	21 x 21
M12S302412	M12XS302412	M12XZ302412	M12XA302412	30 x 24 x 12	77	A-30P24	27 x 21
M12S362412	M12XS362412	M12XZ362412	M12XA362412	36 x 24 x 12	89	A-36P24	33 x 21
M12S303012	M12XS303012	M12XZ303012	M12XA303012	30 x 30 x 12	94	A-30P30	27 x 27
M12S363012	M12XS363012	M12XZ363012	M12XA363012	36 x 30 x 12	103	A-36P30	33 x 27
M12S423012	M12XS423012	M12XZ423012	M12XA423012	42 x 30 x 12	122	A-42P30	39 x 27
M12S723012	M12XS723012	M12XZ723012	M12XA723012	72 x 30 x 12	181	A-72P30	69 x 27
M12S363612	M12XS363612	M12XZ363612	M12XA363612	36 x 36 x 12	127	A-36P36	33 x 33
M12S423612	M12XS423612	M12XZ423612	M12XA423612	42 x 36 x 12	135	A-42P36	39 x 33
M12S483612	M12XS483612	M12XZ483612	M12XA483612	48 x 36 x 12	152	A-48P36	45 x 33
M12S603612	M12XS603612	M12XZ603612	M12XA603612	60 x 36 x 12	176	A-60P36	57 x 33
M12S723612	M12XS723612	M12XZ723612	M12XA723612	72 x 36 x 12	215	A-72P36	69 x 33
M12S242016	M12XS242016	M12XZ242016	M12XA242016	24 x 20 x 16	67	A-24P20	21 x 17
M12S242416	M12XS242416	M12XZ242416	M12XA242416	24 x 24 x 16	75	A-24P24	21 x 21
M12S302416	M12XS302416	M12XZ302416	M12XA302416	30 x 24 x 16	88	A-30P24	27 x 21
M12S363016	M12XS363016	M12XZ363016	M12XA363016	36 x 30 x 16	121	A-36P30	33 x 27
M12S723016	M12XS723016	M12XZ723016	M12XA723016	72 x 30 x 16	206	A-72P30	69 x 27
M12S423616	M12XS423616	M12XZ423616	M12XA423616	42 x 36 x 16	155	A-42P36	39 x 33
M12S483616	M12XS483616	M12XZ483616	M12XA483616	48 x 36 x 16	170	A-48P36	45 x 33
M12S603616	M12XS603616	M12XZ603616	M12XA603616	60 x 36 x 16	199	A-60P36	57 x 33
M12S302420	M12XS302420	M12XZ302420	M12XA302420	30 x 24 x 20	96	A-30P24	27 x 21
M12S363020	M12XS363020	M12XZ363020	M12XA363020	36 x 30 x 20	127	A-36P30	33 x 27
M12S483620	M12XS483620	M12XZ483620	M12XA483620	48 x 36 x 20	170	A-48P36	45 x 33
M12S603620	M12XS603620	M12XZ603620	M12XA603620	60 x 36 x 20	219	A-60P36	57 x 33
M12S723020	M12XS723020	M12XZ723020	M12XA723020	72 x 30 x 20	227	A-72P30	69 x 27
M12S302424	M12XS302424	M12XZ302424	M12XA302424	30 x 24 x 24	109	A-30P24	27 x 21
M12S723024	M12XS723024	M12XZ723024	M12XA723024	72 x 30 x 24	243	A-72P30	69 x 27

**INDUSTRIAL  
ENCLOSURES**
**TYPE 12 – SINGLE DOOR WALL MOUNT ENCLOSURES**

*NOTE: Sub panels must be ordered separately. Weights for Aluminum Enclosures are not listed. Please contact Milbank Manufacturing Co. for weight.*

M12S • M12XS • M12XZ • M12XA



**NOTES:**

1. Print pocket = 6" x 6" when H and W are 24" or less.  
Print pocket = 9" x 9" when H and W are greater than 24".
2. Panels will have formed flanges when either Height or Width is greater than or equal to 18".
3. On 12" wide enclosures, center of mounting foot to edge of enclosure is 1.25".

INDUSTRIAL ENCLOSURES

TYPE 12 – SINGLE DOOR WALL MOUNT ENCLOSURES




**APPLICATIONS**

Designed to provide protection for electrical controls, instruments, and terminals from dust, dripping liquids, dirt, and oil.

**CONSTRUCTION**

Fabricated from 14 gauge carbon steel, type 304 or type 316 stainless steel with continuous welded seams. Enclosure features:

- Overlapping doors secured with continuous hinges with removable hinge pins and key locking handle with three point latching system.

- Adhesive backed, oil resistant gasket applied to the doors.
- Print pocket.
- External mounting feet for wall or machinery mounting.
- Ground studs installed inside cabinet and door.
- Collar studs provided for mounting optional sub panels.

**FINISH**

Standard ANSI-61 gray finish on interior and exterior of enclosures. Recoatable, smooth,

white or RAL 7035 texture polyester powder coat available at no charge. Standard RAL and custom match finishes available for an additional charge, please contact Milbank Manufacturing Co. for further assistance. All powder coat finishes applied over cleaned phosphatized surfaces. Carbon steel sub panels have a white polyester powder coat finish. Stainless Steel enclosures have a polished #4 finish.

**OPTIONS**

Milbank Manufacturing Co. can modify standard enclosures or custom design enclosures according to your specifications. Holes, hubs, cutouts, louvers, sizes, materials, and many more options are available. Quotations upon request.

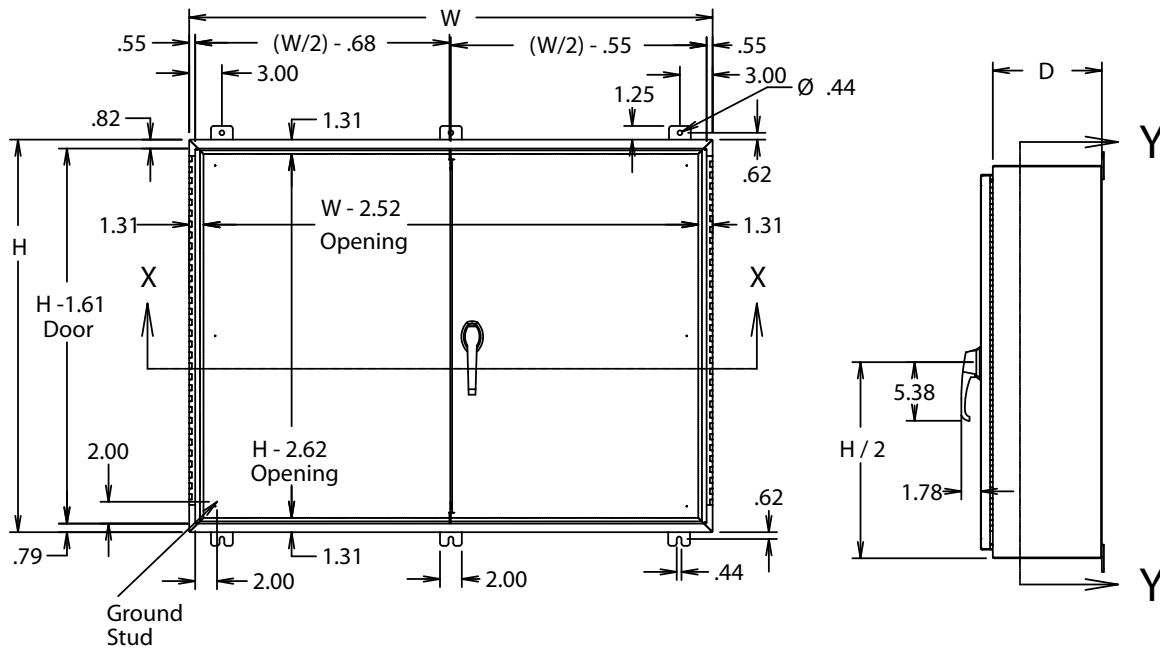
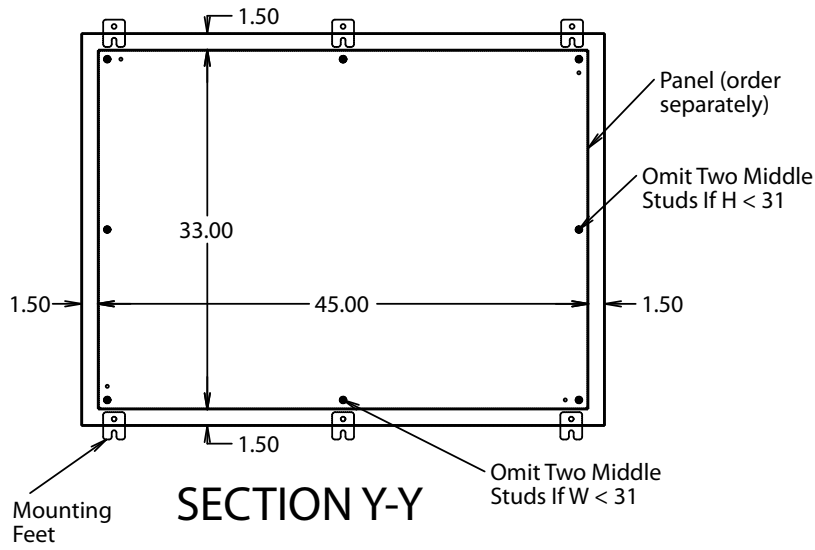
**INDUSTRY STANDARDS**

- UL 50 Listed
- CUL 50 Listed
- Type 12

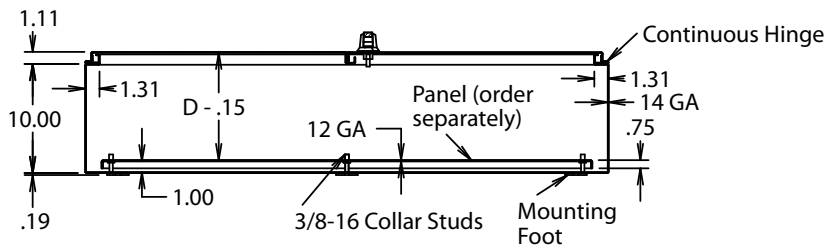
CATALOG NUMBER			ENCLOSURE SIZE H X W X D (INCHES)	SHPG. WT.	SUB PANEL PART NUMBER	SUB PANEL SIZE H X W (INCHES)
CARBON STEEL #	304 STAINLESS STEEL #	316 STAINLESS STEEL #				
M12D244208	M12DXS244208	M12DXZ244208	24 x 42 x 8	94	A-42P24	21 x 39
M12D244808	M12DXS244808	M12DXZ244808	24 x 48 x 8	106	A-48P24	21 x 45
M12D304210	M12DXS304210	M12DXZ304210	30 x 42 x 10	121	A-42P30	27 x 39
M12D304810	M12DXS304810	M12DXZ304810	30 x 48 x 10	136	A-48P30	27 x 45
M12D306010	M12DXS306010	M12DXZ306010	30 x 60 x 10	165	A-60P30	27 x 57
M12D304212	M12DXS304212	M12DXZ304212	30 x 42 x 12	130	A-42P30	27 x 39
M12D364212	M12DXS364212	M12DXZ364212	36 x 42 x 12	150	A-42P36	33 x 39
M12D424212	M12DXS424212	M12DXZ424212	42 x 42 x 12	170	A-42P42	39 x 39
M12D304812	M12DXS304812	M12DXZ304812	30 x 48 x 12	145	A-48P30	27 x 45
M12D364812	M12DXS364812	M12DXZ364812	36 x 48 x 12	167	A-48P36	33 x 45
M12D424812	M12DXS424812	M12DXZ424812	42 x 48 x 12	189	A-42P48	39 x 45
M12D484812	M12DXS484812	M12DXZ484812	48 x 48 x 12	212	A-48P48	45 x 45
M12D306012	M12DXS306012	M12DXZ306012	30 x 60 x 12	176	A-60P30	27 x 57
M12D366012	M12DXS366012	M12DXZ366012	36 x 60 x 12	203	A-60P36	33 x 57
M12D426012	M12DXS426012	M12DXZ426012	42 x 60 x 12	229	A-42P60	39 x 57
M12D486012	M12DXS486012	M12DXZ486012	48 x 60 x 12	256	A-60P48	45 x 57
M12D606012	M12DXS606012	M12DXZ606012	60 x 60 x 12	308	A-60P60	57 x 57
M12D304216	M12DXS304216	M12DXZ304216	30 x 42 x 16	148	A-42P30	27 x 39
M12D364216	M12DXS364216	M12DXZ364216	36 x 42 x 16	169	A-42P36	33 x 39
M12D424216	M12DXS424216	M12DXZ424216	42 x 42 x 16	190	A-42P42	39 x 39
M12D306016	M12DXS306016	M12DXZ306016	30 x 60 x 16	198	A-60P30	27 x 57
M12D364816	M12DXS364816	M12DXZ364816	36 x 48 x 16	188	A-48P36	33 x 45
M12D366016	M12DXS366016	M12DXZ366016	36 x 60 x 16	226	A-60P36	33 x 57
M12D424816	M12DXS424816	M12DXZ424816	42 x 48 x 16	212	A-42P48	39 x 45
M12D484816	M12DXS484816	M12DXZ484816	48 x 48 x 16	235	A-48P48	45 x 45
M12D486016	M12DXS486016	M12DXZ486016	48 x 60 x 16	282	A-60P48	45 x 57
M12D426016	M12DXS426016	M12DXZ426016	42 x 60 x 16	254	A-42P60	39 x 57
M12D606016	M12DXS606016	M12DXZ606016	60 x 60 x 16	338	A-60P60	57 x 57

*NOTE: Sub panels must be ordered separately.*

M12D • M12DXS • M12DZ



**NOTES:**  
 1. 9" x 9" Print pocket shipped inside enclosure.



INDUSTRIAL ENCLOSURES

TYPE 12 – DOUBLE DOOR WALL MOUNT ENCLOSURES







**CONSTRUCTION**

Fabricated from 14 gauge carbon steel, type 304 or type 316 stainless steel. Enclosure features:

- Strong and rigid construction.
- All seams continuously welded.
- No holes or knockouts provided.
- Rolled lip around all sides of enclosure opening to increase strength and help keep dirt and liquids out when the door is open.
- A 14 gauge carbon steel, 14 gauge type 304 stainless steel, or 12 gauge type 316 stainless steel frame with mounting holes extends completely around enclosure.
- Collar studs provided for mounting optional sub panels.
- Door is secured with concealed lift-off hinges and slotted quarter turn latch(es).

white or RAL 7035 texture polyester powder coat available at no charge. Standard RAL and custom match finishes available for an additional charge, please contact Milbank Manufacturing Co. for further assistance. All powder coat finishes applied over cleaned phosphatized surfaces. Carbon steel sub panels have a white polyester powder coat finish. Stainless Steel enclosures have a polished #4 finish.

**OPTIONS**

Milbank Manufacturing Co. can modify standard enclosures or custom design enclosures according to your specifications. Holes, cutouts, sizes, materials, and many more options are available. Quotations upon request.

**INDUSTRY STANDARDS**

- UL 50 Listed
- CUL 50 Listed
- Type 12

**APPLICATIONS**

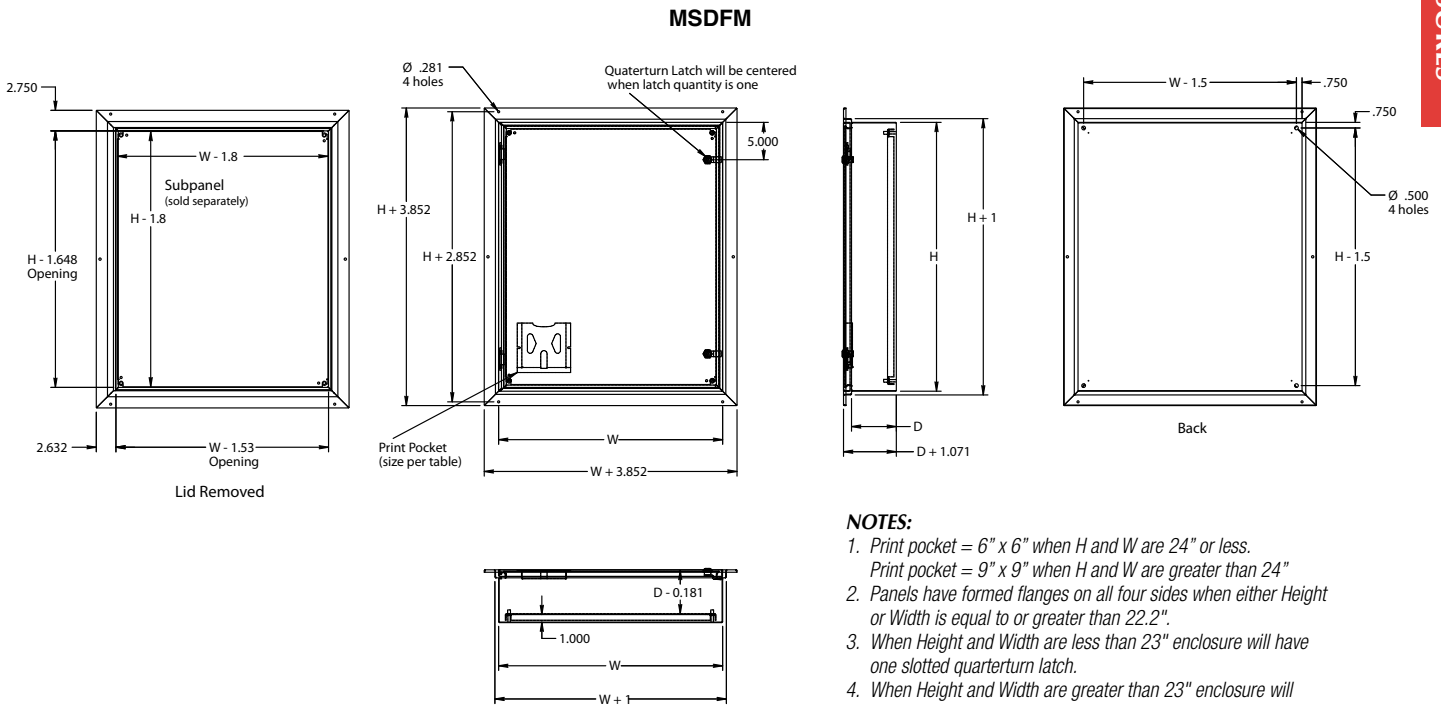
Designed to house electrical controls, terminals and instruments; providing protection from dust, dirt, oil and water.

**FINISH**

Standard ANSI-61 gray finish on interior and exterior of enclosures. Recoatable, smooth,

INDUSTRIAL ENCLOSURES

TYPE 12 – FLUSH MOUNTED ENCLOSURE



**NOTES:**

1. Print pocket = 6" x 6" when H and W are 24" or less.  
Print pocket = 9" x 9" when H and W are greater than 24"
2. Panels have formed flanges on all four sides when either Height or Width is equal to or greater than 22.2".
3. When Height and Width are less than 23" enclosure will have one slotted quarterturn latch.
4. When Height and Width are greater than 23" enclosure will have two slotted quarterturn latches.
5. When Height is equal to or greater than 42" enclosure will have one 3 point slotted quarterturn latch.

CARBON STEEL #	CATALOG NUMBER		ENCLOSURE SIZE H X W X D (INCHES)	SHPG. WT.	SUB PANEL PART NUMBER	SUB PANEL SIZE H X W (INCHES)
	304 STAINLESS STEEL #	316 STAINLESS STEEL #				
MSDFM16126	MSDFMXS16126	MSDFMXZ16126	16.00 x 12.00 x 6.00	27	A-M16P12	14.2 x 10.2
MSDFM20166	MSDFMXS20166	MSDFMXZ20166	20.00 x 16.00 x 6.00	38	A-M20P16	18.2 x 14.2
MSDFM20206	MSDFMXS20206	MSDFMXZ20206	20.00 x 20.00 x 6.00	44	A-M20P20	18.2 x 18.2
MSDFM24206	MSDFMXS24206	MSDFMXZ24206	24.00 x 20.00 x 6.00	50	A-M24P20	22.2 x 18.2
MSDFM24248	MSDFMXS24248	MSDFMXZ24248	24.00 x 24.00 x 8.00	61	A-M24P24	22.2 x 22.2
MSDFM30248	MSDFMXS30248	MSDFMXZ30248	30.00 x 24.00 x 8.00	73	A-M30P24	28.2 x 22.2

NOTE: Sub panels must be ordered separately.





**CONSTRUCTION**

Fabricated from 10 and 12 gauge carbon steel, type 304 or 12 gauge type 316 stainless steel with continuous welded seams. Enclosure features:

- Overlapping doors secured with continuous hinges with removable hinge pins and key locking handle with three point latching system.
- Adhesive backed, oil resistant gasket applied to the doors.
- 12-inch floor stands.
- Print pocket.
- Heavy-duty lifting eyes.
- Ground studs installed inside cabinet and door.
- Collar studs provided for mounting optional sub panels.
- Body stiffeners for extra rigidity.

smooth, white or RAL 7035 texture polyester powder coat available at no charge. Standard RAL and custom match finishes available for an additional charge, please contact Milbank Manufacturing Co. for further assistance. All powder coat finishes applied over cleaned phosphatized surfaces. Carbon steel sub panels have a white polyester powder coat finish. Stainless steel enclosures have a polished #4 finish.

**OPTIONS**

Milbank Manufacturing Co. can modify standard enclosures or custom design enclosures according to your specifications. Holes, cutouts, louvers, sizes, materials, and many more options are available. Quotations upon request.

**INDUSTRY STANDARDS**

- UL 50 Listed
- CUL 50 Listed
- Type 12

**APPLICATIONS**

Designed to provide protection for electrical controls, instruments, and terminals from dust, dripping liquids, dirt, and oil.

**FINISH**

Standard ANSI-61 gray finish on interior and exterior of enclosures. Recoatable,

INDUSTRIAL ENCLOSURES

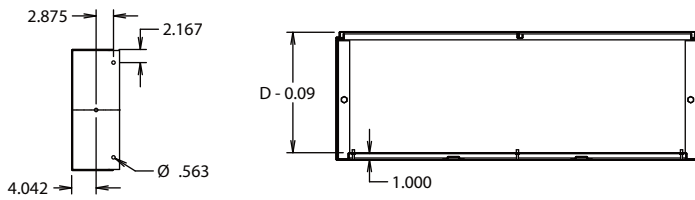
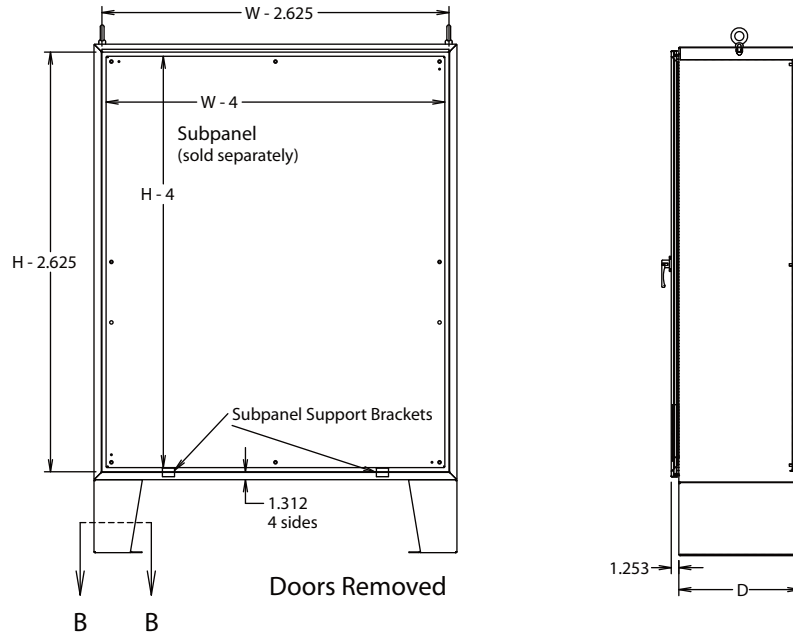
TYPE 12 – TWO DOOR – FLOOR MOUNT ENCLOSURES

CATALOG NUMBER			ENCLOSURE SIZE H X W X D (INCHES)	SHPG. WT.	SUB PANEL PART NUMBER	SUB PANEL SIZE H X W (INCHES)
CARBON STEEL #	304 STAINLESS STEEL #	316 STAINLESS STEEL #				
M12D544208-FT	M12DXS544208-FT	M12DXZ54428-FT	54 x 42 x 8	285	A-DD5442	50 x 38
M12D60488-FT	M12DXS60488-FT	M12DXZ60488-FT	60 x 48 x 8	342	A-DD6048	56 x 44
M12D604810-FT	M12DXS604810-FT	M12DXZ604810-FT	60 x 48 x 10	357	A-DD6048	56 x 44
M12D606010-FT	M12DXS606010-FT	M12DXZ606010-FT	60 x 60 x 10	415	A-DD6060	56 x 56
M12D726010-FT	M12DXS726010-FT	M12DXZ726010-FT	72 x 60 x 10	525	A-DD7260	68 x 56
M12D727210-FT	M12DXS727210-FT	M12DXZ727210-FT	72 x 72 x 10	590	A-DD7272	68 x 68
M12D604812-FT	M12DXS604812-FT	M12DXZ604812-FT	60 x 48 x 12	375	A-DD6048	56 x 44
M12D606012-FT	M12DXS606012-FT	M12DXZ606012-FT	60 x 60 x 12	430	A-DD6060	56 x 56
M12D726012-FT	M12DXS726012-FT	M12DXZ726012-FT	72 x 60 x 12	550	A-DD7260	68 x 56
M12D727212-FT	M12DXS727212-FT	M12DXZ727212-FT	72 x 72 x 12	626	A-DD7272	68 x 68
M12D604816-FT	M12DXS604816-FT	M12DXZ604816-FT	60 x 48 x 16	405	A-DD6048	56 x 44
M12D604820-FT	M12DXS604820-FT	M12DXZ604820-FT	60 x 48 x 20	435	A-DD6048	56 x 44
M12D604824-FT	M12DXS604824-FT	M12DXZ604824-FT	60 x 48 x 24	465	A-DD6048	56 x 44
M12D606024-FT	M12DXS606024-FT	M12DXZ606024-FT	60 x 60 x 24	520	A-DD6060	56 x 56
M12D726024-FT	M12DXS726024-FT	M12DXZ726024-FT	72 x 60 x 24	700	A-DD7260	68 x 56
M12D727224-FT	M12DXS727224-FT	M12DXZ727224-FT	72 x 72 x 24	805	A-DD7272	68 x 68

NOTE: Sub panels must be ordered separately.

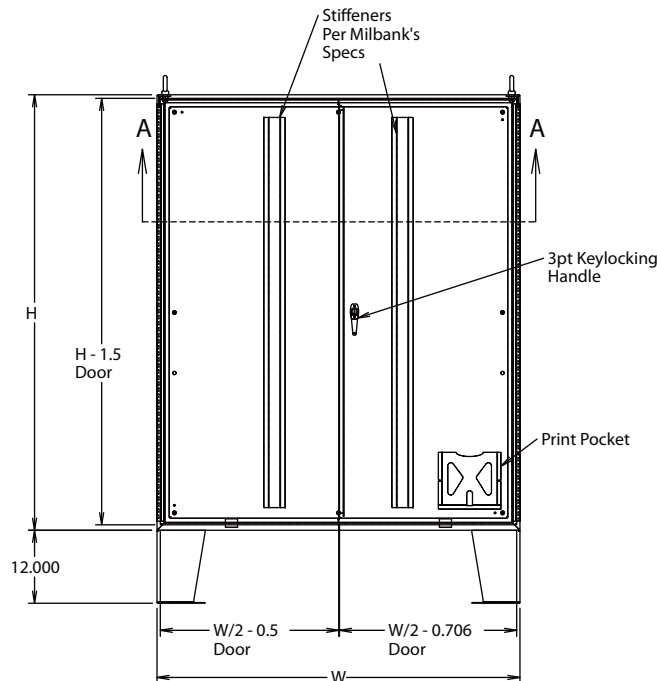


M12D • M12DXS • M12DXZ



SECTION B-B

SECTION A-A



NOTES:

1. 9" x 9" Print pocket shipped inside enclosure.
2. 24" deep enclosures will receive 4 lifting eyebolts.



**APPLICATIONS**

Designed to provide protection for electrical terminals, controls, and instruments from dirt, dust, dripping liquids, and oil. Freestanding enclosures are designed to accept Unistrut® mounted sub-panels, rack angles or other adjustable mount equipment.

**CONSTRUCTION**

Fabricated from 10 and 12 gauge carbon steel, type 304 or type 316 stainless steel with continuous welded seams. Enclosure features:

- Doors secured with heavy-duty continuous hinges with removable hinge pins and key locking handle with three point latching system.
- Adhesive backed, oil resistant gasket applied to the doors.
- Unistrut® channel.
- Print pocket.
- Heavy-duty lifting eyes.
- Ground studs inside cabinet and door.
- Collar studs provided for mounting optional sub panel in back.

**ACCESSORIES (ORDERED SEPARATELY)**

- Sub panels include full size, half-size, side mount, and swing-out panels which can be mounted and adjusted for depth on the horizontal Unistrut® channel.
- Clamping nuts for installing other equipment.

**FINISH**

Standard ANSI-61 gray finish on interior and exterior of enclosures. Recoatable, smooth, white or RAL 7035 texture polyester powder coat available at no charge. Standard RAL and custom match finishes available for an additional charge, please contact Milbank Manufacturing Co. for further assistance. All powder coat finishes applied over cleaned phosphatized surfaces. Carbon steel sub panels have a white polyester powder coat finish. Stainless steel enclosures have a polished #4 finish.

**OPTIONS**

Milbank Manufacturing Co. can modify standard enclosures or custom design enclosures according to your specifications. Holes, cutouts, sizes, materials, and many more options are available. Quotations upon request.

**INDUSTRY STANDARDS**

- UL 50 Listed
- CUL 50 Listed
- Type 12

INDUSTRIAL ENCLOSURES

TYPE 12 – SINGLE DOOR & DUAL ACCESS – FREESTANDING ENCLOSURES

SINGLE DOOR FREE-STANDING ENCLOSURES											
CATALOG NUMBER			ENCLOSURE SIZE H X W X D (INCHES)	SHPG. WT.	SUB PANEL PART # (FULL PANEL)	SUB PANEL SIZE H X W (INCHES)	SUB PANEL PART # (1/2 PANEL)	SUB PANEL SIZE H X W (INCHES)	SIDE MOUNTED PANEL PART #	SIDE PANEL H X W (INCHES)	LIFT. EYES
CARBON STEEL #	304 STAINLESS STEEL #	316 STAINLESS STEEL #									
<b>SINGLE DOOR</b>											
M12FS602418	M12FSXS602418	M12FSXZ602418	60 x 24 x 18	240	A-60P24F1	48 x 20	A-60P24F2	24.88 x 20	A-60SMP14	48 x 14	2
M12FS722418	M12FSXS722418	M12FSXZ722418	72 x 24 x 18	272	A-72P24F1	60 x 20	A-72P24F2	30.88 x 20	A-72SMP14	60 x 14	2
M12FS723018	M12FSXS723018	M12FSXZ723018	72 x 30 x 18	285	A-72P30F1	60 x 26	A-72P30F2	30.88 x 26	A-72SMP14	60 x 14	2
M12FS723618	M12FSXS723618	M12FSXZ723618	72 x 36 x 18	338	A-72P36F1	60 x 32	A-72P36F2	30.88 x 32	A-72SMP14	60 x 14	2
M12FS902420	M12FSXS902420	M12FSXZ902420	90 x 24 x 20	315	A-90P24F1	78 x 20	A-90P24F2	39.88 x 20	A-90SMP16	78 x 16	2
M12FS903620	M12FSXS903620	M12FSXZ903620	90 x 36 x 20	430	A-90P36F1	78 x 32	A-90P36F2	39.88 x 32	A-90SMP16	78 x 16	2
M12FS603624	M12FSXS603624	M12FSXZ603624	60 x 36 x 24	325	A-60P36F1	48 x 32	A-60P36F2	24.88 x 32	A-60SMP20	48 x 20	4
M12FS722424	M12FSXS722424	M12FSXZ722424	72 x 24 x 24	300	A-72P24F1	60 x 20	A-72P24F2	30.88 x 20	A-72SMP20	60 x 20	4
M12FS723024	M12FSXS723024	M12FSXZ723024	72 x 30 x 24	335	A-72P30F1	60 x 26	A-72P30F2	30.88 x 26	A-72SMP20	60 x 20	4
M12FS723624	M12FSXS723624	M12FSXZ723624	72 x 36 x 24	370	A-72P36F1	60 x 32	A-72P36F2	30.88 x 32	A-72SMP20	60 x 20	4
M12FS903624	M12FSXS903624	M12FSXZ903624	90 x 36 x 24	460	A-90P36F1	78 x 32	A-90P36F2	39.88 x 32	A-90SMP20	78 x 20	4
M12FS722430	M12FSXS722430	M12FSXZ722430	72 x 24 x 30	348	A-72P24F1	60 x 20	A-72P24F2	30.88 x 20	A-72SMP20	60 x 20	4
M12FS723630	M12FSXS723630	M12FSXZ723630	72 x 36 x 30	428	A-72P36F1	60 x 32	A-72P36F2	30.88 x 32	A-72SMP26	60 x 26	4
M12FS723636	M12FSXS723636	M12FSXZ723636	72 x 36 x 36	465	A-72P36F1	60 x 32	A-72P36F2	30.88 x 32	A-72SMP32	60 x 32	4
M12FS903636	M12FSXS903636	M12FSXZ903636	90 x 36 x 36	560	A-90P36F1	78 x 32	A-90P36F2	39.88 x 32	A-90SMP32	78 x 32	4

NOTE: Full, half, and side sub panels must be ordered separately.

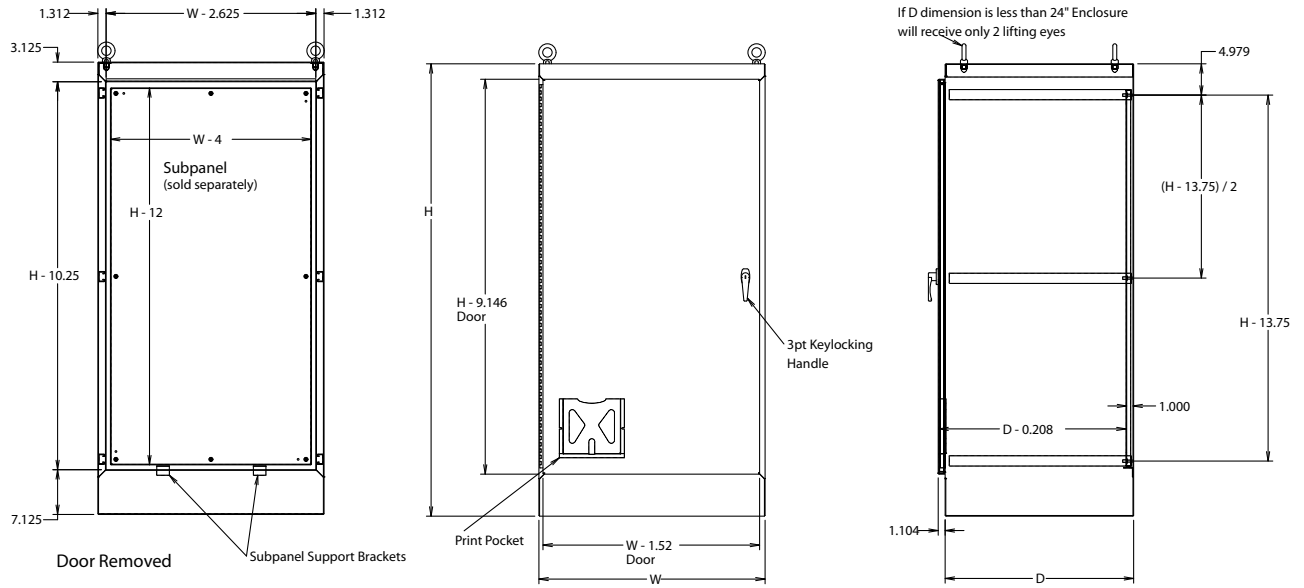


SINGLE DOOR DUAL ACCESS ENCLOSURES							
CATALOG NUMBER			ENCLOSURE SIZE H X W X D (INCHES)	SHPG. WT.	SUB PANEL PART # (FULL PANEL)	SUB PANEL SIZE H X W (INCHES)	LIFTING EYES
CARBON STEEL #	304 STAINLESS STEEL #	316 STAINLESS STEEL #					
<b>SINGLE DOOR - DUAL ACCESS</b>							
M12FSDA724824	M12FSDASS724824	M12FSDAXZ724824	72 x 48 x 24	595	A-72P48F1	60 x 44	4
M12FSDA726024	M12FSDASS726024	M12FSDAXZ726024	72 x 60 x 24	615	A-72P60F1	60 x 56	4
M12FSDA727224	M12FSDASS727224	M12FSDAXZ727224	72 x 72 x 24	695	A-72P72F1	60 x 68	4
M12FSDA907224	M12FSDASS907224	M12FSDAXZ907224	90 x 72 x 24	825	A-90P72F1	78 x 68	4
M12FSDA726036	M12FSDASS726036	M12FSDAXZ726036	70 x 60 x 36	750	A-72P60F1	60 x 56	4

NOTE: Full, half, and side sub panels must be ordered separately.



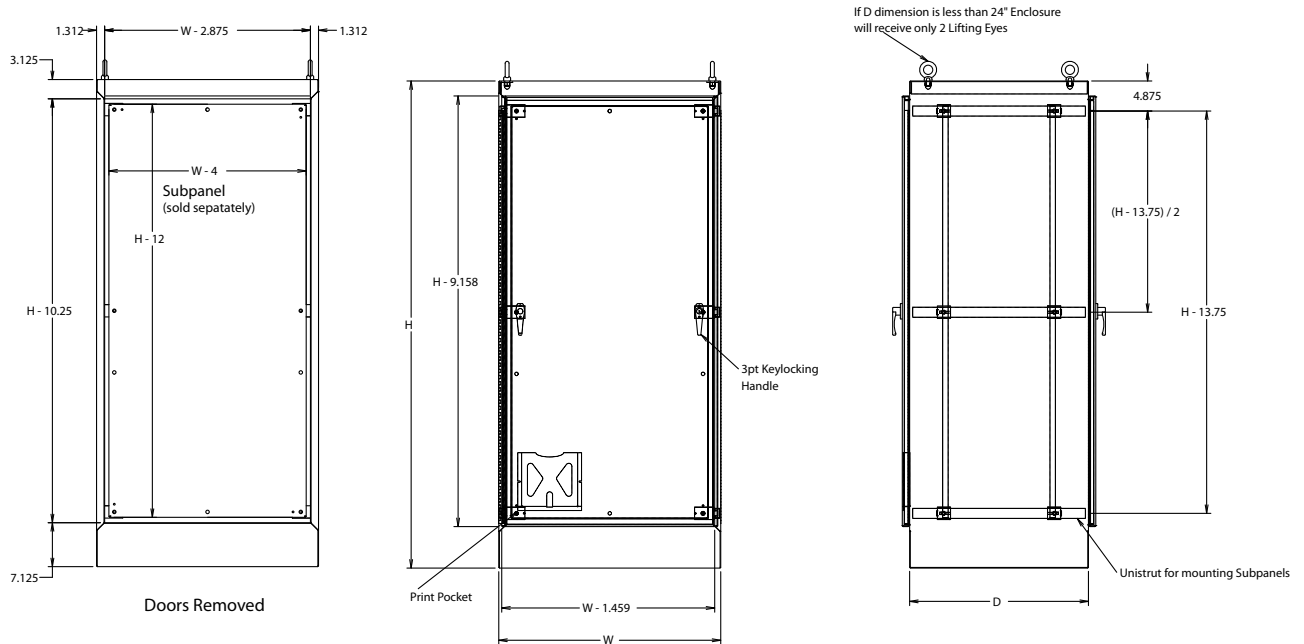
M12FS SINGLE DOOR



NOTES:

1. 9" x 9" Print pocket shipped inside enclosure.

M12FSDA SINGLE DOOR DUAL ACCESS



NOTES:

1. 9" x 9" Print pocket shipped inside enclosure.





**CONSTRUCTION**

Fabricated from 10 and 12 gauge carbon steel, type 304 or 12 gauge type 316 stainless steel with continuously welded seams. Enclosure features:

- Doors secured with heavy-duty continuous hinges with removable hinge pins and key locking handle with three point latching system.
- Adhesive backed, oil resistant gasket applied to the doors.
- Unistrut® channel.
- Print pocket.
- Heavy-duty lifting bolts.
- Ground studs inside cabinet and door.
- Body stiffeners for extra rigidity where needed (not applicable for dual access).
- Collar studs provided for mounting optional sub panel in back.

**ACCESSORIES (ORDERED SEPARATELY)**

- Sub panels include full size, half-size, side mount, and swing-out panels. Sub-panels can be mounted and adjusted for depth on the horizontal Unistrut® channel.
- Clamping nuts for installing other equipment.
- Center panel supports.

**FINISH**

Standard ANSI-61 gray finish on interior and exterior of enclosures. Recoatable, smooth, white or RAL 7035 texture polyester powder coat available at no charge. Standard RAL and custom match finishes available for an additional charge, please contact Milbank Manufacturing Co. for further assistance. All powder coat finishes applied over cleaned phosphatized surfaces. Carbon steel sub panels have a white polyester powder coat finish. Stainless steel enclosures have a polished #4 finish.

**OPTIONS**

Milbank Manufacturing Co. can modify standard enclosures or custom design enclosures according to your specifications. Holes, cutouts, sizes, materials, and many more options are available. Quotations upon request.

**INDUSTRY STANDARDS**

- UL 50 Listed
- CUL 50 Listed
- Type 12

**APPLICATIONS**

Provide protection for electrical terminals, controls, and instruments from dirt, dust, dripping liquids, and oil. Freestanding enclosures are designed to accept Unistrut® mounted sub panels, rack angles or other adjustable mount equipment.

INDUSTRIAL ENCLOSURES

TYPE 12 – TWO DOOR & TWO DOOR DUAL ACCESS – FREESTANDING ENCLOSURES

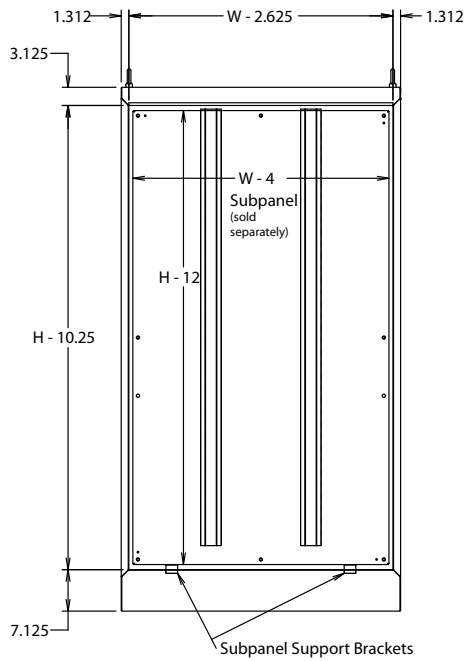
TWO DOOR FREE-STANDING ENCLOSURES											
CATALOG NUMBER			ENCLOSURE SIZE H X W X D (INCHES)	SHPG. WT.	SUB PANEL PART # (FULL PANEL)	SUB PANEL SIZE H X W (INCHES)	SUB PANEL PART # (HALF PANEL)	SUB PANEL SIZE H X W (INCHES)	SIDE MOUNTED PANEL PART #	SIDE PANEL H X W (INCHES)	LIFT. EYES
CARBON STEEL #	304 STAINLESS STEEL #	316 STAINLESS STEEL #									
TWO DOOR - SINGLE ACCESS											
M12FSD604818	M12FSDXS604818	M12FSDXZ604818	60 x 48 x 18	430	A-60P48F1	48 x 44	A-60P48F2	24.88 x 44	A-60SMP14	48 x 14	2
M12FSD724818	M12FSDXS724818	M12FSDXZ724818	72 x 48 x 18	492	A-72P48F1	60 x 44	A-72P48F2	30.88 x 44	A-72SMP14	60 x 14	2
M12FSD726018	M12FSDXS726018	M12FSDXZ726018	72 x 60 x 18	568	A-72P60F1	60 x 56	A-72P60F2	30.88 x 56	A-72SMP14	60 x 14	2
M12FSD727218	M12FSDXS727218	M12FSDXZ727218	72 x 72 x 18	645	A-72P72F1	60 x 68	A-72P72F2	30.88 x 32	A-72SMP14	60 x 14	2
M12FSD904820	M12FSDXS904820	M12FSDXZ904820	90 x 48 x 20	590	A-90P48F1	78 x 44	A-90P48F2	39.88 x 44	A-90SMP16	78 x 16	2
M12FSD907220	M12FSDXS907220	M12FSDXZ907220	90 x 72 x 20	783	A-90P72F1	78 x 68	A-90P72F2	39.88 x 68	A-90SMP16	78 x 16	2
M12FSD724824	M12FSDXS724824	M12FSDXZ724824	72 x 48 x 24	530	A-72P48F1	60 x 44	A-72P48F2	30.88 x 44	A-72SMP20	68 x 20	4
M12FSD726024	M12FSDXS726024	M12FSDXZ726024	72 x 60 x 24	645	A-72P24F1	60 x 20	A-72P24F2	30.88 x 20	A-72SMP20	60 x 20	4
M12FSD727224	M12FSDXS727224	M12FSDXZ727224	72 x 72 x 24	694	A-72P72F1	60 x 68	A-72P72F2	30.88 x 68	A-72SMP20	60 x 20	4
M12FSD907224	M12FSDXS907224	M12FSDXZ907224	90 x 72 x 24	825	A-90P72F1	78 x 68	A-90P72F2	39.88 x 68	A-90SMP20	78 x 20	4
M12FSD726036	M12FSDXS726036	M12FSDXZ726036	72 x 60 x 36	750	A-72P60F1	60 x 56	A-72P60F2	30.88 x 56	A-72SMP32	60 x 32	4
M12FSD907236	M12FSDXS907236	M12FSDXZ907236	90 x 72 x 36	1000	A-90P72F1	78 x 68	A-90P72F2	39.88 x 68	A-90SMP32	78 x 32	4

TWO DOOR DUAL ACCESS ENCLOSURES							
CATALOG NUMBER			ENCLOSURE SIZE H X W X D (INCHES)	SHPG. WT.	SUB PANEL PART # (FULL PANEL)	SUB PANEL SIZE H X W (INCHES)	LIFTING EYES
CARBON STEEL #	304 STAINLESS STEEL #	316 STAINLESS STEEL #					
TWO DOOR - DUAL ACCESS							
M12FSDAD724824	M12FSDADX724824	M12FSDADXZ724824	72 x 48 x 24	595	A-72P48F1	60 x 44	4
M12FSDAD726024	M12FSDADX726024	M12FSDADXZ726024	72 x 60 x 24	615	A-72P60F1	60 x 56	4
M12FSDAD727224	M12FSDADX727224	M12FSDADXZ727224	72 x 72 x 24	695	A-72P72F1	60 x 68	4
M12FSDAD907224	M12FSDADX907224	M12FSDADXZ907224	90 x 72 x 24	825	A-90P72F1	78 x 68	4
M12FSDAD726036	M12FSDADX726036	M12FSDADXZ726036	72 x 60 x 36	750	A-72P60F1	60 x 56	4

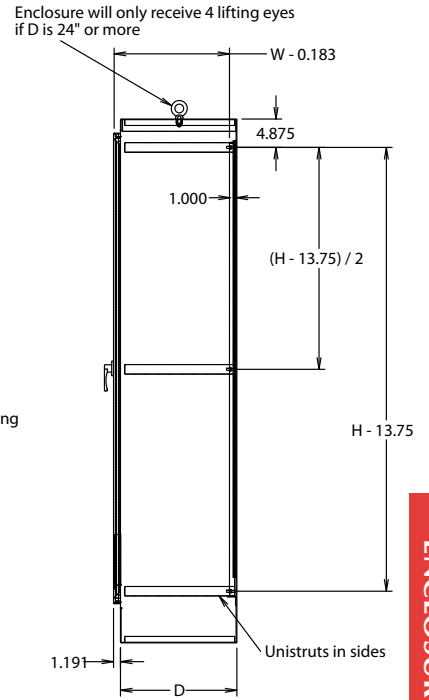
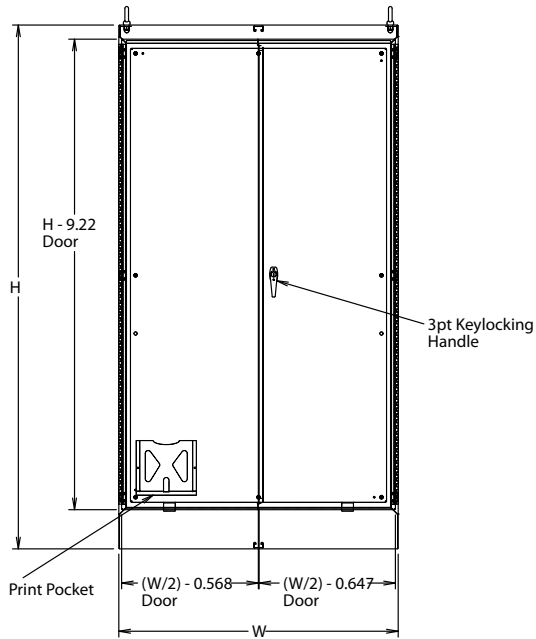
NOTE: Full, half, and side sub panels must be ordered separately.



M12FSD TWO DOOR



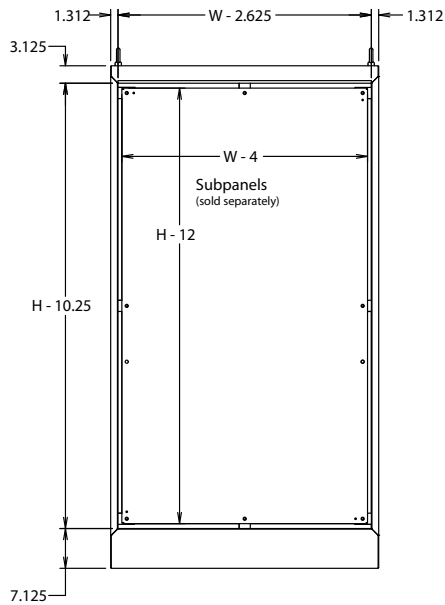
Doors Removed



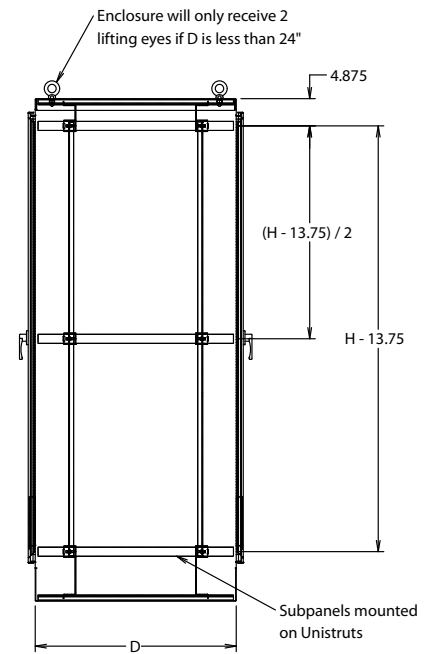
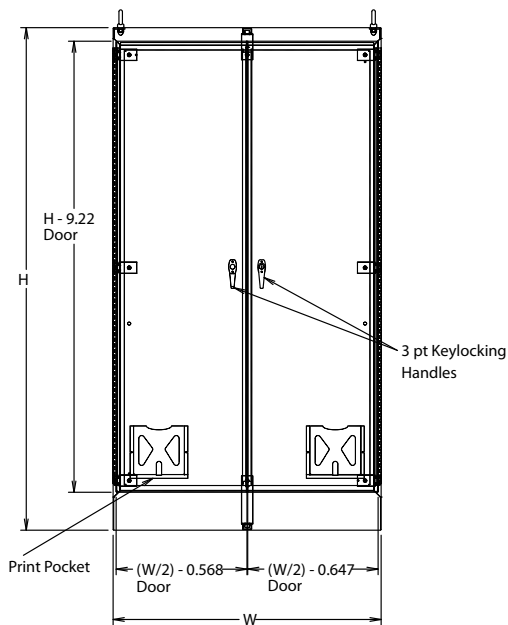
NOTES:

1. 9" x 9" Print pocket shipped inside enclosure.

M12FSDAD TWO DOOR DUAL ACCESS



Doors Removed



NOTES:

1. 9" x 9" Print pocket shipped inside enclosure.



INDUSTRIAL ENCLOSURES

TYPE 12 – MULTI-DOOR ENCLOSURES WITH SUB PANELS

**APPLICATIONS**

Designed to house electrical controls, terminals and instruments; providing protection from dust, dirt, oil and water.

**CONSTRUCTION**

Fabricated from 10 and 12 gauge carbon steel with continuously welded seams.

Enclosure features:

- Adhesive backed, oil resistant gasket applied to the doors. Overlapping doors which eliminate the need for a center post.
- Each enclosure is equipped with heavy duty lifting eyes, body stiffeners, 3-point padlocking handles, removable print pockets, provision for fluorescent lighting and mechanical interlock with right hand door serving as master door.

- 5-door will be split into 3-door and 2-door sections to be shipped assembled or separate.
- Sub panels must be listed separately when ordering enclosures.

**FINISH**

Standard ANSI-61 gray finish on interior and exterior of enclosures. Recoatable, smooth, white or RAL 7035 texture polyester powder coat available at no charge. Standard RAL and custom match finishes available for an additional charge, please contact Milbank Manufacturing Co. for further assistance. All powder coat finishes applied over cleaned phosphatized surfaces. Carbon steel sub panels have a white polyester powder coat finish.

**OPTIONS**

Milbank Manufacturing Co. can modify standard enclosures or custom design enclosures according to your specifications. Holes, cutouts, sizes, materials, and many more options are available. Quotations upon request.

**INDUSTRY STANDARDS**

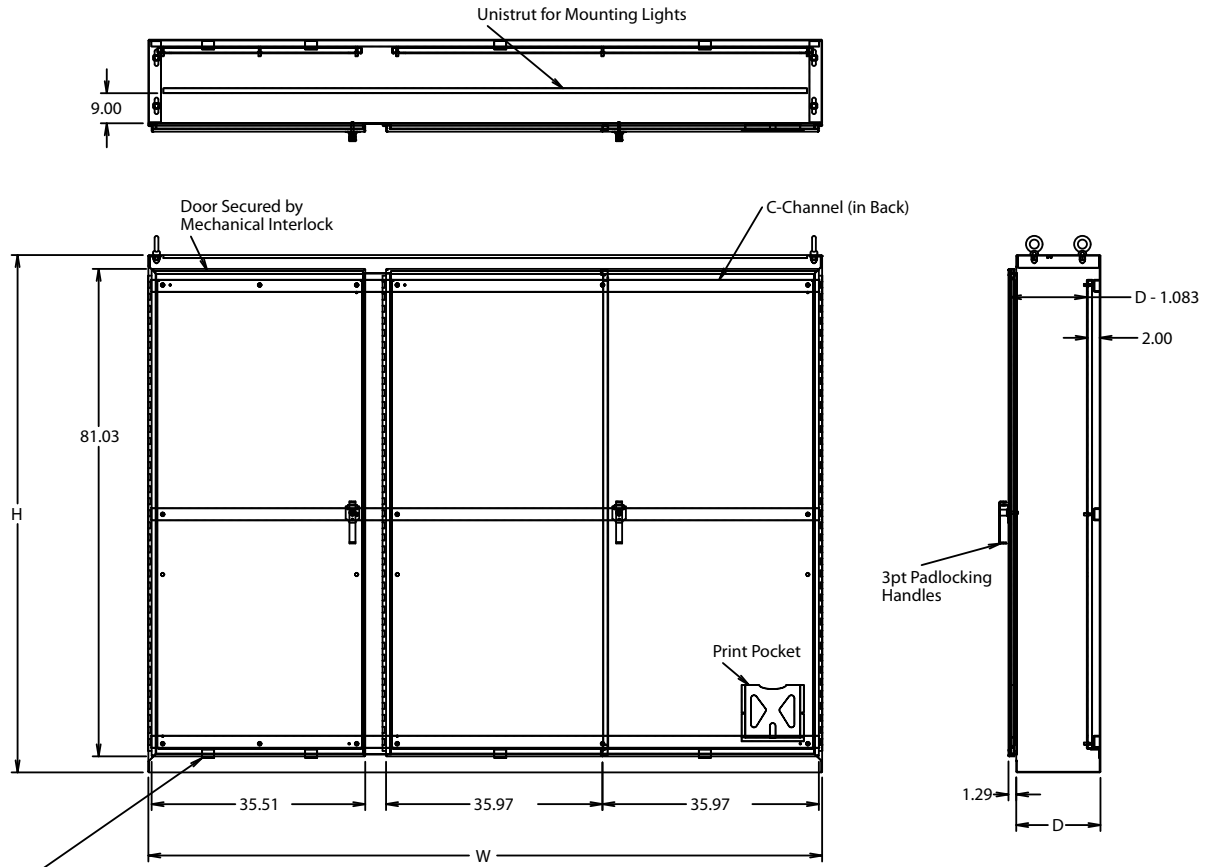
- UL 50 Listed
- CUL 50 Listed
- Type 12

CATALOG NUMBER	# OF DOORS	ENCLOSURE SIZE H X W X D (INCHES)	SHPG. WT.	SUB PANEL PART #	SUB PANEL 1 SIZE H X W (INCHES)	SUB PANEL PART #	SUB PANEL 2 SIZE H X W (INCHES)	# OF LIFTING EYES
M123D8611214	3	86.12 x 112 x 14.12	1690	A-78X70	(1) 78 x 70	A-78P34	(1) 78 x 34	4
M124D8614914	4	86.12 x 149.19 x 14.12	1850	A-78X70	(2) 78 x 70	-	-	8
M125D8618714	5	86.12 x 187 x 14.12	2200	A-78X70	(2) 78 x 70	A-78P34	(1) 78 x 34	8
M123D8611220	3	86.12 x 112 x 20.12	1850	A-78X70	(1) 78 x 70	A-78P34	(1) 78 x 34	4
M124D8614920	4	86.12 x 149.19 x 20.12	2000	A-78X70	(2) 78 x 70	-	-	8
M125D8618720	5	86.12 x 187 x 20.12	2900	A-78X70	(2) 78 x 70	A-78P34	(1) 78 x 34	8

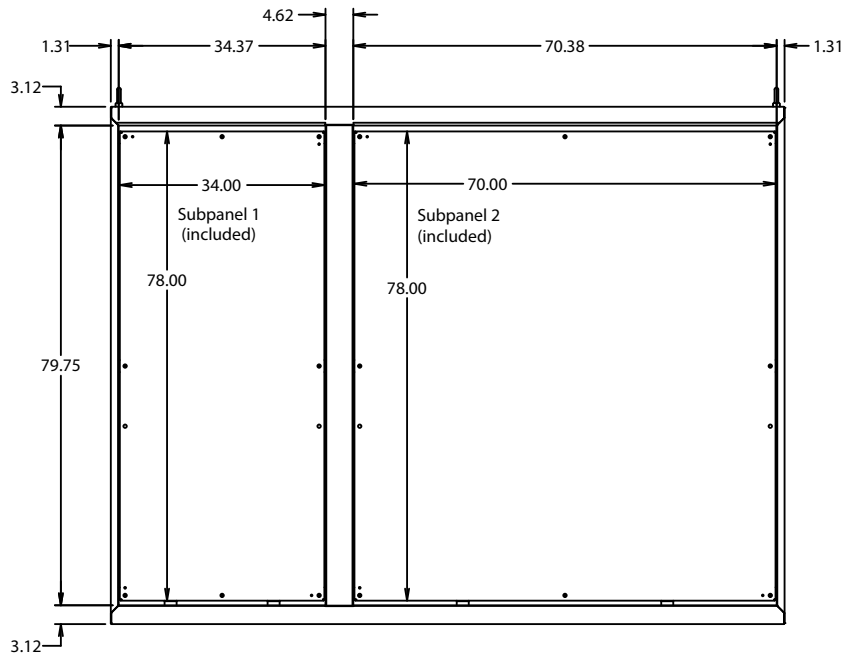
*NOTE: Sub panels must be listed separately when ordering enclosures. Reference freestanding sub panels.*



M123D



Subpanel Support Brackets  
(Omit when Subpanel is less than 36")

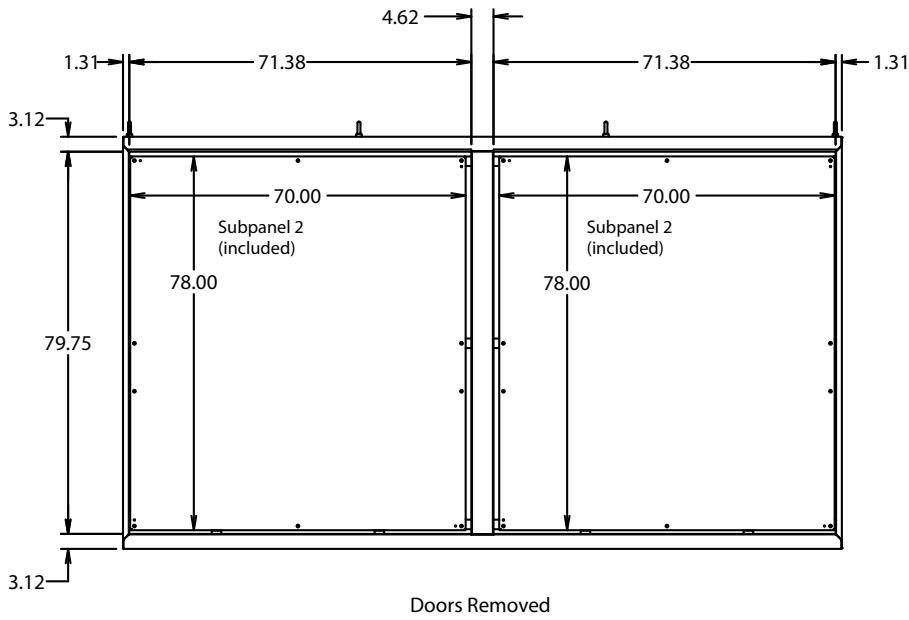
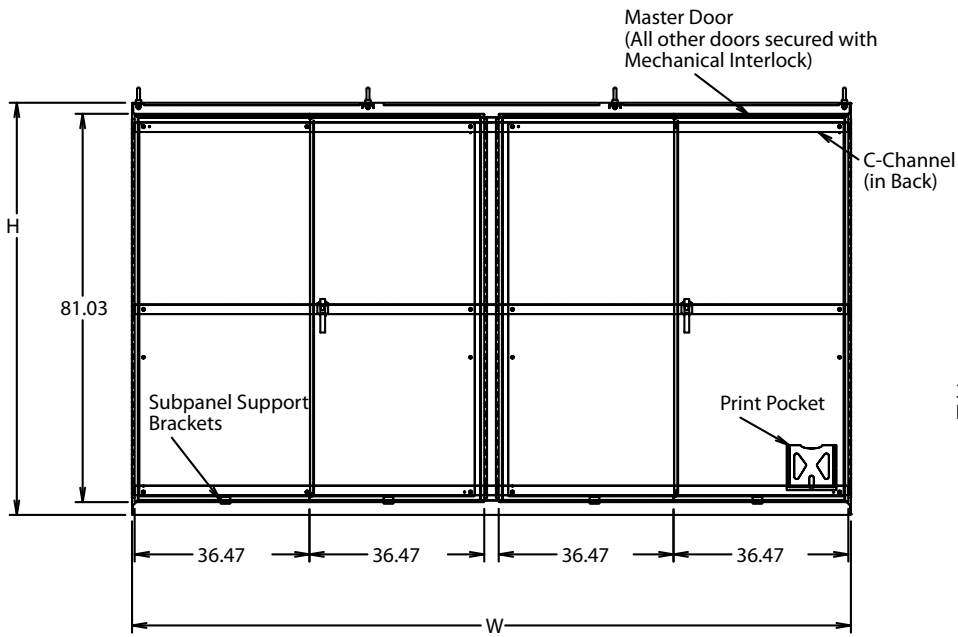
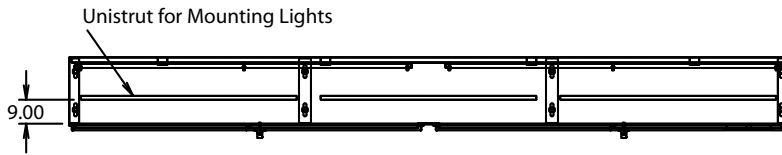


Doors Removed

NOTES:

1. 9" x 9" Print pocket shipped inside enclosure.

M124D



**NOTES:**

1. 9" x 9" Print pocket shipped inside enclosure.

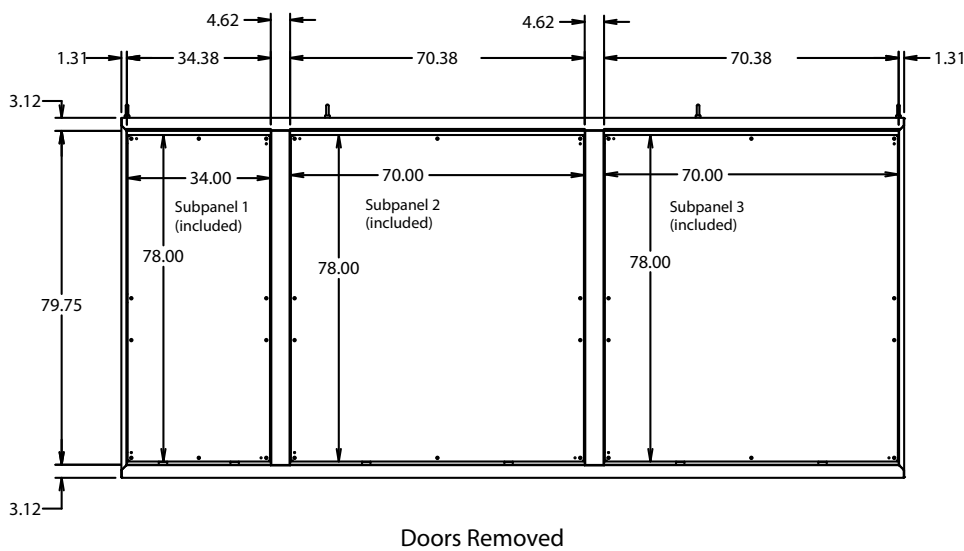
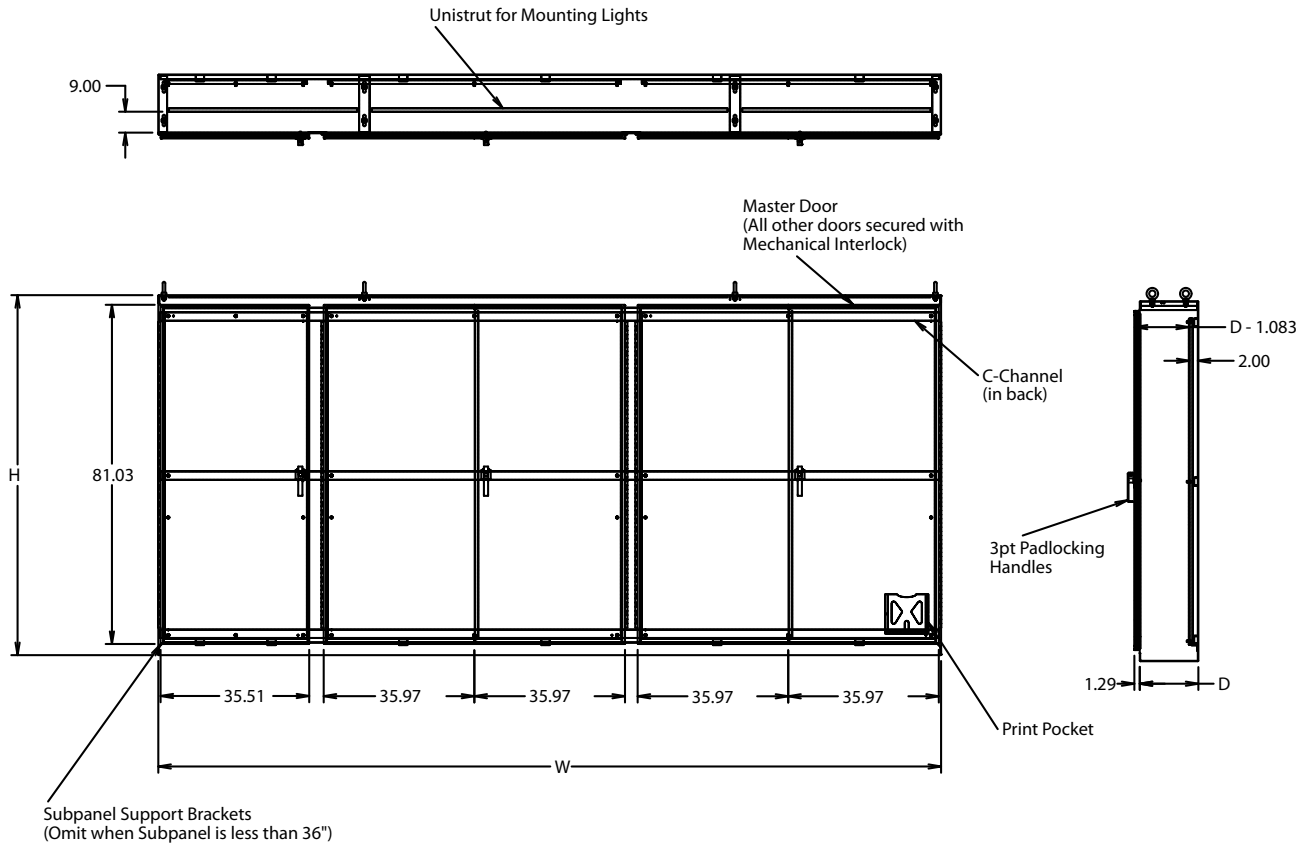
INDUSTRIAL ENCLOSURES

TYPE 12 – MULTI-DOOR ENCLOSURES WITH SUB PANELS





M125D



**NOTES:**  
 1. 9" x 9" Print pocket shipped inside enclosure.

INDUSTRIAL ENCLOSURES

TYPE 12 – MULTI-DOOR ENCLOSURES WITH SUB PANELS



**APPLICATIONS**

Designed to accommodate Allen-Bradley, Cutler-Hammer, General Electric, Square D, Westinghouse, and Siemens/ITE flange mount disconnect switches and circuit breakers and protect them from dust, dripping liquids, dirt and oil. For Disconnect order information see page C42.

**CONSTRUCTION**

Fabricated from 14 gauge carbon steel, type 304 or type 316 stainless steel. Enclosure features:

- Door is secured with heavy-duty continuous hinge with removable hinge pin.
- Provided with black anodized padlocking handle with defeater mechanism and two or three point latching system.
- Adhesive backed, oil resistant gasket applied to the doors.
- Print pocket.
- External mounting feet for wall or machinery mounting.
- Ground studs installed inside cabinet and door.
- Collar studs provided for mounting optional sub panels.

**FINISH**

Standard ANSI-61 gray finish on interior and exterior of enclosures. Recoatable, smooth, white or RAL 7035 texture polyester powder coat available at no charge. Standard RAL

and custom match finishes available for an additional charge, please contact Milbank Manufacturing Co. for further assistance. All powder coat finishes applied over cleaned phosphatized surfaces. Carbon steel sub panels have a white polyester powder coat finish. Stainless steel enclosures have a polished #4 finish.

**OPTIONS**

Milbank Manufacturing Co. can modify standard enclosures or custom design enclosures according to your specifications. Holes, cutouts, sizes, materials, and many more options are available. Quotations upon request.

**INDUSTRY STANDARDS**

- UL 50 Listed
- CUL 50 Listed
- Type 12

**NOTE:**  
These enclosures will not accept Allen-Bradley 1494F and 1494D circuit breaker operators. (see page C42)

CARBON STEEL #	CATALOG NUMBER		ENCLOSURE SIZE H X W X D (INCHES)	SHPG. WT.	SUB PANEL PART NUMBER	SUB PANEL SIZE H X W (INCHES)
	304 STAINLESS STEEL #	316 STAINLESS STEEL #				
<b>WALL MOUNT DISCONNECTS WITH HANDLES</b>						
M12S202108-FD-H	M12XS202108-FD-H	M12XZ202108-FD-H	20 x 21.38 x 8	44	A-20P20	17 x 17
M12S242108-FD-H	M12XS242108-FD-H	M12XZ242108-FD-H	24 x 21.38 x 8	51	A-24P20	21 x 17
M12S242508-FD-H	M12XS242508-FD-H	M12XZ242508-FD-H	24 x 25.38 x 8	58	A-24P24	21 x 21
M12S302108-FD-H	M12XS302108-FD-H	M12XZ302108-FD-H	30 x 21.38 x 8	59	A-30P20	27 x 17
M12S302508-FD-H	M12XS302508-FD-H	M12XZ302508-FD-H	30 x 25.38 x 8	63	A-30P24	27 x 21
M12S362508-FD-H	M12XS362508-FD-H	M12XZ362508-FD-H	36 x 25.38 x 8	77	A-36P24	33 x 21
M12S363108-FD-H	M12XS363108-FD-H	M12XZ363108-FD-H	36 x 31.38 x 8	94	A-36P30	33 x 27
M12S423108-FD-H	M12XS423108-FD-H	M12XZ423108-FD-H	42 x 31.38 x 8	109	A-42P30	39 x 27
M12S423708-FD-H	M12XS423708-FD-H	M12XZ423708-FD-H	42 x 37.38 x 8	128	A-42P36	39 x 33
M12S483708-FD-H	M12XS483708-FD-H	M12XZ483708-FD-H	48 x 37.38 x 8	137	A-48P36	45 x 33
M12S603708-FD-H	M12XS603708-FD-H	M12XZ603708-FD-H	60 x 37.38 x 8	153	A-60P36	57 x 33
M12S202110-FD-H	M12XS202110-FD-H	M12XZ202110-FD-H	20 x 21.38 x 10	45	A-20P20	17 x 17
M12S242110-FD-H	M12XS242110-FD-H	M12XZ242110-FD-H	24 x 21.38 x 10	55	A-24P20	21 x 17
M12S242510-FD-H	M12XS242510-FD-H	M12XZ242510-FD-H	24 x 25.38 x 10	60	A-24P24	21 x 21
M12S302110-FD-H	M12XS302110-FD-H	M12XZ302110-FD-H	30 x 21.38 x 10	59	A-30P20	27 x 17
M12S302510-FD-H	M12XS302510-FD-H	M12XZ302510-FD-H	30 x 25.38 x 10	71	A-30P24	27 x 21
M12S362510-FD-H	M12XS362510-FD-H	M12XZ362510-FD-H	36 x 25.38 x 10	82	A-36P24	33 x 21
M12S363110-FD-H	M12XS363110-FD-H	M12XZ363110-FD-H	36 x 31.38 x 10	105	A-36P30	33 x 27
M12S423110-FD-H	M12XS423110-FD-H	M12XZ423110-FD-H	42 x 31.38 x 10	119	A-42P30	39 x 27
M12S423710-FD-H	M12XS423710-FD-H	M12XZ423710-FD-H	42 x 37.38 x 10	139	A-42P36	39 x 33
M12S483710-FD-H	M12XS483710-FD-H	M12XZ483710-FD-H	48 x 37.38 x 10	148	A-48P36	45 x 33
M12S603710-FD-H	M12XS603710-FD-H	M12XZ603710-FD-H	60 x 37.38 x 10	178	A-60P36	57 x 33
M12S302510-FD-H	M12XS302510-FD-H	M12XZ302510-FD-H	30 x 25.38 x 12	76	A-30P24	27 x 21
M12S363112-FD-H	M12XS363112-FD-H	M12XZ363112-FD-H	36 x 31.38 x 12	103	A-36P30	33 x 27
M12S423112-FD-H	M12XS423112-FD-H	M12XZ423112-FD-H	42 x 31.38 x 12	123	A-42P30	39 x 27
M12S423712-FD-H	M12XS423712-FD-H	M12XZ423712-FD-H	42 x 37.38 x 12	138	A-42P36	39 x 33
M12S483712-FD-H	M12XS483712-FD-H	M12XZ483712-FD-H	48 x 37.38 x 12	153	A-48P36	45 x 33
<sup>1)</sup> M12S603712-FD-H	<sup>1)</sup> M12XS603712-FD-H	<sup>1)</sup> M12XZ603712-FD-H	60 x 37.38 x 12	183	A-60P36	57 x 33
M12S363116-FD-H	M12XS363116-FD-H	M12XZ363116-FD-H	36 x 31.38 x 16	117	A-36P30	33 x 27
M12S423716-FD-H	M12XS423716-FD-H	M12XZ423716-FD-H	48 x 37.38 x 16	175	A-48P36	45 x 33
M12S603716-FD-H	M12XS603716-FD-H	M12XZ603716-FD-H	60 x 37.38 x 16	200	A-60P36	57 x 33

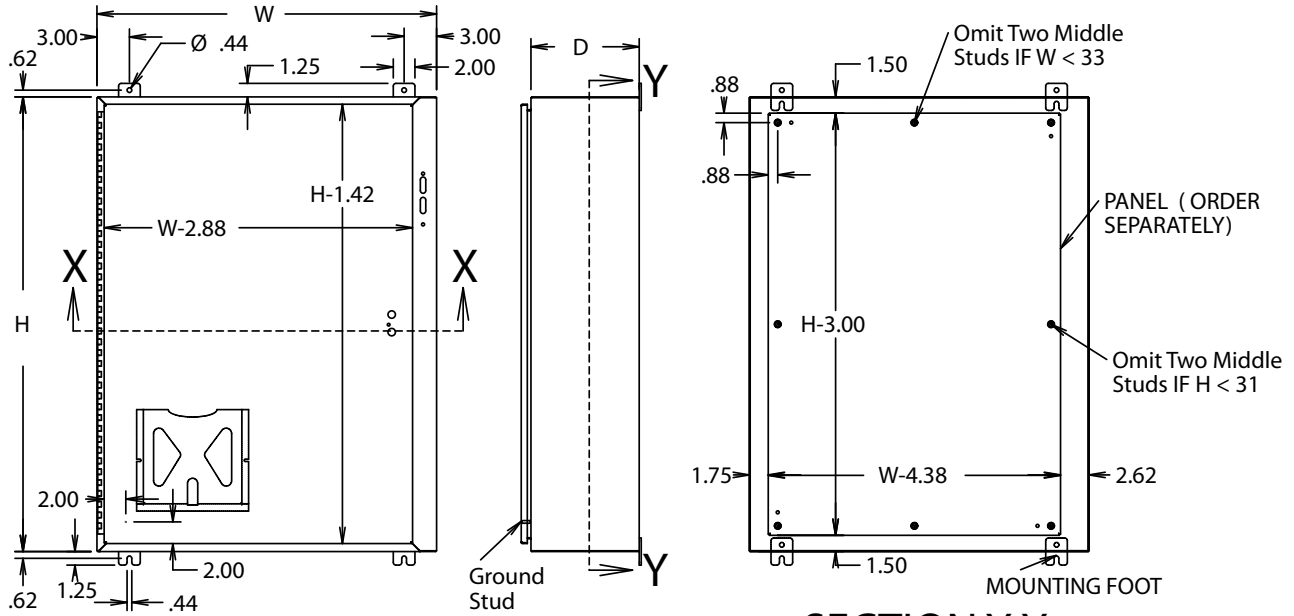
<sup>1)</sup> M12S603712-FD-H, M12XS603712-FD-H, and M12XZ603712-FD-H Accepts ABV 1494V 400 and 600 Amp and ITE 800/1200 Amp only.

**NOTE:** Sub panels must be listed separately when ordering enclosures.

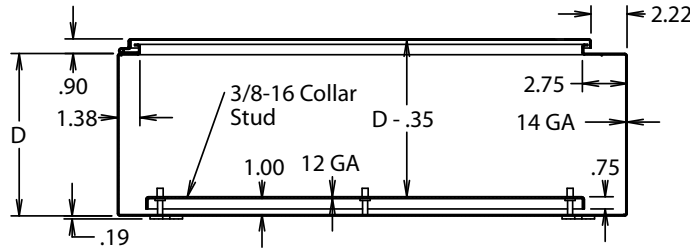


INDUSTRIAL ENCLOSURES  
TYPE 12 – DISCONNECT ENCLOSURES – WALL MOUNT SINGLE DOOR DISCONNECT WITH HANDLES

M12S-FD-H WITH HANDLES



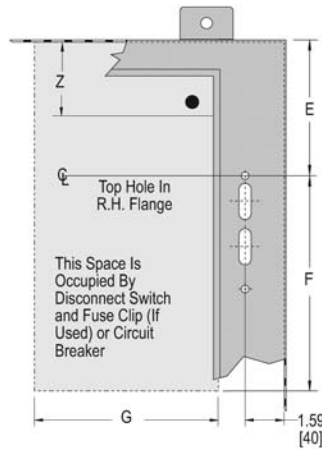
SECTION Y-Y



SECTION X-X

NOTES:

1. Print pocket = 6" x 6" when H and W are 24" or less.  
Print pocket = 9" x 9" when H and W are greater than 24".
2. Panels will have formed flanges when either Height or Width is greater than 18".
3. When H=40" or greater the handle is centered in the height and includes a three point latch system.  
When H is less than 40" the handle is at the bottom and includes a two point latch system.



Space Occupied By Disconnects

- E = 4.75 when D = 8.00
- E = 7.09 when D = 10.00
- E = 11.62 when D = 12.00
- E = 11.62 when D = 16.00
- E = 18.38 for M12S603712-FD-H
- Z = Wire Bend Spacing

See charts on pages C59-C64 for "F", "G", and "Z" dimensions which cover space occupied by disconnect and wire bend spacing. Disconnects occupy the space indicated by "E", "F", and "G".



**APPLICATIONS**

Designed to accommodate Allen-Bradley, Cutler-Hammer, General Electric, Square D, Westinghouse, and Siemens/ITE flange mount disconnect switches and circuit breakers and protect them from dust, dripping liquids, dirt and oil. For Disconnect order information see page C42.

**CONSTRUCTION**

Fabricated from 14 gauge carbon steel, type 304 or type 316 stainless steel. Enclosure features:

- Door is secured with heavy-duty continuous hinge with removable hinge pin.
- Punching available for manufacturers door hardware.
- Adhesive backed, oil resistant gasket applied to the doors.
- Print pocket.
- External mounting feet for wall or machinery mounting.
- Ground studs installed inside cabinet and door.
- Collar studs provided for mounting optional sub panels.

**FINISH**

Standard ANSI-61 gray finish on interior and exterior of enclosures. Recoatable, smooth, white or RAL 7035 texture polyester powder coat available at no charge. Standard RAL and custom match finishes available for an

additional charge, please contact Milbank Manufacturing Co. for further assistance. All powder coat finishes applied over cleaned phosphatized surfaces. Carbon steel sub panels have a white polyester powder coat finish. Stainless steel enclosures have a polished #4 finish.

**OPTIONS**

Milbank Manufacturing Co. can modify standard enclosures or custom design enclosures according to your specifications. Holes, cutouts, sizes, materials, and many more options are available.

**INDUSTRY STANDARDS**

- UL 50 Listed
- CUL 50 Listed
- Type 12

**NOTE:**  
These enclosures will not accept Allen-Bradley 1494F and 1494D circuit breaker operators. (see page C42)

INDUSTRIAL ENCLOSURES

TYPE 12 – DISCONNECT ENCLOSURES – WALL MOUNT SINGLE DOOR DISCONNECT WITHOUT HANDLES

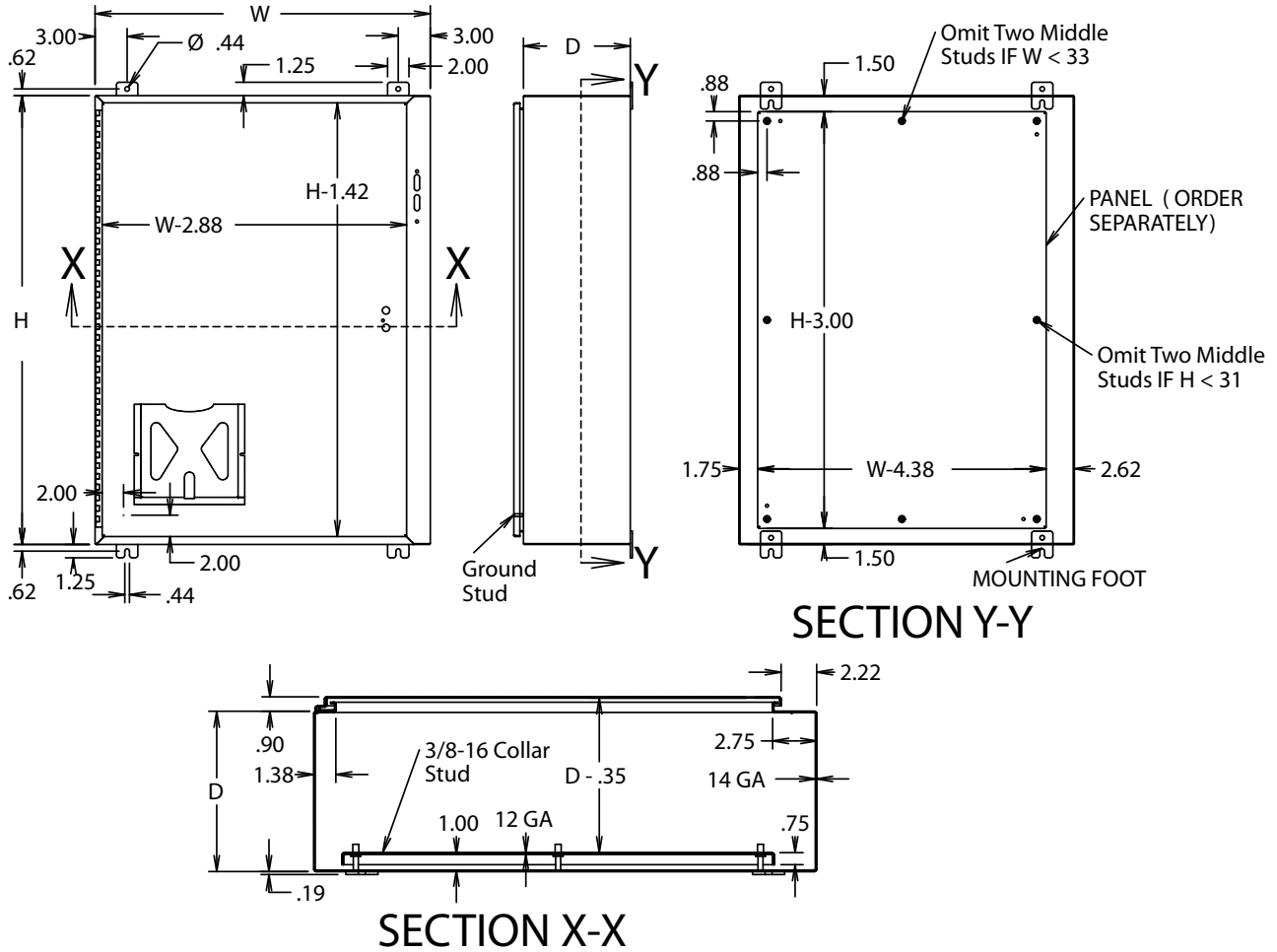
CARBON STEEL #	CATALOG NUMBER		ENCLOSURE SIZE H X W X D (INCHES)	SHPG. WT.	SUB PANEL PART NUMBER	SUB PANEL SIZE H X W (INCHES)
	304 STAINLESS STEEL #	316 STAINLESS STEEL #				
<b>WALL MOUNT DISCONNECTS WITH HANDLES</b>						
M12S202108-FD	M12XS202108-FD	M12XZ202108-FD	20 x 21.38 x 8	44	A-20P20	17 x 17
M12S242108-FD	M12XS242108-FD	M12XZ242108-FD	24 x 21.38 x 8	51	A-24P20	21 x 17
M12S242508-FD	M12XS242508-FD	M12XS242508-FD	24 x 25.38 x 8	58	A-24P24	21 x 21
M12S302108-FD	M12XS302108-FD	M12XS302108-FD	30 x 21.38 x 8	59	A-30P20	27 x 17
M12S302508-FD	M12XS302508-FD	M12XS302508-FD	30 x 25.38 x 8	63	A-30P24	27 x 21
M12S362508-FD	M12XS362508-FD	M12XS362508-FD	36 x 25.38 x 8	77	A-36P24	33 x 21
M12S363108-FD	M12XS363108-FD	M12XS363108-FD	36 x 31.38 x 8	94	A-36P30	33 x 27
M12S423108-FD	M12XS423108-FD	M12XS423108-FD	42 x 31.38 x 8	109	A-42P30	39 x 27
M12S423708-FD	M12XS423708-FD	M12XS423708-FD	42 x 37.38 x 8	128	A-42P36	39 x 33
M12S483708-FD	M12XS483708-FD	M12XS483708-FD	48 x 37.38 x 8	137	A-48P36	45 x 33
M12S603708-FD	M12XS603708-FD	M12XS603708-FD	60 x 37.38 x 8	153	A-60P36	57 x 33
M12S202110-FD	M12XS202110-FD	M12XZ202110-FD	20 x 21.38 x 10	45	A-20P20	17 x 17
M12S242110-FD	M12XS242110-FD	M12XZ242110-FD	24 x 21.38 x 10	55	A-24P20	21 x 17
M12S242510-FD	M12XS242510-FD	M12XZ242510-FD	24 x 25.38 x 10	60	A-24P24	21 x 21
M12S302110-FD	M12XS302110-FD	M12XZ302110-FD	30 x 21.38 x 10	59	A-30P20	27 x 17
M12S302510-FD	M12XS302510-FD	M12XZ302510-FD	30 x 25.38 x 10	71	A-30P24	27 x 21
M12S362510-FD	M12XS362510-FD	M12XZ362510-FD	36 x 25.38 x 10	82	A-36P24	33 x 21
M12S363110-FD	M12XS363110-FD	M12XZ363110-FD	36 x 31.38 x 10	105	A-36P30	33 x 27
M12S423110-FD	M12XS423110-FD	M12XZ423110-FD	42 x 31.38 x 10	119	A-42P30	39 x 27
M12S423710-FD	M12XS423710-FD	M12XZ423710-FD	42 x 37.38 x 10	139	A-42P36	39 x 33
M12S483710-FD	M12XS483710-FD	M12XZ483710-FD	48 x 37.38 x 10	148	A-48P36	45 x 33
M12S603710-FD	M12XS603710-FD	M12XZ603710-FD	60 x 37.38 x 10	178	A-60P36	57 x 33
M12S302512-FD	M12XS302512-FD	M12XZ302512-FD	30 x 25.38 x 12	76	A-30P24	27 x 21
M12S363112-FD	M12XS363112-FD	M12XZ363112-FD	36 x 31.38 x 12	103	A-36P30	33 x 27
M12S423112-FD	M12XS423112-FD	M12XZ423112-FD	42 x 31.38 x 12	123	A-42P30	39 x 27
M12S423712-FD	M12XS423712-FD	M12XZ423712-FD	42 x 37.38 x 12	138	A-42P36	39 x 33
M12S483712-FD	M12XS483712-FD	M12XZ483712-FD	48 x 37.38 x 12	153	A-48P36	45 x 33
<sup>1)</sup> M12S603712-FD	<sup>1)</sup> M12XS603712-FD	<sup>1)</sup> M12XZ603712-FD	60 x 37.38 x 12	183	A-60P36	57 x 33
M12S363116-FD	M12XS363116-FD	M12XZ363116-FD	36 x 31.38 x 16	117	A-36P30	33 x 27
M12S423716-FD	M12XS423716-FD	M12XZ423716-FD	48 x 37.38 x 16	175	A-48P36	45 x 33
M12S603716-FD	M12XS603716-FD	M12XZ603716-FD	60 x 37.38 x 16	200	A-60P36	57 x 33

<sup>1)</sup> M12S603712-FD-H, M12XS603712-FD-H, and M12XZ603712-FD-H Accepts ABV 1494V 400 and 600 Amp and ITE 800/1200 Amp only.

**NOTE:** Sub panels must be listed separately when ordering enclosures.



M12S-FD - WITHOUT HANDLES



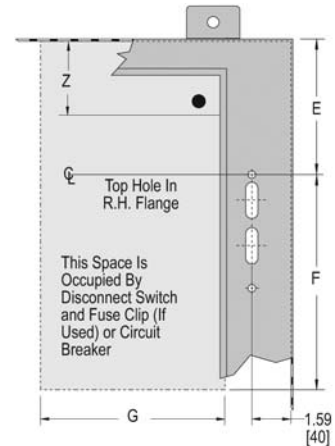
NOTES:

1. Print pocket = 6" x 6" when H and W are 24" or less.  
Print pocket = 9" x 9" when H and W are greater than 24".
2. Panels will have formed flanges when either Height or Width is greater than or equal to 18".
3. When H=40" or greater the handle is centered in the height and includes a three point latch system.  
When H is less than 40" the handle is at the bottom and includes a two point latch system.

Space Occupied By Disconnects

- E = 4.75 when D = 8.00
- E = 7.09 when D = 10.25
- E = 11.62 when D = 12.00
- E = 11.62 when D = 16.00
- E = 18.38 for M12S603712-FD
- Z = Wire Bend Spacing

See charts on pages C57-C64 for "F", "G", and "Z" dimensions which cover space occupied by disconnect and wire bend spacing. Disconnects occupy the space indicated by "E", "F", and "G".



## Disconnect Ordering Information

When ordering flange-mounted disconnects from the various manufacturers, be sure to order the necessary items. Each company has a different system, read through the following list of items required and refer to the charts on pages C59-C64.

Use a Type 4 disconnect operating handle on the enclosure flange to provide corrosion resistance and maintain the enclosure rating.

Items with an (\*) preceding them are available from disconnect manufacturer as complete kits.

### Allen-Bradley

When using a 1494V disconnect switch, order:

- \*1. A disconnect switch with flange mounted operator. (Bulletin 1494V)
  - \*2. An operating handle (Bulletin 1494V-H1) Note: use (Bulletin 1494V-H2) operating handle when ordering 12WMRH-060-037-012-SDAV enclosure.
  - \*3. A connecting rod - Use (Bulletin 1494V-RA1) when D = 8.00 [203] or 10.25 [260] - Use (Bulletin 1494V-RA2) when D = 12.00 [305] or 16.00 [406] - Use (Bulletin 1494V-RB2) for 400A or 600A switch on 12WMRH-060-037-012-SDAV enclosure.
  - \*4. A trailer fuse block kit, if required (Bulletin 1494V)
  - \*5. A fuse clip kit, if required
  - 6. Line and load connectors, if required
- When using a Bulletin 1494V circuit breaker operating mechanism, order:
- 1. A circuit breaker (C-H/Westinghouse)
  - 2. A circuit breaker operating mechanism (Bulletin 1494V)
  - 3. An operating handle (Bulletin 1494V-H11)
  - 4. A connecting rod - Use (Bulletin 1494V-RA1) when D = 8.00 [203] or 10.25 [260] - Use (Bulletin 1494V-RA2) when D = 12.00 [305] or 16.00 [406]

### ABB Controls

When using a disconnect switch, order:

- 1. A flange-operated switch (fusible or non-fusible)
- 2. A shaft - Use (DSFHN-12) when D = 8.00 [203], 10.25 [260] or 12.00 [305] - when D = 16.00 [406] use (DSFHS-17)
- 3. A handle (DSFGN-HS12)

When using a circuit breaker, order:

- 1. A circuit breaker (ABB)
- \*2. An operating mechanism
- \*3. A shaft - Use (FHS-12) when D = 8.00 [203], 10.25 [260] or 12.00 [305] - when D = 16.00 [406] use (FHS-17)

- \*4. A handle mechanism (FHN-HS12)

### Cutler-Hammer/Westinghouse

When using a Type C361 disconnect switch, order:

- \*1. A disconnect switch with an operating mechanism
- \*2. An operating handle (C361H1 or C361H3)

When using a Type C371 circuit breaker operating mechanism with a C-H/Westinghouse circuit breaker, order:

- 1. A circuit breaker
- \*2. An operating mechanism
- \*3. An operating handle (C361H1 or C361H3)

When using a C-H/Westinghouse circuit breaker with a Type 4/4X Flex Shaft™ handle mechanism, order:

- 1. A circuit breaker
- 2. A complete Flex Shaft™ handle mechanism

### General Electric

When using a disconnect switch, order:

- 1. A disconnect switch (Type QMR or QMW)
- 2. A fuse clip kit or no-fuse kit
- 3. A flange handle (STDA1 or STDA2)
- 4. A variable depth operating mechanism

When using a circuit breaker, order:

- 1. A circuit breaker
- 2. A flange handle (STDA1 or STDA2)
- 3. A variable depth operating mechanism

When using a circuit breaker with a Spectra Flex™ cable operator, order:

- 1. A circuit breaker
- 2. A flange-mounted handle mechanism
- 3. A breaker-mounted mechanism
- 4. An operating cable

### I-T-E Siemens

When using a disconnect switch, order:

- 1. A basic switch (right hand)
- 2. A fuse or non-fuse kit
- 3. A flange-mounted handle (FHOHS)
- 4. Switch operator
- 5. Cable 36.00 inch

When using a circuit breaker, order:

- 1. A circuit breaker
- 2. Pressure wire connectors
- 3. A flange-mounted handle (FHOH) Note: use (FHOHN) for 12WMRH-060-037-012-SDAV enclosure
- 4. A circuit breaker operator mechanism
- 5. An operating cable - standard 36.00

inch for 125A to 600A circuit breakers - 48.00 inch for 800A to 1200A circuit breakers

### Square D

When using a Class 9422 disconnect switch, order:

- \*1. A disconnect switch with operating mechanism (Class 9422)
- \*2. A handle mechanism (Class 9422 Type A-1)

When using a circuit breaker, order:

- 1. A circuit breaker (Square D)
- 2. An operating mechanism (Class 9422)
- 3. A handle mechanism (Class 9422 Type A-1)

When using a Class 9422 Type "T" disconnect switch with a cable mechanism, order:

- 1. A disconnect switch with operating mechanism (Class 9422, Type T)
- 2. A handle mechanism (Class 9422 Type A-1)
- 3. A cable mechanism (Class 9422 CFT\_O) 3, 5, or 10 foot

When using a circuit breaker with a cable mechanism, order:

- 1. A circuit breaker (Square D)
- 2. A handle mechanism (Class 9422 Type A-1)
- 3. A cable mechanism (Class 9422 CFT\_O) 3, 5, or 10 foot





**APPLICATIONS**

Designed to accommodate Allen-Bradley 1494F and 1494D flange mount disconnect switches and circuit breakers and protect them from dust, dripping liquids, dirt and oil.

**CONSTRUCTION**

Fabricated from 14 gauge carbon steel, type 304 or type 316 stainless steel with continuously welded seams. Enclosure features:

- Door secured with heavy-duty continuous hinge with removable hinge pin.
- Provided with black zinc anodized padlocking handle with defeater mechanism and two or three point latching system.
- Adhesive backed, oil resistant gasket applied to the doors.
- Print pocket.
- External mounting feet for wall or machinery mounting.
- Ground studs installed inside cabinet and door.
- Collar studs provided for mounting optional sub panels.

**FINISH**

Standard ANSI-61 gray finish on interior and exterior of enclosures. Recoatable, smooth,

white or RAL 7035 texture polyester powder coat available at no charge. Standard RAL and custom match finishes available for an additional charge, please contact Milbank Manufacturing Co. for further assistance. All powder coat finishes applied over cleaned phosphatized surfaces. Carbon steel sub panels have a white polyester powder coat finish. Stainless steel enclosures have a polished #4 finish.

**OPTIONS**

Milbank Manufacturing Co. can modify standard enclosures or custom design enclosures according to your specifications. Holes, cutouts, sizes, materials, and many more options are available.

**INDUSTRY STANDARDS**

- UL 50 Listed
- CUL 50 Listed
- NEMA Type 12

**INDUSTRIAL ENCLOSURES**

**TYPE 12 – DISCONNECT ENCLOSURES – WALL MOUNT ALLEN BRADLEY 1494F & D SINGLE DOOR DISCONNECT**

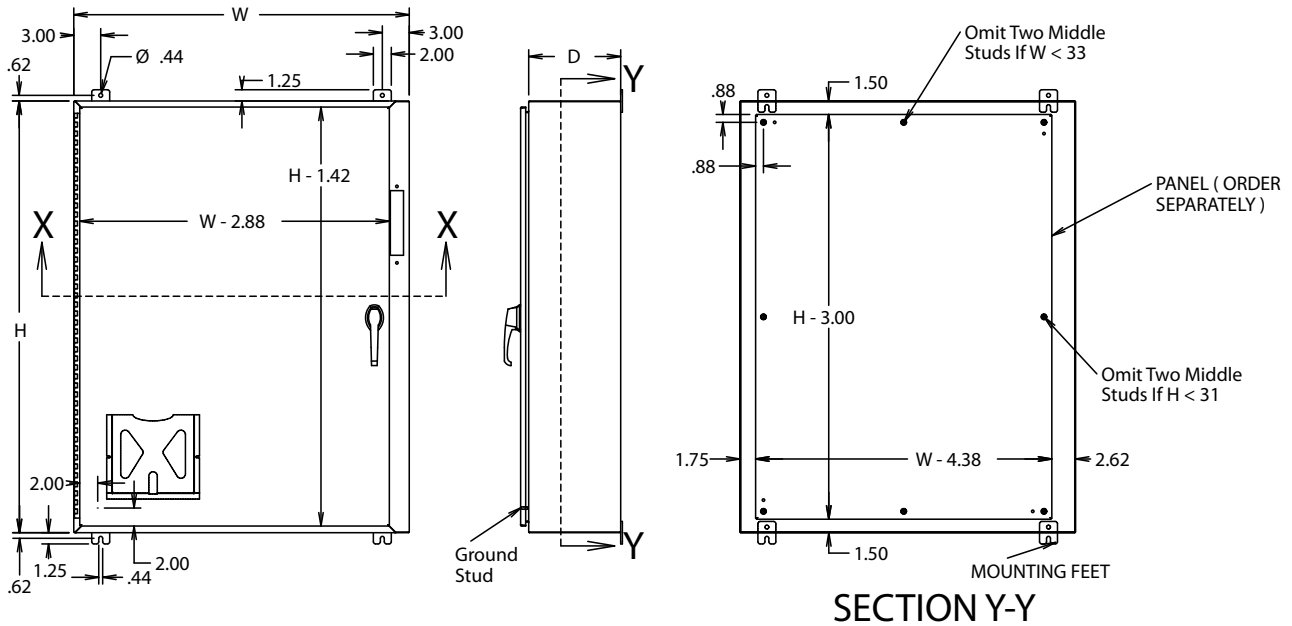
CARBON STEEL #	CATALOG NUMBER		ENCLOSURE SIZE H X W X D (INCHES)	SHPG. WT.	SUB PANEL PART NUMBER	SUB PANEL SIZE H X W (INCHES)
	304 STAINLESS STEEL #	316 STAINLESS STEEL #				
M12SAB202108-FD	M12XSAB202108-FD	M12XZAB202108-FD	20 x 21.38 x 8	44	A-20P20	17 x 17
M12SAB242108-FD	M12XSAB242108-FD	M12XZAB242108-FD	24 x 21.38 x 8	51	A-24P20	21 x 17
M12SAB242508-FD	M12XSAB242508-FD	M12XZAB242508-FD	24 x 25.38 x 8	58	A-24P24	21 x 21
M12SAB302108-FD	M12XSAB302108-FD	M12XZAB302108-FD	30 x 21.38 x 8	59	A-30P20	27 x 17
M12SAB302508-FD	M12XSAB302508-FD	M12XZAB302508-FD	30 x 25.38 x 8	63	A-30P24	27 x 21
M12SAB362508-FD	M12XSAB362508-FD	M12XZAB362508-FD	36 x 25.38 x 8	77	A-36P24	33 x 21
M12SAB363108-FD	M12XSAB363108-FD	M12XZAB363108-FD	36 x 31.38 x 8	94	A-36P30	33 x 27
M12SAB423108-FD	M12XSAB423108-FD	M12XZAB423108-FD	42 x 31.38 x 8	109	A-42P30	39 x 27
M12SAB423708-FD	M12XSAB423708-FD	M12XZAB423708-FD	42 x 37.38 x 8	128	A-42P36	39 x 33
M12SAB483708-FD	M12XSAB483708-FD	M12XZAB483708-FD	48 x 37.38 x 8	137	A-48P36	45 x 33
M12SAB603708-FD	M12XSAB603708-FD	M12XZAB603708-FD	60 x 37.38 x 8	153	A-60P36	57 x 33
M12SAB202110-FD	M12XSAB202110-FD	M12XZAB202110-FD	20 x 21.38 x 10	45	A-20P20	17 x 17
M12SAB242110-FD	M12XSAB242110-FD	M12XZAB242110-FD	24 x 21.38 x 10	55	A-24P20	21 x 17
M12SAB242510-FD	M12XSAB242510-FD	M12XZAB242510-FD	24 x 25.38 x 10	60	A-24P24	21 x 21
M12SAB302110-FD	M12XSAB302110-FD	M12XZAB302110-FD	30 x 21.38 x 10	59	A-30P20	27 x 17
M12SAB302510-FD	M12XSAB302510-FD	M12XZAB302510-FD	30 x 25.38 x 10	71	A-30P24	27 x 21
M12SAB362510-FD	M12XSAB362510-FD	M12XZAB362510-FD	36 x 25.38 x 10	82	A-36P24	33 x 21
M12SAB363110-FD	M12XSAB363110-FD	M12XZAB363110-FD	36 x 31.38 x 10	105	A-36P30	33 x 27
M12SAB423110-FD	M12XSAB423110-FD	M12XZAB423110-FD	42 x 31.38 x 10	119	A-42P30	39 x 27
M12SAB423710-FD	M12XSAB423710-FD	M12XZAB423710-FD	42 x 37.38 x 10	139	A-42P36	39 x 33
M12SAB483710-FD	M12XSAB483710-FD	M12XZAB483710-FD	48 x 37.38 x 10	148	A-48P36	45 x 33
M12SAB603710-FD	M12XSAB603710-FD	M12XZAB603710-FD	60 x 37.38 x 10	178	A-60P36	57 x 33
M12SAB302512-FD	M12XSAB302512-FD	M12XZAB302512-FD	30 x 25.38 x 12	76	A-30P24	27 x 21
M12SAB363112-FD	M12XSAB363112-FD	M12XZAB363112-FD	36 x 31.38 x 12	103	A-36P30	33 x 27
M12SAB423112-FD	M12XSAB423112-FD	M12XZAB423112-FD	42 x 31.38 x 12	123	A-42P30	39 x 27
M12SAB423712-FD	M12XSAB423712-FD	M12XZAB423712-FD	42 x 37.37 x 12	138	A-42P36	39 x 33
M12SAB483712-FD	M12XSAB483712-FD	M12XZAB483712-FD	48 x 37.38 x 12	153	A-48P36	45 x 33
M12SAB603712-FD	M12XSAB603712-FD	M12XZAB603712-FD	60 x 37.38 x 12	183	A-60P36	57 x 33
M12SAB363116-FD	M12XSAB363116-FD	M12XZAB363116-FD	36 x 31.38 x 16	117	A-36P30	33 x 27
M12SAB483716-FD	M12XSAB483716-FD	M12XZAB483716-FD	48 x 37.38 x 16	175	A-48P36	45 x 33
M12SAB603716-FD	M12XSAB603716-FD	M12XZAB603716-FD	60 x 37.38 x 16	200	A-60P36	57 x 33
M12SAB483716-FD-A <sup>1)</sup>	M12SAB483716-FD-A <sup>1)</sup>	M12SAB483716-FD-A <sup>1)</sup>	48 x 37.38 x 16	175	A-48P36	45 x 33
M12SAB603716-FD-A <sup>1)</sup>	M12SAB603716-FD-A <sup>1)</sup>	M12SAB603716-FD-A <sup>1)</sup>	60 x 37.38 x 16	200	A-60P36	57 x 33

<sup>1)</sup> Suitable for 200 amp disconnect switches and 1494F-L only.

**NOTE:** Sub panels must be listed separately when ordering enclosures.



M12SAB



SECTION X-X

NOTES:

1. Print pocket = 6" x 6" when H and W are 24" or less.  
Print pocket = 9" x 9" when H and W are greater than 24".
2. Panels will have formed flanges when either Height or Width is greater than or equal to 18".
3. When H=40" or greater the handle is centered in the height and includes a three point latch system. When H is less than 40" the handle is at the bottom and includes a two point latch system.

Disconnect Ordering Information

When using a 1494F disconnect switch, order:

1. A disconnect switch (30A, 60A, or 100A)
  2. A fuse block adapter, if required
  3. Line and load connectors, if required
- Exception: M12SAB603712-FD enclosure requires one set (1494F-L4) 3-point latching hardware

M12SAB603712-FD enclosure will only accept 200A (1494F) disconnect switch. This switch will not fit in any other size.

When using a Bulletin 1494D circuit breaker operating mechanism, order:

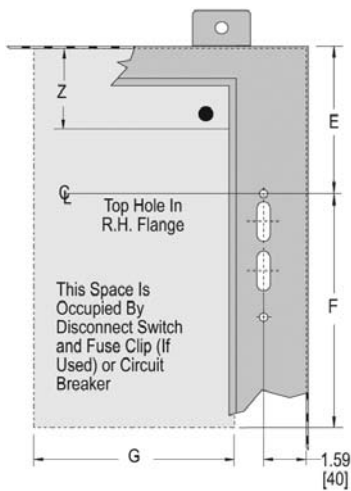
1. A circuit breaker (C-H/Westinghouse)
2. A circuit breaker operating mechanism
3. A slide mechanism

Space Occupied By Disconnects

- E = 3.84 when D = 8.00
  - E = 6.75 when D = 10.25
  - E = 9.50 when D = 12.00
- Except for 200A switches
- E = 9.50 when D = 16.00
  - E = 10.50 when D = 12.00

For enclosures with 200A switches  
Z = Wire Bend Spacing

See charts on pages C57-C64 for "F", "G", and "Z" dimensions which cover space occupied by disconnect and wire bend spacing. Disconnects occupy the space indicated by "E", "F", and "G".



INDUSTRIAL ENCLOSURES

TYPE 12 – DISCONNECT ENCLOSURES – WALL MOUNT  
ALLEN BRADLEY 1494F & D SINGLE DOOR DISCONNECT





**CONSTRUCTION**

Fabricated from 10 gauge carbon steel with continuously welded seams. Enclosure features:

- Doors secured with continuous hinges with removable hinge pins.
- Black zinc anodized padlocking handle with built-in defeater mechanism (on the master door only) and three point latching system.
- Adhesive backed, oil resistant gasket applied to the doors.
- Removable center post for easy installation of the sub panel.
- 15-inch floor stands.
- Print pocket.
- Heavy-duty lifting eyes.
- Universal cutout provides mounting for most disconnect operators by using Adapter Kits.
- Ground studs installed inside cabinet and door.
- Collar studs provided for mounting optional sub panels.
- Body stiffeners for extra rigidity where needed.

**FINISH**

Standard ANSI-61 gray finish on interior and exterior of enclosures. Recoatable, smooth, white or RAL 7035 texture polyester powder coat available at no charge. Standard RAL and custom match finishes available for an additional charge, please contact Milbank Manufacturing Co. for further assistance. All powder coat finishes applied over cleaned phosphatized surfaces. Carbon steel sub panels have a white polyester powder coat finish.

**OPTIONS**

Milbank Manufacturing Co. can modify standard enclosures or custom design enclosures according to your specifications. Holes, cutouts, sizes, materials, and many more options are available. Quotations upon request.

**INDUSTRY STANDARDS**

- UL 50 Listed
- CUL 50 Listed
- Type 12

**NOTE:**

Adapter plates must be ordered separately. See page C97 for ordering information.

**APPLICATIONS**

Designed to accommodate Allen-Bradley, Cutler-Hammer, General Electric, Square D, Westinghouse, and Telemecanique/ITE flange mount disconnect switches and circuit breakers and protect them from dust, dripping liquids, dirt and oil. For ordering information see page C47.

**Space Occupied By Disconnects**

Note:

E = 7.88 [204] when H = 60.12 [1527]

E = 13.88 [343] when H = 72.12 [1832]

Allen-Bradley 1494F and 1494D

E = 5.88 [149] when H = 60.12 [1527]

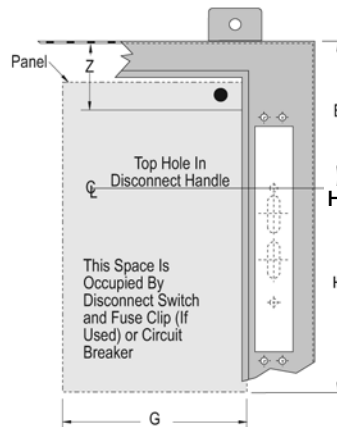
E = 11.88 [288] when H = 72.12 [1832] except for 200 Amp

E = 10.56 [255] when H = 72.12 [1832] for 200 Amp only

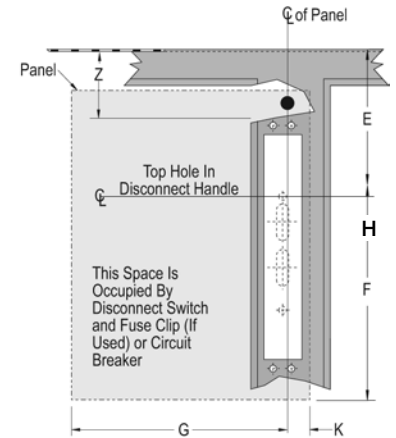
Z = Wire Bend Spacing

See charts on pages C57-C64 for “F”, “G”, and “Z” dimensions which cover space occupied by disconnect and wire bend spacing. Disconnects occupy the space indicated by “E”, “F”, and “G”.

**Right Hand Flange Disconnects**



**Center Post Disconnects**



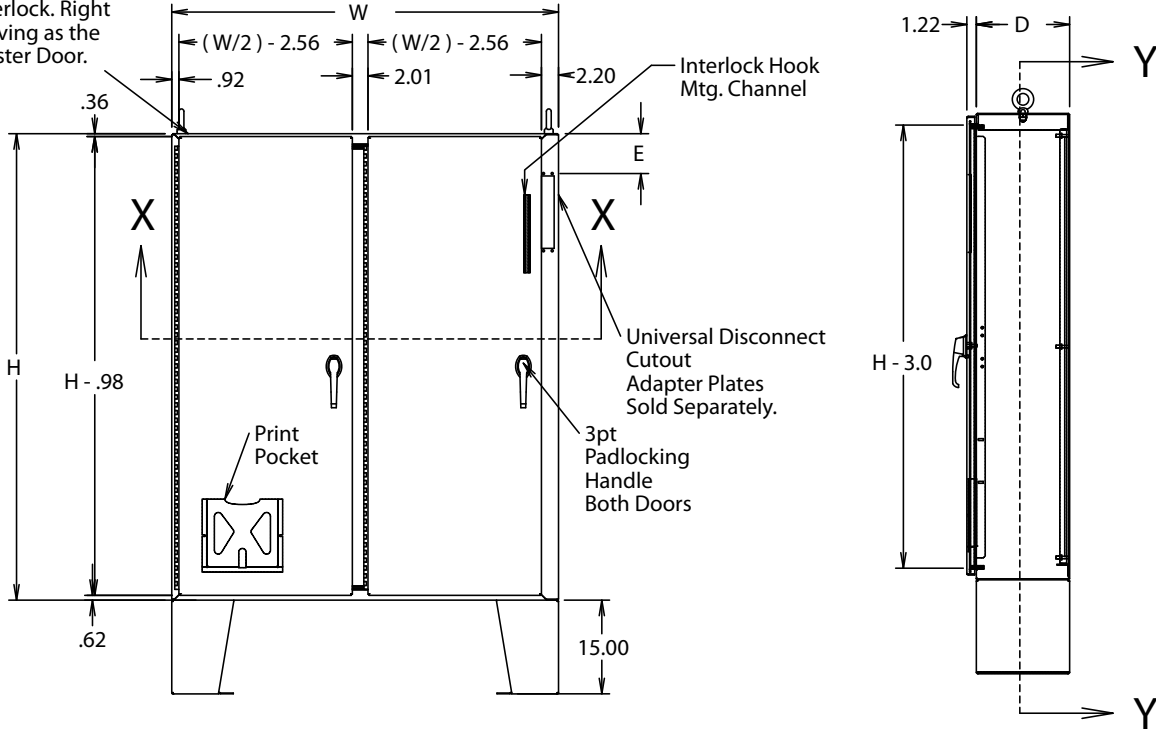
CATALOG NUMBER	ENCLOSURE SIZE H X W X D (INCHES)	SHIPPING WT.	SUB PANEL PART NUMBER	SUB PANEL SIZE H X W (INCHES)
FD604912-FT	60 x 49.75 x 12	485	A-DD6048	56 x 44
FD606112-FT	60 x 61.75 x 12	535	A-DD6060	56 x 56
FD726112-FT	72 x 61.75 x 12	635	A-DD7260	68 x 56
FD727312-FT	72 x 73.75 x 12	710	A-DD7272	68 x 68
FD604918-FT	60 x 49.75 x 18	535	A-DD6048	56 x 44
FD606118-FT	60 x 61.75 x 18	630	A-DD6060	56 x 56
FD726118-FT	72 x 61.75 x 18	797	A-DD7260	68 x 56
FD727318-FT	72 x 73.75 x 18	845	A-DD7272	68 x 68
FD604924-FT	60 x 49.75 x 24	639	A-DD6048	56 x 44
FD606124-FT	60 x 61.75 x 24	727	A-DD6060	56 x 56
FD727324-FT	72 x 73.75 x 24	970	A-DD7272	68 x 68

NOTE: Sub panels ordered separately.



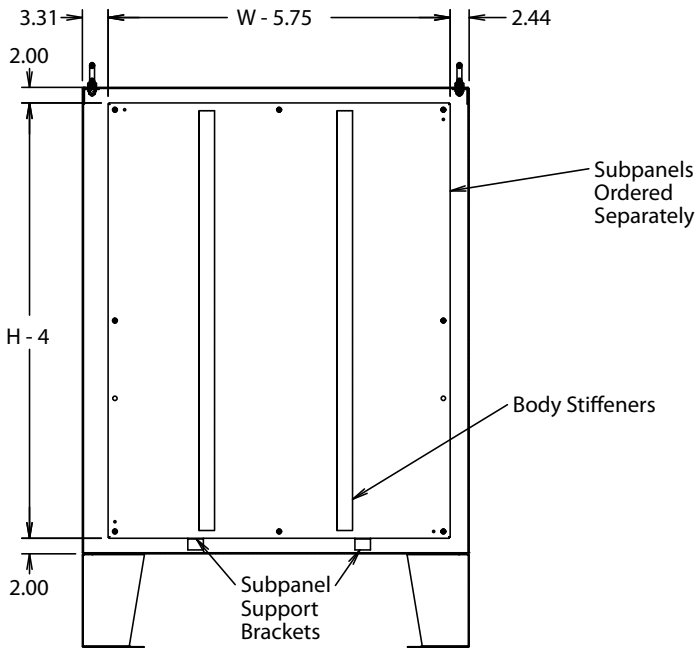
FD

Left Door Secured  
With Mechanical  
Interlock. Right  
Serving as the  
Master Door.

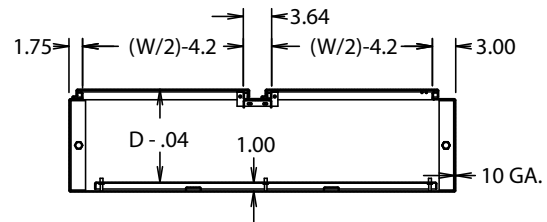


INDUSTRIAL  
ENCLOSURES

TYPE 12 – DISCONNECT ENCLOSURES – FLOOR MOUNT  
DOUBLE DOOR RIGHT FLANGE



SECTION Y-Y



SECTION X-X

NOTES:

1. 9" x 9" print pocket shipped inside enclosure.



### Space Occupied By Disconnects

See charts on pages C57-C64 for "F", "G", and "Z" dimensions which cover space occupied by disconnect and wire bend spacing. Disconnects occupy the space indicated by "E", "F" and "G" on disconnect diagrams on the previous page.

All 24.13 [610] deep enclosures include an adjustable size platform which is 6.00 [152] high. The platform is required for mounting the following disconnect devices.

- ABB Controls flange-operated devices
- Cutler Hammer C361 devices
- Cutler Hammer C371 mechanisms which use C371E, F, G, K operating mechanism
- General Electric Type TDA devices
- Square D Class 9422 devices

The platform can be omitted if long connecting rods are ordered.

- For Cutler-Hammer operating mechanisms C371E and C371F order catalog number C371CS1 connecting rod. For C371G and C371K order catalog number C371CS2 connecting rod
- For General Electric devices, order catalog number TDSR extended length drive rod
- For Square D devices, order catalog number 9422-R2 extra long operating rod(s). Some devices require two rods.

### Disconnect Ordering Information

When ordering flange-mounted disconnects from the various manufacturers, be sure to order the necessary items. Each company has a different system, read through the following list of items required and refer to the charts on pages C57-C64. Items with an (\*) preceding them are available from disconnect manufacturer as complete kits.

#### Allen-Bradley

When using a 1494F flange mounted disconnect switch, order:

1. A disconnect switch
2. A fuse block adapter
3. Line and load connectors, if required

When using a 1494D flange-mounted operator for a circuit breaker, order:

1. A circuit breaker (C-H/Westinghouse)
2. A flange mounted operator mechanism
3. A slide mechanism

When using 1494V disconnect switch, order:

- \*1. A disconnect switch
- \*2. An operating handle
- \*3. A connecting rod (long)
- \*4. A trailer fuse block kit, if required
- \*5. A fuse clip kit, if required
6. Line and load connectors, if required

When using a 1494V circuit breaker operating mechanism, order:

1. A circuit breaker (C-H/Westinghouse)

2. A circuit breaker operating mechanism
3. An operating handle
4. A connecting rod (long)

An optional Allen-Bradley channel support kit is recommended when Allen-Bradley 1494V devices are installed in 72.13 [1829] high enclosures with center post mounted operating handle

#### ABB Controls

When using a disconnect switch, order:

1. A flange-operated switch (fusible or non-fusible)
2. A shaft (DSFHS-12) for 12.13 [305] deep or (DSFHS-17) for 18.13 [457] deep enclosures in 24.13 [610] deep enclosure a platform must be used with shaft
3. A handle (DSFHN-HS12)

When using a circuit breaker, order:

1. A circuit breaker (ABB)
2. An operating mechanism
3. A shaft (FSH-12) for 12.13 [305] deep or (FSH-17) for 18.13 [457] deep enclosures in 24.13 [610] deep enclosure a platform must be used with shaft
4. A handle (FHN-HS12)

#### Cutler-Hammer/Westinghouse

When using a Type C361 disconnect switch, order:

- \*1. A disconnect switch with an operating mechanism
- \*2. An operating handle (C361H1 or C361H3)

When using a Type C371 circuit breaker operating mechanism with a C-H/Westinghouse circuit breaker, order:

1. A circuit breaker
- \*2. An operating mechanism
- \*3. An operating handle

When using a Type SM handle mechanism, order:

1. A circuit breaker
2. A Type SM handle mechanism

When using a C-H/Westinghouse circuit breaker with a Type 4/4X Flex Shaft™ handle mechanism, order:

1. A circuit breaker
2. A complete Flex Shaft™ handle mechanism

#### General Electric

When using a disconnect switch, order:

1. A disconnect switch (Type QMR or QMW)
2. A fuse clip kit or no-fuse kit
3. A flange handle (STDA1 or STDA2)
4. A variable depth operating mechanism
5. An extended length drive rod, if required

When using a circuit breaker, order:

1. A circuit breaker
2. A flange handle (STDA1 or STDA2)
3. A variable depth operating mechanism
4. An extended length drive rod, if required

An optional General Electric Flange Stiffener Kit (catalog # TDSR) is recommended when General Electric Type

TDA devices are installed in 72.13 [1829] high enclosures with operating handle mounted on center post. Use with TDOM1, TDOM2, TDOM3, S100M1A, and S100M3 operating mechanisms.

When using a circuit breaker with a Spectra Flex™ cable operator, order:

1. A circuit breaker
2. A flange-mounted handle mechanism
3. A breaker-mounted mechanism
4. An operating cable

#### I-T-E Siemens

When using a disconnect switch, order:

1. A basic switch (right hand)
2. A fuse or non-fuse kit
- \*3. A flange-mounted handle (FHOHS)
- \*4. Switch operator
- \*5. FHOECO36 36.00 inch cable for 12.13 [305] deep enclosures or FHOECO48 for 18.13 [457] and 24.13 [610] deep enclosures

When using a circuit breaker, order:

1. A circuit breaker
2. Pressure wire connectors
- \*3. A flange-mounted handle
- \*4. A circuit breaker operator mechanism
- \*5. An operating cable - 36.00 [914] or 48.00 [1219] long cable for 12.13 [305] and 18.13 [457] deep enclosures and 48.00 [1219] cable 24.13 [610] deep enclosures

\* These items are available from ITE as a complete mechanism with a 36.00 [914] long cable only. Order items separately when using a 48.00 [1219] operating cable.

#### Square D

When using a disconnect switch, order:

1. A disconnect switch with operating mechanism
  2. A universal handle mechanism
  3. A long operating rod, if required
- When using a circuit breaker, order:

1. A circuit breaker
2. An operating mechanism
3. A universal handle mechanism

When using a Class 9422 Type "T" disconnect switch with a cable mechanism, order:

1. A disconnect switch with operating mechanism (Class 9422, Type T)
2. A handle mechanism (Class 9422 Type A-1)
3. A cable mechanism (Class 9422 CFT\_0) 3, 5, or 10 foot

When using a circuit breaker with a cable mechanism, order:

1. A circuit breaker (Square D)
2. A handle mechanism (Class 9422 Type A-1)
3. A cable mechanism (Class 9422 CFT\_0) 3-, 5-, or 10-foot

An optional Square D Channel Flange Support Kit (catalog # 9422-C1) is recommended when some Square D devices are installed in 72.13 [1829] high enclosures with operating handle mounted on center post.





INDUSTRIAL  
ENCLOSURES

TYPE 12 – HEAVY-DUTY ENCLOSURES  
FREESTANDING DISCONNECT WITH SUB PANEL

### APPLICATIONS

Designed to provide protection for electrical instruments, terminals, and controls from dust, oil, dirt and dripping liquids.

### CONSTRUCTION

Fabricated from 10 gauge carbon steel with continuously welded seams. Enclosure features:

- Single or multiple doors secured with continuous hinges and removable hinge pins.
- Black zinc anodized padlocking defeater handle, three point latching system, and overhead mechanical interlock.
- Adhesive backed, oil resistant gasket applied to the doors.
- Print pocket.
- Heavy-duty lifting eyes.
- Ground studs inside cabinet and door.

- Collar studs provided for mounting optional sub panels.
- Body stiffeners for extra rigidity.
- 5-door will be split into 3-door and 2-door sections to be shipped assembled or separate.
- Universal cutout provides mounting for most disconnect operators by using Adapter Kits.

### FINISH

Standard ANSI-61 gray finish on interior and exterior of enclosures. Recoatable, smooth, white or RAL 7035 texture polyester powder coat available at no charge. Standard RAL and custom match finishes available for an additional charge, please contact Milbank Manufacturing Co. for further assistance. All powder coat finishes applied over cleaned phosphatized surfaces. Carbon steel sub panels have a white polyester powder coat finish.

### OPTIONS

Milbank Manufacturing Co. can modify standard enclosures or custom design enclosures according to your specifications. Holes, cutouts, sizes, materials, and many more options are available. Quotations upon request.

### INDUSTRY STANDARDS

- UL 50 Listed
- CUL 50 Listed
- Type 12

**NOTE:**  
Adapter plates must be ordered separately.  
See page C97 for ordering information.



CATALOG NUMBER	DOORS	ENCLOSURE SIZE H X W X D (INCHES)	SHPG. WT.	SUB PANEL PART NUMBER A	SUB PANEL SIZE H X W (INCHES)	SUB PANEL PART NUMBER B	SUB PANEL SIZE H X W (INCHES)
<b>SINGLE DOOR</b>							
M12FS722818AF-FD	1	72 x 28.25 x 18	368	A-60P21.75	60 x 21.75	-	-
M12FS723418AF-FD	1	72 x 34.25 x 18	430	A-60P27.75	60 x 27.75	-	-
M12FS724018AF-FD	1	72 x 40.25 x 18	559	A-60P33.75	60 x 33.75	-	-
M12FS844018AF-FD	1	84 x 40.25 x 18	630	A-72P33.75	72 x 33.75	-	-
M12FS904018AF-FD	1	90 x 40.25 x 18	750	A-78P33.75	78 x 33.75	-	-
M12FS904020AF-FD	1	90 x 40.25 x 20	865	A-78P33.75	78 x 33.75	-	-
M12FS844024AF-FD	1	84 x 40.25 x 24	750	A-72P33.75	72 x 33.75	-	-
M12FS904024AF-FD	1	90 x 40.25 x 24	910	A-78P33.75	78 x 33.75	-	-
<b>DOUBLE DOOR</b>							
M12FSD725418AF-FD	2	72 x 54.5 x 18	695	A-60P48	60 x 48	-	-
M12FSD726618AF-FD	2	72 x 66.5 x 18	815	A-60P60	60 x 60	-	-
M12FSD727818AF-FD	2	72 x 78.5 x 18	895	A-60P72	60 x 72	-	-
M12FSD847818AF-FD	2	84 x 78.5 x 18	1200	A-72P72	72 x 72	-	-
M12FSD907818AF-FD	2	90 x 78.5 x 18	1250	A-78P72	78 x 72	-	-
M12FSD907820AF-FD	2	90 x 78.5 x 20	1330	A-78P72	78 x 72	-	-
M12FSD727824SF-FD	2	72 x 78.5 x 24	965	A-60P72	60 x 72	-	-
M12FSD847824AF-FD	2	84 x 78.5 x 24	1200	A-72P72	72 x 72	-	-
M12FSD907824AF-FD	2	90 x 78.5 x 24	1392	A-78P72	78 x 72	-	-
<b>THREE DOOR</b>							
M12FS3D7210018AF-FD	3	72 x 100.75 x 18	1330	A-60P60	60 x 60	A-60P27.75	60 x 27.75
M12FS3D7211818AF-FD	3	72 x 118.75 x 18	1540	A-60P72	60 x 72	A-60P33.75	60 x 33.75
M12FS3D8411818AF-FD	3	84 x 118.75 x 18	1750	A-72P72	72 x 72	A-72P33.75	72 x 33.75
M12FS3D8411824AF-FD	3	84 x 118.75 x 24	1836	A-72P72	72 x 72	A-72P33.75	72 x 33.75
M12FS3D9011824AF-FD	3	90 x 118.75 x 24	1950	A-78P72	78 x 72	A-78P33.75	78 x 33.75
<b>FOUR DOOR</b>							
M12FS4D8415818AF-FD	4	84 x 158 x 18	2300	(2) A-72P72	72 x 72	-	-
M12FS4D9015818AF-FD	4	90 x 158 x 18	2400	(2) A-78P72	78 x 72	-	-
M12FS4D8415824AF-FD	4	84 x 158 x 24	2536	(2) A-72P72	72 x 72	-	-
M12FS4D9015824AF-FD	4	90 x 158 x 24	2600	(2) A-78P72	78 x 72	-	-
<b>FIVE DOOR</b>							
M12FD5D8419718AF-FD	5	84 x 197.75 x 18	2580	(2) A-72P72	72 x 72	A-72P33.75	72 x 33.75
M12FS5D9019718AF-FD	5	90 x 197.75 x 18	2800	(2) A-78P72	78 x 72	A-78P33.75	78 x 33.75
M12FS5D8419724AF-FD	5	84 x 197.75 x 24	2830	(2) A-72P72	72 x 72	A-72P33.75	72 x 33.75
M12FS5D9019724AF-FD	5	90 x 197.75 x 24	2900	(2) A-78P72	78 x 72	A-78P33.75	78 x 33.75

INDUSTRIAL ENCLOSURES  
TYPE 12 – HEAVY-DUTY ENCLOSURES  
FREESTANDING DISCONNECT WITH SUB PANEL

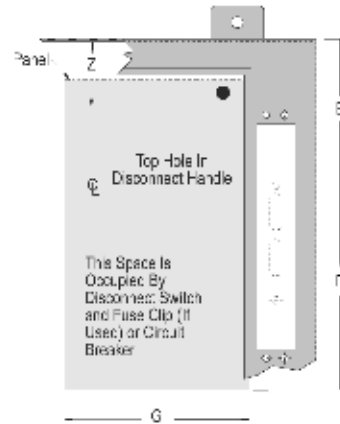
**Space Occupied By Disconnects**

**Note:**

- E = 11.88 [302] when H = 72 [1778]
- E = 17.88 [454] when H = 84 [2134], except 400 Amp or 600 Amp switches
- E = 20.88 [530] when H = 90 [2286], except 400 Amp or 600 Amp switches
- E = 16.43 [417] when H = 84 [2134], 400 Amp and 600 Amp switches only
- E = 19.43 [494] when H = 90 [2286], 400 Amp and 600 Amp switches only

**Allen Bradley 1494F only**

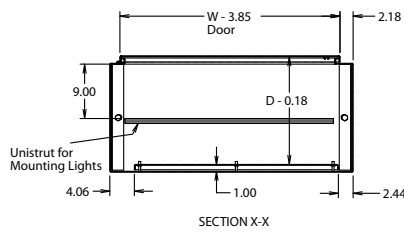
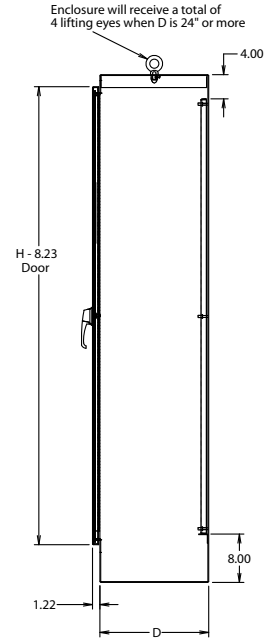
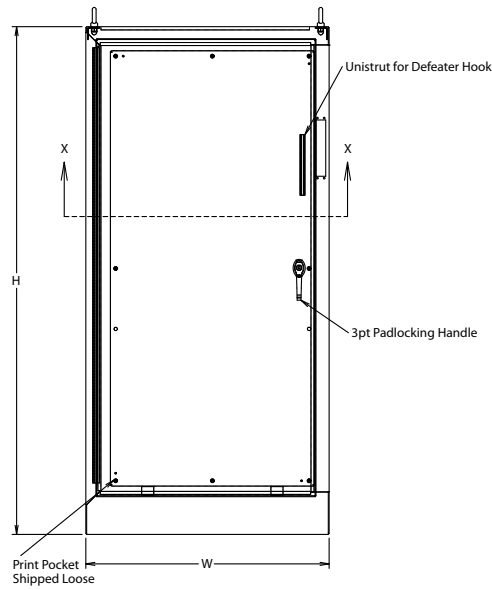
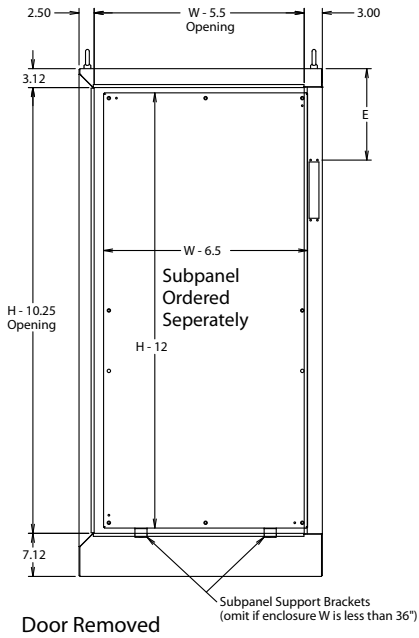
- E = 9.88 [251] when H = 72 [1778], except 200 Amp switch
- E = 15.88 [403] when H = 84 [2134], except 200 Amp switch
- E = 18.80 [478] when H = 90 [2286], except 200 Amp switch
- E = 8.56 [217] when H = 72 [1778], 200 Amp switch only
- E = 14.56 [370] when H = 84 [2134], 200 Amp switch only
- E = 17.56 [446] when H = 90 [2286], 200 Amp switch only
- Z = Wire Bend Spacing



See charts on pages C57-C64 for “F”, “G, and “Z” dimensions which cover space occupied by disconnect and wire bend spacing. Disconnects occupy the space indicated by “E”, “F”, and “G”.



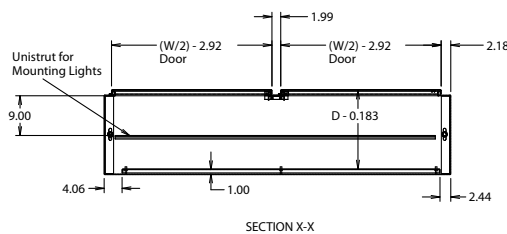
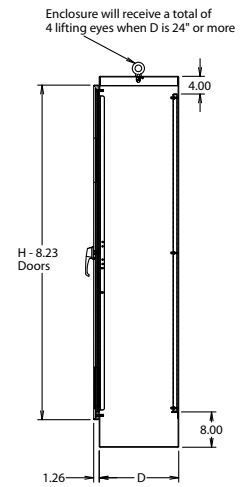
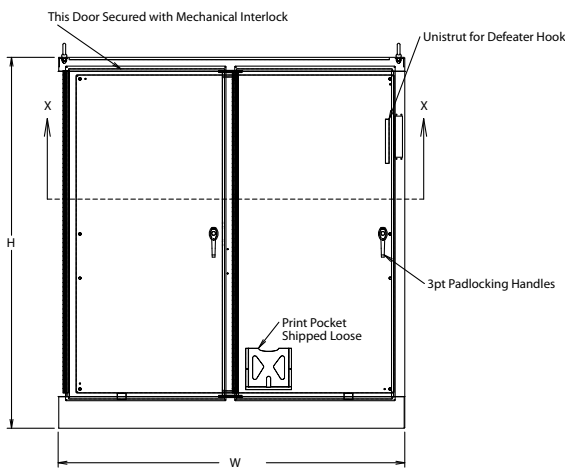
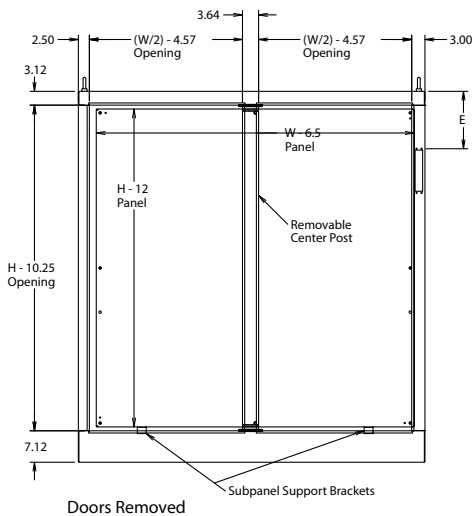
**M12FS-FD SINGLE DOOR**



**NOTES:**

1. 9" x 9" print pocket shipped inside enclosure.

**M12FSD-FD DOUBLE DOOR**



**NOTES:**

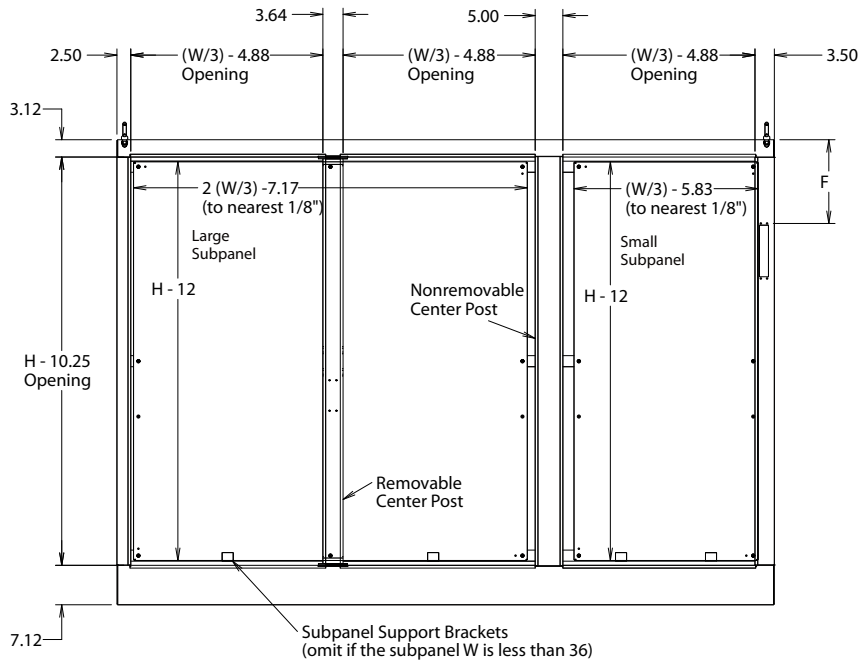
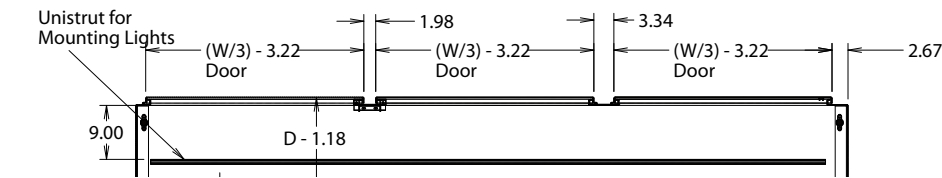
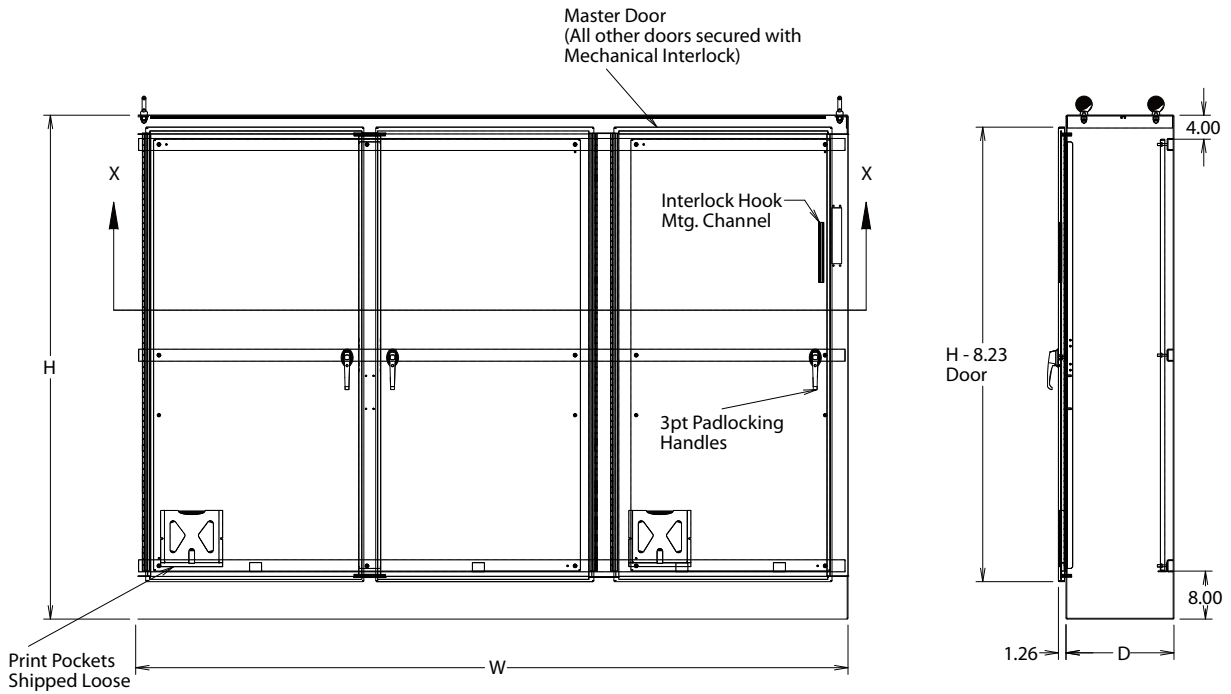
1. 9" x 9" print pocket shipped inside enclosure.

INDUSTRIAL ENCLOSURES

TYPE 12 – HEAVY-DUTY ENCLOSURES – SINGLE & DOUBLE DOORS  
 FREESTANDING DISCONNECT WITH SUB PANEL



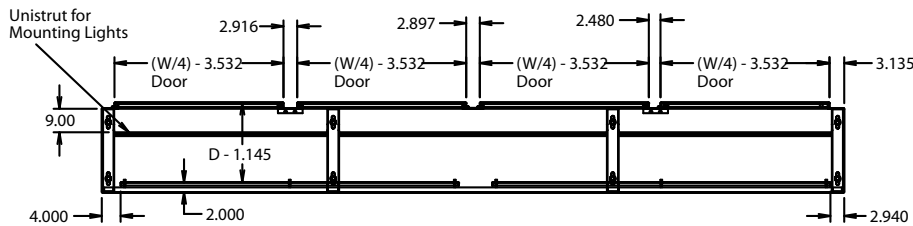
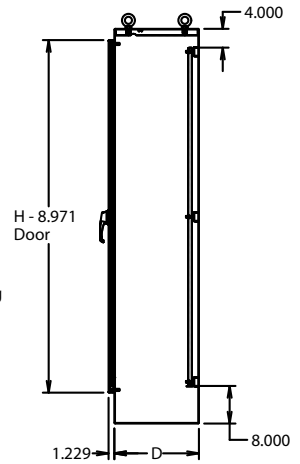
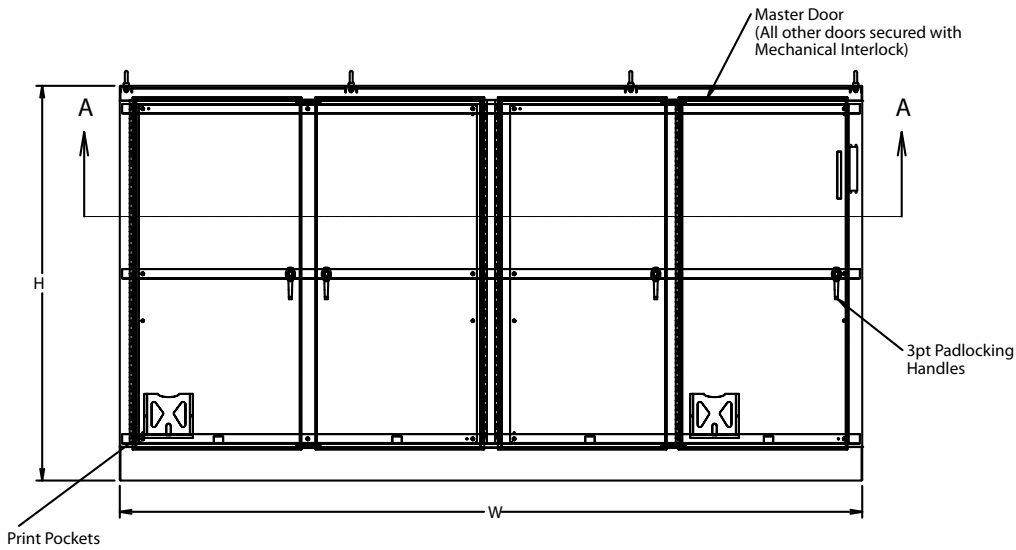
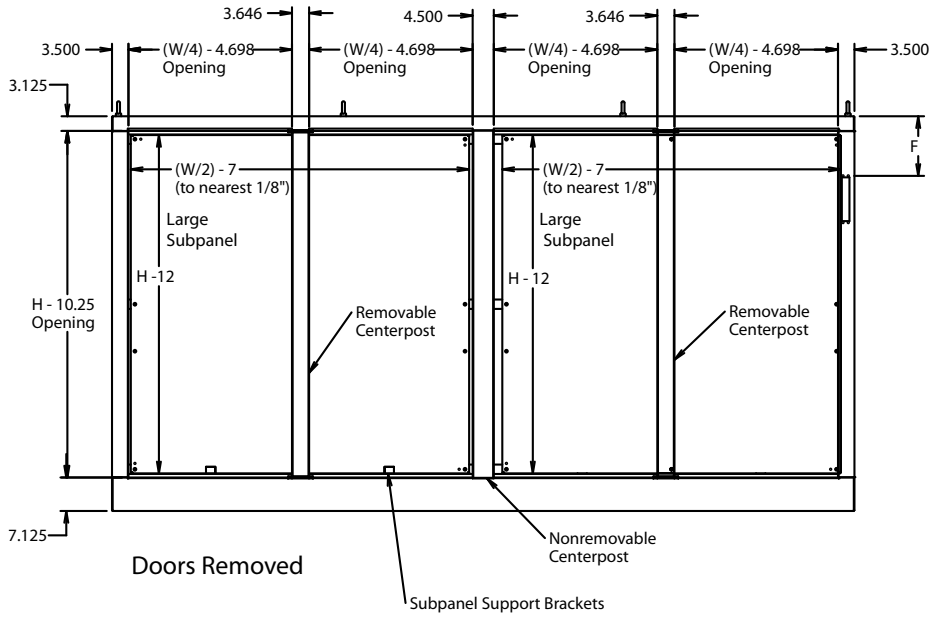
M12FS3D-FD THREE DOOR



NOTES:

- 1. 9" x 9" print pocket shipped inside enclosure.

M12FS4D-FD FOUR DOOR



SECTION A-A

NOTES:

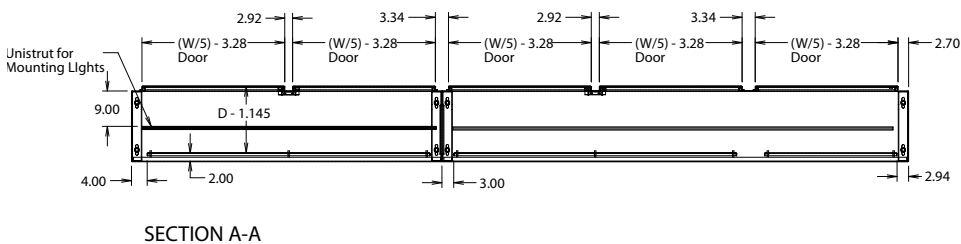
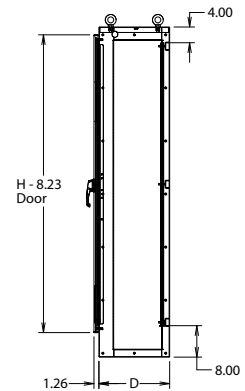
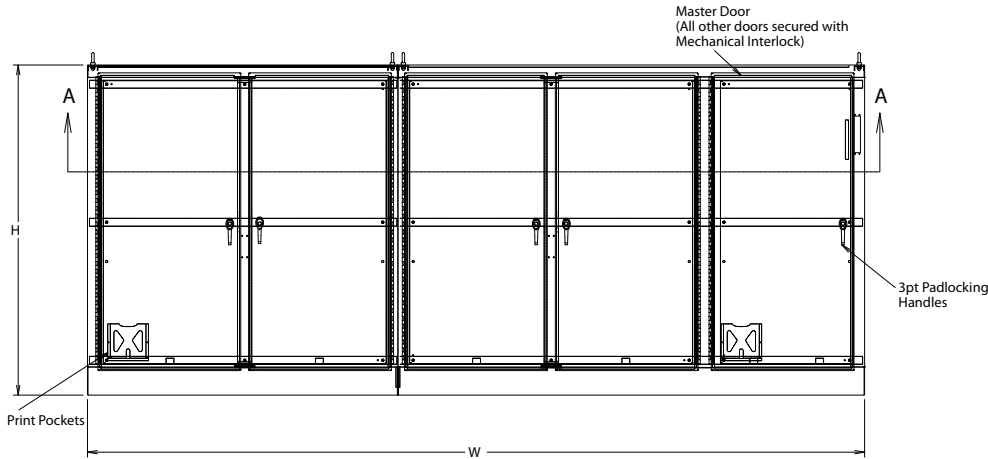
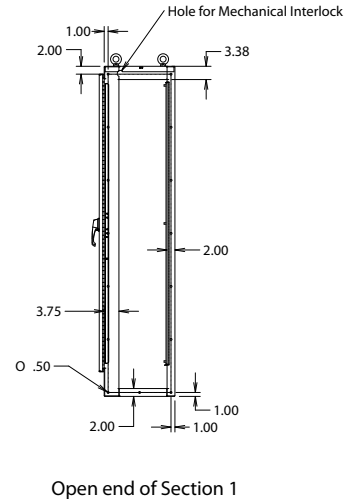
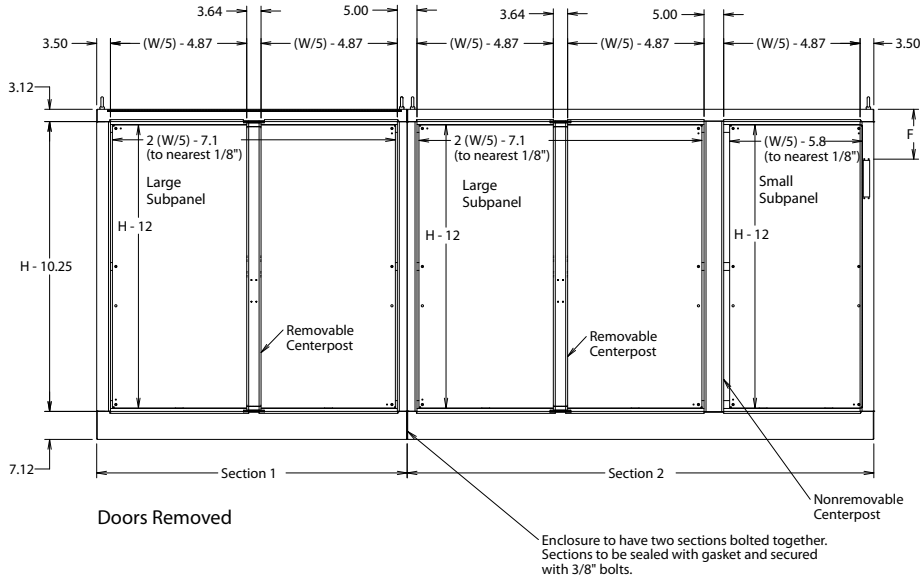
1. 9" x 9" print pocket shipped inside enclosure.

INDUSTRIAL ENCLOSURES

TYPE 12 – HEAVY-DUTY ENCLOSURES – FOUR DOOR  
 FREESTANDING DISCONNECT WITH SUB PANEL



M12FS5D-FD FIVE DOOR



- NOTES:**
- 5-door will be split into 3-door and 2-door sections to be shipped assembled or separate.
  - 9" x 9" print pocket shipped inside enclosure.

INDUSTRIAL ENCLOSURES  
TYPE 12 – HEAVY-DUTY ENCLOSURES – FIVE DOOR  
FREESTANDING DISCONNECT WITH SUB PANEL



### APPLICATIONS

Modular enclosures can be bolted together in any desired arrangement. This design provides maximum versatility; enclosures can be added or removed as required. Modular disconnect enclosures have provisions for flange mount disconnects on right-hand side.

### CONSTRUCTION

Fabricated from 10 gauge carbon steel with continuously welded seams. Enclosure features:

- Doors secured with heavy gauge lift off hinges.
- Black zinc anodized padlocking handle with built-in defeater mechanism (on the master door only) and three point latching system.
- Each enclosure has a mechanical interlock so all doors can be interlocked with the master door.
- Adhesive backed, oil resistant gasket applied to the doors.
- Removable center post for easy installation of the sub panel (two door only).
- Print pocket.
- Heavy-duty lifting eyes.
- Ground studs installed inside cabinet and door.

- Collar studs provided for mounting sub panel.
- Panel supports are provided to support panels and aid in panel installation.
- Body stiffeners for extra rigidity where needed.

### ACCESSORIES (SOLD SEPARATELY)

- End Plate: not included with enclosures. See page C97 in accessories section for ordering information. Gasket material and bolts are included with each end plate.
- Flat End Plates: Can be used as barriers between enclosures. See page C97 in accessories section for ordering information.
- Adaptor kits.
- Gasket kit: Required at each joint between modular enclosures. Includes parts needed to connect the interlock system between adjacent enclosures.

### Single & Two Door Disconnect

The cutouts for the disconnect operation are located on the right flange and the right side is closed (left side open) so the disconnect operator cannot be obscured by a door. The heavy-duty overhead mechanical interlocking system is factory tested and provides quick, effective assembly of up to 5

doors in a row, controlled by a single master door. When the master door is opened, the interlock is automatically released, permitting all doors to be opened in any order. All doors can be closed in any order.

### FINISH

Standard ANSI-61 gray finish on interior and exterior of enclosures. Recoatable, smooth, white or RAL 7035 texture polyester powder coat available at no charge. Standard RAL and custom match finishes available for an additional charge, please contact Milbank Manufacturing Co. for further assistance. All powder coat finishes applied over cleaned phosphatized surfaces. Carbon steel sub panels have a white polyester powder coat finish.

### OPTIONS

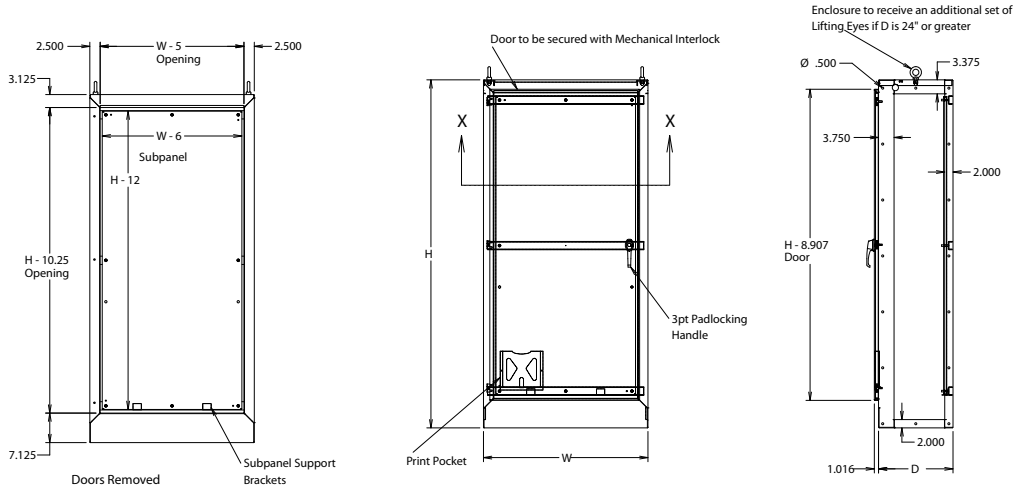
Milbank Manufacturing Co. can modify standard enclosures or custom design enclosures according to your specifications. Holes, cutouts, sizes, materials, and many more options are available. Quotations upon request.

### INDUSTRY STANDARDS

- UL 50 Listed
- CUL 50 Listed
- Type 12

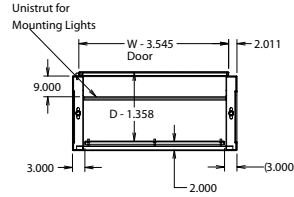


CATALOG NUMBER	ENCLOSURE SIZE H X W X D	SUB PANEL PART NUMBER	PANEL DIMENSIONS		DOOR OPENING		DOOR SIZE	
			A	B	J	K	L	M
M12MOD843818	84 x 39.75 x 18	A-72P33.75	72.00	33.75	73.75	34.75	75.77	36.75
M12MOD843824	84 x 39.75 x 24	A-72P33.75	72.00	33.75	73.75	34.75	75.77	36.75



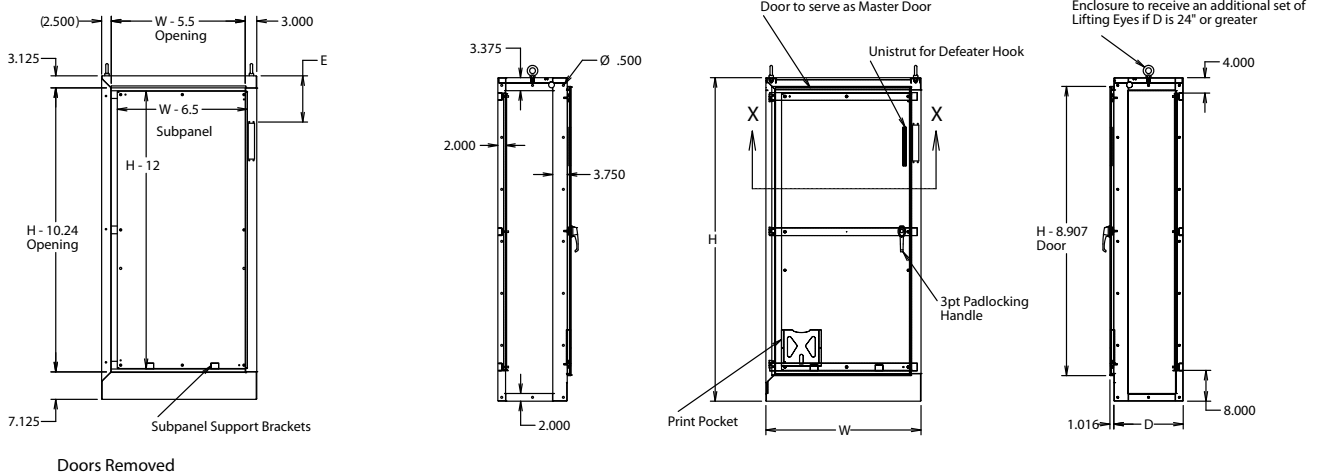
**NOTES:**

1. Reference page C95 for sub panel layout.
2. Adapter kits must be ordered separately.
3. 9" x 9" print pocket shipped inside enclosure.



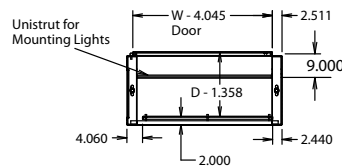
SECTION X-X

CATALOG NUMBER	ENCLOSURE SIZE H X W X D	SUB PANEL PART NUMBER	PANEL DIMENSIONS		DOOR OPENING		DOOR SIZE	
			A	B	J	K	L	M
M12MOD843918-FD	84 x 40.25 x 18	A-72P33.75	72.00	33.75	73.75	34.75	75.77	36.75
M12MOD843924-FD	84 x 40.25 x 24	A-72P33.75	72.00	33.75	73.75	34.75	75.77	36.75



**NOTES:**

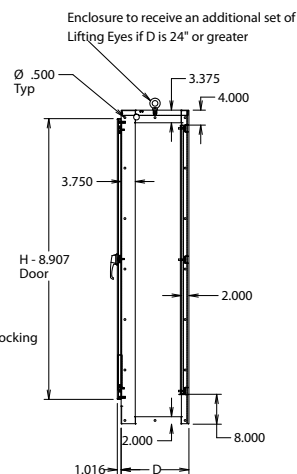
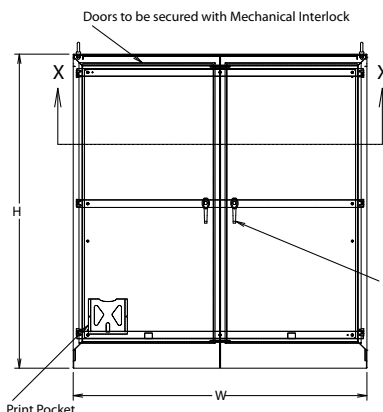
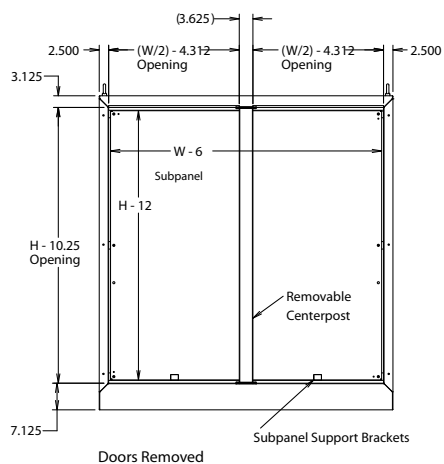
1. Reference page C95 for sub panel layout.
2. Adapter kits must be ordered separately.
3. 9" x 9" print pocket shipped inside enclosure.



SECTION X-X

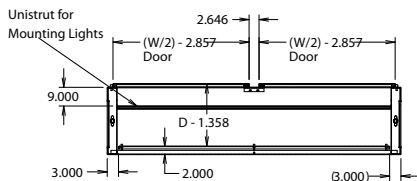
INDUSTRIAL ENCLOSURES

CATALOG NUMBER	ENCLOSURE SIZE H X W X D	SUB PANEL PART NUMBER	PANEL DIMENSIONS		DOOR OPENING		DOOR SIZE	
			A	B	J	K	L	M
M12MOD847718	84.00 x 78.00 x 18.00	A-72P72	72.00	72.00	73.75	34.75	75.77	36.7
M12MOD847724	84.00 x 78.00 x 24.00	A-72P72	72.00	72.00	73.75	34.75	75.77	36.7



**NOTES:**

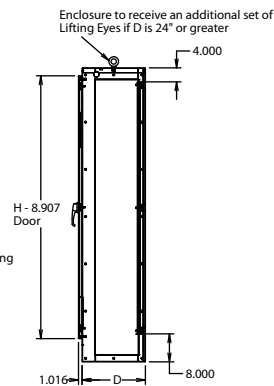
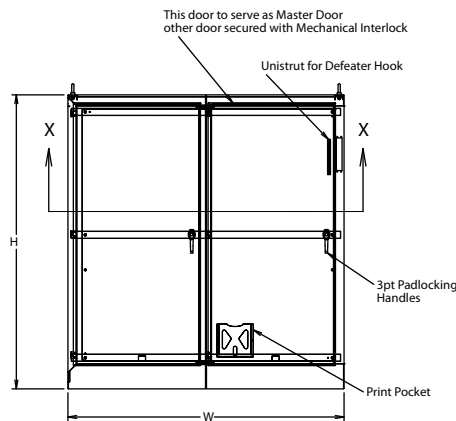
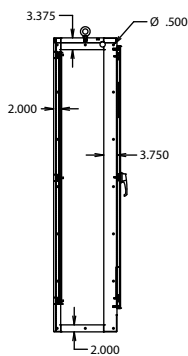
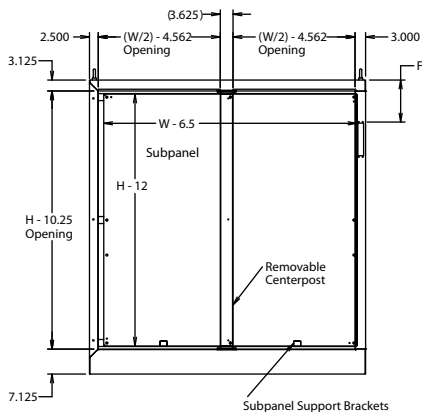
1. Reference C95 for sub panel layout.
2. Adapter kits must be ordered separately.
3. 9" x 9" print pocket shipped inside enclosure.



SECTION X-X

CATALOG NUMBER	ENCLOSURE SIZE H X W X D	SUB PANEL PART NUMBER	PANEL DIMENSIONS		DOOR OPENING		DOOR SIZE	
			A	B	J	K	L	M
M12MOD847818-FD	84 x 78.50 x 18	A-72P72	72.00	72.00	73.75	34.75	75.77	36.7
M12MOD847824-FD	84 x 78.50 x 24	A-72P72	72.00	72.00	73.75	34.75	75.77	36.7

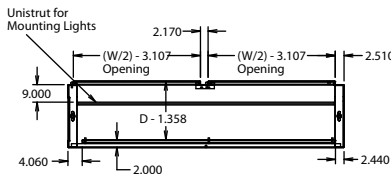
TYPE 12 – MODULAR ENCLOSURES



Doors Removed

**NOTES:**

1. Reference page C95 for sub panel layout.
2. Adapter kits must be ordered separately.
3. 9" x 9" print pocket shipped inside enclosure.



SECTION X-X



### Space Occupied By Disconnects

See charts on pages C57-C64 for "F", "G", and "W" dimensions which cover space occupied by disconnect and wire bend spacing. Disconnects occupy the space indicated by "E", "F" and "G" on disconnect diagrams on the previous page.

All 24.13 [610] deep enclosures include an adjustable size platform which is 6.00 [152] high. The platform is required for mounting the following disconnect devices.

- ABB Controls flange-operated devices.
- Cutler Hammer C361 devices.
- Cutler Hammer C371 mechanisms, which use C371E, F, G, K operating mechanism.
- General Electric Type TDA devices.
- Square D Class 9422 devices.

The platform can be omitted if long connecting rods are ordered.

- For Cutler-Hammer operating mechanisms C371E and C371F order catalog number C371CS1 connecting rod. For C371G and C371K order catalog number C371CS2 connecting rod.
- For General Electric devices, order catalog number TDSR extended length drive rod.
- For Square D devices, order catalog number 9422-R2 extra long operating rod(s). Some devices require two rods.

### Disconnect Ordering Information

When ordering flange-mounted disconnects from the various manufacturers, be sure to order the necessary items. Each company has a different system, so care is required.

Order the following items from the disconnect manufacturer.

### Key to Symbols

Items available from disconnect manufacturer as complete kits.

Please note:

1. The "Space Occupied/ Available Wiring Space" tables on following pages are based upon information supplied by disconnect manufacturers. Milbank Manufacturing Co. does not assume responsibility for the accuracy of these dimensions.
2. This information is subject to change without notice. Please contact Milbank Manufacturing Co. for the disconnect manufacturer if there are questions.

### Allen-Bradley

When using a 1494F flange mounted disconnect switch, order:

1. A disconnect switch.
2. A fuse block adapter.
3. Line and load connectors, if required

When using a 1494D flange-mounted operator for a circuit breaker, order:

1. A circuit breaker (C-H/Westinghouse)
2. A flange mounted operator mechanism

3. A slide mechanism

When using 1494V disconnect switch, order:

- \*1. A disconnect switch
- \*2. An operating handle
- \*3. A connecting rod (long)
- \*4. A trailer fuse block kit, if required
- \*5. A fuse clip kit, if required
6. Line and load connectors, if required

When using a 1494V circuit breaker operating mechanism, order:

1. A circuit breaker (C-H/Westinghouse)
2. A circuit breaker operating mechanism
3. An operating handle
4. A connecting rod (long)

### ABB Controls

When using a disconnect switch, order:

1. A flange-operated switch (fusible or non-fusible)
2. A shaft (DSFHS-17) for 18.13 [457] deep enclosures (DSFHS-22) for 20.13 [511] deep enclosures in 24.13 [613] deep enclosure a platform must be used with shaft
3. A handle (DSFHN-HS12)

When using a circuit breaker, order:

1. A circuit breaker (ABB)
2. An operating mechanism
3. A shaft (FSH-17) for 18.13 [457] deep or (FSH-22) for 20.13 [511] deep enclosures in 24.13 [613] deep enclosure a platform must be used with shaft
4. A handle (FHN-HS12)

### Cutler-Hammer/Westinghouse

When using a Type C361 disconnect switch, order:

- \*1. A disconnect switch with an operating mechanism
- \*2. An operating handle (C361H1 or C361H3)

When using a Type C371 circuit breaker operating mechanism with a C-H/Westinghouse circuit breaker, order:

1. A circuit breaker
- \*2. An operating mechanism
- \*3. An operating handle

When using a Type SM handle mechanism, order:

1. A circuit breaker
2. A Type SM handle mechanism

When using a C-H/Westinghouse circuit breaker with a Type 4/4X Flex Shaft™ handle mechanism, order:

1. A circuit breaker
2. A complete Flex Shaft™ handle mechanism

### General Electric

When using a disconnect switch, order:

1. A disconnect switch (Type QMR or QMW)
2. A fuse clip kit or no-fuse kit
3. A flange handle (STDA1 or STDA2)
4. A variable depth operating mechanism
5. An extended length drive rod, if required

When using a circuit breaker, order:

1. A circuit breaker
2. A flange handle (STDA1 or STDA2)
3. A variable depth operating mechanism
4. An extended length drive rod, if required

When using a circuit breaker with a Spectra Flex™ cable operator, order:

1. A circuit breaker
2. A flange-mounted handle mechanism
3. A breaker-mounted mechanism
4. An operating cable

### I-T-E Siemens

When using a disconnect switch, order:

1. A basic switch (right hand)
2. A fuse or non-fuse kit
- \*3. A flange-mounted handle (FHOHS)
- \*4. Switch operator
- \*5. FHOECO48 cable

When using a circuit breaker, order:

1. A circuit breaker
2. Pressure wire connectors
- \*3. A flange-mounted handle
- \*4. A circuit breaker operator mechanism
- \*5. An operating cable - 36.00 [914] or 48.00 [1219] long cable for 18.13 [460] and 20.13 [511] deep enclosures and 48.00 [1219] cable 24.13 [610] deep enclosures

\* These items are available from ITE as a complete mechanism with a 36.00 [914] long cable only. Order items separately when using a 48.00 [1219] operating cable.

### Square D

When using a disconnect switch, order:

1. A disconnect switch with operating mechanism
2. A universal handle mechanism
3. A long operating rod, if required

When using a circuit breaker, order:

1. A circuit breaker
2. An operating mechanism
3. A universal handle mechanism
4. A long operating rod, if required

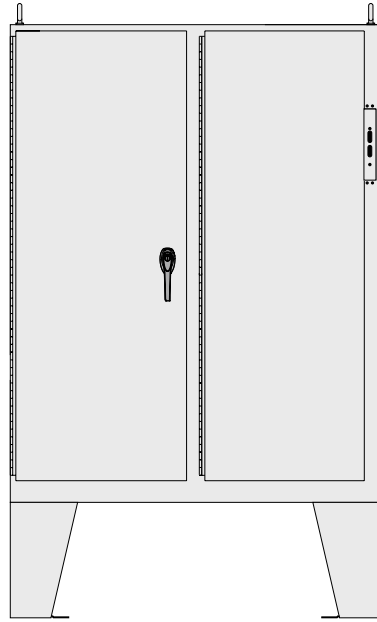
When using a Class 9422 Type "T" disconnect switch with a cable mechanism, order:

1. A disconnect switch with operating mechanism (Class 9422, Type T)
2. A handle mechanism (Class 9422 Type A-1)
3. A cable mechanism (Class 9422 CFT\_0) 3, 5, or 10 feet

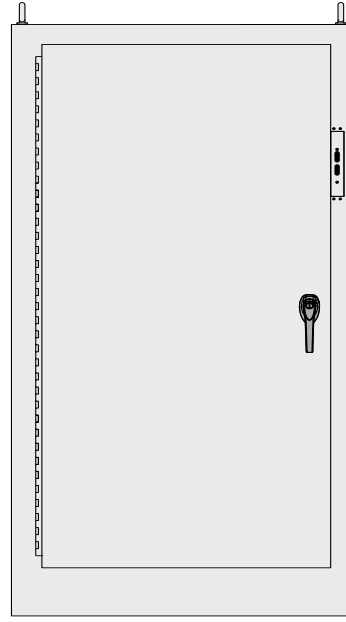
When using a circuit breaker with a cable mechanism, order:

1. A circuit breaker (Square D)
2. A handle mechanism (Class 9422 Type A-1)
3. A cable mechanism (Class 9422 CFT\_0) 3-, 5-, or 10-feet

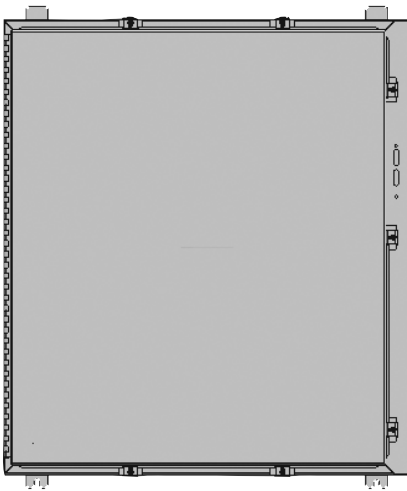
INDUSTRIAL ENCLOSURES



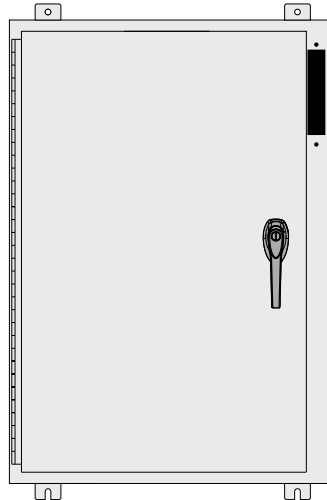
TYPE 1



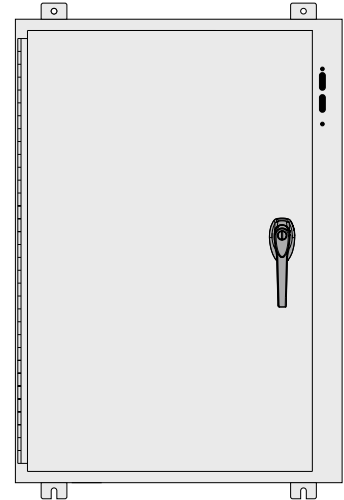
TYPE 2



TYPE 3



TYPE 4



TYPE 5

DISCONNECT ENCLOSURE INFORMATION



## Allen-Bradley 1494V Disconnects

Type Number	Amp Rating	Fuse Clip Rating		Fuse Class	Space Occupied		Wire Bend Space	Disconnects Fit The Enclosure Type Indicated Below (Page C58)				
		Amp	Volt		F	G		Z	1	2	3	4
DS30	30A	No Fuse		—	3.88	6.75	E - 1.88	0	0	0	-	0
DS30	30A	30	250	H, K, R	5.25	6.75	E - 1.88	0	0	0	-	0
DS30	30A	30	600	H, K, R	8.00	6.75	E - 1.88	0	0	0	-	0
DS30	30A	30	600	J	5.25	6.75	E - 1.88	0	0	0	-	0
DS30	30A	60	250	H, K	6.00	6.75	E - 1.88	0	0	0	-	0
DS30	30A	60	600	H, K	8.50	6.75	E - 1.88	0	0	0	-	0
DS30	30A	60	600	J	5.38	6.75	E - 1.88	0	0	0	-	0
DS60	60A	No Fuse		—	3.88	6.75	E - 2.00	0	0	0	-	0
DS60	60A	60	250	H, K, R	6.00	6.75	E - 2.00	0	0	0	-	0
DS60	60A	60	600	H, K, R	8.50	6.75	E - 2.00	0	0	0	-	0
DS60	60A	60	600	J	5.38	6.75	E - 2.00	0	0	0	-	0
DS60	60A	30	600	H, K, R	8.00	6.75	E - 2.00	0	0	0	-	0
DS60	60A	100	250	H, K	8.50	6.75	E - 2.00	0	0	0	-	0
DS60	60A	100	600	H, K	10.50	6.75	E - 2.00	0	0	0	-	0
DS60	60A	100	600	J	7.25	6.75	E - 2.00	0	0	0	-	0
DS100	100A	No Fuse		—	3.88	6.75	E - 2.18	0	0	0	-	1
DS100	100A	100	250	H, K, R	8.12	6.75	E - 2.18	0	0	0	-	1
DS100	100A	100	600	H, K, R	10.12	6.75	E - 2.18	0	0	0	-	1
DS100	100A	100	600	J	6.88	6.75	E - 2.18	0	0	0	-	1
DS100	100A	60	600	H, K, R	10.12	6.75	E - 2.18	0	0	0	-	1
DS100	100A	60	600	J	8.88	6.75	E - 2.18	0	0	0	-	1
DS200	200A	No Fuse		—	4.75	7.88	E - 3.50	0	0	1	-	2
DS200	200A	200	250	H, K, R	10.88	7.88	E - 3.50	0	0	0	-	2
DS200	200A	200	600	H, K, R	13.38	7.88	E - 3.50	0	0	0	-	2
DS200	200A	200	600	J	9.50	7.88	E - 3.50	0	0	0	-	2
DS200	200A	100	600	H, K, R	12.00	7.88	E - 3.50	0	0	0	-	2
DS200	200A	100	600	J	8.75	7.88	E - 3.50	0	0	0	-	2
DS400	400A	No Fuse		—	10.75	10.88	E - 6.29	-	4	-	5	3
DS400	400A	400	250	H, K, R	16.12	10.88	E - 6.29	-	4	-	5	3
DS400	400A	400	600	H, K, R	19.12	10.88	E - 6.29	-	4	-	5	3
DS400	400A	400	600	J	14.62	10.88	E - 6.29	-	4	-	5	3
DS600	600A	No Fuse		—	10.75	10.88	E - 6.29	-	4	-	5	3
DS600	600A	600	250	H, R	16.12	10.88	E - 6.29	-	4	-	5	3
DS600	600A	600	600	H, R	19.12	10.88	E - 6.29	-	4	-	5	3
DS600	600A	600	600	J	14.62	10.88	E - 6.29	-	4	-	5	3
M40	15A-150A	GE Circuit Breaker TED, THED, TEC		—	5.62	4.62	E - 0.50	0	0	0	-	0
M40	15A-150A	Westinghouse Circuit Breaker F Frame / Series C		—	5.00	4.62	E - 0.50	0	0	0	-	0
M50	70A-250A	Westinghouse Circuit Breaker J Frame / Series C		—	9.75	4.88	E - 1.00	0	0	1	-	2
M60	100A-400A	Westinghouse Circuit Breaker K Frame / Series C		—	9.69	6.25	E - 1.125	6	0	0	-	2

0 Will fit enclosure. No special restrictions.

1. Do not use in 8.00 inch deep enclosures.

2. Do not use in 8.00 or 10.00 inch deep enclosures.

3. Only fits Type 5 Enclosure with a Designator after Depth.

4. Only fits enclosures 84.00 and 90.00 inch high with the AB designator at the end of the part number.

5. Only fit enclosures 12.00 inches deep.

6. Do not use in 60" High Enclosures.

### Allen-Bradley 1494F Disconnects

Type Number	Amp Rating	Fuse Clip Rating		Fuse Class	Space Occupied		Wire Bend Space	Disconnects Fit The Enclosure Type Indicated Below (Page C58)				
		Amp	Volt		F	G		Z	1	2	3	4
N30	30A	No Fuse		—	4.62	6.38	E - 0.59	0	0	-	0	-
NF30	30A	30	250	H, K, R	6.25	6.38	E - 0.59	0	0	-	0	-
NF30	30A	60	250	H, K, R	7.25	6.38	F - 0.59	0	0	-	0	-
NF30	30A	30	600	H, K, R	9.25	6.38	E - 0.59	0	0	-	0	-
NF30	30A	60	600	H, K, R	9.75	6.38	E - 0.59	0	0	-	0	-
NF30	30A	30	600	J	6.50	6.38	E - 0.59	0	0	-	0	-
NF30	30A	60	600	J	6.62	6.38	E - 0.59	0	0	-	0	-
N60	60A	No Fuse		—	4.62	6.38	E - 1.34	00	0	-	0	-
NF60	60A	30	600	H, K, R	10.38	6.38	E - 1.34	0	0	-	0	-
NF60	60A	60	250	H, K, R	8.38	6.38	E - 1.34	0	0	-	0	-
NF60	60A	100	250	H, K, R	10.88	6.38	E - 1.34	0	0	-	0	-
NF60	60A	60	600	H, K, R	10.88	6.38	E - 1.34	0	0	-	0	-
NF60	60A	100	600	H, K, R	12.88	6.38	E - 1.34	0	0	-	0	-
NF60	60A	60	600	J	7.75	6.38	E - 1.34	0	0	-	0	-
NF60	60A	100	600	J	9.75	6.38	E - 1.34	0	0	-	0	-
N100	100A	No Fuse		—	4.62	7.13	E - 3.12	8	0	-	1	-
NF100	100A	100	250	H, K, R.	11.38	7.13	E - 3.12	8	0	-	1	-
NF100	100A	200	250	H, K, R	12.25	7.38	E - 3.12	8	0	-	1	-
NF100	100A	100	600	H, K, R	13.38	7.12	E - 3.12	8	0	-	1	-
NF100	100A	200	600	H, K, R	14.75	7.50	E - 3.12	8	0	-	1	-
NF100	100A	100	600	J	10.12	7.13	E - 3.12	8	0	-	1	-
NF100	100A	200	600	J	10.88	7.38	E - 3.12	8	0	-	1	-
N200	200A	No Fuse		—	7.12	10.13	E - 3.38	8	0	-	7	-
NF200	200A	200	250	H, K, R	15.00	10.13	E - 3.38	8	0	-	7	-
NF200	200A	400	250	H, K, R	18.56	10.50	E - 3.38	8	0	-	7	-
NF200	200A	200	600	H, K, R	17.56	10.13	E - 3.38	8	0	-	7	-
NF200	200A	400	600	H, K, R	19.56	10.75	E - 3.38	8	0	-	7	-
NF200	200A	200	600	J	13.69	10.13	E - 3.38	8	0	-	7	-
NF200	200A	400	600	J	15.00	10.38	E - 3.38	8	0	-	7	-

- 0 Will fit enclosure. No special restrictions.
- 1. Do not use in 8" deep enclosures.
- 6. Only fit enclosures with the AB designator at the end of the part number.
- 7. Only fit enclosures 12.00 inches deep.
- 8. Do not use in 60" high enclosures.

### Allen-Bradley 1494D Circuit Breaker Operators

Type Number	Frame Rating	Breaker Type	Frame Size	Space Occupied		Wire Bend Space	Disconnects Fit The Enclosure Type Indicated Below (Page C58)				
				F	G		Z	1	2	3	4
N4/N40	150A	Westinghouse	F Frame / Series C	5.81	4.44	E - 0.59	0	0	-	0	-
N4/N40	150A	General Electric	TEC, TED, THED	5.81	4.44	E - 0.59	0	0	-	0	-
N5/N50	225A	General Electric	TFC, TFK, THFK	8.81	4.63	E - 1.41	0	0	-	1	-
N5/N50	250A	Westinghouse	J Frame / Series C	8.81	4.63	E - 1.45	0	0	-	1	-
N5/N60	400A	Westinghouse	K Frame / Series C	8.81	5.75	E - 1.31	8	0	-	1	-

- 0 Will fit enclosure. No special restrictions.
- 1. Do not use in 8" deep enclosures.
- 6. Only fit enclosures with the AB designator at the end of the part number.
- 8. Do not use in 60" high enclosures.

INDUSTRIAL ENCLOSURES

DISCONNECT ENCLOSURE INFORMATION





**Square D Class 9422 Disconnects**

Type Number	Amp Rating	Fuse Clip Rating		Fuse Class	Space Occupied		Wire Bend Space	Disconnects Fit The Enclosure Type Indicated Below (Page C58)				
		Amp	Volt		F	G		Z	1	2	3	4
TCN-30	30A	No Fuse		—	3.80	6.97	E - 1.06	0	0	0	-	0
TCF-30	30A	30	250	H,K,R	5.53	6.97	E - 1.06	0	0	0	-	0
TCF-33	30A	30	600	H,K,R	8.15	6.97	E - 1.06	0	0	0	-	0
TCF-33	30A	60	250	H,K,R	6.15	6.97	E - 1.06	0	0	0	-	0
TCF-33	30A	30	600	J	3.80	6.97	E - 1.06	0	0	0	-	0
TDN-60	60A	No Fuse		—	3.80	6.97	E - 1.06	0	0	0	-	0
TDN-60	60A	30	600	H,K,R	8.15	6.97	E - 1.06	0	0	0	-	0
TDN-60	60A	60	250	H,K,R	6.15	6.97	E - 1.06	0	0	0	-	0
TDN-63	60A	60	600	H,K,R	8.65	6.97	E - 1.06	0	0	0	-	0
TDN-63	60A	60	600	J	5.53	6.97	E - 1.06	0	0	0	-	0
TEN-10	100A	No Fuse		—	3.80	6.97	E - 1.19	0	0	0	-	1
TEF-10	100A	100	250	H,K,R	8.25	6.97	E - 1.19	0	0	0	-	1
TEF-10	100A	100	600	H,K,R	10.25	6.97	E - 1.19	0	0	0	-	1
TEF-13	100A	100	600	J	7.05	6.97	E - 1.19	0	0	0	-	1
TEF-13	100A	200	600	J	—	—	E - 1.19	0	0	0	-	1
TC-1	30A	No Fuse		—	5.75	6.13	E - 2	0	0	0	-	0
TC-2	30A	30	250	H,K,R	5.75	6.13	E - 2	0	0	0	-	0
TC-3	30A	30	600	H,K,R	7.75	6.13	E - 2	0	0	0	-	0
TC-3	30A	60	250	H,K,R	5.88	6.13	E - 2	0	0	0	-	0
TC-3	30A	30	600	J	5.75	6.13	E - 2	0	0	0	-	0
TD-1	60A	No Fuse		—	6.38	6.75	E - 1.13	0	0	0	-	0
TD-2	60A	30	600	H,K,R	8.50	6.75	E - 1.13	0	0	0	-	0
TD-2	60A	60	250	H,K,R	6.50	6.75	E - 1.13	0	0	0	-	0
TD-3	60A	60	600	H,K,R	9.00	6.75	E - 1.13	0	0	0	-	0
TD-3	60A	60	600	J	6.38	6.75	E - 1.13	0	0	0	-	0
TE-1	100A	No Fuse		—	4.75	8.50	E - 1.38	0	0	1	-	1
TE-2	100A	100	250	H,K,R	7.50	8.50	E - 1.38	0	0	1	-	1
TE-2	100A	100	600	H,K,R	9.50	8.50	E - 1.38	0	0	1	-	1
TE-2	100A	100	600	J	6.25	8.50	E - 1.38	0	0	1	-	1
TE-3	100A	200	600	J	13.75	8.50	E - 1.38	0	0	1	-	1
TF-1	200A	No Fuse		—	5.50	11.75	E - 2.75	0	0	1	-	2
TF-2	200A	200	250	H,K,R	11.50	11.75	E - 2.75	0	0	1	-	2
TF-2	200A	200	600	H,K,R	14.00	11.75	E - 2.75	0	0	1	-	2
TF-2	200A	200	600	J	10.12	11.75	E - 2.75	0	0	1	-	2
TF-3	200A	400	600	J	14.50	11.75	E - 2.75	0	0	0	-	2
RG-1	75A	GJL		Circuit Breaker	3.53	3.88	E - 1.16	0	0	0	-	0
RG-1	100A	GJL		Circuit Breaker	3.53	3.88	E - 1.16	0	0	0	-	0
RN-1	100A	FAL,FHL		Circuit Breaker	5.12	5.38	E - 1.00	0	0	0	-	0
RP-1	250A	KAL,KHL		Circuit Breaker	7.12	5.75	E - 0.50	0	0	0	-	0
RR-1	400A	LAL,LHL,Q4L		Circuit Breaker	7.62	8.88	E - 4.62	-	0	1	-	2

0 Will fit enclosure. No special restrictions.

1. Do not use in 8.00 inch deep enclosures.

2. Do not use in 8.00 or 10.00 inch deep enclosures.

### General Electric Type STDA Operators for Disconnects

Mechanism	Amp Rating	Fuse Clip Rating		Fuse Class	Space Occupied		Wire Bend Space Z	Disconnects Fit The Enclosure Type Indicated Below (Page C58)				
		Amp	Volt		F	G		1	2	3	4	5
TDOM1A	30A	No Fuse		—	7.75	5.25	E + .5	0	0	0	-	0
TDOM1A	30A	30	250	H,R	7.75	5.25	E + .5	0	0	0	-	0
TDOM1B	30A	30	600	H,R	12.38	5.25	E + .5	0	0	0	-	0
TDOM1B	30A	60	250	H,R	12.38	5.25	E + .5	0	0	0	-	0
TDOM1B	30A	60	600	H,R	12.38	5.25	E + .5	0	0	0	-	0
TDOM1A	60A	No Fuse		—	7.75	5.25	E + .5	0	0	0	-	0
TDOM1B	60A	60	250	H,R	12.38	5.25	E + .5	0	0	0	-	0
TDOM1B	60A	60	600	H,R	12.38	5.25	E + .5	0	0	0	-	0
TDOM1B	60A	100	250	H,R	12.38	5.25	E + .5	0	0	0	-	0
TDOM1B	60A	100	600	H,R	12.38	5.25	E + .5	0	0	0	-	0
TDOM1A	100A	No Fuse		—	7.75	5.25	E + .5	0	0	0	-	0
TDOM1B	100A	100	250	H,R	12.38	5.25	E + .5	0	0	0	-	0
TDOM1B	100A	100	600	H,R	12.38	5.25	E + .5	0	0	0	-	0
TDOM1B	100A	200	250	H,R	12.38	5.25	E + .5	0	0	0	-	0
TDOM1B	100A	200	600	H,R	12.38	5.25	E + .5	0	0	0	-	0
TDOM2	200A	No Fuse		—	7.00	9.12	E - 2.12	0	0	0	-	2
TDOM2	200A	200	250	H,R	15.38	9.12	E - 2.12	0	0	0	-	2
TDOM2	200A	200	600	H,R	15.38	9.12	E - 2.12	0	0	0	-	2

### General Electric Type STDA Operators for Circuit Breakers

Mechanism	Amp Rating	Frame Type	Space Occupied		Wire Bend Space Z	Disconnects Fit The Enclosure Type Indicated Below (Page C58)				
			F	G		1	2	3	4	5
SDOM1A	150A	TEB, TED, THED	7.75	5.38	E - .64	0	0	0	-	0
SDOM1A	150A	TEC	7.75	5.38	E - .64	0	0	0	-	0
TDOM1B	150A	TB1	12.38	5.38	E - .64	0	0	0	-	0
TDOM1B	150A	TEC, TECL	12.38	5.38	E - .64	0	0	0	-	0
TDOM1C	150A	TEL	7.75	5.38	E - .64	0	0	0	-	0
TDOM1D	150A	THLC1	7.75	5.38	E - .64	0	0	0	-	1
TDOM3	225A	TFJ	10.38	5.88	E - 2.00	0	0	0	-	1
TDOM3	225A	TFK, THFK, TFL	10.38	5.88	E - 2.00	0	0	0	-	1
TDOM4	400A	TJJ, TJK4, THJK4, TJL4V	8.25	9.50	E - 2.00	8	0	0	-	1
TDOM4	600A	TJK6, THJK6, TJ4V, TJL4V	8.25	9.50	E - 2.00	8	0	1	-	1
TDOM5	400A	TB4, TJH6S	14.25	9.50	E - 2.00	8	0	0	-	1
TDOM6	225A	TLB2, THLC2	11.75	9.50	E - 2.50	8	9	9	-	2
TDOM6	400A	TLB4, THLC4	11.75	9.50	E - 2.50	8	9	9	-	2
TDOM6	225A	TLB2, THLC2	11.75	9.50	E - 2.50	9	10	-	-	-
TDOM7	600A	TB6	18.12	9.50	E - 2.50	9	9	-	-	-
TDOM7	800A	TB8	18.12	9.50	E - 2.50	9	9	-	-	-
TDOM7	1200A	TKL12S	18.12	9.50	E - 2.50	9	10	-	-	-

- 0 Will fit enclosure. No special restrictions.
- 1. Do not use in 8.00 inch deep enclosures.
- 2. Do not use in 8.00 or 10.00 inch deep enclosures.
- 8. Do not use in 60.00 inch high enclosures.
- 9. Do not use in 60.00 or 72.00 inch high enclosures.
- 10. Do not use in 60.00, 72.00, or 84.00 inch high enclosures.

INDUSTRIAL ENCLOSURES  
DISCONNECT ENCLOSURE INFORMATION



## I-T-E Disconnect Switches for Max-Flex™ Operators

Switch	Amp Rating	Fuse Clip Rating		Fuse Class	Space Occupied		Disconnects Fit The Enclosure Type Indicated Below (Page C58)				
		Amp	Volt		F	G	1	2	3	4	5
MCS603R	30A	No Fuse		—	5.52	6.13	0	0	0	-	0
MCS603R	30A	30	250	H,K,R	8.11	6.13	0	0	0	-	0
MCS603R	30A	30	600	H,K,R	10.11	6.13	0	0	0	-	0
MCS603R	30A	30	600	J	8.48	6.13	0	0	0	-	0
MCS606R	60A	No Fuse		—	5.52	6.13	0	0	0	-	0
MCS606R	60A	60	250	H,K,R	7.86	6.13	0	0	0	-	0
MCS606R	60A	60	600	H,K,R	10.38	6.13	0	0	0	-	0
MCS606R	60A	60	600	J	8.36	6.13	0	0	0	-	0
MCS610R	100A	No Fuse		—	7.59	7.38	0	0	0	-	0
MCS610R	100A	100	250	H,K,R	11.85	7.38	0	0	0	-	0
MCS610R	100A	100	600	H,K,R	13.85	7.38	0	0	0	-	0
MCS610R	100A	100	600	J	10.60	7.38	0	0	0	-	0
MCS620R	200A	No Fuse		—	9.02	9.17	0	0	0	-	0
MCS620R	200A	200	250	H,K,R	14.70	9.17	0	0	0	-	0
MCS620R	200A	200	600	H,K,R	17.20	9.17	0	0	0	-	0
MCS620R	200A	200	600	J	13.32	9.17	0	0	0	-	0

0 Will fit enclosure. No special restrictions.

## I-T-E Circuit Breakers with Max-Flex™ Operators

Complete Operator	Circuit Breaker	Max Amp	Circuit Breaker		Circuit Breaker Type	Disconnects Fit The Enclosure Type Indicated Below (Page C58)				
			Mechanism	Frame		Rating	Height	Width	1	2
FHOE036	ED	125A	6.34	3.00	ED2,ED4,ED6,HED4,HED6	0	0	0	-	0
FHOE36	CED	125A	9.58	3.00	CED6	0	0	0	-	0
FHOF036	FD	250A	9.50	4.50	FXD6-A,FD6-A,HFD6,FXD6-ETJ,HHFD6,HHFXD6	0	0	0	-	0
FHOJ036	CFD	250A	14.25	4.50	CFD6,CFD6-ETI	0	0	0	-	0
FHOJ036	JD	400A	11.00	7.50	JXD2,JXD6,JD6,HJD6,HHJD6,HHJXD6,JXD6-ETI	0	0	0	-	0
FHOJ036	CJD	400A	17.86	7.50	CJD6,CJD6-ETI	0	0	0	-	0
FHOJ036	LD	600A	11.00	7.50	LXD6,LD6,HLD6,HHL6,HHLXD6,LXD6-ETI	0	0	0	-	0
FHOJ036	CLD	600A	17.86	7.50	CLD6,CLD6-ETI	0	0	0	-	0
FHOLM036	LMD	800A	16.00	9.00	LMD6,LMXD6,HLM6,HLMXD6,LMXD6-ETI	0	0	0	-	0
FHON048	MD	800A	24.00	9.00	MD6,MXD6,HMD6,HMXD6,CMD6,MXD6-ETI,CMD6-ETI	-	4	-	5	3
FHON048	ND	1200A	24.00	9.00	ND6,NXD6,HND6,HNXD6,CND6	-	4	-	5	3

0 Will fit enclosure. No special restrictions.

3. Only fits Type 5 Enclosures with a Designator after Depth.

4. Only fit enclosures 84.00 and 90.00 inch high with the AB designator at the end of the part number.

5. Only fit enclosures 12.00 inches deep.

## ABB Controls Disconnect Switches with Flange Mounted Operators

Switch Number	Amp Rating	Fuse Clip Rating		Fuse Class	Space Occupied		Wire Bend Space	Disconnects Fit The Enclosure Type Indicated Below (Page C58)				
		Amp	Volt		F	G		Z	1	2	3	4
OETL-NF30-F	40A	No Fuse		—	4.45	3.91	E + 1.68	0	0	0	-	0
OETL-NF60-F	80A	No Fuse		—	4.86	3.91	E + 1.47	0	0	0	-	0
OETL-NF100-F	100A	No Fuse		—	4.86	4.91	E + 0.91	0	0	0	-	0
OETL-NF175-F	175A	No Fuse		—	7.30	6.62	E - 1.34	0	0	0	-	1
OETL-NF200-F	200A	No Fuse		—	7.36	7.41	E + 1.34	0	0	0	-	1
OESA-F30J6-F	30A	30	600	J	4.28	6.71	E = Z	0	0	0	-	0
OESA-F60J6-F	50A	60	600	J	4.28	6.38	E = Z	0	0	0	-	0
OESA-F100J6-F	100A	100	600	J	6.54	7.78	E - 0.45	0	0	0	-	0

0 Will fit enclosure. No special restrictions.

1. Do not use in 8.00 inch deep enclosures.

### ABB Controls Circuit Breakers with Flange Mounted Operators

Mechanism	Amp Rating	Frame Type	Space Occupied		Wire Bend Space Z	Disconnects Fit The Enclosure Type Indicated Below (Page C58)				
			F	G		1	2	3	4	5
FHD-M	150A	D	6.92	3.94	E + 0.54	0	0	0	-	0
FHF-M	150A-225A	E/Q	5.98	4.23	E - 0.91	8	0	1	-	2
FHF-M	225A	F	7.44	4.23	E - 0.91	0	0	0	-	0
FHJ-M	400A	J	9.71	5.62	E - 2.85	8	0	1	-	2
FHM-M	600A	L	8.28	11.26	E - 2.85	-	0	0	-	2
FHM-M	800A	M	10.11	11.26	E - 3.75	-	9	-	-	-

- 0 Will fit enclosure. No special restrictions.
- 2 Do not use with 8.00 or 10.00 inch deep enclosures.
- 8 Do not use in 60.00 inch high enclosures.
- 9 Do not use in 60.00 or 72.00 inch high enclosures.

### Cutler-Hammer C361 Disconnect Switches

Switch Number	Type Number	Amp Rating	Fuse Clip Rating		Fuse Class	Space Occupied		Wire Bend Space Z	Disconnects Fit The Enclosure Type Indicated Below (Page C58)				
			Amp	Volt		F	G		1	2	3	4	5
C361	NC	30A	No Fuse		—	5.75	7.64	E - 1.31	0	0	0	-	0
C361	SC21	30A	30	250	H,K,R	8.38	7.64	E - 1.31	0	0	0	-	0
C361	SC61	30A	60	250	H,K,R	8.38	7.64	E - 1.31	0	0	0	-	0
C361	SC61	30A	30	600	H,J,K,R	8.38	7.64	E - 1.31	0	0	0	-	0
C361	ND	60A	No Fuse		—	5.75	7.64	E - 1.31	0	0	0	-	0
C361	SD22	60A	60	250	H,K,R	8.38	7.64	E - 1.31	0	0	0	-	0
C361	SD22	60A	30	600	J	8.38	7.64	E - 1.31	0	0	0	-	0
C361	SD62	60A	60	600	H,K,R	8.38	7.64	E - 1.31	0	0	0	-	0
C361	SD62	60A	60	600	J	8.38	7.64	E - 1.31	0	0	0	-	0
C361	NE	100A	No Fuse		—	5.56	9.13	E - 1.75	0	0	0	-	0
C361	SE263	100A	100	250	H,K,R	10.31	9.13	E - 1.75	0	0	0	-	0
C361	SE263	100A	100	600	H,K,R	10.31	9.13	E - 1.75	0	0	0	-	0
C361	SE263	100A	100	600	J	10.31	9.13	E - 1.75	0	0	0	-	0
C361	NF	200A	No Fuse		—	13.06	10.13	E - 3.68	0	0	0	-	2
C361	SF264	200A	200	250	H,K,R	13.06	10.13	E - 3.68	0	0	0	-	2
C361	SF264	200A	200	600	H,J,K,R	13.06	10.13	E - 3.68	0	0	0	-	2

### Cutler-Hammer C371 Circuit Breaker Operators for C-H / Westinghouse Circuit Breakers

Mechanism	Max Amp Rating	Frame Type	Space Occupied		Wire Bend Space Z	Disconnects Fit The Enclosure Type Indicated Below (Page C58)				
			F	G		1	2	3	4	5
C371E	225A	F Frame:EHD,FDB,FD,HFD,FDC	6.00	5.63	E - 0.31	0	0	0	-	0
C371E	150A	F-Frame:HMCP	6.00	5.63	E - 0.31	0	0	0	-	0
C371F	250A	J Frame:JDB,JD,HJD,JDC	10.94	8.13	E - 0.37	0	0	1	-	1
C371F	250A	J Frame:HMCP	8.94	8.13	E - 0.37	0	0	1	-	1
C371F	400A	K Frame:DK,KDB,KD,HKD	9.75	8.13	E - 0.87	8	0	1	-	2
C371F	400A	K Frame:HMCP	9.75	8.13	E - 0.87	8	0	1	-	2
C371G	600A	L Frame:LD,HLD,LDC	8.44	12.00	E - 2.44	9	0	1	-	2
C371G	600A	L Frame:HMCP	8.44	12.00	E - 2.44	9	0	1	-	2

### Cutler-Hammer Flex Shaft™ Operator Mechanisms for C-H / Westinghouse Circuit Breakers

Complete Operator Mechanism	Amp Rating	Frame Type	Breaker Height	Breaker Width	Disconnects Fit The Enclosure Type Indicated Below (Page C58)				
					1	2	3	4	5
F1S03	225A	F-Frame/EHD, FDB, FD, HFD, FDC	6.00	4.12	0	0	-	-	-
F1S03	150A	F-Frame HMCP	6.00	4.12	0	0	-	-	-
F2S03	250A	J-Frame/JDB,JD,HJD,JDC	10.00	4.12	8	0	-	-	-
F2S03	250A	J-Frame HMCP	10.00	4.12	8	0	-	-	-
F3S03	400A	K-Frame/DK,KDB,KD,HKD	10.12	5.50	8	0	-	-	-
F3S03	400A	K-Frame HMCP	12.45	5.50	8	0	-	-	-
F4S04	600A	L-Frame/LD,HLD,LDC	10.75	8.25	-	9	-	-	-
F4S04	600A	L-Frame HMCP	12.50	8.25	-	9	-	-	-
F7S04	800A	M Frame/MD,MDS	16.00	8.25	-	9	-	-	-

- 0 Will fit enclosure. No special restrictions.
- 1 Do not use in 8.00 inch deep enclosures.
- 2 Do not use with 8.00 or 10.00 inch deep enclosures.
- 8 Do not use in 60.00 inch high enclosures.
- 9 Do not use in 60.00 or 72.00 inch high enclosures.



INDUSTRIAL ENCLOSURES

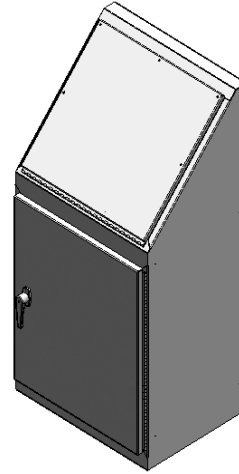
DISCONNECT ENCLOSURE INFORMATION



M12SP1 SINGLE DOOR



M12SP1 DOUBLE DOOR



M12SP-924 SINGLE DOOR

**APPLICATIONS**

Designed to house electrical controls, instruments, and components. Pushbuttons, pilot lights, meters, switches, etc. can be mounted on the sloping control panel or on the instrument panel.

**CONSTRUCTION**

Fabricated from 14 gauge carbon steel with continuously welded seams. Enclosures feature:

- Doors and exterior panels have oil resistant gaskets and are secured by three point latches with key locking handles.
- The 24" and 36" consoles have a single door on the front. The door surfaces are flush with the front to the body.
- Each console has a large sloping control panel hinged along the bottom edge and secured with captivated panel screws thread into sealed wells for a good secure fit.

- Stops are provided to hold the control panel open.
- Collar studs provided for mounting optional sub panels.

**FINISH**

Standard ANSI-61 gray finish on interior and exterior of enclosures. Recoatable, smooth, white or RAL 7035 texture polyester powder coat available at no charge. Standard RAL and custom match finishes available for an additional charge, please contact Milbank Manufacturing Co. for further assistance. All powder coat finishes applied over cleaned phosphatized surfaces. Carbon steel sub panels have a white polyester powder coat finish.

**OPTIONS**

Milbank Manufacturing Co. can modify standard enclosures or custom design enclosures according to your specifications. Holes, cutouts, sizes, materials, and many more options are available. Quotations upon request.

**INDUSTRY STANDARDS**

- UL 50 Listed
- CUL 50 Listed
- Type 12

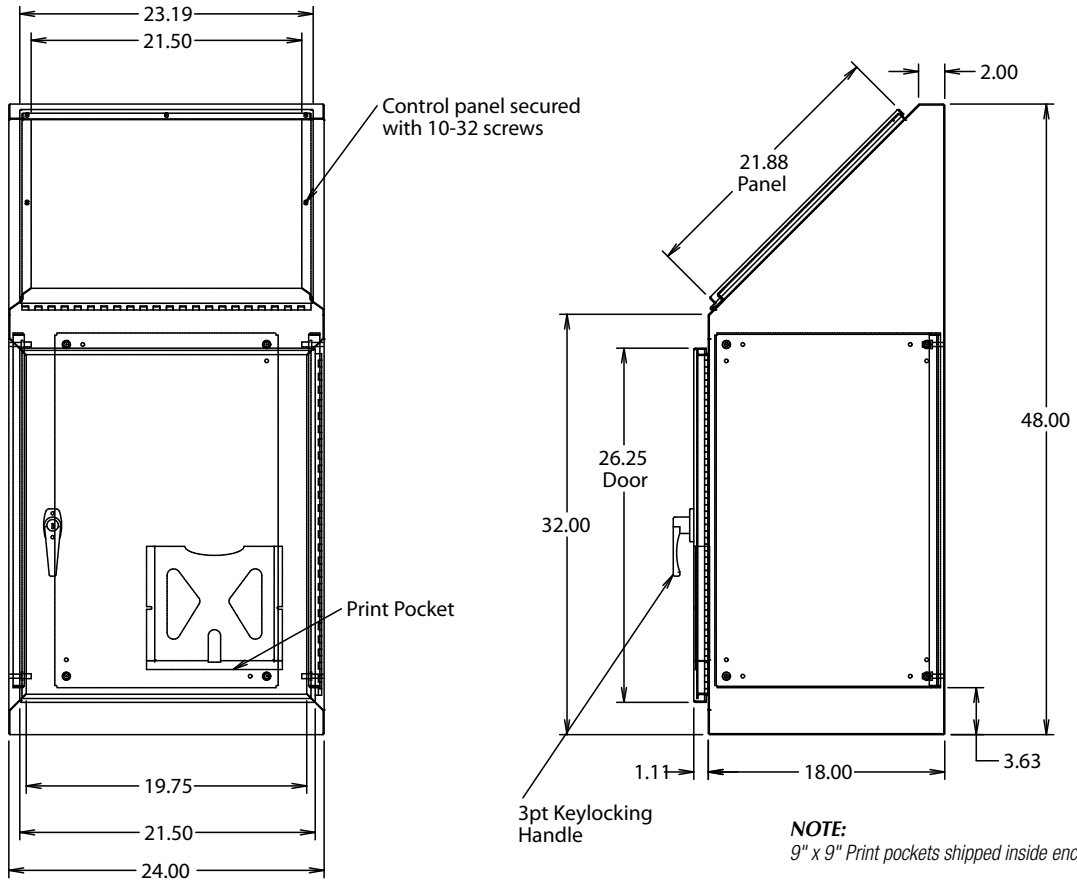
CATALOG NUMBER	DESCRIPTION	ENCLOSURE SIZE H X W X D (INCHES)	SHPG. WT.
M12SP1-C18	Console Body	40 x 18 x 20	100
A-30X15	Interior Subpanel	30 x 15	12
M12SP1-C24	Console Body	40 x 24 x 20	115
A-30X21	Interior Subpanel	30 x 21	17
M12SP1-C30	Console Body	40 x 30 x 20	140
A-30X27	Interior Subpanel	30 x 27	21
M12SP1-C36	Console Body	40 x 36 x 20	165
A-30X33	Interior Subpanel	30 x 33	26
M12SP1-C42	Console Body	40 x 42 x 20	210
A-30X39	Interior Subpanel	30 x 39	31
M12SP1-C48	Console Body	40 x 48 x 20	235
A-30X45	Interior Subpanel	30 x 45	36

CATALOG NUMBER	DESCRIPTION	ENCLOSURE SIZE H X W X D (INCHES)	SHPG. WT.
M12SP-924B	Console Body	48 x 24 x 18	150
A-30P20	Interior Subpanel	27 x 17	16
M12SP-936B	Console Body	48 x 36 x 18	186
A-30P30	Interior Subpanel	27 x 27	24
A-30P20	Interior Side Subpanel	27 x 17	16

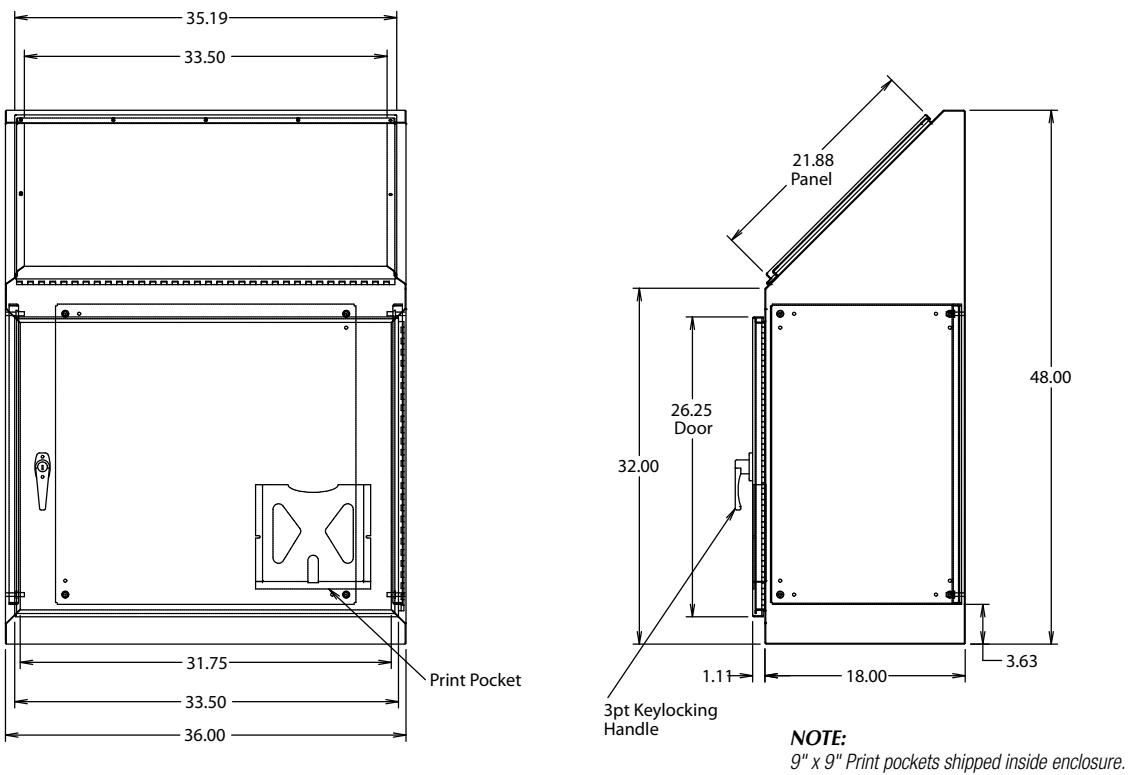


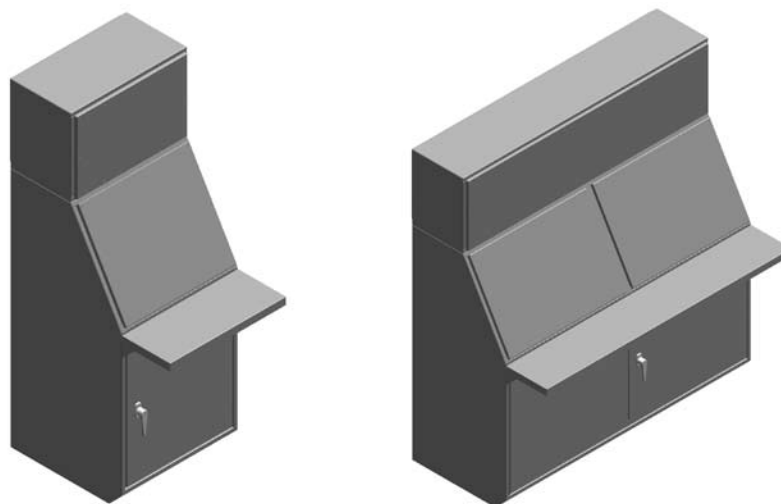


M12SP-924B



M12SP-936B





INDUSTRIAL ENCLOSURES

TYPE 12 – SERIES 14 CONSOLES

**APPLICATIONS**

Designed to house electrical controls, instruments, and components. Pushbuttons, pilot lights, meters, switches, etc. can be mounted on the sloping control panel or on the instrument panel.

**CONSTRUCTION**

Fabricated from 14 gauge carbon steel with continuously welded seams. Enclosures feature:

- Doors and exterior panels have oil resistant gaskets and are secured by three point latches with key locking handles.
- The 24" and 36" consoles have a single door on the front. The 48" console has overlapping double doors on the front.
- The door surfaces are flush with the front to the body.
- Each console has a large sloping control panel hinged along the bottom edge and secured with captivated panel screws threaded into sealed wells for a good secure fit.
- Stops are provided to hold the control panel open.
- Collar studs provided for mounting optional sub panels.

**FINISH**

Standard ANSI-61 gray finish on interior and exterior of enclosures. Recoatable, smooth, white or RAL 7035 texture polyester powder coat available at no charge. Standard RAL and custom match finishes available for an additional charge, please contact Milbank Manufacturing Co. for further assistance. All powder coat finishes applied over cleaned phosphatized surfaces. Carbon steel sub panels have a white polyester powder coat finish.

**OPTIONS**

Milbank Manufacturing Co. can modify standard enclosures or custom design enclosures according to your specifications. Holes, cutouts, sizes, materials, and many more options are available. Quotations upon request.

**CONSOLE TOPS**

16" high x 12 1/2" deep and extend the full width of the console. The 24" and 36" tops have a gasketed instrument panel on the front and gasketed access panel on the back. The 48" has one instrument panel on the front and two access panels on the rear. The 60" has two gasketed instrument panels on the front and one

gasketed access panel on the back. The 72" has two gasketed instrument panels in front and two gasketed access panels in the back. The tops are fabricated from 14 gauge carbon steel with continuously welded seams. Tops are easily attachable to console bodies.

**CONSOLE WRITING DESK**

Fabricated from 14 gauge carbon steel and easily attached to console. Mounting hardware is included.

**STATIONARY SUB-PANELS**

Half panel and full panel 12 gauge carbon steel stationary sub panels are easy to remove and are adjustable from front to back. Order separately.

**RACK MOUNTING ANGLES**

For mounting 19" rack mounted equipment in the 24" Console.

**INDUSTRY STANDARDS**

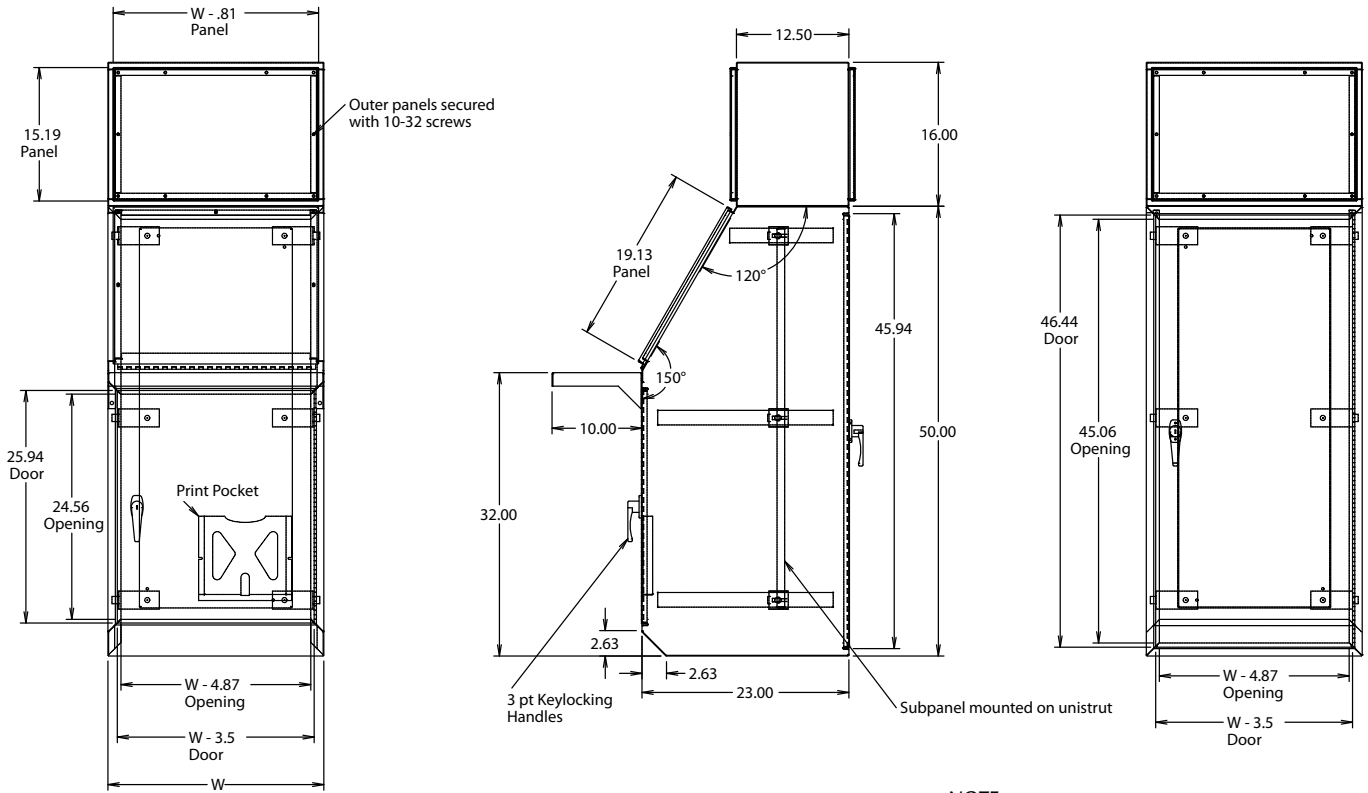
- UL 50 Listed
- CUL 50 Listed
- Type 12

CATALOG NUMBER	DESCRIPTION	ENCLOSURE SIZE H X W X D (INCHES)	SHPG. WT.
M12SP14B	Console Body Only	50 x 24 x 23	181
M12SP14T	Top Only	16 x 24 x 12.5	45
A-14W	Writing Desk	-- x 24 x 10	10
A-14P2	Half Panel	22 x 17	26
A-14P3	Full Panel	42.25 x 17	24
M12SP1436B	Console Body Only	50 x 36 x 23	235
M12SP1436T	Top Only	16 x 36 x 12.5	62
A-1436W	Writing Desk	-- x 36 x 10	12
A-1436P2	Half Panel	22 x 29	34
A-1436P3	Full Panel	42.25 x 29	44
M12SP1448BD	Console Body Only	50 x 48 x 23	290
M12SP1448T	Top Only	16 x 48 x 12.5	79
A-1448W	Writing Desk	-- x 48 x 10	14

CATALOG NUMBER	DESCRIPTION	ENCLOSURE SIZE H X W X D (INCHES)	SHPG. WT.
A-1448P2	Half Panel	22 x 41	43
A-1448P3	Full Panel	42.25 x 41	57
M12SP1460BD	Console Body Only	50 x 60 x 23	311
M12SP1460T	Top Only	16 x 60 x 12.5	96
A-1460W	Writing Desk	-- x 60 x 10	20
A-1460P2	Half Panel	22 x 53	42
A-1460P3	Full Panel	42.25 x 53	77
M12SP1472BD	Console Body Only	50 x 72 x 23	382
M12SP1472T	Top Only	16 x 72 x 12.5	112
A-1472W	Writing Desk	-- x 72 x 10	25
A-1472P2	Half Panel	22 x 65	50
A-1472P3	Full Panel	42.25 x 65	102
A-1448W	Writing Desk	-- x 48 x 10	14

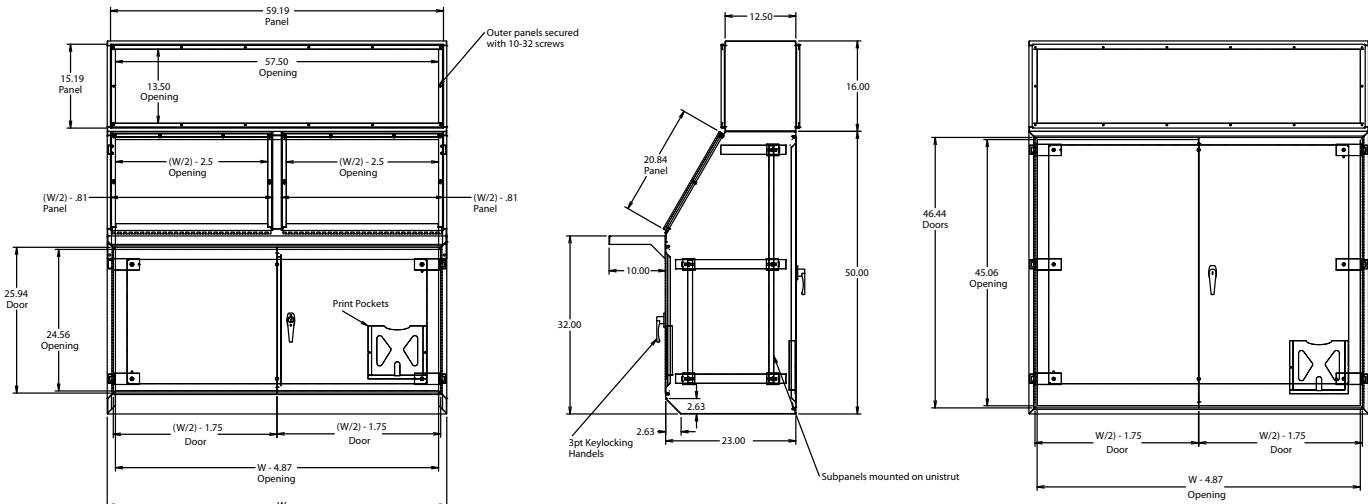


M12SP-14B SINGLE DOOR



**NOTE:**  
9" x 9" Print pockets shipped inside enclosure.

M12SP-14B DOUBLE DOOR



**NOTE:**  
9" x 9" Print pockets shipped inside enclosure.

INDUSTRIAL  
ENCLOSURES

TYPE 12 – SERIES 14 CONSOLES



**CONSTRUCTION**

Fabricated from 16 or 14 gauge carbon steel, type 304 or type 316 stainless steel with continuously welded seams. Enclosure features:

- Door secured with zinc clamps on four sides.
- Stainless steel doors are secured with type 316 stainless steel clamps.
- Oil resistant gasket applied to the doors.
- External mounting feet for wall or machinery mounting.
- Weld nuts for mounting optional sub panel.

**FINISH**

Standard ANSI-61 gray on interior and exterior of enclosures. Recoatable, smooth, white or RAL 7035 texture polyester powder coat finish available at no charge. Standard RAL and custom match finishes available for an additional charge, please

contact Milbank Manufacturing Co. for further assistance. All powder coat finishes applied over cleaned phosphatized surfaces. Carbon steel sub panels have a white polyester powder coat finish. Stainless steel enclosures have a polished #4 finish.

**OPTIONS**

Milbank Manufacturing Co. can modify standard enclosures or custom design enclosures according to your specifications. Holes, cutouts, sizes, materials, and many more options are available. Quotations upon request.

**INDUSTRY STANDARDS**

- UL 50 Listed
- CUL 50 Listed
- Type 4

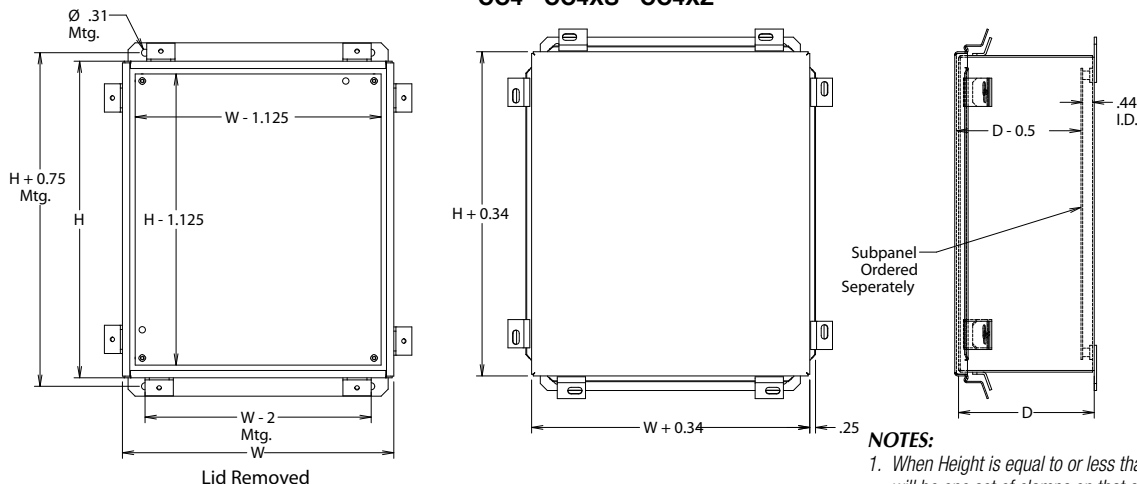
**APPLICATIONS**

Type 4 JIC enclosures are designed for use in areas which may be regularly hosed down or otherwise very wet.

INDUSTRIAL ENCLOSURES

TYPE 4 – JUNCTION ENCLOSURES – CLAMP COVER ENCLOSURES

**CC4 • CC4XS • CC4XZ**



**NOTES:**  
1. When Height is equal to or less than 8" there will be one set of clamps on that side.

CATALOG NUMBER			PRODUCT SIZE H X W X D (INCHES)	SHPG. WT.	SUB PANEL PART #	SUB PANEL SIZE H X W (INCHES)
CARBON STEEL #	304 STAINLESS STEEL #	316 STAINLESS STEEL #				
CC443JIC4	CC443JIC4XS	CC443JIC4XZ	4 x 4 x 3	3	-	-
CC643JIC4	CC643JIC4XS	CC643JIC4XZ	6 x 4 x 3	4	A-64SBP	4.88 x 2.88
CC863JIC4	CC863JIC4XS	CC863JIC4XZ	8 x 6 x 3.5	7	A-86SBP	6.88 x 4.88
CC444JIC4	CC444JIC4XS	CC444JIC4XZ	4 x 4 x 4	4	-	-
CC644JIC4	CC644JIC4XS	CC644JIC4XZ	6 x 4 x 4	5	A-64SBP	4.88 x 2.88
CC664JIC4	CC664JIC4XS	CC664JIC4XZ	6 x 6 x 4	6	A-66SBP	4.88 x 4.88
CC884JIC4	CC884JIC4XS	CC884JIC4XZ	8 x 8 x 4	9	A-88SBP	6.88 x 6.88
CC1084JIC4	CC1084JIC4XS	CC1084JIC4XZ	10 x 8 x 4	11	A-108SBP	8.88 x 6.88
CC1264JIC4	CC1264JIC4XS	CC1264JIC4XZ	12 x 6 x 4	10	A-126SBP	10.88 x 4.88
CC12105JIC4	CC12105JIC4XS	CC12105JIC4XZ	12 x 10 x 5	17	A-1210SBP	10.88 x 8.88
CC666JIC4	CC666JIC4XS	CC666JIC4XZ	6 x 6 x 6	8	A-66SBP	4.88 x 4.88
CC866JIC4	CC866JIC4XS	CC866JIC4XZ	8 x 6 x 6	10	A-86SBP	6.88 x 4.88
CC1086JIC4	CC1086JIC4XS	CC1086JIC4XZ	10 x 8 x 6	14	A-108SBP	8.88 x 6.88
CC10106JIC4	CC10106JIC4XS	CC10106JIC4XZ	10 x 10 x 6	16	A-1010SBP	8.88 x 8.88
CC12126JIC4	CC12126JIC4XS	CC12126JIC4XZ	12 x 12 x 6	21	A-1212SBP	10.88 x 10.88
CC1486JIC4	CC1486JIC4XS	CC1486JIC4XZ	14 x 8 x 6	18	A-148SBP	12.88 x 6.88
CC14126JIC4	CC14126JIC4XS	CC14126JIC4XZ	14 x 12 x 6	24	A-1412SBP	12.88 x 10.88
CC16106JIC4	CC16106JIC4XS	CC16106JIC4XZ	16 x 10 x 6	23	A-1610SBP	14.88 x 8.88
CC16146JIC4	CC16146JIC4XS	CC16146JIC4XZ	16 x 14 x 6	30	A-1614SBP	14.88 x 12.88
CC12108JIC4	CC12108JIC4XS	CC12108JIC4XZ	12 x 10 x 8	22	A-1210SBP	10.88 x 8.88
CC14128JIC4	CC14128JIC4XS	CC14128JIC4XZ	14 x 12 x 8	28	A-1412SBP	12.88 x 10.88
CC16148JIC4	CC16148JIC4XS	CC16148JIC4XZ	16 x 14 x 8	34	A-1614SBP	14.88 x 12.88
CC161410JIC4	CC161410JIC4XS	CC161410JIC4XZ	16 x 14 x 10	39	A-1614SBP	14.88 x 12.88

NOTE: Sub panels must be ordered separately.





**APPLICATIONS**

Type 4 JIC enclosures are designed for use in areas which may be regularly hosed down or otherwise very wet.

**CONSTRUCTION**

Fabricated from 16 or 14 gauge carbon steel, 14 gauge type 304 or type 316 stainless steel with continuously welded seams. Enclosure features:

- Door secured with zinc clamps on three sides.
- Stainless steel doors are secured with type 316 stainless steel clamps.
- Oil resistant gasket applied to the doors.
- External mounting feet for wall or machinery mounting.
- Weld nuts for mounting optional sub panel.

**FINISH**

Standard ANSI-61 gray on interior and exterior of enclosures. Recoatable, smooth, white or RAL 7035 texture polyester powder coat finish available at no charge. Standard RAL and custom match finishes available for an

additional charge, please contact Milbank Manufacturing Co. for further assistance. All powder coat finishes applied over cleaned phosphatized surfaces. Carbon steel sub panels have a white polyester powder coat finish. Stainless steel enclosures have a polished #4 finish.

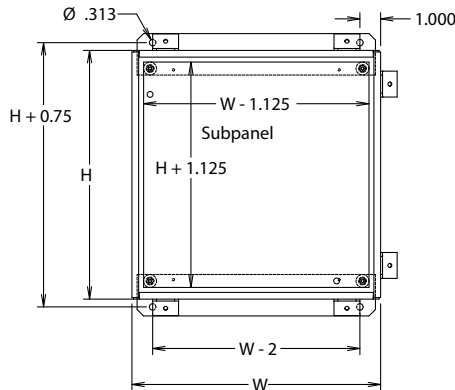
**OPTIONS**

Milbank Manufacturing Co. can modify standard enclosures or custom design enclosures according to your specifications. Holes, cutouts, sizes, materials and many more options are available. Quotations upon request.

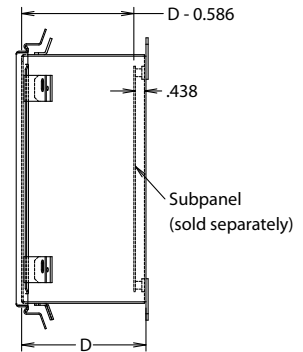
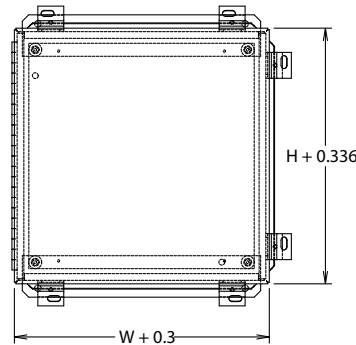
**INDUSTRY STANDARDS**

- UL 50 Listed
- CUL 50 Listed
- Type 4

**HC4 • HC4XS • HC4XZ**



Lid Removed



**NOTES:**

1. When Height or Width is equal to or less than 8" there will be one set of clamps on that side.

CARBON STEEL #	CATALOG NUMBER		PRODUCT SIZE H X W X D (INCHES)	SHPG. WT.	SUB PANEL PART #	SUB PANEL SIZE H X W (INCHES)
	304 STAINLESS STEEL #	316 STAINLESS STEEL #				
HC443JIC4	HC443JIC4XS	HC443JIC4XZ	4 x 4 x 3	2	-	-
HC643JIC4	HC643JIC4XS	HC643JIC4XZ	6 x 4 x 3	3	A-64SBP	4.88 x 2.88
HC863JIC4	HC863JIC4XS	HC863JIC4XZ	8 x 6 x 3.5	5	A-86SBP	6.88 x 4.88
HC444JIC4	HC444JIC4XS	HC444JIC4XZ	4 x 4 x 4	2	-	-
HC644JIC4	HC644JIC4XS	HC644JIC4XZ	6 x 4 x 4	3	A-64SBP	4.88 x 2.88
HC664JIC4	HC664JIC4XS	HC664JIC4XZ	6 x 6 x 4	4	A-66SBP	4.88 x 4.88
HC884JIC4	HC884JIC4XS	HC884JIC4XZ	8 x 8 x 4	6	A-88SBP	6.88 x 6.88
HC1084JIC4	HC1084JIC4XS	HC1084JIC4XZ	10 x 8 x 4	8	A-108SBP	8.88 x 6.88
HC1264JIC4	HC1264JIC4XS	HC1264JIC4XZ	12 x 6 x 4	7	A-126SBP	10.88 x 4.88
HC12105JIC4	HC12105JIC4XS	HC12105JIC4XZ	12 x 10 x 5	12	A-1210SBP	10.88 x 8.88
HC666JIC4	HC666JIC4XS	HC666JIC4XZ	6 x 6 x 6	5	A-66SBP	4.88 x 4.88
HC866JIC4	HC866JIC4XS	HC866JIC4XZ	8 x 6 x 6	7	A-86SBP	6.88 x 4.88
HC1086JIC4	HC1086JIC4XS	HC1086JIC4XZ	10 x 8 x 6	9	A-108SBP	8.88 x 6.88
HC10106JIC4	HC10106JIC4XS	HC10106JIC4XZ	10 x 10 x 6	11	A-1010SBP	8.88 x 8.88
HC12126JIC4	HC12126JIC4XS	HC12126JIC4XZ	12 x 12 x 6	14	A-1212SBP	10.88 x 10.88
HC1486JIC4	HC1486JIC4XS	HC1486JIC4XZ	14 x 8 x 6	12	A-148SBP	12.88 x 6.88
HC14126JIC4	HC14126JIC4XS	HC14126JIC4XZ	14 x 12 x 6	16	A-1412SBP	12.88 x 10.88
HC16146JIC4	HC16146JIC4XS	HC16146JIC4XZ	16 x 14 x 6	20	A-1614SBP	14.88 x 12.88
HC16106JIC4	HC16106JIC4XS	HC16106JIC4XZ	16 x 10 x 6	16	A-1610SBP	14.88 x 8.88
HC12108JIC4	HC12108JIC4XS	HC12108JIC4XZ	12 x 10 x 8	15	A-1210SBP	10.88 x 8.88
HC14128JIC4	HC14128JIC4XS	HC14128JIC4XZ	14 x 12 x 8	19	A-1412SBP	12.88 x 10.88
HC16148JIC4	HC16148JIC4XS	HC16148JIC4XZ	16 x 14 x 8	23	A-1614SBP	14.88 x 12.88

NOTE: Sub panels must be ordered separately.





**APPLICATIONS**

Designed to protect electrical controls, instruments, and/or terminals in certain outdoor applications or wet areas, where regular hosing down with water is standard procedure.

**CONSTRUCTION**

Fabricated from 14 gauge carbon steel, type 304, type 316 stainless steel or .125" 5052 H32 aluminum with continuously welded seams.

Enclosure features:

- Door is secured with heavy-duty continuous hinge with removable hinge pin and stainless steel clamps.
- Padlocking hasp and staple.
- Adhesive backed, oil resistant gasket applied to the doors.
- Print pocket.
- External mounting feet for wall or machinery mounting.
- Ground studs installed inside cabinet and door.
- Collar studs provided for mounting optional sub panels.

**FINISH**

Standard ANSI-61 gray finish on interior and exterior of enclosures. Recoatable, smooth, white or RAL 7035 texture polyester powder coat

finish available at no charge. Standard RAL and custom match finishes available for an additional charge, please contact Milbank Manufacturing Co. for further assistance. All powder coat finishes applied over cleaned phosphatized surfaces. Carbon steel sub panels have a white polyester powder coat finish. Stainless steel and aluminum enclosures have a polished #4 finish.

**OPTIONS**

Milbank Manufacturing Co. can modify standard enclosures or custom design enclosures according to your specifications. Holes, cutouts, sizes, materials, and many more options are available. Quotations upon request.

**INDUSTRY STANDARDS**

- UL 50 Listed
- CUL 50 Listed
- Type 4 & 4X

INDUSTRIAL ENCLOSURES

TYPE 4 & 4X – SINGLE DOOR – WALL MOUNT ENCLOSURES

CATALOG NUMBER				ENCLOSURE SIZE H X W X D (INCHES)	SHPG. WT.	SUB PANEL	
CARBON STEEL #	304 STAINLESS STEEL #	316 STAINLESS STEEL #	ALUMINUM #			PART NUMBER	SUB PANEL SIZE H X L (INCHES)
M4S161206	M4XS161206	M4XZ161206	M4XA161206	16 x 12 x 6	24	A-16P12	13 x 9
M4S161606	M4XS161606	M4XZ161606	M4XA161606	16 x 16 x 6	29	A-16P16	13 x 13
M4S162006	M4XS162006	M4XZ162006	M4XA162006	16 x 20 x 6	33	A-20P16	17 x 13
M4S201606	M4XS201606	M4XZ201606	M4XA201606	20 x 16 x 6	33	A-20P16	17 x 13
M4S202006	M4XS202006	M4XZ202006	M4XA202006	20 x 20 x 6	38	A-20P20	17 x 17
M4S241206	M4XS241206	M4XZ241206	M4XA241206	24 x 12 x 6	32	A-24P12	21 x 9
M4S241606	M4XS241606	M4XZ241606	M4XA241606	24 x 16 x 6	39	A-24P16	21 x 13
M4S242006	M4XS242006	M4XZ242006	M4XA242006	24 x 20 x 6	45	A-24P20	21 x 17
M4S242406	M4XS242406	M4XZ242406	M4XA242406	24 x 24 x 6	51	A-24P24	21 x 21
M4S302006	M4XS302006	M4XZ302006	M4XA302006	30 x 20 x 6	53	A-30P20	27 x 17
M4S302406	M4XS302406	M4XZ302406	M4XA302406	30 x 24 x 6	61	A-30P24	27 x 21
M4S362406	M4XS362406	M4XZ362406	M4XA362406	36 x 24 x 6	69	A-36P24	33 x 21
M4S201206	M4XS201206	M4XZ201206	M4XA201206	20 x 12 x 6	29	A-20P12	17 x 9
M4S122406	M4XS122406	M4XZ122406	M4XA122406	12 x 24 x 6	32	A-12P24	9 x 21
M4S202406	M4XS202406	M4XZ202406	M4XA202406	20 x 24 x 6	46	A-20P24	17 x 21
M4S301606	M4XS301606	M4XZ301606	M4XA301606	30 x 16 x 6	46	A-30P16	27 x 13
M4S363006	M4XS363006	M4XZ363006	M4XA363006	36 x 30 x 6	86	A-36P30	33 x 27
M4S122408	M4XS122408	M4XZ122408	M4XA122408	12 x 24 x 8	35	A-12P24	9 x 21
M4S161208	M4XS161208	M4XZ161208	M4XA161208	16 x 12 x 8	27	A-16P12	13 x 9
M4S161608	M4XS161608	M4XZ161608	M4XA161608	16 x 16 x 8	31	A-16P16	13 x 13
M4S162008	M4XS162008	M4XZ162008	M4XA162008	16 x 20 x 8	29	A-20P16	17 x 13
M4S201208	M4XS201208	M4XZ201208	M4XA201208	20 x 12 x 8	30	A-20P12	17 x 9
M4S201608	M4XS201608	M4XZ201608	M4XA201608	20 x 16 x 8	36	A-20P16	17 x 13
M4S202008	M4XS202008	M4XZ202008	M4XA202008	20 x 20 x 8	43	A-20P20	17 x 17
M4S202408	M4XS202408	M4XZ202408	M4XA202408	20 x 24 x 8	50	A-24P20	21 x 17
M4S241608	M4XS241608	M4XZ241608	M4XA241608	24 x 16 x 8	41	A-24P16	21 x 13
M4S242008	M4XS242008	M4XZ242008	M4XA242008	24 x 20 x 8	50	A-24P20	21 x 17
M4S242408	M4XS242408	M4XZ242408	M4XA242408	24 x 24 x 8	57	A-24P24	21 x 21
M4S243008	M4XS243008	M4XZ243008	M4XA243008	24 x 30 x 8	66	A-30P24	27 x 21
M4S302008	M4XS302008	M4XZ302008	M4XA302008	30 x 20 x 8	56	A-30P20	27 x 17
M4S302408	M4XS302408	M4XZ302408	M4XA302408	30 x 24 x 8	67	A-30P24	27 x 21
M4S303008	M4XS303008	M4XZ303008	M4XA303008	30 x 30 x 8	79	A-30P30	27 x 27
M4S303608	M4XS303608	M4XZ303608	M4XA303608	30 x 36 x 8	90	A-30P36	33 x 27
M4S362408	M4XS362408	M4XZ362408	M4XA362408	36 x 24 x 8	75	A-36P24	33 x 21
M4S363008	M4XS363008	M4XZ363008	M4XA363008	36 x 30 x 8	95	A-36P30	33 x 27
M4S363608	M4XS363608	M4XZ363608	M4XA363608	36 x 36 x 8	104	A-36P36	33 x 33
M4S422408	M4XS422408	M4XZ422408	M4XA422408	42 x 24 x 8	85	A-42P24	39 x 21
M4S423008	M4XS423008	M4XZ423008	M4XA423008	42 x 30 x 8	105	A-42P30	39 x 27
M4S423608	M4XS423608	M4XZ423608	M4XA423608	42 x 36 x 8	120	A-42P36	39 x 33
M4S482408	M4XS482408	M4XZ482408	M4XA482408	48 x 24 x 8	97	A-48P24	45 x 21
M4S483008	M4XS483008	M4XZ483008	M4XA483008	48 x 30 x 8	119	A-48P30	45 x 27
M4S483608	M4XS483608	M4XZ483608	M4XA483608	48 x 36 x 8	137	A-48P36	45 x 33





CATALOG NUMBER				ENCLOSURE SIZE	SHPG. WT.	SUB PANEL	SUB PANEL SIZE
CARBON STEEL #	304 STAINLESS STEEL #	316 STAINLESS STEEL #	ALUMINUM #	H X W X D (INCHES)		PART NUMBER	H X L (INCHES)
M4S603608	M4XS603608	M4XZ603608	M4XA603608	60 x 36 x 8	164	A-60P36	57 x 33
M4S161210	M4XS161210	M4XZ161210	M4XA161210	16 x 12 x 10	29	A-16P12	13 x 9
M4S201610	M4XS201610	M4XZ201610	M4XA201610	20 x 16 x 10	39	A-20P16	17 x 13
M4S241210	M4XS241210	M4XZ241210	M4XA241210	24 x 12 x 10	39	A-24P12	21 x 9
M4S242010	M4XS242010	M4XZ242010	M4XA242010	24 x 20 x 10	53	A-24P20	21 x 17
M4S302010	M4XS302010	M4XZ302010	M4XA302010	30 x 20 x 10	60	A-30P20	27 x 17
M4S242410	M4XS242410	M4XZ242410	M4XA242410	24 x 24 x 10	63	A-24P24	21 x 21
M4S302410	M4XS302410	M4XZ302410	M4XA302410	30 x 24 x 10	73	A-30P24	27 x 21
M4S362410	M4XS362410	M4XZ362410	M4XA362410	36 x 24 x 10	82	A-36P24	33 x 21
M4S363010	M4XS363010	M4XZ363010	M4XA363010	36 x 30 x 10	100	A-36P30	33 x 27
M4S423010	M4XS423010	M4XZ423010	M4XA423010	42 x 30 x 10	116	A-42P30	39 x 27
M4S423610	M4XS423610	M4XZ423610	M4XA423610	42 x 36 x 10	124	A-42P36	39 x 33
M4S483010	M4XS483010	M4XZ483010	M4XA483010	48 x 30 x 10	124	A-48P30	45 x 27
M4S483610	M4XS483610	M4XZ483610	M4XA483610	48 x 36 x 10	148	A-48P36	45 x 33
M4S603610	M4XS603610	M4XZ603610	M4XA603610	60 x 36 x 10	166	A-60P36	57 x 33
M4S201612	M4XS201612	M4XZ201612	M4XA201612	20 x 16 x 12	42	A-20P16	17 x 13
M4S242012	M4XS242012	M4XZ242012	M4XA242012	24 x 20 x 12	57	A-24P20	21 x 17
M4S242412	M4XS242412	M4XZ242412	M4XA242412	24 x 24 x 12	64	A-24P24	21 x 21
M4S302412	M4XS302412	M4XZ302412	M4XA302412	30 x 24 x 12	77	A-30P24	27 x 21
M4S303012	M4XS303012	M4XZ303012	M4XA303012	30 x 30 x 12	94	A-30P30	27 x 27
M4S362412	M4XS362412	M4XZ362412	M4XA362412	36 x 24 x 12	89	A-36P24	33 x 21
M4S363012	M4XS363012	M4XZ363012	M4XA363012	36 x 30 x 12	103	A-36P30	33 x 27
M4S423012	M4XS423012	M4XZ423012	M4XA423012	42 x 30 x 12	122	A-42P30	39 x 27
M4S723012	M4XS723012	M4XZ723012	M4XA723012	72 x 30 x 12	181	A-72P30	69 x 27
M4S363612	M4XS363612	M4XZ363612	M4XA363612	36 x 36 x 12	127	A-36P36	33 x 33
M4S423612	M4XS423612	M4XZ423612	M4XA423612	42 x 36 x 12	135	A-42P36	39 x 33
M4S483612	M4XS483612	M4XZ483612	M4XA483612	48 x 36 x 12	152	A-48P36	45 x 33
M4S603612	M4XS603612	M4XZ603612	M4XA603612	60 x 36 x 12	190	A-60P36	57 x 33
M4S723612	M4XS723612	M4XZ723612	M4XA723612	72 x 36 x 12	215	A-72P36	69 x 33
M4S242016	M4XS242016	M4XZ242016	M4XA242016	24 x 20 x 16	67	A-24P20	21 x 17
M4S242416	M4XS242416	M4XZ242416	M4XA242416	24 x 24 x 16	75	A-24P24	21 x 21
M4S302416	M4XS302416	M4XZ302416	M4XA302416	30 x 24 x 16	88	A-30P24	27 x 21
M4S363016	M4XS363016	M4XZ363016	M4XA363016	36 x 30 x 16	121	A-36P30	33 x 27
M4S723016	M4XS723016	M4XZ723016	M4XA723016	72 x 30 x 16	206	A-72P30	69 x 27
M4S423616	M4XS423616	M4XZ423616	M4XA423616	42 x 36 x 16	155	A-42P36	39 x 33
M4S483616	M4XS483616	M4XZ483616	M4XA483616	48 x 36 x 16	170	A-48P36	45 x 33
M4S603616	M4XS603616	M4XZ603616	M4XA603616	60 x 36 x 16	199	A-60P36	57 x 33
M4S302420	M4XS302420	M4XZ302420	M4XA302420	30 x 24 x 20	96	A-30P24	27 x 21
M4S363020	M4XS363020	M4XZ363020	M4XA363020	36 x 30 x 20	127	A-36P30	33 x 27
M4S723020	M4XS723020	M4XZ723020	M4XA723020	72 x 30 x 20	227	A-72P30	69 x 27
M4S483620	M4XS483620	M4XZ483620	M4XA483620	48 x 36 x 20	190	A-48P36	45 x 33
M4S603620	M4XS603620	M4XZ603620	M4XA603620	60 x 36 x 20	240	A-60P36	57 x 33
M4S302424	M4XS302424	M4XZ302424	M4XA302424	30 x 24 x 24	109	A-30P24	27 x 21
M4S723024	M4XS723024	M4XZ723024	M4XA723024	72 x 30 x 24	243	A-72P30	69 x 27

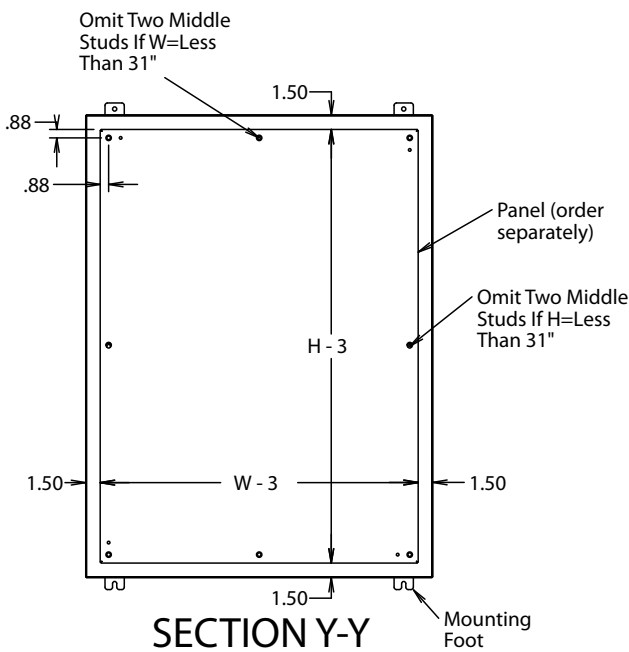
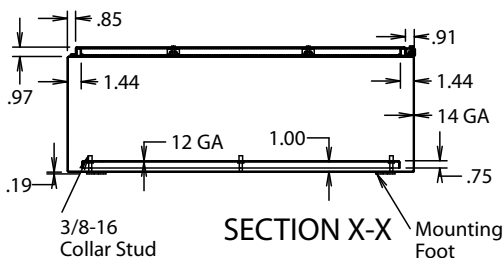
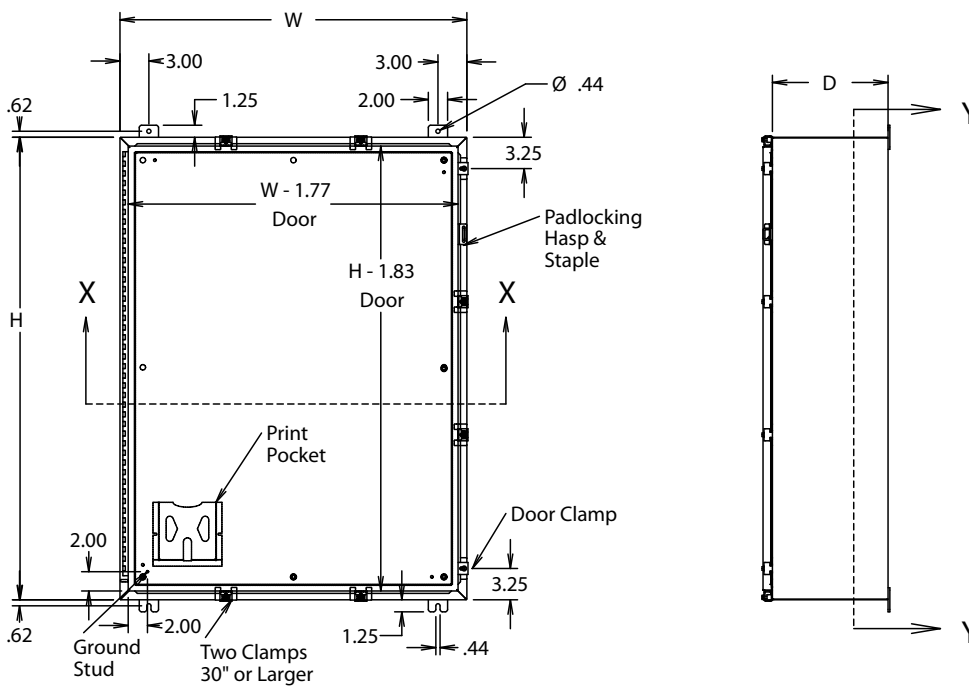
INDUSTRIAL ENCLOSURES

TYPE 4 & 4X – SINGLE DOOR – WALL MOUNT ENCLOSURES

NOTE: Sub panels must be ordered separately. Weights for Aluminum Enclosures are not listed. Please contact Milbank Manufacturing Co. for weight.



M4S • M4XS • M4XZ • M4XA



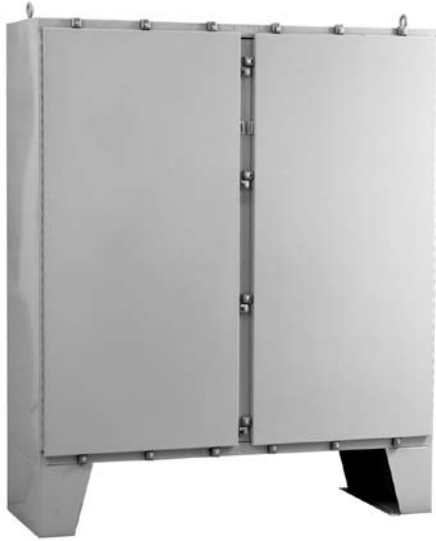
**NOTES:**

1. Print pocket = 6" x 6" when H and W are 24" or less.  
Print pocket = 9" x 9" when H and W are greater than 24".
2. Panels have formed flanges on all four sides when Height or Width is equal to or greater than 18".
3. On 12" wide enclosures, center of mounting foot to edge of enclosure is 1.25".

INDUSTRIAL ENCLOSURES

TYPE 4 & 4X – SINGLE DOOR – WALL MOUNT ENCLOSURES





**APPLICATION**

Designed to house electrical controls, and instruments in a variety of environments, including wet environments.

**CONSTRUCTION**

Fabricated from 10 and 12 gauge carbon steel, type 304 or 12 gauge type 316 stainless steel with continuously welded seams. Enclosure features:

- Doors are secured with continuous hinges with removable hinge pins, and clamps and screws.
- Padlocking hasp and staple.
- Adhesive backed, oil resistant gasket applied to the doors.
- 12-inch floor stands.
- Print pocket.
- Heavy-duty eyes.
- Ground studs inside cabinet and door.
- Collar studs provided for mounting optional sub panels.
- Removable center post for easy installation of the sub panel.
- Body stiffeners for extra rigidity.

**FINISH**

Standard ANSI-61 gray finish on interior and exterior of enclosures. Recoatable, smooth, white or RAL 7035 texture polyester powder

coat available at no charge. Standard RAL and custom match finishes available for an additional charge, please contact Milbank Manufacturing Co. for further assistance. All powder coat finishes applied over cleaned phosphatized surfaces. Carbon steel sub panels have a white polyester powder coat finish. Stainless steel enclosures have a polished #4 finish.

**OPTIONS**

Milbank Manufacturing Co. can modify standard enclosures or custom design enclosures according to your specifications. Holes, cutouts, sizes, materials, and many more options are available. Quotations upon request.

**INDUSTRY STANDARDS**

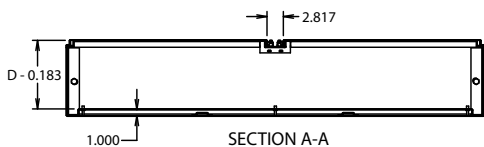
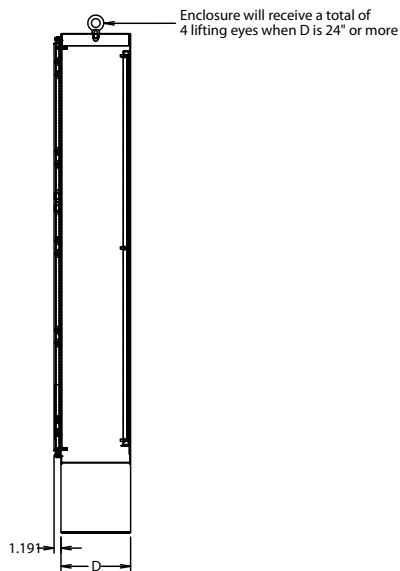
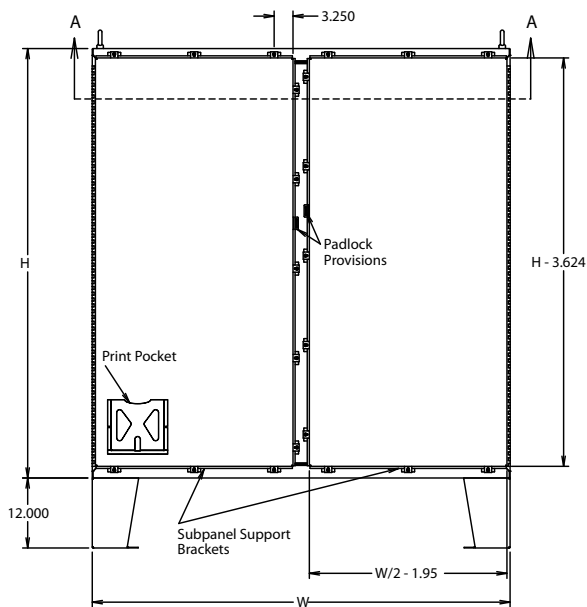
- UL 50 Listed
- CUL 50 Listed
- Type 4 & 4X

CARBON STEEL #	CATALOG NUMBER		ENCLOSURE SIZE H X W X D (INCHES)	SHPG. WT.	SUB PANEL PART NUMBER	SUB PANEL SIZE (H X L)
	304 STAINLESS STEEL #	316 STAINLESS STEEL #				
M4D62488-FT	M4DXS62488-FT	M4DXZ62488-FT	62 x 48 x 8	340	A-DD6048	56 x 44
M4D624810-FT	M4DXS624810-FT	M4DXZ624810-FT	62 x 48 x 10	357	A-DD6048	56 x 44
M4D626010-FT	M4DXS626010-FT	M4DXZ626010-FT	62 x 60 x 10	433	A-DD6060	56 x 56
M4D746010-FT	M4DXS746010-FT	M4DXZ746010-FT	74 x 60 x 10	518	A-DD7260	68 x 56
M4D747210-FT	M4DXS747210-FT	M4DXZ747210-FT	74 x 72 x 10	626	A-DD7272	68 x 68
M4D624812-FT	M4DXS624812-FT	M4DXZ624812-FT	62 x 48 x 12	385	A-DD6048	56 x 44
M4D626012-FT	M4DXS626012-FT	M4DXZ626012-FT	62 x 60 x 12	507	A-DD6060	56 x 56
M4D746012-FT	M4DXS746012-FT	M4DXZ746012-FT	74 x 60 x 12	542	A-DD7260	68 x 56
M4D747212-FT	M4DXS747212-FT	M4DXZ747212-FT	74 x 72 x 12	626	A-DD7272	68 x 68
M4D624816-FT	M4DXS624816-FT	M4DXZ624816-FT	62 x 48 x 16	424	A-DD6048	56 x 44
M4D626016-FT	M4DXS626016-FT	M4DXZ626016-FT	62 x 60 x 16	508	A-DD6060	56 x 56
M4D746016-FT	M4DXS746016-FT	M4DXZ746016-FT	74 x 60 x 16	560	A-DD7260	68 x 56
M4D747216-FT	M4DXS747216-FT	M4DXZ747216-FT	74 x 72 x 16	687	A-DD7272	68 x 68
M4D624820-FT	M4DXS624820-FT	M4DXZ624820-FT	62 x 48 x 20	464	A-DD6048	56 x 44
M4D626020-FT	M4DXS626020-FT	M4DXZ626020-FT	62 x 60 x 20	552	A-DD6060	56 x 56
M4D746020-FT	M4DXS746020-FT	M4DXZ746020-FT	74 x 60 x 20	638	A-DD7260	68 x 56
M4D747220-FT	M4DXS747220-FT	M4DXZ747220-FT	74 x 72 x 20	739	A-DD7272	68 x 68
M4D624824-FT	M4DXS624824-FT	M4DXZ624824-FT	62 x 48 x 24	503	A-DD6048	56 x 44
M4D626024-FT	M4DXS626024-FT	M4DXZ626024-FT	62 x 60 x 24	596	A-DD6060	56 x 56
M4D746024-FT	M4DXS746024-FT	M4DXZ746024-FT	74 x 60 x 24	686	A-DD7260	68 x 56
M4D747224-FT	M4DXS747224-FT	M4DXZ747224-FT	74 x 72 x 24	805	A-DD7272	68 x 68

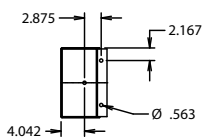
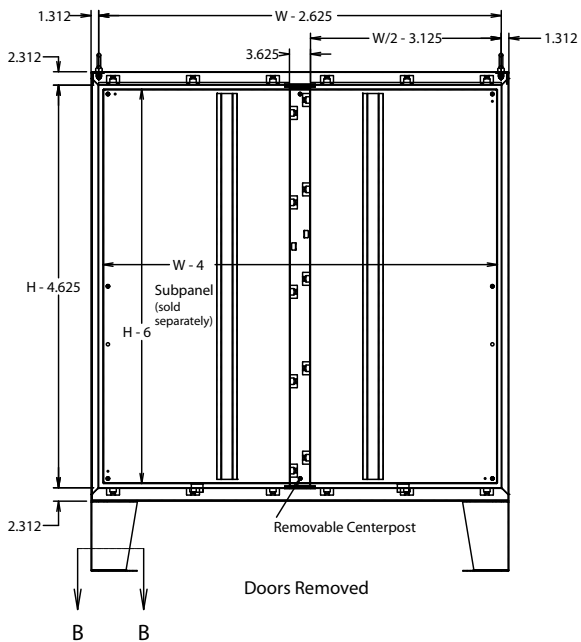
NOTE: Sub panels must be ordered separately.



M4D-FT • M4DXS-FT • M4DXZ-FT



**NOTES:**  
 1. Maximum between door clamps is 16.84" (center to center).



SECTION B-B

INDUSTRIAL ENCLOSURES

TYPE 4 – DOUBLE DOOR – FLOOR MOUNT ENCLOSURES





### APPLICATIONS

Designed to house electrical and electronic controls, instruments and components in areas which may be hosed down. Hold-down clamps on top, bottom and open side of door for maximum dust and moisture-proof protection.

### CONSTRUCTION

Fabricated from 12 gauge carbon steel, type 304 or type 316 stainless steel with continuously welded seams. Enclosure features:

- Doors are secured with heavy-duty continuous hinges with removable hinge pins and clamps and screws on three sides.
- Adhesive backed, oil resistant gasket applied to doors.
- Unistrut® channel.
- Print pocket.
- Heavy-duty lifting eyes.
- Ground studs inside enclosure and door.
- Collar studs provided for mounting optional sub panel in back.

### ACCESSORIES (ORDERED SEPARATELY)

- Sub panels include full size, half size, side mount and swing out panels can be mounted and adjusted for depth on the horizontal Unistrut® channel.
- Clamping nuts for installing other equipment.

### FINISH

Standard ANSI-61 gray finish on interior and exterior of enclosures. Recoatable, smooth, white or RAL 7035 texture polyester powder coat available at no charge. Standard RAL and custom match finishes available for an additional charge, please contact Milbank Manufacturing Co. for further assistance. All powder coat finishes applied over cleaned phosphatized surfaces. Carbon steel sub panels have a white polyester powder coat finish. Stainless steel enclosures have a polished #4 finish.

### OPTIONS

Milbank Manufacturing Co. can modify standard enclosures or custom design enclosures according to your specifications. Holes, cutouts, sizes, materials, and many more options are available. Quotations upon request.

### INDUSTRY STANDARDS

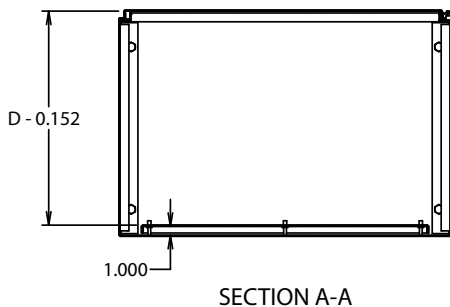
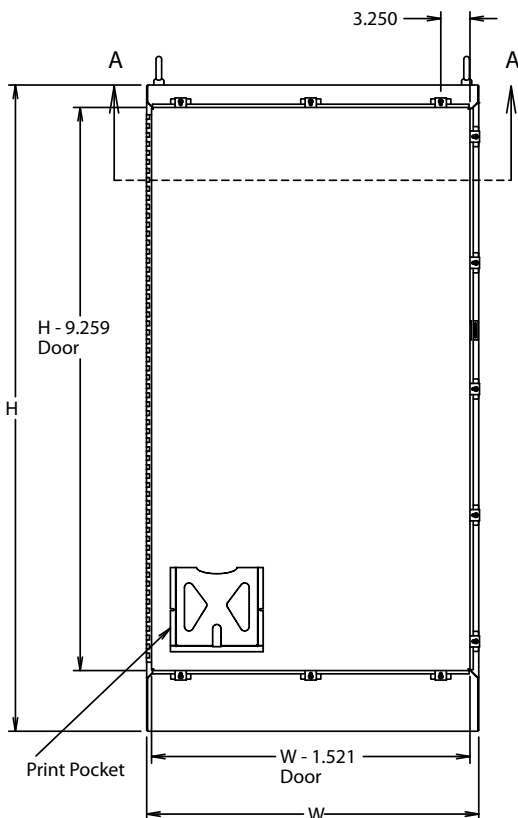
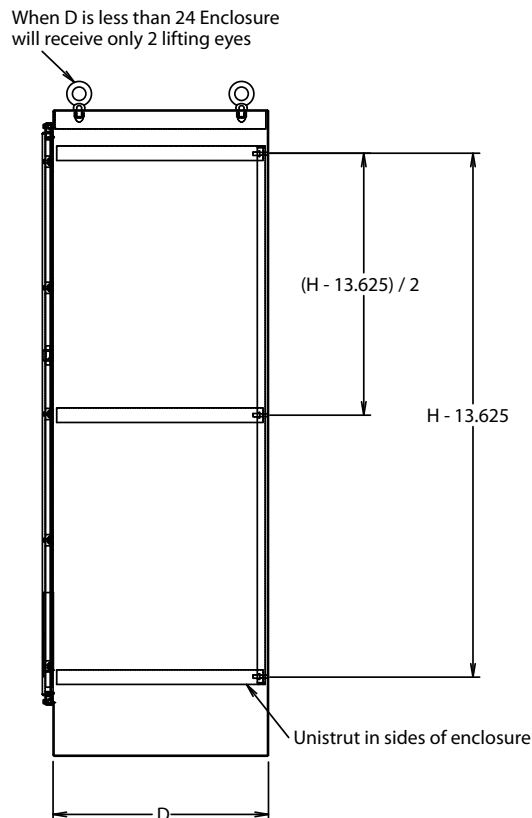
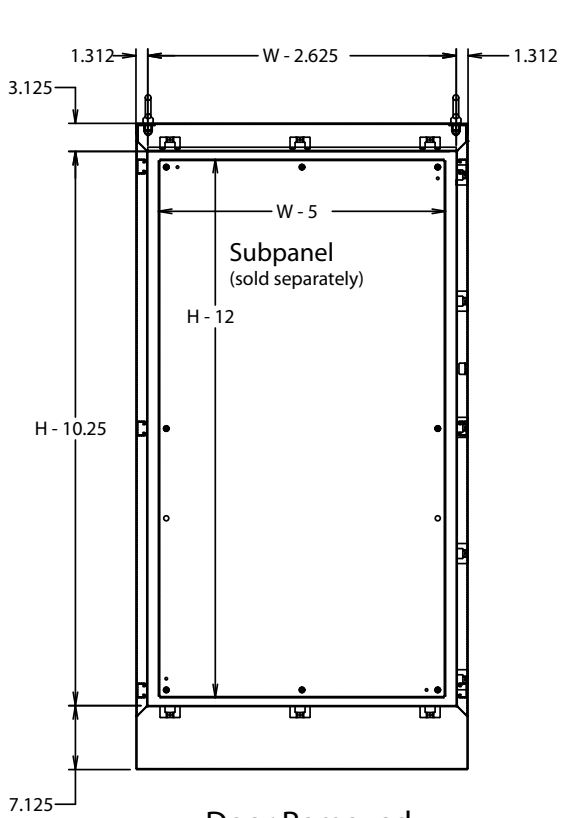
- UL 50 Listed
- CUL 50 Listed
- Type 4 & 4X

CARBON STEEL #	CATALOG NUMBER		ENCLOSURE SIZE H X W X D (INCHES)	SHPG. WT.	SUB PANEL PART #	SUB PANEL SIZE (H X L)	HALF PANEL PART #	HALF PANEL SIZE (H X L)	SIDE MOUNTED PANEL	SIDE PANEL SIZE (H X L)
	304 STAINLESS STEEL #	316 STAINLESS STEEL #								
M4FS602518	M4FSXS602518	M4FSXZ602518	60 x 25 x 18	240	A-60P24F1	48 x 20	A-60P24F2	24.5 x 20	A-60SMP14	48 x 14
M4FS722518	M4FSXS722518	M4FSXZ722518	72 x 25 x 18	272	A-72P24F1	60 x 20	A-72P24F2	30.88 x 20	A-72SMP14	60 x 14
M4FS723118	M4FSXS723118	M4FSXZ723118	72 x 31 x 18	285	A-72P30F1	60 x 26	A-72P30F2	30.88 x 26	A-72SMP14	60 x 14
M4FS723718	M4FSXS723718	M4FSXZ723718	72 x 37 x 18	338	A-72P36F1	60 x 32	A-72P36F2	30.88 x 32	A-72SMP14	60 x 14
M4FS902520	M4FSXS902520	M4FSXZ902520	90 x 25 x 20	315	A-90P24F1	78 x 20	A-90P24F2	24.88 x 20	A-90SMP16	78 x 16
M4FS903120	M4FSXS903120	M4FSXZ903120	90 x 31 x 20	361	A-90P30F1	78 x 26	A-90P30F2	24.88 x 26	A-90SMP16	78 x 16
M4FS903720	M4FSXS903720	M4FSXZ903720	90 x 37 x 20	430	A-90P36F1	78 x 32	A-90P36F2	24.88 x 32	A-90SMP16	78 x 16
M4FS603724	M4FSXS603724	M4FSXZ603724	60 x 37 x 24	325	A-60P36F1	48 x 32	A-60P36F2	24.5 x 32	A-60SMP20	48 x 20
M4FS722524	M4FSXS722524	M4FSXZ722524	72 x 25 x 24	300	A-72P24F1	60 x 20	A-72P24F2	30.88 x 20	A-72SMP20	60 x 20
M4FS723124	M4FSXS723124	M4FSXZ723124	72 x 31 x 24	335	A-72P30F1	60 x 26	A-72P30F2	30.88 x 26	A-72SMP20	60 x 20
M4FS723724	M4FSXS723724	M4FSXZ723724	72 x 37 x 24	370	A-72P36F1	60 x 32	A-72P36F2	30.88 x 32	A-72SMP20	60 x 20
M4FS902524	M4FSXS902524	M4FSXZ902524	90 x 25 x 24	346	A-90P24F1	78 x 20	A-90P24F2	24.88 x 20	A-90SMP20	78 x 20
M4FS903124	M4FSXS903124	M4FSXZ903124	90 x 31 x 24	395	A-90P30F1	78 x 26	A-90P30F2	24.88 x 26	A-90SMP20	78 x 20
M4FS903724	M4FSXS903724	M4FSXZ903724	90 x 37 x 24	460	A-90P36F1	78 x 32	A-90P36F2	24.88 x 32	A-90SMP20	78 x 20
M4FS722530	M4FSXS722530	M4FSXZ722530	72 x 25 x 30	348	A-72P24F1	60 x 20	A-72P24F2	30.88 x 20	A-72SMP26	60 x 26
M4FS902530	M4FSXS902530	M4FSXZ902530	90 x 25 x 30	395	A-90P24F1	78 x 20	A-90P24F2	24.88 x 20	A-90SMP26	78 x 26
M4FS723130	M4FSXS723130	M4FSXZ723130	72 x 31 x 30	378	A-72P30F1	60 x 26	A-72P30F2	30.88 x 26	A-72SMP26	60 x 26
M4FS903130	M4FSXS903130	M4FSXZ903130	90 x 31 x 30	445	A-90P30F1	78 x 26	A-90P30F2	24.88 x 26	A-90SMP26	78 x 26
M4FS723730	M4FSXS723730	M4FSXZ723730	72 x 37 x 30	428	A-72P36F1	60 x 32	A-72P36F2	30.88 x 32	A-72SMP26	60 x 26
M4FS903730	M4FSXS903730	M4FSXZ903730	90 x 37 x 30	515	A-90P36F1	78 x 32	A-90P36F2	24.88 x 32	A-90SMP26	78 x 26
M4FS723136	M4FSXS723136	M4FSXZ723136	72 x 31 x 36	422	A-72P30F1	60 x 26	A-72P30F2	30.88 x 26	A-72SMP32	60 x 32
M4FS723736	M4FSXS723736	M4FSXZ723736	72 x 37 x 36	465	A-72P36F1	60 x 32	A-72P36F2	30.88 x 32	A-72SMP32	60 x 32
M4FS903736	M4FSXS903736	M4FSXZ903736	90 x 37 x 36	560	A-90P36F1	78 x 32	A-90P36F2	24.88 x 32	A-90SMP32	78 x 32

NOTE: Sub panels must be ordered separately.

M4FS • M4FSXS • M4FSXZ

INDUSTRIAL ENCLOSURES



**NOTES:**  
 1. Maximum between door clamps is 16.84" (center to center).



TYPE 4 – SINGLE DOOR – FREESTANDING ENCLOSURE





Type 12 shown

**APPLICATIONS**

For use in the same locations as Milbank’s standard NEMA 4 enclosures. For Disconnect order information see page C42.

**CONSTRUCTION**

Fabricated from 14 gauge carbon steel, type 304 or type 316 stainless steel. Enclosure features:

- Door is secured with heavy duty continuous hinge with removable hinge pin.
- Stainless steel clamps and screws on remaining three sides.
- Adhesive backed oil resistant gasket applied to doors.
- Print Pocket
- External mounting feet for wall or machinery mounting.
- Ground studs installed inside door and cabinet
- Collar studs provided for mounting optional sub panels.
- Furnished with holes in right flange for mounting of operating handle or mechanism.
- Padlock provision

**FINISH**

Standard ANSI-61 gray finish on interior and exterior of enclosures. Recoatable, smooth, white or RAL 7035 texture polyester powder

coat available at no charge. Standard RAL and custom match finishes available for an additional charge, please contact Milbank Manufacturing Co. for further assistance. All powder coat finishes applied over cleaned phosphatized surfaces. Carbon steel sub panels have a white polyester powder coat finish. Stainless steel enclosures have a polished #4 finish.

**OPTIONS**

Milbank Manufacturing Co. can modify standard enclosures or custom design enclosures according to your specifications. Holes, cutouts, sizes, materials, and many more options are available. Quotations upon request.

**INDUSTRY STANDARD**

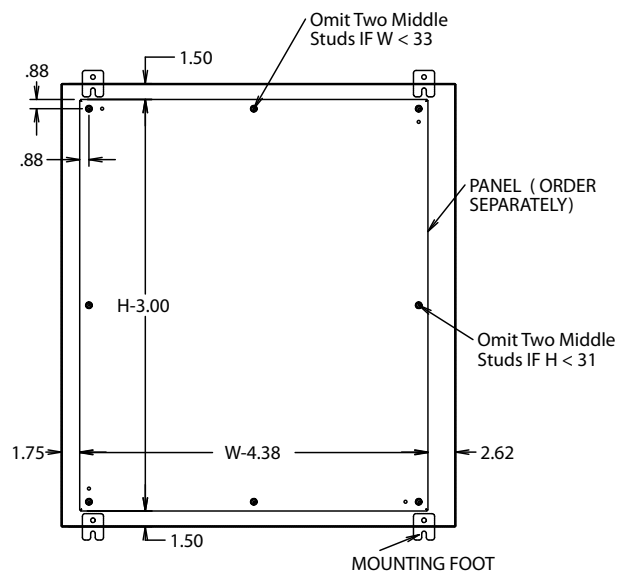
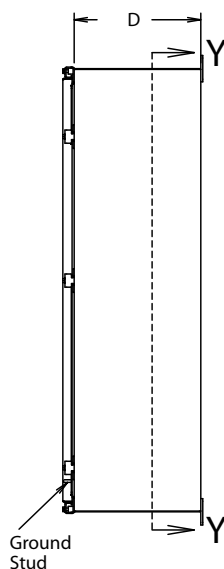
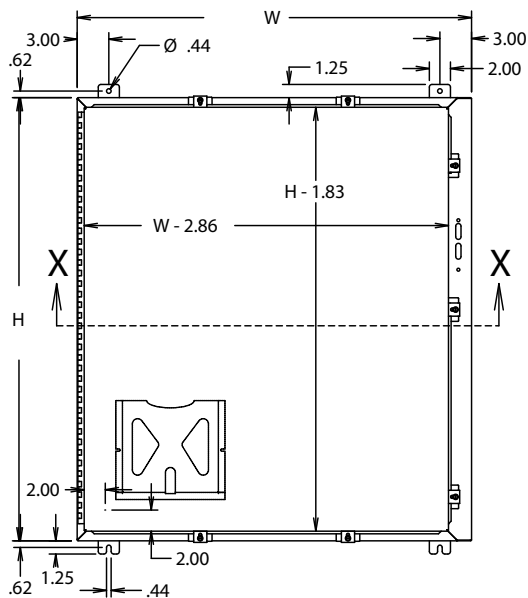
- UL 50 Listed
- CUL 50 Listed
- Type 4

CARBON STEEL #	CATALOG NUMBER		ENCLOSURE SIZE H X W X D (INCHES)	SHPG. WT.	SUB PANEL PART NUMBER	SUB PANEL SIZE
	304 STAINLESS STEEL #	316 STAINLESS STEEL #				
M4S24218-FD	M4XS24218-FD	M4XZ24218-FD	24 x 21.37 x 8	51	A-24P20	21 x 17
M4S242508-FD	M4XS242508-FD	M4XZ242508-FD	24 x 25.37 x 8	55	A-24P24	21 x 21
M4S302508-FD	M4XS302508-FD	M4XZ302508-FD	30 x 25.37 x 8	67	A-30P24	27 x 21
M4S363108-FD	M4XS363108-FD	M4XZ363108-FD	36 x 31.37 x 8	94	A-36P30	33 x 27
M4S423112-FD	M4XS423112-FD	M4XZ423112-FD	42 x 31.37 x 12	128	A-42P30	39 x 27
M4S423712-FD	M4XS423712-FD	M4XZ423712-FD	42 x 37.37 x 12	141	A-42P36	39 x 33
M4S483712-FD	M4XS483712-FD	M4XZ483712-FD	48 x 37.37 x 12	157	A-48P36	45 x 33
M4S603712-FD	M4XS603712-FD	M4XZ603712-FD	60 x 37.37 x 12	188	A-60P36	57 x 33

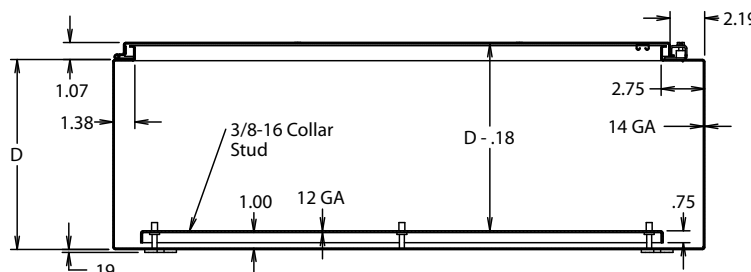
NOTE: Sub panels must be ordered separately.



M4S-FD • M4XS-FD • M4XZ-FD



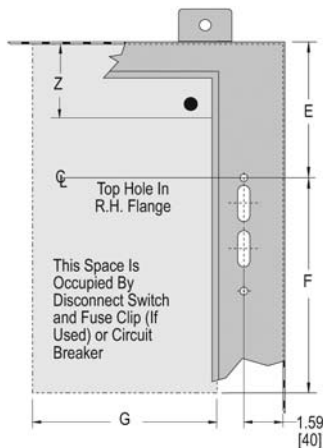
SECTION Y-Y



SECTION X-X

NOTES:

1. Print pocket = 6" x 6" when  $H$  and  $W$  are 24" or less.  
Print pocket = 9" x 9" when  $H$  and  $W$  are greater than 24".
2. Panels will have formed flanges when either Height or Width is greater than 18".
3. Maximum spacing between door clamps is 16.84" (center to center).



Space Occupied by Disconnects

$E = 8.62$  when  $D = 8.00$   
 $E = 11.62$  when  $D = 12.00$   
 $Z =$  Wire Bend Spacing

See charts on pages C57-C64 for "F", "G", and "Z" dimensions which cover space occupied by disconnect and wire bend spacing. Disconnects occupy the space indicated by "E", "F", and "G".

INDUSTRIAL ENCLOSURES

TYPE 4 – SINGLE DOOR – WALL MOUNTED DISCONNECT ENCLOSURE





**APPLICATION**

Designed to house electrical controls, instruments, and terminals in a variety of environments, including wet environments.

**CONSTRUCTION**

Fabricated from 14 gauge carbon steel, type 304 or type 316 stainless steel with continuously welded seams. Enclosure features:

- Minimum width trough shaped body flange and hidden hinge design providing full 180 degree door opening while excluding liquids and contaminants.
- Door is secured with concealed lift-off hinges and slotted quarter-turn latch: Standard quarter turn latches can be replaced with a variety of optional latches.
- Adhesive backed, oil resistant gasket applied to the doors.
- Print pocket.
- Holes are provided for wall or machinery mounting, options include bolt-on or weld-on mounting feet.
- Ground studs installed inside cabinet and door.
- Collar studs provided for mounting optional sub panel.

**FINISH**

Standard ANSI-61 gray finish on interior and exterior of enclosures. Recoatable, smooth, white or RAL 7035 texture polyester powder coat available at no charge. Standard RAL and custom match finishes available for an additional charge, please contact Milbank Manufacturing Co. for further assistance. All powder coat finishes applied over cleaned phosphatized surfaces. Carbon steel sub-panels are finished with a white polyester powder coating. Stainless steel enclosures have a polished #4 finish.

**OPTIONS**

Milbank Manufacturing Co. can modify standard enclosures or custom design enclosures according to your specifications. Holes, cutouts, sizes, materials, and many more options are available. Quotations upon request.

**INDUSTRY STANDARDS**

- UL 50 Listed
- CUL 50 Listed
- Type 4, 12, 13
- Stainless Enclosures: Type 4, 4X, 12, 13

**For Optional Mounting Feet Order Part Number A-MSDMFKXS (Set of four)**

CARBON STEEL #	CATALOG NUMBER		ENCLOSURE SIZE H X W X D (INCHES)	SHPG. WT.	SUB PANEL PART NUMBER	SUB PANEL SIZE H X W (INCHES)
	304 STAINLESS STEEL #	316 STAINLESS STEEL #				
MSD12126	MSDXS12126	MSDXZ12126	12 x 12 x 6	9	A-M12P12	10.2 x 10.2
MSD12246	MSDXS12246	MSDXZ12246	12 x 24 x 6	15	A-M12P24	10.2 x 22.2
MSD16126	MSDXS16126	MSDXZ16126	16x 12 x 6	29	A-M16P12	14.2 x 10.2
MSD16166	MSDXS16166	MSDXZ16166	16x 16 x 6	27	A-M16P16	14.2 x 14.2
MSD16206	MSDXS16206	MSDXZ16206	16 x 20 x 6	31	A-M16P20	14.2 x 18.2
MSD20126	MSDXS20126	MSDXZ20126	20 x 12 x 6	40	A-M20P12	18.2 x 10.2
MSD20166	MSDXS20166	MSDXZ20166	20 x 16 x 6	29	A-M20P16	18.2 x 14.2
MSD20206	MSDXS20206	MSDXZ20206	20 x 20 x 6	35	A-M20P20	18.2 x 18.2
MSD20246	MSDXS20246	MSDXZ20246	20 x 24 x 6	44	A-M20P24	18.2 x 22.2
MSD24126	MSDXS24126	MSDXZ24126	24 x 12 x 6	15	A-M24P12	22.2 x 10.2
MSD24166	MSDXS24166	MSDXZ24166	24 x 16 x 6	35	A-M24P16	22.2 x 14.2
MSD24206	MSDXS24206	MSDXZ24206	24 x 20 x 6	39	A-M24P20	22.2 x 18.2
MSD24246	MSDXS24246	MSDXZ24246	24 x 24 x 6	81	A-M24P24	22.2 x 22.2
MSD30166	MSDXS30166	MSDXZ30166	30 x 16 x 6	69	A-M30P16	28.2 x 14.2
MSD30206	MSDXS30206	MSDXZ30206	30 x 20 x 6	43	A-M30P20	28.2 x 18.2
MSD30246	MSDXS30246	MSDXZ30246	30 x 24 x 6	50	A-M30P24	28.2 x 22.2
MSD36246	MSDXS36246	MSDXZ36246	36 x 24 x 6	89	A-M36P24	34.2 x 22.2
MSD36306	MSDXS36306	MSDXZ36306	36 x 30 x 6	127	A-M36P30	34.2 x 28.2
MSD12248	MSDXS12248	MSDXZ12248	12 x 24 x 8	17	A-M12P24	10.2 x 22.2
MSD16128	MSDXS16128	MSDXZ16128	16 x 12 x 8	23	A-M16P12	14.2 x 10.2
MSD16168	MSDXS16168	MSDXZ16168	16x 16 x 8	27	A-M16P16	14.2 x 14.2
MSD16208	MSDXS16208	MSDXZ16208	16 x 20 x 8	33	A-M16P20	14.2 x 18.2
MSD20128	MSDXS20128	MSDXZ20128	20 x 12 x 8	42	A-M20P12	18.2 x 10.2
MSD20168	MSDXS20168	MSDXZ20168	20 x 16 x 8	33	A-M20P16	18.2 x 14.2
MSD20208	MSDXS20208	MSDXZ20208	20 x 20 x 8	38	A-M20P20	18.2 x 18.2
MSD20248	MSDXS20248	MSDXZ20248	20 x 24 x 8	49	A-M20P24	18.2 x 22.2
MSD24168	MSDXS24168	MSDXZ24168	24 x 16 x 8	39	A-M24P16	22.2 x 14.2
MSD24208	MSDXS24208	MSDXZ24208	24 x 20 x 8	44	A-M24P20	22.2 x 18.2
MSD24248	MSDXS24248	MSDXZ24248	24 x 24 x 8	52	A-M24P24	22.2 x 22.2
MSD24308	MSDXS24308	MSDXZ24308	24 x 30 x 8	55	A-M24P30	22.2 x 28.2
MSD30208	MSDXS30208	MSDXZ30208	30 x 20 x 8	48	A-M30P20	28.2 x 18.2
MSD30248	MSDXS30248	MSDXZ30248	30 x 24 x 8	55	A-M30P24	28.2 x 22.2
MSD30308	MSDXS30308	MSDXZ30308	30 x 30 x 8	94	A-M30P30	28.2 x 28.2
MSD30368	MSDXS30368	MSDXZ30368	30 x 36 x 8	79	A-M30P36	28.2 x 34.2
MSD36248	MSDXS36248	MSDXZ36248	36 x 24 x 8	98	A-M36P24	34.2 x 22.2
MSD36308	MSDXS36308	MSDXZ36308	36 x 30 x 8	138	A-M36P30	34.2 x 28.2
MSD36368	MSDXS36368	MSDXZ36368	36 x 36 x 8	125	A-M36P36	34.2 x 34.2
MSD42248	MSDXS42248	MSDXZ42248	42 x 24 x 8	104	A-M42P24	40.2 x 22.2

NOTE: Sub panels must be ordered separately.



INDUSTRIAL ENCLOSURES

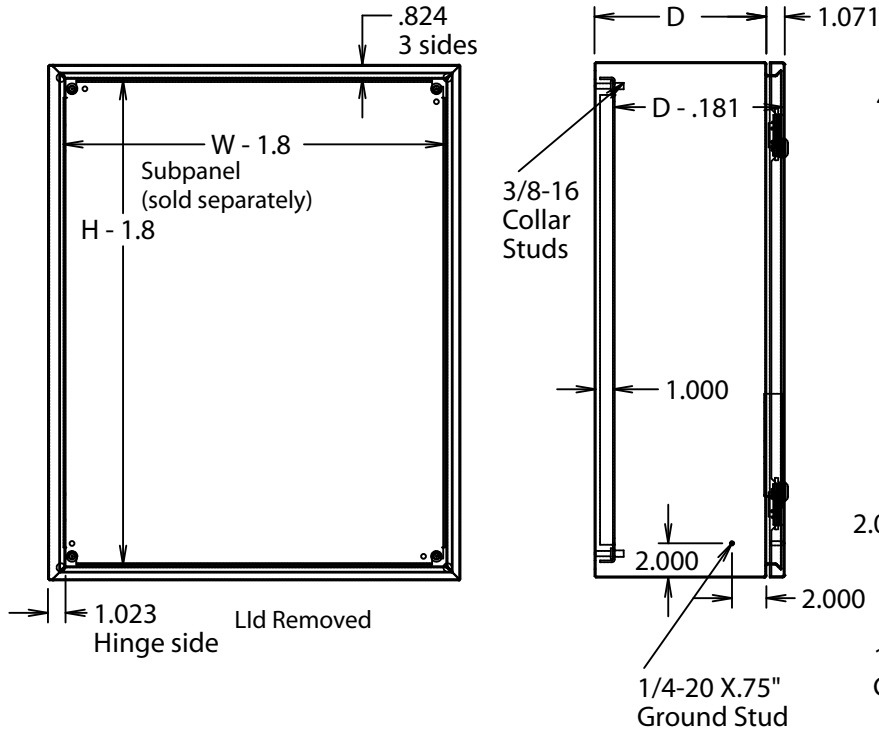
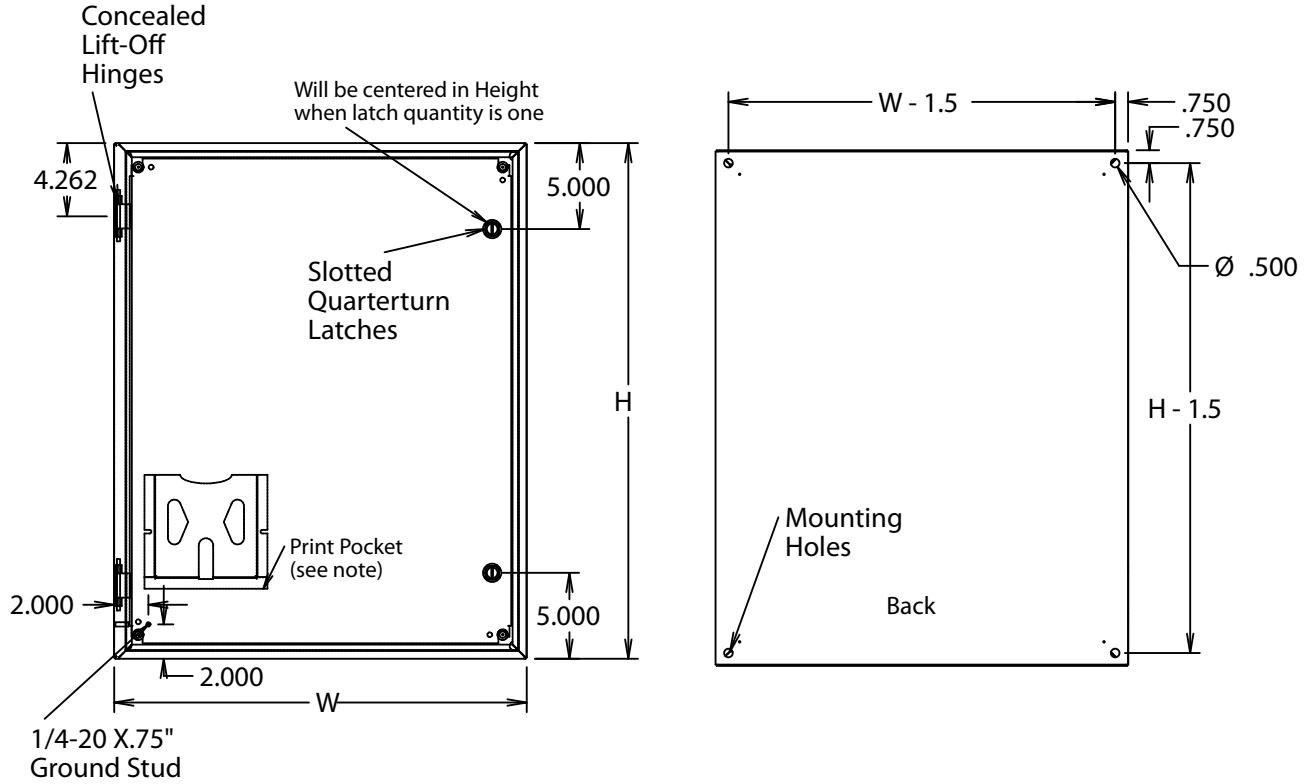
TYPE 4, 12 & 13 – SINGLE DOOR – MILLENNIUM SERIES ENCLOSURES

CARBON STEEL #	CATALOG NUMBER		ENCLOSURE SIZE H X W X D (INCHES)	SHPG. WT.	SUB PANEL PART NUMBER	SUB PANEL SIZE H X W (INCHES)
	304 STAINLESS STEEL #	316 STAINLESS STEEL #				
MSD42308	MSDX42308	MSDXZ42308	42 x 30 x 8	88	A-M42P30	40.2 x 28.2
MSD42368	MSDX42368	MSDXZ42368	42 x 36 x 8	108	A-M42P36	40.2 x 34.2
MSD48248	MSDX48248	MSDXZ48248	48 x 24 x 8	87	A-M48P24	46.2 x 22.2
MSD48308	MSDX48308	MSDXZ48308	48 x 30 x 8	95	A-M48P30	46.2 x 28.2
MSD48368	MSDX48368	MSDXZ48368	48 x 36 x 8	97	A-M48P36	46.2 x 34.2
MSD60368	MSDX60368	MSDXZ60368	60 x 36 x 8	151	A-M60P36	58.2 x 34.2
MSD161210	MSDX161210	MSDXZ161210	16 x 12 x 10	38	A-M16P12	14.2 x 10.2
MSD161610	MSDX161610	MSDXZ161610	16 x 16 x 10	29	A-M16P16	14.2 x 14.2
MSD162010	MSDX162010	MSDXZ162010	16 x 20 x 10	31	A-M16P20	14.2 x 18.2
MSD201610	MSDX201610	MSDXZ201610	20 x 16 x 10	38	A-M20P16	18.2 x 14.2
MSD202010	MSDX202010	MSDXZ202010	20 x 20 x 10	45	A-M20P20	18.2 x 18.2
MSD202410	MSDX202410	MSDXZ202410	20 x 24 x 10	48	A-M20P24	18.2 x 22.2
MSD241210	MSDX241210	MSDXZ241210	24 x 12 x 10	51	A-M24P12	22.2 x 10.2
MSD242010	MSDX242010	MSDXZ242010	24 x 20 x 10	41	A-M24P20	22.2 x 18.2
MSD242410	MSDX242410	MSDXZ242410	24 x 24 x 10	49	A-M24P24	22.2 x 22.2
MSD243010	MSDX243010	MSDXZ243010	24 x 30 x 10	64	A-M24P30	22.2 x 28.2
MSD302010	MSDX302010	MSDXZ302010	30 x 20 x 10	53	A-M30P20	28.2 x 18.2
MSD302410	MSDX302410	MSDXZ302410	30 x 24 x 10	63	A-M30P24	28.2 x 22.2
MSD303010	MSDX303010	MSDXZ303010	30 x 30 x 10	77	A-M30P30	28.2 x 28.2
MSD362410	MSDX362410	MSDXZ362410	36 x 24 x 10	78	A-M36P24	34.2 x 22.2
MSD363010	MSDX363010	MSDXZ363010	36 x 30 x 10	77	A-M36P30	34.2 x 28.2
MSD363610	MSDX363610	MSDXZ363610	36 x 36 x 10	97	A-M36P36	34.2 x 34.2
MSD423010	MSDX423010	MSDXZ423010	42 x 30 x 10	95	A-M42P30	40.2 x 28.2
MSD423610	MSDX423610	MSDXZ423610	42 x 36 x 10	116	A-M42P36	40.2 x 34.2
MSD482410	MSDX482410	MSDXZ482410	48 x 24 x 10	94	A-M48P24	46.2 x 22.2
MSD483010	MSDX483010	MSDXZ483010	48 x 30 x 10	102	A-M48P30	46.2 x 28.2
MSD483610	MSDX483610	MSDXZ483610	48 x 36 x 10	130	A-M48P36	46.2 x 34.2
MSD603610	MSDX603610	MSDXZ603610	60 x 36 x 10	161	A-M60P36	58.2 x 34.2
MSD201612	MSDX201612	MSDXZ201612	20 x 16 x 12	40	A-M20P16	18.2 x 14.2
MSD202012	MSDX202012	MSDXZ202012	20 x 20 x 12	46	A-M20P20	18.2 x 18.2
MSD242012	MSDX242012	MSDXZ242012	24 x 20 x 12	51	A-M24P20	22.2 x 18.2
MSD242412	MSDX242412	MSDXZ242412	24 x 24 x 12	63	A-M24P24	22.2 x 22.2
MSD302412	MSDX302412	MSDXZ302412	30 x 24 x 12	69	A-M30P24	28.2 x 22.2
MSD303012	MSDX303012	MSDXZ303012	30 x 30 x 12	83	A-M30P30	28.2 x 28.2
MSD362412	MSDX362412	MSDXZ362412	36 x 24 x 12	84	A-M36P24	34.2 x 22.2
MSD363012	MSDX363012	MSDXZ363012	36 x 30 x 12	95	A-M36P30	34.2 x 28.2
MSD363612	MSDX363612	MSDXZ363612	36 x 36 x 12	108	A-M36P36	34.2 x 34.2
MSD423012	MSDX423012	MSDXZ423012	42 x 30 x 12	102	A-M42P30	40.2 x 28.2
MSD423612	MSDX423612	MSDXZ423612	42 x 36 x 12	124	A-M42P36	40.2 x 34.2
MSD482412	MSDX482412	MSDXZ482412	48 x 24 x 12	101	A-M48P24	46.2 x 22.2
MSD483612	MSDX483612	MSDXZ483612	48 x 36 x 12	138	A-M48P36	46.2 x 34.2
MSD603612	MSDX603612	MSDXZ603612	60 x 36 x 12	171	A-M60P36	58.2 x 34.2
MSD242016	MSDX242016	MSDXZ242016	24 x 20 x 6	57	A-M24P20	22.2 x 18.2
MSD242416	MSDX242416	MSDXZ242416	24 x 24 x 16	65	A-M24P24	22.2 x 22.2
MSD302416	MSDX302416	MSDXZ302416	30 x 24 x 16	79	A-M30P24	28.2 x 22.2
MSD363016	MSDX363016	MSDXZ363016	36 x 30 x 16	101	A-M36P30	34.2 x 28.2
MSD423616	MSDX423616	MSDXZ423616	42 x 36 x 16	135	A-M42P36	40.2 x 34.2
MSD483616	MSDX483616	MSDXZ483616	48 x 36 x 16	151	A-M48P36	46.2 x 34.2
MSD603616	MSDX603616	MSDXZ603616	60 x 36 x 16	176	A-M60P36	58.2 x 34.2
MSD242420	MSDX242420	MSDXZ242420	24 x 24 x 20	75	A-M24P24	22.2 x 22.2
MSD302420	MSDX302420	MSDXZ302420	30 x 24 x 20	90	A-M30P24	28.2 x 22.2
MSD363020	MSDX363020	MSDXZ363020	36 x 30 x 20	102	A-M36P30	34.2 x 28.2
MSD483620	MSDX483620	MSDXZ483620	48 x 36 x 20	176	A-M48P36	46.2 x 34.2
MSD603620	MSDX603620	MSDXZ603620	60 x 36 x 20	194	A-M60P36	58.2 x 34.2
MSD302424	MSDX302424	MSDXZ302424	30 x 24 x 24	96	A-M30P24	28.2 x 22.2

NOTE: Sub panels must be ordered separately.



MSD • MSDXS • MSDXZ



NOTES:

1. Print pocket = 6" x 6" when H and W are 24" or less.  
Print pocket = 9" x 9" when H and W are greater than 24".
2. Panel have formed flanges on all four sides when either Height or Width is equal to or greater than 22.2".
3. When Height and Width are less than 23" enclosure will have one slotted quarterturn latch.
4. When Height and Width are greater than 23" enclosure will have two slotted quarterturn latches.
5. When Height is equal to or greater than 42" enclosure will have one 3 point slotted quarterturn latch.



**CONSTRUCTION**

Fabricated from 14 gauge type 304 or type 316 stainless steel. Enclosure features:

- Minimum width trough shaped body flange and hidden hinge design providing full 180 degree door opening while excluding liquids and contaminants.
- Door is secured with concealed lift-off hinges and slotted quarter-turn latches: Standard quarter turn latches can be replaced with a variety of optional latches.
- Adhesive backed, oil resistant gasket applied to the doors.
- Print pocket.
- Holes are provided for optional wall or machinery mounting.
- Ground studs installed inside cabinet and door.
- Collar studs provided for mounting optional sub panels.

**FINISH**

Stainless steel enclosures have a polished #4 finish. Carbon steel sub panels have white polyester powder coat finish.

**OPTIONS**

Milbank Manufacturing Co. can modify standard enclosures or custom design enclosures according to your specifications. Holes, cutouts, sizes, materials, and many more options are available. Quotations upon request.

**INDUSTRY STANDARDS**

- UL 50 Listed
- CUL 50 Listed
- Type 4, 4X, 12, 13

*For Optional Mounting Feet Order Part Number A-MSDMFKXS (Set of four)*

**APPLICATION**

Designed to house electrical controls, instruments, and terminals in a variety of environments, including wet environments.

INDUSTRIAL ENCLOSURES

TYPE 4, 12 & 13 – MILLENNIUM SERIES ENCLOSURES – SLOPE TOP – STAINLESS STEEL

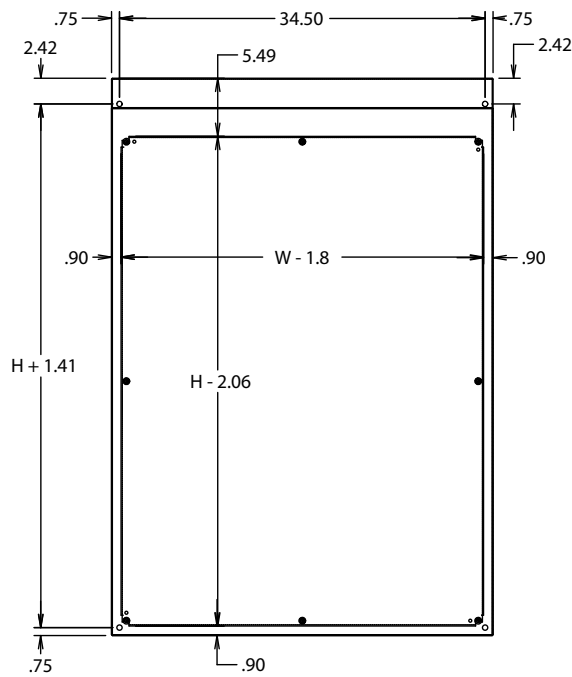
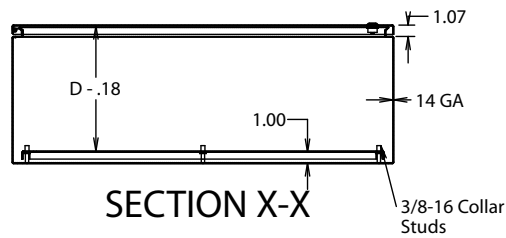
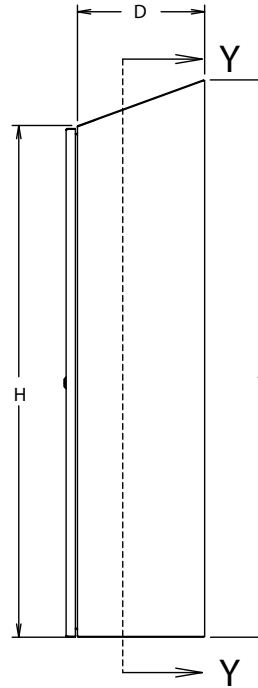
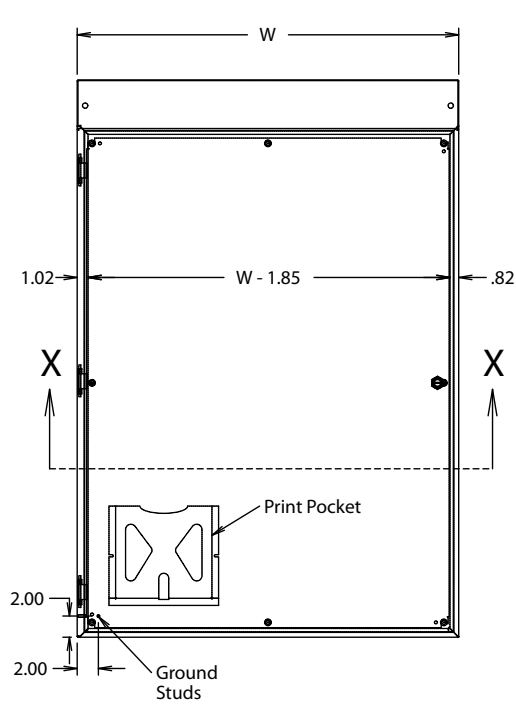
CATALOG NUMBER		ENCLOSURE SIZE H X W X D (INCHES)	SHPG. WT.	J
304 STAINLESS STEEL #	316 STAINLESS STEEL #			
MSDSTXS14126	MSDSTXZ14126	14.26 x 12 x 6	18	16.45
MSDSTXS16146	MSDSTXZ16146	16.26 x 14 x 6	23	18.45
MSDSTXS16128	MSDSTXZ16128	16.26 x 12 x 8	23	19.18
MSDSTXS16168	MSDSTXZ16168	16.26 x 16 x 8	28	19.18
MSDSTXS20168	MSDSTXZ20168	20.26 x 16 x 8	33	23.18
MSDSTXS20208	MSDSTXZ20208	20.26 x 20 x 8	39	23.18
MSDSTXS24208	MSDSTXZ24208	24.26 x 20 x 8	45	27.18
MSDSTXS24248	MSDSTXZ24248	24.26 x 24 x 8	52	27.18
MSDSTXS30248	MSDSTXZ30248	30.26 x 24 x 8	62	33.18
MSDSTXS36308	MSDSTXZ36308	36.26 x 30 x 8	83	39.18
MSDSTXS30308	MSDSTXZ30308	30.26 x 30 x 8	74	33.18
MSDSTXS201612	MSDSTXZ201612	20.26 x 16 x 12	39	24.65
MSDSTXS202012	MSDSTXZ202012	20.26 x 20 x 12	46	24.65
MSDSTXS242412	MSDSTXZ242412	24.26 x 24 x 12	60	28.65
MSDSTXS302412	MSDSTXZ302412	30.26 x 24 x 12	71	34.65
MSDSTXS363012	MSDSTXZ363012	36.26 x 30 x 12	97	40.65
MSDSTXS363612	MSDSTXZ363612	36.26 x 36 x 12	112	40.65
MSDSTXS423612	MSDSTXZ423612	42.26 x 36 x 12	127	36.65
MSDSTXS483612	MSDSTXZ483612	48.26 x 36 x 12	142	52.65
MSDSTXS363016	MSDSTXZ363016	36.26 x 30 x 16	111	42.11
MSDSTXS483616	MSDSTXZ483616	48.26 x 36 x 16	143	54.11
MSDSTXS603616	MSDSTXZ603616	60.26 x 36 x 16	172	66.11

V Sub panels must be ordered separately.





MSDSTXS • MSDSTXZ

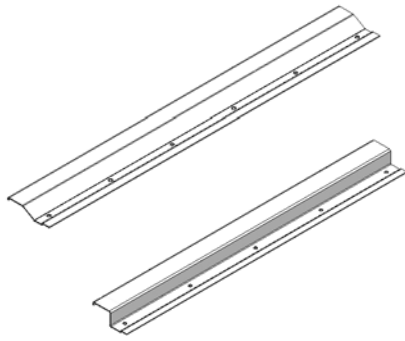


SECTION Y-Y

**NOTES:**

1. Print pocket = 6" x 6" when H and W are 24" or less.  
Print pocket = 9" x 9" when H and W are greater than 24".
2. Panel have formed flanges on all four sides when either Height or Width is equal to or greater than 22.2".
3. When Height and Width are less than 23" enclosure will have one slotted quarterturn latch.
4. When Height and Width are greater than 23" enclosure will have two slotted quarterturn latches.
5. When Height is equal to or greater than 42" enclosure will have one 3 point slotted quarterturn latch.

### Drip Shield Kits:

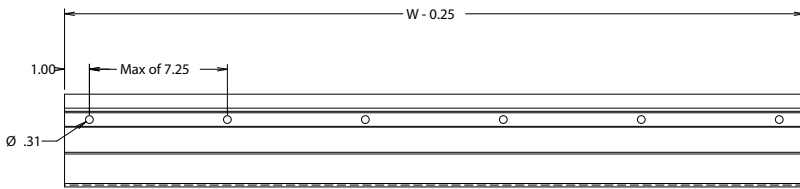


Drip shield kits are designed to protect enclosures from dust and dripping water. They are fabricated from 14 gauge carbon steel with standard ANSI-61 gray finish on interior and exterior of enclosures. Recoatable, smooth, white or RAL 7035 texture polyester powder coat available at no charge. Standard RAL and custom match finishes available for an additional charge, please contact Milbank Manufacturing Co. for further assistance. All powder coat finishes applied over cleaned phosphatized surfaces.

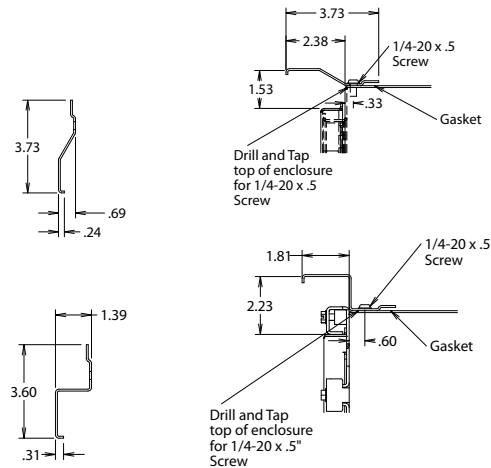
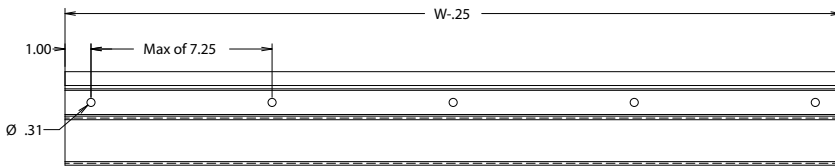
They are also available in type 304 and type 316 stainless steel. Stainless steel drip shield kits have a polished #4 finish. They are attached with stainless steel screws and neoprene washers.

**NOTE:** Standard drip shield kits are packaged for field installation using common hand tools. Drip shield kits can also be welded on at the factory. Standard enclosures can be converted to UL 3R when drip shield kits and drain holes are installed at the factory.

#### TYPE 12 DRIP SHIELD KIT



#### TYPE 4 DRIP SHIELD KIT



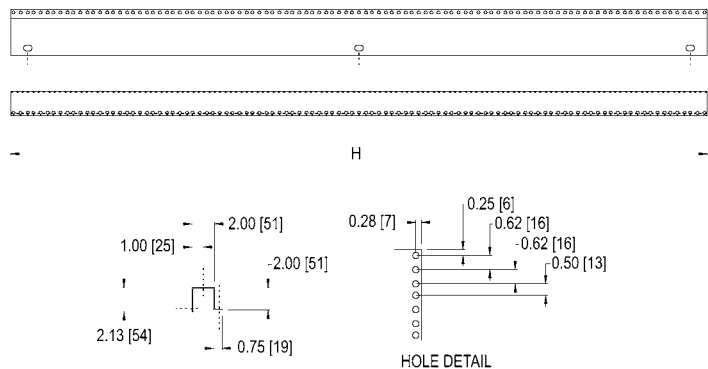
CATALOG NUMBER			SIZE WIDTH (IN)	SHPG. WT.
CARBON STEEL #	304 STAINLESS STEEL #	316 STAINLESS STEEL #		
<b>DRIP SHIELD KITS FOR TYPE 12 ENCLOSURES</b>				
A-DS12	A-DSXS12	A-DSXZ12	12	2
A-DS16	A-DSXS16	A-DSXZ16	16	2
A-DS20	A-DSXS20	A-DSXZ20	20	2
A-DS24	A-DSXS24	A-DSXZ24	24	4
A-DS30	A-DSXS30	A-DSXZ30	30	4
A-DS36	A-DSXS36	A-DSXZ36	36	5
A-DS42	A-DSXS42	A-DSXZ42	42	6
A-DS48	A-DSXS48	A-DSXZ48	48	6
A-DS60	A-DSXS60	A-DSXZ60	60	7
A-DS72	A-DSXS72	A-DSXZ72	72	9

CATALOG NUMBER			SIZE WIDTH (IN)	SHPG. WT.
CARBON STEEL #	304 STAINLESS STEEL #	316 STAINLESS STEEL #		
<b>DRIP SHIELD KITS FOR TYPE 4 ENCLOSURES</b>				
A-DS12-N4	A-DSXS12-N4	A-DSXZ12-N4	12	2
A-DS16-N4	A-DSXS16-N4	A-DSXZ16-N4	16	2
A-DS20-N4	A-DSXS20-N4	A-DSXZ20-N4	20	2
A-DS24-N4	A-DSXS24-N4	A-DSXZ24-N4	24	4
A-DS30-N4	A-DSXS30-N4	A-DSXZ30-N4	30	4
A-DS36-N4	A-DSXS36-N4	A-DSXZ36-N4	36	5
A-DS42-N4	A-DSXS42-N4	A-DSXZ42-N4	42	6
A-DS48-N4	A-DSXS48-N4	A-DSXZ48-N4	48	6
A-DS60-N4	A-DSXS60-N4	A-DSXZ60-N4	60	7
A-DS72-N4	A-DSXS72-N4	A-DSXZ72-N4	72	9

### Rack Mounting Angle Kits



Available in pairs and include all required hardware. Used to mount 19" rack mounted equipment in freestanding enclosures. Use clip nut package (20 pc included) to provide tapped holes at desired locations. Rack angles are available as shown, or in L-angle style upon request. Additional clip nuts can be provided upon request.

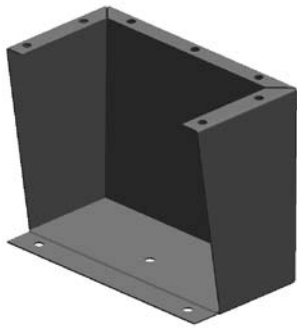


\* Custom made specify height and material



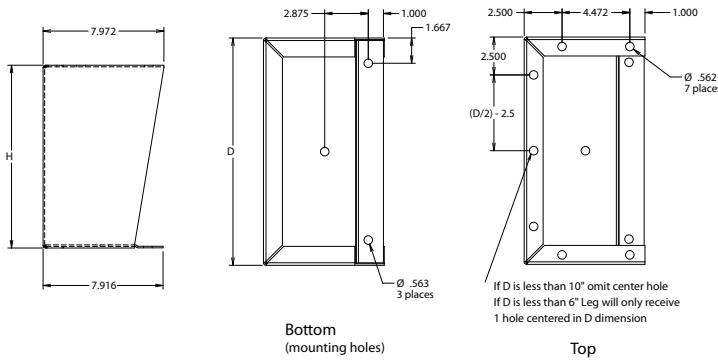
INDUSTRIAL ENCLOSURES  
INDUSTRIAL ENCLOSURE ACCESSORIES  
DRIP SHIELD & RACK MOUNTING ANGLE KITS

### Floor Stand Kits



Floor stand kits for Type 4 & 12 enclosures are designed to convert wall mounted enclosures to floor standing enclosures. These kits consist of two stands which may be bolted onto the bottom of the enclosure in the field or welded on at the factory. These kits are fabricated from a heavy

gauge carbon steel with a standard ANSI-61 gray finish on interior and exterior of enclosures. Recoatable, smooth, white or RAL 7035 texture polyester powder coat available at no charge. Standard RAL and custom match finishes available for an additional charge, please contact Milbank Manufacturing Co. for further assistance. All powder coat finishes applied over cleaned phosphatized surfaces. Type 304 and type 316 stainless steel is available. Stainless steel floor stand kits have a polished #4 finish. Special heights, depths, and many other options can also be provided. Quotations are available upon request.



CARBON STEEL #	CATALOG NUMBER		SIZE H X D (INCHES)	SHPG. WT.
	304 STAINLESS STEEL #	316 STAINLESS STEEL #		
A-FSK68	A-FSKXS68	A-FSKXZ68	6 x 8	19
A-FSK610	A-FSKXS610	A-FSKXZ610	6 x 10	21
A-FSK612	A-FSKXS612	A-FSKXZ612	6 x 12	23
A-FSK616	A-FSKXS616	A-FSKXZ616	6 x 16	30
A-FSK618	A-FSKXS618	A-FSKXZ618	6 x 18	31
A-FSK620	A-FSKXS620	A-FSKXZ620	6 x 20	34
A-FSK624	A-FSKXS624	A-FSKXZ624	6 x 24	41
A-FSK630	A-FSKXS630	A-FSKXZ630	6 x 30	51
A-FSK636	A-FSKXS636	A-FSKXZ636	6 x 36	61
A-FSK128	A-FSKXS128	A-FSKXZ128	12 x 8	29
A-FSK1210	A-FSKXS1210	A-FSKXZ1210	12 x 10	32
A-FSK1212	A-FSKXS1212	A-FSKXZ1212	12 x 12	35
A-FSK1216	A-FSKXS1216	A-FSKXZ1216	12 x 16	42
A-FSK1218	A-FSKXS1218	A-FSKXZ1218	12 x 18	47
A-FSK1220	A-FSKXS1220	A-FSKXZ1220	12 x 20	50
A-FSK1224	A-FSKXS1224	A-FSKXZ1224	12 x 24	60
A-FSK1230	A-FSKXS1230	A-FSKXZ1230	12 x 30	74
A-FSK1236	A-FSKXS1236	A-FSKXZ1236	12 x 36	88
A-FSK188	A-FSKXS188	A-FSKXZ188	18 x 8	40
A-FSK1810	A-FSKXS1810	A-FSKXZ1810	18 x 10	44
A-FSK1812	A-FSKXS1812	A-FSKXZ1812	18 x 12	47
A-FSK1816	A-FSKXS1816	A-FSKXZ1816	18 x 16	58
A-FSK1820	A-FSKXS1820	A-FSKXZ1820	18 x 20	72
A-FSK1824	A-FSKXS1824	A-FSKXZ1824	18 x 24	85
A-FSK1830	A-FSKXS1830	A-FSKXZ1830	18 x 30	106
A-FSK248	A-FSKXS248	A-FSKXZ248	24 x 8	52
A-FSK2410	A-FSKXS2410	A-FSKXZ2410	24 x 10	56
A-FSK2412	A-FSKXS2412	A-FSKXZ2412	24 x 12	60
A-FSK2416	A-FSKXS2416	A-FSKXZ2416	24 x 16	70
A-FSK2424	A-FSKXS2424	A-FSKXZ2424	24 x 24	103

### Door Stop Kits



Door stop kits are for use on standard Type 4 and 12 enclosures to hold the doors open. These door stop kits are designed for use on

the top or bottom of a horizontally swinging door of 16 inches wide or wider. Fixed door stop kits provide a 90 degree door swing. Adjustable door stop kits provide door swing adjustment up to 120 degrees by means of a wing nut. The stop arm on both fixed and adjustable kits swings out of the way when the door is closed. Kits are available in carbon or stainless steel. Carbon steel kits are zinc plated.

PART NUMBER	DESCRIPTION
A-DSK	Heavy Duty Adjustable - Carbon Steel
A-DSKSS	Heavy Duty Adjustable - 304 Stainless Steel
A-DSKSS6	Heavy Duty Adjustable - 316 Stainless Steel

### Touch Up Paint



- Used to repair the finish of enclosures and panels
- Furnished in 12 oz. spray cans

CATALOG NUMBER	DESCRIPTION	SHPG. WT.
A-WP	White	1
A-GP	ANSI-61 Grey	1
A-GP7035	RAL-7035	1

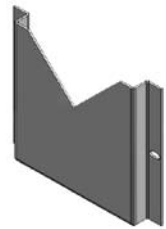
INDUSTRIAL ENCLOSURES

INDUSTRIAL ENCLOSURE ACCESSORIES  
 FLOOR STAND, DOOR STOP KITS & TOUCH UP PAINT



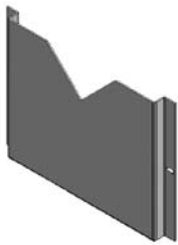
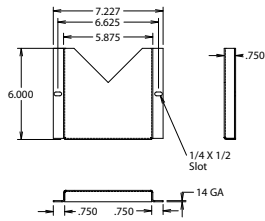
## Replacement Print Pocket

Designed for print storage on the interior of an enclosure. Intended for use as a replacement or as an additional print pocket. Standard Print pockets are made of gray Polystyrene with self-adhesive provided for mounting on enclosure. Print Pockets fabricated from 14 gauge carbon steel with white polyester finish.



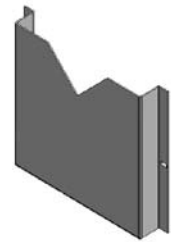
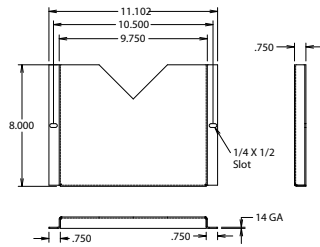
A-PSSMC

PPSMC • PPSMCXS • PPSMCXZ



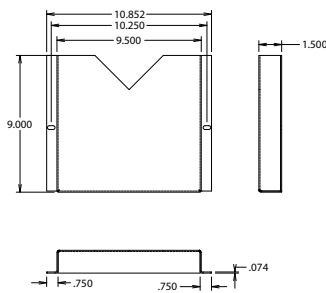
A-PPLRG

PPLRGC • PPLRGXS • PPLRGXZ



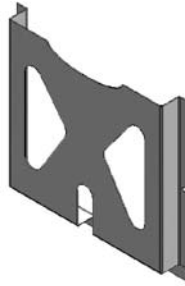
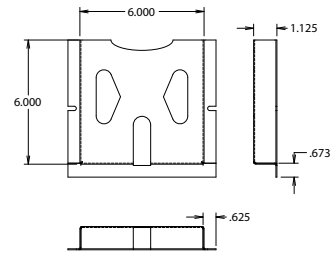
A-PP991C

PP991C • PP991CXS • PP991CXZ



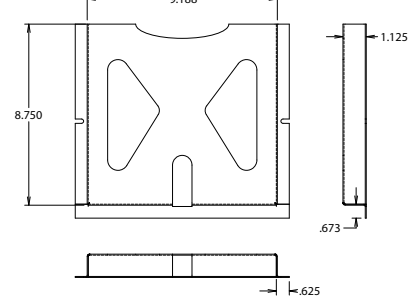
A-SPPocket

A-SPOCKET



A-LPPOCKET

A-LPPOCKET



CATALOG NUMBER			SHPG. WT.	DESCRIPTION
CARBON STEEL #	304 STAINLESS STEEL #	316 STAINLESS STEEL #		
A-PSSMC	A-PPSMCXS	A-PPSMCXZ	2	Small Print Pocket
A-PPLRGC	A-PPLRGCXS	A-PPLRGCXZ	3	Large Print Pocket
A-PP991C	A-PP991CXS	A-PP991CXZ	4	Extra Large Print Pocket

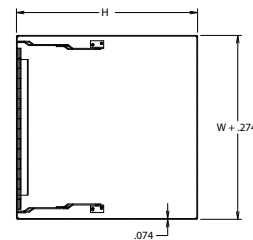
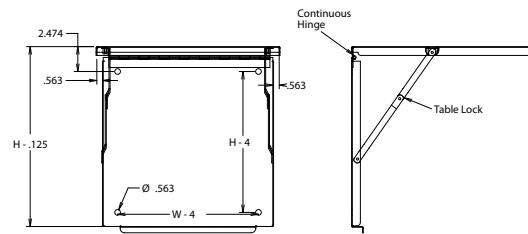
PART NUMBER	DESCRIPTION
A-SPOCKET	Small Print Pocket 6 x 6 - Poly
A-LPPOCKET	Large Print Pocket 9 x 9 - Poly

## Folding Shelf



Support instruments and test equipment that are used to install and maintain electrical components in an enclosure. Also ideally suited for supporting programmers, monitoring units and other equipment used with programmable controllers. Shelf locks in lower and upper positions.

The shelf can be installed on the inside or outside surface of larger enclosures. All parts are made of heavy gauge carbon steel with a standard ANSI-61 gray finish on interior and exterior of enclosures. Recoatable, smooth, white or RAL 7035 texture polyester powder coat available at no charge. Standard RAL and custom match finishes available for an additional charge, please contact Milbank Manufacturing Co. for further assistance. All powder coat finishes applied over cleaned phosphatized surfaces. Stainless steel construction is available upon request. Maintains UL Type 4 and Type 12 if properly installed in a Milbank enclosure.



**NOTES:** When installing folding shelf to inside of enclosure doors, it is recommended to also install a door stop kit.

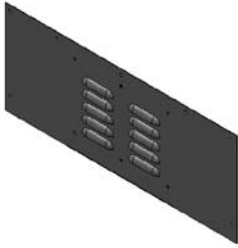
PART NUMBER	DESCRIPTION	SIZE (INCH)	
		W	D
A-SHELF18	18" Folding Shelf	18"	19"
A-SHELF24	24" Folding Shelf	24"	19"



INDUSTRIAL ENCLOSURE ACCESSORIES – PRINT POCKETS & FOLDING SHELF

INDUSTRIAL ENCLOSURES

Louver Skirt Kits



Louver skirt kits are fabricated from 14 gauge carbon steel with a standard ANSI-61 gray finish on interior and exterior of enclosures. Recoatable, smooth, white or RAL 7035 texture polyester powder coat available at no charge. Standard RAL and custom match finishes available for an additional charge, please contact Milbank Manufacturing Co. for further assistance. All powder coat finishes applied

over cleaned phosphatized surfaces. 14 gauge type 304 and type 316 stainless steel are available with a polished #4 finish. They are designed to restrict access to any connections but still provide ventilation of any waste gases.

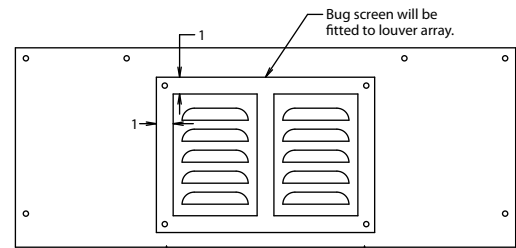
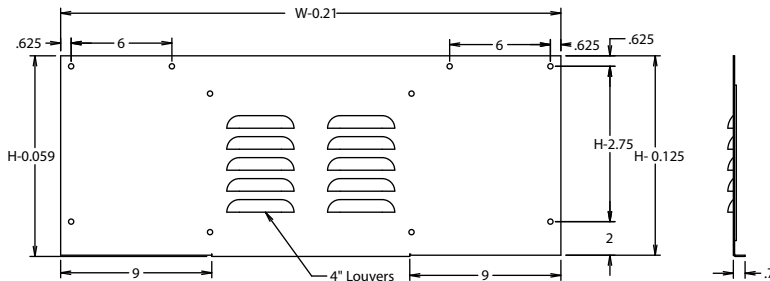
These kits can be easily installed in the field by drilling holes in the floor stand kits and bolting louver skirt to floor stand kit. Hardware is furnished for mounting.

**KIT INCLUDES:**

2 skirts, hardware to install to enclosure. See A-SPSKTB for skirt kits with bug screen. Vandal proof design, custom sizes, and features provided upon request.

CARBON STEEL #	CATALOG NUMBER		SIZE H X W (INCHES)	SHPG. WT.	# OF LOUVERS
	304 STAINLESS STEEL #	316 STAINLESS STEEL #			
A-SKT636	A-SKTXS636	A-SKTXZ6636	6 x 36	12	6
A-SKT642	A-SKTXS642	A-SKTXZ6642	6 x 42	14	8
A-SKT648	A-SKTXS648	A-SKTXZ6648	6 x 48	16	10
A-SKT660	A-SKTXS660	A-SKTXZ6660	6 x 60	20	14
A-SKT672	A-SKTXS672	A-SKTXZ6672	6 x 72	24	18
A-SKT1236	A-SKTXS1236	A-SKTXZ61236	12 x 36	20	15
A-SKT1242	A-SKTXS1242	A-SKTXZ61242	12 x 42	23	20
A-SKT1248	A-SKTXS1248	A-SKTXZ61248	12 x 48	26	25
A-SKT1260	A-SKTXS1260	A-SKTXZ61260	12 x 60	33	35
A-SKT1272	A-SKTXS1272	A-SKTXZ61272	12 x 72	40	45
A-SKT1836	A-SKTXS1836	A-SKTXZ61836	18 x 36	30	33
A-SKT1842	A-SKTXS1842	A-SKTXZ61842	18 x 42	35	44
A-SKT1848	A-SKTXS1848	A-SKTXZ61848	18 x 48	40	55
A-SKT1860	A-SKTXS1860	A-SKTXZ61860	18 x 60	50	77
A-SKT1872	A-SKTXS1872	A-SKTXZ61872	18 x 72	60	99
A-SKT2436	A-SKTXS2436	A-SKTXZ62436	24 x 36	40	45
A-SKT2442	A-SKTXS2442	A-SKTXZ62442	24 x 42	47	60
A-SKT2448	A-SKTXS2448	A-SKTXZ62448	24 x 42	53	75
A-SKT2460	A-SKTXS2460	A-SKTXZ62460	24 x 60	67	90
A-SKT2472	A-SKTXS2472	A-SKTXZ62472	24 x 72	80	105

**NOTE:** Add the letter "B" after the letter "T" in the part number when ordering Louver skirt kits with bug screen Ex. A-SPSKTB636



**NOTE:** Bug screen frame will be wrapped with wire mesh and bolted to the louver skirt.

Louver Plate Kit



Designed to provide ventilation in enclosures where excessive internal heat or moisture is a problem. These kits can be easily installed in the field by making a cutout of the proper size and attaching the louver plate in place. Louver plates are made from heavy gauge carbon steel, type 304 or type 316 stainless steel. Carbon louver plates have a standard ANSI-61 gray finish on interior and exterior of enclosures. Recoatable, smooth, white or RAL 7035 texture polyester powder coat available at no charge. Standard RAL and custom match finishes available for an

additional charge, please contact Milbank Manufacturing Co. for further assistance. All powder coat finishes applied over cleaned phosphatized surfaces. Stainless steel plates have a polished #4 finish. Hardware is furnished for mounting. Custom sizes, etc., can be provided on special order. Louvers can also be punched in enclosure at the factory. Louvers used in UL Type 1 or 3R enclosures will maintain UL rating. Additional sizes available upon request. Louver can also be factory installed (pressed in).

CARBON STEEL #	CATALOG NUMBER		PRODUCT SIZE H X W (INCHES)	# OF LOUVERS	CUTOUT SIZE (INCHES)			
	304 STAINLESS STEEL #	316 STAINLESS STEEL #			LOUVER LENGTH	H	W	SHPG. WT.
A-LVK23	A-LVKXS23	A-LVKXZ23	3.25 x 3.25	2	2.5	2	1.75	1
A-LVK33	A-LVKXS33	A-LVKXZ33	3.87 x 4.5	3	2.5	2.62	3	1
A-LVK34	A-LVKXS34	A-LVKXZ34	4.75 x 4.5	4	2.5	3.5	3	1
A-LVK43	A-LVKXS43	A-LVKXZ43	4.5 x 5.5	3	4	3.5	4	1
A-LVK44	A-LVKXS44	A-LVKXZ44	5.62 x 5.5	4	4	4.37	4	1
A-LVK64	A-LVKXS64	A-LVKXZ64	5.62 x 7.5	8	2.5	4.37	6	1
A-LVK66	A-LVKXS66	A-LVKXZ66	7.87 x 7.5	12	2.5	6.62	6	1
A-LVK84	A-LVKXS84	A-LVKXZ84	5.81 x 9.5	8	4	4.56	8	1
A-LVK86	A-LVKXS86	A-LVKXZ86	8.18 x 9.5	12	4	6.93	8	2
A-LVK88	A-LVKXS88	A-LVKXZ88	10.56 x 9.5	16	4	9.31	8	2
A-LVK812	A-LVKXS812	A-LVKXS6812	15.31 x 9.5	24	4	14.06	8	3



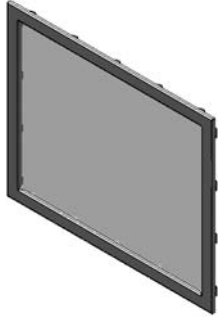
### Filters for Louver Kits



- Designed for use with Louver Plate Kit. Mounting holes on filter bracket align with louver mounting holes. Hardware supplied with louvers also secure filter brackets in place.
- Brackets are fabricated from .080 aluminum.
- Custom sizes, etc., can be provided on special order.

PART NUMBER	USE WITH LOUVER KIT
A-FLT33	A-LVK33
A-FLT34	A-LVK34
A-FLT43	A-LVK43
A-FLT44	A-LVK44
A-FLT64	A-LVK64
A-FLT66	A-LVK66
A-FLT84	A-LVK84
A-FLT86	A-LVK86
A-FLT88	A-LVK88
A-FLT812	A-LVK812

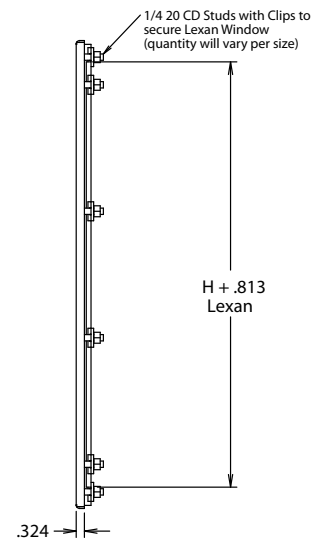
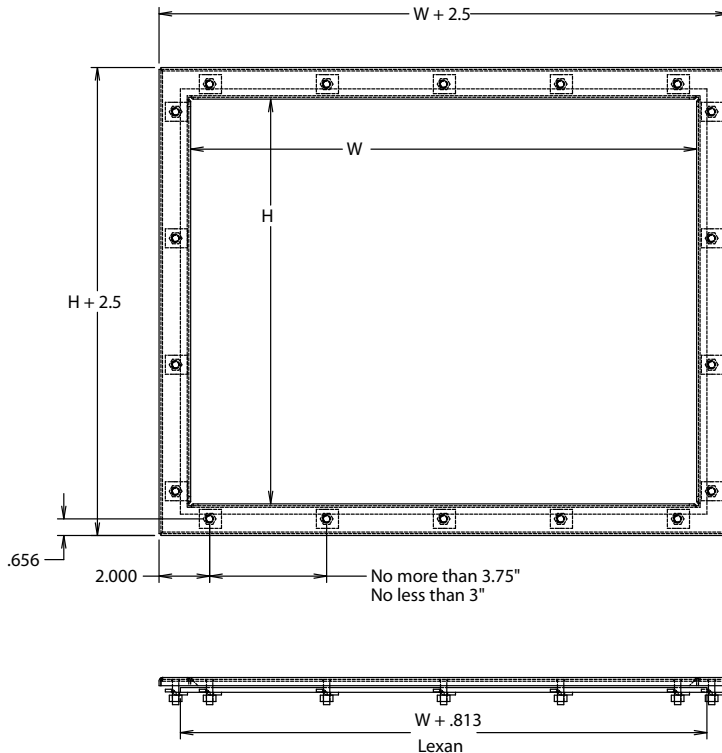
### Window Kits



texture polyester powder coat available at no charge. Standard RAL and custom match finishes available for an additional charge, please contact Milbank Manufacturing Co. for further assistance. All powder coat finishes applied over cleaned phosphatized surfaces. Type 304 and type 316 stainless steel are available with a polished #4 finish. The window is scratch-resistant 1/4" Thermoplastic. Oil-resistant gasket ensures a tight seal around the perimeter of the window and frame. All mounting hardware is furnished. Custom sizes and materials can be provided on special order. Consult factory for information. Tinted glass and safety glass are available upon request.

These kits are easily installed by making a cutout in the enclosure and attaching the window and frame in place (hardware furnished). Frames are made from heavy gauge carbon steel and have a standard ANSI-61 gray finish on interior and exterior of enclosures. Recoatable, smooth, white or RAL 7035

CATALOG NUMBER			FRAME SIZE		VIEWING AREA		SHPG. WT.
CARBON STEEL #	304 STAINLESS STEEL #	316 STAINLESS STEEL #	H	W	H	W	
A-WK53	A-WKXS53	A-WKXZ53	7.5	5.5	5	3	1
A-WK95	A-WKXS95	A-WKXZ95	11.5	8	9	5.5	3
A-WK1010	A-WKXS1010	A-WKXZ1010	12.5	12.5	10	10	4
A-WK1212	A-WKXS1212	A-WKXZ1212	14.5	14.5	12	12	5
A-WK133	A-WKXS133	A-WKXZ133	15.5	5.5	13	3	3
A-WK138	A-WKXS138	A-WKXZ138	15.5	10.5	13	8	4
A-WK1711	A-WKXS1711	A-WKXZ1711	19.5	13.5	17	11	6
A-WK175	A-WKXS175	A-WKXZ175	19.5	7.5	17	5	4
A-WK2016	A-WKXS2016	A-WKXZ2016	22.5	18.5	20	16	8
A-WK2017	A-WKXS2017	A-WKXZ2017	22.5	19.5	20	17	8
A-WK2020	A-WKXS2020	A-WKXZ2020	22.5	22.5	20	20	10
A-WK2315	A-WKXS2315	A-WKXZ2315	25.5	17.5	23	15	8
A-WK2420	A-WKXS2420	A-WKXZ2420	26.5	22.5	24	20	9
A-WK2424	A-WKXS2424	A-WKXZ2424	26.5	26.5	24	24	12
A-WK2919	A-WKXS2919	A-WKXZ2919	31.5	21.5	29	19	12
A-WK3523	A-WKXS3523	A-WKXZ352	37.5	25.5	35	23	16
A-WK3624	A-WKXS3624	A-WKXZ3624	38.5	26.5	36	24	17
A-WK3636	A-WKXS3636	A-WKXZ3636	38.5	38.5	36	36	25



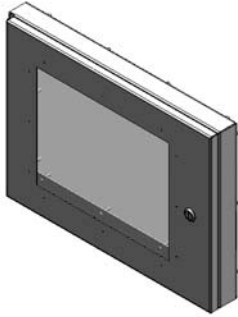
**NOTES:** Required cutout size for enclosure is:  
 $H + 1.6875" \times W + 1.6875"$



INDUSTRIAL ENCLOSURES  
 INDUSTRIAL ENCLOSURE ACCESSORIES – LOUVER KIT FILTERS & WINDOW KITS

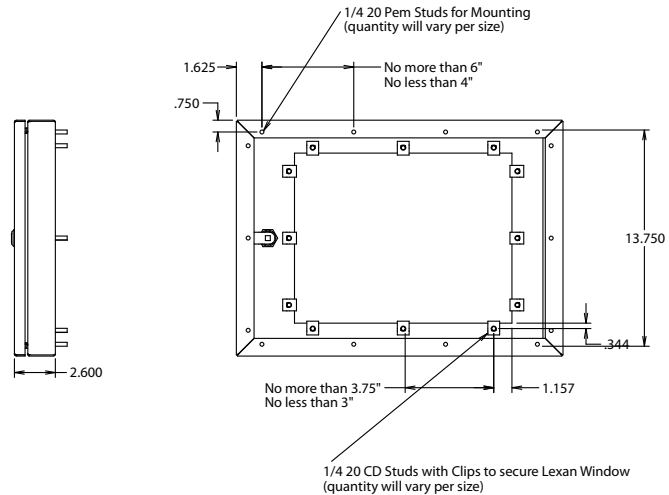
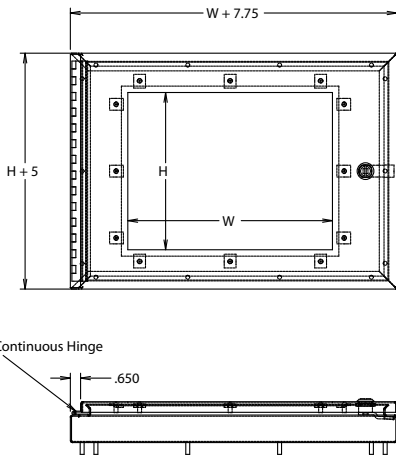


**Hinged Window Kit**



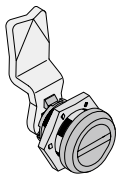
For use as a viewing window where access to components mounted behind the window is required. The window is 1/4" thick with scratch-resistant Thermoplastic. Easily mounted. All mounting hardware is provided. Tinted glass and safety glass available upon request.

CATALOG NUMBER			FRAME SIZE			VIEWING AREA		SHPG. WT.
CARBON STEEL #	304 STAINLESS STEEL #	316 STAINLESS STEEL #	H	W	D	H	W	
A-HWK1010	A-HWKXS1010	A-HWKXZ1010	15	17.75	2.6	10	10	12
A-HWK124	A-HWKXS124	A-HWKXZ124	17	11.75	2.6	12	4	6
A-HWK1212	A-HWKXS1212	A-HWKXZ1212	17	19.75	2.6	12	12	16
A-HWK1520	A-HWKXS1520	A-HWKXZ1520	20	27.75	2.6	15	20	33
A-HWK168	A-HWKXS168	A-HWKXZ168	21	15.75	2.6	16	8	15
A-HWK1711	A-HWKXS1711	A-HWKXZ1711	22	18.75	2.6	17	11	21
A-HWK208	A-HWKXS208	A-HWKXZ208	25	15.75	2.6	20	8	20
A-HWK2010	A-HWKXS2010	A-HWKXZ2010	25	17.75	2.6	20	10	23
A-HWK2012	A-HWKXS2012	A-HWKXZ2012	25	19.75	2.6	20	12	27
A-HWK2017	A-HWKXS2017	A-HWKXZ2017	25	24.75	2.6	20	17	35
A-HWK2020	A-HWKXS2020	A-HWKXZ2020	25	27.75	2.6	20	20	40
A-HWK2021	A-HWKXS2021	A-HWKXZ2021	25	28.75	2.6	20	21	42
A-HWK2424	A-HWKXS2424	A-HWKXZ2424	29	31.75	2.6	24	24	45
A-HWK2615	A-HWKXS2615	A-HWKXZ2615	31	22.75	2.6	26	15	38
A-HWK3215	A-HWKXS3215	A-HWKXZ3215	37	22.75	2.6	32	15	45
A-HWK3636	A-HWKXS3636	A-HWKXZ3636	41	43.75	2.6	36	36	54



**Replacement Latches & Clamps**

The replacement latches and clamps shown on this page are standard features on Milbank Manufacturing Co. Enclosures and can be ordered separately.



**QUARTER TURN SLOTTED LATCH**

- Standard Elite UL Type 4, 4X, 12, and 13 enclosures only.
- Made of black polyimide.
- Allows for a maximum of 26 inch spacing between latches.

PART NUMBER	DESCRIPTION
A-R002-100BLK	Black Polyimide
A-R090-100SS	Stainless Steel

**NOTE:** Cams are ordered separately.



**TYPE 4 CLAMP**

- Made of stainless steel.
- Standard on Wall Mount UL Type 4 and 4X enclosures.
- Assembly includes clamp, spring, and 1/4-20-304 or 1/4-28-316 threaded screw.
- Allows for a maximum of 24 inch spacing between clamps.

PART NUMBER	DESCRIPTION
A-NH41041	NEMA 4 Clamp 304
A-NH41050	NEMA 4 Clamp 316



**TYPE 12 CLAMP**

- Made of plated mild steel.
- Standard Wall Mount UL Type 12 enclosures.
- Assembly includes clamp, spring, and 1/4-20 threaded screw.
- Allows for a maximum of 35 inch spacing between clamps.

PART NUMBER	DESCRIPTION
A-NH20030	NEMA 12 Clamp

INDUSTRIAL ENCLOSURES

INDUSTRIAL ENCLOSURE ACCESSORIES – HINGED WINDOW KIT & REPLACEMENT LATCHES & CLAMPS



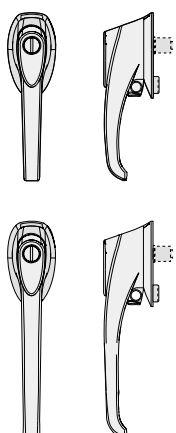
## Replacement Handle Kits

Kit includes the following: handle, cam, retainers, hardware, latch rods, and latch rod guides. All kits are packaged for field installation.

ENCLOSURE FAMILY	CATALOG NUMBER	DESCRIPTION
M12D	A-HNDLSPWF	Keylocking Assembly
M12-FD-H	A-261612-10-KIT	Padlocking 2-Point Assembly
M12D-FT	A-HNDLSPN12D	Keylocking Assembly
FD-FT	A-HNDLSPX	Padlock with Defeater Assembly
FD-FT	A-HNDLSPXMN	Padlock Non-Defeater Assembly
M12FSD-FD	A-HNDLSPXM	Padlock Defeater Assembly
M12FSD-FD	A-HNDLSPXN	Padlock Non-Defeater Assembly
M12FS	A-HNDLSPFS	Keylocking Assembly
MSD	A-3PTCONS	Console 3-Point Assembly

## Replacement Handles

The replacement handles shown on this page are standard features on Milbank Manufacturing Co. Enclosures and can be ordered separately.



### EURO-DESIGN PADLOCKING HANDLE

- Made of black zinc die cast.
- Available in compact and heavy-duty style.
- Available with or without defeater mechanism.
- Used for UL Type 12.
- Suitable for three point latching systems.
- Custom inserts are available.
- Compact is the replacement for A-ABN12 enclosures.
- Heavy duty is the replacement for Type 12 Floor Mount, Type 12 Modular and Type 12 Freestanding enclosures families.

PART NUMBER	DESCRIPTION
A-HNDLCOMP	Compact With Defeater
A-HNDLHD	Heavy Duty
A-HNDLHDD	Heavy Duty With Defeater

**NOTE:** Cams are ordered separately.



### HEAVY DUTY KEYLOCKING HANDLE

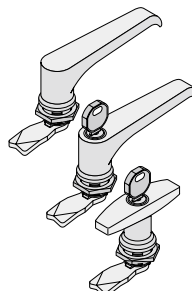
- Made of black zinc die cast with key included.
- Standard replacement handle for Freestanding enclosures.
- Used for three point latching systems.
- Maintains UL Type 12 enclosure ratings.

PART NUMBER	DESCRIPTION
A-HNDLHDK	Heavy Duty Keylocking Handle

**NOTE:** Cams are ordered separately.

## Custom Handles

These handles can be used in three point latching systems and will maintain the enclosures UL rating. Factory installation is recommended. These handles can be used on special enclosures as an option. Call for availability.

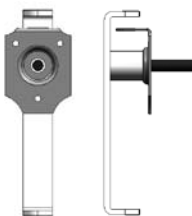


### LIGHT DUTY QUARTER-TURN HANDLES

- Available in black polyimide, black zinc die cast, or chrome.
- Suitable for three point UL Type 12 latching systems.
- Specify material when ordering.

PART NUMBER	DESCRIPTION
A-HNDLLNLSS	Non-locking Stainless Steel
A-HNDLKLBLK	Keylocking Black Zinc Die
A-HNDLKLCHR	Keylocking Chrome
A-THNDLKLCHR	T-Type Keylocking Chrome

**NOTE:** Cams are ordered separately.



### TYPE 304 STAINLESS STEEL HEAVY DUTY PADLOCKING HANDLE

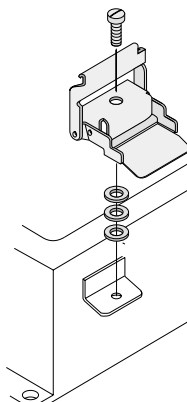
- Made of stainless steel.
- Suitable for three point latching systems where enhanced corrosion resistance is required.
- Suitable for UL Type 12 applications.

PART NUMBER	DESCRIPTION
A-HNDLHDSSPAD	Stainless Steel Padlock Handle

**NOTE:** Cams are ordered separately.

## Custom Latches & Clamps

Custom latches and clamps can be used on standard or custom enclosures and will maintain the enclosure's UL rating. Spacing and quantity limitations apply to maintain an enclosure's UL rating. Call for application information. Specify type of latch, material and insert when ordering.



### QUICK RELEASE J-SERIES ENCLOSURE CLAMPS

- Available in zinc plated mild steel and stainless steel.
- Clamps have 1/4-20 thread.
- Suitable for UL type 4, 4X, 12 and 13 enclosures.

PART NUMBER	DESCRIPTION
A-FOCJIC-S	Plated Mild Steel
A-FOCJIC-SS	Stainless Steel



**QUICK RELEASE TOGGLE CLAMP**

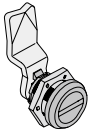


- Available in stainless steel.
- Clamps have 1/4-20 304 or 1/4-28 316 threads and can be used in place of screwdriver operated clamps on Milbank Manufacturing Co. enclosures.
- Suitable for UL Type 4, 4X & 12 enclosures.

PART NUMBER	DESCRIPTION
A-FOCX5	Type 304 Stainless Steel Clamp
A-FOCXZ	Type 316 Stainless Steel Clamp

*NOTE: Stainless steel clamp required for 4/4X enclosure.*

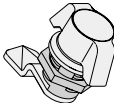
**MINI 1/4-TURN LATCH**



The mini 1/4-turn latch can be used on J-Series enclosures and will maintain the enclosure's UL rating. The latch can be used in place of standard screw driver operated clamps. An equal number of latches are required when replacing clamps.

PART NUMBER	DESCRIPTION
A-LTHMINI	Mini 1/4-Turn Slotted Latch

**WING 1/4-TURN LATCH**

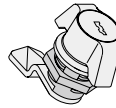


- Available in black polyimide.
- Suitable for any Milbank Manufacturing Co. enclosure.
- Latch will maintain the UL rating.

PART NUMBER	DESCRIPTION
A-1000-U78	Wing 1/4-Turn Latch

*NOTE: Cams are ordered separately.*

**KEYLOCKING WING 1/4-TURN LATCH**

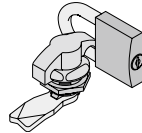


- Available in black polyimide.
- Suitable for UL Type 12 enclosures.

PART NUMBER	DESCRIPTION
A-1000-U237	Keylocking Wing 1/4-Turn Latch

*NOTE: Cams are ordered separately.*

**PADLOCKING WING 1/4-TURN LATCH**

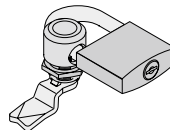


- Available in black polyimide.
- Suitable for any Milbank Manufacturing Co. enclosure.
- Latch will maintain the UL rating.

PART NUMBER	DESCRIPTION
A-1000-U429-01	Padlocking Wing 1/4-Turn Latch

*NOTE: Cams are ordered separately.*

**PADLOCKING 1/4-TURN LATCH**

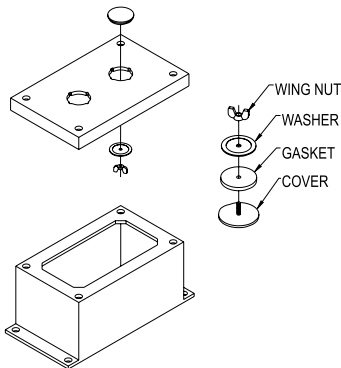


- Available in zinc die cast only and comes with chrome insert.
- Suitable for any Milbank Manufacturing Co. enclosure.
- Latch will maintain the UL rating.

PART NUMBER	DESCRIPTION
A-C0035745	Padlocking 1/4 - Turn Latch

*NOTE: Cams are ordered separately.*

**Oil Tight Hole Seals**

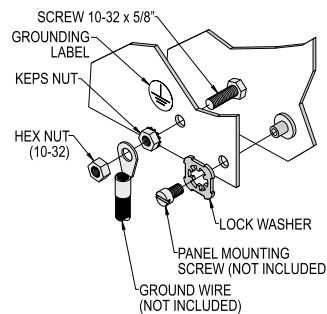


Hole seals are used to seal unused pushbutton holes, conduit and knockout holes and other openings of irregular shapes and sizes against dust, dirt, water and oil. They will cover holes ranging in size from 0.19 inches through 4.00 inches, and can be used on enclosures having a wall thickness up to 0.31 inches. The hole seals have a cover with 1/16" flange. See page B32 for application, construction, ordering and installation information.

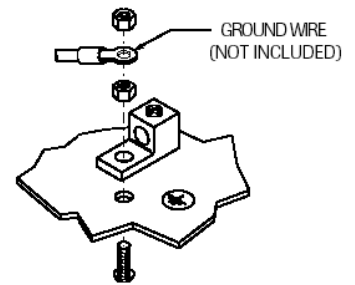
**Grounding Kits**

Ground kits include screws, nuts, washers and grounding label. Can be ordered separately. Ground strap not included.

**J-SERIES GROUNDING KIT**



**WALL MOUNT GROUNDING KIT**



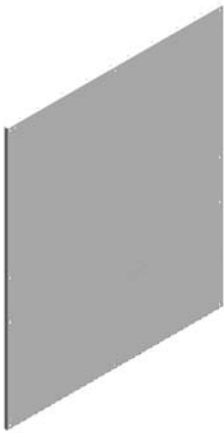
PART NUMBER	DESCRIPTION
A-JH45015	Grounding Kit For J-Series Enclosures
A-NH45015	Grounding Kit For SPN4, SPN12 and ES Enclosures

**NOTES:**

1. Ground Strap not included.
2. The Wall Mount version can be used on larger enclosures—order one kit per door.



## Floor Mount Sub Panels



### APPLICATIONS

For use in Type 4 Double Door Floor Mount, Type 12 Double Door Floor Mount, and Type 12 Double Door Extra Volume enclosures.

### CONSTRUCTION

Fabricated from 10 gauge carbon steel.

### FINISH

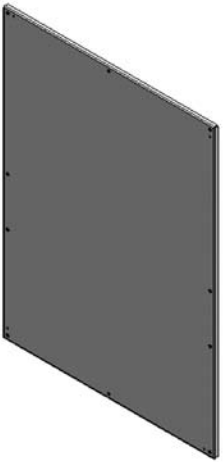
White polyester powder coat finish over cleaned phosphatized surfaces.

### OPTIONS

Milbank Manufacturing Co. can modify standard sub panels according to your specifications. Sizes and many more options are available. Quotations upon request.

CATALOG NUMBER	SUB PANEL SIZE H X W X D (INCHES)	SHIPPING WT.
A-DD54P42	50 x 38	79
A-DD60P48	56 x 44	103
A-DD60P60	56 x 56	128
A-DD72P60	68 x 56	151
A-DD72P72	68 x 68	184

## Freestanding Sub Panels



### APPLICATIONS

For use in Type 12 and Type 4 Freestanding Single Door and Type 12 Double Door Freestanding enclosures.

### CONSTRUCTION

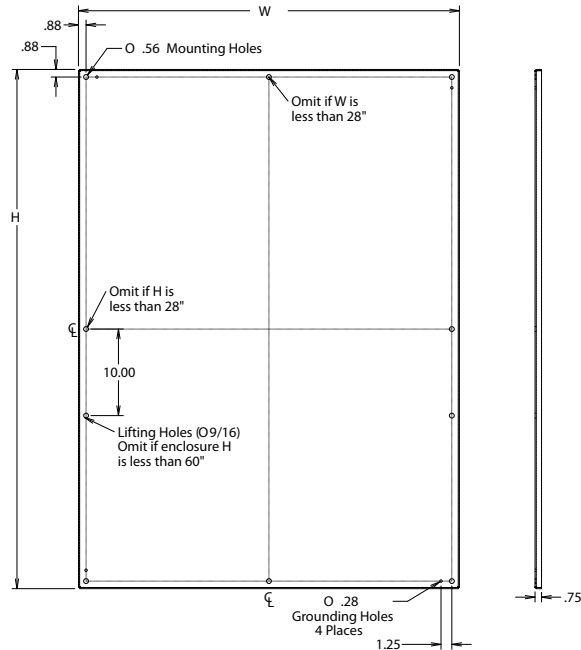
Fabricated from 12 or 10 gauge carbon steel.

### FINISH

White polyester powder coat finish over cleaned phosphatized surfaces.

### OPTIONS

Milbank Manufacturing Co. can modify standard sub panels according to your specifications. Sizes and many more options are available. Quotations upon request.



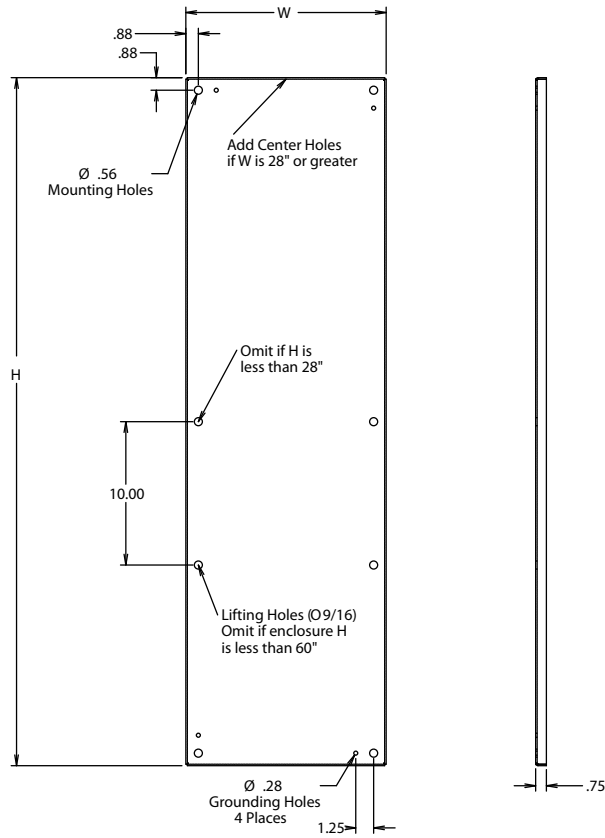
**NOTE:** Panels mount using panel mounting brackets.

CATALOG NUMBER	SUB PANEL SIZE H X W X D (INCHES)	SHIPPING WT.
Single Door - Full Panels		
A-60P24F1	48 x 20	52
A-72P24F1	60 x 20	65
A-90P24F1	78 x 20	80
A-72P30F1	60 x 26	74
A-90P30F1	78 x 26	92
A-60P36F1	48 x 32	78
A-72P36F1	60 x 32	80
A-90P36F1	78 x 32	108
Single Door - Half Panels		
A-60P24F2	24.87 x 20	26
A-72P24F2	30.87 x 20	32
A-90P24F2	39.87 x 20	41
A-72P30F2	30.87 x 26	41
A-90P30F2	39.87 x 26	53
A-60P36F2	24.87 x 32	41
A-72P36F2	30.87 x 32	50
A-90P36F2	39.87 x 32	65

CATALOG NUMBER	SUB PANEL SIZE H X W X D (INCHES)	SHIPPING WT.
Double Door - Full Panels		
A-60P48F1	48 x 44	108
A-72P48F1	60 x 44	131
A-72P60F1	60 x 56	145
A-72P72F1	60 x 68	187
A-90P48F1	78 x 44	165
A-90P60F1	78 x 56	210
A-90P72F1	78 x 68	238
Double Door - Half Panels		
A-60P48F2	24.87 x 44	60
A-72P48F2	30.87 x 44	74
A-72P60F2	30.87 x 56	94
A-72P72F2	30.87 x 68	113
A-90P48F2	39.87 x 44	94
A-90P60F2	39.87 x 56	120
A-90P72F2	39.87 x 68	145



INDUSTRIAL ENCLOSURES  
INDUSTRIAL ENCLOSURE ACCESSORIES – FLOOR MOUNT & FREESTANDING SUB PANELS



**NOTE:** Panels mount using panel mounting brackets.

**APPLICATIONS**

For use in Type 12 and Type 4 Freestanding Single Door and Type 12 Double Door Freestanding enclosures.

**CONSTRUCTION**

Fabricated from 12 gauge carbon steel.

**FINISH**

White polyester powder coat finish over cleaned phosphatized surfaces.

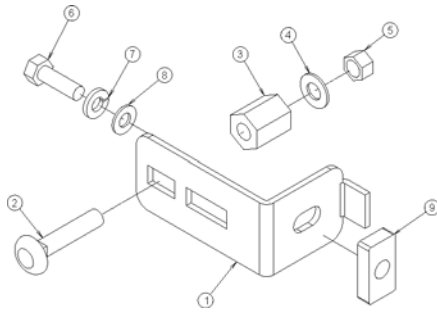
**OPTIONS**

Milbank Manufacturing Co. can modify standard sub panels according to your specifications. Sizes and many more options are available. Quotations upon request.

CATALOG NUMBER	SUB PANEL SIZE H X W X D (INCHES)	SHIPPING WT.
A-60SMP14	48 x 14	24
A-60SMP20	48 x 20	34
A-72SMP14	60 x 14	28
A-72SMP20	60 x 20	42
A-72SMP26	60 x 26	54
A-72SMP32	60 x 32	66
A-90SMP14	78 x 14	40
A-90SMP16	78 x 16	45
A-90SMP20	78 x 20	55
A-90SMP26	78 x 26	71
A-90SMP32	78 x 32	86

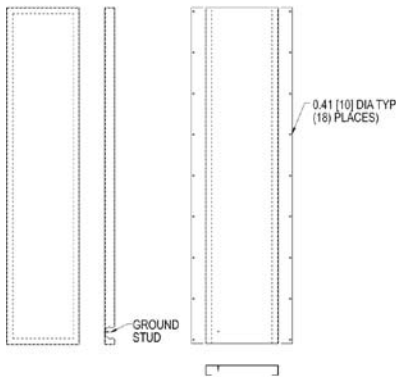
### Freestanding Enclosure Clamping Nuts

These nuts are used to attach sub panels and rack angles to the horizontal mounting channels and are ordered separately if mounting other equipment to the mounting channels.

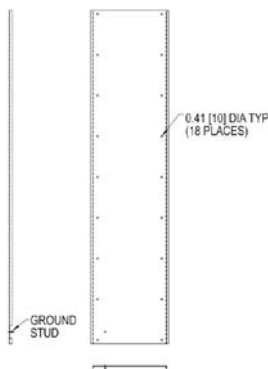


CATALOG NUMBER	DESCRIPTION
A-G1034	Clamping Nut

### Modular Enclosure End Plates



END PLATE



END PLATE FLAT

CATALOG NUMBER	PRODUCT SIZE H X D (INCHES)	DESCRIPTION
A-MOD8418EP	84 x 18	Formed with gasket & bolts
A-MOD8424EP	84 x 24	Formed with gasket & bolts
A-MOD8418FEP	84 x 18	Flat with gasket & bolts
A-MOD8424FEP	84 x 24	Flat with gasket & bolts
A-MOD8418GK	84 x 18	Gasket kit with bolts
A-MOD8424GK	84 x 24	Gasket kit with bolts

### Sub Panel Mounting Bracket Kit for Freestanding Enclosures

- Designed to allow customer to install sub panels on existing Unistrut® in freestanding enclosures.
- Fabricated from 10 gauge carbon steel with a white polyester powder finish.
- Includes all installation hardware.
- Custom enclosures may require custom brackets.

CATALOG NUMBER	DESCRIPTION
A-SUBBRKTB	Sub Panel Mounting Bracket Freestanding

### Heavy Duty Adapter Kits for Heavy Duty Disconnects

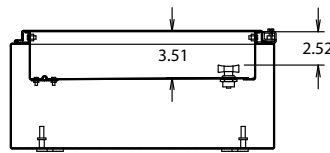
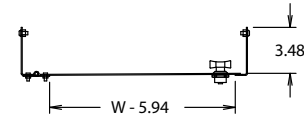
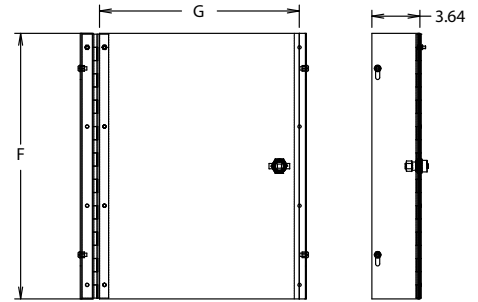
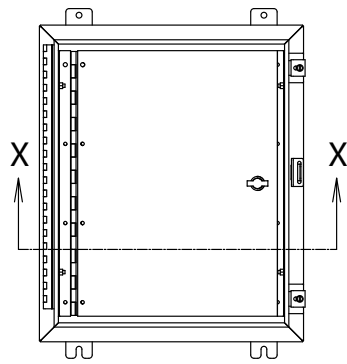
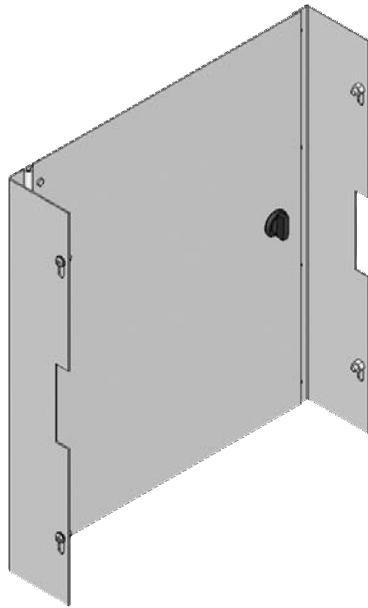
Cutler-Hammer C360/370	Square D Class 9422, GE-TED, GE-TDA, ITE Max Flex Cutler-Hammer 361/371	Allen-Bradley 1494V
Westinghouse	Allen-Bradley 140U Flex Shaft	
General Electric TDF	Allen-Bradley 1494F or 1494D	Blank Adapter

CATALOG NO.	DESCRIPTION
A-ADPHDSQ	Square D, GE -TDA, ITE Max Flex , ABB, Siemens FHOH, Westinghouse Flex Shaft
A-ADPHDWH	Westinghouse
A-ADPHDCH	Cutler Hammer C360/C370
A-ADPHDGE	General Electric GE-TDF
A-ADPHDABV	Allen Bradley 1494V, 30/200 Amp
A-ADPHDAMT	Westinghouse AMT
A-ADPHDBLK	Blank
A-ADPHDABV400	Allen Bradley 1494V/400
A-ADPHDITE	ITE
A-ADPHDCHF	Cutler Hammer Flex Shaft
A-ADPHDABFLEX	Allen-Bradley 140U Flex Shaft
A-ADPHDAB*	Allen Bradley 1494F or D

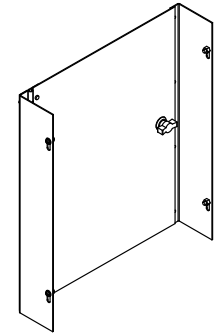
\* Adapter plate not required for 200 Amp, 1494F. Reference instruction sheet provided with the kit.







SECTION X-X



INDUSTRIAL ENCLOSURES

**APPLICATIONS**

Allows for additional component mounting on a 90 degree swing panel.

**KIT INCLUDES**

- All hardware for installation by customer.
- Brackets (fabricated from 12 gauge carbon steel).
- Panel (fabricated from 12 gauge carbon steel).
- Quarterturn Wing Latch(es).
- Bolt on Continuous Hinge.

**FINISH**

White polyester powder coat over cleaned phosphatized surfaces. Aluminum kits have a polished #4 finish.

**OPTIONS**

Milbank Manufacturing Co. can modify standard enclosures to your specifications. Holes, cutouts, sizes, materials, and many more options are available. Quotations upon request.

**NOTE:**

SPK1's are for installation in N4, N12, and 3R only. Installation by Milbank Manufacturing Co. will require an extra installation fee. Some assembly required.

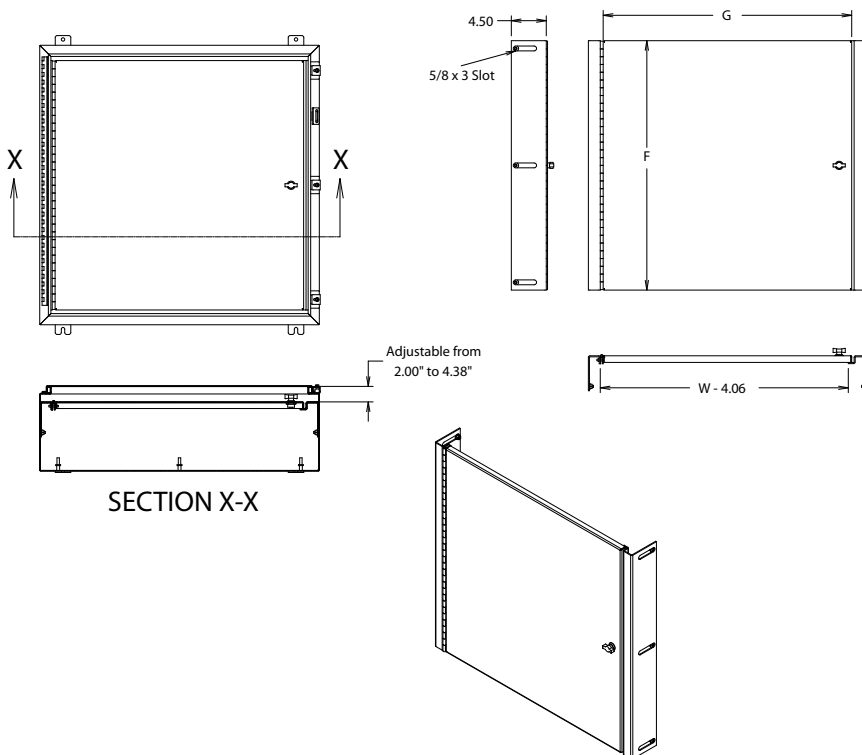
CATALOG NUMBER			FITS ENCLOSURES SIZE H X W	PANEL SIZE F X G ++ (INCHES)	SHPG. WT.
MILLENNIUM	N4, N12	3 R			
A-SPK1M-1224	A-SPK1N-1224	A-SPK1R--1224	12 x 24	8.13 x 19.13	10
A-SPK1M-1612	A-SPK1N-1612	A-SPK1R--1612	16 x 12	12.13 x 7.13	8
A-SPK1M-1616	A-SPK1N-1616	A-SPK1R--1616	16 x 16	12.13 x 11.13	10
A-SPK1M-1620	A-SPK1N-1620	A-SPK1R--1620	16 x 20	12.13 x 15.13	11
A-SPK1M-2012	A-SPK1N-2012	A-SPK1R--2012	20 x 12	16.13 x 7.13	9
A-SPK1M-2016	A-SPK1N-2016	A-SPK1R--2016	20 x 16	16.13 x 11.13	11
A-SPK1M-2020	A-SPK1N-2020	A-SPK1R--2020	20 x 20	16.13 x 15.13	14
A-SPK1M-2024	A-SPK1N-2024	A-SPK1R--2024	20 x 24	16.13 x 19.13	18
A-SPK1M-2412	A-SPK1N-2412	A-SPK1R--2412	24 x 12	20.13 x 7.13	10
A-SPK1M-2416	A-SPK1N-2416	A-SPK1R--2416	24 x 16	20.13 x 11.13	13
A-SPK1M-2420	A-SPK1N-2420	A-SPK1R--2420	24 x 20	20.13 x 15.13	18
A-SPK1M-2424	A-SPK1N-2424	A-SPK1R--2424	24 x 24	20.13 x 19.13	22
A-SPK1M-2430	A-SPK1N-2430	A-SPK1R--2430	24 x 30	20.13 x 25.13	28
A-SPK1M-3016	A-SPK1N-3016	A-SPK1R--3016	30 x 16	26.13 x 11.13	19
A-SPK1M-3020	A-SPK1N-3020	A-SPK1R--3020	30 x 20	26.13 x 15.13	23
A-SPK1M-3024	A-SPK1N-3024	A-SPK1R--3024	30 x 24	26.13 x 19.13	28
A-SPK1M-3030	A-SPK1N-3030	A-SPK1R--3030	30 x 30	26.13 x 25.13	35
A-SPK1M-3036	A-SPK1N-3036	A-SPK1R--3036	30 x 36	26.13 x 31.13	42
A-SPK1M-3624	A-SPK1N-3624	A-SPK1R--3624	36 x 24	32.13 x 19.13	34
A-SPK1M-3630	A-SPK1N-3630	A-SPK1R--3630	36 x 30	32.13 x 25.13	42
A-SPK1M-3636	A-SPK1N-3636	A-SPK1R--3636	36 x 36	32.13 x 31.13	50
A-SPK1M-4224	A-SPK1N-4224	A-SPK1R--4224	42 x 24	38.13 x 19.13	39
A-SPK1M-4230	A-SPK1N-4230	A-SPK1R--4230	42 x 30	38.13 x 25.13	49
A-SPK1M-4236	A-SPK1N-4236	A-SPK1R--4236	42 x 36	38.13 x 31.13	59
A-SPK1M-4824	A-SPK1N-4824	A-SPK1R--4824	48 x 24	44.13 x 19.13	45
A-SPK1M-4830	A-SPK1N-4830	A-SPK1R--4830	48 x 30	44.13 x 25.13	56
A-SPK1M-4836	A-SPK1N-4836	A-SPK1R--4836	48 x 36	44.13 x 31.13	67
A-SPK1M-6036	A-SPK1N-6036	A-SPK1R--6036	60 x 36	56.13 x 31.13	84
A-SPK1M-7230	A-SPK1N-7230	A-SPK1R--7230	72 x 30	68.13 x 25.13	84

INDUSTRIAL ENCLOSURE ACCESSORIES – ECONOMY SWING PANEL KIT

NOTE: Weights for Aluminum Swing panels are not listed. Please contact Milbank Manufacturing Co. for weight.

++ Panel sizes for A-SPK2M and A-SPK2R versions will be slightly larger.





INDUSTRIAL ENCLOSURES

INDUSTRIAL ENCLOSURE ACCESSORIES – SEMI-ADJUSTABLE SWING PANEL KIT

**APPLICATIONS**

Allows for additional component mounting on a 90 degree swing panel.

**KIT INCLUDES**

- Brackets with 3" slots for semi-adjustability (fabricated from 12 gauge carbon steel).
- Panel (fabricated from 12 gauge carbon steel).
- Quarterturn Wing Latch(es).
- Bolt on Continuous Hinge.

**FINISH**

White polyester powder coat over cleaned phosphatized surfaces. Aluminum kits have a polished #4 finish.

**OPTIONS**

Milbank Manufacturing Co. can modify standard enclosures to your specifications. Holes, cutouts, sizes, materials, and many more options are available. Quotations upon request.

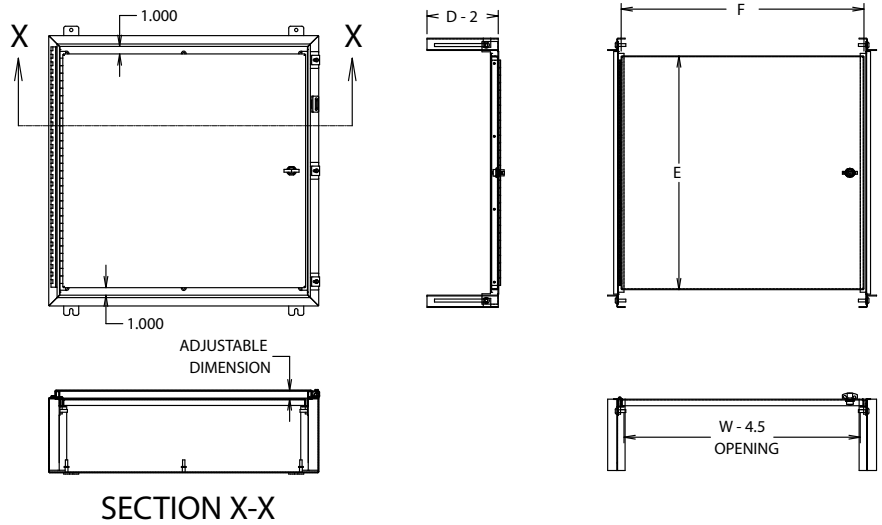
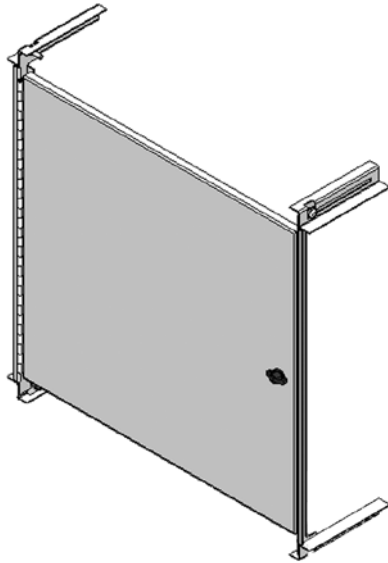
**NOTE:** A-SPK2's are for installation in N4, N12, MSD, and 3R only. Enclosure must be studded or have holes drilled. Customer can order these and use them in existing enclosures. The customer will have to drill holes in the sides of the enclosure to mount. Installation by Milbank Manufacturing Co. will require an extra installation fee. Some assembly required.

CATALOG NUMBER			FITS ENCLOSURES SIZE H X W	PANEL SIZE F X G ++ (INCHES)	SHPG. WT.
ELITE	SPN4, SPN12	3 R			
A-SPK2M-1224	A-SPK2N-1224	A-SPK2R-1224	12 X 24	8.13 x 19.13	12
A-SPK2M-1612	A-SPK2N-1612	A-SPK2R-1612	16 X 12	12.13 x 7.13	8
A-SPK2M-1616	A-SPK2N-1616	A-SPK2R-1616	16 X 16	12.13 x 11.13	11
A-SPK2M-1620	A-SPK2N-1620	A-SPK2R-1620	16 X 20	12.13 x 15.13	14
A-SPK2M-2012	A-SPK2N-2012	A-SPK2R-2012	20 X 12	16.13 x 7.13	10
A-SPK2M-2016	A-SPK2N-2016	A-SPK2R-2016	20 X 16	16.13 x 11.13	14
A-SPK2M-2020	A-SPK2N-2020	A-SPK2R-2020	20 X 20	16.13 x 15.13	18
A-SPK2M-2024	A-SPK2N-2024	A-SPK2R-2024	20 X 24	16.13 x 19.13	22
A-SPK2M-2412	A-SPK2N-2412	A-SPK2R-2412	24 X 12	20.13 x 7.13	12
A-SPK2M-2416	A-SPK2N-2416	A-SPK2R-2416	24 X 16	20.13 x 11.13	17
A-SPK2M-2420	A-SPK2N-2420	A-SPK2R-2420	24 X 20	20.13 x 15.13	22
A-SPK2M-2424	A-SPK2N-2424	A-SPK2R-2424	24 X 24	20.13 x 19.13	26
A-SPK2M-2430	A-SPK2N-2430	A-SPK2R-2430	24 X 30	20.13 x 25.13	33
A-SPK2M-3016	A-SPK2N-3016	A-SPK2R-3016	30 X 16	26.13 x 11.13	22
A-SPK2M-3020	A-SPK2N-3020	A-SPK2R-3020	30 X 20	26.13 x 15.13	28
A-SPK2M-3024	A-SPK2N-3024	A-SPK2R-3024	30 X 24	26.13 x 19.13	33
A-SPK2M-3030	A-SPK2N-3030	A-SPK2R-3030	30 X 30	26.13 x 25.13	41
A-SPK2M-3036	A-SPK2N-3036	A-SPK2R-3036	30 X 36	26.13 x 31.13	49
A-SPK2M-3624	A-SPK2N-3624	A-SPK2R-3624	36 X 24	32.13 x 19.13	40
A-SPK2M-3630	A-SPK2N-3630	A-SPK2R-3630	36 X 30	32.13 x 25.13	49
A-SPK2M-3636	A-SPK2N-3636	A-SPK2R-3636	36 X 36	32.13 x 31.13	59
A-SPK2M-4224	A-SPK2N-4224	A-SPK2R-4224	42 X 24	38.13 x 19.13	46
A-SPK2M-4230	A-SPK2N-4230	A-SPK2R-4230	42 X 30	38.13 x 25.13	58
A-SPK2M-4236	A-SPK2N-4236	A-SPK2R-4236	42 X 36	38.13 x 31.13	70
A-SPK2M-4824	A-SPK2N-4824	A-SPK2R-4824	48 X 24	44.13 x 19.13	53
A-SPK2M-4830	A-SPK2N-4830	A-SPK2R-4830	48 X 30	44.13 x 25.13	66
A-SPK2M-4836	A-SPK2N-4836	A-SPK2R-4836	48 X 36	44.13 x 31.13	79
A-SPK2M-6036	A-SPK2N-6036	A-SPK2R-6036	60 X 36	56.13 x 31.13	99
A-SPK2M-7230	A-SPK2N-7230	A-SPK2R-7230	72 X 30	68.13 x 25.13	99

**NOTE:** Weights for Aluminum Swing panels are not listed. Please contact Milbank Manufacturing Co. for weight.

++ Panel sizes for A-SPK2M and A-SPK2R versions will be slightly larger.





**APPLICATIONS**

Allows for additional component mounting on a 90 degree swing panel.

**KIT INCLUDES**

- Brackets (fabricated from 12 gauge carbon steel).
- Panel (fabricated from 12 gauge carbon steel).
- Quarterturn Wing Latch(es).
- Bolt on Continuous Hinge.

**FINISH**

White polyester powder coat over cleaned phosphatized surfaces. Aluminum kits have a polished #4 finish.

**OPTIONS**

Milbank Manufacturing Co. can modify standard enclosures to your specifications. Holes, cutouts, sizes, materials, and many more options are available. Quotations upon request.

**NOTE:**  
 Must order the appropriate A-SPK3 (according to the depth of enclosure) for full adjustability. These brackets will be welded in each corner of enclosure and the Swing panel kit will be attached to them. If installing with a door stop kit, holes must be drilled in Swing panel flange. A-SPK3's are for installation in N4, N12, MSD, and 3R only. Installation by Milbank Manufacturing Co. will require an extra installation fee. Some assembly required.

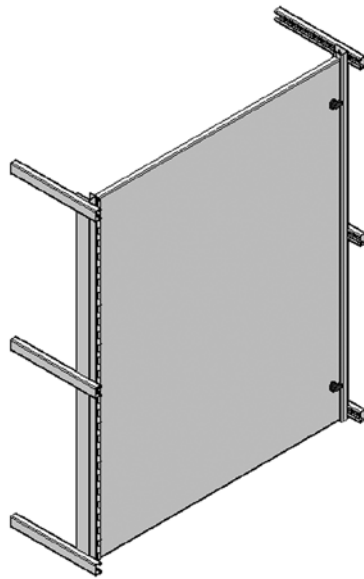
CATALOG NUMBER		FITS ENCLOSURE SIZE H X W	PANEL SIZE F X G (INCHES)	SHIPPING WT.
CARBON STEEL # ++	ALUMINUM # ++			
A-SPK3-1224	A-SPK3AL-1224	12 x 24	7.13 x 20.38	14
A-SPK3-1612	A-SPK3AL-1612	16 x 12	11.13 x 8.38	9
A-SPK3-1616	A-SPK3AL-1616	16 x 16	11.13 x 12.38	12
A-SPK3-1620	A-SPK3AL-1620	16 x 20	11.13 x 16.38	15
A-SPK3-2012	A-SPK3AL-2012	20 x 12	15.13 x 8.38	11
A-SPK3-2016	A-SPK3AL-2016	20 x 16	15.13 x 12.38	15
A-SPK3-2020	A-SPK3AL-2020	20 x 20	15.13 x 16.38	19
A-SPK3-2024	A-SPK3AL-2024	20 x 24	15.13 x 20.38	23
A-SPK3-2412	A-SPK3AL-2412	24 x 12	19.13 x 8.38	14
A-SPK3-2416	A-SPK3AL-2416	24 x 16	19.13 x 12.38	19
A-SPK3-2420	A-SPK3AL-2420	24 x 20	19.13 x 16.38	23
A-SPK3-2424	A-SPK3AL-2424	24 x 24	19.13 x 20.38	27
A-SPK3-2430	A-SPK3AL-2430	24 x 30	19.13 x 26.38	34
A-SPK3-3016	A-SPK3AL-3016	30 x 16	25.13 x 12.38	23
A-SPK3-3020	A-SPK3AL-3020	30 x 20	25.13 x 16.38	28
A-SPK3-3024	A-SPK3AL-3024	30 x 24	25.13 x 20.38	34
A-SPK3-3030	A-SPK3AL-3030	30 x 30	25.13 x 26.38	43
A-SPK3-3036	A-SPK3AL-3036	30 x 36	25.13 x 32.38	52
A-SPK3-3624	A-SPK3AL-3624	36 x 24	31.13 x 20.38	42
A-SPK3-3630	A-SPK3AL-3630	36 x 30	31.13 x 26.38	52
A-SPK3-3636	A-SPK3AL-3636	36 x 36	31.13 x 32.38	62
A-SPK3-4224	A-SPK3AL-4224	42 x 24	37.13 x 20.38	48
A-SPK3-4230	A-SPK3AL-4230	42 x 30	37.13 x 26.38	60
A-SPK3-4236	A-SPK3AL-4236	42 x 36	37.13 x 32.38	72
A-SPK3-4824	A-SPK3AL-4824	48 x 24	43.13 x 20.38	55
A-SPK3-4830	A-SPK3AL-4830	48 x 30	43.13 x 26.38	69
A-SPK3-4836	A-SPK3AL-4836	48 x 36	43.13 x 32.38	83
A-SPK3-6036	A-SPK3AL-6036	60 x 36	55.13 x 32.38	104
A-SPK3-7230	A-SPK3AL-7230	72 x 30	67.13 x 26.38	104

CATALOG NUMBER	ENCLOSURE DEPTH	BRACKET LENGTH	SHPG. WT.
<b>BRACKETS FOR THE SWING PANEL KITS</b>			
A-SPKB3-8	8	6	5
A-SPKB3-10	10	8	6
A-SPKB3-12	12	10	7
A-SPKB3-16	16	14	8
A-SPKB3-18	18	16	9
A-SPKB3-20	20	18	10
A-SPKB3-24	24	22	12

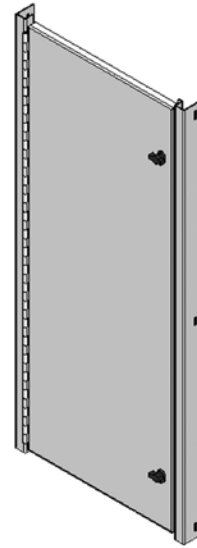
**NOTE:** Weights for Aluminum Swing panels are not listed. Please contact Milbank Manufacturing Co. for weight. Brackets for the Swing Panel Kits must be ordered separate based on depth of Enclosure.

++ For MSD Enclosures modify the part number to have an E. (Example A-SPK3).  
 Panel sizes will vary depending on enclosure.





**FREESTANDING SWING PANEL KIT**



**DOUBLE DOOR FLOOR MOUNT SWING PANEL KIT**

**APPLICATIONS**

Allows for additional component mounting on a 90 degree swing panel.

**KIT INCLUDES**

- Brackets (fabricated from 12 gauge carbon steel).
- Panel (fabricated from 12 gauge carbon steel).
- Quarterturn Wing Latch(es).
- Bolt on Continuous Hinge.
- Not applicable for Millennium series.
- Must designate if for a stainless steel enclosure. Please designate part number with **SS** if for stainless steel.
- Wallmount N4, N12 order A-SPK4: HHWW.

**FINISH**

White polyester powder coat over cleaned phosphatized surfaces. Aluminum kits have a polished #4 finish.

**OPTIONS:**

Milbank Manufacturing Co. can modify standard swing panels to your specifications. Holes, cutouts, sizes, materials, and many more options are available. Quotations upon request. Installation by Milbank Manufacturing Co. will require an extra installation fee. Some assembly required.

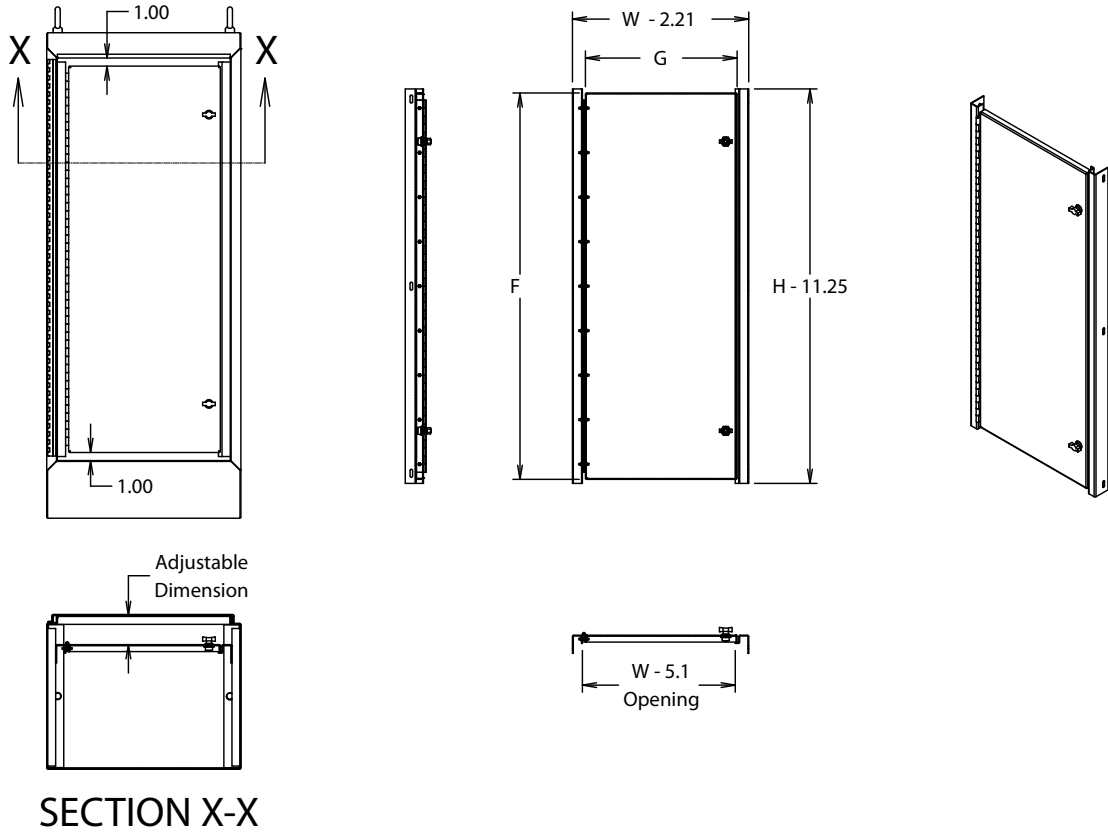
CATALOG NUMBER		FITS ENCLOSURE SIZE H X W	PANEL SIZE F X G (INCHES)	SHPG. WT.
CARBON STEEL #	ALUMINUM #			
<b>FREESTANDING SWING PANEL KITS</b>				
A-SPK4-60P24	A-SPK4AL-60P24	60 X 24	47.75 x 18.75	48
A-SPK4-60P36	A-SPK4AL-60P36	60 X 36	47.75 x 30.75	72
A-SPK4-60P48	A-SPK4AL-60P48	60 X 48	47.75 x 42.75	96
A-SPK4-72P24	A-SPK4AL-72P24	72 X 24	59.75 x 18.75	58
A-SPK4-72P30	A-SPK4AL-72P30	72 X 30	59.75 x 24.75	72
A-SPK4-72P36	A-SPK4AL-72P36	72 X 36	59.75 x 30.75	86
A-SPK4-72P48	A-SPK4AL-72P48	72 X 48	59.75 x 42.75	128
A-SPK4-72P60	A-SPK4AL-72P60	72 X 60	59.75 x 54.75	160
A-SPK4-72P72	A-SPK4AL-72P72	72 X 72	59.75 x 66.75	192
A-SPK4-90P24	A-SPK4AL-90P24	90 X 24	77.75 x 18.75	72
A-SPK4-90P36	A-SPK4AL-90P36	90 X 36	77.75 x 30.75	120
A-SPK4-90P48	A-SPK4AL-90P48	90 X 48	77.75 x 42.75	160
A-SPK4-90P72	A-SPK4AL-90P72	90 X 72	77.75 x 66.75	240

CATALOG NUMBER		FITS ENCLOSURE DEPTH	PANEL SIZE H X W (INCHES)	SHPG. WT.
CARBON STEEL #	ALUMINUM #			
<b>N12 DOUBLE DOOR FLOOR MOUNT SWING PANEL KITS</b>				
A-SPK4-5442	A-SPK4AL-5442	54 X 42	49.38 X 36.75	80
A-SPK4-6048	A-SPK4AL-6048	60 X 48	55.38 X 42.75	100
A-SPK4-6060	A-SPK4AL-6060	60 X 60	55.38 X 54.75	125
A-SPK4-7260	A-SPK4AL-7260	72 X 60	67.38 X 54.75	150
A-SPK4-7272	A-SPK4AL-7272	72 X 72	67.38 X 66.75	180

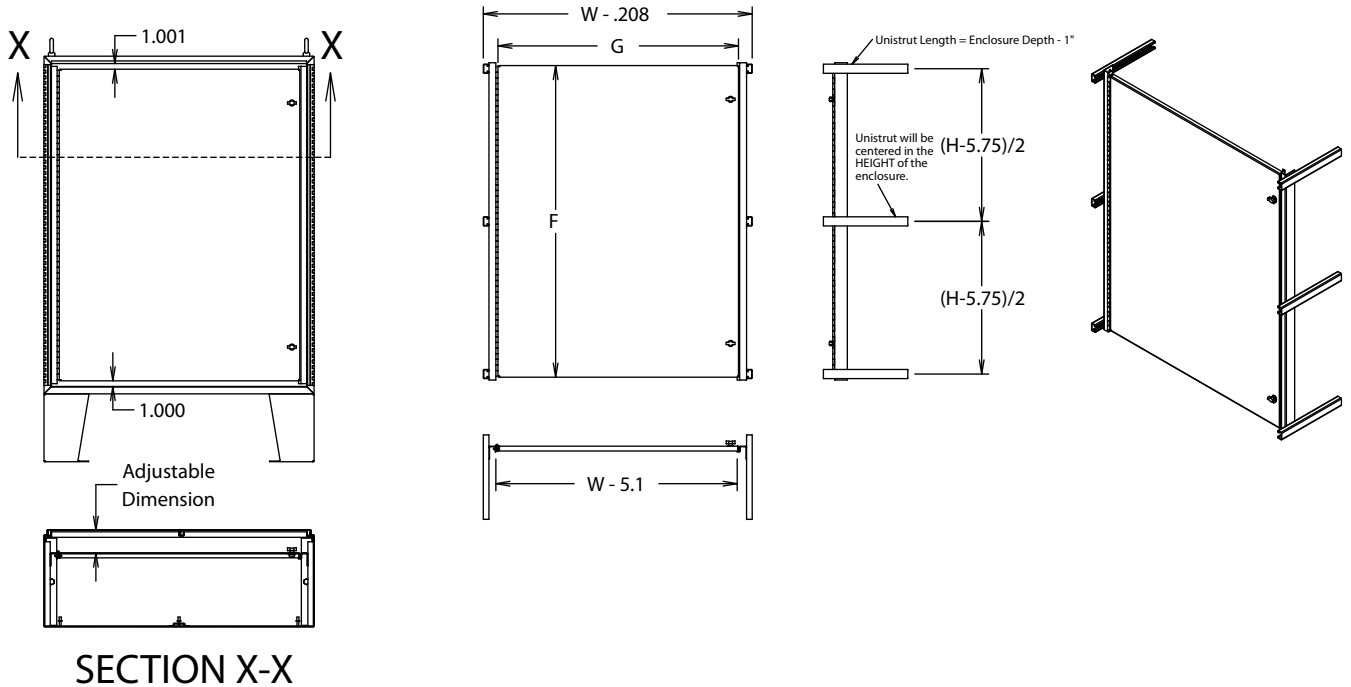
*NOTE: Weights for Aluminum Swing panels are not listed. Please contact Milbank Manufacturing Co. for weight. Unistrut® must be ordered separately based on depth of enclosure.*

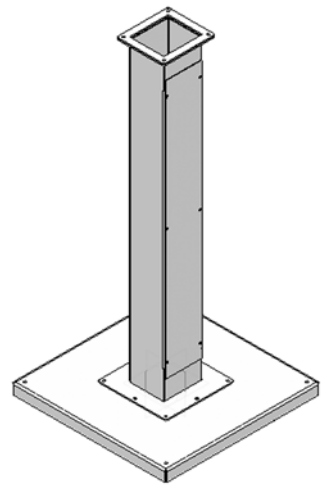


A-SPK4 - FREESTANDING SWING PANEL KIT



A-SPK4 - DOUBLE DOOR FLOOR MOUNT SWING PANEL KIT





**CONSTRUCTION**

- Columns are fabricated from 14 gauge carbon steel with the flanges fabricated from 10 gauge carbon steel. Bases fabricated from 12 gauge.
- Two column and base sizes are available.
  - Columns are flanged at each end and contain a gasketed access plate.
  - Wiring connections can be made through the pedestal base.
  - Gasket and screws are standard with each column.

**FINISH**

Standard ANSI-61 gray finish on interior and exterior of enclosures. Recoatable, smooth, white or RAL 7035 texture polyester powder coat available at no charge. Standard RAL and custom match finishes available for an additional charge, please contact Milbank

Manufacturing Co. for further assistance. All powder coat finishes applied over cleaned phosphatized surfaces. Columns and bases are ordered separately. A 60 degree adaptor is available to convert standard pushbutton enclosures to an operator station.

**OPTIONS**

Milbank Manufacturing Co. can modify standard enclosures or custom design enclosures according to your specifications. Holes, cutouts, sizes, materials, and many more options are available. Quotations made upon request.

**INDUSTRY STANDARDS**

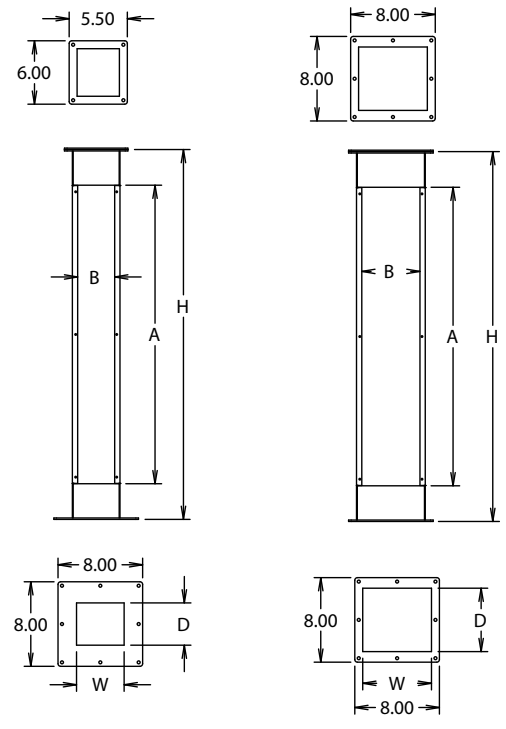
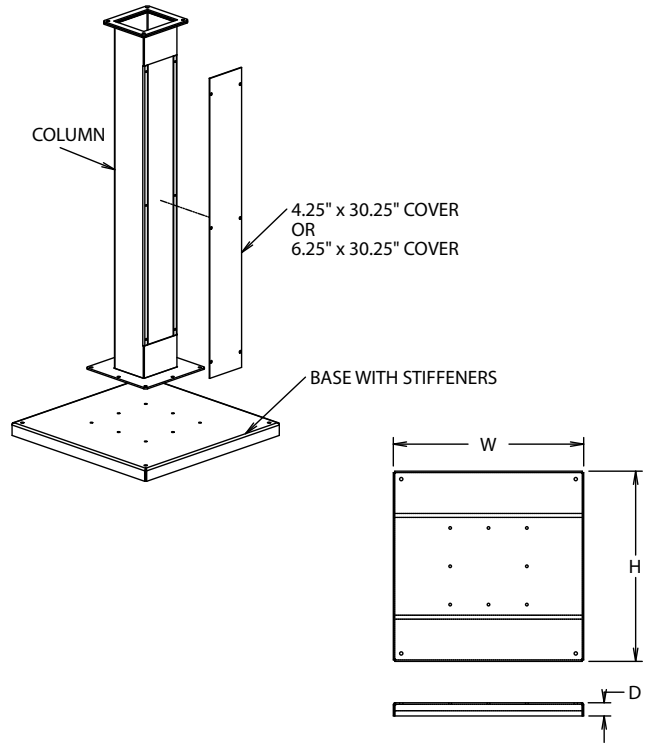
- UL 50 Listed
- UL Type 12
- CUL Type 12
- Type 12

**APPLICATIONS**

Designed for floor mounting of consolets and pushbutton enclosures.

INDUSTRIAL ENCLOSURES  
INDUSTRIAL ENCLOSURE ACCESSORIES – PEDESTAL

**COLUMN & BASE**



CATALOG NUMBER			SURFACE SIZE H X W X D (INCHES)	A	B	SHPG. WT.
CARBON STEEL #	304 STAINLESS STEEL #	316 STAINLESS STEEL #				
A-COL44	A-COL44XS	A-COL44XZ	35 x 4.5 x 4	28.25	3.5	17
A-COL66	A-COL66XS	A-COL66XZ	35 x 6.5 x 6	28.25	5.25	23
A-BASE18	A-BASE18XS	A-BASE18XZ	18 x 18 x 1.25	-	-	18
A-BASE24	A-BASE24XS	A-BASE24XZ	24 x 24 x 1.25	-	-	39





										
1000	1018	2003	3005	3022	4010	5015				
										
1001	1019	2004	3007	3027	5000	5017				
										
1002	1020	2008	3009	3031	5001	5018				
										
1003	1021	2009	3011	4001	5002	5019				
										
1004	1023	2010	3012	4002	5003	5020				
		 <p><b>AVAILABLE COLORS</b></p> <p>The color chips represented on these pages have been prepared as replications of actual powder coatings. Chips may vary slightly in color and gloss from actual coating due to the effects of heat, light and manufacturing process. Please contact your sales representative for more information.</p>								
1005	1024					5004	5021			
										
1006	1027					5005	5022			
										
1007	1028					5007	5023			
										
1011	1032					2011	3013	4003	5008	5024
										
1012	1033					2012	3014	4004	5009	6000
										
1013	1034	3000	3015	4005	5010	6001				
										
1014	1037	3001	3016	4006	5011	6002				
										
1015	2000	3002	3017	4007	5012	6003				
										
1016	2001	3003	3018	4008	5013	6004				
										
1017	2002	3004	3020	4009	5014	6005				

INDUSTRIAL ENCLOSURES

INDUSTRIAL ENCLOSURES – EXTERIOR COLOR CHART

INDUSTRIAL ENCLOSURES

INDUSTRIAL ENCLOSURES – EXTERIOR COLOR CHART

6006	6021	7004	7022	7038	8003	8028
6007	6022	7005	7023	7039	8004	9001
6008	6024	7006	7024	7040	8007	9002
6009	6025	7008	7026	7042	8008	9003
6010	6026	7009	7030	7043	8011	9004
		<p><b>AVAILABLE COLORS</b></p> <p>The color chips represented on these pages have been prepared as replications of actual powder coatings. Chips may vary slightly in color and gloss from actual coating due to the effects of heat, light and manufacturing process. Please contact your sales representative for more information.</p>				
6011	6027				8012	9005
6012	6028	7010	7031	7044	8014	9010
6013	6029	7011	7032	7045	8015	9011
6014	6032	7012	7033	7046	8016	9016
6015	6033	7013	7034	7047	8017	9017
6016	6034	7015	7035	7048	8019	9018
6017	7000	7016	7036	7049	8022	
6018	7001	7015	7035	8000	8023	
6019	7002	7016	7036	8001	8024	
6020	7003	7021	7037	8002	8025	





**DOUBLE DOOR ENCLOSURE:**

- a. Special powder coat
- b. Special flush latch
- c. Special open right side

**DOUBLE DOOR CABINET:**

- a. Special light green powder coat
- b. Swing panels installed
- c. Ventilation filters installed
- d. ¼" aluminum sunshield on standoffs
- e. Computer shelf on the left swing panel door





**LARGE SWITCHGEAR UNIT:**

- a. Completely custom designed switchgear enclosure
- b. Multiple compartments and dividers
- c. Louvered plates
- d. Breaker cutouts and supporting "top hat" brackets

**CONTROL PANEL**

- a. Special 2 color powder coat with customer exterior
- b. Special punching per customer in bottom
- c. Special window kit



**STAINLESS STEEL LARGE ENCLOSURE:**

- a. Special 11 gauge 316 stainless steel with 3/16" thick face
- b. Special keyboard compartment
- c. Special NEMA Type 4 window kits
- d. Recessed doors



INDUSTRIAL ENCLOSURES

INDUSTRIAL ENCLOSURES – SPECIALS



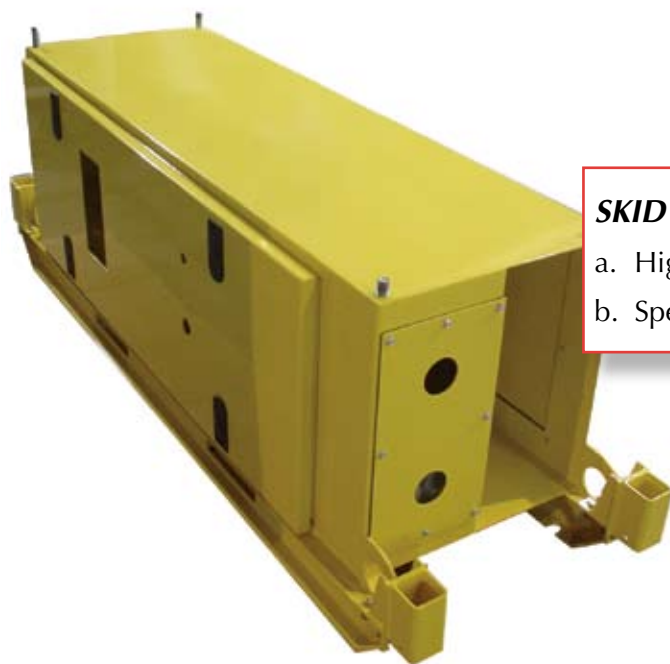
**STAINLESS STEEL LARGE ENCLOSURE:**

- a. Special 11 gauge 316 stainless with 3/16" thick face
- b. Special keyboard compartment
- c. Special NEMA Type 4 window kits
- d. Stainless steel painted beige.



**DRIVE CABINET:**

- a. Special gauge cutouts in top of doors
- b. Special ventilation cutouts in bottom of enclosure and doors
- c. Custom size



**SKID ENCLOSURE:**

- a. Highly custom design
- b. Special safety yellow powder coat





***CUSTOM CONSOLE –  
TWO-TONE:***

- a. Special two tone powder coating
- b. Special computer compartments with ventilation provisions
- c. Special storage compartments behind lockable tinted plexiglass
- d. Custom machined phenolic swivel mechanism that allows for positioning with a tight, smooth motion
- e. Special studding, punching and door access
- f. Stainless grab handles to help with positioning of control monitors



# Fiberglass



**MILBANK<sup>®</sup>**



## FEATURES

- The FGJIC series is designed in accordance with the Joint Industrial Council (JIC) - USA.
- The FGJIC range consists of seven box sizes in several versions:
  - with screw cover
  - with stainless steel piano hinge
  - with non-metallic hinges
  - with standard or padlockable latch
- The bases and covers are made of gray **RAL 7035**, hot molded, fiberglass reinforced polyester, dyed in mass. They come complete with UL/CSA-label and 4 threaded inserts for a mounting plate.
- Cover screw holes in corners are outside of gasketed area.
- Continuous gaskets made of polyurethane foam to guarantee optimal integrity.
- All mounting hardware is made of stainless steel.
- The enclosure can be readily worked with conventional tools, such as drills, mills, saws, punches, etc.
- Versatile service conditions: polyester enclosures can withstand continuous temperatures up to -58° F to +302° F (-50° C to 150° C) and momentary temperatures to +392° F (200° C).
- The FGJIC enclosures without latches provide optimum security to both operators and equipment with featured double insulation and protection degree IP66-11 according to IEC 529.
- FGJIC enclosures are maintenance free and corrosion resistant.
- FGJIC enclosures are UL listed, as per UL Standard 508 type 3, 3R, 4, 4X, 12 and 13. They are also CSA approved as per C22.2 No. 94.



## APPLICATION

Designed for use as electrical junction boxes in highly corrosive environments including oil refineries and chemical processing plants, waste water treatment and marine installations, electroplating plants, agricultural environments and food or animal processing plants. These enclosures are also suitable as instrument housings in both indoor and outdoor applications. Window enclosure provides easy visual inspection of interior components.

## STANDARDS

IEC 439-1  
IEC 529 - Rated IP66-11  
EN 50298  
CSA Certified per C22.2 No. 94  
CE

## Approvals



UL 508 NEMA 3, 3R, 4, 4X, 12 & 13



CSA 3, 3R, 4, 4X, 12 & 13



AS Australian Standards 3131-1991

EExell, INTEX 84.102.378 U



LLOYD'S Register of Shipping

BASEEFA



KEMA NETHERLANDS



CEBEC BELGIUM



ROHS

\* For static load on back panels consult the factory.



**FRP NEMA TYPE 3, 3R, 4, 4X, 12 & 13 FGJIC SERIES WITH STAINLESS STEEL PADLOCKABLE LATCH(ES) AND A STAINLESS STEEL PIANO HINGE**

**FEATURES**

- All FGJIC Series enclosures are designed to meet the Joint Industrial Council (JIC) standards in the United States.
- FGJIC's are made from corrosion resistant hot compression molded fiberglass reinforced polyester and do not contain halogens.
- The FGJIC Series "JICPL" enclosures include one or two stainless steel padlockable latches to secure one side of the cover to the base and a stainless steel piano hinge that secures the other. Rivets connect the hinge to the cover and self-tapping screws connect the screws to the base.
- Seven sizes are available from 6" x 6" to 18" x 16"
- FGJIC enclosures are capable of withstanding continuous temperatures from -58°F (-50°C) up to 302°F (150°C).
- FGJIC enclosures provide protection for

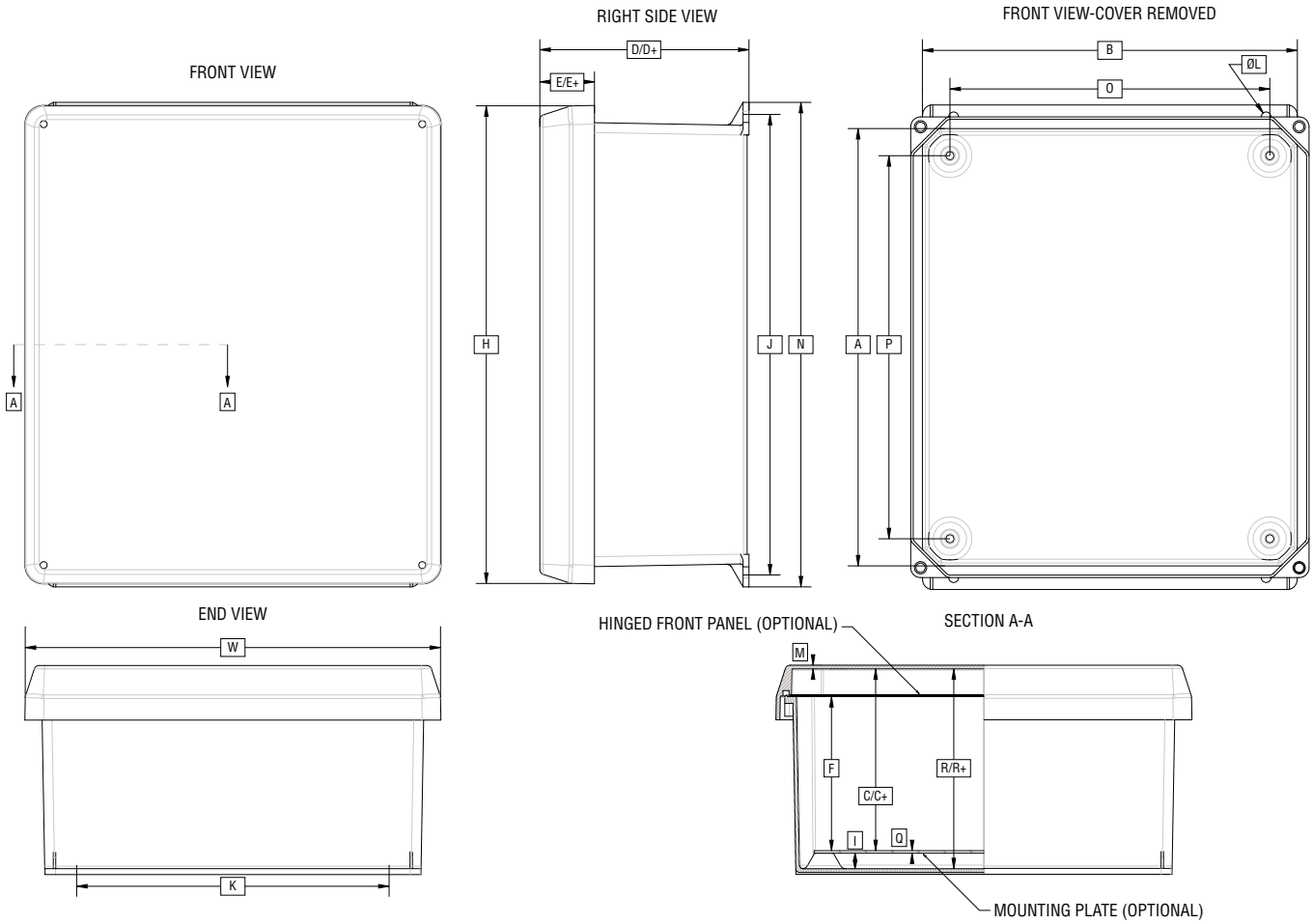
- equipment and operators from indirect electrical contact.
- All FGJIC enclosures are UL listed per UL Standard 508 for NEMA 3, 3R, 4, 4X, 12 & 13; CSA Certified per Standard C22.2- 0, 0.4, 0.7, 0.6, 94 Type 3, 3R, 4, 4X, 12 & 13.

**OPTIONAL ACCESSORIES**

- Molded Instrument Windows
- Aluminum, Painted Steel or non-metallic Mounting Plates
- Aluminum Hinged Front Plates
- Aluminum Front Plates with quarter turn brackets
- MEDV Air Vents
- Backpanel stand-offs in four different lengths

HINGED WITH PADLOCKABLE LATCH(ES)	OUTSIDE DIMENSION			INSIDE DIMENSION			WT.	MOUNTING PLATES*			DIMENSIONS	FRONT PANELS	
	H	W	D	A	B	C		ALUMINUM	STEEL	NON-METALLIC		PLAIN	HINGED
HCFG775JICPL1	7.31	7.31	4.96	6.00	6.00	4.21	2.8 lb	A-MP606A	A-MP606S	A-MP606N	4.88 x 4.88	A-VFP606A	A-VFPH606A
(mm)	185.8	185.8	126.0	152.4	152.4	107.0	1.27 kg				124 x 124		
HCFG975JICPL1	9.31	7.31	4.96	8.00	6.00	4.21	3.8 lb	A-MP806A	A-MP806S	A-MP806N	6.75 x 4.88	A-VFP806A	A-VFPH806A
(mm)	236.6	185.8	126.0	203.2	152.4	107.0	1.72 kg				171 x 124		
HCFG1195JICPL1	11.31	9.31	5.43	10.00	8.00	4.69	4.8 lb	A-MP1008A	A-MP1008S	A-MP1008N	8.75 x 6.88	A-VFP1008A	A-VFPH1008A
(mm)	287.4	236.6	138.0	254.0	203.2	119.0	2.17 kg				222 x 175		
HCFG13115JICPL2	13.31	11.31	5.59	12.00	10.00	4.84	6.3 lb	A-MP1210A	A-MP1210S	A-MP1210N	10.50 x 8.88	A-VFP1210A	A-VFPH1210A
(mm)	338.2	287.4	142.0	304.8	254.0	123.0	2.85 kg				267 x 226		
HCFG15136JICPL2	15.32	13.30	6.70	14.00	12.00	5.82	8.6 lb	A-MP1412A	A-MP1412S	A-MP1412N	12.75 x 10.88	A-VFP1412A	A-VFPH1412A
(mm)	389	338	170.0	355.6	304.8	147.8	3.90 kg				324 x 276		
HCFG17156JICPL2	17.31	15.31	6.69	16.00	14.00	5.82	10.6 lb	A-MP1614A	A-MP1614S	A-MP1614N	14.75 x 12.88	A-VFP1614A	A-VFPH1614A
(mm)	439.8	389	170.0	406.4	355.6	147.8	4.80 kg				375 x 327		
HCFG19179JICPL2	19.31	17.31	9.57	18.00	16.00	8.69	14.0 lb	A-MP1816A	A-MP1816S	A-MP1816N	16.75 x 14.88	A-VFP1816A	A-VFPH1816A
(mm)	490.6	439.8	243.0	457.2	406.4	220.8	6.34 kg				426 x 378		

\*A aluminum back panel (.080" material thickness)  
 S painted steel back panel (.060" material thickness)  
 N non-metallic back panel (.187" material thickness)



HINGED WITH PADLOCKABLE LATCH(ES) PART NUMBER	DIMENSIONS												LATCH SPACING
	E	F	I	J	K	L	M	N	O	P	Q	R	
HCFG775JICPL1	1.38	3.76	0.37	6.75	4	0.31	0.12	7.5	4.25	4.25	0.08	4.67	Ctr
(mm)	35.0	95.5	9.5	171.5	101.6	8	3	190.5	108	108	2	118.5	-
HCFG975JICPL1	1.38	3.76	0.37	8.75	4	0.31	0.12	9.5	4.25	6.26	0.08	4.67	Ctr
(mm)	35.0	95.5	9.5	222.2	101.6	8	3	241.2	108	159	2	118.5	-
HCFG1195JICPL1	1.62	4.01	0.37	10.75	6	0.31	0.12	11.5	6.24	8.25	0.08	5.14	Ctr
(mm)	41.2	101.8	9.5	273	152.5	8	3	292	158.5	209.5	2	130.5	-
HCFG13115JICPL2	1.62	4.13	0.37	12.76	8	0.31	0.12	13.5	8.25	10.26	0.08	5.3	7.09
(mm)	41.2	105	9.5	324	203.2	8	3	343	209.5	260.5	2	134.5	180
HCFG15136JICPL2	1.75	4.92	0.5	14.75	10	0.31	0.12	15.51	10.24	12.26	0.08	6.4	9.56
(mm)	44.4	125	12.7	374.6	254	8	3	394	260	311.5	2	162.5	243
HCFG17156JICPL2	1.75	5.01	0.5	16.75	12.01	0.31	0.12	17.52	12.24	14.25	0.08	6.4	9.56
(mm)	44.4	127.3	12.7	425.5	305	8	3	445	311	362	2	162.5	243
HCFG19179JICPL2	1.75	7.89	0.5	18.75	12.01	0.31	0.12	19.49	14.25	16.26	0.08	9.27	11.25
(mm)	44.4	200.3	12.7	476.2	305	8	3	495	362	413	2	235.5	289



**FRP NEMA TYPE 3, 3R, 4, 4X, 12 & 13 FGJIC SERIES WITH STAINLESS STEEL TWIST LATCH(ES) AND A STAINLESS STEEL PIANO HINGE**

**FEATURES**

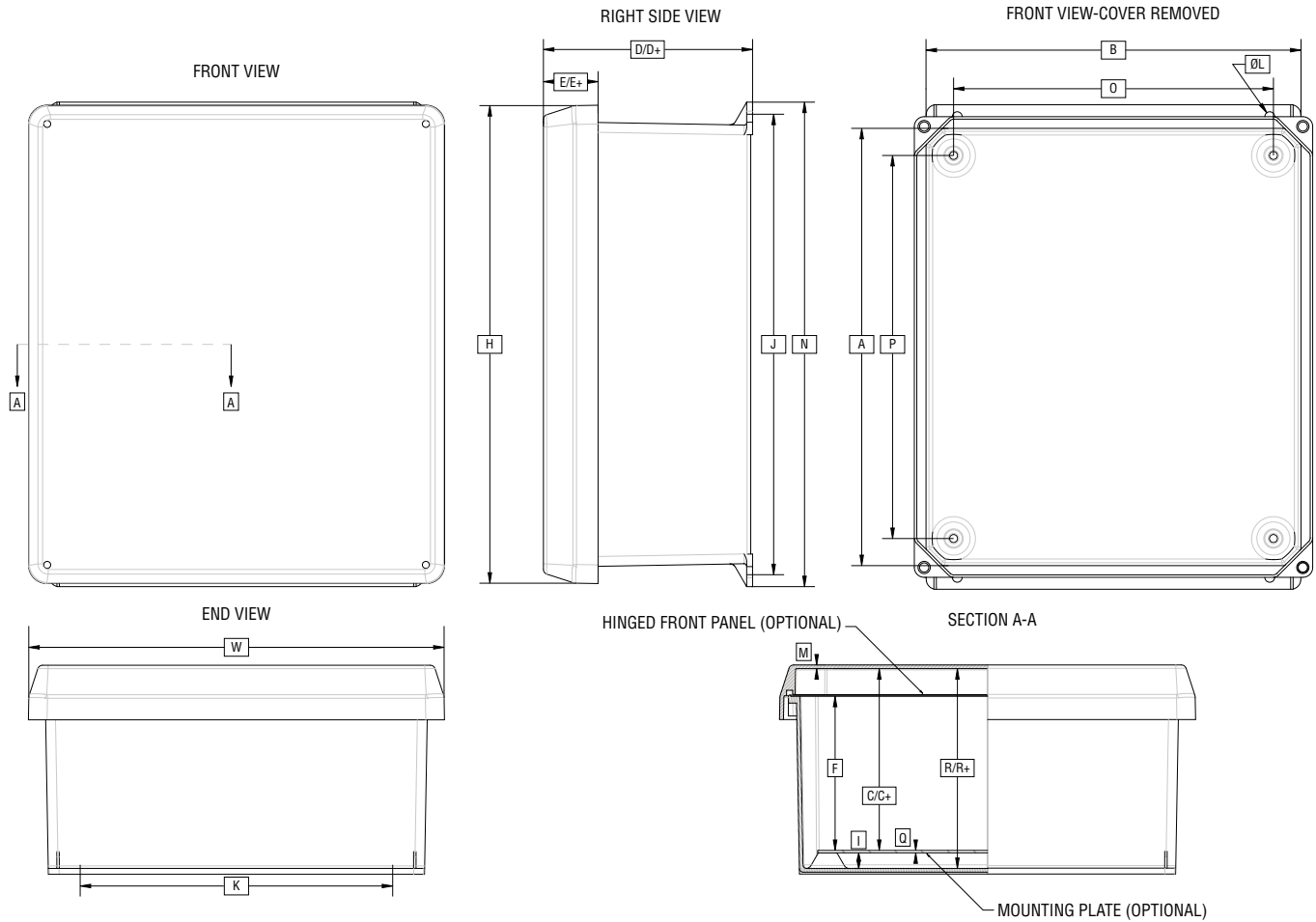
- All FGJIC Series enclosures are designed to meet the Joint Industrial Council (JIC) standards in the United States.
- FGJIC's are made from corrosion resistant hot compression molded fiberglass reinforced polyester and do not contain halogens.
- The FGJIC Series "JICLL" enclosures include one or two stainless steel twist latches to secure one side of the cover to the base and a stainless steel piano hinge that secures the other. Rivets connect the hinge to the cover and self-tapping screws connect the screws to the base.
- Seven sizes are available from 6" x 6" to 18" x 16".
- FGJIC enclosures are capable of withstanding continuous temperatures from -58°F (-50° C) up to 302° F (150° C).
- FGJIC enclosures provide protection for equipment and operators from indirect electrical contact.
- All FGJIC enclosures are UL listed per UL Standard 508 for NEMA 3, 3R, 4, 4X, 12 & 13; CSA Certified per Standard C22.2- 0, 0.4, 0.7, 0.6, 94 Type 3, 3R, 4, 4X, 12 & 13.

**OPTIONAL ACCESSORIES**

- Molded Instrument Windows
- Aluminum, Painted Steel or non-metallic Mounting Plates
- Aluminum Hinged Front Plates
- Aluminum Front Plates with quarter turn brackets
- MEDV Air Vents
- Backpanel stand-offs in four different lengths

PART NUMBERS SCREW COVER	OUTSIDE DIMENSION			INSIDE DIMENSION			WT.	MOUNTING PLATES			DIMENSIONS	FRONT PANELS	
	H	W	D	A	B	C		ALUMINUM	STEEL	NON-METALLIC		PLAIN	HINGED
HCFG775JICLL1	7.31	7.31	4.96	6	6	4.21	2.8 lb	A-MP606A	A-MP606S	A-MP606N	4.88 x 4.88	A-VFP606A	A-VFPH606A
(mm)	185.8	185.8	126.0	152.4	152.4	107.0	1.27 kg				124 x 124		
HCFG975JICLL1	9.31	7.31	4.96	8	6	4.21	3.8 lb	A-MP806A	A-MP806S	A-MP806N	6.75 x 4.88	A-VFP806A	A-VFPH806A
(mm)	236.6	185.8	126.0	203.2	152.4	107.0	1.72 kg				171 x 124		
HCFG1195JICLL1	11.31	9.31	5.43	10	8	4.69	4.8 lb	A-MP1008A	A-MP1008S	A-MP1008N	8.75 x 6.88	A-VFP1008A	A-VFPH1008A
(mm)	287.4	236.6	138.0	254.0	203.2	119.0	2.17 kg				222 x 175		
HCFG13115JICLL2	13.31	11.31	5.59	12	10	4.84	6.3 lb	A-MP1210A	A-MP1210S	A-MP1210N	10.50 x 8.88	A-VFP1210A	A-VFPH1210A
(mm)	338.2	287.4	142.0	304.8	254	123.0	2.85 kg				267 x 226		
HCFG15136JICLL2	15.32	13.3	6.7	14	12	5.82	8.6 lb	A-MP1412A	A-MP1412S	A-MP1412N	12.75 x 10.88	A-VFP1412A	A-VFPH1412A
(mm)	389	338	170.0	355.6	304.8	147.8	3.90 kg				324 x 276		
HCFG17156JICLL2	17.31	15.31	6.69	16	14	5.82	10.6 lb	A-MP1614A	A-MP1614S	A-MP1614N	14.75 x 12.88	A-VFP1614A	A-VFPH1614A
(mm)	439.8	389	170.0	406.4	355.6	147.8	4.80 kg				375 x 327		
HCFG19179JICLL2	19.31	17.31	9.57	18	16	8.69	14.0 lb	A-MP1816A	A-MP1816S	A-MP1816N	16.75 x 14.88	A-VFP1816A	A-VFPH1816A
(mm)	490.6	439.8	243.0	457.2	406.4	220.8	6.34 kg				426 x 378		

\*A aluminum back panel (.080" material thickness)  
 S painted steel back panel (.060" material thickness)  
 N non-metallic back panel (.187" material thickness)



HINGED WITH PADLOCKABLE LATCHES PART NUMBER	DIMENSIONS												LATCH SPACING
	E	F	I	J	K	L	M	N	O	P	Q	R	
HCFG775JICLL1	1.38	3.76	0.37	6.75	4	0.31	0.12	7.5	4.25	4.25	0.08	4.67	Ctr
(mm)	35.0	95.5	9.5	171.5	101.6	8	3	190.5	108	108	2	118.5	-
HCFG975JICLL1	1.38	3.76	0.37	8.75	4	0.31	0.12	9.5	4.25	6.26	0.08	4.67	Ctr
(mm)	35.0	95.5	9.5	222.2	101.6	8	3	241.2	108	159	2	118.5	-
HCFG1195JICLL1	1.62	4.01	0.37	10.75	6	0.31	0.12	11.5	6.24	8.25	0.08	5.14	Ctr
(mm)	41.2	101.8	9.5	273	152.5	8	3	292	158.5	209.5	2	130.5	-
HCFG13115JICLL2	1.62	4.13	0.37	12.76	8	0.31	0.12	13.5	8.25	10.26	0.08	5.3	7.09
(mm)	41.2	105	9.5	324	203.2	8	3	343	209.5	260.5	2	134.5	180
HCFG15136JICLL2	1.75	4.92	0.5	14.75	10	0.31	0.12	15.51	10.24	12.26	0.08	6.4	9.56
(mm)	44.4	125	12.7	374.6	254	8	3	394	260	311.5	2	162.5	243
HCFG17156JICLL2	1.75	5.01	0.5	16.75	12.01	0.31	0.12	17.52	12.24	14.25	0.08	6.4	9.56
(mm)	44.4	127.3	12.7	425.5	305	8	3	445	311	362	2	162.5	243
HCFG19179JICLL2	1.75	7.89	0.5	18.75	12.01	0.31	0.12	19.49	14.25	16.26	0.08	9.27	11.25
(mm)	44.4	200.3	12.7	476.2	305	8	3	495	362	413	2	235.5	289

**FRP NEMA TYPE 3, 3R, 4, 4X, 12 & 13 FGJIC SERIES WITH STAINLESS STEEL PADLOCKABLE LATCH(ES) AND 2 NON-METALLIC HINGES**

**FEATURES**

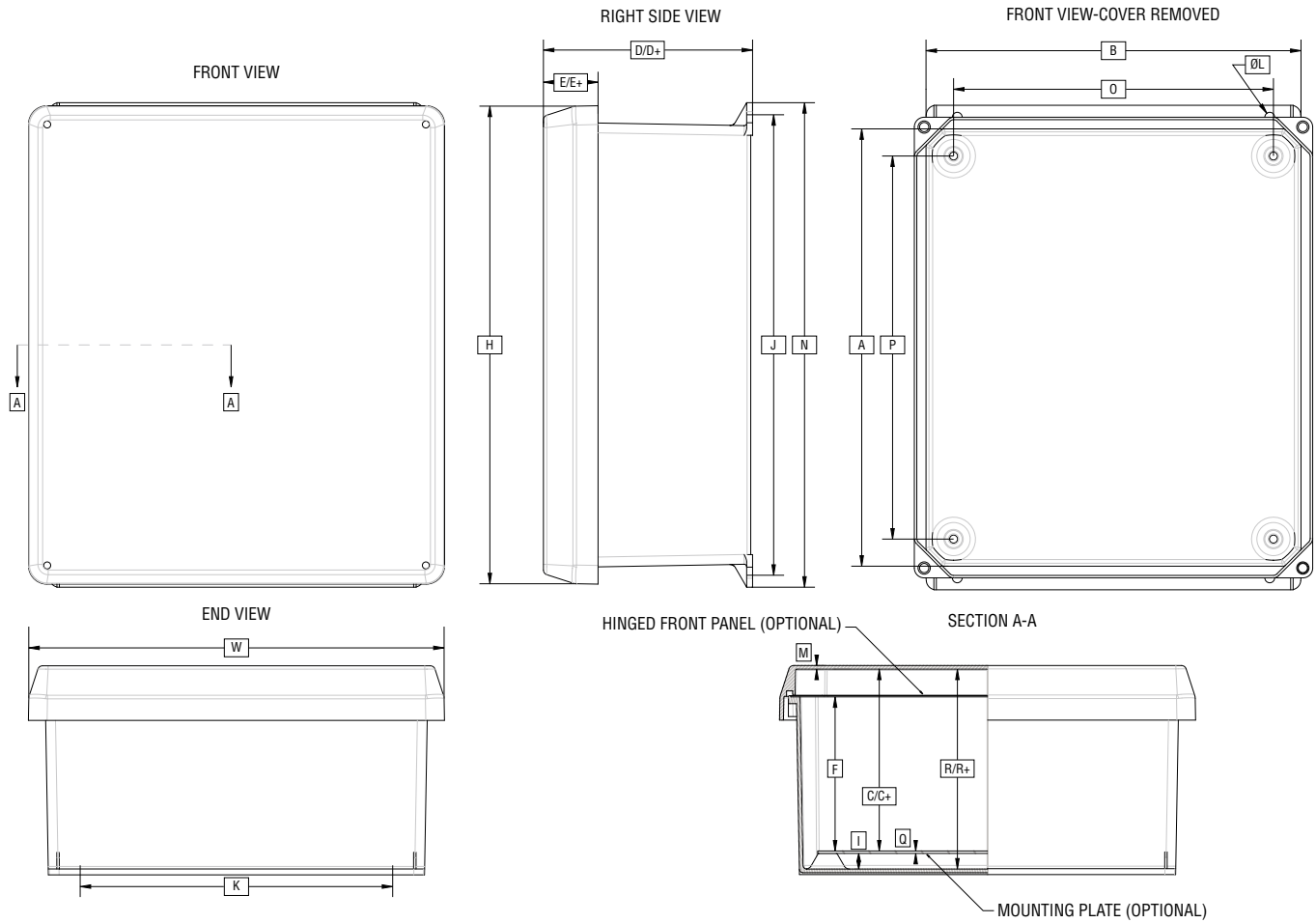
- All FGJIC Series enclosures are designed to meet the Joint Industrial Council (JIC) standards in the United States.
- FGJIC's are made from corrosion resistant hot compression molded fiberglass reinforced polyester and do not contain halogens.
- The FGJIC Series "JICNPL" enclosures include one or two stainless steel padlockable latches to secure one side of the cover to the base with two non-metallic hinges that secures the other. Self-tapping screws connect the hinges to the cover and base.
- Seven sizes are available from 6" x 6" to 18" x 16".
- FGJIC enclosures are capable of withstanding continuous temperatures from -58°F (-50°C) up to 302°F (150°C).
- FGJIC enclosures provide protection for equipment and operators from indirect electrical contact.
- All FGJIC enclosures are UL listed per UL Standard 508 for NEMA 3, 3R, 4, 4X, 12 & 13; CSA Certified per Standard C22.2- 0, 0.4, 0.7, 0.6, 94 Type 3, 3R, 4, 4X, 12 & 13.

**OPTIONAL ACCESSORIES**

- Molded Instrument Windows
- Aluminum, Painted Steel or non-metallic Mounting Plates
- Aluminum Hinged Front Plates
- Aluminum Front Plates with quarter turn brackets
- MEDV Air Vents
- Backpanel stand-offs in four different lengths

PART NUMBERS SCREW COVER	OUTSIDE DIMENSION			INSIDE DIMENSION			WT.	MOUNTING PLATES*			DIMENSIONS	FRONT PANELS	
	H	W	D	A	B	C		ALUMINUM	STEEL	NON-METALLIC		PLAIN	HINGED
HCFG775JICNPL1	7.31	7.31	4.96	6	6	4.21	2.8 lb	A-MP606A	A-MP606S	A-MP606N	4.88 x 4.88	A-VFP606A	A-VFPH606A
(mm)	185.8	185.8	126.0	152.4	152.4	107.0	1.27 kg				124 x 124		
HCFG975JICNPL1	9.31	7.31	4.96	8	6	4.21	3.8 lb	A-MP806A	A-MP806S	A-MP806N	6.75 x 4.88	A-VFP806A	A-VFPH806A
(mm)	236.6	185.8	126.0	203.2	152.4	107.0	1.72 kg				171 x 124		
HCFG1195JICNPL1	11.31	9.31	5.43	10	8	4.69	4.8 lb	A-MP1008A	A-MP1008S	A-MP1008N	8.75 x 6.88	A-VFP1008A	A-VFPH1008A
(mm)	287.4	236.6	138.0	254.0	203.2	119.0	2.17 kg				222 x 175		
HCFG13115JICNPL2	13.31	11.31	5.59	12	10	4.84	6.3 lb	A-MP1210A	A-MP1210S	A-MP1210N	10.50 x 8.88	A-VFP1210A	A-VFPH1210A
(mm)	338.2	287.4	142.0	304.8	254	123.0	2.85 kg				267 x 226		
HCFG15136JICNPL2	15.32	13.3	6.7	14	12	5.82	8.6 lb	A-MP1412A	A-MP1412S	A-MP1412N	12.75 x 10.88	A-VFP1412A	A-VFPH1412A
(mm)	389	338	170.0	355.6	304.8	147.8	3.90 kg				324 x 276		
HCFG17156JICNPL2	17.31	15.31	6.69	16	14	5.82	10.6 lb	A-MP1614A	A-MP1614S	A-MP1614N	14.75 x 12.88	A-VFP1614A	A-VFPH1614A
(mm)	439.8	389	170.0	406.4	355.6	147.8	4.80 kg				375 x 327		
HCFG19179JICNPL2	19.31	17.31	9.57	18	16	8.69	14.0 lb	A-MP1816A	A-MP1816S	A-MP1816N	16.75 x 14.88	A-VFP1816A	A-VFPH1816A
(mm)	490.6	439.8	243.0	457.2	406.4	220.8	6.34 kg				426 x 378		

\*A aluminum back panel (.080" material thickness)  
 S painted steel back panel (.060" material thickness)  
 N non-metallic back panel (.187" material thickness)



N-M HINGES PADLOCKABLE LATCH(ES) PART NUMBER	DIMENSIONS												LATCH SPACING
	E	F	I	J	K	L	M	N	O	P	Q	R	
HCFG775JICNPL1	1.38	3.76	0.37	6.75	4	0.31	0.12	7.5	4.25	4.25	0.08	4.67	Ctr
(mm)	35.0	95.5	9.5	171.5	101.6	8	3	190.5	108	108	2	118.5	-
HCFG975JICNPL1	1.38	3.76	0.37	8.75	4	0.31	0.12	9.5	4.25	6.26	0.08	4.67	Ctr
(mm)	35.0	95.5	9.5	222.2	101.6	8	3	241.2	108	159	2	118.5	-
HCFG1195JICNPL1	1.62	4.01	0.37	10.75	6	0.31	0.12	11.5	6.24	8.25	0.08	5.14	Ctr
(mm)	41.2	101.8	9.5	273	152.5	8	3	292	158.5	209.5	2	130.5	-
HCFG13115JICNPL2	1.62	4.13	0.37	12.76	8	0.31	0.12	13.5	8.25	10.26	0.08	5.3	7.09
(mm)	41.2	105	9.5	324	203.2	8	3	343	209.5	260.5	2	134.5	180
HCFG15136JICNPL2	1.75	4.92	0.5	14.75	10	0.31	0.12	15.51	10.24	12.26	0.08	6.4	9.56
(mm)	44.4	125	12.7	374.6	254	8	3	394	260	311.5	2	162.5	243
HCFG17156JICNPL2	1.75	5.01	0.5	16.75	12.01	0.31	0.12	17.52	12.24	14.25	0.08	6.4	9.56
(mm)	44.4	127.3	12.7	425.5	305	8	3	445	311	362	2	162.5	243
HCFG19179JICNPL2	1.75	7.89	0.5	18.75	12.01	0.31	0.12	19.49	14.25	16.26	0.08	9.27	11.25
(mm)	44.4	200.3	12.7	476.2	305	8	3	495	362	413	2	235.5	289

**FRP NEMA TYPE 3, 3R, 4, 4X, 12 & 13 FGJIC SERIES WITH STAINLESS STEEL TWIST LATCH(ES) AND 2 NON-METALLIC HINGES**

**FEATURES**

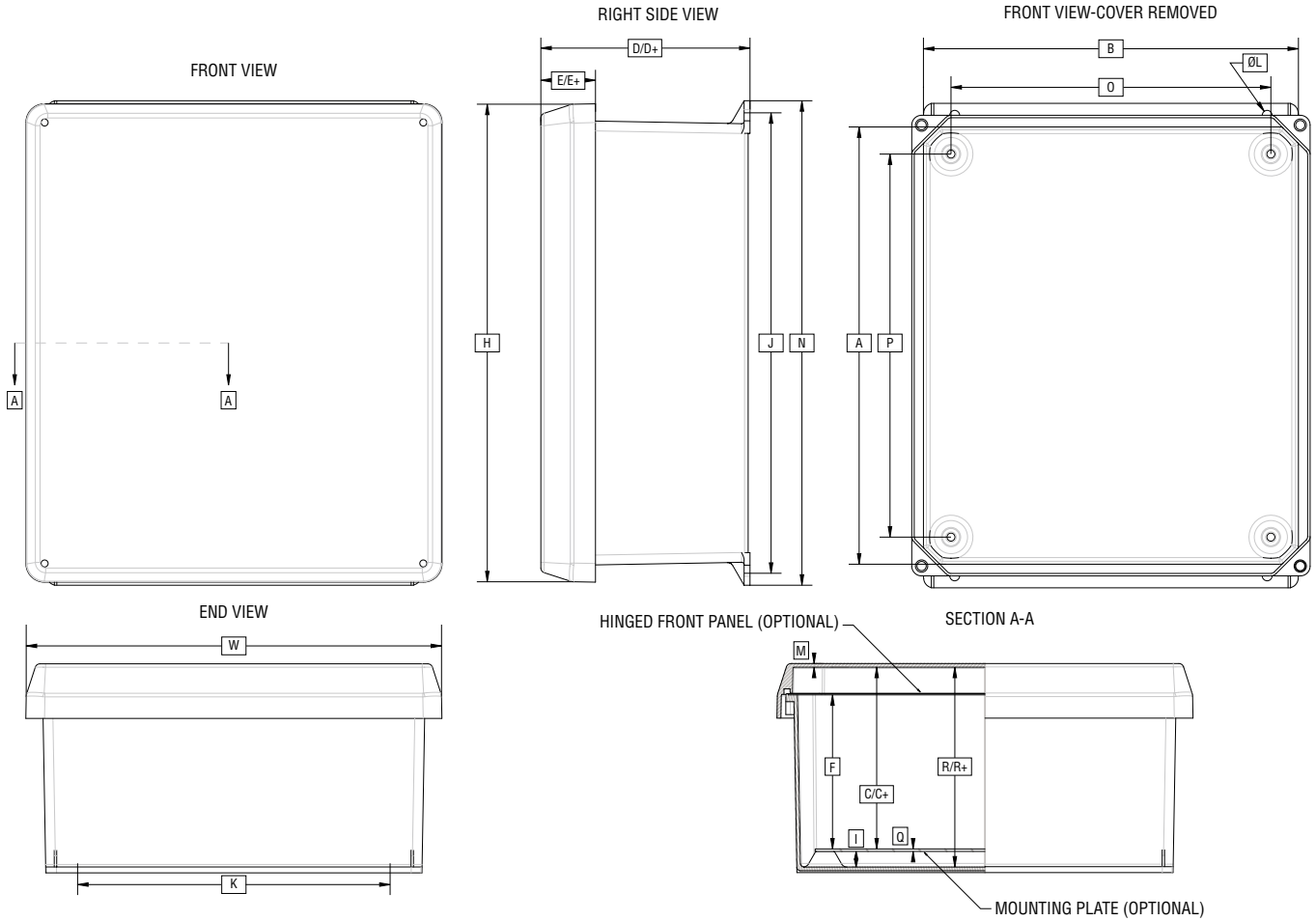
- All FGJIC Series enclosures are designed to meet the Joint Industrial Council (JIC) standards in the United States.
- FGJIC's are made from corrosion resistant hot compression molded fiberglass reinforced polyester and do not contain halogens.
- The FGJIC Series "JICNPLL" enclosures include one or two stainless steel twist latches to secure one side of the cover to the base with two non-metallic hinges that secures the other. Self-tapping screws connect the hinges to the cover and base.
- Seven sizes are available from 6" x 6" to 18" x 16".
- FGJIC enclosures are capable of withstanding continuous temperatures from -58°F (-50°C) up to 302°F (150°C).
- FGJIC enclosures provide protection for equipment and operators from indirect electrical contact.
- All FGJIC enclosures are UL listed per UL Standard 508 for NEMA 3, 3R, 4, 4X, 12 & 13; CSA Certified per Standard C22.2-0, 0.4, 0.7, 0.6, 94 Type 3, 3R, 4, 4X, 12 & 13.

**OPTIONAL ACCESSORIES**

- Molded Instrument Windows
- Aluminum, Painted Steel or non-metallic Mounting Plates
- Aluminum Hinged Front Plates
- Aluminum Front Plates with quarter turn brackets
- MEDV Air Vents
- Backpanel stand-offs in four different lengths

PART NUMBERS N-M HINGES TWIST LATCH(ES)	OUTSIDE DIMENSION			INSIDE DIMENSION			WT.	MOUNTING PLATES			DIMENSIONS	FRONT PANELS	
	H	W	D	A	B	C		ALUMINUM	STEEL	NON-METALLIC		PLAIN	HINGED
SCFG775JICNPLL1	7.31	7.31	4.96	6	6	4.21	2.8 lb	A-MP606A	A-MP606S	A-MP606N	4.88 x 4.88	A-VFP606A	A-VFPH606A
(mm)	185.8	185.8	126.0	152.4	152.4	107.0	1.27 kg				124 x 124		
SCFG975JICNPLL1	9.31	7.31	4.96	8	6	4.21	3.8 lb	A-MP806A	A-MP806S	A-MP806N	6.75 x 4.88	A-VFP806A	A-VFPH806A
(mm)	236.6	185.8	126.0	203.2	152.4	107.0	1.72 kg				171 x 124		
SCFG1195JICNPLL1	11.31	9.31	5.43	10	8	4.69	4.8 lb	A-MP1008A	A-MP1008S	A-MP1008N	8.75 x 6.88	A-VFP1008A	A-VFPH1008A
(mm)	287.4	236.6	138.0	254.0	203.2	119.0	2.17 kg				222 x 175		
SCFG13115JICNPLL2	13.31	11.31	5.59	12	10	4.84	6.3 lb	A-MP1210A	A-MP1210S	A-MP1210N	10.50 x 8.88	A-VFP1210A	A-VFPH1210A
(mm)	338.2	287.4	142.0	304.8	254	123.0	2.85 kg				267 x 226		
SCFG15136JICNPLL2	15.32	13.3	6.7	14	12	5.82	8.6 lb	A-MP1412A	A-MP1412S	A-MP1412N	12.75 x 10.88	A-VFP1412A	A-VFPH1412A
(mm)	389	338	170.0	355.6	304.8	147.8	3.90 kg				324 x 276		
SCFG17156JICNPLL2	17.31	15.31	6.69	16	14	5.82	10.6 lb	A-MP1614A	A-MP1614S	A-MP1614N	14.75 x 12.88	A-VFP1614A	A-VFPH1614A
(mm)	439.8	389	170.0	406.4	355.6	147.8	4.80 kg				375 x 327		
SCFG19179JICNPLL2	19.31	17.31	9.57	18	16	8.69	14.0 lb	A-MP1816A	A-MP1816S	A-MP1816N	16.75 x 14.88	A-VFP1816A	A-VFPH1816A
(mm)	490.6	439.8	243.0	457.2	406.4	220.8	6.34 kg				426 x 378		

\*A aluminum back panel (.080" material thickness)  
 S painted steel back panel (.060" material thickness)  
 N non-metallic back panel (.187" material thickness)



N-M HINGES PADLOCKABLE LATCH(ES) PART NUMBER	DIMENSIONS												LATCH SPACING
	E	F	I	J	K	L	M	N	O	P	Q	R	
SCFG775JICNWLL1	1.38	3.76	0.37	6.75	4	0.31	0.12	7.5	4.25	4.25	0.08	4.67	Ctr
(mm)	35.0	95.5	9.5	171.5	101.6	8	3	190.5	108	108	2	118.5	-
SCFG975JICNWLL1	1.38	3.76	0.37	8.75	4	0.31	0.12	9.5	4.25	6.26	0.08	4.67	Ctr
(mm)	35.0	95.5	9.5	222.2	101.6	8	3	241.2	108	159	2	118.5	-
SCFG1195JICNWLL1	1.62	4.01	0.37	10.75	6	0.31	0.12	11.5	6.24	8.25	0.08	5.14	Ctr
(mm)	41.2	101.8	9.5	273	152.5	8	3	292	158.5	209.5	2	130.5	-
SCFG13115JICNWLL2	1.62	4.13	0.37	12.76	8	0.31	0.12	13.5	8.25	10.26	0.08	5.3	7.09
(mm)	41.2	105	9.5	324	203.2	8	3	343	209.5	260.5	2	134.5	180
SCFG15136JICNWLL2	1.75	4.92	0.5	14.75	10	0.31	0.12	15.51	10.24	12.26	0.08	6.4	9.56
(mm)	44.4	125	12.7	374.6	254	8	3	394	260	311.5	2	162.5	243
SCFG17156JICNWLL2	1.75	5.01	0.5	16.75	12.01	0.31	0.12	17.52	12.24	14.25	0.08	6.4	9.56
(mm)	44.4	127.3	12.7	425.5	305	8	3	445	311	362	2	162.5	243
SCFG19179JICNWLL2	1.75	7.89	0.5	18.75	12.01	0.31	0.12	19.49	14.25	16.26	0.08	9.27	11.25
(mm)	44.4	200.3	12.7	476.2	305	8	3	495	362	413	2	235.5	289





**FRP NEMA TYPE 3, 3R, 4, 4X, 12 & 13 FG MILLENNIUM SERIES WITH FG MILLENNIUM SERIES 1/4 TURN HANDLE OPENING**

**FEATURES**

- Available in seven sizes.
- Internal three-point closing system with one-point entry.
- Padlockable latches available
- Integrated rain shield.
- Temperature resistance -58° F to +302° F (-50° C to +150° C). Momentary to +392° F (200° C).
- Seamless, polyurethane gasket in molded door edge channel.

**ACCESSORIES**

- DIN rails
- Handles
- Key-lock cylinders
- Air vents

PART NUMBER	OUTSIDE DIMENSION			INSIDE DIMENSION			WT.	PART NUMBERS BACK PLATES**			DIMENSIONS	HINGED FRONT PANELS**	
	H	W	D	H	W	D		ALUMINUM	STEEL	NON-METALLIC		NON-METALLIC	ALUMINUM
MSDFG1286*	12.4	8.46	6.69	10.83	6.69	5.83	5.25 lb	A-ABP1208A	A-ABP1208S	A-ABP1208N	9.84 x 5.91	A-AFPH1208N	A-AFPH1208A
(mm)	315	215	170	275	170	148	2.4 kg				(250 x 150)		
MSDFG16126*	16.34	12.4	6.69	14.76	10.63	5.83	8.12 lb	A-ABP1612A	A-ABP1612S	A-ABP1612N	13.78 x 9.84	A-AFPH1612N	A-AFPH1612A
(mm)	415	315	170	375	270	148	3.7 kg				(350 x 250)		
MSDFG20169	20.28	16.34	9.06	18.7	14.57	8.11	14.13 lb	A-ABP2016A	A-ABP2016S	A-ABP2016N	17.72 x 13.78	A-AFPH2016N	A-AFPH2016A
(mm)	515	415	230	475	370	206	6.4 kg				(450 x 350)		
MSDFG24169	24.21	16.34	9.06	22.64	14.57	8.11	16.11 lb	A-ABP2416A	A-ABP2416S	A-ABP2416N	21.65 x 13.78	A-AFPH2416N	A-AFPH2416A
(mm)	615	415	230	575	370	206	7.3 kg				(550 x 350)		
MSDFG282110	28.94	21.06	10.63	26.57	18.5	9.68	26.23 lb	A-ABP2820A	A-ABP2820S	A-ABP2820N	25.98 x 17.72	A-AFPH2820N	A-AFPH2820A
(mm)	735	535	270	675	470	246	11.9 kg				(660 x 450)		
MSDFG322511	32.87	25	11.81	30.51	22.44	10.86	35.76 lb	A-ABP3325A	A-ABP3325S	A-ABP3325N	29.53 x 21.65	A-AFPH3325N	A-AFPH3325A
(mm)	835	635	300	775	570	276	16.2 kg				(750 x 550)		
MSDFG403211	40.75	32.87	11.81	38.39	30.31	10.86	51.00 lb	A-ABP4032A	A-ABP4032S	A-ABP4032N	37.40 x 29.53	A-AFPH4032N	A-AFPH4032A
(mm)	1035	835	300	975	770	276	23.1 kg				(950 x 750)		

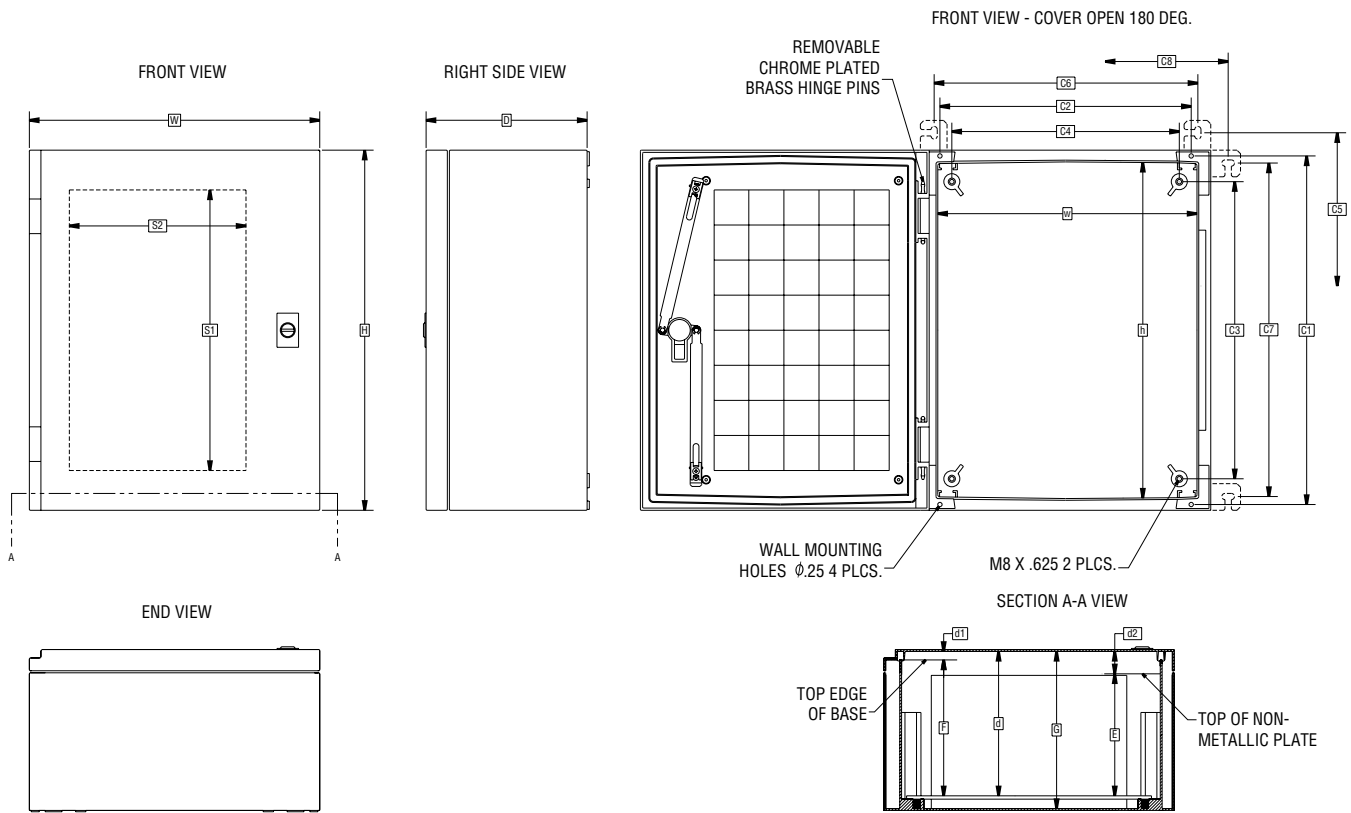
\* Indicates Single Point Closing System  
Add Suffix "HKL" for Keylock Handle

\*\*A aluminum back panel (.080" material thickness)  
S painted steel back panel (.060" material thickness)  
N non-metallic back panel (.187" material thickness)

FIBERGLASS



FG MILLENNIUM SERIES - FRP NEMA  
TYPE 3, 3R, 4, 4X, 12 & 13 - 1/4 TURN HANDLE OPENING



FIBERGLASS

FG MILLENNIUM		MSDFG1286		MSDFG16126		MSDFG20169		MSDFG24169		MSDFG282110		MSDFG322511		MSDFG403211	
		in	mm	in	mm	in	mm	in	mm	in	mm	in	mm	in	mm
OUTSIDE DIMENSION	H	12.4	315	16.34	415	20.28	515	24.21	615	28.94	735	32.87	835	40.75	1035
	W	8.46	215	12.4	315	16.34	415	16.34	415	21.06	535	25	635	32.87	835
	D	6.69	170	6.69	170	9.06	230	9.06	230	10.63	270	11.81	300	11.81	300
INSIDE DIMENSION	h	10.82	275	14.76	375	18.7	475	22.64	575	26.57	675	30.51	775	38.39	975
	w	6.69	170	10.63	270	14.57	370	14.57	370	18.5	470	22.44	570	30.31	770
	d	5.83	148	5.83	148	8.11	206	8.11	206	9.68	246	10.86	276	10.86	276
WEIGHT	(lbs)	5.25		8.12	206	14.13	359	16.11	409	26.23	666	35.76	908	51	1295
USER SPACE (DOOR)	S1	7.75	197	10	254	14	356	18	457	22	559	26	660	33.75	857
	S2	5.25	133	9.25	235	13	330	13	330	16.75	425	21	533	27.25	692
	S3	7.75	197	11.75	298	15.25	387	19	483	23	584	27	686	34	864
	S4	2.75	70	5.25	133	9.25	235	9.25	235	13	330	17.25	438	25	635
USER DEPTH SPACES	d1	0.5	13	0.35	9	0.35	9	0.35	9	0.5	13	0.35	9	0.55	14
	d2	1.35	34	1.2	30	1.17	30	1.17	30	1.65	42	1.5	38	1.65	42
	E	4.6	117	4.55	116	6.87	174	6.87	174	8.1	206	9.25	235	9.3	236
	F	5.4	137	5.4	137	7.7	196	7.7	196	9.25	235	10.45	265	10.45	265
	G	6.38	162	6.38	162	8.72	221	8.72	221	10.3	262	11.48	292	11.48	292
MOUNTING HOLE CENTERS	C1	11.61	295	15.55	395	19.49	495	23.43	595	-	-	-	-	-	-
	C2	6.1	155	10.04	255	13.98	355	13.98	355	-	-	-	-	-	-
	C3	8.86	225	12.8	325	16.73	425	20.67	525	24.61	625	28.54	725	36.42	925
	C4	4.92	125	8.86	225	12.8	325	12.8	325	16.73	425	20.67	525	28.54	725
	C5	14.25	362	18.19	462	22.13	562	26.06	662	30.79	782	34.72	882	42.6	1082
	C6	6.38	162	10.31	262	14.25	362	14.25	362	18.97	482	22.91	582	30.78	782
	C7	10.31	262	14.25	362	18.19	462	22.13	562	26.85	682	30.78	782	38.66	982
	C8	10.31	262	14.25	362	18.19	462	18.19	462	22.91	582	26.85	682	34.72	882
VIEWED WINDOW	V1	-	-	-	-	-	-	-	-	-	-	-	-	-	-
	V2	-	-	-	-	-	-	-	-	-	-	-	-	-	-

NOTE:   = Millimeters




**FRP NEMA TYPE 3, 3R, 4, 4X, 12 & 13 FG MILLENNIUM SERIES WITH 2 PADLOCKABLE LATCHES**
**FEATURES**

- Available in seven sizes.
- Internal three-point closing system with one-point entry.
- Padlockable latches available.
- Integrated rain shield.
- Temperature resistance -58° F to +302° F (-50° C to +150° C) Momentary to +392° F (200° C).
- Seamless, polyurethane gasket in molded door edge channel.
- Window area made of Lexan sealed with neoprene gasket.

**ACCESSORIES**

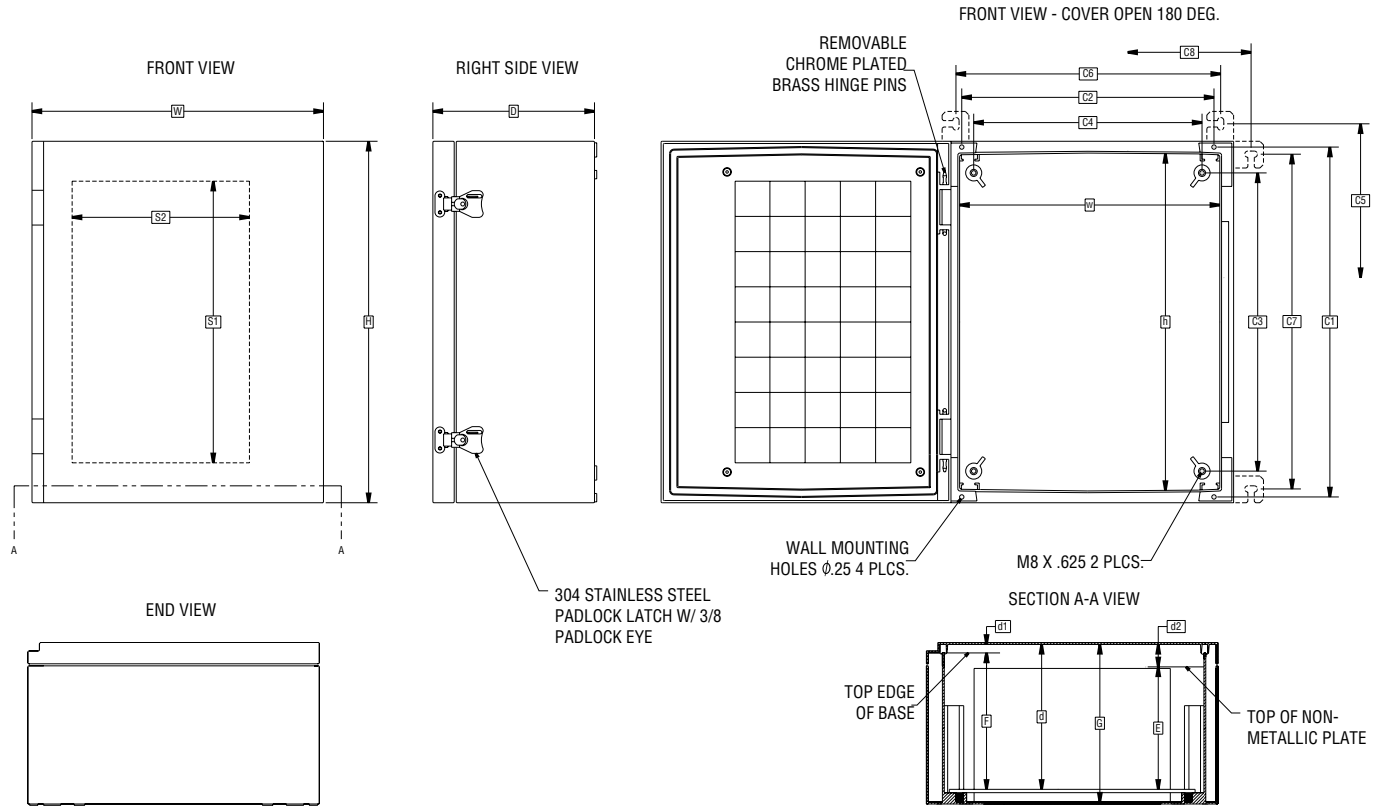
- DIN rails
- Handles
- Key-lock cylinders
- Air vents

PART NUMBER	OUTSIDE DIMENSION			INSIDE DIMENSION			WT.	PART NUMBERS BACK PLATES*			DIMENSIONS	HINGED FRONT PLATES*	
	H	W	D	H	W	D		ALUMINUM	STEEL	NON-METALLIC		NON-METALLIC	ALUMINUM
MSDFG1286PL	12.4	8.46	6.69	10.83	6.69	5.83	5.25 lb	A-ABP1208A	A-ABP1208S	A-ABP1208N	9.84 x 5.91	A-AFPH1208N	A-AFPH1208A
(mm)	315	215	170	275	170	148	2.4 kg				(250 x 150)		
MSDFG16126PL	16.34	12.4	6.69	14.76	10.63	5.83	8.12 lb	A-ABP1612A	A-ABP1612S	A-ABP1612N	13.78 x 9.84	A-AFPH1612N	A-AFPH1612A
(mm)	415	315	170	375	270	148	3.7 kg				(350 x 250)		
MSDFG20169PL	20.28	16.34	9.06	18.7	14.57	8.11	14.13 lb	A-ABP2016A	A-ABP2016S	A-ABP2016N	17.72 x 13.78	A-AFPH2016N	A-AFPH2016A
(mm)	515	415	230	475	370	206	6.4 kg				(450 x 350)		
MSDFG24169PL	24.21	16.34	9.06	22.64	14.57	8.11	16.11 lb	A-ABP2416A	A-ABP2416S	A-ABP2416N	21.65 x 13.78	A-AFPH2416N	A-AFPH2416A
(mm)	615	415	230	575	370	206	7.3 kg				(550 x 350)		
MSDFG282110PL	28.94	21.06	10.63	26.57	18.5	9.68	26.23 lb	A-ABP2820A	A-ABP2820S	A-ABP2820N	25.98 x 17.72	A-AFPH2820N	A-AFPH2820A
(mm)	735	535	270	675	470	246	11.9 kg				(660 x 450)		
MSDFG322511PL	32.87	25	11.81	30.51	22.44	10.86	35.76 lb	A-ABP3325A	A-ABP3325S	A-ABP3325N	29.53 x 21.65	A-AFPH3325N	A-AFPH3325A
(mm)	835	635	300	775	570	276	16.2 kg				(750 x 550)		
MSDFG403211PL	40.75	32.87	11.81	38.39	30.31	10.86	51.00 lb	A-ABP4032A	A-ABP4032S	A-ABP4032N	37.40 x 29.53	A-AFPH4032N	A-AFPH4032A
(mm)	1035	835	300	975	770	276	23.1 kg				(950 x 750)		

\*\*A aluminum back panel (.080" material thickness)  
 S painted steel back panel (.060" material thickness)  
 N non-metallic back panel (.187" material thickness)

**FIBERGLASS**


**FG MILLENNIUM SERIES - FRP NEMA**  
**TYPE 3, 3R, 4, 4X, 12 & 13 - WITH 2 PADLOCKABLE LATCHES**



**FIBERGLASS**

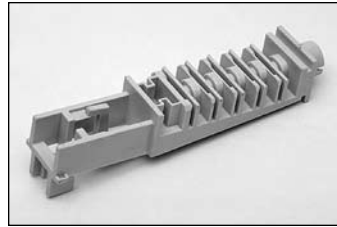
FG MILLENNIUM		MSDFG1286		MSDFG16126		MSDFG20169		MSDFG24169		MSDFG282110		MSDFG322511		MSDFG403211	
		in	mm	in	mm	in	mm	in	mm	in	mm	in	mm	in	mm
<b>OUTSIDE DIMENSION</b>	H	12.4	315	16.34	415	20.28	515	24.21	615	28.94	735	32.87	835	40.75	1035
	W	8.46	215	12.4	315	16.34	415	16.34	415	21.06	535	25	635	32.87	835
	D	6.69	170	6.69	170	9.06	230	9.06	230	10.63	270	11.81	300	11.81	300
<b>INSIDE DIMENSION</b>	h	10.82	275	14.76	375	18.7	475	22.64	575	26.57	675	30.51	775	38.39	975
	w	6.69	170	10.63	270	14.57	370	14.57	370	18.5	470	22.44	570	30.31	770
	d	5.83	148	5.83	148	8.11	206	8.11	206	9.68	246	10.86	276	10.86	276
<b>WEIGHT</b>	(lbs)	5.25		8.12	206	14.13	359	16.11	409	26.23	666	35.76	908	51	1295
<b>USER SPACE (DOOR)</b>	S1	7.75	197	10	254	14	356	18	457	22	559	26	660	33.75	857
	S2	5.25	133	9.25	235	13	330	13	330	16.75	425	21	533	27.25	692
	S3	7.75	197	11.75	298	15.25	387	19	483	23	584	27	686	34	864
	S4	2.75	70	5.25	133	9.25	235	9.25	235	13	330	17.25	438	25	635
<b>USER DEPTH SPACES</b>	d1	0.5	13	0.35	9	0.35	9	0.35	9	0.5	13	0.35	9	0.55	14
	d2	1.35	34	1.2	30	1.17	30	1.17	30	1.65	42	1.5	38	1.65	42
	E	4.6	117	4.55	116	6.87	174	6.87	174	8.1	206	9.25	235	9.3	236
	F	5.4	137	5.4	137	7.7	196	7.7	196	9.25	235	10.45	265	10.45	265
	G	6.38	162	6.38	162	8.72	221	8.72	221	10.3	262	11.48	292	11.48	292
<b>MOUNTING HOLE CENTERS</b>	C1	11.61	295	15.55	395	19.49	495	23.43	595	-	-	-	-	-	-
	C2	6.1	155	10.04	255	13.98	355	13.98	355	-	-	-	-	-	-
	C3	8.86	225	12.8	325	16.73	425	20.67	525	24.61	625	28.54	725	36.42	925
	C4	4.92	125	8.86	225	12.8	325	12.8	325	16.73	425	20.67	525	28.54	725
	C5	14.25	362	18.19	462	22.13	562	26.06	662	30.79	782	34.72	882	42.6	1082
	C6	6.38	162	10.31	262	14.25	362	14.25	362	18.97	482	22.91	582	30.78	782
	C7	10.31	262	14.25	362	18.19	462	22.13	562	26.85	682	30.78	782	38.66	982
	C8	10.31	262	14.25	362	18.19	462	18.19	462	22.91	582	26.85	682	34.72	882
<b>VIEWED WINDOW</b>	V1	-	-	-	-	-	-	-	-	-	-	-	-	-	-
	V2	-	-	-	-	-	-	-	-	-	-	-	-	-	-



### Universal support

To fit:

- mounting plates (metal or synthetic)
- cover plates
- copper rail 15 x 3
- copper rail 9 x 6.5
- mounting rail 12 x 2 mm



A-FGVMUS

### Symmetrical DIN-profiles

Always supplied with two universal supports

1	A-FGVMDP08	220
1	A-FGVMDP12	320
1	A-FGVMDP16	440



### Mounting rail 12 x 2 mm

To fit connection terminal blocks

Always supplied with two universal supports

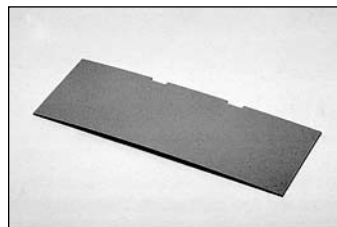
1	A-FGVMMR08	220
1	A-FGVMMR12	320
1	A-FGVMMR16	440



### Partition plates

For full compartmentalization of coupled bases

1	A-FGVMP08	220
1	A-FGVMP12	320
1	A-FGVMP16	440



### Fixing brackets

- Stainless steel
- For external fixing points
- Direct fitting through the corner shafts of the base
- To be installed prior to extension frame or hinge installation
- Three optional mounting positions (0°, 45°, 90°)



A-FGVMMB

Set of four brackets with screws

### Air vent

Install two air vents per enclosure to allow ventilation to prevent condensation.

A-FGSEDV

Set of 2 pieces.



### Hinge

Base must be fixed prior to hinge installation

A-FGVMSH

Set of 2 pieces.



### Wingnut

For cover screw or hinge

A-FGVMTG

Set of 4 pieces.



### Self-tapping screws

For fixation in the base

A-FGV513

5 x 13 mm

A-FGV516

5 x 16 mm

A-FGV522

5 x 22 mm



To fasten components to metallic mounting plates

A-FGV616

6 x 16 mm

A-FGV622

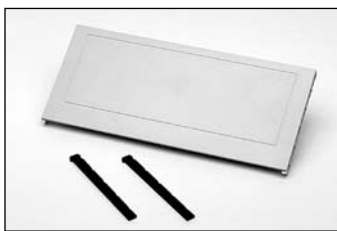
6 x 22 mm



### End plates

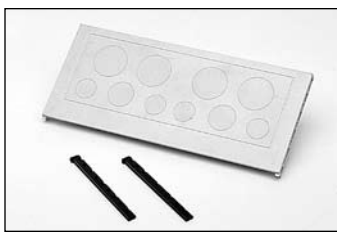
Blind end plates

A-FGVMEP08	220
A-FGVMEP12	320
A-FGVMEP16	440



### Combi end plates

A-FGVMEP08K3	220	3 x PG 29
A-FGVMEP08K5	220	1 x PG42 + 4 x PG16
A-FGVMEP12K6	320	6 x PG29
A-FGVMEP12K7	320	3 x PG42 + 4 x PG16
A-FGVMEP12K22	320	22 x PG13.5
A-FGVMEP12K10	320	4 x PG29 + 2 x PG21 + 4 x PG16
A-FGVMEP12K16	320	16 x PG16
A-FGVMEP12K12	320	8 x PG21 + 4 x PG16
A-FGVMEP16K26	440	26 x PG16
A-FGVMEP16K14	440	4 x PG29 + 4 x PG21 + 6 x PG16



### Cable entries

A-FGVMCAE12	320	∅ max. of cable: 2 x 75 mm
A-FGVMCAE16	440	∅ max. of cable: 3 x 75 mm



### Cable stress release

With one clamp ( max. of cable: 75 mm)

A-FGVMCAS12	320
A-FGVMCAS16	440



### Cable clamp

To mount on cable stress release ( max. of cable: 75 mm)

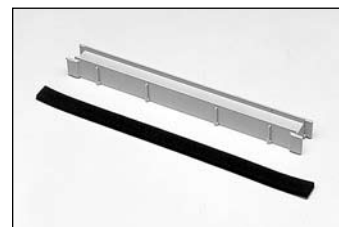
A-FGVMCAC



### Bridges

For large cross-section cables

A-FGVMBR12	320
A-FGVMBR16	440



### Coupling key

For base coupling

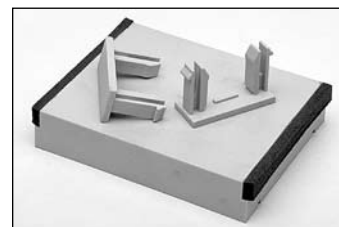
A-FGVMCK



### Coupling sets

To couple 2 sides of 220 mm to one side of 440 mm  
With mounting accessories

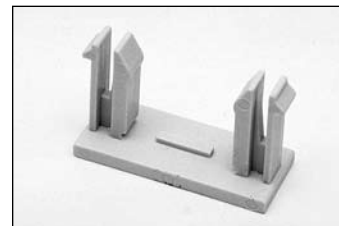
A-FGVMCS



### Coupling clamp

For coupling in special cases

A-FGVMCOC





**Mounting Hardware**

**A-FGANMFSS** set of 4 mtg feet  
304 stainless steel



**A-FGANMMF** set of 4 mtg feet  
in polyamide (non-metallic)



**Locks** interchangeable  
(supplied with 1 key)



**A-FGKLCSP** .12 (3mm)

**A-FGKLCSQ8** .31 (8 mm)

**A-FGKLC8** .31 (8mm)

**A-FGKLC11** .43 (11mm)

**A-FGKLCDB3** .12 (3 mm)

Other locks on request

**Handles**

**A-FGAHN**  
neutral handle



**A-FGAHKL**  
Small keylock handle  
2 keys 2432E



**A-FGAHNM**  
Semi-flush neutral handle



**A-FGAHNMKL**  
Semi-flush keylock handle  
Key cylinder lock included



**A-FGAHNMPL**  
Semi-flush padlockable handle



**Ventilators**

**A-FGRDV**  
Set of two ventilation grids  
Mtg. Hole 1.40"  
Color: White

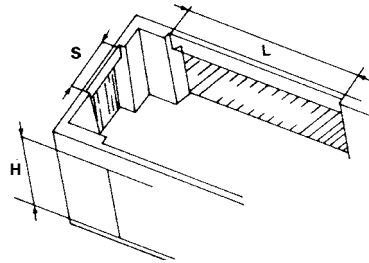


**Hinge supports**

**A-FGAFPH**  
set of 2 hinge supports for cover plate

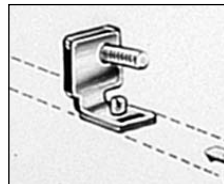


**Usable Space**



ENCLOSURE	HEIGHT (H)	SMALL SIDE (S)	LARGE SIDE (L)
MSDFG1286	5	4.25	7.25
MSDFG16126	5.5	7	11
MSDFG20169	7.5	11	15
MSDFG24169	7.5	11	19
MSDFG282110	8.5	15	20.25
MSDFG322511	9.75	19	24

**A-FGABPDA**  
Set of 4 back plate  
depth adjusters



**Pressure Compensation Plug**

**A-FGPCP**  
Polycarbonate/ABS plug  
Mtg. Hole 1.50"  
Color: Beige



**Document pocket - DIN A4**

Self-adhesive  
**A-1021.020 (PPS)** 8.27 x 5.12 x .50  
**A-1031.010 (PPD)** 9.00 x 8.50 x 1.00  
Color: Beige



**Carrying Handle**

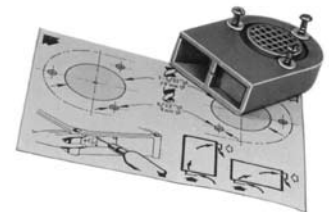
**A-FG41270.070 (CH)**  
Height 1.97  
Width reinforcement rib + screws  
Made of Vyncolite  
Color: Black



**Air vents**

Two air vents must be mounted per enclosure to ensure sufficient air circulation and prevent condensation water.  
Complete with template and screws.  
Air vents are preferably mounted in the upper and lower part of the base.

**A-FG10000.010 (MEDV)**  
Set of 2 pieces in polyamide  
Color: Grey



**A-FGSEDV**  
Small drain vent set of 2 pieces  
in polyamide  
Color: Grey





# Thermal Management

 **MILBANK<sup>®</sup>**





# Air Conditioning

Designed for  
Industrial Electrical Enclosures  
NEMA Type



**MILBANK**<sup>®</sup>



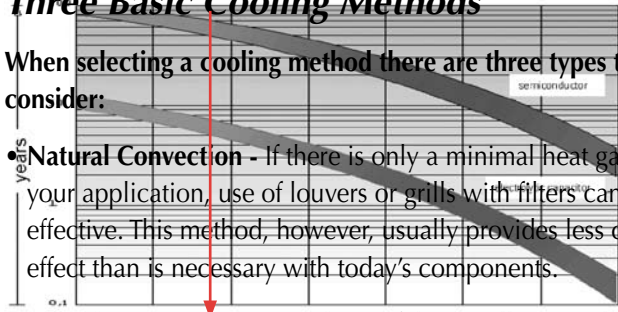
## The Technology of Cooling...

Ever since components have been made to control electro-technical tasks, heat loss has been a subject to take into consideration. Sometimes more, sometimes less. Major problems with heat caused excessive dust accumulation in electronic equipment because the doors were left open during the summer to allow the equipment to cool down. This can result in fluctuations in temperature. This leads to stress situations that considerably reduced the service life of electronic components (see chart).

### Three Basic Cooling Methods

When selecting a cooling method there are three types to consider:

- Natural Convection** - If there is only a minimal heat gain in your application, use of louvers or grills with filters can be effective. This method, however, usually provides less cooling effect than is necessary with today's components.
- Forced Convection Air Cooling** - If the installation will be in a clean, non-hazardous environment with an acceptable ambient (outside the enclosure) temperature range, a simple forced-air cooling system utilizing outside air is usually adequate. Combined with an air filter, such devices generally meet the heat removal needs of typical electronic equipment and many electrical applications. Example of forced convection air coolings are Filterfans® and Box Fans.
- Closed-Loop Cooling** - In harsh environments involving high temperatures, wash-down requirements, heavy particulate matter or the presence of chemicals capable of damaging components (NEMA 4 or 12 environments), ambient air must be kept out of the enclosure. Closed-loop cooling consists of two separate circulation systems. One system seals out the ambient air, cooling and recirculating clean, cool air throughout the enclosure. The second system uses ambient air or water to remove and discharge the heat. Examples of closed loop cooling equipment employed with electronics and process controls are cooling units and heat exchangers.



## Cooling by Natural Convection

### Rules of Thumb:

- Limited to roughly +25° F rise above ambient** - In general, the temperature rise inside the enclosure would be roughly +25° F utilizing natural convection.
- No moving parts** - By eliminating external fans, you create a zero maintenance application
- No dirt** - Utilizing exhaust filters prevents dirt from entering cabinet, dirt can damage electronics as fast as heat!

If the ambient temperature is lower than the temperature inside the electronic cabinet, the dissipated heat escapes into the atmosphere throughout the surface of the electronic cabinet. The following simple equation is used to calculate the level of heat radiated from the electronic cabinet:

$$PR(W) = \Delta T$$

- Pr[Watt]: Radiation Power:** Thermal power radiated from the surface area of the electronic cabinet into the ambience into the electronic cabinet.
- c[W/m<sub>2</sub>K]:** Coefficient of heat transmission: Radiation power per 1m<sup>2</sup> surface area and is difference in temperature. This constant is determined by the material:
  - Sheet steel** - 5.5 W/m<sup>2</sup>K
  - Stainless steel** - 3.7 W/m<sup>2</sup>K
  - Aluminum** - 12.0 W/m<sup>2</sup>K
  - Plastic** - 0.2 W/m<sup>2</sup>K
- A[m<sub>2</sub>]:** Surface area of electronic cabinet: Effective surface area of a electronic cabinet measured according to the specifications of VDE0660, Part 506.
- ΔT (K):** Difference between ambient air temperature and inside air temperature.





Follow this simple equation for calculating the required airflow:

$$V = \frac{1.82 (Pd)}{\Delta T} [CFM]$$

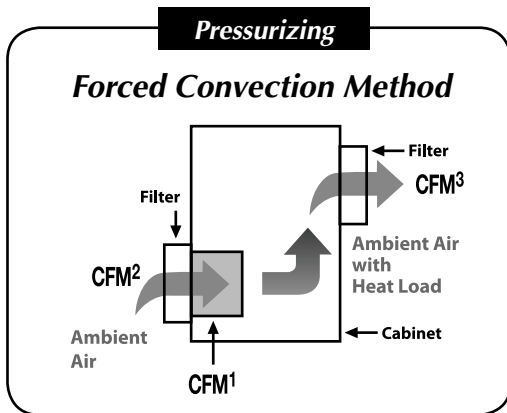
- **V[CFM]:** Airflow volume of Filterfan®.
- **Pd[Watt]:** Dissipation loss: Thermal power generated inside a cabinet by the dissipation loss of the components.
- **ΔT:** Difference in temperature between the ambience and inside the electronic cabinet.

### How to Rate CFM in Filterfans®

**CFM1** - Fan only rating

**CFM2** - Fan with filter and louver rating (free flow)

**CFM3** - System rating with exhaust (includes static pressure drop)



Model No.	CFM1	CFM2	CFM3
PF11000	36	17	11
PF22000	105	38	28
PF32000	105	65	38
PF42500	121	94	67
PF43000	224	169	142
PF65000	489	297	230
PF66000	1024	462	295
PF 67000	1250	560	368

**NOTE:** Always calculate cooling capacity of Filterfans® with the CFM3 value.

### Cooling with Filterfans®

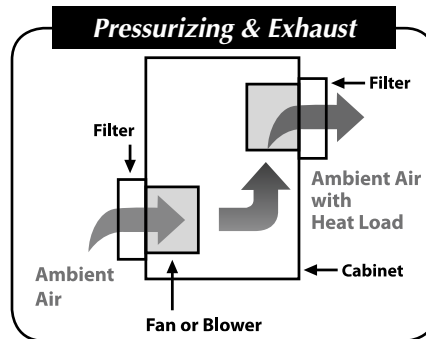
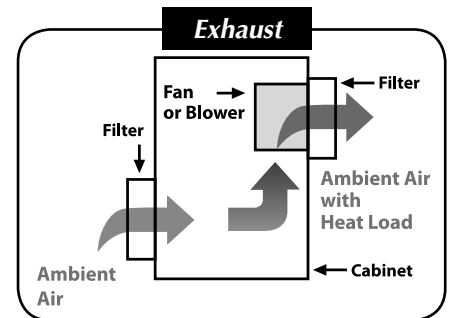
#### Rules of Thumb:

- **Limited to roughly +10F rise above ambient** - In general, the temperature rise inside the enclosure would be roughly +10F.
- **Multiple configurations possible** - Filterfans can be located in a number of locations within complex enclosure configurations.
- **Size fans to include static pressure** - Understanding how static pressure effects the performance of a fan is very important when sizing Filterfans, see chart below!

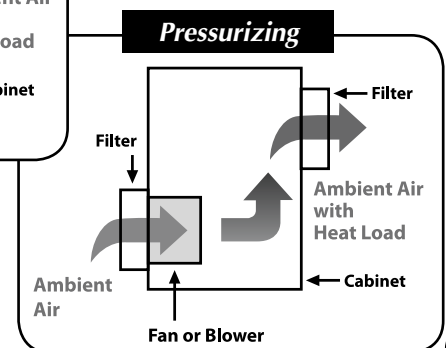
### When Utilizing Filterfans®

Always use the Filterfan® to propel the cool ambient air into enclosure. This ensures that slight positive pressure builds up inside the electronic cabinet in comparison to the ambience and that only air filtered by the Filterfan® flows into the enclosure. The air propelled into the cabinet displaces the warm air which exits through the exhaust filter. If, however, the air is drawn out of the electronic cabinet by suction power, unfiltered air can also enter through poor seals and cable entries.

If you install a combination of Filterfan®/exhaust filter, fit the Filterfan® in the lower third of the electronic cabinet if possible. The exhaust filter must be installed as near to the top as possible to prevent heat pockets in the upper part of the cabinet. Install a FLZ 530 thermostat to control your Filterfan®. This will increase the life of the fan and decrease the amount of maintenance required to clean the filters.



### Forced Convection Methods



## Cooling with Closed Loop Cooling Units

### Rules of Thumb:

- **Only method for reducing cabinet temperature below ambient** - If the ambient temperature is greater than the target internal temperature of the enclosure, active cooling is required.
- **Applications from NEMA Type 12 to 4X** - Closed loop systems can maintain the NEMA Type rating of the cabinet.
- **Designer must size per ambient temperatures** - By utilizing performance charts, be sure to correctly size your system!

Pfannenberg cooling units operate on the principle of the Carnot cycle. This means that the cooling unit functions as a heat pump that “pumps” the thermal energy transferred from the electronic cabinet (heat dissipated from the components) up to a higher level of temperature (the ambient temperature can reach levels as high as +131°F). The air inside the enclosure is cooled down by the evaporator and at the same time dehumidified.

### Cooling units are used if:

- The outside air cannot be used for cooling.
- The required temperature inside the enclosure should be equal-to or lower-than the required ambient temperature.
- The ambient air is extremely oily or dirty.

**Steps for sizing a cooling unit** - Proper selection of an cooling unit is determined by the following criteria:

- Required cooling capacity in BTU/hr or watts.
- Mounting requirements (side, integrated or top mount).
- Dimensions of cooling unit and enclosure.

**Follow this simple equation for calculating the required cooling capacity:**

$$P_c = P_d - P_r$$

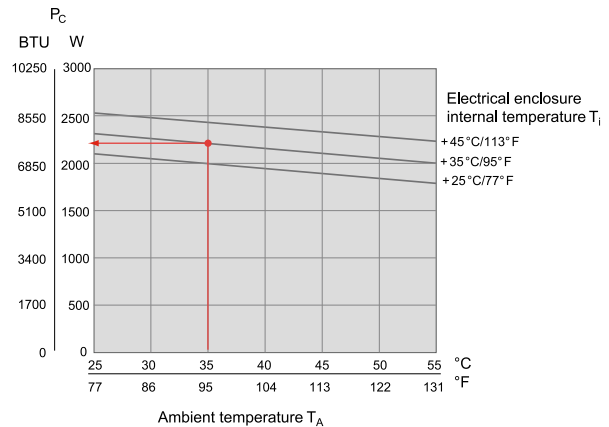
- **P<sub>c</sub>[Watt]:** Refrigeration capacity of a cooling unit.
- **P<sub>d</sub>[Watt]:** Dissipation loss: Thermal power generated inside a cabinet by the dissipation loss of the components.
- **P<sub>r</sub>[Watt]:** Radiate heat gain/loss: Heat transfer through the skin of the enclosure (insulation factor not included)

$$P_r = C * A * \Delta T$$

- **C:** Coefficient of heat transfer
- **A:** Enclosure surface Area.
- **ΔT:** Difference in temperature between the ambience and inside the electronic cabinet.

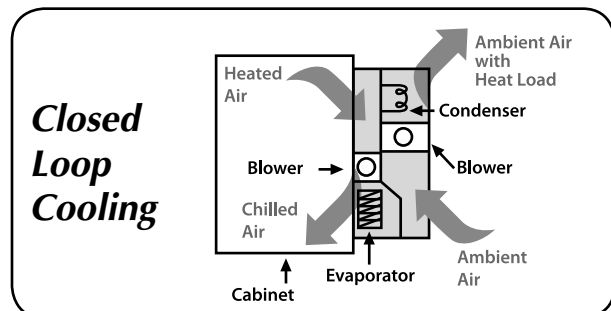
## Utilizing performance curves to properly size cooling units:

Pfannenberg utilizes the DIN standard 95/95° F (35/35° C) when rating our cooling units. Many other companies use 125/125° F, which provides a higher, non-usable value. Customers should use their own application temperatures to determine the proper cooling capacity of the system.



### Important information when utilizing cooling units:

- The refrigeration capacity should exceed the dissipation loss from the installed components by approximately 10%.
- The enclosure should be sealed to prevent the inflow of ambient air.
- Use the door contact switch to impede operation with open doors and consequent excessive accumulation of condensation.
- Use cooling units with maximum clearance between air inflow and air outflow to prevent poor circulation.
- Make sure that the air inflow and air outflow in the external circuit is not hindered, preventing proper heat exchanging at the condenser.
- When using top-mounted cooling units, make sure that components with their own fans do not expel the air directly into the cooling unit’s cool air outflow. Make sure unit is level.
- Setting the temperature to the lowest setting is not the optimal solution due to condensation issues. The value we have preset on the cooling unit is a sound compromise between cooling the inside of the enclosure and the accumulation of condensation.



TYPE	Cooling Capacity Btu/h	Rated voltage	Dimensions H x W x D Inches (mm)	Approvals					Page
				UL	cUL	GOST	CSA	CE	
DTS 1200	900 - 1200	115 V / 230 V	13 (330) x 14.76 (375) x 7.48 (190)	●	●			●	E8
DTS 2000	1500 - 2000	115 V / 230 V	17.52 (445) x 12.4 (315) x 10.04 (255)	●	●			●	E10
DTS 3041	2000 - 3000	115 V / 230 V	20.16 x 10.08 x 10.79 (512 x 256 x 274)	●	●		○	●	E12
DTS 3141	3000 - 4000	115 V / 230 V / 460 V	29.45 x 15.55 x 11.57 (748 x 395 x 294)	●	●		○	●	E14
DTS 3145	5000 - 6000	115 V / 230 V / 400/ 460 V	36 (914) x 12 (305) x 12 (302)	●	●		○	●	E16
DTS 3241	7000 - 8500	115 V / 230 V / 460 V	47.60 x 15.55 x 12.83 (1209 x 395 x 326)	●	●		○	●	E18
DTS 3245	9000 - 12000	115 V / 230 V / 400/ 460 V	53 (1347) x 16.2 (411) x 11.9 (301)	●	●		○	●	E20
DTS 3341	12000 - 14000	230 V / 400 V / 460 V	59.13 x 15.87 x 18.42 (1502 x 403 x 468)	●	●		○	●	E22
DTS 3541	16000 - 18000	230 V / 400 V / 460 V	59.13 x 19.02 x 21.02 (1502 x 483 x 534)	●	●		○	●	E24
DTS 3641	20000 - 24000	230 V / 400 V / 460 V	65.63 x 19.02 x 25.53 (1667 x 483 x 623)	●	●		○	●	E26
<b>DTT Series Top Mount NEMA 12 Cooling Units</b>									
DTT 6101	1200 - 2000	115 V / 230 V	17.13 x 23.43 x 15.55 (435 x 595 x 395)	●	●			●	E28
DTT 6201	2500 - 4000	115 V / 230 V / 400/ 460 V	17.13 x 23.43 x 15.55 (435 x 595 x 395)	●	●			●	E28
DTT 6301	4000 - 5500	115 V / 230 V / 460 V	17.13 x 23.43 x 19.49 (435 x 595 x 495)	●	●			●	E30
DTT 6401	5500 - 7000	115 V / 230 V / 460 V	17.13 x 23.43 x 19.49 (435 x 595 x 495)	●	●			●	E30
DTT 6601	7000 - 10000	460 V	19.09 x 31.30 x 22.64 (485 x 795 x 575)	●	●			●	E32
DTT 6801	12000 - 14000	460 V	19.09 x 31.30 x 22.64 (485 x 795 x 575)	●	●			●	E32
<b>DTS Series Outdoor Cooling Units - NEMA Type 3R/4</b>									
DTS 3061	2000 - 3000	115 V / 230 V	20.16 x 10.08 x 10.79 (512 x 256 x 274)	●	●		○	●	E34
DTS 3161	3000 - 4000	115 V / 230 V / 460 V	29.45 x 15.55 x 11.57 (748 x 395 x 294)	●	●		○	●	E36
DTS 3165	5000 - 7000	115 V / 230 V / 400/ 460 V	36 (914) x 12 (305) x 12 (302)	●	●		○	●	E38
DTS 3261	7000 - 8500	115 V / 230 V / 460 V	47.60 x 15.55 x 12.83 (1209 x 395 x 326)	●	●		○	●	E40
DTS 3265	9000 - 12000	115 V / 230 V / 400/ 460 V	53 (1347) x 16.2 (411) x 11.9 (301)	●	●		○	●	E42
DTS 3361	12000 - 14000	230 V / 400 V / 460 V	59.13 x 15.87 x 18.42 (1502 x 403 x 468)	●	●		○	●	E44
DTS 3561	16000 - 18000	230 V / 400 V / 460 V	59.13 x 19.02 x 21.02 (1502 x 483 x 534)	●	●		○	●	E46
DTS 3661	20000 - 24000	230 V / 400 V / 460 V	65.63 x 19.02 x 25.53 (1667 x 483 x 623)	●	●		○	●	E48
<b>DTS Series Washdown Cooling Units - NEMA Type 4/4X</b>									
DTS 3081	2000 - 3000	115 V / 230 V	20.16 x 10.08 x 10.79 (512 x 256 x 274)	●	●		○	●	E50
DTS 3181	3000 - 4000	115 V / 230 V / 460 V	29.45 x 15.55 x 11.57 (748 x 395 x 294)	●	●		○	●	E52
DTS 3185	5000 - 7000	115 V / 230 V / 400/ 460 V	36 (914) x 12 (305) x 12 (302)	●	●		○	●	E54
DTS 3281	7000 - 8500	115 V / 230 V / 460 V	47.60 x 15.55 x 12.83 (1209 x 395 x 326)	●	●		○	●	E56
DTS 3285	9000 - 12000	115 V / 230 V / 400/ 460 V	53 (1347) x 16.2 (411) x 11.9 (301)	●	●		○	●	E58
DTS 3381	12000 - 14000	230 V / 400 V / 460 V	59.13 x 15.87 x 18.42 (1502 x 403 x 468)	●	●		○	●	E60
DTS 3581	16000 - 18000	230 V / 400 V / 460 V	59.13 x 19.02 x 21.02 (1502 x 483 x 534)	●	●		○	●	E62
DTS 3681	20000 - 24000	230 V / 400 V / 460 V	65.63 x 19.02 x 25.53 (1667 x 483 x 623)	●	●		○	●	E64
<b>Thermal-Electric Peltier Indoor Cooling Units</b>									
PTM 100	100 W	24 VDC	14.45 (367) x 7.13 (181) x 8.9 (226)					●	E67
PTM 150	150 W	24 VDC	19.49 (495) x 7.13 (181) x 8.9 (226)					●	E67
PTM 500	500 W	24 VDC or 230 VAC	38.62 (981) x 13.31 (338) x 8.66 (220)					●	E67

● available ○ pending

Specifications are subject to change without notice. Suitability of this product for its intended use and any associated risks must be determined by the end customer/buyer in its final application.

**Utility requirements for this equipment may vary. Always consult the serving utility for their requirements before ordering or installing equipment in this catalog.**



- Maintains a NEMA Type 12 seal against enclosure
- Recognized to UL 484, category ACVS2/8, UL File #SA10300
- CE approved for European use
- Compact side mount design for small enclosures or hot spot cooling for larger enclosures
- Powder coated steel cover for rugged environments, easily painted to match enclosure
- Uses a mechanical thermostat control

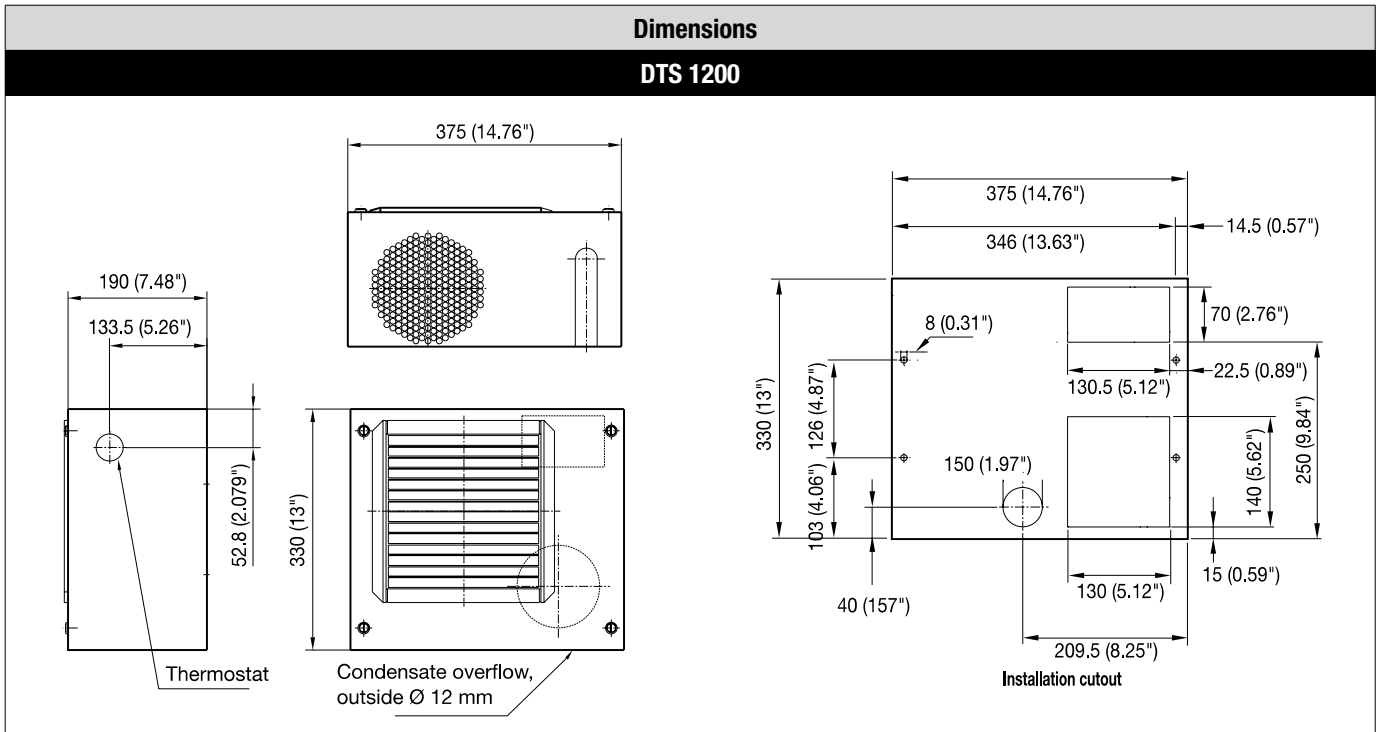
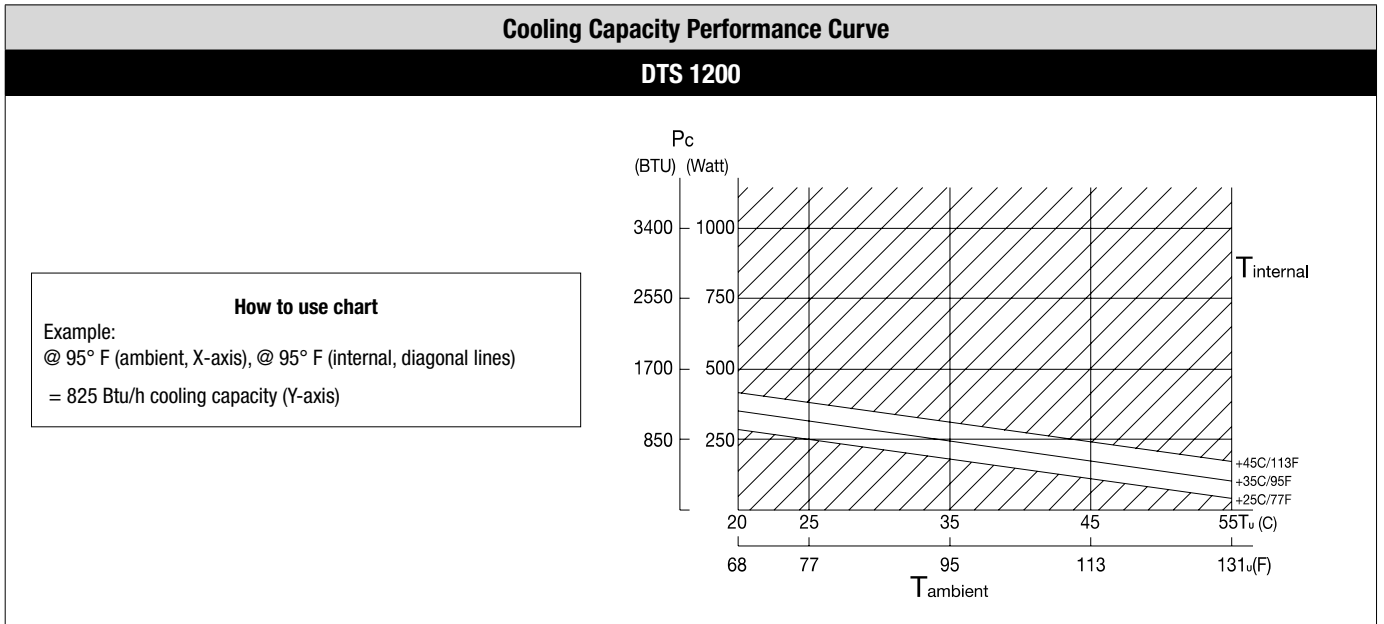
DATA		DTS 1200		UNIT
PART NUMBER	ANSI 61 (GRAY)	DTS1200115V	DTS1200230V	
	RAL 7035 (LT. GRAY)	DTS12002115V/7035	DTS12002230V/7035	
RATED VOLTAGE $\pm 10\%$		115	230	VAC
FREQUENCY		60	50 / 60	HZ
COOLING PERFORMANCE ACCORDING TO EN 14511		900 - 1200		BTU/H
POWER CONSUMPTION		200		W
NOMINAL (RUN) CURRENT		2.2	1.3	A
STARTING CURRENT		15.7	9.5	
FLOW VOLUME (ACTUAL)	CONDENSER	230 (391)		CFM (M3/H)
	EVAPORATOR	106 (180)		
FUSE (RECOMMENDED)		10		A
TYPE OF CONNECTION		6.6' Cord with Plug	6.6' Cord	
NOISE LEVEL (ACCORDING TO EN ISO 3741)		<62		DB(A)
WEIGHT (WITHOUT PACKAGING)		40 (18)		LB (KG)
AMBIENT TEMPERATURE RANGE		+ 59 ... + 131 / + 15 ... + 55		°F / °C
CONTROL RANGE (ADJUSTABLE)		+ 77 ... + 113 / + 25 ... + 45 factory setting + 95 / + 35		
REFRIGERANT	TYPE	R134a		G
	QUANTITY	280		
DUTY CYCLE		100 %		
CONDENSATE MANAGEMENT		Drain Line Included		
PROTECTION SYSTEM ACCORDING TO EN 60529		NEMA 12 against enclosure when properly installed		
		NEMA 1 towards the surroundings when properly installed		
DESIGN		galvanized sheet steel		

ACCESSORIES	PIECE	PART NUMBER
FILTER	1	FLT/COOL
CONDENSATE BOTTLE	1	CONDENSATE/BTL

Approvals see page E7

Specifications are subject to change without notice. Suitability of this product for its intended use and any associated risks must be determined by the end customer/buyer in its final application.

**Utility requirements for this equipment may vary. Always consult the serving utility for their requirements before ordering or installing equipment in this catalog.**



AIR CONDITIONING

Specifications are subject to change without notice. Suitability of this product for its intended use and any associated risks must be determined by the end customer/buyer in its final application.

**Utility requirements for this equipment may vary. Always consult the serving utility for their requirements before ordering or installing equipment in this catalog.**



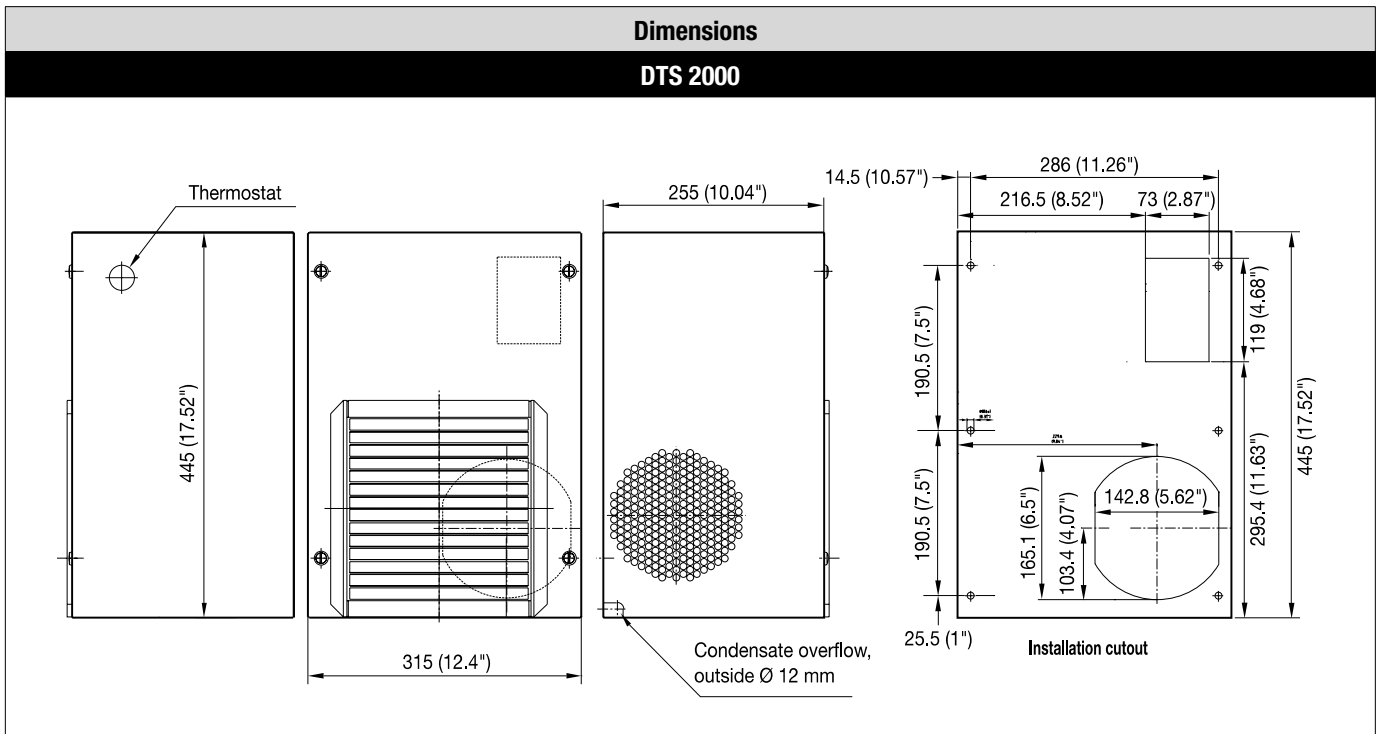
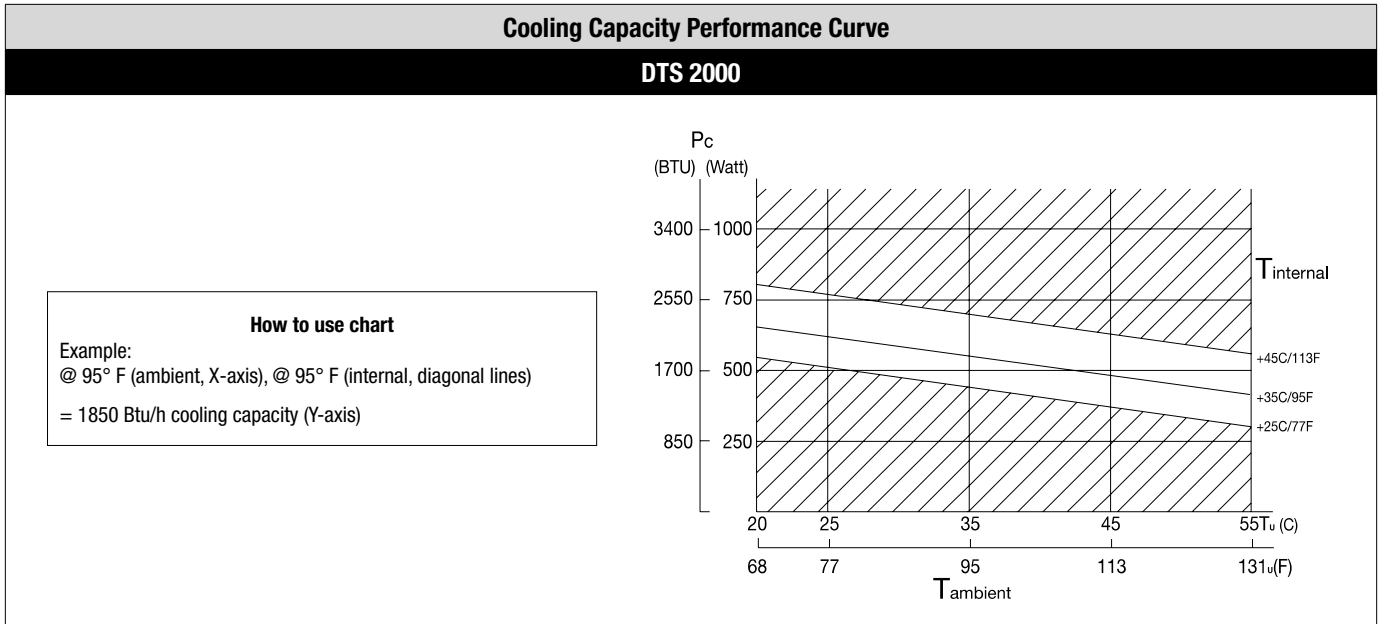
- Maintains a NEMA Type 12 seal against enclosure
- Recognized to UL 484, category ACVS2/8, UL File #SA10300
- CE approved for European use
- Compact side mount design for small enclosures or hot spot cooling for larger enclosures
- Powder coated steel cover for rugged environments, easily painted to match enclosure
- Uses a mechanical thermostat control
- Condensate evaporator tray built-in

DATA		DTS 2000		UNIT
PART NUMBER	ANSI 61 (GRAY)	DTS2000115V	DTS2000230V	
	RAL 7035 (LT. GRAY)	DTS2000115V/7035	DTS2000230V/7035	
RATED VOLTAGE ± 10 %		115	230	VAC
FREQUENCY		60	50 / 60	Hz
COOLING PERFORMANCE ACCORDING TO EN 14511		1700 - 2000		Btu/h
POWER CONSUMPTION		270	230	W
NOMINAL (RUN) CURRENT		2.9	1.3	A
STARTING CURRENT		13.8	9.5	
FLOW VOLUME (ACTUAL)	CONDENSER	230 (391)		CFM (m³/h)
	EVAPORATOR	230 (391)		
FUSE (RECOMMENDED)		10		A
TYPE OF CONNECTION		6.6' Cord with Plug	6.6' Cord	
NOISE LEVEL (ACCORDING TO EN ISO 3741)		<62		dB(A)
WEIGHT (WITHOUT PACKAGING)		51 (23)		lb (kg)
AMBIENT TEMPERATURE RANGE		+ 59 ... + 131 / + 15 ... + 55		°F / °C
CONTROL RANGE (ADJUSTABLE)		+ 77 ... + 113 / + 25 ... + 45 factory setting + 95 / + 35		
REFRIGERANT	TYPE	R134a		g
	QUANTITY	300		
DUTY CYCLE		100 %		
CONDENSATE MANAGEMENT		Drain Line Included		
PROTECTION SYSTEM ACCORDING TO EN 60529		NEMA 12 against enclosure when properly installed		
		NEMA 1 towards the surroundings when properly installed		
DESIGN		galvanized sheet steel		

ACCESSORIES	PIECE	PART NUMBER
FILTER	1	FLT/COOL
CONDENSATE BOTTLE	1	CONDENSATE/BTL

Approvals see page E7







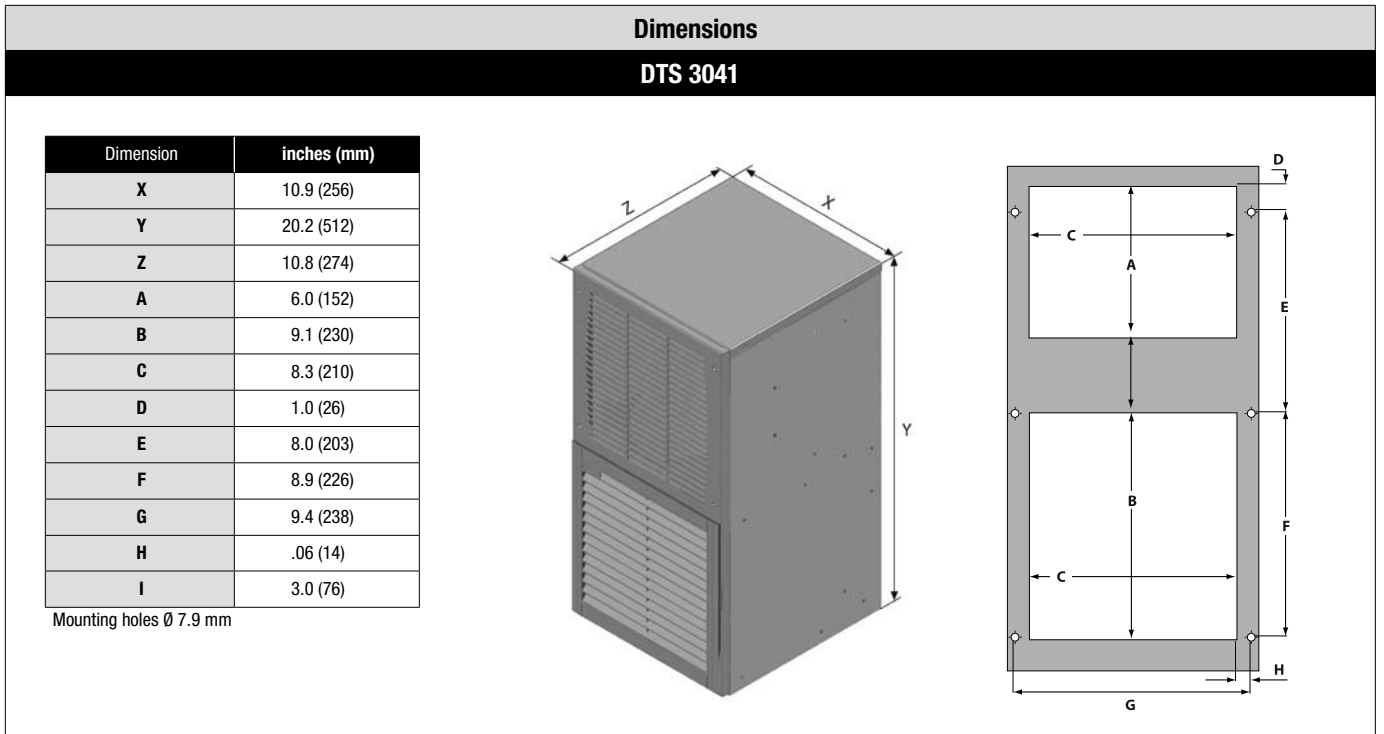
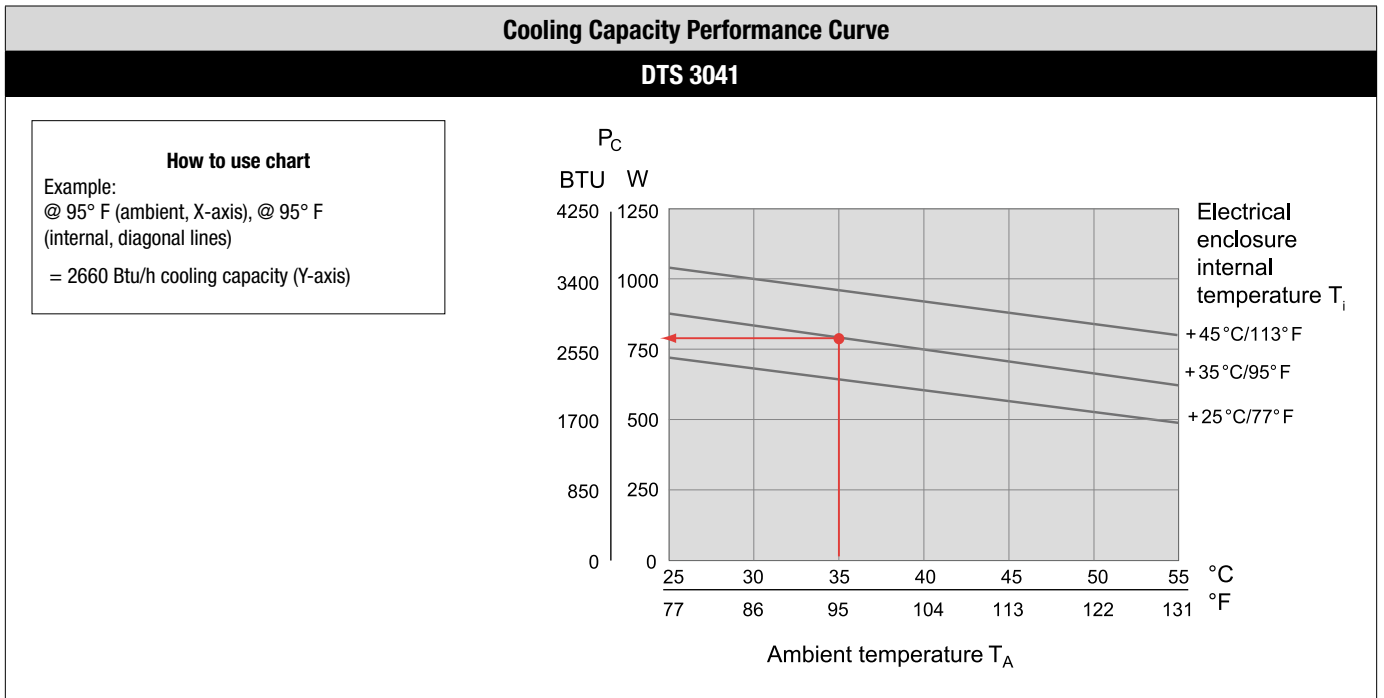
- Compact design, ideal for small control cabinets or for the cooling of hot spots in larger control cabinets
- Maintains a UL Tested NEMA Type 12 seal against enclosure
- UL 484 Listed, category ACVS, UL file #SA10300, CE approved for European use
- Logic connector for door contact input and active alarm
- Powder coated steel cover for rugged environments, easily painted to match enclosure or machine
- Condenser with 3 mm fin spacing, highly effective protection against strongly contaminated and aggressive ambient air

DATA		DTS 3041 (NEMA TYPE 12)			UNIT
PART NUMBER	ANSI 61 (GRAY)	DTS3041230VSP	DTS3041230V/7035SP	DTS3041115V	
	RAL 7035 (LIGHT GRAY)	DTS3041230V/SP	DTS3041230V/7035	DTS3041115V/7035	
RATED VOLTAGE ± 10 %		230	230	115	VAC
FREQUENCY		50/60	60*	60*	Hz
COOLING PERFORMANCE ACCORDING TO EN 14511		2000 - 3000			Btu/h
POWER CONSUMPTION		690	724	950	W
NOMINAL (RUN) CURRENT		5.2	3.3	7.9	A
STARTING CURRENT		28	14.4	29.9	
UNIMPEDED AIRFLOW (FREE FLOW)	INTERNAL	191 (325)			CFM (m <sup>3</sup> /h)
	EXTERNAL	88 (148)			
FUSE (RECOMMENDED)		10	10	15	A
TYPE OF CONNECTION		cord with molded plug			
NOISE LEVEL (ACCORDING TO EN ISO 3741)		< 64			dB(A)
WEIGHT (WITHOUT PACKAGING)		51 (23)			lb (kg)
AMBIENT TEMPERATURE RANGE		+ 59 ... + 131 / + 15 ... + 55			°F / °C
CONTROL RANGE (ADJUSTABLE)		+ 77 ... + 113 / + 25 ... + 45 factory setting + 95 / + 35			
REFRIGERANT	TYPE	R134a			g
	QUANTITY	400			
DUTY CYCLE		100 %			
CONDENSATE MANAGEMENT		Integrated Condensate Management System with Condensate Drain			
PROTECTION SYSTEM ACCORDING TO NEMA TYPE		NEMA 12 against enclosure when properly installed			
		NEMA 1 towards the surroundings when properly installed			
DESIGN	HOUSING	galvanized sheet steel			
	COVER	galvanized/electrostatically powder coated (200 °C)			

\*50 Hz unit available. Consult factory.

ACCESSORIES	PIECE	PART NUMBER
METAL MESH FILTER	1	FILTER/MESH
CONDENSATE BOTTLE	1	CONDENSATE/BTL

Approvals see page E7



AIR CONDITIONING



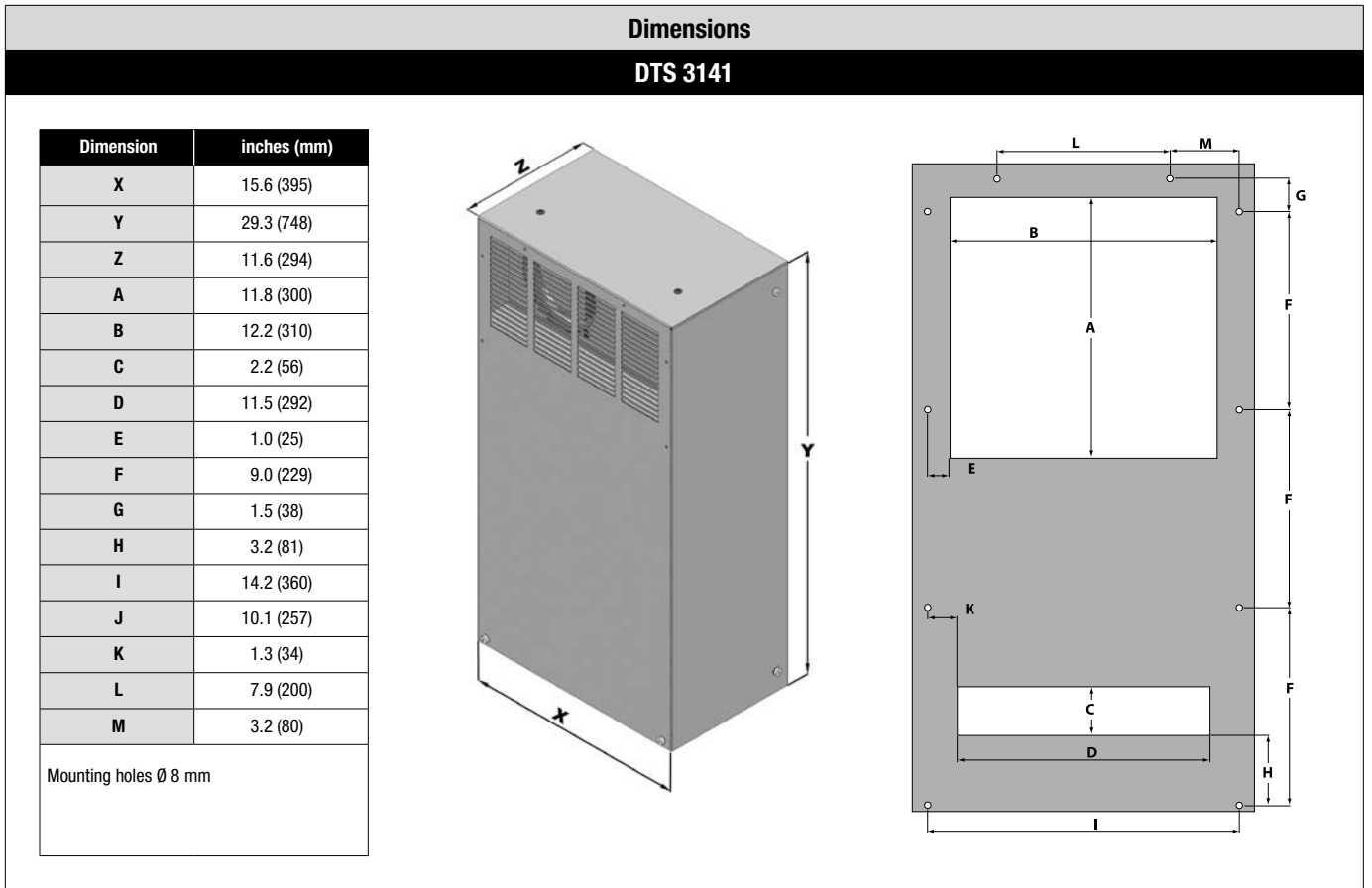
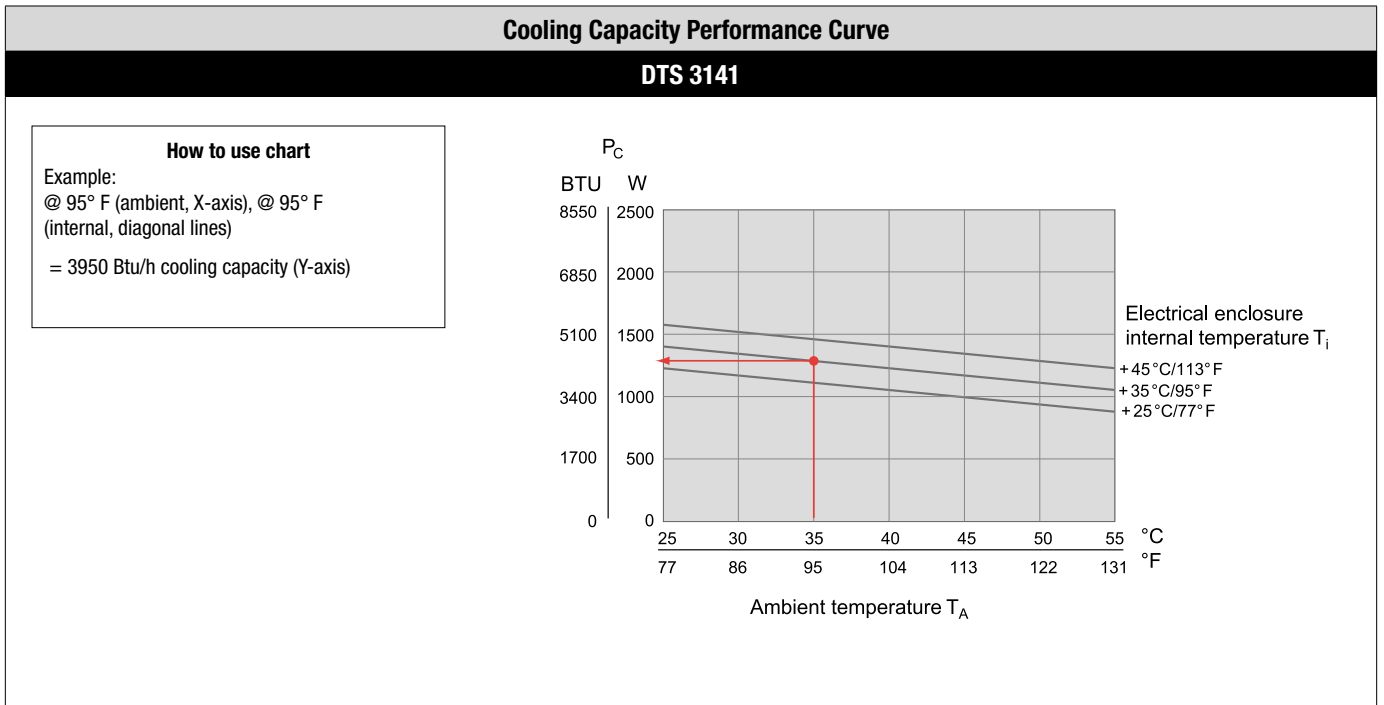
- Long internal air path captures heat above components and provides cool air below
- Maintains a UL Tested NEMA Type 12 seal against enclosure
- UL 484 Listed, category ACVS, UL file #SA10300, CE approved for European use
- Standard Controller (SC) with active alarm and door contact input
- Powder coated steel cover for rugged environments, easily painted to match enclosure or machine
- Condenser with 3 mm fin spacing, highly effective protection against strongly contaminated and aggressive ambient air

DATA		DTS 3141 (NEMA TYPE 12)			UNIT
PART NUMBER	ANSI 61 (GRAY)	DTS3141460V	DTS3141230V	DTS3141115V	
	RAL 7035 (LIGHT GRAY)	DTS3141460V/7035	DTS3141230V/7035	DTS3141115V/7035	
RATED VOLTAGE ± 10 %		460 1Ø	230	115	VAC
FREQUENCY		50 / 60		60	Hz
COOLING PERFORMANCE ACCORDING TO EN 14511		3000 - 4000			Btu/h
POWER CONSUMPTION		860	860	950	W
NOMINAL (RUN) CURRENT		1.9	3.9	7.9	A
STARTING CURRENT		8	14.9	29.9	
UNIMPEDED AIRFLOW (FREE FLOW)	INTERNAL	350 (206)			CFM (m³/h)
	EXTERNAL	350 (206)			
FUSE (RECOMMENDED)**		5	10	15	A
TYPE OF CONNECTION		permanent spring terminal			
NOISE LEVEL (ACCORDING TO EN ISO 3741)		< 70			dB(A)
WEIGHT (WITHOUT PACKAGING)		95 (43)			lb (kg)
AMBIENT TEMPERATURE RANGE		+ 59 ... + 131 / + 15 ... + 55			°F / °C
CONTROL RANGE (ADJUSTABLE)	SC	+ 77 ... + 113 / + 25 ... + 45; factory setting + 95 / + 35			
REFRIGERANT	TYPE	R134a			
	QUANTITY	400			g
DUTY CYCLE		100 %			
CONDENSATE MANAGEMENT		active condensate evaporation system with safety overflow			
PROTECTION SYSTEM ACCORDING TO NEMA TYPE		NEMA 12 against enclosure when properly installed			
		NEMA 1 towards the surroundings when properly installed			
DESIGN	HOUSING	galvanized sheet steel			
	COVER	galvanized/electrostatically powder coated (200 °C); stainless steel on request			

\*\* SCCR rating - See user manual for instructions to achieve 50 kA (460 v).

ACCESSORIES	PIECE	PART NUMBER
METAL MESH FILTER	1	FILTER/MESHO
CONDENSATE BOTTLE	1	CONDENSATE/BTL

Approvals see page E7



**AIR  
CONDITIONING**



- Long internal air path captures heat above components and provides cool air below
- Maintains a UL Tested NEMA Type 12 seal against enclosure
- UL 484 Listed, category ACVS, UL file #SA10300, CE approved for European use
- Standard Controller (SC) with active alarm and door contact input
- Powder coated steel cover for rugged environments, easily painted to match enclosure or machine
- Condenser with 3 mm fin spacing, highly effective protection against strongly contaminated and aggressive ambient air
- 12" Width fits standard 12" NEMA enclosure depth

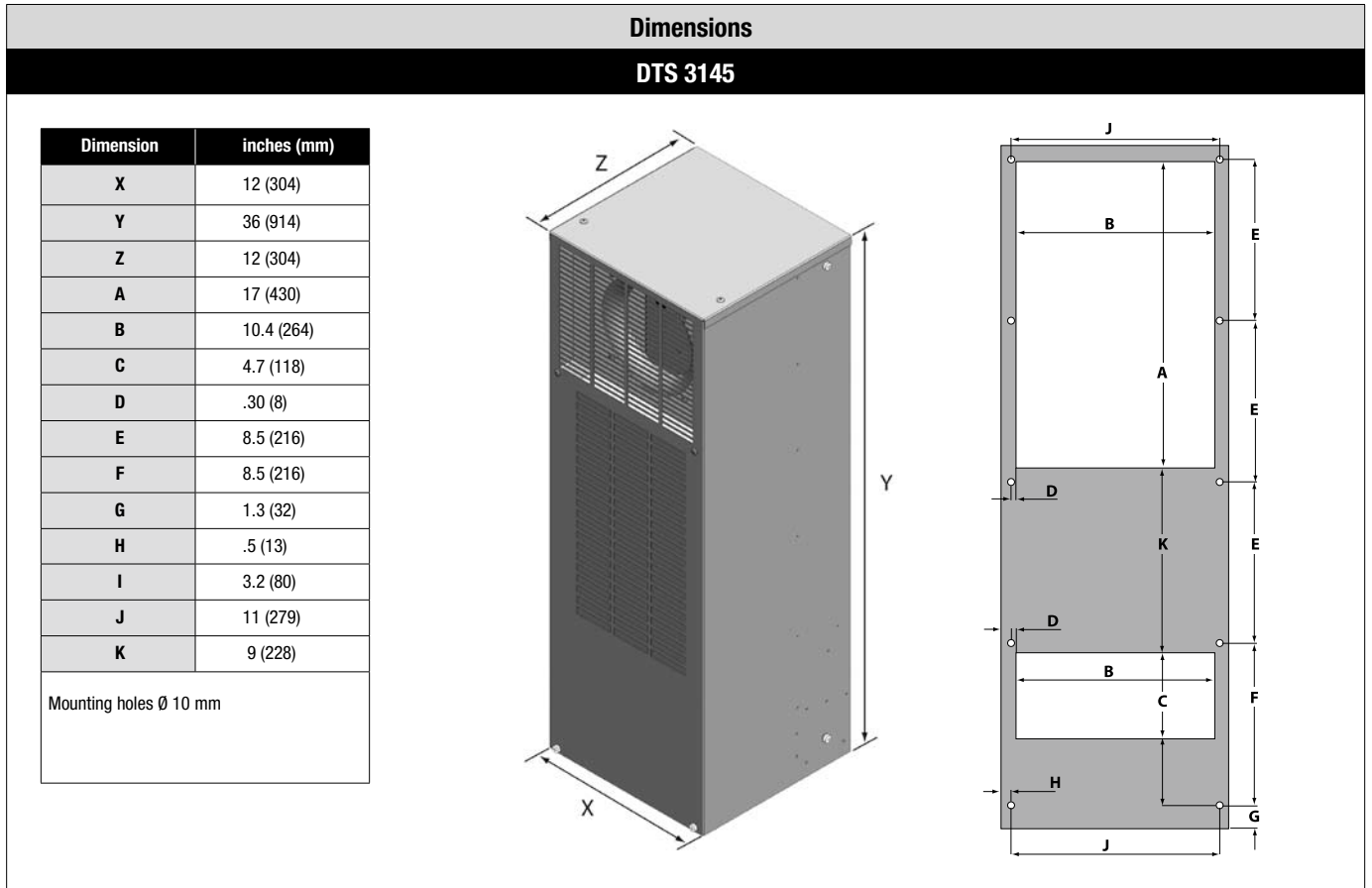
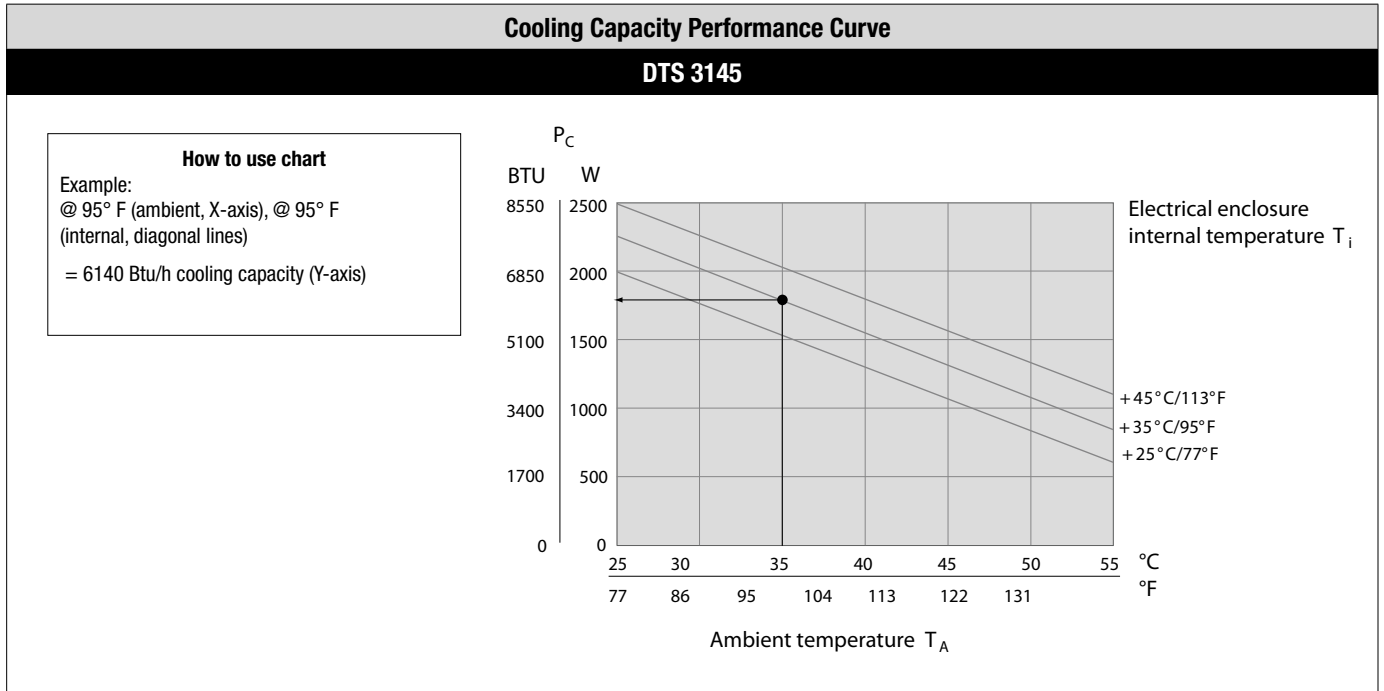
DATA		DTS 3145 (NEMA TYPE 12)			UNIT
PART NUMBER	ANSI 61 (GRAY)	DTS3145460V	DTS3145230V	DTS3145115V	
	RAL 7035 (LIGHT GRAY)	DTS3145460V/7035	DTS3145230V/7035	DTS3145115V/7035	
RATED VOLTAGE ± 10 %		400 / 460 3Ø	230	115	VAC
FREQUENCY		50/60	60*	60	Hz
COOLING PERFORMANCE ACCORDING TO EN 14511		5000 - 7000			Btu/h
POWER CONSUMPTION		1283	1020	1000	W
NOMINAL (RUN) CURRENT		3	4.5	8.5	A
STARTING CURRENT		8	10	16	
UNIMPEDED AIRFLOW (FREE FLOW)	INTERNAL	341 (580)	341 (580)	365 (620)	CFM (m³/h)
	EXTERNAL	706 (1200)	706 (1200)	765 (1300)	
FUSE (RECOMMENDED)**		5	10	15	A
TYPE OF CONNECTION		permanent spring terminal			
NOISE LEVEL (ACCORDING TO EN ISO 3741)		< 70			dB(A)
WEIGHT (WITHOUT PACKAGING)		108 (49)			lb (kg)
AMBIENT TEMPERATURE RANGE		+ 59 ... + 131 / + 15 ... + 55			°F / °C
CONTROL RANGE (ADJUSTABLE)	SC	+ 77 ... + 113 / + 25 ... + 45; factory setting + 95 / + 35			
REFRIGERANT	TYPE	R134a			
	QUANTITY	900			g
DUTY CYCLE		100 %			
CONDENSATE MANAGEMENT		active condensate evaporation system with safety overflow			
PROTECTION SYSTEM ACCORDING TO NEMA TYPE		NEMA 12 against enclosure when properly installed			
		NEMA 1 towards the surroundings when properly installed			
DESIGN	HOUSING	galvanized sheet steel			
	COVER	galvanized/electrostatically powder coated (200 °C)			

\*\* SCCR rating - See user manual for instructions to achieve 50 kA (460 v).

ACCESSORIES	PIECE	PART NUMBER
METAL MESH FILTER	1	FILTER/MESH6
CONDENSATE BOTTLE	1	CONDENSATE/BTL

Approvals see page E7





AIR CONDITIONING



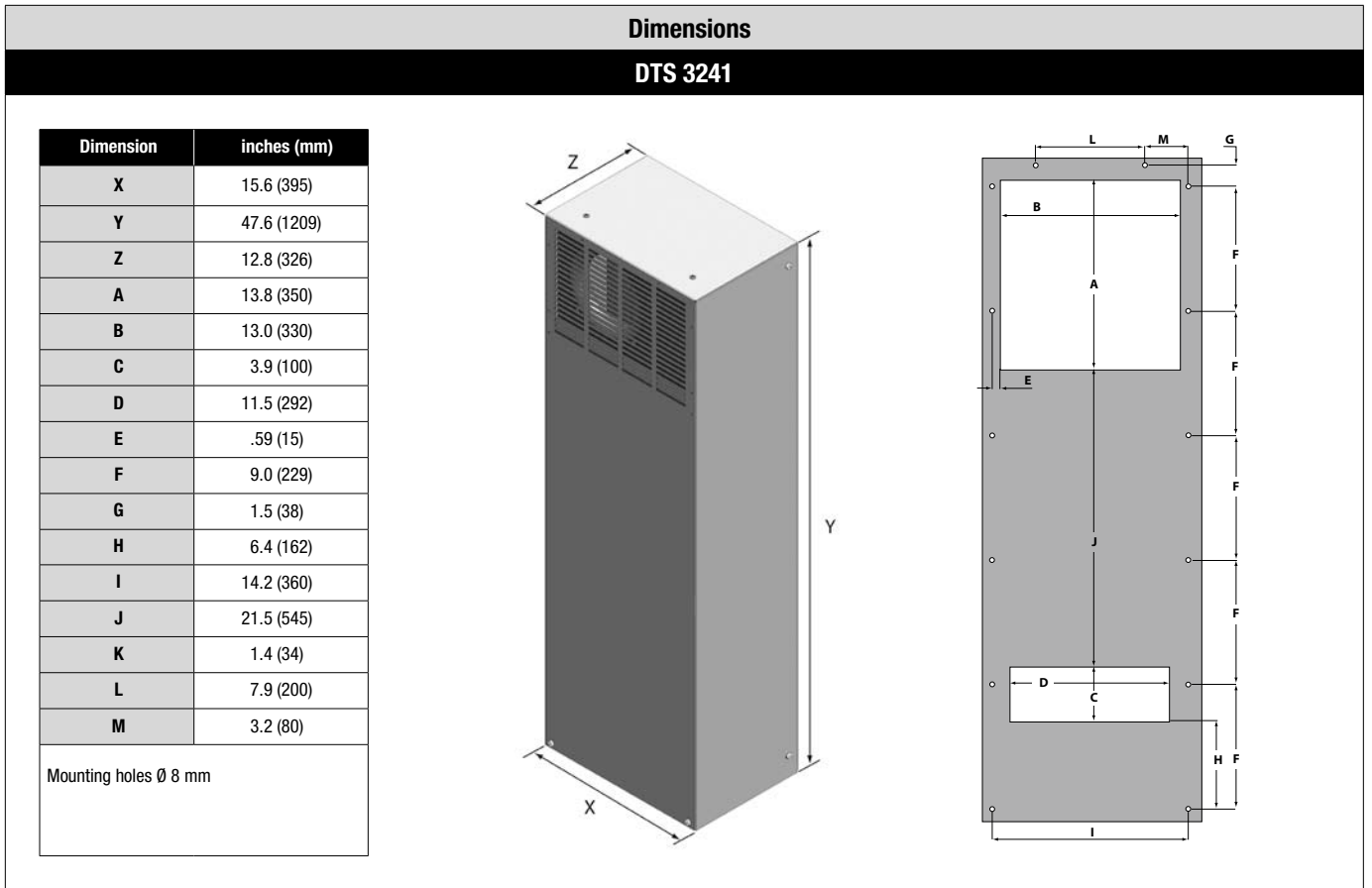
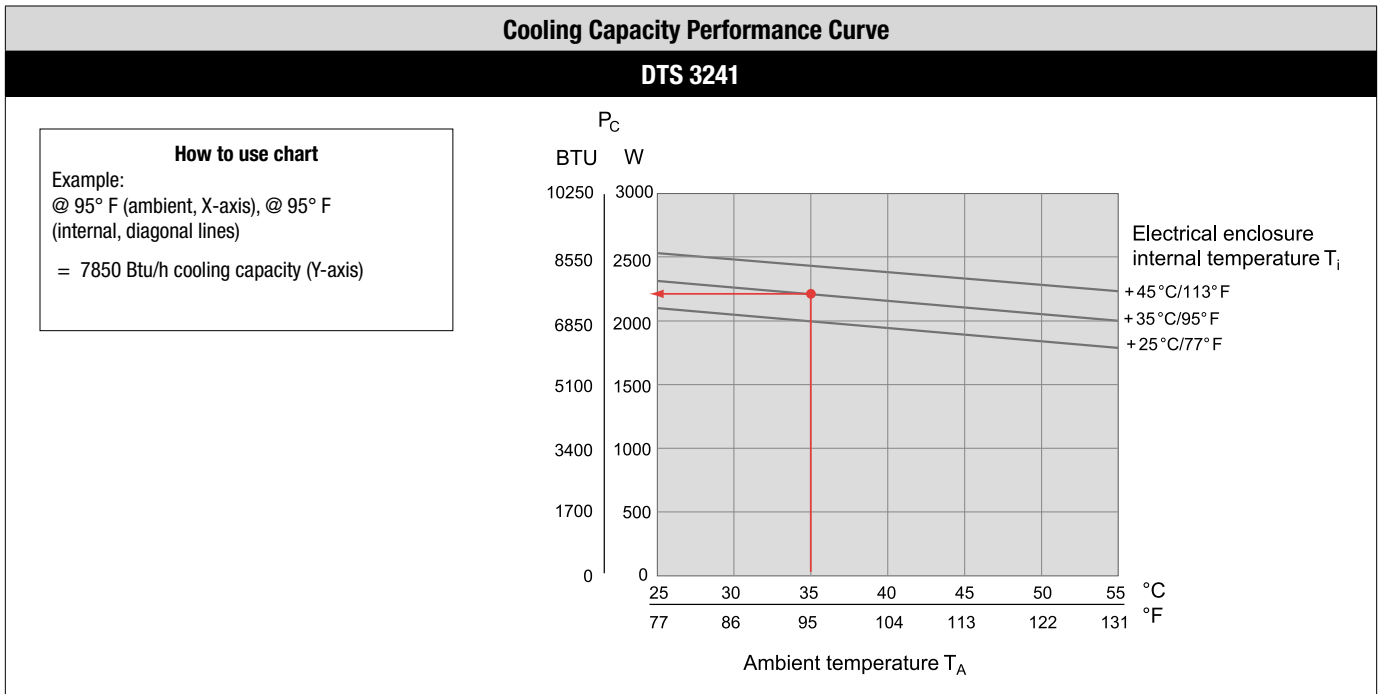
- Long internal air path captures heat above components and provides cool air below
- Maintains a UL Tested NEMA Type 12 seal against enclosure
- UL 484 Listed, category ACVS, UL file #SA10300, CE approved for European use
- High protection system IP 56, maintenance-free
- Powder coated steel cover for rugged environments, easily painted to match enclosure or machine
- Condenser with 3 mm fin spacing, highly effective protection against strongly contaminated and aggressive ambient air
- Uses Internal Standard Control (SC) board
- Condensate evaporator tray built-in

DATA		DTS 3145 (NEMA TYPE 12)			UNIT
PART NUMBER	ANSI 61 (GRAY)	DTS3241460V	DTS3241230V	DTS3241115V	
	RAL 7035 (LIGHT GRAY)	DTS3241460V/7035	DTS3241230V/7035	DTS3241115V/7035	
RATED VOLTAGE ± 10 %		400 / 460 3Ø	230	115	VAC
FREQUENCY		50 / 60	50 / 60	60	Hz
COOLING PERFORMANCE ACCORDING TO EN 14511		7000 - 8500			Btu/h
POWER CONSUMPTION		1400	1425	1680	W
NOMINAL (RUN) CURRENT		3.5	6.3	14.6	A
STARTING CURRENT		10	21.8	53	
UNIMPEDED AIRFLOW (FREE FLOW)	INTERNAL	580 (985)			CFM (m³/h)
	EXTERNAL	580 (985)			
FUSE (RECOMMENDED)**		5	15	25	A
TYPE OF CONNECTION		permanent spring terminal			
NOISE LEVEL (ACCORDING TO EN ISO 3741)		< 73			dB(A)
WEIGHT (WITHOUT PACKAGING)		119 (54)			lb (kg)
AMBIENT TEMPERATURE RANGE		+ 59 ... + 131 / + 15 ... + 55			°F / °C
CONTROL RANGE (ADJUSTABLE)	SC	+ 77 ... + 113 / + 25 ... + 45; factory setting + 95 / + 35			
REFRIGERANT	TYPE	R134a			
	QUANTITY	700			g
DUTY CYCLE		100 %			
CONDENSATE MANAGEMENT		active condensate evaporation system with safety overflow			
PROTECTION SYSTEM ACCORDING TO NEMA TYPE		NEMA 12 against enclosure when properly installed			
		NEMA 1 towards the surroundings when properly installed			
DESIGN	HOUSING	galvanized sheet steel			
	COVER	galvanized/electrostatically powder coated (200 °C)			

\*\* SCCR rating - See user manual for instructions to achieve 50 kA (460 v).

ACCESSORIES	PIECE	PART NUMBER
METAL MESH FILTER	1	FILTER/MESH1
CONDENSATE BOTTLE	1	CONDENSATE/BTL

Approvals see page E7



TYPE 12 – COOLING UNIT – DTS 3245 (9000-12000 BTU/H)



- Long internal air path captures heat above components and provides cool air below
- Maintains a UL Tested NEMA Type 12 seal against enclosure
- UL 484 Listed, category ACVS, UL file #SA10300, CE approved for European use
- High protection system IP 56, maintenance-free
- Powder coated steel cover for rugged environments, easily painted to match enclosure or machine
- Condenser with 3 mm fin spacing, highly effective protection against strongly contaminated and aggressive ambient air
- Uses Internal Standard Control (SC) board
- Condensate evaporator tray built-in

DATA		DTS 3245 (NEMA TYPE 12)			UNIT
PART NUMBER	ANSI 61 (GRAY)	DTS3245460V	DTS3245230V	DTS3245115V	
	RAL 7035 (LIGHT GRAY)	DTS3245460V/7035	DTS3245230V/7035	DTS3245115V/7035	
RATED VOLTAGE ± 10 %		400 / 460 3Ø	230	115	VAC
FREQUENCY		50/60	60*	60	Hz
COOLING PERFORMANCE ACCORDING TO EN 14511		9000 - 12000			Btu/h
POWER CONSUMPTION		1700	1600	1600	W
NOMINAL (RUN) CURRENT		2.6	7	14.2	A
STARTING CURRENT		8	10	20	
UNIMPEDED AIRFLOW (FREE FLOW)	INTERNAL	706 (1200)	706 (1200)	765 (1300)	CFM (m³/h)
	EXTERNAL	706 (1200)	706 (1200)	765 (1300)	
FUSE (RECOMMENDED)**		5	15	25	A
TYPE OF CONNECTION		permanent spring terminal			
NOISE LEVEL (ACCORDING TO EN ISO 3741)		< 73			dB(A)
WEIGHT (WITHOUT PACKAGING)		150 (68)			lb (kg)
AMBIENT TEMPERATURE RANGE		+ 59 ... + 131 / + 15 ... + 55			°F / °C
CONTROL RANGE (ADJUSTABLE)	SC	+ 77 ... + 113 / + 25 ... + 45; factory setting + 95 / + 35			
REFRIGERANT	TYPE	R134a			
	QUANTITY	1200			g
DUTY CYCLE		100 %			
CONDENSATE MANAGEMENT		active condensate evaporation system with safety overflow			
PROTECTION SYSTEM ACCORDING TO NEMA TYPE		NEMA 12 against enclosure when properly installed			
		NEMA 1 towards the surroundings when properly installed			
DESIGN	HOUSING	galvanized sheet steel			
	COVER	galvanized/electrostatically powder coated (200 °C)			

\*50 Hz unit available. Consult factory.

\*\* SCCR rating - See user manual for instructions to achieve 50 kA (230 V) or 200 kA (460 V) SCCR rating.

ACCESSORIES	PIECE	PART NUMBER
METAL MESH FILTER	1	FILTER/MESH7
CONDENSATE BOTTLE	1	CONDENSATE/BTL

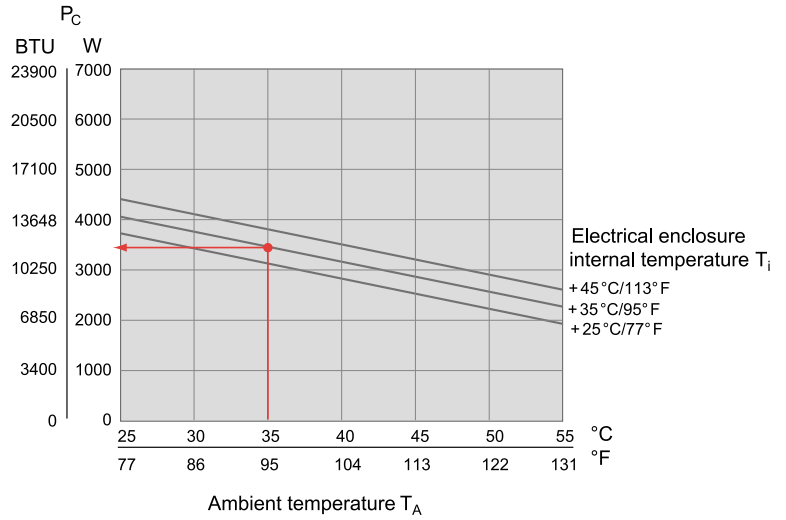
Approvals see page E7

AIR CONDITIONING

Cooling Capacity Performance Curve

DTS 3245

**How to use chart**  
 Example:  
 @ 95° F (ambient, X-axis), @ 95° F (internal, diagonal lines)  
 = 10875 Btu/h cooling capacity (Y-axis)

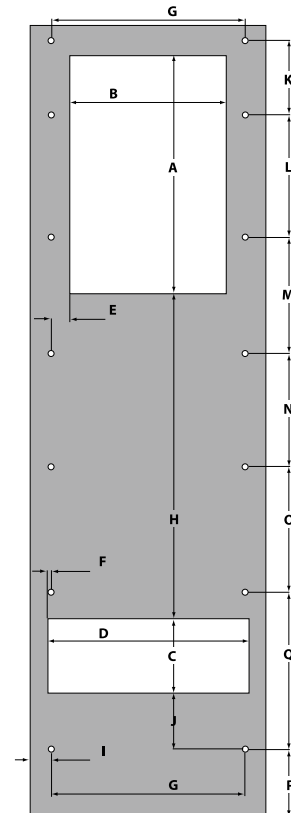
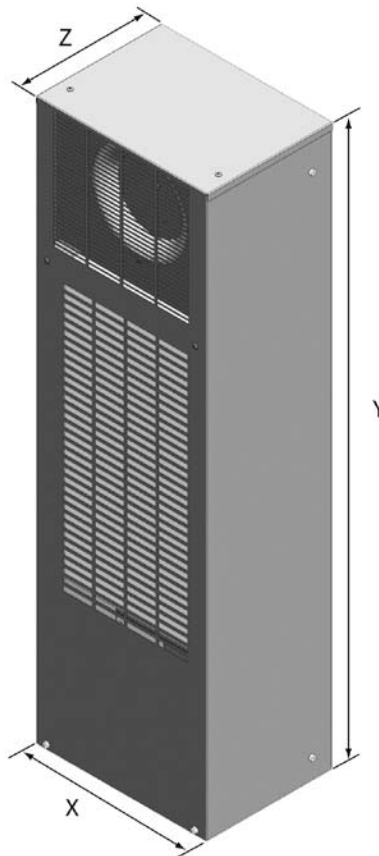


Dimensions

DTS 3245

Dimension	inches (mm)
X	16.0 (406)
Y	53.0 (1347)
Z	11.9 (301)
A	16.8 (427)
B	11 (280)
C	5.3 (135)
D	13.7 (348)
E	.98 (25)
F	.35 (9)
G	13.0 (330)
H	21.1 (537)
I	1.4 (35)
J	3.6 (92)
K	5.0 (126)
L	8.2 (209)
M	7.8 (198)
N	7.6 (192)
O	8.4 (214)
P	4.5 (114)
Q	10.5 (267)

Mounting holes  $\varnothing$  8 mm





- Large distance between intake and exhaust vents, safe circulation within the electrical enclosure due to long passage of air, eliminating hot spots
- Maintains a UL Tested NEMA Type 12 seal against enclosure
- UL 484 Listed, category ACVS, UL file #SA10300, CE approved for European use
- Standard Controller (SC) with active alarm and door contact input
- Powder coated steel cover for rugged environments, easily painted to match enclosure or machine
- Condenser with 3 mm fin spacing, highly effective protection against strongly contaminated and aggressive ambient air
- Active condensate evaporation system

DATA		DTS 3341 (NEMA TYPE 12)		UNIT
PART NUMBER	ANSI 61 (GRAY)	DTS3341460V	DTS3341230V	
	RAL 7035 (LIGHT GRAY)	DTS3341460V/7035	DTS3341230V/7035	
RATED VOLTAGE ± 10 %		400/460 3Ø	230	VAC
FREQUENCY		50 / 60	60*	Hz
COOLING PERFORMANCE ACCORDING TO EN 14511		12000 - 14000		Btu/h
POWER CONSUMPTION		1200 / 1600	1872	W
NOMINAL (RUN) CURRENT		3.6	8.5	A
STARTING CURRENT		16	51	
UNIMPEDED AIRFLOW (FREE FLOW)	INTERNAL	788 (1400)		CFM (m³/h)
	EXTERNAL	991 (1685)		
FUSE (RECOMMENDED)**		5	15	A
TYPE OF CONNECTION		permanent screw terminal		
NOISE LEVEL (ACCORDING TO EN ISO 3741)		< 72		dB(A)
WEIGHT (WITHOUT PACKAGING)		214 (97)		lb (kg)
AMBIENT TEMPERATURE RANGE		+ 59 ... + 131 / + 15 ... + 55		°F / °C
CONTROL RANGE (ADJUSTABLE)	SC	+ 77 ... + 113 / + 25 ... + 45; factory setting + 95 / + 35		
REFRIGERANT	TYPE	R134a		g
	QUANTITY	1000		
DUTY CYCLE		100 %		
CONDENSATE MANAGEMENT		active condensate evaporation system with safety overflow		
PROTECTION SYSTEM ACCORDING TO NEMA TYPE		NEMA 12 against enclosure when properly installed		
		NEMA 1 towards the surroundings when properly installed		
DESIGN	HOUSING	galvanized sheet steel		
	COVER	galvanized/electrostatically powder coated (200 °C)		

\*50 Hz unit available. Consult factory.

\*\* SCCR rating - See user manual for instructions to achieve 50 kA (230 V) or 200 kA (460 V) SCCR rating.

ACCESSORIES	PIECE	PART NUMBER
METAL MESH FILTER	1	FILTER/MESH2
CONDENSATE BOTTLE	1	CONDENSATE/BTL

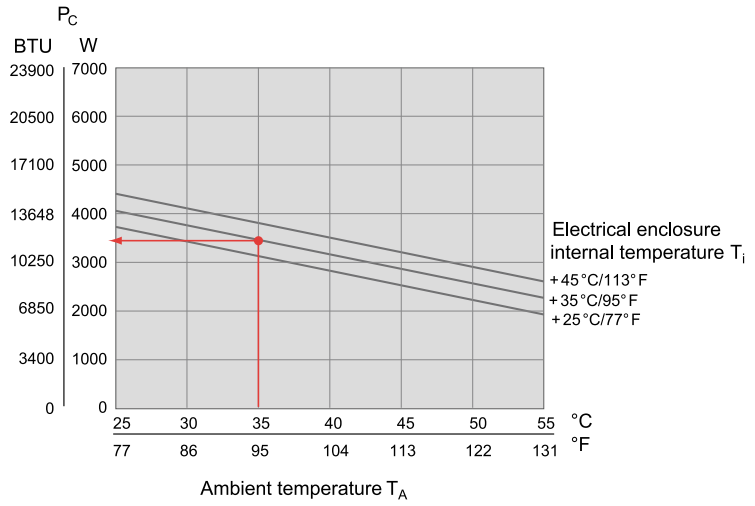
Approvals see page E7



**Cooling Capacity Performance Curve**

**DTS 3341**

**How to use chart**  
 Example:  
 @ 95° F (ambient, X-axis), @ 95° F (internal, diagonal lines)  
 = 11250 Btu/h cooling capacity (Y-axis)

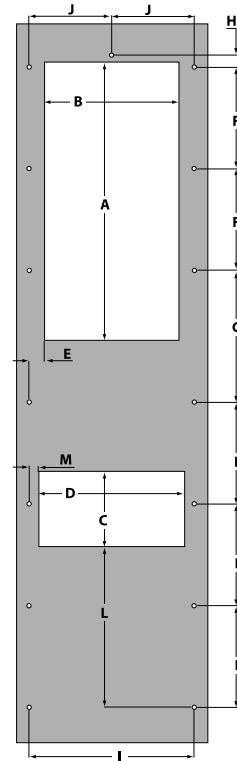
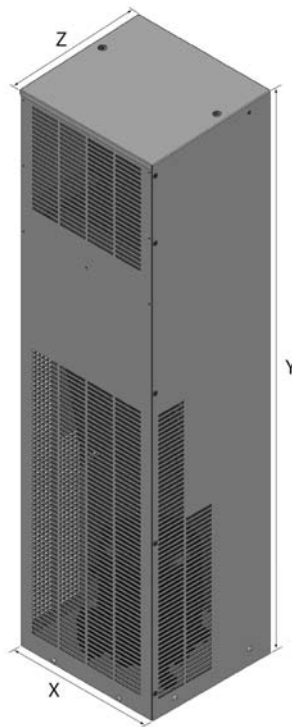


**Dimensions**

**DTS 3341**

Dimension	inches (mm)
X	15.9 (403)
Y	59.1 (1502)
Z	18.4 (468)
A	23.2 (590)
B	11.2 (285)
C	6.3 (160)
D	12.2 (310)
E	12.8 (325)
F	8.5 (216)
G	11.0 (280)
H	1.0 (26)
I	13.8 (350)
J	6.9 (175)
K	11.0 (280)
L	13.4 (340)
M	.79 (20)

Mounting holes Ø 8 mm



**AIR  
CONDITIONING**



- Large distance between intake and exhaust vents, safe circulation within the electrical enclosure due to long passage of air, eliminating hot spots
- Maintains a UL Tested NEMA Type 12 seal against enclosure
- UL 484 Listed, category ACVS, UL file #SA10300, CE approved for European use
- Standard Controller (SC) with active alarm and door contact input
- Powder coated steel cover for rugged environments, easily painted to match enclosure or machine
- Condenser with 3 mm fin spacing, highly effective protection against strongly contaminated and aggressive ambient air
- Active condensate evaporation system

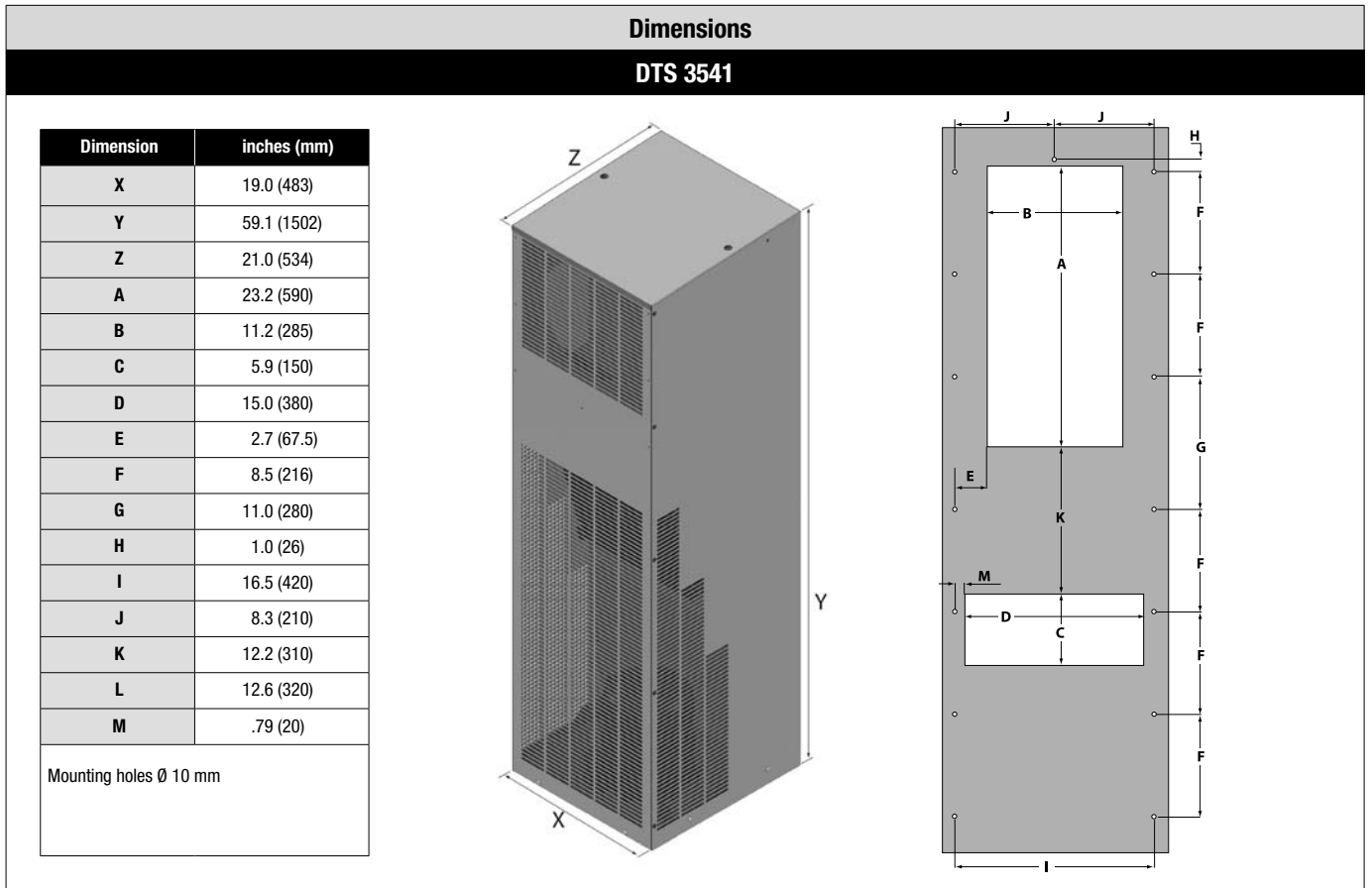
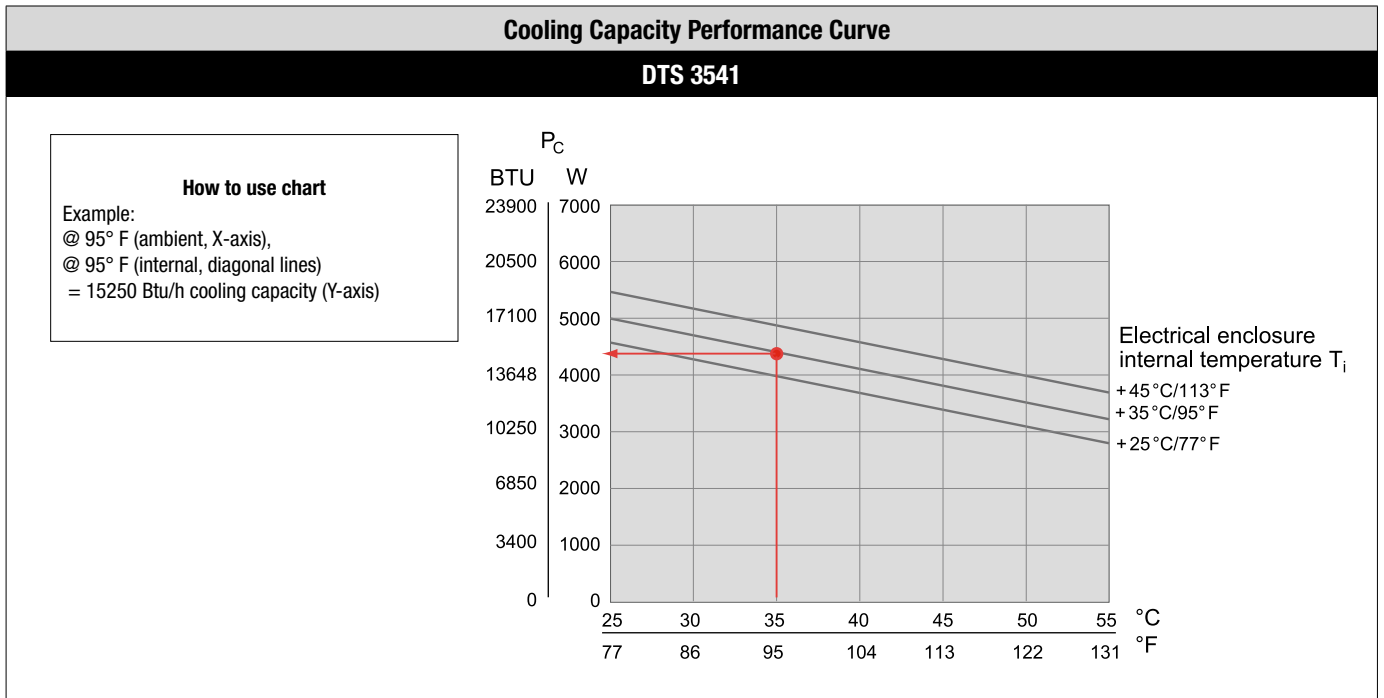
DATA		DTS 3541 (NEMA TYPE 12)		UNIT
PART NUMBER	ANSI 61 (GRAY)	DTS3541460V	DTS3541230V	
	RAL 7035 (LIGHT GRAY)	DTS3541460V/7035	DTS3541230V/7035	
RATED VOLTAGE ± 10 %		400 / 460 3Ø	230	VAC
FREQUENCY		50 / 60	60*	Hz
COOLING PERFORMANCE ACCORDING TO EN 14511		16000 - 18000		Btu/h
POWER CONSUMPTION		1365 / 1815	2240	W
NOMINAL (RUN) CURRENT		4.4	11.5	A
STARTING CURRENT		16	49.3	
UNIMPEDED AIRFLOW (FREE FLOW)	INTERNAL	788 (1340)		CFM (m <sup>3</sup> /h)
	EXTERNAL	1480 (2380)		
FUSE (RECOMMENDED)**		10	20	A
TYPE OF CONNECTION		permanent screw terminal		
NOISE LEVEL (ACCORDING TO EN ISO 3741)		< 72		dB(A)
WEIGHT (WITHOUT PACKAGING)		221 (100)		lb (kg)
AMBIENT TEMPERATURE RANGE		+ 59 ... + 131 / + 15 ... + 55		°F / °C
CONTROL RANGE (ADJUSTABLE)	SC	+ 77 ... + 113 / + 25 ... + 45; factory setting + 95 / + 35		
REFRIGERANT	TYPE	R134a		g
	QUANTITY	1200		
DUTY CYCLE		100 %		
CONDENSATE MANAGEMENT		active condensate evaporation system with safety overflow		
PROTECTION SYSTEM ACCORDING TO NEMA TYPE		NEMA 12 against enclosure when properly installed		
		NEMA 1 towards the surroundings when properly installed		
DESIGN	HOUSING	galvanized sheet steel		
	COVER	galvanized/electrostatically powder coated (200 °C)		

\*50 Hz unit available. Consult factory.

\*\* SCCR rating - See user manual for instructions to achieve 50 kA (230 V) or 200 kA (460 V) SCCR rating.

ACCESSORIES	PIECE	PART NUMBER
METAL MESH FILTER	1	FILTER/MESH3
CONDENSATE BOTTLE	1	CONDENSATE/BTL

Approvals see page E7



**AIR  
CONDITIONING**



- Large distance between intake and exhaust vents, safe circulation within the electrical enclosure due to long passage of air, eliminating hot spots
- Maintains a UL Tested NEMA Type 12 seal against enclosure
- UL 484 Listed, category ACVS, UL file #SA10300, CE approved for European use
- Standard Controller (SC) with active alarm and door contact input
- Powder coated steel cover for rugged environments, easily painted to match enclosure or machine
- Condenser with 3 mm fin spacing, highly effective protection against strongly contaminated and aggressive ambient air
- Active condensate evaporation system

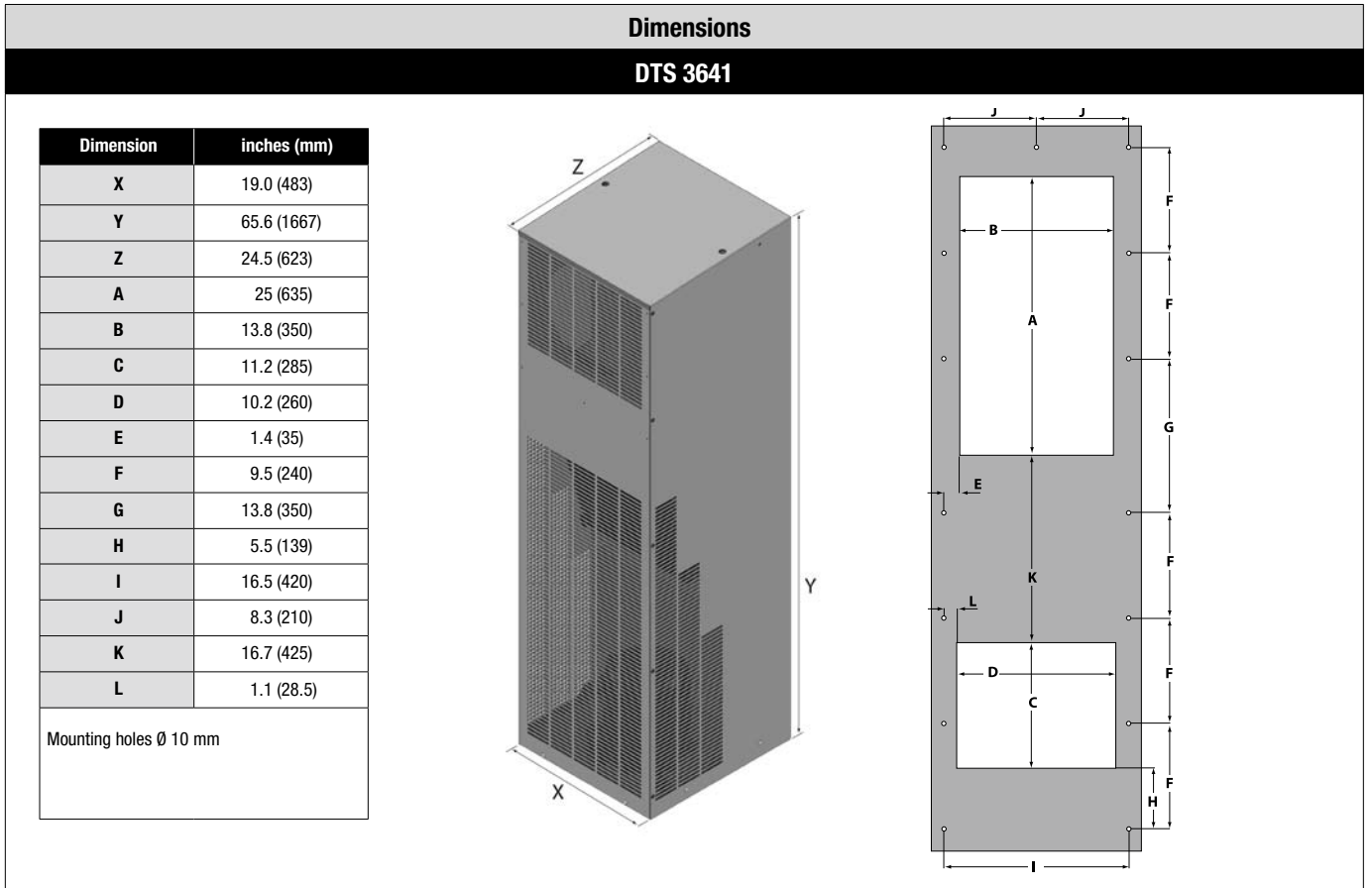
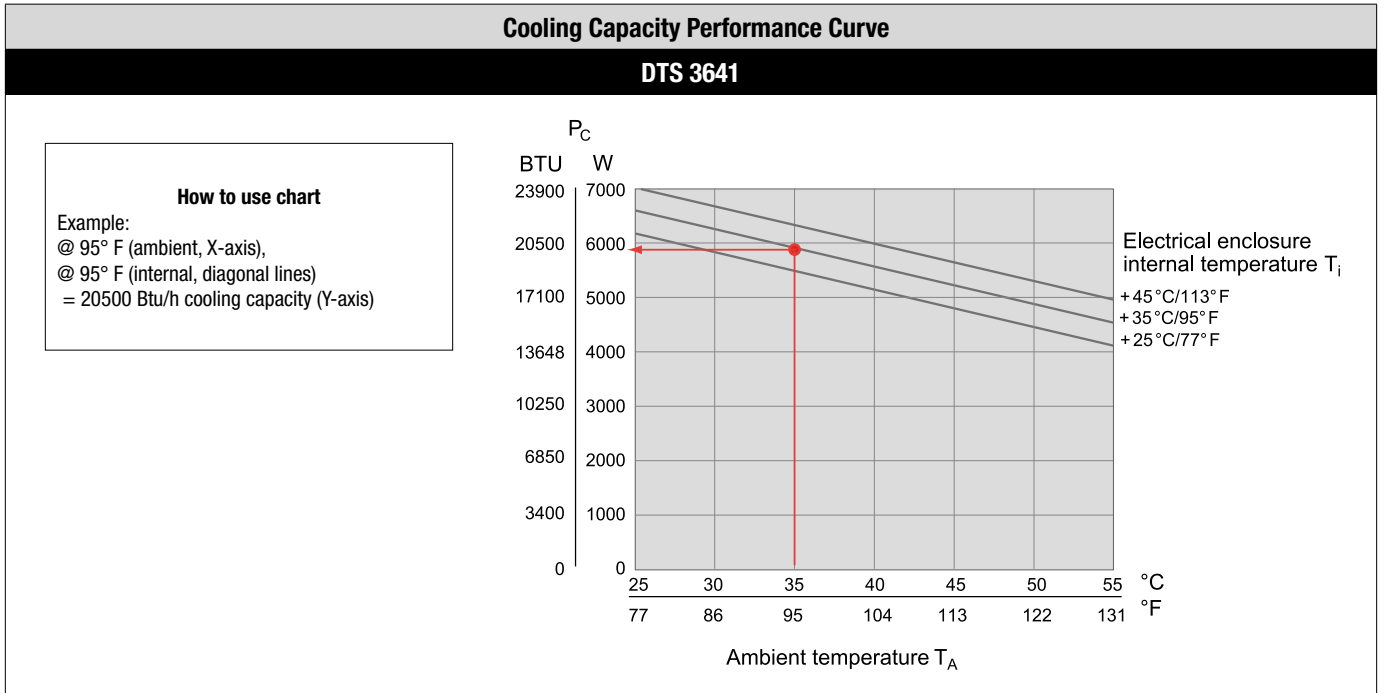
DATA		DTS 3641 (NEMA TYPE 12)		UNIT
PART NUMBER	ANSI 61 (GRAY)	DTS3641460V	DTS3641230V	
	RAL 7035 (LIGHT GRAY)	DTS3641460V/7035	DTS3641230V/7035	
RATED VOLTAGE ± 10 %		400 / 460 3Ø	230	VAC
FREQUENCY		50 / 60	60*	Hz
COOLING PERFORMANCE ACCORDING TO EN 14511		20000 - 24000		Btu/h
POWER CONSUMPTION		2000/2620	3142	W
NOMINAL (RUN) CURRENT		6.3	16.9	A
STARTING CURRENT		25	84	
UNIMPEDED AIRFLOW (FREE FLOW)	INTERNAL	1613 (2740)		CFM (m³/h)
	EXTERNAL	1613 (2740)		
FUSE (RECOMMENDED)**		15	30	A
TYPE OF CONNECTION		permanent screw terminal		
NOISE LEVEL (ACCORDING TO EN ISO 3741)		< 73		dB(A)
WEIGHT (WITHOUT PACKAGING)		230 (105)		lb (kg)
AMBIENT TEMPERATURE RANGE		+ 59 ... + 131 / + 15 ... + 55		°F / °C
CONTROL RANGE (ADJUSTABLE)	SC	+ 77 ... + 113 / + 25 ... + 45; factory setting + 95 / + 35		
REFRIGERANT	TYPE	R134a		g
	QUANTITY	1300		
DUTY CYCLE		100 %		
CONDENSATE MANAGEMENT		active condensate evaporation system with safety overflow		
PROTECTION SYSTEM ACCORDING TO NEMA TYPE		NEMA 12 against enclosure when properly installed		
		NEMA 1 towards the surroundings when properly installed		
DESIGN	HOUSING	galvanized sheet steel		
	COVER	galvanized/electrostatically powder coated (200 °C)		

\*50 Hz unit available. Consult factory.

\*\* SCCR rating - See user manual for instructions to achieve 50 kA (230 V) or 200 kA (460 V) SCCR rating.

ACCESSORIES	PIECE	PART NUMBER
METAL MESH FILTER	1	FILTER/MESH4
CONDENSATE BOTTLE	1	CONDENSATE/BTL

Approvals see page E7



AIR  
CONDITIONING

TOP MOUNTED COOLING UNIT  
 DTT 6101 (1200-2000 BTU/H) • DTT 6201 (2500-4000 BTU/H)



- Product variety: 3 installation sizes and 6 performances
- 4-fold protection against condensate with patented condensate management system
- Tool-less mounting and maintenance due to quick-release mounting frame
- Service-friendly: complete cover removable towards the front, easily accessible filter mats and control elements in front area.
- Energy efficiency: around 20 % saving on energy thanks to the use of more effective, lighter components
- Energy efficiency: optional multi-controller with energy-saving operation mode
- UL certification
- Design and color matching: perfect mixture of functionality and design

DATA		DTT 6201			DTT 6101		UNIT
PART NUMBER	RAL 7035 (LIGHT GRAY)	DTT6201460V	DTT6201230V	DTT6201115V	DTT6101230V	DTT6101115V	
RATED VOLTAGE ± 10 %		400 / 460 1Ø	230	115 <sup>1</sup>	230	115 <sup>1</sup>	VAC
FREQUENCY		50 / 60					Hz
COOLING PERFORMANCE ACCORDING TO EN 14511		2500 - 4000			1200 - 2000		Btu/h
POWER CONSUMPTION		706 / 845	663 / 805	877 <sup>1</sup>	458 / 532	569 <sup>1</sup>	W
NOMINAL (RUN) CURRENT		1.5 / 1.8	3.39 / 3.83	8.05 <sup>1</sup>	2.2 / 2.4	5.2 <sup>1</sup>	A
STARTING CURRENT		8.5 / 9.3	14.8 <sup>2</sup>		23.0 <sup>1</sup>		
UNIMPEDED AIRFLOW (FREE FLOW)	INTERNAL	335 / 343 (570 / 582)					CFM (m <sup>3</sup> /h)
	EXTERNAL	1071 / 1159 (1820 / 1970)					
FUSE (RECOMMENDED)		6	10	20	10	20	A
TYPE OF CONNECTION		spring-type terminal included with plug					
NOISE LEVEL (ACCORDING TO EN ISO 3741)		< 62					dB(A)
WEIGHT (WITHOUT PACKAGING)		90 (41)	77 (35)		73 (33)		lb (kg)
AMBIENT TEMPERATURE RANGE		+ 59 ... + 131 / + 15 ... + 55					
CONTROL RANGE (ADJUSTABLE)		SC	+ 77 ... + 113 / + 25 ... + 45; factory setting + 95 / + 35				°F / °C
REFRIGERANT	TYPE	R134a					
	QUANTITY	400					g
DUTY CYCLE		100%					
CONDENSATE MANAGEMENT		active condensate evaporation system with safety overflow					
PROTECTION SYSTEM ACCORDING TO EN 60529		NEMA 12 against enclosure when properly installed					
		NEMA 1 towards the surroundings when properly installed					
DESIGN	HOUSING	galvanized sheet steel					
	COVER	galvanized/electrostatically powder coated (200 °C)					

<sup>1</sup> performance data based on 60 Hz operation

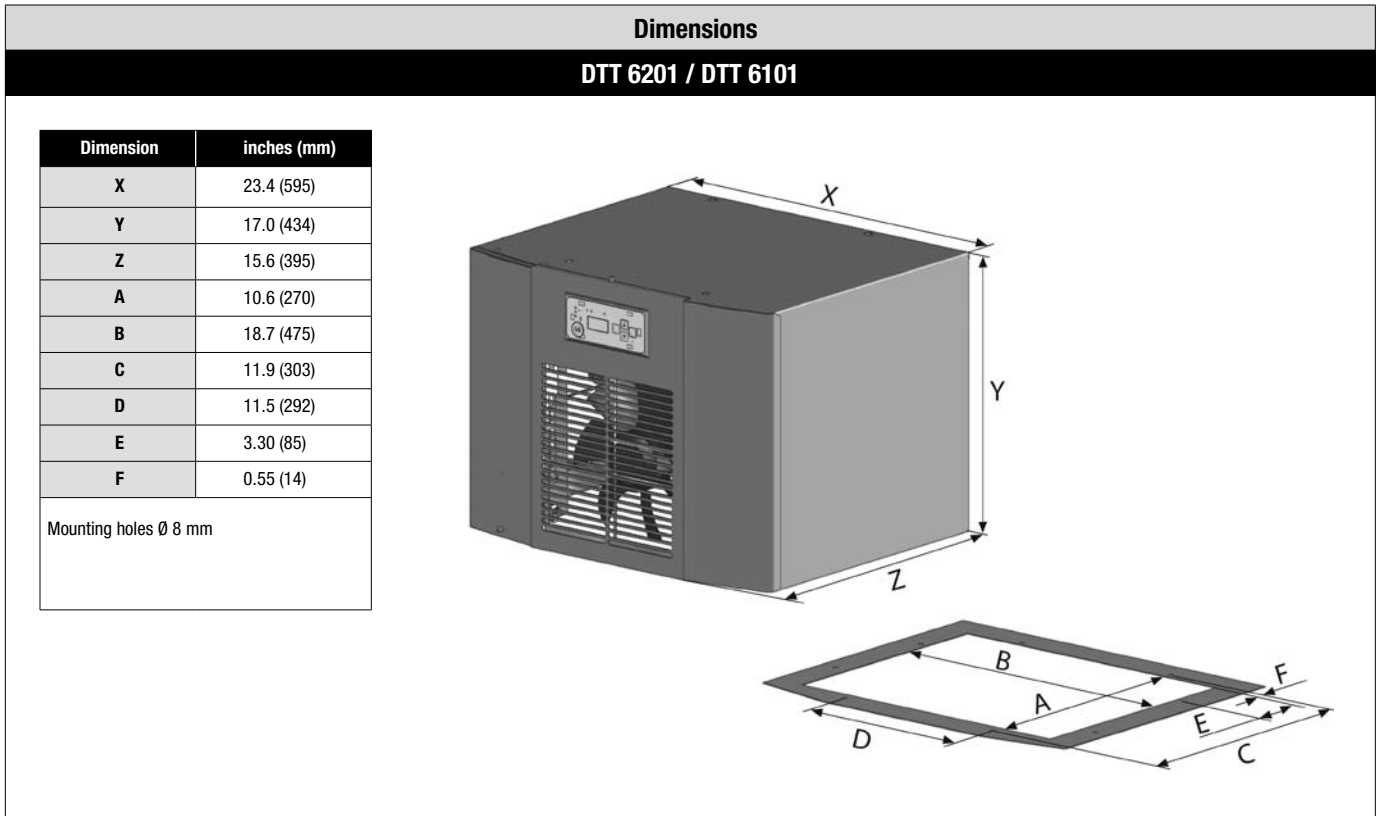
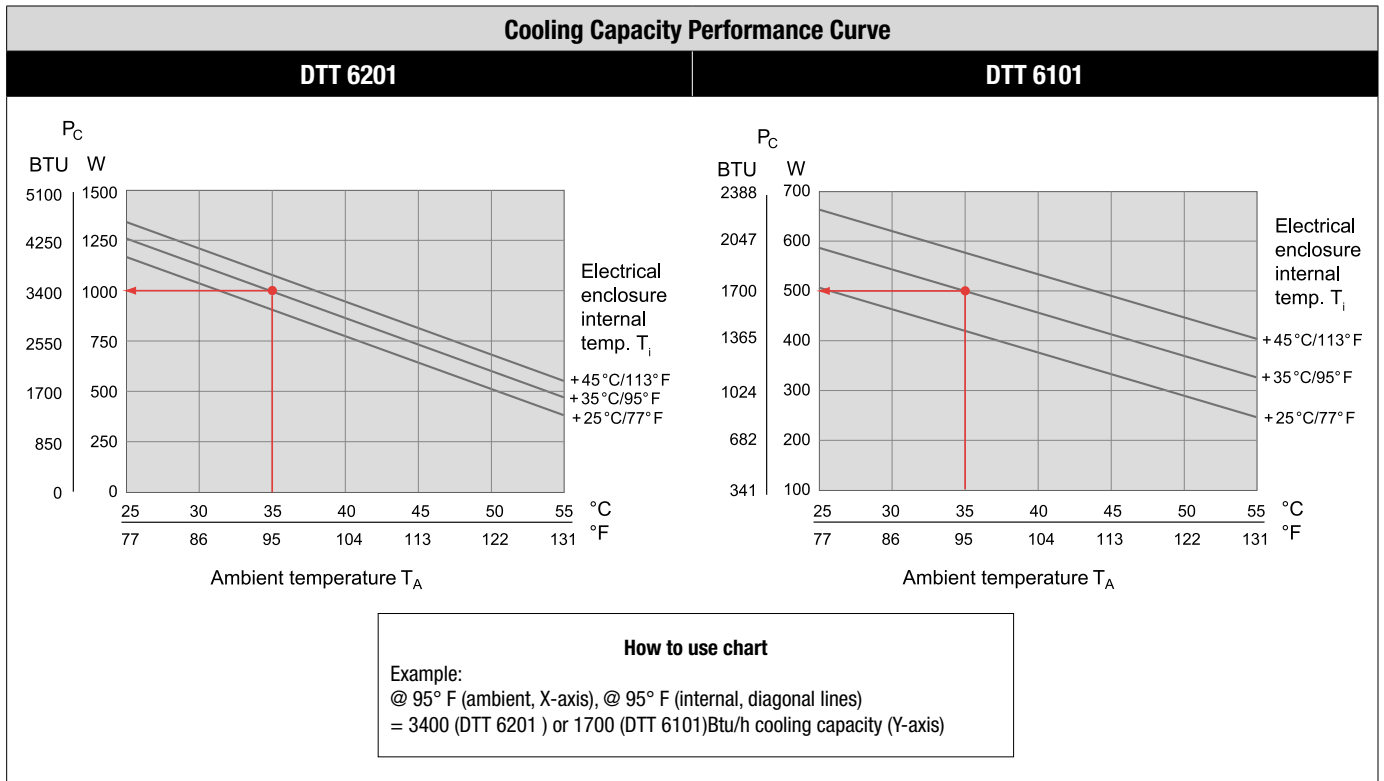
<sup>2</sup> performance data based on 50 Hz operation

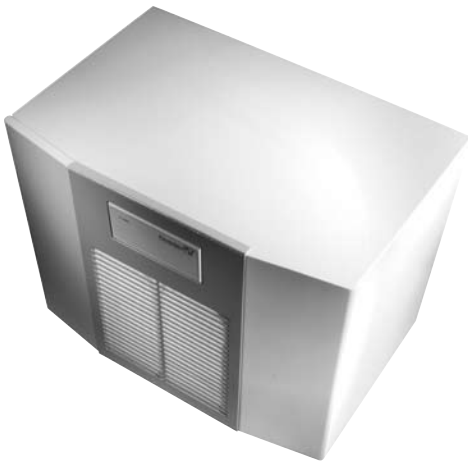
ACCESSORIES	PIECE	PART NUMBER
METAL MESH FILTER	1	FILTER/FLUTED
CONDENSATE BOTTLE	1	CONDENSATE/BTL

Approvals see page E7

AIR  
 CONDITIONING







- Product variety: 3 installation sizes and 6 performances
- 4-fold protection against condensate with patented condensate management system
- Tool-less mounting and maintenance due to quick-release mounting frame
- Service-friendly: complete cover removable towards the front, easily accessible filter mats and control elements in front area.
- Energy efficiency: around 20 % saving on energy thanks to the use of more effective, lighter components
- UL certification
- Design and color matching: perfect mixture of functionality and design

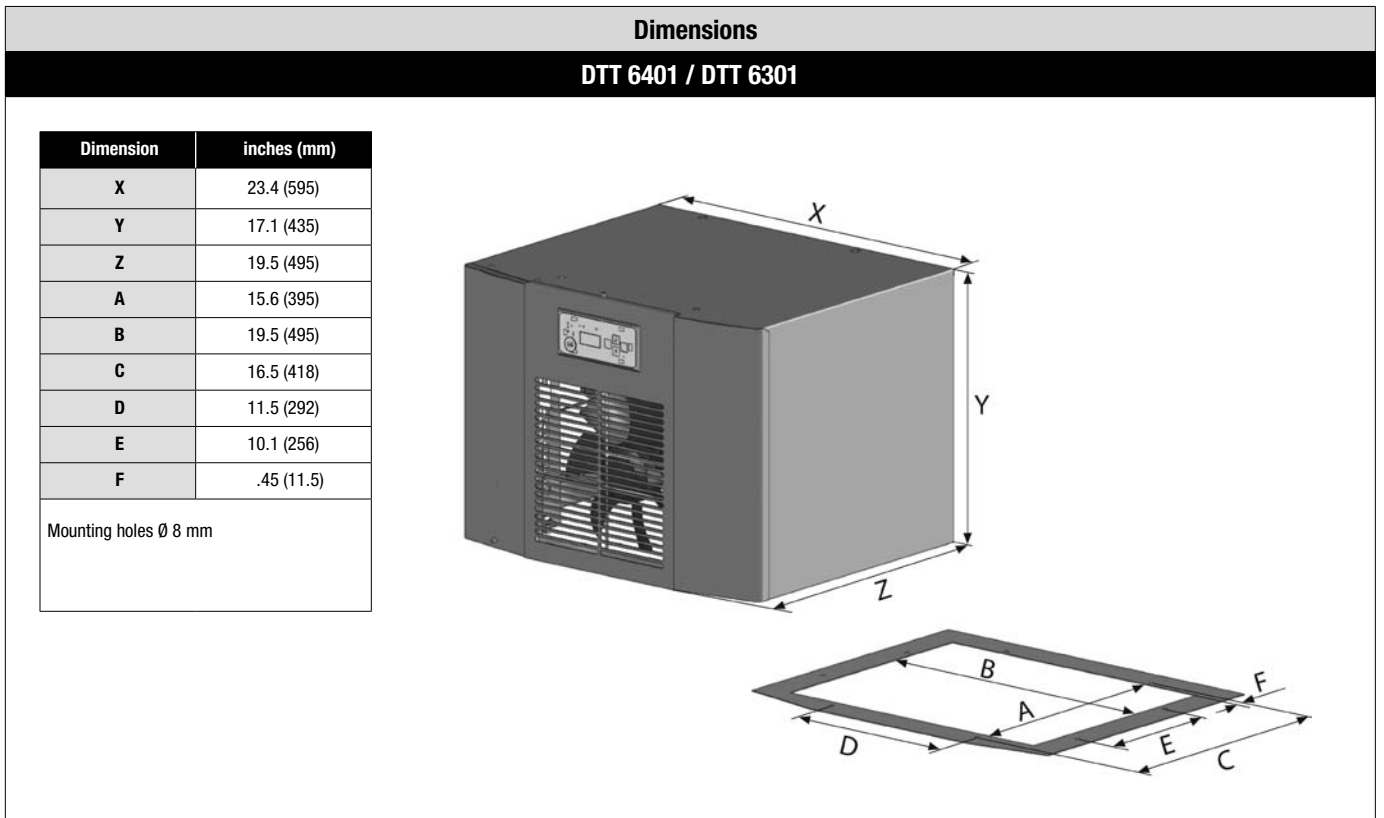
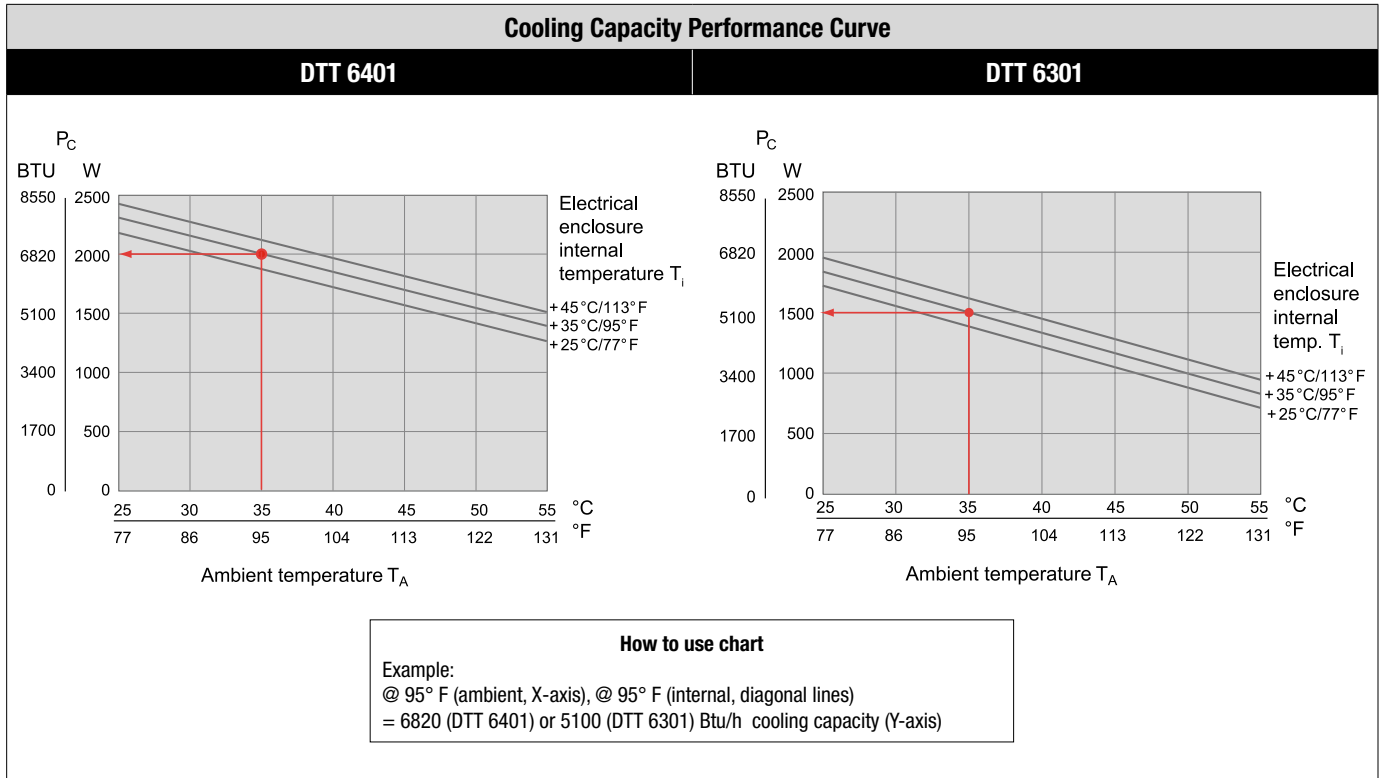
DATA		DTT 6401			DTT 6301			UNIT
PART NUMBER	RAL 7035 (LIGHT GRAY)	DTT6401460V	DTT6401230V	DTT6401115V	DTT6301460V	DTT6301230V	DTT6301115V	
RATED VOLTAGE ± 10 %		400 / 460 3Ø	230	115 <sup>1</sup>	400 / 460 1Ø	230	115 <sup>1</sup>	VAC
FREQUENCY		50 / 60						HZ
COOLING PERFORMANCE ACCORDING TO EN 14511		5500 - 7000			4000 - 5500			Btu/h
POWER CONSUMPTION		1300 / 1598	1049 / 1275	1894 <sup>1</sup>	962 / 1150	980 / 1140	1027 <sup>1</sup>	W
NOMINAL (RUN) CURRENT		2.3 / 2.4	5.1 / 5.5	16.5 <sup>1</sup>	3.1 / 3.2	6.3 / 6.4	10.8 <sup>1</sup>	A
STARTING CURRENT		10 / 12	16.8 <sup>2</sup>	34 <sup>1</sup>	9.8 <sup>2</sup>	19.7 <sup>2</sup>	32 <sup>1</sup>	
UNIMPEDED AIRFLOW (FREE FLOW)	INTERNAL	521 / 583 (885 / 990)						CFM (m <sup>3</sup> /h)
	EXTERNAL	1071 / 1159 (1820 / 1970)						
FUSE (RECOMMENDED)		6	10	20	6	10	20	A
TYPE OF CONNECTION		spring-type terminal included with plug						
NOISE LEVEL (ACCORDING TO EN ISO 3741)		< 62						dB(A)
WEIGHT (WITHOUT PACKAGING)		112 (51)	101 (46)	97 (44)	111 (50.5)	99 (45)	88 (40)	lb (kg)
AMBIENT TEMPERATURE RANGE		+ 59 ... + 131 / + 15 ... + 55						
CONTROL RANGE (ADJUSTABLE)	SC	+ 77 ... + 113 / + 25 ... + 45 ; factory setting + 95 / + 35						°F / °C
REFRIGERANT	TYPE	R134a						
	QUANTITY	750			725			g
DUTY CYCLE		100%						
CONDENSATE MANAGEMENT		integrated condensate evaporation system with safety overflow						
PROTECTION SYSTEM ACCORDING TO EN 60529		NEMA 12 against enclosure when properly installed						
		NEMA 1 towards the surroundings when properly installed						
DESIGN	HOUSING	galvanized sheet steel						
	COVER	galvanized/electrostatically powder coated (200 °C)						

ACCESSORIES	PIECE	PART NUMBER
FLUTED FILTER	1	FILTER/FLUTED
CONDENSATE BOTTLE	1	CONDENSATE/BTL

<sup>1</sup> performance data based on 60 Hz operation

<sup>2</sup> performance data based on 50 Hz operation

Approvals see page E7



TOP MOUNTED COOLING UNITS  
 DTT 6601 (7000-10000 BTU/H) • DTT 6801 (12000-14000 BTU/H)



- Product variety: 3 installation sizes and 6 performances
- 4-fold protection against condensate with patented condensate management system
- Tool-less mounting and maintenance due to quick-release mounting frame
- Service-friendly: complete cover removable towards the front, easily accessible filter mats and control elements in front area.
- Energy efficiency: around 20 % saving on energy thanks to the use of more effective, lighter components
- UL certification
- Design and color matching: perfect mixture of functionality and design

DATA		DTT 6801	DTT 6601	UNIT
PART NUMBER	RAL 7035 (LIGHT GRAY)	DTT6801460V	DTT6601460V	
RATED VOLTAGE ± 10 %		400 / 460 3Ø	400 / 460 3Ø	V
FREQUENCY		50 / 60		Hz
COOLING PERFORMANCE ACCORDING TO EN 14511		12000 - 14000	7000 - 10000	Btu/h
POWER CONSUMPTION		1618 / 2050	1700 / 2100	W
NOMINAL (RUN) CURRENT		3.4 / 3.5	2.45 / 2.49	A
STARTING CURRENT		17.1 / 19.5	8.9 / 9.9	
UNIMPEDED AIRFLOW (FREE FLOW)	INTERNAL	836 - 900 (1420 / 1530)		CFM (m <sup>3</sup> /h)
	EXTERNAL	1159 - 1283 (1970 / 2180)		
FUSE (RECOMMENDED)		10	10	A
TYPE OF CONNECTION		spring-type terminal included with plug		
NOISE LEVEL (ACCORDING TO EN ISO 3741)		< 62		dB(A)
WEIGHT (WITHOUT PACKAGING)		170 (77)	165 (75)	lb (kg)
AMBIENT TEMPERATURE RANGE		+ 59 ... + 131 / + 15 ... + 55		°F / °C
CONTROL RANGE (ADJUSTABLE)	SC	+ 77 ... + 113 / + 25 ... + 45 ; factory setting + 95 / + 35		
REFRIGERANT	TYPE	R134a		g
	QUANTITY	1500	1350	
DUTY CYCLE		100%		
CONDENSATE MANAGEMENT		integrated condensate evaporation system with safety overflow		
PROTECTION SYSTEM ACCORDING TO EN 60529		NEMA 12 against enclosure when properly installed		
		NEMA 1 towards the surroundings when properly installed		
DESIGN	HOUSING	galvanized sheet steel		
	COVER	galvanized/electrostatically powder coated (200 °C)		

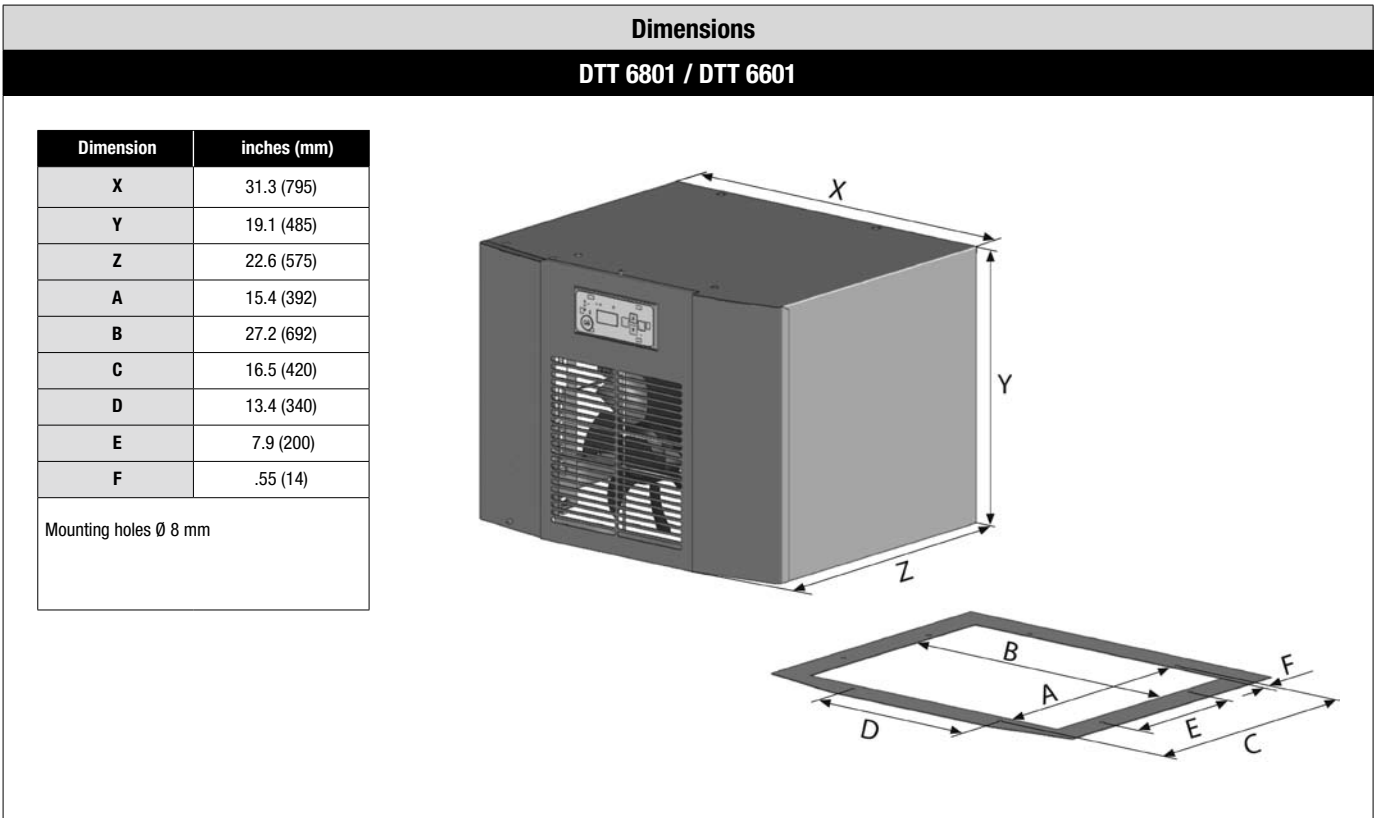
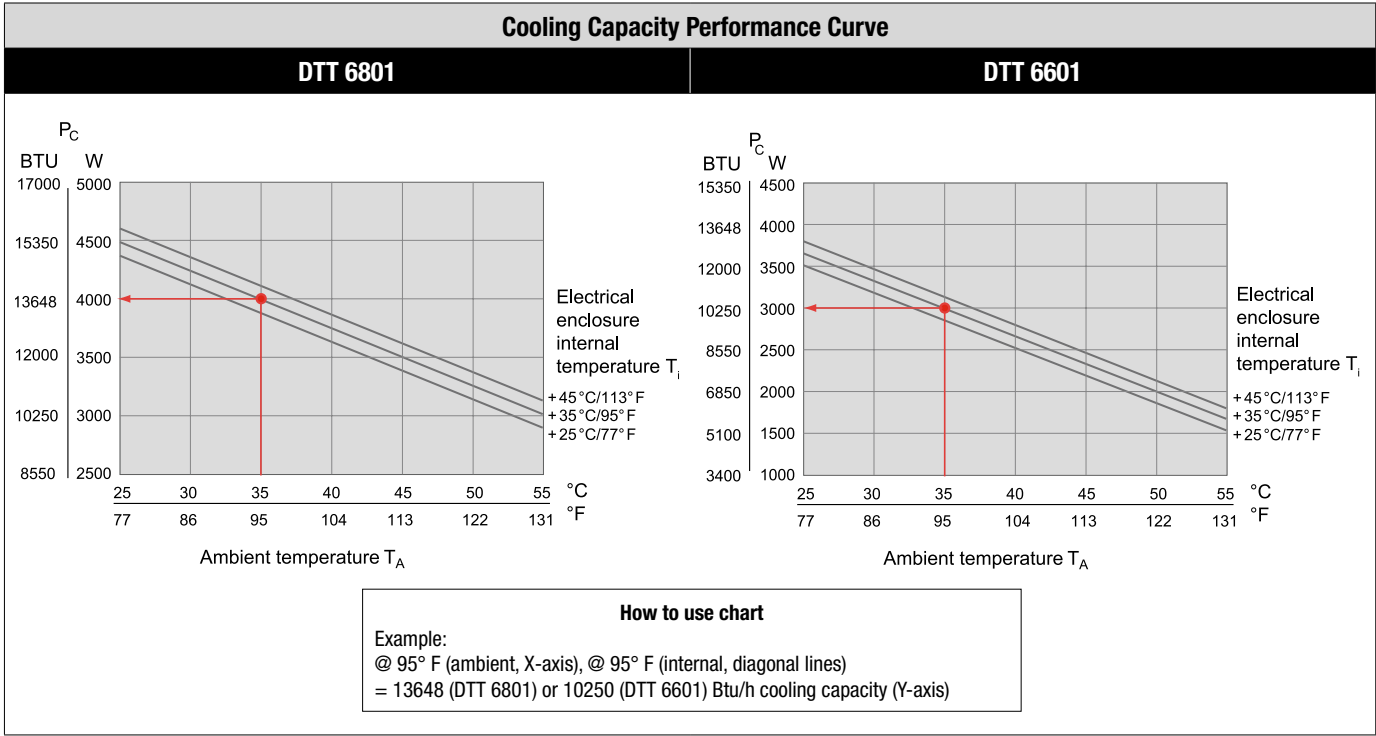
ACCESSORIES	PIECE	PART NUMBER
FLUTED FILTER	1	FILTER/FLUTED
CONDENSATE BOTTLE	1	CONDENSATE/BTL

<sup>1</sup> performance data based on 60 Hz operation

<sup>2</sup> performance data based on 50 Hz operation

Approvals see page E7

AIR  
CONDITIONING



TYPE 3R/4 – OUTDOOR COOLING UNIT – DTS 3061 (2000-3000 BTU/H)



- Compact design, ideal for small control cabinets and larger control cabinets for the cooling of hot spots
- Large distance between intake and exhaust vents, safe circulation within the electrical enclosure due to long passage of air, eliminating hot spots
- Maintains a UL Tested NEMA Type 3R/4 seal against enclosure
- UL 484 Listed, category ACVS, UL file #SA10300, CE approved for European use
- Maintenance-free design, filterless for most applications
- Powder coated steel cover for rugged environments, easily painted to match enclosure or machine
- Condenser with 3 mm fin spacing, highly effective protection against strongly contaminated and aggressive ambient air
- Active condensate evaporation system

DATA		DTS 3061 (NEMA OUTDOOR TYPE 3R/4)			UNIT
PART NUMBER	ANSI 61 (GRAY)	DTS3061230VSP	DTS3061230V	DTS3061115V	
	RAL 7035 (LIGHT GRAY)	DTS3061230VSP/7035	DTS3061230V/7035	DTS3061115V/7035	
RATED VOLTAGE ± 10 %		230	230	115	VAC
		50/60	60*	60*	Hz
COOLING PERFORMANCE ACCORDING TO EN 14511		2000 - 3000			Btu/h
POWER CONSUMPTION		690	724	950	W
NOMINAL (RUN) CURRENT		5.2	3.3	7.9	A
STARTING CURRENT		28	14.4	29.9	
UNIMPEDED AIRFLOW (FREE FLOW)	INTERNAL	191 (325)			CFM (m³/h)
	EXTERNAL	88 (148)			
FUZE (RECOMMENDED)		10	10	15	A
TYPE OF CONNECTION		cord with molded plug			
NOISE LEVEL (ACCORDING TO EN ISO 3741)		< 64			dB(A)
WEIGHT (WITHOUT PACKAGING)		51 (23)			lb (kg)
AMBIENT TEMPERATURE RANGE		+ 59 ... + 131 / + 15 ... + 55			°F / °C
CONTROL RANGE (ADJUSTABLE)		+ 77 ... + 113 / + 25 ... + 45 factory setting + 95 / + 35			
REFRIGERANT	TYPE	R134a			
	QUANTITY	400		228	g
DUTY CYCLE		100 %			
CONDENSATE MANAGEMENT		Integrated Condensate Management System with Condensate Drain			
PROTECTION SYSTEM ACCORDING TO NEMA TYPE		NEMA Type 3R/4 against enclosure when properly installed			
		NEMA Type 1 towards the surroundings when properly installed			
DESIGN	HOUSING	galvanized sheet steel			
	COVER	galvanized/electrostatically powder coated (200 °C)			

\*50 Hz unit available. Consult factory.

OPTION(S)	PIECE	PART NUMBER
900 W ENCLOSURE HEATER	1	Consult Factory
ACCESSORIES	PIECE	PART NUMBER
METAL MESH FILTER	1	FILTER/MESH
CONDENSATE BOTTLE	1	CONDENSATE/BTL

<sup>1</sup> performance data based on 60 Hz operation

<sup>2</sup> performance data based on 50 Hz operation

Approvals see page E7

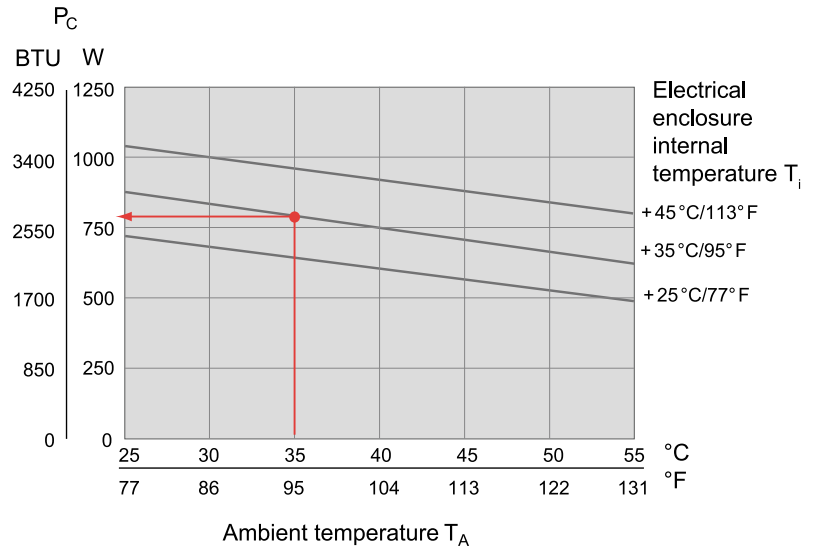
AIR CONDITIONING



Cooling Capacity Performance Curve

DTS 3061

**How to use chart**  
 Example:  
 @ 95° F (ambient, X-axis), @ 95° F (internal, diagonal lines)  
 = 2660 Btu/h cooling capacity (Y-axis)

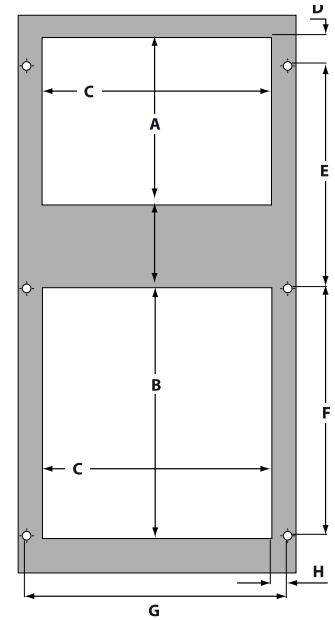
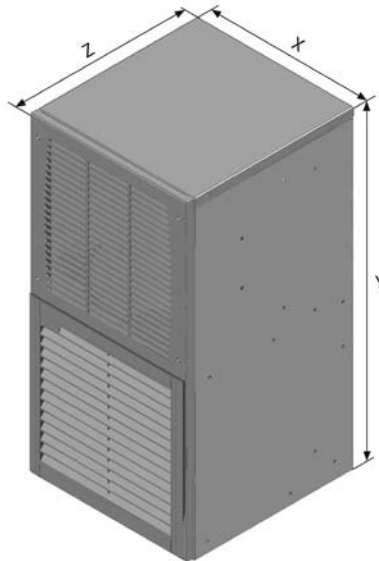


Dimensions

DTS 3061

Dimension	inches (mm)
X	10.1 (256)
Y	20.2 (512)
Z	10.8 (274)
A	6.0 (152)
B	9.1 (230)
C	8.3 (210)
D	1.0 (26)
E	8.0 (203)
F	8.9 (226)
G	9.4 (238)
H	.06 (14)
I	3.0 (76)

Mounting holes Ø 10 mm



TYPE 3R/4 – OUTDOOR COOLING UNIT – DTS 3161 (3000-4000 BTU/H)



- Large distance between intake and exhaust vents, safe circulation within the electrical enclosure due to long passage of air, eliminating hot spots
- Maintains a UL Tested NEMA Type 3R/4 seal against enclosure
- UL 484 Listed, category ACVS, UL file #SA10300, CE approved for European use
- Maintenance-free design, filterless for most applications
- Powder coated steel cover for rugged environments, easily painted to match enclosure or machine
- Condenser with 3 mm fin spacing, highly effective protection against strongly contaminated and aggressive ambient air
- Uses Internal Standard Control (SC) board
- Active condensate evaporation system

DATA		DTS 3161 (NEMA OUTDOOR TYPE 3R/4)			UNIT
PART NUMBER	ANSI 61 (GRAY)	DTS3161460V	DTS3161230V	DTS3161115V	
	RAL 7035 (LIGHT GRAY)	DTS3161460V/7035	DTS3161230V/7035	DTS3161115V/7035	
RATED VOLTAGE ± 10 %		460 1Ø	230	115	VAC
		50 / 60			60
COOLING PERFORMANCE ACCORDING TO EN 14511		3000 - 4000			Btu/h
POWER CONSUMPTION		860	860	950	W
NOMINAL (RUN) CURRENT		1.9	3.9	7.9	A
STARTING CURRENT		8	14.9	29.9	
UNIMPEDED AIRFLOW (FREE FLOW)	INTERNAL	350 (206)			CFM (m³/h)
	EXTERNAL	350 (206)			
FUZE (RECOMMENDED)		5	10	15	A
TYPE OF CONNECTION		permanent spring terminal			
NOISE LEVEL (ACCORDING TO EN ISO 3741)		< 70			dB(A)
WEIGHT (WITHOUT PACKAGING)		95 (43)			lb (kg)
AMBIENT TEMPERATURE RANGE		+ 59 ... + 131 / + 15 ... + 55			°F / °C
CONTROL RANGE (ADJUSTABLE)		+ 77 ... + 113 / + 25 ... + 45; factory setting + 95 / + 35			
REFRIGERANT	TYPE	R134a			
	QUANTITY	400			g
DUTY CYCLE		100 %			
CONDENSATE MANAGEMENT		active condensate evaporation system with safety overflow			
PROTECTION SYSTEM ACCORDING TO NEMA TYPE		NEMA Type 3R/4 against enclosure when properly installed			
		NEMA Type 1 towards the surroundings when properly installed			
DESIGN	HOUSING	galvanized sheet steel			
	COVER	galvanized/electrostatically powder coated (200 °C); stainless steel on request			

\*\* SCCR rating - See user manual for instructions to achieve 50 kA (460 V) SCCR rating.

OPTION(S)	PIECE	PART NUMBER
900 W ENCLOSURE HEATER	1	Consult Factory
ACCESSORIES	PIECE	PART NUMBER
METAL MESH FILTER	1	FILTER/MESHO
CONDENSATE BOTTLE	1	CONDENSATE/BTL

<sup>1</sup> performance data based on 60 Hz operation

<sup>2</sup> performance data based on 50 Hz operation

Approvals see page E7

AIR CONDITIONING

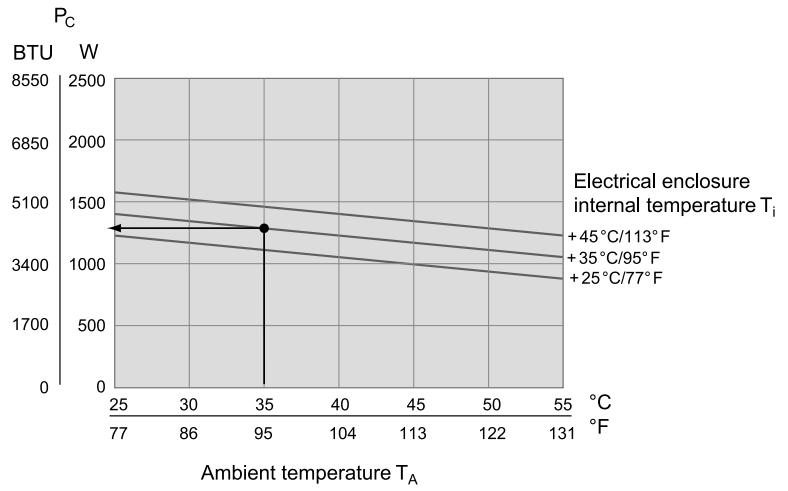
**Cooling Capacity Performance Curve**

**DTS 3161**

**How to use chart**

Example:  
 @ 95° F (ambient, X-axis), @ 95° F  
 (internal, diagonal lines)  
 = 3950 Btu/h cooling capacity (Y-axis)

**DTS 3161**

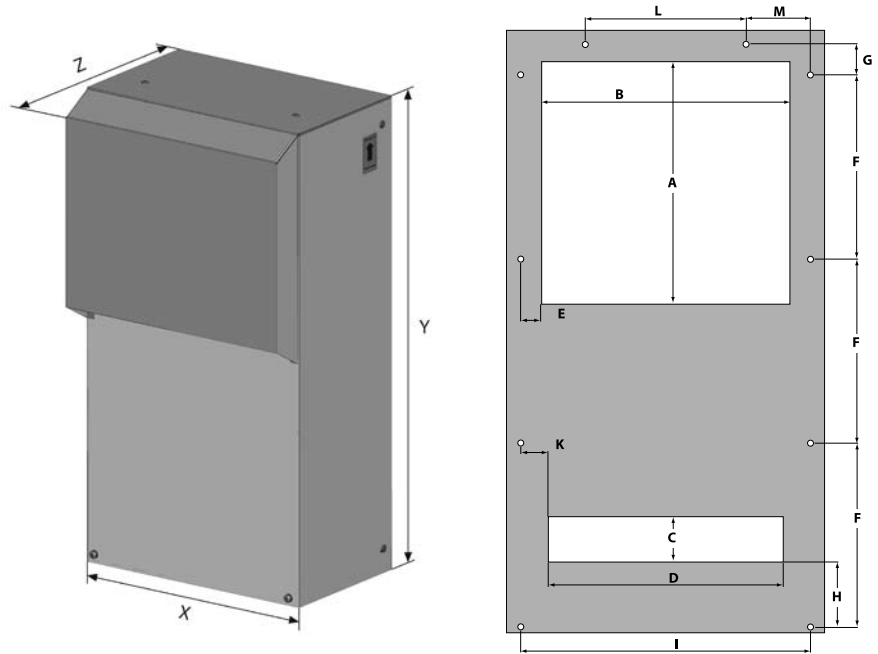


**Dimensions**

**DTS 3161**

Dimension	inches (mm)
X	15.55 (395)
Y	29.33 (748)
Z	11.57 (294)
A	11.81 (300)
B	12.2 (310)
C	2.2 (56)
D	11.5 (292)
E	.98 (25)
F	9 (228.6)
G	1.5 (38.1)
H	3.19 (81)
I	14.17 (360)
J	10.12 (257)
K	1.34 (34)
L	7.87 (200)
M	3.15 (80)

Mounting holes Ø 8 mm



**AIR  
CONDITIONING**

TYPE 3R/4 – OUTDOOR COOLING UNIT – DTS 3165 (5000-8000 BTH/H)



- Large distance between intake and exhaust vents, safe circulation within the electrical enclosure due to long passage of air, eliminating hot spots
- Maintains a UL Tested NEMA Type 3R/4 seal against enclosure
- UL 484 Listed, category ACVS, UL file #SA10300, CE approved for European use
- Maintenance-free design, filterless for most applications
- Powder coated steel cover for rugged environments, easily painted to match enclosure or machine
- Condenser with 3 mm fin spacing, highly effective protection against strongly contaminated and aggressive ambient air
- Uses Internal Standard Control (SC) board
- Active condensate evaporation system

DATA		DTS 3165 (NEMA OUTDOOR TYPE 3R/4)			UNIT
PART NUMBER	ANSI 61 (GRAY)	DTS3165460V	DTS3165230V	DTS3165115V	
	RAL 7035 (LIGHT GRAY)	DTS3165460V/7035	DTS3165230V/7035	DTS3165115V/7035	
RATED VOLTAGE ± 10 %		400 / 460 3Ø	230	115	VAC
		50 / 60	60*	60	Hz
COOLING PERFORMANCE ACCORDING TO EN 14511		5000 - 7000			Btu/h
POWER CONSUMPTION		1283	1020	1000	W
NOMINAL (RUN) CURRENT		3	4.5	8.5	A
STARTING CURRENT		8	10	16	
UNIMPEDED AIRFLOW (FREE FLOW)	INTERNAL	341 (580)	341 (580)	365 (620)	CFM (m³/h)
	EXTERNAL	706 (1200)	706 (1200)	765 (1300)	
FUSE (RECOMMENDED)		5	10	15	A
TYPE OF CONNECTION		permanent spring terminal			
NOISE LEVEL (ACCORDING TO EN ISO 3741)		< 70			dB(A)
WEIGHT (WITHOUT PACKAGING)		108 (49)			lb (kg)
AMBIENT TEMPERATURE RANGE		+ 59 ... + 131 / + 15 ... + 55			°F / °C
CONTROL RANGE (ADJUSTABLE)		+ 77 ... + 113 / + 25 ... + 45; factory setting + 95 / + 35			
REFRIGERANT	TYPE	R134a			
	QUANTITY	400			g
DUTY CYCLE		100 %			
CONDENSATE MANAGEMENT		active condensate evaporation system with safety overflow			
PROTECTION SYSTEM ACCORDING TO NEMA TYPE		NEMA Type 3R/4 against enclosure when properly installed			
		NEMA Type 1 towards the surroundings when properly installed			
DESIGN	HOUSING	galvanized sheet steel			
	COVER	galvanized/electrostatically powder coated (200 °C)			

\*50 Hz unit available. Consult factory.

\*\* SCCR rating - See user manual for instructions to achieve 200 kA (460 V) SCCR rating.

OPTION(S)	PIECE	PART NUMBER
900 W ENCLOSURE HEATER	1	Consult Factory
ACCESSORIES	PIECE	PART NUMBER
HOOD	1	Consult Factory
METAL MESH FILTER	1	FILTER/MESHO
CONDENSATE BOTTLE	1	CONDENSATE/BTL

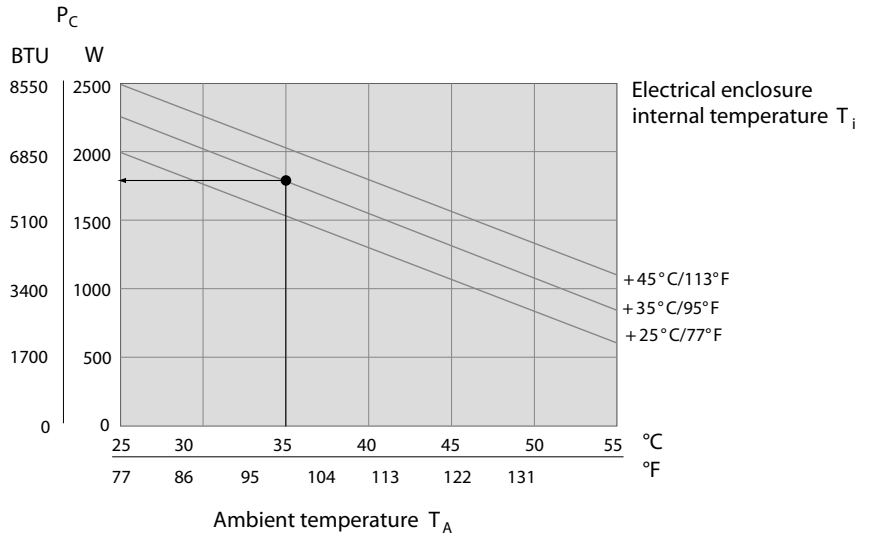
Approvals see page E7

AIR  
CONDITIONING

**Cooling Capacity Performance Curve**

**DTS 3165**

**How to use chart**  
 Example:  
 @ 95° F (ambient, X-axis), @ 95° F (internal, diagonal lines)  
 = 6140 Btu/h cooling capacity (Y-axis)

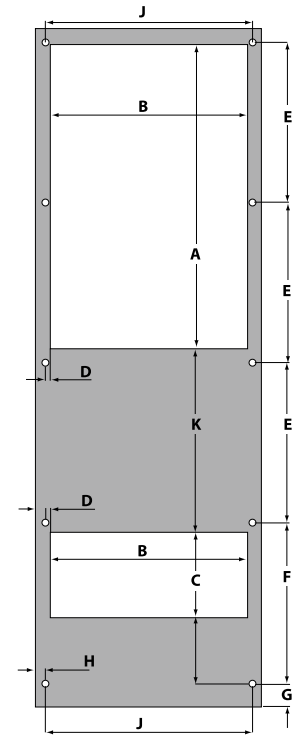
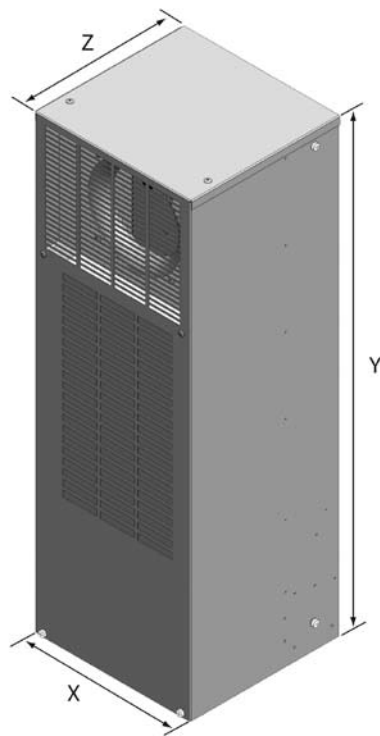


**Dimensions**

**DTS 3165**

Dimension	inches (mm)
X	12 (304)
Y	36 (914)
Z	12 (304)
A	17 (430)
B	10.4 (264)
C	4.7 (118)
D	.30 (8)
E	8.5 (216)
F	8.5 (216)
G	1.3 (32)
H	.5 (13)
I	3.2 (80)
J	11 (279)
K	9 (228)

Mounting holes  $\varnothing$  10 mm



**AIR  
CONDITIONING**

TYPE 3R/4 – OUTDOOR COOLING UNIT – DTS 3261 (7000-8500 BTU/H)



- Large distance between intake and exhaust vents, safe circulation within the electrical enclosure due to long passage of air, eliminating hot spots
- Maintains a UL Tested NEMA Type 3R/4 seal against enclosure
- UL 484 Listed, category ACVS, UL file #SA10300, CE approved for European use
- Maintenance-free design, filterless for most applications
- Powder coated steel cover for rugged environments, easily painted to match enclosure or machine
- Condenser with 3 mm fin spacing, highly effective protection against strongly contaminated and aggressive ambient air
- Uses Internal Standard Control (SC) board
- Active condensate evaporation system

DATA		DTS 3261 (NEMA OUTDOOR TYPE 3R/4)			UNIT
PART NUMBER	ANSI 61 (GRAY)	DTS3261460V	DTS3261230V	DTS3261115V	
	RAL 7035 (LIGHT GRAY)	DTS3261460V/7035	DTS3261230V/7035	DTS3261115V/7035	
RATED VOLTAGE ± 10 %		400 / 460 3Ø	230	115	VAC
		50 / 60	50 / 60	60	Hz
COOLING PERFORMANCE ACCORDING TO EN 14511		7000 - 8500			Btu/h
POWER CONSUMPTION		1400	1425	1680	W
NOMINAL (RUN) CURRENT		3.5	6.3	14.6	A
STARTING CURRENT		10	21.8	53	
UNIMPEDED AIRFLOW (FREE FLOW)	INTERNAL	580 (985)			CFM (m³/h)
	EXTERNAL	580 (985)			
FUSE (RECOMMENDED)		5	15	25	A
TYPE OF CONNECTION		permanent spring terminal			
NOISE LEVEL (ACCORDING TO EN ISO 3741)		< 73			dB(A)
WEIGHT (WITHOUT PACKAGING)		119 (54)			lb (kg)
AMBIENT TEMPERATURE RANGE		+ 59 ... + 131 / + 15 ... + 55			°F / °C
CONTROL RANGE (ADJUSTABLE)		+ 77 ... + 113 / + 25 ... + 45; factory setting + 95 / + 35			
REFRIGERANT	TYPE	R134a			g
	QUANTITY	700			
DUTY CYCLE		100 %			
CONDENSATE MANAGEMENT		active condensate evaporation system with safety overflow			
PROTECTION SYSTEM ACCORDING TO NEMA TYPE		NEMA Type 3R/4 against enclosure when properly installed			
		NEMA Type 1 towards the surroundings when properly installed			
DESIGN	HOUSING	galvanized sheet steel			
	COVER	galvanized/electrostatically powder coated (200 °C); stainless steel on request			

\*\* SCCR rating - See user manual for instructions to achieve 50 kA (230 V) or 200 kA (460 V) SCCR rating.

OPTION(S)	PIECE	PART NUMBER
900 W ENCLOSURE HEATER	1	Consult Factory
ACCESSORIES		
METAL MESH FILTER	1	FILTER/MESH1
CONDENSATE BOTTLE	1	CONDENSATE/BTL

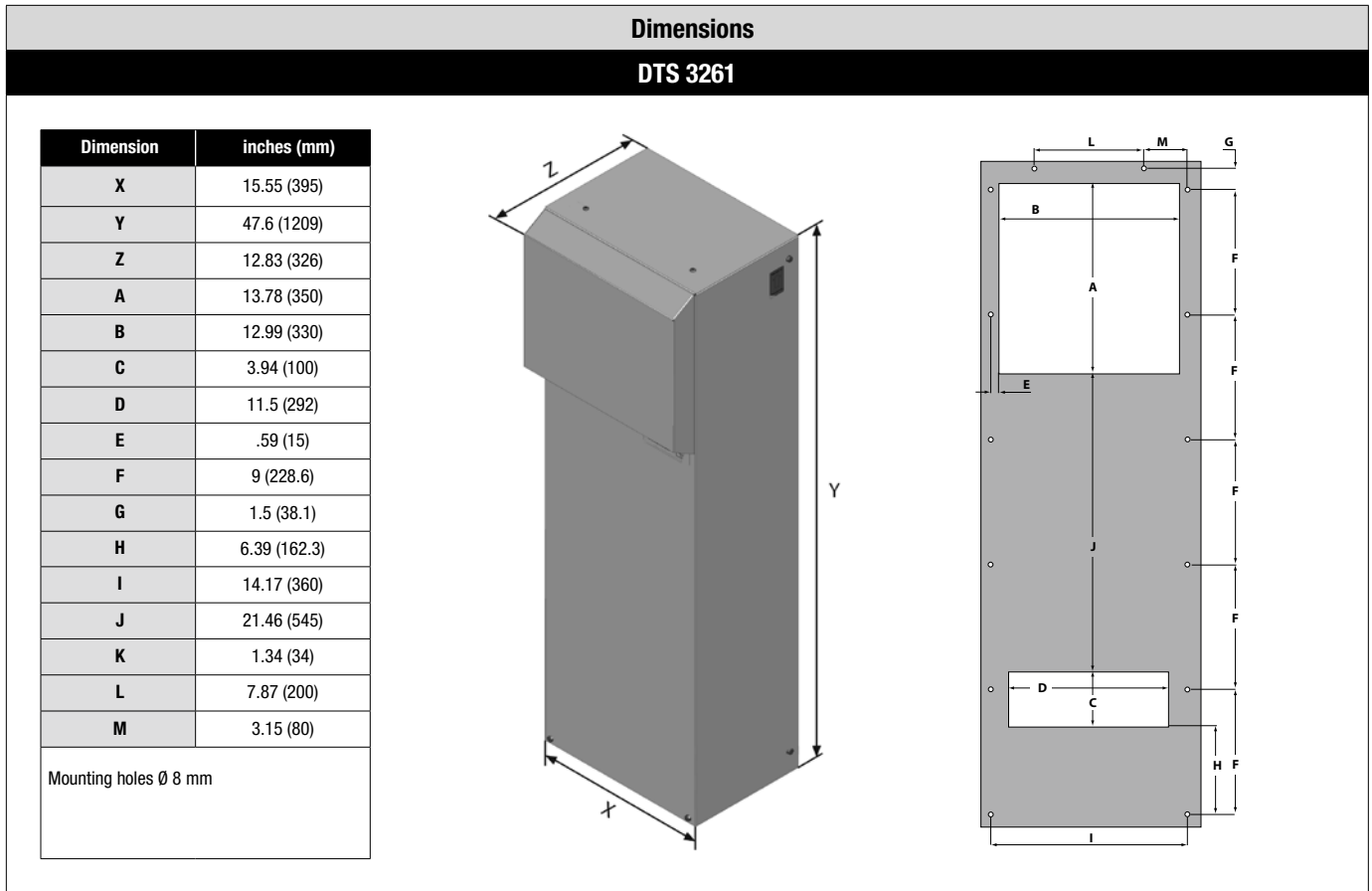
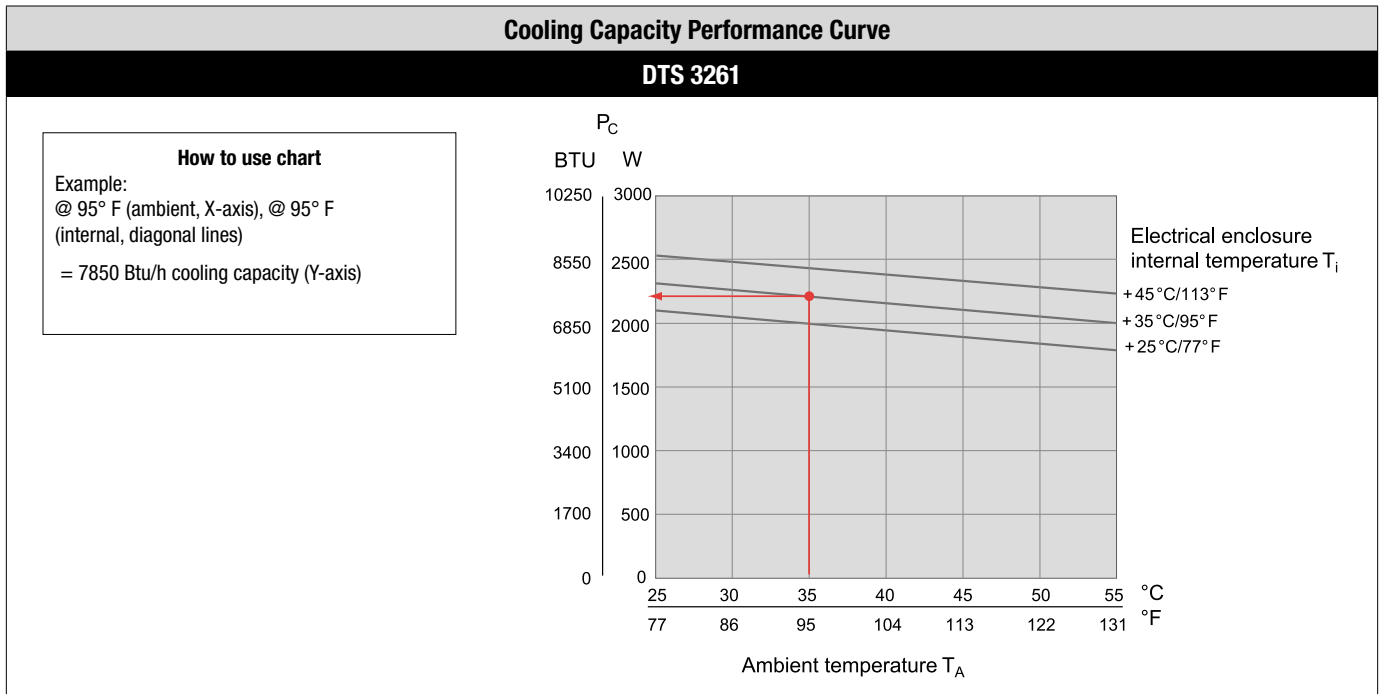
<sup>1</sup> performance data based on 60 Hz operation

<sup>2</sup> performance data based on 50 Hz operation

Approvals see page E7

AIR  
CONDITIONING





**AIR  
CONDITIONING**



- Large distance between intake and exhaust vents, safe circulation within the electrical enclosure due to long passage of air, eliminating hot spots
- Maintains a UL Tested NEMA Type 3R/4 seal against enclosure
- UL 484 Listed, category ACVS, UL file #SA10300, CE approved for European use
- Maintenance-free design, filterless for most applications
- Powder coated steel cover for rugged environments, easily painted to match enclosure or machine
- Condenser with 3 mm fin spacing, highly effective protection against strongly contaminated and aggressive ambient air
- Uses Internal Standard Control (SC) board
- Active condensate evaporation system

DATA		DTS 3265 (NEMA OUTDOOR TYPE 3R/4)			UNIT
PART NUMBER	ANSI 61 (GRAY)	DTS3265460V	DTS3265230V	DTS3265115V	
	RAL 7035 (LIGHT GRAY)	DTS3265460V/7035	DTS3265230V/7035	DTS3265115V/7035	
RATED VOLTAGE ± 10 %		400 / 460 3Ø	230	115	VAC
FREQUENCY		50 / 60	60*	60	Hz
COOLING PERFORMANCE ACCORDING TO EN 14511		9000 - 12000			Btu/h
POWER CONSUMPTION		1700	1600	1600	W
NOMINAL (RUN) CURRENT		2.6	7	14.2	A
STARTING CURRENT		8	10	20	
UNIMPEDED AIRFLOW (FREE FLOW)	INTERNAL	706 (1200)	706 (1200)	765 (1300)	CFM (m <sup>3</sup> /h)
	EXTERNAL	706 (1200)	706 (1200)	765 (1300)	
FUSE (RECOMMENDED)**		5	15	25	A
TYPE OF CONNECTION		permanent spring terminal			
NOISE LEVEL (ACCORDING TO EN ISO 3741)		< 73			dB(A)
WEIGHT (WITHOUT PACKAGING)		150 (68)			lb (kg)
AMBIENT TEMPERATURE RANGE		+ 59 ... + 131 / + 15 ... + 55			°F / °C
CONTROL RANGE (ADJUSTABLE)	SC	+ 77 ... + 113 / + 25 ... + 45; factory setting + 95 / + 35			
REFRIGERANT	TYPE	R134a			g
	QUANTITY	1200			
DUTY CYCLE		100 %			
CONDENSATE MANAGEMENT		active condensate evaporation system with safety overflow			
PROTECTION SYSTEM ACCORDING TO NEMA TYPE		NEMA Type 3R/4 against enclosure when properly installed			
		NEMA Type 1 towards the surroundings when properly installed			
DESIGN	HOUSING	galvanized sheet steel			
	COVER	galvanized/electrostatically powder coated (200 °C)			

\*50 Hz unit available. Consult factory.

\*\* SCCR rating - See user manual for instructions to achieve 50 kA (230 V) or 200 kA (460 V) SCCR rating.

OPTION(S)	PIECE	PART NUMBER
900 W ENCLOSURE HEATER	1	Consult Factory
ACCESSORIES	PIECE	PART NUMBER
HOOD	1	Consult Factory
METAL MESH FILTER	1	FILTER/MESH7
CONDENSATE BOTTLE	1	CONDENSATE/BTL

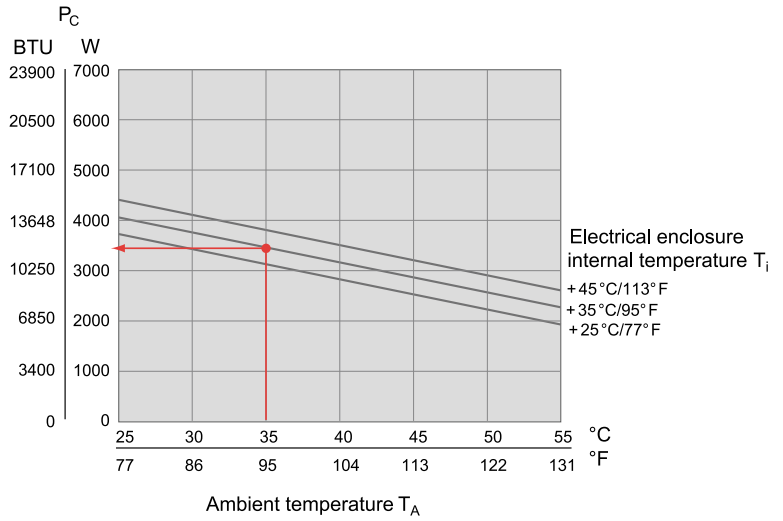
Approvals see page E7



Cooling Capacity Performance Curve

DTS 3265

**How to use chart**  
 Example:  
 @ 95° F (ambient, X-axis), @ 95° F (internal, diagonal lines)  
 = 10875 Btu/h cooling capacity (Y-axis)

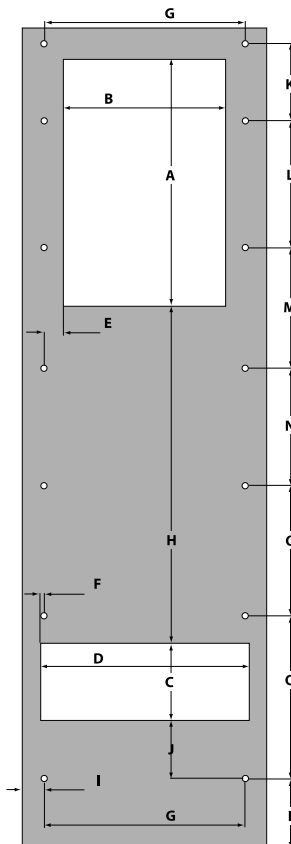
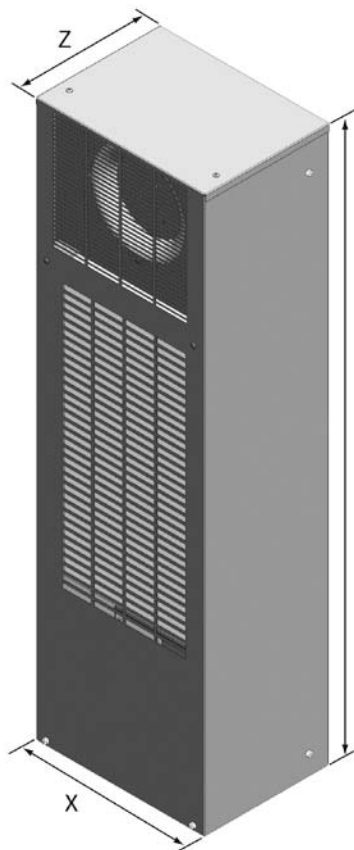


Dimensions

DTS 3265

Dimension	inches (mm)
X	16.0 (406)
Y	53.0 (1347)
Z	11.9 (301)
A	16.8 (427)
B	11 (280)
C	5.3 (135)
D	13.7 (348)
E	.98 (25)
F	.35 (9)
G	13.0 (330)
H	21.1 (537)
I	1.4 (35)
J	3.6 (92)
K	5.0 (126)
L	8.2 (209)
M	7.8 (198)
N	7.6 (192)
O	8.4 (214)
P	4.5 (114)
Q	10.5 (267)

Mounting holes Ø 8 mm



AIR  
CONDITIONING

TYPE 3R/4 – OUTDOOR COOLING UNIT – DTS 3361 (12000-14000 BTU/H)



- Large distance between intake and exhaust vents, safe circulation within the electrical enclosure due to long passage of air, eliminating hot spots
- Maintains a UL Tested NEMA Type 3R/4 seal against enclosure
- UL 484 Listed, category ACVS, UL file #SA10300, CE approved for European use
- Maintenance-free design, filterless for most applications
- Powder coated steel cover for rugged environments, easily painted to match enclosure or machine
- Condenser with 3 mm fin spacing, highly effective protection against strongly contaminated and aggressive ambient air
- Uses Internal Standard Control (SC) board
- Active condensate evaporation system

DATA		DTS 3361 (NEMA OUTDOOR TYPE 3R/4)		UNIT
PART NUMBER	ANSI 61 (GRAY)	DTS3361460V	DTS3361230V	
	RAL 7035 (LIGHT GRAY)	DTS3361460V/7035	DTS3361230V/7035	
RATED VOLTAGE ± 10 %		400/460 3Ø	230	VAC
FREQUENCY		50 / 60	60*	Hz
COOLING PERFORMANCE ACCORDING TO EN 14511		12000 - 14000		Btu/h
POWER CONSUMPTION		1200 / 1600	1872	W
NOMINAL (RUN) CURRENT		3.6	8.5	A
STARTING CURRENT		16	51	
UNIMPEDED AIRFLOW (FREE FLOW)	INTERNAL	788 (1400)		CFM (m³/h)
	EXTERNAL	991 (1685)		
FUSE (RECOMMENDED)**		5	15	A
TYPE OF CONNECTION		permanent screw terminal		
NOISE LEVEL (ACCORDING TO EN ISO 3741)		< 72		dB(A)
WEIGHT (WITHOUT PACKAGING)		214 (97)		lb (kg)
AMBIENT TEMPERATURE RANGE		+ 59 ... + 131 / + 15 ... + 55		°F / °C
CONTROL RANGE (ADJUSTABLE)		+ 77 ... + 113 / + 25 ... + 45; factory setting + 95 / + 35		
REFRIGERANT	TYPE	R134a		g
	QUANTITY	1000		
DUTY CYCLE		100 %		
CONDENSATE MANAGEMENT		active condensate evaporation system with safety overflow		
PROTECTION SYSTEM ACCORDING TO NEMA TYPE		NEMA Type 3R/4 against enclosure when properly installed		
		NEMA Type 1 towards the surroundings when properly installed		
DESIGN	HOUSING	galvanized sheet steel		
	COVER	galvanized/electrostatically powder coated (200 °C)		

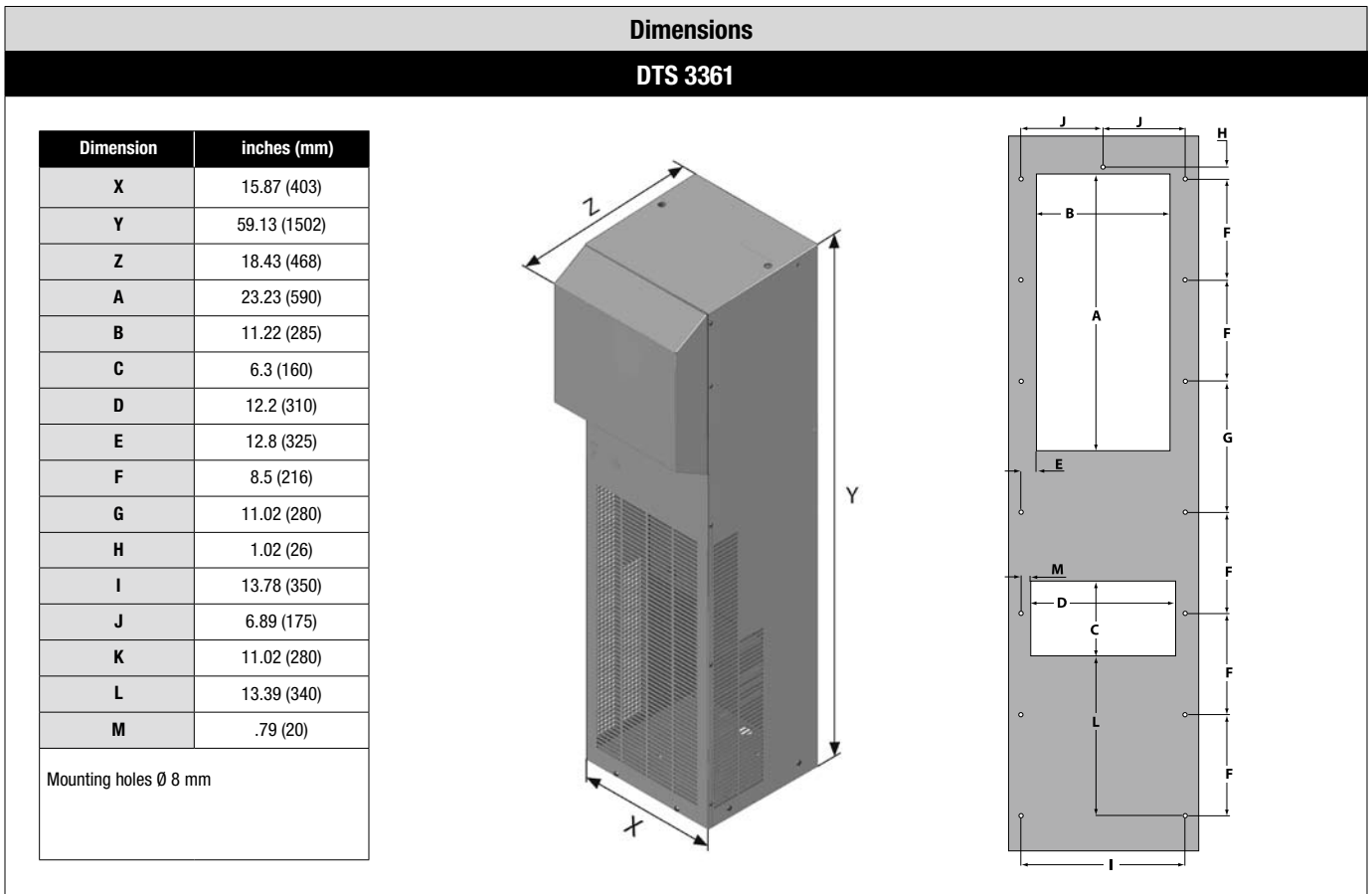
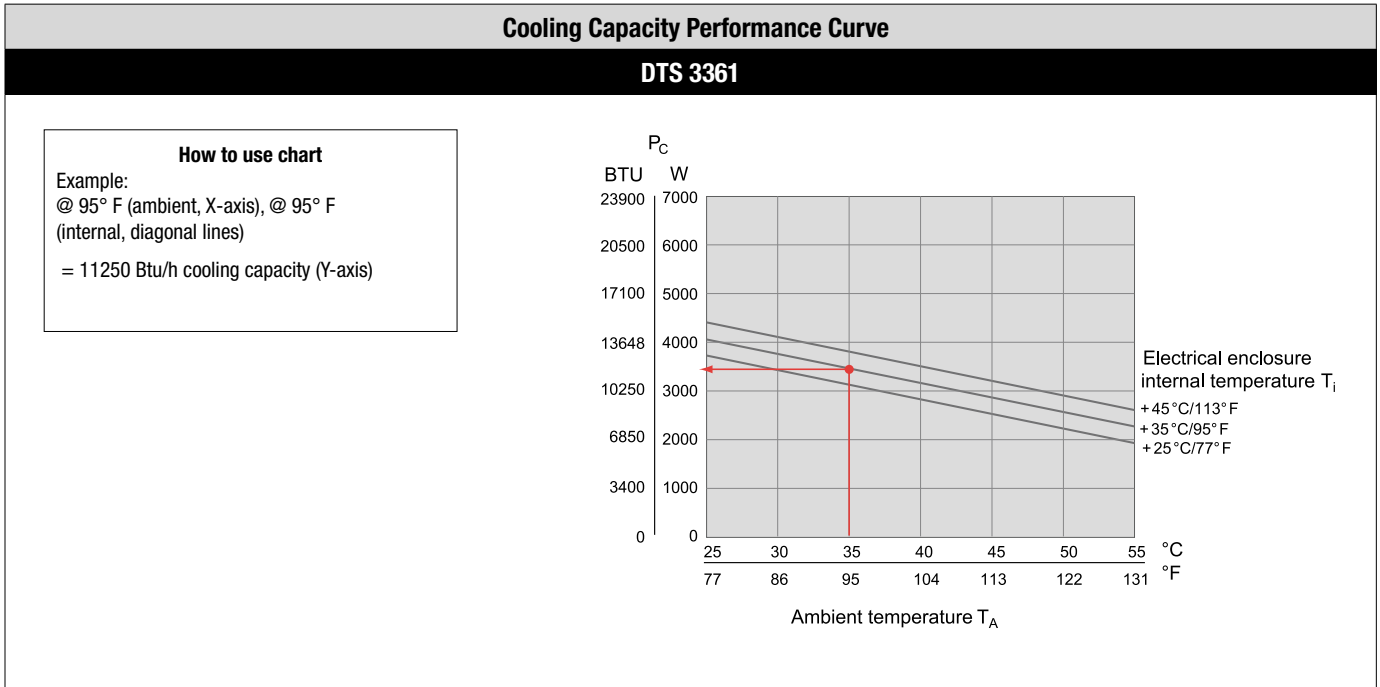
\*50 Hz unit available. Consult factory.

\*\* SCCR rating - See user manual for instructions to achieve 50 kA (230 V) or 200 kA (460 V) SCCR rating.

OPTION(S)	PIECE	PART NUMBER
1400 W ENCLOSURE HEATER	1	Consult Factory
ACCESSORIES	PIECE	PART NUMBER
METAL MESH FILTER	1	FILTER/MESH2
CONDENSATE BOTTLE	1	CONDENSATE/BTL

Approvals see page E7

AIR  
CONDITIONING



AIR  
CONDITIONING

TYPE 3R/4 – OUTDOOR COOLING UNIT – DTS 3561 (16000-18000 BTU/H)



- Large distance between intake and exhaust vents, safe circulation within the electrical enclosure due to long passage of air, eliminatng hot spots
- Maintains a UL Tested NEMA Type 3R/4 seal against enclosure
- UL 484 Listed, category ACVS, UL file #SA10300, CE approved for European use
- Maintenance-free design, filterless for most applications
- Powder coated steel cover for rugged environments, easily painted to match enclosure or machine
- Condenser with 3 mm fin spacing, highly effective protection against strongly contaminated and aggressive ambient air
- Uses Internal Standard Control (SC) board
- Active condensate evaporation system

DATA		DTS 3561 (NEMA OUTDOOR TYPE 3R/4)		UNIT
PART NUMBER	ANSI 61 (GRAY)	DTS3561460V	DTS3561230V	
	RAL 7035 (LIGHT GRAY)	DTS3561460V/7035	DTS3561230V/7035	
RATED VOLTAGE ± 10 %		400 / 460 3Ø	230	VAC
		AC 50 Hz / 60	AC 60*	Hz
COOLING PERFORMANCE ACCORDING TO EN 14511		16000 - 18000		Btu/h
POWER CONSUMPTION		1365 / 1815	2240	W
NOMINAL (RUN) CURRENT		4.4	11.5	A
STARTING CURRENT		16	49.3	
UNIMPEDED AIRFLOW (FREE FLOW)	INTERNAL	788 (1340)		CFM
	EXTERNAL	1480 (2380)		(m³/h)
FUSE (RECOMMENDED)		10	20	A
TYPE OF CONNECTION		permanent screw terminal		
NOISE LEVEL (ACCORDING TO EN ISO 3741)		< 72		dB(A)
WEIGHT (WITHOUT PACKAGING)		221 (100)		lb (kg)
AMBIENT TEMPERATURE RANGE		+ 59 ... + 131 / + 15 ... + 55		°F / °C
CONTROL RANGE (ADJUSTABLE)		+ 77 ... + 113 / + 25 ... + 45; factory setting + 95 / + 35		
REFRIGERANT	TYPE	R134a		
	QUANTITY	1200		g
DUTY CYCLE		100 %		
CONDENSATE MANAGEMENT		active condensate evaporation system with safety overflow		
PROTECTION SYSTEM ACCORDING TO NEMA TYPE		NEMA Type 3R/4 against enclosure when properly installed		
		NEMA Type 1 towards the surroundings when properly installed		
DESIGN	HOUSING	galvanized sheet steel		
	COVER	galvanized/electrostatically powder coated (200 °C)		

\*50 Hz unit available. Consult factory.

\*\* SCCR rating - See user manual for instructions to achieve 50 kA (230 V) or 200 kA (460 V) SCCR rating.

OPTION(S)	PIECE	PART NUMBER
1400 W ENCLOSURE HEATER	1	Consult Factory
ACCESSORIES	PIECE	PART NUMBER
METAL MESH FILTER	1	FILTER/MESH3
CONDENSATE BOTTLE	1	CONDENSATE/BTL

Approvals see page E7

AIR CONDITIONING

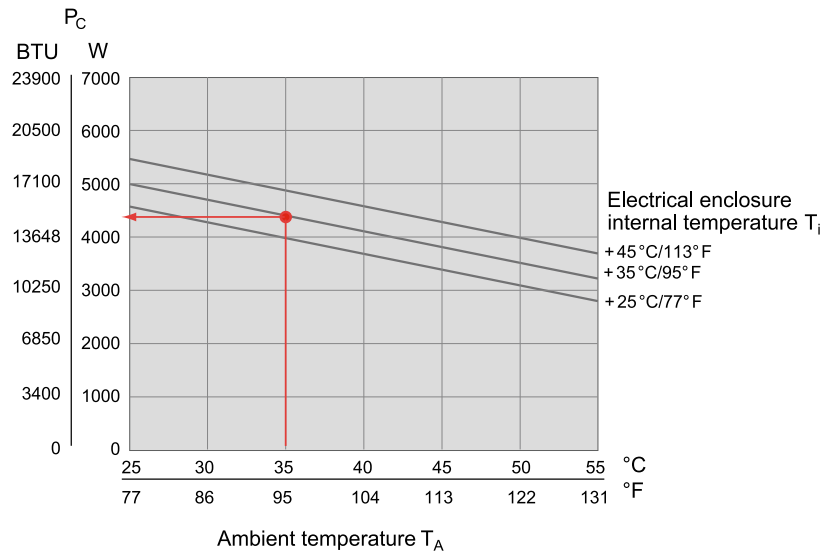


Cooling Capacity Performance Curve

DTS 3561

How to use chart

Example:  
 @ 95° F (ambient, X-axis),  
 @ 95° F (internal, diagonal lines)  
 = 15200 Btu/h cooling capacity (Y-axis)

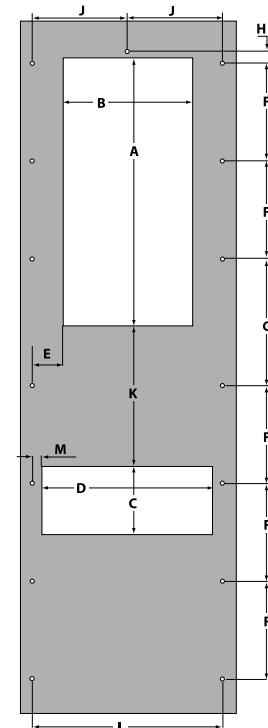
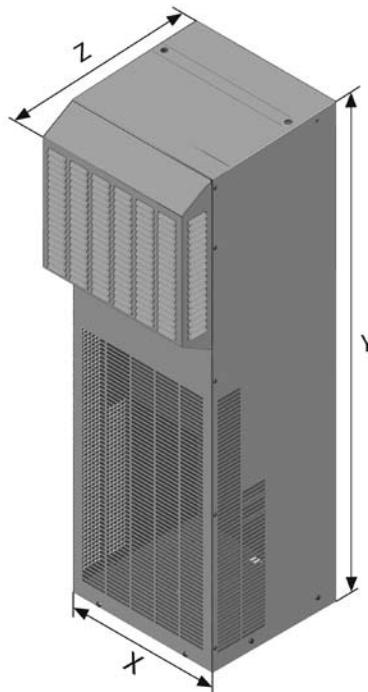


Dimensions

DTS 3561

Dimension	inches (mm)
X	19.02 (483)
Y	59.13 (1502)
Z	21.02 (534)
A	23.23 (590)
B	11.22 (285)
C	5.91 (150)
D	14.96 (380)
E	2.66 (67.5)
F	8.5 (216)
G	11.02 (280)
H	1.02 (26)
I	16.54 (420)
J	8.27 (210)
K	12.2 (310)
L	12.6 (320)
M	.79 (20)

Mounting holes  $\varnothing$  10 mm



TYPE 3R/4 – OUTDOOR COOLING UNIT – DTS 3661 (20000-24000 BTU/H)



- Large distance between intake and exhaust vents, safe circulation within the electrical enclosure due to long passage of air, eliminating hot spots
- Maintains a UL Tested NEMA Type 3R/4 seal against enclosure
- UL 484 Listed, category ACVS, UL file #SA10300, CE approved for European use
- Maintenance-free design, filterless for most applications
- Powder coated steel cover for rugged environments, easily painted to match enclosure or machine
- Condenser with 3 mm fin spacing, highly effective protection against strongly contaminated and aggressive ambient air
- Uses Internal Standard Control (SC) board
- Active condensate evaporation system

DATA		DTS 3561 (NEMA OUTDOOR TYPE 3R/4)		UNIT
PART NUMBER	ANSI 61 (GRAY)	DTS3661460V	DTS3661230V	
	RAL 7035 (LIGHT GRAY)	DTS3661460V/7035	DTS3661230V/7035	
RATED VOLTAGE ± 10 %		400 / 460 3Ø	230	VAC
		AC 50 Hz / 60	AC 60*	Hz
COOLING PERFORMANCE ACCORDING TO EN 14511		20000 - 24000		Btu/h
POWER CONSUMPTION		2000/2620	3142	W
NOMINAL (RUN) CURRENT		6.3	16.9	A
STARTING CURRENT		25	84	
UNIMPEDED AIRFLOW (FREE FLOW)	INTERNAL	1613 (2740)		CFM
	EXTERNAL	1613 (2740)		(m³/h)
FUSE (RECOMMENDED)		15	30	A
TYPE OF CONNECTION		permanent screw terminal		
NOISE LEVEL (ACCORDING TO EN ISO 3741)		< 73		dB(A)
WEIGHT (WITHOUT PACKAGING)		230 (105)		lb (kg)
AMBIENT TEMPERATURE RANGE		+ 59 ... + 131 / + 15 ... + 55		°F / °C
CONTROL RANGE (ADJUSTABLE)		+ 77 ... + 113 / + 25 ... + 45; factory setting + 95 / + 35		
REFRIGERANT	TYPE	R134a		
	QUANTITY	1300		g
DUTY CYCLE		100 %		
CONDENSATE MANAGEMENT		active condensate evaporation system with safety overflow		
PROTECTION SYSTEM ACCORDING TO NEMA TYPE		NEMA Type 3R/4 against enclosure when properly installed		
		NEMA Type 1 towards the surroundings when properly installed		
DESIGN	HOUSING	galvanized sheet steel		
	COVER	galvanized/electrostatically powder coated (200 °C)		

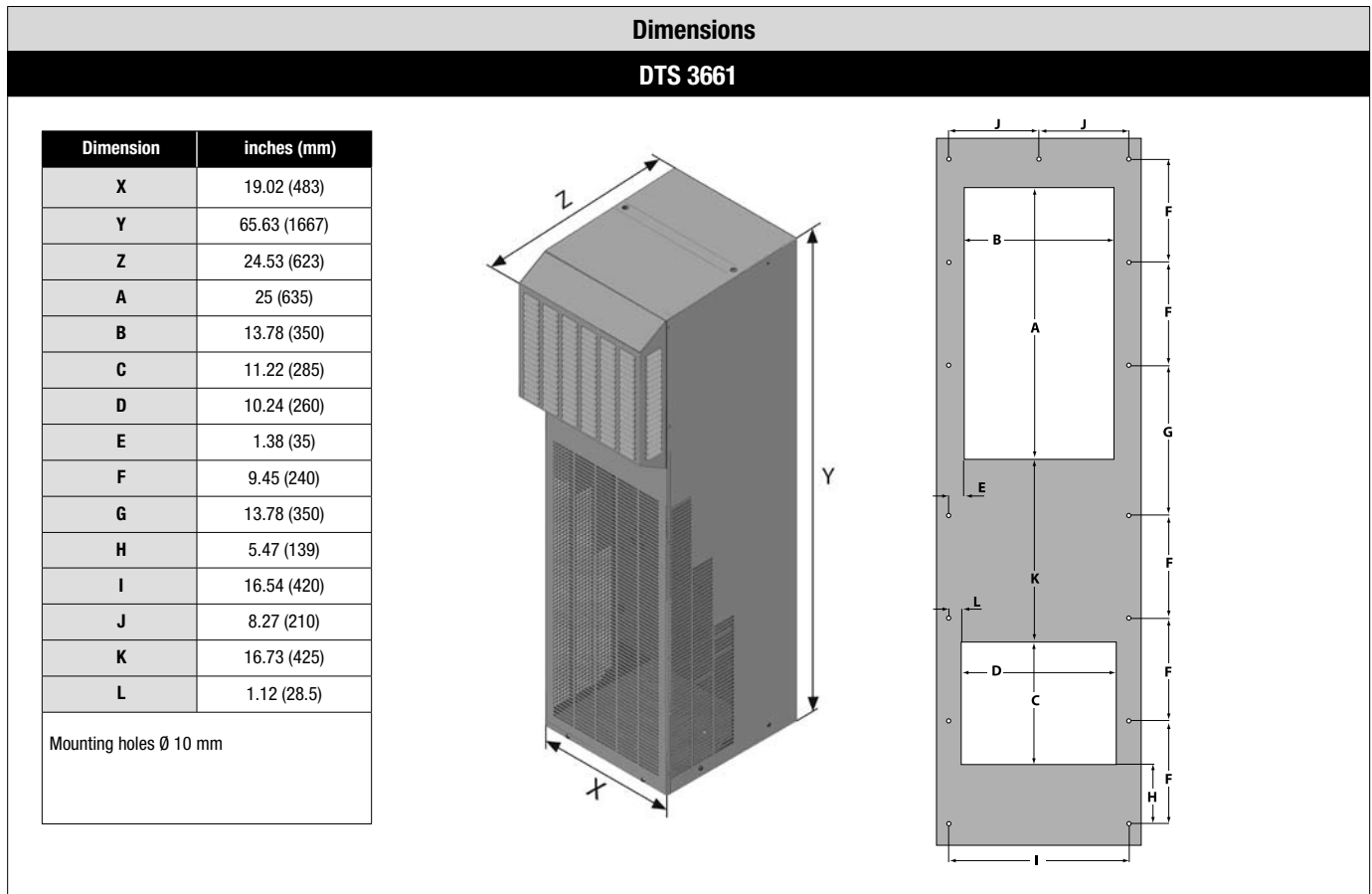
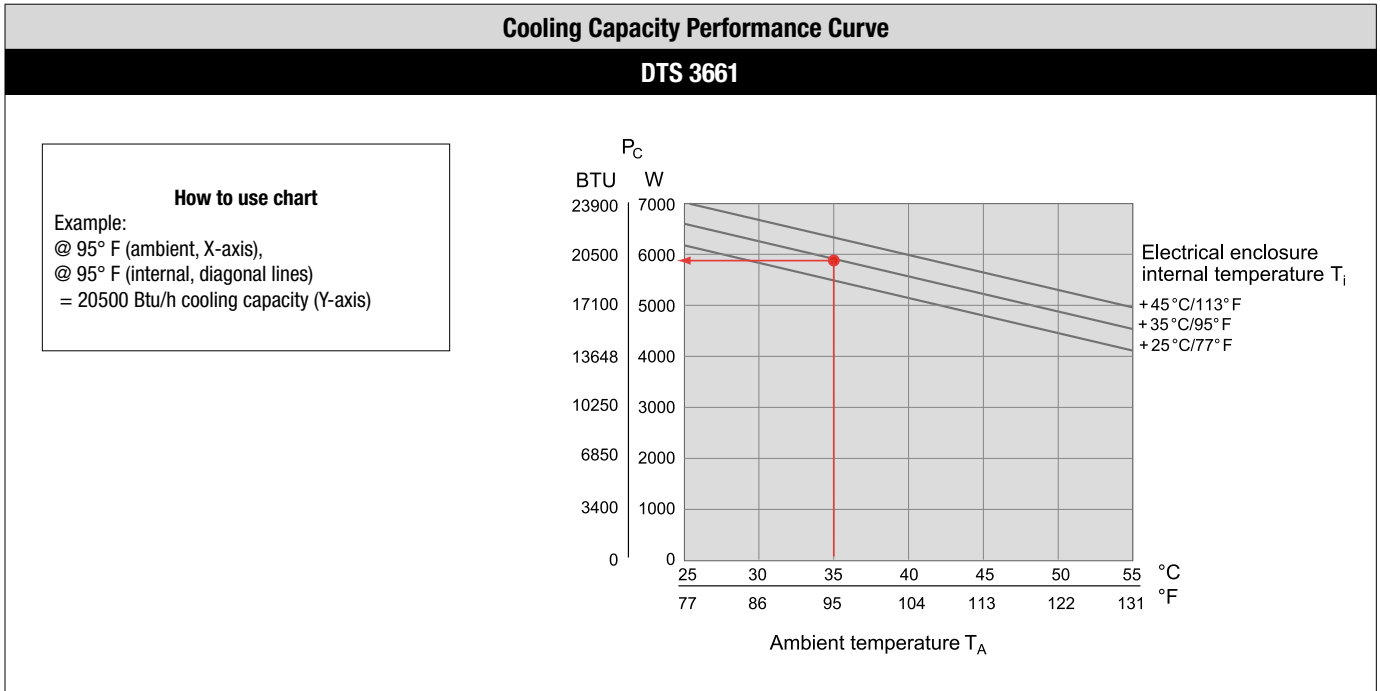
\*50 Hz unit available. Consult factory.

\*\* SCCR rating - See user manual for instructions to achieve 50 kA (230 V) or 200 kA (460 V) SCCR rating.

OPTION(S)	PIECE	PART NUMBER
1400 W ENCLOSURE HEATER	1	Consult Factory
ACCESSORIES	PIECE	PART NUMBER
METAL MESH FILTER	1	FILTER/MESH3
CONDENSATE BOTTLE	1	CONDENSATE/BTL

Approvals see page E7

AIR CONDITIONING



AIR  
CONDITIONING

TYPE 4/4X – OUTDOOR COOLING UNIT – DTS 3081 (2000-3000 BTU/H)



- Compact design, ideal for small control cabinets and larger control cabinets for the cooling of hot spots
- Particularly suitable for the food industry and outdoor applications
- High protection system IP 56, maintenance-free
- Optionally available in stainless steel
- Condenser with 3 mm fin spacing, highly effective protection against strongly contaminated and aggressive ambient air

DATA		DTS 3081 (NEMA TYPE 4/4X)			UNIT
PART NUMBER	304 STAINLESS STEEL	DTS3081230VSP	DTS3081230V	DTS3081115V	
RATED VOLTAGE ± 10 %		230	230	115	VAC
FREQUENCY		50/60	60*	60*	Hz
COOLING PERFORMANCE ACCORDING TO EN 14511		2000 - 3000			Btu/h
POWER CONSUMPTION		690	724	950	W
NOMINAL (RUN) CURRENT		5.2	3.3	7.9	A
STARTING CURRENT		28	14.4	29.9	
UNIMPEDED AIRFLOW (FREE FLOW)	INTERNAL	191 (325)			CFM (m³/h)
	EXTERNAL	88 (148)			
FUSE (RECOMMENDED)		10	10	15	A
TYPE OF CONNECTION		cord with molded plug			
NOISE LEVEL (ACCORDING TO EN ISO 3741)		< 64			dB(A)
WEIGHT (WITHOUT PACKAGING)		51 (23)			lb (kg)
AMBIENT TEMPERATURE RANGE		+ 59 ... + 131 / + 15 ... + 55			°F / °C
CONTROL RANGE (ADJUSTABLE)		+ 77 ... + 113 / + 25 ... + 45 factory setting + 95 / + 35			
REFRIGERANT	TYPE	R134a			
	QUANTITY	400		228	g
DUTY CYCLE		100 %			
CONDENSATE MANAGEMENT		Integrated Condensate Management System with Condensate Drain			
PROTECTION SYSTEM ACCORDING TO NEMA TYPE		NEMA Type 4/4X against enclosure when properly installed			
		NEMA Type 1 towards the surroundings when properly installed			
DESIGN	HOUSING	stainless steel 304			
	COVER	stainless steel 304			

\*50 Hz unit available. Consult factory.

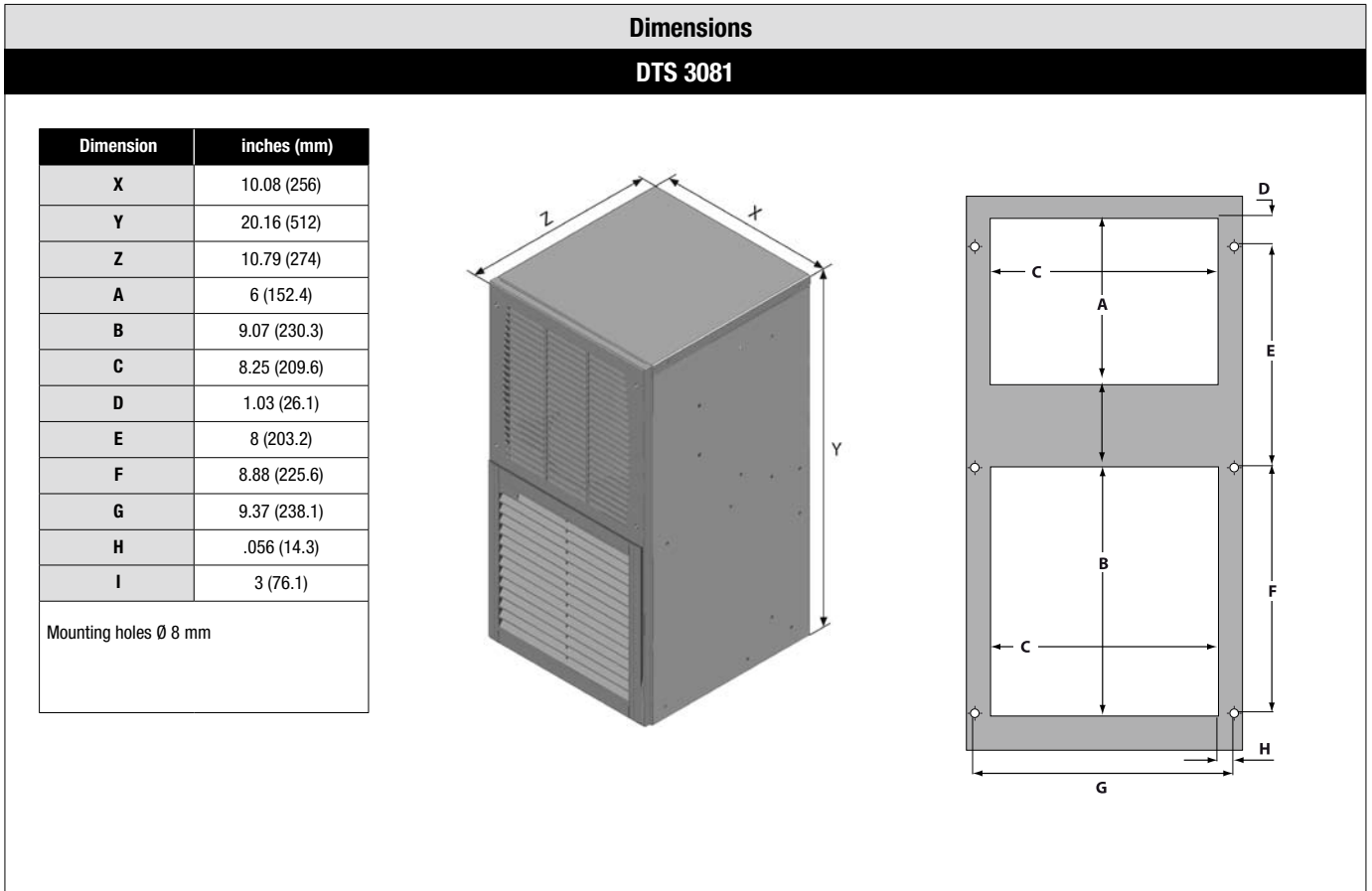
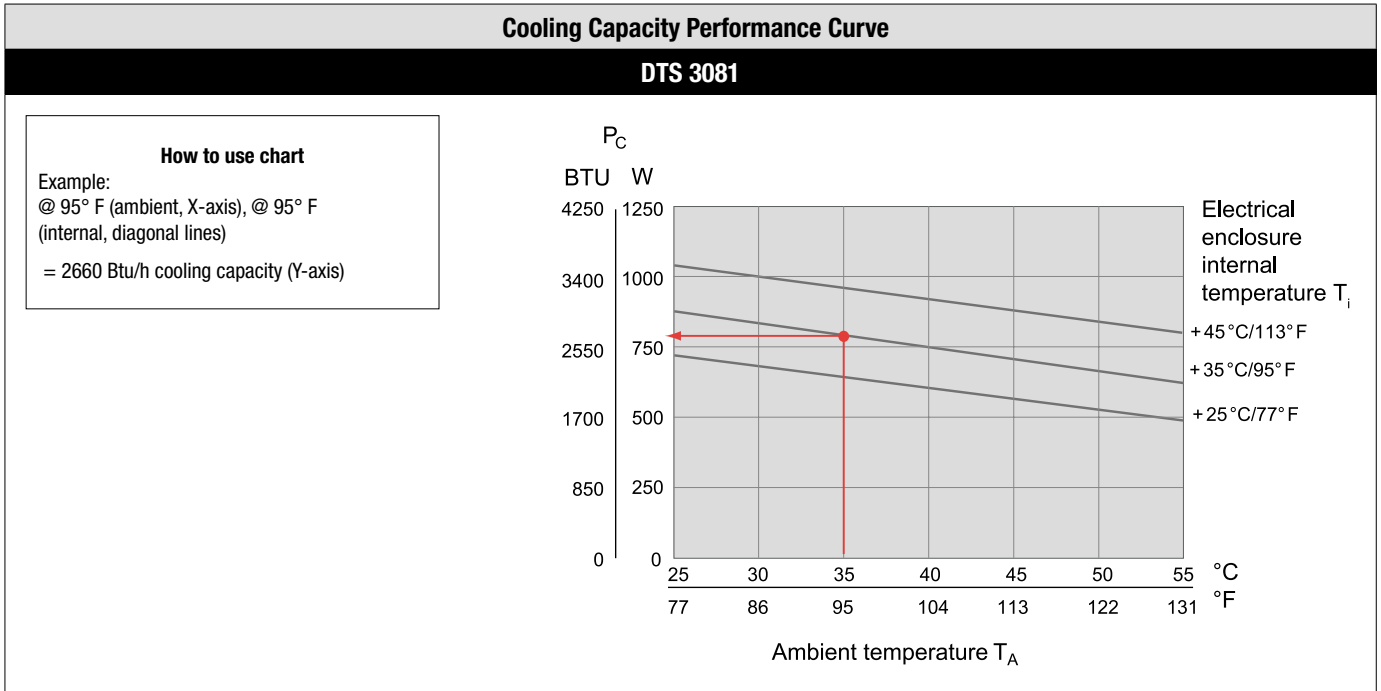
OPTION(S)	PIECE	PART NUMBER
900 W ENCLOSURE HEATER	1	Consult Factory
ACCESSORIES	PIECE	PART NUMBER
METAL MESH FILTER	1	FILTER/MESH
CONDENSATE BOTTLE	1	CONDENSATE/BTL

<sup>1</sup> performance data based on 60 Hz operation

<sup>2</sup> performance data based on 50 Hz operation

Approvals see page E7

AIR  
CONDITIONING



AIR CONDITIONING



- Large distance between intake and exhaust vents, safe circulation within the electrical enclosure due to long passage of air, eliminating hot spots
- Maintains a UL Tested NEMA Type 4/4X seal against enclosure
- UL 484 Listed, category ACVS, UL file #SA10300, CE approved for European use
- Maintenance-free design, filterless for most applications
- 304 Stainless steel cover to match enclosures, with # 3 polish
- Condenser with 3 mm fin spacing, highly effective protection against strongly contaminated and aggressive ambient air
- Particularly suitable for food and beverage, wastewater and pump applications

DATA		DTS 3181 (NEMA TYPE 4/4X)			UNIT
PART NUMBER	304 STAINLESS STEEL	DTS3181460V	DTS3181230V	DTS3181115V	
RATED VOLTAGE ± 10 %		460 10	230	115	VAC
FREQUENCY		50 / 60			Hz
COOLING PERFORMANCE ACCORDING TO EN 14511		3000 - 4000			Btu/h
POWER CONSUMPTION		860	860	950	W
NOMINAL (RUN) CURRENT		1.9	3.9	7.9	A
STARTING CURRENT		8	14.9	29.9	
UNIMPEDED AIRFLOW (FREE FLOW)	INTERNAL	350 (206)			CFM (m³/h)
	EXTERNAL	350 (206)			
FUSE (RECOMMENDED)		5	10	15	A
TYPE OF CONNECTION		permanent spring terminal			
NOISE LEVEL (ACCORDING TO EN ISO 3741)		< 70			dB(A)
WEIGHT (WITHOUT PACKAGING)		95 (43)			lb (kg)
AMBIENT TEMPERATURE RANGE		+ 59 ... + 131 / + 15 ... + 55			°F / °C
CONTROL RANGE (ADJUSTABLE)		+ 77 ... + 113 / + 25 ... + 45; factory setting + 95 / + 35			
REFRIGERANT	TYPE	R134a			
	QUANTITY	400			g
DUTY CYCLE		100 %			
CONDENSATE MANAGEMENT		active condensate evaporation system with safety overflow			
PROTECTION SYSTEM ACCORDING TO NEMA TYPE		NEMA Type 4/4X against enclosure when properly installed			
		NEMA Type 1 towards the surroundings when properly installed			
DESIGN	HOUSING	galvanized sheet steel			
	COVER	stainless steel 304			

\*50 Hz unit available. Consult factory.=

\*\* SCCR rating - See user manual for instructions to achieve 50 kA (460 V) SCCR rating.

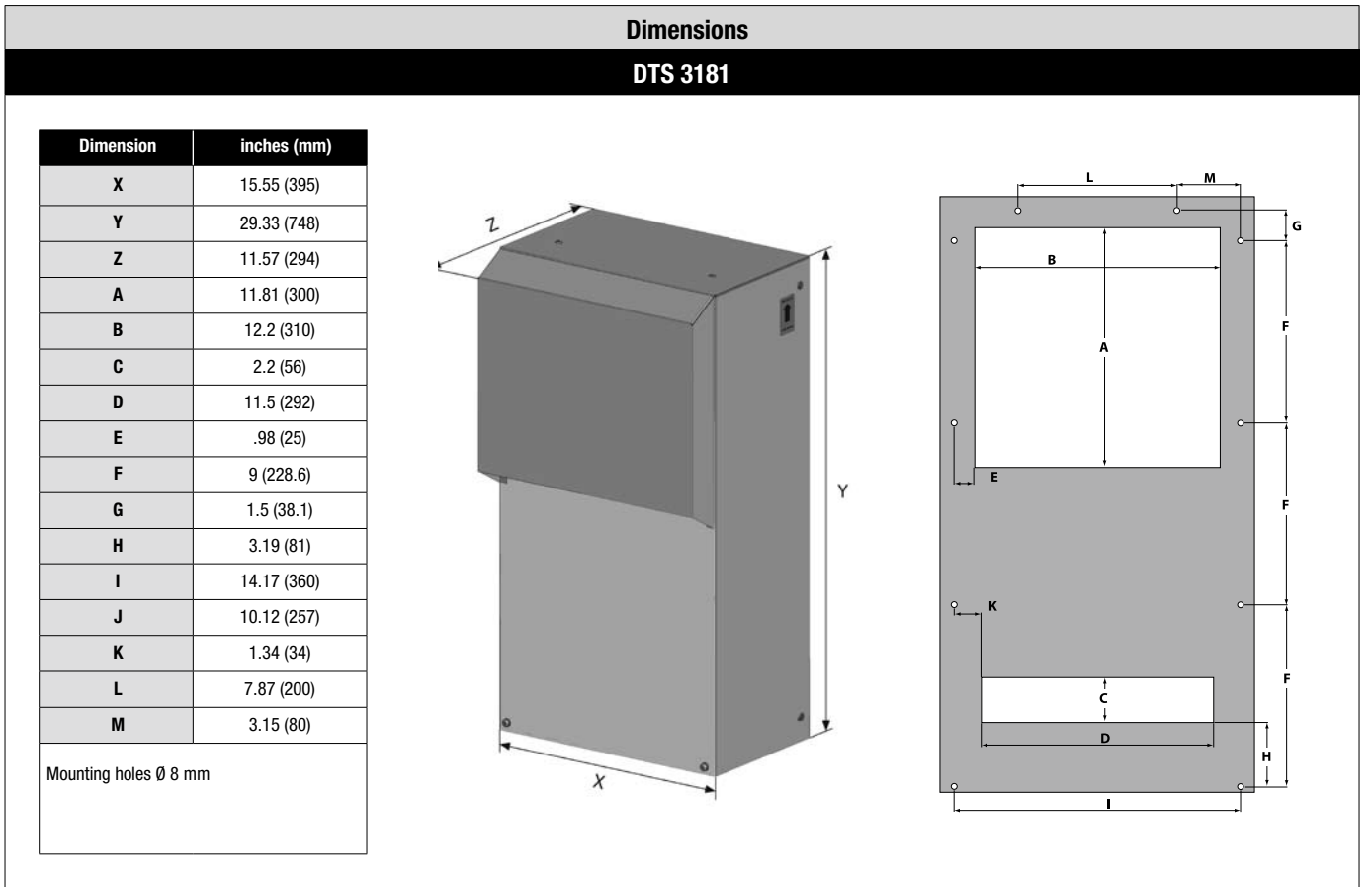
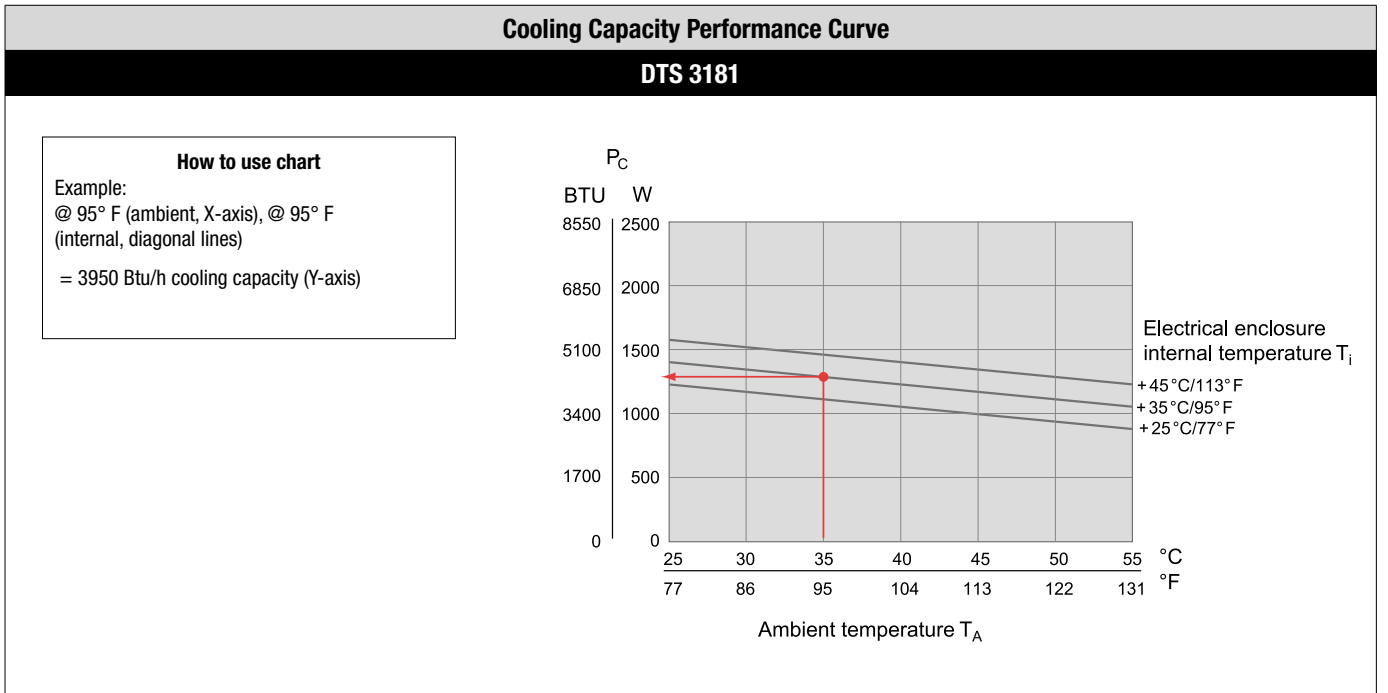
OPTION(S)	PIECE	PART NUMBER
900 W ENCLOSURE HEATER	1	Consult Factory
ACCESSORIES	PIECE	PART NUMBER
METAL MESH FILTER	1	FILTER/MESH
CONDENSATE BOTTLE	1	CONDENSATE/BTL

<sup>1</sup> performance data based on 60 Hz operation

<sup>2</sup> performance data based on 50 Hz operation

Approvals see page E7





AIR CONDITIONING

TYPE 4/4X – COOLING UNIT – DTS 3185 (5000-7000 BTU/H)



- Large distance between intake and exhaust vents, safe circulation within the electrical enclosure due to long passage of air, eliminating hot spots
- Maintains a UL Tested NEMA Type 4/4X seal against enclosure
- UL 484 Listed, category ACVS, UL file #SA10300, CE approved for European use
- Maintenance-free design, filterless for most applications
- 304 Stainless steel cover to match enclosures, with # 3 polish
- Condenser with 3 mm fin spacing, highly effective protection against strongly contaminated and aggressive ambient air
- Particularly suitable for food and beverage, wastewater and pump applications

DATA		DTS 3185 (NEMA TYPE 4/4X)			UNIT
PART NUMBER	304 STAINLESS STEEL	DTS3185460V	DTS3185230V	DTS3185115V	
RATED VOLTAGE ± 10 %		400 / 460 3Ø	230	115	VAC
FREQUENCY		50 / 60	60*	60*	Hz
COOLING PERFORMANCE ACCORDING TO EN 14511		5000 - 7000			Btu/h
POWER CONSUMPTION		1283	1020	1000	W
NOMINAL (RUN) CURRENT		3	4.5	8.5	A
STARTING CURRENT		8	10	16	
UNIMPEDED AIRFLOW (FREE FLOW)	INTERNAL	341 (580)	341 (580)	365 (620)	CFM (m³/h)
	EXTERNAL	706 (1200)	706 (1200)	765 (1300)	
FUSE (RECOMMENDED)**		5	10	15	A
TYPE OF CONNECTION		permanent spring terminal			
NOISE LEVEL (ACCORDING TO EN ISO 3741)		< 70			dB(A)
WEIGHT (WITHOUT PACKAGING)		108 (49)			lb (kg)
AMBIENT TEMPERATURE RANGE		+ 59 ... + 131 / + 15 ... + 55			°F / °C
CONTROL RANGE (ADJUSTABLE)	SC	+ 77 ... + 113 / + 25 ... + 45; factory setting + 95 / + 35			
REFRIGERANT	TYPE	R134a			
	QUANTITY	900			g
DUTY CYCLE		100 %			
CONDENSATE MANAGEMENT		active condensate evaporation system with safety overflow			
PROTECTION SYSTEM ACCORDING TO NEMA TYPE		NEMA Type 4/4X against enclosure when properly installed			
		NEMA Type 1 towards the surroundings when properly installed			
DESIGN	HOUSING	galvanized sheet steel			
	COVER	stainless steel 304			

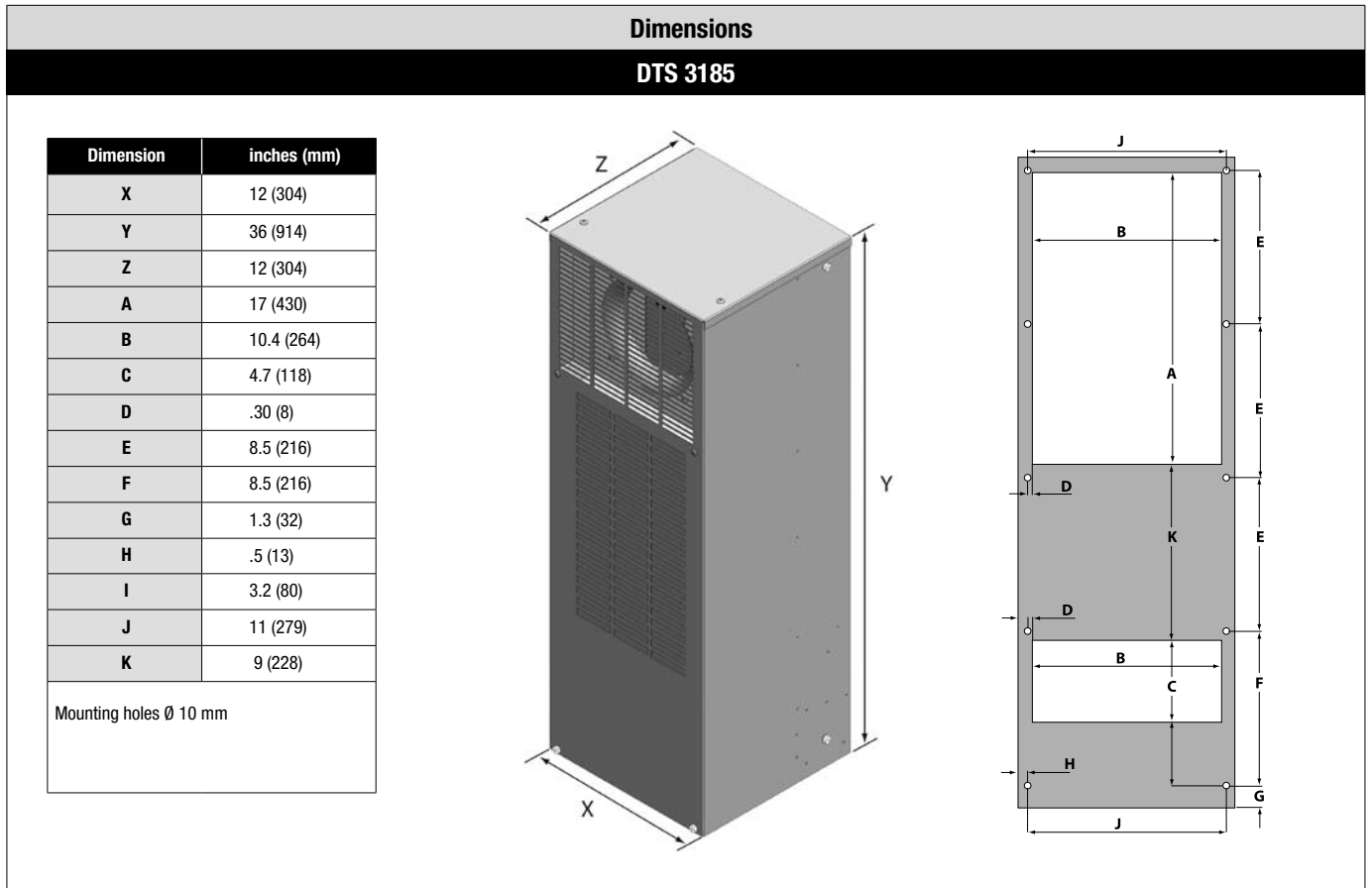
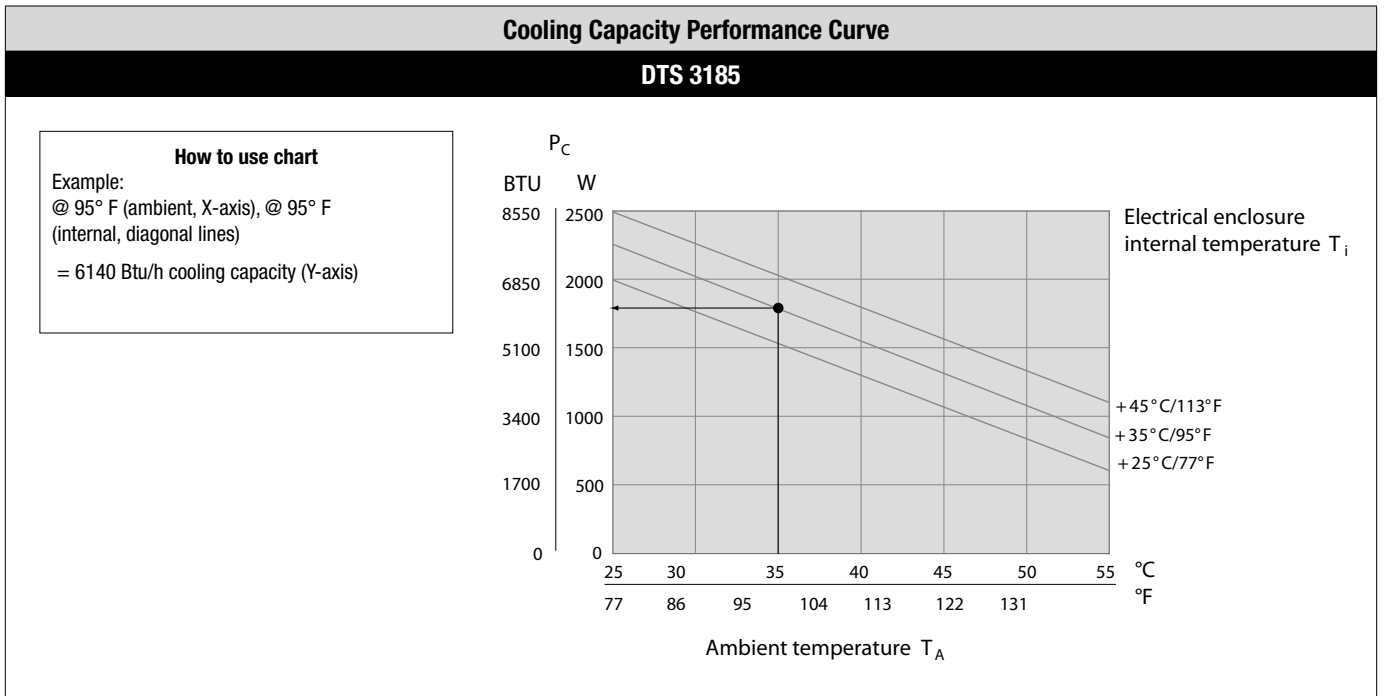
\*50 Hz unit available. Consult factory.

\*\* SCCR rating - See user manual for instructions to achieve 200 kA (460 V) SCCR rating.

OPTION(S)	PIECE	PART NUMBER
900 W ENCLOSURE HEATER	1	Consult Factory
ACCESSORIES	PIECE	PART NUMBER
HOOD	1	Consult Factory
METAL MESH FILTER	1	FILTER/MESH6
CONDENSATE BOTTLE	1	CONDENSATE/BTL

Approvals see page E7

AIR  
CONDITIONING



**AIR  
CONDITIONING**

TYPE 4/4X – COOLING UNIT – DTS 3281 (7000-5800 BTU/H)



- Large distance between intake and exhaust vents, safe circulation within the electrical enclosure due to long passage of air, eliminating hot spots
- Maintains a UL Tested NEMA Type 4/4X seal against enclosure
- UL 484 Listed, category ACVS, UL file #SA10300, CE approved for European use
- Maintenance-free design, filterless for most applications
- 304 Stainless steel cover to match enclosures, with # 3 polish
- Condenser with 3 mm fin spacing, highly effective protection against strongly contaminated and aggressive ambient air
- Particularly suitable for food and beverage, wastewater and pump applications

DATA		DTS 3281 (NEMA TYPE 4/4X)			UNIT
PART NUMBER	304 STAINLESS STEEL	DTS3281460V	DTS3281230V	DTS3281115V	
RATED VOLTAGE ± 10 %		400 / 460 3Ø	230	115	VAC
FREQUENCY		50 / 60	50 / 60	60*	Hz
COOLING PERFORMANCE ACCORDING TO EN 14511		7000 - 8500			Btu/h
POWER CONSUMPTION		1400	1425	1680	W
NOMINAL (RUN) CURRENT		3.5	6.3	14.6	A
STARTING CURRENT		10	21.8	53	
UNIMPEDED AIRFLOW (FREE FLOW)	INTERNAL	580 (985)			CFM (m³/h)
	EXTERNAL	580 (985)			
FUSE (RECOMMENDED)**		5	15	25	A
TYPE OF CONNECTION		permanent spring terminal			
NOISE LEVEL (ACCORDING TO EN ISO 3741)		< 73			dB(A)
WEIGHT (WITHOUT PACKAGING)		119 (54)			lb (kg)
AMBIENT TEMPERATURE RANGE		+ 59 ... + 131 / + 15 ... + 55			°F / °C
CONTROL RANGE (ADJUSTABLE)	SC	+ 77 ... + 113 / + 25 ... + 45; factory setting + 95 / + 35			
REFRIGERANT	TYPE	R134a			
	QUANTITY	700			g
DUTY CYCLE		100 %			
CONDENSATE MANAGEMENT		active condensate evaporation system with safety overflow			
PROTECTION SYSTEM ACCORDING TO NEMA TYPE		NEMA Type 4/4X against enclosure when properly installed			
		NEMA Type 1 towards the surroundings when properly installed			
DESIGN	HOUSING	galvanized sheet steel			
	COVER	stainless steel 304			

\*50 Hz unit available. Consult factory.

\*\* SCCR rating - See user manual for instructions to achieve 50 kA (230 V) or 200 kA (460 V) SCCR rating.

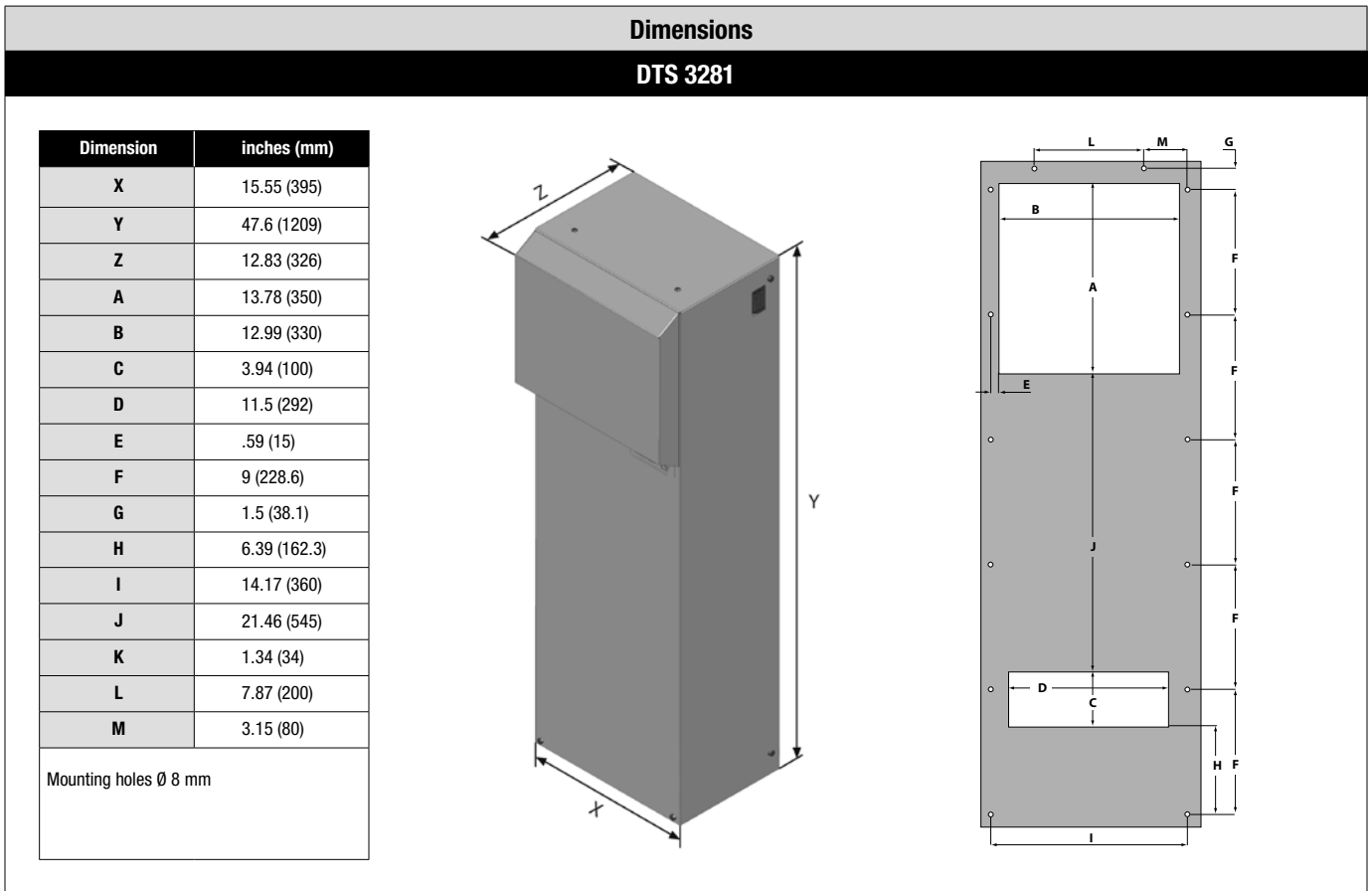
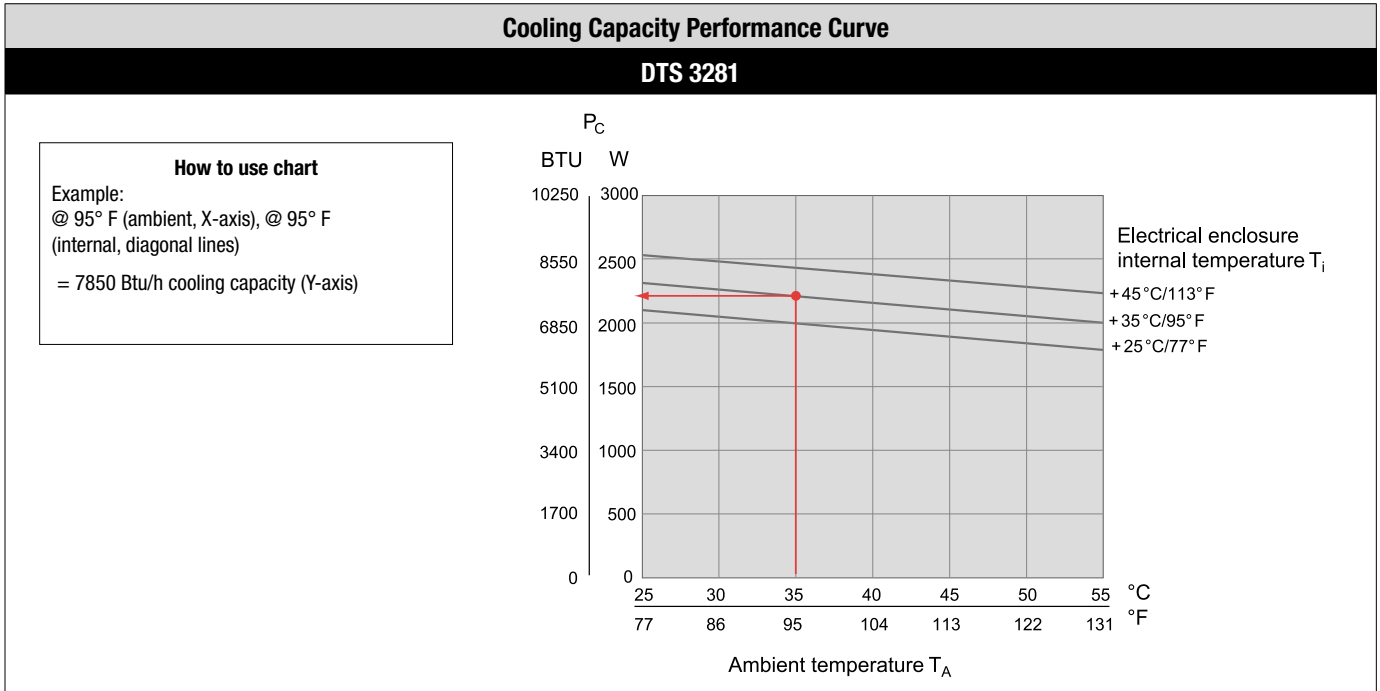
OPTION(S)	PIECE	PART NUMBER
900 W ENCLOSURE HEATER	1	Consult Factory
ACCESSORIES		
PIECE	PART NUMBER	
METAL MESH FILTER	1	FILTER/MESH6
CONDENSATE BOTTLE	1	CONDENSATE/BTL

<sup>1</sup> performance data based on 60 Hz operation

<sup>2</sup> performance data based on 50 Hz operation

Approvals see page E7

AIR  
CONDITIONING



**AIR  
CONDITIONING**

TYPE 4/4X – COOLING UNIT – DTS 3285 (9000-12000 BTU/H)



- Large distance between intake and exhaust vents, safe circulation within the electrical enclosure due to long passage of air, eliminating hot spots
- Maintains a UL Tested NEMA Type 4/4X seal against enclosure
- UL 484 Listed, category ACVS, UL file #SA10300, CE approved for European use
- Maintenance-free design, filterless for most applications
- 304 Stainless steel cover to match enclosures, with # 3 polish
- Condenser with 3 mm fin spacing, highly effective protection against strongly contaminated and aggressive ambient air
- Particularly suitable for food and beverage, wastewater and pump applications

DATA		DTS 3285 (NEMA TYPE 4/4X)			UNIT
PART NUMBER	304 STAINLESS STEEL	DTS3285460V	DTS3285230V	DTS3285115V	
RATED VOLTAGE ± 10 %		400 / 460 3Ø	230	115	VAC
FREQUENCY		50 / 60	60*	60*	Hz
COOLING PERFORMANCE ACCORDING TO EN 14511		9000 - 12000			Btu/h
POWER CONSUMPTION		1700	1600	1600	W
NOMINAL (RUN) CURRENT		2.6	7	14.2	A
STARTING CURRENT		8	10	20	
UNIMPEDED AIRFLOW (FREE FLOW)	INTERNAL	706 (1200)	706 (1200)	765 (1300)	CFM (m³/h)
	EXTERNAL	706 (1200)	706 (1200)	765 (1300)	
FUSE (RECOMMENDED)**		5	15	25	A
TYPE OF CONNECTION		permanent spring terminal			
NOISE LEVEL (ACCORDING TO EN ISO 3741)		< 73			dB(A)
WEIGHT (WITHOUT PACKAGING)		150 (68)			lb (kg)
AMBIENT TEMPERATURE RANGE		+ 59 ... + 131 / + 15 ... + 55			°F / °C
CONTROL RANGE (ADJUSTABLE)		+ 77 ... + 113 / + 25 ... + 45; factory setting + 95 / + 35			
REFRIGERANT	TYPE	R134a			
	QUANTITY	1200			g
DUTY CYCLE		100 %			
CONDENSATE MANAGEMENT		active condensate evaporation system with safety overflow			
PROTECTION SYSTEM ACCORDING TO NEMA TYPE		NEMA Type 4/4X against enclosure when properly installed			
		NEMA Type 1 towards the surroundings when properly installed			
DESIGN	HOUSING	galvanized sheet steel			
	COVER	stainless steel 304			

\*50 Hz unit available. Consult factory.

\*\* SCCR rating - See user manual for instructions to achieve 50 kA (230 V) or 200 kA (460 V) SCCR rating.

OPTION(S)	PIECE	PART NUMBER
900 W ENCLOSURE HEATER	1	Consult Factory
ACCESSORIES		
HOOD	PIECE	PART NUMBER
HOOD	1	Consult Factory
METAL MESH FILTER	1	FILTER/MESH7
CONDENSATE BOTTLE	1	CONDENSATE/BTL

Approvals see page E7



AIR CONDITIONING

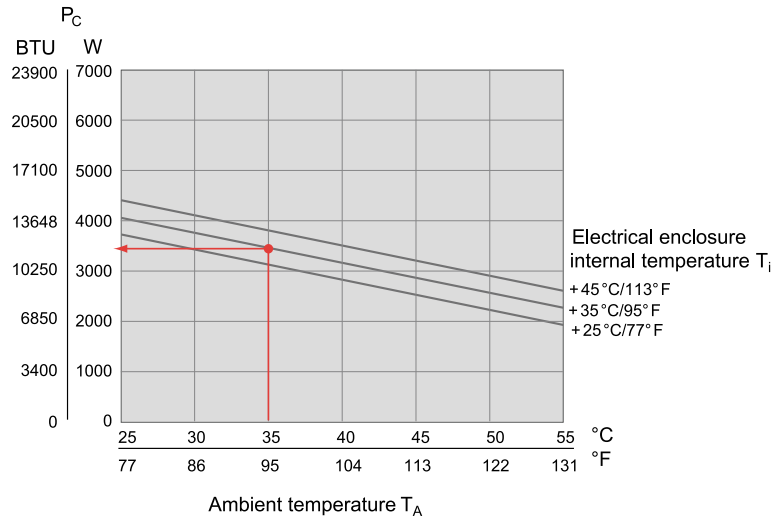


Cooling Capacity Performance Curve

DTS 3285

How to use chart

Example:  
 @ 95° F (ambient, X-axis), @ 95° F  
 (internal, diagonal lines)  
 = 10875 Btu/h cooling capacity (Y-axis)

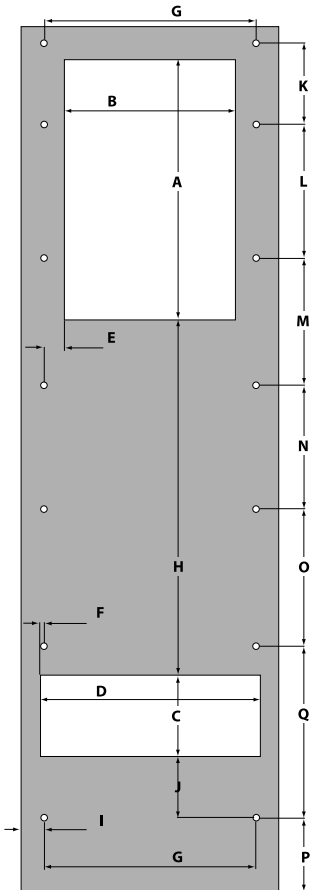
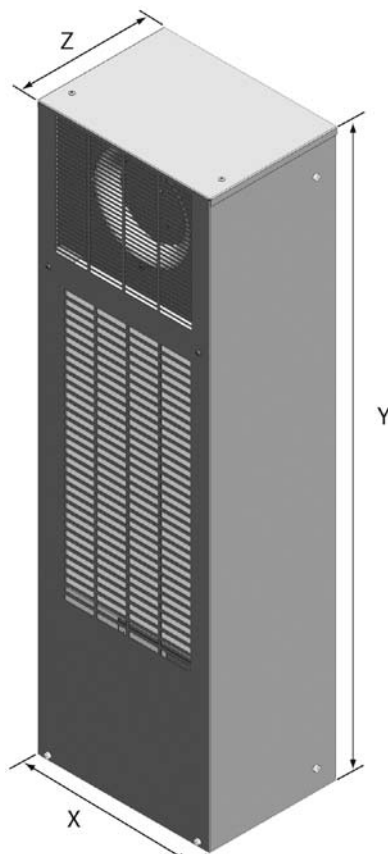


Dimensions

DTS 3285

Dimension	inches (mm)
X	16.0 (406)
Y	53.0 (1347)
Z	11.9 (301)
A	16.8 (427)
B	11 (280)
C	5.3 (135)
D	13.7 (348)
E	.98 (25)
F	.35 (9)
G	13.0 (330)
H	21.1 (537)
I	1.4 (35)
J	3.6 (92)
K	5.0 (126)
L	8.2 (209)
M	7.8 (198)
N	7.6 (192)
O	8.4 (214)
P	4.5 (114)
Q	10.5 (267)

Mounting holes  $\varnothing$  8 mm



AIR  
 CONDITIONING

TYPE 4/4X – COOLING UNIT – DTS 3381 (12000-14000 BTU/H)



- Large distance between intake and exhaust vents, safe circulation within the electrical enclosure due to long passage of air, eliminating hot spots
- Maintains a UL Tested NEMA Type 4/4X seal against enclosure
- UL 484 Listed, category ACVS, UL file #SA10300, CE approved for European use
- Maintenance-free design, filterless for most applications
- 304 Stainless steel cover to match enclosures, with # 3 polish
- Condenser with 3 mm fin spacing, highly effective protection against strongly contaminated and aggressive ambient air
- Particularly suitable for food and beverage, wastewater and pump applications

DATA		DTS 3381 (NEMA TYPE 4/4X)		UNIT
PART NUMBER	304 STAINLESS STEEL	DTS3381460V	DTS3381230V	
RATED VOLTAGE ± 10 %		400/460 3Ø	230	VAC
		AC 50 / 60	AC 60*	Hz
COOLING PERFORMANCE ACCORDING TO EN 14511		12000 - 14000		Btu/h
POWER CONSUMPTION		1200 / 1600	1872	W
NOMINAL (RUN) CURRENT		3.6	8.5	A
STARTING CURRENT		16	51	
UNIMPEDED AIRFLOW (FREE FLOW)	INTERNAL	788 (1400)		CFM (m³/h)
	EXTERNAL	991 (1685)		
FUSE (RECOMMENDED)**		5	15	A
TYPE OF CONNECTION		permanent screw terminal		
NOISE LEVEL (ACCORDING TO EN ISO 3741)		< 72		dB(A)
WEIGHT (WITHOUT PACKAGING)		214 (97)		lb (kg)
AMBIENT TEMPERATURE RANGE		+ 59 ... + 131 / + 15 ... + 55		
CONTROL RANGE (ADJUSTABLE)	SC	+ 77 ... + 113 / + 25 ... + 45; factory setting + 95 / + 35		°F / °C
REFRIGERANT	TYPE	R134a		
	QUANTITY	1000		g
DUTY CYCLE		100 %		
CONDENSATE MANAGEMENT		active condensate evaporation system with safety overflow		
PROTECTION SYSTEM ACCORDING TO NEMA TYPE		NEMA Type 4/4X against enclosure when properly installed		
		NEMA Type 1 towards the surroundings when properly installed		
DESIGN	HOUSING	galvanized sheet steel		
	COVER	stainless steel 304		

\*50 Hz unit available. Consult factory.

\*\* SCCR rating - See user manual for instructions to achieve 50 kA (230 V) or 200 kA (460 V) SCCR rating.

OPTION(S)	PIECE	PART NUMBER
1400 W ENCLOSURE HEATER	1	Consult Factory
ACCESSORIES	PIECE	PART NUMBER
METAL MESH FILTER	1	FILTER/MESH2
CONDENSATE BOTTLE	1	CONDENSATE/BTL

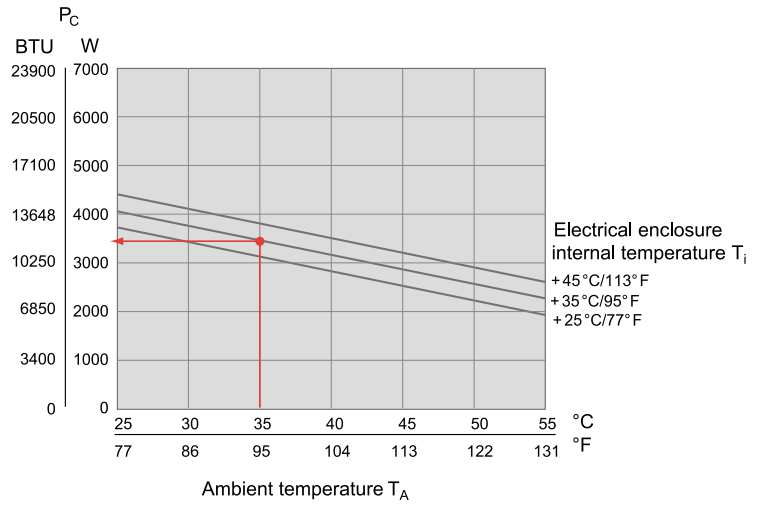
Approvals see page E7

AIR CONDITIONING

Cooling Capacity Performance Curve

DTS 3381

**How to use chart**  
 Example:  
 @ 95° F (ambient, X-axis), @ 95° F (internal, diagonal lines)  
 = 11250 Btu/h cooling capacity (Y-axis)

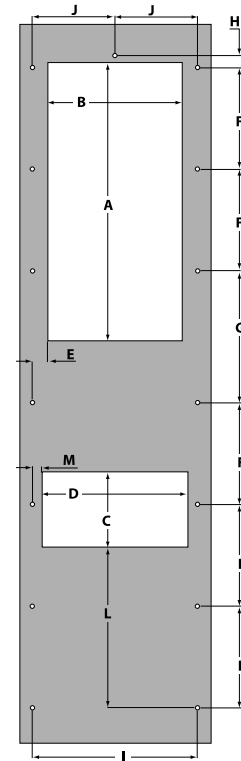
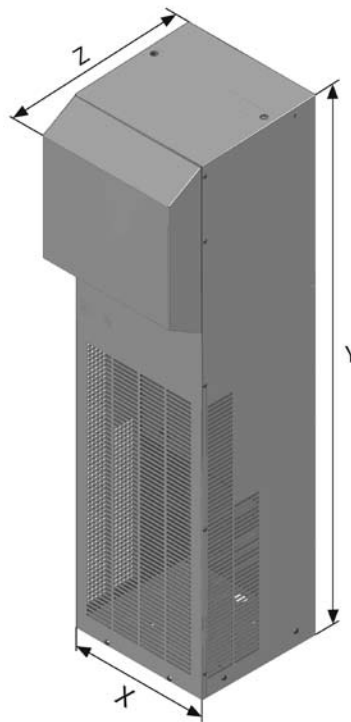


Dimensions

DTS 3381

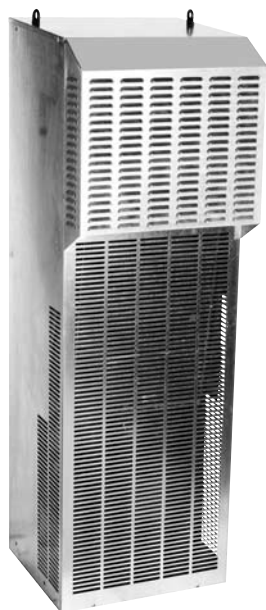
Dimension	inches (mm)
X	15.87 (403)
Y	59.13 (1502)
Z	18.43 (468)
A	23.23 (590)
B	11.22 (285)
C	6.3 (160)
D	12.2 (310)
E	12.8 (325)
F	8.5 (216)
G	11.02 (280)
H	1.02 (26)
I	13.78 (350)
J	6.89 (175)
K	11.02 (280)
L	13.39 (340)
M	.79 (20)

Mounting holes  $\varnothing$  8 mm



AIR  
 CONDITIONING

TYPE 4/4X – COOLING UNIT – DTS 3581 (16000-18000 BTU/H)



- Large distance between intake and exhaust vents, safe circulation within the electrical enclosure due to long passage of air, eliminating hot spots
- Maintains a UL Tested NEMA Type 4/4X seal against enclosure
- UL 484 Listed, category ACVS, UL file #SA10300, CE approved for European use
- Maintenance-free design, filterless for most applications
- 304 Stainless steel cover to match enclosures, with # 3 polish
- Condenser with 3 mm fin spacing, highly effective protection against strongly contaminated and aggressive ambient air
- Particularly suitable for food and beverage, wastewater and pump applications

DATA		DTS 3581 (NEMA TYPE 4/4X)		UNIT
PART NUMBER	304 STAINLESS STEEL	DTS3581460V	DTS3581230V	
RATED VOLTAGE ± 10 %		400 / 460 3Ø	230	VAC
FREQUENCY		50 / 60	60*	Hz
COOLING PERFORMANCE ACCORDING TO EN 14511		16000 - 18000		Btu/h
POWER CONSUMPTION		1365 / 1815	2240	W
NOMINAL (RUN) CURRENT		4.4	11.5	A
STARTING CURRENT		16	49.3	
UNIMPEDED AIRFLOW (FREE FLOW)	INTERNAL	788 (1340)		CFM (m³/h)
	EXTERNAL	1480 (2380)		
FUSE (RECOMMENDED)**		10	20	A
TYPE OF CONNECTION		permanent screw terminal		
NOISE LEVEL (ACCORDING TO EN ISO 3741)		< 72		dB(A)
WEIGHT (WITHOUT PACKAGING)		221 (100)		lb (kg)
AMBIENT TEMPERATURE RANGE		+ 59 ... + 131 / + 15 ... + 55		
CONTROL RANGE (ADJUSTABLE)	SC	+ 77 ... + 113 / + 25 ... + 45; factory setting + 95 / + 35		°F / °C
REFRIGERANT	TYPE	R134a		
	QUANTITY	1200		g
DUTY CYCLE		100 %		
CONDENSATE MANAGEMENT		active condensate evaporation system with safety overflow		
PROTECTION SYSTEM ACCORDING TO NEMA TYPE		NEMA Type 4/4X against enclosure when properly installed		
		NEMA Type 1 towards the surroundings when properly installed		
DESIGN	HOUSING	galvanized sheet steel		
	COVER	304 stainless steel		

\*50 Hz unit available. Consult factory.

\*\* SCCR rating - See user manual for instructions to achieve 50 kA (230 V) or 200 kA (460 V) SCCR rating.

OPTION(S)	PIECE	PART NUMBER
1400 W ENCLOSURE HEATER	1	Consult Factory
ACCESSORIES	PIECE	PART NUMBER
METAL MESH FILTER	1	FILTER/MESH3
CONDENSATE BOTTLE	1	CONDENSATE/BTL

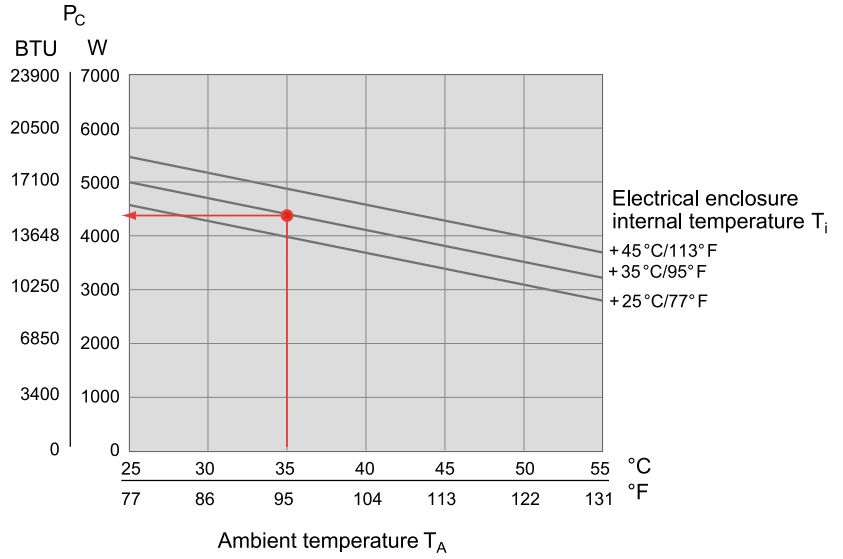
Approvals see page E7

AIR CONDITIONING

Cooling Capacity Performance Curve

DTS 3581

**How to use chart**  
 Example:  
 @ 95° F (ambient, X-axis),  
 @ 95° F (internal, diagonal lines)  
 = 15200 Btu/h cooling capacity (Y-axis)

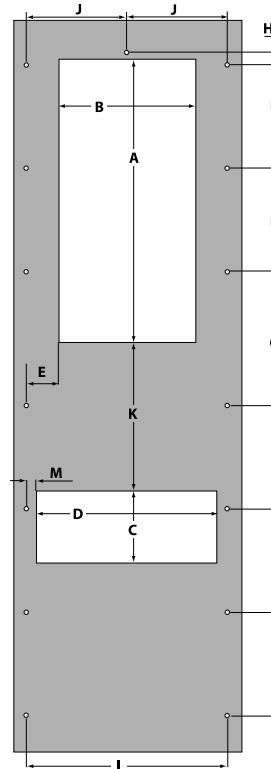
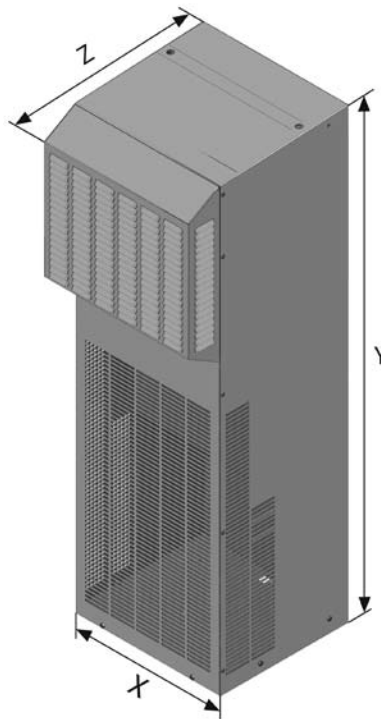


Dimensions

DTS 3581

Dimension	inches (mm)
X	19.02 (483)
Y	59.13 (1502)
Z	21.02 (534)
A	23.23 (590)
B	11.22 (285)
C	5.91 (150)
D	14.96 (380)
E	2.66 (67.5)
F	8.5 (216)
G	11.02 (280)
H	1.02 (26)
I	16.54 (420)
J	8.27 (210)
K	12.2 (310)
L	12.6 (320)
M	.79 (20)

Mounting holes Ø 10 mm



TYPE 4/4X – COOLING UNIT – DTS 3681 (20000-24000 BTU/H)



- Large distance between intake and exhaust vents, safe circulation within the electrical enclosure due to long passage of air, eliminating hot spots
- Maintains a UL Tested NEMA Type 4/4X seal against enclosure
- UL 484 Listed, category ACVS, UL file #SA10300, CE approved for European use
- Maintenance-free design, filterless for most applications
- 304 Stainless steel cover to match enclosures, with # 3 polish
- Condenser with 3 mm fin spacing, highly effective protection against strongly contaminated and aggressive ambient air
- Particularly suitable for food and beverage, wastewater and pump applications

DATA		DTS 3681 (NEMA TYPE 4/4X)		UNIT
PART NUMBER	304 STAINLESS STEEL	DTS3681460V	DTS3681230V	
RATED VOLTAGE ± 10 %		400 / 460 3Ø	230	VAC
FREQUENCY		50 / 60	60*	Hz
COOLING PERFORMANCE ACCORDING TO EN 14511		20000 - 24000		Btu/h
POWER CONSUMPTION		2000/2620	3142	W
NOMINAL (RUN) CURRENT		6.3	16.9	A
STARTING CURRENT		25	84	
UNIMPEDED AIRFLOW (FREE FLOW)	INTERNAL	1613 (2740)		CFM (m³/h)
	EXTERNAL	1613 (2740)		
FUSE (RECOMMENDED)**		15	30	A
TYPE OF CONNECTION		permanent screw terminal		
NOISE LEVEL (ACCORDING TO EN ISO 3741)		< 73		dB(A)
WEIGHT (WITHOUT PACKAGING)		230 (105)		lb (kg)
AMBIENT TEMPERATURE RANGE		+ 59 ... + 131 / + 15 ... + 55		
CONTROL RANGE (ADJUSTABLE)	SC	+ 77 ... + 113 / + 25 ... + 45; factory setting + 95 / + 35		°F / °C
REFRIGERANT	TYPE	R134a		
	QUANTITY	1300		g
DUTY CYCLE		100 %		
CONDENSATE MANAGEMENT		active condensate evaporation system with safety overflow		
PROTECTION SYSTEM ACCORDING TO NEMA TYPE		NEMA Type 4/4X against enclosure when properly installed		
		NEMA Type 1 towards the surroundings when properly installed		
DESIGN	HOUSING	galvanized sheet steel		
	COVER	304 stainless steel		

\*50 Hz unit available. Consult factory.

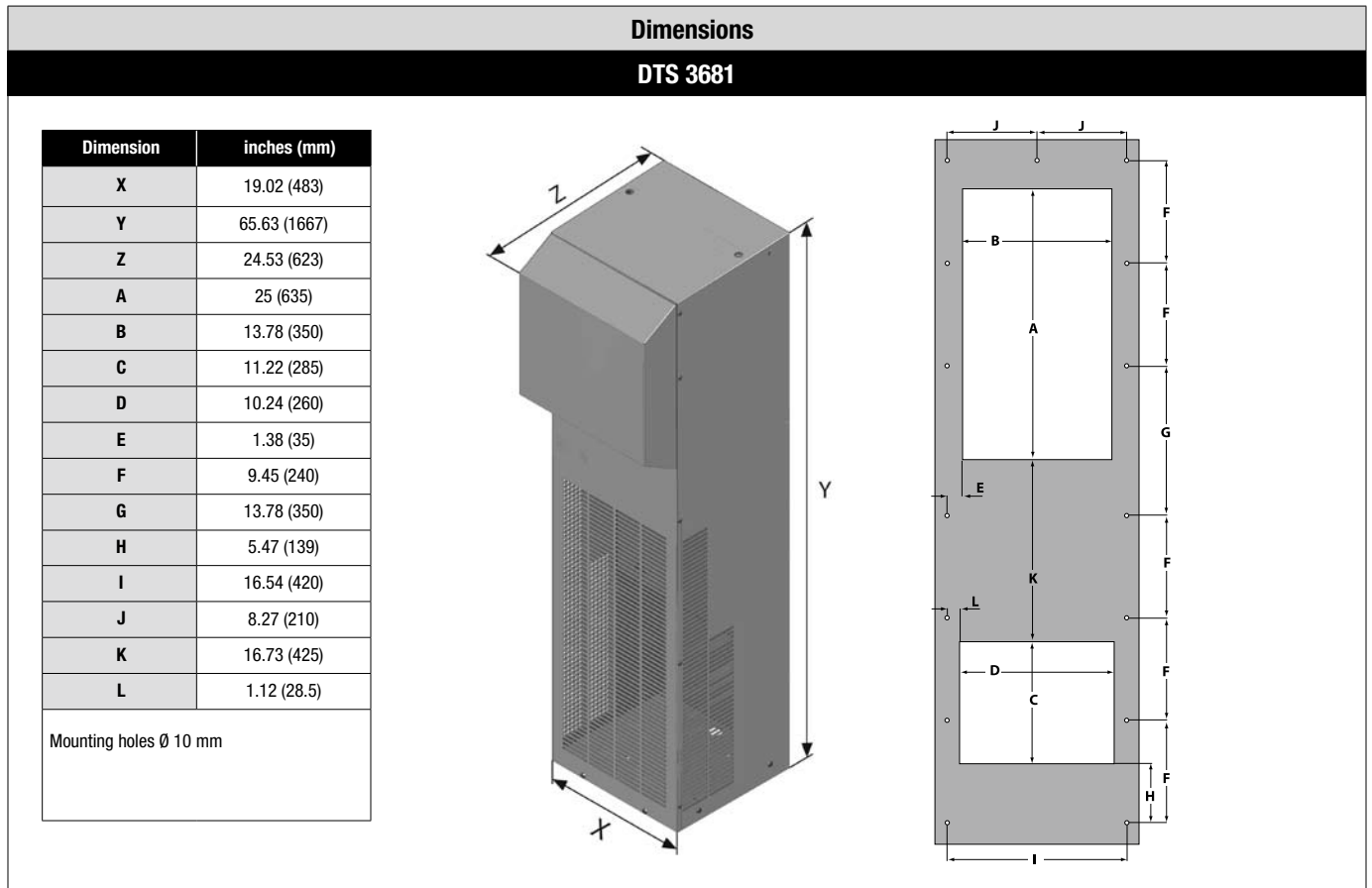
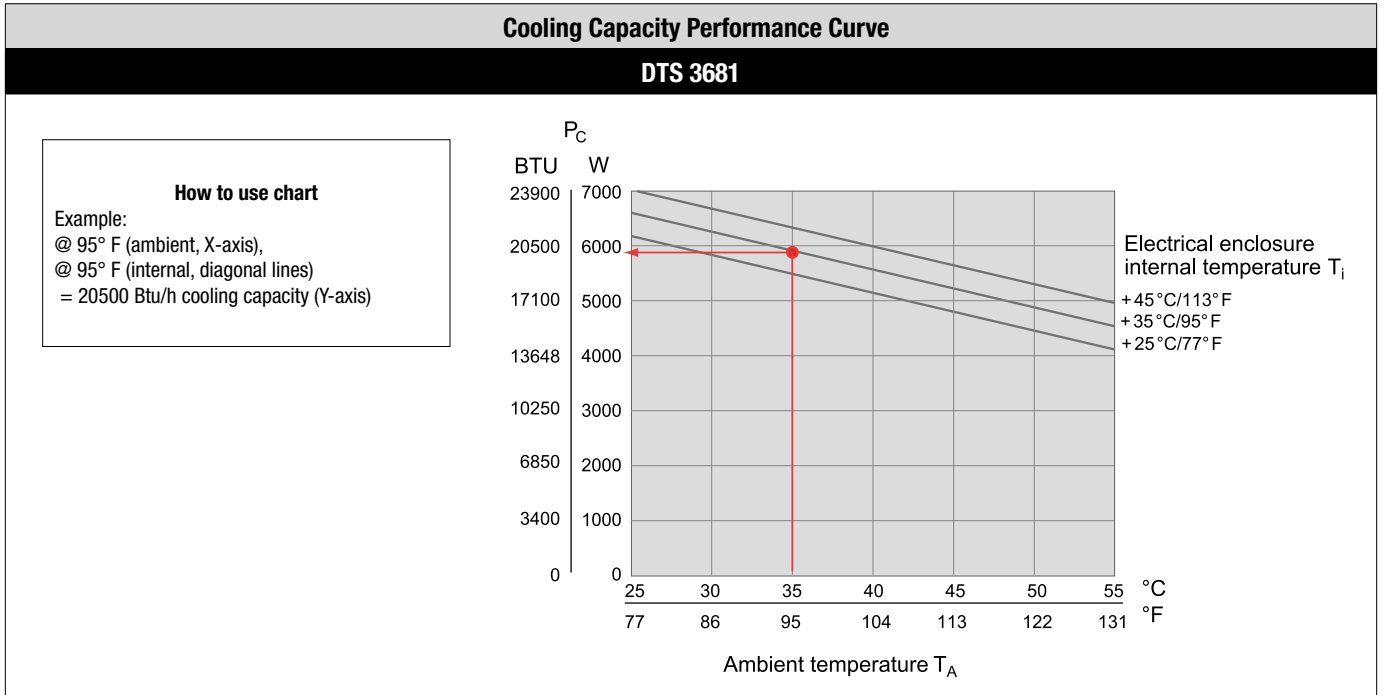
\*\* SCCR rating - See user manual for instructions to achieve 50 kA (230 V) or 200 kA (460 V) SCCR rating.

OPTION(S)	PIECE	PART NUMBER
1400 W ENCLOSURE HEATER	1	Consult Factory
ACCESSORIES	PIECE	PART NUMBER
METAL MESH FILTER	1	FILTER/MESH4
CONDENSATE BOTTLE	1	CONDENSATE/BTL

Approvals see page E7

AIR CONDITIONING







### **EXTRA SERVICE-FRIENDLY FILTERFAN®**

The 4<sup>th</sup> Generation of the Filterfan® offers an enormous degree of service, mounting and maintenance-friendliness due to:



#### **TOOL-FREE MOUNTING**

- fastening without screws
- patented 4-corner latching



#### **FASTER FILTER MAT REPLACEMENT**

- patented hinge system for simplest possible handling
- easily insert filter mat



#### **INSTALLATION COMPATIBILITY**

- cut-out compatible with older Filterfan® generations
- ability to be mounted in rows matched to customer application



#### **MODULAR STRUCTURE**

- variable air flow direction
- tool-less mounting of accessories and additional components



#### **EASIER, VARIABLE ELECTRICAL CONNECTION**

- more secure, faster connection using spring-type terminals
- optimum adaptation to electronic assembly concepts



Peltier cooling unit product line for use in sensitive areas, circuitry and small control cabinets.

- Ideal for the cooling of operating and control elements
- Particularly suitable for support arm systems
- Vibration-free, also usable for precision processes
- Pinpoint cooling of hotspots

DATA		PTM 100	PTM 150	PTM 500		UNIT
PART NUMBER	HORIZONTAL RAL 7035 (LT. GRAY)	PTM100/HORIZ	PTM150/HORIZ	PTM500/230AC/HORIZ	PTM500/24DC/HORIZ	
	VERTICAL RAL 7035 (LT. GRAY)	PTM100/VERT	PTM150/VERT	PTM500/230AC/VERT	PTM500/24DC/VERT	
RATED VOLTAGE ± 10 %		24 DC	24 DC	230 AC	24 DC	V
COOLING PERFORMANCE ACCORDING TO EN 14511		100	150	500		W
POWER CONSUMPTION		102	240	888	552	A
NOMINAL (RUN) CURRENT		4.25	10	5.97	26	
UNIMPEDED AIRFLOW (FREE FLOW)	INTERNAL	45 (76)	67 (114)	512 (870)		CFM (m³/h)
	EXTERNAL	99 (156)	138 (234)	512 (870)		
FUSE (RECOMMENDED)		6	16	10	30	A
TYPE OF CONNECTION	DC	connection via terminal strip, max. 2.5 mm² / AWG 16				
	AC	main plug				
SENSOR CABLE LENGTH		1200		1000		mm
NOISE LEVEL (ACCORDING TO EN ISO 3741)		47		55		dB(A)
WEIGHT (WITHOUT PACKAGING)		4 (7)	5 (9)	21 (36)		lb (kg)
AMBIENT TEMPERATURE RANGE		- 40 ... + 50 / - 40 ... + 122				°F / °C
CONTROL RANGE (ADJUSTABLE)		+ 0 ... + 50 / + 32 ... + 122				
DUTY CYCLE		100 %				
CONDENSATE MANAGEMENT		Integrated Condensate Management System with Condensate Drain				
PROTECTION SYSTEM ACCORDING TO EN 60529		NEMA Type 12 against enclosure when properly installed				
		NEMA Type 1 towards the surroundings when properly installed				
DESIGN	HOUSING	galvanized sheet steel				
	COVER	galvanized/electrostatically powder coated (200 °C)				
INSTALLATION LOCATION		H - horizontal / V - vertical				

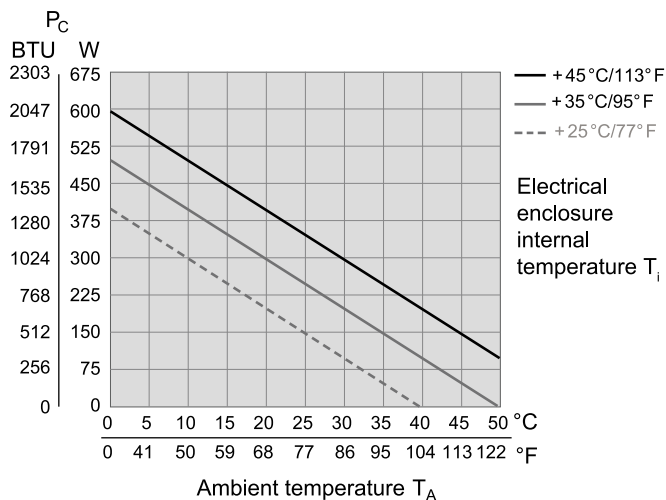
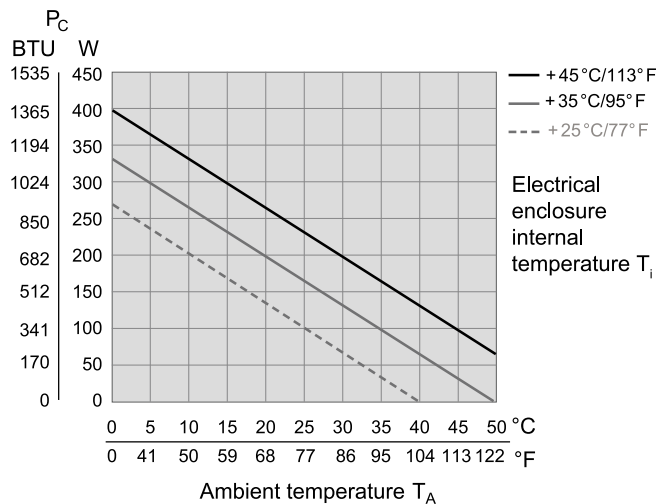
ACCESSORIES	PIECE	PART NUMBER
EXTERNAL CONDENSATE EVAPORATION SYSTEM	1	CONDEN/EVAP/SYS
CONDENSATE BOTTLE	1	CONDENSATE/BTL

Approvals see page E7

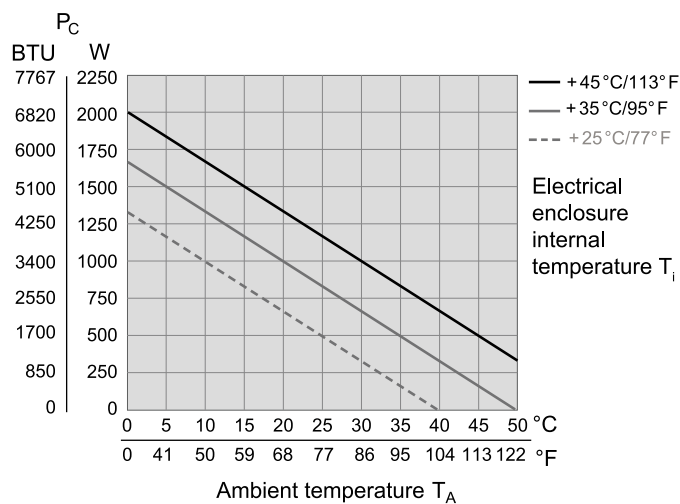
**Cooling Capacity Performance Curve**

**PTM 100**

**PTM 150**

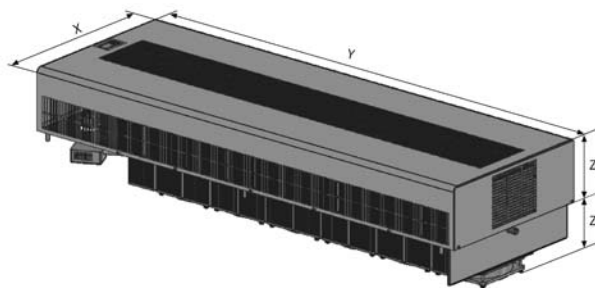
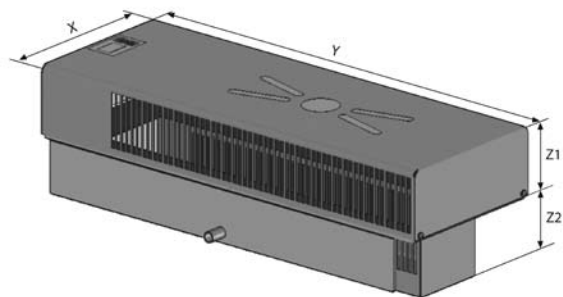


**PTM 500**



**Dimensions**

Dimension	PTM 100	PTM 150	PTM 500
	inches (mm)		
<b>X</b>	7.13 (181)	7.13 (181)	13.31 (338)
<b>Y</b>	14.45 (367)	19.49 (495)	38.62 (981)
<b>Z1</b>	5.94 (151)	5.94 (151)	4.45 (113)
<b>Z2</b>	2.95 (75)	2.95 (75)	4.21 (107)



4<sup>th</sup> Generation Filterfans®

4TH GENERATION FILTERFAN®

TYPE	Air flow rate <sup>1</sup>	Rated voltage	Cut-out dimensions (HxW) <sup>3</sup> inches (mm)	Approvals					Page
	CFM2 (Type 12 / IP 55)			UL	cUL	GOST	CSA	CE	
<b>PF SERIES FILTERFANS®</b>									
PF 11000	17	115 V / 230 V AC	3.62 x 3.62 (92 x 92)	●	●	●	○	●	E70
		12 V / 24 V / 48 V DC							
PF 22000	38	115 V / 230 V AC	4.92 x 4.92 (125 x 125)	●	●	●	○	●	E72
		12 V / 24 V / 48 V DC							
PF 32000	65	115 V / 230 V AC	6.97 x 6.97 (177 x 177)	●	●	●	○	●	E74
		12 V / 24 V / 48 V DC							
PF 42500	94	115 V / 230 V AC	8.78 x 8.78 (223 x 223)	●	●	●	○	●	E76
		12 V / 24 V / 48 V DC							
PF 43000	169	115 V / 230 V AC	8.78 x 8.78 (223 x 223)	●	●	●	○	●	E78
		12 V / 24 V / 48 V DC							
PF 65000	297	115 V / 230 V AC	11.46 x 11.46 (291 x 291)	●	●	●	○	●	E80
PF 66000	462	400 V / 460 V 3 Ø	11.46 x 11.46 (291 x 291)	●	●	●	○	●	E82
		115 V / 230 V AC							
PF 67000	560	400 V / 460 V 3 Ø	11.46 x 11.46 (291 x 291)	●	●	●	○	●	E84
		115 V / 230 V AC							
<b>PFA SERIES EXHAUST FILTERS</b>									
PFA 10000	N/A	N/A	3.62 x 3.62 (92 x 92)	●	●	●	○	●	E70
PFA 20000			4.92 x 4.92 (125 x 125)	●	●	●	○	●	E72
PFA 30000			6.97 x 6.97 (177 x 177)	●	●	●	○	●	E74
PFA 40000			8.78 x 8.78 (223 x 223)	●	●	●	○	●	E76
PFA 60000			11.46 x 11.46 (291 x 291)	●	●	●	○	●	E78
<b>PF SLIM LINE FILTERFANS</b>									
PF 33000 SL	152	115 V / 230 V AC	11.46 x 11.46 (291 x 291)	○	○			●	E86
PF 65000 SL	325	115 V / 230 V AC	11.46 x 11.46 (291 x 291)	●	●			●	E88
PF 67000 SL	427	400 V / 460 V 3 Ø	11.46 x 11.46 (291 x 291)	●	●			●	E90
		115 V / 230 V AC							
<b>PF SERIES EMC FILTERFANS</b>									
PF 11000 EMC	as for PF series	as for PF series	3.66 x 3.66 (93 x 93)	●	●	●	○	●	E70
PF 22000 EMC			4.96 x 4.96 (126 x 126)	●	●	●	○	●	E72
PF 32000 EMC			7.01 x 7.01 (178 x 178)	●	●	●	○	●	E74
PF 42500 EMC			8.82 x 8.82 (224 x 224)	●	●	●	○	●	E76
PF 43000 EMC			8.82 x 8.82 (224 x 224)	●	●	●	○	●	E78
PF 65000 EMC			11.50 x 11.50 (292 x 292)	●	●	●	○	●	E80
PF 66000 EMC			11.50 x 11.50 (292 x 292)	●	●	●	○	●	E82
PF 67000 EMC			11.50 x 11.50 (292 x 292)	●	●	●	○	●	E84
<b>PFA SERIES EMC EXHAUST FILTERS</b>									
PFA 10000 EMC	N/A	N/A	3.66 x 3.66 (93 x 93)	●	●	●	○	●	E71
PFA 20000 EMC			4.96 x 4.96 (126 x 126)	●	●	●	○	●	E73
PFA 30000 EMC			7.01 x 7.01 (178 x 178)	●	●	●	○	●	E75
PFA 40000 EMC			8.82 x 8.82 (224 x 224)	●	●	●	○	●	E77
PFA 60000 EMC			11.50 x 11.50 (292 x 292)	●	●	●	○	●	E79
<b>PTF SERIES TOP-MOUNTED FILTERFANS®</b>									
PTF 60500	206 (350)	115 V / 230 V AC	11.46 x 11.46 (291 x 291)	●	●	●		●	E94
PTF 60700	324 (550)	115 V / 230 V AC	11.46 x 11.46 (291 x 291)	●	●	●		●	E94
PTF 61000	441 (749)	115 V / 230 V AC	11.46 x 11.46 (291 x 291)	●	●	●		●	E94
<b>PTFA SERIES TOP EXHAUST FILTERS</b>									
PTFA 60000	N/A	N/A	11.46 x 11.46 (291 x 291)	●	●	●		●	E94

<sup>1</sup> free-blowing

<sup>3</sup> for material thicknesses up to .08" (2 mm)

● available ○ pending

AIR CONDITIONING



- Installation size 1, air flow rate up to 17 CFM
- System of protection IP 54, NEMA type 12
- UL, cUL to NITW2 Category and CE approved, CSA pending
- Cut-out compatible with installation size 1 from the 3<sup>rd</sup> Generation (see page E92)

DATA		PF 11000			UNIT
PART NUMBER	RAL 9011 (BLACK GRILL)	PF11000AC230V	PF11000AC115V	PF11000DC	
	RAL 7035 (LT. GRAY GRILL)	PF11000AC230V/BLK	PF11000AC115V/BLK	PF11000DC/BLK	
			AC 50 Hz / 60 Hz	DC	
RATED VOLTAGE ± 10 %		230	115	24	V
UNIMPEDED AIRFLOW (CFM2)	17 (29)				CFM (m <sup>3</sup> /h)
AIR FLOW RATE IN COMBINATION (PF + PFA 20000) (CFM3)	11 (18)				
POWER CONSUMPTION		12 / 11	12 / 11	2.4	W
CURRENT CONSUMPTION		0.07 / 0.06	0.15 / 0.15	0.1	A
NOISE LEVEL (ACCORDING TO EN ISO 3741)	33				
WEIGHT		1.2 (0.55)		.35 (0.16)	lb (kg)
TYPE OF CONNECTION	cable, 2-core, length 310 mm				
FUSE (RECOMMENDED)	6				A
SYSTEM OF PROTECTION ACCORDING TO EN 60529 / UL 50	NEMA type 12 - standard filter				
FILTRATION EFFICIENCY	88				%
FILTER MAT QUALITY CLASS <sup>1</sup>	G 3				
DUTY CYCLE	100				%
BEARING TYPE	sleeve bearing		ball bearing		
SERVICE LIFE L <sub>10</sub> (+ 40 °C) <sup>2</sup>		52500	55000	70000	h
TEMPERATURE RANGE	+ 5 ... + 131 / - 15 ... + 55				°F / °C
MATERIAL PROTECTION RATING	made of injection-moulded thermoplastic, self-extinguishing, UL 94 V0				

ACCESSORIES		PIECE	PART NUMBER
EXHAUST FILTER PFA 10000	RAL 9011 (BLACK GRILL)	1	PFA10000/BLK
	RAL 7035 (LT. GRAY GRILL)	1	PF10000/7035
THERMOSTAT FLZ 530° F		1	FLZ/THERMO

<sup>1</sup> according to DIN EN 779

<sup>2</sup> fan failure is defined as being when the current and speed deviate or the operating noises are out of the ordinary

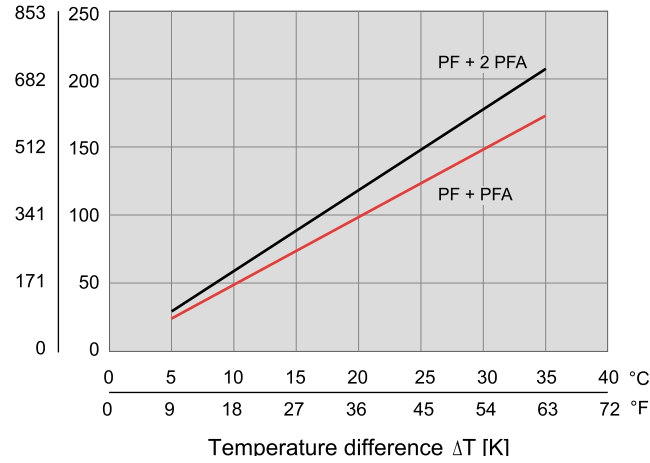
Approvals see page E69



Cooling Capacity Performance Curves

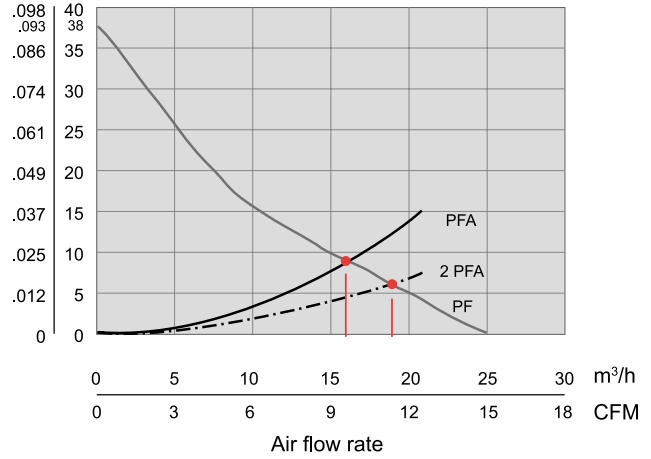
PF 11000

Cooling capacity  
BTU W



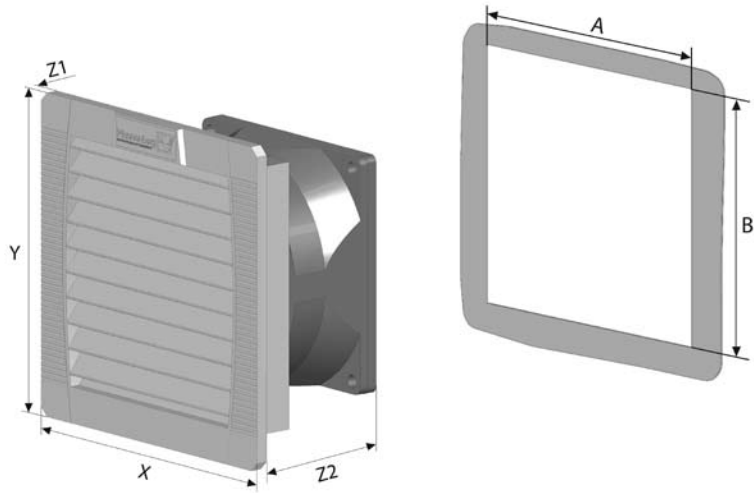
Static pressure

Inch  
H<sub>2</sub>O Pa



Dimensions

inches (mm)	PF 11000		PFA 10000
	AC	DC	Exhaust
<b>X</b>	4.29 (109)	4.29 (109)	4.29 (109)
<b>Y</b>	4.29 (109)	4.29 (109)	4.29 (109)
<b>Z1</b>	.16 (4)	.16 (4)	.16 (4)
<b>Z2</b>	2.44 (62)	1.93 (49)	.75 (19)
<b>A'</b>	3.62 (92)	3.62 (92)	3.62 (92)
<b>B'</b>	3.62 (92)	3.62 (92)	3.62 (92)





- Installation size 2, air flow rate up to 38 CFM
- System of protection IP 55, NEMA Type 12
- UL, cUL to NITW2 Category and CE approved, CSA pending
- Cut-out compatible with installation size 2 from the 3<sup>rd</sup> Generation (see page E92)

**OPTIONS**

- UV-resistance / EMC, consult factory for part numbers

DATA		PF 22000					UNIT
<b>PART NUMBER</b>	RAL 9011 (BLACK GRILL)	PF22000AC230V/BLK	PF22000AC115V/BLK	PF22000DC12V/BLK	PF22000DC24V/BLK	PF22000DC48V/BLK	
	RAL 7035 (LT. GRAY GRILL)	PF22000AC230V	PF22000AC115V	PF22000DC12V	PF22000DC24V	PF22000DC48V	
	AC 50 Hz / 60 Hz			DC			
<b>RATED VOLTAGE ± 10 %</b>		230	115	12	24	48	v
<b>UNIMPEDED AIRFLOW (CFM2)</b>	38 (64)						CFM (m³/h)
<b>AIR FLOW RATE IN COMBINATION (PF + PFA 20000) (CFM3)</b>	28 (46)						
<b>POWER CONSUMPTION</b>		19 / 18	20 / 20	5	5	5	W
<b>CURRENT CONSUMPTION</b>		0.12 / 0.18	0.24 / 0.23	0.42	0.21	0.1	A
<b>NOISE LEVEL (ACCORDING TO EN ISO 3741)</b>	44 / 44			44			
<b>WEIGHT</b>		1.5 (0.7)			.97 (0.44)		lb (kg)
<b>TYPE OF CONNECTION</b>		terminal strip		cable, 2-core, length 310 mm			
<b>FUSE (RECOMMENDED)</b>	6						A
<b>SYSTEM OF PROTECTION ACCORDING TO EN 60529 / UL 50</b>	NEMA Type 12 - fluted filter / IP 55						
<b>FILTRATION EFFICIENCY</b>	91						%
<b>FILTER MAT QUALITY CLASS<sup>1</sup></b>	G 4						
<b>DUTY CYCLE</b>	100						%
<b>BEARING TYPE</b>		sleeve bearing		ball bearing			
<b>SERVICE LIFE L<sub>10</sub> (+ 40 °C)<sup>2</sup></b>		37500	40000	62500			h
<b>TEMPERATURE RANGE</b>	+ 5 ... + 131 / - 15 ... + 55						°F / °C
<b>MATERIAL PROTECTION RATING</b>	made of injection-molded thermoplastic, self-extinguishing, UL 94 V0, UV-resistant optional						

ACCESSORIES	PIECE	PART NUMBER
<b>EXHAUST FILTER PFA 20000</b>	RAL 9011 (BLACK GRILL)	1 PFA20000/BLK
	RAL 7035 (LT. GRAY GRILL)	1 PFA20000
<b>THERMOSTAT FLZ 530° F</b>	1	FLZ/THERMO

<sup>1</sup> according to DIN EN 779

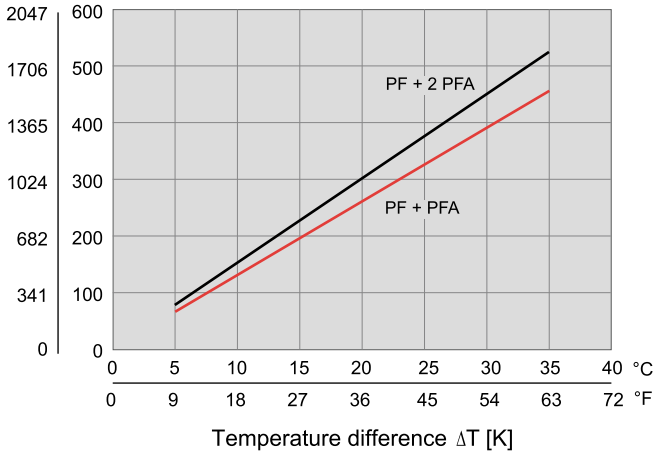
<sup>2</sup> fan failure is defined as being when the current and speed deviate or the operating noises are out of the ordinary

Approvals see page E69

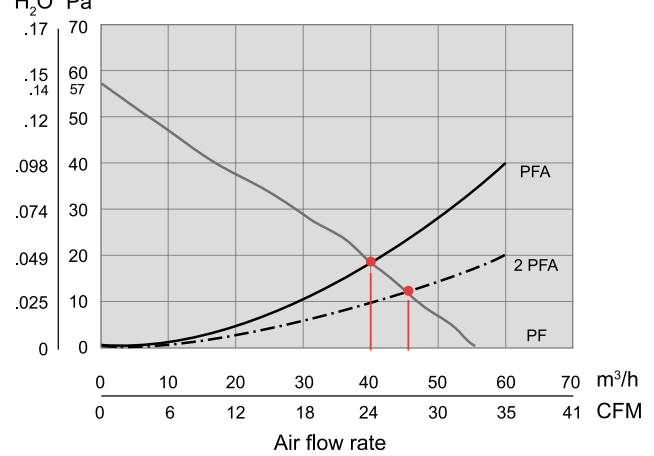


Cooling Capacity Performance Curves	Static Pressure Performance Curves
PF 22000 T12/IP 55 (& UV option)	PF 22000 T12/IP 55 (& UV option)

Cooling capacity  
BTU W



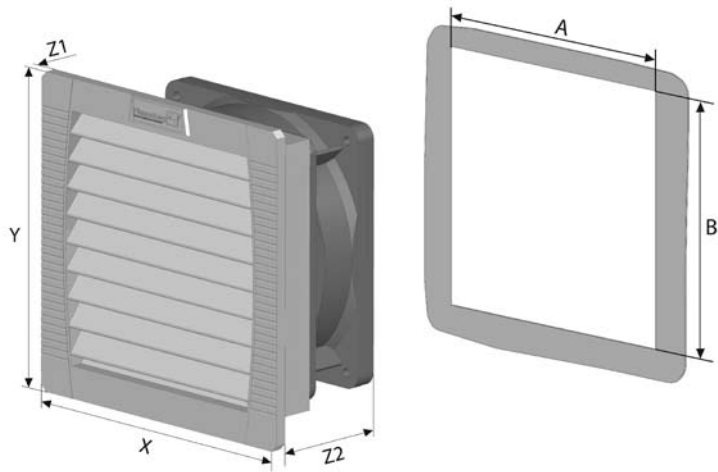
Static pressure  
Inch H<sub>2</sub>O Pa



**Dimensions**

Inches (mm)	PF 22000		PFA 20000
	AC	DC	Exhaust
<b>X</b>	5.71 (145)	5.71 (145)	5.71 (145)
<b>Y</b>	5.71 (145)	5.71 (145)	5.71 (145)
<b>Z1</b>	.2 (5)	.2 (5)	.2 (5)
<b>Z2</b>	2.76 (70)	2.52 (64)	1.02 (26)
<b>A<sup>1</sup></b>	4.92 (125) <sup>2</sup>	4.92 (125) <sup>2</sup>	4.92 (125) <sup>2</sup>
<b>B<sup>1</sup></b>	4.92 (125) <sup>2</sup>	4.92 (125) <sup>2</sup>	4.92 (125) <sup>2</sup>

<sup>1</sup> for material thicknesses up to .07" (2 mm)  
+1 mm for thickness of material > .07" (2 mm) ≤ .12" (3 mm)  
<sup>2</sup> add .039" (1 mm) for EMC version



**AIR CONDITIONING**



- Installation size 3, air flow rate up to 65 CFM
- System of protection IP 54 and IP 55, NEMA type 12
- UL, cUL to NITW2 Category and CE approved, CSA pending

**OPTIONS**

- UV-resistance / EMC, consult factory for part numbers

DATA		PF 32000			UNIT
PART NUMBER	RAL 9011 (BLACK GRILL)	PF32000AC230V/BLK	PF32000AC115VBLK	PF32000DC24V/BLK	
	RAL 7035 (LT. GRAY GRILL)	PF32000AC230V	PF32000AC115V	PF32000DC24V	
		AC 50 Hz / 60 Hz		DC	
RATED VOLTAGE ± 10 %		230	115	24	V
UNIMPEDED AIRFLOW (CFM2)	65 (110)				CFM (m³/h)
AIR FLOW RATE IN COMBINATION (PF + PFA 20000) (CFM3)	38 (64)				
POWER CONSUMPTION		19 / 18	20 / 20	5	W
CURRENT CONSUMPTION		0.12 / 0.18	0.24 / 0.23	0.21	A
NOISE LEVEL (ACCORDING TO EN ISO 3741)	40				
WEIGHT		1.9 (0.87)		1.3 (0.61)	lb (kg)
TYPE OF CONNECTION		terminal strip		cable, 2-core, length 310 mm	
FUSE (RECOMMENDED)	6				A
SYSTEM OF PROTECTION ACCORDING TO EN 60529 / UL 50	NEMA Type 12 - fluted filter / IP 55				
FILTRATION EFFICIENCY	91				%
FILTER MAT QUALITY CLASS <sup>1</sup>	G 4				
DUTY CYCLE	100				%
BEARING TYPE		sleeve bearing		ball bearing	
SERVICE LIFE L <sub>10</sub> (+ 40 °C) <sup>2</sup>		37500	40000	62500	h
TEMPERATURE RANGE	+ 5 ... + 131 / - 15 ... + 55				°F / °C
MATERIAL PROTECTION RATING	made of injection-molded thermoplastic, self-extinguishing, UL 94 V0, UV-resistant optional				

ACCESSORIES	PIECE	PART NUMBER
EXHAUST FILTER PFA 30000	RAL 9011 (BLACK GRILL)	1 PFA30000/BLK
	RAL 7035 (LT. GRAY GRILL)	1 PFA300005
THERMOSTAT FLZ 530° F	1	FLZ/THERMO

<sup>1</sup> according to DIN EN 779

<sup>2</sup> fan failure is defined as being when the current and speed deviate or the operating noises are out of the ordinary

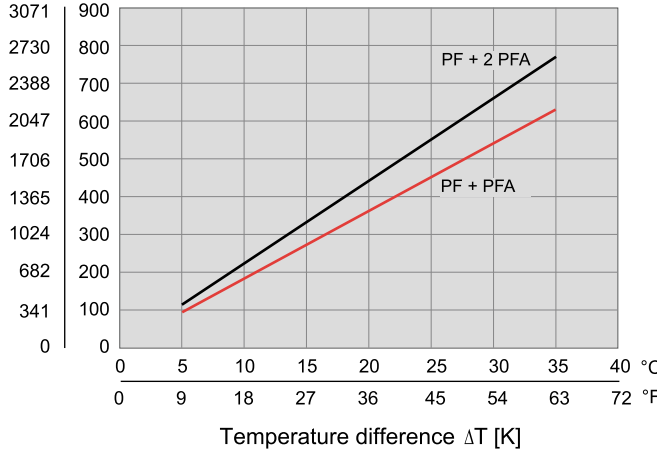
Approvals see page E69



Cooling Capacity Performance Curves	Static Pressure Performance Curves
PF 32000 T12 / IP 55 (& UV option)	PF 32000 T12 / IP 55 (& UV option)

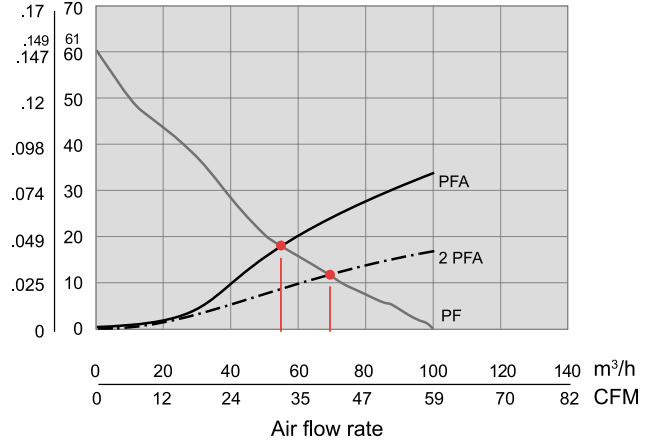
Cooling capacity

BTU W



Static pressure

Inch  
H<sub>2</sub>O Pa

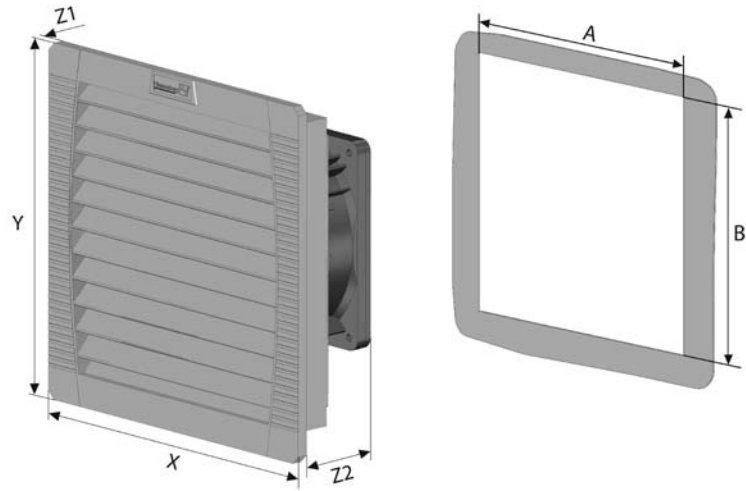


**Dimensions**

inches (mm)	PF 32000		PFA 30000
	AC	DC	Exhaust
<b>X</b>	7.95 (202)	7.95 (202)	7.95 (202)
<b>Y</b>	7.95 (202)	7.95 (202)	7.95 (202)
<b>Z1</b>	.24 (6)	.24 (6)	.24 (6)
<b>Z2</b>	3.43 (87)	3.19 (81)	1.34 (34)
<b>A<sup>1</sup></b>	6.97 (177) <sup>2</sup>	6.97 (177) <sup>2</sup>	6.97 (177) <sup>2</sup>
<b>B<sup>1</sup></b>	6.97 (177) <sup>2</sup>	6.97 (177) <sup>2</sup>	6.97 (177) <sup>2</sup>

<sup>1</sup> for material thicknesses up to .07" (2 mm)  
+1 mm for thickness of material > .07" (2 mm) ≤ 1.2" (3 mm)

<sup>2</sup> add .039" (1 mm) for EMC version





- Installation size 4, air flow rate up to 94 CFM
- Two performance classes, cut-out compatible
- System of protection IP 54 and IP 55, NEMA type 12
- UL, cUL to NITW2 Category and CE approved, CSA pending
- Cut-out compatible with installation size 4 from the 3<sup>rd</sup> Generation (see page E92)

DATA		PF 42500			UNIT
PART NUMBER	RAL 9011 (BLACK GRILL)	PF42500AC230V/BLK	PF42500AC115V/BLK	PF42500DC24V/BLK	
	RAL 7035 (LT. GRAY GRILL)	PF42500AC230V	PF42500AC115V	PF42500DC24V	
			AC 50 Hz / 60 Hz	DC	
RATED VOLTAGE ± 10 %		230	115	24	V
UNIMPEDED AIRFLOW (CFM2)		94 (160)			CFM (m³/h)
AIR FLOW RATE IN COMBINATION (PF + PFA 20000) (CFM3)		67 (113)			
POWER CONSUMPTION		18 / 17	18 / 17	4.7	W
CURRENT CONSUMPTION		0.12 / 0.1	0.25 / 0.25	0.2	A
NOISE LEVEL (ACCORDING TO EN ISO 3741)		40 / 43		40	
WEIGHT		3 (1.18)		2 (0.92)	lb (kg)
TYPE OF CONNECTION		spring-type terminal			
FUSE (RECOMMENDED)		6			A
SYSTEM OF PROTECTION ACCORDING TO EN 60529 / UL 50		NEMA Type 12 - fluted filter / IP 55			
FILTRATION EFFICIENCY		91			%
FILTER MAT QUALITY CLASS <sup>1</sup>		G 4			
DUTY CYCLE		100			%
BEARING TYPE		ball bearing			
SERVICE LIFE L <sub>10</sub> (+ 40 °C) <sup>2</sup>		40000	42500	70000	h
TEMPERATURE RANGE		+ 5 ... + 131 / - 15 ... + 55			°F / °C
MATERIAL PROTECTION RATING		made of injection-molded thermoplastic, self-extinguishing, UL 94 V0, UV-resistant optional			

ACCESSORIES	PIECE	PART NUMBER
EXHAUST FILTER PFA 30000	RAL 9011 (BLACK GRILL)	1 PFA30000/BLK
	RAL 7035 (LT. GRAY GRILL)	1 PFA300005
THERMOSTAT FLZ 530° F	1	FLZ/THERMO

<sup>1</sup> according to DIN EN 779

<sup>2</sup> fan failure is defined as being when the current and speed deviate or the operating noises are out of the ordinary

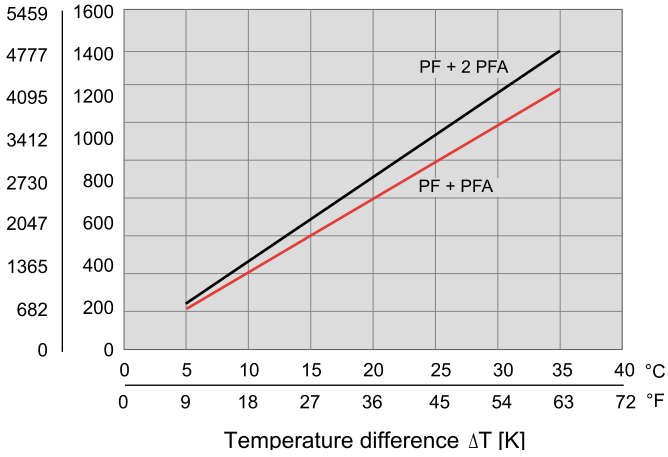
Approvals see page E69



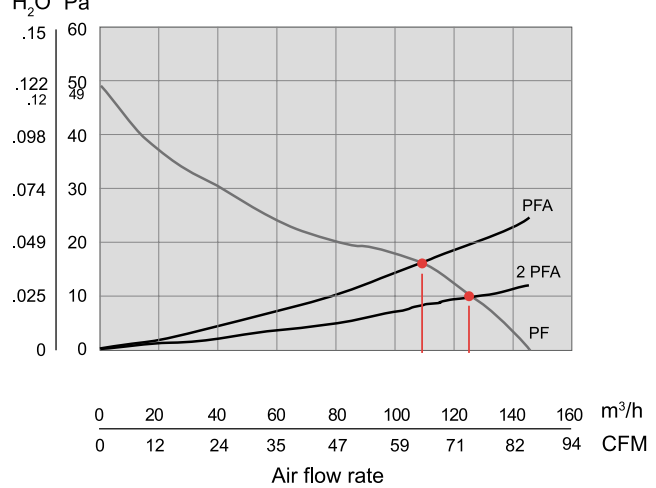


Cooling Capacity Performance Curves	Static Pressure Performance Curves
PF 42500 T12 / IP 55 (& UV option)	PF 42500 T12 / IP 55 (& UV option)

Cooling capacity  
BTU W



Static pressure  
Inch H<sub>2</sub>O Pa

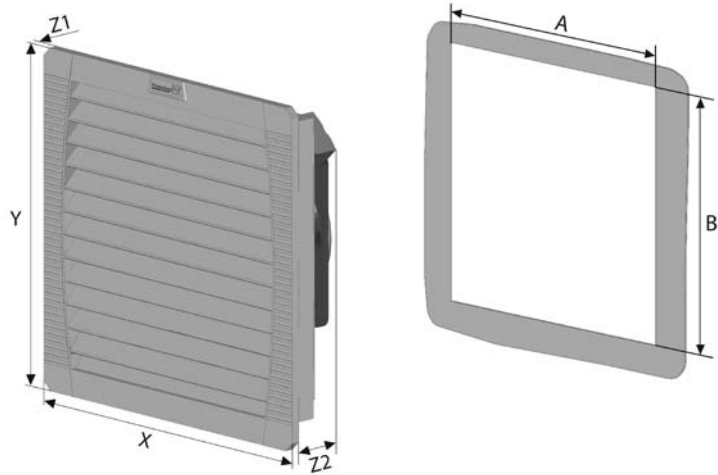


**Dimensions**

inches (mm)	PF 42500	PFA 40000
<b>X</b>	9.92 (252)	9.92 (252)
<b>Y</b>	9.92 (252)	9.92 (252)
<b>Z1</b>	.24 (6)	.24 (6)
<b>Z2</b>	3.82 (97)	1.5 (38)
<b>A<sup>1</sup></b>	8.78 (223) <sup>2</sup>	8.78 (223) <sup>2</sup>
<b>B<sup>1</sup></b>	8.78 (223) <sup>2</sup>	8.78 (223) <sup>2</sup>

<sup>1</sup> for material thicknesses up to .08" (2 mm)  
+.039 (+1 mm) for thickness of material > .08" (2 mm) ≤ .19" (3 mm)

<sup>2</sup> add .039" (1 mm) for EMC version





- Installation size 4, air flow rate up to 169 CFM
- Two performance classes, cut-out compatible
- System of protection IP 54 and IP 55, NEMA Type 12
- UL, cUL to NITW2 Category and CE approved, CSA pending
- Cut-out compatible with installation size 4 from the 3rd Generation (see page E93)

**OPTIONS**

- UV-resistance / EMC, consult factory for part numbers

DATA		PF 43000			UNIT
PART NUMBER	RAL 9011 (BLACK GRILL)	PF43000AC230V/BLK	PF43000AC115V/BLK	PF43000DC24V/BLK	
	RAL 7035 (LT. GRAY GRILL)	PF43000AC230V	PF43000AC115V	PF43000DC24V	
		AC 50 Hz / 60 Hz		DC	
RATED VOLTAGE ± 10 %		230	115	24	V
UNIMPEDED AIRFLOW (CFM2)	IP 55	169 (287)			CFM (m³/h)
AIR FLOW RATE IN COMBINATION (PF + PFA 40000) (CFM3)	IP 55	142 (241)			
POWER CONSUMPTION		45 / 39	40 / 40	12	W
CURRENT CONSUMPTION		0.32 / 0.26	0.5 / 0.5	0.5	A
NOISE LEVEL (ACCORDING TO EN ISO 3741)	IP 55	42 / 46		42	
WEIGHT		3.68 (1.67)		3.33 (1.51)	lb (kg)
TYPE OF CONNECTION		spring-type terminal			
FUSE (RECOMMENDED)		6			A
SYSTEM OF PROTECTION ACCORDING TO EN 60529 / UL 50	IP 55	NEMA Type 12 - fluted filter / IP 55			
FILTRATION EFFICIENCY	IP 55	91			%
FILTER MAT QUALITY CLASS <sup>1</sup>	IP 55	G 4			
DUTY CYCLE		100			%
BEARING TYPE		ball bearing			
SERVICE LIFE L <sub>10</sub> (+ 40 °C) <sup>2</sup>		40000		80000	h
TEMPERATURE RANGE		+ 5 ... + 131 / - 15 ... + 55			°F / °C
MATERIAL PROTECTION RATING		made of injection-molded thermoplastic, self-extinguishing, UL 94 V0, UV-resistant optional			

ACCESSORIES		PIECE	PART NUMBER
EXHAUST FILTER PFA 40000	RAL 9011 (BLACK GRILL)	1	PFA30000/BLK
	RAL 7035 (LT. GRAY GRILL)	1	PFA300005
THERMOSTAT FLZ 530° F		1	FLZ/THERMO

<sup>1</sup> according to DIN EN 779

<sup>2</sup> fan failure is defined as being when the current and speed deviate or the operating noises are out of the ordinary

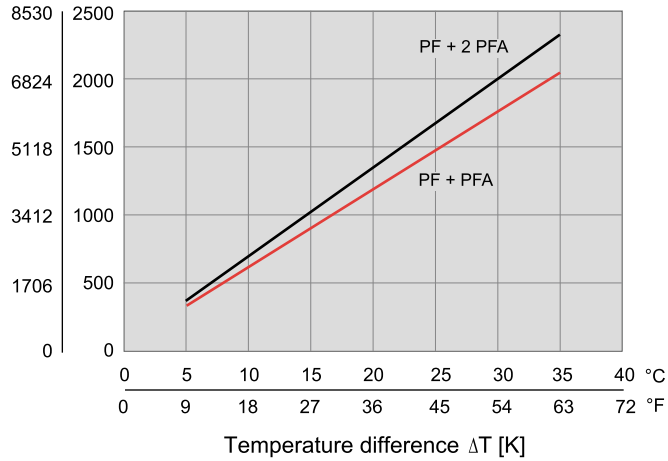
Approvals see page E69



Cooling Capacity Performance Curves	Static Pressure Performance Curves
PF 43000 T12 / IP 55 (& UV option)	PF 43000 T12 / IP 55 (& UV option)

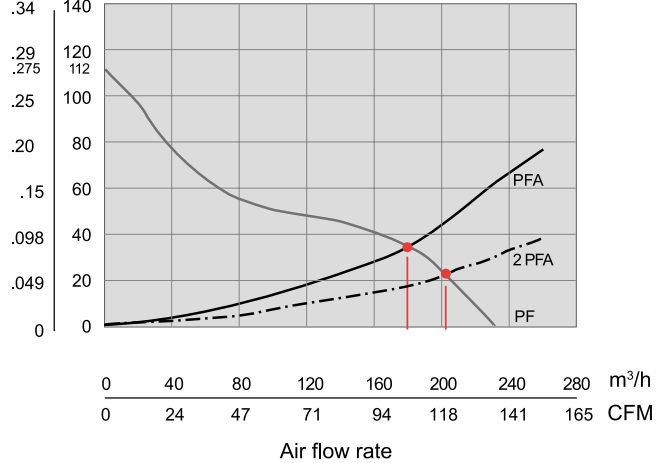
Cooling capacity

BTU W



Static pressure

Inch H<sub>2</sub>O Pa

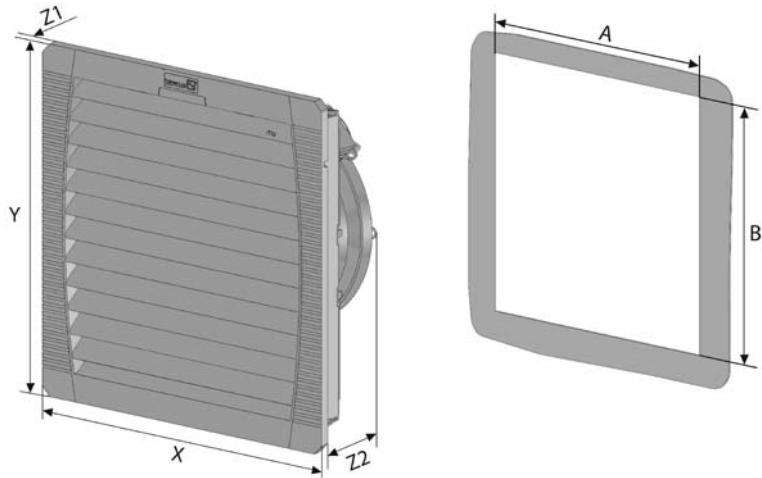


**Dimensions**

inches (mm)	43000		PFA 40000
	AC	DC	Exhaust
<b>X</b>	9.92 (252)	9.92 (252)	9.92 (252)
<b>Y</b>	9.92 (252)	9.92 (252)	9.92 (252)
<b>Z1</b>	.24 (6)	.24 (6)	.24 (6)
<b>Z2</b>	4.45 (113)	3.82 (97)	1.5 (38)
<b>A<sup>1</sup></b>	8.78 (223) <sup>2</sup>	8.78 (223) <sup>2</sup>	8.78 (223) <sup>2</sup>
<b>B<sup>1</sup></b>	8.78 (223) <sup>2</sup>	8.78 (223) <sup>2</sup>	8.78 (223) <sup>2</sup>

<sup>1</sup> for material thicknesses up to .08" (2 mm)  
+.039 (+1 mm) for thickness of material > .08" (2 mm) ≤ .19" (3 mm)

<sup>2</sup> add .039" (1 mm) for EMC version





- Installation size 6, air flow rate up to 297 CFM
- Three performance classes, cut-out compatible
- System of protection IP 54 and IP 55, NEMA Type 12
- UL, cUL to NITW2 Category and CE approved, CSA pending
- Cut-out compatible with installation size 6 from the 3rd Generation (see page E92)

**OPTIONS**

- UV-resistance / EMC, consult factory for part numbers

DATA		PF 65000		UNIT
PART NUMBER	RAL 9011 (BLACK GRILL)	PF65000230V/BLK	PF65000115V/BLK	
	RAL 7035 (LT. GRAY GRILL)	PF65000230V	PF65000115V	
		AC 50 Hz / 60 Hz		
RATED VOLTAGE ± 10 %		230	115	V
UNIMPEDED AIRFLOW (CFM2)	IP 55	297 (505)		CFM (m³/h)
AIR FLOW RATE IN COMBINATION (PF + PFA 40000) (CFM3)	IP 55	230 (391)		
POWER CONSUMPTION		65 / 80	75 / 90	W
CURRENT CONSUMPTION		0.3 / 0.36	0.66 / 0.8	A
NOISE LEVEL (ACCORDING TO EN ISO 3741)	IP 55	54 / 52		
WEIGHT		7 (3.2)		lb (kg)
TYPE OF CONNECTION		spring-type terminal		
FUSE (RECOMMENDED)		6		A
SYSTEM OF PROTECTION ACCORDING TO EN 60529 / UL 50	IP 55	NEMA Type 12 - fluted filter / IP55		
FILTRATION EFFICIENCY	IP 55	91		%
FILTER MAT QUALITY CLASS <sup>1</sup>	IP 55	G 4		
DUTY CYCLE		100		%
BEARING TYPE		ball bearing		
SERVICE LIFE L <sub>10</sub> (+ 40 °C) <sup>2</sup>		40000		h
TEMPERATURE RANGE		+ 5 ... + 131 / - 15 ... + 55		°F / °C
MATERIAL PROTECTION RATING		made of injection-molded thermoplastic, self-extinguishing, UL 94 V0, UV-resistant optional		

ACCESSORIES	PIECE	PART NUMBER
EXHAUST FILTER PFA 60000	RAL 9011 (BLACK GRILL)	1 PFA60000/BLK
	RAL 7035 (LT. GRAY GRILL)	1 PFA60000
THERMOSTAT FLZ 530° F	1	FLZ/THERMO

<sup>1</sup> according to DIN EN 779

<sup>2</sup> fan failure is defined as being when the current and speed deviate or the operating noises are out of the ordinary

Approvals see page E69



**Cooling Capacity Performance Curves**

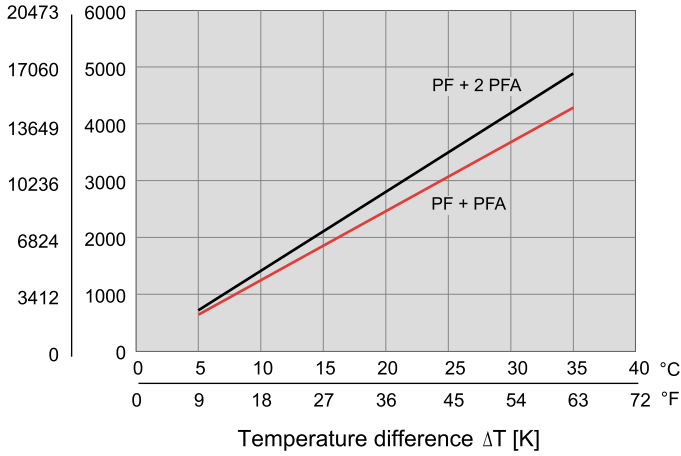
**PF 65000 T12 / IP 55 (& UV option)**

**Static Pressure Performance Curves**

**PF 65000 T12 / IP 55 (& UV option)**

Cooling capacity

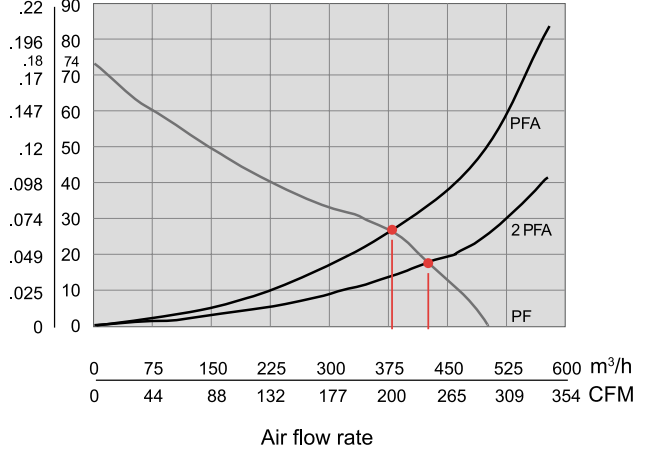
BTU W



Static pressure

Inch

H<sub>2</sub>O Pa

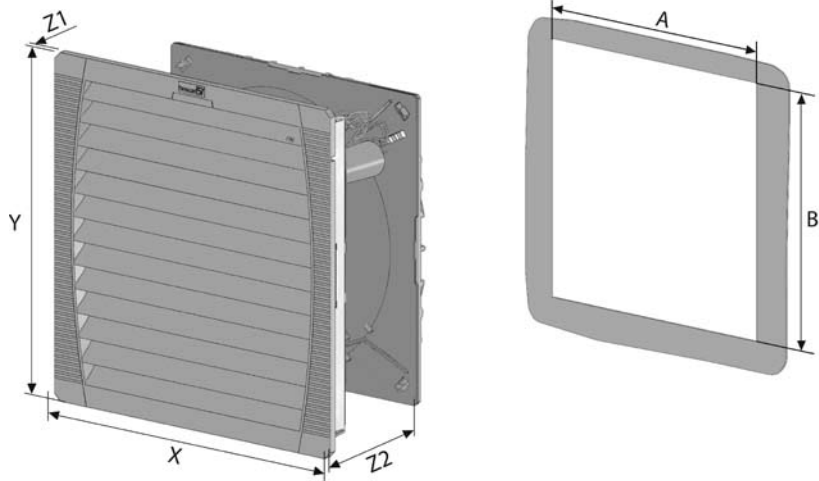


**Dimensions**

inches (mm)	PF 65000	PFA 60000
X	12.6 (320)	12.6 (320)
Y	12.6 (320)	12.6 (320)
Z1	.28 (7)	.28 (7)
Z2	5.91 (150)	1.54 (39)
A <sup>1</sup>	11.46 (291) <sup>2</sup>	11.46 (291) <sup>2</sup>
B <sup>1</sup>	11.46 (291) <sup>2</sup>	11.46 (291) <sup>2</sup>

<sup>1</sup> for material thicknesses up to .08" (2 mm)  
+.039 (+1 mm) for thickness of material > .08" (2 mm) ≤ .19" (3 mm)

<sup>2</sup> add .039" (1 mm) for EMC version





- Installation size 6, air flow rate up to 462 CFM
- Three performance classes, cut-out compatible
- System of protection IP 54 and IP 55, NEMA Type 12
- UL, cUL to NITW2 Category and CE approved, CSA pending
- Cut-out compatible with installation size 6 from the 3<sup>rd</sup> Generation (see page E92)

#### OPTIONS

- UV-resistance / EMC, consult factory for part numbers

DATA		PF 66000			UNIT
PART NUMBER	RAL 9011 (BLACK GRILL)	PF66000460V/BLK	PF66000230V/BLK	PF66000115V/BLK	
	RAL 7035 (LT. GRAY GRILL)	PF66000460V	PF66000230V	PF66000115V	
		AC 50 Hz / 60 Hz			
RATED VOLTAGE ± 10 %		400 / 460	230	115	V
UNIMPEDED AIRFLOW (CFM <sub>2</sub> )		462 (785)			CFM (m <sup>3</sup> /h)
AIR FLOW RATE IN COMBINATION (PF + PFA 40000) (CFM <sub>3</sub> )		230 (391)			
POWER CONSUMPTION		120 / 155	115 / 150	110 / 160	W
CURRENT CONSUMPTION		0.26 / 0.25	0.51 / 0.66	0.96 / 1.4	A
NOISE LEVEL (ACCORDING TO EN ISO 3741)		63 / 64			
WEIGHT		7 (3.2)			lb (kg)
TYPE OF CONNECTION		spring-type terminal			
FUSE (RECOMMENDED)		6			A
SYSTEM OF PROTECTION ACCORDING TO EN 60529 / UL 50		NEMA Type 12 - standard filter / IP55			
FILTRATION EFFICIENCY		91			%
FILTER MAT QUALITY CLASS <sup>1</sup>		G 4			
DUTY CYCLE		100			%
BEARING TYPE		ball bearing			
SERVICE LIFE L <sub>10</sub> (+ 40 °C) <sup>2</sup>		40000			h
TEMPERATURE RANGE		+ 5 ... + 131 / - 15 ... + 55			°F / °C
MATERIAL PROTECTION RATING		made of injection-molded thermoplastic, self-extinguishing, UL 94 V0, UV-resistant optional			

ACCESSORIES		PIECE	PART NUMBER
EXHAUST FILTER PFA 60000	RAL 9011 (BLACK GRILL)	1	PFA60000/BLK
	RAL 7035 (LT. GRAY GRILL)	1	PFA60000
THERMOSTAT FLZ 530° F		1	FLZ/THERMO

<sup>1</sup> according to DIN EN 779

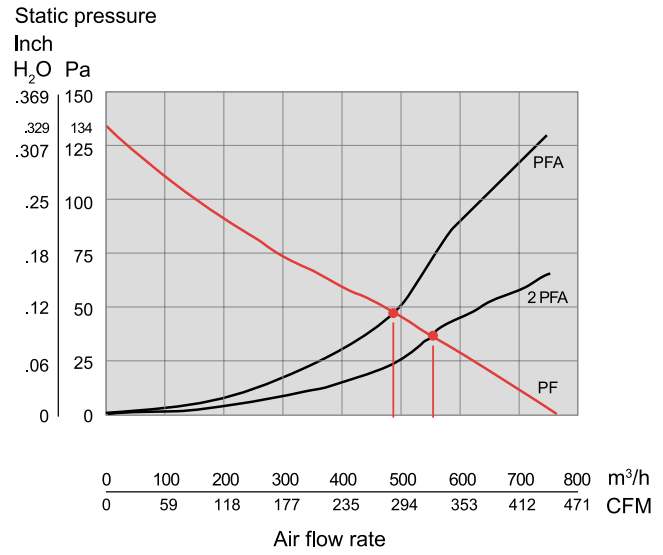
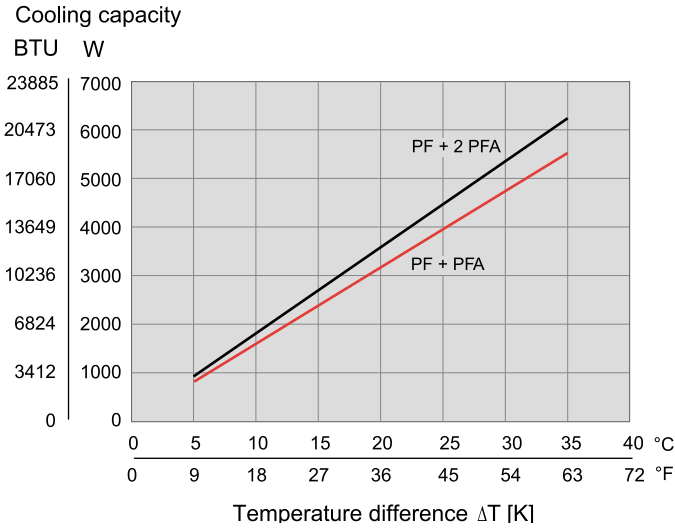
<sup>2</sup> fan failure is defined as being when the current and speed deviate or the operating noises are out of the ordinary

Approvals see page E69





Cooling Capacity Performance Curves	Static Pressure Performance Curves
PF 66000 T12 / IP 55 (& UV option)	PF 66000 T12 / IP 55 (& UV option)

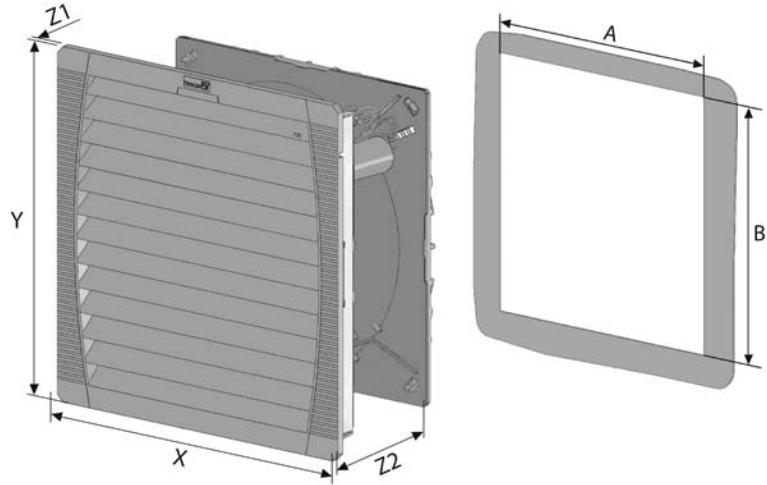


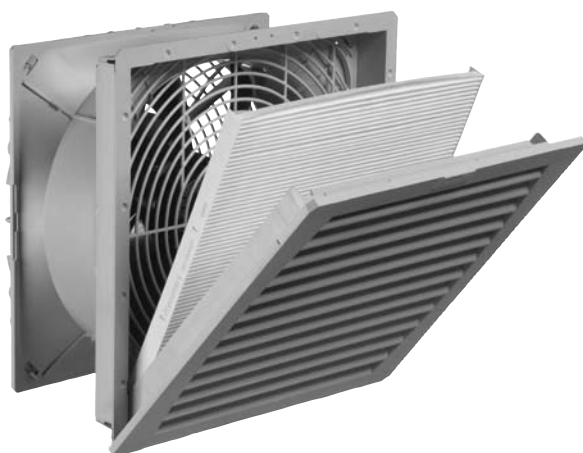
**Dimensions**

inches (mm)	PF 66000	PFA 60000
<b>X</b>	12.6 (320)	12.6 (320)
<b>Y</b>	12.6 (320)	12.6 (320)
<b>Z1</b>	.28 (7)	.28 (7)
<b>Z2</b>	5.91 (150)	1.54 (39)
<b>A<sup>1</sup></b>	11.46 (291) <sup>2</sup>	11.46 (291) <sup>2</sup>
<b>B<sup>1</sup></b>	11.46 (291) <sup>2</sup>	11.46 (291) <sup>2</sup>

<sup>1</sup> for material thicknesses up to .08" (2 mm)  
+.039 (+1 mm) for thickness of material > .08" (2 mm) ≤ .19" (3 mm)

<sup>2</sup> add .039" (1 mm) for EMC version





- Installation size 6, air flow rate up to 560 CFM
- Three performance classes, cut-out compatible
- System of protection IP 54 and IP 55, NEMA Type 12
- UL, cUL to NITW2 Category and CE approved, CSA pending
- Cut-out compatible with installation size 6 from the 3rd Generation (see page E92)

**OPTIONS**

- UV-resistance / EMC, consult factory for part numbers

DATA		PF 67000			UNIT
PART NUMBER	RAL 9011 (BLACK GRILL)	PF67000460V/BLK	PF67000230V/BLK	PF67000115V/BLK	
	RAL 7035 (LT. GRAY GRILL)	PF67000460V	PF67000230V	PF67000115V	
		AC 50 Hz / 60 Hz			
RATED VOLTAGE ± 10 %		400 / 460	230	115	V
UNIMPEDED AIRFLOW (CFM2)		560 (950)			CFM (m³/h)
AIR FLOW RATE IN COMBINATION (PF + PFA 40000) (CFM3)		368 (625)			
POWER CONSUMPTION		140 / 170	135 / 200	140 / 195	W
CURRENT CONSUMPTION		0.35 / 0.43	0.59 / 0.88	1.23 / 1.71	A
NOISE LEVEL (ACCORDING TO EN ISO 3741)		66 / 69			
WEIGHT		8.16 (3.7)			lb (kg)
TYPE OF CONNECTION		spring-type terminal			
FUSE (RECOMMENDED)		6			A
SYSTEM OF PROTECTION ACCORDING TO EN 60529 / UL 50		NEMA Type 12 - fluted filter / IP 55			
FILTRATION EFFICIENCY		91			%
FILTER MAT QUALITY CLASS <sup>1</sup>		G 4			
DUTY CYCLE		100			%
BEARING TYPE		ball bearing			
SERVICE LIFE L <sub>10</sub> (+ 40 °C) <sup>2</sup>		40000			h
TEMPERATURE RANGE		+ 5 ... + 131 / - 15 ... + 55			°F / °C
MATERIAL PROTECTION RATING		made of injection-molded thermoplastic, self-extinguishing, UL 94 V0, UV-resistant optional			

ACCESSORIES	PIECE	PART NUMBER
EXHAUST FILTER PFA 60000	RAL 9011 (BLACK GRILL)	1 PFA60000/BLK
	RAL 7035 (LT. GRAY GRILL)	1 PFA60000
THERMOSTAT FLZ 530° F	1	FLZ/THERMO

<sup>1</sup> according to DIN EN 779<sup>2</sup> fan failure is defined as being when the current and speed deviate or the operating noises are out of the ordinary

Approvals see page E69

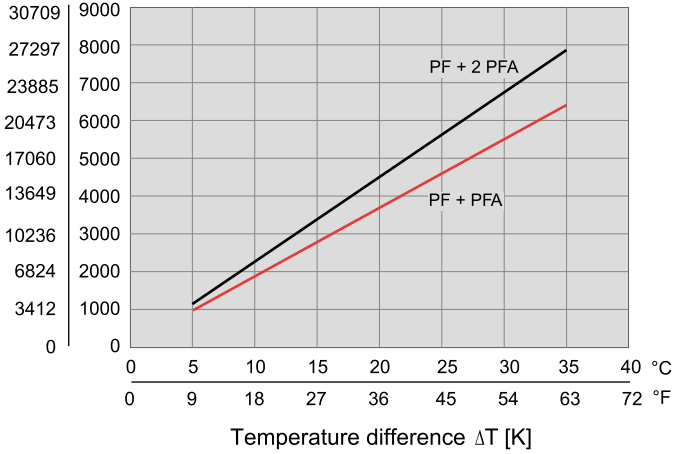


**Cooling Capacity Performance Curves**

**PF 67000 T12 / IP 55 (& UV option)**

Cooling capacity

BTU W



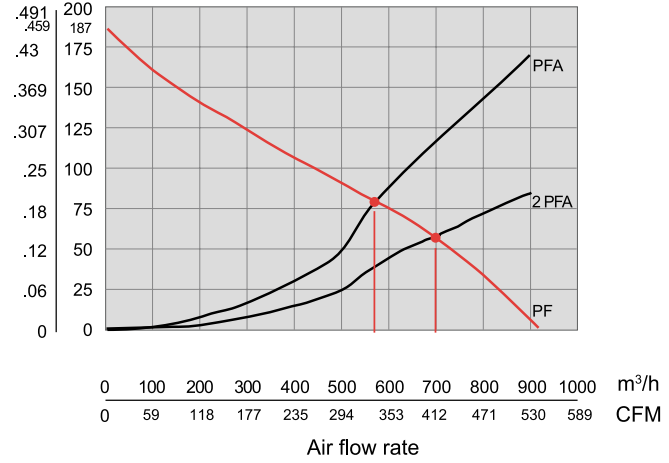
**Static Pressure Performance Curves**

**PF 67000 T12 / IP 55 (& UV option)**

Static pressure

Inch

H<sub>2</sub>O Pa

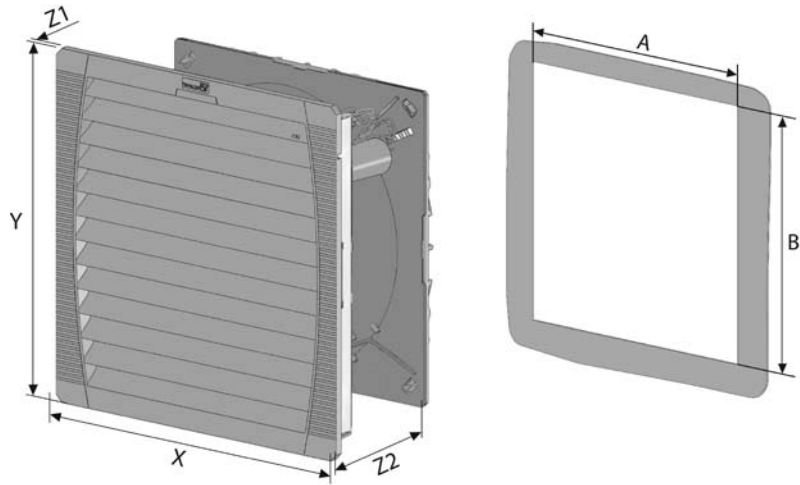


**Dimensions**

inches (mm)	PF 67000	PFA 60000
<b>X</b>	12.6 (320)	12.6 (320)
<b>Y</b>	12.6 (320)	12.6 (320)
<b>Z1</b>	.28 (7)	.28 (7)
<b>Z2</b>	5.91 (150)	1.54 (39)
<b>A<sup>1</sup></b>	11.46 (291) <sup>2</sup>	11.46 (291) <sup>2</sup>
<b>B<sup>1</sup></b>	11.46 (291) <sup>2</sup>	11.46 (291) <sup>2</sup>

<sup>1</sup> for material thicknesses up to .08" (2 mm)  
+.039 (+1 mm) for thickness of material > .08" (2 mm) ≤ .19" (3 mm)

<sup>2</sup> add .039" (1 mm) for EMC version





**PFANNENBERG 4TH GENERATION FILTERFAN®  
WITH LOW INSTALLATION DEPTH**

- Installation size 3, air flow rate up to 115 CFM
- System of protection IP 55, NEMA 12
- UL, cUL to NITW2 Category and CE approved, CSA pending

Product available July 1, 2009. Catalog data subject to change

DATA		PF 33000 SL			UNIT
PART NUMBER	RAL 9011 (BLACK GRILL)	PF33000SL230V/BLK	PF33000SL115V/BLK	PF33000SLDC24V/BLK	
	RAL 7035 (LT. GRAY GRILL)	PF33000SL230V	PF33000SL115V	PF33000SLDC24V	
		AC 50 Hz / 60 Hz		DC	
RATED VOLTAGE ± 10 %		230	115	24	V
UNIMPEDED AIRFLOW (CFM2)		152 (258)			CFM (m³/h)
AIR FLOW RATE IN COMBINATION (PF + PFA 40000) (CFM3)		115 (196)			
POWER CONSUMPTION		19 / 18	20 / 20	5	W
CURRENT CONSUMPTION		0.12 / 0.18	0.24 / 0.23	0.21	A
NOISE LEVEL (ACCORDING TO EN ISO 3741)		40			
WEIGHT		1.9 (0.87)		1.3 (0.61)	lb (kg)
TYPE OF CONNECTION		terminal strip		cable, 2-core, length 310 mm	
FUSE (RECOMMENDED)		6			A
SYSTEM OF PROTECTION ACCORDING TO EN 60529 / UL 50		NEMA 12 - fluted filter / IP 55			
FILTRATION EFFICIENCY		91			%
FILTER MAT QUALITY CLASS <sup>1</sup>		G 4			
DUTY CYCLE		100			%
BEARING TYPE		sleeve bearing		ball bearing	
SERVICE LIFE L <sub>10</sub> (+ 40 °C) <sup>2</sup>		37500	40000	62500	h
TEMPERATURE RANGE		+ 5 ... + 131 / - 15 ... + 55			°F / °C
MATERIAL PROTECTION RATING		made of injection-molded thermoplastic, self-extinguishing, UL 94 V0, UV-resistant optional			

ACCESSORIES	PIECE	PART NUMBER
EXHAUST FILTER PFA 30000	RAL 9011 (BLACK GRILL)	PFA30000/BLK
	RAL 7035 (LT. GRAY GRILL)	PFA300005
THERMOSTAT FLZ 530° F	1	FLZ/THERMO

<sup>1</sup> according to DIN EN 779

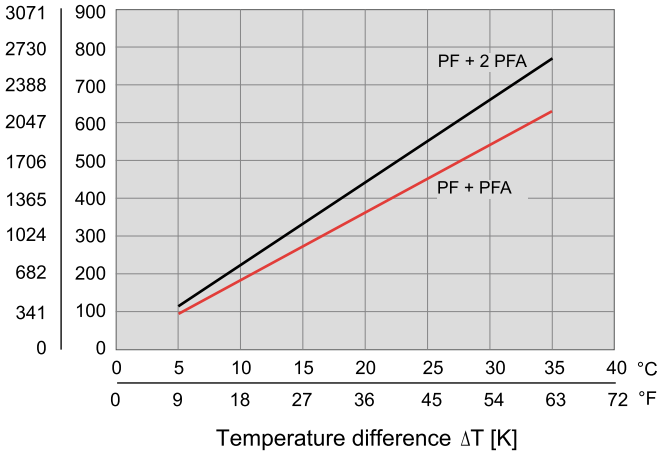
<sup>2</sup> fan failure is defined as being when the current and speed deviate or the operating noises are out of the ordinary

Approvals see page E69

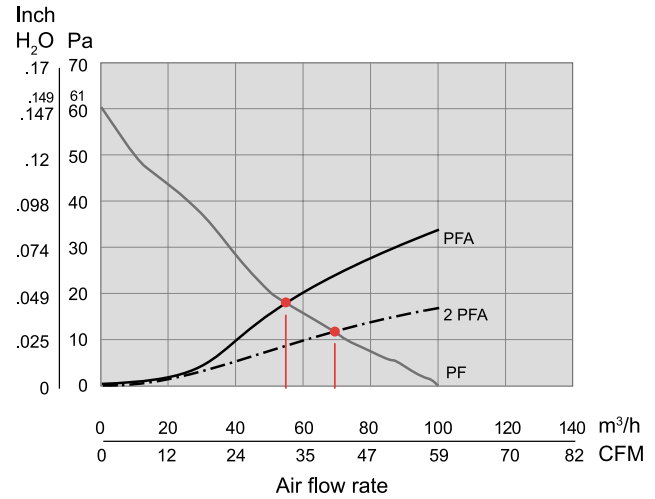


Cooling Capacity Performance Curves	Static Pressure Performance Curves
PF 33000 SL	PF 33000 SL

Cooling capacity  
BTU W



Static pressure

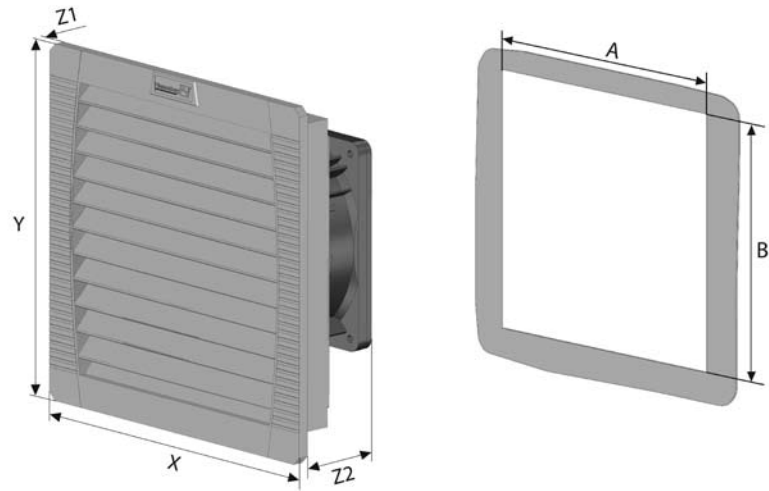


**Dimensions**

inches (mm)	PF 33000 SL		PFA 30000
	AC	DC	Exhaust
<b>X</b>	7.95 (202)	7.95 (202)	7.95 (202)
<b>Y</b>	7.95 (202)	7.95 (202)	7.95 (202)
<b>Z1</b>	.24 (6)	.24 (6)	.24 (6)
<b>Z2</b>	3.43 (87)	3.19 (81)	1.34 (34)
<b>A'</b>	6.97 (177) <sup>2</sup>	6.97 (177) <sup>2</sup>	6.97 (177) <sup>2</sup>
<b>B'</b>	6.97 (177) <sup>2</sup>	6.97 (177) <sup>2</sup>	6.97 (177) <sup>2</sup>

<sup>1</sup> for material thicknesses up to .07" (2 mm)  
+1 mm for thickness of material > .07" (2 mm) ≤ 1.2" (3 mm)

<sup>2</sup> add .039" (1 mm) for EMC version



AIR CONDITIONING



#### 4<sup>TH</sup> GENERATION FILTERFAN® WITH LOW INSTALLATION DEPTH

- Installation size 6, air flow rate up to 325 CFM
- Three performance classes, cut-out-compatible
- System of protection IP 55, NEMA Type 12
- UL, cUL to NITW2 Category and CE approved, CSA pending

DATA		PF 65000 SL		UNIT
PART NUMBER	RAL 9011 (BLACK GRILL)	PF65000SL230V/BLK	PF65000SL115V/BLK	
	RAL 7035 (LT. GRAY GRILL)	PF65000SL230V	PF65000SL115V	
		AC 50 Hz / 60 Hz		
RATED VOLTAGE ± 10 %		230	115	V
UNIMPEDED AIRFLOW (CFM <sup>2</sup> )		325 (550)		CFM (m <sup>3</sup> /h)
AIR FLOW RATE IN COMBINATION (PF + PFA 40000) (CFM <sup>3</sup> )		250 (423)		
POWER CONSUMPTION		64 / 80		W
CURRENT CONSUMPTION		0.29 / 0.35	0.58 / 0.70	A
NOISE LEVEL (ACCORDING TO EN ISO 3741)		54 / 52		
WEIGHT		7 (3.3)		lb (kg)
TYPE OF CONNECTION		spring-type terminal		
FUSE (RECOMMENDED)		6		A
SYSTEM OF PROTECTION ACCORDING TO EN 60529 / UL 50		NEMA Type 12 - fluted filter / IP 55		
FILTRATION EFFICIENCY		91		%
FILTER MAT QUALITY CLASS <sup>1</sup>		G 4		
DUTY CYCLE		100		%
BEARING TYPE		ball bearing		
SERVICE LIFE L <sub>10</sub> (+ 40 °C) <sup>2</sup>		40000		h
TEMPERATURE RANGE		+ 5 ... + 131 / - 15 ... + 55		°F / °C
MATERIAL PROTECTION RATING		made of injection-molded thermoplastic, self-extinguishing, UL 94 V0, UV-resistant optional		

ACCESSORIES	PIECE	PART NUMBER
EXHAUST FILTER PFA 60000	RAL 9011 (BLACK GRILL)	1 PFA60000/BLK
	RAL 7035 (LT. GRAY GRILL)	1 PFA60000
THERMOSTAT FLZ 530° F	1	FLZ/THERMO

<sup>1</sup> according to DIN EN 779

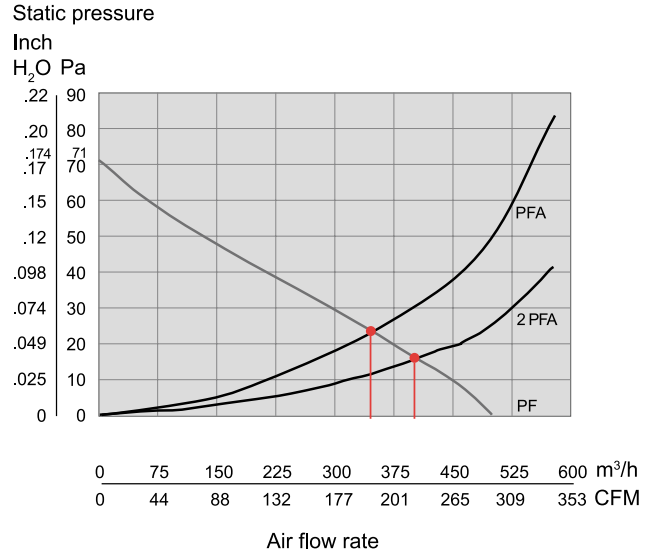
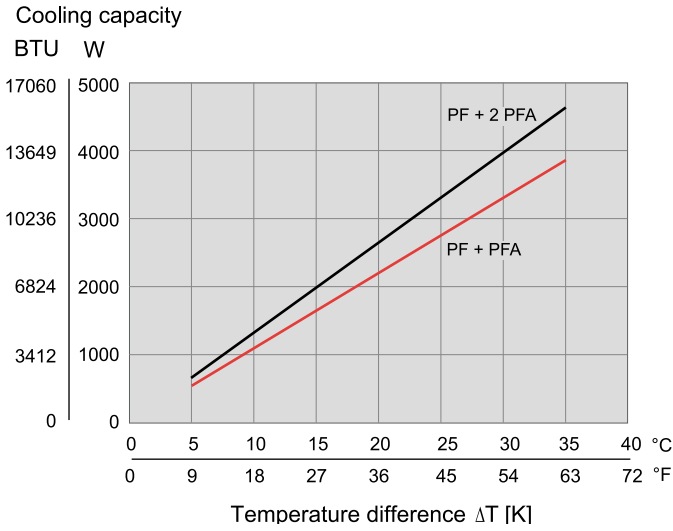
<sup>2</sup> fan failure is defined as being when the current and speed deviate or the operating noises are out of the ordinary

Approvals see page E69





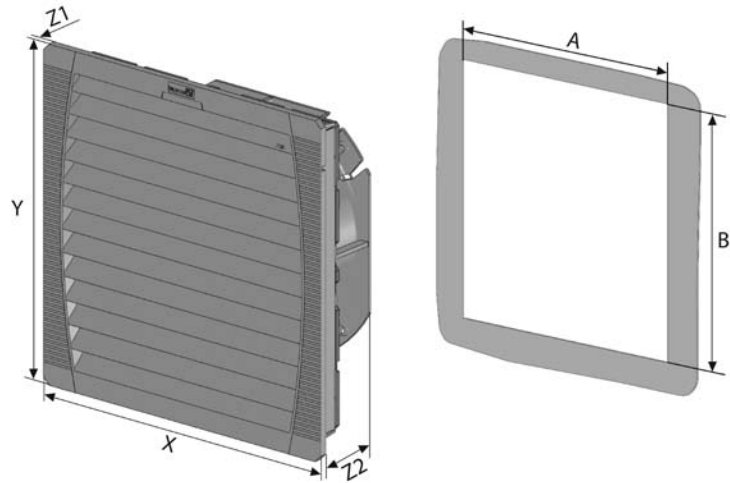
Cooling Capacity Performance Curves	Static Pressure Performance Curves
PF 65000 SL	PF 65000 SL



**Dimensions**

inches (mm)	PF 65000 SL	PFA 60000
<b>X</b>	12.6 (320)	12.6 (320)
<b>Y</b>	12.6 (320)	12.6 (320)
<b>Z1</b>	.28 (7)	.28 (7)
<b>Z2</b>	4.88 (124)	1.54 (39)
<b>A'</b>	11.46 (291)	11.46 (291)
<b>B'</b>	11.46 (291)	11.46 (291)

<sup>1</sup> for material thicknesses up to .08" (2 mm)  
+.039 (+1 mm) for thickness of material > .08" (2 mm) ≤ .19" (3 mm)





**4<sup>TH</sup> GENERATION FILTERFAN® WITH LOW INSTALLATION DEPTH**

- Installation size 6, air flow rate up to 427 CFM
- Three performance classes, cut-out-compatible
- System of protection IP 55, NEMA Type 12
- UL, cUL to NITW2 Category and CE approved, CSA pending

DATA		PF 67000 SL			UNIT
PART NUMBER	RAL 9011 (BLACK GRILL)	PF67000SL460V/BLK	PF67000SL230V/BLK	PF67000SL115V/BLK	
	RAL 7035 (LT. GRAY GRILL)	PF67000SL460V	PF67000SL230V	PF67000SL115V	
		AC 50 Hz / 60 Hz			
RATED VOLTAGE ± 10 %		400 / 460	230	115	V
UNIMPEDED AIRFLOW (CFM2)		427 (725)			CFM (m³/h)
AIR FLOW RATE IN COMBINATION (PF + PFA 40000) (CFM3)		342 (580)			
POWER CONSUMPTION		110 / 165	127 / 180	120 / 165	W
CURRENT CONSUMPTION		0.2 / 0.23	0.56 / 0.79	1.05 / 1.45	A
NOISE LEVEL (ACCORDING TO EN ISO 3741)		66 / 69			
WEIGHT		(8.49) 3.85	8.93 (4.05)	8.82 (4.00)	lb (kg)
TYPE OF CONNECTION		spring-type terminal			
FUSE (RECOMMENDED)		6			A
SYSTEM OF PROTECTION ACCORDING TO EN 60529 / UL 50		NEMA Type 12 - fluted filter / IP 55			
FILTRATION EFFICIENCY		91			%
FILTER MAT QUALITY CLASS <sup>1</sup>		G4			
DUTY CYCLE		100			%
BEARING TYPE		ball bearing			
SERVICE LIFE L <sub>10</sub> (+ 40 °C) <sup>2</sup>		40000			h
TEMPERATURE RANGE		+ 5 ... + 131 / - 15 ... + 55			°F / °C
MATERIAL PROTECTION RATING		made of injection-molded thermoplastic, self-extinguishing, UL 94 V0, UV-resistant optional			

AIR CONDITIONING

ACCESSORIES	PIECE	PART NUMBER
EXHAUST FILTER PFA 60000	RAL 9011 (BLACK GRILL)	PFA60000/BLK
	RAL 7035 (LT. GRAY GRILL)	PFA60000
THERMOSTAT FLZ 530° F	1	FLZ/THERMO

<sup>1</sup> according to DIN EN 779

<sup>2</sup> fan failure is defined as being when the current and speed deviate or the operating noises are out of the ordinary

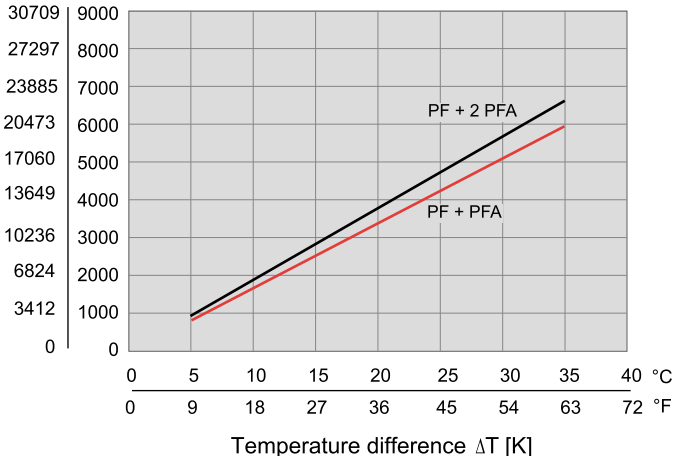
Approvals see page E69



Cooling Capacity Performance Curves	Static Pressure Performance Curves
PF 67000 SL	PF 67000 SL

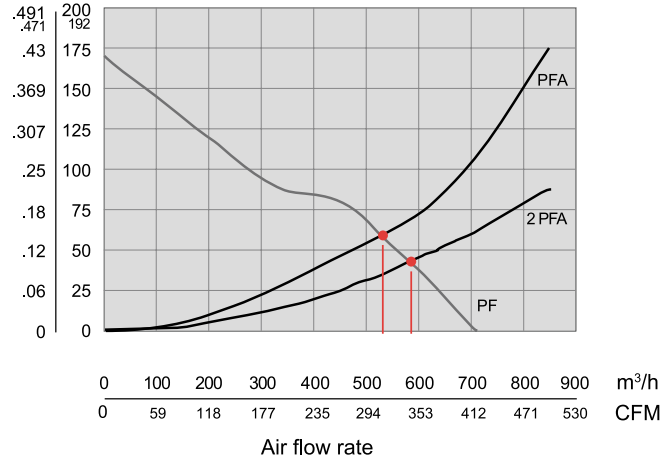
Cooling capacity

BTU W



Static pressure

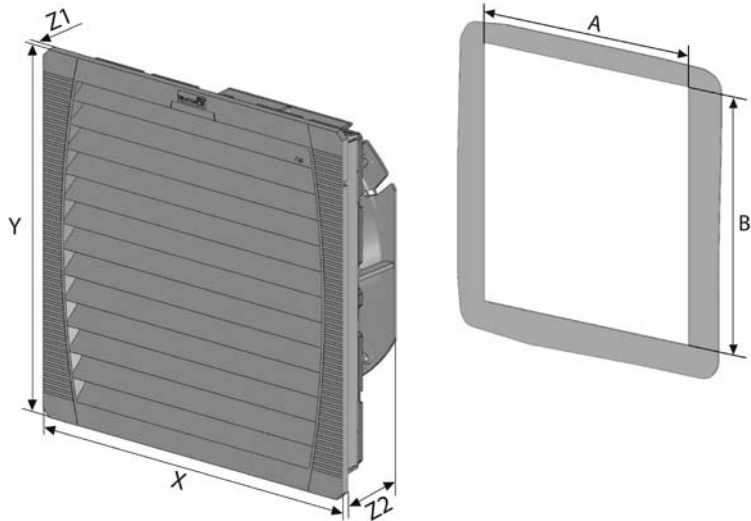
Inch  
H<sub>2</sub>O Pa



**Dimensions**

inches (mm)	PF 67000 SL	PFA 60000
<b>X</b>	12.6 (320)	12.6 (320)
<b>Y</b>	12.6 (320)	12.6 (320)
<b>Z1</b>	.28 (7)	.28 (7)
<b>Z2</b>	5 (127)	1.54 (39)
<b>A<sup>1</sup></b>	11.46 (291)	11.46 (291)
<b>B<sup>1</sup></b>	11.46 (291)	11.46 (291)

<sup>1</sup> for material thicknesses up to .08" (2 mm)  
+.039 (+1 mm) for thickness of material > .08" (2 mm) ≤ .19" (3 mm)



AIR  
CONDITIONING

## Filterfans® 3rd / 4th Generation Comparison

	FILTERFANS® 4TH GENERATION	INSTALLATION SIZE	CUT-OUT INCHES (MM)	FILTERFANS® 3RD GENERATION
<b>FLAT PROFILE FILTERFANS® FROM THE PF SERIES</b>				
	PF 11000	1	3.62 x 3.62 (92 x 92)	PF 1000
	PF 22000	2	4.92 x 4.92 (125 x 125)	PF 2000
	PF 32000	3	6.97 x 6.97 (177 x 177)	N/A
	PF 42500	4	8.78 x 8.78 (223 x 223)	PF 2500
	PF 43000			PF 3000
	PF 65000	6	11.46 x 11.46 (291 x 291)	PF 5000
	PF 66000			PF 6000
	PF 67000			PF 7000
<b>FLAT PROFILE EXHAUST FILTERS FROM THE PFA SERIES</b>				
	PFA 10000	1	3.62 x 3.62 (92 x 92)	PFA 1000
	PFA 20000	2	4.92 x 4.92 (125 x 125)	PFA 2000
	PFA 30000	3	6.97 x 6.97 (177 x 177)	N/A
	PFA 40000	4	8.78 x 8.78 (223 x 223)	PFA 2500
				PFA 3000
	PFA 60000	6	11.46 x 11.46 (291 x 291)	PFA 5000
				PFA 6000
				PFA 7000



## 3rd Generation Filterfans®

FILTERFANS® – 3RD GENERATION

TYPE	AIR FLOW RATE CFM2	RATED VOLTAGE	CUT-OUT DIMENSIONS INCHES (MM)	APPROVALS					
				UL	CUL	GOST	CSA	CE	
<b>PF SERIES FILTERFANS®</b>									
PF 1000	16	115 V / 230 V AC	3.62 x 3.62 (92 x 92)	●	●	●		●	
		12 V / 24 V / 48 V DC							
PF 2000	38	115 V / 230 V AC	4.92 x 4.92 (125 x 125)	●	●	●		●	
		12 V / 24 V / 48 V DC							
PF 2500	89	115 V / 230 V AC	6.97 x 6.97 (177 x 177)	●	●	●		●	
		12 V / 24 V / 48 V DC							
PF 3000	169	115 V / 230 V AC	8.78 x 8.78 (223 x 223)	●	●	●		●	
		400 V 2 Ø1							
		12 V / 24 V / 48 V DC							
PF 5000	324	115 V / 230 V AC	11.46 x 11.46 (291 x 291)	●	●	●		●	
PF 6000	410	400 V 3 Ø	11.46 x 11.46 (291 x 291)	●	●	●		●	
		115 V / 230 V AC							
PF 7000	506	115 V / 230 V AC	11.46 x 11.46 (291 x 291)	●	●	●		●	
		400 V 3 Ø							
<b>PFA SERIES EXHAUST FILTERS</b>									
PFA 1000	N/A	N/A	3.62 x 3.62 (92 x 92)	●	●	●		●	
PFA 2500	N/A	N/A	4.92 x 4.92 (125 x 125)	●	●	●		●	
PFA 3000									
PFA 3000	N/A	N/A	8.78 x 8.78 (223 x 223)	●	●	●		●	
PFA 5000	N/A	N/A	11.46 x 11.46 (291 x 291)	●	●	●		●	
PFA 6000									
PFA 7000									

 AIR  
CONDITIONING



- 2 Sizes, air flow rate up to 441 CFM
- Three performance classes, all with the same cut-out
- Hardware free "Click & Fit" mounting
- NEMA 12 System protection
- Optimum passage of air and even temperature distribution (natural air convection is supported)
- Toolless mounting, patented quick fastening system
- UL, cUL to NITW2 Category and CE approved, CSA pending

DATA		PTF 60500		PTF 60700		PTF 61000		UNIT
PART NUMBER	RAL 9011 (BLACK GRILL)	PTF60500230V	PTF60500115V	PTF60700230V	PTF60700115V	PTF61000230V	PTF61000115V	
AC 50 Hz / 60 Hz								
RATED VOLTAGE ± 10 %		230	115	230	115	230	115	v
UNIMPEDED AIRFLOW (CFM2)		206 (350)		324 (550)		441 (750)		CFM (m³/h)
AIR FLOW RATE IN COMBINATION (PF + PFA 40000) (CFM3)		142 (242)		218 (370)		294 (500)		
POWER CONSUMPTION		4 x 28 / 29	4 x 29 / 24	65 / 80	75 / 90	115 / 150	110 / 160	W
CURRENT CONSUMPTION		4 x 0.2 / 0.2	4 x 0.3 / 0.3	0.3 / 0.36	0.66 / 0.8	0.51 / 0.66	0.96 / 1.4	A
NOISE LEVEL (ACCORDING TO EN ISO 3741)		147.71 (67)		152.12 (69)		169.76 (77)		
WEIGHT		5.5		5.8		6.0		lb (kg)
TYPE OF CONNECTION		terminal strip						
FUSE (RECOMMENDED)		6						A
SYSTEM OF PROTECTION ACCORDING TO EN 60529 / UL 50		IP 33, IP 54						
FILTRATION EFFICIENCY		81						%
FILTER MAT QUALITY CLASS <sup>1</sup>		G 3						
DUTY CYCLE		100						%
BEARING TYPE		ball bearing						
SERVICE LIFE L <sub>10</sub> (+ 40 °C) <sup>2</sup>		approx. 50000 <sup>3</sup>		approx. 40000		approx. 40000		h
TEMPERATURE RANGE		+ 5 ... + 131 / - 15 ... + 55						°F / °C
MATERIAL PROTECTION RATING		sheet steel, cover powder-coated; snap-in housing made of injection-moulded thermoplastic (ABS-FR) self-extinguishing, UL 94 V0						

ACCESSORIES		PIECE	PART NUMBER
EXHAUST FILTER PFA 60000	RAL 9011 (BLACK GRILL)	1	PFA60000/BLK
	RAL 7035 (LT. GRAY GRILL)	1	PFA60000
THERMOSTAT FLZ 530° F		1	FLZ/THERMO

<sup>1</sup> according to DIN EN 779

<sup>2</sup> fan failure is defined as being when the current and speed deviate or the operating noises are out of the ordinary

<sup>3</sup> L10 (+25 °C)

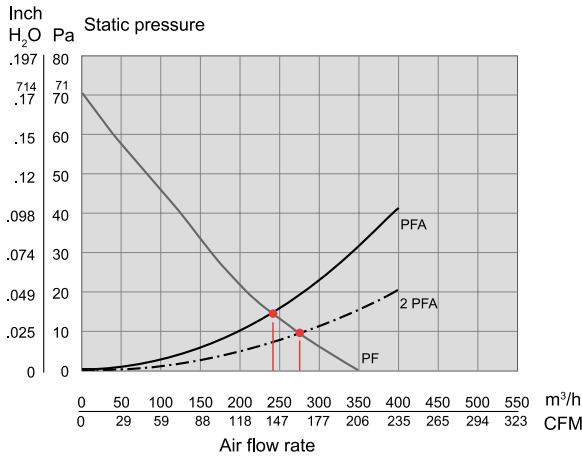
Approvals see page E69



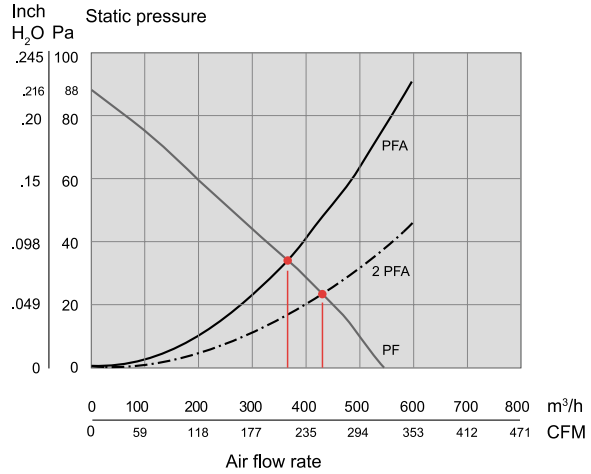


Static Pressure Performance Curves

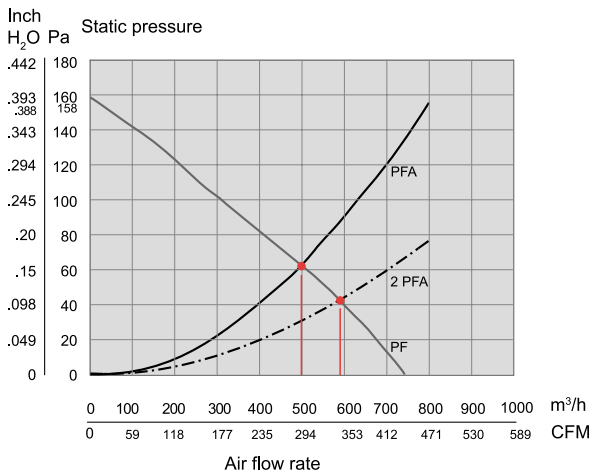
PTF 60500 IP 54



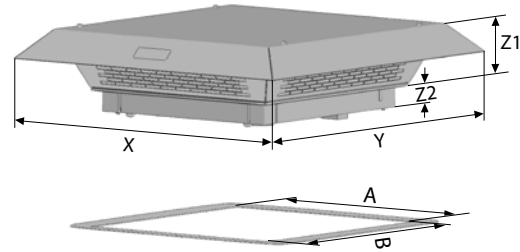
PTF 60700 IP 54



PTF 61000 IP 54



Dimensions



inches (mm)	PTF 60500	PTF 60700	PTF 6000
<b>X</b>	17 (430)	18.5 (470)	18.5 (470)
<b>Y</b>	17 (430)	18.5 (470)	18.5 (470)
<b>Z1</b>	3 (75)	3.5 (90)	3.5 (90)
<b>Z2</b>	2 (50)	2 (50)	2 (50)
<b>A¹</b>	11.5 (291)	11.5 (291)	11.5 (291)
<b>B¹</b>	11.5 (291)	11.5 (291)	11.5 (291)

¹ for material thicknesses up to .08" (2 mm)  
+.039 (+1 mm) for thickness of material > .08" (2 mm) ≤ .19" (3 mm)

ACCESSORIES



Internal enclosure and panel fans

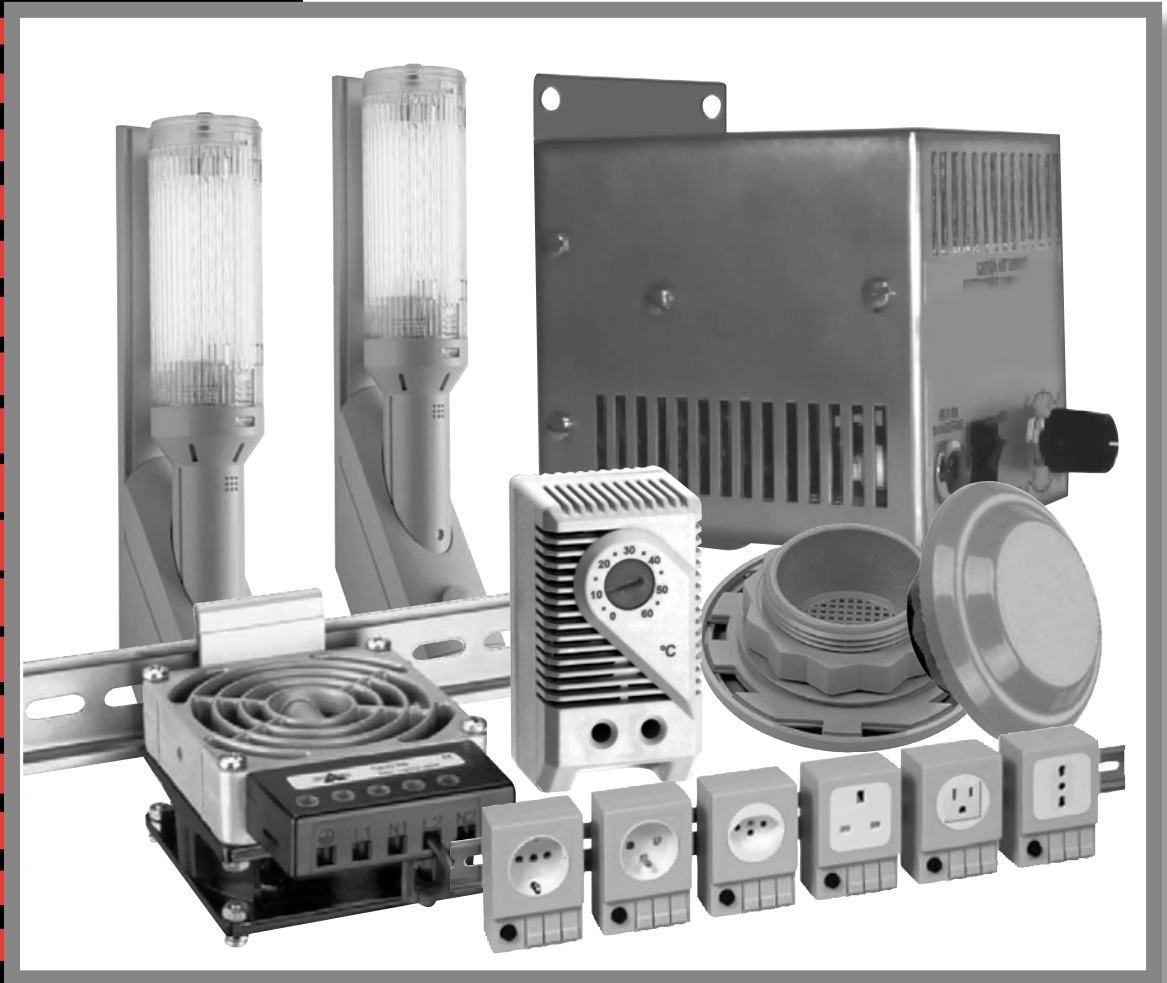
Distribution of cold air inside the control cabinet

PRODUCT	PART NUMBER
PFP 100 4" panel fan 115 V	PFP100/115V
PFP 100 4" panel fan 230 V	PFP100/230V
PFP 200 6" panel fan 115 V	PFP200/115V
PFP 200 6" panel fan 230 V	PFP200/230V



# Heating

Designed for  
Industrial Electrical Enclosures  
NEMA Type



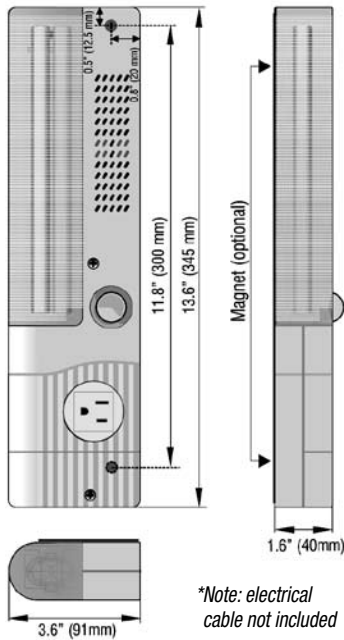
**MILBANK**<sup>®</sup>





- Compact design
- Electronic ballast
- Optional integrated receptacle
- Screw or magnet mount
- Long-life energy saving lamp
- On/off switch or motion sensor

The SL 025 light was designed to fit in tight spaces in enclosures. It features an optional integrated receptacle so that electrical devices (e.g. power tools) can be easily plugged in when needed. The standard light can be screw mounted in a variety of positions, or the light can be fitted with an available magnet mount. The motion sensor version was designed to eliminate the need for a door switch.



\*Note: electrical cable not included

**TECHNICAL DATA**

<b>Power consumption</b>	11W (~ 75W incandescent bulb)
<b>Luminosity</b>	900Lm
<b>Lamp type</b>	compact fluorescent, 2G7 base, electronic ballast
<b>Service life</b>	10,000 hrs.
<b>Switch (for light only)</b>	on/off switch or PIR motion sensor <sup>1)</sup>
<b>Connection</b>	3-pole terminal AWG 16 max. (1.5mm $\leq$ ) with strain relief only (cable not included), clamping torque 0.8Nm max.
<b>Housing</b>	plastic, UL 94V-0, light grey
<b>Mounting</b>	M5 screws (not included), 11.8" (300mm) hole distance or optional attached magnet (see part nos. below)
<b>Operating temperature</b>	-4 to +122°F (-20 to +50°C)
<b>Storage temperature</b>	-49 to +158°F (-45 to +70°C)
<b>Dimensions</b>	13.6 x 3.6 x 1.6" (345 x 91 x 40mm)
<b>Weight</b>	approx. 0.9 lbs. (400g), 1.3 lbs (600g) with magnet
<b>Protection type</b>	IP20
<b>Note</b>	24VDC to 48VDC available upon request

<sup>1)</sup> The Passive Infrared (PIR) motion sensor detects the motion of the enclosure door being opened and automatically turns on the light. The sensor is factory pre-set to turn the light off 6 minutes after all motion ceases. The motion sensor does not detect movement through glass, allowing for installation in enclosures with glass.

Part No. with On/Off Switch	Part No. with Motion Sensor	Model	Operating Voltage	Receptacle	Rec. max. current	Protection class	Approvals
02520.0-00	02520.0-03	without magnet	230VAC, 50/60Hz	Germany/Russia	16A	I (grounded)	VDE
02520.1-00	02520.1-03	with magnet	230VAC, 50/60Hz	Germany/Russia	16A	I (grounded)	VDE
02521.0-00	02521.0-03	without magnet	230VAC, 50/60Hz	France/Poland	16A	I (grounded)	VDE
02521.1-00	02521.1-03	with magnet	230VAC, 50/60Hz	France/Poland	16A	I (grounded)	VDE
02522.0-00	02522.0-03	without magnet	230VAC, 50/60Hz	Switzerland	10A	I (grounded)	VDE
02522.1-00	02522.1-03	with magnet	230VAC, 50/60Hz	Switzerland	10A	I (grounded)	VDE
02523.0-00	02523.0-03	without magnet	230VAC, 50/60Hz	UK/Ireland	13A	I (grounded)	VDE
02523.1-00	02523.1-03	with magnet	230VAC, 50/60Hz	UK/Ireland	13A	I (grounded)	VDE
02524.0-01	02524.0-04	without magnet	120VAC, 50/60Hz	USA/Canada	15A	I (grounded)	UL File No. E234324
02524.1-01	02524.1-04	with magnet	120VAC, 50/60Hz	USA/Canada	15A	I (grounded)	UL File No. E234324
02527.0-00	02527.0-04	without magnet	230VAC, 50/60Hz	none	-	II (double insulated)	UL File No. E234324, VDE
02527.1-00	02527.1-04	with magnet	230VAC, 50/60Hz	none	-	II (double insulated)	UL File No. E234324, VDE
02527.0-10	02527.0-12	without magnet	120VAC, 50/60Hz	none	-	II (double insulated)	UL File No. E234324
02527.1-10	02527.1-12	with magnet	120VAC, 50/60Hz	none	-	II (double insulated)	UL File No. E234324

Specifications are subject to change without notice. Suitability of this product for its intended use and any associated risks must be determined by the end customer/buyer in its final application.

**Utility requirements for this equipment may vary. Always consult the serving utility for their requirements before ordering or installing equipment in this catalog.**

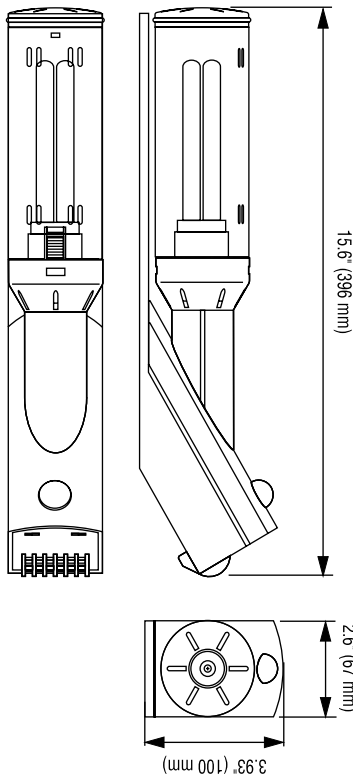




Light with on/off switch

Light with motion sensor

\*Note: electrical cable not included



- Versatile — base lamp or hand lamp
- Long-life energy saving lamp
- On/off switch or motion sensor

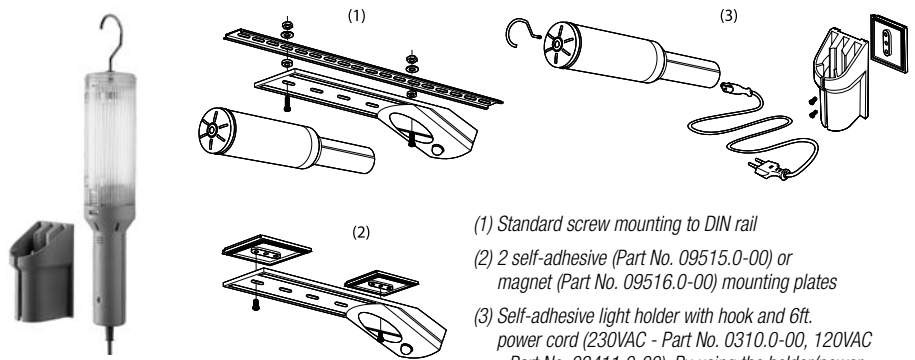
The DL 026 dual light is available with on/off switch or motion sensor (the motion sensor version was designed to eliminate the need for a door switch). The lamp is removable from its base and, with the use of an optional additional power cord, can be used as a hand lamp. This versatile light was also designed to include a variety of mounting options.



TECHNICAL DATA

<b>Power consumption</b>	20W (~ 100W incandescent bulb)
<b>Luminosity</b>	1000Lm
<b>Lamp type</b>	compact fluorescent, E27 base, electronic ballast
<b>Service life</b>	10,000 hrs.
<b>Switch</b>	on/off push switch or PIR motion sensor <sup>1)</sup>
<b>Connection</b>	6-pole terminal, AWG 14 max (2.5 mm $\leq$ ) - torque 0.5Nm max. for hard wiring of 1 light or 2 lights in parallel
<b>Housing</b>	plastic, UL 94V-0, light grey
<b>Standard mounting (included)</b>	screw mounting on 35mm DIN rail or sheet metal
<b>Optional mounting</b>	with self-adhesive or magnet mounting plates (see below)
<b>Mounting position</b>	variable
<b>Operating temperature</b>	-4 to +122°F (-20 to +50°C)
<b>Storage temperature</b>	-49 to +158°F (-45 to +70°C)
<b>Weight</b>	approx. 1.3 lbs. (600g)
<b>Protection class</b>	II (double insulated)
<b>Protection type</b>	IP20
<b>Accessories</b>	see below

<sup>1)</sup> The Passive Infrared (PIR) motion sensor detects the motion of the enclosure door being opened and automatically turns on the light. The sensor is factory pre-set to turn the light off 3 minutes after all motion ceases. The motion sensor does not detect movement through glass, allowing for installation in enclosures with glass.



- (1) Standard screw mounting to DIN rail
- (2) 2 self-adhesive (Part No. 09515.0-00) or magnet (Part No. 09516.0-00) mounting plates
- (3) Self-adhesive light holder with hook and 6ft. power cord (230VAC - Part No. 0310.0-00, 120VAC - Part No. 03411.0-00). By using the holder/power cord kit, the light can be used as a hand lamp.

Part No.	Operating voltage	Switch type
02600.0-00	230VAC, 50/60Hz	on/off
02600.9-00	120VAC, 50/60Hz	on/off
02601.0-00	230VAC, 50/60Hz	motion sensor
02601.9-00	120VAC, 50/60Hz	motion sensor

Specifications are subject to change without notice. Suitability of this product for its intended use and any associated risks must be determined by the end customer/buyer in its final application.

Utility requirements for this equipment may vary. Always consult the serving utility for their requirements before ordering or installing equipment in this catalog.





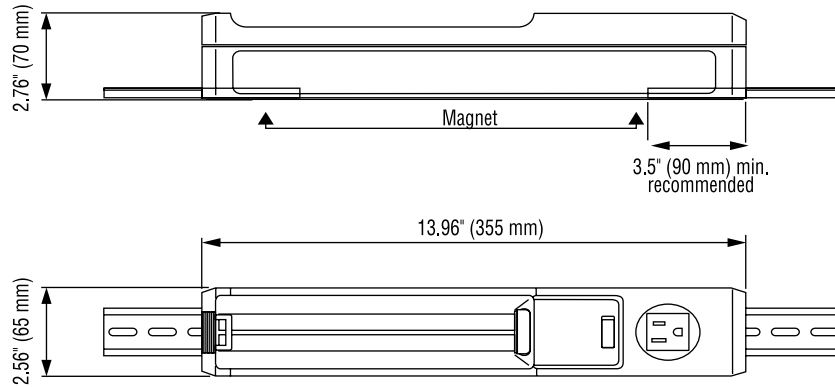
- Magnet or DIN rail mounting
- Energy-saving lamp
- Integrated receptacle
- On/off switch

The compact KL025 light was designed for use in industrial enclosures and control cabinets. A strong magnet allows simple and quick installation and flexibility for various mounting positions. The light also features an optional integrated receptacle so that electrical devices can easily be plugged in when needed.



**TECHNICAL DATA**

<b>Power consumption</b>	see table below
<b>Luminosity</b>	900 Lm
<b>Lamp type</b>	compact fluorescent, G23 base, inductive ballast
<b>Service life</b>	5,000 hrs.
<b>Switch</b>	on/off switch (for light only)
<b>Connection</b>	3-pole terminal AWG 14 max. (2.5mm≤) with strain relief only (cable not included), clamping torque 0.8Nm max.
<b>Housing</b>	plastic, light grey
<b>Mounting</b>	magnet mounting or on 35mm DIN rail, EN 60 715
<b>Operating temperature</b>	-4 to +122°F (-20 to +50°C)
<b>Storage temperature</b>	-49 to +158°F (-45 to +70°C)
<b>Dimensions</b>	13.98 x 2.56 x 2.76" (355 x 65 x 70mm)
<b>Weight</b>	approx. 2.2 lbs (1.0kg)
<b>Protection type</b>	IP20



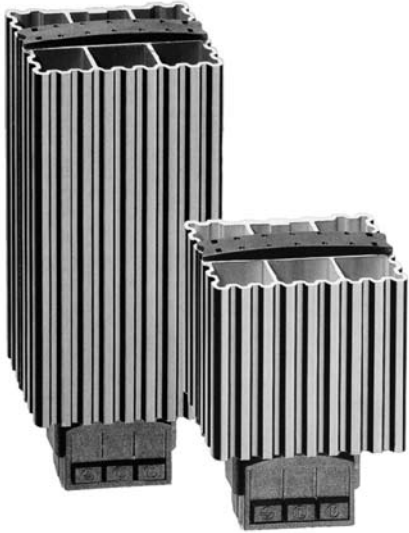
Drawing shows mounting on two 7 inch long pieces of 35mm DIN rail.

Part No.	Operating Voltage	Receptacle	Power consumption	Receptacle Max. Current	Protection class	Approvals
02500.0-14	230VAC, 50Hz	Germany	11W (~ 75W incandescent bulb)	16A	I (grounded)	VDE
02500.0-21	120VAC, 60Hz	none	9W (~ 60W incandescent bulb)	-	II (double insulated)	-
02505.9-02	120VAC, 60Hz	USA/Canada	9W (~ 60W incandescent bulb)	15A	I (grounded)	-

Specifications are subject to change without notice. Suitability of this product for its intended use and any associated risks must be determined by the end customer/buyer in its final application.

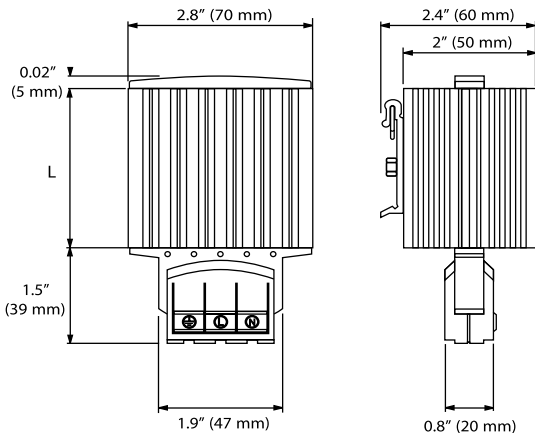
*Utility requirements for this equipment may vary. Always consult the serving utility for their requirements before ordering or installing equipment in this catalog.*





- Compact size
- Wide voltage range
- Heating power adjusts to ambient temperature
- Cage clamp connectors for quick & easy wiring
- DIN rail mountable

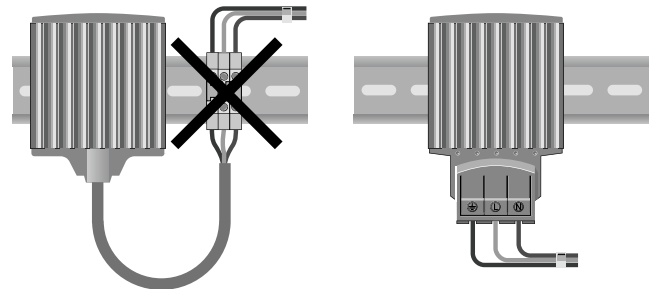
These heaters are used in enclosures where damage from condensation must be prevented, or where the temperature must be maintained above a minimum value. The aluminum profile heater body design has a chimney effect to distribute heat evenly. The cage clamp connectors save time and simplify installation.



**TECHNICAL DATA**

<b>Operating voltage*</b>	120-240V AC/DC (min. 110V, max. 265V)
<b>Heating element</b>	PTC resistor - temperature limiting
<b>Heater body</b>	extruded aluminum profile, anodized
<b>Connection</b>	3 cage clamps for solid wire AWG 20-14 (0.5-2.5mm≤), and stranded wire AWG 20-16 (0.5-1.5mm≤) with wire end ferrule
<b>Connection casing</b>	plastic, UL 94V-0, black
<b>Mounting</b>	clip for 35mm DIN rail, EN 60 715
<b>Mounting position</b>	vertical
<b>Operating / Storage temperature</b>	-49 to +158°F (-45 to +70°C)
<b>Protection class</b>	I (grounded)
<b>Protection type</b>	IP20
<b>Approvals</b>	UL File No. E150057, VDE
<b>Note</b>	other voltages available upon request

\*Operating with voltages below 140V AC/DC reduces heating performance by approx. 10%.



Part No.	Heating capacity <sup>1)</sup>	Max. current (inrush)	Length (L)	Weight (approx.)
14000.0-00	15W	1.5A	2.56" (65mm)	10.6 oz. (300g)
14001.0-00	30W	3.0A	2.56" (65mm)	10.6 oz. (300g)
14003.0-00	45W	3.5A	2.56" (65mm)	10.6 oz. (300g)
14005.0-00	60W	2.5A	5.5" (140mm)	14.1 oz. (400g)
14006.0-00	75W	4.0A	5.5" (140mm)	17.6 oz. (500g)
14007.0-00	100W	4.5A	5.5" (140mm)	17.6 oz. (500g)
14008.0-00	150W	9.0A	8.66" (220mm)	24.7 oz. (700g)

<sup>1)</sup> at 68° F (20° C) ambient temperature

Specifications are subject to change without notice. Suitability of this product for its intended use and any associated risks must be determined by the end customer/buyer in its final application.

**Utility requirements for this equipment may vary. Always consult the serving utility for their requirements before ordering or installing equipment in this catalog.**





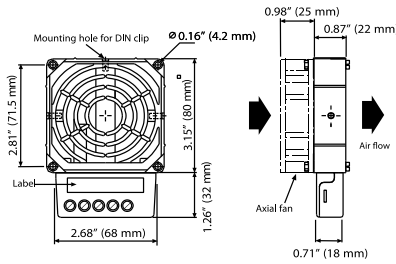


Shown: 100W - HVL 031 Fan Heater

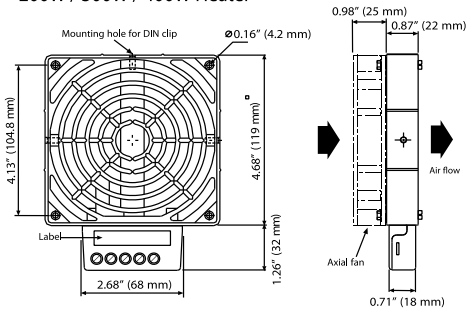


**IMPORTANT!** Heater must be operated together with a fan. Operating without a fan creates the danger of overheating.

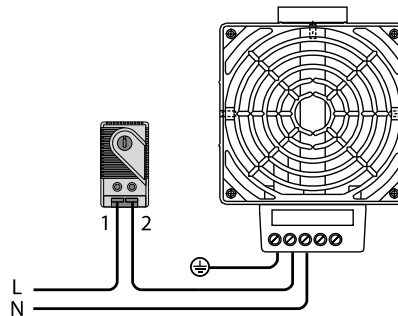
100W / 150W Heater



200W / 300W / 400W Heater



HVL 031 Fan Heater



- Compact size
- Flat design
- Built-in overheat protection
- 3-side DIN rail mountable

The compact HVL 031 high-performance fan heater prevents formation of condensation and provides an evenly distributed interior air temperature in enclosures. For large OEM use, this fan heater can also be provided without the fan, in which case the OEM/customer must provide a fan which meets the minimum airflow requirements.



**TECHNICAL DATA**

<b>Heating element</b>	high performance cartridge
<b>Overheat protection</b>	built-in temperature limiter
<b>Heater body</b>	die-cast aluminum, glass bead finish
<b>Connection</b>	3-pole terminal AWG 14 max. (2.5mm $\leq$ ), torque 0.8Nm max..
<b>Connection housing</b>	plastic, UL 94V-0, black
<b>Mounting</b>	clip for 35mm DIN rail, EN 60 715
<b>Mounting position</b>	horizontal
<b>Operating / Storage temperature</b>	-49 to +158°F (-45 to +70°C)
<b>Protection class / Protection type</b>	I (grounded) / IP20
<b>Axial fan, ball bearing</b>	service life 50,000h at 77°F (25°C)
<b>Air flow, free blowing</b>	see table below
<b>Axial fan connection</b>	2-pole terminal AWG 14 max. (2.5mm $\leq$ ), terminals L2/N2
<b>Approvals</b>	UL File No. E187294 (all), VDE (230VAC only)

Part No. - 120VAC	Part No. - 230VAC	Heating capacity	Min. airflow (free blowing)	Dimensions (as mounted)	Weight (approx.)
03102.9-00	03102.0-00	100W	20 cfm (35m $\geq$ /h)	1.85 x 3.15 x 4.41" (47 x 80 x 112mm)	1.3 lbs. (600g)
03103.9-00	03103.0-00	150W	20 cfm (35m $\geq$ /h)	1.85 x 3.15 x 4.41" (47 x 80 x 112mm)	1.3 lbs. (600g)
03113.9-00	03113.0-00	200W	63 cfm (108m $\geq$ /h)	1.85 x 4.68 x 5.94" (47 x 119 x 151mm)	2.0 lbs. (900g)
03114.9-00	03114.0-00	300W	63 cfm (108m $\geq$ /h)	1.85 x 4.68 x 5.94" (47 x 119 x 151mm)	2.0 lbs. (900g)
03115.9-00	03115.0-00	400W	63 cfm (108m $\geq$ /h)	1.85 x 4.68 x 5.94" (47 x 119 x 151mm)	2.0 lbs. (900g)

Specifications are subject to change without notice. Suitability of this product for its intended use and any associated risks must be determined by the end customer/buyer in its final application.

**Utility requirements for this equipment may vary. Always consult the serving utility for their requirements before ordering or installing equipment in this catalog.**





- Compact size
- Built-in overheat protection
- Long service life
- DIN rail mountable

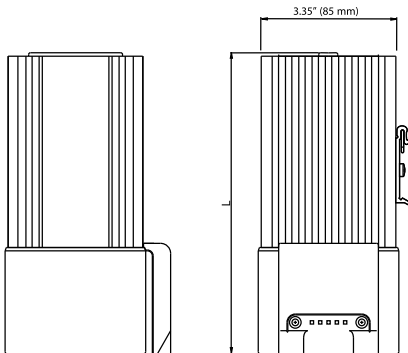
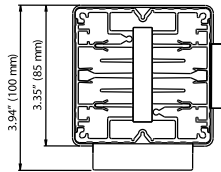
The compact HGL 046 fan heater prevents formation of condensation. The integrated high performance axial fan provides forced air circulation and so guarantees an even temperature in enclosures. The heater is wired using the internal terminal connectors.



**TECHNICAL DATA**

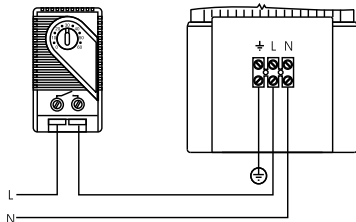
<b>Heating element</b>	resistance - micanite
<b>Overheat protection</b>	built-in temperature limiter
<b>Heater body</b>	extruded aluminum, anodized
<b>Surface temperature</b>	400W heater - max. 167°F (75°C)
<b>Axial fan, ball bearing</b>	service life 50,000h at 77°F (25°C)
<b>Air flow, free blowing</b>	AC: 26 cfm (45m <sup>3</sup> /h) - 50Hz; 32 cfm (54m <sup>3</sup> /h) - 60Hz DC: 32 cfm (54m <sup>3</sup> /h)
<b>Connection</b>	3-pole terminal AWG 16 max. (1.5mm <sup>2</sup> ) with strain relief, clamping torque 0.8Nm max.
<b>Connection housing</b>	plastic, UL 94V-0, black
<b>Mounting</b>	clip for 35mm DIN rail, EN 60 715
<b>Mounting position</b>	vertical
<b>Operating / Storage temperature</b>	-49 to +158°F (-45 to +70°C)
<b>Protection class</b>	I (grounded)
<b>Protection type</b>	IP20

*NOTE: In the case of 24VDC and 48VDC, the fan heater must be switched via a relay. For this application, the SM 010 Electronic Relay (Part No. 01000.0-00 or 01001.0-00) is recommended.*



**Pilot contact**  
e.g. KT 011 Thermostat

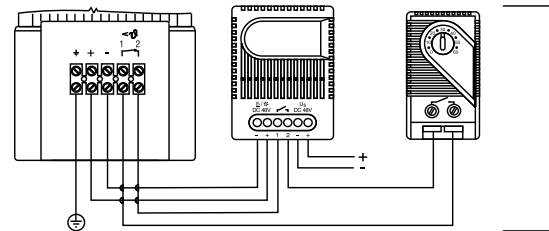
**Heater**  
Fan Heater HGL 046  
(120VAC or 230VAC)



**Heater**  
Fan Heater HGL 046  
(24VDC or 48VDC)

**SM 010 Electronic relay**

**Pilot contact**  
e.g. KT 011 Thermostat

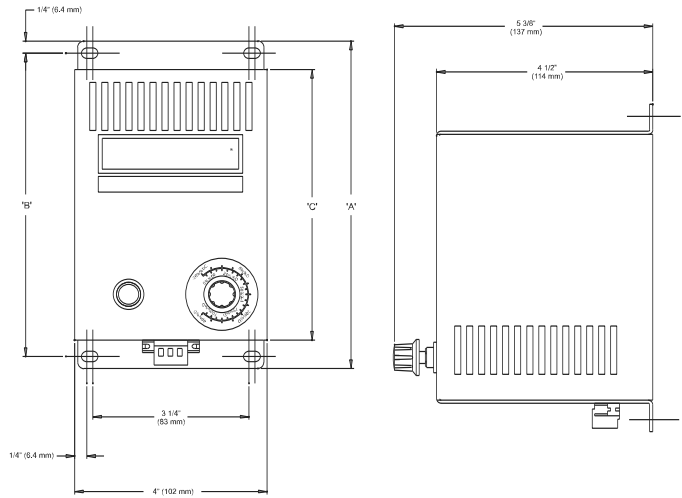
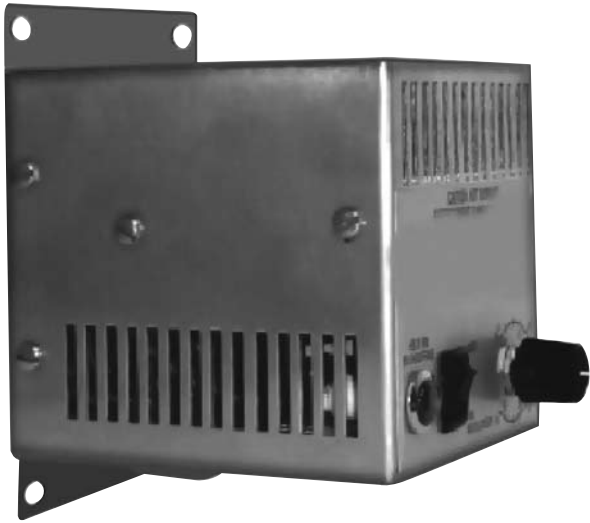


Part No.	Heating capacity	Operating voltage	Length (L)	Weight (approx.)	Approvals
04640.0-00	250W	230VAC, 50/60Hz	7.2" (182mm)	2.4 lbs. (1.1kg)	UL File No. E150057, VDE
04641.0-00	400W	230VAC, 50/60Hz	8.7" (222mm)	3.1 lbs. (1.4kg)	UL File No. E150057, VDE
04640.9-00	250W	120VAC, 50/60Hz	7.2" (182mm)	2.4 lbs. (1.1kg)	UL File No. E150057, VDE
04641.9-00	400W	120VAC, 50/60Hz	8.7" (222mm)	3.1 lbs. (1.4kg)	UL File No. E150057, VDE
04640.1-00	250W	24VDC	7.2" (182mm)	2.4 lbs. (1.1kg)	-
04640.2-00	250W	48VDC	7.2" (182mm)	2.4 lbs. (1.1kg)	-
04641.2-00	400W	48VDC	8.7" (222mm)	3.1 lbs. (1.4kg)	-

Specifications are subject to change without notice. Suitability of this product for its intended use and any associated risks must be determined by the end customer/buyer in its final application.

**Utility requirements for this equipment may vary. Always consult the serving utility for their requirements before ordering or installing equipment in this catalog.**





THERMAL DATA:	FLH-TF 125	FLH-TF 200	FLH-TF 400	FLH-TF 800
HEATING CAPACITY	125 W	200 W	400 W	800 W
SURFACE TEMPERATURE	(TA= +20°C) Self-regulating +75°C			
DUTY CYCLE	100%			
HEATING ELEMENT	PTC-Semiconductor/Resistor			
AIRFLOW VOLUME	16 CFM	16 CFM	26 CFM	26 CFM
BUILT-IN THERMOSTAT RANGE	0 to 100°F (-18 to 38° C)			

ELECTRICAL DATA:	FLH-TF 125	FLH-TF 200	FLH-TF 400	FLH-TF 800
RATED VOLTAGE	115 VAC	115 VAC	115 VAC	115 VAC
RANGE OF OPERATION	103V-127V	103V-127V	103V-127V	103V-127V
POWER CONSUMPTION	140 W	230 W	440 W	860 W
STARTING CURRENT	approx. 3A	approx. 4.5A	approx. 9A	approx. 14A
SAFETY	temperature limiter in case of fan failure			

MECHANICAL DATA:	FLH-TF 125	FLH-TF 200	FLH-TF 400	FLH-TF 800
STORAGE TEMPERATURE	-40° C / +100° C			
INGRESS PROTECTION	IP 44, when installed as specified			
APPROVALS	CE, UL Recognized			

Specifications are subject to change without notice. Suitability of this product for its intended use and any associated risks must be determined by the end customer/buyer in its final application.

*Utility requirements for this equipment may vary. Always consult the serving utility for their requirements before ordering or installing equipment in this catalog.*





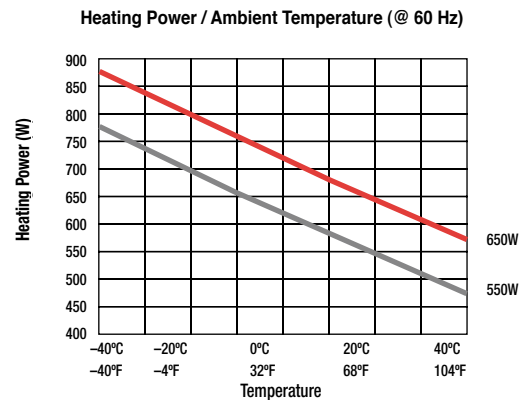
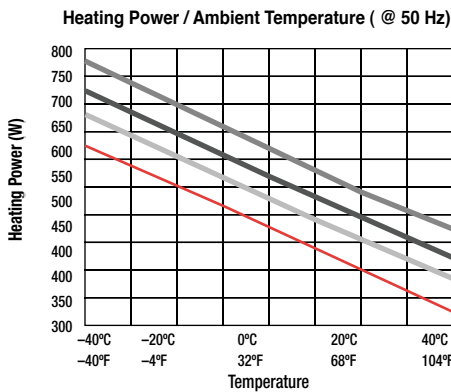
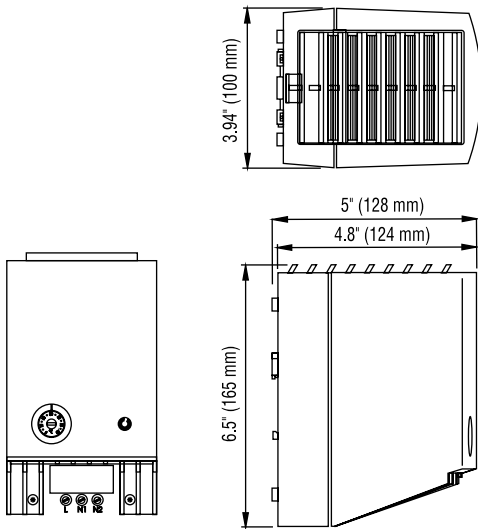
- Compact fan heater
- Heating power adjusts to ambient temperature
- Integrated adjustable thermostat
- Built-in overheat protection
- DIN rail mountable

Semiconductor fan heaters prevent the formation of condensation and ensure an even temperature in enclosures. The integrated thermostat is used to set the desired temperature.



**TECHNICAL DATA**

<b>Heating element</b>	PTC resistor - temperature limiting
<b>Overheat protection</b>	built-in temperature limiter
<b>Axial fan, ball bearing</b>	service life 50,000h at 77°F (25°C)
<b>Air flow, free blowing</b>	see table below
<b>Connection</b>	2-pole terminal AWG 14 max. (2.5mm≤), torque 0.8Nm max..
<b>Housing</b>	plastic, UL 94V-0, light grey
<b>Function control light</b>	LED
<b>Mounting</b>	clip for 35mm DIN rail, EN 60 715
<b>Mounting position</b>	vertical
<b>Operating / Storage temperature</b>	-49 to +158°F (-45 to +70°C)
<b>Dimensions</b>	6.5 x 3.94 x 5.0" (165 x 100 x 128mm)
<b>Protection class</b>	II (double insulated)
<b>Protection type</b>	IP20
<b>Approvals</b>	UL File No. E204590



Part No.	Heating capacity <sup>1)</sup> (@ 50Hz)	Heating capacity <sup>1)</sup> (@ 60Hz)	Operating voltage	Max. current (inrush)	Air flow, free blowing	Thermostat setting range	Weight (approx.)
02700.0-00	475W	550W	220-240VAC	11.0A	20 cfm (35m <sup>3</sup> /h)	0 to 60°C	2.0 lbs. (0.9kg)
02701.0-00	550W	650W	220-240VAC	13.0A	26 cfm (45m <sup>3</sup> /h)	0 to 60°C	2.4 lbs (1.10kg)
02700.9-00	400W	550W	100-120VAC	14.0A	20 cfm (35m <sup>3</sup> /h)	32 to 140°F	2.0 lbs. (0.9kg)
02701.9-00	510W	650W	100-120VAC	15.0A	26 cfm (45m <sup>3</sup> /h)	32 to 140°F	2.4 lbs (1.10kg)

<sup>1)</sup> at 68°F (20°C) ambient temperature

Specifications are subject to change without notice. Suitability of this product for its intended use and any associated risks must be determined by the end customer/buyer in its final application.

**Utility requirements for this equipment may vary. Always consult the serving utility for their requirements before ordering or installing equipment in this catalog.**





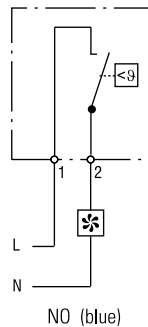
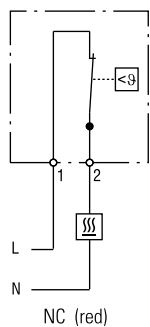
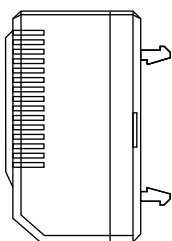
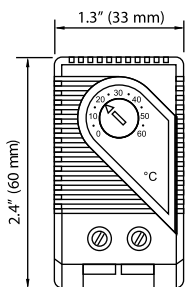
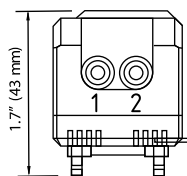
- Compact design
- Wide adjustment range
- Color coded temperature dials
- DIN rail mountable

**Thermostat NC (normally closed)**

Thermostat opens on temperature rise - for regulating heaters or for switching signal devices. Comes with red temperature dial.

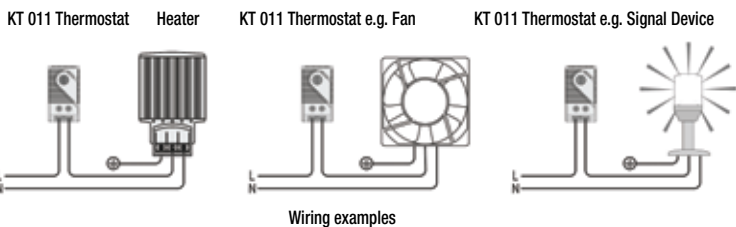
**Thermostat NO (normally open)**

Thermostat closes on temperature rise - for regulating filter fans and heat exchangers or for switching signal devices. Comes with blue temperature dial.



**TECHNICAL DATA**

<b>Switching difference</b>	12.6°F ± 7°F tolerance (7K ± 4K)
<b>Sensor element</b>	thermostatic bimetal
<b>Contact type</b>	snap-action contact
<b>Contact resistance</b>	< 10mΩ
<b>Service life</b>	> 100,000 cycles
<b>Max. switching capacity</b>	15A resistive / 2A inductive @ 120VAC 10A resistive / 2A inductive @ 250VAC
<b>Minimum load</b>	DC 30W
<b>EMC</b>	20mA (all voltages)
<b>Connection</b>	acc. to EN 55014-1-2, EN 61000-3-2, EN 61000-3-3
<b>Housing</b>	2-pole terminal, clamping torque 0.5Nm max.: solid wire - AWG 14 max. (2.5mm≤) stranded wire (with wire end ferrule) - AWG 16 (1.5mm≤)
<b>Mounting</b>	plastic, UL 94V-0, light grey
<b>Mounting position</b>	clip for 35mm DIN rail, EN 60 715 (or for Exhaust Filter EF 118 Series)
<b>Operating / Storage temperature</b>	vertical
<b>Dimensions</b>	-49 to +176°F (-45 to +80°C)
<b>Weight</b>	2.4 x 1.3 x 1.7" (60 x 33 x 43mm)
	approx. 1.4 oz. (40g)



Setting range	Part No. (NC)	Part No. (NO)	Approvals
+32 to +140°F	01140.9-00	01141.9-00	UL File No. E164102, CSA
0 to +60°C	01146.9-00	01147.9-00	UL File No. E164102, CSA
-10 to +50°C	01142.0-00	N/A	UL File No. E164102, CSA, VDE
+10 to +70°C	N/A	01149.9-00	UL File No. E164102, CSA
-15 to +45°C	01157.0-00	01156.0-00	UL File No. E164102, CSA
+20 to +80°C	01159.0-00	01158.0-00	UL File No. E164102, CSA, VDE

Specifications are subject to change without notice. Suitability of this product for its intended use and any associated risks must be determined by the end customer/buyer in its final application.

**Utility requirements for this equipment may vary. Always consult the serving utility for their requirements before ordering or installing equipment in this catalog.**





Photos: DA 284, M40



- **UL Type 1, 4, 4X & IP 66 protection**
- **Semipermeable membrane**
- **Easy to install**
- **Two sizes—M40 & M12**

Pressure differentials in a hermetically sealed enclosure are a result of the heat generated by electrical and electronic components in the enclosure, as well as the fluctuation of the outside temperature. In the case of negative pressure or vacuum, for example, dust and humidity can be absorbed through the door seal and can enter the enclosure.

The DA 284 Vent Plug provides a protected enclosure environment for valuable and crucial components with a UL 4X rated degree of protection. A semipermeable membrane inside the device allows air and humidity to leave the enclosure. In the opposite direction, it only allows dry air into the enclosure while not allowing humidity and dust from the outside to enter.

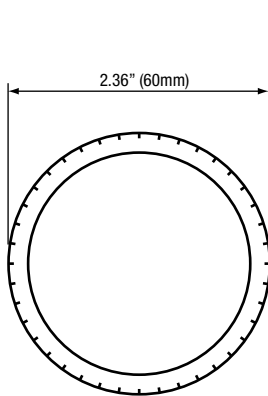


**TECHNICAL DATA**

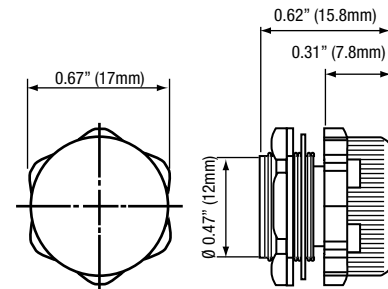
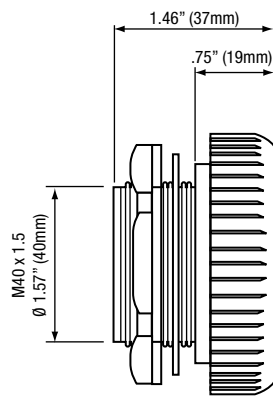
<b>Mounting</b>	thread with nut (see below)
<b>Material</b>	plastic, PA66, light grey
<b>Sealing</b>	NBR gasket
<b>Filter</b>	semipermeable membrane
<b>Operating/storage temperature</b>	-49 to +158°F (-45 to 70°C)
<b>Protection type</b>	see below
<b>Agency approvals</b>	UL File No. E234342
<b>Environmental rating</b>	Type 1, 4 and 4X

**Installation:**

Make cut-out in enclosure wall of 1.6 inches (40.5+0.5mm) for size M40 or 0.5 inches (12.5+0.5mm) for size M12, and mount vent plug with nut. Make sure that the sealing gasket is placed on the outer side of the enclosure. For optimal pressure compensation, it is recommended to use two devices on opposite sides towards the top of the enclosure.



Dimensional drawing: DA 284, M40



Dimensional drawing: DA 284, M12 (drawing is not proportional to M40)

Part No.	Model	Thread length (depth in enclosure)	Protection type	Air permeability <sup>1)</sup>	1 packing unit	Weight (approx.)
28405.0-00	M40 x 1.5	approx. 16mm	IP66 (EN 60529) / IPX9K (EN 40050-9)	1200 liters/hr	2 pieces	3.2 oz. (90g) total
28406.0-00	M12 x 1.5	approx. 10mm	IP66 (EN 60529) / IPX9K (EN 40050-9)	120 liters/hr	2 pieces	0.14 oz. (4g) total

<sup>1)</sup> at a pressure difference of min. 70mbar

Specifications are subject to change without notice. Suitability of this product for its intended use and any associated risks must be determined by the end customer/buyer in its final application.

**Utility requirements for this equipment may vary. Always consult the serving utility for their requirements before ordering or installing equipment in this catalog.**







- **High degree of protection (IP 66)**
- **Semipermeable membrane**
- **Corrosion resistant**
- **Easy to install**

Pressure differentials in a hermetically sealed enclosure are a result of the heat generated by electrical and electronic components in the enclosure, as well as the fluctuation of the outside temperature. In the case of negative pressure or vacuum, for example, dust and humidity can be absorbed through the door seal and can enter the enclosure.

The DA 284S Stainless Steel Vent Plug provides a protected enclosure environment for valuable and crucial components with an IP66 rated degree of protection. A semipermeable membrane inside the device allows air and humidity to leave the enclosure. In the opposite direction, it only allows dry air into the enclosure while not allowing humidity and dust from the outside to enter.

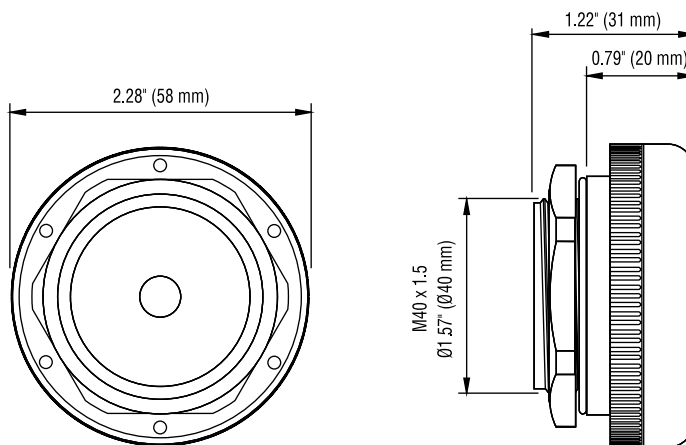


**TECHNICAL DATA**

<b>Mounting</b>	thread M40 x 1.5 with nut
<b>Depth in enclosure</b>	approx. 0.35" (9mm)
<b>Material</b>	stainless steel V2A (DIN 1.4404 / AISI 316L)
<b>Sealing</b>	NBR gasket
<b>Filter</b>	semipermeable membrane
<b>Air permeability</b>	1200 liters/hr at a pressure difference of min. 70mbar
<b>Operating/storage temperature</b>	-49 to +176°F (-45 to 80°C)
<b>Dimensions</b>	Ø 2.28" x 1.22" (Ø 58 x 31mm)
<b>Protection type</b>	see below

**Installation:**

A hole with a diameter of 1.6 inches (40±0.5mm) is required for installation. Make sure that the sealing gasket is placed on the outer side of the enclosure. For optimal pressure compensation, it is recommended to use two devices on opposite sides towards the top of the enclosure.



Part No.	Protection type	1 packing unit	Weight (approx.)
28401.0-00	IP66 (EN 60529) / IPX9K (EN 40050-9)	1 piece	5.6 oz. (160g)

Specifications are subject to change without notice. Suitability of this product for its intended use and any associated risks must be determined by the end customer/buyer in its final application.

**Utility requirements for this equipment may vary. Always consult the serving utility for their requirements before ordering or installing equipment in this catalog.**







- **High degree of protection (IP 55)**
- **Easy to install**

It has become increasingly important to provide a protected enclosure environment for valuable and crucial electrical and electronic components. In a tightly closed enclosure, pressure differentials can occur during extreme temperature variations, such as day/night operation. When this occurs, the risk of dust and humidity ingress into the control panel increases dramatically. The specially designed DA 084 vent plug permits a controlled change in pressure and can easily be installed in any enclosure. The vent plug is suitable for the use in enclosures and electrical cabinets in accordance with DIN EN 62208.



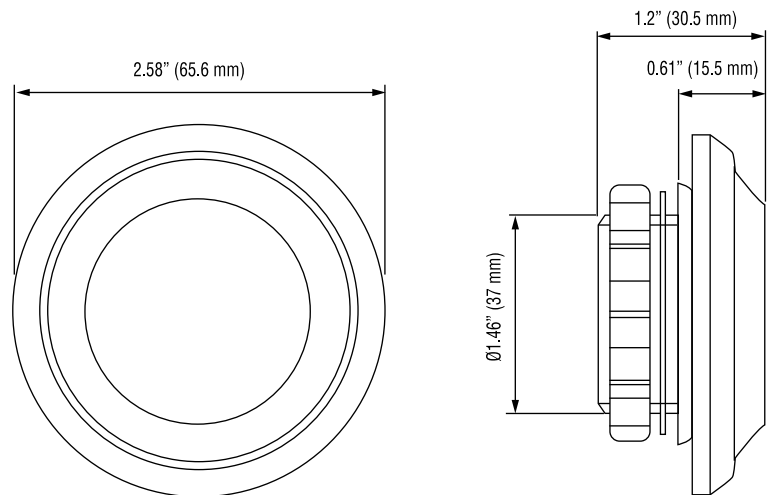
**TECHNICAL DATA**

<b>Mounting</b>	PG 29 thread with union nut
<b>Mounting position</b>	vertical*
<b>Material</b>	plastic, UL 94V-0
<b>Sealing</b>	NBR gasket
<b>Air Interface</b>	Approx. 2.8 in <sup>2</sup> (7 cm <sup>2</sup> )
<b>Operating/storage temperature</b>	-49 to +158°F (-45 to 70°C)
<b>Dimensions</b>	Ø 2.58" x 1.2" (Ø 65.5 x 30.5mm)

\* Protection type is restricted to IP54 if mounting position is not vertical

**Installation:**

A hole with a diameter of 1.46 inches (37mm) is required for mounting. Make sure that the sealing gasket is placed on the outer side panel of the enclosure. For optimal pressure compensation, it is recommended to use two devices on opposite sides towards the top of the enclosures.



Part No.	Protection type	Weight (approx.)
08400.9-01	IP55	1.1 oz. (31g)

Specifications are subject to change without notice. Suitability of this product for its intended use and any associated risks must be determined by the end customer/buyer in its final application.

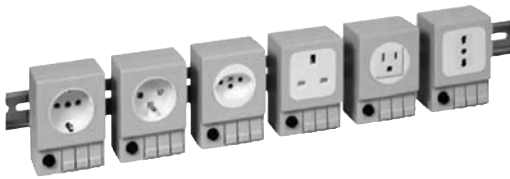
*Utility requirements for this equipment may vary. Always consult the serving utility for their requirements before ordering or installing equipment in this catalog.*





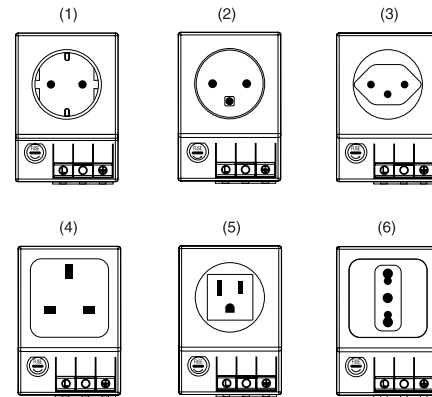
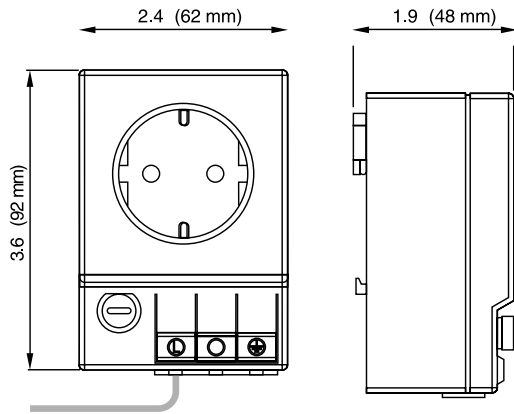
- Quick connections
- Available with or without fuse
- DIN rail mountable

The DIN rail mounted electrical receptacle can be quickly fitted and connected in enclosures allowing the use of auxiliary products such as hand lamps and power tools. The unit is available with and without fuse, and in many world outlet standards.



**TECHNICAL DATA**

<b>Connection</b>	3 cage clamps for solid and stranded wire AWG 20-14 (0.5-2.5mm $\leq$ )
<b>Housing</b>	plastic, UL94 V-0, light grey
<b>Mounting</b>	clip for 35mm DIN rail, EN 60 715
<b>Mounting position</b>	vertical
<b>Operating / Storage temperature</b>	-49 to +158°F (-45 to 70°C)
<b>Dimensions</b>	3.6 x 2.4 x 1.9" (92 x 62 x 48mm)
<b>Weight</b>	approx. 7.1 oz. (200g)
<b>Protection class</b>	I (grounded)
<b>Protection type</b>	IP20



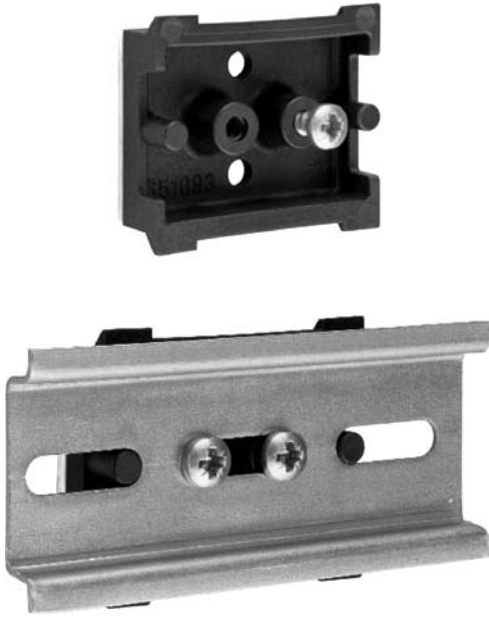
Part No.	Operating Voltage max.	Socket	Model	Nominal Current	Approvals
03500.0-00	250VAC	Germany/Russia (1)	with fuse*	6.3A	-
03500.0-01	250VAC	Germany/Russia (1)	without fuse	16.0A	-
03501.0-00	250VAC	France/Poland (2)	with fuse*	6.3A	-
03501.0-01	250VAC	France/Poland (2)	without fuse	16.0A	-
03502.0-00	250VAC	Switzerland (3)	with fuse*	6.3A	-
03502.0-01	250VAC	Switzerland (3)	without fuse	10.0A	-
03503.0-00	250VAC	UK/Ireland (4)	with fuse*	6.3A	-
03503.0-01	250VAC	UK/Ireland (4)	without fuse	13.0A	-
03504.0-00	125VAC	USA/Canada (5)	with fuse*	6.3A	UL File No. E222026
03504.0-01	125VAC	USA/Canada (5)	without fuse	15.0A	UL File No. E222026
03505.0-00	250VAC	Italy (6)	with fuse*	6.3A	-
03505.0-01	250VAC	Italy (6)	without fuse	16.0A	-

\* fuse  $\varnothing$  5 x 20 mm

Specifications are subject to change without notice. Suitability of this product for its intended use and any associated risks must be determined by the end customer/buyer in its final application.

**Utility requirements for this equipment may vary. Always consult the serving utility for their requirements before ordering or installing equipment in this catalog.**





Application Examples



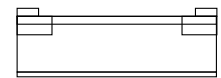
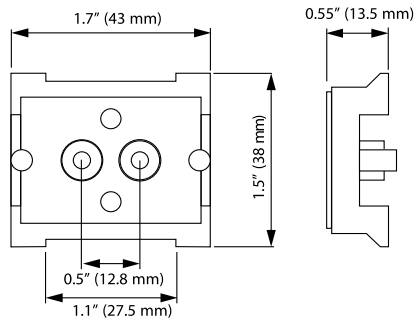
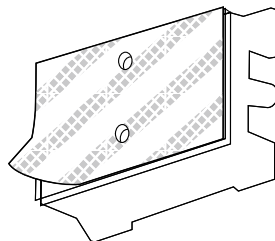
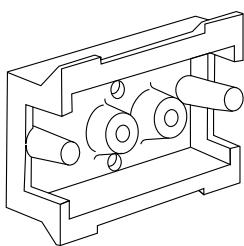
**TECHNICAL DATA**

<b>Load</b>	1.1 lbs. (500g) after a 24 hour waiting period*
<b>Mounting</b>	self-adhesive (non-aging, high-performance adhesive strip)
<b>Material</b>	plastic UL 94V-0, black
<b>Hole pattern</b>	0.5" distance, Ø 0.14" (12.8mm; Ø 3.6mm)
<b>Operating / Storage temperature</b>	-49 to +158°F (-45 to 70°C)
<b>Dimensions</b>	1.7 x 1.5 x 0.55" (43 x 38 x 14mm)

\*depending on the conditions of use (e.g. surface condition, size of the device to be mounted, etc.) higher loads can be achieved.

**Installation:**

STEGOFIX can only be mounted on smooth surfaces, e.g. metals, lacquered surfaces and plastics (except polyethylene, polypropylene and rubber). The surfaces must be dry and free from dust, oil, separating agents and other contamination.



Part No.	1 packing unit	Weight (approx.)
09510.0-01	5 pieces	2.1 oz. (60g) total / 0.42 oz. (12g) per piece

Specifications are subject to change without notice. Suitability of this product for its intended use and any associated risks must be determined by the end customer/buyer in its final application.

Utility requirements for this equipment may vary. Always consult the serving utility for their requirements before ordering or installing equipment in this catalog.



PART NUMBER	PAGE	PART NUMBER	PAGE	PART NUMBER	PAGE	PART NUMBER	PAGE	PART NUMBER	PAGE
1010120-GHC1-NK	B24	1010GT	B30	121248-GSC3R-NK-NP	B27	1212TFLC	B15	181812-SC1	B4
1010120-GSC1	B22	1010GTF	B30	12124-HC1	B6	1212TSC	B16	181812-SC1-NK	B4
1010120-GSC1-NK	B22	1010GT-NP	B30	12124-HC1-NK	B6	1212WB	B19	181812-SC1-NK-NP	B4
1010120-GSC1-NK-NP	B22	1010GX	B28	12124-HC1-NK-NP	B6	1212XSC1	B5	181812-SC3R	B10
1010120-GSC3R	B27	1010L45C	B31	12124-HC3R	B11	1212XSC3R	B10	181812-SC3R-NK	B10
1010120-GSC3R-NK	B27	1010L45C-NP	B31	12124-LC1	B7	12164-SC1	B3	18184-SC1	B4
1010120-GSC3R-NK-NP	B27	1010L45S	B31	12124-SC1	B3	12164-SC1-NK	B3	18184-SC1-NK	B4
10101212GR	B29	1010L45S-NP	B31	12124-SC1-NK	B3	12164-SC1-NK-NP	B3	18184-SC1-NK-NP	B4
101012-GHC1-NK	B24	1010L90C	B31	12124-SC1-NK-NP	B3	12164-SC1-NP	B3	18184-SC1-NP	B4
101012-GSC1	B22	1010L90C-NP	B31	12124-SC1-NP	B3	12164-SC3R	B9	18184-SC3R	B10
101012-GSC1-NK	B22	1010L90S	B31	12124-SC3R	B9	12164-SC3R-NK	B9	18184-SC3R-NK	B10
101012-GSC1-NK-NP	B22	1010L90S-NP	B31	12124-SC3R-NK	B9	12166-LC1	B7	18184-SC3R-NK-NP	B10
101024-GHC1-NK	B24	1010TFLC	B15	12124-SC3R-NK-NP	B9	12166-SC1	B3	18186-HC1	B6
101024-GSC1	B22	1010TSC	B16	12124-SC3R-NP	B9	12166-SC1-NK	B3	18186-HC1-NK	B6
101024-GSC1-NK	B22	1010WB	B19	12124-WSC	B14	12166-SC1-NK-NP	B3	18186-HC1-NK-NP	B6
101024-GSC1-NK-NP	B22	1010XSC1	B5	121260-GHC1	B24	12166-SC1-NP	B3	18186-LC1	B7
101024-GSC3R	B27	1010XSC3R	B10	121260-GHC12	C13	12166-SC3R	B9	18186-SC1	B4
101024-GSC3R-NK	B27	10124-HC1	B6	121260-GHC12XS	C13	12166-SC3R-NK	B9	18186-SC1-NK	B4
101024-GSC3R-NK-NP	B27	10124-LC1	B7	121260-GHC12XZ	C13	12166-TC3R	B12	18186-SC1-NK-NP	B4
101036-GHC1-NK	B24	10124-SC1	B3	121260-GHC1-NK	B24	1216FLC	B17	18186-SC1-NP	B4
101036-GSC1	B22	10124-SC1-NK	B3	121260-GHC1-NK-NP	B24	1216XSC1	B5	18186-SC3R	B10
101036-GSC1-NK	B22	10124-SC1-NK-NP	B3	121260-GSC1	B22	121810-SC1	B4	18186-SC3R-NK	B10
101036-GSC1-NK-NP	B22	10124-SC1-NP	B3	121260-GSC1-NK	B22	121810-SC3R	B9	18186-SC3R-NK-NP	B10
101036-GSC3R	B27	10124-SC3R	B9	121260-GSC1-NK-NP	B22	121812-SC3R-NK	B9	18186-TC3R	B12
101036-GSC3R-NK	B27	10126-LC1	B7	121260-GSC3R	B27	12184-HC1	B6	18186-WSC	B14
101036-GSC3R-NK-NP	B27	10126-SC1	B3	121260-GSC3R-NK	B27	12184-SC1	B4	18188-HC3R	B11
101048-GHC1-NK	B24	10126-SC1-NK	B3	121260-GSC3R-NK-NP	B27	12184-SC1-NK	B4	18188-SC1	B4
101048-GSC1	B22	10126-SC1-NP	B3	12126-HC1	B6	12184-SC1-NK-NP	B4	18188-SC1-NK	B4
101048-GSC1-NK	B22	10126-SC3R	B9	12126-HC1-NK	B6	12184-SC3R	B9	18188-SC1-NK-NP	B4
101048-GSC1-NK-NP	B22	10126-SC3R-NK	B9	12126-HC1-NK-NP	B6	12184-SC3R-NK	B9	18188-SC1-NP	B4
101048-GSC3R	B27	10126-SC3R-NK-NP	B9	12126-HC3R	B11	12186-HC3R	B11	18188-SC3R	B10
101048-GSC3R-NK	B27	10126-TC3R	B12	12126-HC3R-NK	B11	12186-SC1	B4	18188-SC3R-NK	B10
101048-GSC3R-NK-NP	B27	1012FCL	B17	12126-LC1	B7	12186-SC1-NK	B4	18188-SC3R-NK-NP	B10
10104-HC1	B6	1012TFLC	B15	12126-SC1	B3	12186-SC1-NK-NP	B4	18188-SC3R-NP	B10
10104-HC1-NK	B6	1012TSC	B16	12126-SC1-NK	B3	12186-SC3R	B9	1818FLC	B17
10104-HC3R	B11	1012WB	B19	12126-SC1-NK-NP	B3	12186-SC3R-NK	B9	1818TFLC	B15
10104-LC1	B7	1012XSC1	B5	12126-SC1-NP	B3	12186-SC3R-NK-NP	B9	1818TSC	B16
10104-SC1	B3	1012XSC3R	B10	12126-SC3R	B9	12186-TC3R	B12	1818WB	B19
10104-SC1-NK	B3	105J	A5	12126-SC3R-NK	B9	12188-SC1	B4	1818XSC1	B5
10104-SC1-NK-NP	B3	10X12GSC1	B22	12126-SC3R-NK-NP	B9	12188-SC1-NK	B4	1818XSC3R	B10
10104-SC1-NP	B3	10X24GSC1	B22	12126-SC3R-NP	B9	12188-SC1-NK-NP	B4	182410-SC1	B4
10104-SC3R	B9	10X36GSC1	B22	12126-TC3R	B12	12188-SC3R	B9	182410-SC1-NK	B4
10104-SC3R-NK	B9	10X48GSC1	B22	12126-WSC	B14	12188-SC3R-NK	B9	182410-SC1-NK-NP	B4
10104-SC3R-NK-NP	B9	10X60GSC1	B22	121272-GSC1	B22	12188-SC3R-NK-NP	B9	182410-SC3R	B10
10104-SC3R-NP	B9	1212120-GHC1	B24	121272-GSC1-NK	B22	1218FLC	B17	182412-SC1	B4
10104-WSC	B14	1212120-GHC1-NK	B24	121272-GSC1-NK-NP	B22	1218TSC	B16	182412-SC1-NK	B4
101060-GHC1	B24	1212120-GSC1	B22	121272-GSC3R	B27	1218WB	B19	182412-SC1-NK-NP	B4
101060-GHC1-NK	B24	1212120-GSC1-NK	B22	121272-GSC3R-NK	B27	1218XSC1	B5	18244-SC1	B4
101060-GSC1	B22	1212120-GSC1-NK-NP	B22	121272-GSC3R-NK-NP	B27	12206-LC1	B7	18244-SC1-NK	B4
101060-GSC1-NK	B22	1212120-GSC1-NP	B22	12128-SC1	B3	12244-SC1	B4	18244-SC1-NK-NP	B4
101060-GSC1-NK-NP	B22	1212120-GSC3R	B27	12128-SC1-NK	B3	12246-HC1	B4	18246-HC1	B6
101060-GSC3R	B27	1212120-GSC3R-NK	B27	12128-SC1-NK-NP	B3	12246-SC1-NK	B4	18246-HC1-NK	B6
101060-GSC3R-NK	B27	1212120-GSC3R-NK-NP	B27	12128-SC1-NP	B3	12246-SC1-NK-NP	B4	18246-SC1	B4
101060-GSC3R-NK-NP	B27	121212-GSC1	B22	12128-SC3R	B9	12246-SC1-NK-NP	B4	18246-SC1-NK	B4
10106-HC1	B6	121212-GSC1-NK	B22	12128-SC3R-NK	B9	12246-SC3R	B9	18246-SC1-NK-NP	B4
10106-HC1-NK	B6	121212-GSC1-NK-NP	B22	12128-SC3R-NK-NP	B9	1224FLC	B17	18246-SC3R	B10
10106-LC1	B7	121212-SC1-NK	B3	12128-WSC	B14	1224TFLC	B15	18246-SC3R-NK	B10
10106-SC1	B3	121212-SC3R-NK	B9	121296-GHC1	B24	1224TSC	B16	18246-SC3R-NK-NP	B10
10106-SC1-NK	B3	121212-SC3R-NK-NP	B9	121296-GHC1-NK	B24	1224WB	B19	18246-TC3R	B12
10106-SC1-NK-NP	B3	1212144-GSC3R	B27	121296-GSC1	B22	1224XSC1	B5	18248-SC1	B4
10106-SC1-NP	B3	1212144-GSC3R-NK	B27	121296-GSC1-NK	B22	1284-HC1	B6	18248-SC1-NK	B4
10106-SC3R	B9	1212144-GSC3R-NK-NP	B27	121296-GSC1-NK-NP	B22	12X24GSC1	B22	18248-SC1-NK-NP	B4
10106-SC3R-NK	B9	121224-GHC1	B24	121296-GSC3R	B27	12X36GSC1	B22	18248-SC3R	B10
10106-SC3R-NK-NP	B9	121224-GHC12	C13	121296-GSC3R-NK	B27	12X48GSC1	B22	18248-SC3R-NK	B10
10106-WSC	B14	121224-GHC12XS	C13	121296-GSC3R-NK-NP	B27	12X60GSC1	B22	18248-SC3R-NK-NP	B10
101072-GHC1	B22, B24	121224-GHC12XZ	C13	1212FLC	B17	12X72GSC1	B22	1824FLC	B17
101072-GSC1-NK	B22	121224-GHC1-NK	B24	1212GCU	B29	15186-SC1	B4	1824TFLC	B15
101072-GSC1-NK-NP	B22	121224-GSC1	B22	1212GE	B28	15186-SC1-NK	B4	1824TSC	B16
101072-GSC3R	B27	121224-GSC1-NK	B22	1212GE-NK	B28	15186-SC1-NK-NP	B4	1824WB	B19
101072-GSC3R-NK	B27	121224-GSC1-NK-NP	B22	1212GE-NK-NP	B28	1518XSC1	B5	1824XSC1	B5
101072-GSC3R-NK-NP	B27	121224-GSC3R	B27	1212GE-NP	B28	16164-SC1	B4	1824XSC3R	B10
101096-GHC1-NK	B24	121224-GSC3R-NK	B27	1212GEU-NK	B28	16164-SC1-NK	B4	1830XSC1	B5
101096-GSC1	B22	121224-GSC3R-NK-NP	B27	1212GEU-NK-NP	B28	16164-SC1-NK-NP	B4	20206-LC1	B7
101096-GSC1-NK	B22	121236-GHC12	C13	1212GEU-NK-NP	B28	16164-SC3R	B10	20208-TC3R	B12
101096-GSC1-NK-NP	B22	121236-GHC12XS	C13	1212GF	B30	16166-LC1	B7	20246-LC1	B7
101096-GSC3R	B27	121236-GHC12XZ	C13	1212GFL90IS	B30	16166-SC1	B4	20248-LC1	B7
101096-GSC3R-NK	B27	121236-GHC1-NK	B24	1212GFL90S	B30	16166-SC1-NK	B4	20248-TC3R	B12
101096-GSC3R-NK-NP	B27	121236-GHC1-NK-NP	B24	1212GF-NP	B30	16166-SC1-NK-NP	B4	22120-GHC1	B23
1010FLC	B17	121236-GSC1	B22	1212GFT	B29	16166-SC1-NP	B4	22120-GHC1-NK	B23
1010GC	B29	121236-GSC1-NK	B22	1212GH	B29	16166-SC3R	B10	22120-GSC1	B20
1010GCU	B29	121236-GSC1-NK-NP	B22	1212GT	B30	16166-SC3R-NK	B10	22120-GSC1-NK	B20
1010GE	B28	121236-GSC3R	B27	1212GTF	B30	16166-TC3R	B12	22120-GSC1-NK-NP	B20
1010GE-NK	B28	121236-GSC3R-NK	B27	1212GT	B30	16166-WSC	B14	2212-GCC12	C10
1010GE-NK-NP	B28	121236-GSC3R-NK-NP	B27	1212GT-NP	B30	1616FLC	B17	2212-GCC12XS	C10
1010GEU	B28	121248-GHC12	C13	1212GX	B28	1616XSC1	B5	2212-GCC12XZ	C10
1010GEU-NK	B28	121248-GHC12XS	C13	1212L45C	B31	16206-LC1	B7	2212-GHC1	B23
1010GEU-NK-NP	B28	121248-GHC12XZ	C13	1212L45C-NP	B31	16206-TC3R	B12	2212-GHC12	C13
1010GF	B30	121248-GHC1-NK	B24	1212L45S	B31	181810-SC1	B4	2212-GHC12XS	C13
1010GFL90S	B30	121248-GSC1	B22	1212L45S-NP	B31	181810-SC1-NK	B4	2212-GHC12XZ	C13
1010GFL90S	B30	121248-GSC1-NK	B22	1212L90C	B31	181810-SC1-NK-NP	B4	2212-GHC1-NK	B23
1010GFL90S	B30	121248-GSC1-NK-NP	B22	1212L90C-NP	B31	181810-SC3R	B10	2212-GHC1-NK-NP	B23
1010GF-NP	B30	121248-GSC3R	B27	1212L90S	B31	181810-SC3R-NK	B10	2212-GSC1	B20
1010GH	B29	121248-GSC3R-NK	B27	1212L90S-NP	B31				

PART NUMBER	PAGE	PART NUMBER	PAGE	PART NUMBER	PAGE	PART NUMBER	PAGE	PART NUMBER	PAGE
2212-GSC1-NK	B20	242410-SC1-NK	B4	303012-SC3R	B10	4418-GHC12	C13	44GEU-NK-NP	B28
2212-GSC1-NK-NP	B20	242410-SC1-NK-NP	B4	303012-SC3R-NK-NP	B10	4418-GHC12XS	C13	44GF	B30
2218-GCC12	C10	242410-SC3R	B10	303012-TC3R	B12	4418-GHC12XZ	C13	44GFE	B28
2218-GCC12XS	C10	242410-SC3R-NK	B10	30306-SC1-NK	B5	4418-GSC1	B21	44GFE-NK	B28
2218-GCC12XZ	C10	242410-SC3R-NK-NP	B10	30306-SC1-NK-NP	B5	4418-GSC1-NK	B21	44GFL90IS	B30
2218-GHC1	B23	242410-TC3R	B12	30306-SC3R	B10	4418-GSC1-NK-NP	B21	44GFL900S	B30
2218-GHC12	C13	242412-LC1	B7	30306-SC3R-NK	B10	4418-GSC3R	B25	44GFL90S	B30
2218-GHC12XS	C13	242412-SC1	B4	30308-LC1	B7	4418-GSC3R-NK	B25	44GF-NP	B30
2218-GHC12XZ	C13	242412-SC1-NK	B4	30308-SC1-NK	B5	4424-GCC12	C10	44GFT	B29
2218-GHC1-NK-NP	B23	242412-SC1-NK-NP	B4	30308-SC1-NK-NP	B5	4424-GCC12XS	C10	44GH	B29
2218-GSC1	B20	242412-SC3R	B10	30308-SC3R	B10	4424-GCC12XZ	C10	44GH-NP	B29
2218-GSC1-NK	B20	242412-SC3R-NK	B10	30308-SC3R-NK	B10	4424-GHC1	B23	44GT	B30
2218-GSC1-NK-NP	B20	242412-SC3R-NK-NP	B10	3030FLC	B17	4424-GHC12	C13	44GTF	B30
2218-GSC1-NP	B20	24244-SC1	B4	3030TFLC	B15	4424-GHC12XS	C13	44GT-NP	B30
2224-GCC12	C10	24244-SC1-NK	B4	3030TSC	B16	4424-GHC12XZ	C13	44GX	B28
2224-GCC12XS	C10	24244-SC1-NK-NP	B4	3030XSC1	B5	4424-GHC1-NK	B24	44L45C	B31
2224-GCC12XZ	C10	24244-SC1-NP	B4	303610-SC1-NK-NP	B5	4424-GSC1	B21	44L45S	B31
2224-GHC1	B23	24244-SC3R	B10	303612-SC1-NK	B5	4424-GSC1-NK	B21	44L90C	B31
2224-GHC12	C13	24244-SC3R-NP	B10	303612-SC1-NK-NP	B5	4424-GSC1-NK-NP	B21	44L90C-NP	B31
2224-GHC12XS	C13	24246-LC1	B7	303612-SC3R-NK	B10	4424-GSC3R	B25	44L90S	B31
2224-GHC12XZ	C13	24246-SC1	B4	303612-TC3R	B12	4424-GSC3R-NK	B25	44L90S-NP	B31
2224-GHC1-NK	B23	24246-SC1-NK	B4	30366-LC1	B7	4424-GSC3R-NK-NP	B25	44XSC1	B5
2224-GSC1	B20	24246-SC1-NK-NP	B4	30366-SC1-NK	B5	4430-GHC12	C13	44XSC3R	B10
2224-GSC1-NK	B20	24246-SC1-NP	B4	30366-SC1-NK-NP	B5	4430-GHC12XS	C13	464-SC1	B2
2224-GSC1-NK-NP	B20	24246-SC3R	B10	30368-SC1-NK	B5	4430-GHC12XZ	C13	464-SC1-NK	B2
2230-GHC12	C13	24246-SC3R-NK	B10	30368-SC1-NK-NP	B5	4436-GCC12	C10	464-SC1-NK-NP	B2
2230-GHC12XS	C13	24246-SC3R-NK-NP	B10	3036FLC	B17	4436-GCC12XS	C10	464-SC1-NP	B2
2230-GHC12XZ	C13	24246-WSC	B14	3036TFLC	B15	4436-GCC12XZ	C10	464-SC3R	B8, B9
2236-GHC1	B23	24248-LC1	B7	3036TSC	B16	4436-GHC1	B24	464-SC3R-NK	B8, B9
2236-GHC12	C13	24248-SC1	B4	3036WB	B19	4436-GHC12	C13	46XSC1	B5
2236-GHC12XS	C13	24248-SC1-NK	B4	3036XSC1	B5	4436-GHC12XS	C13	46XSC3R	B10
2236-GHC12XZ	C13	24248-SC1-NK-NP	B4	363010-CT3R	B13	4436-GHC12XZ	C13	483616-CT3R	B13
2236-GHC1-NK	B23	24248-SC3R	B10	363010-TC3R	B12	4436-GHC1-NK	B24	484812-CT3R	B13
2236-GHC1-NK-NP	B23	24248-SC3R-NK	B10	363016-CT3R	B13	4436-GSC1	B21	484812-SC1-NK	B5
2236-GSC1	B20	24248-SC3R-NK-NP	B10	363248-CT3R	B13	4436-GSC1-NK	B21	48486-SC1-NK	B5
2236-GSC1-NK	B20	24248-TC3R	B12	363610-SC1-NK	B5	4436-GSC1-NK-NP	B21	4848TFLC	B15
2244GR	B29	24248-WSC	B14	363610-SC1-NK-NP	B5	4436-GSC3R	B25	4848TSC	B16
2248-GHC1	B23	2424FLC	B17	4436-GSC12-CT3R	B13	4436-GSC3R-NK	B25	4848WB	B19
2248-GHC12	C13	2424TFLC	B15	363612-SC1-NK	B5	4436-GSC3R-NK-NP	B25	4848XSC1	B5
2248-GHC12XS	C13	2424TSC	B16	363612-SC1-NK-NP	B5	4448-GCC12	C10	4X12GSC1	B22
2248-GHC12XZ	C13	2424WB	B19	363612-SC3R	B10	4448-GCC12XS	C10	4X18GSC1	B22
2248-GHC1-NK	B23	2424XSC1	B5	363612-SC3R-NK	B10	4448-GCC12XZ	C10	4X24GSC1	B22
2248-GSC1	B20	2424XSC3R	B10	363612-SC3R-NK-NP	B10	4448-GHC1	B24	4X36GSC1	B22
2248-GSC1-NK	B20	243010-SC1	B5	363612-TC3R	B12	4448-GHC12	C13	4X48GSC1	B22
2260-GHC1	B23	243010-SC1-NK	B5	363616-CT3R	B13	4448-GHC12XS	C13	4X60GSC1	B22
2260-GHC12	C13	243010-SC1-NK-NP	B5	363616-TC3R	B12	4448-GHC12XZ	C13	4X72GSC1	B22
2260-GHC12XS	C13	243010-SC3R	B10	363618-SC1-NK	B5	4448-GHC1-NK	B24	606013-CT3R	B13
2260-GHC12XZ	C13	243010-SC3R-NK	B10	363618-SC3R-NK	B10	4448-GSC1	B21	6124-SC1	B3
2260-GHC1-NK	B23	243012-SC1	B5	36364-SC1-NK	B5	4448-GSC1-NK	B21	6124-SC1-NK	B3
2260-GSC1	B20	243012-SC1-NK-NP	B5	36366-SC1-NK	B5	4448-GSC1-NK-NP	B21	6124-SC3R	B9
2260-GSC1-NK	B20	243012-SC3R	B10	36366-SC1-NK-NP	B5	4448-GSC3R	B25	6126-SC1	B3
2272-GHC1	B23	24306-LC1	B7	36366-TC3R	B12	4448-GSC3R-NK	B25	6126-SC1-NK	B3
2272-GHC12	C13	24306-TC3R	B12	36368-SC1	B5	4448-GSC3R-NK-NP	B25	612FLC	B17
2272-GHC12XS	C13	24308-SC1	B4	36368-SC1-NK	B5	444-SC1	B2	612XSC1	B5
2272-GHC12XZ	C13	24308-SC1-NK	B5	36368-SC1-NK-NP	B5	444-SC1-NK	B2	66120-GHC1	B24
2272-GHC1-NK	B23	24308-SC1-NK-NP	B5	36368-SC3R	B10	444-SC1-NK-NP	B2	66120-GHC1-NK	B24
2272-GSC1	B20	2430FLC	B17	3636FLC	B17	444-SC3R	B8, B9	66120-GHC1-NK-NP	B24
2272-GSC1-NK	B20	2430TFLC	B15	3636TFLC	B15	444-SC3R-NK	B8	66120-GHC1-NP	B24
2272-GSC1-NK-NP	B20	2430TSC	B16	3636TSC	B16	444-SC3R-NK-NP	B8	66120-GSC1	B21
2296-GHC1-NK	B23	2430WB	B19	3636WB	B19	4460-GHC1	B24	66120-GSC1-NK	B21
2296-GSC1-NK	B20	2430XSC1	B5	3636XSC1	B5	4460-GHC12	C13	66120-GSC1-NK-NP	B21
22GC	B29	243610-SC1	B5	364812-TC3R	B12	4460-GHC12XS	C13	66120-GSC1-NP	B21
22GGU	B29	243610-SC1-NK	B5	364816-SC3R-NK	B10	4460-GHC12XZ	C13	66120-GSC3R	B26
22GE	B28	243612-SC1	B5	364816-TC3R	B12	4460-GHC1-NK	B24	66120-GSC3R-NK	B26
22GE-NK	B28	243612-SC1-NK	B5	36486-SC1-NK	B5	4460-GSC1	B21	6612-GCC12	C10
22GE-NK-NP	B28	243612-SC1-NK-NP	B5	3648FLC	B17	4460-GSC1-NK	B21	6612-GCC12XS	C10
22GE-NP	B28	243612-SC3R	B10	3648TFLC	B15	4460-GSC1-NK-NP	B21	6612-GCC12XZ	C10
22GEU	B28	243612-SC3R-NK	B10	3648TSC	B16	4460-GSC3R	B25	6612-GHC1	B24
22GF	B30	24366-LC1	B7	3648WB	B19	4460-GSC3R-NK	B25	6612-GHC12	C13
22GFE	B28	24366-SC1	B5	3648XSC1	B5	4460-GSC3R-NK-NP	B25	6612-GHC12XS	C13
22GFE-NK	B28	24366-SC1-NK	B5	44120-GHC1	B24	4466GR	B29	6612-GHC12XZ	C13
22GFL90IS	B30	24366-SC1-NK-NP	B5	44120-GHC1-NK	B24	4472-GHC12	C13	6612-GHC1-NK	B24
22GFL900S	B30	24366-SC1-NP	B5	44120-GSC1	B21	4472-GHC12XS	C13	6612-GHC1-NP	B24
22GFL900S-NP	B30	24366-TC3R	B12	44120-GSC1-NK	B21	4472-GHC12XZ	C13	6612-GSC1	B21
22GFL90S	B30	24368-LC1	B7	44120-GSC1-NK-NP	B21	4472-GHC1-NK	B24	6612-GSC1-NK	B21
22GFT	B29	24368-SC1	B5	44120-GSC3R	B26	4472-GSC1	B21	6612-GSC1-NK-NP	B21
22GFT-NP	B29	24368-SC1-NK	B5	4412-GCC12	C10	4472-GSC1-NK	B21	6612-GSC3R	B26
22GH	B29	24368-SC1-NK-NP	B5	4412-GCC12XS	C10	4472-GSC1-NK-NP	B21	6612-GSC3R-NK	B26
22GT	B30	2436FLC	B17	4412-GCC12XZ	C10	4472-GSC3R	B26	6612-GSC3R-NK-NP	B26
22GTF	B30	2436TFLC	B15	4412-GHC1	B23	4472-GSC3R-NK	B26	6618-GCC12	C10
22GT-NP	B30	2436TSC	B16	4412-GHC12	C13	4472-GSC3R-NK-NP	B26	6618-GCC12XS	C10
22GX	B28	2436WB	B19	4412-GHC12XS	C13	4496-GHC1-NK	B24	6618-GCC12XZ	C10
22GX-NP	B28	2436XSC1	B5	4412-GHC12XZ	C13	4496-GSC1	B21	6618-GHC12	C13
22L45C	B31	2448TFLC	B15	4412-GHC1-NK	B23	4496-GSC1-NK	B21	6618-GHC12XS	C13
22L45C-NP	B31	2448TSC	B16	4412-GSC1	B20	4496-GSC3R	B26	6618-GHC12XZ	C13
22L45S	B31	2448WB	B19	4412-GSC1-NK	B21	44FLC	B17	6618-GSC1	B21
22L45S-NP	B31	303010-SC1-NK	B5	4412-GSC1-NK-NP	B21	44GC	B29	6618-GSC1-NK	B21
22L90C	B31	303010-SC1-NK-NP	B5	4412-GSC3R	B25	44GCU	B29	6618-GSC1-NK-NP	B21
22L90C-NP	B31	303010-SC3R	B10	4412-GSC3R-NK	B25	44GE	B28	6618-GSC3R	B26
22L90S	B31	303010-SC3R-NK	B10	4412-GSC3R-NK-NP	B25	44GE-NK	B28	6618-GSC3R-NK	B26
22L90S-NP	B31	303010-SC3R-NK-NP	B10	4418-GCC12	C10	44GE-NK-NP	B28	6618-GSC3R-NK-NP	B26
242410-HC3R	B11	303012-SC1-NK	B5	4418-GCC12XS	C10	44GE-NP	B28	6624-GCC12	C10
242410-SC1	B4	303012-SC1-NK-NP	B5	4418-GCC12XZ	C10	44GEU	B28	6624-GCC12XS	C10



PART NUMBER	PAGE	PART NUMBER	PAGE	PART NUMBER	PAGE	PART NUMBER	PAGE	PART NUMBER	PAGE
6624-GCC12XZ	C10	6672-GSC3R-NK	B26	8124-SC1-NK	B3	8860-GSC1-NK-NP	B21	A-12P24	C72
6624-GHC1	B24	6672-GSC3R-NK-NP	B26	8124-SC1-NK-NP	B3	8860-GSC3R	B26	A-1412SBP	C8
6624-GHC12	C13	6688GR	B29	8124-SC3R	B9	8860-GSC3R-NK	B26	A-1436P2	C68
6624-GHC12XS	C13	6696-GSC1	B21	8124-SC3R-NK	B9	8860-GSC3R-NK-NP	B26	A-1436P3	C68
6624-GHC12XZ	C13	6696-GSC1-NK	B21	8126-SC1	B3	886-HC1	B6	A-1436W	C68
6624-GHC1-NK	B24	6696-GSC1-NK-NP	B21	8126-SC1-NK	B3	886-HC1-NK	B6	A-1448P2	C68
6624-GSC1	B21	6696-GSC1-NP	B21	8126-SC1-NK-NP	B3	886-HC1-NP	B6	A-1448P3	C68
6624-GSC1-NK	B21	6696-GSC3R	B26	8126-SC3R	B9	886-SC1	B3	A-1448W	C68
6624-GSC1-NK-NP	B21	6696-GSC3R-NK	B26	8126-SC3R-NK	B9	886-SC1-NK	B3	A-1460P2	C68
6624-GSC3R	B26	6696-GSC3R-NK-NP	B26	8126-SC3R-NK	B9	886-SC1-NK-NP	B3	A-1460P3	C68
6624-GSC3R-NK	B26	66FLC	B17	812TFLC	B15	886-SC1-NP	B3	A-1460W	C68
6624-GSC3R-NK-NP	B26	66GC	B29	812WB	B19	886-SC3R	B9	A-1472P2	C68
6630-GHC12	C13	66GCU	B29	812XSC1	B5	886-SC3R-NK	B9	A-1472P3	C68
6630-GHC12XS	C13	66GE	B28	881010GR	B29	886-SC3R-NK-NP	B9	A-1472W	C68
6630-GHC12XZ	C13	66GE-NK	B28	88120-GHC1	B24	886-SC3R-NP	B9	A-148SBP	C8
6636-GCC12	C10	66GE-NK-NP	B28	88120-GHC1-NK	B24	886-TC3R	B12	A-14P2	C68
6636-GCC12XS	C10	66GE-NP	B28	88120-GSC1	B21	886-WSC	B14	A-14P3	C68
6636-GCC12XZ	C10	66GEU	B28	88120-GSC1-NK	B21	8872-GHC1	B24	A-14W	C68
6636-GHC1	B24	66GEU-NK	B28	88120-GSC1-NK-NP	B21	8872-GHC1-NK	B24	A-1610SBP	C8
6636-GHC12	C13	66GEU-NK-NP	B28	88120-GSC3R	B27	8872-GSC1	B21	A-1612SBP	B19
6636-GHC12XS	C13	66GF	B30	88120-GSC3R-NK	B27	8872-GSC1-NK	B21	A-1614SBP	C8
6636-GHC12XZ	C13	66GFE	B28	88120-GSC3R-NK-NP	B27	8872-GSC1-NK-NP	B21	A-1616SBP	B19
6636-GHC1-NK	B24	66GFL90IS	B30	881212GR	B29	8872-GSC3R	B26	A-16P12	B18
6636-GSC1	B21	66GFL900S	B30	881212GR	B29	8872-GSC3R-NK	B26	A-16P12W	B18
6636-GSC1-NK	B21	66GFL900S-NP	B30	8812-GHC1	B24	8872-GSC3R-NK-NP	B26	A-16P16	B18
6636-GSC1-NK-NP	B21	66GFL90S	B30	8812-GHC12	C13	888-SC1	B3	A-16P16W	B18
6636-GSC3R	B26	66GF-NP	B30	8812-GHC12XS	C13	888-SC1-NK	B3	A-1818SBP	B19
6636-GSC3R-NK	B26	66GFT	B29	8812-GHC1-NK	B24	888-SC1-NK-NP	B3	A-18P12	B18
6636-GSC3R-NK-NP	B26	66GFT-NP	B29	8812-GSC1	B21	888-SC1-NP	B3	A-18P18	B18
663-SC1	B2	66GH	B29	8812-GSC1-NK	B21	888-SC3R	B9	A-18P18W	B18
663-SC1-NK	B2	66GH-NP	B29	8812-GSC1-NK-NP	B21	888-SC3R-NK	B9	A-18P24W	B18
663-SC1-NK-NP	B2	66GT	B30	8812-GSC3R	B26	888-WSC	B14	A-2012SBP	B19
6648-GCC12	C10	66GTF	B30	8812-GSC3R-NK	B26	8896-GSC1	B21	A-2016SBP	B19
6648-GCC12XS	C10	66GT-NP	B30	8812-GSC3R-NK-NP	B26	8896-GSC1-NK	B21	A-2020SBP	B19
6648-GCC12XZ	C10	66GX	B28	8818-GHC1-NK	B24	8896-GSC1-NK-NP	B21	A-20P12	C22
6648-GHC1	B24	66L45C	B31	8818-GSC1	B21	8896-GSC3R	B26	A-20P16	B18
6648-GHC12	C13	66L45C-NP	B31	8818-GSC1-NK	B21	8896-GSC3R-NK	B27	A-20P20	B18
6648-GHC12XS	C13	66L45S	B31	8818-GSC3R	B26	8896-GSC3R-NK-NP	B27	A-20P20W	B18
6648-GHC12XZ	C13	66L45S-NP	B31	8818-GSC3R-NK	B26	88FLC	B17	A-20P24	C72
6648-GHC1-NK	B24	66L90C	B31	8818-GSC3R-NK-NP	B26	88GC	B29	A-20P24W	B18
6648-GHC1-NP	B24	66L90C-NP	B31	8824-GHC1	B24	88GCU	B29	A-2420SBP	B19
6648-GSC1	B21	66L90S	B31	8824-GHC12	C13	88GE	B28	A-2424SBP	B19
6648-GSC1-NK	B21	66L90S-NP	B31	8824-GHC12XS	C13	88GE-NK	B28	A-24P12	C22
6648-GSC1-NK-NP	B21	66XSC1	B5	8824-GHC12XZ	C13	88GE-NK-NP	B28	A-24P16	C22
6648-GSC3R	B26	66XSC3R	B10	8824-GHC1-NK	B24	88GE-NP	B28	A-24P18	B18
6648-GSC3R-NK	B26	684-HC1	B6	8824-GSC1	B21	88GEU	B28	A-24P20	B18
6648-GSC3R-NK-NP	B26	684-HC1-NK	B6	8824-GSC1-NK	B21	88GEU-NK-NP	B28	A-24P24	B18
664-HC1	B6	684-LC1	B7	8824-GSC1-NK-NP	B21	88GF	B30	A-24P24W	B18
664-HC1-NK	B6	684-SC1	B3	8824-GSC3R	B26	88GFE	B28	A-261612-10-KIT	C92
664-HC1-NK-NP	B6	684-SC1-NK	B3	8824-GSC3R-NK	B26	88GFE-NK	B28	A-3024SBP	B19
664-HC3R	B11	684-SC1-NK-NP	B3	8824-GSC3R-NK-NP	B26	88GFL90IS	B30	A-3030SBP	B19
664-LC1	B7	684-SC1-NP	B3	8836-GHC1	B24	88GFL900S	B30	A-30P16	C22
664-SC1	B2	684-SC3R	B9	8836-GHC12	C13	88GFL90S	B30	A-30P20	C12
664-SC1-NK	B2	684-SC3R-NK	B9	8836-GHC12XS	C13	88GFL90S-NP	B30	A-30P24	B18
664-SC1-NK-NP	B3	684-SC3R-NK-NP	B9	8836-GHC12XZ	C13	88GF-NP	B30	A-30P24W	B18
664-SC1-NP	B3	684-TC3R	B12	8836-GHC1-NK	B24	88GFT	B29	A-30P30	B18, C65
664-SC3R	B8, B9	684-WSC	B14	8836-GSC1	B21	88GH	B29	A-30P30W	B18
664-SC3R-NK	B8, B9	686-SC1	B3	8836-GSC1-NK	B21	88GT	B30	A-30P36	C72
664-SC3R-NK-NP	B8, B9	686-SC1-NK	B3	686-SC1-NK-NP	B8, B9	88GTF	B30	A-30X15	C65
664-SC3R-NP	B8, B9	686-SC1-NK-NP	B3	8836-GSC3R	B26	88GT-NP	B30	A-30X21	C65
664-TC3R	B12	686-SC1-NP	B3	8836-GSC3R-NK	B26	88GX	B28	A-30X27	C65
664-WSC	B14	686-SC3R	B9	8836-GSC3R-NK-NP	B26	88L45C	B31	A-30X33	C65
6660-GHC1	B24	686-SC3R-NK	B9	8848-GHC1	B24	88L45C-NP	B31	A-30X39	C65
6660-GHC12	C13	68XSC1	B5	8848-GHC12	C13	88L45S	B30	A-30X45	C65
6660-GHC12XS	C13	68XSC3R	B10	8848-GHC12XS	C13	88L90C	B31	A-3624SBP	B19
6660-GHC12XZ	C13	6X12GSC1	B22	8848-GHC12XZ	C13	88L90C-NP	B31	A-3630SBP	B19
6660-GHC1-NK	B24	6X18GSC1	B22	8848-GHC1-NK	B24	88L90S	B31	A-36P24	B18
6660-GHC1-NP	B24	6X24GSC1	B22	8848-GSC1	B21	88L90S-NP	B31	A-36P24W	B18
6660-GSC1	B21	6X36GSC1	B22	8848-GSC1-NK	B21	88TSC	B16	A-36P30	B18
6660-GSC1-NK	B21	6X48GSC1	B22	8848-GSC1-NK-NP	B21	88WB	B19	A-36P30W	B18
6660-GSC1-NK-NP	B21	6X60GSC1	B22	8848-GSC3R	B26	88XSC1	B5	A-36P36	B18
6660-GSC3R	B26	6X72GSC1	B22	8848-GSC3R-NK	B26	88XSC3R	B10	A-36P36W	B18
6660-GSC3R-NK	B26	8104-LC1	B7	8848-GSC3R-NK-NP	B26	8X12GSC1	B22	A-3PTCONS	C92
6660-GSC3R-NK-NP	B26	8104-SC1	B3	884-HC1	B6	8X18GSC1	B22	A-42P24	C22
666-HC1	B6	8104-SC1-NK	B3	884-HC1-NK	B6	8X24GSC1	B22	A-42P30	C12
666-HC1-NK	B6	8104-SC1-NK-NP	B3	884-HC1-NP	B6	8X36GSC1	B22	A-42P36	C12
666-SC1	B3	8104-SC1-NP	B3	884-HC3R	B11	8X48GSC1	B22	A-42P42	C25
666-SC1-NK	B3	8104-SC3R	B9	884-LC1	B7	8X60GSC1	B22	A-42P48	C25
666-SC1-NK-NP	B3	8104-SC3R-NK	B9	884-SC1	B3	8X72GSC1	B22	A-42P60	C25
666-SC1-NP	B3	8106-LC1	B7	884-SC1-NK	B3	A-1000-U237	C93	A-48P24	C22
666-SC3R	B8, B9	8106-SC1	B3	884-SC1-NK-NP	B3	A-1000-U429-01	C93	A-48P30	C22
666-SC3R-NK	B8, B9	8106-SC1-NK	B3	884-SC3R	B9	A-1000-U78	C93	A-48P36	C12
666-SC3R-NK-NP	B8, B9	8106-SC1-NK-NP	B3	884-SC3R-NK	B9	A-1010SBP	B19	A-48P36W	B18
666-WSC	B14	8106-SC1-NP	B3	884-SC3R-NK-NP	B9	A-1021.020(PPS)	D17	A-48P48	B18
6672-GHC1	B24	8106-SC3R	B9	884-SC3R-NP	B9	A-1031.010(PPD)	D17	A-48P48W	B18
6672-GHC12	C13	8106-SC3R-NK	B9	884-WSC	B14	A-108SBP	B19	A-60P21.75	C49
6672-GHC12XS	C13	8106-SC3R-NK-NP	B9	8860-GHC1	B24	A-10P8R	B18	A-60P24F1	C30
6672-GHC12XZ	C13	8106-TC3R	B12	8860-GHC12	C13	A-1210SBP	B19	A-60P24F2	C30
6672-GHC1-NK	B24	810FLC	B17	8860-GHC12XS	C13	A-1212SBP	B19	A-60P27.75	C49
6672-GSC1	B21	810XSC1	B5	8860-GHC12XZ	C13	A-126SBP	C8	A-60P30	C25
6672-GSC1-NK	B21	810XSC3R	B10	8860-GHC1-NK	B24	A-12P10R	B18	A-60P33.75	C49
6672-GSC1-NK-NP	B21	8124-HC1-NK	B6	8860-GSC1	B21	A-12P12R	B18	A-60P36	C23
6672-GSC3R	B26	8124-SC1	B3	8860-GSC1-NK	B21	A-12P12W	B18	A-60P36F1	C30

PART NUMBER	PAGE	PART NUMBER	PAGE	PART NUMBER	PAGE	PART NUMBER	PAGE	PART NUMBER	PAGE
A-60P36F2	C30	A-AFPH1208N	D11,D13	A-DSXZ30-N4	C86	A-FSK1236	C87	A-HNDLKLCHR	C92
A-60P48	C49	A-AFPH1612A	D11,D13	A-DSXZ36	C86	A-FSK128	C87	A-HNDLNLSS	C92
A-60P48F1	C94	A-AFPH1612N	D11,D13	A-DSXZ36-N4	C86	A-FSK1810	C87	A-HNDLSPFS	C92
A-60P48F2	C32	A-AFPH2016A	D11,D13	A-DSXZ42	C86	A-FSK1812	C87	A-HNDLSPN12D	C92
A-60P60	B18	A-AFPH2016N	D11,D13	A-DSXZ42-N4	C86	A-FSK1816	C87	A-HNDLSPWF	C92
A-60P60W	B18	A-AFPH2416A	D11,D13	A-DSXZ48	C86	A-FSK1820	C87	A-HNDLSPX	C92
A-60P72	C49	A-AFPH2416N	D11,D13	A-DSXZ48-N4	C86	A-FSK1824	C87	A-HNDLSPXM	C92
A-60SMP14	C30	A-AFPH2820A	D11,D13	A-DSXZ60	C86	A-FSK1830	C87	A-HNDLSPXMN	C92
A-60SMP20	C30	A-AFPH2820N	D11,D13	A-DSXZ60-N4	C86	A-FSK188	C87	A-HNDLSPXN	C92
A-64SBP	C8	A-AFPH3325A	D11,D13	A-DSXZ72	C86	A-FSK2410	C87	A-HS050	B32
A-66SBP	B19	A-AFPH3325N	D11,D13	A-DSXZ72-N4	C86	A-FSK2412	C87	A-HS050XS	B32
A-6P6R	B18	A-AFPH4032A	D11,D13	A-FG10000.010(MEDV)	D17	A-FSK2416	C87	A-HS075	B32
A-72P24F1	C30	A-AFPH4032N	D11,D13	A-FG41270.070(CH)	D17	A-FSK2424	C87	A-HS075XS	B32
A-72P24F2	C30	A-BASE18	C102	A-FGABPDA	D17	A-FSK248	C87	A-HS100	B32
A-72P30	C23	A-BASE18XS	C102	A-FGAFPH	D17	A-FSK610	C87	A-HS100XS	B32
A-72P30F1	C30	A-BASE18XZ	C102	A-FGAHKL	D17	A-FSK612	C87	A-HS125	B32
A-72P30F2	C30	A-BASE24	C102	A-FGAHN	D17	A-FSK616	C87	A-HS125XS	B32
A-72P33.75	C49	A-BASE24XS	C102	A-FGAHNMM	D17	A-FSK618	C87	A-HS150	B32
A-72P36	C23	A-BASE24XZ	C102	A-FGAHNMKL	D17	A-FSK620	C87	A-HS150XS	B32
A-72P36F1	C30	A-BK1060	B34	A-FGAHNMPL	D17	A-FSK624	C87	A-HS200	B32
A-72P36F2	C30	A-BK1260	B34	A-FGANMFSS	D17	A-FSK630	C87	A-HS200XS	B32
A-72P48F1	C30	A-BK460	B34	A-FGANMMF	D17	A-FSK636	C87	A-HS250	B32
A-72P48F2	C32	A-BK660	B34	A-FGKLCDB3	D17	A-FSK68	C87	A-HS300	B32
A-72P60F1	C30	A-BK860	B34	A-FGKLCSP	D17	A-FSKXS1210	C87	A-HS350	B32
A-72P60F2	C32	A-C0035745	C93	A-FGKLCQ8	D17	A-FSKXS1212	C87	A-HS400	B32
A-72P72	C49	A-COL44	C102	A-FGKLC1T1	D17	A-FSKXS1216	C87	A-HSPB	B32
A-72P72F1	C30	A-COL44XS	C102	A-FGKLC1T8	D17	A-FSKXS1218	C87	A-HSPBM	B32
A-72P72F2	C32	A-COL44XZ	C102	A-FGKCT11	D17	A-FSKXS1220	C87	A-HSPBMXS	B32
A-72SMP14	C30	A-COL66	C102	A-FGRDV	D17	A-FSKXS1224	C87	A-HSPBXS	B32
A-72SMP20	C30	A-COL66XS	C102	A-FGSEDV	D15	A-FSKXS1230	C87	A-HWK1010	C91
A-72SMP26	C30	A-COL66XZ	C102	A-FGVM513	D15	A-FSKXS1236	C87	A-HWK1212	C91
A-72SMP32	C30	A-DD5442	C28	A-FGVM516	D15	A-FSKXS128	C87	A-HWK124	C91
A-78P33.75	C49	A-DD54P42	C94	A-FGVM522	D15	A-FSKXS1810	C87	A-HWK1520	C91
A-78P34	C34	A-DD6048	C28	A-FGVM616	D15	A-FSKXS1812	C87	A-HWK168	C91
A-78P72	C49	A-DD6060	C28	A-FGVM622	D15	A-FSKXS1816	C87	A-HWK1711	C91
A-86SBP	B19	A-DD60P48	C94	A-FGVM622	D15	A-FSKXS1820	C87	A-HWK2010	C91
A-88SBP	B19	A-DD60P60	C94	A-FGVM622	D15	A-FSKXS1824	C87	A-HWK2012	C91
A-8P6R	B18	A-DD7260	C28	A-FGVMCAE12	D16	A-FSKXS1830	C87	A-HWK2017	C91
A-8P8R	B18	A-DD7272	C28	A-FGVMCAE16	D16	A-FSKXS188	C87	A-HWK2020	C91
A-90P24F1	C30	A-DD72P60	C94	A-FGVMCAS12	D16	A-FSKXS2410	C87	A-HWK2021	C91
A-90P24F2	C30	A-DD72P72	C94	A-FGVMCAS16	D16	A-FSKXS2412	C87	A-HWK208	C91
A-90P30F1	C77	A-DS12	C86	A-FGVMCK	D16	A-FSKXS2416	C87	A-HWK2424	C91
A-90P30F2	C77	A-DS12-N4	C86	A-FGVMCOK	D16	A-FSKXS2424	C87	A-HWK2615	C91
A-90P36F1	C30	A-DS16	C86	A-FGVMCS	D16	A-FSKXS248	C87	A-HWK3215	C91
A-90P36F2	C30	A-DS16-N4	C86	A-FGVMDP08	D15	A-FSKXS610	C87	A-HWK3636	C91
A-90P48F1	C94	A-DS20	C86	A-FGVMDP12	D15	A-FSKXS612	C87	A-HWKXS1010	C91
A-90P48F2	C32	A-DS20-N4	C86	A-FGVMDP16	D15	A-FSKXS616	C87	A-HWKXS1212	C91
A-90P60F1	C94	A-DS24	C86	A-FGVMEP08	D16	A-FSKXS618	C87	A-HWKXS124	C91
A-90P60F2	C94	A-DS24-N4	C86	A-FGVMEP08K3	D16	A-FSKXS620	C87	A-HWKXS1520	C91
A-90P72F1	C30	A-DS30	C86	A-FGVMEP08K5	D16	A-FSKXS624	C87	A-HWKXS168	C91
A-90P72F2	C32	A-DS30-N4	C86	A-FGVMEP12	D16	A-FSKXS630	C87	A-HWKXS1711	C91
A-90SMP14	C95	A-DS36	C86	A-FGVMEP12K10	D16	A-FSKXS636	C87	A-HWKXS2010	C91
A-90SMP16	C30	A-DS36-N4	C86	A-FGVMEP12K12	D16	A-FSKXS68	C87	A-HWKXS2012	C91
A-90SMP20	C95	A-DS42	C86	A-FGVMEP12K16	D16	A-FSKXZ1210	C87	A-HWKXS2017	C91
A-90SMP20	C30	A-DS42-N4	C86	A-FGVMEP12K22	D16	A-FSKXZ1212	C87	A-HWKXS2020	C91
A-90SMP26	C95	A-DS48	C86	A-FGVMEP12K6	D16	A-FSKXZ1216	C87	A-HWKXS2021	C91
A-90SMP26	C77	A-DS48-N4	C86	A-FGVMEP12K7	D16	A-FSKXZ1218	C87	A-HWKXS208	C91
A-90SMP32	C95	A-DS60	C86	A-FGVMEP16	D16	A-FSKXZ1220	C87	A-HWKXS2424	C91
A-90SMP32	C30	A-DS60-N4	C86	A-FGVMEP16K14	D16	A-FSKXZ1224	C87	A-HWKXS2615	C91
A-ABP1208A	D11,D13	A-DS72	C86	A-FGVMEP16K26	D16	A-FSKXZ1230	C87	A-HWKXS3215	C91
A-ABP1208N	D11,D13	A-DS72-N4	C86	A-FGVMMB	D15	A-FSKXZ1236	C87	A-HWKXS3636	C91
A-ABP1208S	D11,D13	A-DSK	C87	A-FGVMMR08	D15	A-FSKXZ128	C87	A-HWKXZ1010	C91
A-ABP1612A	D11,D13	A-DSKSS	C87	A-FGVMMR12	D15	A-FSKXZ1810	C87	A-HWKXZ1212	C91
A-ABP1612N	D11,D13	A-DSKSS6	C87	A-FGVMMR16	D15	A-FSKXZ1812	C87	A-HWKXZ124	C91
A-ABP1612S	D11,D13	A-DSXS12	C86	A-FGVMP08	D15	A-FSKXZ1816	C87	A-HWKXZ1520	C91
A-ABP2016A	D11,D13	A-DSXS12-N4	C86	A-FGVMP12	D15	A-FSKXZ1820	C87	A-HWKXZ168	C91
A-ABP2016N	D11,D13	A-DSXS16	C86	A-FGVMP16	D15	A-FSKXZ1824	C87	A-HWKXZ1711	C91
A-ABP2016S	D11,D13	A-DSXS16-N4	C86	A-FGVMSH	D15	A-FSKXZ1830	C87	A-HWKXZ2010	C91
A-ABP2416A	D11,D13	A-DSXS20	C86	A-FGVMTG	D15	A-FSKXZ188	C87	A-HWKXZ2012	C91
A-ABP2416N	D11,D13	A-DSXS20-N4	C86	A-FGVMTG	D15	A-FSKXZ2410	C87	A-HWKXZ2017	C91
A-ABP2416S	D11,D13	A-DSXS24	C86	A-FLT33	C90	A-FSKXZ2412	C87	A-HWKXZ2020	C91
A-ABP2820A	D11,D13	A-DSXS24-N4	C86	A-FLT34	C90	A-FSKXZ2416	C87	A-HWKXZ2021	C91
A-ABP2820N	D11,D13	A-DSXS30	C86	A-FLT43	C90	A-FSKXZ2424	C87	A-HWKXZ208	C91
A-ABP2820S	D11,D13	A-DSXS30-N4	C86	A-FLT44	C90	A-FSKXZ248	C87	A-HWKXZ2424	C91
A-ABP3325A	D11,D13	A-DSXS36	C86	A-FLT64	C90	A-FSKXZ610	C87	A-HWKXZ2615	C91
A-ABP3325N	D11,D13	A-DSXS36-N4	C86	A-FLT66	C90	A-FSKXZ612	C87	A-HWKXZ3215	C91
A-ABP3325S	D11,D13	A-DSXS42	C86	A-FLT812	C90	A-FSKXZ616	C87	A-HWKXZ3636	C91
A-ABP4032A	D11,D13	A-DSXS42-N4	C86	A-FLT84	C90	A-FSKXZ618	C87	A-JH45015	C93
A-ABP4032N	D11,D13	A-DSXS48	C86	A-FLT86	C90	A-FSKXZ620	C87	A-LK10	B33
A-ABP4032S	D11,D13	A-DSXS48-N4	C86	A-FLT88	C90	A-FSKXZ624	C87	A-LK3	B33
A-ADPHDAB	C96	A-DSXS60	C86	A-FOCJIC	B34	A-FSKXZ630	C87	A-LK3R	B33
A-ADPHDABFLEX	C96	A-DSXS60-N4	C86	A-FOCJICS	B34	A-FSKXZ636	C87	A-LKFM3R1	B33
A-ADPHDABV	C96	A-DSXS72	C86	A-FOCJIC-S	C92	A-FSKXZ68	C87	A-LKFM3R2	B33
A-ADPHDABV400	C96	A-DSXS72-N4	C86	A-FOCJIC-SS	C92	A-G1034	C96	A-LKFMKEY3R1	B33
A-ADPHDAMT	C96	A-DSXZ12	C86	A-FOCXS	C93	A-GP	B34,C87	A-LKFMKEY3R2	B33
A-ADPHDBLK	C96	A-DSXZ12-N4	C86	A-FOCXZ	C93	A-GP7035	C87	A-LKFMKEYM-K	B33
A-ADPHDCH	C96	A-DSXZ16	C86	A-FSK1210	C87	A-GSC	B34	A-LKLKEY3R1	B33
A-ADPHDCHF	C96	A-DSXZ16-N4	C86	A-FSK1212	C87	A-HNDLCOMP	C92	A-LKLKEY3R2	B33
A-ADPHDGE	C96	A-DSXZ20	C86	A-FSK1216	C87	A-HNDLHD	C92	A-LKLPAD3R1	B33
A-ADPHDITE	C96	A-DSXZ20-N4	C86	A-FSK1218	C87	A-HNDLHDD	C92	A-LKLPAD3R2	B33
A-ADPHDSO	C96	A-DSXZ24	C86	A-FSK1220	C87	A-HNDLHDK	C92	A-LKPH	B33
A-ADPHDWH	C96	A-DSXZ24-N4	C86	A-FSK1224	C87	A-HNDLHSSPAD	C92	A-LKSFMEYK	B33
A-AFPH1208A	D11,D13	A-DSXZ30	C86	A-FSK1230	C87	A-HNDLKLBLK	C92	A-LKT3R1	B33



PART NUMBER	PAGE	PART NUMBER	PAGE	PART NUMBER	PAGE	PART NUMBER	PAGE	PART NUMBER	PAGE
A-LKT3R1-K	B33	A-MP806A	D3,D5,D7,D9	A-SPK1M-2020	C97	A-SPK2M-3016	C98	A-SPK3-3630	C99
A-LKT3R2	B33	A-MP806N	D3,D5,D7,D9	A-SPK1M-2024	C97	A-SPK2M-3020	C98	A-SPK3-3636	C99
A-LKWHK3R1	B33	A-MP806S	D3,D5,D7,D9	A-SPK1M-2412	C97	A-SPK2M-3024	C98	A-SPK3-4224	C99
A-LKWHK3R2	B33	A-NH20030	C91	A-SPK1M-2416	C97	A-SPK2M-3030	C98	A-SPK3-4230	C99
A-LKWHP3R1	B33	A-NH41041	C91	A-SPK1M-2420	C97	A-SPK2M-3036	C98	A-SPK3-4236	C99
A-LKWHP3R2	B33	A-NH41050	C91	A-SPK1M-2424	C97	A-SPK2M-3624	C98	A-SPK3-4824	C99
A-LPPOCKET	C88	A-NH45015	C93	A-SPK1M-2430	C97	A-SPK2M-3630	C98	A-SPK3-4830	C99
A-LTHMINI	C93	A-PB10P6	C19	A-SPK1M-3016	C97	A-SPK2M-3636	C98	A-SPK3-4836	C99
A-LVK23	C89	A-PB12P11	C19	A-SPK1M-3020	C97	A-SPK2M-4224	C98	A-SPK3-6036	C99
A-LVK33	C89	A-PB14P11	C19	A-SPK1M-3024	C97	A-SPK2M-4230	C98	A-SPK3-7230	C99
A-LVK34	C89	A-PB14P13	C19	A-SPK1M-3030	C97	A-SPK2M-4236	C98	A-SPK3AL-1224	C99
A-LVK43	C89	A-PB17P16	C19	A-SPK1M-3036	C97	A-SPK2M-4824	C98	A-SPK3AL-1612	C99
A-LVK44	C89	A-PB7P6	C19	A-SPK1M-3624	C97	A-SPK2M-4830	C98	A-SPK3AL-1616	C99
A-LVK64	C89	A-PB9P8	C19	A-SPK1M-3630	C97	A-SPK2M-4836	C98	A-SPK3AL-1620	C99
A-LVK66	C89	A-PP991C	C88	A-SPK1M-3636	C97	A-SPK2M-6036	C98	A-SPK3AL-2012	C99
A-LVK812	C89	A-PP991CXS	C88	A-SPK1M-4224	C97	A-SPK2M-7230	C98	A-SPK3AL-2016	C99
A-LVK84	C89	A-PP991CXZ	C88	A-SPK1M-4230	C97	A-SPK2N-1224	C98	A-SPK3AL-2020	C99
A-LVK86	C89	A-PPLRGC	C88	A-SPK1M-4236	C97	A-SPK2N-1612	C98	A-SPK3AL-2024	C99
A-LVK88	C89	A-PPLRGCXS	C88	A-SPK1M-4824	C97	A-SPK2N-1616	C98	A-SPK3AL-2412	C99
A-LVKXS23	C89	A-PPLRGCXZ	C88	A-SPK1M-4830	C97	A-SPK2N-1620	C98	A-SPK3AL-2416	C99
A-LVKXS33	C89	A-PPSMC	C88	A-SPK1M-4836	C97	A-SPK2N-2012	C98	A-SPK3AL-2420	C99
A-LVKXS34	C89	A-PPSMCXZ	C88	A-SPK1M-6036	C97	A-SPK2N-2016	C98	A-SPK3AL-2424	C99
A-LVKXS43	C89	A-PPSMCXZ	C88	A-SPK1N-1224	C97	A-SPK2N-2020	C98	A-SPK3AL-2430	C99
A-LVKXS44	C89	A-R002-100BLK	C91	A-SPK1N-1612	C97	A-SPK2N-2024	C98	A-SPK3AL-3016	C99
A-LVKXS64	C89	A-R090-100SS	C91	A-SPK1N-1616	C97	A-SPK2N-2412	C98	A-SPK3AL-3020	C99
A-LVKXS66	C89	A-SHELF18	C88	A-SPK1N-1620	C97	A-SPK2N-2416	C98	A-SPK3AL-3024	C99
A-LVKXS6812	C89	A-SHELF24	C88	A-SPK1N-2012	C97	A-SPK2N-2420	C98	A-SPK3AL-3030	C99
A-LVKXS812	C89	A-SKT1236	C89	A-SPK1N-2016	C97	A-SPK2N-2424	C98	A-SPK3AL-3036	C99
A-LVKXS84	C89	A-SKT1242	C89	A-SPK1N-2020	C97	A-SPK2N-2430	C98	A-SPK3AL-3624	C99
A-LVKXS86	C89	A-SKT1248	C89	A-SPK1N-2024	C97	A-SPK2N-3016	C98	A-SPK3AL-3630	C99
A-LVKXS88	C89	A-SKT1260	C89	A-SPK1N-2412	C97	A-SPK2N-3020	C98	A-SPK3AL-3636	C99
A-LVKXZ23	C89	A-SKT1272	C89	A-SPK1N-2416	C97	A-SPK2N-3024	C98	A-SPK3AL-4224	C99
A-LVKXZ33	C89	A-SKT1836	C89	A-SPK1N-2420	C97	A-SPK2N-3030	C98	A-SPK3AL-4230	C99
A-LVKXZ34	C89	A-SKT1842	C89	A-SPK1N-2424	C97	A-SPK2N-3036	C98	A-SPK3AL-4236	C99
A-LVKXZ43	C89	A-SKT1848	C89	A-SPK1N-2430	C97	A-SPK2N-3624	C98	A-SPK3AL-4824	C99
A-LVKXZ44	C89	A-SKT1860	C89	A-SPK1N-3016	C97	A-SPK2N-3630	C98	A-SPK3AL-4830	C99
A-LVKXZ64	C89	A-SKT1872	C89	A-SPK1N-3020	C97	A-SPK2N-3636	C98	A-SPK3AL-4836	C99
A-LVKXZ66	C89	A-SKT2436	C89	A-SPK1N-3024	C97	A-SPK2N-4224	C98	A-SPK3AL-6036	C99
A-LVKXZ84	C89	A-SKT2442	C89	A-SPK1N-3030	C97	A-SPK2N-4230	C98	A-SPK3AL-7230	C99
A-LVKXZ86	C89	A-SKT2448	C89	A-SPK1N-3036	C97	A-SPK2N-4236	C98	A-SPK4-5442	C100
A-LVKXZ88	C89	A-SKT2460	C89	A-SPK1N-3624	C97	A-SPK2N-4824	C98	A-SPK4-6048	C100
A-M12P12	C81	A-SKT2472	C89	A-SPK1N-3630	C97	A-SPK2N-4830	C98	A-SPK4-6060	C100
A-M12P24	C81	A-SKT636	C89	A-SPK1N-3636	C97	A-SPK2N-4836	C98	A-SPK4-60P24	C100
A-M16P12	C27	A-SKT642	C89	A-SPK1N-4224	C97	A-SPK2N-6036	C98	A-SPK4-60P36	C100
A-M16P16	C81	A-SKT648	C89	A-SPK1N-4230	C97	A-SPK2N-7230	C98	A-SPK4-60P48	C100
A-M16P20	C81	A-SKT660	C89	A-SPK1N-4236	C97	A-SPK2N-1224	C98	A-SPK4-7260	C100
A-M20P12	C81	A-SKT672	C89	A-SPK1N-4824	C97	A-SPK2R-1612	C98	A-SPK4-7272	C100
A-M20P16	C27	A-SKTXS1236	C89	A-SPK1N-4830	C97	A-SPK2R-1616	C98	A-SPK4-72P24	C100
A-M20P20	C27	A-SKTXS1242	C89	A-SPK1N-4836	C97	A-SPK2R-1620	C98	A-SPK4-72P30	C100
A-M20P24	C81	A-SKTXS1248	C89	A-SPK1N-6036	C97	A-SPK2R-2012	C98	A-SPK4-72P36	C100
A-M24P12	C81	A-SKTXS1260	C89	A-SPK1N-7230	C97	A-SPK2R-2016	C98	A-SPK4-72P48	C100
A-M24P16	C81	A-SKTXS1272	C89	A-SPK1R-1224	C97	A-SPK2R-2020	C98	A-SPK4-72P60	C100
A-M24P20	C27	A-SKTXS1836	C89	A-SPK1R-1612	C97	A-SPK2R-2024	C98	A-SPK4-72P72	C100
A-M24P24	C27	A-SKTXS1842	C89	A-SPK1R-1616	C97	A-SPK2R-2412	C98	A-SPK4-90P24	C100
A-M24P30	C81	A-SKTXS1848	C89	A-SPK1R-1620	C97	A-SPK2R-2416	C98	A-SPK4-90P36	C100
A-M30P16	C81	A-SKTXS1860	C89	A-SPK1R-2012	C97	A-SPK2R-2420	C98	A-SPK4-90P48	C100
A-M30P20	C81	A-SKTXS1872	C89	A-SPK1R-2016	C97	A-SPK2R-2424	C98	A-SPK4-90P72	C100
A-M30P24	C27	A-SKTXS2436	C89	A-SPK1R-2020	C97	A-SPK2R-2430	C98	A-SPK4AL-5442	C100
A-M30P30	C81	A-SKTXS2442	C89	A-SPK1R-2024	C97	A-SPK2R-3016	C98	A-SPK4AL-6048	C100
A-M30P36	C81	A-SKTXS2448	C89	A-SPK1R-2412	C97	A-SPK2R-3020	C98	A-SPK4AL-6060	C100
A-M36P24	C81	A-SKTXS2460	C89	A-SPK1R-2416	C97	A-SPK2R-3024	C98	A-SPK4AL-60P24	C100
A-M36P30	C81	A-SKTXS2472	C89	A-SPK1R-2420	C97	A-SPK2R-3030	C98	A-SPK4AL-60P36	C100
A-M36P36	C81	A-SKTXS636	C89	A-SPK1R-2424	C97	A-SPK2R-3036	C98	A-SPK4AL-60P48	C100
A-M42P24	C81	A-SKTXS642	C89	A-SPK1R-2430	C97	A-SPK2R-3624	C98	A-SPK4AL-7260	C100
A-M42P30	C82	A-SKTXS648	C89	A-SPK1R-3016	C97	A-SPK2R-3630	C98	A-SPK4AL-7272	C100
A-M42P36	C82	A-SKTXS660	C89	A-SPK1R-3020	C97	A-SPK2R-3636	C98	A-SPK4AL-72P24	C100
A-M48P24	C82	A-SKTXS672	C89	A-SPK1R-3024	C97	A-SPK2R-4224	C98	A-SPK4AL-72P30	C100
A-M48P30	C82	A-SKTXZ61236	C89	A-SPK1R-3030	C97	A-SPK2R-4230	C98	A-SPK4AL-72P36	C100
A-M60P36	C82	A-SKTXZ61242	C89	A-SPK1R-3036	C97	A-SPK2R-4236	C98	A-SPK4AL-72P48	C100
A-MOD8418EP	C96	A-SKTXZ61248	C89	A-SPK1R-3624	C97	A-SPK2R-4824	C98	A-SPK4AL-72P60	C100
A-MOD8418FEP	C96	A-SKTXZ61260	C89	A-SPK1R-3630	C97	A-SPK2R-4830	C98	A-SPK4AL-72P72	C100
A-MOD8418GK	C96	A-SKTXZ61272	C89	A-SPK1R-3636	C97	A-SPK2R-4836	C98	A-SPK4AL-90P24	C100
A-MOD8424EP	C96	A-SKTXZ61836	C89	A-SPK1R-4224	C97	A-SPK2R-6036	C98	A-SPK4AL-90P36	C100
A-MOD8424FEP	C96	A-SKTXZ61842	C89	A-SPK1R-4230	C97	A-SPK2R-7230	C98	A-SPK4AL-90P48	C100
A-MOD8424GK	C96	A-SKTXZ61848	C89	A-SPK1R-4236	C97	A-SPK3-1224	C99	A-SPK4AL-90P72	C100
A-MP1008A	D3,D5,D7,D9	A-SKTXZ61860	C89	A-SPK1R-4824	C97	A-SPK3-1612	C99	A-SPKB3-10	C99
A-MP1008N	D3,D5,D7,D9	A-SKTXZ61872	C89	A-SPK1R-4830	C97	A-SPK3-1616	C99	A-SPKB3-12	C99
A-MP1008S	D3,D5,D7,D9	A-SKTXZ62436	C89	A-SPK1R-4836	C97	A-SPK3-1620	C99	A-SPKB3-16	C99
A-MP1210A	D3,D5,D7,D9	A-SKTXZ62442	C89	A-SPK1R-6036	C97	A-SPK3-2012	C99	A-SPKB3-18	C99
A-MP1210N	D3,D5,D7,D9	A-SKTXZ62448	C89	A-SPK1R-7230	C97	A-SPK3-2016	C99	A-SPKB3-20	C99
A-MP1210S	D3,D5,D7,D9	A-SKTXZ62460	C89	A-SPK2M-1224	C98	A-SPK3-2020	C99	A-SPKB3-24	C99
A-MP1412A	D3,D5,D7,D9	A-SKTXZ62472	C89	A-SPK2M-1612	C98	A-SPK3-2024	C99	A-SPKB3-8	C99
A-MP1412N	D3,D5,D7,D9	A-SKTXZ6636	C89	A-SPK2M-1616	C98	A-SPK3-2412	C99	A-SPPOCKET	C88
A-MP1412S	D3,D5,D7,D9	A-SKTXZ6642	C89	A-SPK2M-1620	C98	A-SPK3-2416	C99	A-SUBBRKT	C96
A-MP1614A	D3,D5,D7,D9	A-SKTXZ6648	C89	A-SPK2M-2012	C98	A-SPK3-2420	C99	A-TC3RMFK10	B34
A-MP1614N	D3,D5,D7,D9	A-SKTXZ6660	C89	A-SPK2M-2016	C98	A-SPK3-2424	C99	A-TC3RMFK12	B34
A-MP1614S	D3,D5,D7,D9	A-SKTXZ6672	C89	A-SPK2M-2020	C98	A-SPK3-2430	C99	A-TC3RMFK16	B34
A-MP1816A	D3,D5,D7,D9	A-SPK1M-1224	C97	A-SPK2M-2024	C98	A-SPK3-3016	C99	A-TC3RMFK18	B34
A-MP1816N	D3,D5,D7,D9	A-SPK1M-1612	C97	A-SPK2M-2412	C98	A-SPK3-3020	C99	A-TC3RMFK24	B34
A-MP1816S	D3,D5,D7,D9	A-SPK1M-1616	C97	A-SPK2M-2416	C98	A-SPK3-3024	C99	A-TC3RMFK6	B34
A-MP606A	D3,D5,D7,D9	A-SPK1M-1620	C97	A-SPK2M-2420	C98	A-SPK3-3030	C99	A-TC3RMFK8	B34
A-MP606N	D3,D5,D7,D9	A-SPK1M-2012	C97	A-SPK2M-2424	C98	A-SPK3-3036	C99	A-TC3RMFK18	B34
A-MP606S	D3,D5,D7,D9	A-SPK1M-2016	C97	A-SPK2M-2430	C98	A-SPK3-3624	C99	A-THNDLKLCHR	C92

PART NUMBER	PAGE	PART NUMBER	PAGE	PART NUMBER	PAGE	PART NUMBER	PAGE	PART NUMBER	PAGE
A-VFP1008A	D3,D5,D7,D9	CC12105JIC12XS	C9	CC664JIC4XS	C70	DTS1345230V/7035	E16	DTS3661230V	E48
A-VFP1210A	D3,D5,D7,D9	CC12105JIC12XZ	C9	CC664JIC4XZ	C70	DTS1345460V	E16	DTS3661230V/7035	E48
A-VFP1412A	D3,D5,D7,D9	CC12105JIC4	C70	CC666JIC12	C9	DTS1345460V/7035	E16	DTS3661460V	E48
A-VFP1614A	D3,D5,D7,D9	CC12105JIC4XS	C70	CC666JIC12XS	C9	DTS3161	E7	DTS3661460V/7035	E48
A-VFP1816A	D3,D5,D7,D9	CC12105JIC4XZ	C70	CC666JIC12XZ	C9	DTS3161115V	E36	DTS3681	E7
A-VFP606A	D3,D5,D7,D9	CC12108JIC12	C9	CC666JIC4	C70	DTS3161115V/7035	E36	DTS3681230V	E64
A-VFP806A	D3,D5,D7,D9	CC12108JIC12XS	C9	CC666JIC4XS	C70	DTS3161230V	E36	DTS3681460V	E64
A-VFPH1008A	D3,D5,D7,D9	CC12108JIC12XZ	C9	CC666JIC4XZ	C70	DTS3161230V/7035	E36	DTT6101	E7
A-VFPH1210A	D3,D5,D7,D9	CC12108JIC4	C70	CC863JIC12	C9	DTS3161460V	E36	DTT6101115V	E28
A-VFPH1412A	D3,D5,D7,D9	CC12108JIC4XS	C70	CC863JIC12XS	C9	DTS3161460V/7035	E36	DTT6101230V	E28
A-VFPH1614A	D3,D5,D7,D9	CC12108JIC4XZ	C70	CC863JIC12XZ	C9	DTS3165	E7	DTT6201	E7
A-VFPH1816A	D3,D5,D7,D9	CC12126JIC12	C9	CC863JIC4	C70	DTS3165115V	E38	DTT6201115V	E28
A-VFPH606A	D3,D5,D7,D9	CC12126JIC12XS	C9	CC863JIC4XS	C70	DTS3165115V/7035	E38	DTT6201230V	E28
A-VFPH806A	D3,D5,D7,D9	CC12126JIC12XZ	C9	CC863JIC4XZ	C70	DTS3165230V	E38	DTT6201460V	E28
A-WK1010	C90	CC12126JIC4	C70	CC866JIC12	C9	DTS3165230V/7035	E38	DTT6301	E7
A-WK1212	C90	CC12126JIC4XS	C70	CC866JIC12XS	C9	DTS3165460V	E38	DTT6301115V	E30
A-WK133	C90	CC12126JIC4XZ	C70	CC866JIC12XZ	C9	DTS3165460V/7035	E38	DTT6301230V	E30
A-WK138	C90	CC1264JIC12	C9	CC866JIC4	C70	DTS3181	E7	DTT6301460V	E30
A-WK1711	C90	CC1264JIC12XS	C9	CC866JIC4XS	C70	DTS3181115V	E52	DTT6401	E7
A-WK175	C90	CC1264JIC12XZ	C9	CC866JIC4XZ	C70	DTS3181230V	E52	DTT6401115V	E30
A-WK2016	C90	CC1264JIC4	C70	CC884JIC12	C9	DTS3181460V	E52	DTT6401230V	E30
A-WK2017	C90	CC1264JIC4XS	C70	CC884JIC12XS	C9	DTS3185	E7	DTT6401460V	E30
A-WK2020	C90	CC1264JIC4XZ	C70	CC884JIC12XZ	C9	DTS3185115V	E54	DTT6601	E7
A-WK2315	C90	CC14126JIC12	C9	CC884JIC4	C70	DTS3185230V	E54	DTT6601460V	E32
A-WK2420	C90	CC14126JIC12XS	C9	CC884JIC4XS	C70	DTS3185460V	E54	DTT6801	E7
A-WK2424	C90	CC14126JIC12XZ	C9	CC884JIC4XZ	C70	DTS3241	E7	DTT6801460V	E32
A-WK2919	C90	CC14126JIC4	C70	CONDENSATE/BTL	E8	DTS3241115V	E18	FD604912-FT	C45
A-WK3523	C90	CC14126JIC4XS	C70	CP-16FPAD	A5	DTS3241115V/7035	E18	FD604918-FT	C45
A-WK3624	C90	CC14126JIC4XZ	C70	CP-16PDMNT-CALT	A5	DTS3241230V	E18	FD604924-FT	C45
A-WK3636	C90	CC14128JIC12	C9	CP-24PDMNT-CALT	A5	DTS3241230V/7035	E18	FD606112-FT	C45
A-WK53	C90	CC14128JIC12XS	C9	CP-32PDMNT	A5	DTS3241460V	E18	FD606118-FT	C45
A-WK95	C90	CC14128JIC12XZ	C9	CP3B SERIES	A12	DTS3241460V/7035	E18	FD606124-FT	C45
A-WKXS1010	C90	CC14128JIC4	C70	CP3B1110A22SL1	A8	DTS3245	E7	FD726112-FT	C45
A-WKXS1212	C90	CC14128JIC4XS	C70	CP3B11115A22	A7	DTS3245115V	E20	FD726118-FT	C45
A-WKXS133	C90	CC14128JIC4XZ	C70	CP3B111IRASP	A10	DTS3245115V/7035	E20	FD727312-FT	C45
A-WKXS138	C90	CC1486JIC12	C9	CP3B111IRASS	A10	DTS3245230V	E20	FD727318-FT	C45
A-WKXS1711	C90	CC1486JIC12XS	C9	CP3B12110A22SL1	A8	DTS3245230V/7035	E20	FD727324-FT	C45
A-WKXS175	C90	CC1486JIC12XZ	C9	CP3B12119A22	A7	DTS3245460V	E20	FD-FT	C92
A-WKXS2016	C90	CC1486JIC4	C70	CP3B1411JB22	A9	DTS3245460V/7035	E20	FILTER/FLUTED	E28
A-WKXS2017	C90	CC1486JIC4XS	C70	CP3B14120B22	A9	DTS3261	E7	FILTER/MESH	E12
A-WKXS2020	C90	CC1486JIC4XZ	C70	CP3B5110A22SL1	A8	DTS3261115V	E40	FILTER/MESH0	E14
A-WKXS2315	C90	CC16106JIC12	C9	CP3B51115A22	A7	DTS3261115V/7035	E40	FILTER/MESH1	E18
A-WKXS2420	C90	CC16106JIC12XS	C9	CP3B52110A22SL1	A8	DTS3261230V	E40	FILTER/MESH2	E22
A-WKXS2424	C90	CC16106JIC12XZ	C9	CP3B52119A22	A7	DTS3261230V/7035	E40	FILTER/MESH3	E24
A-WKXS2919	C90	CC16106JIC4	C70	CP3B54120B22	A9	DTS3261460V	E40	FILTER/MESH4	E26
A-WKXS3523	C90	CC16106JIC4XS	C70	CP3BBS	A11	DTS3261460V/7035	E40	FILTER/MESH6	E16
A-WKXS3624	C90	CC16106JIC4XZ	C70	CP-ABK5/8	A5	DTS3265	E7	FILTER/MESH7	E20
A-WKXS3636	C90	CC161410JIC12	C9	CP-TC24H	A5	DTS3265115V	E42	FLH-TF125	F8
A-WKXS53	C90	CC161410JIC12XS	C9	CP-TC7D	A5	DTS3265115V/7035	E42	FLH-TF200	F8
A-WKXS95	C90	CC161410JIC12XZ	C9	CP-TCWIRE	A5	DTS3265230V	E42	FLH-TF400	F8
A-WKX1010	C90	CC161410JIC4	C70	CR027	F9	DTS3265230V/7035	E42	FLH-TF800	F8
A-WKX1212	C90	CC161410JIC4XS	C70	DA084	F13	DTS3265460V	E42	FLT/COOL	E8
A-WKX133	C90	CC161410JIC4XZ	C70	DA284	F11	DTS3265460V/7035	E42	FLZ/THERMO	E70
A-WKX138	C90	CC16146JIC12	C9	DA284S	F12	DTS3281	E7	HC10106JIC12	C11
A-WKX1711	C90	CC16146JIC12XS	C9	DL026	F3	DTS3281115V	E56	HC10106JIC12XS	C11
A-WKX175	C90	CC16146JIC12XZ	C9	DTS1200	E7	DTS3281230V	E56	HC10106JIC12XZ	C11
A-WKX2016	C90	CC16146JIC4	C70	DTS1200115V	E8	DTS3281460V	E56	HC10106JIC4	C71
A-WKX22017	C90	CC16146JIC4XS	C70	DTS12002115V/7035	E8	DTS3285	E7	HC10106JIC4XS	C71
A-WKX22020	C90	CC16146JIC4XZ	C70	DTS12002230V/7035	E8	DTS3285115V	E58	HC10106JIC4XZ	C71
A-WKX2315	C90	CC16148JIC12	C9	DTS1200230V	E8	DTS3285230V	E58	HC1084JIC12	C11
A-WKX2420	C90	CC16148JIC12XS	C9	DTS1200230VSP	E7	DTS3285460V	E58	HC1084JIC12XS	C11
A-WKX2424	C90	CC16148JIC12XZ	C9	DTS2000115V	E10	DTS3341	E7	HC1084JIC12XZ	C11
A-WKX2919	C90	CC16148JIC4	C70	DTS2000115V/7035	E10	DTS3341230V	E22	HC1084JIC4	C71
A-WKX352	C90	CC16148JIC4XS	C70	DTS2000230V	E10	DTS3341230V/7035	E22	HC1084JIC4XS	C71
A-WKX3624	C90	CC16148JIC4XZ	C70	DTS2000230V/7035	E10	DTS3341460V	E22	HC1084JIC4XZ	C71
A-WKXZ3636	C90	CC443JIC12	C9	DTS3041	E7	DTS3341460V/7035	E22	HC1086JIC12	C11
A-WKXZ53	C90	CC443JIC12XS	C9	DTS3041115V	E12	DTS3361	E7	HC1086JIC12XS	C11
A-WKXZ95	C90	CC443JIC12XZ	C9	DTS3041115V/7035	E12	DTS3361230V	E44	HC1086JIC12XZ	C71
A-WP	B34, C87	CC443JIC4	C70	DTS3041230V/7035	E12	DTS3361230V/7035	E44	HC1086JIC4	C11
BPSL12S15	C20	CC443JIC4XS	C70	DTS3041230V/7035SP	E12	DTS3361460V	E44	HC1086JIC4XS	C71
BPSL12XS15	C20	CC443JIC4XZ	C70	DTS3041230VSP	E12	DTS3361460V/7035	E44	HC1086JIC4XZ	C71
BPSLM12S15	C20	CC444JIC12	C9	DTS3061	E7	DTS3381	E7	HC12105JIC12	C11
BPSLM12XS15	C20	CC444JIC12XS	C9	DTS3061115V	E34	DTS3381230V	E60	HC12105JIC12XS	C11
C-T-HANDLELOCK	B33	CC444JIC12XZ	C9	DTS3061115V/7035	E34	DTS3381460V	E60	HC12105JIC12XZ	C11
CC10106JIC12	C9	CC444JIC4	C70	DTS3061230V	E34	DTS3541	E7	HC12105JIC4	C71
CC10106JIC12XS	C9	CC444JIC4XS	C70	DTS3061230V/7035	E34	DTS3541230V	E24	HC12105JIC4XS	C71
CC10106JIC12XZ	C9	CC444JIC4XZ	C70	DTS3061230VSP	E34	DTS3541230V/7035	E24	HC12105JIC4XZ	C71
CC10106JIC4	C70	CC643JIC12	C9	DTS3061230VSP/7035	E34	DTS3541460V	E24	HC12108JIC12	C11
CC10106JIC4XS	C70	CC643JIC12XS	C9	DTS3081	E7	DTS3541460V/7035	E24	HC12108JIC12XS	C11
CC10106JIC4XZ	C70	CC643JIC12XZ	C9	DTS3081115V	E50	DTS3561	E7	HC12108JIC12XZ	C11
CC1084JIC12	C9	CC643JIC4	C70	DTS3081230V	E50	DTS3561230V	E46	HC12108JIC4	C71
CC1084JIC12XS	C9	CC643JIC4XS	C70	DTS3081230VSP	E50	DTS3561230V/7035	E46	HC12108JIC4XS	C71
CC1084JIC12XZ	C9	CC643JIC4XZ	C70	DTS3141	E7	DTS3561460V	E46	HC12108JIC4XZ	C71
CC1084JIC4	C70	CC644JIC12	C9	DTS3141115V	E14	DTS3561460V/7035	E46	HC12126JIC12	C11
CC1084JIC4XS	C70	CC644JIC12XS	C9	DTS3141115V/7035	E14	DTS3581	E7	HC12126JIC12XS	C11
CC1084JIC4XZ	C70	CC644JIC12XZ	C9	DTS3141230V	E14	DTS3581230V	E62	HC12126JIC12XZ	C11
CC1086JIC12	C9	CC644JIC4	C70	DTS3141230V/7035	E14	DTS3581460V	E62	HC12126JIC4	C71
CC1086JIC12XS	C9	CC644JIC4XS	C70	DTS3141460V	E14	DTS3641	E7	HC12126JIC4XS	C71
CC1086JIC12XZ	C9	CC644JIC4XZ	C70	DTS3141460V/7035	E14	DTS3641230V	E26	HC12126JIC4XZ	C71
CC1086JIC4	C70	CC664JIC12	C9	DTS3145	E7	DTS3641230V/7035	E26	HC1264JIC12	C11
CC1086JIC4XS	C70	CC664JIC12XS	C9	DTS3145115V	E16	DTS3641460V	E26	HC1264JIC12XS	C11
CC1086JIC4XZ	C70	CC664JIC12XZ	C9	DTS3145115V/7035	E16	DTS3641460V/7035	E26	HC1264JIC12XZ	C11
CC12105JIC12	C9	CC664JIC4	C70	DTS3145230V	E16	DTS3661	E7	HC1264JIC4	C71

PART NUMBER	PAGE	PART NUMBER	PAGE	PART NUMBER	PAGE	PART NUMBER	PAGE	PART NUMBER	PAGE
HC1264JIC4XS	C71	HC666JIC12	C11	M12D606012-FT	C28	M12DXZ726012-FT	C28	M12FSD-FD	C92
HC1264JIC4XZ	C71	HC666JIC12XS	C11	M12D606016	C25	M12DXZ726024-FT	C28	M12FSDXS604818	C32
HC14126JIC12	C11	HC666JIC12XZ	C11	M12D606024-FT	C28	M12DXZ727210-FT	C28	M12FSDXS724818	C32
HC14126JIC12XS	C11	HC666JIC4	C71	M12D726010-FT	C28	M12DXZ727212-FT	C28	M12FSDXS724824	C32
HC14126JIC12XZ	C11	HC666JIC4XS	C71	M12D726012-FT	C28	M12DXZ727224-FT	C28	M12FSDXS726018	C32
HC14126JIC4	C71	HC666JIC4XZ	C71	M12D726024-FT	C28	M12FSD5D8419718AF-FD	C49	M12FSDXS726024	C32
HC14126JIC4XS	C71	HC863JIC12	C11	M12D727210-FT	C28	M12-FD-H	C92	M12FSDXS726036	C32
HC14126JIC4XZ	C71	HC863JIC12XS	C11	M12D727212-FT	C28	M12FS	C92	M12FSDXS727218	C32
HC14128JIC12	C11	HC863JIC12XZ	C11	M12D727224-FT	C28	M12FS3D7210018AF-FD	C49	M12FSDXS727224	C32
HC14128JIC12XS	C11	HC863JIC4	C71	M12D-FT	C92	M12FS3D7211818AF-FD	C49	M12FSDXS904820	C32
HC14128JIC12XZ	C11	HC863JIC4XS	C71	M12DXS244208	C25	M12FS3D8411824AF-FD	C49	M12FSDXS907220	C32
HC14128JIC4	C71	HC863JIC4XZ	C71	M12DXS244808	C25	M12FS3D9011824AF-FD	C49	M12FSDXS907224	C32
HC14128JIC4XS	C71	HC866JIC12	C11	M12DXS304210	C25	M12FS4D8415818AF-FD	C49	M12FSDXS907236	C32
HC14128JIC4XZ	C71	HC866JIC12XS	C11	M12DXS304212	C25	M12FS4D8415824AF-FD	C49	M12FSDXZ604818	C32
HC1486JIC12	C11	HC866JIC12XZ	C11	M12DXS304216	C25	M12FS4D9015818AF-FD	C49	M12FSDXZ724818	C32
HC1486JIC12XS	C11	HC866JIC4	C71	M12DXS304810	C25	M12FS4D9015824AF-FD	C49	M12FSDXZ724824	C32
HC1486JIC12XZ	C11	HC866JIC4XS	C71	M12DXS304812	C25	M12FS5D8419724AF-FD	C49	M12FSDXZ726018	C32
HC1486JIC4	C71	HC866JIC4XZ	C71	M12DXS306010	C25	M12FS5D9019718AF-FD	C49	M12FSDXZ726024	C32
HC1486JIC4XS	C71	HC884JIC12	C11	M12DXS306012	C25	M12FS5D9019724AF-FD	C49	M12FSDXZ726036	C32
HC1486JIC4XZ	C71	HC884JIC12XS	C11	M12DXS306016	C25	M12FS602418	C30	M12FSDXZ727218	C32
HC16106JIC12	C11	HC884JIC12XZ	C11	M12DXS364212	C25	M12FS603624	C30	M12FSDXZ727224	C32
HC16106JIC12XS	C11	HC884JIC4	C71	M12DXS364216	C25	M12FS722418	C30	M12FSDXZ904820	C32
HC16106JIC12XZ	C11	HC884JIC4XS	C71	M12DXS364812	C25	M12FS722424	C30	M12FSDXZ907220	C32
HC16106JIC4	C71	HC884JIC4XZ	C71	M12DXS364816	C25	M12FS722430	C30	M12FSDXZ907224	C32
HC16106JIC4XS	C71	HCFG1195JICLL1	D5, D6	M12DXS366012	C25	M12FS722818AF-FD	C49	M12FSDXZ907236	C32
HC16106JIC4XZ	C71	HCFG1195JICNPL1	D7, D8	M12DXS366016	C25	M12FS723018	C30	M12FSXS602418	C30
HC161410JIC12	C11	HCFG1195JICPL1	D3, D4	M12DXS424212	C25	M12FS723024	C30	M12FSXS603624	C30
HC161410JIC12XS	C11	HCFG13115JICLL2	D5, D6	M12DXS424216	C25	M12FS723418AF-FD	C49	M12FSXS722418	C30
HC161410JIC12XZ	C11	HCFG13115JICNPL2	D7, D8	M12DXS424812	C25	M12FS723618	C30	M12FSXS722424	C30
HC16146JIC12	C11	HCFG13115JICPL2	D3, D4	M12DXS424816	C25	M12FS723624	C30	M12FSXS722430	C30
HC16146JIC12XS	C11	HCFG15136JICLL2	D5, D6	M12DXS426012	C25	M12FS723630	C30	M12FSXS723018	C30
HC16146JIC12XZ	C11	HCFG15136JICNPL2	D7, D8	M12DXS426016	C25	M12FS723636	C30	M12FSXS723024	C30
HC16146JIC4	C71	HCFG15136JICPL2	D3, D4	M12DXS484812	C25	M12FS724018AF-FD	C49	M12FSXS723618	C30
HC16146JIC4XS	C71	HCFG17156JICLL2	D5, D6	M12DXS484816	C25	M12FS844018AF-FD	C49	M12FSXS723624	C30
HC16146JIC4XZ	C71	HCFG17156JICNPL2	D7, D8	M12DXS486012	C25	M12FS844024AF-FD	C49	M12FSXS723630	C30
HC16148JIC12	C11	HCFG17156JICPL2	D3, D4	M12DXS486016	C25	M12FS902420	C30	M12FSXS723636	C30
HC16148JIC12XS	C11	HCFG19179JICLL2	D5, D6	M12DXS544208-FT	C28	M12FS903620	C30	M12FSXS902420	C30
HC16148JIC12XZ	C11	HCFG19179JICNPL2	D7, D8	M12DXS604810-FT	C28	M12FS903624	C30	M12FSXS903620	C30
HC16148JIC4	C71	HCFG19179JICPL2	D3, D4	M12DXS604812-FT	C28	M12FS903636	C30	M12FSXS903624	C30
HC16148JIC4XS	C71	HCFG775JICLL1	D5, D6	M12DXS604816-FT	C28	M12FS904018AF-FD	C49	M12FSXS903636	C30
HC16148JIC4XZ	C71	HCFG775JICNPL1	D7, D8	M12DXS604820-FT	C28	M12FS904020AF-FD	C49	M12FSXZ602418	C30
HC20167JIC12	C12	HCFG775JICPL1	D3, D4	M12DXS604824-FT	C28	M12FS904024AF-FD	C49	M12FSXZ603624	C30
HC20169JIC12	C12	HCFG975JICLL1	D5, D6	M12DXS60488-FT	C28	M12FS604818	C32	M12FSXZ722418	C30
HC20207JIC12	C12	HCFG975JICNPL1	D7, D8	M12DXS606010-FT	C28	M12FSD724818	C32	M12FSXZ722424	C30
HC20209JIC12	C12	HCFG975JICPL1	D3, D4	M12DXS606012	C25	M12FSD724824	C32	M12FSXZ722430	C30
HC24207JIC12	C12	HG140	F5	M12DXS606012-FT	C28	M12FSD725418AF-FD	C49	M12FSXZ723018	C30
HC24209JIC12	C12	HVL031	F6	M12DXS606016	C25	M12FSD726018	C32	M12FSXZ723024	C30
HC242411JIC12	C12	HVL046	F7	M12DXS606024-FT	C28	M12FSD726024	C32	M12FSXZ723618	C30
HC24247JIC12	C12	K3865	A5	M12DXS726010-FT	C28	M12FSD726036	C32	M12FSXZ723624	C30
HC24249JIC12	C12	KL025	F4	M12DXS726012-FT	C28	M12FSD726618AF-FD	C49	M12FSXZ723630	C30
HC30207JIC12	C12	KT011	F10	M12DXS726024-FT	C28	M12FSD727218	C32	M12FSXZ723636	C30
HC30209JIC12	C12	M123D8611214	C34	M12DXS727210-FT	C28	M12FSD727224	C32	M12FSXZ902420	C30
HC302413JIC12	C12	M123D8611220	C34	M12DXS727212-FT	C28	M12FSD727818AF-FD	C49	M12FSXZ903620	C30
HC30247JIC12	C12	M124D8614914	C34	M12DXS727224-FT	C28	M12FSD727824SF-FD	C49	M12FSXZ903624	C30
HC30249JIC12	C12	M124D8614920	C34	M12DXZ244208	C25	M12FSD847818AF-FD	C49	M12FSXZ903636	C30
HC362411JIC12	C12	M125D8618714	C34	M12DXZ244808	C25	M12FSD847824AF-FD	C49	M12MOD843818	C55
HC36247JIC12	C12	M125D8618720	C34	M12DXZ304210	C25	M12FSD904820	C32	M12MOD843824	C55
HC36249JIC12	C12	M12D	C92	M12DXZ304212	C25	M12FSD907220	C32	M12MOD843918-FD	C55
HC363013JIC12	C12	M12D244208	C25	M12DXZ304216	C25	M12FSD907224	C32	M12MOD843924-FD	C55
HC36309JIC12	C12	M12D244808	C25	M12DXZ304810	C25	M12FSD907236	C32	M12MOD847718	C56
HC42309JIC12	C12	M12D304210	C25	M12DXZ304812	C25	M12FSD907818AF-FD	C49	M12MOD847724	C56
HC42369JIC12	C12	M12D304212	C25	M12DXZ306010	C25	M12FSD907820AF-FD	C49	M12MOD847818-FD	C56
HC443JIC12	C11	M12D304216	C25	M12DXZ306012	C25	M12FSD907824AF-FD	C49	M12MOD847824-FD	C56
HC443JIC12XS	C11	M12D304810	C25	M12DXZ306016	C25	M12FSDA724824	C30	M12S122406	C22
HC443JIC12XZ	C11	M12D304812	C25	M12DXZ364212	C25	M12FSDA726024	C30	M12S122408	C22
HC443JIC4	C71	M12D306010	C25	M12DXZ364216	C25	M12FSDA726036	C30	M12S161206	C22
HC443JIC4XS	C71	M12D306012	C25	M12DXZ364812	C25	M12FSDA727224	C30	M12S161208	C22
HC443JIC4XZ	C71	M12D306016	C25	M12DXZ364816	C25	M12FSDA907224	C30	M12S161210	C23
HC444JIC12	C11	M12D364212	C25	M12DXZ424812	C25	M12FSDAD724824	C32	M12S161606	C22
HC444JIC12XS	C11	M12D364216	C25	M12DXZ366016	C25	M12FSDAD726024	C32	M12S161608	C22
HC444JIC12XZ	C11	M12D364812	C25	M12DXZ424212	C25	M12FSDAD726036	C32	M12S162006	C22
HC444JIC4	C71	M12D364816	C25	M12DXZ424216	C25	M12FSDAD727224	C32	M12S162008	C22
HC444JIC4XS	C71	M12D366012	C25	M12DXZ424812	C25	M12FSDAD907224	C32	M12S201206	C22
HC444JIC4XZ	C71	M12D366016	C25	M12DXZ424816	C25	M12FSDADXS724824	C32	M12S201208	C22
HC483611JIC12	C12	M12D424212	C25	M12DXZ426012	C25	M12FSDADXS726024	C32	M12S201606	C22
HC643JIC12	C11	M12D424216	C25	M12DXZ426016	C25	M12FSDADXS726036	C32	M12S201608	C22
HC643JIC12XS	C11	M12D424812	C25	M12DXZ484812	C25	M12FSDADXS727224	C32	M12S201610	C23
HC643JIC12XZ	C11	M12D424816	C25	M12DXZ484816	C25	M12FSDADXS907224	C32	M12S201612	C23
HC643JIC4	C71	M12D426012	C25	M12DXZ486012	C25	M12FSDADXZ724824	C32	M12S202006	C22
HC643JIC4XS	C71	M12D426016	C25	M12DXZ486016	C25	M12FSDADXZ726024	C32	M12S202008	C22
HC643JIC4XZ	C71	M12D484812	C25	M12DXZ544228-FT	C28	M12FSDADXZ726036	C32	M12S202108-FD	C40
HC644JIC12	C11	M12D484816	C25	M12DXZ604810-FT	C28	M12FSDADXZ727224	C32	M12S202108-FD-H	C38
HC644JIC12XS	C11	M12D486012	C25	M12DXZ604812-FT	C28	M12FSDADXZ907224	C32	M12S202110-FD	C40
HC644JIC12XZ	C11	M12D486016	C25	M12DXZ604816-FT	C28	M12FSDASS724824	C30	M12S202110-FD-H	C38
HC644JIC4	C71	M12D544208-FT	C28	M12DXZ604820-FT	C28	M12FSDASS726024	C30	M12S202406	C22
HC644JIC4XS	C71	M12D604810-FT	C28	M12DXZ604824-FT	C28	M12FSDASS726036	C30	M12S202408	C22
HC644JIC4XZ	C71	M12D604812-FT	C28	M12DXZ60488-FT	C28	M12FSDASS727224	C30	M12S241206	C22
HC664JIC12	C11	M12D604816-FT	C28	M12D604816-FT	C28	M12FSDASS907224	C30	M12S241210	C23
HC664JIC12XS	C11	M12D604820-FT	C28	M12DXZ606012	C25	M12FSDAXZ724824	C30	M12S241606	C22
HC664JIC12XZ	C11	M12D604824-FT	C28	M12DXZ606012-FT	C28	M12FSDAXZ726024	C30	M12S241608	C22
HC664JIC4	C71	M12D60488-FT	C28	M12DXZ606016	C25	M12FSDAXZ726036	C30	M12S242006	C22
HC664JIC4XS	C71	M12D606010-FT	C28	M12DXZ606024-FT	C28	M12FSDAXZ727224	C30	M12S242008	C22
HC664JIC4XZ	C71	M12D606012	C25	M12DXZ726010-FT	C28	M12FSDAXZ907224	C30	M12S242010	C23



PART NUMBER	PAGE	PART NUMBER	PAGE	PART NUMBER	PAGE	PART NUMBER	PAGE	PART NUMBER	PAGE
M12S242012	C23	M12S483708-FD	C40	M12XA202408	C22	M12XS241606	C22	M12XS483608	C23
M12S242016	C23	M12S483708-FD-H	C38	M12XA241206	C22	M12XS241608	C22	M12XS483610	C23
M12S242108-FD	C40	M12S483710-FD	C40	M12XA241206	C23	M12XS242006	C22	M12XS483612	C23
M12S242108-FD-H	C38	M12S483710-FD-H	C38	M12XA241606	C22	M12XS242008	C22	M12XS483616	C23
M12S242110-FD	C40	M12S483712-FD	C40	M12XA241608	C22	M12XS242010	C23	M12XS483620	C23
M12S242110-FD-H	C38	M12S483712-FD-H	C38	M12XA242006	C22	M12XS242012	C23	M12XS483708-FD	C40
M12S242406	C22	M12S603608	C23	M12XA242008	C22	M12XS242016	C23	M12XS483708-FD-H	C38
M12S242408	C22	M12S603610	C23	M12XA242010	C23	M12XS242108-FD	C40	M12XS483710-FD	C40
M12S242410	C23	M12S603612	C23	M12XA242012	C23	M12XS242108-FD-H	C38	M12XS483710-FD-H	C38
M12S242412	C23	M12S603616	C23	M12XA242016	C23	M12XS242110-FD	C40	M12XS483712-FD	C40
M12S242416	C23	M12S603620	C23	M12XA242406	C22	M12XS242110-FD-H	C38	M12XS483712-FD-H	C38
M12S242508-FD	C40	M12S603708-FD	C40	M12XA242408	C22	M12XS242406	C22	M12XS603608	C23
M12S242508-FD-H	C38	M12S603708-FD-H	C38	M12XA242410	C23	M12XS242408	C22	M12XS603610	C23
M12S242510-FD	C40	M12S603710-FD	C40	M12XA242412	C23	M12XS242410	C23	M12XS603612	C23
M12S242510-FD-H	C38	M12S603710-FD-H	C38	M12XA242416	C23	M12XS242412	C23	M12XS603616	C23
M12S243008	C22	M12S603712-FD	C40	M12XA243008	C22	M12XS242416	C23	M12XS603620	C23
M12S301606	C22	M12S603712-FD-H	C38	M12XA301606	C22	M12XS242508-FD	C40	M12XS603708-FD	C40
M12S302006	C22	M12S603716-FD	C40	M12XA302006	C22	M12XS242508-FD-H	C38	M12XS603708-FD-H	C38
M12S302008	C22	M12S603716-FD-H	C38	M12XA302008	C22	M12XS242510-FD	C40	M12XS603710-FD	C40
M12S302010	C23	M12S723012	C23	M12XA302010	C23	M12XS242510-FD-H	C38	M12XS603710-FD-H	C38
M12S302108-FD	C40	M12S723016	C23	M12XA302406	C22	M12XS243008	C22	M12XS603712-FD	C40
M12S302108-FD-H	C38	M12S723020	C23	M12XA302408	C22	M12XS301606	C22	M12XS603712-FD-H	C38
M12S302110-FD	C40	M12S723024	C23	M12XA302410	C23	M12XS302006	C22	M12XS603716-FD	C40
M12S302110-FD-H	C38	M12S723612	C23	M12XA302412	C23	M12XS302008	C22	M12XS603716-FD-H	C38
M12S302406	C22	M12SAB202108-FD	C43	M12XA302416	C23	M12XS302010	C23	M12XS723012	C23
M12S302408	C22	M12SAB202110-FD	C43	M12XA302420	C23	M12XS302108-FD	C40	M12XS723016	C23
M12S302410	C23	M12SAB242108-FD	C43	M12XA302424	C23	M12XS302108-FD-H	C38	M12XS723020	C23
M12S302412	C23	M12SAB242110-FD	C43	M12XA303008	C22	M12XS302110-FD	C40	M12XS723024	C23
M12S302416	C23	M12SAB242508-FD	C43	M12XA303012	C23	M12XS302110-FD-H	C38	M12XS723612	C23
M12S302420	C23	M12SAB242510-FD	C43	M12XA303608	C22	M12XS302406	C22	M12XSAB202108-FD	C40
M12S302424	C23	M12SAB302108-FD	C43	M12XA362406	C22	M12XS302408	C22	M12XSAB202110-FD	C43
M12S302508-FD	C40	M12SAB302110-FD	C43	M12XA362408	C22	M12XS302410	C23	M12XSAB242108-FD	C43
M12S302508-FD-H	C38	M12SAB302508-FD	C43	M12XA362410	C23	M12XS302412	C23	M12XSAB242110-FD	C43
M12S302510-FD	C40	M12SAB302510-FD	C43	M12XA362412	C23	M12XS302416	C23	M12XSAB242508-FD	C43
M12S302510-FD-H	C38	M12SAB302512-FD	C43	M12XA363006	C22	M12XS302420	C23	M12XSAB242510-FD	C43
M12S302512-FD	C40	M12SAB362508-FD	C43	M12XA363008	C22	M12XS302424	C23	M12XSAB302108-FD	C43
M12S303008	C22	M12SAB362510-FD	C43	M12XA363010	C23	M12XS302508-FD	C40	M12XSAB302110-FD	C43
M12S303012	C23	M12SAB363108-FD	C43	M12XA363012	C23	M12XS302508-FD-H	C38	M12XSAB302508-FD	C43
M12S303608	C22	M12SAB363110-FD	C43	M12XA363016	C23	M12XS302510-FD	C40	M12XSAB302510-FD	C43
M12S362406	C22	M12SAB363112-FD	C43	M12XA363020	C23	M12XS302510-FD-H	C38	M12XSAB302512-FD	C43
M12S362408	C22	M12SAB363116-FD	C43	M12XA363608	C22	M12XS302512-FD	C40	M12XSAB362508-FD	C43
M12S362410	C23	M12SAB423108-FD	C43	M12XA363612	C23	M12XS303008	C22	M12XSAB362510-FD	C43
M12S362412	C23	M12SAB423110-FD	C43	M12XA422408	C22	M12XS303012	C23	M12XSAB363108-FD	C43
M12S362508-FD	C40	M12SAB423112-FD	C43	M12XA423008	C22	M12XS303608	C22	M12XSAB363110-FD	C43
M12S362508-FD-H	C38	M12SAB423708-FD	C43	M12XA423010	C23	M12XS362406	C22	M12XSAB363112-FD	C43
M12S362510-FD	C40	M12SAB423710-FD	C43	M12XA423012	C23	M12XS362408	C22	M12XSAB363116-FD	C43
M12S362510-FD-H	C38	M12SAB423712-FD	C43	M12XA423608	C22	M12XS362410	C23	M12XSAB423108-FD	C43
M12S363006	C22	M12SAB483708-FD	C43	M12XA423610	C23	M12XS362412	C23	M12XSAB423110-FD	C43
M12S363008	C22	M12SAB483710-FD	C43	M12XA423612	C23	M12XS362508-FD	C40	M12XSAB423112-FD	C43
M12S363010	C23	M12SAB483712-FD	C43	M12XA423616	C23	M12XS362508-FD-H	C38	M12XSAB423708-FD	C43
M12S363012	C23	M12SAB483716-FD	C43	M12XA424208	C22	M12XS362510-FD	C40	M12XSAB423710-FD	C43
M12S363016	C23	M12SAB483716-FD-A	C43	M12XA443008	C22	M12XS362510-FD-H	C38	M12XSAB423712-FD	C43
M12S363020	C23	M12SAB603708-FD	C43	M12XA483010	C23	M12XS363006	C22	M12XSAB483708-FD	C43
M12S363108-FD	C40	M12SAB603710-FD	C43	M12XA483608	C23	M12XS363008	C22	M12XSAB483710-FD	C43
M12S363108-FD-H	C38	M12SAB603712-FD	C43	M12XA483610	C23	M12XS363010	C23	M12XSAB483712-FD	C43
M12S363110-FD	C40	M12SAB603716-FD	C43	M12XA483612	C23	M12XS363012	C23	M12XSAB483716-FD	C43
M12S363110-FD-H	C38	M12SAB603716-FD-A	C43	M12XA483616	C23	M12XS363016	C23	M12XSAB603708-FD	C43
M12S363112-FD	C40	M12SP1436B	C68	M12XA483620	C23	M12XS363020	C23	M12XSAB603710-FD	C43
M12S363112-FD-H	C38	M12SP1436T	C68	M12XA603608	C23	M12XS363020	C23	M12XSAB603712-FD	C43
M12S363116-FD	C40	M12SP1448BD	C68	M12XA603610	C23	M12XS363108-FD	C38	M12XSAB603716-FD	C43
M12S363116-FD-H	C38	M12SP1448T	C68	M12XA603612	C23	M12XS363110-FD	C40	M12XZ122406	C22
M12S363608	C22	M12SP1460BD	C68	M12XA603616	C23	M12XS363110-FD-H	C38	M12XZ122408	C22
M12S363612	C23	M12SP1460T	C68	M12XA603620	C23	M12XS363112-FD	C40	M12XZ161206	C22
M12S422408	C22	M12SP1472BD	C68	M12XA723012	C23	M12XS363112-FD-H	C38	M12XZ161208	C22
M12S423008	C22	M12SP1472T	C68	M12XA723016	C23	M12XS363116-FD	C40	M12XZ161210	C23
M12S423010	C23	M12SP148T	C68	M12XA723020	C23	M12XS363116-FD-H	C38	M12XZ161606	C22
M12S423012	C23	M12SP14T	C68	M12XA723024	C23	M12XS363608	C22	M12XZ161608	C22
M12S423108-FD	C40	M12SP1-C18	C65	M12XA723612	C23	M12XS363612	C23	M12XZ162006	C22
M12S423108-FD-H	C38	M12SP1-C24	C65	M12XS122406	C22	M12XS422408	C22	M12XZ162008	C22
M12S423110-FD	C40	M12SP1-C30	C65	M12XS122408	C22	M12XS423008	C22	M12XZ201206	C22
M12S423110-FD-H	C38	M12SP1-C36	C65	M12XS161206	C22	M12XS423010	C23	M12XZ201208	C22
M12S423112-FD	C40	M12SP1-C42	C65	M12XS161208	C22	M12XS423012	C23	M12XZ201606	C22
M12S423112-FD-H	C38	M12SP1-C48	C65	M12XS161210	C23	M12XS423108-FD	C40	M12XZ201608	C22
M12S423608	C22	M12SP-924B	C65	M12XS161606	C22	M12XS423108-FD-H	C38	M12XZ201610	C23
M12S423610	C23	M12SP-936B	C65	M12XS161608	C22	M12XS423110-FD	C40	M12XZ201612	C23
M12S423612	C23	M12XA122406	C22	M12XS162006	C22	M12XS423110-FD-H	C38	M12XZ202006	C22
M12S423616	C23	M12XA122408	C22	M12XS162008	C22	M12XS423112-FD	C40	M12XZ202008	C22
M12S423708-FD	C40	M12XA161206	C22	M12XS201206	C22	M12XS423112-FD-H	C38	M12XZ202108-FD	C40
M12S423708-FD-H	C38	M12XA161208	C22	M12XS201208	C22	M12XS423608	C22	M12XZ202108-FD-H	C38
M12S423710-FD	C40	M12XA161210	C23	M12XS201606	C22	M12XS423610	C23	M12XZ202110-FD	C40
M12S423710-FD-H	C38	M12XA161606	C22	M12XS201608	C22	M12XS423612	C23	M12XZ202110-FD-H	C38
M12S423712-FD	C40	M12XA161608	C22	M12XS201610	C23	M12XS423616	C23	M12XZ202406	C22
M12S423712-FD-H	C38	M12XA162006	C22	M12XS201612	C23	M12XS423708-FD	C40	M12XZ202408	C22
M12S423716-FD	C40	M12XA162008	C22	M12XS202006	C22	M12XS423708-FD-H	C38	M12XZ241206	C22
M12S423716-FD-H	C38	M12XA201206	C22	M12XS202008	C22	M12XS423710-FD	C40	M12XZ241210	C23
M12S482408	C22	M12XA201208	C22	M12XS202108-FD	C40	M12XS423710-FD-H	C38	M12XZ241606	C22
M12S483008	C22	M12XA201606	C22	M12XS202108-FD-H	C38	M12XS423712-FD	C40	M12XZ241608	C22
M12S483010	C23	M12XA201608	C22	M12XS202110-FD	C40	M12XS423712-FD-H	C38	M12XZ242006	C22
M12S483608	C23	M12XA201610	C23	M12XS202110-FD-H	C38	M12XS423716-FD	C40	M12XZ242008	C22
M12S483610	C23	M12XA201612	C23	M12XS202406	C22	M12XS423716-FD-H	C38	M12XZ242010	C23
M12S483612	C23	M12XA202006	C22	M12XS202408	C22	M12XS482408	C22	M12XZ242012	C23
M12S483616	C23	M12XA202008	C22	M12XS241206	C22	M12XS483008	C22	M12XZ242016	C23
M12S483620	C23	M12XA202406	C22	M12XS241210	C23	M12XS483010	C22	M12XZ242108-FD	C40

PART NUMBER	PAGE	PART NUMBER	PAGE	PART NUMBER	PAGE	PART NUMBER	PAGE	PART NUMBER	PAGE
M12X2242108-FD-H	C38	M12X2603620	C23	M4DX2626010-FT	C75	M4S162008	C72	M4XA162006	C72
M12X2242110-FD	C40	M12X2603708-FD-H	C38	M4DX2626012-FT	C75	M4S201206	C72	M4XA162008	C72
M12X2242110-FD-H	C38	M12X2603710-FD	C40	M4DX2626016-FT	C75	M4S201208	C72	M4XA201206	C72
M12X2242406	C22	M12X2603710-FD-H	C38	M4DX2626020-FT	C75	M4S201606	C72	M4XA201208	C72
M12X2242408	C22	M12X2603712-FD	C40	M4DX2626024-FT	C75	M4S201608	C72	M4XA201606	C72
M12X2242410	C23	M12X2603712-FD-H	C38	M4DX2746010-FT	C75	M4S201610	C73	M4XA201608	C72
M12X2242412	C23	M12X2603716-FD	C40	M4DX2746012-FT	C75	M4S201612	C73	M4XA202006	C72
M12X2242416	C23	M12X2603716-FD-H	C38	M4DX2746016-FT	C75	M4S202006	C72	M4XA202008	C72
M12X2242508-FD-H	C38	M12X2723012	C23	M4DX2746020-FT	C75	M4S202008	C72	M4XA202406	C72
M12X2242510-FD	C40	M12X2723016	C23	M4DX2746024-FT	C75	M4S202406	C72	M4XA202408	C72
M12X2242510-FD-H	C38	M12X2723020	C23	M4DX2747210-FT	C75	M4S202408	C72	M4XA241206	C72
M12X2243008	C22	M12X2723024	C23	M4DX2747212-FT	C75	M4S241206	C72	M4XA241606	C72
M12X2301606	C22	M12X2723612	C23	M4DX2747216-FT	C75	M4S241210	C73	M4XA241608	C72
M12X2302006	C22	M12XZAB202108-FD	C43	M4DX2747220-FT	C75	M4S241606	C72	M4XA242006	C72
M12X2302008	C22	M12XZAB202110-FD	C43	M4DX2747224-FT	C75	M4S241608	C72	M4XA242008	C72
M12X2302010	C23	M12XZAB242108-FD	C43	M4FS602518	C77	M4S242006	C72	M4XA242406	C72
M12X2302108-FD-H	C38	M12XZAB242110-FD	C43	M4FS603724	C77	M4S242008	C72	M4XA242408	C72
M12X2302110-FD	C40	M12XZAB242508-FD	C43	M4FS722518	C77	M4S242010	C73	M4XA243008	C72
M12X2302110-FD-H	C38	M12XZAB242510-FD	C43	M4FS722524	C77	M4S242012	C73	M4XA301606	C72
M12X2302406	C22	M12XZAB302108-FD	C43	M4FS722530	C77	M4S242016	C73	M4XA302006	C72
M12X2302408	C22	M12XZAB302110-FD	C43	M4FS723118	C77	M4S24218-FD	C79	M4XA302008	C72
M12X2302410	C23	M12XZAB302508-FD	C43	M4FS723124	C77	M4S242406	C72	M4XA302406	C72
M12X2302412	C23	M12XZAB302510-FD	C43	M4FS723130	C77	M4S242408	C72	M4XA302408	C72
M12X2302416	C23	M12XZAB302512-FD	C43	M4FS723136	C77	M4S242410	C73	M4XA303008	C72
M12X2302420	C23	M12XZAB362508-FD	C43	M4FS723178	C77	M4S242412	C73	M4XA303608	C72
M12X2302424	C23	M12XZAB362510-FD	C43	M4FS723724	C77	M4S242416	C73	M4XA362406	C72
M12X2302508-FD-H	C38	M12XZAB363108-FD	C43	M4FS723730	C77	M4S242508-FD	C79	M4XA362408	C72
M12X2302510-FD	C40	M12XZAB363110-FD	C43	M4FS723736	C77	M4S243008	C72	M4XA363006	C72
M12X2302510-FD-H	C38	M12XZAB363112-FD	C43	M4FS902520	C77	M4S301606	C72	M4XA363008	C72
M12X2302512-FD	C40	M12XZAB363116-FD	C43	M4FS902524	C77	M4S302006	C72	M4XA363608	C72
M12X2303008	C22	M12XZAB423108-FD	C43	M4FS902530	C77	M4S302008	C72	M4XA422408	C72
M12X2303012	C23	M12XZAB423110-FD	C43	M4FS903120	C77	M4S302010	C73	M4XA423008	C72
M12X2303608	C22	M12XZAB423112-FD	C43	M4FS903124	C77	M4S302406	C72	M4XA423608	C72
M12X2362406	C22	M12XZAB423708-FD	C43	M4FS903130	C77	M4S302408	C72	M4XA482408	C72
M12X2362408	C22	M12XZAB423710-FD	C43	M4FS903720	C77	M4S302410	C73	M4XA483008	C72
M12X2362410	C23	M12XZAB423712-FD	C43	M4FS903724	C77	M4S302412	C73	M4XA483608	C72
M12X2362412	C23	M12XZAB483708-FD	C43	M4FS903730	C77	M4S302416	C73	M4XS122406	C72
M12X2362508-FD-H	C38	M12XZAB483710-FD	C43	M4FS903736	C77	M4S302420	C73	M4XS122408	C72
M12X2362510-FD	C40	M12XZAB483712-FD	C43	M4FSXS602518	C77	M4S302424	C73	M4XS161206	C72
M12X2362510-FD-H	C38	M12XZAB483716-FD	C43	M4FSXS603724	C77	M4S302508-FD	C79	M4XS161208	C72
M12X2363006	C22	M12XZAB603708-FD	C43	M4FSX722518	C77	M4S303008	C72	M4XS161606	C72
M12X2363008	C22	M12XZAB603710-FD	C43	M4FSX722524	C77	M4S303012	C73	M4XS161608	C72
M12X2363010	C23	M12XZAB603712-FD	C43	M4FSX722530	C77	M4S303608	C72	M4XS162006	C72
M12X2363012	C23	M12XZAB603716-FD	C43	M4FSX723118	C77	M4S362406	C72	M4XS162008	C72
M12X2363016	C23	M4D624810-FT	C75	M4FSX723124	C77	M4S362408	C72	M4XS201206	C72
M12X2363020	C23	M4D624812-FT	C75	M4FSX723130	C77	M4S362410	C73	M4XS201208	C72
M12X2363108-FD-H	C38	M4D624816-FT	C75	M4FSX723136	C77	M4S362412	C73	M4XS201606	C72
M12X2363110-FD	C40	M4D624820-FT	C75	M4FSX723718	C77	M4S363006	C72	M4XS201608	C72
M12X2363110-FD-H	C38	M4D624824-FT	C75	M4FSX723724	C77	M4S363008	C72	M4XS202006	C72
M12X2363112-FD	C40	M4D62488-FT	C75	M4FSX723730	C77	M4S363010	C73	M4XS202008	C72
M12X2363112-FD-H	C38	M4D626010-FT	C75	M4FSX723736	C77	M4S363012	C73	M4XS202406	C72
M12X2363116-FD	C40	M4D626012-FT	C75	M4FSX802520	C77	M4S363016	C73	M4XS202408	C72
M12X2363116-FD-H	C38	M4D626016-FT	C75	M4FSX902524	C77	M4S363020	C73	M4XS241206	C72
M12X2363608	C22	M4D626020-FT	C75	M4FSX902530	C77	M4S363108-FD	C79	M4XS241606	C72
M12X2363612	C23	M4D626024-FT	C75	M4FSX903120	C77	M4S363608	C72	M4XS241608	C72
M12X2422408	C22	M4D746010-FT	C75	M4FSX903124	C77	M4S363612	C73	M4XS242006	C72
M12X2423008	C22	M4D746012-FT	C75	M4FSX903130	C77	M4S422408	C72	M4XS242008	C72
M12X2423010	C23	M4D746016-FT	C75	M4FSX903720	C77	M4S423008	C72	M4XS24218-FD	C79
M12X2423012	C23	M4D746020-FT	C75	M4FSX903724	C77	M4S423010	C73	M4XS242406	C72
M12X2423108-FD-H	C38	M4D746024-FT	C75	M4FSX903730	C77	M4S423012	C73	M4XS242408	C72
M12X2423110-FD	C40	M4D747210-FT	C75	M4FSX903736	C77	M4S423112-FD	C79	M4XS242508-FD	C79
M12X2423110-FD-H	C38	M4D747212-FT	C75	M4FSXZ602518	C77	M4S423608	C72	M4XS243008	C72
M12X2423112-FD	C40	M4D747216-FT	C75	M4FSXZ603724	C77	M4S423610	C73	M4XS301606	C72
M12X2423112-FD-H	C38	M4D747220-FT	C75	M4FSXZ722518	C77	M4S423612	C73	M4XS302006	C72
M12X2423608	C22	M4D747224-FT	C75	M4FSXZ722524	C77	M4S423616	C73	M4XS302008	C72
M12X2423610	C23	M4DXS624810-FT	C75	M4FSXZ722530	C77	M4S423712-FD	C79	M4XS302406	C72
M12X2423612	C23	M4DXS624812-FT	C75	M4FSXZ723118	C77	M4S482408	C72	M4XS302408	C72
M12X2423616	C23	M4DXS624816-FT	C75	M4FSXZ723124	C77	M4S483008	C72	M4XS302508-FD	C79
M12X2423708-FD-H	C38	M4DXS624820-FT	C75	M4FSXZ723130	C77	M4S483010	C73	M4XS303008	C72
M12X2423710-FD	C40	M4DXS624824-FT	C75	M4FSXZ723136	C77	M4S483608	C72	M4XS303608	C72
M12X2423710-FD-H	C38	M4DXS62488-FT	C75	M4FSXZ723718	C77	M4S483610	C73	M4XS362406	C72
M12X2423712-FD	C40	M4DXS626010-FT	C75	M4FSXZ723724	C77	M4S483612	C73	M4XS362408	C72
M12X2423712-FD-H	C38	M4DXS626012-FT	C75	M4FSXZ723730	C77	M4S483616	C73	M4XS363006	C72
M12X2423716-FD	C40	M4DXS626016-FT	C75	M4FSXZ723736	C77	M4S483620	C73	M4XS363008	C72
M12X2423716-FD-H	C38	M4DXS626020-FT	C75	M4FSXZ902520	C77	M4S483712-FD	C79	M4XS363108-FD	C79
M12X242408	C22	M4DXS626024-FT	C75	M4FSXZ902524	C77	M4S603608	C72	M4XS363608	C72
M12X2483008	C22	M4DXS746010-FT	C75	M4FSXZ902530	C77	M4S603610	C73	M4XS422408	C72
M12X2483010	C23	M4DXS746012-FT	C75	M4FSXZ903120	C77	M4S603612	C73	M4XS423008	C72
M12X2483608	C23	M4DXS746016-FT	C75	M4FSXZ903124	C77	M4S603616	C73	M4XS423112-FD	C79
M12X2483610	C23	M4DXS746020-FT	C75	M4FSXZ903130	C77	M4S603620	C73	M4XS423608	C72
M12X2483612	C23	M4DXS746024-FT	C75	M4FSXZ903720	C77	M4S603712-FD	C79	M4XS423712-FD	C79
M12X2483616	C23	M4DXS747210-FT	C75	M4FSXZ903724	C77	M4S723012	C73	M4XS482408	C72
M12X2483620	C23	M4DXS747212-FT	C75	M4FSXZ903730	C77	M4S723016	C73	M4XS483008	C72
M12X2483708-FD-H	C38	M4DXS747216-FT	C75	M4FSXZ903736	C77	M4S723020	C73	M4XS483608	C72
M12X2483710-FD	C40	M4DXS747220-FT	C75	M4S122406	C72	M4S723024	C73	M4XS483712-FD	C79
M12X2483710-FD-H	C38	M4DXS747224-FT	C75	M4S122408	C72	M4S723612	C73	M4XS603712-FD	C79
M12X2483712-FD	C40	M4DXZ624810-FT	C75	M4S161206	C72	M4XA122406	C72	M4XZ122406	C72
M12X2483712-FD-H	C38	M4DXZ624812-FT	C75	M4S161208	C72	M4XA122408	C72	M4XZ122408	C72
M12X2603608	C23	M4DXZ624816-FT	C75	M4S161210	C73	M4XA161206	C72	M4XZ161206	C72
M12X2603610	C23	M4DXZ624820-FT	C75	M4S161606	C72	M4XA161208	C72	M4XZ161208	C72
M12X2603612	C23	M4DXZ624824-FT	C75	M4S161608	C72	M4XA161606	C72	M4XZ161606	C72
M12X2603616	C23	M4DXZ62488-FT	C75	M4S162006	C72	M4XA161608	C72	M4XZ161608	C72

PART NUMBER	PAGE	PART NUMBER	PAGE	PART NUMBER	PAGE	PART NUMBER	PAGE	PART NUMBER	PAGE
M4XZ162006	C72	MSD201612	C82	MSDFM16126	C27	MSDX363020	C82	MSDXZ242010	C82
M4XZ162008	C72	MSD20166	C81	MSDFM20166	C27	MSDX363610	C82	MSDXZ242012	C82
M4XZ201206	C72	MSD20168	C81	MSDFM20206	C27	MSDX363612	C82	MSDXZ242016	C82
M4XZ201208	C72	MSD202010	C82	MSDFM24206	C27	MSDX423010	C82	MSDXZ24206	C81
M4XZ201606	C72	MSD202012	C82	MSDFM24248	C27	MSDX423012	C82	MSDXZ24208	C81
M4XZ201608	C72	MSD20206	C81	MSDFM30248	C27	MSDX42308	C82	MSDXZ242410	C82
M4XZ202006	C72	MSD20208	C81	MSDFM316126	C27	MSDX423610	C82	MSDXZ242412	C82
M4XZ202008	C72	MSD202410	C82	MSDFM320166	C27	MSDX423612	C82	MSDXZ242416	C82
M4XZ202406	C72	MSD20246	C81	MSDFM320206	C27	MSDX423616	C82	MSDXZ242420	C82
M4XZ202408	C72	MSD20248	C81	MSDFM324206	C27	MSDX42368	C82	MSDXZ24246	C81
M4XZ241206	C72	MSD241210	C82	MSDFM324248	C27	MSDX482410	C82	MSDXZ24248	C81
M4XZ241606	C72	MSD24126	C81	MSDFM330248	C27	MSDX482412	C82	MSDXZ243010	C82
M4XZ241608	C72	MSD24166	C81	MSDFM316126	C27	MSDX48248	C82	MSDXZ24308	C81
M4XZ242006	C72	MSD24168	C81	MSDFM320166	C27	MSDX483010	C82	MSDXZ30166	C81
M4XZ242008	C72	MSD242010	C82	MSDFM320206	C27	MSDX48308	C82	MSDXZ302010	C82
M4XZ24218-FD	C79	MSD242012	C82	MSDFM324206	C27	MSDX483610	C82	MSDXZ30206	C81
M4XZ242406	C72	MSD242016	C82	MSDFM324248	C27	MSDX483612	C82	MSDXZ30208	C81
M4XZ242408	C72	MSD24206	C81	MSDFM330248	C27	MSDX483616	C82	MSDXZ302410	C82
M4XZ242508-FD	C79	MSD24208	C81	MSDSTXS14126	C84	MSDX483620	C82	MSDXZ302412	C82
M4XZ243008	C72	MSD242410	C82	MSDSTXS16128	C84	MSDX48368	C82	MSDXZ302416	C82
M4XZ301606	C72	MSD242412	C82	MSDSTXS16146	C84	MSDX603610	C82	MSDXZ302420	C82
M4XZ302006	C72	MSD242416	C82	MSDSTXS16168	C84	MSDX603612	C82	MSDXZ302424	C82
M4XZ302008	C72	MSD242420	C82	MSDSTXS201612	C84	MSDX603616	C82	MSDXZ30246	C81
M4XZ302406	C72	MSD24246	C81	MSDSTXS20168	C84	MSDX603620	C82	MSDXZ30248	C81
M4XZ302408	C72	MSD24248	C81	MSDSTXS202012	C84	MSDX60368	C82	MSDXZ303010	C82
M4XZ302508-FD	C79	MSD243010	C82	MSDSTXS20208	C84	MSDXS12126	C81	MSDXZ303012	C82
M4XZ303008	C72	MSD24308	C81	MSDSTXS24208	C84	MSDXS12246	C81	MSDXZ30308	C81
M4XZ303608	C72	MSD30166	C81	MSDSTXS242412	C84	MSDXS12248	C81	MSDXZ30368	C81
M4XZ362406	C72	MSD302010	C82	MSDSTXS24248	C84	MSDXS16126	C81	MSDXZ362410	C82
M4XZ362408	C72	MSD30206	C81	MSDSTXS302412	C84	MSDXS16128	C81	MSDXZ362412	C82
M4XZ363006	C72	MSD30208	C81	MSDSTXS30248	C84	MSDXS16166	C81	MSDXZ36246	C81
M4XZ363008	C72	MSD302410	C82	MSDSTXS30308	C84	MSDXS16168	C81	MSDXZ36248	C81
M4XZ363108-FD	C79	MSD302412	C82	MSDSTXS3363012	C84	MSDXS16206	C81	MSDXZ363010	C82
M4XZ363608	C72	MSD302416	C82	MSDSTXS363016	C84	MSDXS16208	C81	MSDXZ363012	C82
M4XZ422408	C72	MSD302420	C82	MSDSTXS36308	C84	MSDXS20126	C81	MSDXZ363016	C82
M4XZ423008	C72	MSD302424	C82	MSDSTXS363612	C84	MSDXS20128	C81	MSDXZ363020	C82
M4XZ423112-FD	C79	MSD30246	C81	MSDSTXS423612	C84	MSDXS20166	C81	MSDXZ36306	C81
M4XZ423608	C72	MSD30248	C81	MSDSTXS483612	C84	MSDXS20168	C81	MSDXZ36308	C81
M4XZ423712-FD	C79	MSD303010	C82	MSDSTXS483616	C84	MSDXS20206	C81	MSDXZ363610	C82
M4XZ482408	C72	MSD303012	C82	MSDSTXS603616	C84	MSDXS20208	C81	MSDXZ363612	C82
M4XZ483008	C72	MSD30308	C81	MSDSTXZ14126	C84	MSDXS20246	C81	MSDXZ36368	C81
M4XZ483608	C72	MSD30368	C81	MSDSTXZ16128	C84	MSDXS20248	C81	MSDXZ42248	C81
M4XZ483712-FD	C79	MSD362410	C82	MSDSTXZ16146	C84	MSDXS24126	C81	MSDXZ423010	C82
M4XZ603712-FD	C79	MSD362412	C82	MSDSTXZ16168	C84	MSDXS24166	C81	MSDXZ423012	C82
MC12C12	C21	MSD36246	C81	MSDSTXZ201612	C84	MSDXS24168	C81	MSDXZ42308	C82
MC12C16	C21	MSD36248	C81	MSDSTXZ20168	C84	MSDXS24206	C81	MSDXZ423610	C82
MC12C20	C21	MSD363010	C82	MSDSTXZ202012	C84	MSDXS24208	C81	MSDXZ423612	C82
MC12C24	C21	MSD363012	C82	MSDSTXZ20208	C84	MSDXS24246	C81	MSDXZ423616	C82
MC16C16	C21	MSD363016	C82	MSDSTXZ24208	C84	MSDXS24248	C81	MSDXZ42368	C82
MC16C20	C21	MSD363020	C82	MSDSTXZ242412	C84	MSDXS24308	C81	MSDXZ482410	C82
MC16C24	C21	MSD36306	C81	MSDSTXZ24248	C84	MSDXS30166	C81	MSDXZ482412	C82
MC16C30	C21	MSD36308	C81	MSDSTXZ302412	C84	MSDXS30206	C81	MSDXZ48248	C82
MC16C36	C21	MSD363610	C82	MSDSTXZ30248	C84	MSDXS30208	C81	MSDXZ483010	C82
MC20C20	C21	MSD363612	C82	MSDSTXZ30308	C84	MSDXS30246	C81	MSDXZ48308	C82
MC20C24	C21	MSD36368	C81	MSDSTXZ363012	C84	MSDXS30248	C81	MSDXZ483610	C82
MC20C30	C21	MSD42248	C81	MSDSTXZ363016	C84	MSDXS30308	C81	MSDXZ483612	C82
MC8C12	C21	MSD423010	C82	MSDSTXZ36308	C84	MSDXS30368	C81	MSDXZ483616	C82
MC8C16	C21	MSD423012	C82	MSDSTXZ363612	C84	MSDXS36246	C81	MSDXZ483620	C82
MC8C20	C21	MSD42308	C82	MSDSTXZ423612	C84	MSDXS36248	C81	MSDXZ48368	C82
MC8C8	C21	MSD423610	C82	MSDSTXZ483612	C84	MSDXS36306	C81	MSDXZ603610	C82
MCXS12C12	C21	MSD423612	C82	MSDSTXZ483616	C84	MSDXS36308	C81	MSDXZ603612	C82
MCXS12C16	C21	MSD423616	C82	MSDSTXZ603616	C84	MSDXS36368	C81	MSDXZ603616	C82
MCXS12C20	C21	MSD42368	C82	MSDX161210	C82	MSDXS42248	C81	MSDXZ603620	C82
MCXS12C24	C21	MSD482410	C82	MSDX161610	C82	MSDXZ12126	C81	MSDXZ60368	C82
MCXS16C16	C21	MSD482412	C82	MSDX162010	C82	MSDXZ12246	C81	PB12S11	C14
MCXS16C20	C21	MSD48248	C82	MSDX201610	C82	MSDXZ12248	C81	PB12S110	C14
MCXS16C24	C21	MSD483010	C82	MSDX201612	C82	MSDXZ161210	C82	PB12S12	C14
MCXS16C30	C21	MSD48308	C82	MSDX202010	C82	MSDXZ16126	C81	PB12S13	C14
MCXS16C36	C21	MSD483610	C82	MSDX202012	C82	MSDXZ16128	C81	PB12S14	C14
MCXS20C20	C21	MSD483612	C82	MSDX202410	C82	MSDXZ161610	C82	PB12S15	C14
MCXS20C24	C21	MSD483616	C82	MSDX241210	C82	MSDXZ16166	C81	PB12S16	C14
MCXS20C30	C21	MSD483620	C82	MSDX242010	C82	MSDXZ16168	C81	PB12S17	C14
MCXS8C12	C21	MSD48368	C82	MSDX242012	C82	MSDXZ162010	C82	PB12S18	C14
MCXS8C16	C21	MSD603610	C82	MSDX242016	C82	MSDXZ16206	C81	PB12S19	C14
MCXS8C20	C21	MSD603612	C82	MSDX242410	C82	MSDXZ16208	C81	PB12S22	C14
MCXS8C8	C21	MSD603616	C82	MSDX242412	C82	MSDXZ20126	C81	PB12S32	C14
MSD	C92	MSD603620	C82	MSDX242416	C82	MSDXZ20128	C81	PB12S33	C14
MSD12126	C81	MSD60368	C82	MSDX242420	C82	MSDXZ201610	C82	PB12S43	C14
MSD12246	C81	MSDFG1286	D11,D12,D14	MSDX243010	C82	MSDXZ201612	C82	PB12S44	C14
MSD12248	C81	MSDFG1286PL	D13	MSDX302010	C82	MSDXZ20166	C81	PB12S54	C14
MSD161210	C82	MSDFG16126	D11,D12,D14	MSDX302410	C82	MSDXZ20168	C81	PB12S55	C14
MSD16126	C81	MSDFG16126PL	D13	MSDX302412	C82	MSDXZ202010	C82	PB12S5	C14
MSD16128	C81	MSDFG20169	D11,D12,D14	MSDX302416	C82	MSDXZ202012	C82	PB12XS11	C14
MSD161610	C82	MSDFG20169PL	D13	MSDX302420	C82	MSDXZ20206	C81	PB12XS110	C14
MSD16166	C81	MSDFG24169	D11,D12,D14	MSDX302424	C82	MSDXZ20208	C81	PB12XS12	C14
MSD16168	C81	MSDFG24169PL	D13	MSDX303010	C82	MSDXZ202410	C82	PB12XS13	C14
MSD162010	C82	MSDFG282110	D11,D12,D14	MSDX303012	C82	MSDXZ20246	C81	PB12XS14	C14
MSD16206	C81	MSDFG282110PL	D13	MSDX362410	C82	MSDXZ20248	C81	PB12XS15	C14
MSD16208	C81	MSDFG322511	D11,D12,D14	MSDX362412	C82	MSDXZ2241210	C82	PB12XS16	C14
MSD20126	C81	MSDFG322511PL	D13	MSDX363010	C82	MSDXZ24126	C81	PB12XS17	C14
MSD20128	C81	MSDFG403211	D11,D12,D14	MSDX363012	C82	MSDXZ24166	C81	PB12XS18	C14
MSD201610	C82	MSDFG403211PL	D13	MSDX363016	C82	MSDXZ24168	C81	PB12XS19	C14
								PB12XS22	C14



PART NUMBER	PAGE	PART NUMBER	PAGE	PART NUMBER	PAGE	PART NUMBER	PAGE	PART NUMBER	PAGE
PB12XS32	C14	PBHC12S55	C19	PBSFM12S45	C18	PF42500AC115V	E76	PTF61000230V	E94
PB12XS33	C14	PBHC12S56	C19	PBSFM12S55	C18	PF42500AC115V/BLK	E76	PTFA60000	E69
PB12XS43	C14	PBHC12S66	C19	PBSFM12S56	C18	PF42500AC230V	E76	PTM100	E7
PB12XS44	C14	PBHC12S76	C19	PBSFM12XS11	C18	PF42500AC230V/BLK	E76	PTM100/HORIZ	E67
PB12XS54	C14	PBHC12XS22	C19	PBSFM12XS12	C18	PF42500DC24V	E76	PTM100/VERT	E67
PB12XS55	C14	PBHC12XS32	C19	PBSFM12XS13	C18	PF42500DC24V/BLK	E76	PTM150	E7
PBD12S11	C15	PBHC12XS33	C19	PBSFM12XS14	C18	PF42500EMC	E69	PTM150/HORIZ	E67
PBD12S110	C16	PBHC12XS43	C19	PBSFM12XS22	C18	PF43000	E69	PTM150/VERT	E67
PBD12S116	C16	PBHC12XS44	C19	PBSFM12XS23	C18	PF43000AC115V	E78	PTM500	E7
PBD12S12	C16	PBHC12XS54	C19	PBSFM12XS24	C18	PF43000AC115V/BLK	E78	PTM500/230AC/HORIZ	E67
PBD12S13	C16	PBHC12XS55	C19	PBSFM12XS25	C18	PF43000AC230V	E78	PTM500/230AC/VERT	E67
PBD12S14	C16	PBHC12XS65	C19	PBSFM12XS26	C18	PF43000AC230V/BLK	E78	PTM500/24DC/HORIZ	E67
PBD12S16	C16	PBHC12XS66	C19	PBSFM12XS28	C18	PF43000DC24V	E78	PTM500/24DC/VERT	E67
PBD12S22	C16	PBHC12XS76	C19	PBSFM12XS33	C18	PF43000DC24V/BLK	E78	SC10106JIC12	C8
PBD12S33	C16	PBM12S11	C14	PBSFM12XS43	C18	PF43000EMC	E69	SC10106JIC12XS	C8
PBD12S43	C16	PBM12S110	C14	PBSFM12XS44	C18	PF65000	E69	SC10106JIC12XZ	C8
PBD12S44	C16	PBM12S12	C14	PBSFM12XS45	C18	PF65000115V	E80	SC1084JIC12	C8
PBD12S54	C16	PBM12S13	C14	PBSFM12XS55	C18	PF65000115V/BLK	E80	SC1084JIC12XS	C8
PBD12S55	C16	PBM12S14	C14	PBSFM12XS56	C18	PF65000230V	E80	SC1084JIC12XZ	C8
PBD12S56	C16	PBM12S15	C14	PBSL12S11	C20	PF65000230V/BLK	E80	SC1086JIC12	C8
PBD12S66	C16	PBM12S16	C14	PBSL12S110	C20	PF65000EMC	E69	SC1086JIC12XS	C8
PBD12XS11	C16	PBM12S17	C14	PBSL12S12	C20	PF65000SL	E69	SC1086JIC12XZ	C8
PBD12XS110	C16	PBM12S18	C14	PBSL12S13	C20	PF65000SL115V	E88	SC12105JIC12	C8
PBD12XS116	C16	PBM12S19	C14	PBSL12S14	C20	PF65000SL115V/BLK	E88	SC12105JIC12XS	C8
PBD12XS12	C16	PBM12S22	C14	PBSL12S16	C20	PF65000SL230V	E88	SC12105JIC12XZ	C8
PBD12XS13	C16	PBM12S33	C14	PBSL12S17	C20	PF65000SL230V/BLK	E88	SC12108JIC12	C8
PBD12XS14	C16	PBM12S43	C14	PBSL12S18	C20	PF66000	E69	SC12108JIC12XS	C8
PBD12XS16	C16	PBM12S44	C14	PBSL12S19	C20	PF66000115V	E82	SC12108JIC12XZ	C8
PBD12XS22	C16	PBM12S54	C14	PBSL12XS110	C20	PF66000115V/BLK	E82	SC12126JIC12	C8
PBD12XS33	C16	PBM12S55	C14	PBSL12XS11	C20	PF66000230V	E82	SC12126JIC12XS	C8
PBD12XS43	C16	PBM12XS11	C14	PBSL12XS12	C20	PF66000230V/BLK	E82	SC12126JIC12XZ	C8
PBD12XS44	C16	PBM12XS10	C14	PBSL12XS13	C20	PF66000460V	E82	SC1264JIC12	C8
PBD12XS54	C16	PBM12XS12	C14	PBSL12XS14	C20	PF66000460V/BLK	E82	SC1264JIC12XS	C8
PBD12XS55	C16	PBM12XS13	C14	PBSL12XS16	C20	PF66000EMC	E69	SC1264JIC12XZ	C8
PBD12XS56	C16	PBM12XS14	C14	PBSL12XS17	C20	PF67000	E69	SC14126JIC12	C8
PBD12XS66	C16	PBM12XS15	C14	PBSL12XS18	C20	PF67000115V	E84	SC14126JIC12XS	C8
PBDM12S11	C16	PBM12XS16	C14	PBSL12XS19	C20	PF67000115V/BLK	E84	SC14126JIC12XZ	C8
PBDM12S110	C16	PBM12XS17	C14	PBSLM12S11	C20	PF67000230V	E84	SC14128JIC12	C8
PBDM12S116	C16	PBM12XS18	C14	PBSLM12S110	C20	PF67000230V/BLK	E84	SC14128JIC12XS	C8
PBDM12S12	C16	PBM12XS19	C14	PBSLM12S12	C20	PF67000460V	E84	SC14128JIC12XZ	C8
PBDM12S13	C16	PBM12XS22	C14	PBSLM12S13	C20	PF67000460V/BLK	E84	SC1486JIC12	C8
PBDM12S14	C16	PBM12XS32	C14	PBSLM12S14	C20	PF67000EMC	E69	SC1486JIC12XS	C8
PBDM12S16	C16	PBM12XS33	C14	PBSLM12S16	C20	PF67000SL	E69	SC1486JIC12XZ	C8
PBDM12S22	C16	PBM12XS43	C14	PBSLM12S17	C20	PF67000SL115V	E90	SC16106JIC12	C8
PBDM12S33	C16	PBM12XS44	C14	PBSLM12S18	C20	PF67000SL115V/BLK	E90	SC16106JIC12XS	C8
PBDM12S43	C16	PBM12XS54	C14	PBSLM12S19	C20	PF67000SL230V	E90	SC16106JIC12XZ	C8
PBDM12S44	C16	PBM12XS55	C14	PBSLM12SX110	C20	PF67000SL230V/BLK	E90	SC161410JIC12	C8
PBDM12S54	C16	PBSF12S11	C18	PBSLM12XS11	C20	PF67000SL460V	E90	SC161410JIC12XS	C8
PBDM12S55	C16	PBSF12S12	C18	PBSLM12XS12	C20	PF67000SL460V/BLK	E90	SC161410JIC12XZ	C8
PBDM12S56	C16	PBSF12S13	C18	PBSLM12XS13	C20	PFA10000	E69	SC16146JIC12	C8
PBDM12S66	C16	PBSF12S14	C18	PBSLM12XS14	C20	PFA10000/BLK	E70	SC16146JIC12XS	C8
PBDM12XS11	C16	PBSF12S22	C18	PBSLM12XS16	C20	PFA10000EMC	E69	SC16146JIC12XZ	C8
PBDM12XS110	C16	PBSF12S23	C18	PBSLM12XS17	C20	PFA20000	E69, E72	SC16148JIC12	C8
PBDM12XS116	C16	PBSF12S24	C18	PBSLM12XS18	C20	PFA20000/BLK	E72	SC16148JIC12XS	C8
PBDM12XS12	C16	PBSF12S25	C18	PBSLM12XS19	C20	PFA20000EMC	E69	SC16148JIC12XZ	C8
PBDM12XS13	C16	PBSF12S26	C18	PF10000/7035	E69	PFA30000	E69	SC443JIC12	C8
PBDM12XS14	C16	PBSF12S28	C18	PF11000	E70	PFA30000/BLK	E74	SC443JIC12XS	C8
PBDM12XS16	C16	PBSF12S33	C18	PF11000AC115V	E70	PFA3000005	E74	SC443JIC12XZ	C8
PBDM12XS22	C16	PBSF12S43	C18	PF11000AC115V/BLK	E70	PFA30000EMC	E69	SC444JIC12	C8
PBDM12XS33	C16	PBSF12S44	C18	PF11000AC230V	E70	PFA40000	E69	SC444JIC12XS	C8
PBDM12XS43	C16	PBSF12S45	C18	PF11000AC230V/BLK	E70	PFA40000EMC	E69	SC444JIC12XZ	C8
PBDM12XS44	C16	PBSF12S55	C18	PF11000DC	E70	PTF60000	E69, E80	SC643JIC12	C8
PBDM12XS54	C16	PBSF12S56	C18	PF11000DC/BLK	E70	PFA60000/BLK	E80	SC643JIC12XS	C8
PBDM12XS55	C16	PBSF12XS11	C18	PF11000EMC	E69	PFA60000EMC	E69	SC643JIC12XZ	C8
PBDM12XS56	C16	PBSF12XS12	C18	PF22000	E69	PF100/115V	E95	SC644JIC12	C8
PBDM12XS66	C16	PBSF12XS13	C18	PF22000AC115V	E72	PF100/230V	E95	SC644JIC12XS	C8
PBHC12S22	C19	PBSF12XS14	C18	PF22000AC115V/BLK	E72	PF200/115V	E95	SC644JIC12XZ	C8
PBHC12S32	C19	PBSF12XS22	C18	PF22000AC230V	E72	PF200/230V	E95	SC664JIC12	C8
PBHC12S33	C19	PBSF12XS23	C18	PF22000AC230V/BLK	E72	PPB12S11	C17	SC664JIC12XS	C8
PBHC12S43	C19	PBSF12XS24	C18	PF22000DC12V	E72	PPB12S12	C17	SC664JIC12XZ	C8
PBHC12S44	C19	PBSF12XS25	C18	PF22000DC12V/BLK	E72	PPB12S13	C17	SC666JIC12	C8
PBHC12S54	C19	PBSF12XS26	C18	PF22000DC24V	E72	PPB12S14	C17	SC666JIC12XS	C8
PBHC12S55	C19	PBSF12XS28	C18	PF22000DC24V/BLK	E72	PPB12S15	C17	SC666JIC12XZ	C8
PBHC12S65	C19	PBSF12XS33	C18	PF22000DC48V	E72	PPB12S16	C17	SC863JIC12	C8
PBHC12S66	C19	PBSF12XS43	C18	PF22000DC48V/BLK	E72	PPB12S17	C17	SC863JIC12XS	C8
PBHC12S76	C19	PBSF12XS44	C18	PF22000EMC	E69	PPB12S18	C17	SC863JIC12XZ	C8
PBHC12XS22	C19	PBSF12XS45	C18	PF32000	E69	PPB12XS11	C17	SC866JIC12	C8
PBHC12XS32	C19	PBSF12XS55	C18	PF32000AC115V	E74	PPB12XS12	C17	SC866JIC12XS	C8
PBHC12XS33	C19	PBSF12XS56	C18	PF32000AC115V/BLK	E74	PPB12XS13	C17	SC866JIC12XZ	C8
PBHC12XS43	C19	PBSFM12S11	C18	PF32000AC230V	E74	PPB12XS14	C17	SC884JIC12	C8
PBHC12XS44	C19	PBSFM12S12	C18	PF32000AC230V/BLK	E74	PPB12XS15	C17	SC884JIC12XS	C8
PBHC12XS54	C19	PBSFM12S13	C18	PF32000DC24V	E74	PPB12XS16	C17	SC884JIC12XZ	C8
PBHC12XS55	C19	PBSFM12S14	C18	PF32000DC24V/BLK	E74	PPB12XS17	C17	SCFG1195JICNWL1	D9, D10
PBHC12XS65	C19	PBSFM12S22	C18	PF32000EMC	E69	PPB12XS18	C17	SCFG13115JICNWL2	D9, D10
PBHC12XS66	C19	PBSFM12S23	C18	PF33000SL	E69	PTF60500	E69	SCFG15136JICNWL2	D9, D10
PBHC12XS76	C19	PBSFM12S24	C18	PF33000SL115V	E86	PTF60500115V	E94	SCFG17156JICNWL2	D9, D10
PBHC12S22	C19	PBSFM12S25	C18	PF33000SL115V/BLK	E86	PTF60500230V	E94	SCFG19179JICNWL2	D9, D10
PBHC12S32	C19	PBSFM12S26	C18	PF33000SL230V	E86	PTF60700	E69	SCFG775JICNWL1	D9, D10
PBHC12S33	C19	PBSFM12S28	C18	PF33000SL230V/BLK	E86	PTF60700115V	E94	SCFG975JICNWL1	D9, D10
PBHC12S43	C19	PBSFM12S33	C18	PF33000SLDC24V	E86	PTF60700230V	E94	SD035	F14
PBHC12S44	C19	PBSFM12S43	C18	PF33000SLDC24V/BLK	E86	PTF61000	E69	SL025	F2
PBHC12S54	C19	PBSFM12S44	C18	PF42500	E69	PTF61000115V	E94	STEGOFIX	F15

# Enclosures & More

**Meter Mounting Equipment**

**Residential & Commercial Metering**

**Commercial Meter Pedestals**

**Disconnect Devices**

**Distribution Unit Substations**

**Current Transformer Enclosures**

**RV/MH Pedestals**

**Temporary Power Outlets**

**Circuit Breakers**

**Enclosed Circuit Breakers**

**Safety Switches**

**Test Switches**



## REPRESENTATIVE

### MILBANK MANUFACTURING COMPANY COMMERCIAL & INDUSTRIAL PRODUCTS GROUP

1601 South St. Louis Street

Concordia, MO 64020

Tel: 660-463-0805 Fax: 660-463-7950

Toll Free: 1-877-483-5314

[www.milbankmfg.com](http://www.milbankmfg.com)

**MILBANK<sup>®</sup>**



[www.milbankmfg.com](http://www.milbankmfg.com)

**CIPC 07/09 (15K)**