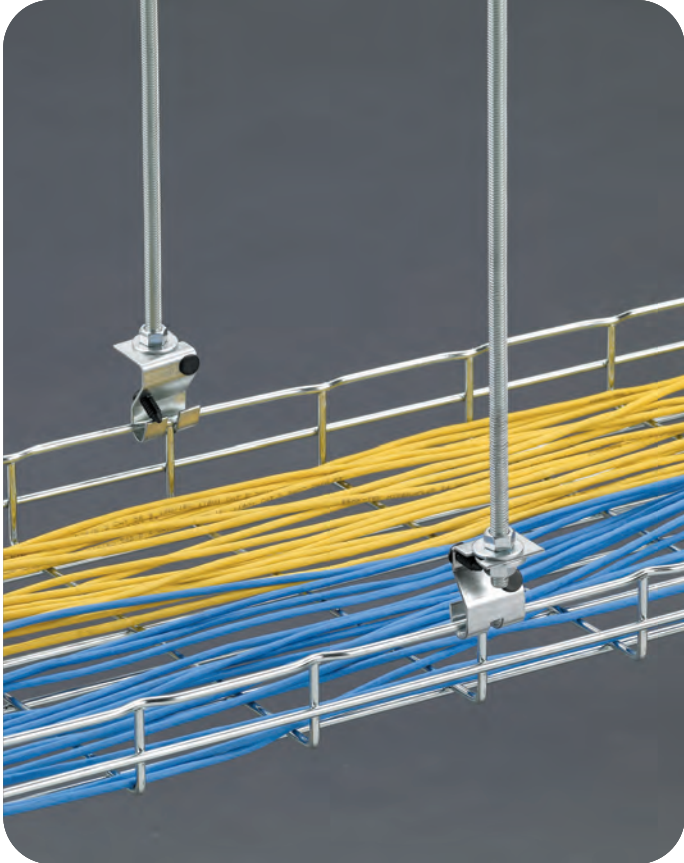
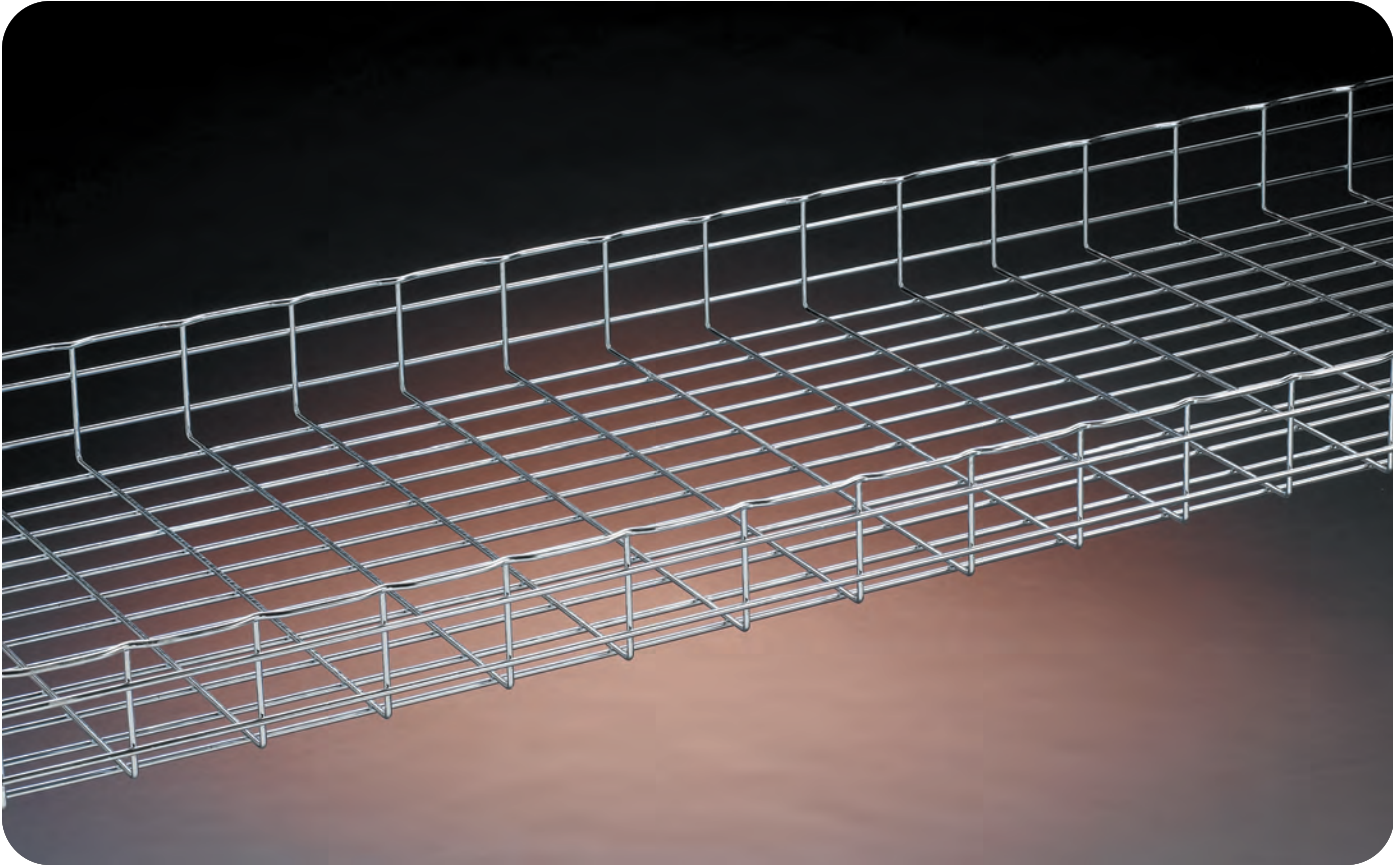
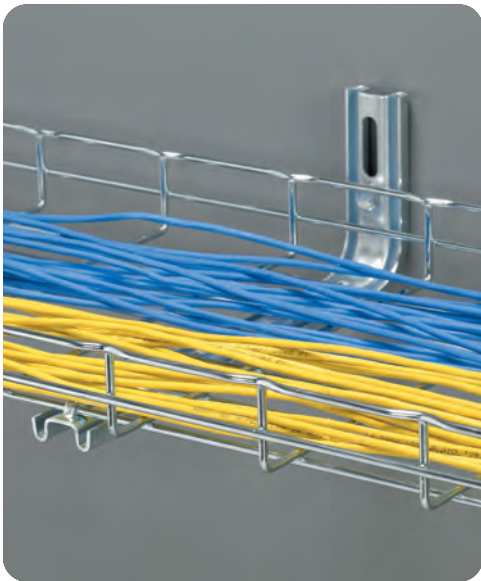


# FLEXTRAY™ Wire Basket



FLEXTRAY



The Flextray system is a flexible, field-adaptable way to manage cables throughout your project. The tray can be cut and bent to the needs of the installer on the jobsite, allowing cable runs to be adjusted as needed. The wide range of sizes offered makes Flextray a great choice for everything from a small cable drop to a large trunk of cables. Our tray has the market-preferred "T" weld safety edge, protecting both the cable and the installer during cable installation. Flextray is also UL Classified as an equipment grounding conductor.

The F.A.S.T.™ System is Foldable, Adjustable, Stackable, and Tool-less, providing many options to manage cables inside your raised floor space. With only a few parts, you can create everything from a basic single layer installation to a cantilevered, multiple-tier cable run. Make the most of your raised floor space and your time with the F.A.S.T. System!

## Finish Information

FLEXTRAY cable tray and accessories are available in a wide variety of finishes to meet the environmental or aesthetic requirements of customer installations. Use the list below to find the finish and suffix that will meet your needs.

Available product finishes will be listed on individual pages throughout the catalog.

Finish codes shown in bold type are the standard for that product.

Plain wire: ASTM A510, Grade 1008

- EG** Electroplated zinc galvanized finish applied after fabrication  
(ELG) Recommended applications: Controlled interior  
UL/CSA Classified as an equipment ground conductor when spliced as recommended  
ASTM B633 - Average thickness of 0.3 mils (8 microns)
- GS** Pre-galvanized zinc finish applied before fabrication  
(GLV) Recommended applications: Limited industrial & interior  
UL/CSA Classified as an equipment ground conductor when spliced as recommended  
ASTM A641
- BLE** Black powder coat finish applied after fabrication  
Recommended applications: Controlled interior  
UL/CSA Classified as an equipment ground conductor when coating has been removed at splice contact points  
Average paint thickness of 1.2 mils (30 microns) to 3.0 mils (75 microns)
- HD** Hot dip galvanized finish applied after fabrication  
(HDG) Recommended applications: Exterior, corrosive. Not intended for clean room applications.  
UL/CSA Classified as an equipment ground conductor when spliced as recommended  
ASTM A123 - Average thickness of 2.4 mils (60 microns) to 3.2 mils (80 microns)
- 304S** 304L Stainless steel  
(SS4) Recommended applications: Food preparation, wash-down areas  
ASTM A580
- 316S** 316L Stainless steel  
(SS6) Recommended applications: Highly corrosive applications & marine environments  
ASTM A580
- Custom powder coat finish applied after fabrication  
Recommended applications: Controlled interior  
UL/CSA Classified as an equipment ground conductor when coating has been removed at splice contact points  
No Specification

## Grounding Information

Statement for all UL Classified products:



This product is classified by Underwriters Laboratories, Inc. as to its suitability as an equipment grounding conductor only. 556E



Most sizes of the FLEXTRAY system are UL Classified to serve as an Equipment Ground Conductor. The ground path can be achieved in one of two ways listed on page D-4:

## Grounding Information (cont.)

1. Use the recommended quantity of UL Classified splices™ to connect sections and at places where the tray is cut.
2. Run an appropriately sized ground wire alongside the tray and attach it to each tray section and on both sides of a cut in the tray. (This method is recommended by NEMA VE-2 Installation Manual.)

## Load & Fill Chart

FLEXTRAY Series		Support Span / Loading Capacity*				Actual Area Inside Tray (in <sup>2</sup> )	Cable Fill (50% fill)**		
Part Number	Size height x width	Lbs/Ft (max)					Number of CAT 5e Cables***	Number of CAT 6 Cables***	Number of CAT 6A Cables***
		5'-0"	6'-0"	7'-0"	8'-0"				
FT1.5X12	1 1/2" x 12"	29	17	14	11	12.2	176	124	95
FT2X2	2" x 2"	34	28	24	20	4.3	61	43	33
FT2X4	2" x 4"	52	43	35	27	8.2	118	83	64
FT2X6	2" x 6"	66	47	35	27	12.1	175	123	95
FT2X8	2" x 8"	66	47	35	27	16.1	231	163	125
FT2X12	2" x 12"	68	47	35	27	23.9	345	243	187
FT2X16	2" x 16"	68	47	35	27	31.8	459	324	249
FT2X18	2" x 18"	68	47	35	27	35.8	516	364	280
FT2X20	2" x 20"	68	47	35	27	39.7	573	404	311
FT2X24	2" x 24"	68	47	35	27	47.5	686	484	372
FT2X30	2" x 30"	68	47	35	27	59.8	862	608	468
FT2X32	2" x 32"	77	53	39	30	63.3	914	645	496
FT4X4	4" x 4"	58	49	42	36	15.8	227	160	123
FT4X6	4" x 6"	93	77	60	46	23.6	341	240	185
FT4X8	4" x 8"	94	78	61	47	31.5	454	321	247
FT4X12	4" x 12"	119	83	61	47	47.5	686	484	372
FT4X16	4" x 16"	119	83	61	47	63.5	917	647	498
FT4X18	4" x 18"	119	83	61	47	71.5	1032	728	560
FT4X20	4" x 20"	119	83	61	47	79.5	1148	810	623
FT4X24	4" x 24"	128	89	65	50	95.5	1379	973	749
FT4X30	4" x 30"	128	89	65	50	119.5	1725	1217	936
FT6X8	6" x 8"	111	77	57	43	47.3	682	481	370
FT6X12	6" x 12"	124	86	63	48	71.6	1034	729	561
FT6X16	6" x 16"	128	89	65	50	95.3	1375	970	746
FT6X18	6" x 18"	128	89	65	50	107.3	1549	1092	840
FT6X20	6" x 20"	141	98	72	55	118.9	1716	1211	932
FT6X24	6" x 24"	154	107	78	60	143.3	2068	1459	1123

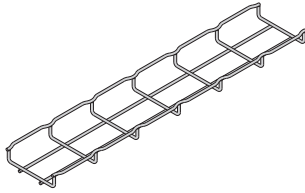
\* Published load chart has not been tested with Flexmate™ splice. Please consult the factory for load information when using the Flexmate option.

\*\* FLEXTRAY fill capacity is based on NEC allowable fill of 50%. The NEC rule requires that the cable cross-sectional areas together may not exceed 50% of the tray area (width x depth = fill). Cables will nearly completely fill the cable tray when reaching the 50% cable fill, due to empty space between the surface of the cables. TIA recommends 40% fill ratio. Flextray loads shown in the loading chart will not be exceeded at 50% fill.

\*\*\* CAT 5e 4-pr non-plenum approximated at .21 in. diameter, CAT 6 4-pr non-plenum approximated at .25 in. diameter, CAT 6A approximated at .285 diameter. Actual diameters vary by cable manufacturer.

# FLEXTRAY™ Wire Basket - Straight Sections

## 1.5" Deep FLEXTRAY



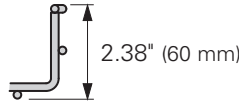
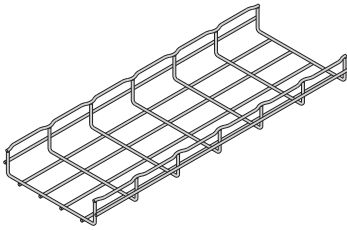
**Height:** 1.38" (35 mm)  
**Length:** 118.312" (3 meter)  
**Wire Dia. Minimum:** .196" (5.0 mm)  
**Finishes:**  
 EG, GS, BLE, HD, 304S, 316S



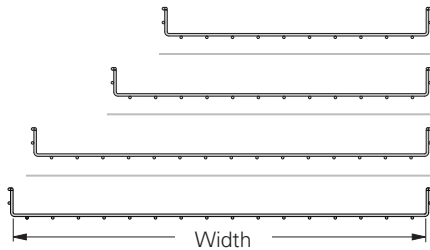
Part Number	Width		Wt. Per Pc.	
	in.	(mm)	lbs.	(kg)
FT1.5X4X10	4	(100)	5.8	(2.63)
FT1.5X6X10	6	(150)	7.4	(3.35)
FT1.5X8X10	8	(200)	9.0	(4.08)
FT1.5X12X10	12	(300)	12.1	(5.49)

Only FT1.5X12 (12" wide) is UL Classified

## 2" Deep FLEXTRAY



**Height:** 2.38" (60 mm)  
**Length:** 118.312" (3 meter)  
**Wire Dia. Minimum:** .196" (5.0 mm)  
**Finishes:**  
 EG, GS, BLE, HD, 304S, 316S



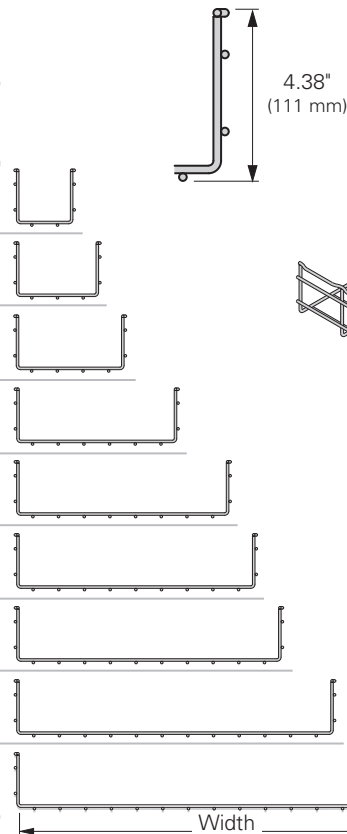
Part Number	Width		Wt. Per Pc.	
	in.	(mm)	lbs.	(kg)
FT2X2X10	2	(50)	6.6	(2.99)
FT2X4X10	4	(100)	8.2	(3.72)
FT2X6X10	6	(150)	9.7	(4.40)
FT2X8X10	8	(200)	11.2	(5.08)
FT2X12X10	12	(300)	14.3	(6.48)
FT2X16X10	16	(400)	17.4	(7.89)
FT2X18X10	18	(450)	18.9	(8.57)
FT2X20X10	20	(500)	20.4	(9.25)
FT2X24X10	24	(600)	23.5	(10.66)
FT2X30X10	30	(750)	28.1	(12.74)
FT2X32X10	32	(800)	29.7	(13.47)

FT2X6 (6" wide) through FT2X32 (32" wide) are UL Classified

# FLEXTRAY™ Wire Basket - Straight Sections

## 4" Deep FLEXTRAY

Part Number	Width		Wt. Per Pc.	
	in.	(mm)	lbs.	(kg)
FT4X4X10	4	(100)	11.25	(5.10)
FT4X6X10	6	(150)	12.79	(5.80)
FT4X8X10	8	(200)	14.32	(6.49)
FT4X12X10	12	(300)	17.39	(7.89)
FT4X16X10	16	(400)	20.45	(9.27)
FT4X18X10	18	(450)	21.99	(9.97)
FT4X20X10	20	(500)	23.52	(10.67)
FT4X24X10	24	(600)	26.59	(12.06)
FT4X30X10	30	(750)	31.19	(14.15)

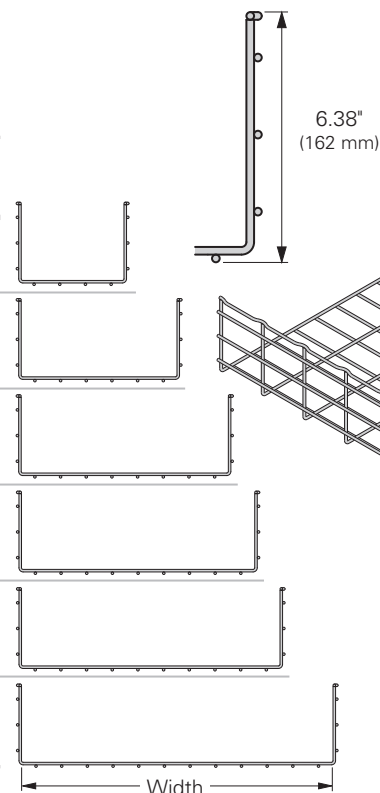


**Height:** 4.38" (111 mm)  
**Length:** 118.312" (3 meter)  
**Wire Diameter Minimum:** .196" (5.0 mm)  
**Finishes:** EG, GS, BLE, HD, 304S, 316S

All 4" deep Flextrays are UL Classified

## 6" Deep FLEXTRAY

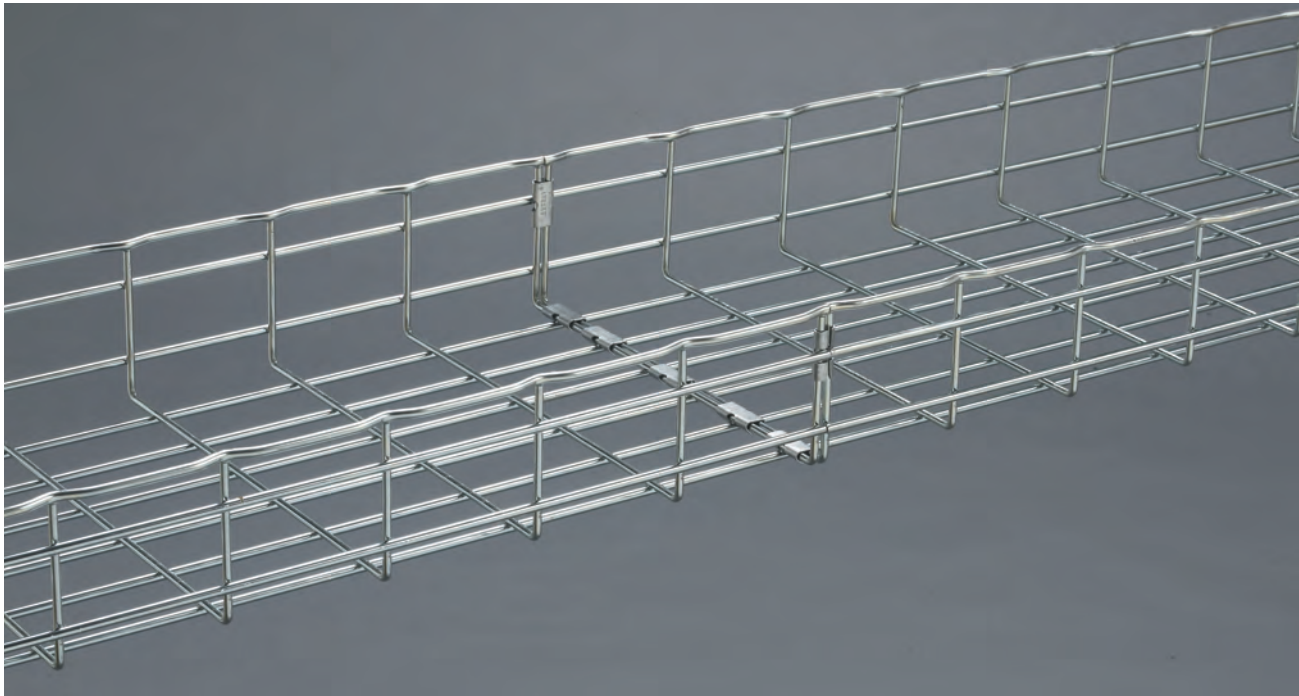
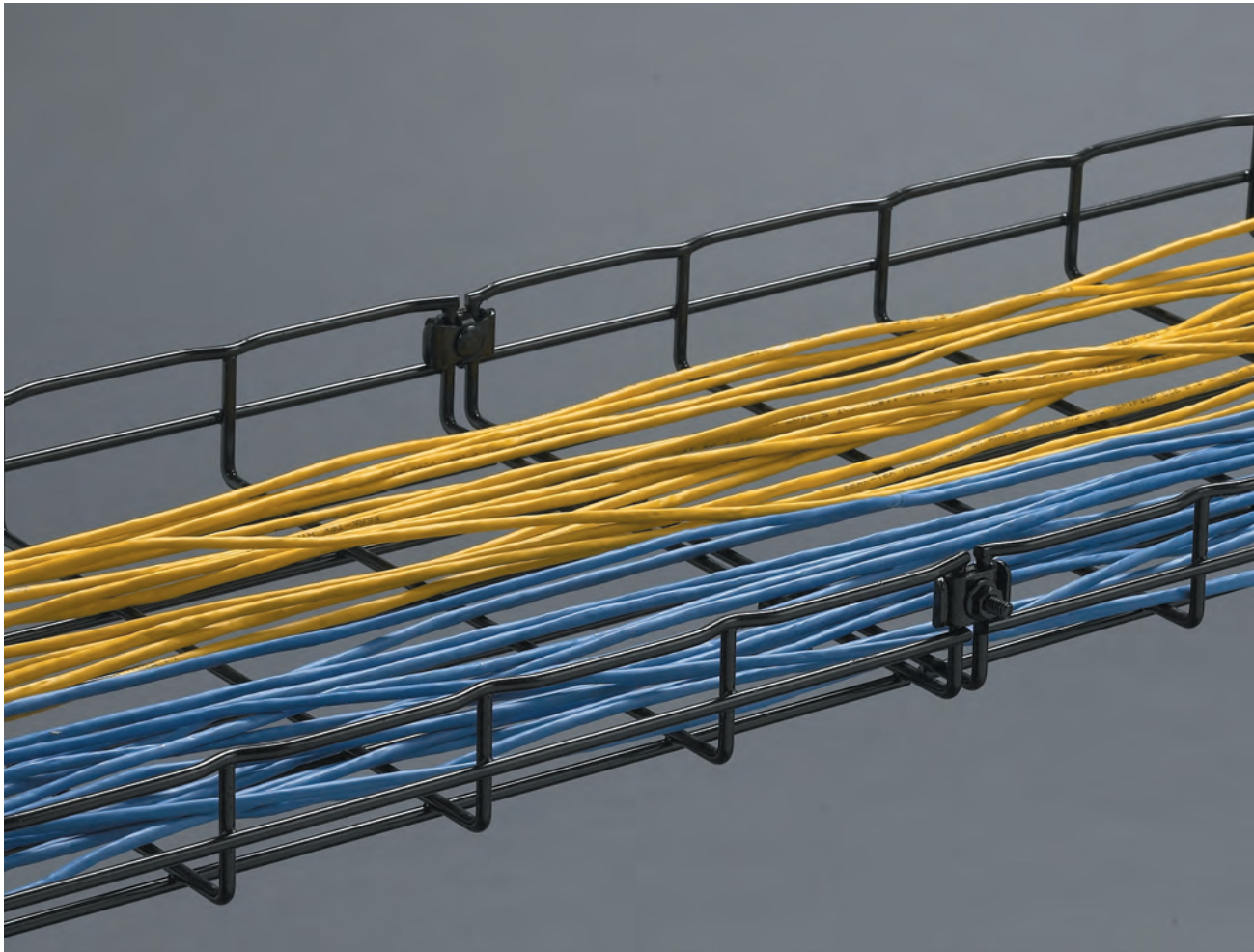
Part Number	Width		Wt. Per Pc.	
	in.	(mm)	lbs.	(kg)
FT6X8X10	8	(200)	17.39	(7.89)
FT6X12X10	12	(300)	20.45	(9.27)
FT6X16X10	16	(400)	23.52	(10.67)
FT6X18X10	18	(450)	25.06	(11.37)
FT6X20X10	20	(500)	26.59	(12.06)
FT6X24X10	24	(600)	29.66	(13.45)



**Height:** 6.38" (162 mm)  
**Length:** 118.312" (3 meter)  
**Wire Diameter Minimum:** .196" (5.0 mm)  
**Finishes:** EG, GS, BLE, HD, 304S, 316S

All 6" deep Flextrays are UL Classified

See page D-3 for finish information



FLEXTRAY

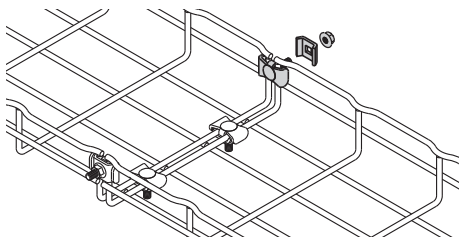
## Washer Splice Kit

- Washer is staked to bolt, holding part stationary during installation
- Fewer parts to handle
- For use with all tray widths and sizes
- Finishes \_\_: **EG, BLE**

**BLE** suffix indicates black zinc finish for this part only



Part Number	Description	Qty./Box	Wt./Box lbs. (kg)
WASHER SPL KIT__	Assembly of Staked Washer Stud/Washer & Finned Nut	100	4.5 (2.04)



### Splicing Chart (number of splices required for UL Classification)

Tray Height	Tray Width - number of splices									
	2" (50mm)	4" (100mm)	6" (150mm)	8" (200mm)	12" (300mm)	16" (400mm)	18" (450mm)	20" (500mm)	24" (600mm)	>24" (>600mm)
2"	NC	NC	3	3	3	4	4	4	4	5
4"	NM	3	3	3	3	4	4	4	4	5
6"	NM	NM	3	3	3	4	4	4	4	5

NC = Not UL Classified in this size    NM = FLEXTRAY is not manufactured in this size

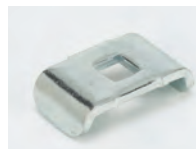
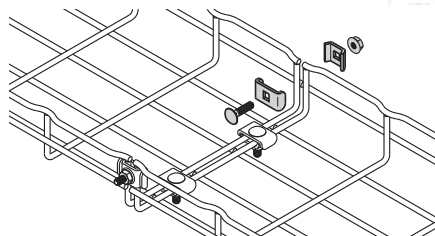
## Splice Hardware Components

- Works with all splicing needs
- For use with all tray widths and sizes
- Components are sold separately
- Finishes \_\_: **EG, BLE, 304S, 316S**

**FTHDWE 1/4** not available in **BLE**.



Part Number	Description	Qty./Box	Wt./Box lbs. (kg)
FTHDWE 1/4__	1/4" x 1" Carriage Bolt & Finned nut	50	2.4 (1.08)
TOP WASHER__	1" Square Splice Washer	100	2.8 (1.26)
BTM WASHER__	1 3/16" Square Splice Washer	100	4.0 (1.82)



BTM WASHER



FTHDWE1/4



TOP WASHER

### Splicing Chart (number of splices required for UL Classification)

Tray Height	Tray Width - number of splices									
	2" (50mm)	4" (100mm)	6" (150mm)	8" (200mm)	12" (300mm)	16" (400mm)	18" (450mm)	20" (500mm)	24" (600mm)	>24" (>600mm)
2"	NC	NC	3	3	3	4	4	4	4	5
4"	NM	3	3	3	3	4	4	4	4	5
6"	NM	NM	3	3	3	4	4	4	4	5

NC = Not UL Classified in this size    NM = FLEXTRAY is not manufactured in this size

See page D-3 for finish and grounding information



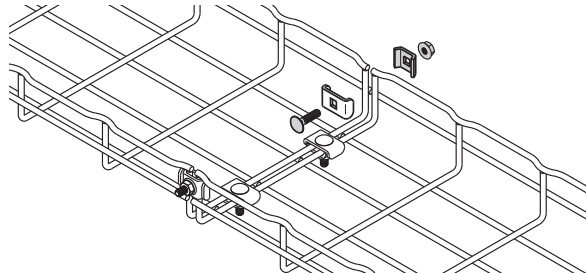
# FLEXTRAY™ Wire Basket - Splicing Accessories

## Connecting Hardware

Part Number	Description	Qty./Box	Wt./Box lbs. (kg)
FTSCH__	Connecting Hardware	50	2.0 (0.91)



- Adaptable and designed for use with splice plate (FTS3SP), SPLICE BAR, and long splice bar (FTS36SB).
- Finishes \_\_: EG, BLE-BLO, 304S, 316S



## Splicing Chart (number of splices required for UL Classification)

Tray Height	Tray Width - number of splices									
	2" (50mm)	4" (100mm)	6" (150mm)	8" (200mm)	12" (300mm)	16" (400mm)	18" (450mm)	20" (500mm)	24" (600mm)	>24" (>600mm)
2"	NC	NC	3	3	3	4	4	4	4	5
4"	NM	3	3	3	3	4	4	4	4	5
6"	NM	NM	3	3	3	4	4	4	4	5

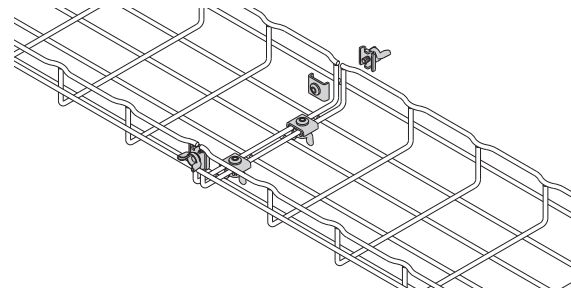
NC = Not UL Classified in this size    NM = FLEXTRAY is not manufactured in this size

## Wing Splice™

Part Number	Description	Qty./Box	Wt./Box lbs. (kg)
FTSWN__	Wing Splice	50	3.0 (1.38)



- Two piece design for easy handling
- Tool-less installation
- Reduces installation time, especially when used on fittings and bends
- Finish\_\_: ZN



## Splicing Chart (number of splices required for UL Classification)

Tray Height	Tray Width - number of splices									
	2" (50mm)	4" (100mm)	6" (150mm)	8" (200mm)	12" (300mm)	16" (400mm)	18" (450mm)	20" (500mm)	24" (600mm)	>24" (>600mm)
2"	NC	NC	3	3	3	4	4	4	4	5
4"	NM	3	3	3	3	4	4	4	4	5
6"	NM	NM	3	3	3	4	4	4	4	5

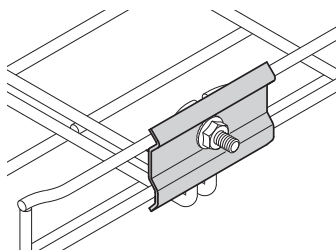
NC = Not UL Classified in this size    NM = FLEXTRAY is not manufactured in this size

See page D-3 for finish and grounding information

## Splice Plate (only)

Part Number	Description	Length in. (mm)	Height in. (mm)	Hole Diameter in. (mm)	Qty./ Box	Wt./Box lbs. (kg)
FTS3SP__	Splice Plate	2.7" (68.5)	1.6" (40.6)	0.27" (6.8)	50	6.1 (2.76)

- Splice plate is designed for use with connecting hardware (FTSCH) to provide added stability of splice connections
- Hardware sold separately
- Finish\_\_: **ZN**, SS6
- Note: FT2x2x10 and FT2x4x10 are not UL Classified

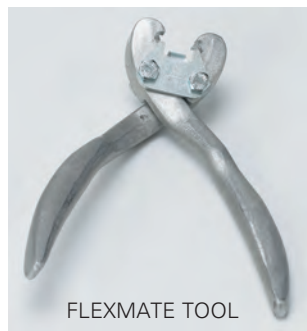


## FLEXMATE™ Splice System

- Fastest splice connection method available in the industry
- For use with 4" (100mm) to 12" (300mm) wide tray
- FLEXMATE clips and tool sold separately
- Finishes \_\_: **GS**, BLE

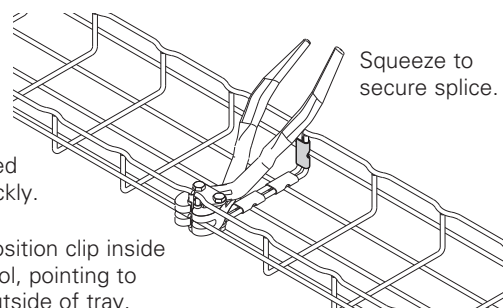
Note: Tray widths larger than 12" (300mm) are not UL Classified. We recommend that splice/supports comply with NEMA VE-2 installation requirements

Part Number	Description	Qty./Box	Wt./Box lbs. (kg)
FLEXMATE2__	Flexmate Splice Clips	100	1.0 (0.45)
FLEXMATE TOOL	Flexmate Splice Tool	1	0.7 (0.32)



FLEXMATE TOOL

Flexmate Tool is used to install splices quickly.



Squeeze to secure splice.

Position clip inside tray, pointing to outside of tray.

### Splicing Chart (number of splices required for UL Classification)

Tray Height	Tray Width - number of splices				
	2" (50mm)	4" (100mm)	6" (150mm)	8" (200mm)	12" (300mm)
2"	2	2	4	4	4
4"	NM	4	5	6	6
6"	NM	NM	NM	6	6

NC = Not UL Classified in this size

NM = FLEXTRAY is not manufactured in this size

See page D-3 for finish and grounding information

## Tab-Loc Connector

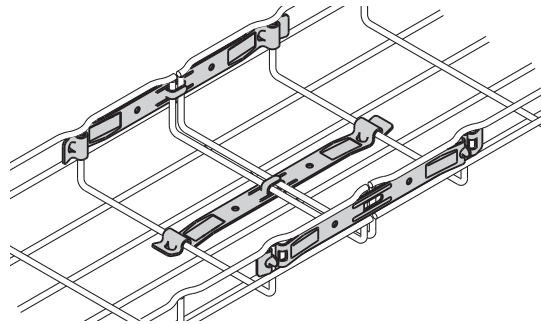
Part Number	Description	Length in. (mm)	Qty./Box	Wt./Box lbs. (kg)
FTSTLC__	Tab-Loc Connectors	9.29" (235.9)	50	7.2 (3.26)



- Fast splice for straight runs of tray
- For use with 2" (50mm) to 32" (800mm) wide tray to connect straight sections only
- Finishes \_\_: **ZN**, SS6

### Application Requirements

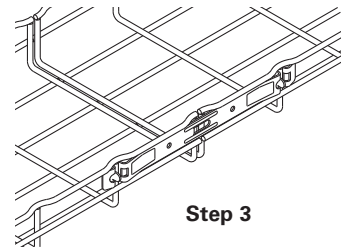
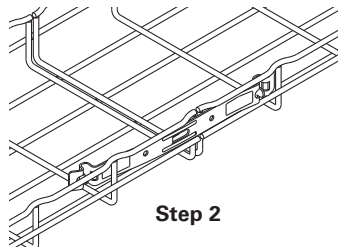
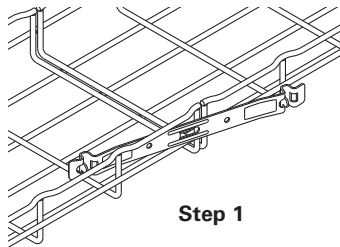
The recommendations listed are equal for all depths (except as noted).



### Splicing Chart (number of splices required for UL Classification)

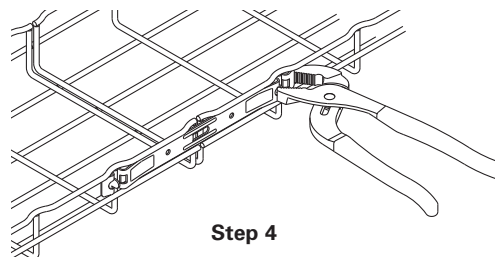
Tray Height	Tray Width - number of splices								
	2" (50mm)	4" (100mm)	6" (150mm)	8" (200mm)	12" (300mm)	16" (400mm)	18" (450mm)	20" (500mm)	24" (600mm)
2"	2	2	4	4	4	4	4	5	5
4"	NM	4	5	6	6	7	7	7	8
6"	NM	NM	NM	6	6	7	7	7	8

NM = FLEXTRAY is not manufactured in this size



### Tab-Loc security without special tools.

Screwdriver can also be used to bend tab-locs (hold connector ends while bending).

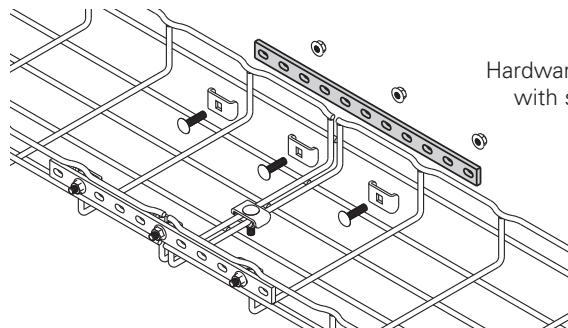


See page D-3 for finish and grounding information

- Adds rigidity to washer splice methods
- Used on side rails only (not for use in tray bottom)
- For use on trays when using splice hardware FTSCHE
- Hardware sold separately
- Finishes \_\_: **EG**, BLE, HD, 304S, 316S

## Splice Bar

Part Number	Bar Length in. (mm)	Qty./Box	Wt./Box lbs. (kg)
<b>SPLICE BAR__</b>	10 <sup>13/16</sup> " (274.6)	50	14.0 (6.35)



Hardware is not sold with splice bar.



Each splice bar requires three (3) each of Hardware Splice Components - TOP WASHER, and FTHDWE 1/4 to complete connection. These items must be ordered separately.

Washer Splice Kits (WASHER SPL KIT) are required for connections on bottom of tray.

### Splicing Chart (number of splices required for UL Classification)

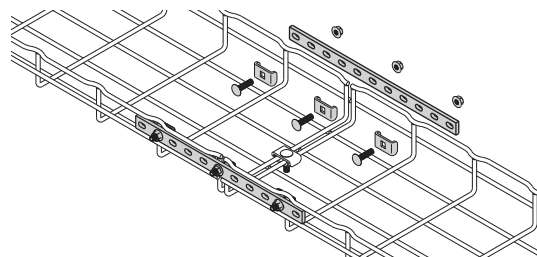
Tray Height	Tray Width - number of splices								
	2" (50mm)	4" (100mm)	6" (150mm)	8" (200mm)	12" (300mm)	16" (400mm)	18" (450mm)	20" (500mm)	24" (600mm)
2"	NC	NC	2	2	2	2	2	2	2
4"	NM	2	2	2	2	2	2	2	2
6"	NM	NM	2	2	2	2	2	2	2

NC = Not UL Classified in this size    NM = FLEXTRAY is not manufactured in this size

## Splice Bar Kit

- Adds rigidity
- Includes two (2) SPLICE BAR and hardware
- Finishes \_\_: **ZN**, FB, SS6

Part Number	Bar Length in. (mm)	Qty./Box	Wt./Box lbs. (kg)
<b>FTSBK__</b>	12" (304.8)	5 Sets	6.4 (2.90)



### Splicing Chart (number of splices required for UL Classification)

Tray Height	Tray Width - number of splices								
	2" (50mm)	4" (100mm)	6" (150mm)	8" (200mm)	12" (300mm)	16" (400mm)	18" (450mm)	20" (500mm)	24" (600mm)
2"	NC	NC	2	2	2	2	2	2	2
4"	NM	2	2	2	2	2	2	2	2
6"	NM	NM	2	2	2	2	2	2	2

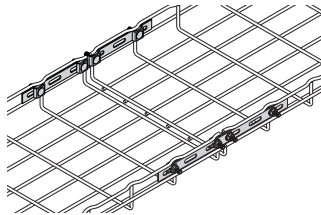
NC = Not UL Classified in this size    NM = FLEXTRAY is not manufactured in this size

See page D-3 for finish and grounding information

# FLEXTRAY™ Wire Basket - Splicing Accessories

## Expansion Splice Kit

Part Number	Bar Length in. (mm)	Qty./Box	Wt./Box lbs. (kg)
FTS12ESK__	12" (304.8)	1 Kit	0.45 (0.20)



- Allows 1<sup>3</sup>/<sub>4</sub>" (44mm) of expansion between two pieces of Flextray at expansion joints.
- To install, tighten nylon loc-nut until nut comes into contact with splice bar, then loosen approximately 1/4 turn.
- Includes two (2) splice bars and eight (8) sets of hardware
- Finishes \_\_: **ZN**

## Long Splice Bar (only)

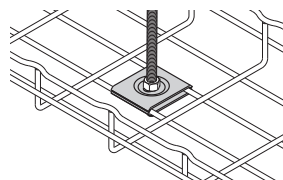
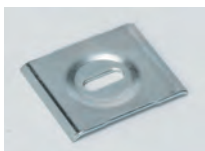
Part Number	Bar Length in. (mm)	Qty./Box	Wt./Box lbs. (kg)
FTS12SB__	12" (304.8)	1	0.13 (0.06)
FTS36SB__	36" (914.4)	1	0.40 (0.18)



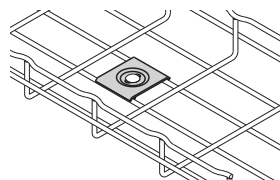
- FTS36SB long splice bar is used for assembly of large radius horizontal bends or field cut into short splice bars
- Splice Bars are designed for use with connecting hardware (FTSCH)
- Hardware sold separately
- Finishes \_\_: **ZN, FB, SS6**

## Hold Down Plate

Part Number	Description	Qty./Box	Wt./Box lbs. kg
SUPT WASHER__	.28" x .70" (7.1mm x 17.8mm)	100	9.4 (4.26)
FTA6HD__	.40" x .70" (10.1mm x 17.8mm)	100	7.0 (3.17)



- Easy way to mount 4" (100mm) wide tray for raceway run.
- Use 1/4" screws to attach SUPT WASHER to your specific wall/stud application (hardware sold separately).
- FTA6HD can be used in pairs to create a center-hung support using 3/8" rod.
- To protect cables use threaded rod protector (page D-21).
- To complete 3/8" center hanger assembly use:
  - 2 - FTA6HD
  - 2 - HN 3/8"-16 hex nuts
- Finish: **ZN, SS6**

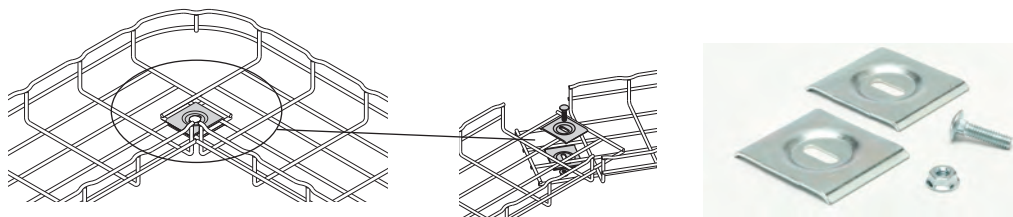


See page D-3 for finish and grounding information

- Horizontal adjustable kit can be used to create horizontal angles from prepared FLEXTRAY straight sections
- Conveniently poly-bagged
- Finishes \_\_: **EG**, BLE, 316S

## Horizontal Adjustable Kit

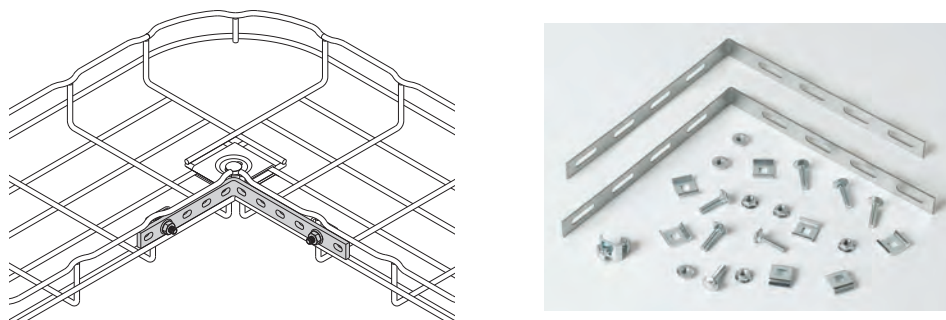
Part Number	Description	Qty./Box	Wt./Box lbs. (kg)
<b>FTSHAK__</b>	Horizontal Adjustable Kit	10	2.4 (1.09)



- For fast assembly of 90° turns and tee fittings
- For use with all tray widths and sizes
- One kit will make two 90° turns or one tee fitting
- 90 DEGREE KIT includes: two (2) 90° splice bars and eight (8) FTSCH
- Finishes \_\_: **EG**, BLE, 316S

## 90 Degree Kit

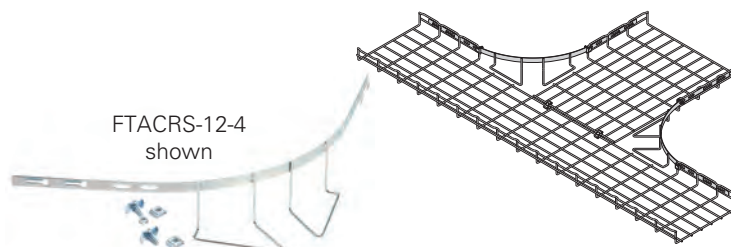
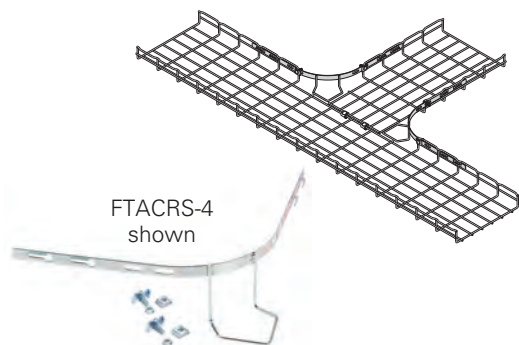
Part Number	Description	Qty./Box	Wt./Box lbs. (kg)
<b>90 DEGREE KIT__</b>	90 degree splice bar & hardware	1	1.3 (0.59)



- Helps eliminate need for field fabrication and is quick to install
- Built in tab features for positioning onto side rails at transition locations
- For fast assembly of a 90° bend, tee, and cross fittings
- One kit will make two 90° turns or one tee fitting
- Kit includes: one (1) corner radius and two (2) FTSCH
- Finishes \_\_: **EG**, BLE, 316S

## Corner Radius Kit

Part Number	Height in. (mm)	Radius in. (mm)	Qty. per Box	Wt./Box lbs. (kg)
<b>FTACRS-2</b>	2" (50.8)	6" (152.4)	1	1.3 (0.59)
<b>FTACRS-4</b>	4" (101.6)	6" (152.4)	1	1.3 (0.59)
<b>FTACRS-6</b>	6" (152.4)	6" (152.4)	1	1.3 (0.59)
<b>FTACRS-12-2</b>	2" (50.8)	12" (304.8)	1	1.3 (0.59)
<b>FTACRS-12-4</b>	4" (101.6)	12" (304.8)	1	1.3 (0.59)
<b>FTACRS-12-6</b>	6" (152.4)	12" (304.8)	1	1.3 (0.59)

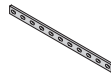


See page D-3 for finish and grounding information

# FLEXTRAY™ Wire Basket - Splicing Accessories

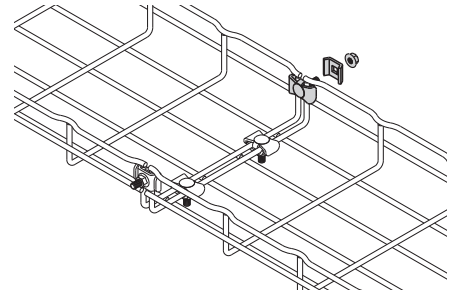
## Components Required to Connect Two Sections of FLEXTRAY

System Part Number	System Width in. (mm)	Connector Assembly WASHER SPL KIT	Connecting Hardware FTSCH	Splice Plate FTS3SP	Splice Bar SPLICE BAR
FT2X2 †	2" (50)	2	-	-	-
FT2X4 †	4" (100)	2	-	-	-
FT2X6	6" (150)	3 <sup>1</sup>	-	-	-
FT2X8	8" (200)	3 <sup>1</sup>	-	-	-
FT2X12	12" (300)	3 <sup>1</sup>	-	-	-
FT2X16	16" (400)	4 <sup>1</sup>	-	-	-
FT2X18	18" (450)	4 <sup>1</sup>	-	-	-
FT2X20	20" (500)	4 <sup>1</sup>	-	-	-
FT2X24	24" (600)	4 <sup>1</sup>	-	-	-
FT2X30	30" (750)	5 <sup>1</sup>	-	-	-
FT2X32	32" (800)	5 <sup>1</sup>	-	-	-
FT4X4	4" 100	3 <sup>1</sup>	-	-	-
FT4X6	6" 150	3 <sup>1</sup>	-	-	-
FT4X8	8" 200	3 <sup>2</sup>	-	-	-
FT(*)X12	12" 300	3 <sup>2</sup>	-	-	-
FT(*)X16	16" 400	4 <sup>2</sup>	-	-	-
FT(*)X18	18" (450)	4 <sup>2</sup>	-	-	-
FT(*)X20	20" 500	4 <sup>2</sup>	-	-	-
FT(*)X24	24" 600	4 <sup>2</sup>	-	-	-
FT(*)X30	30" (750)	5 <sup>2</sup>	-	-	-
FT2X2 †	2" (50)	-	2	2	-
FT2X4 †	4" (100)	-	2	2	-
FT2X6	6" (150)	1	2	2	-
FT2X8	8" (200)	1	2	2	-
FT2X12	12" (300)	1	2	2	-
FT2X16	16" (400)	2	2	2	-
FT2X18	18" (450)	2	2	2	-
FT2X20	20" (500)	2	2	2	-
FT2X24	24" (600)	2	2	2	-
FT2X30	30" (750)	3	2	2	-
FT2X32	32" (800)	3	2	2	-
FT4X4	4" (100)	1	2	2	-
FT4X6	6" (150)	1	2	2	-
FT4X8	8" (200)	1	2	2	-
FT(*)X12	12" (300)	1	2	2	-
FT(*)X16	16" (400)	2	2	2	-
FT(*)X18	18" (450)	2	2	2	-
FT(*)X20	20" (500)	2	2	2	-
FT(*)X24	24" (600)	2	2	2	-
FT(*)X30	30" (750)	3	2	2	-
FT2X2 †	2" (50)	-	6	-	2
FT2X4 †	4" (100)	-	6	-	2
FT2X6	6" (150)	1	6	-	2
FT2X8	8" (200)	1	6	-	2
FT2X12	12" (300)	1	6	-	2
FT2X16	16" (400)	2	6	-	2
FT2X18	18" (450)	2	6	-	2
FT2X20	20" (500)	2	6	-	2
FT2X24	24" (600)	2	6	-	2
FT2X30	30" (750)	3	6	-	2
FT2X32	32" 800	3	6	-	2
FT4X4	4" (100)	1	6	-	2
FT4X6	6" (150)	1	6	-	2
FT4X8	8" (200)	1	6	-	2
FT(*)X12	12" (300)	1	6	-	2
FT(*)X16	16" (400)	2	6	-	2
FT(*)X18	18" (450)	2	6	-	2
FT(*)X20	20" (500)	2	6	-	2
FT(*)X24	24" (600)	2	6	-	2
FT(*)X30	30" (750)	3	6	-	2



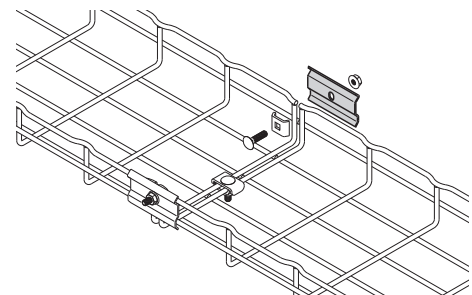
(\*) 4 for 4" Deep FLEXTRAY  
6 for 6" Deep FLEXTRAY

### Washer Splice Kits



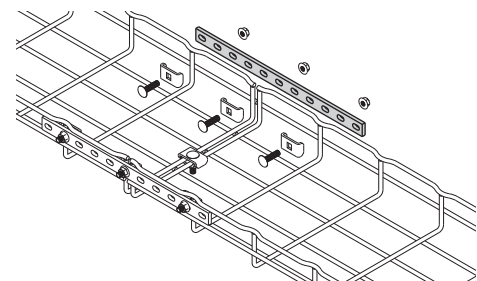
- 1 Install one kit on each side and remaining kit(s) on bottom.
- 2 Install two kits on each side and remaining kits on bottom.

### Splice Plates



Install splice plates on sides and WASHER SPL KIT on bottom.



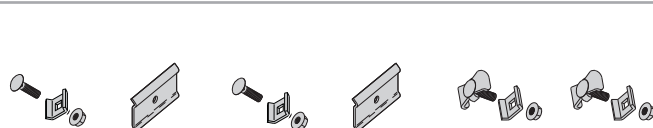
### Splice Bars



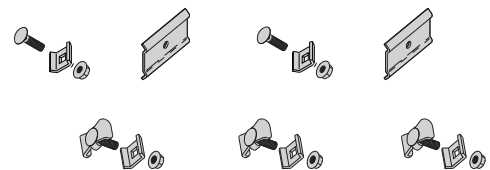
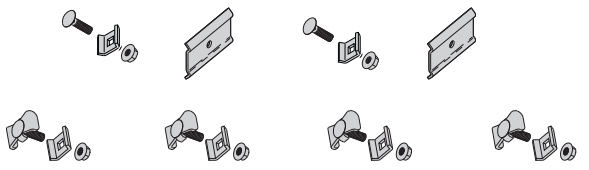
Install splice bars on sides and WASHER SPL KIT on bottom.

† Sizes not UL Classified

## Splice Plate Kits for 2" Deep FLEXTRAY

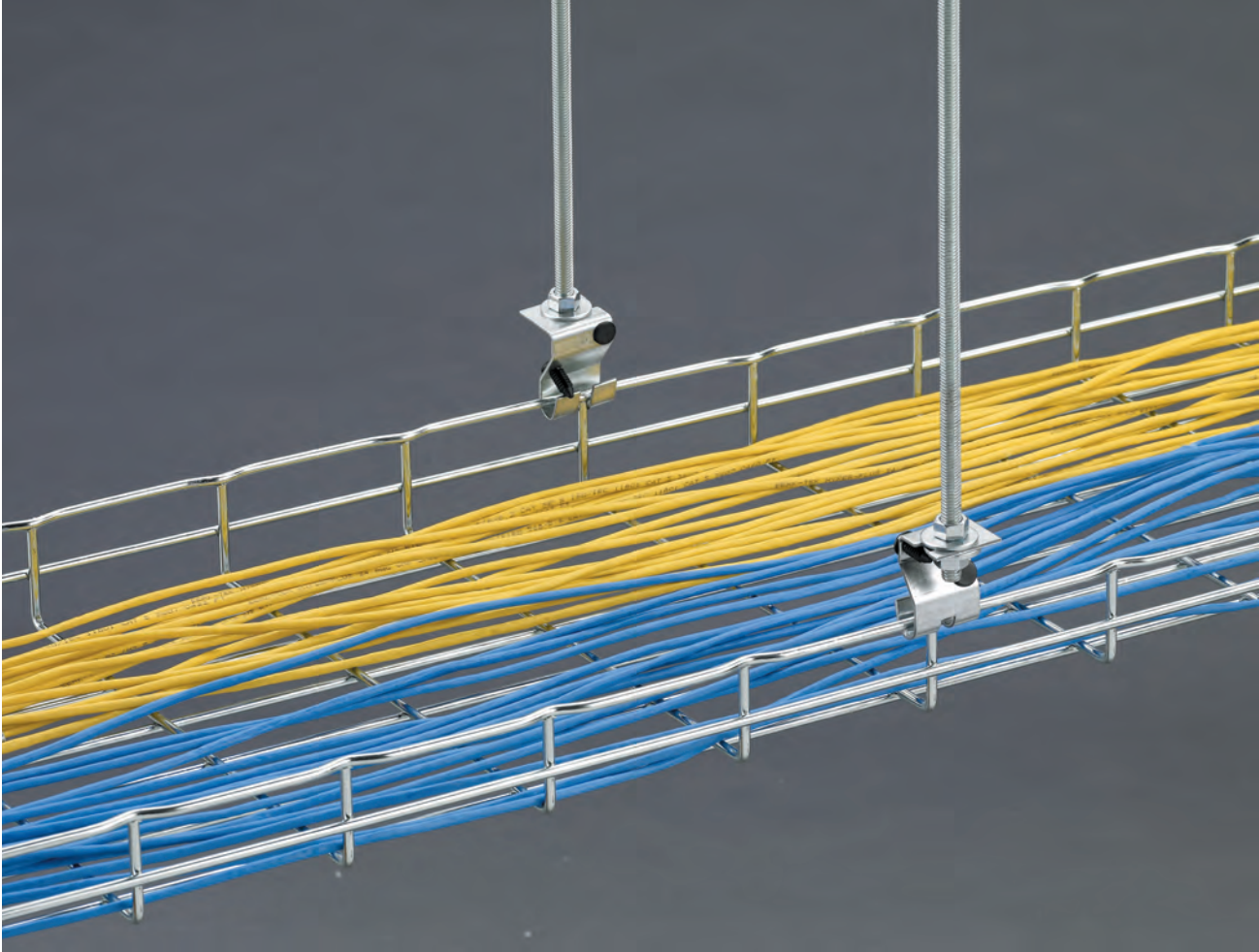
Part Number	System Width		Weight Per 100		Box Quantity	Conveniently poly-bagged for use with 2" Deep FLEXTRAY
	in.	(mm)	lbs.	(kg)		
FTS20SK	2"	(50)	2.91	(1.32)	10	
	4"	(100)				
FTS21SK	6"	(150)	3.63	(1.64)	10	
	8"	(200)				
FTS22SK	12"	(300)	4.35	(1.97)	10	
	18"	(450)				
	20"	(500)				
	24"	(600)				

## Splice Plate Kits for 4" & 6" Deep FLEXTRAY

Part Number	System Width		Weight Per 100		Box Quantity	Conveniently poly-bagged for use with 4" & 6" Deep FLEXTRAY
	in.	(mm)	lbs.	(kg)		
FTS23SK	4"	(100)	5.07	(2.30)	10	
	6"	(150)				
	8"	(200)				
	12"	(300)				
FTS24SK	18"	(450)	5.79	(2.62)	10	
	20"	(500)				
	24"	(600)				



# FLEXTRAY™ Wire Basket - Ceiling Support Methods



FLEXTRAY

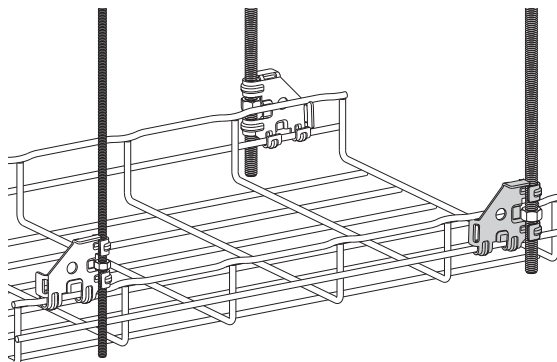
# FLEXTRAY™ Wire Basket - Ceiling Support Methods

## Flip Clip™

- Accommodates 1/4" and 3/8" rod sizes
- Installs quickly with a screwdriver or pliers thus reducing installation time
- Requires only one hex nut (not included) to hang and level the FLEXTRAY
- Retainer tabs can be bent over to lock-in the threaded rod and wire basket
- Finishes \_\_: **ZN**, FB, SS6

Part Number	Description	Qty./Box	Wt./Box lbs. (kg)
WB46H__	Flip Clip	50	5.2 (2.36)

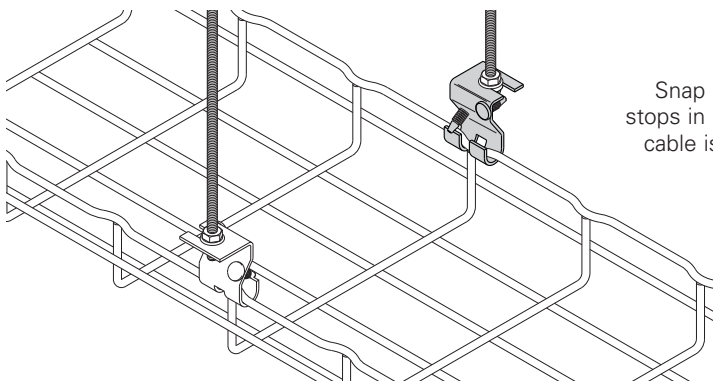
Snap retainer stops in place after cable is loaded.



## Trapeze Support

- Trapeze Clip installs fast
- For use with trays up to 4" (100mm) deep, 12" (300mm) wide, and spans up to 8'-0" (2.44m)
- Tray can be released from support to allow side cable loading
- Accepts 1/4" and 3/8" threaded rod sizes
- Finishes \_\_: **GS**, BLE

Part Number	Description	Qty./Box	Wt./Box lbs. (kg)
TRAPEZE SUPT2__	Trapeze Support Clip	50 trapeze clips 100 retainer stops	7.0 (3.17)



Snap retainer stops in place after cable is loaded.



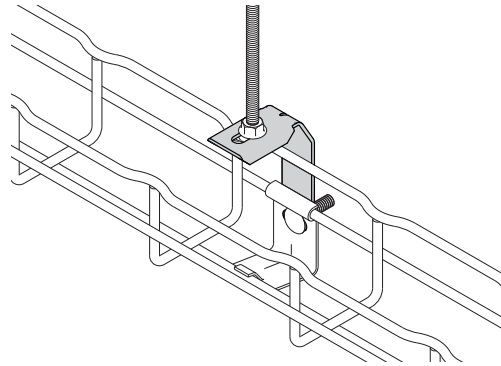
See page D-3 for finish information

# FLEXTRAY™ Wire Basket - Ceiling Support Methods

## 2" Center Hanger

Part Number	Description	Qty./Box	Wt./Box lbs. (kg)
2 IN CTR SUPT__	Center Support Hanger for FT2x2	50	5.0 (2.27)

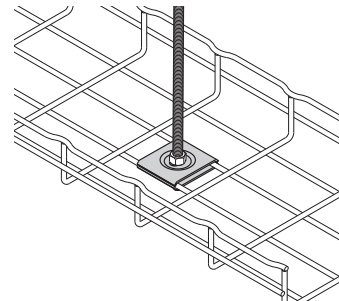
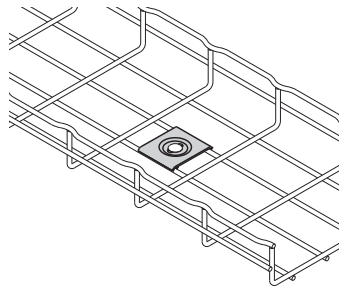
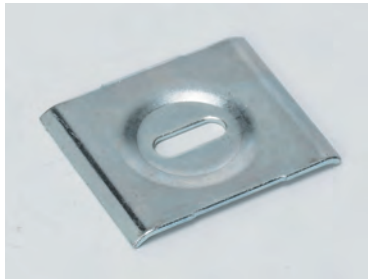
- For use with 2" (50mm) tray widths only
- Accepts 1/4" threaded rod
- Hardware sold separately
- Finishes \_\_: **GS**, BLE
- Assemble with ATTACHMENT CLP & FTHDWE 1/4 hardware



## Hold Down Plate

Part Number	Description	Qty./Box	Wt./Box lbs. (kg)
SUPT WASHER__	.28" x .70" (7.1mm x 17.8mm)	100	9.4 (4.26)
FTA6HD__	.40" x .70" (10.1mm x 17.8mm)	100	7.0 (3.18)

- Easy way to mount 4" (100mm) wide tray for raceway run.
- Use 1/4" screws to attach SUPT WASHER to your specific wall/stud application (hardware sold separately).
- FTA6HD can be used in pairs to create a center-hung support using 3/8" rod.
- To protect cables use threaded rod protector (page D-20).
- To complete 3/8" center hanger assembly use:  
2 - FTA6HD  
2 - HN 3/8"-16 hex nuts
- Finish: **ZN**, SS6



FLEXTRAY

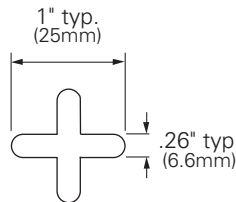
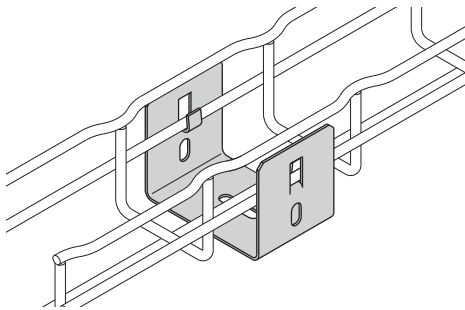
See page D-3 for finish information

# FLEXTRAY™ Wire Basket - Ceiling Support Methods

## Mounting Bracket

- Designed to support FT2X2X10 Flextray
- Click tabs for FLEXTRAY attachment
- Use 1/4" hardware and washer (not included) to mount bracket
- Finishes \_\_: **SS6**

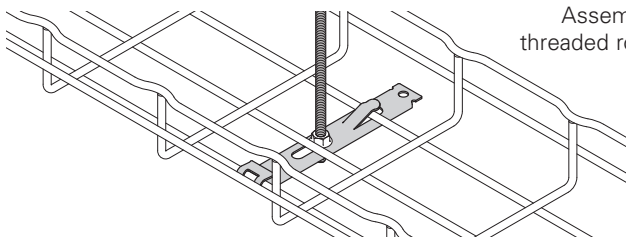
Part Number	Description	Qty./Box	Wt./Box lbs. (kg)
FTB2UB__	Light Duty Wall/Rack Bracket	10	2.1 (0.95)



- Use for light duty cabling applications
- For use with 1 1/2" (38mm) & 2" (51mm) deep tray with 4" (100mm) and 6" (150mm) widths
- When hanging 4" (100mm) wide tray, center hung clip must be run parallel with the tray
- Built-in hold down tab
- Accepts 1/4" threaded rod
- Threaded rod and nuts sold separately
- Finishes \_\_: **GS**, BLE

## Center Hung Clip

Part Number	Description	Qty./Box	Wt./Box lbs. (kg)
CTR HUNG CLP__	Light Duty Center Hanger	50	4.0 (1.81)



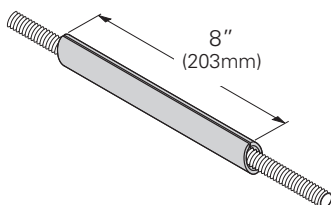
Assemble with 1/4" threaded rod and finned nut



- Use to protect cables from 1/4" to 1/2" threaded rod
- PVC UL94V-O material
- Color: Gray
- Not plenum rated

## Threaded Rod Protector

Part Number	Description	Qty./Box	Wt./Box lbs. (kg)
SB301-1/2x8	Rod Protector	1	0.03 (0.013)



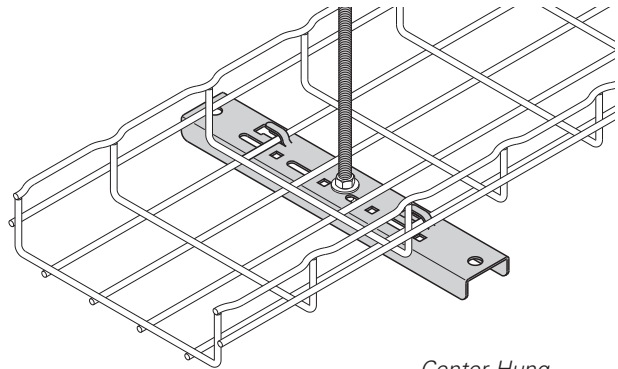
See page D-3 for finish information

# FLEXTRAY™ Wire Basket - Ceiling Support Methods

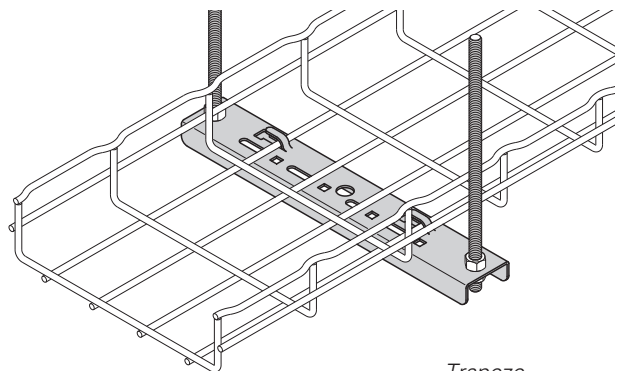
## Center Trapeze Hanger

Part Number	Maximum Tray Width		Actual Length		Wt./Pc.	
	in.	(mm)	in.	(mm)	lbs.	(kg)
<b>FTB06CT</b>	6"	(150)	9.78"	(248)	0.61	(0.27)
<b>FTB08CT</b>	8"	(200)	11.75"	(298)	0.74	(0.33)
<b>FTB12CT</b>	12"	(300)	15.69"	(398)	0.98	(0.44)
<b>FTB16CT</b>	16"	(400)	19.63"	(498)	1.61	(0.73)
<b>FTB18CT</b>	18"	(450)	21.59"	(548)	1.77	(0.80)
<b>FTB20CT</b>	20"	(500)	23.56"	(598)	1.93	(0.87)
<b>FTB24CT</b>	24"	(600)	27.50"	(698)	2.25	(1.02)

- Can be installed as center-hung or traditional trapeze hanger
- Multiple options to secure FLEXTRAY to hanger
  - Built in hold down tabs (use screwdriver to bend down tab)
  - Compatible with TOOLLESS CLIP with snap-in locking pin
  - Compatible with WBUHD hold down clip when tray crosswire is aligned over top of hanger
  - Slots and holes for optional hardware attachment
- Corrosion resistant pre-galvanized zinc finish (other finishes available upon request)
- Center hole for up to 1/2" rod
- Hole on each end for up to 3/8" rod
- Threaded rod protector available (SB301-1/2 x 8) see page D-20
- When 1/2" trapeze rods are required, add -1/2 to end of part number when ordering



Center Hung



Trapeze

See page D-3 for finish information

## KwikWire™ Clamps & Wire Rope

- KwikWire system replaces jack chain or ATR to support lighting, ductwork, and FLEXTRAY.
- Can be quickly installed around beams - No drilling required.
- Ideal for sloped ceilings - can hang objects at up to 60° angles.
- Simple height adjustments are made by releasing locking tab, no tools required.
- Spools of wire can be cut to length in field, reducing waste and up front planning.

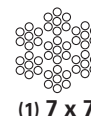
Part No.	Clamps - For Use With Wire Rope Diameters	Box Qty.
<b>BKC100</b>	1/16" (1.6mm) & 3/32" (2.3mm)	100
<b>BKC200</b>	1/8" (3.2mm) & 3/16" (4.7mm)	50



Part No.	Rope Dia. in. (mm)	Working Load Lbs. (kg)	Spool
<b>BKW063</b> <sup>(1)</sup>	1/16" (1.6)	96 (43.5)	500 ft.
<b>BKW094</b> <sup>(1)</sup>	3/32" (2.3)	184 (83.4)	500 ft.
<b>BKW125</b> <sup>(1)</sup>	1/8" (3.2)	340 (154.2)	500 ft.
<b>BKW188</b> <sup>(2)</sup>	3/16" (4.8)	840 (381.0)	250 ft.



### Wire Rope Construction



(1) 7 x 7



(2) 7 x 19

### KwikWire Clamp Working Loads\*

Clamp Part No.	Wire Rope Dia.	Lbs. Safety Factor 5
BKC100	1/16"	0-75
BKC100	3/32"	25-150
BKC200	1/8"	25-250
BKC200	3/16"	50-640

\* Working loads shown are for hanging vertically. For suspending at 15°, 30°, 45° or 60° angles from vertical, use the following percentage of the working loads from the chart:

15° = 96%  
30° = 86%  
45° = 70%  
60° = 50%

Cutter Part No.	Box Qty.
<b>BKCC</b>	1



- KwikPak includes a supply of kwik-clamps and a spool of wire rope.
- KwikPak are shipped in a specially designed dispenser box to ease field cutting of wire.

## KwikPak™ Wire Rope & Clamps

Part No.	For Use With Wire Rope Diameters	Box Qty.
<b>BKP10063</b>	BKC100 (100 pcs.) 1/16" Ø Wire Rope (500 ft.)	1
<b>BKP10094</b>	BKC100 (100 pcs.) 3/32" Ø Wire Rope (500 ft.)	1
<b>BKP20125</b>	BKC200 (50 pcs.) 1/8" Ø Wire Rope (500 ft.)	1
<b>BKP20188</b>	BKC200 (50 pcs.) 3/16" Ø Wire Rope (250 ft.)	1



See page D-3 for finish information

# FLEXTRAY™ Wire Basket - Ceiling Support Methods

## KwikWire™ Accessory Features

- Helps reduce on the job installation time
- Can be installed quickly without drilling into existing structure
- Increases versatility in the field
- KwikWire accessory system helps reduce inventory and shipping costs
- No more sawing, filing, or fixing nuts
- Designed for use with cable tray, lighting, and HVAC
- Eliminates the need for all threaded rod
- Cost effective solution for jack chain
- "Y" style accessories require 50% less drilling



## KwikWire Accessory Numbering System

Product Line	Assembly Configuration	Leg Termination	Leg Length	Wire Rope Diameter	Straight Length	Assembly or Kit
BK = KwikWire	Blank = Single Leg Y = 2 Legs 3 - 3 Legs	A = Angle Bracket w/Pin H = Hook L = Loop T = Toggle W = Fuse Cut B25 = Bolt w/ 1/4"-20 Thread B38 = Bolt w/ 3/8"-16 Thread BM6 = Bolt w/ M6 Thread BM8 = Bolt w/ M8 Thread BM10 = Bolt w/ M10 Thread	Blank = See Straight Length 18 = 18" Leg 30 = 30" Leg	063 = 1/16" 094 = 3/32"	Blank = Loop w/ Plastic Tube 18 = 18" 30 = 30" 40 = 40" 80 = 80" 120 = 120" 180 = 180" 240 = 240" 360 = 360"	Blank = Assembly Only K = Kit (Assembly & BKC100 Clamp)

## Examples

### BKYT18-094-120K



KwikWire Accessory

2 legs - toggle leg termination - 18" legs - 1/16" diameter wire - 120" straight length - kit with clamp

### BKL-063-120K



KwikWire Accessory

single leg - looped leg termination - 1/16" diameter wire - 120" straight length - kit with clamp

See page D-3 for finish information

## KwikWire™ 'Y' Style Hook Termination

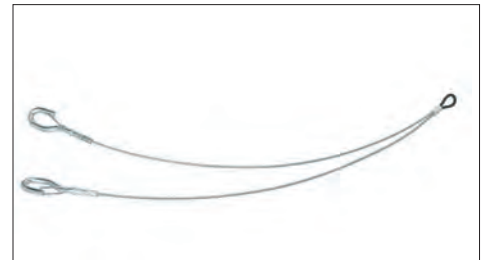
Part No.	Leg Length		Wire Rope Dia.		Length	
	in.	(mm)	in.	(mm)	in.	(mm)
<b>BKYH18-094-40</b>	18"	(457)	3/32"	(2.3)	40"	(1016)
<b>BKYH18-094-80</b>	18"	(457)	3/32"	(2.3)	80"	(2032)
<b>BKYH18-094-120</b>	18"	(457)	3/32"	(2.3)	120"	(3048)
<b>BKYH18-094-180</b>	18"	(457)	3/32"	(2.3)	180"	(4572)
<b>BKYH18-094-240</b>	18"	(457)	3/32"	(2.3)	240"	(6096)
<b>BKYH18-094-360</b>	18"	(457)	3/32"	(2.3)	360"	(9144)
<b>BKYH30-094-40</b>	30"	(762)	3/32"	(2.3)	40"	(1016)
<b>BKYH30-094-80</b>	30"	(762)	3/32"	(2.3)	80"	(2032)
<b>BKYH30-094-120</b>	30"	(762)	3/32"	(2.3)	120"	(3048)
<b>BKYH30-094-180</b>	30"	(762)	3/32"	(2.3)	180"	(4572)
<b>BKYH30-094-240</b>	30"	(762)	3/32"	(2.3)	240"	(6096)
<b>BKYH30-094-360</b>	30"	(762)	3/32"	(2.3)	360"	(9144)



**Box Quantity - 10**  
5 bags containing 2 pieces per bag

## KwikWire™ 'Y' Style Hook Termination With Loop

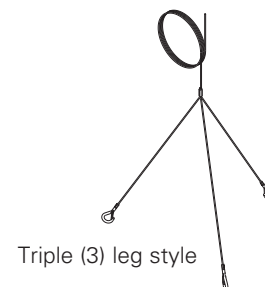
Part No.	Wire Rope Dia.		Length	
	in.	(mm)	in.	(mm)
<b>BKYH18-094</b>	3/32"	(2.3)	18"	(457)
<b>BKYH30-094</b>	3/32"	(2.3)	30"	(762)



**Box Quantity - 10**  
5 bags containing 2 pieces per bag

- Hook designed for up to 3/8" diameter wire.
- Available as a wire rope with hook termination only or as a ready-to-use kit with a BKC100 clamp.
- Available in lengths of 40", 80", 120", 180", 240", and 360".
- Available in single, double (Y), and triple (3) leg styles

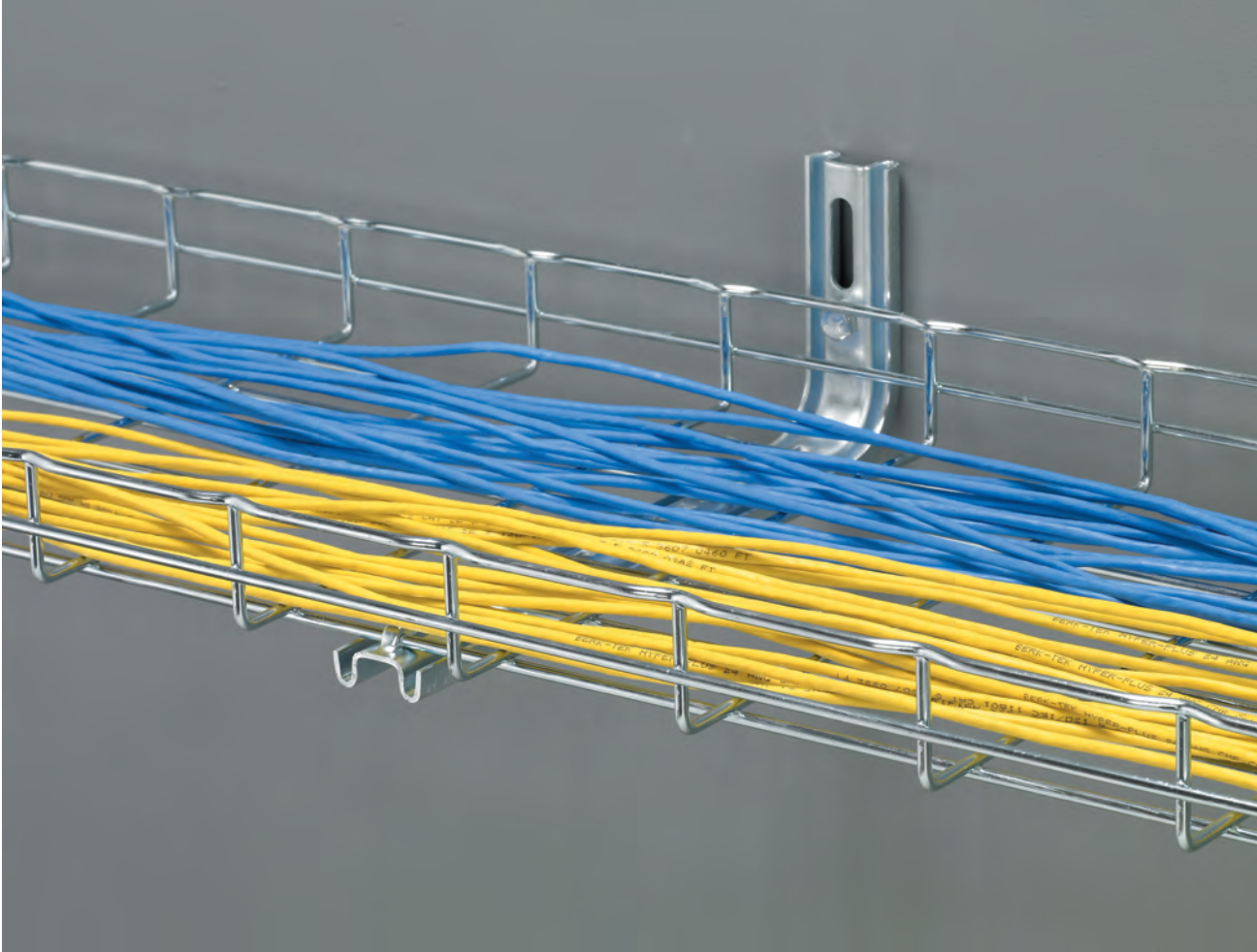
For more information on KwikWire accessories see the KwikWire catalog.



See page D-3 for finish information



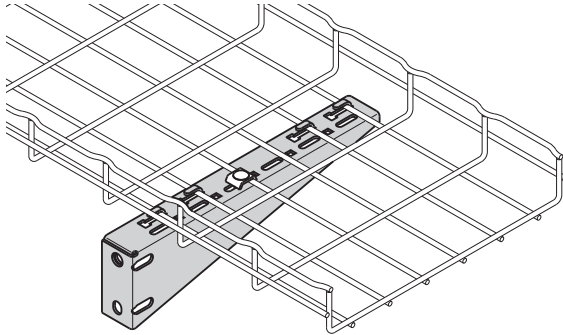
# FLEXTRAY™ Wire Basket - Wall Support Methods



FLEXTRAY

## Shelf Brackets

- Heavy-duty support bracket
- For use with 6" (150mm) to 24" (600mm) wide trays
- Built-in tab for hold down
- Optional hardware (FTSCH) sold separately
- Finishes \_\_: **GLV**, HDG, SS6



Part Number	Use With Tray Width		Qty./Box	Wt./Pc. lbs. (kg)
	in.	(mm)		
<b>FTB06CS</b> __	6"	(150)	1	0.5 (0.22)
<b>FTB08CS</b> __	8"	(200)	1	0.6 (0.27)
<b>FTB12CS</b> __	12"	(300)	1	1.2 (0.54)
<b>FTB16CS</b> __	16"	(400)	1	1.7 (0.77)
<b>FTB18CS</b> __	18"	(450)	1	1.9 (0.86)
<b>FTB20CS</b> __	20"	(500)	1	2.6 (1.18)
<b>FTB24CS</b> __	24"	(600)	1	3.2 (1.45)

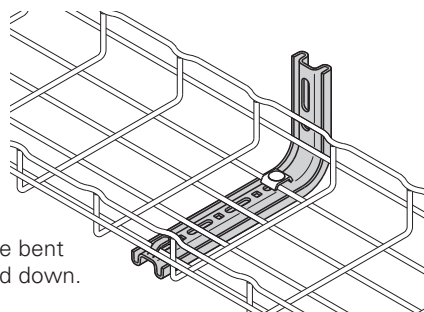


FTB24CS shown

## L Brackets

- Installs tray to wall cleanly
- Built-in tab for hold down (not available in stainless steel)
- For use with 4" (100mm) to 24" (600mm) wide trays
- Use with pedestal clamp in raised floor applications
- Optional hardware (FTSCH) sold separately
- Finishes \_\_: **EG**, HD, BLE, 316S

Part Number	Use With Tray Width		Qty./Box	Wt./Pc. lbs. (kg)
	in.	(mm)		
<b>4 L BRKT</b> __	4"	(150)	1	0.6 (0.27)
<b>8 L BRKT</b> __	6"	(150)	1	0.8 (0.36)
	8"	(200)		
<b>12 L BRKT</b> __	12"	(300)	1	1.3 (0.59)
<b>16 L BRKT</b> __	16"	(400)	1	1.4 (0.63)
	18"	(450)		
<b>20 L BRKT</b> __	20"	(500)	1	2.0 (0.91)
	24"	(600)		
<b>24 L BRKT</b> __	24"	(600)	1	2.3 (1.04)



Tab can be bent over for hold down.



12 L BRKT

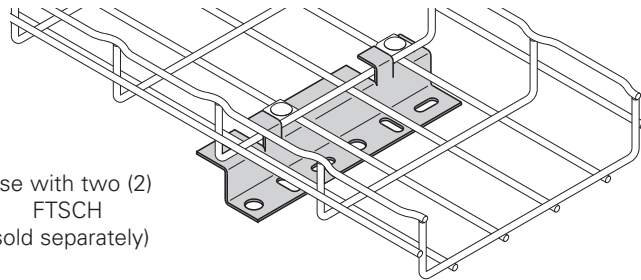
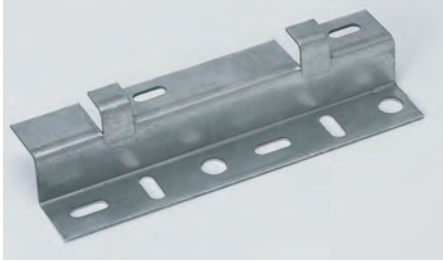
See page D-3 for finish information

# FLEXTRAY™ Wire Basket - Wall Support Methods

## Z Brackets

Part Number	Description	Qty./Box	Wt./Box lbs. (kg)
Z BRKT__	Z Bracket	25	14.0 (6.35)

- Used for horizontal and/or vertical mounting
- 8" (200mm) wide bracket for use with 4" (100mm) to 32" (800mm) wide trays
- Can be used to offset trays from floor
- Can be used to terminate tray run at wall
- Multiple brackets can be used for wider tray widths
- Finishes \_\_: **GS**, BLE

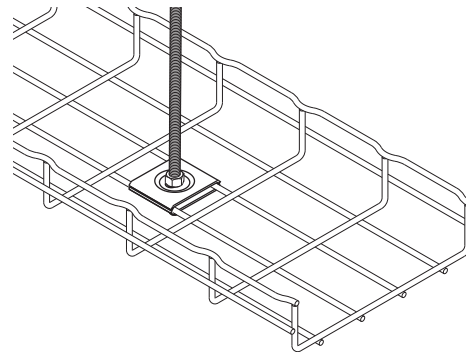
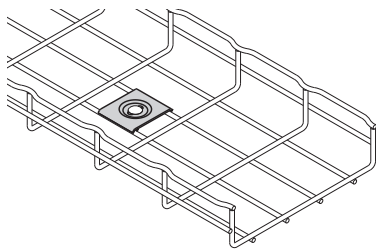
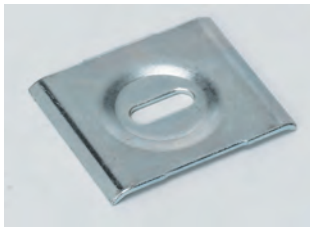


Use with two (2) FTSCH (sold separately)

## Hold Down Plate

Part Number	Description	Qty./Box	Wt./Box lbs. (kg)
SUPT WASHER__	.28" x .70" (7.1mm x 17.8mm)	50	4.7 (2.13)
FTA6HD__	.40" x .70" (10.1mm x 17.8mm)	50	3.5 (1.59)

- Easy way to mount 4" (100mm) wide tray for raceway run.
- Use 1/4" screws to attach SUPT WASHER to your specific wall/stud application (hardware sold separately).
- FTA6HD can be used in pairs to create a center-hung support using 3/8" rod.
- To protect cables use threaded rod protector (page D-20).
- To complete 3/8" center hanger assembly use:
  - 2 - FTA6HD
  - 2 - HN 3/8"-16 hex nuts
- Finish: **ZN**, SS6

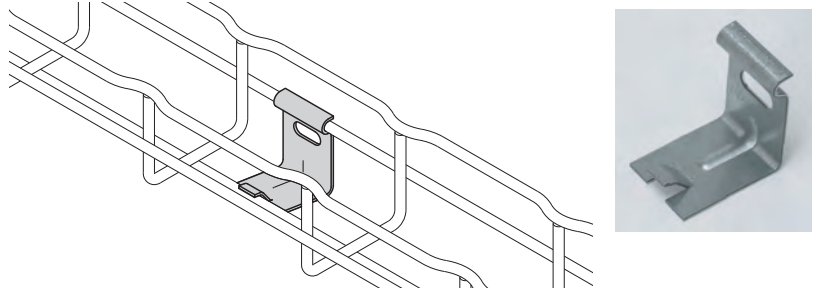


See page D-3 for finish information

## Attachment Clips

- Wall attachment for 2" (50mm) wide tray only (FT2X2X10)
- Low-profile appearance
- Built-in tab to hold down tray
- Can also be used with 2" (50mm) Center Hanger (see page D-19)
- Hardware sold separately
- Finishes \_\_: **GS**, BLE

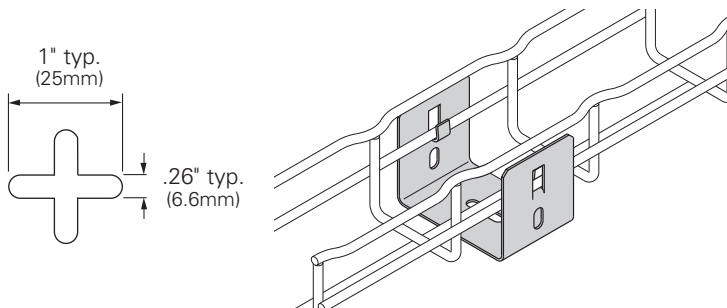
Part Number	Description	Qty./Box	Wt./Box lbs. (kg)
<b>ATTACHMENT CLP__</b>	Support for FT2x2x10	50	3.4 (1.54)



## Mounting Bracket

- Designed to support FT2X2X10 FLEXTRAY
- Click tabs for FLEXTRAY attachment
- Use 1/4" hardware and washer (not included) to mount bracket
- Finishes \_\_: **SS6**

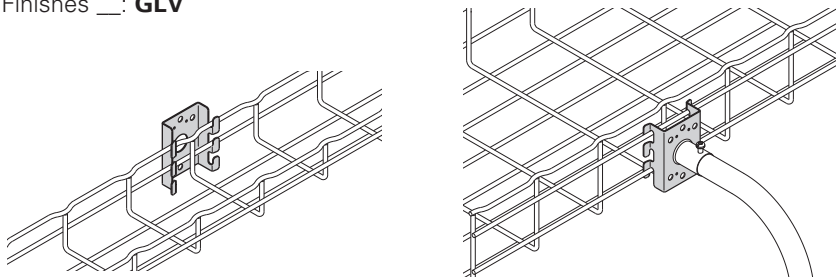
Part Number	Description	Qty./Box	Wt./Box lbs. (kg)
<b>FTB2UB__</b>	Light Duty Wall/Rack Bracket	10	2.1 (0.95)



## Wall Supports

- Used to attach 2" (50mm) or 4" (100mm) wide trays to walls, struts or cabinets
- Use for raceway mounting
- Mount to metal framing for vertical support
- Tabs are built in for tray hold down
- Mount to side rail for electrical box connection
- Finishes \_\_: **GLV**

Part Number	Description	Qty./Box	Wt./Box lbs. (kg)
<b>FTA050CC__</b>	Wall Support Bracket	1	0.8 (0.36)



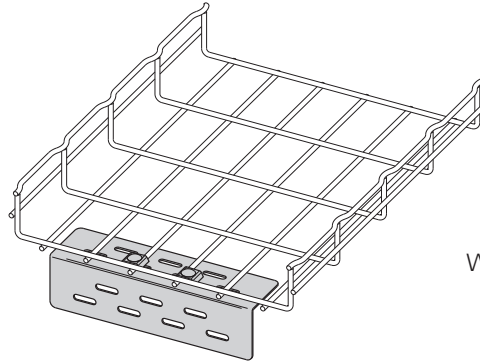
See page D-3 for finish information

# FLEXTRAY™ Wire Basket - Wall Support Methods

## Wall Termination Kit

Part Number	Length in. (mm)	Qty./Box	Wt./Box lbs. (kg)
FTA9WTK__	9" (228.6)	1	1.3 (0.59)

- Kit includes all hardware necessary to support FLEXTRAY when terminated at a wall
- Mount slotted angle to wall with up to 3/8" hardware (not included)
- Finishes \_\_: **ZN**, FB, SS6



Wall Termination Kit includes:

- 1 - Angle with Slots
- 2 - FTSCH

## Wall Mount Kit

Part Number	Length in. (mm)	Qty./Box	Wt./Box lbs. (kg)
WB48WMK__	8" (203.2)	1	0.76 (0.35)
WB1224WMK__	12" (304.8)	1	1.22 (0.55)

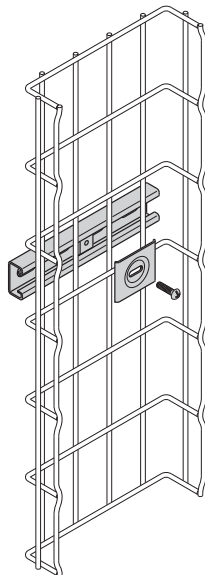
- Kit includes all components necessary to mount FLEXTRAY to a wall horizontally or vertically
- Mount strut to wall with up to 1/2" hardware (not included)
- Finish: Channel - **GLV**  
Hardware - **ZN**  
Available in SS6



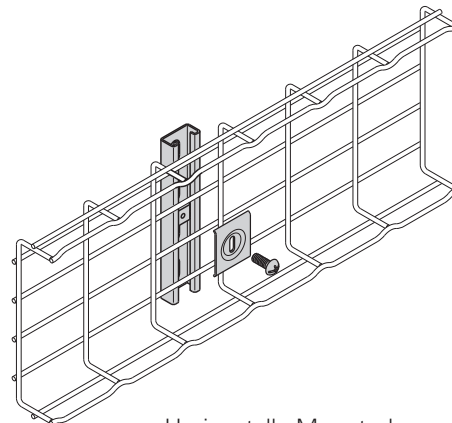
WB1224WMK shown

Wall Mount Kit includes:

WB48WMK	WB1224WMK	
1	1	B54SH Strut
1	2	SUPT WASHER Hold Downs
1	2	1/4"-20 x 1" Slotted Head Screw
1	2	N224WO Channel Nut



Vertically Mounted



Horizontally Mounted

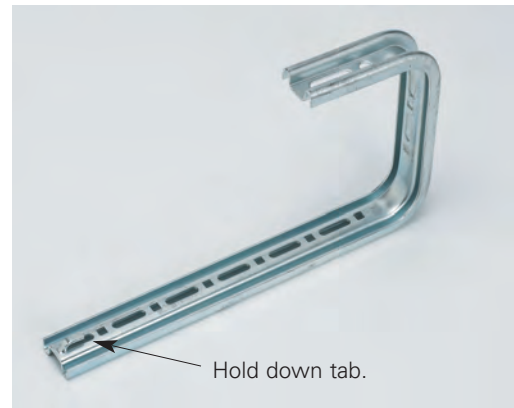
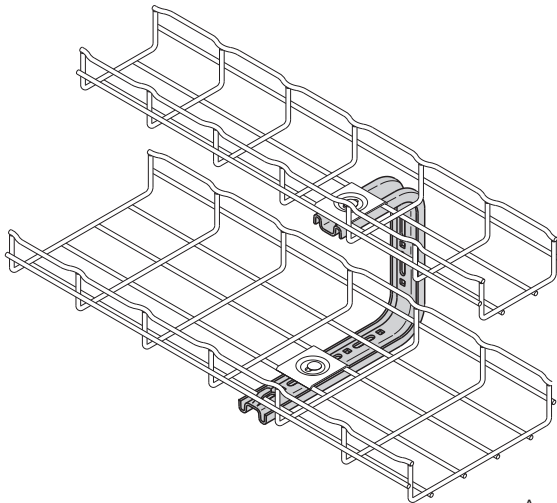
See page D-3 for finish information

# FLEXTRAY™ Wire Basket - Wall Support Methods

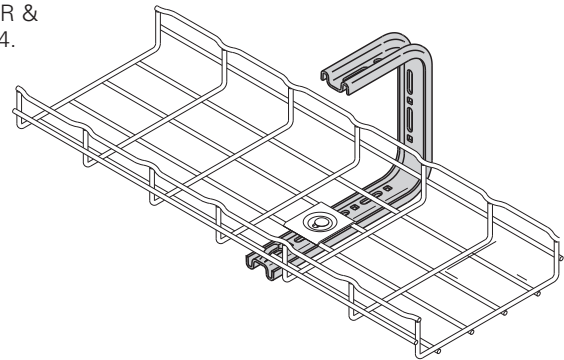
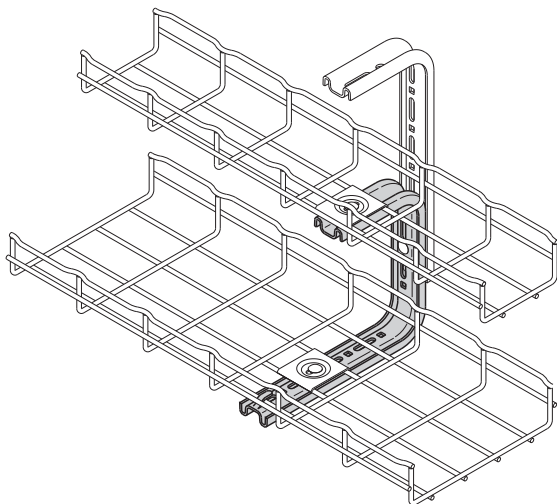
## C Brackets

- Tab can be used for hold down (stainless steel will not have these tabs)
- For use with 4" (100mm) to 12" (300mm) wide trays
- C bracket attaches to hard ceiling types
- All brackets are 7<sup>7</sup>/<sub>8</sub>" (200mm) tall
- Cables can be side loaded
- L brackets (page D-26) and C brackets can be combined for layered tray runs
- Finishes \_\_: **EG**, BLE, HD

Part Number	Tray Width - Up To in. (mm)	Qty./Box	Wt./Box lbs. (kg)
4 C BRKT__	4" (100)	1	1.2 (0.54)
8 C BRKT__	8" (200)	1	1.4 (0.63)
12 C BRKT__	12" (300)	1	1.9 (0.86)



Assemble with  
SUPT WASHER &  
FTHDWE 1/4.



See page D-3 for finish information

# FLEXTRAY™ - F.A.S.T.™ Underfloor System

The F.A.S.T. System is an innovative and flexible way to support and manage cables in raised floor applications. This Foldable, Adjustable, Stackable, Tool-less System uses FLEXTRAY, stands, and accessories to provide a variety of options for your project and the fastest installation time on the market. Best of all, it does not attach to the raised floor structure and can be installed either before or after floor is in place.

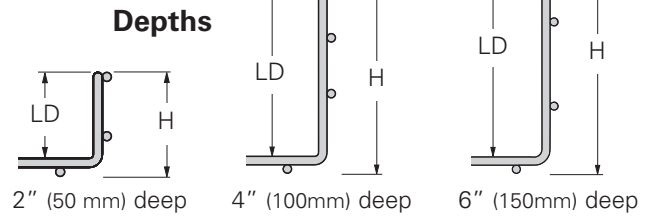
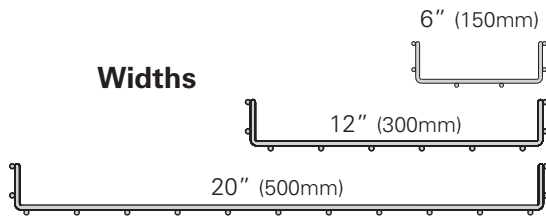
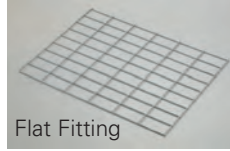


FLEXTRAY

## F.A.S.T. System Flextray

- Rounded ends on all wires
- UL Classified (see technical data for details)
- Depths: 2" (50mm), 4" (100mm), & 6" (150mm) nominal
- Lengths: 24" (609mm), 48" (1219mm), & 118" (2997mm)
- Use flat fitting (WBUFLT) for turns
- Wire Diameter: 0.191" (4.9mm)
- Standard finishes: **GLV**

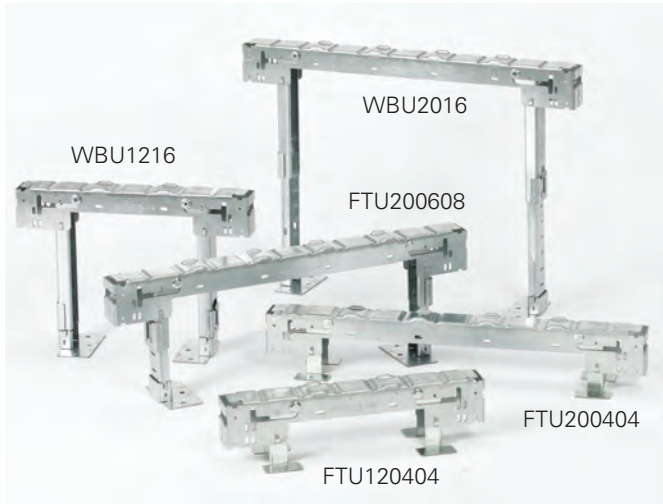
Consult customer service for other available finishes



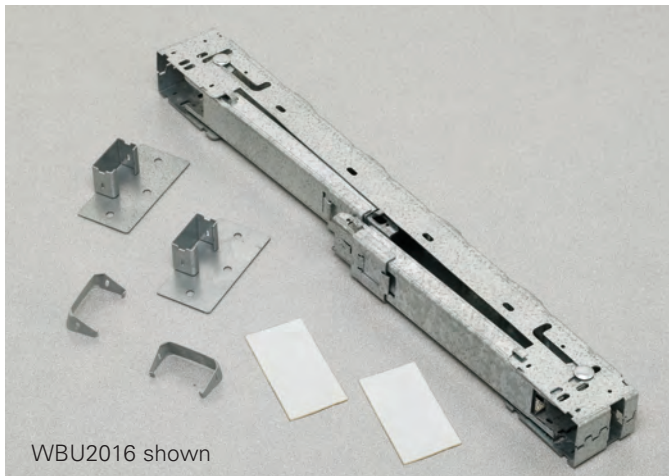
	Part Number	Width		Length		LD		H		Wt. Per Pc.	
		in.	(mm)	in.	(mm)	in.	(mm)	in.	(mm)	lbs.	(kg)
2" (50mm) deep	FTU2X6X2	6"	(150)	23.9"	(603)	2.38"	(60)	2.77"	(70)	2.03	(0.92)
	FTU2X6X4	6"	(150)	47.5"	(1206)	2.38"	(60)	2.77"	(70)	3.95	(1.79)
	FTU2X6X10	6"	(150)	118.4"	(3008)	2.38"	(60)	2.77"	(70)	9.72	(4.41)
	FTU2X12X2	12"	(300)	23.9"	(603)	2.38"	(60)	2.77"	(70)	2.99	(1.36)
	FTU2X12X4	12"	(300)	47.5"	(1206)	2.38"	(60)	2.77"	(70)	5.82	(2.64)
	FTU2X12X10	12"	(300)	118.4"	(3008)	2.38"	(60)	2.77"	(70)	14.32	(6.50)
	FTU2X20X2	20"	(500)	23.9"	603	2.38"	(60)	2.77"	(70)	4.28	(1.94)
	FTU2X20X4	20"	(500)	47.5"	(1206)	2.38"	(60)	2.77"	(70)	8.33	(3.78)
	FTU2X20X10	20"	(500)	118.4"	(3008)	2.38"	(60)	2.77"	(70)	20.45	(9.28)
4" (100mm) deep	FTU4X6X2	6"	(150)	23.9"	(603)	4.38"	(111)	4.77"	(121)	2.67	(1.21)
	FTU4X6X4	6"	(150)	47.5"	(1206)	4.38"	(111)	4.77"	(121)	5.20	(2.36)
	FTU4X6X10	6"	(150)	118.4"	(3008)	4.38"	(111)	4.77"	(121)	12.79	(5.80)
	FTU4X12X2	12"	(300)	23.9"	(603)	4.38"	(111)	4.77"	(121)	3.64	(1.65)
	FTU4X12X4	12"	(300)	47.5"	(1206)	4.38"	(111)	4.77"	(121)	7.08	(3.21)
	FTU4X12X10	12"	(300)	118.4"	(3008)	4.38"	(111)	4.77"	(121)	17.39	(7.89)
	FTU4X20X2	20"	(500)	23.9"	603	4.38"	(111)	4.77"	(121)	4.93	(2.24)
	FTU4X20X4	20"	(500)	47.5"	(1206)	4.38"	(111)	4.77"	(121)	9.58	(4.35)
	FTU4X20X10	20"	(500)	118.4"	(3008)	4.38"	(111)	4.77"	(121)	23.52	(10.67)
6" (150mm) deep	FTU6X6X2	6"	(150)	23.9"	(603)	6.38"	(162)	6.77"	(172)	3.32	(1.51)
	FTU6X6X4	6"	(150)	47.5"	(1206)	6.38"	(162)	6.77"	(172)	6.45	(2.93)
	FTU6X6X10	6"	(150)	118.4"	(3008)	6.38"	(162)	6.77"	(172)	15.85	(7.19)
	FTU6X12X2	12"	(300)	23.9"	(603)	6.38"	(162)	6.77"	(172)	4.28	(1.94)
	FTU6X12X4	12"	(300)	47.5"	(1206)	6.38"	(162)	6.77"	(172)	8.33	(3.78)
	FTU6X12X10	12"	(300)	118.4"	(3008)	6.38"	(162)	6.77"	(172)	20.45	(9.28)
	FTU6X20X2	20"	(500)	23.9"	(603)	6.38"	(162)	6.77"	(172)	5.57	(2.53)
	FTU6X20X4	20"	(500)	47.5"	(1206)	6.38"	(162)	6.77"	(172)	10.83	(4.91)
	FTU6X20X10	20"	(500)	118.4"	(3008)	6.38"	(162)	6.77"	(172)	26.59	(12.06)
Flats	WBUFLT	20"	(500)	24"	(604)	-	-	-	-	2.96	(1.34)
	WBUFLT-12	12"	(300)	24"	(604)	-	-	-	-	1.50	(0.68)
	WBUFLT-06	6"	(150)	24"	(604)	-	-	-	-	1.00	(0.45)



## Stands

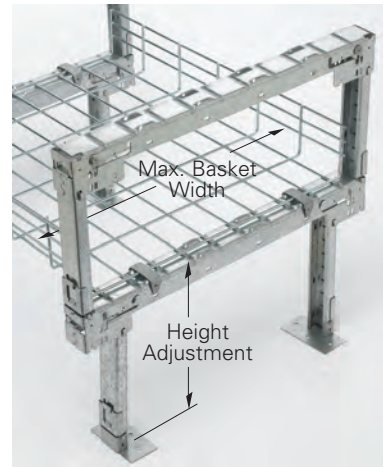


- No tools required for installation
- Formed top surface free of protrusions or sharp edges
- Up to 6" height adjustment
- Inside and outside leg positioning
- Folded and boxed for ease in shipping
- Patent Pending
- Stand part number includes:
  - one (1) stand
  - two (2) feet
  - two (2) adhesive pads
  - two (2) hold down clips
- Standard finish: Pre-Galvanized



WBU2016 shown

WBU2016 stands shown in double tier application. Feet and adhesive pads not required for second tier assembly.



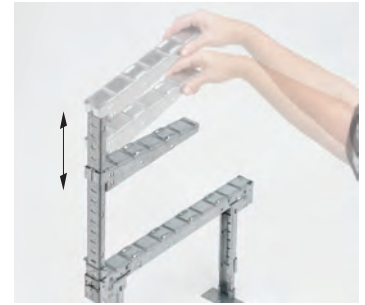
Part Number	Max. Basket Width		Height Adjustment		Stands Per Box	Wt. Per Box	
	in.	(mm)	in.	(mm)		lbs.	(kg)
FTU120404	12"	(300)	4"	(101)	2	1.82	(0.82)
FTU120608	12"	(300)	6"-8"	(152-203)	2	2.79	(1.26)
WBU1216	12"	(300)	10"-16"	(254-406)	2	7.44	(3.37)
WBU1224 *	12"	(300)	18"-24"	(457-609)	2	9.06	(4.11)
WBU1231 *	12"	(300)	25"-31"	(635-787)	2	10.52	(4.77)
FTU200404	20"	(500)	4"	(101)	2	2.34	(1.06)
FTU200608	20"	(500)	6"-8"	(152-203)	2	3.36	(1.52)
WBU2016	20"	(500)	10"-16"	(254-406)	2	8.56	(3.88)
WBU2024	20"	(500)	18"-24"	(457-609)	2	10.20	(4.62)
WBU2031 *	20"	(500)	25"-31"	(635-787)	2	11.64	(5.28)

\* Legs are packed separately in box and not inserted in stand.

## Cantilever Kits & Accessories

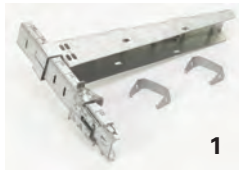


- No tools required for installation
- Simple design for tiered applications
- Available in kits or individual parts
- Adjustable shelf height
- Formed top surface has no sharp edges
- Can be installed independent of raised floor
- Standard finish: Pre-Galvanized



Adjustability of shelf brackets

WBUCK812 Double Tier Cantilever Kit Shown with WBU2016 Stand



1

**WBUCK12** - Single Tier Cantilever Kit Includes

- (1) WBUCK12
- (1) WBUL16
- (1) WBUCKF
- (2) WBUHD



2

**WBUCK812** - Double Tier Cantilever Kit Includes

- (1) WBUCK8
- (1) WBUCK12
- (1) WBUL24
- (1) WBUCKF
- (3) WBUHD



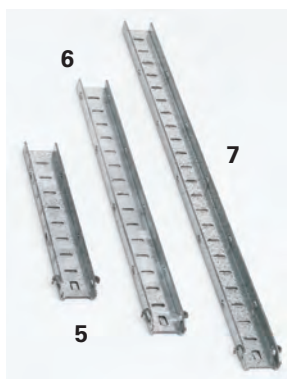
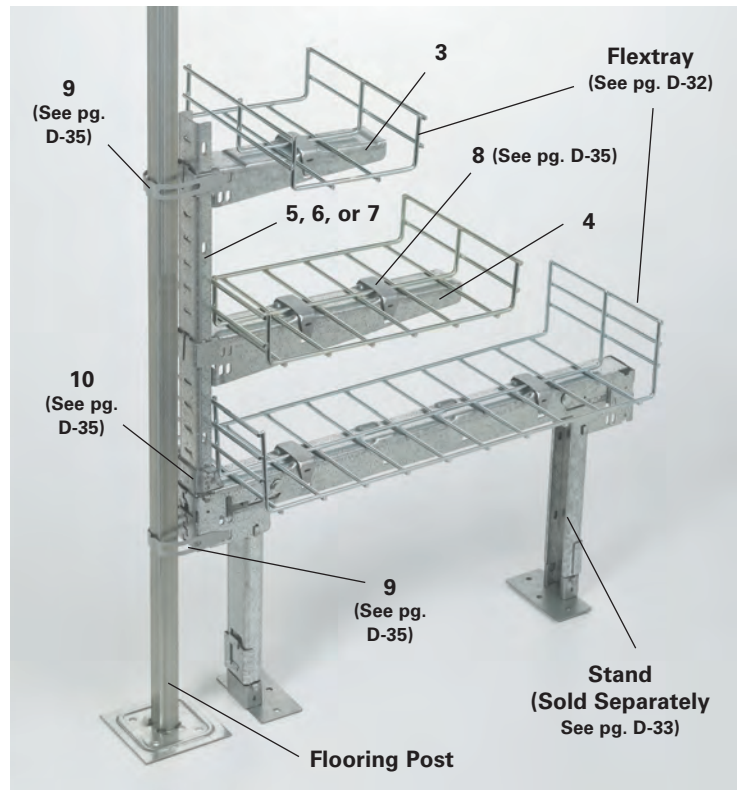
3

**WBUCK8**



4

**WBUCK12**



5

6

7

Part Number	Item #	Description	Max Height †		Box Qty.	Wt. Per Box	
			in.	(mm)		lbs.	(kg)
<b>WBUCK12 *</b>	1 <sup>Δ</sup>	Cantilever Kit - Single Tier with 12" Bracket	7.30"	(185)	10	15.62	(7.08)
<b>WBUCK812</b>	2 <sup>Δ</sup>	Cantilever Kit - Double Tier with 8" & 12" Brackets	15.25"	(387)	10	25.40	(11.52)
<b>WBUCK8</b>	3	8" Cantilever Bracket for 6" Flextray	-	-	10	5.51	(2.50)
<b>WBUCK12</b>	4	12" Cantilever Bracket for up to 12" Flextray	-	-	10	9.16	(4.15)
<b>WBUL16</b>	5	Short Vertical Support	7.30"	(185)	10	4.37	(1.98)
<b>WBUL24</b>	6	Medium Vertical Support	15.25"	(387)	10	8.45	(3.83)
<b>WBUL31</b>	7	Tall Vertical Support	22.25"	(565)	10	12.07	(5.47)

\* For use with 2" and 4" deep Flextray on the lower level.

† Height - from top of stand

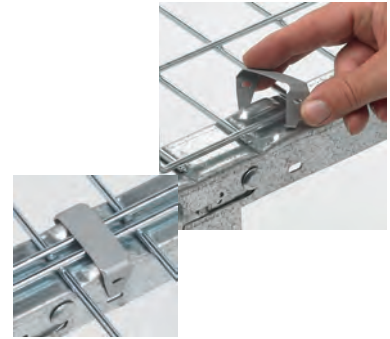
Δ Stand not included

# FLEXTRAY™ - F.A.S.T.™ Underfloor System

## Hold Down Clip



- Spring steel clip to attach Flextray to stands
- No tools required for installation
- Holds both continuous and spliced wire sections securely
- Works with stands and cantilever brackets



Part Number	Item #	Description	Box Qty.	Wt. Per Box	
				lbs.	(kg)
WBUHD	8	Basket Clip	50	1.10	(0.50)

## Pedestal Clip



- Optional spring steel clip to give added rigidity to system
- Works with stands and cantilever brackets



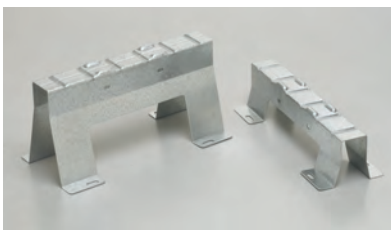
Part Number	Item #	Description	Box Qty.	Wt. Per Box	
				lbs.	(kg)
WBUPC	9	Pedestal Clip	50	1.65	(0.75)

## Cantilever Foot

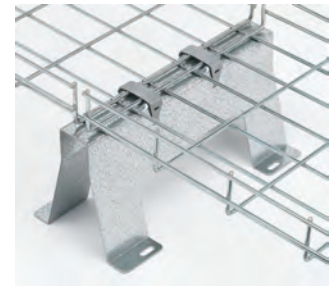


Part Number	Item #	Description	Box Qty.	Wt. Per Box	
				lbs.	(kg)
WBUFC	10	Cantilever Foot	50	8.65	(3.92)

## Under Floor Stand



- Heights of 3", 4", 5" or 6"
- Leg cutout allows for airflow
- No tools required to mount FLEXTRAY to stand
- Use WBUHD hold down clips to secure basket
- Stand width is 12"
- Fasten to floor for maximum stability
- Floor mounting slot size: .313" (7.9mm) x .813" (20.6mm) for 1/4" hardware



Part Number	Overall Height	Wt. Per Each
	in. (mm)	lbs. (kg)
WBU1203	3" (76)	1.32 (0.60)
WBU1204	4" (101)	1.60 (0.72)
WBU1205	5" (127)	1.88 (0.85)
WBU1206	6" (152)	2.17 (0.98)

See page D-3 for finish information

## L Bracket & Toolless Clip

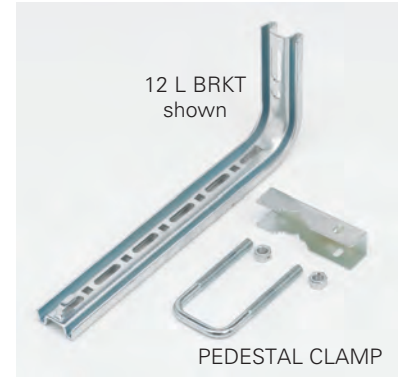
- For use when access to ground floor is limited
- Use with round post sizes 0.9" (25mm) through 1.2" (30mm)
- Use with square posts
- Order clamps and brackets separately
- Built-in tab for hold down
- Tool-less clip (plenum-rated material) - Snap-in locking pin securely holds basket to bracket



Illustration photos only.  
All parts are sold separately.



TOOLLESS CLIP



12 L BRKT  
shown

PEDESTAL CLAMP

Part Number	Description	Qty.	Wt. Per Box lbs. (kg)
<b>TOOLLESS CLIP</b>	Tool-less Hold-Down Clip	50/Box	1.00 (0.45)

### Brackets (Zinc Plated)

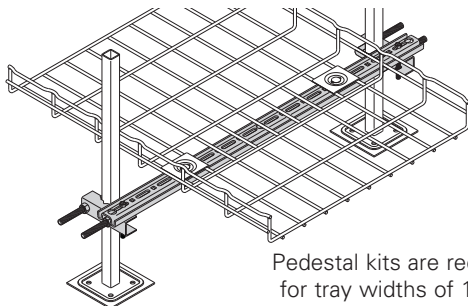
Part Number	System Width in. (mm)	Length in. (mm)	Box Qty.	Wt. Per Box lbs. (kg)
<b>8 L BRKT</b>	6"-8" (150-200)	8" (200)	1	0.80 (0.36)
<b>12 L BRKT</b>	12" (300)	12" (300)	1	1.30 (0.59)

## Pedestal Clamp & Kit

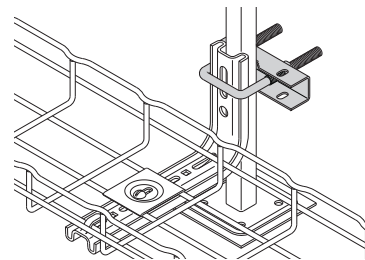
- Clamps to existing raised-access floor stanchion
- Use L BRKT (shown above) or full pedestal kit to support trays under the raised access floor (sold separately)
- For tray widths 2" (50mm) to 20" (500mm)
- \*Pedestal Clamp Kit includes two (2) pedestal clamps, 28" (711mm) profile section, bolts & nuts
- Kits include hardware
- SUPTWASHER & FTHDWE 1/4 sold separately
- Finishes \_\_: **EG**



Part Number	Description	Qty./Box	Wt./Box lbs. (kg)
<b>PEDESTAL CLAMP__</b>	Pedestal Clamp	1	0.6 (0.27)
<b>PEDESTAL KIT__</b>	Pedestal Clamp Kit	1*	3.3 (1.49)



Pedestal kits are recommended for tray widths of 16" (400mm) or greater

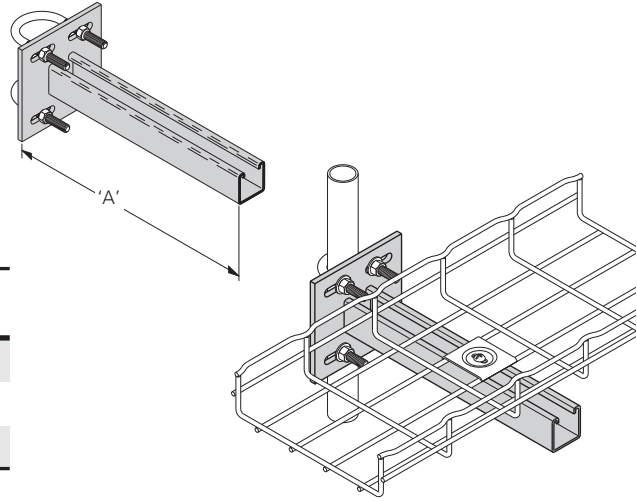


See page D-3 for finish information

## Under Floor Support Bracket



- Under floor support bracket provides rugged support for FLEXTRAY System from access floor post.
- To complete the installation, the following hardware must be ordered separately.
  - (2) - B501 U-Bolts
  - (1) - SUPT WASHER Hold Down
  - (1) - 1/4"-20 x 1" Slotted Head Screw
  - (1) - N224WO Channel Nut
- Finish: **ZN**

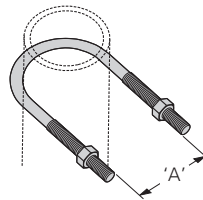


Part Number	'A' in. (mm)	Box Quantity	Wt. Per Each lbs. (kg)
B409UF-12	12" (300)	1	3.6 (1.63)
B409UF-18	18" (450)	1	4.5 (2.04)
B409UF-21	21" (533)	1	5.4 (2.45)

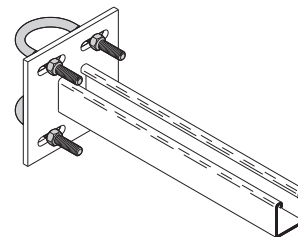
## U-Bolts



- Designed for attachment of under floor support brackets to access floor post. Each U-Bolt includes two (2) hex nuts.
- Finish: **ZN**



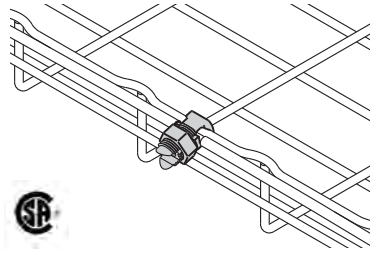
Part Number	'A' in. (mm)	Thread Size	Box Quantity	Wt. Per Box lbs. (kg)
B501-1	1 <sup>3</sup> / <sub>8</sub> " (30)	5/16"-18	50	7.0 (3.17)
B501-1 <sup>1</sup> / <sub>2</sub>	2" (50)	5/16"-18	50	8.0 (3.63)
B501-2	2 <sup>7</sup> / <sub>16</sub> " (62)	3/8"-16	20	5.4 (2.45)
B501-2 <sup>1</sup> / <sub>2</sub>	2 <sup>15</sup> / <sub>16</sub> " (75)	3/8"-16	25	8.0 (3.63)



See page D-3 for finish information

## Ground Bolt

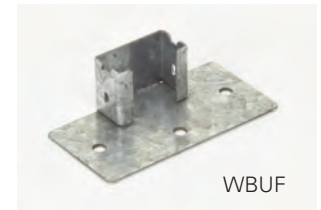
- Attaches up to #1 ground wire to each tray section when separate ground wire is required
- Used for UL grounding compliance.
- When using color powder coated finish or paint, coating must be removed at the points of contact.
- Finish: Copper Plated



Part Number	Description	Qty./Box	Wt./Box lbs. (kg)
<b>GROUND BOLT</b>	Ground Bolt	1	0.11 (0.05)



## Adhesive & Feet

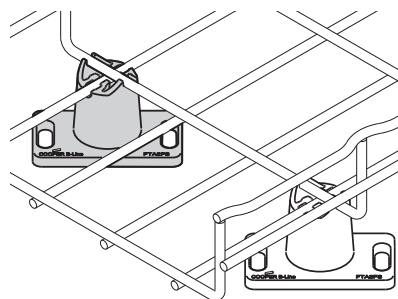


- WBUTAPE - Double-sided adhesive pads for temporary positioning of floor stands  
Pad Size: 2" (50mm) x 4" (100mm)
- WBUFA - Adhesive to secure stand to floor

Part Number	Description	Box Quantity	Wt. Per Box lbs. (kg)
<b>WBUF</b>	Stand Foot	10	2.36 (1.07)
<b>WBUTAPE</b>	Double-Sided Tape	50	2.50 (1.13)
<b>WBUFA</b>	Floor Adhesive	1 Gallon	10.78 (4.89)

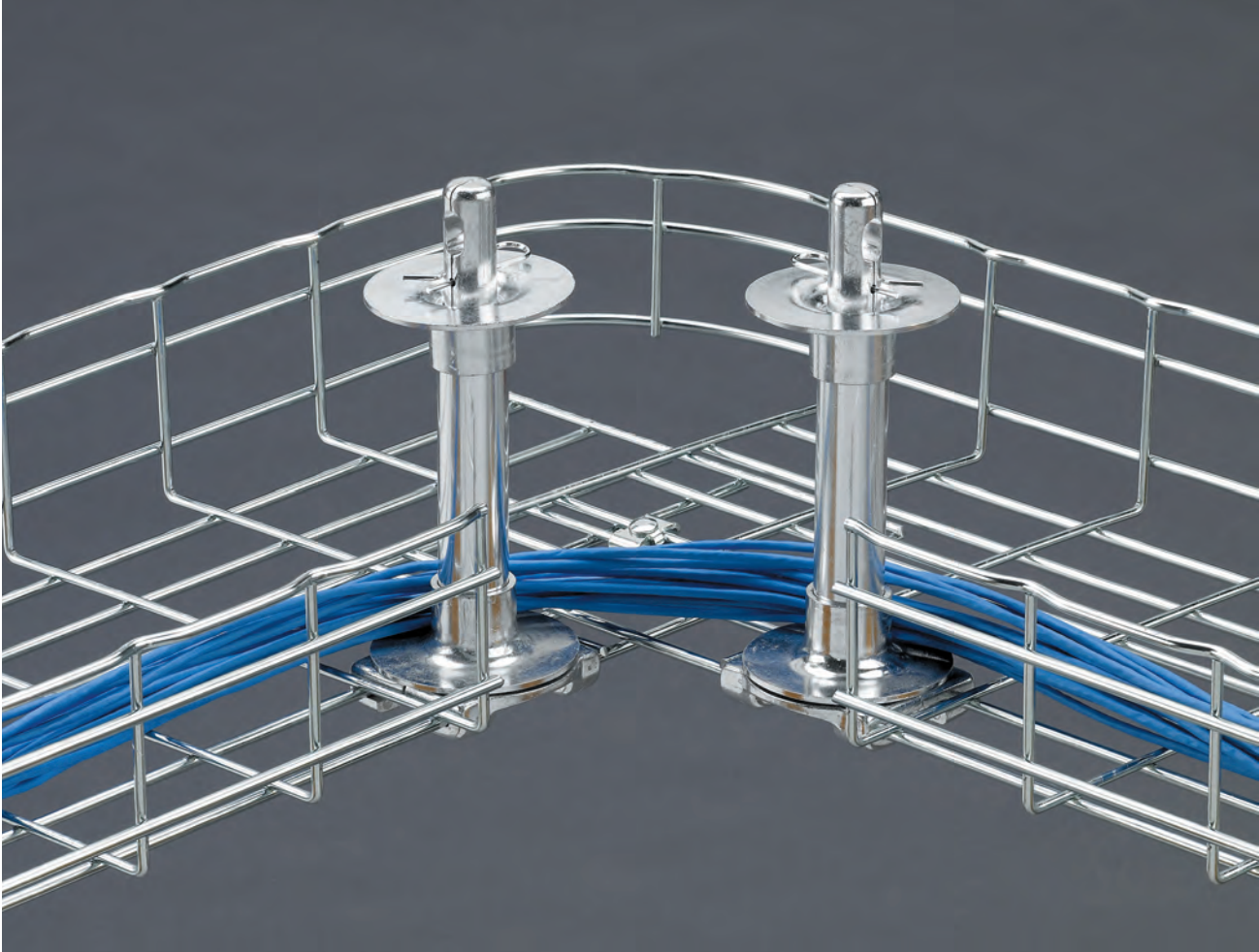
## Floor Stand

- Non-metallic snap lock floor stand is designed for use under access floors.
- Floor stand elevates FLEXTRAY System 1<sup>5</sup>/<sub>8</sub>" (41.3mm) above the floor.
- To attach floor stand, use construction adhesive or anchors.
- Elevation increments of 1<sup>3</sup>/<sub>8</sub>" (35mm) can be obtained by stacking floor stands.
- Sized for 1/4" hardware (order separately).
- Material: Black Plenum-rated Plastic



Part Number	Wt. Per Pc. lbs. (kg)	Box Quantity
<b>FTA2FS</b>	0.44" (0.20)	10

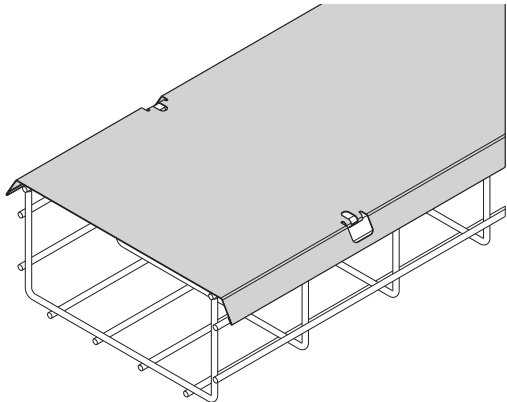
See page D-3 for finish information



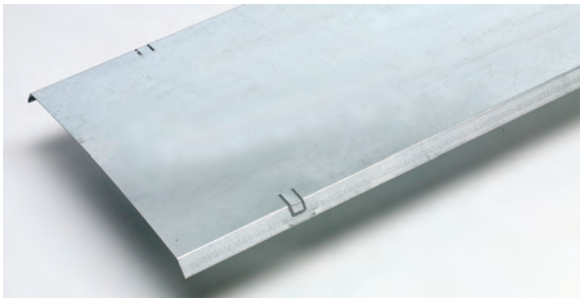
FLEXTRAY

Covers

- Protects cable from debris and dust
- Adds security to cable installation
- Easy bend-over tabs secure cover to trays
- Available for 2" (50mm) to 24" (600mm) wide trays
- Comes in 118" (2997mm) length
- Finishes \_\_: **GS**, BLE, 304S, 316S



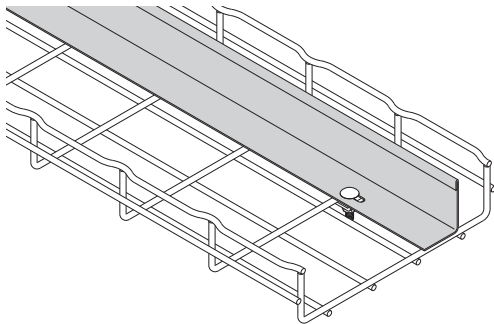
Part Number	For Tray Width Of in. (mm)	Qty./Box	Wt./Box lbs. (kg)
<b>2 IN COVER</b> __	2" (50)	1	3.8 (1.72)
<b>4 IN COVER</b> __	4" (100)	1	5.7 (2.58)
<b>6 IN COVER</b> __	6" (150)	1	6.7 (3.04)
<b>8 IN COVER</b> __	8" (200)	1	8.7 (3.94)
<b>12 IN COVER</b> __	12" (300)	1	11.6 (5.26)
<b>16 IN COVER</b> __	16" (400)	1	15.6 (7.07)
<b>18 IN COVER</b> __	18" (450)	1	17.0 (7.71)
<b>20 IN COVER</b> __	20" (500)	1	18.5 (8.39)
<b>24 IN COVER</b> __	24" (600)	1	22.0 (9.98)



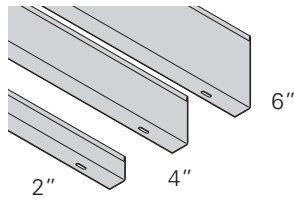
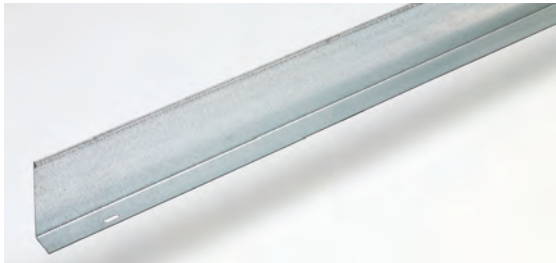
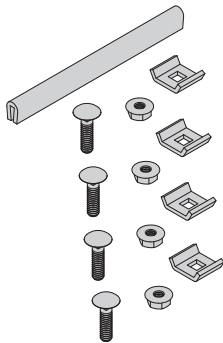
Dividers

- Allows cable separation within a single tray
- Hemmed/rounded edge provides cable jacket safety
- Hardware included
- Field miter for bends and turns
- Dual slots every 24" (609mm) for field cutting
- Available in 2" (50mm), 4" (100mm) and 6" (150mm) heights
- Comes in 118.125" (3000mm) length
- Finishes \_\_: **GS**, BLE, 304S, 316S

Part Number	For Tray Depth Of in. (mm)	Qty./Box	Wt./Box lbs. (kg)
<b>2 IN DIVIDER</b> __	2" (50)	1	3.5 (1.59)
<b>4 IN DIVIDER</b> __	4" (100)	1	9.6 (4.35)
<b>6 IN DIVIDER</b> __	6" (150)	1	14.5 (6.58)



Dividers include hardware shown below



See page D-3 for finish information



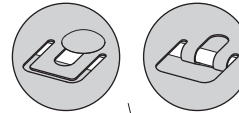
## Solid Bottom Inserts

Part Number	For Tray Width Of		Qty./Box	Wt./Box	
	in.	mm		lbs.	kg
INSERT 4X118__	4"	(100)	1	6.8	(3.08)
INSERT 6X118__	6"	(150)	1	9.8	(4.44)
INSERT 8X118__	8"	(200)	1	13.3	(6.03)
INSERT 12X118__	12"	(300)	1	21.6	(9.80)
INSERT 16X118__	16"	(400)	1	26.4	(11.97)
INSERT 18X118__	18"	(450)	1	32.4	(14.69)
INSERT 20X118__	20"	(500)	1	32.9	(14.92)
INSERT 24X118__	24"	(600)	1	39.3	(17.82)

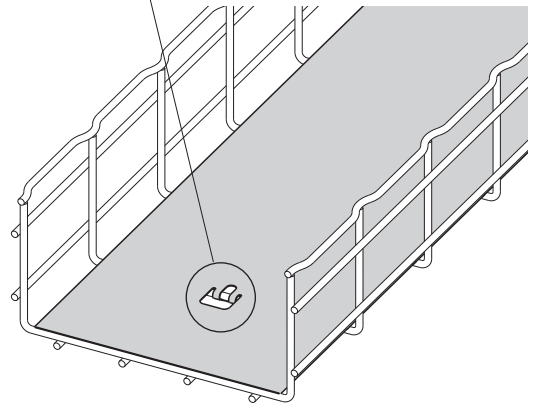
Attach with  
FTHDWE 1/4  
& Top Washer



- Continuous support for sensitive cables
- Security of cable in high-traffic areas
- Hardware included
- Available for 4" (100mm) to 24" (600mm) wide trays
- Comes in 118" (2997mm) length
- Finishes \_\_: **GS**, BLE, 304S, 316S



Attachment  
methods



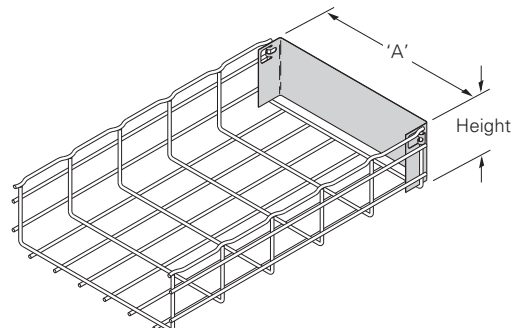
## Blind Ends

Part Number	'A' in. (mm)	Height in. (mm)	Box Quantity
FT BE 2X2	2" (50)	2" (50)	1
FT BE (*)X4	4" (100)	(*) (*)	1
FT BE (*)X6	6" (150)	(*) (*)	1
FT BE (**)X8	8" (200)	(*) (*)	1
FT BE (**)X12	12" (300)	(**) (**)	1
FT BE (**)X16	16" (400)	(**) (**)	1
FT BE (**)X18	18" (450)	(**) (**)	1
FT BE (**)X20	20" (500)	(**) (**)	1
FT BE (**)X24	24" (600)	(**) (**)	1

- Tab features eliminate need for hardware
- Forms a closure for a dead-end FLEXTRAY
- Hardware included
- Finish: **GLV**, SS6

(\*) Insert: 2 = 2" (50 mm), 4 = 4" (100 mm) for height

(\*\*) Insert: 2 = 2" (50 mm), 4 = 4" (100 mm),  
6 = 6" (150 mm) for height

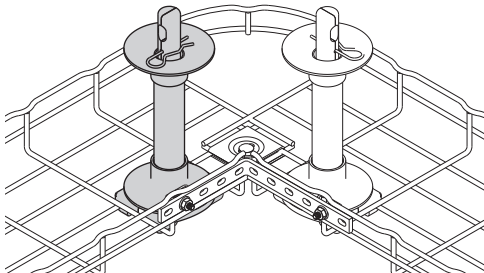


See page D-3 for finish information

## Cable Roller

- Protects and maintains recommended cable radii for Cat 5, Cat 5E, Cat 6, Cat 6A, Fiber, etc.
- Height of roller can be adjusted to tray depth
- Installs in seconds with no tools
- Reduces cable installation time
- Prevents migration of cables
- For use with 4" (100mm) to 32" (800mm) tray widths
- Finish: Cast Aluminum

Part Number	Description	Qty./Box	Wt./Box lbs. (kg)
<b>CABLE ROLLER</b>	Cable Roller	1	1.0 (0.45)



Quick, snap-together design

- Securely holds tray to support
- Snap-in locking pin
- No tools or fastening required
- Fastest hold-down method available
- For use with the following:
  - FTB\_CS (see pg. D-26)
  - L BRKT (see pg. D-26)
  - C BRKT (see pg. D-30)
- Finish: Plenum rated resin (black)

## Toolless Clip

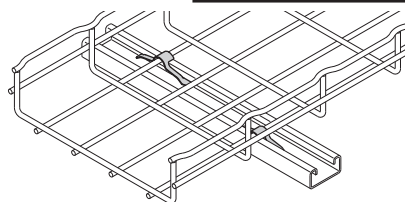
Part Number	Description	Qty./Box	Wt./Box lbs. (kg)
<b>TOOLLESS CLIP</b>	Toolless Hold-Down Clip	50	1.0 (0.45)



- Use to secure FLEXTRAY to horizontal strut support
- Designed for use as shown in drawing (no load rating)
- Finish: Black Zinc Phosphate

## Strut Mounting Clip

Part Number	Description	Qty./Box	Wt./Box lbs. (kg)
<b>BW4</b>	Strut Mounting Clip	100	0.9 (0.41)

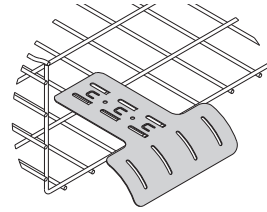
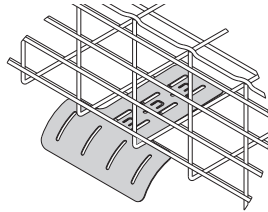


See page D-3 for finish information

## Drop Out Fitting

Part Number	Description	Qty./Box	Wt./Box lbs. (kg)
DROP OUT__	Drop Out Fitting	50	15.0 (6.8)

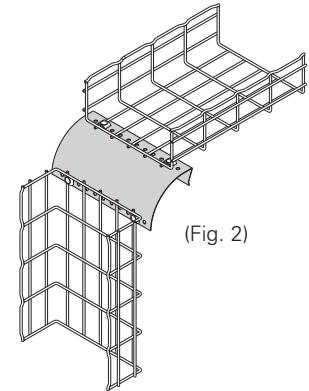
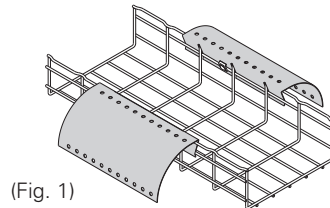
- Keeps cable radius secure at drop point
- Retention tabs to secure positioning
- For use with 4" (100mm) to 32" (800mm) wide trays
- Attaches to tray without hardware
- Drop outs can be attached at bottom, side or ends of tray
- Retention tabs on bottom of drop out to secure positioning
- Finishes \_\_: **EG**, BLE, SS6



## Side Drop Out Fitting

Part Number	Width in. (mm)	Qty./Box	Wt./Box lbs. (kg)
FTA6SDO	6.0 (152.4)	10	7.17 (3.2)
FTA8SDO	8.0 (203.2)	10	9.57 (4.3)
FTA12SDO	12.0 (304.8)	10	14.35 (6.5)

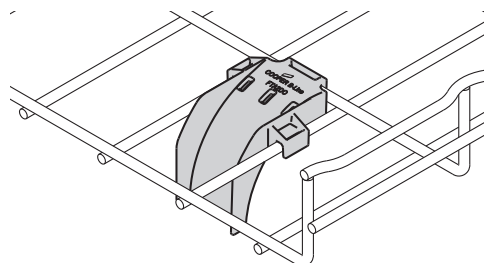
- Keeps cable radius secure at drop point
- For use with 4" (100mm) to 32" (800mm) wide trays (Fig. 1)
- For use with 6" (152mm) to 12" (300mm) wide trays (Fig. 2)
- Drop outs can be attached at side or ends of tray as shown
- Finishes \_\_: **EG**, BLE, SS6



## Cable Drop Out

Part Number	Description	Qty./Box	Wt./Box lbs. (kg)
FTA2DO	Cable Drop Out	10	0.17 (0.08)

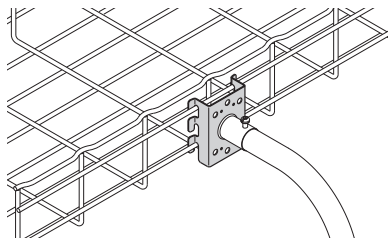
- Non-metallic 2" (50mm) radius Cable Drop-Out snap locks into mesh bottom and protects cables from sharp bend
- Material: Black Plenum-rated Plastic



See page D-3 for finish information

## Conduit Connector

- Conduit connector is designed to connect conduit to the side or bottom of FLEXTRAY
- Conduit bushing will remain outside of tray to keep cable pathway clear
- Bend tabs to secure connector to tray
- No hardware included
- Finishes \_\_: **GLV**

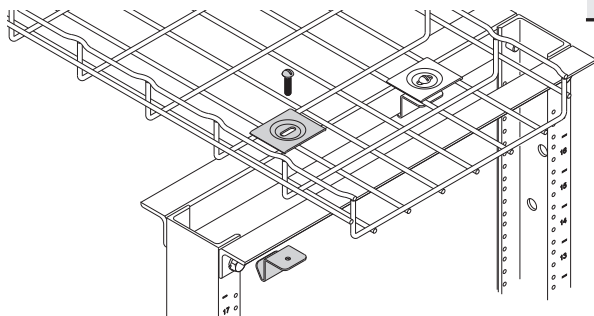


Part Number	Conduit Size in. (mm)	Qty./Box	Wt./Box lbs. (kg)
FTA050CC__	1/2" (15)	10	2.0 (0.91)
FTA075CC__	3/4" (20)	10	2.0 (0.91)
FTA100CC__	1" (25)	10	2.0 (0.91)
FTA125CC__	1 1/4" (32)	10	2.0 (0.91)



## Rack Clamp

- Securely holds tray down to rack
- Installs without drilling
- Black-painted finish to match rack
- Finish \_\_: **BLE**

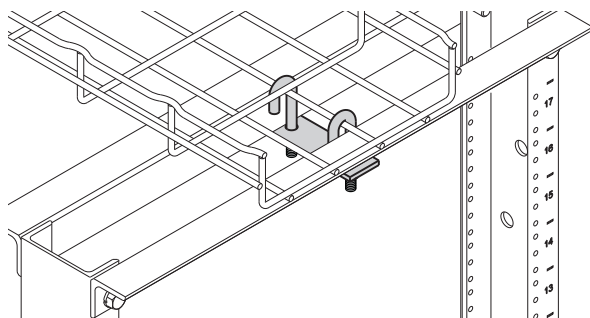


Part Number	Description	Qty./Box	Wt./Box lbs. (kg)
RACK CLAMP__	Rack Clamp	4	4.7 (2.13)



## Adaptor Kit

- Adaptor kit includes all hardware necessary to connect Flextray system to top of relay rack at right angle or parallel position
- Finish \_\_: **YZN (Yellow Zinc Chromate)**



Part Number	Description	Qty./Box	Wt./Box lbs. (kg)
SB2204__	Adaptor Kit	1	0.37 (0.17)

- Adaptor Kit includes:
- (1) - Mounting Plate
  - (2) - 5/16"-18 x 2" "J"-Bolts
  - (2) - HN 5/16"-18 Hex Nuts
  - (2) - LW 5/16" Lock Washers

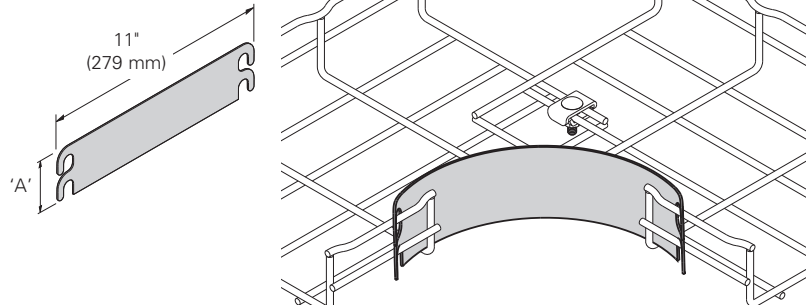


See page D-3 for finish information

## Radius Shield

Part Number	Height A in. (mm)	Qty./Box	Wt./Box lbs. (kg)
FTA2RS	2.5 (63)	50	4.0 (1.8)
FTA4RS	4.3 (110)	50	7.0 (3.2)
FTA6RS	5.9 (150)	25	5.0 (2.3)

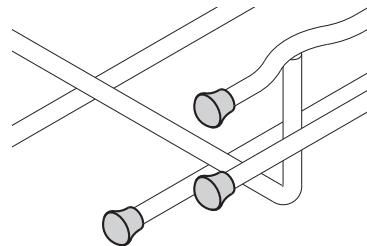
- Provides a smooth inside radius surface.
- No tools or fasteners needed to install.
- Sizes for 2", 4" & 6" deep FLEXTRAY; 90° horizontal bends, tees, and crosses.
- Installs in seconds. Simply hold in place and bend back tabs.
- Slick surface to reduce cable friction.
- Material: Black Polycarbonate



## Rubber Cap

Part Number	Box Quantity	Wt. Per 100 lbs. (kg)
B719EB	100	0.20 (0.10)

- Install on wire ends if required. Fits all wire diameters
- Sold as each



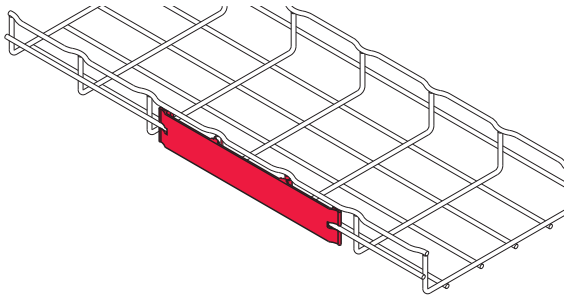
Part Number	Color	Qty./Box	Wt./Box lbs. (kg)
SB420ATG	Gray Lacquer	1	0.9 (0.41)
SB420AFB	Flat Black Lacquer	1	0.9 (0.41)
SB420ACW	Computer White Lacquer	1	0.9 (0.41)
B999	Silver Zinc-Rich Paint	1	0.9 (0.41)

- Size: 12 ounce aerosol can
- Cannot ship air freight

See page D-3 for finish information

**Label Clip**

- Clips easily into trays
- Use for identifying your cable pathways
- Can be used on all tray sizes
- Will not fit on side of 1 1/2" deep FLEXTRAY
- Finish: Non-plenum-rated resins

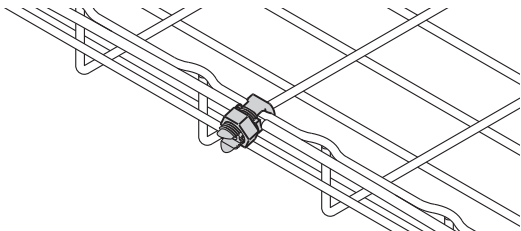


Part Number	Length in. (mm)	Qty./Box	Wt./Box lbs. (kg)
<b>LABEL CLIP</b>	10 1/2" (267)	10	0.6 (0.27)



**Ground Bolt**

- Attaches up to #1 ground wire to each tray section when separate ground wire is required
- Used for UL grounding compliance.
- When using color powder coated finish or paint, coating must be removed at the points of contact.
- Finish: Copper Plated

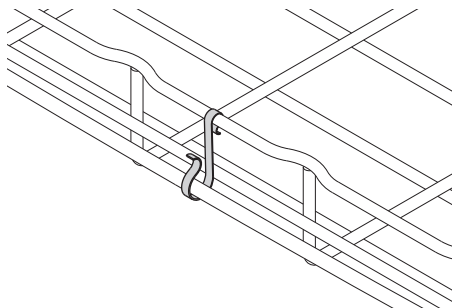


Part Number	Description	Qty./Box	Wt./Box lbs. (kg)
<b>GROUND BOLT</b>	Ground Bolt	100	1.0 (0.45)



**Ground Wire Supports**

- Supports ground wire along side of tray
- Can be used on all trays
- Finish \_\_: Zinc Plated



Part Number	Description	Qty./Box	Wt./Box lbs. (kg)
<b>GROUND SUPT GL</b>	Ground Wire Support	100	0.6 (0.27)



See page D-3 for finish information

# FLEXTRAY™ - Accessories

- Complete source of hardware for ceiling connections
- Available in stock
- Strut can be purchased in pre-cut lengths and various colors
- All hardware is zinc plated

## Threaded Rod



Part Number	Size	Qty.	Wt./Qty. lbs. (kg)
ATR1/4x72	1/4" x 72" (1828mm)	1	0.7 (0.31)
ATR1/4x120	1/4" x 120" (3048mm)	1	1.2 (0.54)
ATR1/4x144	1/4" x 144" (3657mm)	1	1.4 (0.63)
ATR3/8x72	3/8" x 72" (1828mm)	1	1.7 (0.77)
ATR3/8x120	3/8" x 120" (3048mm)	1	2.9 (1.31)
ATR3/8x144	3/8" x 144" (3657mm)	1	3.5 (1.58)
ATR1/2x72	1/2" x 72" (1828mm)	1	3.2 (1.45)
ATR1/2x120	1/2" x 120" (3048mm)	1	5.4 (2.45)
ATR1/2x144	1/2" x 144" (3657mm)	1	6.5 (2.95)

## Rod Couplings



Part Number	Size	Qty.	Wt./Qty. lbs. (kg)
B655-1/4	1/4"-20	50	2.0 (0.91)
B655-3/8	3/8"-16	50	5.5 (2.49)
B655-1/2	1/2"-13	50	6.0 (2.72)

## Hex Nuts



Part Number	Size	Qty.	Wt./Qty. lbs. (kg)
1/4HN	1/4"-20	100	0.6 (0.27)
3/8HN	3/8"-16	100	1.6 (0.72)
1/2HN	1/2"-13	100	4.3 (1.95)

## Lock Washers



Part Number	Size	Qty.	Wt./Qty. lbs. (kg)
1/4LW	1/4"	200	0.6 (0.27)
3/8LW	3/8"	200	1.6 (0.72)
1/2LW	1/2"	200	2.0 (0.91)

## Flat Washers



Part Number	Size	Qty.	Wt./Qty. lbs. (kg)
1/4FW	1/4"	200	1.2 (0.54)
3/8FW	3/8"	200	3.0 (1.36)
1/2FW	1/2"	200	6.6 (2.99)

## Square Washers



Part Number	Size	Qty.	Wt./Qty. lbs. (kg)
B201	7/16	50	6.0 (2.72)
B202	9/16	50	7.0 (3.17)

## Beam Clamps



Part Number	Size	Qty.	Wt./Qty. lbs. (kg)
B3036L-3/8	3/8"-16	100	60.0 (27.2)
B3036L-1/2	1/2"-13	100	140.0 (63.5)

See page D-3 for finish information

**Beam Clamps**



Part Number	Size	Qty.	Wt./Qty. lbs. (kg)
B444-1/4	1/4"-20	100	160 (72.5)
B444-3/8	3/8"-16	100	430 (195.0)
B444-1/2	1/2"-13	100	430 (195.0)

**U-Bolt Clamps**



Part Number	Size	Qty.	Wt./Qty. lbs. (kg)
B441-22	3/8"-16 x 3 3/8" long	100	160 (72.5)

**Spring Nuts**



Part Number	Thread Size	Qty.	Wt./Qty. lbs. (kg)
N224	1/4"-20	100	6.5 (2.95)
N228	3/8"-16	100	9.3 (4.22)
N225	1/2"-13	100	11.3 (5.12)

**Strut Channels**

B22S B22SH B56SH B56S



Part Number	Channel Size	Qty.	Wt./Qty. lbs. (kg)
B22SGALV120	1 5/8" x 120" - 12 ga.	1	6.0 (2.72)
B22SHGALV120	1 5/8" x 120" - 12 ga.	1	6.0 (2.72)
B56SGALV120	1 3/16" x 120" - 15 ga.	1	7.0 (3.17)
B56SHGALV120	1 3/16" x 120" - 15 ga.	1	6.0 (2.72)

**Concrete Rapid Rod™ Hanger**



Part Number	Rod Size	Shank Size	Qty.	Wt./Qty. lbs. (kg)
ARC-37-150	3/8"	1/4" x 1 1/2"	100	3.4 (1.54)

**Wood Rapid Rod™ Hanger**



Part Number	Rod Size	Shank Size	Qty.	Wt./Qty. lbs. (kg)
ARW-37-200	3/8"	1/4" x 2"	100	3.4 (1.54)
ARW-37-200SW	3/8"	1/4" x 2"	100	3.4 (1.54)

SW = Side Mount

**Steel Rapid Rod™ Hanger**



Part Number	Rod Size	Shank Size	Qty.	Wt./Qty. lbs. (kg)
ARS-37-150	3/8"	1/4" x 1 1/2"	100	3.4 (1.54)
ARS-37-150SW	3/8"	1/4" x 1"	100	3.4 (1.54)

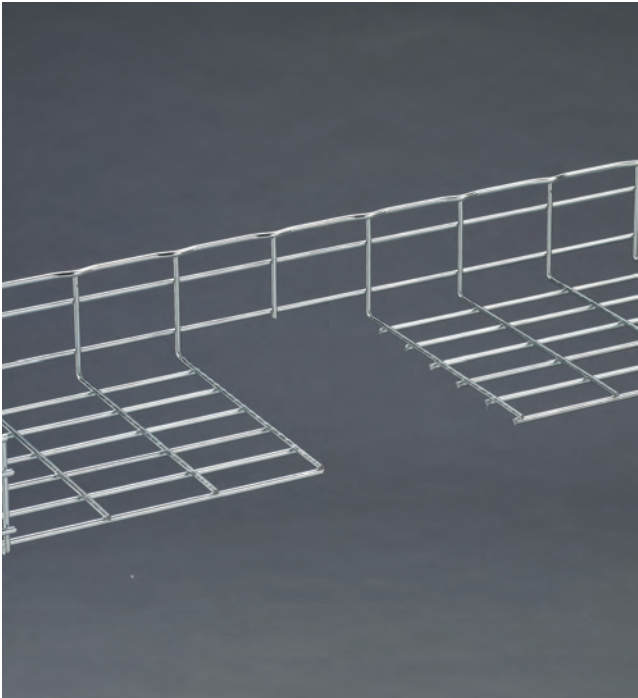
SW = Side Mount

**Sockets for Rapid Rod Hangers**

Part Number	Size	Qty.	Wt./Qty. lbs. (kg)
7187	Universal Steel & Wood Socket	1	4.5 (2.04)
7197	3/8" Concrete Socket	1	4.5 (2.04)

See page D-3 for finish information





FLEXTRAY

## Flextray Cutters

- Exclusive, patented CLEANSHEAR™ cuts tray fast
- No sharp edges
- Designed specifically for cutting Flextray
- Safely cut and bend Flextray into any configuration

Part Number	Description	Qty./Box	Wt./Box lbs. (kg)
<b>CLEANSHEAR</b>	CLEANSHEAR Cutting Tool	1	4.3 (1.95)



Patented



**1** Face tray up. Slide cutter next to vertical wire and cut.



**2** Turn tray to the side with open side facing you. Repeat step 1 to cut wire.



**3** Finish cutting all side wires.



**4** Turn tray open-side down and cut wires from bottom of tray.



**5** Finish cutting by moving to other side of tray to cut remaining wires,

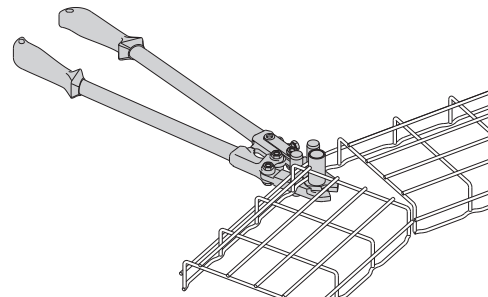
- CLEANSHEAR bender has our exclusive bending attachment
- Makes bending larger trays easy
- Recommended for bending tray widths of 16" (400mm) or greater

## Flextray Bender

Part Number	Description	Qty./Box	Wt./Box lbs. (kg)
<b>CLEANSHEAR BEND</b>	CLEANSHEAR Cutting Tool With Bender Attachment	1	5.4 (2.45)

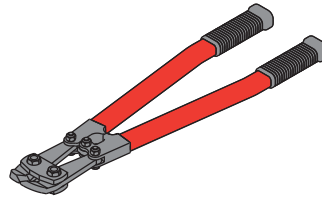


Patented

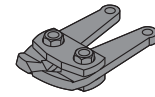


## Angular Bolt Cutter

Part Number	Description	Qty./Box	Wt./Box lbs. (kg)
WB30BC	Bolt Cutter	1	6.8 (3.1)
WB30RB	Replacement Blade	1	1.3 (0.6)



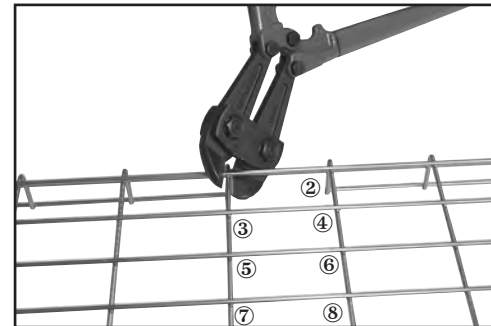
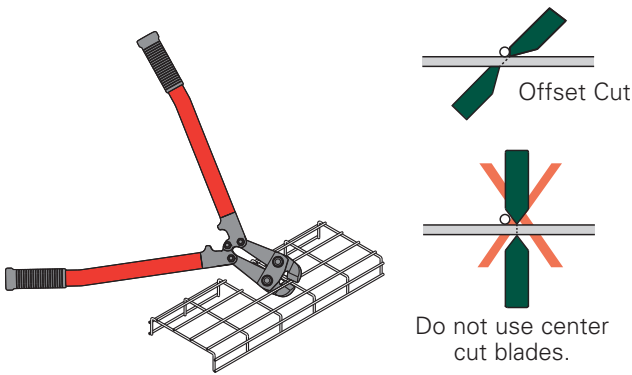
WB30BC  
Angular Bolt Cutter



WB30RB  
Replacement Blade

Completely adaptable, the Flextray system is designed to accommodate jobsite changes. Cut wires with our Angular Bolt Cutter, bend to create a bend, tee, or reducer.

Cut and remove each wire as illustrated below. Follow cutting pattern and blade positioning. Placing Flextray open side down provides the optimum cutting angle.



Cutting Order

For the best results, use a WB30BC angular blade offset bolt cutter with 24" (600 mm) long handles.

The offset blade cutter produces a clean cut. Position bolt cutter blades near the cross wire and perpendicular to wire to be cut (see illustration above). Proper cut will make the assembly faster, easier and safer while minimizing grinding.

Part Number	Length in. (mm)	Wt. Per Cutter lbs. (kg)	Box Quantity
WB50WC	12 <sup>3</sup> / <sub>4</sub> " (324)	3.0 (1.3)	1

Part Number	Description	Box Quantity
WB50RB	Replacement Blade	1
WB50BA	Replacement Battery	1

The Greenlee®† cable wire cutter makes flush cuts without burrs. Will cut .191" (4.8mm) diameter wire in 2 seconds. Cutting head rotates 330° for ease of positioning and the tool automatically retracts when cut is complete.

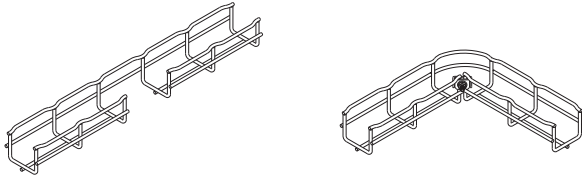
Comes with 2 batteries, charger, and carrying case. Approximately 250 cuts per charge.



† Mark shown is the property of its respective owner.

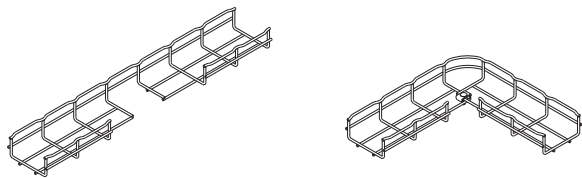
## 90° Horizontal Bends (Short Radius)

- Make your own field cut horizontal bends using CLEANSHEAR™ to make safe, smooth cuts
- Can be made from any tray width and depth with any available finish
- SUPT WASHER & FTHDWE 1/4 hardware may be used on bottom of tray instead of WASHER SPL KIT where desired



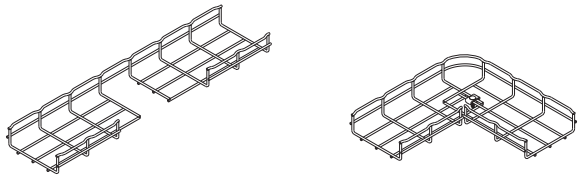
### 2" (50mm) Tray Width

Flextray Depth in. (mm)	Required Hardware Description	Quantity
2" (50)	WASHER SPL KIT	1



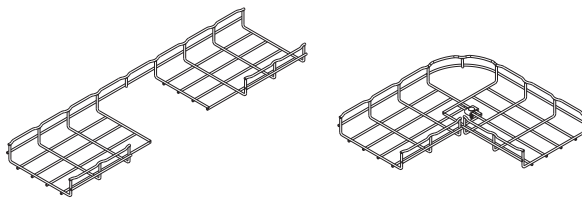
### 4" (100mm) Tray Width

Flextray Depth in. (mm)	Required Hardware Description	Quantity
1 1/2" (38)	WASHER SPL KIT	1
2" (50)	WASHER SPL KIT	1
4" (100)	WASHER SPL KIT	1



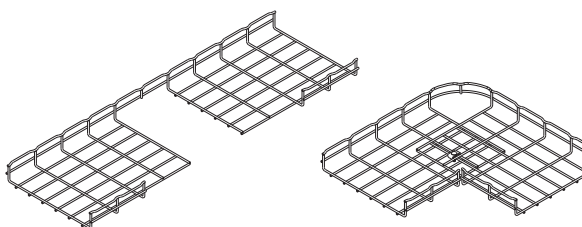
### 6" (150mm) Tray Width

Flextray Depth in. (mm)	Required Hardware Description	Quantity
1 1/2" (38)	WASHER SPL KIT	1
2" (50)	WASHER SPL KIT	1
4" (100)	WASHER SPL KIT	1



### 8" (200mm) Tray Width

Flextray Depth in. (mm)	Required Hardware Description	Quantity
1 1/2" (38)	WASHER SPL KIT	1
2" (50)	WASHER SPL KIT	1
4" (100)	WASHER SPL KIT	1
6" (150)	WASHER SPL KIT	1



### 12" (300mm) Tray Width

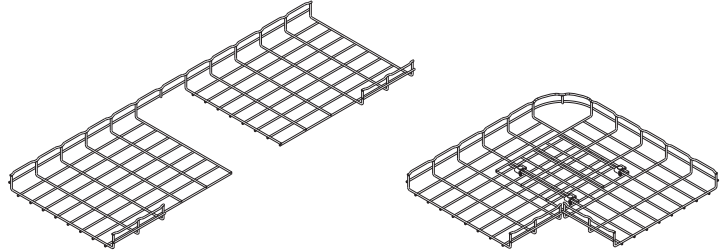
Flextray Depth in. (mm)	Required Hardware Description	Quantity
1 1/2" (38)	WASHER SPL KIT	1
2" (50)	WASHER SPL KIT	1
4" (100)	WASHER SPL KIT	1
6" (150)	WASHER SPL KIT	1

## 90° Horizontal Bends (Short Radius)

- Make your own field cut horizontal bends using CLEANSHEAR™ to make safe, smooth cuts
- Can be made from any tray width and depth with any available finish
- SUPT WASHER & FTHDWE 1/4 hardware may be used on bottom of tray instead of WASHER SPL KIT where desired

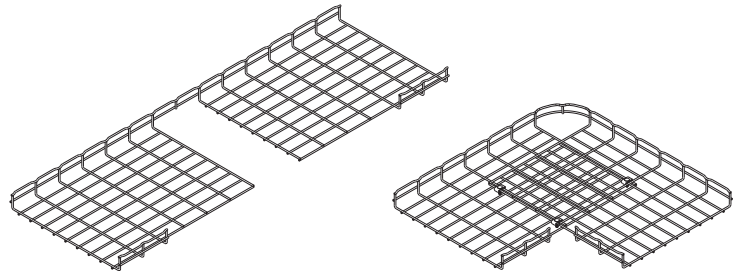
### 16" (400mm) Tray Width

Flextray Depth in. (mm)	Required Hardware Description	Quantity
2" (50)	WASHER SPL KIT	3
4" (100)	WASHER SPL KIT	3
6" (150)	WASHER SPL KIT	3



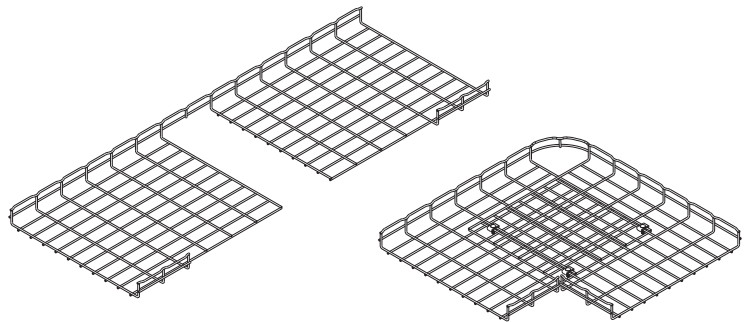
### 18" (450mm) Tray Width

Flextray Depth in. (mm)	Required Hardware Description	Quantity
2" (50)	WASHER SPL KIT	3
4" (100)	WASHER SPL KIT	3
6" (150)	WASHER SPL KIT	3



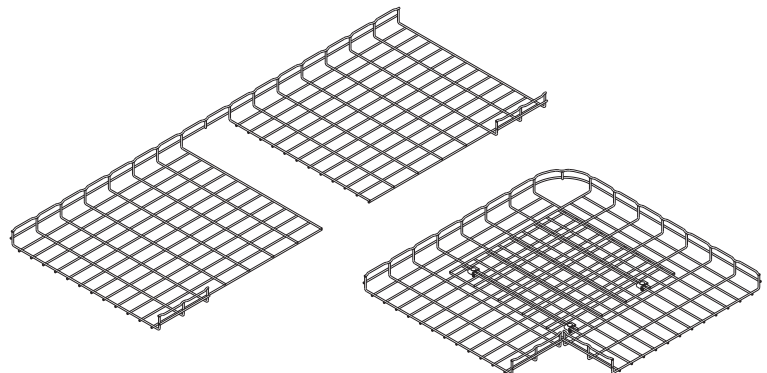
### 20" (500mm) Tray Width

Flextray Depth in. (mm)	Required Hardware Description	Quantity
2" (50)	WASHER SPL KIT	3
4" (100)	WASHER SPL KIT	3
6" (150)	WASHER SPL KIT	3



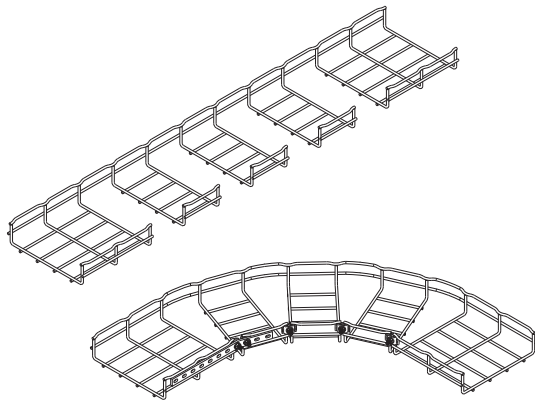
### 24" (600mm) Tray Width

Flextray Depth in. (mm)	Required Hardware Description	Quantity
2" (50)	WASHER SPL KIT	3
4" (100)	WASHER SPL KIT	3
6" (150)	WASHER SPL KIT	3



## 90° Horizontal Bends (Long Radius)

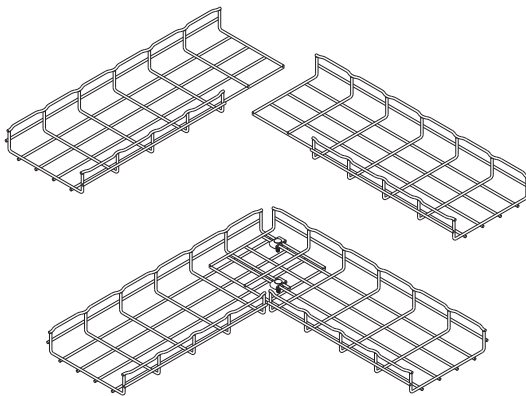
- Make your own field cut horizontal sweeps using CLEANSHEAR™ to make safe, smooth cuts
  - Can be made from any tray width and depth with any available finish
  - Cut as many segments as required to control sweep radius (use chart for recommendations)
  - One (1) WASHER SPL KIT is required to connect each cut segment minus one, this segment uses one (1) SPLICE BAR, two (2) FTHDWE 1/4 and two (2) BTM WASHER
- Illustration shown below is for a 8" (200mm) width
  - 1.5" deep FLEXTRAY has only one (1) side wire
  - 2" deep FLEXTRAY has two (2) side wires - shown
  - 4" deep FLEXTRAY has three (3) side wires
  - 6" deep FLEXTRAY has four (4) side wires



Flextray Width in. (mm)	Segments To Be Removed	Component Qty.		
		WASHER SPL KIT	FTHDWE 1/4 & BTM WASHER	SPLICE BAR
4" (100)	2	1	2	1
6" (150)	3	2	2	1
8" (200)	4	3	2	1
12" (300)	6	5	2	1
16" (400)	7	6	2	1
18" (450)	8	7	2	1
20" (500)	10	9	2	1
24" (600)	11	10	2	1
30" (750)	13	12	2	1
32" (800)	13	12	2	1

## 90° Horizontal Bend From (2) Straight Sections

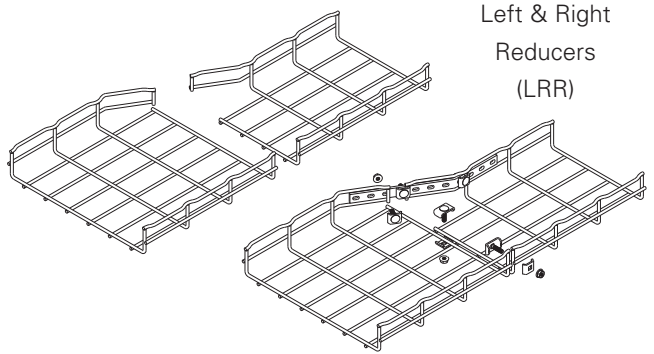
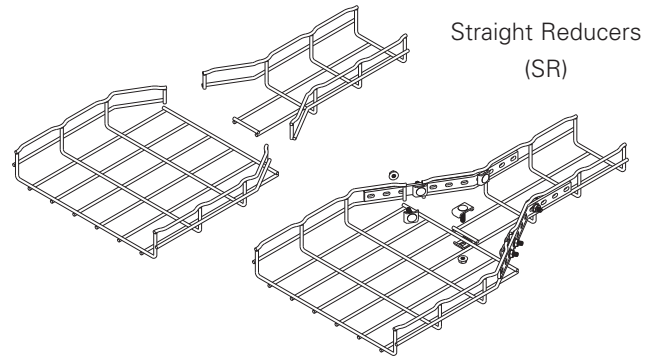
- Cut required number of wire side sections listed in chart per the illustration below (Illustration is for a 8" (200mm) width)
- 1.5" deep FLEXTRAY has only one (1) side wire
- 2" deep FLEXTRAY has two (2) side wires - shown
- 4" deep FLEXTRAY has three (3) side wires
- 6" deep FLEXTRAY has four (4) side wires



Flextray Width in. (mm)	Side Sections To Be Removed	WASHER SPL KIT Qty.
4" (100)	1	2
6" (150)	2	2
8" (200)	2	2
12" (300)	3	2
16" (400)	4	2
18" (450)	5	2
20" (500)	5	2
24" (600)	6	2
30" (750)	8	2
32" (800)	8	2

## Reducers

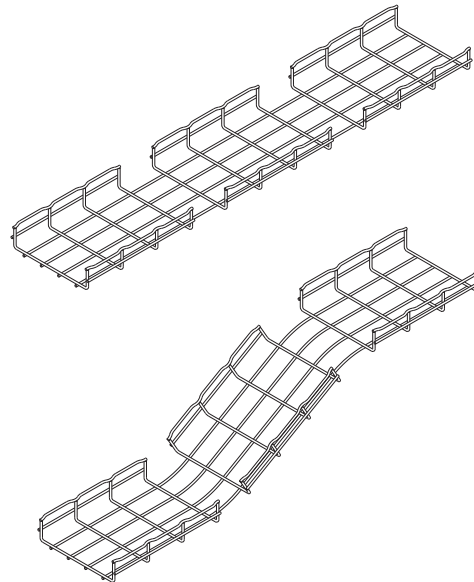
Large Flextray Width		WASHER SPL KIT		Component Qty. FTHDWE 1/4 & BTM WASHER		SPLICE BAR	
in.	(mm)	(SR)	(LRR)	(SR)	(LRR)	(SR)	(LRR)
4"	(100)	-	1	-	2	-	1
6"	(150)	-	2	-	2	-	1
8"	(200)	1	2	4	2	2	1
12"	(300)	2	3	4	2	2	1
16"	(400)	2	3	4	2	2	1
18"	(450)	2	3	4	2	2	1
20"	(500)	3	3	4	2	2	1
24"	(600)	3	3	4	2	2	1
30"	(750)	3	3	4	2	2	1
32"	(800)	3	3	4	2	2 <td 1	



- 1.5" deep FLEXTRAY has only one (1) side wire
- 2" deep FLEXTRAY has two (2) side wires - shown
- 4" deep FLEXTRAY has three (3) side wires
- 6" deep FLEXTRAY has four (4) side wires

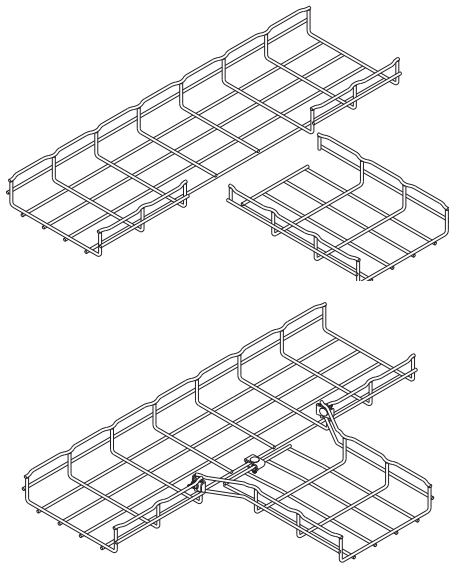
## Vertical Inside & Outside Bends

- Cut wire section as shown and bend to desired angle
- 1.5" deep FLEXTRAY has only one (1) side wire
- 2" deep FLEXTRAY has two (2) side wires - shown
- 4" deep FLEXTRAY has three (3) side wires
- 6" deep FLEXTRAY has four (4) side wires



## Horizontal Tees (and crosses)

- Cut wire side sections as shown in the illustration below (Illustration is for a 8" (200mm) width)
- 1.5" deep FLEXTRAY has only one (1) side wire
- 2" deep FLEXTRAY has two (2) side wires - shown
- 4" deep FLEXTRAY has three (3) side wires
- 6" deep FLEXTRAY has four (4) side wires
- For crosses, duplicate process on opposite side



Tray Width in. (mm)	WASHER SPL KIT Qty.
2" (50)	2
4" (100)	2
6" (150)	3
8" (200)	3
12" (300)	4
16" (400)	4
18" (450)	4
20" (500)	4
24" (600)	4
30" (750)	5
32" (800)	5