

Metering

MTRNE-18

B-LINE
SERIES



Meter mounting & distribution equipment

New England Area



EATON

Powering Business Worldwide



We make what matters work.*

* At Eaton, we believe that power is a fundamental part of just about everything people do. That's why we're dedicated to helping our customers find new ways to manage electrical, hydraulic and mechanical power more efficiently, safely and sustainably. To improve people's lives, the communities where we live and work, and the planet our future generations depend upon. Because this is what really matters. And we're here to make sure it works.

To learn more go to: [Eaton.com/whatmatters](https://www.eaton.com/whatmatters)

EATON

Powering Business Worldwide

We make what matters work.

Table of contents

Single Meter Sockets

Self Contained - Non Lever Bypass	4 - 5
Self Contained - Non-Jaw Clamping Lever Bypass	6 - 7
Self Contained - Lever Bypass	8 - 11

Meter Mains

Self Contained - Non Lever Bypass	12 - 13
Self Contained - Non-Jaw Clamping Lever Bypass	14 - 15
Self Contained - Lever Bypass	16 - 17

Current Transformer

Current Transformer Metering	18 - 21
------------------------------------	---------

Multi Metering Horizontal

Horizontal Gang - Non Lever Bypass	22 - 23
Horizontal Gang - Non-Jaw Clamping Lever Bypass	24 - 25
Horizontal Gang - Lever Bypass	26 - 27
Horizontal Gang - Owner's Loop	28 - 29

Multi Metering Vertical

Vertical Gang - Non Lever Bypass & Owner's Loop	30 - 31
Vertical Gang - Non Lever Bypass	32 - 33
Vertical Gang - Lever Bypass	34 - 35

Disconnects

Air Conditioning	36 - 37
------------------------	---------

Accessories

AW Hubs, H-Base Hubs, Lug Kits	38
Cap Setscrew Assemblies, Horned Bypass Cap Assemblies, Ground Lugs, 5th Jaw Terminal Kits, 7th Jaw Terminal Kit	39
Jumper Link, Closing Plate, Touch-Up Paint	40
Replacement Sockets	41

Technical Data

Breaker & AIC Ratings Tables	42 - 43
------------------------------------	---------

Index, Approvals/Acceptance, Cross Reference

.....	44 - 48
-------	---------

Self contained - non lever bypass

125 & 200 amp continuous - 600 VAC

Single Meter Sockets



EN20L43GRST
shown open & closed



Application

- Single meter position
- Designed for watt hour meters that meet ANSI C12.10
- Overhead or underground feed
- Surface mount

Construction

- Ringless cover
- Type 3R construction
- 16 Ga. galvanized/galvanneal steel
- 5th jaw provision at nine (9) o'clock

Standards

- UL 414 listed
- Complies with ANSI C12.7

Finish

- ANSI 61 gray painted finish

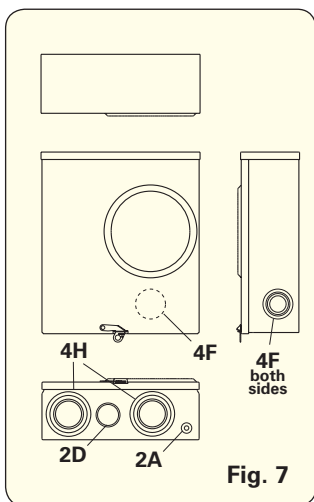
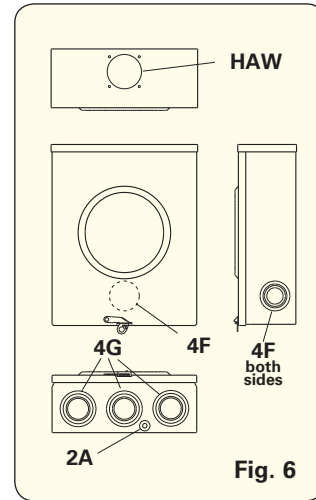
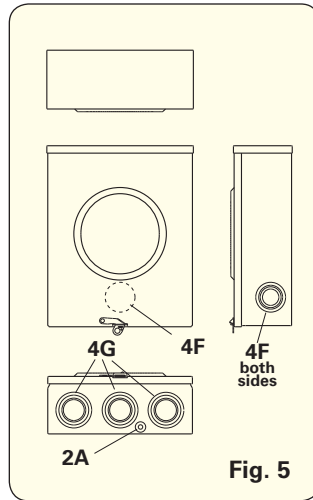
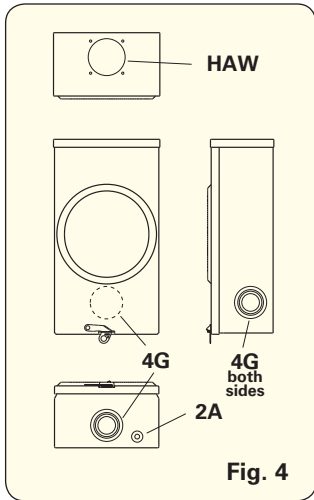
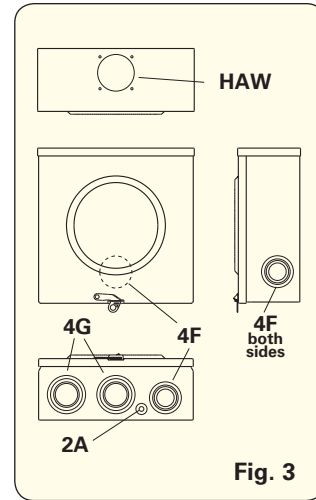
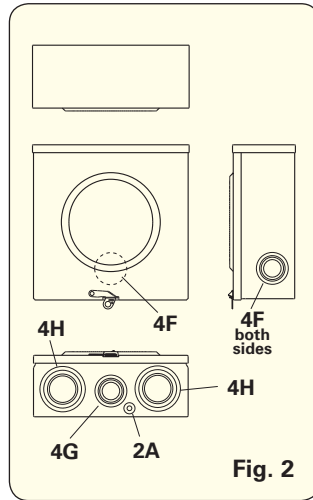
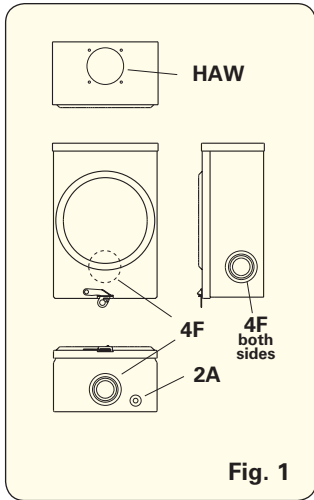
Accessories

- Replacement sockets
- AW hub assemblies
- Cap setscrew assemblies
- Horn bypass cap assemblies
- 5th jaw terminal kits
- Lug kits
- Jumper links
- Closing plates
- Touch-up paint

Part/UPC Number	Catalog Number	Service	Top Provision	Service Type	No. of Terminals	Bypass	Conductors Line/Load	Ground Prov. (Qty)	Overall Dimensions			Knockout Layout
									Height	Width	Depth	
125 Amp - Continuous (AIC Rated per Table RL1 on page 41)												
78205131419	EN12L41GRST	OH	AW Opening	1Ø/3W	4	None	#14 AWG-2/0 AWG #14 AWG-2/0 AWG	(1) #10 AWG-#2 AWG	12 ¹ / ₈ "	8 ¹ / ₄ "	5 ¹ / ₄ "	Fig. 1
78205158677	EN12L41GRST MS76	OH	AW125	1Ø/3W	4	None	#14 AWG-2/0 AWG #14 AWG-2/0 AWG	(1) #10 AWG-#2 AWG	12 ¹ / ₄ "	8 ¹ / ₄ "	5 ¹ / ₄ "	Fig. 1
78205131429	EN12L42GRST	UG	None	1Ø/3W	4	None	#14 AWG-2/0 AWG #14 AWG-2/0 AWG	(1) #10 AWG-#2 AWG	12 ¹ / ₄ "	12 ¹ / ₄ "	5 ¹ / ₄ "	Fig. 2
78205131439	EN12L43GRST	OH/UG	AWCAP	1Ø/3W	4	None	#14 AWG-2/0 AWG #14 AWG-2/0 AWG	(1) #10 AWG-#2 AWG	12 ¹ / ₈ "	12 ¹ / ₄ "	5 ¹ / ₄ "	Fig. 3
200 Amp - Continuous (AIC Rated per Table RL1 on page 41)												
78205131451	EN20L41GRST	OH	AW Opening	1Ø/3W	4	None	#6 AWG-350 KCMIL #6 AWG-350 KCMIL	(1) #10 AWG-#2 AWG	15 ¹ / ₈ "	8 ¹ / ₄ "	5 ¹ / ₄ "	Fig. 4
78205131466	EN20L42GRST	UG	None	1Ø/3W	4	None	#6 AWG-350 KCMIL #6 AWG-350 KCMIL	(1) #10 AWG-#2 AWG	15 ¹ / ₈ "	12 ¹ / ₄ "	5 ¹ / ₄ "	Fig. 5
78205131487	EN20L43GRST	OH/UG	AWCAP	1Ø/3W	4	None	#6 AWG-350 KCMIL #6 AWG-350 KCMIL	(1) #10 AWG-#2 AWG	15 ¹ / ₈ "	12 ¹ / ₄ "	5 ¹ / ₄ "	Fig. 6
78205132561	EN20L44GRST	UG - Bussed Offset	None	1Ø/3W	4	None	#6 AWG-350 KCMIL #6 AWG-350 KCMIL	(1) #10 AWG-#2 AWG	15 ¹ / ₈ "	13 ¹ / ₄ "	5 ¹ / ₄ "	Fig. 7

Data subject to change without notice. Consult local utility for area acceptance. All dimensions are in inches.

Knockout Layouts



Knockouts - Conduit Sizes

- 2A = 1/2" - 3/8" dia.
- 2D = 1 1/2" - 1 1/4"
- 4F = 2" - 1 1/2" - 1 1/4" - 1"
- 4G = 2 1/2" - 2" - 1 1/2" - 1 1/4"
- 4H = 3" - 2 1/2" - 2" - 1 1/2"
- HAW = AW Hub Opening (Small)

Data subject to change without notice. Consult local utility for area acceptance. All dimensions are in inches.

Self Contained - Non-Jaw Clamping Lever Bypass

125 amp continuous - 200 VAC

Single Meter Sockets



EC12L41GR1N
shown open & closed



EC12L71GRST
shown open & closed

Application

- Single meter position
- Designed for watt hour meters that meet ANSI C12.10
- Overhead or underground feed
- Surface mount

Construction

- Ringless cover
- Type 3R construction
- 16 Ga. galvaneal/galvanized steel

Standards

- UL 414 listed
- Complies with ANSI C12.7

Finish

ANSI 61 gray painted finish

Accessories

- Replacement sockets
- AW hub assemblies
- Cap setscrew assemblies
- 5th jaw terminal kits
- Lug kits
- Closing plates
- Touch-up paint

Part/UPC Number	Catalog Number	Service	Top Provision	Service Type	No. of Terminals	Bypass	Conductors Line/Load	Ground Prov. (Qty)	Overall Dimensions			Knockout Layout
									Height	Width	Depth	
125 Amp - Continuous (AIC Rated per Table RL1 on page 41)												
78205138492	EC12L41GR1N	OH	AW Opening	1Ø/3W	5††	NJCLB*	#14 AWG-2/0 AWG #14 AWG-2/0 AWG	(1) #10 AWG-#2 AWG	19 1/8"	10 1/4"	5 5/8"	Fig. 1
78205158366	EC12L43GR2N	OH/UG	AWCAP	1Ø/3W	5††	NJCLB*	#14 AWG-2/0 AWG #14 AWG-2/0 AWG	(2) #14 AWG-2/0 AWG	19 1/8"	10 1/4"	5 1/2"	Fig. 2
78205138491	EC12L71GRST	OH	AW Opening	3Ø/4W	7	NJCLB*	#14 AWG-2/0 AWG #14 AWG-2/0 AWG	(1) #10 AWG-#2 AWG	19 1/8"	10 1/4"	5 5/8"	Fig. 3

* Bypass lever operates bypass only, non-jaw clamping

†† Includes 5th jaw kit installed at nine (9) o'clock, may be relocated at six (6) o'clock

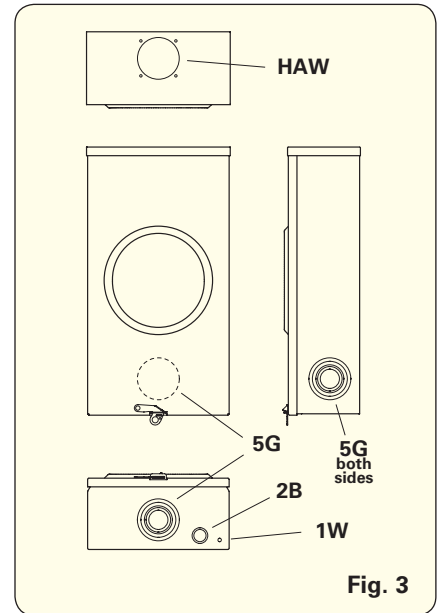
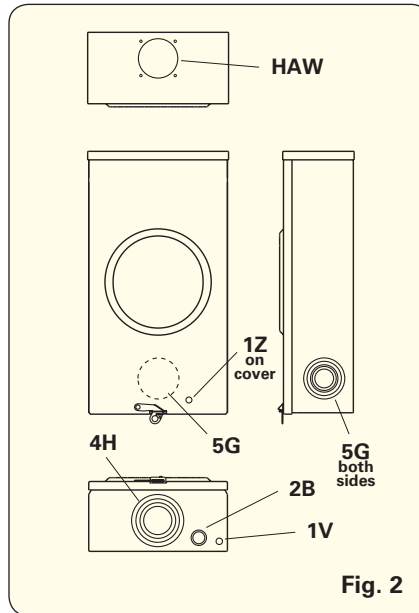
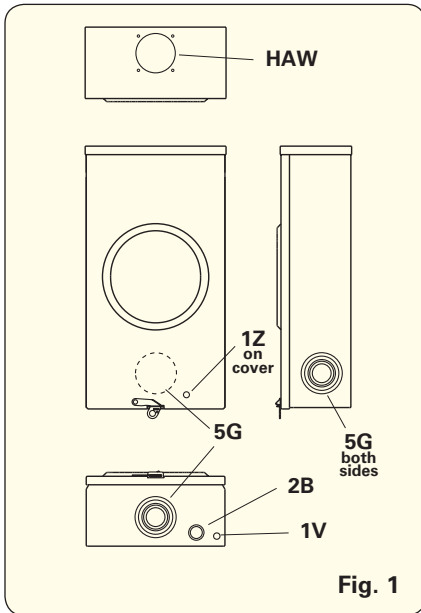
Data subject to change without notice. Consult local utility for area acceptance. All dimensions are in inches.

Self Contained - Non-Jaw Clamping Lever Bypass

125 Amp Continuous - 600 VAC

Single Meter Sockets

Knockout Layouts



Knockouts - Conduit Sizes

- 1V = 1/2" dia.
- 1W = 1/4" dia.
- 1Z = 7/16" dia.
- 2B = 3/4" - 1/2"
- 4H = 3" - 2 1/2" - 2" - 1 1/2"
- 5G = 2 1/2" - 2" - 1 1/2" - 1 1/4" - 1"
- HAW = AW Hub Opening (Small)

Data subject to change without notice. Consult local utility for area acceptance. All dimensions are in inches.

Self Contained - Lever Bypass

200 Amp Continuous - 600 VAC

Single Meter Sockets



EL20L53GRST
shown open & closed



EL20L73GRST
shown open & closed

Application

- Single meter position
- Designed for watt hour meters that meet ANSI C12.10
- Overhead or underground feed
- Surface mount

Construction

- Ringless cover
- Type 3R construction
- 16 Ga. galvaneal/galvanized steel

Standards

- UL 414 listed
- Complies with ANSI C12.7

Finish

- ANSI 61 gray painted finish

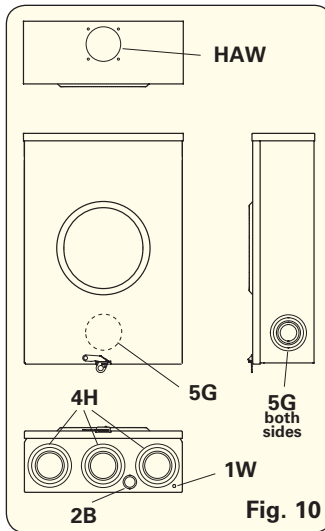
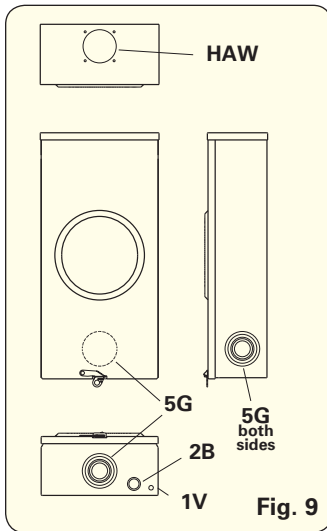
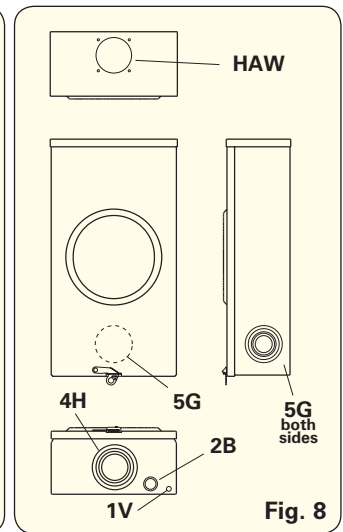
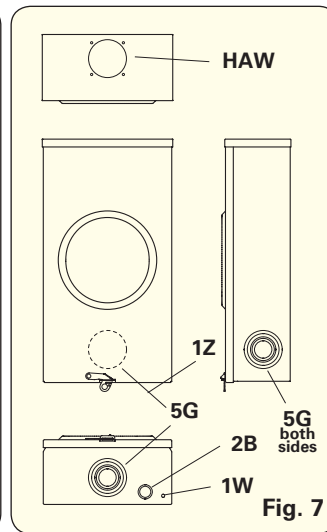
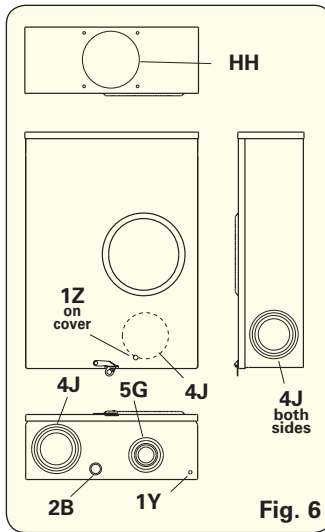
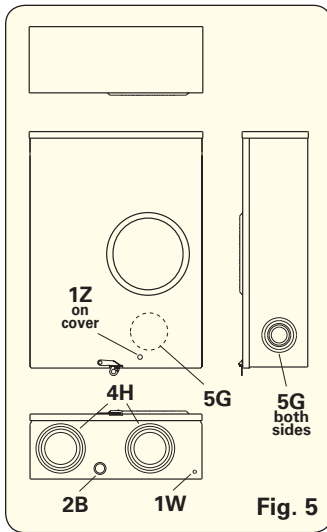
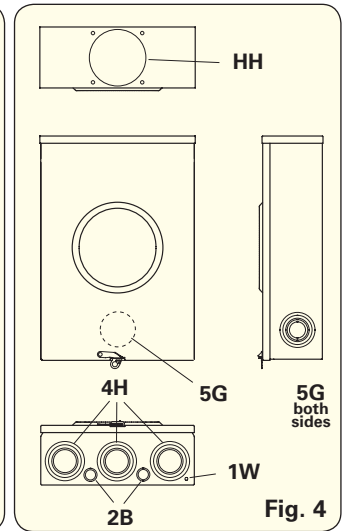
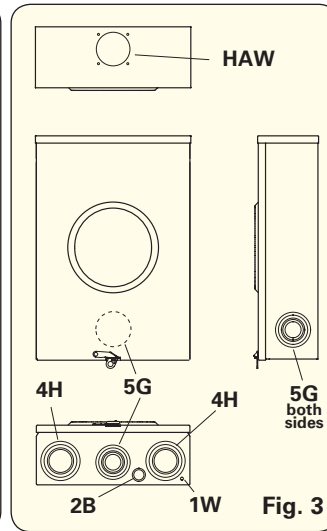
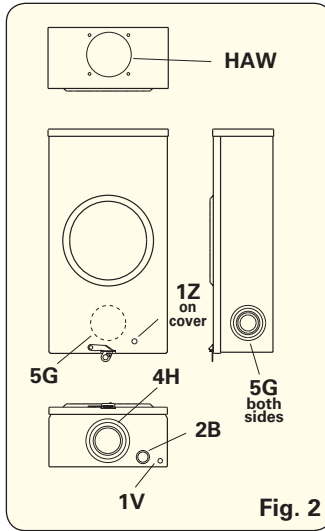
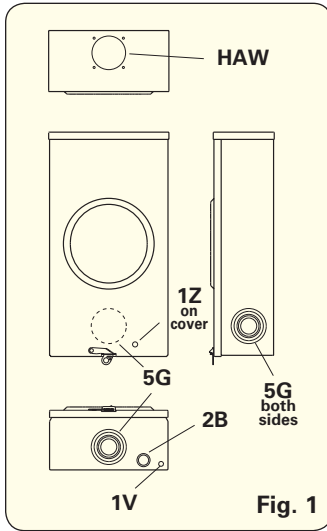
Accessories

- Replacement sockets
- AW & H-Base hub assemblies
- Cap setscrew assemblies
- 5th jaw terminal kits
- Lug kits
- Closing plates
- Touch-up paint

Part/UPC Number	Catalog Number	Service	Top Provision	Service Type	No. of Terminals	Bypass	Conductors Line/Load	Ground Prov. (Qty)	Overall Dimensions			Knockout Layout
									Height	Width	Depth	
200 Amp - Continuous (AIC Rated per Table RL1 on page 41)												
78205138480	EL20L41GR1N	OH	AW Opening	1Ø/3W	5††	Lever Bypass	#6 AWG-350 KCMIL #6 AWG-350 KCMIL	(1) #10-#2 AWG	19 1/8"	10 1/4"	5 5/8"	Fig. 1
78205158361	EL20L41GR2N	OH	H7	1Ø/3W	5††	Lever Bypass	#6 AWG-350 KCMIL #6 AWG-350 KCMIL	(2) #14-2/0 AWG	19 1/8"	10 1/4"	5 5/8"	Fig. 2
78205138490	EL20L43GRST	OH/UG	AWCAP	1Ø/3W	4†	Lever Bypass	#6 AWG-350 KCMIL #6 AWG-350 KCMIL	(1) #10-#2 AWG	19 1/8"	13 1/4"	5 5/8"	Fig. 3
78205158367	EL20L43GR2N	OH/UG	H7/ AWCAP	1Ø/3W	4†	Lever Bypass	#6 AWG-350 KCMIL #6 AWG-350 KCMIL	(2) ##14-2/0 AWG	19 1/8"	13 1/4"	5 1/2"	Fig. 4
78205158322	EL20L44GRST	UG Bussed Offset	None	1Ø/3W	4†	Lever Bypass	#6 AWG-350 KCMIL #6 AWG-350 KCMIL	(1) #10-2/0 AWG	19 1/8"	13 1/4"	5 5/8"	Fig. 5
78205138479	EL20L45GR1N	OH/UG Non-Bussed Offset	H10	1Ø/3W	5††	Lever Bypass	#6 AWG-350 KCMIL #6 AWG-350 KCMIL	(1) #10-#2 AWG	22 1/8"	16 1/4"	6 5/8"	Fig. 6
78205132601	EL20L51GRST	OH	AW Opening	1Ø/3W or 3Ø/3W	5†††	Lever Bypass	#6 AWG-350 KCMIL #6 AWG-350 KCMIL	(1) #10-#2 AWG	19 1/8"	10 1/4"	5 5/8"	Fig. 7
78205158364	EL20L51GR2N	OH	AW Opening	1Ø/3W or 3Ø/3W	5†††	Lever Bypass	#6 AWG-350 KCMIL #6 AWG-350 KCMIL	(1) #10-#2 AWG	19 1/8"	10 1/4"	5 1/2"	Fig. 8
78205132605	EL20L53GRST	OH/UG	AWCAP	1Ø/3W or 3Ø/3W	5†††	Lever Bypass	#6 AWG-350 KCMIL #6 AWG-350 KCMIL	(1) #10-#2 AWG	19 1/8"	13 1/4"	5 5/8"	Fig. 3
78205138487	EL20L71GRST	OH	AW Opening	3Ø/4W	7	Lever Bypass	#6 AWG-350 KCMIL #6 AWG-350 KCMIL	(1) #10-#2 AWG	21 1/4"	10 1/4"	5 5/8"	Fig. 9
78205138483	EL20L71GR1N	OH	AW Opening	3Ø/4W	7	Lever Bypass	#6 AWG-350 KCMIL #6 AWG-350 KCMIL	(1) #10-#2 AWG	21 1/4"	10 1/4"	5 5/8"	Fig. 1
78205158359	EL20L71GR2N	OH	H7	3Ø/4W	7	Lever Bypass	#6 AWG-350 KCMIL #6 AWG-350 KCMIL	(2) #10-#2 AWG	21 1/8"	10 1/4"	5 1/2"	Fig. 2
78205138488	EL20L73GRST	OH/UG	AWCAP	3Ø/4W	7	Lever Bypass	#6 AWG-350 KCMIL #6 AWG-350 KCMIL	(1) #10-#2 AWG	21 1/4"	13 1/4"	5 5/8"	Fig. 3
78205158363	EL20L73GR2N	OH/UG	AWCAP H7	3Ø/4W	7	Lever Bypass	#6 AWG-350 KCMIL #6 AWG-350 KCMIL	(2) #10-#2 AWG	21 1/4"	13 1/4"	5 1/2"	Fig. 10
78205138482	EL20L75GR1N	OH/UG Non-bussed offset	H10	3Ø/4W	7	Lever Bypass	#6 AWG-350 KCMIL #6 AWG-350 KCMIL	(1) #10-#2 AWG	22 1/8"	16 1/4"	6 5/8"	Fig. 6

Data subject to change without notice. Consult local utility for area acceptance. All dimensions are in inches.

Knockout Layouts



Knockouts - Conduit Sizes

- 1V = 1/2" dia.
- 1W = 1/4" dia.
- 1Y = 5/16" dia.
- 1Z = 7/16" dia.
- 2B = 3/4" - 1/2"
- 4H = 3" - 2 1/2" - 2" - 1 1/2"
- 4J = 3 1/2" - 3" - 2 1/2" - 2"
- 5G = 2 1/2" - 2" - 1 1/2" - 1 1/4" - 1"
- HAW = AW Hub Opening (Small)
- HH = H Hub Opening (Large)

Data subject to change without notice. Consult local utility for area acceptance. All dimensions are in inches.

Self Contained - Lever Bypass

320 Amp Continuous - 600 VAC

Single Meter Sockets



EL32T76GRST shown open & closed



Application

- Single meter position
- Designed for watt hour meters that meet ANSI C12.10
- Overhead or underground feed
- Surface mount

Construction

- Ringless cover
- Type 3R construction
- 16 Ga. galvanized/galvanneal steel

Standards

- UL 414 listed
- Complies with ANSI C12.7

Finish

- ANSI 61 gray painted finish

Accessories

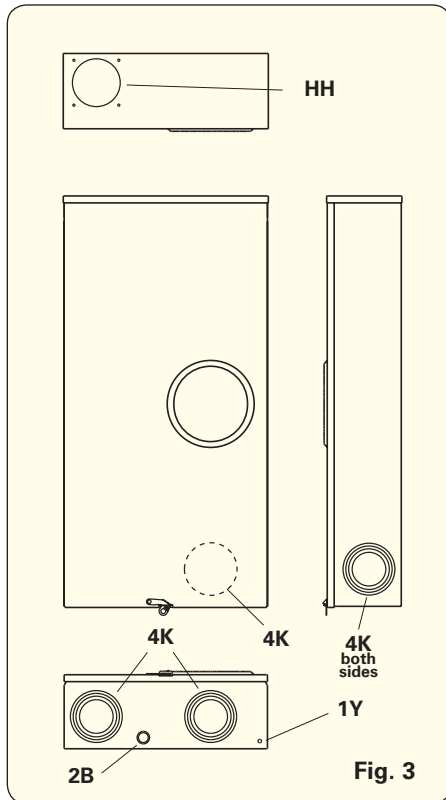
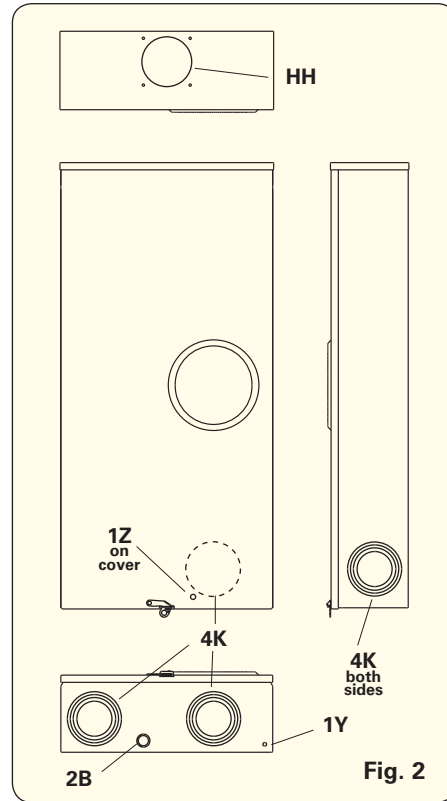
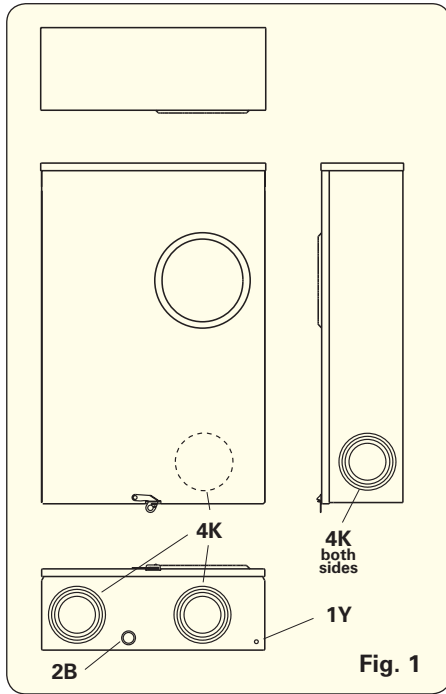
- Replacement sockets
- H-Base hub assemblies
- 5th jaw terminal kits
- Lug kits
- Lug/stud landing pads
- Closing plates
- Touch-up paint

Part/UPC Number	Catalog Number	Service	Top Provision	Service Type	No. of Terminals	Bypass	Conductors Line/Load	Ground Prov. (Qty)	Overall Dimensions			Knockout Layout
									Height	Width	Depth	
320 Amp - Continuous (AIC Rated per Table RL9 on page 42)												
78205140883	EL32T44GRST	UG Bussed Offset	None	1Ø/3W	4†	Lever Bypass	3/8"-16 Stud 3/8"-16 Stud	(1) #10 AWG-1/0 AWG	27 7/8"	18 1/4"	7 1/8"	Fig. 1
78205138481	EL32T45GR1N	OH/UG Non-Bussed Offset	H10	1Ø/3W	4†	Lever Bypass	3/8"-16 Stud 3/8"-16 Stud	(1) #10 AWG-1/0 AWG	38 1/8"	18 1/4"	7 1/8"	Fig. 2
78205138485	EL32T46GRST	OH/UG Bussed Offset	H10	1Ø/3W	4†	Lever Bypass	3/8"-16 Stud 3/8"-16 Stud	(1) #10 AWG-1/0 AWG	36 7/8"	18 1/4"	7 1/8"	Fig. 3
78205138484	EL32T75GR1N	OH/UG Non-Bussed Offset	H10	3Ø/4W	7	Lever Bypass	3/8"-16 Stud 3/8"-16 Stud	(1) #10 AWG-1/0 AWG	38 1/8"	18 1/4"	7 1/8"	Fig. 2
78205138486	EL32T76GRST	OH/UG Bussed Offset	H10	3Ø/4W	7	Lever Bypass	3/8"-16 Stud 3/8"-16 Stud	(1) #10 AWG-1/0 AWG	39 1/8"	20 1/4"	7 1/8"	Fig. 3

† 5th jaw provisions at six (6) o'clock and nine (9) o'clock

Data subject to change without notice. Consult local utility for area acceptance. All dimensions are in inches.

Knockout Layouts



Knockouts - Conduit Sizes

- 1Y = 5/16" dia.
- 1Z = 7/16" dia.
- 2B = 3/4" - 1/2"
- 4K = 4", 3 1/2" - 3" - 2 1/2"
- HH = H Hub Opening (Large)

Data subject to change without notice. Consult local utility for area acceptance. All dimensions are in inches.

Self Contained, Meter Mains - Non Lever Bypass

125, 150, & 200 Amp - 240 VAC



ENC10L24A3GRST
shown open & closed



Application

- Single meter position
- Designed for watt hour meters that meet ANSI C12.10
- Overhead or underground feed
- Surface mount

Construction

- Ringless cover
- Type 3R construction
- 16 Ga. galvanized/galvanneal steel
- 5th jaw provision at nine (9) o'clock

Standards

- UL 67 listed
- Complies with ANSI C12.7

Finish

- ANSI 61 gray painted finish

Accessories

- Replacement sockets
- AW hub assemblies
- Cap setscrew assemblies
- Horn bypass cap assemblies
- 5th jaw terminal kits
- Lug kits
- Closing plates
- Touch-up paint

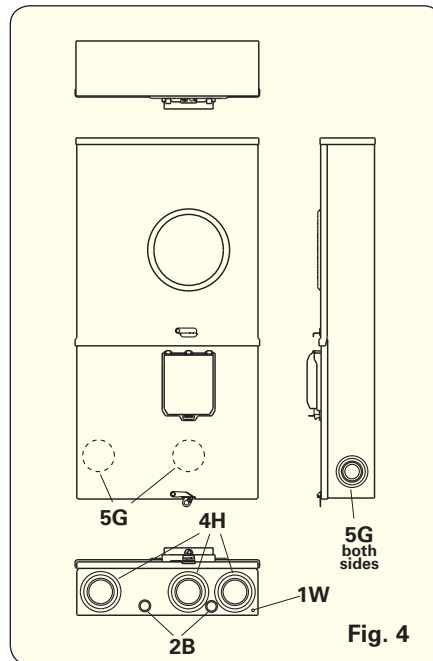
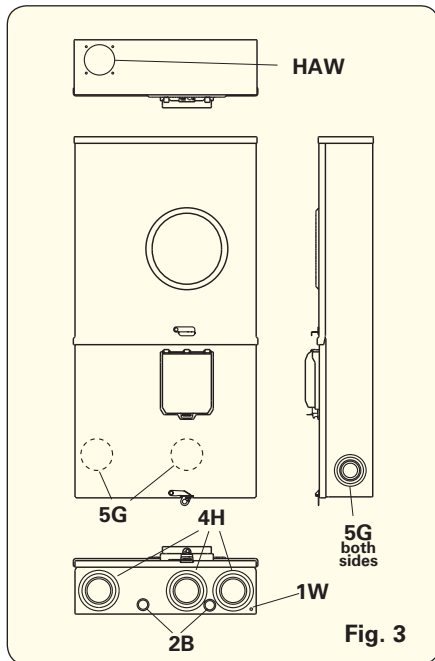
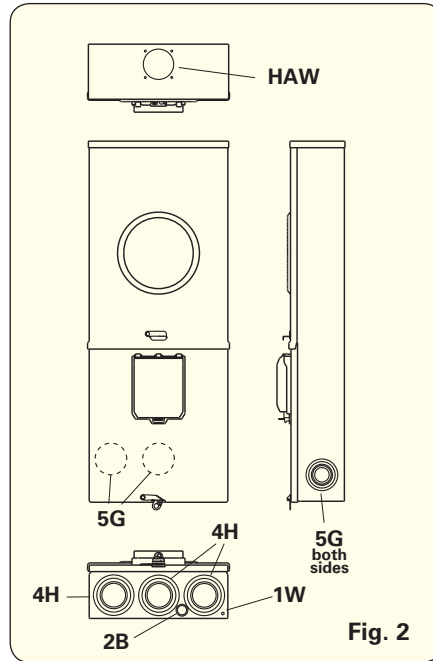
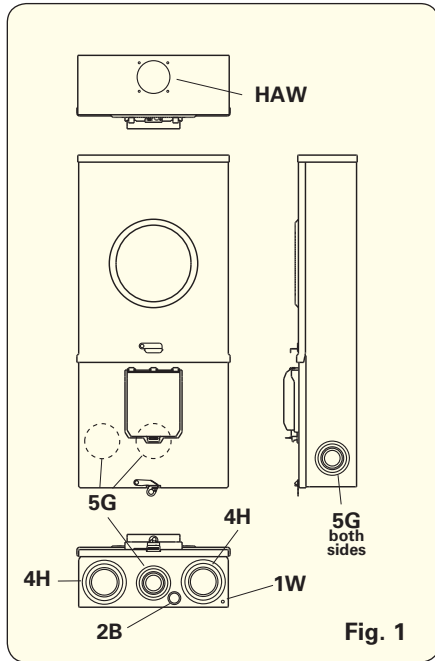
Part/UPC Number	Catalog Number	Service	Top Provision	Service Type	No. of Terminals	Bypass	Conductors Line/Load	Ground Prov. (Qty)	Overall Dimensions			Knockout Layout
									Height	Width	Depth	
125 Amp Continuous, 2 Pole Plug-in Circuit Breaker Provision (AIC Rated per Table RL2 on page 41)												
78205150949	ENLB10L24A3GRST	OH/UG	AWCAP	1Ø/3W	4	No Bypass	#14 AWG-2/Ø AWG #10 AWG-2/Ø AWG	(2) #10-1/Ø AWG	29 ¹ / ₈ "	13 ¹ / ₄ "	6 ⁵ / ₈ "	Fig. 1
125 Amp Continuous, 2 Pole 100 Amp Plug-in Circuit Breaker (AIC Rated per Table RL2 on page 41)												
78205138508	ENCB10L24A3GRST	OH/UG	AWCAP	1Ø/3W	4	No Bypass	#14 AWG-2/Ø AWG #10 AWG-2/Ø AWG	(2) #10-1/Ø AWG	29 ¹ / ₈ "	13 ¹ / ₄ "	6 ⁵ / ₈ "	Fig. 1
125 Amp Continuous, 2 Pole 100 Amp Plug-in Circuit Breaker & (2) 1 Pole Plug-in Circuit Breaker Provisions (AIC Rated per Table RL2 on page 41)												
78205159267	EN4C10L24A3GRST	OH/UG	AWCAP	1Ø/3W	4	No Bypass	#14 AWG-2/Ø AWG #10 AWG-2/Ø AWG	(2) #10-1/Ø AWG	29 ¹ / ₈ "	13 ¹ / ₄ "	6 ⁵ / ₈ "	Fig. 1
200 Amp Continuous, 2 Pole 150 Amp Bolt-on Circuit Breaker (AIC Rated per Table RL3 on page 41)												
78205138509	ENCB15L24A3GRST	OH/UG	AWCAP	1Ø/3W	4	No Bypass	#6 AWG-350 KCMIL #4 AWG-4/Ø AWG	(2) #10-1/Ø AWG	34 ¹ / ₈ "	13 ¹ / ₄ "	6 ⁵ / ₈ "	Fig. 2
200 Amp Continuous, 2 Pole 200 Amp Bolt-on Circuit Breaker (AIC Rated per Table RL3 on page 41)												
78205138510	ENCB20L24A3GRST	OH/UG	AWCAP	1Ø/3W	4	No Bypass	#6 AWG-350 KCMIL 2/Ø AWG-300KCMIL	(2) #10-1/Ø AWG	34 ¹ / ₈ "	13 ¹ / ₄ "	6 ⁵ / ₈ "	Fig. 2
78205158371	ENCB20L24A4GRST	OH/UG Bussed Offset	AWCAP	1Ø/3W	4	No Bypass	#6 AWG-350 KCMIL 2/Ø AWG-300KCMIL	(2) #10-1/Ø AWG	34 ¹ / ₈ "	16 ¹ / ₄ "	6 ⁵ / ₈ "	Fig. 3
78205158372	ENCB20C24A4GRST	UG Bussed Offset	None	1Ø/3W	4	No Bypass	³ / ₈ "-16 stud 2/Ø AWG-300KCMIL	(2) #10-1/Ø AWG	34 ¹ / ₈ "	16 ¹ / ₄ "	6 ⁵ / ₈ "	Fig. 4

Data subject to change without notice. Consult local utility for area acceptance. All dimensions are in inches.

Self Contained, Meter Mains - Non Lever Bypass

125, 150, & 200 Amp - 240 VAC

Knockout Layouts



Knockouts - Conduit Sizes

- 1W = 1/4" dia.
- 2B = 3/4" - 1/2"
- 4H = 3" - 2 1/2" - 2" - 1 1/2"
- 5G = 2 1/2" - 2" - 1 1/2" - 1 1/4" - 1"
- HAW = AW Hub Opening (Small)

Data subject to change without notice. Consult local utility for area acceptance. All dimensions are in inches.

Self Contained, Meter Mains - Non Jaw Clamping Lever Bypass

100 Amp - 240 VAC

Meter Mains



ECCB10L27A3GR1N
shown open & closed



Application

- Single meter position
- Designed for watt hour meters that meet ANSI C12.10
- Overhead or underground feed
- Surface mount

Construction

- Ringless cover
- Type 3R construction
- 16 Ga. galvaneal/galvanized steel

Standards

- UL 67 listed
- Complies with ANSI C12.7

Finish

- ANSI 61 gray painted finish

Accessories

- Replacement sockets
- AW hub assemblies
- Cap setscrew assemblies
- 5th jaw terminal kits
- Lug kits
- Closing plates
- Touch-up paint

Part/UPC Number	Catalog Number	Service	Top Provision	Service Type	No. of Terminals	Bypass	Conductors Line/Load	Ground Prov. (Qty)	Overall Dimensions			Knockout Layout
									Height	Width	Depth	
125 Amp Continuous, 2 & 3 Pole 100 Amp Plug-in Circuit Breaker (AIC Rated per Table RL2 on page 41)												
78205138497	ECCB10L24A3GR1N ¹	OH/UG	AWCAP	1Ø/3W	4 †	NJCLB *	#14 AWG-2/0 AWG #14 AWG-1/0 AWG	(2) #10-1/0 AWG	29 1/8"	13 3/4"	6 5/8"	Fig. 1
78205138498	ECCB10L27A3GRST ²	OH/UG	AWCAP	3Ø/4W	7	NJCLB *	#14 AWG-2/0 AWG #14 AWG-1/0 AWG	(1) #10-1/0 AWG	29 1/8"	13 3/4"	6 5/8"	Fig. 2
78205162268	ECCB10L27A3GR1N ²	OH/UG	AWCAP	3Ø/4W	7	NJCLB *	#14 AWG-2/0 AWG #14 AWG-1/0 AWG	(1) #10-1/0 AWG	29 1/8"	13 3/4"	6 5/8"	Fig. 2

* Bypass lever operates bypass only, non-jaw clamping

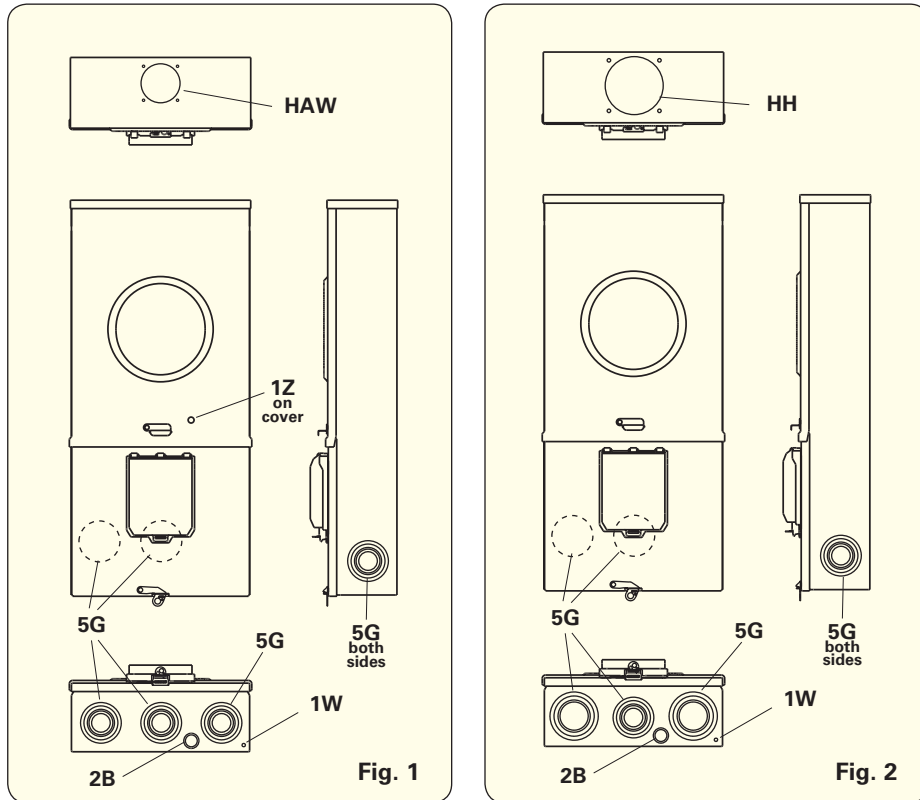
† 5th jaw provisions at six (6) o'clock and nine (9) o'clock

¹ 2 Pole 100 Amp Plug-in Circuit Breaker

² 3 Pole 100 Amp Plug-in Circuit Breaker

Data subject to change without notice. Consult local utility for area acceptance. All dimensions are in inches.

Knockout Layouts



Knockouts - Conduit Sizes

1W = 1/4" dia.
 1Z = 7/16" dia.
 2B = 3/4" - 1/2"
 5G = 2 1/2" - 2" - 1 1/2" - 1 1/4" - 1"
 HAW = AW Hub Opening (Small)
 HH = H Hub Opening (Large)

Self Contained, Meter Mains - Lever Bypass

200 Amp & 320 Amp - 240 VAC



ELCB20L24A5GR1N
shown open & closed



ELCB32C24A4GRST
shown open & closed

Application

- Single meter position
- Designed for watt hour meters that meet ANSI C12.10
- Overhead or underground feed
- Surface mount

Construction

- Ringless cover
- Type 3R construction
- 16 Ga. galvaneal/galvanized steel

Standards

- UL 67 listed
- Complies with ANSI C12.7

Finish

- ANSI 61 gray painted finish

Accessories

- Replacement sockets
- AW & H-Base hub assemblies
- Cap setscrew assemblies
- 5th jaw terminal kits
- Lug/stud landing pads
- Lug kits
- Closing plates
- Touch-up paint

Part/UPC Number	Catalog Number	Service	Top Provision	Service Type	No. of Terminals	Bypass	Conductors Line/Load	Ground Prov. (Qty)	Overall Dimensions			Knockout Layout
									Height	Width	Depth	
200 Amp Continuous, 2 Pole 200 Amp Bolt-On Circuit Breaker (AIC Rated per Table RL3 on page 41)												
78205138500	ELCB20L24A5GR1N	OH/UG Non-Bussed Offset	AW CAP H7	1Ø/3W	4 †	Lever	#6 AWG-350 KCMIL 2/0 AWG-300 KCMIL	(3) #10-1/0 AWG	34 ¹ / ₈ "	16 ¹ / ₄ "	6 ⁵ / ₈ "	Fig. 1
200 Amp Continuous, 2 Pole 200 Amp Bolt-On Circuit Breaker & (4) 1 Pole or (2) 2 Pole Circuit Breaker Provisions (AIC Rated per Table RL7 on page 42)												
78205158421	EL6C20L24A6GRST	OH/UG Bussed Offset	H7	1Ø/3W	4 †	Lever	#6 AWG-350 KCMIL 2/0 AWG-300 KCMIL	(3) #10-1/0 AWG	37 ¹ / ₄ "	16 ¹ / ₄ "	5"	Fig. 2
200 Amp Continuous, 3 Pole 200 Amp Bolt-On Circuit Breaker (AIC Rated per Table RL3 on page 41)												
78205138499	ELCB20L27A5GR1N	OH/UG Non-Bussed Offset	AW CAP H7	3Ø/4W	7	Lever	#6 AWG-350 KCMIL 2/0 AWG-300 KCMIL	(3) #10-1/0 AWG	34 ¹ / ₈ "	16 ¹ / ₄ "	6 ⁵ / ₈ "	Fig. 1
320 Amp Continuous, (2) 2 Pole 200 Amp Bolt-On Circuit Breaker (AIC Rated per Table RL3 on page 41)												
78205138501	ELCB32C24A4GRST	UG Bussed Offset	None	1Ø/3W	4 †	Lever	³ / ₈ "-16 stud 2/0 AWG-300 KCMIL	(3) #10-1/0 AWG	30 ¹ / ₈ "	25 ¹ / ₂ "	7 ⁵ / ₈ "	Fig. 3
78205138502	ELCB32C24A5GR1N	OH/UG Non-Bussed Offset	H7	1Ø/3W	4 †	Lever	³ / ₈ "-16 stud 2/0 AWG-300 KCMIL	(3) #10-1/0 AWG	30 ¹ / ₈ "	25 ¹ / ₂ "	7 ⁵ / ₈ "	Fig. 4

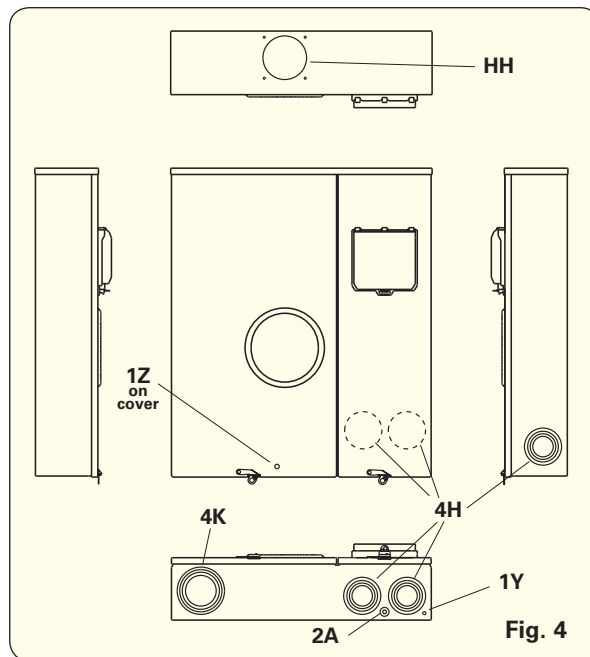
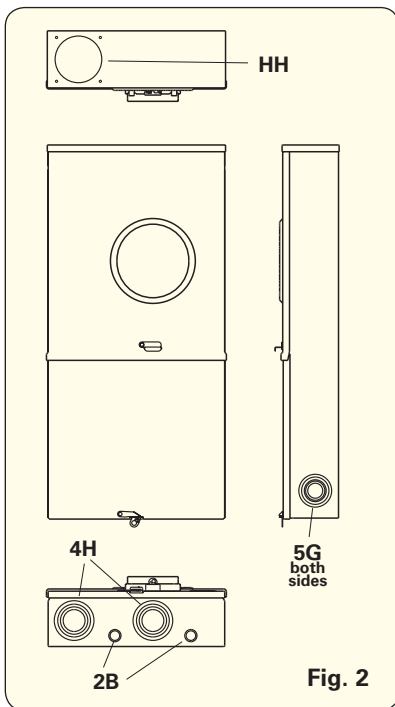
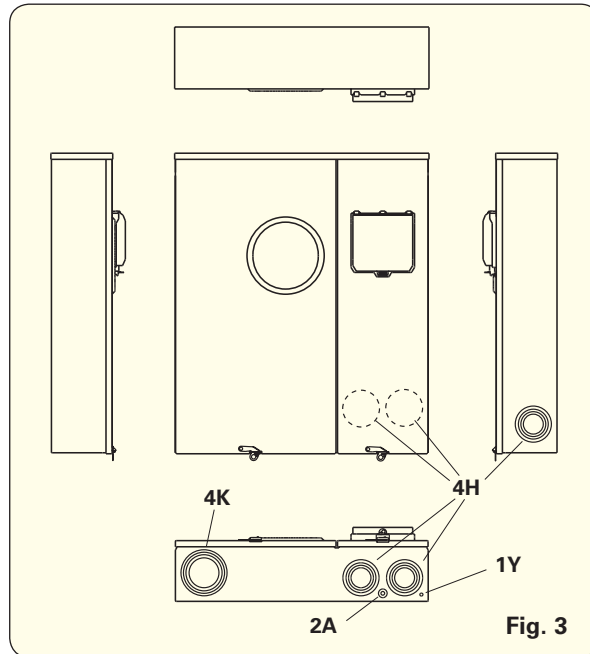
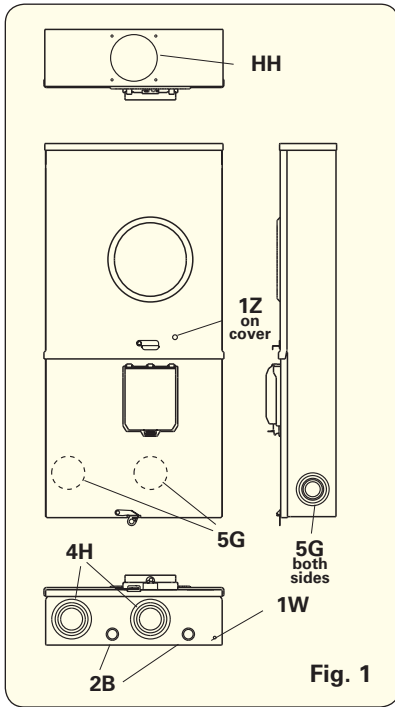
† 5th jaw provisions at six (6) o'clock and nine (9) o'clock

Data subject to change without notice. Consult local utility for area acceptance. All dimensions are in inches.

Self Contained, Meter Mains - Lever Bypass

200 Amp & 320 Amp - 240 VAC

Knockout Layouts



Knockouts - Conduit Sizes

- 1Y = 5/16" dia.
- 1W = 1/4" dia.
- 1Z = 7/16" dia.
- 2A = 3/8" dia. - 1/2"
- 2B = 3/4" - 1/2"
- 4H = 3" - 2 1/2" - 2" - 1 1/2"
- 4K = 4" - 3 1/2" - 3" - 2 1/2"
- 5G = 2 1/2" - 2" - 1 1/2" - 1 1/4" - 1"
- HH = H Hub Opening (Large)

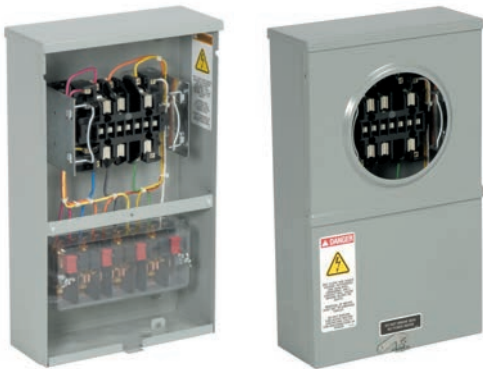
Data subject to change without notice. Consult local utility for area acceptance. All dimensions are in inches.

Current Transformer Metering

20 Amp. CT Meter Socket - 600 VAC



SW02132S1GR1N
shown open & closed



SW02132C2GR1T
shown open & closed

Application

- Single meter position
- Designed for watt hour meters that meet ANSI C12.10
- Overhead or underground feed
- Surface mount

Construction

- Ringless cover
- Type 3R construction
- 16 Ga. galvaneal/galvanized steel

Standards

- UL 414 listed
- Complies with ANSI C12.7

Finish

- ANSI 61 gray painted finish

Accessories

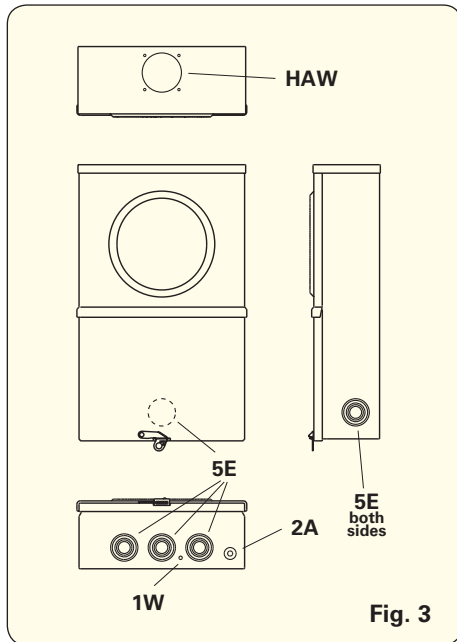
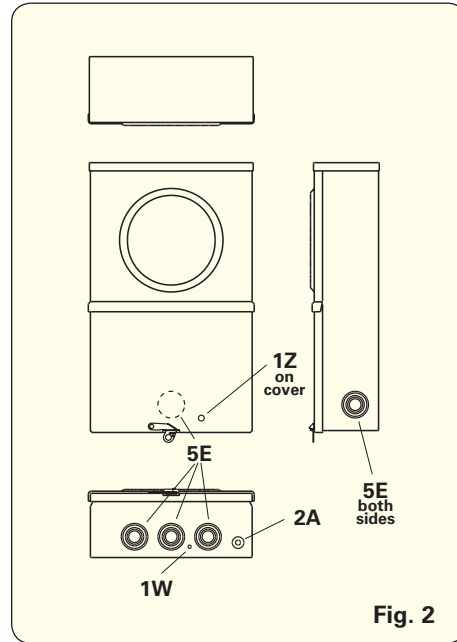
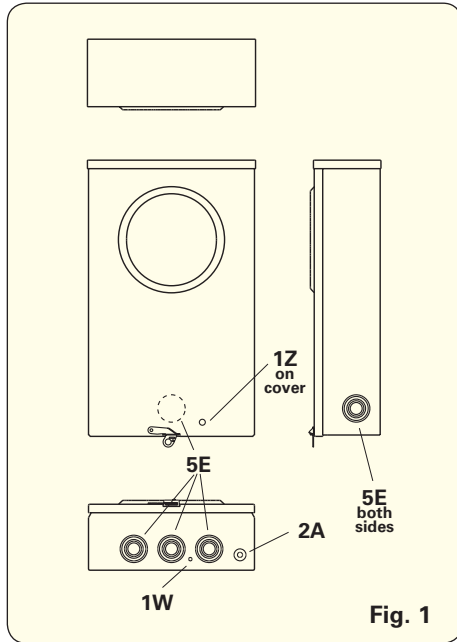
- Replacement sockets
- AW hub assemblies
- Test switch bypass horn kit
- Lug kits
- Closing plates
- Touch-up paint

Part/UPC Number	Catalog Number	Service	Top Provision	Service Type	No. of Terminals	Bypass	Conductors Line/Load	Ground Prov. (Qty)	Overall Dimensions			Knockout Layout
									Height	Width	Depth	
20 Amp Continuous, CT Meter Socket with Pre-Wired Test Switch, 1 Piece Enclosure Cover												
78205138496	SW02062S1GR1N	UG	None	1Ø/3W	6	7 Pole TS without cover	#10-32 Stud	(2) #10-#2 AWG	20 ¹ / ₈ "	12 ¹ / ₄ "	5 ¹ / ₄ "	Fig. 1
78205138495	SW02132S1GR1N	UG	None	3Ø/4W	13	10 Pole TS without cover	#10-32 Stud	(2) #10-#2 AWG	20 ¹ / ₈ "	12 ¹ / ₄ "	5 ¹ / ₄ "	Fig. 1
20 Amp Continuous, CT Meter Socket with Pre-Wired Test Switch, 2 Piece Enclosure Cover												
78205158198	SW02062C2GR1T	UG	None	1Ø/3W	6	7 Pole TS with cover	#10-32 Stud	(2) #10-#2 AWG	20 ¹ / ₈ "	12 ¹ / ₄ "	5 ¹ / ₄ "	Fig. 2
78205158197	SW02082C2GR1T	UG	None	3Ø/3W	8	7 Pole TS with cover	#10-32 Stud	(2) #10-#2 AWG	20 ¹ / ₈ "	12 ¹ / ₄ "	5 ¹ / ₄ "	Fig. 2
78205138511	SW02132C2GR1T	UG	None	3Ø/4W	13	10 Pole TS with cover	#10-32 Stud	(2) #10-#2 AWG	20 ¹ / ₈ "	12 ¹ / ₄ "	5 ¹ / ₄ "	Fig. 2
20 Amp Continuous, CT Meter Socket with Test Switch Provision, 2 Piece Enclosure Cover												
78205138512	SP02133N2GRST	OH/UG	AWCAP	3Ø/4W	13	TS Provision	#14-#6	(2) #10-#2 AWG	20 ¹ / ₈ "	12 ¹ / ₄ "	5 ¹ / ₄ "	Fig. 3

TS = Test Switch

Data subject to change without notice. Consult local utility for area acceptance. All dimensions are in inches.

Knockout Layouts



Knockouts - Conduit Sizes

- 1W = 1/4" dia.
- 1Z = 7/16" dia. (Barrel Lock KO)
- 2A = 1/2" - 3/8" dia.
- 5E = 1 1/2" - 1 1/4" - 1" - 3/4" - 1/2"
- HAW = AW Hub Opening (Small)

Current Transformer Metering

Type 3R Current Transformer Cabinets With Mounting Base - 600 VAC



363612DDHRTCT1N
shown open & closed



Application

- Designed to house current transformers (CT)
- Used as wiring, junction, and pull cabinet
- Protects against falling rain, sleet, and external ice formation
- Surface mount

Construction

- Type 3R construction
- 12 Ga. galvaneal/galvanized steel
- CT mounting bases installed

Standards

- UL 414 listed
- Complies with ANSI C12.11
- NEMA Type 3R

Finish

- ANSI 61 gray painted finish

Accessories

- CT mounting base
- Lug kits
- Touch-up paint



Current Transformers

Part/UPC Number	Catalog Number	Service Type	# CT Provisions	Phase Conductor Lug Ranges Line & Load	Ground Prov. (Qty)	Overall Dimensions			Knockout Layout
						Height	Width	Depth	
800 amps max./50 KAIC									
78205139309	363612DDHRTCT1N	3Ø/4W	3	(3) 4 AWG-600 KCMIL or (6) 1/0 AWG-250KCMIL (3) 4 AWG-600 KCMIL or (6) 1/0 AWG-250KCMIL	(1) #4-1/0 AWG	36"	36"	12"	NA
78205136715	484814DDHRTCT1N	3Ø/4W	3	(3) 4 AWG-600 KCMIL or (6) 1/0 AWG-250KCMIL (3) 4 AWG-600 KCMIL or (6) 1/0 AWG-250KCMIL	(1) #4-1/0 AWG	48"	48"	14"	NA

Data subject to change without notice. Consult local utility for area acceptance. All dimensions are in inches.

*This page
intentionally
left blank.*

Multiple Metering, Horizontal Gang - Non Lever Bypass

100 Amp & 200 Amp Continuous per Position - 600 VAC



HEN10434LGRST
shown open & closed



Application

- 2 - 6 meter position
- Designed for watt hour meters that meet ANSI C12.10
- Overhead or underground feed
- Surface mount

Construction

- Ringless cover
- Type 3R construction
- 16 Ga. galvanized/galvanized steel
- 5th jaw provision at nine (9) o'clock

Standards

- UL 414 listed
- Complies with ANSI C12.7

Finish

- ANSI 61 gray painted finish

Accessories

- Replacement sockets
- AW hub assemblies
- Cap setscrew assemblies
- 5th jaw terminal kits
- Lug kits
- Jumper links
- Closing plates
- Touch-up paint

Multiple Metering Horz.

Part/UPC Number	Catalog Number	Gang	Service	Top Prov.	Service Type	No. of Terminals	Bypass	Conductors Line/Load	Ground Prov. (Qty)	Overall Dimensions			Knockout Layout
										Height	Width	Depth	
100 Amp Continuous Per Position, 225 Amp Max. Overall Rating - Left Feed (AIC Rated per Table RL5 on page 41)													
78205140876	HEN10412LGRST MS68	2	OH	AW200 AWCAP	1Ø/3W	4	None	#6 AWG-350 KCMIL #14 AWG-2/0 AWG	(1) #10 AWG-#2 AWG	18 ¹ / ₈ "	16 ¹ / ₂ "	5 ¹ / ₄ "	Fig. 1
78205140877	HEN10413LGRST MS68	3	OH	AW200 AWCAP	1Ø/3W	4	None	#6 AWG-350 KCMIL #14 AWG-2/0 AWG	(1) #10 AWG-#2 AWG	18 ¹ / ₈ "	24 ³ / ₄ "	5 ¹ / ₄ "	Fig. 2
78205158370	HEN10414LGRST MS68	4	OH	AW200 AWCAP	1Ø/3W	4	None	#6 AWG-350 KCMIL #14 AWG-2/0 AWG	(1) #10 AWG-#2 AWG	18 ¹ / ₈ "	33"	5 ¹ / ₄ "	Fig. 3
78205140878	HEN10432LGRST	2	OH/UG	AWCAP	1Ø/3W	4	None	#6 AWG-350 KCMIL #14 AWG-2/0 AWG	None	18 ¹ / ₈ "	20 ¹ / ₂ "	5 ¹ / ₄ "	Fig. 4
78205140879	HEN10433LGRST	3	OH/UG	AWCAP	1Ø/3W	4	None	#6 AWG-350 KCMIL #14 AWG-2/0 AWG	None	18 ¹ / ₈ "	28 ³ / ₄ "	5 ¹ / ₄ "	Fig. 5
78205140881	HEN10434LGRST	4	OH/UG	AWCAP	1Ø/3W	4	None	#6 AWG-350 KCMIL #14 AWG-2/0 AWG	None	18 ¹ / ₈ "	37"	5 ¹ / ₄ "	Fig. 6
200 Amp Continuous Per Position, 400 Amp Max. Overall Rating - Center Feed (AIC Rated per Table RL6 on page 41)													
78205140882	HEN20432CGRST	2	OH/UG	AWCAP	1Ø/3W	4	None	³ / ₈ "-16 stud #6 AWG-350 KCMIL	(1) #10 AWG-#2 AWG	18 ¹ / ₈ "	24 ³ / ₄ "	5 ¹ / ₂ "	Fig. 7
200 Amp (Left Hand Socket) / 125 Amp (Right Hand Socket) Max., 225 Amp Continuous Overall Rating - Left Feed (AIC Rated per Table RL6 on page 41)													
78205139786	HEN21432LGRST	2	OH/UG	AWCAP (2)	1Ø/3W	4	None	#6 AWG-350 KCMIL #14 AWG-2/0 AWG (*) #6 AWG-350 KCMIL (**)	None	18 ¹ / ₈ "	20 ¹ / ₂ "	5 ¹ / ₄ "	Fig. 4

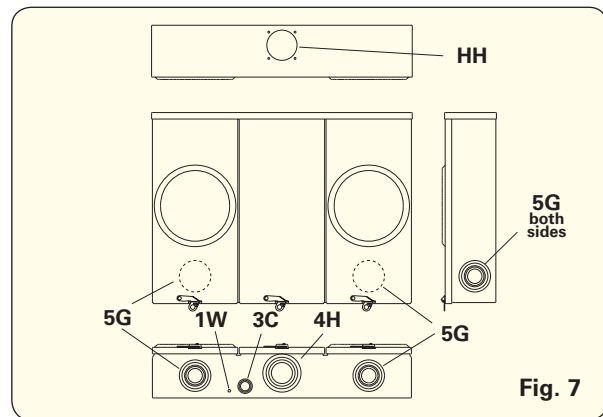
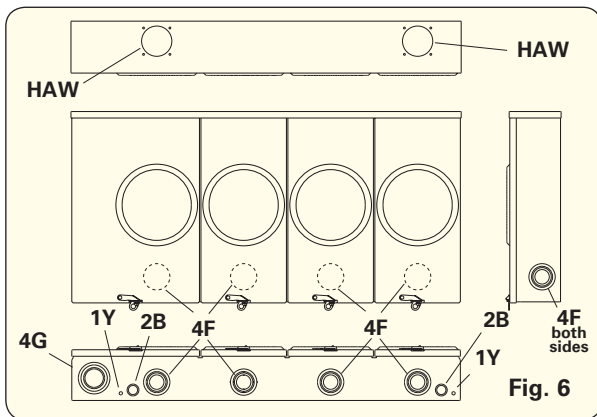
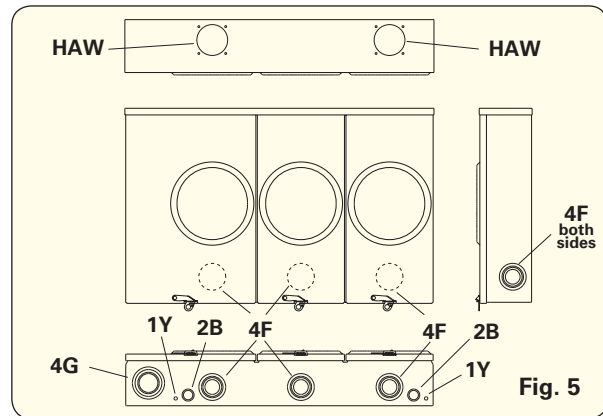
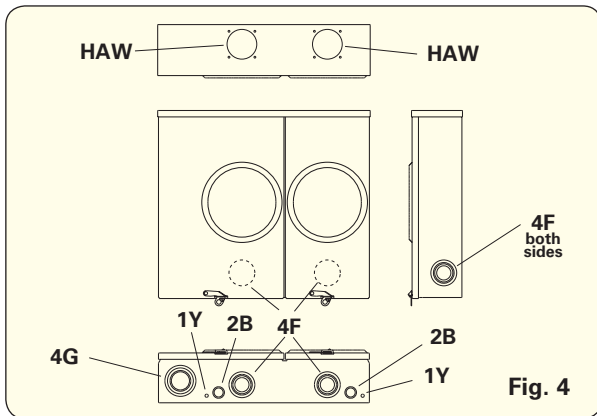
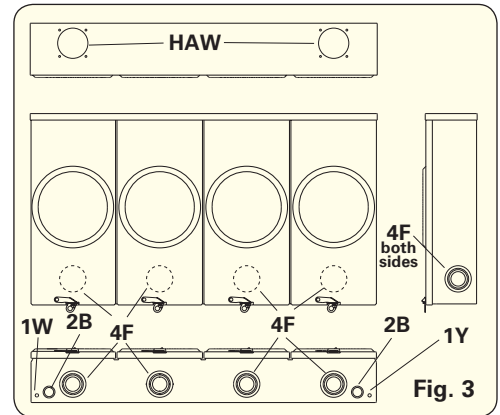
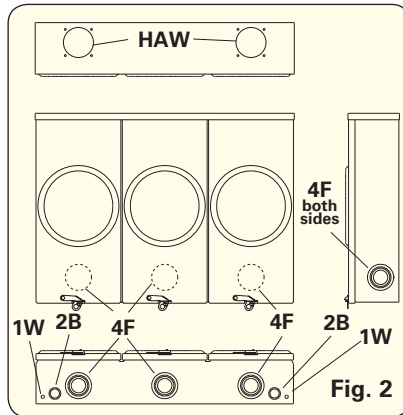
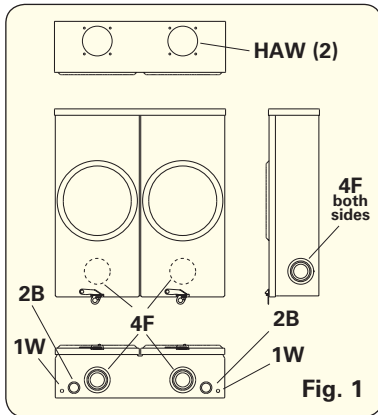
(*) Load conductor for 125A socket (**) Load conductor for 200A socket

Data subject to change without notice. Consult local utility for area acceptance. All dimensions are in inches.

Multiple Metering, Horizontal Gang - Non Lever Bypass

100 Amp & 200 Amp Continuous per Position - 600 VAC

Knockout Layouts



Instruction label, found in left/right feed enclosures, to convert left feed unit to right feed.

TO CONVERT OH LEFT FEED TO OH RIGHT-FEED:

- 1) REMOVE LINE-SIDE LUGS FROM LEFT SIDE OF MAIN BUSESSES.
- 2) REINSTALL ON RIGHT SIDE OF MAIN BUSESSES USING SAME HARDWARE.
- 3) REMOVE NEUTRAL LUG FROM LEFT SIDE OF NEUTRAL BUSS.
- 4) REMOVE SCREW FROM FAR RIGHT OF NEUTRAL BUSS AND REINSTALL IN HOLE ON FAR LEFT NEUTRAL BUSS USING SAME HARDWARE.
- 5) REINSTALL NEUTRAL LUG IN HOLE ON FAR RIGHT OF NEUTRAL BUSS.
- 6) TORQUE ALL SCREWS TO 132 IN-LBS.

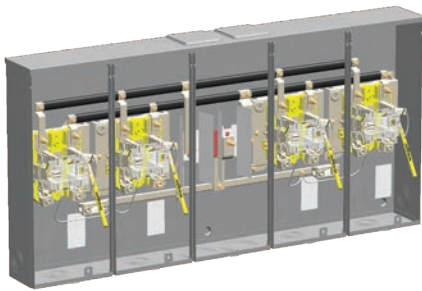
Knockouts - Conduit Sizes

- 1W = 1/4" dia.
- 1Y = 5/16" dia.
- 2B = 3/4" - 1/2"
- 3C = 1" - 3/4" - 1/2"
- 4F = 2" - 1 1/2" - 1 1/4" - 1"
- 4G = 2 1/2" - 2" - 1 1/2" - 1 1/4"
- 4H = 3" - 2 1/2" - 2" - 1 1/2"
- 5G = 2 1/2" - 2" - 1 1/2" - 1 1/4" - 1"
- HAW = AW Hub Opening (Small)
- HH = H Hub Opening (Large)

Data subject to change without notice. Consult local utility for area acceptance. All dimensions are in inches.

Multiple Metering, Horizontal Gang - Non-Jaw Clamping Lever Bypass

100 Amp Continuous per Position - 600 VAC



HEC10434CGR1N
shown open & closed



Application

- 2 - 6 meter position
- Designed for watt hour meters that meet ANSI C12.10
- Overhead or underground feed
- Surface mount

Construction

- Ringless cover
- Type 3R construction
- 16 Ga. galvaneal/galvanized steel
- Includes 5th jaw at nine (9) o'clock, may be replaced to six (6) o'clock

Standards

- UL 414 listed
- Complies with ANSI C12.7

Finish

- ANSI 61 gray painted finish

Accessories

- Replacement sockets
- AW & H-Base hub assemblies
- Cap setscrew assemblies
- Lug kits
- Jumper links
- Closing plates
- Touch-up paint

Multiple Metering Horz.

Part/UPC Number	Catalog Number	Gang	Service	Top Prov.	Service Type	No. of Terminals	Bypass	Conductors Line/Load	Ground Prov. (Qty)	Overall Dimensions			Knockout Layout
										Height	Width	Depth	
100 Amp Continuous Per Position, 225 Amp Max. Overall Rating - Center Feed (AIC Rated per Table RL5 on page 41)													
78205140869	HEC10432CGR1N	2	OH/UG	AW CAP	1Ø/3W	5	NJCLB *	3/8"-16 UNC stud #14 AWG-2/0 AWG	(1) #10 AWG-#2 AWG	19 1/8"	30 3/4"	5 5/8"	Fig. 1
78205140874	HEC10433CGR1N	3	OH/UG	AW CAP	1Ø/3W	5	NJCLB *	3/8"-16 UNC stud #14 AWG-2/0 AWG	(1) #10 AWG-#2 AWG	19 1/8"	41"	5 5/8"	Fig. 2
78205140875	HEC10434CGR1N	4	OH/UG	AW CAP	1Ø/3W	5	NJCLB *	3/8"-16 UNC stud #14 AWG-2/0 AWG	(1) #10 AWG-#2 AWG	19 1/8"	51 1/4"	5 5/8"	Fig. 3
100 Amp Continuous Per Position, 400 Amp Max. Overall Rating - Center Feed (AIC Rated per Table RL5 on page 41)													
78205163120	HEC10435CGR1N	5	OH/UG	H10	1Ø/3W	5	NJCLB *	3/8"-16 UNC stud #14 AWG-2/0 AWG	(1) #10 AWG-#2 AWG	19 1/8"	60 1/2"	5 1/4"	Fig. 4
78205163121	HEC10436CGR1N	6	OH/UG	H10	1Ø/3W	5	NJCLB *	3/8"-16 UNC stud #14 AWG-2/0 AWG	(1) #10 AWG-#2 AWG	19 1/8"	71 3/4"	5 1/4"	Fig. 5

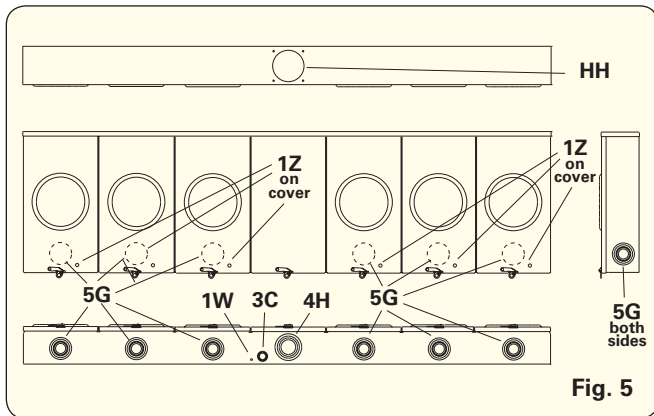
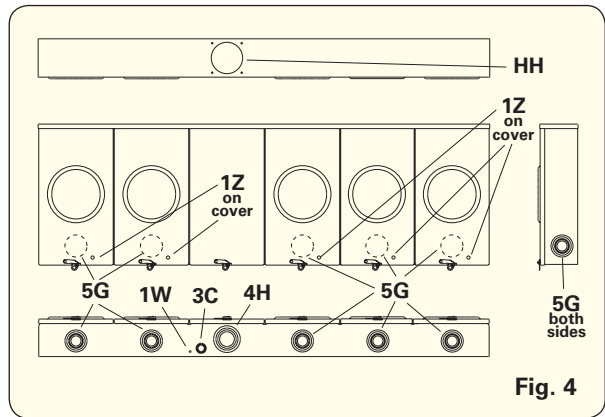
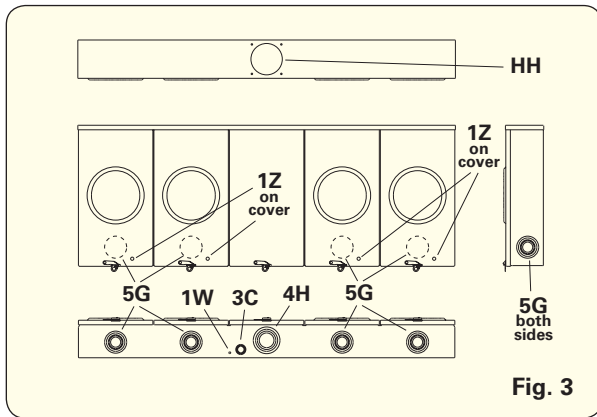
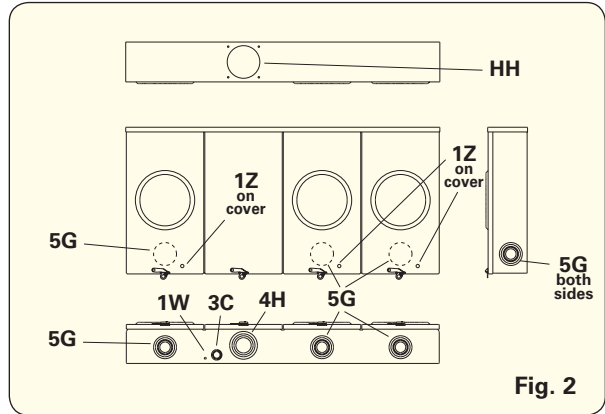
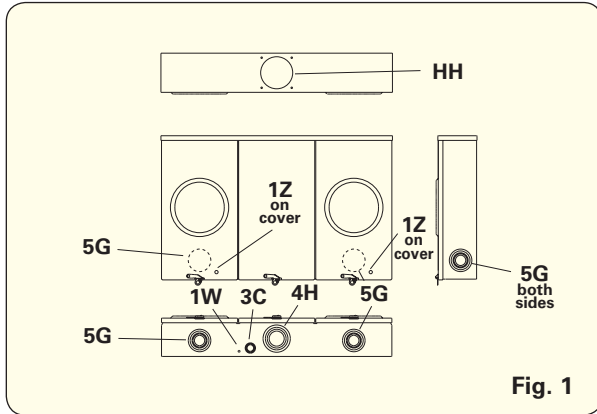
* Bypass lever operates bypass only, non jaw clamping

Data subject to change without notice. Consult local utility for area acceptance. All dimensions are in inches.

Multiple Metering, Horizontal Gang - Non-Jaw Clamping Lever Bypass

100 Amp Continuous per Position - 600 VAC

Knockout Layouts



Knockouts - Conduit Sizes

- 1W = 1/4" dia.
- 1Z = 7/16" dia.
- 3C = 1" - 3/4" - 1/2"
- 4H = 3" - 2 1/2" - 2" - 1 1/2"
- 5G = 2 1/2" - 2" - 1 1/2" - 1 1/4" - 1"
- HH = H Hub Opening (Large)

Data subject to change without notice. Consult local utility for area acceptance. All dimensions are in inches.

Multiple Metering, Horizontal Gang - Lever Bypass

200 Amp Continuous per Position - 600 VAC



HEL20434CGR1N
shown open & closed



Application

- 2 - 6 meter position
- Designed for watt hour meters that meet ANSI C12.10
- Overhead or underground feed
- Surface mount

Construction

- Ringless cover
- Type 3R construction
- 16 Ga. galvanized/galvanized steel

Standards

- UL 414 listed
- Complies with ANSI C12.7

Finish

- ANSI 61 gray painted finish

Accessories

- Replacement sockets
- AW and H-base hub assemblies
- Cap setscrew assemblies
- Lug kits
- Jumper links
- Closing plates
- Touch-up paint

Multiple Metering Horiz.

Part/UPC Number	Catalog Number	Gang	Service	Top Prov.	Service Type	No. of Terminals	Bypass	Conductors Line/Load	Ground Prov. (Qty)	Overall Dimensions Height	Overall Dimensions Width	Overall Dimensions Depth	Knockout Layout
200 Amp Continuous Per Position, 400 Amp Max. Overall Rating - Center Feed (AIC Rated per Table RL4 on page 41)													
78205139772	HEL20432CGR1N	2	OH/UG	AW CAP (2)	1Ø/3W	5 ††	Lever Bypass	3/8"-16 UNC stud #6 AWG-350 KCMIL	(1) #10 AWG-#2 AWG	25"	30 3/4"	6 5/8"	Fig. 1
78205139774	HEL20433CGR1N	3	OH/UG	AW CAP (2)	1Ø/3W	5 ††	Lever Bypass	3/8"-16 UNC stud #6 AWG-350 KCMIL	(1) #10 AWG-#2 AWG	25"	41"	6 5/8"	Fig. 2
78205139775	HEL20434CGR1N	4	OH/UG	AW CAP (2)	1Ø/3W	5 ††	Lever Bypass	3/8"-16 UNC stud #6 AWG-350 KCMIL	(1) #10 AWG-#2 AWG	25"	51 1/4"	6 5/8"	Fig. 3
200 Amp Continuous Per Position, 600 Amp Max. Overall Rating - Center Feed (AIC Rated per Table RL4 on page 41)													
78205163151	HEL20435CGR1N	5	OH/UG	H10 (2)	1Ø/3W	5 ††	Lever Bypass	3/8"-16 UNC stud #6 AWG-350 KCMIL	(1) #10 AWG-#2 AWG	25"	61 1/2"	6 1/4"	Fig. 4
78205163152	HEL20436CGR1N	6	OH/UG	H10 (2)	1Ø/3W	5 ††	Lever Bypass	3/8"-16 UNC stud #6 AWG-350 KCMIL	(1) #10 AWG-#2 AWG	25"	71 3/4"	6 1/4"	Fig. 5
200 Amp Continuous Per Position, 400 Amp Max. Overall Rating - Center Feed (AIC Rated per Table RL1 on page 41)													
78205140301	HEL20732CGR1N	2	OH/UG	AW CAP (2)	3Ø/4W	7	Lever Bypass	3/8"-16 UNC stud #6 AWG-350 KCMIL	(1) #10 AWG-#2 AWG	25"	30 3/4"	6 5/8"	Fig. 1
78205163153	HEL20733CGR1N	3	OH/UG	H10 (2)	3Ø/4W	7	Lever Bypass	3/8"-16 UNC stud #6 AWG-350 KCMIL	(1) #10 AWG-#2 AWG	25"	41"	6 1/4"	Fig. 2
78205163154	HEL20734CGR1N	4	OH/UG	H10 (2)	3Ø/4W	7	Lever Bypass	3/8"-16 UNC stud #6 AWG-350 KCMIL	(1) #10 AWG-#2 AWG	25"	51 1/4"	6 1/4"	Fig. 3
200 Amp Continuous Per Position, 600 Amp Max. Overall Rating - Center Feed (AIC Rated per Table RL1 on page 41)													
78205163169	HEL20735CGR1N	5	OH/UG	H10 (2)	3Ø/4W	7	Lever Bypass	3/8"-16 UNC stud #6 AWG-350 KCMIL	(1) #10 AWG-#2 AWG	25"	61 1/2"	6 1/4"	Fig. 4
78205163170	HEL20736CGR1N	6	OH/UG	H10 (2)	3Ø/4W	7	Lever Bypass	3/8"-16 UNC stud #6 AWG-350 KCMIL	(1) #10 AWG-#2 AWG	25"	71 3/4"	6 1/4"	Fig. 5

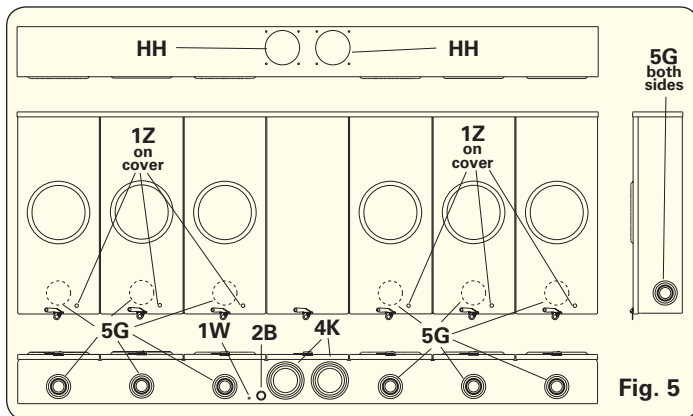
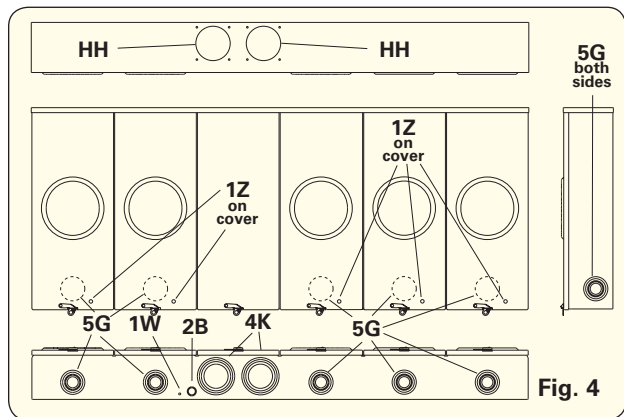
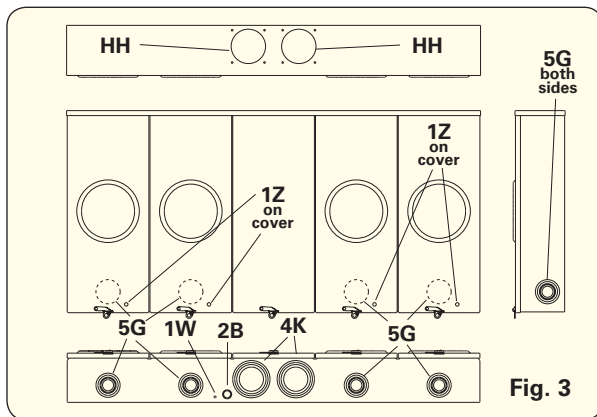
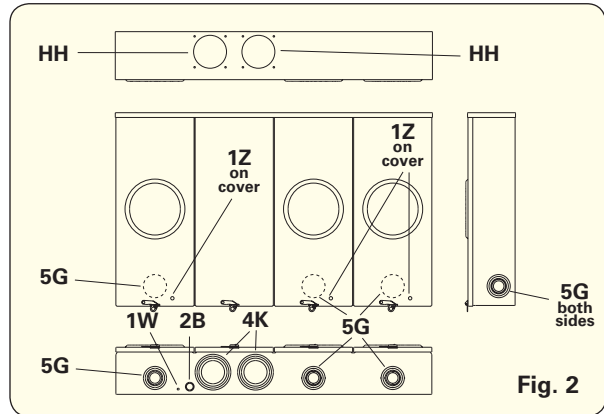
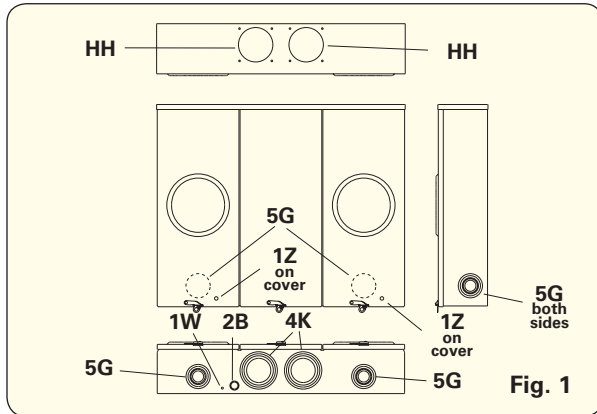
†† Includes 5th jaw installed at nine (9) o'clock. May be relocated to six (6) o'clock.

Data subject to change without notice. Consult local utility for area acceptance. All dimensions are in inches.

Multiple Metering, Horizontal Gang - Lever Bypass

200 Amp Continuous per Position - 600 VAC

Knockout Layouts



Knockouts - Conduit Sizes

- 1W = 1/4" dia.
- 1Z = 7/16" dia.
- 2B = 3/4" - 1/2"
- 4K = 4" - 3 1/2" - 3" - 2 1/2"
- 5G = 2 1/2" - 2" - 1 1/2" - 1 1/4" - 1"
- HH = H Hub Opening (Large)

Multiple Metering Horiz.

Data subject to change without notice. Consult local utility for area acceptance. All dimensions are in inches.

Multiple Metering, Horizontal Gang - Owner's Loop

125 Amp Continuous per Position - 600 VAC



HEN12435CGRSTOL
shown open & closed



Application

- 2 - 5 meter position
- Designed for watt hour meters that meet ANSI C12.10
- Overhead or underground feed
- Surface mount

Construction

- Ringless cover
- Type 3R construction
- 16 Ga. galvaneal/galvanized steel
- 5th jaw provision at nine (9) o'clock
- 125 Amp non jaw clamping socket assembly on right only, remaining socket assemblies are non lever bypass

Standards

- UL 414 listed
- Complies with ANSI C12.7

Finish

- ANSI 61 gray Painted finish

Accessories

- Replacement sockets
- AW & H-Base hub assemblies
- Cap setscrew assemblies
- 5th jaw terminal kits
- Lug kits
- Jumper links
- Closing plates
- Touch-up paint

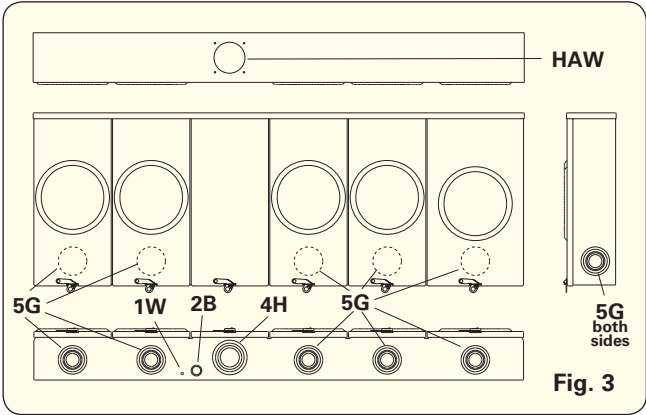
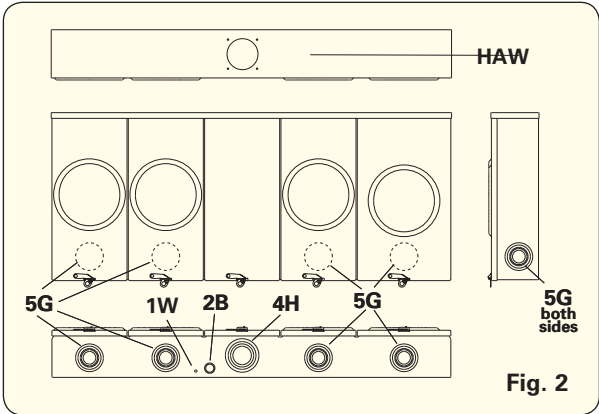
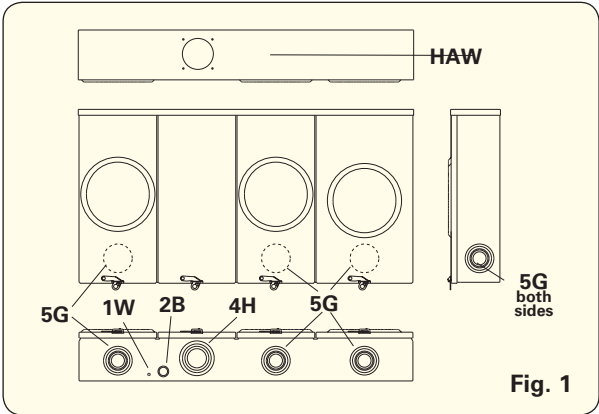
Part/UPC Number	Catalog Number	Gang	Service	Top Prov.	Service Type	No. of Terminals	Bypass	Conductors Line/Load	Ground Prov. (Qty)	Overall Dimensions			Knockout Layout
										Height	Width	Depth	
125 Amp Continuous Per Position, 225 Amp Max. Overall Rating - Center Feed (AIC Rated per Table RL1 on page 41)													
78205139782	HEN12433CGRSTOL	3	OH/UG	AW CAP	1Ø/3W	4	NJCLB (owner's meter only)	3/8"-16 stud #14 AWG-2/0 AWG	(1) #10 AWG-#2 AWG	18 1/8"	35"	5 1/2"	Fig. 1
78205139783	HEN12434CGRSTOL	4	OH/UG	AW CAP	1Ø/3W	4	NJCLB (owner's meter only)	3/8"-16 stud #14 AWG-2/0 AWG	(1) #10 AWG-#2 AWG	18 1/8"	43 1/4"	5 1/2"	Fig. 2
125 Amp Continuous Per Position, 400 Amp Max. Overall Rating - Center Feed (AIC Rated per Table RL1 on page 41)													
78205139784	HEN12435CGRSTOL	5	OH/UG	H10	1Ø/3W	4	NJCLB (owner's meter only)	#6 AWG-350 KCMIL #14 AWG-2/0 AWG	(1) #10 AWG-#2 AWG	18 1/8"	51 1/2"	5 1/8"	Fig. 3

Data subject to change without notice. Consult local utility for area acceptance. All dimensions are in inches.

Multiple Metering, Horizontal Gang - Owner's Loop

125 Amp Continuous per Position - 600 VAC

Knockout Layouts



Knockouts - Conduit Sizes

- 1W = 1/4" dia.
- 2B = 3/4" - 1/2"
- 4H = 3" - 2 1/2" - 2" - 1 1/2"
- 5G = 2 1/2" - 2" - 1 1/2" - 1 1/4" - 1"
- HAW = AW Hub Opening (Small)

Multiple Metering Horiz.

Data subject to change without notice. Consult local utility for area acceptance. All dimensions are in inches.

Multiple Metering, Vertical Gang

Non Lever 100 Amp Continuous - 600 VAC
 200 Amp / 100 Amp Owner's Loop - 600 VAC



VEN10432CGRST
 shown open & closed



Application

- 2 - 3 meter position
- Designed for watt hour meters that meet ANSI C12.10
- Overhead or underground feed
- Surface mount

Construction

- Ringless cover
- Type 3R construction
- 16 Ga. galvaneal / galvanized steel
- 5th jaw provision at nine (9) o'clock

Standards

- UL 414 listed
- Complies with ANSI C12.7

Finish

- ANSI 61 gray painted finish

Accessories

- Replacement sockets
- AW hub assemblies
- Cap setscrew assemblies
- 5th jaw terminal kits
- Lug kits
- Jumper links
- Closing plates
- Touch-up paint

Part/UPC Number	Catalog Number	Gang	Service	Top Prov.	Service Type	No. of Terminals	Bypass	Conductors Line/Load	Ground Prov. (Qty)	Overall Dimensions			Knockout Layout
										Height	Width	Depth	
100 Amp Continuous Per Position, 225 Amp Max. Overall Rating - Center Feed (AIC Rated per Table RL5 on page 41)													
78205141426	VEN10432CGRST	2	OH/UG	AWCAP	1Ø/3W	4	Non Lever Bypass	#6 AWG-350 KCMIL #6 AWG-350 KCMIL (***) #14 AWG-2/0 AWG (**)	(3) #10 AWG-1/0 AWG	34 ¹ / ₈ "	13 ¹ / ₄ "	6 ¹ / ₂ "	Fig. 1
78205141544	VEN10433CGRST	3	OH/UG	AWCAP	1Ø/3W	4	Non Lever Bypass	#6 AWG-350 KCMIL #6 AWG-350 KCMIL (***) #14 AWG-2/0 AWG (**)	(3) #10 AWG-1/0 AWG	49 ¹ / ₈ "	13 ¹ / ₄ "	6 ¹ / ₂ "	Fig. 2
Owner's Loop, 200 Amp Continuous (Top Socket) / 100 Amp Continuous (Bottom Socket), 225 Amp Max. Overall Rating - Center Feed (AIC Rated per Table RL6 on page 41)													
78205141437	VEN21432CGRSTOL	2	OH/UG	AWCAP	1Ø/3W	4	NJCLB *	#6 AWG-350 KCMIL #6 AWG-350 KCMIL (***) #14 AWG-2/0 AWG (**)	(3) #10 AWG-1/0 AWG	34 ¹ / ₈ "	13 ¹ / ₄ "	6 ¹ / ₂ "	Fig. 1

Owner's meter is lever bypass, all other positions are non lever bypass

* Bypass lever operates bypass only, non-jaw clamping

(**) Load conductor for 100 amp socket

(***) Load side neutral

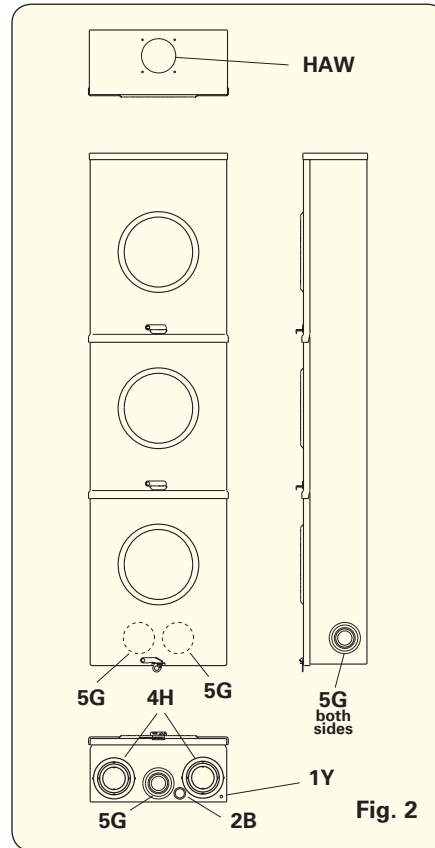
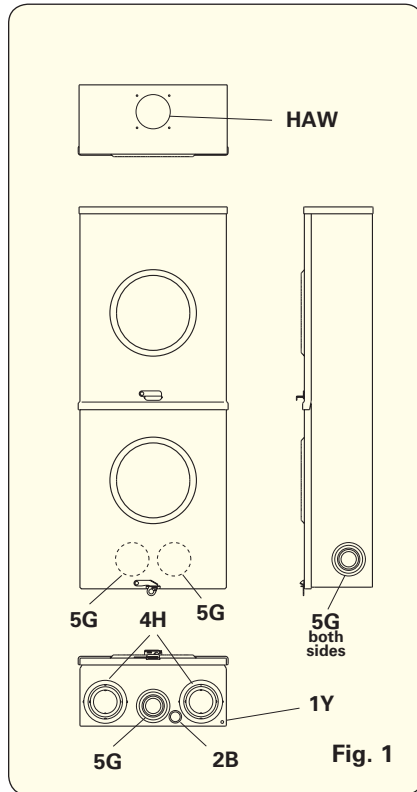
Multiple Metering Vert.

Data subject to change without notice. Consult local utility for area acceptance. All dimensions are in inches.

Multiple Metering, Vertical Gang

Non Lever 100 Amp Continuous - 600 VAC
 200 Amp / 100 Amp Owner's Loop - 600 VAC

Knockout Layouts



Knockouts - Conduit Sizes

- 1Y = 5/16" dia.
- 2B = 3/4" - 1/2"
- 4H = 3" - 2 1/2" - 2" - 1 1/2"
- 5G = 2 1/2" - 2" - 1 1/2" - 1 1/4" - 1"
- HAW = AW Hub Opening (Small)

Data subject to change without notice. Consult local utility for area acceptance. All dimensions are in inches.

Multiple Metering, Vertical Gang - Non Lever Bypass

125 Amp & 200 Amp Condo Pak with Main Breaker Provisions - 600 VAC



VENMP20436CGRST
shown open & closed



Application

- 2 - 6 meter position
- Designed for watt hour meters that meet ANSI C12.10
- Overhead or underground feed
- Surface mount

Construction

- Ringless cover
- Type 3R construction
- 14 Ga. & 16 Ga. galvaneal/galvanized steel
- 5th jaw provision at nine (9) o'clock

Standards

- UL 67 listed
- Complies with ANSI C12.7

Finish

- ANSI 61 gray painted finish

Accessories

- Replacement sockets
- AW & H-base hub assemblies
- 5th jaw terminal kits
- Lug kits
- Closing plate
- Touch-up paint

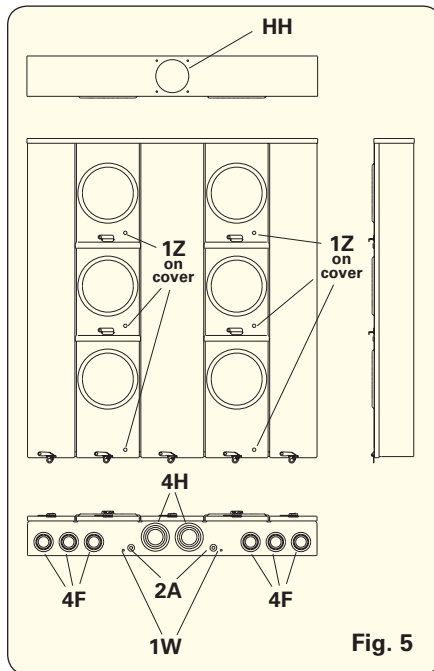
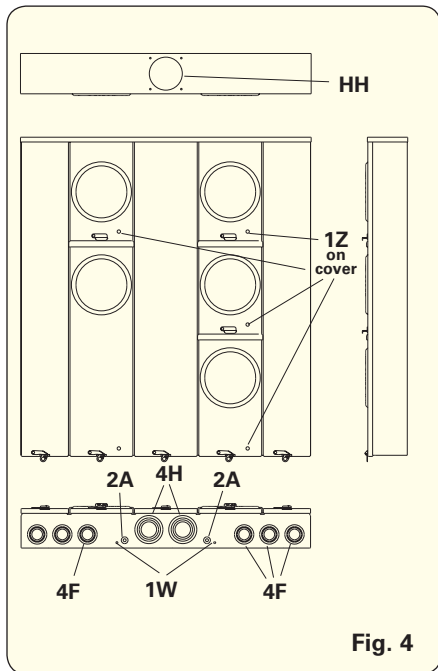
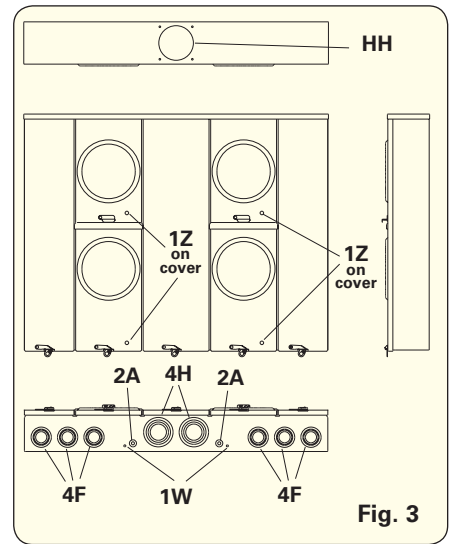
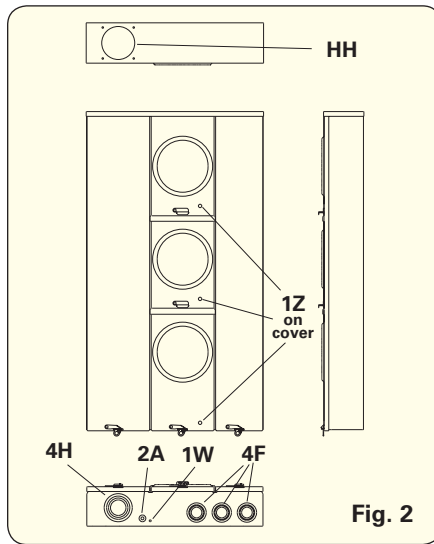
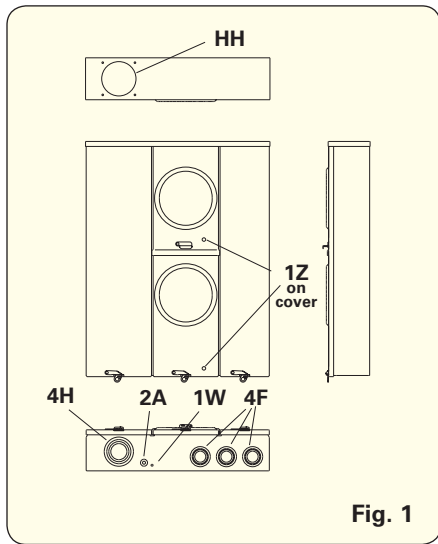
Part/UPC Number	Catalog Number	Gang	Service	Top Prov.	Service Type	No. of Terminals	Bypass	Conductors Line/Load	Ground Prov. (Qty)	Overall Dimensions Height	Width	Depth	Knockout Layout
125 Amp Continuous Per Position, 200 Amp Max. Overall Rating, 2-Pole 100 Amp Plug-In Provisions -Left Feed (AIC Rated per Table RL8 on page 42)													
78205141427	VENMP12432LGRST	2	OH/UG	H10	1Ø/3W	4	None	3/8"-16 UNC stud #6-350KCMIL & #10-1/0	(1) #10-2/0 (2) #10-1/0	29 1/4"	22 1/8"	5 1/8"	Fig. 1
78205141428	VENMP12433LGRST	3	OH/UG	H10	1Ø/3W	4	None	3/8"-16 UNC stud #6-350KCMIL & #10-1/0	(1) #10-2/0 --	41 1/4"	22 1/8"	5 1/8"	Fig. 2
125 Amp Continuous Per Position, 400 Amp Max. Overall Rating, 2-Pole 100 Amp Plug-In Provisions -Center Feed (AIC Rated per Table RL8 on page 42)													
78205141429	VENMP12434CGRST	4	OH/UG	H10	1Ø/3W	4	None	3/8"-16 UNC stud #6-350KCMIL & #10-1/0	(1) #10-2/0 (4) #10-1/0	29 1/4"	37 1/2"	5 1/8"	Fig. 3
78205141430	VENMP12435CGRST	5	OH/UG	H10	1Ø/3W	4	None	3/8"-16 UNC stud #6-350KCMIL & #10-1/0	(1) #10-2/0 (2) #10-1/0	41 1/4"	37 1/2"	5 1/8"	Fig. 4
78205141630	VENMP12436CGRST	6	OH/UG	H10	1Ø/3W	4	None	3/8"-16 UNC stud #6-350KCMIL & #10-1/0	(1) #10-2/0 --	41 1/4"	37 1/2"	5 1/8"	Fig. 5
200 Amp Continuous Per Position, 400 Amp Max. Overall Rating, 2-Pole 200 Amp Plug-In Provisions -Left Feed (AIC Rated per Table RL8 on page 42)													
78205141431	VENMP20432LGRST	2	OH/UG	H10	1Ø/3W	4	None	3/8"-16 UNC stud #6-350KCMIL & #10-1/0	(2) #6-350KCMIL (1) #10-1/0	29 1/4"	22 1/8"	5 1/8"	Fig. 1
78205141432	VENMP20433LGRST	3	OH/UG	H10	1Ø/3W	4	None	3/8"-16 UNC stud #6-350KCMIL & #10-1/0	(1) #6-350KCMIL --	41 1/4"	22 1/8"	5 1/8"	Fig. 2
200 Amp Continuous Per Position, 550 Amp Max. Overall Rating, 2-Pole 200 Amp Plug-In Provisions -Center Feed (AIC Rated per Table RL8 on page 42)													
78205141631	VENMP20434CGRST	4	OH/UG	H10	1Ø/3W	4	None	3/8"-16 UNC stud #6-350KCMIL & #10-1/0	(3) #6-350KCMIL (2) #10-1/0	29 1/4"	37 1/2"	5 1/8"	Fig. 3
78205141632	VENMP20435CGRST	5	OH/UG	H10	1Ø/3W	4	None	3/8"-16 UNC stud #6-350KCMIL & #10-1/0	(2) #6-350KCMIL (1) #10-1/0	41 1/4"	37 1/2"	5 1/8"	Fig. 4
78205141545	VENMP20436CGRST	6	OH/UG	H10	1Ø/3W	4	None	3/8"-16 UNC stud #6-350KCMIL & #10-1/0	(1) #6-350KCMIL --	41 1/4"	37 1/2"	5 1/8"	Fig. 5

Data subject to change without notice. Consult local utility for area acceptance. All dimensions are in inches.

Load side (all units) wiring sizes will depend on breaker that is installed, neutral size ranges are shown in the table

Multiple Metering, Vertical Gang - Non Lever Bypass

125 Amp & 200 Amp Condo Pak with Main Breaker Provisions - 600 VAC



Knockouts - Conduit Sizes

- 1W = 1/4" dia.
- 1Z = 7/16" dia.
- 2A = 3/8" dia. - 1/2"
- 4F = 2" - 1 1/2" - 1 1/4" - 1"
- 4H = 3" - 2 1/2" - 2" - 1 1/2"
- HH = H Hub Opening (Large)

Data subject to change without notice. Consult local utility for area acceptance. All dimensions are in inches.

Multiple Metering, Vertical Gang - Lever Bypass

200 Amp Condo Pak with Main Breaker Provisions - 600 VAC



VENMP20434CGRST5K9
shown open & closed



Application

- 2 - 6 meter position
- Designed for watt hour meters that meet ANSI C12.10
- Overhead or underground feed
- Surface mount

Construction

- Ringless cover
- Type 3R construction
- 14 Ga. & 16 Ga. galvaneal/galvanized steel
- Includes 5th jaw at nine (9) o'clock, may be relocated to six (6) o'clock

Standards

- UL 67 listed
- Complies with ANSI C12.7

Finish

- ANSI 61 gray painted finish

Accessories

- Replacement sockets
- AW & H-base hub assemblies
- Lug kit
- Closing plates
- Touch-up paint



Part/UPC Number	Catalog Number	Gang	Service	Top Prov.	Service Type	No. of Terminals	Bypass	Conductors Line/Load	Ground Prov. (Qty)	Overall Dimensions			Knockout Layout
										Height	Width	Depth	
200 Amp Continuous Per Position, 400 Amp Max. Overall Rating, 2-Pole 200 Amp Plug-In Provisions - Left Feed (AIC Rated per Table RL8 on page 42)													
78205141433	VELMP20432LGRST5K9	2	OH/UG	H10 (2)	1Ø/3W	5	Lever Bypass	3/8"-16 UNC stud #6-350KCMIL & #10-1/0	(1) #6-350KCMIL (1) #10-1/0	45 1/4"	29"	7 5/8"	Fig. 1
78205141434	VELMP20433LGRST5K9	3	OH/UG	H10 (2)	1Ø/3W	5	Lever Bypass	3/8"-16 UNC stud #6-350KCMIL & #10-1/0	(1) #6-350KCMIL --	60 1/4"	28 7/8"	7 5/8"	Fig. 2
200 Amp Continuous Per Position, 640 Amp Continuous Overall Rating, 2-Pole 200 Amp Plug-In Provisions - Center Feed (AIC Rated per Table RL8 on page 42)													
78205141435	VELMP20434CGRST5K9	4	OH/UG	H10 (2)	1Ø/3W	5	Lever Bypass	3/8"-16 UNC stud #6-350KCMIL & #10-1/0	(1) #6-350KCMIL (2) #10-1/0	45"	46 1/2"	7 5/8"	Fig. 3
78205141436	VELMP20435CGRST5K9	5	OH/UG	H10 (2)	1Ø/3W	5	Lever Bypass	3/8"-16 UNC stud #6-350KCMIL & #10-1/0	(1) #6-350KCMIL (1) #10-1/0	60 1/4"	46 1/2"	7 5/8"	Fig. 4
78205141546	VELMP20436CGRST5K9	6	OH/UG	H10 (2)	1Ø/3W	5	Lever Bypass	3/8"-16 UNC stud #6-350KCMIL & #10-1/0	(1) #6-350KCMIL --	60 1/4"	46 1/2"	7 5/8"	Fig. 5

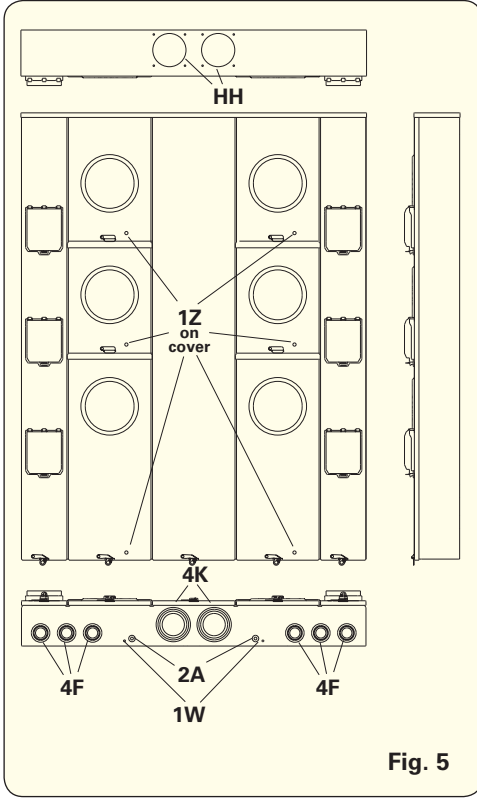
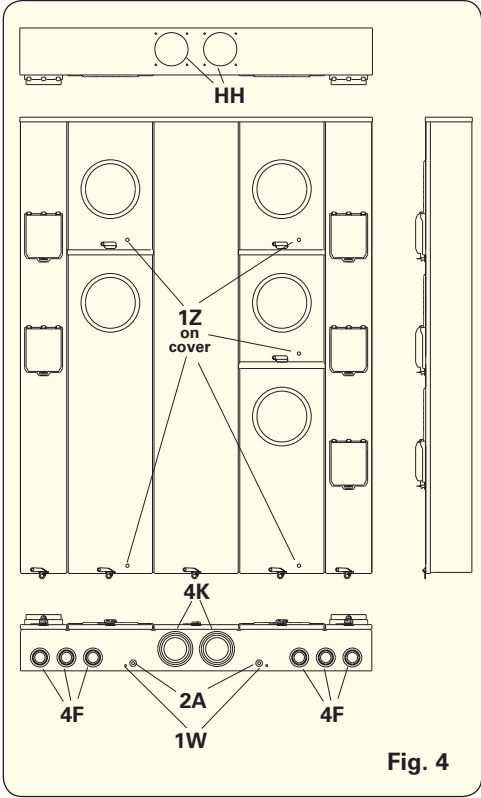
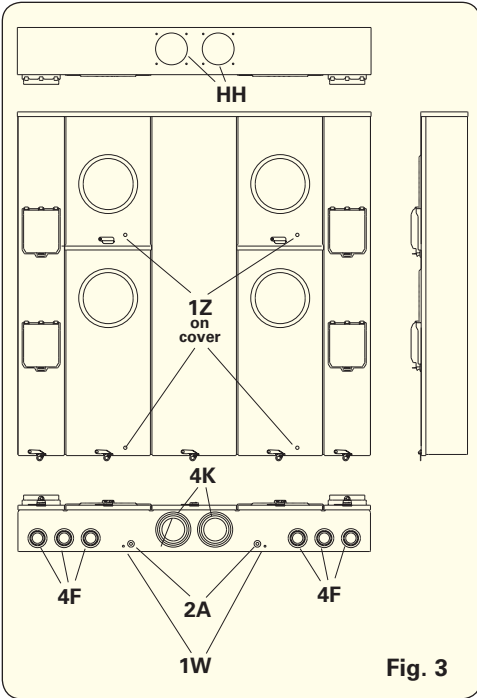
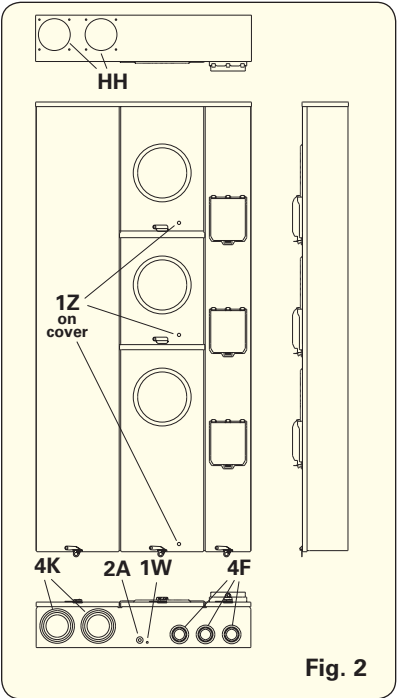
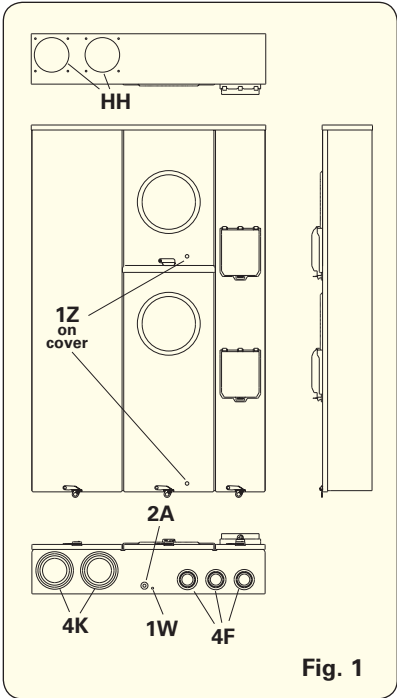
Load side (all units) wiring sizes will depend on breaker that is installed, neutral size ranges are shown in table.

Multiple Metering Vert.

Data subject to change without notice. Consult local utility for area acceptance. All dimensions are in inches.

Multiple Metering, Vertical Gang - Lever Bypass

200 Amp Condo Pak with Main Breaker Provisions - 600 VAC



Knockouts - Conduit Sizes

- 1W = 1/4" dia.
- 1Z = 7/16" dia.
- 2A = 3/8" dia. - 1/2"
- 4F = 2" - 1 1/2" - 1 1/4" - 1"
- 4K = 4" - 3 1/2" - 3" - 2 1/2"
- HH = H Hub Opening (Large)

Multiple Metering Vert.

Data subject to change without notice. Consult local utility for area acceptance. All dimensions are in inches.

Disconnects - Air Conditioning

60 Amp - Nonfusible

30 Amp & 60 Amp Fused

60 Amp - Nonfusible with GFCI Duplex Receptacle



AC60NOMT0
shown open & closed



AC30FPNMO
shown open & closed

Features, Benefits, & Functions

- NEMA® 3R outdoor enclosures offered in metallic and nonmetallic versions.
- Easy-to-remove high strength protective shield for easier wiring and mounting.
- Easy-to-remove front cover (no screws or fasteners to remove).
- Ample wiring space for mounting with a stud gun (simple keyhole, two or three-point mounting).
- Fused devices are service entrance rated.
- Horsepower rated (10 hp maximum at 240 Vac).
- Padlockable door provision for safety and reduction of tampering.
- Metallic enclosures are bottom entry and exit only.
- Metallic enclosures have knockouts and a hub provision for top access.
- Nonmetallic enclosures have a single unit door and protective shield for installer convenience.
- Nonmetallic enclosures are durable and provide excellent resistance to climate changes.

Standards & Certificates

- UL listed file No. E5239
- Separate CSA® approved unit

Power Specification

- 10,000 amperes rms symmetrical interrupting rating.
- Horsepower rated.
- Fusible and non-fusible pullout and molded case switch designs.
- 30 and 60 amperes available in fusible.
- 60 amperes available in non-fusible and molded switch case.
- Class H fuse clips provided on fusible pullout design.

Part/UPC Number	Catalog Number	Maximum HP	AC Disconnect Wire Range		Neutral Conductor CU/AL	Wire Rating		Overall Dimensions			Figure Number
			CU	AL		Line CU °C	Load AL °C	Height	Width	Depth	
60 Amp - Nonfusible											
78205139801	AC60NOMT0	10	#14 - #2 AWG	#12 - #6 AWG	#14 - #4 AWG	60°/75°	60°/75°	8 ³ / ₄ "	5 ³ / ₈ "	3 ¹ / ₈ "	Fig. 1
78205141681	AC60NONM0	10	#14 - #2 AWG	#12 - #6 AWG	#14 - #4 AWG	60°/75°	60°/75°	8 ¹ / ₁₆ "	6 ¹ / ₄ "	3 ³ / ₈ "	Fig. 2
30 Amp - Fused											
78205141677	AC30FPMT0	10	#14 - #2 AWG	#12 - #6 AWG	#14 - #4 AWG	60°/75°	60°/75°	8 ³ / ₄ "	5 ³ / ₈ "	3 ¹ / ₈ "	Fig. 1
78205141679	AC30FPNMO	10	#14 - #2 AWG	#12 - #6 AWG	#14 - #4 AWG	60°/75°	60°/75°	8 ¹ / ₁₆ "	6 ¹ / ₄ "	3 ³ / ₈ "	Fig. 2
60 Amp - Fused											
78205141687	AC60FPMT0	10	#14 - #2 AWG	#12 - #6 AWG	#14 - #4 AWG	60°/75°	60°/75°	8 ³ / ₄ "	5 ³ / ₈ "	3 ¹ / ₈ "	Fig. 1
78205141680	AC60FPNMO	10	#14 - #2 AWG	#12 - #6 AWG	#14 - #4 AWG	60°/75°	60°/75°	8 ¹ / ₁₆ "	6 ¹ / ₄ "	3 ³ / ₈ "	Fig. 2
60 Amp - Nonfusible with GFCI Duplex Receptacle											
78205139802	AC60NOMT2	10	#14 - #2 AWG	#12 - #6 AWG	#14 - #4 AWG	60°/75°	60°/75°	13"	7 ¹ / ₂ "	4 ³ / ₄ "	Fig. 3

Fused non-metallic units require the addition of GB5NM ground bar

Data subject to change without notice. Consult local utility for area acceptance. All dimensions are in inches.

Disconnects - Air Conditioning

60 Amp - Nonfusible
 30 Amp & 60 Amp Fused
 60 Amp - Nonfusible with GFCI Duplex Receptacle

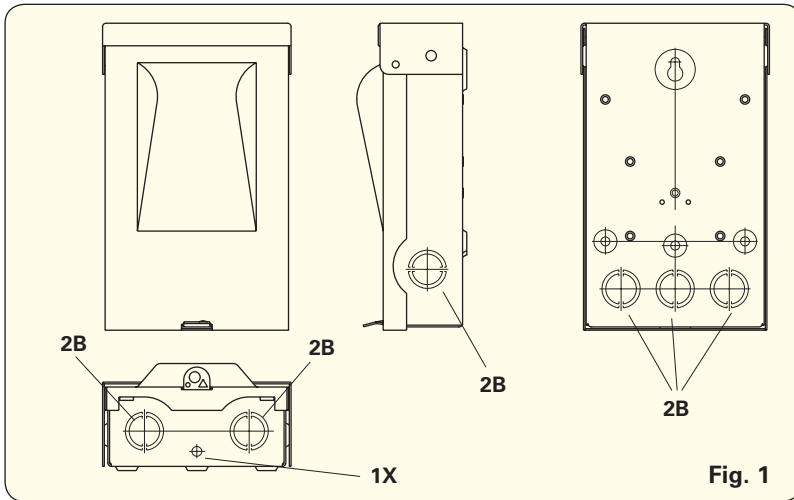


Fig. 1

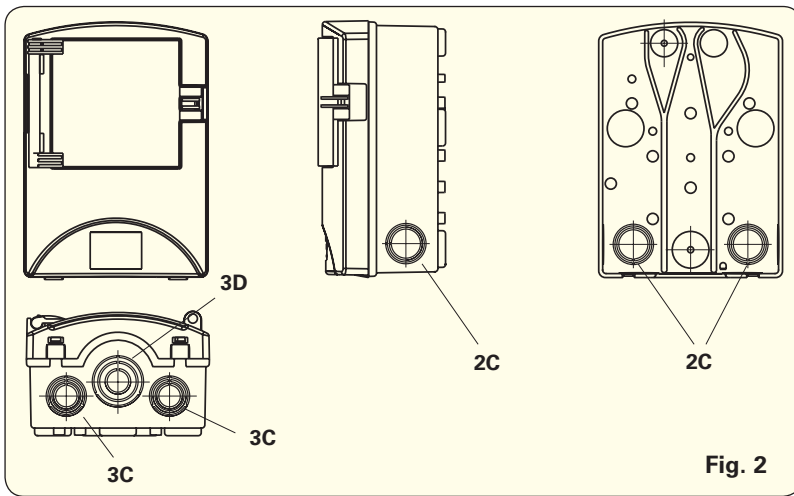


Fig. 2

Knockouts - Conduit Sizes	
1X	= 9/32" dia.
2B	= 3/4" - 1/2"
2C	= 1" - 3/4"
3C	= 1" - 3/4" - 1/2"
3D	= 1 1/4" - 1" - 3/4"
4E	= 1 1/2" - 1 1/4" - 1" - 3/4"

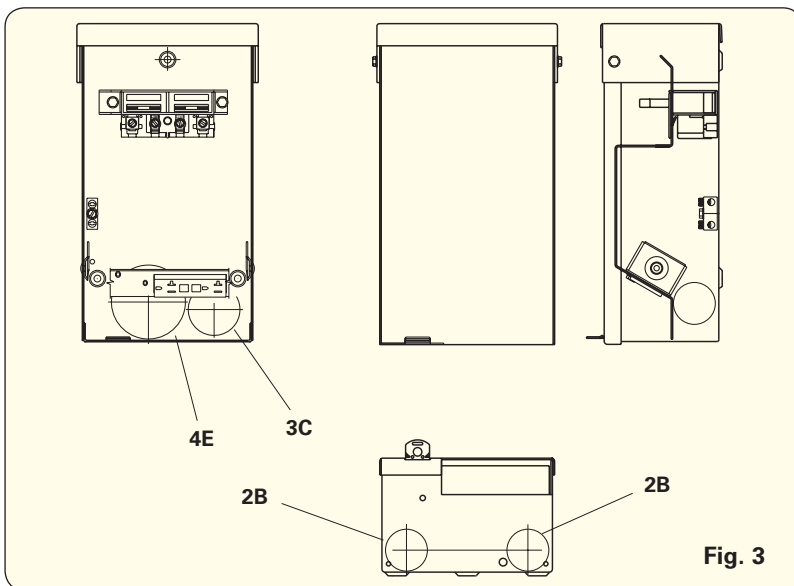
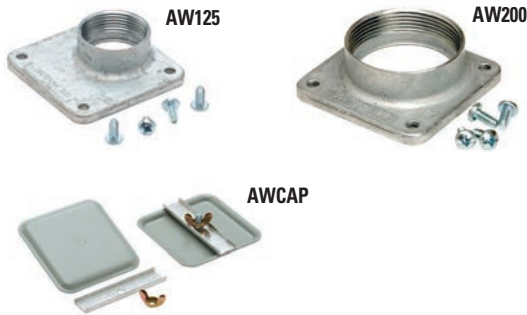


Fig. 3

Data subject to change without notice. Consult local utility for area acceptance. All dimensions are in inches.

AW Hubs

Part/UPC Number	Catalog Number	Description
78205139040	AW100	1" Conduit
78205139050	AW125	1 1/4" Conduit
78205139060	AW150	1 1/2" Conduit
78205139070	AW200	2" Conduit
78205139080	AW250	2 1/2" Conduit
78205134721	AWCAP	AW Cap - Gray



Stud/Lug Landing Pad Kits

Part/UPC Number	Catalog Number	Description
78205144475	ES38	3/8" Stud, 3 Per Set
78205144476	ES12	1/2" Stud, 3 Per Set



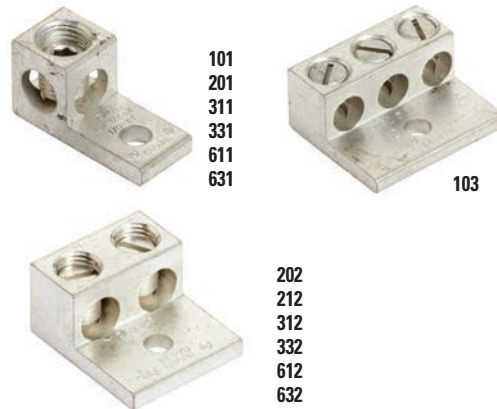
Touch-Up Paint

Part/UPC Number	Catalog Number	Description
78205183012	84034	ANSI 61 Gray Touch-up Paint



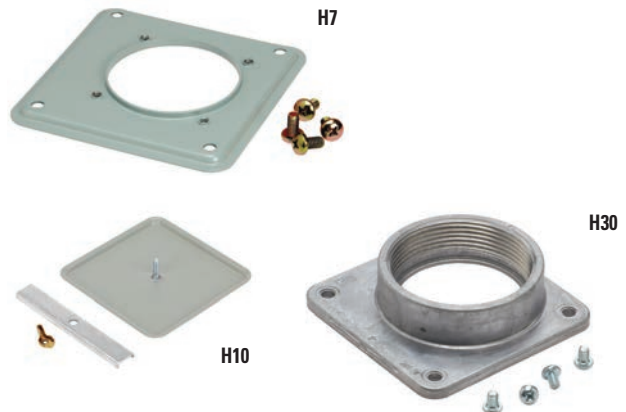
Lug Kits

Part/UPC Number	Catalog Number	Description
78205163260	101	1/0 Single Lug Kit, 1 Per Set
78205163261	103	1/0 Triple Lug Kit, 1 Per Set
78205163262	201	2/0 Single Lug Kit, 1 Per Set
78205163263	202	2/0 Dual Lug Kit, 1 Per Set
78205139641	212	250 KCMIL Dual Lug Kit, 1Ø, 3 Per Set
78205139646	232	250 KCMIL Dual Lug Kit, 4pc
78205139642	311	350 KCMIL Single Lug Kit, 1Ø, 3 Per Set
78205139643	312	350 KCMIL Double Lug Kit, 1Ø, 3 Per Set
78205139647	331	350 KCMIL Single Lug Kit, 3Ø, 4 Per Set
78205139648	332	350 KCMIL Double Lug Kit, 3Ø, 4 Per Set
78205139644	611	600 KCMIL Single Lug Kit, 1Ø, 3 Per Set
78205139645	612	600 KCMIL Double Lug Kit, 1Ø, 3 Per Set
78205139649	631	600 KCMIL Single Lug Kit, 3Ø, 4 Per Set
78205139650	632	600 KCMIL Double Lug Kit, 3Ø, 4 Per Set



H-Base Hubs

Part/UPC Number	Catalog Number	Description
78205141100	H7	Hub Adapter AW To H-Base
78205141110	H10	H-Base Cap - Gray
78205141130	H30	3" Conduit
78205141132	H35	3 1/2" Conduit
78205141134	H40	4" Conduit



Cap Set Screw Assemblies

Part/UPC Number	Catalog Number	Description
78205126400	EB125	For 125A, 2/0 Lay-In Lugs
78205126401	EB200	For 200A, 350 kcmil Lay-In Lugs

12 pieces per set



EB200

Cap Set Screw Assemblies with Grounding Electrode Connector

Part/UPC Number	Catalog Number	Description
78205144647	ETB125	For 125A, 2/0 Lay-In Lugs
78205144649	ETB200	For 200A, 350 kcmil Lay-In Lugs

12 pieces per set



ETB200

Horned Bypass Cap Assemblies

Part/UPC Number	Catalog Number	Description
78205132343	EHB125	For 150A max / 125A cont., 2/0 Lay-In Lugs
78205132352	EHB200	For 250A max / 200A cont., 350 kcmil Lay-In Lugs

12 pieces per set



EHB200

7th Jaw Terminal Kit

Part/UPC Number	Catalog Number	Description
78205144474	50368	For Lever Bypass 3Ø/4W Applications

1 kit per bag

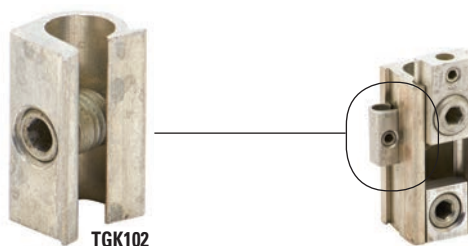


50368

Supplemental Ground Lug

Part/UPC Number	Catalog Number	Description
78205141670	TGK102	Supplemental Ground Lug

12 pieces per bag



TGK102

5th Jaw Terminal Kits

Part/UPC Number	Catalog Number	Description
78205139465	50365	For Non-Lever Bypass 1Ø/3W Applications
78205139429	50366	For Lever Bypass 1Ø/3W Applications

1 per kit



50365

50366

Jumper Link

Part/UPC Number	Catalog Number	Description
78205152102	SJ-100	100A & 200A Jumper Link

1 piece per bag



SJ-100

Closing Plate

Part/UPC Number	Catalog Number	Description
78205139430	25162	Clear Plastic Closing Plate



25162



Replacement Sockets	For Lever Bypass Units
EC12C4N	HEC10432CGR1N HEC10433CGR1N HEC10434CGR1N HEC10435CGR1N HEC10436CGR1N HEN12433CGRSTOL HEN12434CGRSTOL HEN12435CGRSTOL
EC12L4	EC12L41GR1N EC12L43GR2N
EC12L7	EC12L71GR1N
EC12D4N	ECCB10L24A3GR1N
EC12D7	ECCB10L27A3GR1N ECCB10L27A3GRST
EL20C4N	HEL20432CGR1N HEL20433CGR1N HEL20434CGR1N HEL20435CGR1N HEL20436CGR1N VEN21432CGRSTOL
EL20C7	HEL20732CGR1N HEL20733CGR1N HEL20734CGR1N HEL20735CGR1N HEL20736CGR1N
EL20L4	EL20L41GR1N EL20L41GR2N EL20L43GR2N EL20L43GRST EL20L45GR1N EL20L51GR2N EL20L51GRST EL20L53GRST
EL20L7	EL20L71GR1N EL20L71GR2N EL20L71GRST EL20L73GR2N EL20L73GRST EL20L75GR1N
EL20T4N	VELMP20432LGRST5K9 VELMP20433LGRST5K9 VELMP20434LGRST5K9 VELMP20435LGRST5K9 VELMP20436LGRST5K9
EL20U4N	EL20L44GRST
EL32T4N	EL32T44GRST EL32T46GRST ELCB32C24A4GRST ELCB32C24A5GR1N
EL32T4	EL32T45GR1N
EL32T7	EL32T75GR1N EL32T76GRST
EL20D4N	ELCB20L24A5GR1N EL6C20L24A6GRST
EL20D7	ELCB20L27A5GR1N

Replacement Sockets	For Non-Lever Bypass Units
EN12L4	EN12L41GRST EN12L42GRST EN12L43GRST EN12L41GRST MS76
EN20L4	EN20L41GRST EN20L42GRST EN20L43GRST
EN20BLA4	EN20L44GRST
EN12LBF4	ENCB10L24A3GRST EN4C10L24A3GRST ENLB10L24A3GRST
EN20LBG4	ENCB15L24A3GRST ENCB20C24A4GRST ENCB20L24A4GRST ENCB20L24A3GRST
EN12BLB4	HEN10412LGRST MS68 HEN10413LGRST MS68 HEN10414LGRST MS68 HEN10432LGRST HEN10433LGRST HEN10434LGRST HEN21432LGRST
EN12BLC4	HEN12433CGRSTOL HEN12434CGRSTOL HEN12435CGRSTOL
EN20BLC4	HEN20432CGRST
EN20BLB4	HEN21432LGRST
EN12BLE4	VEN10432CGRST VEN10433CGRST
EN12BLD4	VEN21432CGRSTOL
EN12BBJ4	VENMP12432LGRST VENMP12433LGRST VENMP12434CGRST VENMP12435CGRST VENMP12436CGRST
EN20BBH4	VENMP20434LGRST VENMP20435LGRST VENMP20436LGRST
EN20BBJ4	VENMP20432LGRST VENMP20433LGRST VENMP20434LGRST VENMP20435LGRST VENMP20436LGRST

Replacement Sockets	For Current Transformers Meter Sockets
1006CT	SW02062S1GR1N SW02062C2GR1T
1008CT	SW02082C2GR1T
10013CT	SW02132S1GR1N SW02132C2GR1T SP02133N2GRST

For applicable uses consult Cooper B-Line's Engineering Department

Technical Data - Breaker & AIC Ratings Tables

Table RL1		AIC Rating							
AC Voltage	Manufacturer	10,000	18,000	22,000	25,000	42,000	65,000	100,000	200,000
600	Fuse								J or T
480	Fuse					RK1			
240	Siemens					HF6			
240	Siemens					HQR2			
240	Siemens			QRH2					
240	Siemens			QPH					
240	Cutler Hammer			CAH					
240	125A Listed Circuit Breakers (1 Phase)			ALL					
240	200A Listed Circuit Breakers		ALL						

Table RL2		AIC Rating							
AC Voltage	Manufacturer	10,000	18,000	22,000	25,000	42,000	65,000	100,000	200,000
240	Cutler Hammer	BR			BRH	BRHH			
240	Siemens	QP		GPH					
240	Cutler Hammer	HQP			QPHW	QPHX			

Table RL3		AIC Rating							
AC Voltage	Manufacturer	10,000	18,000	22,000	25,000	42,000	65,000	100,000	200,000
120/240	Cutler Hammer	CC			CHH-H2	CHH-H4			
240	Siemens	QR2		QRH2		HQR2			

Table RL4		AIC Rating							
AC Voltage	Manufacturer	10,000	18,000	22,000	25,000	42,000	65,000	100,000	200,000
600	Fuse							J, T, RK1, RK5	
240	Siemens						HQP		
240	Cutler Hammer					QHPX			
240	100A Listed Circuit Breakers				ALL				

Table RL5		AIC Rating							
AC Voltage	Manufacturer	10,000	18,000	22,000	25,000	42,000	65,000	100,000	200,000
600	Fuse							J, T, RK1, RK5	
240	Siemens						HQP		
240	Cutler Hammer					BRHH			
240	Cutler Hammer					QHPX			
240	100A Listed Circuit Breakers				ALL				

Table RL6		AIC Rating							
AC Voltage	Manufacturer	10,000	18,000	22,000	25,000	42,000	65,000	100,000	200,000
100 Amp									
600	Fuse							J, T, RK1, RK5	
240	Siemens						HQP		
240	Cutler Hammer					QHPX			
240	100A Listed Circuit Breakers				ALL				
200 Amp									
600	Fuse								J or T
480	Fuse					RK1			
240	Siemens					HF6			
240	Siemens					HQR2			
240	Siemens			QRH2					
240	Siemens			QPH					
240	Cutler Hammer			CAH					
240	125A Listed Circuit Breakers			ALL					
240	200A Listed Circuit Breakers		ALL						

Table RL7		AIC Rating							
AC Voltage	Manufacturer	10,000	18,000	22,000	25,000	42,000	65,000	100,000	200,000
Main									
120/240	Cutler Hammer	CC							
120/240	Cutler Hammer	CHH-H2							
120/240	Cutler Hammer	CHH-H4							
240	Siemens	QR2							
240	Siemens	QRH2							
240	Siemens	HQR2							
240	Siemens	QP							
Branch									
120/240	Siemens	QP							
120/240	Cutler Hammer	HQP							
120/240	G.E.	THQL							

Table RL8		AIC Rating							
AC Voltage	Manufacturer	10,000	18,000	22,000	25,000	42,000	65,000	100,000	200,000
120/240	Cutler Hammer	BR							
120/240	Cutler Hammer	HQP							
120/240	Cutler Hammer	BL							
120/240	Siemens	QP							
120/240	Siemens	QN							
120/240	Murray	MP							
120/240	Murray	MPD							

Table RL9		AIC Rating							
AC Voltage	Manufacturer	10,000	18,000	22,000	25,000	42,000	65,000	100,000	200,000
600	Fuse							J or T	
240	400A Listed Circuit Breakers		ALL						
240	200A Listed Circuit Breakers		ALL						
240	125A Listed Circuit Breakers			ALL					

Table RL10		AIC Rating							
AC Voltage	Manufacturer	10,000	18,000	22,000	25,000	42,000	65,000	100,000	200,000
600	Fuse (200A)								J or T
600	Fuse (400A)							J or T	
480	Fuse (200A)					RK1			
240	125A Listed Circuit Breakers (1 Phase)			ALL					
240	200A Listed Circuit Breakers		ALL						
240	400A Listed Circuit Breakers (1 Phase)		ALL						
600	400A Listed Circuit Breakers	ALL							

Table RL11		AIC Rating							
AC Voltage	Manufacturer	10,000	18,000	22,000	25,000	42,000	65,000	100,000	200,000
120/240	Siemens	JD2							
120/240	Siemens			JXD2					

Index & Approvals/Acceptance

Catalog Part Number	Page #	Approvals (APP) / Acceptances (ACC)							
		Bangor Hydro	Central Maine Power	Central Vermont Public Service	Northeast Utilities	Maine Public Service	National Grid	New Hampshire Elec Co-Op *	N-Star**
363612DDHRTCT1N	20,21	ACC	APP	ACC	APP		ACC	APP	
484814DDHRTCT1N	20,21	ACC	APP	ACC	APP		ACC	APP	
AC30FPMTO	36,37								
AC30FPNMO	36,37								
AC60FPMTO	36,37								
AC60FPNMO	36,37								
AC60NOMT0	36,37			ACC			ACC		
AC60NOMT2	36,37			ACC			ACC		
AC60NONMO	36,37								
EC12L41GR1N	6,7	ACC	APP	ACC	APP		ACC		ACC
EC12L43GR2N	6,7			ACC		APP	ACC		ACC
EC12L71GRST	6,7	ACC	APP				ACC		ACC
ECCB10L24A3GR1N	14,15	ACC	APP	ACC	APP		ACC	APP	ACC
ECCB10L27A3GR1N	14,15	ACC	APP				ACC	APP	ACC
ECCB10L27A3GRST	14,15	ACC	APP				ACC	APP	ACC
EL20L41GR1N	8,9	ACC	APP	ACC	APP		ACC		ACC
EL20L41GR2N	8,9			ACC			ACC		ACC
EL20L43GR2N	8,9			ACC		APP	ACC		ACC
EL20L43GRST	8,9	ACC	APP	ACC			ACC		ACC
EL20L44GRST	8,9	ACC	APP	ACC		APP	ACC		APP
EL20L45GR1N	8,9			ACC	APP		ACC		ACC
EL20L51GR2N	8,9			ACC			ACC		ACC
EL20L51GRST	8,9	ACC	APP	ACC			ACC		ACC
EL20L53GRST	8,9	ACC	APP	ACC			ACC		ACC
EL20L71GR1N	8,9	ACC	APP	ACC	APP		ACC		ACC
EL20L71GR2N	8,9			ACC			ACC		ACC
EL20L71GRST	8,9								ACC
EL20L73GR2N	8,9								ACC
EL20L73GRST	8,9	ACC	APP	ACC			ACC		ACC
EL20L75GR1N	8,9				APP				ACC
EL32T44GRST	10,11			ACC		APP	ACC		
EL32T45GR1N	10,11			ACC	APP		ACC		ACC
EL32T46GRST	10,11	ACC	APP	ACC		APP	ACC		ACC
EL32T75GR1N	10,11			ACC	APP		ACC		ACC
EL32T76GRST	10,11	ACC	APP	ACC		APP	ACC		ACC
EL6C20L24A6GRST	16,17	ACC	APP	ACC			ACC	APP	ACC
ELCB20L24A5GR1N	16,17	ACC	APP	ACC	APP	APP	ACC	APP	ACC
ELCB20L27A5GR1N	16,17	ACC	APP	ACC	APP		ACC	APP	ACC
ELCB32C24A4GRST	16,17	ACC	APP	ACC			ACC	APP	
ELCB32C24A5GR1N	16,17	ACC	APP	ACC	APP		ACC	APP	ACC

Approved (APP) products are listed in the utilities service requirements (specifications) or they are listed on the utilities approval listing. Accepted (ACC) products meet the utilities service requirement and are accepted when used in accordance to the utilities specific installation requirements.

* New Hampshire Electric Co-op will accept units that are not included in their official "Approved List" when submitted for review on a project basis.

** N-Star requires approved products for all underground services.

Catalog Part Number	Page #	Approvals (APP) / Acceptances (ACC)							
		Bangor Hydro	Central Maine Power	Central Vermont Public Service	Northeast Utilities	Maine Public Service	National Grid	New Hampshire Elec Co-Op *	N-Star**
EN12L41GRST	4, 5			ACC			ACC		ACC
EN12L41GRST MS76	4, 5		APP	ACC			ACC		ACC
EN12L42GRST	4, 5	ACC	APP	ACC		APP	ACC		ACC
EN12L43GRST	4, 5	ACC	APP	ACC		APP	ACC		ACC
EN20L41GRST	4, 5	ACC	APP	ACC		APP	ACC		ACC
EN20L42GRST	4, 5			ACC			ACC		ACC
EN20L43GRST	4, 5	ACC	APP	ACC		APP	ACC		ACC
EN20L44GRST	4, 5	ACC	APP	ACC		APP	ACC		APP
EN4C10L24A3GRST	12, 13		APP						ACC
ENCB10L24A3GRST	12, 13	ACC	APP	ACC		APP	ACC	APP	ACC
ENCB15L24A3GRST	12, 13		APP	ACC			ACC	APP	ACC
ENCB20C24A4GRST	12, 13	ACC	APP	ACC			ACC		
ENCB20L24A3GRST	12, 13	ACC	APP	ACC		APP	ACC	APP	ACC
ENCB20L24A4GRST	12, 13	ACC	APP	ACC		APP	ACC	APP	
ENLB10L24A3GRST	12, 13			ACC			ACC		ACC
HEC10432CGR1N	24, 25	ACC	APP	ACC	APP	APP	ACC		ACC
HEC10433CGR1N	24, 25	ACC	APP	ACC	APP	APP	ACC		ACC
HEC10434CGR1N	24, 25	ACC	APP	ACC	APP	APP	ACC		ACC
HEC10435CGR1N	24, 25				APP				ACC
HEC10436CGR1N	24, 25				APP				ACC
HEL20432CGR1N	26, 27	ACC	APP	ACC	APP	APP	ACC		ACC
HEL20433CGR1N	26, 27	ACC	APP	ACC	APP	APP	ACC		ACC
HEL20434CGR1N	26, 27	ACC	APP	ACC	APP	APP	ACC		ACC
HEL20435CGR1N	26, 27				APP				ACC
HEL20436CGR1N	26, 27				APP				ACC
HEL20732CGR1N	26, 27	ACC	APP	ACC	APP	APP	ACC		ACC
HEL20733CGR1N	26, 27				APP				ACC
HEL20734CGR1N	26, 27				APP				ACC
HEL20735CGR1N	26, 27				APP				ACC
HEL20736CGR1N	26, 27				APP				ACC
HEN10412LGRST MS68	22, 23	ACC	APP	ACC			ACC		ACC
HEN10413LGRST MS68	22, 23	ACC	APP	ACC			ACC		ACC
HEN10414LGRST MS68	22, 23	ACC	APP	ACC		APP	ACC		ACC
HEN10432LGRST	22, 23	ACC	APP	ACC		APP	ACC		ACC
HEN10433LGRST	22, 23	ACC	APP	ACC		APP	ACC		ACC
HEN10434LGRST	22, 23	ACC	APP	ACC		APP	ACC		ACC
HEN12433CGRSTOL	28, 29	ACC	APP	ACC		APP	ACC		ACC
HEN12434CGRSTOL	28, 29	ACC	APP	ACC		APP	ACC		ACC
HEN12435CGRSTOL	28, 29	ACC	APP	ACC		APP	ACC		ACC
HEN20432CGRST	22, 23	ACC	APP	ACC		APP	ACC		ACC

Index, App./Acc., Cross

Approved (APP) products are listed in the utilities service requirements (specifications) or they are listed on the utilities approval listing. Accepted (ACC) products meet the utilities service requirement and are accepted when used in accordance to the utilities specific installation requirements. * New Hampshire Electric Co-op will accept units that are not included in their official "Approved List" when submitted for review on a project basis. ** N-Star requires approved products for all underground services.

Index & Approvals/Acceptance

Catalog Part Number	Page #	Approvals (APP) / Acceptances (ACC)							N-Star**
		Bangor Hydro	Central Maine Power	Central Vermont Public Service	Northeast Utilities	Maine Public Service	National Grid	New Hampshire Elec Co-Op *	
HEN21432LGRST	22, 23	ACC	APP	ACC		APP	ACC		ACC
SP02133N2GRST	18, 19								
SW02062C2GR1T	18, 19			ACC			ACC		
SW02062S1GR1N	18, 19				APP				
SW02082C2GR1T	18, 19			ACC			ACC		
SW02132C2GR1T	18, 19			ACC			ACC		
SW02132S1GR1N	18, 19				APP				
VELMP20432LGRST5K9	34, 35	ACC	APP	ACC	APP		ACC		ACC
VELMP20433LGRST5K9	34, 35	ACC	APP	ACC	APP		ACC		ACC
VELMP20434CGRST5K9	34, 35	ACC	APP	ACC	APP		ACC		ACC
VELMP20435CGRST5K9	34, 35	ACC	APP	ACC	APP		ACC		ACC
VELMP20436CGRST5K9	34, 35				APP				ACC
VEN10432CGRST	30, 31	ACC	APP	ACC			ACC		ACC
VEN10433CGRST	30, 31			ACC			ACC		ACC
VEN21432CGRSTOL	30, 31	ACC	APP	ACC		APP	ACC		ACC
VENMP12432LGRST	32, 33	ACC	APP	ACC		APP	ACC		ACC
VENMP12433LGRST	32, 33	ACC	APP	ACC		APP	ACC		ACC
VENMP12434CGRST	32, 33	ACC	APP	ACC		APP	ACC		ACC
VENMP12435CGRST	32, 33	ACC	APP	ACC		APP	ACC		ACC
VENMP12436CGRST	32, 33	ACC	APP	ACC		APP	ACC		ACC
VENMP20432LGRST	32, 33	ACC	APP	ACC		APP	ACC		ACC
VENMP20433LGRST	32, 33	ACC	APP	ACC		APP	ACC		ACC
VENMP20434CGRST	32, 33	ACC	APP	ACC		APP	ACC		ACC
VENMP20435CGRST	32, 33	ACC	APP	ACC		APP	ACC		ACC
VENMP20436CGRST	32, 33	ACC	APP	ACC		APP	ACC		ACC

Accessories

101	38
103	38
201	38
202	38
212	38
311	38
312	38
331	38
332	38
611	38
612	38
631	38
632	38

Approved (APP) products are listed in the utilities service requirements (specifications) or they are listed on the utilities approval listing. Accepted (ACC) products meet the utilities service requirement and are accepted when used in accordance to the utilities specific installation requirements. * New Hampshire Electric Co-op will accept units that are not included in their official "Approved List" when submitted for review on a project basis. ** N-Star requires approved products for all underground services.

Index, App./Acc., Cross

Catalog Part Number	Page #	Approvals (APP) / Acceptances (ACC)							
		Bangor Hydro	Central Maine Power	Central Vermont Public Service	Northeast Utilities	Maine Public Service	National Grid	New Hampshire Elec Co-Op *	N-Star**
1006CT	41								
1008CT	41								
10013CT	41								
25162	40								
50365	39								
50366	39								
50368	39								
84034	40								
AW100	38								
AW125	38								
AW150	38								
AW200	38								
AW250	38								
AWCAP	38								
EB125	39								
EB200	39								
EC12C4N	41								
EC12D4N	41								
EC12D7	41								
EC12L4	41								
EC12L7	41								
EHB125	39								
EHB200	39								
EL20C4N	41								
EL20C7	41								
EL20D4N	41								
EL20D7	41								
EL20L4	41								
EL20L7	41								
EL20T4N	41								
EL20U4N	41								
EL32T4	41								
EL32T4N	41								
EL32T7	41								
EN12BBJ4	41								
EN12BLB4	41								
EN12BLC4	41								
EN12BLD4	41								
EN12BLE4	41								
EN12L4	41								

Approved (APP) products are listed in the utilities service requirements (specifications) or they are listed on the utilities approval listing. Accepted (ACC) products meet the utilities service requirement and are accepted when used in accordance to the utilities specific installation requirements.
 * New Hampshire Electric Co-op will accept units that are not included in their official "Approved List" when submitted for review on a project basis.
 ** N-Star requires approved products for all underground services.

Index & Approvals/Acceptance

Catalog Part Number	Page #	Approvals (APP) / Acceptances (ACC)							N-Star**
		Bangor Hydro	Central Maine Power	Central Vermont Public Service	Northeast Utilities	Maine Public Service	National Grid	New Hampshire Elec Co-Op *	
EN12LBF4	41								
EN20BBH4	41								
EN20BBJ4	41								
EN20BLA4	41								
EN20BLB4	41								
EN20BLC4	41								
EN20L4	41								
EN20LBG4	41								
ES12	38								
ES38	38								
ETB125	39								
ETB200	39								
H-7	38								
H-10	38								
H-30	38								
H-35	38								
H-40	38								
SJ-100	40								
TGK102	39								

Approved (APP) products are listed in the utilities service requirements (specifications) or they are listed on the utilities approval listing. Accepted (ACC) products meet the utilities service requirement and are accepted when used in accordance to the utilities specific installation requirements.

* New Hampshire Electric Co-op will accept units that are not included in their official "Approved List" when submitted for review on a project basis.

** N-Star requires approved products for all underground services.

Index, App./Acc., Cross

Catalog Part Number	Cross Milbank #
363612DDHRTCT1N	S1855-0
484814DDHRTCT1N	S1856-0
AC30FPMTO	U3803
AC60FPMTO	U3806
AC60NOMTO	U3800
AC60NOMT2	U3822-20GR
EC12L41GR1N	U2272-RL-5T9-BL
EC12L43GR2N	U2860-XL-5T9-QG
EC12L71GRST	U7573-RL
ECCB10L24A3GR1N	U3741-XL-100-BL
ECCB10L27A3GR1N	U3771-XL-100-BL
ECCB10L27A3GRST	U3771-XL-100
EL20L41GR2N	U9800-RRL-QG-BL-NE
EL20L43GR2N	U9801-RXL-QG
EL20L43GRST	U9801-RXL
EL20L44GRST	U3924-XL
EL20L45GR1N	U4721-O-BL
EL20L51GR2N	U2048-RL
EL20L51GRST	U9318-RL U3598-RL
EL20L53GRST	U9319-XL
EL20L71GR2N	U9700-RRL-QG-BL
EL20L71GRST	9700-R
EL20L73GR2N	U9701-RXL-QG
EL20L73GRST	U9701-XL
EL20L75GR1N	U4910-O-BL
EL32T44GRST	U2124-X
EL32T45GR1N	U4778-X-BL
EL32T46GRST	U2448-X
EL32T75GR1N	U4911-X-BL
EL32T76GRST	U2594-X
EL6C20L24A6GRST	U3995-XL-200
ELCB20L24A5GR1N	U3791N-RXL-200-BL
ELCB20L27A5GR1N	U3781N-RXL-200-BL
ELCB32C24A4GRST	U4031-O-2/200
ELCB32C24A5GR1N	U4835-X-2/200-BL
EN12L41GRST MS76	U7487-YL-TG
EN12L42GRST	U7487-O-TG
EN12L43GRST	U7487-RL-TG
EN20L41GRST	U7021-RL-TG
EN20L42GRST	U7040-O-TG
EN20L43GRST	U7040-XL-TG
EN20L44GRST	U1980-O U2065-O
EN4C10L24A3GRST	U3989-XL-100
ENCB10L24A3GRST	U3499-XL-100
ENCB15L24A3GRST	U3990-XL-150
ENCB20C24A4GRST	U5757-O-200

Catalog Part Number	Cross Milbank #
ENCB20L24A3GRST	U3990-XL-200
ENCB20L24A4GRST	U3798-O-200
ENLB10L24A3GRST	U3499-XL
HEC10432CGR1N	U2752-X-5T9
HEC10433CGR1N	U2753-X-5T9
HEC10434CGR1N	U2754-X-5T9
HEC10435CGR1N	U2755-X-5T9
HEC10436CGR1N	U2756-X-5T9
HEL20432CGR1N	U2872-XT-5T9
HEL20433CGR1N	U2873-XT-5T9
HEL20434CGR1N	U2874-XT-5T9
HEL20435CGR1N	U2875-XT-5T9
HEL20436CGR1N	U2876-XT-5T9
HEL20732CGR1N	U2732-XT
HEL20733CGR1N	U2733-XT
HEL20734CGR1N	U2734-XT
HEL20735CGR1N	U2735-XT
HEL20736CGR1N	U2736-XT
HEN10412LGRST MS68	U7362-DL
HEN10413LGRST MS68	U7363-DL
HEN10414LGRST MS68	U7364-DL
HEN10432LGRST	U8212-XL
HEN10433LGRST	U8213-XL
HEN10434LGRST	U8214-XL
HEN12433CGRSTOL	U3763-XL
HEN12434CGRSTOL	U3764-XL
HEN12435CGRSTOL	U3765-XL
HEN20432CGRST	U1252-X-K1
HEN21432LGRST	US601-XL
SW02062C2GR1T	UC4964-O-WC-21-NST
SW02062S1GR1N	UC7478-O-81-NOE
SW02082C2GR1T	UC4965-O-WC-21-NST
SW02132C2GR1T	UC4966-O-WC-21-NST
SW02132S1GR1N	UC7445-O-311-NOE
VELMP20432LGRST5K9	U4372-XT-5T9
VELMP20433LGRST5K9	U4373-XT-5T9
VELMP20434CGRST5K9	U4374-XT-5T9
VELMP20435CGRST5K9	U4375-XT-5T9
VELMP20436CGRST5K9	U4376-XT-5T9
VEN10432CGRST	U2692-XL
VEN10433CGRST	U2693-XL
VEN21432CGRSTOL	U2264-XL
VENMP12432LGRST	U2852-X
VENMP12433LGRST	U2853-X
VENMP12434CGRST	U2854-X
VENMP12435CGRST	U2855-X

Catalog Part Number	Cross Milbank #
VENMP12436CGRST	U2856-X
VENMP20432LGRST	U2862-X
VENMP20433LGRST	U2863-X
VENMP20434CGRST	U2864-X
VENMP20435CGRST	U2865-X
VENMP20436CGRST	U2866-X

Accessories

101	K1539
103	K1539
201	K1539
202	K1539
212	K1539
311	K1539
312	K1350
331	K3082
332	K3442
611	K1540
612	K1541
631	K3441
632	K3083

Catalog Part Number	Cross Milbank #
25162	6116
50365	5T8K2
50366	K3865
84034	A-GP61
AW100	A7514
AW125	A7515
AW150	A7516
AW200	A7517
AW250	A7518
AWCAP	A7551
H-7	A8324
H-10	A9064
H-30	A8110
H-35	A8111
H-40	A8112
SJ-100	K8180
TGK102	K1190

Approved (APP) products are listed in the utilities service requirements (specifications) or they are listed on the utilities approval listing.

Accepted (ACC) products meet the utilities service requirement and are accepted when used in accordance to the utilities specific installation requirements.

* New Hampshire Electric Co-op will accept units that are not included in their official "Approved List" when submitted for review on a project basis.

** N-Star requires approved products for all underground services.

For more information
visit eaton.com/metering

B-Line Division
509 West Monroe
Highland, IL 62249

Eaton
1000 Eaton Boulevard
Cleveland, OH 44122
United States
Eaton.com

© 2018 Eaton
All Rights Reserved
Printed in USA
Publication No. CA307008EN
January 2018 MTRNE-18

Eaton is a registered trademark.

All other trademarks are property
of their respective owners.

Follow us on social media to get the
latest product and support information.

