

Type 4X S.S. Enclosures

Type 4X S.S. Enclosures

Saginaw Control & Engineering's Type 4X Stainless Steel Enclosures are designed to work in a wide range of environments indoors or outdoors, and house electronic controls, instruments, and components.

These enclosures provide protection from corrosion, wind blown dust, rain, spraying water, hose directed water and ice formation on the enclosure.

Product Attributes

- 304 & 316 stainless steel with #4 brushed finish.
- Exclusive SCE concealed hinges on Enviroline® Series Enclosures.
- Memory retaining oil resistant urethane gasket.
- Many of the standard SCE quarter turn replacement latches and handles can be used on Enviroline® Series Enclosures.

Product Overview

- Stainless Steel Pushbutton Enclosures
- Stainless Steel Extra Large Pushbutton Enclosures
- Stainless Steel Continuous Hinge Enclosures
- Stainless Steel Single-Door Enclosures
- Stainless Steel Enviroline® Series Enclosures
- Two-Door Stainless Steel Enclosures
- Stainless Steel Enviroline® Series Two-Door Enclosures
- Stainless Steel Enviroline® Series Free-Standing Enclosures
- Stainless Steel Enviroline® Junction Enclosures
- Stainless Steel Enviroline® Junction Enclosures with window

Type 4X S.S. Enclosures

Type 4X S.S. Enclosures



TYPE 4X

Stainless Steel 30.5 mm Pushbutton Enclosures

Application -

Designed to house standard pushbuttons, switches and pilot lights in wet and hosed down areas and in corrosive atmospheres.

Construction -

- 0.075" stainless steel Type 304
- Seams continuously welded and ground smooth.
- Captivated cover screws thread into sealed wells.
- 4-way pushbutton holes accept all brands of oil-tight pushbuttons, switches and pilot lights. Hole diameter is 1.20" (30.5 mm).
- Immediate removal of cover is permitted.
- Oil-resistant door gasket.

Options -

Can be special ordered in Type 316 stainless steel.

Finish -

#4 brushed finish on all exterior surfaces.

Industry Standards -

- NEMA Type 4, 4X, 12 & 13
- UL Listed Type 4, 4X, & 12
- CSA Type 4, 4X & 12
- IEC 60529 IP 66

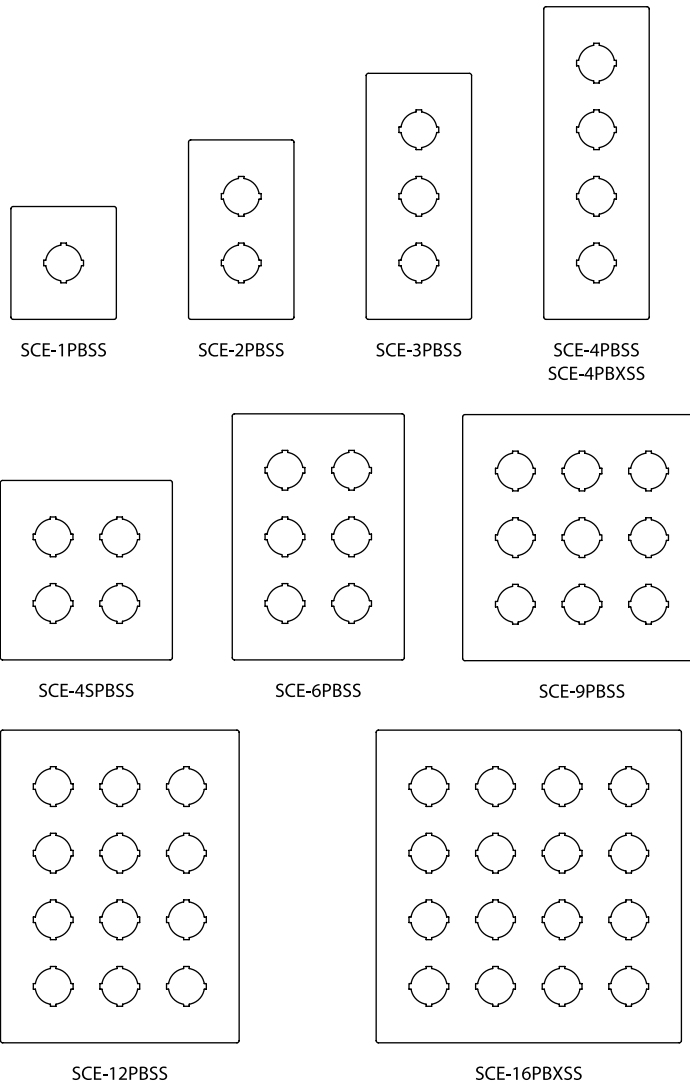


TYPE 4X STAINLESS STEEL 30.5 mm PUSHBUTTON ENCLOSURES

ENCLOSURES					
Catalog No.	Height (A)	Width (B)	Depth (C)	Product Code	List Price
SCE-1PBSS	3.50	3.25	2.75	S1	134.38
SCE-2PBSS	5.75	3.25	2.75	S1	168.31
SCE-3PBSS	8.00	3.25	2.75	S1	183.25
SCE-4PBSS	10.25	3.25	2.75	S1	207.67
SCE-4PBXSS	10.00	4.00	4.75	S1	247.05
SCE-4SPBSS	7.25	6.25	3.00	S1	228.03
SCE-6PBSS	9.50	6.25	3.00	S1	272.84
SCE-9PBSS	9.50	8.50	3.00	S1	308.12
⚡SCE-12PBSS	11.75	8.50	3.00	S1	351.56
SCE-16PBXSS	11.75	10.75	4.75	S1	442.51

⚡ Available within 10 working days if not in stock

*Available in Type 316 Stainless Steel

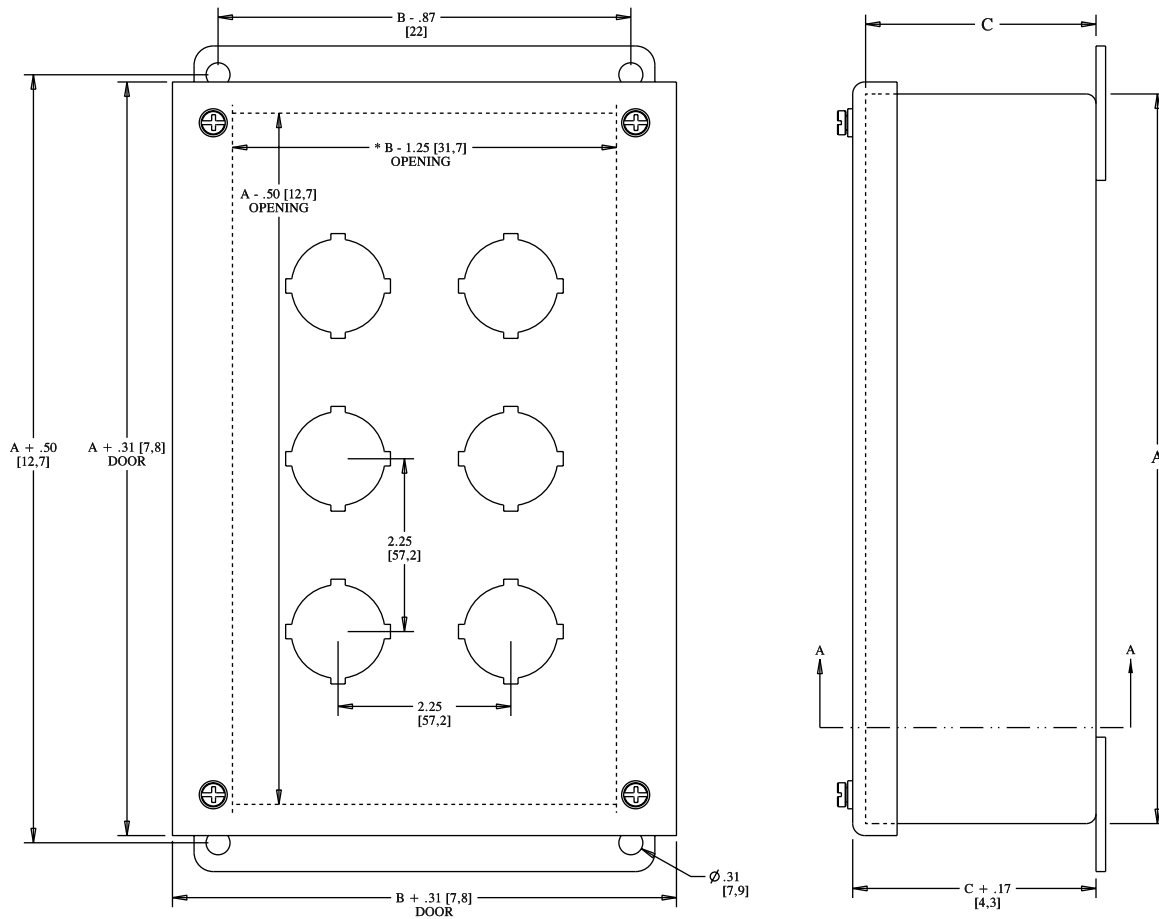


Type 4X S.S. Enclosures

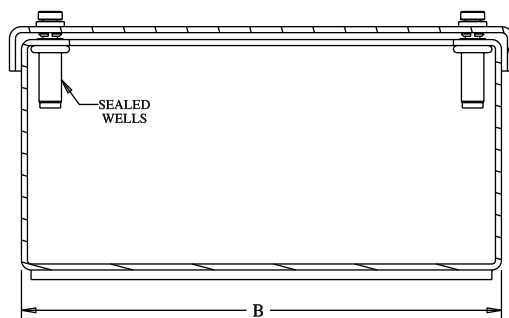


TYPE 4X STAINLESS STEEL 30.5 mm PUSHBUTTON ENCLOSURES

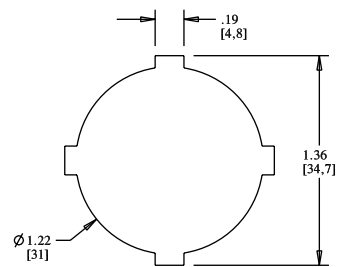
TECHNICAL DATA



NOTE:
 * B - .50 [12.7] ONE COLUMN OF PUSHBUTTONS



SECTION A-A



STANDARD 4-WAY

Type 4X S.S. Enclosures



TYPE 4X

Stainless Steel 22.5 mm Pushbutton Enclosures

Application -

Designed to house standard pushbuttons, switches and pilot lights in wet and hosed down areas and in corrosive atmospheres.

Construction -

- 0.075" stainless steel Type 304
- Seams continuously welded and ground smooth.
- Captivated cover screws thread into sealed wells.
- 4-way pushbutton holes accept all brands of oil-tight pushbuttons, switches and pilot lights. Hole diameter is 0.87" (22.5 mm).
- Immediate removal of cover is permitted.
- Oil-resistant door gasket.

Options -

Can be special ordered in Type 316 stainless steel.

Finish -

#4 brushed finish on all exterior surfaces.

Industry Standards -

- NEMA Type 4, 4X, 12 & 13
- UL Listed Type 4, 4X, & 12
- CSA Type 4, 4X & 12
- IEC 60529 IP 66

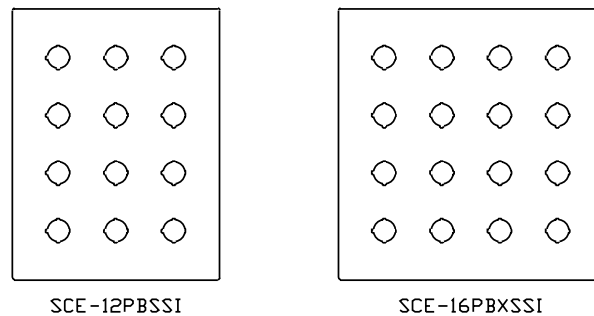
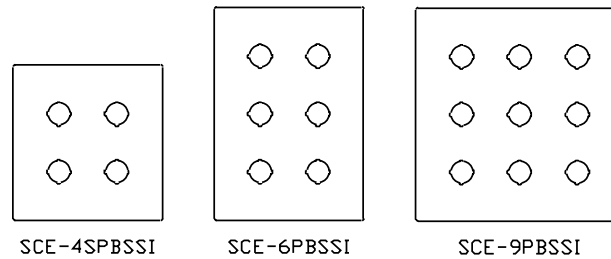
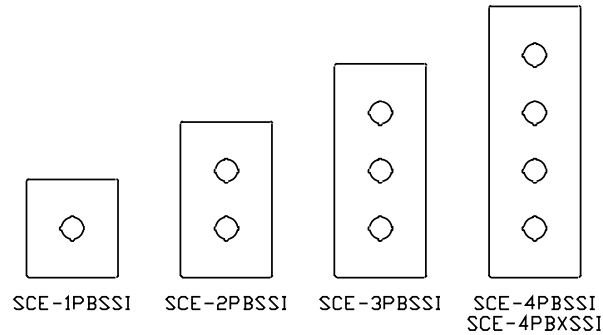


TYPE 4X STAINLESS STEEL 22.5 mm PUSHBUTTON ENCLOSURES

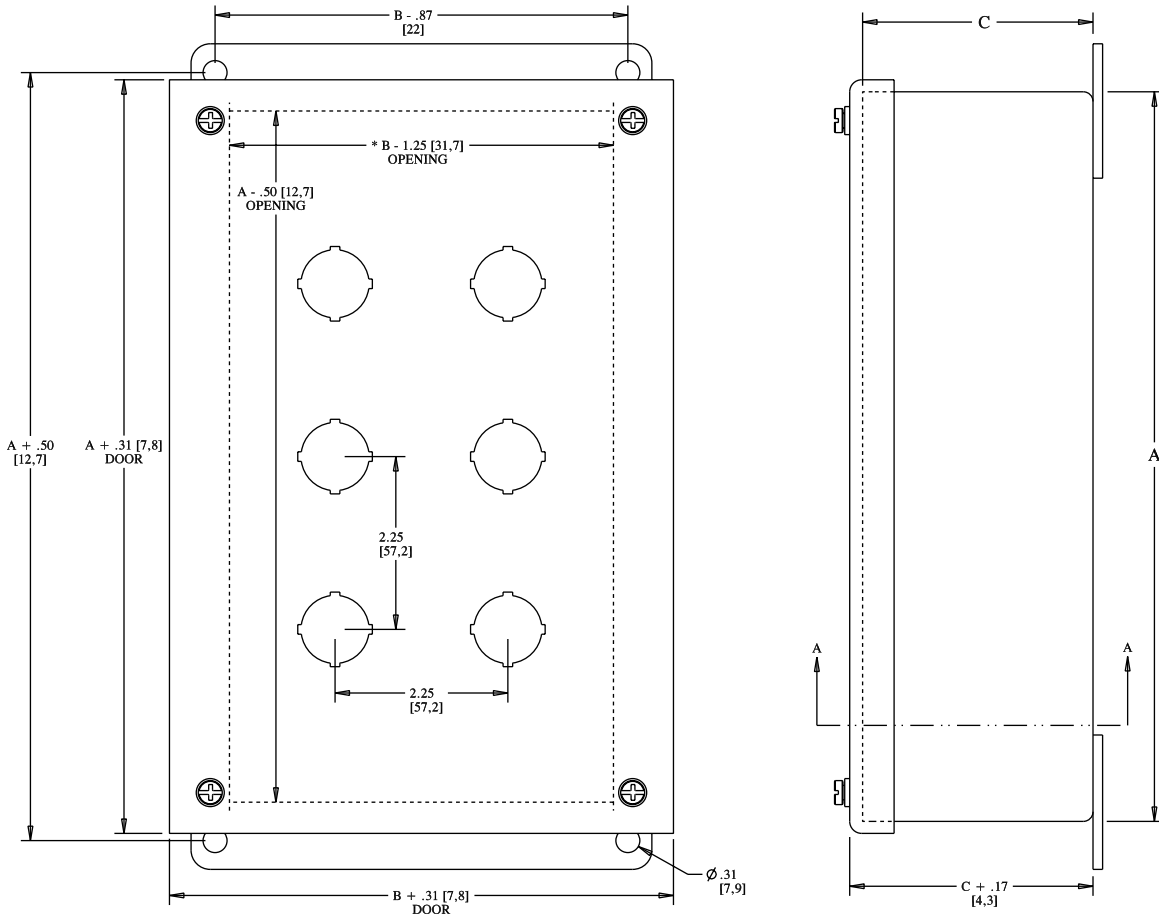
ENCLOSURES					
Catalog No.	Height (A)	Width (B)	Depth (C)	Product Code	List Price
SCE-1PBSSI	3.50	3.25	2.75	S1	134.38
SCE-2PBSSI	5.75	3.25	2.75	S1	168.31
SCE-3PBSSI	8.00	3.25	2.75	S1	183.25
SCE-4PBSSI	10.25	3.25	2.75	S1	207.67
SCE-4PBXSSI	10.00	4.00	4.75	S1	247.05
SCE-4SPBSSI	7.25	6.25	3.00	S1	228.03
SCE-6PBSSI	9.50	6.25	3.00	S1	272.84
SCE-9PBSSI	9.50	8.50	3.00	S1	308.12
SCE-12PBSSI	11.75	8.50	3.00	S1	351.56
SCE-16PBXSSI	11.75	10.75	4.75	S1	442.51

⚡ Available within 10 working days if not in stock

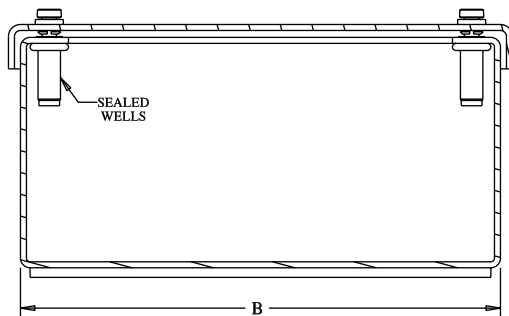
**Available in Type 316 Stainless Steel*



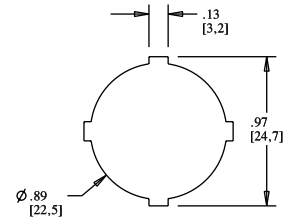
TYPE 4X STAINLESS STEEL 22.5 mm PUSHBUTTON ENCLOSURES TECHNICAL DATA



NOTE:
* B - .50 [12,7] ONE COLUMN OF PUSHBUTTONS



SECTION A-A



STANDARD 4-WAY



TYPE 4X

Stainless Steel 30.5 mm
Extra Large Pushbutton
Enclosures with Panel

Application -

Designed to house standard pushbuttons, switches and pilot lights in wet and hosed down areas and in corrosive atmospheres.

Construction -

- 0.075" stainless steel Type 304
- Seams continuously welded and ground smooth.
- Captivated cover screws thread into sealed wells.
- 4-way pushbutton holes accept all brands of oil-tight pushbuttons, switches and pilot lights. Hole diameter 1.20" (30.5 mm).
- Oil-resistant door gasket.
- Removable sub-panel supported by standoffs.
- Ground stud on door.
- Cover attached with continuous hinge.

Options -

- Can be ordered in Type 316 Stainless Steel
- Panels can be special ordered in stainless steel.

Finish -

#4 brushed finish on all exterior surfaces. Sub-panels are powder coated white.

Industry Standards -

NEMA Type 4, 4X, 12 & 13
UL Listed Type 4, 4X, & 12
CSA Type 4, 4X & 12
IEC 60529 IP 66

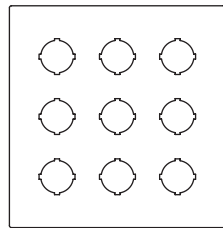


TYPE 4X STAINLESS STEEL 30.5 mm EXTRA LARGE PUSHBUTTON ENCLOSURES WITH PANEL

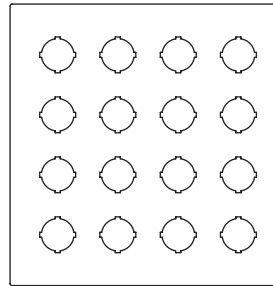
Catalog No.	ENCLOSURES					SUB-PANEL		
	Height (A)	Width (B)	Depth (C)	Product Code	List Price	Panel Size (D)	Panel Size (E)	List Price
SCE-9PBY25SS	11.00	10.00	6.00	S1	295.90	9.00	8.00	Included
SCE-16PBY25SS	13.50	12.50	6.00	S1	502.23	11.50	10.50	Included
SCE-20PBY25SS	16.00	12.50	6.00	S1	624.38	14.00	10.50	Included
⚡SCE-25PBY25SS	16.00	15.00	6.00	S1	787.26	14.00	13.00	Included
⚡SCE-30PBY25SS	18.50	15.00	6.00	S1	889.07	16.50	13.00	Included

⚡ Available within 10 working days if not in stock

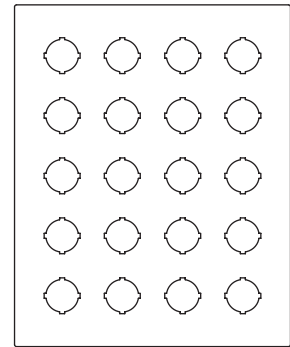
*Available in Type 316 Stainless Steel



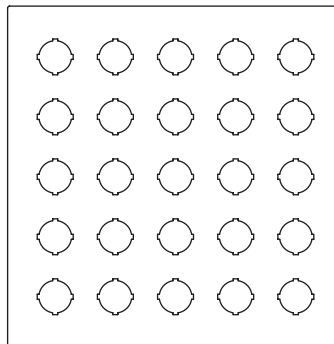
SCE-9PBY25SS



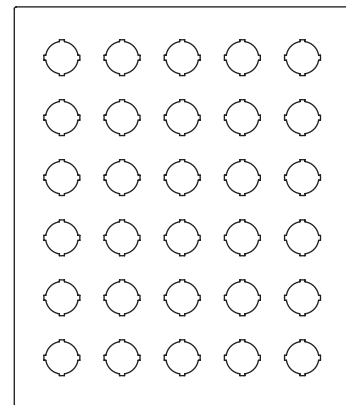
SCE-16PBY25SS



SCE-20PBY25SS



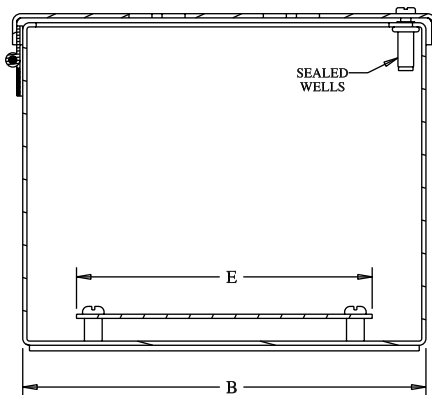
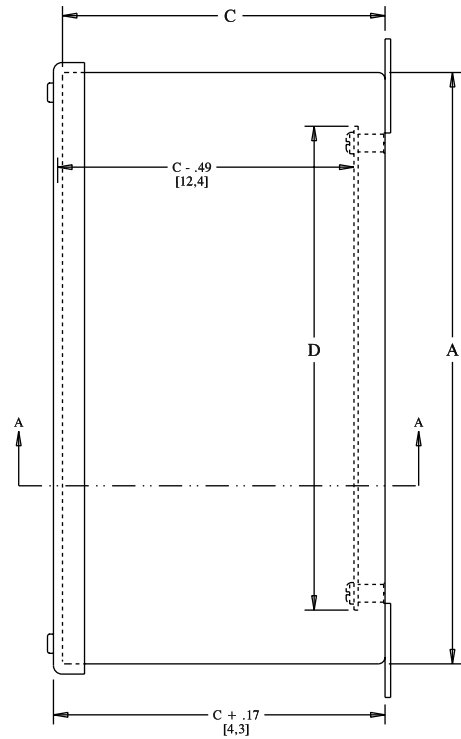
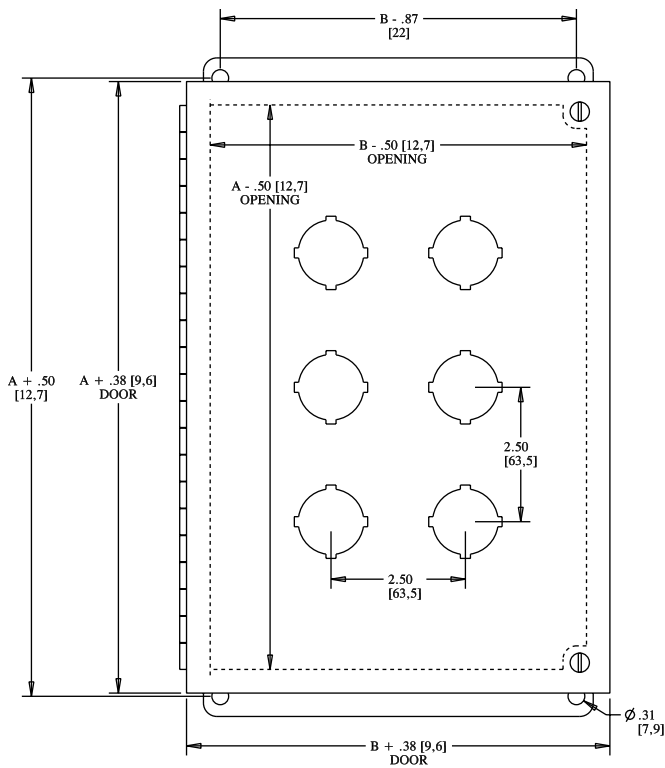
SCE-25PBY25SS



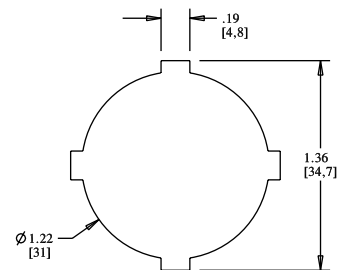
SCE-30PBY25SS



TYPE 4X STAINLESS STEEL 30.5 mm EXTRA LARGE PUSHBUTTON ENCLOSURES WITH PANEL TECHNICAL DATA



SECTION A-A



STANDARD 4-WAY



TYPE 4X

Stainless Steel 22.5 mm
Extra Large Pushbutton
Enclosures with Panel

Application -

Designed to house standard pushbuttons, switches and pilot lights in wet and hosed down areas and in corrosive atmospheres.

Construction -

- 0.075" stainless steel Type 304
- Seams continuously welded and ground smooth.
- Captivated cover screws thread into sealed wells.
- 4-way pushbutton holes accept all brands of oil-tight pushbuttons, switches and pilot lights. Hole diameter 0.87" (22.5 mm).
- Oil-resistant door gasket.
- Removable sub-panel supported by standoffs.
- Ground stud on door.
- Cover attached with continuous hinge.

Options -

- Can be ordered in Type 316 Stainless Steel
- Panels can be special ordered in stainless steel.

Finish -

#4 brushed finish on all exterior surfaces. Sub-panels are powder coated white.

Industry Standards -

NEMA Type 4, 4X, 12 & 13
UL Listed Type 4, 4X, & 12
CSA Type 4, 4X & 12
IEC 60529 IP 66

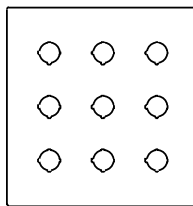


TYPE 4X STAINLESS STEEL 22.5 mm EXTRA LARGE PUSHBUTTON ENCLOSURES WITH PANEL

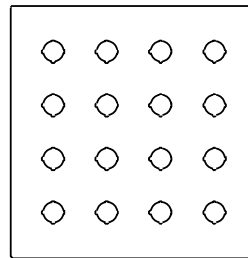
Catalog No.	ENCLOSURES					SUB-PANEL		
	Height (A)	Width (B)	Depth (C)	Product Code	List Price	Panel Size (D)	Panel Size (E)	List Price
SCE-9PBY25SSI	11.00	10.00	6.00	S1	295.90	9.00	8.00	Included
SCE-16PBY25SSI	13.50	12.50	6.00	S1	502.23	11.50	10.50	Included
SCE-20PBY25SSI	16.00	12.50	6.00	S1	624.38	14.00	10.50	Included
⚡SCE-25PBY25SSI	16.00	15.00	6.00	S1	787.26	14.00	13.00	Included
⚡SCE-30PBY25SSI	18.50	15.00	6.00	S1	889.07	16.50	13.00	Included

⚡ Available within 10 working days if not in stock

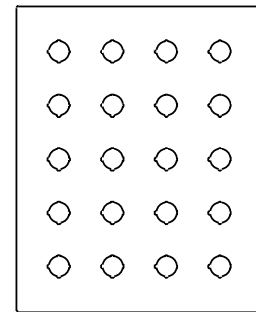
*Available in Type 316 Stainless Steel



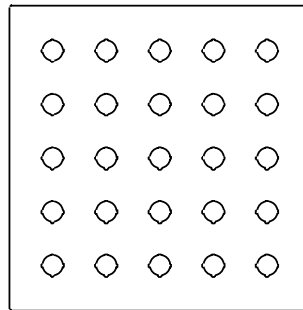
SCE-9PBY25SSI



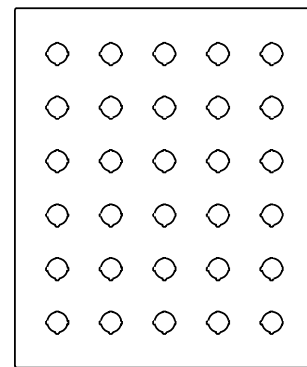
SCE-16PBY25SSI



SCE-20PBY25SSI



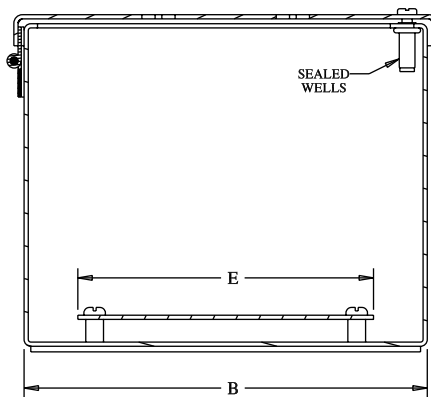
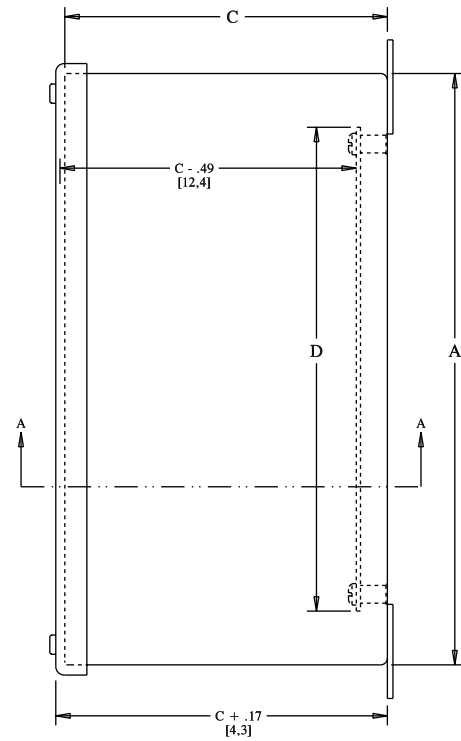
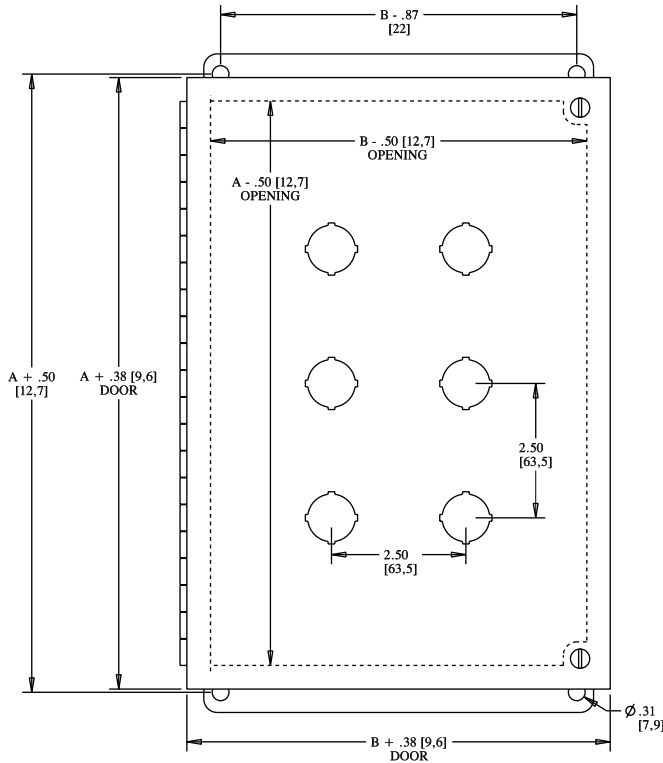
SCE-25PBY25SSI



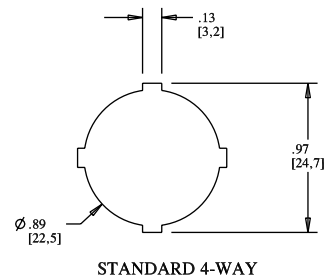
SCE-30PBY25SSI



TYPE 4X STAINLESS STEEL 22.5 mm EXTRA LARGE PUSHBUTTON ENCLOSURES WITH PANEL TECHNICAL DATA



SECTION A-A



TYPE 4X

304 & 316 Stainless Steel Continuous Hinge Enclosures

Application -

Designed for use as electrical junction boxes, terminal wiring boxes, instrument housings, and electrical control enclosures. For use in wet and hosed down areas and in corrosive atmospheres.

Construction -

- 0.075" stainless steel Type 304 & 316
- Seams continuously welded and ground smooth.
- Oil-resistant door gasket.
- Ground stud on door.
- Stainless steel continuous hinge.
- Standoffs provided for mounting optional panels.

Options -

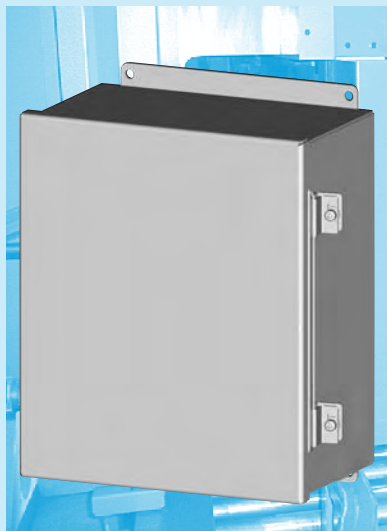
- Panels can be special ordered in stainless steel.

Finish -

#4 brushed finish on all exterior surfaces. Optional panels are powder coated white.

Industry Standards -

NEMA Type 4, 4X, 12 & 13
UL Listed Type 4, 4X, & 12
CSA Type 4, 4X & 12
IEC 60529 IP 66



TYPE 4X

304 STAINLESS STEEL CONTINUOUS HINGE ENCLOSURES

ENCLOSURES						SUB-PANEL				
Catalog No.	Height (A)	Width (B)	Depth (C)	Product Code	List Price	Catalog No.	Panel Height (D)	Panel Width (E)	Product Code	List Price
SCE-6044CHNFSS	6.00	4.00	4.00	S1	176.45	SCE-6P4	4.88	2.88	P3	3.01
SCE-606CHNFSS	6.00	6.00	4.00	S1	200.89	SCE-6P6	4.88	4.88	P3	3.61
SCE-8064CHNFSS	8.00	6.00	4.00	S1	219.90	SCE-8P6	6.75	4.88	P3	4.17
SCE-1008CHNFSS	10.00	8.00	4.00	S1	272.84	SCE-10P8	8.75	6.88	P3	5.70
SCE-10086CHNFSS	10.00	8.00	6.00	S1	304.04	SCE-10P8	8.75	6.88	P3	5.70
SCE-12106CHNFSS	12.00	10.00	6.00	S1	381.42	SCE-12P10	10.75	8.88	P3	7.72
SCE-12108CHNFSS	12.00	10.00	8.00	S1	438.43	SCE-12P10	10.75	8.88	P3	7.72
SCE-1212CHNFSS	12.00	12.00	6.00	S1	420.78	SCE-12P12	10.75	10.88	P3	9.08
SCE-1412CHNFSS	14.00	12.00	6.00	S1	460.15	SCE-14P12	12.75	10.88	P3	10.13
SCE-1614CHNFSS	16.00	14.00	6.00	S1	548.38	SCE-16P14	14.75	12.88	P3	19.95

TYPE 4X

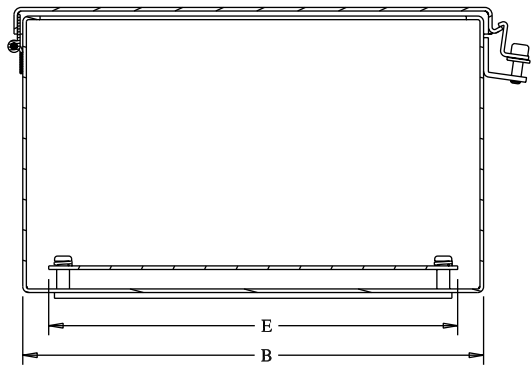
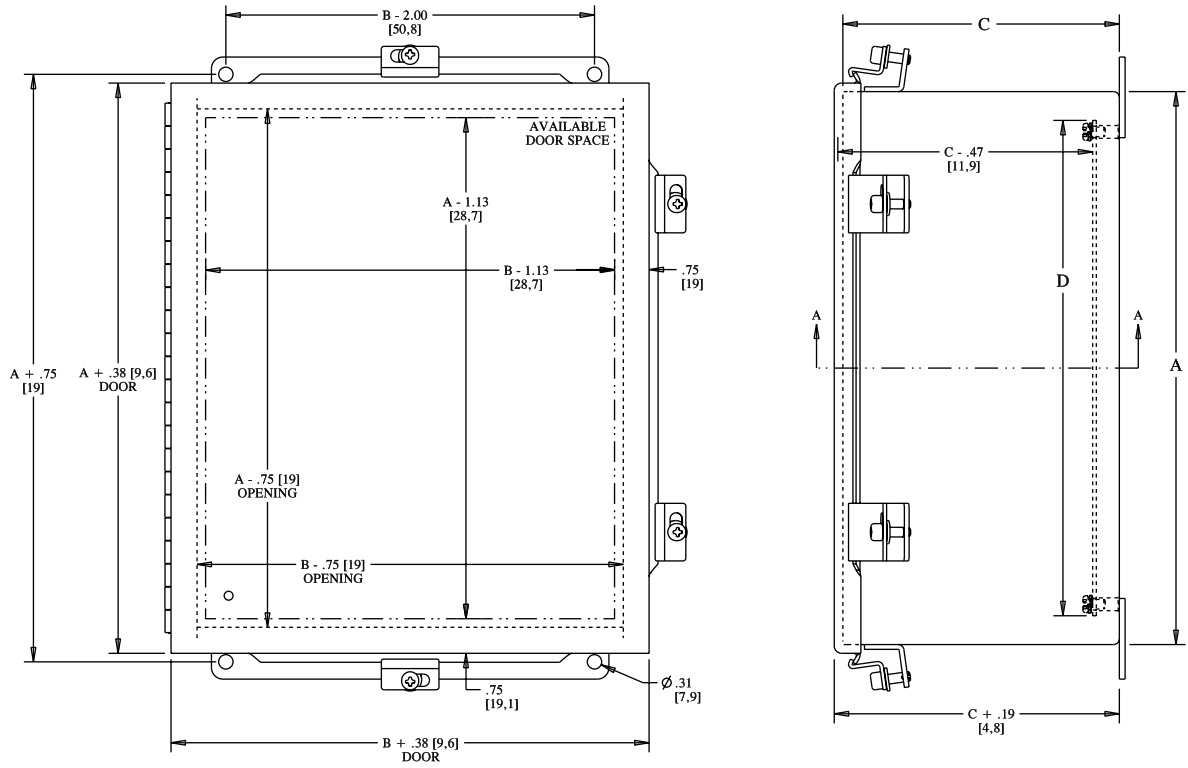
316 STAINLESS STEEL CONTINUOUS HINGE ENCLOSURES

ENCLOSURES						SUB-PANEL				
Catalog No.	Height (A)	Width (B)	Depth (C)	Product Code	List Price	Catalog No.	Panel Height (D)	Panel Width (E)	Product Code	List Price
⚡SCE-6044CHNFSS6	6.00	4.00	4.00	S7	211.74	SCE-6P4	4.88	2.88	P3	3.01
⚡SCE-606CHNFSS6	6.00	6.00	4.00	S7	241.06	SCE-6P6	4.88	4.88	P3	3.61
⚡SCE-8064CHNFSS6	8.00	6.00	4.00	S7	263.88	SCE-8P6	6.75	4.88	P3	4.17
⚡SCE-1008CHNFSS6	10.00	8.00	4.00	S7	327.41	SCE-10P8	8.75	6.88	P3	5.70
⚡SCE-10086CHNFSS6	10.00	8.00	6.00	S7	364.85	SCE-10P8	8.75	6.88	P3	5.70
⚡SCE-12106CHNFSS6	12.00	10.00	6.00	S7	457.71	SCE-12P10	10.75	8.88	P3	7.72
⚡SCE-12108CHNFSS6	12.00	10.00	8.00	S7	526.12	SCE-12P10	10.75	8.88	P3	7.72
⚡SCE-1212CHNFSS6	12.00	12.00	6.00	S7	504.94	SCE-12P12	10.75	10.88	P3	9.08
⚡SCE-1412CHNFSS6	14.00	12.00	6.00	S7	552.19	SCE-14P12	12.75	10.88	P3	10.13
⚡SCE-1614CHNFSS6	16.00	14.00	6.00	S7	658.05	SCE-16P14	14.75	12.88	P3	19.95

⚡ Available within 10 working days if not in stock

TYPE 4X STAINLESS STEEL CONTINUOUS HINGE ENCLOSURES

TECHNICAL DATA



SECTION A-A

NOTE:
Sub-panel must be ordered separately

CLAMPING NOTE:
Enclosures < 10.00 [254] in height require one clamp centered vertically on door

Type 4X S.S. Enclosures



TYPE 4X

304 Stainless Steel Single-Door Enclosures

Application -

Designed to house electrical and electronic controls, instruments and components in areas which may be regularly hosed down or are in very wet conditions. Provides protection from dust, dirt, oil and water. For outdoor application a drip shield is recommended.

Construction -

- 0.075" stainless steel Type 304.
- No holes or knockouts, continuously welded seams ground smooth.
- Flange trough collar around all sides of door opening.
- Oil-resistant door gasket.
- Collar studs provided for mounting optional sub-panels.
- Hasp and staple for padlocking.
- Stainless steel continuous hinge.
- Print pocket.
- Ground stud on door.
- Stainless steel clamps on three sides of door will keep out all liquids and other contaminants.

Options -

- Panel can be special ordered in stainless steel up to 48P36 size.

Finish -

#4 brushed finish on all exterior surfaces. Optional panels are powder coated white.

Industry Standards -

NEMA Type 4, 4X, 12 & 13
UL Listed Type 4, 4X & 12
CSA Type 4, 4X & 12
IEC 60529 IP 66



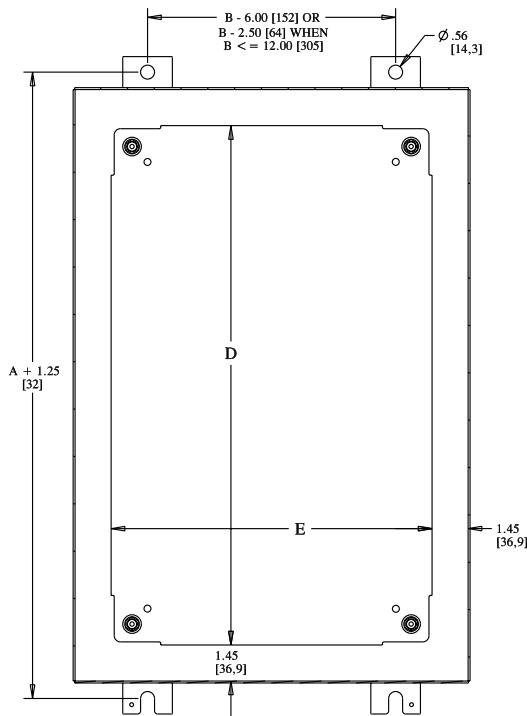
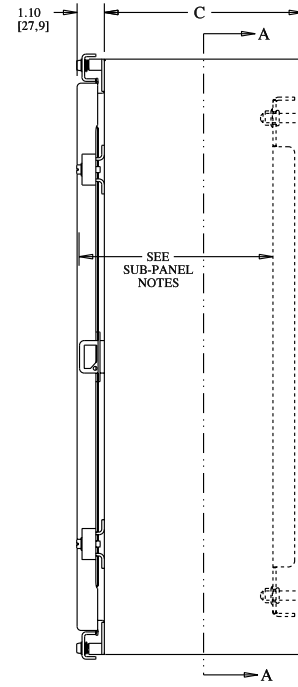
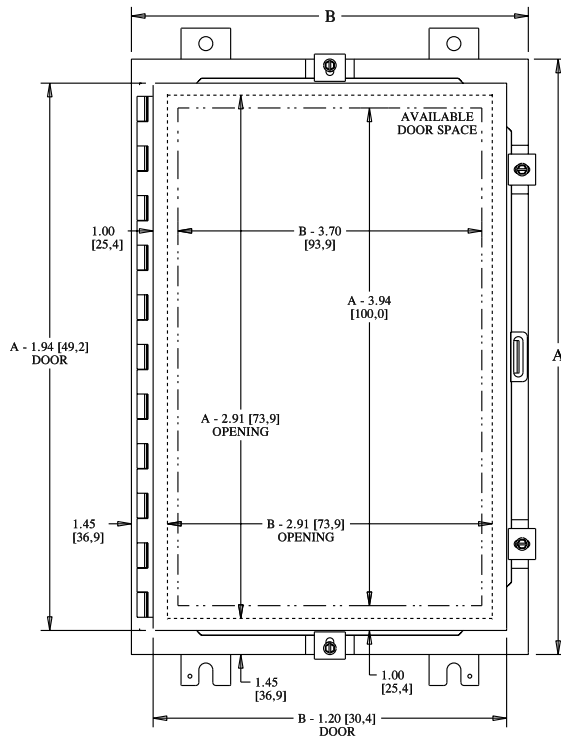
TYPE 4X

304 STAINLESS STEEL SINGLE-DOOR ENCLOSURES

ENCLOSURES						SUB-PANEL				
Catalog No.	Height (A)	Width (B)	Depth (C)	Product Code	List Price	Catalog No.	Panel Height (D)	Panel Width (E)	Product Code	List Price
SCE-16H1206SSLP	16.00	12.00	6.00	S3	627.11	SCE-16P12	13.00	9.00	P3	14.81
SCE-16H1208SSLP	16.00	12.00	8.00	S3	671.90	SCE-16P12	13.00	9.00	P3	14.81
SCE-16H1606SSLP	16.00	16.00	6.00	S3	696.32	SCE-16P16	13.00	13.00	P3	24.57
SCE-16H2006SSLP	16.00	20.00	6.00	S3	765.54	SCE-20P16	17.00	13.00	P3	30.37
SCE-20H1606SSLP	20.00	16.00	6.00	S3	765.54	SCE-20P16	17.00	13.00	P3	30.37
SCE-20H1608SSLP	20.00	16.00	8.00	S3	819.84	SCE-20P16	17.00	13.00	P3	30.37
SCE-20H1610SSLP	20.00	16.00	10.00	S3	875.50	SCE-20P16	17.00	13.00	P3	30.37
SCE-20H2006SSLP	20.00	20.00	6.00	S3	844.28	SCE-20P20	17.00	17.00	P3	35.44
SCE-20H2408SSLP	20.00	24.00	8.00	S3	990.88	SCE-24P20	21.00	17.00	P3	45.57
SCE-24H1608SSLP	24.00	16.00	8.00	S3	891.79	SCE-24P16	21.00	13.00	P3	32.92
SCE-24H2006SSLP	24.00	20.00	6.00	S3	924.36	SCE-24P20	21.00	17.00	P3	45.57
SCE-24H2008SSLP	24.00	20.00	8.00	S3	990.88	SCE-24P20	21.00	17.00	P3	45.57
SCE-24H2010SSLP	24.00	20.00	10.00	S3	1,058.74	SCE-24P20	21.00	17.00	P3	45.57
SCE-24H2408SSLP	24.00	24.00	8.00	S3	1,089.96	SCE-24P24	21.00	21.00	P3	53.18
SCE-24H2412SSLP	24.00	24.00	12.00	S3	1,237.92	SCE-24P24	21.00	21.00	P3	53.18
SCE-24H3008SSLP	24.00	30.00	8.00	S3	1,237.92	SCE-30P24	27.00	21.00	P3	63.29
SCE-30H2008SSLP	30.00	20.00	8.00	S3	1,121.18	SCE-30P20	27.00	17.00	P3	55.70
SCE-30H2408SSLP	30.00	24.00	8.00	S3	1,237.92	SCE-30P24	27.00	21.00	P3	63.29
SCE-30H2412SSLP	30.00	24.00	12.00	S3	1,403.51	SCE-30P24	27.00	21.00	P3	63.29
SCE-30H2416SSLP	30.00	24.00	16.00	S3	1,571.81	SCE-30P24	27.00	21.00	P3	63.29
SCE-30H3008SSLP	30.00	30.00	8.00	S3	1,414.38	SCE-30P30	27.00	27.00	P3	83.55
SCE-36H2408SSLP	36.00	24.00	8.00	S3	1,385.87	SCE-36P24	33.00	21.00	P3	75.96
SCE-36H2410SSLP	36.00	24.00	10.00	S3	1,479.52	SCE-36P24	33.00	21.00	P3	75.96
SCE-36H3008SSLP	36.00	30.00	8.00	S3	1,589.47	SCE-36P30	33.00	27.00	P3	101.27
SCE-36H3010SSLP	36.00	30.00	10.00	S3	1,691.28	SCE-36P30	33.00	27.00	P3	101.27
SCE-36H3012SSLP	36.00	30.00	12.00	S3	1,793.07	SCE-36P30	33.00	27.00	P3	101.27
SCE-36H3016SSLP	36.00	30.00	16.00	S3	1,995.33	SCE-36P30	33.00	27.00	P3	101.27
SCE-36H3612SSLP	36.00	36.00	12.00	S3	2,014.32	SCE-36P36	33.00	33.00	P3	118.99
SCE-42H3010SSLP	42.00	30.00	10.00	S3	1,875.88	SCE-42P30	39.00	27.00	P3	116.47
SCE-42H3608SSLP	42.00	36.00	8.00	S3	1,995.33	SCE-42P36	39.00	33.00	P3	136.72
SCE-48H3608SSLP	48.00	36.00	8.00	S3	2,198.93	SCE-48P36	45.00	33.00	P3	154.46
SCE-48H3612SSLP	48.00	36.00	12.00	S3	2,456.83	SCE-48P36	45.00	33.00	P3	154.46
SCE-48H3616SSLP	48.00	36.00	16.00	S3	2,716.09	SCE-48P36	45.00	33.00	P3	154.46
SCE-60H3612SSLP	60.00	36.00	12.00	S3	2,900.69	SCE-60P36	57.00	33.00	P3	189.89

4X STAINLESS STEEL SINGLE-DOOR ENCLOSURES

TECHNICAL DATA



SECTION A-A

SUB-PANEL NOTES:
 Dimensions are from the inside of the door
 C + 0.32 [8,1] for flat sub-panels
 C - 0.18 [4,5] for bent sub-panels

CLAMPING NOTE:
 Enclosures > 24.00 [610] in height require
 a third clamp centered vertically on door



TYPE 4X

316 Stainless Steel Single-Door Enclosures

Application -

Designed to house electrical and electronic controls, instruments and components in areas which may be regularly hosed down or are in very wet conditions. Provides protection from dust, dirt, oil and water. For outdoor application a drip shield is recommended.

Construction -

- 0.075" stainless steel Type 316.
- No holes or knockouts, continuously welded seams ground smooth.
- Flange trough collar around all sides of door opening.
- Oil-resistant door gasket.
- Collar studs provided for mounting optional sub-panels.
- Hasp and staple for padlocking.
- Stainless steel continuous hinge.
- Print pocket.
- Ground stud on door.
- Stainless steel clamps on three sides of door will keep out all liquids and other contaminants.

Options -

- Panel can be special ordered in stainless steel up to 48P36 size.

Finish -

#4 brushed finish on all exterior surfaces. Optional panels are powder coated white.

Industry Standards -

NEMA Type 4, 4X, 12 & 13
UL Listed Type 4, 4X & 12
CSA Type 4, 4X & 12
IEC 60529 IP 66



TYPE 4X

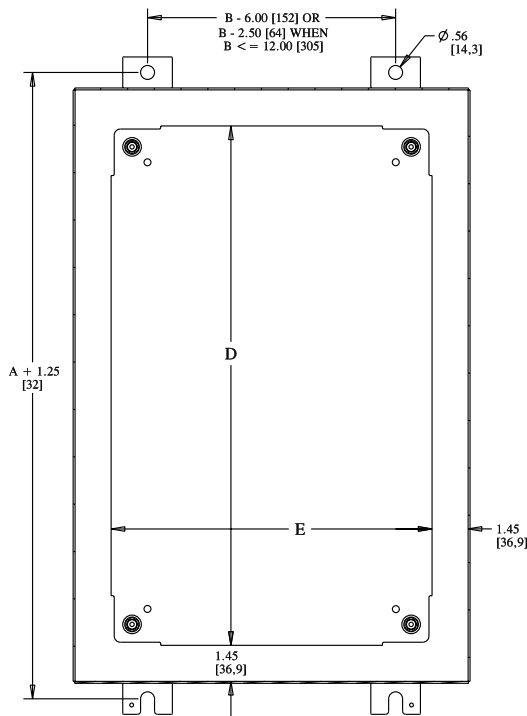
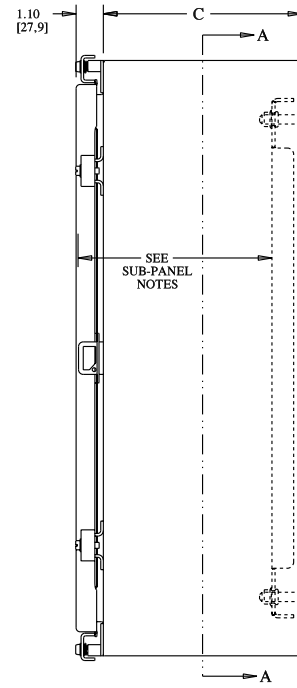
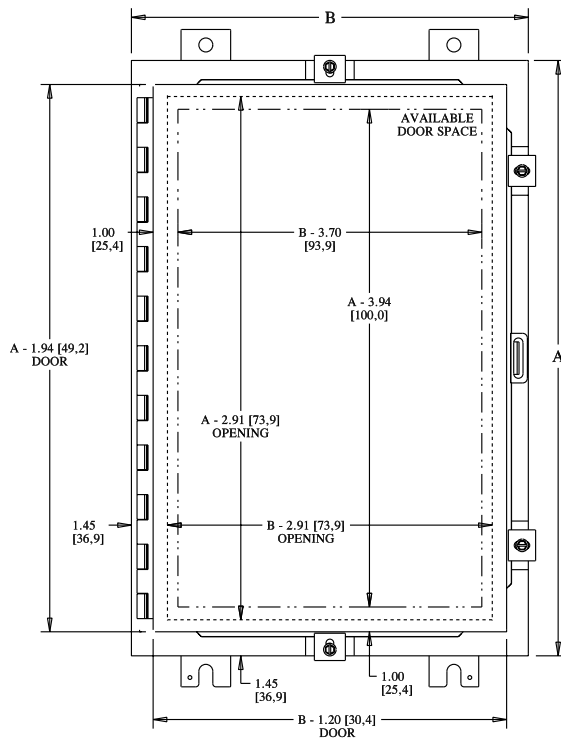
316 STAINLESS STEEL SINGLE-DOOR ENCLOSURES

ENCLOSURES						SUB-PANEL				
Catalog No.	Height (A)	Width (B)	Depth (C)	Product Code	List Price	Catalog No.	Panel Height (D)	Panel Width (E)	Product Code	List Price
⚡SCE-16H1206SS6LP	16.00	12.00	6.00	S7	752.53	SCE-16P12	13.00	9.00	P3	14.81
⚡SCE-16H1208SS6LP	16.00	12.00	8.00	S7	806.28	SCE-16P12	13.00	9.00	P3	14.81
⚡SCE-16H1606SS6LP	16.00	16.00	6.00	S7	835.59	SCE-16P16	13.00	13.00	P3	24.57
⚡SCE-16H2006SS6LP	16.00	20.00	6.00	S7	918.65	SCE-20P16	17.00	13.00	P3	30.37
⚡SCE-20H1606SS6LP	20.00	16.00	6.00	S7	918.65	SCE-20P16	17.00	13.00	P3	30.37
⚡SCE-20H1608SS6LP	20.00	16.00	8.00	S7	983.81	SCE-20P16	17.00	13.00	P3	30.37
⚡SCE-20H1610SS6LP	20.00	16.00	10.00	S7	1,050.60	SCE-20P16	17.00	13.00	P3	30.37
⚡SCE-20H2006SS6LP	20.00	20.00	6.00	S7	1,013.14	SCE-20P20	17.00	17.00	P3	35.44
⚡SCE-20H2408SS6LP	20.00	24.00	8.00	S7	1,189.05	SCE-24P20	21.00	17.00	P3	45.57
⚡SCE-24H1608SS6LP	24.00	16.00	8.00	S7	1,070.15	SCE-24P16	21.00	13.00	P3	32.92
⚡SCE-24H2006SS6LP	24.00	20.00	6.00	S7	1,109.24	SCE-24P20	21.00	17.00	P3	45.57
⚡SCE-24H2008SS6LP	24.00	20.00	8.00	S7	1,189.05	SCE-24P20	21.00	17.00	P3	45.57
⚡SCE-24H2010SS6LP	24.00	20.00	10.00	S7	1,270.49	SCE-24P20	21.00	17.00	P3	45.57
⚡SCE-24H2408SS6LP	24.00	24.00	8.00	S	1,307.95	SCE-24P24	21.00	21.00	P3	53.18
⚡SCE-24H2412SS6LP	24.00	24.00	12.00	S7	1,485.51	SCE-24P24	21.00	21.00	P3	53.18
⚡SCE-24H3008SS6LP	24.00	30.00	8.00	S7	1,485.51	SCE-30P24	27.00	21.00	P3	63.29
⚡SCE-30H2008SS6LP	30.00	20.00	8.00	S7	1,345.42	SCE-30P20	27.00	17.00	P3	55.7
⚡SCE-30H2408SS6LP	30.00	24.00	8.00	S7	1,485.51	SCE-30P24	27.00	21.00	P3	63.29
⚡SCE-30H2412SS6LP	30.00	24.00	12.00	S7	1,684.21	SCE-30P24	27.00	21.00	P3	63.29
⚡SCE-30H2416SS6LP	30.00	24.00	16.00	S7	1,886.18	SCE-30P24	27.00	21.00	P3	63.29
⚡SCE-30H3008SS6LP	30.00	30.00	8.00	S7	1,697.26	SCE-30P30	27.00	27.00	P3	83.55
⚡SCE-36H2408SS6LP	36.00	24.00	8.00	S7	1,663.04	SCE-36P24	33.00	21.00	P3	75.96
⚡SCE-36H2410SS6LP	36.00	24.00	10.00	S7	1,775.43	SCE-36P24	33.00	21.00	P3	75.96
⚡SCE-36H3008SS6LP	36.00	30.00	8.00	S7	1,907.36	SCE-36P30	33.00	27.00	P3	101.27
⚡SCE-36H3010SS6LP	36.00	30.00	10.00	S7	2,029.53	SCE-36P30	33.00	27.00	P3	101.27
⚡SCE-36H3012SS6LP	36.00	30.00	12.00	S7	2,151.69	SCE-36P30	33.00	27.00	P3	101.27
⚡SCE-36H3016SS6LP	36.00	30.00	16.00	S7	2,394.40	SCE-36P30	33.00	27.00	P3	101.27
⚡SCE-36H3612SS6LP	36.00	36.00	12.00	S7	2,417.18	SCE-36P36	33.00	33.00	P3	118.99
⚡SCE-42H3010SS6LP	42.00	30.00	10.00	S7	2,251.05	SCE-42P30	39.00	27.00	P3	116.47
⚡SCE-42H3608SS6LP	42.00	36.00	8.00	S7	2,394.40	SCE-42P36	39.00	33.00	P3	136.72
⚡SCE-48H3608SS6LP	48.00	36.00	8.00	S7	2,638.72	SCE-48P36	45.00	33.00	P3	154.46
⚡SCE-48H3612SS6LP	48.00	36.00	12.00	S7	2,948.19	SCE-48P36	45.00	33.00	P3	154.46
⚡SCE-48H3616SS6LP	48.00	36.00	16.00	S7	3,259.31	SCE-48P36	45.00	33.00	P3	154.46
⚡SCE-60H3612SS6LP	60.00	36.00	12.00	S7	3,480.82	SCE-60P36	57.00	33.00	P3	189.89

⚡ Available within 10 working days if not in stock

TYPE 4X STAINLESS STEEL SINGLE-DOOR ENCLOSURES

TECHNICAL DATA



SECTION A-A

SUB-PANEL NOTES:

Dimensions are from the inside of the door
 C + 0.32 [8,1] for flat sub-panels
 C - 0.18 [4,5] for bent sub-panels

CLAMPING NOTE:

Enclosures > 24.00 [610] in height require a third clamp centered vertically on door



TYPE 4X

304 Stainless Steel

EnviroLine® Series

Enclosures

Application -

Designed to house electrical and electronic controls, instruments and components in areas which may be regularly hosed down or are in very wet conditions. Provides protection from dust, dirt, oil, and water. For outdoor application a drip shield is recommended.

Construction -

- 0.075" stainless steel Type 304.
- Seams continuously welded and ground smooth.
- Flange trough collar around all sides of door opening.
- Oil-resistant gasket.
- Collar studs provided for mounting optional panels.
- Stainless Steel concealed hinge.
- Removable and interchangeable doors.
- Black quarter turn latches.
- Latches are opened or closed with a screwdriver (optional tamper-resistant inserts are available).
- Mounting holes in back of enclosure.
- Mounting hardware, sealing washer and hole plug included.
- Removable print pocket.
- Ground studs on door and body.

Options -

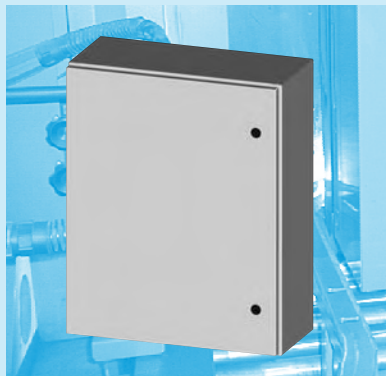
- Optional mounting feet available.
- Door hardware available.
- Panels can be special ordered in stainless steel up to 48P36 size.

Finish -

#4 brushed finish on all exterior surfaces. Optional panels are powder coated white.

Industry Standards -

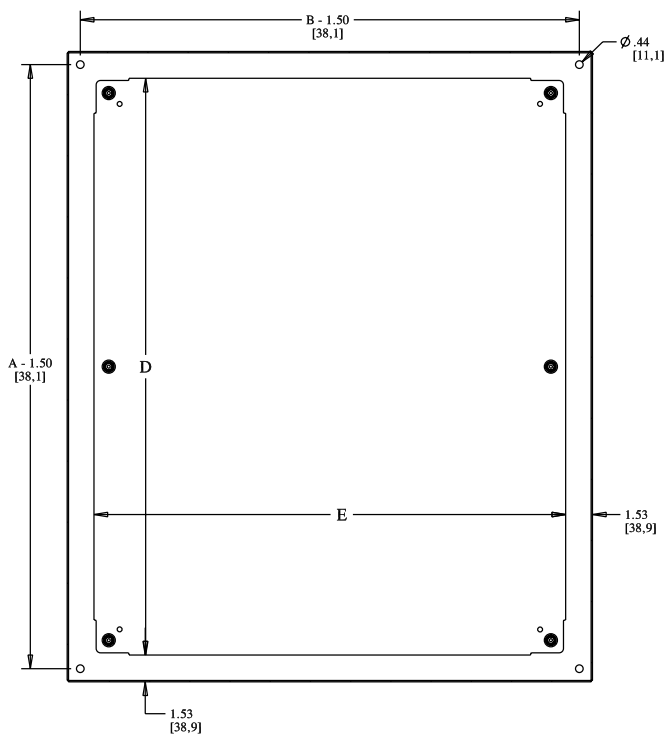
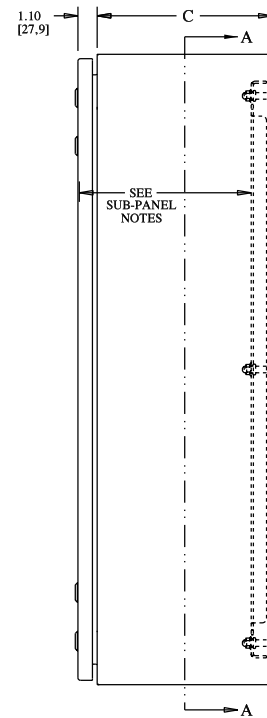
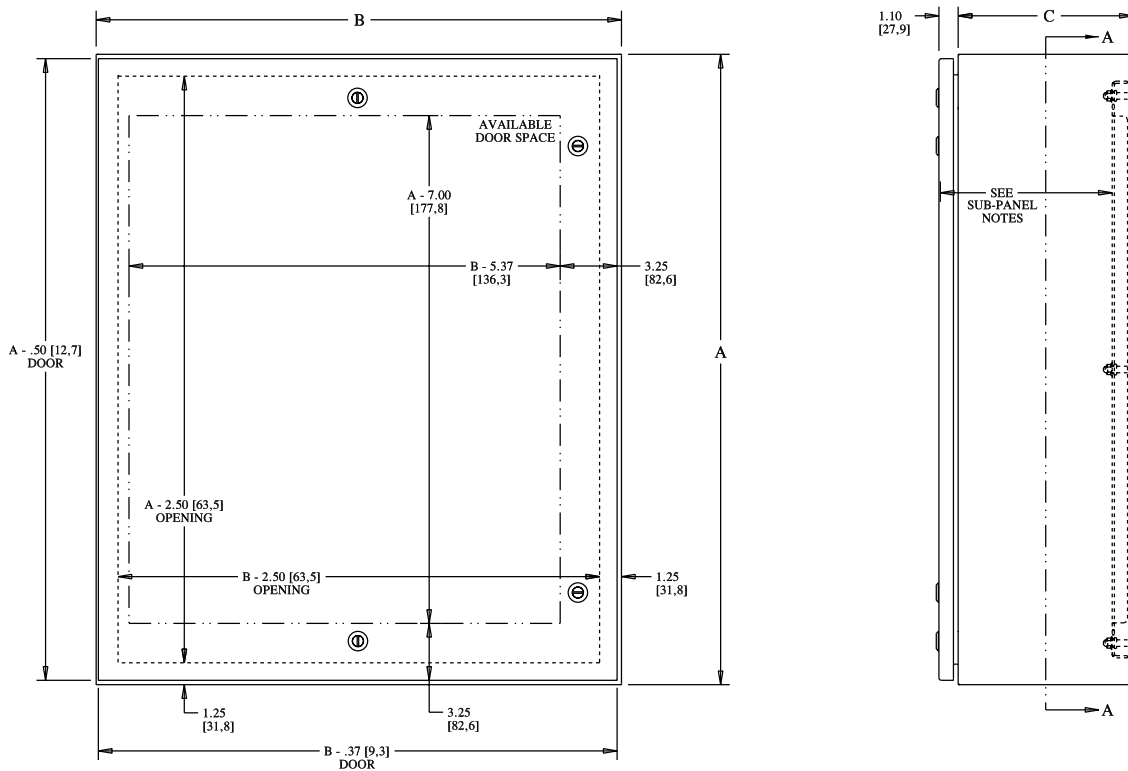
NEMA Type 4, 4X, 12 & 13
UL Listed Type 4, 4X, & 12
CSA Type 4, 4X & 12
IEC 60529 IP 66



TYPE 4X 304 STAINLESS STEEL ENVIROLINE® SERIES ENCLOSURES

ENCLOSURES						SUB-PANEL				
Catalog No.	Height (A)	Width (B)	Depth (C)	Product Code	List Price	Catalog No.	Panel Height (D)	Panel Width (E)	Product Code	List Price
SCE-12EL1206SSLP	12.00	12.00	6.00	S5	536.16	SCE-12DLP12	9.00	9.00	P3	13.67
SCE-12EL2406SSLP	12.00	24.00	6.00	S5	712.62	SCE-12P24	9.00	21.00	P3	27.86
SCE-16EL1206SSLP	16.00	12.00	6.00	S5	590.45	SCE-16P12	13.00	9.00	P3	14.81
SCE-16EL1208SSLP	16.00	12.00	8.00	S5	631.18	SCE-16P12	13.00	9.00	P3	14.81
SCE-16EL1606SSLP	16.00	16.00	6.00	S5	654.26	SCE-16P16	13.00	13.00	P3	24.57
SCE-16EL1608SSLP	16.00	16.00	8.00	S5	688.19	SCE-16P16	13.00	13.00	P3	24.57
SCE-16EL2008SSLP	16.00	20.00	8.00	S5	770.98	SCE-20P16	17.00	13.00	P3	30.37
SCE-20EL1606SSLP	20.00	16.00	6.00	S5	726.19	SCE-20P16	17.00	13.00	P3	30.37
SCE-20EL1608SSLP	20.00	16.00	8.00	S5	770.98	SCE-20P16	17.00	13.00	P3	30.37
SCE-20EL1610SSLP	20.00	16.00	10.00	S5	822.57	SCE-20P16	17.00	13.00	P3	30.37
SCE-20EL2006SSLP	20.00	20.00	6.00	S5	794.06	SCE-20P20	17.00	17.00	P3	35.44
SCE-20EL2008SSLP	20.00	20.00	8.00	S5	853.79	SCE-20P20	17.00	17.00	P3	35.44
SCE-20EL2010SSLP	20.00	20.00	10.00	S5	909.44	SCE-20P20	17.00	17.00	P3	35.44
SCE-20EL2408SSLP	20.00	24.00	8.00	S5	933.87	SCE-24P20	21.00	17.00	P3	45.57
SCE-24EL1608SSLP	24.00	16.00	8.00	S5	840.20	SCE-24P16	21.00	13.00	P3	32.92
SCE-24EL2006SSLP	24.00	20.00	6.00	S5	890.43	SCE-24P20	21.00	17.00	P3	45.57
SCE-24EL2008SSLP	24.00	20.00	8.00	S5	933.87	SCE-24P20	21.00	17.00	P3	45.57
SCE-24EL2010SSLP	24.00	20.00	10.00	S5	997.67	SCE-24P20	21.00	17.00	P3	45.57
SCE-24EL2012SSLP	24.00	20.00	12.00	S5	1,058.74	SCE-24P20	21.00	17.00	P3	45.57
SCE-24EL2408SSLP	24.00	24.00	8.00	S5	1,026.17	SCE-24P24	21.00	21.00	P3	53.18
SCE-24EL2410SSLP	24.00	24.00	10.00	S5	1,096.74	SCE-24P24	21.00	21.00	P3	53.18
SCE-24EL2412SSLP	24.00	24.00	12.00	S5	1,167.34	SCE-24P24	21.00	21.00	P3	53.18
SCE-24EL2416SSLP	24.00	24.00	16.00	S5	1,323.43	SCE-24P24	21.00	21.00	P3	53.18
SCE-24EL3008SSLP	24.00	30.00	8.00	S5	1,165.97	SCE-30P24	27.00	21.00	P3	63.29
SCE-24EL3010SSLP	24.00	30.00	10.00	S5	1,254.20	SCE-30P24	27.00	21.00	P3	63.29
SCE-30EL1606SSLP	30.00	16.00	6.00	S5	977.30	SCE-30P16	27.00	13.00	P3	45.57
SCE-30EL2008SSLP	30.00	20.00	8.00	S5	1,058.74	SCE-30P20	27.00	17.00	P3	55.70
SCE-30EL2010SSLP	30.00	20.00	10.00	S5	1,146.97	SCE-30P20	27.00	17.00	P3	55.70
SCE-30EL2408SSLP	30.00	24.00	8.00	S5	1,167.34	SCE-30P24	27.00	21.00	P3	63.29
SCE-30EL2410SSLP	30.00	24.00	10.00	S5	1,255.56	SCE-30P24	27.00	21.00	P3	63.29
SCE-30EL2412SSLP	30.00	24.00	12.00	S5	1,330.21	SCE-30P24	27.00	21.00	P3	63.29
SCE-30EL2416SSLP	30.00	24.00	16.00	S5	1,465.95	SCE-30P24	27.00	21.00	P3	63.29
SCE-30EL3008SSLP	30.00	30.00	8.00	S5	1,337.00	SCE-30P30	27.00	27.00	P3	83.55
SCE-30EL3010SSLP	30.00	30.00	10.00	S5	1,418.45	SCE-30P30	27.00	27.00	P3	83.55
SCE-30EL3012SSLP	30.00	30.00	12.00	S5	1,506.67	SCE-30P30	27.00	27.00	P3	83.55
SCE-30EL3608SSLP	30.00	36.00	8.00	S5	1,495.82	SCE-36P30	33.00	27.00	P3	101.27
SCE-36EL2408SSLP	36.00	24.00	8.00	S5	1,316.64	SCE-36P24	33.00	21.00	P3	75.96
SCE-36EL2410SSLP	36.00	24.00	10.00	S5	1,404.88	SCE-36P24	33.00	21.00	P3	75.96
SCE-36EL3008SSLP	36.00	30.00	8.00	S5	1,495.82	SCE-36P30	33.00	27.00	P3	101.27
SCE-36EL3010SSLP	36.00	30.00	10.00	S5	1,607.12	SCE-36P30	33.00	27.00	P3	101.27
SCE-36EL3012SSLP	36.00	30.00	12.00	S5	1,703.48	SCE-36P30	33.00	27.00	P3	101.27
SCE-36EL3608SSLP	36.00	36.00	8.00	S5	1,723.86	SCE-36P36	33.00	33.00	P3	118.99
SCE-36EL3612SSLP	36.00	36.00	12.00	S5	1,913.89	SCE-36P36	33.00	33.00	P3	118.99
SCE-42EL2410SSLP	42.00	24.00	10.00	S5	1,628.84	SCE-42P24	39.00	21.00	P3	91.14
SCE-42EL3010SSLP	42.00	30.00	10.00	S5	1,783.57	SCE-42P30	39.00	27.00	P3	116.47
SCE-42EL3612SSLP	42.00	36.00	12.00	S5	2,106.63	SCE-42P36	39.00	33.00	P3	136.72
SCE-42EL3616SSLP	42.00	36.00	16.00	S5	2,236.93	SCE-42P36	39.00	33.00	P3	136.72
SCE-48EL3612SSLP	48.00	36.00	12.00	S5	2,334.67	SCE-48P36	45.00	33.00	P3	154.46
SCE-48EL3616SSLP	48.00	36.00	16.00	S5	2,545.05	SCE-48P36	45.00	33.00	P3	154.46
SCE-60EL3612SSLP	60.00	36.00	12.00	S5	2,755.44	SCE-60P36	57.00	33.00	P3	189.89
SCE-60EL3616SSLP	60.00	36.00	16.00	S5	2,972.63	SCE-60P36	57.00	33.00	P3	189.89
SCE-72EL3016SSLP	72.00	30.00	16.00	S5	3,189.81	SCE-72P30	69.00	27.00	P3	210.15
SCE-72EL3612SSLP	72.00	36.00	12.00	S5	3,278.03	SCE-72P36	69.00	33.00	P3	225.33
SCE-72EL3616SSLP	72.00	36.00	16.00	S5	3,461.27	SCE-72P36	69.00	33.00	P3	225.33

TYPE 4X STAINLESS STEEL ENVIROLINE® SERIES ENCLOSURES TECHNICAL DATA



SECTION A-A

SUB-PANEL NOTES:

Dimensions are from the inside of the door
 C + 0.32 [8.1] for flat sub-panels
 C - 0.18 [4.5] for bent sub-panels

LATCH NOTES:

Enclosures < 24.00" [609.6] in height require only one latch centered on door.
 Enclosures >= 24.00" [609.6] and < 40.00" [1016] in height require two latches on door.
 Enclosures >= 40.00" [1016] require three latches on door.
 Doors >= 20.00" [508] in width require an additional latch centered top and bottom in door.



TYPE 4X

316 Stainless Steel Enviroline® Series Enclosures

Application -

Designed to house electrical and electronic controls, instruments and components in areas which may be regularly hosed down or are in very wet conditions. Provides protection from dust, dirt, oil, and water. For outdoor application a drip shield is recommended.

Construction -

- 0.075" stainless steel Type 316.
- Seams continuously welded and ground smooth.
- Flange trough collar around all sides of door opening.
- Oil-resistant gasket.
- Collar studs provided for mounting optional panels.
- Stainless Steel concealed hinge.
- Removable and interchangeable doors.
- Black quarter turn latches.
- Latches are opened or closed with a screwdriver (optional tamper-resistant inserts are available).
- Mounting holes in back of enclosure.
- Mounting hardware, sealing washer and hole plug included.
- Removable print pocket.
- Ground studs on door and body.

Options -

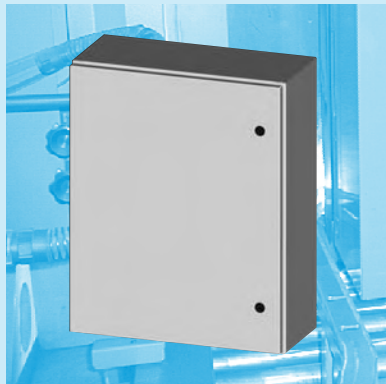
- Optional mounting feet available.
- Door hardware available.
- Panels can be special ordered in stainless steel up to 48P36 size.

Finish -

#4 brushed finish on all exterior surfaces. Optional panels are powder coated white.

Industry Standards -

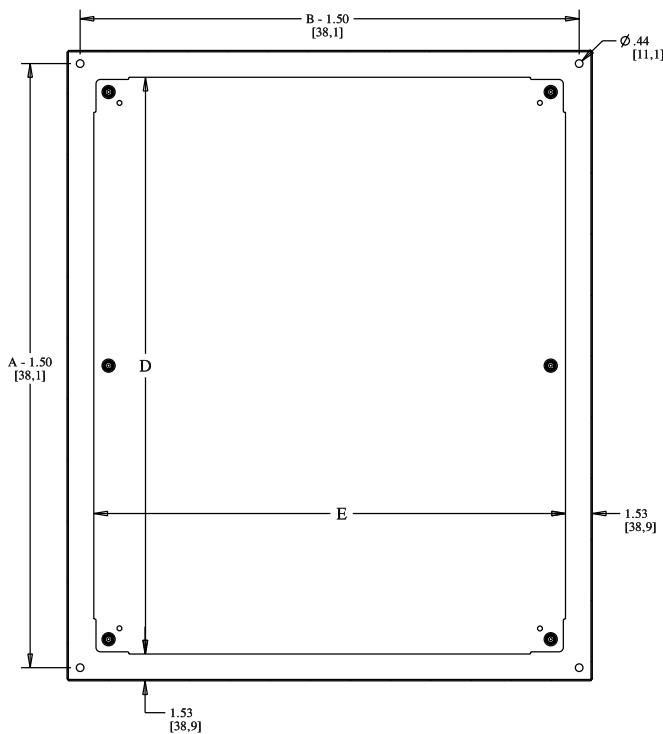
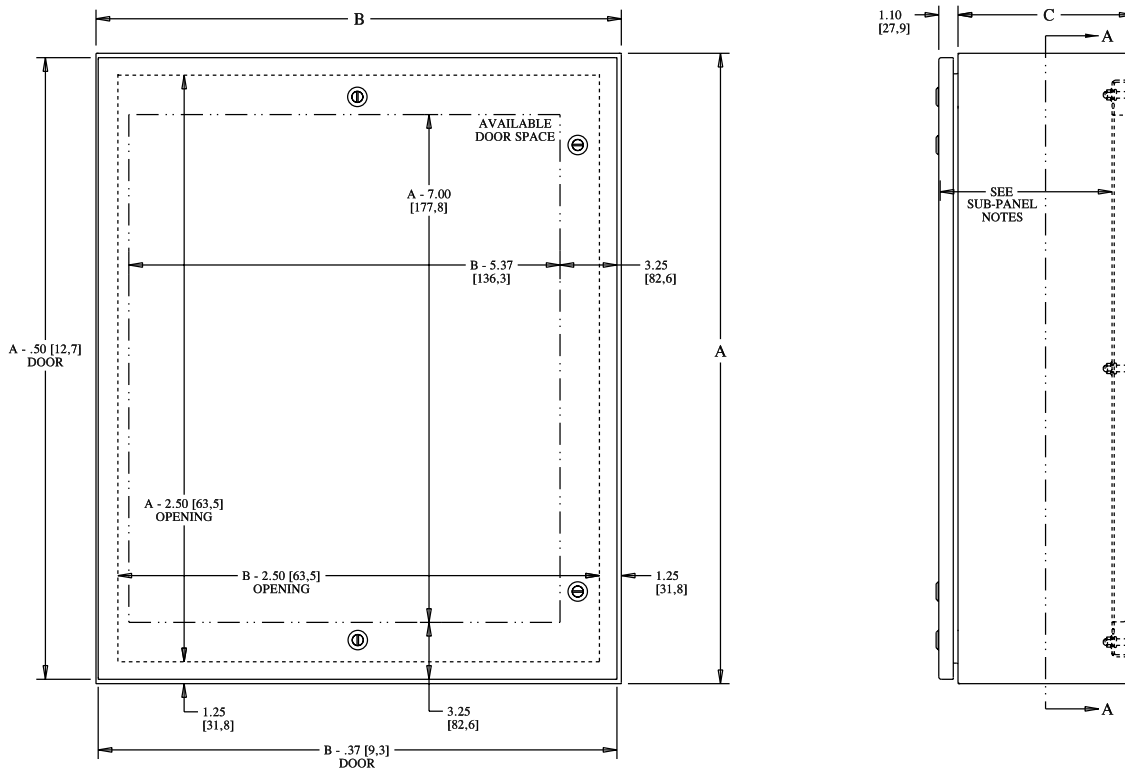
NEMA Type 4, 4X, 12 & 13
UL Listed Type 4, 4X, & 12
CSA Type 4, 4X & 12
IEC 60529 IP 66



TYPE 4X 316 STAINLESS STEEL ENVIROLINE® SERIES ENCLOSURES

ENCLOSURES						SUB-PANEL				
Catalog No.	Height (A)	Width (B)	Depth (C)	Product Code	List Price	Catalog No.	Panel Height (D)	Panel Width (E)	Product Code	List Price
⚡SCE-12EL1206SS6LP	12.00	12.00	6.00	S7	643.39	SCE-12DLP12	9.00	9.00	P3	13.67
⚡SCE-12EL2406SS6LP	12.00	24.00	6.00	S7	855.14	SCE-12P24	9.00	21.00	P3	27.86
⚡SCE-16EL1206SS6LP	16.00	12.00	6.00	S7	708.54	SCE-16P12	13.00	9.00	P3	14.81
⚡SCE-16EL1208SS6LP	16.00	12.00	8.00	S7	757.41	SCE-16P12	13.00	9.00	P3	14.81
⚡SCE-16EL1606SS6LP	16.00	16.00	6.00	S7	785.11	SCE-16P16	13.00	13.00	P3	24.57
⚡SCE-16EL1608SS6LP	16.00	16.00	8.00	S7	825.83	SCE-16P16	13.00	13.00	P3	24.57
⚡SCE-16EL2008SS6LP	16.00	20.00	8.00	S7	925.17	SCE-20P16	17.00	13.00	P3	30.37
⚡SCE-20EL1606SS6LP	20.00	16.00	6.00	S7	871.43	SCE-20P16	17.00	13.00	P3	30.37
⚡SCE-20EL1608SS6LP	20.00	16.00	8.00	S7	925.17	SCE-20P16	17.00	13.00	P3	30.37
⚡SCE-20EL1610SS6LP	20.00	16.00	10.00	S7	987.08	SCE-20P16	17.00	13.00	P3	30.37
⚡SCE-20EL2006SS6LP	20.00	20.00	6.00	S7	952.88	SCE-20P20	17.00	17.00	P3	35.44
⚡SCE-20EL2008SS6LP	20.00	20.00	8.00	S7	1,024.54	SCE-20P20	17.00	17.00	P3	35.44
⚡SCE-20EL2010SS6LP	20.00	20.00	10.00	S7	1,091.33	SCE-20P20	17.00	17.00	P3	35.44
⚡SCE-20EL2408SS6LP	20.00	24.00	8.00	S7	1,120.64	SCE-24P20	21.00	17.00	P3	45.57
⚡SCE-24EL1608SS6LP	24.00	16.00	8.00	S7	1,008.25	SCE-24P16	21.00	13.00	P3	32.92
⚡SCE-24EL2006SS6LP	24.00	20.00	6.00	S7	1,068.52	SCE-24P20	21.00	17.00	P3	45.57
⚡SCE-24EL2008SS6LP	24.00	20.00	8.00	S7	1,120.64	SCE-24P20	21.00	17.00	P3	45.57
⚡SCE-24EL2010SS6LP	24.00	20.00	10.00	S7	1,197.02	SCE-24P20	21.00	17.00	P3	45.57
⚡SCE-24EL2012SS6LP	24.00	20.00	12.00	S7	1,270.49	SCE-24P20	21.00	17.00	P3	45.57
⚡SCE-24EL2408SS6LP	24.00	24.00	8.00	S7	1,231.40	SCE-24P24	21.00	21.00	P3	53.18
⚡SCE-24EL2410SS6LP	24.00	24.00	10.00	S7	1,316.08	SCE-24P24	21.00	21.00	P3	53.18
⚡SCE-24EL2412SS6LP	24.00	24.00	12.00	S7	1,400.80	SCE-24P24	21.00	21.00	P3	53.18
⚡SCE-24EL2416SS6LP	24.00	24.00	16.00	S7	1,588.12	SCE-24P24	21.00	21.00	P3	53.18
⚡SCE-24EL3008SS6LP	24.00	30.00	8.00	S7	1,399.17	SCE-30P24	27.00	21.00	P3	63.29
⚡SCE-24EL3010SS6LP	24.00	30.00	10.00	S7	1,505.04	SCE-30P24	27.00	21.00	P3	63.29
⚡SCE-30EL1606SS6LP	30.00	16.00	6.00	S7	1,172.77	SCE-30P16	27.00	13.00	P3	45.57
⚡SCE-30EL2008SS6LP	30.00	20.00	8.00	S7	1,270.49	SCE-30P20	27.00	17.00	P3	55.70
⚡SCE-30EL2010SS6LP	30.00	20.00	10.00	S7	1,376.37	SCE-30P20	27.00	17.00	P3	55.70
⚡SCE-30EL2408SS6LP	30.00	24.00	8.00	S7	1,400.80	SCE-30P24	27.00	21.00	P3	63.29
⚡SCE-30EL2410SS6LP	30.00	24.00	10.00	S7	1,506.67	SCE-30P24	27.00	21.00	P3	63.29
⚡SCE-30EL2412SS6LP	30.00	24.00	12.00	S7	1,596.26	SCE-30P24	27.00	21.00	P3	63.29
⚡SCE-30EL2416SS6LP	30.00	24.00	16.00	S7	1,759.14	SCE-30P24	27.00	21.00	P3	63.29
⚡SCE-30EL3008SS6LP	30.00	30.00	8.00	S7	1,604.41	SCE-30P30	27.00	27.00	P3	83.55
⚡SCE-30EL3010SS6LP	30.00	30.00	10.00	S7	1,702.14	SCE-30P30	27.00	27.00	P3	83.55
⚡SCE-30EL3012SS6LP	30.00	30.00	12.00	S7	1,808.01	SCE-30P30	27.00	27.00	P3	83.55
⚡SCE-30EL3608SS6LP	30.00	36.00	8.00	S7	1,794.98	SCE-36P30	33.00	27.00	P3	101.27
⚡SCE-36EL2408SS6LP	36.00	24.00	8.00	S7	1,579.97	SCE-36P24	33.00	21.00	P3	75.96
⚡SCE-36EL2410SS6LP	36.00	24.00	10.00	S7	1,685.86	SCE-36P24	33.00	21.00	P3	75.96
⚡SCE-36EL3008SS6LP	36.00	30.00	8.00	S7	1,794.98	SCE-36P30	33.00	27.00	P3	101.27
⚡SCE-36EL3010SS6LP	36.00	30.00	10.00	S7	1,928.54	SCE-36P30	33.00	27.00	P3	101.27
⚡SCE-36EL3012SS6LP	36.00	30.00	12.00	S7	2,044.18	SCE-36P30	33.00	27.00	P3	101.27
⚡SCE-36EL3608SS6LP	36.00	36.00	8.00	S7	2,068.63	SCE-36P36	33.00	33.00	P3	118.99
⚡SCE-36EL3612SS6LP	36.00	36.00	12.00	S7	2,296.66	SCE-36P36	33.00	33.00	P3	118.99
⚡SCE-42EL2410SS6LP	42.00	24.00	10.00	S7	2,954.61	SCE-42P24	39.00	21.00	P3	91.14
⚡SCE-42EL3010SS6LP	42.00	30.00	10.00	S7	2,140.28	SCE-42P30	39.00	27.00	P3	116.47
⚡SCE-42EL3612SS6LP	42.00	36.00	12.00	S7	2,527.96	SCE-42P36	39.00	33.00	P3	136.72
⚡SCE-42EL3616SS6LP	42.00	36.00	16.00	S7	2,684.32	SCE-42P36	39.00	33.00	P3	136.72
⚡SCE-48EL3612SS6LP	48.00	36.00	12.00	S7	2,801.61	SCE-48P36	45.00	33.00	P3	154.46
⚡SCE-48EL3616SS6LP	48.00	36.00	16.00	S7	3,054.06	SCE-48P36	45.00	33.00	P3	154.46
⚡SCE-60EL3612SS6LP	60.00	36.00	12.00	S7	3,306.53	SCE-60P36	57.00	33.00	P3	189.89
⚡SCE-60EL3616SS6LP	60.00	36.00	16.00	S7	3,567.15	SCE-60P36	57.00	33.00	P3	189.89
⚡SCE-72EL3016SS6LP	72.00	30.00	16.00	S7	3,827.77	SCE-72P30	69.00	27.00	P3	210.15
⚡SCE-72EL3612SS6LP	72.00	36.00	12.00	S7	3,933.64	SCE-72P36	69.00	33.00	P3	225.33
⚡SCE-72EL3616SS6LP	72.00	36.00	16.00	S7	4,153.63	SCE-72P36	69.00	33.00	P3	225.33

TYPE 4X STAINLESS STEEL ENVIROLINE® SERIES ENCLOSURES TECHNICAL DATA



SECTION A-A

SUB-PANEL NOTES:

Dimensions are from the inside of the door
 C + 0.32 [8,1] for flat sub-panels
 C - 0.18 [4,5] for bent sub-panels

LATCH NOTES:

Enclosures < 24.00" [609,6] in height require only one latch centered on door.
 Enclosures ≥ 24.00" [609,6] and < 40.00" [1016] in height require two latches on door.
 Enclosures ≥ 40.00" [1016] require three latches on door.
 Doors ≥ 20.00" [508] in width require an additional latch centered top and bottom in door.

Type 4X S.S. Enclosures



TYPE 4X

Two-Door 304 & 316 Stainless Steel Enclosures

Application -

Designed to house electrical equipment in damp and wet areas, corrosive atmospheres and for outdoor applications. For outdoor application a drip shield is recommended.

Construction -

- 0.104" stainless steel Type 304 & 316.
- Seams continuously welded and ground smooth.
- Stainless steel continuous hinge.
- Flange trough collar around all sides of door opening.
- Interior print pocket.
- Oil-resistant door gasket.
- Ground stud on door.
- 12" removable floor stands.
- Hasp and staple for padlocking.
- Removable center post.
- Panel supports.
- Heavy duty lifting eyes.
- Stainless steel clamps on three sides of the door.
- No door stiffener required.
- Collar studs installed for mounting optional panels.

Finish -

#4 brushed finish on all exterior surfaces. Optional panels are powder coated white.

Industry Standards -

NEMA Type 4, 4X, 12 & 13
UL Listed Type 4, 4X, & 12
CSA Type 4, 4X & 12
IEC 60529 IP 66



TYPE 4X

TWO-DOOR 304 STAINLESS STEEL ENCLOSURES

ENCLOSURES						SUB-PANEL				
Catalog No.	Height (A)	Width (B)	Depth (C)	Product Code	List Price	Catalog No.	Panel Height (D)	Panel Width (E)	Product Code	List Price
SCE-62H4812SSLP	62.00	48.00	12.00	S2	7,327.05	SCE-60P48	56.00	44.00	P3	268.38
SCE-62H6012SSLP	62.00	60.00	12.00	S2	8,218.83	SCE-60P60	56.00	56.00	P3	331.68
SCE-74H6012SSLP	74.00	60.00	12.00	S2	9,859.88	SCE-72P60	68.00	56.00	P3	394.98
⚡ SCE-74H7212SSLP	74.00	72.00	12.00	S2	10,123.21	SCE-72P72	68.00	68.00	P3	470.93
SCE-74H7224SSLP	74.00	72.00	24.00	S2	12,900.39	SCE-72P72	68.00	68.00	P3	470.93

TYPE 4X

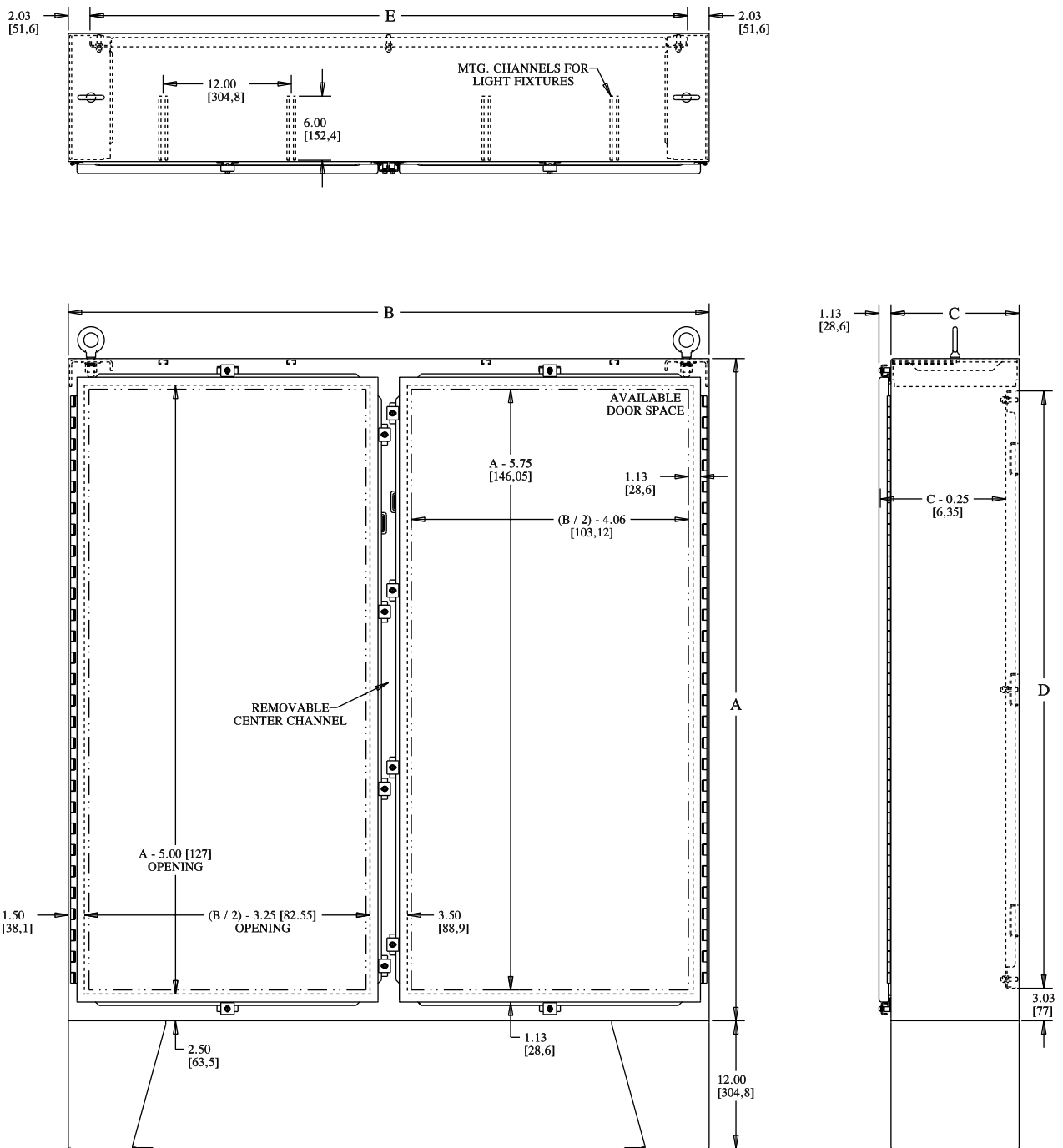
TWO-DOOR 316 STAINLESS STEEL ENCLOSURES

ENCLOSURES						SUB-PANEL				
Catalog No.	Height (A)	Width (B)	Depth (C)	Product Code	List Price	Catalog No.	Panel Height (D)	Panel Width (E)	Product Code	List Price
⚡ SCE-62H4812SS6LP	62.00	48.00	12.00	S7	8,792.46	SCE-60P48	56.00	44.00	P3	268.38
⚡ SCE-62H6012SS6LP	62.00	60.00	12.00	S7	9,862.60	SCE-60P60	56.00	56.00	P3	331.68
⚡ SCE-74H6012SS6LP	74.00	60.00	12.00	S7	11,831.85	SCE-72P60	68.00	56.00	P3	394.98
⚡ SCE-74H7212SS6LP	74.00	72.00	12.00	S7	12,147.85	SCE-72P72	68.00	68.00	P3	470.93
⚡ SCE-74H7224SS6LP	74.00	72.00	24.00	S7	15,480.47	SCE-72P72	68.00	68.00	P3	470.93

⚡ Available within 10 working days if not in stock

TYPE 4X TWO-DOOR STAINLESS STEEL ENCLOSURES

TECHNICAL DATA



TYPE 4X

Enviroline® Series
304 & 316 Stainless Steel
Two-Door Enclosures

Application -

Designed to house electrical and electronic controls, instruments and components. Provides protection from dust, oil and water. For outdoor application a drip shield is recommended.

Construction -

- 0.104" stainless steel Type 304 & 316.
- Seams continuously welded and ground smooth.
- Oil-resistant gasket.
- Flange trough collar around all sides of door opening.
- Stainless Steel concealed hinge.
- Removable and interchangeable doors.
- Black quarter turn latches on three sides of the door.
- Removable print pocket.
- Lifting eyes for easy handling.
- Ground studs on door and body.
- Collar studs provided for mounting optional panels.
- 12" removable floor stands.
- Removable center post.
- No door stiffeners required.

Options -

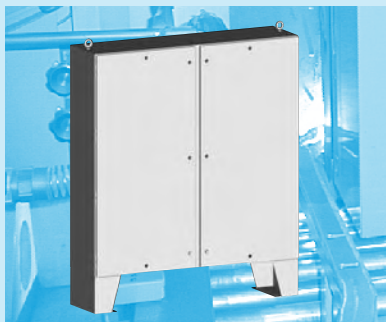
- Padlocking or keylocking handles with 3-point operating mechanism and tamper-resistant hardware is available.
- Provision for mechanical interlock. See Accessories Section to order.

Finish -

#4 brushed finish on all exterior surfaces. Subpanels are powder coated white.

Industry Standards -

NEMA Type 4, 4X, 12 & 13
UL Listed Type 4, 4X, & 12
CSA Type 4, 4X & 12
IEC 60529 IP 66



TYPE 4X
304 STAINLESS STEEL ENVIROLINE® SERIES
TWO-DOOR ENCLOSURES

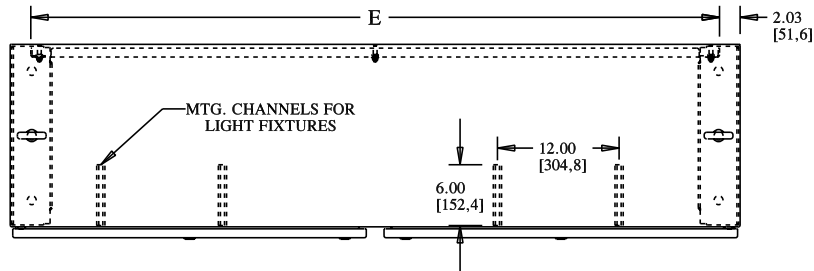
ENCLOSURES						SUB-PANEL				
Catalog No.	Height (A)	Width (B)	Depth (C)	Product Code	List Price	Catalog No.	Panel Height (D)	Panel Width (E)	Product Code	List Price
SCE-60EL4812SSLP	60.00	48.00	12.00	S4	6,956.49	SCE-60P48	56.00	44.00	P3	268.38
SCE-60EL4818SSLP	60.00	48.00	18.00	S4	7,378.64	SCE-60P48	56.00	44.00	P3	268.38
SCE-60EL6012SSLP	60.00	60.00	12.00	S4	7,807.56	SCE-60P60	56.00	56.00	P3	331.68
SCE-60EL6018SSLP	60.00	60.00	18.00	S4	8,176.75	SCE-60P60	56.00	56.00	P3	331.68
SCE-72EL6012SSLP	72.00	60.00	12.00	S4	8,904.31	SCE-72P60	68.00	56.00	P3	394.98
SCE-72EL6018SSLP	72.00	60.00	18.00	S4	9,094.34	SCE-72P60	68.00	56.00	P3	394.98
SCE-72EL7212SSLP	72.00	72.00	12.00	S4	9,615.57	SCE-72P72	68.00	68.00	P3	470.93
SCE-72EL7218SSLP	72.00	72.00	18.00	S4	10,334.97	SCE-72P72	68.00	68.00	P3	470.93
SCE-72EL7224SSLP	72.00	72.00	24.00	S4	11,688.26	SCE-72P72	68.00	68.00	P3	470.93

TYPE 4X
316 STAINLESS STEEL ENVIROLINE® SERIES
TWO-DOOR ENCLOSURES

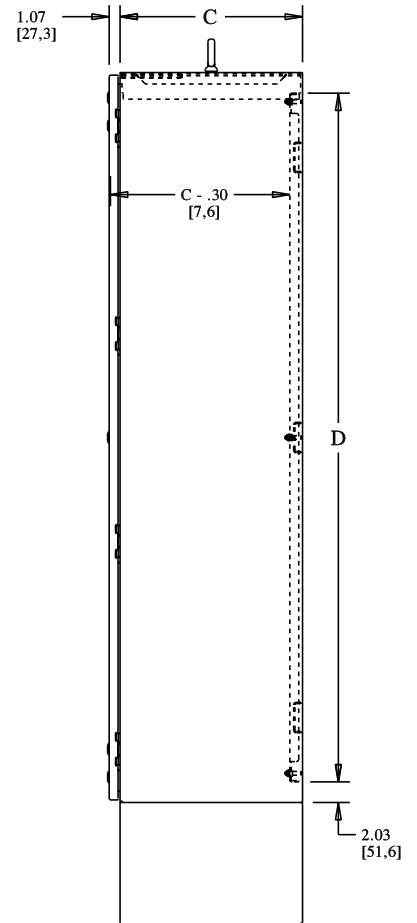
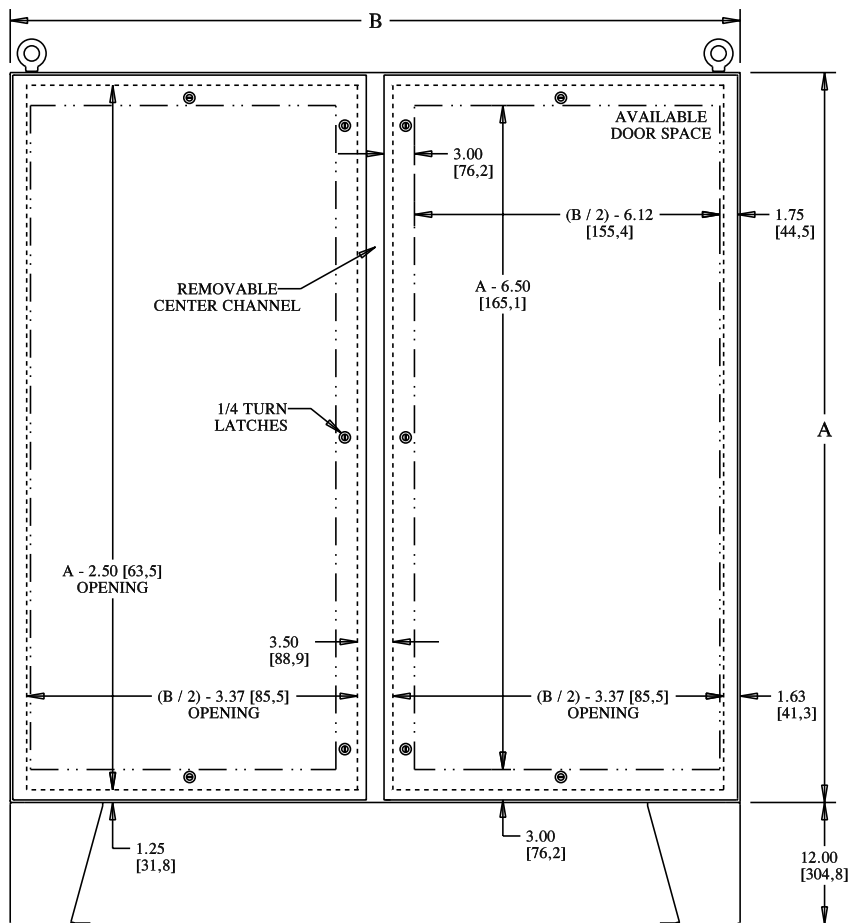
ENCLOSURES						SUB-PANEL				
Catalog No.	Height (A)	Width (B)	Depth (C)	Product Code	List Price	Catalog No.	Panel Height (D)	Panel Width (E)	Product Code	List Price
⚡ SCE-60EL4812SS6LP	60.00	48.00	12.00	S7	8,347.79	SCE-60P48	56.00	44.00	P3	268.38
⚡ SCE-60EL4818SS6LP	60.00	48.00	18.00	S7	8,854.36	SCE-60P48	56.00	44.00	P3	268.38
⚡ SCE-60EL6012SS6LP	60.00	60.00	12.00	S7	9,369.07	SCE-60P60	56.00	56.00	P3	331.68
⚡ SCE-60EL6018SS6LP	60.00	60.00	18.00	S7	9,812.11	SCE-60P60	56.00	56.00	P3	331.68
⚡ SCE-72EL6012SS6LP	72.00	60.00	12.00	S7	10,685.17	SCE-72P60	68.00	56.00	P3	394.98
⚡ SCE-72EL6018SS6LP	72.00	60.00	18.00	S7	10,913.21	SCE-72P60	68.00	56.00	P3	394.98
⚡ SCE-72EL7212SS6LP	72.00	72.00	12.00	S7	11,538.68	SCE-72P72	68.00	68.00	P3	470.93
⚡ SCE-72EL7218SS6LP	72.00	72.00	18.00	S7	12,401.96	SCE-72P72	68.00	68.00	P3	470.93
⚡ SCE-72EL7224SS6LP	72.00	72.00	24.00	S7	14,025.91	SCE-72P72	68.00	68.00	P3	470.93

⚡ Available within 10 working days if not in stock

TYPE 4X STAINLESS STEEL ENVIROLINE® SERIES TWO-DOOR ENCLOSURES TECHNICAL DATA



LATCH NOTE:
Omit center latch top and bottom of door when door width is ≤ 30.00 [762]



Type 4X S.S. Enclosures



TYPE 4X

Enviroline® Series
304 & 316 Stainless Steel
Free-Standing
Single-Door Enclosures

Application -

Designed to house electrical and electronic controls, instruments and components. Provides protection from dust, oil and water. For outdoor application a drip shield is recommended.

Construction -

- 0.104" stainless steel Type 304 & 316.
- Seams continuously welded and ground smooth.
- Oil-resistant gasket.
- Flange trough collar around all sides of door opening.
- Stainless Steel concealed hinge.
- Removable and interchangeable doors.
- Black quarter turn latches.
- Removable print pocket.
- Lifting eyes for easy handling.
- Ground studs on door and body.
- Mounting channels welded horizontally on sides of interior body at top, bottom and middle for mounting optional panels or rack mounting angles.
- No door stiffeners required.

Options -

- Padlocking or keylocking handles with 3-point operating mechanism, and tamper-resistant hardware is available.

Finish -

#4 brushed finish on all exterior surfaces. Optional subpanels are powder coated white.

Industry Standards -

NEMA Type 4, 4X, 12 & 12
UL Listed Type 4, 4X, & 12
CSA Type 4, 4X & 12
IEC 60529 IP 66

Note -

Optional panels and accessories available on page 81-84.

TYPE 4X

**304 STAINLESS STEEL ENVIROLINE® SERIES
FREE-STANDING SINGLE-DOOR
SINGLE-ACCESS ENCLOSURES**

ENCLOSURES					
Catalog No.	Height (A)	Width (B)	Depth (C)	Product Code	List Price
SCE-72EL2418SSFS	72.00	24.00	18.00	S4	3,894.28
SCE-72EL3024SSFS	72.00	30.00	24.00	S4	5,130.83
SCE-72EL3624SSFS	72.00	36.00	24.00	S4	5,646.64

TYPE 4X

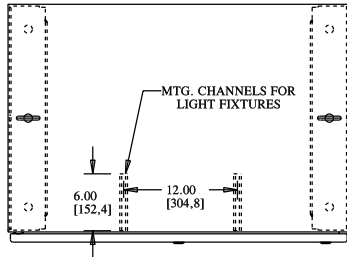
**316 STAINLESS STEEL ENVIROLINE® SERIES
FREE-STANDING SINGLE-DOOR
SINGLE-ACCESS ENCLOSURES**

ENCLOSURES					
Catalog No.	Height (A)	Width (B)	Depth (C)	Product Code	List Price
⚡ SCE-72EL2418SS6FS	72.00	24.00	18.00	S7	4,673.13
⚡ SCE-72EL3024SS6FS	72.00	30.00	24.00	S7	6,159.99
⚡ SCE-72EL3624SS6FS	72.00	36.00	24.00	S7	6,775.96

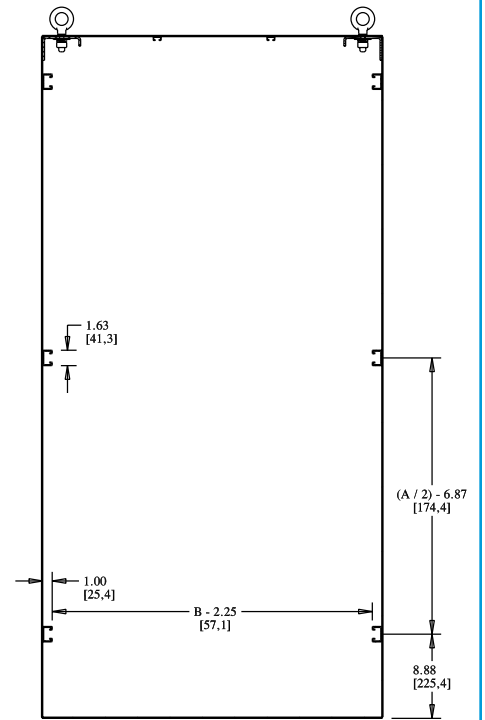
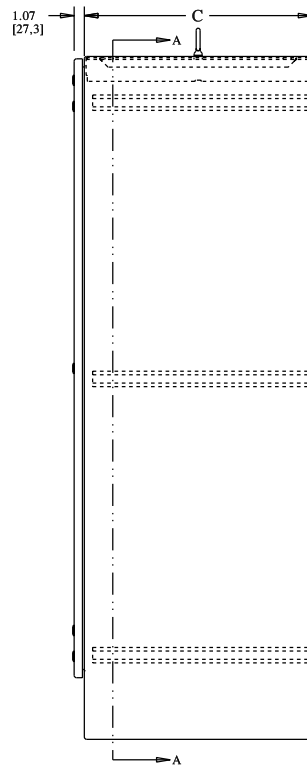
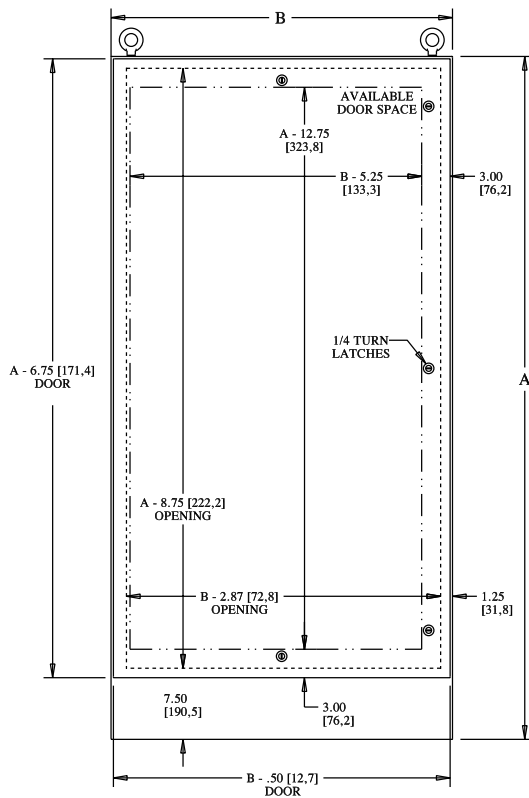
⚡ Available within 10 working days if not in stock



TYPE 4X STAINLESS STEEL ENVIROLINE® SERIES FREE-STANDING ENCLOSURES TECHNICAL DATA



LATCH NOTE:
Omit center latch top and bottom of door when door width is ≤ 30.00 [762]



SECTION A-A



Type 4X S.S. Enclosures

TYPE 4X**304 & 316 Stainless Steel
Envirolite® Junction
Enclosures****Application -**

Designed to house electrical controls, instruments and components in areas, which may be regularly hosed down or are in very wet or oily conditions. Provides protection from dust, dirt, oil, and water. For outdoor application a drip shield is recommended.

Construction -

- 0.063" stainless steel type 304 & 316.
- Seams continuously welded and ground smooth.
- Flange trough collar around all sides of door opening.
- Oil-resistant gasket.
- Standoffs provided for mounting optional panels.
- Removable stainless steel hinge pins.
- Doors open 180 degrees.
- Black mini 1/4 turn latches.
- Latches are opened or closed with a screwdriver.
- Sealing washers and hole plugs included.
- Ground stud on door & body.
- Optional mounting feet available.

Options -

- Panels can be special ordered in stainless steel.

Finish -

#4 brushed finish on all exterior surfaces. Optional panels are powder coated white.

Industry standards -

NEMA Type 4, 4X, 12 & 13
UL Listed Type 4, 4X & 12
CSA Type 12, 4, & 4X
IEC 60529 IP 66

TYPE 4X**304 STAINLESS STEEL ENVIROLITE® JUNCTION ENCLOSURES**

ENCLOSURES						SUB-PANEL		
Catalog No.	Height (A)	Width (B)	Depth (C)	Product Code	List Price	Catalog No.	Product Code	List Price
SCE-604ELJSS	6.00	4.00	4.00	S6	115.54	SCE-6P4J	P2	3.02
SCE-606ELJSS	6.00	6.00	4.00	S6	129.40	SCE-6P6J	P2	3.62
SCE-806ELJSS	8.00	6.00	4.00	S6	154.82	SCE-8P6J	P2	4.17
SCE-8066ELJSS	8.00	6.00	6.00	S6	187.17	SCE-8P6J	P2	4.17
SCE-1008ELJSS	10.00	8.00	4.00	S6	310.80	SCE-10P8J	P2	5.70
SCE-10086ELJSS	10.00	8.00	6.00	S6	330.44	SCE-10P8J	P2	5.70
SCE-1210ELJSS	12.00	10.00	6.00	S6	348.93	SCE-12P10J	P2	7.72
SCE-12108ELJSS	12.00	10.00	8.00	S6	362.80	SCE-12P10J	P2	7.72
SCE-1212ELJSS	12.00	12.00	6.00	S6	375.50	SCE-12P12J	P2	9.08
SCE-1412ELJSS	14.00	12.00	6.00	S6	388.21	SCE-14P12J	P2	10.13
SCE-14128ELJSS	14.00	12.00	8.00	S6	400.92	SCE-14P12J	P2	10.13
SCE-1614ELJSS	16.00	14.00	6.00	S6	474.87	SCE-16P14J	P2	19.96
SCE-16148ELJSS	16.00	14.00	8.00	S6	508.38	SCE-16P14J	P2	19.96

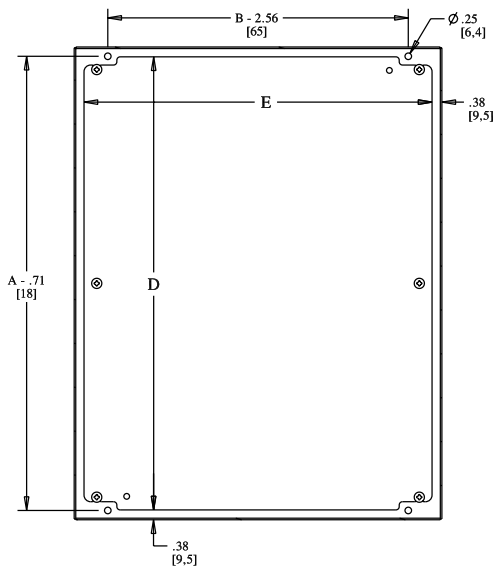
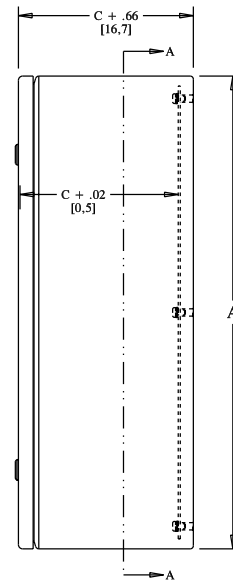
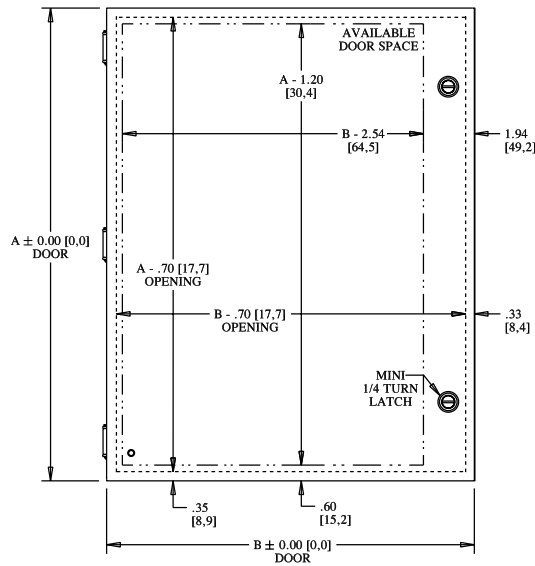
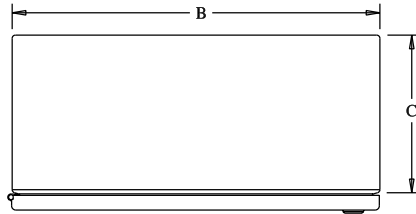
TYPE 4X**316 STAINLESS STEEL ENVIROLITE® JUNCTION ENCLOSURES**

ENCLOSURES						SUB-PANEL		
Catalog No.	Height (A)	Width (B)	Depth (C)	Product Code	List Price	Catalog No.	Product Code	List Price
⚡ SCE-604ELJSS6	6.00	4.00	4.00	S7	138.65	SCE-6P4J	P2	3.02
⚡ SCE-606ELJSS6	6.00	6.00	4.00	S7	155.29	SCE-6P6J	P2	3.62
⚡ SCE-806ELJSS6	8.00	6.00	4.00	S7	185.79	SCE-8P6J	P2	4.17
⚡ SCE-8066ELJSS6	8.00	6.00	6.00	S7	224.61	SCE-8P6J	P2	4.17
⚡ SCE-1008ELJSS6	10.00	8.00	4.00	S7	372.96	SCE-10P8J	P2	5.70
⚡ SCE-10086ELJSS6	10.00	8.00	6.00	S7	396.53	SCE-10P8J	P2	5.70
⚡ SCE-1210ELJSS6	12.00	10.00	6.00	S7	418.72	SCE-12P10J	P2	7.72
⚡ SCE-12108ELJSS6	12.00	10.00	8.00	S7	435.35	SCE-12P10J	P2	7.72
⚡ SCE-1212ELJSS6	12.00	12.00	6.00	S7	450.61	SCE-12P12J	P2	9.08
⚡ SCE-1412ELJSS6	14.00	12.00	6.00	S7	465.86	SCE-14P12J	P2	10.13
⚡ SCE-14128ELJSS6	14.00	12.00	8.00	S7	481.11	SCE-14P12J	P2	10.13
⚡ SCE-1614ELJSS6	16.00	14.00	6.00	S7	569.84	SCE-16P14J	P2	19.96
⚡ SCE-16148ELJSS6	16.00	14.00	8.00	S7	610.05	SCE-16P14J	P2	19.96

⚡ Available within 10 working days if not in stock



TYPE 4X STAINLESS STEEL ENVIROLINE® SERIES JUNCTION ENCLOSURES TECHNICAL DATA



SECTION A-A

LATCH NOTES:

One latch centered on the door vertically if height is ≤ 14.00 [355,6]

Two latches located 3.00 [76,2] from top & bottom of door if height is > 14.00 [355,6]

Three latches are required if height is > 20.00 [508]



TYPE 4X**304 & 316 Stainless Steel Enviroline® Series Junction Enclosures with Viewing Window****Application -**

Designed to house electrical controls, instruments and components that require unrestricted viewing of the gages or controls, in areas, which may be regularly hosed down or are in very wet or oily conditions. Provides protection from dust, dirt, oil, and water. For outdoor application a drip shield is recommended.

Construction -

- 0.063" stainless steel type 304 & 316.
- Seams continuously welded and ground smooth.
- Flange trough collar around all sides of door opening.
- Oil-resistant gasket.
- 0.25" polycarbonate windows
- Standoffs provided for mounting optional panels.
- Removable stainless steel hinge pins.
- Doors open 180 degrees.
- Black mini 1/4 turn latches.
- Latches are opened or closed with a screwdriver.
- Sealing washers and hole plugs included.
- Ground stud on door & body.
- Optional mounting feet available.

Options -

- Panels can be special ordered in stainless steel.

Finish -

#4 brushed finish on all exterior surfaces. Optional panels are powder coated white.

Industry standards -

NEMA Type 4, 4X, 12 & 13
UL Listed Type 4, 4X & 12
CSA Type 4, 4X & 12
IEC 60529 IP 66

TYPE 4X**304 Stainless Steel Enviroline® Series Junction Enclosures with Viewing Window**

ENCLOSURES							SUB-PANEL		
Catalog No.	Height (A)	Width (B)	Depth (C)	Window Viewing Size	Product Code	List Price	Catalog No.	Product Code	List Price
SCE-1008ELJWSS	10.00	8.00	4.00	7.75X3.75	S6	359.33	SCE-10P8J	P2	5.70
SCE-10086ELJWSS	10.00	8.00	6.00	7.75X3.75	S6	378.97	SCE-10P8J	P2	5.70
SCE-1210ELJWSS	12.00	10.00	6.00	9.75X5.75	S6	418.25	SCE-12P10J	P2	7.72
SCE-12108ELJWSS	12.00	10.00	8.00	9.75X5.75	S6	432.12	SCE-12P10J	P2	7.72
SCE-1614ELJWSS	16.00	14.00	6.00	13.75X9.75	S6	563.84	SCE-16P14J	P2	19.96
SCE-16148ELJWSS	16.00	14.00	8.00	13.75X9.75	S6	597.34	SCE-16P14J	P2	19.96

TYPE 4X**316 Stainless Steel Enviroline® Series Junction Enclosures with Viewing Window**

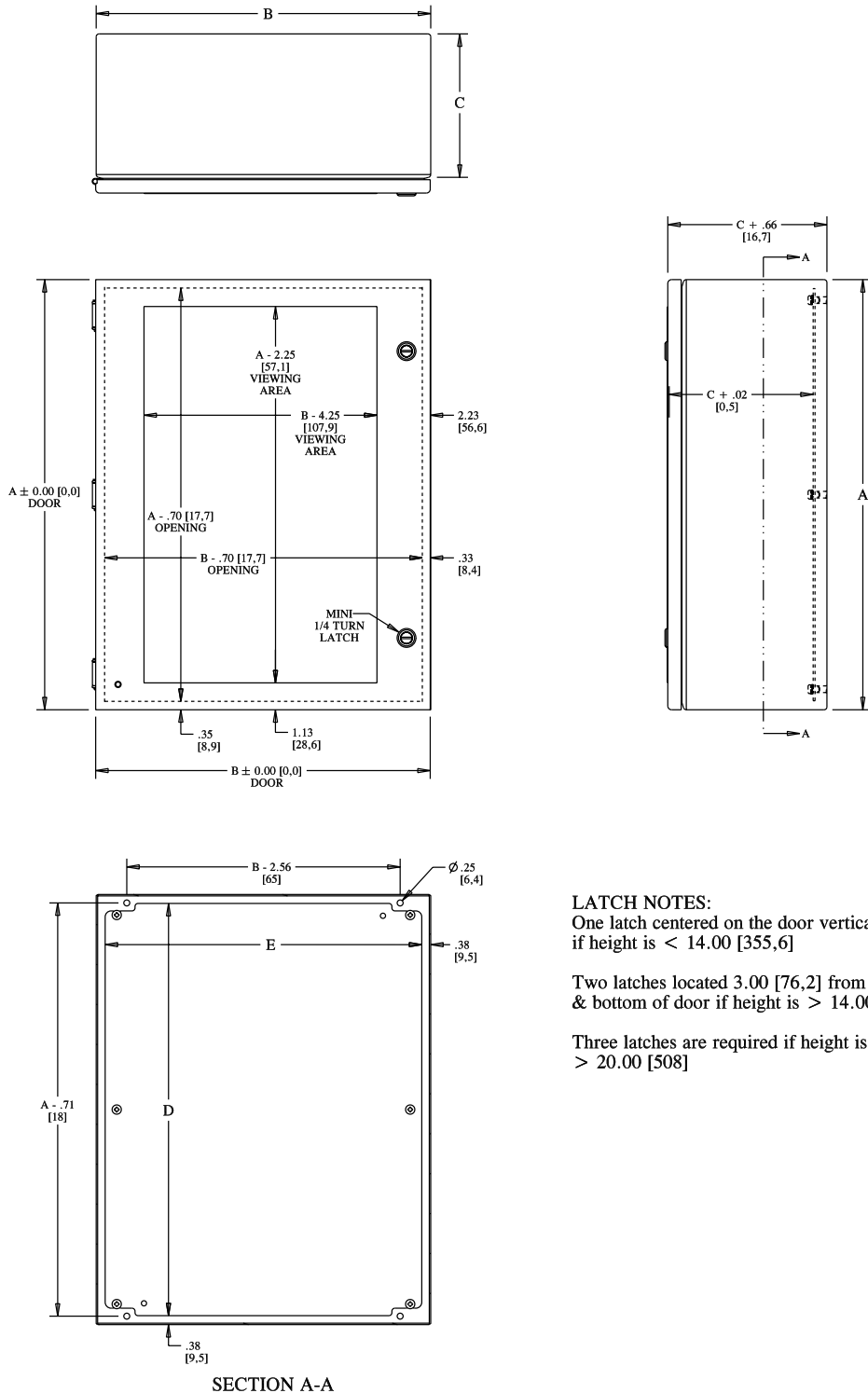
ENCLOSURES							SUB-PANEL		
Catalog No.	Height (A)	Width (B)	Depth (C)	Window Viewing Size	Product Code	List Price	Catalog No.	Product Code	List Price
⚡SCE-1008ELJWSS6	10.00	8.00	4.00	7.75X3.75	S7	431.20	SCE-10P8J	P2	5.70
⚡SCE-10086ELJWSS6	10.00	8.00	6.00	7.75X3.75	S7	454.77	SCE-10P8J	P2	5.70
⚡SCE-1210ELJWSS6	12.00	10.00	6.00	9.75X5.75	S7	501.91	SCE-12P10J	P2	7.72
⚡SCE-12108ELJWSS6	12.00	10.00	8.00	9.75X5.75	S7	518.54	SCE-12P10J	P2	7.72
⚡SCE-1614ELJWSS6	16.00	14.00	6.00	13.75X9.75	S7	676.60	SCE-16P14J	P2	19.96
⚡SCE-16148ELJWSS6	16.00	14.00	8.00	13.75X9.75	S7	716.81	SCE-16P14J	P2	19.96

⚡ Available within 10 working days if not in stock



TYPE 4X STAINLESS STEEL ENVIROLINE® SERIES JUNCTION ENCLOSURES WITH VIEWING WINDOW

TECHNICAL DATA



LATCH NOTES:
 One latch centered on the door vertically if height is < 14.00 [355,6]
 Two latches located 3.00 [76,2] from top & bottom of door if height is > 14.00 [355,6]
 Three latches are required if height is > 20.00 [508]

Type 4X S.S. Enclosures

