

# iTOOLco.




## PRODUCT CATALOG Volume 17

### MEASURABLE ADVANTAGES

Innovative Tools For Professional Electricians & Contractors

865-670-3713 • [iTOOLco.com](http://iTOOLco.com)



*"We had a difficult pull of six runs of 500 MCM and a ground through an existing 4" conduit 400' long with a number of 90's. Frankly, we were amazed that the iTOOLco Cannon 10K Puller, which is so light, pulled the wire so easily. It had much more power than the larger bulkier machine we were used to using. The iTOOLco machine gets the job done."  
Ray Angelini, Inc. field personnel*



**Invented by Electricians for Electricians.** For many years, **iTOOLco**, has been improving the work lives of professional electrical contractors through our innovative products. Our primary focus is developing products that increase safety, save time, lower worker effort, and improve results for hard-working contractors and the professionals they employ. When tested side by side with comparable competitor products, **iTOOLco's** ingenious tooling delivers "**measurable advantages.**" Call us today to find out the advantage **iTOOLco** can bring to you.

***iTOOLco.***

**865-670-3713 • iTOOLco.com**

**Innovative Tools For Professional Electricians & Contractors**





# iTOOLco.

## Innovative Tools For Professional Electricians & Contractors

### Table of Contents

iTOOLco's experience driven innovations deliver  
**MEASURABLE ADVANTAGES**



#### **CABLE PULLING / FEEDING.....4-22**

- Cannon 10K™ & Accessories
- Cannon 6K™ & Accessories
- Curb Roller
- Conduit Sheaves
- Multi Rollers
- Tray Rollers
- Ratchet Cutters
- Pull Slick Rope and Pulling Rope

#### **MATERIAL HANDLING .....23-27**

- Real Spool™
- Real Tender™
- Freedom Cart™
- MC Cart™ & Cable Mate™
- Real Jacks™
- Real Big Jacks
- Real Axles

#### **HOLE MAKING .....28-30**

- Center Point™ Conduit Layout Tool
- Gear Punch™ Knock Out Kits
- Draw Studs
- Step Bits
- Cups & Cutters

#### **CRIMPING .....31-33**

- Window Crimps™ w/ Sure Grip
- 12 Ton Crimper

#### **ACCESSORIES ..... 34**

- Replacement Handles
- Extension Cords
- Cord Adapter
- Foot Switch

Many of iTOOLco's products are proudly made here in the USA with global components. The products noted with this icon are built right here in the USA with parts and materials from around the world.



# CANNON 10K™

**Faster**

- 4 Speed dual capstan
  - 9' & 18' (per min.) on low speed
  - 20' & 40' on high speed
- Self contained - ready to pull
- Quickly change from side pull to overhead, underground or truck hitch
- No gang box of parts
- Adjustable wheels act as a counter-balance for a 15 lb. working weight
- Pulls out almost 10' of extra wire
- Universal adapter - sits on the conduit lock nut, fits a wide range of sizes, and often eliminates the need to use the conduit adapters on lighter pulls

**Safer**

- No anchoring required in most situations
- Easy to transport
- Ergonomic balance point
- Telescoping and collapsible
- User stands to the side during pulls
- Easily maneuvers into tight spaces

**Smarter**

- No disassembly, fully self-contained no gang box full of parts
- Open front conduit adapters allow for easy removal at the end of the pull from the top, eliminating the need for any disassembly to pull additional wire
- Super duty puller will perform on every wire pull
- Collapsible - stores and transports easily
- Interchangeable components for adaptability on the job site
- Works best with iTOOLco Pull Slick Rope
- Easily extend boom with 2.5" rigid conduit

**Includes**

- Cannon 10K™ wire puller
- Universal adapter - for loads under 5,000 lb.
- 5 Conduit adapters sizes 2" through 4" (5" & 6" also available)
- Powered by a 20 amp, 2 speed coring motor with built-in slip clutch
- Foot switch (UL standard)

Model	Description	Specifications
<b>C10K</b>	Cannon 10K - 10,000 lb. Wire Puller	10'6"L x 30"W (fully extended), 308 lb.



Narrowest Pulling Head In The Industry

Foot Switch

**TWO PULLERS IN ONE — Hi-Speed 5K / Hi-Torque 10K**



Force Gauge Available



High Speed - 5K Pulls



High Torque - 10K Pulls

**6 YEAR LIMITED WARRANTY**

**MADE IN THE USA WITH GLOBAL COMPONENTS**





## CANNON 10K™-M1 PACKAGE

The M1 package is a great addition to the base model Cannon 10K wire puller. This accessory package will allow even more job site flexibility. The design of this package allows you to upgrade your existing Cannon 10K wire puller or order it with your new puller.

- Extra extensions 33" and 15" allow for longer reach—getting you 13' of wire from conduit opening to capstan
- All new parts store right on the Cannon 10K
- Larger front knuckle with profiled phenolic roller
- Rear swiveling casters for job site transportation and precise conduit positioning
- Extra receiver hitch adapter for occasions when bolting puller to the floor is necessary
- Foot switch holder

**NOTE: Patented**

Model	Description	Specifications
<b>C10K-M1</b>	Cannon 10K-M1 Package	96 lb.

**Cannon 10K-M1 Package Includes:**

<b>C10K-406</b>	33" Extension
<b>C10K-404</b>	15" Extension
<b>C10K-417</b>	Front Knuckle
<b>C10K-431</b>	Extension Storage Cradle
<b>C10K-619</b>	Extra Receiver Hitch & Casters (full assembly)
<b>CK-612</b>	Foot Switch Holder

UPGRADE YOUR CANNON 10K!



Extra 15" and 33" modular extensions shown at left.



Extension holder.



Bigger front knuckle with phenolic profiled roller.



Rear casters for easy transport.



Foot switch holder.

**6**  
YEAR  
LIMITED  
WARRANTY

MADE IN THE  
**USA**  
WITH GLOBAL  
COMPONENTS



C10K-617



C10K-608

## CANNON 10K PULLER KNUCKLES

Model	Description
<b>C10K-617</b>	Main Knuckle with Adjustable Coupling
<b>C10K-608</b>	Front Knuckle with Adjustable Coupling



## WIRE PULLER EXTENSIONS

Model	Description
<b>C10K-404</b>	15" Inner Extension
<b>C10K-405</b>	30" Inner Extension
<b>C10K-406</b>	33" Outer Extension



## WIRE PULLER UNIVERSAL ADAPTER

Model	Description
<b>CK-10</b>	Universal Adapter



## 10K RECEIVER HITCH & BOLT DOWN ADAPTER

Model	Description
<b>C10K-422</b>	3" Receiver Hitch Adapter with Hitch Pin



## HITCH PINS

Model	Description
<b>SP-182</b>	5-1/2" Hitch Pin with Flashlight Holder & Locking Tab
<b>SP-184</b>	9-1/2" Hitch Pin with Flashlight Holder & Locking Tab
<b>SP-185</b>	3" Bent Hitch Pin



## FORCE GAUGE

**FOR USE ONLY WITH CANNON 10K**

Model	Description
<b>FG10</b>	Force Gauge



## CONDUIT ADAPTERS

Model	Description
<b>CK-50</b>	5" Conduit Adapter
<b>CK-60</b>	6" Conduit Adapter



## FOOT SWITCH HOLDER

**FOR CANNON 10K & CANNON 6K**

Model	Description
<b>CK-612</b>	Foot Switch Holder

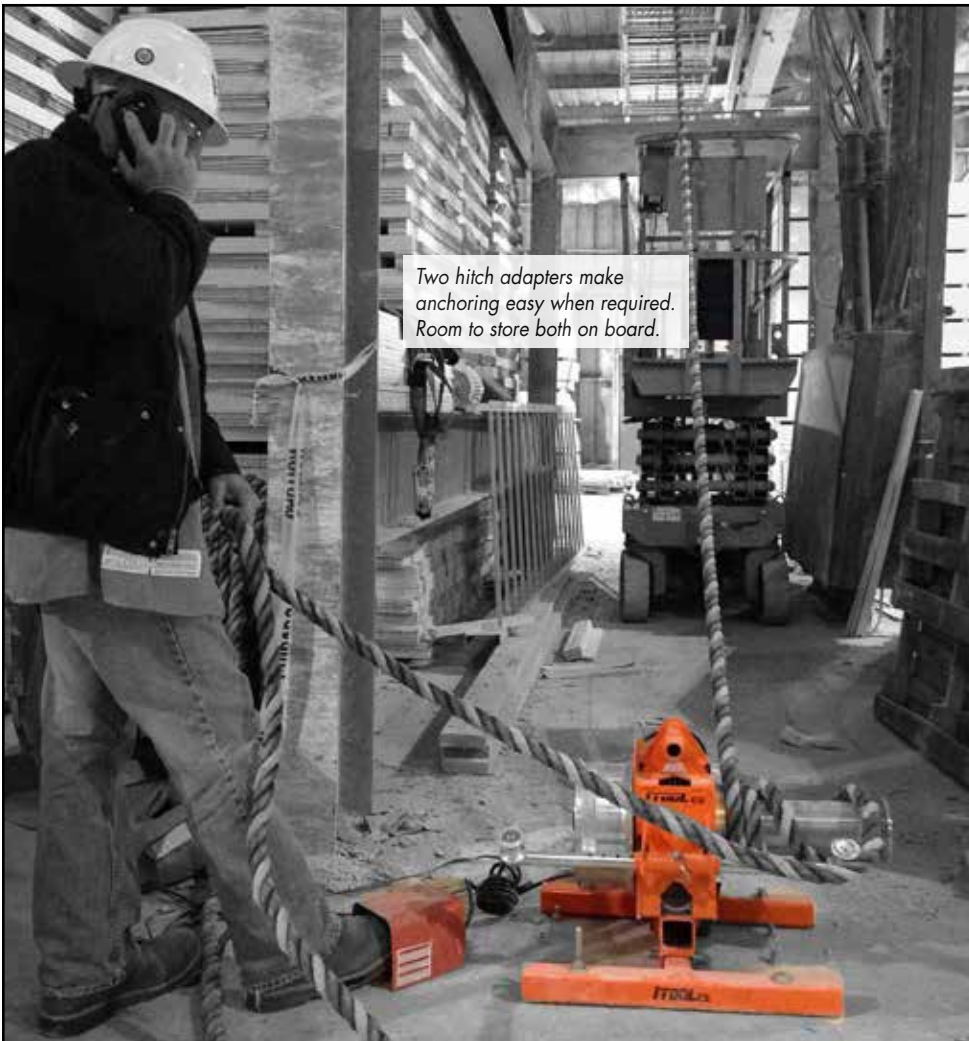




Try this tight mechanical room configuration with your 10,000 lb. puller.



Contractor pulling LBs easily in a parking lot with Cannon 10K anchored to the truck hitch adapter.



Two hitch adapters make anchoring easy when required. Room to store both on board.







Cannon 6K shown in use.



One pop pin to remove puller from cart.



30" extension stores right on the cart.



Extra extension plugs right in line with existing extensions.



# CANNON 6K™

## Faster

- 4 Speeds with dual capstans:
  - 8' & 28' FPM 6k side
  - 20' & 70' FPM 3k side
- 6000 lb. Pulling capacity
- Two pullers in one 3K / 6K
- Self-contained and ready to pull

## Safer

- No anchoring required
- Easy to transport and use on or off the cart
- Telescoping
- User can stand to either side during pulls
- Easily maneuvers into tight spaces
- Usable in the receiver hitch of a truck

## Smarter

- No assembly, fully self-contained and no gang box full of parts
- Pivoting head for easy adjustment for underground, overhead, or side pulls
- Swivel locking hitch pins
- Works best with iTOOLco Pull Slick Rope
- Easily extend boom with 2.5" rigid conduit

## Includes

- Cannon 6K™ wire puller (weight 130 lb. including the motor)
- No assembly required (ships boxed & ready to use)
- Universal adapter
- 5 Conduit adapters sizes 2" through 4" (5" & 6" also available)
- Milwaukee 1680-20 power motor, 2 speed, 13 Amp, field replaceable, with 6 year limited warranty
- Foot switch (UL standard)
- 30" Extension

## NOTE: Patented

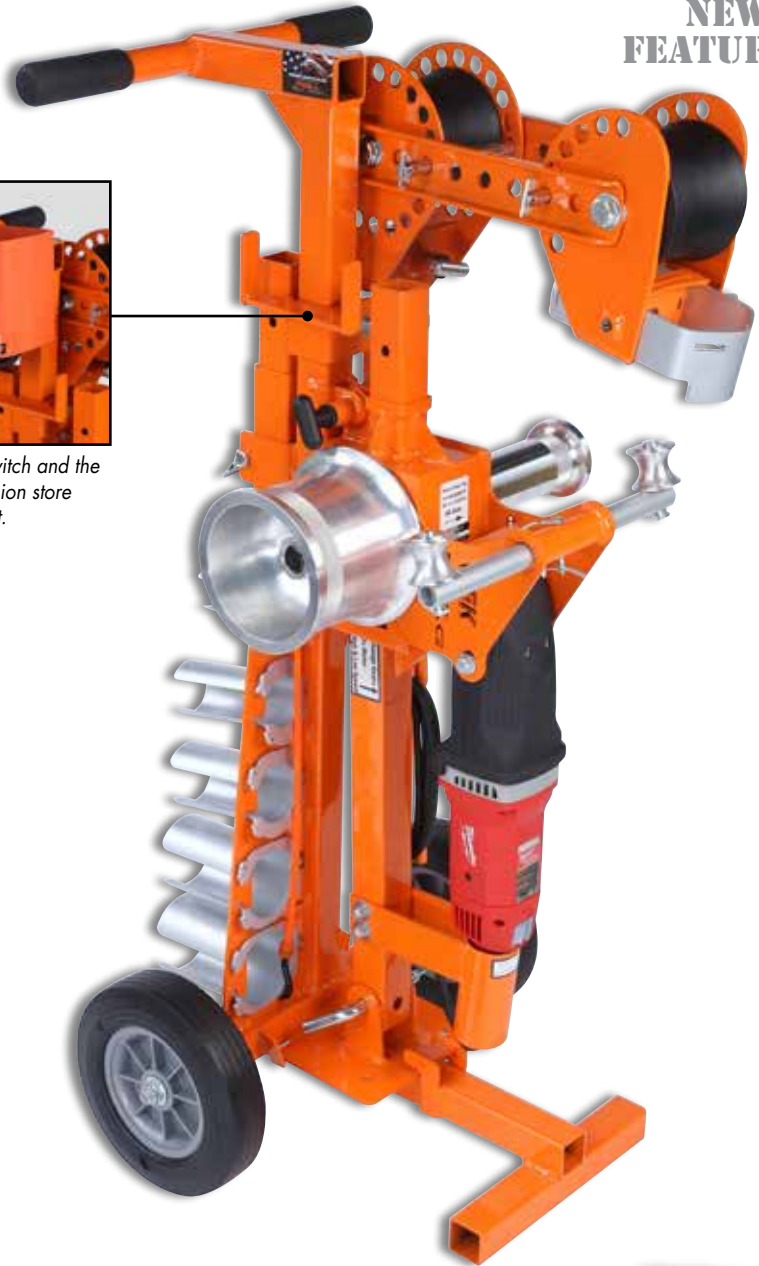
Model	Description	Specifications
<b>C6K</b>	Cannon 6K Wire Puller	48"H x 21.5"L x 21.5"W, 130 lb.



**NEW FEATURES!**



Both the foot switch and the new 30" extension store right on the cart.



**TWO PULLERS IN ONE**  
**Hi-Speed 3K/  
 Hi-Torque 6K**



10' of wire can be pulled from conduit opening when using the extra extension.



MADE IN THE  
**USA**  
 WITH GLOBAL COMPONENTS

**6**  
**YEAR**  
 LIMITED WARRANTY







## TRI-POD

### FOR THE CANNON 6K

- Attaches to the Cannon 6K
- No tools needed
- Use over manholes and pull boxes

#### Model Description Specifications

<b>TP01</b>	Tri-pod	65"H x 36"L x 6"W, 35 lb.
-------------	---------	------------------------------



## CURB ROLLER

- Mounts over 2" rigid pipe
- Four 1/2" mounting holes provided for any unique feeding situation
- Perfect for many different pulling and feeding situations - curbs, manholes, in and out of electrical boxes
- Will roll rope or wire over any edge
- Five rollers with bearings makes rounding edges smooth and easy



Model	Description	Specifications
<b>CR10</b>	Curb Roller	16"H x 9"L x 9"W, 25 lb.



## HANGING SHEAVE

- 10,000 lb. Capacity
- Adjustable center sheave to vary pulling radius from 24" to 36"
- Pinned steel yoke for easy removal
- Steel frame for heavy pulls
- Four bearings in each roller for much easier pulls
- High impact nylon rollers won't break



Model	Description	Specifications
<b>HS2436</b>	Heavyweight Sheave	19"H x 11"L x 25"W, 46 lb.

2" - 4" Kit



5" - 6" Kit



## CONDUIT SHEAVE KITS

**THE ELECTRICAL INDUSTRY'S FIRST DESIGN & FUNCTION IMPROVEMENT IN CONDUIT SHEAVES EVER!**

- Locks on the pipe or connector
- Fully adjustable thread depth
- Phenolic resin wheel NOT cast metal
- Lock In Place™ Sheaves can be locked in OVERHEAD or at ANY ANGLE

**NOTE: Patent Pending**

Model	Description
<b>LOCK IN PLACE SHEAVES</b>	
<b>CS24</b>	2" - 4" (5 Sheaves)
<b>STANDARD SHEAVES</b>	
<b>CS56</b>	5" - 6" (2 Sheaves)





**Standard Sheaves**



CS50



CS60

**Lock In Place Sheaves**



CS20



CS25



CS30



CS35



CS40



**CONDUIT SHEAVES**

**THE ELECTRICAL INDUSTRY'S FIRST DESIGN & FUNCTION IMPROVEMENT IN CONDUIT SHEAVES EVER!**

- Locks on the pipe or connector
- Fully adjustable thread depth
- Phenolic resin wheel NOT cast metal
- Lock In Place™ Sheaves can be locked in OVERHEAD or at ANY ANGLE

**NOTE: Patent Pending**

Model	Description	Specifications
<b>LOCK IN PLACE SHEAVES</b>		
CS20	2"	15"L x 6"W x 5"H, 6 lb.
CS25	2-1/2"	15"L x 6"W x 5"H, 7 lb.
CS30	3"	16"L x 7"W x 6"H, 12 lb.
CS35	3-1/2"	16"L x 7"W x 6"H, 12 lb.
CS40	4"	16"L x 7"W x 6"H, 12 lb.
<b>STANDARD SHEAVES</b>		
CS50	5"	16"L x 7"W x 7"H, 13 lb.
CS60	6"	17"L x 8"W x 8"H, 13 lb.



**MADE IN THE USA**  
WITH GLOBAL COMPONENTS



## MULTI ROLLERS

### Faster

- Adjustable picking arms permit fine-tuning of the adjustment angle
- Eliminates the need for extra rigging
- Extra-wide profiled phenolic rollers that ride on rated bearings

### Safer

- Lightweight, yet durable
- Rollers prevent cable damage

### Smarter

- Extra deep side walls of 1/4" 6061 aluminum
- Capacity: 5,000 lb.

### NOTE: Patent Pending

Model	Description	Specifications
<b>MR36</b>	36" Multi Roller	58.66"L x 6"W x 24"H, 83 lb.
<b>MR24</b>	24" Multi Roller	42.5"L x 6"W x 24"H, 70 lb.

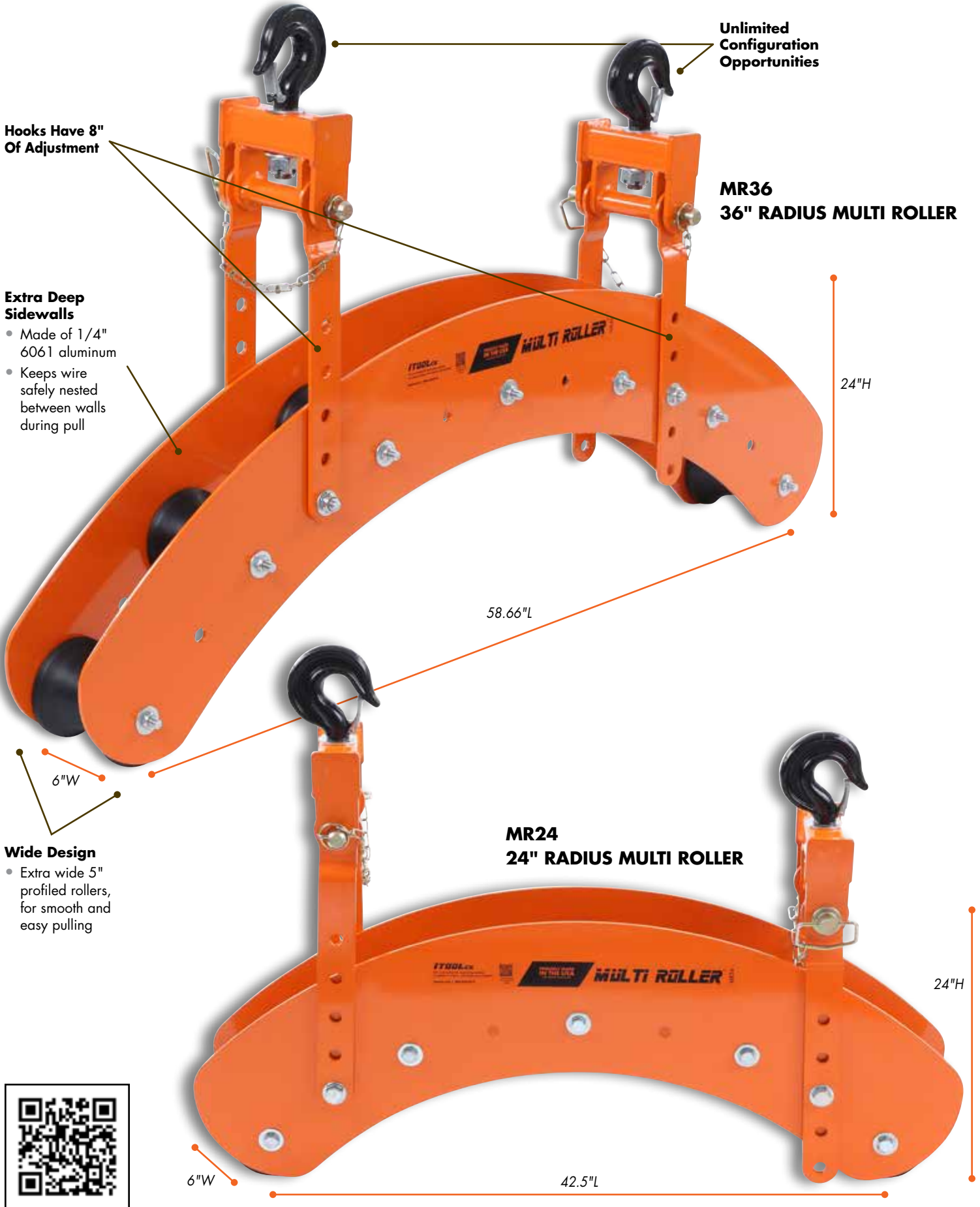


5" wide rollers

Extra wide design







**Hooks Have 8" Of Adjustment**

**Unlimited Configuration Opportunities**

**MR36  
36" RADIUS MULTI ROLLER**

**Extra Deep Sidewalls**

- Made of 1/4" 6061 aluminum
- Keeps wire safely nested between walls during pull

24"H

58.66"L

6"W

**Wide Design**

- Extra wide 5" profiled rollers, for smooth and easy pulling

**MR24  
24" RADIUS MULTI ROLLER**

24"H

6"W

42.5"L



**Tray rollers install in three easy steps!**



**1. DROP OVER**



**2. TIGHTEN**



**3. PIN**

**TRST05  
5" Tray Roller**



*Actual dimensions 7"L x 2"W x 8.5"H*

**TRST10  
10" Tray Roller**



*Actual dimensions 12.5"L x 2"W x 8.5"H*

**TRST20  
20" Tray Roller**



*Actual dimensions 23"L X 2"W X 8.5"H*

**TRST30  
30" Tray Roller**

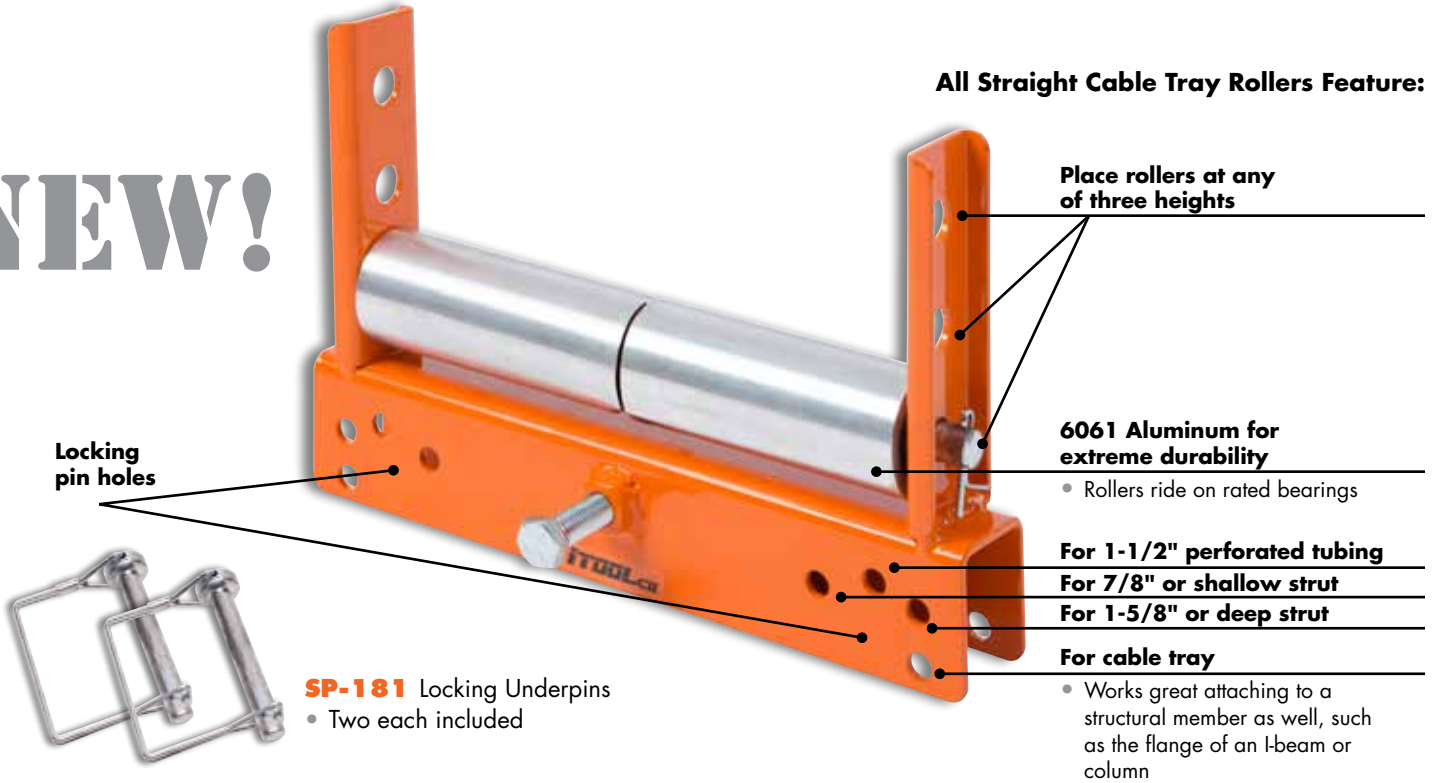


*Actual dimensions 33.5"L X 2"W X 8.5"H*



**NEW!**

All Straight Cable Tray Rollers Feature:



**STRAIGHT CABLE TRAY ROLLERS**

**4 SIZES**

**Faster**

- Installs 10x faster than standard tray rollers
- Secures into place with two locking underpins
- No additional tools needed

**Safer**

- Double-secure bolt and pin
- Withstands cable pulling loads of up to 2,000 lb.\*
- Each roller rides on rated bearings
- Steel-welded frame

**Smarter**

- Customizable configuration for any installation
- Versatility to handle a variety strut types & supporting members

**NOTE: Patent Pending**

Model	Description	Specifications
<b>TRST05</b>	5" Tray Roller	7"L x 2"W x 8.5"H, 4 lb.
<b>TRST10</b>	10" Tray Roller	12.5"L x 2"W x 8.5"H, 8.5 lb.
<b>TRST20</b>	20" Tray Roller	23"L X 2"W X 8.5"H, 15 lb
<b>TRST30</b>	30" Tray Roller	33.5"L X 2"W X 8.5"W, 23 lb

\*Check tray manufacturer specs for maximum capacity.



Compatible with other systems.



**3 Easy Steps To Install**

- 1. Drop Over**
  - 2. Tighten**
  - 3. Pin (for securing)**
- \*Patent Pending*



**SP-181** Locking Underpins  
• Three each included



For 1-1/2" perforated tubing

For 1-5/8" or deep strut

Locking pin holes

Two 5" vertical rollers

**6061 Aluminum for extreme durability**  
• Rollers ride on rated bearings

For 7/8" or shallow strut

**For cable tray**  
• Works great attaching to a structural member as well, such as the flange of an I-beam or column



Cable and wire turn corners smoothly.



**90° TRAY ROLLER™**

**Faster**

- Installs 10x faster than standard tray rollers
- Secures into place with two locking underpins
- No additional tools needed

**Safer**

- Double-secure bolt and pin
- Withstands cable pulling loads of up to 2,000 lb.\*
- Closed roller guide traps cable
- Steel-welded frame
- Reduces the risk of job site injuries

**Smarter**

- Customizable configuration for any installation
- Versatility to handle a variety strut types
- Complements iTOOLco's full line of tray roller products

**NOTE: Patent Pending**

Model	Description	Specifications
<b>TR9010</b>	90° Tray Roller	14"L x 5.5"W x 10"W, 14 lb.

*\*Check tray manufacturer specs for maximum capacity.*







Combine two TR9010's  
to make a trapping  
tray roller!

## TRAPPING TRAY ROLLER™

### Faster

- Snaps together in seconds with two locking underpins
- Secures into place with locking underpins

### Safer

- Closed roller guide traps conductors
- Withstands cable pulling loads of up to 2,000 lb.\*
- Steel-welded frame
- Reduces the risk of job site injuries

### Smarter

- Opens and closes on either side
- Versatility to handle a variety of strut types
- Compliments iTOOLco's full line of tray roller products

### NOTE: Patent Pending

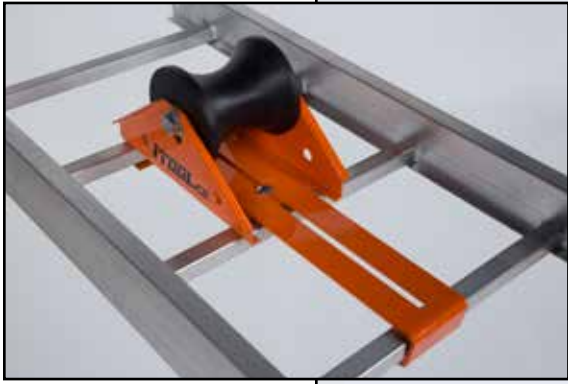
Model	Description	Specifications
<b>TR9010</b>	Trapping Tray Roller	14"L x 5.5"W x 10"W, 28 lb.

\*Check tray manufacturer specs for maximum capacity.



**6**  
**YEAR**  
LIMITED  
WARRANTY

MADE IN THE  
**USA**  
WITH GLOBAL  
COMPONENTS



Fits tray rung spaces from 10" to 20-1/4".



Secures safely to rungs with two wing nuts.



Base unit is adaptable for top roller assembly and can be mounted above or below the tray. TRA500 shown in use.



High-strength roller glides smoothly on rated bearings.

## ADJUSTABLE CABLE TRAY ROLLER™

### Faster

- Installs faster than standard cable rollers
- Adjusts quickly and easily to varying rung spaces
- Secures into place with two wing nuts
- No additional tools needed

### Safer

- Light weight
- No loose pieces to get in the way
- Phenolic rollers cradle cable so it glides smoothly
- Enables secure vertical rise and drop of cable

### Smarter

- Slide support that can be extended to fit on tray rung spaces from 10" to 20-1/4"
- Won't damage cable
- Roller rides on rated bearings
- Capacity up to 2,000 lb.\*

### NOTE: Patent Pending

Model	Description	Specifications
<b>ATR500</b>	Adjustable Tray Roller	20-1/4"L x 6-1/2"W 12 lb., 17 lb. with TRA500
<b>TRA500</b>	Tray Roller Attachment (upper roller, pin, and arms)	24"L x 7"W x 7"H, 11 lb.

\*Check tray manufacturer specs for maximum capacity.



MADE IN THE  
**USA**  
WITH GLOBAL  
COMPONENTS

**6**  
**YEAR**  
LIMITED  
WARRANTY



*"I know the ratchet cutters aren't designed to cut rebar so I was amazed when the iTOOLco rep cut a piece of 1/2" rebar right in front of me! The blades weren't even damaged."*

*Matt S., State Electric*



Ratchet Cutters  
RC1000



Ratchet Cutters  
Replacement Blades  
SP-162



## **RATCHET CUTTERS**

- ACSR rated
- Telescoping handles for added leverage
- Cutting capacity of up to 1-3/4" or 44mm
- Large, comfortable grip
- Includes handy carrying case
- Blades have a 6 year limited warranty

Model	Description
-------	-------------

<b>RC1000</b>	Ratchet Cutters
---------------	-----------------

<b>SP-162</b>	Ratchet Cutter Replacement Blades
---------------	-----------------------------------



**6**  
**YEAR**  
LIMITED  
WARRANTY



## Eliminates The Need For All Other Pulling Ropes

CUSTOM LENGTHS AVAILABLE!

### PULL-SLICK™

- An innovative high performance synthetic fiber pulling rope

#### Strength

- High tensile strength: 39,000 lb.
- 12 Strand single braided synthetic fiber
- Pound for pound stronger than steel
- Ultra low stretch

#### Speed

- 25% Reduction in coefficient of friction compared to traditional pulling ropes
- 2/3 Lighter than traditional pulling rope

#### Convenience

- Need only one size rope (9/16") for pulls up to 15,000 lb. pulls
- Does not absorb water
- Dual factory installed pulling eyes, one on either end
- Lightweight

#### Durable

- Abrasion resistance for less fray
- Will not rot; no organics in rope
- UV resistant

Model	Description	Dia. (IN)	Circ.(IN)	Length	Avg. Breaking Strength	Total Wt.
<b>PS18-300</b>	1/8" x 300'	1/8"	N/A	300'	2,800 lb.	3.0 lb.
<b>PS14-300</b>	1/4" x 300'	1/4"	0.75"	300'	7,500 lb.	6.5 lb.
<b>PS916-300</b>	9/16" x 300'	9/16"	1.75"	300'	39,000 lb.	26 lb.
<b>PS916-600</b>	9/16" x 600'	9/16"	1.75"	600'	39,000 lb.	52 lb.
<b>PS916-900</b>	9/16" x 900'	9/16"	1.75"	900'	39,000 lb.	77 lb.
<b>PS916-1200</b>	9/16" x 1200'	9/16"	1.75"	1200'	39,000 lb.	103 lb.
<b>PS916-CUST</b>	Custom Length	9/16"	1.75"	—	39,000 lb.	—

### LINE SWIVELS

- Helps eliminate winding and tangling of rope and cable during pull
- Connects grip and pulling rope
- Select the swivel with a maximum rated capacity that meets or exceeds the cable puller's maximum pulling force



Model	Specs	Max. Capacity
<b>SW-114</b>	1-1/4" dia.	6,000 lb.
<b>SW-158</b>	1-5/8" dia.	10,000 lb.





## PULLING ROPE

- Double braided for added strength and low stretch
- Rot and mildew resistant
- Factory spliced eyes at both ends
- Low stretch

Model	Description	Specs
<b>Tensile Strength: 16,300 lb.</b>		
<b>P58-100</b>	5/8" x 100' Standard Pulling Rope	5/8" x 100'L
<b>P58-300</b>	5/8" x 300' Standard Pulling Rope	5/8" x 300'L
<b>P58-600</b>	5/8" x 600' Standard Pulling Rope	5/8" x 600'L
<b>Tensile Strength: 26,000 lb.</b>		
<b>P34-100</b>	3/4" x 100'L Standard Pulling Rope	3/4" x 100'L
<b>P34-600</b>	3/4" x 600'L Standard Pulling Rope	3/4" x 600'L
<b>Tensile Strength: 32,000 lb.</b>		
<b>P78-100</b>	7/8" x 100'L Standard Pulling Rope	7/8" x 100'L
<b>P78-600</b>	7/8" x 600'L Standard Pulling Rope	7/8" x 600'L
<b>P78-1200</b>	7/8" x 1200'L Standard Pulling Rope	7/8" x 1200'L
<b>P78-3000</b>	7/8" x 3000'L Standard Pulling Rope	7/8" x 3000'L
<b>PP14-1200</b>	1/4" x 1200'L Yellow Polypropylene Rope	1/4" x 1200'L



## REAL SPOOL™

- Holds up to 300 lb.
- Will not splinter like a wood spool
- Lighter than a wooden spool
- Will not fray or damage the rope like wood
- Made out of heavy US steel, making it more durable than the average spool
- Works great for iTOOLco's Pull-Slick

Model	Description	Specifications
<b>RS01</b>	Real Spool	30"L x 25"W x 24"H, 30 lb.



No more wasted time rolling up a rope

Conveniently store and move Real Jacks on the Real Tender.

## REAL TENDER™

### Faster

- Easy to set up and transport
- Light and maneuverable
- Easy one person operation
- Saves time
- Crank handle for faster re-spooling

### Safer

- Prevents injuries from lifting and handling rope
- No more lifting heavy wire spools

### Smarter

- Axle-less technology
- Multi-directional
- Horizontal or vertical use
- Rolls over rough terrain on job site
- Cleaner handling of expensive rope (high & dry)

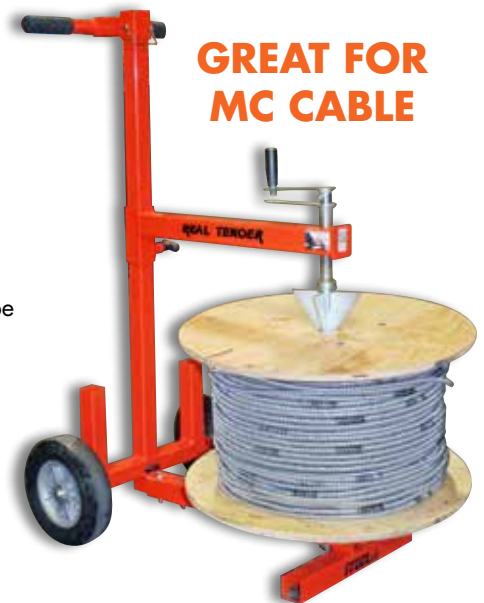
### Capacity

- Spool widths: 12"-35"
- Spool diameters: 12"-32"
- 300 lb. weight limit

### NOTE: Patented

Model	Description	Specifications
<b>RT01</b>	Real Tender	49"L x 23"W, 38 lb.

GREAT FOR MC CABLE



MADE IN THE  
**USA**  
WITH GLOBAL  
COMPONENTS

**6**  
YEAR  
LIMITED  
WARRANTY



## FREEDOM CART™

### Faster

- Keep materials organized
- Holds conduit and strut
- Fits through 30" doorways

### Safer

- Easily rolls into location
- Locking wheels
- Adjustable shelf height

### Smarter

- Use during all phases of the job
- Rough in and job supplies
- Folding shelves (lock up)
- (6) Hooks to hang cords and gear on

### Capacity

- Holds (36) – 500' Spools 12 AWG
- Holds (18) – 2500' Spools
- (30) Wire packs or data boxes

### NOTE: Patent Pending

Model	Description	Specification
<b>FC100</b>	Multi-Use Wire & Utility Cart	42"L x 39"W x 58"H, 210 lb.



Shelves up



Shelves down

Freedom Cart easily holds conduit and strut.

**6**  
**YEAR**  
LIMITED  
WARRANTY

**MADE IN THE USA**  
WITH GLOBAL COMPONENTS





# MC CART™

## Faster

- Rough-in an entire suite using one cart
- Strong yet lightweight
- Fits through the 32" doorways when loaded
- Transports coils or spools quickly and easily

## Safer

- No lifting of heavy spools
- Won't tip over
- Heavy-duty wheels roll smoothly on rough surfaces
- Optimal height for safer mobility
- All-welded steel construction

## Smarter

- Compact design
- Flexible configuration is interchangeable and can hold:
  - Two 1000' spools of MC\*
  - One 250' coil of MC\*
  - Four 500' spools of #12 wire
  - Two 2500' spools of #10 and/or #12 wire
- Wire Bar can hold two 12-1/2" spools
- Expandable with additional Cable Mates and Bolt-on Wire Bars
- Vertical or horizontal set-up saves space
- Ergonomic cushioned handles
- Cable Mate swivels smoothly on the Bolt-on Wire Bar
- Commercial or residential use

## Capacity

- Maximum Spool Size: 24"Dia. x 28"W
- Maximum Load: 300 lb.
- Cable Mate Accepts Coil Sizes 7-1/2"ID X 16"OD
- Includes: (1) MC Cart, (1) Cable Mate, (1) Bolt-on Wire Bar

## NOTE: Patent Pending

Model	Description	Specification
<b>MC300</b>	MC Cart	46"H x 31-1/2"W x 26"L, 67 lb.
<b>MCA01</b>	Cable Mate	11"L x 16"H x 2-1/4"W
<b>MCA02</b>	Bolt-on Wire Bar	31"L x 4"H x 4"W, 5 lb.

\*As shown



Loads with ease. Simply tip forward.



Cable Mate holds one 250' coil of MC.



Sold as shown.



Cable Mate makes one 250' coil of MC portable!

# NEW!

**MADE IN THE USA**  
WITH GLOBAL COMPONENTS

**6 YEAR LIMITED WARRANTY**



Internal arbor traps axle.  
Won't tip over.



## REAL JACKS™

### Faster

- Set up in less than 1 minute
- Four 20,000 lb. rated bearings make wire pulling smooth and easy
- No drills or extra tools needed
- Fast and easy to jack up

### Safer

- Easily lift heavy wire reels for convenient pulling
- Separate sides can be used safely on uneven ground
- Use with the Real Axle - designed for heavier loads
- Won't tip over

### Smarter

- Store and transport Real Jacks right on the Real Tender
- Can be used with 22" to 66" spools
- Fits compartmentalized reels
- Compact design and convenient handles
- Easy to carry at 35 lb. per side
- Can be used with our axle, a 1.5" solid or a 2" rigid pipe

### Capacity

- iToolco axle specifications: high chromium content engineered for loads up to 6,000 lb., 2-1/16" I.D., 2-1/2" O.D.

### NOTE: Patented

Model	Description	Specifications
<b>RJ6K</b>	Real Jacks	37"L x 10"W x 11-1/2" – 38-1/2"H, 35 lb. per jack



Real Jacks feature built-in carry handles.



Transport and store 5 sets of Real Jacks and Axles



## JACK RACK™

### Smarter

- Keeps Real Jacks (RJ6K) neatly organized
- Easy transportation of 5 sets of Real Jacks and Axles

Model	Description	Specifications
<b>JR01</b>	Jack Rack for Real Jacks	41"L x 28"W x 45"H, 85 lb.



## REAL AXLE™

- High chromium content
- For use with Real Jacks

Model	Description	Specifications
<b>AX03</b>	5' Real Axle	2-3/4" O.D., 89.5 lb.
<b>AX02</b>	6' Real Axle	2-3/4" O.D., 108 lb.
<b>AXS01</b>	6' Real Solid Axle	2-3/4" O.D., 126 lb.
<b>AX04</b>	Real Big Jack Axle	7'L, 1.5" I.D., 3" O.D., 126 lb.







## REAL BIG JACKS™

### Safer

- Load and reload without a forklift
- Easily maneuverable with spool loaded

### Smarter

- Axle rides on 4 large rollers (easily spin spools)
- Transport spools with or without a forklift
- Pull from a trailer

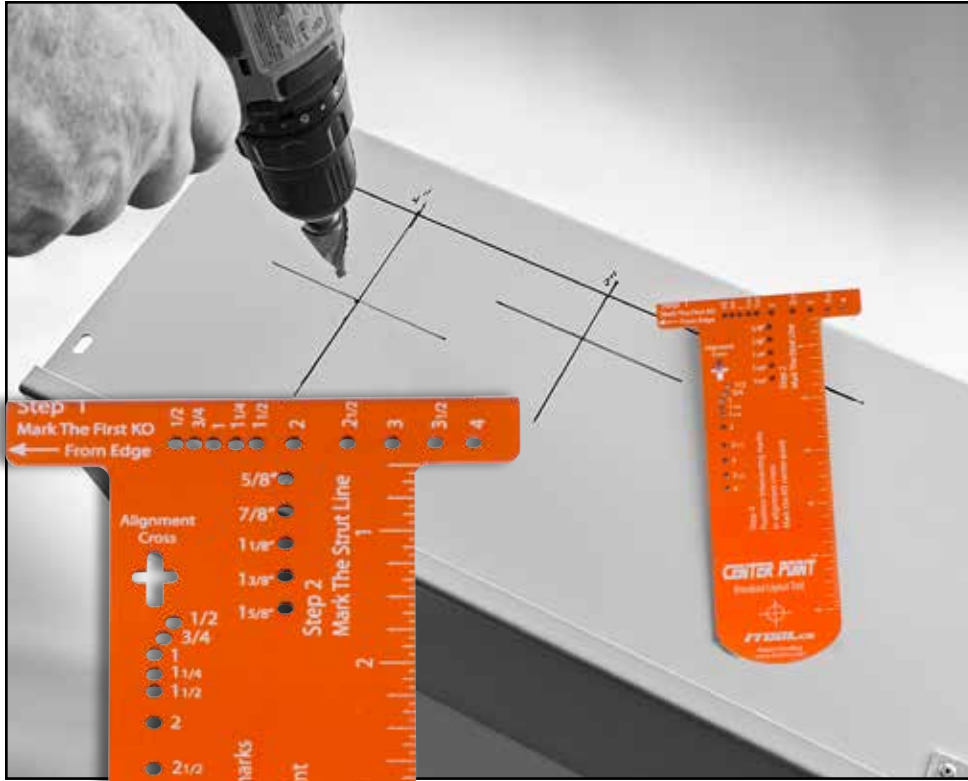
### Capacity

- Will accommodate 84"H x 54"W as well as smaller spools
- Capacity of 20,000 lbs.
- Capacity of 10,000 lbs. when locking wheels are in place.
- Recommended Axle: Real Big Jack Axle

### NOTE: Patent Pending

Model	Description	Specifications
<b>RBJ20K</b>	Real Big Jacks	58"L x 44"-66"W, 69"H on wheels, 66"H off wheels, 560 lb.
<b>AX04</b>	Real Big Jack Axle	7'L, 1.5" I.D., 3" O.D., 126 lb.





## CENTER POINT™

### KNOCKOUT LAYOUT TOOL INCLUDED IN ALL ITOOLCO GEAR PUNCH KITS

- Quickly layout and punch the knock outs
- Easy to use
- Accurate knock out layout
- No math
- 70 Times faster than a tape measure
- Any combination
- 6" Ruler for convenience
- See the video demo on our website

#### NOTE: Patent Pending

Model	Description
<b>CP02</b>	Center Point



Step 1:  
Mark the first conduit.



Step 2:  
Mark the strut line.



Step 3:  
Mark the conduit combination.



Step 4:  
Mark the center of the hole.



## DRAW STUDS

### GEAR PUNCH™ ACCESSORIES

Model	Description
<b>DS716</b>	7/16" x 3/4" Draw Stud
<b>DS034</b>	3/4" x 3/4" Draw Stud
<b>DS118</b>	3/4" x 1-1/8" Draw Stud



## STEP BITS

### 3/16" - 7/8" STEP BIT

- Replaces 12 Individual Drill Bits
- Helical flute
- Made of strong steel with TIAN coating
- Drills holes in steel, copper, stainless steel, plastic, aluminum, and other materials
- Self-starting

### 3/16" - 1-1/8" STEP BIT

- Replaces 16 Individual Drill Bits
- Helical flute
- Made of strong steel with TIAN coating
- Drills holes in steel, copper, stainless steel, plastic, aluminum, and other materials
- Self-starting

Model	Description	Specifications
<b>SB78</b>	7/8" Step Bit	Drills Hole Sizes: 3/16", 1/4", 5/16", 3/8", 7/16", 1/2", 9/16", 5/8", 11/16", 3/4", 13/16", 7/8"
<b>SB118</b>	1-1/8" Step Bit	Drills Hole Sizes: 3/16", 1/4", 5/16", 3/8", 7/16", 1/2", 9/16", 5/8", 11/16", 3/4", 13/16", 7/8", 9/16", 1", 1-1/16", 1-1/8"





## GEAR PUNCH™

### RATED FOR MILD AND STAINLESS STEEL

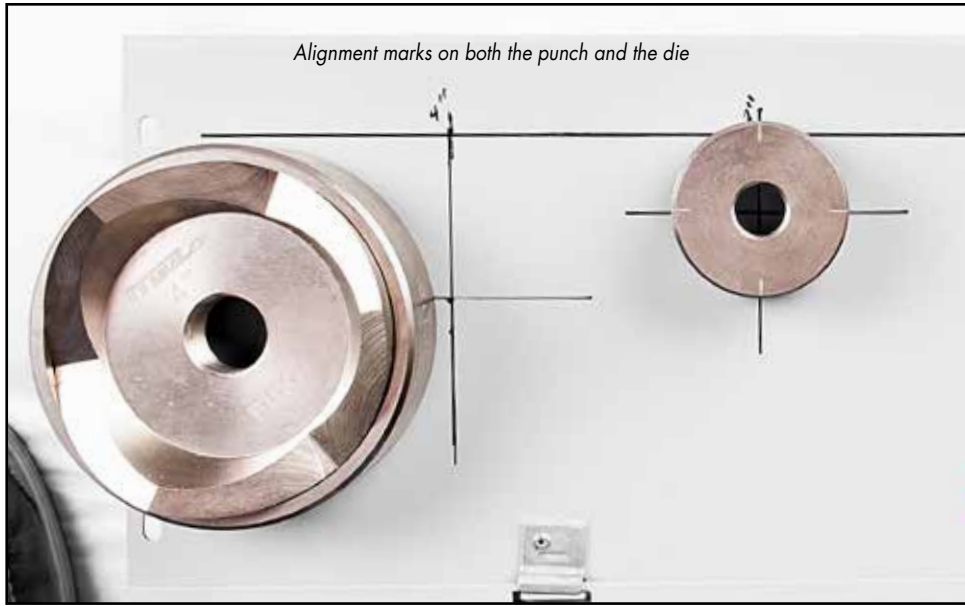
- iTOOLco's SLICK-CUT™ technology allows 1/2" through 6" punches and dies to cut through an industry leading 10 gauge mild and stainless steel while maintaining the sharpness of the cutting edges
- Gear Punch™ tool will work with any make or model of corded or cordless drill, new or old drills, no special additions needed
- Punches and dies are clearly marked with trade standard conduit sizes as well as Center Point™ marks for perfect alignment, no matter what direction you cut from
- Lightweight and easy to use
- Gear Punch™ tool is compatible with other punch and die offerings
- Lifetime replacement on Draw Studs



Model	Description
<b>GP01</b>	Gear Punch (Tool Only)
<b>GP122</b>	Gear Punch Kit 1/2" to 2" (Tool Included)
<b>GP123</b>	Gear Punch Kit 2-1/2" to 4" (Tool Not Included)
<b>GP124</b>	Gear Punch Kit 1/2" to 4" (Tool Included) (Includes GP122 & GP123)
<b>GP126</b>	Gear Punch Kit 1/2" to 6" (Tool Included) (Includes GP122, GP123 & GP156)
<b>GP156</b>	Gear Punch Kit 5" & 6" (Tool Not Included)



**6**  
YEAR  
LIMITED  
WARRANTY



## PUNCH AND DIE SETS

### Faster

- Powers through 10 gauge stainless steel, mild steel, and aluminum with ease
- Cleaner, easier cut for 1/2" thru 6" dies
- Slugs pop out in a second

### Safer

- 3-point cutting
- Quicker, smoother cut
- No rough edges

### Smarter

- Prevents panel distortion
- Works with the iTOLCo Gear Punch and other popular knockout tools
- 1/2" – 2" sizes come with the iTOLCo Center Point Knockout Layout tool

Model	Description	Specifications
<b>PD01C</b>	1/2" Punch and Die with Center Point Tool	1/2" dia.
<b>PD02C</b>	3/4" Punch and Die with Center Point Tool	3/4" dia.
<b>PD03C</b>	1" Punch and Die with Center Point Tool	1" dia.
<b>PD04C</b>	1-1/4" Punch and Die with Center Point Tool	1-1/4" dia.
<b>PD05C</b>	1-1/2" Punch and Die with Center Point Tool	1-1/2" dia.
<b>PD06C</b>	2" Punch and Die with Center Point Tool	2" dia.
<b>PD07</b>	2-1/2" Punch and Die	2-1/2" dia.
<b>PD08</b>	3" Punch and Die	3" dia.
<b>PD09</b>	3-1/2" Punch and Die	3-1/2" dia.
<b>PD10</b>	4" Punch and Die	4" dia.
<b>PD11</b>	5" Punch and Die	5" dia.
<b>PD12</b>	6" Punch and Die	6" dia.
<b>PD13</b>	30.5mm Punch and Die	30.5mm dia.



PD01

PD02

PD03

PD04

PD05

PD06

PD07

PD08

PD09

PD10

PD11

PD12







## 12 TON CORDLESS DIELESS CRIMPER

### Faster

- No die changes
- Streamline
- Lightweight
- Easy one-handed operation

### Safer

- Weather resistant housing
- Audible bypass when predetermined pressure is achieved
- Ergonomically balanced

### Smarter

- Tested up to 75KV
- Swivel head design
- Battery operated
- Flashlight included
- Rapid advance
- Trigger and release buttons

### Capacity

- Output: 12 Ton
- Crimp Range: 8 AWG to 1000 MCM
- Includes: molded tool case

Model	Description	Specifications
<b>WCT1000</b>	Cordless & Dieless 12 Ton Crimping Tool	20"L x 3.9"W x 4.75"H, 13.4 lb.



**iTOOLco Window Crimps™ work best when used with the iTOOLco WCT1000 12 Ton Cordless Dieless Crimper.**





Internal threads for extra bite.

**WINDOW CRIMP™**

**WITH SURE GRIP**

**Faster**

- Single use pulling crimps
- Install faster than traditional pulling heads
- Compact

**Safer**

- Internal threads offer more surface area for crimping
- Stronger and more secure
- Guaranteed when installed by an iTOOLco certified installer

**Smarter**

- Window allows for easy visual inspection of wire placement
- Individually packaged and clearly labeled so you get the right crimp for the job
- Works best with iTOOLco.'s WTC1000 Crimper. Compatible with any 12 ton crimper
- Works with aluminum or copper conductors

**NOTE: Patent Pending**

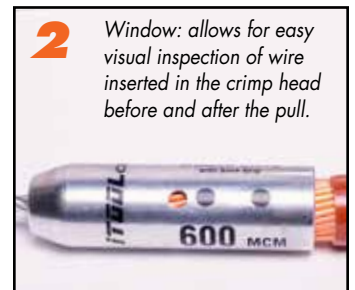


**BECOME A CERTIFIED INSTALLER  
CALL 865.670.3713**



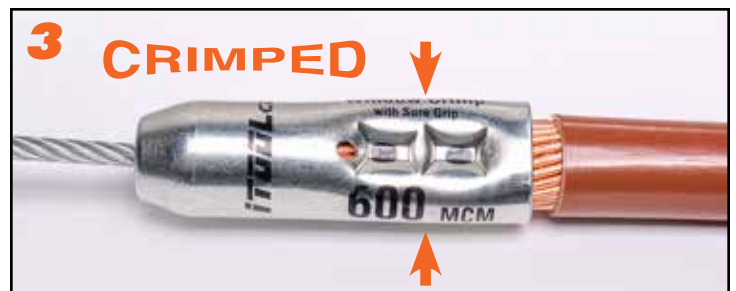
**1** Easy, fast, strong and foolproof.

**1. Strip the wire to allow full insertion into the head.**



**2** Window: allows for easy visual inspection of wire inserted in the crimp head before and after the pull.

**2. Insert the bare wire into the head past the window.**



**3 CRIMPED**

**3. An iTOOLco certified installer uses the WTC 1000 tool, or similar 12 ton die crimping tool, to squeeze the crimp head in one or two positions depending on the iTOOLco specifications.**





Wire Size	Model	SKU #	Lanyard Length	Weight per pc.	Ultimate Holding Value	No. of Crimps
8	<b>CR120</b>	617209994988	11"	0.04 lb.	200 lb.	One
8	<b>CR121</b>	617209994995	15"	0.04 lb.	200 lb.	One
8	<b>CR122</b>	617209995008	19"	0.04 lb.	200 lb.	One
8	<b>CR123</b>	617209995015	23"	0.04 lb.	200 lb.	One
6	<b>CR124</b>	617209995022	11"	0.06 lb.	300 lb.	One
6	<b>CR125</b>	617209995039	15"	0.06 lb.	300 lb.	One
6	<b>CR126</b>	617209995039	19"	0.06 lb.	300 lb.	One
6	<b>CR127</b>	617209995053	23"	0.06 lb.	300 lb.	One
4	<b>CR128</b>	617209995060	11"	0.06 lb.	350 lb.	One
4	<b>CR129</b>	617209995077	15"	0.06 lb.	350 lb.	One
4	<b>CR130</b>	617209995084	19"	0.06 lb.	350 lb.	One
4	<b>CR131</b>	617209995091	23"	0.06 lb.	350 lb.	One
3	<b>CR132</b>	617209995107	11"	0.07 lb.	500 lb.	One
3	<b>CR133</b>	617209995114	15"	0.07 lb.	500 lb.	One
3	<b>CR134</b>	617209995121	19"	0.07 lb.	500 lb.	One
3	<b>CR135</b>	617209995138	23"	0.07 lb.	500 lb.	One
2	<b>CR136</b>	617209995145	11"	0.07 lb.	600 lb.	One
2	<b>CR137</b>	617209995152	15"	0.07 lb.	600 lb.	One
2	<b>CR138</b>	617209995169	19"	0.07 lb.	600 lb.	One
2	<b>CR139</b>	617209995176	23"	0.07 lb.	600 lb.	One
1	<b>CR140</b>	617209995183	11"	0.10 lb.	1000 lb.	One
1	<b>CR141</b>	617209995190	15"	0.11 lb.	1000 lb.	One
1	<b>CR142</b>	617209995206	19"	0.11 lb.	1000 lb.	One
1	<b>CR143</b>	617209995213	23"	0.12 lb.	1000 lb.	One
1/O	<b>CR144</b>	617209995220	14"	0.11 lb.	1100 lb.	Two
1/O	<b>CR145</b>	617209995237	21"	0.13 lb.	1100 lb.	Two
1/O	<b>CR146</b>	617209995244	28"	0.14 lb.	1100 lb.	Two
1/O	<b>CR147</b>	617209995251	35"	0.15 lb.	1100 lb.	Two
2/O	<b>CR148</b>	617209995268	14"	0.22 lb.	1100 lb.	Two
2/O	<b>CR149</b>	617209995275	21"	0.25 lb.	1100 lb.	Two
2/O	<b>CR150</b>	617209995282	28"	0.28 lb.	1100 lb.	Two
2/O	<b>CR151</b>	617209995299	35"	0.31 lb.	1100 lb.	Two
3/O	<b>CR152</b>	617209995305	14"	0.25 lb.	1500 lb.	Two
3/O	<b>CR153</b>	617209995312	21"	0.27 lb.	1500 lb.	Two
3/O	<b>CR154</b>	617209995329	28"	0.30 lb.	1500 lb.	Two
3/O	<b>CR155</b>	617209995336	35"	0.32 lb.	1500 lb.	Two

Wire Size	Model	SKU #	Lanyard Length	Weight per pc.	Ultimate Holding Value	No. of Crimps
4/O	<b>CR156</b>	617209995343	14"	0.26 lb.	1700 lb.	Two
4/O	<b>CR157</b>	617209995350	21"	0.31 lb.	1700 lb.	Two
4/O	<b>CR158</b>	617209995367	28"	0.33 lb.	1700 lb.	Two
4/O	<b>CR159</b>	617209995374	35"	0.37 lb.	1700 lb.	Two
250	<b>CR160</b>	617209995381	14"	0.42 lb.	2000 lb.	Two
250	<b>CR161</b>	617209995398	21"	0.49 lb.	2000 lb.	Two
250	<b>CR162</b>	617209995404	28"	0.53 lb.	2000 lb.	Two
250	<b>CR163</b>	617209995411	35"	0.60 lb.	2000 lb.	Two
300	<b>CR164</b>	617209995428	14"	0.49 lb.	3000 lb.	Two
300	<b>CR165</b>	617209995435	21"	0.55 lb.	3000 lb.	Two
300	<b>CR166</b>	617209995442	28"	0.62 lb.	3000 lb.	Two
300	<b>CR167</b>	617209995459	35"	0.68 lb.	3000 lb.	Two
350	<b>CR168</b>	617209995466	14"	0.62 lb.	4000 lb.	Two
350	<b>CR169</b>	617209995473	21"	0.66 lb.	4000 lb.	Two
350	<b>CR170</b>	617209995480	28"	0.73 lb.	4000 lb.	Two
350	<b>CR171</b>	617209995497	35"	0.77 lb.	4000 lb.	Two
400	<b>CR172</b>	617209995503	14"	0.62 lb.	4500 lb.	Two
400	<b>CR173</b>	617209995510	21"	0.68 lb.	4500 lb.	Two
400	<b>CR174</b>	617209995527	28"	0.75 lb.	4500 lb.	Two
400	<b>CR175</b>	617209995534	35"	0.79 lb.	4500 lb.	Two
500	<b>CR176</b>	617209995541	14"	0.82 lb.	5000 lb.	Two
500	<b>CR177</b>	617209995558	21"	0.86 lb.	5000 lb.	Two
500	<b>CR178</b>	617209995565	28"	0.93 lb.	5000 lb.	Two
500	<b>CR179</b>	617209995572	35"	1.04 lb.	5000 lb.	Two
600	<b>CR180</b>	617209995589	14"	0.93 lb.	5500 lb.	Two
600	<b>CR181</b>	617209995596	21"	0.97 lb.	5500 lb.	Two
600	<b>CR182</b>	617209995602	28"	1.04 lb.	5500 lb.	Two
600	<b>CR183</b>	617209995619	35"	1.15 lb.	5500 lb.	Two
750	<b>CR184</b>	617209995626	14"	1.10 lb.	5500 lb.	Two
750	<b>CR185</b>	617209995633	21"	1.17 lb.	5500 lb.	Two
750	<b>CR186</b>	617209995640	28"	1.23 lb.	5500 lb.	Two
750	<b>CR187</b>	617209995657	35"	1.30 lb.	5500 lb.	Two
1000	<b>CR188</b>	617209995664	14"	1.21 lb.	5500 lb.	Two
1000	<b>CR189</b>	617209995671	21"	1.28 lb.	5500 lb.	Two
1000	<b>CR190</b>	617209995688	28"	1.35 lb.	5500 lb.	Two
1000	<b>CR191</b>	617209995695	35"	1.41 lb.	5500 lb.	Two

**Ask For Them By Name,  
iTOOLco's Window Crimp™ with Sure Grip**



**FOOT SWITCH**

Model	Description
<b>SP-130</b>	20 Amp Foot Switch
<b>SP-156</b>	Replacement Cord for Foot Switch

**REPLACEMENT FLASHLIGHT**



Model	Description
<b>SP-121</b>	Replacement Flashlight

**HANDLE FOR REAL JACKS**



Model	Description
<b>SP-151</b>	Real Jack Replacement Handle

**HANDLE**



Model	Description
<b>SP-123</b>	3" Adjustable Handle



**EXTENSION CORDS**

- Heavy duty type 12/3 SJWT
- 15amp-125volt
- -40 degree cold weather jacket
- Water & flame resistant
- Lighted indicator plug glows when the cord has power
- Meets OSHA specifications
- UL Listed

Model	Description	Specs
<b>EC40</b>	40' Extension Cord	40'L, 3.5 lb.
<b>EC75</b>	75' Extension Cord	75'L, 6 lb.



**CORD ADAPTER**

Model	Description
<b>SP-122</b>	Twistlock 20A by 15A Plug





**Nobody said it  
would be easy.  
UNTIL NOW.**

***ITOOOL*co.**

865-670-3713 • [iTOOLco.com](http://iTOOLco.com)

Innovative Tools For Professional Electricians & Contractors



***iTOOLco.***

**865-670-3713 • [iTOOLco.com](http://iTOOLco.com)**

**Innovative Tools For Professional Electricians & Contractors**

