

# Industrial SPECgrade Electrical Fittings

*When Demanding Conditions, Demand the Best*



*Trust One Name*

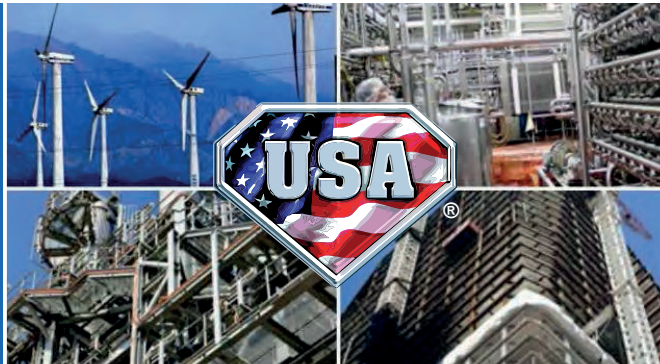
**AMERICAN FITTINGS**  
Corporation



*Manufactured in the USA Since 1946*

### We Are the Perfect Connection for

Agriculture  
Alternative Energy  
Data Centers  
Federal & State Projects  
Food Processing & Production  
Hospitals and Medical Centers  
Industrial Applications



Infrastructure Construction  
Military Bases  
OEM Equipment  
Oil & Gas Projects  
Paper & Pulp  
Transportation  
Waste Water Treatment

### Innovating the Next Generation of Electrical Fittings

For over 70 years, AMERICAN FITTINGS has been built and grown around our customers. We listen, design and manufacture the highest quality with great integrity to meet your challenges. Our continual goal is to improve products through innovation in processes and design to meet the changing challenges of today's and tomorrow's electrical industry.

Founded in 1946, a family owned and operated, 3rd generation business, we have grown into the world's largest manufacturer of alloy steel electrical fittings. Headquartered in New Jersey, all products are sold exclusively through Authorized Stocking Distributors. Our products are made in the USA, and they will exceed your requirements and expectations, not your budget.

***We never apologize why our products are made in America; we suggest you ask our competitors "why they don't"!***

Random lot shipping inspection in a foreign country can never replace integrity manufactured into raw materials and quality manufacturing in this country. Because our products are made in the USA, don't consider us, "just a government project supplier". Consider us as your fitting supplier for all types of projects. Our price for non-government work will surely surprise you, while our products will outperform, outclass and all competition.

### DISCOVER AMERICAN FITTINGS CORE VALUES

These values are instilled in every team member within our organization.

:

#### ENTREPRENEURIAL

We are passionate and innovative in addressing our business challenges. We will seek solutions to optimize our products and services to meet the demanding challenges of the industry we serve.

#### PERFORMANCE DRIVEN

We take pride in finding ways to consistently meet or beat our demanding goals.

#### COLLABORATIVE

We work together openly, sharing our common goals with our internal and external partners.

#### ETHICAL

We hold ourselves accountable to the highest standards of behavior in the industry and serve the trusted interests of both customers and business partners alike.

### OUR COMPANY'S THREE CORE (C'S) PRINCIPALS

**COMPETENCY** - Develop Products, People, and Systems to Be the Best, While Executing Sound Judgement

**COMMITMENT** - In All Aspects of our Business, Keep Our Promises, Do What We Say We Will Do, When, How, and For the Price

**CONSISTENCY** - Exercise and Maintain Well Thought-Out Actions and Strategies That Stay the Course, Even If it Challenges Perception

***Who says, integrity and quality of products and service have to be expensive ? Normally, all companies that supply inferior products!***

All our products come with inherent value - our value to you by supplying the best fitting made with product differentiators, reduction in your installation time, and improvement in your application. At the same time, meeting your budget and exceeding your expectations.

As a family business, We Guarantee It! In fact, all AMERICAN FITTINGS products are sold with a lifetime guarantee.

## Quality has one name, AMERICAN

# Think American

*The NEXT GENERATION of Electrical Fittings*

Cord Grip Connectors  
Rigid Conduit Fittings  
Liquid Tight Fittings  
FMC Connectors  
EMT Fittings  
Accessories  
Alloy Steel  
Aluminum  
Stainless Steel



## Industrial SPECgrade Fittings in Alloy Steel, Aluminum & Stainless Steel

*Manufactured in the USA Since 1946*



[amftgs.com](http://amftgs.com)

800.221.5268





# AMFICO

Made in the USA Since 1946

## Discover the AMFICO Advantage to Buying Solid Steel Machined US Manufactured Industrial SPEC-grade Fittings



We manufacture in New Jersey the finest and most cost effective electrical conduit fitting on the market. Solid USA steel and machined turned parts guarantee you faster installation and unique design characteristics not found in typical inferior die cast products. No other manufacturer world-wide can provide our superior product and integrity of manufacturing consistency. When it comes to electrical fittings consider the first name in American manufactured products, American Fittings Corp. sold exclusively through electrical distributors. For more information contact your local distributor or visit us online [www.amftgs.com](http://www.amftgs.com).

### Fully Automated Screw Machined Fittings

Hold conformity, tolerances, and quality that are not available in thin wall die cast products

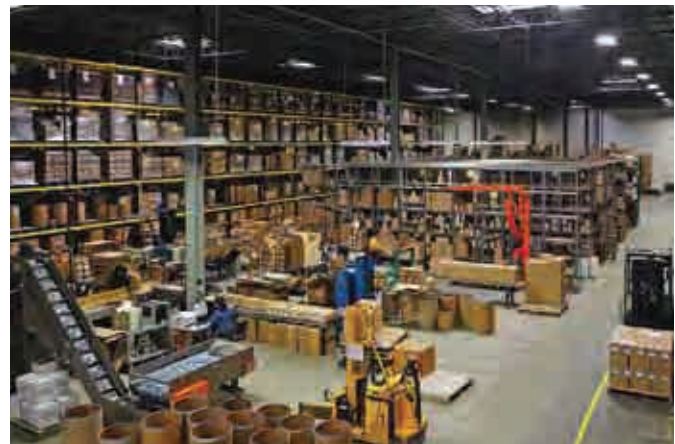


### World Class Machining Operations

The highlight of our 100,000 sq. ft. facility is our manufacturing and machining operations. It is our belief that no other manufacturer worldwide can provide the volume of solid steel fittings

### Main Warehouse in New Jersey

On time, service is our trademark, with 5 other strategic warehouses in the US and a national distribution channel, an AMFICO Made in US fitting is always available for your projects



**Better Products, Better Ideas  
Made in the USA Since 1946**

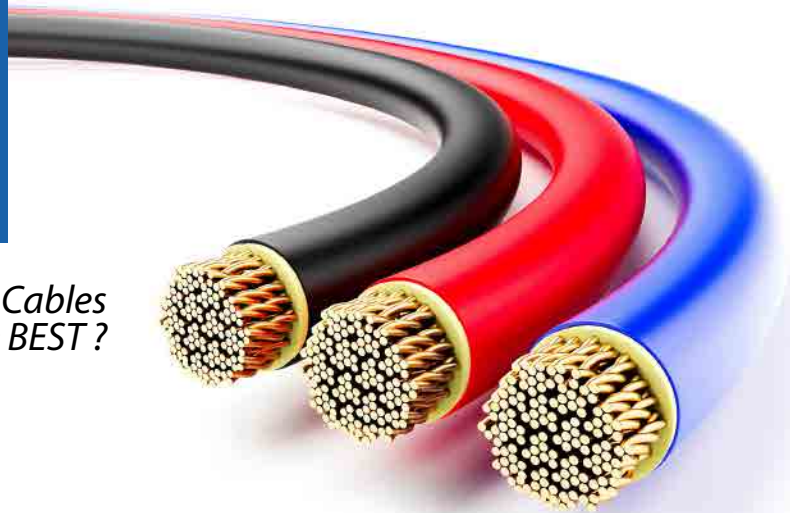
## AMERICAN FITTINGS Corporation

17-10 Willow Street, Fair Lawn NJ 07410 | t: 800.221.5268 | f: 201.664.1175 | [amftgs.com](http://amftgs.com)



# Cord Connectors

Specification Grade  
Alloy Steel, Aluminum, Stainless  
Made in the USA



*Why Aren't Your Cables  
Wearing the BEST?*

**AMFICO Innovation Not Duplication**

**STOP USING OUTDATED CORD CONNECTORS AND  
CONNECT WITH THE BEST!**

**AMFICO SPEC-grade Strain Relief Cord Grips are Guaranteed to:**

- Prevent Cable Pullout
- Control Arc Of Bend
- Provide a Tight Seal Against the Toughest Elements
  - Dirt, Grease, and Sludge
  - Liquids
  - Moisture
  - Oils
  - Coolants

**Create a More Secure Connection  
Save Time on Every Installation**



**AMERICAN FITTINGS**  
Corporation



*Manufactured in the USA Since 1946*





Since 1946

# Cord Grip Connectors

## The Superior Choice in Strain Relief Fittings

All AMFICO Strain Relief Cord Connectors Will:

- Allow You to Choose the Correct Trade Size for a Wide Variety of Cable Types and Sizes
- Prevent Cable Pullout, Designed for Your Specified Range of Cord
- Control Arc of Bend to Meet Code Requirements Under Adverse Conditions
- Provide a Tight Seal Against the Toughest Elements such as Dirt, Oils, and Coolants
- Suitable for Neoprene, PVC Coated, Vinyl and Armored or Unarmored Cable.
- Alloy Steel Fittings Provide TWICE the STRENGTH of DIE CAST**

**EZ-Torque Hex Design Nut-**  
Solid Alloy Steel Precision Machined Compression Nut, Grips Tight & Right  
Vibration Resistant  
Chamfered Dome Sheds Moisture

### FOCUS ON THE DETAILS

**Solid Alloy Steel Body**  
Precision Machine Cut Threads - *Never Flatten, Never Cross*  
Consistent Centerline to Compression Nut  
Guarantees Environmentally Sealing All Cords Correctly

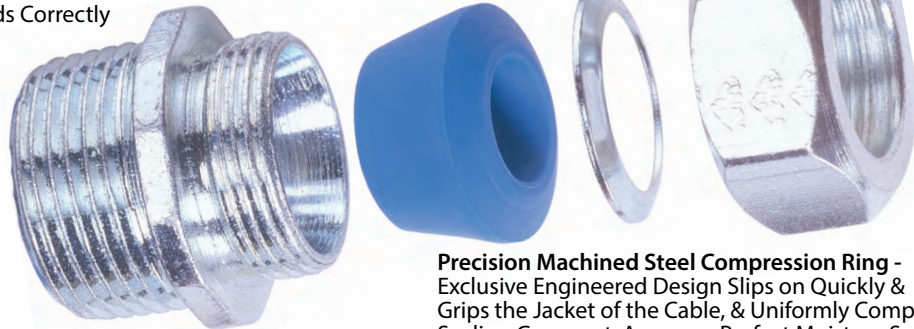
**Color Coded Sealing Grommets** - Seat Precisely in Connector Body and are Designed and Color Coded for SPECIFIC Cable Ranges. Provides a Liquid Tight Connection. Material Allows Cable to be Pulled Easily, Yet Holds Irregular Cable Securely



Furnished with AMFICO SPECTRUM Series

Heavy Duty Industrial Grade Steel Locknut **Included With SPECTRUM Series**

Color Coded Sealing Washer **Included With Spectrum Series Grips** Provides a Liquid Tight Seal When Terminating the Connector To an Enclosure or Equipment Adapts Easily to Variations in Knockout Dimensions



**Precision Machined Steel Compression Ring** - Exclusive Engineered Design Slips on Quickly & Grips the Jacket of the Cable, & Uniformly Compresses Sealing Grommet. Assures a Perfect Moisture Seal, While Preventing Pullout Under Extreme Conditions



Shown SPECTRUM

### Designs Available:

#### Standard Industrial Series

##### AP -SPEC

Low Profile Design  
Unique Cord Range to Match Appleton Cord Ranges

##### SPECTRUM™ Series

Furnished with Color Coded Sealing Washer & Industrial Grade Steel Locknut

##### NML Series

Non-Metallic Cord Connectors

##### UF Series

Under Ground Feeder Cable

### Materials Available:

- Alloy Steel, Industrial Zinc Plated with Chromate Finish
- Aluminum
- Stainless Steel
- Non-Metallic Nylon

### Configurations Available:

Straight, 90°, 45°, Wire Mesh Strain Relief, Multi Hole Grommets, Adapters, Special Made to Order Applications

### Compliances:

**Certified Made in the USA**

- UL 514B
- UL Rated Suitable for Hazardous Locations
- NEMA Standard FB1
- Federal Standard A-A-50553
- NEC: Class I, Division 2
- Class II, Divisions 1 and 2
- Class III, Divisions 1 and 2
- NEC 501-4(b), 505-4(a), 503-3(a)
- RoHS Compliant







Since 1946

# AMFICO Cord Grip Connectors

## Dress Up Your Cords with the Best

3/8" to 2" **SPEC-grade™** Industrial and Commercial Cord Grip Connectors



*SPECTrum Color Coded Furnished with Lock Nut & Sealing Ring*

Extensive Cable Ranges with AMFICO Color Coded Grommets

Materials Available:

- Alloy Steel
- Aluminum
- Stainless Steel
- Non-Metallic Nylon

ALL Products Made in the USA Since 1946

AMFICO CG Series are for use with portable cords, including S, SO, STO, ST, SJ, SJT, SJTO and SVO.



*UF Feeder*



*Standard SPECgrade Grade*



*Non-Metallic*

*Full Range of Wire Mesh Strain Relief Configurations*



*AP Spec - Appleton Range*

AMFICO Cord Connectors were not born on an engineer's computer screen or duplicated from a competitor's catalog. They were/are designed, crafted, and manufactured by decades of OEM, end user, and contractor input. If there was a need or want on their wish list, it was incorporated into AMFICO Fittings.



*90° & 45° Grips*

AMFICO **EZ Torque** Compression Nuts  
Guaranteed to Seal Tight, Right, & Vibration Free  
Slightly Domed to Shred Liquids from the Entry



*Custom Connectors Available Including PG & ISO Threads*

While other cord grips stop at the standard features needed to make a connection, AMFICO ignored the memo. Our cord grips not only contain features designed for electricians and end-users, but feature the ones that maintain the American integrity of your systems. Conventional? We proudly say, "no".

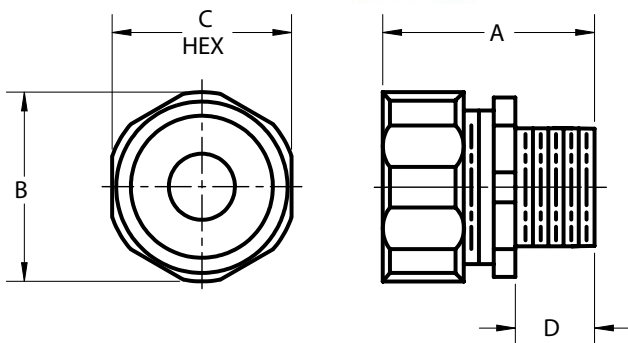
# AMERICAN FITTINGS

## Standard Industrial Grade Cord Grip Connectors

### Straight 1/2" - 1"



Since 1946



### AMFICO SPEC-grade™ Cord Grip Connectors

**Materials:**

Alloy Steel with Zinc Plating Chromate Finish  
 Aluminum \* Add AL to Suffix on Cat #  
 Stainless Steel \*\* Consult Factory for Availability

**Compliances:**

Certified Made in the USA  
 UL 514B  
 UL Rated Suitable for Hazardous Locations  
 NEMA Standard FB1  
 Federal Standard A-A-50553  
 NEC: Class I, Division 2  
 Class II, Divisions 1 and 2  
 Class III, Divisions 1 and 2  
 NEC 501-4(b), 505-4(a), 503-3(a)



Cat #	Size	A Length	B Diameter	C Hex	D Length of Thread	Cable Ranges		WT/ 100
						MIN	MAX	
CG50A250	1/2"	1-5/16"	1-3/32"	1-1/32"	1/2"	.150	.250	10
CG50A350	1/2"	1-5/16"	1-3/32"	1-1/32"	1/2"	.250	.350	10
CG50A450	1/2"	1-5/16"	1-3/32"	1-1/32"	1/2"	.350	.450	10
CG50A560	1/2"	1-5/16"	1-3/32"	1-1/32"	1/2"	.450	.560	10
CG50A650	1/2"	1-5/16"	1-3/32"	1-1/32"	1/2"	.560	.650	10
CG75A250	3/4"	1-3/8"	1-3/32"	1-1/32"	17/32"	.150	.250	20
CG75A350	3/4"	1-3/8"	1-3/32"	1-1/32"	17/32"	.250	.350	20
CG75A450	3/4"	1-3/8"	1-3/32"	1-1/32"	17/32"	.350	.450	20
CG75A560	3/4"	1-3/8"	1-3/32"	1-1/32"	17/32"	.450	.560	20
CG75A650	3/4"	1-3/8"	1-3/32"	1-1/32"	17/32"	.560	.650	20
CG75B750	3/4"	1-9/16"	1-11/32"	1-9/32"	17/32"	.650	.750	20
CG75B850	3/4"	1-9/16"	1-11/32"	1-9/32"	17/32"	.750	.850	20
CG100B560	1"	1-23/32"	1-11/32"	1-9/32"	21/32"	.450	.560	30
CG100B650	1"	1-23/32"	1-11/32"	1-9/32"	21/32"	.560	.650	30
CG100B750	1"	1-23/32"	1-11/32"	1-9/32"	21/32"	.650	.750	30
CG100B850	1"	1-23/32"	1-11/32"	1-9/32"	21/32"	.750	.850	30
CG100C950	1"	1-25/32"	1-5/8"	1-9/16"	21/32"	.850	.950	30
CG100C1050	1"	1-25/32"	1-5/8"	1-9/16"	21/32"	.950	1.050	30

Other cable ranges may be available, please consult factory for the size you need.



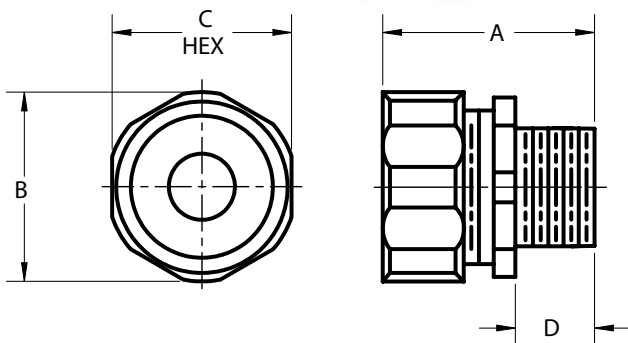
# AMERICAN FITTINGS

## Standard Industrial Grade Cord Grip Connectors

### Straight 1 1/4 - 2"



Since 1946



### AMFICO SPEC-grade™ Cord Grip Connectors

#### Materials:

Alloy Steel with Zinc Plating Chromate Finish

Aluminum \* Add AL to Suffix on Cat #

Stainless Steel \*\* Consult Factory for Availability

#### Compliances:

Certified Made in the USA

UL 514B

UL Rated Suitable for Hazardous Locations

NEMA Standard FB1

Federal Standard A-A-50553

NEC: Class I, Division 2

Class II, Divisions 1 and 2

Class III, Divisions 1 and 2

NEC 501-4(b), 505-4(a), 503-3(a)



Cat #	Size	A Length	B Diameter	C Hex	D Length of Thread	Cable Ranges		WT/ 100
						MIN	MAX	
CG125C850	1-1/4"	1-13/16"	1-5/8"	1-9/16"	11/16"	.750	.850	45
CG125C950	1-1/4"	1-13/16"	1-5/8"	1-9/16"	11/16"	.850	.950	45
CG125D1050	1-1/4"	1-27/32"	2-1/32"	1-31/32"	11/16"	.950	1.050	45
CG125D1150	1-1/4"	1-27/32"	2-1/32"	1-31/32"	11/16"	1.050	1.150	45
CG125D1250	1-1/4"	1-27/32"	2-1/32"	1-31/32"	11/16"	1.150	1.250	45
CG125D1375	1-1/4"	1-27/32"	2-1/32"	1-31/32"	11/16"	1.250	1.375	45
CG150D1050	1-1/2"	2"	2-1/32"	1-31/32"	11/16"	.950	1.050	70
CG150D1150	1-1/2"	2"	2-1/32"	1-31/32"	11/16"	1.050	1.150	70
CG150D1250	1-1/2"	2"	2-1/32"	1-31/32"	11/16"	1.150	1.250	70
CG150D1375	1-1/2"	2"	2-1/32"	1-31/32"	11/16"	1.250	1.375	70
CG150E1500	1-1/2"	2-1/8"	2-3/8"	2-9/32"	23/32"	1.380	1.500	70
CG150E1630	1-1/2"	2-1/8"	2-3/8"	2-9/32"	23/32"	1.500	1.630	70
CG150E1750	1-1/2"	2-1/8"	2-3/8"	2-9/32"	23/32"	1.630	1.750	70
CG150E1880	1-1/2"	2-1/8"	2-3/8"	2-9/32"	23/32"	1.750	1.880	70
CG200F1380	2"	2-9/32"	2-7/8"	2-25/32"	23/32"	1.250	1.380	100
CG200F1500	2"	2-9/32"	2-7/8"	2-25/32"	23/32"	1.380	1.500	100
CG200F1630	2"	2-9/32"	2-7/8"	2-25/32"	23/32"	1.500	1.630	100
CG200F1750	2"	2-9/32"	2-7/8"	2-25/32"	23/32"	1.630	1.750	100
CG200F1810	2"	2-9/32"	2-7/8"	2-25/32"	23/32"	1.690	1.810	100
CG200F1880	2"	2-9/32"	2-7/8"	2-25/32"	23/32"	1.750	1.880	100
CG200F1940	2"	2-9/32"	2-7/8"	2-25/32"	23/32"	1.810	1.940	100
CG200F2060	2"	2-9/32"	2-7/8"	2-25/32"	23/32"	1.940	2.060	100

# AMERICAN FITTINGS

## Standard Industrial Grade Cord Grip Connectors

### 90° 1/2 - 1"



Since 1946



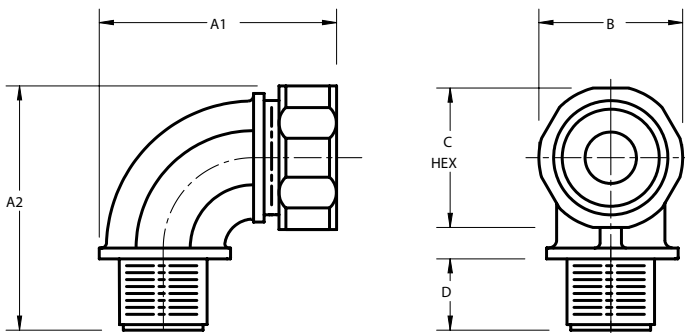
### AMFICO SPEC-grade™ 90° Cord Grip Connectors

**Materials:**

Compression Nuts Alloy Steel  
Fitting Body MI

**Compliances:**

Certified Made in the USA  
UL 514B  
UL Rated Suitable for Hazardous Locations  
NEMA Standard FB1  
Federal Standard A-A-50553  
NEC: Class I, Division 2  
Class II, Divisions 1 and 2  
Class III, Divisions 1 and 2  
NEC 501-4(b), 505-4(a), 503-3(a)



*Featuring*

AMFICO EZ **Torque** Compression Nuts  
Guaranteed to Seal Tight, Right, & Vibration Free

CAT #	SIZE	A1 Length	A2 Length	B Diameter	C Hex	D Length of Thread	WT/100
CG50A25090	1/2"	2-7/32"	1-25/32"	1-3/32"	1-1/32"	19/32"	26
CG50A35090	1/2"	2-7/32"	1-25/32"	1-3/32"	1-1/32"	19/32"	26
CG50A45090	1/2"	2-7/32"	1-25/32"	1-3/32"	1-1/32"	19/32"	26
CG50A56090	1/2"	2-7/32"	1-25/32"	1-3/32"	1-1/32"	19/32"	26
CG50A65090	1/2"	2-7/32"	1-25/32"	1-3/32"	1-1/32"	19/32"	26
CG75A25090	3/4"	2-1/2"	2-11/32"	1-3/32"	1-1/32"	19/32"	48
CG75A35090	3/4"	2-1/2"	2-11/32"	1-3/32"	1-1/32"	19/32"	48
CG75A45090	3/4"	2-1/2"	2-11/32"	1-3/32"	1-1/32"	19/32"	48
CG75A56090	3/4"	2-1/2"	2-11/32"	1-3/32"	1-1/32"	19/32"	48
CG75A65090	3/4"	2-1/2"	2-11/32"	1-3/32"	1-1/32"	19/32"	48
CG75B75090	3/4"	2-7/16"	2-5/16"	1-11/32"	1-9/32"	19/32"	48
CG75B85090	3/4"	2-7/16"	2-5/16"	1-11/32"	1-9/32"	19/32"	48
CG100B56090	1"	2-29/32"	2-23/32"	1-11/32"	1-9/32"	21/32"	68
CG100B65090	1"	2-29/32"	2-23/32"	1-11/32"	1-9/32"	21/32"	68
CG100B75090	1"	2-29/32"	2-23/32"	1-11/32"	1-9/32"	21/32"	68
CG100B85090	1"	2-29/32"	2-23/32"	1-11/32"	1-9/32"	21/32"	68
CG100C95090	1"	2-29/32"	2-23/32"	1-5/8"	1-9/16"	21/32"	68
CG100C105090	1"	2-29/32"	2-23/32"	1-5/8"	1-9/16"	21/32"	68



# AMERICAN FITTINGS

## Standard Industrial Grade Cord Grip Connectors

### 45° 1/2" - 1"



Since 1946



### AMFICO SPEC-grade™ 45° Cord Grip Connectors

**Materials:**

Compression Nuts Alloy Steel  
Fitting Body MI

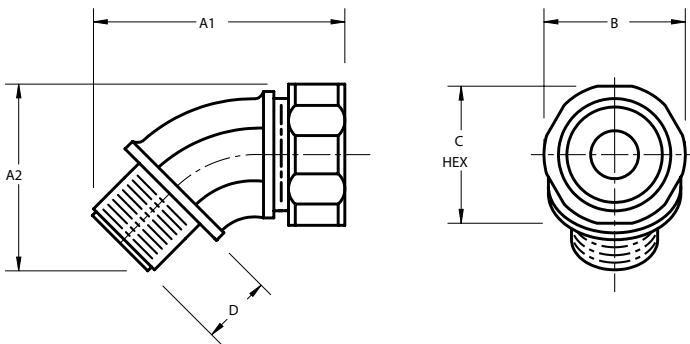
**Compliances:**

Certified Made in the USA  
UL 514B  
UL Rated Suitable for Hazardous Locations  
NEMA Standard FB1  
Federal Standard A-A-50553  
NEC: Class I, Division 2  
Class II, Divisions 1 and 2  
Class III, Divisions 1 and 2  
NEC 501-4(b), 505-4(a), 503-3(a)



*Featuring*

AMFICO EZ **Torque** Compression Nuts  
Guaranteed to Seal Tight, Right, & Vibration Free



CAT #	SIZE	A1 Length	A2 Length	B Diameter	C Hex	D Length of Thread	WT/100
CG50A25045	1/2"	2-5-16"	1-17/32"	1-3/32"	1-1/32"	19/32"	26
CG50A35045	1/2"	2-5-16"	1-17/32"	1-3/32"	1-1/32"	19/32"	26
CG50A45045	1/2"	2-5-16"	1-17/32"	1-3/32"	1-1/32"	19/32"	26
CG50A56045	1/2"	2-5-16"	1-17/32"	1-3/32"	1-1/32"	19/32"	26
CG50A65045	1/2"	2-5-16"	1-17/32"	1-3/32"	1-1/32"	19/32"	26
CG75A25045	3/4"	2-5/8"	1-13/16"	1-3/32"	1-1/32"	19/32"	48
CG75A35045	3/4"	2-5/8"	1-13/16"	1-3/32"	1-1/32"	19/32"	48
CG75A45045	3/4"	2-5/8"	1-13/16"	1-3/32"	1-1/32"	19/32"	48
CG75A56045	3/4"	2-5/8"	1-13/16"	1-3/32"	1-1/32"	19/32"	48
CG75A65045	3/4"	2-5/8"	1-13/16"	1-3/32"	1-1/32"	19/32"	48
CG75B75045	3/4"	2-1/2"	2-29/32"	1-11/32"	1-9/32"	19/32"	48
CG75B85045	3/4"	2-1/2"	2-29/32"	1-11/32"	1-9/32"	19/32"	48
CG100B56045	1"	3"	2-1/4"	1-11/32"	1-9/32"	21/32"	68
CG100B65045	1"	3"	2-1/4"	1-11/32"	1-9/32"	21/32"	68
CG100B75045	1"	3"	2-1/4"	1-11/32"	1-9/32"	21/32"	68
CG100B85045	1"	3"	2-1/4"	1-11/32"	1-9/32"	21/32"	68
CG100C95045	1"	3"	2-1/4"	1-5/8"	1-9/16"	21/32"	68
CG100C105045	1"	3"	2-1/4"	1-5/8"	1-9/16"	21/32"	68

# AMERICAN FITTINGS

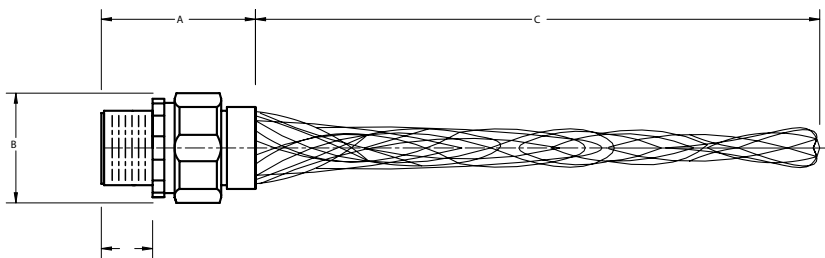
## Standard Industrial Grade Cord Grip Connectors

### Straight with Wire Mesh Strain Relief 1/2 - 1"



Since 1946

### AMFICO SPEC-grade™ Cord Grip Connectors



#### Materials:

Fitting Body and Nut: Alloy Steel  
Wire Mesh: Stainless Steel  
Color Coded Grommet

#### Compliances:

Certified Made in the USA  
UL 514B  
UL Rated Suitable for Hazardous Locations  
NEMA Standard FB1  
Federal Standard A-A-50553  
NEC: Class I, Division 2  
Class II, Divisions 1 and 2  
Class III, Divisions 1 and 2  
NEC 501-4(b), 505-4(a), 503-3(a)



#### Featuring

AMFICO EZ **Torque** Compression Nuts  
Guaranteed to Seal Tight, Right, & Vibration Free

Cat #	Trade Size	A Length	B Diameter	C Mesh Length	D Length of Thread	Cable Ranges	
						MIN	MAX
CG50A250GT	1/2"	2"	1-3/32"	6"	1/2"	.150	.250
CG50A350GT	1/2"	2"	1-3/32"	6"	1/2"	.250	.350
CG50A450GT	1/2"	2"	1-3/32"	6"	1/2"	.350	.450
CG50A560GT	1/2"	2"	1-3/32"	6"	1/2"	.450	.560
CG50A650GT	1/2"	2"	1-3/32"	6"	1/2"	.560	.650
CG75A250GT	3/4"	2-1/32"	1-3/32"	6-1/2"	17/32"	.150	.250
CG75A350GT	3/4"	2-1/32"	1-3/32"	6-1/2"	17/32"	.250	.350
CG75A450GT	3/4"	2-1/32"	1-3/32"	6-1/2"	17/32"	.350	.450
CG75A560GT	3/4"	2-1/32"	1-3/32"	6-1/2"	17/32"	.450	.560
CG75A650GT	3/4"	2-1/32"	1-3/32"	6-1/2"	17/32"	.560	.650
CG75B750GT	3/4"	2-1/32"	1-11/32"	6-1/2"	17/32"	.650	.750
CG75B850GT	3/4"	2-1/32"	1-11/32"	6-1/2"	17/32"	.750	.850
CG100B560GT	1"	2-5/32"	1-11/32"	7-1/2"	21/32"	.450	.560
CG100B650GT	1"	2-5/32"	1-11/32"	7-1/2"	21/32"	.560	.650
CG100B750GT	1"	2-5/32"	1-11/32"	7-1/2"	21/32"	.650	.750
CG100B850GT	1"	2-5/32"	1-11/32"	7-1/2"	21/32"	.750	.850
CG100C950GT	1"	2-5/32"	1-5/8"	7-1/2"	21/32"	.850	.950
CG100C1050GT	1"	2-5/32"	1-5/8"	7-1/2"	21/32"	.950	1.050

Other cable ranges may be available, please consult factory for the size you need.

# AMERICAN FITTINGS

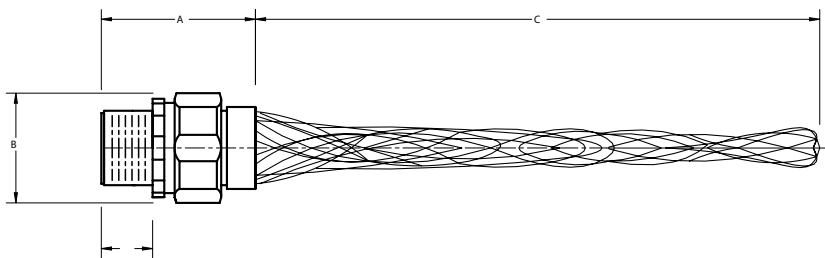
## Standard Industrial Grade Cord Grip Connectors

### Straight with Wire Mesh Strain Relief 1 1/4 - 2"



Since 1946

### AMFICO SPEC-grade™ Cord Grip Connectors



#### Materials:

Fitting Body and Nut: Alloy Steel  
Wire Mesh: Stainless Steel  
Color Coded Grommet

#### Compliances:

Certified Made in the USA  
UL 514B  
UL Rated Suitable for Hazardous Locations  
NEMA Standard FB1  
Federal Standard A-A-50553  
NEC: Class I, Division 2  
Class II, Divisions 1 and 2  
Class III, Divisions 1 and 2  
NEC 501-4(b), 505-4(a), 503-3(a)



#### Featuring

AMFICO EZ **Torque** Compression Nuts  
Guaranteed to Seal Tight, Right, & Vibration Free

Cat #	Trade Size	A Length	B Diameter	C Mesh Length	D Length of Thread	Cable Ranges	
						MIN	MAX
CG125C850GT	1-1/4"	2-3/32"	1-5/8"	10"	11/16"	.750	.850
CG125C950GT	1-1/4"	2-3/32"	1-5/8"	9-1/2"	11/16"	.850	.950
CG125D1050GT	1-1/4"	2-1/4"	2-1/32"	9-1/2"	11/16"	.950	1.050
CG125D1150GT	1-1/4"	2-1/4"	2-1/32"	10-1/2"	11/16"	1.050	1.150
CG125D1250GT	1-1/4"	2-1/4"	2-1/32"	10-1/2"	11/16"	1.150	1.250
CG125D1375GT	1-1/4"	2-1/4"	2-1/32"	12"	11/16"	1.250	1.375
CG150D1050GT	1-1/2"	2-13/32"	2-1/32"	9-1/2"	11/16"	.950	1.050
CG150D1150GT	1-1/2"	2-13/32"	2-1/32"	10-1/2"	11/16"	1.050	1.150
CG150D1250GT	1-1/2"	2-13/32"	2-1/32"	10-1/2"	11/16"	1.150	1.250
CG150D1375GT	1-1/2"	2-13/32"	2-1/32"	12"	11/16"	1.250	1.375
CG150E1500GT	1-1/2"	2-1/2"	2-3/8"	12-1/2"	23/32"	1.380	1.500
CG150E1630GT	1-1/2"	2-1/2"	2-3/8"	12-1/2"	23/32"	1.500	1.630
CG150E1750GT	1-1/2"	2-1/2"	2-3/8"	12-1/2"	23/32"	1.630	1.750
CG150E1880GT	1-1/2"	2-1/2"	2-3/8"	12-1/2"	23/32"	1.750	1.880
CG200F1380GT	2"	2-21/32"	2-7/8"	12"	23/32"	1.250	1.380
CG200F1500GT	2"	2-21/32"	2-7/8"	13"	23/32"	1.380	1.500
CG200F1630GT	2"	2-21/32"	2-7/8"	14"	23/32"	1.500	1.630
CG200F1750GT	2"	2-21/32"	2-7/8"	15"	23/32"	1.630	1.750
CG200F1810GT	2"	2-21/32"	2-7/8"	15"	23/32"	1.690	1.810
CG200F1880GT	2"	2-21/32"	2-7/8"	12-1/2"	23/32"	1.750	1.880
CG200F1940GT	2"	2-21/32"	2-7/8"	14-1/2"	23/32"	1.810	1.940
CG200F2060GT	2"	2-21/32"	2-7/8"	15"	23/32"	1.940	2.060

Other cable ranges may be available, please consult factory for the size you need.



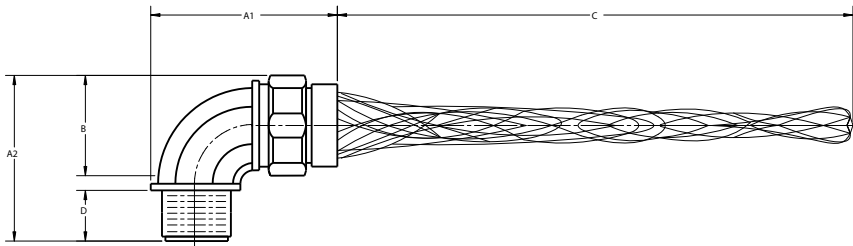
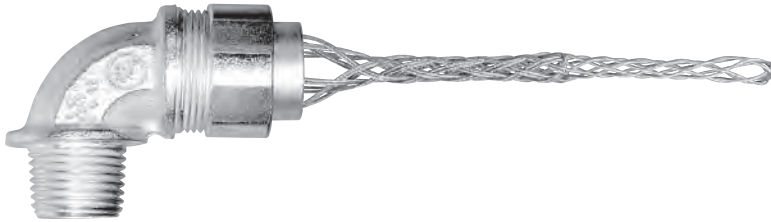
# AMERICAN FITTINGS

Standard Industrial Grade Cord Grip Connectors \*  
90° with Wire Mesh Strain Relief 1/2 - 1"



Since 1946

## AMFICO SPEC-grade™ Cord Grip Connectors



### Materials:

Fitting Body Malleable Iron with Alloy Steel Nut  
Wire Mesh: Stainless Steel  
Color Coded Grommet

### Compliances:

Certified Made in the USA  
UL 514B  
UL Rated Suitable for Hazardous Locations  
NEMA Standard FB1  
Federal Standard A-A-50553  
NEC: Class I, Division 2  
Class II, Divisions 1 and 2  
Class III, Divisions 1 and 2  
NEC 501-4(b), 505-4(a), 503-3(a)



Cat #	Trade Size	A1 Length	A2 Length	B Nut Diameter	C Mesh Length	D Length of Thread	Cable Ranges	
							MIN	MAX
CG50A25090GT	1/2"	2-3/4"	1-7/8"	1-3/32"	6"	19/32"	.150	.250
CG50A35090GT	1/2"	2-3/4"	1-7/8"	1-3/32"	6"	19/32"	.250	.350
CG50A45090GT	1/2"	2-3/4"	1-7/8"	1-3/32"	6"	19/32"	.350	.450
CG50A56090GT	1/2"	2-3/4"	1-7/8"	1-3/32"	6"	19/32"	.450	.560
CG50A65090GT	1/2"	2-3/4"	1-7/8"	1-3/32"	6"	19/32"	.560	.650
CG75A25090GT	3/4"	3-1/32"	2-1/4"	1-3/32"	6-1/2"	19/32"	.150	.250
CG75A35090GT	3/4"	3-1/32"	2-1/4"	1-3/32"	6-1/2"	19/32"	.250	.350
CG75A45090GT	3/4"	3-1/32"	2-1/4"	1-3/32"	6-1/2"	19/32"	.350	.450
CG75A56090GT	3/4"	3-1/32"	2-1/4"	1-3/32"	6-1/2"	19/32"	.450	.560
CG75A65090GT	3/4"	3-1/32"	2-1/4"	1-3/32"	6-1/2"	19/32"	.560	.650
CG75B75090GT	3/4"	3-1/32"	2-1/4"	1-11/32"	6-1/2"	19/32"	.650	.750
CG75B85090GT	3/4"	3-1/32"	2-1/4"	1-11/32"	6-1/2"	19/32"	.750	.850
CG100B56090GT	1"	3-1/2"	2-3/4"	1-11/32"	7-1/2"	21/32"	.450	.560
CG100B65090GT	1"	3-1/2"	2-3/4"	1-11/32"	7-1/2"	21/32"	.560	.650
CG100B75090GT	1"	3-1/2"	2-3/4"	1-11/32"	7-1/2"	21/32"	.650	.750
CG100B85090GT	1"	3-1/2"	2-3/4"	1-11/32"	7-1/2"	21/32"	.750	.850
CG100C95090GT	1"	3-1/2"	2-3/4"	1-5/8"	7-1/2"	21/32"	.850	.950
CG100C105090GT	1"	3-1/2"	2-3/4"	1-5/8"	7-1/2"	21/32"	.950	1.050

\* 90° Wire Mesh Strain Relief also Available in AMFICO Spectrum Range of Products

Larger Sizes Maybe Available Consult Factory

# AMERICAN FITTINGS

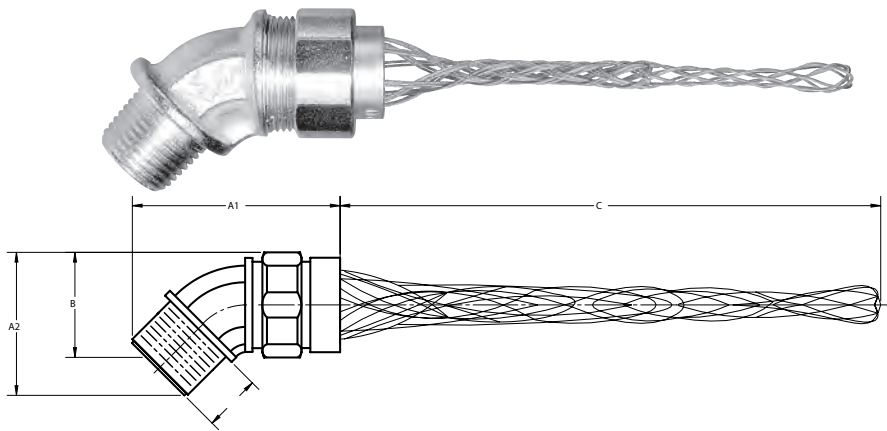
Standard Industrial Grade Cord Grip Connectors \*

45° with Wire Mesh Strain Relief 1/2 - 1"



Since 1946

## AMFICO SPEC-grade™ Cord Grip Connectors



### Materials:

Fitting Body Malleable Iron with Alloy Steel Nut  
Wire Mesh: Stainless Steel  
Color Coded Grommet

### Compliances:

Certified Made in the USA  
UL 514B  
UL Rated Suitable for Hazardous Locations  
NEMA Standard FB1  
Federal Standard A-A-50553  
NEC: Class I, Division 2  
Class II, Divisions 1 and 2  
Class III, Divisions 1 and 2  
NEC 501-4(b), 505-4(a), 503-3(a)



Cat #	Trade Size	A1 Length	A2 Length	B Nut Diameter	C Mesh Length	D Length of Thread	Cable Ranges	
							MIN	MAX
CG50A25045GT	1/2"	2-1/4"	1-11/16"	1-3/32"	4-1/2"	19/32"	.150	.250
CG50A35045GT	1/2"	2-1/4"	1-11/16"	1-3/32"	5-1/2"	19/32"	.250	.350
CG50A45045GT	1/2"	2-1/4"	1-11/16"	1-3/32"	4-1/2"	19/32"	.350	.450
CG50A56045GT	1/2"	2-1/4"	1-11/16"	1-3/32"	7"	19/32"	.450	.560
CG50A65045GT	1/2"	2-1/4"	1-11/16"	1-3/32"	7-1/2"	19/32"	.560	.650
CG75A25045GT	3/4"	2-1/2"	1-31/32"	1-3/32"	4-1/2"	19/32"	.150	.250
CG75A35045GT	3/4"	2-1/2"	1-31/32"	1-3/32"	5-1/2"	19/32"	.250	.350
CG75A45045GT	3/4"	2-1/2"	1-31/32"	1-3/32"	4-1/2"	19/32"	.350	.450
CG75A56045GT	3/4"	2-1/2"	1-31/32"	1-3/32"	7"	19/32"	.450	.560
CG75A65045GT	3/4"	2-1/2"	1-31/32"	1-3/32"	7-1/2"	19/32"	.560	.650
CG75B75045GT	3/4"	2-1/2"	1-31/32"	1-11/32"	9"	19/32"	.650	.750
CG75B85045GT	3/4"	2-1/2"	1-31/32"	1-11/32"	9-1/2"	19/32"	.750	.850
CG100B56045GT	1"	2-13/16"	2-7/32"	1-11/32"	7"	21/32"	.450	.560
CG100B65045GT	1"	2-13/16"	2-7/32"	1-11/32"	7-1/2"	21/32"	.560	.650
CG100B75045GT	1"	2-13/16"	2-7/32"	1-11/32"	9"	21/32"	.650	.750
CG100B85045GT	1"	2-13/16"	2-7/32"	1-11/32"	9-1/2"	21/32"	.750	.850
CG100C95045GT	1"	2-13/16"	2-7/32"	1-5/8"	9-1/2"	21/32"	.850	.950
CG100C105045GT	1"	2-13/16"	2-7/32"	1-5/8"	9-1/2"	21/32"	.950	1.050

\* 45° Wire Mesh Strain Relief also Available in AMFICO Spectrum Range of Products

Larger Sizes Maybe Available Consult Factory

# AMERICAN FITTINGS

## SPECTRUM Cord Grip Connectors

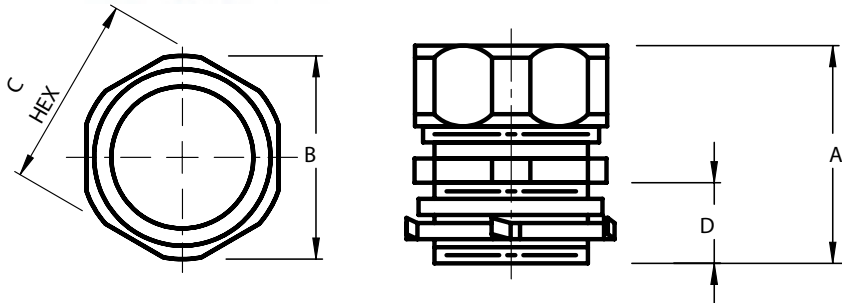
### Straight 1/2 - 1"



Since 1946



Spectrum Connectors Include Locknut & Sealing Washer



### AMFICO SPEC-grade™ Cord Grip Connectors

#### Materials:

Alloy Steel with Zinc Plating Chromate Finish  
 Aluminum \* Add AL to Suffix on Cat #  
 Stainless Steel \*\* Consult Factory for Availability  
 Furnished with  
 Steel Locknut and Color Coded Sealing Washer

#### Compliances:

Certified Made in the USA  
 UL 514B  
 UL Rated Suitable for Hazardous Locations  
 NEMA Standard FB1  
 Federal Standard A-A-50553  
 NEC: Class I, Division 2  
 Class II, Divisions 1 and 2  
 Class III, Divisions 1 and 2  
 NEC 501-4(b), 505-4(a), 503-3(a)



#### Featuring

AMFICO EZ **Torque** Compression Nuts  
 Guaranteed to Seal Tight, Right, & Vibration Free

CAT. #	SIZE	Cable Range Min	Cable Range Max	'A' Length	'B' Diameter	'C' Hex	'D' Length	WT/100
CG1	1/2"	.150	.250	1-5/16"	1-1/32"	1-3/32"	1/2"	12
CG2	1/2"	.250	.350	1-5/16"	1-1/32"	1-3/32"	1/2"	12
CG3	1/2"	.350	.450	1-5/16"	1-1/32"	1-3/32"	1/2"	12
CG4	1/2"	.450	.560	1-5/16"	1-1/32"	1-3/32"	1/2"	12
CG5	1/2"	.560	.650	1-5/16"	1-1/32"	1-3/32"	1/2"	12
CG6	3/4"	.150	.250	1-5/16"	1-1/32"	1-3/32"	1/2"	16
CG7	3/4"	.250	.350	1-5/16"	1-1/32"	1-3/32"	1/2"	16
CG8	3/4"	.350	.450	1-5/16"	1-1/32"	1-3/32"	1/2"	16
CG9	3/4"	.450	.560	1-5/16"	1-1/32"	1-3/32"	1/2"	16
CG10	3/4"	.560	.650	1-5/16"	1-1/32"	1-3/32"	1/2"	16
CG11	3/4"	.650	.750	1-9/16"	1-9/32"	1-5/16"	17/32"	19
CG12	3/4"	.750	.850	1-9/16"	1-9/32"	1-5/16"	17/32"	19
CG13	1"	.450	.560	1-3/4"	1-9/32"	1-5/16"	5/8"	28
CG14	1"	.560	.650	1-3/4"	1-9/32"	1-5/16"	5/8"	28
CG15	1"	.650	.750	1-3/4"	1-9/32"	1-5/16"	5/8"	28
CG16	1"	.750	.850	1-3/4"	1-9/32"	1-5/16"	5/8"	28
CG17	1"	.850	.950	1-7/8"	1-9/16"	1-5/8"	11/16"	28
CG18	1"	.950	1.050	1-7/8"	1-9/16"	1-5/8"	11/16"	28

Other cable ranges may be available, please consult factory for the size you need.

Wire Mesh Strain Relief also Available in AMFICO Spectrum Range of Products



# AMERICAN FITTINGS

## SPECTRUM Cord Grip Connectors

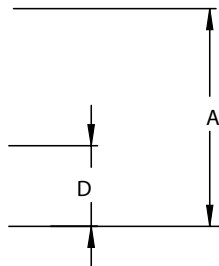
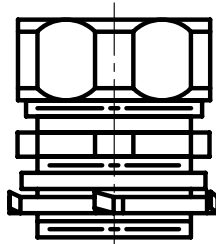
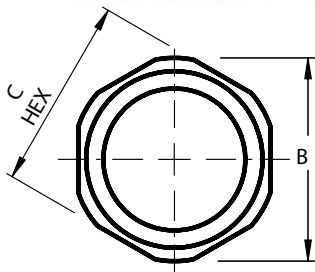
### Straight 1 1/4 - 2"



Since 1946



Spectrum Connectors Include Locknut & Sealing Washer



### AMFICO SPEC-grade™ Cord Grip Connectors

#### Materials:

Alloy Steel with Zinc Plating Chromate Finish  
 Aluminum \* Add AL to Suffix on Cat #  
 Stainless Steel \*\* Consult Factory for Availability  
 Furnished with  
 Steel Locknut and Color Coded Sealing Washer

#### Compliances:

Certified Made in the USA  
 UL 514B  
 UL Rated Suitable for Hazardous Locations  
 NEMA Standard FB1  
 Federal Standard A-A-50553  
 NEC: Class I, Division 2  
 Class II, Divisions 1 and 2  
 Class III, Divisions 1 and 2  
 NEC 501-4(b), 505-4(a), 503-3(a)



#### Featuring

AMFICO EZ Torque Compression Nuts  
 Guaranteed to Seal Tight, Right, & Vibration Free

Cat #	Trade Size	A Length	C Diameter Hex	D Length of Thread		Cable Ranges		WT/100
				MIN	MAX	MIN	MAX	
CG19	1-1/4"	.750	.850	1-15/16"	1-9/16"	1-5/8"	11/16"	48
CG20	1-1/4"	.850	.950	1-15/16"	1-9/16"	1-5/8"	11/16"	48
CG21	1-1/4"	.950	1.050	1-15/16"	1-15/16"	2-1/32"	11/16"	48
CG22	1-1/4"	1.050	1.150	1-15/16"	1-15/16"	2-1/32"	11/16"	48
CG23	1-1/4"	1.150	1.250	1-15/16"	1-15/16"	2-1/32"	11/16"	48
CG24	1-1/4"	1.250	1.375	1-15/16"	1-15/16"	2-1/32"	11/16"	48
CG25	1-1/2"	.950	1.050	2"	1-15/16"	2-1/32"	11/16"	70
CG26	1-1/2"	1.050	1.150	2"	1-15/16"	2-1/32"	11/16"	70
CG27	1-1/2"	1.150	1.250	2"	1-15/16"	2-1/32"	11/16"	70
CG28	1-1/2"	1.250	1.375	2"	1-15/16"	2-1/32"	11/16"	70
CG29	1-1/2"	1.380	1.500	2-5/16"	2-9/32"	2-3/8"	23/32"	65
CG30	1-1/2"	1.500	1.630	2-5/16"	2-9/32"	2-3/8"	23/32"	65
CG31	1-1/2"	1.630	1.750	2-5/16"	2-9/32"	2-3/8"	23/32"	65
CG32	1-1/2"	1.750	1.880	2-5/16"	2-9/32"	2-3/8"	23/32"	65
CG33	2"	1.250	1.380	2-7/16"	2-25/32"	2-7/8"	3/4"	109
CG34	2"	1.380	1.500	2-7/16"	2-25/32"	2-7/8"	3/4"	109
CG35	2"	1.500	1.630	2-7/16"	2-25/32"	2-7/8"	3/4"	109
CG36	2"	1.630	1.750	2-7/16"	2-25/32"	2-7/8"	3/4"	109
CG37	2"	1.690	1.810	2-7/16"	2-25/32"	2-7/8"	3/4"	109
CG38	2"	1.750	1.880	2-7/16"	2-25/32"	2-7/8"	3/4"	109
CG39	2"	1.810	1.940	2-7/16"	2-25/32"	2-7/8"	3/4"	109
CG40	2"	1.940	2.060	2-7/16"	2-25/32"	2-7/8"	3/4"	109

Other cable ranges may be available, please consult factory for the size you need.

Wire Mesh Strain Relief also Available in AMFICO Spectrum Range of Products

# AMERICAN FITTINGS

## SPECTRUM Cord Grip Connectors

### 90° 1/2 - 1"



Since 1946



### AMFICO SPEC-grade™ 90° Cord Grip Connectors

#### Materials:

Compression Nuts Alloy Steel  
Fitting Body MI  
Furnished with  
Steel Locknut and Color Coded Sealing Washer

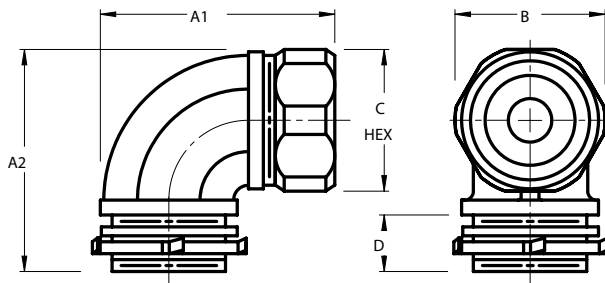
#### Compliances:

Certified Made in the USA  
UL 514B  
UL Rated Suitable for Hazardous Locations  
NEMA Standard FB1  
Federal Standard A-A-50553  
NEC: Class I, Division 2  
Class II, Divisions 1 and 2  
Class III, Divisions 1 and 2  
NEC 501-4(b), 505-4(a), 503-3(a)



#### Featuring

AMFICO EZ Torque Compression Nuts  
Guaranteed to Seal Tight, Right, & Vibration Free



CAT#	SIZE	MIN CABLE	MAX CABLE	'A1' LENGTH	'A2' LENGTH	'B' DIAMETER	'C' HEX	'D' LENGTH	WT/100
CG190	1/2"	.150	.250	2-1/4"	1-13/16"	1-1/32"	1-3/32"	5/8"	26
CG290	1/2"	.250	.350	2-1/4"	1-13/16"	1-1/32"	1-3/32"	5/8"	26
CG390	1/2"	.350	.450	2-1/4"	1-13/16"	1-1/32"	1-3/32"	5/8"	26
CG490	1/2"	.450	.560	2-1/4"	1-13/16"	1-1/32"	1-3/32"	5/8"	26
CG590	1/2"	.560	.650	2-1/4"	1-13/16"	1-1/32"	1-3/32"	5/8"	26
CG690	3/4"	.150	.250	2-17/32"	2-5/16"	1-1/32"	1-3/32"	21/32"	48
CG790	3/4"	.250	.350	2-17/32"	2-5/16"	1-1/32"	1-3/32"	21/32"	48
CG890	3/4"	.350	.450	2-17/32"	2-5/16"	1-1/32"	1-3/32"	21/32"	48
CG990	3/4"	.450	.560	2-17/32"	2-5/16"	1-1/32"	1-3/32"	21/32"	48
CG1090	3/4"	.560	.650	2-17/32"	2-5/16"	1-1/32"	1-3/32"	21/32"	48
CG1190	3/4"	.650	.750	2-7/16"	2-5/16"	1-9/32"	1-5/16"	21/32"	48
CG1290	3/4"	.750	.850	2-7/16"	2-5/16"	1-9/32"	1-5/16"	21/32"	48
CG1390	1"	.450	.560	2-29/32"	2-3/4"	1-9/32"	1-5/16"	23/32"	68
CG1490	1"	.560	.650	2-29/32"	2-3/4"	1-9/32"	1-5/16"	23/32"	68
CG1590	1"	.650	.750	2-29/32"	2-3/4"	1-9/32"	1-5/16"	23/32"	68
CG1690	1"	.750	.850	2-29/32"	2-3/4"	1-9/32"	1-5/16"	23/32"	68
CG1790	1"	.850	.950	3"	2-3/4"	1-9/16"	1-5/8"	23/32"	68
CG1890	1"	.950	1.050	3"	2-3/4"	1-9/16"	1-5/8"	23/32"	68

# AMERICAN FITTINGS

## SPECTRUM Cord Grip Connectors

### 45° 1/2 - 1"



Since 1946



Spectrum Connectors Include Locknut & Sealing Washer

### AMFICO SPEC-grade™ 45° Cord Grip Connectors

**Materials:**

Compression Nuts Alloy Steel  
 Fitting Body MI  
 Furnished with  
 Steel Locknut and Color Coded Sealing Washer

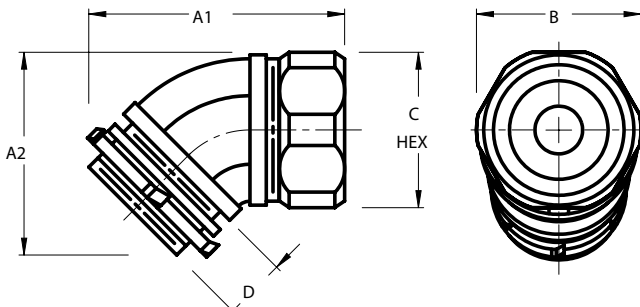
**Compliances:**

Certified Made in the USA  
 UL 514B  
 UL Rated Suitable for Hazardous Locations  
 NEMA Standard FB1  
 Federal Standard A-A-50553  
 NEC: Class I, Division 2  
 Class II, Divisions 1 and 2  
 Class III, Divisions 1 and 2  
 NEC 501-4(b), 505-4(a), 503-3(a)



*Featuring*

AMFICO EZ Torque Compression Nuts  
 Guaranteed to Seal Tight, Right, & Vibration Free



CAT#	SIZE	MIN CABLE	MAX CABLE	'A1' LENGTH	'A2' LENGTH	'B' DIAMETER	'C' HEX	'D' LENGTH	WT/ 100
CG145	1/2"	.150	.250	2-5/16"	1-17/32"	1-1/32"	1-3/32"	5/8"	26
CG245	1/2"	.250	.350	2-5/16"	1-17/32"	1-1/32"	1-3/32"	5/8"	26
CG345	1/2"	.350	.450	2-5/16"	1-17/32"	1-1/32"	1-3/32"	5/8"	26
CG445	1/2"	.450	.560	2-5/16"	1-17/32"	1-1/32"	1-3/32"	5/8"	26
CG545	1/2"	.560	.650	2-5/16"	1-17/32"	1-1/32"	1-3/32"	5/8"	26
CG645	3/4"	.150	.250	2-17/32"	1-13/16"	1-1/32"	1-3/32"	21/32"	48
CG745	3/4"	.250	.350	2-17/32"	1-13/16"	1-1/32"	1-3/32"	21/32"	48
CG845	3/4"	.350	.450	2-17/32"	1-13/16"	1-1/32"	1-3/32"	21/32"	48
CG945	3/4"	.450	.560	2-17/32"	1-13/16"	1-1/32"	1-3/32"	21/32"	48
CG1045	3/4"	.560	.650	2-17/32"	1-13/16"	1-1/32"	1-3/32"	21/32"	48
CG1145	3/4"	.650	.750	2-17/32"	1-13/16"	1-9/32"	1-5/16"	21/32"	48
CG1245	3/4"	.750	.850	2-17/32"	1-13/16"	1-9/32"	1-5/16"	21/32"	48
CG1345	1"	.450	.560	2-31/32"	2-3/32"	1-9/32"	1-5/16"	23/32"	68
CG1445	1"	.560	.650	2-31/32"	2-3/32"	1-9/32"	1-5/16"	23/32"	68
CG1545	1"	.650	.750	2-31/32"	2-3/32"	1-9/32"	1-5/16"	23/32"	68
CG1645	1"	.750	.850	2-31/32"	2-3/32"	1-9/32"	1-5/16"	23/32"	68
CG1745	1"	.850	.950	2-31/32"	2-3/32"	1-9/16"	1-5/8"	23/32"	68
CG1845	1"	.950	1.050	2-31/32"	2-3/32"	1-9/16"	1-5/8"	23/32"	68



# AMERICAN FITTINGS

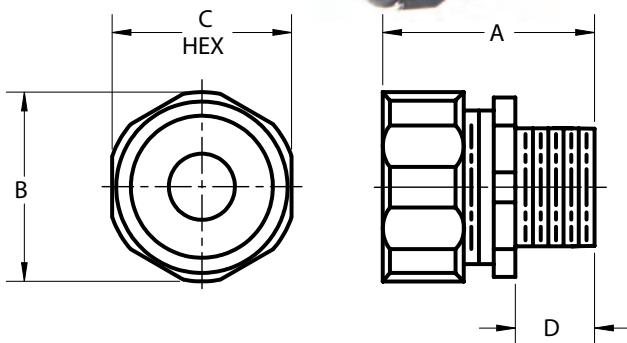
## AP SPEC Industrial Grade Cord Grip Connectors

### Straight 3/8" - 3/4"



Since 1946

Fit, Form and Functionality with  
Appleton Cord Grip Range



### AMFICO AP SPEC™ Cord Grip Connectors

**Materials:**

Alloy Steel with Zinc Plating Chromate Finish  
Aluminum \* Add AL to Suffix of Cat #  
Stainless Steel \*\* Consult Factory for Availability

**Compliances:**

Certified Made in the USA  
UL 514B  
UL Rated Suitable for Hazardous Locations  
NEMA Standard FB1  
Federal Standard A-A-50553  
NEC: Class I, Division 2  
Class II, Divisions 1 and 2  
Class III, Divisions 1 and 2  
NEC 501-4(b), 505-4(a), 503-3(a)



*Featuring*

AMFICO EZ **Torque** Compression Nuts  
Guaranteed to Seal Tight, Right, & Vibration Free

CAT. #	SIZE	Cable Range Min	Cable Range Max	'A' Length	'B' Diameter	'C' Hex	'D' Length	WT/ 100
CG1238AM	3/8"	.125	.187	1-5/16"	15/16"	7/8"	7/16"	12
CG1838AM	3/8"	.187	.312	1-5/16"	15/16"	7/8"	7/16"	12
CG3150AAM	1/2"	.312	.473	1-5/16"	15/16"	7/8"	1/2"	12
CG1250AM	1/2"	.125	.187	1-5/16"	1-3/32"	1-1/32"	1/2"	12
CG1850AM	1/2"	.187	.312	1-5/16"	1-3/32"	1-1/32"	1/2"	12
CG3150AM	1/2"	.312	.437	1-5/16"	1-3/32"	1-1/32"	1/2"	12
CG3750AM	1/2"	.375	.500	1-5/16"	1-3/32"	1-1/32"	1/2"	12
CG5050AM	1/2"	.500	.625	1-5/16"	1-3/32"	1-1/32"	1/2"	12
CG6250AM	1/2"	.625	.750	1-5/16"	1-3/32"	1-1/32"	1/2"	12
CG1275AM	3/4"	.125	.250	1-5/8"	1-5/16"	1-9/32"	17/32"	16
CG2575AM	3/4"	.250	.375	1-5/8"	1-5/16"	1-9/32"	17/32"	16
CG3775AM	3/4"	.375	.500	1-5/8"	1-5/16"	1-9/32"	17/32"	16
CG5075AM	3/4"	.500	.625	1-5/8"	1-5/16"	1-9/32"	17/32"	16
CG6275AM	3/4"	.625	.750	1-5/8"	1-5/16"	1-9/32"	17/32"	19
CG7575AM	3/4"	.750	.875	1-5/8"	1-5/16"	1-9/32"	17/32"	19

*Other cable ranges may be available, please consult factory for the size you need.*

# AMERICAN FITTINGS

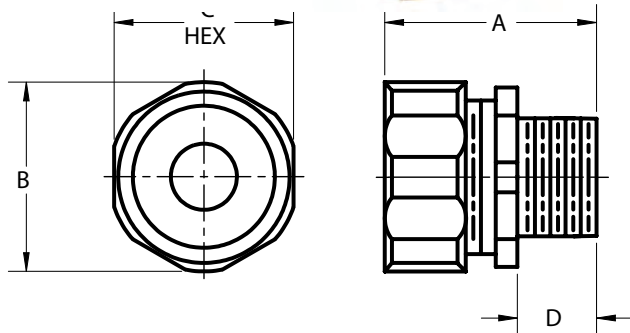
## AP SPEC Industrial Grade Cord Grip Connectors

### Straight 1" - 2"



Since 1946

Fit, Form and Functionality with  
Appleton Cord Grip Range



### AMFICO AP SPEC™ Cord Grip Connectors

**Materials:**

Alloy Steel with Zinc Plating Chromate Finish  
Aluminum \* Add AL to Suffix of Cat #  
Stainless Steel \*\* Consult Factory for Availability

**Compliances:**

Certified Made in the USA  
UL 514B  
UL Rated Suitable for Hazardous Locations  
NEMA Standard FB1  
Federal Standard A-A-50553  
NEC: Class I, Division 2  
Class II, Divisions 1 and 2  
Class III, Divisions 1 and 2  
NEC 501-4(b), 505-4(a), 503-3(a)



*Featuring*

AMFICO EZ **Torque** Compression Nuts  
Guaranteed to Seal Tight, Right, & Vibration Free

CAT. #	SIZE	Cable Range Min	Cable Range Max	'A' Length	'B' Diameter	'C' Hex	'D' Length	WT/ 100
CG37100AM	1"	.375	.500	1-3/4"	1-5/16"	1-9/32"	11/16"	28
CG50100AM	1"	.500	.625	1-3/4"	1-5/16"	1-9/32"	11/16"	28
CG62100AM	1"	.625	.750	1-3/4"	1-5/16"	1-9/32"	11/16"	28
CG75100AM	1"	.750	.875	1-3/4"	1-5/16"	1-9/32"	11/16"	28
CG87100AM	1"	.875	1.000	1-7/8"	1-5/8"	1-9/16"	11/16"	28
CG100100AM	1"	1.000	1.125	1-7/8"	1-5/8"	1-9/16"	11/16"	28
CG75125AM	1-1/4"	.750	.875	1-7/8"	1-5/8"	1-9/16"	11/16"	48
CG87125AM	1-1/4"	.875	1.000	1-7/8"	1-5/8"	1-9/16"	11/16"	48
CG100125AM	1-1/4"	1.000	1.125	1-7/8"	1-5/8"	1-9/16"	11/16"	48
CG112125AM	1-1/4"	1.125	1.250	1-7/8"	2-1/32"	1-15/16"	11/16"	48
CG125125AM	1-1/4"	1.250	1.375	1-15/16"	2-1/32"	1-15/16"	11/16"	48
CG137125AM	1-1/4"	1.375	1.500	1-15/16"	2-1/32"	1-15/16"	11/16"	48
CG115150AM	1-1/2"	1.156	1.312	2-1/4"	2-3/8"	2-9/32"	23/32"	90
CG128150AM	1-1/2"	1.281	1.531	2-1/4"	2-3/8"	2-9/32"	23/32"	90
CG153200AM	2"	1.531	1.780	2-1/2"	2-7/8"	2-25/32"	23/32"	105

*Other cable ranges may be available, please consult factory for the size you need.*

# AMERICAN FITTINGS

## Service Entrance WaterTIGHT Cord Connectors

### Straight 1/2 - 3/4" for Underground Feeder Cable TYPE UF



Since 1946



#### AMFICO SPEC-grade™ UF Cable Connector

**Materials:**

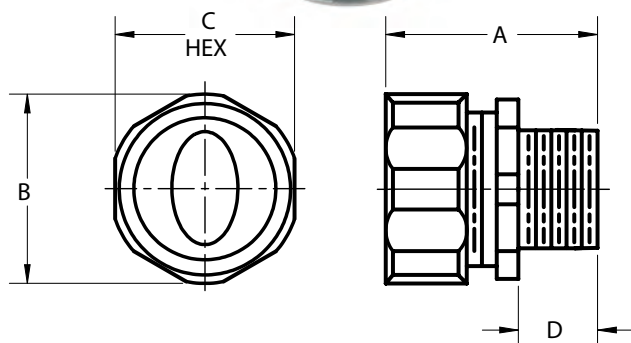
Alloy Steel with Zinc Plating Chromate Finish  
Neoprene Grommet

**Compliances:**

Certified Made in the USA  
UL 514B  
NEMA Standard FB1  
Federal Standard A-A-50553



Allows you to connect an underground feeder (UF) cable to an electrical box or enclosure. Supports 14/3 - 10/3 UF cables, and features a low-profile design to accommodate both newer and smaller UF cables and standard-size UF cables



Trade Size 1/2 and 3/4 Inch  
Knock out Size 1/2 and 3/4 inch

Cat #	Trade Size "	A Length	B Diameter	C Hex	D Length	Cable Range
UF50	1/2	1 5/16	1 3/32	1 1/32	1/2	14-2, 12-2 w/wo Ground
UF5075	3/4	1 5/16	1 3/32	1 1/32	17/32	14-2, 12-2 w/wo Ground
UF75	3/4	1 3/8	1 3/32	2 1/32	17/32	14-3, 12-3, 10-3 w/wo Ground

Precision Machined Threaded NPT Tapered Alloy Steel Body with Exclusive EZ-TORQUE Compression Nut All Zinc Plated with Clear Chromate Finish Provide the Ultimate in Corrosion Resistance.

Engineered Neoprene Grommet Designed for Liquid Tight Service and Protect Against Oil and Contaminants

Solid Steel Retaining Ring Safeguards the Cable Jacket from Abrasion and Reduces the Torque Required for a Liquid Tight Seal.



# AMERICAN FITTINGS

## Liquid Tight Parking Deck Fittings



Since 1946

### SPEC-teck Alloy Steel MC Connectors

Perfect for parking decks, our industrial spec-grade connector is the RIGHT CHOICE for PVC Jacketed MC or Teck cable.

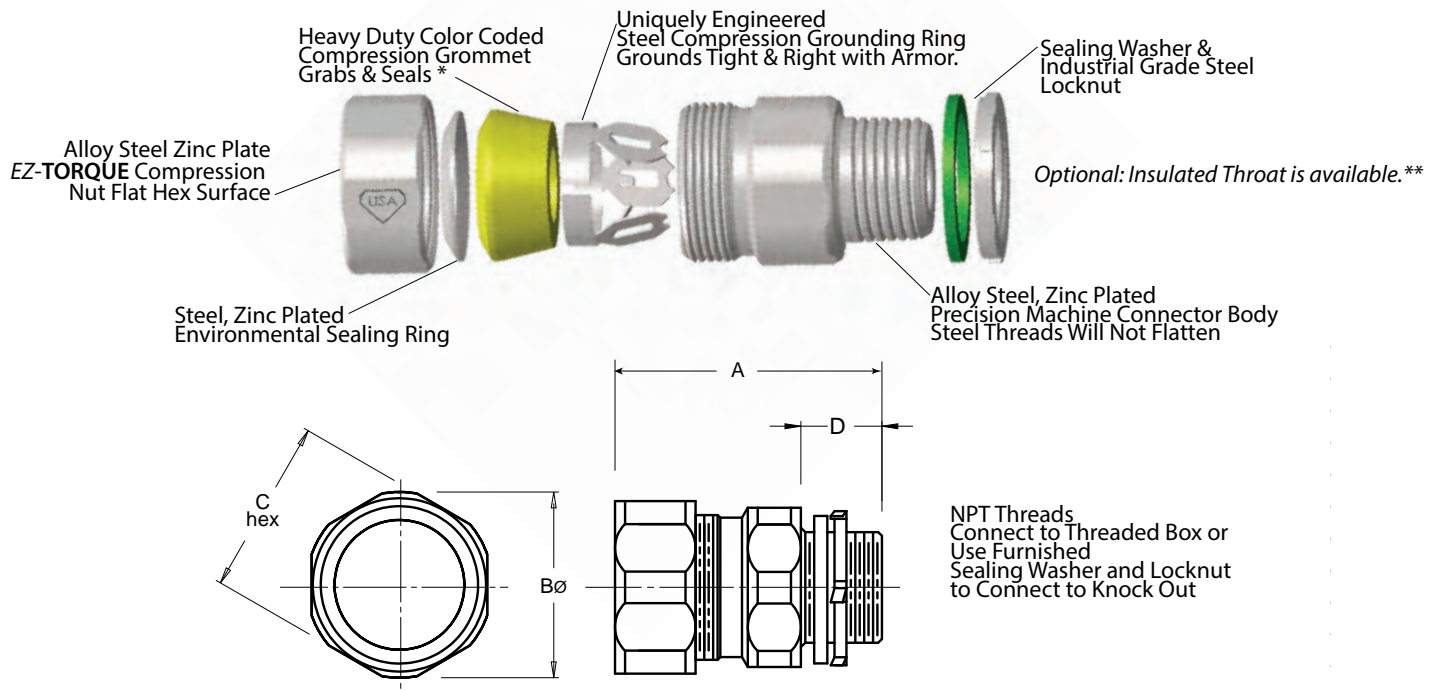
Specifically Designed for Use with PVC Jacketed MC, TECK Cable, SouthWire EZ-In Mini Cable  
One Connector Accommodates a Wide Range of Cable Sizes

#### Application:

Connector provides a unique liquid tight connection for PVC Jacketed MC Cable.  
No tools required to install connector, simply terminate cable according to wiring instructions and snap it into place.



Each connector is furnished with three color-coded grommet sizes to accommodate different size MC cable diameters as shown below.



Cat. #	Hub Size	Range Over Jacket OD Min - Max	Grommet * Color to Use	'A' Length	'B' Diameter	'C' Hex	'D' Length	Wt Per 100
TECK50 *	1/2"	.640 - .710	Black ■	1-31/32"	1-3/16"	1-1/8"	19/32"	20
TECK50 *	1/2"	.520 - .610 (I)	Grey ■	1-31/32"	1-3/16"	1-1/8"	19/32"	20
TECK50 *	1/2"	.460 - .505	Yellow ■	1-31/32"	1-3/16"	1-1/8"	19/32"	20

\* Part is packaged with three different color coded grommets to accommodate cable ranges as shown above. (I) Grey installed.

\*\* Add Suffix "B" to cat.number for insulated throat.

Sold in cartons of 25 with each connector individually packaged with grommets and instructions.

#### Compliances:

Certified Made in the USA  
UL 514B  
NEMA Standard FB1  
Federal Standard A-A-50553  
NEC: Class I, Division 2  
Class II, Divisions 1 and 2  
Class III, Divisions 1 and 2  
UL Standards: 514B, 467  
CSA Standard: C22.2 No. 18F



#### Features:

- Truly an Industrial Specification Grade Connector, Made in the USA
- Compact Low Profile Design, Takes Up Less Room in Tight Spaces
- Alloy Steel has Natural Corrosion Resistant
- Alloy Steel TWICE the STRENGTH of All Die Cast Fittings
- Installs Without Disassembly, Simply Loosen and Slide on MC Cable
- Unique Grounding Compression Ring Fully Secures Grounding 360°
- SPEC-teck Connectors Exceeds Your Expectations Not Your Budget
- Connector is Fully Reuseable

Dimensional Cut Sheets Available Online at [amftgs.com](http://amftgs.com)

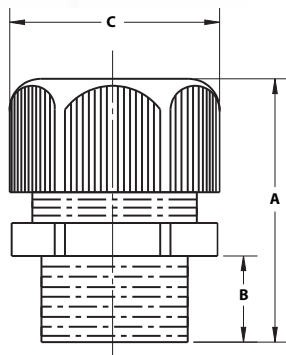
# AMERICAN FITTINGS

## Non-Metallic Nylon Watertight Cord Connectors

### Straight 1/2 - 1" Industrial Grade



Since 1946



### AMFICO SPEC-grade™ Non-Metallic Cord Connectors

#### Materials:

Body: Nylon Polyamide Type 6/6 Industrial Grey  
 Cable Grommet: Oil Resistant Neoprene  
 Locknut & Sealing Washer Option \*

#### Compliances:

Certified Made in the USA  
 UL Standard 514B  
 CUL to CSA Standard C22.2 No.18  
 UL 514B NEMA 4X IP 68  
 NEMA Standard FB1  
 Federal Standard A-A-50553



Temperature Range: -30° to 105°C  
 Short Term: 150°C  
 Flame Resistance: UL 94 VO

Cat. #	Trade Size	Cable Ranges Min. - Max.	A Length	B Thread Length	C Diameter
NMCG50-1	1/2"	.170 - .240	1.968"	.590"	.945"
NMCG50-2	1/2"	.236 - .472	1.968"	.590"	.945"
NMCG75-1	3/4"	.250 - .460	2.007"	.590"	1.299"
NMCG75-2	3/4"	.472 - .709	2.007"	.590"	1.299"
NMCG100-1	1"	.470 - .660	2.401"	.748"	1.653"
NMCG100-2	1"	.669 - 1.000	2.401"	.748"	1.653"

For use with portable cord, AMFICO NMCG Series Watertight Cord Grips terminate and protect conductors from mechanical damage due to vibration and movement. A neoprene bushing seals out oils, coolants, water, dust and other abusive agents. NMCG Cord Grips may be used with types S, SO, STO, SJ, SJT, SJTO and SVO portable cords.

Hand Tightens, No Tools Needed for Assembly  
 Grommet Covers Wide Range of Cable Sizes

\* Industrial Grade Locknuts and Sealing Washers Available Ordered Separately:

LN50 1/2" Locknut  
 LN75 3/4" Locknut  
 LN100 1" Locknut



SW 50 1/2" Sealing Washer  
 SW 75 3/4" Sealing Washer  
 SW 100 1" Sealing Washer



# AMERICAN FITTINGS

## Industrial Grade

### Wide Range Strain Relief Grips 1/2" - 2 1/2"

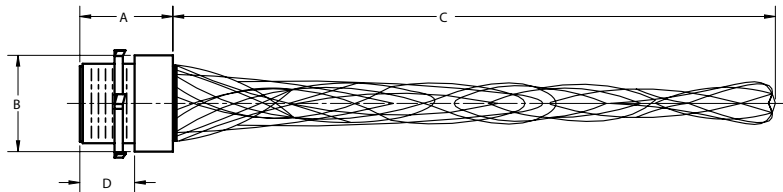


Since 1946

#### AMFICO SPEC-grade™ Wide Range Strain Relief



NPT Threads



One Piece Construction for Easy Install  
Indoor Use, Dust Proof

#### Materials:

Fitting Body and Nut: Aluminum  
Wire Mesh: Galvanized Steel  
Locknut: Galvanized Steel

#### Compliances:

Certified Made in the USA  
UL 514B  
NEMA Standard FB1  
Federal Standard A-A-50553



AMFICO SR-series has a male N.P.T. tapered thread and locknut Industrial grade steel locknut allows easy attachment to enclosures up to 3/8 Inch thick.

Cat #	Size NPT	Cable Ranges		A Length	B Diameter	C Mesh Length	D Length of Thread
		MIN	MAX				
SR001	1/2"	.220	.320	15/16"	1-1/32"	4"	1/2"
SR002	1/2"	.300	.430	15/16"	1-1/32"	5-1/4"	1/2"
SR003	1/2"	.400	.540	15/16"	1-1/32"	7"	1/2"
SR004	3/4"	.520	.730	1"	1-3/8"	8-1/2"	19/32"
SR005	1"	.700	.970	1-7/32"	1-5/8"	10"	3/4"
SR006	1-1/4"	.940	1.200	1-7/16"	2-1/8"	13"	3/4"
SRB008 *	1-2"	.220	.320	1-9/16"	1-1/32"	4"	1"
SRB009 *	1-2"	.300	.430	1-9/16"	1-1/32"	5-1/4"	1"
SRB010 *	1-2"	.400	.540	1-9/16"	1-1/32"	6-3/4"	1"
SRB011 *	3/4"	.520	.730	1-9/16"	1-3/8"	8-1/2"	1"
SRB012 *	1"	.700	.970	1-7/8"	1-5/8"	10"	1-1/4"
SRB013 *	1-1/4"	.940	1.250	2-1/8"	2-1/8"	13"	1-1/4"
SRB014 *	1-1/2"	1.200	1.500	2-1/8"	2-1/4"	15-1/4"	1-1/4"
SRB015 *	2"	1.400	1.750	2-9/32"	2-25/32"	17-3/4"	1-3/8"
SRB016 *	2-1/2"	1.620	2.000	2-7/8"	3-1/4"	20-1/2"	1-1/2"
SRB017 *	2-1/2"	2.000	2.450	2-7/8"	3-1/4"	22"	1-1/2"

\* Includes Insulating Bushing



# AMFICO Cord Grip Connectors

## Selection Guide

Simplify your options for AMFICO Cord Connectors using the following pages.

- 1 Select Your Trade Size / Knockout Size
- 2 Select Cable Range Min. to Max.
- 3 What Configuration? Straight, 90°, 45° , With or Without Wire Mesh Strain Relief
- 4 Select Material Requirement
- 5 Description Provided With or Without Locknut and Sealing Washer
- 6 Color Coded Cord Grip Shown
- 7 AMFICO Cat # Provided - *to see packaging and UPC Codes Go to Index Pages*

### DELIVERY TIMES

AMFICO manufactures all of its products in our facilities in New Jersey. Our ability to manufacture quickly, and ship through our Authorized Distributors throughout the USA means you get products faster than other manufacturers who source (not manufacture) their fittings in China, India and Mexico.

Our ADP Signature Distributors throughout the USA stock a wide array of products so local stock may be readily available. Additionally we have 5 regional warehouses in key locations to service the market.

### SPECIAL REQUIREMENTS

Don't see exactly what you need contact us and discuss your requirements. We have the ability to manufacture custom connectors to meet your applications.

### GUARANTEES

All AMFICO products are guaranteed for life. So integrity and reliability are never a problem.





# AMFICO Cord Grip Connectors

## Selection Chart by Trade Size / Cord Range

S = Steel  
 AL = Aluminum  
 90 & 45 =  
 Steel Compression Nuts  
 w/ MI Bodies

Trade Size"	Cable Range (OD)	Configuration	Material	Description	Grommet Color Code	Cat. #
1/2	Min.150-Max.222	Straight	S	Straight Industrial Cord Grip Conn.Steel USA 2 Hole Grommet	Black	CG50A2222H
1/2	Min.150-Max.222	Straight	S	Straight Industrial Cord Grip Conn.Steel USA 3 Hole Grommet	Black	CG50A2223H
1/2	Min.150-Max.250	Straight	S	Spectrum Cord Grip Conn.Steel USA Incl. LN & SW	Red	CG1
1/2	Min.150-Max.250	45°	S	Spectrum 45° Cord Grip Conn.USA Incl. LN & SW	Red	CG145
1/2	Min.150-Max.250	90°	S	Spectrum 90° Cord Grip Conn.USA Incl. LN & SW	Red	CG190
1/2	Min.150-Max.250	Straight	AL	Spectrum Cord Grip Conn.Aluminum USA Incl. LN & SW	Red	CG1AL
1/2	Min.150-Max.250	Straight Mesh Grip	AL	Spectrum Cord Grip Conn.Aluminum with Mesh USA	Red	CG1ALGT
1/2	Min.150-Max.250	Straight	S	Straight Industrial Cord Grip Conn.Steel USA	Red	CG50A250
1/2	Min.150-Max.250	45°	S	45° Industrial Cord Grip Conn.USA	Red	CG50A25045
1/2	Min.150-Max.250	45° Mesh Grip	S	45° Industrial Cord Grip Conn.with Mesh USA	Red	CG50A25045GT
1/2	Min.150-Max.250	90°	S	90° Industrial Cord Grip Conn.USA	Red	CG50A25090
1/2	Min.150-Max.250	90° Mesh Grip	S	90° Industrial Cord Grip Conn.with Mesh USA	Red	CG50A25090GT
1/2	Min.150-Max.250	Straight	AL	Straight Industrial Cord Grip Conn.Aluminum USA	Red	CG50A250AL
1/2	Min.150-Max.250	Straight Mesh Grip	S	Straight Industrial Cord Grip Conn.Steel with Mesh USA	Red	CG50A250GT
1/2	Min.187-Max.312	Straight	S	AP Spec Cord Grip Conn.Steel USA- Appleton	Brown	CG1850AM
1/2	Min.250-Max.350	Straight	S	Spectrum Cord Grip Conn.Steel USA Incl. LN & SW	White	CG2
1/2	Min.250-Max.350	45°	S	Spectrum 45° Cord Grip Conn.USA Incl. LN & SW	White	CG245
1/2	Min.250-Max.350	90°	S	Spectrum 90° Cord Grip Conn.USA Incl. LN & SW	White	CG290
1/2	Min.250-Max.350	Straight	AL	Spectrum Cord Grip Conn.Aluminum USA Incl. LN & SW	White	CG2AL
1/2	Min.250-Max.350	Straight Mesh Grip	AL	Spectrum Cord Grip Conn.Aluminum with Mesh USA	White	CG2ALGT
1/2	Min.250-Max.350	Straight	S	Straight Industrial Cord Grip Conn.Steel USA	White	CG50A350
1/2	Min.250-Max.350	45°	S	45° Industrial Cord Grip Conn.USA	White	CG50A35045
1/2	Min.250-Max.350	45° Mesh Grip	S	45° Industrial Cord Grip Conn.with Mesh USA	White	CG50A35045GT
1/2	Min.250-Max.350	90°	S	90° Industrial Cord Grip Conn.USA	White	CG50A35090
1/2	Min.250-Max.350	90° Mesh Grip	S	90° Industrial Cord Grip Conn.with Mesh USA	White	CG50A35090GT
1/2	Min.250-Max.350	Straight	AL	Straight Industrial Cord Grip Conn.Aluminum USA	White	CG50A350AL
1/2	Min.250-Max.350	Straight Mesh Grip	S	Straight Industrial Cord Grip Conn.Steel with Mesh USA	White	CG50A350GT
1/2	Min.312-Max.437	Straight	S	AP Spec Cord Grip Conn.Steel USA- Appleton	Yellow	CG3150AM
1/2	Min.350-Max.450	Straight	S	Spectrum Cord Grip Conn.Steel USA Incl. LN & SW	Blue	CG3
1/2	Min.350-Max.450	45°	S	Spectrum 45° Cord Grip Conn.USA Incl. LN & SW	Blue	CG345
1/2	Min.350-Max.450	90°	S	Spectrum 90° Cord Grip Conn.USA Incl. LN & SW	Blue	CG390
1/2	Min.350-Max.450	Straight	AL	Spectrum Cord Grip Conn.Aluminum USA Incl. LN & SW	Blue	CG3AL
1/2	Min.350-Max.450	Straight Mesh Grip	AL	Spectrum Cord Grip Conn.Aluminum with Mesh USA	Blue	CG3ALGT
1/2	Min.350-Max.450	Straight	S	Straight Industrial Cord Grip Conn.Steel USA	Blue	CG50A450
1/2	Min.350-Max.450	45°	S	45° Industrial Cord Grip Conn.USA	Blue	CG50A45045
1/2	Min.350-Max.450	45° Mesh Grip	S	45° Industrial Cord Grip Conn.with Mesh USA	Blue	CG50A45045GT
1/2	Min.350-Max.450	90°	S	90° Industrial Cord Grip Conn.USA	Blue	CG50A45090
1/2	Min.350-Max.450	90° Mesh Grip	S	90° Industrial Cord Grip Conn.with Mesh USA	Blue	CG50A45090GT
1/2	Min.350-Max.450	Straight	AL	Straight Industrial Cord Grip Conn.Aluminum USA	Blue	CG50A450AL
1/2	Min.350-Max.450	Straight Mesh Grip	S	Straight Industrial Cord Grip Conn.Steel with Mesh USA	Blue	CG50A450GT
1/2	Min.375-Max.500	Straight	S	AP Spec Cord Grip Conn.Steel USA- Appleton	Purple	CG3750AM
1/2	Min.450-Max.560	Straight	S	Spectrum Cord Grip Conn.Steel USA Incl. LN & SW	Green	CG4
1/2	Min.450-Max.560	45°	S	Spectrum 45° Cord Grip Conn.USA Incl. LN & SW	Green	CG445
1/2	Min.450-Max.560	90°	S	Spectrum 90° Cord Grip Conn.USA Incl. LN & SW	Green	CG490
1/2	Min.450-Max.560	Straight	AL	Spectrum Cord Grip Conn.Aluminum USA Incl. LN & SW	Green	CG4AL
1/2	Min.450-Max.560	Straight Mesh Grip	AL	Spectrum Cord Grip Conn.Aluminum with Mesh USA	Green	CG4ALGT
1/2	Min.450-Max.560	Straight	S	Straight Industrial Cord Grip Conn.Steel USA	Green	CG50A560
1/2	Min.450-Max.560	45°	S	45° Industrial Cord Grip Conn.USA	Green	CG50A56045
1/2	Min.450-Max.560	45° Mesh Grip	S	45° Industrial Cord Grip Conn.with Mesh USA	Green	CG50A56045GT
1/2	Min.450-Max.560	90°	S	90° Industrial Cord Grip Conn.USA	Green	CG50A56090
1/2	Min.450-Max.560	90° Mesh Grip	S	90° Industrial Cord Grip Conn.with Mesh USA	Green	CG50A56090GT
1/2	Min.450-Max.560	Straight	AL	Straight Industrial Cord Grip Conn.Aluminum USA	Green	CG50A560AL
1/2	Min.450-Max.560	Straight Mesh Grip	S	Straight Industrial Cord Grip Conn.Steel with Mesh USA	Green	CG50A560GT
1/2	Min.500-Max.625	Straight	S	AP Spec Cord Grip Conn.Steel USA- Appleton	Pink	CG5050AM
1/2	Min.560-Max.0.65	45° Mesh Grip	S	45° Industrial Cord Grip Conn.with Mesh USA	Brown	CG50A65045GT
1/2	Min.560-Max.650	Straight	S	Spectrum Cord Grip Conn.Steel USA Incl. LN & SW	Brown	CG5
1/2	Min.560-Max.650	Straight	S	Straight Industrial Cord Grip Conn.Steel USA	Brown	CG50A650
1/2	Min.560-Max.650	45°	S	45° Industrial Cord Grip Conn.USA	Brown	CG50A65045
1/2	Min.560-Max.650	90°	S	90° Industrial Cord Grip Conn.USA	Brown	CG50A65090
1/2	Min.560-Max.650	90° Mesh Grip	S	90° Industrial Cord Grip Conn.with Mesh USA	Brown	CG50A65090GT
1/2	Min.560-Max.650	Straight	AL	Straight Industrial Cord Grip Conn.Aluminum USA	Brown	CG50A650AL
1/2	Min.560-Max.650	Straight Mesh Grip	S	Straight Industrial Cord Grip Conn.Steel with Mesh USA	Brown	CG50A650GT
1/2	Min.560-Max.650	45°	S	Spectrum 45° Cord Grip Conn.USA Incl. LN & SW	Brown	CG545
1/2	Min.560-Max.650	Straight	AL	Spectrum Cord Grip Conn.Aluminum USA Incl. LN & SW	Brown	CG5AL
1/2	Min.560-Max.650	Straight Mesh Grip	AL	Spectrum Cord Grip Conn.Aluminum with Mesh USA	Brown	CG5ALGT
1/2	Min.560-Max.0.65	90°	S	Spectrum 90° Cord Grip Conn.USA Incl. LN & SW	Brown	CG590
1/2	Min.625-Max.750	Straight	S	AP Spec Cord Grip Conn.Steel USA- Appleton	Orange	CG6250AM



# AMFICO Cord Grip Connectors

## Selection Chart by Trade Size / Cord Range

S = Steel  
 AL = Aluminum  
 90 & 45 =  
 Steel Compression Nuts  
 w/ MI Bodies

Trade Size"	Cable Range (OD)	Configuration	Material	Description	Grommet Color Code	Cat. #
3/4	Min.125-Max.250	Straight	S	AP Spec Cord Grip Conn.Steel USA- Appleton	Blue	CG1275AM
3/4	Min.150-Max.222	Straight	S	Straight Industrial Cord Grip Conn.Steel USA 2 Hole Grommet	Black	CG75A2222H
3/4	Min.150-Max.222	Straight	S	Straight Industrial Cord Grip Conn.Steel USA 3 Hole Grommet	Black	CG75A2223H
3/4	Min.150-Max.250	Straight	S	Spectrum Cord Grip Conn.Steel USA Incl. LN & SW	Red	CG6
3/4	Min.150-Max.250	45°	S	Spectrum 45° Cord Grip Conn.USA Incl. LN & SW	Red	CG645
3/4	Min.150-Max.250	90°	S	Spectrum 90° Cord Grip Conn.USA Incl. LN & SW	Red	CG690
3/4	Min.150-Max.250	Straight	AL	Spectrum Cord Grip Conn.Aluminum USA Incl. LN & SW	Red	CG6AL
3/4	Min.150-Max.250	Straight	AL	Spectrum Cord Grip Conn.Aluminum with Mesh USA	Red	CG6ALGT
3/4	Min.150-Max.250	Straight	S	Straight Industrial Cord Grip Conn.Steel USA	Red	CG75A250
3/4	Min.150-Max.250	45°	S	45° Industrial Cord Grip Conn.USA	Red	CG75A25045
3/4	Min.150-Max.250	45°	S	45° Industrial Cord Grip Conn.with Mesh USA	Red	CG75A25045GT
3/4	Min.150-Max.250	90°	S	90° Industrial Cord Grip Conn.USA	Red	CG75A25090
3/4	Min.150-Max.250	90°	S	90° Industrial Cord Grip Conn.with Mesh USA	Red	CG75A25090GT
3/4	Min.150-Max.250	Straight	AL	Straight Industrial Cord Grip Conn.Aluminum USA	Red	CG75A250AL
3/4	Min.150-Max.250	Straight	S	Straight Industrial Cord Grip Conn.Steel with Mesh USA	Red	CG75A250GT
3/4	Min.250-Max.350	Straight	S	Spectrum Cord Grip Conn.Steel USA Incl. LN & SW	White	CG7
3/4	Min.250-Max.350	45°	S	Spectrum 45° Cord Grip Conn.USA Incl. LN & SW	White	CG745
3/4	Min.250-Max.350	Straight	S	Straight Industrial Cord Grip Conn.Steel USA	White	CG75A350
3/4	Min.250-Max.350	45°	S	45° Industrial Cord Grip Conn.USA	White	CG75A35045
3/4	Min.250-Max.350	45°	S	45° Industrial Cord Grip Conn.with Mesh USA	White	CG75A35045GT
3/4	Min.250-Max.350	90°	S	90° Industrial Cord Grip Conn.USA	White	CG75A35090
3/4	Min.250-Max.350	90°	S	90° Industrial Cord Grip Conn.with Mesh USA	White	CG75A35090GT
3/4	Min.250-Max.350	Straight	AL	Straight Industrial Cord Grip Conn.Aluminum USA	White	CG75A350AL
3/4	Min.250-Max.350	Straight	S	Straight Industrial Cord Grip Conn.Steel with Mesh USA	White	CG75A350GT
3/4	Min.250-Max.350	90°	S	Spectrum 90° Cord Grip Conn.USA Incl. LN & SW	White	CG790
3/4	Min.250-Max.350	Straight	AL	Spectrum Cord Grip Conn.Aluminum USA Incl. LN & SW	White	CG7AL
3/4	Min.250-Max.350	Straight	AL	Spectrum Cord Grip Conn.Aluminum with Mesh USA	White	CG7ALGT
3/4	Min.250-Max.375	Straight	S	AP Spec Cord Grip Conn.Steel USA- Appleton	Green	CG2575AM
3/4	Min.350-Max.450	Straight	S	Straight Industrial Cord Grip Conn.Steel USA	Blue	CG75A450
3/4	Min.350-Max.450	45°	S	45° Industrial Cord Grip Conn.USA	Blue	CG75A45045
3/4	Min.350-Max.450	45°	S	45° Industrial Cord Grip Conn.with Mesh USA	Blue	CG75A45045GT
3/4	Min.350-Max.450	90°	S	90° Industrial Cord Grip Conn.USA	Blue	CG75A45090
3/4	Min.350-Max.450	90°	S	90° Industrial Cord Grip Conn.with Mesh USA	Blue	CG75A45090GT
3/4	Min.350-Max.450	Straight	AL	Straight Industrial Cord Grip Conn.Aluminum USA	Blue	CG75A450AL
3/4	Min.350-Max.450	Straight	S	Straight Industrial Cord Grip Conn.Steel with Mesh USA	Blue	CG75A450GT
3/4	Min.350-Max.450	Straight	S	Spectrum Cord Grip Conn.Steel USA Incl. LN & SW	Blue	CG8
3/4	Min.350-Max.450	45°	S	Spectrum 45° Cord Grip Conn.USA Incl. LN & SW	Blue	CG845
3/4	Min.350-Max.450	90°	S	Spectrum 90° Cord Grip Conn.USA Incl. LN & SW	Blue	CG890
3/4	Min.350-Max.450	Straight	AL	Spectrum Cord Grip Conn.Aluminum USA Incl. LN & SW	Blue	CG8AL
3/4	Min.350-Max.450	Straight	AL	Spectrum Cord Grip Conn.Aluminum with Mesh USA	Blue	CG8ALGT
3/4	Min.375-Max.500	Straight	S	AP Spec Cord Grip Conn.Steel USA- Appleton	Purple	CG3775AM
3/4	Min.450-Max.560	Straight	S	Straight Industrial Cord Grip Conn.Steel USA	Green	CG75A560
3/4	Min.450-Max.560	45°	S	45° Industrial Cord Grip Conn.USA	Green	CG75A56045
3/4	Min.450-Max.560	45°	S	45° Industrial Cord Grip Conn.with Mesh USA	Green	CG75A56045GT
3/4	Min.450-Max.560	90°	S	90° Industrial Cord Grip Conn.USA	Green	CG75A56090
3/4	Min.450-Max.560	90°	S	90° Industrial Cord Grip Conn.with Mesh USA	Green	CG75A56090GT
3/4	Min.450-Max.560	Straight	AL	Straight Industrial Cord Grip Conn.Aluminum USA	Green	CG75A560AL
3/4	Min.450-Max.560	Straight	S	Straight Industrial Cord Grip Conn.Steel with Mesh USA	Green	CG75A560GT
3/4	Min.450-Max.560	Straight	S	Spectrum Cord Grip Conn.Steel USA Incl. LN & SW	Green	CG9
3/4	Min.450-Max.560	45°	S	Spectrum 45° Cord Grip Conn.USA Incl. LN & SW	Green	CG945
3/4	Min.450-Max.560	90°	S	Spectrum 90° Cord Grip Conn.USA Incl. LN & SW	Green	CG990
3/4	Min.450-Max.560	Straight	AL	Spectrum Cord Grip Conn.Aluminum USA Incl. LN & SW	Green	CG9AL
3/4	Min.450-Max.560	Straight	AL	Spectrum Cord Grip Conn.Aluminum with Mesh USA	Green	CG9ALGT
3/4	Min.500-Max.625	Straight	S	AP Spec Cord Grip Conn.Steel USA- Appleton	Pink	CG5075AM
3/4	Min.560-Max.650	Straight	S	Spectrum Cord Grip Conn.Steel USA Incl. LN & SW	Brown	CG10
3/4	Min.560-Max.650	45°	S	Spectrum 45° Cord Grip Conn.USA Incl. LN & SW	Brown	CG1045
3/4	Min.560-Max.650	90°	S	Spectrum 90° Cord Grip Conn.USA Incl. LN & SW	Brown	CG1090
3/4	Min.560-Max.650	Straight	AL	Spectrum Cord Grip Conn.Aluminum USA Incl. LN & SW	Brown	CG10AL
3/4	Min.560-Max.650	Straight	AL	Spectrum Cord Grip Conn.Aluminum with Mesh USA	Brown	CG10ALGT
3/4	Min.560-Max.650	Straight	S	Straight Industrial Cord Grip Conn.Steel USA	Brown	CG75A650
3/4	Min.560-Max.650	45°	S	45° Industrial Cord Grip Conn.USA	Brown	CG75A65045
3/4	Min.560-Max.650	45°	S	45° Industrial Cord Grip Conn.with Mesh USA	Brown	CG75A65045GT
3/4	Min.560-Max.650	90°	S	90° Industrial Cord Grip Conn.USA	Brown	CG75A65090
3/4	Min.560-Max.650	90°	S	90° Industrial Cord Grip Conn.with Mesh USA	Brown	CG75A65090GT
3/4	Min.560-Max.650	Straight	AL	Straight Industrial Cord Grip Conn.Aluminum USA	Brown	CG75A650AL
3/4	Min.560-Max.650	Straight	S	Straight Industrial Cord Grip Conn.Steel with Mesh USA	Brown	CG75A650GT
3/4	Min.625-Max.750	Straight	S	AP Spec Cord Grip Conn.Steel USA- Appleton	Orange	CG6275AM



# AMFICO Cord Grip Connectors

## Selection Chart by Trade Size / Cord Range

S = Steel  
 AL = Aluminum  
 90 & 45 =  
 Steel Compression Nuts  
 w/ MI Bodies

Trade Size"	Cable Range (OD)	Configuration	Material	Description	Grommet Color Code	Cat. #
3/4	Min.650-Max.750	Straight	S	Spectrum Cord Grip Conn.Steel USA Incl. LN & SW	Yellow	CG11
3/4	Min.650-Max.750	45°	S	Spectrum 45° Cord Grip Conn.USA Incl. LN & SW	Yellow	CG1145
3/4	Min.650-Max.750	90°	S	Spectrum 90° Cord Grip Conn.USA Incl. LN & SW	Yellow	CG1190
3/4	Min.650-Max.750	Straight	AL	Spectrum Cord Grip Conn.Aluminum USA Incl. LN & SW	Yellow	CG11AL
3/4	Min.650-Max.750	Straight	Mesh Grip AL	Spectrum Cord Grip Conn.Aluminum with Mesh USA	Yellow	CG11ALGT
3/4	Min.650-Max.750	Straight	S	Straight Industrial Cord Grip Conn.Steel USA	Yellow	CG75B750
3/4	Min.650-Max.750	45°	S	45° Industrial Cord Grip Conn.USA	Yellow	CG75B75045
3/4	Min.650-Max.750	45°	Mesh Grip S	45° Industrial Cord Grip Conn.with Mesh USA	Yellow	CG75B75045GT
3/4	Min.650-Max.750	90°	S	90° Industrial Cord Grip Conn.USA	Yellow	CG75B75090
3/4	Min.650-Max.750	90°	Mesh Grip S	90° Industrial Cord Grip Conn.with Mesh USA	Yellow	CG75B75090GT
3/4	Min.650-Max.750	Straight	AL	Straight Industrial Cord Grip Conn.Aluminum USA	Yellow	CG75B750AL
3/4	Min.650-Max.750	Straight	Mesh Grip S	Straight Industrial Cord Grip Conn.Steel with Mesh USA	Yellow	CG75B750GT
3/4	Min.750-Max.850	Straight	S	Spectrum Cord Grip Conn.Steel USA Incl. LN & SW	Purple	CG12
3/4	Min.750-Max.850	45°	S	Spectrum 45° Cord Grip Conn.USA Incl. LN & SW	Purple	CG1245
3/4	Min.750-Max.850	90°	S	Spectrum 90° Cord Grip Conn.USA Incl. LN & SW	Purple	CG1290
3/4	Min.750-Max.850	Straight	AL	Spectrum Cord Grip Conn.Aluminum USA Incl. LN & SW	Purple	CG12AL
3/4	Min.750-Max.850	Straight	S	Straight Industrial Cord Grip Conn.Steel USA	Purple	CG75B850
3/4	Min.750-Max.850	45°	S	45° Industrial Cord Grip Conn.USA	Purple	CG75B85045
3/4	Min.750-Max.850	45°	Mesh Grip S	45° Industrial Cord Grip Conn.with Mesh USA	Purple	CG75B85045GT
3/4	Min.750-Max.850	90°	S	90° Industrial Cord Grip Conn.USA	Purple	CG75B85090
3/4	Min.750-Max.850	90°	Mesh Grip S	90° Industrial Cord Grip Conn.with Mesh USA	Purple	CG75B85090GT
3/4	Min.750-Max.850	Straight	AL	Straight Industrial Cord Grip Conn.Aluminum USA	Purple	CG75B850AL
3/4	Min.750-Max.850	Straight	Mesh Grip S	Straight Industrial Cord Grip Conn.Steel with Mesh USA	Purple	CG75B850GT
3/4	Min.750-Max.875	Straight	S	AP Spec Cord Grip Conn.Steel USA- Appleton	Grey	CG7575AM



# AMFICO Cord Grip Connectors

## Selection Chart by Trade Size / Cord Range

S = Steel  
 AL = Aluminum  
 90 & 45 =  
 Steel Compression Nuts  
 w/ MI Bodies

Trade Size"	Cable Range (OD)	Configuration	Material	Description	Grommet Color Code	Cat. #
1	Min.375-Max.500	Straight	S	AP Spec Cord Grip Conn.Steel USA- Appleton	Purple	CG37100AM
1	Min.450-Max.560	45°	S	45° Industrial Cord Grip Conn.USA	Green	CG100B56045
1	Min.450-Max.560	45° Mesh Grip	S	45° Industrial Cord Grip Conn.with Mesh USA	Green	CG100B56045GI
1	Min.450-Max.560	90°	S	90° Industrial Cord Grip Conn.USA	Green	CG100B56090
1	Min.450-Max.560	90° Mesh Grip	S	90° Industrial Cord Grip Conn.with Mesh USA	Green	CG100B56090GI
1	Min.450-Max.560	Straight	AL	Straight Industrial Cord Grip Conn.Aluminum USA	Green	CG100B560AL
1	Min.450-Max.560	Straight Mesh Grip	S	Straight Industrial Cord Grip Conn.Steel with Mesh USA	Green	CG100B560GT
1	Min.450-Max.560	Straight	S	Spectrum Cord Grip Conn.Steel USA Incl. LN & SW	Green	CG13
1	Min.450-Max.560	45°	S	Spectrum 45° Cord Grip Conn.USA Incl. LN & SW	Green	CG1345
1	Min.450-Max.560	90°	S	Spectrum 90° Cord Grip Conn.USA Incl. LN & SW	Green	CG1390
1	Min.450-Max.650	Straight	S	Straight Industrial Cord Grip Conn.Steel USA	Green	CG100B560
1	Min.500-Max.625	Straight	S	AP Spec Cord Grip Conn.Steel USA- Appleton	Pink	CG50100AM
1	Min.560-Max.650	Straight	S	Straight Industrial Cord Grip Conn.Steel USA	Brown	CG100B650
1	Min.560-Max.650	45°	S	45° Industrial Cord Grip Conn.USA	Brown	CG100B65045
1	Min.560-Max.650	45° Mesh Grip	S	45° Industrial Cord Grip Conn.with Mesh USA	Brown	CG100B65045GI
1	Min.560-Max.650	90°	S	90° Industrial Cord Grip Conn.USA	Brown	CG100B65090
1	Min.560-Max.650	90° Mesh Grip	S	90° Industrial Cord Grip Conn.with Mesh USA	Brown	CG100B65090GI
1	Min.560-Max.650	Straight	AL	Straight Industrial Cord Grip Conn.Aluminum USA	Brown	CG100B650AL
1	Min.560-Max.650	Straight Mesh Grip	S	Straight Industrial Cord Grip Conn.Steel with Mesh USA	Brown	CG100B650GT
1	Min.560-Max.650	Straight	S	Spectrum Cord Grip Conn.Steel USA Incl. LN & SW	Brown	CG14
1	Min.560-Max.650	45°	S	Spectrum 45° Cord Grip Conn.USA Incl. LN & SW	Brown	CG1445
1	Min.560-Max.650	90°	S	Spectrum 90° Cord Grip Conn.USA Incl. LN & SW	Brown	CG1490
1	Min.625-Max.750	Straight	S	AP Spec Cord Grip Conn.Steel USA- Appleton	Orange	CG62100AM
1	Min.650-Max.750	Straight	S	Straight Industrial Cord Grip Conn.Steel USA	Yellow	CG100B750
1	Min.650-Max.750	45°	S	45° Industrial Cord Grip Conn.USA	Yellow	CG100B75045
1	Min.650-Max.750	45° Mesh Grip	S	45° Industrial Cord Grip Conn.with Mesh USA	Yellow	CG100B75045GI
1	Min.650-Max.750	90°	S	90° Industrial Cord Grip Conn.USA	Yellow	CG100B75090
1	Min.650-Max.750	90° Mesh Grip	S	90° Industrial Cord Grip Conn.with Mesh USA	Yellow	CG100B75090GI
1	Min.650-Max.750	Straight	AL	Straight Industrial Cord Grip Conn.Aluminum USA	Yellow	CG100B750AL
1	Min.650-Max.750	Straight Mesh Grip	S	Straight Industrial Cord Grip Conn.Steel with Mesh USA	Yellow	CG100B750GT
1	Min.650-Max.750	Straight	S	Spectrum Cord Grip Conn.Steel USA Incl. LN & SW	Yellow	CG15
1	Min.650-Max.750	45°	S	Spectrum 45° Cord Grip Conn.USA Incl. LN & SW	Yellow	CG1545
1	Min.650-Max.750	90°	S	Spectrum 90° Cord Grip Conn.USA Incl. LN & SW	Yellow	CG1590
1	Min.750-Max.850	Straight	S	Straight Industrial Cord Grip Conn.Steel USA	Purple	CG100B850
1	Min.750-Max.850	45°	S	45° Industrial Cord Grip Conn.USA	Purple	CG100B85045
1	Min.750-Max.850	45° Mesh Grip	S	45° Industrial Cord Grip Conn.with Mesh USA	Purple	CG100B85045GI
1	Min.750-Max.850	90°	S	90° Industrial Cord Grip Conn.USA	Purple	CG100B85090
1	Min.750-Max.850	90° Mesh Grip	S	90° Industrial Cord Grip Conn.with Mesh USA	Purple	CG100B85090GI
1	Min.750-Max.850	Straight	AL	Straight Industrial Cord Grip Conn.Aluminum USA	Purple	CG100B850AL
1	Min.750-Max.850	Straight Mesh Grip	S	Straight Industrial Cord Grip Conn.Steel with Mesh USA	Purple	CG100B850GT
1	Min.750-Max.850	Straight	S	Spectrum Cord Grip Conn.Steel USA Incl. LN & SW	Purple	CG16
1	Min.750-Max.850	45°	S	Spectrum 45° Cord Grip Conn.USA Incl. LN & SW	Purple	CG1645
1	Min.750-Max.850	90°	S	Spectrum 90° Cord Grip Conn.USA Incl. LN & SW	Purple	CG1690
1	Min.750-Max.875	Straight	S	AP Spec Cord Grip Conn.Steel USA- Appleton	Grey	CG75100AM
1	Min.850-Max.950	Straight	S	Straight Industrial Cord Grip Conn.Steel USA	Grey	CG100C950
1	Min.850-Max.950	45°	S	45° Industrial Cord Grip Conn.USA	Grey	CG100C95045
1	Min.850-Max.950	45° Mesh Grip	S	45° Industrial Cord Grip Conn.with Mesh USA	Grey	CG100C95045GI
1	Min.850-Max.950	90°	S	90° Industrial Cord Grip Conn.USA	Grey	CG100C95090
1	Min.850-Max.950	90° Mesh Grip	S	90° Industrial Cord Grip Conn.with Mesh USA	Grey	CG100C95090GI
1	Min.850-Max.950	Straight	AL	Straight Industrial Cord Grip Conn.Aluminum USA	Grey	CG100C950AL
1	Min.850-Max.950	Straight Mesh Grip	S	Straight Industrial Cord Grip Conn.Steel with Mesh USA	Grey	CG100C950GT
1	Min.850-Max.950	Straight	S	Spectrum Cord Grip Conn.Steel USA Incl. LN & SW	Grey	CG17
1	Min.850-Max.950	45°	S	Spectrum 45° Cord Grip Conn.USA Incl. LN & SW	Grey	CG1745
1	Min.850-Max.950	90°	S	Spectrum 90° Cord Grip Conn.USA Incl. LN & SW	Grey	CG1790
1	Min.875-Max1.000	Straight	S	AP Spec Cord Grip Conn.Steel USA- Appleton	Red	CG87100AM
1	Min.950-Max1.050	Straight	S	Straight Industrial Cord Grip Conn.Steel USA	Black	CG100C1050
1	Min.950-Max1.050	45°	S	45° Industrial Cord Grip Conn.USA	Black	CG100C105045
1	Min.950-Max1.050	45° Mesh Grip	S	45° Industrial Cord Grip Conn.with Mesh USA	Black	CG100C105045GI
1	Min.950-Max1.050	90°	S	90° Industrial Cord Grip Conn.USA	Black	CG100C105090
1	Min.950-Max1.050	90° Mesh Grip	S	90° Industrial Cord Grip Conn.with Mesh USA	Black	CG100C105090GI
1	Min.950-Max1.050	Straight	AL	Straight Industrial Cord Grip Conn.Aluminum USA	Black	CG100C1050AL
1	Min.950-Max1.050	Straight Mesh Grip	S	Straight Industrial Cord Grip Conn.Steel with Mesh USA	Black	CG100C1050GT
1	Min.950-Max1.050	Straight	S	Spectrum Cord Grip Conn.Steel USA Incl. LN & SW	Black	CG18
1	Min.950-Max1.050	45°	S	Spectrum 45° Cord Grip Conn.USA Incl. LN & SW	Black	CG1845
1	Min.950-Max1.050	90°	S	Spectrum 90° Cord Grip Conn.USA Incl. LN & SW	Black	CG1890
1	Min1.000-Max1.125	Straight	S	AP Spec Cord Grip Conn.Steel USA- Appleton Range	Blue	CG100100AM





# AMFICO Cord Grip Connectors

## Selection Chart by Trade Size / Cord Range

S = Steel  
 AL = Aluminum  
 90 & 45 =  
 Steel Compression Nuts  
 w/ MI Bodies

Trade Size"	Cable Range (OD)	Configuration	Material	Description	Grommet Color Code	Cat. #
1 1/4	Min.750-Max.850	Straight	S	Straight Industrial Cord Grip Conn.Steel USA	Purple	CG125C850
1 1/4	Min.750-Max.850	Straight Mesh Grip	S	Straight Industrial Cord Grip Conn.Steel with Mesh USA	Purple	CG125C850GT
1 1/4	Min.750-Max.850	Straight	S	Spectrum Cord Grip Conn.Steel USA Incl. LN & SW	Purple	CG19
1 1/4	Min.750-Max.875	Straight	S	AP Spec Cord Grip Conn.Steel USA- Appleton	Grey	CG75125AM
1 1/4	Min.850-Max.950	Straight	S	Straight Industrial Cord Grip Conn.Steel USA	Grey	CG125C950
1 1/4	Min.850-Max.950	Straight Mesh Grip	S	Straight Industrial Cord Grip Conn.Steel with Mesh USA	Grey	CG125C950GT
1 1/4	Min.850-Max.950	Straight	S	Spectrum Cord Grip Conn.Steel USA Incl. LN & SW	Grey	CG20
1 1/4	Min.875-Max1.000	Straight	S	AP Spec Cord Grip Conn.Steel USA- Appleton	Red	CG87125AM
1 1/4	Min.950-Max1.050	Straight	S	Straight Industrial Cord Grip Conn.Steel USA	Black	CG125D1050
1 1/4	Min.950-Max1.050	Straight Mesh Grip	S	Straight Industrial Cord Grip Conn.Steel with Mesh USA	Black	CG125D1050GT
1 1/4	Min.950-Max1.050	Straight	S	Spectrum Cord Grip Conn.Steel USA Incl. LN & SW	Black	CG21
1 1/4	Min1.000-Max1.125	Straight	S	AP Spec Cord Grip Conn.Steel USA- Appleton Range	Blue	CG100125AM
1 1/4	Min1.050-Max1.150	Straight	S	Straight Industrial Cord Grip Conn.Steel USA	Orange	CG125D1150
1 1/4	Min1.050-Max1.150	Straight Mesh Grip	S	Straight Industrial Cord Grip Conn.Steel with Mesh USA	Orange	CG125D1150GT
1 1/4	Min1.050-Max1.150	Straight	S	Spectrum Cord Grip Conn.Steel USA Incl. LN & SW	Orange	CG22
1 1/4	Min1.125-Max1.250	Straight	S	AP Spec Cord Grip Conn.Steel USA- Appleton	Brown	CG112125AM
1 1/4	Min1.150-Max1.250	Straight	S	Straight Industrial Cord Grip Conn.Steel USA	Red	CG125D1250
1 1/4	Min1.150-Max1.250	Straight Mesh Grip	S	Straight Industrial Cord Grip Conn.Steel with Mesh USA	Red	CG125D1250GT
1 1/4	Min1.150-Max1.250	Straight	S	Spectrum Cord Grip Conn.Steel USA Incl. LN & SW	Red	CG23
1 1/4	Min1.250-Max1.375	Straight	S	AP Spec Cord Grip Conn.Steel USA- Appleton	Green	CG125125AM
1 1/4	Min1.250-Max1.375	Straight	S	Straight Industrial Cord Grip Conn.Steel USA	White	CG125D1375
1 1/4	Min1.250-Max1.375	Straight Mesh Grip	S	Straight Industrial Cord Grip Conn.Steel with Mesh USA	White	CG125D1375GT
1 1/4	Min1.250-Max1.375	Straight	S	Spectrum Cord Grip Conn.Steel USA Incl. LN & SW	White	CG24
1 1/4	Min1.375-Max1.500	Straight	S	AP Spec Cord Grip Conn.Steel USA- Appleton	Yellow	CG137125AM
1 1/2	Min.950-Max1.050	Straight	S	Straight Industrial Cord Grip Conn.Steel USA	Black	CG150D1050
1 1/2	Min.950-Max1.050	Straight Mesh Grip	S	Straight Industrial Cord Grip Conn.Steel with Mesh USA	Black	CG150D1050GT
1 1/2	Min.950-Max1.050	Straight	S	Spectrum Cord Grip Conn.Steel USA Incl. LN & SW	Black	CG25
1 1/2	Min1.050-Max1.150	Straight	S	Straight Industrial Cord Grip Conn.Steel USA	Orange	CG150D1150
1 1/2	Min1.050-Max1.150	Straight Mesh Grip	S	Straight Industrial Cord Grip Conn.Steel with Mesh USA	Orange	CG150D1150GT
1 1/2	Min1.050-Max1.150	Straight	S	Spectrum Cord Grip Conn.Steel USA Incl. LN & SW	Orange	CG26
1 1/2	Min1.150-Max1.250	Straight	S	Straight Industrial Cord Grip Conn.Steel USA	Red	CG150D1250
1 1/2	Min1.150-Max1.250	Straight Mesh Grip	S	Straight Industrial Cord Grip Conn.Steel with Mesh USA	Red	CG150D1250GT
1 1/2	Min1.150-Max1.250	Straight	S	Spectrum Cord Grip Conn.Steel USA Incl. LN & SW	Red	CG27
1 1/2	Min1.156-Max1.312	Straight	S	AP Spec Cord Grip Conn.Steel USA- Appleton	Purple	CG115150AM
1 1/2	Min1.250-Max1.375	Straight	S	Straight Industrial Cord Grip Conn.Steel USA	White	CG150D1375
1 1/2	Min1.250-Max1.375	Straight Mesh Grip	S	Straight Industrial Cord Grip Conn.Steel with Mesh USA	White	CG150D1375GT
1 1/2	Min1.250-Max1.375	Straight	S	Spectrum Cord Grip Conn.Steel USA Incl. LN & SW	White	CG28
1 1/2	Min1.281-Max1.531	Straight	S	AP Spec Cord Grip Conn.Steel USA- Appleton	Pink	CG128150AM
1 1/2	Min1.380-Max1.500	Straight	S	Straight Industrial Cord Grip Conn.Steel USA	Blue	CG150E1500
1 1/2	Min1.380-Max1.500	Straight Mesh Grip	S	Straight Industrial Cord Grip Conn.Steel with Mesh USA	Blue	CG150E1500GT
1 1/2	Min1.500-Max1.630	Straight	S	Straight Industrial Cord Grip Conn.Steel USA	Green	CG150E1630
1 1/2	Min1.630-Max1.750	Straight	S	Straight Industrial Cord Grip Conn.Steel USA	Brown	CG150E1750
1 1/2	Min1.750-Max1.880	Straight	S	Straight Industrial Cord Grip Conn.Steel USA	Purple	CG150E1880
2	Min1.250-Max1.380	Straight	S	Straight Industrial Cord Grip Conn.Steel USA	Red	CG200F1380
2	Min1.250-Max1.380	Straight Mesh Grip	S	Straight Industrial Cord Grip Conn.Steel with Mesh USA	Red	CG200F1380GT
2	Min1.380-Max1.500	Straight	S	Straight Industrial Cord Grip Conn.Steel USA	Blue	CG200F1500
2	Min1.380-Max1.500	Straight Mesh Grip	S	Straight Industrial Cord Grip Conn.Steel with Mesh USA	Blue	CG200F1500GT
2	Min1.500-Max1.630	Straight	S	Straight Industrial Cord Grip Conn.Steel USA	Green	CG200F1630
2	Min1.500-Max1.630	Straight Mesh Grip	S	Straight Industrial Cord Grip Conn.Steel with Mesh USA	Green	CG200F1630GT
2	Min1.531-Max1.780	Straight	S	AP Spec Cord Grip Conn.Steel USA- Appleton	Orange	CG153200AM
2	Min1.630-Max1.750	Straight	S	Straight Industrial Cord Grip Conn.Steel USA	Brown	CG200F1750
2	Min1.630-Max1.750	Straight Mesh Grip	S	Straight Industrial Cord Grip Conn.Steel with Mesh USA	Brown	CG200F1750GT
2	Min1.690-Max1.810	Straight	S	Straight Industrial Cord Grip Conn.Steel USA	Yellow	CG200F1810
2	Min1.690-Max1.810	Straight Mesh Grip	S	Straight Industrial Cord Grip Conn.Steel with Mesh USA	Yellow	CG200F1810GT
2	Min1.750-Max1.880	Straight	S	Straight Industrial Cord Grip Conn.Steel USA	Purple	CG200F1880
2	Min1.750-Max1.880	Straight Mesh Grip	S	Straight Industrial Cord Grip Conn.Steel with Mesh USA	Purple	CG200F1880GT
2	Min1.810-Max1.940	Straight	S	Straight Industrial Cord Grip Conn.Steel USA	White	CG200F1940
2	Min1.810-Max1.940	Straight Mesh Grip	S	Straight Industrial Cord Grip Conn.Steel with Mesh USA	White	CG200F1940GT
2	Min1.940-Max2.060	Straight	S	Straight Industrial Cord Grip Conn.Steel USA	Orange	CG200F2060
2	Min1.940-Max2.060	Straight Mesh Grip	S	Straight Industrial Cord Grip Conn.Steel with Mesh USA	Orange	CG200F2060GT

# AMERICAN FITTINGS



Since 1946

## Cord Connector Catalog Number Index

Cat #	Trade Size"	Product Description	Std. Qty.	Master Qty.	Wt/c	UPC
CG1	1/2	Spectrum Cord Grip Connectors Min .150- Max .250 Red	25	250	12	66236408002
CG2	1/2	Spectrum Cord Grip Connectors Min .250- Max .350 White	25	250	12	66236408004
CG3	1/2	Spectrum Cord Grip Connectors Min .350- Max .450 Blue	25	250	12	66236408006
CG4	1/2	Spectrum Cord Grip Connectors Min .450- Max .560 Green	25	250	12	66236408008
CG5	1/2	Spectrum Cord Grip Connectors Min .560- Max .650 Brown	25	250	12	66236408010
CG6	3/4	Spectrum Cord Grip Connectors Min .150- Max .250 Red	10	100	16	66236408012
CG7	3/4	Spectrum Cord Grip Connectors Min .250- Max .350 White	10	100	16	66236408014
CG8	3/4	Spectrum Cord Grip Connectors Min .350- Max .450 Blue	10	100	16	66236408016
CG9	3/4	Spectrum Cord Grip Connectors Min .450- Max .560 Green	10	100	16	66236408018
CG10	3/4	Spectrum Cord Grip Connectors Min .560- Max .650 Brown	10	100	16	66236408020
CG11	3/4	Spectrum Cord Grip Connectors Min .650- Max .750 Yellow	10	100	19	66236408022
CG12	3/4	Spectrum Cord Grip Connectors Min .750- Max .850 Purple	10	100	19	66236408024
CG13	1	Spectrum Cord Grip Connectors Min .450- Max .560 Green	5	50	28	66236408026
CG14	1	Spectrum Cord Grip Connectors Min .560- Max .650 Brown	5	50	28	66236408028
CG15	1	Spectrum Cord Grip Connectors Min .650- Max .750 Yellow	5	50	28	66236408030
CG16	1	Spectrum Cord Grip Connectors Min .750- Max .850 Purple	5	50	28	66236408032
CG17	1	Spectrum Cord Grip Connectors Min .850- Max .950 Gray	5	50	28	66236408034
CG18	1	Spectrum Cord Grip Connectors Min .950- Max 1.050 Black	5	50	28	66236408036
CG19	1 1/4	Spectrum Cord Grip Connectors Min .750- Max .850 Purple	5	50	48	66236408038
CG20	1 1/4	Spectrum Cord Grip Connectors Min .850- Max .950 Gray	5	50	48	66236408040
CG21	1 1/4	Spectrum Cord Grip Connectors Min .950- Max 1.050 Black	5	50	48	66236408042
CG22	1 1/4	Spectrum Cord Grip Connectors Min 1.050- Max 1.150 Orange	5	50	48	66236408044
CG23	1 1/4	Spectrum Cord Grip Connectors Min 1.150- Max 1.250 Red	5	50	48	66236408046
CG24	1 1/4	Spectrum Cord Grip Connectors Min 1.250- Max 1.375 White	5	50	48	66236408048
CG25	1 1/2	Spectrum Cord Grip Connectors Min .950- Max 1.050 Black	2	20	90	66236408050
CG26	1 1/2	Spectrum Cord Grip Connectors Min 1.050- Max 1.150 Orange	2	20	90	66236408052
CG27	1 1/2	Spectrum Cord Grip Connectors Min 1.150- Max 1.250 Red	2	20	90	66236408054
CG28	1 1/2	Spectrum Cord Grip Connectors Min 1.250- Max 1.375 White	2	20	90	66236408056
CG145	1/2	Spectrum 45 ° Cord Grip Connectors Min .150- Max .250 Red	10	100	26	66236408082
CG245	1/2	Spectrum 45 ° Cord Grip Connectors Min .250- Max .350 White	10	100	26	66236408084
CG345	1/2	Spectrum 45 ° Cord Grip Connectors Min .350- Max .450 Blue	10	100	26	66236408086
CG445	1/2	Spectrum 45 ° Cord Grip Connectors Min .450- Max .560 Green	10	100	26	66236408088
CG545	1/2	Spectrum 45 ° Cord Grip Connectors Min .560- Max .650 Brown	10	100	26	66236408090
CG645	3/4	Spectrum 45 ° Cord Grip Connectors Min .150- Max .250 Red	5	50	48	66236408092
CG745	3/4	Spectrum 45 ° Cord Grip Connectors Min .250- Max .350 White	5	50	48	66236408094
CG845	3/4	Spectrum 45 ° Cord Grip Connectors Min .350- Max .450 Blue	5	50	48	66236408096
CG945	3/4	Spectrum 45 ° Cord Grip Connectors Min .450- Max .560 Green	5	50	48	66236408098
CG1045	3/4	Spectrum 45 ° Cord Grip Connectors Min .560- Max .650 Brown	5	50	48	66236408100
CG1145	3/4	Spectrum 45 ° Cord Grip Connectors Min .650- Max .750 Yellow	5	50	48	66236408102
CG1245	3/4	Spectrum 45 ° Cord Grip Connectors Min .750- Max .850 Purple	5	50	48	66236408104
CG1345	1	Spectrum 45 ° Cord Grip Connectors Min .450- Max .560 Green	5	25	68	66236408118
CG1445	1	Spectrum 45 ° Cord Grip Connectors Min .560- Max .650 Brown	5	25	68	66236408120
CG1545	1	Spectrum 45 ° Cord Grip Connectors Min .650- Max .750 Yellow	5	25	68	66236408122
CG1645	1	Spectrum 45 ° Cord Grip Connectors Min .750- Max .850 Purple	5	25	68	66236408124
CG1745	1	Spectrum 45 ° Cord Grip Connectors Min .850- Max .950 Gray	5	25	68	66236408126
CG1845	1	Spectrum 45 ° Cord Grip Connectors Min .950- Max 1.050 Black	5	25	68	66236408128
CG190	1/2	Spectrum 90 ° Cord Grip Connectors Min .150- Max .250 Red	10	100	26	66236408058
CG290	1/2	Spectrum 90 ° Cord Grip Connectors Min .250- Max .350 White	10	100	26	66236408060
CG390	1/2	Spectrum 90 ° Cord Grip Connectors Min .350- Max .450 Blue	10	100	26	66236408062
CG490	1/2	Spectrum 90 ° Cord Grip Connectors Min .450- Max .560 Green	10	100	26	66236408064
CG590	1/2	Spectrum 90 ° Cord Grip Connectors Min .560- Max .650 Brown	10	100	26	66236408066
CG690	3/4	Spectrum 90 ° Cord Grip Connectors Min .150- Max .250 Red	5	50	48	66236408068
CG790	3/4	Spectrum 90 ° Cord Grip Connectors Min .250- Max .350 White	5	50	48	66236408070
CG890	3/4	Spectrum 90 ° Cord Grip Connectors Min .350- Max .450 Blue	5	50	48	66236408072
CG990	3/4	Spectrum 90 ° Cord Grip Connectors Min .450- Max .560 Green	5	50	48	66236408074
CG1090	3/4	Spectrum 90 ° Cord Grip Connectors Min .560- Max .650 Brown	5	50	48	66236408076
CG1190	3/4	Spectrum 90 ° Cord Grip Connectors Min .650- Max .750 Yellow	5	50	48	66236408078
CG1290	3/4	Spectrum 90 ° Cord Grip Connectors Min .750- Max .850 Purple	5	50	48	66236408080
CG1390	1	Spectrum 90 ° Cord Grip Connectors Min .450- Max .560 Green	5	25	68	66236408106
CG1490	1	Spectrum 90 ° Cord Grip Connectors Min .560- Max .650 Brown	5	25	68	66236408108
CG1590	1	Spectrum 90 ° Cord Grip Connectors Min .650- Max .750 Yellow	5	25	68	66236408110
CG1690	1	Spectrum 90 ° Cord Grip Connectors Min .750- Max .850 Purple	5	25	68	66236408112
CG1790	1	Spectrum 90 ° Cord Grip Connectors Min .850- Max .950 Gray	5	25	68	66236408114
CG1890	1	Spectrum 90 ° Cord Grip Connectors Min .950- Max 1.050 Black	5	25	68	66236408116
CG50A250	1/2	Straight Industrial Cord Grip Connectors Min .150- Max .250 Red	25	250	12	66236450002
CG50A350	1/2	Straight Industrial Cord Grip Connectors Min .250- Max .350 White	25	250	12	66236450004
CG50A450	1/2	Straight Industrial Cord Grip Connectors Min .350- Max .450 Blue	25	250	12	66236450006
CG50A560	1/2	Straight Industrial Cord Grip Connectors Min .450- Max .560 Green	25	250	12	66236450008
CG50A650	1/2	Straight Industrial Cord Grip Connectors Min .560- Max .650 Brown	25	250	12	66236450010
CG75A250	3/4	Straight Industrial Cord Grip Connectors Min .150- Max .250 Red	10	100	16	66236450014
CG75A350	3/4	Straight Industrial Cord Grip Connectors Min .250- Max .350 White	10	100	16	66236450016

For a catalog number not shown or for stainless steel connectors please consult factory.

# AMERICAN FITTINGS



Since 1946

## Cord Connector Catalog Number Index

Cat #	Trade Size"	Product Description	Std. Qty.	Master Qty.	Wt/c	UPC
CG75A450	3/4	Straight Industrial Cord Grip Connectors Min .350- Max .450 Blue	10	100	16	66236450018
CG75A560	3/4	Straight Industrial Cord Grip Connectors Min .450- Max .560 Green	10	100	16	66236450020
CG75A650	3/4	Straight Industrial Cord Grip Connectors Min .560- Max .650 Brown	10	100	16	66236450022
CG75B750	3/4	Straight Industrial Cord Grip Connectors Min .650- Max .750 Yellow	10	100	19	66236450026
CG75B850	3/4	Straight Industrial Cord Grip Connectors Min .750- Max .850 Purple	10	100	19	66236450028
CG100B560	1	Straight Industrial Cord Grip Connectors Min .450- Max .560 Green	5	50	28	66236450030
CG100B650	1	Straight Industrial Cord Grip Connectors Min .560- Max .650 Brown	5	50	28	66236450032
CG100B750	1	Straight Industrial Cord Grip Connectors Min .650- Max .750 Yellow	5	50	28	66236450034
CG100B850	1	Straight Industrial Cord Grip Connectors Min .750- Max .850 Purple	5	50	28	66236450036
CG100C950	1	Straight Industrial Cord Grip Connectors Min .850- Max .950 Gray	5	50	28	66236450038
CG100C1050	1	Straight Industrial Cord Grip Connectors Min .950- Max 1.050 Black	5	50	28	66236450040
CG125C850	1 1/4	Straight Industrial Cord Grip Connectors Min .750- Max .850 Purple	5	25	48	66236450042
CG125C950	1 1/4	Straight Industrial Cord Grip Connectors Min .850- Max .950 Gray	5	25	48	66236450044
CG125D1050	1 1/4	Straight Industrial Cord Grip Connectors Min .950- Max 1.050 Black	5	25	48	66236450046
CG125D1150	1 1/4	Straight Industrial Cord Grip Connectors Min 1.050- Max 1.150 Orange	5	25	48	66236450048
CG125D1250	1 1/4	Straight Industrial Cord Grip Connectors Min 1.150- Max 1.250 Red	5	25	48	66236450050
CG125D1375	1 1/4	Straight Industrial Cord Grip Connectors Min 1.250- Max 1.375 White	5	25	48	66236450052
CG150D1050	1 1/2	Straight Industrial Cord Grip Connectors Min .950- Max 1.050 Black	2	20	70	66236450054
CG150D1150	1 1/2	Straight Industrial Cord Grip Connectors Min 1.050- Max 1.150 Orange	2	20	70	66236450056
CG150D1250	1 1/2	Straight Industrial Cord Grip Connectors Min 1.150- Max 1.250 Red	2	20	70	66236450058
CG150D1375	1 1/2	Straight Industrial Cord Grip Connectors Min 1.250- Max 1.375 White	2	20	70	66236450060
CG150E1500	1 1/2	Straight Industrial Cord Grip Connectors Min 1.380- Max 1.500 Blue	2	20	70	66236450062
CG150E1630	1 1/2	Straight Industrial Cord Grip Connectors Min 1.500- Max 1.630 Green	2	20	70	66236450064
CG150E1750	1 1/2	Straight Industrial Cord Grip Connectors Min 1.630- Max 1.750 Brown	2	20	70	66236450066
CG150E1880	1 1/2	Straight Industrial Cord Grip Connectors Min 1.750- Max 1.880 Purple	2	20	70	66236450068
CG200F1380	2	Straight Industrial Cord Grip Connectors Min 1.250- Max 1.380 Red	2	20	100	66236450070
CG200F1500	2	Straight Industrial Cord Grip Connectors Min 1.380- Max 1.500 Blue	2	20	100	66236450072
CG200F1630	2	Straight Industrial Cord Grip Connectors Min 1.500- Max 1.630 Green	2	20	100	66236450074
CG200F1750	2	Straight Industrial Cord Grip Connectors Min 1.630- Max 1.750 Brown	2	20	100	66236450076
CG200F1810	2	Straight Industrial Cord Grip Connectors Min 1.690- Max 1.810 Yellow	2	20	100	66236450078
CG200F1880	2	Straight Industrial Cord Grip Connectors Min 1.750- Max 1.880 Purple	2	20	100	66236450080
CG200F1940	2	Straight Industrial Cord Grip Connectors Min 1.810- Max 1.940 White	2	20	100	66236450082
CG200F2060	2	Straight Industrial Cord Grip Connectors Min 1.940- Max 2.060 Orange	2	20	100	66236450084
CG50A250AL	1/2	Straight Industrial Cord Grip Connectors - Aluminum Min .150- Max .250 Red	25	250	6	66236409200
CG50A350AL	1/2	Straight Industrial Cord Grip Connectors - Aluminum Min .250- Max .350 White	25	250	6	66236409202
CG50A450AL	1/2	Straight Industrial Cord Grip Connectors - Aluminum Min .350- Max .450 Blue	25	250	6	66236409204
CG50A560AL	1/2	Straight Industrial Cord Grip Connectors - Aluminum Min .450- Max .560 Green	25	250	6	66236409206
CG50A650AL	1/2	Straight Industrial Cord Grip Connectors - Aluminum Min .560- Max .650 Brown	25	250	6	66236409208
CG75A250AL	3/4	Straight Industrial Cord Grip Connectors - Aluminum Min .150- Max .250 Red	10	100	16	66236409210
CG75A350AL	3/4	Straight Industrial Cord Grip Connectors - Aluminum Min .250- Max .350 White	10	100	16	66236409212
CG75A450AL	3/4	Straight Industrial Cord Grip Connectors - Aluminum Min .350- Max .450 Blue	10	100	16	66236409214
CG75A560AL	3/4	Straight Industrial Cord Grip Connectors - Aluminum Min .450- Max .560 Green	10	100	16	66236409216
CG75A650AL	3/4	Straight Industrial Cord Grip Connectors - Aluminum Min .560- Max .650 Brown	10	100	16	66236409218
CG75B750AL	3/4	Straight Industrial Cord Grip Connectors - Aluminum Min .650- Max .750 Yellow	10	100	19	66236409220
CG75B850AL	3/4	Straight Industrial Cord Grip Connectors - Aluminum Min .750- Max .850 Purple	10	100	19	66236409222
CG100B560AL	1	Straight Industrial Cord Grip Connectors - Aluminum Min .450- Max .560 Green	5	50	28	66236409224
CG100B650AL	1	Straight Industrial Cord Grip Connectors - Aluminum Min .560- Max .650 Brown	5	50	28	66236409226
CG100B750AL	1	Straight Industrial Cord Grip Connectors - Aluminum Min .650- Max .750 Yellow	5	50	28	66236409228
CG100B850AL	1	Straight Industrial Cord Grip Connectors - Aluminum Min .750- Max .850 Purple	5	50	28	66236409230
CG100C950AL	1	Straight Industrial Cord Grip Connectors - Aluminum Min .850- Max .950 Gray	5	50	28	66236409232
CG100C1050AL	1	Straight Industrial Cord Grip Connectors - Aluminum Min .950- Max 1.050 Black	5	50	28	66236409234
CG50A25045	1/2	45° Industrial Cord Grip Connectors Min .150- Max .250 Red	10	100	26	66236470002
CG50A35045	1/2	45° Industrial Cord Grip Connectors Min .250- Max .350 White	10	100	26	66236470004
CG50A45045	1/2	45° Industrial Cord Grip Connectors Min .350- Max .450 Blue	10	100	26	66236470006
CG50A56045	1/2	45° Industrial Cord Grip Connectors Min .450- Max .560 Green	10	100	26	66236470008
CG50A65045	1/2	45° Industrial Cord Grip Connectors Min .560- Max .650 Brown	10	100	26	66236470010
CG75A25045	3/4	45° Industrial Cord Grip Connectors Min .150- Max .250 Red	5	50	48	66236470014
CG75A35045	3/4	45° Industrial Cord Grip Connectors Min .250- Max .350 White	5	50	48	66236470016
CG75A45045	3/4	45° Industrial Cord Grip Connectors Min .350- Max .450 Blue	5	50	48	66236470018
CG75A56045	3/4	45° Industrial Cord Grip Connectors Min .450- Max .560 Green	5	50	48	66236470020
CG75A65045	3/4	45° Industrial Cord Grip Connectors Min .560- Max .650 Brown	5	50	48	66236470022
CG75B75045	3/4	45° Industrial Cord Grip Connectors Min .650- Max .750 Yellow	5	50	48	66236470026
CG75B85045	3/4	45° Industrial Cord Grip Connectors Min .750- Max .850 Purple	5	50	48	66236470028
CG100B56045	1	45° Industrial Cord Grip Connectors Min .450- Max .560 Green	5	25	68	66236470030
CG100B65045	1	45° Industrial Cord Grip Connectors Min .560- Max .650 Brown	5	25	68	66236470032
CG100B75045	1	45° Industrial Cord Grip Connectors Min .650- Max .750 Yellow	5	25	68	66236470034
CG100B85045	1	45° Industrial Cord Grip Connectors Min .750- Max .850 Purple	5	25	68	66236470036
CG100C95045	1	45° Industrial Cord Grip Connectors Min .850- Max .950 Gray	5	25	68	66236470038
CG100C105045	1	45° Industrial Cord Grip Connectors Min .950- Max 1.050 Black	5	25	68	66236470040
CG50A25090	1/2	90° Industrial Cord Grip Connectors Min .150- Max .250 Red	10	100	26	66236460002
CG50A35090	1/2	90° Industrial Cord Grip Connectors Min .250- Max .350 White	10	100	26	66236460004

For a catalog number not shown or for stainless steel connectors please consult factory.



# AMERICAN FITTINGS



Since 1946

## Cord Connector Catalog Number Index

Cat #	Trade Size"	Product Description	Std. Qty.	Master Qty.	Wt/c	UPC
CG50A45090	1/2	90 ° Industrial Cord Grip Connectors Min .350- Max .450 Blue	10	100	26	66236460006
CG50A56090	1/2	90 ° Industrial Cord Grip Connectors Min .450- Max .560 Green	10	100	26	66236460008
CG50A65090	1/2	90 ° Industrial Cord Grip Connectors Min .560- Max .650 Brown	10	100	26	66236460010
CG75A25090	3/4	90 ° Industrial Cord Grip Connectors Min .150- Max .250 Red	5	50	48	66236460014
CG75A35090	3/4	90 ° Industrial Cord Grip Connectors Min .250- Max .350 White	5	50	48	66236460016
CG75A45090	3/4	90 ° Industrial Cord Grip Connectors Min .350- Max .450 Blue	5	50	48	66236460018
CG75A56090	3/4	90 ° Industrial Cord Grip Connectors Min .450- Max .560 Green	5	50	48	66236460020
CG75A65090	3/4	90 ° Industrial Cord Grip Connectors Min .560- Max .650 Brown	5	50	48	66236460022
CG75B75090	3/4	90 ° Industrial Cord Grip Connectors Min .650- Max .750 Yellow	5	50	48	66236460026
CG75B85090	3/4	90 ° Industrial Cord Grip Connectors Min .750- Max .850 Purple	5	50	48	66236460028
CG100B56090	1	90 ° Industrial Cord Grip Connectors Min .450- Max .560 Green	5	25	68	66236460030
CG100B65090	1	90 ° Industrial Cord Grip Connectors Min .560- Max .650 Brown	5	25	68	66236460032
CG100B75090	1	90 ° Industrial Cord Grip Connectors Min .650- Max .750 Yellow	5	25	68	66236460034
CG100B85090	1	90 ° Industrial Cord Grip Connectors Min .750- Max .850 Purple	5	25	68	66236460036
CG100C95090	1	90 ° Industrial Cord Grip Connectors Min .850- Max .950 Gray	5	25	68	66236460038
CG100C105090	1	90 ° Industrial Cord Grip Connectors Min .950- Max 1.050 Black	5	25	68	66236460040
CG1250AM	1/2	AP Spec Cord Grip Connectors - Appleton Range Min .125- Max .187 Red	25	250	12	66236450200
CG1850AM	1/2	AP Spec Cord Grip Connectors - Appleton Range Min .187- Max .312 Brown	25	250	12	66236450202
CG3150AM	1/2	AP Spec Cord Grip Connectors - Appleton Range Min .312- Max .437 Yellow	25	250	12	66236450204
CG3750AM	1/2	AP Spec Cord Grip Connectors - Appleton Range Min .375- Max .500 Purple	25	250	12	66236450206
CG5050AM	1/2	AP Spec Cord Grip Connectors - Appleton Range Min .500- Max .625 Pink	25	250	12	66236450208
CG6250AM	1/2	AP Spec Cord Grip Connectors - Appleton Range Min .625- Max .750 Orange	25	250	12	66236450210
CG1275AM	3/4	AP Spec Cord Grip Connectors - Appleton Range Min .125- Max .250 Blue	10	100	16	66236450212
CG2575AM	3/4	AP Spec Cord Grip Connectors - Appleton Range Min .250- Max .375 Green	10	100	16	66236450214
CG3775AM	3/4	AP Spec Cord Grip Connectors - Appleton Range Min .375- Max .500 Purple	10	100	16	66236450216
CG5075AM	3/4	AP Spec Cord Grip Connectors - Appleton Range Min .500- Max .625 Pink	10	100	16	66236450218
CG6275AM	3/4	AP Spec Cord Grip Connectors - Appleton Range Min .625- Max .750 Orange	10	100	19	66236450220
CG7575AM	3/4	AP Spec Cord Grip Connectors - Appleton Range Min .750- Max .875 Gray	10	100	19	66236450222
CG37100AM	1	AP Spec Cord Grip Connectors - Appleton Range Min .375- Max .500 Purple	5	50	28	66236450224
CG50100AM	1	AP Spec Cord Grip Connectors - Appleton Range Min .500- Max .625 Pink	5	50	28	66236450226
CG62100AM	1	AP Spec Cord Grip Connectors - Appleton Range Min .625- Max .750 Orange	5	50	28	66236450228
CG75100AM	1	AP Spec Cord Grip Connectors - Appleton Range Min .750- Max .875 Gray	5	50	28	66236450230
CG87100AM	1	AP Spec Cord Grip Connectors - Appleton Range Min .875- Max 1.000 Red	5	50	28	66236450232
CG100100AM	1	AP Spec Cord Grip Connectors - Appleton Range Min 1.000- Max 1.125 Blue	5	50	28	66236450234
CG75125AM	1 1/4	AP Spec Cord Grip Connectors - Appleton Range Min .750- Max .875 Gray	5	25	48	66236450236
CG87125AM	1 1/4	AP Spec Cord Grip Connectors - Appleton Range Min .875- Max 1.000 Red	5	25	48	66236450238
CG100125AM	1 1/4	AP Spec Cord Grip Connectors - Appleton Range Min 1.000- Max 1.125 Blue	5	25	48	66236450240
CG112125AM	1 1/4	AP Spec Cord Grip Connectors - Appleton Range Min 1.125- Max 1.250 Brown	5	25	48	66236450242
CG125125AM	1 1/4	AP Spec Cord Grip Connectors - Appleton Range Min 1.250- Max 1.375 Green	5	25	48	66236450244
CG137125AM	1 1/4	AP Spec Cord Grip Connectors - Appleton Range Min 1.375- Max 1.500 Yellow	5	25	48	66236450246
CG115150AM	1 1/2	AP Spec Cord Grip Connectors - Appleton Range Min 1.156- Max 1.312 Purple	2	20	90	66236450248
CG128150AM	1 1/2	AP Spec Cord Grip Connectors - Appleton Range Min 1.281- Max 1.531 Pink	2	20	90	66236450250
CG153200AM	2	AP Spec Cord Grip Connectors - Appleton Range Min 1.531- Max 1.780 Orange	2	20	105	66236450252
CG1AL	1/2	Spectrum Cord Grip Connectors - Aluminum Min .150- Max .250 Red	25	250	6	66236409002
CG2AL	1/2	Spectrum Cord Grip Connectors - Aluminum Min .250- Max .350 White	25	250	6	66236409004
CG3AL	1/2	Spectrum Cord Grip Connectors - Aluminum Min .350- Max .450 Blue	25	250	6	66236409006
CG4AL	1/2	Spectrum Cord Grip Connectors - Aluminum Min .450- Max .560 Green	25	250	6	66236409008
CG5AL	1/2	Spectrum Cord Grip Connectors - Aluminum Min .560- Max .650 Brown	25	250	6	66236409010
CG6AL	3/4	Spectrum Cord Grip Connectors - Aluminum Min .150- Max .250 Red	10	100	8	66236409012
CG7AL	3/4	Spectrum Cord Grip Connectors - Aluminum Min .250- Max .350 White	10	100	8	66236409014
CG8AL	3/4	Spectrum Cord Grip Connectors - Aluminum Min .350- Max .450 Blue	10	100	8	66236409016
CG9AL	3/4	Spectrum Cord Grip Connectors - Aluminum Min .450- Max .560 Green	10	100	8	66236409018
CG10AL	3/4	Spectrum Cord Grip Connectors - Aluminum Min .560- Max .650 Brown	10	100	8	66236409020
CG11AL	3/4	Spectrum Cord Grip Connectors - Aluminum Min .650- Max .750 Yellow	10	100	10	66236409022
CG12AL	3/4	Spectrum Cord Grip Connectors - Aluminum Min .750- Max .850 Purple	10	100	10	66236409024
CG1ALGT	1/2	Spectrum Cord Grip Connectors - Aluminum With Mesh Min .150- Max .250 Red	5	8	8	66236409001
CG2ALGT	1/2	Spectrum Cord Grip Connectors - Aluminum With Mesh Min .250- Max .350 White	5	8	8	66236409003
CG3ALGT	1/2	Spectrum Cord Grip Connectors - Aluminum With Mesh Min .350- Max .450 Blue	5	8	8	66236409005
CG4ALGT	1/2	Spectrum Cord Grip Connectors - Aluminum With Mesh Min .450- Max .560 Green	5	8	8	66236409007
CG5ALGT	1/2	Spectrum Cord Grip Connectors - Aluminum With Mesh Min .560- Max .650 Brown	5	8	8	66236409009
CG6ALGT	3/4	Spectrum Cord Grip Connectors - Aluminum With Mesh Min .150- Max .250 Red	5	12	8	66236409011
CG7ALGT	3/4	Spectrum Cord Grip Connectors - Aluminum With Mesh Min .250- Max .350 White	5	12	8	66236409013
CG8ALGT	3/4	Spectrum Cord Grip Connectors - Aluminum With Mesh Min .350- Max .450 Blue	5	12	8	66236409015
CG9ALGT	3/4	Spectrum Cord Grip Connectors - Aluminum With Mesh Min .450- Max .560 Green	5	16	8	66236409017
CG10ALGT	3/4	Spectrum Cord Grip Connectors - Aluminum With Mesh Min .560- Max .650 Brown	5	16	8	66236409019
CG11ALGT	3/4	Spectrum Cord Grip Connectors - Aluminum With Mesh Min .650- Max .750 Yellow	5	20	8	66236409021
CG50A250GT	1/2	Straight Strain Relief Connectors With Mesh Min .150- Max .250 Red	5	13	8	66236450001
CG50A350GT	1/2	Straight Strain Relief Connectors With Mesh Min .250- Max .350 White	5	13	8	66236450003
CG50A450GT	1/2	Straight Strain Relief Connectors With Mesh Min .350- Max .450 Blue	5	13	8	66236450005
CG50A560GT	1/2	Straight Strain Relief Connectors With Mesh Min .450- Max .560 Green	5	13	8	66236450007
CG50A650GT	1/2	Straight Strain Relief Connectors With Mesh Min .560- Max .650 Brown	5	13	8	66236450009

For a catalog number not shown or for stainless steel connectors please consult factory.



# AMERICAN FITTINGS



Since 1946

## Cord Connector Catalog Number Index

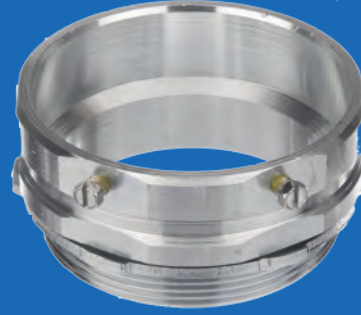
Cat #	Trade Size"	Product Description	Std. Qty.	Master Qty.	Wt/c	UPC
CG75A250GT	3/4	Straight Strain Relief Connectors With Mesh Min .150- Max .250 Red	5	17	66236450011	
CG75A350GT	3/4	Straight Strain Relief Connectors With Mesh Min .250- Max .350 White	5	17	66236450013	
CG75A450GT	3/4	Straight Strain Relief Connectors With Mesh Min .350- Max .450 Blue	5	17	66236450015	
CG75A560GT	3/4	Straight Strain Relief Connectors With Mesh Min .450- Max .560 Green	5	17	66236450017	
CG75A650GT	3/4	Straight Strain Relief Connectors With Mesh Min .560- Max .650 Brown	5	17	66236450019	
CG75B750GT	3/4	Straight Strain Relief Connectors With Mesh Min .650- Max .750 Yellow	5	18	66236450021	
CG75B850GT	3/4	Straight Strain Relief Connectors With Mesh Min .750- Max .850 Purple	5	18	66236450023	
CG100B650GT	1	Straight Strain Relief Connectors With Mesh Min .450- Max .560 Green	5	30	66236450025	
CG100B650GT	1	Straight Strain Relief Connectors With Mesh Min .560- Max .650 Brown	5	30	66236450027	
CG100B750GT	1	Straight Strain Relief Connectors With Mesh Min .650- Max .750 Yellow	5	30	66236450029	
CG100B850GT	1	Straight Strain Relief Connectors With Mesh Min .750- Max .850 Purple	5	35	66236450031	
CG100C950GT	1	Straight Strain Relief Connectors With Mesh Min .850- Max .950 Gray	5	31	66236450033	
CG100C1050GT	1	Straight Strain Relief Connectors With Mesh Min .950- Max 1.050 Black	5	31	66236450035	
CG125C850GT	1 1/4	Straight Strain Relief Connectors With Mesh Min .750- Max .850 Purple	5	54	66236450037	
CG125C950GT	1 1/4	Straight Strain Relief Connectors With Mesh Min .850- Max .950 Gray	5	54	66236450039	
CG125D1050GT	1 1/4	Straight Strain Relief Connectors With Mesh Min .950- Max 1.050 Black	5	54	66236450041	
CG125D1150GT	1 1/4	Straight Strain Relief Connectors With Mesh Min 1.050- Max 1.150 Orange	5	54	66236450043	
CG125D1250GT	1 1/4	Straight Strain Relief Connectors With Mesh Min 1.150- Max 1.250 Red	5	54	66236450045	
CG125D1375GT	1 1/4	Straight Strain Relief Connectors With Mesh Min 1.250- Max 1.375 White	5	54	66236450047	
CG150D1050GT	1 1/2	Straight Strain Relief Connectors With Mesh Min .950- Max 1.050 Black	5	80	66236450049	
CG150D1150GT	1 1/2	Straight Strain Relief Connectors With Mesh Min 1.050- Max 1.150 Orange	5	80	66236450051	
CG150D1250GT	1 1/2	Straight Strain Relief Connectors With Mesh Min 1.150- Max 1.250 Red	5	80	66236450053	
CG150D1375GT	1 1/2	Straight Strain Relief Connectors With Mesh Min 1.250- Max 1.375 White	5	80	66236450055	
CG150E1500GT	1 1/2	Straight Strain Relief Connectors With Mesh Min 1.380- Max 1.500 Blue	5	80	66236450057	
CG200F1380GT	2	Straight Strain Relief Connectors With Mesh Min 1.250- Max 1.380 Red	5	120	66236450065	
CG200F1500GT	2	Straight Strain Relief Connectors With Mesh Min 1.380- Max 1.500 Blue	5	120	66236450067	
CG200F1630GT	2	Straight Strain Relief Connectors With Mesh Min 1.500- Max 1.630 Green	5	120	66236450069	
CG200F1750GT	2	Straight Strain Relief Connectors With Mesh Min 1.630- Max 1.750 Brown	5	120	66236450071	
CG200F1810GT	2	Straight Strain Relief Connectors With Mesh Min 1.690- Max 1.810 Yellow	5	120	66236450073	
CG200F1880GT	2	Straight Strain Relief Connectors With Mesh Min 1.750- Max 1.880 Purple	5	120	66236450075	
CG200F1940GT	2	Straight Strain Relief Connectors With Mesh Min 1.810- Max 1.940 White	5	120	66236450077	
CG200F2060GT	2	Straight Strain Relief Connectors With Mesh Min 1.940- Max 2.060 Orange	5	120	66236450079	
CG50A25045GT	1/2	45° Industrial Cord Grip Connectors With Mesh Min .150- Max .250 Red	5	25	66236470001	
CG50A35045GT	1/2	45° Industrial Cord Grip Connectors With Mesh Min .250- Max .350 White	5	25	66236470003	
CG50A45045GT	1/2	45° Industrial Cord Grip Connectors With Mesh Min .350- Max .450 Blue	5	25	66236470005	
CG50A56045GT	1/2	45° Industrial Cord Grip Connectors With Mesh Min .450- Max .560 Green	5	25	66236470007	
CG50A65045GT	1/2	45° Industrial Cord Grip Connectors With Mesh Min .560- Max .650 Brown	5	25	66236470009	
CG75A25045GT	3/4	45° Industrial Cord Grip Connectors With Mesh Min .150- Max .250 Red	5	40	66236470011	
CG75A35045GT	3/4	45° Industrial Cord Grip Connectors With Mesh Min .250- Max .350 White	5	40	66236470013	
CG75A45045GT	3/4	45° Industrial Cord Grip Connectors With Mesh Min .350- Max .450 Blue	5	40	66236470015	
CG75A56045GT	3/4	45° Industrial Cord Grip Connectors With Mesh Min .450- Max .560 Green	5	40	66236470017	
CG75A65045GT	3/4	45° Industrial Cord Grip Connectors With Mesh Min .560- Max .650 Brown	5	40	66236470019	
CG75B75045GT	3/4	45° Industrial Cord Grip Connectors With Mesh Min .650- Max .750 Yellow	5	40	66236470021	
CG75B85045GT	3/4	45° Industrial Cord Grip Connectors With Mesh Min .750- Max .850 Purple	5	40	66236470023	
CG100B65045GT	1	45° Industrial Cord Grip Connectors With Mesh Min .450- Max .560 Green	5	64	66236470025	
CG100B65045GT	1	45° Industrial Cord Grip Connectors With Mesh Min .560- Max .650 Brown	5	64	66236470027	
CG100B75045GT	1	45° Industrial Cord Grip Connectors With Mesh Min .650- Max .750 Yellow	5	64	66236470029	
CG100B85045GT	1	45° Industrial Cord Grip Connectors With Mesh Min .750- Max .850 Purple	5	64	66236470031	
CG100C95045GT	1	45° Industrial Cord Grip Connectors With Mesh Min .850- Max .950 Gray	5	64	66236470033	
CG100C105045GT	1	45° Industrial Cord Grip Connectors With Mesh Min .950- Max 1.050 Black	5	64	66236470035	
CG50A25090GT	1/2	90° Industrial Cord Grip Connectors With Mesh Min .150- Max .250 Red	5	25	66236460001	
CG50A45090GT	1/2	90° Industrial Cord Grip Connectors With Mesh Min .350- Max .450 Blue	5	25	66236460005	
CG50A56090GT	1/2	90° Industrial Cord Grip Connectors With Mesh Min .450- Max .560 Green	5	25	66236460007	
CG50A65090GT	1/2	90° Industrial Cord Grip Connectors With Mesh Min .560- Max .650 Brown	5	25	66236460009	
CG75A25090GT	3/4	90° Industrial Cord Grip Connectors With Mesh Min .150- Max .250 Red	5	40	66236460011	
CG75A35090GT	3/4	90° Industrial Cord Grip Connectors With Mesh Min .250- Max .350 White	5	40	66236460013	
CG75A45090GT	3/4	90° Industrial Cord Grip Connectors With Mesh Min .350- Max .450 Blue	5	40	66236460015	
CG75A56090GT	3/4	90° Industrial Cord Grip Connectors With Mesh Min .450- Max .560 Green	5	40	66236460017	
CG75A65090GT	3/4	90° Industrial Cord Grip Connectors With Mesh Min .560- Max .650 Brown	5	40	66236460019	
CG75B75090GT	3/4	90° Industrial Cord Grip Connectors With Mesh Min .650- Max .750 Yellow	5	40	66236460021	
CG75B85090GT	3/4	90° Industrial Cord Grip Connectors With Mesh Min .750- Max .850 Purple	5	40	66236460023	
CG100B65090GT	1	90° Industrial Cord Grip Connectors With Mesh Min .450- Max .560 Green	5	64	66236460025	
CG100B65090GT	1	90° Industrial Cord Grip Connectors With Mesh Min .560- Max .650 Brown	5	64	66236460027	
CG100B75090GT	1	90° Industrial Cord Grip Connectors With Mesh Min .650- Max .750 Yellow	5	64	66236460029	
CG100B85090GT	1	90° Industrial Cord Grip Connectors With Mesh Min .750- Max .850 Purple	5	64	66236460031	
CG100C95090GT	1	90° Industrial Cord Grip Connectors With Mesh Min .850- Max .950 Gray	5	64	66236460033	
CG100C105090GT	1	90° Industrial Cord Grip Connectors With Mesh Min .950- Max 1.050 Black	5	64	66236460035	
CG50A2222H	1/2	Cord Grip Connectors With Multiple Hole Bushings	25	250	12	66236450100
CG50A2223H	1/2	Cord Grip Connectors With Multiple Hole Bushings	25	250	12	66236450102
CG75A2222H	3/4	Cord Grip Connectors With Multiple Hole Bushings	10	100	10	66236450104
CG75A2223H	3/4	Cord Grip Connectors With Multiple Hole Bushings	10	100	10	66236450106
UF50	1/2	Underground Feeder Cable Connectors	25	250	12	66236469000
UF5075	3/4	Underground Feeder Cable Connectors	25	100	18	66236469001
UF75	3/4	Underground Feeder Cable Connectors	10	100	18	66236469002

For a catalog number not shown or for stainless steel connectors please consult factory.





**EMT** Electrical Fittings  
 Specification Grade  
 Alloy Steel  
 Made in the USA



1/2" - 4"  
 Connectors & Couplings  
 Set Screw & Compression  
 RainTIGHT Fittings  
 Insulated Throats  
 Adapters to  
 Convert EMT to Rigid or Flex  
 Ground Bushings  
 Supports, Straps, Hangers

**Time to Think Beyond Government Projects!**  
 The Perfect EMT Fitting to  
 Decrease Your Labor Costs and  
 Improve Your Installations



**Products Guaranteed for Life**

**Energy Projects, Data Centers, Hospitals,  
 Infrastructure, & Industrial Facilities  
 Trust One Name,  
 AMERICAN**



**AMFICO Fittings are Alloy Steel Construction with  
 TWICE the Strength and Corrosion Resistance of  
 Die Cast and Malleable Iron**

**AMERICAN FITTINGS**  
 Corporation



*Manufactured in the USA Since 1946*







Since 1946

# AMFICO EMT Steel Fittings

Save Time & Reduce Costs

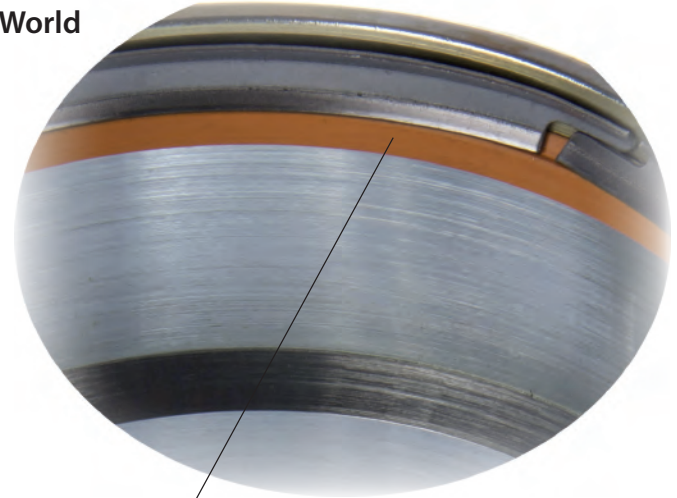
1/2" through 4"  
Set Screw Couplings  
Set Screw Connectors  
Compression Couplings  
Compression Connectors  
Combo Couplings EMT to Rigid, Liquid Tight, FMC

AMFICO Quality Inspected During Each Manufacturing Process Provides You With the BEST Fitting Made in the World

RainTIGHT Fittings Feature AMFICO Proprietary Internal Environmental Sealing Ring



Full Torque No Problem with Our EZ Torque™ Compression Nuts



RT Series UL Listed RainTIGHT

Corrosion Resistant Alloy Steel is Industrial Grade Zinc Plating with Chromate Finish



RT Series Connectors Furnished With Industrial Grade Sealing Ring and Steel Locknut

### PRECISION MACHINE CUT THREADS

Provide Full Torque Values  
Never "Cross-Thread" Another Fitting  
Secures Conduit with Less Labor

### GUARANTEED DIMENSIONAL CONSISTENCY

Precision Machined Alloy Steel Fittings  
Guaranteed Defect Free and Consistent From One Fitting To The Next  
Fittings Are Exact-to-Size So Every Fitting Fits Perfectly Every Time  
Full Interior Smoothness Provides Burrless Wire Pulls  
Uniformed Squared Surface to Transition to Enclosures and Hold Pipe Runs Straight and True

### INTEGRITY OF PRODUCTS

Manufactured by AMERICAN FITTINGS in the USA  
Fittings Guaranteed for the Life of the Product  
Each Fitting Stamped UL and USA



2 1/2" & Larger  
Furnished with  
2 Hex Screws Per End

Set Screw Fittings Feature Steel Screws  
Deep Slots Minimize Driver Slippage  
Tri-drive Screws Can Accommodate 3 Different Types Of Drivers – Phillips, Straight Blade, And Robertson (Square)



042017.1EMT

# AMERICAN FITTINGS

## EMT Fittings Alloy Steel Made in the USA Connectors & Couplings Compression



Since 1946

**SPEC-grade™**

UL Rated Concrete Tight When Taped  
**Size Range: 1/2" - 4" Alloy Steel**  
**EC Series Connectors & Couplings Compression**  
 UL Rated Concrete Tight When Taped  
 Rain Tight Available See EC RT Series  
 Connectors Furnished with:  
 Industrial Grade Steel Locknut Furnished

**Available:**  
 Solid Alloy Steel Construction, Precision Machined  
 EC Series: Compression Feature:  
**AMFICO EZTorque Compression Nut**  
 Zinc Plated, Chromate Finish - Colors available  
 Insulated Throat Bushing Option Available on Connectors\*



2 1/2" through 4" features AMFICO's Compact Low Profile Design

**EZ Torque™**  
 Compression Nuts

### EMT AMFICO SPEC-grade™ Connectors & Couplings Compression

Cat #	Trade Size"	Description	Box Qty.	Carton Qty	NAED UPC
EC750US	1/2	EMT Steel Compression Connector USA	50	250	66236401770
EC751US	3/4	EMT Steel Compression Connector USA	25	250	66236401771
EC752US	1	EMT Steel Compression Connector USA	20	100	66236401772
EC753US	1 1/4	EMT Steel Compression Connector USA	5	50	66236401773
EC754US	1 1/2	EMT Steel Compression Connector USA	5	25	66236401774
EC755US	2	EMT Steel Compression Connector USA	5	25	66236401775
EC756US	2 1/2	EMT Steel Compression Connector USA	-	5	66236401776
EC757US	3	EMT Steel Compression Connector USA	-	3	66236401777
EC758US	3 1/2	EMT Steel Compression Connector USA	-	3	66236401778
EC759US	4	EMT Steel Compression Connector USA	-	2	66236401779
EC760US	1/2	EMT Steel Compression Coupling USA	50	250	66236401780
EC761US	3/4	EMT Steel Compression Coupling USA	25	125	66236401781
EC762US	1	EMT Steel Compression Coupling USA	20	100	66236401782
EC763US	1 1/4	EMT Steel Compression Coupling USA	5	50	66236401783
EC764US	1 1/2	EMT Steel Compression Coupling USA	5	25	66236401784
EC765US	2	EMT Steel Compression Coupling USA	5	25	66236401785
EC766US	2 1/2	EMT Steel Compression Coupling USA	-	5	66236401786
EC767US	3	EMT Steel Compression Coupling USA	-	3	66236401787
EC768US	3 1/2	EMT Steel Compression Coupling USA	-	2	66236401788
EC769US	4	EMT Steel Compression Coupling USA	-	2	66236401789

#### Options

\* Insulated Throat Bushings Rated 105° on Connectors Available:

Add suffix "B" to above cat #'s:i.e. ECXXXXB

Color Coded Fittings Available Consult Factory for Details



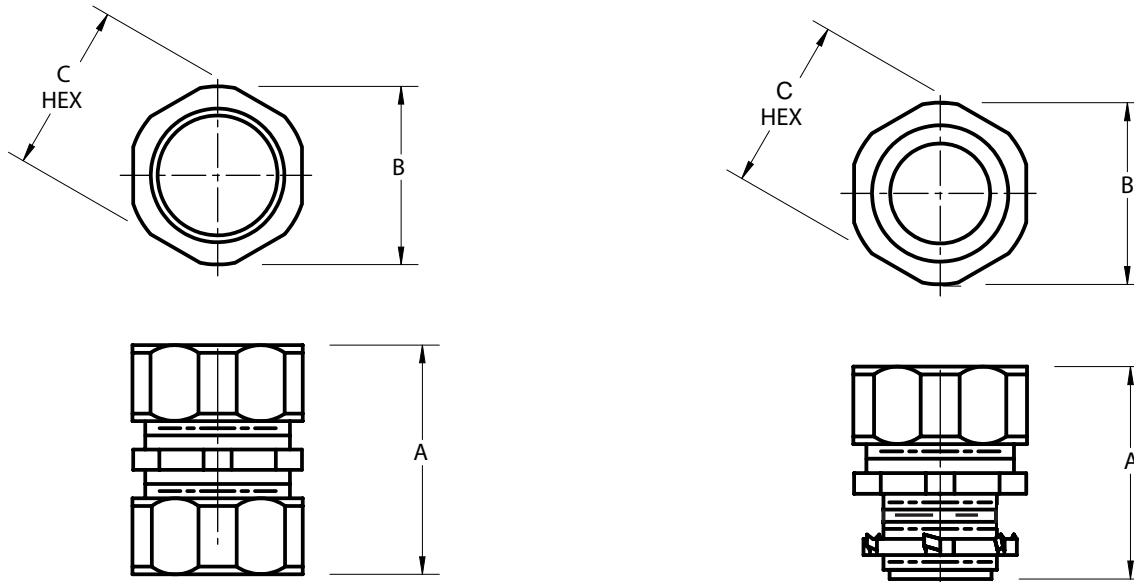
# AMERICAN FITTINGS

EMT Fittings Alloy Steel Made in the USA  
Connectors & Couplings Compression



Since 1946

## EMT AMFICO SPEC-grade™ Connectors & Couplings Compression



1/2 the Size and Weight of All Die Cast, Malleable Iron or Off Shore Steel Fittings, TWICE the Strength & Corrosion Resistance

### DIMENSION TABLE

#### Connectors

#### Couplings

Cat#	Trade Size	"A"	"B"	"C"	Wt./c	Cat#	Trade Size	"A"	"B"	"C"	Wt./c
EC750US	1/2"	1-1/8"	1"	15/16"	8	EC760US	1/2"	1-3/8"	1"	15/16"	8
EC751US	3/4"	1-3/16"	1-7/32"	1-3/16"	12	EC761US	3/4"	1-7/16"	1-7/32"	1-3/16"	13
EC752US	1"	1-5/16"	1-1/2"	1-7/16"	19	EC762US	1"	1-17/32"	1-1/2"	1-7/16"	19
EC753US	1-1/4"	1-9/16"	1-7/8"	1-13/16"	30	EC763US	1-1/4"	1-27/32"	1-7/8"	1-13/16"	30
EC754US	1-1/2"	1-11/16"	2-5/32"	2-1/16"	46	EC764US	1-1/2"	2-1/16"	2-5/32"	2-1/16"	46
EC755US	2"	1-7/8"	2-7/8"	2-9/16"	55	EC765US	2"	2-1/4"	2-7/8"	2-9/16"	60
EC756US	2-1/2"	3-1/8"	3-13/32"	3-1/4"	120	EC766US	2-1/2"	3-5/8"	3-13/32"	3-1/4"	133
EC757US	3"	3-1/16"	4"	3-29/32"	165	EC767US	3"	3-11/16"	4"	3-29/32"	171
EC758US	3-1/2"	3-1/16"	4-9/16"	4-13/32"	201	EC768US	3-1/2"	3-19/32"	4-9/16"	4-13/32"	205
EC759US	4"	3-1/16"	5-3/32"	4-29/32"	237	EC769US	4"	3-5/8"	5-3/32"	4-29/32"	238

#### Compliances:

Certified Made in the USA

UL 514B

NEMA Standard FB1

Certified for MIL-STD 810 Sinusoidal Vibrations

Federal Standard A-A-50553

UL Standards: 514B, 467

CSA Standard: C22.2 No. 18F

RoHS Compliant



- No need to disassemble AMFICO fittings prior to installation. AMFICO EMT Compression Fittings are designed so that when they come out of the carton they can be installed.

- No need for special tools to properly install AMFICO EMT fittings. AMFICO's fittings feature our EZ Torque Compression nuts with true precision machined cut steel threads, fit tight, right everytime.

# AMERICAN FITTINGS

## EMT Fittings Alloy Steel Made in the USA Couplings & Connectors Set Screw



Since 1946

**SPEC-grade™**

**Size Range:** 1/2" - 4" Alloy Steel  
**SS Series Connectors & Couplings Set Screw**  
Connectors Furnished with:  
Industrial Grade Locknut  
UL Rated Concrete Tight When Taped  
Vibration Resistant Steel Steel Screws

**Available:**  
Solid Alloy Steel Construction, Precision Machined  
1/2"- 2" 1 Screw per end; 2 1/2"- 4" 2 Screws Per End  
Zinc Plated, Chromate Finish - Colors available  
Insulated Throat Bushing Option Available on Connector\*  
UL Rated Concrete Type When Taped



### EMT AMFICO SPEC-grade™ Connectors & Couplings Set Screw

Cat #	Trade Size "	Description	Box Qty.	Carton Qty	NAED UPC
SS50US	1/2	EMT Steel Set Screw Connector USA	50	250	66236419060
SS51US	3/4	EMT Steel Set Screw Connector USA	25	125	66236419062
SS52US	1	EMT Steel Set Screw Connector USA	20	100	66236419064
SS53US	1 1/4	EMT Steel Set Screw Connector USA	5	25	66236419066
SS54US	1 1/2	EMT Steel Set Screw Connector USA	5	25	66236419068
SS55US	2	EMT Steel Set Screw Connector USA	-	20	66236419070
SS56US	2 1/2	EMT Steel Set Screw Connector USA	-	6	66236419072
SS57US	3	EMT Steel Set Screw Connector USA	-	6	66236419074
SS58US	3 1/2	EMT Steel Set Screw Connector USA	-	3	66236419076
SS59US	4	EMT Steel Set Screw Connector USA	-	3	66236419078
SS60US	1/2	EMT Steel Set Screw Coupling USA	50	250	66236419100
SS61US	3/4	EMT Steel Set Screw Coupling USA	25	125	66236419102
SS62US	1	EMT Steel Set Screw Coupling USA	10	50	66236419104
SS63US	1 1/4	EMT Steel Set Screw Coupling USA	5	25	66236419106
SS64US	1 1/2	EMT Steel Set Screw Coupling USA	5	25	66236419108
SS65US	2	EMT Steel Set Screw Coupling USA	-	20	66236419110
SS66US	2 1/2	EMT Steel Set Screw Coupling USA	-	5	66236419112
SS67US	3	EMT Steel Set Screw Coupling USA	-	3	66236419114
SS68US	3 1/2	EMT Steel Set Screw Coupling USA	-	2	66236419116
SS69US	4	EMT Steel Set Screw Coupling USA	-	2	66236419118

#### Options

\* Insulated Throat Bushings Rated 105° on Connectors Available:

Add suffix "B" to above cat #'s:i.e. ECXXXXB

Color Coded Fittings Available Consult Factory for Details

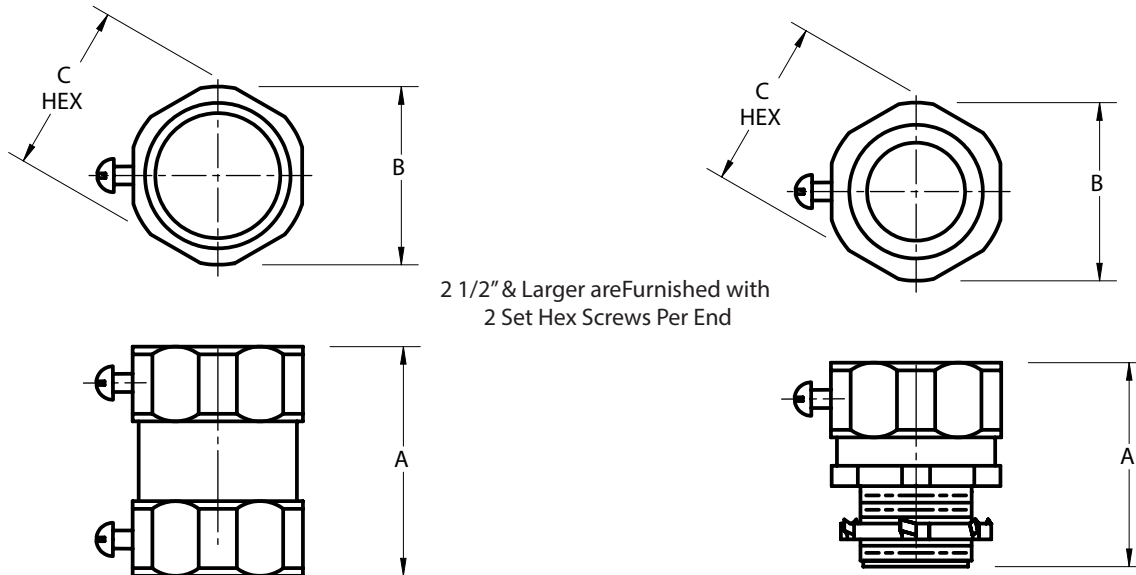
# AMERICAN FITTINGS

EMT Fittings Alloy Steel Made in the USA  
Connectors & Couplings Set Screw



Since 1946

## EMT AMFICO SPEC-grade™ Connectors & Couplings Compression



1/2 the Size and Weight of All Die Cast, Malleable Iron or Off Shore Steel Fittings, TWICE the Strength & Corrosion Resistance

### DIMENSION TABLE

#### Connectors

#### Couplings

Cat#	Trade Size	"A"	"B"	"C"	Wt./c	Cat#	Trade Size	"A"	"B"	"C"	Wt./c
SS50US	1/2"	1-5/32"	63/64"	15/16"	10	SS60US	1/2"	1-1/2"	7/8"	27/32"	10
SS51US	3/4"	1-3/16"	1-7/32"	1-11/64"	14	SS61US	3/4"	1-1/2"	1-1/8"	1-1/16"	15
SS52US	1	1-1/2"	1-1/2"	1-7/16"	23	SS62US	1	1-7/8"	1-11/32"	1-13/32"	24
SS53US	1-1/4"	1-11/16"	2-7/8"	1-13/16"	40	SS63US	1-1/4"	2-3/16"	1-3/4"	1-11/16"	44
SS54US	1-1/2"	1-29/32"	2-5/32"	2-1/16"	52	SS64US	1-1/2"	2-19/32"	2-1/32"	1-31/32"	68
SS55US	2"	2-29/32"	2-21/32"	2-9/16"	80	SS65US	2"	2-11/16"	2-1/2"	2-13/32"	90
SS56US	2-1/2"	2-3/8"	3-13/32"	3-1/4"	116	SS66US	2-1/2"	2-17/32"	3-13/32"	3-1/4"	113
SS57US	3"	2-7/16"	4"	3-29/32"	160	SS67US	3"	2-5/8"	4"	3-29/32"	127
SS58US	3-1/2"	2-7/16"	4-9/16"	4-13/32"	210	SS68US	3-1/2"	2-5/8"	4-9/16"	4-13/32"	156
SS59US	4"	2-7/16"	5-3/32"	4-29/32"	240	SS69US	4"	2-5/8"	5-3/32"	4-29/32"	172

- Steel, Zinc Plated Set Screws  
Vibration Resistant Maintain Grip & Bonding
- Accept FULL Torque without Concern for Cracking Fitting
- Tri-head screws (1/2" to 2" trade sizes) may be installed using a slotted, Phillips, or Robertson head screwdriver.
- Full Hex Head Screws (2 1/2" - 4")
- AMFICO Set Screw Fittings Are IMPOSSIBLE to CRACK

### Compliances:

Certified Made in the USA  
UL 514B  
NEMA Standard FB1  
Certified for MIL-STD 810 Sinusoidal Vibrations  
Federal Standard A-A-50553  
UL Standards: 514B, 467  
CSA Standard: C22.2 No. 18F  
RoHS Compliant





# AMERICAN FITTINGS

## EMT Rain Tight Fittings Alloy Steel Made in the USA Couplings & Connectors Compression



Since 1946

**SPEC-grade™**

**Size Range:** 1/2" - 4" Alloy Steel  
**EC RT Series UL Listed Rain Tight & Concrete Tight\*\***  
Connectors Furnished with:  
Industrial Grade Locknut and Industrial Sealing Washer  
\*\*UL Rated Concrete Tight When Taped

**Available:**  
Solid Alloy Steel Construction, Precision Machined  
EC RT Series Compression Feature:  
EZTorque Compression Nut  
Zinc Plated, Chromate Finish Nuts Colored: Gold  
Insulated Throat Bushing Option Available on Connector\*



### EMT AMFICO SPEC-grade™ RainTIGHT Connectors & Couplings Compression

Cat # *	Trade Size "	Description	Box Qty.	Carton Qty	NAED UPC
EC750USRT	1/2	EMT Steel Compression Connector RainTIGHT USA	50	250	66236401810
EC751USRT	3/4	EMT Steel Compression Connector RainTIGHT USA	25	250	66236401830
EC752USRT	1	EMT Steel Compression Connector RainTIGHT USA	20	100	66236401832
EC753USRT	1 1/4	EMT Steel Compression Connector RainTIGHT USA	5	50	66236401834
EC754USRT	1 1/2	EMT Steel Compression Connector RainTIGHT USA	5	25	66236401836
EC755USRT	2	EMT Steel Compression Connector RainTIGHT USA	5	25	66236401775
EC756USRT	2 1/2	EMT Steel Compression Connector RainTIGHT USA	0	5	66236401776
EC757USRT	3	EMT Steel Compression Connector RainTIGHT USA	0	3	66236401777
EC758USRT	3 1/2	EMT Steel Compression Connector RainTIGHT USA	0	3	66236401778
EC759USRT	4	EMT Steel Compression Connector RainTIGHT USA	0	2	66236401779
EC760USRT	1/2	EMT Steel Compression Couplings RainTIGHT USA	50	250	66236401850
EC761USRT	3/4	EMT Steel Compression Couplings RainTIGHT USA	25	125	66236401852
EC762USRT	1	EMT Steel Compression Couplings RainTIGHT USA	20	100	66236401854
EC763USRT	1 1/4	EMT Steel Compression Couplings RainTIGHT USA	5	50	66236401856
EC764USRT	1 1/2	EMT Steel Compression Couplings RainTIGHT USA	5	25	66236401858
EC765USRT	2	EMT Steel Compression Couplings RainTIGHT USA	5	25	66236401860
EC766USRT	2 1/2	EMT Steel Compression Couplings RainTIGHT USA	-	5	66236401862
EC767USRT	3	EMT Steel Compression Couplings RainTIGHT USA	-	3	66236401864
EC768USRT	3 1/2	EMT Steel Compression Couplings RainTIGHT USA	-	2	66236401866
EC769USRT	4	EMT Steel Compression Couplings RainTIGHT USA	-	2	66236401868

#### Options

\* Insulated Throat Bushings Rated 105° on Connectors Available:  
Add suffix "B" to above cat #'s:i.e. ECXXXXB  
Color Coded Fittings Available Consult Factory for Details

042017.1EMT

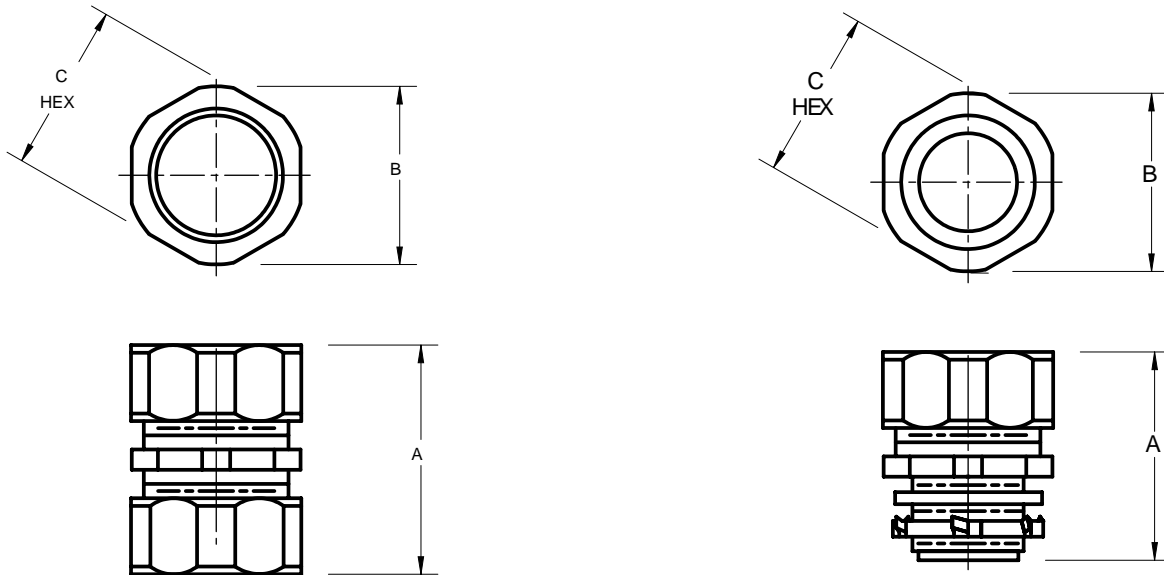
# AMERICAN FITTINGS

## EMT RainTIGHT Fittings Alloy Steel Made in the USA Connectors & Couplings Compression



Since 1946

### EMT AMFICO SPEC-grade™ RainTIGHT Connectors & Couplings Compression



1/2 the Size and Weight of All Die Cast, Malleable Iron or Off Shore Steel Fittings, TWICE the Strength & Corrosion Resistance

#### DIMENSION TABLE

##### Connectors

##### Couplings

Cat#	Trade Size	"A"	"B"	"C"	Wt./c	Cat#	Trade Size	"A"	"B"	"C"	Wt./c
EC750USRT	1/2"	1-1/8"	1"	15/16"	8	EC760USRT	1/2"	1-3/8"	1"	15/16"	8
EC751USRT	3/4"	1-3/16"	1-7/32"	1-3/16"	12	EC761USRT	3/4"	1-7/16"	1-7/32"	1-3/16"	13
EC752USRT	1	1-5/16"	1-1/2"	1-7/16"	19	EC762USRT	1	1-17/32"	1-1/2"	1-7/16"	19
EC753USRT	1-1/4"	1-9/16"	1-7/8"	1-13/16"	30	EC763USRT	1-1/4"	1-27/32"	1-7/8"	1-13/16"	30
EC754USRT	1-1/2"	1-11/16"	2-5/32"	2-1/16"	46	EC764USRT	1-1/2"	2-1/16"	2-5/32"	2-1/16"	46
EC755USRT	2"	1-7/8"	2-7/8"	2-9/16"	55	EC765USRT	2"	2-1/4"	2-7/8"	2-9/16"	60
EC756USRT	2-1/2"	3-1/8"	3-13/32"	3-1/4"	120	EC766USRT	2-1/2"	3-5/8"	3-13/32"	3-1/4"	133
EC757USRT	3"	3-1/16"	4"	3-29/32"	165	EC767USRT	3"	3-11/16"	4"	3-29/32"	171
EC758USRT	3-1/2"	3-1/16"	4-9/16"	4-13/32"	201	EC768USRT	3-1/2"	3-19/32"	4-9/16"	4-13/32"	205
EC759USRT	4"	3-1/16"	5-3/32"	4-29/32"	237	EC769USRT	4"	3-5/8"	5-3/32"	4-29/32"	238

#### Compliances:

Certified Made in the USA

UL 514B

NEMA Standard FB1

Certified for MIL-STD 810 Sinusoidal Vibrations

Federal Standard A-A-50553

UL Standards: 514B, 467

CSA Standard: C22.2 No. 18F

RoHS Compliant



- All AMFICO RT fittings are manufactured with a factory installed sealing ring (s) to ensure a fully rain tight installation. Connectors come with a sealing ring, no need for additional gaskets or silicon.

- No need to disassemble AMFICO fittings prior to installation. AMFICO Raintight Steel EMT Compression Fittings are designed so that when they come out of the carton they can be installed directly on the conduit.

- No need for special tools to properly install AMFICO EMT RT fittings. AMFICO's fittings feature our EZ Torque Compression nuts with true precision machined cut steel threads, fit tight, right everytime.

042017.1EMT

# AMERICAN FITTINGS

## EMT Fittings Alloy Steel Made in the USA

### EMT to Liquid Tight Combination Couplings



Since 1946

**SPEC-grade™**

**Size Range: 1/2" - 2"\* Alloy Steel**  
**EMT to Liquid Tight Combination Coupling**  
 Covert your EMT to liquid tight conduit with this compression coupling. Liquid type fitting on one end, EMT compression on the other.

RainTight EMT to Liquid Tight Available\*\*

**Available:**  
 Precision Machined Alloy Steel Construction  
 Zinc Plated, Chromate Finish  
 Galvanized Plating Option Available  
 Liquid Tight End Features AMFICO's  
 Uniquely Designed XL Ferrule for Positive Ground and Lock



Also Available in  
 90° & 45° Configurations

Liquid TIGHT to EMT Compression

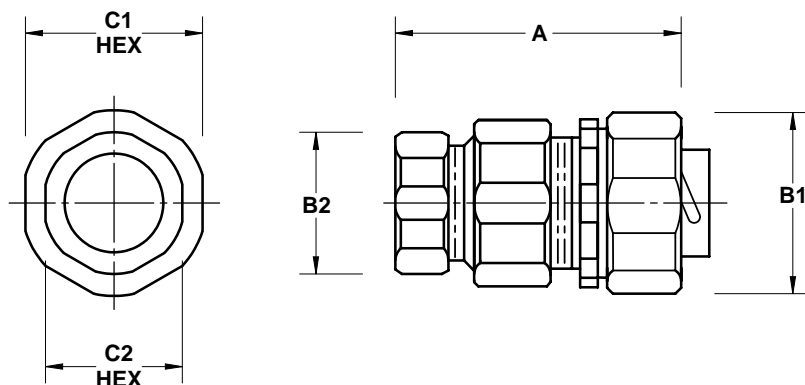
### EMT to LiquidTIGHT to Compression SPEC-grade™ Couplings 1/2" to 2"\*

Cat # **	Trade Size"	Description	Box Qty.	Carton Qty.	Wt/c.	NAED UPC
STREMT50	1/2	Combination Couplings - Liquidtight to EMT	20	100	16	66236430750
STREMT75	3/4	Combination Couplings - Liquidtight to EMT	10	100	22	66236430751
STREMT100	1	Combination Couplings - Liquidtight to EMT	5	50	40	66236430752
STREMT125	1 1/4	Combination Couplings - Liquidtight to EMT	5	25	75	66236430753
STREMT150	1 1/2	Combination Couplings - Liquidtight to EMT	5	25	98	662364 30761
STREMT200	2	Combination Couplings - Liquidtight to EMT	2	10	140	66236430762

\* Larger sizes and other configurations may be available, please consult factory

\*\* Add RT to Cat # for EMT Rain Tight Configuration

Available as 90 and 45



#### Compliances:

Certified Made in the USA  
 UL 514B  
 NEMA Standard FB1  
 Federal Standard A-A-50553  
 NEC: Class I, Division 2  
 Class II, Divisions 1 and 2  
 Class III, Divisions 1 and 2  
 UL Standards: 514B, 467  
 CSA Standard: C22.2 No. 18F



Cat # **	Trade Size	A Lght.	B1 Dia.	B2 Dia.	C1 Hex	C2 Hex
STREMT50	1/2"	1-17/32"	1-3/16"	1"	1-1/8"	15/16"
STREMT75	3/4"	1-21/32"	1-7/16"	1-7/32"	1-3/8"	1-3/16"
STREMT100	1"	1-13/16"	1-3/4"	1-1/2"	1-11/16"	1-7/16"
STREMT125	1-1/4"	2-3/4"	2-5/32"	1-7/8"	2-1/16"	1-13/16"
STREMT150	1-1/2"	3-5/32"	2-3/8"	2-5/32"	2-9/32"	2-1/16"
STREMT200	2"	3-3/8"	2-7/8"	2-7/8"	2-3/4"	2-9/16"



# AMERICAN FITTINGS

## EMT Fittings Alloy Steel Made in the USA EMT to Rigid Combination Couplings



Since 1946

**SPEC-grade™**

**Size Range: 1/2" - 2"\* Alloy Steel  
EMT to Rigid Conduit Combination Coupling**

Covert your EMT to Rigid or IMC conduit with this compression coupling. EMT compression coupling 1 end, Rigid compression coupling other end.

**Available:**  
Solid Alloy Steel Construction, Precision Machined  
ETR Series: EMT Compression - Rigid End Threaded  
Zinc Plated, Chromate Finish  
ETR RT Series UL Listed for Rain Tight \*\*



**EZ Torque™**  
Compression Nut on EMT End  
Threaded other End for Rigid Conduit



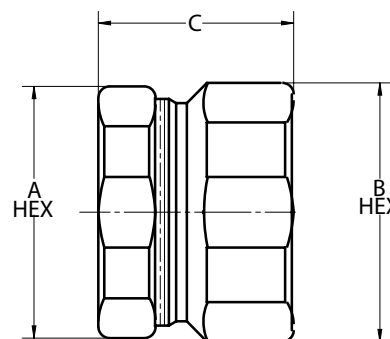
Rain Tight Fittings Feature  
Gold Color Nuts for Inspection Identification

### EMT to Rigid Conduit Coupling AMFICO SPEC-grade™ with Rain Tight Option\*

Cat # **	Trade Size "	Description	Box Qty.	Carton Qty.	Wt/c.	NAED UPC
ETR50	1/2	Steel EMT to Rigid Combination Compression Coupling	25	250	19	6623640174
ETR75	3/4	Steel EMT to Rigid Combination Compression Coupling	10	100	27	6623640174
ETR100	1	Steel EMT to Rigid Combination Compression Coupling	5	50	28	6623640174
ETR125	1 1/4	Steel EMT to Rigid Combination Compression Coupling	5	50	30	6623640175
ETR150	1 1/2	Steel EMT to Rigid Combination Compression Coupling	5	25	41	6623640175
ETR200	2	Steel EMT to Rigid Combination Compression Coupling	5	25	58	6623640175

\* For Sizes Over 2" Consult Factory

\*\* For Rain Tight Product Add "RT" to the Above Cat #.



#### Compliances:

Certified Made in the USA  
UL 514B  
NEMA Standard FB1  
Federal Standard A-A-50553  
UL Standards: 514B, 467  
RoHS Compliant



#### DIMENSION TABLE

Cat #	Trade Size "	"A" Nut OD	"B" Body OD	"C" Lgth."
ETR 50	1/2	15/16	15/16	1-1/4
ETR 75	3/4	1-11/64	1-9/32	1-9/32
ETR100	1	1-7/16	1-9/16	1-15/32
ETR125	1-1/4	1-13/16	1-13/16	1-9/16
ETR150	1-1/2	2-1/16	2-1/16	1-25/32
ETR200	2	2-9/16	2-9/16	1-7/8

\* For Sizes Over 2" Consult Factory

# AMERICAN FITTINGS

EMT Fittings Alloy Steel Made in the USA  
EMT to FMC Combination Couplings



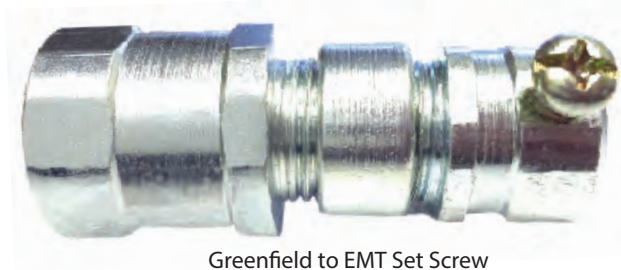
Since 1946

## SPECflex™ Connector System

FLEX Series Industrial Flexible Metal Conduit Adapter  
Transitions FMC (Greenfield) to EMT  
Made in the USA

Solid Steel Fully Machined SPECflex™ Connector with  
AMFICO Industrial EMT Set Screw Fitting  
Fittings are Solid Steel Zinc Plated

Patent Pending Uniquely Engineered for Industrial Projects and  
OEM Product Performance  
**Superior Performance for Secure Connection and Fast Disconnect**  
**No Tools Required to Install Connector on Flex Conduit**



Greenfield to EMT Set Screw

Greenfield to EMT Compression



*Save Labor Costs on Every Connection!*

*One Piece Construction No Need to Disassemble*

Greenfield  
FMC



EMT  
Set Screw

Greenfield  
FMC



EMT  
Compression

### Compliances:

Certified Made in the USA

UL 514B

NEMA Standard FB1

Federal Standard A-A-50553

UL Standards: 514B, 467

RoHS Compliant



### Note:

SPECflex connectors are designed to work and interface with UL listed, Made in USA FMC / Greenfield conduit. We cannot guarantee fit, form, or function with non-UL off-shore conduit. Request a sample from factory to ensure compatibility.

# AMERICAN FITTINGS

EMT Fittings Alloy Steel Made in the USA  
EMT to FMC Combination Couplings



Since 1946

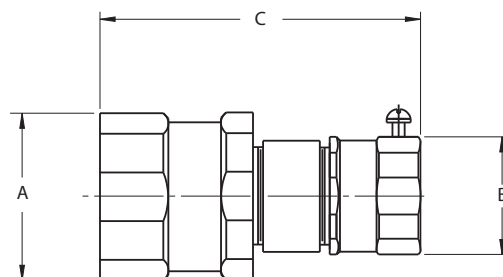
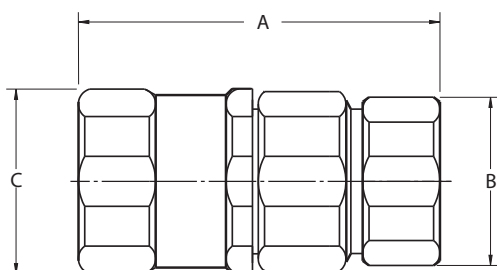
**SPEC-grade™**

**Size Range:** 1/2" - 2"\* Alloy Steel  
**FLX Series Combiation Couplings**  
Set Screw & Compression EMT  
Connector Includes  
Industrial Sealing Washer & Steel Locknut

**Available:**  
Zinc Plated, Galvanized Plating  
Insulated Throat Bushing & Steel Locknut  
Furnished on Flex Connector

## EMT to FMC Combination Couplings AMFICO SPEC-grade™ Set Screw or Compression

Cat #	Trade Size "	Description	Box Qty.	Carton Qty.	Wt/c.	NAED UPC
FLXSS 50	1/2	SPECflex Adapter EMT Set Screw to Flex USA	10	100	24	66236421507
FLXSS 75	3/4	SPECflex Adapter EMT Set Screw to Flex USA	5	50	31	66236421508
FLXSS100	1	SPECflex Adapter EMT Set Screw to Flex USA	5	50	51	66236421509
FLXSS125	1 1/4	SPECflex Adapter EMT Set Screw to Flex USA	5	25	78	66236421510
FLXSS150	1 1/2	SPECflex Adapter EMT Set Screw to Flex USA	5	25	96	66236421511
FLXSS200	2	SPECflex Adapter EMT Set Screw to Flex USA	5	10	148	66236421512
FLXEMT 50	1/2	SPECflex Adapter EMT Compression to Flex USA	25	125	21	66236421501
FLXEMT 75	3/4	SPECflex Adapter EMT Compression to Flex USA	10	100	31	66236421502
FLXEMT100	1	SPECflex Adapter EMT Compression to Flex USA	5	50	52	66236421503
FLXEMT125	1 1/4	SPECflex Adapter EMT Compression to Flex USA	5	25	69	66236421504
FLXEMT150	1 1/2	SPECflex Adapter EMT Compression to Flex USA	5	25	89	66236421505
FLXEMT200	2	SPECflex Adapter EMT Compression to Flex USA	2	10	138	66236421506



**SPECflex EMT Compression Adapters**

Cat #	Trade Size	A	B hex	C hex
FLXEMT50	1/2"	2-7/16"	15/16"	1-1/8"
FLXEMT75	3/4"	2-15/32"	1-3/16"	1-3/8"
FLXEMT100	1"	2-17/32"	1-7/16"	1-5/8"
FLXEMT125	1-1/4"	2-11/16"	1-13/16"	1-31/32"
FLXEMT150	1-1/2"	3-5/32"	2-1/16"	2-3/16"
FLXEMT200	2"	3-5/16"	2-9/16"	2-25/32"

**SPECflex EMT SET SCREW Adapters**

Cat #	Trade Size	A	B hex	C hex
FLXSS 50	1/2"	2-5/8"	15/16"	1-1/8"
FLXSS 75	3/4"	2-21/32"	1-3/16"	1-3/8"
FLXSS 100	1"	2-31/32"	1-7/16"	1-5/8"
FLXSS 125	1-1/4"	3-7/32"	1-13/16"	1-31/32"
FLXSS 150	1-1/2"	3-23/32"	2-1/16"	2-13/16"
FLXSS 200	2"	3-23-32"	2-9/16"	2-25/32"

\* For Sizes Over 2" Consult Factory

# AMERICAN FITTINGS

## EMT Bushings Alloy Steel Made in the USA Ground & Bonding Bushings Set Screw



Since 1946

**SPEC-grade™**

**Size Range:** 1/2" - 4" Alloy Steel  
**GB Series Set Screw Bushings**  
For Use with EMT Threadless Conduit  
3 Set Screws or 2 Set Screws with Lug Option

**Available:**  
Used with a locknut to terminate threadless EMT  
Aluminum Layin Grounding Lug Copper Lug Option  
Insulator Throat Bushing Prevents Damage to Wire  
Insulated Throat Bushing is UL and 150° Rated



GB Series  
Furnished with Layin Ground Lug

RCB Series - no ground

Precision Machined from Alloy Steel for a Burrless Pull with Twice the Strength of Malleable or Iron Products  
EMT Threadless Conduit Bushings AMFICO **SPEC-grade™** 1/2" -4" with Ground Option

Cat #	Trade Size"	Description	Box Qty.	Carton Qty.	Wt/c.	NAED UPC
GB 50BNTGL	1/2	Steel Threadless Bushing w/ #14-#4 AL Ground Lug /Insulated Throat	50	250	7	662364 20009
GB 75BNTGL	3/4	Steel Threadless Bushing w/ #14-#4 AL Ground Lug /Insulated Throat	50	250	8	662364 20059
GB 75BNTGL0	3/4	Steel Threadless Bushing w/ #8-1/0 AL: Ground Lug /Insulated Throat	25	125	12	662364 20079
GB100BNTGL	1	Steel Threadless Bushing w/ #14-#4 AL Ground Lug /Insulated Throat	25	250	9	662364 20109
GB100BNTGL0	1	Steel Threadless Bushing w/ #8-1/0 AL: Ground Lug /Insulated Throat	20	100	13	662364 20129
GB125BNTGL	1 1/4	Steel Threadless Bushing w/ #14-#4 AL Ground Lug /Insulated Throat	20	100	15	662364 20159
GB125BNTGL0	1 1/4	Steel Threadless Bushing w/ #8-1/0 AL: Ground Lug /Insulated Throat	20	100	19	662364 20179
GB150BNTGL	1 1/2	Steel Threadless Bushing w/ #14-#4 AL Ground Lug /Insulated Throat	10	50	15	662364 20209
GB150BNTGL0	1 1/2	Steel Threadless Bushing w/ #8-1/0 AL: Ground Lug /Insulated Throat	10	50	20	662364 20229
GB200BNTGL	2	Steel Threadless Bushing w/ #14-#4 AL Ground Lug /Insulated Throat	10	50	21	662364 20259
GB200BNTGL0	2	Steel Threadless Bushing w/ #8-1/0 AL: Ground Lug /Insulated Throat	10	50	24	662364 20279
GB250NTBGL	2 1/2	Steel Threadless Bushing w/ #14-2/0 AL Ground Lug /Insulated Throat	5	25	64	662364 20309
GB250BNTGL250	2 1/2	Steel Threadless Bushing w/ #6-250 mcm AL Ground Lug/Insulated Throat	5	25	77	662364 20329
GB300BNTGL	3	Steel Threadless Bushing w/ #14-1/0 AL Ground Lug /Insulated Throat	5	25	77	662364 20359
GB300BNTGL250	3	Steel Threadless Bushing w/ #6-250 mcm AL Ground Lug/Insulated Throat	3	15	89	662364 20379
GB350BNTGL	3 1/2	Steel Threadless Bushing w/ #14-2/0 AL Ground Lug /Insulated Throat	3	15	91	662364 20359
GB350BNTGL250	3 1/2	Steel Threadless Bushing w/ #6-250 mcm AL Ground Lug/Insulated Throat	3	15	103	662364 20429
GB400BNTGL	4	Steel Threadless Bushing w/ #14-2/0 AL Ground Lug /Insulated Throat	3	15	94	662364 20459
GB400BNTGL250	4	Steel Threadless Bushing w/ #6-250 mcm AL Ground Lug/Insulated Throat	3	15	106	662364 20479

For RCB Series Bushings without Ground Lug Consult Factory for Cat #.

**Compliances:**

- Certified Made in the USA
- UL 514B
- NEMA Standard FB1
- Certified for MIL-STD 810 Sinusoidal Vibrations
- Federal Standard A-A-50553
- UL Standards: 514B, 467
- CSA Standard: C22.2 No. 18F
- RoHS Compliant



042017.1EMT



# AMERICAN FITTINGS

## LOCKnuts Alloy Steel Made in the USA

### Industrial Grade Bonding Locknuts



Since 1946

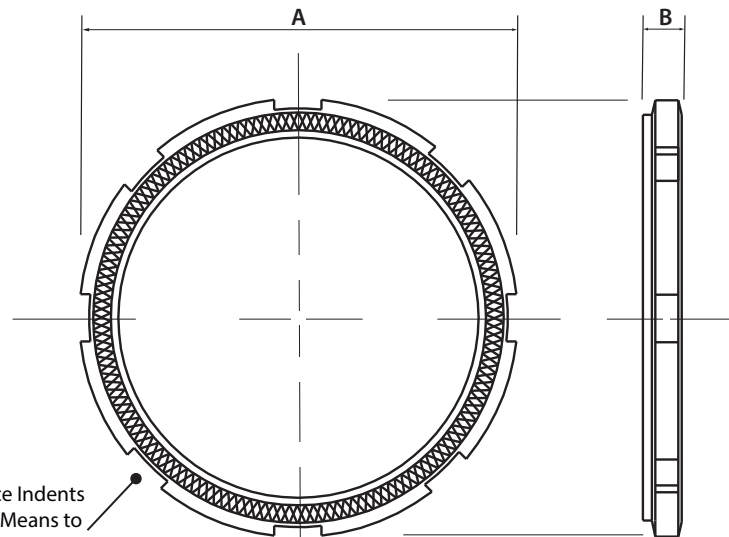
**SPEC-grade™**  
**LOCK nuts**

**Size Range: 1/2" - 4" Alloy Steel**  
**HDI Series SPECgrade Bonding LOCKnuts**  
Precisioned Machined from Alloy Bar Stock  
Fully Torque, It Will NEVER Crack Nor Deform  
Made in the USA

**Available:**  
Zinc Plated, Chromate Finish  
Galvanized Plating Option Available  
Uniquely Designed for Positive Ground and Lock



Diamond Beveled Face  
Grips Enclosure for  
Assured Bonding & Locking With  
VIBRATION PROOF Performance



Unique Circumference Indents  
Provide a EZ Failsafe Means to  
Tighten Our LOCKnut.

### AMFICO SPEC-grade™ HDI LOCKnuts 1/2"-4" Alloy Steel

Cat #	Trade Size"	"A"	"B"	Box Qty.	Carton Qty.	Wt/c	UPC Code
LN 50HDI	1/2	1.13	.13	200	2000	2	66236401500
LN 75HDI	3/4	1.39	.13	100	1000	4	66236401510
LN100HDI	1	1.69	.17	50	500	6	66236401520
LN125HDI	1 1/4	2.06	.17	50	500	14	66236401530
LN150HDI	1 1/2	2.28	.17	25	250	17	66236401540
LN200HDI	2	2.78	.17	25	250	9	66236401550
LN250HDI	2 1/2	3.39	.25	-	30	36	66236401560
LN300HDI	3	4.00	.25	-	25	55	66236401570
LN350HDI	3 1/2"	4.56	.25	-	25	78	66236401580
LN400HDI	4	5.09	.25	-	25	101	66236401590

**Compliances:**

Certified Made in the USA  
UL 514B  
NEMA Standard FB1  
Federal Standard A-A-50553  
UL Standards: 514B, 467  
RoHS Compliant



*For a Wide Range of AMFICO EMT Accessories  
Please Request our Accessories Catalog or Consult Factory*





*When It Comes Your Electrical Fittings,  
Trust One Name, AMERICAN.*

**Industrial Specification Grade Fittings**



**Rigid Conduit**  
Alloy Steel Electrical Fittings  
*Made in the USA*



WaterTIGHT Alloy Steel  
Ground Hub

*Products Engineered and Manufactured to  
Meet Your Most Demanding Environments*

**AMERICAN FITTINGS**  
Corporation



*Manufactured in the USA Since 1946*







Since 1946

# Rigid Conduit Fittings

## Proudly Made in the USA

### RETHINK AMERICAN

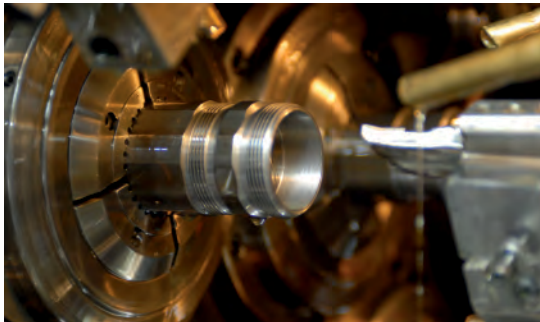
Thought of as a fittings source for Buy America jobs, you should realize our full range of industrial fittings go WELL BEYOND government work. Infrastructure to food processing, being much easier to install and always surpassing application requirements, our fittings will outperform ALL others, as will our commitment to customer service.

### AMERICAN INTEGRITY OF MATERIALS

AMERICAN FITTINGS' products are manufactured from US manufactured hot rolled alloy steel bar stock. All materials are received from the mill with certified ASTM mill test reports. This ensures the integrity of raw material for every fitting we manufacture.



Our Raw Material Fully Documented Alloy Steel Bar Stock



Precision Cutting and Machining of Every Part

### AMERICAN CONSISTENCY OF PRODUCT

If your conduit is rigid steel, why are you using inferior die cast or malleable iron fittings? Neither of these materials offers the uniformity of threads and compression, that our alloy steel provides. Our consistent centerlines provides precise alignment with enclosures and conduit. Environmental integrity and ease of installation are guaranteed with the manufacturing and machining processes we employ. No fitting found worldwide can meet the quality of AMFICO.

### AMERICAN INNOVATION

Products that install faster and perform more reliably

Our Unique Full Hex Design Provides Greater Torque with Ease of Installation



Uniformity of Centerlines Provide Dead Center Alignment on Enclosures



Fully Machined Burrless ID Ease of Pulling Wire



Rigid Products Certified to MIL-STD 810 Sinusoidal Ratings

WaterTIGHT to RainTIGHT Are Guarantees We Provide

### AMERICAN STRENGTH IS UNEQUALED

There is no way to get around the numbers, twice the strength of MI at a fraction of the weight. Alloy steel will outperform and outlast both die cast and malleable iron products. Alloy steel is not dependent on carbon for strength, and is naturally stronger with greater benefits in harsh conditions. Additive elements found in alloy steel make it NATURALLY corrosion resistant.

Machined Alloy Steel [Ours]	
ASTM Physical Test	Result
Tensile Strength (kpsi)	78
Yield Strength (kpsi)	70
Elongation (% in 2")	15
Brinell Hardness	163
Creep Concern *	No

Cast Malleable Iron [Theirs]	
ASTM Physical Test	Result
Tensile Strength (kpsi)	52
Yield Strength (kpsi)	33
Elongation (% in 2")	10
Brinell Hardness	110 - 124
Creep Concern *	unknown

Zinc Die Cast (Zamack # 3 -7)[Theirs]	
ASTM Physical Test	Result
Tensile Strength (kpsi)	41
Yield Strength (kpsi)	31
Elongation (% in 2")	13
Brinell Hardness	80
Creep Concern *	Yes

\* Creep (sometimes called cold flow) is the tendency of a solid material to move slowly or deform permanently under the influence of mechanical stresses. It can occur as a result of long-term exposure to high levels of stress that are still below the yield strength of the material.

# AMERICAN FITTINGS

## Rigid Conduit Fittings - Connectors



Since 1946

**SPEC-grade™**

**Size Range:** 1/2" - 4" Alloy Steel Connectors  
**NT and SNT Series Compression and Set Screw**  
 For Both Rigid and IMC Conduit  
 NT UL Listed Raintight\*\* and Concrete Tight  
 SNT Concrete Tight When Taped  
 Includes Industrial Sealing Washer and Steel Locknut

**Available:**  
 NT Series: Compression EZTorque Compression Nut  
 SNT Series: Steel Set Screw  
 Insulated Throat Bushing Option Available \*  
 Raintight Option Available \*\*  
 Zinc Plated, Galvanized Plating Option Available\*\*\*



NT Series  
Compression




SNT Series  
Set Screw

### Rigid No Thread Alloy Steel Connectors

Cat # *	Trade Size	Description	Box Qty.	Carton Qty	Wt/c.	UPC Code
NT2750	1/2	Rigid/IMC Steel Compression Connectors	25	250	13	66236402750
NT2751	3/4	Rigid/IMC Steel Compression Connectors	20	100	20	66236402751
NT2752	1	Rigid/IMC Steel Compression Connectors	5	50	36	66236402752
NT2753	1 1/4	Rigid/IMC Steel Compression Connectors	5	25	48	66236402753
NT2754	1 1/2	Rigid/IMC Steel Compression Connectors	5	25	70	66236402754
NT2755	2	Rigid/IMC Steel Compression Connectors	5	25	100	66236402755
NT2756	2 1/2	Rigid/IMC Steel Compression Connectors		5	275	66236402756
NT2757	3	Rigid/IMC Steel Compression Connectors		3	333	66236402757
NT2758	3 1/2	Rigid/IMC Steel Compression Connectors		3	475	66236402758
NT2759	4	Rigid/IMC Steel Compression Connectors		2	547	66236402759
SNT1750	1/2	Rigid/IMC Steel Set Screw Connectors	20	200	13	66236417500
SNT1751	3/4	Rigid/IMC Steel Set Screw Connectors	20	100	17	66236417510
SNT1752	1	Rigid/IMC Steel Set Screw Connectors	5	50	28	66236417520
SNT1753	1 1/4	Rigid/IMC Steel Set Screw Connectors	5	25	43	66236417530
SNT1754	1 1/2	Rigid/IMC Steel Set Screw Connectors	5	25	55	66236417540
SNT1755	2	Rigid/IMC Steel Set Screw Connectors	5	25	70	66236417550
SNT1756	2 1/2	Rigid/IMC Steel Set Screw Connectors		6	166	66236417560
SNT1757	3	Rigid/IMC Steel Set Screw Connectors		6	225	66236417570
SNT1758	3 1/2	Rigid/IMC Steel Set Screw Connectors		3	260	66236417580
SNT1759	4	Rigid/IMC Steel Set Screw Connectors		3	295	66236417590

#### Compliances:

Certified Made in the USA  
 UL 514B  
 NEMA Standard FB1  
 Certified for MIL-STD 810 Sinusoidal Vibrations  
 Federal Standard A-A-50553  
 UL Standards: 514B, 467  
 CSA Standard: C22.2 No. 18F   
 RoHS Compliant

#### Options

- \* **Insulated Throat Bushings Available:**  
Add suffix "B" to above cat #'s.i.e. NT1750B
- \*\* **Raintight Option:** See catalog page in this brochure.
- \*\*\* **Galvanized Plating Option:** Add suffix "G" to cat #; i.e. NT2750G.  
*Note: Galvanizing, minimum quantities may apply. Consult factory.*

Dimensional Cut Sheets Available Online at [amftgs.com](http://amftgs.com)

AMFTGS.com

t: 800.221.5268

e: [info@amftgs.com](mailto:info@amftgs.com)



# AMERICAN FITTINGS

## Rigid Conduit Fittings - Couplings



Since 1946

**SPEC-grade™**

**Size Range: 1/2" - 4" Alloy Steel Couplings**  
**NT and SNT Series Compression and Set Screw**  
 For Both Rigid and IMC Conduit  
 NT UL Listed Raintight\* and Concrete Tight  
 SNT Concrete Tight When Taped  
 Includes Industrial Sealing Washer and Steel Locknut

**Available:**  
 NT Series: Compression EZTorque Compression Nut  
 SNT Series: Steel Set Screw  
 RainTight Option Available \*  
 Zinc Plated, Galvanized Plating Option Available\*\*



NT Series  
Compression




SNT Series  
Set Screw

### Rigid No Thread Alloy Steel Couplings

Cat # **	Trade Size	Description	Box Qty.	Carton Qty	Wt/c.	UPC Code
NT2760	1/2	Rigid/IMC Steel Compression Couplings	20	100	16	66236402760
NT2761	3/4	Rigid/IMC Steel Compression Couplings	20	100	24	66236402761
NT2762	1	Rigid/IMC Steel Compression Couplings	5	50	48	66236402762
NT2763	1 1/4	Rigid/IMC Steel Compression Couplings	5	25	64	66236402763
NT2764	1 1/2	Rigid/IMC Steel Compression Couplings	5	25	110	66236402764
NT2765	2	Rigid/IMC Steel Compression Couplings	3	15	140	66236402765
NT2766	2 1/2	Rigid/IMC Steel Compression Couplings		5	401	66236402766
NT2767	3	Rigid/IMC Steel Compression Couplings		3	558	66236402767
NT2768	3 1/2	Rigid/IMC Steel Compression Couplings		2	718	66236402768
NT2769	4	Rigid/IMC Steel Compression Couplings		2	819	66236402769
SNT1760	1/2	Rigid/IMC Steel Set Screw Couplings	20	100	19	66236417600
SNT1761	3/4	Rigid/IMC Steel Set Screw Couplings	20	100	24	66236417610
SNT1762	1	Rigid/IMC Steel Set Screw Couplings	5	50	37	66236417620
SNT1763	1 1/4	Rigid/IMC Steel Set Screw Couplings	5	25	65	66236417630
SNT1764	1 1/2	Rigid/IMC Steel Set Screw Couplings	5	25	72	66236417640
SNT1765	2	Rigid/IMC Steel Set Screw Couplings	3	15	111	66236417650
SNT1766	2 1/2	Rigid/IMC Steel Set Screw Couplings		5	151	66236417660
SNT1767	3	Rigid/IMC Steel Set Screw Couplings		3	192	66236417670
SNT1768	3 1/2	Rigid/IMC Steel Set Screw Couplings		2	261	66236417680
SNT1769	4	Rigid/IMC Steel Set Screw Couplings		2	295	66236417690

#### Compliances:

Certified Made in the USA  
 UL 514B  
 NEMA Standard FB1  
 Certified for MIL-STD 810 Sinusoidal Vibrations  
 Federal Standard A-A-50553  
 UL Standards: 514B, 467  
 CSA Standard: C22.2 No. 18F   
 RoHS Compliant

#### Options

\* **Raintight Option:** See catalog page in this brochure.  
 \*\* **Galvanized Plating Option:** Add suffix "G" to cat #; i.e. NT2760G.  
 Note: Galvanizing, minimum quantities may apply. Consult factory.

Dimensional Cut Sheets Available Online at [amftgs.com](http://amftgs.com)

AMFTGS.com

t: 800.221.5268

e: [info@amftgs.com](mailto:info@amftgs.com)

# AMERICAN FITTINGS

## Rigid Conduit RainTight Fittings



Since 1946

**SPEC-grade™**

**Size Range:** 1/2" - 4" Alloy Steel  
**NTRT Series UL Listed RainTight & Concrete Tight**  
 For Both Rigid & IMC Conduit  
 Connector Includes  
 Industrial Sealing Washer & Steel Locknut

**Available:**  
 NTRT Series: Compression EZTorque Compression Nut  
 Features Gold Color Nuts for Inspection Identification  
 Zinc Plated, Galvanized Plating Option Available \*\*  
 Insulated Throat Bushing Option Available on Connector\*



NT Rain Tight Series  
Couplings

*Standard RainTIGHT Enhancement  
 Gold Toned Plated Compression Nuts  
 Identify RainTIGHT for  
 Easy Jobsite Inspection*




NT Rain Tight Series  
Connector

### Rigid No Thread RainTight Fittings

Cat # *	Trade Size	Description	Box Qty.	Carton Qty	Wt/c.	UPC Code
NT2750RT	1/2	Rigid/IMC Steel Compression Connectors RainTIGHT	25	250	13	662364 02750
NT2751RT	3/4	Rigid/IMC Steel Compression Connectors RainTIGHT	20	100	20	662364 02751
NT2752RT	1	Rigid/IMC Steel Compression Connectors RainTIGHT	5	50	36	662364 02752
NT2753RT	1 1/4	Rigid/IMC Steel Compression Connectors RainTIGHT	5	25	48	662364 02753
NT2754RT	1 1/2	Rigid/IMC Steel Compression Connectors RainTIGHT	5	25	70	662364 02754
NT2755RT	2	Rigid/IMC Steel Compression Connectors RainTIGHT	5	25	100	662364 02755
NT2756RT	2 1/2	Rigid/IMC Steel Compression Connectors RainTIGHT		5	275	662364 02756
NT2757RT	3	Rigid/IMC Steel Compression Connectors RainTIGHT		3	333	662364 02757
NT2758RT	3 1/2	Rigid/IMC Steel Compression Connectors RainTIGHT		3	475	662364 02758
NT2759RT	4	Rigid/IMC Steel Compression Connectors RainTIGHT		2	547	662364 02759
NT2760RT	1/2	Rigid/IMC Steel Compression Couplings RainTIGHT	20	100	16	662364 02760
NT2761RT	3/4	Rigid/IMC Steel Compression Couplings RainTIGHT	20	100	24	662364 02761
NT2762RT	1	Rigid/IMC Steel Compression Couplings RainTIGHT	5	50	48	662364 02762
NT2763RT	1 1/4	Rigid/IMC Steel Compression Couplings RainTIGHT	5	25	64	662364 02763
NT2764RT	1 1/2	Rigid/IMC Steel Compression Couplings RainTIGHT	2	25	110	662364 02764
NT2765RT	2	Rigid/IMC Steel Compression Couplings RainTIGHT	3	15	140	662364 02765
NT2766RT	2 1/2	Rigid/IMC Steel Compression Couplings RainTIGHT		5	401	662364 02766
NT2767RT	3	Rigid/IMC Steel Compression Couplings RainTIGHT		3	558	662364 02767
NT2768RT	3 1/2	Rigid/IMC Steel Compression Couplings RainTIGHT		2	718	662364 02768
NT2769RT	4	Rigid/IMC Steel Compression Couplings RainTIGHT		2	819	662364 02769

#### Compliances:

Certified Made in the USA  
 UL 514B  
 NEMA Standard FB1  
 Certified for MIL-STD 810 Sinusoidal Vibrations  
 Federal Standard A-A-50553  
 UL Standards: 514B, 467  
 CSA Standard: C22.2 No. 18F   
 RoHS Compliant

#### Options

\* **Insulated Throat Bushings Available:**  
 Add suffix "B" to above cat #'s: i.e. NT2750B  
 \*\* **Galvanized Plating Option:** Add suffix "G" to cat #; i.e. NT2760RTG.  
*Note: Galvanizing, minimum quantities may apply. Consult factory.*  
*Note: When Galvanized RT parts cannot be gold tone plated.*

Dimensional Cut Sheets Available Online at [amftgs.com](http://amftgs.com)

AMFTGS.com

t: 800.221.5268

e: [info@amftgs.com](mailto:info@amftgs.com)

# AMERICAN FITTINGS

## Rigid Conduit Ground Bushings

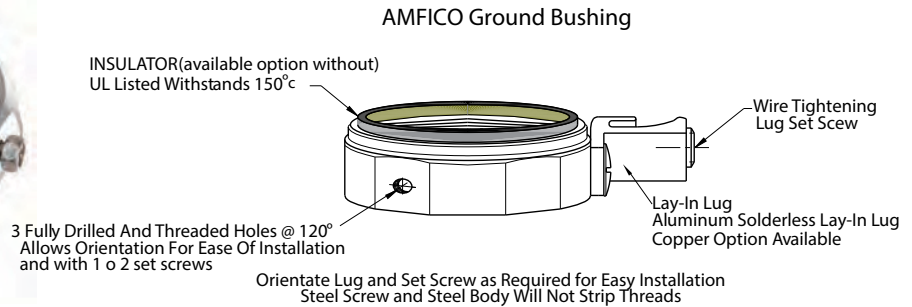


Since 1946

**SPEC-grade™**

**Size Range:** 1/2" - 4" Alloy Steel  
**GB Series: Ground Bushings**  
 For Both Rigid and IMC Conduit  
 Furnished with Insulated Throat Bushing Rated 150°C  
 Standard Includes  
 Dual Rated Aluminum Lay-In Ground Lug

**Available:**  
 Threaded and Threadless (NT Series) with Set Screws  
 1/2 - 2" 1 Set Screw; 2 1/2" - 4" 2 Set Screws  
 Furnished with 3 Pre-Drilled Holes to Orientate Lug  
 Zinc Plated, Galvanized Plating Option Available  
 Copper (CU) Layin Lug Option Available



### GB Series Options for AMFICO SPEC-grade™ Alloy Steel Grounding Bushings

Trade Size	Material	Plating Options* 1.	Configurations 2.	Insulated Throat Option 3.	Lug Options 4.	Lug Material Options 5.	Wire Range Lug Size Options 6.
1/2"	Solid Alloy Steel	Z or G	T - NT	Y	Y	AL - CU	#14 - #4
3/4"	Solid Alloy Steel	Z or G	T - NT	Y	Y	AL - CU	#14 - #4 #8 - 1/0
1"	Solid Alloy Steel	Z or G	T - NT	Y	Y	AL - CU	#14 - #4 #8 - 1/0
1 1/4"	Solid Alloy Steel	Z or G	T - NT	Y	Y	AL - CU	#14 - #4 #8 - 1/0
1 1/2"	Solid Alloy Steel	Z or G	T - NT	Y	Y	AL - CU	#14 - #4 #8 - 1/0
2"	Solid Alloy Steel	Z or G	T - NT	Y	Y	AL - CU	#14 - #4 #8 - 1/0
2 1/2"	Solid Alloy Steel	Z or G	T - NT	Y	Y	AL - CU	#14-2/0 #6-250mcm
3"	Solid Alloy Steel	Z or G	T - NT	Y	Y	AL - CU	#14-2/0 #6-250mcm
3 1/2"	Solid Alloy Steel	Z or G	T - NT	Y	Y	AL - CU	#14-2/0 #6-250mcm
4"	Solid Alloy Steel	Z or G	T - NT	Y	Y	AL - CU	#14-2/0 #6-250mcm

**Compliances:**

Certified Made in the USA  
 UL 514B  
 NEMA Standard FB1  
 Certified for MIL-STD 810 Sinusoidal Vibrations  
 Federal Standard A-A-50553  
 UL Standards: 514B, 467  
 CSA Standard: C22.2 No. 18F  
 RoHS Compliant



**GB Series Product Options:**

1. Z = Zinc or G = Galvanized
2. T = Threaded or NT = Threadless (No Threads Furnished with Set Screws)
3. Insulated Throat (Standard) Available Option for Non-Insulated Throat Check NEC to Determine Requirement
4. Bushing is Furnished with or Without Ground Lug
5. Ground Lug Material Options  
 AL = Aluminum Lug in Sizes Shown or CU = Copper Lug in Sizes Shown
6. For Lug Sizes Not Shown, Consult Factory

*For Non-Grounding Bushings See RCB Series Catalog Page*

*Dimensional Cut Sheets Available Online at amftgs.com*



# AMERICAN FITTINGS

## Rigid Conduit Ground Bushings



Since 1946

**Size Range:** 1/2" - 4" Alloy Steel  
**GB Series: Ground Bushings**  
 For Both Rigid and IMC Conduit  
 Standard Product Includes:  
 3 Set Screw Holes including 1 or 2 steel set screws  
 Insulated Throat Bushing Rated 150°  
 Dual Rated Aluminum Layin Ground Lug  
 Copper Lug Option \*  
 Zinc Plated - Galvanized Plating Option Available \*\*



### Catalog Numbers for AMFICO SPEC-grade™ Alloy Steel Ground Bushings

Cat #	Trade Size	Description	Box Qty.	Carton Qty	Wt/c.	UPC Code
GB 50BGL	1/2	Steel Threaded Bushing w/ #14 - #4 AL Ground Lug /Insulated Throat	50	250	7	662364 20003
GB 75BGL	3/4	Steel Threaded Bushing w/ #14 - #4 AL Ground Lug /Insulated Throat	50	250	8	662364 20053
GB 75BGL0	3/4	Steel Threaded Bushing w/ #8-1/0 AL Ground Lug /Insulated Throat	25	125	12	662364 20125
GB100BGL	1	Steel Threaded Bushing w/ #14 - #4 AL Ground Lug /Insulated Throat	25	250	11	662364 20103
GB100BGL0	1	Steel Threaded Bushing w/ #8-1/0 AL Ground Lug /Insulated Throat	20	100	15	662364 20125
GB125BGL	1 1/4	Steel Threaded Bushing w/ #14 - #4 AL Ground Lug /Insulated Throat	20	100	16	662364 20153
GB125BGL0	1 1/4	Steel Threaded Bushing w/ #8-1/0 AL Ground Lug /Insulated Throat	20	100	21	662364 20175
GB150BGL	1 1/2	Steel Threaded Bushing w/ #14 - #4 AL Ground Lug /Insulated Throat	10	50	20	662364 20203
GB150BGL0	1 1/2	Steel Threaded Bushing w/ #8-1/0 AL Ground Lug /Insulated Throat	10	50	25	662364 20275
GB200BGL	2	Steel Threaded Bushing w/ #14 - #4 AL Ground Lug /Insulated Throat	10	50	27	662364 20253
GB200BGL0	2	Steel Threaded Bushing w/ #8-1/0 AL Ground Lug /Insulated Throat	10	50	32	662364 20275
GB250BGL	2 1/2	Steel Threaded Bushing w/ #14 - #4 AL Ground Lug /Insulated Throat	5	25	72	662364 20303
GB250BGL250	2 1/2	Steel Threaded Bushing w/ #6-250 mcm AL Ground Lug /Insulated Throat	5	25	85	662364 20325
GB300BGL	3	Steel Threaded Bushing w/ #14-1/0 AL Ground Lug /Insulated Throat	5	25	89	662364 20353
GB300BGL250	3	Steel Threaded Bushing w/ #6-250 mcm AL Ground Lug /Insulated Throat	3	15	101	662364 20375
GB350BGL	3 1/2	Steel Threaded Bushing w/ #14-1/0 AL Ground Lug /Insulated Throat	3	15	109	662364 20403
GB350BGL250	3 1/2	Steel Threaded Bushing w/ #6-250 mcm AL Ground Lug /Insulated Throat	3	15	122	662364 20425
GB400BGL	4	Steel Threaded Bushing w/ #14-1/0 AL Ground Lug /Insulated Throat	3	15	117	662364 20453
GB400BGL250	4	Steel Threaded Bushing w/ #6-250 mcm AL Ground Lug /Insulated Throat	3	15	130	662364 20475
GB 50BNTGL	1/2	Steel Threadless Bushing w/ #14-#4 AL Ground Lug /Insulated Throat	50	250	7	662364 20009
GB 75BNTGL	3/4	Steel Threadless Bushing w/ #14-#4 AL Ground Lug /Insulated Throat	50	250	8	662364 20059
GB 75BNTGL0	3/4	Steel Threadless Bushing w/ #8-1/0 AL: Ground Lug /Insulated Throat	25	125	12	662364 20079
GB100BNTGL	1	Steel Threadless Bushing w/ #14-#4 AL Ground Lug /Insulated Throat	25	250	9	662364 20109
GB100BNTGL0	1	Steel Threadless Bushing w/ #8-1/0 AL: Ground Lug /Insulated Throat	20	100	13	662364 20129
GB125BNTGL	1 1/4	Steel Threadless Bushing w/ #14-#4 AL Ground Lug /Insulated Throat	20	100	15	662364 20159
GB125BNTGL0	1 1/4	Steel Threadless Bushing w/ #8-1/0 AL: Ground Lug /Insulated Throat	20	100	19	662364 20179
GB150BNTGL	1 1/2	Steel Threadless Bushing w/ #14-#4 AL Ground Lug /Insulated Throat	10	50	15	662364 20209
GB150BNTGL0	1 1/2	Steel Threadless Bushing w/ #8-1/0 AL: Ground Lug /Insulated Throat	10	50	20	662364 20229
GB200BNTGL	2	Steel Threadless Bushing w/ #14-#4 AL Ground Lug /Insulated Throat	10	50	21	662364 20259
GB200BNTGL0	2	Steel Threadless Bushing w/ #8-1/0 AL: Ground Lug /Insulated Throat	10	50	24	662364 20279
GB250NTBGL	2 1/2	Steel Threadless Bushing w/ #14-2/0 AL Ground Lug /Insulated Throat	5	25	64	662364 20309
GB250BNTGL250	2 1/2	Steel Threadless Bushing w/ #6-250 mcm AL Ground Lug/Insulated Throat	5	25	77	662364 20329
GB300BNTGL	3	Steel Threadless Bushing w/ #14-1/0 AL Ground Lug /Insulated Throat	5	25	77	662364 20359
GB300BNTGL250	3	Steel Threadless Bushing w/ #6-250 mcm AL Ground Lug/Insulated Throat	3	15	89	662364 20379
GB350BNTGL	3 1/2	Steel Threadless Bushing w/ #14-2/0 AL Ground Lug /Insulated Throat	3	15	91	662364 20359
GB350BNTGL250	3 1/2	Steel Threadless Bushing w/ #6-250 mcm AL Ground Lug/Insulated Throat	3	15	103	662364 20429
GB400BNTGL	4	Steel Threadless Bushing w/ #14-2/0 AL Ground Lug /Insulated Throat	3	15	94	662364 20459
GB400BNTGL250	4	Steel Threadless Bushing w/ #6-250 mcm AL Ground Lug/Insulated Throat	3	15	106	662364 20479

All Ground Bushings are furnished with  
Set Screws:  
 1/2" - 2" furnished with 1 set screw  
 2 1/2" - 4" furnished with 2 set screws

**For Full Options Available: See GB Options Chart**

\* **For Copper Lug:** Add suffix "CU" to cat #; ie GB100BGL-CU  
 \*\* **For Galvanized Plating:** Add suffix "G" to cat #; i.e. GB100BGLG  
 Note: Minimum quantities may apply. Consult factory.

For Non-Grounding Bushings See RCB Series Catalog Page

Dimensional Cut Sheets Available Online at [amftgs.com](http://amftgs.com)



# AMERICAN FITTINGS

## Rigid Conduit Bushings



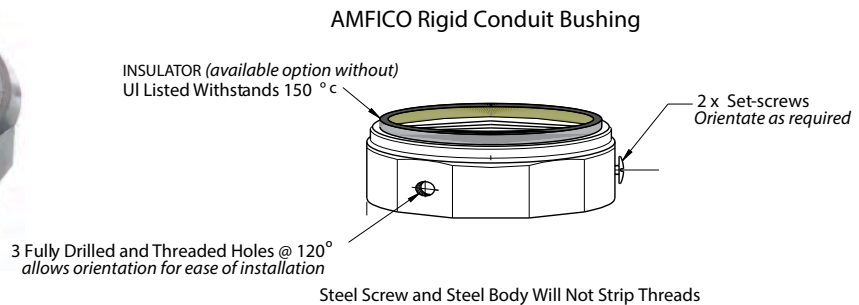
Since 1946

**SPEC-grade™**

**Size Range:** 1/2" - 4" Alloy Steel  
**RCB Series: Rigid Conduit Bushings**  
 For Both Rigid and IMC Conduit

Furnished With  
 3 Set Screw Holes including 2 steel set screws  
 Furnished with Insulated Throat Bushing Rated 150°c


**Available:**  
 Threaded and Threadless (NT suffix shown)  
 Furnished with 3 Pre-Drilled Holes and 2 Set Screws  
 Zinc Plated, Galvanized Plating Option Available\*  
 Consult Factory for Aluminum  
 For Grounding Lug Option see our GB Series catalog page



### RCB Series AMFICO SPEC-grade™ Alloy Steel Rigid Conduit Bushings

Cat # *	Trade Size	Description	Box Qty.	Carton Qty	Wt/c.	UPC Code
RCB 50B	1/2	Steel Threaded Rigid Conduit Bushing /Insulated Throat	50	500	7	662364 20001
RCB 75B	3/4	Steel Threaded Rigid Conduit Bushing /Insulated Throat	50	250	7	662364 20051
RCB100B	1	Steel Threaded Rigid Conduit Bushing /Insulated Throat	25	250	10	662364 20101
RCB125B	1 1/4	Steel Threaded Rigid Conduit Bushing /Insulated Throat	20	100	16	662364 20151
RCB150B	1 1/2	Steel Threaded Rigid Conduit Bushing /Insulated Throat	10	100	20	662364 20201
RCB200B	2	Steel Threaded Rigid Conduit Bushing /Insulated Throat	10	50	26	662364 20251
RCB250B	2 1/2	Steel Threaded Rigid Conduit Bushing /Insulated Throat	5	25	70	662364 20301
RCB300B	3	Steel Threaded Rigid Conduit Bushing /Insulated Throat	5	25	85	662364 20351
RCB350B	3 1/2	Steel Threaded Rigid Conduit Bushing /Insulated Throat	3	15	104	662364 20401
RCB400B	4	Steel Threaded Rigid Conduit Bushing /Insulated Throat	3	15	115	662364 20451
RCB 50BNT	1/2	Steel Threadless Rigid Conduit Bushing /Insulated Throat	50	500	7	662364 20002
RCB 75BNT	3/4	Steel Threadless Rigid Conduit Bushing /Insulated Throat	50	250	7	662364 20052
RCB100BNT	1	Steel Threadless Rigid Conduit Bushing /Insulated Throat	25	250	10	662364 20102
RCB125BNT	1 1/4	Steel Threadless Rigid Conduit Bushing /Insulated Throat	20	100	16	662364 20152
RCB150BNT	1 1/2	Steel Threadless Rigid Conduit Bushing /Insulated Throat	10	100	20	662364 20202
RCB200BNT	2	Steel Threadless Rigid Conduit Bushing /Insulated Throat	10	50	26	662364 20252
RCB250BNT	2 1/2	Steel Threadless Rigid Conduit Bushing /Insulated Throat	5	25	70	662364 20302
RCB300BNT	3	Steel Threadless Rigid Conduit Bushing /Insulated Throat	5	25	85	662364 20352
RCB350BNT	3 1/2	Steel Threadless Rigid Conduit Bushing /Insulated Throat	3	15	104	662364 20402
RCB400BNT	4	Steel Threadless Rigid Conduit Bushing /Insulated Throat	3	15	115	662364 20452

**Compliances:**

Certified Made in the USA  
 UL 514B  
 NEMA Standard FB1  
 Certified for MIL-STD 810 Sinusoidal Vibrations  
 Federal Standard A-A-50553  
 UL Standards: 514B, 467  
 CSA Standard: C22.2 No. 18F   
 RoHS Compliant

**Options Available:**

\* **For Galvanized Plating:** Add suffix "G" to cat #; i.e. GB100BGLG  
 Note: Minimum quantities may apply. Consult factory.  
 Consult Factory for Aluminum

For Grounding Bushings See GB Series Catalog Page

Dimensional Cut Sheets Available Online at [amftgs.com](http://amftgs.com)

# AMERICAN FITTINGS

## Rigid Conduit 3 Piece Couplings



Since 1946

**SPEC-grade™**

**Size Range:** 1/2" - 4" Alloy Steel  
**ER Series Erickson 3 Piece Couplings Rain Tight**  
 For Both Rigid and IMC Conduit  
 UL Listed RainTight and Concrete Tight  
 Engineered to Lock Tight and Right

**Features:**  
 ER Series: EZTorque Compression Nuts  
 Precision Machined Solid Alloy Steel  
 RainTight Construction  
 Zinc Plated,  
 Galvanized Plating Option Available \*



*3-Piece Couplings Are Used To:  
 Join 2 lengths of threaded conduit; the coupling  
 couples conduit when conduit cannot be turned*

*Our Standard Couplings are  
 Concrete Tight AND Rain Tight*

*"Join Steel with Steel"*

Steel Fitting for Rigid Steel Conduit

Precision machined cut threads will not deform or flatten when fully torqued to maintain integrity of the connection.

AMFICO's unique flat hex surface for easy installation on conduit.

A fully machined fitting guarantees all 3 pieces with the uniformity of the centerline to both sides of the conduit.

### AMFICO Alloy Steel Rigid 3 Piece Couplings Rain Tight

Cat # *	Trade Size	Description	Box Qty.	Carton Qty	Wt/c.	UPC Code
ER 50RT	1/2	Steel 3 Piece Coupling for Rigid Conduit	20	200	12	662364 90050
ER 75RT	3/4	Steel 3 Piece Coupling for Rigid Conduit	20	100	16	662364 90075
ER100RT	1	Steel 3 Piece Coupling for Rigid Conduit	5	50	28	662364 90100
ER125RT	1 1/4	Steel 3 Piece Coupling for Rigid Conduit	5	25	49	662364 90125
ER150RT	1 1/2	Steel 3 Piece Coupling for Rigid Conduit	5	25	62	662364 90150
ER200RT	2	Steel 3 Piece Coupling for Rigid Conduit	5	25	88	662364 90200
ER250RT	2 1/2	Steel 3 Piece Coupling for Rigid Conduit		5	148	662364 90251
ER300RT	3	Steel 3 Piece Coupling for Rigid Conduit		5	183	662364 90301
ER350RT	3 1/2	Steel 3 Piece Coupling for Rigid Conduit		4	212	662364 90351
ER400RT	4	Steel 3 Piece Coupling for Rigid Conduit		2	454	662364 90401

**Compliances:**

Certified Made in the USA  
 UL 514B  
 NEMA Standard FB1  
 Certified for MIL-STD 810 Sinusoidal Vibrations  
 Federal Standard A-A-50553  
 UL Standards: 514B, 467  
 CSA Standard: C22.2 No. 18F  
 RoHS Compliant



**Options:**

\* **Galvanized Plating Option:** add suffix "G" to cat #; i.e.ER250RTG.

*Note: Galvanizing, Minimum quantities may apply and  
 RT compression nuts cannot be gold toned.  
 Consult factory for details.*

Dimensional Cut Sheets Available Online at [amftgs.com](http://amftgs.com)

AMFTGS.com

t: 800.221.5268

e:info@amftgs.com

© Copyright 2016 AMERICAN FITTINGS Corporation, Fair Lawn, New Jersey

Specifications Subject to Change Without Notice

# AMERICAN FITTINGS

## Rigid Conduit Fittings - Adapter Enlargement Fitting, Alloy Steel , Made in the USA



Since 1946

**SPEC-grade™**

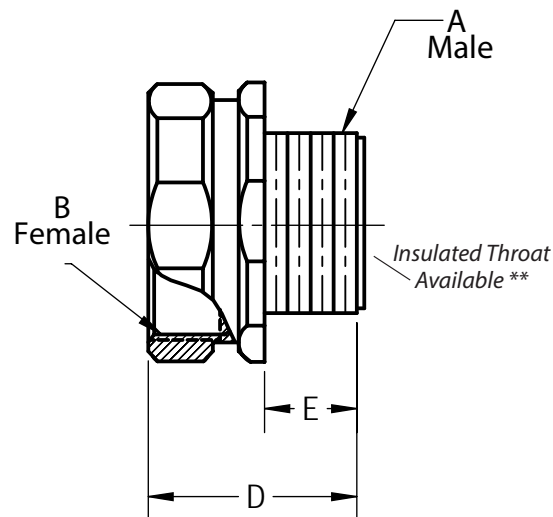
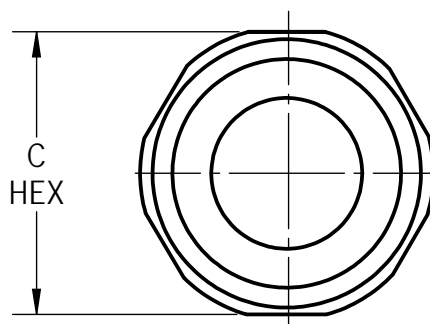
**Size Range:** 1/2" to 1 1-4" \* Alloy Steel \*  
**Rigid Series UL Listed**  
**Zinc Plated with Chromate Finish \*\*\***  
For Both Rigid & IMC Conduit Threaded Conduit

**Featuring:**

Machined from Solid Alloy Steel Bar Stock  
Flat Hex Surfaces for Full and EZ-Torque  
Fully Precisioned Machine Cut Male and Female Threads  
Galvanized Plating Option Available \*\*\*

**Available:**

AMFICO rigid conduit enlargement fittings are designed to convert various conduit sizes to efficiently facilitate engineering and design specifications. Their use will eliminate the need for costly rework or tear outs of existing conduit installations. Guaranteed to **fit tight and right** with threaded rigid galvanized conduit.



*Without Exception, the  
Strongest Conduit Fitting Manufactured  
One-Half the Size and Weight of Malleable Iron, with  
Twice the Strength, Durability and Hardness of ALL Cast Products!*

Cat # *	'A' Male * Trade Size -----to-----	'B' Female * Trade Size	'C' HEX	'D' Length	'E' Thread Length
RCE5075	1/2" M	3/4" F	1-3/16"	1-3/32"	15/32"
RCE50100	1/2" M	1" F	1-7/16"	1-3/8"	15/32"
RCE75100	3/4" M	1" F	1-7/16"	1-1/4"	15/32"
RCE100125	1" M	1-1/4" F	1-13/16"	1-3/8"	5/8"
RCE125150	1-1/4" M	1-1/2" F	2"	1-3/8"	5/8"

\* Additional Sizes and Other Materials May Be Available or In Development, Call Factory for Information.

**Compliances:**

Certified Made in the USA  
UL 514B  
NEMA Standard FB1  
Federal Standard A-A-50553  
UL Standards: 514B, 467  
CSA Standard: C22.2 No. 18F  
RoHS Compliant



**\* Options**

\*\* Insulated Throat Bushings Available:

Add suffix "B" to above cat # 's.

\*\*\* Galvanized Plating Option: Add suffix "G" to cat # 's

Note: Galvanized Fittings, minimum quantities may apply. Consult factory

Available in Aluminum

For Reducing Bushings, Please View Catalog Page RB or Consult Factory



# AMERICAN FITTINGS

## Rigid Conduit WaterTIGHT Ground Hubs



Since 1946

### AMFICO WaterTIGHT Alloy Steel Ground Hubs

*The NEXT Generation of Myers Hubs  
We Re-Engineered & Redesigned It!*

**SPEC-grade™**



Sire Range: 1/2" to 4"  
Made in the USA

Alloy Steel Provides TWICE the Strength of ALL Other Hubs,  
Our Exclusive Low Profile Takes Up Less Space

Exclusive AMFICO Hex Body Configuration  
Provides a Flat Wrenching Surface to  
Achieve Full Torque Values for Watertight Integrity

Fully Machined Precision Cut Alloy Steel Threads  
Inside Threads & External Threads are  
Concentric to Fittings Center-Line

A Steel Hub that Matches Your RigidSteel Pipe  
Now You Can Thread Steel to Steel and  
Eliminate Inferior Die Cast or Malleable Iron



Our Design Maintains Its WaterTIGHT Integrity  
Even In the Most Extreme Environments  
Corrosion Resistant Sealing Washer is  
Shrouded in Alloy Steel Retention Ring

Installs Faster, Easier, and  
Maintains True Centerline of Pipe to Fitting to Enclosure  
Guaranteed Not to Deform, Crack, or Leak!



TrueTIGHT Locknut  
Fully Machined Distinctive  
Diamond Shaped Knurled Serrations  
Bites TIGHT & RIGHT Into All Metals & Finishes  
Will Not Vibrate Loose & Maintains Watertight Seal

#### Compliances:

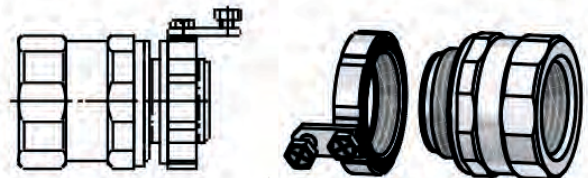
Certified Made in the USA  
UL 514B  
NEMA Standard FB1  
Rated NEMA Types 2, 3, 3R, 3, 4X, 5, 12, 13  
Certified for MIL-STD 810 Sinusoidal Vibrations  
Federal Standard A-A-50553  
UL Standards: 514B, 467  
CSA Standard: C22.2 No. 18F  
RoHS Compliant



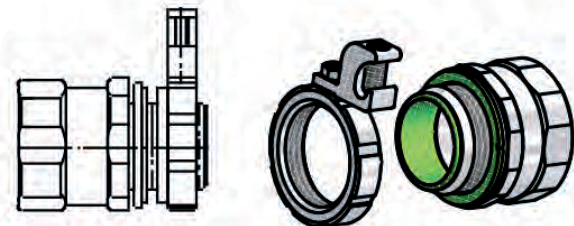
### Grounding Options to Meet Your Requirements



Standard Hub  
with TrueTIGHT Locknut



Ground Hub with  
Grounding Tab with Ground Screw  
TrueTIGHT Locknut



Ground Hub with  
Lay-In Lug  
TrueTIGHT Locknut

Low Profile Design  
Takes Up Less Exterior Space on Your Panel  
Less Interior Space for Ease of Wiring

Dimensional Cut Sheets Available Online at [amftgs.com](http://amftgs.com)

AMFTGS.com

t: 800.221.5268

e: [info@amftgs.com](mailto:info@amftgs.com)

© Copyright 2016 AMERICAN FITTINGS Corporation, Fair Lawn, New Jersey

Specifications Subject to Change Without Notice

# AMERICAN FITTINGS

## Rigid Conduit WaterTIGHT Ground Hubs



Since 1946

**SPEC-grade™**

### Size Range: 1/2" - 4" Alloy Steel WaterTIGHT Ground Hubs AH Series

For Rigid and IMC Conduit

**Material:** Alloy Steel - Zinc Plated - *consult factory for aluminum*

**Sealing Ring:** HPDE Chemical Resistant Polyethylene

**Insulated Throat Bushing:** UL Listed Rated 150 °C

#### Options:

Galvanized Plating Option\*

Add Suffix "G" to cat # i.e. AH50BG - *minimum qty's may apply*

Copper Lug in lieu of Aluminum Lug

Add Suffix "CU" to GL cat # i.e. AH50BGL-CU



*More Grounding Options Available to Accomodate All Wire Sizes & Placement  
Factory Installed on our  
Diamond Cut TrueTIGHT Locknut*

### AMFICO Alloy Steel WaterTIGHT Ground Hubs

Trade Size "	Cat #	Ground Options *	Trade Size "	Cat #	Grounding Options*
1/2	AH50B	Hub with True TIGHT Locknut	2	AH200B	Hub with True TIGHT Locknut
1/2	AH50B-GL	#14-#4 Lay-In Ground Lug	2	AH200B-GL	#14-#4 Lay-In Ground Lug
1/2	AH50B-GS	Ground Screw Tab on Locknut	2	AH200B-GS	Ground Screw Tab on Locknut
1/2	AH50LN	TrueTIGHT Locknut	2	AH200LN	TrueTIGHT Locknut
1/2	AH50LN-GL	TrueTIGHT Locknut with #14-#4 Lay-In Lug	2	AH200LN-GL	TrueTIGHT Locknut with #14-#4 Lay-In Lug
1/2	AH50LN-GS	TrueTIGHT Locknut with Ground Screw Tab	2	AH200LN-GS	TrueTIGHT Locknut with Ground Screw Tab
3/4	AH75B	Hub with True TIGHT Locknut	2 1/2	AH250B	Hub with True TIGHT Locknut
3/4	AH75B-GL	#14-#4 Lay-In Ground Lug	2 1/2	AH250B-GL	#8-2/0 Lay-In Ground Lug
3/4	AH75B-GS	Ground Screw Tab on Locknut	2 1/2	AH250B-GS	Ground Screw Tab on Locknut
3/4	AH75LN	TrueTIGHT Locknut	2 1/2	AH250LN	TrueTIGHT Locknut
3/4	AH75LN-GL	TrueTIGHT Locknut with #14-#4 Lay-In Lug	2 1/2	AH250LN-GL	TrueTIGHT Locknut with #8-2/0 Lay-In Lug
3/4	AH75LN-GS	TrueTIGHT Locknut with Ground Screw Tab	2 1/2	AH250LN-GS	TrueTIGHT Locknut with Ground Screw Tab
1	AH100B	Hub with True TIGHT Locknut	3	AH300B	Hub with True TIGHT Locknut
1	AH100B-GL	#14-#4 Lay-In Ground Lug	3	AH300B-GL	#8-2/0 Lay-In Ground Lug
1	AH100B-GS	Ground Screw Tab on Locknut	3	AH300B-GS	Ground Screw Tab on Locknut
1	AH100LN	TrueTIGHT Locknut	3	AH300LN	TrueTIGHT Locknut
1	AH100LN-GL	TrueTIGHT Locknut with #14-#4 Lay-In Lug	3	AH300LN-GL	TrueTIGHT Locknut with #8-2/0 Lay-In Lug
1	AH100LN-GS	TrueTIGHT Locknut with Ground Screw Tab	3	AH300LN-GS	TrueTIGHT Locknut with Ground Screw Tab
1 1/4	AH125B	Hub with True TIGHT Locknut	3 1/2	AH350B	Hub with True TIGHT Locknut
1 1/4	AH125B-GL	#14-#4 Lay-In Ground Lug	3 1/2	AH350B-GL	#8-2/0 Lay-In Ground Lug
1 1/4	AH125B-GS	Ground Screw Tab on Locknut	3 1/2	AH350B-GS	Ground Screw Tab on Locknut
1 1/4	AH125LN	TrueTIGHT Locknut	3 1/2	AH350LN	TrueTIGHT Locknut
1 1/4	AH125LN-GL	TrueTIGHT Locknut with #14-#4 Lay-In Lug	3 1/2	AH350LN-GL	TrueTIGHT Locknut with #8-2/0 Lay-In Lug
1 1/4	AH125LN-GS	TrueTIGHT Locknut with Ground Screw Tab	3 1/2	AH350LN-GS	TrueTIGHT Locknut with Ground Screw Tab
1 1/2	AH150B	Hub with True TIGHT Locknut	4	AH400B	Hub with True TIGHT Locknut
1 1/2	AH150B-GL	#14-#4 Lay-In Ground Lug	4	AH400B-GL	#8-2/0 Lay-In Ground Lug
1 1/2	AH150B-GS	Ground Screw Tab on Locknut	4	AH400B-GS	Ground Screw Tab on Locknut
1 1/2	AH150LN	TrueTIGHT Locknut	4	AH400LN	TrueTIGHT Locknut
1 1/2	AH150LN-GL	TrueTIGHT Locknut with #14-#4 Lay-In Lug	4	AH400LN-GL	TrueTIGHT Locknut with #8-2/0 Lay-In Lug
1 1/2	AH150LN-GS	TrueTIGHT Locknut with Ground Screw Tab	4	AH400LN-GS	TrueTIGHT Locknut with Ground Screw Tab

**Guaranteed Not To Leak**

*Request our Full Hub Engineering Design Brochure*

*Dimensional Cut Sheets Available Online at [amftgs.com](http://amftgs.com)*

**AMFTGS.com**

**t: 800.221.5268**

**e:info@amftgs.com**

# AMERICAN FITTINGS

## Aluminum

### WaterTIGHT Ground Hubs Made in the USA

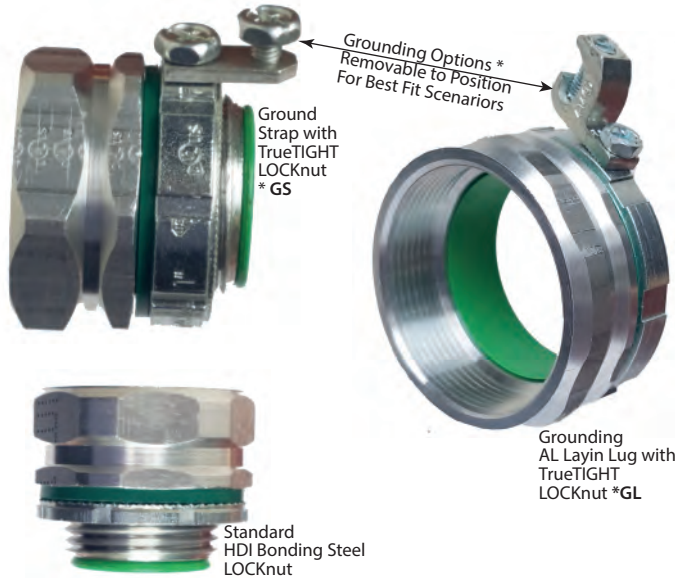


Since 1946

**SPEC-grade™**

Size Range: 1/2" to 4" Aluminum WT Ground Hubs

Copper Free Aluminum  
Manufactured from Solid Aluminum Bar Stock  
For Use with Rigid Threaded Aluminum Conduit



*The BEST Grounding Hub on the Planet...*

The perfect connection for pharmaceutical, petro chem & food processing, agriculture, pulp & paper, waste water treatment, power plants, alternative energy, C/I construction.

**Low profile design** takes up less space inside and outside your enclosure. Allows for easier wiring and more exterior space.

**Featuring:**

Exclusive AMFICO Hex Body Configuration Provides a Flat Wrenching Surface to Achieve Full Torque Values With No Damage to Hub Body or Threads

Twice the Strength and Durability of Outdated Typical Hubs

Male & Female Threads are Uniformly Concentric to Fittings Center-Line Ensuring a True Perpendicular Conduit Connection Provides an Easier and Safer Wire Pull

Insulated Throat, Rated up to +105 °C (+221 °F), Prevents Wire Abrasion

**NO MORE** Slipping O Rings or Leaking Seals, AMFICO Hubs Have an HDPE Flat Captive Gasket that Provides Corrosion Resistance and a Guaranteed Watertight NEMA 4X Rating.

Standard Cat # *	Trade Size	A Thread Size	B to Bushing	C (HEX)	Ø D	E	F	G
AH 50BAL	1/2"	1/2" - 14 NPS	1 3/16	1 1/8	1 1/4	1/2	3/4	13/16
AH 75BAL	3/4"	3/4" - 14 NPS	1 1/8	1 3/8	1 1/2	1/2	3/4	13/16
AH100BAL	1"	1" - 11.5 NPS	1 3/8	1 5/8	1 7/8	5/8	3/4	13/16
AH125BAL	1-1/4"	1 1/4" - 11.5 NPS	1 7/16	2 1/8	2 1/2	5/8	3/4	13/16
AH150BAL	1-1/2"	1 1/2" - 11.5 NPS	1 7/16	2 1/4	2 5/8	5/8	3/4	13/16
AH200BAL	2"	2" - 11.5 NPS	1 5/8	2 13/16	2 3/4	13/16	3/4	13/16
AH250BAL	2-1/2"	2 1/2" - 8 NPS	2 3/8	3 1/4	3 3/8	1	3/4	13/16
AH300BAL	3"	3" - 8 NPS	2 7/16	3 15/16	4	1	3/4	13/16
AH350BAL	3-1/2"	3 1/2" - 8 NPS	2 7/16	4 1/2	4 9/16	1	3/4	13/16
AH400BAL	4"	4 1/2" - 8 NPS	2 7/16	4 15/16	5 1/8	1	3/4	13/16

\* For Ground Lug Add Suffix GL to cat # ie; AH50BAL GL for Ground Strap Add Suffix GS to cat # ie; AH50BAL GS

**Compliances:**

Certified Made in the USA  
Copper Free Aluminum  
UL 514B  
NEMA Standard FB1  
Rated NEMA Types 2, 3, 3R, 3, 4X, 5, 12, 13  
Federal Standard A-A-50553  
UL Standards: 514B, 467  
CSA Standard: C22.2 No. 18F  
RoHS Compliant



**Available:**

Other Configurations and Product Groups  
Nickle Plated Aluminum  
Alloy Steel  
Stainless Steel



# AMERICAN FITTINGS

## Aluminum

### WaterTIGHT Ground Hubs Made in the USA



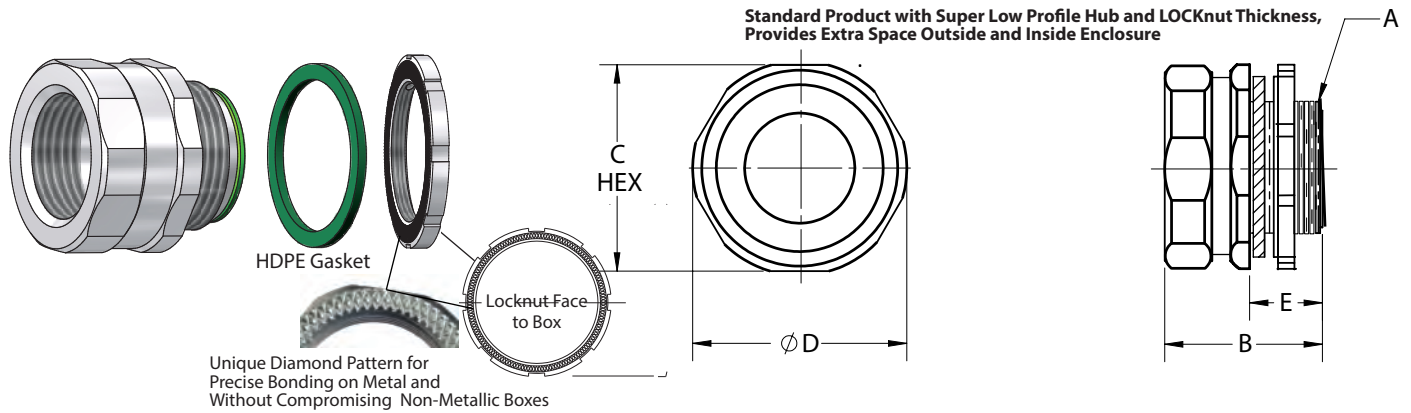
Since 1946

**SPEC-grade™**

#### Size Range: 1/2" to 4" Aluminum WT Ground Hubs

Copper Free Aluminum Manufactured from Solid Aluminum Bar Stock  
For Use with Rigid Threaded Aluminum Conduit

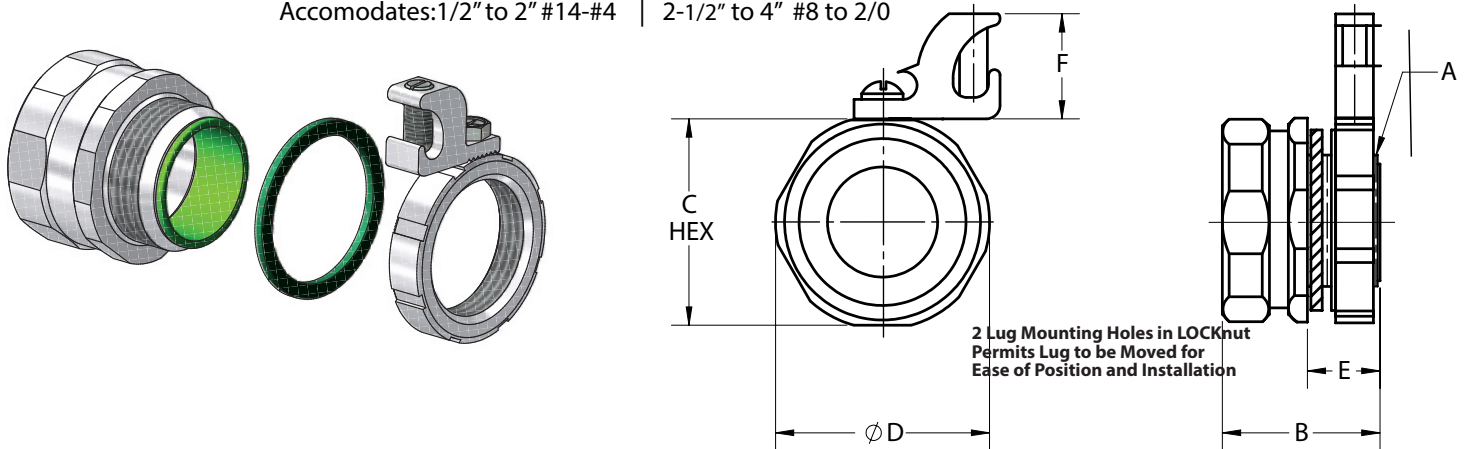
#### Standard Aluminum Ground Hub with HDI Bonding LOCKnut



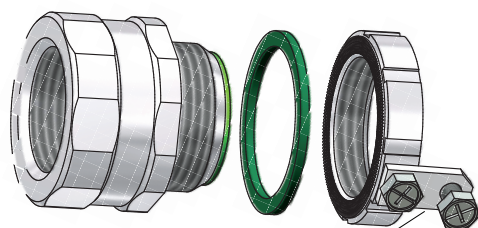
#### Standard Aluminum Ground Hub with Grounding Layin Lug and TrueTIGHT LOCKnut GL Series

Factory Installed Layin Ground Lugs

Accommodates: 1/2" to 2" #14-#4 | 2-1/2" to 4" #8 to 2/0



#### Standard Aluminum Ground Hub with Grounding Strap and TrueTIGHT LOCKnut GS Series



Factory Installed Ground Strap

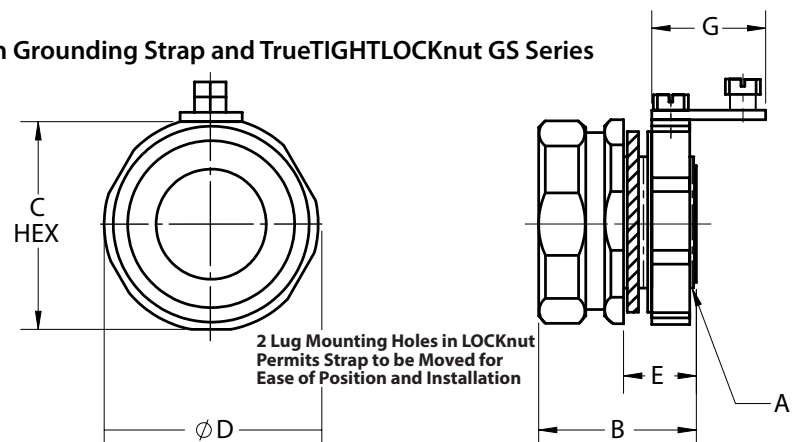
Size Accommodates:

1/2" to 2" #8 AWG

2 1/2" to 3" #6 AWG

3 1/2" to 4" #4 AWG

Grounding as recommended by UL.



# AMERICAN FITTINGS

## Alloy Steel Reducing Bushings Ordinary Locations



Since 1946

**SPEC-grade™**

**Size Range:** 1/2" - 4" as shown  
 RB Series Reducing Bushings for Both Rigid and IMC Conduit  
 RB's Reduce the Trade Size of a Tapped Hole or Hub  
 Alloy Steel Construction, Zinc Plated  
 Precision Machined Cut for Integrity of Threads NPS  
 Suitable for Use in Heavy Duty Industrial Applications

**Compliances:**  
 Certified Made in the USA  
 UL 514B  
 NEMA Standard FB1  
 Certified for MIL-STD 810 Sinusoidal Vibrations  
 Federal Standard A-A-50553



### AMFICO SPEC-grade™ Alloy Steel Reducing Bushings (NPS Threads)

Cat # *	Trade Size"	Description	Box Qty.	Carton Qty	Wt/c.	UPC Code
RB5038	1/2 x 3/8	Steel Reducing Bushings (N.P.S. Threads)	100	1000	2	66236413002
RB7550	3/4 x 1/2	Steel Reducing Bushings (N.P.S. Threads)	100	500	14	66236413004
RB10050	1 x 1/2	Steel Reducing Bushings (N.P.S. Threads)	50	250	12	66236413006
RB10075	1 x 3/4	Steel Reducing Bushings (N.P.S. Threads)	50	250	12	66236413008
RB12550	1 1/4 x 1/2	Steel Reducing Bushings (N.P.S. Threads)	20	200	28	66236413010
RB12575	1 1/4 x 3/4	Steel Reducing Bushings (N.P.S. Threads)	20	200	22	66236413012
RB125100	1 1/4 x 1	Steel Reducing Bushings (N.P.S. Threads)	20	200	14	66236413014
RB15050	1 1/2 x 1/2	Steel Reducing Bushings (N.P.S. Threads)	10	100	42	66236413016
RB15075	1 1/2 x 3/4	Steel Reducing Bushings (N.P.S. Threads)	10	100	36	66236413018
RB150100	1 1/2 x 1	Steel Reducing Bushings (N.P.S. Threads)	10	100	28	66236413020
RB150125	1 1/2 x 1 1/4	Steel Reducing Bushings (N.P.S. Threads)	10	100	12	66236413022
RB20050	2 x 1/2	Steel Reducing Bushings (N.P.S. Threads)	5	50	84	66236413024
RB20075	2 x 3/4	Steel Reducing Bushings (N.P.S. Threads)	5	50	76	66236413026
RB200100	2 x 1	Steel Reducing Bushings (N.P.S. Threads)	5	50	68	66236413028
RB200125	2 x 1 1/4	Steel Reducing Bushings (N.P.S. Threads)	5	50	48	66236413030
RB200150	2 x 1 1/2	Steel Reducing Bushings (N.P.S. Threads)	5	50	32	66236413032
RB250100	2 1/2 x 1	Steel Reducing Bushings (N.P.S. Threads)	10	130	130	66236413038
RB250125	2 1/2 x 1 1/4	Steel Reducing Bushings (N.P.S. Threads)	10	140	140	66236413040
RB250150	2 1/2 x 1 1/2	Steel Reducing Bushings (N.P.S. Threads)	10	140	140	66236413042
RB250200	2 1/2 x 2	Steel Reducing Bushings (N.P.S. Threads)	10	110	110	66236413044
RB300125	3 x 1 1/4	Steel Reducing Bushings (N.P.S. Threads)	10	200	200	66236413052
RB300150	3 x 1 1/2	Steel Reducing Bushings (N.P.S. Threads)	10	240	240	66236413054
RB300200	3 x 2	Steel Reducing Bushings (N.P.S. Threads)	10	200	200	66236413056
RB300250	3 x 2 1/2	Steel Reducing Bushings (N.P.S. Threads)	10	170	170	66236413058
RB350150	3 1/2 x 1 1/2	Steel Reducing Bushings (N.P.S. Threads)	10	230	230	66236413068
RB350200	3 1/2 x 2	Steel Reducing Bushings (N.P.S. Threads)	10	230	230	66236413070
RB350250	3 1/2 x 2 1/2	Steel Reducing Bushings (N.P.S. Threads)	10	270	270	66236413072
RB350300	3 1/2 x 2 1/2	Steel Reducing Bushings (N.P.S. Threads)	10	250	250	66236413074
RB400200	4 x 2	Steel Reducing Bushings (N.P.S. Threads)	10	350	350	66236413084
RB400250	4 x 2 1/2	Steel Reducing Bushings (N.P.S. Threads)	10	380	380	66236413086
RB400300	4 x 3	Steel Reducing Bushings (N.P.S. Threads)	10	320	320	66236413088
RB400350	4 x 3 1/2	Steel Reducing Bushings (N.P.S. Threads)	10	290	290	66236413090

Dimensional Cut Sheets Available Online at [amftgs.com](http://amftgs.com)

AMFTGS.com

t: 800.221.5268

e: [info@amftgs.com](mailto:info@amftgs.com)

# AMERICAN FITTINGS

## Alloy Steel Reducing Bushings Hazardous Locations



Since 1946

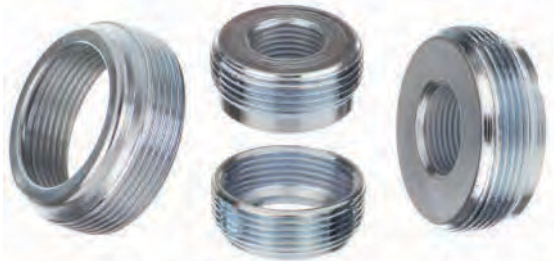
**SPEC-grade™**

**Size Range:** 1/2" - 4" as shown

RBH Series **Hazardous Locations** Reducing Bushings for Rigid Conduit  
 RB's Reduce the Trade Size of a Tapped Hole or Hub  
 Alloy Steel Construction, Zinc Plated, Galvanized Plating Available  
 Precision Machined Cut for Integrity of Threads NPT (int and ext)  
 IL Listed Suitable for Use in Hazardous Locations

**Compliances:**

Certified Made in the USA  
 UL Listed Hazardous Locations  
 UL 514B  
 NEMA Standard FB1  
 Certified for MIL-STD 810 Sinusoidal Vibrations  
 Federal Standard A-A-50553  
 NEC Class I, Groups C & D  
 Class II, Groups E, F & G  
 UL Standards: 514B, 467



**AMFICO SPEC-grade™ Alloy Steel HAZ. Loc Reducing Bushings (NPT Threads)**

Cat # *	Trade Size*	Description	Box Qty.	Carton Qty	Wt/c.	UPC Code
RB21H	3/4 x 1/2	Steel Haz. Loc.Reducing Bushing (N.P.T.Threads)	50	500	6	66236414002
RB31H	1 x 1/2	Steel Haz. Loc.Reducing Bushing (N.P.T.Threads)	50	250	14	66236414004
RB32H	1 x 3/4	Steel Haz. Loc.Reducing Bushing (N.P.T.Threads)	50	250	8	66236414006
RB41H	1 1/4 x 1/2	Steel Haz. Loc.Reducing Bushing (N.P.T.Threads)	20	200	36	66236414008
RB42H	1 1/4 x 3/4	Steel Haz. Loc.Reducing Bushing (N.P.T.Threads)	20	200	28	66236414010
RB43H	1 1/4 x 1	Steel Haz. Loc.Reducing Bushing (N.P.T.Threads)	20	200	18	66236414012
RB51H	1 1/2 x 1/2	Steel Haz. Loc.Reducing Bushing (N.P.T.Threads)	10	100	54	66236414014
RB52H	1 1/2 x 3/4	Steel Haz. Loc.Reducing Bushing (N.P.T.Threads)	10	100	46	66236414016
RB53H	1 1/2 x 1	Steel Haz. Loc.Reducing Bushing (N.P.T.Threads)	10	100	36	66236414018
RB54H	1 1/2 x 1 1/4	Steel Haz. Loc.Reducing Bushing (N.P.T.Threads)	10	100	16	66236414020
RB61H	2 x 1/2	Steel Haz. Loc.Reducing Bushing (N.P.T.Threads)	5	50	184	66236414022
RB62H	2 x 3/4	Steel Haz. Loc.Reducing Bushing (N.P.T.Threads)	5	50	168	66236414024
RB63H	2 x 1	Steel Haz. Loc.Reducing Bushing (N.P.T.Threads)	5	50	144	66236414026
RB64H	2 x 1 1/4	Steel Haz. Loc.Reducing Bushing (N.P.T.Threads)	5	50	104	66236414028
RB65H	2 x 1 1/2	Steel Haz. Loc.Reducing Bushing (N.P.T.Threads)	5	50	60	66236414030
RB73H	2 1/2 x 1	Steel Haz. Loc.Reducing Bushing (N.P.T.Threads)		10	130	66236414036
RB74H	2 1/2 x 1 1/4	Steel Haz. Loc.Reducing Bushing (N.P.T.Threads)		10	140	66236414038
RB75H	2 1/2 x 1 1/2	Steel Haz. Loc.Reducing Bushing (N.P.T.Threads)		10	140	66236414040
RB76H	2 1/2 x 2	Steel Haz. Loc.Reducing Bushing (N.P.T.Threads)		10	110	66236414042
RB84H	3 x 1 1/4	Steel Haz. Loc.Reducing Bushing (N.P.T.Threads)		10	200	66236414050
RB85H	3 x 1 1/2	Steel Haz. Loc.Reducing Bushing (N.P.T.Threads)		10	240	66236414052
RB86H	3 x 2	Steel Haz. Loc.Reducing Bushing (N.P.T.Threads)		10	200	66236414054
RB87H	3 x 2 1/2	Steel Haz. Loc.Reducing Bushing (N.P.T.Threads)		10	170	66236414056
RB95H	3 1/2 x 1 1/2	Steel Haz. Loc.Reducing Bushing (N.P.T.Threads)		10	230	66236414066
RB96H	3 1/2 x 2	Steel Haz. Loc.Reducing Bushing (N.P.T.Threads)		10	230	66236414068
RB97H	3 1/2 x 2 1/2	Steel Haz. Loc.Reducing Bushing (N.P.T.Threads)		10	270	66236414070
RB98H	3 1/2 x 3	Steel Haz. Loc.Reducing Bushing (N.P.T.Threads)		10	250	66236414072
RB106H	4 x 2	Steel Haz. Loc.Reducing Bushing (N.P.T.Threads)		10	350	66236414084
RB107H	4 x 2 1/2	Steel Haz. Loc.Reducing Bushing (N.P.T.Threads)		10	380	66236414086
RB108H	4 x 3	Steel Haz. Loc.Reducing Bushing (N.P.T.Threads)		10	320	66236414088
RB109H	4 x 3 1/2	Steel Haz. Loc.Reducing Bushing (N.P.T.Threads)		10	290	66236414090

Dimensional Cut Sheets Available Online at [amftgs.com](http://amftgs.com)

AMFTGS.com

t: 800.221.5268

e: [info@amftgs.com](mailto:info@amftgs.com)

© Copyright 2016 AMERICAN FITTINGS Corporation, Fair Lawn, New Jersey

Specifications Subject to Change Without Notice



# AMERICAN FITTINGS

## Aluminum Reducing Bushings Ordinary Locations



Since 1946

**SPEC-grade™**

**Size Range:** 1/2" - 4" as shown  
 RBA Series Ordinary Loc. Reducing Bushings for Aluminum Conduit  
 RB's Reduce the Trade Size of a Tapped Hole or Hub

**Compliances:**  
 Certified Made in the USA  
 UL 514B  
 NEMA Standard FB1  
 Certified for MIL-STD 810 Sinusoidal Vibrations  
 Federal Standard A-A-50553

Precision Machined Cut for Integrity of Threads NPS (int and ext)



### AMFICO SPEC-grade™ Aluminum Reducing Bushings (NPS Threads)

Cat # *	Trade Size"	Description	Box Qty.	Carton Qty	Wt/c.	UPC Code
RBA21	3/4 x 1/2	Aluminum Reducing Bushing (N.P.S.Threads)	50	500	3	66236414092
RBA31	1 x 1/2	Aluminum Reducing Bushing (N.P.S.Threads)	50	250	6	66236414093
RBA32	1 x 3/4	Aluminum Reducing Bushing (N.P.S.Threads)	50	250	4	66236414094
RBA41	1 1/4 x 1/2	Aluminum Reducing Bushing (N.P.S.Threads)	20	200	12	66236414095
RBA42	1 1/4 x 3/4	Aluminum Reducing Bushing (N.P.S.Threads)	20	200	10	66236414096
RBA43	1 1/4 x 1	Aluminum Reducing Bushing (N.P.S.Threads)	20	200	7	66236414097
RBA51	1 1/2 x 1/2	Aluminum Reducing Bushing (N.P.S.Threads)	10	100	19	66236414098
RBA52	1 1/2 x 3/4	Aluminum Reducing Bushing (N.P.S.Threads)	10	100	16	66236414099
RBA53	1 1/2 x 1	Aluminum Reducing Bushing (N.P.S.Threads)	10	100	13	66236414100
RBA54	1 1/2 x 1 1/4	Aluminum Reducing Bushing (N.P.S.Threads)	10	100	7	66236414101
RBA61	2 x 1/2	Aluminum Reducing Bushing (N.P.S.Threads)	5	50	33	66236414102
RBA62	2 x 3/4	Aluminum Reducing Bushing (N.P.S.Threads)	5	50	31	66236414103
RBA63	2 x 1	Aluminum Reducing Bushing (N.P.S.Threads)	5	50	27	66236414104
RBA64	2 x 1 1/4	Aluminum Reducing Bushing (N.P.S.Threads)	5	50	22	66236414105
RBA65	2 x 1 1/2	Aluminum Reducing Bushing (N.P.S.Threads)	5	50	17	66236414106
RBA73	2 1/2 x 1	Aluminum Reducing Bushing (N.P.S.Threads)		10	43	66236414109
RBA74	2 1/2 x 1 1/4	Aluminum Reducing Bushing (N.P.S.Threads)		10	46	66236414110
RBA75	2 1/2 x 1 1/2	Aluminum Reducing Bushing (N.P.S.Threads)		10	46	66236414111
RBA76	2 1/2 x 2	Aluminum Reducing Bushing (N.P.S.Threads)		10	36	66236414112
RBA84	3 x 1 1/4	Aluminum Reducing Bushing (N.P.S.Threads)		10	66	66236414116
RBA85	3 x 1 1/2	Aluminum Reducing Bushing (N.P.S.Threads)		10	79	66236414117
RBA86	3 x 2	Aluminum Reducing Bushing (N.P.S.Threads)		10	66	66236414118
RBA87	3 x 2 1/2	Aluminum Reducing Bushing (N.P.S.Threads)		10	56	66236414119
RBA95	3 1/2 x 1 1/2	Aluminum Reducing Bushing (N.P.S.Threads)		10	76	66236414124
RBA96	3 1/2 x 2	Aluminum Reducing Bushing (N.P.S.Threads)		10	76	66236414125
RBA97	3 1/2 x 2 1/2	Aluminum Reducing Bushing (N.P.S.Threads)		10	89	66236414126
RBA98	3 1/2 x 3	Aluminum Reducing Bushing (N.P.S.Threads)		10	83	66236414127
RBA106	4 x 2	Aluminum Reducing Bushing (N.P.S.Threads)		10	116	66236414133
RBA107	4 x 2 1/2	Aluminum Reducing Bushing (N.P.S.Threads)		10	125	66236414134
RBA108	4 x 3	Aluminum Reducing Bushing (N.P.S.Threads)		10	106	66236414135
RBA109	4 x 3 1/2	Aluminum Reducing Bushing (N.P.S.Threads)		10	96	66236414136

Dimensional Cut Sheets Available Online at [amftgs.com](http://amftgs.com)

AMFTGS.com

t: 800.221.5268

e: [info@amftgs.com](mailto:info@amftgs.com)

© Copyright 2016 AMERICAN FITTINGS Corporation, Fair Lawn, New Jersey

Specifications Subject to Change Without Notice

# AMERICAN FITTINGS

## Aluminum Reducing Bushings Hazardous Locations

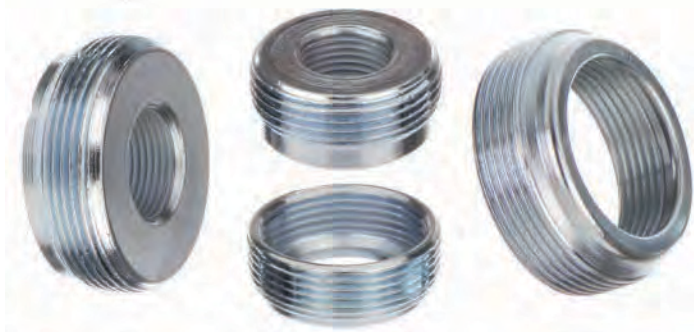


Since 1946

**SPEC-grade™**

**Size Range:** 1/2" - 4" as shown  
 RBH Series Hazardous Reducing Bushings for Aluminum Conduit  
 RB's Reduce the Trade Size of a Tapped Hole or Hub  
 Aluminum Construction,  
 Precision Machined Cut for Integrity of Threads NPT (int and ext)  
 Suitable for Use in Hazardous Locations - UL Listed

**Compliances:**  
 Certified Made in the USA  
 UL Listed Hazardous Locations \*  
 UL 514B  
 NEMA Standard FB1  
 Certified for MIL-STD 810 Sinusoidal Vibrations  
 Federal Standard A-A-50553  
 NEC Class I, Groups C & D  
 Class II, Groups E, F & G  
 UL Standards: 514B, 467



### AMFICO SPEC-grade™ Aluminum Hazardous Loc. Reducing Bushings (NPT Threads)

Cat #	Trade Size"	Description	Box Qty.	Carton Qty	Wt/c.	UPC Code
RBA21H	3/4 x 1/2	Aluminum Haz. Loc.Reducing Bushing (N.P.T.Threads)	50	500	3	66236414003
RBA31H	1 x 1/2	Aluminum Haz. Loc.Reducing Bushing (N.P.T.Threads)	50	250	6	66236414005
RBA32H	1 x 3/4	Aluminum Haz. Loc.Reducing Bushing (N.P.T.Threads)	50	250	4	66236414007
RBA41H	1 1/4 x 1/2	Aluminum Haz. Loc.Reducing Bushing (N.P.T.Threads)	20	200	12	66236414009
RBA42H	1 1/4 x 3/4	Aluminum Haz. Loc.Reducing Bushing (N.P.T.Threads)	20	200	10	66236414011
RBA43H	1 1/4 x 1	Aluminum Haz. Loc.Reducing Bushing (N.P.T.Threads)	20	200	7	66236414013
RBA51H	1 1/2 x 1/2	Aluminum Haz. Loc.Reducing Bushing (N.P.T.Threads)	10	100	19	66236414015
RBA52H	1 1/2 x 3/4	Aluminum Haz. Loc.Reducing Bushing (N.P.T.Threads)	10	100	16	66236414017
RBA53H	1 1/2 x 1	Aluminum Haz. Loc.Reducing Bushing (N.P.T.Threads)	10	100	13	66236414019
RBA54H	1 1/2 x 1 1/4	Aluminum Haz. Loc.Reducing Bushing (N.P.T.Threads)	10	100	7	66236414021
RBA61H	2 x 1/2	Aluminum Haz. Loc.Reducing Bushing (N.P.T.Threads)	5	50	33	66236414023
RBA62H	2 x 3/4	Aluminum Haz. Loc.Reducing Bushing (N.P.T.Threads)	5	50	31	66236414025
RBA63H	2 x 1	Aluminum Haz. Loc.Reducing Bushing (N.P.T.Threads)	5	50	27	66236414027
RBA64H	2 x 1 1/4	Aluminum Haz. Loc.Reducing Bushing (N.P.T.Threads)	5	50	22	66236414029
RBA65H	2 x 1 1/2	Aluminum Haz. Loc.Reducing Bushing (N.P.T.Threads)	5	50	17	66236414031
RBA73H	2 1/2 x 1	Aluminum Haz. Loc.Reducing Bushing (N.P.T.Threads)		10	43	66236414037
RBA74H	2 1/2 x 1 1/4	Aluminum Haz. Loc.Reducing Bushing (N.P.T.Threads)		10	46	66236414039
RBA75H	2 1/2 x 1 1/2	Aluminum Haz. Loc.Reducing Bushing (N.P.T.Threads)		10	46	66236414041
RBA76H	2 1/2 x 2	Aluminum Haz. Loc.Reducing Bushing (N.P.T.Threads)		10	36	66236414043
RBA84H	3 x 1 1/4	Aluminum Haz. Loc.Reducing Bushing (N.P.T.Threads)		10	66	66236414051
RBA85H	3 x 1 1/2	Aluminum Haz. Loc.Reducing Bushing (N.P.T.Threads)		10	79	66236414053
RBA86H	3 x 2	Aluminum Haz. Loc.Reducing Bushing (N.P.T.Threads)		10	66	66236414055
RBA87H	3 x 2 1/2	Aluminum Haz. Loc.Reducing Bushing (N.P.T.Threads)		10	56	66236414057
RBA95H	3 1/2 x 1 1/2	Aluminum Haz. Loc.Reducing Bushing (N.P.T.Threads)		10	76	66236414067
RBA96H	3 1/2 x 2	Aluminum Haz. Loc.Reducing Bushing (N.P.T.Threads)		10	76	66236414069
RBA97H	3 1/2 x 2 1/2	Aluminum Haz. Loc.Reducing Bushing (N.P.T.Threads)		10	89	66236414071
RBA98H	3 1/2 x 3	Aluminum Haz. Loc.Reducing Bushing (N.P.T.Threads)		10	83	66236414073
RBA106H	4 x 2	Aluminum Haz. Loc.Reducing Bushing (N.P.T.Threads)		10	116	66236414085
RBA107H	4 x 2 1/2	Aluminum Haz. Loc.Reducing Bushing (N.P.T.Threads)		10	125	66236414087
RBA108H	4 x 3	Aluminum Haz. Loc.Reducing Bushing (N.P.T.Threads)		10	106	66236414089
RBA109H	4 x 3 1/2	Aluminum Haz. Loc.Reducing Bushing (N.P.T.Threads)		10	96	66236414091

Dimensional Cut Sheets Available Online at [amftgs.com](http://amftgs.com)

AMFTGS.com

t: 800.221.5268

e: [info@amftgs.com](mailto:info@amftgs.com)

© Copyright 2016 AMERICAN FITTINGS Corporation, Fair Lawn, New Jersey

Specifications Subject to Change Without Notice

# AMERICAN FITTINGS

## Rigid Conduit Fittings - Chase Nipples



Since 1946

**SPEC-grade™**

**Size Range:** 1/2" - 4" Alloy Steel Chase Nipples  
**CN Series Compression and Set Screw**  
 For Both Rigid and IMC Conduit  
 Designed to Couple Boxes / Enclosures  
 Standard Product Furnished Without  
 150°C Insulated Throat Bushing Option Available

**Available:**  
 GB Series: Compression Precision Machined Threads  
 Locks Tight and Right  
 Insulated Throat Bushing Option \*  
 Zinc Plated, Galvanized Plating Option Available\*\*  
 Consult Factory for Aluminum




*Twice the Tensile Strength of Die Cast Fittings  
 Alloy Steel is Naturally Corrosion Resistant*

### Rigid Alloy Steel Chase Nipples

Cat # **	Trade Size	Description	Box Qty.	Carton Qty	Wt/c.	UPC Code
CN 50	1/2	Steel Chase Nipple	100	1000	4	66236415000
CN 75	3/4	Steel Chase Nipple	50	500	6	66236415002
CN100	1	Steel Chase Nipple	20	200	12	66236415004
CN125	1 1/4	Steel Chase Nipple	20	100	15	66236415005
CN150	1 1/2	Steel Chase Nipple	20	100	20	66236415006
CN200	2	Steel Chase Nipple	15	75	27	66236415007
CN250	2 1/2	Steel Chase Nipple	5	25	58	66236415008
CN300	3	Steel Chase Nipple		5	64	66236415009
CN350	3 1/2	Steel Chase Nipple		5	90	66236415010
CN400	4	Steel Chase Nipple		5	192	66236415011

**Compliances:**

Certified Made in the USA  
 UL 514B  
 NEMA Standard FB1  
 Certified for MIL-STD 810 Sinusoidal Vibrations  
 Federal Standard A-A-50553  
 UL Standards: 514B, 467  
 CSA Standard: C22.2 No. 18F   
 RoHS Compliant

**Options**

\* **Insulated Throat Option:** Add suffix "B" to cat #; i.e. CN125B  
 \*\* **Galvanized Plating Option:** Add suffix "G" to cat #; i.e. CN200G  
*Note: Galvanizing, minimum quantities may apply. Consult factory.*

*Dimensional Cut Sheets Available Online at amftgs.com*



# AMERICAN FITTINGS

## Rigid Conduit Fittings Combination Couplings



Since 1946

**SPEC-grade™**

### AMFICO Adapter Series Converts Rigid Conduit Runs Rigid Conduit Combination Couplings to Liquid Tight Fitting

Used to make a transition from Rigid Metallic Conduit & IMC to  
Liquid Tight / Seal Tight Conduit.  
For use in wet and dry locations.  
Rigid available in compression and threaded.

**Available:**  
Alloy Steel Construction  
Zinc Plated,  
Galvanized Plating Option Available\*



Rigid Threaded to Liquid Tight Conduit



Rigid Compression to Liquid Tight Conduit

*Our Liquid Tight Fittings  
Are the Finest Made*

### Rigid Conduit Compression Coupling to Liquid Tight Fitting 1/2" to 4"

Cat #	Trade Size "	Description	Box Qty.	Carton Qty	Wt/c.	UPC Code
STRNT50	1/2	Combination Couplings - Liquidtight to Rigid/IMC	20	100	16	662364 30850
STRNT75	3/4	Combination Couplings - Liquidtight to Rigid/IMC	15	75	34	662364 30860
STRNT100	1	Combination Couplings - Liquidtight to Rigid/IMC	10	100	59	662364 30870
STRNT125	1 1/4	Combination Couplings - Liquidtight to Rigid/IMC	5	25	93	662364 30880
STRNT150	1 1/2	Combination Couplings - Liquidtight to Rigid/IMC	2	20	117	662364 30890
STRNT200	2	Combination Couplings - Liquidtight to Rigid/IMC	2	10	153	662364 30900
STRNT250	2 1/2	Combination Couplings - Liquidtight to Rigid/IMC		6	274	662364 30910
STRNT300	3	Combination Couplings - Liquidtight to Rigid/IMC		6	402	662364 30920
STRNT350	3 1/2	Combination Couplings - Liquidtight to Rigid/IMC		2	448	662364 30930
STRNT400	4	Combination Couplings - Liquidtight to Rigid/IMC		2	568	662364 30940

### Rigid Conduit Female Threaded Coupling to Liquid Tight Fitting 3/8" to 2"

Cat #	Trade Size "	Description	Box Qty.	Carton Qty	Wt/c.	UPC Code
STR 38FR	3/8	Combination Couplings - Liquidtight to Rigid/IMC Thr'd	25	125	10	662364 38100
STR 50FR	1/2	Combination Couplings - Liquidtight to Rigid/IMC Thr'd	25	125	13	662364 38102
STR 75FR	3/4	Combination Couplings - Liquidtight to Rigid/IMC Thr'd	25	125	18	662364 38104
STR100FR	1	Combination Couplings - Liquidtight to Rigid/IMC Thr'd	5	50	30	662364 38106
STR125FR	1 1/4	Combination Couplings - Liquidtight to Rigid/IMC Thr'd	5	25	50	662364 38108
STR150FR	1 1/2	Combination Couplings - Liquidtight to Rigid/IMC Thr'd	5	25	64	662364 38110
STR200FR	2	Combination Couplings - Liquidtight to Rigid/IMC Thr'd	2	20	84	662364 38112

*Larger Trade Sizes, Please Consult Factory*

#### Compliances:

Certified Made in the USA  
UL 514B  
NEMA Standard FB1  
Certified for MIL-STD 810 Sinusoidal Vibrations  
Federal Standard A-A-50553  
UL Standards: 514B, 467  
CSA Standard: C22.2 No. 18F  
RoHS Compliant



\* Galvanized Plating Option: Add suffix "G" to cat #; i.e.STR100FRG.  
Note: Galvanizing, minimum quantities may apply. Consult factory.

For More on our Liquid Tight Products Request Our Liquid Tight Catalog

Dimensional Cut Sheets Available Online at [amftgs.com](http://amftgs.com)

AMFTGS.com

t: 800.221.5268

e: [info@amftgs.com](mailto:info@amftgs.com)


# AMERICAN FITTINGS

## Rigid Conduit Fittings - Rigid to Greenfield Adapters



Since 1946

### FLEX Series Industrial Flexible Metal Conduit Adapters Size Range: 1/2" - 2"

Transitions FMC (Greenfield) to Rigid or IMC Conduit  
Made in the USA 

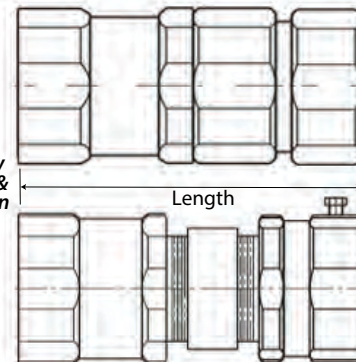
Solid Steel Fully Machined **SPECflex™** Connector with  
AMFICO Industrial Rigid Conduit NT Compression Fitting  
Fittings are Solid Steel Zinc Plated  
Furnished with Industrial Grade Locknut

#### SPEC-flex™ to Rigid Conduit Compression Adapters

Cat #	Trade Size	Length
FLXNT 50	1/2"	2-3/4"
FLXNT 75	3/4"	3-25/32"
FLXNT 100	1"	3-1/8"
FLXNT 125	1-1/4"	3-5/16"
FLXNT 150	1-1/2"	3-13/16"
FLXNT 200	2"	4-1/32"

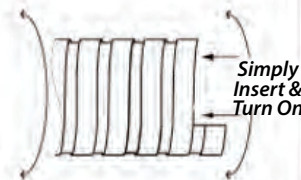


Greenfield to Rigid Compression



#### SPEC-flex™ to Rigid Conduit Set Screw Adapters

Cat #	Trade Size	Length
FLXSNT 50	1/2"	2-3/4"
FLXSNT 75	3/4"	3-25/32"
FLXSNT 100	1"	3-1/8"
FLXSNT 125	1-1/4"	3-5/16"
FLXSNT 150	1-1/2"	3-13/16"
FLXSNT 200	2"	4-1/32"



Greenfield to Rigid Set Screw



*SPEC-flex™ Adapters are Available for EMT, Liquid Tight and Flexible Cord  
Request our Full SPEC-flex™ Design Brochure*

**Note:**

*SPECflex™ connectors are designed to work and interface with UL listed, Made in USA FMC / Greenfield conduit. We cannot guarantee fit, form, or function with non-UL off-shore conduit. Request a sample from factory to ensure compatibility.*

### SPEC-flex™ Connector System for Rigid Conduit

Patent Pending Uniquely Engineered for  
Industrial Projects and OEM Product Performance  
Superior Performance for Secure Connection and  
Fast Disconnect  
No Tools Required to Install Flex Conduit

One Piece Construction  
No Need to Disassemble the Fitting  
UL Listed Complies with NEC  
Exceeds UL Pullout Requirements by 300%

**Compliances:**

Certified Made in the USA  
UL 514B  
NEMA Standard FB1  
Federal Standard A-A-50553  
UL Standards: 514B, 467  
RoHS Compliant



Dimensional Cut Sheets Available Online at [amftgs.com](http://amftgs.com)

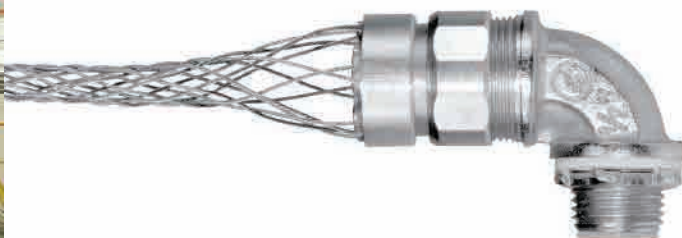


# DEMANDING CONDITIONS, DEMAND THE BEST!

The Superior Connection for  
Industrial & Processing Environments  
OEM Equipment  
Infrastructure Projects  
Alternative Energy  
Data Centers



**LiquidTIGHT**  
Alloy Steel Electrical Fittings  
*Made in the USA*



*Products Engineered and Manufactured to  
Meet Your Most Demanding Environments*

**AMERICAN FITTINGS**  
Corporation



*Manufactured in the USA Since 1946*







Since 1946

# LiquidTIGHT Fittings

## Why Isn't Your Seal Tight Conduit Wearing the Best?

AMFICO's LiquidTIGHT fittings are the finest choice for flexible conduits including Seal Tight, Anaconda and other flexible conduits. These fittings are suitable for a wide range of installations where integrity of product and protection of equipment are your primary concern. Our LiquidTIGHT fittings are designed to stand up to the most demanding wet and corrosive environments, including power generation, petrochemical, paper mills, food processing, beverage, pharmaceutical plants and anywhere high performance is required.

When Failure is Not an Option, There is Only One Liquid Tight Fitting.

AMERICAN FITTINGS,

**LiquidTIGHT**, Engineered and Manufactured **RIGHT**.

### EZ-Torque

Solid Alloy Steel Precision Machined Compression Nut, Grips Tight & Right Vibration Resistant Chamfered Dome Sheds Liquids

### FOCUS ON THE DETAILS

Available With or Without Insulated Throat Bushing 105° Rated

Unique Designed Extended Length Steel Ferrule for Positive Grounding, Provides Continual Ground & Prevents Pullout On Tight Bend Conduit, Solid Cup Design Prevents Distortion



Our Exclusive Engineered Sealing & PosiGRIP Ring, Slips on Quickly & Grips the Jacket of the Cable, Assures a Perfect Moisture Seal, While Preventing Pullout Under Extreme Conditions

Heavy Duty Industrial Grade Steel Locknut (Included)

Sealing Washer (Included) Provides a LiquidTIGHT Seal When Terminating the Connector in a Threadless Entry

Solid Alloy Steel Body Precision Machine Cut Threads

### Compliances:

Certified Made in the USA  
UL 514B  
NEMA Standard FB1  
Federal Standard A-A-50553  
NEC: Class I, Division 2  
Class II, Divisions 1 and 2  
Class III, Divisions 1 and 2  
UL Standards: 514B, 467  
CSA Standard: C22.2 No. 18F



Fittings made in the USA, they will exceed your expectations but not your budget.



### FEATURES AND BENEFITS

Configurations: Straight, 90°, & 45° all with Grounding Lay In Lug Options, Wire Mesh Strain Reliefs, and Transition Adapters for Rigid Conduit or EMT

UL Rated for Wet Locations Guaranteed to Seal Out Liquids, Contaminants and Ingress of Other Fluids

Alloy Steel Construction, Outperforms and Outclasses Die Cast and Malleable Iron

Reusable Design

Full Flat Hex Surfaces on Compression Nut and Body Provides Full Torque Without Damage to Fitting

Industrial Grade Steel Locknut

Available With or Without Insulated Throat Bushing, 105°C Rated

Alloy Steel (with inherent corrosion resistance) is Industrial Grade Zinc Electroplated, Galvanized Plating Option Available

Standard Material: Alloy Steel, Aluminum and Stainless Steel Available -consult factory



# AMERICAN FITTINGS

## Straight Liquid Tight Connectors



Since 1946

**SPEC-grade™**

**Size Range: 3/8" - 4" Alloy Steel \***  
**5" Malleable Iron**

**Available:**  
Straight, Grounding Lug or Wire Mesh Strain Relief  
With or Without Insulated Throat  
Zinc Plated or Galvanized Plating Option Available



**Compliances:**

Certified Made in the USA  
UL 514B  
NEMA Standard FB1  
Federal Standard A-A-50553  
NEC: Class I, Division 2  
Class II, Divisions 1 and 2  
Class III, Divisions 1 and 2  
UL Standards: 514B, 467  
CSA Standard: C22.2 No. 18F



### LiquidTIGHT Straight Connectors

Cat # **	Trade Size	Description	Box Qty.	Carton Qty	Wt/c.	UPC Code
STR38	3/8	Straight Liquidtight Connectors	20	200	10	662364 30038
STR50	1/2	Straight Liquidtight Connectors	20	200	13	662364 30050
STR75	3/4	Straight Liquidtight Connectors	20	100	18	662364 30075
STR100	1	Straight Liquidtight Connectors	5	50	32	662364 30100
STR125	1 1/4	Straight Liquidtight Connectors	5	25	44	662364 30125
STR150	1 1/2	Straight Liquidtight Connectors	2	25	66	662364 30150
STR200	2	Straight Liquidtight Connectors	5	25	85	662364 30200
STR250	2 1/2	Straight Liquidtight Connectors		5	133	662364 30250
STR300	3	Straight Liquidtight Connectors		4	177	662364 30300
STR350	3 1/2	Straight Liquidtight Connectors		4	216	662364 30350
STR400	4	Straight Liquidtight Connectors		2	255	662364 30400
STR500	5	Straight Liquidtight Connectors Malleable Iron		1	1100	662364 30500
STR38GL	3/8	Straight Liquidtight Connectors - W/Grounding Lug	25	125	12	662364 39000
STR50GL	1/2	Straight Liquidtight Connectors - W/Grounding Lug	25	125	15	662364 39002
STR75GL	3/4	Straight Liquidtight Connectors - W/Grounding Lug	25	125	20	662364 39004
STR100GL	1	Straight Liquidtight Connectors - W/Grounding Lug	10	50	34	662364 39006
STR125GL	1 1/4	Straight Liquidtight Connectors - W/Grounding Lug	5	25	46	662364 39008
STR150GL	1 1/2	Straight Liquidtight Connectors - W/Grounding Lug	5	25	68	662364 39010
STR200GL	2	Straight Liquidtight Connectors - W/Grounding Lug	2	10	87	662364 39012
STR250GL	2 1/2	Straight Liquidtight Connectors - W/Grounding Lug		5	267	662364 39014
STR300GL	3	Straight Liquidtight Connectors - W/Grounding Lug		4	367	662364 39016
STR350GL	3 1/2	Straight Liquidtight Connectors - W/Grounding Lug		3	464	662364 39018
STR400GL	4	Straight Liquidtight Connectors - W/Grounding Lug		2	539	662364 39020
STR38GT	3/8	Straight Liquidtight Connectors - W/Mesh Grip		10	15	662364 30039
STR50GT	1/2	Straight Liquidtight Connectors - W/Mesh Grip		10	20	662364 30051
STR75GT	3/4	Straight Liquidtight Connectors - W/Mesh Grip		10	25	662364 30076
STR100GT	1	Straight Liquidtight Connectors - W/Mesh Grip		10	35	662364 30101
STR125GT	1 1/4	Straight Liquidtight Connectors - W/Mesh Grip		2	60	662364 30126
STR150GT	1 1/2	Straight Liquidtight Connectors - W/Mesh Grip		2	85	662364 30151
STR200GT	2	Straight Liquidtight Connectors - W/Mesh Grip		2	130	662364 30201

\* For Aluminum or Stainless Steel, Consult Factory

\*\* Add Suffix "B" to Cat # for Insulated Throat

Dimensional Cut Sheets Available Online at [amftgs.com](http://amftgs.com)

# AMERICAN FITTINGS

## 90° Liquid Tight Connectors



Since 1946

**SPEC-grade™**

**Size Range:** 3/8" - 5"  
Alloy Steel Compression Nut,  
MI Bodies

**Available:**  
90°, Grounding Lug, or Wire Mesh Strain Relief  
With or Without Insulated Throat  
Zinc Plated or Galvanized Plating Option Available



**Compliances:**  
Certified Made in the USA  
UL 514B  
NEMA Standard FB1  
Federal Standard A-A-50553  
NEC: Class I, Division 2  
Class II, Divisions 1 and 2  
Class III, Divisions 1 and 2  
UL Standards: 514B, 467  
CSA Standard: C22.2 No. 18F



### LiquidTIGHT 90° Connectors

Cat # **	Trade Size	Description	Box Qty.	Carton Qty	Wt/c.	UPC Code
STR3890	3/8	90° Liquidtight Connectors	10	100	24	662364 30389
STR5090	1/2	90° Liquidtight Connectors	10	100	24	662364 30509
STR7590	3/4	90° Liquidtight Connectors	5	50	38	662364 30759
STR10090	1	90° Liquidtight Connectors	5	25	70	662364 31009
STR12590	1 1/4	90° Liquidtight Connectors	2	20	88	662364 31259
STR15090	1 1/2	90° Liquidtight Connectors	1	10	125	662364 31509
STR20090	2	90° Liquidtight Connectors	1	5	180	662364 32009
STR25090	2 1/2	90° Liquidtight Connectors		2	625	662364 32509
STR30090	3	90° Liquidtight Connectors		1	900	662364 33009
STR35090	3 1/2	90° Liquidtight Connectors		1	1000	662364 33509
STR40090	4	90° Liquidtight Connectors		2	1500	662364 34009
STR3890GL	3/8	90° Liquidtight Connectors - W/Grounding Lug	20	100	26	662364 39088
STR5090GL	1/2	90° Liquidtight Connectors - W/Grounding Lug	20	100	26	662364 39090
STR7590GL	3/4	90° Liquidtight Connectors - W/Grounding Lug	10	50	40	662364 39092
STR10090GL	1	90° Liquidtight Connectors - W/Grounding Lug	5	25	72	662364 39094
STR12590GL	1 1/4	90° Liquidtight Connectors - W/Grounding Lug	4	20	90	662364 39096
STR15090GL	1 1/2	90° Liquidtight Connectors - W/Grounding Lug	3	15	127	662364 39098
STR20090GL	2	90° Liquidtight Connectors - W/Grounding Lug	2	10	182	662364 39100
STR25090GL	2 1/2	90° Liquidtight Connectors - W/Grounding Lug		2	632	662364 39102
STR30090GL	3	90° Liquidtight Connectors - W/Grounding Lug		1	907	662364 39104
STR35090GL	3 1/2	90° Liquidtight Connectors - W/Grounding Lug		1	1019	662364 39106
STR40090GL	4	90° Liquidtight Connectors - W/Grounding Lug		1	1519	662364 39108
STR3890GT	3/8	90° Liquidtight Connectors - W/Mesh Grip		10	25	662364 30390
STR5090GT	1/2	90° Liquidtight Connectors - W/Mesh Grip		10	25	662364 30510
STR7590GT	3/4	90° Liquidtight Connectors - W/Mesh Grip		10	40	662364 30760
STR10090GT	1	90° Liquidtight Connectors - W/Mesh Grip		10	70	662364 31010
STR12590GT	1 1/4	90° Liquidtight Connectors - W/Mesh Grip		2	95	662364 31260
STR15090GT	1 1/2	90° Liquidtight Connectors - W/Mesh Grip		2	130	662364 31510
STR20090GT	2	90° Liquidtight Connectors - W/Mesh Grip		2	195	662364 32010

\* For Aluminum Products, Consult Factory

\*\* Add Suffix "B" to Cat # for Insulated Throat

5" Fittings Consult Factory for Cat #

Dimensional Cut Sheets Available Online at [amftgs.com](http://amftgs.com)

AMFTGS.com

t: 800.221.5268

e: [info@amftgs.com](mailto:info@amftgs.com)

© Copyright 2016 AMERICAN FITTINGS Corporation, Fair Lawn, New Jersey

Specifications Subject to Change Without Notice

# AMERICAN FITTINGS

## 45° Liquid Tight Connectors



Since 1946

**SPEC-grade™**

**Size Range:** 3/8" - 5"  
Alloy Steel Compression Nut,  
MI Bodies

**Available:**  
45°, Grounding Lug or Wire Mesh Strain Relief  
With or Without Insulated Throat  
Zinc Plated or Galvanized Plating Option Available



**Compliances:**  
Certified Made in the USA  
UL 514B  
NEMA Standard FB1  
Federal Standard A-A-50553  
NEC: Class I, Division 2  
Class II, Divisions 1 and 2  
Class III, Divisions 1 and 2  
UL Standards: 514B, 467  
CSA Standard: C22.2 No. 18F



### LiquidTIGHT 45° Connectors

Cat # **	Trade Size	Description	Box Qty.	Carton Qty	Wt/c.	UPC Code
STR3845	3/8	45° Liquidtight Connectors	10	100	21	662364 30384
STR5045	1/2	45° Liquidtight Connectors	10	100	23	662364 30504
STR7545	3/4	45° Liquidtight Connectors	10	50	32	662364 30754
STR10045	1	45° Liquidtight Connectors	5	50	53	662364 31004
STR12545	1 1/4	45° Liquidtight Connectors	5	25	69	662364 31254
STR15045	1 1/2	45° Liquidtight Connectors	3	15	99	662364 31504
STR20045	2	45° Liquidtight Connectors	1	10	152	662364 32004
STR25045	2 1/2	45° Liquidtight Connectors		2	478	662364 32504
STR30045	3	45° Liquidtight Connectors		2	775	662364 33004
STR35045	3 1/2	45° Liquidtight Connectors		1	880	662364 33504
STR40045	4	45° Liquidtight Connectors		1	1000	662364 34004
STR3845GL	3/8	45° Liquidtight Connectors - W/Grounding Lug	20	100	23	662364 39044
STR5045GL	1/2	45° Liquidtight Connectors - W/Grounding Lug	20	100	25	662364 39046
STR7545GL	3/4	45° Liquidtight Connectors - W/Grounding Lug	10	50	34	662364 39048
STR10045GL	1	45° Liquidtight Connectors - W/Grounding Lug	5	25	55	662364 39050
STR12545GL	1 1/4	45° Liquidtight Connectors - W/Grounding Lug	4	20	71	662364 39052
STR15045GL	1 1/2	45° Liquidtight Connectors - W/Grounding Lug	3	15	101	662364 39054
STR20045GL	2	45° Liquidtight Connectors - W/Grounding Lug	2	10	154	662364 39056
STR25045GL	2 1/2	45° Liquidtight Connectors - W/Grounding Lug		4	485	662364 39058
STR30045GL	3	45° Liquidtight Connectors - W/Grounding Lug		2	782	662364 39060
STR35045GL	3 1/2	45° Liquidtight Connectors - W/Grounding Lug		1	899	662364 39062
STR40045GL	4	45° Liquidtight Connectors - W/Grounding Lug		1	1019	662364 39064
STR3845GT	3/8	45° Liquidtight Connectors - W/Mesh Grip		10	20	662364 30385
STR5045GT	1/2	45° Liquidtight Connectors - W/Mesh Grip		10	22	662364 30505
STR7545GT	3/4	45° Liquidtight Connectors - W/Mesh Grip		10	35	662364 30755
STR10045GT	1	45° Liquidtight Connectors - W/Mesh Grip		10	65	662364 31005
STR12545GT	1 1/4	45° Liquidtight Connectors - W/Mesh Grip		2	85	662364 31255
STR15045GT	1 1/2	45° Liquidtight Connectors - W/Mesh Grip		2	115	662364 31505
STR20045GT	2	45° Liquidtight Connectors - W/Mesh Grip		2	175	662364 32005

\* For Aluminum Products , Consult Factory

\*\* Add Suffix "B" to Cat # for Insulated Throat  
5" Fittings Consult Factory for Cat #

Dimensional Cut Sheets Available Online at [amftgs.com](http://amftgs.com)

AMFTGS.com

t: 800.221.5268

e:info@amftgs.com

© Copyright 2016 AMERICAN FITTINGS Corporation, Fair Lawn, New Jersey

Specifications Subject to Change Without Notice



# AMERICAN FITTINGS

## Liquid Tight Connectors with Wire Mesh Strain Relief



Since 1946

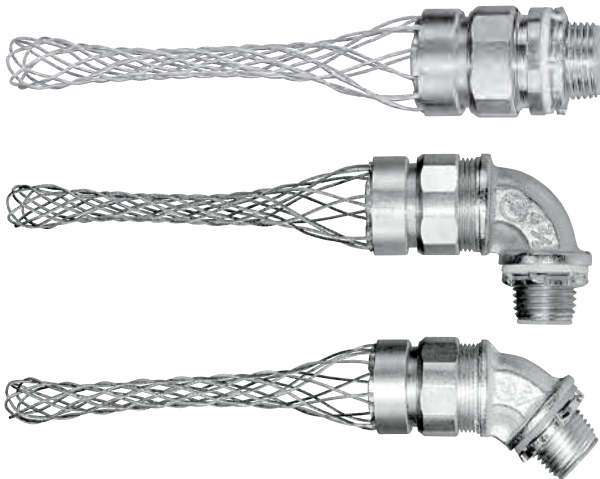
**SPEC-grade™**

**Size Range: 3/8" - 2"**

Liquid Tight Connector with  
Stainless Steel Wire Mesh SS Strain Relief

**Available:**

Alloy Steel Construction  
Connector Zinc Plated  
Wire Mesh Stainless Steel



**Compliances:**

Certified Made in the USA  
UL 514B  
NEMA Standard FB1  
Federal Standard A-A-50553  
NEC: Class I, Division 2  
Class II, Divisions 1 and 2  
Class III, Divisions 1 and 2  
UL Standards: 514B, 467  
CSA Standard: C22.2 No. 18F



### LiquidTIGHT Straight Connector with Wire Mesh Strain Relief

Cat #	Trade Size	Description	Carton Qty	Wt/c.	UPC Code
STR38GT	3/8	Straight Liquidtight Connectors - W/Mesh Grip	10	15	662364 30039
STR50GT	1/2	Straight Liquidtight Connectors - W/Mesh Grip	10	20	662364 30051
STR75GT	3/4	Straight Liquidtight Connectors - W/Mesh Grip	10	25	662364 30076
STR100GT	1	Straight Liquidtight Connectors - W/Mesh Grip	10	35	662364 30101
STR125GT	1 1/4	Straight Liquidtight Connectors - W/Mesh Grip	2	60	662364 30126
STR150GT	1 1/2	Straight Liquidtight Connectors - W/Mesh Grip	2	85	662364 30151
STR200GT	2	Straight Liquidtight Connectors - W/Mesh Grip	2	130	662364 30201

### LiquidTIGHT 90° Connector with Wire Mesh Strain Relief

Cat #	Trade Size	Description	Carton Qty	Wt/c.	UPC Code
STR3890GT	3/8	90° Liquidtight Connectors - W/Mesh Grip	10	25	662364 30390
STR5090GT	1/2	90° Liquidtight Connectors - W/Mesh Grip	10	25	662364 30510
STR7590GT	3/4	90° Liquidtight Connectors - W/Mesh Grip	10	40	662364 30760
STR10090GT	1	90° Liquidtight Connectors - W/Mesh Grip	10	70	662364 31010
STR12590GT	1 1/4	90° Liquidtight Connectors - W/Mesh Grip	2	95	662364 31260
STR15090GT	1 1/2	90° Liquidtight Connectors - W/Mesh Grip	2	130	662364 31510
STR20090GT	2	90° Liquidtight Connectors - W/Mesh Grip	2	195	662364 32010

### LiquidTIGHT 45° Connector with Wire Mesh Strain Relief

Cat #	Trade Size	Description	Carton Qty	Wt/c.	UPC Code
STR3845GT	3/8	45° Liquidtight Connectors - W/Mesh Grip	10	20	662364 30385
STR5045GT	1/2	45° Liquidtight Connectors - W/Mesh Grip	10	22	662364 30505
STR7545GT	3/4	45° Liquidtight Connectors - W/Mesh Grip	10	35	662364 30755
STR10045GT	1	45° Liquidtight Connectors - W/Mesh Grip	10	65	662364 31005
STR12545GT	1 1/4	45° Liquidtight Connectors - W/Mesh Grip	2	85	662364 31255
STR15045GT	1 1/2	45° Liquidtight Connectors - W/Mesh Grip	2	115	662364 31505
STR20045GT	2	45° Liquidtight Connectors - W/Mesh Grip	2	175	662364 32005

Dimensional Cut Sheets Available Online at [amftgs.com](http://amftgs.com)



# AMERICAN FITTINGS

## Non-Metallic Liquid Tight Connectors



Since 1946

**SPEC-grade™**

**Size Range:** 3/8" - 2"

PVC Construction, For Use in Wet Locations  
Provides a liquid tight, dusttight connection between flexible, type B nonmetallic conduit and an enclosure.

**Available:**

Straight and 90° Connectors - NPT Threads  
Furnished with Sealing Washer and Steel Locknut  
Color: Gray



*No disassembly required; push the conduit onto the ferrule, then tighten the domed sealing nut.*



### Non-Metallic LiquidTIGHT Connectors

Cat #	Trade Size	Description	Box Qty.	Carton Qty	Wt/c.	UPC Code
NML38	3/8	Straight Non-Metallic Liquidtight Connectors	25	125	9	662364 75000
NML50	1/2	Straight Non-Metallic Liquidtight Connectors	25	125	9	662364 75002
NML75	3/4	Straight Non-Metallic Liquidtight Connectors	10	50	10	662364 75004
NML100	1	Straight Non-Metallic Liquidtight Connectors	10	50	14	662364 75006
NML125	1 1/4	Straight Non-Metallic Liquidtight Connectors	5	25	20	662364 75008
NML150	1 1/2	Straight Non-Metallic Liquidtight Connectors	4	20	26	662364 75010
NML200	2	Straight Non-Metallic Liquidtight Connectors	2	10	45	662364 75012
NML3890	3/8	90° Non-Metallic Liquid Tight Connectors	10	50	8	662364 75020
NML5090	1/2	90° Non-Metallic Liquid Tight Connectors	10	50	9	662364 75022
NML7590	3/4	90° Non-Metallic Liquid Tight Connectors	10	50	12	662364 75024
NML10090	1	90° Non-Metallic Liquid Tight Connectors	5	25	18	662364 75026
NML12590	1 1/4	90° Non-Metallic Liquid Tight Connectors	2	10	37	662364 75028
NML15090	1 1/2	90° Non-Metallic Liquid Tight Connectors	2	10	39	662364 75030
NML20090	2	90° Non-Metallic Liquid Tight Connectors	1	50	70	662364 75032

**Compliances:**

UL 514B

NEMA Standard FB1

UL Standards: 514B, 467

CSA Standard: C22.2 No. 18F



Dimensional Cut Sheets Available Online at [amftgs.com](http://amftgs.com)

# AMERICAN FITTINGS

## Liquid Tight Combination Transition Couplings



Since 1946

### Liquid TIGHT Conduit Combination Couplings

Transition Liquid Tight Conduit to EMT or  
Liquid Tight to Rigid Threaded or Compression

### Available:

Alloy Steel Construction  
Zinc Plated, Galvanizing Plating  
Option Available

### SPEC-grade™

#### Compliances:

Certified Made in the USA  
UL 514B  
NEMA Standard FB1  
Federal Standard A-A-50553  
NEC: Class I, Division 2  
Class II, Divisions 1 and 2  
Class III, Divisions 1 and 2  
UL Standards: 514B, 467  
CSA Standard: C22.2 No. 18F



Liquid TIGHT to EMT Compression



Liquid TIGHT to Rigid Threaded



Liquid TIGHT to Rigid Compression



### Liquid TIGHT to EMT Compression Couplings 1/2" to 2"\*

Cat #	Trade Size	Description	Box Qty.	Carton Qty	Wt/c.	UPC Code
STREMT50	1/2	Combination Couplings - Liquidtight to EMT	20	100	16	66236430750
STREMT75	3/4	Combination Couplings - Liquidtight to EMT	10	100	22	66236430751
STREMT100	1	Combination Couplings - Liquidtight to EMT	5	50	40	66236430752
STREMT125	1 1/4	Combination Couplings - Liquidtight to EMT	5	25	75	66236430753
STREMT150	1 1/2	Combination Couplings - Liquidtight to EMT	5	25	98	66236430761
STREMT200	2	Combination Couplings - Liquidtight to EMT	2	10	140	66236430762

### Liquid TIGHT to RIGID Conduit Compression Couplings 1/2" to 4"

Cat #	Trade Size	Description	Box Qty.	Carton Qty	Wt/c.	UPC Code
STRNT50	1/2	Combination Couplings - Liquidtight to Rigid/IMC	20	100	16	66236430850
STRNT75	3/4	Combination Couplings - Liquidtight to Rigid/IMC	15	75	34	66236430860
STRNT100	1	Combination Couplings - Liquidtight to Rigid/IMC	10	100	59	66236430870
STRNT125	1 1/4	Combination Couplings - Liquidtight to Rigid/IMC	5	25	93	66236430880
STRNT150	1 1/2	Combination Couplings - Liquidtight to Rigid/IMC	2	20	117	66236430890
STRNT200	2	Combination Couplings - Liquidtight to Rigid/IMC	2	10	153	66236430900
STRNT250	2 1/2	Combination Couplings - Liquidtight to Rigid/IMC		6	274	66236430910
STRNT300	3	Combination Couplings - Liquidtight to Rigid/IMC		6	402	66236430920
STRNT350	3 1/2	Combination Couplings - Liquidtight to Rigid/IMC		2	448	66236430930
STRNT400	4	Combination Couplings - Liquidtight to Rigid/IMC		2	568	66236430940

### Liquid TIGHT to Rigid Conduit Female Threaded Couplings 3/8" to 2"

Cat #	Trade Size	Description	Box Qty.	Carton Qty	Wt/c.	UPC Code
STR 38FR	3/8	Combination Couplings - Liquidtight to Rigid/IMC Thr'd	25	125	10	66236438100
STR 50FR	1/2	Combination Couplings - Liquidtight to Rigid/IMC Thr'd	25	125	13	66236438102
STR 75FR	3/4	Combination Couplings - Liquidtight to Rigid/IMC Thr'd	25	125	18	66236438104
STR100FR	1	Combination Couplings - Liquidtight to Rigid/IMC Thr'd	5	50	30	66236438106
STR125FR	1 1/4	Combination Couplings - Liquidtight to Rigid/IMC Thr'd	5	25	50	66236438108
STR150FR	1 1/2	Combination Couplings - Liquidtight to Rigid/IMC Thr'd	5	25	64	66236438110
STR200FR	2	Combination Couplings - Liquidtight to Rigid/IMC Thr'd	2	20	84	66236438112

\* Larger sizes and other configurations may be available, please consult factory

Dimensional Cut Sheets Available Online at [amftgs.com](http://amftgs.com)

# AMERICAN FITTINGS

## Liquid Tight Transition to Greenfield FMC



Since 1946

**Size Range: 1/2" - 4"**

Liquid Tight Conduit to Greenfield FMC  
 FLEX Series Industrial Flexible Metal Conduit Adapter  
 Transitions FMC (Greenfield) to Liquid Tight Conduit  
 Made in the USA  
 Solid Steel Fully Machined SPECflex Connector with  
 AMFICO Industrial Grade Liquid Tight Conduit Connector

### SPEC-flex Connector System

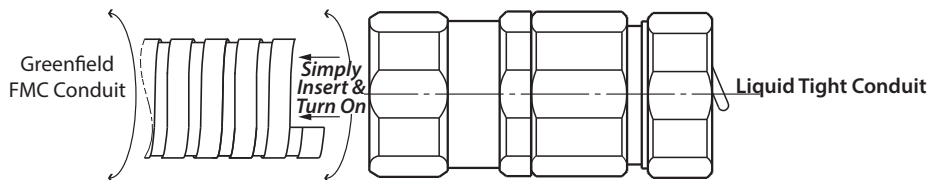


One Piece Construction

Patent Pending Uniquely Engineered for Industrial Projects and  
 OEM Product Performance  
 Superior Performance for Secure Connection and Fast Disconnect  
 No Tools Required to Install Conduit



**Save Labor on Every Connection**  
**INSTALLS in SECONDS WITHOUT a Tool!**



### SPEC-flex Greenfield to Liquid Tight Adapters

Cat # **	Trade Size	Description	Box Qty.	Carton Qty	Wt/c.	UPC Code
FLXLT50	1/2	Combination Couplings - Flex to Liquidtight	25	125	16	662364 21525
FLXLT75	3/4	Combination Couplings - Flex to Liquidtight	10	100	27	662364 21526
FLXLT100	1	Combination Couplings - Flex to Liquidtight	5	50	35	662364 21527
FLXLT125	1 1/4	Combination Couplings - Flex to Liquidtight	5	25	61	662364 21528
FLXLT150	1 1/2	Combination Couplings - Flex to Liquidtight	2	20	112	662364 21529
FLXLT200	2	Combination Couplings - Flex to Liquidtight	2	20	160	662364 21530
FLXLT250	2 1/2	Combination Couplings - Flex to Liquidtight		6	252	662364 21560
FLXLT300	3	Combination Couplings - Flex to Liquidtight		6	354	662364 21561
FLXLT350	3 1/2	Combination Couplings - Flex to Liquidtight		2	432	662364 21562
FLXLT400	4	Combination Couplings - Flex to Liquidtight		2	568	662364 21563

**Compliances:**

Certified Made in the USA  
 UL 514B  
 NEMA Standard FB1  
 Federal Standard A-A-50553  
 CSA Standard: C22.2 No. 18F



**Note:**

SPECflex connectors are designed to work and interface with UL listed, Made in USA FMC / Greenfield conduit. We cannot guarantee fit, form, or function with non-UL or off-shore conduit.

**For More About SPECflex Request  
 Our 12 page Brochure**

Dimensional Cut Sheets Available Online at [amftgs.com](http://amftgs.com)



# AMERICAN FITTINGS

## Liquid Tight Parking Deck Fittings



Since 1946

### SPEC-teck Alloy Steel MC Connectors

Perfect for parking decks, our industrial spec-grade connector is the RIGHT CHOICE for PVC Jacketed MC or Teck cable.

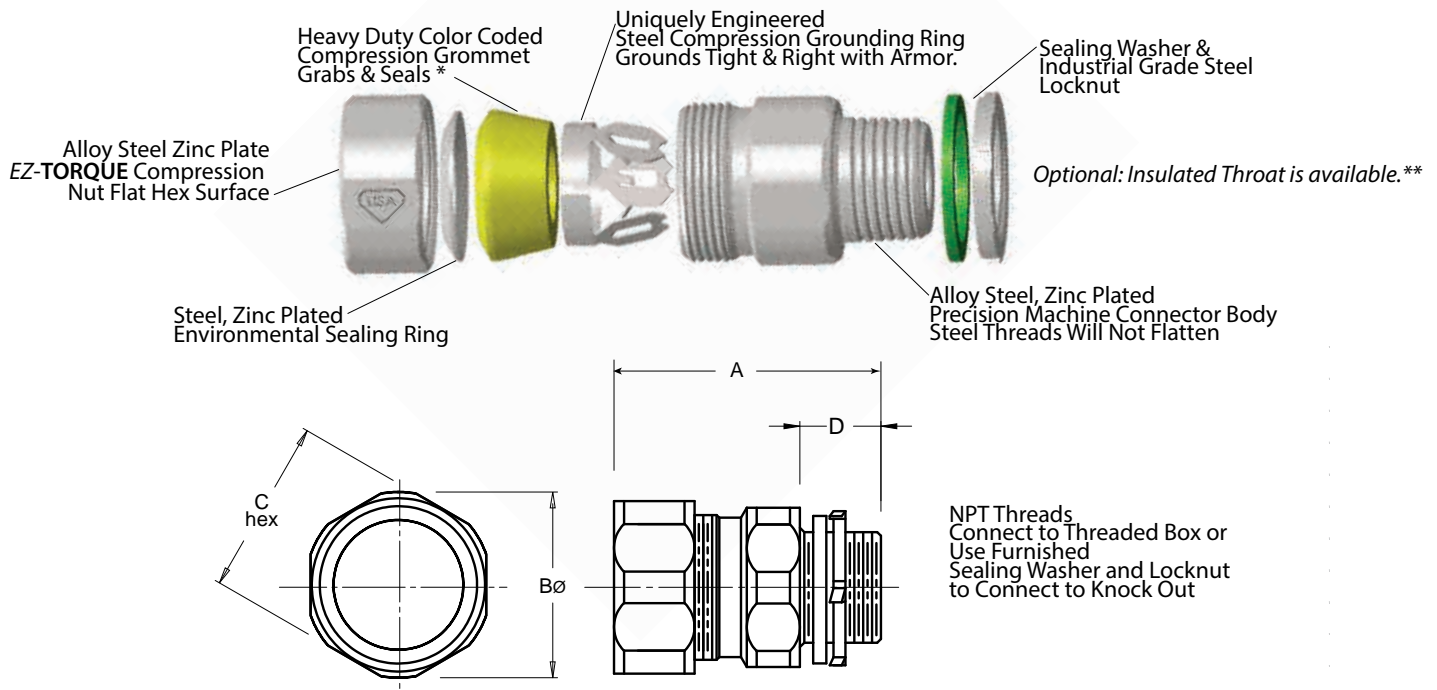
Specifically Designed for Use with PVC Jacketed MC, TECK Cable, SouthWire EZ-In Mini Cable  
One Connector Accomodates a Wide Range of Cable Sizes

#### Application:

Connector provides a unique liquid tight connection for PVC Jacketed MC Cable.  
No tools required to Install connector, simply terminate cable according to wiring instructions and snap it into place.



Each connector is furnished with three color-coded grommet sizes to accomodate different size MC cable diameters as shown below.



Cat. #	Hub Size	Range Over Jacket OD Min - Max	Grommet * Color to Use	'A' Length	'B' Diameter	'C' Hex	'D' Length	Wt Per 100
TECK50 *	1/2"	.640 - .710	Black ■	1-31/32"	1-3/16"	1-1/8"	19/32"	20
TECK50 *	1/2"	.520 - .610 (I)	Grey ■	1-31/32"	1-3/16"	1-1/8"	19/32"	20
TECK50 *	1/2"	.460 - .505	Yellow ■	1-31/32"	1-3/16"	1-1/8"	19/32"	20

\* Part is packaged with three different color coded grommets to accomodate cable ranges as shown above. (I) Grey installed.

\*\* Add Suffix "B" to cat.number for insulated throat.

Sold in cartons of 25 with each connector individually packaged with grommets and instructions.

#### Compliances:

Certified Made in the USA  
UL 514B  
NEMA Standard FB1  
Federal Standard A-A-50553  
NEC: Class I, Division 2  
Class II, Divisions 1 and 2  
Class III, Divisions 1 and 2  
UL Standards: 514B, 467  
CSA Standard: C22.2 No. 18F



#### Features:

- Truly an Industrial Specification Grade Connector, Made in the USA
- Compact Low Profile Design, Takes Up Less Room in Tight Spaces
- Alloy Steel has Natural Corrosion Resistant
- Alloy Steel TWICE the STRENGTH of All Die Cast Fittings
- Installs Without Disassembly, Simply Loosen and Slide on MC Cable
- Unique Grounding Compression Ring Fully Secures Grounding 360°
- SPEC-teck Connectors Exceeds Your Expectations Not Your Budget
- Connector is Fully Reuseable

Dimensional Cut Sheets Available Online at [amftgs.com](http://amftgs.com)

1/2" to 4"  
Made in the USA  
Solid Steel or Aluminum

# AMFITCO

## The Next Generation of Greenfield Connectors

# SPEC-*flex* connectors™

Our *flex* System is Your Solution for Electrical Runs

**GUARANTEED** to  
Save Time On Every  
Connection You Make.



Patent Pending

Straight Connectors for Enclosures or  
Use Our Adapters to Transition Your Conduit & Cable

## TURN IT ON with SPEC-*flex* connectors™



Full *flex* Connector System  
Straight Connectors, 45° & 90°  
FMC to Liquid Tight, Flexible Cord,  
EMT & Rigid Conduit



**AMERICAN FITTINGS**  
Corporation

Saves Labor on Every Connection  
No Screw or Crimp Required to Install  
Simply, Turn It On Your FMC  
**Exceeds UL Pullout Requirements by 300%**  
No Screws to Pinch or Pierce Conduit  
Maintains Full Integrity of the Conduit  
Count On a Safe Burr-less Wire Pull  
Fully-Machined Solid Steel or Aluminum  
Furnished with Industrial Grade Steel Locknut

Since 1946

800.221.5268  
amftgs.com

Fair Lawn, New Jersey

### Made in the USA

© 2015 AMERICAN FITTINGS



## SPECflex™ Connector System

Easily Transition Greenfield into Your Electrical Runs  
When You Turn On with **SPECflex**



Straight Connector  
1/2" - 4"  
FMC to Enclosure

### Avoid the Issues with Inferior Die Cast Fittings

Patent Pending, Uniquely Engineered for Industrial Projects and OEM Product Performance and Reliability

Superior Performance for Secure Connectors and Fast Disconnect  
GripsTight, Grips Right on Every Connection  
Fittings are FULLY Reuseable, No Need to Crimp or Pinch  
90° and 45° Adapters Used to Connect FMC to a Box or Enclosure



Sizes Available 1/2" - 2" \* Trade Sizes, in Steel or Aluminum  
Solid Steel Fully Machined FMC SPEC-flex Connectors  
Made in the USA



90° Adapter  
FMC to Enclosure



45° Adapter  
FMC to Enclosure

Furnished with Industrial Grade Locknut, Sealing Washer and Insulated Throat

## SPECflex™ ADAPTERS

*The Most Secure Connection in the Market.*

### Our flex-System is Your Industrial Solution

SPEC-flex Adapters Convert Greenfield - FMC to Pipe, LT or Cord  
Industrial Products for Demanding Conditions

Adapters Used to Easily  
Transition FMC to EMT, Rigid Conduit, Portable Cord, or Liquid Tight Cable  
and Conform to UL specifications, Made in the USA

Sizes Available 1/2" - 2" \* Consult factory for larger trade sizes



### Products Guaranteed for Life

**Note:**  
SPECflex connectors are designed to work and interface with UL listed, Made in USA FMC / Greenfield conduit. We cannot guarantee fit, form, or function with non-UL off-shore conduit. Request a sample from factory to ensure capatibility.

Greenfield to Conduit

Available Set Screw & Compression EMT or Rigid Conduit



Greenfield to LT or  
Portable Cord



# AMERICAN FITTINGS Corporation



**SPECflex™**  
FMC Connector Fittings  
1/2" to 4"

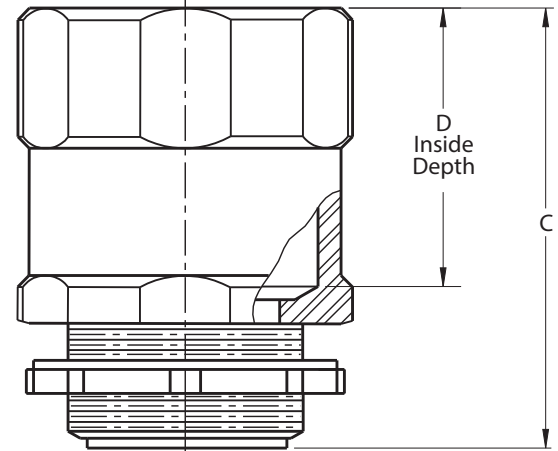
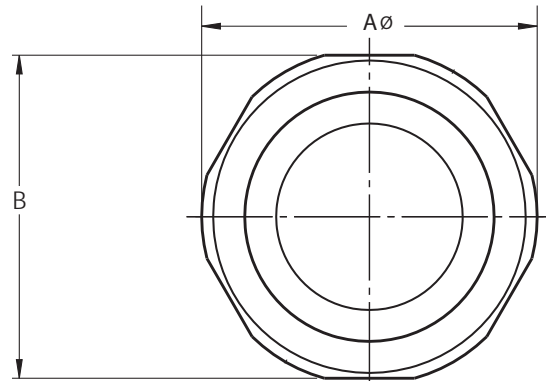
**Solid Alloy Steel Fully Machined SPECflex Connector™**  
**Industrial Grade Greenfield to Enclosure Connector**  
**Made in the USA**  
**Alloy Steel Zinc Electro Plated or Aluminum**

Patent Pending  
Uniquely Engineered for Industrial Projects and OEM Product Performance  
Secure Connection and Fast Disconnect  
No Tools Required to Install on FMC  
**Exceeds UL Pull-Out Requirements by 300%**

**FULL Connector System Available for Transitions from Greenfield to EMT, Rigid, LT, & Flexible Cord**  
**90° and 45° Connectors Available**

## SPECflex™

*Installs On Greenfield with a Few Easy Turns*  
**No Tools Required**



Unique industrial grade locknut bites into any box or enclosure for full bonding and an Insulated UL Listed Throat Bushing are standard.



Saves Labor on Every Connection  
No Screws to Pinch or Pierce Conduit  
**Alloy Steel Construction\* NOT a Thin Wall Die Cast Fitting**  
Maintains Full Integrity of Conduit ID & OD  
Allows More Room Inside Conduit For Wire  
You Can Count-On a Safe Burr-less Wire Pull

**Note:**  
SPECflex connectors are designed to work and interface with UL listed, Made in USA FMC / Greenfield conduit. We cannot guarantee fit, form, or function with non-UL off-shore conduit.  
Request a sample from factory to ensure compatibility.

\* Steel is Zinc Electro Plated for Full Corrosion Resistance

### SPECflex Connectors

Cat #	Trade Size	Mat'l *	A	B hex	C Ø	D
FLX50B	1/2"	Alloy Steel	1-5/32"	1-1/8"	1-9/16"	1-1/16"
FLX75B	3/4"	Alloy Steel	1-7/16"	1-3/8"	1-9/16"	1-1/16"
FLX100B	1"	Alloy Steel	1-11/16"	1-5/8"	1-5/8"	1-1/16"
FLX125B	1-1/4"	Alloy Steel	2-1/32"	1-31/32"	1-5/8"	1-1/16"
FLX150B	1-1/2"	Alloy Steel	2-9/32"	2-3/16"	1-29/32"	1-1/4"
FLX200B	2"	Alloy Steel	2-29/32"	2-29/32"	2"	1-9/32"
FLX250B	2 - 1/2"	Alloy Steel	3-13/32"	2-3/4"	2-1/2"	1-9/32"
FLX300B	3"	Alloy Steel	4"	3-29/32"	2-9/16"	1-5/16"
FLX350B	3 1/2"	Alloy Steel	4-9/16"	4-13/32"	2-9/16"	1-5/16"
FLX400B	4"	Alloy Steel	5-3/32"	4-29/32"	2-9/16"	1-5/16"

\* ALUMINIUM Material - ADD suffix AL to the Cat # for Aluminum in sizes 1/2" - 2"  
Consult with factory for fittings without insulated throat or sizes not shown.

FLX-AM2296B

# AMERICAN FITTINGS Corporation

Made in the USA Since 1946



Industrial SPEC-flex™  
FMC to Enclosure  
90° Conduit Adapters  
1/2" to 2" \*

## SPECflex™ Connector System

### FLEX Series Industrial Flexible Metal Conduit Connectors

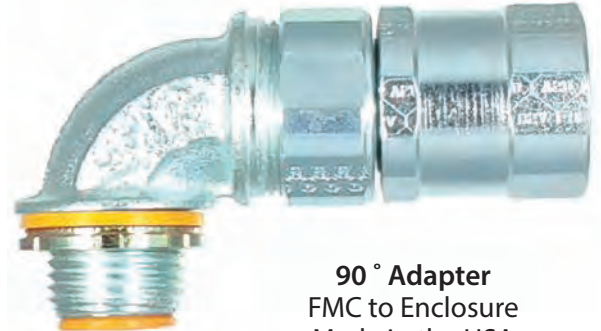
Solid Steel Fully Machined FMC SPEC-flex Connectors  
Made in the USA

90° Adapter Used to Connect FMC to a Box or Enclosure

Patent Pending Uniquely Engineered for Industrial Projects and OEM Product Performance

Superior Performance for Secure Connectors and Fast Disconnect  
GripsTight, Grips Right on Every Connection

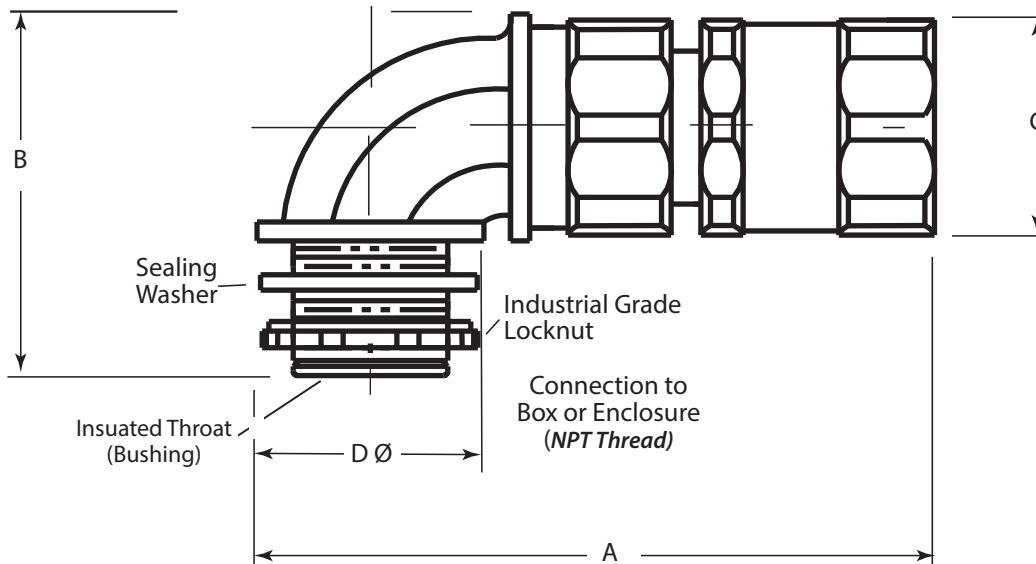
Furnished with Our Industrial Grade Locknut and Sealing Washer with an  
Optional UL Component Temperature Rated 150°C Insulated Throat



90° Adapter  
FMC to Enclosure  
Made in the USA

**Save Time on Every Connection!**

**Note:**  
SPECflex connectors are designed to work and interface with UL listed, Made in USA FMC / Greenfield conduit.  
We cannot guarantee fit, form, or function with non-UL off-shore conduit.  
Request a sample from factory to ensure capability.



SPECflex Industrial Grade FMC Connectors 90° Adapters

Cat #	Trade Size	A	B	C hex	E
FLX5090B	1/2"	3-3/8"	1-15/16"	1-1/8"	1-3/16"
FLX7590B	3/4"	3-19/32"	2-5/32"	1-3/8"	1-11/32"
FLX10090B	1"	4"	2-11/16"	1-5/8"	1-11/16"
FLX12590B	1 1/4"	4-5/16"	2-15/16"	1-31/32"	2"
FLX15090B	1 1/2"	5-1/16"	3-3/16"	2-3/16"	2-1/4"
FLX20090B	2"	5-21/32"	3-23/32"	2-25/32"	2-3/4"

Consult with factory for fittings without insulated throat.

\* Larger Sizes Available Consult Factory

FLX-Adapt AM1197.B

# AMERICAN FITTINGS Corporation



Made in the USA Since 1946

Industrial SPEC-flex™  
FMC to Enclosure  
45° Conduit Adapters  
1/2" to 2"

## SPECflex™ Connector System

### FLEX Series Industrial Flexible Metal Conduit Connectors

Solid Steel Fully Machined FMC SPEC-flex Connectors  
Made in the USA

45° Adapter Used to Connect FMC to a Box or Enclosure

Patent Pending Uniquely Engineered for Industrial Projects and OEM Product Performance

Superior Performance for Secure Connectors and Fast Disconnect  
GripsTight, Grips Right on Every Connection

Furnished with Our Industrial Grade Locknut and Sealing Washer with an Optional UL Component Temperature Rated 150°C Insulated Throat

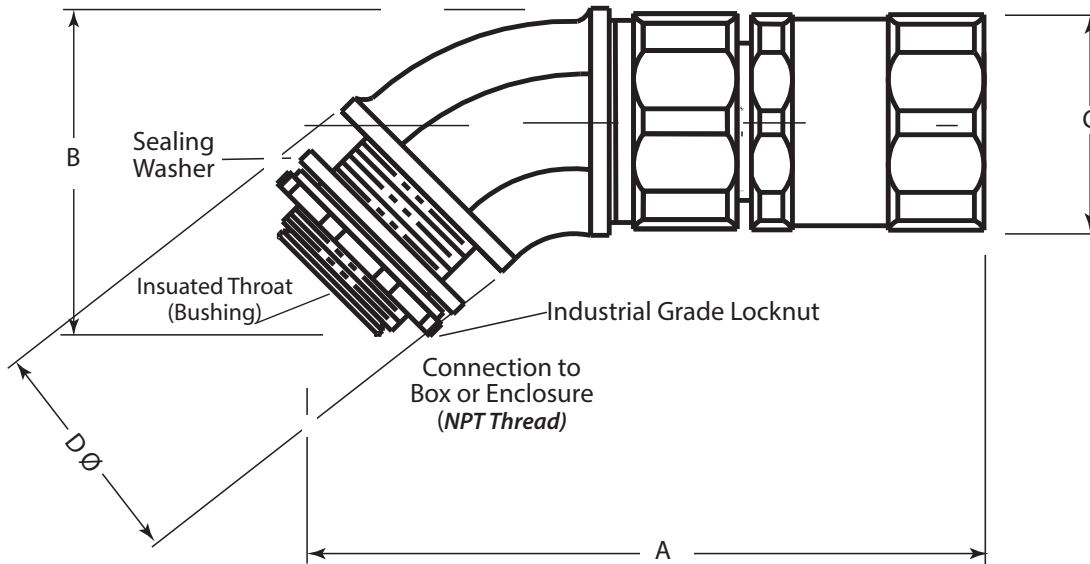
**Save Time on Every Connection!**



45° Adapter  
FMC to Enclosure  
Made in the USA



**Note:**  
SPECflex connectors are designed to work and interface with UL listed, Made in USA FMC / Greenfield conduit. We cannot guarantee fit, form, or function with non-UL off-shore conduit. Request a sample from factory to ensure capability.



SPECflex Industrial Grade FMC Connectors 45° Adapters

Cat #	Trade Size	A	B	C hex	E
FLX5045B	1/2"	3-21/32"	1-21/32"	1-1/8"	1-3/16"
FLX7545B	3/4"	3-25/32"	1-15/16"	1-3/8"	1-11/32"
FLX10045B	1"	4"	2-5/32"	1-5/8"	1-11/16"
FLX12545B	1 1/4"	4-1/4"	2-15/32"	1-31/32"	2"
FLX15045B	1 1/2"	5"	2-25/32"	2-3/16"	2-1/4"
FLX20045B	2"	5-1/2"	3-5/16"	2-25/32"	2-3/4"

Consult with factory for fittings without insulated throat.

\* Larger Sizes Available Consult Factory



# AMERICAN FITTINGS Corporation



Made in the USA Since 1946

Industrial SPECflex Adapter  
FMC to Flexible Cord  
1/2" - 2"

**FLEX Series Industrial Flexible Metal Conduit Adapter  
Transitions FMC (Greenfield) to Flexible Non-Metallic Cord  
Made in the USA**

Solid Steel Fully Machined **SPECflex** Connector with  
AMFICO Industrial Grade Flexible Cord & Cable Connector

Patent Pending Uniquely Engineered for Industrial Projects and  
OEM Product Performance

**Superior Performance for Secure Connection and Fast Disconnect  
No Tools Required to Install Connector on FMC Conduit**

## SPECflex Connector System



Greenfield to Flexible Cord

**Save Time on Every Connection!**

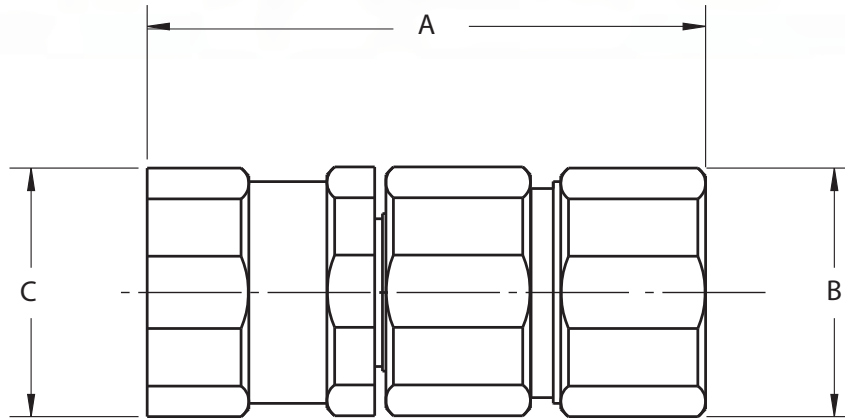


FMC (Greenfield)



Flexible Cord or Cable

**Grips Tight and Right on Every Connection**



**Note:**  
SPECflex connectors are designed to work and interface with UL listed, Made in USA FMC / Greenfield conduit. We cannot guarantee fit, form, or function with non-UL off-shore conduit. Request a sample from factory to ensure compatibility.

### SPECflex Flexible Cord Adapters

Cat #	Trade Size	A	B hex	C hex
FLXCG50	1/2"	1-5/32"	1-1/32"	1-1/8"
FLXCG75	3/4"	1-7/16"	1-9/32"	1-3/8"
FLXCG100	1"	1-11/16"	1-9/16"	1-5/8"
FLXCG125	1-1/4"	2-1/32"	1-15/16"	1-31/32"
FLXCG150	1-1/2"	2-9/32"	2-9/32"	2-3/16"
FLXCG200	2"	2-7/8"	2-25/32"	2-25/32"

FXCG-AM1194-C

# AMERICAN FITTINGS Corporation

Made in the USA Since 1946



Industrial SPEC-flex Adapter  
FMC to Liquid Tight  
1/2" - 2"\*

**FLEX Series Industrial Flexible Metal Conduit Adapter  
Transitions FMC (Greenfield) to Liquid Tight Conduit  
Made in the USA**

Solid Steel Fully Machined **SPECflex** Connector with  
AMFICO Industrial Grade Liquid Tight Conduit Connector

Patent Pending Uniquely Engineered for Industrial Projects and  
OEM Product Performance

**Superior Performance for Secure Connection and Fast Disconnect  
No Tools Required to Install Conduit**

## SPECflex Connector System



Greenfield to Liquid Tight

**Save Time on Every Connection!**

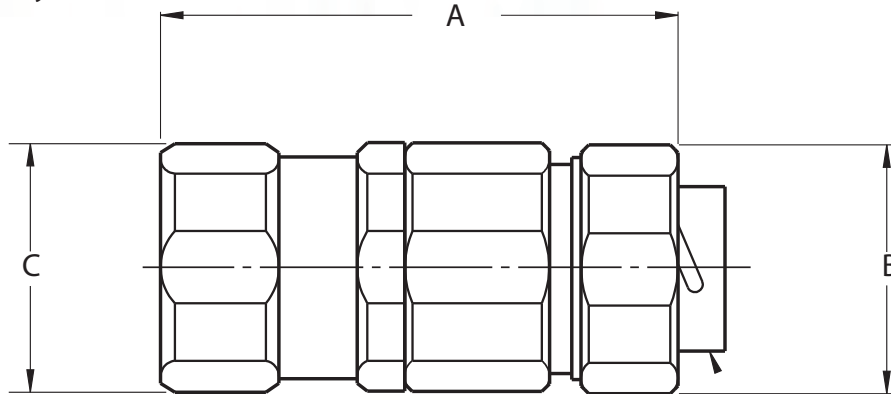


FMC Greenfield



Liquid Tight  
Conduit

**Grips Tight and Right on Every Connection**



**Note:**  
SPECflex connectors are designed to work and interface  
with UL listed, Made in USA FMC / Greenfield conduit.  
We cannot guarantee fit, form, or function with non-UL  
off-shore conduit.  
Request a sample from factory to ensure capatibility.

### SPECflex Liquid Tight Adapters

Cat #	Trade Size	A	B hex	C hex
FLXLT50	1/2"	2-7/16"	1-1/8"	1-1/8"
FLXLT75	3/4"	2-1/2"	1-3/8"	1-3/8"
FLXLT100	1"	2-9/16"	1-11/16"	1-5/8"
FLXLT125	1-1/4"	2-31/32"	2-1/16"	1-21/32"
FLXLT150	1-1/2"	3-3/8"	2-9/32"	2-3/16"
FLXLT200	2"	3-9/16"	2-25/32"	2-25/32"

\*Larger Sizes Available Consult Factory

FKXLT.AM1193.D

AMFTGS.com

t: 800.221.5268

e:info@amftgs.com



## SPECflex Connector System

FLEX Series Industrial Flexible Metal Conduit Adapter  
Transitions FMC (Greenfield) to EMT  
Made in the USA

Solid Steel Fully Machined **SPECflex** Connector with  
AMFICO Industrial EMT Set Screw Fitting  
Fittings are Solid Steel Zinc Plated

Patent Pending Uniquely Engineered for Industrial Projects and  
OEM Product Performance  
**Superior Performance for Secure Connection and Fast Disconnect**  
**No Tools Required to Install Connector on Flex Conduit**



Greenfield to EMT Set Screw

**Save Time on Every Connection!**

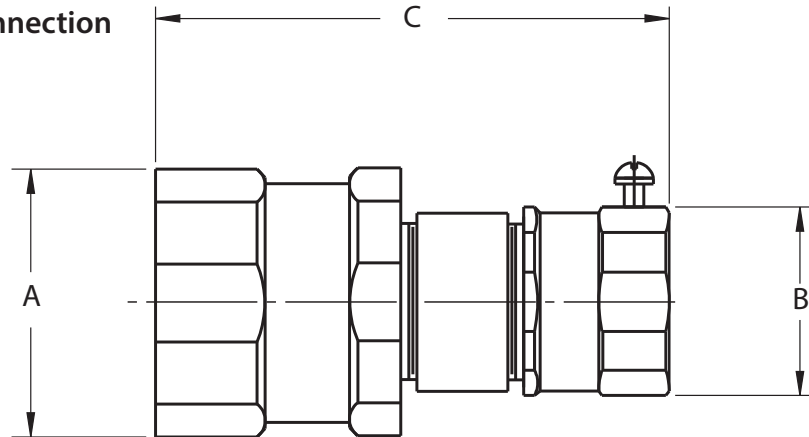


Greenfield  
FMC



EMT

**Grips Tight and Right on Every Connection**



**Note:**  
SPECflex connectors are designed to work and interface  
with UL listed, Made in USA FMC / Greenfield conduit.  
We cannot guarantee fit, form, or function with non-UL  
off-shore conduit.  
Request a sample from factory to ensure capatibility.

**SPECflex EMT SET SCREW Adapters**

Cat #	Trade Size	A	B hex	C hex
FLXSS 50	1/2"	2-5/8"	15/16"	1-1/8"
FLXSS 75	3/4"	2-21/32"	1-3/16"	1-3/8"
FLXSS 100	1"	2-31/32"	1-7/16"	1-5/8"
FLXSS 125	1-1/4"	3-7/32"	1-13/16"	1-31/32"
FLXSS 150	1-1/2"	3-23/32"	2-1/16"	2-13/16"
FLXSS 200	2"	3-23-32"	2-9/16"	2-25/32"

\*Larger Sizes Available Consult Factory

FLXEMT.SS.AM1575.B



# AMERICAN FITTINGS Corporation

Made in the USA Since 1946



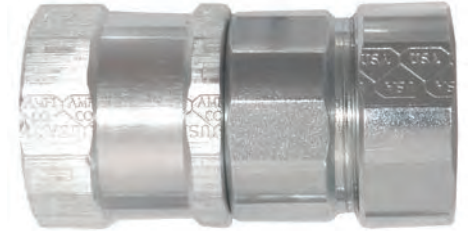
Industrial SPECflex Adapter  
FMC to EMT Compression  
1/2" - 2" \*

**FLEX Series Industrial Flexible Metal Conduit Adapter**  
Transitions FMC (Greenfield) to EMT  
Made in the USA

Solid Steel Fully Machined **SPECflex** Connector with  
AMFICO Industrial EMT Compression Coupling  
Fittings are Solid Steel Zinc Plated

Patent Pending Uniquely Engineered for Industrial Projects and  
OEM Product Performance  
**Superior Performance for Secure Connection and Fast Disconnect**  
**No Tools Required to Install Connector on Flex Conduit**

## SPECflex Connector System

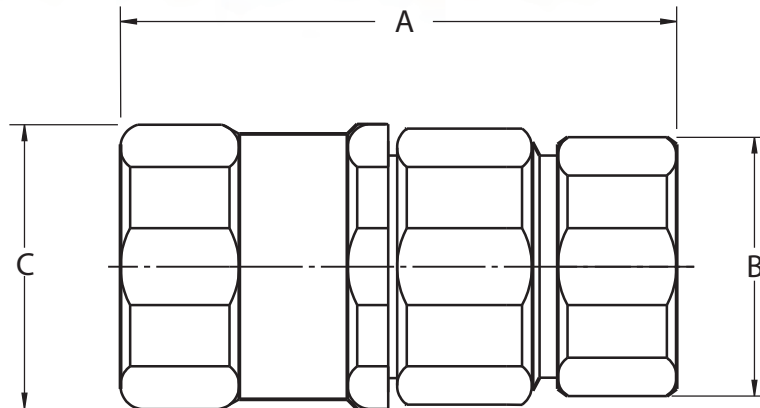


Greenfield to EMT Compression

**Save Time on Every Connection!**



**Grips Tight and Right on Every Connection**



**Note:**  
SPECflex connectors are designed to work and interface  
with UL listed, Made in USA FMC / Greenfield conduit.  
We cannot guarantee fit, form, or function with non-UL  
off-shore conduit.  
Request a sample from factory to ensure compatibility.

### SPECflex EMT Compression Adapters

Cat #	Trade Size	A	B hex	C hex
FLXEMT50	1/2"	2-7/16"	15/16"	1-1/8"
FLXEMT75	3/4"	2-15/32"	1-3/16"	1-3/8"
FLXEMT100	1"	2-17/32"	1-7/16"	1-5/8"
FLXEMT125	1-1/4"	2-11/16"	1-13/16"	1-31/32"
FLXEMT150	1-1/2"	3-5/32"	2-1/16"	2-3/16"
FLXEMT200	2"	3-5/16"	2-9/16"	2-25/32"

\*Larger Sizes Available Consult Factory

FLXEMT-AM1195.B

AMFTGS.com

t: 800.221.5268

e:info@amftgs.com



## SPECflex Connector System

FLEX Series Industrial Flexible Metal Conduit Adapter  
Transitions FMC (Greenfield) to Rigid / IMC Conduit  
Made in the USA

Solid Steel Fully Machined **SPECflex** Connector with  
AMFICO Industrial Rigid Conduit Set Screw Fitting  
Fittings are Solid Steel Zinc Plated

Patent Pending Uniquely Engineered for Industrial Projects and  
OEM Product Performance  
**Superior Performance for Secure Connection and Fast Disconnect**  
**No Tools Required to Install Connector on Flex Conduit**



Greenfield to Rigid Conduit Set Screw  
**Save Time on Every Connection!**

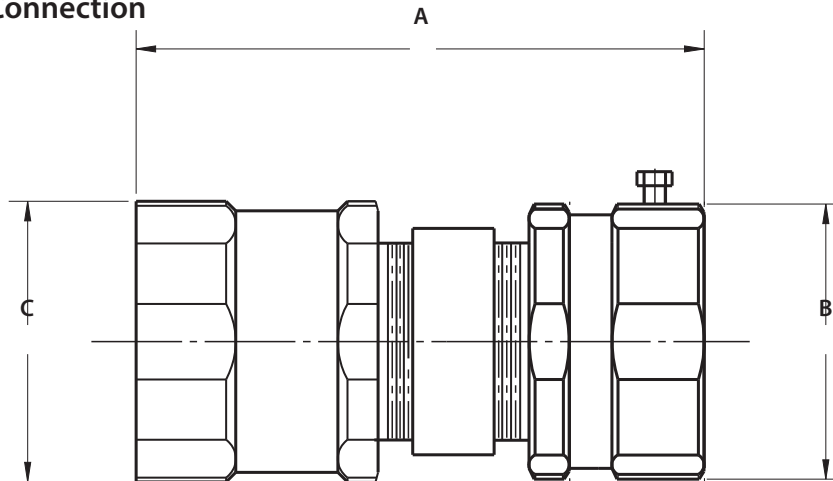


Greenfield  
FMC



Rigid / IMC  
Conduit

**Grips Tight and Right on Every Connection**



**Note:**  
SPECflex connectors are designed to work and interface  
with UL listed, Made in USA FMC / Greenfield conduit.  
We cannot guarantee fit, form, or function with non-UL  
off-shore conduit.  
Request a sample from factory to ensure compatibility.

### SPECflex to RIGID Conduit SET SCREW Adapters

Cat #	Trade Size	A	B hex	C hex
FLXSNT 50	1/2"	2-3/4"	1-1/8"	1-1/8"
FLXSNT 75	3/4"	3-25/32"	1-11/32"	1-3/8"
FLXSNT 100	1"	3-1/8"	1-5/8"	1-5/8"
FLXSNT 125	1-1/4"	3-5/16"	2-1/32"	1-31/32"
FLXSNT 150	1-1/2"	3-13/16"	2-9/32"	2-13/16"
FLXSNT 200	2"	4-1/32"	2-25/32"	2-25/32"

\*Larger Sizes Available Consult Factory

FLXSNT.AM11662.A

# AMERICAN FITTINGS Corporation

Made in the USA Since 1946



Industrial SPECflex Adapter  
FMC to Rigid Conduit Compression  
1/2" - 2" \*

## SPECflex Connector System

FLEX Series Industrial Flexible Metal Conduit Adapter  
Transitions FMC (Greenfield) to Rigid / IMC Conduit  
Made in the USA

Solid Steel Fully Machined SPECflex Connector with  
AMFICO Industrial Rigid Conduit NT Compression Fitting  
Fittings are Solid Steel Zinc Plated

Patent Pending Uniquely Engineered for Industrial Projects and  
OEM Product Performance  
Superior Performance for Secure Connection and Fast Disconnect  
No Tools Required to Install Flex Conduit



Greenfield to Rigid Conduit NT Compression  
**Save Time on Every Connection!**

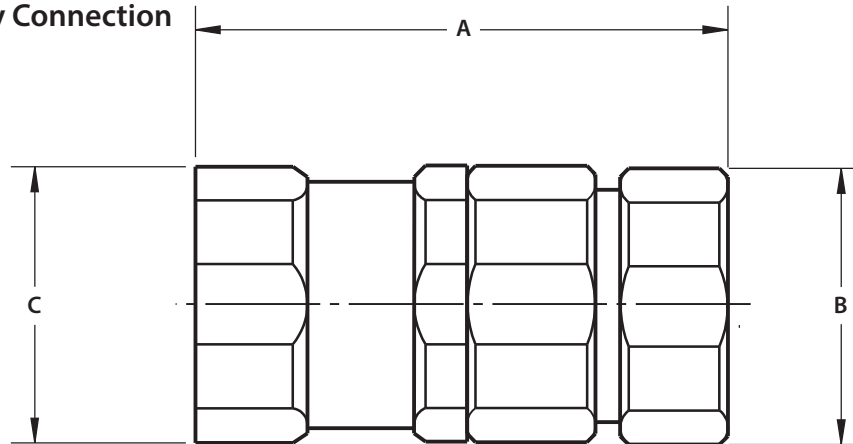


Greenfield  
FMC



Rigid / IMC  
Conduit

Grips Tight and Right on Every Connection



**Note:**

SPECflex connectors are designed to work and interface with UL listed, Made in USA FMC / Greenfield conduit. We cannot guarantee fit, form, or function with non-UL off-shore conduit. Request a sample from factory to ensure compatibility.

### SPECflex to RIGID Conduit Compression NT Adapters

Cat #	Trade Size	A	B hex	C hex
FLXNT 50	1/2"	2-3/4"	1-1/8"	1-1/8"
FLXNT 75	3/4"	3-25/32"	1-11/32"	1-3/8"
FLXNT 100	1"	3-1/8"	1-5/8"	1-5/8"
FLXNT 125	1-1/4"	3-5/16"	2-1/32"	1-31/32"
FLXNT 150	1-1/2"	3-13/16"	2-9/32"	2-13/16"
FLXNT 200	2"	4-1/32"	2-25/32"	2-25/32"

\*Larger Sizes Available Consult Factory

FLXSNT-AM1732-A





# AMERICAN FITTINGS Corporation

Made in the USA Since 1946

Industrial SPEC-*grade*<sup>TM</sup>  
Armored / Metal Clad FMC  
Steel Connector  
3/8" to 3/4"

## FLEX Series Industrial SPEC-*grade*<sup>TM</sup> AC-MC Connectors

Solid Steel Fully Machined Connectors

Certified Made in the USA

For Use with Armored or Flex Metal Clad Conduit

Superior Life & Performance Over Zinc Die Cast and Malleable Iron Products

Unique Saddle Design Allows Industrial Strength Grip on FMC and Armored Cable

Solid Steel Body and Hex Nut Design Allows Full Strength Torque of Steel Screw

Solid Machined Steel Fully Zinc Plated

Furnished with UL Component Temperature Rated 150°C Insulated Throat and

Industrial Grade Locknut

Secure *GripTight, GripRight Connection*<sup>SM</sup> to Enclosure or Box

**Save Time on Every Connection!**

*Why Bite Tight, When You Can Grip Tight, Grip Right*<sup>TM</sup>

*Superior Grip and Hold on Flex Conduit.*

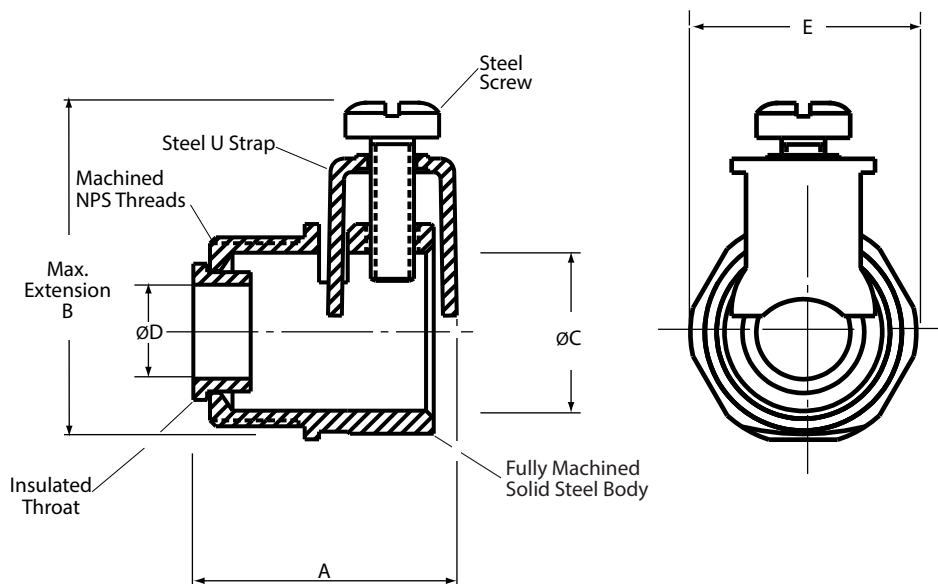
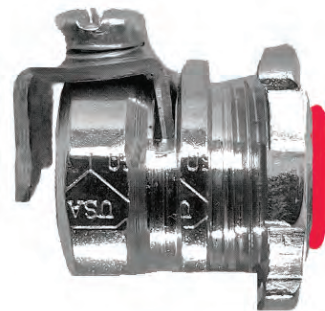
*Unlike Inferior Die Cast Connectors,*

*Our Flex Fittings Will NOT Crack or Deform During Installation.*

## SPEC-*grade*<sup>TM</sup>

Designed to

**GRIP Tight, GRIP Right**<sup>TM</sup>



### FLEX Series Industrial SPEC-*grade* AC-MC Connectors

Cable Range AC Cable Size MC Cable Size

Catalog #	Trade Size	Knockout	A	B	C	D	E	Min.	Max.	Min.	Max.	Min.	Max.
ACMC 38	3/8"	1/2"	1-3/16"	1-1/2"	11/16"	3/8"	.97"	.38"	.66"	14/2	10/4	14/2	10/4
ACMC 50	1/2"	1/2"	1-3/8"	1-3/4"	15/16"	9/16"	1.17"	.63"	.92"	8/3	6/4	10/4	6/3
ACMC 75	3/4"	3/4"	1-13/32"	2"	1-5/32"	3/4"	1.40"	.91"	1.12"	6/4	4/3	6/4	3/4

**Larger Sizes Available - Consult Factory**

*Be Sure to Ask About Our Revolutionary SPEC-flex FMC Connector, It Installs Without a Tool.*

amftgs.com

t: 800.221.5268

e: info@amftgs.com

Think American

Industrial  
Electrical Fittings  
SPECgrade  
Accessories

Conduit Protection  
LOCKnuts  
Hardware  
Straps  
Strain Reliefs Mesh  
Support

*The Perfect Compliment for Our Fittings and  
Your Installations*



AMERICAN FITTINGS  
Corporation



*Manufactured in the USA Since 1946*

Products You Can Trust

# AMERICAN FITTINGS

## Industrial SPECgrade Steel LOCKnuts



Since 1946

Size Range: 1/4" - 6"



### AMFICO Industrial **SPEC-grade**<sup>TM</sup> Steel LOCKnuts

**Material:**

Steel Construction, Electro Zinc Plated

**Compliances:**

Certified Made in the USA \*

UL 514B \*

NEMA Standard FB1

Federal Standard A-A-50553 \*

UL Standards: 514B, 467\*

RoHS Compliant



AMFICO industrial grade LOCKnuts can be fully tightend,  
they will not deform.  
Uniform threads assure, they will not vibrate loose.



#### Industrial Steel LOCKnuts

Cat. # *	Size	Unit Ctn	Std Pkg	WT/ 100
LN25	1/4"	200	2000	1
LN38	3/8"	200	2000	1
LN50	1/2"	200	2000	1
LN75	3/4"	100	1000	2
LN100	1"	50	500	4
LN125	1-1/4"	50	500	7
LN150	1-1/2"	25	250	8
LN200	2"	25	250	9
LN250 *	2 1/2"	-	30	29
LN300 *	3"	-	25	42
LN350 *	3 1/2"	-	25	48
LN400 *	4"	-	25	52
LN500 *	5"	-	10	95
LN600 *	6"	-	10	106

#### Dimensional Table

Cat. #	A Diameter	B Thickness
LN25	.80	.11
LN38	.98	.12
LN50	1.13	.13
LN75	1.38	.14
LN100	1.72	.18
LN125	2.06	.19
LN150	2.38	.18
LN200	2.89	.19
LN250	3.54	.39
LN300	4.23	.39
LN350	4.75	.39
LN400	5.29	.39
LN500	6.68	.50
LN600	7.34	.56

\*Sizes 2 1/2" & Larger are Not UL Listed and Do Not  
Compliance of Made in USA or BAA Clauses, When  
Required in this Size Range Refer to Our HDI Series.



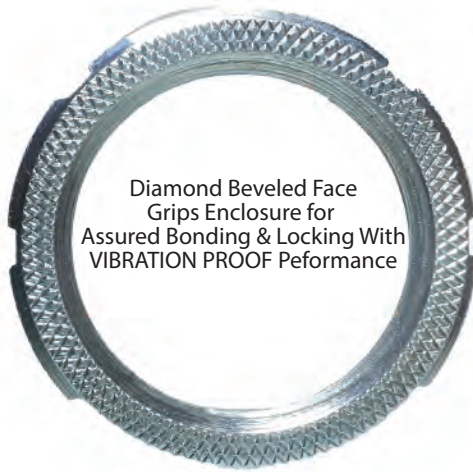
# AMERICAN FITTINGS

## Industrial Grade HDI Series Alloy Steel Bonding LOCKnuts



Since 1946

Size Range: 1/2" - 4"



Diamond Beveled Face  
Grips Enclosure for  
Assured Bonding & Locking With  
VIBRATION PROOF Performance

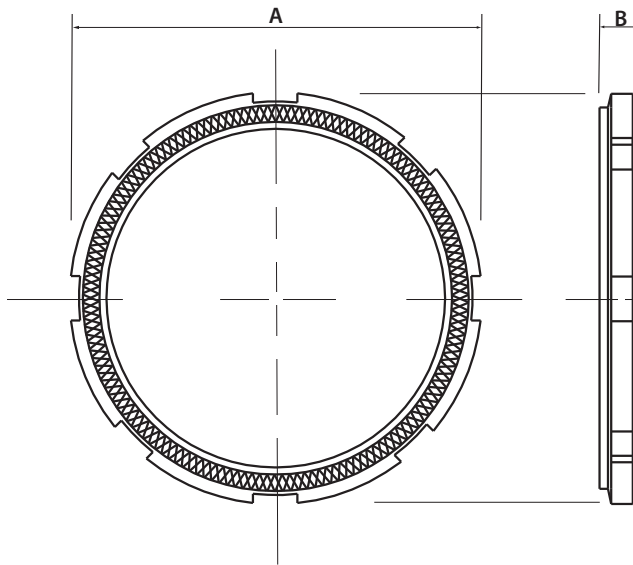
### AMFICO Industrial **SPEC-grade**<sup>™</sup> Alloy Steel Bonding LOCKnuts

**Material:**

Alloy Steel - Precision Machined from Bar Stock  
Electro Zinc Plated with Chromate Finish  
Galvanized Plating Option Available

**Compliances:**

Certified Made in the USA  
UL 514B  
NEMA Standard FB1  
Federal Standard A-A-50553  
UL Standards: 514B, 467  
RoHS Compliant



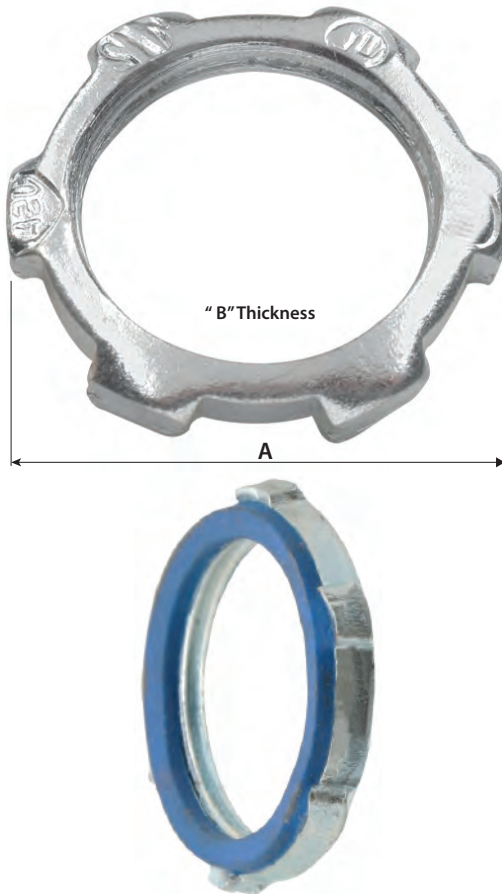
Precision Machined from Alloy Steel Bar Stock  
You Can Fully Torque  
It Will NEVER Crack Nor Deform

HDI Series LOCKnuts

Cat #	Trade Size"	"A"	"B"	Unit Carton	Std Pkg.	WT/100	UPC Code
LN 50HDI	1/2	1.13	.13	200	2000	2	66236401500
LN 75HDI	3/4	1.39	.13	100	1000	4	66236401510
LN100HDI	1	1.69	.17	50	500	6	66236401520
LN125HDI	1 1/4	2.06	.17	50	500	14	66236401530
LN150HDI	1 1/2	2.28	.17	25	250	17	66236401540
LN200HDI	2	2.78	.17	25	250	9	66236401550
LN250HDI	2 1/2	3.39	.25	-	30	36	66236401560
LN300HDI	3	4.00	.25	-	25	55	66236401570
LN350HDI	3 1/2	4.56	.25	-	25	78	66236401580
LN400HDI	4	5.09	.25	-	25	101	66236401590

Size Range: 1/2" - 6"

Rugged Tangs for Extensive Reach & Ensured Bonding



### AMFICO Industrial **SPEC-grade**<sup>™</sup> Steel Sealing LOCKnuts PVC Molded Ring

**Materials:**

Steel, Electro Zinc Plated with PVC Molded Gasket

Superior clean threads for full torque without distortion. Sealing ring will not displace or distort from locknut when fully torqued.

**Compliances:**

Certified Made in the USA  
UL 514B  
NEMA Standard FB1  
Federal Standard A-A-50553  
RoHS Compliant



#### Sealing Locknuts

Cat. #	Size	Unit Ctn	Std Pkg	WT/ 100
SL1*	1/2"	100	1000	2
SL2*	3/4"	100	1000	3
SL3*	1"	50	500	2
SL4*	1-1/4"	25	250	8
SL5*	1-1/2"	25	250	8
SL6*	2"	10	100	12
SL7	2-1/2"	-	25	20
SL8	3"	-	25	20
SL9	3-1/2"	-	10	24
SL10	4"	-	10	24

\* UL & CSA Listed Balance are non-UL.

#### Dimensional Table

Cat. #	A Diameter	B Thickness
SL1	1.12	.26
SL2	1.37	.27
SL3	1.75	.28
SL4	2.06	.32
SL5	2.37	.32
SL6	2.87	.32
SL7	3.43	.32
SL8	4.12	.32
SL9	4.62	.32
SL10	5.18	.32

Sizes Over 4" Consult Factory

Page 3

# AMERICAN FITTINGS

## Industrial SPECgrade Grounding LOCKnuts



Since 1946

Size Range: 1/2" - 4"



### AMFICO Industrial **SPEC-grade**<sup>™</sup> Grounding **LOCKnuts**

**Materials:**

Steel Construction Electro Plated Zinc

**Compliances:**

Complies with UL 514B



*This Product Does Not Meet BAA or Buy America Requirements*

Solid Steel Screw for Positive Bonding and Ground to Enclosure



Superior Clean Threads for Full Torque  
Without Distortion on Rigid Pipe

#### Grounding LOCKnuts

Cat. #	Trade Size	Unit Ctn	Std Pkg	WT/ 100
GRL50 *	1/2"	100	1000	3
GRL75 *	3/4"	100	1000	3
GRL100 *	1"	50	500	5
GRL125 *	1-1/4"	50	250	6
GRL150 *	1-1/2"	25	250	9
GRL200 *	2"	20	200	14
GRL250	2-1/2"	-	25	16
GRL300	3"	-	20	28
GRL350	3-1/2"	-	10	36
GRL400	4"	-	10	40

\*UL & CSA Listed Balance are non-UL.

#### Dimensional Table

Cat. #	A Diameter	B Thickness
GRL50	1.340	.170
GRL75	1.575	.170
GRL100	1.890	.170
GRL125	2.300	.170
GRL150	2.600	.170
GRL200	3.100	.187
GRL250	3.562	.375
GRL300	4.250	.375
GRL350	4.803	.375
GRL400	5.402	.375

# AMERICAN FITTINGS

## Industrial SPECgrade Steel Reducing Washers



Since 1946

Size Range: 1/2" - 4"



### AMFICO Industrial SPEC-grade™ Reducing Washers

**Materials:**

Steel Construction Electro Zinc Plated

**Compliances:**

Certified Made in the USA  
UL 514B



NEMA Standard FB1  
Federal Standard A-A-50553  
RoHS Compliant

**Reducing Washers**

Cat. #	Size	Unit Ctn	Std Pkg	WT/ 100
RW7550	3/4" x 1/2"	200	2000	1
RW10050	1" x 1/2"	100	1000	2
RW10075	1" x 3/4"	100	1000	1
RW12550	1-1/4" x 1/2"	100	1000	3
RW12575	1-1/4" x 3/4"	100	1000	2
RW125100	1-1/4" x 1"	100	1000	2
RW15050	1-1/2" x 1/2"	50	500	5
RW15075	1-1/2" x 3/4"	50	500	5
RW150100	1-1/2" x 1"	50	500	4
RW150125	1-1/2" x 1-1/4"	50	500	3
RW20050	2" x 1/2"	50	500	8
RW20075	2" x 3/4"	50	500	8
RW200100	2" x 1"	50	500	7
RW200125	2" x 1-1/4"	50	500	6
RW200150	2" x 1-1/2"	50	500	6
RW25050	2-1/2" x 1/2"	25	250	11
RW25075	2-1/2" x 3/4"	25	250	11
RW250100	2-1/2" x 1"	25	250	10
RW250125	2-1/2" x 1-1/4"	25	250	9
RW250150	2-1/2" x 1-1/2"	25	250	8
RW250200	2-1/2" x 2"	25	250	7
RW30050	3" x 1/2"	25	125	21
RW30075	3" x 3/4"	25	125	21
RW300100	3" x 1"	25	125	20
RW300125	3" x 1-1/4"	25	125	19
RW300150	3" x 1-1/2"	25	125	18
RW300200	3" x 2"	25	125	16
RW300250	3" x 2-1/2"	25	125	13

**Reducing Washers**

Cat. #	Size	Unit Ctn	Std Pkg	WT/ 100
RW35050	3-1/2" x 1/2"	10	50	35
RW35075	3-1/2" x 3/4"	10	50	35
RW350100	3-1/2" x 1"	10	50	34
RW350125	3-1/2" x 1-1/4"	10	50	32
RW350150	3-1/2" x 1-1/2"	10	50	31
RW350200	3-1/2" x 2"	10	50	28
RW350250	3-1/2" x 2-1/2"	10	50	24
RW350300	3-1/2" x 3"	10	50	18
RW40050	4" x 1/2"	10	50	43
RW40075	4" x 3/4"	10	50	2
RW400100	4" x 1"	10	50	41
RW400125	4" x 1-1/4"	10	50	40
RW400150	4" x 1-1/2"	10	50	38
RW400200	4" x 2"	10	50	35
RW400250	4" x 2-1/2"	10	50	1
RW400300	4" x 3"	10	50	25
RW400350	4" x 3-1/2"	10	50	20



# AMERICAN FITTINGS

## Industrial SPECgrade EMT Steel Straps One Hole and Two Hole Type



Since 1946



### AMFICO Industrial SPEC-grade™ EMT Straps

**Materials:**

Steel, Bright Electro-Zinc Plated Finish for Corrosion Resistance

**Compliances:**

Certified Made in the USA  
Indoor or Outdoor Use



AMFICO Steel One and Two Hole Straps Snap On to the Conduit Allowing the Installer to Easily Position the Strap Prior to Mounting. Oversized Bolt Holes Make Alignment of the EMT Quick and Easy.

#### One-Hole EMT Type

Cat. #	Size	Unit Ctn	Std Pkg	WT/ 100
CSE501	1/2"	100	1000	3
CSE751	3/4"	100	500	4
CSE1001	1"	50	250	6
CSE1251	1-1/4"	30	150	9
CSE1501	1-1/2"	25	125	13
CSE2001	2"	20	100	17
CSER2501	2-1/2"	-	20	42
CSER3001	3"	-	10	49
CSER3501	3-1/2"	-	10	71
CSER4001	4"	-	10	78

#### Two-Hole EMT Type

Cat. #	Size	Unit Ctn	Std Pkg	WT/ 100
CSE502	1/2"	100	1000	2
CSE752	3/4"	100	500	3
CSE1002	1"	50	250	3
CSE1252	1-1/4"	30	150	6
CSE1502	1-1/2"	25	125	8
CSE2002	2"	15	75	14
CSER2502	2-1/2"	-	20	17
CSER3002	3"	-	10	23
CSER3502	3-1/2"	-	10	26
CSER4002	4"	-	10	33

#### One-Hole BX Type

Cat. #	Size	Unit Ctn	Std Pkg	WT/ 100
CSBX381	12-2, 12-3, 10-2, 10-3	100	1000	1

# AMERICAN FITTINGS

Industrial SPECgrade Rigid Conduit Steel Straps  
One Hole and Two Hole



Since 1946

## AMFICO Industrial SPEC-grade™ Rigid Straps



### Materials:

Steel, Bright Electro-Zinc Plated Finish for Corrosion Resistance

### Compliances:

Certified Made in the USA  
Indoor or Outdoor Use



AMFICO Steel One and Two Hole Straps Snap On to Rigid Conduit Allowing the Installer to Easily Position the Strap Prior to Mounting. Oversized Bolt Holes Make Alignment of the Rigid Conduit Quick and Easy.

### One-Hole Rigid Type

Cat. #	Size	Unit Ctn	Std Pkg	WT/ 100
CSR251	1/4"	100	1000	2
CSR371	3/8"	100	1000	3
CSR501	1/2"	50	500	4
CSR751	3/4"	50	250	5
CSR1001	1"	50	250	8
CSR1251	1-1/4"	25	125	11
CSR1501	1-1/2"	20	100	17
CSR2001	2"	10	50	22
CSER2501	2-1/2"	-	20	42
CSER3001	3"	-	10	49
CSER3501	3-1/2"	-	10	71
CSER4001	4"	-	10	78

### Two-Hole Rigid Type

Cat. #	Size	Unit Ctn	Std Pkg	WT/ 100
CSR502*	1/2"	50	500	2
CSR752*	3/4"	50	250	3
CSR1002*	1"	50	250	5
CSR1252*	1-1/4"	25	125	7
CSR1502*	1-1/2"	20	100	12
CSR2002*	2"	10	50	15
CSER2502*	2-1/2"	-	20	17
CSER3002*	3"	-	10	23
CSER3502*	3-1/2"	-	10	26
CSER4002*	4"	-	10	33

# AMERICAN FITTINGS

## Industrial SPECgrade Bolted Hangers for EMT & Rigid Conduit



Since 1946



### AMFICO Industrial **SPEC-grade**™ EMT & Rigid Hangers

**Materials:**

Steel, Bright Electro-Zinc Plated Finish for Corrosion Resistance

**Compliances:**

Certified Made in the USA  
Indoor or Outdoor Use



AMFICO Steel Hangers with Bolt, Fasten and Secure EMT or Rigid Conduit to Threaded Rod, Supports or Directly to Mounting Surface.

**Selection Table**

Cat. #	Trade Size	Conduit Size		Unit / CTN	Std / Pkg	WT/100
		Rigid	EMT			
CHBOUS	0	3/8"-1/2"	1/2"	50	250	7
CHB1US	1	3/4"	3/4"	50	250	7
CHB2US	2	1"	1"	25	125	8
CHB25US	2-1/2	-	1-1/4"	20	100	11
CHB3US	3	1-1/4"	1-1/2"	20	100	11
CHB4US	4	1-1/2"	-	10	50	19
CHB5US	5	2"	2"	10	50	22
CHB6US	6	2-1/2"	2 1/2"	-	25	28
CHB7US	7	3"	3"	-	20	31
CHB8US	8	3-1/2"	3-1/2"	-	10	32
CHB9US	9	4"	4"	-	10	37

# AMERICAN FITTINGS

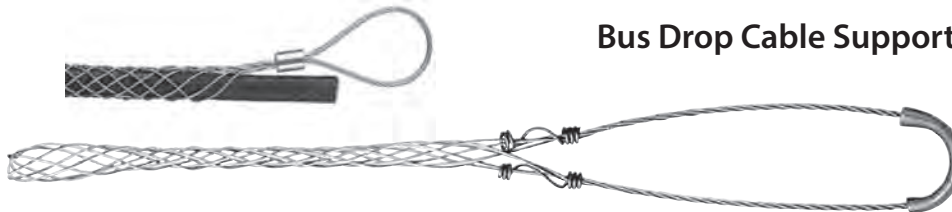
Industrial SPECgrade

Bus Drop Cable Supports, Pulling Grips, and Safety Springs



Since 1946

## Bus Drop Cable Support



**Material:** Galvanized Steel High Strength Mesh  
Bus Drop Grips support flexible cord or cable when supplying power from an overhead source. They relieve tension and absorb vibration, while fully protecting the cable

Made in the USA

Cable Range

Cat. #	Min.	Max.	Length Eye	Length Mesh	Std. Pkg	WT /100
PJ024	19	.24	1/2"	4.25	1	2
PJ036	.25	.36	1/2"	7.00	1	2
PJ049	.34	.49	1/2"	10.12	1	3
PJ061	.50	.61	1/2"	11.75	1	6
PJ074	.62	.74	1/2"	13.25	1	10
PJ099	.75	.99	3/4"	14.00	1	15
PJ125	1.00	1.25	3/4"	15.87	1	23
PJK-1(KIT)	.25	1.25	-	-	1	85

## Junior Pulling Grips



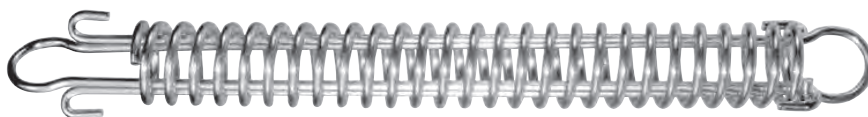
**Material:** Galvanized Steel, High Strength Mesh  
Used for pulling cable runs, and wire. Can be used in pulling single cable or bundled cables in overhead, underground, electrical construction and industrial applications. Single eye construction, reusable.

Made in the USA

Cable Ranges

Cat. #	Min.	Max.	Length Eye	Length Mesh	Std Pkg	WT/ 100
PJ024	19	.24	1/2"	4.25	1	2
PJ036	.25	.36	1/2"	7.00	1	2
PJ049	.34	.49	1/2"	10.12	1	3
PJ061	.50	.61	1/2"	11.75	1	6
PJ074	.62	.74	1/2"	13.25	1	10
PJ099	.75	.99	3/4"	14.00	1	15
PJ125	1.00	1.25	3/4"	15.87	1	23
PJK-1(KIT)	.25	1.25	-	-	1	85

## Bus Drop Safety Springs



**Material:** Galvanized Steel High Strength Mesh  
Safety Springs relieve sudden stress on cord or cable overhead systems when used with Bus Drop Grips. Springs can be used with Single Eyetype grips by disassembling drawbar from coil, placing through eye and replacing drawbar.

Made in the USA

Cat. #	Lbs.	Length	Diameter	Std Pkg	WT/ 100
SS40	40	8.25	.75	10	18
SS80	80	8.25	1.00	10	32



# AMERICAN FITTINGS

## Industrial Grade SPECgrade Wide Range Strain Relief Grips



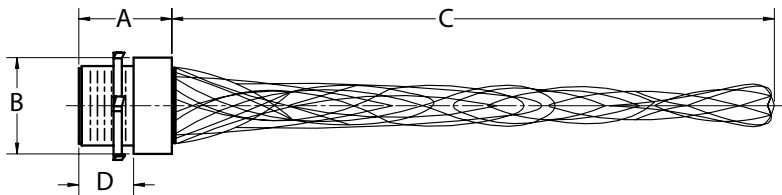
Since 1946

Size Range: 1/2" - 2 1/2"

Available with and without Insulating Throat Bushing \*



NPT Threads



One Piece Construction for Easy Installation  
Indoor Use, Dust Proof

### AMFICO Industrial **SPEC-grade**<sup>TM</sup> Wide Range Strain Relief Grips

**Materials:**

Fitting Body and Nut: Aluminum  
Wire Mesh: Galvanized Steel  
Locknut: Galvanized Steel

**Compliances:**

Certified Made in the USA  
UL 514B  
NEMA Standard FB1  
Federal Standard A-A-50553  
RoHS Compliant



AMFICO SR-series has a male N.P.T. tapered thread and locknut Industrial grade steel locknut allows easy attachment to enclosures up to 3/8 Inch thick.

### Wide Range Strain Reliefs

Cat #	Size NPT	Cable Ranges		A Length *	B Diameter	C Mesh Length	D Length of Thread
		MIN	MAX				
SR001	1/2"	.220	.320	15/16"	1-1/32"	4"	1/2"
SR002	1/2"	.300	.430	15/16"	1-1/32"	5-1/4"	1/2"
SR003	1/2"	.400	.540	15/16"	1-1/32"	7"	1/2"
SR004	3/4"	.520	.730	1"	1-3/8"	8-1/2"	19/32"
SR005	1"	.700	.970	1-7/32"	1-5/8"	10"	3/4"
SR006 *	1-1/4"	.940	1.200	1-7/16"	2-1/8"	13"	3/4"
SRB008 *	1-2"	.220	.320	1-9/16"	1-1/32"	4"	1"
SRB009 *	1-2"	.300	.430	1-9/16"	1-1/32"	5-1/4"	1"
SRB010 *	1-2"	.400	.540	1-9/16"	1-1/32"	6-3/4"	1"
SRB011 *	3/4"	.520	.730	1-9/16"	1-3/8"	8-1/2"	1"
SRB012 *	1"	.700	.970	1-7/8"	1-5/8"	10"	1-1/4"
SRB013 *	1-1/4"	.940	1.250	2-1/8"	2-1/8"	13"	1-1/4"
SRB014 *	1-1/2"	1.200	1.500	2-1/8"	2-1/4"	15-1/4"	1-1/4"
SRB015 *	2"	1.400	1.750	2-9/32"	2-25/32"	17-3/4"	1-3/8"
SRB016 *	2-1/2"	1.620	2.000	2-7/8"	3-1/4"	20-1/2"	1-1/2"
SRB017 *	2-1/2"	2.000	2.450	2-7/8"	3-1/4"	22"	1-1/2"

\* Includes Insulating Throat Bushing

# AMERICAN FITTINGS

## Industrial SPECgrade Plastic EMT Insulated Bushings



Since 1946

Size Range: 1/2" - 4" EMT \*



### AMFICO Industrial **SPEC-grade**<sup>TM</sup> Plastic EMT Bushings

**Materials:**

Polypropylene Impact Resistant  
Temperature Rated at 105°

**Compliances:**

Certified Made in the USA  
Meets 2008 NEC Requirements for  
300-15(c) Protection  
UL 514B  
NEMA Standard FB1  
Federal Standard A-A-50553  
RoHS Compliant



AMFICO rigid plastic insulating bushings offer maximum protection for cables to avoid damaging abrasion due to sharp EMT edges.

Ideal for use in all environments where conductor integrity is of prime importance, such as tele-communication, data centers & security system installations.

Bushings provide smooth, rounded surfaces at the ends of raceways and easily affixes to conduit

#### EMT Insulated Bushings

Cat. #	Trade Size	Unit Ctn	Std Pkg	WT/100
EIB50	1/2"	100	1000	1
EIB75	3/4"	100	500	1
EIB100	1"	50	250	1
EIB125	1-1/4"	40	200	1
EIB150	1-1/2"	40	200	2
EIB200	2"	-	50	2
EIB250	2-1/2"	-	25	4
EIB300	3"	-	25	6
EIB350	3-1/2"	-	20	7
EIB400	4"	-	15	11

\* Sizes 2 1/2" and larger can be used with Rigid.

#### Dimensional Table

Cat. #	A	B
EIB50	.558	.537
EIB75	.743	.525
EIB100	.945	.635
EIB125	1.240	.625
EIB150	1.440	.625
EIB200	1.870	.625
EIB250	2.240	1.230
EIB300	2.750	1.230
EIB350	3.340	1.110
EIB400	3.770	1.230

# AMERICAN FITTINGS

## Industrial SPECgrade Plastic Insert Bushings



Since 1946

Size Range: 1/2" - 6" Rigid / INC Conduit



### AMFICO Industrial **SPEC-grade**<sup>™</sup> Plastic Threaded Bushings for Rigid / IMC Conduit

**Materials:**

Polypropylene Impact Resistant  
Temperature Rated at 105°

**Compliances:**

Certified Made in the USA  
UL 514B  
Meets 2008 NEC Requirements for  
300-15(c) Protection  
NEMA Standard FB1  
Federal Standard A-A-50553  
RoHS Compliant



AMFICO rigid plastic insulating bushings offer maximum protection for cables to avoid damaging abrasion due to sharp conduit edges.

Ideal for use in all environments where conductor integrity is of prime importance, such as tele-communication, data centers & security system installations.

Bushings provide smooth, rounded surfaces at the ends of raceways and easily affixes to conduit,

#### Plastic Insulated Bushings

Cat. #	Trade Size	Unit Ctn	Std Pkg	WT/ 100
PIB50	1/2"	100	1000	1
PIB75	3/4"	100	500	2
PIB100	1"	50	250	2
PIB125	1-1/4"	-	100	2
PIB150	1-1/2"	-	100	2
PIB200	2"	-	50	3
PIB250	2-1/2"	-	25	4
PIB300	3"	-	25	5
PIB350	3-1/2"	-	25	7
PIB400	4"	-	20	8
PIB500	5"	-	5	10
PIB600	6"	-	5	11

#### Dimensional Table

Cat. #	A	B
PIB50	1.05	.36
PIB75	1.29	.40
PIB100	1.63	.49
PIB125	1.93	.48
PIB150	2.18	.48
PIB200	2.64	.54
PIB250	3.25	.63
PIB300	3.90	.68
PIB350	4.41	.68
PIB400	4.93	.68
PIB500	5.98	.77
PIB600	7.06	.77

# AMERICAN FITTINGS

## Industrial SPECgrade Steel Knockout Seals



Since 1946

Size Range: 1/2" - 2"

### AMFICO Industrial **SPEC-grade**<sup>™</sup> Snap In Knockout Seals Steel

**Materials:**

Steel Construction Electro Zinc Plated

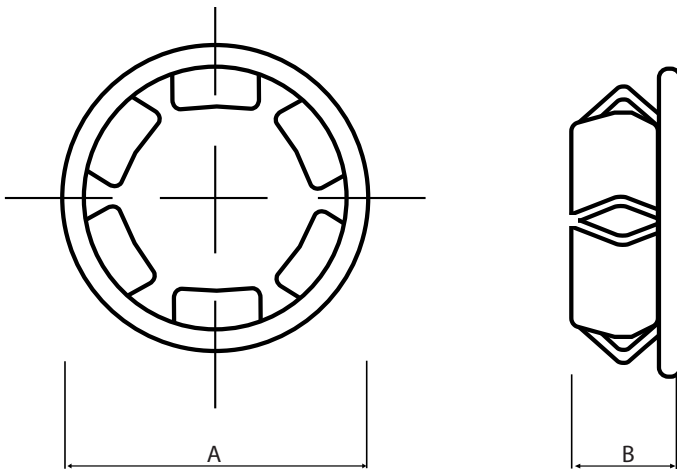
Locking fingers snap into trade size holes in enclosures, panels, conduit.

Easy to install, cost-effective and durable,

Knockout seals increase quality and safety on projects.



Snaps in Place, and EZ Removal



#### Knockout Seals Steel

Cat. #	Size	A OAL	B Ø	Unit Qty	Std. Pkg	Wt./per 100
KOS50	1/2"	1.09"	.39"	100	1000	2
KOS75	3/4"	1.23"	.31"	100	1000	2
KOS100	1"	1.48"	.33"	50	500	3
KOS125	1 1/4"	1.81"	.36"	50	500	3
KOS150	1 1/2"	2.22"	.33"	50	250	4
KOS200	2"	2.68"	.31"	25	125	6



# AMERICAN FITTINGS

## Industrial SPECgrade Nylon Insulated Bushings



Since 1946

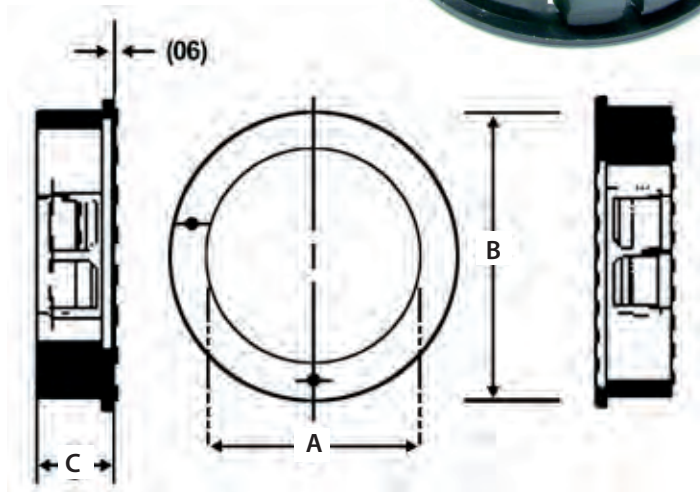
Size Range: 1/2" - 2 1/2"



### AMFICO Industrial **SPEC-grade**<sup>™</sup> Nylon Knockout Insulated Sealing Bushings

**Material:** Type 6/6 Nylon Dupont Zytel  
 Rated at 105° Flammability: UL94V-2  
 Finish: As Molded  
 Color: Black

**Compliances:**  
 Certified Made in the USA  
 Meets UL 514B  
 NEMA Standard FB1  
 Federal Standard A-A-50553  
 RoHS Compliant



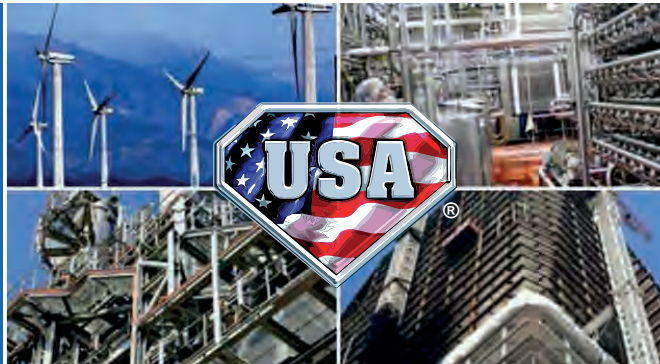
Converts Pipe and Box Rough Edge Holes to  
 Smooth Neat Insulated Holes.  
 Insulates And Mechanically Protects Wires And Cables

### Nylon Knockout Insulated Bushings

Cat. #	Trade Size	A ID ø	B Head ø	C Height	Unit Qty	Std. Pkg	WT/ 100
NKB50	1/2"	.750"	.953"	.406"	100	1000	1
NKB75	3/4"	.812"	1.218"	.406"	100	500	1
NKB100	1"	1.00"	1.468"	.463"	50	500	1
NKB125	1 1/4"	1.38"	1.875"	.463"	50	250	1
NKB150	1 1/2"	1.64"	2.125"	.463"	25	125	2
NKB200	2"	1.96"	2.660"	.700"	20	100	3
NKB250	2 1/2"	2.50"	3.200"	.700"	10	50	4

### We Are the Perfect Connection for

Agriculture  
Alternative Energy  
Data Centers  
Federal & State Projects  
Food Processing & Production  
Hospitals and Medical Centers  
Industrial Applications



Infrastructure Construction  
Military Bases  
OEM Equipment  
Oil & Gas Projects  
Paper & Pulp  
Transportation  
Waste Water Treatment

### Innovating the Next Generation of Electrical Fittings

Founded in 1946, a family owned and operated, 3rd generation business, we have grown into the world's largest manufacturer of alloy steel electrical fittings. Headquartered in New Jersey, all products are sold exclusively through Authorized Stocking Distributors. Our products are made in the USA, and they will exceed your requirements and expectations, not your budget. We never apologize why our products are made in America; we suggest you ask our competitors "why they don't"! Random lot shipping inspection in a foreign country can never replace integrity manufactured into raw materials and manufacturing in this country. Don't consider us as just a government project supplier, consider us as your fitting supplier for all types of projects.

Who says, integrity and quality of products have to be expensive?

Discover our product differentiators, reduction in your installation time, and improvement in your application... **We Guarantee It!**

We Are the **ONLY** Manufacturer of a Full Range of Steel Electrical Fittings Made in the USA

Request Our Full-Line Catalog or  
AMFICO Ground Hub Brochure  
Cord Connectors Catalog  
EMT Fittings Catalog  
Liquid Tight Fittings Catalog  
Rigid Conduit Products Catalog  
SPECflex™ FMC Connector Catalog  
Accessories Catalog  
Product Samples

# AMFICO™

Made in the USA Since 1946



Sold Exclusively Through Authorized Distributors



Manufacturing and Corporate Offices  
**AMERICAN FITTINGS Corporation**  
17-10 Willow Street Fair Lawn, NJ 07410  
t: 800.221.5268 | f: 201.664.1175

Online: [amftgs.com](http://amftgs.com) e: [info@amftgs.com](mailto:info@amftgs.com)



## Quality has one name, AMERICAN