

Hoffman

NETWORKING AND COMMUNICATIONS SPECIFIER'S GUIDE

A Dynamic Industry Demands Innovative Solutions to Protect Critical Assets

Hoffman is the first in the industry to offer:

- AC units mounted on Type 12, 4, 4X enclosures
- NEMA rated networking wall-mount and free-stand cabinets
- Stainless steel networking products

Hoffman's innovations help protect your investment. Whether you need highly engineered data center solutions or wall-mount cabinets with cooling, we have you covered.

SETTING NEW STANDARDS

Custom products cost extra money and lead time. Turn to Hoffman for these new, innovative, off-the-shelf offerings.

ACCESSPLUS DOUBLE-HINGE, TYPE 1

Versatile ACCESSPLUS Wall-Wount Cabinets provide a secure, practical and accessible solution for 19-in. rack-mounted equipment applications. The double-hinged cabinet design ensures rugged security, maximum cooling and rack unit containment.



FEATURES

- Double-hinged for easy equipment access; center section provides 19-in. rack mounting per EIA universal spacing and is accessed through the front door or swing the center section away from the wall section for rear access
- Round corners; no sharp edges
- Front door has either a solid steel or hardened, tinted safety-glass window door for superior scratch resistance
- Center section easily removed from rear section; tool-less one-person installation possible
- Self-grounding, plated steel rack angles fully adjustable within center section

MAXRACK OPEN FRAME SYSTEM

MAXRACK is used for mounting and securing 19- or 23-in. rack equipment that is used in network, server, and telecommunication rooms. These open frame racks are ideal for high-density cabling applications. MAXRACK also supports the cabling and cooling needs of large core switches (CISCO Catalyst 6509 / 6513, NEXUS 7010 and NEXUS 7018) by using the combination air baffle/vertical cable manager accessory.



FEATURES

- Rack can be assembled to accommodate either 19- or 23-in. rack equipment
- Racks can be ganged to create rows for high density applications
- 19-in. configuration equals typical tile width of 24 in.
- Flat package to allow easy shipping and handling to job site
- Press-in nuts enable single-side easy assembly
- All structural members are grounded by special grounding and bonding washers
- Top has integrated waterfall, which ensures proper cable radius is achieved

FEATURED PRODUCTS

Seismic

Seismic enclosures are used in areas that are subject to vibration and other motion, as well as where earthquake activity is possible. Adequate frame strength and rigidity are crucial when choosing enclosures to be used in these conditions.



PROLINE Modular Cabinets

PROLINE modular cabinets meet your current needs and adapt to future technology trends. These enclosures feature compatibility with common server systems, and are convenient and easy to service.



Cable Management

Hoffman's vertical and horizontal cable management solutions provide flexibility for faster, easier MACs (moves, adds and changes) and protection from potential kinks, twists and bends that could negatively impact signal transmission



Wall-Mount Cabinets

Protect your electronics with space-saving Hoffman wall-mount cabinets. These cabinets are ideal for securing network wiring, hubs, concentrators, patch panels and audio/video equipment anywhere full-sized floor cabinets could block traffic or airflow.



Power Management

To get power when you need it, select from a range of solutions including basic, monitored and switched power distribution units (PDUs) for rack- and panel-mount applications.



Cooling

Rely on the results of Hoffman's on-site test lab to provide a wide range of solutions including air conditioners, heat exchangers and fans.



Outside Plant

From design and specification to project management, prototyping, fabrication, integration, testing and delivery, rely on Hoffman's start-to-finish capabilities. For outside plant applications, Hoffman offers sealed aluminum enclosures that can be tailored to meet the most unique requirements.



TABLE OF CONTENTS

FREE-STAND CABINETS	4
FREE-STAND CABINETS PRODUCT SELECTION GUIDE	6
NET SERIES COMMUNICATION AND SERVER CABINETS AND ACCESSORIES	8
PROLINE SERVER CABINETS	16
PROLINE COMMUNICATIONS CABINETS	28
PROLINE NETWORK SWITCH CABINETS	30
PROLINE NETWORK SEALED ENVIRONMENTAL PACKAGES	36
HEAT DISSIPATION IN ELECTRICAL ENCLOSURES	42
PROLINE CABINET CABLE MANAGERS	43
PROLINE ACCESSORIES	49
NETWORKING SOHO CABINET	58
WORKSTATION AND PC CABINETS	60
CABLE AND POWER MANAGEMENT	62
OPEN-FRAME RACK CABLE MANAGERS	64
CABINET AND RACK CABLE MANAGERS	74
POWER DISTRIBUTION UNITS (PDUS)	76
OPEN FRAME RACKS	84
2-POST OPEN FRAME RACKS	86
4-POST OPEN FRAME RACKS	88
2-POST OPEN FRAME RACKS	90
OPEN FRAME SYSTEMS	91
OPEN FRAME RACK ACCESSORIES	94
WALL-MOUNT CABINETS	96
WALL-MOUNT CABINETS PRODUCT SELECTION GUIDE	98
ACCESSPLUS DOUBLE-HINGE	100
PROTEK SINGLE-DOOR AND DOUBLE-HINGED CABINETS	106
PROTEK ACCESSORIES	125
L-BOX WALL-MOUNT CABINET AND ACCESSORIES	126
D-BOX WALL-MOUNT ENCLOSURE AND ACCESSORIES	130
POLYPRO WIFI, TYPE 4X	134
FIBERGLASS HINGE-COVER TYPE 4X WIFI CABINET AND ACCESSORIES	138
ULTRX FIBERGLASS TYPE 4X WIFI CABINET AND ACCESSORIES	141
SECURITY WALL-MOUNT AND ACCESSORIES	146
19-IN. RACK-MOUNT/DESKTOP CASE AND ACCESSORIES	150
WALL-MOUNT RACKS	154
19-IN. WALL-MOUNT CABINETS, RACKS AND PANELS	156

CABLE PATHWAY	164
CABLE RUNWAY AND ACCESSORIES	166
QUICK TRAY PRO	178
SEISMIC PRODUCTS	186
SEISMIC ENCLOSURES OVERVIEW	188
SEISMIC RACKS	190
SEISMIC CABINETS	194
SEISMIC ACCESSORIES	200
COOLING	204
FLOOR BRUSH KITS	206
FAN TRAY	209
COMPACT COOLING FANS AND ACCESSORIES	211
COOLING FAN AND EXHAUST PACKAGES WITH ACCESSORIES	215
FAN SHROUD KIT	219
OUTSIDE PLANT PRODUCTS	220
COMLINE WALL-MOUNT ENCLOSURES AND ACCESSORIES	222
COMLINE OSP WALL-MOUNT CABINET PACKAGE AND ACCESSORIES	226
COMLINE OSP VERTICAL MOUNT CABINET PACKAGE AND ACCESSORIES	231
FIBER OPTIC CABINETS	234
OSP CABINETS	239
ACCESSORIES	242
BONDING AND GROUNDING ACCESSORIES	244
SHELVES FOR OPEN FRAME RACKS AND CABINETS	247
LIGHTING PACKAGES	254
MOUNTING HARDWARE	260
HANDLES, LATCHES AND LOCKS	262
GENERAL ACCESSORIES	265
TECHNICAL INFORMATION	268
COOLING	270
SOLAR HEAT GAIN	272
STANDARDS	274
INDEX	276
BULLETIN NUMBER INDEX	276
CATALOG NUMBER INDEX	277
PRODUCT INDEX	292



Hoffman

CHAPTER 1

FREE-STAND CABINETS

FEATURED PRODUCTS

NET SERIES CABINETS

Net Series Cabinets provide an economical, general-purpose solution to house servers and communication equipment for contractors, small computer rooms, schools or smaller networks. For application flexibility, multiple sizes, adjustable racks and accessories are available.



PROLINE SERVER CABINETS

PROLINE Server Cabinets maximize airflow for effective cooling. With a wide range of cooling options, including passive, hot/cold aisle, floor ducted and top ducted, PROLINE cabinets ensure optimum equipment performance and service life.



CHAPTER CONTENTS

FREE-STAND CABINETS

FREE-STAND CABINETS PRODUCT SELECTION GUIDE

Free-Stand Cabinets Product Selection Guide	6
---	---

NET SERIES COMMUNICATION AND SERVER CABINETS AND ACCESSORIES

Net Series Communication and Server Cabinet	8
Net Series Rack Angles	12
Net Series Caster Kit	12
Net Series Leveler Kit	12
Net Series Joining Kit	12
Tool-less (Snap-in) Blanking Panels for 19-in. Racks	13
Net Series Vertical Tie-Down Cable Manager	13
D-Ring Cable Managers	13
Net Series Combination L-Handle	14
PDU Bracket Kit	14
6-Inch Compact Axial Fans	14
Fan Filter and Finger Guard Kit	14
Tool-less Shelf	15

PROLINE SERVER CABINETS

PROLINE FLOTEK PC (Passive Cooling) Server Cabinet	16
PROLINE FLOTEK HCA (Hot/Cold Aisle) Server Cabinet	18
PROLINE FLOTEK FD (Floor Ducted) Server Cabinet	20
PROLINE FLOTEK FD (Floor Ducted) Server Cabinet Required Floor Cutout	21
PROLINE FLOTEK TD (Top Ducted) Server Cabinet	22
PROLINE Server Cabinet	26

PROLINE COMMUNICATIONS CABINETS

PROLINE CONNECTEK Communications (Patch) Cabinet	28
--	----

PROLINE NETWORK SWITCH CABINETS

PROLINE Network Switch Cabinet	30
--------------------------------	----

PROLINE NETWORK SEALED ENVIRONMENTAL PACKAGES

PROLINE Voice/Data and Server Cabinet, Type 12	36
Cooling Product Selection App	37
Air Conditioner Sizing	38
CR Mid-Size Air Conditioners	39
PROLINE Voice/Data and Server Cabinets with Fan and Filter Package, Type 1	40

HEAT DISSIPATION IN ELECTRICAL ENCLOSURES

How to Dissipate Excess Heat (Watts) - Understanding ΔT and CFM	42
---	----

PROLINE CABINET CABLE MANAGERS

PROLINE CABLETEK Vertical Cable Manager	43
PROLINE CABLETEK Reducing Brackets	43
Front-to-Back D-Ring Bracket	44
PROLINE Tie-Down Reducing Bracket	44
Vertical Cable Manager for 700- and 800-mm Wide Cabinets	45
Vertical Cable Manager 1	46
Vertical Cable Manager 2	46
Vertical Tie-Down Cable Manager	46
Universal Power Strip Bracket	47
Horizontal Cable Trough	47
Frame Tie-Down Bracket	47
Cable and PDU Manager	48

PROLINE ACCESSORIES

L Joining Bracket	49
Frame Feet	49
Frame Joining Kits	49
Tool-less (Snap-in) Blanking Panels for 19-in. Racks	50
Levelers	50
Frame Floor-Mounting Bracket	50
Grounding Bar System	50
PROLINE Grounding Kit	51
Caster Kit	51
Screw Packages	51
Cage Nut Package	51
Mounting Channel	52
PROLINE Side Barrier Panels	52
19-in. and 23-in. Rack Angles	52
Frame-Reducing Brackets for Frames or Mounting Channel	53
Adjustable Rack-Mounting Rails	53
Flush Keylocking Trigger Latch with Random Key Codes	54
Side Cover Lock	54
180-Degree Hinge Kit	54
Flush Swing Handles	54
DIN Lock Inserts (for DIN Profile Handle Only)	55
L Handle	55
Pagoda Exhaust Vents	56
High-Performance Pagoda Exhaust Vent	56
Mobile Base Leveling Kit	57
Mobile Base	57

NETWORKING SOHO CABINET

SOHO Cabinet for Small Office and Home Office	58
---	----

WORKSTATION AND PC CABINETS

Networking PC Cabinet, Type 1	60
Network Cabinet Caster Kit	61
Networking PC Cabinet Rack Angle	61
Networking PC Cabinet Shelf	61





FREE-STAND CABINETS PRODUCT SELECTION GUIDE

					
CABINET SERIES	NET SERIES	SEISMIC	PROLINE	PROLINE	PROLINE
Models	Server & Voice/Data	Seismic	Server	CONNECTEK	Network Switch
Application	Versatile and economical solution for small network and server applications	Protecting LAN and WAN network equipment during seismic Zone 4 activity; also ideal for high vibration areas	Server equipment protection, which allows for cabinet mobility and repositioning	Network communications solution	Network and core switches with right to left airflows
Density	Low density	Low density	Low density	Low density	High density
DIMENSIONS					
Rack Units	21 to 43	45	24 to 42	42	42
Height	49.00 in. or 84.00 in.	84.05 in.	50.75 in. or 82.30 in.	78.28 in.	78.35 in.
Width	23.52 in. - 31.50 in.	27.55 in. or 31.50 in.	23.62 in.	27.56 in. or 31.50 in.	31.50 in.
Depth	34.00 in. - 49.75 in.	31.50 in. - 47.25 in.	35.40 in. - 47.24 in.	35.40 in. - 47.24 in.	39.34 in. - 47.24 in.
RATINGS					
Loading - Static (Ultimate load testing)	1,000 lbs. static	2,500 lbs. static	2,500 lbs. static	2,500 lbs. static	2,500 lbs.
Certifications and Listings	RoHS compliant EIA (rack spacing)	RoHS compliant EIA (rack spacing) UL 2416 (static load rating) Telcordia GR-63-CORE, NEBS requirements	RoHS compliant EIA (rack spacing)	RoHS compliant EIA (rack spacing)	RoHS EIA (rack spacing)
STRUCTURE					
Front and Back Door	Reversible, window or perforated front, split perforated, or louvered rear, all with key locks	Window front, louvered rear with multi-point key lock	Window perforated front, perforated rear with key lock	Perforated front, split perforated rear with key locking handle	Fully perforated front, split perforated rear
Base	Open	Open	Open with casters, levelers and anti-tip bracket	Open with internal bolt brackets	Open
Top	Fan-ready (2 in. x 6 in.) top with cable cap and grommet	Fan-ready (2 in. x 6 in.) top with cable cap and grommet	Removable, fully perforated with cable entry cap and grommet	Removable perforated with sliding gland plate for cable entry	Solid with sliding gland plate for cable entry
Rack Angles	2 sets Communications have tapped 10-32 Server has square hole	2 sets Communications have tapped 10-32 Server has square hole	2 sets Square hole Dash mark (-) at start and stop of RU	2 sets Tapped hole 10-32 Dash mark (-) at start and stop of RU	Front rack angles tapped per EIA universal standards RU
Sides	Removable with quarter-turn latch	Removable with quarter-turn latch and screws	Removable with 2 snap latches, quarter-turn key latch ready	No sides or removable sides with 2 snap latches, quarter-turn key latch ready	No sides or removable sides with fastening screws
FEATURES					
Cable Management	Basic offering	Robust offering	Robust offering	Robust offering	Front and rear cable management supports
Power Management	Rack-mount and panel-mount PDUs available	Rack-mount and panel-mount PDUs available	Rack-mount and panel-mount PDUs available	Rack-mount and panel-mount PDUs available	Rack-mount PDUs available
Unique Features	19-in. or 23-in. rack spacing on 27.55 in. and 31.50 in. widths; adjustable L-shaped rack angles for equipment mounting; rack and panel mounting PDUs available; basic cable management offering. **	Heavy-gauge construction, extra welds, heavy-duty washers, 3-point vault-style latching. Zone 4, 1,100 lbs. Can be used as battery cabinet; robust cable management offering. **	Cabinet can be rolled into place, levelers positioned and anti-tip bracket attached. Anti-tip bracket, casters, levelers are standard. **	Front vertical cable managers with covers and rear vertical tie-down managers; CISCO versions available. **	Ideal for Cisco 6500, 9500, and 7000 Series network switch requirements. *

*Rack mount PDUs available.

**Rack mount and panel mount PDUs available.



			
PROLINE	PROLINE	PROLINE	PROLINE
FLOTEK - PC (passive cooling)	FLOTEK - HCA (hot/cold aisle)	FLOTEK - FD (floor ducted)	Server and Voice/Data
Passive cooling within network and server equipment	Hot aisle/cold aisle layouts for network and server equipment	Raised floor applications; cabinet helps integrate raised floor cool air pathway to network equipment	Wet, dusty, or hot environments for server or network equipment storage
Low density	High density	High density	Application specific
42 [51 max.]	42 [51 max.]	42 [51 max.]	42 [51 max.]
78.22 in. (94.10 in. max.)	78.22 in. (94.10 in. max.)	78.22 in. (94.10 in. max.)	78.22 in. (94.10 in. max.)
23.62 in.	23.62 in.	23.62 in.	27.56 in. or 31.50 in.
35.40 in. - 47.24 in.	35.40 in. - 47.24 in.	35.40 in. - 47.24 in.	35.40 in. - 47.24 in.
2,500 lbs. static	2,500 lbs. static	2,500 lbs. static	2,500 lbs. static
RoHS compliant EIA (rack spacing)	RoHS compliant EIA (rack spacing)	RoHS compliant EIA (rack spacing)	RoHS compliant EIA (rack spacing) UL 508 Type 12 cUL Type 12 NEMA/EEMAC Type 12
Perforated front, split perforated rear with key locking handle	Perforated front, split fan rear with key locking handle	Window front, split fan rear with key locking handle	Window front, solid door rear with key locking handle
Open with internal bolt brackets	Open with internal bolt brackets	Open base with floor duct, casters and levelers	Gland plate base with casters and levelers
Perforated with sliding gland plate for cable entry	Removable solid with sliding gland plate for cable entry	Removable solid with sliding gland plate for cable entry	Removable solid
2 sets Square hole Dash mark (-) at start and stop of RU	2 sets Square hole Dash mark (-) at start and stop of RU	2 sets Square hole Dash mark (-) at start and stop of RU	2 sets Communications have tapped 10-32 holes Server has square hole Dash mark (-) at start and stop of RU
No sides or removable sides with 2 snap latches, quarter-turn key latch ready	No sides or removable sides with 2 snap latches, quarter-turn key latch ready	No sides or removable sides with 2 snap latches, quarter-turn key latch ready	Removable sides with fastening screws
Robust offering	Robust offering	Robust offering	Robust offering
Rack-mount and panel-mount PDUs available	Rack-mount and panel-mount PDUs available	Rack-mount and panel-mount PDUs available	Rack-mount and panel-mount PDUs available
Maximum cooling without added fans. **	Rear split doors access separately powered banks of fans for redundancy with easy equipment access **	Two independently powered fans in back of enclosure and front floor duct to direct air into server intakes **	Type 1, 12; optional filter fan and AC packages.

*Rack mount PDUs available.

**Rack mount and panel mount PDUs available.

NET SERIES COMMUNICATION AND SERVER CABINET



- Rack angle settings on all 700- and 800-mm wide cabinets can accommodate either 19- or 23-in. rack spacing
- In 600-mm wide cabinets, equipment mounted on 19-in. rack angles is centered
- In 700- and 800-mm wide cabinets, 19-in. rack angles can be set to center equipment or to mount equipment next to the left or the right side for improved cable management
- Rack angles infinitely positionable within the cabinet for easy adjustment to desired position
- All doors are field removable and reversible with left or right hinging for installation flexibility
- Communication cabinet has fully perforated or window front and louvered rear doors for equipment ventilation
- Server cabinet has fully perforated front and split rear perforated doors for easy access to servers
- Doors have key-locking handles that provide security with convenient access for authorized personnel
- Removable side panels with quarter-turn key-locking latch are inset for flush appearance
- Two cable entry ports with caps and grommets on cabinet top for wiring ease
- Fan-ready top with integral finger guard. Order up to two 6-in. fans separately.
- Caster- and leveler-ready open base design. Order casters and levelers separately.

SPECIFICATIONS

- Some models available with or without sides
- Welded multi-formed steel frame. The top and columns are 16 gauge; base is 14 gauge.
- Multi-formed rigid doors are 14 gauge steel
- Window made of 1/8-in. smoke-tinted acrylic
- Formed solid sides are 14 gauge steel
- Rack angles are 12 gauge steel
- Ground studs provided on doors and covers

FINISH

Pretreated steel coated with RAL 9005 black textured low-gloss polyester powder paint. Other finishes available—contact Hoffman Customer Service.

LOAD RATING

1000 lb. (454 kg) per UL 2416 with load evenly distributed in enclosure

NOTE: UL 2416 requires that the cabinet be tested with a load four times the rating. Contact Hoffman if other loading specifications are required.

ACCESSORIES

Net Series Rack Angles
 Net Series Caster Kit
 Net Series Leveler Kit
 Net Series Joining Kit
 Net Series Tool-less (Snap-in) Blanking Panels for 19-in. Racks
 Net Series Vertical Tie-Down Cable Manager
 Net Series Tool-less Shelf

BULLETIN: DC

INDUSTRY STANDARDS

UL 2416 Listed (perforated, split perforated and louvered door models only)

EIA 310-D

IEC 60529, IP20

Perforated door material meets equipment manufacturer ventilation requirements

APPLICATION

Net Series Cabinets are an economical solution for contractors, small computer rooms, schools or smaller networks that require a general-purpose cabinet to house servers and communication equipment. Multiple sizes, adjustable rack angles and accessories give Net Series Cabinets wide application flexibility.

FEATURES

- Includes two sets of adjustable L-shaped rack angles for convenient equipment mounting
- Rack angles on communication cabinets have tapped 10-32 holes per EIA standards. Order 10-32 fasteners separately.
- Rack angles on server cabinets have square holes per EIA standards. Order fasteners and cage nuts separately.

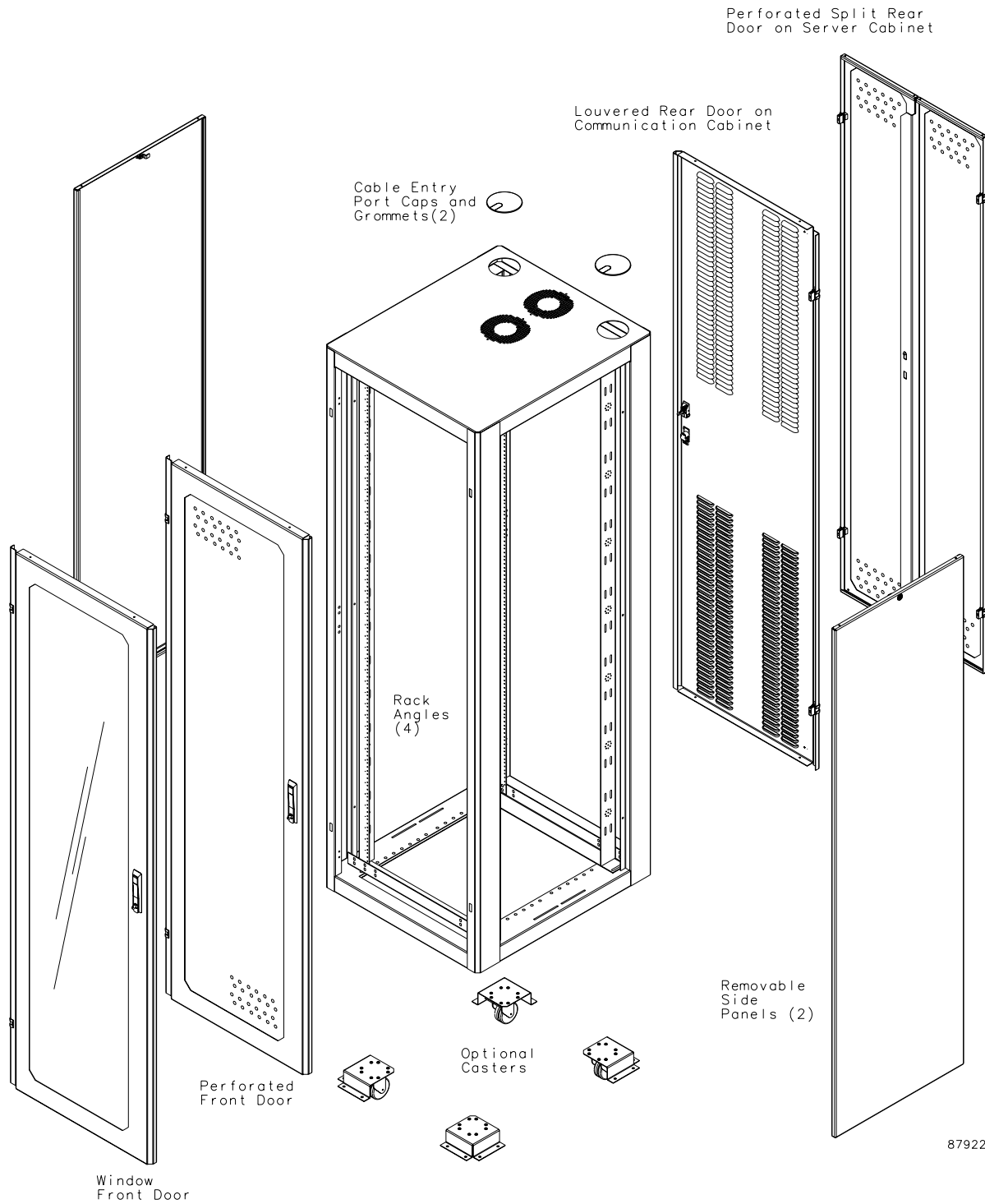
Standard Product

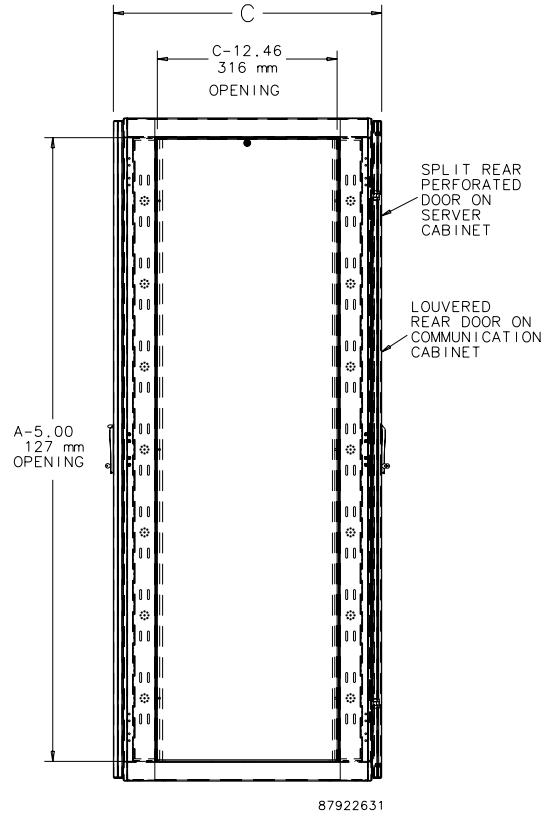
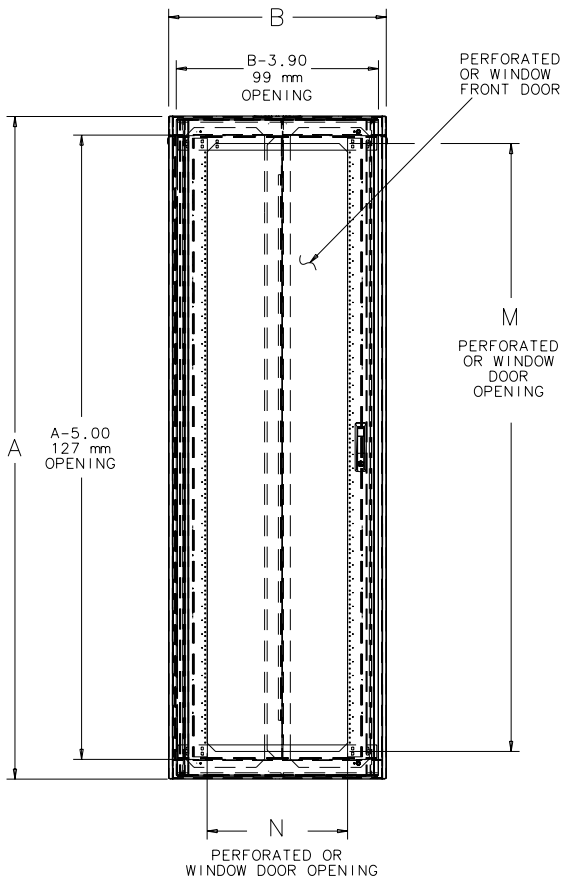
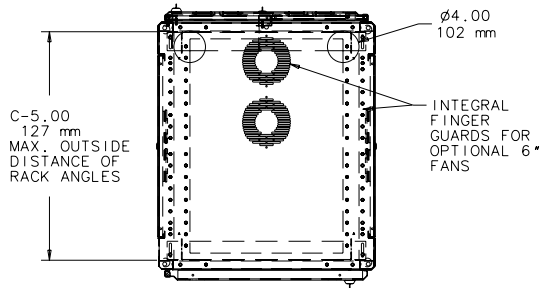
Catalog Number	AxBxC in./mm	Description	Rack Units	M in./mm	N in./mm	Rack Angle Holes	Additional Rack Angles
NC1268	49.00 x 23.62 x 33.99 1245 x 600 x 863	Communication Cabinet	23	42.00 1067	14.71 374	Tapped 10-32	NRAT126
NC2178	84.00 x 27.56 x 33.99 2134 x 700 x 863	Communication Cabinet	43	77.00 1956	18.65 474	Tapped 10-32	NRAT217
NC2178NS	84.00 x 27.56 x 33.98 2134 x 700 x 863	Communication Cabinet No Sides	43	77.00 1956	18.65 474	Tapped 10-32	NRAT217
NC2179	84.00 x 27.56 x 37.93 2134 x 700 x 963	Communication Cabinet	43	77.00 1956	18.65 474	Tapped 10-32	NRAT217
NC21710	84.00 x 27.56 x 41.86 2134 x 700 x 1063	Communication Cabinet	43	77.00 1956	18.65 474	Tapped 10-32	NRAT217
NC2188	84.00 x 31.50 x 33.99 2134 x 800 x 863	Communication Cabinet	43	77.00 1956	22.58 574	Tapped 10-32	NRAT218
NC2189	84.00 x 31.50 x 37.93 2134 x 800 x 963	Communication Cabinet	43	77.00 1956	22.58 574	Tapped 10-32	NRAT218
NC21810	84.00 x 31.50 x 41.86 2134 x 800 x 1063	Communication Cabinet	43	77.00 1956	22.58 574	Tapped 10-32	NRAT218
NCW2168	84.00 x 23.62 x 33.99 2134 x 600 x 863	Communication Cabinet, Window Door	43	77.00 1956	14.71 374	Tapped 10-32	NRAT216
NCW2168NS	84.00 x 23.62 x 33.98 2134 x 600 x 863	Communication Cabinet, Window Door No Sides	43	77.00 1956	14.71 374	Tapped 10-32	NRAT216
NCW2178	82.68 x 27.56 x 31.50 2100 x 700 x 800	Communication Cabinet, Window Door	43	77.00 1956	18.65 474	Tapped 10-32	NRAT217
NCW2178NS	84.00 x 27.56 x 33.98 2134 x 700 x 863	Communication Cabinet, Window Door No Sides	43	77.00 1956	18.65 474	Tapped 10-32	NRAT217
NCW2188	82.68 x 31.50 x 31.50 2100 x 800 x 800	Communication Cabinet, Window Door	43	77.00 1956	22.58 574	Tapped 10-32	NRAT218
NS12610	49.00 x 23.62 x 41.86 1245 x 600 x 1063	Server Cabinet	23	42.00 1067	14.71 374	Square	NRAS126
NS2169	84.00 x 23.62 x 37.93 2134 x 600 x 963	Server Cabinet	43	77.00 1956	14.71 374	Square	NRAS216
NS2169NS	84.00 x 23.62 x 37.91 2134 x 600 x 963	Server Cabinet No Sides	43	77.00 1956	14.71 374	Square	NRAS216
NS21610	84.00 x 23.62 x 41.86 2134 x 600 x 1063	Server Cabinet	43	77.00 1956	14.71 374	Square	NRAS216
NS21610NS	84.00 x 23.62 x 41.85 2134 x 600 x 1063	Server Cabinet No Sides	43	77.00 1956	14.71 374	Square	NRAS216
NS21611	84.00 x 23.62 x 45.80 2134 x 600 x 1163	Server Cabinet	43	77.00 1956	14.71 374	Square	NRAS216
NS21612	84.00 x 23.62 x 49.74 2134 x 600 x 1263	Server Cabinet	43	77.00 1956	14.71 374	Square	NRAS216
NS21711	84.00 x 27.56 x 45.80 2134 x 700 x 1163	Server Cabinet	43	77.00 1956	18.65 474	Square	NRAS217
NS21811	84.00 x 31.50 x 45.80 2134 x 800 x 1163	Server Cabinet	43	77.00 1956	22.58 574	Square	NRAS218

Tapped and square hole rack angles of the same size can be used interchangeably in communication and server cabinets. See rack angle table for available rack angles.

Catalog numbers with "NS" at the end have no sides.







NET SERIES RACK ANGLES



Rack angles are available with either 10-32 tapped or square mounting holes. Communication and server cabinets can use either tapped-hole or square-hole rack angles. Finish is RAL 9005 black, low-gloss smooth polyester powder paint. Shipped in sets of two with two mounting brackets and mounting hardware.

BULLETIN: DCY

Catalog Number	Length in./mm	Hole Type	Use with Net Series Cabinet H x W
NRAT126	40.37 1025	Tapped	1245 x 600
NRAT216	78.87 2003	Tapped	2134 x 600
NRAT217	78.87 2003	Tapped	2134 x 700
NRAT218	78.87 2003	Tapped	2134 x 800
NRAS126	40.37 1025	Square	1245 x 600
NRAS216	78.87 2003	Square	2134 x 600
NRAS217	78.87 2003	Square	2134 x 700
NRAS218	78.87 2003	Square	2134 x 800

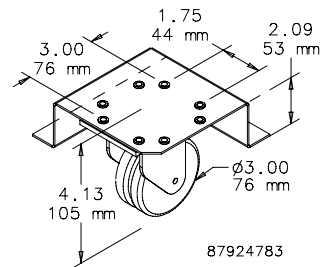
NET SERIES CASTER KIT



These recessed ball-bearing casters allow Net Series Cabinet repositioning with a minimal effort. Casters add 2 in. to height of cabinet. Kit includes four casters, recessed brackets and mounting hardware.

BULLETIN: DCY

Catalog Number	Description
NCK	Set of four casters, recessed brackets and mounting hardware



NET SERIES LEVELER KIT

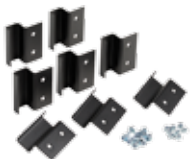


Leveler Kits allow adjustment of Net Series Cabinets for uneven floors. Can be used with casters to stabilize final installation.

BULLETIN: DCY

Catalog Number	Description
NLK	Set of four levelers

NET SERIES JOINING KIT

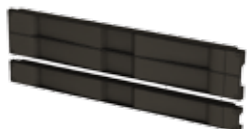


The joining kit enables joining Net Series Cabinets without sides to form a single bank of cabinets. Each kit joins two cabinets.

BULLETIN: DCY

Catalog Number	Description
NJK	Net Series Joining Kit

TOOL-LESS (SNAP-IN) BLANKING PANELS FOR 19-IN. RACKS



These Tool-less 19-in. Blanking Panels provide easy tool-less installation and ensure proper airflow to equipment. Made of UL approved thermal plastic material with a low-gloss textured black finish. May be used with tapped or square EIA universal spaced rack mounting angles.

BULLETIN: DACCY

Catalog Number	Description	Rack Units	Fits	Pkg. Qty.
D19BPT1RU	Blanking Panel, 19 in.	1	19 in., universal rack spacing, tapped or square holes	10
D19BPT2RU	Blanking Panel, 19 in.	2	19 in., universal rack spacing, tapped or square holes	10

NET SERIES VERTICAL TIE-DOWN CABLE MANAGER

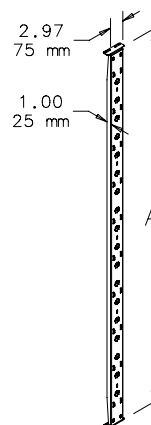


Hold larger cable bundles securely. VELCRO Cable Wraps provide convenient cable fastening and easy access to individual cables. One piece design. Holes provided for addition of cable transitions, spools, or D-Rings (order separately). Made of steel coated with RAL 9005 black polyester powder paint. Includes mounting hardware.

VELCRO is a trademark of Velcro Industries B.V.

BULLETIN: DCY

Catalog Number	A in./mm	Fits Cabinet Height
NVCMTD12	40.37 1025	1245
NVCMTD21	78.87 2003	2134



87798903

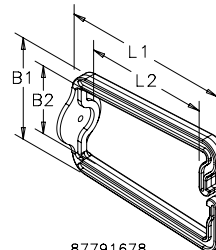
D-RING CABLE MANAGERS



D-Rings, made of black plastic, can be used to manage cables horizontally, vertically or as transition occurs. Snap feature allows easy cable access as well as forming a tightly closed connection. Package includes 10 rings and 10 mounting screws.

BULLETIN: DACCY

Catalog Number	B1 in./mm	B2 in./mm	L1 in./mm	L2 in./mm	Pkg. Qty.
ECM3DR10	1.72 44	1.22 31	3.50 89	2.88 73	10
ECM6DR10	3.00 76	2.22 56	5.33 135	4.42 112	10



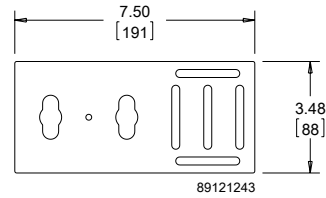
87791678

PDU BRACKET KIT



The PDU Bracket Kit includes two mounting plates and hardware to effectively mount power strips within enclosures.

BULLETIN: DCY



Catalog Number	Finish	Pkg. Qty
DPDU1	Painted black	2

NET SERIES COMBINATION L-HANDLE



Combination L-Handle fits Net Series cabinet doors. The 4-digit combination lock with master key override can easily be changed. Install using existing cam from standard handle.

BULLETIN: DCY

Catalog Number	AxBxC in./mm	Description	Use With
NCLH	7.50 x 1.38 x 2.50 191 x 35 x 64	L-Handle with combination lock and master key override	Net Series doors

6-INCH COMPACT AXIAL FANS



Compact Cooling Fans are ideal for applications where enclosure space is limited and quiet, reliable cooling is required. Engineered for 50,000 hours of continuous operation without lubrication or service.

BULLETIN: D85

Standard Product and Cutout Dimensions

Catalog Number	Nominal Size	Voltage
A6AXFNGQ	6	115 VAC
A6AXFNPG	6	115 VAC

FAN FILTER AND FINGER GUARD KIT



Low-density filter kit for 4-in. (102-mm) and 6-in. (152-mm) fans. Can also be used as vent. Filter is removable and can be cleaned and reused. Mounting hardware included.

BULLETIN: DTHRM

Standard Product

Catalog Number	Fits
AFLTR6LD	6-in. fans

TOOL-LESS SHELF



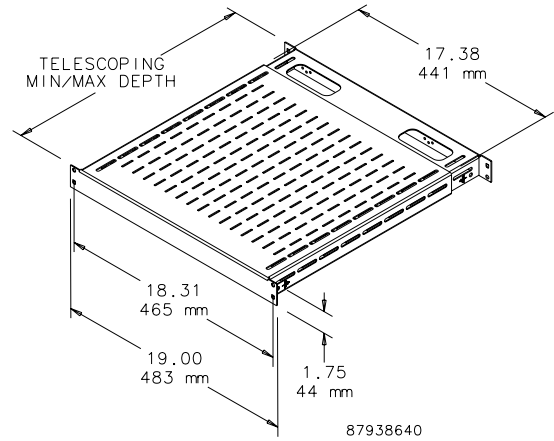
An easy-to-install tool-less vented 19-in. shelf. Mounts onto rack angles that have EIA-spaced square holes (.375 in.). Shelf slides open and provides a variable-sized, continuous surface for equipment. Back of shelf has oval cutouts for power and data cables. Accessory hole patterns at back of shelf fit small and large D-rings to help manage cable. Made of steel with a 150 lb. (68 kg) static load rating. Available with RAL 9005 black or RAL 7035 gray polyester powder coat finish.

Note: For square-hole rack angles only!

BULLETIN: DACCY

Catalog Number	Description	Finish	Minimum Depth mm/in.	Maximum Depth mm/in.	Rack Angle Type
D19FVT69B	Shelf, vented, 19 in. tool-less	Black	495 19.50	851 33.50	Square hole only
D19FVT69G	Shelf, vented, 19 in. tool-less	Gray	495 19.50	851 33.50	Square hole only
D19FVT912B	Shelf, vented, 19 in. tool-less	Black	792 31.20	1151 45.30	Square hole only
D19FVT912G	Shelf, vented, 19 in. tool-less	Gray	792 31.20	1151 45.30	Square hole only

Minimum and maximum depth measured from rack angle to rack angle.



PROLINE FLOTEK PC (PASSIVE COOLING) SERVER CABINET



Rear View

FEATURES

- Rigid front door made of aluminum extrusions and formed perforated steel offers highly attractive appearance and durability
- Fully perforated front and rear doors and fully perforated top allow maximum air movement around equipment; conforms to server manufacturer open space requirements
- Models without sides fit together quickly for easy installation in ganged applications
- Three-point locking pushbutton swing handle on front door provides easy but controlled access; two keys included
- Rear doors are split for easy access and include 3-point, low-profile, locking swing handle
- Two sets of 19-in. square-hole rack angles support both front and rear of equipment
- Rack angles are infinitely adjustable from front to rear for positioning flexibility
- Large gland plate in top allows easy routing of cable, pre-terminated cables and patch panels
- Mounting hardware (20 each of 10-32 screws and cage nuts) is included

SPECIFICATIONS

- 16 or 14 gauge steel doors, sides and cover
- Welded 12 gauge steel frame
- Rack angles have square holes with EIA 310-D spacing
- Open bottom with integral bolt-down brackets

FINISH

Pretreated steel coated with RAL 9005 black textured, low-gloss polyester powder paint. Other finishes available—contact Hoffman Customer Service.

LOAD RATING

Static Load Rating: 2500 lb. (1134 kg)

A cabinet has a static load when:

- it is in its final, permanent, fully secured location, and
- its load is uniformly applied to the two sets of rack-mounting angles

Never move a cabinet with its maximum static load applied.

Contact Hoffman if further information is needed.

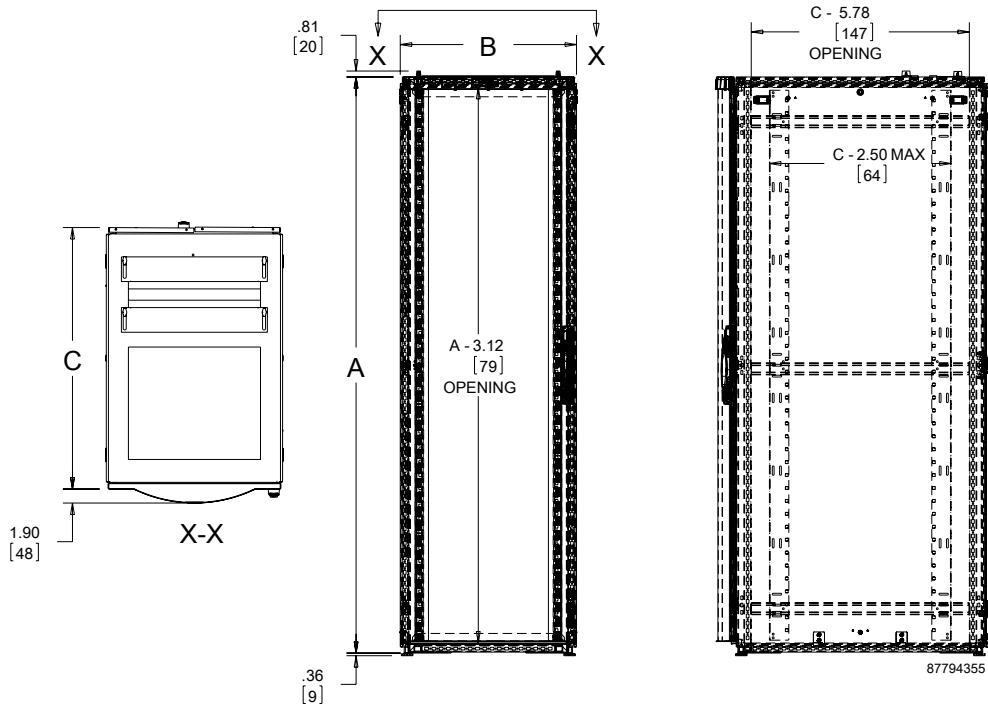
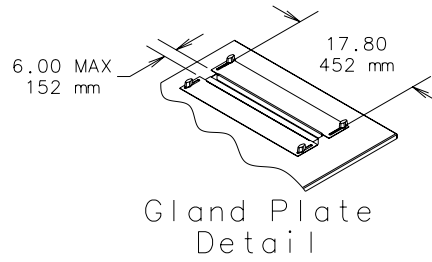
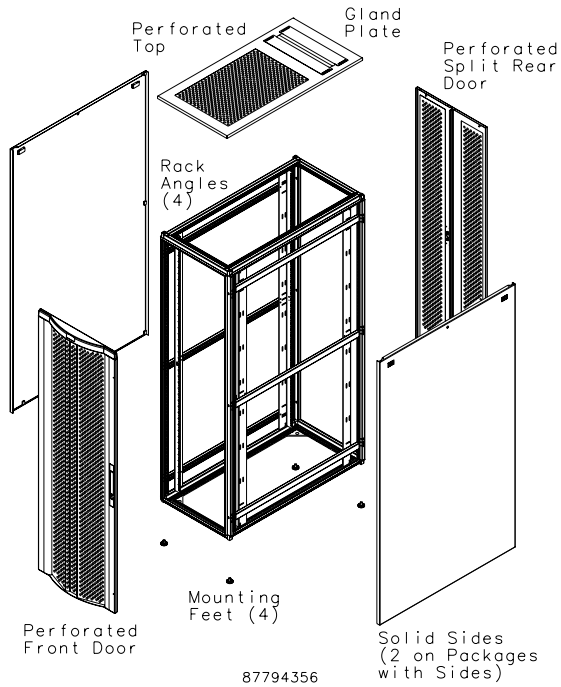
BULLETIN: DPSR

APPLICATION

Designed deeper to house servers and manage power cables, PROLINE FLOTEK Cabinets rely on optimized passive airflow for cooling. The cabinets may be placed in data rooms randomly or in hot/cold aisle configurations.

Standard Product

Catalog Number	AxBxC mm	AxBxC in.	Sides	Rack Units	Additional Square Hole Rack Angle
PSCPC2069B	1991 x 608 x 899	78.37 x 23.94 x 35.40	With sides	42	PRA1920THL1
PSCPC2069BNS	1991 x 599 x 899	78.37 x 23.58 x 35.40	Without sides	42	PRA1920THL1
PSCPC20610B	1991 x 608 x 999	78.37 x 23.94 x 39.34	With sides	42	PRA1920THL1
PSCPC20610BNS	1991 x 599 x 999	78.37 x 23.58 x 39.34	Without sides	42	PRA1920THL1
PSCPC20611B	1991 x 608 x 1099	78.37 x 23.94 x 43.28	With sides	42	PRA1920THL1
PSCPC20611BNS	1991 x 599 x 1099	78.37 x 23.58 x 43.28	Without sides	42	PRA1920THL1
PSCPC20612B	1991 x 608 x 1199	78.37 x 23.94 x 47.22	With sides	42	PRA1920THL1
PSCPC20612BNS	1991 x 599 x 1199	78.37 x 23.58 x 47.22	Without sides	42	PRA1920THL1
PSCPC2169B	2161 x 606 x 899	85.08 x 23.87 x 35.39	With sides	45	PRA1921THL1
PSCPC21610B	2161 x 606 x 999	85.08 x 23.87 x 39.33	With sides	45	PRA1921THL1
PSCPC21611B	2161 x 606 x 1099	85.08 x 23.87 x 43.27	With sides	45	PRA1921THL1
PSCPC21612B	2161 x 606 x 1199	85.08 x 23.87 x 47.20	With sides	45	PRA1921THL1
PSCPC2469B	2411 x 606 x 899	94.92 x 23.87 x 35.39	With sides	51	PRA1924THL1
PSCPC24610B	2411 x 606 x 999	94.92 x 23.87 x 39.33	With sides	51	PRA1924THL1
PSCPC24611B	2411 x 606 x 1099	94.92 x 23.87 x 43.27	With sides	51	PRA1924THL1
PSCPC24612B	2411 x 606 x 1199	94.92 x 23.87 x 47.20	With sides	51	PRA1924THL1



PROLINE FLOTEK HCA (HOT/COLD AISLE) SERVER CABINET



Rear View

- Fully perforated front door offers maximum airflow from cold aisle and conforms to server manufacturer open space requirements
- Six 6-in. fans with integral finger guards in the rear doors pull cold-aisle air through cabinet and exhaust it to hot aisle
- Fans provide up to 1440 CFM airflow
- Fans on each door can be independently powered to provide redundant cooling
- Solid top helps direct airflow across equipment
- Models without sides fit together quickly for easy installation in ganged applications
- Three-point locking pushbutton swing handle on front door provides easy but controlled access; two keys included
- Rear doors are split for easy access and include 3-point, low-profile, locking swing handle
- Two sets of 19-in. square-hole rack angles support both front and rear of equipment
- Rack angles are infinitely adjustable from front to rear for positioning flexibility
- Large gland plate in top allows easy routing of cable, pre-terminated cables and patch panels
- Mounting hardware (20 each of 10-32 screws and cage nuts) is included

SPECIFICATIONS

- 16 or 14 gauge steel doors, sides and cover
- Welded 12 gauge steel frame
- Rack angles have square holes with EIA 310-D spacing
- Open bottom with integral bolt-down brackets

FINISH

Pretreated steel coated with RAL 9005 black textured, low-gloss polyester powder paint. Other finishes available—contact Hoffman Customer Service

LOAD RATING

Static Load Rating: 2500 lb. (1134 kg)

- A cabinet has a static load when:
- it is in its final, permanent, fully secured location, and
 - its load is uniformly applied to the two sets of rack-mounting angles

Never move a cabinet with its maximum static load applied.
Contact Hoffman if further information is needed.

BULLETIN: DPSR

INDUSTRY STANDARDS

EIA 310-D

APPLICATION

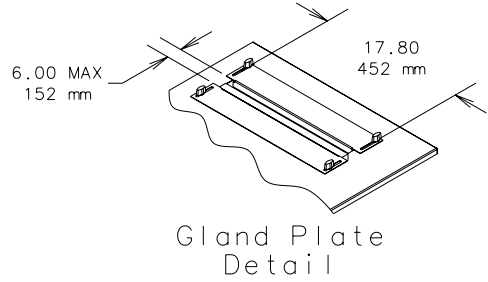
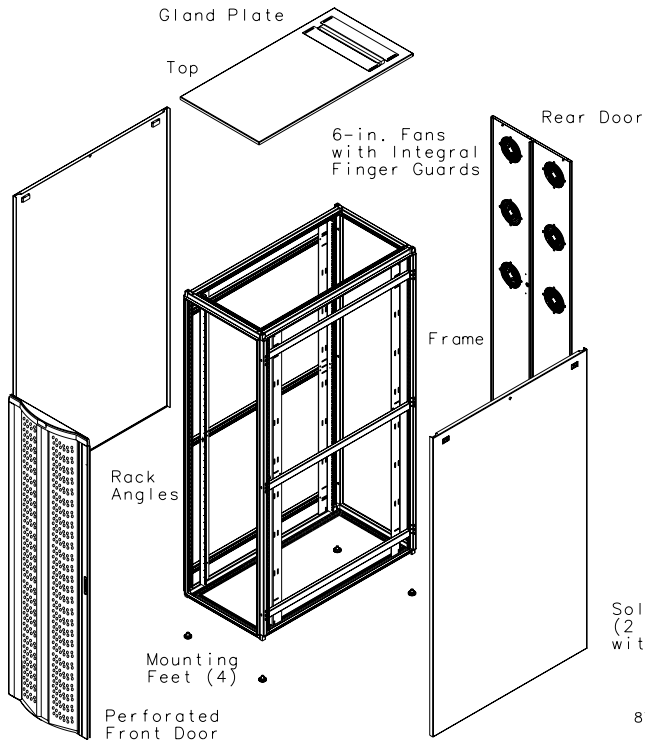
Two independently-powered, redundant fan banks in the rear of the PROLINE FLOTEK HCA Server Cabinet maximize cooling power for high-density applications that generate high amounts of heat.

FEATURES

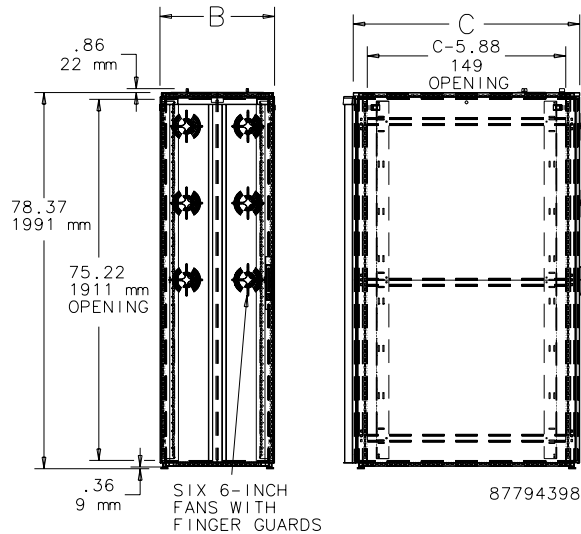
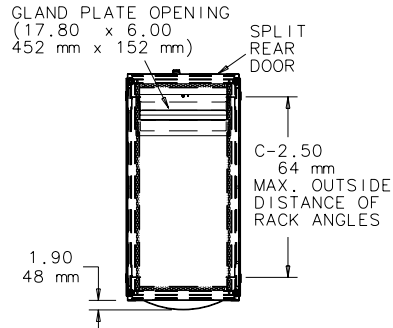
- Rigid front door made of aluminum extrusions and formed perforated steel offers highly attractive appearance and durability

Standard Product

Catalog Number	AxBxC mm/in.	Sides	Rack Units	Rack Angle
PSCHCA2069B	1991 x 608 x 899 78.37 x 23.94 x 35.40	With sides	42	PRA1920THL1
PSCHCA2069BNS	1991 x 599 x 899 78.37 x 23.58 x 35.40	Without sides	42	PRA1920THL1
PSCHCA20610B	1991 x 608 x 999 78.37 x 23.94 x 39.34	With sides	42	PRA1920THL1
PSCHCA20610BNS	1991 x 599 x 999 78.37 x 23.58 x 39.34	Without sides	42	PRA1920THL1
PSCHCA20611B	1991 x 608 x 1099 78.37 x 23.94 x 43.28	With sides	42	PRA1920THL1
PSCHCA20611BNS	1991 x 599 x 1099 78.37 x 23.58 x 43.28	Without sides	42	PRA1920THL1
PSCHCA20612B	1991 x 608 x 1199 78.37 x 23.94 x 47.22	With sides	42	PRA1920THL1
PSCHCA20612BNS	1991 x 599 x 1199 78.37 x 23.58 x 47.22	Without sides	42	PRA1920THL1



87794399



PROLINE FLOTEK FD (FLOOR DUCTED) SERVER CABINET



Rear View

- Solid top helps direct airflow across equipment
- Sliding gland plate in top covers large opening that allows easy routing of network cables, pre-terminated cables and patch panels
- Models without sides fit together quickly for easy installation in ganged applications
- Three-point locking pushbutton swing handle on front door provides easy but controlled access; two keys included.
- Rear doors are split for easy access and include a low-profile, locking swing handle
- Two sets of 19-in. square-hole rack angles with EIA universal spacing support both front and rear of equipment
- Includes mobile base with casters and anti-tip bracket to facilitate moving cabinet into position
- Mounting hardware (20 each of 10-32 screws and cage nuts) is included

SPECIFICATIONS

- 16 or 14 gauge steel front door frame, rear door, sides and cover
- Welded 12 gauge steel frame
- Window is made of .125-in. thick acrylic
- Rack angles have square holes with EIA 310-D spacing
- Duct flange in base for connecting to floor duct

FINISH

Pretreated steel coated with RAL 9005 black textured, low-gloss polyester powder paint. Rack angles are coated with RAL 9005 black polyester powder paint. Other finishes available—contact Hoffman Customer Service.

LOAD RATING

Static Load Rating: 2500 lb. (1134 kg)

A cabinet has a static load when:

- it is in its final, permanent, fully secured location
- its levelers are fully extended
- the anti-tip bracket is installed
- its load is uniformly applied to the two sets of rack-mounting angles, and
- the casters are not supporting any load (use the casters only to move the cabinet to its final location before loading)

Never move a cabinet with its maximum static load applied.

Contact Hoffman if further information is needed.

Casters Maximum Load: 1000 lb. (453 kg)

Exercise care when using casters to move the cabinet. Do not use casters to move a cabinet with more than 1000 lb. (453 kg) load.

Avoid tipping and damage to the cabinet and its contents by slowly moving the cabinet on its casters across smooth, flat flooring. Avoid obstructions such as:

- large cracks
- floor displacement
- seams
- gravel

Never use casters while transporting a cabinet by truck on roadways.

Contact Hoffman if further information is needed.

BULLETIN: DPSR

INDUSTRY STANDARDS

EIA 310-D

APPLICATION

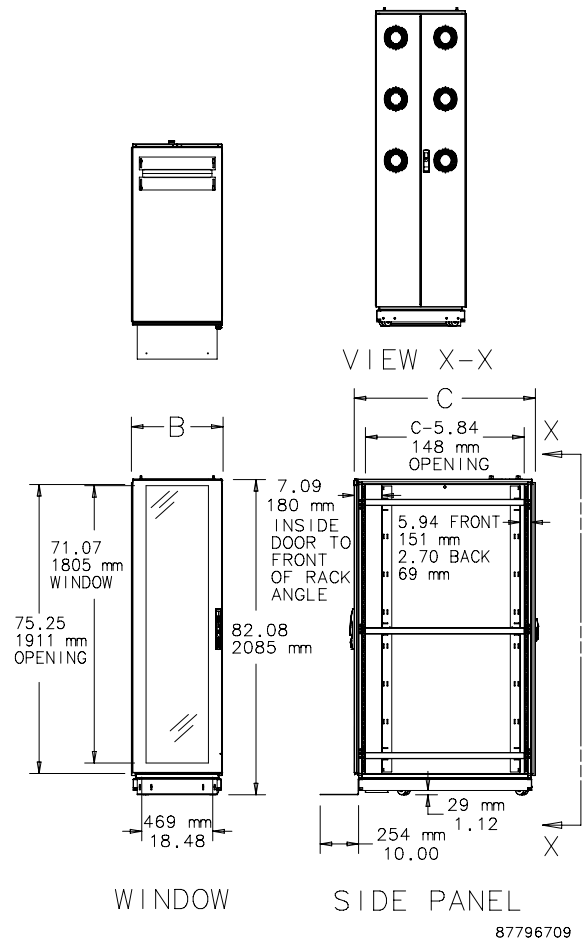
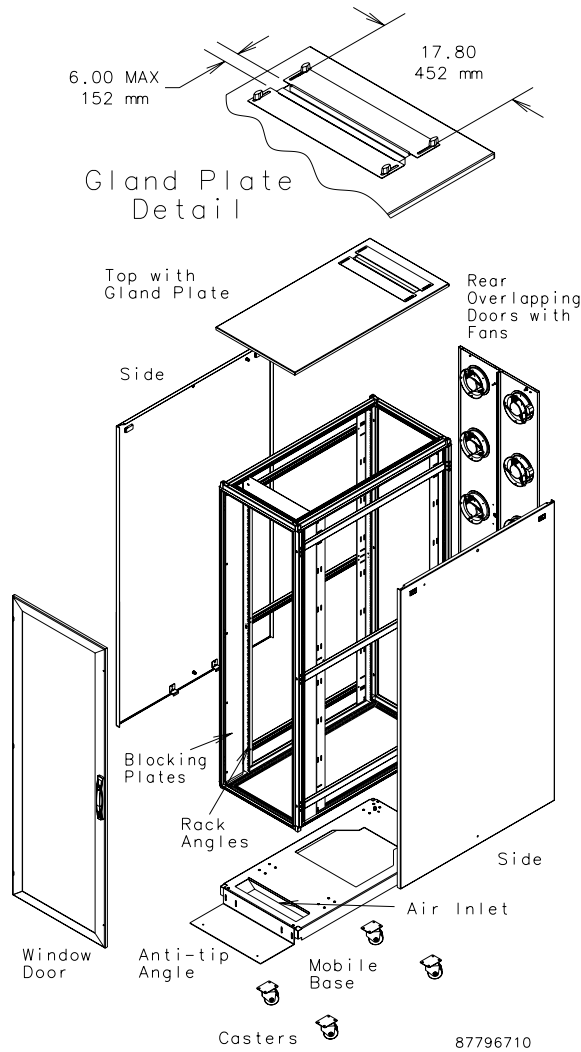
The PROLINE FLOTEK FD Server Cabinet uses the cooling power of two banks of independently-powered fans in the back of the cabinet and an integral front floor duct to direct air into server intakes when positioned over a cutout in a raised data center floor. The cabinet air inlet requires alignment with a floor cutout so blocking plates can direct cool air from the floor plenum across the front of the equipment.

FEATURES

- Front window door provides a view of equipment inside the enclosure without opening the door
- Six 6-in. fans with integral finger guards in the rear doors pull floor-ducted air through cabinet and exhaust it to hot aisle
- Fans provide up to 1400 CFM airflow
- Fans on each door can be independently powered to provide redundant cooling
- Blocking plates inside the cabinet on both sides and the top prevent recirculation of hot exhaust air

Standard Product

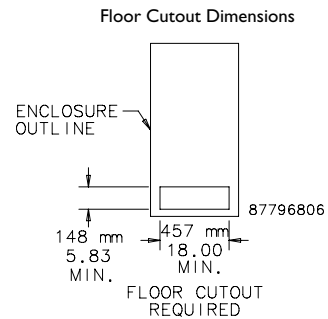
Catalog Number	AxBxC mm	AxBxC in.	Sides	Rack Units	Rack Angle
PSFD2069B	2085 x 599 x 899	82.08 x 23.58 x 35.40	With sides	42	PRA1920THL1
PSFD2069BNS	2085 x 599 x 899	82.08 x 23.58 x 35.40	Without sides	42	PRA1920THL1
PSFD20610B	2085 x 599 x 999	82.08 x 23.58 x 39.34	With sides	42	PRA1920THL1
PSFD20610BNS	2085 x 599 x 999	82.08 x 23.58 x 39.34	Without sides	42	PRA1920THL1
PSFD20611B	2085 x 599 x 1099	82.08 x 23.58 x 43.28	With sides	42	PRA1920THL1
PSFD20611BNS	2085 x 599 x 1099	82.08 x 23.58 x 43.28	Without sides	42	PRA1920THL1
PSFD20612B	2085 x 599 x 1199	82.08 x 23.58 x 47.22	With sides	42	PRA1920THL1
PSFD20612BNS	2085 x 599 x 1199	82.08 x 23.58 x 47.22	Without sides	42	PRA1920THL1



PROLINE FLOTEK FD (FLOOR DUCTED) SERVER CABINET REQUIRED FLOOR CUTOUT



A cutout that matches the air inlet in the floor of the cabinet must be cut in the raised floor. When installed the cabinet air inlet is aligned with the floor cutout; the blocking plates help direct cool air from the floor plenum across the fronts of the equipment.



PROLINE FLOTEK TD (TOP DUCTED) SERVER CABINET



- Open base allows under-floor cable entry
- Fully perforated front door provides unrestricted cold airflow to equipment
- Front sealed 19-in. mounting rails and top/bottom air blocking plates prevent cold air bypass
- Solid rear door directs hot exhaust into chimney to prevent mixing with cold airflow
- Efficiency increases when cold and hot airflows are kept separate resulting in higher CRAC temperatures (cold airflow to the equipment)
- Reduces overall energy needs with more efficient cold air delivery to equipment
- Allows increased thermal loads and higher server densities inside cabinet
- Can be used on raised and non-raised floors

SPECIFICATIONS

- Top sliding gland plate accommodates cables, cable bundles and pre-terminated patch panels
- Exhaust air deflector routes airflow to chimney to avoid hot spots
- Chimney provided with edge gasket and S-connectors
- Attractive, rigid front door made of aluminum extrusions and formed perforated steel, with more than 60 percent open space for free flow of cool air to equipment
- Front door is left-hinged and reversible
- Front and rear doors have keyed multi-point vault-style latch system and central key lock to ensure security
- Solid rear door is fully gasketed to ensure all hot exhaust is directed to top duct
- Front air dam surrounds mounting rack angles to prevent cold air bypass
- Top and sides are formed steel
- Rack angles have .375-in. spaced square holes per EIA standards

FINISH

RAL 9005 black textured, low-gloss polyester powder paint over pretreated steel.
Front door extrusion has a smooth, low-gloss, silver polyester power paint finish.

LOAD RATING

Static Load Rating: 2500 lb. (1134 kg)

A cabinet has a static load when:

- it is in its final, permanent, fully secured location, and
- its load is uniformly applied to the two sets of rack-mounting angles

Never move a cabinet with its maximum static load applied.

Contact Hoffman if further information is needed.

ACCESSORIES

19-in. Rack-Mount Environmental Monitor
Cable and PDU Manager
Rack- and Panel-Mount Power Distribution Units (PDUs)
Screw Packages
Tool-less (Snap-in) Blanking Panels for 19-in. Racks
Tool-less Shelf
Vertical Cable Manager 1

BULLETIN: DPVD

INDUSTRY STANDARDS

EIA 310-D

APPLICATION

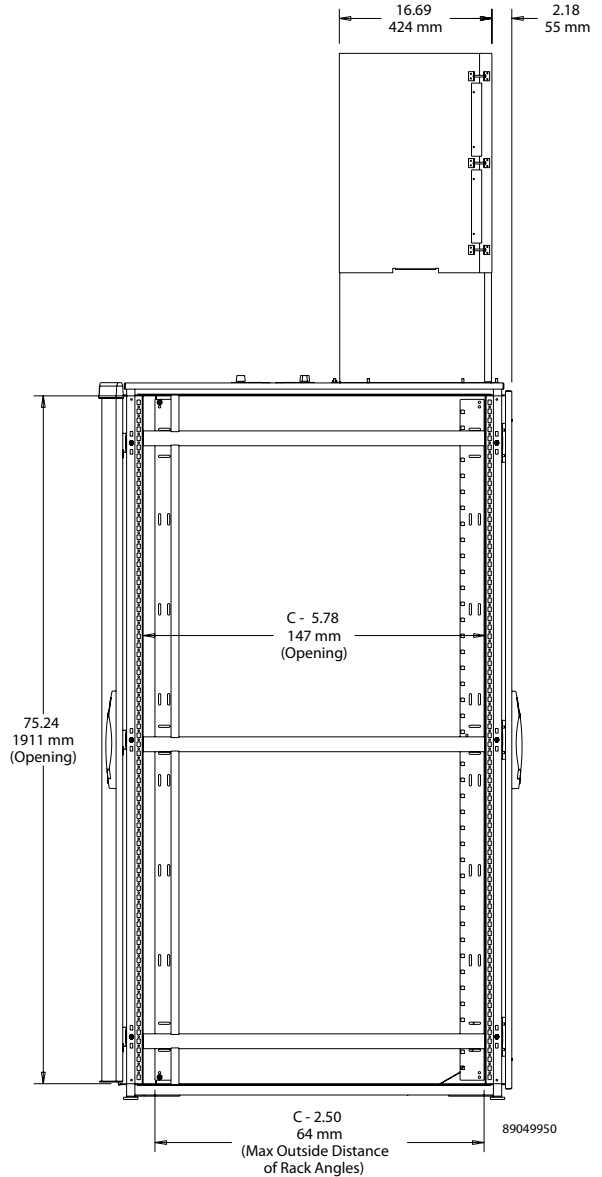
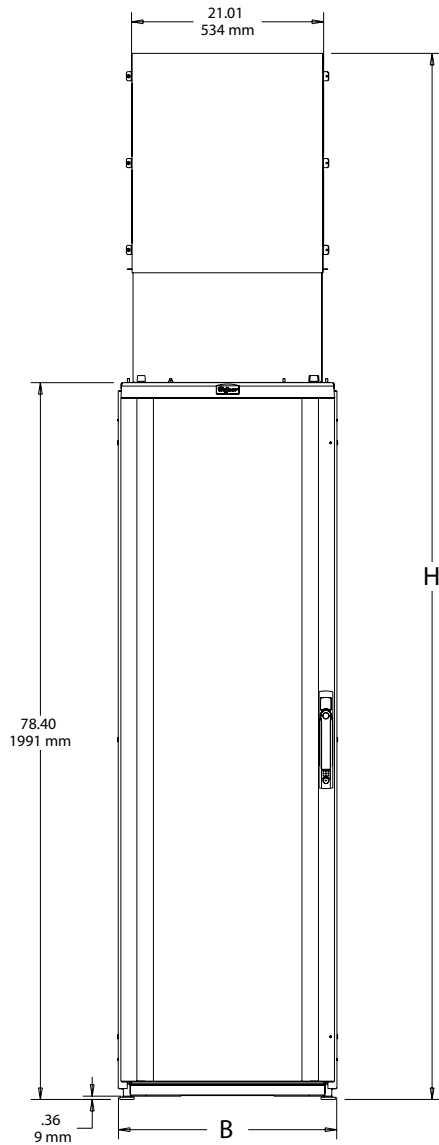
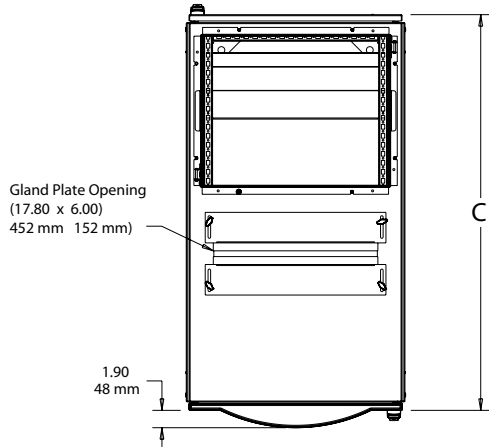
PROLINE FLOTEK TD improves equipment efficiency and lowers energy costs by directing hot exhaust from the cabinet up above the plenum or drop ceiling and away from the cold room air. Photo shown with Tool-less (Snap-in) Blanking Panels installed. Order separately.

FEATURES

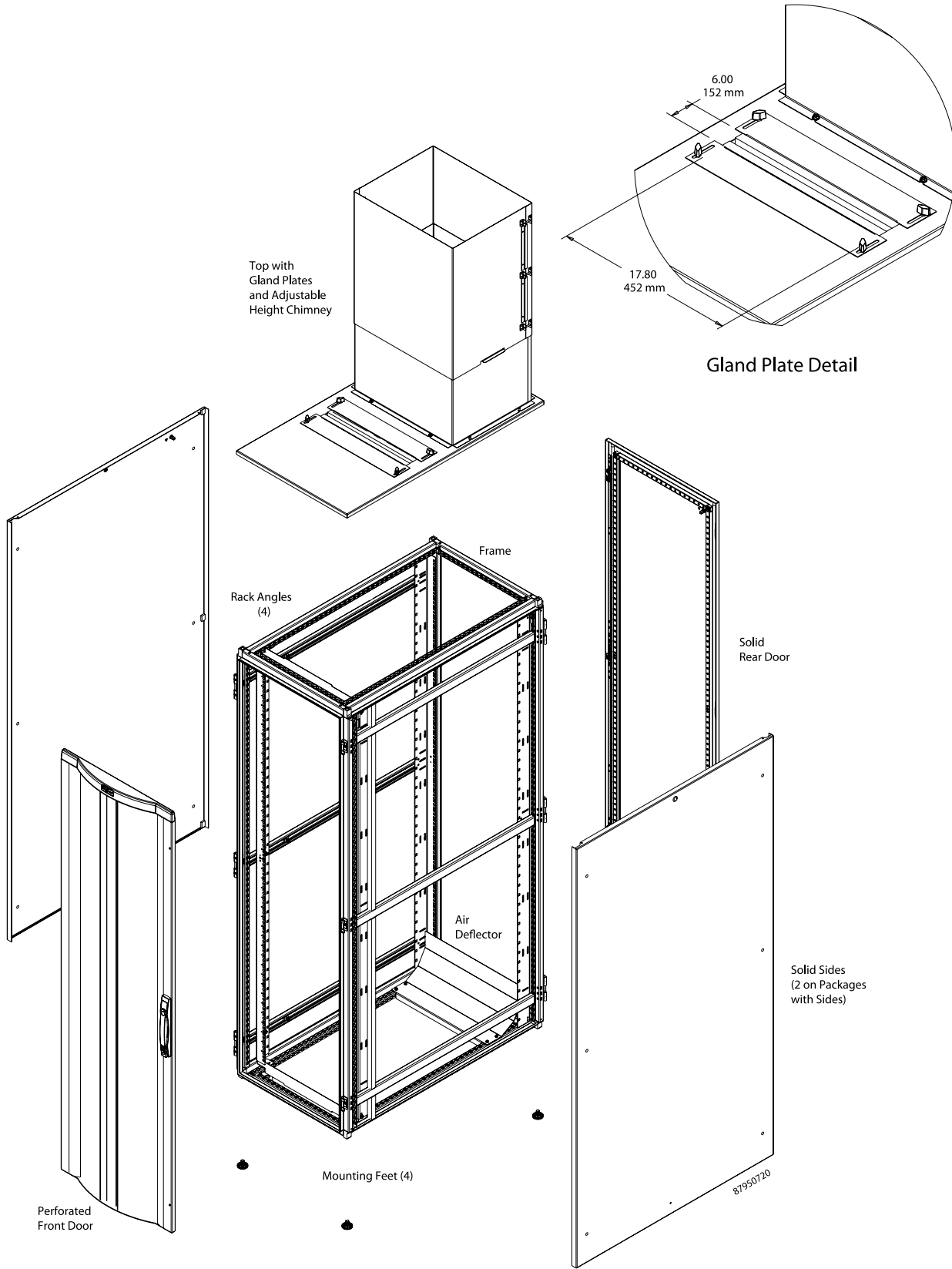
- Designed for use with 19-in. rack-mounted servers, blade servers and other equipment
- Adjustable top duct (chimney) is provided in two different standard heights to fit within various ceiling heights
- Chimney is pre-assembled and shipped inside the cabinet to ease assembly and avoid extra parcels and shipping damage
- S-connectors provided with chimney to facilitate connection to HVAC duct work
- Edge gasket provided with chimney to prevent hot exhaust gas from mixing with cold airflow
- Cabinet is provided with seals and blocking panels to eliminate cold air bypass
- Includes two sets of fully adjustable mounting angles which are RU marked front and back to facilitate assembly

Standard Product

Catalog Number	AxBxC mm	AxBxC in.	H Minimum (mm)	H Minimum (in.)	H Maximum (mm)	H Maximum (in.)	Rack Units
PSTD20610BM	1991 x 608 x 999	78.37 x 23.94 x 39.34	2600	102.36	3057	120.36	42
PSTD20610BT	1991 x 608 x 999	78.37 x 23.94 x 39.34	2905	114.36	3667	144.36	42
PSTD20611BM	1991 x 608 x 1099	78.37 x 23.94 x 43.28	2600	102.36	3057	120.36	42
PSTD20611BT	1991 x 608 x 1099	78.37 x 23.94 x 43.28	2905	114.36	3667	144.36	42
PSTD20612BM	1991 x 608 x 1199	78.37 x 23.94 x 47.22	2600	102.36	3057	120.36	42
PSTD20612BT	1991 x 608 x 1199	78.37 x 23.94 x 47.22	2905	114.36	3667	144.36	42



(SHOWN WITHOUT SIDES)





Rear View



HVACS Connector



Gasket



Chimney up and down positions



Front View
(purchase blanking panels separately)



Air Deflector



PROLINE SERVER CABINET



- Fully perforated top cover with two cable entry ports for easy access and service
- Mounting channels (6) provide infinite front-to-back adjustment of rack angles
- Rack angles are coated with black polyester powder paint
- Meets industry testing standards criteria
- Mounting hardware (20 each of screws and cage nuts) is included

SPECIFICATIONS

- 16 or 14 gauge steel doors, sides and cover
- Fully welded 12 gauge steel frame
- L-shaped rack angles (4) have square holes with EIA 310-D spacing
- Anti-tip angle made of heavy-gauge steel included

FINISH

Pretreated steel coated with RAL 7035 light-gray or RAL 9005 black textured, low-gloss polyester powder paint. Other finishes available—contact Hoffman Customer Service.

LOAD RATING

Static Load Rating: 2500 lb. (1134 kg)

A cabinet has a static load when:

- it is in its final, permanent, fully secured location
- its levelers are fully extended
- the anti-tip bracket is installed
- its load is uniformly applied to the two sets of rack-mounting angles, and
- the casters are not supporting any load (use the casters only to move the cabinet to its final location before loading)

Never move a cabinet with its maximum static load applied.

Contact Hoffman if further information is needed.

Casters Maximum Load: 1000 lb. (453 kg)

Exercise care when using casters to move the cabinet. Do not use casters to move a cabinet with more than 1000 lb. (453 kg) load.

Avoid tipping and damage to the cabinet and its contents by slowly moving the cabinet on its casters across smooth, flat flooring. Avoid obstructions such as:

- large cracks
- floor displacement
- seams
- gravel

Never use casters while transporting a cabinet by truck on roadways.

Contact Hoffman if further information is needed.

BULLETIN: DPSR

INDUSTRY STANDARDS

EIA 310-D

APPLICATION

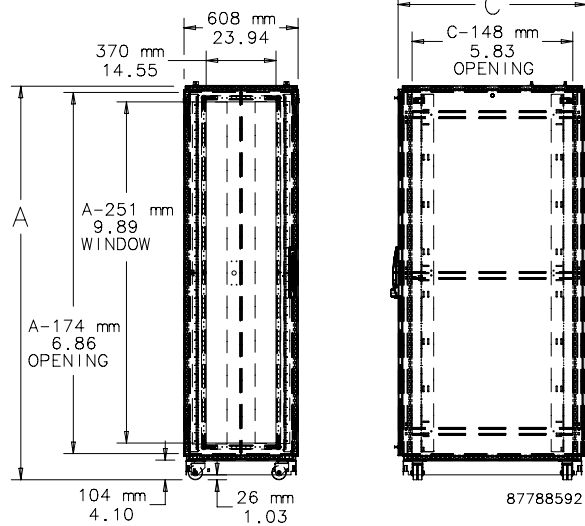
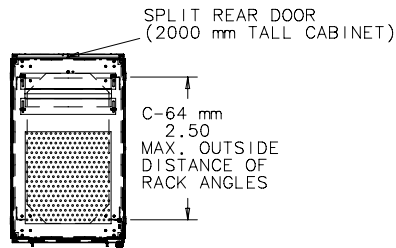
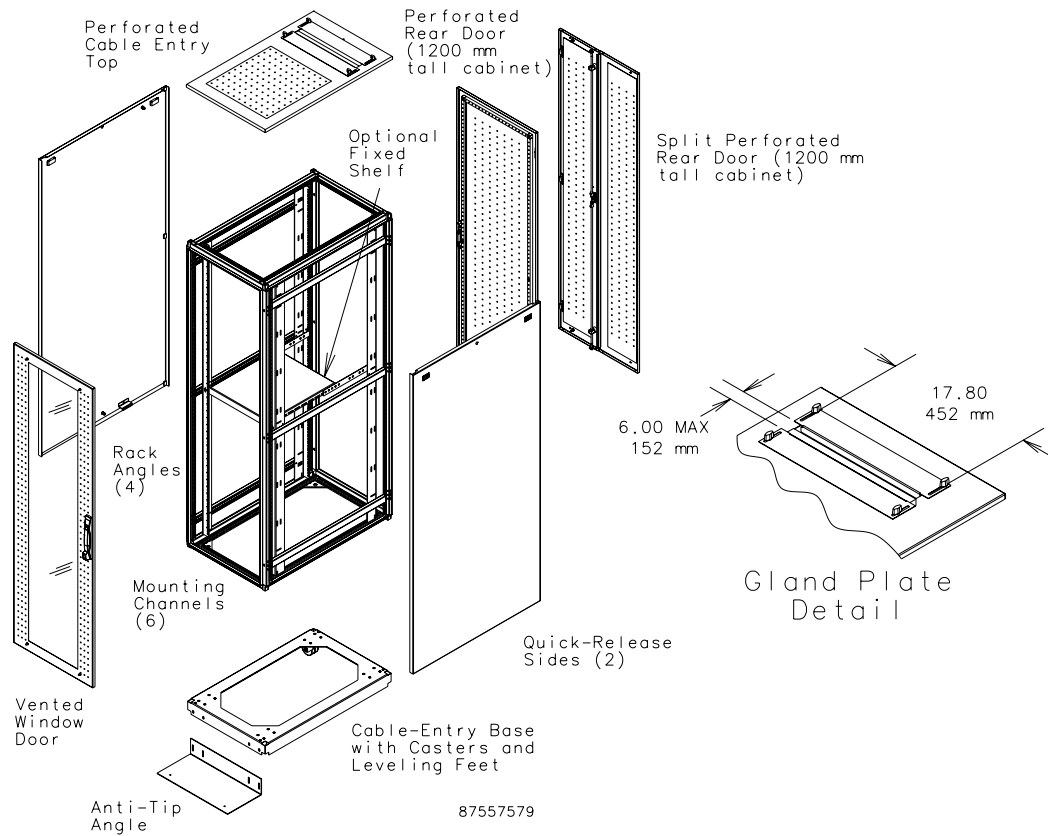
The passively cooled PROLINE Server Cabinet has a front viewing window and a wheeled base for application mobility and repositioning.

FEATURES

- Front window door with key lock and vents offers visibility and ventilation
- Open base with casters and levelers
- Fully perforated rear door provides excellent ventilation, keeping equipment cool and extending its life
- 2000-mm tall cabinets have split rear perforated doors
- Both front and rear doors have lockable handles
- Quick-release latches on side panels provide easy service access

Standard Product

Catalog Number	AxBxC mm/in.	Finish	Rack Units	Additional Rack Angles
PSC1269B	1285 x 608 x 899 50.59 x 23.94 x 35.40	Black RAL 9005	24	PRA1912THL1
PSC1269	1285 x 608 x 899 50.59 x 23.94 x 35.40	Light-Gray RAL 7035	24	PRA1912THL1
PSC12610B	1285 x 608 x 999 50.59 x 23.94 x 39.34	Black RAL 9005	24	PRA1912THL1
PSC12610	1285 x 608 x 999 50.59 x 23.94 x 39.34	Light-Gray RAL 7035	24	PRA1912THL1
PSC2069B	2085 x 608 x 899 82.08 x 23.94 x 35.40	Black RAL 9005	42	PRA1920THL1
PSC2069	2085 x 608 x 899 82.08 x 23.94 x 35.40	Light-Gray RAL 7035	42	PRA1920THL1
PSC20610B	2085 x 608 x 999 82.08 x 23.94 x 39.34	Black RAL 9005	42	PRA1920THL1
PSC20610	2085 x 608 x 999 82.08 x 23.94 x 39.34	Light-Gray RAL 7035	42	PRA1920THL1
PSC20611B	2085 x 608 x 1099 82.08 x 23.94 x 43.28	Black RAL 9005	42	PRA1920THL1
PSC20611	2085 x 608 x 1099 82.08 x 23.94 x 43.28	Light-Gray RAL 7035	42	PRA1920THL1
PSC20612B	2085 x 608 x 1199 82.08 x 23.94 x 47.22	Black RAL 9005	42	PRA1920THL1
PSC20612	2085 x 608 x 1199 82.08 x 23.94 x 47.22	Light-Gray RAL 7035	42	PRA1920THL1



PROLINE CONNECTEK COMMUNICATIONS (PATCH) CABINET


- Cable managers included with 700-mm wide cabinet: Front - PVF207; Rear - PRBTD205
- Cable managers included with 800-mm wide cabinet: Front - PVF208; Rear - PRBTD2010
- Models without sides fit together quickly for easy installation in ganged applications; can be ganged with server cabinets or with additional Hoffman patch cabinets
- Three-point locking pushbutton swing handle on front door provides easy but controlled access. Two keys included.
- Rear doors are split for easy access and include 3-point, low-profile, locking swing handle
- Two sets of tapped 19-in. rack angles support both front and rear of equipment
- Rack angles are infinitely adjustable from front to rear for positioning flexibility
- Large gland plate in top allows easy routing of cable, pre-terminated cables and patch panels
- Twenty 10-32 screws are included

APPLICATION

The PROLINE CONNECTEK Network Communication/Patch Cabinets feature two vertical cable managers in the front of the cabinet and two rear cable managers for maximum cable routing and support. Cabinets are available in two widths to accommodate high-density cables, patch cords and networking equipment.

FEATURES

- Rigid front door made of aluminum extrusions and formed perforated steel offers highly attractive appearance and durability
- Fully perforated top, front door and rear doors allow maximum air movement around cables, patch panels and other network equipment; conforms to server manufacturer open space requirements
- Includes front cable manager with covers and rear open cable managers to support and route cable. See Cable/Power Management for cable manager specifications.

SPECIFICATIONS

- 16 or 14 gauge steel doors, sides and cover
- Welded 12 gauge steel frame
- Rack angles have tapped holes with EIA 310-D spacing
- Open bottom with integral bolt-down brackets

FINISH

Pretreated steel coated with RAL 9005 black textured, low gloss polyester powder paint. Other finishes available - contact Hoffman Customer Service.

LOAD RATING
Static Load Rating: 2500 lb. (1134 kg)

A cabinet has a static load when:

- it is in its final, permanent, fully secured location, and
- its load is uniformly applied to the two sets of rack-mounting angles

Never move a cabinet with its maximum static load applied.

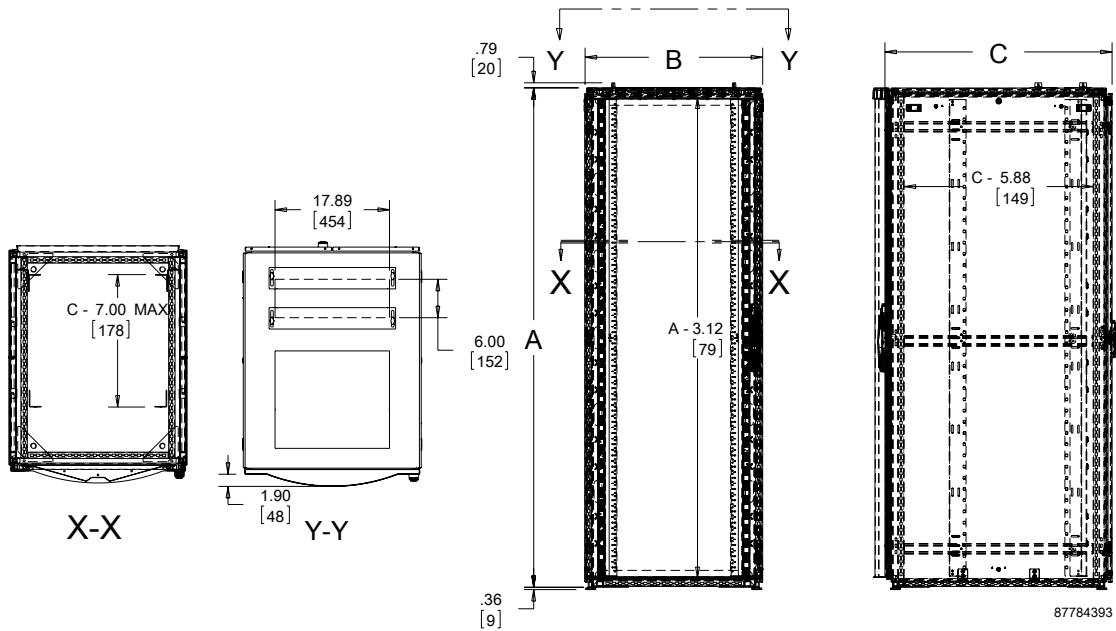
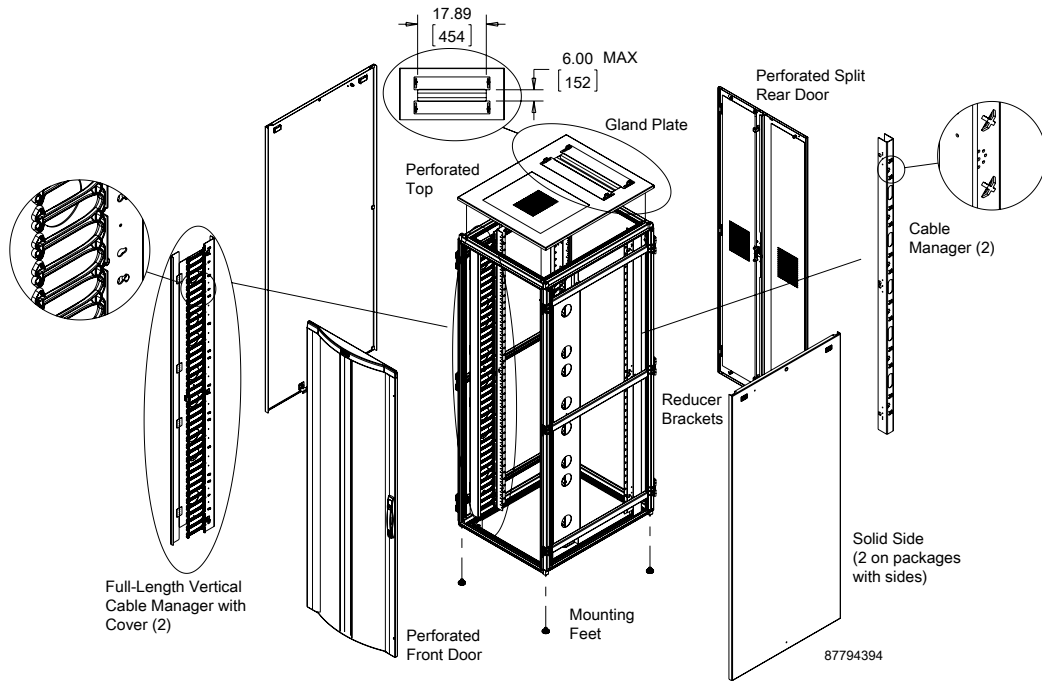
Contact Hoffman if further information is needed.

BULLETIN: DPVD
Standard Product

Catalog Number	AxBxC mm	AxBxC in.	Sides	Rack Units	Additional Tapped Hole Rack Angle	Additional Square Hole Rack Angle
PNC2079B	1991 x 708 x 899	78.37 x 27.85 x 35.40	With sides	42	PRA1920TPL1	PRA1920THL1
PNC2079BNS	1991 x 699 x 899	78.37 x 27.52 x 35.40	Without sides	42	PRA1920TPL1	PRA1920THL1
PNC20710B	1991 x 708 x 999	78.37 x 27.85 x 39.34	With sides	42	PRA1920TPL1	PRA1920THL1
PNC20710BNS	1991 x 699 x 999	78.37 x 27.52 x 39.34	Without sides	42	PRA1920TPL1	PRA1920THL1
PNC20711B	1991 x 708 x 1099	78.37 x 27.85 x 43.28	With sides	42	PRA1920TPL1	PRA1920THL1
PNC20711BNS	1991 x 699 x 1099	78.37 x 27.52 x 43.28	Without sides	42	PRA1920TPL1	PRA1920THL1
PNC20712B	1991 x 708 x 1199	78.37 x 27.85 x 47.22	With sides	42	PRA1920TPL1	PRA1920THL1
PNC20712BNS	1991 x 699 x 1199	78.37 x 27.52 x 47.22	Without sides	42	PRA1920TPL1	PRA1920THL1
PNC2089B	1991 x 808 x 899	78.37 x 31.80 x 34.40	With sides	42	PRA1920TPL1	PRA1920THL1
PNC2089BNS	1991 x 799 x 899	78.37 x 31.46 x 35.40	Without sides	42	PRA1920TPL1	PRA1920THL1
PNC20810B	1991 x 808 x 999	78.37 x 31.80 x 39.34	With sides	42	PRA1920TPL1	PRA1920THL1
PNC20810BNS	1991 x 799 x 999	78.37 x 31.46 x 39.34	Without sides	42	PRA1920TPL1	PRA1920THL1
PNC20811B	1991 x 808 x 1099	78.37 x 31.80 x 43.28	With sides	42	PRA1920TPL1	PRA1920THL1
PNC20811BNS	1991 x 799 x 1099	78.37 x 31.46 x 43.28	Without sides	42	PRA1920TPL1	PRA1920THL1
PNC20812B	1991 x 808 x 1199	78.37 x 31.80 x 47.22	With sides	42	PRA1920TPL1	PRA1920THL1
PNC20812BNS	1991 x 799 x 1199	78.37 x 31.46 x 47.22	Without sides	42	PRA1920TPL1	PRA1920THL1
PNC2189B	2161 x 806 x 899	85.08 x 31.74 x 35.39	With sides	45	PRA1921TPL1	PRA1921THL1
PNC21810B	2161 x 806 x 999	85.08 x 31.74 x 39.33	With sides	45	PRA1921TPL1	PRA1921THL1
PNC21811B	2161 x 806 x 1099	85.08 x 31.74 x 43.27	With sides	45	PRA1921TPL1	PRA1921THL1
PNC21812B	2161 x 806 x 1199	85.08 x 31.74 x 47.20	With sides	45	PRA1921TPL1	PRA1921THL1
PNC2489B	2411 x 806 x 899	94.92 x 31.74 x 35.39	With sides	51	PRA1924TPL1	PRA1924THL1
PNC24810B	2411 x 806 x 999	94.92 x 31.74 x 39.33	With sides	51	PRA1924TPL1	PRA1924THL1
PNC24811B	2411 x 806 x 1099	94.92 x 31.74 x 43.27	With sides	51	PRA1924TPL1	PRA1924THL1
PNC24812B	2411 x 806 x 1199	94.92 x 31.74 x 47.20	With sides	51	PRA1924TPL1	PRA1924THL1

Cable Fill Rate for Front Vertical Cable Manager-Each Side @ 60% Fill

Cabinet Width	Cross Section Area	5E (.22-in. Diameter)	6 (.25-in. Diameter)	6A (.30-in. Diameter)
700 mm	17.24 in. ²	272	210	146
800 mm	34.48 in. ²	544	421	293



PROLINE NETWORK SWITCH CABINET



INDUSTRY STANDARDS

EIA 310-D

APPLICATION

PROLINE Network Switch cabinet is a pre-engineered solution for the thermal and cable management needs of large network core switches. It is designed to meet Cisco 6509, 6513, 7009 and 7018 Series network switch requirements in server rooms with a hot aisle/cold aisle cabinet layout. (For other Cisco switch models, contact Hoffman for cabinet applications.) Cabinet provides for both patch cords and permanent link cables with support from vertical to horizontal transitions.

FEATURES

- Meets all CISCO 6509, 6513, 7009 and 7018 Series network switch installation and operational requirements
- Integrated right-to-left airflow ducting ensures core switch is supplied with air from cold aisle
- Front door has keyed multi-point vault-style latch system and central key lock to ensure security
- Split overlapping rear doors provide quick access to equipment without blocking aisles (7009 and 7018 Series have split front and rear doors)

- Front vertical cable manager has integral hinged doors to house, protect and provide attractive appearance
- Front cable manager uses arrowhead support fingers to support and ensure proper bend radius, provide increased cable capacity and facilitate assembly
- Available standard with sides or without for use in ganged applications
- Top-mount sliding gland plate provides large opening for cables, pre-terminated cable bundles and patch panels
- Open base allows under floor cable entry
- Network core switch shelf located at bottom of cabinet (2 RU on 65089/6513 Series; 0 RU on 7018 Series)

6509 and 6513 Series only:

- Attractive, rigid front door made of aluminum extrusions and formed perforated steel, with more than 70 percent open space for free flow of cool air to equipment
- Rear upper-mounted 4 RU equipment mounting angles provide for PDUs, fiber-to-copper transition, splitter equipment and other 19-in. rack-mounted equipment
- Rear horizontal and vertical cable management provide support and transition of permanent link cables

SPECIFICATIONS

- Switch shelf is included with cabinet
- Front set of 19-in. mounting rails are tapped (10-32) per EIA standards
- Top and sides are formed steel
- Sides secured with fasteners

FINISH

RAL 9005 black textured, low-gloss polyester powder paint over pretreated steel.

LOAD RATING

6509 and 6513 Series switch shelf static load rating 500 lb. (227 kg).

7009 and 7018 Series switch shelf static load rating 1000 lb. (454 kg).

Static Load Rating: 2500 lb. (1134 kg)

A cabinet has a static load when:

- it is in its final, permanent, fully secured location, and
- its load is uniformly applied to the two sets of rack-mounting angles

Never move a cabinet with its maximum static load applied.

Contact Hoffman if further information is needed.

BULLETIN: DPVD

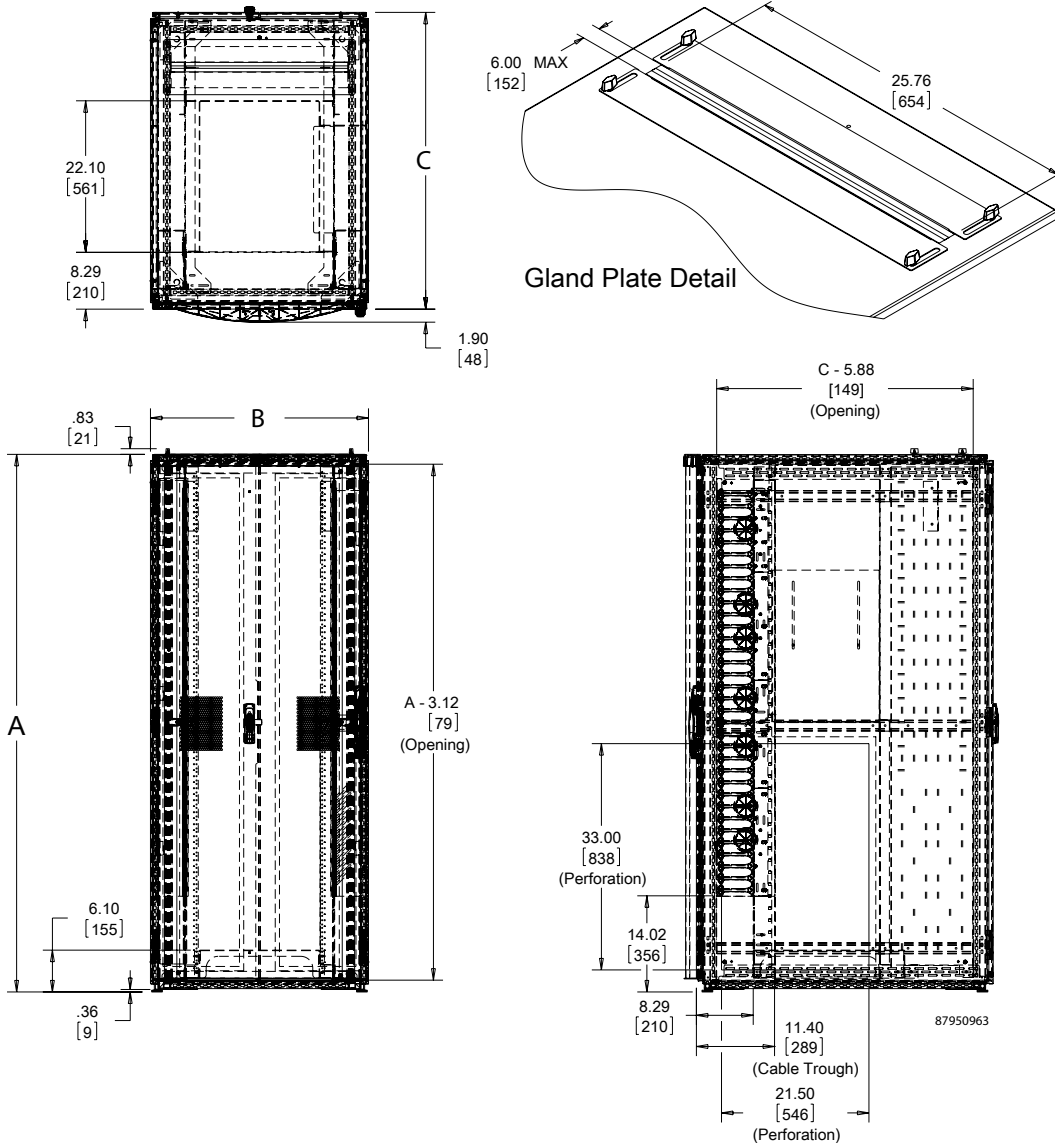
Standard Product **6509** and **6513** Series

Catalog Number	AxBxC mm	AxBxC in.	Description
PNS20810B	1991 x 808 x 999	78.37 x 31.80 x 39.34	Switch Cabinet
PNS20810BNS	1991 x 799 x 999	78.37 x 31.46 x 39.34	Switch Cabinet, no sides
PNS20811B	1991 x 808 x 1099	78.37 x 31.80 x 43.28	Switch Cabinet
PNS20811BNS	1991 x 799 x 1099	78.37 x 31.46 x 43.28	Switch Cabinet, no sides
PNS20812B	1991 x 808 x 1199	78.37 x 31.80 x 47.22	Switch Cabinet
PNS20812BNS	1991 x 799 x 1199	78.37 x 31.46 x 47.22	Switch Cabinet, no sides
PNS21810B	2161 x 806 x 999	85.08 x 31.74 x 39.33	Switch Cabinet
PNS21811B	2161 x 806 x 1099	85.08 x 31.74 x 43.27	Switch Cabinet
PNS21812B	2161 x 806 x 1199	85.08 x 31.74 x 47.20	Switch Cabinet
PNS24810B	2411 x 806 x 999	94.92 x 31.74 x 39.33	Switch Cabinet
PNS24811B	2411 x 806 x 1099	94.92 x 31.74 x 43.27	Switch Cabinet
PNS24812B	2411 x 806 x 1199	94.92 x 31.74 x 47.20	Switch Cabinet

Cable Fill Rate for Front Vertical Cable Manager-Each Side @ 60% Fill (6509 and 6513 Series)

Cabinet Width	Cross Section Area	5E .22-in. Diameter	6 .25-in. Diameter	6A .30-in. Diameter
800 mm	34.48 in. ²	631	488	339

6509/6513 Series



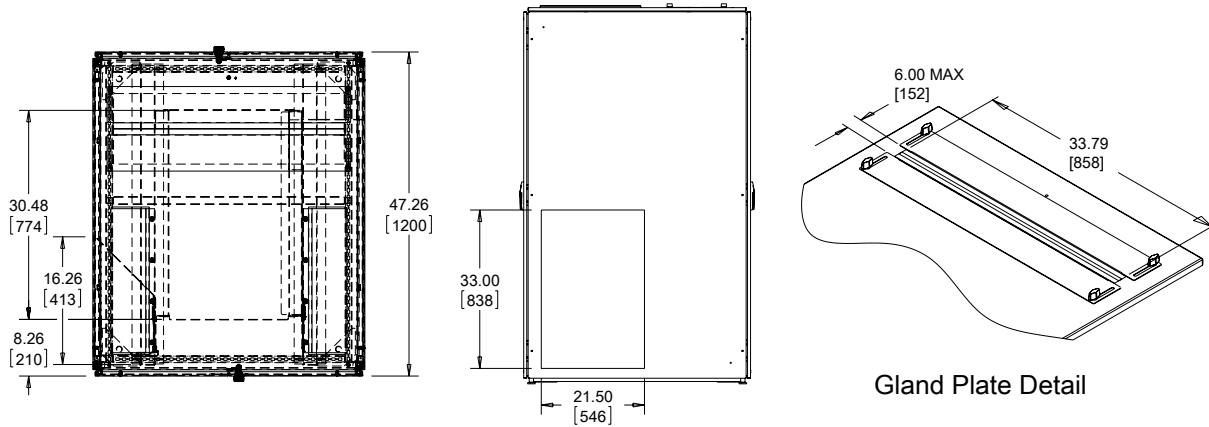
Standard Product 7009 and 7018 Series

Catalog Number	mm	in.	Description
PNS201012B	1991 x 1008 x 1199	78.39 x 39.69 x 47.20	Switch Cabinet
PNS201012BNS	1991 x 999 x 1199	78.39 x 39.33 x 47.20	Switch Cabinet, no sides
PNS211012B	2161 x 1006 x 1199	85.08 x 39.62 x 47.20	Switch Cabinet
PNS241012B	2411 x 1006 x 1199	94.92 x 39.62 x 47.20	Switch Cabinet

Cable Fill Rate for Front Vertical Cable Manager-Each Side @ 60% Fill (7009 and 7018 Series)

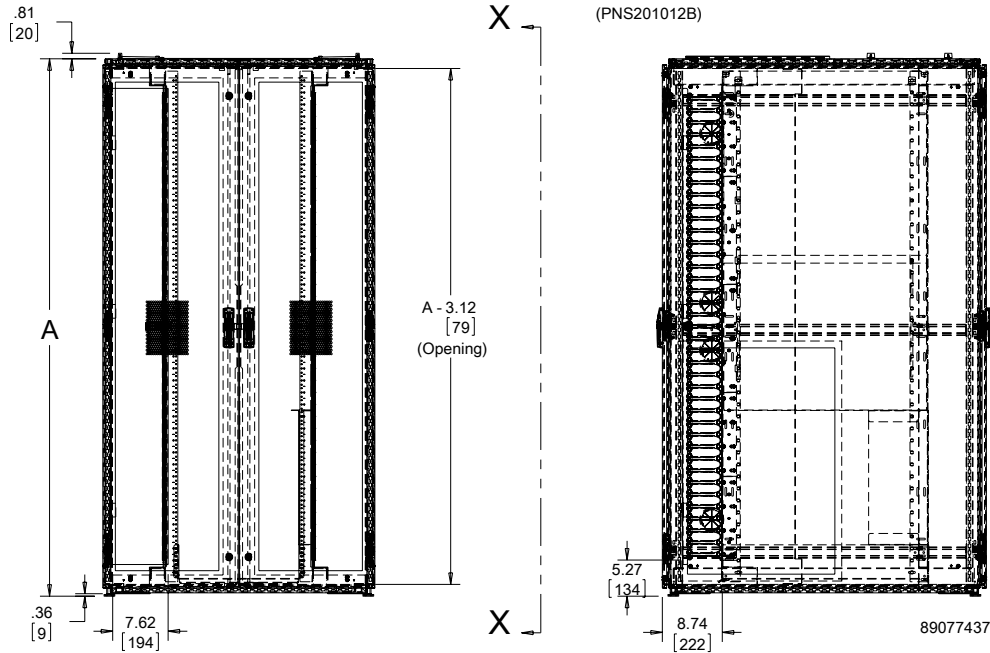
Cabinet Width	Cross Section Area	5E .22-in. Diameter	6 .25-in. Diameter	6A .30-in. Diameter
1000 mm	34.48 in. ²	1736	1344	933

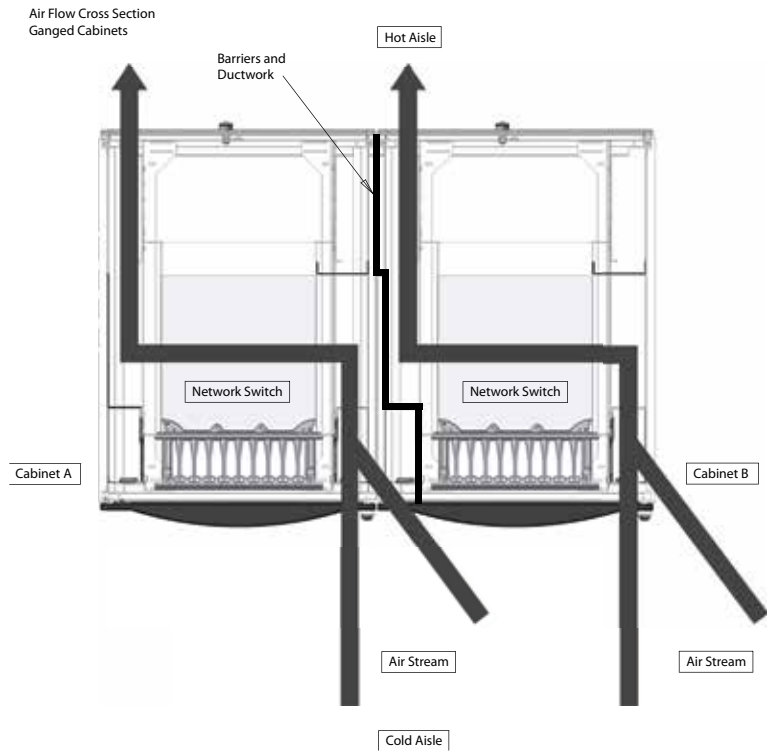
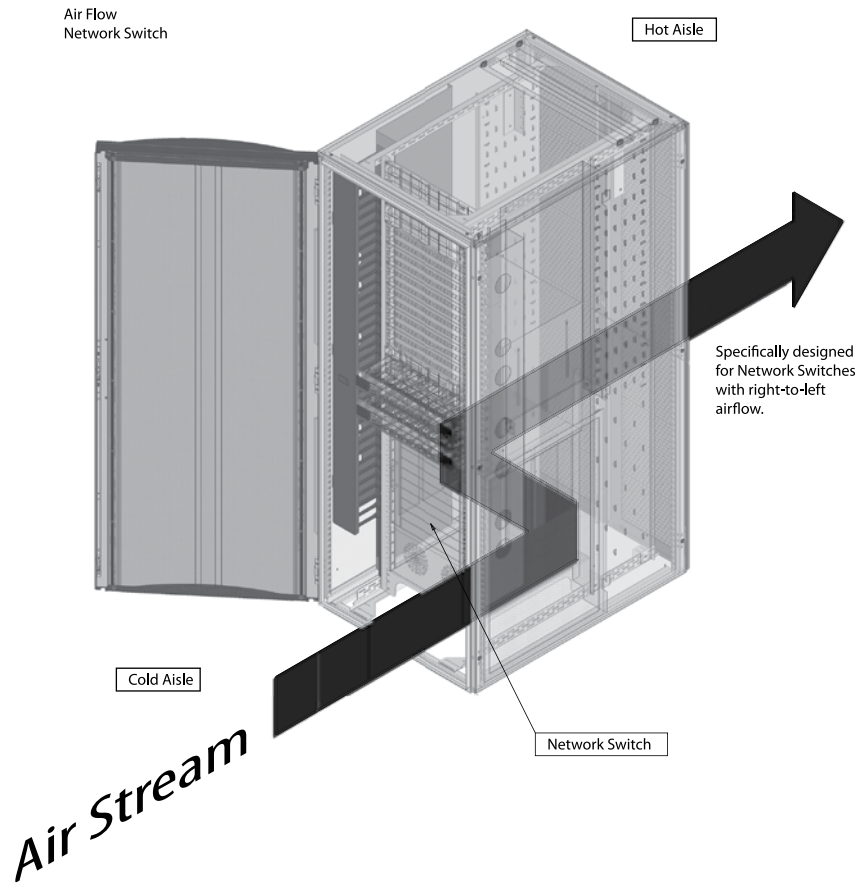
7009/7018 Series



Gland Plate Detail

X-X
(PNS201012B)





6509 and 6513 Series

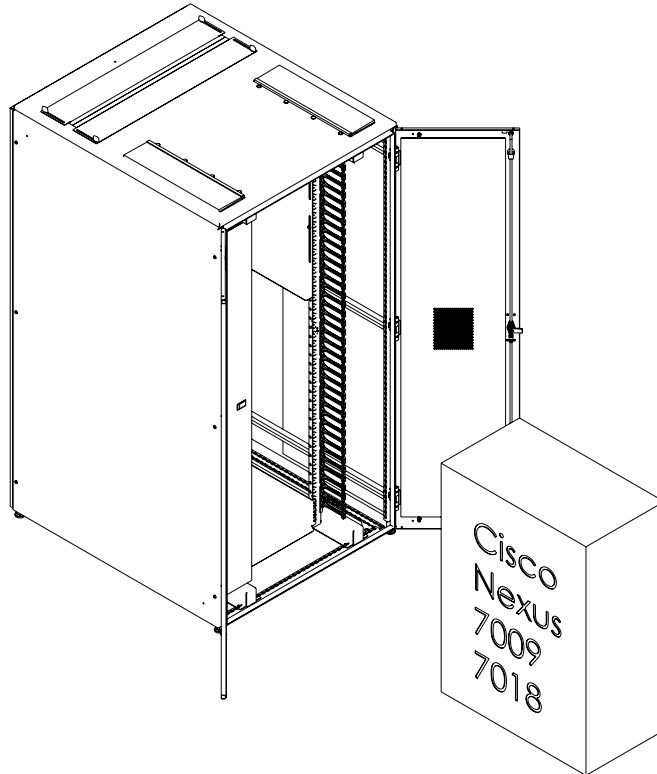
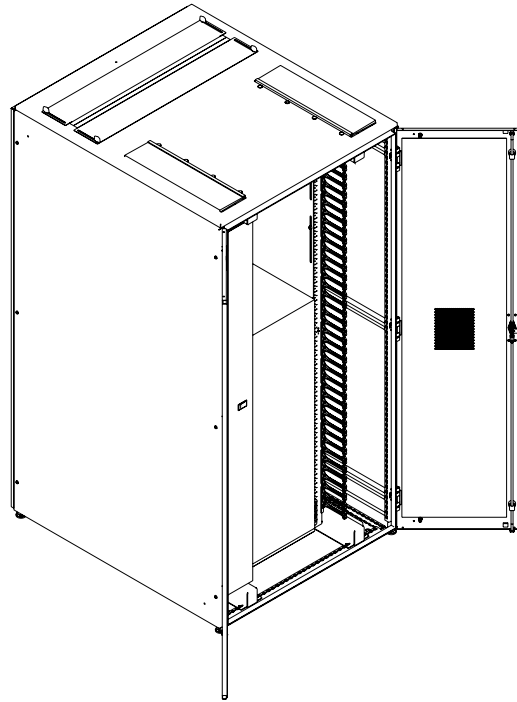
Front View



Rear View



7009/7018 Series



89078595

PROLINE VOICE/DATA AND SERVER CABINET, TYPE 12



SPECIFICATIONS

- Welded 12 gauge steel frame with integral struts
- Front window door made of 16 or 14 gauge steel with safety glass window
- Solid 16 or 14 gauge steel back door
- Standard package has solid 16 or 14 gauge steel sides
- AC package has cutout for easy in-the-field installation of any CR29 Series Air Conditioner (ordered and shipped separately)
- Models available with EIA Universal standard 3/8-in. square or 10-32 tapped holes
- Mobile base includes casters, levelers and gland plate
- Gland plate allows easy routing of cable

FINISH

Pretreated steel coated with RAL 9005 black or RAL 7035 light-gray textured, low-gloss polyester powder paint. Other finishes available—contact Hoffman Customer Service.

LOAD RATING

Static Load Rating: 2500 lb. (1134 kg)

A cabinet has a static load when:

- it is in its final, permanent, fully secured location
- its levelers are fully extended
- the anti-tip bracket is installed
- its load is uniformly applied to the two sets of rack-mounting angles, and
- the casters are not supporting any load (use the casters only to move the cabinet to its final location before loading)

Never move a cabinet with its maximum static load applied.

Contact Hoffman if further information is needed.

Casters Maximum Load: 1000 lb. (453 kg)

Exercise care when using casters to move the cabinet. Do not use casters to move a cabinet with more than 1000 lb. (453 kg) load.

Avoid tipping and damage to the cabinet and its contents by slowly moving the cabinet on its casters across smooth, flat flooring. Avoid obstructions such as:

- large cracks
- floor displacement
- seams
- gravel

Never use casters while transporting a cabinet by truck on roadways.

Contact Hoffman if further information is needed.

ACCESSORIES

See the Package Components table and, for AC-Ready Cabinet, CR29 air conditioner specifications in the Thermal chapter. Air conditioner must be ordered and shipped separately. It cannot be factory installed.

BULLETIN: DPC, DPSR

INDUSTRY STANDARDS

EIA RS-310-D

UL 508A Listed; Type 12; File Number E61997
cUL Listed per CSA C22.2 No 94; Type 12; File Number E61997

NEMA/EEMAC, Type 12

APPLICATION

Robustly built and sealed for use in wet, dusty or hot environments, PROLINE Type 12 Cabinets have optional cutouts to air condition voice/data equipment and servers.

FEATURES

- Three-point locking handles on all doors provide easy but controlled access; two keys included
- Fully welded frame safely supports sensitive equipment
- Fully gasketed to keep contaminants away from equipment, reducing maintenance costs
- Two sets of 19-in. rack angles support both front and rear of equipment
- Rack angles are infinitely adjustable from front to rear for positioning flexibility
- Mobile base provides easy placement of cabinet
- Levelers and anti-tip bracket secure cabinet to the floor

Standard Product

Catalog Number	AxBxC mm	AxBxC in.	Cabinet, Package Type	Finish	Rack Units	Hole Type	Rack Angle
PDCP2078B12	2085 x 708 x 799	82.10 x 27.87 x 31.46	Voice Data, Standard	DataCom Black	42	Tapped	PRA1920TPL1
PDCP2078G12	2085 x 708 x 799	82.10 x 27.87 x 31.46	Voice Data, Standard	PROLINE Gray	42	Tapped	PRA1920TPL1
PSC20610B12	2085 x 608 x 999	82.10 x 23.94 x 39.34	Server, Standard	DataCom Black	42	Square	PRA1920THL1
PSC20610G12	2085 x 608 x 999	82.10 x 23.94 x 39.34	Server, Standard	PROLINE Gray	42	Square	PRA1920THL1
PDCP2078BAC	2085 x 708 x 799	82.10 x 27.87 x 31.46	Voice Data, AC Ready	DataCom Black	42	Tapped	PRA1920TPL1
PDCP2078GAC	2085 x 708 x 799	82.10 x 27.87 x 31.46	Voice Data, AC Ready	PROLINE Gray	42	Tapped	PRA1920TPL1
PSC20610BAC	2085 x 608 x 999	82.10 x 23.94 x 39.34	Server, AC Ready	DataCom Black	42	Square	PRA1920THL1
PSC20610GAC	2085 x 608 x 999	82.10 x 23.94 x 39.34	Server, AC Ready	PROLINE Gray	42	Square	PRA1920THL1

AC Ready PROLINE Cabinet

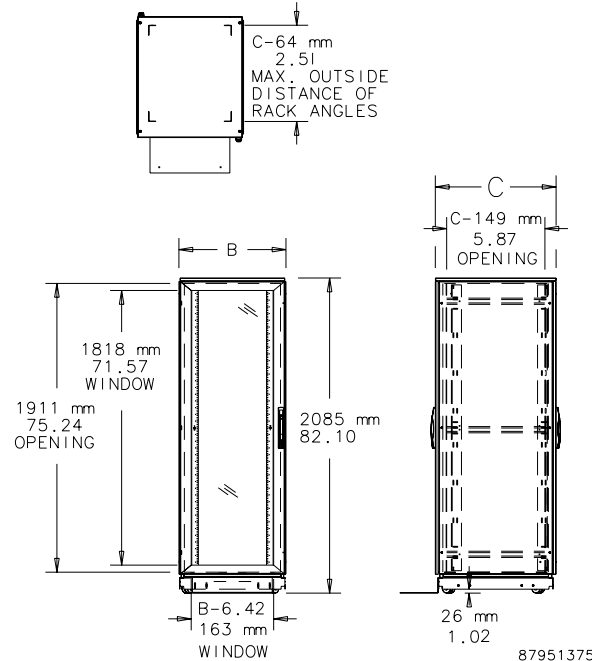
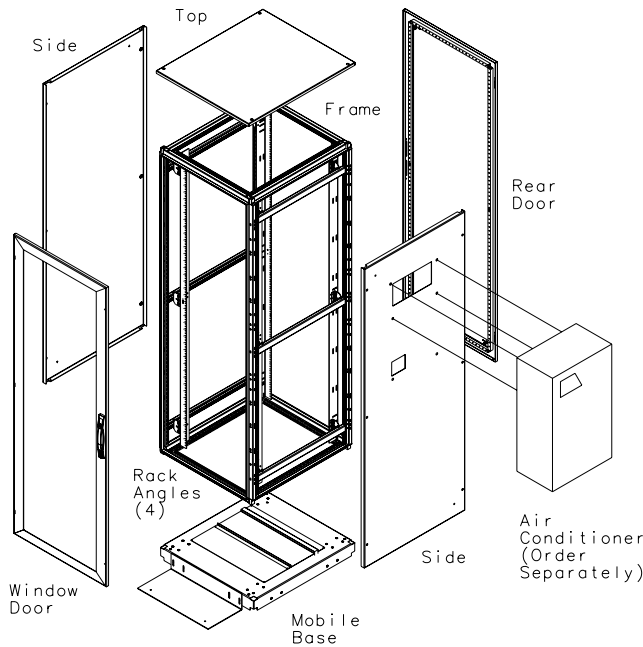
	BTUs	Watts
AC-Ready PROLINE Cabinet	2200/4000	650/1172

For other AC sizes, contact Hoffman.

See Air Conditioner Sizing and CR Mid-Size Air Conditioners for details.

Package Components and Replacement Parts

Catalog Number	mm	in.	Description	Finish
PFD2078B	2000 x 700 x 800	78.70 x 27.60 x 31.50	Frame	Black
PFD2078G	2000 x 700 x 800	78.70 x 27.60 x 31.50	Frame	Gray
PFD20610B	2000 x 600 x 1000	78.70 x 23.60 x 39.40	Frame	Black
PFD20610G	2000 x 600 x 1000	78.70 x 23.60 x 39.40	Frame	Gray
PDWG206B	2000 x 600	78.70 x 23.60	Window Doors	Black
PDWG206G	2000 x 600	78.70 x 23.60	Window Doors	Gray
PDWG207B	2000 x 700	78.70 x 27.60	Window Doors	Black
PDWG207G	2000 x 700	78.70 x 27.60	Window Doors </td <td>Gray</td>	Gray
PDS206B	2000 x 600	78.70 x 23.60	Solid Doors	Black
PDS206G	2000 x 600	78.70 x 23.60	Solid Doors	Gray
PDS207B	2000 x 700	78.70 x 27.60	Solid Doors	Black
PDS207G	2000 x 700	78.70 x 27.60	Solid Doors	Gray
PSS208B	2000 x 800	78.74 x 31.50	Solid Sides	Black
PSS208G	2000 x 800	78.74 x 31.50	Solid Sides	Gray
PSS2010B	2000 x 1000	78.74 x 39.37	Solid Sides	Black
PSS2010G	2000 x 1000	78.74 x 39.37	Solid Sides	Gray
PSS208ACB	2000 x 800	78.74 x 31.50	Sides with AC Cutout	Black
PSS208ACG	2000 x 800	78.74 x 31.50	Sides with AC Cutout	Gray
PSS2010ACB	2000 x 1000	78.74 x 39.37	Sides with AC Cutout	Black
PSS2010ACG	2000 x 1000	78.74 x 39.37	Sides with AC Cutout	Gray
PT78B	700 x 800	27.56 x 31.50	Top	Black
PT78G	700 x 800	27.56 x 31.50	Top	Gray
PT610B	600 x 1000	23.62 x 39.37	Top	Black
PT610G	600 x 1000	23.62 x 39.37	Top	Gray
PBMG78B	700 x 800	27.60 x 31.50	Mobile Base	Black
PBMG610B	600 x 1000	23.60 x 39.37	Mobile Base	Black



87951375

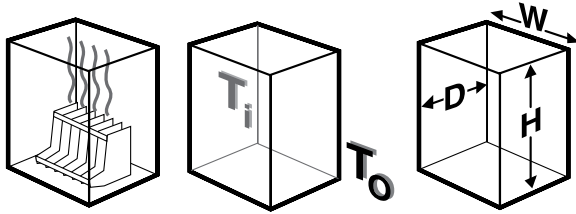
COOLING PRODUCT SELECTION APP



Prod. Select

Designed to assist you in determining the most suitable choices of air conditioners, heat exchangers or fans for your application. Download a free copy of our selection software by visiting <http://coolingtool.pentairprotect.com/index.html>

AIR CONDITIONER SIZING



Air conditioners are appropriate for applications in which:

- The temperature inside the enclosure must be maintained at or below ambient temperature.
- Humidity must be removed from the enclosure.
- Ambient air contaminants must be kept out of the enclosure.

The following air conditioner sizing procedure applies to uninsulated, sealed and gasketed enclosures in indoor locations.

Step 1. Determine the internal heat load in watts (W)

Add the maximum heat output specifications for all equipment to be installed in cabinet.

Conversion: 1 W = 3.413 BTU/hr.

Step 2. Determine the desired temperature difference (ΔT) between the ambient temperature and the temperature inside the cabinet

Subtract the desired maximum temperature inside the cabinet (T_i) from the maximum expected temperature (T_o) outside the cabinet.

$$T_o - T_i = \Delta T$$

Conversion: 1 K or C ΔT = 1.8 F ΔT

Step 3. Determine the exposed surface area of the cabinet in square feet.

Use the following formula to determine area when H, W and D are the cabinet dimensions in inches.

$$2[(H \times W) + (H \times D)] + (W \times D) \div 144 = \text{Area (ft.}^2\text{)}$$

Conversion: If dimensions are in millimeters, substitute 1,000,000 for 144. Then multiply the result by 10.76 to convert from m^2 to ft.^2

Step 4. Determine the air conditioner capacity required

Use the following formula:

$$(\text{Watts} \times 3.413) + [(1.25 \times \text{Area in ft.}^2) \times \Delta T \text{ in F}] = \text{BTU/hr.}$$

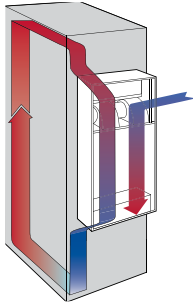
Required air conditioner capacity in BTU/hr.

Use this formula to determine the required cooling capacity needed to maintain the desired operating temperature for your enclosure. This selection procedure applies to uninsulated, sealed, gasketed enclosures in indoor locations.

All industrial air conditioners are rated at their maximum operating point. Operating an air conditioner at temperatures below maximum conditions will result in reduced cooling capacity. In other words, operating 95 F ambient and 95 F enclosure temperature results in a 10 percent to 20 percent reduction in the rated capacity.

Full cooling capacity is probably not necessary at lower ambient temperatures.

CR MID-SIZE AIR CONDITIONERS



WARNING

Secure cabinet to the floor prior to installing air conditioner.
 Otherwise, the cabinet will tip over when air conditioner is installed.

INDUSTRY STANDARDS

UL/cUL Listed; File No. SA6453

CE
 Maintains UL/cUL Type 12 rating when properly installed on a UL/cUL Type 12 rated enclosure.

APPLICATION

These air conditioners fit in the AC cutout provided in the AC-ready Voice/Data and Server Cabinet Packages. The air conditioners are shipped separately and cannot be factory installed in the cabinets.

Closed Loop Cooling

Recirculated air inside the air conditioner is kept separate from the ambient airflow system. This protects the electronic controls and prevents shutdowns caused by heat, humidity, dust and other contaminants.

FEATURES

- Thermostat control and EMI/RFI noise suppressor included
- Closed-loop cooling separates clean, recirculated air from ambient airflow system
- Front cover hinges open for quick access to all components
- Filter can be inverted to double operating time between cleanings and/or filter replacement
- Filterless operation possible in many applications
- For a typical application, unique condensate management system evaporates moisture from enclosure
- High performance fans and blowers are ideal for densely packed enclosures
- All units use a universally accepted CFC-free or environmentally safe refrigerant
- Mounting hardware, gasket kit, mounting template and instruction manual furnished

FINISH

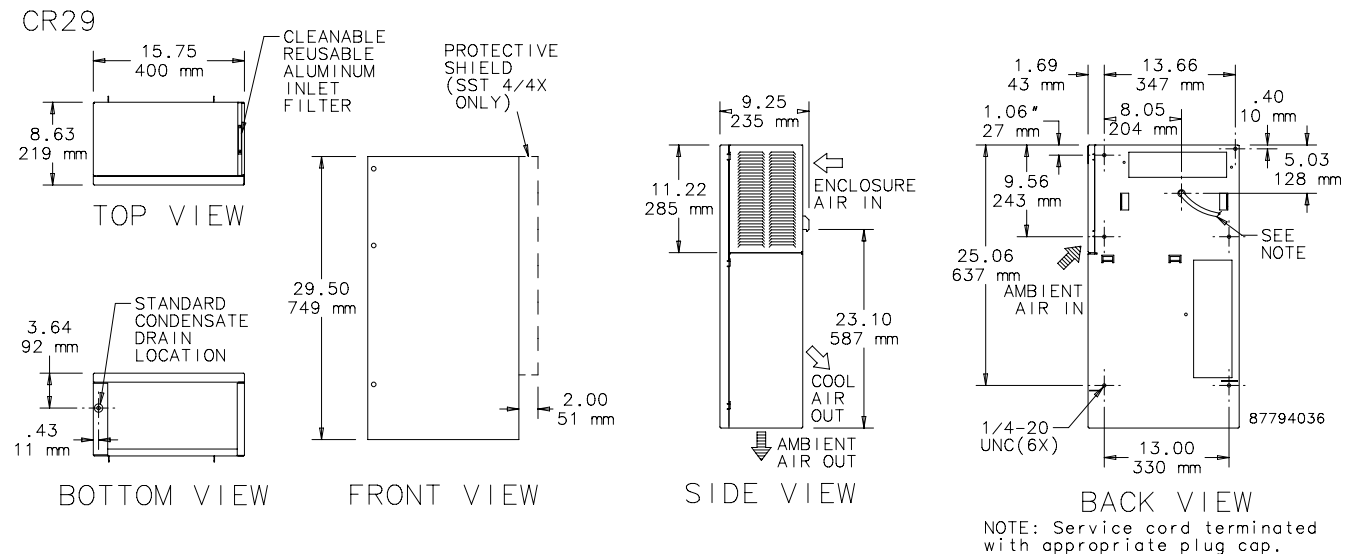
RAL 7035 light-gray polyester powder paint

BULLETIN: MCL

Standard Product

Catalog Number	AxBxC in./mm	Voltage	Hz	Phase	BTU/Hr. @ 131 F/131 F ^a	Amps @ 131 F/131 F	BTU/Hr. @ 95 F/95 F ^a	Amps @ 95 F/95 F	Max Amb. Temp. (F/C)	Ship Wt. (lb./kg)
CR290216G002	29.50 x 15.75 x 8.63 749 x 400 x 219	115	50/60	1	2000/2200	7.4/7.4	1700/2000	7.0/6.0	131/55	98/44
CR290226G002	29.50 x 15.75 x 8.63 749 x 400 x 219	230	50/60	1	2500/2700	4.6/3.9	1900/2300	4.4/3.3	131/55	98/44
CR290416G002	29.50 x 15.75 x 8.63 749 x 400 x 219	115	50/60	1	3500/4000	13.5/13.5	2400/2800	10.7/9.6	131/55	118/54
CR290426G002	29.50 x 15.75 x 8.63 749 x 400 x 219	230	50/60	1	3500/4000	6.7/6.6	2400/2800	5.9/5.3	131/55	118/54

^a Because air conditioners provide less cooling at lower operating temperatures, two cooling capacity ratings are provided.



PROLINE VOICE/DATA AND SERVER CABINETS WITH FAN AND FILTER PACKAGE, TYPE 1



FEATURES

- Three-point locking handles on all doors provide easy but controlled access; two keys included
- Fully welded frame safely supports sensitive equipment
- Gasketed covers and air intake filters keep contaminants away from equipment, reducing maintenance cost
- Two sets of 19-in. rack angles support both front and rear of equipment
- Rack angles are infinitely adjustable from front to rear for positioning flexibility
- Fan and filter package provides up to 600 CFM of filtered air to help keep equipment cool
- Removable filters can be cleaned to maintain optimal performance
- Mobile base provides easy placement of cabinet
- Levelers and anti-tip bracket secure cabinet to the floor

SPECIFICATIONS

- Welded 12 gauge steel frame with integral struts
- Front window door made of 16 or 14 gauge steel with safety glass window
- Solid 16 or 14 gauge steel back door
- Solid 16 or 14 gauge steel sides with factory-installed intake filters
- Pagoda top has 115 V fan with 6 ft. (1.8 m) cord. Fan capacity is 600 CFM (16.99 cubic meters/minute).
- Models available with EIA Universal standard 3/8-in. square or 10-32 tapped holes
- Mobile base includes casters, levelers and gland plate
- Gland plate allows easy routing of cable

FINISH

Pretreated steel coated with RAL 9005 black or RAL 7035 light gray textured, low-gloss polyester powder paint. Other finishes available—contact Hoffman Customer Service.

LOAD RATING

Static Load Rating: 2500 lb. (1134 kg)

A cabinet has a static load when:

- it is in its final, permanent, fully secured location
- its levelers are fully extended
- the anti-tip bracket is installed
- its load is uniformly applied to the two sets of rack-mounting angles, and
- the casters are not supporting any load (use the casters only to move the cabinet to its final location before loading)

Never move a cabinet with its maximum static load applied.

Contact Hoffman if further information is needed.

Casters Maximum Load: 1000 lb. (453 kg)

Exercise care when using casters to move the cabinet. Do not use casters to move a cabinet with more than 1000 lb. (453 kg) load. Avoid tipping and damage to the cabinet and its contents by slowly moving the cabinet on its casters across smooth, flat flooring. Avoid obstructions such as:

- large cracks
- floor displacement
- seams
- gravel

Never use casters while transporting a cabinet by truck on roadways.

Contact Hoffman if further information is needed.

BULLETIN: DPC, DPSR

INDUSTRY STANDARDS

EIA RS-310-D

UL508A Listed; Type 1; File No. E61997
cUL Listed per CSA C22.2 No 94; Type 1; File No. E61997

APPLICATION

PROLINE Voice/Data Server Cabinets are ideal for factory floors, warehouses and other remote locations that require filtration of ambient air to protect network equipment.

THERMAL PERFORMANCE

The thermal performance table is based on:

- Clean intake filters
- Pagoda top fan running at 600 CFM (17 cubic meters/minute)
- Equipment spaced to allow airflow (reduces "hot spot" potential)

Actual performance may vary depending on equipment layout.

Standard Product

Catalog Number	AxBxC mm	AxBxC in.	Cabinet Type	Finish	Rack Units	Rack Angle	Hole Type
PDCP2078BFP	2203 x 708 x 799	86.74 x 27.87 x 31.46	Voice/Data	Black	42	PRA1920TPL1	Tapped
PDCP2078GFP	2203 x 708 x 799	86.74 x 27.87 x 31.46	Voice/Data	Light Gray	42	PRA1920TPL1	Tapped
PSC20610BFP	2203 x 608 x 999	86.74 x 23.94 x 39.34	Server	Black	42	PRA1920THL1	Square
PSC20610GFP	2203 x 608 x 999	86.74 x 23.94 x 39.34	Server	Light Gray	42	PRA1920THL1	Square

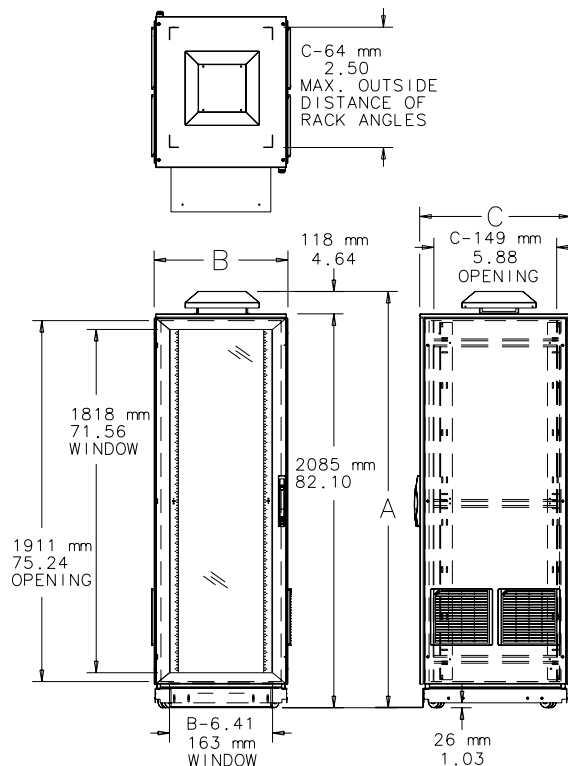
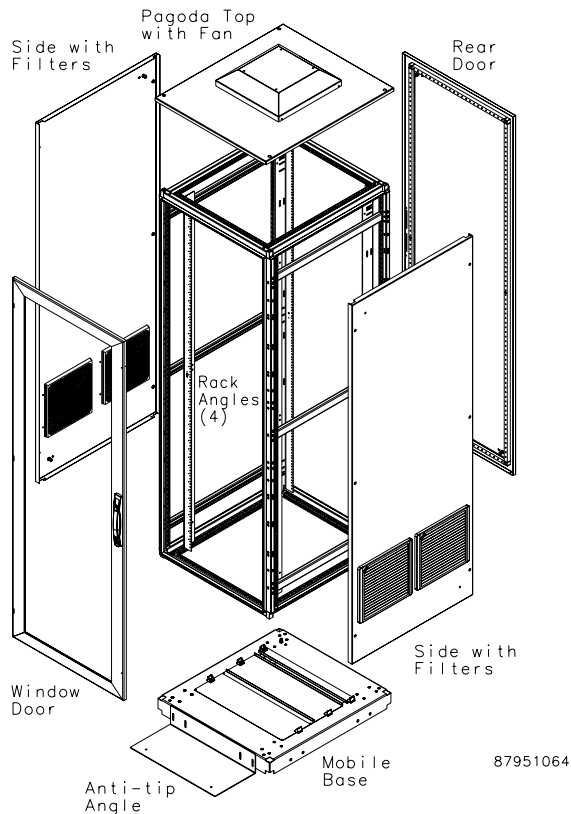
Replacement filters AFLTR10 (5 filters)

Package Components and Replacement Parts

Catalog Number	AxBxC mm	AxBxC in.	Description	Finish
PFD2078B	2000 x 700 x 800	78.70 x 27.60 x 31.50	Frame	Black
PFD2078G	2000 x 700 x 800	78.70 x 27.60 x 31.50	Frame	Gray
PFD20610B	2000 x 600 x 1000	78.70 x 23.60 x 39.40	Frame	Black
PFD20610G	2000 x 600 x 1000	78.70 x 23.60 x 39.40	Frame	Gray
PDWG206B	2000 x 600	78.70 x 23.60	Window Door	Black
PDWG206G	2000 x 600	78.70 x 23.60	Window Door	Gray
PDWG207B	2000 x 700	78.70 x 27.60	Window Door	Black
PDWG207G	2000 x 700	78.70 x 27.60	Window Door	Gray
PDS206B	2000 x 600	78.70 x 23.60	Solid Door	Black
PDS206G	2000 x 600	78.70 x 23.60	Solid Door	Gray
PDS207B	2000 x 700	78.70 x 27.60	Solid Door	Black
PDS207G	2000 x 700	78.70 x 27.60	Solid Door	Gray
PSS208FPB	2000 x 800	78.70 x 31.50	Sides	Black
PSS208FPG	2000 x 800	78.70 x 31.50	Sides	Gray
PSS2010FPB	2000 x 1000	78.70 x 39.37	Sides	Black
PSS2010FPG	2000 x 1000	78.70 x 39.37	Sides	Gray
PPTHP78B	700 x 800	27.60 x 31.50	Top	Black
PPTHP78G	700 x 800	27.60 x 31.50	Top	Gray
PPTHP610B	600 x 1000	23.60 x 39.37	Top	Black
PPTHP610G	600 x 1000	23.60 x 39.37	Top	Gray
PBMG78B	700 x 800	27.60 x 31.50	Mobile Base	Black
PBMG610B	600 x 1000	23.60 x 39.37	Mobile Base	Black

Cooling Capacity vs. Intake Temperature

Intake Air Temperature (°F)	Intake Air Temperature (°C)	Cooling Capacity (W)
70	21	3,500
76	24	3,000
80	27	2,000
85	29	1,500
Above 85	Above 29	Not recommended



HOW TO DISSIPATE EXCESS HEAT (WATTS) - UNDERSTANDING ΔT AND CFM

Watts = .316 x CFM x ΔT or CFM = Watts / (.316 x ΔT)

Factors in this equation will need to be de-rated for high elevations.

Watts: The heat load that network equipment needs to dissipate. Power coming into the cabinet equals the amount of heat load produced. "Power In = Heat Load Out." Alternatively, the heat load of a cabinet can be derived by measuring the Power being delivered to the network equipment directly via a Watt meter or by measuring the current in amps and multiplying by applied voltage.

CFM: The amount of airflow that is used to dissipate the heat produced by the network equipment. It is measured in CFM or "Cubic Feet per Minute." The more CFM the greater amount of heat that is removed or dissipated. On passive systems, the amount of CFM needed at the cold aisle for the intakes is the sum of all the network equipment (servers) installed in the cabinet and equals the total amount of CFM that is exhausted. "CFM in = CFM Out"

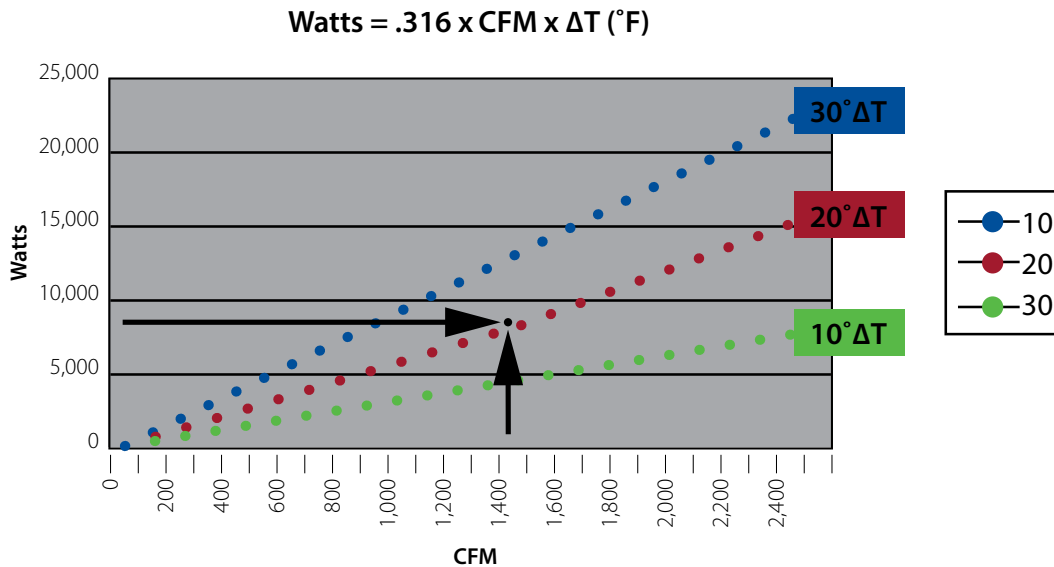
ΔT: Delta T is the air temperature difference between the network intakes and the exhaust or the difference between the temperatures of the Cold Aisle and the Hot Aisle. It represents the amount of heat that is carried away by the airstream (CFM). It is measured in °F for the equation stated above. A ΔT between 10 F and 30 F is typical for network equipment and server room applications.

- By knowing any two factors, the other can easily be obtained.
- The Cold Aisle must always provide enough CFM to the intakes of the network equipment to avoid overheating.

Graphic Representation: Watts = .316 x CFM x ΔT (°F)

Example:

9164 Watts will need 1450 CFM at 20 F ΔT: 9164 = .316 x 1450 x 20



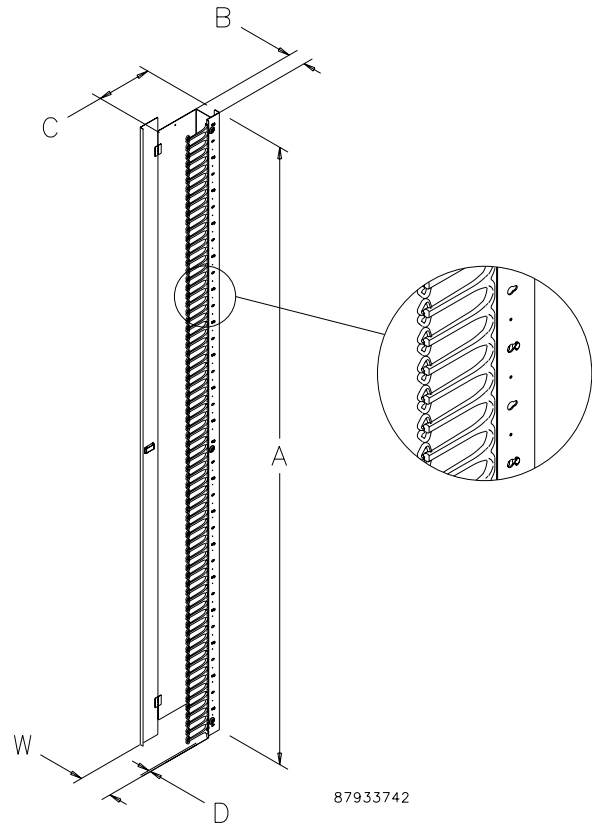
PROLINE CABLETEK VERTICAL CABLE MANAGER



For routing and bundling cable inside 700- and 800-mm wide PROLINE cabinets. Variety of sizes provide mounting flexibility. Mounts between frame and rack angle so equipment can be centered or aligned on one side. Replaces reducing brackets that bridge space between cabinet and equipment and allows front-to-back adjustment of rack angles. Latching hinged door on front conceals wiring yet allows easy access. Movable plastic spools or fingers help manage cables. 14 and 16 gauge steel with RAL 9005 black polyester powder paint finish.

BULLETIN: DPY

Catalog Number	AxBxC mm/in.	D mm/in.	W mm/in.	Fits Cabinet Height
PVF127	1067 x 50 x 222	13	85	1200
	42.02 x 1.97 x 8.75	.50	3.36	
PVF128	1067 x 100 x 222	13	135	1200
	42.02 x 3.94 x 8.75	.50	5.33	
PVF207	1867 x 50 x 222	13	85	2000
	73.52 x 1.97 x 8.75	.50	3.36	
PVF208	1867 x 100 x 222	13	135	2000
	73.52 x 3.94 x 8.75	.50	5.33	



879.33742

PROLINE CABLETEK REDUCING BRACKETS



Fingers separate, support and manage cable. Bracket mounts on either left or right side of 700- and 800-mm cabinets between the frame and the rack angle to create vertical wiring space. Bracket has RAL 9005 black polyester powder paint finish. Fingers are molded black plastic. Mounting hardware included.

NOTE: Refer to the table to calculate the number of reducing brackets required.

BULLETIN: DPY

Catalog Number	Height mm/in.	Width mm/in.	Fits Cabinet Height mm/in.
PRBF125	1091	50	1200
	42.97	1.91	
PRBF1210	1091	100	1200
	42.97	3.88	
PRBF205	1892	50	2000
	74.47	1.91	
PRBF2010	1892	100	2000
	74.47	3.88	

Number of reducing brackets required to accommodate 19- and 23-in. equipment in different cabinet widths

Nominal Bracket Width	No. of Reducing Brackets (19 in. equipment)	No. of Reducing Brackets (23 in. equipment)
50	2	—
700	—	2
800	—	1
100	1	—
700	—	1
800	—	2

Support finger reducing brackets required to accommodate 19-in. and 23-in. equipment in different cabinet widths.

PROLINE TIE-DOWN REDUCING BRACKET



Provides convenient tie down for vertical or horizontal cable management. Allows front-to-back cable pass through. Supports optional D-Rings and wire management spools. Bracket mounts on either left or right side of 700- and 800-mm cabinets between the frame and the rack angle to create vertical wiring space. Bracket

has RAL 9005 black polyester powder paint finish. Mounting hardware and 10 VELCRO® Cable Wraps included. *NOTE: Refer to the table to calculate the number of reducing brackets required.*

VELCRO is a trademark of VELCRO Industries B.V.

BULLETIN: DPY

Catalog Number	Height mm/in.	Width mm/in.	Fits Cabinet Height mm/in.
PRBTD125	1091 42.97	50 1.91	1200
PRBTD1210	1091 42.97	100 3.88	1200
PRBTD205	1892 74.47	50 1.91	2000
PRBTD2010	1892 74.47	100 3.88	2000

Number of reducing brackets required to accommodate 19- and 23-in. equipment in different cabinet widths

Nominal Bracket Width	No. of Brackets (19 in. equipment)	No. of Brackets (23 in. equipment)
50	2	—
50	—	2
50	—	700
100	1	—
100	—	700
100	—	1
100	—	800

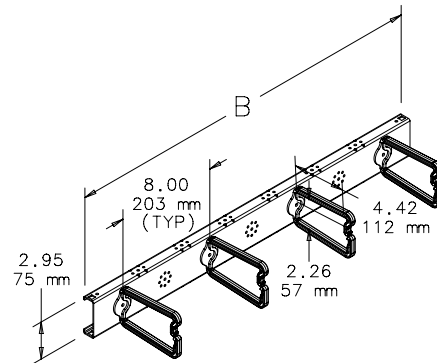
FRONT-TO-BACK D-RING BRACKET



Manages cable routed between front and back of cabinet. Can be used with optional Universal D-Ring Brackets or Transition Brackets for increased flexibility in managing cables. Mounts to PROLINE frame. Secures cable with D-Rings that snap open and closed for secure routing with easy access for wiring changes. D-Rings can be oriented for vertical, front-to-back or side-to-side cable management. RAL 9005 black polyester paint finish. Includes D-Rings and mounting hardware.

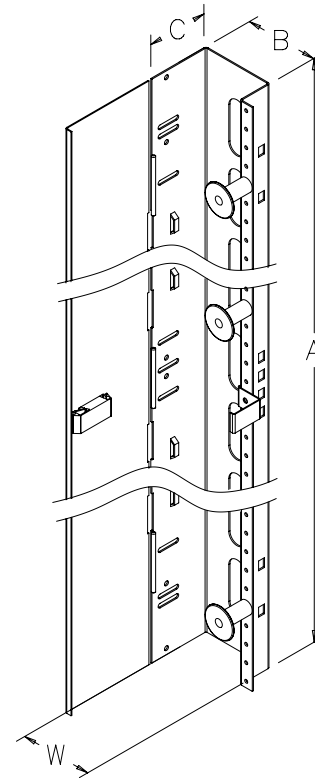
BULLETIN: DPY

Catalog Number	Number of D-Rings	B mm/in.	Fits Enclosure Depth mm/in.
PFBDR8	3	640 25.20	800 31.50
PFBDR9	3	740 29.13	900 35.43
PFBDR10	4	840 33.07	1000 39.37
PFBDR11	5	940 37.01	1100 43.31
PFBDR12	5	1040 40.95	1200 47.24



87798913

VERTICAL CABLE MANAGER FOR 700- AND 800-MM WIDE CABINETS



For routing and bundling cable inside 700- and 800-mm wide PROLINE cabinets. Variety of sizes provides mounting flexibility. Mounts between frame and rack angle so equipment can be centered or aligned on one side. Replaces reducing brackets that bridge space between cabinet and equipment and allows front-to-back adjustment of rack angles. Latching hinged door on front conceals wiring yet allows easy access. Movable plastic spools help manage cables. 14 and 16 gauge steel with RAL 9005 black polyester powder paint finish.

BULLETIN: DPY

87565219

Standard Product

Catalog Number	AxBxC mm	AxBxC in.	W (mm)	W (in.)	Fits Cabinet Height (mm)
PVCM167	1467 x 50 x 98	57.77 x 1.97 x 3.87	85	3.36	1600
PVCM168	1467 x 100 x 98	57.77 x 3.94 x 3.87	135	5.33	1600
PVCM187	1690 x 50 x 98	66.52 x 1.97 x 3.87	85	3.36	1800
PVCM188	1690 x 100 x 98	66.52 x 3.94 x 3.87	135	5.33	1800
PVCM207	1867 x 50 x 98	73.52 x 1.97 x 3.87	85	3.36	2000
PVCM208	1867 x 100 x 98	73.52 x 3.94 x 3.87	135	5.33	2000
PVCM227	2090 x 50 x 98	82.27 x 1.97 x 3.87	85	3.36	2200
PVCM228	2090 x 100 x 98	82.27 x 3.94 x 3.87	135	5.33	2200
PVCMX127	1067 x 50 x 159	42.02 x 1.97 x 6.27	85	3.36	1200/2200
PVCMX128	1067 x 100 x 159	42.02 x 3.94 x 6.27	135	5.33	1200/2200
PVCMX207	1867 x 50 x 159	73.52 x 1.97 x 6.27	85	3.36	2000
PVCMX208	1867 x 100 x 159	73.52 x 3.94 x 6.27	135	5.33	2000

Use the "Cable Managers by Width" table to determine the number of cable managers required for different combinations of cable manager, cabinet and equipment widths.

Cable Manager by Width

Cable Manager Width (B) (mm)	Cabinet Width (mm)	No. of Cable Managers (19 in. equipment)	No. of Cable Managers (23 in. equipment)
50	700	2	—
50	800	—	2
100	700	1	—
100	800	2	1

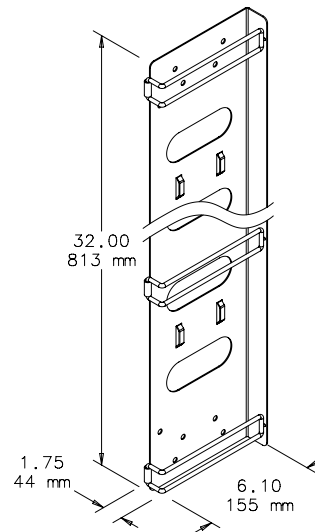
VERTICAL CABLE MANAGER 1



For routing and bundling cable inside cabinets. Stack two units for full vertical runway on 1800-mm or taller enclosures. Wireform gate hinges open to ease wire routing. Mounts to grid strap or frame in front of rack angles. Narrow profile does not interfere with 19-in. equipment in 600-mm wide enclosures. 16 gauge steel with RAL 9005 black polyester powder paint finish.

BULLETIN: DPY

Catalog Number	Description
PVCM1	Vertical Cable Manager 1



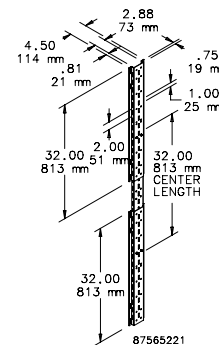
87565220

VERTICAL CABLE MANAGER 2

For routing and bundling cables. Mounts vertically to grid straps or to mounting channels. Three-piece kit adjusts to fit rack height and eliminates need for center grid strap. 16 gauge steel with RAL 9005 black polyester powder paint finish. Includes 10 black 8 in. (203mm) long Velcro® cable wraps.

BULLETIN: DPY

Catalog Number	Description
PVCM2	Vertical Cable Manager 2



87565221

VERTICAL TIE-DOWN CABLE MANAGER

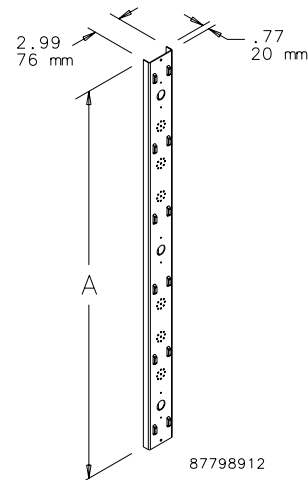


This one-piece cable manager provides mounting holes for D-Rings, spools, universal transition brackets and other accessories (order separately). RAL 9005 black polyester powder paint finish. Includes hardware for mounting to strut and 10 VELCRO® Cable Wraps for fastening cable.

VELCRO is a trademark of VELCRO Industries B.V.

BULLETIN: DPY

Catalog Number	A mm/in.	Fits Cabinet Height mm/in.
PVCMTD12	1091 42.97	1200
PVCMTD20	1892 74.47	2000



87798912

UNIVERSAL POWER STRIP BRACKET



This bracket fits in the corner of the frame of all PROLINE cabinets and facilitates mounting a variety of power strips.

BULLETIN: DPY

Catalog Number	Description
EPDUBK	Universal Power Strip Bracket fits all PROLINE cabinets

HORIZONTAL CABLE TROUGH



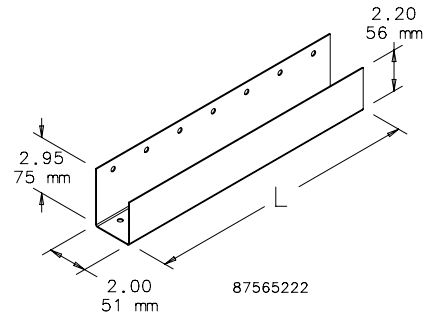
For routing cable front-to-back in a server or data cabinet. Mounts to side or top of 1- or 3-row grid strap. Can also mount directly to mounting channels with APSM6CN Mounting Kit. Multiple units can be used together. 16 gauge steel with RAL 9005 black polyester powder paint finish.

BULLETIN: DPY

Catalog Number	Description	L (mm)	L (in.)
PHCT1	Horizontal Cable Trough	200	7.87
PHCT2	Horizontal Cable Trough	350	13.78

Catalog Number	Description	L (mm)	L (in.)
PHCT3	Horizontal Cable Trough	500	19.69
PHCT4	Horizontal Cable Trough	650	25.59

Order APSM6CN Mounting Kit separately for channel mounting.



FRAME TIE-DOWN BRACKET



The PROLINE Frame VELCRO® Tie-Down Bracket provides an easy means to secure and bundle cables using any of the frame's rectangular holes. The bracket can be positioned parallel or perpendicular to the frame and needs no tools to install—just push into any hole and twist to fasten. Proper bend radius is easily maintained with the flexible Velcro tie-down, plus it provides easy initial and future cable installations. Bracket is made of a durable plastic. Both tie-down and bracket are black.

VELCRO is a trademark of VELCRO Industries B.V.

BULLETIN: DPY

Catalog Number	Description	Capacity at Max. Size	Pkg. Qty.
PCMFTD10	10-in. Velcro tie downs	55 CAT 6 cables	10

CABLE AND PDU MANAGER

PROLINE combination vertical cable manager provides increased versatility for power and cable management for 2000-mm tall frames. Tool-less mounting with key hole slots accept many vertical PDUs (APC, Geist, etc.). Flush arrowhead cutouts provide convenient cable manager tie-down points. Hardware and ten VELCRO® cable wraps included. Finished with RAL 9005 black polyester powder finish.

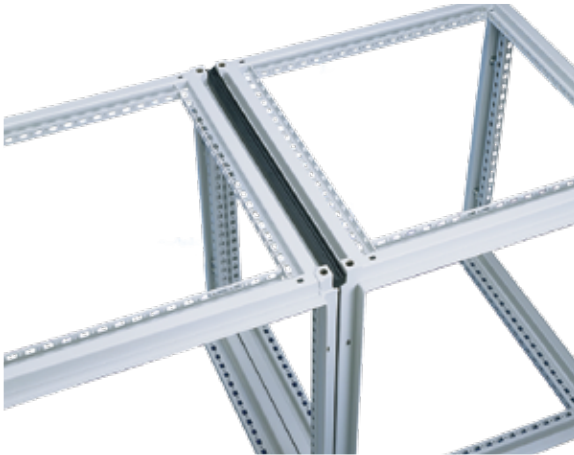
VELCRO is a trademark of Velcro Industries B.V.

BULLETIN: DPY

Catalog Number	AxBxC mm/in.	Fits Height
PVCPM20	1892 x 76 x 19 74.47 x 3.00 x 0.75	2000 mm

1

FRAME JOINING KITS



Permits joining two enclosure frames while maintaining an environmental seal.

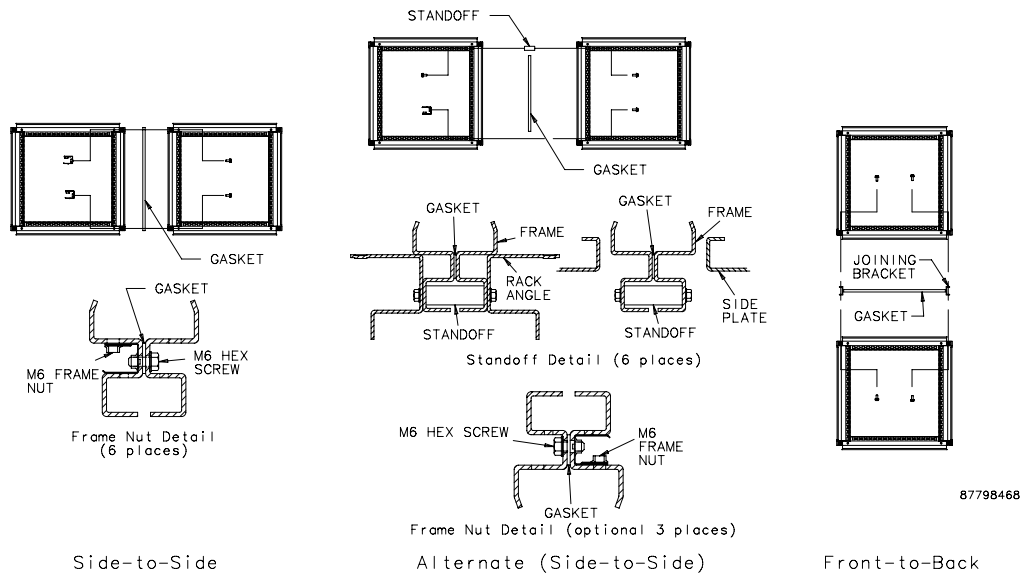
Side-to-Side Joining Kit consists of six frame nuts and screws, as well as gasket material to maintain a dust-tight and water-tight seal between ganged frames. Can be used if rack angles are not in the front or rearmost positions or if a subpanel is not in the rearmost position.

Alternate Joining Kit consists of three standoffs, six frame nuts and screws, as well as gasket material. This kit facilitates frame joining when rack angles are in the front or rearmost position, or if a subpanel is in the rearmost position.

Front-to-Back Joining Kit permits front-to-back joining of two single-bay enclosures. This kit does not fit 1200-mm or 1600-mm wide frames.

BULLETIN: P20, P20EM

Catalog Number	Description
PJ2F	Standard Frame Joining, Side-to-Side
PJ2FD	Standard Frame Joining, Side-to-Side, Non-gasketed
PJ2FHF2	EMC Standard Frame Joining, Side-to-Side
PJ2FF	Alternate Frame Joining, Side-to-Side
PJ2FBF	Frame Joining, Front-to-Back



L JOINING BRACKET



The L Joining Bracket, made of 10 gauge steel, is used in conjunction with the standard joining kit as additional support. Pictured hardware is included.

BULLETIN: P20

Catalog Number	Description
PJB2F	L Joining Bracket

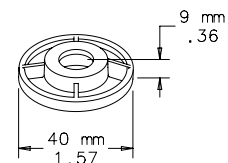
FRAME FEET



Four die-cast feet for use on the bottom of PROLINE frames that raise the frame 9 mm.

BULLETIN: P20

Catalog Number	Description
PFFM12	Frame Feet



87798469

TOOL-LESS (SNAP-IN) BLANKING PANELS FOR 19-IN. RACKS



These Tool-less 19-in. Blanking Panels provide easy tool-less installation and ensure proper airflow to equipment. Made of UL approved thermal plastic material with a low-gloss textured black finish. May be used with tapped or square EIA universal spaced rack mounting angles.

BULLETIN: DACCY

Catalog Number	Description	Rack Units	Fits	Pkg. Qty.
D19BPT1RU	Blanking Panel, 19 in.	1	19 in., universal rack spacing, tapped or square holes	10
D19BPT2RU	Blanking Panel, 19 in.	2	19 in., universal rack spacing, tapped or square holes	10

1

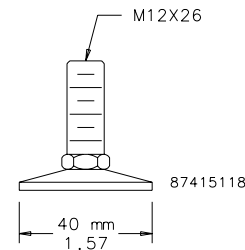
LEVELERS



Four post-type levelers allow adjustment for uneven floors. Levelers can be attached to the bottom of a frame or to a 0-mm solid base. Levelers are plated and the leveler base is capped with plastic to provide resistance to marring. Adjustable for 17-mm to 35-mm height. Ball and socket construction. Four levelers will support a maximum of 453.6 kg (1000 lb.).

BULLETIN: P20

Catalog Number	Description
PLM12	Post-type Levelers



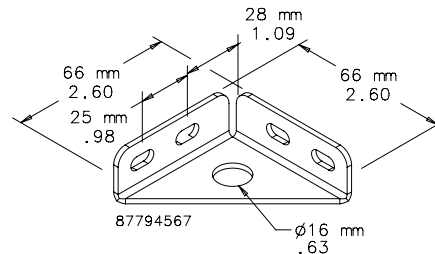
FRAME FLOOR-MOUNTING BRACKET



Provides a structural method of bolting a PROLINE frame to the floor. Fits all frame sizes. Made of 12 gauge steel with plated finish. Kit includes four brackets and mounting hardware. *Not for use on colocation frames, which include welded-in floor mounting brackets.*

BULLETIN: DPY

Catalog Number	Description
PFBK	PROLINE Frame Floor-Mounting Bracket



GROUNDING BAR SYSTEM



INDUSTRY STANDARDS

UL Component Recognized; File No. E61997

Three sizes of grounding bars and insulated mounting brackets are available. Bars are plated copper with M6 and M5 tapped holes to provide a common point for grounding equipment. Fits all enclosures if mounted vertically. See table for horizontal mounting.

BULLETIN: P20

Catalog Number	Description	Length mm/in.	Number of Holes and Screws M6	Number of Holes and Screws M5
PGS2K	Fits 400-mm deep frame front to back horizontally	200 7.87	3/5	10/10
PGS4K	Fits 600-mm deep frame front to back horizontally	400 15.75	9/11	20/20
PGS6K	Fits 800-mm deep frame front to back horizontally	600 23.62	15/17	30/31

PROLINE GROUNDING KIT



The Grounding Kit allows a PROLINE enclosure to be grounded to VDE specifications. Includes six 12 gauge wires 411 mm (16.19 in.) long with ring terminations and M6 mounting hardware.

BULLETIN: P9

Catalog Number	Wire Size	Length Between Ring Terminals mm/in.	Ring Terminal Hole Diameter mm/in.
PGK	12 ga.	411 16.19	7 .29

CASTER KIT



A set of four casters (two locking, two non-locking) that mount directly to the bottom of a PROLINE frame, 0-mm, or 100-mm Solid Base or a Console. **(Do not use on plinth bases.)** Casters elevate the enclosure 110 mm (4.33 in.) when installed. Caster frames are plated steel with ball-bearing pivots. Caster wheels are made of a black polyamide material. Kit includes M12 mounting hardware.

Order separately.
Casters Maximum Load: 1000 lb. (453 kg)

Exercise care when using casters to move the cabinet. Avoid tipping and damage to the cabinet and its contents by slowly moving the cabinet on its casters across smooth, flat flooring. Avoid:

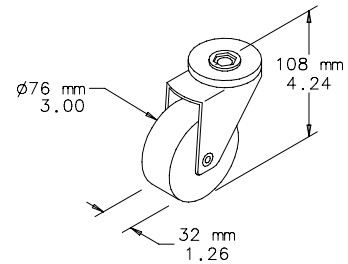
- large cracks
- floor displacement
- seams
- gravel
- any other obstruction

Never use casters while transporting a cabinet by truck on roadways.

Contact Hoffman if further information is needed.

BULLETIN: P20

Catalog Number	Description
PC1M12	Set of 4 Casters



SCREW PACKAGES



Screw Packages are for mounting rack panels and equipment to rack angles.

BULLETIN: A80, DACCY, X20

Catalog Number	Color	Description	Pkg. Qty.
ES1224	Silver	12-24 x 5/8 in. combo head	20
ES1224250	Silver	12-24 x 5/8 in. combo head	250
ES1224B	Black	12-24 x 5/8 in. combo head	20
ES1224B250	Black	12-24 x 5/8 in. combo head	250
ASM5	Silver	M5 x 20 mm Combo Head	20
ASM6	Silver	M6 x 16 mm combo head	20
ASM5T	Silver	M5 x 12 mm thread-forming Phillips hex head screws	20
ASM6250	Silver	M6 x 16 mm combo head	250
AS1032	Silver	10-32 x 5/8 in. combo head	20
AS1032250	Silver	10-32 x 5/8 in. combo head	250
AS1032B	Black	10-32 x 5/8 in. combo head	20

Use ASM5T on PROLINE frame or Net Series extruded holes.

CAGE NUT PACKAGE

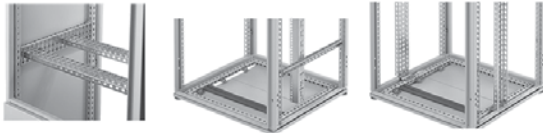


Cage Nut Packages are for use with square-hole rack angles. Cage nuts are plated steel.

BULLETIN: DACCY

Catalog Number	Color	Description	Pkg. Qty.
PM5CN	Silver	M5 cage nut	20
PM6CN	Silver	M6 cage nut	20
PM6CN250	Silver	M6 cage nut	250
P1032CN	Silver	10-32 cage nut	20
P1032CN250	Silver	10-32 cage nut	250
P1224CN	Silver	12-24 cage nut	20
P1224CN250	Silver	12-24 cage nut	250

MOUNTING CHANNEL



Side-to-Side

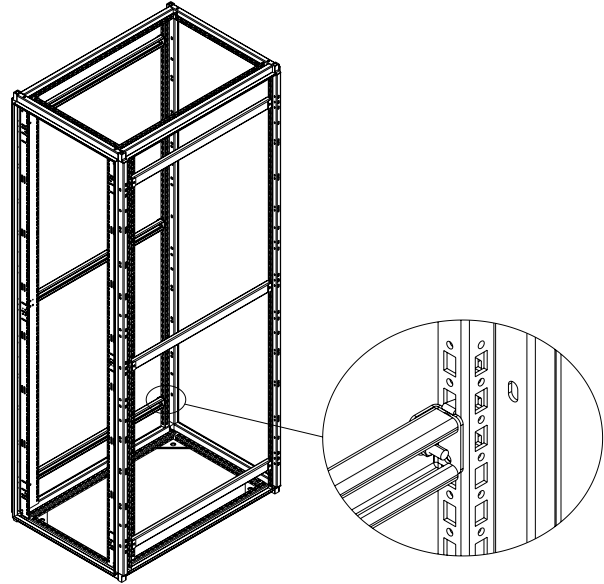
Vertical and Horizontal

Full Height

Allows rack angles and other accessories to be positioned at any depth within the cabinet. Rails mount front to back in PROLINE frame. 14 gauge steel with RAL 9005 black polyester powder paint finish. Includes two rails, mounting hardware and four M6 spring nuts for mounting accessories. Use hardware kit APSM6CN (package of 20 screws, washers and spring nuts) for mounting additional rack angles or other accessories to the mounting channels.

BULLETIN: DPY

Catalog Number	Description	Fits Frame Depth
PMU8B	Mounting Channel	800
PMU9B	Mounting Channel	900
PMU10B	Mounting Channel	1000
PMU11B	Mounting Channel	1100
PMU12B	Mounting Channel	1200
APSM6CN	Mounting Channel Hardware Kit	—



87561937

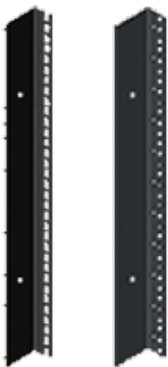
PROLINE SIDE BARRIER PANELS

Side barriers are used between frames to block airflow and provide security between ganged PROLINE cabinets. Barriers fasten to one frame and allow fasteners to secure adjoining frames. All hardware is provided. Finished with RAL 9005 black polyester powder paint.

BULLETIN: DPY

Catalog Number	AxBxC in./mm	Fits Frame Depth
PB209B	76.34 x 33.59 x 1.00	900
	1939 x 853 x 25	
PB2010B	76.34 x 37.52 x 1.00	1000
	1939 x 953 x 25	
PB2011B	76.34 x 41.46 x 1.00	1100
	1939 x 1053 x 25	
PB2012B	76.34 x 45.40 x 1.00	1200
	1939 x 1153 x 25	

19-IN. AND 23-IN. RACK ANGLES

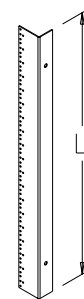


Made of 14 gauge steel with square holes or 12 gauge steel with 10-32 tapped holes. Provides 19-in. rack spacing when mounted in 600-mm wide frames, and 23-in. rack spacing when mounted in 700-mm wide frames. Use with frame reducing brackets to provide 19-in. or 23-in. spacing in 700-mm or 800-mm wide frames. Sizes available for multi-compartment colocation applications. Finish is black RAL 9005 polyester powder paint with flat finish. Furnished in pairs. The standard rack angle position is 44 mm behind the door opening.

Rack angles can be moved forward if desired. Deeper positions require the use of grid straps or mounting channels. For joining cabinets with rack angles in the full forward position, use Joining Kit PJ2FF. Shelves, drawer, guides and pull-out shelves require two sets of rack angles or frame accessory brackets installed in the frame.

For 700- and 800-mm wide cabinets, reducer or cable manager must be ordered.

BULLETIN: DPC



87570462

Catalog Number	Hole Type	Description (in.)	Use With	Fits Frame/Cabinet Height (mm)	Rack Units	Length (mm)	Length (in.)
PRA1912THL1	Square	19	PROLINE Networking Packages	1200	24	1091	42.97
PRA1916TPL1	Tapped	19	PROLINE Networking Packages	1600	33	1491	58.72
PRA1918THL1	Square	19	PROLINE Networking Packages	1800	38	1691	66.59
PRA1918TPL1	Tapped	19	PROLINE Networking Packages	1800	38	1691	66.59
PRA1920THL1	Square	19	PROLINE Networking Packages	2000	42	1892	74.47
PRA1920TPL1	Tapped	19	PROLINE Networking Packages	2000	42	1892	74.47
PRA192320THL1	Square	19 & 23	PROLINE Networking Packages	2000	42	1892	74.47
PRA1921TPL1	Tapped	19	PROLINE Networking Packages	2100	45	2041	80.37
PRA1921THL1	Square	19	PROLINE Networking Packages	2100	45	2041	80.37
PRA1922THL1	Square	19	PROLINE Networking Packages	2200	47	2091	82.34
PRA1922TPL1	Tapped	19	PROLINE Networking Packages	2200	47	2091	82.34
PRA192322THL1	Square	19 & 23	PROLINE Networking Packages	2200	47	2091	82.34
PRA1924TPL1	Tapped	19	PROLINE Networking Packages	2400	51	2291	90.21
PRA1924THL1	Square	19	PROLINE Networking Packages	2400	51	2291	90.21

FRAME-REDUCING BRACKETS FOR FRAMES OR MOUNTING CHANNEL

Frame-reducing brackets mount directly to 700-mm or 800-mm wide PROLINE frames or to mounting channel. Convert wider frames to 600-mm wide, allowing 19-in. rack angles to fit, or to 700-mm wide, allowing 23-in. rack angles to fit. Can be used to left- or right-justify the rack-mounted equipment. Made of 14 gauge steel painted with flat-black RAL 9005 polyester powder. Furnished in sets of four. Mounting hardware is included.

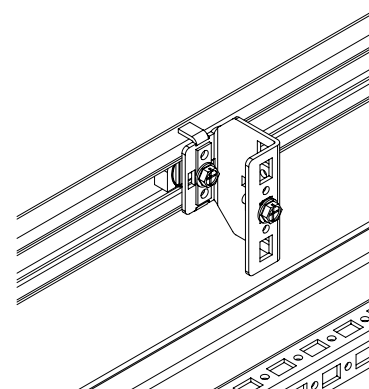
BULLETIN: DPY

Catalog Number	Reduces Frame Width	W (mm)	W (in.)	Converts Frame Width
PMURB50	50	50	1.97	From 700 to 600, From 800 to 700
PMURB100	100	100	3.94	From 800 to 600, From 800 to 700, From 700 to 600

Frame Reducing Bracket Selection Guide

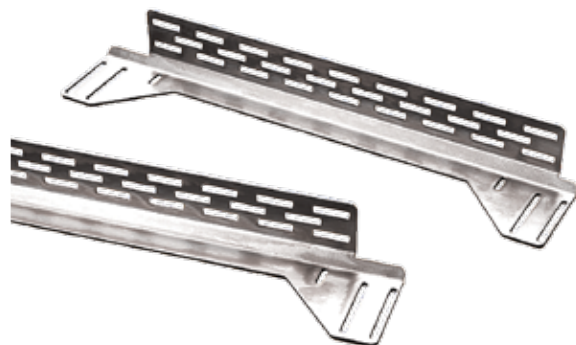
PROLINE Frame Width	Setting 19 in. Centered	Setting 19 in. Left or Right	Setting 23 in. Centered
600 mm (23.60)	No reducing brackets	No reducing brackets	—
700 mm (27.60) with grid straps	PRB50	PRB 100	No reducing brackets

PROLINE Frame Width	Setting 19 in. Centered	Setting 19 in. Left or Right	Setting 23 in. Centered
700 mm (27.60) with mounting channel	PMURB50	PMURB100	No reducing brackets
800 mm (31.50) with grid straps	PRB100	PRB200	PRB50
800 mm (31.50) with mounting channel	PMURB100	—	PMURB50



87573189

ADJUSTABLE RACK-MOUNTING RAILS

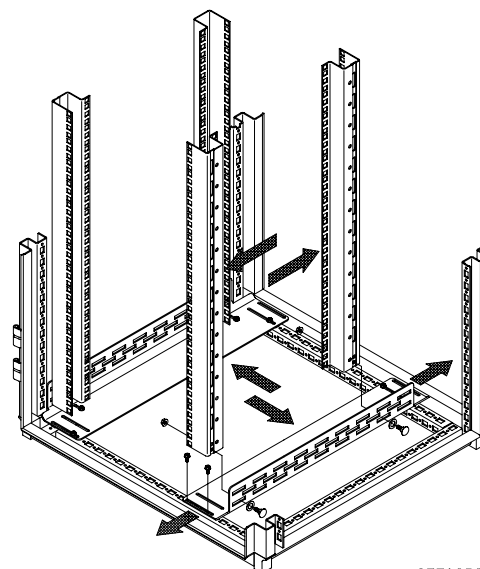


Mounting rails allow rack angles to be positioned anywhere within the PROLINE frame. The left-to-right adjustment pertains only when the enclosure is wider than the minimum width required for rack angles. Includes two right-hand and two left-hand 12 gauge plated or painted steel mounting rails. Mounting hardware is included.

BULLETIN: DPY, P20

Catalog Number	L (mm)	L (in.)	Fits Frame Depth	Finish
PBARA6	511	20.11	600	Plated
PBARA8	711	27.98	800	Plated
PBARA9	811	31.92	900	Plated
PBARA9B	811	31.92	900	Painted RAL 9005 Black
PBARA10B	911	35.86	1000	Painted RAL 9005 Black

Catalog Number	L (mm)	L (in.)	Fits Frame Depth	Finish
PBARA11B	1011	39.79	1100	Painted RAL 9005 Black
PBARA12B	1111	43.73	1200	Painted RAL 9005 Black



87798529

180-DEGREE HINGE KIT



Optional hinging for steel solid, window or disconnect doors. The 180-degree hinges provide a door opening up to 260-degrees on single-bay enclosures. These hinges mount to the door flange and have a low-profile appearance. The kit includes three hinges with textured black polyester powder paint and all necessary mounting hardware. Cannot be used on PROLINE FLOTEK or CONNECTEK front doors.

BULLETIN: P20

Catalog Number	Description
PH180	180-Degree Hinge Kit

FLUSH KEYLOCKING TRIGGER LATCH WITH RANDOM KEY CODES



Flush design. Over 100 random key codes with available master. Black textured polyester powder paint finish. Includes two trigger latches with matching key code and two keys. Designed to replace locking trigger latch.

BULLETIN: DPC

Catalog Number	Description
PTKLCD	Flush keylocking Trigger Latch with random key codes

SIDE COVER LOCK



Fits in pre-punched hole to secure DataCom solid side from unauthorized entry.

BULLETIN: DPC

Catalog Number	Description	Key Code
PSCLO	Side Cover Lock	2233

FLUSH SWING HANDLES



Flush Handles are optional for any solid, window or disconnect door greater than 600mm in height, except Voice/Data and Colocation cabinets. They are ergonomically designed to provide style and function in a low profile. The handle is die-cast zinc finished with RAL 9005 textured black polyester powder paint. Provision to add your logo is included. Handle can be installed to rotate either clockwise or counterclockwise.

Handle with Screwdriver Defeater

Enclosure security is provided by the integrated tool-to-open feature that releases the handle when rotated, allowing access to the enclosure.

Handle with Keylock

Keylock feature locks the handle to provide security for the enclosure. When the key is in the unlocked position, the pushbutton releases the handle to provide access to the enclosure. Two keys are furnished.

Handle for Padlock

Padlocking Handle provides security when using up to a 5/16-in. padlock shackle. Pushbutton releases the handle to provide access to the enclosure.

Handle with DIN Profile Provision

DIN Flush Handle is provided with the option to add your DIN profile lock or to accept Hoffman DIN profile lock PDKL (order separately).

BULLETIN: P20

Catalog Number	Description
PFHDF	Flush Handle with Defeater
PFHKBL	Keylocking Flush Handle
PFHPBL	Padlocking Flush Handle
PFHDBL	DIN Profile Flush Handle

DIN LOCK INSERTS (FOR DIN PROFILE HANDLE ONLY)



The DIN profile keylock provides keylocking security for the Flush Swing Handle with DIN provision. Includes profile lock and two keys. Order one profile lock for each handle.
 DIN Lock Kit for PROLINE G2 DataCom doors includes two locks keyed alike with one of 100 different key codes and two keys (master key available).
All DIN Lock Inserts are zinc die-cast.

BULLETIN: DPY, P20

Catalog Number	Description
PKOSLFH	Slotted insert profile cylinder
PKOTM7FH	7-mm triangle insert profile cylinder
PKOSM7FH	7-mm square insert profile cylinder
PKOTM8FH	8-mm triangle insert profile cylinder
PKOGBK3FH	Double-bit 3-mm insert profile cylinder
PDKL	DIN keylock, 2 keys included, key code 333
PDKLRKPR	DIN Lock Kit for PROLINE DataCom doors

DIN profile inserts are used with DIN flush swing handles. One key is included (except for slotted insert).

L HANDLE



The L Handle is a stylish option for any solid, window or disconnect door, except Voice/Data or Colocation cabinets. It can be installed to rotate either clockwise or counterclockwise. Handle comes with a bezel, includes keylocking provision and is finished with RAL 9005 textured black polyester powder paint. Two keys are included. The bezel permits your logo to be inserted.

BULLETIN: P20

Catalog Number	Description
PLHK	L Handle with 2 keys and logo slot, key code 333



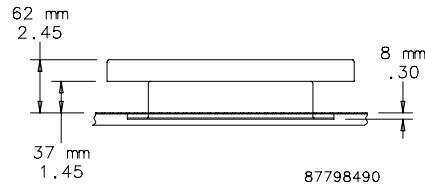
PAGODA EXHAUST VENTS



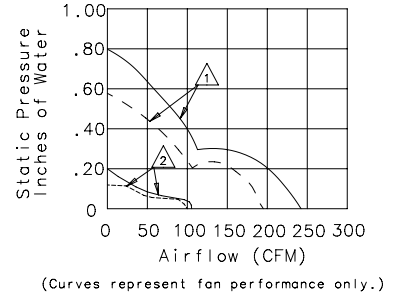
Pagoda Exhaust Vents can be field-installed on any PROLINE solid top. An axial fan and finger guard are mounted in a housing. A drip-proof raised cover is removable from inside the enclosure. Gasket and mounting hardware are included. Vent housing and raised cover are 14 gauge steel finished with RAL 7035 textured light-gray polyester powder paint.

BULLETIN: DTHRM, P20

Catalog Number	Description	Volts
PPT1	Leadwires	115
PPT1C	Power cord	115
PPT2	Leadwires	230



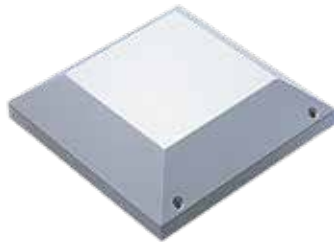
Performance Curve: 6 in. Fans



FNGP, FN, FN2 models ——— 60 Hz
 FNGQ models - - - - - 50 Hz

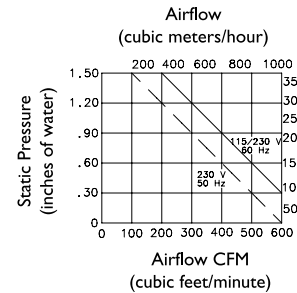
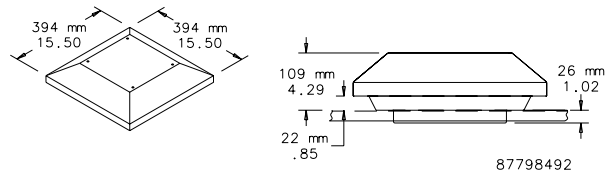
87924791

HIGH-PERFORMANCE PAGODA EXHAUST VENT



Vents fit on standard PROLINE top with vent cutout or can be field-installed on any PROLINE solid top. The Pagoda Vent features an integral centrifugal blower mounted in a housing that includes a drip-proof removable hood, wire mesh finger guard, perimeter gasket and terminal block. Electromagnetic-compatible (EMC) Pagoda Vents include a conductive screen, conductive gasket, line filter and 6-ft. power cord with stripped leads. Pagoda Vent housing and hood are rugged 16 gauge steel finished with RAL 7035 textured light-gray polyester powder paint. EMC vents are finished with paint over plated surfaces. Installation hardware is included.

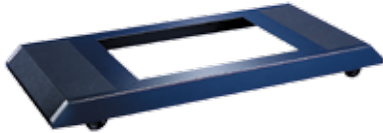
BULLETIN: DTHRM, P20, P20EM



87798492

Catalog Number	Description	Voltage	Full Load Amps	Use With
PPTH1	Leadwires	115	1.7	Top with high-performance pagoda vent cutout
PPTH1C	Power cord	115	1.7	Top with high-performance pagoda vent cutout
PPTH1EMC	Power cord	115	1.7	Top with high-performance pagoda vent cutout on EMC enclosures
PPTH2	Leadwires	230	.9	Top with high-performance pagoda vent cutout
PPTH2EMC	Power cord	230	.9	Top with high-performance pagoda vent cutout

MOBILE BASE



Mobile Bases fit 600- and 800-mm wide frames. They extend beyond the front and rear of 600-mm cabinets to provide enhanced stability. Provides front extension only on 800-mm cabinets. Constructed of steel finished in RAL 9005 textured black polyester powder paint. The base fastens to the underside of the frame and provides integral mounting of furnished casters. The front and rear top surfaces of the base are trimmed with black rubber mats 3-mm thick.

Casters and mounting hardware are furnished.

Four non-locking casters provide a maximum load-bearing capacity of 1000 lb. (453.6 kg).

Exercise care when using casters to move the cabinet. Avoid tipping and damage to the cabinet and its contents by slowly moving the cabinet on its casters across smooth, flat flooring. Avoid:

- large cracks
- floor displacement
- seams
- gravel
- any other obstruction

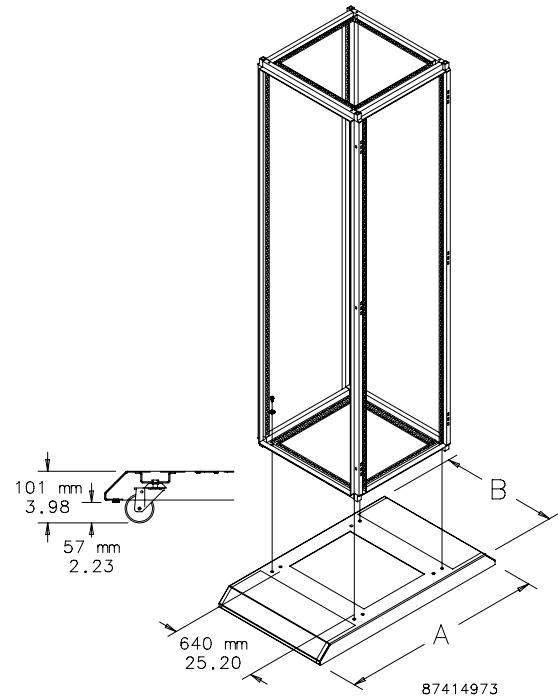
Never use casters while transporting a cabinet by truck on roadways.

Contact Hoffman if further information is needed.

BULLETIN: P20

Catalog Number	AxB in.	AxB mm	Fits Frame B x C (mm)
PMB66	40.91 x 23.62	1039 x 600	600 x 500 and 600 x 600
PMB69	52.72 x 23.62	1339 x 600	600 x 800 and 600 x 900

Catalog Number	AxB in.	AxB mm	Fits Frame B x C (mm)
PMB86	40.91 x 31.50	1039 x 800	800 x 500 and 800 x 600
PMB89	52.72 x 31.50	1339 x 800	800 x 800 and 800 x 900



MOBILE BASE LEVELING KIT



Levelers mount in the outer corners of the Mobile Base, providing load-bearing capacity of 1000 lb. (453.6 kg).

BULLETIN: P20

Catalog Number	Description	Use with
PMBLM12	Mobile Base Leveling Kit	Mobile Base

SOHO CABINET FOR SMALL OFFICE AND HOME OFFICE



FEATURES

- Adjustable gland plate with strain relief at bottom rear of cabinet provides easy and secure cable entry
- Rear door and side panels have quarter-turn key-locking latches
- Doors are hinged left and removable
- Front door has locking handle
- Same key provides access to all doors and side panels
- Fan cutouts with finger guards on upper half of rear door
- Doors and side panels inset flush with frame
- Open base with slotted vents includes casters

SPECIFICATIONS

- Welded steel frame with 4 rack angle mounting struts
- Includes 2 sets of painted L-shaped rack angles with holes per EIA spacing (5/8 in. x 5/8 in. x 1/2 in.)
- Rack angles on 600-mm deep cabinet have 10-32 tapped holes, and on 900-mm deep cabinet have square holes
- Both sizes provide 11 rack units
- Smoke-gray acrylic window in front door
- Solid top

FINISH

Pretreated steel coated with RAL 9005 black textured, low-gloss polyester powder paint. Other finishes available—contact Hoffman Customer Service.

ACCESSORIES

Most 19-in. rack accessories can be used with the SOHO cabinet.

PATENTS

Low Profile Handle (Design) 391,143 (U.S.)
 Low Profile Handle (Utility) 5,862,690 (U.S.)

BULLETIN: DNCS

INDUSTRY STANDARDS

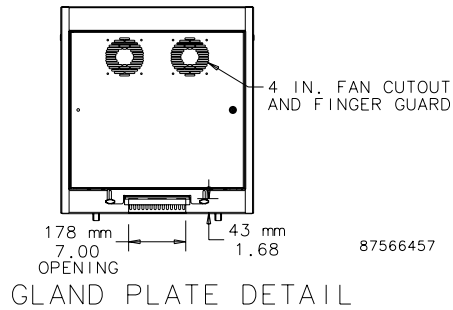
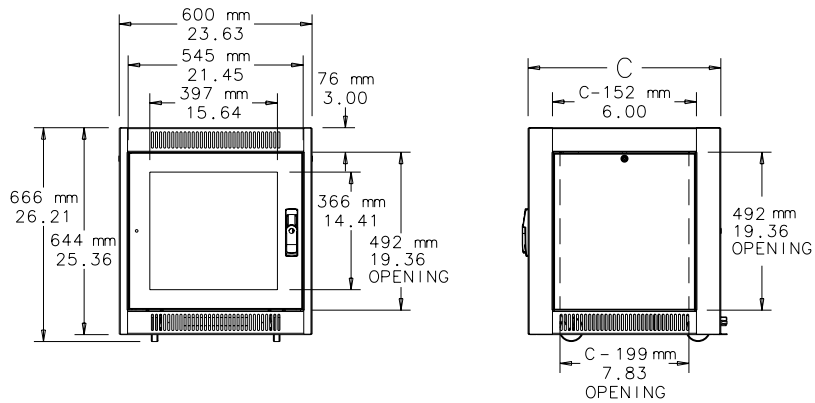
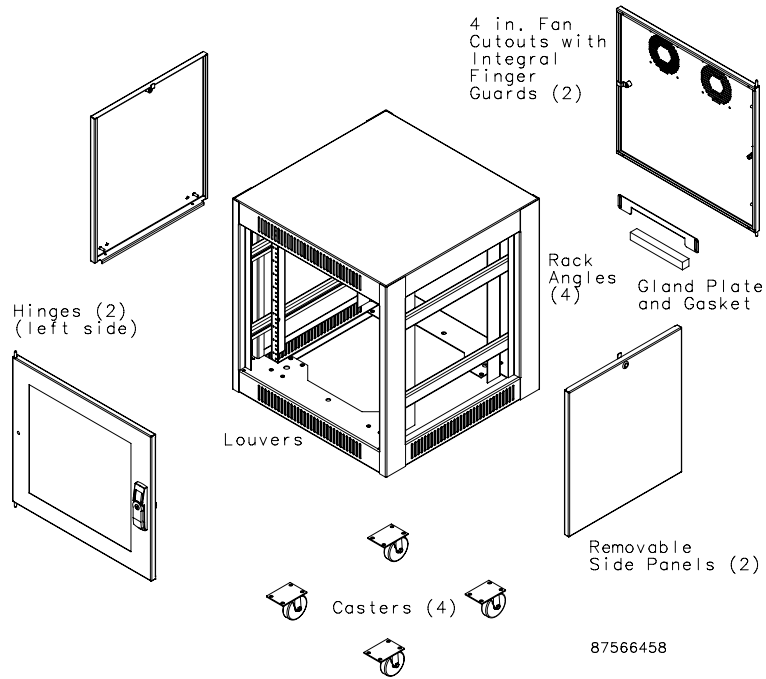
EIA 310-D

APPLICATION

SOHO Cabinets are designed to house servers, networking equipment and phone and voice mail equipment under a desktop. Casters allow the cabinet to be easily moved for access. Equipment is passively cooled by air taken in from the front of the cabinet and expelled through fan cutouts in the rear, which can accept optional fans for warmer applications.

Standard Product

Catalog Number	AxBxC in./mm	Description	Rack Units	Additional Rack Angles	Hole Type
ENC766SH	26.21 x 23.63 x 23.60 666 x 600 x 600	600-mm deep cabinet	11	ERA197TPLN	Tapped
ENC769SH	26.21 x 23.63 x 35.40 666 x 600 x 900	900-mm deep cabinet	11	ERA197THLN	Square



NETWORKING PC CABINET, TYPE 1



INDUSTRY STANDARDS

UL 508A Listed; Type 1; File Number E61997
 cUL Listed per CSA C22.2 No 94; Type 1; File No. E61997

NEMA Type 1
 EIA 310-D (when rack angle accessory is installed)

APPLICATION

Used for remote network access from a factory floor or warehouse, the Networking PC Cabinet is built to house PCs, keyboards and printers for data entry as well as LAN and WAN equipment. Key-lock doors provide security and physical protection for equipment that is passively cooled by air taken in from the front of the cabinet and expelled through fan cutouts in the rear. Optional fans may be installed for added cooling.

FEATURES

- Keylocking flush door handles on both upper and lower front doors
- Quarter-turn keylocks on rear door, side panels and keyboard door
- All locks keyed alike; two keys supplied with cabinet
- Front doors hinged on left; rear door can be hinged right or left
- Side panels easily removable
- Base is pre-punched for casters which are recessed when installed. Caster kit available as an accessory.
- Adjustable gland plate with strain relief at bottom rear of cabinet provides easy, secure cable entry

SPECIFICATIONS

- Welded steel frame with accessory mounting struts
- Steel keyboard with ball-bearing pull-out slides and keylock
- Clear safety-glass window in upper front door
- Louvers on lower quarter of rear door
- Top has one 4-in. cable entry port knockout with cap included and one 6-in. fan-ready cutout with integral finger guard
- Doors and side panels inset flush with frame

FINISH

Pretreated steel coated with RAL 9005 black textured, low-gloss polyester powder paint. Other finishes available—contact Hoffman Customer Service.

ACCESSORIES

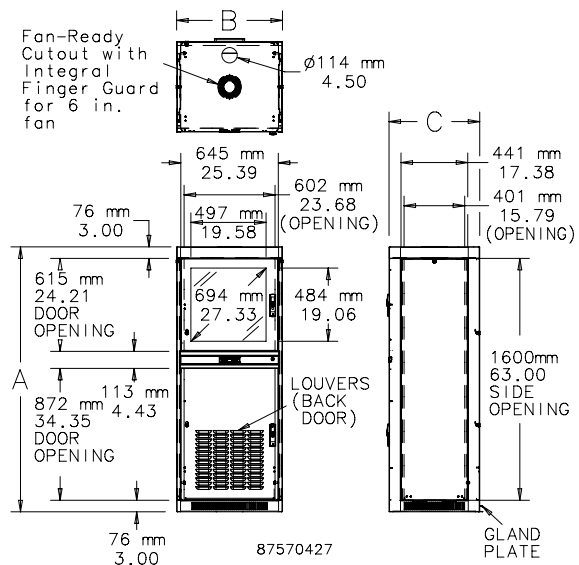
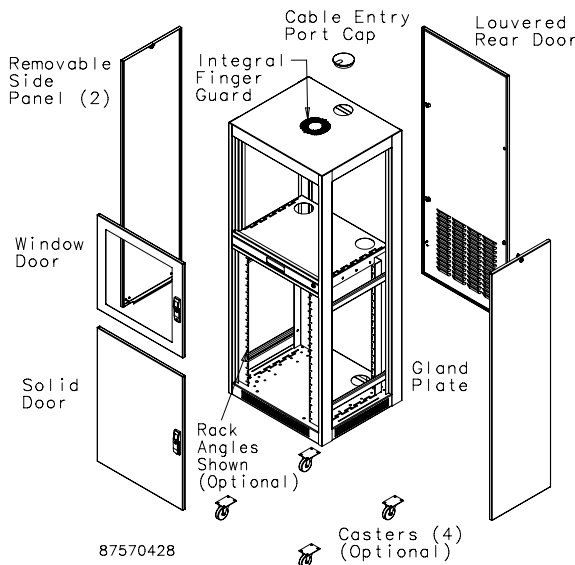
- Network Cabinet Caster Kit
- Networking PC Cabinet Rack Angle
- Networking PC Cabinet Shelf

Rack Angle and Shelf cannot be used together.

BULLETIN: DNCS

Standard Product

Catalog Number	AxBxC in.	AxBxC mm	Description
ENC1776PC	66.93 x 27.56 x 23.62	1700 x 700 x 600	19-in. Networking PC Cabinet

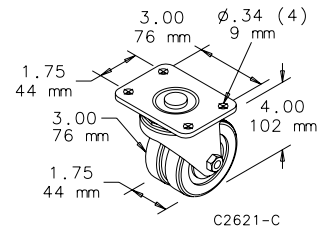


NETWORK CABINET CASTER KIT

Package of four. Fits Network Cabinet and Networking PC Cabinet. Mounts to predrilled holes in base. Recessed when installed. Load rating: 350 lb. (159 kg) per caster.

BULLETIN: DNC

Catalog Number	Description
DLCASTERS	Set of four double casters



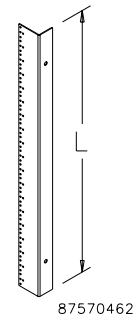
NETWORKING PC CABINET RACK ANGLE



Provides 19 RU. Allows use of most 19-in. rack-mount accessories. See Selected Networking PC Cabinet Accessories. Package includes two rack angles and mounting hardware. Required for accessories noted in Selected Networking PC Cabinet Accessories table; not compatible with EPCEQS Shelf.

BULLETIN: DNCY

Catalog Number	Length (mm)	Length (in.)	Rack Units	Kit Qty.
ERA1910TPL	848	33.37	19	2

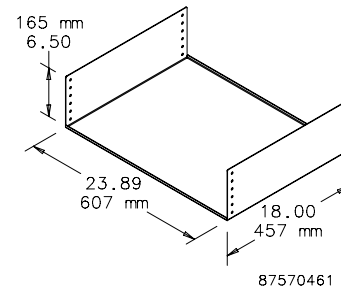


NETWORKING PC CABINET SHELF

Steel shelf for use in the lower compartment of the Networking PC Cabinet. Compartment accommodates up to two shelves. Shelf mounts to accessory mounting struts and can be adjusted in 1-in. (25-mm) intervals inside cabinet. Shelf installs without rack angles. Not compatible with ERA1910TPL.

BULLETIN: DNCS

Catalog Number	Description
EPCEQS	Shelf for lower compartment





Hoffman

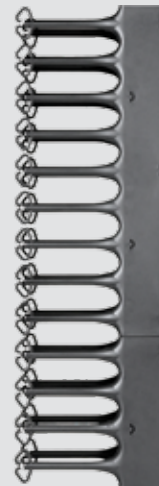
CHAPTER 2

CABLE AND POWER MANAGEMENT

FEATURED PRODUCTS

OPEN-FRAME RACK CABLE MANAGERS

Define cable pathways with CABLETEK Open-Frame Rack Cable Managers. An organized environment is safer, functions better and supports faster, easier MACs (moves, adds, changes). For enhanced application flexibility and protection, customizable vertical and horizontal cable management solutions are available.





CHAPTER CONTENTS

CABLE AND POWER MANAGEMENT

OPEN-FRAME RACK CABLE MANAGERS

CABLETEK Horizontal Cable Manager	64
CABLETEK Vertical Cable Manager	66
CABLETEK-EC Vertical Cable Manager	68
CABLETEK Post and Gate Kits	70
Rear Cover	70
Waterfall Top	71
D-Ring Assembly	71
Tie-Down Panel	71
Tie-Down Rack	72
Wire Form Cable Manager	72
Cable Trough	72
Cable Manager	73
Horizontal Cable Management Cover	73
Horizontal Cable Manager Bar	73

CABINET AND RACK CABLE MANAGERS

D-Ring Cable Managers	74
Universal D-Ring Bracket	74
Fiber Management Spool	74
Universal Transition Bracket	75
Cable Spools	75
VELCRO® Cable Wrap	75

POWER DISTRIBUTION UNITS (PDUS)

Rack- and Panel-Mount Power Distribution Units (PDUs)	76
Universal Power Strip Bracket	77
Rack-Mount PDU Bracket	77
IEC Cord Sets	78
IEC C-13 Retaining Clip	78
PDU Bracket Kit	78
PDU Component Application	79
Smart Power Distribution Unit and Environmental Monitor	82
Switched PDU Outlet and Environmental Monitor	82
Environmental Monitor, Watchdog	82
Temperature Sensor	83
Door Position Sensor	83
Remote Display	83
5-Way Splitter	83
Flood Sensor	83



POWER DISTRIBUTION UNITS (PDUS)

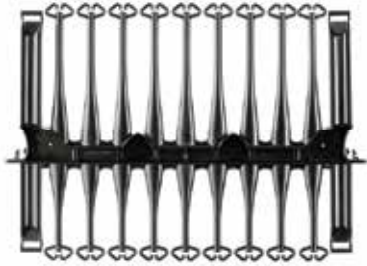
Power Distribution Units (PDUs) reliably adapt to changing power demands. Manage power with a wide range of solutions including basic, monitored and switched PDUs for rack- and panel-mount applications.



CABLETEK HORIZONTAL CABLE MANAGER



DCHD2 shown



Arrowhead fingers funnel cable into base and hold it securely



DCHS4 shown

Vertical and horizontal cable manager system installed on a 2-post rack. Vertical and horizontal cable managers work together to make an orderly installation.



INDUSTRY STANDARDS

EIA 310-D

APPLICATION

This cable manager features heavy-duty endposts, arrowhead fingers and tool-less mounting to easily route Cat 5e, 6 and 6A cable horizontally in standard 19-in. cabinets or on 2- or 4-post open frame racks.

FEATURES

- Snap-in mounting provision holds cable manager in place while mounting screws are installed
- Robust arrowhead fingers are shaped to funnel cables into base and are made of black composite material
- Robust rounded end posts support cable as it enters and leaves cable manager and maintains proper cable bend radius
- Deep cable compartments allow maximum cable density
- Rounded edges throughout protect cable jackets from damage
- Pass-through holes on double-sided models protect cable while facilitating routing between front and back sides

- Single- and double-sided units provide high cable capacity, including 5e, 6 and 6A cables
- 1 RU and 2 RU heights allow greater flexibility in optimizing rack capacity
- Removable hinged cover opens top or bottom, snaps closed for assured cable protection and professional appearance
- Double-sided model has covers on both front and back
- Covers stay open during installation and maintenance procedures
- Horizontal and vertical cable managers designed as a system for streamlined appearance and improved functionality
- Combination head 10-32 and 12-24 screws included for mounting

SPECIFICATIONS

- Made of UL listed black composite material

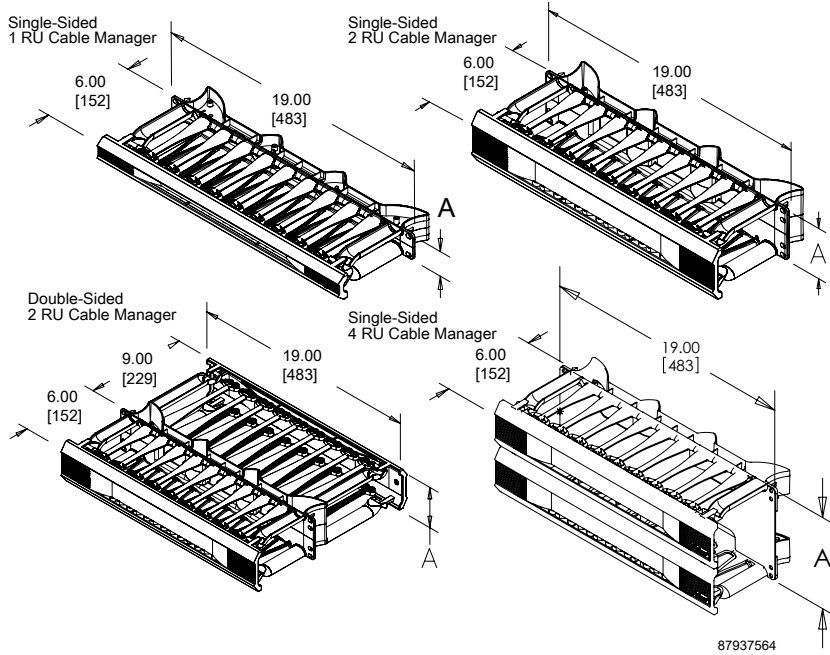
FINISH

Low gloss, matches look of RAL 9005 textured paint

BULLETIN: DACCY

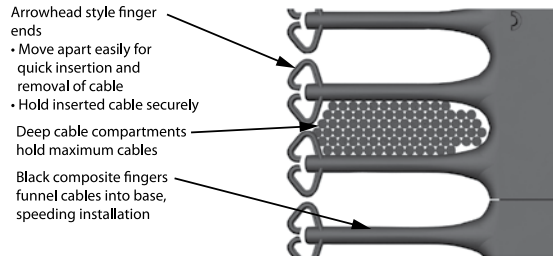
Standard Product **CABLETEK Horizontal Cable Managers; 60% Cable Manager Fill Rate**

Catalog Number	Description	Rack Units	A in./mm	Front Cross-Section Area (in. ²)	Front Cable Fill Rate 60% 5e Cable (0.22-in. dia.)	Front Cable Fill Rate 60% 6 Cable (0.25-in. dia.)	Front Cable Fill Rate 60% 6A Cable (0.30-in. dia.)	Back Cross-Section Area (in. ²)	Back Cable Fill Rate 60% 5e Cable (0.22-in. dia.)	Back Cable Fill Rate 60% 6 Cable (0.25-in. dia.)	Back Cable Fill Rate 60% 6A Cable (0.30-in. dia.)
DCHS1	Single-Sided	1	1.75 44	4.2	66	57	35	—	—	—	—
DCHS2	Single-Sided	2	3.50 89	13.2	208	161	112	—	—	—	—
DCHD2	Double-Sided	2	3.50 89	13.2	208	161	112	14.1	223	172	119
DCHS4	Single-Sided	4	7.0 178	26.9	416	322	224	—	—	—	—

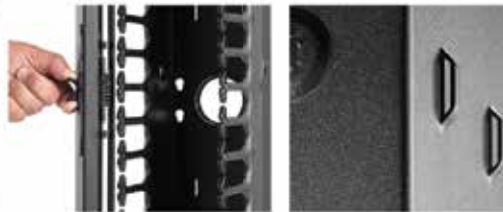


Arrowhead Cable Capacity; 60% Fill Rate

Location	Cross-Section Area (in. ²)	5e Cable (0.22-in. dia.)	6 Cable (0.25-in. dia.)	6A Cable (0.30-in. dia.)
Front	5.52	90	67	46
Back	9.27	145	113	78



CABLETEK VERTICAL CABLE MANAGER



Spring-loaded central latch operates easily and fastens securely. Pass-through holes facilitate efficient cable routing.

Tie-down loops accept Velcro® Cable Wraps



Vertical and horizontal cable manager system installed on a 2-post rack. Vertical and horizontal cable managers work together to make an orderly installation.

INDUSTRY STANDARDS

EIA 310-D

APPLICATION

Available in single- and double-sided models, this vertical cable manager mounts on the sides of or between 2- and 4-post open frame racks. The front side of the manager provides support, management and high capacity for patch cords, while the back supports Cat 5e, 6, 6A and fiber optic cables.

FEATURES

- Easily removable one-piece front cover with access from right or left as needed opens 180° to allow full access to cables
- Self-aligning bolt locations minimize lifting and speed installation
- Self-captivating fasteners; bolt doesn't turn while tightening nut
- Generous finger depth allows for maximum cable density and allows smooth transitions from vertical to horizontal positions
- Unobstructed cable access to rack equipment—no keep-out areas
- Rounded edges on composite material and grommets protect cable jackets from damage
- Robust arrowhead fingers are shaped to funnel cables into base and are made of black composite material
- Cable tiedown points provided on back
- Pass-through holes protect cable while facilitating routing between front and back
- Single central door latch allows quick and easy access to cables
- Double-sided cable manager with front and rear supporting fingers includes snap-on cover
- Double-sided cable manager with posts and gates support and contain cables. Three sets of posts and gates are included; additional sets are available as accessories
- Posts snap into prepunched holes in the back of the cable manager

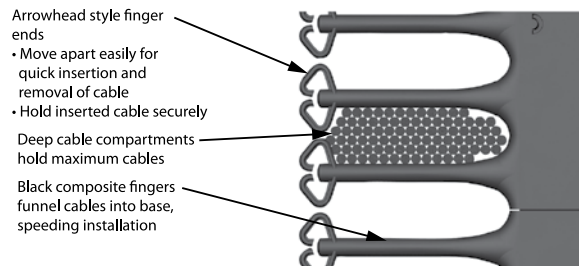
- Gates snap onto posts, open from left or right as needed and swing 280° for cable access. Posts can be used alone as slack spools to control long patch cords.
- Horizontal and vertical cable managers designed as a system for streamlined appearance and improved functionality

SPECIFICATIONS

- Front door and cable channel made of multi-formed lightweight aluminum
- Hinge points and supporting fingers made of high-strength composite material

FINISH

Aluminum components are coated with RAL 9005 black low-gloss lightly-textured polyester powder paint. Composite parts have a low-gloss finish that matches look of RAL 9005 textured paint.



Arrowhead style finger ends

- Move apart easily for quick insertion and removal of cable
- Hold inserted cable securely

Deep cable compartments hold maximum cables

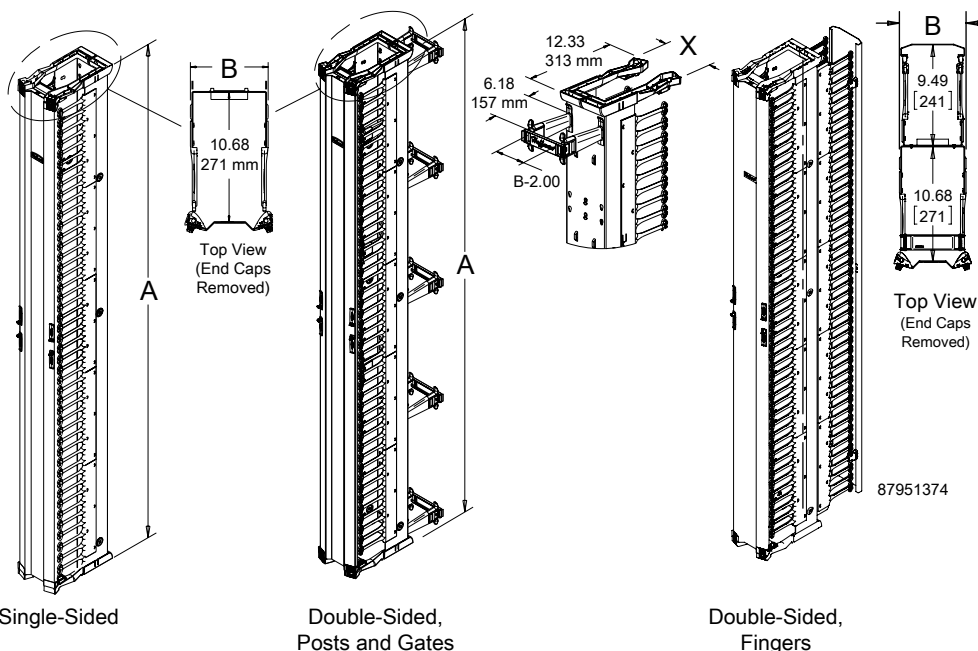
Black composite fingers funnel cables into base, speeding installation

BULLETIN: DOFRY

Standard Product **Vertical Cable Manager**

Catalog Number	Description	Fits Rack Height (ft.)	Rack Units	A (in.)	A (mm)	B (in.)	B (mm)	X (in.)	X (mm)
DV6S7	Single-Sided	7	45 U	84.00	2134	6.25	159	7.12	183
DV10S7	Single-Sided	7	45 U	84.00	2134	10.25	260	11.21	285
DV12S7	Single-Sided	7	45 U	84.00	2134	12.25	311	13.21	336
DV6D7	Double-Sided, Posts and Gates	7	45 U	84.00	2134	6.25	159	7.12	183
DV10D7	Double-Sided, Posts and Gates	7	45 U	84.00	2134	10.25	260	11.21	285
DV12D7	Double-Sided, Posts and Gates	7	45 U	84.00	2134	12.25	311	13.21	336
DV6DF7	Double-Sided, Fingers	7	45 U	84.00	2134	6.25	159	7.12	183
DV10DF7	Double-Sided, Fingers	7	45 U	84.00	2134	10.25	260	11.21	285
DV12DF7	Double-Sided, Fingers	7	45 U	84.00	2134	12.25	311	13.21	336
DV6S8	Single-Sided	8	51 U	96.00	2438	6.25	159	7.12	183
DV10S8	Single-Sided	8	51 U	96.00	2438	10.25	260	11.21	285
DV12S8	Single-Sided	8	51 U	96.00	2438	12.25	311	13.21	336
DV6D8	Double-Sided, Posts and Gates	8	51 U	96.00	2438	6.25	159	7.12	183
DV10D8	Double-Sided, Posts and Gates	8	51 U	96.00	2438	10.25	260	11.21	285
DV12D8	Double-Sided, Posts and Gates	8	51 U	96.00	2438	12.25	311	13.21	336
DV12DF8	Double-Sided, Fingers	8	51 U	96.00	2438	12.25	311	13.21	336
DV6DF8	Double-Sided, Fingers	8	51 U	96.00	2438	6.25	159	7.12	183
DV10DF8	Double-Sided, Fingers	8	51 U	96.00	2438	10.25	260	11.21	285
DV6S9	Single-Sided	9	58 U	108.00	2743	6.25	159	7.12	183
DV10S9	Single-Sided	9	58 U	108.00	2743	10.25	260	11.21	285
DV12S9	Single-Sided	9	58 U	108.00	2743	12.25	311	13.21	336
DV6D9	Double-Sided, Posts and Gates	9	58 U	108.00	2743	6.25	159	7.12	183
DV10D9	Double-Sided, Posts and Gates	9	58 U	108.00	2743	10.25	260	11.21	285
DV12D9	Double-Sided, Posts and Gates	9	58 U	108.00	2743	12.25	311	13.21	336

B dimension represents the mounting space between ganged open-frame racks.



Cable Manager Cable Capacity; 60% Fill Rate

Cable Manager Width (inch)	Front Cross-Section Area (in. ²)	Front Cable Fill Rate 60% 5e Cable (0.22-in. dia.)	Front Cable Fill Rate 60% 6 Cable (0.25-in. dia.)	Front Cable Fill Rate 60% 6A Cable (0.30-in. dia.)	Back Cross-Section Area (in. ²)	Back Cable Fill Rate 60% 5e Cable (0.22-in. dia.)	Back Cable Fill Rate 60% 6 Cable (0.25-in. dia.)	Back Cable Fill Rate 60% 6A Cable (0.30-in. dia.)
6.00	58.1	917	710	493	27.9	441	341	236
10.00	100.8	1592	1232	855	51.7	816	631	439
12.00	122.1	1928	1492	1036	64.0	1011	782	543

Arrowhead Cable Capacity, 60% Fill Rate

Cross-Section Area (in. ²)	5e Cable (0.22-in. dia.)	6 Cable (0.25-in. dia.)	6A Cable (0.30-in. dia.)
5.44	85	66	46

CABLETEK-EC VERTICAL CABLE MANAGER



2

APPLICATION

Attach CABLETEK-EC Vertical Cable Managers to the sides and/or in between open-frame racks to economically provide support, easy access and proper cable management with easy cable installation for Network rack-mount equipment. The front side provides support, management and high cable capacity for patch cords with easy-to-remove front covers standard. The rear of the manager provides the same support for horizontal cabling (Cat 5e, 6, 6A and fiber). CABLETEK-EC Vertical Cable Managers are available in single- and double-sided versions.

FEATURES

- Universal mounting pattern for 2- and 4-post open-frame racks
- Easy-to-install with self-aligning, self-captivating carriage bolts for single-sided attachment
- Arrowhead supporting fingers provide easy insertion, removal and alignment of Cat 5e, 6, 6A and other cable types
- Deep cable depth provides smooth transition of cables from vertical to horizontal positions
- Large feed-through holes and pre-scored grommets provide cable feed from front to back of cable manager
- Unobstructed cable access for all rack unit locations
- Extra deep cable channel for maximum cable density has multiple cable tie-down points
- Standard front cover, with field installed snap hinges, provides cable access from right, left or neutral
- Double-sided models with supporting fingers include front central latching cover and rear snap-on cover

- Double-sided models with posts and gates support and contain cables. Five posts and gates are included; additional sets are available as accessories
- Posts snap into prepunched holes in the back of the cable manager
- Gates snap onto posts, open from left or right as needed and swing 280° for cable access. Posts can be used alone as slack spools to control long patch cords.
- The single-sided cable manager can be upgraded with CABLETEK Post and Gates Kits
- CABLETEK Rear Cover is sold separately as an accessory for vertical cable managers with posts and gates, and is fully field-installable; no tools needed

SPECIFICATIONS

- Easy-to-remove front cover is multi-formed, light-weight aluminum with high-strength, black composite snap-on hinge points and hinges right, left or neutral
- Cable channel constructed of multi-formed 14 gauge steel
- Arrowhead supporting fingers are high-strength, black composite with all edges rounded
- Rear posts and gates on double-sided models are high-strength, black composite with all edges rounded

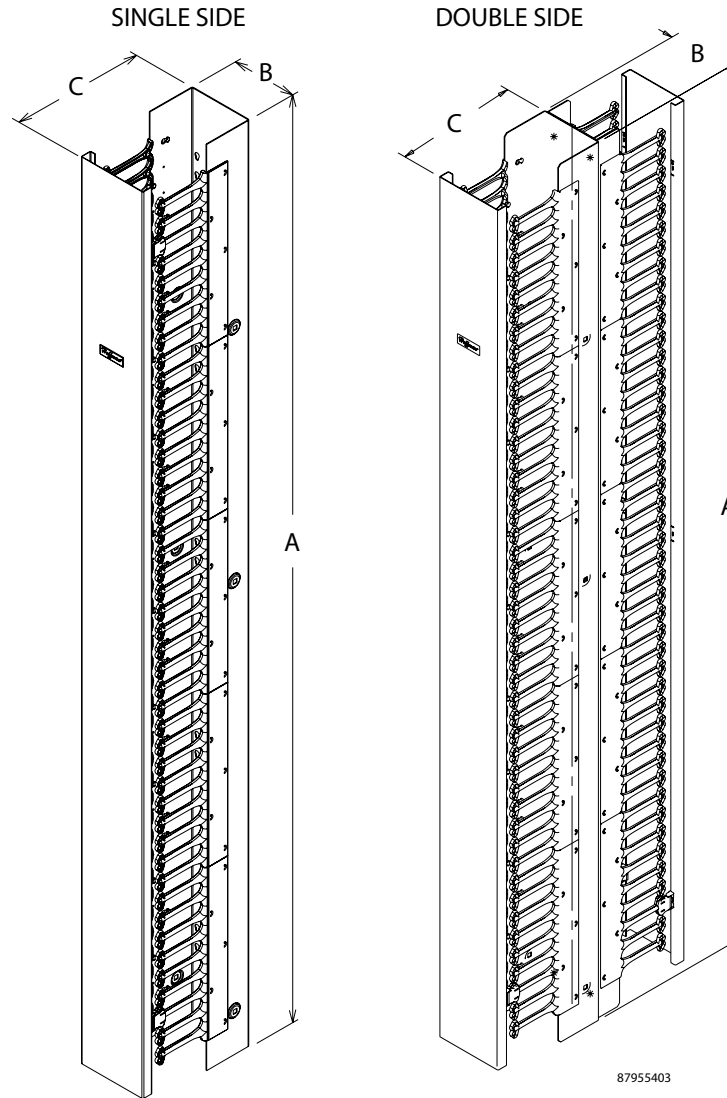
FINISH

All aluminum and steel components have a black, low-gloss, light-textured RAL 9005 powder-coated finish. All composite parts are provided in matching black.

BULLETIN: DOFRY

Standard Product

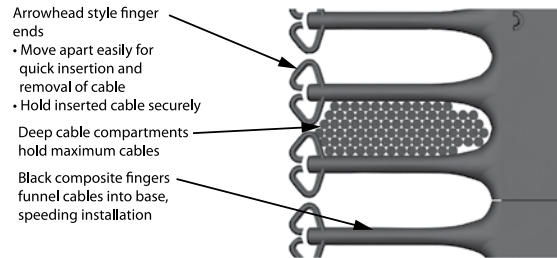
Catalog Number	AxBxC in./mm	Description	Width	Height	RU
EC3S7	84.00 x 3.50 x 11.50 2134 x 89 x 292	Single-Sided	3.5 in.	7 ft.	45
EC3D7	84.00 x 3.50 x 18.00 2134 x 89 x 457	Double-Sided, Post/Gates	3.5 in.	7 ft.	45
EC6S7	84.00 x 6.00 x 11.50 2134 x 152 x 292	Single-Sided	6 in.	7 ft.	45
EC6D7	84.00 x 6.00 x 18.00 2134 x 152 x 457	Double-Sided, Post/Gates	6 in.	7 ft.	45
EC6DF7	84.00 x 6.50 x 20.85 2134 x 165 x 530	Double-Sided, Fingers	6 in.	7 ft.	45



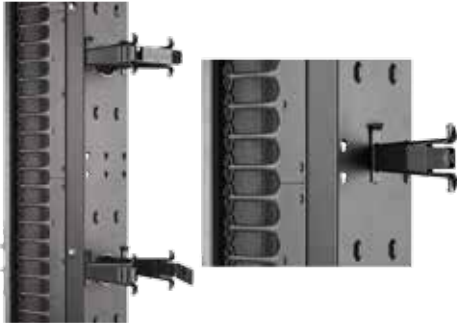
87955403

Cable Fill Chart

Catalog Numbers	Front Capacity @ 60 %	Front Capacity @ 60 %	Front Capacity @ 60 %	Rear Capacity @ 60 %	Rear Capacity @ 60 %	Rear Capacity @ 60 %
Cable Category	5e	6	5A	5e	6B	6A
EC3S7	534	414	287	—	—	—
EC3D7	534	414	287	195	151	105
EC6S7	917	710	493	—	—	—
EC6D7	917	710	493	414	341	236
EC6DF7	917	710	493	414	341	236
Arrowhead	85	66	66	—	—	—



CABLETEK POST AND GATE KITS

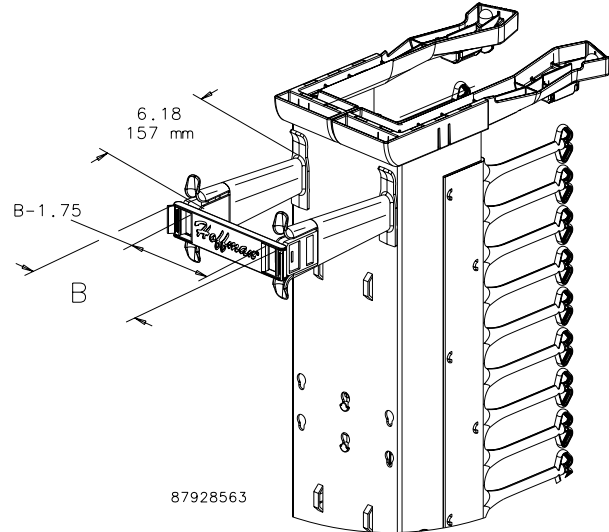


Post and Gate Kits snap together quickly without tools. Each set consists of two posts and one gate. Posts snap into prepunched holes on the backs of CABLETEK Vertical Cable Managers (single-sided and double-sided with posts and gates) and are easily repositionable without tools. Gates swivel open 280 degrees left or right to allow convenient cable access. When closed, posts and gates contain, support and secure large volumes of cables and cable bundles. Molded from black composite material with large radius, these posts and gates smoothly transition cables from vertical to horizontal positions. Order additional Post and Gate Kits to add to single- and double-sided cable managers.

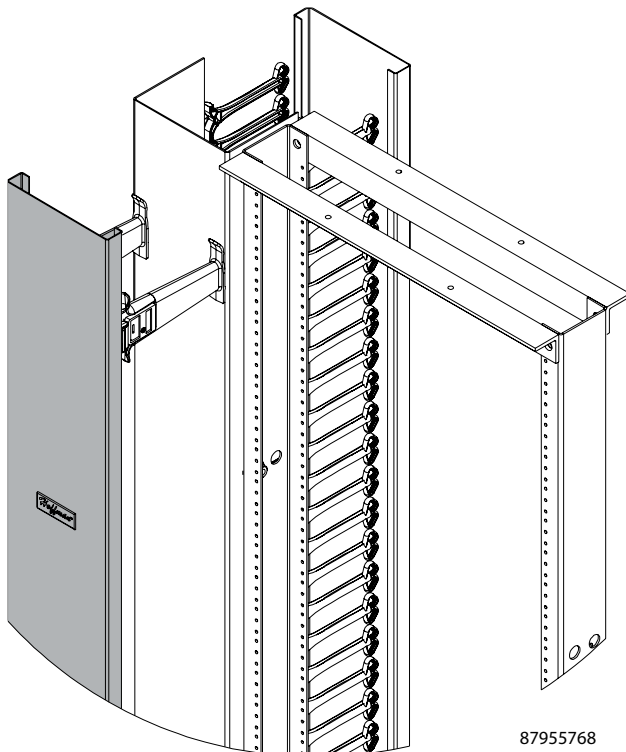
Single posts can be used alone as slack spools on the front side of the cable manager.

BULLETIN: DOFRY

Catalog Number	Description	B (in.)	B (mm)	Pkg. Qty.
DGP3	Posts and Gates	3.00	76	10 sets
DGP6	Posts and Gates	6.00	152	10 sets
DGP10	Posts and Gates	10.00	254	10 sets
DGP12	Posts and Gates	12.00	305	10 sets



REAR COVER



Rear cover is an accessory for all CABLETEK Vertical Cable Managers with post and gates. For double-sided managers, covers attach to included post and gates. For single-sided managers, appropriate Post and Gates Kit must be ordered.

BULLETIN: DOFRY

Catalog Number	AxBxC in./mm	Fits
EC3C7	84.00 x 3.50 x 1.00 2134 x 89 x 25	3.50 x 7.00 in.
EC6C7	84.00 x 6.00 x 1.00 2134 x 152 x 25	6.00 x 7.00 in.
EC10C7	84.00 x 10.00 x 1.00 2134 x 254 x 25	10.00 x 7.00 in.
EC12C7	84.00 x 12.00 x 1.00 2134 x 305 x 25	12.00 x 7.00 in.

Posts and Gates are required for assembly and to support the rear cover. For single-sided cable managers, order the appropriate Post and Gate accessory kit.

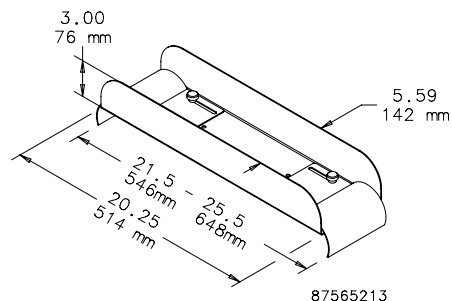
WATERFALL TOP



For routing cable across the top of an open-frame rack. Provides horizontal-to-vertical transition bend radius for compliant installation of Category 5, 6, 6A and fiber optic cable. Makes a complete cable management system when used with vertical and horizontal cable managers. Mounts on 2- and 4-post open-frame racks. Material is steel with RAL 9005 black polyester powder paint finish.

BULLETIN: DOFRY

Catalog Number	Description	Fits Open Frame Rack
EWFT	Waterfall Top	19 in.



87565213

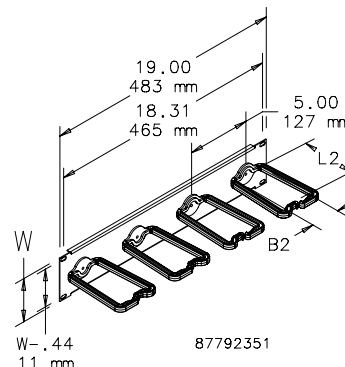
D-RING ASSEMBLY



Mounts horizontally on 19-in. racks. Allows grouping vertical cable runs. D-Rings rotate on bracket for easy cable positioning; snap open for easy access for cable updates, yet latch securely. Back plate made of steel with RAL 9005 black polyester powder paint finish; D-Rings are black plastic. Mounting hardware included.

BULLETIN: DACCY

Catalog Number	Description	B2 in./mm	L2 in./mm	W in./mm	Rack Units
ECM19DR1U	19-in. D-Ring Assembly	1.22 31	2.88 73	1.75 44	1
ECM19DR2U	19-in. D-Ring Assembly	2.22 56	4.42 112	3.50 89	2



87792351

TIE-DOWN PANEL

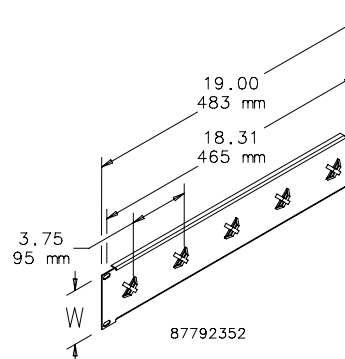


Tie-Down Panels mount horizontally on 19-in. racks. Steel panels with RAL 9005 black polyester powder paint finish have slots for VELCRO® cable wraps. Each panel includes 10 black 8-in. (203-mm) VELCRO cable wraps. Mounting hardware included.

VELCRO is a trademark of Velcro Industries B.V

BULLETIN: DACCY

Catalog Number	Description	W in./mm	Rack Units
ECM19TP1U	19-in. Tie-Down Panel	1.75 44	1
ECM19TP2U	19-in. Tie-Down Panel	3.50 89	2



87792352

TIE-DOWN RACK

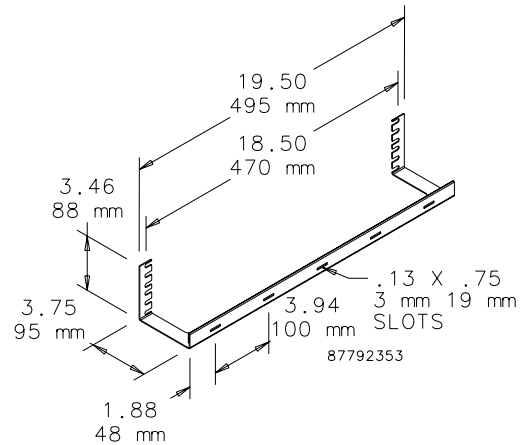


This zero-rack-unit Tie-Down Rack mounts horizontally on 19-in. racks. It takes up minimum space yet effectively controls and separates cable runs. Made of steel with RAL 9005 black polyester powder paint finish. Includes slots for cable wraps. Each rack includes 10 black 8-in. (203-mm) VELCRO® cable wraps. Mounting hardware included.

VELCRO is a trademark of VELCRO Industries B.V.

BULLETIN: DACCY

Catalog Number	Description
ECM19TD2U	19-in. Tie Down Rack



2

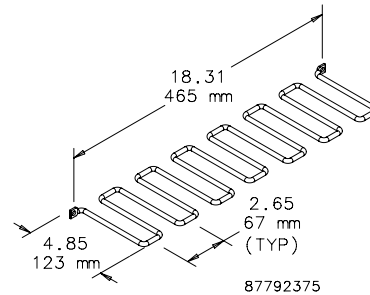
WIRE FORM CABLE MANAGER



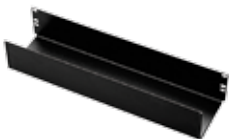
This cable manager takes up minimum space, but provides excellent cable sorting capability. Designed to mount on top of patch panels, this zero-rack-unit cable manager provides support and control of cables. Made of plated steel. Mounting hardware included.

BULLETIN: DACCY

Catalog Number	Description	Use With
EWVC19H	19-in. Wire Form Cable Manager	19-in. racks



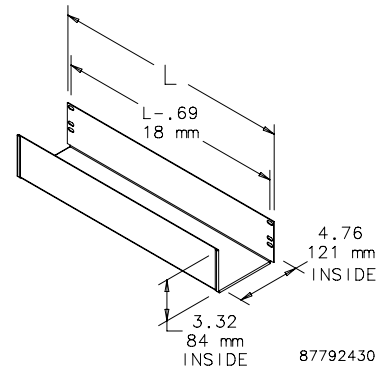
CABLE TROUGH



Mounts horizontally on 19-in. or 23-in. rack angles to support cables and power cords. Made of steel with RAL 9005 black polyester powder paint finish.

BULLETIN: DOFRY

Catalog Number	Description	L in./mm	Rack Units
ECT19	19-in. Cable Trough	19.00 483	2
ECT23	23-in. Cable Trough	23.00 584	2



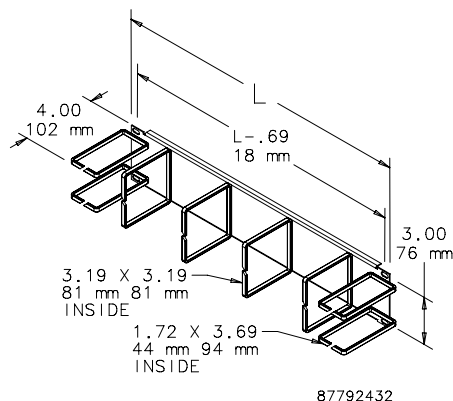
CABLE MANAGER



Mounts horizontally. For routing and bundling cable on 19-in. or 23-in. racks. Material is steel with RAL 9005 black polyester powder paint finish. Horizontal-Vertical Cable Manager shown.

BULLETIN: DACCY, DOFRY

Catalog Number	Description	L in./mm	Rack Units
ECK19H	19-in. Horizontal Cable Manager	19.00 483	2
ECK19HV	19-in. Horizontal-Vertical Cable Manager	19.00 483	2
ECK23HV	23-in. Horizontal-Vertical Cable Manager	23.00 584	2

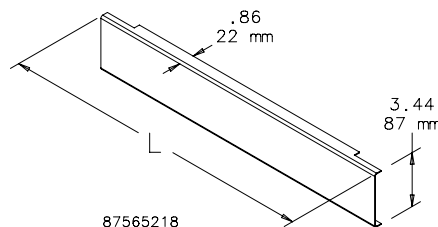


HORIZONTAL CABLE MANAGEMENT COVER

Provides a finished appearance to a 19-in. or 23-in. open-frame rack cable management system. Models snap onto ECK19H, ECK19HV and ECK23HV Cable Managers. Material is steel with RAL 9005 black polyester powder paint finish.

BULLETIN: DACCY

Catalog Number	Description	Fits Horizontal Cable Manager	L in./mm
ECKCVR19	19-in. Cable Manager Cover	ECK19H, ECK19HV	19.00 483
ECKCVR23	23-in. Cable Manager Cover	ECK23HV	23.00 594



HORIZONTAL CABLE MANAGER BAR

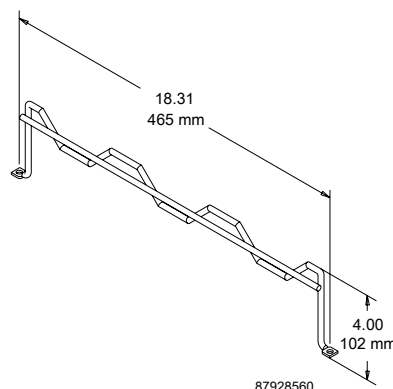


Supports cables between vertical and horizontal cable managers. Designed for use with VELCRO® cable ties. Angled tie-off surfaces allow cable to follow natural flow and maintain proper bend radius. Can be installed behind patch panels to support large permanent link cable bundles. Can also be installed on top of patch panels as a zero-RU manager to separate and control patch cables. Made of steel with a black finish. Secures standard cables, including CAT 5e, 6 and 6A cables. Meets EIA 310-D standard. Includes mounting fasteners.

VELCRO is a trademark of VELCRO Industries B.V.

BULLETIN: DACCY

Catalog Number	Description	Rack Units
DCHB1	Horizontal Cable Manager Bar	1



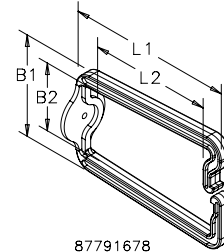
D-RING CABLE MANAGERS



D-Rings, made of black plastic, can be used to manage cables horizontally, vertically or as transition occurs. Snap feature allows easy cable access as well as forming a tightly closed connection. Package includes 10 rings and 10 mounting screws.

BULLETIN: DACCY

Catalog Number	B1 in./mm	B2 in./mm	L1 in./mm	L2 in./mm	Pkg. Qty.
ECM3DR10	1.72 44	1.22 31	3.50 89	2.88 73	10
ECM6DR10	3.00 76	2.22 56	5.33 135	4.42 112	10



87791678

2

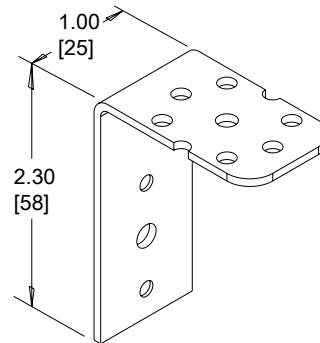
UNIVERSAL D-RING BRACKET



Mounts D-Ring (order separately) on PROLINE or Network Vertical Tie-Down Cable Manager, PROLINE Front-to-Back D-Ring Bracket or grid strap. D-Ring locks into hole provided. Made of steel coated with RAL 9005 black polyester powder paint. Includes mounting hardware.

BULLETIN: DACCY

Catalog Number	Description	Pkg. Qty.
EDRBK10	D-Ring mounting bracket	10



87798857

FIBER MANAGEMENT SPOOL

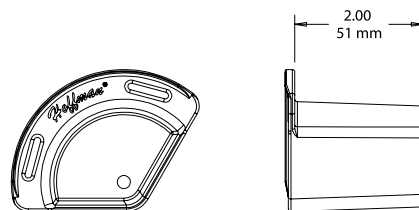


Fiber Management Spools mount inside the cabinet and help maintain proper bends when routing cable. Molded of black plastic. Includes thread-forming M5 mounting screws. Slots provided on flange for VELCRO® cable wrap.

VELCRO is a trademark of Velcro Industries B.V.

BULLETIN: DTX

Catalog Number	Radius (in.)	Radius (mm)	Pkg. Qty.
TOPTKSPL	1.18	30	4



87951339

UNIVERSAL TRANSITION BRACKET

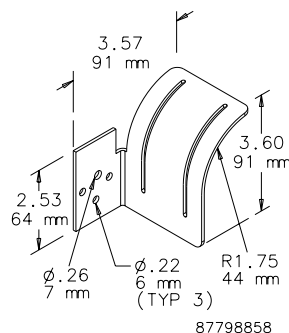


Provides support for cable in transitions between horizontal and vertical routing. Mounts to strut, grid strap or PROLINE and Network Vertical Tie-Down Cable Managers. Can be used with VELCRO® Cable Wrap (order separately). Made of steel coated with RAL 9005 black polyester powder paint. Includes mounting hardware.

VELCRO is a trademark of Velcro Industries B.V.

BULLETIN: DACCY

Catalog Number	Description	Pkg. Qty.
ETRB8	Horizontal or vertical transition	8



CABLE SPOOLS



Spools maintain minimum cable radius and direct cable. Fasten easily to Heavy Duty or Seismic racks with a single screw. Can also be used with patch panels, grid straps or plywood walls for general cable management. Mounting screws included.

BULLETIN: DACCY

Catalog Number	Height (in.)	Usable Height (mm)	Material	Pkg. Qty.
PSP00L	1.44	37	ABS, UL-V0 rated	10
P4SP00L	3.81	97	ABS, UL-V0 rated	10

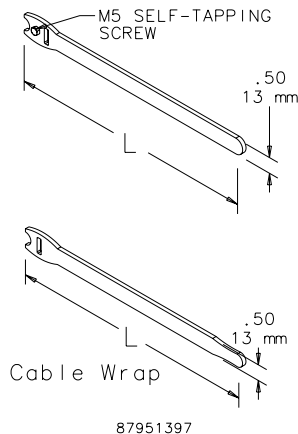
VELCRO® CABLE WRAP



Securely holds cable to cable manager and unfastens easily for cable maintenance. VELCRO® is 0.5-in. (12.7-mm) wide. Available in 8- and 12-in. (203- and 305-mm) lengths in both screw fastener and wrap styles. M5 self-tapping screw is used on Net Series or PROLINE frames.

VELCRO is a trademark of Velcro Industries B.V.

BULLETIN: DACCY



Catalog Number	Description	L (in.)	L (mm)	Color	Pkg. Qty.
ECWTD8B	Screw fastener style. Includes M5 mounting screw.	8.00	203	Black	10
ECWTD12B	Screw fastener style. Includes M5 mounting screw.	12.00	305	Black	10
ECW8B	Wrap style	8.00	203	Black	10
ECW8R	Wrap style	8.00	203	Red	10
ECW8BL	Wrap style	8.00	203	Blue	10
ECW8Y	Wrap style	8.00	203	Yellow	10
ECW12B	Wrap style	12.00	305	Black	10
ECW12R	Wrap style	12.00	305	Red	10
ECW12BL	Wrap style	12.00	305	Blue	10
ECW12Y	Wrap style	12.00	305	Yellow	10

RACK- AND PANEL-MOUNT POWER DISTRIBUTION UNITS (PDUS)



FEATURES

- Power on/off LED indicates whether power is available at the PDU
- External ground stud provided on single-phase models for secure grounding
- Circuit breakers provide additional equipment protection
- Circuits are isolated on dual circuit model; each has its own circuit breaker
- Reset button provides easy access to circuit breaker reset
- Surge protector models have an indicator LED to verify surge circuitry protection
- Rack-mount models mount directly to rack or with adapter bracket
- Rack-mount models designed for single-phase applications
- Panel-mount models can be mounted flush or with hanging bracket

SPECIFICATIONS

- Steel housing
- Power cord with molded-on plug:
 - 12-in. (305-mm) long single-phase model: 6 ft. (1.8 m)
 - Other single-phase models: 15 ft. (4.6 m)

Contact Hoffman for custom modifications and non-standard offerings.

FINISH

Black, low-gloss textured paint.

BULLETIN: DPS

2

INDUSTRY STANDARDS

UL/cUL 60950 listed
UL 1449 (Surge protector models only)

EIA 310-D (19-in. rack-mount models only)

APPLICATION

Rack- and Panel-Mount PDUs not only provide convenient, reliable power to equipment mounted in cabinets or on open frame racks, they can also be configured to meet a wide range of design specifications.

Standard Product Single-Phase Rack-Mount

Catalog Number	Surge Protection	Amp Meter	Load Rating	Voltage (VAC)	Joule Rating	Receptacle Location	No. of Receptacles	Receptacle Style	Power Cord Plug	Rack Units
DP1N190615	No	No	15A	120	—	Front	6	NEMA 5-15R	NEMA 5-15P	1
DP1N191415	No	No	15A	120	—	6 front, 8 back	14	NEMA 5-15R	NEMA 5-15P	1
DP1N191415M	No	Yes	15A	120	—	6 front, 8 back	14	NEMA 5-15R	NEMA 5-15P	1
DP1N191015S	Yes	No	15A	120	2000	2 front, 8 back	10	NEMA 5-15R	NEMA 5-15P	1
DP1N191020	No	No	20A	120	—	2 front, 8 back	10	NEMA 5-20R	NEMA 5-20P	1
DP1N191020S	Yes	No	20A	120	2000	2 front, 8 back	10	NEMA 5-20R	NEMA 5-20P	1
DP1N191020ST	Yes	No	20A	120	2000	2 front, 8 back	10	NEMA 5-20R	NEMA L5-20P Twist Lock	1

Isolated circuits on dual-circuit models with separate circuit breakers.

Plugs and Receptacles

NEMA Type	Plug	Receptacle
NEMA 15 Amp, 120V, Duplex	5-15P	5-15R
NEMA 20 Amp, 120V, Duplex	5-20P	5-20R
NEMA 20 Amp, 120V, Twist Lock	L5-20P	L5-20R
30 Amp, 120/208V Wye, Twist Lock	L21-30P	L21-30R

IEC Type	Inlet	Outlet
IEC 15 Amp, 125/250V	C-14	C-13
IEC 20 Amp, 125/250V	C-20	C-19

87922518

Standard Product **Single-Phase Vertical-Mount**

Catalog Number	Length (in.)	Length (mm)	Surge Protection	Amp Meter	Load Rating	Voltage (VAC)	Joule Rating	No. of Receptacles	Receptacle Style	Power Cord Plug
DP1N120615	12.00	305	No	No	15A	120	—	6	NEMA 5-15R	NEMA 5-15P
DP1N160620S	16.00	406	Yes	No	20A	120	2000	6	NEMA 5-20R	NEMA 5-20P
DP1N481815	48.00	1219	No	No	15A	120	—	18	NEMA 5-15R	NEMA 5-15P
DP1N622415	62.00	1575	No	No	15A	120	—	24	NEMA 5-15R	NEMA 5-15P
DP1N622420	62.00	1575	No	No	20A	120	—	24	NEMA 5-20R	NEMA 5-20P
DP1N622420T	62.00	1575	No	No	20A	120	—	24	NEMA 5-20R	NEMA L5-20P Twist Lock
DP1N622420MT	62.00	1575	No	Yes	20A	120	—	24	NEMA 5-20R	NEMA L5-20P Twist Lock
DP1E2663030MT	66.00	1676	No	Yes	30A	208	—	36	24 IEC C-13, 6 IEC C-19	NEMA L6-30P Twist Lock

Isolate circuits on dual circuit models with separate circuit breakers.

DP1E2663030MT includes input power monitoring with breaker level current monitoring, daisy chain Ethernet connectivity.

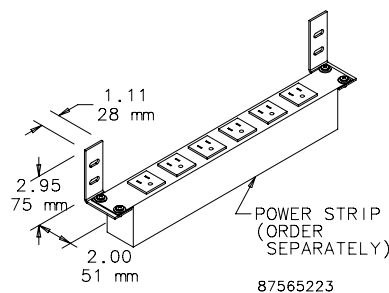


RACK-MOUNT PDU BRACKET

Allows rack-mount power strips to be mounted to cabinet sides without using up rack space. Made of plated steel. Includes two brackets and mounting hardware. Order power strip separately.

BULLETIN: DPS

Catalog Number	Finish	Pkg. Qty.
A19PSMB	Plated	2 brackets



UNIVERSAL POWER STRIP BRACKET



This bracket fits in the corner of the frame of all PROLINE cabinets and facilitates mounting a variety of power strips.

BULLETIN: DPY

Catalog Number	Description
EPDUBK	Universal Power Strip Bracket fits all PROLINE cabinets

IEC CORD SETS



Cord sets help minimize cord tangle, increasing airflow to equipment.

BULLETIN: DPS

Catalog Number	Description	Pkg. Qty.
DP5E	0.5-m (1.64-ft.) IEC patch cord, 18/3 SJT Black, C-14 to C-13	1
DP10E	1-m (3.28-ft.) IEC patch cord, 18/3 SJT Black, C-14 to C-13	1

IEC C-13 RETAINING CLIP



Secures the IEC C-14 inlet into the C-13 outlet. Helps to prevent inadvertently unplugging the cord set.

BULLETIN: DPS

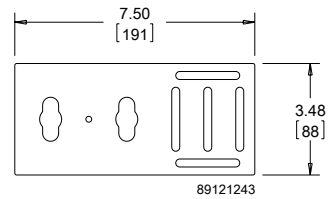
Catalog Number	Description	Pkg. Qty.
DPCLIP	IEC C-13 Retaining Clip	10

PDU BRACKET KIT



The PDU Bracket Kit includes two mounting plates and hardware to effectively mount power strips within enclosures.

BULLETIN: DCY

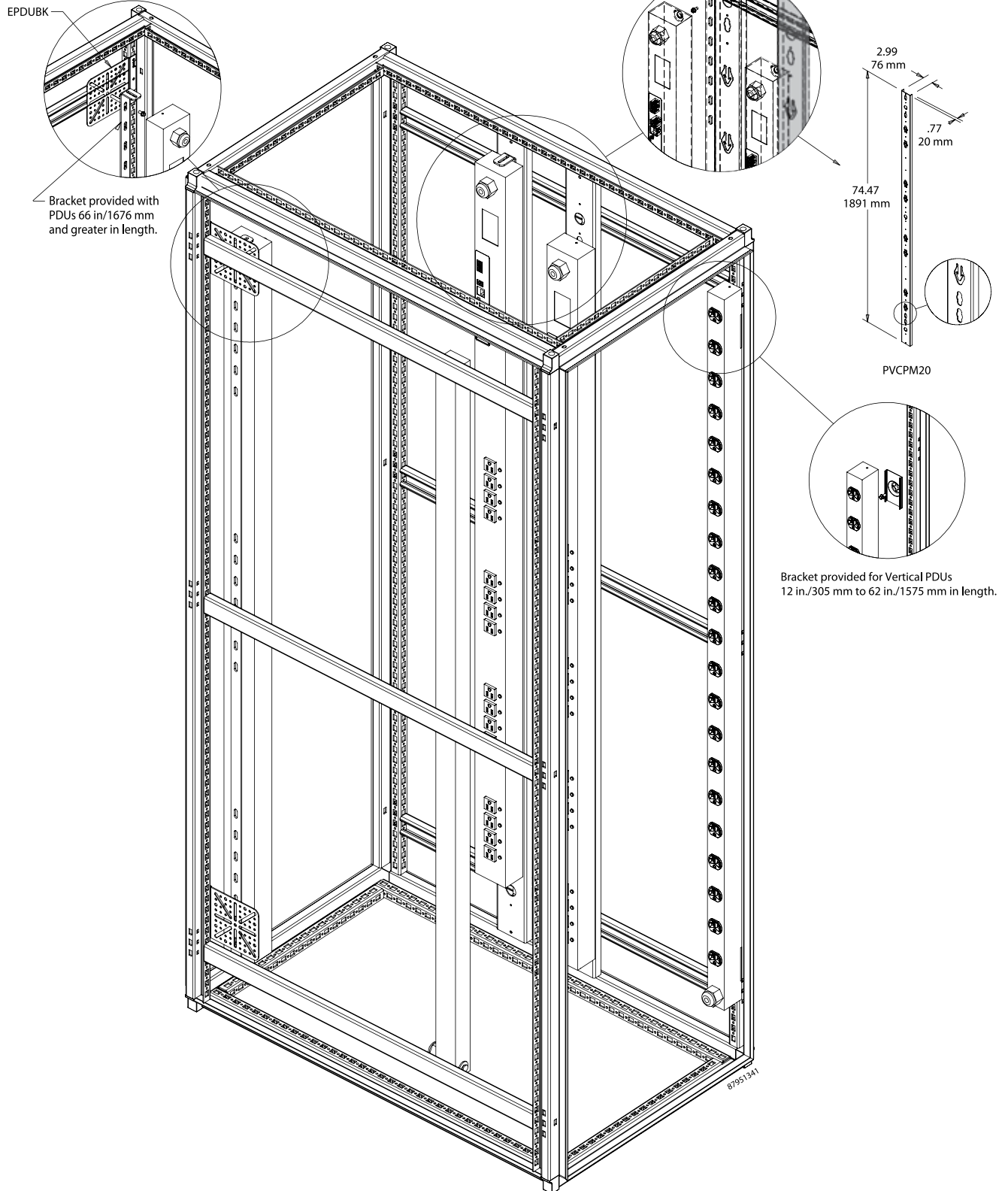


Catalog Number	Finish	Pkg. Qty.
DPDU1	Painted black	2

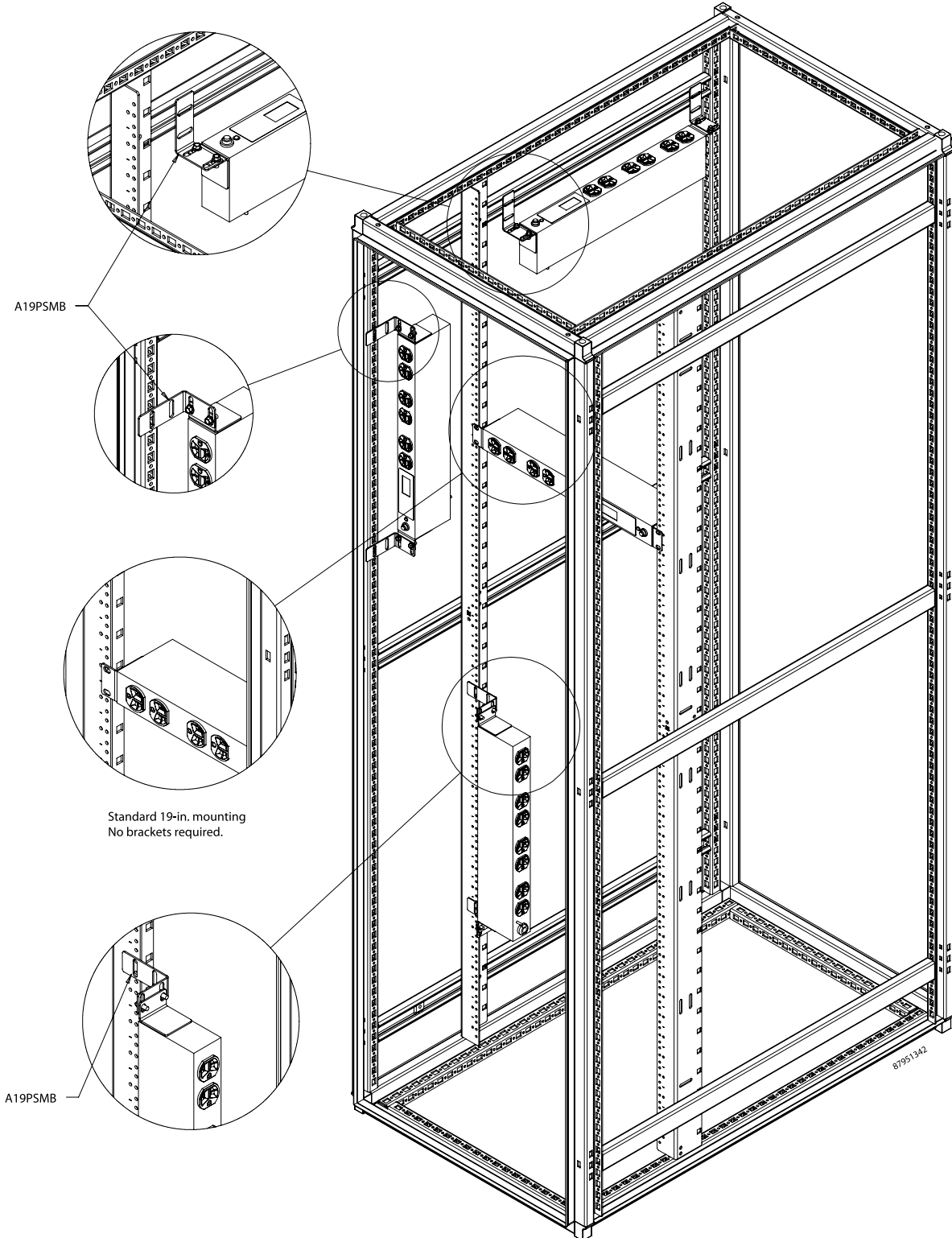
PDU COMPONENT APPLICATION

Remote sensors and displays, environmental monitors and smoke alarms help to build a system that fits the unique requirements of each individual installation.

Vertical PDU Mounting Options



Horizontal PDU Mounting Options



Notes



SMART POWER DISTRIBUTION UNIT AND ENVIRONMENTAL MONITOR

INDUSTRY STANDARDS

ANSI/UL 60950 Listed, File No. E214832
 cUL Listed CAN/CSA-C22.2 No. 60950, File No. E214832

EIA 310-D

APPLICATION

Used in applications that require remote monitoring and control, Smart PDU monitors and accessories provide feedback and diagnostic information via a web browser to a remote location. System administrators can set remote displays, audible alarms, SNMP traps and/or e-mail notification options to monitor the system and generate alarm notifications.

FEATURES

- 10-ft. power cord with straight-blade plug (5-20P), software reset button and indicator lights standard on PDUs
- Multiple users can access simultaneously; access protected with multi-level passwords and view-only access privilege setting
- Supports DHCP, HTML, HTTPS, ICMP, SNMP, static IP, SMTP, SSL, TCP/IP, Telnet, TLS, UDP and XML protocols
- Accessory sensors can be added at any time
- Remote sensors include temperature, door position, water, and smoke alarm

SPECIFICATIONS

- Steel housing
- Includes mounting brackets

FINISH

Black, low-gloss textured paint

2

SWITCHED PDU OUTLET AND ENVIRONMENTAL MONITOR



Provides switched outlet monitoring and environmental monitoring.

- Switched PDU allows users to remotely disable specific outlets to neutralize or reboot problem equipment avoiding downtime
- Provides power monitoring for quick access to current, volts, power and kilowatt hours
- Provides environmental monitoring with two RJ12 ports for plug-and-play optional sensors (ordered separately)
- 19-in. rack-mount horizontal model has 15A, 120V, (8) NEMA 5-15R outlets
- 10-ft. power cord with 5-15P
- Ethernet connectivity
- Local LCD display, includes port for optional remote display

BULLETIN: DPS

Catalog Number	Type	Voltage (VAC)	Load Rating (A)	Height in./mm	Width in./mm	Depth in./mm	No. of Receptacles	Receptacle Style
DPC1N119820	Switched PDU, Outlet and Environmental Monitor	120	20	1.72 44	17.00 432	8.50 216	8	5-15R

ENVIRONMENTAL MONITOR, WATCHDOG



The Environmental Monitor product allows users to strategically monitor and receive notifications when sensors detect problems that threaten mission critical infrastructure in data centers, server rooms and network closets.

- On-board environmental sensors include temperature, humidity, airflow, sound and light
- Includes 5 digital sensor ports; capacity can be increased to 16 with the use of splitters and 3 analog ports
- LCD Display
- Audible Alarm
- 6VDC Power Supply
- Ethernet Connection

BULLETIN: DTHRM

Standard Sizes

Catalog Number	Type	Voltage (VDC)	Height in./mm	Width in./mm	Depth in./mm
DE19B	Environmental Monitor, Watchdog	6	1.61 41	17.00 432	1.61 41

TEMPERATURE SENSOR



Monitors temperature at the selected location. Standard temperature probe measures 1.25 in.

Temperature Range:
-67 F to +275 F, ±0.9 F
(-55 C to +125 C, ±0.5 C)

BULLETIN: DTHRM

Catalog Number	Cable Length (ft.)	Cable Length (m)	Terminal Connection
DST	12.00	3.7	RJ11/RJ12

DOOR POSITION SENSOR



Magnetic sensor monitors cabinet door position. Can turn on alarm when the monitored cabinet has been opened. Range: Unitless readings 0-99. Low reading means door is closed; high reading means it is open.

BULLETIN: DTHRM

Catalog Number	Cable Length (ft.)	Cable Length (m)	Terminal Connection
DSD	30.00	9.1	I/O port

FLOOD SENSOR

Detects leaks at the sensor location. Measures conductivity and indicates whether the sensor is dry, damp or completely immersed in water. The more liquid, the higher the current.

BULLETIN: DTHRM

Catalog Number	Cable Length (ft.)	Cable Length (m)	Terminal Connection
DSW	15.00	6.1	I/O port

REMOTE DISPLAY



Connects to PDU and mounts outside the cabinet to provide at-a-glance viewing of user-selected readouts. Built-in audible alarm.

BULLETIN: DTHRM

Catalog Number	Cable Length (ft.)	Cable Length (m)	Terminal Connection
DRD	10.00	3.0	RJ11/RJ12

5-WAY SPLITTER



Allows 5 remote sensors to connect to one RJ11/RJ12 receptacle on a PDU, Control Unit or Environmental Monitor.

BULLETIN: DTHRM

Catalog Number	Description	Terminal Connection
DSPLIT	5-Way Splitter	RJ11/RJ12



CHAPTER 3

OPEN FRAME RACKS

FEATURED PRODUCTS

2-POST OPEN FRAME RACKS

2-Post Open Frame Racks satisfy basic functional requirements for structuring cable. Visible, permanent RU marking on rack uprights enable easy equipment alignment without measuring for communication data centers and telecommunication rooms. Available in standard and heavy-duty models.



4-POST OPEN FRAME RACKS

Support deeper, heavier network equipment with 4-Post Open Frame Racks. These adjustable racks combine the mounting security of a cabinet with the accessibility of a rack. To expand existing systems, 4-post racks can be ganged with standard 2-post or other 4-post racks.





CHAPTER CONTENTS

OPEN FRAME RACKS

2-POST OPEN FRAME RACKS

2-Post Open Frame Rack	86
------------------------------	----

4-POST OPEN FRAME RACKS

4-Post Open Frame Rack	88
------------------------------	----

2-POST OPEN FRAME RACKS

2-Post Open Frame Rack Hardware Kit	90
4-Post Open Frame Rack Hardware Kit	90
4-Post Open Frame Rack Front-to-Back Kit	90
4-Post Open Frame Rack Isolation Kit	90
Concrete Expansion Bolt Anchor Kit	90

OPEN FRAME SYSTEMS

MAXRACK Open Frame System	91
MAXRACK Air Baffle and Cable Managers for CISCO Switch	93
MAXRACK Dust Cover	93
MAXRACK Hardware Kit	93
MAXRACK Isolation Kit	93

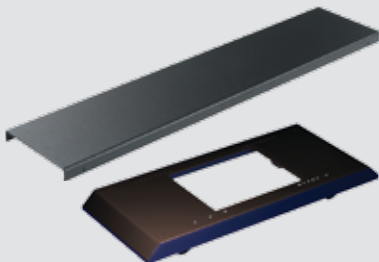
OPEN FRAME RACK ACCESSORIES

4-Post Open Frame Rack Front-to-Back Cable Manager	94
Joining Kit	94
Mobile Base for Open Frame Racks	94
Dust Cover	95
Panel Adapter	95
Concrete Expansion Bolt Anchor Kit	95
Electrical Isolation Kit	95



OPEN FRAME RACK ACCESSORIES

Streamline cable management with a broad selection of open frame rack accessories. From cable managers to adapters, available accessories facilitate fast cable installation and organization, reducing installation and maintenance costs.



2-POST OPEN FRAME RACK


Two-Post Rack with shelves

Populated Two-Post Rack with vertical cable management

APPLICATION

Designed for use in network, server, and telecommunication rooms, 2-Post Open Frame Racks satisfy basic functional requirements for structuring cable. Racks are available in 3-in. or 6-in. column widths.

FEATURES

- Range of heights from 4 ft. to 9 ft. (24U to 58U) to match capacity requirements; 19-in. Rack Packages are 7-ft. high
- Side rails are tapped on both sides with 12-24UNC threads for quick installation
- EIA Universal 5/8 in. - 5/8 in. - 1/2 in. vertical mounting hole pattern matches industry standards
- RU markings on both front and back of uprights make it easier to mount equipment
- Packed unassembled in individual cartons; assembly hardware (including twenty 12-24 mounting screws) is furnished for convenient storage and installation
- Convenient rack and cable manager packages offered with either one or two 6-in. cable managers; includes one-piece hinged cover

SPECIFICATIONS

- Frame is a strong and lightweight aluminum (6063-T6 alloy), extruded or formed, with RU markings on both front and back of uprights

FINISH

RAL 9005 black polyester powder paint or milled aluminum

LOAD RATING

Do not exceed the following recommended load ratings.

- Floor Mount Rack - 1000 lb. (453.6 kg)
- One-Sided Solid Shelf - 150 lb. (68.0 kg)
- Double-Sided Shelf - 300 lb. (136.1 kg)
- One-Sided Vented Shelf - 150 lb. (68.0 kg)
- Double-Sided Vented Shelf - 300 lb. (136.1 kg)
- Adjustable Vented Shelf - 60 lb. (27.2 kg)
- Keyboard/Monitor Shelf - 200 lb. (90.7 kg)

INDUSTRY STANDARDS

UL 2416 Listed; File No. E230874
cUL Listed per CSA C22.2 No. 182.4; File No. E230874

EIA 310-D

BULLETIN: DMAX, DOFR2
Standard Product 3-in. Column

Catalog Number	AxBxC in.	AxBxC mm	Description	Finish	Rack Units	Nominal Frame Height
EDR19FM24U	48.00 x 20.25 x 15.00	1219 x 514 x 381	19-in. rack	Black	24	4 ft.
EDR19FM38U	72.00 x 20.25 x 15.00	1829 x 514 x 381	19-in. rack	Black	38	6 ft.
EDR19FM45U	84.00 x 20.25 x 15.00	2134 x 514 x 381	19-in. rack	Black	45	7 ft.
EVR19FM45U	84.00 x 20.25 x 15.00	2134 x 514 x 381	19-in. rack	Mill	45	7 ft.
EDR19FM51U	96.00 x 20.25 x 15.00	2438 x 514 x 381	19-in. rack	Black	51	8 ft.
EVR19FM51U	96.00 x 20.25 x 15.00	2438 x 514 x 381	19-in. rack	Mill	51	8 ft.
EDR19FM58U	108.00 x 20.25 x 15.00	2743 x 514 x 381	19-in. rack	Black	58	9 ft.
EVR19FM58U	108.00 x 20.25 x 15.00	2743 x 514 x 381	19-in. rack	Mill	58	9 ft.
EDR23FM24U	48.00 x 24.25 x 15.00	1219 x 616 x 381	23-in. rack	Black	24	4 ft.
EDR23FM38U	72.00 x 24.25 x 15.00	1829 x 616 x 381	23-in. rack	Black	38	6 ft.
EDR23FM45U	84.00 x 24.25 x 15.00	2134 x 616 x 381	23-in. rack	Black	45	7 ft.
EVR23FM45U	84.00 x 24.25 x 15.00	2134 x 616 x 381	23-in. rack	Mill	45	7 ft.
EDR23FM51U	96.00 x 24.25 x 15.00	2438 x 616 x 381	23-in. rack	Black	51	8 ft.
EVR23FM51U	96.00 x 24.25 x 15.00	2438 x 616 x 381	23-in. rack	Mill	51	8 ft.

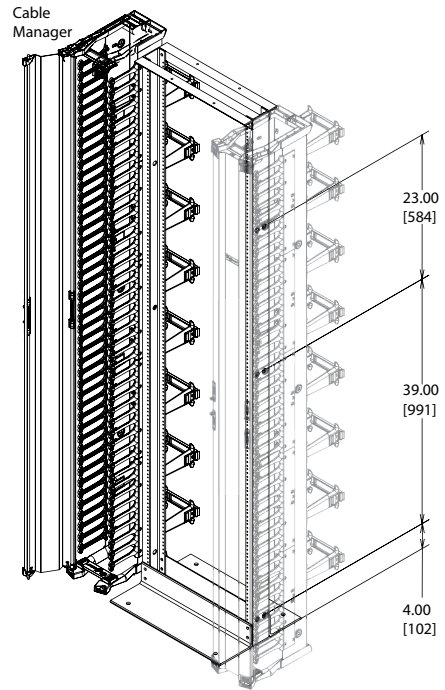
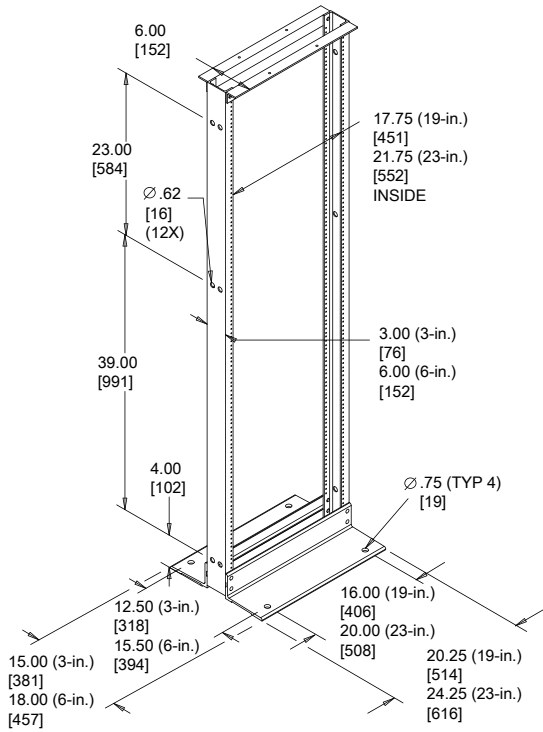
Standard Product 3-in. Column with Cable Manager

Catalog Number	AxBxC in.	AxBxC mm	Description	Finish	Rack Units	Nominal Frame Height
EDR19FM45UCM1	84.00 x 27.50 x 18.00	2134 x 699 x 457	19-in. rack package, 1 cable manager, DV6D7	Black	45	7 ft.
EDR19FM45UCM2	84.00 x 34.75 x 18.00	2134 x 883 x 457	19-in. rack package, 2 cable managers, DV6D7/	Black	45	7 ft.

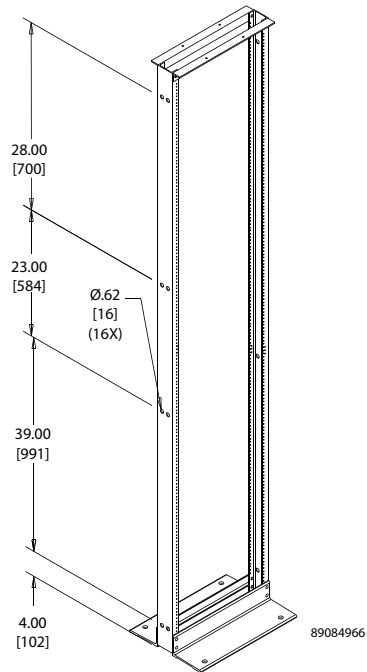
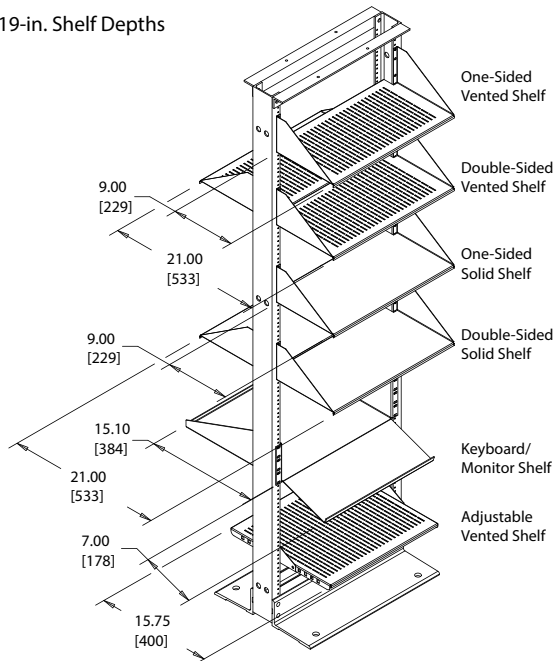
Standard Product 6-in. Column

Catalog Number	AxBxC in.	AxBxC mm	Description	Finish	Rack Units	Nominal Frame Height
EDR19FM45U6	84.00 x 20.28 x 18.00	2134 x 515 x 457	19-in. rack	Black	45	7 ft.
EDR19FM51U6	96.00 x 20.28 x 18.00	2438 x 515 x 457	19-in. rack	Black	51	8 ft.

2-Post Rack Package
(CABLETEK Vertical Cable Managers shown with alternate mounting location)



19-in. Shelf Depths



8-Foot and 9-Foot Racks Only
(Width and Depth dimensions identical to 7-foot rack)



4-POST OPEN FRAME RACK

Rack depth fully adjustable



INDUSTRY STANDARDS

UL 2416 Listed; File No. E230874
 cUL Listed per CSA C22.2 No. 182.4; File No. E230874

EIA 310-D

APPLICATION

4-Post Open Frame Racks combine the mounting security of a cabinet with the accessibility of a rack. Used in communication, server, and telecommunication room applications, these adjustable-depth racks support deeper, heavier network equipment and can be ganged with standard 2-post or other 4-post racks to expand existing systems.

FEATURES

- Depth adjustable 450 mm to 1050 mm (17.7 in. to 41.3 in.) in 25-mm (.98-in.) increments
- EIA universal 5/8 - 5/8 - 1/2 in. spaced 12-24 tapped holes or .375-in. square holes fit 19-in. rack equipment
- Compatible with 19-in. rack accessories
- Available with nominal frame height of 6, 7 and 8 ft.
- RU markings on both front and back of tapped-hole uprights make it easier to mount equipment
- Floor mounting holes predrilled at .750-in. diameter
- 12-24 rack mounting screws (pkg. of 20) included with tapped-hole model
- For square hole model, order screws and cage nuts separately
- Can be ganged with both 2- and 4-Post Open Frame Racks
- Includes complete assembly instructions
- Shipped unassembled for convenient transport to job site

SPECIFICATIONS

- Uprights on the tapped-hole model are made of lightweight extruded aluminum (6063-T6 alloy) and include RU markings on both front and back of uprights
- Uprights on the square-hole model are made from 12 gauge steel
- Top and bottom angles made of extruded aluminum (6063-T6 alloy)

FINISH

Smooth RAL 9005 black polyester powder paint finish.

LOAD RATING

2500 lb. (1134 kg)

PATENTS

6,655,533 (U.S.A.)

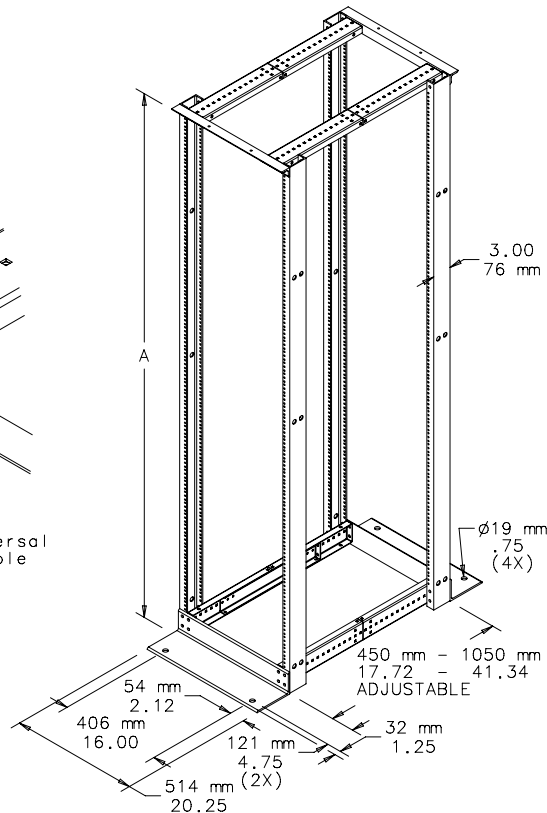
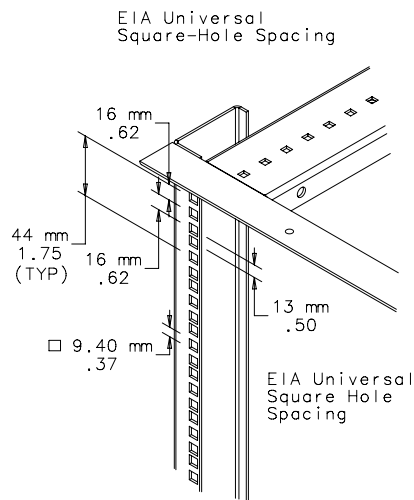
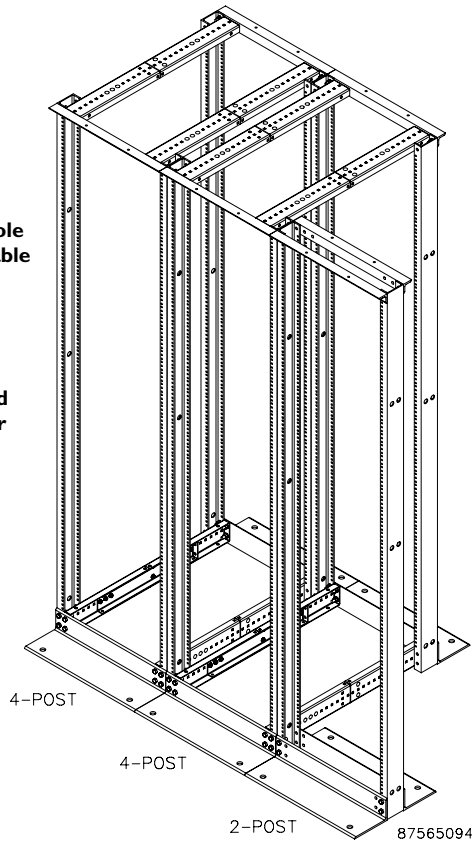
BULLETIN: DOFR4

Standard Product

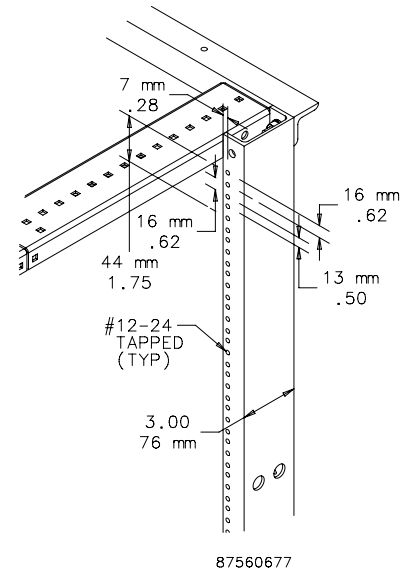
Catalog Number	AxB mm	AxB in.	Mounting Hole Type	Rack Units	Nominal Frame Height A
E4DR19FM38U	1826 x 514	71.88 x 20.25	Tapped	38	6 ft.
E4DR19FM45U	2131 x 514	83.88 x 20.25	Tapped	45	7 ft.
E4DR19FM51U	2438 x 514	96.00 x 20.25	Tapped	51	8 ft.
E4DRS19FM45U	2131 x 514	83.88 x 20.25	Square	45	7 ft.
E4DRS19FM51U	2438 x 514	96.00 x 20.25	Square	51	8 ft.

Both tapped and square hole models available (tapped hole model shown)

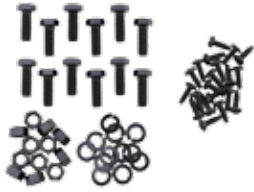
4-post racks can be ganged with 2-post or other 4-post racks



EIA Universal Tapped-Hole Spacing



2-POST OPEN FRAME RACK HARDWARE KIT



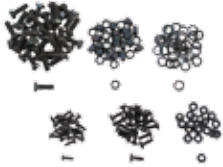
Kit consists of (12) 3/8-16x1.00 hex head screws; (12) 3/8 split washers; and (12) 3/8-16 hex nuts.

BULLETIN: DOFRY

Standard Product

Catalog Number	Description
E2PKIT	2-Post Open Frame Rack hardware kit

**4-POST OPEN FRAME RACKS
4-POST OPEN FRAME RACK HARDWARE KIT**



Kit consists of (20) .357-16x1.75 carriage bolts; (20) 1/4-20 hex flange nuts; (32) 3/8-16x1.00 hex head screws; (32) 3/8-16 hex nuts; and (32) 3/8 split washers.

BULLETIN: DOFRY

Standard Product

Catalog Number	Description
E4PKIT	4-Post Open Frame Rack hardware kit

4-POST OPEN FRAME RACK FRONT-TO-BACK KIT



Kit consists of (4) depth brackets; (2) adjustable depth brackets; (8) 1/4-20 hex flange nuts; (8) .375-16x1.75 carriage bolts; (8) 3/8-16x1.00 hex head screws; (8) 3/8-16 hex nuts; and (8) 3/8 split washers.

BULLETIN: DOFRY

Standard Product

Catalog Number	Description
E4FBKIT	4-Post Open Frame Rack front-to-back kit

4-POST OPEN FRAME RACK ISOLATION KIT



Kit consists of (2) isolator bases and (4) nylon bushings.

BULLETIN: DOFRY

Standard Product

Catalog Number	Description
A19ESOK4	4-Post Open Frame Rack isolation kit

CONCRETE EXPANSION BOLT ANCHOR KIT



BULLETIN: DACCY

Standard Product

Catalog Number	Description
ESBDK	(4) 3/8x3.75 expansion bolt kit

MAXRACK OPEN FRAME SYSTEM



INDUSTRY STANDARDS

UL 2416 Listed; File Number E230874
 cUL Listed per CSA C22.2 No. 182.4; File No. E230874

Cisco developer registered
 EIA 310-D

APPLICATION

MAXRACK is used for mounting and securing 19- or 23-in. rack equipment that is used in network, server, and telecommunication rooms. These open frame racks are ideal for high-density cabling applications. MAXRACK also supports the cabling and cooling needs of large core switches (CISCO Catalyst 6509 / 6513, NEXUS 7010 and NEXUS 7018) by using the combination air baffle/vertical cable manager accessory. MAXRACK, with its vast features, supports many diverse applications.

FEATURES

- Rack can be assembled to accommodate either 19- or 23-in. rack equipment
- Racks can be ganged to create rows for high density applications
- 19-in. configuration equals typical tile width of 24 in.
- Flat package to allow easy shipping and handling to job site
- Press-in nuts enable single-side easy assembly
- All structural members are grounded by special grounding and bonding washers
- Top has integrated waterfall, which ensures proper cable radius is achieved
- Top and top bracket support accommodate parallel or perpendicular ladder or basket tray mounting applications
- Channel uprights provided with hole patterns to support various cable management devices
- All RU positions marked with white lettering on front and rear column members
- Easy-to-follow complete installation instructions included
- Upright channels tapped 12-24 holes per EIA Universal pattern standards
- Multiple paint-free grounding points per UL double-lugged standards
- Rack accommodates vertical cable manager accessories

SPECIFICATIONS

- Top and uprights made of multi-formed .125-in. aluminum
- Base angles made of extruded aluminum
- White RU-marked uprights per EIA standards
- Tapped 12-24 holes per EIA Universal pattern standards

LOAD RATING

Static maximum load is 2500 lbs/1134 kg.

ACCESSORIES

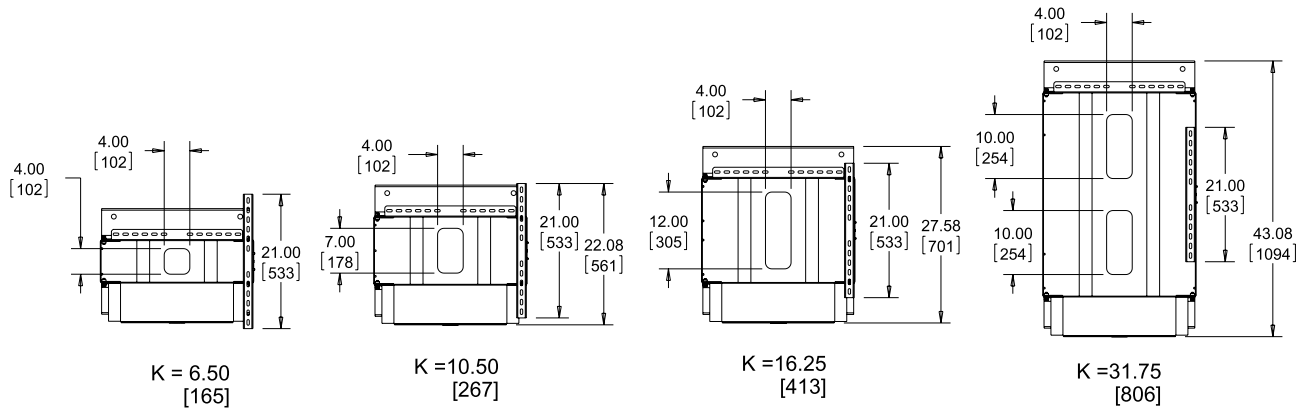
Vertical Cable Managers
 Blanking Panels
 Grounding kits
 PDUs
 Shelves

BULLETIN: DMAX

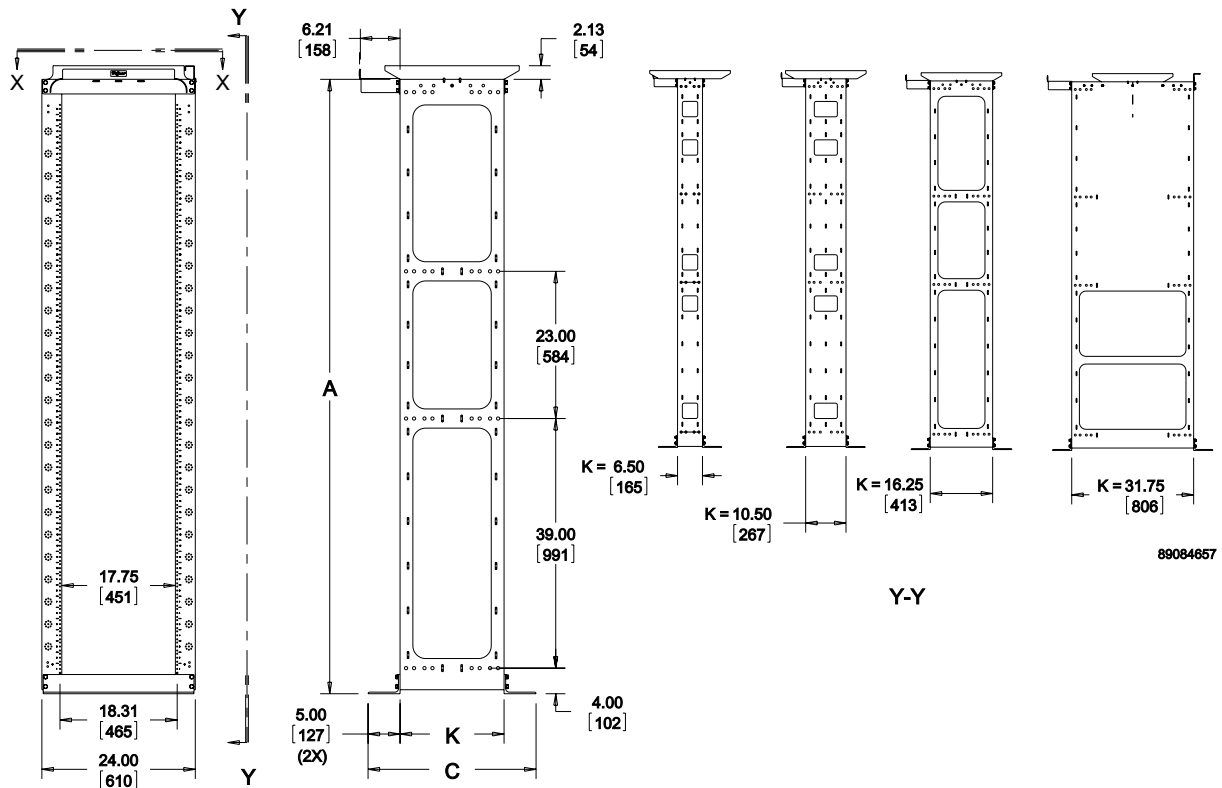
Standard Product MAXRACK Open Frame System

Catalog Number	AxBxC in.	AxBxC mm	Rack Units	G (in.)	G (mm)	K (in.)	K (mm)
M846B45	86.13 x 24.00 x 16.50	2188 x 610 x 419	45	14.00	356	6.50	165
M8410B45	86.13 x 24.00 x 20.50	2188 x 610 x 521	45	18.00	457	10.50	267
M8416B45	86.13 x 24.00 x 26.25	2188 x 610 x 667	45	23.75	603	16.25	413
M8432B45	86.13 x 24.00 x 41.75	2188 x 610 x 1060	45	39.25	997	31.75	806
M966B51	98.13 x 24.00 x 16.50	2493 x 610 x 419	51	14.00	356	6.50	165
M9610B51	98.13 x 24.00 x 20.50	2493 x 610 x 521	51	18.00	457	10.50	267
M9616B51	98.13 x 24.00 x 26.25	2493 x 610 x 667	51	23.75	603	16.25	413
M9632B51	98.13 x 24.00 x 41.75	2493 x 610 x 1060	51	39.25	997	31.75	806



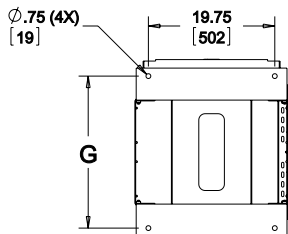


X-X



Y-Y

89084657



MAXRACK AIR BAFFLE AND CABLE MANAGERS FOR CISCO SWITCH



MAXRACK Air baffle and Vertical Cable Manager accessory kits ensure CISCO switch compliance. Managers provide the required cold air access and provisions for high-density cabling. Baffles and cable manager uprights made of aluminum; supporting fingers made of composite. Finish is RAL 9005 black light-textured, low-gloss polyester powder paint.

Cisco developer registered.

BULLETIN: DMAX



Standard Product MAXRACK Air Baffle and Cable Managers for CISCO Switch

Catalog Number	AxBxC in./mm	Use with CISCO Switch	Use with MAXRACK
M84D12	84.13 x 12.00 x 23.68 2137 x 305 x 601	Catalyst 6509/6513	M8416B45
M84D18	84.13 x 18.00 x 39.37 2137 x 457 x 1000	NEXUS 7018	M8432B45
M96D12	96.13 x 12.00 x 23.68 2442 x 305 x 601	Catalyst 6509/6513	M9616B51
M96D18	96.13 x 18.00 x 39.37 2442 x 457 x 1000	NEXUS 7018	M9632B51



MAXRACK DUST COVER



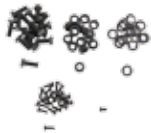
Dust Cover fits over the top of the base angles, inside the uprights. Covers are made of aluminum with matching RAL 9005 black light-textured, low-gloss polyester powder paint.

BULLETIN: DMAX

Standard Product

Catalog Number	AxBxC in./mm	MAXRACK C dimension
MDC6	1.00 x 17.95 x 7.33 25 x 456 x 186	16.50 (419 mm)
MDC10	1.00 x 17.95 x 11.33 25 x 456 x 288	20.50 (521 mm)
MDC16	1.00 x 17.95 x 17.08 25 x 456 x 434	26.25 (667 mm)
MDC32	1.00 x 17.95 x 32.58 25 x 456 x 828	41.75 (1060 mm)

MAXRACK HARDWARE KIT



Kit consists of [20] 12-24 x .625 pilot point screws; [16] 3/8-16 x .88 hex head bolts; [16] M10 grounding washers; [16] 3/8 flanged nuts; and [1] Mx12 flat head screw.

BULLETIN: DMAX

Standard Product

Catalog Number	Description
MAXKIT	MAXRACK hardware kit

MAXRACK ISOLATION KIT



Kit consists of [2] isolator bases and [4] nylon bushings.

BULLETIN: DMAX

Standard Product

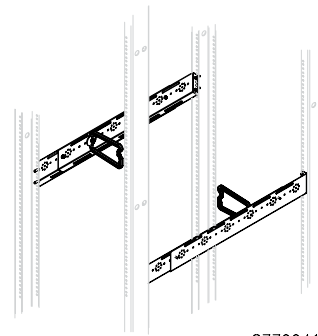
Catalog Number	Description
MSOK	MAXRACK Isolation Kit

4-POST OPEN FRAME RACK FRONT-TO-BACK CABLE MANAGER

Cable Manager provides holes for mounting D-Rings and Spools to facilitate routing and managing cable in a 4-Post Open Frame Rack. Mounts to rack uprights. Made of steel with RAL 9005 black polyester paint finish. Includes six large D-Rings.

BULLETIN: DOFRY

Catalog Number	Height mm/in.	Width mm/in.	Adjusts to Fit 4-Post Depth	Pkg. Qty,
E4FBCM	74 2.90	22 .85	750-1050	1



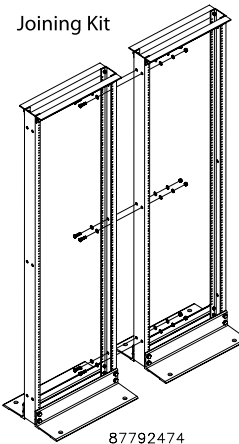
87799410

JOINING KIT

Hardware kit to join two open-frame racks. Made of steel with plated finish.

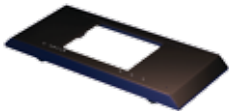
BULLETIN: DOFRY

Catalog Number	Description
EJ2DR	Joining Kit, Side-to-Side



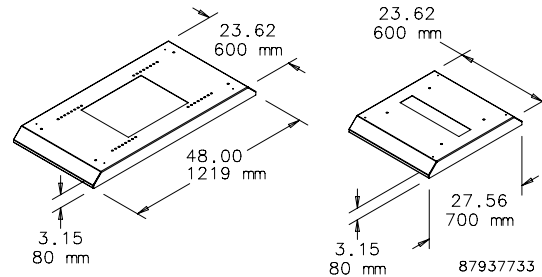
87792474

MOBILE BASE FOR OPEN FRAME RACKS



Models for 19-in. 2- and 4-Post Open Frame Racks. Includes four non-locking casters. Will also accept standard levelers. Order catalog number PMBLM12 separately. The rack mounts on the base to provide greater stability with mobility. Made of steel with RAL 9005 black polyester powder paint finish. Mounting hardware included.

BULLETIN: DOFRY



87937733

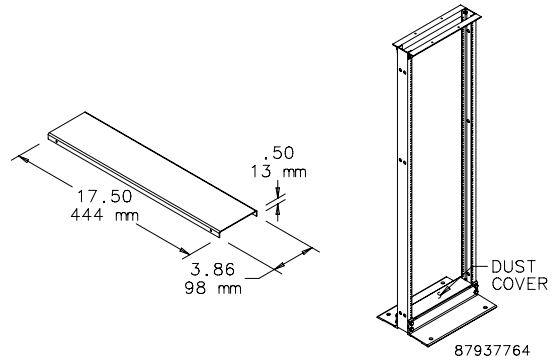
Catalog Number	Fits
A19MB600	2-post open-frame racks
A19MB1000	4-post open-frame racks with depth adjustable between 17.7- and 29.5-in. (450- and 750-mm) in 0.98-in. (25-mm) increments

DUST COVER



Provides a finished appearance to the base of a two-post rack. Made of steel with RAL 9005 black polyester powder paint finish.
BULLETIN: DOFRY

Catalog Number	Use with
EDUSTCVR	DataCom 2-post rack



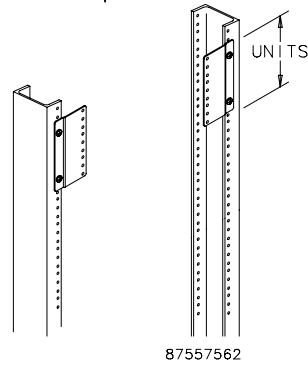
PANEL ADAPTER

Adapts 23-in. open frame rack to accept 19-in. equipment. Offset provides flush mounting surface. Steel with plated finish. Furnished in pairs.

BULLETIN: DACCY

Catalog Number	Rack Units
ERB1U2319	1
ERB3U2319	3
ERB5U2319	5

Panel Adapter



CONCRETE EXPANSION BOLT ANCHOR KIT



BULLETIN: DACCY
 Standard Product

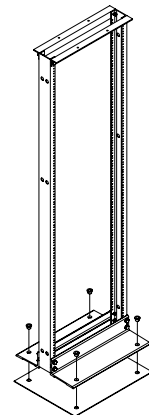
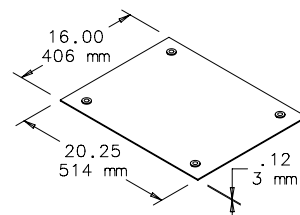
Catalog Number	Description
ESBDK	(4) 3/8x3.75 expansion bolt kit

ELECTRICAL ISOLATION KIT

Provides electrical isolation between the 2-Post Open Frame Rack and the floor. Includes isolation plate and plastic bushings. Made of 0.125-in. fiberglass. Rack and floor fastening hardware not included.

BULLETIN: DOFRY

Catalog Number	Description
A19ESOK	Electrical Isolation Kit



*Hoffman*

CHAPTER 4 WALL-MOUNT CABINETS

FEATURED PRODUCTS

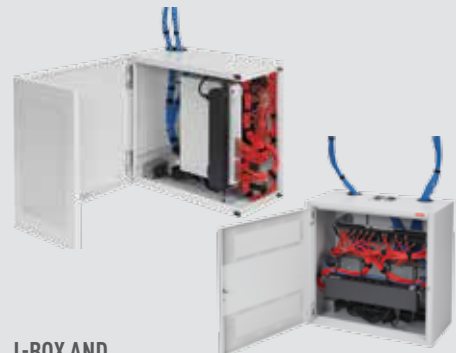


ACCESSPLUS DOUBLE-HINGE, TYPE 1 WALL-MOUNT CABINETS

Versatile ACCESSPLUS Wall-Mount Cabinets provide a secure, practical and accessible solution for 19-in. rack-mounted equipment applications. The double-hinged cabinet design ensures rugged security, maximum cooling and rack unit containment.

PROTEK WALL-MOUNT CABINETS

PROTEK Wall-Mount Cabinets provide protection and cooling to 19-in. rack-mounted equipment in wet or dirty environments where floor space is minimal. Available in a wide selection of sizes, materials and configurations, PROTEK is an optimal solution for intermediate distribution frame (IDF) networks and point-of-operation industrial component applications.



L-BOX AND D-BOX WALL-MOUNT CABINETS

Low-profile, vertically-oriented L-BOX and D-BOX Wall-Mount Cabinets offer a versatile solution for mounting, storing and protecting network equipment, patch panels and connections in public settings.



CHAPTER CONTENTS

WALL-MOUNT CABINETS

WALL-MOUNT CABINETS PRODUCT SELECTION GUIDE

Wall-Mount Cabinets Product Selection Guide	98
---	----

ACCESSPLUS DOUBLE-HINGE

ACCESSPLUS Double-Hinge, Type 1	100
Vertical Cable Managers for 28-in.-Wide Cabinet	104
Rack Angles	104
Fan Kits	104
Fan Filter and Finger Guard Kit	104
DataCom Wall-Mount Cabinet with Gland Plate Application	105

PROTEK SINGLE-DOOR AND DOUBLE-HINGED CABINETS

PROTEK Single-Door, UL and NEMA Type 4, 12	106
PROTEK Double-Hinged, UL and NEMA Type 4, 4X or 12	112
Cooling Performance for Air Conditioner Packages	117
PROTEK Single-Door Fan Packages	118
PROTEK Double-Hinged Fan Packages	122

PROTEK ACCESSORIES

PROTEK Wall-Mount Cabinet Accessory Panels	125
PROTEK Rack Angles	125

L-BOX WALL-MOUNT CABINET AND ACCESSORIES

L-BOX, Type 1	126
Bonding and Grounding Kit	128
Duplex Outlet Kit	128
Fan Filter and Finger Guard Kit	128
4-Inch Compact Axial Fans	128
Patch Panel Rack Angles	129
Shelves	129
Strut Wall-Mounting Kit	129

D-BOX WALL-MOUNT ENCLOSURE AND ACCESSORIES

D-BOX, Type 1	130
Bonding and Grounding Kit	132
Duplex Outlet Kit	132
Equipment Rack Angles	132
4-Inch Compact Axial Fans	132
Fan Filter and Finger Guard Kit	133
Padlock Kit	133
Patch Panel Rack Angles	133
Shelves	133
Strut Wall-Mounting Kit	133

POLYPRO WIFI, TYPE 4X

POLYPRO WiFi, Type 4X	134
Adjustable Panel Block Kit	136
Polyester Mounting Bracket Kits	136
Aluminum Swing-Out Panels	136
Stainless Steel Latches (Padlockable)	137
Hinge Retainers	137

FIBERGLASS HINGE-COVER TYPE 4X WIFI CABINET AND ACCESSORIES

Hinge-Cover WiFi, Type 4X	138
Threaded Panel Extenders	139
Quick-Release Latch Kit	139
Swing-Out Panel Kit	140
Panels for WiFi Cabinets and Small Wall-Mount Enclosures	140
Fiberglass Enclosure Mounting Foot	140

ULTRX FIBERGLASS TYPE 4X WIFI CABINET AND ACCESSORIES

ULTRX WiFi, Type 4X	141
Panel Bracket Kit	143
ULTRX Panel	143
Swing Frame	143
Swing-Out Panel	144
Rack Angles (Type RA)	144
Grounding Device	144
Screw Insert Kit	145
Keylock Kit and Padlock Kit	145
ULTRX Mounting Bracket Kit	145
Self-Tapping Screws	145

SECURITY WALL-MOUNT AND ACCESSORIES

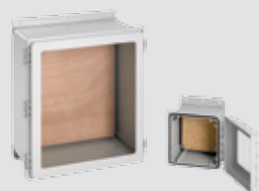
Security DVR and 19-in. Rack Equipment Cabinet, Type 1	146
19-in. Electronic Case, Type 1	148
Hardware Kits for Electronic Case	149
Slide Rails for Electronic Case	149

19-IN. RACK-MOUNT/DESKTOP CASE AND ACCESSORIES




19-in. Rack-Mount/Desktop Case, Type 1	150
Front Panels	151
Rear Panels	151
Front Handles	151
Support Rail Kit	152





POLYPRO WIFI WALL-MOUNT CABINETS

POLYPRO Enclosures provide superior protection for wireless equipment in indoor and outdoor environments, including applications that present harsh chemicals, weather extremes, corrosive elements or flames.



WALL-MOUNT CABINETS PRODUCT SELECTION GUIDE

			
WALL-MOUNT FAMILY			
	ACCESSPLUS	PROTEK	PROTEK DOUBLE-HINGED
Description	ACCESSPLUS Double-Hinged Wall-Mount provides both security and accessibility. Designed to hold multiple pieces of voice data equipment. Perfect where space is at a premium. <ul style="list-style-type: none"> • Double-hinged wall mount • Ideal for RFID, Inventory, and POS project roll-outs 	PROTEK Wall-Mount Cabinets are ideal for protecting network equipment beyond typical Type 1 enclosures. <ul style="list-style-type: none"> • Harsh environments • Models with A/C units • Single-hinged wall-mount 	Offers the flexibility and accessibility of a double-hinged wall-mount and the environmental protection of the PROTEK Type 4/12 ratings. <ul style="list-style-type: none"> • Double-hinged wall-mount • Harsh environments • Models with A/C units
Construction	Mild steel	Mild steel	Mild steel
Application Rating	Indoors with built-in ventilation areas	Indoors and outdoors. Protects from dust, dirt and splashing water.	Protects from dust, dirt and splashing water.
DIMENSIONS			
Rack Units (RU) Range	12–39 RUs	12–26 RUs	7–26 RUs
Height	25.00–72.00 in.	24.00–48.00 in.	16.00–48.00 in.
Width	24.00 in., 28.00 in.	24.00 in.	24.00 in.
Depth	18.00–25.00 in.	12.00–24.00 in.	15.00–25.00 in.
RATINGS			
Loading - Static	250–500 lbs.	100–200 lbs.	100–175 lbs.
Certifications and Listings	UL 508A, CSA, NEMA, IEC	UL 508A, CSA, NEMA, IEC	UL 508A, CSA, NEMA, IEC
Type / NEMA / IP Rating	Type 1, IP40	Type 1, 4, 12, IP55/IP66	Type 1, 4, 12, IP55/IP66
Plenum Rated	Yes	Yes	Yes
STRUCTURE			
Front Door	Window or solid	Window or solid	Window or solid
Back	Keyhole mounting slots, accessory raised pads, cable tie-down points, large cable knock-out	Rear mounting studs, panel-ready and wall-mounting provisions	Rear mounting studs, panel-ready and wall-mounting provisions
Top / Bottom	Gland Plate/Cable knock-outs, fan-ready	Solid sheet steel construction	Solid sheet steel construction
Sides	Cable knock-outs, fan-ready	Solid sheet steel construction	Solid sheet steel construction
Rack Angles	1 set tapped 10-32 fully adjustable, plated	1 set tapped 10-32 fully adjustable, plated	1 set tapped 10-32 fully adjustable, plated
APPLICATIONS			
	Most frequently utilized model for mounting network equipment. Gland-plate offering great for retrofit applications.	Ideal for remote areas with harsh environments for network equipment. Extra-deep to accommodate rack equipment.	Ideal for remote areas with harsh environments for network equipment. Extra-deep to accommodate rack equipment.
Unique Features	<ul style="list-style-type: none"> • One person install • Latch-free sides permit flush-mounting to adjacent equipment, enclosures and walls • Safety glass window units • Pole mounting kit available • Reversible hinges (left/right) • Grounding and bonding provisions 	<ul style="list-style-type: none"> • Available with T4 A/C units • Extra-deep sizes • Fully vented with foam-in-place gasket • Safety Glass • Rack angle standard • Grounding and bonding provisions • Stainless options available • Fan packages 	<ul style="list-style-type: none"> • Available with T4 A/C units • Extra deep sizes • Fully vented with foam-in-place gasket • Safety Glass • Rack Angle Standard • Front and Rear Access • Grounding and bonding provisions

			
L-BOX	D-BOX	WiFi ENCLOSURE—2 MODELS	COMLINE
L-BOX provides convenient mounting and storage for patch panels in a space-saving design. <ul style="list-style-type: none"> • Horizontal cable distribution • Copper to fiber • Consolidation points • Vertical rack angles 	D-BOX provides convenient mounting and storage for patch panels. <ul style="list-style-type: none"> • Horizontal cable distribution • Copper to fiber • Consolidation points • Fixed and rotating rack angles 	Provides a secure enclosure for WiFi and other network equipment. Fiberglass does not impede WiFi/WLAN signals. <ul style="list-style-type: none"> • Corrosion resistant • Plenum rated • Plywood back panel provided 	Lightweight, corrosion-resistant aluminum enclosure provides long-lasting protection for electrical and network components for both indoor and outdoor environments. <ul style="list-style-type: none"> • Corrosion-resistant • Outdoor applications (OSP)
Mild steel	Mild steel	Fiberglass	Aluminum
Indoors with built-in ventilation areas.	Indoors with built-in ventilation areas.	Indoors and outdoors plus hazardous areas. Protects from dust, dirt and splashing water.	Indoors and outdoors plus hazardous areas. Protects from dust, dirt and splashing water.
6–12 RUs	4–6 RUs	Not applicable for smaller model. Optional RU for large model.	Not supplied as standard. Optional 12–26 RUs
24.00–48.00 in.	24.00–48.00 in.	6.00–24.61 in.	11.80–59.10 in.
24.00 in.	24.00 in.	6.00–24.11 in.	11.80–35.40 in.
12.34 in.	8.34–12.34 in.	4.00–12.64 in.	5.90–11.80 in.
75 lbs.	100 lbs.	50–200 lbs.	50–200 lbs.
UL 2416/508A/60905, CSA NEMA, IEC, EIA 310-D	UL 2416/508A/60905, CSA, NEMA, IEC, EIA 310-D	UL 508A, CSA, NEMA, IEC	UL 508A, CSA, NEMA, IEC
Type 1, IP40	Type 1, IP40	Type 4, 4X, 12, 13 IP66	Type 3, 3R, 4, 4X, 12, IP66
Yes	Yes	Yes—Solid door only	Not applicable
Vented wrap-around door	Solid with vents	Solid or window	Solid
Keyhole mounting slots, accessory raised pads, cable tie-down points, large cable knock-out	Keyhole mounting slots, accessory raised pads, cable tie-down points, large cable knock-out	Wood panel standard	Rear mounting studs, panel-ready and wall-mounting provisions
Cable knock-outs, fan-ready	Cable knock-outs, fan-ready	Solid fiberglass construction	Solid aluminum construction
Cable knock-outs, fan-ready	Cable knock-outs, fan-ready	Solid fiberglass construction	Solid aluminum construction
1 set tapped 10-32, plated	<ul style="list-style-type: none"> • 1 set fixed tapped 10-32, plated • 1 set tapped 10-32, fully adjustable 	Optional on largest size	<ul style="list-style-type: none"> • Optional based on size • 1 set tapped 10-32, fully adjustable
Vertical equipment mounting provides horizontal cable distribution. Offers a lower-profile installation.	Fixed and rotating rack angles for easy equipment mounting. Offers a lower-profile installation.	Indoors and outdoors: Great for tunnels, marinas, outside walls and rooftops. Ideal for wireless applications; signals pass unimpeded through fiberglass.	Indoors and outdoors: Great for rooftop, pole mount and tower mounting. Lightweight with corrosion resistance.
<ul style="list-style-type: none"> • Removable door • Quarter-turn latches with keyed lock • Cable tie-down points • Mounting screws provided • Top and bottom knockouts • Cable spool mounting • Complete accessories—fans, shelves and others • Grounding and bonding provisions 	<ul style="list-style-type: none"> • Removable and reversible door • Quarter-turn latches with keyed lock • Cable tie-down points • Mounting screws provided • Grounding and bonding provisions • Top and bottom knockouts • Cable spool mounting • Complete accessories—fans, shelves and others 	<ul style="list-style-type: none"> • Fiberglass is easily punched or drilled • Foam-in-place gasketing • Removable door with stainless steel hinge pins • Window models are scratch resistant GE Lexan Margard • Small model—screw cover • Large model—key lock knob 	<ul style="list-style-type: none"> • Solar shield provides cooler interior for outdoor applications • Foam-in-place gasketing • Latching—one- and three-point options • Door stop • Door options—removable and heavy-duty continuous • Grounding and bonding provisions



ACCESSPLUS DOUBLE-HINGE, TYPE 1



INDUSTRY STANDARDS

UL 508A; Type 1; File No. E61997
cUL Listed per CSA C22.2 No. 182.4; File No. E230874

EIA 310-D
NEMA/EEMAC Type 1
EIC 60529 IP20
Per BICSI TDMM Tenth edition, Chapter 7,
Telecommunication Enclosures (TE)

APPLICATION

ACCESSPLUS II Cabinets provide security, equipment access, cooling and support for network and other 19-in. rack-mount equipment. The cabinet has three components: front door, center section and wall section.

FEATURES

- Double-hinged for easy equipment access; center section provides 19-in. rack mounting per EIA universal spacing and is accessed through the front door or swing the center section away from the wall section for rear access
- Round corners; no sharp edges
- Front door has either a solid steel or hardened, tinted safety-glass window door for superior scratch resistance
- Center section easily removed from rear section; tool-less one-person installation possible
- Self-grounding, plated steel rack angles fully adjustable within center section
- Wall section provides cable entry and cable management with knockouts or gland plates
- Gland plate model provides easy retrofit and fast installation and allows for pre-terminated cables or pre-wired patch panels; no need to re-terminate and test
- Self-locking center-to-wall section latches in two locations
- Front access to all latches (no exposed side latches); cabinet can be installed tightly in corners
- Vented sides provide cross flow ventilation to improve heat dissipation
- Vertical cable manager included in 28-in.-wide models
- A full line of accessories is available

SPECIFICATIONS

Front Door (window or solid steel)

- Composite frame (injection molded top and bottom with extruded composite sides)
- 140-degree opening door
- Field-reversible (left or right) hinge
- Quarter-turn key lock, two keys included
- Window door is scratch-resistant 1/4-in. tinted safety glass
- Solid door has 16 gauge steel insert with matching black finish

Center Section

- Welded 14 gauge steel
- Solid top of center sections provides protection against falling debris
- Ventilated sides (to which fans can be added)
- Self-latching closure connects center section to wall section
- Self-alignment ramp supports center section to wall section
- Heavy duty center-to-rear section hinge with quick-release self-retained hinge pin eases wall installation

Rack-Mounting Angles

- 12 gauge, plated steel
- EIA universal spaced 19-in. rack-mounting holes
- RU marked from bottom to top
- Tapped 10-32 holes, 20 mounting screws included

Rear Wall Section

- Welded 14 gauge steel
- Radius corners; no sharp edges
- Available with knockouts or gland plates
- Raised pads for accessory mounting
- Cable tie-down points for cable management
- Keyhole mounting holes allow wall section to be mounted over fasteners and eases installation
- Three cable-entry grommets

FINISH

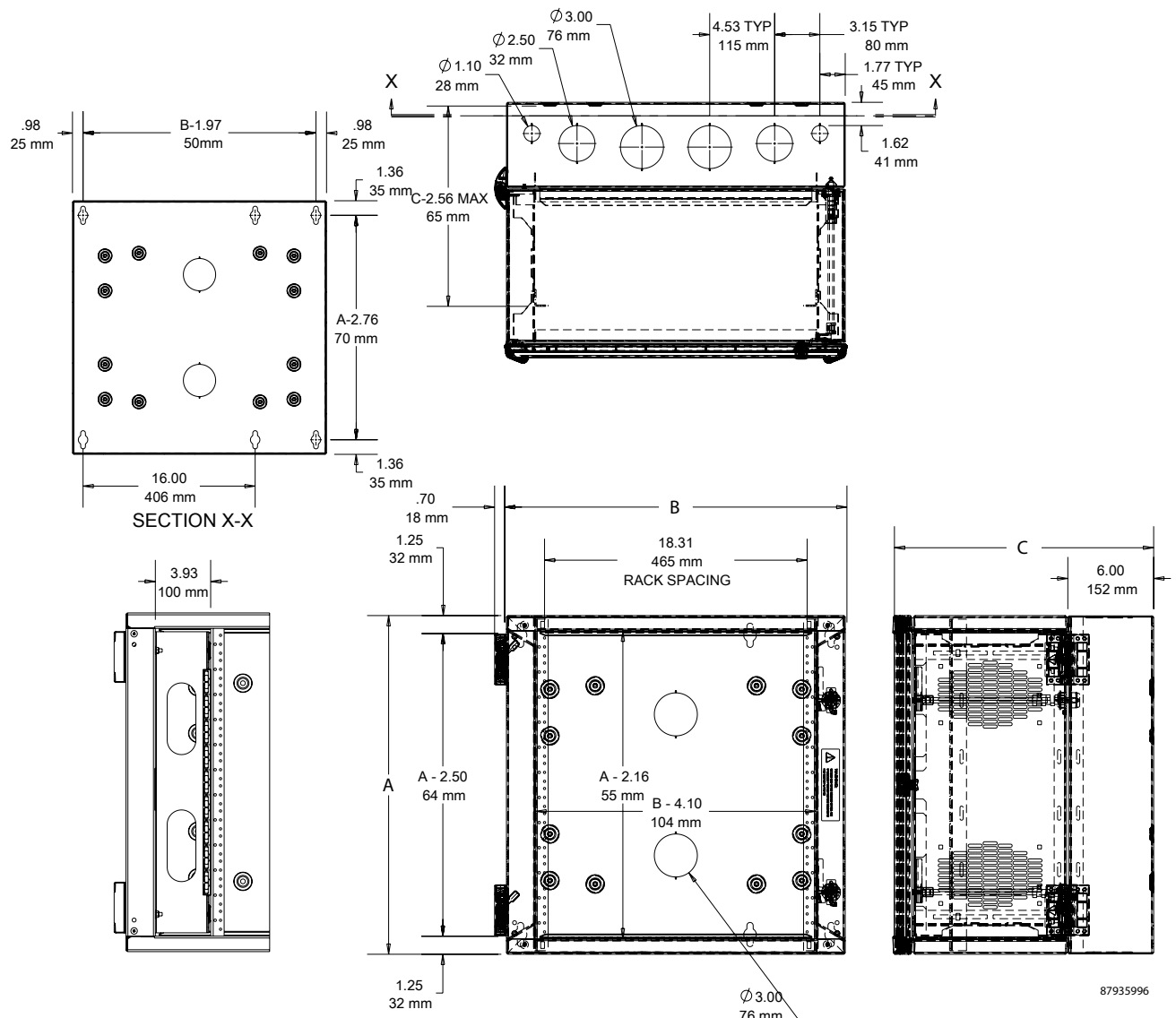
Pretreated steel coated with RAL 9005 black light-textured, low-gloss polyester powder paint. Other finishes available—contact Hoffman Customer Service.

BULLETIN: DWDH1

Standard Product **Window Door**

Catalog Number	AxBxC in.	AxBxC mm	Rack Units	Additional Rack Angles (S=Square Hole) (T=Tapped Hole)
EWMW162418	16.75 x 24.41 x 18.20	425 x 620 x 462	8	EWMR16T or EWMR16S
EWMW242418	23.60 x 23.62 x 18.20	600 x 600 x 462	12	EWMR24T or EWMR24S
EWMW362418	36.02 x 23.62 x 18.20	915 x 600 x 462	19	EWMR36T or EWMR36S
EWMW482418	48.03 x 23.62 x 18.20	1220 x 600 x 462	26	EWMR48T or EWMR48S
EWMW602418	60.04 x 23.62 x 18.20	1525 x 600 x 462	32	EWMR60T or EWMR60S
EWMW722418	72.05 x 23.62 x 18.20	1830 x 600 x 462	39	EWMR72T or EWMR72S
EWMW162425	16.75 x 24.41 x 25.10	425 x 620 x 638	8	EWMR16T or EWMR16S
EWMW362425	36.02 x 23.62 x 25.09	915 x 600 x 637	19	EWMR36T or EWMR36S
EWMW242425	23.62 x 23.62 x 25.09	600 x 600 x 637	12	EWMR24T or EWMR24S
EWMW482425	48.03 x 23.62 x 25.09	1220 x 600 x 637	26	EWMR48T or EWMR48S
EWMW602425	60.04 x 23.62 x 25.09	1525 x 600 x 637	32	EWMR60T or EWMR60S
EWMW722425	72.05 x 23.62 x 25.09	1830 x 600 x 637	39	EWMR72T or EWMR72S
EWMW242430	23.62 x 23.62 x 30.01	600 x 600 x 762	12	EWMR24T or EWMR24S
EWMW362430	36.02 x 23.62 x 30.01	915 x 600 x 762	19	EWMR36T or EWMR36S
EWMW482430	48.03 x 23.62 x 30.01	1220 x 600 x 762	26	EWMR48T or EWMR48S
EWMW242436	23.60 x 24.41 x 37.50	599 x 620 x 953	12	EWMR24T or EWMR24S
EWMW362436	36.00 x 24.41 x 37.50	914 x 620 x 953	19	EWMR36T or EWMR36S
EWMW482436	48.00 x 24.41 x 37.50	1219 x 620 x 953	26	EWMR48T or EWMR48S

B dimension does not include wall-to-center section hinge.



28 IN. WIDE ENCLOSURE WITH CABLE MANAGER INSTALLED (SHOWN WITH DOOR REMOVED)

2 KNOCKOUTS WHEN A = 24 in.
3 KNOCKOUTS FOR ALL OTHER ENCLOSURES (SHOWN WITH DOOR REMOVED)

87935996

Standard Product Solid Door

Catalog Number	AxBxC in.	AxBxC mm	Rack Units	Additional Rack Angles (S=SquareHole) (T=Tapped Hole)
EWMS242418	23.62 x 23.62 x 18.20	600 x 600 x 462	12	EWMR24T or EWMR24S
EWMS362418	36.02 x 23.62 x 18.20	915 x 600 x 462	19	EWMR36T or EWMR36S
EWMS482418	48.03 x 23.62 x 18.20	1220 x 600 x 462	26	EWMR48T or EWMR48S
EWMS242425	23.62 x 23.62 x 25.09	600 x 600 x 637	12	EWMR24T or EWMR24S
EWMS362425	36.02 x 23.62 x 25.09	915 x 600 x 637	19	EWMR36T or EWMR36S
EWMS482425	48.03 x 23.62 x 25.09	1220 x 600 x 637	26	EWMR48T or EWMR48S
EWMS242430	23.60 x 24.41 x 30.00	599 x 620 x 762	12	EWMR24T or EWMR24S
EWMS242436	23.60 x 24.41 x 37.50	599 x 620 x 953	12	EWMR24T or EWMR24S
EWMS362430	36.00 x 24.41 x 30.00	914 x 620 x 762	19	EWMR36T or EWMR36S
EWMS362436	36.00 x 24.41 x 37.50	914 x 620 x 953	19	EWMR36T or EWMR36S
EWMS482436	48.00 x 24.41 x 37.50	1219 x 620 x 953	26	EWMR48T or EWMR48S

B dimension does not include wall-to-center section hinge.


Standard Product Window Door with Cable Manager

Catalog Number	AxBxC in.	AxBxC mm	Rack Units	Additional Rack Angles (S=Square Hole) (T=Tapped Hole)	Vertical Cable Mgr. Catalog Number ^a
EWMW242825	23.62 x 27.56 x 25.09	600 x 700 x 637	12	EWMR24T or EWMR24S	EWMC24
EWMW362825	36.02 x 27.56 x 25.09	915 x 700 x 637	19	EWMR36T or EWMR36S	EWMC36
EWMW482825	48.03 x 27.56 x 25.09	1220 x 700 x 637	26	EWMR48T or EWMR48S	EWMC48

B dimension does not include wall-to-center section hinge.

^a For additional rack angles, also order vertical cable manager.



Standard Product **Window Door with Gland Plate**

Catalog Number	AxBxC in.	AxBxC mm	Rack Units	Additional Rack Angles (S=Square Hole) (T=Tapped Hole)
EWMWG242418	23.62 x 23.62 x 18.20	600 x 600 x 462	12	EWMR24T or EWMR24S
EWMWG362418	36.02 x 23.62 x 18.20	915 x 600 x 462	19	EWMR36T or EWMR36S
EWMWG482418	48.03 x 23.62 x 18.20	1220 x 600 x 462	26	EWMR48T or EWMR48S
EWMWG242425	23.62 x 23.62 x 25.09	600 x 600 x 637	12	EWMR24T or EWMR24S
EWMWG362425	36.02 x 23.62 x 25.09	915 x 600 x 637	19	EWMR36T or EWMR36S
EWMWG482425	48.03 x 23.62 x 25.09	1220 x 600 x 637	26	EWMR48T or EWMR48S
EWMWG242436	23.60 x 24.41 x 37.50	599 x 620 x 953	12	EWMR24T or EWMR24S
EWMWG362436	36.00 x 24.41 x 37.50	914 x 620 x 953	19	EWMR36T or EWMR36S

B dimension does not include wall-to-center section hinge.



Standard Product **Window Door with Cable Manager and Gland Plate**

Catalog Number	AxBxC in.	AxBxC mm	Rack	Additional	Vertical
EWMWG242825	23.60 x 28.31 x 25.10	599 x 719 x 638	12	EWMR24T or EWMR24S	EWMC24
EWMWG362825	36.00 x 28.31 x 25.10	914 x 719 x 638	19	EWMR36T or EWMR36S	EWMC36
EWMWG482825	48.00 x 28.31 x 25.10	1219 x 719 x 638	26	EWMR48T or EWMR48S	EWMC48

Load Rating

Height	Load Capacity
16 in.	250 lbs.
24 in.	250 lbs.
36 in.	300 lbs.
48 in.	350 lbs.
60 in.	400 lbs.
72 in.	500 lbs.

Cabinets were tested to 2X the above load capacities without failure. Contact Hoffman if other loading specifications are required.



VERTICAL CABLE MANAGERS FOR 28-IN.-WIDE CABINET



Use ACCESSPLUS Cable Managers when ordering additional rack angles for 28-in.-wide cabinet.

BULLETIN: DWDH1

Catalog Number	Description	Fits Cabinet
EWMC24	ACCESSPLUS Vertical Cable Manager 24.00 in.	A = 24.00; B = 28.00
EWMC36	ACCESSPLUS Vertical Cable Manager 36.00 in.	A = 36.00; B = 28.00
EWMC48	ACCESSPLUS Vertical Cable Manager 48.00 in.	A = 48.00; B = 28.00

Vertical Cable Manager Capacity **Number of cables at 60 percent filled**

Cross Section (Area)	5e (0.22 in. dia.)	6 (0.28 in. dia.)	6A (0.35 in. dia.)
24.5 in. ²	300	300	208

RACK ANGLES



BULLETIN: DWDH1

Catalog Number	Description	Rack Units	Fits Cabinet
EWMR16T	Fits 16-in. tapped	8	A = 16.00
EWMR24T	Fits 24-in. tapped	12	A = 24.00
EWMR36T	Fits 36-in. tapped	19	A = 36.00
EWMR48T	Fits 48-in. tapped	26	A = 48.00
EWMR60T	Fits 60-in. tapped	32	A = 60.00
EWMR72T	Fits 72-in. tapped	39	A = 72.00
EWMR16S	Fits 16-in. square	8	A = 16.00
EWMR24S	Fits 24-in. square	12	A = 24.00
EWMR36S	Fits 36-in. square	19	A = 36.00
EWMR48S	Fits 48-in. square	26	A = 48.00
EWMR60S	Fits 60-in. square	32	A = 60.00
EWMR72S	Fits 72-in. square	39	A = 72.00

FAN KITS



BULLETIN: DWDH1

Catalog Number	Description	Fits Cabinet
EWMF1	4-in. fan with plug and blocking plates, 115 VAC, 100 CFM small	Fits all C = 18.00
EWMF2	4-in. fan with plug and blocking plates, 115 VAC, 100 CFM, large	Fits all C = 25.00 or 30.00

FAN FILTER AND FINGER GUARD KIT



Low-density filter kit for 4-in. (102-mm) fans. Can also be used as vent. Filter is removable and can be cleaned and reused. Mounting hardware included.

BULLETIN: DWS1

Catalog Number	Description	Fits
AFLTR4LD	Fan Filter and Finger Guard Kit	4-in. fans

DATACOM WALL-MOUNT CABINET WITH GLAND PLATE APPLICATION

This cabinet offers significant advantages in retrofit applications. The gland plate is mounted at the top and the bottom to accommodate cable runs from above, below or both. The gland plate casing can be removed while patch panels and associated wiring are brought to the cabinet.

1. Once the wall section is installed on the wall, lay in the patch panel.
4. Install the center section, then mount patch panels on rack angles.



2. Install the cable gland plate onto the wall section.



5. Close and lock the door.



3. Use wire ties or cable wraps to secure the cable to the cabinet.



PROTEK SINGLE-DOOR, UL AND NEMA TYPE 4, 12

INDUSTRY STANDARDS

UL 508A Listed; File Number E61997
 cUL Listed per CSA C22.2 No. 94; File Number E61997
 Solid Door: Type 4 and 12
 Window Door: Type 12
 Solid Door, Stainless Steel: Type 4, 4X and 12

NEMA / EEMAC: Type 4, 4X or 12
 IEC 60529, IP66 or IP55, IK 10

APPLICATION

PROTEK Single-Door cabinets are an excellent, off-the-shelf choice for mounting 19-in. rack, panel-mounted devices or other electronic equipment. The cabinets are designed to provide both front and rear access to 19-in. rack-mounted equipment, while also ensuring protection against water, dirt, corrosive agents and other contaminants. PROTEK is an excellent choice for applications where space is at a premium and the only option is wall mounting. PROTEK comes in a broad range of sizes, materials and configurations to meet many demanding applications.

FEATURES

- Solid-door cabinet provides complete physical and visual protection
- Window door, made of scratch-resistant safety glass, provides visual monitoring of internal equipment while maintaining equipment protection
- All seams are fully welded and ground smooth
- Doors are provided with ground studs to facilitate proper bonding and grounding of the cabinet
- Premium seamless, foam-in-place gasket prevents contaminants from entering the cabinet
- Keylocking wing knob is included on painted steel offering, providing access control to the cabinet; two keys are included with each cabinet
- Stainless steel cabinet is provided with a quarter-turn slotted latch
- One set of plated, self-grounding, tapped 10-32 rack angles per EIA universal spacing standards, which can be adjusted front-to-back, is provided with each center section of the cabinet; additional tapped- or square-hole rack angles can be added to the cabinet to provide additional mounting
- Wall section welded panel studs which accommodate standard panels (steel and wood available), can be ordered separately

SPECIFICATIONS

- Doors and body made of 14 gauge steel
- Stainless steel enclosures made from Type 304 stainless steel
- Window made of .25-in. thick, scratch- and impact-resistant safety glass
- Rack angles made of plated 12 gauge steel
- M6 ground studs on the door and body are masked from paint
- Twenty 10-32 screws included with cabinet
- Foam-in-place gasket made of durable polyurethane

FINISH

- Pretreated steel coated with RAL 7035 light-gray, low-gloss, lightly textured polyester powder paint
- Stainless steel is provided with a smooth-grain finish

LOAD RATING

Height	Maximum Load Rating
24 in.	200 lb./90.7 kg
36 in.	300 lb./136.1 kg
48 in.	400 lb./181.4 kg

ACCESSORIES

Locks and handles
 Panels (steel and wood)
 Grounding kits
 Power Distribution Units (PDUs)
 Rack angles

BULLETIN: DWS12
Technical Operating Information AC Unit [T150116G100] Replacement Filter No. 10100091

Hz	Voltage VAC	Phase	BTU/Hr @ Max. Ambient Temp. (watts)	Full Load Amp	Max. Ambient Temp. (°F)	Max. Ambient Temp. (°C)	Cord and Plug
60 (50)	115	1	800 (325 watts)	3.6 (3.8)	131 (125)	52 (52)	25-in. cord length 5-15 plug

Standard Product **Solid Door, NEMA Type 4, 12**

Catalog Number	in./mm	Rack Units	F in./mm	P in./mm	Q in./mm	S in./mm	Optional Steel Panel	Optional Wood Panel	Additional Rack Angles ^a
PTRS242412G4	24.09 x 23.62 x 11.81 612 x 600 x 300	12	9.51 242	---	---	1.11 28	CP2020	CP2020W	PTRA24T or PTRA24S
PTRS242424G4	24.09 x 23.62 x 24.02 612 x 600 x 610	12	21.72 552	---	---	1.11 28	CP2020	CP2020W	PTRA24T or PTRA24S
PTRS362412G4	36.30 x 23.62 x 11.81 922 x 600 x 300	19	9.51 242	---	---	1.11 28	CP3220	CP3220W	PTRA36T or PTRA36S
PTRS362424G4	36.30 x 23.62 x 24.02 922 x 600 x 610	19	21.72 552	---	---	1.11 28	CP3220	CP3220W	PTRA36T or PTRA36S
PTRS482412G4	48.54 x 23.62 x 11.81 1233 x 600 x 300	26	9.51 242	---	---	1.11 28	CP4420	CP4420W	PTRA48T or PTRA48S
PTRS482424G4	48.54 x 23.62 x 24.02 1233 x 600 x 610	26	21.72 552	---	---	1.11 28	CP4420	CP4420W	PTRA48T or PTRA48S

^aT = tapped 10-32, S = square hole (.375 in. x .375 in.)



Standard Product **Window Door, NEMA Type 12**

Catalog Number	AxBxC in./mm	Rack Units	F in./mm	P in./mm	Q in./mm	S in./mm	Optional Steel Panel	Optional Wood Panel	Additional Rack Angles ^a
PTRW242412G2	24.09 x 23.62 x 11.81 612 x 600 x 300	12	9.51 242	18.25 464	15.38 391	1.11 28	CP2020	CP2020W	PTRA24T or PTRA24S
PTRW242424G2	24.09 x 23.62 x 24.02 612 x 600 x 610	12	21.72 552	18.25 464	15.38 391	1.11 28	CP2020	CP2020W	PTRA24T or PTRA24S
PTRW362412G2	36.30 x 23.62 x 11.81 922 x 600 x 300	19	9.51 242	30.75 781	15.38 391	1.11 28	CP3220	CP3220W	PTRA36T or PTRA36S
PTRW362424G2	36.30 x 23.62 x 24.02 922 x 600 x 610	19	21.72 552	30.75 781	15.38 391	1.11 28	CP3220	CP3220W	PTRA36T or PTRA36S
PTRW482412G2	48.54 x 23.62 x 11.81 1233 x 600 x 300	26	9.51 242	42.70 1085	15.38 391	1.11 28	CP4420	CP4420W	PTRA48T or PTRA48S
PTRW482424G2	48.54 x 23.62 x 24.02 1233 x 600 x 610	26	21.72 552	42.70 1085	15.38 391	1.11 28	CP4420	CP4420W	PTRA48T or PTRA48S

^aT = tapped 10-32, S = square hole (.375 in. x .375 in.)



Standard Product Solid Stainless Steel Door, NEMA Type 4, 4X, 12

Catalog Number	AxBxC in./mm	Rack Units	F in./mm	P in./mm	Q in./mm	S in./mm	Optional Steel Panel	Optional Wood Panel	Additional Rack Angles ^a
PTRS242412X	24.09 x 23.62 x 11.81	12	9.51	---	---	.80	CP2020	CP2020W	PTRA24T or PTRA24S
	612 x 600 x 300		242	---	---	20			
PTRS242424X	24.09 x 23.62 x 24.02	12	21.72	---	---	.80	CP2020	CP2020W	PTRA24T or PTRA24S
	612 x 600 x 610		552	---	---	20			
PTRS362412X	36.30 x 23.62 x 11.81	19	9.51	---	---	.80	CP3220	CP3220W	PTRA36T or PTRA36S
	922 x 600 x 300		242	---	---	20			
PTRS362424X	36.30 x 23.62 x 24.02	19	21.72	---	---	.80	CP3220	CP3220W	PTRA36T or PTRA36S
	922 x 600 x 610		552	---	---	20			
PTRS482412X	48.62 x 23.62 x 11.81	26	9.51	---	---	.80	CP4420	CP4420W	PTRA48T or PTRA48S
	1235 x 600 x 300		242	---	---	20			
PTRS482424X	48.62 x 23.62 x 24.02	26	21.72	---	---	.80	CP4420	CP4420W	PTRA48T or PTRA48S
	1235 x 600 x 610		552	---	---	20			

^aT = tapped 10-32, S = square hole (.375 in. x .375 in.)

Standard Product Solid Door AC, NEMA Type 4, 12

Catalog Number	AxBxC in./mm	Rack Units	F in./mm	P in./mm	Q in./mm	S in./mm	Optional Steel Panel	Optional Wood Panel	Additional Rack Angles ^a
PTRS242424G4A	24.09 x 23.62 x 24.02	12	21.72	---	---	1.11	CP2020	CP2020W	PTRA24T or PTRA24S
	612 x 600 x 610		552	---	---	28			
PTRS362424G4A	36.30 x 23.62 x 24.02	19	21.72	---	---	1.11	CP3220	CP3220W	PTRA36T or PTRA36S
	922 x 600 x 610		552	---	---	28			
PTRS482424G4A	48.62 x 23.62 x 24.02	26	21.72	---	---	1.11	CP4420	CP4420W	PTRA48T or PTRA48S
	1235 x 600 x 610		552	---	---	28			

^aT = tapped 10-32, S = square hole (.375 in. x .375 in.)

T150116G100 Air Conditioner included: 115V, 50/60 Hz, 800 BTU.



Standard Product **Window Door AC, NEMA Type 12**

Catalog Number	AxBxC in./mm	Rack Units	F in./mm	P in./mm	Q in./mm	S in./mm	Optional Steel Panel	Optional Wood Panel	Additional Rack Angles ^a
PTRW242424G2A	24.09 x 23.62 x 2.40	12	21.72	18.25	15.38	1.11	CP2020	CP2020W	PTRA24T or PTRA24S
	612 x 600 x 61		552	464	391	28			
PTRW362424G2A	36.30 x 23.62 x 24.02	19	21.72	30.75	15.38	1.11	CP3220	CP3220W	PTRA36T or PTRA36S
	922 x 600 x 610		552	781	391	28			
PTRW482424G2A	48.54 x 23.62 x 24.02	26	21.72	42.70	15.38	1.11	CP4420	CP4420W	PTRA48T or PTRA48S
	1233 x 600 x 610		552	1085	391	28			

^aT = tapped 10-32, S = square hole (.375 in. x .375 in.)

T150116G100 Air Conditioner included: 115V, 50/60 Hz, 800 BTU.

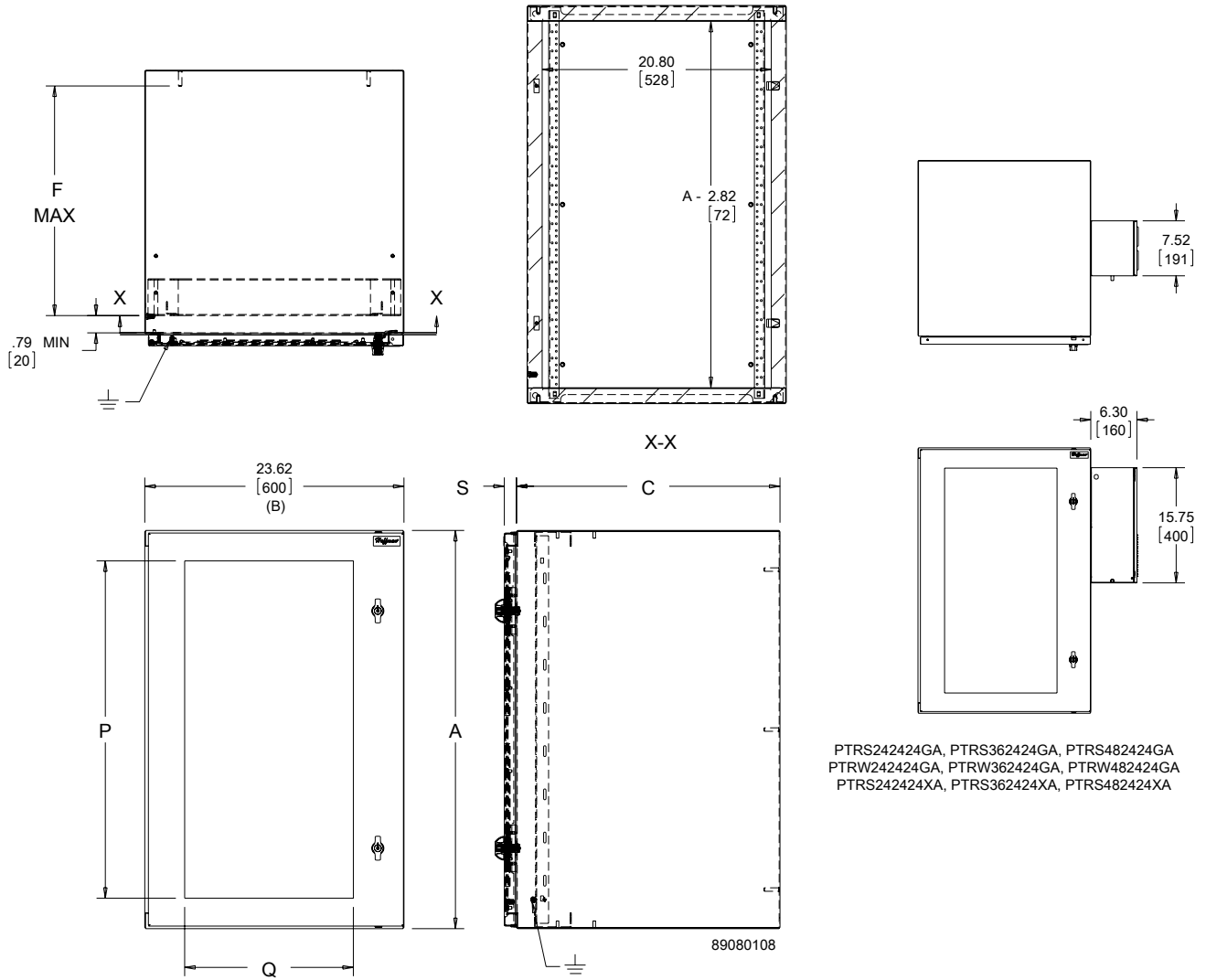


Standard Product **Solid Door Stainless Steel AC, NEMA Type 4,4X, 12**

Catalog Number	AxBxC in./mm	Rack Units	F in./mm	P in./mm	Q in./mm	S in./mm	Optional Steel Panel	Optional Wood Panel	Additional Rack Angles ^a
PTRS242424XA	24.09 x 23.62 x 24.02	12	21.32	---	---	.80	CP2020	CP2020W	PTRA24T or PTRA24S
	612 x 600 x 610		541	---	---	20			
PTRS362424XA	36.30 x 23.62 x 24.02	19	21.32	---	---	.80	CP3220	CP3220W	PTRA36T or PTRA36S
	922 x 600 x 610		541	---	---	20			
PTRS482424XA	48.62 x 23.62 x 24.02	26	21.32	---	---	.80	CP4420	CP4420W	PTRA48T or PTRA48S
	1235 x 600 x 610		541	---	---	20			

^aT = tapped 10-32, S = square hole (.375 in. x .375 in.)





PTRS242424GA, PTRS362424GA, PTRS482424GA
 PTRW242424GA, PTRW362424GA, PTRW482424GA
 PTRS242424XA, PTRS362424XA, PTRS482424XA



Notes



PROTEK DOUBLE-HINGED, UL AND NEMA TYPE 4, 4X OR 12

INDUSTRY STANDARDS

UL 508A Listed; File Number E61997
 cUL Listed per CSA C22.2 No. 94; File Number E619967
 Solid Door: Type 4 and 12
 Window Door: Type 12
 Solid Door, Stainless Steel: Type 4, 4X and 12

NEMA / EEMAC: Type 4, 4X or 12
 IEC 60529, IP66 or IP55, IK 10

APPLICATION

PROTEK Double-Hinged cabinets are an excellent, off-the-shelf choice for mounting 19-in. rack, panel-mounted devices or other electronic equipment. The cabinets are designed to provide both front and rear access to 19-in. rack-mounted equipment. They provide protection against water, dirt, corrosive agents and other contaminants. PROTEK is an excellent choice for applications where space is at a premium and the only option is wall mounting. PROTEK comes in a broad range of sizes, materials and configurations to meet many demanding applications.

FEATURES

- Front and rear access to 19-in. rack equipment provided by three-part design: door, center section and wall section
- Solid door provides complete physical and visual protection
- Window door, made of scratch-resistant safety glass, provides visual monitoring of internal equipment while maintaining equipment protection
- All seams are fully welded and ground smooth
- Doors, center section and wall section are provided with ground studs to facilitate proper bonding and grounding of the cabinet
- Premium seamless, foam-in-place gasket prevents contaminants from entering the cabinet
- Keylocking wing knob is included on painted steel cabinet, providing access control to the cabinet; two keys are included with each cabinet
- Stainless steel cabinet is provided with a quarter-turn slotted latch
- One set of plated, self-grounding, tapped 10-32 rack angles per EIA universal spacing standards, which can be adjusted front-to-back, is provided with each center section of the cabinet; additional tapped- or square-hole rack angles can be added to the cabinet to provide additional mounting
- Wall section welded panel studs which accommodate standard panels (steel and wood available), can be ordered separately
- On 28-in. (700 mm) wide enclosures, a 4-in. vertical cable manager with composite fingers is provided on hinge side of cabinet

SPECIFICATIONS

- Doors made of 16 gauge; center and wall sections made of 14 gauge steel. Stainless steel enclosures made from Type 304 stainless steel
- Window made of .25-in. thick, scratch- and impact-resistant safety glass
- Rack angles made of plated 12 gauge steel
- M6 ground studs on door, center and wall sections are masked from paint
- Twenty 10-32 screws included with cabinet
- Foam-in-place gasket made of durable polyurethane

FINISH

- Pretreated steel coated with RAL 7035 light-gray, low-gloss, lightly textured polyester powder paint
- Stainless steel is provided with a smooth-grain finish

LOAD RATING

Center hinged section:

Height	Maximum Load Rating
16 in.	175 lb./79.4 kg
24 in.	250 lb./113.4 kg
36 in.	300 lb./136.1 kg
48 in.	350 lb./158.8 kg
60 in.	400 lb./181.4 kg

ACCESSORIES

Locks and handles
 Panels (steel and wood)
 Grounding kits
 Power Distribution Units (PDUs)
 Rack angles

BULLETIN: DWDH2
Technical Operating Information AC Unit (T150116G100) Replacement Filter No. 10100091

Hz	Voltage VAC	Phase	BTU/hr @ Max. Ambient Temp. (watts)	Full Load Amp	Max. Ambient Temp. (°F)	Max. Ambient Temp. (°C)	Cord and Plug
60 (50)	115	1	800 (235 watts)	3.6 (3.8)	131 (125)	52 (52)	24-in. cord length 5-15P Plug

Standard Product **Solid Door, NEMA Type 4, 12**

Catalog Number	in./mm	Rack Units	F in./mm	P in./mm	Q in./mm	S in./mm	Optional Steel Panel	Optional Wood Panel	Additional Rack Angles ^a
PTHS162415G4	17.09 x 23.62 x 14.96 434 x 600 x 380	8	12.66 322	---	---	1.11 28	CP2014	---	PTRA16T or PTRA16S
PTHS242415G4	24.09 x 23.62 x 14.96 612 x 600 x 380	12	12.66 322	---	---	1.11 28	CP2020	CP2020W	PTRA24T or PTRA24S
PTHS242424G4	24.09 x 23.62 x 24.02 612 x 600 x 610	12	21.72 552	---	---	1.11 28	CP2020	CP2020W	PTRA24T or PTRA24S
PTHS242430G4	24.09 x 23.62 x 29.92 612 x 600 x 760	12	27.64 702	---	---	1.11 28	CP2020	CP2020W	PTRA24T or PTRA24S
PTHS242824G4	24.09 x 27.56 x 24.02 612 x 700 x 610	12	21.72 552	---	---	1.11 28	CP2420	---	PTRA24T or PTRA24S
PTHS362415G4	36.30 x 23.62 x 14.96 922 x 600 x 380	19	12.66 322	---	---	1.11 28	CP3220	CP3220W	PTRA36T or PTRA36S
PTHS362424G4	36.30 x 23.62 x 24.02 922 x 600 x 610	19	21.72 552	---	---	1.11 28	CP3220	CP3220W	PTRA36T or PTRA36S
PTHS362824G4	36.30 x 27.56 x 24.02 922 x 700 x 610	19	21.72 552	---	---	1.11 28	CP3024	---	PTRA36T or PTRA36S
PTHS482415G4	48.54 x 23.62 x 14.96 1233 x 600 x 380	26	12.66 322	---	---	1.11 28	CP4420	CP4420W	PTRA48T or PTRA48S
PTHS482424G4	48.54 x 23.62 x 24.02 1233 x 600 x 610	26	21.72 552	---	---	1.11 28	CP4420	CP4420W	PTRA48T or PTRA48S
PTHS482824G4	48.54 x 27.56 x 24.02 1233 x 700 x 610	26	21.72 552	---	---	1.11 28	CP2442	---	PTRA48T or PTRA48S
PTHS602415G4	60.04 x 23.62 x 14.96 1525 x 600 x 380	32	12.66 322	---	---	1.11 28	CP5620	---	PTRA60T or PTRA60S
PTHS602424G4	60.04 x 23.62 x 24.02 1525 x 600 x 610	32	21.72 552	---	---	1.11 28	CP5620	---	PTRA60T or PTRA60S
PTHS242436G4	24.09 x 23.62 x 36.02 612 x 600 x 915	12	33.72 856	---	---	1.11 28	CP2020	CP2020W	PTRA24T or PTRA24S
PTHS242836G4	24.09 x 27.56 x 36.02 612 x 700 x 915	12	33.72 856	---	---	1.11 28	CP2020	CP2020W	PTRA24T or PTRA24S
PTHS362436G4	36.30 x 23.62 x 36.02 922 x 600 x 915	19	33.72 856	---	---	1.11 28	CP3220	CP3220W	PTRA36T or PTRA36S
PTHS362836G4	36.30 x 27.56 x 36.02 922 x 600 x 915	19	33.72 856	---	---	1.11 28	CP3220	CP3220W	PTRA36T or PTRA36S
PTHS482436G4	48.54 x 23.62 x 36.02 1233 x 600 x 915	26	33.72 856	---	---	1.11 28	CP4420	CP4420W	PTRA48T or PTRA48S

^aT = tapped 10-32, S = square hole (.375 in. x .375 in.)



Standard Product Window Door, NEMA Type 12

Catalog Number	AxBxC in./mm	Rack Units	F in./mm	P in./mm	Q in./mm	S in./mm	Optional Steel Panel	Optional Wood Panel	Additional Rack Angles ^a
PTHW162415G2	17.09 x 23.62 x 14.96 434 x 600 x 380	8	12.66 322	11.87 301	15.38 391	1.11 28	CP2014	---	PTRA16T or PTR16S
PTHW242415G2	24.09 x 23.62 x 14.96 612 x 600 x 380	12	12.66 322	18.25 464	15.38 391	1.11 28	CP2020	CP2020W	PTRA24T or PTR24S
PTHW242424G2	24.09 x 23.62 x 24.02 612 x 600 x 610	12	21.72 552	18.25 464	15.38 391	1.11 28	CP2020	CP2020W	PTRA24T or PTR24S
PTHW242430G2	24.09 x 23.62 x 29.92 612 x 600 x 760	12	27.64 702	18.25 464	15.38 391	1.11 28	CP2020	CP2020W	PTRA24T or PTR24S
PTHW242824G2	24.09 x 27.56 x 24.02 612 x 700 x 610	12	21.72 552	18.25 464	19.38 492	1.11 28	CP2420	---	PTRA24T or PTR24S
PTHW362415G2	36.30 x 23.62 x 14.96 922 x 600 x 380	19	12.66 322	30.75 781	15.38 391	1.11 28	CP3220	CP3220W	PTRA36T or PTR36S
PTHW362424G2	36.30 x 23.62 x 24.02 922 x 600 x 610	19	21.72 552	30.75 781	15.38 391	1.11 28	CP3220	CP3220W	PTRA36T or PTR36S
PTHW362430G2	36.30 x 23.62 x 29.92 922 x 600 x 760	19	27.64 702	30.75 781	15.38 391	1.11 28	CP3220	CP3220W	PTRA36T or PTR36S
PTHW362824G2	36.30 x 27.56 x 24.02 922 x 700 x 610	19	21.72 552	30.75 781	19.38 492	1.11 28	CP3024	---	PTRA36T or PTR36S
PTHW482415G2	48.54 x 23.62 x 14.96 1233 x 600 x 380	26	12.66 322	42.70 1085	15.38 391	1.11 28	CP4420	CP4420W	PTRA48T or PTR48S
PTHW482424G2	48.54 x 23.62 x 24.02 1233 x 600 x 610	26	21.72 552	42.70 1085	15.38 391	1.11 28	CP4420	CP4420W	PTRA48T or PTR48S
PTHW482430G2	48.54 x 23.62 x 29.92 1233 x 600 x 760	26	27.64 702	42.70 1085	15.38 391	1.11 28	CP4420	CP4420W	PTRA48T or PTR48S
PTHW482824G2	48.54 x 27.56 x 24.02 1233 x 700 x 610	26	21.72 552	42.70 1085	19.38 492	1.11 28	CP2442	---	PTRA48T or PTR48S
PTHW602415G2	60.04 x 23.62 x 14.96 1525 x 600 x 380	32	12.66 322	54.39 1377	15.38 391	1.11 28	CP5620	---	PTRA60T or PTR60S
PTHW602424G2	60.04 x 23.62 x 24.02 1525 x 600 x 610	32	21.72 552	54.39 1377	15.38 391	1.11 28	CP5620	---	PTRA60T or PTR60S
PTHW242436G2	24.09 x 23.62 x 36.02 612 x 600 x 915	12	33.72 856	18.25 464	15.38 391	1.11 28	CP2020	CP2020W	PTRA24T or PTR24S
PTHW242836G2	24.09 x 27.56 x 36.02 612 x 700 x 915	12	33.72 856	18.25 464	19.38 492	1.11 28	CP2020	CP2020W	PTRA24T or PTR24S
PTHW362436G2	36.30 x 23.62 x 36.02 922 x 600 x 915	19	33.72 856	30.75 781	15.38 391	1.11 28	CP3220	CP3220W	PTRA36T or PTR36S
PTHW362836G2	36.30 x 27.56 x 36.02 922 x 700 x 915	19	33.72 856	30.75 781	19.38 492	1.11 28	CP3220	CP3220W	PTRA36T or PTR36S
PTHW482436G2	48.54 x 23.62 x 36.02 1233 x 600 x 915	26	33.72 856	42.70 1085	15.38 391	1.11 28	CP4420	CP4420W	PTRA48T or PTR48S
PTHW482836G2	48.54 x 27.56 x 36.02 1233 x 700 x 915	26	33.72 856	42.70 1085	19.38 492	1.11 28	CP4420	CP4420W	PTRA48T or PTR48S

^aT = tapped 10-32, S = square hole (.375 in. x .375 in.)

Cable manager supplied with 700 mm wide enclosures



Standard Product **Solid Door Stainless Steel, NEMA Type 4, 4X, 12**

Catalog Number	AxBxC in./mm	Rack Units	F in./mm	P in./mm	Q in./mm	S in./mm	Optional Steel Panel	Optional Wood Panel	Additional Rack Angles ^a
PTHS242415X	24.09 x 23.62 x 14.96 612 x 600 x 380	12	12.65 321	---	---	.80 20	CP2020	CP2020W	PTRA24T or PTRA24S
PTHS242424X	24.09 x 23.62 x 24.02 612 x 600 x 610	12	21.71 551	---	---	.80 20	CP2020	CP2020W	PTRA24T or PTRA24S
PTHS362415X	36.30 x 23.62 x 14.96 922 x 600 x 380	19	12.65 321	---	---	.80 20	CP3220	CP3220W	PTRA36T or PTRA36S
PTHS362424X	36.30 x 23.62 x 24.02 922 x 600 x 610	19	21.71 551	---	---	.80 20	CP3220	CP3220W	PTRA36T or PTRA36S
PTHS482415X	48.62 x 23.62 x 14.96 1235 x 600 x 380	26	12.65 321	---	---	.80 20	CP4420	CP4420W	PTRA48T or PTRA48S
PTHS482424X	48.62 x 23.62 x 24.02 1235 x 600 x 610	26	21.71 551	---	---	.80 20	CP4420	CP4420W	PTRA48T or PTRA48S
PTHS242436X	24.09 x 23.62 x 36.02 612 x 600 x 915	12	33.72 856	---	---	.80 20	CP2020	CP2020W	PTRA24T or PTRA24S
PTHS362436X	36.30 x 23.62 x 36.02 922 x 600 x 915	19	33.72 856	---	---	.80 20	CP3220	CP3220W	PTRA36T or PTRA36S

^aT = tapped 10-32, S = square hole (.375 in. x .375 in.)



Standard Product **Solid Door AC, NEMA Type 4, 12**

Catalog Number	AxBxC in./mm	Rack Units	F in./mm	P in./mm	Q in./mm	S in./mm	Optional Steel Panel	Optional Wood Panel	Additional Rack Angles ^a
PTHS242428G4A	24.09 x 23.62 x 27.95 612 x 600 x 710	12	25.65 652	---	---	1.11 28	CP2020	CP2020W	PTRA24T or PTRA24S
PTHS362428G4A	36.30 x 23.62 x 27.95 922 x 600 x 710	19	25.65 652	---	---	1.11 28	CP3220	CP3220W	PTRA36T or PTRA36S
PTHS482428G4A	48.54 x 23.62 x 27.95 1233 x 600 x 710	26	25.65 652	---	---	1.11 28	CP4420	CP4420W	PTRA48T or PTRA48S

^aT = tapped 10-32, S = square hole (.375 in. x .375 in.)



Standard Product Window Door AC, NEMA Type 12

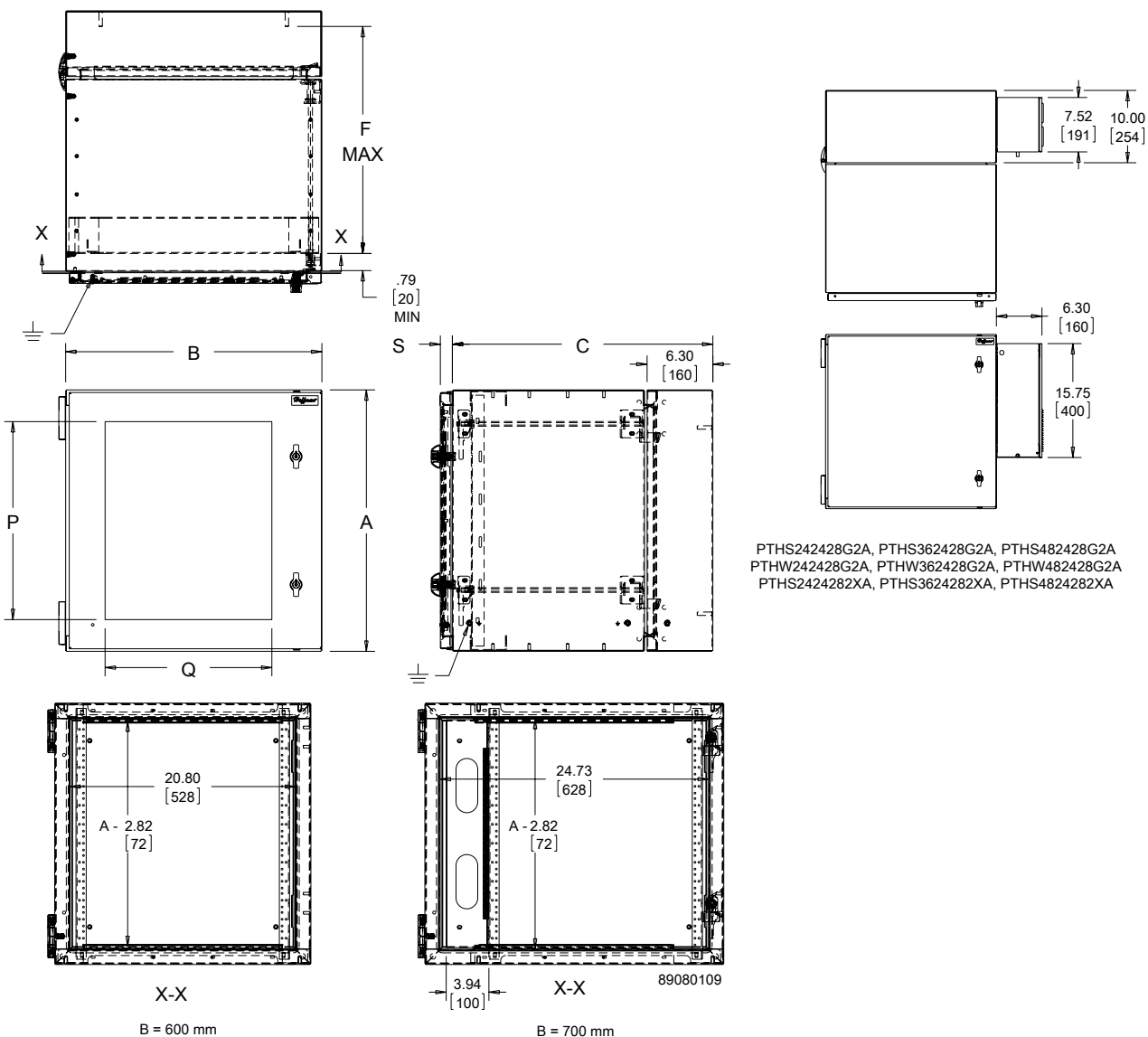
Catalog Number	AxBxC in./mm	Rack Units	F in./mm	P in./mm	Q in./mm	S in./mm	Optional Steel Panel	Optional Wood Panel	Additional Rack Angles ^a
PTHW242428G2A	24.09 x 23.62 x 27.95 612 x 600 x 710	12	25.65 652	18.25 464	12.38 391	1.11 28	CP2020	CP2020W	PTRA24T or PTRA24S
PTHW362428G2A	36.30 x 23.62 x 27.95 922 x 600 x 710	19	25.65 652	30.75 781	15.38 391	1.11 28	CP3220	CP3220W	PTRA36T or PTRA36S
PTHW482428G2A	48.54 x 23.62 x 27.95 1233 x 600 x 710	26	25.65 652	42.70 1085	15.38 391	1.11 28	CP4420	CP4420W	PTRA48T or PTRA48S

^aT = tapped 10-32, S = square hole (.375 in. x .375 in.)

Standard Product Solid Door Stainless Steel AC, NEMA Type 4, 4X, 12

Catalog Number	AxBxC in./mm	Rack Units	F in./mm	P in./mm	Q in./mm	S in./mm	Optional Steel Panel	Optional Wood Panel	Additional Rack Angles ^a
PTHS242428XA	24.45 x 23.62 x 27.95 621 x 600 x 710	12	25.65 652	---	---	.80 20	CP2020	CP2020W	PTRA24T or PTRA24S
PTHS362428XA	36.30 x 23.62 x 27.95 922 x 600 x 710	19	25.65 652	---	---	.80 20	CP3220	CP3220W	PTRA36T or PTRA36S
PTHS482428XA	48.62 x 23.62 x 27.95 1235 x 600 x 710	23	25.65 652	---	---	.80 20	CP4420	CP4420W	PTRA48T or PTRA48S

^aT = tapped 10-32, S = square hole (.375 in. x .375 in.)

COOLING PERFORMANCE FOR AIR CONDITIONER PACKAGES

PROTEK Air Conditioner calculated cooling performance

AC Performance: 800 BTU/hour or 235 watts
 Voltage / Hertz: 115 VAC/60 Hz
 Max. Ambient Temperature: 131 F
 Min. Ambient Temperature: -40 F
 Max. Internal Temperature: 100 F (Allowable)

Cooling Performance PROTEK Air Conditioner Packages

Ambient Temperature (°F)	Watts (Heat) Dissipated Cabinet Height: 24 in.	Watts (Heat) Dissipated Cabinet Height: 36 in.	Watts (Heat) Dissipated Cabinet Height: 48 in.
130	15	N/A	N/A
120	88	73	59
110	161	154	146
100	234	234	234
90	308	315	322
80	381	396	410
70	454	476	498
60	527	557	586
50	601	637	674
40	674	718	762

N/A = Not applicable and not recommended in these applications

1 BTU = 3.413 watts

PROTEK SINGLE-DOOR FAN PACKAGES



INDUSTRY STANDARDS

UL 508A Listed; File Number E61997
 cUL Listed per CSA C22.2 No. 94; File Number E61997
 Solid Door: Type 3R
 Window Door: Type 1

NEMA / EEMAC: Type 1 or 3R
 IEC 60529, IP30 or IP 32, IK 10

APPLICATION

PROTEK Single-Door Fan Package cabinets are an excellent, off-the-shelf choice for mounting 19-in. rack, panel-mounted devices or other electronic equipment. An integral top solar/drip shield and thermostatically-controlled fans provide airflow to cool internal equipment. Cabinets are available in UL Type 3R for indoor/outdoor use. A UL Type 1 window-door version is available for indoor applications. The integral fans provide cooling for internally-mounted equipment. The enclosures provide protection against water, dirt and other contaminants. PROTEK is an excellent choice for applications where space is at a premium and the only option is wall mounting. PROTEK comes in a broad range of sizes, materials and configurations to meet many demanding applications.

FEATURES

- Solid-door cabinet provides complete physical and visual protection
- Integral top solar/drip shield
- Two thermostatically-controlled, long-life, high-performance fans mounted into top
- Perforated, vented base with internal, expanded metal, serviceable filter
- Window door, made of scratch-resistant safety glass, provides visual monitoring of internal equipment while maintaining equipment protection
- All seams are fully welded and ground smooth
- Door and body are provided with ground studs to facilitate proper bonding and grounding of the cabinet
- Premium seamless, foam-in-place gasket prevents contaminants from entering the cabinet
- Keylocking wing knob provides access control to the cabinet; two keys are included with each cabinet
- One set of plated, self-grounding, tapped 10-32 rack angles per EIA universal spacing standards, which can be adjusted front-to-back, is provided with each cabinet
- Additional rack angles in tapped and square-hole versions can be added to the cabinet
- Wall section welded panel studs which accommodate standard panels (steel and wood available), can be ordered separately

SPECIFICATIONS

- Doors made of 16 gauge and body made of 14 gauge steel
- Window made of .25-in. safety glass
- Integral top with two 6-in. [272 CFM] or 4-in. [113 CFM] fans powered by 120 VAC via cord with standard NEMA plug 5-15P
- Incoming air filter made of expanded aluminum
- Rack angles made of 12 gauge plated steel
- M6 door and body ground studs are masked from paint
- Twenty 10-32 rack angle equipment mounting screws included with cabinet
- Foam-in-place gasket made of durable polyurethane
- Inline thermostat turns fans on when temperature exceeds 85 F/30 C

FINISH

Pretreated steel coated with light-gray, low-gloss, lightly textured RAL 7035 polyester powder

LOAD RATING

Height	Rating
24 in.	250 lb./90.7 kg
36 in.	300 lb./136.1 kg
48 in.	400 lb./181.4 kg

ACCESSORIES

Locks and handles
 Panels (steel and wood)
 Grounding kits
 Power Distribution Units (PDUs)
 Rack angles

NOTES

- Performance data based on:
- Effective measured airflow provided by integral fans is 272 CFM (6-in.) or 113 CFM (4-in.)
 - Delta T or ΔT (Ambient Temperature – Maximum in-cabinet Temperature)
 - Ambient air must be cooler than maximum in-cabinet temperature
 - For applications that have less than a ΔT of 5 F, use PROTEK with AC unit
 - Total Cooling = [Air cooling + Cabinet cooling]
 - Air Cooling [Watts = .316 x CFM x ΔT] Cabinet cooling [Watts = (.22 x Area) / ΔT]

Example: Cabinet height 24 in. x 24 in. deep with ambient temperature 110 F, with a maximum internal cabinet temperature 120 F ($\Delta T = 10$ F). The cabinet and fans will provide a total cooling capability of 762 Watts or 1300 BTU.

(See Performance Charts)

BULLETIN: DWS12

Performance Chart 12-in. Deep Total Cooling in Watts (BTUs)

Delta T	A=24 in.	A=36 in.	A=48 in.
25F	948 (3235)	970 (33310)	992 (2385)
20F	758 (2587)	776 (2648)	793 (2708)
15F	569 (1941)	581 (1986)	595 (2031)
10F	379 (1294)	388 (1324)	397 (1354)
5F	190 (647)	194 (662)	198 (677)

See Notes on page 1.

Performance Chart 24-in. Deep Total Cooling in Watts (BTUs)

Delta T	A=24 in.	A=36 in.	A=48 in.
25F	2237 (7634)	2270 (7747)	2309 (7860)
20F	1789 (6107)	1816 (6197)	1842 (6288)
15F	1342 (4580)	1362 (4648)	1382 (4716)
10F	895 (3054)	908 (3099)	921 (3144)
5F	447 (1527)	454 (1550)	460 (1572)

See Notes on page 1.

Technical Fan Data

Depth	Nominal Size	Qty.	Voltage	Amperage 50/60 Hz	Plug	Effective CFM
12 in.	4 in.	2	120 VAC	.52/.42	Standard NEMA 5-15P	113 (Clean Filter)
24 in.	6 in.	2	120 VAC	.90/.72	Standard NEMA 5-15P	272 (Clean filter)

Standard Product PROTEK Single Solid Door Fan Package, Type 3R (indoor or outdoor)

Catalog Number	in./mm	Rack Units	F in./mm	G in./mm	P in./mm	Q in./mm	R in./mm	Optional Steel Panel	Optional Wood Panel	Additional Rack Angles ³
PTRS242412G3	24.09 x 23.62 x 11.81	12	9.51	13.38	---	---	9.48	CP2020	CP2020W	PTRA24T or PTRA24S
	612 x 600 x 300		242	400	---	---	241			
PTRS242424G3	24.09 x 23.62 x 24.02	12	21.72	26.75	---	---	14.28	CP2020	CP2020W	PTRA24T or PTRA24S
	612 x 600 x 610		552	679	---	---	363			
PTRS362412G3	36.30 x 23.62 x 11.81	19	9.51	13.38	---	---	9.48	CP3220	CP3220W	PTRA36T or PTRA36S
	922 x 600 x 300		242	400	---	---	241			
PTRS362424G3	36.30 x 23.62 x 24.02	19	21.72	26.75	---	---	14.28	CP3220	CP3220W	PTRA36T or PTRA36S
	922 x 600 x 610		552	679	---	---	363			
PTRS482412G3	48.54 x 23.62 x 11.81	26	9.51	13.38	---	---	9.48	CP4420	CP4420W	PTRA48T or PTRA48S
	1233 x 600 x 300		242	400	---	---	241			
PTRS482424G3	48.54 x 23.62 x 24.02	26	21.72	26.75	---	---	14.28	CP4420	CP4420W	PTRA48T or PTRA48S
	1233 x 600 x 610		552	679	---	---	363			

Cabinet dimensions do not include integral solar/drip shield and fan top. See dimensional drawing.

³T=tapped 10-32; S=Square hole (.375 in. x .375 in./10 mm x 10 mm)

Replacement filters: for 12-inch deep part number 30189028, for 24-inch deep part number 10100038



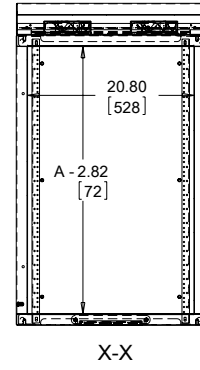
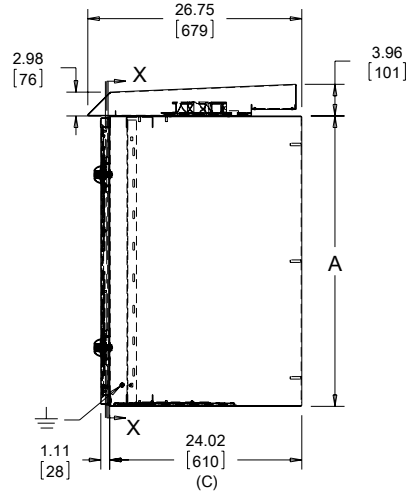
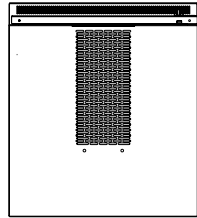
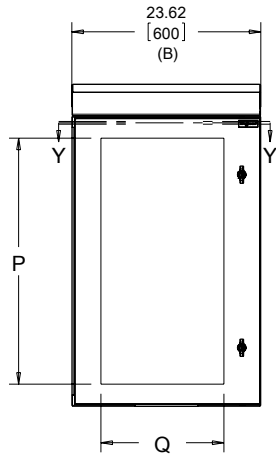
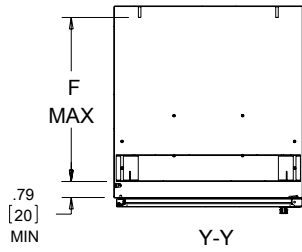
Standard Product **PROTEK Single Window Door Fan Package, Type 1 (indoor only)**

Catalog Number	AxBxC in./mm	Rack Units	F in./mm	G in./mm	P in./mm	Q in./mm	R in./mm	Optional Steel Panel	Optional Wood Panel	Additional Rack Angles ^a
PTRW242424GF	24.09 x 23.62 x 24.02	12	21.72	26.75	18.25	15.38	14.28	CP2020	CP2020W	PTRA24T or PTRA24S
	612 x 600 x 610		552	679	464	391	363			
PTRW362424GF	36.30 x 23.62 x 24.02	19	21.72	26.75	30.75	15.38	14.28	CP3220	CP3220W	PTRA36T or PTRA36S
	922 x 600 x 610		552	679	781	391	363			
PTRW482424GF	48.54 x 23.62 x 24.02	26	21.72	26.75	42.20	15.38	14.28	CP4420	CP4420W	PTRA48T or PTRA48S
	1233 x 600 x 610		552	679	1085	391	363			

Cabinet dimensions do not include integral solar/drip shield and fan top. See dimensional drawing. Cabinet dimensions do not include integral solar/drip shield and fan top. See dimensional drawing.

^a T=Tapped 10-32, S=Square hole (.375 in. x .375 in.)





89081454



PROTEK DOUBLE-HINGED FAN PACKAGES



INDUSTRY STANDARDS

UL 508A Listed; File Number E61997
 cUL Listed per CSA C22.2 No. 94; File Number E61997
 Solid Door: Type 3R
 Window Door: Type 1

NEMA / EEMAC: Type 1 or 3R
 IEC 60529, IP30 or IP 32, IK 10

APPLICATION

PROTEK Double-Hinged Fan Package cabinets are an excellent, off-the-shelf choice for mounting 19-in. rack, panel-mounted devices or other electronic equipment. An integral top solar/drip shield and thermostatically-controlled fans provide airflow to cool internal equipment. Cabinets are available in UL Type 3R for outdoor use. A UL Type 1 window version is available for indoor applications. The cabinets are designed to provide both front and rear access to 19-in. rack-mounted equipment, while ensuring protection against water, dirt and other contaminants. PROTEK is an excellent choice for applications where space is at a premium and the only option is wall mounting. PROTEK comes in a broad range of sizes, materials and configurations to meet many demanding applications.

FEATURES

- Front and rear access to 19-in. rack equipment provided by three-part design: door, center section and wall section
- Solid door provides complete physical and visual protection
- Integral top solar/drip shield
- Two thermostatically controlled, long-life, high-performance fans mounted into top
- Window door, made of .25-in. scratch-resistant safety glass and mechanically fastened, provides visual monitoring of internal equipment while maintaining equipment protection
- All seams are fully welded and ground smooth
- Perforated, vented base with internal, expanded metal, serviceable filter
- Door, center section and wall section are provided with ground studs to facilitate proper bonding and grounding of the cabinet
- Premium seamless, foam-in-place gasket prevents contaminants from entering the cabinet
- Keylocking wing knob provides access control to the cabinet; two keys are included with each cabinet
- One set of plated, self-grounding, tapped 10-32 rack angles per EIA universal spacing standards, adjustable front-to-back within the center section of the cabinet
- Additional rack angles in tapped- or square-hole versions can be added to the cabinet
- Wall section welded panel studs which accommodate standard panels (steel and wood available), can be ordered separately

SPECIFICATIONS

- Doors made of 16 gauge; wall and center sections made of 14 gauge steel
- Integral top with two 6-in. fans powered by 120 VAC via cord with standard NEMA plug, provide 230 CFM of airflow
- Window made of .25-in. safety glass
- Rack angles with 10-32 tapped holes per EIA universal standards are made of 12 gauge plated steel
- Incoming air filter made of expanded aluminum
- M6 door and body ground studs are masked from paint
- Twenty 10-32 rack angle equipment mounting screws included with cabinet
- Foam-in-place gasket made of durable polyurethane
- Inline thermostat turns fans on when temperature exceeds 85 F/30 C

FINISH

Pretreated steel coated with light-gray, low-gloss, lightly textured RAL 7035 polyester powder

LOAD RATING

Height	Rating
24 in.	250 lb./113.4 kg
36 in.	300 lb./136.0 kg
48 in.	350 lb./158.7 kg

ACCESSORIES

Locks and handles
 Panels (steel and wood)
 Grounding kits
 Power Distribution Units (PDUs)
 Rack angles

NOTES

- Performance data based on:
- Effective measured airflow provided by integral fans is 272 CFM
 - Delta T or ΔT (Ambient Temperature - Maximum in-cabinet Temperature)
 - Ambient air must be cooler than maximum in-cabinet temperature
 - For applications that have less than a ΔT of 5 F, use PROTEK with AC unit
 - Total Cooling = [Air cooling + Cabinet cooling]
 - Air Cooling [Watts = $.316 \times \text{CFM} \times \Delta T$] Cabinet cooling [Watts = $[(.22 \times \text{Area}) / \Delta T]$]

Example: Cabinet height 24 in. x 24 in. deep with ambient temperature 110 F, with a maximum internal cabinet temperature 120 F ($\Delta T = 10$ F). The cabinet and fans will provide a total cooling capability of 762 Watts or 1300 BTU.

(See Performance Chart)

BULLETIN: DWDH2

Performance Chart **Total Cooling in Watts (BTUs)**

Delta T	A=24 in.	A=36 in.	A=48 in.
25F	2237 (7634)	2270 (7747)	2309 (7860)
20F	1789 (6107)	1816 (6197)	1842 (6288)
15F	1342 (4580)	1362 (4648)	1382 (4716)
10F	895 (3054)	908 (3099)	921 (3144)
5F	447 (1527)	454 (1550)	460 (1572)

See Notes on page 1.

Technical Fan Data

Nominal Size	Qty.	Voltage	Amperage 50/60 Hz	Plug	Effective CFM
6 in.	2	120 VAC	.90/.72	Standard NEMA 5-15P	272 (Clean filter)

Standard Product **PROTEK Double-Hinged Solid Door, Type 3R (indoor or outdoor)**

Catalog Number	in./mm	Rack Units	P in./mm	Q in./mm	Optional Steel Panel	Optional Wood Panel	Additional Rack Angles ^a
PTHS242424G3	24.09 x 23.62 x 24.02	12	---	---	CP2020	CP2020W	PTRA24T or PTRA24S
	612 x 600 x 610						
PTHS362424G3	36.30 x 23.62 x 24.02	19	---	---	CP3220	CP3220W	PTRA36T or PTRA36S
	922 x 600 x 610						
PTHS482424G3	48.62 x 23.62 x 24.02	26	---	---	CP4420	CP4420W	PTRA48T or PTRA48S
	1235 x 600 x 610						

Cabinet dimensions do not include integral solar/drip shield and fan top. See dimensional drawing.

^aT=tapped 10-32; S=Square hole (.375 in. x .375 in./10 mm x 10 mm)

Replacement filter part number 10100038



Standard Product **PROTEK Double-Hinged Window Door, Type 1 (indoor only)**

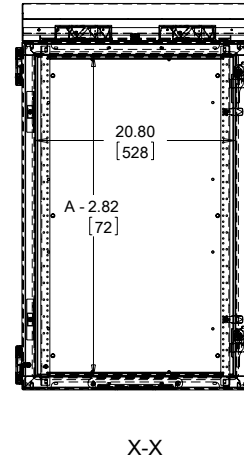
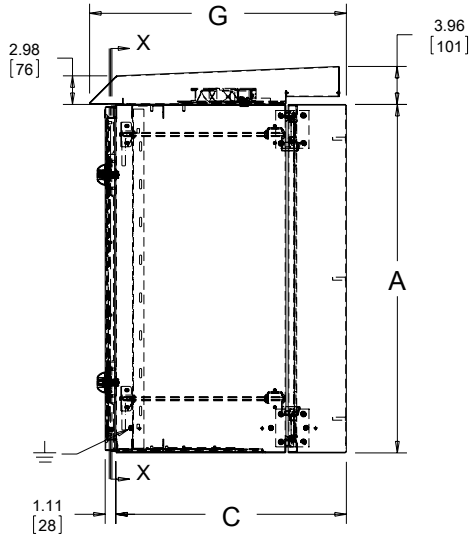
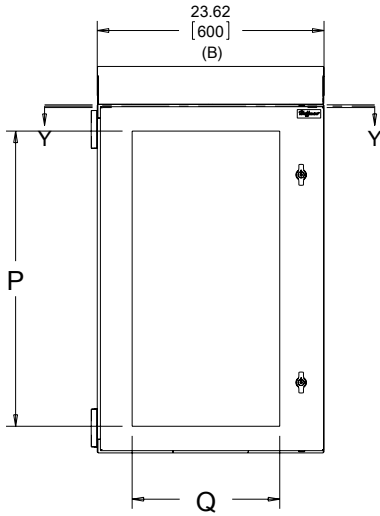
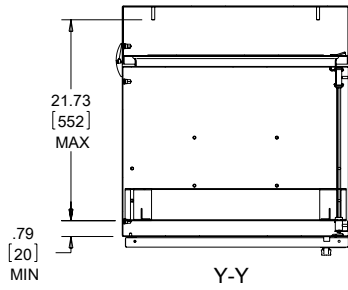
Catalog Number	AxBxC in./mm	Rack Units	P in./mm	Q in./mm	Optional Steel Panel	Optional Wood Panel	Additional Rack Angles ^a
PTHW242424GF	24.09 x 23.62 x 24.02	12	18.25	15.38	CP2020	CP2020W	PTRA24T or PTRA24S
	612 x 600 x 610		464	391			
PTHW362424GF	36.30 x 23.62 x 24.02	19	30.75	15.38	CP3220	CP3220W	PTRA36T or PTRA36S
	922 x 600 x 610		781	391			
PTHW482424GF	48.54 x 23.62 x 24.02	26	42.70	15.38	CP4420	CP4420W	PTRA48T or PTRA48S
	1233 x 600 x 610		1085	391			

Cabinet dimensions do not include integral solar/drip shield and fan top. See dimensional drawing.

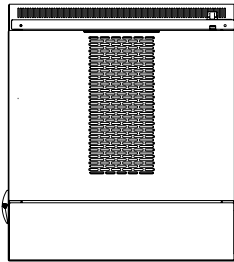
^aT=tapped 10-32; S=Square hole (.375 in. x .375 in./10 mm x 10 mm)

Replacement filter part number 10100038





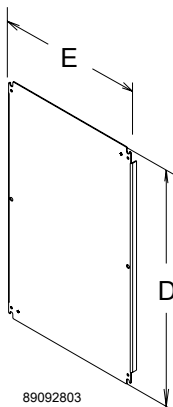
89081447



PROTEK WALL-MOUNT CABINET ACCESSORY PANELS

Where equipment mounting space is limited, Accessory Panels increase cabinet capacity by providing a mounting surface for 19-in. equipment and accessories at the back of the cabinet. The panels mount on collar studs provided in the cabinet. Available in painted mild steel.

BULLETIN: CWP, DWDH2

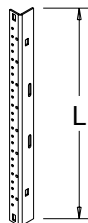


89092803

PROTEK RACK ANGLES

Square- and tapped-hole rack angles fit into PROTEK single- and double-hinged cabinets.

BULLETIN: DWDH2



89098081

Standard Product

Catalog Number	Panel Size D x E mm/in.	Gauge
CP2014	462 x 310	14
CP2020	462 x 462	12
CP2442	564 x 1021	12
CP3220	762 x 462	12
CP4420	1072 x 462	12
CP5620	1351 x 462	12

Standard Product

Catalog Number	L in./mm	Hole Type	Fits Cabinet Height in./mm	Rack Units
PTRA16T	16.12 409	Tapped	16.00	8
PTRA16S	16.12 409	Square	16.00	8
PTRA24T	23.12 587	Tapped	24.00	12
PTRA24S	23.12 587	Square	24.00	12
PTRA36T	35.32 897	Tapped	36.00	19
PTRA36S	35.32 897	Square	36.00	19
PTRA48T	45.57 1157	Tapped	48.00	26
PTRA48S	45.57 1157	Square	48.00	26
PTRA60T	59.07 1500	Tapped	60.00	32
PTRA60S	59.07 1500	Square	60.00	32



L-BOX, TYPE 1

INDUSTRY STANDARDS

UL 2416 Listed; File No. E230874
 UL 508A Listed; Type 1; File Number E61997
 cUL Listed per CSA C22.2 No. 182.4; File No. E230874
 Ventilation complies with UL 60950

Designed in accordance with BICSI TDMM Tenth edition, Chapter 7, Telecommunication Enclosures (TE)
 EIA 310-D
 IEC 60529, IP30

APPLICATION

The low-profile, vertically-oriented L-BOX wall-mount cabinet is extremely versatile and can be used in public settings to mount, store and protect network equipment, patch panels and connections. The hinged, L-shaped door provides full access on two sides to installed equipment while fixed rack angles accommodate varying equipment sizes.

FEATURES

- Spring-loaded, self-retained hinge pins allow door removal
- 120-degree door opening
- Quarter-turn latches with key lock (Code 333)
- One set of fixed rack angles is included on 24- and 36-in. (610- and 914-mm) tall models and two on 48-in. (1219-mm) tall models
- Rack angles on 36-in. (914-mm) models can be positioned either at the top or the bottom of the cabinet

- 36- and 48-in. (914- and 1219-mm) tall models have space for patch panel or shelf brackets
- Knockouts for 4-in. (102-mm) fan on top and bottom of cabinet
- Wiring knockouts (7/8 in., 1-3/8 in., and 3 in.) on top and bottom of cabinet. Two 3-in. cable entry knockouts on back.
- Multiple cable tie-down points on back of cabinet
- Keyhole mounting slots spaced 16.00 in. (406 mm) on center for easy cabinet mounting
- Includes package of twenty 10-32 mounting screws

SPECIFICATIONS

- Manufactured from 14 gauge mild steel
- Self-grounding mounting angles made of 12 gauge plated steel
- Bonding provision on door
- Ground stud on body
- EIA Universal 5/8 - 5/8 - 1/2 in. rack angle mounting hole pattern matches industry standards. Holes are tapped 10-32.

FINISH

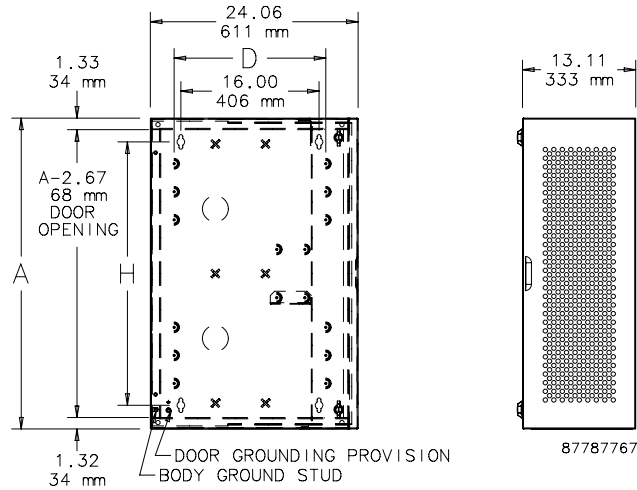
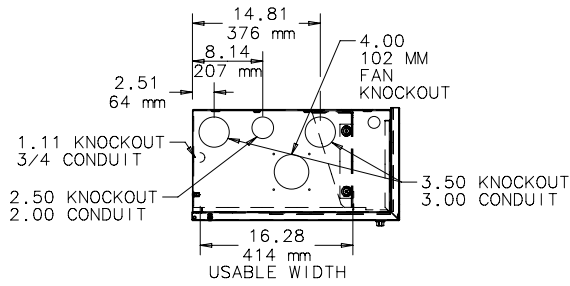
Pretreated steel coated with RAL 7035 light-gray textured, low-gloss polyester powder paint. Other finishes available—contact Hoffman Customer Service.

LOAD RATING

75 lb. (34.0 kg)

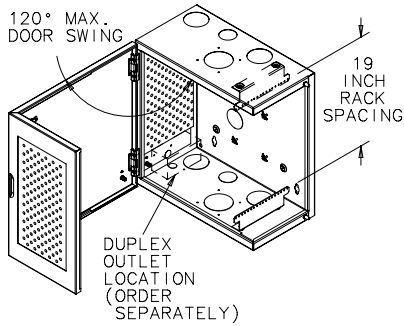
BULLETIN: DWS1
Standard Product

Catalog Number	AxBxC in.	AxBxC mm	H (in.)	H (mm)	Rack Units
DBL242412G	24.00 x 24.00 x 12.34	610 x 610 x 313	22.00	559	6
DBL362412G	36.00 x 24.00 x 12.34	915 x 610 x 313	34.00	864	6
DBL482412G	48.00 x 24.00 x 12.34	1220 x 610 x 313	46.00	1168	2 sets of 6

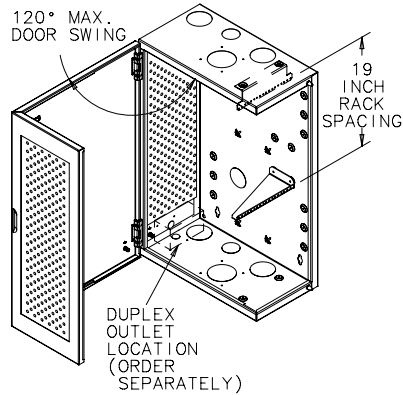


L-BOX RACK ANGLE LOCATIONS

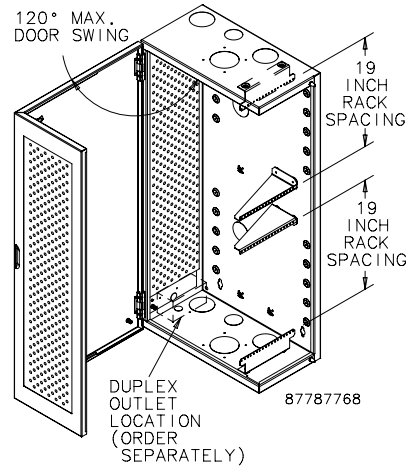
DBL242412G



DBL362412G



DBL482412G



BONDING AND GROUNDING KIT



Provides the cable and mounting hardware required to ground equipment to the door and the body of the cabinet.

BULLETIN: DWS1

Catalog Number	Description
DBGRDK	Bonding and Grounding Kit

DUPLEX OUTLET KIT



15 A duplex outlet is factory-mounted in three-sided, plated steel enclosure. Outlet enclosure mounts on hinge side of door in lower corner of cabinet. Mounting hardware provided.

BULLETIN: DWS1

Catalog Number	Description	Current Rating
DBDXK	Duplex Outlet Kit	15 A

4-INCH COMPACT AXIAL FANS



Compact Cooling Fans are ideal for applications where enclosure space is limited and quiet, reliable cooling is required. Engineered for 50,000 hours of continuous operation without lubrication or service.

BULLETIN: D85

Standard Product

Catalog Number	Description
A4AXFNPG	4-in. fan, 115VAC, 46/49CFM
A4AXFNGQ	4-in. fan, Quiet, 115VAC, 85/100CFM

FAN FILTER AND FINGER GUARD KIT



Low-density filter kit for 4-in. (102-mm) and 6-in. (152-mm) fans. Can also be used as vent. Filter is removable and can be cleaned and reused. Mounting hardware included.

BULLETIN: DTHRM, DWS1

Catalog Number	Description	Fits
AFLTR4LD	Fan Filter and Finger Guard Kit	4-in. fans
AFLTR6LD	Fan Filter and Finger Guard Kit	6-in. fans

PATCH PANEL RACK ANGLES

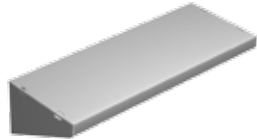


Swiveling rack angles drop 45 degrees to provide convenient access to equipment mounted on patch panels. Provide additional patch panel location in 36- and 48-in. (914- and 1219-mm) high cabinets. Made of self-grounding, plated 12 gauge steel. Mounting hardware included. Set of two.

BULLETIN: DWS1

Catalog Number	Description	Rack Units
DBPRA4U	Patch Panel Rack Angles	4

SHELVES



Shelves provide additional storage in 36- and 48-in. (914- and 1219-mm) tall cabinets. Made of self-grounding plated 16 gauge steel. 75 lb. (34.0 kg) load rating. RAL 7035 polyester powder coat finish.

BULLETIN: DWS1

Catalog Number	Description	Length in./mm	Depth in./mm	Fits Cabinet Depth
DBSHELF8	Steel Shelf	19.05 484	7.25 184	8 in.
DBSHELF12	Steel Shelf	19.05 484	11.08 281	8 or 12 in.

STRUT WALL-MOUNTING KIT



Provides secure mounting for cabinet. RAL 7035 polyester powder coat finish.

BULLETIN: DWS1

Catalog Number	Description	Length in./mm
DB24WMTK	Strut Wall-Mounting Kit	24.00 610



D-BOX, TYPE 1



INDUSTRY STANDARDS

UL 2416 Listed; File No. E230874
 UL 508A Listed; Type 1; File Number E61997
 cUL Listed per CSA C22.2 No. 182.4; File No. E230874
 Ventilation complies with UL 60950

Telcordia NEBS™ Requirements: Physical Protection, GR-63-CORE, Zone 4. Tested with 100 lb. (45.4 kg) of equipment installed.
 Designed in accordance with BICSI TDMM Tenth edition, Chapter 7, Telecommunication Enclosures (TE)
 EIA 310-D
 IEC 60529, IP40

APPLICATION

Ideal for retail applications where it is necessary to house 19-in. network equipment in a public location, the horizontally-oriented D-BOX is a low-profile cabinet with a hinged door for convenient front access and a combination of fixed and rotating rack angles to accommodate varying equipment sizes.

FEATURES

- Spring-loaded, self-retained hinge pins allow door removal
- Reversible door fits flush to body with no exposed corners
- Knockouts for 4-in. fan on top and bottom of enclosure
- Wiring knockouts (7/8 in., 1-3/8 in., and 3 in.) on top and bottom of enclosure. Two 3-in. cable entry knockouts on back.
- 120-degree door opening
- Multiple cable tie-down points on back of enclosure

- Quarter-turn latch with key lock
- Keyhole mounting slots spaced 16.00 in. (406 mm) on center for easy enclosure mounting
- Bosses provided for mounting accessories such as cable spools
- Self-grounding mounting angles made of 12 gauge galvanized steel
- Patch panel 4U mounting angles rotate down for access
- Flange around door opening protects interior
- Bonding provision on door
- Ground stud on body
- EIA Universal 5/8 - 5/8 - 1/2 in. vertical mounting hole pattern matches industry standards. Holes are tapped 10-32.
- Includes package of twenty 10-32 mounting screws

SPECIFICATIONS

- Door manufactured from 14 gauge mild steel
- Body manufactured from 16 gauge mild steel

FINISH

Pretreated steel coated with RAL 7035 light-gray textured, low-gloss polyester powder paint. Other finishes available—contact Hoffman Customer Service.

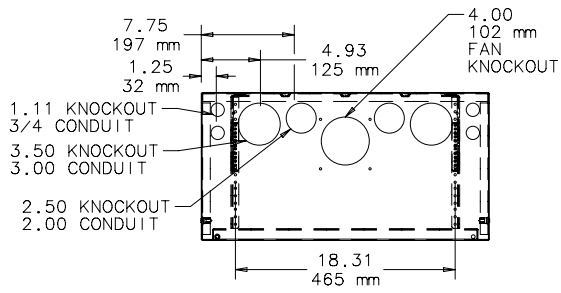
LOAD RATING

100 lb. (45.4 kg)

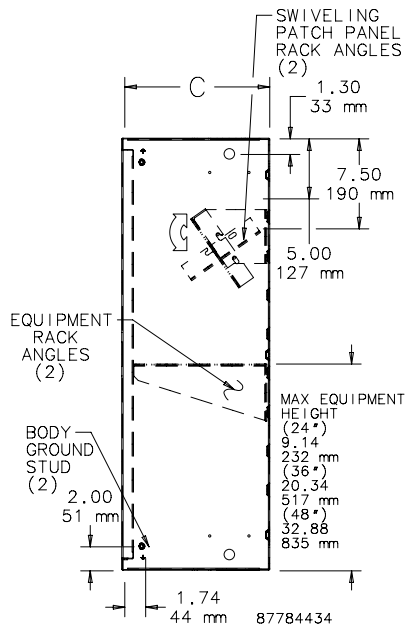
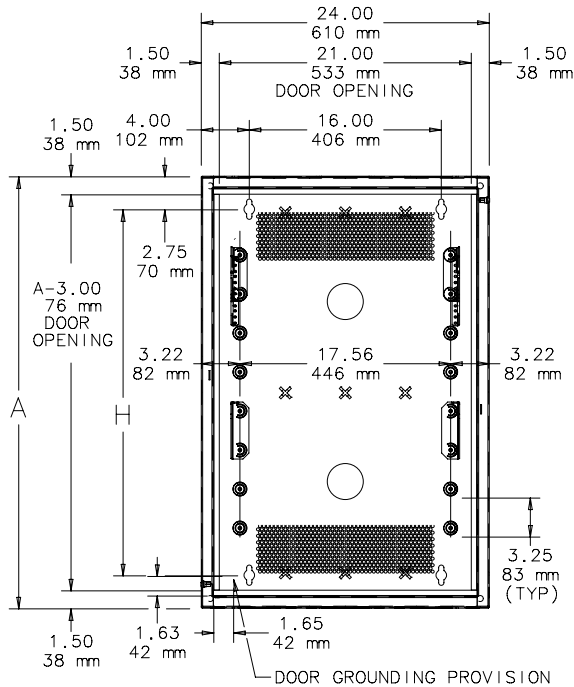
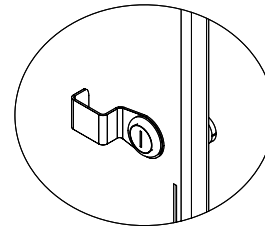
BULLETIN: DWS1

Standard Product

Catalog Number	AxBxC in.	AxBxC mm	H (in.)	H (mm)	Rack Units
DBS24248G	24.00 x 24.00 x 8.34	610 x 610 x 212	22.00	559	4
DBS36248G	36.00 x 24.00 x 8.34	915 x 610 x 212	34.00	864	4
DBS48248G	48.00 x 24.00 x 8.34	1220 x 610 x 212	46.00	1168	4
DBS242412G	24.00 x 24.00 x 12.34	610 x 610 x 313	22.00	559	6
DBS362412G	36.00 x 24.00 x 12.34	915 x 610 x 313	34.00	864	6
DBS482412G	48.00 x 24.00 x 12.34	1220 x 610 x 313	46.00	1168	6



Field Installable Handle (Included)



BONDING AND GROUNDING KIT



Provides the cable and mounting hardware required to ground equipment to the door and the body of the cabinet.

BULLETIN: DWS1

Catalog Number	Description
DBGRDK	Bonding and Grounding Kit

DUPLEX OUTLET KIT



15 A duplex outlet is factory-mounted in three-sided, plated steel enclosure. Outlet enclosure mounts on hinge side of door in lower corner of cabinet. Mounting hardware provided.

BULLETIN: DWS1

Catalog Number	Description	Current Rating
DBDXK	Duplex Outlet Kit	15 A

EQUIPMENT RACK ANGLES



Fixed rack angles can be added to 36-in. and 48-in. tall cabinets for extra 19-in rack equipment mounting. Made of steel with clear zinc plating. EIA spaced holes are tapped 10-32. Mounts to raised pads on cabinet inside back with provided hardware.

BULLETIN: DWS1

Catalog Number	Description	Rack Units
DBERA4U	Equipment Rack Angles	4
DBERA6U	Equipment Rack Angles	6

4-INCH COMPACT AXIAL FANS



Compact Cooling Fans are ideal for applications where enclosure space is limited and quiet, reliable cooling is required. Engineered for 50,000 hours of continuous operation without lubrication or service.

BULLETIN: D85

Standard Product

Catalog Number	Description
A4AXFNPG	4-in. fan, 115VAC, 46/49CFM
A4AXFNQG	4-in. fan, Quiet, 115VAC, 85/100CFM

FAN FILTER AND FINGER GUARD KIT



Low-density filter kit for 4-in. (102-mm) and 6-in. (152-mm) fans. Can also be used as vent. Filter is removable and can be cleaned and reused. Mounting hardware included.

BULLETIN: DTHRM, DWS1

Catalog Number	Description	Fits
AFLTR4LD	Fan Filter and Finger Guard Kit	4-in. fans
AFLTR6LD	Fan Filter and Finger Guard Kit	6-in. fans

PADLOCK KIT



Kit includes field installable hasp and staple. Fits padlocks with maximum 5/16 in. (8mm) shackle diameter. No drilling or layout required. Includes mounting hardware.

BULLETIN: DWS1

Catalog Number	Description
DBPDLK	Padlocking Kit

PATCH PANEL RACK ANGLES

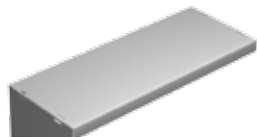


Swiveling rack angles drop 45 degrees to provide convenient access to equipment mounted on patch panels. Provide additional patch panel location in 36- and 48-in. (914- and 1219-mm) high cabinets. Made of self-grounding, plated 12 gauge steel. Mounting hardware included. Set of two.

BULLETIN: DWS1

Catalog Number	Description	Rack Units
DBPRA4U	Patch Panel Rack Angles	4

SHELVES



Shelves provide additional storage in 36- and 48-in. (914- and 1219-mm) tall cabinets. Made of self-grounding plated 16 gauge steel. 75 lb. (34.0 kg) load rating. RAL 7035 polyester powder coat finish.

BULLETIN: DWS1

Catalog Number	Description	Length in./mm	Depth in./mm	Fits Cabinet Depth
DBSHELF8	Steel Shelf	19.05 484	7.25 184	8 in.
DBSHELF12	Steel Shelf	19.05 484	11.08 281	8 or 12 in.

STRUT WALL-MOUNTING KIT



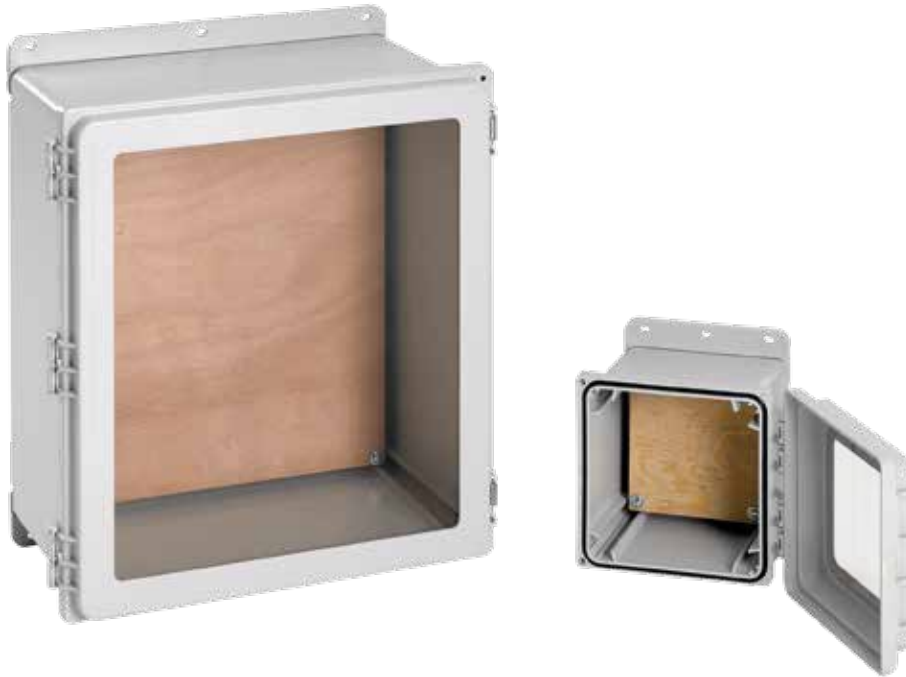
Provides secure mounting for cabinet. RAL 7035 polyester powder coat finish.

BULLETIN: DWS1

Catalog Number	Description	Length in./mm
DB24WMTK	Strut Wall-Mounting Kit	24.00 610



POLYPRO WIFI, TYPE 4X



INDUSTRY STANDARDS

UL 508A Listed; Type 4, 4X, 12, 13; File No. E61997
 cUL Listed per CSA C22.2 No 94; Type 4, 4X, 12, 13; File No. E61997
 Enclosure flammability evaluated per UL 508A
 Window flammability evaluated per UL 508A

NEMA/EEMAC Type 4, 4X, 12, 13
 CSA File No. 42186; Type 4, 4X, 12, 13 (solid covers only)
 IEC 60529, IP66

APPLICATION

POLYPRO WiFi enclosures provide protection for wireless equipment in both indoor and outdoor locations. The polyester construction and wood panel allow WiFi and WLAN signals to pass through the enclosure unimpeded. POLYPRO performs exceptionally well in applications where harsh chemicals, weather extremes, a corrosive environment or flames demand toughness from a lightweight enclosure. Providing excellent ultraviolet protection and a tight environmental seal, these versatile, feature-rich enclosures are also recyclable.

FEATURES

- Non-glass-filled polyester material offers superior UV resistance; eliminates fiberbloom associated with fiberglass
- Provides excellent chemical resistance to a broad range of solvents, alkalis and acids
- Resists cracking and provides excellent impact resistance
- Lighter-weight than fiberglass
- Recyclable
- Easy, dustless in-field modifications using standard tools
- Overlapping tongue-and-groove raised cover and gasket provide secure Type 4X seal
- Removable snap-hinge cover allows for easy access to cover and body for modifications
- Molded layout grid on inside of body and solid covers assists with component mounting
- Molded-in embosses for rear panel mounting
- Internal rail system and adjustable panel blocks allow for panel height adjustment and installation of multiple panels

SPECIFICATIONS

- Scratch-resistant polycarbonate windows
- Standard models include body and cover, two mounting feet, two latch assemblies with optional cover screws and hardware, and 3/4-in. plywood panel

FINISH

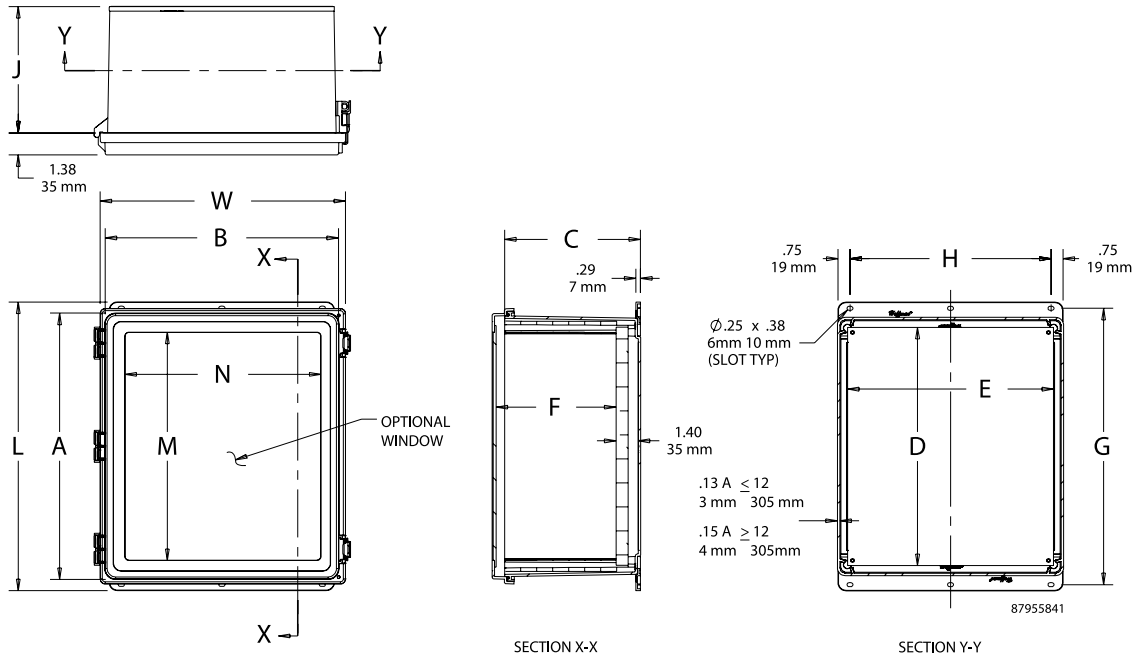
Polyester material is RAL 7035 light-gray textured finish inside and out

BULLETIN: DWS12



Standard Product

Catalog Number	AxBxC in./mm	Door Type	Panel Size D x E in./mm	F in./mm	G in./mm	H in./mm	J in./mm	L in./mm	M in./mm	N in./mm	W in./mm
D664WF	6.12 x 6.12 x 4.38	Solid	4.88 x 4.88	4.32	7.38	2.56	3.91	8.15	—	—	5.23
	155 x 155 x 111		124 x 124	110	187	65	99	207	—	—	133
D664WFW	6.12 x 6.12 x 4.38	Window	4.88 x 4.88	4.32	7.38	2.56	3.91	8.15	4.25	2.25	5.23
	155 x 155 x 111		124 x 124	110	187	65	99	207	108	57	133
D16148WF	16.12 x 14.01 x 8.35	Solid	14.75 x 12.88	8.27	17.27	12.56	7.91	18.04	—	—	15.32
	409 x 356 x 212		375 x 327	210	439	319	201	458	—	—	389
D16148WFW	16.12 x 14.01 x 8.35	Window	14.75 x 12.88	8.27	17.27	12.56	7.91	18.04	14.25	12.25	15.32
	409 x 356 x 212		375 x 327	210	439	319	201	458	362	311	389



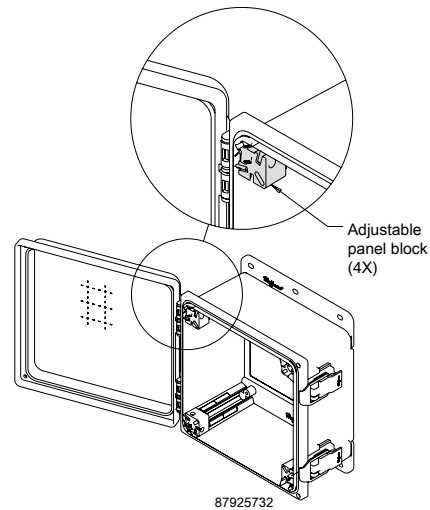
ADJUSTABLE PANEL BLOCK KIT

Panel blocks slide inside POLYPRO internal rail system for panel height adjustment within top 5 in. of enclosure. Allows for installation of multiple panels.

BULLETIN: PCRY

Catalog Number	Qty.
APNLBLK	4

Includes Allen wrench

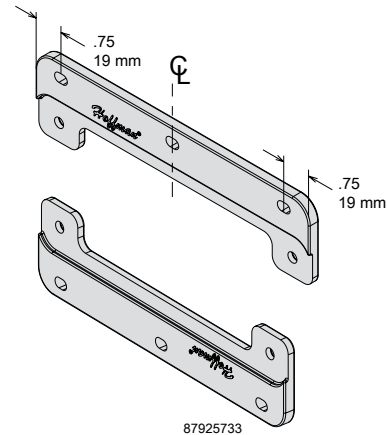


POLYESTER MOUNTING BRACKET KITS

Replacement POLYPRO mounting brackets are sold in sets of two and include hardware for mounting to enclosure. Included with standard POLYPRO models.

BULLETIN: PCRY

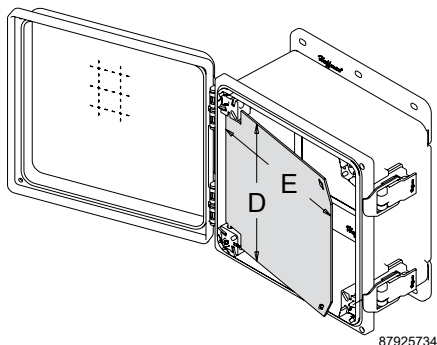
Catalog Number	Description (in.)	Qty.
APOLYFT4	4.00	2
APOLYFT6	6.00	2
APOLYFT8	8.00	2
APOLYFT10	10.00	2
APOLYFT12	12.00	2
APOLYFT14	14.00	2
APOLYFT16	16.00	2



ALUMINUM SWING-OUT PANELS

Includes four POLYPRO Adjustable Panel Blocks. No enclosure modification is required for installation.

BULLETIN: PCRY



Catalog Number	D x E (in.)	D x E (mm)
A64PSWPNL	5.00 x 3.62	127 x 92
A66PSWPNL	5.00 x 5.62	127 x 143
A86PSWPNL	7.00 x 5.62	178 x 143
A88PSWPNL	7.00 x 7.62	178 x 194
A108PSWPNL	9.00 x 7.62	229 x 194
A1010PSWPNL	9.00 x 9.62	229 x 244
A1210PSWPNL	11.00 x 9.62	279 x 244
A1412PSWPNL	13.00 x 11.62	330 x 295
A1614PSWPNL	15.00 x 13.62	381 x 346
A1816PSWPNL	17.00 x 15.62	432 x 397

STAINLESS STEEL LATCHES (PADLOCKABLE)



Stainless Steel Latches can be retrofitted on all POLYPRO models with no modification or drilling required. Hinge/latch constructed of corrosion-resistant polyester with a Type 316L stainless steel bail. Included with standard POLYPRO models.

BULLETIN: PCRY

Catalog Number	Qty.
AQRLSS6	2

HINGE RETAINERS



Hinge Retainers can be field-installed without modification to POLYPRO hinges for applications where easy cover removal is not desired. Two retainers per enclosure is recommended. Kit includes ten hinge retainers.

BULLETIN: PCRY

Catalog Number	Description	Pkg. Qty.
AHGCLP	POLYPRO Hinge Retainers	10



HINGE-COVER WIFI, TYPE 4X



INDUSTRY STANDARDS

UL 508A Listed; Type 4, 4X, 12, 13; File No. E61997
 cUL Listed per CSA C22.2 No 94; Type 4, 4X, 12, 13; File No. E61997
 Enclosure flammability rating per UL 508

NEMA/EEMAC Type 4, 4X, 12, and 13
 Window flammability rating per UL 508
 CSA File No. LR42186:Type 4, 4X, 12, and 13
 IEC 60529, IP66
 Cabinets with solid doors are plenum rated.

APPLICATION

The fiberglass WiFi Cabinet is a secure, hinged enclosure that does not impede WiFi or WLAN signals. It is ideal for housing wireless equipment in locations such as tunnels, floor vaults, marinas, outside walls or rooftops.

FEATURES

- Fiberglass is easily punched, drilled, filed or sawed
- Gasket assures watertight and dusttight seal
- Molded-in-place threaded brass inserts and plated steel screws are provided for mounting optional panels and terminal block kits
- Removable hinged cover attached to body with Type 316 stainless steel hinge pin
- Screw cover enclosures are secured with two captivated Type 316 stainless steel slotted cross-point cover screws
- Available quick-release latches are corrosion-resistant polyester located in corners to provide unobstructed access to enclosure
- Knockout padlock provisions included in each latch
- Material is halogen free

SPECIFICATIONS

- Enclosure and door made of molded fiberglass polyester that resists chemicals and temperature change
- Scratch-resistant GE Lexan Margard® windows are permanently bonded in place
- Polyester mounting brackets and stainless steel attachment screws are provided with each enclosure
- Hinge pin and bail are corrosion-resistant Type 316 stainless steel
- Includes a 3/4-in. plywood panel for mounting equipment

Margard is a trademark of General Electric

FINISH

Fiberglass material is light gray inside and out.

BULLETIN: DWS12

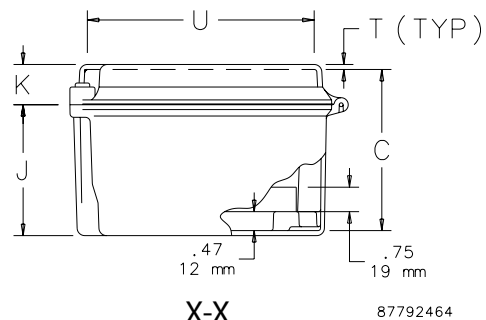
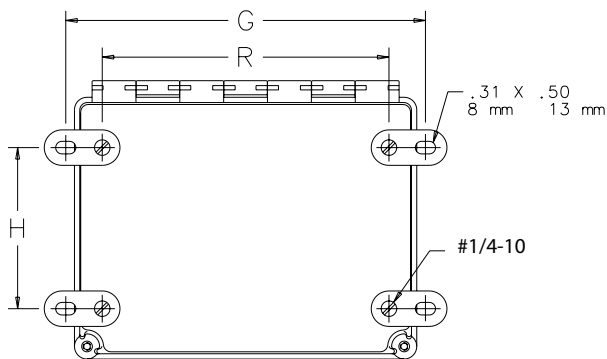
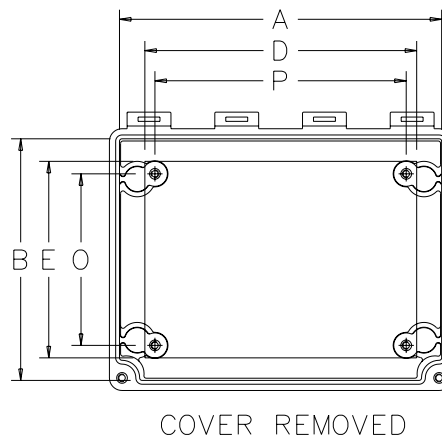
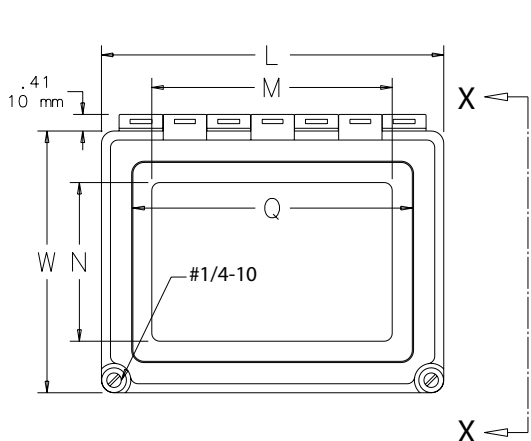
Standard Product **Solid Door**

Catalog Number	AxBxC in./mm	Panel	Panel D X E in./mm	Mounting G x H in./mm	Overall Size L x W in./mm	J in./mm	K in./mm	O in./mm	P in./mm	Q in./mm	R in./mm	T in./mm	U in./mm
D664CHSCFGP	6.00 x 6.00 x 4.00	A6P6WD	4.88 x 4.88	6.94 x 4.00	6.50 x 6.50	3.25	1.00	4.25	4.25	5.64	5.12	.12	5.64
	152 x 152 x 102		124 x 124	176 x 102	165 x 165	83	25	108	108	143	130	3	143
D16148CHSCFGP	16.00 x 14.00 x 8.00	A16P14WD	14.75 x 12.88	16.94 x 12.00	16.55 x 14.55	6.23	2.08	12.25	14.25	15.56	15.12	.15	13.56
	406 x 356 x 203		375 x 327	430 x 305	420 x 370	158	53	311	362	395	384	4	344
D181610CHSCFGP	18.00 x 16.00 x 10.00	A18P16WD	16.75 x 14.88	18.94 x 14.00	18.58 x 16.58	7.66	2.66	14.25	16.25	17.53	17.12	.16	15.53
	457 x 406 x 254		425 x 378	481 x 356	472 x 421	195	68	362	413	445	435	4	394

Wood panels included with enclosure. Optional steel panels must be ordered separately.

Standard Product **Window Door**

Catalog Number	AxBxC in./mm	Panel	Panel D X E in./mm	Mounting G x H in./mm	Overall Size L x W in./mm	J in./mm	K in./mm	O in./mm	P in./mm	Q in./mm	R in./mm	T in./mm	U in./mm
D664CHSCFGWP	6.00 x 6.00 x 4.00	A6P6WD	4.88 x 4.88	6.94 x 4.00	6.50 x 6.50	3.25	1.00	4.25	4.25	5.64	5.12	.12	5.64
	152 x 152 x 102		124 x 124	176 x 102	165 x 165	83	25	108	108	143	130	3	143
D16148CHSCFGWP	16.00 x 14.00 x 8.00	A16P14WD	14.75 x 12.88	16.94 x 12.00	16.55 x 14.55	6.23	2.08	12.25	14.25	15.56	15.12	.15	13.56
	406 x 356 x 203		375 x 327	430 x 305	420 x 370	158	53	311	362	395	384	4	344
D181610CHSCFGWP	18.00 x 16.00 x 10.00	A18P16WD	16.75 x 14.88	18.94 x 14.00	18.58 x 16.58	7.66	2.66	14.25	16.25	17.53	17.12	.16	15.53
	457 x 406 x 254		425 x 378	481 x 356	472 x 421	195	68	362	413	445	435	4	394



THREADED PANEL EXTENDERS



Threaded Panel Extenders are made of plated steel and designed to raise the panel mounting surface. Extenders attach to threaded internal pads. Male and female thread size is 10-32. Each kit contains 4 extenders.

BULLETIN: A80

Catalog Number	Length (in.)	Length (mm)
APE050	0.50	13
APE100	1.00	25

QUICK-RELEASE LATCH KIT



Two fiberglass-reinforced gray polyester latches with 316L stainless steel bail and screw-hole plugs are included in each package. Supplied with Continuous Hinge, Type 4X enclosures and available for Fiberglass Hinged Cover WiFi Cabinet, Type 4X. Kit converts screw-cover enclosures to quick-release without modification. No tools needed to install. Padlocking provision is included.

BULLETIN: A48Y

Catalog Number	Description	Kit Qty.
AL48	Quick-Release Latch Kit	2



SWING-OUT PANEL KIT



The Swing-Out Panel Kit provides an attractive, cost-effective solution for installing front-mounted panels in Continuous Hinge, Type 4X, and Overlapping Cover, Type 4X enclosures. No drilling required.

BULLETIN: A48Y

Catalog Number	Fits Enclosure A x B (in.)	Fits Enclosure A x B (mm)
A6SPK6C	6.00 x 6.00	152 x 152
A8SPK6C	8.00 x 6.00	203 x 152
A10SPK8C	10.00 x 8.00	254 x 203
A12SPK10C	12.00 x 10.00	305 x 254
A16SPK14C	16.00 x 14.00	406 x 356
A18SPK16C	18.00 x 16.00	457 x 406
A14SPK12C	14.00 x 12.00	356 x 305

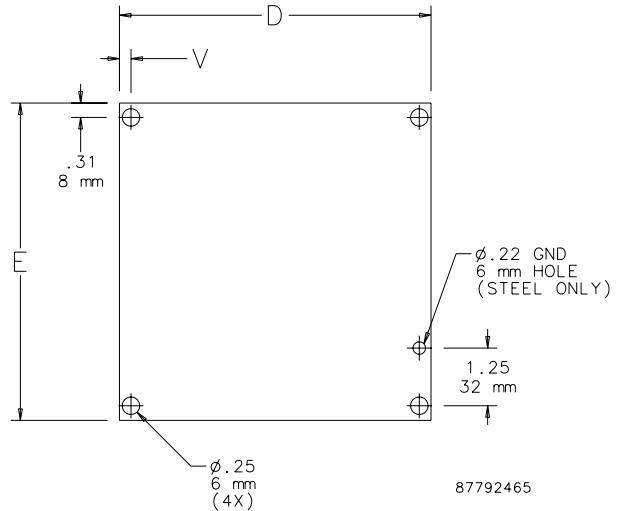
PANELS FOR WIFI CABINETS AND SMALL WALL-MOUNT ENCLOSURES



Panels are available in both steel and wood. Steel panels are 14 gauge steel with a white polyester powder paint finish. Wood panels are 3/4-in. plywood and are unfinished. Wood panels are supplied with Fiberglass Hinged-Cover and POLYPRO Type 4X WiFi Cabinets.

BULLETIN: DWS12, PNLJ, PNLWM

Catalog Number	Material	Panel Size D x E (in.)	Panel Size D x E (mm)	V (in.)	V (mm)
A6P6	Steel	4.88 x 4.88	124 x 124	0.31	8
A6P6WD	Wood	4.88 x 4.88	124 x 124	0.31	8
A16P14	Steel	14.75 x 12.88	375 x 327	0.25	6
A16P14WD	Wood	14.75 x 12.88	375 x 327	0.25	6
A18P16	Steel	16.75 x 14.88	425 x 378	0.25	6
A18P16WD	Wood	16.75 x 14.88	425 x 378	0.25	6



87792465

FIBERGLASS ENCLOSURE MOUNTING FOOT



One-piece mounting foot kit consists of the necessary hardware to attach two fiberglass feet, molded from the same material as our A48 enclosure. This compression-molded fiberglass material has excellent chemical and temperature resistance and provides outstanding performance and durability in harsh environments. The mounting feet can be field installed on either the 18x16 or the 20x16 enclosure.

BULLETIN: A48Y

Catalog Number	Description
A48METHDWK	

ULTRX WIFI, TYPE 4X



INDUSTRY STANDARDS

UL 508A Listed; Type 4, 4X, 12, 13; File No. E61997
 cUL Listed per CSA C22.2 No 94; Type 4, 4X, 12, 13; File No. E61997
 Enclosure flammability rating per UL 508
 Window flammability rating per UL 508

NEMA/EEMAC Type 4, 4X, 12, 13
 CSA File No. LR42186: Type 4, 4X, 12, 13
 IEC 60529, IP66
 Cabinets with solid doors are plenum rated.

APPLICATION

Ideal for locations such as tunnels, floor vaults, marinas, outside walls or rooftops, the lightweight ULTRX fiberglass WiFi cabinet does not impede WiFi or WLAN signals and has optional rack angles that can be added to support 19-in. rack-mount equipment.

FEATURES

- Fiberglass is easily punched, drilled, filed or sawed
- Gasket assures watertight and dusttight seal
- Enclosure may be rotated 180 degrees for left and right hinging
- Molded-in drip shields are standard with each enclosure
- Door opens 180 degrees
- Replaceable breakaway hinges
- Keylocking handle standard
- Molded-in DIN bosses
- Molded bosses on door provide additional mounting provisions
- Integral mounting rails provide infinite panel adjustment front to back
- Optional data pocket is high-impact thermoplastic
- Material is halogen free

SPECIFICATIONS

- Enclosure and door made of molded fiberglass polyester that resists chemicals and temperature change
- Impact-resistant polycarbonate window is permanently bonded in place
- Fiberglass mounting brackets and stainless steel attachment screws are provided with each enclosure
- Includes a 3/4-in. plywood panel for mounting equipment

FINISH

Standard exterior surface painted light-gray acrylic enamel for enhanced UV protection.

BULLETIN: DWS12

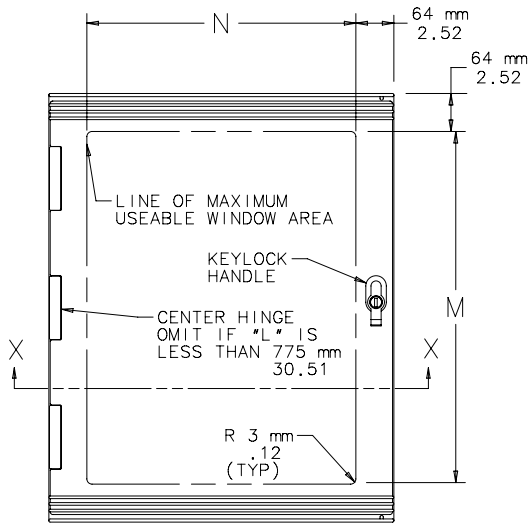
Standard Product

Catalog Number	Ax B x C mm/in.	Door Type	Internal Dimensions A x B x C mm/in.	Panel	Panel Size D x E mm/in.	Mounting G x H mm/in.	Window Size									
							M x N mm/in.	F mm/in.	J mm/in.	K mm/in.	P mm/in.	Q mm/in.	R mm/in.	S mm/in.	T mm/in.	
DU606030P	608 x 595 x 321	Solid	608 x 595 x 321	A24P24WD	533 x 533	555 x 568	498 x 486	287	500	21	62	68	56	489	489	
	23.94 x 23.43 x 12.64		23.94 x 23.44 x 12.64		21.00 x 21.00	21.86 x 22.36	19.62 x 19.12	11.31	19.68	0.81	2.43	2.68	2.21	19.25	19.25	
DU606030WP	608 x 595 x 321	Window	608 x 595 x 321	A24P24WD	533 x 533	555 x 568	498 x 486	287	500	21	62	68	56	489	489	
	23.94 x 23.43 x 12.64		23.94 x 23.44 x 12.64		21.00 x 21.00	21.86 x 22.36	19.62 x 19.12	11.31	19.68	0.81	2.43	2.68	2.21	19.25	19.25	

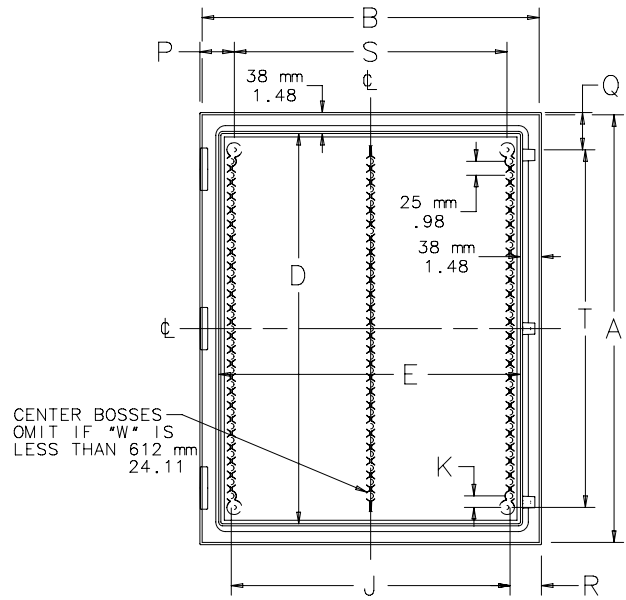
Wood panel included with enclosure. Optional steel panels must be ordered separately.

Window size applies to window door cabinets only.

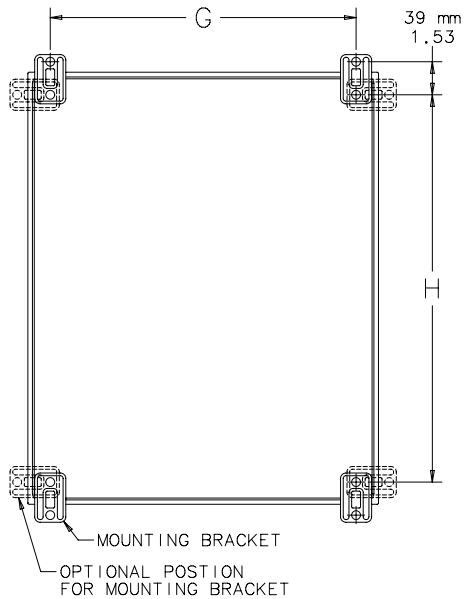




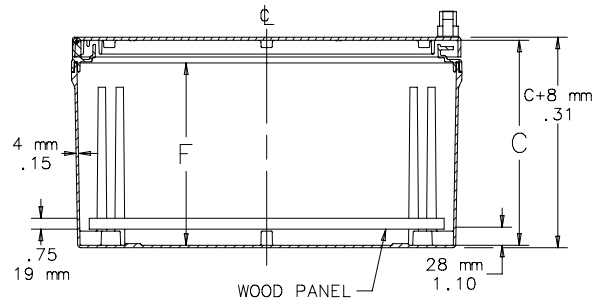
FRONT VIEW



FRONT VIEW WITH DOOR REMOVED



BACK VIEW

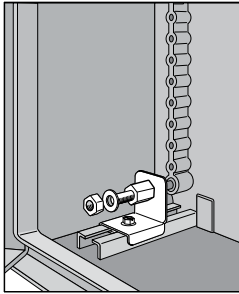


SECTION X-X

87792468



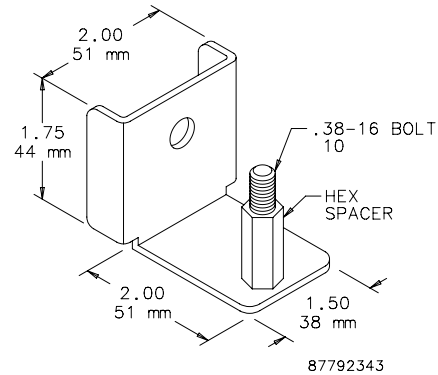
PANEL BRACKET KIT



Panel Bracket Kit is used with steel panels and permits panel adjustment from front to rear. Fits all ULTRX sizes. Mounts on integrally molded body rail. Brackets are plated steel. All mounting hardware is included. *Note: Front mounting position is approximately 140mm/5.5 in. back on 400mm enclosures.*

BULLETIN: UX1Y

Catalog Number	Description	Pkg. Qty.
UUPB	ULTRX Panel Bracket Kit	4



ULTRX PANEL

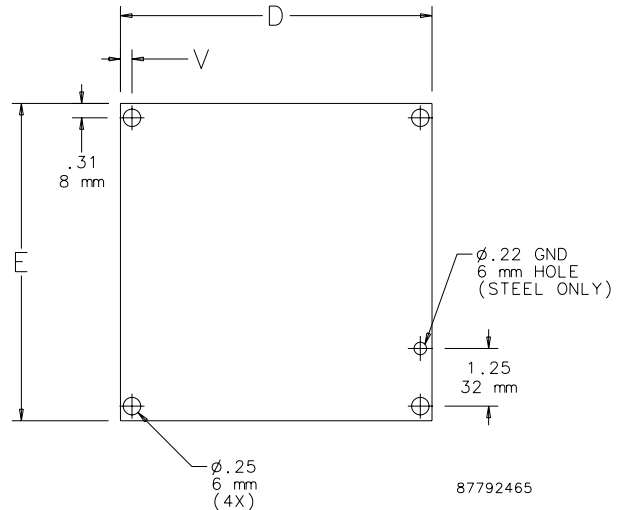


Panels are available in both steel and wood. Steel panels are 14 gauge steel and have a white finish. Panels have two .75-in. (19-mm) high edge flanges and require the Panel Bracket Kit, catalog number UUPB, to mount in the enclosure. Wood panels are 3/4-in. plywood and are unfinished. Wood panels are supplied with the enclosures.

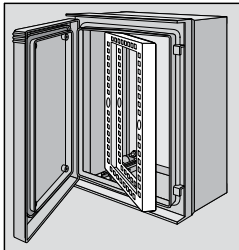
BULLETIN: DWS12, PNLWM

Catalog Number	Material	D mm/in.	E mm/in.	V mm/in.
A24P24	Steel	533 21.00	533 21.00	6 .25
A24P24WD	Wood	533 21.00	533 21.00	6 .25

Requires UUPB Panel Bracket Kit to mount steel panel in cabinet.



SWING FRAME

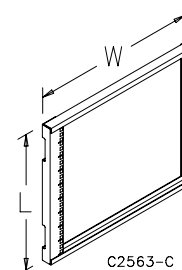


Swing Frame provides 19-in. rack-mounting capabilities with U-Style (Type RA) mounting hole pattern. Quarter-turn latch has 100-degree swing. Adjustable mounting provision. 14 gauge plated steel. Includes mounting hardware. Swing frame maintains enclosure rating if properly installed in a Hoffman enclosure. *Note: Front mounting position is approximately 140mm/5.5 in. back on 400mm enclosures.*

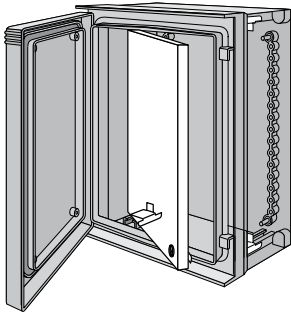
BULLETIN: UX1Y

Catalog Number	Fits A x B mm/in.	L mm/in.	W mm/in.	Rack Units
UU6060SF	610 x 610 24.00 x 24.00	540 21.25	535 21.08	11
UU7560SF	762 x 610 30.00 x 24.00	687 27.05	535 21.08	14

Use UU6060SF with DATACOM ULTRX Fiberglass Type 4X WIFI Cabinet.



SWING-OUT PANEL



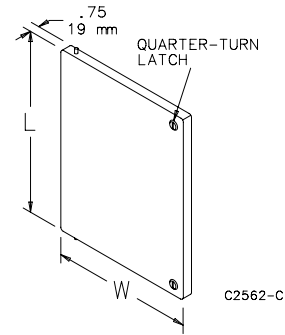
Installs front-mounted panels in ULTRX fiberglass enclosures. The front-mounted swing panel complements window-door units and is suited for any application requiring a display of gauges, dials or any type of control equipment monitor. Made of 14 gauge plated steel. Easy installation; no drilling required. Fully adjustable front to rear. Panel and mounting hardware included.

Note: Front mounting position is approximately 140mm/5.5 in. back on 400mm enclosures.

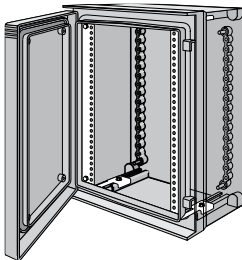
BULLETIN: UX1Y

Catalog Number	Fits A x B mm/in.	L mm/in.	W mm/in.
UU5040SP	513 x 413 20.20 x 16.26	432 17.00	330 12.99
UU6050SP	625 x 513 24.61 x 20.20	536 21.10	432 17.00
UU6060SP	625 x 612 24.61 x 24.09	540 21.25	535 21.08
UU7560SP	775 x 612 30.51 x 24.09	687 27.05	535 21.08
UU10080SP	1025 x 825 40.35 x 32.48	935 36.80	737 29.00

Use UU6060SP with DATACOM ULTRX Fiberglass Type 4X WiFi Cabinet.



RACK ANGLES (TYPE RA)

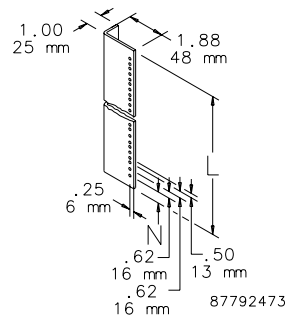


Pairs of full-length rack-mounting angles are available for mounting 1-in. (483-mm) rack-mounted equipment. Type RA angles are 14 gauge steel with .281-in. (7-mm) diameter mounting holes, spaced per EIA standard RS-310-D (universal spacing). Use Clip Nut Package (AN1032) to provide tapped holes at desired locations. Angles and mounting hardware are plated steel. Mounting hardware is furnished.

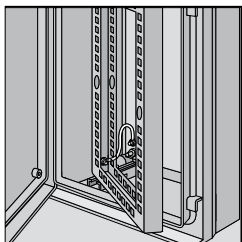
BULLETIN: UX1Y

Catalog Number	Fits A x B mm/in.	L mm/in.	N mm/in.	Rack Units	Pkg. Qty.
UURA6060	610 x 610 24.00 x 24.00	552 21.75	10 .38	12	2
UURA7560	762 x 610 30.00 x 24.00	705 27.75	19 .75	15	2

Use UURA6060 with DATACOM ULTRX Fiberglass Type 4X WiFi Cabinet.



GROUNDING DEVICE

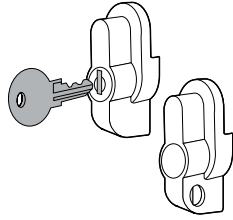


Grounding Device provides a means to attach a grounding conductor to an ULTRX Swing-Out Panel or Swing-Out Frame. Includes all installation hardware and instructions.

BULLETIN: UX1Y

Catalog Number	Description
UUGK	ULTRX Grounding Device

KEYLOCK KIT AND PADLOCK KIT



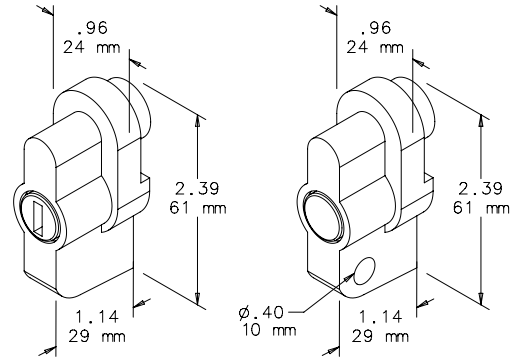
Keylock Kit or pushbutton-style Padlock Kit is easily inserted in latch hole to prevent unauthorized personnel from gaining access to enclosure contents. Each kit is fully assembled for easy installation in the field. Type 316 stainless steel construction.

BULLETIN: UX1Y

Catalog Number	Description
UUHKL	Keylock Kit
UUHPL	Padlock Kit

UUHKL: Internal key components are not stainless steel.

UUHPL: Handles maintain UL 508A, Type 3, 4, 4X and 12 when properly installed on a Hoffman enclosure. Set up for 1/4-in. or 3/8-in. padlock.

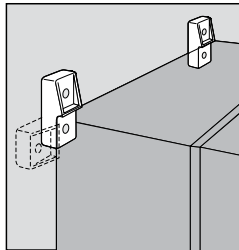


Keylock Kit

Padlock Kit

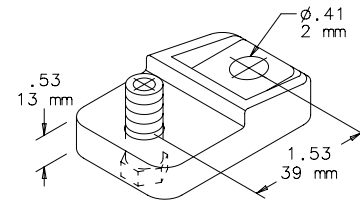
87792346

ULTRX MOUNTING BRACKET KIT



Kit is field-installable. Corrosion-resistant fiberglass material. Type 316 stainless steel mounting hardware is included. Four mounting brackets per kit.

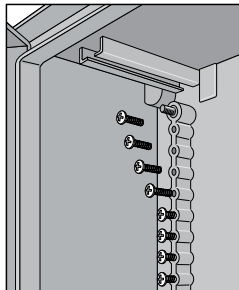
BULLETIN: UX1Y



11C59177

Catalog Number	Description	Kit Qty.
UUMF	Mounting Bracket Kit	4

SELF-TAPPING SCREWS



Plated screws (1/4-15 x .88) mount panels and accessories to DIN bosses on back of enclosure.

BULLETIN: UX1Y

Catalog Number	Description	Pkg. Qty.
UUMH1	Self-Tapping Screws	10

SCREW INSERT KIT



Brass threaded inserts (10-32) with plated screws. Used on door bosses and DIN bosses.

BULLETIN: UX1Y

Catalog Number	Description	Kit Qty.
UUMH2	Screw Insert Kit	4 inserts and 4 screws

SECURITY DVR AND 19-IN. RACK EQUIPMENT CABINET, TYPE 1



INDUSTRY STANDARDS

UL 508A Listed; Type 1

CSA; Type 1
 NEMA/EEMAC; Type 1
 IEC 60529 IP20
 EIA 310-D (19-in. spacing for rack equipment)

APPLICATION

These cabinets provide physical protection and access control to DVR, 19-in. equipment or other equipment. Mount the cabinet vertically or horizontally on any surface.

FEATURES

- Houses 19-in. or shelf-mount equipment
- Top cover has tool-less removal, is captivated by door and secured by keylock, providing easy access and installation
- Solid top cover protects equipment from falling debris
- Two standard models are 4U and 6U high
- Radius corners give streamlined appearance and eliminate sharp edges
- Solid front door has 180-degree opening continuous hinge
- Quarter-turn keylock with two keys on door (code 333)
- Vented sides dissipate heat from equipment
- A fan-ready cutout is provided on left side
- 14 gauge steel rack angles are adjustable within the cabinet body

- Rack angle mounting square holes (.375 x .375 in.) with EIA universal hole spacing (1/4 x 5/8 x 5/8 x 1/4-in.)
- Knockouts on bottom and side for data and power cables
- Rubber feet provide secure placement and prevent scratches
- Fasteners and cage nuts included

SPECIFICATIONS

- Doors and body made of 18 gauge steel; top cover is 16 gauge steel
- Welded steel construction
- One set of rack angles included per EIA standard
- Included installation instructions show optional accessories

FINISH

Pretreated steel coated with RAL 9005 black, light-textured, low-gloss polyester powder paint

ACCESSORIES

Rack- and Panel-Mount Power Distribution Unit (PDU)
 Replacement Keys
 Dual Thermostat
 VELCRO® Cable Wrap
VELCRO is a trademark of Velcro Industries B.V.

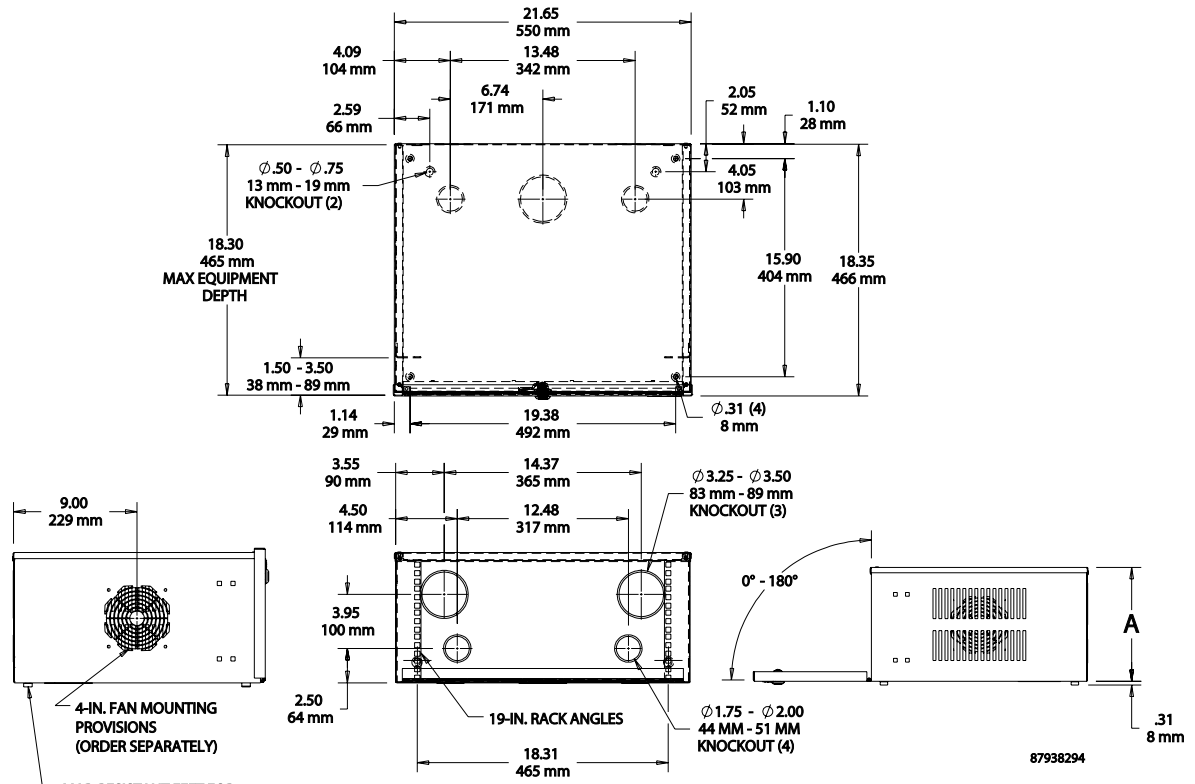
BULLETIN: D85, DACCY, DWS1

Standard Product

Catalog Number	AxBxC in./mm	Rack Units (RU)
DVR4U	9.45 x 21.65 x 18.35 240 x 550 x 466	4
DVR6U	12.99 x 21.65 x 18.35 330 x 550 x 466	6

General Accessories

Catalog Number	Description	Key Code
E333KEY	2 replacement keys (fits all locks)	333
A4AXFNGQ	Fan, 115 VAC, quiet	---
A4AXFNPG	Fan, 115VAC	---
AFLTR4LD	Filter, 4-in fans	---



(FRONT VIEW SHOWN WITH DOOR REMOVED)

19-IN. ELECTRONIC CASE, TYPE 1



INDUSTRY STANDARDS

NEMA Type 1
EIA 310-D / IEC 297-1
IEC 60529, IP20

APPLICATION

Primarily used to house lab electronics, lightweight Electronic Cases accommodate 19-in. sub-racks, chassis and panels in a rigid ventilated case with integral handles.

FEATURES

- Aluminum extrusions attach to front and rear frames to create a rigid supporting framework
- Sides on 3U and 4U tall cases are aluminum extrusions with integral carrying handle. 6U tall cases have steel (1.5-mm) sides with recessed handles. 9U and 12U tall cases have 1.5-mm aluminum sides with recessed handles.
- Removable top and bottom covers attach directly to the case framework
- Bottom cover has multiple rows of slots for ventilation
- Rear cover has ventilation louvers
- Covers are 1-mm steel on 3U, 4U, 6U tall cases and 1-mm aluminum on 9U and 12U tall cases. Covers include grounding provisions.
- Case framework is assembled with rear cover installed
- Top cover, bottom cover, anti-skid feet and mounting hardware are included

SPECIFICATIONS

- One piece aluminum die-cast frame on front and rear
- 19-in. rack-mounting provisions on both front and rear frame comply with EIA 310-D / IEC 297-1 wide spacing
- 9-mm square holes accommodate cage nuts for mounting

FINISH

Framework and rear cover have a stone-gray textured finish (RAL 7030). Top and bottom covers and metal sides have a light-gray textured finish (RAL 7035).

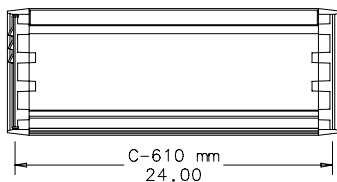
ACCESSORIES

Hardware Kits
Slide Rails

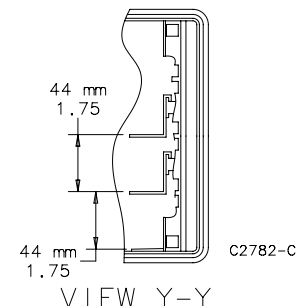
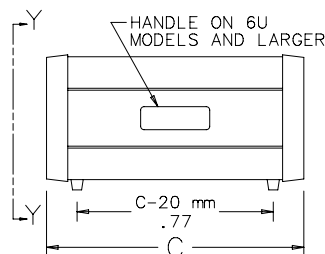
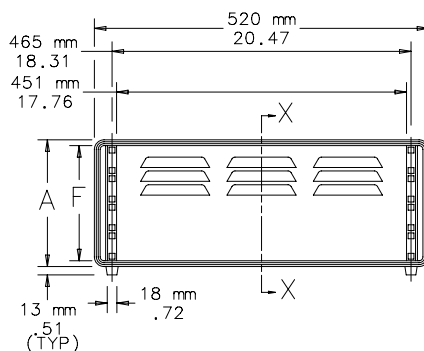
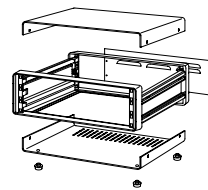
BULLETIN: DEC1

Standard Product

Catalog Number	AxBxC mm	AxBxC in.	F (mm)	F (in.)
EEC3U5250	166 x 520 x 500	6.54 x 20.47 x 19.69	133	5.24
EEC4U5250	210 x 520 x 500	8.27 x 20.47 x 19.69	178	7.01
EEC6U5260	299 x 520 x 600	11.77 x 20.47 x 23.62	267	10.51
EEC9U5260	433 x 520 x 600	17.05 x 20.47 x 23.62	400	15.75
EEC12U5260	566 x 520 x 600	22.28 x 20.47 x 23.62	533	20.98

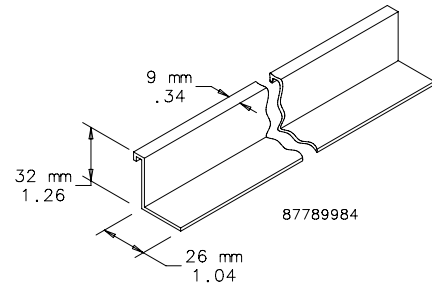


SECTION X-X



SLIDE RAILS FOR ELECTRONIC CASE

Slide Rails support a 19-in. subrack or chassis when installed in an electronic case. Rails attach to protrusions on the inside front and back castings of the case framework. They are positionable in increments of 1.75 in. (44 mm) vertically. Slide rails are aluminum extrusions with a clear anodized finish, which snap into place. No mounting hardware is required.



BULLETIN: DEC1

Catalog Number	Fits Case	Package Includes
EECCR50	500-mm deep	1 rail
EECCR60	600-mm deep	1 rail

HARDWARE KITS FOR ELECTRONIC CASE

Use to mount Electronic Case on rack angles with 9-mm square holes.

BULLETIN: DACCY, X20

Catalog Number	Description	Package Includes	Package Qty.
ECNSM6	M6 fastener package	Pan head Posidrive plated M6 x 16 screws, ABS black plastic cup washers and plated cage nuts	8
PM5CN	M5 cage nut package	M5 plated cage nuts	50
ASM5	M5 screw package	Pan head combination screws	20



19-IN. RACK-MOUNT/DESKTOP CASE, TYPE 1



INDUSTRY STANDARDS

NEMA Type 1
IEC 60529, IP20
Exterior Dimensions
EIA 310-D / IEC 297-1
DIN 41494 Part 1

APPLICATION

Desktop cases house circuit boards and other electronic equipment in a rigid framework with easy front and rear access. Rack cases are 19-in. rack mountable with integral mounting provided in the front bezel.

FEATURES

- Removable top and bottom covers attach directly to case framework for maintenance convenience
- Bottom cover has multiple rows of holes for ventilation
- Front bezel includes mounting provisions for 19-in. rack mounting as well as mounting for front panel options for application flexibility
- Top and bottom of framework have mounting provisions for optional support rails for application flexibility. Mounting holes are spaced on 10-mm centers front to back.
- Case framework is assembled for quick installation. Top cover, bottom cover, anti-skid feet and mounting hardware are included.
- Mounting hardware for optional front and rear panels are included with case for installation convenience

SPECIFICATIONS

- One-piece aluminum die cast front bezel and rear bezel are connected front-to-back with aluminum extrusions to form a rigid structural framework
- Sides on 3U- and 4U-tall cases are the aluminum front-to-back extrusions. The 6U-tall case has two aluminum extrusions with a steel middle panel on each side.
- Covers are 1-mm steel and have grounding provisions

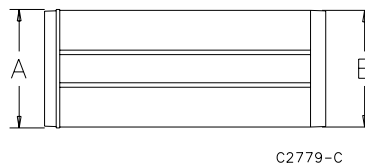
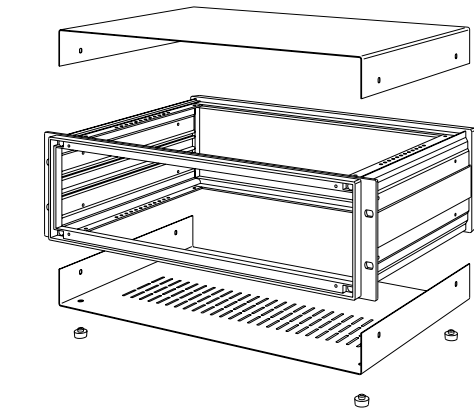
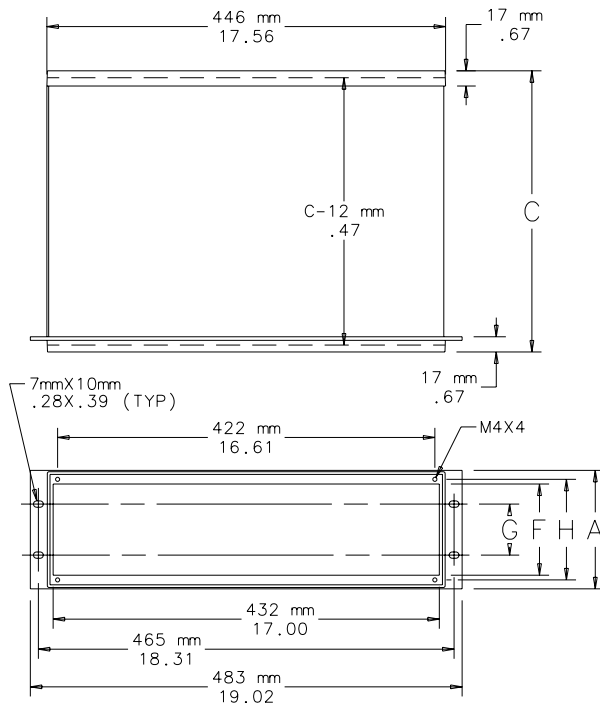
FINISH

Framework has an RAL 7030 stone-gray textured finish. Top and bottom covers have an RAL 7035 light-gray textured finish on the outside and a plated finish on the inside.

BULLETIN: DEC1

Standard Product

Catalog Number	AxBxC mm/in.	E mm/in.	F mm/in.	G mm/in.	H mm/in.	Rack Units
ERC3U4837	133 x 483 x 375	131	103	57	110	3
	5.20 x 19.00 x 14.80	5.14	4.04	2.25	4.33	
ERC4U4843	177 x 483 x 435	175	147	102	155	4
	7.00 x 19.00 x 17.10	6.89	5.77	4.00	6.08	
ERC6U4843	266 x 483 x 435	264	235	190	243	6
	10.50 x 19.00 x 17.10	10.39	9.27	7.50	9.58	

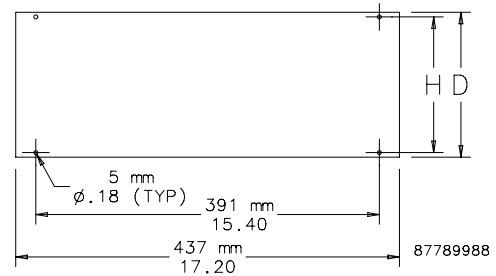


FRONT PANELS

Blank front panel provides a means to close front or rear of a desktop case. The smooth anodized surface is ideal for mounting controls or meters, etc. The front panel is 2.5-mm thick and fits into the 6-mm (0.24-in.) recess on front (or rear) of the case. Hardware to mount front panel is furnished with case.

BULLETIN: DEC1

Catalog Number	D (mm)	D (in.)	H (mm)	H (in.)
ERCFP3U48	120.5	4.74	110.0	4.33
ERCFP4U48	165.0	6.50	154.5	6.08
ERCFP6U48	253.8	9.99	243.4	9.58

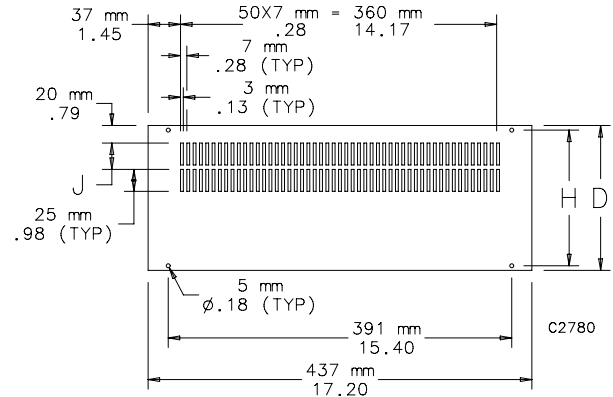


REAR PANELS

Rear panels are 2.5-mm thick anodized aluminum. They include a row of ventilation slots (vertical) along the upper edge of panel. 6U covers have two rows of slots. Hardware to mount rear panel is furnished with case.

BULLETIN: DEC1

Catalog Number	D mm/in.	H mm/in.	J mm/in.
ERCRP3U48	121 4.74	110 4.33	25 .98
ERCRP4U48	165 6.50	155 6.08	25 .98
ERCRP6U48	254 9.99	243 9.58	25 .98

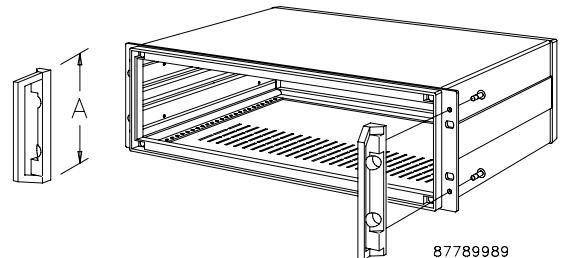


FRONT HANDLES

Handles facilitate movement of the desktop case and installation of the case in a 19-in. rack. They are mounted to the rack-mounting flanges on the 19-in. front bezel. Front bezels have holes partially drilled and countersunk for location and must be drilled through before handle installation. Handles are die-cast aluminum and finished in light-gray (RAL 7030). Package includes two handles with necessary mounting hardware.

BULLETIN: DEC1

Catalog Number	A (mm)	A (in.)
ERCFH3U	133	5.20
ERCFH4U	177	7.00
ERCFH6U	266	10.50

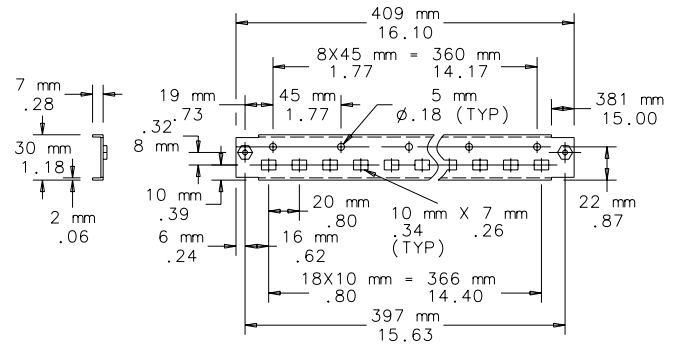


SUPPORT RAIL KIT

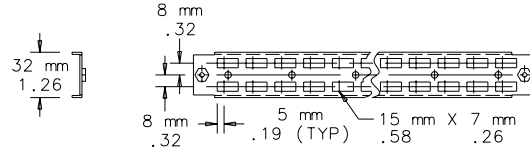
Support rails are recommended for mounting and supporting the weight of bulky components inside a desktop case. Support rails have mounting holes and rectangular slots for mounting components. Rails are 1.5-mm steel with a plated finish. M4 nuts are welded to the rail ends for easy attachment to the case. Mounting holes in the desktop case are spaced on 10-mm centers from front to back, allowing a variety of positions for support rails. Support rail kit includes front rail, rear rail and mounting hardware.

BULLETIN: DEC1

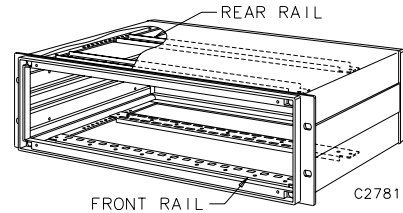
Catalog Number	Kit Includes
ERCRF48	1 front rail, 1 rear rail and mounting hardware



FRONT RAIL



REAR RAIL



Notes





Hoffman

CHAPTER 5 WALL-MOUNT RACKS

FEATURED PRODUCTS

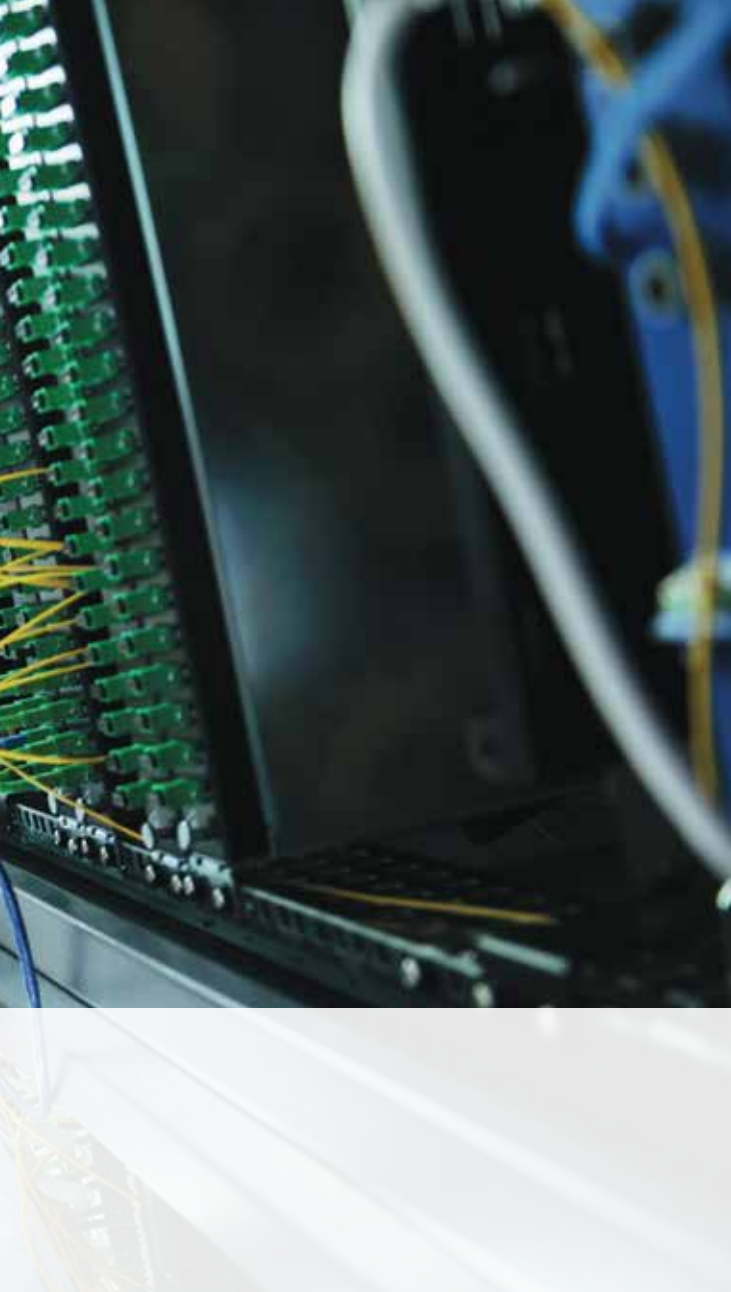
WALL-MOUNT RACKS

Protect sensitive electronics with space-saving wall-mount racks, cabinets and panels. Wall-mount solutions are ideal for securing networking wiring, hubs, concentrators, patch panels and audio/video equipment in areas that full-size cabinets could block traffic or airflow.



HINGED WALL-MOUNT PANELS

19-in. Hinged Wall-Mount Panels provide a solution for smaller networking equipment such as telephone, punch-down and patch panels. Easy access, combined with minimal assembly, facilitates component installation and future expansion without disturbing existing equipment or cabling.



CHAPTER CONTENTS

WALL-MOUNT RACKS

19-IN. WALL-MOUNT CABINETS, RACKS AND PANELS

VERSARACK	156
VERSARACK Vertical Cable Manager	157
VERSARACK Hardware Kit	157
PIVOTRACK	158
PIVOTRACK Hardware Kit	158
CABLERACK	160
19-in. Hinged Wall-Mount Panel	161
CABLERACK Cable Bend Radius Accessory	161
CABLERACK Hardware Kit	161
19-in. Bottom-Hinged Panel	162
19-in. Fixed Wall-Mount Rack	162
19-in. Side-Mount Cabinet	163

SWING-OUT, WALL-MOUNT RACKS

19-in. Swing-Out, Wall-Mount Racks ensure superior protection for small networking equipment, including telephone and voicemail, routers, switches, punch-down panels and patch panels. Simple installation and easy access enables expansion or rack modifications.



VERSARACK

FEATURES

- Designed to accommodate all standard 19-inch rack equipment
- Easy, single-tool assembly reduces installation time and cost
- Spring-load pivot pins provide for either left or right hinging; pins can be arranged in unlocked or locked position
- Preamsembled for fast, time-saving installation
- Temporary mounting bracket allows for rapid, single-person wall installation
- UL double lug ground holes provide easy adherence to local bonding and grounding codes
- Cable tie down points, sized for up to 1-inch Velcro® straps, provided in horizontal and vertical positions in multiple locations
- Standard 12- or 24-inch deep offering to accommodate various applications
- Open design provides for maximum access to cables and equipment
- 19-inch rack fasteners (Phillips head, pilot point, black) 12-24, quantity 20, included with rack
- Smart packaging with hand-carrying holes allows for easy transportation

SPECIFICATIONS

- Wall section made of heavy gauge, cold rolled steel construction
- Welded pivoting rack section constructed of steel
- Tapped 12-24 holes per EIA Universal pattern standards (1/4-5/8-5/8-1/4)

FINISH

- Pretreated steel coated with RAL 9005 black textured, low-gloss polyester powder paint
- Hardware is clear or plated black
- Rack 12-24 fasteners plated black

LOAD RATING

Static working load rating is 150 lbs. for all sizes

ACCESSORIES

Vertical Cable Managers
 D-Ring Cable Manager
 Blanking Panels
 Grounding kits
 PDUs
 Shelves

BULLETIN: DOFRW
INDUSTRY STANDARDS

UL 2416 Listed; File Number E230874
 Rated to 100 lbs. with a 4X safety factor

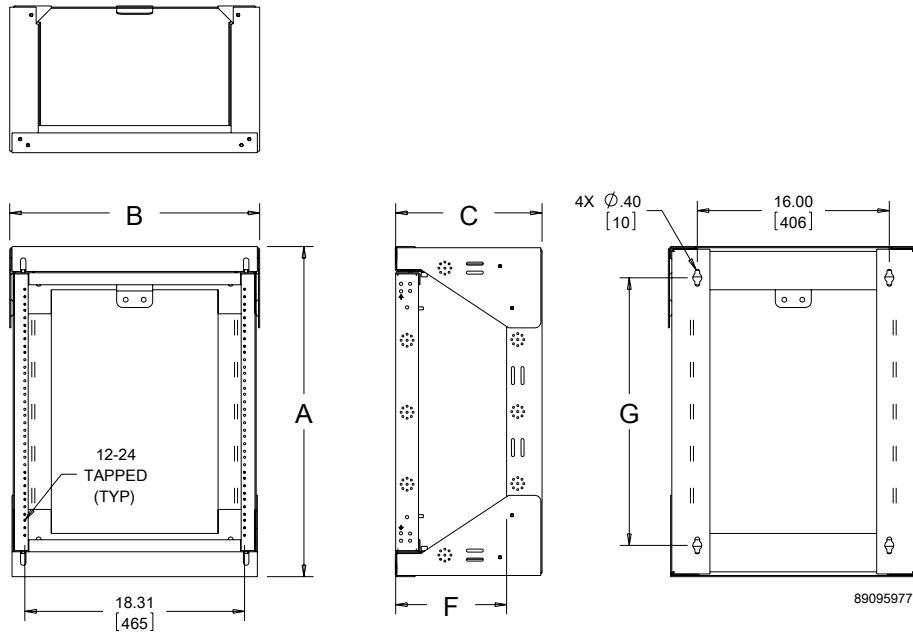
EIA 310-D

APPLICATION

VERSARACK is used for wall mounting and securing 19-inch rack equipment for Telecommunication Rooms and other locations. The rack provides for either left or right hinging to accommodate a variety of applications. These open frame racks are ideal for high-density cabling application. VERSARACK is ideal for IDFs (Intermediate Distribution Frames), remote 19-inch rack equipment, building automation, security and many other applications.

Standard Product

Catalog Number	AxBxC in./mm	F in./mm	G in./mm	Rack Units	Vertical Cable Manager Accessory
E19SWM12U12	27.80 x 20.91 x 12.28 706 x 531 x 312	9.24 235	22.30 566	12	E19C12U
E19SWM12U24	27.80 x 20.91 x 24.29 706 x 531 x 617	21.24 540	22.30 22.30	12	E19C12U
E19SWM20U12	41.81 x 20.91 x 12.28 1062 x 531 x 312	9.24 235	36.31 922	20	E19C20U
E19SWM20U24	41.81 x 20.91 x 24.29 1062 x 531 x 617	21.24 540	36.31 922	20	E19C20U
E19SWM25U12	50.59 x 20.91 x 12.28 1285 x 531 x 312	9.24 235	45.09 1145	25	E19C25U
E19SWM25U24	50.59 x 20.91 x 24.29 1285 x 531 x 617	21.24 540	45.09 1145	25	E19C25U

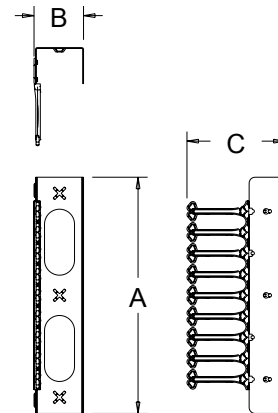


VERSARACK VERTICAL CABLE MANAGER



VERSARACK offers a complimentary vertical cable manager that easily attaches to the right or left side of Swing-Out Rack. Each accessory includes one fully-assembled manager with retaining hardware and installation instructions. One or two can be attached to fit the application. The manager is made of formed steel with composite support fingers. The vertical cable managers provides for easy and convenient cable management for high-density applications.

BULLETIN: DOFRW



89096121

Standard Product

Catalog Number	AxBxC in./mm	Use With
E19C12U	19.69 x 4.13 x 8.19 500 x 105 x 208	E19SWM12U12 or E19SWM12U24
E19C20U	28.66 x 4.13 x 8.19 728 x 105 x 208	E19SWM20U12 or E19SWM20U24
E19C25U	40.51 x 4.13 x 8.19 1029 x 105 x 208	E19SWM25U12 or E19SWM25U24

VERSARACK HARDWARE KIT



Kit consists of [8] 1/4"-20x.625 hex head cap screws; [4] grounding lock washers; [1] mounting bracket; [20] 12-24x.625 pilot point screws; and installation instructions.

BULLETIN: DOFRW

Standard Product

Catalog Number	Description
EVKIT	VERSARACK hardware kit



PIVOTRACK



INDUSTRY STANDARDS

UL 2416 Listed; File Number E230874
Rated to 100 lbs. with a 4X safety factor

EIC 310-D

APPLICATION

PIVOTRACK is used for wall mounting and securing 19-inch rack equipment for Telecommunication rooms and other locations. It provides an economical means to support remote 19-inch rack equipment. These open frame racks are ideal for high-density cabling applications while providing maximum access to equipment and cables. PIVOTRACK is ideal for IDFs (Intermediate Distribution Frames), remote 19-inch rack equipment, building automation, security and many other applications.

FEATURES

- Designed to accommodate all standard 19-inch rack equipment
- Easy, single-tool assembly reduces installation time and cost
- Central pivot in two-position mounting provides maximum versatility
- UL double lug ground holes provide easy adherence to local bonding and grounding codes
- Lanyard pin locks rack in increments of 15°, providing a stable position for cable and equipment installs
- Preassembled for fast, time-saving installation
- Temporary mounting bracket allows for rapid, single-person wall installation
- Smart packaging with hand carrying holes allows for easy transportation
- Cable tie down points, sized for up to 1-inch Velcro® straps, provided in horizontal and vertical positions in multiple locations
- Standard 24-inch deep offering to accommodate various applications
- Open design provides for maximum access to cables and equipment
- 19-inch rack fasteners (Phillips head, pilot point, black) 12-24, quantity 20, included

PIVOTRACK HARDWARE KIT



SPECIFICATIONS

- Wall section made of heavy gauge, formed, cold rolled steel construction
- Welded pivoting rack section made of formed, cold rolled steel
- Tapped 12-24 holes per EIA Universal pattern standards (1/4-5/8-5/8-1/4)

FINISH

- Pretreated steel coated with RAL 9005 black textured, low-gloss polyester powder paint
- Mounting hardware is clear or black plate
- Rack 12-24 fasteners plated black

LOAD RATING

Static working load rating is 150 lbs. for all sizes.

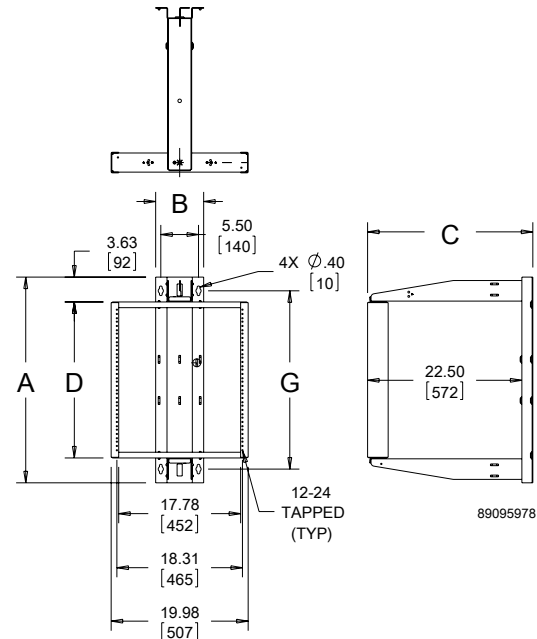
ACCESSORIES

Horizontal Cable Managers
Blanking Panels
Grounding kits
Velcro Tie down straps
PDUs
Shelves

BULLETIN: DOFRW

Standard Product

Catalog Number	AxBxC in./mm	D in./mm	G in./mm	Rack Units
E19SWMC12U24	30.00 x 7.00 x 24.10 762 x 178 x 612	22.78 578	26 660	12
E19SWMC20U24	44.00 x 7.00 x 24.10 1118 x 178 x 612	36.75 933	40 1016	20



Kit consists of [20] 12-24x.625 pilot point screws; [1] wall clip; and installation instructions.

BULLETIN: DOFRW

Standard Product

Catalog Number	Description
EPKIT	PIVOTRACK hardware kit

Notes



CABLERACK



INDUSTRY STANDARDS

UL 2416 Listed; File Number E230874
 Rated to 60 lbs. with a 4X safety factor

EIA 310-D

APPLICATION

CABLERACK is used for ladder or basket tray mounting and securing 19-inch rack equipment for network, server, and telecommunication rooms, and other locations. The fixed, open frame rack allows suspending 19-inch rack equipment from Ladder Rack or Basket Tray. The rack has universal tapped holes per industry standards to accommodate typical applications. These open frame racks are ideal for high-density cabling applications which require above-the-cabinet mounting of equipment, and provide maximum access to cables and equipment. In applications where equipment expands above the cabinet, CABLERACK provides ideal management with increased equipment and cable densities.

FEATURES

- Designed to accommodate all standard 19-inch rack equipment
- Easy, single-tool assembly reduces installation time and cost
- Preassembled for fast, time-saving installation
- Securely mounts to either Cable Runway (Ladder Rack) or Basket Tray
- UL double lug ground holes provide easy adherence to local bonding and grounding codes
- Cable tie down points, sized for up to 1-inch Velcro® straps, provided in horizontal and vertical positions in multiple locations
- Parallel or perpendicular mounting to cable pathway
- Multi-point mounting provisions address various application needs

- Open design provides for maximum access to cables and equipment
- Smart packaging with hand-carrying holes allow for easy transportation

SPECIFICATIONS

- Wall section made of heavy gauge cold rolled steel welded construction
- Side supporting fingers made of composite material with black finish
- Tapped holes (12-24UNC) per EIA Universal pattern standard (1/4-5/8-5/8-1/4)

FINISH

- Pretreated steel coated with RAL 9005 black textured, low-gloss polyester powder paint
- Hardware is clear or plated black

LOAD RATING

Static load rating is 100 lbs.

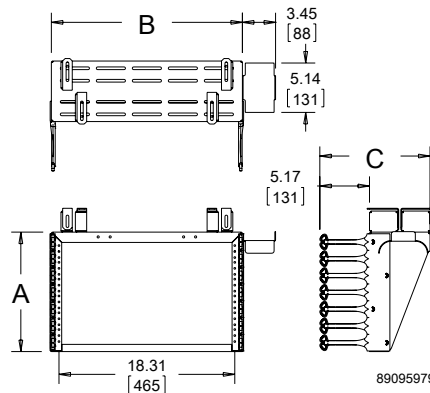
ACCESSORIES

- Cable Bend Radius Accessory
- Blanking Panels
- Grounding kits
- PDU's
- Shelves

BULLETIN: DOFRW

Standard Product

Catalog Number	AxBxC in./mm	Rack Units	Cable Bend Radius Accessory
E19T6U	12.44 x 20.16 x 11.50 316 x 512 x 292	6	ECMBA4



CABLERACK CABLE BEND RADIUS ACCESSORY



Cable Bend Radius Accessory complements the CABLERACK and easily attaches at multiple locations on the rack. Accessory includes four bend radius brackets and mounting hardware.

BULLETIN: DOFRW

Standard Product

Catalog Number	AxBxC in./mm	Use With
ECMBA4	2.24 x 5.16 x 3.46 57 x 131 x 88	E19T6U

CABLERACK HARDWARE KIT



Kit consists of (4) 1/4-20x1.5 carriage bolts; (12) 1/4-20x.75 carriage bolts; (16) 1/4-20 keps nuts; and installation instructions.

BULLETIN: DOFRW

Standard Products

Catalog Number	Description
ECKIT	CABLERACK hardware kit

19-IN. HINGED WALL-MOUNT PANEL



SPECIFICATIONS

- Made of 12 gauge steel
- EIA universal 5/8, 5/8, 1/2 in. spaced 12-24 tapped holes. EIA spacing provides 1.75 in. per rack unit.

FINISH

Finish is RAL 9005 black low-gloss polyester powder paint

BULLETIN: DOFRW

INDUSTRY STANDARDS

UL 2416 Listed; File No. E230874
cUL Listed per CSA C22.2 No. 182.4; File No. E230874

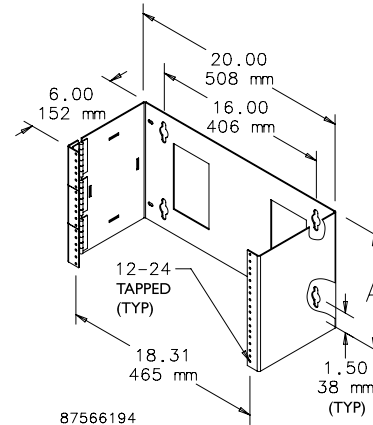
EIA 310-D

APPLICATION

The 19-in. Hinged Panel provides a solution for smaller network equipment, punch-downs and patch panels in areas where floor space is at a premium. Easy access facilitates component installation and future expansion without disturbing existing equipment or cabling. Can be mounted with hinges on left or right side.

FEATURES

- Open design offers unrestricted airflow
- Large cable exit holes on back surface
- Keyhole mounting slots on 16-in. centers accommodate up to 3/8-in. dia. mounting fasteners (not supplied)
- Heavy duty hinges are welded to frame
- Hinge provided for every two rack unit spacing
- One rack unit model has half-size hinge
- Provides access to rear of equipment
- 12-24 rack mounting screws (package of 20) included with assembly
- Wall mounting hardware not included



Standard Product

Catalog Number	A (in.)	A (mm)	Load Rating (lb.)	Load Rating (kg)	Rack Units
E19HPM1U	1.75	44	25	11.3	1
E19HPM2U	3.50	89	50	22.7	2
E19HPM4U	8.00	203	100	45.4	4
E19HPM6U	10.50	267	150	68.0	6
E19HPM8U	14.00	356	200	90.7	8



19-IN. BOTTOM-HINGED PANEL



INDUSTRY STANDARDS

UL 2416 Listed; File No. E230874
 cUL Listed per CSA C22.2 No. 182.4; File No. E230874

EIA 310-D

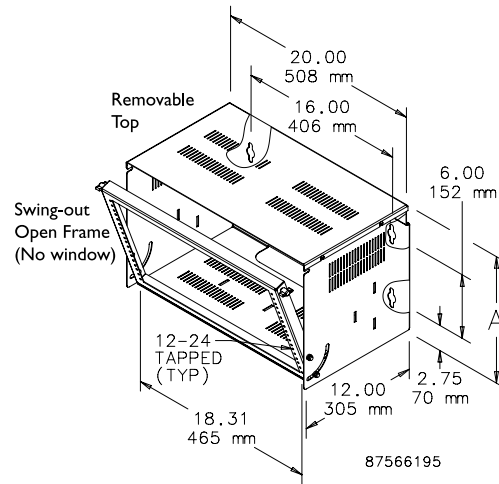
APPLICATION

Hinged panel pivots to 90 degrees with positive stop, providing a stable platform for punch-down interconnects. Thumbscrews secure the panel in the upright position. Integral VELCRO® cable tiedown slots facilitate cable routing. Cover protects equipment and cables. Made of 12 gauge steel on hinged swing-out frame; 16 gauge on body. Finished with RAL 9005 low gloss black polyester powder paint. Shipped fully assembled.

VELCRO® is a trademark of Velcro Industries B.V.

BULLETIN: DOFRW

Catalog Number	A (in.)	A (mm)	Load Rating (lb.)	Load Rating (kgs)	Rack Units
E19BHPM4U12	8.00	203	25	11.3	4
E19BHPM6U12	10.50	267	50	22.7	6
E19BHPM8U12	14.00	356	50	22.7	8



19-IN. FIXED WALL-MOUNT RACK



INDUSTRY STANDARDS

UL 2416 Listed; File No. E230874
 cUL Listed per CSA C22.2 No. 182.4; File No. E230874

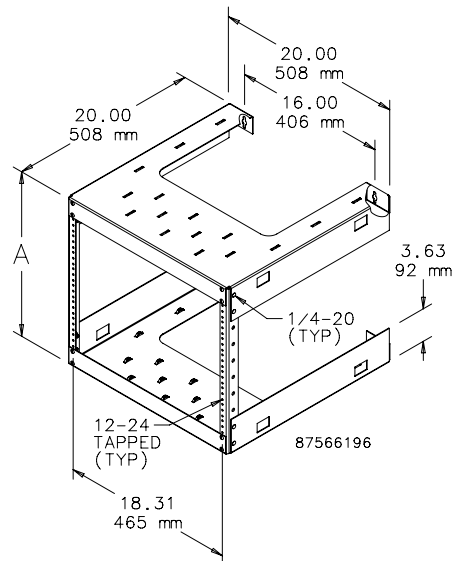
EIA 310-D

APPLICATION

Economical solution for banks of small networking equipment. Integral VELCRO® cable tiedown slots facilitate cable routing. Made of 16 gauge steel, finished with RAL 9005 low gloss black polyester powder paint. Shipped in four easy-to-assemble sections.

VELCRO is a trademark of Velcro Industries B.V.

Catalog Number	A (in.)	A (mm)	Load Rating (lb.)	Load Rating (kg)	Rack Units
E19FWM12U20	23.00	584	150	68.0	12
E19FWM20U20	37.00	940	150	68.0	20
E19FWM25U20	45.75	1162	150	68.0	25
E19FWM32U20	58.00	1473	150	68.0	32



19-IN. SIDE-MOUNT CABINET



INDUSTRY STANDARDS

UL 2416 Listed; File No. E230874
 cUL Listed per CSA C22.2 No. 182.4; File No. E230874

EIA 310-D

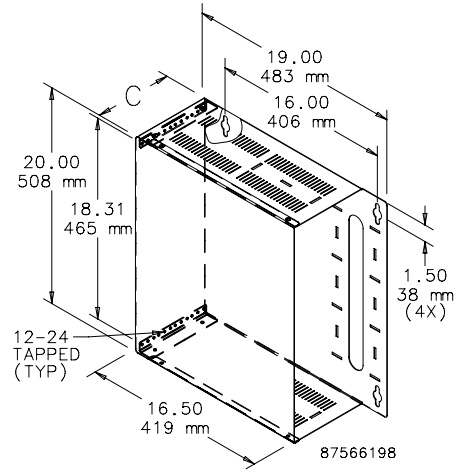
APPLICATION

Equipment mounts sideways against the wall; ideal for applications where a low profile is required. Easily removable front cover protects equipment. Integral VELCRO® cable tiedown slots facilitate cable routing. Made of 16 gauge steel, finished with RAL 9005 low gloss black polyester powder paint. Shipped fully assembled.

VELCRO is a trademark of Velcro Industries B.V.

BULLETIN: DOFRY

Catalog Number	C (in.)	C (mm)	Load Rating (lb.)	Load Rating (kgs)	Rack Units
E19SM2U	3.50	89	50	22.7	2
E19SM4U	7.00	178	50	22.7	4





Hoffman

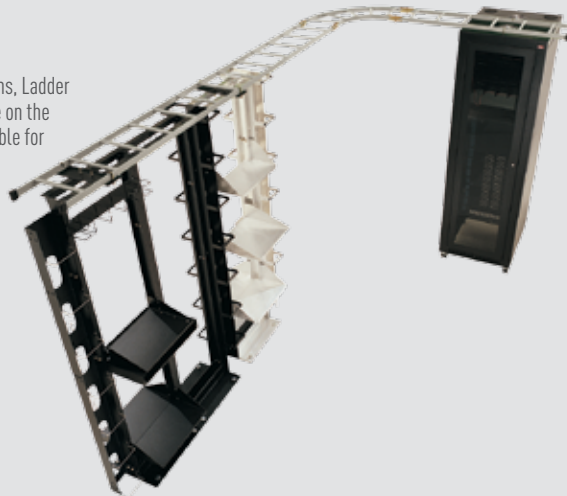
CHAPTER 6

CABLE PATHWAY

FEATURED PRODUCTS

LADDER RACK SYSTEMS

From ceiling-mounted to under-floor configurations, Ladder Rack Systems route cables through unused space on the floor, wall or ceiling while keeping cables accessible for easy maintenance. A full line of components and accessories facilitates a flexible, easy-to-install cable runway system.





CHAPTER CONTENTS

CABLE PATHWAY

CABLE RUNWAY AND ACCESSORIES

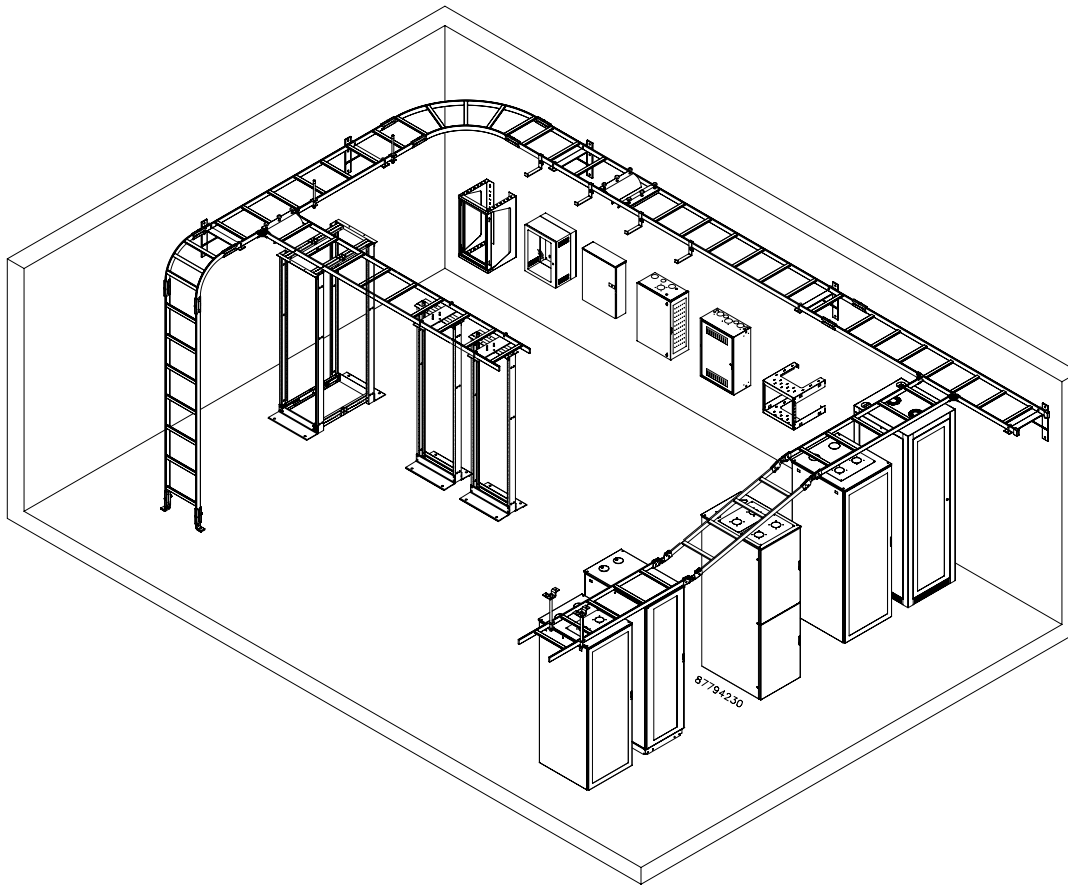
Ladder Rack System	166
Ladder Rack Straight Sections	167
Butt-Splice Kit	167
Adjustable Butt-Splice Kit	167
Ladder Rack Curved Sections	168
90-Degree Horizontal E-Bend Section	168
Junction Splice Kit	169
Adjustable Junction Splice Kit	169
Retaining Post Kit	169
L-Bracket Kit	169
Radius Drop Kit	170
Stringer Radius Drop Kit	170
Foot Kit	170
Ceiling Support Kit	171
Rack-to-Runway Mounting Plate Kit	171
Vertical Wall Bracket	172
Triangle Support Bracket Kit	172
Modular Triangle Support Bracket Kit	173
Wall Angle Support	173
Corner Support Bracket Kit	174
End Cap Kit	174
Runway Termination Kit	174
Movable Cross Member	174
Rack-to-Wall Kit	175
Runway Elevation Kit	175
Runway Overhead 12-in. Stack Kit	175
Runway Center Support Kit	176
Spool Divider Kit	176
Insulated Ground Jumper Kit	176
J-Bolt Kit	177
CABLERACK	177

QUICK TRAY PRO

QUICK TRAY PRO Straight Section	178
Splice Kit	181
Splice Washer	181
Splice Bars	181
Trapeze Hanging Clip	182
C-Bracket	182
Center Hangers	182
L-Brackets	183
Reinforced Wall Bracket	183
Divider Strip	184
Side-Action Bolt Cutter	184
Vertical Down	184
Wall-Termination Bracket	185
Polymer Insert	185



LADDER RACK SYSTEM



INDUSTRY STANDARDS

Painted and Plated Straight Sections:

UL/cULus Classified for Equipment Grounding and Load; File No. E236414

Curved Sections and Splice Kits:

UL/cULus Classified for Equipment Grounding; File No. E236414

cULus Bonding & Grounding

- Classified as suitable for an equipment ground conductor
 - CSA C22.2 No. 126.1-02 Section 5.2.8 Load Destruction Test
- Two grounding jumper kits required per each splice kit on painted ladder rack sections

cULus Load Testing

- Load capacity per 10 support lengths is 369.2 lb.; safety factor of 1.5X
 - CSA C22.2 No. 126.1-02 Section 5.1 Electrical Continuity Test

APPLICATION

The Ladder Rack System conveniently routes cables via a modular pathway through unused space on the floor, wall or ceiling while keeping cables accessible for easy maintenance. A variety of straight and curved sections are highly adaptable and can accommodate virtually any room layout.

FEATURES

- Section cross members welded on 9-in. (229-mm) centers
- Accessory adjustable cross members
- Butt-splice kits and junction-splice kits
- Each model is boxed or bagged

SPECIFICATIONS

- Straight and curved sections made of 1-1/2-in. steel
- Sections available in 6-, 12-, 15-, 18- and 24-in. (152-, 305-, 381-, 457- and 610-mm) widths
- Steel connecting and mounting hardware

FINISH

Available in four finishes:

- ANSI 61 gray polyester powder paint
- RAL 9005 black polyester powder paint
- White powder paint
- Plated

ACCESSORIES

Touch-up Paint

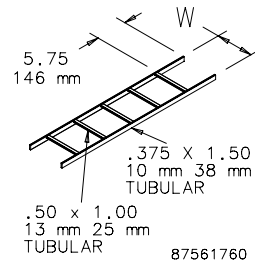
LADDER RACK STRAIGHT SECTIONS



cULus Classified

Supports cable on straight runs. Made of 1-1/2 in. x 3/8 in. (38 mm x 8 mm) 16 gauge tubular steel with a painted or plated finish. Nominal installed length is 10 ft. (3.05 m). Each section is 9 ft. 11-1/2 in. (3.03 m) long with cross members welded at 9-in. (229-mm) intervals.

BULLETIN: DCR, DOFRC



Catalog Number	Finish	W (in.)	W (mm)
LSS6G	Gray	6.00	152
LSS6BLK	Black	6.00	152
LSS6GZ	Plated	6.00	152
LSS6W	White	6.00	152
LSS12G	Gray	12.00	305
LSS12BLK	Black	12.00	305
LSS12GZ	Plated	12.00	305
LSS12W	White	12.00	305
LSS15W	White	15.00	381
LSS15BLK	Black	15.00	381
LSS18G	Gray	18.00	457
LSS18BLK	Black	18.00	457
LSS18W	White	18.00	457
LSS18GZ	Plated	18.00	457
LSS24BLK	Black	24.00	610
LSS24W	White	24.00	610

BUTT-SPLICE KIT

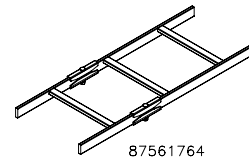


cULus Classified

Joins straight ladder rack sections, inside and outside bends, and 90-degree horizontal e-bends. Each kit connects one section to another. Includes mounting hardware.

BULLETIN: DCR

Catalog Number	Finish	Kit Qty.
LBSKG	Gray	2
LBSKB	Black	2
LBSK	Plated	2
LBSKW	White	2



ADJUSTABLE BUTT-SPLICE KIT

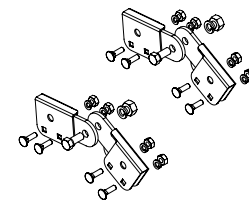


cULus Classified

Provides a change in up-and-down direction of the cable runway. It can be adjusted to any angle from 0 to 90 degrees. Made of steel with a painted or plated finish. Each kit connects one ladder rack section to another. Includes mounting hardware.

BULLETIN: DCR

Catalog Number	Finish	Kit Qty.
LABSKG	Gray	2
LABSKB	Black	2
LABSK	Plated	2
LABSKW	White	2

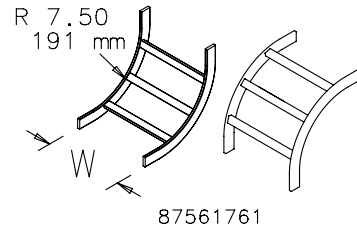


LADDER RACK CURVED SECTIONS

cULus Classified



Provide a vertical change in direction. They are made of 1-1/2 in. x 3/8 in. (38 mm x 8 mm) tubular steel with a painted or plated finish. Cross members are welded on the inside (inside bends) or outside (outside bends) of the section. Connect to straight section with butt-splice kits. Designed for category 5e, 6, 6A and fiber optic cable.


BULLETIN: DCR, DOFCR

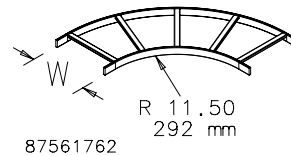
Catalog Number	Finish	Vertical Bend Type	W (in.)	W (mm)
LIB6G	Gray	Inside	6.00	152
LIB6BLK	Black	Inside	6.00	152
LIB6GZ	Plated	Inside	6.00	152
LIB6W	White	Inside	6.00	152
LIB12G	Gray	Inside	12.00	305
LIB12BLK	Black	Inside	12.00	305
LIB12GZ	Plated	Inside	12.00	305
LIB12W	White	Inside	12.00	305
LIB15BLK	Black	Inside	15.00	381
LIB15W	White	Inside	15.00	381
LIB18G	Gray	Inside	18.00	457
LIB18BLK	Black	Inside	18.00	457
LIB18W	White	Inside	18.00	457
LIB18GZ	Plated	Inside	18.00	457
LIB24BLK	Black	Inside	24.00	610
LIB24W	White	Inside	24.00	610
LOB6G	Gray	Outside	6.00	152
LOB6BLK	Black	Outside	6.00	152
LOB6GZ	Plated	Outside	6.00	152
LOB6W	White	Outside	6.00	152
LOB12G	Gray	Outside	12.00	305
LOB12BLK	Black	Outside	12.00	305
LOB12GZ	Plated	Outside	12.00	305
LOB12W	White	Outside	12.00	305
LOB15BLK	Black	Outside	15.00	381
LOB15W	White	Outside	15.00	381
LOB18G	Gray	Outside	18.00	457
LOB18BLK	Black	Outside	18.00	457
LOB18GZ	Plated	Outside	18.00	457
LOB18W	White	Outside	18.00	457
LOB24BLK	Black	Outside	24.00	610
LOB24W	White	Outside	24.00	610

90-DEGREE HORIZONTAL E-BEND SECTION

cULus Classified



Provide a 90-degree horizontal change in cable runway direction. Made of 1-1/2 in. x 3/8 in. (38 mm x 8 mm) tubular steel with a painted or plated finish. Connect to straight sections with butt-splice kits. Designed for category 5e, 6, 6A and fiber optic cable.


BULLETIN: DCR, DOFCR

Catalog Number	Finish	W (in.)	W (mm)
L90HB12G	Gray	12.00	305
L90HB12BLK	Black	12.00	305
L90HB12GZ	Plated	12.00	305
L90HB12W	White	12.00	305
L90HB15BLK	Black	15.00	381
L90HB15W	White	15.00	381
L90HB18G	Gray	18.00	457
L90HB18BLK	Black	18.00	457
L90HB18GZ	Plated	18.00	457
L90HB18W	White	18.00	457
L90HB24BLK	Black	24.00	610
L90HB24W	White	24.00	610

JUNCTION SPLICE KIT

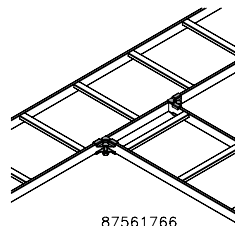


cULus Classified

Connects two straight ladder rack sections at a 90-degree angle. Made of steel with a painted or plated finish. Each kit connects one section to another. Includes mounting hardware.

BULLETIN: DCR

Catalog Number	Finish	Kit Qty.
LJSKG	Gray	2
LJSKB	Black	2
LJSK	Plated	2
LJSKW	White	2



87561766

ADJUSTABLE JUNCTION SPLICE KIT

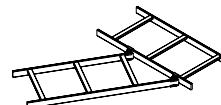


cULus Classified

Connects two ladder rack sections at any junction angle. Made of steel with a painted or plated finish. Each kit connects one section to another. Includes mounting hardware.

BULLETIN: DCR

Catalog Number	Finish	Kit Qty.
LAJSKG	Gray	2
LAJSKB	Black	2
LAJSK	Plated	2
LAJSKW	White	2



87561767

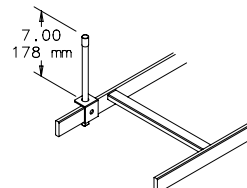
RETAINING POST KIT



Provides extra ladder rack capacity. Mounts onto rack side stringer. Post is unthreaded 1/2-in. tube. Kit components are plated steel. Includes post cap and mounting hardware.

BULLETIN: DCR

Catalog Number	Finish	Kit Qty.
LRP	Plated	1
LRPB	Black	1
LRPW	White	1



87561768

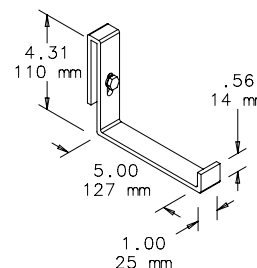
L-BRACKET KIT



The L-Bracket Kit supports power or other cables that need to be separated from the main cable run. Made of steel with a painted or plated finish. Mounts onto ladder rack stringer. Includes mounting hardware.

BULLETIN: DCR

Catalog Number	Finish	Kit Qty.
LLBG	Gray	1
LLBB	Black	1
LLB	Plated	1
LLBW	White	1



87561769

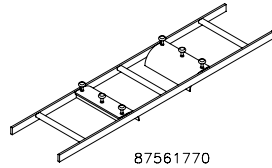


RADIUS DROP KIT



Mounts over ladder rack cross member to provide bending radius when dropping cable. Includes cable spools to separate cable and all mounting hardware. Made of extruded aluminum.

BULLETIN: DCR



87561770

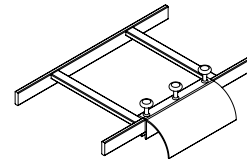
Catalog Number	Finish	Cable Runway Width (in.)	Cable Runway Width(mm)	Kit Qty.
LRD6G	Gray	6.00	152	1
LRD6BLK	Black	6.00	152	1
LRD6GZ	Aluminum	6.00	152	1
LRD6W	White	6.00	152	1
LRD12G	Gray	12.00	305	1
LRD12BLK	Black	12.00	305	1
LRD12GZ	Aluminum	12.00	305	1
LRD12W	White	12.00	305	1
LRD15BLK	Black	15.00	381	1
LRD15W	White	15.00	381	1
LRD18G	Gray	18.00	457	1
LRD18BLK	Black	18.00	457	1
LRD18GZ	Aluminum	18.00	457	1
LRD18W	White	18.00	457	1
LRD24BLK	Black	24.00	610	1
LRD24W	White	24.00	610	1

STRINGER RADIUS DROP KIT



Mounts over ladder rack stringer to provide bending radius when dropping cable. Includes cable spools to separate cable and all mounting hardware. Made of extruded aluminum.

BULLETIN: DCR



87561771

Catalog Number	Finish	Kit Qty.
LSRDG	Gray	1
LSRDBLK	Black	1
LSRDW	White	1

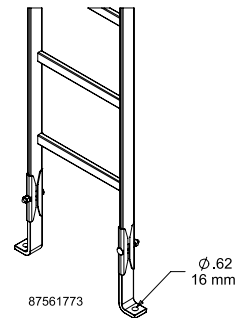
FOOT KIT



Secures ladder rack to floor, ceiling or wall. Made of steel with a painted or plated finish. One kit secures one ladder rack section. Requires surface mounting hardware (not included).

BULLETIN: DCR

Catalog Number	Finish	Kit Qty.
LFKG	Gray	2
LFKB	Black	2
LFK	Plated	2
LFKW	White	2



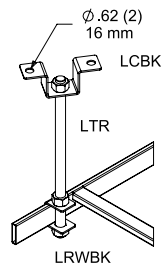
87561773

CEILING SUPPORT KIT

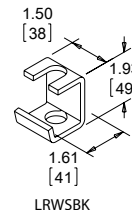


Supports ladder rack from ceiling. Components available separately or as a kit. Six-foot-long, 5/8-in. diameter rod is threaded for easy tension adjustment. Made of plated steel. Requires surface mounting hardware (not included).

BULLETIN: DCR



87561772



89059436

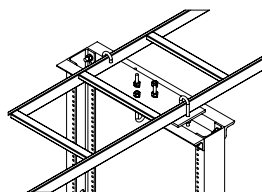
Catalog Number	Finish	Description	Kit Qty.
LCK	Plated	Kit includes one each: - LTR Threaded Rod - 5/8-in. nuts (4) - LRWBK Rack Runway Bracket - LCBK Ceiling Bracket	1
LTR	Plated	5/8-in. x 6-ft. Threaded Rod	1
LRWBK	Plated	Rack Runway Brackets (10) 5/8-in. nuts (20)	1
LRWBKB	Black	Rack Runway Brackets (10) 5/8-in. nuts (20)	1
LRWBKW	White	Rack Runway Brackets (10) 5/8-in. nuts (20)	1
LCBK	Plated	Ceiling Brackets (10) 5/8-in nuts (20)	1
LCBKB	Black	Ceiling Brackets (10) 5/8-in nuts (20)	1
LCBKW	White	Ceiling Brackets (10) 5/8-in nuts (20)	1
LRWSBK	Plated	Rack-to-Runway Brackets (10) Slip-On 5/8 in. nuts (20)	1
LRWSBKB	Black	Rack-to-Runway Brackets (20) Slip-On 5/8 in. nuts (40)	1
LRWSBKW	White	Rack-to-Runway Brackets (20) Slip-On 5/8 in. nuts (40)	1

RACK-TO-RUNWAY MOUNTING PLATE KIT



Secures ladder rack to the top of equipment racks. Made of steel with a painted or plated finish. The plate is designed for mounting either parallel or perpendicular to the rack. Includes mounting hardware.

BULLETIN: DCR



87561774

Catalog Number	Fits Ladder Width	Finish	Kit Qty.
LRRMPG	6, 12	Gray	1
LRRMPBK	6, 12	Black	1
LRRMPGZ	6, 12	Plated	1
LRRMPW	6, 12	White	1
LRRMPW15	12, 15	White	1
LRRMPBK15	12, 15	Black	1
LRRMPG18	12, 18	Gray	1
LRRMPBK18	12, 18	Black	1
LRRMPGZ18	12, 18	Plated	1
LRRMPW18	12, 18	White	1
LRRMPBK24	18, 24	Black	1
LRRMPW24	18, 24	White	1



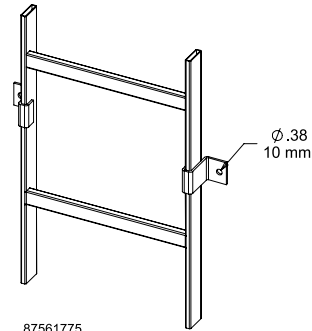
VERTICAL WALL BRACKET



Secures ladder rack section to wall or other flat surface. Made of steel with a painted or plated finish. Requires surface mounting hardware (not included).

BULLETIN: DCR

Catalog Number	Finish	Kit Qty.
LVWBG	Gray	2
LVWBB	Black	2
LVWB	Plated	2
LVWW	White	2



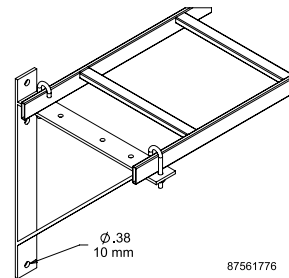
TRIANGLE SUPPORT BRACKET KIT



Supports ladder rack from wall. Bracket is made of steel with painted or plated finish. Brackets have predrilled mounting holes for two sizes of ladder rack. Includes one J-Bolt Kit.

BULLETIN: DCR

Catalog Number	Finish	Fits Cable Runway	Kit Qty.
LTSB12G	Gray	6, 12	1
LTSB12BLK	Black	6, 12	1
LTSB12GZ	Plated	6, 12	1
LTSB12W	White	6, 12	1
LTSB181524W	White	15, 18, 24	1
LTSB151824BLK	Black	15, 18, 24	1
LTSB18G	Gray	12, 18	1
LTSB18BLK	Black	12, 18	1
LTSB18GZ	Plated	12, 18	1
LTSB24BLK	Black	12, 18, 24	1

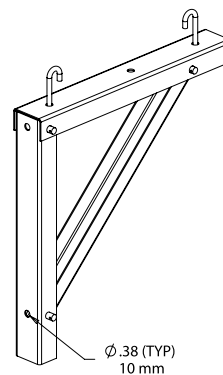


MODULAR TRIANGLE SUPPORT BRACKET KIT



Secures and supports ladder rack to wall. Design features three bracket support arms that easily attach to each other with quick-release pins and fold down to ease assembly. Each model accommodates two ladder rack widths. Kit includes one modular bracket assembly, three quick-release pins and two J-bolts with washers and nuts. Bracket made of painted steel with plated hardware.

BULLETIN: DCR



87929364

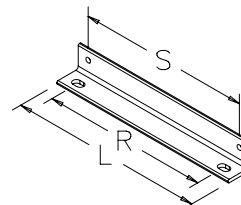
Catalog Number	Finish	Fits Cable Runway	Kit Qty.
LMTSB12B	Black	6, 12	1
LMTSB12W	White	6, 12	1
LMTSB18B	Black	12, 18	1
LMTSB18W	White	12, 18	1
LMTSB24B	Black	18, 24	1
LMTSB24W	White	18, 24	1

WALL ANGLE SUPPORT



Supports ladder rack from wall or other flat surface. Made of 2-in. x 2-in. 10 gauge steel angle with painted or plated finish. Includes two J-bolts, nuts and screws.

BULLETIN: DCR



87561777

Catalog Number	Finish	L in./mm	R in./mm	S in./mm	Kit Qty.
LWASK6G	Gray	8.00	6.00	6.38	1
		203	152	162	
LWASK6BLK	Black	8.00	6.00	6.38	1
		203	152	162	
LWASK6GZ	Plated	8.00	6.00	6.38	1
		203	152	162	
LWASK12G	Gray	14.00	12.00	12.38	1
		356	305	314	
LWASK12BLK	Black	14.00	12.00	12.38	1
		356	305	314	
LWASK12GZ	Plated	14.00	12.00	12.38	1
		356	305	314	
LWASK12W	White	14.00	12.00	12.38	1
		356	305	314	
LWASK15W	White	17.00	15.00	15.38	1
		432	381	391	
LWASK15BLK	Black	17.00	15.00	15.38	1
		432	381	391	
LWASK18G	Gray	20.00	18.00	18.38	1
		508	457	467	
LWASK18BLK	Black	20.00	18.00	18.38	1
		508	457	467	
LWASK18GZ	Plated	20.00	18.00	18.38	1
		508	457	467	
LWASK18W	White	20.00	18.00	18.38	1
		508	457	467	
LWASK24BLK	Black	26.00	24.00	24.38	1
		660	610	619	
LWASK24W	White	26.00	24.00	24.38	1
		660	610	619	

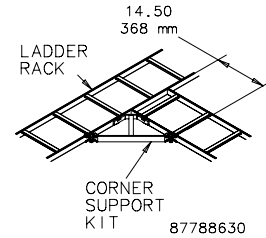


CORNER SUPPORT BRACKET KIT



Provides additional support for 90-degree ladder rack junction. Made of steel with a painted or plated finish.
BULLETIN: DCR

Catalog Number	Kit Qty.	Finish
LCSKG	1	Gray
LCSKB	1	Black
LCSK	1	Plated
LCSKW	1	White

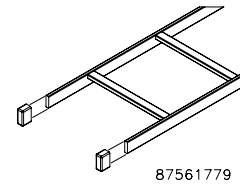


END CAP KIT



Provides protective covering for ends of ladder rack. Made of black vinyl.
BULLETIN: DCR

Catalog Number	Kit Qty.
LEC	2

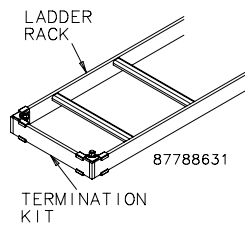


RUNWAY TERMINATION KIT



Provides a solid termination when the last section of ladder rack ends away from a wall. Made of steel with a painted or plated finish.
BULLETIN: DCR

Catalog Number	Finish	Fits Cable Runway	Kit Qty.
LRTK12G	Gray	12	1
LRTK12B	Black	12	1
LRTK12	Plated	12	1
LRTK12W	White	12	1
LRTK18G	Gray	18	1
LRTK18B	Black	18	1
LRTK18	Plated	18	1
LRTK18W	White	18	1
LRTK24B	Black	24	1
LRTK24W	White	24	1

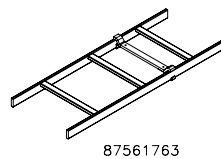


MOVABLE CROSS MEMBER

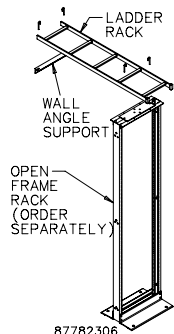


Supports cable at drop locations between welded cross members. Made of steel with a painted or plated finish. Includes hardware for secure mounting to ladder rack stringers.
BULLETIN: DCR

Catalog Number	Finish	W (in.)	W (mm)	Kit Qty.
LMCM12G	Gray	12.00	305	1
LMCM12BLK	Black	12.00	305	1
LMCM12GZ	Plated	12.00	305	1
LMCM12W	White	12.00	305	1
LMCM18G	Gray	18.00	457	1
LMCM18BLK	Black	18.00	457	1
LMCM18GZ	Plated	18.00	457	1
LMCM18W	White	18.00	457	1
LMCM24BLK	Black	24.00	610	1
LMCM24W	White	24.00	610	1



RACK-TO-WALL KIT



Includes one section of straight ladder rack and everything needed to fasten the ladder section to an open frame rack and to the wall. Ladder is 54-in. (1372-mm) long by 12-in. (305-mm) wide. All parts have a black painted finish. Order open frame rack separately.

BULLETIN: DOFR2

Catalog Number	Description
E45RUBKIT	Each Rack-to-Wall Kit includes one: - LSS12BLK [54-in. (1372-mm) long] Ladder Rack* - LWASK12BLK Wall Angle Support with j-bolts - LRRMPBLK Rack-to-Runway Mounting Kit - LEC End Cap Kit

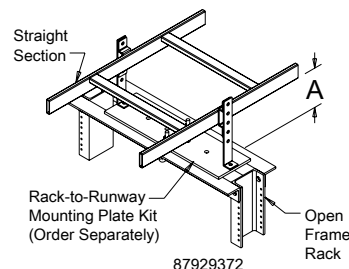
* Ladder Rack is cULus Classified

RUNWAY ELEVATION KIT



Elevates ladder rack 3 or 6 in. (76 or 152 mm) above rack-to-ladder mounting plate. Use on any width ladder rack. Kit includes two brackets and all mounting hardware. Made of heavy plated steel.

BULLETIN: DCR



Catalog Number	A (in.)	A (mm)	Finish	Kit Qty.
LEK3	3.00	76	Plated	1
LEK3B	3.00	76	Black	1
LEK3W	3.00	76	White	1
LEK6	6.00	152	Plated	1
LEK6B	6.00	152	Black	1
LEK6W	6.00	152	White	1
LEK12	12.00	305	Plated	1
LEK12B	12.00	305	Black	1
LEK12W	12.00	305	White	1

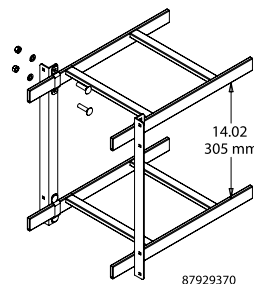
RUNWAY OVERHEAD 12-IN. STACK KIT



Allows stacking any width of ladder rack runways 12 in. (305 mm) above each other. Each kit contains two complete stacking brackets with all necessary hardware. Use one kit at least every 5 ft. (1.5 m). Brackets and fasteners made of plated steel.

BULLETIN: DCR

Catalog Number	Finish	Includes	Kit Qty.
LST12	Plated	2 brackets and hardware	1
LST12B	Black	2 brackets and hardware	1
LST12W	White	2 brackets and hardware	1



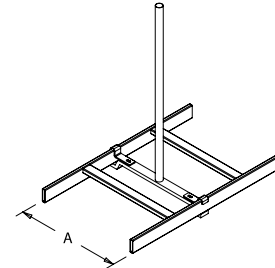
RUNWAY CENTER SUPPORT KIT



Threaded rod and bracket supports center of ladder rack from ceiling. Kit includes heavy-duty ladder rack cross member, two mounting brackets, two #12-24 screws, 5/8-in. threaded rod, protected sleeve and four 5/8-in. nuts. Use one kit at least every 5 ft. (1.5 m). Made of plated steel.

BULLETIN: DCR

Catalog Number	Finish	Fits Cable Runway	Kit Qty.
LCSK6	Plated	6	1
LCSK12	Plated	12	1
LCSK18	Plated	18	1
LCSK24	Plated	24	1



87929371

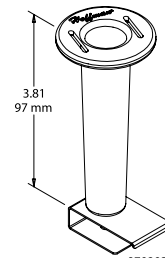
SPOOL DIVIDER KIT



Spools separate cables to improve cable management and to control cable-to-cable distances. Spool and bracket attach to ladder rack cross member and can be located anywhere across the width. Kit includes ten 4-in.-tall spools, brackets and all necessary hardware. Spool made of black plastic and bracket made of plated steel.

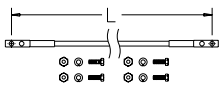
BULLETIN: DCR

Catalog Number	Finish	Kit Includes
LCRDSK	Black plastic spool; plated steel bracket	10 spools, 10 brackets and mounting hardware



87929375

INSULATED GROUND JUMPER KIT

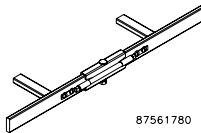


Fastens across splices to provide a secure ground between sections of ladder rack. Made of #6 AWG x 7 strand wire with green THW insulation and two-hole compression lugs mounted on each end. Includes fasteners.

BULLETIN: DBG

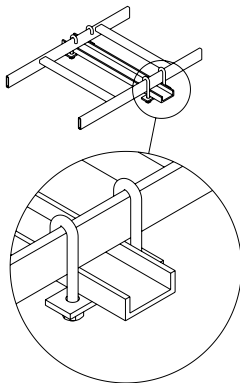
Catalog Number	Conductor Type	L in./mm
DGJ	#6-7 Stranded	12.00 305

cULus requires 2 kits per splice on all painted ladder sections



87561780

J-BOLT KIT



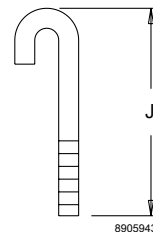
87561778

Connects ladder rack to top of cabinet or to auxiliary support channel. Each kit includes two J-bolts and makes one support connection. Kit components are plated steel. Includes mounting hardware.

- Each kit contains:
- (2) J-Bolts, 5/16 in.
- (2) Nuts, 5/16 in.
- (2) Washers, 5/16 in.
- (2) Lock Washers, 5/16 in.
- (1) Plate

BULLETIN: DCR

Catalog Number	J (in.)	J (mm)	Finish
LJBK	3.5	89	Plated
LJBK5	5.00	127	Plated
LJBK6	6.00	152	Plated
LJBK7	7.00	178	Plated



89059437

CABLERACK

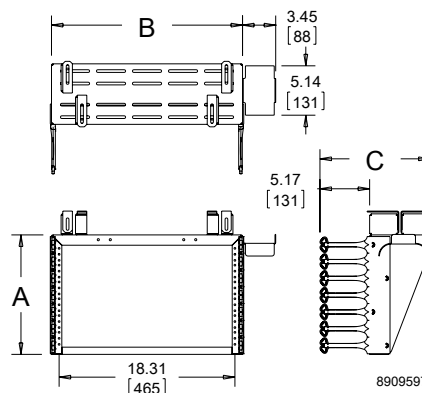


CABLERACK is used for ladder or basket tray mounting and securing 19-inch rack equipment for server rooms, telecommunication rooms, and other applications. The fixed, open frame rack allows suspending 19-inch rack equipment from Ladder Rack or Basket Tray. The rack has universal tapped holes per industry standards to accommodate typical applications. These open frame racks are ideal for high-density cabling applications which require above-the-cabinet mounting of equipment, and provide maximum access to cables and equipment. In applications where equipment expands above the cabinet, CABLERACK provides ideal management with increased equipment and cable densities.

BULLETIN: DOFRW

Standard Product

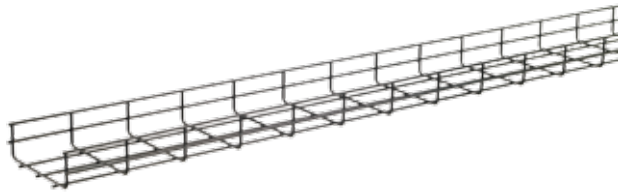
Catalog Number	AxBxC in./mm	Rack Units	Cable Bend Radius Accessory
E19T6U	12.44 x 20.16 x 11.50 316 x 512 x 292	6	ECMBA4



89095979



QUICK TRAY PRO STRAIGHT SECTION



INDUSTRY STANDARDS

UL Classified for suitability as equipment ground conductor only.

NFPA 70, National Electrical Code, Article 392: Cable Trays; provides UL Classification and labels
 IEC 61537, Cable Tray Systems and Cable Ladder systems for Cable Management
 NEMA VE 1, Metal Cable Tray Systems, for materials, sizes and configurations

APPLICATION

The QUICK TRAY PRO cable tray routes cables through unused space while keeping them accessible for easy maintenance. Combine components to configure a system that meets application requirements.

NOTE: All 10-ft. sections are packaged and sold in quantities of 4.

SPECIFICATIONS

- Made of high-strength 5-mm or higher gauge steel wire
- T-weld top wire

FINISH

Pre-galvanized steel or black powder-coated finish.

BULLETIN: DQT

Standard Product

Catalog Number	AxBxC in./mm	Description	Finish	Load per 6-ft. span lbs./ft.	Cat6 Fill Rate* .19-in. dia. cable	Cat6A Fill Rate* .23-in. dia. cable	Splice Quantity
QTP2X4	2.00 x 4.00 x 120.00 51 x 102 x 3048	2 x 4-in. Straight Section	Pre-galvanized	43	108	99	2
QTP2X4BLK	2.00 x 4.00 x 120.00 51 x 102 x 3048	2 x 4-in. Straight Section	Black	43	108	99	2
QTP2X6	2.00 x 6.00 x 120.00 51 x 152 x 3048	2 x 6-in. Straight Section	Pre-galvanized	50	163	149	4
QTP2X6BLK	2.00 x 6.00 x 120.00 51 x 152 x 3048	2 x 6-in. Straight Section	Black	50	163	149	4
QTP2X8	2.00 x 8.00 x 120.00 51 x 203 x 3048	2 x 8-in. Straight Section	Pre-galvanized	52	218	200	4
QTP2X8BLK	2.00 x 8.00 x 120.00 51 x 203 x 3048	2 x 8-in. Straight Section	Black	52	218	200	4
QTP2X12	2.00 x 12.00 x 120.00 51 x 305 x 3048	2 x 12-in. Straight Section	Pre-galvanized	58	326	298	4
QTP2X12BLK	2.00 x 12.00 x 120.00 51 x 305 x 3048	2 x 12-in. Straight Section	Black	58	326	298	4
QTP2X16	2.00 x 16.00 x 120.00 51 x 406 x 3048	2 x 16-in. Straight Section	Pre-galvanized	70	439	402	4
QTP2X16BLK	2.00 x 16.00 x 120.00 51 x 406 x 3048	2 x 16-in. Straight Section	Black	70	439	402	4
QTP2X18	2.00 x 18.00 x 120.00 51 x 457 x 3048	2 x 18-in. Straight Section	Pre-galvanized	70	495	452	4
QTP2X18BLK	2.00 x 18.00 x 120.00 51 x 457 x 3048	2 x 18-in. Straight Section	Black	70	495	452	4
QTP2X20	2.00 x 20.00 x 120.00 51 x 508 x 3048	2 x 20-in. Straight Section	Pre-galvanized	73	550	503	5
QTP2X20BLK	2.00 x 20.00 x 120.00 51 x 508 x 3048	2 x 20-in. Straight Section	Black	73	550	503	5
QTP2X22	2.00 x 22.00 x 120.00 51 x 559 x 3048	2 x 22-in. Straight Section	Pre-galvanized	73	600	554	5
QTP2X22BLK	2.00 x 22.00 x 120.00 51 x 559 x 3048	2 x 22-in. Straight Section	Black	73	600	554	5
QTP2X24	2.00 x 24.00 x 120.00 51 x 610 x 3048	2 x 24-in. Straight Section	Pre-galvanized	75	660	604	5
QTP2X24BLK	2.00 x 24.00 x 120.00 51 x 610 x 3048	2 x 24-in. Straight Section	Black	75	660	604	5
QTP4X4	4.00 x 4.00 x 120.00 102 x 102 x 3048	4 x 4-in. Straight Section	Pre-galvanized	45	205	188	4
QTP4X4BLK	4.00 x 4.00 x 120.00 102 x 102 x 3048	4 x 4-in. Straight Section	Black	45	205	188	4
QTP4X6	4.00 x 6.00 x 120.00 102 x 152 x 3048	4 x 6-in. Straight Section	Pre-galvanized	49	310	285	5
QTP4X6BLK	4.00 x 6.00 x 120.00 102 x 152 x 3048	4 x 6-in. Straight Section	Black	49	310	285	5
QTP4X8	4.00 x 8.00 x 120.00 102 x 203 x 3048	4 x 8-in. Straight Section	Pre-galvanized	78	416	380	6

Catalog Number	AxBxC in./mm	Description	Finish	Load per 6-ft. span lbs./ft.	Cat6 Fill Rate* .19-in. dia. cable	Cat6A Fill Rate* .23-in. dia. cable	Splice Quantity
QTP4X8BLK	4.00 x 8.00 x 120.00 102 x 203 x 3048	4 x 8-in. Straight Section	Black	78	416	380	6
QTP4X12	4.00 x 12.00 x 120.00 102 x 305 x 3048	4 x 12-in. Straight Section	Pre-galvanized	78	621	568	6
QTP4X12BLK	4.00 x 12.00 x 120.00 102 x 305 x 3048	4 x 12-in. Straight Section	Black	78	621	568	6
QTP4X16	4.00 x 16.00 x 120.00 102 x 406 x 3048	4 x 16-in. Straight Section	Pre-galvanized	108	837	765	7
QTP4X16BLK	4.00 x 16.00 x 120.00 102 x 406 x 3048	4 x 16-in. Straight Section	Black	108	837	765	7
QTP4X18	4.00 x 18.00 x 120.00 102 x 457 x 3048	4 x 18-in. Straight Section	Pre-galvanized	116	942	862	7
QTP4X18BLK	4.00 x 18.00 x 120.00 102 x 457 x 3048	4 x 18-in. Straight Section	Black	116	942	862	7
QTP4X20	4.00 x 20.00 x 120.00 102 x 508 x 3048	4 x 20-in. Straight Section	Pre-galvanized	116	1047	958	7
QTP4X20BLK	4.00 x 20.00 x 120.00 102 x 508 x 3048	4 x 20-in. Straight Section	Black	116	1047	958	7
QTP4X22	4.00 x 22.00 x 120.00 102 x 559 x 3048	4 x 22-in. Straight Section	Pre-galvanized	116	1152	1054	8
QTP4X22BLK	4.00 x 22.00 x 120.00 102 x 559 x 3048	4 x 22-in. Straight Section	Black	116	1152	1054	8
QTP4X24	4.00 x 24.00 x 120.00 102 x 610 x 3048	4 x 24-in. Straight Section	Pre-galvanized	116	1257	1150	8
QTP4X24BLK	4.00 x 24.00 x 120.00 102 x 610 x 3048	4 x 24-in. Straight Section	Black	116	1257	1150	8
QTP6X8	6.00 x 8.00 x 120.00 152 x 203 x 3048	6 x 8-in. Straight Section	Pre-galvanized	116	623	570	6
QTP6X8BLK	6.00 x 8.00 x 120.00 152 x 203 x 3048	6 x 8-in. Straight Section	Black	116	623	570	6
QTP6X12	6.00 x 12.00 x 120.00 152 x 305 x 3048	6 x 12-in. Straight Section	Pre-galvanized	123	931	852	6
QTP6X12BLK	6.00 x 12.00 x 120.00 152 x 305 x 3048	6 x 12-in. Straight Section	Black	123	931	852	6
QTP6X16	6.00 x 16.00 x 120.00 152 x 406 x 3048	6 x 16-in. Straight Section	Pre-galvanized	123	1255	1148	7
QTP6X16BLK	6.00 x 16.00 x 120.00 152 x 406 x 3048	6 x 16-in. Straight Section	Black	123	1255	1148	7
QTP6X18	6.00 x 18.00 x 120.00 152 x 457 x 3048	6 x 18-in. Straight Section	Pre-galvanized	127	1413	1292	7
QTP6X18BLK	6.00 x 18.00 x 120.00 152 x 457 x 3048	6 x 18-in. Straight Section	Black	127	1413	1292	7
QTP6X20	6.00 x 20.00 x 120.00 152 x 508 x 3048	6 x 20-in. Straight Section	Pre-galvanized	127	1571	1437	7
QTP6X20BLK	6.00 x 20.00 x 120.00 152 x 508 x 3048	6 x 20-in. Straight Section	Black	127	1571	1437	7
QTP6X22	6.00 x 22.00 x 120.00 152 x 559 x 3048	6 x 22-in. Straight Section	Pre-galvanized	127	1728	1580	8
QTP6X22BLK	6.00 x 22.00 x 120.00 152 x 559 x 3048	6 x 22-in. Straight Section	Black	127	1728	1580	8
QTP6X24	6.00 x 24.00 x 120.00 152 x 610 x 3048	6 x 24-in. Straight Section	Pre-galvanized	150	1886	1726	8
QTP6X24BLK	6.00 x 24.00 x 120.00 152 x 610 x 3048	6 x 24-in. Straight Section	Black	150	1886	1726	8

* Based on 50% fill rate.

All straight 10-ft. sections are packaged and sold in quantities of 4.



Quick Tray Weight Guide

Catalog Number (Plated)	Catalog Number (Black)	Nominal Width (inch)	Weight per section (lbs)	Cable qty @ 75% fill (CAT 6)	Load (lbs./ft.)	Splice qty. per joint
QTP2X12	QTP2X12BLK	12	12	326	58	4
QTP2X16	QTP2X16BLK	16	15	439	70	4
QTP2X18	QTP2X18	18	23	495	70	4
QTP2X20	QTP2X20BLK	20	25	550	73	5
QTP2X22	QTP2X22BLK	22	27	600	73	5
QTP2X24	QTP2X24BLK	24	31	660	75	5
QTP2X4	QTP2X4BLK	4	7	108	45	2
QTP2X6	QTP2X6BLK	6	9	163	50	4
QTP2X8	QTP2X8BLK	8	10.5	218	52	4
QTP4X12	QTP4X12BLK	12	23	621	78	6
QTP4X16	QTP4X16BLK	16	27	837	108	7
QTP4X18	QTP4X18BLK	18	29	942	116	7
QTP4X20	QTP4X20BLK	20	31	1047	116	7
QTP4X22	QTP4X22BLK	22	33	1152	116	8
QTP4X24	QTP4X24BLK	24	35	1257	116	8
QTP4X4	QTP4X4BLK	4	12	205	44	4
QTP4X6	QTP4X6BLK	6	13	310	49	5
QTP4X8	QTP4X8BLK	8	15	416	78	6
QTP6X12	QTP6X12BLK	12	27	931	23	6
QTP6X16	QTP6X16BLK	16	31	1255	123	7
QTP6X18	QTP6X18BLK	18	33	1413	127	7
QTP6X20	QTP6X20BLK	20	35	1571	127	7
QTP6X22	QTP6X22BLK	22	37	1728	127	8
QTP6X24	QTP6X24BLK	24	39	1886	150	8
QTP6X8	QTP6X8BLK	8	23	623	116	6

SPLICE KIT



Splice Kits are used for bolting turns, bends and tees; connecting QUICK TRAY PRO sections; and fastening splice bars. Kit includes three-piece staked bolt, washer and nut.

BULLETIN: DQT

Catalog Number	AxBxC in./mm	Description	Pkg. Qty.
QTPBNWK	2.00 x 4.00 x 2.00 51 x 102 x 51	Splice Kit (Zinc)	50
QTPBNWKBLK	2.00 x 4.00 x 2.00 51 x 102 x 51	Splice Kit (Black)	50

SPLICE WASHER



QUICK TRAY PRO Splice Washers are used with QTPBNWK/ QTPBNWKBLK Splice Kits for bolting turns, bends, and tees; connecting tray sections; and fastening splice bars.

BULLETIN: DQT

Catalog Number	AxBxC in./mm	Description	Finish	Pkg. Qty.
QTPSSW3	4.00 x 4.00 x 8.00 102 x 102 x 203	Splice Washer	Pre-galvanized	50
QTPSSW3BLK	4.00 x 4.00 x 8.00 102 x 102 x 203	Splice Washer	Black	50

SPLICE BARS



QUICK TRAY PRO Splice Bars provide extra support and stability to tray sides when connecting tray sections with splice washers. Universal bars can be cut to fit with bolt cutters and bent for use in tees and elbows. Made of plated steel. Requires QTPSSW3/ QTPSSW3BLK Splice Washers and QTPBNWK/QTPBNWKBLK Splice Kits to fasten to side of tray.

BULLETIN: DQT

Catalog Number	AxBxC in./mm	Description	Pkg. Qty.
QTPUS10	4.00 x 13.00 x 4.00 102 x 330 x 102	Splice Bar, 10 in. Universal (Zinc)	50
QTPUS10BLK	4.00 x 13.00 x 4.00 102 x 330 x 102	Splice Bar, 10 in. Universal (Black)	50
QTP90TKIT	1.00 x 5.00 x 5.00 25 x 127 x 127	Includes: (2) 90° bends; (8) washers, (8) nuts, (8) bolts (Zinc)	1
QTP90TKITBLK	1.00 x 5.00 x 5.00 25 x 127 x 127	Includes: (2) 90° bends; (8) washers, (8) nuts, (8) bolts (Black)	1



TRAPEZE HANGING CLIP



For trapeze hung QUICK TRAY PRO installations. Use with 1/4- or 3/8-in. threaded rod; obtain locally. Poly grommet retains tray in slot-unsnap to detach one side of tray for loading cables. Corrosion-resistant pre-galvanized finish.

BULLETIN: DQT

Catalog Number	AxBxC in./mm	Description	Pkg. Qty.
QTPTH	3.00 x 6.00 x 14.00 76 x 152 x 356	Trapeze Hanging Clips, Pre-galvanized	50
QTPTHBLK	3.00 x 6.00 x 14.00 76 x 152 x 356	Trapeze Hanging Clips, Black	50

C-BRACKET

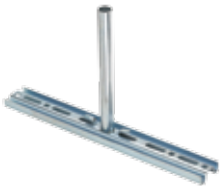


For QUICK TRAY PRO installations under ceiling or overhangs. Use with tray widths up to 12 in. (305 mm). To secure tray to bracket, use one QTPSSW3/QTPSSW3BLK Splice Washer and one QTPBNWK/ QTPBNWKBLK Splice Kit on sizes up to 8 in. (203 mm); use two on 12-in. (305-mm) trays. Can be stacked for multi-level tray installations. Corrosion resistant plated finish.

BULLETIN: DQT

Catalog Number	AxBxC in./mm	Description	Finish	Tray Width in./mm
QTPCB4	8.00 x 1.00 x 4.00 203 x 25 x 102	C-Bracket	Pre-galvanized	4 102
QTPCB4BLK	8.00 x 1.00 x 4.00 203 x 25 x 102	C-Bracket	Black	4 102
QTPCB8	8.00 x 1.00 x 8.00 203 x 25 x 203	C-Bracket	Pre-galvanized	8 203
QTPCB8BLK	8.00 x 1.00 x 8.00 203 x 25 x 203	C-Bracket	Black	8 203
QTPCB12	8.00 x 1.00 x 12.00 203 x 25 x 305	C-Bracket	Pre-galvanized	12 305
QTPCB12BLK	8.00 x 1.00 x 12.00 203 x 25 x 305	C-Bracket	Black	12 305

CENTER HANGERS



Use with up to 1/2-in. threaded rod (obtain locally). Only one rod needed to suspend tray. Snap-on attachment holds QUICK TRAY PRO cable tray secure without nuts and bolts. For use with 4- to 24-in. (102- to 610-mm) tray widths. Can be used for multiple-level installations; 1/2-in. threaded rod recommended. Corrosion-resistant plated finish.

BULLETIN: DQT

Catalog Number	AxBxC in./mm	Description	Finish	Tray Width in./mm
QTPOCH4	7.50 x 4.00 x 1.00 191 x 102 x 25	Center Hanger	Pre-galvanized	4 102
QTPOCH4BLK	7.50 x 4.00 x 1.00 191 x 102 x 25	Center Hanger	Black	4 102
QTPOCH12	7.50 x 12.00 x 1.00 191 x 305 x 25	Center Hanger	Pre-galvanized	12 305
QTPOCH12BLK	7.50 x 12.00 x 1.00 191 x 305 x 25	Center Hanger	Black	12 305
QTPOCH24	7.50 x 24.00 x 1.00 191 x 610 x 25	Center Hanger	Pre-galvanized	24 610
QTPOCH24BLK	7.50 x 24.00 x 1.00 191 x 610 x 25	Center Hanger	Black	24 610

L-BRACKETS



L-Brackets mount directly to wall for overhead mounting. Corrosion-resistant plated finish. Fasten QUICK TRAY PRO to bracket with one QTPSSW3/QTPSSW3BLK Splice Washer and one QTPBNWK/QTPBNWKBLK Splice Kit on sizes up to 8 in. (203 mm); use two on 12-in. (305-mm) trays.

BULLETIN: DQT

Catalog Number	AxBxC in./mm	Description	Finish
QTPLB4	6.00 x 1.00 x 4.00 152 x 25 x 102	4-in. L-Bracket	Pre-galvanized
QTPLB4BLK	6.00 x 1.00 x 4.00 152 x 25 x 102	4-in. L-Bracket	Black
QTPLB8	6.00 x 1.00 x 8.00 152 x 25 x 203	8-in. L-Bracket	Pre-galvanized
QTPLB8BLK	6.00 x 1.00 x 8.00 152 x 25 x 203	8-in. L-Bracket	Black
QTPLB12	6.00 x 1.00 x 12.00 152 x 25 x 305	12-in. L-Bracket	Pre-galvanized
QTPLB12BLK	6.00 x 1.00 x 12.00 152 x 25 x 305	12-in. L-Bracket	Black

REINFORCED WALL BRACKET



For heavy-duty QUICK TRAY PRO applications. Mounts on 1-5/8-in. wide metal channel. To secure tray to bracket, use one QTPSSW3/QTPSSW3BLK Splice Washer and one QTPBNWK/QTPBNWKBLK Splice Kit on sizes up to 8 in. (203 mm); use two on 12-in. (305-mm) and wider trays. Made of plated steel for corrosion resistance.

BULLETIN: DQT

Catalog Number	AxBxC in./mm	Description	Finish	Width in./mm
QTPRWB4	3.00 x 1.00 x 4.00 76 x 25 x 102	Reinforced Wall Bracket	Pre-galvanized	4 102
QTPRWB4BLK	3.00 x 1.00 x 4.00 76 x 25 x 102	Reinforced Wall Bracket	Black	4 102
QTPRWB6	3.00 x 1.00 x 6.00 76 x 25 x 152	Reinforced Wall Bracket	Pre-galvanized	6 152
QTPRWB6BLK	3.00 x 1.00 x 6.00 76 x 25 x 152	Reinforced Wall Bracket	Black	6 152
QTPRWB8	4.00 x 1.00 x 8.00 102 x 25 x 203	Reinforced Wall Bracket	Pre-galvanized	8 203
QTPRWB8BLK	4.00 x 1.00 x 8.00 102 x 25 x 203	Reinforced Wall Bracket	Black	8 203
QTPRWB12	6.00 x 1.00 x 12.00 152 x 25 x 305	Reinforced Wall Bracket	Pre-galvanized	12 305
QTPRWB12BLK	6.00 x 1.00 x 12.00 152 x 25 x 305	Reinforced Wall Bracket	Black	12 305
QTPRWB16	9.00 x 1.00 x 16.00 229 x 25 x 406	Reinforced Wall Bracket	Pre-galvanized	16 406
QTPRWB16BLK	9.00 x 1.00 x 16.00 229 x 25 x 406	Reinforced Wall Bracket	Black	16 406
QTPRWB18	3.00 x 8.00 x 3.00 76 x 203 x 76	Reinforced Wall Bracket	Pre-galvanized	18 457
QTPRWB18BLK	3.00 x 8.00 x 3.00 76 x 203 x 76	Reinforced Wall Bracket	Black	18 457
QTPRWB20	9.00 x 1.00 x 20.00 229 x 25 x 508	Reinforced Wall Bracket	Pre-galvanized	20 508
QTPRWB20BLK	9.00 x 1.00 x 20.00 229 x 25 x 508	Reinforced Wall Bracket	Black	20 508
QTPRWB24	9.00 x 1.00 x 24.00 229 x 25 x 610	Reinforced Wall Bracket	Pre-galvanized	24 610
QTPRWB24BLK	9.00 x 1.00 x 24.00 229 x 25 x 610	Reinforced Wall Bracket	Black	24 610



DIVIDER STRIP



For wire separation within a single QUICK TRAY PRO cable tray. 5-ft. (1.5-m) long strips are available in 2-, 4- and 6-in. (51-, 102- and 152-mm) heights. To secure divider strips to tray, use QTPSSW3/QTPSSW3BLK Splice Washer and QTPBNWK/QTPBNWKBLK Splice Kit for each strip.

BULLETIN: DQT

Catalog Number	AxBxC in./mm	Description	Finish	Tray Height in./mm
QTPDS2	2.00 x 1.00 x 60.00 51 x 25 x 1524	Divider Strip	Pre-galvanized	2 51
QTPDS2BLK	2.00 x 1.00 x 60.00 51 x 25 x 1524	Divider Strip	Black	2 51
QTPDS4	4.00 x 1.00 x 60.00 102 x 25 x 1524	Divider Strip	Pre-galvanized	4 102
QTPDS4BLK	4.00 x 1.00 x 60.00 102 x 25 x 1524	Divider Strip	Black	4 102
QTPDS6	6.00 x 1.00 x 60.00 152 x 25 x 1524	Divider Strip	Pre-galvanized	6 152
QTPDS6BLK	6.00 x 1.00 x 60.00 152 x 25 x 1524	Divider Strip	Black	6 152

SIDE-ACTION BOLT CUTTER

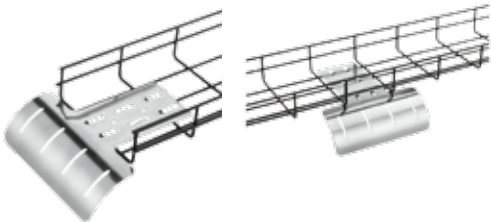


The QUICK TRAY PRO Side-Action Bolt Cutter insures a flush cut and helps create a protective coating for the new cut.

BULLETIN: DQT

Catalog Number	AxBxC in./mm	Description
QTPBC	12.00 x 1.00 x 0.50 305 x 25 x 13	Side Action Bolt Cutter

VERTICAL DOWN

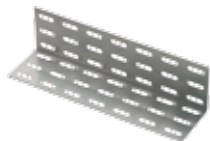


The QUICK TRAY PRO Vertical Down protects cables when exiting and entering tray. Built-in hold down method for side mount. Attached with 1/4 in. hardware for center mount.

BULLETIN: DQT

Catalog Number	AxBxC in./mm	Description	Finish
QTPVD	1.00 x 8.00 x 11.00 25 x 203 x 279	Vertical Down	Pre-galvanized
QTPVDBLK	1.00 x 8.00 x 11.00 25 x 203 x 279	Vertical Down	Black

WALL-TERMINATION BRACKET

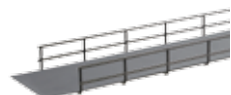


Fastens the end of QUICK TRAY PRO cable tray to a wall. Attach to tray with QTPSSW3/QTPSSW3BLK Splice Washers and QTPBNWK/QTPBNWKBLK Splice Kits.

BULLETIN: DQT

Catalog Number	AxBxC in./mm	Description	Finish
QTPWTB	3.00 x 12.00 x 3.00 76 x 305 x 76	Wall-Termination Bracket, 12 in. (305 mm)	Pre-galvanized
QTPWTBBLK	3.00 x 12.00 x 3.00 76 x 305 x 76	Wall-Termination Bracket, 12 in. (305 mm)	Black

POLYMER INSERT



Polymer inserts provide continuous support for the cables when used as a tray liner. This flame retardant polymer material is prescored at the factory to fit in all standard width QUICK TRAY PRO cable trays.

BULLETIN: DQT

Catalog Number	Description	Tray Width in./mm
QTP4INST	4 x 40-foot roll (102 x 12,197-mm) Polymer Insert	4 102
QTP6INST	6 x 40-foot roll (152 x 12,197-mm) Polymer Insert	6 152
QTP8INST	8 x 40-foot roll (203 x 12,197-mm) Polymer Insert	8 203
QTP12INST	12 x 40-foot roll (305 x 12,197-mm) Polymer Insert	12 305
QTP16INST	16 x 40-foot roll (406 x 12,197-mm) Polymer Insert	16 406
QTP18INST	18 x 40-foot roll (457 x 12,197-mm) Polymer Insert	18 457
QTP20INST	20 x 40-foot roll (508 x 12,197-mm) Polymer Insert	20 508
QTP24INST	24 x 40-foot roll (610 x 12,197-mm) Polymer Insert	24 610



*Hoffman*

CHAPTER 7

SEISMIC PRODUCTS

FEATURED PRODUCTS

SEISMIC ENCLOSURES

Seismic-rated enclosures provide the required frame strength and rigidity to withstand environments that are subject to vibration and other motion that can over-stress equipment framework, components and connections. Ideal applications include areas where earthquake activity is possible, power plants, railroads and airports.

SEISMIC CABINETS

Seismic cabinets protect LAN and WAN network equipment, servers and phone/voicemail during Zone 4 seismic activity, or in areas with high vibration or high load capacities. Cabinets are Telcordia GR-63 CORE Zone 4 tested and meet California Building Code (CBC) requirements.





CHAPTER CONTENTS

SEISMIC PRODUCTS

SEISMIC ENCLOSURES OVERVIEW

Seismic Enclosures Provide an Extra Measure of Protection 188

SEISMIC RACKS

Seismic 2-Post Open Frame Rack 190

Seismic 4-Post Open-Frame Rack 192

SEISMIC CABINETS

Seismic Cabinet 194

Seismic Cabinet Joining Kit 195

Vertical Cable Manager 2 195

Seismic Free-Standing, Dual-Access Cabinet, Type 12 196

Seismic Free-Standing, Dual-Access Cabinet, Type 3R, 4, 4X, 12 198

SEISMIC ACCESSORIES

Screw Packages 200

Cage Nut Package 200

Seismic Accessories 200

Seismic Mounting Plate Kits 200

Seismic Panel Mounting Kits 200

Panels 201

Rack Mounting Angles - L-Style (Type RP) 201

Type 4X and Type 12 STAINLESS STEEL Seismic Accessories Selection Guide 202



SEISMIC RACKS

Seismic racks, available in 2- and 4-post open frame rack configurations, ensure reliable protection in environments that are subject to seismic activity or vibration, in addition to other applications that require increased strength due to static and dynamic loading.



SEISMIC ENCLOSURES PROVIDE AN EXTRA MEASURE OF PROTECTION

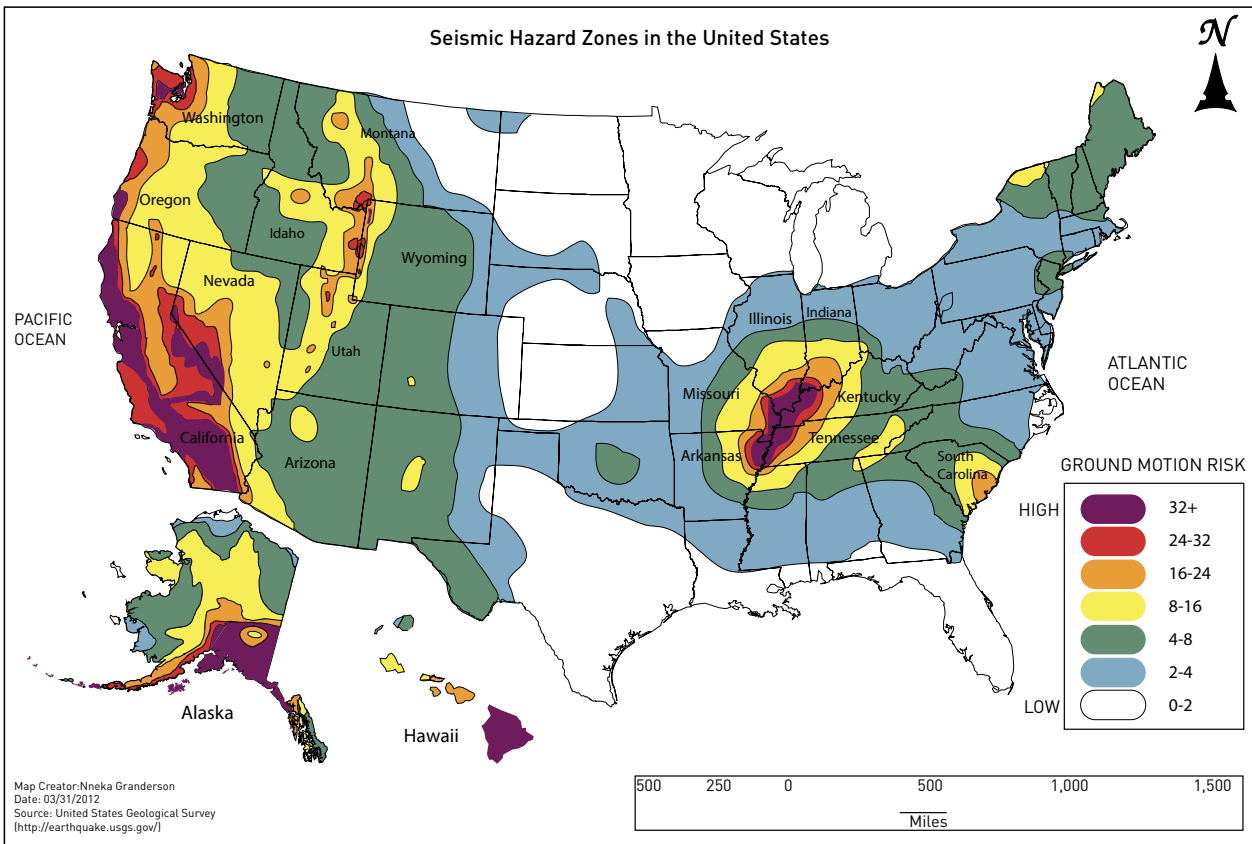
The use of seismic-rated enclosures is recommended in areas where earthquake activity is possible. In addition, power plants, railroads, airports and other installations use rack-mounted electrical and electronic equipment that is subjected to vibration and other motion which may over-stress equipment framework, components and connections. Adequate enclosure frame strength and rigidity are necessary under these conditions.

Seismic Enclosure Standards

Industry standards define global geographical areas as earthquake-risk Zones. Referring to the seismic map below, ground motion risks are numbered from 0 to 32+ with 32+ corresponding to the highest risk areas. Geographic areas designated as 0-2 present no substantial earthquake risk.

Conditions Other Than Earthquakes

Equipment may need to withstand the effects of movement or vibration in areas close to railways, airports, power plants and other areas subject to similar conditions.



Hoffman Seismic Products

Hoffman performance-tests its seismic products according to Telcordia GR-63-CORE Network Equipment Building System (NEBS™) requirements for physical protection. These enclosures can also be manufactured to comply with all applicable national and international standards, such as the California Building Code (CBC) and International Building Code (IBC).

Seismic Compliance

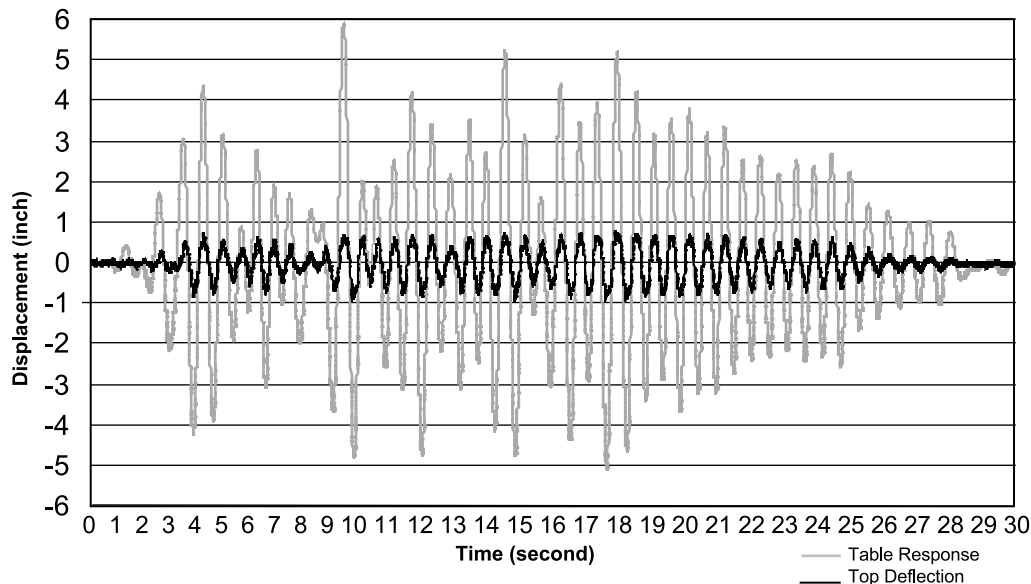
A Telcordia GR-63-CORE compliant test must be conducted by a Nationally Recognized Testing Laboratory (NRTL) or other recognized independent laboratory before compliance will be issued. This test is conducted on an installation-specific basis with customer-installed equipment and cabling mounted inside the enclosure. In other cases or in addition to, a licensed structural engineer must certify the installation.

Hoffman helps facilitate the Office of Statewide Health Planning and Development (OSHPD) building approval with pre-approval of Manufacturer’s Certification (OMP).

The OPM program is a voluntary program for review and pre-approval of seismic design of nonstructural components used in health facilities construction in California, per California Building Code, CBC 2013.

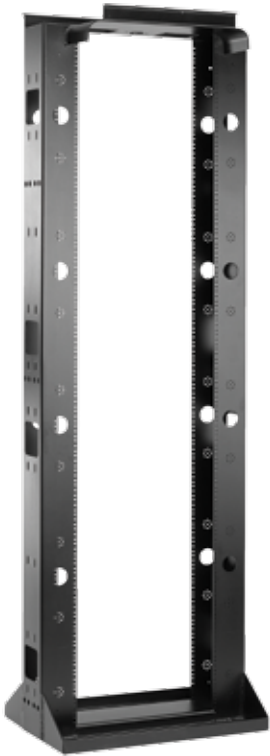


Enclosure mounted on shaker table



Time-motion history generated in front to back seismic enclosure test

NEBS™ IS A TRADEMARK OF TELCORDIA.

SEISMIC 2-POST OPEN FRAME RACK


7

INDUSTRY STANDARDS

 UL 2416 Listed; File No. E230874,
 2500 lb. (1134 kg) rated load
 cUL Listed per CSA C22.2 No. 182.4; File No. E230874

NEBS -Telcordia GR-63-CORE Zone 4: Tested with 500 lb. (226.8 kg) of equipment installed
 EIA 310-D
 OSHPD Pre-Approval OPM-0197-13
NEBS is a trademark of Telcordia

Standard Products

Catalog Number	AxBxC in.	AxBxC mm	Rack Units
ESDR19FM45U	86.02 x 26.75 x 18.00	2185 x 679 x 457	45

APPLICATION

Designed for applications affected by vibrations and seismic activity, Seismic 2-Post Open Frame Racks integrate cable management into a fully welded, heavy gauge steel frame. Used in network, server, and telecommunication room applications that may be subject to seismic activity or vibration. Racks can be ganged with standard 2- or 4-post racks to expand existing systems.

FEATURES

- Nominal height is 7 ft. (2.13 m) (45U)
- Fits 19-in. rack-mount equipment
- Side rails are tapped on both sides with 12-24 UNC threads for quick installation
- EIA Universal 5/8 - 5/8 - 1/2 in. vertical mounting-hole pattern matches industry standards and connects to most competitive racks
- Integral front waterfall top
- Pre-drilled holes on top to ease runway installation
- Top and bottom cable entry cutouts
- Ground provision with ground symbol
- Full complement of matching components for equipment and cable management

SPECIFICATIONS

- Rack is 10-gauge steel, fully welded for maximum rigidity

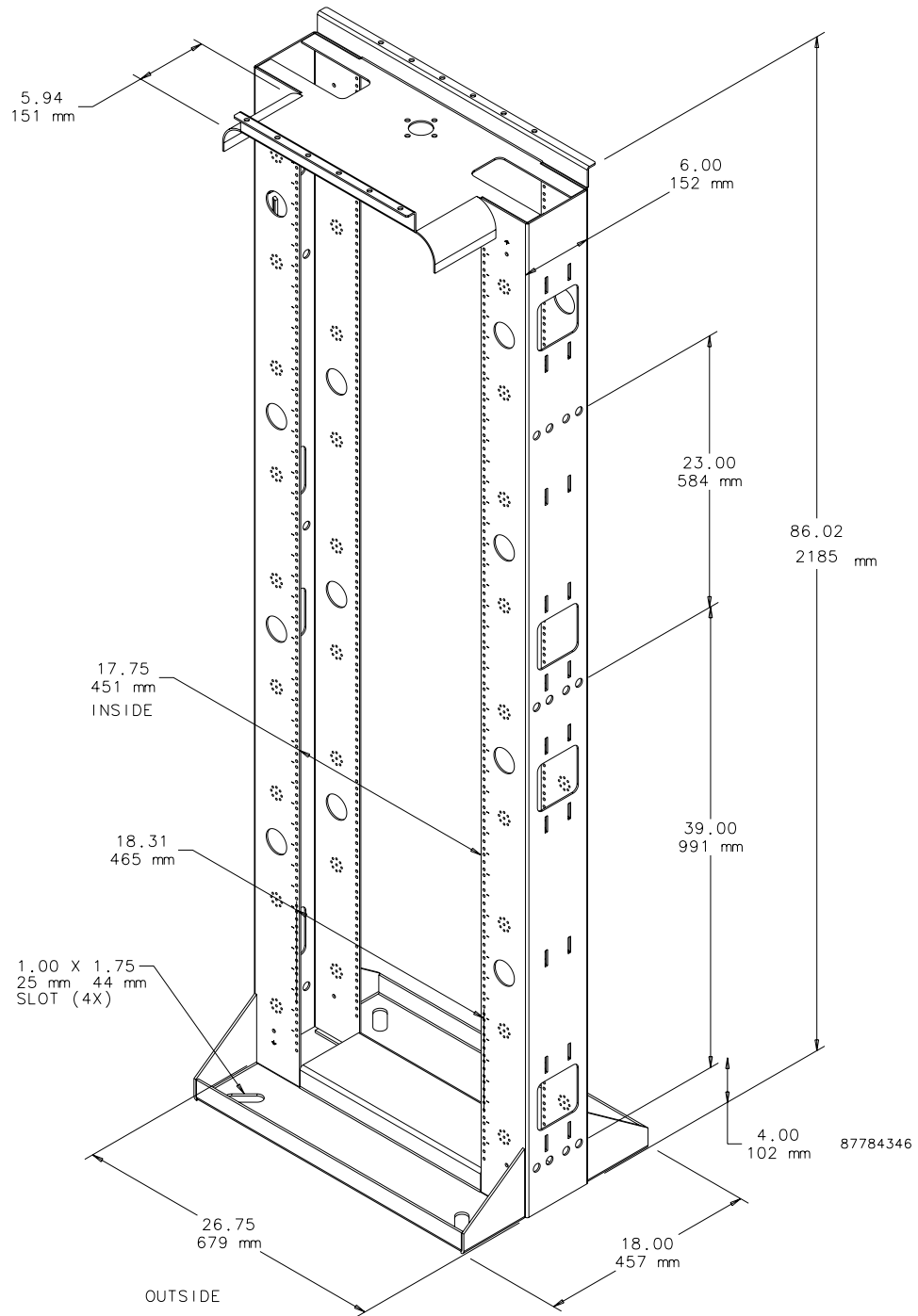
FINISH

Pre-treated steel coated with RAL 9005 black textured, low-gloss polyester powder paint. Other finishes available; contact Hoffman Customer Service.

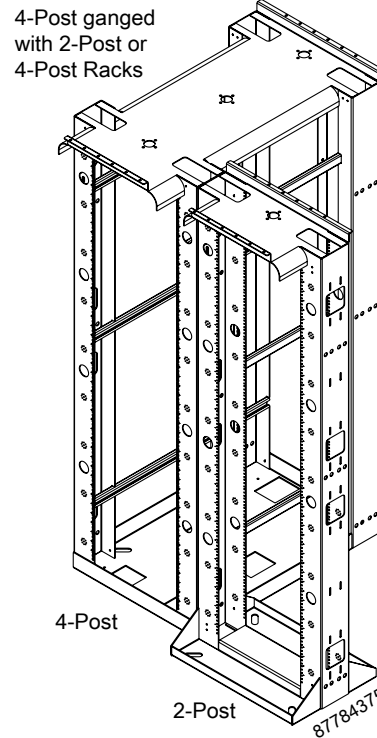
LOAD RATING

- Dynamic: 500 lb. (227 kg)
- Static: 2500 lb. (1134 kg)
- For higher loads, contact Hoffman. Static load has a safety factor of 4 applied.

BULLETIN: DOFRS



SEISMIC 4-POST OPEN-FRAME RACK



7

INDUSTRY STANDARDS

UL 2416 Listed; File No. E230874, 2500 lb. (1134 kg) rated load
cUL C22.2 No. 182.4 Listed; File No. E230874

NEBS -Telcordia GR-63-CORE Zone 4: Tested with 1000 lb. (453.6 kg) of equipment installed
EIA 310-D
OSHDP Pre-Approval OPM-0199-13
NEBS is a trademark of Telcordia

APPLICATION

Seismic 4-Post Open Frame Racks combine the mounting security of a cabinet with the accessibility of a rack. Used in network, server, and telecommunication room applications that are subject to seismic activity or vibration, these adjustable-depth racks support deeper, heavier network equipment and can be ganged with standard 2-post or other 4-post racks to expand existing systems.

FEATURES

- EIA universal 5/8 - 5/8 - 1/2 in. spaced square holes fit 19-in. rack equipment and accessories
- Rear rack angle adjustable 0 to 39.09 in. (0 to 993 mm)
- Nominal height is 7 ft. (2.1 m)
- Can be ganged with both 2- and 4- post open frame racks
- Integral front waterfall top
- Pre-drilled holes on top to ease runway installation
- Top and bottom cable entry cutouts
- Ground provision with ground symbol
- Full complement of matching components for equipment and cable management

SPECIFICATIONS

- Rack is 10-gauge steel, fully welded for maximum rigidity

FINISH

Pre-treated steel coated with RAL 9005 black textured, low-gloss polyester powder paint. Other finishes available; contact Hoffman Customer Service.

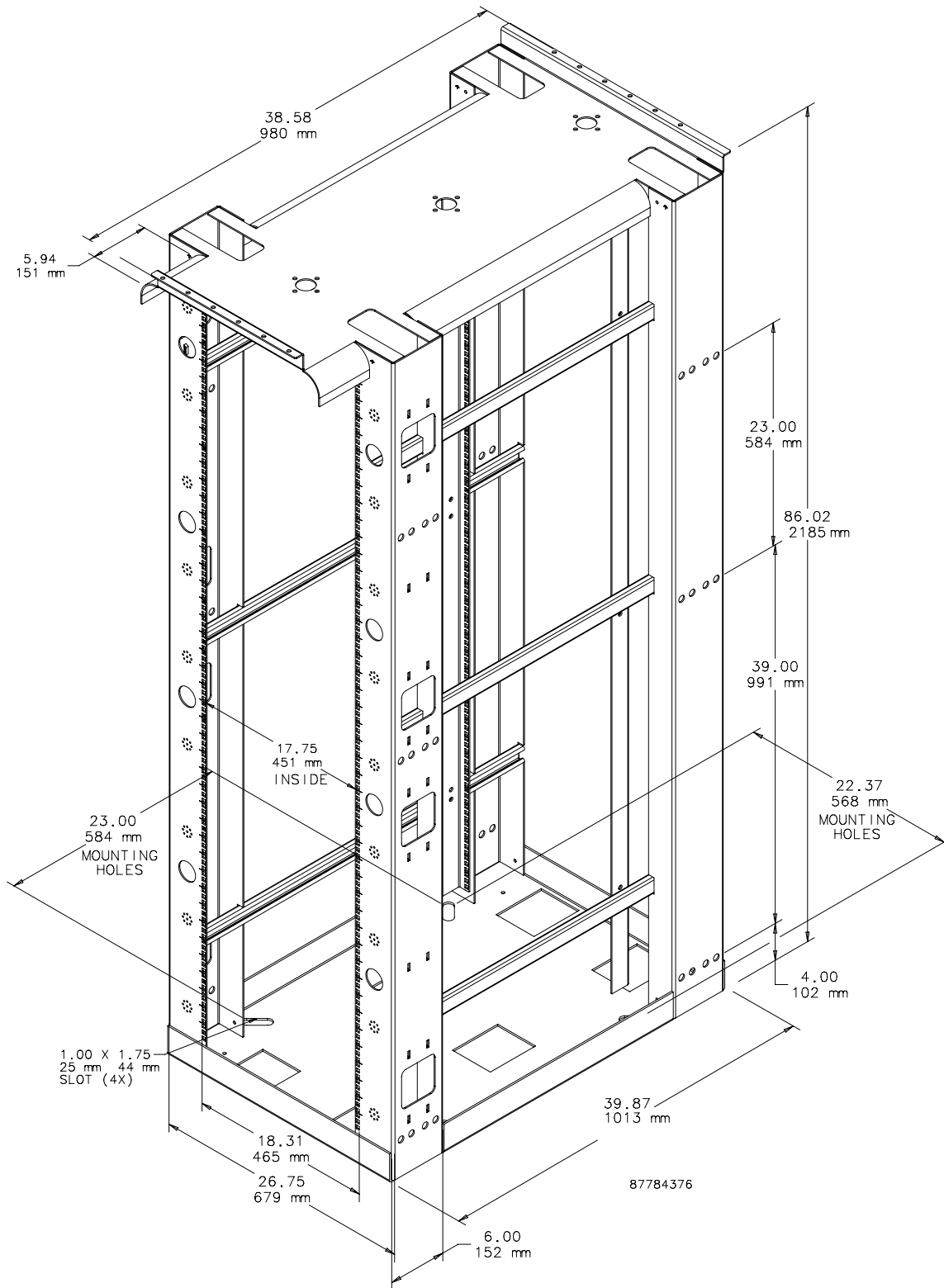
LOAD RATING

- Dynamic: 1000 lb. (454 kg)
- Static: 2500 lb. (1134 kg)
- For higher loads, contact Hoffman. Static load has a safety factor of 4 applied.

BULLETIN: DOFRS

Standard Product

Catalog Number	AxBxC in.	AxBxC mm	Rack Units
E4SDR19FM45U	86.02 x 26.75 x 39.87	2185 x 679 x 1013	45



SEISMIC CABINET


7

INDUSTRY STANDARDS

NEBS-Telcordia GR-63-CORE Zone 4: Tested with 1000 lb. (453.6 kg) of equipment installed and 100 lb. (45.4 kg) of simulated cable weight on the top.

EIA 310-D

OSHPD Pre-Approval OPM-0200-13

NEBS is a trademark of Telcordia

APPLICATION

Seismic Cabinets protect LAN and WAN network equipment, servers and phone/voice mail equipment during Zone 4 seismic activity, and are also ideal for use in high vibration areas or areas with high load capacities. The cabinet's passive cooling design can be augmented with optional fans.

FEATURES

- ENC2189S can be configured for 19- or 23-in. rack mounting by reversing the rack angles
- Both front and rear doors are hinged left and equipped with keylock flush handle and 3-point latching
- Three-point locking pushbutton swing handle on front door provides easy but controlled access; two keys included
- Doors and side panels are removable for easier equipment installation and upgrades
- Doors and side panels inset flush with frame
- Vented, heavy gauge steel base is designed to bolt to floor with seismic-rated fasteners

SPECIFICATIONS

- Heavy gauge welded steel frame with six rack angle mounting struts
- Includes two sets of painted L-shaped rack angles with holes per EIA spacing (5/8 in. x 5/8 in. x 1/2 in.)
- Holes are either 10-32 tapped or square, depending on model
- Top has two cable entry ports with caps and grommets and two fan-ready cutouts with finger guards
- Smoke gray acrylic window in reinforced front door
- Louvers on lower 1/3 of rear door

FINISH

Pre-treated steel coated with RAL 9005 black textured, low-gloss polyester powder paint. Other finishes available; contact Hoffman Customer Service.

LOAD RATING

Dynamic: 1100 lb. (499 kg)

Static: 2500 lb. (1134 kg)

For higher loads, contact Hoffman. Static load has a safety factor of 4 applied.

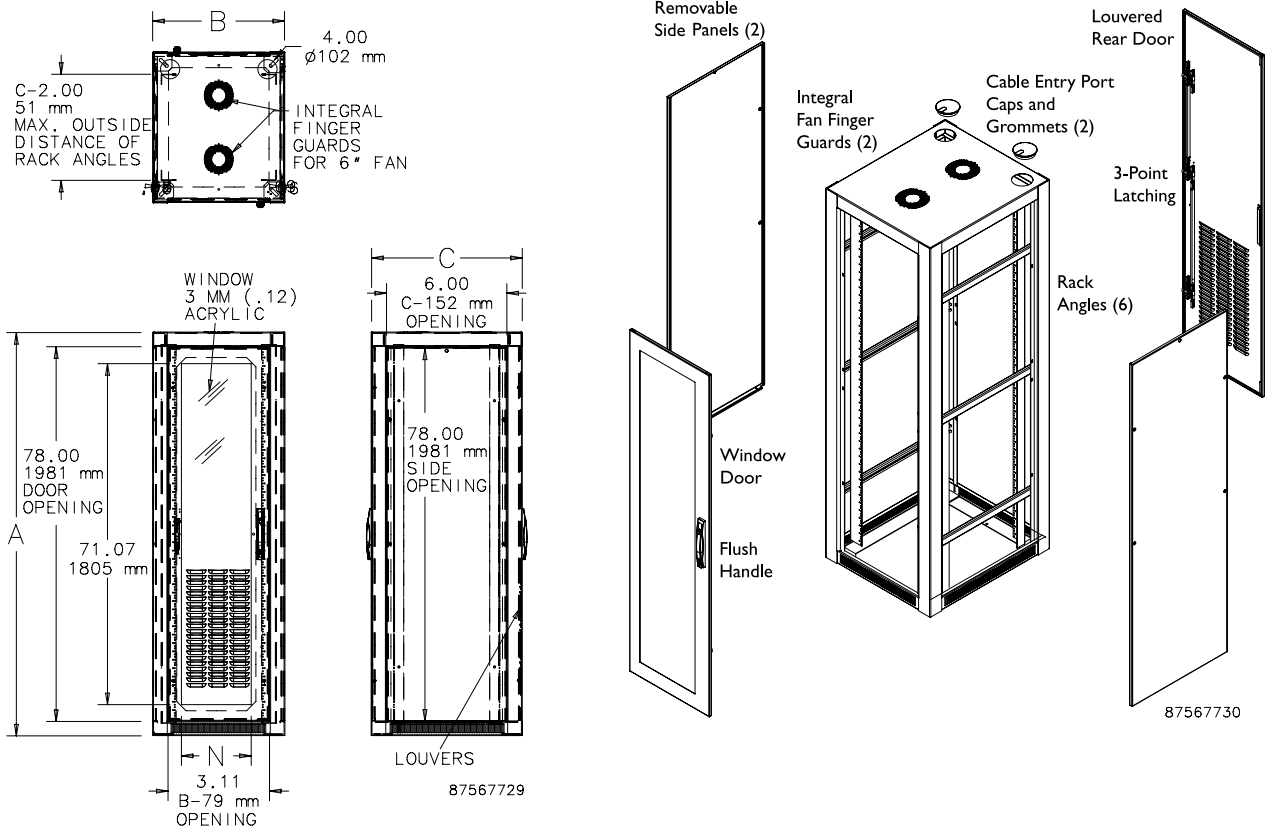
ACCESSORIES

- ESBKD 3/8-in. Concrete Expansion Bolt Anchor Kit, package of four
- Most 19- and 23-in. rack accessories can be used with the seismic cabinets.

BULLETIN: DNCS
Standard Product Seismic Cabinets

Catalog Number	AxBxC in.	AxBxC mm	Description	Rack Units	N (in.)	N (mm)	Rack Angle Hole Type	Additional Rack Angles
ENC2178S	84.02 x 27.56 x 31.50	2134 x 700 x 800	19-in. cabinet	45	16.40	417	Tapped	ERA1921TPL
ENC2189S	84.02 x 31.50 x 35.43	2134 x 800 x 900	19- or 23-in. cabinet	45	20.40	517	Tapped	ERA192321TPL
ENC21710S	84.00 x 27.57 x 39.37	2134 x 700 x 1000	19-in. cabinet	45	16.40	417	Square	--
ENC21712S	84.00 x 27.57 x 47.24	2134 x 700 x 1200	19-in. cabinet	45	16.40	417	Square	--

Rack angles on 23-in. cabinet can be reversed to accommodate 19- or 23-in. rack accessories.

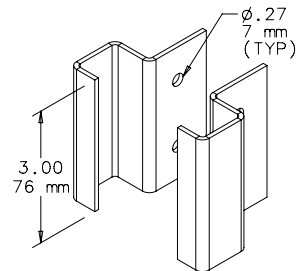


SEISMIC CABINET JOINING KIT

Allows two network cabinets to be joined together. Requires removal of side covers on both joined cabinets. Brackets are used in pairs. Includes eight brackets and mounting brackets.

BULLETIN: DNCY

Catalog Number	Description
ENCJK	Seismic Cabinet Joining Kit



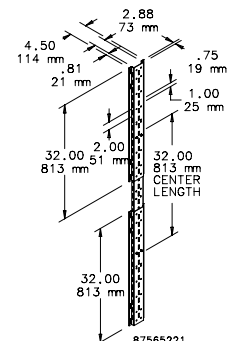
87573201

VERTICAL CABLE MANAGER 2

For routing and bundling cables. Mounts vertically to grid straps or to mounting channels. Three-piece kit adjusts to fit rack height and eliminates need for center grid strap. 16 gauge steel with RAL 9005 black polyester powder paint finish. Includes 10 black 8 in. (203mm) long Velcro® cable wraps.

BULLETIN: DPY

Catalog Number	Description
PVCM2	Vertical Cable Manager 2



87565221

SEISMIC FREE-STANDING, DUAL-ACCESS CABINET, TYPE 12



7

INDUSTRY STANDARDS

UL 508A Listed; Type 12; File No. E61997
 cUL Listed per CSA C22.2 No. 94; Type 12; File No. E61997

NEMA/EEMAC Type 12
 E.I.A. RS310-D
 CSA, File No. 42186, Type 12
 IEC 60529, IP55
 OSPHD Pre Approved OPM-0248-13, OPM-0247-13
 NEBS-Telecordia GR-63-CORE Zone 4: Tested with 1000 lb. of equipment installed
 Meets California Building Code (CBC) requirements

APPLICATION

Ideal where front or front and rear access is required. These Type 12 enclosures have sturdy unibody construction with 19-in. rack angles to support equipment. These enclosures are ideal for housing and protecting networking and communications from dust, liquid, and seismic events. Front rack angles on 36-in. wide models include integral, vertical cable management that supports networking (copper and fiber) and power cables.

SPECIFICATIONS

- 12 gauge steel construction
- Seams continuously welded and ground smooth; no holes or knockouts
- Lifting eyes for easy handling
- Welded front-to-rear mounting struts, 3 on each side
- Vault style 3-point latches operated by oil-tight, key-locking handle
- Concealed and removable hinges
- Seismic bottom mounting plates (qty. 4) made of painted plate steel for 5/8-in. diameter anchors
- Data pockets are high-impact thermoplastic
- Internal mounting channels welded horizontally to sides at top, bottom and center
- 2 sets of EIA 310 specified square-hole (.375 x .375) rack angles that are infinitely adjustable front to rear
- Rear set of integral 19-in. rack angles and reducing bracket, fully adjustable front to rear
- On 36-in. wide models, front rack angles are provided which include integral, vertical, RU-aligned fingers for supporting networking (copper and fiber) power cables
- Oil-resistant door gasket
- Bonding provision on door
- Provision for mounting enclosure light kits

FINISH

Polyester powder paint

ACCESSORIES

See also Accessories

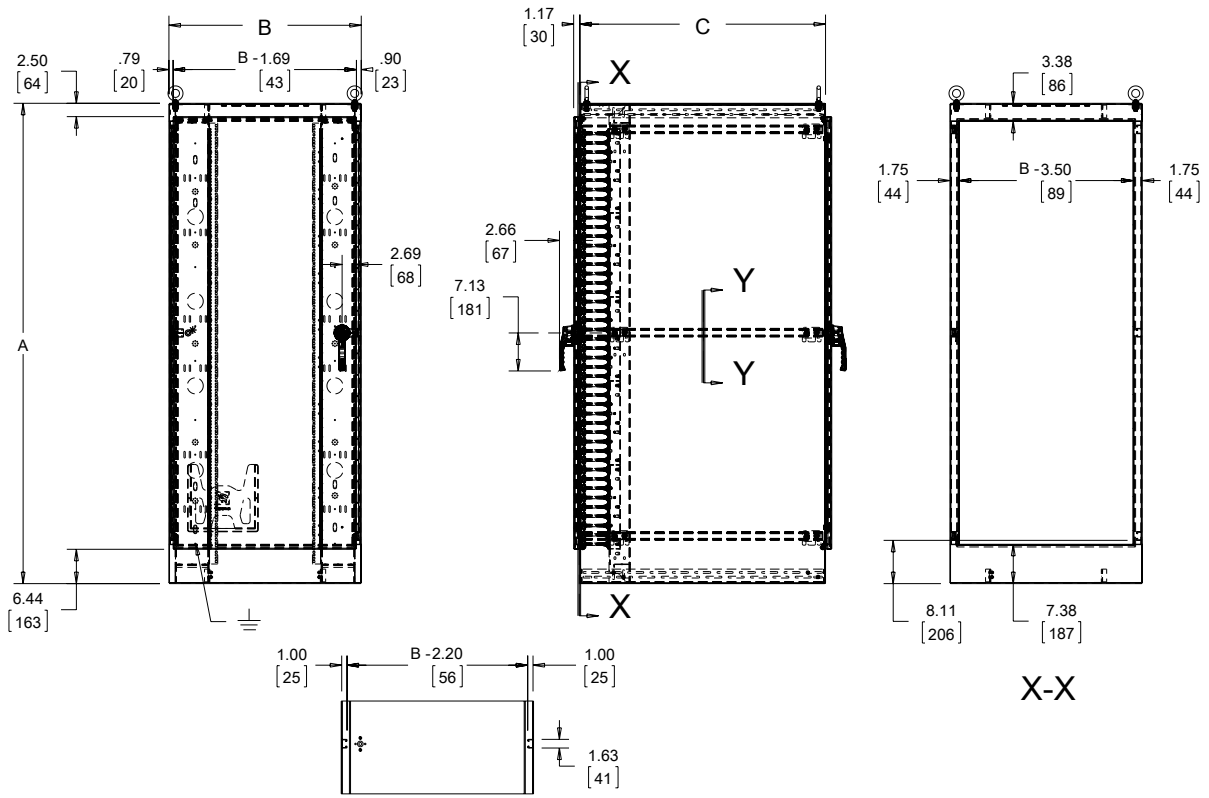
19-in. Rack-Mounted Shelves
 Seismic Expansion anchor kits
 Bonding and Grounding Kits
 Full and partial Panels (Painted and Plated)
 PDUs: 19-in. Rack- and Vertical-Mounted
 Electric Heater
 Door Stop Kit
 Cooling Products (Air Conditioners, Heaters, Fan kits)
 Enclosure Light Kits

NOTES

Contact your local sales representative for product sizes and quotes.

MODIFICATION AND CUSTOMIZATION

Hoffman excels at modifying and customizing products to your specifications. Contact your local Hoffman sales office or distributor for complete information.



Y-Y

X-X



SEISMIC FREE-STANDING, DUAL-ACCESS CABINET, TYPE 3R, 4, 4X, 12



APPLICATION

Ideal where front or front and rear access is required. These Type 3R, 4, 4X, and 12 stainless steel enclosures have sturdy unibody construction and include 19-in. rack angles to support equipment. These enclosures are ideal for housing and protecting networking and communications equipment from corrosion, liquid, and seismic events. Front rack angles on 36-in. wide models include integral, vertical cable management that supports networking (copper and fiber) and power cables.

SPECIFICATIONS

- 12 gauge steel construction
- Seams continuously welded and ground smooth; no holes or knockouts
- Lifting eyes for easy handling
- Welded front-to-rear mounting struts, 3 on each side
- Vault style 3-point latches operated by oil-tight, key-locking handle
- Concealed, removable hinges
- Seismic bottom-mounting plates (qty. 4) made of painted plate steel for 5/8-in. diameter anchors
- Data pockets are high-impact thermoplastic
- Internal mounting channels welded horizontally to sides at top, bottom and center
- 2 sets of EIA 310 specified square-hole (.375 x .375) rack angles that are infinitely adjustable front to rear
- Rear set of integral 19-in. rack angles and reducing bracket, fully adjustable front to rear
- On 36-in. wide models, front rack angles are provided which include integral, vertical, RU-aligned fingers for supporting networking (copper and fiber) power cables
- Oil-resistant door gasket
- Bonding provision on door
- Provision for mounting enclosure light kits

FINISH

Enclosures are unpainted. Covers, sides, top and bottom have smooth #3 brushed finish.

ACCESSORIES

See also Accessories

- 19-in. Rack Mounted Shelves
- Seismic Expansion anchor kits
- Bonding and Grounding Kits
- Full and Partial Panels (Painted and Plated)
- PDU's: 19-in. Rack- and Vertical-Mounted
- Electric Heater
- Door Stop Kit
- Cooling Products (Air Conditioners, Heaters, Fan kits)
- Enclosure Light Kits

NOTES

Contact your local sales representative for product sizes and quotes.

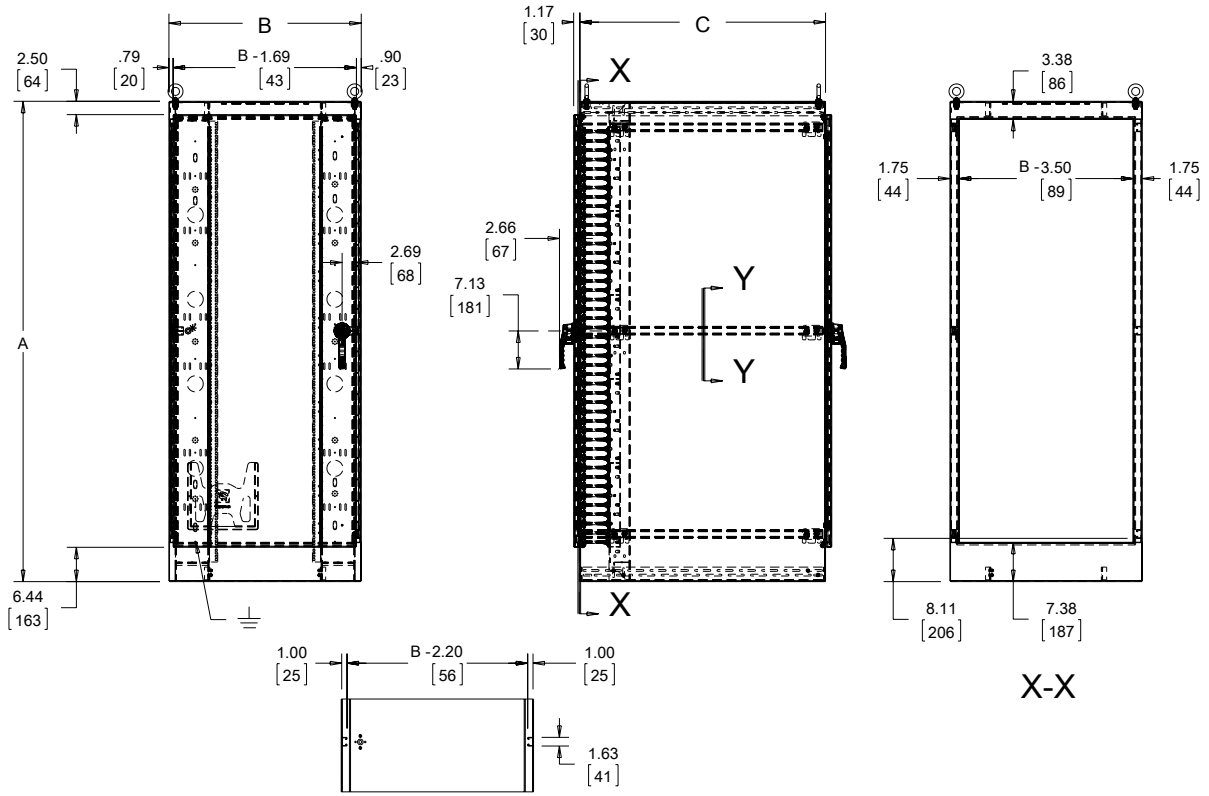
MODIFICATION AND CUSTOMIZATION

Hoffman excels at modifying and customizing products to your specifications. Contact your local Hoffman sales office or distributor for complete information.

INDUSTRY STANDARDS

UL 508A Listed; Type 3R, 4, 4X, 12; File No. E61997
 cUL Listed per CSA C22.2 No. 94; Type 3R, 4, 4X, 12; File No. E61997

- NEMA/EEMAC Type 3R, 4, 4X, 12
- E.I.A. RS310-D
- CSA, File No. 42186, Type
- IEC 60529, IP66
- OSPHD Approved OPM-0248-13, add: OPM-0247-13
- NEBS-Telecordia GR-63-CORE Zone 4: Tested with 1000 lb. of equipment installed
- Meets California Building Code (CBC) requirements



Y-Y

X-X



7

SEISMIC ACCESSORIES



To meet GR-63-CORE Zone 4 seismic standards, Free-Stand enclosures must include the following accessories (purchased separately):

For Seismic Free-Stand with Panel

- Seismic Mounting Plate Kit
- Seismic Panel Mounting Kit
- Panel, Full-Length

For Seismic Free-Stand with Rack Angles

- Seismic Mounting Plate Kit
- Rack Mounting Angles - L-Style (Type RP), Full

7

SEISMIC MOUNTING PLATE KITS



Kit of four (4) stainless steel mounting plates install in the corners at the base of the enclosure. The mounting plates come pre-drilled to accept 1/2-in., 5/8-in. or 3/4-in. diameter mounting hardware (not included).

BULLETIN: DCY

Standard Product

Catalog Number	Description	Anchor Size
ASMP12SS	Seismic Mounting Plate, 1/2-in.	1/2 in.
ASMP58SS	Seismic Mounting Plate, 5/8-in.	5/8 in.
ASMP34SS	Seismic Mounting Plate, 3/4-in.	3/4 in.

SEISMIC PANEL MOUNTING KITS



Kit of two(2) panel supports install within the enclosure. Use mounting hardware furnished within these kits along with panel hardware to mount full panels.

BULLETIN: DCY

Standard Product

Catalog Number	Description	Fits Enclosure A in./mm
ASPANKIT60	Seismic Panel Mounting Kit, 60-in.	60 1524
ASPANKIT72	Seismic Panel Mounting Kit, 72-in.	72 1829
ASPANKIT90	Seismic Panel Mounting Kit, 90-in.	90 2286

SCREW PACKAGES



Screw Packages are for mounting rack panels and equipment to rack angles.

BULLETIN: A80, DACCY, X20

Catalog Number	Color	Description	Pkg. Qty.
ES1224	Silver	12-24 x 5/8 in. combo head	20
ES1224250	Silver	12-24 x 5/8 in. combo head	250
ES1224B	Black	12-24 x 5/8in. combo head	20
ES1224B250	Black	12-24 x 5/8 in. combo head	250
ASM5	Silver	M5 x 20 mm Combo Head	20
ASM6	Silver	M6 x 16 mm combo head	20
ASM5T	Silver	M5 x 12 mm thread-forming Phillips hex head screws	20
ASM6250	Silver	M6 x 16 mm combo head	250
AS1032	Silver	10-32 x 5/8 in. combo head	20
AS1032250	Silver	10-32 x 5/8 in. combo head	250
AS1032B	Black	10-32 x 5/8 in. combo head	20

Use ASM5T on PROLINE frame or Net Series extruded holes.

CAGE NUT PACKAGE



Cage Nut Packages are for use with square-hole rack angles. Cage nuts are plated steel.

BULLETIN: DACCY

Catalog Number	Color	Description	Pkg. Qty.
PM5CN	Silver	M5 cage nut	20
PM6CN	Silver	M6 cage nut	20
PM6CN250	Silver	M6 cage nut	250
P1032CN	Silver	10-32 cage nut	20
P1032CN250	Silver	10-32 cage nut	250
P1224CN	Silver	12-24 cage nut	20
P1224CN250	Silver	12-24 cage nut	250

PANELS



Full panels mount within the enclosure using seismic panel mounting kits. Panels are 12 gauge steel and are finished with white polyester power paint or a conductive, corrosion resistant coating.

BULLETIN: PNL30, PNLFS

Standard Product

Catalog Number	Description	Panel Size in./mm	Fits Enclosure A x B in./mm
A60P24F1	Steel	48.00 x 20.00 1219 x 508	60.00 x 24.00 1524 x 610
A60P24F1G	Conductive	48.00 x 20.00 1219 x 508	60.00 x 24.00 1524 x 610
A72P24F1	Steel	60.00 x 20.00 1524 x 508	72.00 x 24.00 1829 x 610
A72P24F1G	Conductive	60.00 x 20.00 1524 x 508	72.00 x 24.00 1829 x 610
A90P24F1	Steel	1829 x 610 1981 x 508	90.00 x 24.00 90.00 x 24.00
A90P24F1G	Conductive	1829 x 610 1981 x 508	90.00 x 24.00 90.00 x 24.00
A72P30F1	Steel	60.00 x 26.00 1524 x 660	1524 x 660 1829 x 762
A72P30F1G	Conductive	60.00 x 26.00 1524 x 660	1524 x 660 1829 x 762
A60P36F1	Steel	48.00 x 32.00 48.00 x 32.00	60.00 x 36.00 1524 x 914
A60P36F1G	Conductive	48.00 x 32.00 48.00 x 32.00	60.00 x 36.00 1524 x 914
A72P36F1	Steel	60.00 x 32.00 1524 x 813	72.00 x 36.00 1829 x 914
A72P36F1G	Conductive	60.00 x 32.00 1524 x 813	72.00 x 36.00 1829 x 914
A90P36F1	Steel	78.00 x 32.00 1981 x 813	90.00 x 36.00 2286 x 914
A90P36F1G	Conductive	78.00 x 32.00 1981 x 813	90.00 x 36.00 2286 x 914

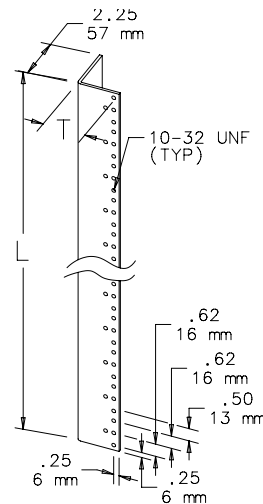


RACK MOUNTING ANGLES - L-STYLE (TYPE RP)



Pairs of full-length rack mounting angles are available for mounting 19-in. and 24-in. rack-mounted equipment. Type RP rack mounting angles are 10 gauge steel with mounting holes tapped #10-32 thread and spaced per EIA standard RS-310-D universal spacing. Angles and mounting hardware are plated. All mounting hardware is furnished.

BULLETIN: A80



C2626-C

Catalog Number	Fits Enclosure A x B in./mm	For Rack Size in./mm	K in./mm	K (m)	L in./mm	M in./mm	T in./mm	Number of Units
A60RP24F5	60.00 x 24.00 1524 x 610	19.00 483	3.78	96	49.00 1245	7.78 198	1.94 49	28
A72RP24F5	72.00 x 24.00 1829 x 610	19.00 483	3.66	93	61.25 1556	7.66 195	1.94 49	35
A72RP30F5	72.00 x 30.00 1829 x 762	24.00 610	3.66	93	61.25 1556	7.66 195	2.44 62	35
A90RP24F5	90.00 x 24.00 2286 x 610	19.00 483	3.91	99	78.75 2000	7.91 201	1.94 49	45

One unit equals 1.75 inches (44 mm).

TYPE 4X AND TYPE 12 STAINLESS STEEL SEISMIC ACCESSORIES SELECTION GUIDE

(For single-door enclosures only)

7

SEISMIC MOUNTING PLATE KITS

Catalog No.	Description	Anchor Size	Single-Door, Single Access Enclosures										Single-Door, Dual Access Enclosures										
			A602418SSFSN4	A722418SSFSN4	A723018SSFSN4	A723618SSFSN4	A902420SSFSN4	A903620SSFSN4	A603624SSFSN4	A722424SSFSN4	A723024SSFSN4	A723624SSFSN4	A903624SSFSN4	A723630SSFSN4	A723636SSFSN4	A903636SSFSN4	A722424SSFSDAN4	A723024SSFSDAN4	A723624SSFSDAN4	A903624SSFSDAN4	A722426SSFSDAN4	A723626SSFSDAN4	A903626SSFSDAN4
ASMP12SS	Seismic Mounting Plate, SS, 1/2 in.	1/2 in.	•	•	•	•	•	•	•	•	•	•	•	•	•	•	•	•	•	•	•	•	•
ASMP58SS	Seismic Mounting Plate, SS, 5/8 in.	5/8 in.	•	•	•	•	•	•	•	•	•	•	•	•	•	•	•	•	•	•	•	•	•
ASMP34SS	Seismic Mounting Plate, SS, 3/4 in.	3/4 in.	•	•	•	•	•	•	•	•	•	•	•	•	•	•	•	•	•	•	•	•	•

SEISMIC PANEL MOUNTING KITS

Catalog No.	Description	Fits Enclosure A in. (mm)	A602418SSFSN4	A722418SSFSN4	A723018SSFSN4	A723618SSFSN4	A902420SSFSN4	A903620SSFSN4	A603624SSFSN4	A722424SSFSN4	A723024SSFSN4	A723624SSFSN4	A903624SSFSN4	A723630SSFSN4	A723636SSFSN4	A903636SSFSN4	A722424SSFSDAN4	A723024SSFSDAN4	A723624SSFSDAN4	A903624SSFSDAN4	A722426SSFSDAN4	A723626SSFSDAN4	A903626SSFSDAN4	
ASPANKIT60	Seismic Panel Mounting Kit, 60 in.	60.00 (1524)	•						•															
ASPANKIT72	Seismic Panel Mounting Kit, 72 in.	72.00 (1829)		•	•	•				•	•	•		•	•		•	•	•		•	•	•	
ASPANKIT90	Seismic Panel Mounting Kit, 90 in.	90.00 (2286)					•	•					•		•					•				•

PANELS, FULL

Catalog Number																								
Steel	Conductive	Panel Size in. (mm)	Fits Enclosure A x B in. (mm)	A602418SSFSN4	A722418SSFSN4	A723018SSFSN4	A723618SSFSN4	A902420SSFSN4	A903620SSFSN4	A603624SSFSN4	A722424SSFSN4	A723024SSFSN4	A723624SSFSN4	A903624SSFSN4	A723630SSFSN4	A723636SSFSN4	A903636SSFSN4	A722424SSFSDAN4	A723024SSFSDAN4	A723624SSFSDAN4	A903624SSFSDAN4	A722426SSFSDAN4	A723626SSFSDAN4	A903626SSFSDAN4
A60P24F1	A60P24F1G	48.00 x 20.00 (1219 x 508)	60.00 x 24.00 (1524 x 610)	•																				
A72P24F1	A72P24F1G	60.00 x 20.00 (1524 x 508)	72.00 x 24.00 (1829 x 610)		•					•								•				•	•	
A90P24F1	A90P24F1G	78.00 x 20.00 (1981 x 508)	90.00 x 24.00 (2286 x 610)					•																
A72P30F1	A72P30F1G	60.00 x 26.00 (1524 x 660)	72.00 x 30.00 (1829 x 762)			•					•								•					
A60P36F1	A60P36F1G	48.00 x 32.00 (1219 x 813)	60.00 x 36.00 (1524 x 914)							•														
A72P36F1	A72P36F1G	60.00 x 32.00 (1524 x 813)	72.00 x 36.00 (1829 x 914)				•				•			•	•				•				•	
A90P36F1	A90P36F1G	78.00 x 32.00 (1981 x 813)	90.00 x 36.00 (2286 x 914)					•						•		•					•			•

RACK MOUNTING ANGLES, L-STYLE (TYPE RP), FULL LENGTH

Catalog No.	Fits Enclosure A x B in. (mm)	For Rack Size in. (mm)	A602418SSFSN4	A722418SSFSN4	A723018SSFSN4	A723618SSFSN4	A902420SSFSN4	A903620SSFSN4	A603624SSFSN4	A722424SSFSN4	A723024SSFSN4	A723624SSFSN4	A903624SSFSN4	A723630SSFSN4	A723636SSFSN4	A903636SSFSN4	A722424SSFSDAN4	A723024SSFSDAN4	A723624SSFSDAN4	A903624SSFSDAN4	A722426SSFSDAN4	A723626SSFSDAN4	A903626SSFSDAN4	
A60RP24F5	60.00 x 24.00 (1524 x 610)	19.00 (483)	•																					
A72RP24F5	72.00 x 24.00 (1829 x 610)	19.00 (483)		•						•								•				•	•	
A72RP30F5	72.00 x 30.00 (1829 x 762)	24.00 (610)			•						•							•						
A90RP24F5	90.00 x 24.00 (2286 x 610)	19.00 (483)					•																	•

TYPE 12 MILD STEEL SEISMIC ACCESSORIES SELECTION GUIDE

(For single-door enclosures only)

SEISMIC MOUNTING PLATE KITS

Catalog No.	Description	Anchor Size	Single-Door, Single Access Enclosures										Single-Door, Dual Access Enclosures												
			A602418SSFS	A722418SSFS	A723018SSFS	A723618SSFS	A902420SSFS	A903620SSFS	A603624SSFS	A722424SSFS	A723024SSFS	A723624SSFS	A903624SSFS	A723630SSFS	A723636SSFS	A903636SSFS	A722424SSFSDA	A723024SSFSDA	A723624SSFSDA	A903624SSFSDA	A722430SSFSDA	A722426SSFSDA	A723636SSFSDA	A903636SSFSDA	
ASMP12SS	Seismic Mounting Plate, SS, 1/2 in.	1/2 in.	•	•	•	•	•	•	•	•	•	•	•	•	•	•	•	•	•	•	•	•	•	•	•
ASMP58SS	Seismic Mounting Plate, SS, 5/8 in.	5/8 in.	•	•	•	•	•	•	•	•	•	•	•	•	•	•	•	•	•	•	•	•	•	•	•
ASMP34SS	Seismic Mounting Plate, SS, 3/4 in.	3/4 in.	•	•	•	•	•	•	•	•	•	•	•	•	•	•	•	•	•	•	•	•	•	•	•

SEISMIC PANEL MOUNTING KITS

Catalog No.	Description	Fits Enclosure A in. (mm)	A602418SSFS	A722418SSFS	A723018SSFS	A723618SSFS	A902420SSFS	A903620SSFS	A603624SSFS	A722424SSFS	A723024SSFS	A723624SSFS	A903624SSFS	A723630SSFS	A723636SSFS	A903636SSFS	A722424SSFSDA	A723024SSFSDA	A723624SSFSDA	A903624SSFSDA	A722430SSFSDA	A722426SSFSDA	A723636SSFSDA	A903636SSFSDA	
ASPANKIT60	Seismic Panel Mounting Kit, 60 in.	60.00 (1524)	•					•																	
ASPANKIT72	Seismic Panel Mounting Kit, 72 in.	72.00 (1829)		•	•	•				•	•							•	•				•	•	
ASPANKIT90	Seismic Panel Mounting Kit, 90 in.	90.00 (2286)					•	•								•				•				•	

PANELS, FULL

Catalog Number	Steel	Conductive Panel Size in. (mm)	Fits Enclosure A x B in. (mm)	A602418SSFS	A722418SSFS	A723018SSFS	A723618SSFS	A902420SSFS	A903620SSFS	A603624SSFS	A722424SSFS	A723024SSFS	A723624SSFS	A903624SSFS	A723630SSFS	A723636SSFS	A903636SSFS	A722424SSFSDA	A723024SSFSDA	A723624SSFSDA	A903624SSFSDA	A722430SSFSDA	A722426SSFSDA	A723636SSFSDA	A903636SSFSDA
A60P24F1	A60P24F1G	48.00 x 20.00 (1219 x 508)	60.00 x 24.00 (1524 x 610)	•																					
A72P24F1	A72P24F1G	60.00 x 20.00 (1524 x 508)	72.00 x 24.00 (1829 x 610)		•					•									•				•	•	
A90P24F1	A90P24F1G	78.00 x 20.00 (1981 x 508)	90.00 x 24.00 (2286 x 610)					•																	
A72P30F1	A72P30F1G	60.00 x 26.00 (1524 x 660)	72.00 x 30.00 (1829 x 762)			•					•								•						
A60P36F1	A60P36F1G	48.00 x 32.00 (1219 x 813)	60.00 x 36.00 (1524 x 914)							•															
A72P36F1	A72P36F1G	60.00 x 32.00 (1524 x 813)	72.00 x 36.00 (1829 x 914)				•				•		•	•					•					•	
A90P36F1	A90P36F1G	78.00 x 32.00 (1981 x 813)	90.00 x 36.00 (2286 x 914)					•				•					•				•				•

RACK MOUNTING ANGLES, L-STYLE (TYPE RP), FULL LENGTH

Catalog No.	Fits Enclosure A x B in. (mm)	For Rack Size in. (mm)	A602418SSFS	A722418SSFS	A723018SSFS	A723618SSFS	A902420SSFS	A903620SSFS	A603624SSFS	A722424SSFS	A723024SSFS	A723624SSFS	A903624SSFS	A723630SSFS	A723636SSFS	A903636SSFS	A722424SSFSDA	A723024SSFSDA	A723624SSFSDA	A903624SSFSDA	A722430SSFSDA	A722426SSFSDA	A723636SSFSDA	A903636SSFSDA	
A60RP24F5	60.00 x 24.00 (1524 x 610)	19.00 (483)	•																						
A72RP24F5	72.00 x 24.00 (1829 x 610)	19.00 (483)		•						•								•					•	•	
A72RP30F5	72.00 x 30.00 (1829 x 762)	24.00 (610)			•						•								•						
A90RP24F5	90.00 x 24.00 (2286 x 610)	19.00 (483)					•										•				•				•

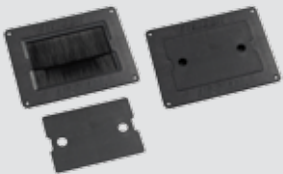




Hoffman

CHAPTER 8 COOLING

FEATURED PRODUCTS

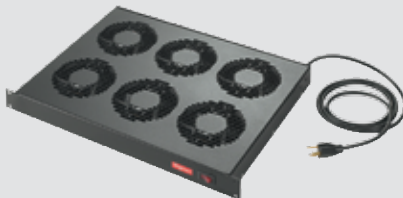


DATA CENTER FLOOR BRUSH KITS

Floor brush kits provide convenient, safe passage of cables from under a data center raised floor into a cabinet or rack. Overlapping brushes block cold air flow, improving data center efficiency and reducing operating costs. Available in 2- and 1-piece configurations.

FAN TRAYS

Fan trays enhance the natural convection airflow within a cabinet when installed with other 19-in. rack-mounted equipment. Fan trays are available with quiet, 4-in. or 6-in. cooling fans with optional fan speed controls to adjust fan speed or airflow.



COMPACT COOLING FANS

When enclosure space is limited and quiet, reliable cooling is required, compact cooling fans provide the ideal solution. Fans are engineered for 50,000 hours of continuous operation without lubrication or service.



CHAPTER CONTENTS

COOLING

FLOOR BRUSH KITS

Floor Brush Kits	206
2-Piece Flush-Mount Floor Brush Kit with Cover	207
1-Piece Flush-Mount Floor Brush Kit with Cover and Two-Stage Sealing.	207
2-Piece Surface-Mount Retrofit Floor Brush Kits.	208
Adjustable Floor Brush Kits	208

FAN TRAY

Rack-Mountable 19-in. Fan Tray	209
Fan Speed Controls.	210

COMPACT COOLING FANS AND ACCESSORIES

Compact Axial Fans	211
Fan Cords	212
Fan Cords With Inline Thermostat	213
Fan Filter and Finger Guard Kit	213
Finger Guards	213
Fan Brackets	213
Temperature Control Switches	214

COOLING FAN AND EXHAUST PACKAGES WITH ACCESSORIES

TFP Side-Mount	215
TFP Optional Grilles and Replacement Filters	218
TFP EMC Upgrade Kit	218

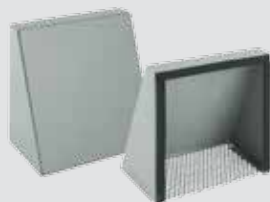
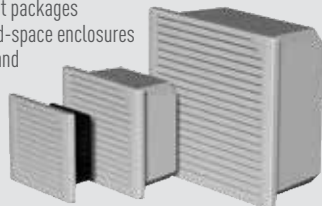
FAN SHROUD KIT

Fan Shroud Kit, Type 3R	219
-----------------------------------	-----



COOLING FAN AND EXHAUST PACKAGES

Cooling fan and exhaust packages are designed for limited-space enclosures that require a reliable and filtered airflow.



FAN SHROUD KITS

Fan shroud kits protect outdoor enclosure openings from rain, sleet and snow.

FLOOR BRUSH KITS

INDUSTRY STANDARDS

Designed to meet the following standards:

- Flame resistant VO rating per ANSI/UL94 ("Tests for Flammability of Plastic Material for Parts in Devices and Appliances")
- RoHS compliant
- 2008 NEC code compliant with requirements of Article 645.5 (D) (5)
- NFPA 75 Section 5-4.4

APPLICATION

These Floor Brush Kits provide convenient, safe passage of cables from under a raised floor application into a cabinet or rack. The overlapping brushes conform around the cables and block the flow of cold air. This improves equipment and energy efficiency, reducing operating costs by minimizing or eliminating up to 90 percent of cold air leakage through the raised floor cutout.

FEATURES

- Blocks up to 90 percent of cold air leakage around power and data cables
- Flush mounts provide a low profile and grommet to raised-floor panel cutouts (required by NEC and NFPA)
- Surface mount provides an easy-to-use retrofit to existing raised-floor cutouts

- Adjustable flush mount provides an extra-large cable capacity and can be cut to size to fit the application
- Overlapping bristles conform around data and power cables to minimize air leakage through raised floor and improve overall cooling efficiency
- Reduction of cold air loss through raised-floor plenums helps to increase under floor static pressure
- Cover provides protection during build out
- Smooth, rounded low-profile flush mount edges protect cables from sharp raised-floor edges
- Two-piece surface mount and adjustable floor brush kits have self-sticking adhesive to expedite installation
- Raised-floor tiles need not be removed for installation
- Brush kits can also be used on cabinets or other locations that need to provide cable egress and prevent air leakage or contaminants from entering
- Self-tapping screws included

SPECIFICATIONS

- ABS polycarbonate housing
- Nylon polymer bristles
- EPDM gasket

FINISH

Black finish inside and out

BULLETIN: DACCY
Cable Area and Fill

Catalog Number	Usable Cable Area		No. Cables at 60% Fill		No. Cables at 60% Fill	
	D x E (in.)	Area (in. ²)	5e	6	6A	6A
DFB410F	9.25 x 3.00	27.75	438	339		235
DFB57F	7.49 x 4.86	36.40	575	445		309
DFB66S	7.00 x 6.25	43.75	691	535		371
DFBA1024F	23.50 x 9.19	215.97	3409	2639		1833

DFBA1024F - at maximum size.

Cable Fill for Floor Brush Kits

Cable Category	5e	6	6A
Diameter (in.)	.22	.25	.30
Area (in. ²)	.0380	.0491	.0707

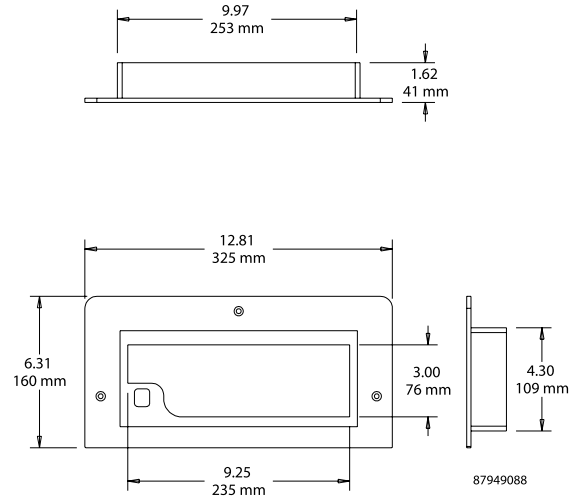
2-PIECE FLUSH-MOUNT FLOOR BRUSH KIT WITH COVER



Use Flush-Mount Floor Brush Kit with removable brush and solid cover for new installations. Install two kits when large bundles of cables are needed. Removable back brush allows floor tile removal without disconnecting cables. There's no need for an oversized cutout because the removable back brush allows large connectors to pass through the grommet. Removable solid safety cover allows installation of the grommet during the construction phase and eliminates the risk of injury by stepping through the grommet opening. OSHA jobsite standards require open holes in floor panels to be covered. **NEC, UL and NEMA require safety covers and cable protection against sharp edges.**

BULLETIN: DACCY

Catalog Number	Description	Max. H x W x D in./mm	Cable Egress in./mm
DFB410F	Flush-Mount Floor Brush with cover and removable brush	6.31 x 12.81 x 1.62 160 x 325 x 41	3.50 x 9.50 89 x 241



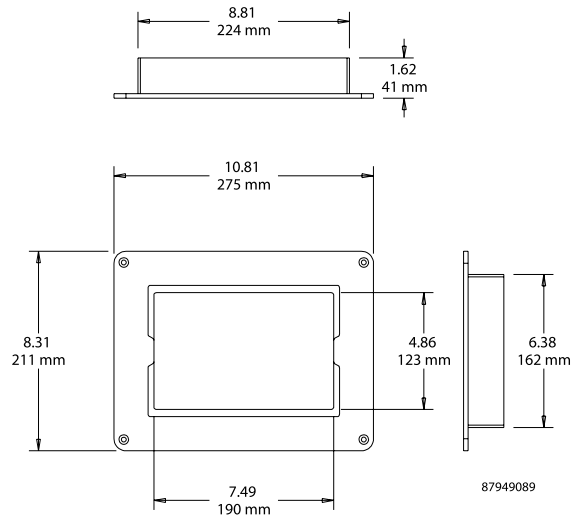
1-PIECE FLUSH-MOUNT FLOOR BRUSH KIT WITH COVER AND TWO-STAGE SEALING



Flush-Mount Floor Brush Kit with Cover is a heavy-duty two-stage sealing system. Brush and EPDM gasket provide the most effective air seal. Heavy-duty, integrated safety cover allows installation of the grommet during the construction phase and eliminates the risk of injury by stepping through the grommet opening. OSHA jobsite standards require open holes in floor panels to be covered. Easy-to-install system integrates with the access floor static dissipative system. **NEC, UL and NEMA require safety covers and cable protection against sharp edges.**

BULLETIN: DACCY

Catalog Number	Description	Cable Egress in./mm
DFB57F	Flush-Mount Floor Brush Kit with Cover	7.49 x 4.86 190 x 123



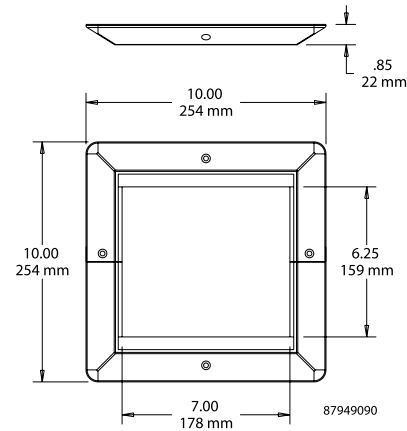
2-PIECE SURFACE-MOUNT RETROFIT FLOOR BRUSH KITS



Use Surface-Mount Floor Brush Kits to cover existing floor cutouts. Two-piece assembly retrofits around existing cables without disconnecting the cables. Mounting hardware and adhesive included.

NEC, UL and NEMA require safety covers and cable protection against sharp edges.

BULLETIN: DACCY



8

Catalog Number	Description	Cable Egress in./mm
DFB66S	Surface-Mount Floor Brush Kit	6.50 x 6.50 165 x 165

ADJUSTABLE FLOOR BRUSH KITS

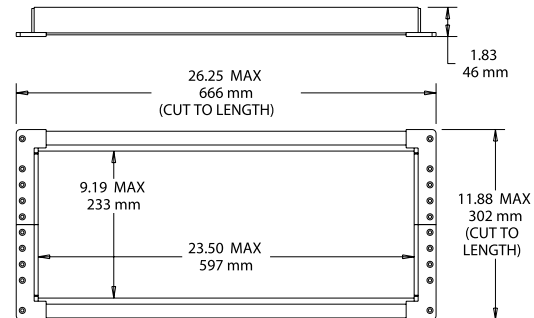


Use Floor Brush Kits to seal odd-sized cutouts. Cut-to-fit design is easy to install with factory-applied adhesive strips. Engineered side rail clips provide cable protection per NFPA 75, Section S-4.4.

NEC, UL and NEMA require safety covers and cable protection against sharp edges.

BULLETIN: DACCY

Catalog Number	Description	Max. H x W x D in./mm	Cable Egress in./mm
DFBA1024F	Adjustable Floor Brush Kit	11.88 x 26.25 x 1.83 302 x 667 x 46	9.75 x 24.00 248 x 610



87949091

RACK-MOUNTABLE 19-IN. FAN TRAY



FEATURES

- Fan trays available with either three or six 4-in. fans
- Includes 72-in. (1829-mm) power cord with IEC 320 standard power socket
- Power cord plugs into standard 115 VAC outlet
- Lighted rocker switch provides on-off control and indicates when fans are on

FINISH

RAL 9005 black, lightly textured polyester powder paint

ACCESSORIES

Rack mounting hardware

BULLETIN: DTHRM

APPLICATION

Fan trays enhance the natural convection airflow within a cabinet when installed with other 19-in. rack-mount equipment.

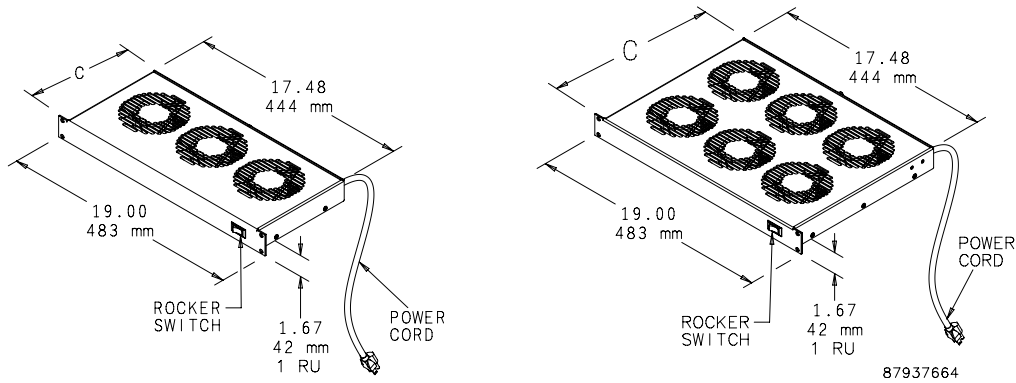
Standard Products

Catalog Number	Number of Fans	Power (W)	Max Airflow (CFM)	C (in.)	C (mm)
A19FT3B	3	45	253	8.10	206
A19FT6B	6	90	506	12.96	329

Technical Performance per 4-Inch Fan

Operating Voltage (VAC)	Operating Frequency (Hz)	Nominal Airflow Capacity (CFM)	Noise Level (dB)	Max. Static Pressure (in. WC)	Max. Operating Temperature (°F)	Max. Operating Temperature (°C)	Power Consumption (W)
115	60	102	41	0.27	158	70	15

Nominal Airflow capacity rating applies to fans before installation in fan tray.



87937664



FAN SPEED CONTROLS



INDUSTRY STANDARDS

(both controls)

UL 508 Listed; File No. E249700
 cUL Listed per CSA C22.2 No. 14; File No. E249700

APPLICATION

Perfect for offices, classrooms and other noise-sensitive areas, Fan Speed Controls optimize airflow in a cabinet or rack, balancing air volume requirements with noise level and power use.

FEATURES

AFANTSC Panel-Mount Fan Speed Control

- Automatically adjusts fan speed depending on remote temperature sensor input
- Temperature set point is field adjustable; preset at 35 C (95 F)
- Idle speed and temperature slope are field-adjustable
- Push-to-reset thermal circuit breaker inside control housing
- Compact polycarbonate control housing can be mounted in any position
- NEMA 5-15R outlet provides power to fan
- Six-foot (1.83-m) power cord plugs into standard 120 V, 50 or 60 Hz outlet
- Remote temperature sensor with 10-ft. (3.05-m) lead mounts in airflow
- Mounting brackets included

A19FANSC 19-in. Rack-Mount Fan Speed Control

- Continuously variable fan speed control knob with minimum speed adjustment
- Uses 1 RU rack space
- Steel construction
- Two NEMA 5-15R outlets provide power to fan
- Six-foot (1.83-m) power cord plugs into standard 120 V 60 Hz outlet

FINISH

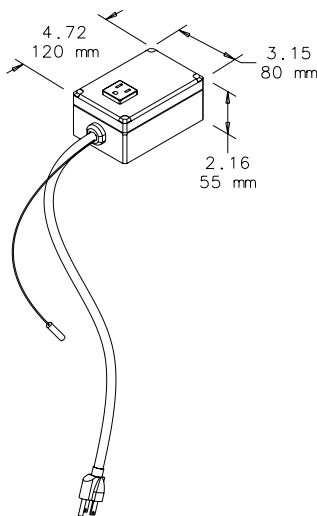
- AFANTSC: Light-gray polycarbonate control housing
- A19FANSC: RAL 9005 black polyester powder paint

BULLETIN: DTHRM

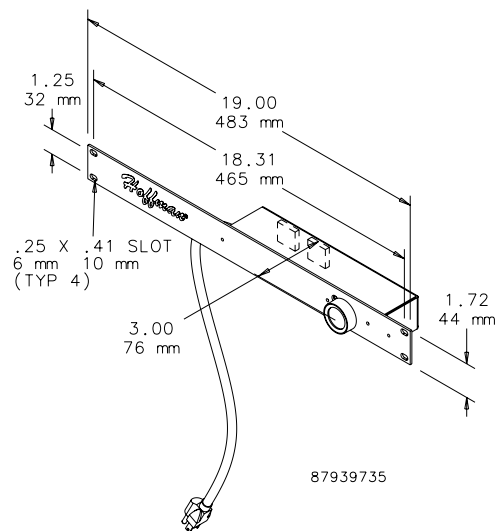
Standard Products

Catalog Number	Description	Application	Voltage and Frequency	Current Draw	Temperature Settings (°C)	Temperature Settings (°F)
AFANTSC	Panel-Mount Fan Speed Control	Fan speed controlled automatically with remote temperature sensor	120 VAC 50/60 Hz	2 A max.	30, 35, 40, 45	86, 95, 104, 113
A19FANSC	19-in. Rack-Mount Fan Speed Control	Fan speed adjusted manually	120 VAC 60 Hz	4 A max.	Continuously variable	Continuously variable

Panel Mount Fan Speed Control



19 inch Rack Mount Fan Speed Control



87939735

COMPACT AXIAL FANS



INDUSTRY STANDARDS

UL Component Recognized

CSA certified

APPLICATION

Compact Cooling Fans are ideal for applications where enclosure space is limited and quiet, reliable cooling is required. Engineered for 50,000 hours of continuous operation without lubrication or service.

Installation

Can be installed on any surface of an enclosure. With the addition of accessory fan brackets, Compact Cooling Fans can also be installed in any position inside the enclosure for spot cooling or air circulation.

FEATURES

- Maximum operating temperature is 158 F (70 C)
- 4-in. fan is thermally protected and uses permanently lubricated ball bearings
- 6- and 10-in. fans have ball-bearing construction and split-capacitor motors
- Split-capacitor motors are thermally protected to avoid premature failure
- Dynamically balanced impellers molded from polycarbonate material
- One finger guard is furnished (additional finger guards are available)
- All mounting hardware is provided

Fan bracket and additional finger guards must be purchased separately

- 240 and 560 CFM fans have ball bearing construction and split capacitor motors
- Fans have leadwires with ends stripped 1/2-in. (12-mm) or 6-ft. (1.8-m) cord with polarized plug for power connections

Consult your local Hoffman sales office for information on modifications to this product

FINISH

Fan housing is black.

ACCESSORIES

- Fan Brackets
- Finger Guards
- Temperature Control Switch

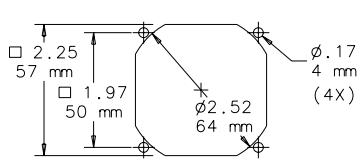
BULLETIN: D85

Standard Product and Cutout Dimensions

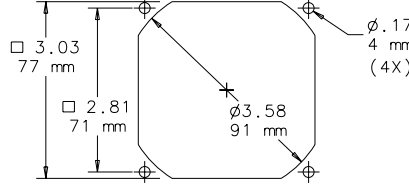
Catalog Number	Nominal Size	Voltage	A in./mm	D in./mm	E in./mm	J in./mm	K in./mm	L in./mm	M in./mm
A2AXFN24	2	24 VDC	— —	1.97 50	.98 25	1.97 50	.98 25	— —	— —
A3AXFN	3	115 VAC	— —	2.81 71	1.40 36	2.81 71	1.40 36	— —	— —
A3AXFN24	3	24 VDC	— —	2.81 71	1.40 36	2.81 71	1.40 36	— —	— —
A4AXFNGQ	4	115 VAC	4.62 117	4.12 105	2.06 52	4.12 105	2.06 52	— —	— —
A4AXFNPG	4	115 VAC	4.62 117	4.12 105	2.06 52	4.12 105	2.06 52	— —	— —
A4AXFN	4	115 VAC	4.62 117	4.12 105	2.06 52	4.12 105	2.06 52	— —	— —
A4AXFN2	4	230 VAC	4.62 117	4.12 105	2.06 52	4.12 105	2.06 52	— —	— —
A4AXFN24	4	24 VDC	4.62 117	4.12 105	2.06 52	4.12 105	2.06 52	— —	— —
A6AXFNGQ	6	115 VAC	5.88 149	— —	— —	— —	— —	3.19 81	6.38 162
A6AXFNPG	6	115 VAC	5.88 149	— —	— —	— —	— —	3.19 81	6.38 162
A6AXFN	6	115 VAC	5.88 149	— —	— —	— —	— —	3.19 81	6.38 162
A6AXFN2	6	230 VAC	5.88 149	— —	— —	— —	— —	3.19 81	6.38 162
A6AXFN24	6	24 VDC	5.88 149	— —	— —	— —	— —	3.19 81	6.38 162
A10AXFNPG	10	115 VAC	9.00 229	6.88 175	3.44 87	6.88 175	3.4 87	— —	— —
A10AXFN	10	115 VAC	9.00 229	6.88 175	3.44 87	6.88 175	3.44 87	— —	— —
A10AXFN2	10	230 VAC	9.00 229	6.88 175	3.44 87	6.88 175	3.44 87	— —	— —

CFM without exhaust grille

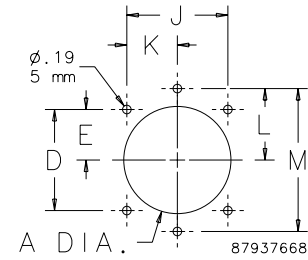




MOUNTING CUTOUT DIMENSIONS 2 INCH



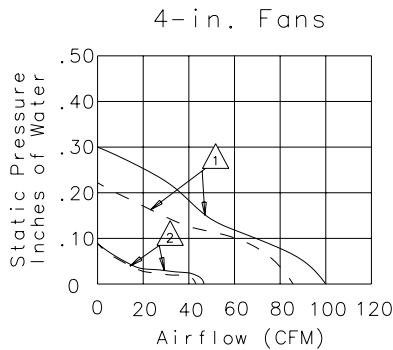
MOUNTING CUTOUT DIMENSIONS 3 INCH



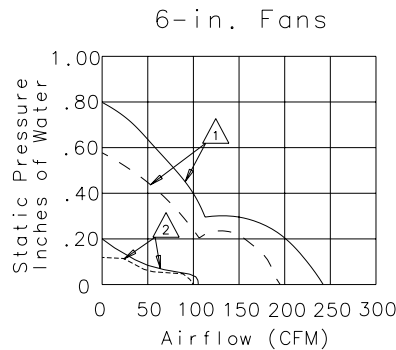
MOUNTING CUTOUT DIMENSIONS 4, 6, 10 INCH

Technical/Performance Data for Compact Cooling Fans

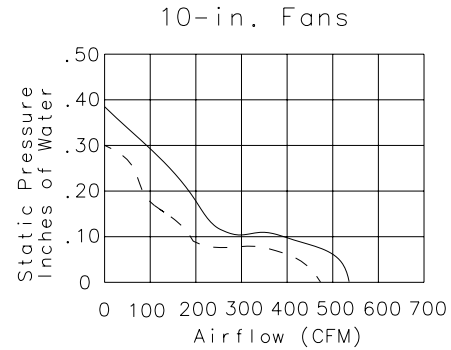
Catalog Number	Nominal Size	Power Connection	Voltage	A \bar{d} 50/60 Hz	W \bar{d} 50/60 Hz	CFM \bar{d} 50/60 Hz	Fan Size (in. ²)	Fan Depth	Max. Motor Operating RPM \bar{d} 50/60 Hz	Noise SIL (dB)
A2AXFN24	2	Lead wires	24 VDC	.09	2.16	21.5	2.36	.98 in.	4550	65
A3AXFN	3	Lead wires	115 VAC	.09	7	27	3.15	1.50 in.	2700	40
A3AXFN24	3	Lead wires	24 VDC	.14	3.36	40	3.15	.98 in.	3400	35
A4AXFNGQ	4 (Quiet Fan)	Power cord	115 VAC	.09/.08	6/5	46/49	4.69	1.52 in.	1350/1450	27/28
A4AXFNPG	4	Power cord	115 VAC	.26/.21	17/15	85/100	4.69	1.52 in.	2415/2900	37/41
A4AXFN	4	Lead wires	115 VAC	.26/.21	17/15	85/100	4.69	1.52 in.	2415/2900	37/41
A4AXFN2	4	Lead wires	230 VAC	.14/.11	16/14	85/100	4.69	1.52 in.	2415/2900	37/41
A4AXFN24	4	Lead wires	24 VDC	.35	8.4	118	4.69	1.52 in.	3200	46.5
A6AXFNGQ	6 (Quiet Fan)	Power cord	115 VAC	.16/.19	16/18	85/102	6.77	1.50 in.	1400/1650	35/38
A6AXFNPG	6	Power cord	115 VAC	.45/36	36/32	200/240	6.77	1.50 in.	2670/3200	50/56
A6AXFN	6	Lead wires	115 VAC	.45/36	36/32	200/240	6.77	1.50 in.	2670/3200	50/56
A6AXFN2	6	Lead wires	230 VAC	.23/.18	39/35	200/240	6.77	1.50 in.	2670/3200	50/56
A6AXFN24	6	Lead wires	24 VDC	.88	21.1	280	6.77	2.00 in.	3750	62.5
A10AXFNPG	10	Power cord	115 VAC	1.0/.88	36/36	480/560	10.00	3.50 in.	1350/1650	45.8/49
A10AXFN	10	Lead wires	115 VAC	1.0/.88	36/36	480/560	10.00	3.50 in.	1350/1650	45.8/49
A10AXFN2	10	Lead wires	230 VAC	.47/.43	36/36	480/560	10.00	3.50 in.	1350/1650	45.8/49

Performance Curves for Compact Axial Fans


FNPG, FN, FN2 models
 FNGQ models



(Curves represent fan performance only.)



————— 60 Hz
 - - - - - 50 Hz

87744317

FAN CORDS


Used to power Compact Cooling Fans when positive ground of the cabinet case is required. Available with connectors for one or two fans. Five-foot (1.52-meter) cord with grounded three-prong plug. Fits A4AXFNPG, A6AXFNPG, A10AXFNPG, A4AXFNGQ and A10AXFNGQ.

BULLETIN: DTHRM

Catalog Number	Description
ACORD1	One connector
ACORD2	Two connectors

FAN CORDS WITH INLINE THERMOSTAT



Use to power 110-120 VAC Compact Cooling Fans; replaces existing supplied power cord. Fan cord includes inline thermostat. The cord automatically activates up to two fans. Fan(s) will turn on when the inline thermostat reaches 85F (30C). Fan(s) will run only when temperature is above 85F (30C).

BULLETIN: DTHRM

Catalog Number	Description	Fan activation temperature	Voltage	Amps
ACORD2T	Two-connector fan power cord with inline thermostat	85 F (30 C)	110-120 VAC	10 amps max.

FAN FILTER AND FINGER GUARD KIT

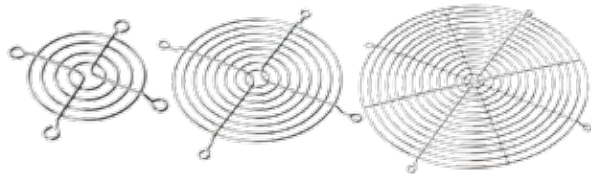


Low-density filter kit for 4-in. (102-mm) and 6-in. (152-mm) fans. Can also be used as vent. Filter is removable and can be cleaned and reused. Mounting hardware included.

BULLETIN: DTHRM, DWS1

Catalog Number	Description	Fits
AFLTR4LD	Fan Filter and Finger Guard Kit	4-in. fans
AFLTR6LD	Fan Filter and Finger Guard Kit	6-in. fans

FINGER GUARDS

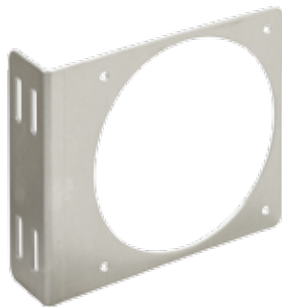


One finger guard is included with each Compact Cooling Fan and Cooling Fan Package. Additional Finger Guards can be mounted on either side of the fan for maximum safety. All guards are chrome-plated and meet UL 507 .25-in. plug gauge test.

BULLETIN: D85

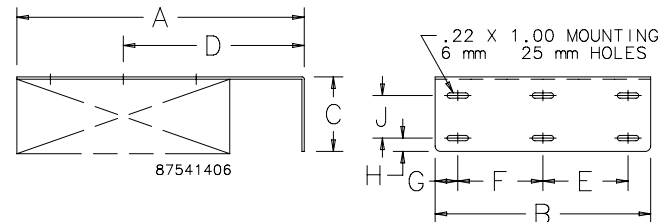
Catalog Number	Use on Compact Cooling Fan Catalog Numbers
AGARD2	A2AXFN24
AGARD3	A3AXFN, A3AXFN24
AGARD4	A4AXFNPG, A4XFNGQ, A4AXFN, A4AXFN2
AGARD6	A6AXFNPG, A6AXFNGQ, A6AXFN, A6AXFN2
AGARD10	A10AXFNPG, A10AXFNQR, A10AXFN, A10AXFN2

FAN BRACKETS



Designed to provide easy mounting of Hoffman cooling fans on enclosure panels. Brackets can be used for general air circulation or to direct air at problem areas. All sizes are .100-in. aluminum. Package quantity of 1 bracket. Fans must be ordered separately.

BULLETIN: D85



Catalog Number	AxBxC in./mm	Used with Fan Catalog Number	D in./mm	E in./mm	F in./mm	G in./mm	H in./mm	J in./mm
ABRKT2	3.75 x 2.75 x 1.50 95 x 70 x 38	A2AXFN24	2.38 60	— —	1.75 44	.50 13	.37 9	.62 16
ABRKT3	4.50 x 3.50 x 1.50 114 x 89 x 38	A3AXFN, A3AXFN24	2.75 70	— —	2.50 64	.50 13	.37 9	.62 16
ABRKT4	6.00 x 5.00 x 1.50 152 x 127 x 38	A4AXFNPG, A4XFNGQ, A4AXFN, or A4AXFN2	3.50 89	— —	3.00 76	1.00 25	.38 10	.62 16
ABRKT6	10.00 x 6.88 x 2.00 254 x 175 x 51	A6AXFNPG, A6AXFNGQ, A6AXFN, or A6AXFN2	6.50 51	— —	5.00 127	.94 24	.38 10	1.00 25
ABRKT10	13.50 x 10.12 x 3.50 343 x 257 x 89	A10AXFNPG, A10AXFNGQ, A10AXFN, or A10AXFN2	8.50 216	4.00 102	4.00 102	1.06 27	.62 16	2.00 51



TEMPERATURE CONTROL SWITCHES



FEATURES

- Additional label for conversion to Celsius scale and blank label to cover set point range label when adjustment after initial setting is not desired are included
- Bimetal temperature sensor
- Plastic housing
- Connections consist of tubular screw terminals for AWG 14 (.04 sq. in.)
- Provision for both panel mounting and DIN rail mounting

FINISH

Molded plastic housing is black

BULLETIN: D85

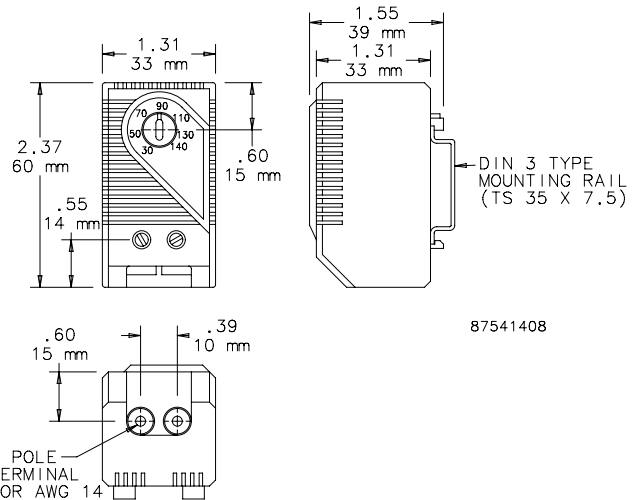
INDUSTRY STANDARDS

cURus; File No. E164102
UL94-V0

Protection rating IEC IP30
CSA Certified, File Number 215952
CE

APPLICATION

These easy-to-install thermostats regulate and monitor air temperature in enclosures that contain heat-emitting equipment. Thermostats prolong heater and fan life expectancy by controlling operation time and increase electrical component working efficiency by exposing them to fewer environmental contaminants.



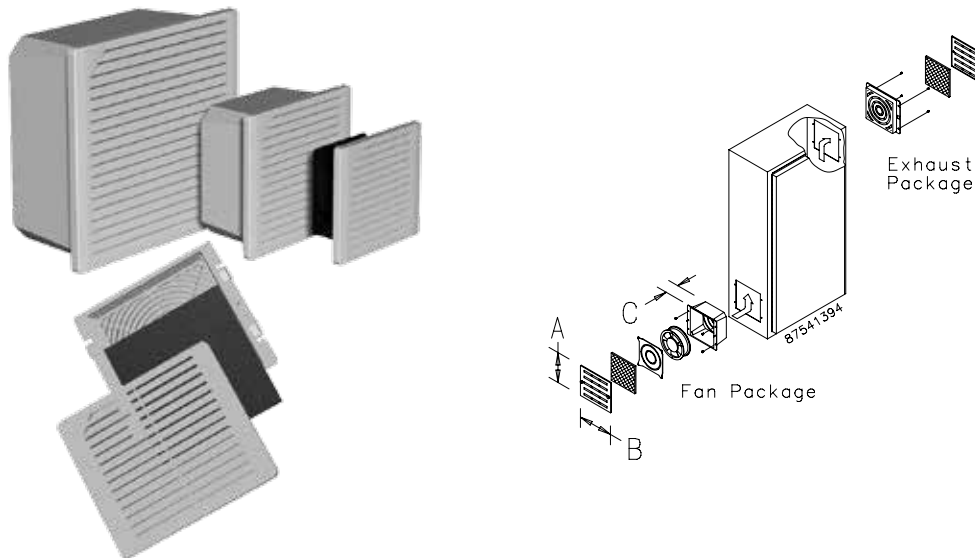
Standard Product

Catalog Number	Contact Type	Control Application
ATEMNC	NC (normally closed), quick acting	Heater
ATEMNO	NO (normally open), quick acting	Fan

Switching Capacity

Load	Amps
Maximum load	15 A resistive / 2 A inductive @ 120 VAC 10 A resistive / 2 A inductive @ 250 VAC
Minimum load	DC 30 W 20 mA (all voltages)

TFP SIDE-MOUNT



INDUSTRY STANDARDS

UL 508A Component Recognized, File Number E61997
 TFP# Models: Type 1
 TFP# UL 12 Models: Type 12

CSA certified (fan only)
 CE

APPLICATION

Cooling Fan and Exhaust Packages are designed for limited-space enclosures that require a reliable and filtered airflow. Where positive airflow is not required, Exhaust Packages can be used on both the inlet and outlet.
 Engineered for 50,000 hours of continuous operation without lubrication or service. For both Type 1 and Type 12 systems a monthly maintenance schedule is recommended to ensure optimal cooling performance.

FEATURES

- Cooling Fan Package includes fan, air filter, composite air plenum, finger guard and grille
- Exhaust Package includes air filter, filter retainer with integral finger guard and grille
- EMC Upgrade Kit includes a grille standoff collar and a special EMC shielding grille
- Washable foam (Type 1) or disposable (Type 12) filter in fan. Optional washable aluminum air filter is available for Type 1 applications.
- Dynamically-balanced fan impellers molded from polycarbonate material
- 4-in. fan is thermally protected and uses permanently-lubricated ball bearings
- 6- and 10-in. fans have ball bearing construction and split-capacitor motors that are thermally protected to avoid premature failure

- Fans have leadwires for power connection with ends stripped 1/2 in. (12 mm)
- All mounting hardware and installation instructions are furnished

Filters

Standard Type 1 air filters are washable foam.
Type 12 air filters are not washable.

Installation

Fan and exhaust packages can be installed on any surface of an enclosure. They are most effective when the fan assembly is located on a lower panel of the enclosure and the exhaust grille is positioned near the top of the opposite side. This installation assists heat transfer by causing slightly more turbulence and also prolongs the working life of the fan since it is located in the path of the cooler air entering the enclosure.

The height and width of the cooling fans and exhaust grilles can be rotated 90 degrees for mounting on narrow enclosures. Allow adequate clearance for servicing the fan when equipment is installed inside the enclosure and for replacing filters on both the fan and the exhaust. Cutout dimensions for both the fan and the exhaust are shown in the order table. Order the fan and exhaust packages separately.

FINISH

Stainless steel grilles have brushed finish.
 ABS composite grille is black.

ACCESSORIES

- Aluminum Type 1 and Hi-Density Type 12 Filters
- EMC Upgrade Kit
- Grille Options:
 - Stainless Steel
 - Black ABS Plastic

BULLETIN: D85

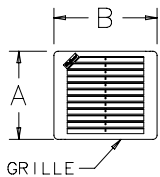
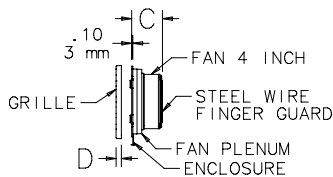
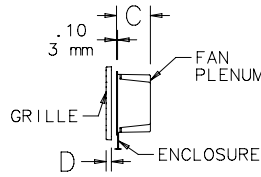
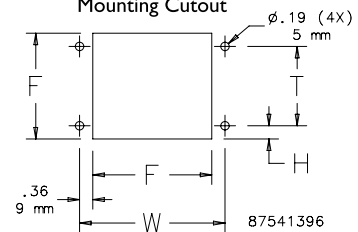


Standard Product and Cutout Dimensions Cooling Fan and Exhaust Packages

Catalog Number	AxBxC in./mm	Material and Type	Use with Exhaust Grille	Nominal Fan Size	D in./mm	F in./mm	H in./mm	T in./mm	W in./mm
TFP424	6.29 x 7.37 x 2.35 160 x 187 x 67	Composite Grille UL 508 Type 1	TEP4	4	0.45 11	5.66 144	0.77 20	4.12 105	6.39 162
TFP41	6.29 x 7.37 x 2.65 160 x 187 x 67	Composite Grille UL 508 Type 1	TEP4	4	0.45 11	5.66 144	0.77 20	4.12 105	6.39 162
TFP41SS	6.29 x 7.37 x 2.65 160 x 187 x 67	Stainless Steel Grille UL 508 Type 1	TEP4SS	4	0.45 11	5.66 144	0.77 20	4.12 105	6.39 162
TFP41UL12	6.29 x 7.37 x 2.65 160 x 187 x 67	Composite Grille UL 508 Type 12	TEP4UL12	4	0.45 11	5.66 144	0.77 20	4.12 105	6.39 162
TFP42	6.29 x 7.37 x 2.65 160 x 187 x 67	Composite Grille UL 508 Type 1	TEP4	4	0.45 11	5.66 144	0.77 20	4.12 105	6.39 162
TFP42SS	6.29 x 7.37 x 2.65 160 x 187 x 67	Stainless Steel Grille UL 508 Type 1	TEP4SS	4	0.45 11	5.66 144	0.77 20	4.12 105	6.39 162
TFP42UL12	6.29 x 7.37 x 2.65 160 x 187 x 67	Composite Grille UL 508 Type 12	TEP4UL12	4	0.45 11	5.66 144	0.77 20	4.12 105	6.39 162
TFP624	7.80 x 8.87 x 3.75 198 x 225 x 95	Composite Grille UL 508 Type 1	TEP6	6	0.49 12	7.16 182	1.33 34	4.50 114	7.89 200
TFP61	7.80 x 8.87 x 3.75 198 x 225 x 95	Composite Grille UL 508 Type 1	TEP6	6	0.49 12	7.16 182	1.33 34	4.50 114	7.89 200
TFP61SS	7.80 x 8.87 x 3.75 198 x 225 x 95	Stainless Steel Grille UL 508 Type 1	TEP6SS	6	0.49 12	7.16 182	1.33 34	4.50 114	7.89 200
TFP61UL12	7.80 x 8.87 x 3.75 198 x 225 x 95	Composite Grille UL 508 Type 12	TEP6UL12	6	0.49 12	7.16 182	1.33 34	4.50 114	7.89 200
TFP62	7.80 x 8.87 x 3.75 198 x 225 x 95	Composite Grille UL 508 Type 1	TEP6	6	0.49 12	7.16 182	1.33 34	4.50 114	7.89 200
TFP62SS	7.80 x 8.87 x 3.75 198 x 225 x 95	Stainless Steel Grille UL 508 Type 1	TEP6SS	6	0.49 12	7.16 182	1.33 34	4.50 114	7.89 200
TFP62UL12	7.80 x 8.87 x 3.75 198 x 225 x 95	Composite Grille UL 508 Type 12	TEP6UL12	6	0.49 12	7.16 182	1.33 34	4.50 114	7.89 200
TFP101	11.81 x 12.99 x 5.25 300 x 330 x 133	Composite Grille UL 508 Type 1	TEP10	10	0.55 14	11.16 283	2.14 54	6.88 175	11.89 302
TFP101SS	11.81 x 12.99 x 5.25 300 x 330 x 133	Stainless Steel Grille UL 508 Type 1	TEP10SS	10	0.55 14	11.16 283	2.14 54	6.88 175	11.89 302
TFP101UL12	11.81 x 12.99 x 5.25 300 x 330 x 133	Composite Grille UL 508 Type 12	TEP10UL12	10	0.55 14	11.16 283	2.14 54	6.88 175	11.89 302
TFP102	11.81 x 12.99 x 5.25 300 x 330 x 133	Composite Grille UL 508 Type 1	TEP10	10	0.55 14	11.16 283	2.14 54	6.88 175	11.89 302
TFP102SS	11.81 x 12.99 x 5.25 300 x 330 x 133	Stainless Steel Grille UL 508 Type 1	TEP10SS	10	0.55 14	11.16 283	2.14 54	6.88 175	11.89 302
TFP102UL12	11.81 x 12.99 x 5.25 300 x 330 x 133	Composite Grille UL 508 Type 12	TEP10UL12	10	0.55 14	11.16 283	2.14 54	6.88 175	11.89 302

An intake grille and filter are included with each Cooling Fan Package. Order at least one Exhaust Package separately for each installation.

Order optional Exhaust Grilles as a separate accessory.

Fan and Exhaust Grille

**4" Fan
(Fan Mounted to Back of Plenum)**

**6" and 10" Fan
(Box Style Plenum)**

**Fan and Exhaust Package
Mounting Cutout**


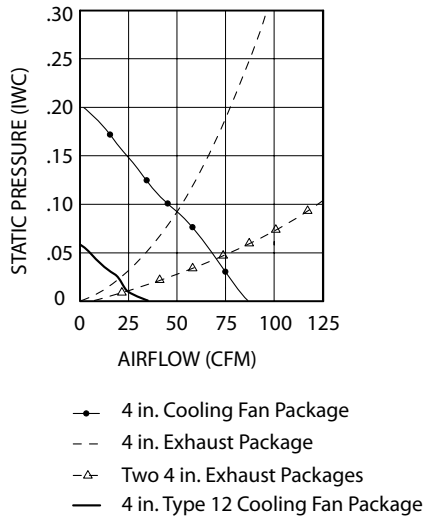
Technical Performance Data for Cooling Fan Packages

Composite Grille UL Type 1	Stainless Grille UL Type 1	Type 1 CFM @ 50/60 Hz	Composite Grille UL Type 12	Type 12 CFM @ 50/60 Hz	W @ 50/60 Hz	Voltage	A @ 50/60 Hz	Max. Operating Temperature (°F)	Max. Operating Temperature (°C)	Noise SIL (dB) @ 50/60 Hz	Weight (lb.)	Weight (kg)
TFP424	—	55	—	—	8.4	24 VDC	.35	158	70	65	4.2	1.90
TFP41	TFP41SS	46/55	TFP41UL12	21/25	17/15	115 VAC	.26/.21	158	70	37/41	4.2	1.90
TFP42	TFP42SS	46/55	TFP42UL12	21/25	16/14	230 VAC	.14/.11	158	70	37/41	4.3	1.95
TFP624	—	140	—	—	21.1	24 VDC	.88	158	70	62.5	5.3	2.40
TFP61	TFP61SS	117/140	TFP61UL12	50/60	36/32	115 VAC	.45/.36	158	70	50/56	5.3	2.40
TFP62	TFP62SS	117/140	TFP62UL12	50/60	39/35	230 VAC	.23/.18	158	70	50/56	5.4	2.45
TFP101	TFP101SS	180/215	TFP101UL12	63/75	64/80	115 VAC	.58/.70	167	75	54/61	12.0	2.45
TFP102	TFP102SS	180/215	TFP102UL12	63/75	64/80	230 VAC	.29/.35	167	75	54/61	11.4	5.17

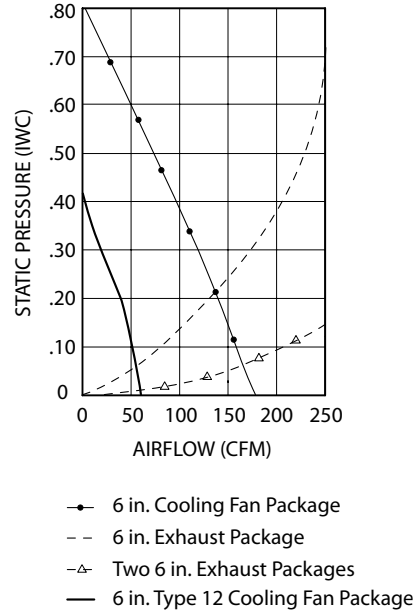
CFM with single exhaust grille installed.

Performance Curves for TFP Filter Fans

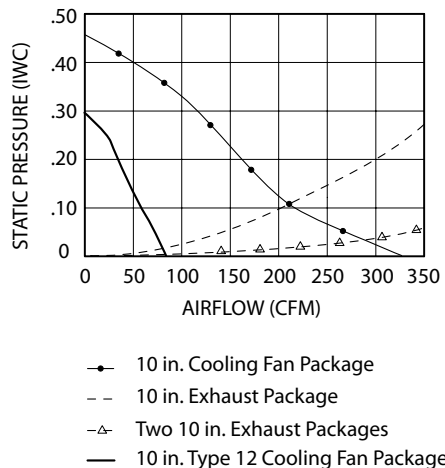
Performance Curve for a 4 inch Cooling Fan Package @ 60 Hz



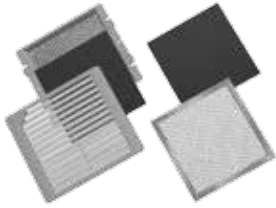
Performance Curve for a 6 inch Cooling Fan Package @ 60 Hz



Performance Curve for a 10 inch Cooling Fan Package @ 60 Hz



TFP OPTIONAL GRILLES AND REPLACEMENT FILTERS



Optional grilles offer the choice of stainless steel or black ABS plastic. These grilles replace the standard RAL 7035 gray composite or stainless steel grilles on both fan and exhaust packages. Standard replacement filters are washable foam (Type 1) or disposable (Type 12). To maintain UL Type 12 rating on the enclosure, UL Type 12 filters must be used on the fan package inlet. Washable aluminum filters are also available. Aluminum filters are compatible with Type 1 systems only. *Type 12 air filters are not washable.*

BULLETIN: D85

Catalog Number	Description	Fits Fan and Exhaust Nominal Size	Fits Fan and Exhaust Grill Size (in.)	Fits Fan and Exhaust Grille Size (mm)
TG4SS	Brushed stainless steel grille	4	6.29 x 7.31 x .81	60 x 186 x 21
TG4B	Black ABS plastic grille	4	6.29 x 7.37 x .81	160 x 187 x 21
AFLTR4	Type 1 filter replacement (5/package)	4	—	—
AFLTR4AL	Aluminum filter replacement (5/package)	4	—	—
TFLT4UL12	Type 12 filter replacement (5/package)	4	—	—
TG6SS	Brushed stainless steel grille	6	7.80 x 8.81 x .75	198 x 224 x 19
TG6B	Black ABS plastic grille	6	7.80 x 8.87 x .49	198 x 225 x 12
AFLTR6	Foam filter replacement (5/package)	6	—	—
AFLTR6AL	Aluminum filter replacement (5/package)	6	—	—
TFLT6UL12	UL 12 filter replacement (5/package)	6	—	—
TG10SS	Brushed stainless steel grille	10	11.81 x 12.92 x .75	300 x 328 x 19
TG10B	Black ABS plastic grille	10	11.81 x 12.99 x .75	300 x 330 x 19
AFLTR10	Foam filter replacement (5/package)	10	—	—
AFLTR10AL	Aluminum filter replacement (5/package)	10	—	—
TFLT10UL12	UL 12 filter replacement (5/package)	10	—	—

Replacement filter for Type 12 fan package only (models TFF__UL12). For Type 12 exhaust package use replacement filter AFLTRX.

Filters fit all fan and exhaust packages according to their size.

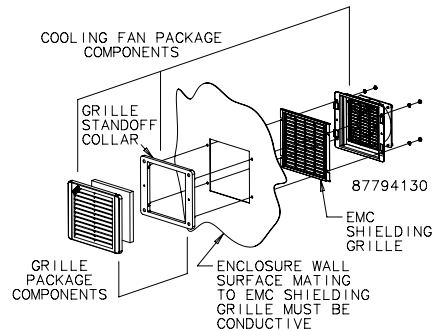
TFP EMC UPGRADE KIT

With the addition of this kit, the cooling fan and exhaust packages are upgraded to provide EMC (electromagnetic compatibility) protection. Consult Hoffman for shielding effectiveness (dB attenuation vs. frequency).

Separate kits must be installed on both the inlet and outlet. Cooling fan and exhaust package must be ordered separately. EMC upgrade kit will not work with stainless steel grille option.

BULLETIN: D85

Catalog Number	Fits Cooling Fan Package	Fits Exhaust Grille
T4EMC	TFP41/TFP42	TEP4
T6EMC	TFP61/TFP62	TEP6
T10EMC	TFP101/TFP102	TEP10



FAN SHROUD KIT, TYPE 3R



INDUSTRY STANDARDS

Maintains UL/cUL Type 3R rating when properly installed on a UL/cUL Type 3R enclosure.

UL 508A Listed; Type 3R; File No. E61997
 cUL Listed per CSA C22.2 No. 94; Type 3R; File No. E61997

NEMA/EEMAC Type 3R
 IEC 60529, IP22

APPLICATION

Fan Shroud Kits protect outdoor enclosure openings from rain, sleet and snow.

FEATURES

- Two fan shrouds per package
- Perforated ventilation screen
- Pressure-sensitive adhesive-backed gasket and mounting hardware

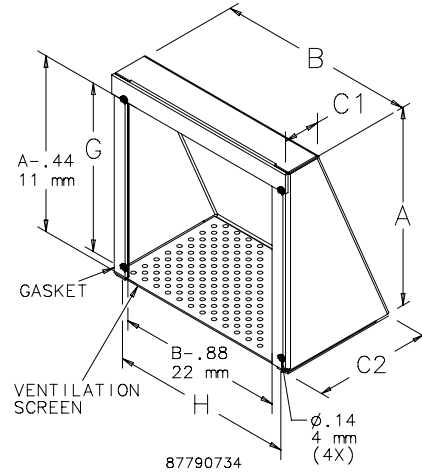
SPECIFICATIONS

- 16 gauge mild steel or Type 304 stainless steel

FINISH

ANSI 61 gray polyester powder coating over mild steel; smooth #4 brushed finish on stainless steel

BULLETIN: D85



Standard Product

Catalog Number	Material	A (in.)	A (mm)	B (in.)	B (mm)	C1 (in.)	C1 (mm)	C2 (in.)	C2 (mm)	G (in.)	G (mm)	H (in.)	H (mm)
T4S3R	Steel	6.00	152	6.00	152	1.44	37	4.69	119	4.69	119	5.25	133
T6S3R	Steel	8.00	203	8.00	203	1.44	37	4.69	119	6.69	170	7.25	184
T10S3R	Steel	12.00	305	12.00	305	1.44	37	4.71	120	10.69	272	11.25	286
T4S3RSS	Stainless Steel	6.00	152	6.00	152	1.44	37	4.69	119	4.69	119	5.25	113
T6S3RSS	Stainless Steel	8.00	203	8.00	203	1.44	37	4.69	119	6.69	170	7.25	184
T10S3RSS	Stainless Steel	12.00	305	12.00	305	1.44	37	4.71	120	10.69	272	11.25	286

Usage Chart

Catalog Number	Compact Cooling (muffin) Fans (4 in.)	Compact Cooling (muffin) Fans (6 in.)	Compact Cooling (muffin) Fans (10 in.)	Cooling and Exhaust Fan Packages (TFP4-)	Cooling and Exhaust Fan Packages (TFP6-)	Filter Fan Packages (SF05-)	Filter Fan Packages (SF09-)	Filter Fan Packages (SF10-)
T4S3R	•							
T6S3R	•	•						
T10S3R	•	•	•					
T4S3RSS	•							
T6S3RSS	•	•						
T10S3RSS	•	•	•					



Hoffman

CHAPTER 9 OUTSIDE PLANT PRODUCTS

FEATURED PRODUCTS

COMLINE ENCLOSURES

Enclosing critical telecommunications equipment in harsh outdoor environments can be a challenge. Lightweight, corrosion-resistant COMLINE Wall-Mount Enclosures provide long-lasting protection for housing electrical components in both indoor and extreme outdoor environments for rooftop or tower-mounted applications.



FIBER OPTIC CABINETS

Protect and manage fiber optic cables for broadband delivery in outdoor applications with FTTX enclosures. Welded aluminum and polyester power paint safeguard components.



OPAL PAD-MOUNT DSL ENCLOSURES

OPAL Cabinets are designed and built to the outside plant application at hand. Ideal for broadband voice, data and video service applications.



CHAPTER CONTENTS

OUTSIDE PLANT PRODUCTS

COMLINE WALL-MOUNT ENCLOSURES AND ACCESSORIES

COMLINE, Type 4X	222
Mounting Panel	224
Solar Shield Top	224
Rack Angles	225
Door Stop Kit	225
Handle Options	225
Clip Nut Package	225
Screw Package	225
Pole-Mount Kit	225

COMLINE OSP WALL-MOUNT CABINET PACKAGE AND ACCESSORIES

COMLINE OSP Package, Type 4X	226
Rack Angles	229
Vertical Pole-Mount Channel	229
Wood Panel	229
Gland Plate	229
Plinth Base	229
Ground Buss	229
Handle Options	230
Clip Nut Package	230
Screw Package	230
Mounting Bracket Kits	230
Wall Mounting Bracket	230

COMLINE OSP VERTICAL MOUNT CABINET PACKAGE AND ACCESSORIES

COMLINE Vertical Mount Cabinet	231
Handle Options	233
Clip Nut Package	233
Screw Package	233
Mounting Bracket Kits	233
Wall Mounting Bracket	233
Ground Buss	233

FIBER OPTIC CABINETS

FTTX Fiber Optic Cabinet Package, Type 4X	234
Fiber Management Spool	238
Cage Nut Package	238
Screw Package	238
Fiber Optic Cabinet Pole-Mount Kit	238

OSP CABINETS

OPAL Pad-Mount DSL Cabinet	239
----------------------------------	-----



COMLINE, TYPE 4X


9

INDUSTRY STANDARDS

UL 508A Listed; Type 3, 3R, 4, 4X, 12; File No. E61997

CSA File No. 42186: Type 3, 3R, 4, 4X, 12

NEMA/EEMAC Type 3, 3R, 4, 4X, 12

IEC 60529, IP66

Designed to meet NEBS-Telcordia GR487, GR63, IEC 48D

Meets Type 3RX requirements

NEBS is a trademark of Telcordia

APPLICATION

Lightweight, corrosion-resistant COMLINE aluminum wall-mount enclosures provide long-lasting protection for housing electrical components in extreme outdoor environments. These customizable enclosures employ a foam-in-place gasket for a tight seal and are ideal for rooftop or tower-mounted telecommunications applications.

FEATURES

- Foam-in-place gasket
- 1- or 3-point latching (screwdriver slot), depending on door size
- Optional door stop/wind latch holds door in place during service
- Two door/hinge styles available:
 - Easily removable door with hidden hinge and retained hinge pin. Maximum door load 50 lb. (22.7 kg)
 - Heavy-duty continuous hinge door. Maximum door load 150 lb. (68.0 kg)
- Optional solar shield top

SPECIFICATIONS

- Type 5052-H32 aluminum: covers are .080-in. or .100-in. thick depending on size; bodies are .080-in. thick
- Seams continuously welded and ground smooth for a finished appearance
- Bonding provision on door; ground stud on body

FINISH

RAL 7035 light textured low gloss polyester powder paint over pre-treated surfaces. Custom finishes available; please contact your local Hoffman sales office.

ACCESSORIES

See also Accessories chapter.

Door Stop Kit

Handle Options

Mounting Panel

Pole Mounting Kit

Rack Angles

Solar Shield Top

MODIFICATION AND CUSTOMIZATION

Hoffman excels at modifying and customizing products to your specifications. Contact your local Hoffman sales office or distributor for complete information.

BULLETIN: DCOM

 Standard Product **Hidden Hinge**

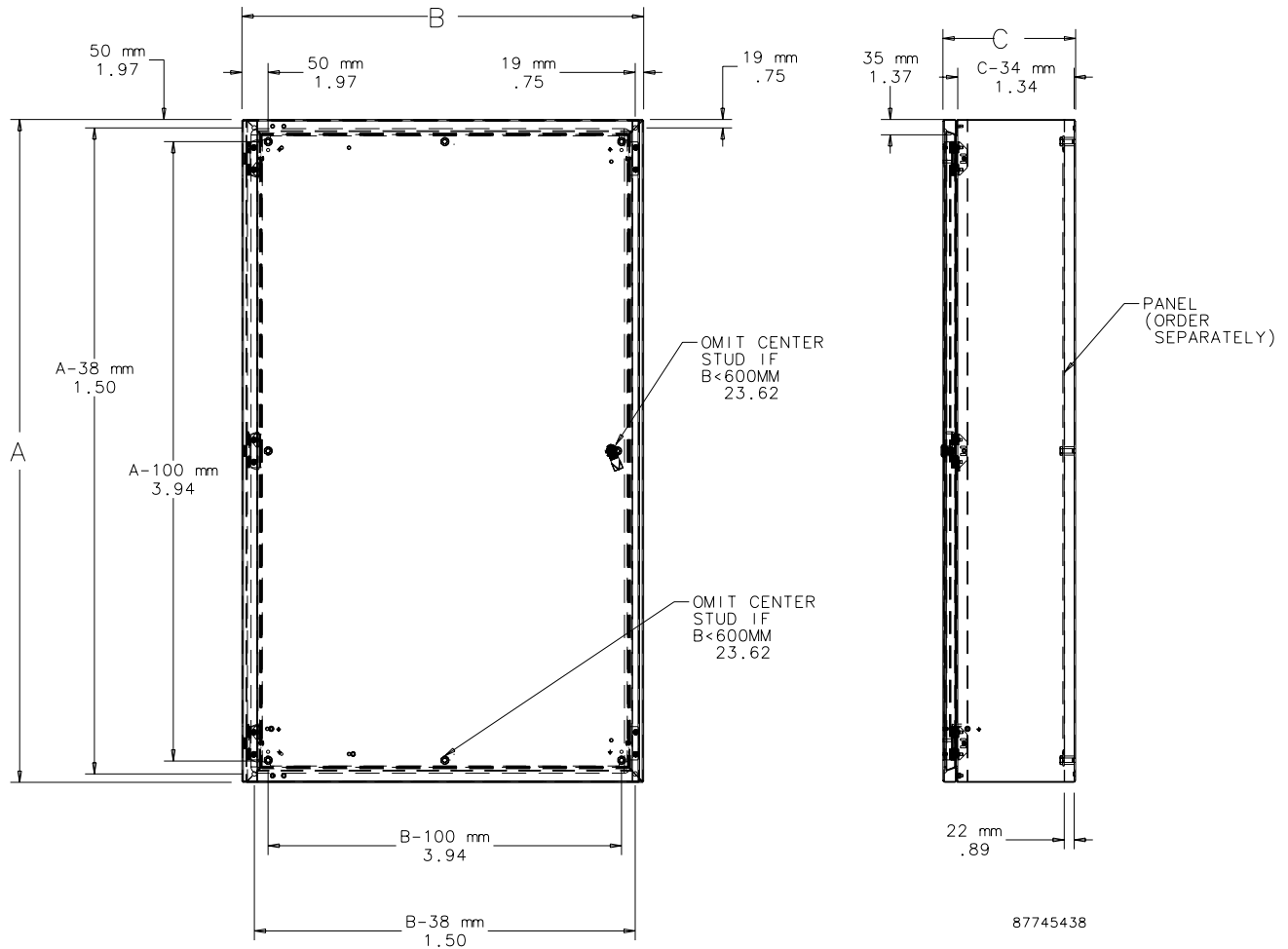
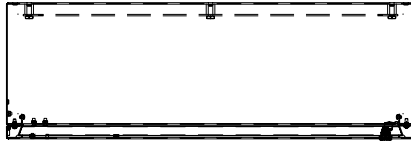
Catalog Number	AxBxC mm	AxBxC in.	Latch Points	Door Thickness (mm)	Door Thickness (in.)	Std. Pkg. (lb.)
ECL303015	300 x 300 x 150	11.81 x 11.81 x 5.91	1	2	.08	9.0
ECL403015	400 x 300 x 150	15.75 x 11.81 x 5.91	1	2	.08	10.0
ECL404015	400 x 400 x 150	15.75 x 15.75 x 5.91	1	2	.08	12.0
ECL404020	400 x 400 x 200	15.75 x 15.75 x 7.87	1	2	.08	13.0
ECL504020	500 x 400 x 200	19.69 x 15.75 x 7.87	1	2	.08	15.0
ECL505020	500 x 500 x 200	19.69 x 19.69 x 7.87	1	2	.08	17.0
ECL605020	600 x 500 x 200	23.62 x 19.69 x 7.87	3	2.5	.10	19.0
ECL606020	600 x 600 x 200	23.62 x 23.62 x 7.87	3	2.5	.10	23.0
ECL806020	800 x 600 x 200	31.50 x 23.62 x 7.87	3	2.5	.10	27.0
ECL1006030	1000 x 600 x 300	39.37 x 23.62 x 11.81	3	2.5	.10	35.0
ECL1209030	1200 x 900 x 300	47.24 x 35.43 x 11.81	3	2.5	.10	55.0
ECL1509030	1500 x 900 x 300	59.06 x 35.43 x 11.81	3	2.5	.10	78.0

ECL1209030, ECL1209030CH, ECL1509030 and ECL1509030CH include vertical door stiffener. Additional door stop required to meet NEBS-Telcordia 487 door restrainer requirements.

All the above enclosures must have mounting feet installed to meet UL Type 3, UL Type 4 and UL Type 4X ratings.

Standard Product **Continuous Hinge**

Catalog Number	AxBxC mm	AxBxC in.	Latch Points	Door Thickness (mm)	Door Thickness (in.)	Std. Pkg. (lb.)
ECL303015CH	300 x 300 x 150	11.81 x 11.81 x 5.91	1	2	.08	9.0
ECL403015CH	400 x 300 x 150	15.75 x 11.81 x 5.91	1	2	.08	10.0
ECL404015CH	400 x 400 x 150	15.75 x 15.75 x 5.91	1	2	.08	12.0
ECL404020CH	400 x 400 x 200	15.75 x 15.75 x 7.87	1	2	.08	13.0
ECL504020CH	500 x 400 x 200	19.69 x 15.75 x 7.87	1	2	.08	15.0
ECL505020CH	500 x 500 x 200	19.69 x 19.69 x 7.87	1	2	.08	17.0
ECL605020CH	600 x 500 x 200	23.62 x 19.69 x 7.87	3	2.5	.10	19.0
ECL606020CH	600 x 600 x 200	23.62 x 23.62 x 7.87	3	2.5	.10	23.0
ECL806020CH	800 x 600 x 200	31.50 x 23.62 x 7.87	3	2.5	.10	27.0
ECL1006030CH	1000 x 600 x 300	39.37 x 23.62 x 11.81	3	2.5	.10	35.0
ECL1209030CH	1200 x 900 x 300	47.24 x 35.43 x 11.81	3	2.5	.10	55.0
ECL1509030CH	1500 x 900 x 300	59.06 x 35.43 x 11.81	3	2.5	.10	78.0



SOLAR SHIELD TOP



Solar Shield Top provides a vented area on top of the enclosure to absorb solar heating effects and help keep enclosure cool. Also provides a drip shield to keep liquids away from the door sealing surface. Aluminum with RAL 7035 textured light-gray finish inside and out. Maintains enclosure rating. Includes mounting hardware.

Shielding Effectiveness

Hoffman's research of the effects of solar radiation on enclosures has shown the positive benefits of utilizing shielding to decrease temperature rise. Shielding has been found to be an effective, low-cost method of reducing solar heat gain in outdoor electrical/electronic applications.

Test results indicate that a top-mounted solar shield provides a 25 percent reduction in temperature rise due to solar heat load.

BULLETIN: DCOMY

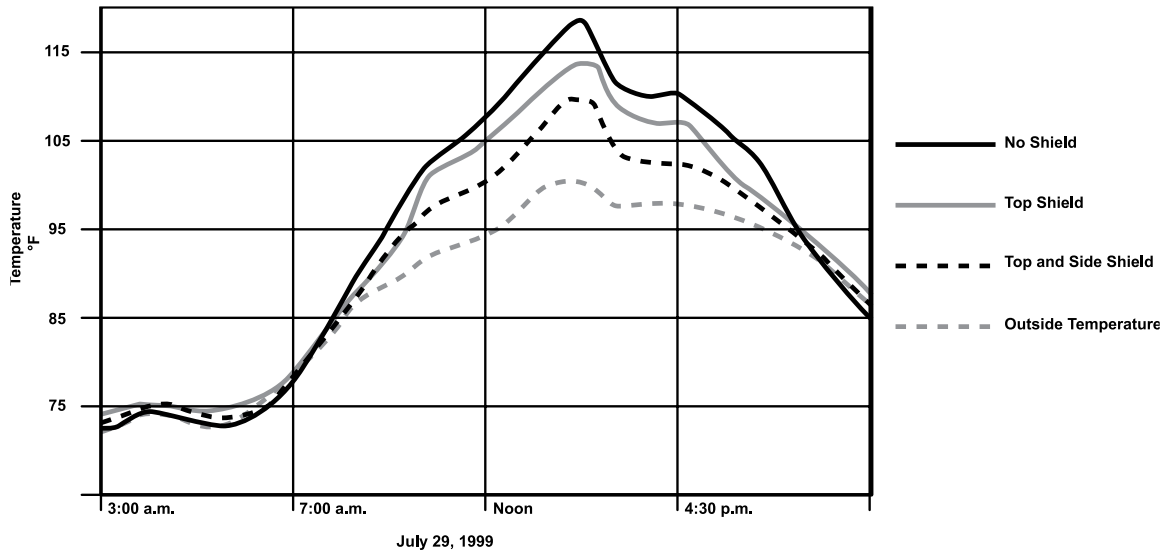
Catalog Number	Fits B x C
ESSH3015	300 x 150
ESSH4015	400 x 150
ESSH4020	400 x 200
ESSH5020	500 x 200
ESSH6020	600 x 200
ESSH6030	600 x 300
ESSH9030	900 x 300

Unshielded vs. Shielded

Enclosure Type	Temperature (°F)	Temp. Reduction (%)
Unshielded	118.6	—
Top shield only	114.0	25
Top and side shields	110.1	46

Air Temperature = 100.2 F

Enclosure color is light-gray (RAL 7035)



The results of the test show the enclosure with top and side shields to have approximately a 46% reduction in temperature compared to the unshielded enclosure. Hoffman offers top shields as an accessory for Hoffman COMLINE Wall-Mount Enclosures. The reduction in temperature is approximately 25% with the solar shield top only.

MOUNTING PANEL



Provides a mounting surface in the back of the COMLINE Enclosure for surface mount components. Mill finish aluminum.

BULLETIN: DCOMY

Catalog Number	Fits A x B	Height (mm)	Height (in.)	Width (mm)	Width (in.)
EP3030AL	300 x 300	226	8.90	226	8.90
EP4030AL	400 x 300	326	12.84	226	8.90
EP4040AL	400 x 400	326	12.84	326	12.94
EP5040AL	500 x 400	426	16.78	326	12.94
EP5050AL	500 x 500	426	16.78	426	16.78
EP6050AL	600 x 500	526	20.71	426	16.78
EP6060AL	600 x 600	526	20.71	526	20.71
EP8060AL	800 x 600	726	28.59	526	20.71
EP10060AL	1000 x 600	926	36.46	526	20.71
EP12090AL	1200 x 900	1126	44.33	826	32.52
EP15090AL	1500 x 900	1426	56.15	826	32.52

RACK ANGLES



Rack Angles allow for mounting 19-in. rack equipment in 600-mm wide enclosures. Plated 14 gauge steel with .281-in. (7-mm) diameter holes (through-hole type). Twenty M5 screws and 20 clip nuts included for mounting rack angles to enclosure and for mounting equipment to rack angles.

BULLETIN: DCOMY

Catalog Number	Description	Fits A (mm)	Fits A (in.)
ERA196TH	Rack Angles	600	23.62
ERA198TH	Rack Angles	800	31.50
ERA1910TH	Rack Angles	1000	39.37

DOOR STOP KIT



Self-actuating door stop kit secures doors in the open position. Mounts to top or bottom of door. Stainless steel and aluminum material. Mounting hardware included.

BULLETIN: DCOMY

Catalog Number	Description
EDSK	Door Stop Kit

HANDLE OPTIONS



Handle Options can be padlocked for added security. Kit includes handle and mounting hardware. Install using existing enclosure cam.

BULLETIN: A80, DCOMY, DWS12

Catalog Number	Description
ELHP	Padlocking L-Handle
EPL4	Padlocking quarter-turn with key
DL36	Locking wing nut with 2 keys, silver finish

CLIP NUT PACKAGE



Twenty plated clip nuts fit all rack-mounting angles with .281-in. (7-mm) diameter holes (through-hole type).

BULLETIN: A80

Catalog Number	Description	Pkg. Qty.	Fits
AN1032	Clip Nut 10-32	20	.281-diameter mounting holes
ANM5	Clip Nut M5 (Metric)	20	.281-diameter mounting holes

SCREW PACKAGE



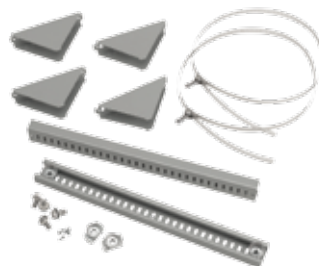
Screws attach rack panels and rack-mounted equipment to rack-mounting angles.

BULLETIN: A80, DACCY, X20

Catalog Number	Color	Description	Pkg. Qty.
ES1224	Silver	12-24 x 5/8 in. combo head	20
ES1224250	Silver	12-24 x 5/8 in. combo head	250
ES1224B	Black	12-24 x 5/8 in. combo head	20
ES1224B250	Black	12-24 x 5/8 in. combo head	250
ASM5	Silver	M5 x 20 mm Combo Head	20
ASM6	Silver	M6 x 16 mm combo head	20
ASM5T	Silver	M5 x 12 mm thread-forming Phillips hex head screws	20
ASM6250	Silver	M6 x 16 mm combo head	250
AS1032	Silver	10-32 x 5/8 in. combo head	20
AS1032250	Silver	10-32 x 5/8 in. combo head	250
AS1032B	Black	10-32 x 5/8 in. combo head	20

Use ASM5T on PROLINE frame or Net Series extruded holes.

POLE-MOUNT KIT

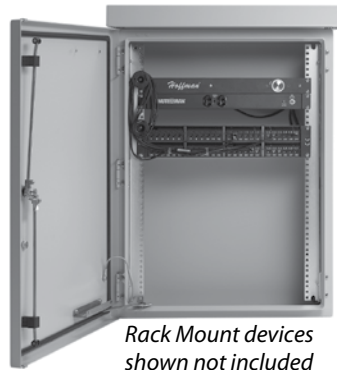


Use to mount CONCEPT, Networking and wall-mount enclosures to poles of various sizes and shapes. Simply attach the plated steel channel bar to the mounting holes at the back of the enclosure and wrap the stainless steel strap around the pole and through the bar. Kit includes two mounting channels, two straps suitable for 3-in. (76-mm) to 12-in. (305-mm) diameter pole and mounting hardware.

BULLETIN: CWY

Catalog Number	Fits Enclosure (in.)	Fits Enclosure (mm)
CPMK12	when B = 12.00	when B = 305
CPMK16	when B = 16.00	when B = 406
CPMK20	when B = 20.00	when B = 508
CPMK24	when B = 24.00	when B = 610
CPMK30	when B = 30.00	when B = 762

COMLINE OSP PACKAGE, TYPE 4X



INDUSTRY STANDARDS

UL 508A Listed; Type 3, 3R, 4, 4X, 12; File No. E61997

CSA: Type 3, 3R, 4, 4X, 12
 NEMA/EEMAC Type 3, 3R, 4, 4X, 12
 EC60529, IP66

Designed to meet Telcordia NEBS GR-487, GR-63 and IEC 48D
 EIA 310-D with 19 in. spacing for rack equipment
 Meets BICSI TDMM, Tenth Edition, Chapter 7, Telecommunication Enclosures (TE)
 Cabinet is RoHS compliant
 NEBS is a trademark of Telcordia

APPLICATION

A complete, off-the-shelf package for 19-in. rack equipment, lightweight COMLINE OSP Wall-Mount Cabinets are constructed of corrosion-resistant aluminum with a foam-in-place gasket that secures and protects sensitive equipment in outdoor applications. Available with or without back-up battery compartment.

FEATURES

- Solar shield helps keep enclosure interior cool when cabinet is installed outdoors and directs liquids away from cabinet opening; can be removed for indoor installations
- Foam-in-place gasket provides environmental seal
- Padlocking L-Handle provides a tight, secure door seal
- Doorstop holds door in place during service for easier and faster maintenance

- Heavy-duty hinged door is easily removed to facilitate equipment installation and removal. Maximum door load 50 lb. (22.7 kg)
- Rack angles adjustable front-to-rear of cabinet
- Gland plates available with cutouts that fit Hoffman T15, T20 and CR23 air conditioners and Hoffman XR20 and XR29 heat exchangers (Indoor use only)
- Radius corners on cabinet eliminate sharp edges
- Stainless steel fasteners resist corrosion to maintain professional appearance
- Pole mounting kits available for all sizes
- Pad mounting plinth available for 600mm deep cabinets
- Battery compartment has front vented captivated door.
- **Note – SR20 and SR29 are for indoor use only.**

SPECIFICATIONS

- Rack angles have EIA universal standard square hole spacing
- Eighth-inch thick, depending on cabinet size
- Seams continuously welded and ground smooth for a finished appearance
- Body includes studs for ground bar and rear mounting studs for wood panel

FINISH

RAL 7035 light-textured low-gloss polyester urethane powder coating over iron-phosphate-treated surface. Custom finishes available: consult your local Hoffman sales office.

BULLETIN: DCOM

Standard Product COMLINE Wall-Mount Enclosure Packages

Catalog Number	AxBxC in.	AxBxC mm	P (in.)	P (mm)	Rack Units
ECL606050P	23.62 x 23.62 x 19.68	600 x 600 x 500	17.47	444	12
ECL906050P	35.43 x 23.62 x 19.68	900 x 600 x 500	30.47	774	18
ECL907060P	35.43 x 27.56 x 23.62	900 x 700 x 600	30.47	774	18
ECL1207060P	47.24 x 27.56 x 23.62	1200 x 700 x 600	30.47	774	25

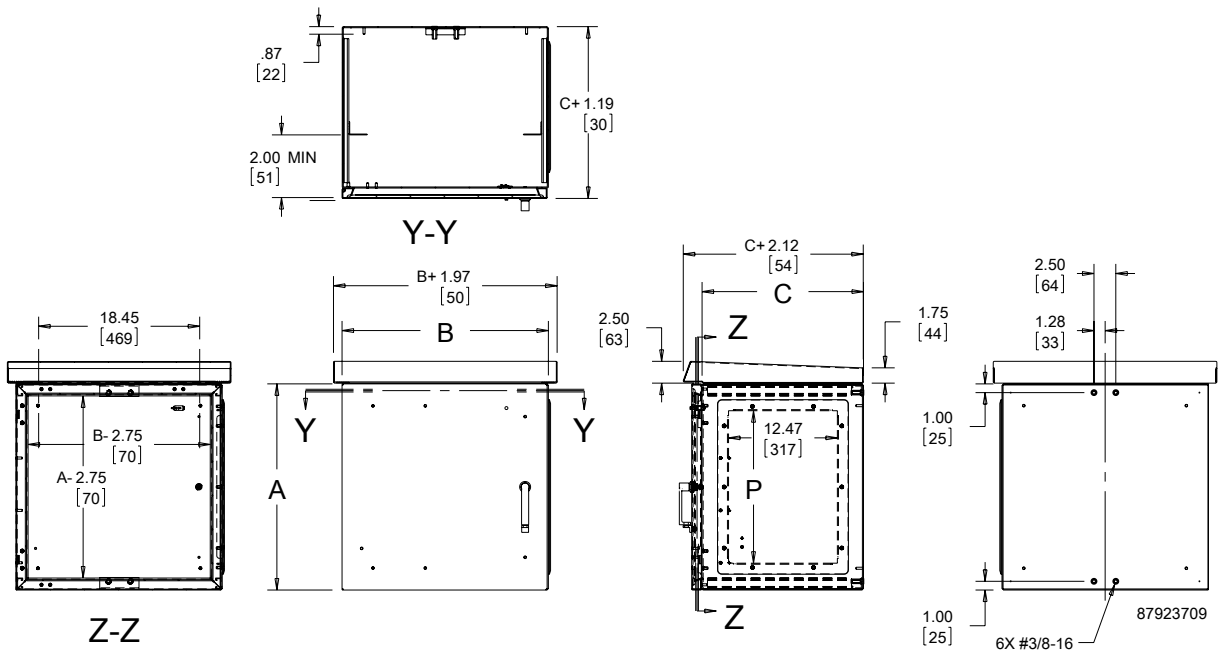
Standard Product COMLINE with Battery Compartment

Catalog Number	AxBxC in.	AxBxC mm	Rack Units
ECL606050PB	38.62 x 23.62 x 19.69	981 x 600 x 500	12
ECL906050PB	50.43 x 23.62 x 19.69	1281 x 600 x 500	18
ECL907060PB	50.43 x 27.56 x 23.62	1281 x 700 x 600	18
ECL1207060PB	62.24 x 27.56 x 23.62	1581 x 700 x 600	25

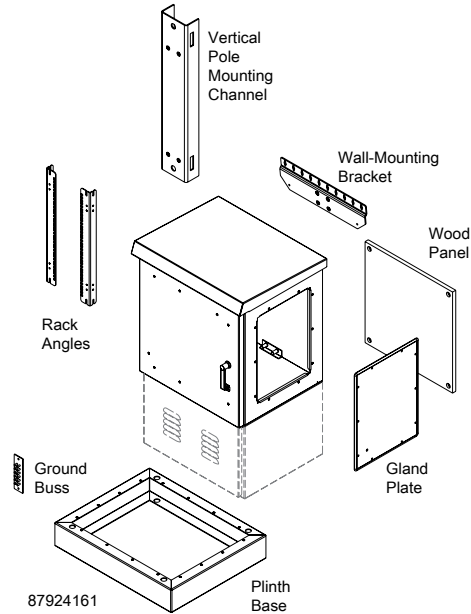
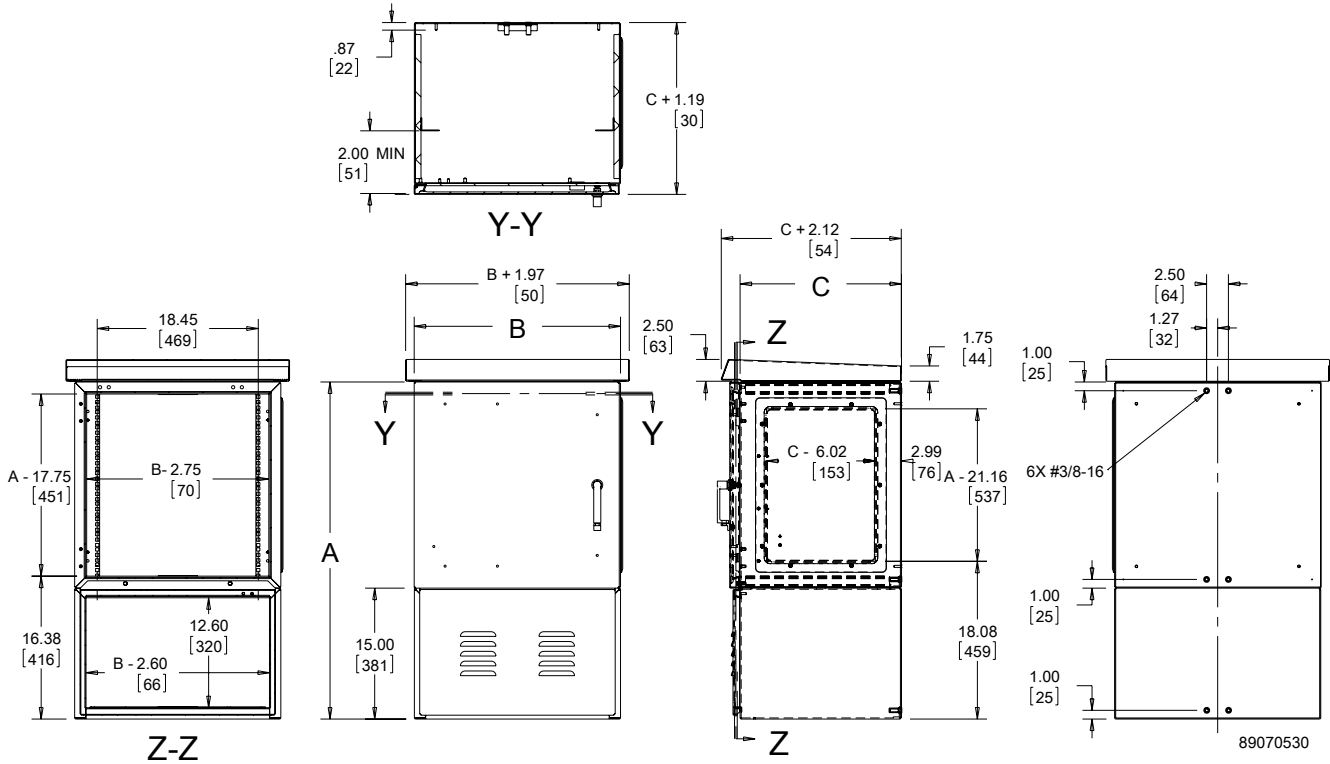
Accessory Compatibility

Catalog Numbers	ECL606050P/B	ECL906050P/B	ECL907060P/B	ECL1207060P/B
GLAND PLATES				
EGPS1	•			
EGPS2		•	•	•
EGPACT15	•			
EGPACT20		•	•	•
EGPACCR15		•	•	•
EGPHX20		•	•	•
EGPHX29		•	•	•
POLE MOUNT CHANNELS				
EPMC6	•			
EPMC9		•	•	
EPMC12				•
PLINTH BASE				
EPL7060			•	•
WOOD PANELS				
E60P60W	•			
E90P60W		•		
E90P7W			•	
E120P70W				•
RACK ANGLES				
ERA196S	•			
ERA199S		•		
ERA19239S			•	
ERA192312S				•

COMLINE OSP Package Without Battery Compartment



COMLINE OSP Package With Battery Compartment



RACK ANGLES

Rack Angles are made of 12 gauge, self-grounding plated steel and are grounded to the cabinet body through the mounting bolts. Square mounting holes meet EIA standard.

Package includes two rack angles.

BULLETIN: DCOMY

Catalog Number	Rack Width	Rack Units	Use with Cabinet (Height x Width in mm)
ERA196S	19	12	600 x 600
ERA199S	19	18	900 x 600
ERA19239S	19 or 23	18	900 x 700
ERA192312S	19 or 23	25	1200 x 700

VERTICAL POLE-MOUNT CHANNEL

Vertical Pole-Mount Channel facilitates pole-mounting the COMLINE package. It includes the bracket and hardware to mount the channel to the cabinet. No drilling into cabinet required to install.

BULLETIN: DCOMY

Catalog Number	Description	Use with Cabinet
EPMC6	Vertical Pole-Mount Channel 600	600-mm tall
EPMC9	Vertical Pole-Mount Channel 900	900-mm tall
EPMC12	Vertical Pole-Mount Channel 1200	1200-mm tall

WOOD PANEL

Wood Panels are made of 3/4-in. plywood, pre-cut and pre-drilled to install on panel mounting studs in the rear of the cabinet.

BULLETIN: DCOMY

Catalog Number	Height x Width	Use with Cabinet (Height x Width)
E60P60W	524 x 524	600 x 600
E90P60W	824 x 524	900 x 600
E90P70W	824 x 624	900 x 700
E120P70W	1124 x 624	1200 x 700

GLAND PLATE

Gland Plates are made of .100-in.-thick aluminum, finished to match the cabinet. They include a factory-installed foam-in-place gasket, stainless steel hardware and grounding provision. The installed gland plate maintains the cabinet rating.

Package includes solid gland plate.

BULLETIN: DCOMY

Catalog Number	Description	Nominal Height x Width (P x Q)
EGPS1	Solid small	506 x 381
EGPS2	Solid large	838 x 381
EGPACT15	AC cutout for T15	506 x 381
EGPACT20	AC cutout for T20	838 x 381
EGPACCR23	AC cutout for CR23	838 x 381
EGPHX20	Heat exchanger cutout for XR20	838 x 381
EGPHX29	Heat exchanger cutout for XR29	838 x 381

XR20 and XR29 indoor use only.

PLINTH BASE

The Plinth Base enables pad mounting and provides additional cable management space. It adds an additional 5.00-in. (127-mm) height to the cabinet. The base is made of aluminum painted RAL 7035 light gray.

BULLETIN: DCOMY

Catalog Number	Description	Use with Cabinet (Width x Depth)
EPL7060	Plinth base	700 x 600

GROUND BUSS

This copper Ground Buss provides wiring tie points within the cabinet. Mounts on studs provided on cabinet side. Tie-point spacing is 3/4-in. pair-to-pair and 5/8-in. across each pair. Ground studs are 1/4-20 x .75-in. on 3/4-in. centers.

BULLETIN: DCOMY

Catalog Number	Description
EGBB1	6-position, double-lug buss
EGBB2	12-position, double-lug buss

HANDLE OPTIONS



Handle Options can be padlocked for added security. Kit includes handle and mounting hardware. Install using existing enclosure cam.

BULLETIN: A80, DCOMY, DWS12

Catalog Number	Description
ELHP	Padlocking L-Handle
EPL4	Padlocking quarter-turn with key
DL36	Locking wing nut with 2 keys, silver finish

CLIP NUT PACKAGE



Twenty plated clip nuts fit all rack-mounting angles with .281-in. (7-mm) diameter holes (through-hole type).

BULLETIN: A80

Catalog Number	Description	Pkg. Qty.	Fits
AN1032	Clip Nut 10-32	20	.281-diameter mounting holes
ANM5	Clip Nut M5 (Metric)	20	.281-diameter mounting holes

SCREW PACKAGE



Screws attach rack panels and rack-mounted equipment to rack-mounting angles.

BULLETIN: A80, DACCY, X20

Catalog Number	Color	Description	Pkg. Qty.
ES1224	Silver	12-24 x 5/8 in. combo head	20
ES1224250	Silver	12-24 x 5/8 in. combo head	250
ES1224B	Black	12-24 x 5/8 in. combo head	20
ES1224B250	Black	12-24 x 5/8 in. combo head	250
ASM5	Silver	M5 x 20 mm Combo Head	20
ASM6	Silver	M6 x 16 mm combo head	20
ASM5T	Silver	M5 x 12 mm thread-forming Phillips hex head screws	20
ASM6250	Silver	M6 x 16 mm combo head	250
AS1032	Silver	10-32 x 5/8 in. combo head	20
AS1032250	Silver	10-32 x 5/8 in. combo head	250
AS1032B	Black	10-32 x 5/8 in. combo head	20

Use ASM5T on PROLINE frame or Net Series extruded holes.

MOUNTING BRACKET KITS



Mounting Bracket Kits are available in stainless steel or composite material. Kit includes 4 brackets and mounting hardware.

BULLETIN: A80

Catalog Number	Description
CMFK	Steel
CMFKSS	Stainless Steel
CMTGFT	Composite

WALL MOUNTING BRACKET



Wall Mounting Bracket bolts to enclosure back thread holes and facilitates easy mounting to walls. Made of 0.10 aluminum with cabinet matching RAL 7035 finish.

BULLETIN: DCOMY

Catalog Number	AxBxC in./mm	Description
EMB1	1.73 x 30.20 x 21.26 44 x 767 x 540	Aluminum

COMLINE VERTICAL MOUNT CABINET



Shown with heat exchanger installed



Shown with heat exchanger and customer rack-mount devices installed

INDUSTRY STANDARDS

UL 508A Listed; Type 3, 3R, 4, 4X, 12; File No. E61997

CSA: Type 3, 3R, 4, 4X, 12
 NEMA/EEMAC Type 3, 3R, 4, 4X, 12
 EC60529, IP66
 Designed to meet Telcordia NEBS GR-487, GR-63 and IEC 48D
 EIA 310-D with 19-in. spacing for rack equipment
 Cabinet is RoHS compliant
 NEBS is a trademark of Telcordia

APPLICATION

COMLINE Vertical-Mount Cabinet is ideal for telecommunications industry applications. The unique vertical orientation of the 19-in. rack equipment makes this cabinet especially suitable for pole-mount applications. The narrow cabinet width also makes it very wind resistant. Vertical-Mount Cabinet is ideal for telecommunications industry applications. The unique vertical orientation of the 19-in. rack equipment makes this cabinet especially suitable for pole-mount applications. The narrow cabinet width also makes it very wind-resistant.

FEATURES

- Vertically oriented 19-in. equipment mounting creates a compact, wind-resistant cabinet
- Integral solar shield reduces solar heat load
- Right-side, solid gland plate can be removed and modified as needed

- 6 RU Rack has square hole spacing per EIA universal standards; order cage nuts separately
- Quarter-turn, multi-point, vault-style latching system increases protection and security
- 160-degree door opening with quick-release, retained hinge pins
- Body and door ground studs for bonding and grounding
- Foam-in-place seamless gasket for superior protection against dust and liquid ingress
- Back is prepared with mounting provisions for standard panels
- Mounts to poles or walls

Construction

- One set of vertical-mounted 19-in. rack angles made of self-conducting plated steel have square holes per EIA universal spacing
- Made using Type 5052-H23 aluminum (door: 2.0 mm; body: 0.8 mm)
- Seams continuously welded and ground smooth
- Solid gland plate made of .125-mm aluminum included with perimeter flange, seamless gasket, fasteners and mounting holes. Order pre-cut heat exchanger and air conditioner gland plates separately.

FINISH

RAL 7035 light-textured, low-gloss polyester powder paint over pretreated surfaces. Custom finishes available; please contact your local Hoffman sales office.

BULLETIN: DCOM, DCOMY

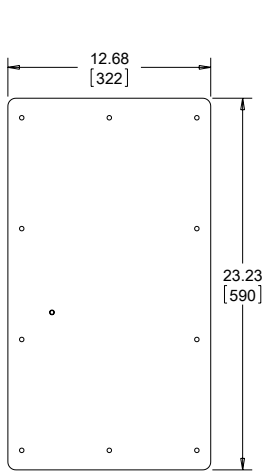
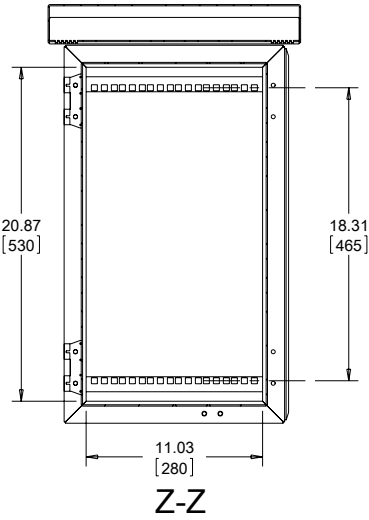
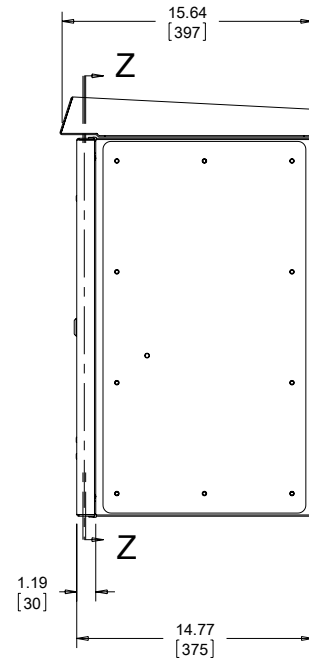
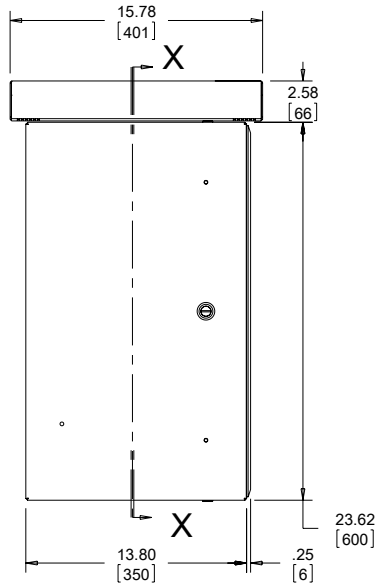
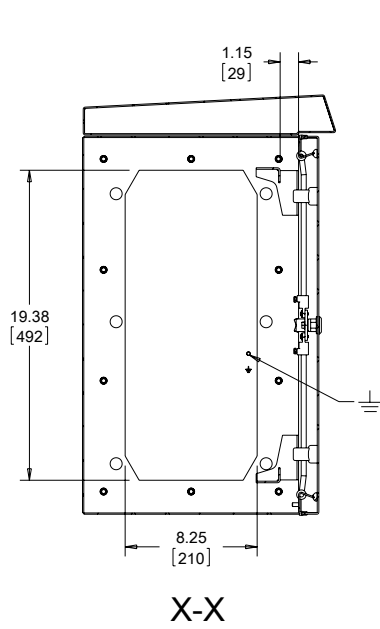
Standard Product **COMLINE Vertical Mount Cabinet**

Catalog Number	AxBxC in./mm	Rack Units Vertical
ECL603537VP	23.62 x 13.78 x 14.76 600 x 350 x 375	5

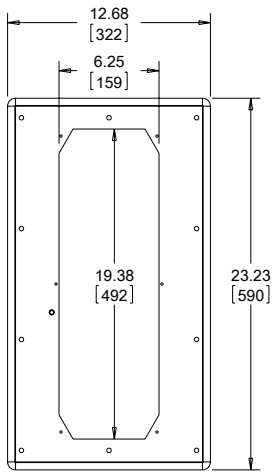
Standard Product **Gland plates for COMLINE Vertical Mount Cabinet**

Catalog Number	AxBxC in./mm	Use with
EGVM	23.23 x 12.68 x 0.35 590 x 322 x 9	Solid
EGVM1	23.23 x 12.68 x 0.35 590 x 322 x 9	XR20 Heat Exchanger
EGVM2	23.23 x 12.68 x 0.35 590 x 322 x 9	T15 AC Unit
EGVM3	23.23 x 12.68 x 0.35 590 x 322 x 9	T20 AC Unit

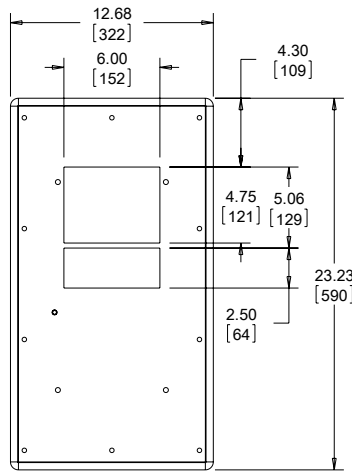
*Order heat exchanger and air conditioner gland plates separately.



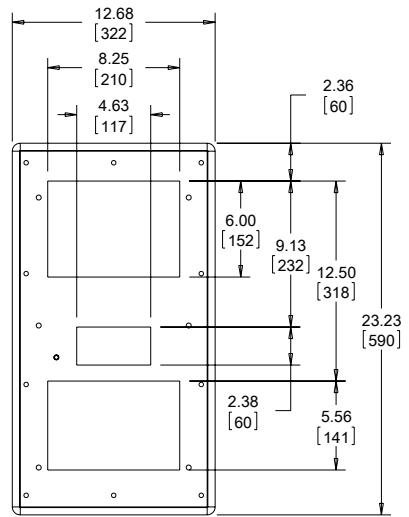
**EGVM
(Solid)**



**EGVM1
(XR20)**



**EGVM2
(T15)**



**EGVM3
(T20)**

89071192



GROUND BUSS

This copper Ground Buss provides wiring tie points within the cabinet. Mounts on studs provided on cabinet side. Tie-point spacing is 3/4-in. pair-to-pair and 5/8-in. across each pair. Ground studs are 1/4-20 x .75-in. on 3/4-in. centers.

BULLETIN: DCOMY

Catalog Number	Description
EGBB1	6-position, double-lug buss
EGBB2	12-position, double-lug buss

HANDLE OPTIONS



Handle Options can be padlocked for added security. Kit includes handle and mounting hardware. Install using existing enclosure cam.

BULLETIN: A80, DCOMY, DWS12

Catalog Number	Description
ELHP	Padlocking L-Handle
EPL4	Padlocking quarter-turn with key
DL36	Locking wing nut with 2 keys, silver finish

CLIP NUT PACKAGE



Twenty plated clip nuts fit all rack-mounting angles with .281-in. (7-mm) diameter holes (through-hole type).

BULLETIN: A80

Catalog Number	Description	Pkg. Qty.	Fits
AN1032	Clip Nut 10-32	20	.281-diameter mounting holes
ANM5	Clip Nut M5 (Metric)	20	.281-diameter mounting holes

SCREW PACKAGE



Screws attach rack panels and rack-mounted equipment to rack-mounting angles.

BULLETIN: A80, DACCY, X20

Catalog Number	Color	Description	Pkg. Qty.
ES1224	Silver	12-24 x 5/8 in. combo head	20
ES1224250	Silver	12-24 x 5/8 in. combo head	250
ES1224B	Black	12-24 x 5/8 in. combo head	20
ES1224B250	Black	12-24 x 5/8 in. combo head	250
ASM5	Silver	M5 x 20 mm Combo Head	20
ASM6	Silver	M6 x 16 mm combo head	20
ASM5T	Silver	M5 x 12 mm thread-forming Phillips hex head screws	20
ASM6250	Silver	M6 x 16 mm combo head	250
AS1032	Silver	10-32 x 5/8 in. combo head	20
AS1032250	Silver	10-32 x 5/8 in. combo head	250
AS1032B	Black	10-32 x 5/8 in. combo head	20

Use ASM5T on PROLINE frame or Net Series extruded holes.

MOUNTING BRACKET KITS



Mounting Bracket Kits are available in stainless steel or composite material. Kit includes 4 brackets and mounting hardware.

BULLETIN: A80

Catalog Number	Description
CMFK	Steel
CMFKSS	Stainless Steel
CMTGFT	Composite

WALL MOUNTING BRACKET



Wall Mounting Bracket bolts to enclosure back thread holes and facilitates easy mounting to walls. Made of 0.10 aluminum with cabinet matching RAL 7035 finish.

BULLETIN: DCOMY

Catalog Number	AxBxC in./mm	Description
EMB1	1.73 x 30.20 x 21.26 44 x 767 x 540	Aluminum

FTTX FIBER OPTIC CABINET PACKAGE, TYPE 4X


Battery Cabinet



19- or 23-inch rack mounting including cabinet entry boots



Door with foam-in-place gasketing and optional insulation



Door Switch



Ground Bus Bar



Handle

INDUSTRY STANDARDS

UL 508A Listed; Type 4, 4X, 12; File No. E61997

CSA: Type 4, 4X, 12
 NEMA/EEMAC Type 4, 4X, 12
 EC60529, IP66
 Designed to meet Telcordia NEBS GR-487, GR-63 and IEC 48D
 EIA 310-D with 19-in. spacing for rack equipment
 Cabinet is RoHS compliant
NEBS is a trademark of Telcordia

APPLICATION

Pad-mounted FTTX welded aluminum enclosures provide long-lasting protection and manage fiber optic cable for broadband delivery in outdoor applications. Provided with or without back-up battery compartment.

FEATURES

- Standard pitched roof promotes water runoff
- Available with either single- or dual-access doors on front and rear for convenient access
- Available with or without battery compartment
- 3-point latching mechanisms and padlocking handles on doors provide security
- Seamless foam-in-place gasket seals doors against moisture and dust
- Wind latch mechanisms on doors control door when open for equipment maintenance
- Removable lifting lugs (2) for easy installation
- Rack angles adjustable for 19-in. or 23-in. spacing without modifications
- Use cage nuts to mount equipment

- Cabinet top insulation helps prevent the formation of condensation and reduces solar gain inside cabinet. Cabinet side insulation is optional.
- Base of cabinet has a 5.00-in. (127-mm) high aluminum mounting plinth to allow for cable alignment
- Three pyramidal boots provided at base of cabinet for sealing various sizes of cables
- All fasteners are stainless steel to maintain professional appearance in severe outdoor climate conditions
- Grounding buss bar provided

SPECIFICATIONS

- Manufactured from Type 5052-H32 .125 in.-thick aluminum
- Seams continuously welded and ground smooth
- Heavy gauge continuous hinge

FINISH

RAL 7035 light textured low-gloss polyester powder paint over pretreated surfaces. Custom finishes available please contact your local Hoffman sales office.

ACCESSORIES

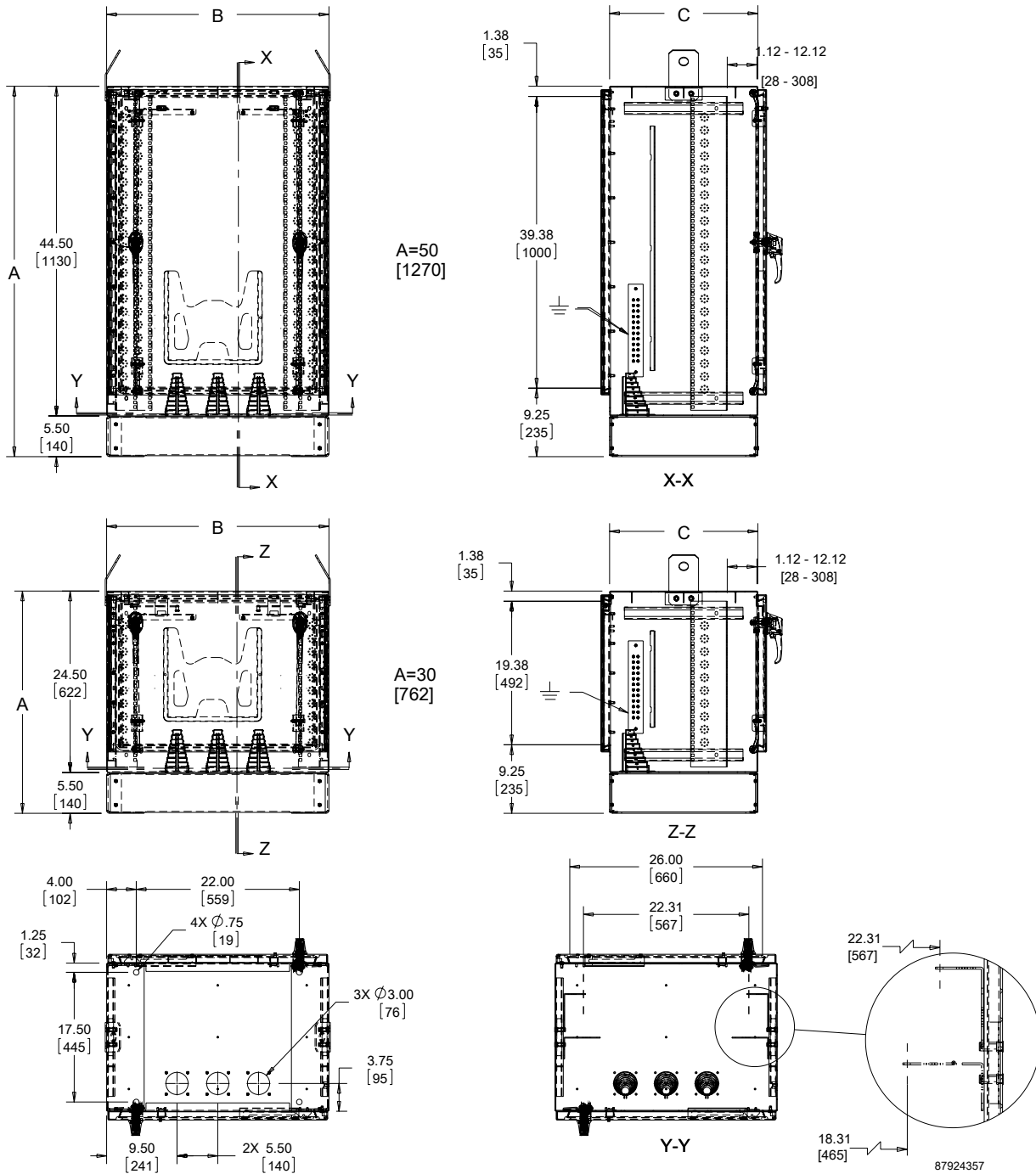
Fiber Management Spool
 Compact Cooling Fans
 Temperature Control Switches
 Light Package
 Screw Packages
 Fiber Optic Cabinet Pole-Mount Kit
 Compact and Mid-Size Heat Exchangers
 Type 3R, 12, 4 T4 Line Indoor/Outdoor Air Conditioners
 Electric Heaters

BULLETIN: DTX

Standard Product **FTTX Without Battery Compartment**

Catalog Number	AxBxC in.	AxBxC mm	Rack Units	Description
T303020FTTX	30.00 x 30.00 x 20.00	762 x 762 x 508	10	Single-Access
T503020FTTX	50.00 x 30.00 x 20.00	1270 x 762 x 508	22	Single-Access
T303020FTTXDA	30.00 x 30.00 x 20.00	762 x 762 x 508	10	Dual-Access
T503020FTTXDA	50.00 x 30.00 x 20.00	1270 x 762 x 508	22	Dual-Access
T303044FTTXDA	30.00 x 30.00 x 44.00	762 x 762 x 1118	10	Dual-Access
T503044FTTXDA	50.00 x 30.00 x 44.00	1270 x 762 x 1118	22	Dual-Access
T843044FTTXDA	84.00 x 30.00 x 44.00	2134 x 762 x 1118	43	Dual-Access

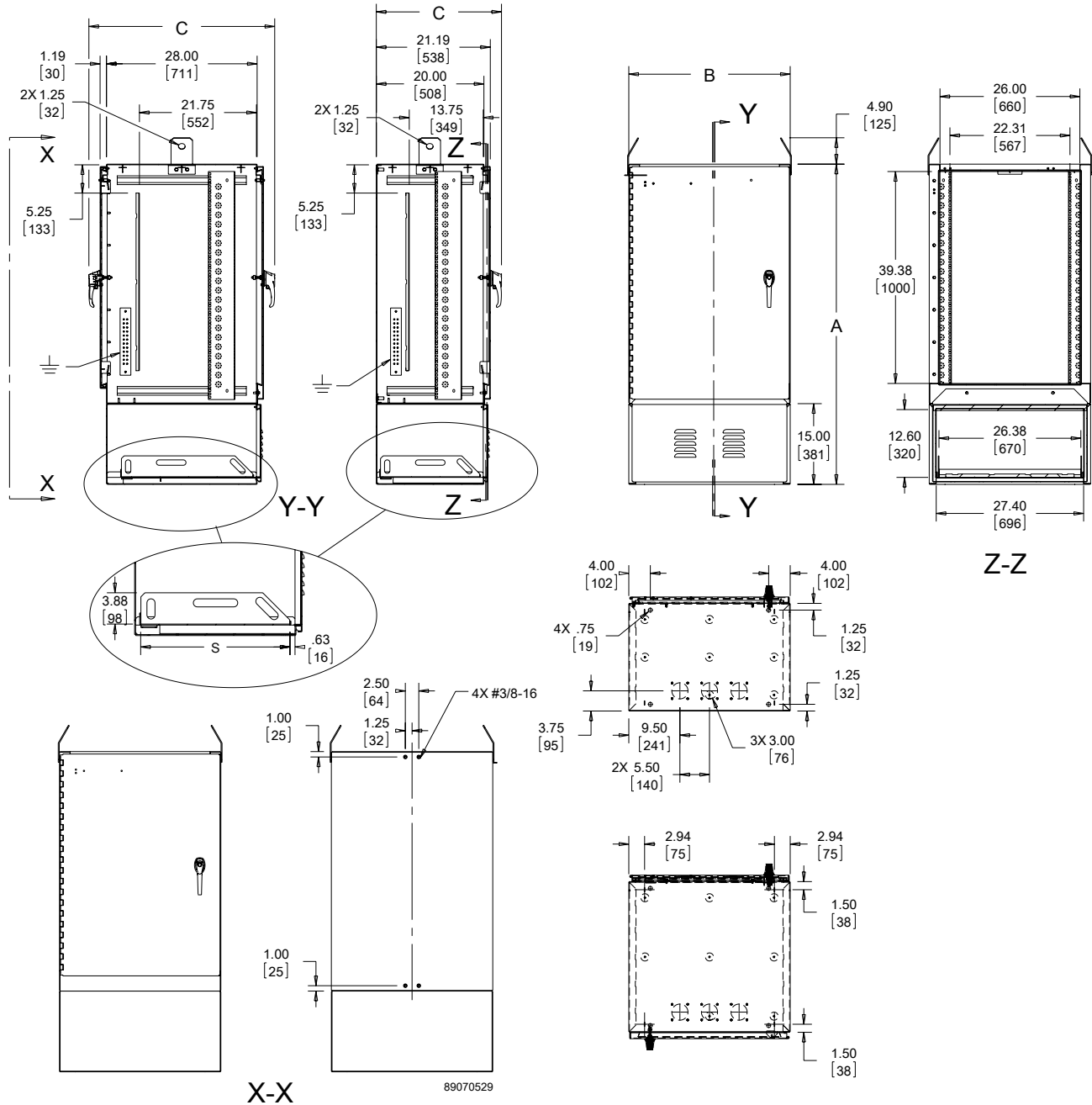
FTTX Fiber Optic Cabinet Without Battery Compartment



Standard Product FTTX With Battery Compartment

Catalog Number	AxBxC in.	AxBxC mm	Rack Units	Description	S (in.)	S (mm)
T503020FTTXB	59.49 x 30.00 x 23.27	1511 x 762 x 591	22	Single-Access	18.75	476
T503028FTTXDAB	59.49 x 30.00 x 34.53	1511 x 762 x 877	22	Dual-Access	24.75	629
T503044FTTXDAB	59.49 x 30.00 x 50.53	1511 x 762 x 1283.4	22	Dual-Access	40.75	1035
T843044FTTXDAB	93.49 x 30.00 x 50.53	2375 x 762 x 1284	43	Dual-Access	40.75	1035

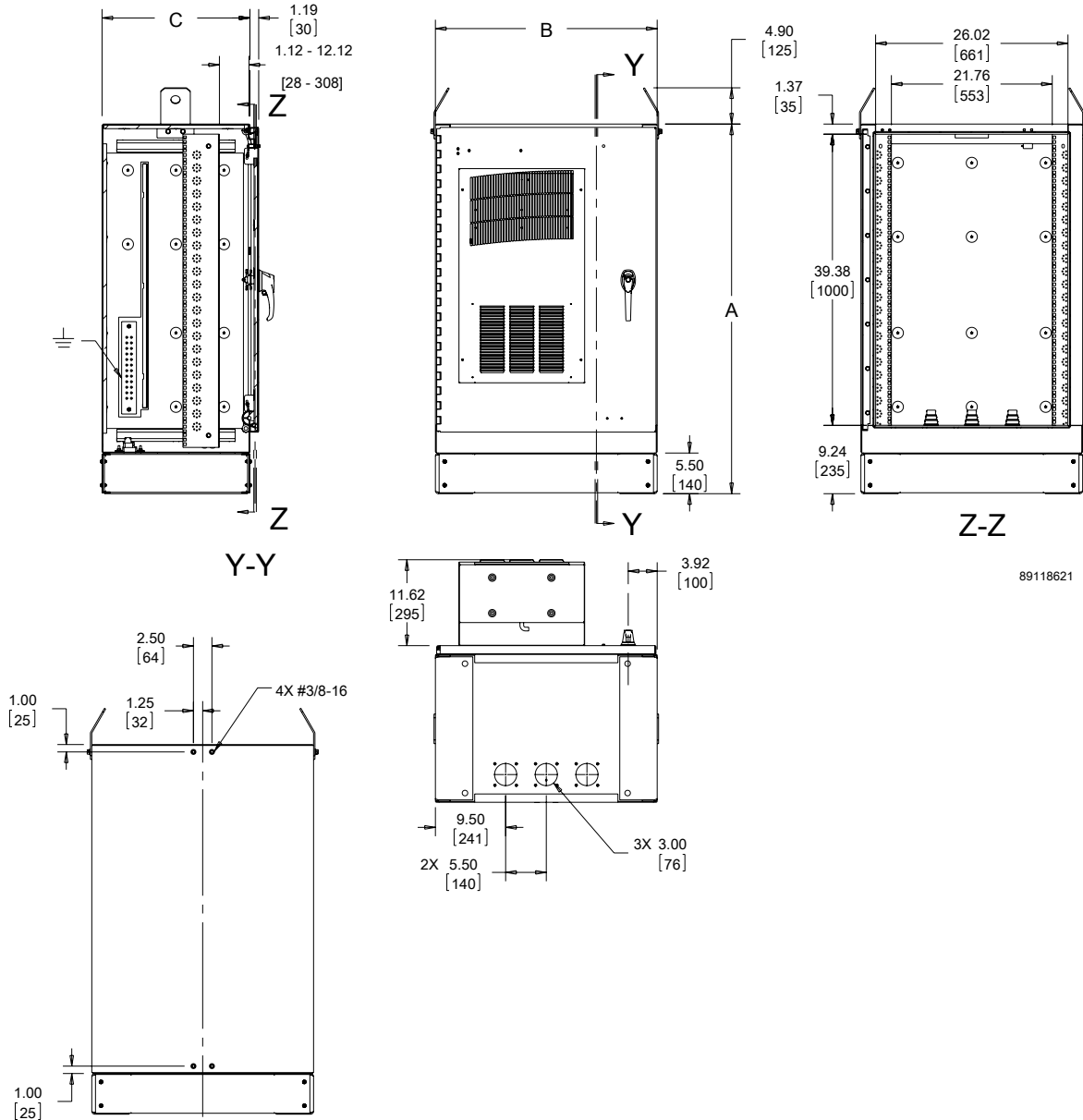
FTTX Fiber Optic Cabinet With Battery Compartment



Standard Product **With AC, Without Battery Compartment**

Catalog Number	AxBxC in.	AxBxC mm	Rack Units	Description	AC Model
T503020FTTXSA	50.00 x 30.00 x 20.00	1270 x 762 x 508	22	Single-Access	T290426G161
T503044FTTXDASA	50.00 x 30.00 x 44.00	1270 x 762 x 1118	22	Dual-Access	T290426G161
T843044FTTXDASA	84.00 x 30.00 x 44.00	2134 x 762 x 1118	43	Dual-Access	T430626G159

FTTX Fiber Optic Cabinet Without Battery Compartment, With AC



FIBER MANAGEMENT SPOOL

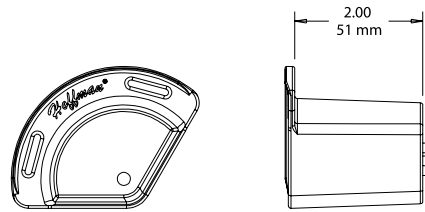


Fiber Management Spools mount inside the cabinet and help maintain proper bends when routing cable. Molded of black plastic. Includes thread-forming M5 mounting screws. Slots provided on flange for VELCRO® cable wrap.

VELCRO is a trademark of Velcro Industries B.V.

BULLETIN: DTX

Catalog Number	Radius (in.)	Radius (mm)	Pkg. Qty.
TOPTKSPL	1.18	30	4



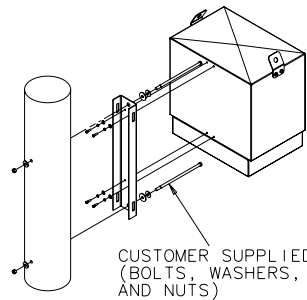
87951339

FIBER OPTIC CABINET POLE-MOUNT KIT

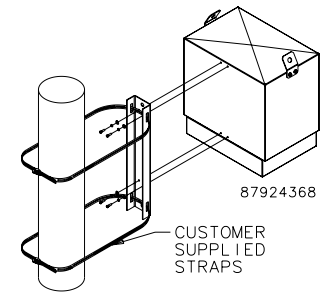
The Pole-Mount Kit installs on the rear of the single-access cabinets using the hardware provided. No drilling or tapping of the cabinet is required. Installation instructions are provided for mounting to various types of poles.

BULLETIN: DTX

Catalog Number	Kit Includes	Use With
T11FTTXXPMK	Channel and hardware for attaching to cabinet	10U Cabinet
T23FTTXXPMK	Channel and hardware for attaching to cabinet	22U Cabinet



INSTALLATION ON WOOD POLE



INSTALLATION ON CONCRETE OR STEEL POLE

CAGE NUT PACKAGE



Cage Nut Packages are for use with square-hole rack angles. Cage nuts are plated steel.

BULLETIN: DACCY

Catalog Number	Color	Description	Pkg. Qty.
PM5CN	Silver	M5 cage nut	20
PM6CN	Silver	M6 cage nut	20
PM6CN250	Silver	M6 cage nut	250
P1032CN	Silver	10-32 cage nut	20
P1032CN250	Silver	10-32 cage nut	250
P1224CN	Silver	12-24 cage nut	20
P1224CN250	Silver	12-24 cage nut	250

SCREW PACKAGE



Screws attach rack panels and rack-mounted equipment to rack-mounting angles.

BULLETIN: A80, DACCY, X20

Catalog Number	Color	Description	Pkg. Qty.
ES1224	Silver	12-24 x 5/8 in. combo head	20
ES1224250	Silver	12-24 x 5/8 in. combo head	250
ES1224B	Black	12-24 x 5/8 in. combo head	20
ES1224B250	Black	12-24 x 5/8 in. combo head	250
ASM5	Silver	M5 x 20 mm Combo Head	20
ASM6	Silver	M6 x 16 mm combo head	20
ASM5T	Silver	M5 x 12 mm thread-forming Phillips hex head screws	20
ASM6250	Silver	M6 x 16 mm combo head	250
AS1032	Silver	10-32 x 5/8 in. combo head	20
AS1032250	Silver	10-32 x 5/8 in. combo head	250
AS1032B	Black	10-32 x 5/8 in. combo head	20

Use ASM5T on PROLINE frame or Net Series extruded holes.

OPAL PAD-MOUNT DSL CABINET



5-Door Cabinet



Custom Cabinet Shown

INDUSTRY STANDARDS

UL 508A Listed; Type 3, 3R, 4, 4X, 12; File No. E61997

CSA: Type 3, 3R, 4, 4X, 12
 NEMA/EEMAC Type 3, 3R, 4, 4X, 12
 EC60529, IP66
 Designed to meet Telcordia NEBS GR-487, GR-63 and IEC 48D
 EIA 310-D with 19-in. spacing for rack equipment
 Cabinet is RoHS compliant
NEBS is a trademark of Telcordia

APPLICATION

Protect communications equipment from the elements in various environments with OPAL, an aluminum pad-mounted cabinet. OPAL is offered in three- and five-door models and is designed to meet Telcoria NEBS GR-487-CORE requirements.

FEATURES

- Offered with three or five doors mounted for front, rear and side access to equipment
- Five-door model has two equal compartments and one side compartment
- Side compartment is ideal for cable entry, power distribution and load center
- Copper bonding bars included with cabinet
- Rack angles have EIA universal spaced square holes and are infinitely adjustable front-to-back in compartment
- Rack angles are predrilled for bend radius spools
- Each compartment is capable of either 19- or 23-in. rack angle positioning
- Top has integral solar shield with formed angles providing a peaked roof to deflect rain water to the sides of the cabinet
- L-handle is padlockable
- Bottom holes provided for bolting cabinet to concrete pad
- All doors have door switch, door (wind) stops and vault-style locking system
- Grounding and bonding studs provided on all doors and body
- Three cable entry boots provided in side compartment
- Four cable entry gland plates provided between side and central compartments

SPECIFICATIONS

- Manufactured from Type 5052-H32 0.125-in. thick aluminum
- Seams continuously welded and ground smooth
- Heavy duty continuous hinge with stainless steel hinge pin on all doors
- Rack angles made of 12 gauge plated steel
- All doors have with seamless gasket
- Door handles made of die-cast zinc with black polyester powder finish

FINISH

RAL 7035 light-gray, textured, low-gloss polyester powder paint over pretreated surfaces. Custom finishes available; please contact your local Hoffman sales office.

ACCESSORIES

- See also Accessories.*
- Shelves
 - PDU's
 - Cooling
 - Cable Management Spools
 - Switches
 - Lights
 - Cage Nuts and Screws

MODIFICATION AND CUSTOMIZATION

- Thermal management analysis
- Finish (graffiti resistant, local and regional requirements, Telco green and beige)
- The addition of fans, heat exchangers and air conditioners
- Cabinet insulation (recommended for all air conditioned applications)
- Holes, cut-outs, finish and size changes
- EMI/RFI shielding
- Level 1- 4 integration
- Additional battery compartment
- Additional testing (UL, GR-487-CORE, seismic, vibration, load, etc)

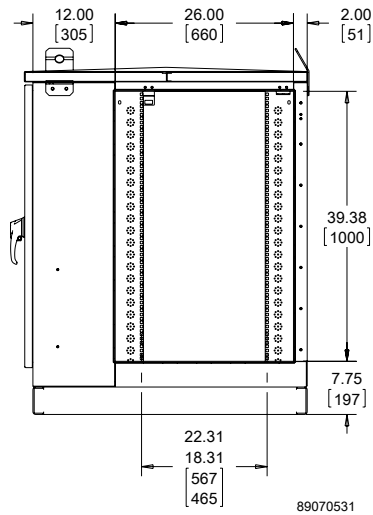
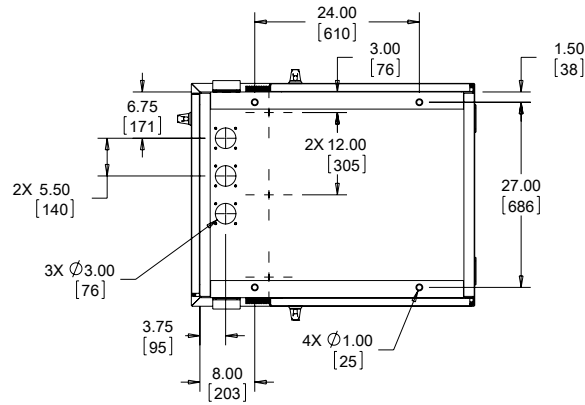
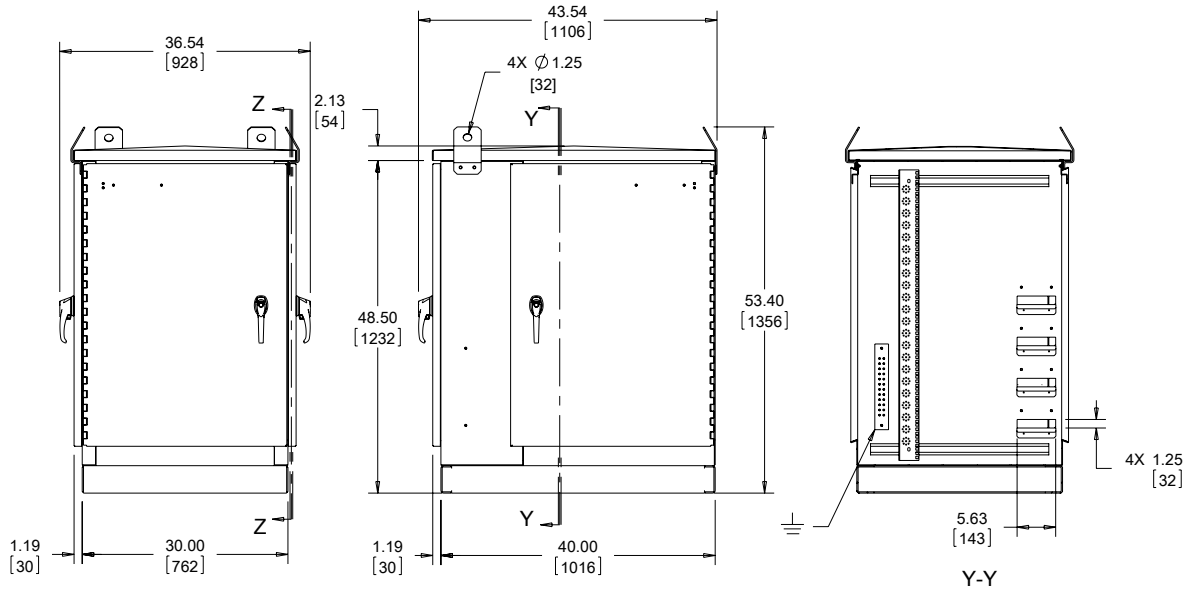
Contact your Hoffman Sales Office for details.

BULLETIN: DPMC

Standard Product **OPAL Outdoor Pad-Mounted Communications Cabinet**

Catalog Number	AxBxC in./mm	Rack Units Per Bay
T504030PM3	48.50 x 43.54 x 30.00 1232 x 1106 x 762	22
T507030PM5	48.50 x 73.54 x 30.00 1232 x 1868 x 762	22

OPAL 3-Door Enclosure

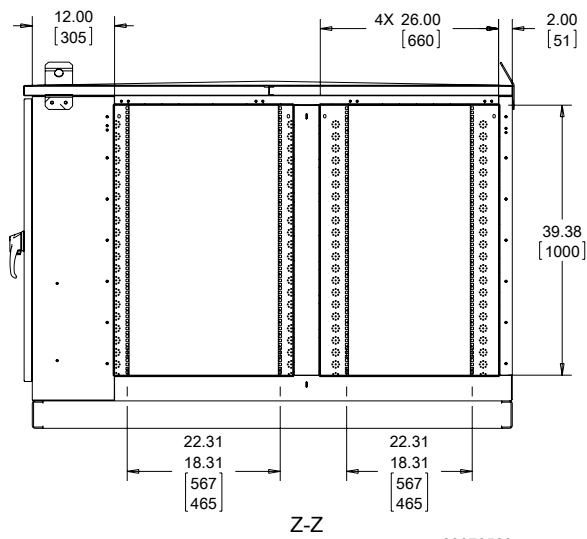
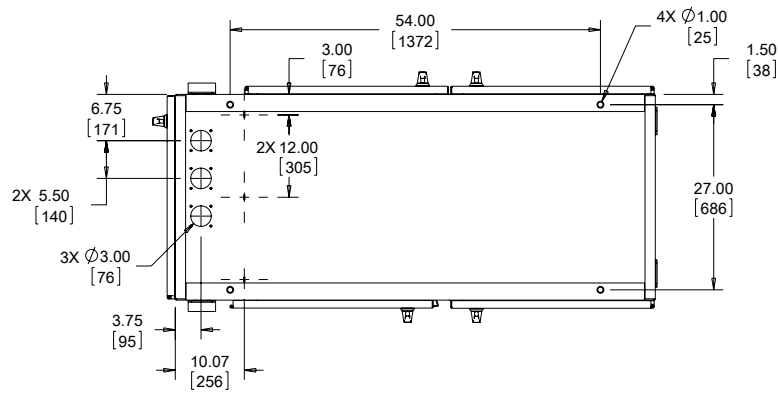
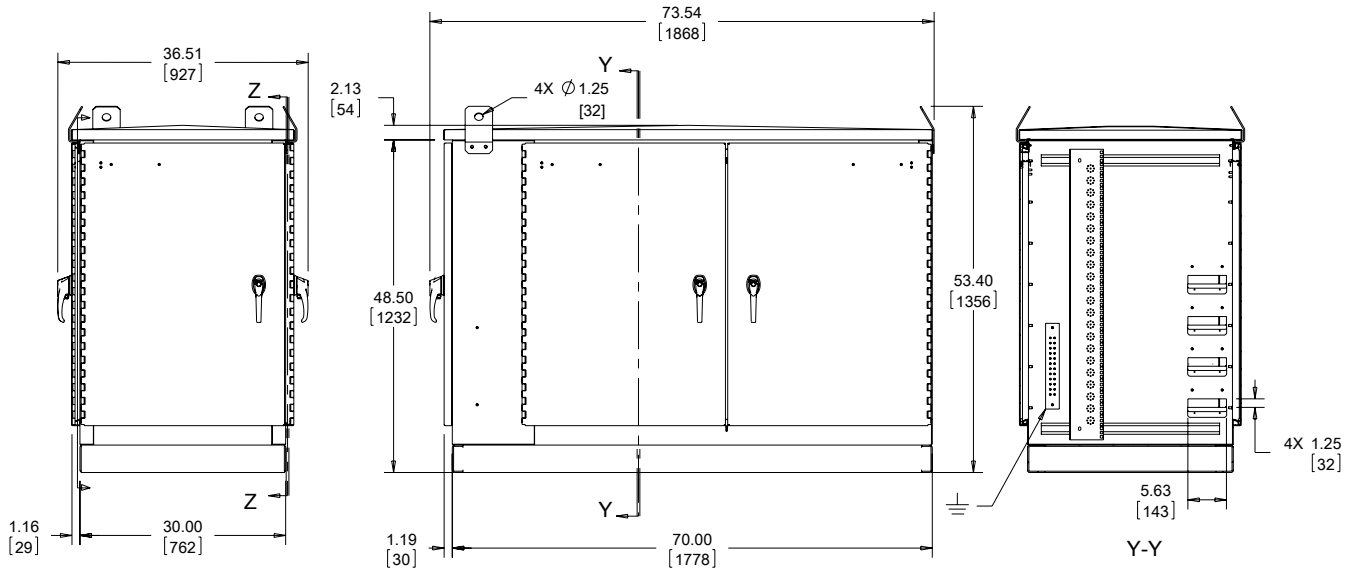


89070531

Z-Z



OPAL 5-Door Enclosure



89070569





Hoffman

CHAPTER 10 ACCESSORIES

FEATURED PRODUCTS

SHELVES

Ranging from double- and single-sided shelves to rack-mount and pull-out options, there are a variety of shelves available for open frame racks and cabinets.



LIGHTING

LED light kits offer a compact, energy-efficient and flexible solution for enclosure-mounted task lighting. Available in AC- and DC-powered models.

CHAPTER CONTENTS

ACCESSORIES

BONDING AND GROUNDING ACCESSORIES

Bonding and Grounding Overview	244
Lay-In Lug	245
Compression Lugs	245
Heavy-Duty C-Taps	245
Insulated Ground Jumper Kit	245
Rack Jumper Kit	245
Telecommunications Ground Bar Kits	246
Vertical Ground Bar Kits	246
Horizontal Ground Bar Kits	246

SHELVES FOR OPEN FRAME RACKS AND CABINETS

Double-Sided Solid Aluminum Shelf	247
Double-Sided, Solid Aluminum, Heavy Duty Shelf	247
Single-Sided Solid Aluminum Shelf	247
Single-Sided Solid-Steel Shelf	247
Single-Sided Steel Vented Shelf	248
Double-Sided Solid-Steel Shelf	248
Double-Sided Steel Vented Shelf	248
Center-Mount Steel Shelves	248
Rack-Mount Steel Shelf	249
Adjustable Steel Vented Shelf	249
Pullout Keyboard Tray with Monitor Shelf	249
Pivoting Keyboard Shelf with Mouse Tray	249
Steel Keyboard/Monitor Shelf	250
Pull-Out Shelf for Mini Keyboard	250
Tool-less Shelf	250
Rack-Mount Adjustable Shelf	251
Single-Sided Shelf	251
Keyboard Compartment for 19-in. Racks	251
Writing Surface for Rack-Angle-Mounted Drawer	252
Sliding Equipment Shelf	252
Cable Manager Arm for Sliding Equipment Shelf	252
Rack-Angle Mounted Drawer	253

LIGHTING PACKAGES

PANELITE Enclosure Lights Overview	254
PANELITE LED Enclosure Light	255
PANELITE Fluorescent Enclosure Light	255
PANELITE Power Cords	256
PANELITE Power Cable with Leads	256
PANELITE Ganging Cables	256
PANELITE Door Switch Cable	256
230 VAC Fluorescent Enclosure Light	257
PANELITE Wiring Options	257
LED Light Kit	258
LED Light Input Connector/Cable Assembly	258
LED Light Extension Connector/Cable Assembly	258
Remote Door Switches	259
LED Puck Light	259
Touch-Safe UL Light Switch	259
Mounting Bracket Kit for Light Package	259

MOUNTING HARDWARE

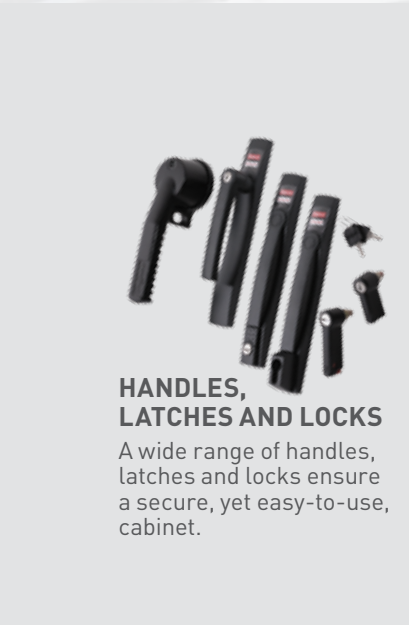
Mounting Foot Kits	260
Screw Packages	260
Cage Nut Package	260
Pole Mounting Kits	260
PROLINE Fastener Packages	261
VELCRO® Cable Wrap	261

HANDLES, LATCHES AND LOCKS

Padlocking L Handle	262
Net Series Combination L-Handle	262
Quick Reference Guide to Networking Handles, Latches and Locks	262
Padlocking Quarter-Turn Latch	263
3-Digit Combination Lock	263
Quarter-Turn Lock	263
Replacement Keys	263
Keylocking Wing Knob	264
Keylocking Quarter-Turn Wing Knob	264
Padlocking Wing Knob, Stainless Steel	264

GENERAL ACCESSORIES

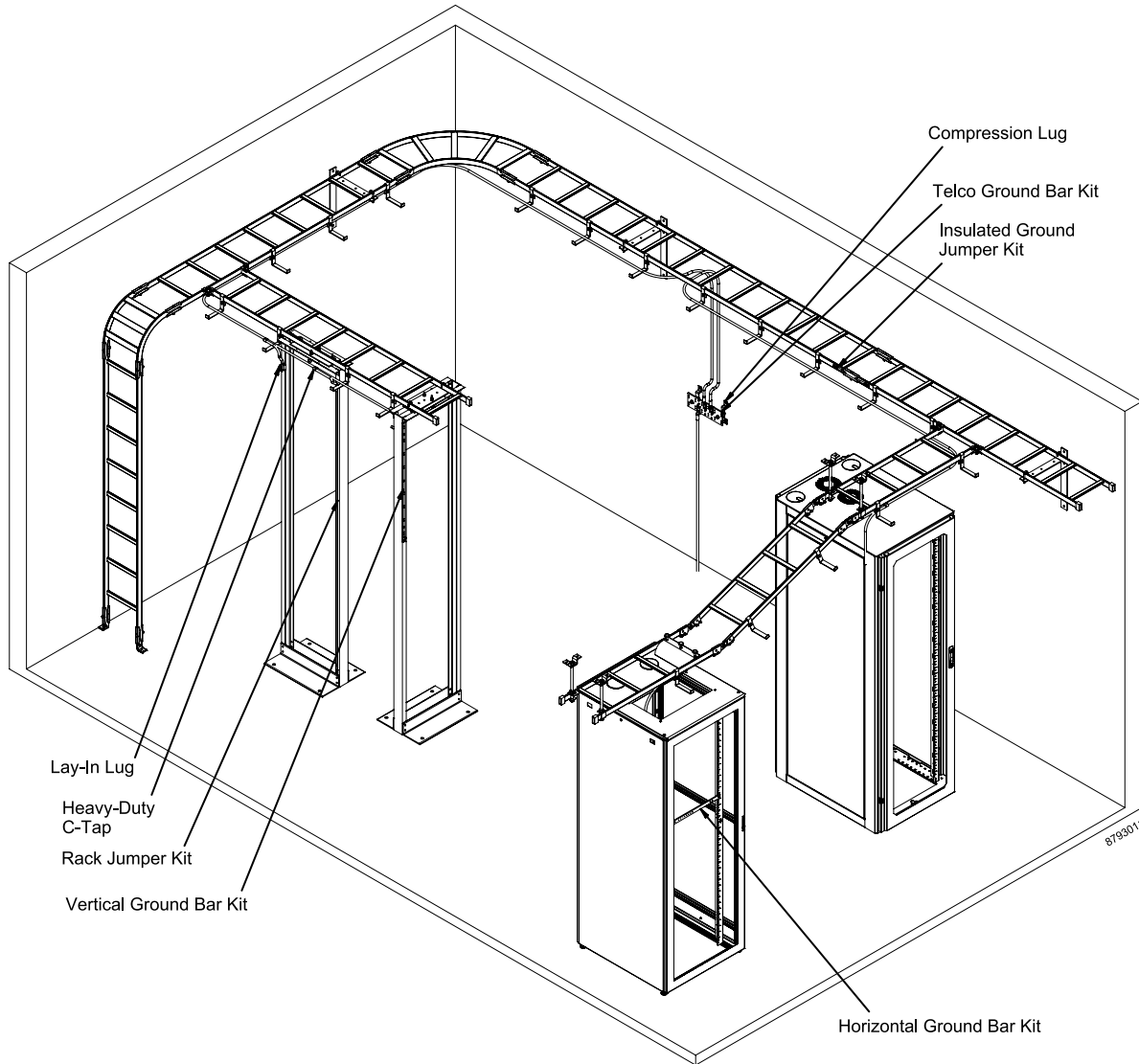
19-in. and 23-in. Rack Angles	265
Tool-less (Snap-in) Blanking Panels for 19-in. Racks	265
Rack Unit Label	265
Rack Panel for 19-in. Racks	266
Touch-Up Paint	266



HANDLES, LATCHES AND LOCKS

A wide range of handles, latches and locks ensure a secure, yet easy-to-use, cabinet.

BONDING AND GROUNDING OVERVIEW



10

INDUSTRY STANDARDS

Ground Bar Kits:

UL 467 Listed
 cUL Listed per CSA C22.2 No. 41
 File No. E319377

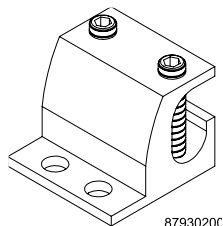
APPLICATION

These components meet open frame rack and cabinet bonding and grounding requirements for telecommunication room and server room applications.

FEATURES

- Components specially designed to efficiently facilitate reliable connections
- Enable system to meet equipment manufacturer grounding requirements
- Components fit EIA 310-D-rated open frame racks

LAY-IN LUG



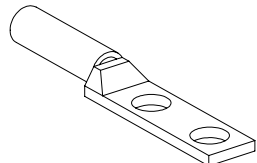
87930200

Dual-rated, UL486B listed lay-in lug bonds end of cable securely to rack. Made of electroplated 6061-T6 aluminum. Requires 3/16-in. hex key (not included).

BULLETIN: DBG

Catalog Number	For Cable Size Range	Size (in.)	Size (mm)	Pkg. Qty.
DGLG	#14 AWG to 2/0	1.75 x 1.50	44 x 38	10

COMPRESSION LUGS



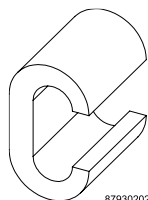
87930201

Compression lugs terminate copper or tinned-copper conductors for connection to busbars, cabinets, racks, and cable runway. Color-coded by conductor size. Made of electroplated, tinned copper. Require two screws (not included).

BULLETIN: DBG

Catalog Number	Cable Size (#)	On-Center Dimension Between Holes	Required Screw Size	Color Code	Pkg. Qty.
DGCL61	6	.625	1/4	Blue	10
DGCL62	6	1.00	3/8	Blue	10
DGCL21	2	.625	1/4	Brown	10
DGCL22	2	1.00	3/8	Brown	10
DGCL201	2/0	1.00	3/8	Black	10
DGCL402	4/0	1.00	3/8	Purple	10

HEAVY-DUTY C-TAPS



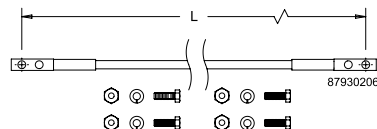
87930202

C-Taps splice two stranded or solid connectors together. Made of copper. Require a crimping tool (not included) to correctly tighten C-Taps around connectors.

BULLETIN: DBG

Catalog Number	Conductor Run	Conductor Tap	Pkg. Qty.
DGT1	#2 stranded or solid	#4 stranded, #8 solid	10
DGT2	#2 stranded or solid	#2 stranded or solid	10

INSULATED GROUND JUMPER KIT



87930206

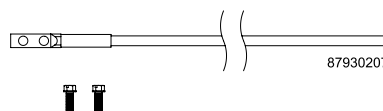
Fastens across splices to provide a secure ground between sections of ladder rack. Made of #6 AWG x 7 strand wire with green THW insulation and two-hole compression lugs mounted on each end. Includes fasteners.

BULLETIN: DBG

Catalog Number	L (in.)	L (mm)
DGJ	12.00	305

cULus requires 2 kits per splice on all painted ladder sections

RACK JUMPER KIT



87930207

Grounds rack or cabinet to common bonding network under floor or overhead. Made of #6 AWG x 7 strand wire with green THW insulation and two-hole compression lug mounted on one end. Includes fasteners.

BULLETIN: DBG

Catalog Number	Conductor Type	Length (ft.)	Length (m)
DGRJ	#6-7 stranded	9	2.7

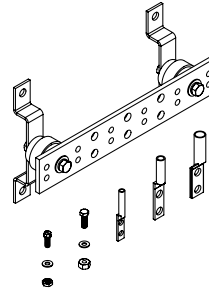


TELECOMMUNICATIONS GROUND BAR KITS

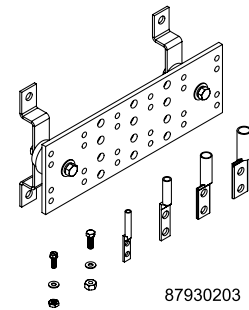
Provide a convenient central location for connecting grounds from telecommunications equipment, computers, and other network equipment. Made of copper. Kits include ground bar with two mounting brackets, an assortment of connectors, and a tube of antioxidant.

BULLETIN: DBG

2-inch Wide Bar



4-inch Wide Bar



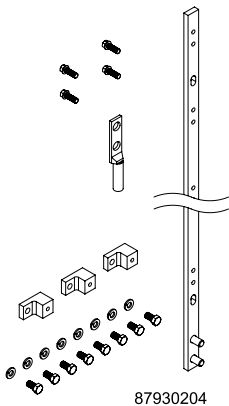
87930203

Standard Product

Catalog Number	Bar Size in./mm	No. of 5/16-in. Hole Sets	No. of 7/16-in. Hole Sets	#6 Wire Size (DGCL61)*	#2 Wire Size (DGCL22)*	#2/0 Wire Size (DGCL201)*	#4/0 Wire Size (DGCL402)*
DGTB212	2.00 x 12.00 x .25 51 x 305 x 6	6	3	6 lugs	3 lugs	1 lug	0 lugs
DGTB216	2.00 x 16.00 x .25 51 x 406 x 6	8	3	6 lugs	3 lugs	1 lug	0 lugs
DGTB412	4.00 x 12.00 x .25 102 x 305 x 6	12	6	6 lugs	3 lugs	1 lug	1 lug
DGTB420	4.00 x 20.00 x .25 102 x 508 x 6	24	6	6 lugs	3 lugs	1 lug	1 lug

* Number of compression lugs included with Ground Bar Kits

VERTICAL GROUND BAR KITS



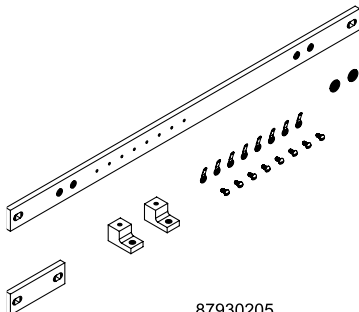
87930204

Mount vertically on rack, providing a convenient place to connect equipment grounds. Made of electrolytic tough-pitch 110 copper alloy. Kits include ground bar with compression lug for #2 wire, connection hardware, and mounting hardware.

BULLETIN: DBG

Catalog Number	Bar Size (in.)	Bar Size (mm)
DG36	36.00 x .625 x .25	914 x 16 x 6
DG72	72.00 x .625 x .25	1829 x 16 x 6

HORIZONTAL GROUND BAR KITS



87930205

Mount horizontally on rack, providing a convenient place to connect equipment grounds. Made of electrolytic tough-pitch 110 copper alloy. Kits include ground bar with mounting hardware, eight #6-32 x 14 machine screws, and eight #6 ring terminals.

BULLETIN: DBG

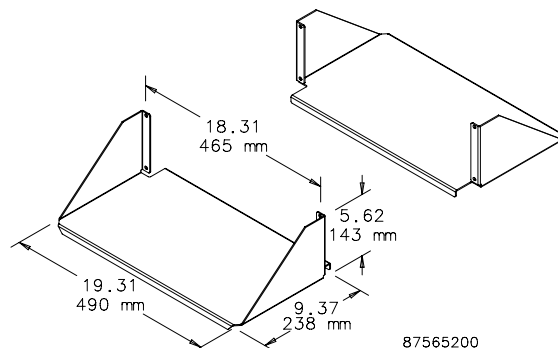
Catalog Number	Bar Size (in.)	Bar Size (mm)
DG19	1.00 x 19.25 x .25	25 x 489 x 6
DG23	1.00 x 23.25 x .25	25 x 591 x 6

DOUBLE-SIDED SOLID ALUMINUM SHELF

Mounts on 19-in. open frame rack. Two shelves form double-sided shelf. Uses 4U rack space. Made of 0.090-in. thick aluminum with brushed finish. Maximum load rating: 100 lb. (45.4 kg) per side, 200 lb. (90.7 kg) total

BULLETIN: DACCY

Catalog Number	H x W x D in./mm	Fits Rack	Includes	Rack Units
ESHDA19	5.62 x 19.31 x 9.37 143 x 490 x 238	19 in.	2 shelves	4

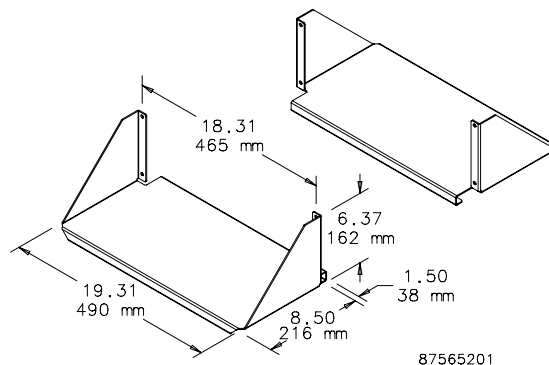


DOUBLE-SIDED, SOLID ALUMINUM, HEAVY DUTY SHELF

Mounts on open frame rack. Two shelves form double-sided shelf. Uses 4U rack space. Made of 0.090-in. thick aluminum with brushed finish. Maximum Load Rating: 150 lb. (68.0 kg) per side, 300 lb. (136.1 kg) total

BULLETIN: DACCY

Catalog Number	H x W x D in./mm	Fits Rack	Includes	Rack Units
ESHDHDA19	6.37 x 19.31 x 10.00 162 x 490 x 254	19 in.	2 shelves	4

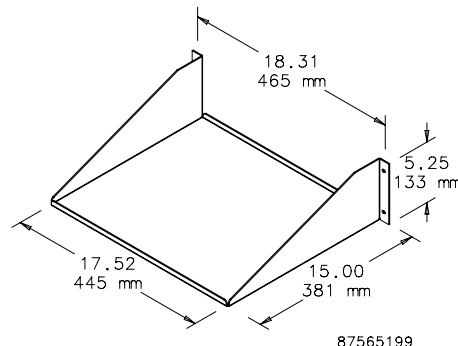


SINGLE-SIDED SOLID ALUMINUM SHELF

Mounts in a cabinet or on a 19-in. open-frame rack and can be wall mounted. Made of 0.090-in. thick aluminum with brushed finish. Maximum load rating: 100 lb. (45.4 kg)

BULLETIN: DACCY

Catalog Number	H x W x D in./mm	Fits Rack	Rack Units
ESHA19	5.25 x 18.31 x 15.00 133 x 465 x 381	19 in.	3

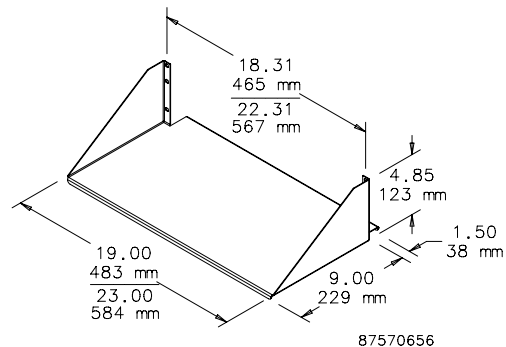


SINGLE-SIDED SOLID-STEEL SHELF

Solid shelf mounts to either front or rear flange of open-frame rack. Uses 3U of rack space. Steel with textured black finish. Load rating: 150 lb. (68.0 kg)

BULLETIN: DACCY

Catalog Number	H x W x D in./mm	Fits Rack	Rack Units
ESH19S	4.85 x 19.00 x 10.50 123 x 483 x 267	19 in.	3
ESH23S	4.85 x 23.00 x 10.50 123 x 584 x 267	23 in.	3

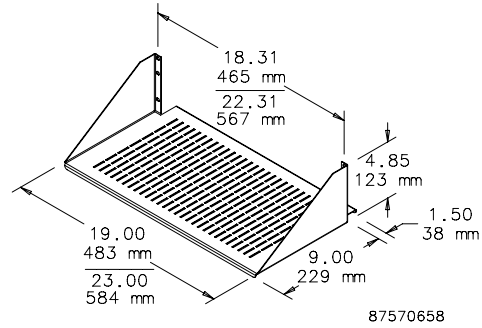


SINGLE-SIDED STEEL VENTED SHELF

Vented shelf mounts to either front or rear flange of open-frame rack. Steel with textured black polyester powder paint finish. Load rating: 150 lb. (68.0 kg)

BULLETIN: DACCY

Catalog Number	H x W x D in./mm	Fits Rack	Rack Units
ESH19V	4.85 x 19.00 x 10.50 123 x 483 x 267	19 in.	3
ESH23V	4.85 x 23.00 x 10.50 123 x 584 x 267	23 in.	

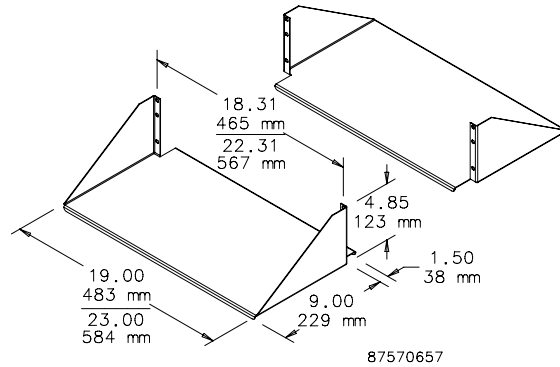


DOUBLE-SIDED SOLID-STEEL SHELF

Solid double-deep shelf mounts to both front and rear flanges of open frame rack. Steel with textured black polyester powder paint finish. Load rating: 300 lb. (136.1 kg)

BULLETIN: DACCY

Catalog Number	H x W x D in./mm	Fits Rack	Rack Units
ESHD19	4.85 x 19.00 x 10.50 123 x 483 x 267	19 in.	3
ESHD23	4.85 x 23.00 x 10.50 123 x 584 x 267	23 in.	3

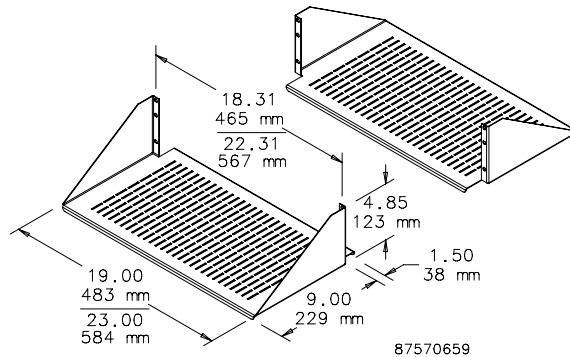


DOUBLE-SIDED STEEL VENTED SHELF

Vented, double-deep shelf mounts to both front and rear flanges of open frame rack. Steel with textured black polyester powder paint finish. Load rating: 300 lb. (136.1 kg)

BULLETIN: DACCY

Catalog Number	H x W x D in./mm	Fits Rack	Rack Units
ESHDV19	4.85 x 19.00 x 10.50 123 x 483 x 267	19 in.	3
ESHDV23	4.85 x 23.00 x 10.50 123 x 584 x 267	23 in.	3

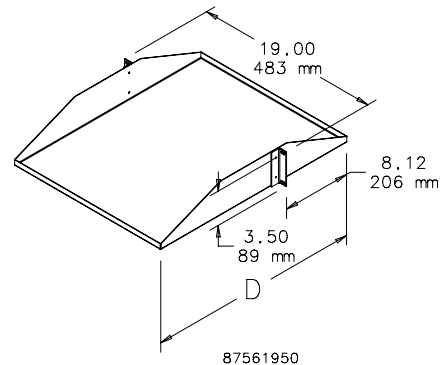


CENTER-MOUNT STEEL SHELVES

19-in. shelf mounts to the front of the rack. Ideal for supporting monitors or computers. Designed to evenly distribute load across the rack. Manufactured from 16 gauge steel. Black, low-gloss, light-textured polyester powder paint finish on all surfaces. Load rating: 100 lb. (45.4 kg)

BULLETIN: DOFRC

Catalog Number	H x W x D in./mm	Style	Rack Units
ECMS1918	3.50 x 19.00 x 18.00 89 x 483 x 457	Solid	2
ECMS1922	3.50 x 19.00 x 22.00 89 x 483 x 559	Solid	2
ECMSV1918	3.50 x 19.00 x 18.00 89 x 483 x 457	Vented	2
ECMSV1922	3.50 x 19.00 x 22.00 89 x 483 x 559	Vented	2

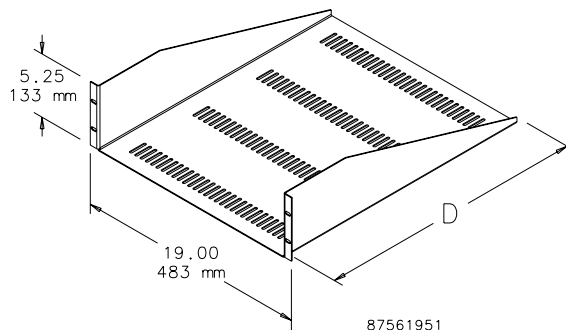


RACK-MOUNT STEEL SHELF

19-in. Rack-Mount Shelf mounts to the front of the rack. Ideal for holding non-19-in. rack-mount equipment. Available with or without vents. Manufactured from 16 gauge steel. Black, low-gloss, lightly-textured finish on all surfaces. Load rating: 100 lb. (45.4 kg)

BULLETIN: DOFRC

Catalog Number	H x W x D in./mm	Style	Rack Units
EMS1918	5.25 x 19.00 x 18.00 133 x 483 x 457	Solid	3
EMS1922	5.25 x 19.00 x 22.00 133 x 483 x 559	Solid	3
EMSV1918	5.25 x 19.00 x 18.00 133 x 483 x 457	Vented	3
EMSV1922	5.25 x 19.00 x 22.00 133 x 483 x 559	Vented	3

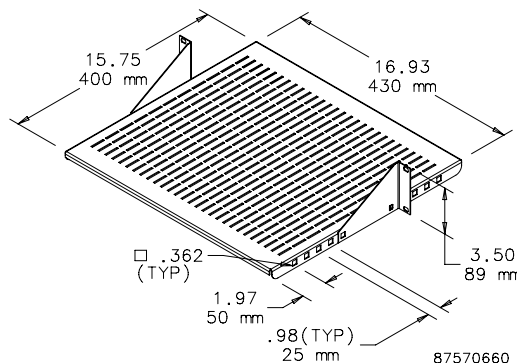


ADJUSTABLE STEEL VENTED SHELF

Vented shelf adjustable front to back in 25-mm increments. Shelf mounts to either front or rear flange of open frame rack. Steel with textured black polyester powder paint finish. Load rating: 60 lb. (27.2 kg)

BULLETIN: DACCY

Catalog Number	H x W x D in./mm	Fits Rack	Rack Units
ESHVA19	3.50 x 16.93 x 15.75 89 x 430 x 400	19 in.	2
ESHVA23	3.50 x 19.93 x 15.75 89 x 506 x 400	23 in.	2

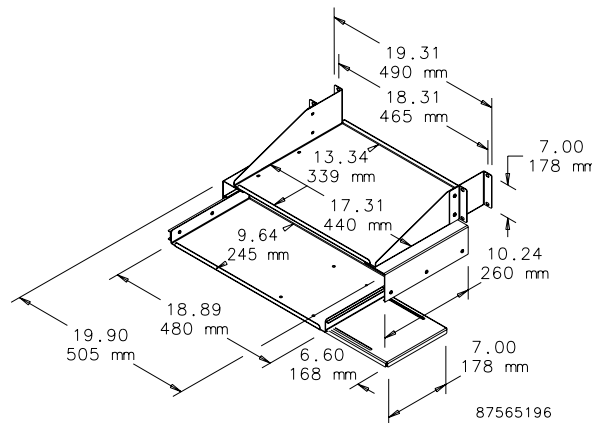


PULLOUT KEYBOARD TRAY WITH MONITOR SHELF

Mounts to the front and back surfaces of a standard 3-in. open frame rack. Fits full-size keyboard. Includes mouse tray. Extends 10.5 in. (267 mm) beyond front of open frame rack. Keyboard tray slides out an additional 7 in. (178 mm). Uses 4U rack space. 16 gauge steel with RAL 9005 black polyester powder paint finish. Monitor shelf load rating: 100 lb. (45.4 kg)

BULLETIN: DACCY

Catalog Number	H x W x D in./mm	Fits Rack	Rack Units
E19SKBM	7.00 x 19.90 x 10.24 178 x 505 x 260	19 in.	4

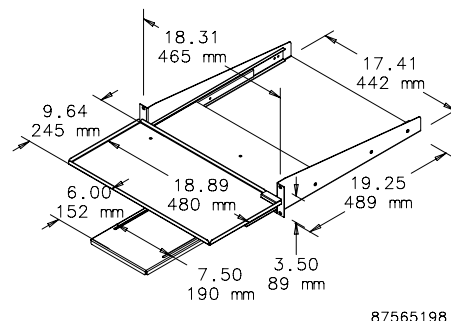


PIVOTING KEYBOARD SHELF WITH MOUSE TRAY

Mounts either in a cabinet or on a 19-in. open-frame rack. Shelf pulls out and pivots 90 degrees to access full-size keyboard. Shelf allows keyboard to slide between standard rack angles and includes mouse tray. 16 gauge steel with RAL 9005 black polyester powder paint finish. Keyboard tray extends 9.75 in. (248 mm) beyond front of rack angles or open-frame rack.

BULLETIN: DACCY

Catalog Number	H x W x D in./mm	Fits Rack	Rack Units
P19KBPVT	3.50 x 18.89 x 19.25 89 x 480 x 489	19 in.	2

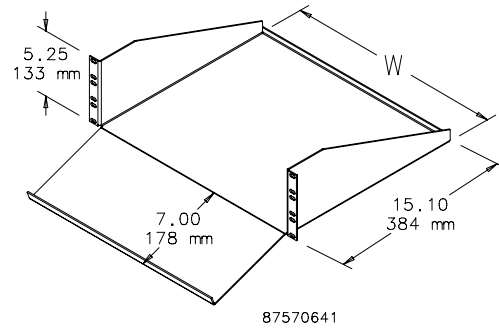


STEEL KEYBOARD/MONITOR SHELF

Designed to accommodate a monitor and keyboard in an ergonomically engineered design. Shelf mounts to front flange of open-frame rack. Can mount in a cabinet if rack angles are adjusted back for door clearance. Uses 3U of rack space. 19-in. and 23-in. rack versions. Steel with textured black finish. Load rating: 200 lb. (91 kg)

BULLETIN: DACCY

Catalog Number	H x W x D in./mm	Fits Rack	Rack Units
ESH19KBM	5.25 x 17.38 x 15.10 133 x 441 x 384	19	3
ESH23KBM	5.25 x 21.38 x 15.10 133 x 543 x 384	23	3

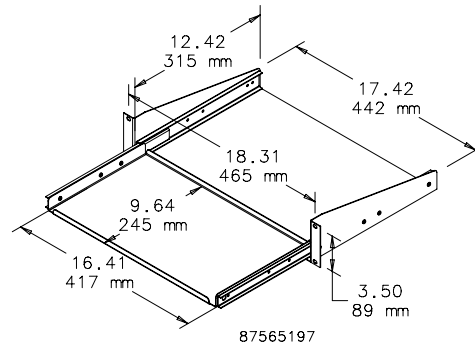


PULL-OUT SHELF FOR MINI KEYBOARD

Pull-Out Shelf for Mini Keyboard mounts either in a cabinet or on a 19-in. open-frame rack and fits a 16.25-in. (413-mm) wide keyboard. When closed, all parts slide between rack angles. Keyboard tray slides out 8.94 in. (227 mm). 16 gauge steel with RAL 9005 black polyester powder paint finish.

BULLETIN: DACCY

Catalog Number	H x W x D in./mm	Fits Rack	Rack Units
P19KBSM	3.50 x 18.31 x 12.42 89 x 465 x 315	19 in.	2



TOOL-LESS SHELF



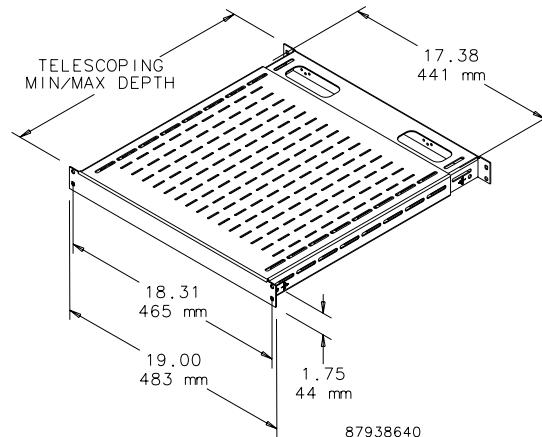
An easy-to-install tool-less vented 19-in. shelf. Mounts onto rack angles that have EIA-spaced square holes (.375 in.). Shelf slides open and provides a variable-sized, continuous surface for equipment. Back of shelf has oval cutouts for power and data cables. Accessory hole patterns at back of shelf fit small and large D-rings to help manage cable. Made of steel with a 150 lb. (68 kg) static load rating. Available with RAL 9005 black or RAL 7035 gray polyester powder coat finish.

Note: For square-hole rack angles only!

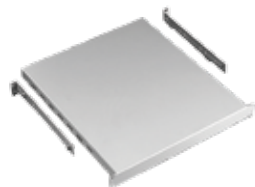
BULLETIN: DACCY

Catalog Number	Description	Finish	Minimum Depth mm/in.	Maximum Depth mm/in.	Rack Angle Type
D19FVT69B	Shelf, vented, 19 in. tool-less	Black	495 19.50	851 33.50	Square hole only
D19FVT69G	Shelf, vented, 19 in. tool-less	Gray	495 19.50	851 33.50	Square hole only
D19FVT912B	Shelf, vented, 19 in. tool-less	Black	792 31.20	1151 45.30	Square hole only
D19FVT912G	Shelf, vented, 19 in. tool-less	Gray	792 31.20	1151 45.30	Square hole only

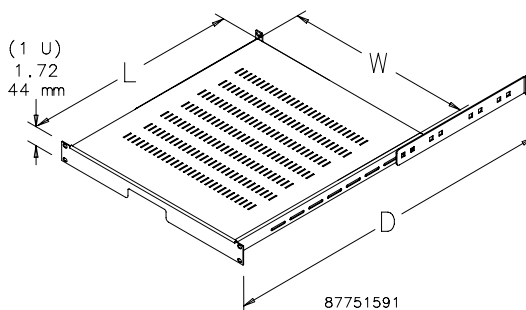
Minimum and maximum depth measured from rack angle to rack angle.



RACK-MOUNT ADJUSTABLE SHELF



Mounts to front surface of front and back rack angles. Shelf is made of painted 14 gauge steel and the adjustable support brackets are clear-plated 12 gauge steel. Adjustable to fit multiple-depth enclosures or rack angle placement. Both solid and vented models available. Fits 19- or 23-in. rack spacing. Requires only 1U of rack space. Shelf has RAL 7035 light-gray textured or RAL 9005 black textured polyester powder paint finish. Load rating: 150 lb. (68 kg)



BULLETIN: DACCY

Catalog Number	Type	Size	Finish	L x W (in.)	L x W (mm)	D max. (in.)	D max. (mm)	Fits Enclosure Depth Up To (in.)	Fits Enclosure Depth Up To (mm)
P19SH68	Solid	19 in.	Gray	19.68 x 17.32	500 x 440	30.71	780	31.50	800
P19SH68B	Solid	19 in.	Black	19.68 x 17.32	500 x 440	30.71	780	31.50	800
P19VSH68B	Vented	19 in.	Black	19.68 x 17.32	500 x 440	30.71	780	31.50	800
P19SH810	Solid	19 in.	Gray	27.56 x 17.32	700 x 440	38.58	980	39.37	1000
P19SH810B	Solid	19 in.	Black	27.56 x 17.32	700 x 440	38.58	980	39.37	1000
P19VSH810B	Vented	19 in.	Black	27.56 x 17.32	700 x 440	38.58	980	39.37	1000
P23SH68B	Solid	23 in.	Black	19.68 x 21.32	500 x 542	30.71	780	31.50	800
P23VSH68B	Vented	23 in.	Black	19.68 x 21.32	500 x 542	30.71	780	31.50	800
P23SH810B	Solid	23 in.	Black	27.56 x 21.32	700 x 542	38.58	980	39.37	1000
P23VSH810B	Vented	23 in.	Black	27.56 x 21.32	700 x 542	38.58	980	39.37	1000

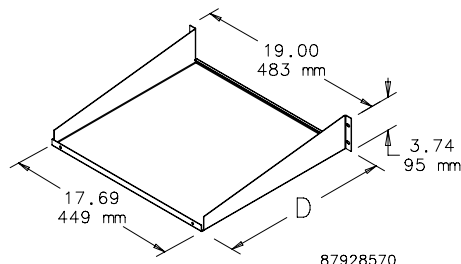
SINGLE-SIDED SHELF



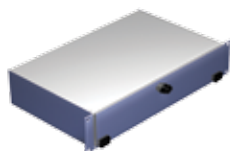
Mounts to 19-in. rack angles to house voice/data networking equipment. RAL 9005 black finish. Load rating: 75 lb. (34 kg)

BULLETIN: DACCY

Catalog Number	H x W x D (in.)	H x W x D (mm)	Style	Rack Units
ESH198	3.74 x 19.00 x 8.00	95 x 483 x 203	Solid	2
ESH1915	3.74 x 19.00 x 15.00	95 x 483 x 381	Solid	2
ESH1915V	3.74 x 19.00 x 15.00	95 x 483 x 381	Vented	2
ESH1917	3.74 x 19.00 x 17.00	95 x 483 x 432	Solid	2



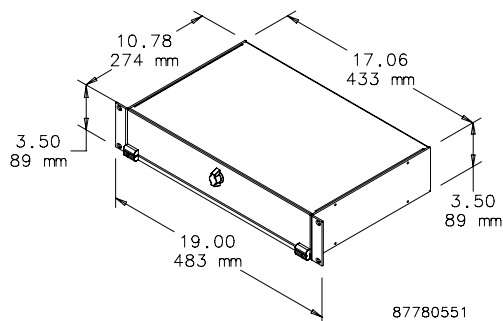
KEYBOARD COMPARTMENT FOR 19-IN. RACKS



Provides a convenient way to incorporate a keyboard with other 19-in. rack-mounted equipment. Uses 2 RU of space. Made of light-weight aluminum with brushed finish. Accommodates keyboard up to 16.50-in. (419-mm) wide. Mounting hardware included.

BULLETIN: DACCY

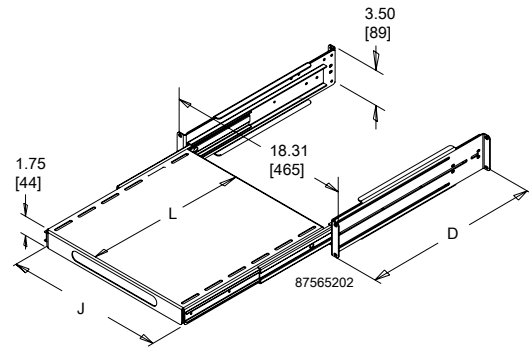
Catalog Number	Fits rack width	Rack Units
A19KBC2B	19	2



SLIDING EQUIPMENT SHELF

Steel Sliding Equipment Shelf mounts to front surface of front and back rack angles. Models fit 19- or 23-in. rack spacing. Adjusts to fit multiple-depth enclosures and rack angle placements. Shelf can be used on 2-post rack or cabinet with front rack angles only by reversing support bracket. Optional cable manager arm available. 14 gauge steel with 12 gauge supports and RAL 9005 black or RAL 7035 gray polyester powder paint finish. Load rating: 150 lb. (68.0 kg) with four corner mounting; 75 lb. (34.0 kg) with two-post or front-rack-angle cabinet mounting. Optional Cable Manager Arm is recommended to help control cable movement as shelf slides in and out.

BULLETIN: DACCY, P20



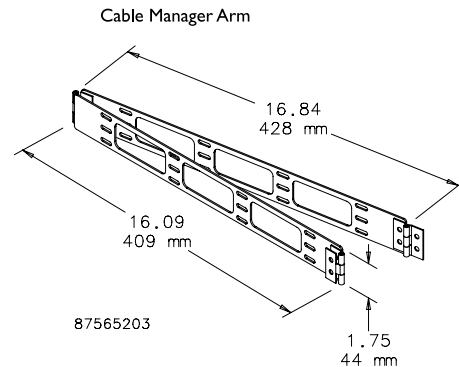
Catalog Number	D Max. (in.)	D Max. (mm)	L (in.)	L (mm)	J (in.)	J (mm)	Shelf Pullout (in.)	Shelf Pullout (mm)	Fits Rack	Rack Units	Color
P19SHP68B	37.40	950	16.72	425	16.20	412	17.00	432	19 in.	2	Black
P19SHP68	37.40	950	16.72	425	16.20	412	17.00	432	19 in.	2	Gray
P19SHP810B	41.30	1050	24.59	625	16.20	412	17.00	432	19 in.	2	Black
P19SHP810	41.30	1050	24.59	625	16.20	412	17.00	432	19 in.	2	Gray
P23SHP68B	37.40	950	16.72	425	20.20	513	17.00	432	23 in.	2	Black
P23SHP68	37.40	950	16.72	425	20.20	513	17.00	432	23 in.	2	Gray
P23SHP810B	41.30	1050	24.59	625	20.20	513	17.00	432	23 in.	2	Black
P23SHP810	41.30	1050	24.59	625	20.20	513	17.00	432	23 in.	2	Gray

CABLE MANAGER ARM FOR SLIDING EQUIPMENT SHELF

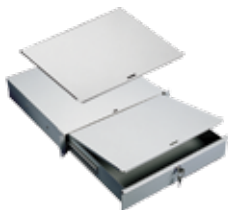
Cable Manager Arm mounts to back of sliding equipment shelf on right or left side. Controls cable movement as shelf slides in and out. 14 gauge steel with RAL 9005 black polyester powder paint finish.

BULLETIN: DACCY

Catalog Number	Description	Use With
PHCB	Cable Manager Arm	Sliding Equipment Shelf



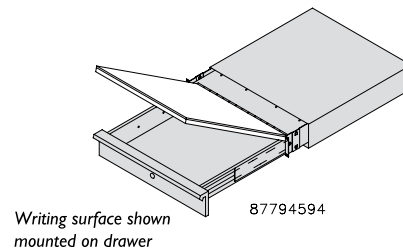
WRITING SURFACE FOR RACK-ANGLE-MOUNTED DRAWER



Steel cover mounts on top of the drawer and serves as a writing surface and drawer cover. Finish is RAL 7035 light-gray textured polyester powder paint. Drawer shown in illustration and photo must be ordered separately.

BULLETIN: P20

Catalog Number	Description	Fits
P19WS	Steel writing surface and cover	Drawer (order separately)



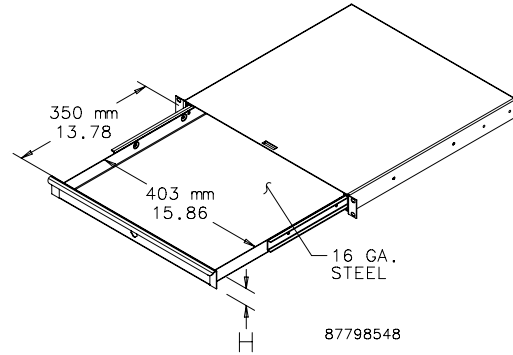
RACK-ANGLE MOUNTED DRAWER



Steel drawer for 19-in. rack-angle mounting mounts to the front surface of the rack angles. Integral steel box contains the drawer and protects surrounding internal equipment. Extends 13 in. (330 mm) on ball bearing slides. Front includes handle and key lock. Finish is RAL 7035 textured light-gray polyester powder paint. Mounting hardware is included.

BULLETIN: P20

Catalog Number	H (mm)	H (in.)	Fits Rack Width	Rack Units
P19DR1US	43	1.69	19 in.	1
P19DR2US	88	3.47	19 in.	2
P19DR3US	132	5.20	19 in.	3



PANELITE ENCLOSURE LIGHTS OVERVIEW



INDUSTRY STANDARDS

PANELITE LED and Fluorescent Enclosure Lights

UL 508A Component Recognized; File No. E61997
 cUL Component Recognized per CSA C22.2 No 14; File No. E61997

CSA File No. 42186

Maintains UL/CSA Type 4, 4X and 12 enclosure rating when properly installed in a Hoffman enclosure.

230 VAC Fluorescent Enclosure Light

UL 508A Component Recognized; File No. E234324
 cUL Component Recognized per CSA C22.2 No 14; File No. E234324

CE

LED Light

UL 508A Component Recognized; File No. E234324
 cUL Component Recognized per CSA C22.2 No 14; File No. E234324

CE

Ingress protection : IP 20

Maintains enclosure type rating up to 4X when installed per instructions

APPLICATION

Versatile, slim-profile LED and fluorescent lights provide mounting flexibility and are easy to install in any enclosure. Terminal blocks allow for easy wiring. Accessories include ganging cables, power cords and door switches, all provided with plug-and-play connectors for easy connection to the terminal blocks with an innovative terminal connection system. LED version provides superior lighting performance with minimal power consumption.

FEATURES

- Slim profile allows light to be tucked out of the way for easy panel installation
- Versatile mounting allows the light to be positioned horizontally or vertically; two-way mounting provides for ideal orientation
- Includes mounting hardware for the following enclosure installations: PROLINE Frame, Enclosure Top, Panel Mount and Unistrut
- On/off switch incorporated in light; optional remote door switch accessory available to activate light when enclosure door is opened (230 VAC Fluorescent Enclosure Light has switch or door-activated sensor)

PANELITE Only:

- Mounting tabs provide easy access point for attachment hardware; light does not need to be disassembled for installation
- Up to five lights can be daisy-chained together
- Plug-and-play terminal connection system:
 - Pre-wired connection sockets on both ends of light allow use of Hoffman cable accessories
 - Optional terminal blocks snap into the connection sockets, allowing customers to use their own wiring methods; two terminal blocks provided with each light kit
 - Power supply can be wired manually with Hoffman PANELITE Power Cable with Leads or with Hoffman optional PANELITE Power Cord
 - Ganging cables are available in 2-, 4- and 6-ft. lengths to easily join up to five lights together using one power supply
 - Remote door switch for easy door activation eliminates need to mount light in the exact location required to activate the light

LED Light Only:

- Mechanical screw- or magnetic mount (non-slip rubberized)
- Protection Class II (double insulated)
- Operating temperature -22 F to 140 F (-30 C to 60 C)
- On / Off or motion-sensor activation
- LED lights with 400 LM illumination; 120° angle of illumination
- Low, 5-watt power requirement
- Light-weight, all-composite construction
- Input and output connectors included with light (16 AWG)

SPECIFICATIONS

PANELITE:

- Extruded aluminum center support
- Black composite end caps
- Black composite mounting tabs
- Each light fixture includes two mounting tabs, two pre-wired connection sockets, two optional terminal blocks that snap into the connection sockets and enclosure attachment hardware (bulb not included with fluorescent light)

230 VAC Fluorescent Enclosure Light:

- Light gray composite construction – UL 94V-0 material
- Hardware kit provides fasteners to mount to PROLINE, NEMA (4, 4X, 12, and 13), CONCEPT, FUSION and other cabinets
- Easy-access terminal block that accommodates up to 16 AWG wires
- Fluorescent light bulb included (2G7 Base)

LED Light:

- LED (Light Emitting Diode) low-power light kit
- Screw mounting using included hardware kit (maintains enclosure rating up to UL Type 4X)
- No user-serviceable parts
- Life expectancy of 60,000 hours at 68 F (20 C) under specifications
- Operating temperature: -22 to +140 F (-30 to +60 C) under specifications
- 5-watt power consumption
- Transparent, composite construction

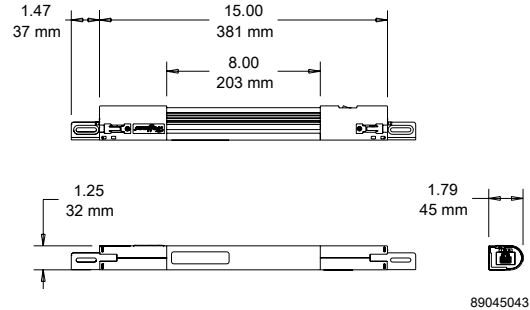
PANELITE LED ENCLOSURE LIGHT



- 24 VDC operation for superior lighting performance with minimal power consumption
- 140-degree cone angle casts a broad covering of neutral light between 3500 and 4500K color temperature
- Center section rotates 120 degrees to re-direct light where needed
- Long life; 70 percent of initial luminance at 50,000 hours (at 25 C)
- High power LED emitters produce 470 Lumens for superior lighting performance
- Can be wired using optional PANELITE Cable Accessories or can be hard-wired with terminal blocks included in hardware kit
- Up to five lights can be daisy-chained together using hard-wired connection to power supply or catalog number LPC72 power cable with leads

BULLETIN: A80LT

Catalog Number	Description	VDC	Amps	W in./mm	X in./mm
LED24V15	LED Light, 15 in.	24	.5	15.00 381	8.00 203

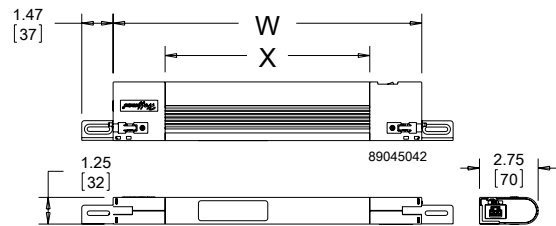


PANELITE FLUORESCENT ENCLOSURE LIGHT



- 120 VAC, 50/60 Hz operation
- Can be wired using optional PANELITE Cable Accessories or can be hard-wired with terminal blocks included in hardware kit
- Available in 15-, 18- and 28-in. lengths with ability to daisy chain up to five lights together using one power supply
- Fluorescent bulb not included

BULLETIN: A80LT



Catalog Number	Description	VAC	Hz	Amps	W in./mm	X in./mm	Bulb (purchase separately)	Replacement Lens Cover
LF120V15	Fluorescent Light, 15 in.	120	50/60	.13	14.50 368	9.63 245	F6T5	LFL15
LF120V18	Fluorescent Light, 18 in.	120	50/60	.13	17.50 445	12.63 321	F8T5	LFL18
LF120V28	Fluorescent Light, 28 in.	120	50/60	.26	27.75 705	22.88 581	F14T5	LFL28



PANELITE POWER CORDS



- Connects light to standard North American wall socket
 - LF120VCORD is for 120 VAC Fluorescent lights (up to five lights can be daisy chained together using one power cord)
 - LED24VCORD is for 24 VDC LED lights and includes a transformer to convert 100-240 VAC power supply (capable of powering only one LED light)
 - Plugs directly into a connection socket on switch end of the light
 - Includes one cable
- Power cord not required. Terminal blocks are provided with each light for wired connection to electric supply.*

BULLETIN: A80LT

Catalog Number	Description	Length
LF120VCORD	Fluorescent Light Power Cord	72 in.
LED24VCORD	LED Light Power Cord	60 in.

PANELITE POWER CABLE WITH LEADS



- 72-in. power cord provides convenient connection to an electrical supply
 - Eliminates need to run and tag individual wires into the light
 - Compatible with PANELITE LED and Fluorescent lights
 - Plugs directly into connection socket on switch end of the light
 - Includes one 16 AWG cable, black
- Power Cable not required. Terminal blocks are provided with each light for wired connection to electric supply.*

BULLETIN: A80LT

Catalog Number	Length
LPC72	72 in.

PANELITE GANGING CABLES



- Ganging Cables provide convenient method for joining up to five lights together while utilizing one power supply
 - Available in 24-, 48- and 72-in. lengths
 - Plugs directly into connection socket on either end of the light
 - Compatible with PANELITE LED and Fluorescent lights
 - Includes one 16 AWG cable, black
- Ganging Cables not required. Terminal blocks are provided with each light for hard-wired connections.*

BULLETIN: A80LT

Catalog Number	Length
LGCABLE24	24 in.
LGCABLE48	48 in.
LGCABLE72	72 in.

PANELITE DOOR SWITCH CABLE



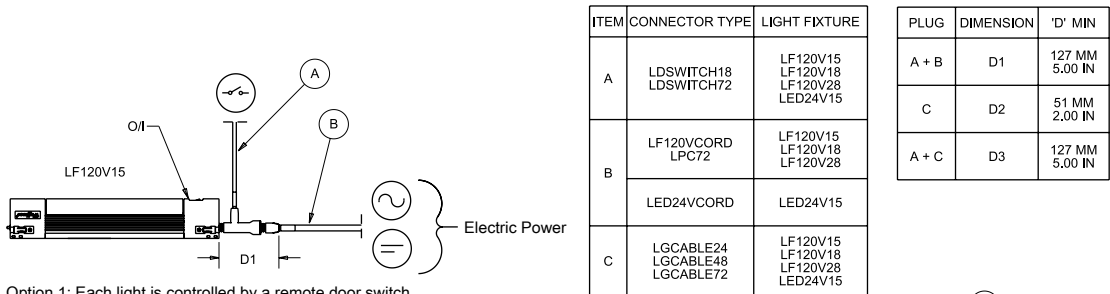
- Easily connects PANELITE LED or Fluorescent Light to a Remote Door Switch
 - T-connector allows the Door Switch Cable to be connected with a ganging cable or power supply to the switch end of the light
 - Available in 18- and 72-in. lengths
 - Includes one 18 AWG cable, black
- Door Switch Cables not required. Terminal blocks are provided with each light for hard-wired connection to remote door switch.*

BULLETIN: A80LT

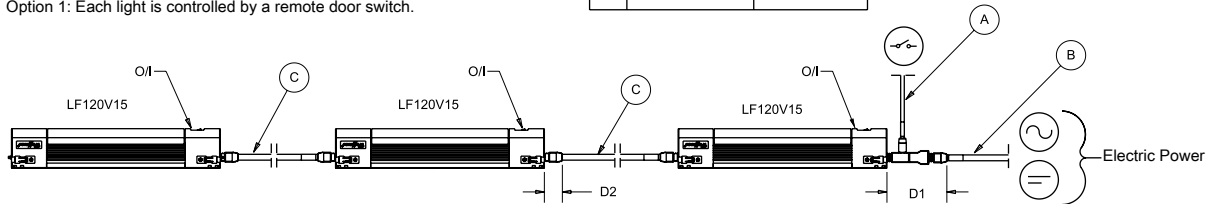
Catalog Number	Length
LDSWITCH18	18 in.
LDSWITCH72	72 in.

PANELITE WIRING OPTIONS

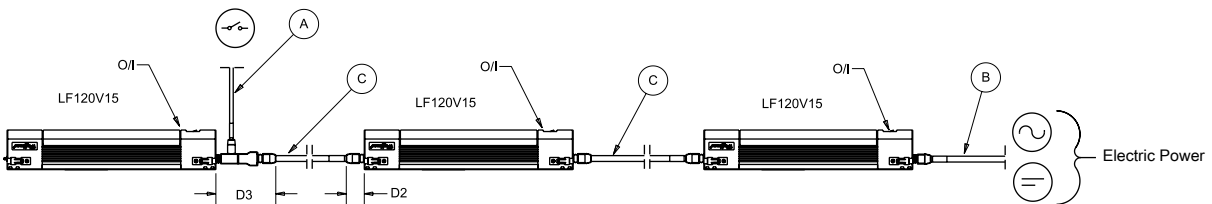
See the table on the drawing for cable clearance dimensions.



Option 1: Each light is controlled by a remote door switch.



Option 2: All lights are controlled by a single remote door switch.



Option 3: The last light is controlled by a remote door switch. The first two lights are manually operated.

89046495



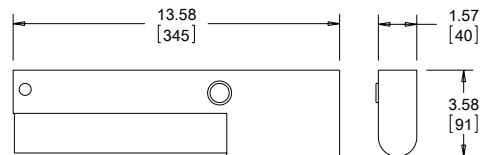
230 VAC FLUORESCENT ENCLOSURE LIGHT



- 230 VAC, 50/60 Hz operation with electronic ballast
- Compact light-gray plastic housing, UL 94V-0
- Easy access to wiring terminals, integral strain relief, 16 AWG max.
- Versatile mounting to many enclosure types
- Complete assembly, long-life fluorescent bulb included, Luminosity 900 LM
- Switch and Door motion sensor offering

BULLETIN: A80LT

Catalog Number	AxBxC in./mm	Description
LF230VM	1.57 x 13.58 x 3.58 40 x 345 x 91	Light Kit, 230VAC, Manual switch
LF230VD	1.57 x 13.58 x 3.58 40 x 345 x 91	Light Kit, 230VAC, IR Motion Sensor



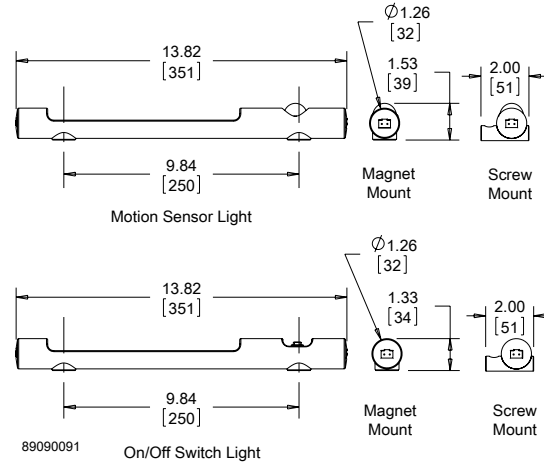
89077693

LED LIGHT KIT



LED light kits provide interior enclosure lighting. These light kits are ideal for remote and darkened enclosure applications. The light can be mechanically fastened with included hardware to maintain enclosure UL listing (up to Type 4X), or can be magnetically attached to flat steel surfaces. The lights have auto-sensing circuitry (AC voltage 90 VAC to 260 VAC and DC voltage 20 VDC to 60 VDC). LED lights are light-weight and in a small form factor while providing 400 LM of 6000-7000K light. Power consumption for all models is 5 watts.

BULLETTIN: A80LT



Catalog Number	AxBxC in./mm	Weight (oz)	Weight (gm)	Mounting Style	Power Source	Activation	Voltage
LEDA1M35	1.34 x 1.26 x 13.82 34 x 32 x 351	4.8	135	Magnetic	AC	On/off switch	90 VAC-260 VAC
LEDA2M35	1.54 x 1.26 x 13.82 39 x 32 x 351	5.0	140	Magnetic	AC	IR Motion Sensor	90 VAC-260 VAC
LEDA1S35	1.42 x 2.05 x 13.82 36 x 52 x 351	4.8	135	Screw	AC	On/off switch	90 VAC-260 VAC
LEDA2S35	1.63 x 2.05 x 13.82 41 x 52 x 351	5.0	140	Screw	AC	IR Motion Sensor	90 VAC-260 VAC
LEDD1M35	1.34 x 1.26 x 13.82 34 x 32 x 351	4.8	135	Magnetic	DC	On/off switch	20 VDC-60 VDC
LEDD2M35	1.54 x 1.26 x 13.82 39 x 32 x 351	5.0	140	Magnetic	DC	IR Motion Sensor	20 VDC-60 VDC
LEDD1S35	1.42 x 2.05 x 13.82 36 x 52 x 351	4.8	135	Screw	DC	On/off switch	20 VDC-60 VDC
LEDD2S35	1.63 x 2.05 x 13.82 41 x 52 x 351	5.0	140	Screw	DC	IR Motion Sensor	20 VDC-60 VDC

10

LED LIGHT INPUT CONNECTOR/CABLE ASSEMBLY



The input connector/cable assembly is used to provide supply power to the LED light. Pre-assembled connector/cable assembly

with 78.7-in. (2000 mm) long cable whip. Cables are constructed of 16 AWG copper wire.

BULLETTIN: A80LT

Catalog Number	A in./mm	Power Source	Use with
LEDA20C	78.74 2000	AC	AC LED Lights
LEDD20C	78.74 2000	DC	DC LED Lights

LED LIGHT EXTENSION CONNECTOR/CABLE ASSEMBLY

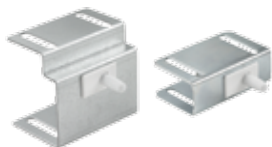


The extension connector/cable assembly is used to connect adjacent LED lights (daisy chain). Up to 10 LED lights can be ganged or connected in series. Pre-assembled connector/cable assembly with 39.4-in. (1000 mm) long cable between input and output connectors. Cables are constructed of 16 AWG copper wire.

BULLETTIN: A80LT

Catalog Number	A in./mm	Power Source	Use with
LEDA10E	39.37 1000	AC	AC LED Lights
LEDD10E	39.37 1000	DC	DC LED Lights

REMOTE DOOR SWITCHES



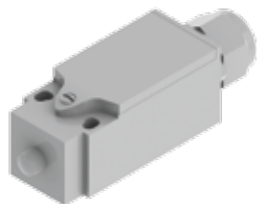
- Remote door switch activates the light when the enclosure door is opened
- Mounts on enclosure frame and includes mounting hardware
- Mounting plate is 14 gauge steel with a plated finish
- Can be hard-wired to the PANELITE LED or Fluorescent light or connected via the PANELITE Door Switch Cable

BULLETIN: A80LT, P20

Standard Product

Catalog Number	Description
ALFSWD	Door switch assembly (order connection cable separately)
PLFSWD	Door switch assembly for PROLINE (order connection cable separately)

TOUCH-SAFE UL LIGHT SWITCH



APPLICATION

The Touch-Safe light switch is designed to be used with Hoffman light kits (AC and DC). It provides a UL listed touch-safe switch that can be used on many enclosure types and includes hardware for most applications. The light switch maintains enclosure overall rating up to UL 508A Type 4X or 12.

FEATURES

- UL listed for a touch-safe wire connection
- Easily mounted to various enclosure types; common bracket and hardware included for many enclosure types (NEMA, CONCEPT/ FUSION G7, PROLINE, Freestanding Type 12)
- Cable PG compression hub
- Wide operating temperature range: -49°F to +158°F (-45°C to 70°C)
- Rugged die-cast anodized zinc construction
- Connection 3 cage clamps for solid and stranded wire AWG 20-14 (0.5-2.5mm²)
- Protection class I (grounded)

BULLETIN: A80LT

Catalog Number	Max. Cable Dia.	Max. Voltage
LDSWITCH	.375 in.	250 AC / 48 DC

MOUNTING BRACKET KIT FOR LIGHT PACKAGE



Kit simplifies mounting light package in Hoffman PROLINE disconnect enclosures. Includes brackets, all mounting hardware and complete instructions.

BULLETIN: A80LT

Catalog Number	Description
PDLFBRKT	Mounting Bracket Kit

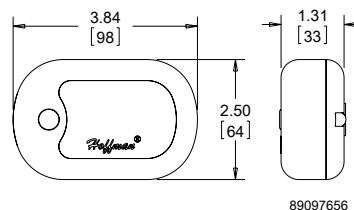
LED PUCK LIGHT



The LED Puck Light is ideal for remote and darkened applications. This versatile light provides mounting flexibility; it can be magnetically attached to flat steel surfaces or can be hung with a swivel hook. This small form factor, light-weight LED light provides superior lighting performance with minimal power consumption. It can be used as a three-LED flashlight or as a 24-LED work light with operating temperature of 40 F to 120 F (4 C to 48 C). An on/off switch is incorporated in the light and three AAA batteries are included.

BULLETIN: A80LT

Catalog Number	AxBxC in./mm	Product Weight
LEDPUCK	2.25 x 3.75 x 1.38 57 x 95 x 35	0.22 lbs.



MOUNTING FOOT KITS



Available in stainless steel or composite material. Kit includes four feet and mounting hardware for all ACCESSPLUS, D-BOX, L-BOX and COMLINE cabinets.

BULLETIN: A80

Catalog Number	Material
CMFK	Steel
CMFKSS	Stainless Steel
CMTGFT	Composite

SCREW PACKAGES



Screw Packages are for mounting rack panels and equipment to rack angles.

BULLETIN: A80, DACCY, X20

Catalog Number	Color	Description	Pkg. Qty.
ES1224	Silver	12-24 x 5/8 in. combo head	20
ES1224250	Silver	12-24 x 5/8 in. combo head	250
ES1224B	Black	12-24 x 5/8in. combo head	20
ES1224B250	Black	12-24 x 5/8 in. combo head	250
ASM5	Silver	M5 x 20 mm Combo Head	20
ASM6	Silver	M6 x 16 mm combo head	20
ASM5T	Silver	M5 x 12 mm thread-forming Phillips hex head screws	20
ASM6250	Silver	M6 x 16 mm combo head	250
AS1032	Silver	10-32 x 5/8 in. combo head	20
AS1032250	Silver	10-32 x 5/8 in. combo head	250
AS1032B	Black	10-32 x 5/8 in. combo head	20

Use ASM5T on PROLINE frame or Net Series extruded holes.

CAGE NUT PACKAGE

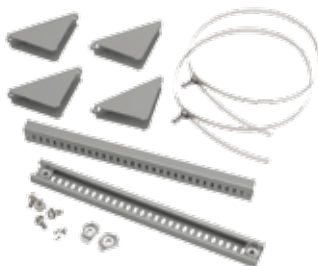


Cage Nut Packages are for use with square-hole rack angles. Cage nuts are plated steel.

BULLETIN: DACCY

Catalog Number	Color	Description	Pkg. Qty.
PM5CN	Silver	M5 cage nut	20
PM6CN	Silver	M6 cage nut	20
PM6CN250	Silver	M6 cage nut	250
P1032CN	Silver	10-32 cage nut	20
P1032CN250	Silver	10-32 cage nut	250
P1224CN	Silver	12-24 cage nut	20
P1224CN250	Silver	12-24 cage nut	250

POLE MOUNTING KITS



Enable COMLINE, CONCEPT, ACCESSPLUS, D-BOX and L-BOX enclosures to be mounted to poles of various sizes and shapes. Simply attach the galvanized steel channel bar to the mounting holes at the back of the enclosure, then wrap the stainless steel strap around the pole and through the bar. Kit includes two mounting channels, two straps suitable for up to 12-in. diameter pole, and mounting hardware.

BULLETIN: CWY

Catalog Number	Fits Enclosure
CPMK12	when B = 12.00 (305)
CPMK16	when B = 16.00 (406)
CPMK20	when B = 20.00 (508)
CPMK24	when B = 24.00 (610)
CPMK30	when B = 30.00 (762)

PROLINE FASTENER PACKAGES



Use to fasten components to the grid system. PGF Packages include 20 front-loading clip nuts (M6) and 20 combination-drive washer-head bolts (M6).

Grounding Package is used with the rectangular holes in the PROLINE frame to provide electrical continuity between the frame and the grid system. ASM5T Package is used with PROLINE frames having round holes. Package includes 20 M5 self-tapping screws.

BULLETIN: DACCY, P20

Catalog Number	Description	Use in	Pkg. Qty.
ASM5T	M5 x 12 mm thread-forming Phillips hex head screws	Round holes	20
PGFM6	Standard Package - M6 cage nuts and bolts	Rectangular holes	20
PGFGM6	Grounding Package - M6 grounding cage nuts and bolts	Tapped holes	20

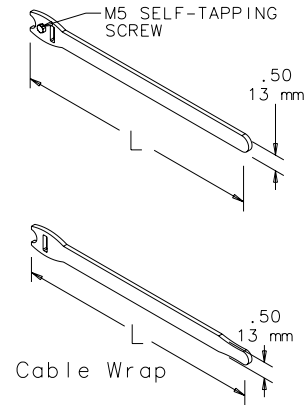
VELCRO® CABLE WRAP



Securely holds cable to cable manager and unfastens easily for cable maintenance. VELCRO® is 0.5-in. (12.7-mm) wide. Available in 8- and 12-in. (203- and 305-mm) lengths in both screw fastener and wrap styles. M5 self-tapping screw is used on Net Series or PROLINE frames.

VELCRO is a trademark of Velcro Industries B.V.

BULLETIN: DACCY



87951397

Catalog Number	Description	L (in.)	L (mm)	Color	Pkg. Qty.
ECWTD8B	Screw fastener style. Includes M5 mounting screw.	8.00	203	Black	10
ECWTD12B	Screw fastener style. Includes M5 mounting screw.	12.00	305	Black	10
ECW8B	Wrap style	8.00	203	Black	10
ECW8R	Wrap style	8.00	203	Red	10
ECW8BL	Wrap style	8.00	203	Blue	10
ECW8Y	Wrap style	8.00	203	Yellow	10
ECW12B	Wrap style	12.00	305	Black	10
ECW12R	Wrap style	12.00	305	Red	10
ECW12BL	Wrap style	12.00	305	Blue	10
ECW12Y	Wrap style	12.00	305	Yellow	10



QUICK REFERENCE GUIDE TO NETWORKING HANDLES, LATCHES AND LOCKS

Hoffman offers an array of handles, latches and locks to help make your cabinet application as secure yet easy to use as possible. Maintains cabinet rating Type 3R, 4, 12.



Cabinet	Std. Key Code	Keylocking Wing Knob (DL36, PTL36B, PTWK)	Padlocking L Handle (ELHP)	Padlocking Quarter-Turn Latch (EPL4)	3-Digit Combination Lock ^a (PTLCMB3B)	Quarter-Turn Lock (PSCLO)	Quarter-Turn Lock (DKL2233)	Net Series Combination L-Handle
COMLINE		•	•	•	•			
ACCESSPLUS	333	•	•	•	•		• ^b	
D-BOX	333	•	•	•	•			
L-BOX	333	•	•	•	•		• ^b	
Net Series side panels	2233					•		•
PC Cabinet side panels and keyboard	2233					•		
PROLINE side panels	2233					•		
PROTEK	333	•	•	•	•			
Seismic side panels	2233					•		
SOHO side panels	2233					•		

^aDo not use 3-Digit Combination Lock in severe environments such as corrosive, very wet, salt spray or mist.

^b2233 Key Code

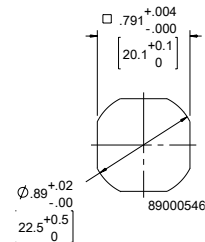
PADLOCKING L HANDLE



L Handle easily turns to open and close cabinet. Padlock can be added for extra security. Handle has a black and silver finish. Install using existing enclosure cam. Maintains cabinet rating Type 3R, 4, 12.

BULLETIN: DCOMY

Catalog Number	Description	Use with
ELHP	Padlocking L Handle	ACCESSPLUS, L-BOX, COMLINE, PROTEK



NET SERIES COMBINATION L-HANDLE



Combination L-Handle fits Net Series cabinet doors. The 4-digit combination lock with master key override can easily be changed. Install using existing cam from standard handle.

BULLETIN: DCY

Catalog Number	AxBxC in./mm	Description	Use With
NCLH	7.50 x 1.38 x 2.50 191 x 35 x 64	L-Handle with combination lock and master key override	Net Series doors

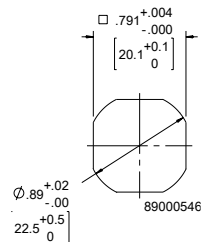
PADLOCKING QUARTER-TURN LATCH



Quarter-Turn Latch requires Allen wrench, included with lock, to open or close cabinet. Padlock can be added for extra security. Install using existing enclosure cam. Maintains cabinet rating Type 3R, 4, 12.

BULLETIN: DCOMY

Catalog Number	Description	Use with
EPL4	Padlocking Quarter-Turn Latch	ACCESSPLUS, L-BOX, D-BOX, COMLINE, PROTEK



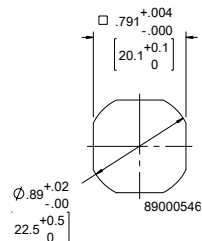
3-DIGIT COMBINATION LOCK



3-Digit Combination Lock in handle eliminates the need to carry around a key. Combination can easily be changed. A quarter turn of the handle opens and closes the cabinet. Lock has silver and black finish. Install using existing enclosure cam. Maintains cabinet rating Type 12. **Do not use in severe environments such as corrosive, very wet, salt spray or mist.**

BULLETIN: DWS12

Catalog Number	Description	Use with
PTLCMB3B	Combination Lock	ACCESSPLUS, L-BOX, D-BOX, COMLINE, PROTEK



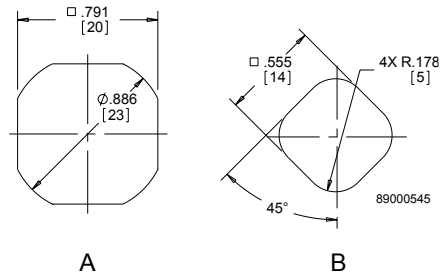
QUARTER-TURN LOCK



Quarter-turn keylock includes one key. Install using existing enclosure cam on DKL2233.

BULLETIN: DACCY, DPC

Catalog Number	Description	Use with	Hole Size	Key Code
PSCLO	Quarter-turn keylock	Side panels on PROLINE, Net Series, SOHO and Seismic cabinets; side panels and keyboard on PC cabinets	B (see dimension drawing)	2233
DKL2233	Quarter-turn keylock	ACCESSPLUS, L-BOX, D-BOX	A (see dimension drawing)	2233



REPLACEMENT KEYS



Fits PROLINE Network Cabinet and Networking Wall-Mount Cabinet.

BULLETIN: DACCY

Catalog Number	Key Code	Includes	Use with
E2233KEY	2233	2 Keys	PROLINE, Net Series, PC Cabinet, SOHO
E333KEY	333	2 Keys	ACCESSPLUS, L-BOX, D-BOX



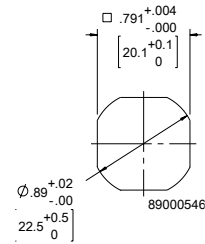
KEYLOCKING WING KNOB



Locking wing nut position shows whether door is locked. Wing nut has silver finish. Includes 2 keys with 333 key code. Install using existing enclosure cam. Maintains cabinet rating Type 12.

BULLETIN: A80, DWS12

Catalog Number	Description	Use with
DL36	Chrome Keylocking Wing Knob	ACCESSPLUS, L-BOX, D-BOX, COMLINE, PROTEK



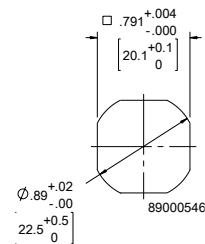
KEYLOCKING QUARTER-TURN WING KNOB



Keylocking quarter-turn wing knob latch. Black finish. Includes gasket, mounting nut and one key with 333 key code. Use existing cam for installation; cam is not included with wing knob. Can be locked in open or closed position. Maintains cabinet rating Type 4, 12.

BULLETIN: DWS12

Catalog Number	Description	Use with
PTWK	Keylocking wing knob, quarter-turn	ACCESSPLUS, COMLINE, PROTEK, L-BOX, D-BOX



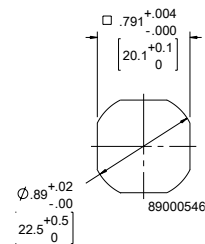
PADLOCKING WING KNOB, STAINLESS STEEL



Padlocking quarter-turn wing knob is made of Type 304 stainless steel. When the padlock is in place, the wing knob cannot be rotated and the cabinet is secured. The wing knob has a brushed bright finish. Maximum padlock diameter is .31 (8mm). Use existing cam for installation; cam is not included with wing knob. It maintains the cabinet rating Type 3R, 4, 4X, 12.

BULLETIN: DWS12

Catalog Number	Description	Use with
PTWPS	Padlocking wing knob, quarter-turn	ACCESSPLUS, COMLINE, PROTEK, L-BOX, D-BOX

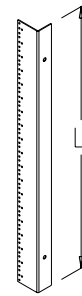


19-IN. AND 23-IN. RACK ANGLES



Made of 14 gauge steel with square holes or 12 gauge steel with 10-32 tapped holes. Provides 19- or 23-in. rack spacing depending on frame width. Finished with flat black RAL 9005 polyester powder paint or plated. Furnished in pairs.

BULLETIN: DNCY, DWDH1



87570462

Catalog Number	Rack Spacing	Hole Type	Finish	Use With	Fits Frame Height	Fits Frame Width	Rack Units	L (mm)	L (in.)
ERA197THLN	19 in.	Square	Black	Networking Cabinet - SOHO	700mm	600mm	11	492	19.38
ERA197TPLN	19 in.	Tapped	Black	Networking Cabinet - SOHO	700mm	600mm	11	492	19.38
ERA1921TPL	19 in.	Tapped	Black	Seismic Cabinet	2100mm	700mm	45	2003	78.87
ERA192321TPL	19 and 23 in.	Tapped	Black	Seismic Cabinet	2100mm	800mm	45	2003	78.87
ERA1910TPL	19 in.	Tapped	Black	Network PC Cabinet	Bottom Section	—	19	848	33.37

RACK UNIT LABEL



Self-adhesive clear Mylar label with white numbers enables numbering along sides of open frame racks or rack angles. Numbers spaced one rack unit apart. Can be used for bottom-up or top-down numbering of rack units to simplify equipment installation. Each label provided in two pieces (numbers 1-29 and 30-58) for easier installation. Two labels per catalog number. Label shown mounted on rack angle.

Mylar is a registered trademark of DuPont Tejin Films.

BULLETIN: DOFRY

Catalog Number	Installed Length in./mm	Width in./mm
ARULABEL	101.50	.50
	2578	13

TOOL-LESS (SNAP-IN) BLANKING PANELS FOR 19-IN. RACKS



These Tool-less 19-in. Blanking Panels provide easy tool-less installation and ensure proper airflow to equipment. Made of UL approved thermal plastic material with a low-gloss textured black finish. May be used with tapped or square EIA universal spaced rack mounting angles.

BULLETIN: DACCY

Catalog Number	Description	Rack Units	Fits	Pkg. Qty.
D19BPT1RU	Blanking Panel, 19 in.	1	19 in., universal rack spacing, tapped or square holes	10
D19BPT2RU	Blanking Panel, 19 in.	2	19 in., universal rack spacing, tapped or square holes	10



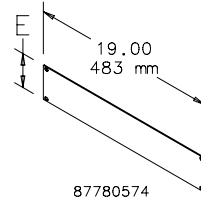
RACK PANEL FOR 19-IN. RACKS



Used to cover unused rack space in cabinets or open frame racks for a finished appearance. Can also be used for surface mounting small devices. Panels are flat with mounting slots spaced at 19-in. EIA standard spacing. Made of 12 gauge steel with RAL 9005 black polyester powder paint finish. Mounting hardware sold separately.

BULLETIN: DOFRY

Catalog Number	Rack Units	E (in.)	E (mm)
P19RPP1UB	1	1.75	44
P19RPP2UB	2	3.50	89
P19RPP3UB	3	5.25	133
P19RPP4UB	4	7.00	178
P19RPP5UB	5	8.75	222
P19RPP6UB	6	10.50	267



TOUCH-UP PAINT



For repairing the finish of any painted parts.

BULLETIN: DACCY, P20

Catalog Number	Description
ATPG7035	RAL 7035 Gray
ATPB9005	RAL 9005 Black



Notes

CHAPTER 11

TECHNICAL INFORMATION

OVERVIEW

STANDARDS

It is important to select an enclosure that has the appropriate rating for the specified environment and application. Rating systems from UL, NEMA, CSA, IEC and VDE determine an enclosure's ability to withstand environmental conditions.





CHAPTER CONTENTS

TECHNICAL INFORMATION

COOLING

How to Dissipate Excess Heat - Understanding ΔT and CFM	270
ΔT	270
CFM	271

SOLAR HEAT GAIN

Solar Heat Gain	272
Exposure to Solar Radiation	272
Effect of Surrounding Location	272
Effect of Enclosure Color and Finish	272
Standardized Test Evaluation	272
Evaluation of Solar Heat Gain	272
The Benefits of Shielding Enclosures	273

STANDARDS

Standards Organization Summary and Directory Overview	274
CE	274
Enclosure Type Rating vs. IP Rating	274
NEMA, UL and CSA Ratings	275
IP Rating Descriptions	275

COOLING

Effective cooling maximizes the efficiency and lifecycle of electrical components. While it is critical to dissipate and manage heat build-up, it can also be necessary to add heat.

SOLAR HEAT GAIN

Solar heat gain can affect the cooling needs of outdoor electrical enclosures. Factors such as solar exposure, enclosure color and material type can impact the enclosure's internal temperature.



HOW TO DISSIPATE EXCESS HEAT - UNDERSTANDING ΔT AND CFM

$$\text{Watts} = .316 \times \text{CFM} \times \Delta T$$

or

$$\text{CFM} = \text{Watts} / (.316 \times \Delta T)$$

or

$$\Delta T = (.315 \times \text{CFM}) / \text{Watts}$$

Factors in this equation will need to be de-rated for high elevations.

When it comes to cooling, one equation is key

Cooling network equipment requires both cold intake air and airflow (CFM). These two factors work directly to dissipate, or carry away, the heat that network equipment produces. While increasing either factor will increase the amount of heat that is dissipated, there are limits to both. Air that is too cold results in cooling expansion and condensation issues. Airflow that is too high results in acoustic and physical limitations. A cooling system that relies on too much of only one of these factors usually results in higher capital and operating costs. Finding an ideal balance between cold air and airflow allows optimal heat dissipation, protecting network equipment from the consequences of overheating.

ΔT

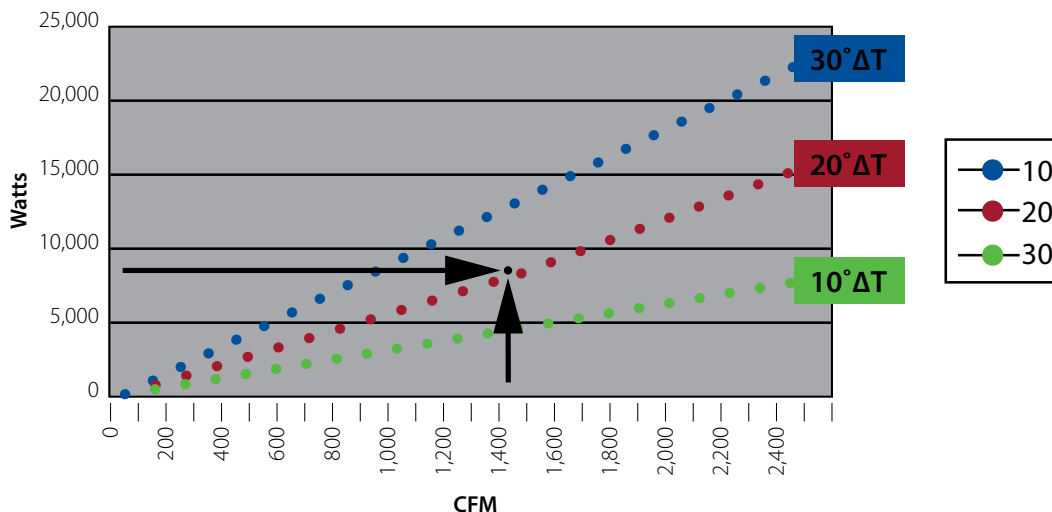
In the above equations, ΔT, measured in degrees Fahrenheit, refers to the difference between the intake air and exhaust air, or the amount of heat that is carried away by the stream of air exiting the heat load. A greater temperature difference signifies more heat being removed. While it is difficult to constantly deliver the coldest air to all equipment—in particular, equipment installed in upper rack units—environments that maintain a range between 10 and 30 F ΔT carry a high level of confidence that equipment will dissipate the amount of heat that it produces, staying within its cooling limits.

- The area between 10 and 30 degrees ΔT represents capable cooling in a typical well-designed data center.
- Knowing two of the three quantities allows operators to solve for the third—in this equation, knowing either watts or CFM solves for ΔT.

For example, 9000 W in a data center with a ΔT of 20 degrees requires 1425 CFM.

More than 30 degrees ΔT can cause humidity and condensation issues.

$$\text{Watts} = .316 \times \text{CFM} \times \Delta T (^{\circ}\text{F})$$



CFM

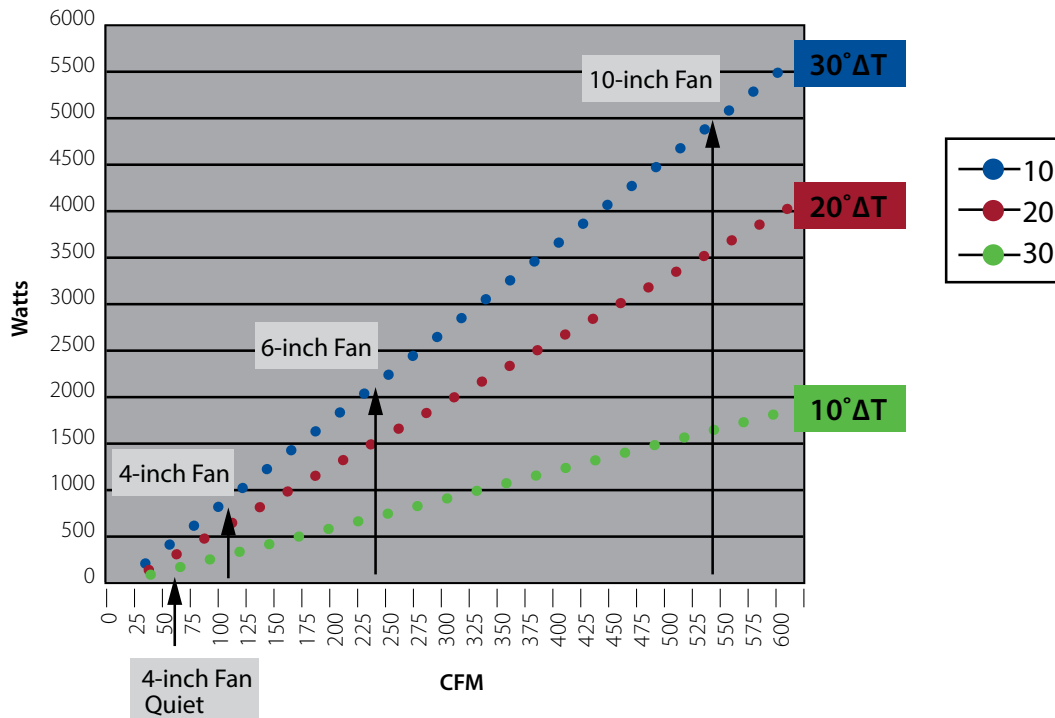
Another way to increase the amount of heat dissipated or removed from network equipment is by increasing the airflow, expressed in cubic feet per minute [CFM]. An increase of CFM—the amount of airflow across a given area in a given time—results in increased heat removal.

CFM can be achieved through the use of fans. The larger the fan, the more CFM it provides. An increase in RPM (the speed at which the fan circulates) as well as the size or quantity of fan blades results in a higher CFM, but as these factors increase, so do several others that can be detrimental to equipment. For example, acoustic noise is one consequence of high levels of CFM. Additionally, at very high CFM, physical forces also come into play that can cause damage to electrical equipment. Plus the higher the CFM, the higher the upfront capital costs, as well as ongoing operational expenses.

- Most applications operate between 10 and 20 ΔT. Using this and the CFM of the fan, the necessary quantity of cooling (watts) can be determined.
- The same equation also works for equipment outside the data center. Again, the intake air can only be so cold and at a certain CFM before other issues arise.
- The bigger the fan, the more airflow that moves across equipment. The amount of airflow and the temperature of the air determine the amount of heat dissipation that can occur.
- $CFM_{in} = CFM_{out}$ on all passive systems.
- Total CFM_{in} = the sum of all equipment (servers) mounted in the cabinet.

An increase in fan size will increase acoustic noise at the same motor RPM.

4-, 6-, and 10-inch Cooling Fan Performance



SOLAR HEAT GAIN

When evaluating the cooling needs of outdoor electrical enclosures, solar heat gain must be considered. Variables that affect the enclosure's internal temperature rise include the amount of solar exposure, enclosure color and material type, highest sustained atmospheric temperature, heat build-up from internal components and heat reflectance from the surrounding environment.

EXPOSURE TO SOLAR RADIATION

Over much of the United States, the approximate peak values of solar radiation striking the Earth's surface is 97 W/ft.² and the ambient air temperature can reach 104 F. Altitude, humidity and air pollution have an impact on these values, even more so than the location's latitude. In the high, dry climates of the southwest, solar radiation values of 111 W/ft.² and air temperatures greater than 104 F can be reached.

The extreme conditions the enclosure will be exposed to should be identified. If the internal enclosure temperature is greater than the outdoor (ambient) temperature, wind will provide greater heat transfer and thus cool the enclosure. But, because the presence of wind cannot be guaranteed, it is usually not taken into account when establishing a worst-case evaluation.

EFFECT OF SURROUNDING LOCATION

Reflection of solar energy from the foreground and surrounding surfaces can impact the total amount of radiant exposure by as much as 30 percent.

EFFECT OF ENCLOSURE COLOR AND FINISH

The percent of solar energy absorbed by the enclosure depends on surface color, finish and texture. Absorption values of the finish will increase with age.

STANDARDIZED TEST EVALUATION

Telcordia NEBS GR-487 provides a test procedure for evaluating the solar load on electrical/electronic enclosures. The test is run with the internal electronics on, in an environmentally controlled room, and three sides of the enclosure are illuminated uniformly with controlled banks of lights to a measured surface radiant value of 70 W/ft.² The temperature rise inside the enclosure above ambient is added to 115 F (46 C). This temperature total must not exceed the lowest-rated component within the enclosure.

EVALUATION OF SOLAR HEAT GAIN

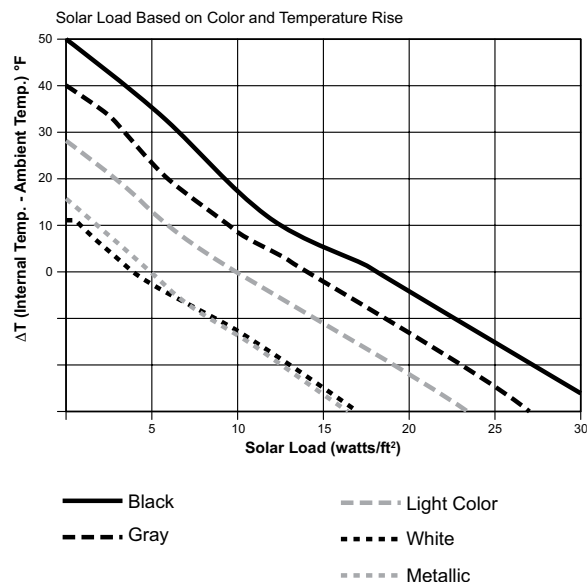
To evaluate the heat load on an enclosure, you must take into account:

- Total surface area of the enclosure
- Color of the enclosure
- Internal heat load
- Maximum allowable internal temperature
- Maximum ambient temperature
- Solar load

Examples:

1. What amount of heat energy must be removed from a 24 x 20 x 12 (surface area = 14 ft.²) ANSI 61 gray enclosure located outdoors without any heat dissipated internally, to maintain the enclosure temperature equal to the ambient (temperature rise = 0 degrees)? From the chart below, at 0 F temperature rise we find the solar load is approximately 14 W/ft.² (14 ft.² x 14 W/ft.² = 196 W). This is the heat energy that must be removed to maintain the enclosure temperature at ambient.
2. If the same enclosure has internal equipment dissipating 200 W of heat, what is the amount of heat energy that must be removed to maintain the enclosure at a temperature rise of 20 F above the ambient temperature? From the chart below, at 20 F temperature rise we find the solar load is approximately 6 W/ft.² (14 ft.² x 6 W/ft.² = 84 W). All of the internally dissipated heat of 200 W must also be removed. 84 W + 200 W = 284 W. This is the total amount of heat energy that must be removed to maintain the enclosure at 20 F above the ambient temperature.

3. What is the expected temperature rise above the ambient temperature due to solar heat gain for an enclosure with ANSI 61 gray finish? From the chart below, the temperature rise due to solar heat load can be found by locating the intersection of the data curve for the given finish and the 0 Solar Generated Heat Load axis. For ANSI 61 Gray, the temperature rise due to solar heat is about 40 F.



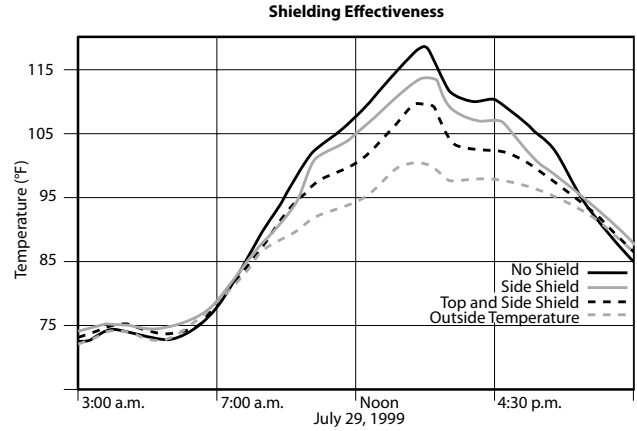
THE BENEFITS OF SHIELDING ENCLOSURES



Hoffman’s research on the effects of solar radiation on enclosures has shown the positive benefits of utilizing shielding to decrease temperature rise. Shielding has been found to be an effective, low-cost method of reducing solar heat gain in outdoor electrical/electronic applications.

A test to compare the shielding effect on internal temperature rise was performed on similar enclosures exposed to the sun. The enclosures are the same color (RAL 7035 light gray) and material. The enclosure on the left is unshielded; the enclosure on the right is shielded on top and applicable sides.

The results of the test show the enclosure with top and side shields to have approximately a 46 percent reduction in temperature compared to the unshielded enclosure. The reduction in temperature is approximately 25 percent with the solar top shield only. Hoffman offers top shields as an accessory for Hoffman COMLINE Wall-Mount Enclosures. Hoffman can provide side shields as a customer-ordered modification.



Enclosure Type	Temperature (F)	Temperature (C)	Percent Temperature Reduction
Unshielded	119	48	—
Top shield only	114	46	25
Top and side shields	110	43	46



STANDARDS ORGANIZATION SUMMARY AND DIRECTORY OVERVIEW

What's in a Rating?

As a way of standardizing enclosure performance, organizations like NEMA, UL, CSA, IEC and VDE use rating systems to identify an enclosure's ability to resist external environmental influences. Resistance to everything from dripping liquid to hose-down to total submersion is defined by the ratings systems. While these ratings are all intended to provide information to help you make a safer, more-informed product choice, there are differences among them.

North American Standards Organizations

In North America, NEMA, UL and CSA are the commonly recognized standards organizations. Their ratings are based on similar application descriptions and expected performance. UL and CSA both require enclosure testing by qualified evaluators in their certified labs. These organizations also send site inspectors to make sure a manufacturer adheres to prescribed manufacturing methods and material specifications. NEMA, on the other hand, does not require independent testing and leaves compliance completely up to the manufacturer.

North American enclosure rating systems also include a 4X rating that indicates corrosion resistance. This rating is based on the enclosure's ability to withstand prolonged exposure to salt water spray.

While a 4X rating is a good indicator that an enclosure can resist corrosion, it does not provide information on how a specific corrosive agent will affect a given enclosure material. It is best to conduct a full analysis of the specific application and environment to determine the best enclosure choice.

International Standards Organizations

Like NEMA, IEC does not require independent testing and leaves compliance completely up to the manufacturer. Nevertheless, there are differences in how enclosure performance is interpreted. For example, UL and CSA test requirements specify that an enclosure fails the water-tight test if even a single drop of water enters the enclosure. In the IEC standards for each level of ingress protection (IP), a certain amount of water is allowed to enter the enclosure.

IEC 60529 IP ratings do not specify construction requirements or degrees of protection against corrosive atmospheres, risk of explosion or conditions such as moisture or corrosive vapors. NEMA Type ratings, on the other hand, do specify construction and performance requirements for most environmental conditions. For this reason, and because the tests and evaluations for other characteristics are not identical, the IEC enclosure classification designations cannot be exactly equated with NEMA enclosure Type numbers.

CE

For industrial control equipment, the CE Mark is not intended to be applied to empty enclosures because such enclosures are inactive components of a final assembly. The responsibility of ensuring compliance with all applicable EU directives and harmonized standards belongs with the final equipment manufacturer.

ENCLOSURE TYPE RATING VS. IP RATING

Electrical enclosures are rated by Type (NEMA 250 / UL 50, 50E), and/or IP rating (IEC 60529) based upon the degree of protection provided. Type ratings and IP ratings have only the following in common:

1. A degree of protection for persons from hazardous components inside the enclosure
2. A degree of protection for equipment inside the enclosure from ingress of solid foreign objects, including dust
3. A degree of protection for equipment inside the enclosure from ingress of water

- Mechanical impact on enclosure walls
- Gasket aging and oil resistance
- Corrosion resistance
- Door and cover latching requirements
- Sheet metal gauge construction requirements (UL 50 only)

Electrical enclosures that carry only an IP rating have not been designed or tested to the additional Type-rating requirements. For this reason, and because the tests and evaluations for other characteristics are not identical, the IP ratings cannot be exactly equated with NEMA enclosure Types.

Electrical enclosures manufactured by Hoffman are tested for and carry both Type and IP ratings.

NEMA 250 and UL 50, 50E Type rating documentation defines additional requirements that a Type-rated enclosure must meet. These include:

Fluid Statics and Dynamic Comparison of Ingress Water Tests

Test Type	Flow Rate (gal./min.)	Flow Rate (l/min.)	Nozzle Diameter in./mm	Nozzle Area (in. ²)	Nozzle Velocity (ft./sec.)	Equivalent Head (ft.)	Equivalent Pressure (psi)	Mass Flow (lb./sec.)	Power (hp)	Total Force on Vertical Plate (lb.)
Type 3	45.00	170	1.0000 25.4	0.7854	18.38	5.25	2.274	6.256	0.060	3.5716
Type 4	65.00	246	1.000 25.4	0.7854	26.55	10.85	4.744	9.037	0.180	7.4516
IPX5	3.30	12.5	0.2480 6.3	0.0483	21.93	7.46	3.235	0.459	0.006	0.3126
IPX6	26.42	100	0.4921 12.5	0.1902	44.55	30.82	13.357	3.672	0.206	5.0815

NEMA, UL AND CSA RATINGS

Enclosure Type Descriptions for Non-Hazardous Locations

Enclosure Type	NEMA	UL	CSA
Indoor Type 1	Enclosures are intended for indoor use primarily to provide a degree of protection against contact with the enclosed equipment or locations where unusual service conditions do not exist.	Indoor use primarily to provide protection against contact with the enclosed equipment and against a limited amount of falling dirt.	General purpose enclosure. Protects against accidental contact with live parts.
Indoor Type 12	Enclosures are intended for indoor use primarily to provide a degree of protection against dust, falling dirt and dripping noncorrosive liquids.	Indoor use to provide a degree of protection against dust, dirt, fiber flyings, dripping water and external condensation of noncorrosive liquids.	Indoor use; provides a degree of protection against circulating dust, lint, fibers and flyings; dripping and light splashing of non-corrosive liquids; not provided with knockouts.
Indoor Type 12K	Enclosures with knockouts are intended for indoor use primarily to provide a degree of protection against dust, falling dirt and dripping noncorrosive liquids.	Indoor use to provide a degree of protection against dust, dirt, fiber flyings, dripping water and external condensation of noncorrosive liquids.	Indoor use; provides a degree of protection against circulating dust, lint, fibers and flyings; dripping and light splashing of noncorrosive liquids; not provided with knockouts.
Indoor Type 13	Enclosures are intended for indoor use primarily to provide a degree of protection against dust, spraying of water, oil and noncorrosive coolant.	Indoor use to provide a degree of protection against lint, dust seepage, external condensation and spraying of water, oil and noncorrosive liquids.	Indoor use; provides a degree of protection against circulating dust, lint, fibers and flyings; seepage and spraying of non-corrosive liquids, including oils and coolants.
Outdoor Type 3	Enclosures are intended for outdoor use primarily to provide a degree of protection against windblown dust, rain and sleet; undamaged by the formation of ice on the enclosure.	Outdoor use to provide a degree of protection against windblown dust and windblown rain; undamaged by the formation of ice on the enclosure.	Indoor or outdoor use; provides a degree of protection against rain, snow and windblown dust; undamaged by the external formation of ice on the enclosure.
Outdoor Type 3R	Enclosures are intended for outdoor use primarily to provide a degree of protection against falling rain and sleet; undamaged by the formation of ice on the enclosure.	Outdoor use to provide a degree of protection against falling rain; undamaged by the formation of ice on the enclosure.	Indoor or outdoor use; provides a degree of protection against rain and snow; undamaged by the external formation of ice on the enclosure.
Outdoor Type 3RX	Enclosures are intended for outdoor use primarily to provide a degree of protection against corrosion, falling rain and sleet; undamaged by the formation of ice on the enclosure.	Not specifically defined.	Not specifically defined.
Outdoor Type 4	Enclosures are intended for indoor or outdoor use primarily to provide a degree of protection against windblown dust and rain, splashing water and hose directed water; undamaged by the formation of ice on the enclosure.	Either indoor or outdoor use to provide a degree of protection against falling rain, splashing water and hose-directed water; undamaged by the formation of ice on the enclosure.	Indoor or outdoor use; provides a degree of protection against rain, snow, windblown dust, splashing and hose-directed water; undamaged by the external formation of ice on the enclosure.
Outdoor Type 4X	Enclosures are intended for indoor or outdoor use primarily to provide a degree of protection against corrosion, windblown dust and rain, splashing water and hose-directed water; undamaged by the formation of ice on the enclosure.	Either indoor or outdoor use to provide a degree of protection against falling rain, splashing water and hose-directed water; undamaged by the formation of ice on the enclosure; resists corrosion.	Indoor or outdoor use; provides a degree of protection against rain, snow, windblown dust, splashing and hose-directed water; undamaged by the external formation of ice on the enclosure; resists corrosion.
Outdoor Type 6	Enclosures are intended for use indoors or outdoors where occasional submersion is encountered; limited depth; undamaged by the formation of ice on the enclosure.	Indoor or outdoor use to provide a degree of protection against entry of water during temporary submersion at a limited depth; undamaged by the external formation of ice on the enclosure.	Indoor or outdoor use; provides a degree of protection against the entry of water during temporary submersion at a limited depth. Undamaged by the external formation of ice on the enclosure; resists corrosion.

This material is reproduced with permission from NEMA. The preceding descriptions, however, are not intended to be complete representations of National Electrical Manufacturers Association standards for enclosures nor those of the Electrical and Electronic Manufacturers Association of Canada.

This material is reproduced with permission from Underwriters Laboratories Inc. Enclosures for Electrical Equipment, UL 50, 50E and Industrial Control Panels, UL 508A.

This material is reproduced with permission from the Canadian Standards Association.

Underwriters Laboratories Inc. (UL) shall not be responsible for the use of or reliance upon a UL Standard by anyone. UL shall not incur any obligation or liability for damages, including consequential damages, arising out of or in connection with the use, interpretation of, or reliance upon a UL Standard.

IP RATING DESCRIPTIONS

Example Rating

If 1st IP number is...	and the 2nd ip number is...	Then the IP rating is
2	3	IP 2 3
(protection against solid objects)	(protection against liquids)	An enclosure with this designation provides protection against touch with a finger, penetration of solid objects greater than 12mm, and spraying water.

First Numeral (Solid Objects and Dust)

IP	Protection of Persons	Protection of Equipment
0	No Protection	No Protection
1	Protected against contact with large areas of the body (back of hand)	Protected against objects over 50 mm in diameter
2	Protected against contact with fingers	Protected against solid objects over 12 mm in diameter
3	Protected against tools and wires over 2.5 mm in diameter	Protected against solid objects over 2.5 mm in diameter
4	Protected against tools and wires over 1 mm in diameter	Protected against solid objects over 1 mm in diameter
5	Protected against tools and wires over 1 mm in diameter	Protected against dust (limited ingress, no harmful deposit)
6	Protected against tools and wires over 1 mm in diameter	Totally protected against dust

Second Numeral (Liquid)

IP	Protection of Equipment
0	No Protection
1	Protected against vertically falling drops of water, e.g. condensation
2	Protected against direct sprays of water up to 15 degrees from vertical
3	Protected against sprays to 60 degrees from vertical
4	Protected against water sprayed from all directions (limited ingress permitted)
5	Protected against low-pressure jets of water from all directions (limited ingress permitted)
6	Protected against strong jets of water
7	Protected against the effects of immersion between 15 cm and 1 m
8	Protected against long periods of immersion under pressure



Bulletin Number	Catalog Page	Bulletin Number	Catalog Page	Bulletin Number	Catalog Page
A48Y	139, 140	DNCS	58, 60, 61, 194	DWDH1	100, 104, 265, 104
A80	51, 139, 200, 238, 225, 230, 233, 260, 201, 260, 264	DNCY	265, 61, 195	DWDH2	112, 122, 125
A80LT	255, 256, 257, 258, 259	DOFR2	175, 86	DWS1	104, 213, 126, 128, 129, 130, 132, 133, 146
CWP	125	DOFR4	88	DWS12	225, 230, 233, 263, 264, 106, 118, 134, 138, 140, 141, 143
CWY	225, 260	DOFRC	167, 168, 248, 249	MCL	39
D85	14, 128, 132, 146, 211, 213, 214, 215, 218, 219	DOFRS	190, 192	P20	252, 259, 261, 266, 49, 50, 51, 53, 54, 55, 57, 252, 253, 54, 56, 57
DACCY	13, 74, 50, 51, 225, 251, 230, 74, 233, 75, 200, 238, 149, 251, 260, 261, 263, 263, 265, 64, 71, 15, 266, 72, 73, 206, 207, 208, 247, 248, 90, 249, 250, 252, 95, 75, 261, 146	DOFRW	156, 157, 158, 160, 161, 162, 177	P20EM	49, 56
DBG	176, 245, 246	DOFRY	66, 68, 70, 71, 95, 266, 90, 94, 72, 73, 95, 163, 265	P9	51
DC	8	DPC	263, 36, 40, 54, 52	PCRY	136, 137
DCOM	222, 226, 231	DPMC	239	PNL30	201
DCOMY	224, 225, 229, 230, 233, 262, 263, 231, 233	DPS	76, 77, 78, 82	PNLFS	201
DCR	167, 168, 169, 170, 171, 172, 173, 174, 175, 176, 177	DPSR	16, 18, 20, 26, 36, 40	PNLJ	140
DCY	12, 13, 14, 262, 14, 200, 78, 200	DPVD	22, 28, 30	PNLWM	140, 143
DEC1	148, 149, 150, 151, 152	DPY	77, 43, 44, 45, 46, 47, 48, 50, 52, 53, 55, 53, 195	UX1Y	143, 144, 145
DMAX	86, 91, 93	DQT	178, 181, 182, 183, 184, 185	X20	51, 149, 200, 225, 230, 233, 238, 260
DNC	61	DTHRM	83, 213, 14, 83, 128, 133, 56, 209, 210, 212, 82, 83		
		DTX	74, 234, 238		



Catalog Number	UPC	Bulletin Number	Catalog Page	Catalog Number	UPC	Bulletin Number	Catalog Page	Catalog Number	UPC	Bulletin Number	Catalog Page
A10AXFN2	22140	D85	211, 212	A4AXFN24	17391	D85	211, 212	A90P36F1G	15006	PNLFS	201
A10AXFN	22230	D85	211, 212	A4AXFNQG	13852	D85	211, 212, 146, 128, 132	A90RP24F5	21460	A80	201
A10AXFNPG	50449	D85	211, 212	A4AXFNPG	50429	D85	211, 212, 146, 128, 132	ABRKT10	71320	D85	213
A10SPK8C	34920	A48Y	140	A48MFTHDWK	30007	A48Y	140	ABRKT2	17397	D85	213
A1010PSWPNL	17103	PCRY	136	A6AXFN2	22130	D85	211, 212	ABRKT3	17396	D85	213
A108PSWPNL	17102	PCRY	136	A6AXFN	22220	D85	211, 212	ABRKT4	71300	D85	213
A12SPK10C	34930	A48Y	140	A6AXFN24	17392	D85	211, 212	ABRKT6	71310	D85	213
A1210PSWPNL	17104	PCRY	136	A6AXFNQG	13853	D85	211, 212, 14	ACORD1	50499	DTHRM	212
A14SPK12C	34940	A48Y	140	A6AXFNPG	50439	D85	211, 212, 14	ACORD2	50509	DTHRM	212
A1412PSWPNL	17105	PCRY	136	A60P24F1	21260	PNL30	201	ACORD2T	23802	DTHRM	213
A16P14	54810	PNLJ	140	A60P24F1G	14994	PNLFS	201	AFANTSC	13857	DTHRM	210
A16P14WD	15288	DWS12	140	A60P36F1	21280	PNL30	201	AFLTR10	21620	D85	218
A16SPK14C	34950	A48Y	140	A60P36F1G	14996	PNLFS	201	AFLTR10AL	51450	D85	218
A1614PSWPNL	17106	PCRY	136	A6P6	54760	PNLJ	140	AFLTR4	21560	D85	218
A18P16	58480	PNLWM	140	A6P6WD	15287	DWS12	140	AFLTR4AL	51410	D85	218
A18P16WD	15291	DWS12	140	A60RP24F5	21300	A80	201	AFLTR4LD	14377	DWS1	213, 128, 133, 146, 104
A18SPK16C	34960	A48Y	140	A6SPK6C	34900	A48Y	140	AFLTR6	21570	D85	218
A1816PSWPNL	17107	PCRY	136	A64PSWPNL	17096	PCRY	136	AFLTR6AL	51420	D85	218
A19ESOK	13763	DOFRY	95	A66PSWPNL	17097	PCRY	136	AFLTR6LD	17424	DTHRM	128, 213, 133, 14
A19ESOK4	29324	DOFRY	90	A72P24F1	23320	PNL30	201	AGARD10	22200	D85	213
A19FANSC	14073	DTHRM	210	A72P24F1G	14998	PNLFS	201	AGARD2	17398	D85	213
A19FT3B	13855	DTHRM	209	A72P30F1	23340	PNL30	201	AGARD3	17401	D85	213
A19FT6B	13856	DTHRM	209	A72P30F1G	15002	PNLFS	201	AGARD4	22180	D85	213
A19KBC2B	13764	DACCY	251	A72P36F1	23360	PNL30	201	AGARD6	22190	D85	213
A19MB1000	13774	DOFRY	94	A72P36F1G	15004	PNLFS	201	AHGCLP	18702	PCRY	137
A19MB600	13772	DOFRY	94	A72RP24F5	21420	A80	201	AL48	29770	A48Y	139
A19PSMB	10244	DPS	77	A72RP30F5	21440	A80	201	ALFSWD	71260	A80LT	259
A2AXFN24	17393	D85	211, 212	A8SPK6C	34910	A48Y	140	AN1032	13090	A80	225, 230, 233
A24P24	23180	PNLWM	143	A86PSWPNL	17098	PCRY	136	ANM5	47680	A80	225, 230, 233
A24P24WD	15292	DWS12	143	A88PSWPNL	17101	PCRY	136	APE050	36670	A80	139
A3AXFN	17395	D85	211, 212	A90P24F1	23480	PNL30	201	APE100	36680	A80	139
A3AXFN24	17394	D85	211, 212	A90P24F1G	15008	PNLFS	201	APNLBLK	17094	PCRY	136
A4AXFN2	22120	D85	211, 212	A90P36F1	23380	PNL30	201	APOLYFT10	17127	PCRY	136
A4AXFN	22210	D85	211, 212								



Catalog Number	UPC	Bulletin Number	Catalog Page	Catalog Number	UPC	Bulletin Number	Catalog Page	Catalog Number	UPC	Bulletin Number	Catalog Page
APOLYFT12	17128	PCRY	136	CP2442	78590	CWP	125	DBL242412G	14373	DWS1	126
APOLYFT14	17131	PCRY	136	CP3220	23782	DWDH2	125	DBL362412G	14374	DWS1	126
APOLYFT16	17132	PCRY	136	CP4420	23783	DWDH2	125	DBL482412G	14375	DWS1	126
APOLYFT4	17095	PCRY	136	CP5620	23784	DWDH2	125	DBPDLK	14376	DWS1	133
APOLYFT6	17125	PCRY	136	CPMK12	79360	CWY	225, 260	DBPRA4U	14538	DWS1	129, 133
APOLYFT8	17126	PCRY	136	CPMK16	79430	CWY	225, 260	DBS242412G	14366	DWS1	131
APSM6CN	11256	DPY	52	CPMK20	79440	CWY	225, 260	DBS24248G	14365	DWS1	131
AQRLSS6	17134	PCRY	137	CPMK24	79450	CWY	225, 260	DBS362412G	14368	DWS1	131
ARULABEL	13761	DOFRY	265	CPMK30	79460	CWY	225, 260	DBS36248G	14367	DWS1	131
AS1032 238, 260	13080	A80	51, 200, 225, 230, 233, 238, 260	CR290216G002	74260	MCL	39	DBS482412G	14372	DWS1	131
AS1032B 233, 238, 260	15333	DACCY	51, 200, 225, 230, 233, 238, 260	CR290226G002	74270	MCL	39	DBS48248G	14371	DWS1	131
AS1032250 233, 238, 260	10258	DACCY	51, 200, 225, 230, 233, 238, 260	CR290416G002	75610	MCL	39	DBSHEL12	14535	DWS1	129, 133
ASM5 233, 238, 260	47690	X20	51, 149, 200, 225, 230, 233, 238, 260	CR290426G002	74290	MCL	39	DBSHEL18	14534	DWS1	129, 133
ASM5T 233, 238, 260, 261	17365	DACCY	51, 200, 225, 230, 233, 238, 260, 261	D16148CHSCFGP	14963	DWS12	138	DCHB1	17244	DACCY	73
ASM6 233, 238, 260	10256	DACCY	51, 200, 225, 230, 233, 238, 260	D16148CHSCFGWP	14964	DWS12	138	DCHD2	17243	DACCY	65
ASM6250 233, 238, 260	10257	DACCY	51, 200, 225, 230, 233, 238, 260	D16148WF	18705	DWS12	135	DCHS1	17241	DACCY	65
ASMP12SS	30387	DCY	200	D16148WFW	18706	DWS12	135	DCHS2	17242	DACCY	65
ASMP34SS	30388	DCY	200	D181610CHSCFGP	14965	DWS12	138	DCHS4	26292	DACCY	65
ASMP58SS	30391	DCY	200	D181610CHSCFGWP	14966	DWS12	138	DE19B	17318	DTHRM	82
ASPANKIT60	30385	DCY	200	D19BPT1RU	16693	DACCY	13, 50, 265	DFB410F	18707	DACCY	206, 207
ASPANKIT72	29508	DCY	200	D19BPT2RU	16694	DACCY	13, 50, 265	DFB57F	18708	DACCY	206, 207
ASPANKIT90	30386	DCY	200	D19FVT69B	16687	DACCY	15, 250	DFB66S	18711	DACCY	206, 208
ATEMNC	71160	D85	214	D19FVT69G	16688	DACCY	15, 250	DFBA1024F	18715	DACCY	206, 208
ATEMNO	71170	D85	214	D19FVT912B	16691	DACCY	15, 250	DG19	17266	DBG	246
ATPB9005	10274	DACCY	266	D19FVT912G	16692	DACCY	15, 250	DG23	17267	DBG	246
ATPG7035	90740	P20	266	D664CHSCFGP	14961	DWS12	138	DG36	17268	DBG	246
CMFK	62490	A80	230, 233, 260	D664CHSCFGWP	14962	DWS12	138	DG72	17271	DBG	246
CMFKSS	65750	A80	230, 233, 260	D664WF	18703	DWS12	135	DGCL201	17256	DBG	245
CMTGFT	73370	A80	230, 233, 260	D664WFW	18704	DWS12	135	DGCL21	17254	DBG	245
CP2014	15633	CWP	125	DB24WMTK	14394	DWS1	129, 133	DGCL22	17255	DBG	245
CP2020	78550	CWP	125	DBDXK	14378	DWS1	128, 132	DGCL402	17257	DBG	245
				DBERA4U	14536	DWS1	132	DGCL61	17252	DBG	245
				DBERA6U	14537	DWS1	132	DGCL62	17253	DBG	245
				DBGGRDK	14393	DWS1	128, 132	DGJ	17272	DBG	176, 245

Catalog Number	UPC	Bulletin Number	Catalog Page	Catalog Number	UPC	Bulletin Number	Catalog Page	Catalog Number	UPC	Bulletin Number	Catalog Page
DGL6	17251	DBG.	245	DPDU1	29326	DCY	14, 78	E120P70W	17035	DCOMY	229
DGP10	17297	DOFRY	70	DRD	17332	DTHRM	83	E19BHPM4U12	11007	DOFRW	162
DGP12	17298	DOFRY	70	DSD	17326	DTHRM	83	E19BHPM6U12	11008	DOFRW	162
DGP3	19184	DOFRY	70	DSPLIT	17333	DTHRM	83	E19BHPM8U12	11011	DOFRW	162
DGP6	17296	DOFRY	70	DST	17322	DTHRM	83	E19C12U	26172	DOFRW	157
DGRJ	17273	DBG.	245	DSW	17325	DTHRM	83	E19C20U	26173	DOFRW	157
DGT1	17258	DBG.	245	DU606030P	14957	DWS12	141	E19C25U	26174	DOFRW	157
DGT2	17261	DBG.	245	DU606030WP	14958	DWS12	141	E19FWM12U20	11012	DOFRW	162
DGTB212	17262	DBG.	246	DV10D7	17277	DOFRY	67	E19FWM20U20	11013	DOFRW	162
DGTB216	17263	DBG.	246	DV10D8	17285	DOFRY	67	E19FWM25U20	11014	DOFRW	162
DGTB412	17264	DBG.	246	DV10D9	17293	DOFRY	67	E19FWM32U20	11015	DOFRW	162
DGTB420	17265	DBG.	246	DV10DF7	26285		67	E19HPM1U	11001	DOFRW	161
DKL2233	19231	DACCY	263	DV10DF8	26288		67	E19HPM2U	11002	DOFRW	161
DL36	11890	A80	225, 230, 233, 264	DV10S7	17276	DOFRY	67	E19HPM4U	11003	DOFRW	161
DLCASTERS	13020	DNC.	61	DV10S8	17284	DOFRY	67	E19HPM6U	11004	DOFRW	161
DP10E	17314	DPS.	78	DV10S9	17292	DOFRY	67	E19HPM8U	11005	DOFRW	161
DP1E2663030MT	17313	DPS.	77	DV12D7	17281	DOFRY	67	E19SKBM	10252	DACCY	249
DP1N120615	16873	DPS.	77	DV12D8	17287	DOFRY	67	E19SM2U	11022	DOFRY	163
DP1N160620S	16874	DPS.	77	DV12D9	17295	DOFRY	67	E19SM4U	11023	DOFRY	163
DP1N190615	16884	DPS.	76	DV12DF7	26286		67	E19SWM12U12	26162	DOFRW	156
DP1N191015S	16887	DPS.	76	DV12DF8	26291		67	E19SWM12U24	26163	DOFRW	156
DP1N191020	16888	DPS.	76	DV12S7	17278	DOFRY	67	E19SWM20U12	26164	DOFRW	156
DP1N191020S	16891	DPS.	76	DV12S8	17286	DOFRY	67	E19SWM20U24	26165	DOFRW	156
DP1N191020ST	16892	DPS.	76	DV12S9	17294	DOFRY	67	E19SWM25U12	26166	DOFRW	156
DP1N191415	16885	DPS.	76	DV6D7	17275	DOFRY	67	E19SWM25U24	26167	DOFRW	156
DP1N191415M	16886	DPS.	76	DV6D8	17283	DOFRY	67	E19SWMC12U24	26168	DOFRW	158
DP1N481815	16875	DPS.	77	DV6D9	17291	DOFRY	67	E19SWMC20U24	26171	DOFRW	158
DP1N622415	16876	DPS.	77	DV6DF7	26284		67	E19T6U	26176	DOFRW	160, 177
DP1N622420	16877	DPS.	77	DV6DF8	26287		67	E2PKIT	29314	DOFRY	90
DP1N622420MT	16882	DPS.	77	DV6S7	17274	DOFRY	67	E2233KEY	13864	DACCY	263
DP1N622420T	16878	DPS.	77	DV6S8	17282	DOFRY	67	E333KEY	17904	DACCY	146, 263
DP5E	17315	DPS.	78	DV6S9	17288	DOFRY	67	E4DR19FM38U	10007	DOFR4	88
DPC1N119820	17311	DPS.	82	DVR4U	17905	DWS1	146	E4DR19FM45U	10008	DOFR4	88
DPCLIP	17316	DPS.	78	DVR6U	17906	DWS1	146	E4DR19FM51U	10012	DOFR4	88



Catalog Number	UPC	Bulletin Number	Catalog Page	Catalog Number	UPC	Bulletin Number	Catalog Page	Catalog Number	UPC	Bulletin Number	Catalog Page
E4DRS19FM45U	12953	DOFR4	88	ECL303015CH	37939	DCOM	223	ECMSV1918	13274	DOFRC	248
E4DRS19FM51U	12954	DOFR4	88	ECL403015	37069	DCOM	222	ECMSV1922	13275	DOFRC	248
E4FCM	16043	DOFRY	94	ECL403015CH	37949	DCOM	223	ECNSM6	40130	DACCY	149
E4FBKIT	29323	DOFRY	90	ECL404015	37079	DCOM	222	ECT19	35359	DOFRY	72
E4PKIT	29315	DOFRY	90	ECL404015CH	37959	DCOM	223	ECT23	35369	DOFRY	72
E4SDR19FM45U	14243	DOFRS	192	ECL404020	37089	DCOM	222	ECW12B	10987	DACCY	75, 261
E45RUBKIT	13863	DOFR2	175	ECL404020CH	37969	DCOM	223	ECW12BL	10991	DACCY	75, 261
E60P60W	17032	DCOMY	229	ECL504020	37099	DCOM	222	ECW12R	10988	DACCY	75, 261
E90P60W	17033	DCOMY	229	ECL504020CH	37979	DCOM	223	ECW12Y	10992	DACCY	75, 261
E90P70W	17034	DCOMY	229	ECL505020	37109	DCOM	222	ECW8B	10983	DACCY	75, 261
EC10C7	19182	DOFRY	70	ECL505020CH	37989	DCOM	223	ECW8BL	10985	DACCY	75, 261
EC12C7	19183	DOFRY	70	ECL603537VP	21153	DCOM	231	ECW8R	10984	DACCY	75, 261
EC3C7	19178	DOFRY	70	ECL605020	37119	DCOM	222	ECW8Y	10986	DACCY	75, 261
EC3D7	19175	DOFRY	68	ECL605020CH	37999	DCOM	223	ECWTD12B	16034	DACCY	75, 261
EC3S7	19174	DOFRY	68	ECL606020	37129	DCOM	222	ECWTD8B	16033	DACCY	75, 261
EC6C7	19181	DOFRY	70	ECL606020CH	38009	DCOM	223	EDR19FM24U	21599	DOFR2	86
EC6D7	19177	DOFRY	68	ECL606050P	17026	DCOM	226	EDR19FM38U	21609	DOFR2	86
EC6DF7	26283	DOFRY	68	ECL606050PB	21146	DCOM	226	EDR19FM45U	21619	DOFR2	86
EC6S7	19176	DOFRY	68	ECL806020	37139	DCOM	222	EDR19FM45U6	25324	DMAX	86
ECK19H	10233	DACCY	73	ECL806020CH	38019	DCOM	223	EDR19FM45UCM1	14643	DOFR2	86
ECK19HV	35289	DOFRY	73	ECL906050P	17027	DCOM	226	EDR19FM45UCM2	14644	DOFR2	86
ECK23HV	35299	DOFRY	73	ECL906050PB	21147	DCOM	226	EDR19FM51U	21629	DOFR2	86
ECKCVR19	10234	DACCY	73	ECL907060P	17028	DCOM	226	EDR19FM51U6	25325	DMAX	86
ECKCVR23	10235	DACCY	73	ECL907060PB	21148	DCOM	226	EDR19FM58U	35309	DOFR2	86
ECKIT	29322	DOFRW	161	ECM19DR1U	15153	DACCY	71	EDR23FM24U	21649	DOFR2	86
ECL1006030	37149	DCOM	222	ECM19DR2U	15151	DACCY	71	EDR23FM38U	21659	DOFR2	86
ECL1006030CH	38029	DCOM	223	ECM19TD2U	15152	DACCY	72	EDR23FM45U	21669	DOFR2	86
ECL1207060P	17031	DCOM	226	ECM19TP1U	15254	DACCY	71	EDR23FM51U	21679	DOFR2	86
ECL1207060PB	21151	DCOM	226	ECM19TP2U	15255	DACCY	71	EDRBK10	16032	DACCY	74
ECL1209030	37159	DCOM	222	ECM3DR10	15293	DACCY	13, 74	EDSK	37179	DCOMY	225
ECL1209030CH	38039	DCOM	223	ECM6DR10	15294	DACCY	13, 74	EDUSTCVR	13745	DOFRY	95
ECL1509030	37169	DCOM	222	ECMBA4	26175	DOFRW	161	EEC12U5260	39510	DEC1	148
ECL1509030CH	38049	DCOM	223	ECMS1918	13272	DOFRC	248	EEC3U5250	39470	DEC1	148
ECL303015	37059	DCOM	222	ECMS1922	13273	DOFRC	248	EEC4U5250	39480	DEC1	148

Catalog Number	UPC	Bulletin Number	Catalog Page	Catalog Number	UPC	Bulletin Number	Catalog Page	Catalog Number	UPC	Bulletin Number	Catalog Page
EEC6U5260	39490	DEC1	148	EP15090AL	37319	DCOMY	224	ERC6U4843	39580	DEC1	150
EEC9U5260	39500	DEC1	148	EP3030AL	37219	DCOMY	224	ERCFH3U	39630	DEC1	151
EECCR50	39520	DEC1	149	EP4030AL	37229	DCOMY	224	ERCFH4U	39640	DEC1	151
EECCR60	39530	DEC1	149	EP4040AL	37239	DCOMY	224	ERCFH6U	39650	DEC1	151
EGBB1	17123	DCOMY	229, 233	EP5040AL	37249	DCOMY	224	ERCFP3U48	39660	DEC1	151
EGBB2	17124	DCOMY	229, 233	EP5050AL	37259	DCOMY	224	ERCFP4U48	39670	DEC1	151
EGPACCR23	17047	DCOMY	229	EP6050AL	37269	DCOMY	224	ERCFP6U48	39680	DEC1	151
EGPACT15	17045	DCOMY	229	EP6060AL	37279	DCOMY	224	ERCRF48	39720	DEC1	152
EGPACT20	17046	DCOMY	229	EP8060AL	37289	DCOMY	224	ERCRP3U48	39690	DEC1	151
EGPHX20	17048	DCOMY	229	EPCEQS	12921	DNCS	61	ERCRP4U48	39700	DEC1	151
EGPHX29	17051	DCOMY	229	EPDUBK	16064	DPY	47, 77	ERCRP6U48	39710	DEC1	151
EGPS1	17043	DCOMY	229	EPKIT	29318	DOFRW	158	ES1224	21969	DACCY	51, 200, 225, 230, 233, 238, 260
EGPS2	17044	DCOMY	229	EPL4	37409	DCOMY	225, 230, 233, 263	ES1224B	10253	DACCY	51, 200, 225, 230, 233, 238, 260
EGVM1	21154	DCOMY	231	EPL7060	17036	DCOMY	229	ES1224B250	10254	DACCY	51, 200, 225, 230, 233, 238, 260
EGVM2	21155	DCOMY	231	EPMC12	17054	DCOMY	229	ES1224250	10255	DACCY	51, 200, 225, 230, 233, 238, 260
EGVM	21157	DCOMY	231	EPMC6	17052	DCOMY	229	ESBDK	14251	DACCY	90, 95
EGVM3	21156	DCOMY	231	EPMC9	17053	DCOMY	229	ESDR19FM45U	14241	DOFRS	190
EJ2DR	22059	DOFRY	94	ERA1910TH	37209	DCOMY	225	ESH19KBM	35269	DACCY	250
ELHP	37399	DCOMY	225, 230, 233, 262	ERA1910TPL	11236	DNCY	265, 61	ESH19S	35249	DACCY	247
EMB1	21152	DCOMY	230, 233	ERA1921TPL	11248	DNCY	265	ESH19V	35229	DACCY	248
EMS1918	13266	DOFRC	249	ERA192312S	17042	DCOMY	229	ESH1915	17366	DACCY	251
EMS1922	13267	DOFRC	249	ERA192321TPL	11251	DNCY	265	ESH1915V	17367	DACCY	251
EMSV1918	13271	DOFRC	249	ERA19239S	17041	DCOMY	229	ESH1917	35219	DACCY	251
EMSV1922	13268	DOFRC	249	ERA196S	17037	DCOMY	229	ESH198	35209	DACCY	251
ENC1776PC	11223	DNCS	60	ERA196TH	37189	DCOMY	225	ESH23KBM	35279	DACCY	250
ENC21710S	14245	DNCS	194	ERA197THLN	11254	DNCY	265	ESH23S	35259	DACCY	247
ENC21712S	14246	DNCS	194	ERA197TPLN	11247	DNCY	265	ESH23V	35239	DACCY	248
ENC2178S	11062	DNCS	194	ERA198TH	37199	DCOMY	225	ESHA19	10247	DACCY	247
ENC2189S	11063	DNCS	194	ERA199S	17038	DCOMY	229	ESHD19	21869	DACCY	248
ENC766SH	11064	DNCS	58	ERB1U2319	21939	DACCY	95	ESHD23	21879	DACCY	248
ENC769SH	11065	DNCS	58	ERB3U2319	21949	DACCY	95	ESHDA19	10248	DACCY	247
ENCJK	11057	DNCY	195	ERB5U2319	21959	DACCY	95	ESHDHDA19	10251	DACCY	247
EP10060AL	37299	DCOMY	224	ERC3U4837	39560	DEC1	150				
EP12090AL	37309	DCOMY	224	ERC4U4843	39570	DEC1	150				



Catalog Number	UPC	Bulletin Number	Catalog Page	Catalog Number	UPC	Bulletin Number	Catalog Page	Catalog Number	UPC	Bulletin Number	Catalog Page
ESHVDV19	21849	DACCY	248	EWMR72S	17898	DWDH1	104	EWMWG242418	17881	DWDH1	103
ESHVDV23	21859	DACCY	248	EWMR72T	17893	DWDH1	104	EWMWG242425	17884	DWDH1	103
ESHVA19	21829	DACCY	249	EWMS242418	17873	DWDH1	102	EWMWG242436	28602	DWDH1	103
ESHVA23	21839	DACCY	249	EWMS242425	17876	DWDH1	102	EWMWG242825	28603	DWDH1	103
ESSH3015	37329	DCOMY	224	EWMS242430	28596	DWDH1	102	EWMWG362418	17882	DWDH1	103
ESSH4015	37339	DCOMY	224	EWMS242436	28597	DWDH1	102	EWMWG362425	17885	DWDH1	103
ESSH4020	37349	DCOMY	224	EWMS362418	17874	DWDH1	102	EWMWG362436	28604	DWDH1	103
ESSH5020	37359	DCOMY	224	EWMS362425	17877	DWDH1	102	EWMWG362825	28605	DWDH1	103
ESSH6020	37369	DCOMY	224	EWMS362430	28598	DWDH1	102	EWMWG482418	17883	DWDH1	103
ESSH6030	37379	DCOMY	224	EWMS362436	28601	DWDH1	102	EWMWG482425	17886	DWDH1	103
ESSH9030	37389	DCOMY	224	EWMS482418	17875	DWDH1	102	EWMWG482825	28607	DWDH1	103
ETRB8	16031	DACCY	75	EWMS482425	17878	DWDH1	102	EWWC19H	14248	DACCY	72
EVKIT	29317	DOFRW	157	EWMS482436	28608	DWDH1	102	L90HB12BLK	10062	DCR	168
EVR19FM45U	22019	DOFR2	86	EWMW162418	28592	DWDH1	101	L90HB12G	10058	DCR	168
EVR19FM51U	22029	DOFR2	86	EWMW162425	28593	DWDH1	101	L90HB12GZ	10063	DCR	168
EVR19FM58U	35319	DOFR2	86	EWMW242418	17853	DWDH1	101	L90HB12W	29926	DOFRC	168
EVR23FM45U	22039	DOFR2	86	EWMW242425	17858	DWDH1	101	L90HB15BLK	29991	DCR	168
EVR23FM51U	22049	DOFR2	86	EWMW242430	17865	DWDH1	101	L90HB15W	29992	DCR	168
EWFT	10232	DOFRY	71	EWMW242436	28594	DWDH1	101	L90HB18BLK	10065	DCR	168
EWMC24	17901	DWDH1	104	EWMW242825	17868	DWDH1	102	L90HB18G	10064	DCR	168
EWMC36	17902	DWDH1	104	EWMW362418	17854	DWDH1	101	L90HB18GZ	10066	DCR	168
EWMC48	17903	DWDH1	104	EWMW362425	17861	DWDH1	101	L90HB18W	29927	DOFRC	168
EWMF1	17907	DWDH1	104	EWMW362430	17866	DWDH1	101	L90HB24BLK	17338	DCR	168
EWMF2	17908	DWDH1	104	EWMW362436	28595	DWDH1	101	L90HB24W	29928	DOFRC	168
EWMR16S	28686	DWDH1	104	EWMW362825	17871	DWDH1	102	LABSK	10076	DCR	167
EWMR16T	28685	DWDH1	104	EWMW482418	17855	DWDH1	101	LABSKB	14588	DCR	167
EWMR24S	17894	DWDH1	104	EWMW482425	17862	DWDH1	101	LABSKG	14591	DCR	167
EWMR24T	17887	DWDH1	104	EWMW482430	17867	DWDH1	101	LABSKW	29936	DCR	167
EWMR36S	17895	DWDH1	104	EWMW482436	28606	DWDH1	101	LAJSK	10078	DCR	169
EWMR36T	17888	DWDH1	104	EWMW482825	17872	DWDH1	102	LAJSKB	14594	DCR	169
EWMR48S	17896	DWDH1	104	EWMW602418	17856	DWDH1	101	LAJSKG	14595	DCR	169
EWMR48T	17891	DWDH1	104	EWMW602425	17863	DWDH1	101	LAJSKW	29938	DCR	169
EWMR60S	17897	DWDH1	104	EWMW722418	17857	DWDH1	101	LBSK	10075	DCR	167
EWMR60T	17892	DWDH1	104	EWMW722425	17864	DWDH1	101	LBSKB	14586	DCR	167

Catalog Number	UPC	Bulletin Number	Catalog Page	Catalog Number	UPC	Bulletin Number	Catalog Page	Catalog Number	UPC	Bulletin Number	Catalog Page
LBSKG	14587	DCR	167	LEK12	19935	DCR	175	LIB6BLK	10047	DCR	168
LBSKW	29935	DCR	167	LEK12B	19936	DCR	175	LIB6G	10046	DCR	168
LCBK	17358	DCR	171	LEK12W	29981	DCR	175	LIB6GZ	10048	DCR	168
LCBKB	19928	DCR	171	LEK3	17356	DCR	175	LIB6W	29916	DOFRC	168
LCBKW	29948	DCR	171	LEK3B	19933	DCR	175	LJBK	10081	DCR	177
LCK	10083	DCR	171	LEK3W	29977	DCR	175	LJBK5	19922	DCR	177
LCRDSK	17362	DCR	176	LEK6	17357	DCR	175	LJBK6	19923	DCR	177
LCSK12	17353	DCR	176	LEK6B	19934	DCR	175	LJBK7	19924	DCR	177
LCSK	14612	DCR	174	LEK6W	29978	DCR	175	LJSK	10077	DCR	169
LCSK18	17354	DCR	176	LF120V15	19191	A80LT	255	LJSKB	14592	DCR	169
LCSK24	17355	DCR	176	LF120V18	19192	A80LT	255	LJSKG	14593	DCR	169
LCSK6	17352	DCR	176	LF120V28	19193	A80LT	255	LJSKW	29937	DCR	169
LCSKB	14613	DCR	174	LF120VCORD	19196	A80LT	256	LLB	10087	DCR	169
LCSKG	14614	DCR	174	LF230VD	24093	A80LT	257	LLBB	14596	DCR	169
LCSKW	29968	DCR	174	LF230VM	24094	A80LT	257	LLBG	14597	DCR	169
LDSWITCH18	19198	A80LT	256	LFK	10082	DCR	170	LLBW	29942	DCR	169
LDSWITCH	19278	A80LT	259	LFKB	14598	DCR	170	LMCM12BLK	10068	DCR	174
LDSWITCH72	19201	A80LT	256	LFKG	14601	DCR	170	LMCM12G	10067	DCR	174
LEC	10085	DCR	174	LFKW	29952	DCR	170	LMCM12GZ	10071	DCR	174
LED24V15	19194	A80LT	255	LGCABLE24	19202	A80LT	256	LMCM12W	29974	DCR	174
LED24VCORD	19197	A80LT	256	LGCABLE48	19203	A80LT	256	LMCM18BLK	10073	DCR	174
LEDA10E	26088	A80LT	258	LGCABLE72	19225	A80LT	256	LMCM18G	10072	DCR	174
LEDA1M35	26076	A80LT	258	LIB12BLK	10053	DCR	168	LMCM18GZ	10074	DCR	174
LEDA1S35	26078	A80LT	258	LIB12G	10052	DCR	168	LMCM18W	29975	DCR	174
LEDA20C	26086	A80LT	258	LIB12GZ	10054	DCR	168	LMCM24BLK	17348	DCR	174
LEDA2M35	26077	A80LT	258	LIB12W	29918	DOFRC	168	LMCM24W	29976	DCR	174
LEDA2S35	26081	A80LT	258	LIB15BLK	29987	DCR	168	LMTSB12B	17382	DCR	173
LEDD10E	26091	A80LT	258	LIB15W	29988	DCR	168	LMTSB12W	29962	DCR	173
LEDD1M35	26082	A80LT	258	LIB18BLK	10056	DCR	168	LMTSB18B	17383	DCR	173
LEDD1S35	26084	A80LT	258	LIB18G	10055	DCR	168	LMTSB18W	29963	DCR	173
LEDD20C	26087	A80LT	258	LIB18GZ	10057	DCR	168	LMTSB24B	17345	DCR	173
LEDD2M35	26083	A80LT	258	LIB18W	29922	DOFRC	168	LMTSB24W	29964	DCR	173
LEDD2S35	26085	A80LT	258	LIB24BLK	17337	DCR	168	LOB12BLK	10038	DCR	168
LEDPUCK	26476	A80LT	259	LIB24W	29924	DOFRC	168	LOB12G	10037	DCR	168



Catalog Number	UPC	Bulletin Number	Catalog Page	Catalog Number	UPC	Bulletin Number	Catalog Page	Catalog Number	UPC	Bulletin Number	Catalog Page
LOB12GZ	10042	DCR	168	LRRMPBLK	10127	DCR	171	LSS12W	29913	DOFRC	167
LOB12W	29921	DOFRC	168	LRRMPBLK15	29995	DCR	171	LSS15BLK	29983	DCR	167
LOB15BLK	29985	DCR	168	LRRMPBLK18	13471	DCR	171	LSS15W	29984	DCR	167
LOB15W	29986	DCR	168	LRRMPBLK24	17344	DCR	171	LSS18BLK	10032	DCR	167
LOB18BLK	10044	DCR	168	LRRMPG	10126	DCR	171	LSS18G	10028	DCR	167
LOB18G	10043	DCR	168	LRRMPG18	13468	DCR	171	LSS18GZ	10033	DCR	167
LOB18GZ	10045	DCR	168	LRRMPGZ	10128	DCR	171	LSS18W	29914	DOFRC	167
LOB18W	29923	DOFRC	168	LRRMPGZ18	13472	DCR	171	LSS24BLK	17335	DCR	167
LOB24BLK	17336	DCR	168	LRRMPW15	29996	DCR	171	LSS24W	29915	DOFRC	167
LOB24W	29925	DOFRC	168	LRRMPW18	29954	DCR	171	LSS6BLK	10023	DCR	167
LOB6BLK	10035	DCR	168	LRRMPW24	29955	DCR	171	LSS6G	10022	DCR	167
LOB6G	10034	DCR	168	LRRMPW	29953	DCR	171	LSS6GZ	10024	DCR	167
LOB6GZ	10036	DCR	168	LRTK12	14604	DCR	174	LSS6W	29912	DOFRC	167
LOB6W	29917	DOFRC	168	LRTK12B	14605	DCR	174	LST12	17351	DCR	175
LPC72	19204	A80LT	256	LRTK12G	14606	DCR	174	LST12B	19937	DCR	175
LRD12BLK	10095	DCR	170	LRTK12W	29971	DCR	174	LST12W	29982	DCR	175
LRD12G	10094	DCR	170	LRTK18	14607	DCR	174	LTR	17342	DCR	171
LRD12GZ	10096	DCR	170	LRTK18B	14608	DCR	174	LTSB12BLK	10106	DCR	172
LRD12W	29943	DCR	170	LRTK18G	14611	DCR	174	LTSB12G	10105	DCR	172
LRD15BLK	29993	DCR	170	LRTK18W	29972	DCR	174	LTSB12GZ	10107	DCR	172
LRD15W	29994	DCR	170	LRTK24B	17347	DCR	174	LTSB12W	29957	DCR	172
LRD18BLK	10098	DCR	170	LRTK24W	29973	DCR	174	LTSB151824BLK	30348	DCR	172
LRD18G	10097	DCR	170	LRWBK	17343	DCR	171	LTSB18BLK	10112	DCR	172
LRD18GZ	10101	DCR	170	LRWBKB	19927	DCR	171	LTSB18G	10108	DCR	172
LRD18W	29944	DCR	170	LRWBKW	29947	DCR	171	LTSB18GZ	10113	DCR	172
LRD24BLK	17341	DCR	170	LRWSBK	19931	DCR	171	LTSB181524W	30351	DCR	172
LRD24W	29945	DCR	170	LRWSBKB	19932	DCR	171	LTSB24BLK	19925	DCR	172
LRD6BLK	10092	DCR	170	LRWSBKW	29951	DCR	171	LVWB	10084	DCR	172
LRD6G	10091	DCR	170	LSRDBLK	10103	DCR	170	LVWBB	14602	DCR	172
LRD6GZ	10093	DCR	170	LSRDG	10102	DCR	170	LVWBG	14603	DCR	172
LRD6W	30003	DCR	170	LSRDW	29946	DCR	170	LWWW	29956	DCR	172
LRP	10086	DCR	169	LSS12BLK	10026	DCR	167	LWASK12BLK	10118	DCR	173
LRPB	19926	DCR	169	LSS12G	10025	DCR	167	LWASK12G	10117	DCR	173
LRPW	29941	DCR	169	LSS12GZ	10027	DCR	167	LWASK12GZ	10122	DCR	173

Catalog Number	UPC	Bulletin Number	Catalog Page	Catalog Number	UPC	Bulletin Number	Catalog Page	Catalog Number	UPC	Bulletin Number	Catalog Page
LWASK12W	29965	DCR	173	NC2179	16805	DC	9	P1224CN250	15637	DACCY	51, 200, 238, 260
LWASK15BLK	30001	DCR	173	NC21810	16811	DC	9	P1224CN	47459	DACCY	51, 200, 238, 260
LWASK15W	30002	DCR	173	NC2188	16807	DC	9	P19DR1US	70080	P20	253
LWASK18BLK	10124	DCR	173	NC2189	16808	DC	9	P19DR2US	70090	P20	253
LWASK18G	10123	DCR	173	NCK	16818	DCY	12	P19DR3US	70640	P20	253
LWASK18GZ	10125	DCR	173	NCLH	19228	DCY	14, 262	P19KBPVT	10246	DACCY	249
LWASK18W	29966	DCR	173	NCW2168	17236	DC	9	P19KBSM	10245	DACCY	250
LWASK24BLK	17346	DCR	173	NCW2168NS	19845	DC	9	P19RPP1UB	13753	DOFRY	266
LWASK24W	29967	DCR	173	NCW2178	17233	DC	9	P19RPP2UB	13754	DOFRY	266
LWASK6BLK	10115	DCR	173	NCW2178NS	19846	DC	9	P19RPP3UB	13755	DOFRY	266
LWASK6G	10114	DCR	173	NCW2188	17234	DC	9	P19RPP4UB	13756	DOFRY	266
LWASK6GZ	10116	DCR	173	NJK	16816	DCY	12	P19RPP5UB	13757	DOFRY	266
M84D12	25316	DMAX	93	NLK	16817	DCY	12	P19RPP6UB	13758	DOFRY	266
M84D18	25317	DMAX	93	NRAS126	16813	DCY	12	P19SH68	47399	DACCY	251
M8410B45	24288	DMAX	91	NRAS216	16815	DCY	12	P19SH68B	47909	DACCY	251
M8416B45	24292	DMAX	91	NRAS217	16902	DCY	12	P19SH810	47409	DACCY	251
M8432B45	24293	DMAX	91	NRAS218	16903	DCY	12	P19SH810B	47919	DACCY	251
M846B45	24287	DMAX	91	NRAT126	16812	DCY	12	P19SHP68	30434	P20	252
M96D12	25318	DMAX	93	NRAT216	16814	DCY	12	P19SHP68B	10013	DACCY	252
M96D18	25323	DMAX	93	NRAT217	16898	DCY	12	P19SHP810	30435	P20	252
M9610B51	24295	DMAX	91	NRAT218	16901	DCY	12	P19SHP810B	10014	DACCY	252
M9616B51	24296	DMAX	91	NS12610	16797	DC	9	P19VSH68B	11053	DACCY	251
M9632B51	24297	DMAX	91	NS21610	16801	DC	9	P19VSH810B	11054	DACCY	251
M966B51	24294	DMAX	91	NS21610NS	19848	DC	9	P19WS	70650	P20	252
MAXKIT	29316	DMAX	93	NS21611	16802	DC	9	P23SH68B	12955	DACCY	251
MDC10	25368	DMAX	93	NS21612	16803	DC	9	P23SH810B	12956	DACCY	251
MDC16	25371	DMAX	93	NS2169	16798	DC	9	P23SHP68	30436	P20	252
MDC32	25372	DMAX	93	NS2169NS	19847	DC	9	P23SHP68B	10015	DACCY	252
MDC6	25367	DMAX	93	NS21711	16904	DC	9	P23SHP810	30437	P20	252
MSOK	29325	DMAX	93	NS21811	16905	DC	9	P23SHP810B	10016	DACCY	252
NC1268	16796	DC	9	NVCMTD12	16821	DCY	13	P23VSH68B	11055	DACCY	251
NC21710	16806	DC	9	NVCMTD21	16822	DCY	13	P23VSH810B	11056	DACCY	251
NC2178	16804	DC	9	P1032CN250	10262	DACCY	51, 200, 238, 260	P4SP00L	14247	DACCY	75
NC2178NS	19844	DC	9	P1032CN	83280	DACCY	51, 200, 238, 260	PB2010B	18788	DPY	52



Catalog Number	UPC	Bulletin Number	Catalog Page	Catalog Number	UPC	Bulletin Number	Catalog Page	Catalog Number	UPC	Bulletin Number	Catalog Page
PB2011B	18791	DPY	52	PFBDR8	16011	DPY	44	PKOTM8FH	34989	P20	55
PB2012B	18792	DPY	52	PFBDR9	16012	DPY	44	PLFSWD	26949	P20	259
PB209B	18787	DPY	52	PFBK	47359	DPY	50	PLHK	95260	P20	55
PBARA10B	18794	DPY	53	PFD20610B	15373	DPC	37, 41	PLM12	98140	P20	50
PBARA11B	18795	DPY	53	PFD20610G	15372	DPC	37, 41	PM5CN	83300	DACCY	51, 149, 200, 238, 260
PBARA12B	18796	DPY	53	PFD2078B	15375	DPC	37, 41	PM6CN250	10261	DACCY	51, 200, 238, 260
PBARA6	34679	P20	53	PFD2078G	15374	DPC	37, 41	PM6CN	50149	DACCY	51, 200, 238, 260
PBARA8	34689	P20	53	PFDM12	98170	P20	49	PMB66	37889	P20	57
PBARA9	34699	P20	53	PFHDBL	95170	P20	54	PMB69	37879	P20	57
PBARA9B	18793	DPY	53	PFHDF	91520	P20	54	PMB86	37869	P20	57
PBMG610B	15396	DPC	37, 41	PFHKBL	95150	P20	54	PMB89	37859	P20	57
PBMG78B	15395	DPC	37, 41	PFHPBL	95160	P20	54	PMBLM12	46489	P20	57
PC1M12	98160	P20	51	PGFGM6	90850	P20	261	PMU10B	50419	DPY	52
PCMFTD10	16667	DPY	47	PGFM6	90840	P20	261	PMU11B	14401	DPY	52
PDCP2078B12	14925	DPSR	36	PGK	46389	P9	51	PMU12B	14402	DPY	52
PDCP2078BAC	15343	DPSR	36	PGS2K	45979	P20	50	PMU8B	50399	DPY	52
PDCP2078BFP	15334	DPSR	40	PGS4K	45989	P20	50	PMU9B	50409	DPY	52
PDCP2078G12	14926	DPSR	36	PGS6K	45999	P20	50	PMURB100	11263	DPY	53
PDCP2078GAC	15342	DPSR	36	PH180	89230	P20	54	PMURB50	11268	DPY	53
PDCP2078GFP	15335	DPSR	40	PHCB	10017	DACCY	252	PNC20710B	15614	DPVD	28
PKL	86940	P20	55	PHCT1	10238	DPY	47	PNC20710BNS	15618	DPVD	28
PKLKRPR	50249	DPY	55	PHCT2	10241	DPY	47	PNC20711B	15615	DPVD	28
PDLFBRKT	11334	A80LT	259	PHCT3	10242	DPY	47	PNC20711BNS	15621	DPVD	28
PDS206B	15381	DPC	37, 41	PHCT4	10243	DPY	47	PNC20712B	15616	DPVD	28
PDS206G	15567	DPC	37, 41	PJ2F	96330	P20	49	PNC20712BNS	15622	DPVD	28
PDS207B	15378	DPC	37, 41	PJ2FBF	96940	P20	49	PNC2079B	15613	DPVD	28
PDS207G	15568	DPC	37, 41	PJ2FD	27659	P20	49	PNC2079BNS	15617	DPVD	28
PDWG206B	15377	DPC	37, 41	PJ2FF	89200	P20	49	PNC20810B	16066	DPVD	28
PDWG206G	15565	DPC	37, 41	PJ2FHF2	11669	P20EM	49	PNC20810BNS	16072	DPVD	28
PDWG207B	15376	DPC	37, 41	PJB2F	30829	P20	49	PNC20811B	16067	DPVD	28
PDWG207G	15566	DPC	37, 41	PKOGBK3FH	35009	P20	55	PNC20811BNS	16073	DPVD	28
PFBDR10	16013	DPY	44	PKOSLFH	34959	P20	55	PNC20812B	16068	DPVD	28
PFBDR11	16014	DPY	44	PKOSM7FH	34979	P20	55	PNC20812BNS	16074	DPVD	28
PFBDR12	16015	DPY	44	PKOTM7FH	34969	P20	55				

Catalog Number	UPC	Bulletin Number	Catalog Page	Catalog Number	UPC	Bulletin Number	Catalog Page	Catalog Number	UPC	Bulletin Number	Catalog Page
PNC2089B	16065	DPVD	28	PPTHP610B	15384	DPC	41	PSC20610BFP	15337	DPSR	40
PNC2089BNS	16071	DPVD	28	PPTHP610G	15383	DPC	41	PSC20610G12	14928	DPSR	36
PNC21810B	26387	DPVD	28	PPTHP78B	15382	DPC	41	PSC20610GAC	15341	DPSR	36
PNC21811B	26388	DPVD	28	PPTHP78G	15573	DPC	41	PSC20610GFP	15336	DPSR	40
PNC21812B	26391	DPVD	28	PRA1912THL1	11243	DPC	53	PSC20611	14253	DPSR	26
PNC2189B	26386	DPVD	28	PRA1916TPL1	11237	DPC	53	PSC20611B	14252	DPSR	26
PNC24810B	26393	DPVD	28	PRA1918THL1	11244	DPC	53	PSC20612	14255	DPSR	26
PNC24811B	26394	DPVD	28	PRA1918TPL1	11238	DPC	53	PSC20612B	14254	DPSR	26
PNC24812B	26395	DPVD	28	PRA1920THL1	47279	DPC	53	PSC2069	35129	DPSR	26
PNC2489B	26392	DPVD	28	PRA1920TPL1	11241	DPC	53	PSC2069B	48269	DPSR	26
PNS201012B	23993	DPVD	32	PRA1921THL1	26413	DPC	53	PSC2069B	48269	DPSR	26
PNS201012BNS	23995	DPVD	32	PRA1921TPL1	26414	DPC	53	PSC2069B	48269	DPSR	26
PNS20810B	18781	DPVD	31	PRA1922THL1	11246	DPC	53	PSC2069B	48269	DPSR	26
PNS20810BNS	18782	DPVD	31	PRA1922TPL1	11242	DPC	53	PSC2069B	48269	DPSR	26
PNS20811B	18783	DPVD	31	PRA192320THL1	50379	DPC	53	PSC2069B	48269	DPSR	26
PNS20811BNS	18784	DPVD	31	PRA192322THL1	50389	DPC	53	PSC2069B	48269	DPSR	26
PNS20812B	18785	DPVD	31	PRA1924THL1	14398	DPC	53	PSC2069B	48269	DPSR	26
PNS20812BNS	18786	DPVD	31	PRA1924TPL1	26415	DPC	53	PSC2069B	48269	DPSR	26
PNS211012B	26407	DPVD	32	PRBF1210	16006	DPY	43	PSC2069B	48269	DPSR	26
PNS21810B	26396	DPVD	31	PRBF125	16005	DPY	43	PSC2069B	48269	DPSR	26
PNS21811B	26397	DPVD	31	PRBF2010	16008	DPY	43	PSC2069B	48269	DPSR	26
PNS21812B	26398	DPVD	31	PRBF205	16007	DPY	43	PSC2069B	48269	DPSR	26
PNS241012B	26408	DPVD	32	PRBD1210	16002	DPY	44	PSC2069B	48269	DPSR	26
PNS24810B	26404	DPVD	31	PRBD125	16001	DPY	44	PSC2069B	48269	DPSR	26
PNS24811B	26405	DPVD	31	PRBD2010	16004	DPY	44	PSC2069B	48269	DPSR	26
PNS24812B	26406	DPVD	31	PRBD205	16003	DPY	44	PSC2069B	48269	DPSR	26
PPT1	20459	P20	56	PSC12610	46499	DPSR	26	PSC2069B	48269	DPSR	26
PPT1C	11095	DTHRM	56	PSC12610B	48259	DPSR	26	PSC2069BNS	15607	DPSR	16
PPT2	24169	P20	56	PSC1269	46509	DPSR	26	PSC2069BNS	15607	DPSR	16
PPTHP1	24369	P20	56	PSC1269B	48249	DPSR	26	PSC21610B	26377	DPSR	16
PPTHP1C	11096	DTHRM	56	PSC20610	38969	DPSR	26	PSC21611B	26378	DPSR	16
PPTHP1EMC	27679	P20EM	56	PSC20610B12	14927	DPSR	36	PSC21612B	26381	DPSR	16
PPTHP2	24379	P20	56	PSC20610B	48279	DPSR	26	PSC2169B	26376	DPSR	16
PPTHP2EMC	27689	P20EM	56	PSC20610BAC	15338	DPSR	36	PSC24610B	26383	DPSR	16
								PSC24611B	26384	DPSR	16
								PSC24612B	26385	DPSR	16



Catalog Number	UPC	Bulletin Number	Catalog Page	Catalog Number	UPC	Bulletin Number	Catalog Page	Catalog Number	UPC	Bulletin Number	Catalog Page
PSCPC2469B	26382	DPSR	16	PTHS242415X	24063	DWDH2	115	PTHW242415G2	23635	DWDH2	114
PSFD20610B	15841	DPSR	20	PTHS242424G3	23626	DWDH2	123	PTHW242424G2	23636	DWDH2	114
PSFD20610BNS	15845	DPSR	20	PTHS242424G4	23613	DWDH2	113	PTHW242424Gf	23653	DWDH2	123
PSFD20611B	15842	DPSR	20	PTHS242424X	24064	DWDH2	115	PTHW242428G2A	23656	DWDH2	116
PSFD20611BNS	15846	DPSR	20	PTHS242428G4A	23631	DWDH2	115	PTHW242430G2	23638	DWDH2	114
PSFD20612B	15843	DPSR	20	PTHS242428XA	24072	DWDH2	116	PTHW242436G2	29115	DWDH2	114
PSFD20612BNS	15847	DPSR	20	PTHS242430G4	23615	DWDH2	113	PTHW242824G2	23637	DWDH2	114
PSFD2069B	15838	DPSR	20	PTHS242436G4	29107	DWDH2	113	PTHW242836G2	29116	DWDH2	114
PSFD2069BNS	15844	DPSR	20	PTHS242436X	29122	DWDH2	115	PTHW362415G2	23641	DWDH2	114
PSP00L	11316	DACCY	75	PTHS242824G4	23614	DWDH2	113	PTHW362424G2	23642	DWDH2	114
PSS2010ACB	15393	DPC	37	PTHS242836G4	29108	DWDH2	113	PTHW362424Gf	23654	DWDH2	123
PSS2010ACG	15394	DPC	37	PTHS362415G4	23616	DWDH2	113	PTHW362428G2A	23657	DWDH2	116
PSS2010B	15368	DPC	37	PTHS362415X	24065	DWDH2	115	PTHW362430G2	23643	DWDH2	114
PSS2010FPB	15387	DPC	41	PTHS362424G3	23627	DWDH2	123	PTHW362436G2	29117	DWDH2	114
PSS2010FPG	15388	DPC	41	PTHS362424G4	23617	DWDH2	113	PTHW362824G2	23644	DWDH2	114
PSS2010G	15367	DPC	37	PTHS362424X	24066	DWDH2	115	PTHW362836G2	29118	DWDH2	114
PSS208ACB	15391	DPC	37	PTHS362428G4A	23632	DWDH2	115	PTHW482415G2	23645	DWDH2	114
PSS208ACG	15392	DPC	37	PTHS362428XA	24073	DWDH2	116	PTHW482424G2	23646	DWDH2	114
PSS208B	15371	DPC	37	PTHS362436G4	29113	DWDH2	113	PTHW482424Gf	23655	DWDH2	123
PSS208FPB	15385	DPC	41	PTHS362436X	29123	DWDH2	115	PTHW482428G2A	23658	DWDH2	116
PSS208FPG	15386	DPC	41	PTHS362824G4	23618	DWDH2	113	PTHW482430G2	23648	DWDH2	114
PSS208G	15571	DPC	37	PTHS362836G4	29114	DWDH2	113	PTHW482436G2	29125	DWDH2	114
PSTD20610BM	18944	DPVD	22	PTHS482415G4	23621	DWDH2	113	PTHW482824G2	23647	DWDH2	114
PSTD20610BT	19275	DPVD	22	PTHS482415X	24067	DWDH2	115	PTHW482836G2	29126	DWDH2	114
PSTD20611BM	19273	DPVD	22	PTHS482424G3	23628	DWDH2	123	PTHW602415G2	23651	DWDH2	114
PSTD20611BT	19276	DPVD	22	PTHS482424G4	23622	DWDH2	113	PTHW602424G2	23652	DWDH2	114
PSTD20612BM	19274	DPVD	22	PTHS482424X	24068	DWDH2	115	PTKLDC	47349	DPC	54
PSTD20612BT	19277	DPVD	22	PTHS482428G4A	23633	DWDH2	115	PTLCMB3B	15666	DWS12	263
PT610B	15365	DPC	37	PTHS482428XA	24074	DWDH2	116	PTRA16S	23771	DWDH2	125
PT610G	15364	DPC	37	PTHS482436G4	29124	DWDH2	113	PTRA16T	23768	DWDH2	125
PT78B	15366	DPC	37	PTHS482824G4	23623	DWDH2	113	PTRA24S	23773	DWDH2	125
PT78G	15572	DPC	37	PTHS602415G4	23624	DWDH2	113	PTRA24T	23772	DWDH2	125
PTHS162415G4	23611	DWDH2	113	PTHS602424G4	23625	DWDH2	113	PTRA36S	23775	DWDH2	125
PTHS242415G4	23612	DWDH2	113	PTHW162415G2	23634	DWDH2	114	PTRA36T	23774	DWDH2	125



Catalog Number	UPC	Bulletin Number	Catalog Page	Catalog Number	UPC	Bulletin Number	Catalog Page	Catalog Number	UPC	Bulletin Number	Catalog Page
PTRA48S	23777	DWDH2	125	PTRW362424G2A	23607	DWS12	109	QTP2X12BLK	21365	DOT	178
PTRA48T	23776	DWDH2	125	PTRW362424GF	23601	DWS12	120	QTP2X16	21342	DOT	178
PTRA60S	23781	DWDH2	125	PTRW482412G2	23588	DWS12	107	QTP2X16BLK	21374	DOT	178
PTRA60T	23778	DWDH2	125	PTRW482424G2	23591	DWS12	107	QTP2X18	21343	DOT	178
PTRS242412G3	23592	DWS12	119	PTRW482424G2A	23608	DWS12	109	QTP2X18BLK	21386	DOT	178
PTRS242412G4	23576	DWS12	107	PTRW482424GF	23602	DWS12	120	QTP2X20	21344	DOT	178
PTRS242412X	24048	DWS12	108	PTWK	24076	DWS12	264	QTP2X20BLK	21387	DOT	178
PTRS242424G3	23593	DWS12	119	PTWPSS	24077	DWS12	264	QTP2X22	23144	DOT	178
PTRS242424G4	23577	DWS12	107	PVCM1	10236	DPY	46	QTP2X22BLK	23145	DOT	178
PTRS242424G4A	23603	DWS12	108	PVCM167	10973	DPY	45	QTP2X24	21346	DOT	178
PTRS242424X	24052	DWS12	108	PVCM168	10977	DPY	45	QTP2X24BLK	21388	DOT	178
PTRS242424XA	24057	DWS12	109	PVCM187	10974	DPY	45	QTP2X4	21336	DOT	178
PTRS362412G3	23594	DWS12	119	PVCM188	10978	DPY	45	QTP2X4BLK	21335	DOT	178
PTRS362412G4	23578	DWS12	107	PVCM2	10237	DPY	46, 195	QTP2X6	21337	DOT	178
PTRS362412X	24053	DWS12	108	PVCM207	10975	DPY	45	QTP2X6BLK	21345	DOT	178
PTRS362424G3	23595	DWS12	119	PVCM208	10981	DPY	45	QTP2X8	21338	DOT	178
PTRS362424G4	23581	DWS12	107	PVCM227	10976	DPY	45	QTP2X8BLK	21356	DOT	178
PTRS362424G4A	23604	DWS12	108	PVCM228	10982	DPY	45	QTP24INST	23673	DOT	185
PTRS362424X	24054	DWS12	108	PVCM212	15997	DPY	46	QTP4INST	23664	DOT	185
PTRS362424XA	24058	DWS12	109	PVCM20	15998	DPY	46	QTP4X12	21352	DOT	179
PTRS482412G3	23596	DWS12	119	PVCMX127	16016	DPY	45	QTP4X12BLK	21407	DOT	179
PTRS482412G4	23582	DWS12	107	PVCMX128	16017	DPY	45	QTP4X16	21353	DOT	179
PTRS482412X	24055	DWS12	108	PVCMX207	16018	DPY	45	QTP4X16BLK	21408	DOT	179
PTRS482424G3	23597	DWS12	119	PVCMX208	16021	DPY	45	QTP4X18	21354	DOT	179
PTRS482424G4	23583	DWS12	107	PVCPM20	18797	DPY	48	QTP4X18BLK	21412	DOT	179
PTRS482424G4A	23605	DWS12	108	PVF127	17684	DPY	43	QTP4X20	21355	DOT	179
PTRS482424X	24056	DWS12	108	PVF128	17685	DPY	43	QTP4X20BLK	21415	DOT	179
PTRS482424XA	24062	DWS12	109	PVF207	17686	DPY	43	QTP4X22	23813	DOT	179
PTRW242412G2	23584	DWS12	107	PVF208	17687	DPY	43	QTP4X22BLK	21416	DOT	179
PTRW242424G2	23585	DWS12	107	QTP12INST	23667	DOT	185	QTP4X24	21357	DOT	179
PTRW242424G2A	23606	DWS12	109	QTP16INST	23668	DOT	185	QTP4X24BLK	21417	DOT	179
PTRW242424GF	23598	DWS12	120	QTP18INST	23671	DOT	185	QTP4X4	21347	DOT	178
PTRW362412G2	23586	DWS12	107	QTP20INST	23672	DOT	185	QTP4X4BLK	21391	DOT	178
PTRW362424G2	23587	DWS12	107	QTP2X12	21341	DOT	178	QTP4X6	21348	DOT	178



Catalog Number	UPC	Bulletin Number	Catalog Page	Catalog Number	UPC	Bulletin Number	Catalog Page	Catalog Number	UPC	Bulletin Number	Catalog Page
QTP4X6BLK	21392	DOT	178	QTPCH4	23675	DOT	182	QTPUS10	21424	DOT	181
QTP4X8	21351	DOT	178	QTPCH4BLK	23674	DOT	182	QTPUS10BLK	23173	DOT	181
QTP4X8BLK	21393	DOT	179	QTPDS2	21384	DOT	184	QTPVD	21382	DOT	184
QTP6INST	23665	DOT	185	QTPDS2BLK	21431	DOT	184	QTPVDBLK	21428	DOT	184
QTP6X12	21361	DOT	179	QTPDS4	21385	DOT	184	QTPWTB	21427	DOT	185
QTP6X12BLK	21425	DOT	179	QTPDS4BLK	23156	DOT	184	QTPWTBBLK	23174	DOT	185
QTP6X16	21362	DOT	179	QTPDS6	23142	DOT	184	T10EMC	12791	D85	218
QTP6X16BLK	21426	DOT	179	QTPDS6BLK	23716	DOT	184	T10S3R	13862	D85	219
QTP6X18	21363	DOT	179	QTPLB12	21394	DOT	183	T10S3RSS	14077	D85	219
QTP6X18BLK	23146	DOT	179	QTPLB12BLK	23157	DOT	183	T11FTTXPMK	16925	DTX	238
QTP6X20	21364	DOT	179	QTPLB4	21395	DOT	183	T23FTTXPMK	16924	DTX	238
QTP6X20BLK	23147	DOT	179	QTPLB4BLK	23158	DOT	183	T303020FTTX	16921	DTX	235
QTP6X22	23148	DOT	179	QTPLB8	21396	DOT	183	T303020FTTXDA	16923	DTX	235
QTP6X22BLK	23151	DOT	179	QTPLB8BLK	23161	DOT	183	T303044FTTXDA	29188	DTX	235
QTP6X24	21366	DOT	179	QTPRWB12	21398	DOT	183	T4EMC	12787	D85	218
QTP6X24BLK	23152	DOT	179	QTPRWB12BLK	23162	DOT	183	T4S3R	13858	D85	219
QTP6X8	21358	DOT	179	QTPRWB16	21401	DOT	183	T4S3RSS	14075	D85	219
QTP6X8BLK	21418	DOT	179	QTPRWB16BLK	23163	DOT	183	T503020FTTX	16918	DTX	235
QTP8INST	23666	DOT	185	QTPRWB18	23143	DOT	183	T503020FTTXB	21142	DTX	236
QTP90TKIT	21367	DOT	181	QTPRWB18BLK	23797	DOT	183	T503020FTTXDA	16922	DTX	235
QTP90TKITBLK	23153	DOT	181	QTPRWB20	21402	DOT	183	T503020FTTXSA	29195	DTX	237
QTPBC	21371	DOT	184	QTPRWB20BLK	23164	DOT	183	T503028FTTXDAB	21141	DTX	236
QTPBNWK	21368	DOT	181	QTPRWB24	21403	DOT	183	T503044FTTXDA	29191	DTX	235
QTPBNWKBLK	23154	DOT	181	QTPRWB24BLK	23165	DOT	183	T503044FTTXDAB	29193	DTX	236
QTPCB12	21375	DOT	182	QTPRWB4	21404	DOT	183	T503044FTTXDASA	29196	DTX	237
QTPCB12BLK	21372	DOT	182	QTPRWB4BLK	23166	DOT	183	T504030PM3	21863	DPMC	239
QTPCB4	21376	DOT	182	QTPRWB6	21405	DOT	183	T507030PM5	21864	DPMC	239
QTPCB4BLK	21373	DOT	182	QTPRWB6BLK	23167	DOT	183	T6EMC	12788	D85	218
QTPCB8	21377	DOT	182	QTPRWB8	21406	DOT	183	T6S3R	13861	D85	219
QTPCB8BLK	23155	DOT	182	QTPRWB8BLK	23168	DOT	183	T6S3RSS	14076	D85	219
QTPCH12	21378	DOT	182	QTPSSW3	21413	DOT	181	T843044FTTXDA	29197	DTX	235
QTPCH12BLK	21383	DOT	182	QTPSSW3BLK	23171	DOT	181	T843044FTTXDAB	29194	DTX	236
QTPCH24	21381	DOT	182	QTPTH	21414	DOT	182	T843044FTTXDASA	29192	DTX	237
QTPCH24BLK	21411	DOT	182	QTPTHBLK	23172	DOT	182	TFLT10UL12	41339	D85	218

Catalog Number	UPC	Bulletin Number	Catalog Page	Catalog Number	UPC	Bulletin Number	Catalog Page	Catalog Number	UPC	Bulletin Number	Catalog Page
TFLT4UL12	41319	D85	218	UU7560SF	61500	UX1Y	143				
TFLT6UL12	41329	D85	218	UU7560SP	33760	UX1Y	144				
TFP101	41389	D85	216	UUGK	31390	UX1Y	144				
TFP101SS	11233	D85	216	UUHKL	33780	UX1Y	145				
TFP101UL12	41489	D85	216	UUHPL	33770	UX1Y	145				
TFP102	41399	D85	216	UUMF	33800	UX1Y	145				
TFP102SS	11234	D85	216	UUMH1	33810	UX1Y	145				
TFP102UL12	42679	D85	216	UUMH2	33820	UX1Y	145				
TFP41	41349	D85	216	UUPB	33790	UX1Y	143				
TFP41SS	11224	D85	216	UURA6060	33850	UX1Y	144				
TFP41UL12	41469	D85	216	UURA7560	33860	UX1Y	144				
TFP42	41359	D85	216								
TFP42SS	11225	D85	216								
TFP42UL12	42659	D85	216								
TFP424	17387	D85	216								
TFP61	41369	D85	216								
TFP61SS	11226	D85	216								
TFP61UL12	41479	D85	216								
TFP62	41379	D85	216								
TFP62SS	11227	D85	216								
TFP62UL12	42669	D85	216								
TFP624	17388	D85	216								
TG10B	12786	D85	218								
TG10SS	12792	D85	218								
TG4B	12784	D85	218								
TG4SS	12782	D85	218								
TG6B	12785	D85	218								
TG6SS	12783	D85	218								
TOPTKSPL	16926	DTX	74, 238								
UU10080SP	34780	UX1Y	144								
UU5040SP	33740	UX1Y	144								
UU6050SP	34770	UX1Y	144								
UU6060SF	61490	UX1Y	143								
UU6060SP	33750	UX1Y	144								



Product Description	Catalog Page
1-Piece Flush-Mount Floor Brush Kit with Cover and Two-Stage Sealing.....	207
180-Degree Hinge Kit	54
19-in. and 23-in. Rack Angles.....	265, 52
19-in. Bottom-Hinged Panel	162
19-in. Electronic Case, Type 1	148
19-in. Fixed Wall-Mount Rack	162
19-in. Hinged Wall-Mount Panel.....	161
19-in. Rack-Mount/Desktop Case, Type 1	150
19-in. Side-Mount Cabinet.....	163
2-Piece Flush-Mount Floor Brush Kit with Cover	207
2-Piece Surface-Mount Retrofit Floor Brush Kits.....	208
2-Post Open Frame Rack	86
2-Post Open Frame Rack Hardware Kit	90
230 VAC Fluorescent Enclosure Light	257
3-Digit Combination Lock	263
4-Inch Compact Axial Fans	128, 132
4-Post Open Frame Rack	88
4-Post Open Frame Rack Front-to-Back Cable Manager.....	94
4-Post Open Frame Rack Front-to-Back Kit.....	90
4-Post Open Frame Rack Hardware Kit	90
4-Post Open Frame Rack Isolation Kit.....	90
5-Way Splitter.....	83
6-Inch Compact Axial Fans	14
90-Degree Horizontal E-Bend Section.....	168
ACCESSPLUS Double-Hinge, Type 1	100, 1
Adjustable Butt-Splice Kit	167
Adjustable Floor Brush Kits	208
Adjustable Junction Splice Kit	169
Adjustable Panel Block Kit.....	136
Adjustable Rack-Mounting Rails.....	53
Adjustable Steel Vented Shelf.....	249
Air Conditioner Sizing	38
Aluminum Swing-Out Panels	136

Product Description	Catalog Page
Bonding and Grounding Kit.....	128, 132
Bonding and Grounding Overview	244
Butt-Splice Kit	167
Cable and PDU Manager	48
Cable Manager	73
Cable Manager Arm for Sliding Equipment Shelf.....	252
CABLERACK.....	160, 177
CABLERACK Cable Bend Radius Accessory.....	161
CABLERACK Hardware Kit.....	161
Cable Spools.....	75
CABLETEK-EC Vertical Cable Manager	68
CABLETEK Horizontal Cable Manager.....	64
CABLETEK Post and Gate Kits.....	70
CABLETEK Vertical Cable Manager.....	66
Cable Trough	72
Cage Nut Package	51, 200, 238, 260
Caster Kit.....	51
C-Bracket	182
CE.....	274
Ceiling Support Kit	171
Center Hangers	182
Center-Mount Steel Shelves	248
CFM.....	271
Clip Nut Package.....	225, 230, 233
COMLINE OSP Package, Type 4X.....	226
COMLINE, Type 4X.....	222
COMLINE Vertical Mount Cabinet.....	231
Compact Axial Fans	211
Compression Lugs.....	245
Concrete Expansion Bolt Anchor Kit	90, 95
Cooling Performance for Air Conditioner Packages.....	117
Cooling Product Selection App.....	37
Corner Support Bracket Kit	174
CR Mid-Size Air Conditioners	39

Product Description	Catalog Page
DataCom Wall-Mount Cabinet with Gland Plate Application ...	105
D-BOX, Type 1.....	130
ΔT.....	270
DIN Lock Inserts (for DIN Profile Handle Only).....	55
Divider Strip	184
Door Position Sensor	83
Door Stop Kit.....	225
Double-Sided, Solid Aluminum, Heavy Duty Shelf	247
Double-Sided Solid Aluminum Shelf.....	247
Double-Sided Solid-Steel Shelf.....	248
Double-Sided Steel Vented Shelf	248
D-Ring Assembly.....	71
D-Ring Cable Managers	13, 74
Duplex Outlet Kit.....	128, 132
Dust Cover	95
Effect of Enclosure Color and Finish.....	272
Effect of Surrounding Location.....	272
Electrical Isolation Kit.....	95
Enclosure Type Rating vs. IP Rating	274
End Cap Kit	174
Environmental Monitor, Watchdog.....	82
Equipment Rack Angles.....	132
Evaluation of Solar Heat Gain.....	272
Exposure to Solar Radiation	272
Fan Brackets.....	213
Fan Cords.....	212
Fan Cords With Inline Thermostat	213
Fan Filter and Finger Guard Kit.....	128, 213, 14, 129, 104
Fan Kits	104
Fan Shroud Kit, Type 3R	219
Fan Speed Controls.....	210
Fiberglass Enclosure Mounting Foot.....	140
Fiber Management Spool.....	74, 238
Fiber Optic Cabinet Pole-Mount Kit	238

Product Description	Catalog Page	Product Description	Catalog Page	Product Description	Catalog Page
Finger Guards.....	213	IEC Cord Sets.....	78	Mounting Bracket Kits.....	230, 233
Flood Sensor.....	83	Insulated Ground Jumper Kit.....	176, 245	Mounting Channel.....	52
Floor Brush Kits.....	206	IP Rating Descriptions.....	275	Mounting Foot Kits.....	260
Flush Keylocking Trigger Latch with Random Key Codes.....	54	J-Bolt Kit.....	177	Mounting Panel.....	224
Flush Swing Handles.....	54	Joining Kit.....	94	Movable Cross Member.....	174
Foot Kit.....	170	Junction Splice Kit.....	169	NEMA, UL and CSA Ratings.....	275
Frame Feet.....	49	Keyboard Compartment for 19-in. Racks.....	251	Net Series Caster Kit.....	12
Frame Floor-Mounting Bracket.....	50	Keylocking Quarter-Turn Wing Knob.....	264	Net Series Combination L-Handle.....	14, 262
Frame Joining Kits.....	49	Keylocking Wing Knob.....	264	Net Series Communication and Server Cabinet.....	8
Frame-Reducing Brackets for Frames or Mounting Channel.....	53	Keylock Kit and Padlock Kit.....	145	Net Series Joining Kit.....	12
Frame Tie-Down Bracket.....	47	Ladder Rack Curved Sections.....	168	Net Series Leveler Kit.....	12
Free-Stand Cabinets Product Selection Guide.....	6	Ladder Rack Straight Sections.....	167	Net Series Rack Angles.....	12
Front Handles.....	151	Ladder Rack System.....	166	Net Series Vertical Tie-Down Cable Manager.....	13
Front Panels.....	151	Lay-In Lug.....	245	Network Cabinet Caster Kit.....	61
Front-to-Back D-Ring Bracket.....	44	L-BOX, Type 1.....	126	Networking PC Cabinet Rack Angle.....	61
FTTX Fiber Optic Cabinet Package, Type 4X.....	234	L-Bracket Kit.....	169	Networking PC Cabinet Shelf.....	61
Gland Plate.....	229	L-Brackets.....	183	Networking PC Cabinet, Type 1.....	60
Ground Buss.....	229, 233	LED Light Extension Connector/Cable Assembly.....	258	OPAL Pad-Mount DSL Cabinet.....	239
Grounding Bar System.....	50	LED Light Input Connector/Cable Assembly.....	258	Padlocking L Handle.....	262
Grounding Device.....	144	LED Light Kit.....	258	Padlocking Quarter-Turn Latch.....	263
Handle Options.....	225, 230, 233	LED Puck Light.....	259	Padlocking Wing Knob, Stainless Steel.....	264
Hardware Kits for Electronic Case.....	149	Levelers.....	50	Padlock Kit.....	133
Heavy-Duty C-Taps.....	245	L Handle.....	55	Pagoda Exhaust Vents.....	56
High-Performance Pagoda Exhaust Vent.....	56	L Joining Bracket.....	49	Panel Adapter.....	95
Hinge-Cover WiFi, Type 4X.....	138	MAXRACK Air Baffle and Cable Managers for CISCO Switch.....	93	Panel Bracket Kit.....	143
Hinge Retainers.....	137	MAXRACK Dust Cover.....	93	PANELITE Door Switch Cable.....	256
Horizontal Cable Management Cover.....	73	MAXRACK Hardware Kit.....	93	PANELITE Enclosure Lights Overview.....	254
Horizontal Cable Manager Bar.....	73	MAXRACK Isolation Kit.....	93	PANELITE Fluorescent Enclosure Light.....	255
Horizontal Cable Trough.....	47	MAXRACK Open Frame System.....	91, 1	PANELITE Ganging Cables.....	256
Horizontal Ground Bar Kits.....	246	Mobile Base.....	57	PANELITE LED Enclosure Light.....	255
How to Dissipate Excess Heat - Understanding ΔT and CFM... 270		Mobile Base for Open Frame Racks.....	94	PANELITE Power Cable with Leads.....	256
How to Dissipate Excess Heat (Watts) - Understanding ΔT and CFM 42		Mobile Base Leveling Kit.....	57	PANELITE Power Cords.....	256
IEC C-13 Retaining Clip.....	78	Modular Triangle Support Bracket Kit.....	173	PANELITE Wiring Options.....	257
		Mounting Bracket Kit for Light Package.....	259	Panels.....	201



Product Description	Catalog Page	Product Description	Catalog Page	Product Description	Catalog Page
Panels for WiFi Cabinets and Small Wall-Mount Enclosures ..	140	PROTEK Single-Door, UL and NEMA Type 4, 12	106	Runway Termination Kit	174
Patch Panel Rack Angles	129, 133	PROTEK Wall-Mount Cabinet Accessory Panels	125	Screw Insert Kit	145
PDU Bracket Kit	14, 78	Pullout Keyboard Tray with Monitor Shelf	249	Screw Package	225, 230, 233, 238
PDU Component Application	79	Pull-Out Shelf for Mini Keyboard	250	Screw Packages	51, 200, 260
Pivoting Keyboard Shelf with Mouse Tray	249	Quarter-Turn Lock	263	Security DVR and 19-in. Rack Equipment Cabinet, Type 1	146
PIVOTRACK	158	Quick Reference Guide to Networking Handles, Latches and Locks 262		Seismic 2-Post Open Frame Rack	190
PIVOTRACK Hardware Kit	158	Quick-Release Latch Kit	139	Seismic 4-Post Open-Frame Rack	192
Plinth Base	229	QUICK TRAY PRO Straight Section	178	Seismic Accessories	200
Pole Mounting Kits	260	Rack- and Panel-Mount Power Distribution Units (PDUs)	76	Seismic Cabinet	194
Pole-Mount Kit	225	Rack-Angle Mounted Drawer	253	Seismic Cabinet Joining Kit	195
Polyester Mounting Bracket Kits	136	Rack Angles	225, 104, 229	Seismic Enclosures Provide an Extra Measure of Protection ...	188
Polymer Insert	185	Rack Angles (Type RA)	144	Seismic Free-Standing, Dual-Access Cabinet, Type 12	196
POLYPRO WiFi, Type 4X	134	Rack Jumper Kit	245	Seismic Free-Standing, Dual-Access Cabinet, Type 3R, 4, 4X, 12 ... 198	
PROLINE CABLETEK Reducing Brackets	43	Rack-Mountable 19-in. Fan Tray	209	Seismic Mounting Plate Kits	200
PROLINE CABLETEK Vertical Cable Manager	43	Rack-Mount Adjustable Shelf	251	Seismic Panel Mounting Kits	200
PROLINE CONNECTEK Communications (Patch) Cabinet	28	Rack Mounting Angles - L-Style (Type RP)	201	Self-Tapping Screws	145
PROLINE Fastener Packages	261	Rack-Mount PDU Bracket	77	Shelves	129, 133
PROLINE FLOTEK FD (Floor Ducted) Server Cabinet	20	Rack-Mount Steel Shelf	249	Side-Action Bolt Cutter	184
PROLINE FLOTEK FD (Floor Ducted) Server Cabinet Required Floor Cutout	21	Rack Panel for 19-in. Racks	266	Side Cover Lock	54
PROLINE FLOTEK HCA (Hot/Cold Aisle) Server Cabinet	18	Rack-to-Runway Mounting Plate Kit	171	Single-Sided Shelf	251
PROLINE FLOTEK PC (Passive Cooling) Server Cabinet	16	Rack-to-Wall Kit	175	Single-Sided Solid Aluminum Shelf	247
PROLINE FLOTEK TD (Top Ducted) Server Cabinet	22	Rack Unit Label	265	Single-Sided Solid-Steel Shelf	247
PROLINE Grounding Kit	51	Radius Drop Kit	170	Single-Sided Steel Vented Shelf	248
PROLINE Network Switch Cabinet	30	Rear Cover	70	Slide Rails for Electronic Case	149
PROLINE Server Cabinet	26	Rear Panels	151	Sliding Equipment Shelf	252
PROLINE Side Barrier Panels	52	Reinforced Wall Bracket	183	Smart Power Distribution Unit and Environmental Monitor	82
PROLINE Tie-Down Reducing Bracket	44	Remote Display	83	SOHO Cabinet for Small Office and Home Office	58
PROLINE Voice/Data and Server Cabinets with Fan and Filter Package, Type 1	40	Remote Door Switches	259	Solar Heat Gain	272
PROLINE Voice/Data and Server Cabinet, Type 12	36	Replacement Keys	263	Solar Shield Top	224
PROTEK Double-Hinged Fan Packages	122	Retaining Post Kit	169	Splice Bars	181
PROTEK Double-Hinged, UL and NEMA Type 4, 4X or 12	112	Runway Center Support Kit	176	Splice Kit	181
PROTEK Rack Angles	125	Runway Elevation Kit	175	Splice Washer	181
PROTEK Single-Door Fan Packages	118	Runway Overhead 12-in. Stack Kit	175	Spool Divider Kit	176



Product Description	Catalog Page
Stainless Steel Latches (Padlockable)	137
Standardized Test Evaluation	272
Standards Organization Summary and Directory Overview	274
Steel Keyboard/Monitor Shelf	250
Stringer Radius Drop Kit	170
Strut Wall-Mounting Kit	129, 133
Support Rail Kit	152
Swing Frame	143
Swing-Out Panel	144
Swing-Out Panel Kit	140
Switched PDU Outlet and Environmental Monitor	82
Telecommunications Ground Bar Kits	246
Temperature Control Switches	214
Temperature Sensor	83
TFP EMC Upgrade Kit	218
TFP Optional Grilles and Replacement Filters	218
TFP Side-Mount	215
The Benefits of Shielding Enclosures	273
Threaded Panel Extenders	139
Tie-Down Panel	71
Tie-Down Rack	72
Tool-less Shelf	15, 250
Tool-less (Snap-in) Blanking Panels for 19-in. Racks	13, 50, 265
Touch-Safe UL Light Switch	259
Touch-Up Paint	266
Trapeze Hanging Clip	182
Triangle Support Bracket Kit	172
Type 4X and Type 12 Seismic Accessories Selection Guide	202
ULTRX Mounting Bracket Kit	145
ULTRX Panel	143
ULTRX WiFi, Type 4X	141
Universal D-Ring Bracket	74
Universal Power Strip Bracket	47, 77
Universal Transition Bracket	75

Product Description	Catalog Page
VELCRO® Cable Wrap	75, 261
VERSARACK	156
VERSARACK Hardware Kit	157
VERSARACK Vertical Cable Manager	157
Vertical Cable Manager 2	46, 195
Vertical Cable Manager for 700- and 800-mm Wide Cabinets	45
Vertical Cable Manager 1	46
Vertical Cable Managers for 28-in.-Wide Cabinet	104
Vertical Down	184
Vertical Ground Bar Kits	246
Vertical Pole-Mount Channel	229
Vertical Tie-Down Cable Manager	46
Vertical Wall Bracket	172
Wall Angle Support	173
Wall-Mount Cabinets Product Selection Guide	98
Wall Mounting Bracket	230, 233
Wall-Termination Bracket	185
Waterfall Top	71
Wire Form Cable Manager	72
Wood Panel	229
Writing Surface for Rack-Angle-Mounted Drawer	252

Product Description	Catalog Page
---------------------	--------------



Notes

The Hoffman Networking Specifier's Guide, Volume 12, is published by Hoffman Enclosures Inc., a Global Business Unit of Pentair Technical Solutions ("Pentair"), 2100 Hoffman Way, Anoka, MN 55303. Extracts from this literature may be copied or reproduced only with prior approval from Pentair's Marketing Communications Department by emailing info@pentair.com and if the originator is credited. Pentair's policy is to continually develop and improve products. The company reserves the right to change product detail and technical specifications. We cannot accept any liability for publication errors and omissions.

Subject to change without notice. Phone 763-422-2661 PentairProtect.com ©2016 Hoffman Enclosures Inc.

Hoffman



WWW.PENTAIRPROTECT.COM/HOFFMAN

NORTH AMERICA

Minneapolis, MN
 Tel: +1.763.421.2240
 Solon, OH
 Tel: 1.800.497.4304
 Mexico, D.F.
 Tel: +52.55.5280.1449
 Toronto, Canada
 Tel: +1.416.289.2770

SOUTH AMERICA

Sao Paulo, Brazil
 Tel: +55.11.5184.2100
 Boitura, Brazil
 Tel: +55.15.3363.9148

EUROPE

Andrézieux, France
 Tel: +33.4.77.36.54.32
 Straubhardt, Germany
 Tel: +49.7082.794.0
 Dzierzoniow, Poland
 Tel: +48.74.64.63.900
 Lainate, Italy
 Tel: +39.02.932.7141
 Aachen, Germany
 Tel: +49.2405.40996.0

MIDDLE EAST & INDIA

Dubai, United Arab Emirates
 Tel: +971.4.378.1700
 Bangalore, India
 Tel: +91.80.6715.2001

ASIA

Shanghai, P.R. China
 Tel: +86.21.2412.6943
 Singapore
 Tel: +65.6768.5800
 Shin-Yokohama, Japan
 Tel: +81.45.476.0271
 Seoul, Korea
 Tel: +82.2.2129.7755
 Qingdao
 Tel: +86.532.8771.6101

Pentair and Hoffman are owned by Pentair or its global affiliates. All other trademarks are the property of their respective owners.