

Meter Mains - With Safety Socket Bypass

100 Amp - 10K AIC



214 MTB (closed)



U214 MTB (open)

Application

- Combination meter/main with safety socket (test block) bypass
- Factory installed breaker
- Receive ANSI C12.10 watt-hour meters
- Surface mount

Construction

- Ring type
- NEMA Type 3R
- ANSI 61 gray E-coat finish
- Aluminum snap ring included



Standards

- UL 67 Listed
- ANSI C12.7
- EUSERC 305A

Accessories

- 5th Jaw Kit - 50371
- Bussed Gutters - see page 51
- AW Hubs

Single Meter Sockets
With Safety Socket Bypass

| Part/UPC Number | Catalog Number | Amp Rating | Jaws | Service Type | Access | Main Breaker | | Bypass |
|-----------------|----------------|------------|------|--------------|--------|-------------------|-----|-----------------|
| | | | | | | Voltage | AIC | |
| 78205145022 | 214 MTB | 100 | 4 | 1Ø/3W | OH | 120/240 | 10K | (1) 100A, 2P TB |
| 78205145032 | 214 MTB MS15 | 100 | 4 | 1Ø/3W | OH | 240/480 | 10K | (1) 100A, 2P TB |
| 78205145052 | 215 MTB | 100 | 5 | 3Ø/3W | OH | 240* | 10K | (1) 100A, 3P TB |
| 78205145060 | 215 MTB MS15 | 100 | 5 | 3Ø/3W | OH | 480* | 10K | (1) 100A, 3P TB |
| 78205145072 | 217 MTB | 100 | 7 | 3Ø/4W | OH | 120/240 & 120/208 | 10K | (1) 100A, 3P TB |
| 78205145078 | 217 MTB MS15 | 100 | 7 | 3Ø/4W | OH | 277/480 | 10K | (1) 100A, 3P TB |
| 78205145012 | U214 MTB | 100 | 4 | 1Ø/3W | OH/UG | 120/240 | 10K | (1) 100A, 2P TB |
| 78205145112 | U214 MTB MS15 | 100 | 4 | 1Ø/3W | OH/UG | 240/480 | 10K | (1) 100A, 2P TB |
| 78205145142 | U215 MTB | 100 | 5 | 3Ø/3W | OH/UG | 240* | 10K | (1) 100A, 3P TB |
| 78205145150 | U215 MTB MS15 | 100 | 5 | 3Ø/3W | OH/UG | 480* | 10K | (1) 100A, 3P TB |
| 78205145152 | U217 MTB | 100 | 7 | 3Ø/4W | OH/UG | 120/240 & 120/208 | 10K | (1) 100A, 3P TB |
| 78205145158 | U217 MTB MS15 | 100 | 7 | 3Ø/4W | OH/UG | 277/480 | 10K | (1) 100A, 2P TB |

* For a 208/120V, 1Ø/3W system, order a 4-jaw unit and a 5th jaw kit

| Part/UPC Number | Catalog Number | Connections | | | Overall Dimensions | | | Top Provision | Knockout Layout |
|-----------------|----------------|-------------|------|-----------|--------------------|-------|---------------------------------|---------------|-----------------|
| | | Line | Load | Neutral | Height | Width | Depth | | |
| 78205145022 | 214 MTB | #14 - 2/0 | MCB | #14 - 1/0 | 38" | 12" | 4 ⁵ / ₈ " | AW Hub | Fig. 1 |
| 78205145032 | 214 MTB MS15 | #14 - 2/0 | MCB | #14 - 1/0 | 38" | 12" | 4 ⁵ / ₈ " | AW Hub | Fig. 1 |
| 78205145052 | 215 MTB | #14 - 2/0 | MCB | #14 - 1/0 | 38" | 12" | 4 ⁵ / ₈ " | AW Hub | Fig. 1 |
| 78205145060 | 215 MTB MS15 | #14 - 2/0 | MCB | #14 - 1/0 | 38" | 12" | 4 ⁵ / ₈ " | AW Hub | Fig. 1 |
| 78205145072 | 217 MTB | #14 - 2/0 | MCB | #14 - 1/0 | 38" | 12" | 4 ⁵ / ₈ " | AW Hub | Fig. 1 |
| 78205145078 | 217 MTB MS15 | #14 - 2/0 | MCB | #14 - 1/0 | 38" | 12" | 4 ⁵ / ₈ " | AW Hub | Fig. 1 |
| 78205145012 | U214 MTB | #14 - 2/0 | MCB | #14 - 1/0 | 24" | 18" | 4 ⁵ / ₈ " | AW Hub | Fig. 2 |
| 78205145112 | U214 MTB MS15 | #14 - 2/0 | MCB | #14 - 1/0 | 24" | 18" | 4 ⁵ / ₈ " | AW Hub | Fig. 2 |
| 78205145142 | U215 MTB | #14 - 2/0 | MCB | #14 - 1/0 | 24" | 18" | 4 ⁵ / ₈ " | AW Hub | Fig. 2 |
| 78205145150 | U215 MTB MS15 | #14 - 2/0 | MCB | #14 - 1/0 | 24" | 18" | 4 ⁵ / ₈ " | AW Hub | Fig. 2 |
| 78205145152 | U217 MTB | #14 - 2/0 | MCB | #14 - 1/0 | 24" | 18" | 4 ⁵ / ₈ " | AW Hub | Fig. 2 |
| 78205145158 | U217 MTB MS15 | #14 - 2/0 | MCB | #14 - 1/0 | 24" | 18" | 4 ⁵ / ₈ " | AW Hub | Fig. 2 |

MCB - Main Circuit Breaker

Meter Mains - With Safety Socket Bypass

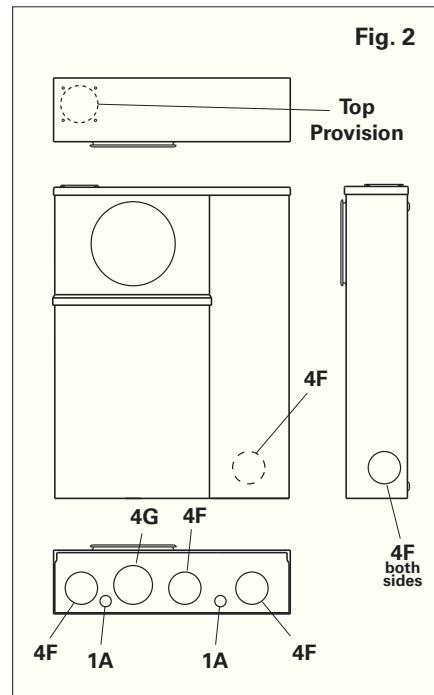
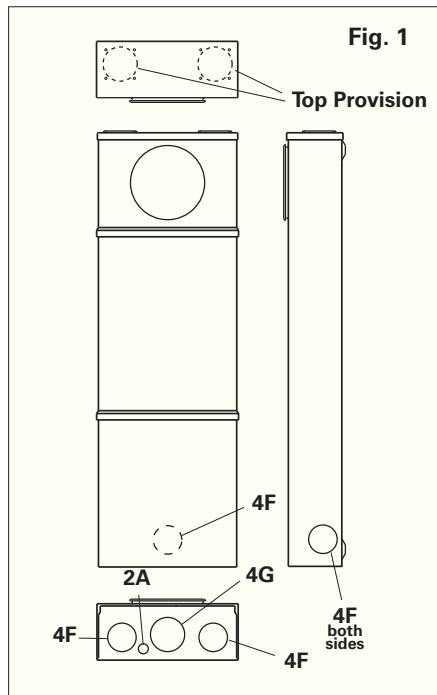
100 Amp - 10K AIC

| Style # | Suffixes |
|-------------|-----------------------------------|
| (U) 214 MTB | MS15 - 480V Breaker |
| (U) 215 MTB | MS43 - No Breaker Included |
| (U) 217 MTB | SS - Stainless Steel |

Knockouts - Conduit Sizes

1A = 1/2"
 2A = 1/2" - 1/4"
 4F = 2" - 1 1/2" - 1 1/4" - 1"
 4G = 2 1/2" - 2" - 1 1/2" - 1 1/4"
 Top Provision = See Chart

Knockout Layouts



Single Meter Sockets
 With Safety Socket Bypass

Data subject to change without notice. Consult local utility for area acceptance. All dimensions are in inches.

Meter Mains - With Safety Socket Bypass

100 & 200 Amp - 22K - 65K AIC



214 MTBH (open)



U214 MTBH (open)

Application

- Combination meter/main with safety socket (test block) bypass
- Factory installed breaker
- Receive ANSI C12.10 watt-hour meters
- Surface mount

Construction

- Ring type
- NEMA Type 3R
- ANSI 61 gray E-coat finish
- Aluminum snap ring included



Standards

- UL 67 Listed
- ANSI C12.7
- EUSERC 305A

Accessories

- 5th Jaw Kit - 50371
- Bussed Gutters - see page 51
- AW Hubs

Single Meter Sockets
With Safety Socket Bypass

| Part/UPC Number | Catalog Number | Amp Rating | Jaws | Service Type | Access | Voltage | Main Breaker AIC | Main | Bypass |
|-----------------|-----------------------|------------|------|--------------|--------|-------------------|------------------|--------------|--------|
| 78205145030 | 214 MTBH | 100 | 4 | 1Ø/3W | OH | 120/240 | 65K | (1) 100A, 2P | TB |
| 78205159300 | 214 MTBH MS15 | 100 | 4 | 1Ø/3W | OH | 240/480 | 42K | (1) 100A, 2P | TB |
| 78205145028 | 214 MTBH MS45 | 100 | 4 | 1Ø/3W | OH | 120/240 | 22K | (1) 100A, 2P | TB |
| 78205145058 | 215 MTBH | 100 | 5 | 3Ø/3W | OH | 240* | 65K | (1) 100A, 3P | TB |
| 78205159302 | 215 MTBH MS15 | 100 | 5 | 3Ø/3W | OH | 480* | 42K | (1) 100A, 3P | TB |
| 78205145056 | 215 MTBH MS45 | 100 | 5 | 3Ø/3W | OH | 240* | 22K | (1) 100A, 3P | TB |
| 78205145076 | 217 MTBH | 100 | 7 | 3Ø/4W | OH | 120/240 & 120/208 | 65K | (1) 100A, 3P | TB |
| 78205159304 | 217 MTBH MS15 | 100 | 7 | 3Ø/4W | OH | 480/277 | 42K | (1) 100A, 3P | TB |
| 78205145074 | 217 MTBH MS45 | 100 | 7 | 3Ø/4W | OH | 120/240 & 120/208 | 22K | (1) 100A, 3P | TB |
| 78205145110 | U214 MTBH | 100 | 4 | 1Ø/3W | OH/UG | 120/240 | 65K | (1) 100A, 2P | TB |
| 78205159200 | U214 MTBH MS15 | 100 | 4 | 1Ø/3W | OH/UG | 240/480 | 42K | (1) 100A, 2P | TB |
| 78205145108 | U214 MTBH MS45 | 100 | 4 | 1Ø/3W | OH/UG | 120/240 | 22K | (1) 100A, 2P | TB |
| 78205145148 | U215 MTBH | 100 | 5 | 3Ø/3W | OH/UG | 240* | 65K | (1) 100A, 3P | TB |
| 78205159202 | U215 MTBH MS15 | 100 | 5 | 3Ø/3W | OH/UG | 480* | 42K | (1) 100A, 3P | TB |
| 78205145146 | U215 MTBH MS45 | 100 | 5 | 3Ø/3W | OH/UG | 240* | 22K | (1) 100A, 3P | TB |
| 78205145156 | U217 MTBH | 100 | 7 | 3Ø/4W | OH/UG | 120/240 & 120/208 | 65K | (1) 100A, 3P | TB |
| 78205159204 | U217 MTBH MS15 | 100 | 7 | 3Ø/4W | OH/UG | 480/277 | 42K | (1) 100A, 3P | TB |
| 78205145154 | U217 MTBH MS45 | 100 | 7 | 3Ø/4W | OH/UG | 120/240 & 120/208 | 22K | (1) 100A, 3P | TB |

* For a 208/120V, 1Ø/3W system, order a 4-jaw unit and a 5th jaw kit

| Part/UPC Number | Catalog Number | Line | Connections Load | Neutral | Height | Overall Dimensions Width | Depth | Top Provision | Knockout Layout |
|-----------------|-----------------------|-----------|------------------|-----------|--------|--------------------------|---------------------------------|---------------|-----------------|
| 78205145030 | 214 MTBH | #14 - 2/0 | MCB | #14 - 1/0 | 38" | 12" | 4 ⁵ / ₈ " | AW Hub | Fig. 1 |
| 78205159300 | 214 MTBH MS15 | #14 - 2/0 | MCB | #14 - 1/0 | 38" | 12" | 4 ⁵ / ₈ " | AW Hub | Fig. 1 |
| 78205145028 | 214 MTBH MS45 | #14 - 2/0 | MCB | #14 - 1/0 | 38" | 12" | 4 ⁵ / ₈ " | AW Hub | Fig. 1 |
| 78205145058 | 215 MTBH | #14 - 2/0 | MCB | #14 - 1/0 | 38" | 12" | 4 ⁵ / ₈ " | AW Hub | Fig. 1 |
| 78205159302 | 215 MTBH MS15 | #14 - 2/0 | MCB | #14 - 1/0 | 38" | 12" | 4 ⁵ / ₈ " | AW Hub | Fig. 1 |
| 78205145056 | 215 MTBH MS45 | #14 - 2/0 | MCB | #14 - 1/0 | 38" | 12" | 4 ⁵ / ₈ " | AW Hub | Fig. 1 |
| 78205145076 | 217 MTBH | #14 - 2/0 | MCB | #14 - 1/0 | 38" | 12" | 4 ⁵ / ₈ " | AW Hub | Fig. 1 |
| 78205159304 | 217 MTBH MS15 | #14 - 2/0 | MCB | #14 - 1/0 | 38" | 12" | 4 ⁵ / ₈ " | AW Hub | Fig. 1 |
| 78205145074 | 217 MTBH MS45 | #14 - 2/0 | MCB | #14 - 1/0 | 38" | 12" | 4 ⁵ / ₈ " | AW Hub | Fig. 1 |
| 78205145110 | U214 MTBH | #14 - 2/0 | MCB | #14 - 1/0 | 24" | 18" | 4 ⁵ / ₈ " | AW Hub | Fig. 2 |
| 78205159200 | U214 MTBH MS15 | #14 - 2/0 | MCB | #14 - 1/0 | 24" | 18" | 4 ⁵ / ₈ " | AW Hub | Fig. 2 |
| 78205145108 | U214 MTBH MS45 | #14 - 2/0 | MCB | #14 - 1/0 | 24" | 18" | 4 ⁵ / ₈ " | AW Hub | Fig. 2 |
| 78205145148 | U215 MTBH | #14 - 2/0 | MCB | #14 - 1/0 | 24" | 18" | 4 ⁵ / ₈ " | AW Hub | Fig. 2 |
| 78205159202 | U215 MTBH MS15 | #14 - 2/0 | MCB | #14 - 1/0 | 24" | 18" | 4 ⁵ / ₈ " | AW Hub | Fig. 2 |
| 78205145146 | U215 MTBH MS45 | #14 - 2/0 | MCB | #14 - 1/0 | 24" | 18" | 4 ⁵ / ₈ " | AW Hub | Fig. 2 |
| 78205145156 | U217 MTBH | #14 - 2/0 | MCB | #14 - 1/0 | 24" | 18" | 4 ⁵ / ₈ " | AW Hub | Fig. 2 |
| 78205159204 | U217 MTBH MS15 | #14 - 2/0 | MCB | #14 - 1/0 | 24" | 18" | 4 ⁵ / ₈ " | AW Hub | Fig. 2 |
| 78205145154 | U217 MTBH MS45 | #14 - 2/0 | MCB | #14 - 1/0 | 24" | 18" | 4 ⁵ / ₈ " | AW Hub | Fig. 2 |

MCB - Main Circuit Breaker

Data subject to change without notice. Consult local utility for area acceptance. All dimensions are in inches.

Meter Mains - With Safety Socket Bypass

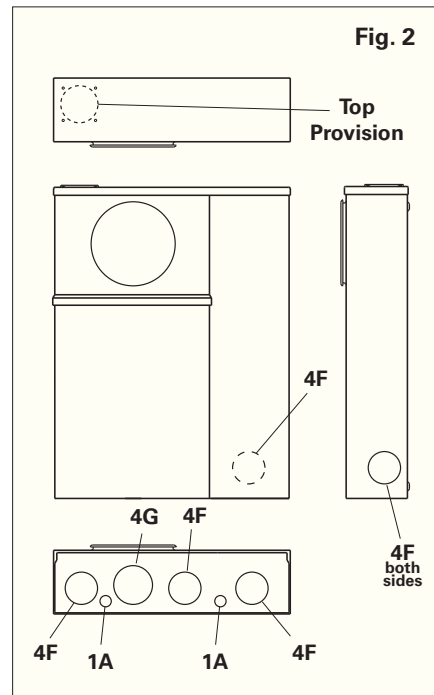
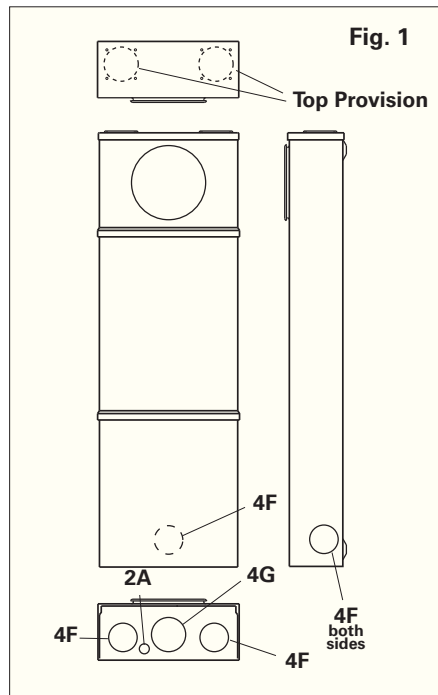
100 & 200 Amp - 22K - 65K AIC

| Style # | Suffixes |
|--------------|-------------------------------------|
| (U) 214 MTBH | MS15 - 480V Breaker |
| (U) 215 MTBH | MS43 - No Breaker Included |
| (U) 217 MTBH | MS45 - 22K AIC Rated Breaker |
| | SS - Stainless Steel |

Knockouts - Conduit Sizes

1A = 1/2"
 2A = 1/2" - 1/4"
 4F = 2" - 1 1/2" - 1 1/4" - 1"
 4G = 2 1/2" - 2" - 1 1/2" - 1 1/4"
 Top Provision = See Chart

Knockout Layouts



Single Meter Sockets
 With Safety Socket Bypass

Data subject to change without notice. Consult local utility for area acceptance. All dimensions are in inches.

Meter Mains - With Safety Socket Bypass

100 Amp - Fusible Pullout



U214 MTBP (open)

Application

- Combination meter/main with safety socket (test block) bypass
- Factory installed fused pullout ("T" fuses included)
- Receive ANSI C12.10 watthour meters
- Surface mount

Construction

- Ring type
- NEMA Type 3R
- ANSI 61 gray E-coat finish
- Aluminum snap ring included



Standards

- UL 67 Listed
- ANSI C12.7
- EUSERC 305A

Accessories

- 5th Jaw Kit - 50371
- Bussed Gutters - see page 51
- AW Hubs

214 MTBP (open)

Single Meter Sockets
With Safety Socket Bypass

| Part/UPC Number | Catalog Number | Amp Rating | Jaws | Service Type | Access | Main Breaker | | | |
|-----------------|-----------------------|------------|------|--------------|--------|-------------------|------|--------------|--------|
| | | | | | | Voltage | AIC | Main | Bypass |
| 78205148000 | 214 MTBP | 100 | 4 | 1Ø/3W | OH | 120/240 | 200K | (1) 100A, 2P | TB |
| 78205152000 | 214 MTBP MS15 | 100 | 4 | 1Ø/3W | OH | 240/480 | 200K | (1) 100A, 2P | TB |
| 78205148020 | 215 MTBP | 100 | 5 | 3Ø/3W | OH | 240* | 200K | (1) 100A, 3P | TB |
| 78205152010 | 215 MTBP MS15 | 100 | 5 | 3Ø/3W | OH | 480* | 200K | (1) 100A, 3P | TB |
| 78205148030 | 217 MTBP | 100 | 7 | 3Ø/4W | OH | 120/240 & 120/208 | 200K | (1) 100A, 3P | TB |
| 78205152020 | 217 MTBP MS15 | 100 | 7 | 3Ø/4W | OH | 480/277 | 200K | (1) 100A, 3P | TB |
| 78205148080 | U214 MTBP | 100 | 4 | 1Ø/2W | OH/UG | 120/240 | 200K | (1) 100A, 2P | TB |
| 78205152060 | U214 MTBP MS15 | 100 | 4 | 1Ø/2W | OH/UG | 240/480 | 200K | (1) 100A, 2P | TB |
| 78205148100 | U215 MTBP | 100 | 5 | 3Ø/3W | OH/UG | 240* | 200K | (1) 100A, 3P | TB |
| 78205152070 | U215 MTBP MS15 | 100 | 5 | 3Ø/3W | OH/UG | 480* | 200K | (1) 100A, 3P | TB |
| 78205148110 | U217 MTBP | 100 | 7 | 3Ø/4W | OH/UG | 120/240 & 120/208 | 200K | (1) 100A, 3P | TB |
| 78205152100 | U217 MTBP MS15 | 100 | 7 | 3Ø/4W | OH/UG | 480/277 | 200K | (1) 100A, 3P | TB |

* For a 208/120V, 1Ø/3W system, order a 4-jaw unit and a 5th jaw kit

| Part/UPC Number | Catalog Number | Connections | | | Overall Dimensions | | | Top Provision | Knockout Layout |
|-----------------|-----------------------|-------------|-----------|-----------|--------------------|-------|---------------------------------|---------------|-----------------|
| | | Line | Load | Neutral | Height | Width | Depth | | |
| 78205148000 | 214 MTBP | #14 - 2/0 | Main Fuse | #14 - 1/0 | 38" | 12" | 4 ⁵ / ₈ " | AW Hub | Fig. 1 |
| 78205152000 | 214 MTBP MS15 | #14 - 2/0 | Main Fuse | #14 - 1/0 | 38" | 12" | 4 ⁵ / ₈ " | AW Hub | Fig. 1 |
| 78205148020 | 215 MTBP | #14 - 2/0 | Main Fuse | #14 - 1/0 | 38" | 12" | 4 ⁵ / ₈ " | AW Hub | Fig. 1 |
| 78205152010 | 215 MTBP MS15 | #14 - 2/0 | Main Fuse | #14 - 1/0 | 38" | 12" | 4 ⁵ / ₈ " | AW Hub | Fig. 1 |
| 78205148030 | 217 MTBP | #14 - 2/0 | Main Fuse | #14 - 1/0 | 38" | 12" | 4 ⁵ / ₈ " | AW Hub | Fig. 1 |
| 78205152020 | 217 MTBP MS15 | #14 - 2/0 | Main Fuse | #14 - 1/0 | 38" | 12" | 4 ⁵ / ₈ " | AW Hub | Fig. 1 |
| 78205148080 | U214 MTBP | #14 - 2/0 | Main Fuse | #14 - 1/0 | 24" | 18" | 4 ⁵ / ₈ " | AW Hub | Fig. 2 |
| 78205152060 | U214 MTBP MS15 | #14 - 2/0 | Main Fuse | #14 - 1/0 | 24" | 18" | 4 ⁵ / ₈ " | AW Hub | Fig. 2 |
| 78205148100 | U215 MTBP | #14 - 2/0 | Main Fuse | #14 - 1/0 | 24" | 18" | 4 ⁵ / ₈ " | AW Hub | Fig. 2 |
| 78205152070 | U215 MTBP MS15 | #14 - 2/0 | Main Fuse | #14 - 1/0 | 24" | 18" | 4 ⁵ / ₈ " | AW Hub | Fig. 2 |
| 78205148110 | U217 MTBP | #14 - 2/0 | Main Fuse | #14 - 1/0 | 24" | 18" | 4 ⁵ / ₈ " | AW Hub | Fig. 2 |
| 78205152100 | U217 MTBP MS15 | #14 - 2/0 | Main Fuse | #14 - 1/0 | 24" | 18" | 4 ⁵ / ₈ " | AW Hub | Fig. 2 |

Meter Mains - With Safety Socket Bypass

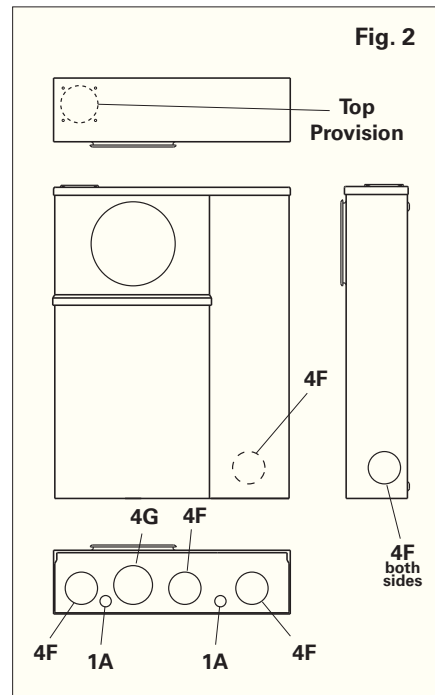
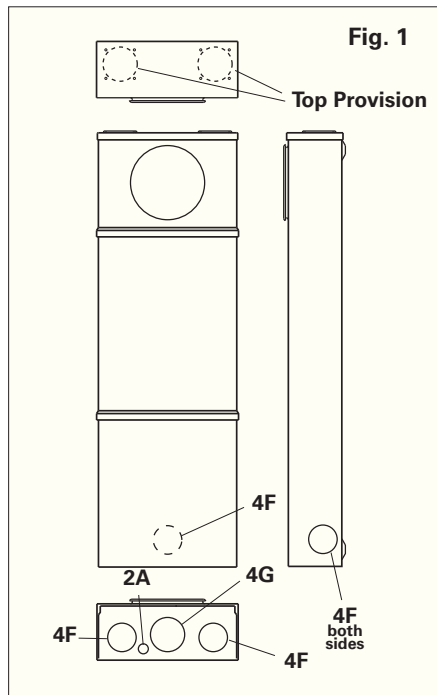
100 Amp - Fusible Pullout

| Style # | Suffixes |
|--------------|-----------------------------------|
| (U) 214 MTBP | P - Pullout Fuse |
| (U) 215 MTBP | MS15 - 480V Breaker |
| (U) 217 MTBP | MS43 - No Breaker Included |
| | SS - Stainless Steel |

Knockouts - Conduit Sizes

1A = 1/2"
 2A = 1/2" - 1/4"
 4F = 2" - 1 1/2" - 1 1/4" - 1"
 4G = 2 1/2" - 2" - 1 1/2" - 1 1/4"
 Top Provision = See Chart

Knockout Layouts



Single Meter Sockets
 With Safety Socket Bypass

Data subject to change without notice. Consult local utility for area acceptance. All dimensions are in inches.

Meter Main Load Center - With Safety Socket Bypass

100 Amp



U214 MTBL (closed)



U214 MTBL (open)

Application

- Combination meter/main/loadcenter with safety socket (test block) bypass
- Factory installed breakers / fused pullout ("T" fuses included)
- Receive ANSI C12.10 watt-hour meters
- Surface mount



Construction

- Ring type
- NEMA Type 3R
- ANSI 61 gray E-coat finish
- Aluminum snap ring included

Standards

- UL 67 Listed
- ANSI C12.7

Accessories

- 5th Jaw Kit - 50371
- Bussed Gutters - see page 51
- AW Hubs

Single Meter Sockets
With Safety Socket Bypass

| Part/UPC Number | Catalog Number | Amp Rating | Jaws | Service Type | Access | Main Breaker | | | | |
|-----------------|-------------------|------------|------|--------------|--------|-------------------|-----|--------------|------------|--------|
| | | | | | | Voltage | AIC | Main | Loadcenter | Bypass |
| 78205170126 | U214 MTBL | 100 | 4 | 1Ø/3W | OH/UG | 120/240 | 10K | (1) 100A, 2P | 12/24 | TB |
| 78205170128 | U214 MTBPL | 100 | 4 | 1Ø/3W | OH/UG | 120/240 | 10K | (1) 100A, 2P | 12/24 | TB |
| 78205170130 | U215 MTBL | 100 | 5 | 3Ø/4W | OH/UG | 240* | 10K | (1) 100A, 3P | 18/36 | TB |
| 78205170132 | U215 MTBPL | 100 | 5 | 3Ø/4W | OH/UG | 240* | 10K | (1) 100A, 3P | 18/36 | TB |
| 78205170134 | U217 MTBL | 100 | 7 | 3Ø/4W | OH/UG | 120/240 & 120/208 | 10K | (1) 100A, 3P | 18/36 | TB |
| 78205170136 | U217 MTBPL | 100 | 7 | 3Ø/4W | OH/UG | 120/208 | 10K | (1) 100A, 3P | 18/36 | TB |

* For a 208/120V, 1Ø/3W system, order a 4-jaw unit and a 5th jaw kit

| Part/UPC Number | Catalog Number | Connections | | | Overall Dimensions | | | Top Provision | Knockout Layout |
|-----------------|-------------------|-------------|-----------|-----------|--------------------|-------|---------------------------------|---------------|-----------------|
| | | Line | Load | Neutral | Height | Width | Depth | | |
| 78205170126 | U214 MTBL | #14 - 2/0 | MCB | #14 - 1/0 | 24" | 20" | 4 ⁵ / ₈ " | AW Hub | Fig. 1 |
| 78205170128 | U214 MTBPL | #14 - 2/0 | Main Fuse | #14 - 1/0 | 24" | 25" | 4 ⁵ / ₈ " | AW Hub | Fig. 2 |
| 78205170130 | U215 MTBL | #14 - 2/0 | MCB | #14 - 1/0 | 24" | 25" | 4 ⁵ / ₈ " | AW Hub | Fig. 2 |
| 78205170132 | U215 MTBPL | #14 - 2/0 | Main Fuse | #14 - 1/0 | 28" | 25" | 4 ⁵ / ₈ " | AW Hub | Fig. 2 |
| 78205170134 | U217 MTBL | #14 - 2/0 | MCB | #14 - 1/0 | 24" | 25" | 4 ⁵ / ₈ " | AW Hub | Fig. 2 |
| 78205170136 | U217 MTBPL | #14 - 2/0 | Main Fuse | #14 - 1/0 | 28" | 25" | 4 ⁵ / ₈ " | AW Hub | Fig. 2 |

MCB - Main Circuit Breaker

Meter Main Load Center - With Safety Socket Bypass

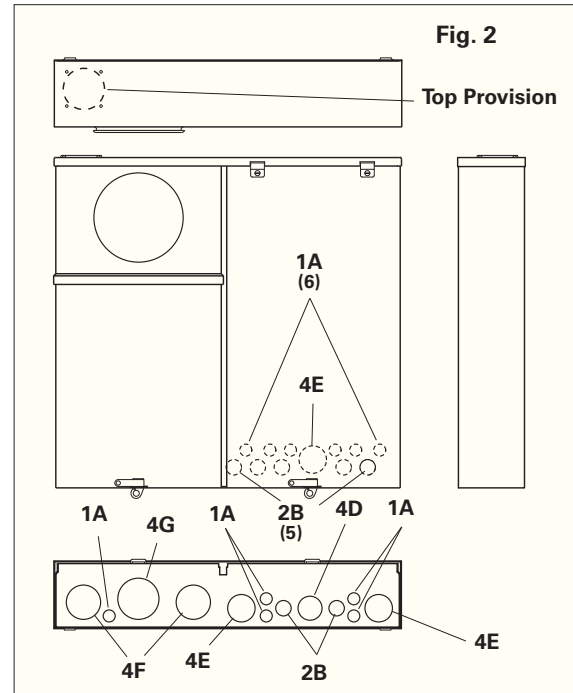
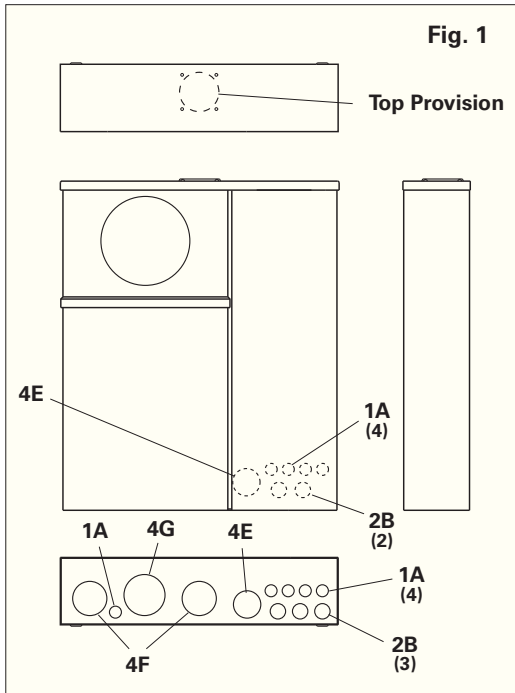
100 Amp

| Style # | Suffixes |
|---------------|-----------------------------------|
| (U) 214 MTBL | P - Pullout Fuse |
| (U) 214 MTBPL | MS43 - No Breaker Included |
| (U) 215 MTBL | SS - Stainless Steel |
| (U) 215 MTBPL | |
| (U) 217 MTBL | |
| (U) 217 MTBPL | |

Knockouts - Conduit Sizes

| |
|------------------------------------|
| 1A = 1/2" |
| 2B = 3/4" - 1/2" |
| 4D = 1 1/4" - 1" - 3/4" - 1/2" |
| 4E = 1 1/2" - 1 1/4" - 1" - 3/4" |
| 4F = 2" - 1 1/2" - 1 1/4" - 1" |
| 4G = 2 1/2" - 2" - 1 1/2" - 1 1/4" |
| Top Provision = See Chart |

Knockout Layouts



Single Meter Sockets
With Safety Socket Bypass

Data subject to change without notice. Consult local utility for area acceptance. All dimensions are in inches.

Meter Main Load Center - With Safety Socket Bypass

200 Amp - 10K AIC



224 MTB (open)



U224 MTB (open)

Application

- Combination meter/main with safety socket (test block) bypass
- Factory installed breaker
- Receive ANSI C12.10 watt-hour meters
- Surface mount

Construction

- Ring type
- NEMA Type 3R
- ANSI 61 gray E-coat finish
- Aluminum snap ring included



Standards

- UL 67 Listed
- ANSI C12.7
- EUSERC 305A

Accessories

- 5th Jaw Kit - 50371
- Bussed Gutters - see page 51
- AW Hubs

Single Meter Sockets
With Safety Socket Bypass

| Part/UPC Number | Catalog Number | Amp Rating | Jaws | Service Type | Access | Main Breaker | | | |
|-----------------|-------------------|------------|------|--------------|--------|-------------------|-----|--------------|--------|
| | | | | | | Voltage | AIC | Main | Bypass |
| 78205159065 | 224 MTB | 200 | 4 | 1Ø/3W | OH | 120/240 | 10K | (1) 200A, 2P | TB |
| 78205159085 | 225 MTB | 200 | 5 | 3Ø/3W | OH | 240* | 10K | (1) 200A, 3P | TB |
| 78205159095 | 227 MTB | 200 | 7 | 3Ø/4W | OH | 120/240 & 120/208 | 10K | (1) 200A, 3P | TB |
| 78205170141 | U224 M11TB | 200 | 4 | 1Ø/3W | OH/UG | 120/240 | 10K | (2) 100A, 2P | TB |
| 78205159125 | U224 MTB | 200 | 4 | 1Ø/3W | OH/UG | 120/240 | 10K | (1) 200A, 2P | TB |
| 78205159145 | U225 MTB | 200 | 5 | 3Ø/3W | OH/UG | 240* | 10K | (1) 200A, 3P | TB |
| 78205159155 | U227 MTB | 200 | 7 | 3Ø/4W | OH/UG | 120/240 & 120/208 | 10K | (1) 200A, 3P | TB |

* For a 208/120V, 1Ø/3W system, order a 4-jaw unit and a 5th jaw kit

| Part/UPC Number | Catalog Number | Connections | | | Overall Dimensions | | | Top Provision | Knockout Layout |
|-----------------|-------------------|--------------|------|--------------|--------------------|-------|-------|---------------|-----------------|
| | | Line | Load | Neutral | Height | Width | Depth | | |
| 78205159065 | 224 MTB | #6 - 250 MCM | MCB | #6 - 250 MCM | 48" | 14" | 6" | AW Hub | Fig. 1 |
| 78205159085 | 225 MTB | #6 - 250 MCM | MCB | #6 - 250 MCM | 48" | 14" | 6" | AW Hub | Fig. 1 |
| 78205159095 | 227 MTB | #6 - 250 MCM | MCB | #6 - 250 MCM | 48" | 14" | 6" | AW Hub | Fig. 1 |
| 78205170141 | U224 M11TB | #6 - 250 MCM | MCB | #6 - 250 MCM | 30" | 22" | 6" | AW Hub | Fig. 3 |
| 78205159125 | U224 MTB | #6 - 250 MCM | MCB | #6 - 250 MCM | 30" | 22" | 6" | AW Hub | Fig. 2 |
| 78205159145 | U225 MTB | #6 - 250 MCM | MCB | #6 - 250 MCM | 30" | 22" | 6" | AW Hub | Fig. 2 |
| 78205159155 | U227 MTB | #6 - 250 MCM | MCB | #6 - 250 MCM | 30" | 22" | 6" | AW Hub | Fig. 2 |

MCB - Main Circuit Breaker

Meter Main Load Center - With Safety Socket Bypass

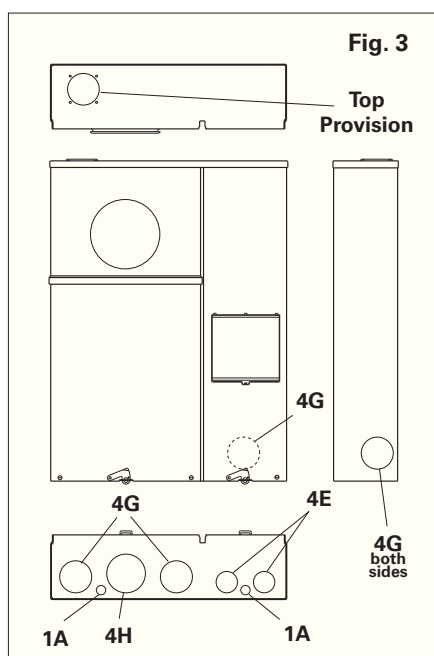
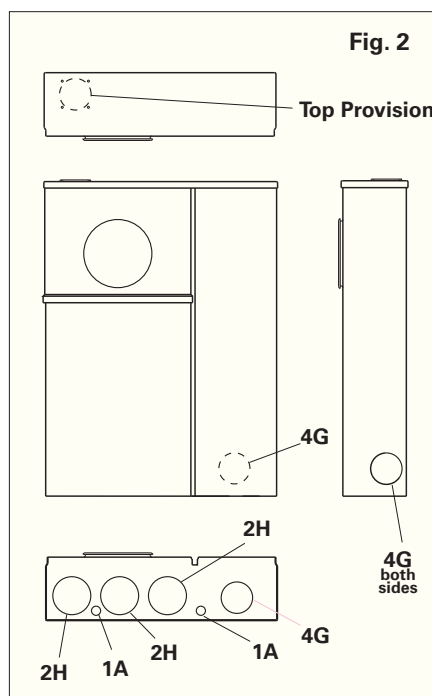
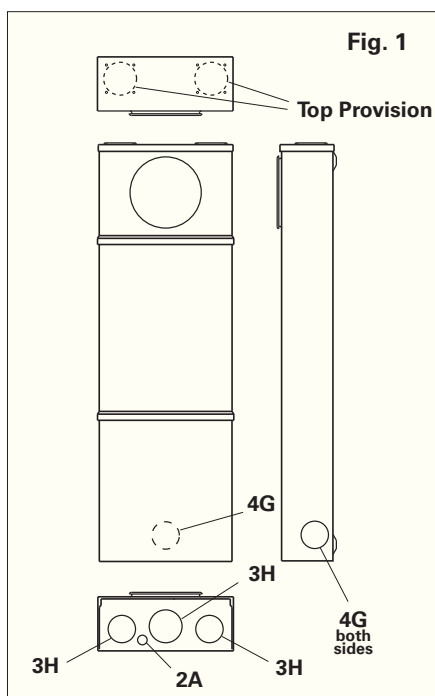
200 Amp - 10K AIC

| Style # | Suffixes |
|---------------|-----------------------------------|
| (U) 224 MTB | MS43 - No Breaker Included |
| (U) 224 M11TB | SS - Stainless Steel |
| (U) 225 MTB | |
| (U) 227 MTB | |

Knockouts - Conduit Sizes

| |
|------------------------------------|
| 1A = 1/2" |
| 2A = 1/2" - 1/4" |
| 4E = 1 1/2" - 1 1/4" - 1" - 3/4" |
| 4G = 2 1/2" - 2" - 1 1/2" - 1 1/4" |
| 2H = 3" - 2 1/2" |
| 3H = 3" - 2 1/2" - 2" |
| 4H = 3" - 2 1/2" - 2" - 1 1/2" |
| Top Provision = See Chart |

Knockout Layouts



Single Meter Sockets
With Safety Socket Bypass

Data subject to change without notice. Consult local utility for area acceptance. All dimensions are in inches.

Meter Main - With Safety Socket Bypass

200 Amp - 22K-65K AIC



U224 MTBH (open)

224 MTBH (open)

Application

- Combination meter/main with safety socket (test block) bypass
- Factory installed breaker
- Receive ANSI C12.10 watt-hour meters
- Surface mount

Construction

- Ring type
- NEMA Type 3R
- ANSI 61 gray E-coat finish
- Aluminum snap ring included



Standards

- UL 67 Listed
- ANSI C12.7
- EUSERC 305A

Accessories

- 5th Jaw Kit - 50371
- Bussed Gutters - see page 51
- AW Hubs

Single Meter Sockets
With Safety Socket Bypass

| Part/UPC Number | Catalog Number | Amp Rating | Jaws | Service Type | Access | Voltage | Main Breaker AIC | Main | Bypass |
|-----------------|-----------------------|------------|------|--------------|--------|-------------------|------------------|--------------|--------|
| 78205159081 | 224 MTBH | 200 | 4 | 1Ø/3W | OH | 120/240 | 42K | (1) 200A, 2P | TB |
| 78205159306 | 224 MTBH MS15 | 200 | 4 | 1Ø/3W | OH | 240/480 | 22K | (1) 200A, 2P | TB |
| 78205159079 | 224 MTBH MS45 | 200 | 4 | 1Ø/3W | OH | 120/240 | 22K | (1) 200A, 2P | TB |
| 78205159091 | 225 MTBH | 200 | 5 | 3Ø/3W | OH | 240* | 42K | (1) 200A, 3P | TB |
| 78205159308 | 225 MTBH MS15 | 200 | 5 | 3Ø/3W | OH | 480* | 22K | (1) 200A, 3P | TB |
| 78205159089 | 225 MTBH MS45 | 200 | 5 | 3Ø/3W | OH | 240* | 22K | (1) 200A, 3P | TB |
| 78205159159 | 227 MTBH | 200 | 7 | 3Ø/4W | OH | 120/240 & 120/208 | 42K | (1) 200A, 3P | TB |
| 78205159310 | 227 MTBH MS15 | 200 | 7 | 3Ø/4W | OH | 480/277 | 22K | (1) 200A, 3P | TB |
| 78205159097 | 227 MTBH MS45 | 200 | 7 | 3Ø/4W | OH | 120/240 & 120/208 | 22K | (1) 200A, 3P | TB |
| 78205159141 | U224 MTBH | 200 | 4 | 1Ø/3W | OH/UG | 120/240 | 42K | (1) 200A, 2P | TB |
| 78205159206 | U224 MTBH MS15 | 200 | 4 | 1Ø/3W | OH/UG | 240/480 | 22K | (1) 200A, 2P | TB |
| 78205159139 | U224 MTBH MS45 | 200 | 4 | 1Ø/3W | OH/UG | 120/240 | 22K | (1) 200A, 2P | TB |
| 78205159151 | U225 MTBH | 200 | 5 | 3Ø/3W | OH/UG | 240* | 42K | (1) 200A, 3P | TB |
| 78205159208 | U225 MTBH MS15 | 200 | 5 | 3Ø/3W | OH/UG | 480* | 22K | (1) 200A, 3P | TB |
| 78205159149 | U225 MTBH MS45 | 200 | 5 | 3Ø/3W | OH/UG | 240* | 22K | (1) 200A, 3P | TB |
| 78205159159 | U227 MTBH | 200 | 7 | 3Ø/4W | OH/UG | 120/240 & 120/208 | 42K | (1) 200A, 3P | TB |
| 78205159210 | U227 MTBH MS15 | 200 | 7 | 3Ø/4W | OH/UG | 480/277 | 22K | (1) 200A, 3P | TB |
| 78205159157 | U227 MTBH MS45 | 200 | 7 | 3Ø/4W | OH/UG | 120/240 & 120/208 | 22K | (1) 200A, 3P | TB |

* For a 208/120V, 1Ø/3W system, order a 4-jaw unit and a 5th jaw kit

| Part/UPC Number | Catalog Number | Line | Connections Load | Neutral | Height | Overall Dimensions Width | Depth | Top Provision | Knockout Layout |
|-----------------|-----------------------|--------------|------------------|--------------|--------|--------------------------|-------|---------------|-----------------|
| 78205159081 | 224 MTBH | #6 - 250 MCM | MCB | #6 - 250 MCM | 48" | 14" | 6" | AW Hub | Fig. 1 |
| 78205159306 | 224 MTBH MS15 | #6 - 250 MCM | MCB | #6 - 250 MCM | 48" | 14" | 6" | AW Hub | Fig. 1 |
| 78205159079 | 224 MTBH MS45 | #6 - 250 MCM | MCB | #6 - 250 MCM | 48" | 14" | 6" | AW Hub | Fig. 1 |
| 78205159091 | 225 MTBH | #6 - 250 MCM | MCB | #6 - 250 MCM | 48" | 14" | 6" | AW Hub | Fig. 1 |
| 78205159308 | 225 MTBH MS15 | #6 - 250 MCM | MCB | #6 - 250 MCM | 48" | 14" | 6" | AW Hub | Fig. 1 |
| 78205159089 | 225 MTBH MS45 | #6 - 250 MCM | MCB | #6 - 250 MCM | 48" | 14" | 6" | AW Hub | Fig. 1 |
| 78205159159 | 227 MTBH | #6 - 250 MCM | MCB | #6 - 250 MCM | 48" | 14" | 6" | AW Hub | Fig. 1 |
| 78205159310 | 227 MTBH MS15 | #6 - 250 MCM | MCB | #6 - 250 MCM | 48" | 14" | 6" | AW Hub | Fig. 1 |
| 78205159097 | 227 MTBH MS45 | #6 - 250 MCM | MCB | #6 - 250 MCM | 48" | 14" | 6" | AW Hub | Fig. 1 |
| 78205159141 | U224 MTBH | #6 - 250 MCM | MCB | #6 - 250 MCM | 30" | 22" | 6" | AW Hub | Fig. 2 |
| 78205159206 | U224 MTBH MS15 | #6 - 250 MCM | MCB | #6 - 250 MCM | 30" | 22" | 6" | AW Hub | Fig. 2 |
| 78205159139 | U224 MTBH MS45 | #6 - 250 MCM | MCB | #6 - 250 MCM | 30" | 22" | 6" | AW Hub | Fig. 2 |
| 78205159151 | U225 MTBH | #6 - 250 MCM | MCB | #6 - 250 MCM | 30" | 22" | 6" | AW Hub | Fig. 2 |
| 78205159208 | U225 MTBH MS15 | #6 - 250 MCM | MCB | #6 - 250 MCM | 30" | 22" | 6" | AW Hub | Fig. 2 |
| 78205159149 | U225 MTBH MS45 | #6 - 250 MCM | MCB | #6 - 250 MCM | 30" | 22" | 6" | AW Hub | Fig. 2 |
| 78205159159 | U227 MTBH | #6 - 250 MCM | MCB | #6 - 250 MCM | 30" | 22" | 6" | AW Hub | Fig. 2 |
| 78205159210 | U227 MTBH MS15 | #6 - 250 MCM | MCB | #6 - 250 MCM | 30" | 22" | 6" | AW Hub | Fig. 2 |
| 78205159157 | U227 MTBH MS45 | #6 - 250 MCM | MCB | #6 - 250 MCM | 30" | 22" | 6" | AW Hub | Fig. 2 |

MCB - Main Circuit Breaker

Data subject to change without notice. Consult local utility for area acceptance. All dimensions are in inches.

Meter Main - With Safety Socket Bypass

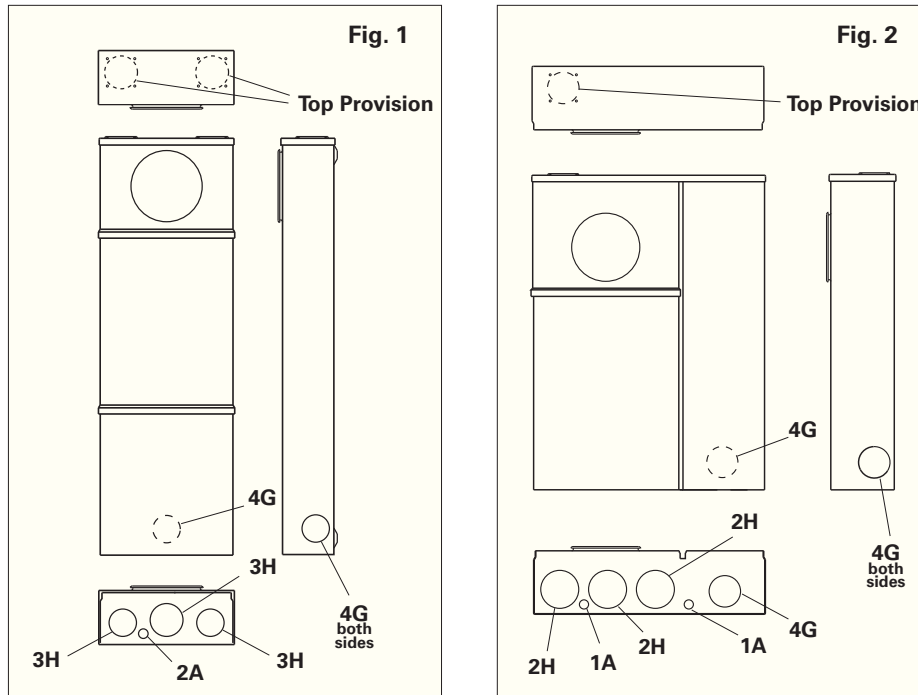
200 Amp - 22K-65K AIC

| Style # | Suffixes |
|--------------|-------------------------------------|
| (U) 224 MTBH | MS15 - 480V Breaker |
| (U) 225 MTBH | MS43 - No Breaker Included |
| (U) 227 MTBH | MS45 - 22K AIC Rated Breaker |
| | SS - Stainless Steel |

Knockouts - Conduit Sizes

1A = 1/2"
 2A = 1/2" - 1/4"
 4G = 2 1/2" - 2" - 1 1/2" - 1 1/4"
 2H = 3" - 2 1/2"
 3H = 3" - 2 1/2" - 2"
 Top Provision = See Chart

Knockout Layouts



Single Meter Sockets
 With Safety Socket Bypass

Data subject to change without notice. Consult local utility for area acceptance. All dimensions are in inches.

Meter Main - With Safety Socket Bypass

200 Amp - Fusible Pullout



224 MTBP (open)



U224 MTBP (open)

Application

- Combination meter/main with safety socket (test block) bypass
- Factory installed breaker
- Receive ANSI C12.10 watt-hour meters
- Surface mount

Construction

- Ring type
- NEMA Type 3R
- ANSI 61 gray E-coat finish
- Aluminum snap ring included



Standards

- UL 67 Listed
- ANSI C12.7
- EUSERC 305A

Accessories

- 5th Jaw Kit - 50371
- Bussed Gutters - see page 51
- AW Hubs

Single Meter Sockets
With Safety Socket Bypass

| Part/UPC Number | Catalog Number | Amp Rating | Jaws | Service Type | Access | Main Breaker | | | |
|-----------------|----------------|------------|------|--------------|--------|-------------------|------|--------------|--------|
| | | | | | | Voltage | AIC | Main | Bypass |
| 78205161000 | 224 MTBP | 200 | 4 | 1Ø/3W | OH | 120/240 | 200K | (1) 200A, 2P | TB |
| 78205163000 | 224 MTBP MS15 | 200 | 4 | 1Ø/3W | OH | 240/480 | 200K | (1) 200A, 2P | TB |
| 78205161080 | 225 MTBP | 200 | 5 | 3Ø/3W | OH | 240* | 200K | (1) 200A, 3P | TB |
| 78205107971 | 225 MTBP MS15 | 200 | 5 | 3Ø/3W | OH | 480* | 200K | (1) 200A, 3P | TB |
| 78205161100 | 227 MTBP | 200 | 7 | 3Ø/4W | OH | 120/240 & 120/208 | 200K | (1) 200A, 3P | TB |
| 78205163020 | 227 MTBP MS15 | 200 | 7 | 3Ø/4W | OH | 480/277 | 200K | (1) 200A, 3P | TB |
| 78205162000 | U224 MTBP | 200 | 4 | 1Ø/3W | OH/UG | 120/240 | 200K | (1) 200A, 2P | TB |
| 78205163040 | U224 MTBP MS15 | 200 | 4 | 1Ø/3W | OH/UG | 240/480 | 200K | (1) 200A, 2P | TB |
| 78205162080 | U225 MTBP | 200 | 5 | 3Ø/3W | OH/UG | 240* | 200K | (1) 200A, 3P | TB |
| 78205163050 | U225 MTBP MS15 | 200 | 5 | 3Ø/3W | OH/UG | 480* | 200K | (1) 200A, 3P | TB |
| 78205162100 | U227 MTBP | 200 | 7 | 3Ø/4W | OH/UG | 120/240 & 120/208 | 200K | (1) 200A, 3P | TB |
| 78205163060 | U227 MTBP MS15 | 200 | 7 | 3Ø/4W | OH/UG | 480/277 | 200K | (1) 200A, 3P | TB |

* For a 208/120V, 1Ø/3W system, order a 4-jaw unit and a 5th jaw kit

| Part/UPC Number | Catalog Number | Connections | | | Height | Overall Dimensions | | | Top Provision | Knockout Layout |
|-----------------|----------------|--------------|-----------|--------------|--------|--------------------|-------|--------|---------------|-----------------|
| | | Line | Load | Neutral | | Width | Depth | | | |
| 78205161000 | 224 MTBP | #6 - 250 MCM | MCB | #6 - 250 MCM | 48" | 14" | 6" | AW Hub | Fig. 1 | |
| 78205163000 | 224 MTBP MS15 | #6 - 250 MCM | MCB | #6 - 250 MCM | 48" | 14" | 6" | AW Hub | Fig. 1 | |
| 78205161080 | 225 MTBP | #6 - 250 MCM | MCB | #6 - 250 MCM | 48" | 14" | 6" | AW Hub | Fig. 1 | |
| 78205107971 | 225 MTBP MS15 | #6 - 250 MCM | MCB | #6 - 250 MCM | 48" | 14" | 6" | AW Hub | Fig. 1 | |
| 78205161100 | 227 MTBP | #6 - 250 MCM | MCB | #6 - 250 MCM | 48" | 14" | 6" | AW Hub | Fig. 1 | |
| 78205163020 | 227 MTBP MS15 | #6 - 250 MCM | MCB | #6 - 250 MCM | 48" | 14" | 6" | AW Hub | Fig. 1 | |
| 78205162000 | U224 MTBP | #6 - 250 MCM | Main Fuse | #6 - 250 MCM | 30" | 22" | 6" | AW Hub | Fig. 2 | |
| 78205163040 | U224 MTBP MS15 | #6 - 250 MCM | Main Fuse | #6 - 250 MCM | 30" | 22" | 6" | AW Hub | Fig. 2 | |
| 78205162080 | U225 MTBP | #6 - 250 MCM | Main Fuse | #6 - 250 MCM | 30" | 22" | 6" | AW Hub | Fig. 2 | |
| 78205163050 | U225 MTBP MS15 | #6 - 250 MCM | Main Fuse | #6 - 250 MCM | 30" | 22" | 6" | AW Hub | Fig. 2 | |
| 78205162100 | U227 MTBP | #6 - 250 MCM | Main Fuse | #6 - 250 MCM | 30" | 22" | 6" | AW Hub | Fig. 2 | |
| 78205163060 | U227 MTBP MS15 | #6 - 250 MCM | Main Fuse | #6 - 250 MCM | 30" | 22" | 6" | AW Hub | Fig. 2 | |

MCB - Main Circuit Breaker

Meter Main - With Safety Socket Bypass

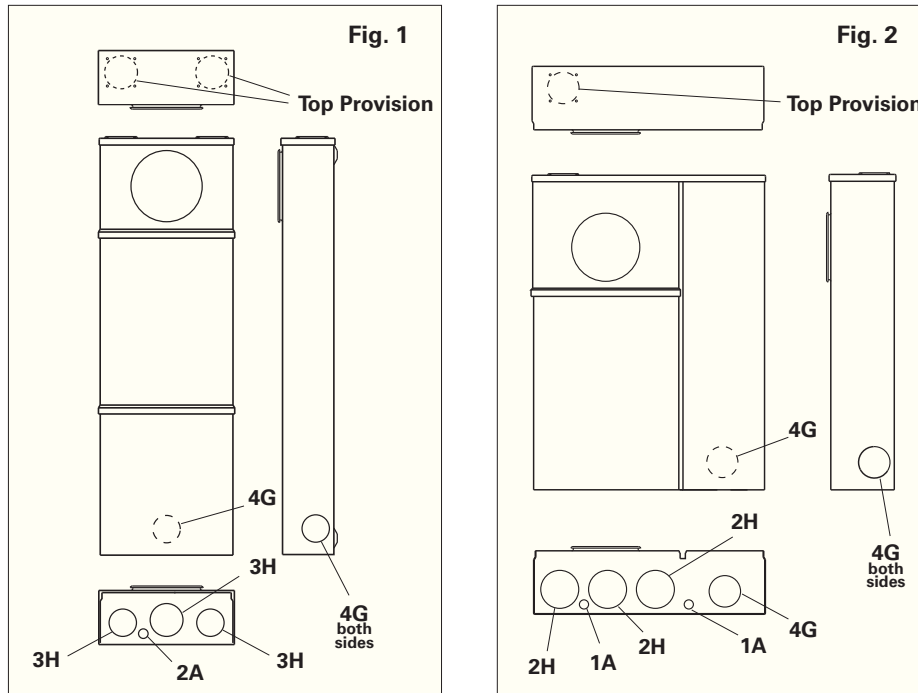
200 Amp - Fusible Pullout

| Style # | Suffixes |
|--------------|-----------------------------------|
| (U) 224 MTBP | P - Pullout Fuse |
| (U) 225 MTBP | MS15 - 480V Breaker |
| (U) 227 MTBP | MS43 - No Breaker Included |
| | SS - Stainless Steel |

Knockouts - Conduit Sizes

1A = 1/2"
 2A = 1/2" - 1/4"
 4G = 2 1/2" - 2" - 1 1/2" - 1 1/4"
 2H = 3" - 2 1/2"
 3H = 3" - 2 1/2" - 2"
 Top Provision = See Chart

Knockout Layouts



Single Meter Sockets
 With Safety Socket Bypass

Data subject to change without notice. Consult local utility for area acceptance. All dimensions are in inches.

Meter Main Loadcenter - With Safety Socket Bypass

200 Amp



U224 MTBL (closed)



U224 MTBL (open)

Application

- Combination meter/main/loadcenter with safety socket (test block) bypass
- Factory installed breakers / fusible pullout ("T" fuses included)
- Receive ANSI C12.10 watthour meters
- Surface mount



Construction

- Ring type
- NEMA Type 3R
- ANSI 61 gray E-coat finish
- Aluminum snap ring included

Standards

- UL 67 Listed
- ANSI C12.7
- EUSERC 305A

| Part/UPC Number | Catalog Number | Amp Rating | Jaws | Service Type | Access | Main Breaker | | | | |
|-----------------|----------------|------------|------|--------------|--------|-------------------|------|--------------|------------|--------|
| | | | | | | Voltage | AIC | Main | Loadcenter | Bypass |
| 78205170138 | U224 MTBL | 200 | 4 | 1Ø/3W | OH/UG | 120/240 | 10K | (1) 200A, 2P | 20/40 | TB |
| 78205170140 | U224 MTBPL | 200 | 4 | 1Ø/3W | OH/UG | 120/240 | 100K | (1) 200A, 2P | 20/40 | TB |
| 78205170142 | U225 MTBL | 200 | 5 | 3Ø/3W | OH/UG | 240* | 10K | (1) 200A, 3P | 24/42 | TB |
| 78205170144 | U225 MTBPL | 200 | 5 | 3Ø/3W | OH/UG | 240* | 100K | (1) 200A, 3P | 24/42 | TB |
| 78205170146 | U227 MTBL | 200 | 7 | 3Ø/4W | OH/UG | 120/240 & 120/208 | 10K | (1) 200A, 3P | 24/42 | TB |
| 78205170148 | U227 MTBPL | 200 | 7 | 3Ø/4W | OH/UG | 120/240 & 120/208 | 100K | (1) 200A, 3P | 24/42 | TB |

* For a 208/120V, 1Ø/3W system, order a 4-jaw unit and a 5th jaw kit

| Part/UPC Number | Catalog Number | Connections | | | Overall Dimensions | | | Top Provision | Knockout Layout |
|-----------------|----------------|--------------|-----------|--------------|--------------------|-------|-------|---------------|-----------------|
| | | Line | Load | Neutral | Height | Width | Depth | | |
| 78205170138 | U224 MTBL | #6 - 250 MCM | MCB | #6 - 250 MCM | 30" | 27" | 6" | AW Hub | Fig. 1 |
| 78205170140 | U224 MTBPL | #6 - 250 MCM | Main Fuse | #6 - 250 MCM | 30" | 27" | 6" | AW Hub | Fig. 1 |
| 78205170142 | U225 MTBL | #6 - 250 MCM | MCB | #6 - 250 MCM | 32" | 27" | 6" | AW Hub | Fig. 1 |
| 78205170144 | U225 MTBPL | #6 - 250 MCM | Main Fuse | #6 - 250 MCM | 32" | 27" | 6" | AW Hub | Fig. 1 |
| 78205170146 | U227 MTBL | #6 - 250 MCM | MCB | #6 - 250 MCM | 32" | 27" | 6" | AW Hub | Fig. 1 |
| 78205170148 | U227 MTBPL | #6 - 250 MCM | Main Fuse | #6 - 250 MCM | 32" | 27" | 6" | AW Hub | Fig. 1 |

MCB - Main Circuit Breaker

Single Meter Sockets
With Safety Socket Bypass

Meter Main Loadcenter - With Safety Socket Bypass

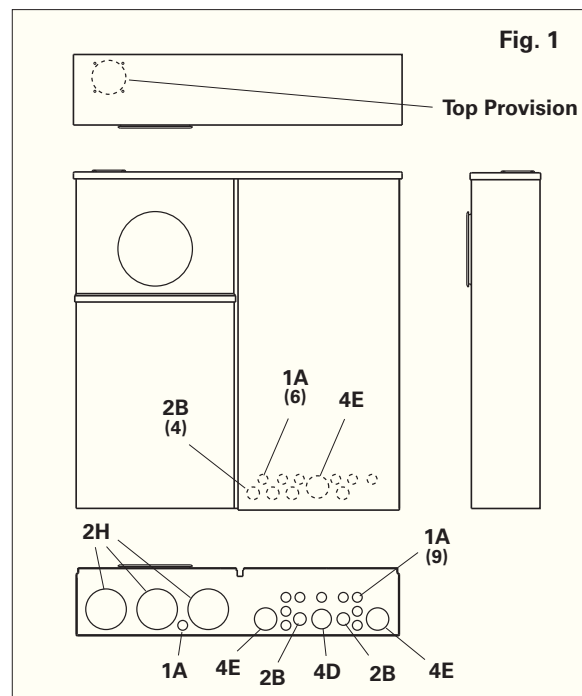
200 Amp

| Style # | Suffixes |
|---------------|-----------------------------------|
| (U) 224 MTBL | P - Pullout Fuse |
| (U) 224 MTBPL | MS43 - No Breaker Included |
| (U) 225 MTBL | SS - Stainless Steel |
| (U) 225 MTBPL | |
| (U) 227 MTBL | |
| (U) 227 MTBPL | |

Knockouts - Conduit Sizes

1A = 1/2"
 2B = 3/4" - 1/2"
 4D = 1 1/4" - 1" - 3/4" - 1/2"
 4E = 1 1/2" - 1 1/4" - 1" - 3/4"
 2H = 3" - 2 1/2"
 Top Provision = See Chart

Knockout Layouts



Single Meter Sockets
 With Safety Socket Bypass

Data subject to change without notice. Consult local utility for area acceptance. All dimensions are in inches.

Test Block Bypass - Metering Breaker Data

Main Breaker Data

| Catalog Number | B-Line Breaker # | ITE Breaker # | Ampacity | Voltage | # of Poles | AIC |
|----------------|------------------|---------------|----------|---------|------------|-----|
| U214MTB | 25458P | Q2100 | 100A | 240 | 2P | 10K |
| U215MTB | 25460P | Q3100 | 100A | 240 | 3P | 10K |
| U217MTB | 25460P | Q3100 | 100A | 240 | 3P | 10K |
| U214MTBHMS45 | 25464P | Q2100H | 100A | 240 | 2P | 22K |
| U215MTBHMS45 | 25466P | Q3100H | 100A | 240 | 3P | 22K |
| U217MTBHMS45 | 25466P | Q3100H | 100A | 240 | 3P | 22K |
| U214MTBH | 25470P | Q2100HH | 100A | 240 | 2P | 42K |
| U215MTBH | 25472P | Q3100HH | 100A | 240 | 3P | 42K |
| U217MTBH | 25472P | Q3100HH | 100A | 240 | 3P | 42K |
| U214MTBMS15 | 25534N | ED42B100 | 100A | 480 | 2P | 10K |
| U215MTBMS15 | 25536N | ED43B100 | 100A | 480 | 3P | 10K |
| U217MTBMS15 | 25536N | ED43B100 | 100A | 480 | 3P | 10K |
| U214MTBHMS15 | 25544N | HED42B100 | 100A | 480 | 2P | 42K |
| U215MTBHMS15 | 25546N | HED43B100 | 100A | 480 | 3P | 42K |
| U217MTBHMS15 | 25546N | HED43B100 | 100A | 480 | 3P | 42K |
| U214MTBL | 25458P | Q2100 | 100A | 240 | 2P | 10K |
| U215MTBL | 25460P | Q3100 | 100A | 240 | 3P | 10K |
| U217MTBL | 25460P | Q3100 | 100A | 240 | 3P | 10K |
| U224MTB | 25508K | QJ22B200 | 200A | 240 | 2P | 10K |
| U225MTB | 25510K | QJ23B200 | 200A | 240 | 3P | 10K |
| U227MTB | 25510K | QJ23B200 | 200A | 240 | 3P | 10K |
| U224MTBHMS45 | 25512K | QJH22B200H | 200A | 240 | 2P | 22K |
| U225MTBHMS45 | 25514K | QJH23B200H | 200A | 240 | 3P | 22K |
| U227MTBHMS45 | 25514K | QJH23B200H | 200A | 240 | 3P | 22K |
| U224MTBH | 25516K | QJ22B200H | 200A | 240 | 2P | 42K |
| U225MTBH | 25518K | QJ23B200H | 200A | 240 | 3P | 42K |
| U227MTBH | 25518K | QJ23B200H | 200A | 240 | 3P | 42K |
| U224MTBHMS15 | 25552J | FXD62B200 | 200A | 480 | 2P | 22K |
| U225MTBHMS15 | 25554J | FXD63B200 | 200A | 480 | 3P | 22K |
| U227MTBHMS15 | 25554J | FXD63B200 | 200A | 480 | 3P | 22K |

Main Pullout Data

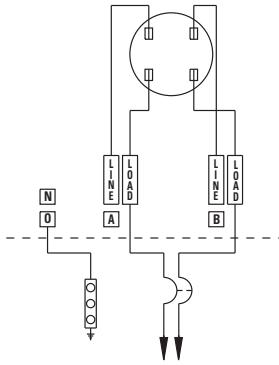
| Catalog Number | B-Line Breaker # | Boltswitch Pullout # | Ampacity | Voltage | # of Poles | AIC |
|----------------|------------------|----------------------|----------|---------|------------|------|
| U214MTBP | 20404A | PT323-2P | 100A | 240 | 2P | 200K |
| U215MTBP | 20404B | PT323 | 100A | 240 | 3P | 200K |
| U217MTBP | 20404B | PT323 | 100A | 240 | 3P | 200K |
| U214MTBPMS15 | 20404E | PT363-2P | 100A | 480 | 2P | 200K |
| U215MTBPMS15 | 20404F | PT363 | 100A | 480 | 3P | 200K |
| U217MTBPMS15 | 20404F | PT363 | 100A | 480 | 3P | 200K |
| U224MTBP | 20404C | PT324-2P | 200A | 240 | 2P | 200K |
| U225MTBP | 20404D | PT324 | 200A | 240 | 3P | 200K |
| U227MTBP | 20404D | PT324 | 200A | 240 | 3P | 200K |
| U224MTBPMS15 | 20404G | PT364-2P | 200A | 480 | 2P | 200K |
| U225MTBPMS15 | 20404H | PT364 | 200A | 480 | 3P | 200K |
| U227MTBPMS15 | 20404H | PT364 | 200A | 480 | 3P | 200K |

Main Pullout Data

| Catalog Number | B-Line Breaker # | ITE Pullout # | Ampacity | Voltage | # of Poles | AIC |
|----------------|------------------|---------------|----------|---------|------------|------|
| U214MTBPL | 25050A | TFP223 | 100A | 240 | 2P | 100K |
| U215MTBPL | 25051A | TFP323 | 100A | 240 | 3P | 100K |
| U217MTBPL | 25051A | TFP323 | 100A | 240 | 3P | 100K |
| U224MTBPL | 25052A | TFP224 | 200A | 240 | 2P | 100K |
| U225MTBPL | 25053A | TFP324 | 200A | 240 | 3P | 100K |
| U227MTBPL | 25053A | TFP324 | 200A | 240 | 3P | 100K |

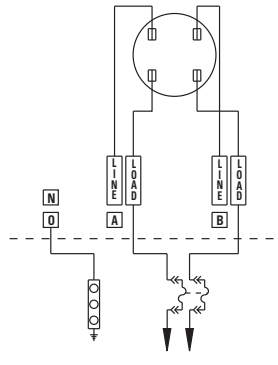
Single Meter Sockets
With Safety Socket Bypass

Test Block Bypass - Wiring Diagrams



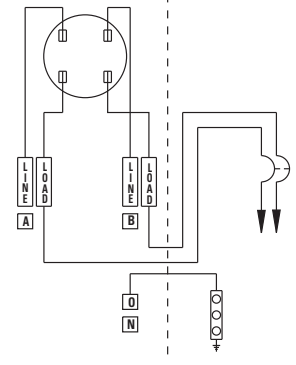
Catalog #

- 214MTB
- 214MTBHMS45
- 214MTBH
- 214MTBMS15
- 214MTBHMS15
- 224MTB
- 224MTBHMS45
- 224MTBH
- 224MTBMS15



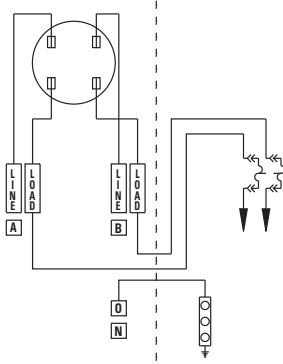
Catalog #

- 214MTBP
- 214MTBPMS15
- 224MTBP
- 224MTBPMS15



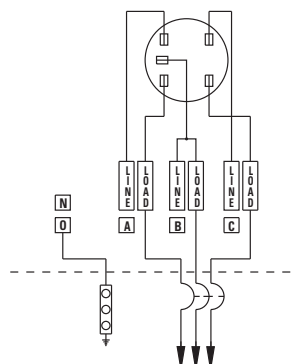
Catalog #

- U214MTB
- U214MTBMS15
- U214MTBHMS15
- U214MTBH
- U214MTBHMS45
- U224MTB
- U224MTBH
- U224MTBHMS45



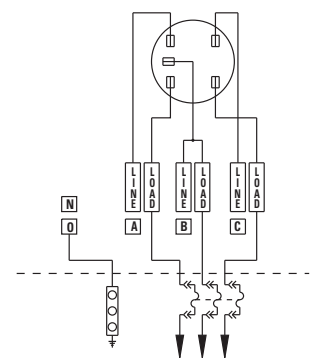
Catalog #

- U214MTBP
- U214MTBPMS15
- U224MTBP
- U224MTBPMS15



Catalog #

- 215MTB
- 215MTBMS15
- 215MTBHMS15
- 215MTBH
- 215MTBHMS45
- 225MTB
- 225MTBH
- 225MTBHMS45



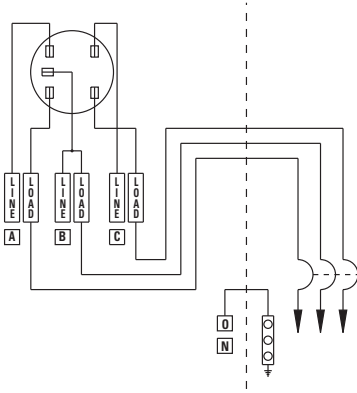
Catalog #

- 215MTBP
- 215MTBPMS15
- 225MTBP
- 225MTBPMS15

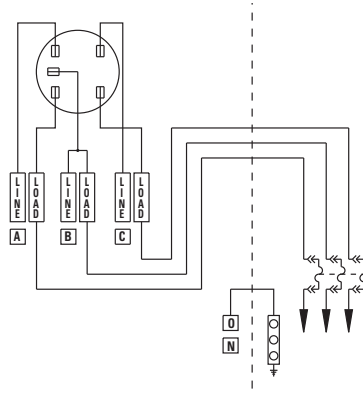
Single Meter Sockets
With Safety Socket Bypass

Data subject to change without notice. Consult local utility for area acceptance. All dimensions are in inches.

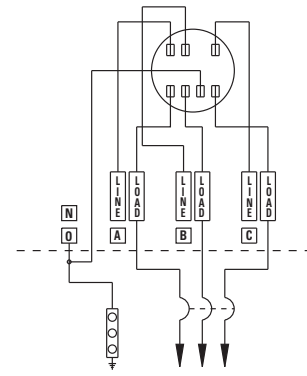
Test Block Bypass - Wiring Diagrams



- Catalog #**
- U215MTB
 - U215MTBMS15
 - U215MTBHMS15
 - U215MTBH
 - U215MTBHMS45
 - U225MTB
 - U225MTBH
 - U225MTBHMS45
 - U225MTBHMS15

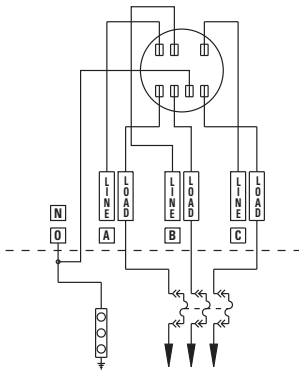


- Catalog #**
- U215MTBP
 - U214MTBPMS15
 - U225MTBP
 - U225MTBPMS15

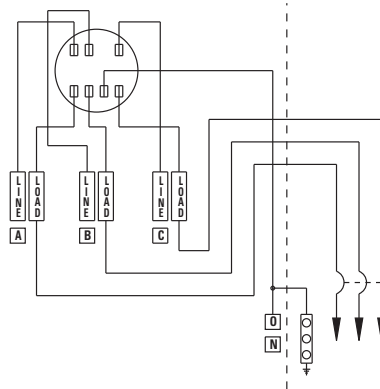


- Catalog #**
- U217MTB
 - U217MTBMS15
 - U217MTBHMS15
 - U217MTBH
 - U217MTBHMS45
 - U227MTB
 - U227MTBH
 - U227MTBHMS45
 - U227MTBHMS15

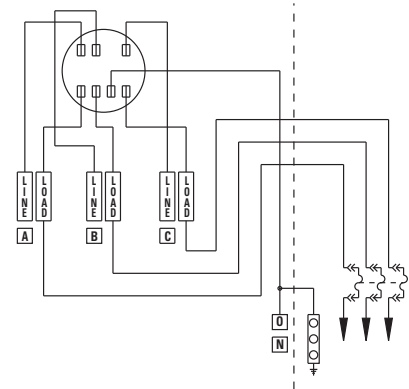
Single Meter Sockets
With Safety Socket Bypass



- Catalog #**
- 217MTBP
 - 217MTBPMS15
 - 227MTBP
 - 227MTBPMS15

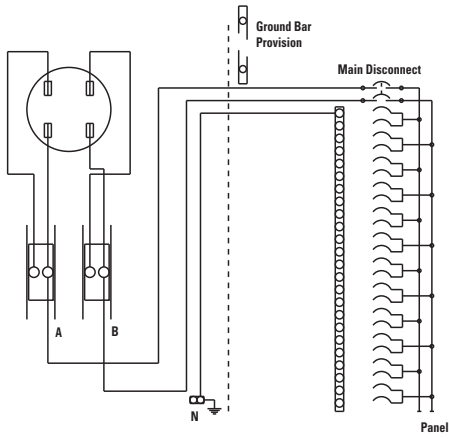


- Catalog #**
- U217MTB
 - U217MTBMS15
 - U217MTBHMS15
 - U217MTBH
 - U217MTBHMS45
 - U227MTB
 - U227MTBMS15
 - U227MTBH
 - U227MTBHMS45

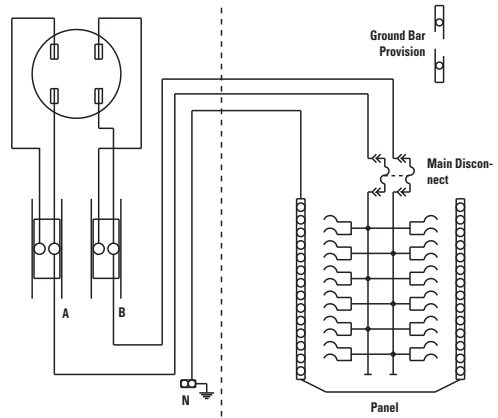


- Catalog #**
- U217MTBP
 - U217MTBPMS15
 - U227MTBP
 - U227MTBPMS15

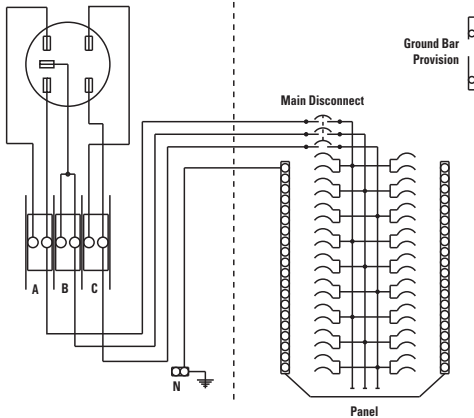
Test Block Bypass - Wiring Diagrams



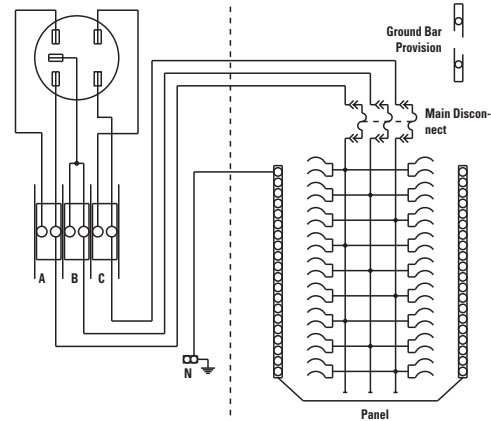
Catalog #
U214MTBL



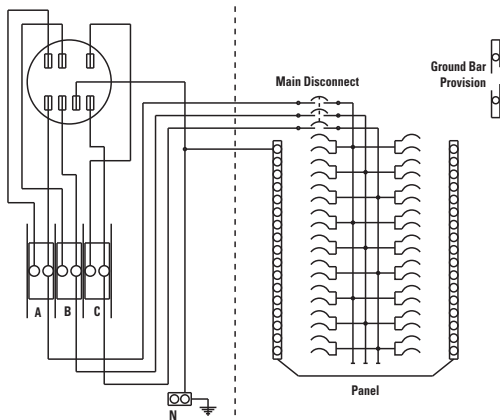
Catalog #
U214MTBPL



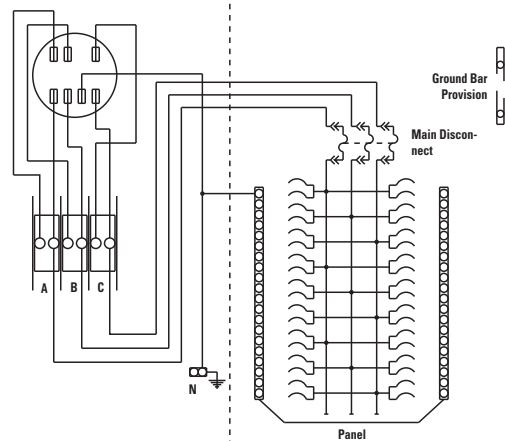
Catalog #
U215MTBL



Catalog #
U215MTBPL



Catalog #
U217MTBL

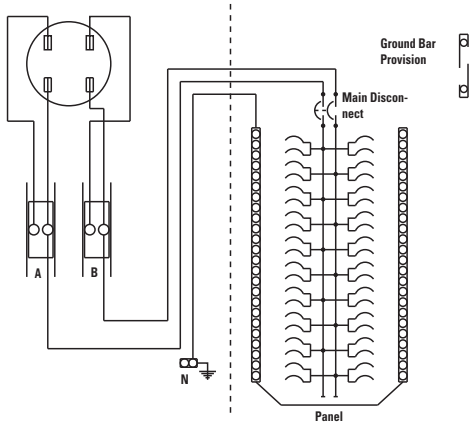


Catalog #
U217MTBPL

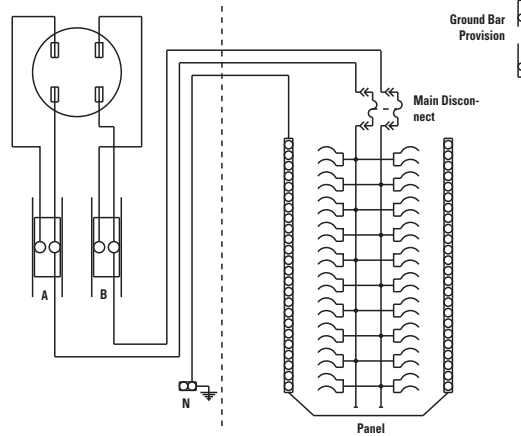
Single Meter Sockets
With Safety Socket Bypass

Data subject to change without notice. Consult local utility for area acceptance. All dimensions are in inches.

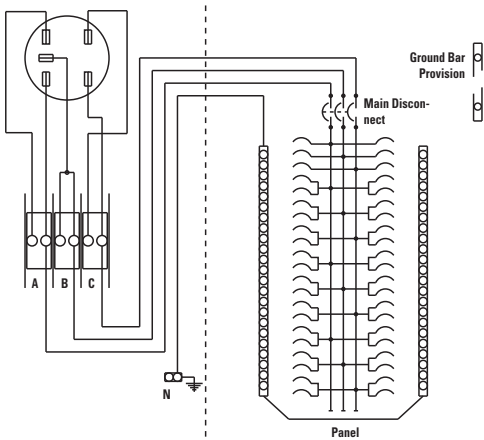
Test Block Bypass - Wiring Diagrams



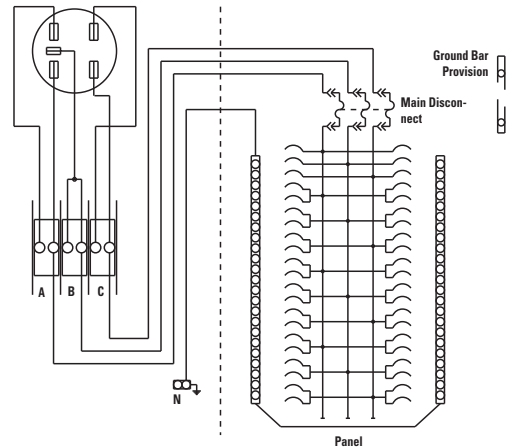
Catalog #
U224MTBL



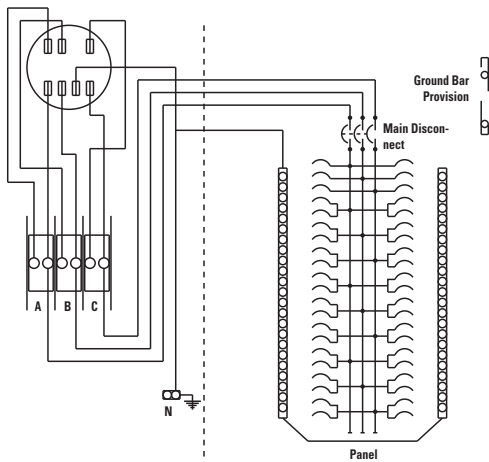
Catalog #
U224MTBPL



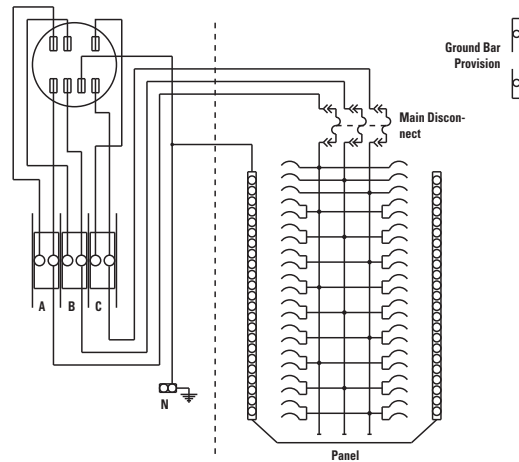
Catalog #
U225MTBL



Catalog #
U225MTBPL



Catalog #
U227MTBL

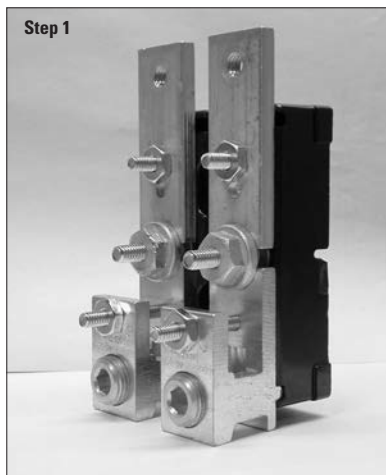


Catalog #
U227MTBPL

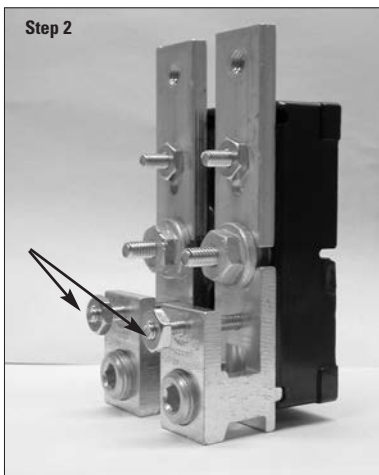
Single Meter Sockets
With Safety Socket Bypass

Test Block Bypass - Safety Socket Bypass Instructions

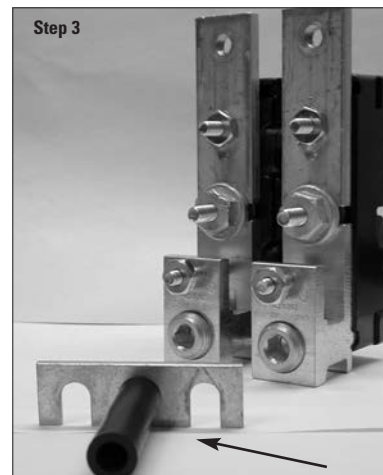
THIS PROCEDURE SHOULD BE PERFORMED ONLY BY QUALIFIED UTILITY PERSONNEL



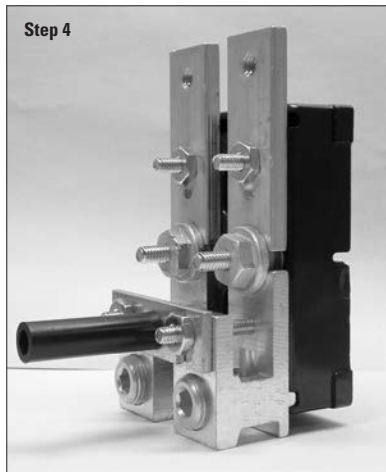
Test Block in normal operation. All screw terminals are in the closed position and tightened to the required torque specification.



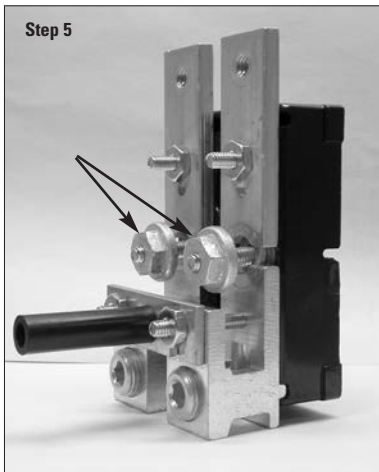
Loosen Terminal Bypass Nuts.



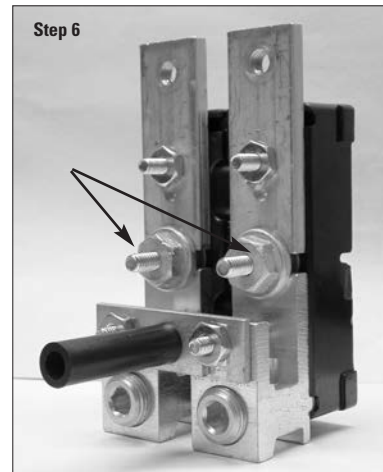
Picture shows the "Bypass Link" used to bypass the meter. (Normally supplied by utility)



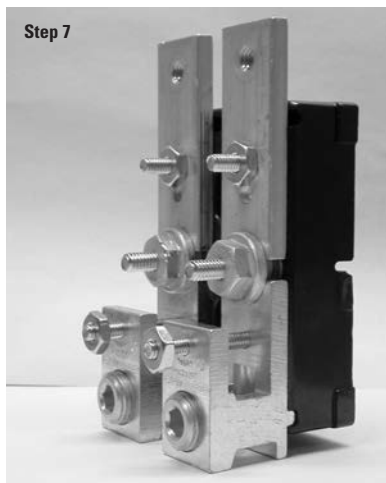
Install Bypass Link as shown and tighten the Terminal Bypass Nuts to required torque specifications.



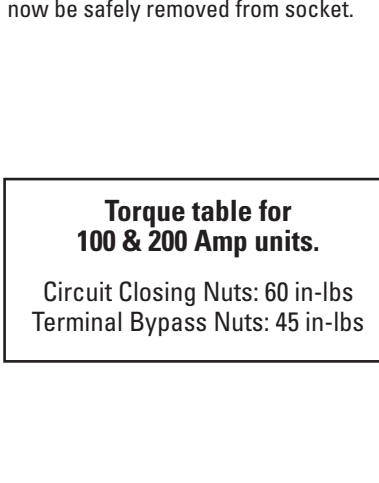
With Bypass Link securely in place, loosen Circuit Closing Nuts. All current and voltage potential has now been isolated from the socket. Meter may now be safely removed from socket.



After meter has been replaced, securely tighten the Circuit Closing Nut to required torque specification.



Loosen Terminal Bypass Nuts and remove Bypass Link. Meter is now energized.



Tighten Terminal Bypass Nuts.

**Torque table for
100 & 200 Amp units.**
Circuit Closing Nuts: 60 in-lbs
Terminal Bypass Nuts: 45 in-lbs

Single Meter Sockets
With Safety Socket Bypass

Data subject to change without notice. Consult local utility for area acceptance.