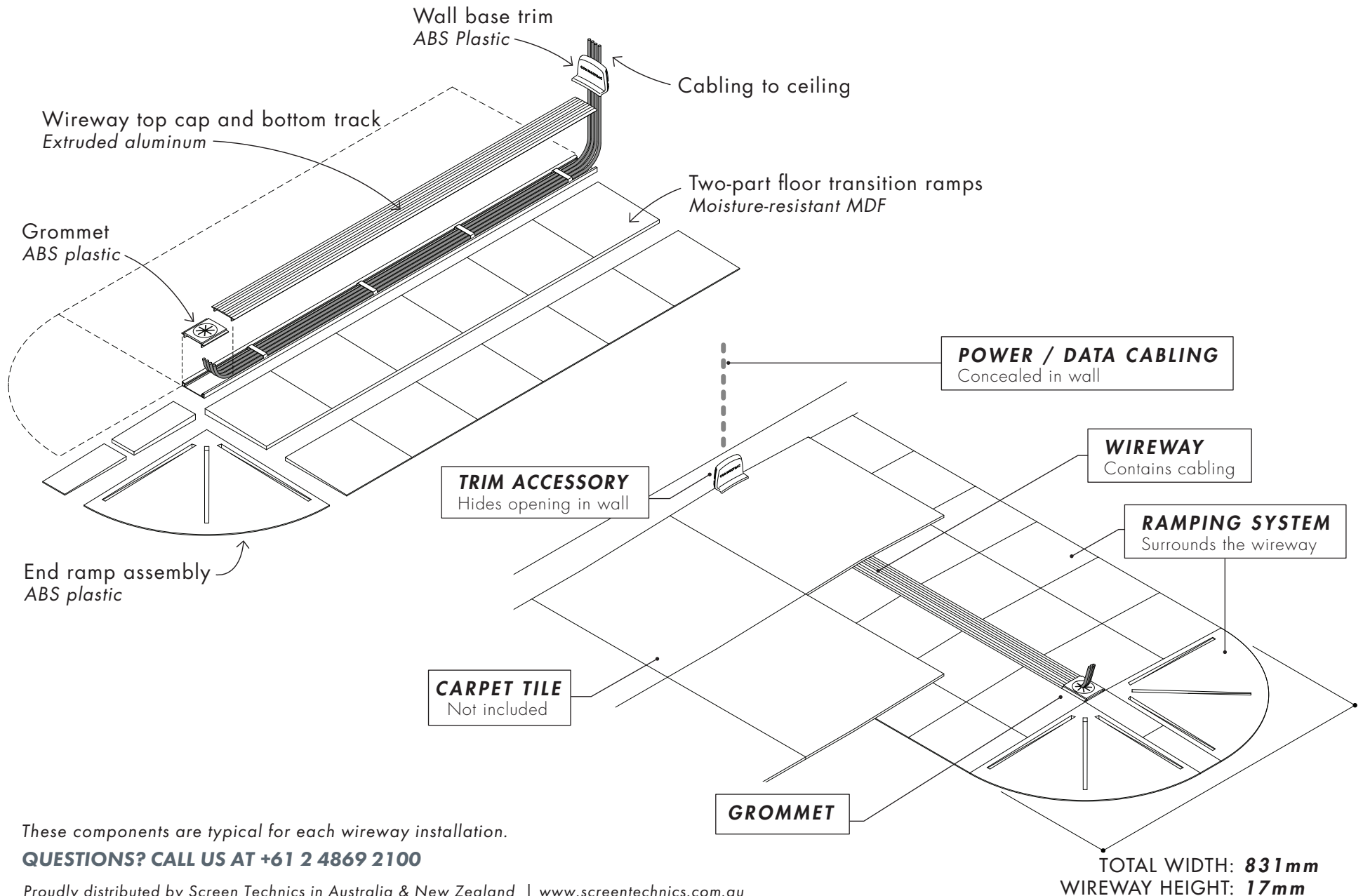


Length: 1219 mm | Top Cap Width: 65 mm | Finish: N/A (Under-Carpet) | OVERVIEW



These components are typical for each wireway installation.

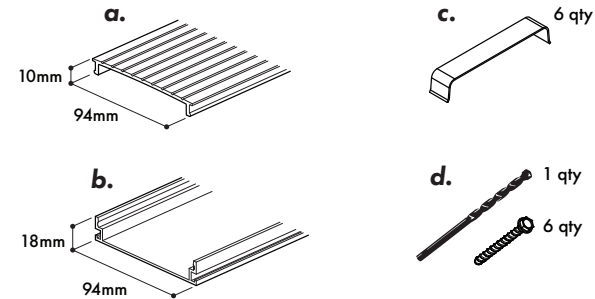
QUESTIONS? CALL US AT +61 2 4869 2100

Proudly distributed by Screen Technics in Australia & New Zealand | www.screentechnics.com.au

Length: 1219 mm | Top Cap Width: 65 mm | Finish: N/A (Under-Carpet) | PARTS LIST

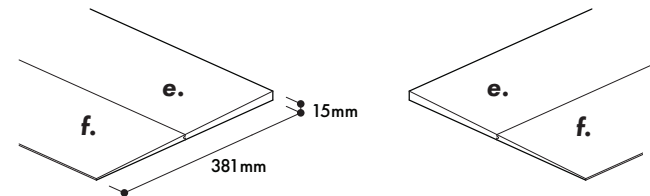
Wireway Components [01-2.7-UN-WW-048]

PART DESCRIPTION:	ID #	QTY:
a. TOP CAP	01-2.7-CAP-01-048-NA	1
b. BOTTOM TRACK	01-2.7-BT-01-048	1
c. 6 CABLE MANAGEMENT CLIPS	01-2.7-CLIP-01-6	1
d. 6 SCREWS AND 1 DRILL BIT	05-SCRE-01-KIT-6	1



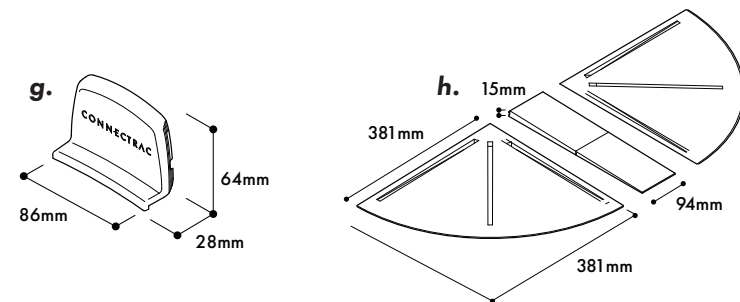
Ramping [02-IN-RAMP-048] (Note: Same ramps as 3.7 In-Carpet)

PART DESCRIPTION:	ID #	QTY:
e. HIGH RAMP	02-HR-01-048	2
f. LOW RAMP	02-LR-01-048	2



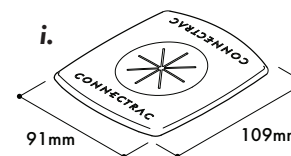
End Components [UN-2.7-EC] (Mandatory when the wireway ends in an open area)

PART DESCRIPTION:	ID #	QTY:
g. WALL BASE TRIM	UN-2.7-EC	1
h. END TRANSITION RAMPING	UN-2.7-EC	1



Mandatory Grommet [UN-2.7-GT-BK]

PART DESCRIPTION:	ID #	QTY:
i. GROMMET (BLACK)	UN-2.7-GT-BK	1



Length: 1219 mm | Top Cap Width: 65 mm | Finish: N/A (Under-Carpet) | PACKAGING

Wireway Components [01-2.7-UN-WW-048]

PART DESCRIPTION:	ID #	QTY:
a. TOP CAP	01-2.7-CAP-01-048-NA	1
b. BOTTOM TRACK	01-2.7-BT-01-048	1
c. 6 CABLE MANAGEMENT CLIPS	01-2.7-CLIP-01-6	1
d. 6 SCREWS AND 1 DRILL BIT	05-SCRE-01-KIT-6	1



PACKAGE: TUBE
1270mm x 96mm

Ramping [02-IN-RAMP-048] (Note: Same ramps as 3.7 In-Carpet)

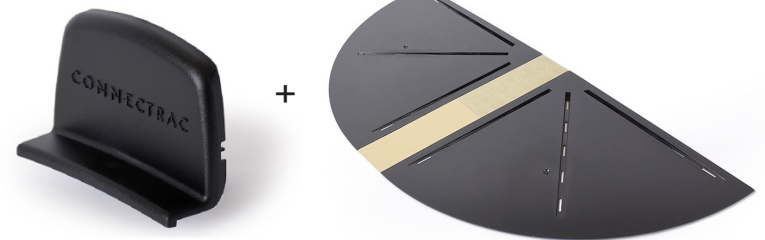
PART DESCRIPTION:	ID #	QTY:
e. HIGH RAMP	02-HR-01-048	2
f. LOW RAMP	02-LR-01-048	2



PACKAGE: BOX
1296mm x 203mm x 51mm

End Components [UN-2.7-EC] (Mandatory when the wireway ends in an open area)

PART DESCRIPTION:	ID #	QTY:
g. WALL BASE TRIM	UN-2.7-EC	1
h. END TRANSITION RAMPING	UN-2.7-EC	1

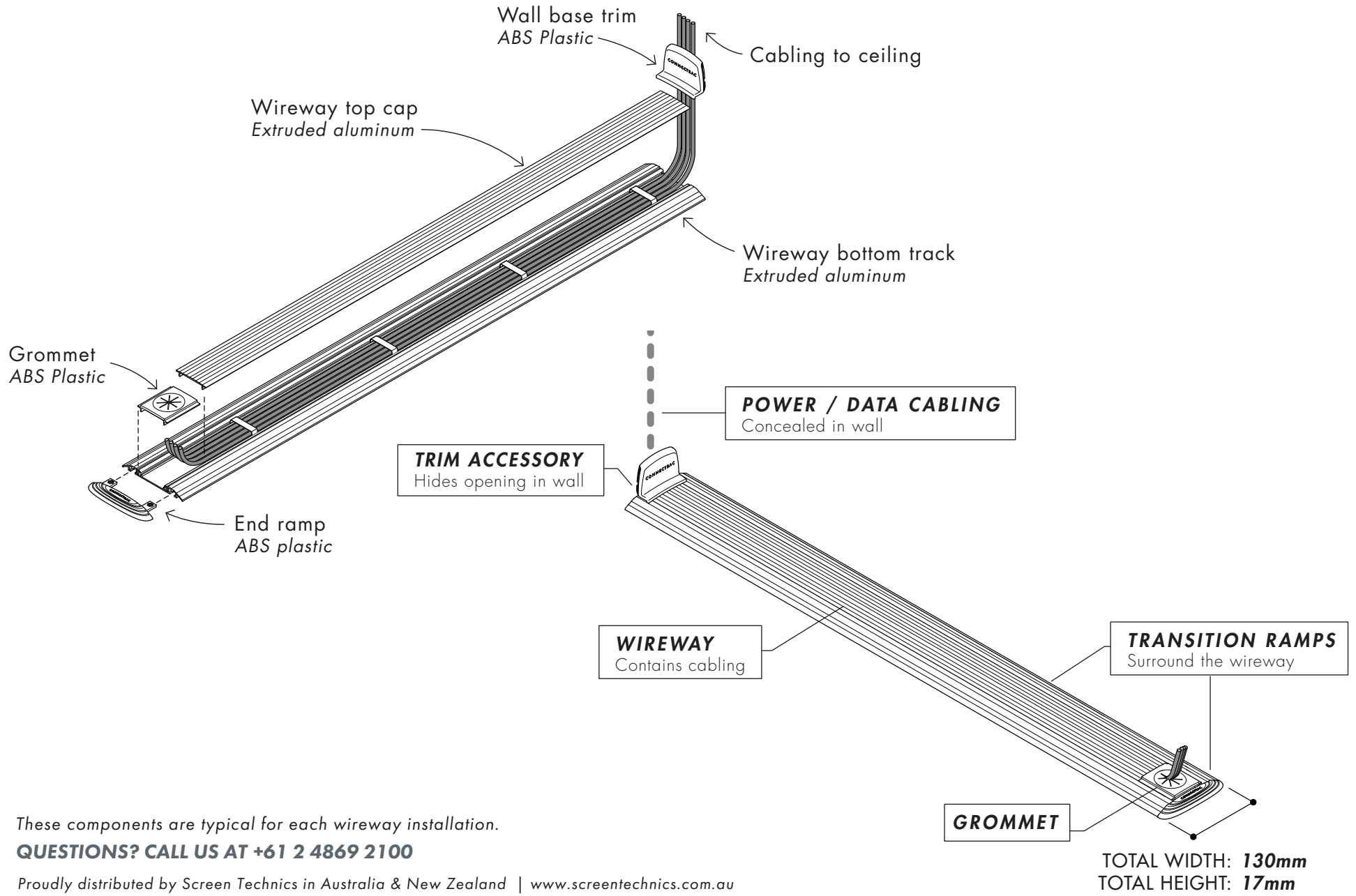


Mandatory Grommet [UN-2.7-GT-BK]

PART DESCRIPTION:	ID #	QTY:
i. GROMMET (BLACK)	UN-2.7-GT-BK	1



Length: 1829 mm | Top Cap Width: 65 mm | Finish: Aluminum | OVERVIEW



These components are typical for each wireway installation.

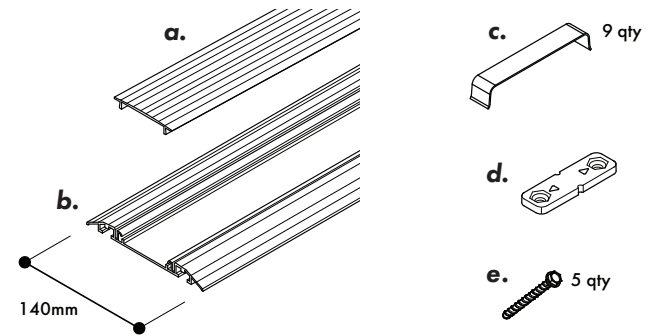
QUESTIONS? CALL US AT +61 2 4869 2100

Proudly distributed by Screen Technics in Australia & New Zealand | www.screentechnics.com.au

Length: 1829 mm | Top Cap Width: 65 mm | Finish: Aluminum | OVERVIEW

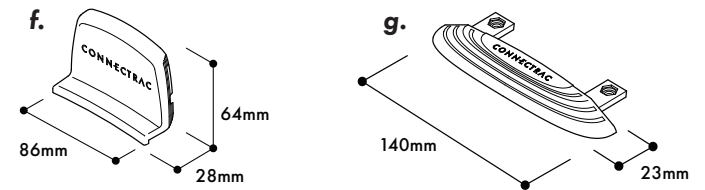
Wireway Components [ON-2.7-072-AL]

PART DESCRIPTION:	ID #	QTY:
a. TOP CAP	01-2.7-CAP-01-072-AL	1
b. RAMPED BOTTOM CAP (140mm)	01-2.7-CAP-BT-072-AL	1
c. 9 CABLE MANAGEMENT CLIPS	01-CLIP-01-9	1
d. COUPLERS	ON-2.7-CP	1
e. 5 SCREWS	05-SCRE-01-KIT-6	1



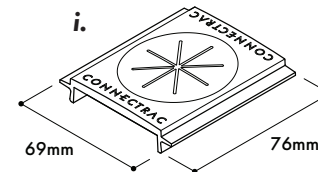
End Components [ON-2.7-EC-SV] (Mandatory when the wireway ends in an open area)

PART DESCRIPTION:	ID #	QTY:
f. WALL BASE TRIM	ON-2.7-EC-SV	1
g. END TRANSITION RAMPING	ON-2.7-EC-SV	1



Mandatory Grommet [AC-2.7-GT-XX] (Note: Choose one either Black or Silver)

PART DESCRIPTION:	ID #	QTY:
h. GROMMET (BLACK)	AC-2.7-GT-BK	1
h. GROMMET (SILVER)	AC-2.7-GT-SV	1



Length: 1829 mm | Top Cap Width: 65 mm | Finish: Aluminum | OVERVIEW

Wireway Components [ON-2.7-072-AL]

PART DESCRIPTION:	ID #	QTY:
a. TOP CAP	01-2.7-CAP-01-072-AL	1
b. RAMPED BOTTOM CAP (140 mm)	01-2.7-CAP-BT-072-AL	1
c. 9 CABLE MANAGEMENT CLIPS	01-CLIP-01-9	1
d. COUPLERS	ON-2.7-CP	1
e. 5 SCREWS	05-SCRE-01-KIT-6	1



PACKAGE: BOX
1896mm x 203mm x 51mm

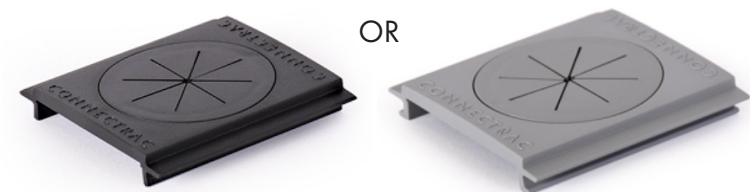
End Components [ON-2.7-EC-SV] (Mandatory when the wireway ends in an open area)

PART DESCRIPTION:	ID #	QTY:
f. WALL BASE TRIM	ON-2.7-EC-SV	1
g. END TRANSITION RAMPING	ON-2.7-EC-SV	1

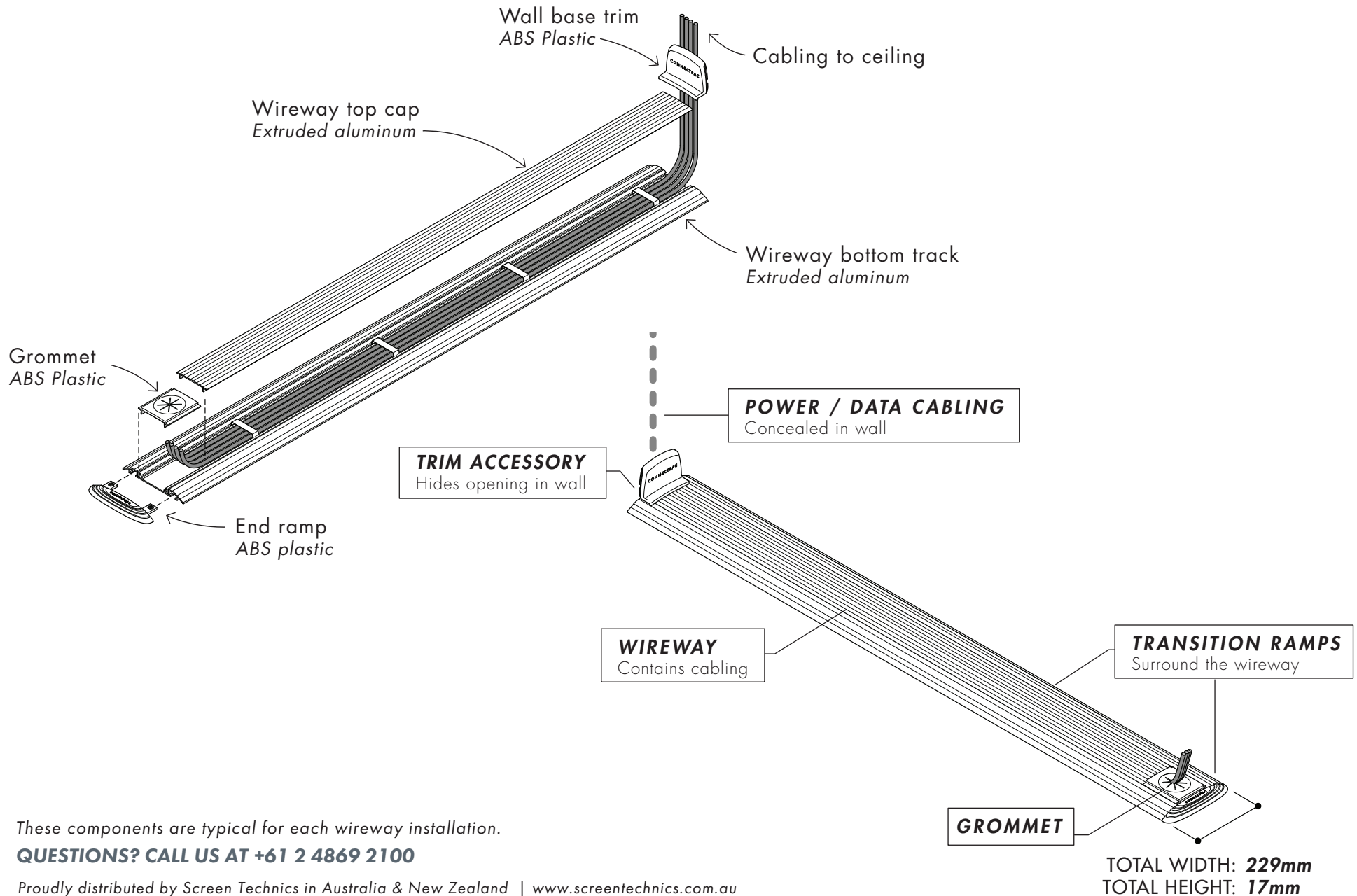


Mandatory Grommet [AC-2.7-GT-XX] (Note: Choose one either Black or Silver)

PART DESCRIPTION:	ID #	QTY:
h. GROMMET (BLACK)	AC-2.7-GT-BK	1
h. GROMMET (SILVER)	AC-2.7-GT-SV	1



Length: 1829 mm | Top Cap Width: 94 mm | Finish: Aluminum | OVERVIEW



These components are typical for each wireway installation.

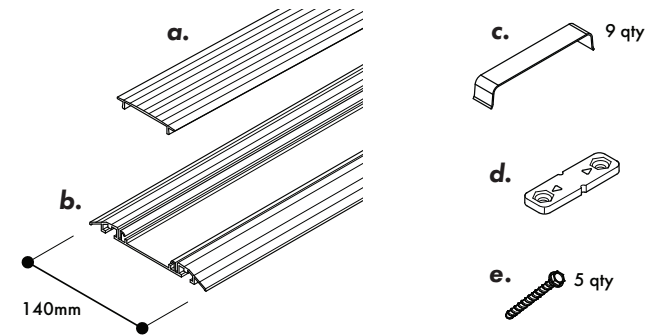
QUESTIONS? CALL US AT +61 2 4869 2100

Proudly distributed by Screen Technics in Australia & New Zealand | www.screentechnics.com.au

Length: 1829 mm | Top Cap Width: 94 mm | Finish: Aluminum | OVERVIEW

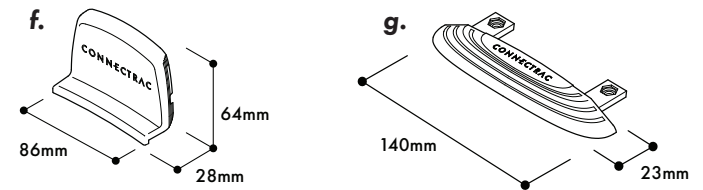
Wireway Components [ON-3.7-072-AL]

PART DESCRIPTION:	ID #	QTY:
a. TOP CAP	01-3.7-CAP-01-072-AL	1
b. RAMPED BOTTOM CAP (140mm)	01-3.7-CAP-BT-072-AL	1
c. 9 CABLE MANAGEMENT CLIPS	01-CLIP-01-9	1
d. COUPLERS	ON-3.7-CP	1
e. 5 SCREWS	05-SCRE-01-KIT-6	1



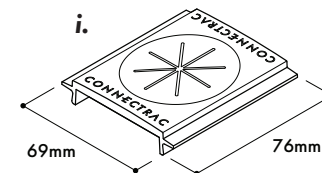
End Components [ON-3.7-EC-SV] (Mandatory when the wireway ends in an open area)

PART DESCRIPTION:	ID #	QTY:
f. WALL BASE TRIM	ON-3.7-EC-SV	1
g. END TRANSITION RAMPING	ON-3.7-EC-SV	1



Mandatory Grommet [AC-3.7-GT-XX] (Note: Choose one either Black or Silver)

PART DESCRIPTION:	ID #	QTY:
h. GROMMET (BLACK)	AC-3.7-GT-BK	1
h. GROMMET (SILVER)	AC-3.7-GT-SV	1



Length: 1829 mm | Top Cap Width: 94 mm | Finish: Aluminum | OVERVIEW

Wireway Components [ON-3.7-072-AL]

PART DESCRIPTION:	ID #	QTY:
a. TOP CAP	01-3.7-CAP-01-072-AL	1
b. RAMPED BOTTOM CAP (140mm)	01-3.7-CAP-BT-072-AL	1
c. 9 CABLE MANAGEMENT CLIPS	01-CLIP-01-9	1
d. COUPLERS	ON-3.7-CP	1
e. 5 SCREWS	05-SCRE-01-KIT-6	1



PACKAGE: BOX
1896mm x 203mm x 51mm

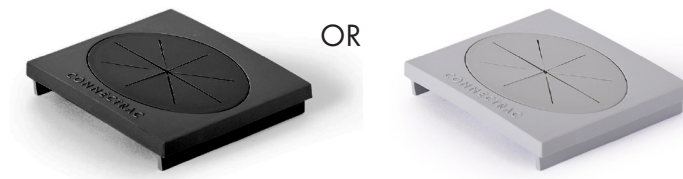
End Components [ON-3.7-EC-SV] (Mandatory when the wireway ends in an open area)

PART DESCRIPTION:	ID #	QTY:
f. WALL BASE TRIM	ON-3.7-EC-SV	1
g. END TRANSITION RAMPING	ON-3.7-EC-SV	1

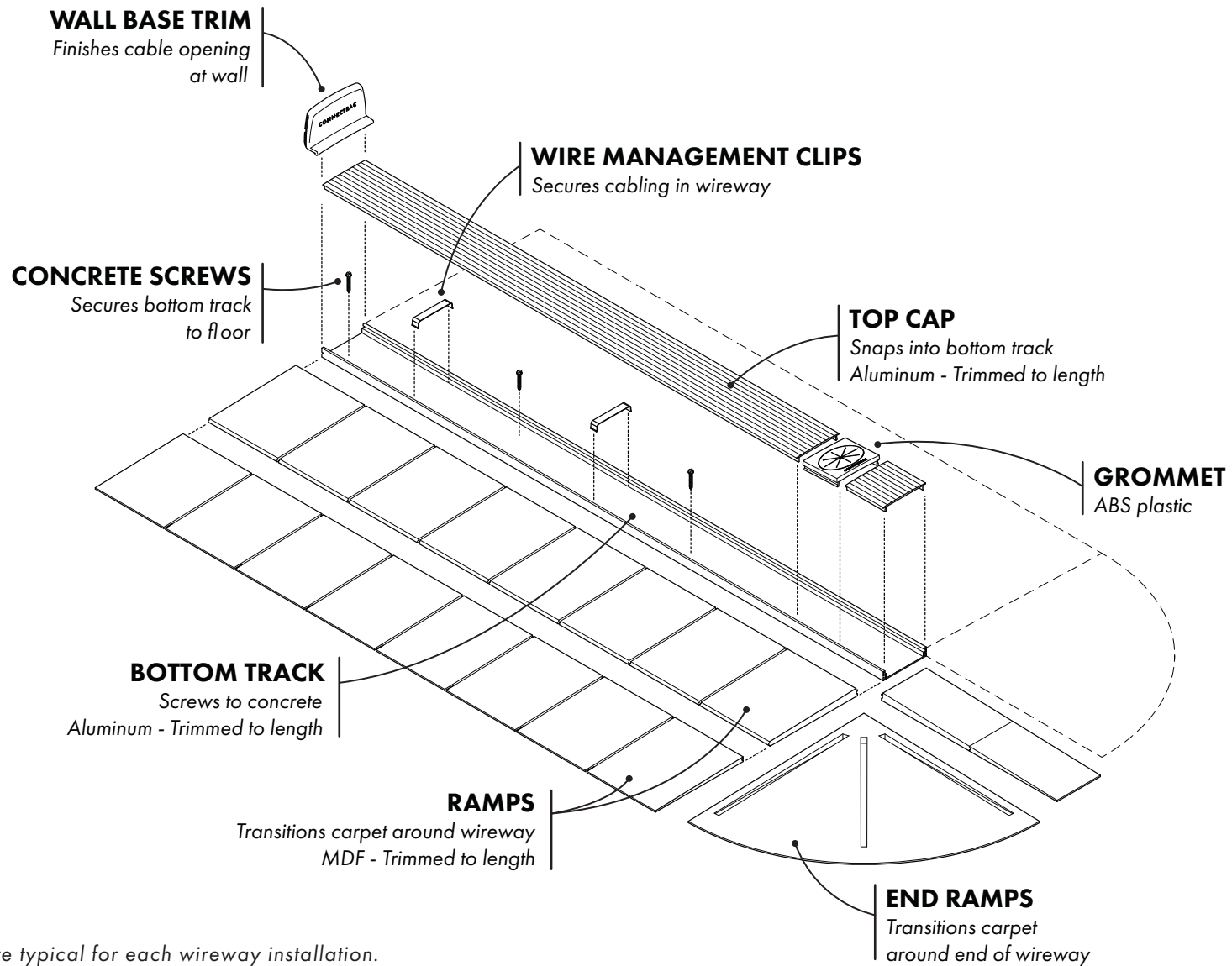


Mandatory Grommet [AC-3.7-GT-XX] (Note: Choose one either Black or Silver)

PART DESCRIPTION:	ID #	QTY:
h. GROMMET (BLACK)	AC-3.7-GT-BK	1
h. GROMMET (SILVER)	AC-3.7-GT-SV	1



Length: 1219 mm | Top Cap Width: 94 mm | Finish: Aluminum | OVERVIEW



These components are typical for each wireway installation.

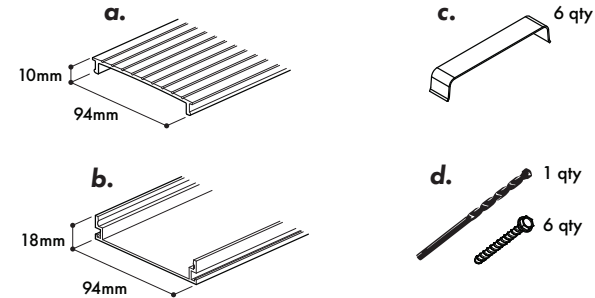
QUESTIONS? CALL US AT +61 2 4869 2100

Proudly distributed by Screen Technics in Australia & New Zealand | www.screentechnics.com.au

Length: 1219 mm | Top Cap Width: 94 mm | Finish: Aluminum | PARTS LIST

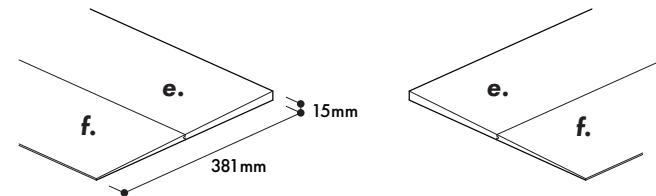
Wireway Components [01-IN-WW-01-048-AL]

PART DESCRIPTION:	ID #	QTY:
a. TOP CAP	01-CAP-01-048-AL	1
b. BOTTOM TRACK	01-IN-BT-01-048	1
c. 6 CABLE MANAGEMENT CLIPS	01-CLIP-01-6	1
d. 6 SCREWS AND 1 DRILL BIT	05-SCRE-01-KIT-6	1



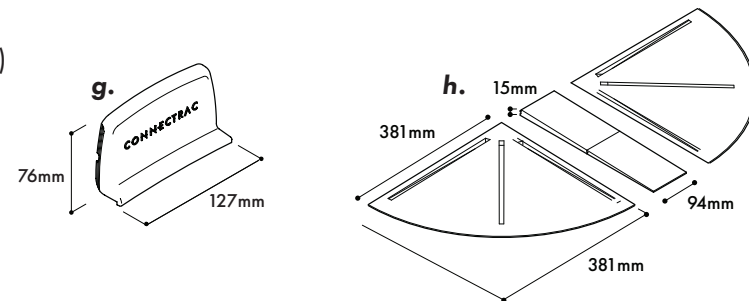
Ramping [02-IN-RAMP-048]

PART DESCRIPTION:	ID #	QTY:
e. HIGH RAMP	02-HR-01-048	2
f. LOW RAMP	02-LR-01-048	2



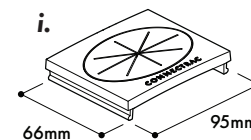
End Components [IN-3.7-EC] (Mandatory when the wireway ends in an open area)

PART DESCRIPTION:	ID #	QTY:
g. WALL BASE TRIM	IN-3.7-EC	1
h. END TRANSITION RAMPING	IN-3.7-EC	1



Mandatory Grommet [AC-3.7-GT-BK] (Note: Choose one either Black or Silver)

PART DESCRIPTION:	ID #	QTY:
i. GROMMET (BLACK)	AC-3.7-GT-BK	1
i. GROMMET (SILVER)	AC-3.7-GT-SV	1



Length: 1219 mm | Top Cap Width: 94 mm | Finish: Aluminum | PACKAGING

Wireway Components [01-IN-WW-01-048-AL]

PART DESCRIPTION:	ID #	QTY:
a. TOP CAP	01-CAP-01-048-AL	1
b. BOTTOM TRACK	01-IN-BT-01-048	1
c. 6 CABLE MANAGEMENT CLIPS	01-CLIP-01-6	1
d. 6 SCREWS AND 1 DRILL BIT	05-SCRE-01-KIT-6	1



PACKAGE: TUBE
1270mm x 121mm

Ramping [02-IN-RAMP-048]

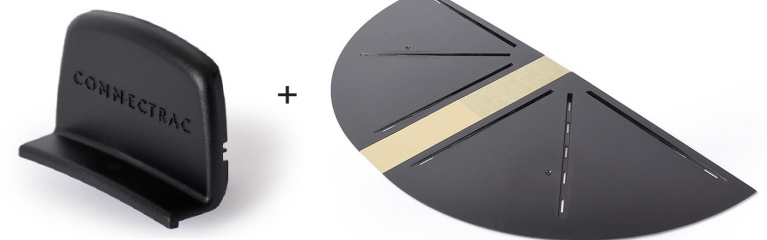
PART DESCRIPTION:	ID #	QTY:
e. HIGH RAMP	02-HR-01-048	2
f. LOW RAMP	02-LR-01-048	2



PACKAGE: BOX
1296mm x 203mm x 51mm

End Components [IN-3.7-EC] (Mandatory when the wireway ends in an open area)

PART DESCRIPTION:	ID #	QTY:
g. WALL BASE TRIM	IN-3.7-EC	1
h. END TRANSITION RAMPING	IN-3.7-EC	1



Mandatory Grommet [AC-3.7-GT-BK] (Note: Choose one either Black or Silver)

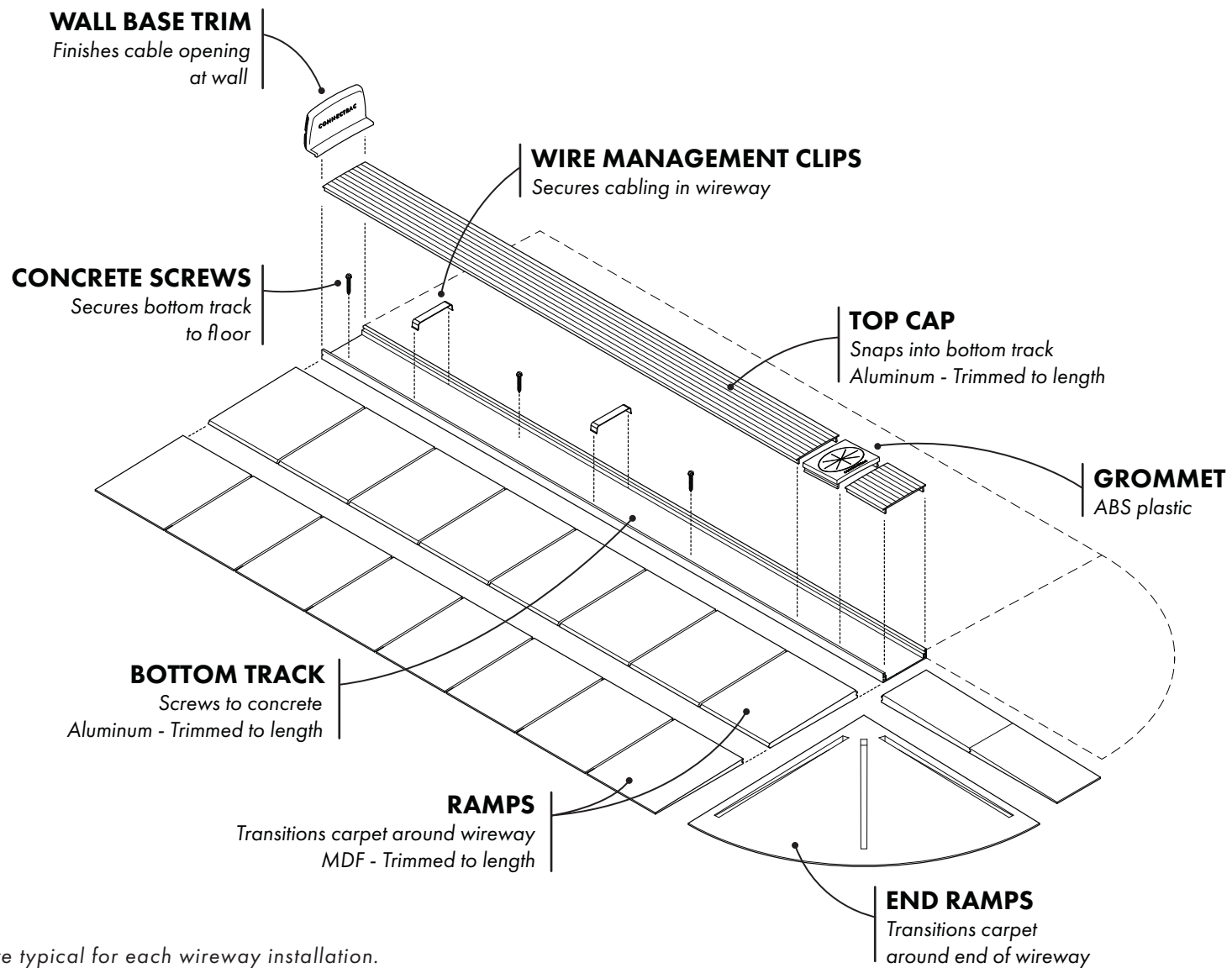
PART DESCRIPTION:	ID #	QTY:
i. GROMMET (BLACK)	AC-3.7-GT-BK	1
i. GROMMET (SILVER)	AC-3.7-GT-SV	1



OR



Length: 1219 mm | Top Cap Width: 94 mm | Finish: Graphite | OVERVIEW



These components are typical for each wireway installation.

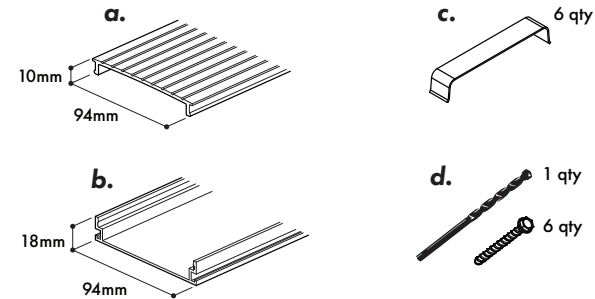
QUESTIONS? CALL US AT +61 2 4869 2100

Proudly distributed by Screen Technics in Australia & New Zealand | www.screentechnics.com.au

Length: 1219 mm | Top Cap Width: 94 mm | Finish: Graphite | OVERVIEW

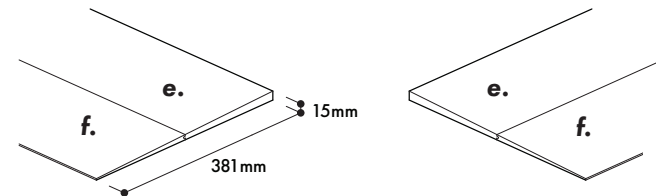
Wireway Components [01-IN-WW-01-048-GR]

PART DESCRIPTION:	ID #	QTY:
a. TOP CAP	01-CAP-01-048-GR	1
b. BOTTOM TRACK	01-IN-BT-01-048	1
c. 6 CABLE MANAGEMENT CLIPS	01-CLIP-01-6	1
d. 6 SCREWS AND 1 DRILL BIT	05-SCRE-01-KIT-6	1



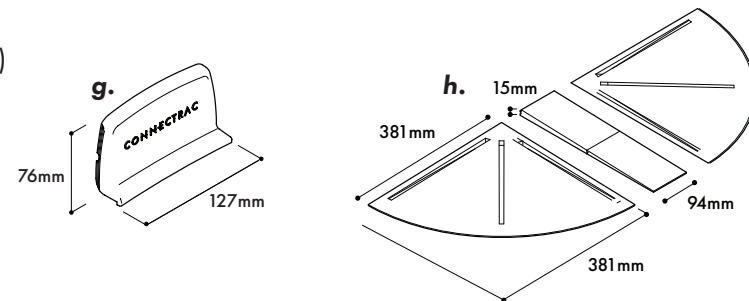
Ramping [02-IN-RAMP-048]

PART DESCRIPTION:	ID #	QTY:
e. HIGH RAMP	02-HR-01-048	2
f. LOW RAMP	02-LR-01-048	2



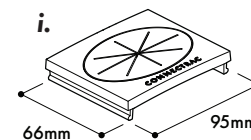
End Components [IN-3.7-EC] (Mandatory when the wireway ends in an open area)

PART DESCRIPTION:	ID #	QTY:
g. WALL BASE TRIM	IN-3.7-EC	1
h. END TRANSITION RAMPING	IN-3.7-EC	1



Mandatory Grommet [AC-3.7-GT-BK] (Note: Choose one either Black or Silver)

PART DESCRIPTION:	ID #	QTY:
i. GROMMET (BLACK)	AC-3.7-GT-BK	1
i. GROMMET (SILVER)	AC-3.7-GT-SV	1



Length: 1219 mm | Top Cap Width: 94 mm | Finish: Graphite | OVERVIEW

Wireway Components [01-IN-WW-01-048-GR]

PART DESCRIPTION:	ID #	QTY:
a. TOP CAP	01-CAP-01-048-GR	1
b. BOTTOM TRACK	01-IN-BT-01-048	1
c. 6 CABLE MANAGEMENT CLIPS	01-CLIP-01-6	1
d. 6 SCREWS AND 1 DRILL BIT	05-SCRE-01-KIT-6	1



PACKAGE: TUBE
1270mm x 121mm

Ramping [02-IN-RAMP-048]

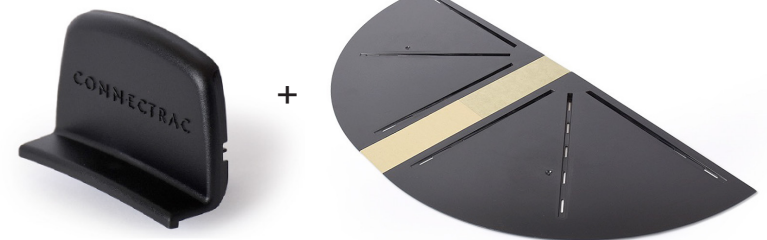
PART DESCRIPTION:	ID #	QTY:
e. HIGH RAMP	02-HR-01-048	2
f. LOW RAMP	02-LR-01-048	2



PACKAGE: BOX
1296mm x 203mm x 51mm

End Components [IN-3.7-EC] (Mandatory when the wireway ends in an open area)

PART DESCRIPTION:	ID #	QTY:
g. WALL BASE TRIM	IN-3.7-EC	1
h. END TRANSITION RAMPING	IN-3.7-EC	1



Mandatory Grommet [AC-3.7-GT-BK] (Note: Choose one either Black or Silver)

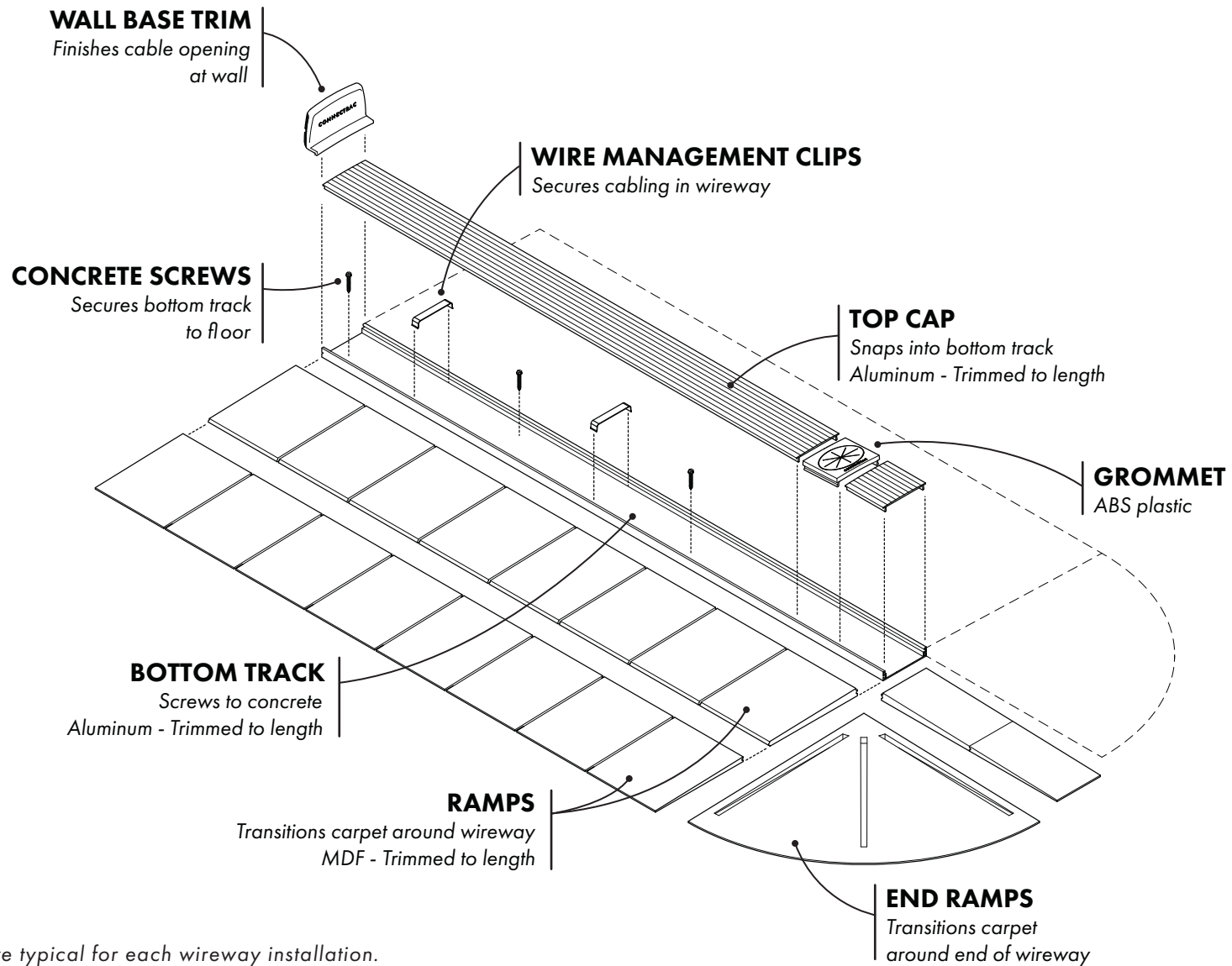
PART DESCRIPTION:	ID #	QTY:
i. GROMMET (BLACK)	AC-3.7-GT-BK	1
i. GROMMET (SILVER)	AC-3.7-GT-SV	1



OR



Length: 2438 mm | Top Cap Width: 94 mm | Finish: Aluminum | OVERVIEW



These components are typical for each wireway installation.

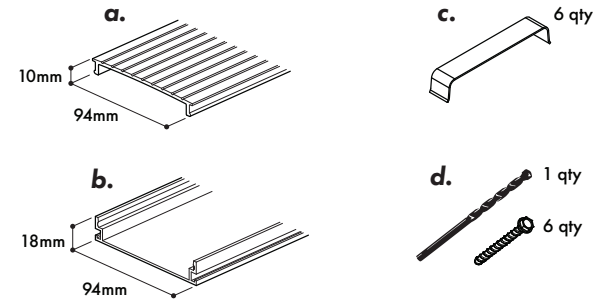
QUESTIONS? CALL US AT +61 2 4869 2100

Proudly distributed by Screen Technics in Australia & New Zealand | www.screentechnics.com.au

Length: 2438 mm | Top Cap Width: 94 mm | Finish: Aluminum | OVERVIEW

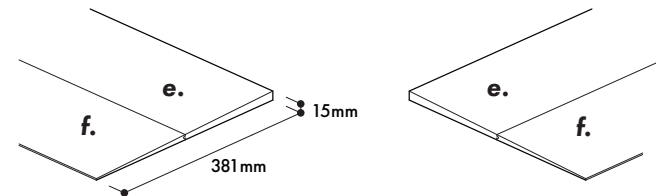
Wireway Components [01-IN-WW-01-096-AL]

PART DESCRIPTION:	ID #	QTY:
a. TOP CAP	01-CAP-01-096-AL	1
b. BOTTOM TRACK	01-IN-BT-01-096	1
c. 6 CABLE MANAGEMENT CLIPS	01-CLIP-01-6	1
d. 6 SCREWS AND 1 DRILL BIT	05-SCRE-01-KIT-6	1



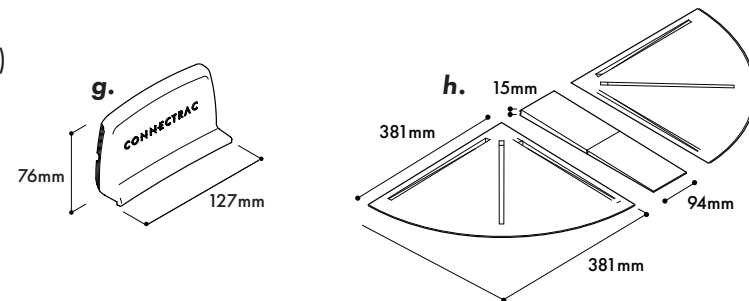
Ramping [02-IN-RAMP-096]

PART DESCRIPTION:	ID #	QTY:
e. HIGH RAMP	02-HR-01-096	2
f. LOW RAMP	02-LR-01-096	2



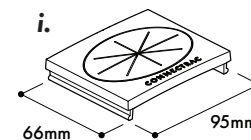
End Components [IN-3.7-EC] (Mandatory when the wireway ends in an open area)

PART DESCRIPTION:	ID #	QTY:
g. WALL BASE TRIM	IN-3.7-EC	1
h. END TRANSITION RAMPING	IN-3.7-EC	1



Mandatory Grommet [AC-3.7-GT-BK] (Note: Choose one either Black or Silver)

PART DESCRIPTION:	ID #	QTY:
i. GROMMET (BLACK)	AC-3.7-GT-BK	1
i. GROMMET (SILVER)	AC-3.7-GT-SV	1



Length: 2438 mm | Top Cap Width: 94 mm | Finish: Aluminum | OVERVIEW

Wireway Components [01-IN-WW-01-096-AL]

PART DESCRIPTION:	ID #	QTY:
a. TOP CAP	01-CAP-01-096-AL	1
b. BOTTOM TRACK	01-IN-BT-01-096	1
c. 6 CABLE MANAGEMENT CLIPS	01-CLIP-01-6	1
d. 6 SCREWS AND 1 DRILL BIT	05-SCRE-01-KIT-6	1



PACKAGE: TUBE
2483mm x 121mm

Ramping [02-IN-RAMP-096]

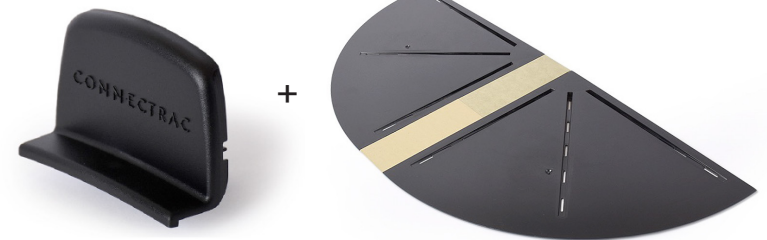
PART DESCRIPTION:	ID #	QTY:
e. HIGH RAMP	02-HR-01-096	2
f. LOW RAMP	02-LR-01-096	2



PACKAGE: BOX
1296mm x 203mm x 51mm

End Components [IN-3.7-EC] (Mandatory when the wireway ends in an open area)

PART DESCRIPTION:	ID #	QTY:
g. WALL BASE TRIM	IN-3.7-EC	1
h. END TRANSITION RAMPING	IN-3.7-EC	1



Mandatory Grommet [AC-3.7-GT-BK] (Note: Choose one either Black or Silver)

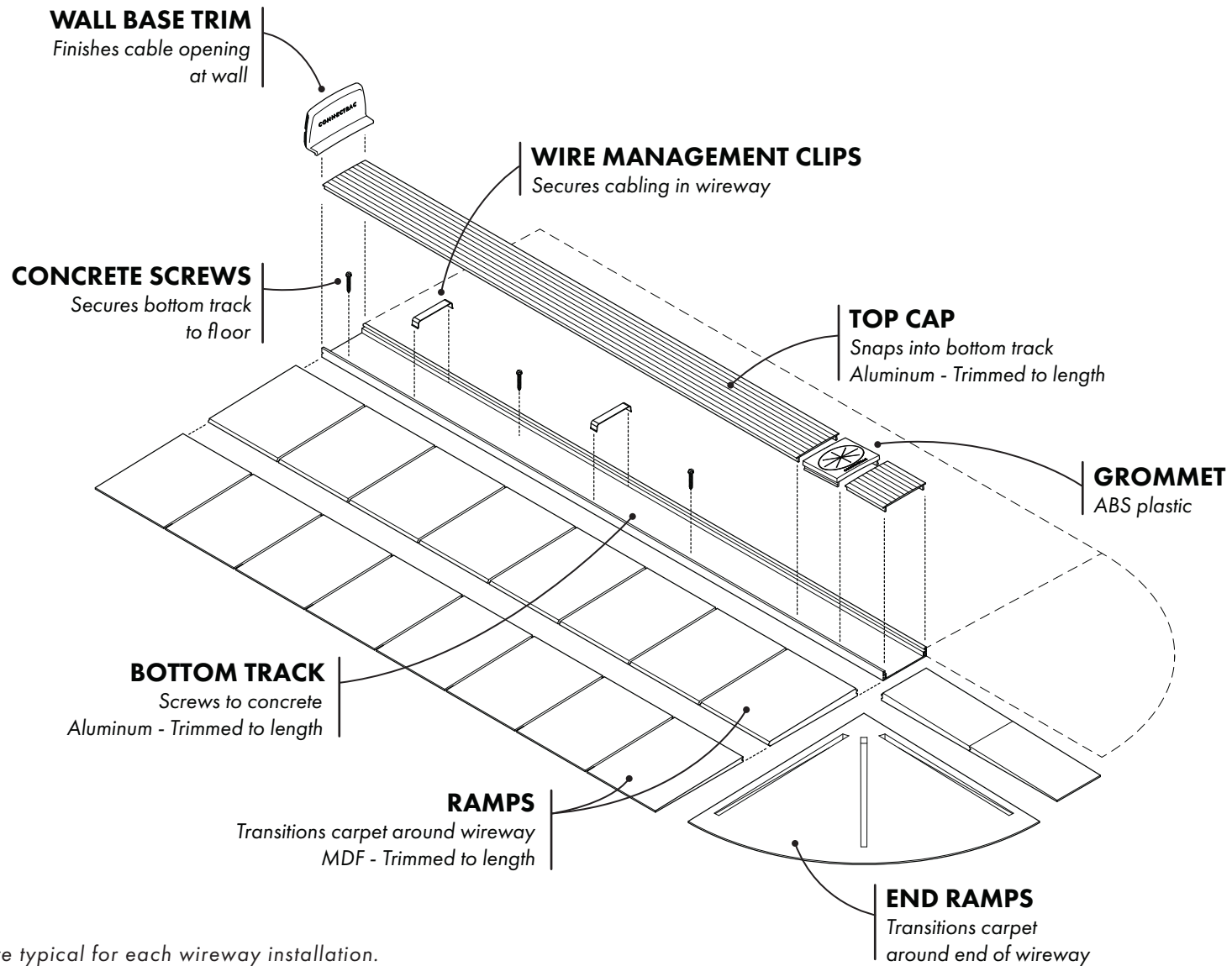
PART DESCRIPTION:	ID #	QTY:
i. GROMMET (BLACK)	AC-3.7-GT-BK	1
i. GROMMET (SILVER)	AC-3.7-GT-SV	1



OR



Length: 2438 mm | Top Cap Width: 94 mm | Finish: Graphite | OVERVIEW



These components are typical for each wireway installation.

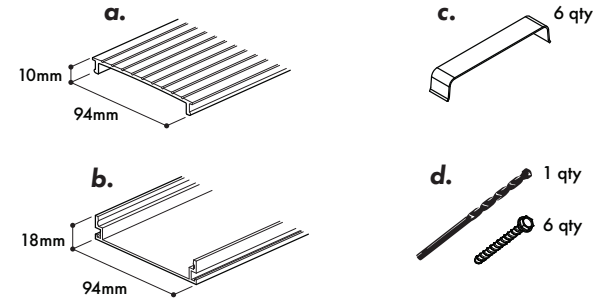
QUESTIONS? CALL US AT +61 2 4869 2100

Proudly distributed by Screen Technics in Australia & New Zealand | www.screentechnics.com.au

Length: 2438 mm | Top Cap Width: 94 mm | Finish: Graphite | OVERVIEW

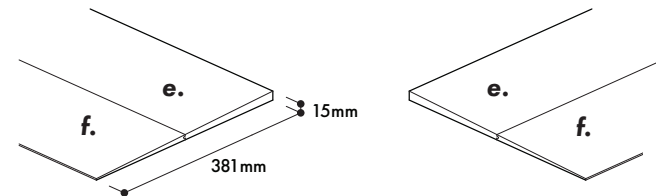
Wireway Components [01-IN-WW-01-096-GR]

PART DESCRIPTION:	ID #	QTY:
a. TOP CAP	01-CAP-01-096-GR	1
b. BOTTOM TRACK	01-IN-BT-01-096	1
c. 6 CABLE MANAGEMENT CLIPS	01-CLIP-01-6	1
d. 6 SCREWS AND 1 DRILL BIT	05-SCRE-01-KIT-6	1



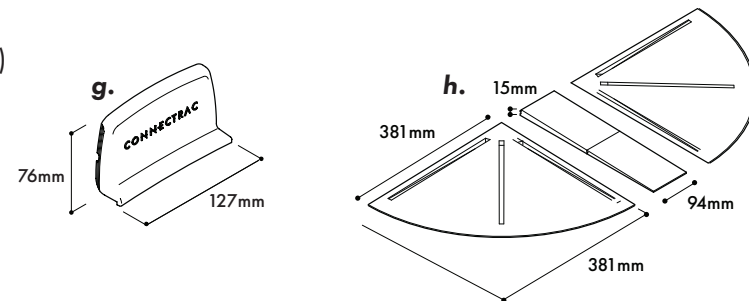
Ramping [02-IN-RAMP-096]

PART DESCRIPTION:	ID #	QTY:
e. HIGH RAMP	02-HR-01-096	2
f. LOW RAMP	02-LR-01-096	2



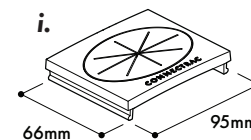
End Components [IN-3.7-EC] (Mandatory when the wireway ends in an open area)

PART DESCRIPTION:	ID #	QTY:
g. WALL BASE TRIM	IN-3.7-EC	1
h. END TRANSITION RAMPING	IN-3.7-EC	1



Mandatory Grommet [AC-3.7-GT-BK] (Note: Choose one either Black or Silver)

PART DESCRIPTION:	ID #	QTY:
i. GROMMET (BLACK)	AC-3.7-GT-BK	1
i. GROMMET (SILVER)	AC-3.7-GT-SV	1



Length: 2438 mm | Top Cap Width: 94 mm | Finish: Graphite | OVERVIEW

Wireway Components [01-IN-WW-01-096-GR]

PART DESCRIPTION:	ID #	QTY:
a. TOP CAP	01-CAP-01-096-GR	1
b. BOTTOM TRACK	01-IN-BT-01-096	1
c. 6 CABLE MANAGEMENT CLIPS	01-CLIP-01-6	1
d. 6 SCREWS AND 1 DRILL BIT	05-SCRE-01-KIT-6	1



PACKAGE: TUBE
2483mm x 121mm

Ramping [02-IN-RAMP-096]

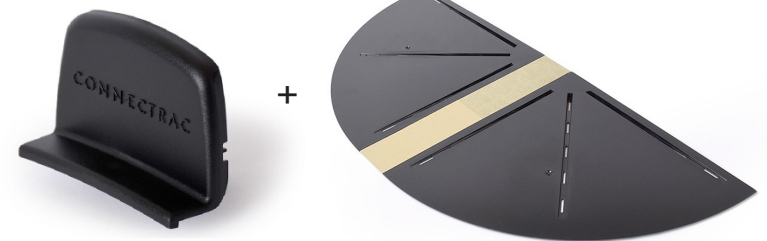
PART DESCRIPTION:	ID #	QTY:
e. HIGH RAMP	02-HR-01-096	2
f. LOW RAMP	02-LR-01-096	2



PACKAGE: BOX
1296mm x 203mm x 51mm

End Components [IN-3.7-EC] (Mandatory when the wireway ends in an open area)

PART DESCRIPTION:	ID #	QTY:
g. WALL BASE TRIM	IN-3.7-EC	1
h. END TRANSITION RAMPING	IN-3.7-EC	1



Mandatory Grommet [AC-3.7-GT-BK] (Note: Choose one either Black or Silver)

PART DESCRIPTION:	ID #	QTY:
i. GROMMET (BLACK)	AC-3.7-GT-BK	1
i. GROMMET (SILVER)	AC-3.7-GT-SV	1

