

# Meter Mains - With Optional MCC Bypass

## 400 Amp Max



U404MCC (closed)



U404MCC (open)

### Application

- Combination meter/main with optional manual circuit closing (link type) bypass
- Factory installed breaker
- Receive ANSI C12.10 watt-hour meters
- Surface mount

### Construction

- NEMA Type 3R
- ANSI 61 gray E-coat finish
- Aluminum snap ring included
- Removable door with sealing provision and lifting handles

### Standards

- UL 67 Listed
- ANSI C12.7
- EUSERC 302

### Accessories

- Flush Trim Kit - FK2438
- Overhead Adapter - CK8326



Part/UPC Number	Catalog Number	Max Amp Rating	Jaws	Service Type	Access	Voltage	Main Breaker AIC	Main	Bypass
78205181515	U4042MC	400	4	1Ø/3W	UG	120/240	10K	(2) 200A, 2P	--
78205181517	U4042MCC	400	4	1Ø/3W	UG	120/240	10K	(2) 200A, 2P	MCC
78205181525	U404MC	400	4	1Ø/3W	UG	120/240	22K	(1) 400A, 2P	--
78205181530	U404MCC	400	4	1Ø/3W	UG	120/240	22K	(1) 400A, 2P	MCC

Part/UPC Number	Catalog Number	Connections			Overall Dimensions			Top Provision	Knockout Layout
		Line	Load	Neutral	Height	Width	Depth		
78205181515	U4042MC	Studs	MCB	#6 - 250 MCM	38"	30"	6"	None	Fig. 1
78205181517	U4042MCC	Studs	MCB	#6 - 250 MCM	38"	30"	6"	None	Fig. 1
78205181525	U404MC	Studs	MCB	#6 - 600 MCM	38"	24"	6"	None	Fig. 2
78205181530	U404MCC	Studs	MCB	#6 - 600 MCM	38"	24"	6"	None	Fig. 2

Class 320 Metering

# Meter Mains - With Optional MCC Bypass

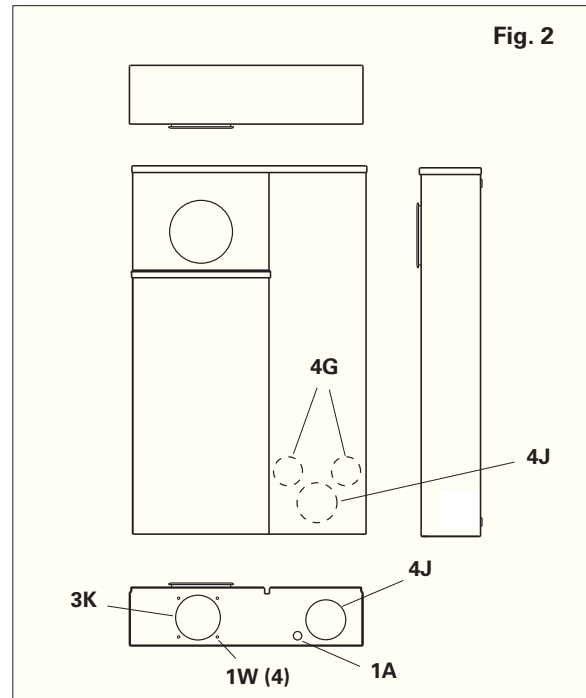
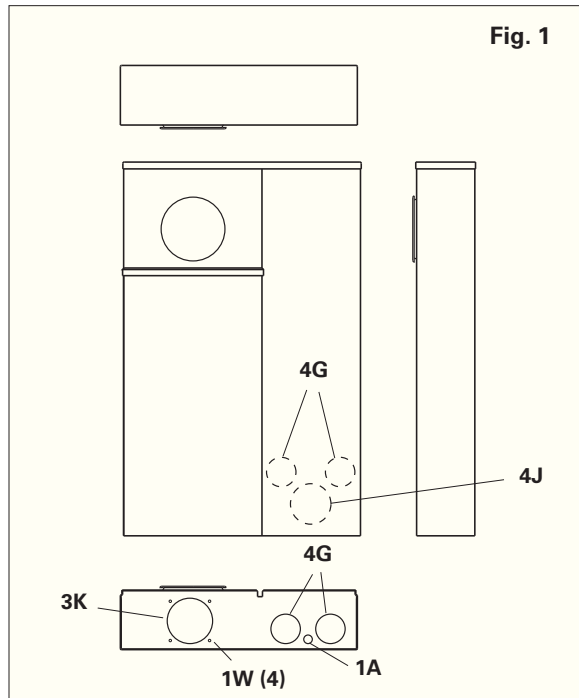
400 Amp Max

Style #	Suffixes
U404	<b>MC</b> - No bypass
U4042	<b>MCC</b> - MCC bypass
	<b>SS</b> - Stainless Steel

## Knockouts - Conduit Sizes

1A = 1/2"  
 4G = 2 1/2" - 2" - 1 1/2" - 1 1/4"  
 4J = 3 1/2" - 3" - 2 1/2" - 2"  
 3K = 4" - 3 1/2" - 3"  
 1W = 1/4"  
 Top Provision = See Chart

## Knockout Layouts



Class 320 Metering

Data subject to change without notice. Consult local utility for area acceptance. All dimensions are in inches.

# Meter Main Loadcenters - With Optional MCC Bypass

## 400 Amp Max



U4041123MC (closed)



U4041123MC (open)

### Application

- Combination meter/main/loadcenter with optional manual circuit closing (link type) bypass
- Factory installed breaker
- Receive ANSI C12.10 watthour meters
- Surface mount

### Construction

- NEMA Type 3R
- ANSI 61 gray E-coat finish
- Aluminum snap ring included
- Removable door with sealing provision and lifting handles

### Standards

- UL 67 Listed
- ANSI C12.7
- EUSERC 302



Part/UPC Number	Catalog Number	Max Amp Rating	Jaws	Service Type	Access	Main Breaker		Provisions	Loadcenter	Bypass
						Voltage	AIC			
78205157072	U40411230MC	400	4	1Ø/3W	UG	120/240	22K (2) 200A, 2P	(2) 100A	30/40	--
78205157074	U40411230MCC	400	4	1Ø/3W	UG	120/240	22K (2) 200A, 2P	(2) 100A	30/40	MCC
78205119923	U4042208MC	400	4	1Ø/3W	UG	120/240	22K (1) 200A, 2P	(1) 200A	8	--
78205120682	U4042208MCC	400	4	1Ø/3W	UG	120/240	22K (1) 200A, 2P	(1) 200A	8	MCC
78205177210	U4042230MC	400	4	1Ø/3W	UG	120/240	22K (1) 200A, 2P	(1) 200A	30/40	--
78205177220	U4042230MCC	400	4	1Ø/3W	UG	120/240	22K (1) 200A, 2P	(1) 200A	30/40	MCC
78205177230	U404430MC	400	4	1Ø/3W	UG	120/240	22K (1) 400A, 2P	--	30	--
78205177240	U404430MCC	400	4	1Ø/3W	UG	120/240	22K (1) 400A, 2P	--	30	MCC

Part/UPC Number	Catalog Number	Connections		Height	Overall Dimensions		Top Provision	Knockout Layout
		Line	Load		Neutral	Width		
78205157072	U40411230MC	Studs	MCB	#6 - 250 MCM	38"	30"	6"	None Fig. 1
78205157074	U40411230MCC	Studs	MCB	#6 - 250 MCM	38"	30"	6"	None Fig. 1
78205119923	U4042208MC	Studs	MCB	#6 - 250 MCM	38"	30"	6"	None Fig. 2
78205120682	U4042208MCC	Studs	MCB	#6 - 250 MCM	38"	30"	6"	None Fig. 2
78205177210	U4042230MC	Studs	MCB	#6 - 250 MCM	38"	30"	6"	None Fig. 1
78205177220	U4042230MCC	Studs	MCB	#6 - 250 MCM	38"	30"	6"	None Fig. 1
78205177230	U404430MC	Studs	MCB	#6 - 250 MCM	47"	34"	6"	None Fig. 3
78205177240	U404430MCC	Studs	MCB	#6 - 250 MCM	47"	34"	6"	None Fig. 3

Class 320 Metering

# Meter Main Loadcenters - With Optional MCC Bypass

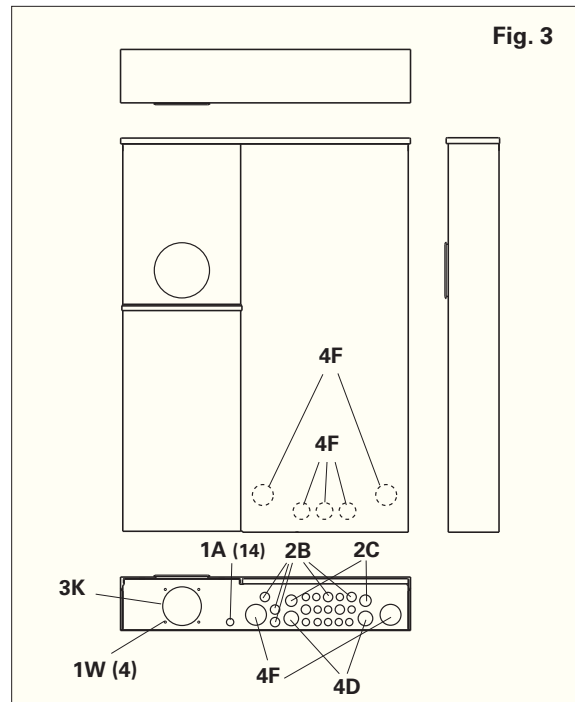
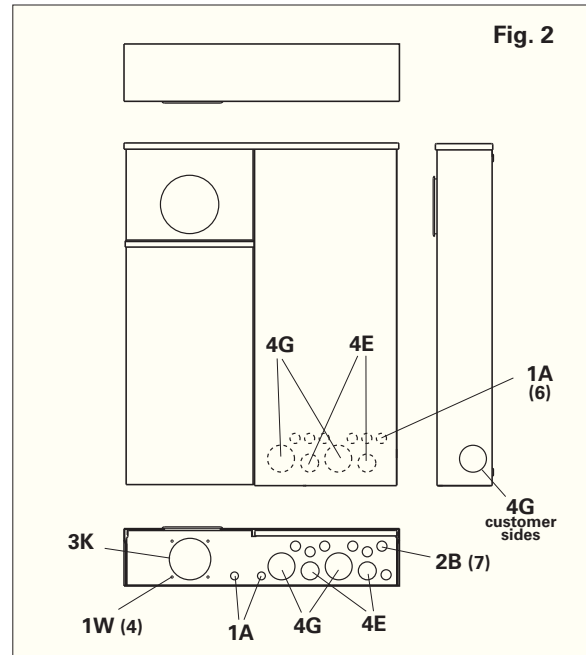
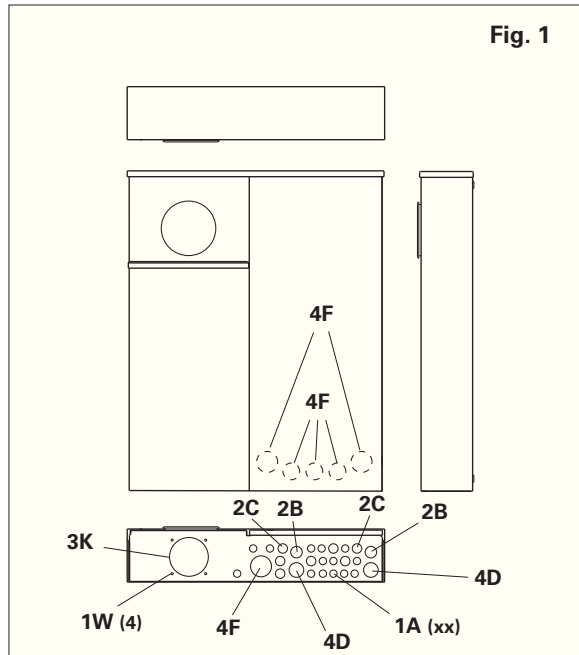
400 Amp Max

Style #	Suffixes
U404430	<b>MC</b> - No bypass
U4042208	<b>MCC</b> - MCC bypass
U4042230	<b>SS</b> - Stainless Steel
U40411230	

## Knockouts - Conduit Sizes

- 1A = 1/2"
- 2B = 3/4" - 1/2"
- 2C = 1" - 3/4"
- 4D = 1 1/4" - 1" - 3/4" - 1/2"
- 4E = 1 1/2" - 1 1/4" - 1" - 3/4"
- 4F = 2" - 1 1/2" - 1 1/4" - 1"
- 4G = 2 1/2" - 2" - 1 1/2" - 1 1/4"
- 3K = 4" - 3 1/2" - 3"
- 1W = 1/4"

## Knockout Layouts



Data subject to change without notice. Consult local utility for area acceptance. All dimensions are in inches.

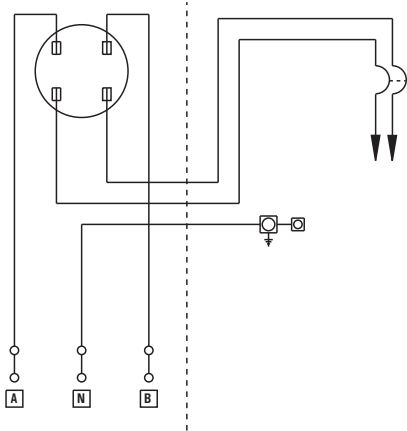
# Class 320 - Meter Breaker Data

## Main Breaker Data

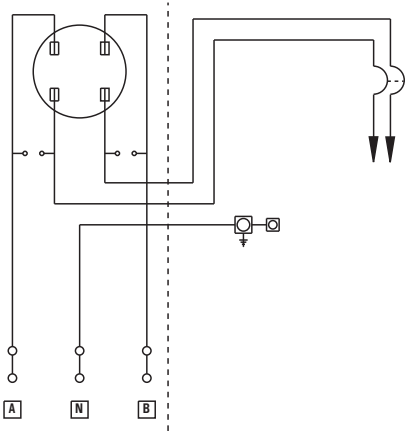
Catalog Number	B-Line Breaker #	ITE Breaker #	Ampacity	# of Poles	AIC
U404MC/MCC	25564F	JXD22B400	400A	2P	22K
U4042MC/MCC	25582A	QN2200	200A	2P	10K
U40411230MC/MCC	25585A	MBK200A	200A	2P	22K
U4042230MC/MCC	25585A	MBK200A	200A	2P	22K
U404430MC/MCC	25564F	JXD22B400	400A	2P	22K
U4042208MC	--	MBK200A	200A	2P	22K
U4042208MCC	--	MBK200A	200A	2P	22K

## Breaker Provision Data

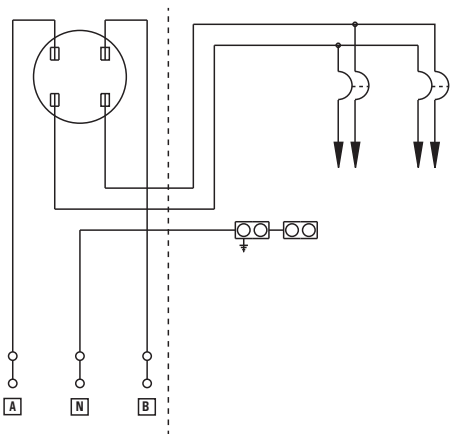
Catalog Number	B-Line Breaker #	ITE Breaker #	Ampacity	# of Poles	AIC
U40411230MC/MCC	25458P	Q2100	100A	2P	10K
U4042230MC/MCC	25464P	Q2100H	200A	2P	22K
	25582A	QN2200	200A	2P	10K
U4042208MC/MCC	25583A	QN2200H	200A	2P	22K
	25582A	QN2200	200A	2P	10K



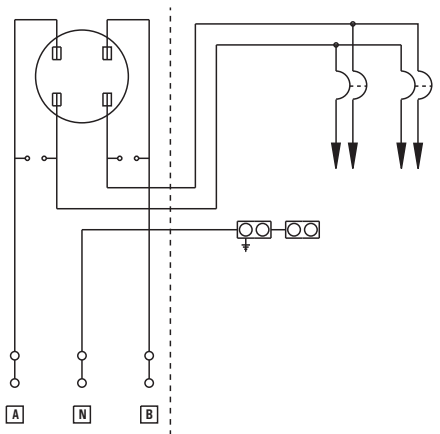
**Catalog #**  
**U404MC**



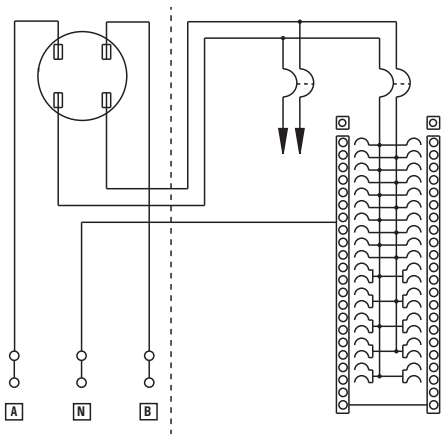
**Catalog #**  
**U404MCC**



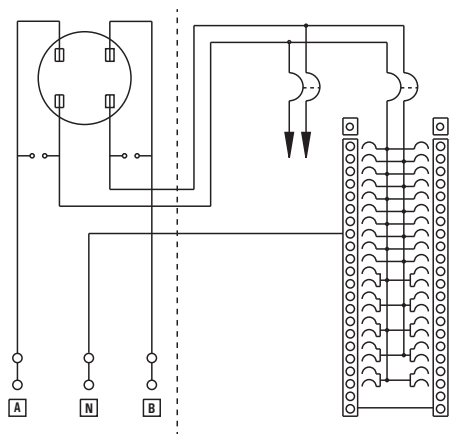
**Catalog #**  
**U4042MC**



**Catalog #**  
**U4042MCC**



**Catalog #**  
**U404223MC**

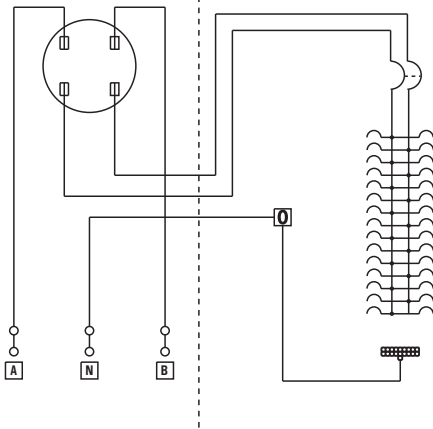


**Catalog #**  
**U404223MCC**

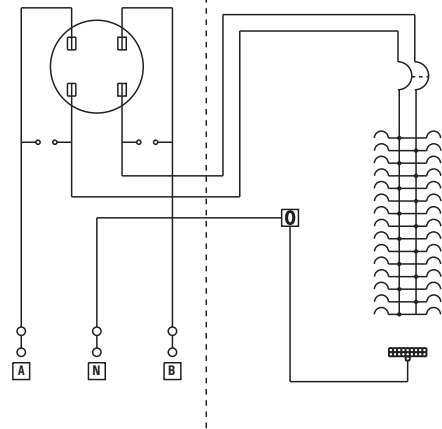
Class 320 Metering

Data subject to change without notice. Consult local utility for area acceptance. All dimensions are in inches.

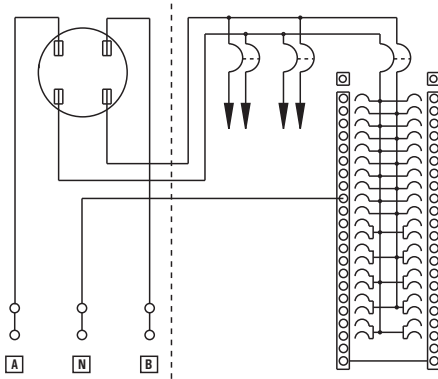
# Class 320 - Wiring Diagrams



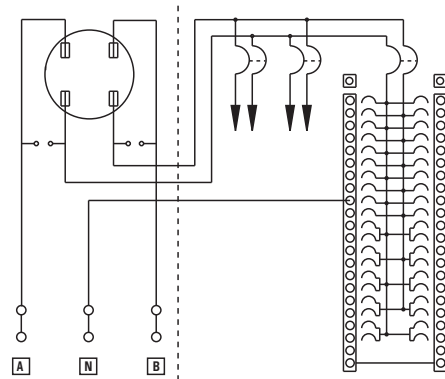
**Catalog #**  
**U404430MC**



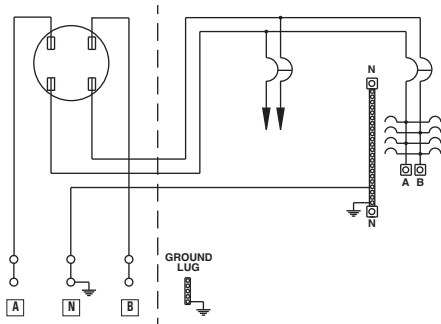
**Catalog #**  
**U404430MCC**



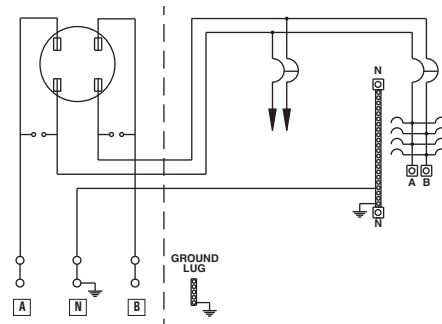
**Catalog #**  
**U40411230MC**



**Catalog #**  
**U40411230MCC**



**Catalog #**  
**U4042208MC**



**Catalog #**  
**U4042208MCC**

Class 320 Metering