

# The GUIDE

FERRAZ SHAWMUT IS NOW

**MERSEN**

Overcurrent Protection/Surge Protection



# FERRAZ SHAWMUT IS NOW



## Mersen is One Company

Ferraz Shawmut has long benefited from being part of Carbone Lorraine, a large international group which specializes in providing high-performance materials for extreme environments and solutions to enhance the reliability and safety of electrical systems. The company now consolidates its identity under one name – Mersen.



## Mersen is Diversity

We embrace diversity. Through innovative product development and strategic acquisitions we are positioned to serve a broad range of electrical applications with **diverse solutions**. We are a recognized leader in **diverse markets** - energy, transportation, chemical/ pharmaceutical, electronics, process industries with a focus on sustainability. Our people represent every nationality around the globe, with production located to serve local markets across Asia, Europe and the Americas. We are a **diverse company** operating under a single mission – Mersen.

## Mersen is Industry-Leading Expertise

A trusted leader in electrical protection for more than 125 years, we remain fiercely committed to essential research in electrical safety and reliability. Our people are industry experts providing leading edge design and applications support. Combining a culture of knowledge and curiosity we build on our expertise every day. Expertise is our source of energy – Mersen.

## We are Mersen

The name change reflects our history - and more importantly our strategic direction. Ferraz Shawmut is now Mersen.





**At Mersen Safety & Reliability for Electrical Power, we integrate our product expertise into the customer's application to make it safe, reliable and profitable. Our product expertise includes:**

- Overcurrent protection (fuses and fusegear)
- Surge protection
- Cooling for power electronics
- Bus Bar for Power Electronics
- Low voltage and high power switches
- Power transfer for rail vehicles
- Electronic Systems for Energy Management

A trusted team member, Mersen invests early in the projects of customer with research and design support. Our experts offer experienced, attentive and responsive applications support in power low voltage distribution, power controls, power electronics and power transmission & distribution, from the initial design stage, through system implementation and to well after the sale.

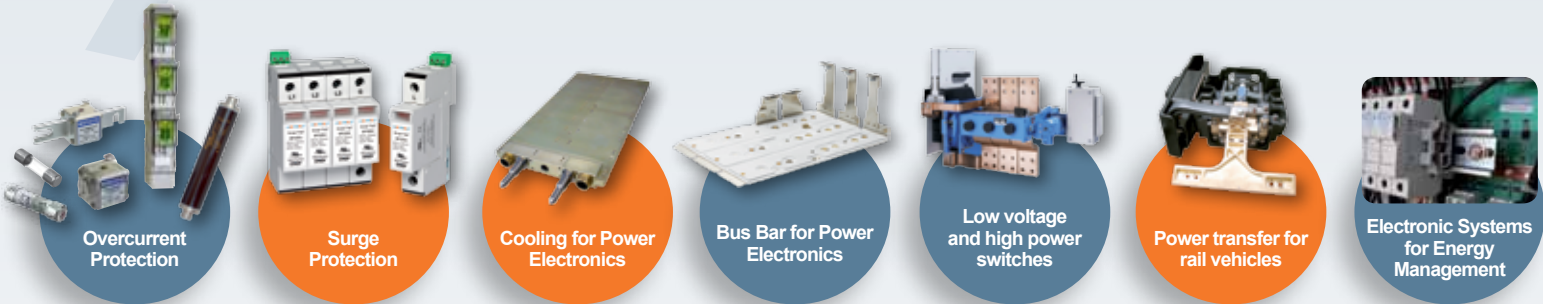


We bring our expertise to you with products designed to meet your standards. Thousands of local sales representatives & distributors, around the globe, provide experienced and attentive customer service.

As a global partner, Mersen has an outstanding reputation for helping our customers do more, achieve more and grow more. At OEMs' in terms of increasing system life-time, reducing costs and improving lead times, improving electrical performance and reliability, developing technical solutions that increase the competitiveness, increasing the global capacity and seizing opportunities in emerging markets. At after market in terms of reducing system downtime, protecting electrical systems, people and investment and improving electrical performance and reliability in energy, transportation, electronics, process industries and chemical/pharmaceutical markets.



# Seven product expertises...



## ...via four power applications:



# ...serve large end markets

## Energy

Mersen offers a full basket of high added-value electrical protection solutions for low and high voltages, AC and DC, for renewable energies (solar PV, wind, hydropower, geothermal), fossil fuel thermal and nuclear.



## Transport

Mersen is a partner to OEMs in transport, whether rail (tram, train and subway), automobile, aerospace or aeronautic, as well as ports and maritime transport, in designing protection equipment and complete systems to their specifications.



## Electronics

Mersen provides industry with energy efficiency solutions for power electronics to use semi-conductors, drives, UPS, converters, inverters, rectifiers, induction heating, welding stations, and more.



## And also:

### • Residential

Mersen keeps up with developments to answer the needs of electrical contractors and tradesmen.

### • Service & commercial

Mersen proposes standardized power supply solutions in medium and low voltage for main and auxiliary power.

### • Communications

Mersen helps ensure the quality of electrical signals with no outage, for communications systems, data centers, cell antennas, radars, etc.



## Industrial processes

Manufacturers of steel, pulp & paper, and glass, as well as the food processing and recycling industries, all profit from Mersen's solutions for energy efficiency and control, interchangeable equipment available from any major professional distributor, and services to help streamline their electrical maintenance inventory.

## Chemicals/Pharmaceuticals

Mersen is especially attentive to the specific needs of the chemicals (specialty chemicals, inorganic and organic chemicals) and pharmaceuticals industrial sectors.

## To do more with Mersen:

- Protect electrical systems and the people who use them
- Improve electrical safety, performance and reliability
- Reduce system downtime
- Develop technical solutions that increase your competitiveness
- Reduce investment costs and lead times
- Increase your global capacity
- Seize opportunities in emerging markets





# Selection guidelines

Ask the right questions to choose the right fuse

## What type of application?

- A** : HV protection
- B** : LV protection
- C** : PCB protection
- D** : Power electronics protection
- E** : Forklift battery protection

## What type of fuse?

- 1** : Ferrule-style fuses
- 2** : Blade-style fuses
- 3** : Square body fuses
- 4** : Special purpose fuses

## What operating class?

- Class gG for general purpose use fuses on distribution circuits
- Class aM for back-up fuses on direct-on-line motors
- Class gR, ultrafast fuses (UR), to break all types of overload and short-circuit current
- Class aR, ultrafast fuses (UR), to break all types of short-circuit current requiring an outside device to clear small overloads

## What size fuse?

Diameter in mm for fuses with cylindrical bodies

- 8, 10, 14, 22

Cross section in mm for fuses with rectangular bodies

- 40x21 size 000
- 46x30 size 00
- 46x36 size 0
- 52x47 size 1
- 74x60 size 2
- 75x75 size 3
- 107x90 size 4

Cross section in mm for fuses with square bodies

- 40x40 size 30
- 51x51 size 31
- 60x60 size 32
- 75x75 size 33

## What operating voltage?

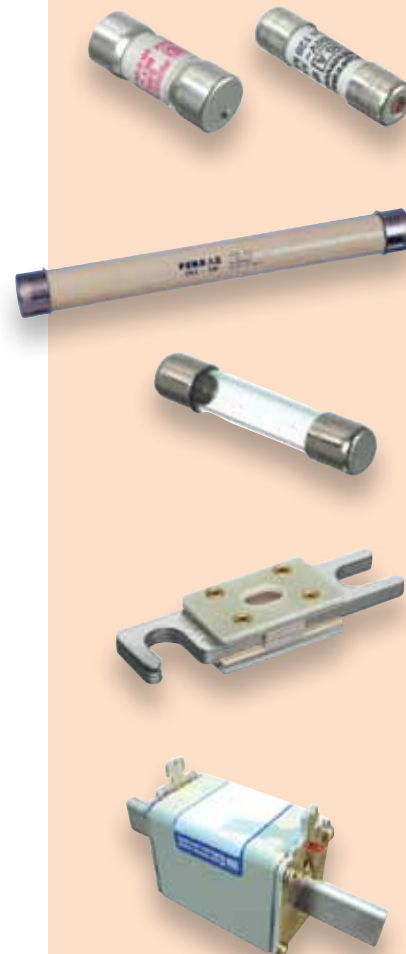
400, 500, 690 ...

## What fuse rating in Amperes?

1, 2, 4, 6, 8, 10...

## What type of blown fuse indication?

- w/o indicator
- with indicator
- with striker











## Cross-reference chart at your disposal

If the fuse you've got isn't the Mersen brand, use our cross-reference software SAF/X-Refs on line at the Mersen web site at:

[www.ep.mersen.com](http://www.ep.mersen.com)



# Fuses for what applications?

	A	B	C	D	E
	High Voltage	Low Voltage	Printed circuit boards	Power electronics	Forklift batteries
<b>1 - Ferrule-style fuses</b>					
<b>2 - Blade-style fuses</b>					
<b>3 - Square body fuses</b>					
<b>4 - Special purpose fuses</b>					
<b>Infrastructure / Construction</b>					
HV electrical systems	•				
HV/LV transformers	•				
LV electrical systems		•			
LV mains / branch circuits		•			
<b>Solar PV installations</b>					
Solar PV strings		•	•		
Inverters				•	
To-grid connection	•				
<b>Manufacturing equipment and automatic control for industry</b>					
HV electric motors	•				
LV electric motors		•			
Soft starters				•	
Speed controllers				•	
Uninterrupted power supplies (UPS)				•	
Rectifiers				•	
Converters				•	
Printed circuit boards			•		
Point of use equipment		•			
<b>Logistics</b>					
Forklift trucks					•
Electric pallet-forks					•
Motorized platforms					•

## Fuses or circuit breakers?

The miniature fuse solution is the best choice to protect printed circuit boards.

Protection by ultrafast fuses is the best choice for power electronics (e.g. thyristors).

To protect low voltage general distribution circuits, two alternatives share the market: fuses and circuit breakers.

In residential applications, an easy-to-use circuit breaker is often chosen over the more economical fuse.

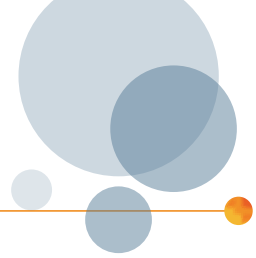
But in industrial applications, the fuse offers better performances than the circuit breaker and remains the best solution:

- to protect against short circuits, thanks to a high breaking capacity, up to 250 kA;
- to guarantee the circuit will open, thanks to the simple physical principle behind the fuse;

- for risk-free interchangeability thanks to IEC standard 60269, which defines melting time/current data;
- for the range of mounting techniques: on clips, in disconnectors, on busbars, on threaded rods, by welding, etc.

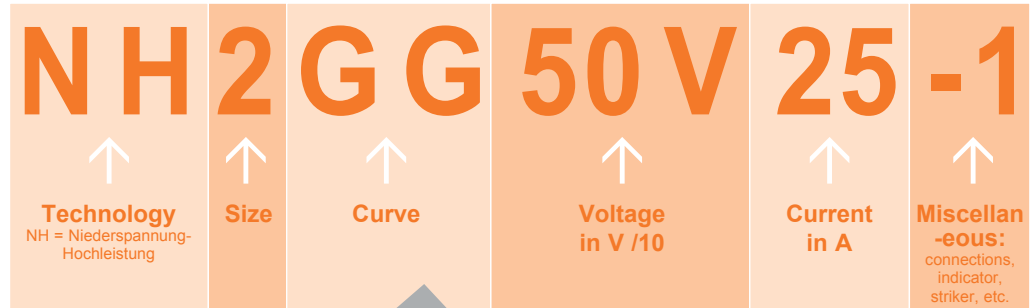


# The Catalog Number



So far, Reference Number only: **J219819C**

Now a new and additional, more explicit, customer focused way of classifying items



Size 0 to Isolated Lug - ~500V gG



Size	Current (A)	Voltage (-)	Cat. number	Reference	Package
0	6	500	NH0GG50V6-1	E219819C	3
0	10	500	NH0GG50V10-1	M213152C	3
0	16	500	NH0GG50V16-1	E2106B1C	3
0	20	500	NH0GG50V20-1	J214159C	3
0	25	500	NH0GG50V25-1	P214872C	3
0	32	500	NH0GG50V32-1	P215054C	3
0	40	500	NH0GG50V40-1	P215054C	3
0	50	500	NH0GG50V50-1	P215054C	3



**NH** for Niederspannung-Hochleistung

**NH2GG50V25-1**



**FR** for FRench standard

**FR14GG69V10**



**PC** for Protection of semi-Conductors

**PC30UD69V125TF**



**MI** for MIniatures

**MI6SB25V0,5**

# Contents



Fuses  
& Fusegear 10



Surge  
Protective  
Devices 299



HelioProtection® 310

# Fuses & Fusegear

<b>IEC fuses</b>		<b>p. 11</b>
gG ferrule-style fuses	GP018	p. 12 to 13
aM ferrule-style fuses	GP018	p. 14 to 15
Modulostar fuse holder low voltage	GP019	p. 16 to 21
NH 400VAC gG fuses - Isolated Lug	GP048	p. 22 to 23
NH 500VAC gG fuses - Isolated Lug	GP048	p. 24 to 25
NH 500VAC gG Fuses	GP046	p. 26 to 28
NH 690VAC gG Fuses	GP046	p. 29 to 31
NH 500VAC aM Fuses	GP046	p. 32 to 33
NH 690VAC aM Fuses	GP046	p. 34 to 35
NH 690VAC aM Fuses with striker	GP048	p. 36
Plastic Bases for NH Fuse-links	GP041	p. 37 to 39
Ceramic Bases for NH Fuse-links	GP106	p. 40 to 41
DIN D gG Fuse-links	GP043-042-044	p. 42
DIN D Flink Fuse-links		p. 43
DIN D Fusegear		p. 44 to 46
DIN D0 aM / gG Fuse-links		p. 47
Fusegear for D0 fuse-links		p. 48 to 53
BS88 Low Voltage Fuse-links		p. 54 to 59
Master Fuse	GP045-040-047	p. 60
<b>NH Fuse System</b>		<b>p. 63</b>
MULTIBLOC®	GP050	p. 64 to 133
MULTIVERT®	GP088	p. 134 to 185
BSL		p. 186 to 196
MULTIFIX 60®	GP084	p. 197 to 229
<b>UL CSA fuses</b>		<b>p. 230</b>
Product Selector		p. 231
Fuses Links Class CC	GP0106	p. 232 to 234
Fuses Links Midget fuses	GP0106	p. 234 to 237
Fuses Links Class J	GP0106	p. 237 to 239
Fuses Links Class RK1	GP0106	p. 240
Fuses Links Class RK5	GP0106	p. 241 to 242
Fuses Links Class L	GP0106	p. 243
Fuses Links Class T	GP0106	p. 243
Modulostar® Fuse holders for Class CC	GP017	p. 244
Modulostar® Fuse holders for Class CC & Midget	GP017	p. 245
Modulostar® Fuse holders for Midget	GP017	p. 246
Modulostar® Fuse holders for other sizes ferrule	GP017	p. 247 to 249
FSPDB	GP105	p. 250
<b>Miniature fuses</b>		<b>p. 251</b>
Miniature fuses IEC Glass body	GP003	p. 252
Miniature fuses IEC Ceramic body	GP003	p. 253
Miniature fuses Glass body	GP003	p. 254 to 255
<b>Semiconductor fuses</b>		<b>p. 256</b>
Ferrule-style Protistor® fuses	SC141	p. 257 to 260
Fuse holder for semiconductor ferrule fuses	SC141	p. 261 to 265
DIN D & DO gR fuses		p. 266
Protistor® DIN 80mm standard fuse sizes 000-00		p. 267 to 268
Protistor® DIN blade-style fuses		p. 269 to 273
Protistor® BS 88-4 fuses	SC142	p. 274 to 277
Square body Protistor® fuses	SC143	p. 278 to 286
<b>High Voltage Fuses</b>		<b>p. 287</b>
Fuses for Street lighting - HVI distribution	MV121	p. 288 to 291
Fuses for Power Utilities - DIN	MV122	p. 292 to 295
HV fuse-links		p. 296 to 297
Other Fuses		p. 298

# Fuses & Fusegear

IEC fuses		p. 11
gG ferrule-style fuses	GP018	p. 12 to 13
aM ferrule-style fuses	GP018	p. 14 to 15
Modulostar fuse holder low voltage	GP019	p. 16 to 21
NH 400VAC gG fuses - Isolated Lug	GP048	p. 22 to 23
NH 500VAC gG fuses - Isolated Lug	GP048	p. 24 to 25
NH 500VAC gG Fuses	GP046	p. 26 to 28
NH 690VAC gG Fuses	GP046	p. 29 to 31
NH 500VAC aM Fuses	GP046	p. 32 to 33
NH 690VAC aM Fuses	GP046	p. 34 to 35
NH 690VAC aM Fuses with striker	GP048	p. 36
Plastic Bases for NH Fuse-links	GP041	p. 37 to 39
Ceramic Bases for NH Fuse-links	GP106	p. 40 to 41
DIN D gG Fuse-links	GP043-042-044	p. 42
DIN D Flink Fuse-links		p. 43
DIN D Fusegear		p. 44 to 46
DIN D0 aM / gG Fuse-links		p. 47
Fusegear for D0 fuse-links		p. 48 to 53
BS88 Low Voltage Fuse-links		p. 54 to 59
Master Fuse	GP045-040-047	p. 60

# Low voltage ferrule-style fuses

## gG 8,5x31,5 - 400VAC



Size	Voltage (V)	Current (A)	Cat. number w/o indicator	Ref. number w/o indicator	Cat. number with indicator	Ref. number with indicator	Packaging
8,5 x 31,5	400	0,5	FR8GG40V0.5	P218191J	-	-	10
8,5 x 31,5	400	1	FR8GG40V1	C218709J	-	-	10
8,5 x 31,5	400	2	FR8GG40V2	Q219227J	FR8GG40V2I	B222204J	10
8,5 x 31,5	400	4	FR8GG40V4	W222958J	FR8GG40V4I	X222959J	10
8,5 x 31,5	400	6	FR8GG40V6	A211025J	FR8GG40V6I	V201291J	10
8,5 x 31,5	400	8	FR8GG40V8	B213096J	FR8GG40V8I	B211026J	10
8,5 x 31,5	400	10	FR8GG40V10	A214613J	FR8GG40V10I	A212060J	10
8,5 x 31,5	400	12	FR8GG40V12	R216146J	FR8GG40V12I	C213097J	10
8,5 x 31,5	400	16	FR8GG40V16	P216650J	FR8GG40V16I	Y214105J	10
8,5 x 31,5	400	20	FR8GG40V20	F217677J	FR8GG40V20I	J215127J	10
8,5 x 31,5	400	25	FR8GG40V25	D218710J	FR8GG40V25I	S216147J	10

## gG 10,3 x 38 - 400/500VAC



Size	Voltage (V)	Current (A)	Cat. number w/o indicator	Ref. number w/o indicator	Cat. number with indicator	Ref. number with indicator	Ref. number with striker	Cat. number with striker	Packaging
10,3 x 38	500	0,5	FR10GG50V0.5	C211027J	-	-	-	-	10
10,3 x 38	500	1	FR10GG50V1	B212061J	-	-	-	-	10
10,3 x 38	500	2	FR10GG50V2	D213098J	FR10GG50V2I	S216653J	FR10GG40V2P	G083703J	10
10,3 x 38	500	4	FR10GG50V4	X213598J	FR10GG50V4I	E217170J	FR10GG40V4P	D084758J	10
10,3 x 38	500	6	FR10GG50V6	K215128J	FR10GG50V6I	T218195J	FR10GG40V6P	Y084799J	10
10,3 x 38	500	8	FR10GG50V10	D217169J	FR10GG50V8I	V219231J	FR10GG40V8P	F083955J	10
10,3 x 38	500	10	FR10GG50V10	S218194J	FR10GG50V10I	E222207J	FR10GG40V10P	A084801J	10
10,3 x 38	500	12	FR10GG50V12	W219761J	FR10GG50V12I	H200751J	FR10GG40V12P	G083956J	10
10,3 x 38	500	16	FR10GG50V16	G200750J	FR10GG50V16I	H201809J	FR10GG40V16P	X084798J	10
10,3 x 38	500	20	FR10GG50V20	D211028J	FR10GG50V20I	X211551J	FR10GG40V20P	Z084800J	10
10,3 x 38	500	25	FR10GG50V25	E213099J	FR10GG50V25I	W212585J	FR10GG25V25P	H083957J	10
10,3 x 38	400	32	FR10GG40V32	A214107J	FR10GG40V32I	Z213600J	FR10GG25V32P	E083954J	10

## gG 10,3 x 38 - 690VAC +10%



Size	Voltage (V)	Current (A)	Cat. number w/o indicator	Ref. number w/o indicator	Packaging
10,3 x 38	690	1	FR10GG69V1	R302787J	10
10,3 x 38	690	2	FR10GG69V2	S302788J	10
10,3 x 38	690	4	FR10GG69V4	T302789J	10
10,3 x 38	690	6	FR10GG69V6	V302790J	10
10,3 x 38	690	8	FR10GG69V8	W302791J	10
10,3 x 38	690	10	FR10GG69V10	X302792J	10
10,3 x 38	690	12	FR10GG69V12	Y302793J	10
10,3 x 38	690	16	FR10GG69V16	Z302794J	10

## Accessories

Type	Cat. Number	Ref. Number	Packaging
Neutral Size 8,5x31,5	FRN832	X211045J	10
Neutral Size 10,3x38	FRN1038	R211569J	10



## gG 14 x 51 - 500 to 690VAC +10%



Size	Voltage (V)	Current (A)	Cat. number w/o striker	Ref. number w/o striker	Voltage (V)	Cat. number with striker	Ref. number with striker	Packaging
14 x 51	690	1	FR14GG69V1	K218716J				
14 x 51	690	2	FR14GG69V2	Y219234J	500	FR14GG50V2P	J211033J	10
14 x 51	690	4	FR14GG69V4	A219765J	500	FR14GG50V4P	H212067J	10
14 x 51	690	6	FR14GG69V6	H222210J	500	FR14GG50V6P	G214113J	10
14 x 51	690	8	FR14GG69V8	D222965J	500	FR14GG50V8P	R215134J	10
14 x 51	690	10	FR14GG69V10	L200754J	500	FR14GG50V10P	Z216153J	10
14 x 51	690	12	FR14GG69V12	L201812J	500	FR14GG50V12P	L217176J	10
14 x 51	690	16	FR14GG69V16	A211554J	500	FR14GG50V16P	Z218200J	10
14 x 51	690	20	FR14GG69V20	Z212588J	500	FR14GG50V20P	B219237J	10
14 x 51	690	25	FR14GG69V25	C213603J	500	FR14GG50V25P	L222213J	10
14 x 51	500	32	FR14GG50V32	W216656J	500	FR14GG50V32P	P200757J	10
14 x 51	690	32	FR14GG69V32	L1010170J				10
14 x 51	500	40	FR14GG50V40	X218198J	500	FR14GG50V40P	P201815J	10
14 x 51	690	40	FR14GG69V40	P1010173J				10
14 x 51	500	50	FR14GG50V50	Z219235J	500	FR14GG50V50P	D211557J	10
14 x 51	690	50	FR14GG69V50	Q1010174J				10

## gG 22 x 58 - 500 to 690VAC +10%



Size	Voltage (V)	Current (A)	Cat. number w/o striker	Ref. number w/o striker	Voltage (V)	Cat. number with striker	Ref. number with striker	Packaging
22 x 58	690	2	FR22GG69V2	F219241J	690	FR22GG69V2P	N093760J	10
22 x 58	690	4	FR22GG69V4	H219772J	690	FR22GG69V4P	R214628J	10
22 x 58	690	6	FR22GG69V6	P222216J	690	FR22GG69V6P	A215648J	10
22 x 58	690	8	FR22GG69V8	L222972J	690	FR22GG69V8P	F216665J	10
22 x 58	690	10	FR22GG69V10	T200761J	690	FR22GG69V10P	W217691J	10
22 x 58	690	12	FR22GG69V12	J201304J	690	FR22GG69V12P	W218726J	10
22 x 58	690	16	FR22GG69V16	S201818J	690	FR22GG69V16P	L219775J	10
22 x 58	690	20	FR22GG69V20	P211038J	690	FR22GG69V20P	P222975J	10
22 x 58	690	25	FR22GG69V25	N212072J	690	FR22GG69V25P	M201307J	10
22 x 58	690	32	FR22GG69V32	F212594J	690	FR22GG69V32P	S211041J	10
22 x 58	690	40	FR22GG69V40	J213609J	690	FR22GG69V40P	R212075J	10
22 x 58	690	50	FR22GG69V50	P214626J	690	FR22GG69V50P	M213612J	10
22 x 58					500	FR22GG50V63P	S214629J	10
22 x 58	690	63	FR22GG69V63	Y215646J	690	FR22GG69V63P	T1022160J	10
22 x 58					500	FR22GG50V80P	F216159J	10
22 x 58	690	80	FR22GG69V80	Q217180J	500	FR22GG69V80P	Z1022165J	10
22 x 58	500	100	FR22GG50V100	E218205J	500	FR22GG50V100P	T217183J	10
22 x 58	500	125	FR22GG50V125	J219773J	500	FR22GG50V125P	H218208J	10

W/o striker

With striker



Blown



Blown



For Sizes  
10, 14 and 22.

### Functions

gG curve industrial fuse (black marking) – NF EN 60269-1 and 2 compliant.  
Protection for power cables and equipment except motors.  
Selective coordination between two fuses two ratings apart (e.g. 160A and 100A).  
Breaking capacity: 120 kA for 8.5 x 31.5 fuses - 120kA for other sizes at rated voltage.

### Applications

Protection from overloads and short circuits at all levels in power distribution.  
Mains, branch circuits, service entrance equipment.

## Accessories

Type	Cat. Number	Ref. Number	Packaging
Neutral size 14x51	FRN1451	M212600J	10
Neutral size 22x58	FRN2258	R213616J	10
Fuse extractor size 14x51	PMCP 14	M097554A	1
Fuse extractor size 22x58	PMCP20+22	K100036A	1

# Low voltage ferrule-style fuses

## aM 8,5 x 31,5 - 400VAC



Size	Voltage (V)	Current (A)	Cat. number w/o indicator	Ref. number w/o indicator	Voltage (V)	Packaging
8,5 x 31,5	400	1	FR8AM40V1	C217168J		10
8,5 x 31,5	400	2	FR8AM40V2	R218193J		10
8,5 x 31,5	400	4	FR8AM40V4	S219229J		10
8,5 x 31,5	400	6	FR8AM40V6	C222205J		10
8,5 x 31,5	400	8	FR8AM40V8	F200749J		10
8,5 x 31,5	400	10	FR8AM40V10	W201292J		10
8,5 x 31,5	400	12	FR8AM40V12	V1007188J		10

## Accessories

Type	Cat. Number	Ref. Number	Packaging
Neutral size 8,5x31,5	FRN832	X211045J	10
Neutral size 10,3x38	FRN1038	R211569J	10
Neutral size 14x51	FRN1451	M212600J	10
Fuse extractor size 14x51	PMCP 14	M097554A	1

## aM 10,3 x 38 - 400 to 690VAC +10%



Size	Voltage (V)	Current (A)	Cat. number w/o indicator	Ref. number w/o indicator	Cat. number with indicator	Ref. number with indicator	Voltage (V)	Cat. number with striker	Ref. number with striker	Packaging
10,3 x 38	500	0,16	FR10AM50V0.16	E214617J	-	-	-	-	-	10
10,3 x 38	500	0,25	FR10AM50V0.25	M215130J	-	-	-	-	-	10
10,3 x 38	500	0,5	FR10AM50V0.5	W216150J	-	-	-	-	-	10
10,3 x 38	500	1	FR10AM50V1	F217171J	FR10AM50V1I	X219233J	400	FR10AM40V1P	Z084984J	10
10,3 x 38	500	2	FR10AM50V2	H218714J	FR10AM50V2I	G222209J	400	FR10AM40V2P	Y085259J	10
10,3 x 38	500	4	FR10AM50V4	W219232J	FR10AM50V4I	K200753J	400	FR10AM40V4P	W085257J	10
10,3 x 38	500	6	FR10AM50V6	F222208J	FR10AM50V6I	K201811J	400	FR10AM40V6P	A084985J	10
10,3 x 38	500	8	FR10AM50V8	Z201295J	FR10AM50V8I	Z211553J	400	FR10AM40V8P	B084986J	10
10,3 x 38	500	10	FR10AM50V10	Y211552J	FR10AM50V10I	H213102J	400	FR10AM40V10P	X085258J	10
10,3 x 38	500	12	FR10AM50V12	A213601J	FR10AM50V12I	D214110J	400	FR10AM40V12P	C084757J	10
10,3 x 38	500	16	FR10AM50V16	F214618J	FR10AM50V16I	P215132J	400	FR10AM40V16P	V085256J	10
10,3 x 38	500	20	FR10AM50V20	X216151J	FR10AM50V20I	V216655J	250	FR10AM40V20P	A076038J	10
10,3 x 38	400	25	FR10AM40V25	G217172J	FR10AM40V25I	L217682J	250	FR10AM40V25P	B076039J	10
10,3 x 38	400	32	FR10AM40V32	J218715J	-	-	-	-	-	10

Size	Voltage (V)	Current (A)	Cat. number w/o indicator	Ref. number w/o indicator	Packaging
10,3 x 38	690	1	FR10AM69V1	H302779J	10
10,3 x 38	690	2	FR10AM69V2	J302780J	10
10,3 x 38	690	4	FR10AM69V4	K302781J	10
10,3 x 38	690	6	FR10AM69V6	L302782J	10
10,3 x 38	690	8	FR10AM69V8	M302783J	10
10,3 x 38	690	10	FR10AM69V10	N302784J	10
10,3 x 38	690	12	FR10AM69V12	P302785J	10

## aM 14 x 51 - 400 to 690VAC +10%



Size	Voltage (V)	Current (A)	Cat. number w/o indicator	Ref. number w/o indicator	Voltage (V)	Cat. number with striker	Ref. number with striker	Packaging
14 x 51	690	0,25	FR14AM69V0.25	B212590J				10
14 x 51	690	0,5	FR14AM69V0.5	L213105J				10
14 x 51	690	1	FR14AM69V1	E213605J	500	FR14AM50V1P	W215644J	10
14 x 51	690	2	FR14AM69V2	H214114J	500	FR14AM50V2P	B216661J	10
14 x 51	690	4	FR14AM69V4	K214622J	500	FR14AM50V4P	C218203J	10
14 x 51	690	6	FR14AM69V6	S215135J	500	FR14AM50V6P	E219240J	10
14 x 51	690	8	FR14AM69V8	T215642J	500	FR14AM50V8P	N222215J	10
14 x 51	690	10	FR14AM69V10	Z216659J	500	FR14AM50V10P	S200760J	10
14 x 51	690	12	FR14AM69V12	M217177J	500	FR14AM50V12P	R201817J	10
14 x 51	690	16	FR14AM69V16	Q217686J	500	FR14AM50V16P	G211560J	10
14 x 51	690	20	FR14AM69V20	P218720J	500	FR14AM50V20P	E212593J	10
14 x 51	690	25	FR14AM69V25	E219769J	500	FR14AM50V25P	H213608J	10
14 x 51	500	32	FR14AM50V32	M222214J	500	FR14AM50V32P	N214625J	10
14 x 51	690	32	FR14AM69V32	G1011477J				10
14 x 51	500	40	FR14AM50V40	Q200758J	500	FR14AM50V40P	X215645J	10
14 x 51	690	40	FR14GG69V40	J1011479J				10
14 x 51	500	45	FR14AM50V45	L211035J	500	FR14AM50V45P	C216662J	10
14 x 51	500	50	FR14AM50V50	E211558J	500	FR14AM50V50P	D218204J	10

## aM 22 x 58 - 500 to 690VAC +10%



Size	Voltage (V)	Current (A)	Cat. number w/o indicator	Ref. number w/o indicator	Voltage (V)	Cat. number with striker	Ref. number with striker	Packaging
22 x 58	690	1	FR22AM69V1	M219776J	690	FR22AM69V1P	E215652J	10
22 x 58	690	2	FR22AM69V2	T222220J	690	FR22AM69V2P	J216162J	10
22 x 58	690	4	FR22AM69V4	Q222976J	690	FR22AM69V4P	A217695J	10
22 x 58	690	6	FR22AM69V6	Y200765J	690	FR22AM69V6P	Y218728J	10
22 x 58	690	8	FR22AM69V8	N201308J	690	FR22AM69V8P	Q219779J	10
22 x 58	690	10	FR22AM69V10	X201822J	690	FR22AM69V10P	S222978J	10
22 x 58	690	12	FR22AM69V12	T211042J	690	FR22AM69V12P	R201311J	10
22 x 58	690	16	FR22AM69V16	M211565J	690	FR22AM69V16P	W211044J	10
22 x 58	690	20	FR22AM69V20	S212076J	690	FR22AM69V20P	W212079J	10
22 x 58	690	25	FR22AM69V25	J212597J	690	FR22AM69V25P	Q213615J	10
22 x 58	690	32	FR22AM69V32	V213113J	690	FR22AM69V32P	X214633J	10
22 x 58	690	40	FR22AM69V40	N213613J	690	FR22AM69V40P	F215653J	10
22 x 58	690	50	FR22AM69V50	R214122J	690	FR22AM69V50P	K216669J	10
22 x 58	690	63	FR22AM69V63	C215650J	500	FR22AM50V63P	B217696J	10
22 x 58					690	FR22AM69V63P	A1022166J	
22 x 58	690	80	FR22AM69V80	H216667J	500	FR22AM50V80P	Z218729J	10
22 x 58	500	100	FR22AM50V100	Y217693J	500	FR22AM50V100P	T222979J	10
22 x 58					690	FR22AM69V80P	C1022168J	
22 x 58	500	125	FR22AM50V125	J218209J	500	FR22AM50V125P	S201312J	10



For Sizes  
10, 14 and 22.

With striker



Blown

W/o striker



Not Blown



Blown

### Functions

aM curve industrial fuse (green marking) – NF EN 60269-1 and 2-1 compliant.

Direct protection for electrical motors, must be used in combination with another protection device (thermal relay).

Easy selective coordination with upstream gG fuses.

Selective coordination between two fuses two ratings apart (i.e. 160A and 100A).

Breaking capacity: 20kA for 8.3 x 31.5 fuses - 80 to 120kA for other sizes at rated voltage.

### Applications

Protection for all low voltage electrical motors with direct-on-line start.

### Accessories

Type	Cat. Number	Ref. Number	Packaging
Neutral	FRN2258	R213616J	10
Fuse extractor size 14x51	PMCP 14	M097554A	1
Fuse extractor size 22x58	PMCP20+22	K100036A	1

# Modulostar fuse holder low voltage

## Modulostar CMS8



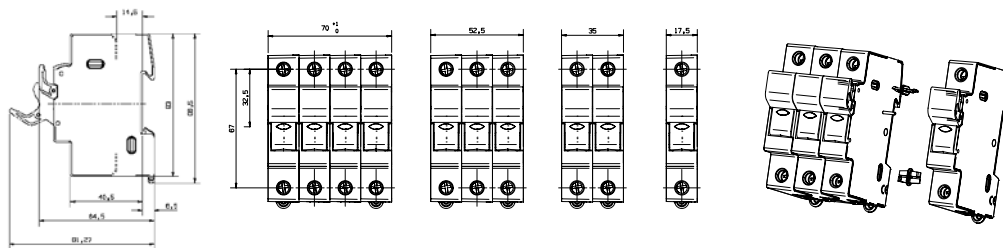
Size	No of Poles	Voltage (V)	Cat. number w/o indicator	Ref. number w/o indicator	Cat. number with indicator	Ref. number with indicator	Packaging
8 x 31,5	N *	500	CMS810N	D305006K	-	-	12
8 x 31,5	1	500	CMS81	X305000K	CMS81I	E305007K	12
8 x 31,5	1+N	500	CMS81N	Y305001F	CMS81NI	F305008F	6
8 x 31,5	2	500	CMS82	Z305002F	CMS82I	G305009F	6
8 x 31,5	3	500	CMS83	A305003D	CMS83I	H305010D	4
8 x 31,5	3+N	500	CMS83N	B305004C	CMS83NI	J305011C	3
8 x 31,5	4	500	CMS84	C305005C	CMS84I	K305012C	3

## Modulostar CMS10

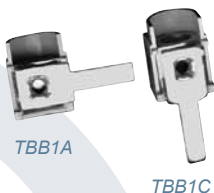


Size	No of Poles	Voltage (V)	Cat. number w/o indicator	Ref. number w/o indicator	Cat. number with indicator	Ref. number with indicator	Packaging
10 x 38	1	690	CMS101	T305020K	CMS101I	A305026K	12
10 x 38	1+N	690	CMS101N	V305021F	CMS101NI	B305027F	6
10 x 38	2	690	CMS102	W305022F	CMS102I	C305028F	6
10 x 38	3	690	CMS103	X305023D	CMS103I	D305029D	4
10 x 38	3+N	690	CMS103N	Y305024C	CMS103NI	E305030C	3
10 x 38	4	690	CMS104	Z305025C	CMS104I	F305031C	3

## Drawings for CMS8-10



## Accessories for CMS8, CMS10



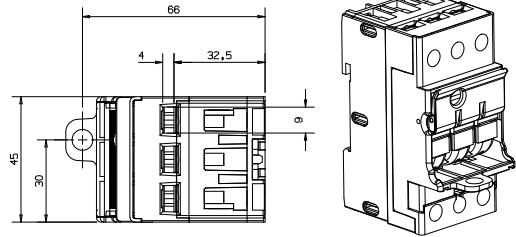
Description	Cat. number	Ref. number	Nb Modules 17.5mm	Voltage max. RMS (A)	Nb of pole	Packaging
Multi-pole assembly kit	CMS810PAK	Z233725K				12
Lock	LOCK	M223525A				1
Locking kit	TAGLOCKCMS810	A235773A				1
Single-phase size 8/10 comb connection	CMS810BB1F13	T210306J	13	63	1	10
2-phase size 8/10 comb connection	CMS810BB2F6	V210307J	6	63	2	10
3-phase size 8/10 comb connection	CMS810BB3F4	W210308J	4	100	3	10
4-phase size 8/10 comb connection	CMS810BB4F3	X210309J	3	100	4	10
Single-pole terminal, side	TBB1C	E210316P		90		50
2/3-pole terminal, side	TBB23C	G210318P		90		50
Single-pole terminal, axial	TBB1A	D210315P		90		50
2/3-pole terminal, axial	TBB23A	F210317P		90		50

# Modulostar CMSFM10

**Compact Fusegear for Motor starter**  
3 pole/45mm

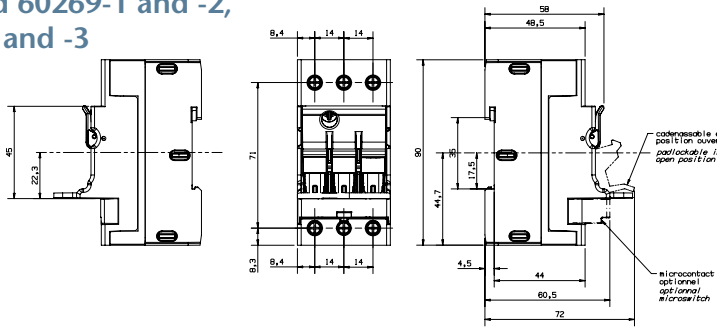


Nb of pole	Voltage (V)	Cat. number	Ref. number	Fonction Fuse Holder	Fonction Fuse Discon.	Packaging
System	690	CMSFM10	S302765A	w/o indicator		1
3 poles / 45mm	690	CMSFM10M	T302766A		w/o indicator	1
	690	CMSFM10I	W302768A	with indicator		1
	690	CMSFM10MI	V302767A		with indicator	1



## Drawings for compact fusegear Motor starter

IEC Standard 60269-1 and -2,  
IEC 60947-1 and -3



### Accessory

Cat. number	Ref.	Packaging
PLUG3CMSFM	B264041E	5
WBAR2CMSFM	C264042E	5
RDINCCMSFM	D264043A	1
WIRCMSFMC	E264044E	5

## MSC 10 fuse holder Phase + Neutral (1 mod.)

Fuse holder phase+neutral in a 17.5mm - width compact module

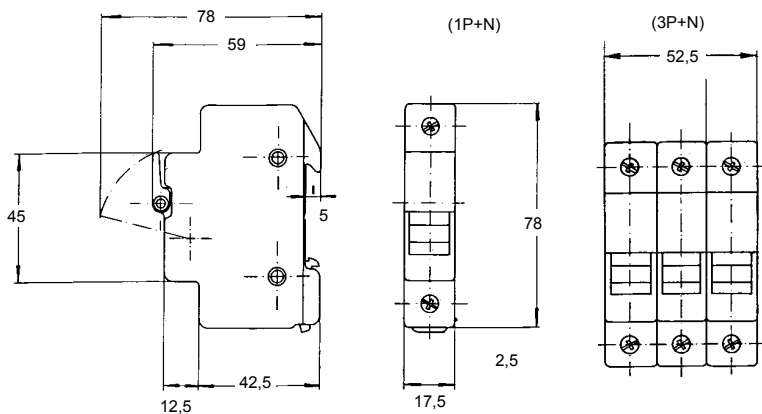
**Compact Fuse Holder**



Nb of pole	Voltage (V)	Cat. number w/o indicator	Ref. number w/o indicator	Nb Modules	Packaging
1+N	690	MSC101N1M	Y201317K	1	12
3+N	690	MSC103N3M	S218217D	3	4

Assembly accessories	Cat. number	Ref. number	Packaging
2-pole pin	MSCMSDMAASS2	G215125J	10*
3-pole pin	MSCMSDMAASS3	Q216145J	10*
4-pole pin	MSCMSDMAASS4	A217166J	10*

\* 10 Pins per bag



- Direct mounting on symmetrical DIN rail
- Indicator light (120/690V)
- Wiring cross sections:
  - single-pole: 1x16mm<sup>2</sup>
  - single-pole + neutral: 1x10mm<sup>2</sup>
- Insulated to IP20 standard
- Single-pole weight
  - 10x38; 63g
  - 10x38 - Ph + N1M; 68g



# Modulostar fuse holder low voltage

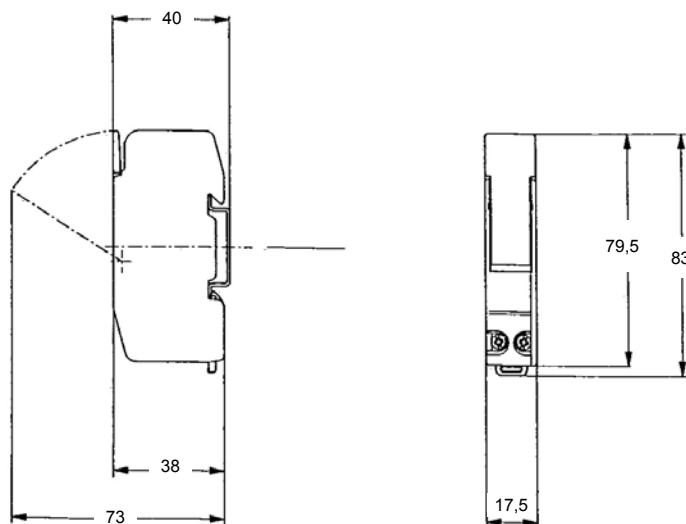
## CCR fuse holder

### Compact Fuse Holder



Size	Voltage (V)	Nb of poles	Cat. number	Ref. number	Nb of mod.	Packaging	NF Licence
8,5 x 31,5		N	CCR810N	Z214635K	1	12	•
8,5 x 31,5	400	1+N	CCR81N	A218730K	1	12	•
8,5 x 31,5	400	2	CCR82	V233721F	2	6	
8,5 x 31,5	400	3	CCR83	W233722D	3	4	
10 x 38	400	N	CCR810N	Z214635K	1	12	•
10 x 38	500	1	CCR101	N218213K	1	12	•
10 x 38	500	1+N	CCR1N1M	H215655K	1	12	•
10 x 38	500	2	CCR102	X233723F	2	6	
10 x 38	500	3	CCR103	Y233724D	3	4	

- Main application: protection of luminaires in street lighting
- Direct mounting on symmetrical DIN rail  
- Cable cross section: 1x10mm<sup>2</sup>
- Small footprint
- IP20 finger-safe protection
- Weight 1 pole
- Neutral links are systematically pre-mounted
- IEC 60269-1, -2, and -3 (for some models).



## Supports et Fuse holders MSD



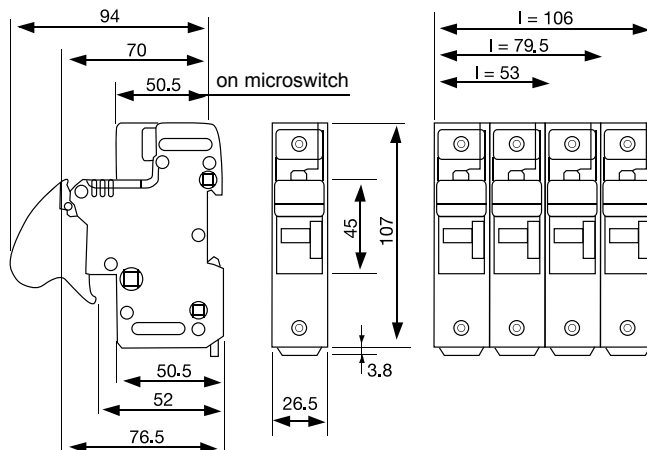
Size	Voltage (V)	Unipolaire w/o indicator 1 module		Unipolaire with indicator 1 module		Uni + N w/o indicator 1 module		Uni + N with indicator 1 module		Packaging	NF Licence
		Ref. Number	Cat. Number	Ref. Number	Cat. Number	Ref. Number	Cat. Number	Ref. Number	Cat. Number		
8,5 x 23	250	C217674K	MSD8231	A218707K	MSD8231	N219225K	MSD8231N	T222956K	MSD8231NI	12	•
10,3 x 25,8	250	R201288K	MSD10251	Y211023K	MSD10251I	Q211545K	MSD10251N	Z213094K	MSD10251NI	12	•
8,5 x 31,5	400	V214102K	MSD8311	F215124K	MSD8311I	H215632K	MSD8311N	Z217165K	MSD8311NI	12	•
10,3 x 31,5	400	N218190K	MSD10311	P219226K	MSD10311I	R219757K	MSD10311N	V222957K	MSD10311NI	12	•
10,3 x 38	400	S201289K	MSD10381	Z211024K	MSD10381I	R211546K	MSD10381N	A213095K	MSD10381NI	12	•

Standard IEC 60269-1 and -3

# Modulostar CMS14



Size	Nb of poles	Voltage (V)	Cat. number w/o indicator	Ref. number w/o indicator	Cat. number with indicator	Ref. number with indicator	Packaging
14 x 51	N	690	CMS14N	T331056F			6
14 x 51	1	690	CMS141	A331016F	CMS141I	L331049F	6
14 x 51	1+N	690	CMS141N	T331010C	CMS141NI	M331050C	3
14 x 51	2	690	CMS142	R331031C	CMS142I	M331004C	3
14 x 51	3	690	S331032B	J212091B	CMS143I	K331071B	2
14 x 51	3+N	690	CMS143N	D331042A	CMS143NI	Q331007A	1
14 x 51	4	690	CMS144	F331021A			1
14 x 51 for fuses with striker	1	690			CMS141AC	F331044F	6
14 x 51 with microswitches (+ pre-isolation) (for fuses with striker)	1	690	CMS141M	Z331038F	CMS141MI	S331055F	6
	1+N	690	CMS141NM	L331026C	CMS141NMI	Q331030C	6
	2 (2 switches)	690	CMS142M	A331062C	CMS142MI	X331036C	3
	3	690	CMS143M	F331067B	CMS143MI	P331006B	2
	3+N	690	CMS143NM	E331043A	CMS143NMI	Y331037A	1



## Accessories CMS14



Description	Cat. number	Ref. number	Nb. modules 17.5mm	Packaging
Single-pole CMS14 auxiliary microswitch kit	CMS14W1	M218741	1.5	1
3-pole CMS14 auxiliary microswitch kit	CMS14W2	J331185A	4.5	1
3-pole CMS14 2 auxiliary microswitch kit	CMS14W3	Z331176A	4.5	1
Auxiliary microswitch assembly pin (between 2 auxiliary microswitch kits)	CMS1422PTH	J214138		10
Enlargement pin for auxiliary microswitches	CMS14BP	F213629		10
Multi-pole assembly kit	CMS1422PAK	Z218223		10
Indicator light kit	CMS14LIH	A225653		1
Lock	CMS14LOK	M223525		1

# Modulostar fuse holder low voltage

## Modulostar CMS22



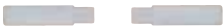
Size	Voltage (V)	No of Poles	Cat. number w/o indicator	Ref. number w/o indicator	Cat. number with indicator	Ref. number with indicator	Packaging
22 x 58	690	N	CMS22N	K331094F			6
22 x 58	690	1	CMS221	T331079F	CMS221I	B331086F	6
22 x 58	690	1+N	CMS221N	H331092C	CMS221NI	W1001462C	3
22 x 58	690	2	CMS222	Q331122C	CMS222I	D331134C	3
22 x 58	690	3	CMS223	E331135B	CMS223I	D331134B	2
22 x 58	690	3+N	CMS223N	A331108A	CMS223NI	N1001455A	1
22 x 58	690	4	CMS224	Q331099A			1
22 x 58 for fuses with striker	690	1			CMS22AC	V331103F	6
22 x 58 with microswitches (+ pre-isolation) (for fuses with striker)	690	1	CMS221M	S331078F	CMS221MI	N331074F	6
	690	1+N	CMS221NM	W1016642C	CMS221NMI	N1016589C	3
	690	2 (2 switches)	CMS222M	V331080C	CMS222MI	P331098C	3
	690	3	CMS223M	B331109B	CMS223MI	E331112B	2
	690	3+N	CMS223NM	T331102A	CMS223NMI	W331104A	1

## Accessories CMS22

Auxiliary microswitch kit E211581



Enlargement pin for auxiliary microswitch - F213629

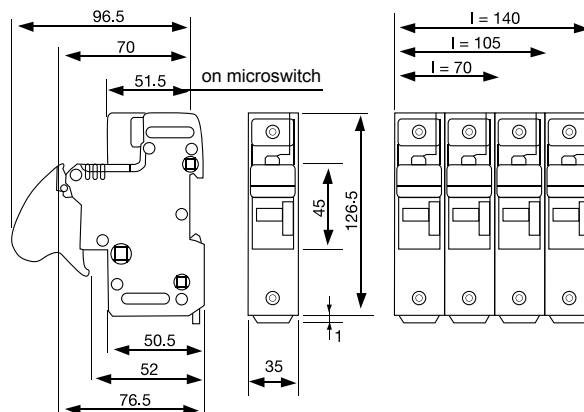


Auxiliary microswitch assembly pin - J214138



Description	Cat. number	Ref. number	Nb. modules 17.5mm	Packaging
Single-pole CMS22 auxiliary microswitch kit	CMS22W1	E211581A	2	1
3-pole CMS22 auxiliary microswitch kit	CMS22W2	B331201A	6	1
3-pole CMS22 2 auxiliary microswitch kit	CMS22W3	N331189A	6	1
Auxiliary microswitch assembly pin (between 2 auxiliary microswitch kits)	CMS1422PTH	J214138J		10
Enlargement pin for auxiliary microswitches	CMS1422BP	F213629J		10
Multi-pole assembly kit	CMS1422PAK	Z218223J		10
Indicator light kit	CMS1422LHI	A225653A		1
Lock	LOCK	M223525A		1

## Drawings for CMS22



## Fuse Monitoring for DIN Rail mounting



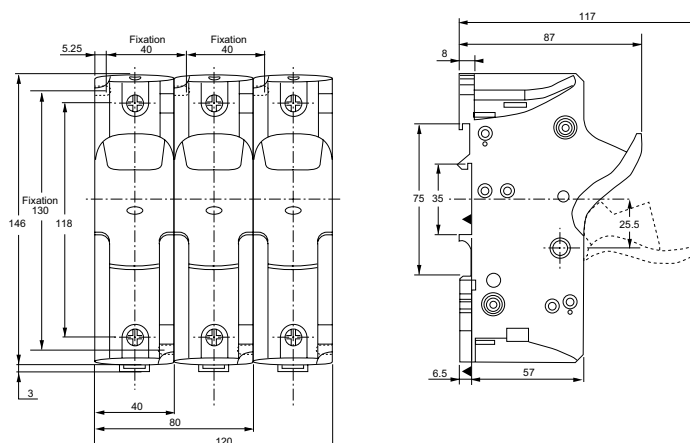
Cat. number	Ref. number	Voltage (V)	Mounting on	Weight (kg)	Packaging
FM100/260RD	S236824A	100...260	Rail DIN	0.19	1
FM380/690RD	T236825A	380...690	Rail DIN	0.19	1

## Modulostar CMS27



Size	No of Poles	Voltage (V)	Cat. number w/o indicator	Ref. number w/o indicator	Packaging
27 x 60	1	800	CMS271	R210580C	3
27 x 60	1+N	800	CMS271N	S210581A	1
27 x 60	N	800	CMS27N	B210152C	3
27 x 60	2	800	CMS272	T210582A	1
27 x 60	3	800	CMS273	V210583A	1

## Drawings for CMS27



# Low voltage blade-style NH fuses

Sizes 000 to 3 gG 400VAC SGL from 2 to 630A     



NH 400VAC gG fuses - Isolated Lug

Size	Voltage (V)	Current (A)	Watts Loss @ 100% In (W)	Cat. number	Ref. Number	Packaging
000	400	2	3.3	NH000GG40V2-1	P223688C	3
000	400	4	1.35	NH000GG40V4-1	Q223689C	3
000	400	6	1.7	NH000GG40V6-1	R223690C	3
000	400	10	1.0	NH000GG40V10-1	S223691C	3
000	400	16	1.8	NH000GG40V16-1	T223692H	9
000	400	20	2.0	NH000GG40V20-1	V223693H	9
000	400	25	2.4	NH000GG40V25-1	W223694H	9
000	400	32	2.6	NH000GG40V32-1	X223695H	9
000	400	35	3.2	NH000GG40V35-1	Y223696H	9
000	400	40	3.1	NH000GG40V40-1	Z223697H	9
000	400	50	3.5	NH000GG40V50-1	A223698H	9
000	400	63	4.6	NH000GG40V63-1	B223699H	9
000	400	80	5.0	NH000GG40V80-1	C223700H	9
000	400	100	5.5	NH000GG40V100-1	D223701H	9
00	400	125	8.6	NH00GG40V125-1	G223704C	3
00	400	160	9.6	NH00GG40V160-1	H223705C	3
1	400	35	3.9	NH1GG40V35-1	V223716C	3
1	400	50	4.5	NH1GG40V50-1	W223717C	3
1	400	63	5.7	NH1GG40V63-1	X223718C	3
1	400	80	5.5	NH1GG40V80-1	Y223719C	3
1	400	100	7.0	NH1GG40V100-1	Z223720C	3
1	400	125	9.1	NH1GG40V125-1	A223721C	3
1	400	160	13.0	NH1GG40V160-1	B223722C	3
1	400	200	13.1	NH1GG40V200-1	C223723C	3
1	400	224	15.1	NH1GG40V224-1	D223724C	3
1	400	250	16.9	NH1GG40V250-1	E223725C	3
2	400	35	3.9	NH2GG40V35-1	L227250C	3
2	400	50	4.5	NH2GG40V50-1	M227251C	3
2	400	63	5.7	NH2GG40V63-1	N227252C	3
2	400	80	6.1	NH2GG40V80-1	X223741C	3
2	400	100	7.3	NH2GG40V100-1	Y223742C	3
2	400	125	9.1	NH2GG40V125-1	Z223743C	3
2	400	160	13.0	NH2GG40V160-1	A223744C	3
2	400	200	13.5	NH2GG40V200-1	B223745C	3
2	400	224	15.1	NH2GG40V224-1	C223746C	3
2	400	250	18.0	NH2GG40V250-1	D223747C	3
2	400	315	19.9	NH2GG40V315-1	E223748C	3
2	400	355	22.7	NH2GG40V355-1	F223749C	3
2	400	400	28.0	NH2GG40V400-1	G223750C	3
3	400	250	19.9	NH3GG40V250-1	H223751A	1
3	400	315	22.7	NH3GG40V315-1	J223752A	1
3	400	400	28.0	NH3GG40V400-1	K223753A	1
3	400	500	30.8	NH3GG40V500-1	L223754A	1
3	400	630	43.0	NH3GG40V630-1	M223755A	1



## Sizes 000 to 3 gG 400VAC from 2 to 630A



Size	Voltage (V)	Current (A)	Watts Loss @ 100% In (W)	Cat. number	Ref. Number	Packaging
000	400	2	3.3	NH000GG40V2	Z223674C	3
000	400	4	1.35	NH000GG40V4	A223675C	3
000	400	6	1.7	NH000GG40V6	B223676C	3
000	400	10	1.0	NH000GG40V10	C223677C	3
000	400	16	1.8	NH000GG40V16	D223678H	9
000	400	20	2.0	NH000GG40V20	E223679H	9
000	400	25	2.4	NH000GG40V25	F223680H	9
000	400	32	2.6	NH000GG40V32	G223681H	9
000	400	35	3.2	NH000GG40V35	H223682H	9
000	400	40	3.1	NH000GG40V45	J223683H	9
000	400	50	3.5	NH000GG40V50	K223684H	9
000	400	63	4.6	NH000GG40V63	L223685H	9
000	400	80	5.0	NH000GG40V80	M223686H	9
000	400	100	5.5	NH000GG40V100	N223687H	9
00	400	125	8.6	NH00GG40V125	E223702C	3
00	400	160	9.6	NH00GG40V160	F223703C	3
1	400	35	3.9	NH1GG40V35	J223706C	3
1	400	50	4.5	NH1GG40V50	K223707C	3
1	400	63	5.7	NH1GG40V63	L223708C	3
1	400	80	5.5	NH1GG40V80	M223709C	3
1	400	100	7.0	NH1GG40V100	N223710C	3
1	400	125	9.1	NH1GG40V125	P223711C	3
1	400	160	13.0	NH1GG40V160	Q223712C	3
1	400	200	13.1	NH1GG40V200	R223713C	3
1	400	224	15.1	NH1GG40V224	S223714C	3
1	400	250	16.9	NH1GG40V250	T223715C	3
2	400	35	3.9	NH2GG40V35	T227257C	3
2	400	50	4.5	NH2GG40V50	V227258C	3
2	400	63	5.7	NH2GG40V63	W227259C	3
2	400	80	6.1	NH2GG40V80	F223726C	3
2	400	100	7.3	NH2GG40V100	G223727C	3
2	400	125	9.1	NH2GG40V125	H223728C	3
2	400	160	13.0	NH2GG40V160	J223729C	3
2	400	200	13.5	NH2GG40V200	K223730C	3
2	400	224	15.1	NH2GG40V224	L223731C	3
2	400	250	18.0	NH2GG40V250	M223732C	3
2	400	315	19.9	NH2GG40V315	N223733C	3
2	400	355	22.7	NH2GG40V355	P223734C	3
2	400	400	28.0	NH2GG40V400	Q223735C	3
3	400	250	19.9	NH3GG40V250	R223736A	1
3	400	315	22.7	NH3GG40V315	S223737A	1
3	400	400	28.0	NH3GG40V400	T223738A	1
3	400	500	30.8	NH3GG40V500	V223739A	1
3	400	630	43.0	NH3GG40V630	W223740A	1

# Low voltage blade-style NH fuses

## Size 00 with Isolated Lug - 500VAC gG



Size	Voltage (V)	Current (A)	Cat. number	Ref. Number	Packaging
00	500	125	NH00GG40V125-1	V200808C	3
00	500	160	NH00GG40V160-1	W201867C	3

## Size 0 with Isolated Lug - 500VAC gG



Size	Voltage (V)	Current (A)	Cat. number	Ref. Number	Packaging
0	500	6	NH0GG50V6-1	B212636C	3
0	500	10	NH0GG50V10-1	M213152C	3
0	500	16	NH0GG50V16-1	E213651C	3
0	500	20	NH0GG50V20-1	L214163C	3
0	500	25	NH0GG50V25-1	P214672C	3
0	500	32	NH0GG50V32-1	V215183C	3
0	500	35	NH0GG50V35-1	W215690C	3
0	500	40	NH0GG50V40-1	C216202C	3
0	500	50	NH0GG50V50-1	A216706C	3
0	500	63	NH0GG50V63-1	N217224C	3
0	500	80	NH0GG50V80-1	T217735C	3
0	500	100	NH0GG50V100-1	D218250C	3
0	500	125	NH0GG50V125-1	S218769C	3
0	500	160	NH0GG50V160-1	F219287C	3

## Size 1 with Isolated Lug - 500VAC gG



Size	Voltage (V)	Current (A)	Cat. Number	Ref. Number	Packaging
1	500	16	NH1GG50V16-1	H219818C	3
1	500	20	NH1GG50V20-1	T222496C	3
1	500	25	NH1GG50V25-1	K223017C	3
1	500	32	NH1GG50V32-1	R200805C	3
1	500	35	NH1GG50V35-1	G201348C	3
1	500	40	NH1GG50V40-1	Q211085C	3
1	500	50	NH1GG50V50-1	L212116C	3
1	500	63	NH1GG50V63-1	N213153C	3
1	500	80	NH1GG50V80-1	M214164C	3
1	500	100	NH1GG50V100-1	W215184C	3
1	500	125	NH1GG50V125-1	D216203C	3
1	500	160	NH1GG50V160-1	B216707C	3
1	500	200	NH1GG50V200-1	P217225C	3
1	500	224	NH1GG50V224-1	V217736C	3
1	500	250	NH1GG50V250-1	E218251C	3

## Size 2 with Isolated Lug - 500VAC gG



Size	Voltage (V)	Current (A)	Cat. number	Reference	Packaging
2	500	25	NH2GG50V25-1	J219819C	3
2	500	32	NH2GG50V32-1	V222497C	3
2	500	35	NH2GG50V35-1	L223018C	3
2	500	40	NH2GG50V40-1	S200806C	3
2	500	50	NH2GG50V50-1	H201349C	3
2	500	63	NH2GG50V63-1	T201865C	3
2	500	80	NH2GG50V80-1	F211605C	3
2	500	100	NH2GG50V100-1	P213154C	3
2	500	125	NH2GG50V125-1	N214165C	3
2	500	160	NH2GG50V160-1	X215185C	3
2	500	200	NH2GG50V200-1	E216204C	3
2	500	224	NH2GG50V224-1	Q217226C	3
2	500	250	NH2GG50V250-1	F218252C	3
2	500	300	NH2GG50V300-1	H219289C	3
2	500	315	NH2GG50V315-1	K219820C	3
2	500	355	NH2GG50V355-1	M223019C	3
2	500	400	NH2GG50V400-1	T200807C	3

## Size 3 with Isolated Lug - 500VAC gG



Size	Voltage (V)	Current (A)	Cat. number	Reference	Packaging
3	500	250	NH3GG50V250-1	J201350A	1
3	500	300	NH3GG50V300-1	S211087A	1
3	500	315	NH3GG50V315-1	G211606A	1
3	500	355	NH3GG50V355-1	E212639A	1
3	500	400	NH3GG50V400-1	H213654A	1
3	500	425	NH3GG50V425-1	S214675A	1
3	500	450	NH3GG50V450-1	Z215693A	1
3	500	500	NH3GG50V500-1	F216205A	1
3	500	630	NH3GG50V630-1	D216709A	1

# Low voltage blade-style NH fuses

## Size 000/00C - 500VAC gG



Size	Current (A)	Voltage (V)	Cat. number	Reference	Packaging
000/00C	2	500	NH000GG50V2	B211946C	3
000/00C	4	500	NH000GG50V4	M212462C	3
000/00C	6	500	NH000GG50V6	D213995C	3
000/00C	10	500	NH000GG50V10	B219651C	3
000/00C	16	500	NH000GG50V16	K222097H	9
000/00C	20	500	NH000GG50V20	A222847H	9
000/00C	25	500	NH000GG50V25	E201185H	9
000/00C	32	500	NH000GG50V32	Z211438H	9
000/00C	35	500	NH000GG50V35	C211947H	9
000/00C	40	500	NH000GG50V40	N212463H	9
000/00C	50	500	NH000GG50V50	T212974H	9
000/00C	63	500	NH000GG50V63	E213996H	9
000/00C	80	500	NH000GG50V80	Y216543H	9
000/00C	100	500	NH000GG50V100	B219122H	9

## Size 00 - 500VAC gG



Size	Current (A)	Voltage (V)	Cat. number	Reference	Packaging
00	125	500	NH00GG50V125	R201863C	3
00	160	500	NH00GG50V160	P211084C	3

## Size 0 - 500VAC gG



Size	Current (A)	Voltage (V)	Cat. number	Reference	Packaging
0	6	500	NH0GG50V6	H213148C	3
0	10	500	NH0GG50V10	G214159C	3
0	16	500	NH0GG50V16	Q215179C	3
0	20	500	NH0GG50V20	R215686C	3
0	25	500	NH0GG50V25	Y216198C	3
0	32	500	NH0GG50V32	W216702C	3
0	35	500	NH0GG50V35	J217220C	3
0	40	500	NH0GG50V40	P217731C	3
0	50	500	NH0GG50V50	Z218246C	3
0	63	500	NH0GG50V63	N218765C	3
0	80	500	NH0GG50V80	C219284C	3
0	100	500	NH0GG50V100	D219814C	3
0	125	500	NH0GG50V125	P222492C	3
0	160	500	NH0GG50V160	F223013C	3
0	200	500	NH0GG50V200	C229611C	3
0	224	500	NH0GG50V224	D229612C	3
0	250	500	NH0GG50V250	E229613C	3

## Accessories



Neutral



Pulling handle

Description	Cat. number	Reference	Packaging
Size 000 - Neutral	NH00NEUTRAL	Z218269J	10
Size 00 - Neutral	NH00DKNIFESGP	W216058J	10
Size 0 - Neutral	NH0NEUTRAL	Z219304J	10
Pulling handle	NHHANDLE	P215592A	1

## Size 1 - 500VAC gG



Size	Current (A)	Voltage (V)	Cat. number	Reference	Packaging
1	16	500	NH1GG50V16	M200801C	3
1	20	500	NH1GG50V20	C201344C	3
1	25	500	NH1GG50V25	N201860C	3
1	32	500	NH1GG50V32	L211081C	3
1	35	500	NH1GG50V35	A211600C	3
1	40	500	NH1GG50V40	Y212633C	3
1	50	500	NH1GG50V50	B213648C	3
1	63	500	NH1GG50V63	L214669C	3
1	80	500	NH1GG50V80	S215687C	3
1	100	500	NH1GG50V100	X216703C	3
1	125	500	NH1GG50V125	Q217732C	3
1	160	500	NH1GG50V160	A218247C	3
1	200	500	NH1GG50V200	P218766C	3
1	224	500	NH1GG50V224	D219285C	3
1	250	500	NH1GG50V250	E219815C	3
1	315	500	NH1GG50V315	Q228519C	3
1	355	500	NH1GG50V350	R228520C	3

## Size 2 - 500VAC gG



Size	Current (A)	Voltage (V)	Cat. number	Reference	Packaging
2	25	500	NH2GG50V25	N200802C	3
2	32	500	NH2GG50V32	D201345C	3
2	35	500	NH2GG50V35	P201861C	3
2	40	500	NH2GG50V40	M211082C	3
2	50	500	NH2GG50V50	B211601C	3
2	63	500	NH2GG50V63	Z212634C	3
2	80	500	NH2GG50V80	C213649C	3
2	100	500	NH2GG50V100	M214670C	3
2	125	500	NH2GG50V125	T215688C	3
2	160	500	NH2GG50V160	Y216704C	3
2	200	500	NH2GG50V200	R217733C	3
2	224	500	NH2GG50V224	Q218767C	3
2	250	500	NH2GG50V250	R222494C	3
2	315	500	NH2GG50V315	E201346C	3
2	350	500	NH2GG50V350	Q201862C	3
2	400	500	NH2GG50V400	N211083C	3
2	425	500	NH2GG50V425	S228521C	3
2	500	500	NH2GG50V500	T228522C	3

## Accessories



Neutral



Pulling handle

Description	Cat. number	Reference	Packaging
Size 1 - Neutral	NH1NEUTRAL	A219834E	5
Size 2 - Neutral	NH2NEUTRAL	N222514E	5
Pulling handle	NHHANDLE	P215592A	1

# Low voltage blade-style NH fuses

## Size 3 - 500VAC gG



Size	Current (A)	Voltage (V)	Cat. number	Ref. number	Packaging
3	250	500	NH3GG50V250	C211602A	1
3	300	500	NH3GG50V300	A212635A	1
3	315	500	NH3GG50V315	L213151A	1
3	355	500	NH3GG50V355	K214162A	1
3	400	500	NH3GG50V400	T215182A	1
3	425	500	NH3GG50V425	B216201A	1
3	450	500	NH3GG50V450	Z216705A	1
3	500	500	NH3GG50V500	M217223A	1
3	630	500	NH3GG50V630	S217734A	1
3	800	500	NH3GG50V800	V228523A	1

## Size 4a - 500VAC gG



Size	Current (A)	Voltage (V)	Cat. number	Ref. number	Packaging
4a	500	500	NH4AGG50V500	D201184A	1
4a	630	500	NH4AGG50V630	T205752A	1
4a	800	500	NH4AGG50V800	Y211437A	1
4a	1000	500	NH4AGG50V1000	A219650A	1
4a	1250	500	NH4AGG50V1250	J200637A	1

## Size 4 - 500VAC gG



Size	Current (A)	Voltage (V)	Cat. number	Ref. number	Packaging
4	400	500	NH4GG50V400	A216039A	1
4	500	500	NH4GG50V500	X216542A	1
4	630	500	NH4GG50V630	W217576A	1
4	800	500	NH4GG50V800	E218090A	1
4	1000	500	NH4GG50V1000	H21694A	1
4	1250	500	NH4GG50V1250	C213994A	1

## Accessories



Neutral

Pulling handle

Description	Cat. number	Ref. number	Packaging
Size 3 - Neutral	NH3NEUTRAL	E223035E	5
Pulling handle	NHHANDLE	P215592A	1



## Size 000 to 1 - 690VAC gG



Size	Voltage (V)	Current (A)	Cat. number	Ref. number	Packaging
000	690	2	NH000GG69V2	E228440C	3
000	690	4	NH000GG69V4	F228441C	3
000	690	6	NH000GG69V6	G228442C	3
000	690	10	NH000GG69V10	J228444C	3
000	690	16	NH000GG69V16	K228445C	3
000	690	20	NH000GG69V20	L228446C	3
000	690	25	NH000GG69V25	M228447C	3
000	690	32	NH000GG69V32	N228448C	3
000	690	35	NH000GG69V35	P228449C	3
000	690	40	NH000GG69V40	Q228450C	3
000	690	50	NH000GG69V50	R228451C	3
000	690	63	NH000GG69V63	S228452C	3
000	690	80	NH000GG69V80	T228453C	3
00	690	32	NH00GG69V32	V228454C	3
00	690	35	NH00GG69V35	W228455C	3
00	690	40	NH00GG69V40	X228456C	3
00	690	50	NH00GG69V50	Y228457C	3
00	690	63	NH00GG69V63	Z228458C	3
00	690	80	NH00GG69V80	A228459C	3
00	690	100	NH00GG69V100	B228460C	3
00	690	125	NH00GG69V125	C228461C	3
0	690	6	NH0GG69V6	D228462C	3
0	690	10	NH0GG69V10	E228463C	3
0	690	16	NH0GG69V16	F228464C	3
0	690	20	NH0GG69V20	G228465C	3
0	690	25	NH0GG69V25	H228466C	3
0	690	32	NH0GG69V32	J228467C	3
0	690	35	NH0GG69V35	K228468C	3
0	690	40	NH0GG69V40	L228469C	3
0	690	50	NH0GG69V50	M228470C	3
0	690	63	NH0GG69V63	N228471C	3
0	690	80	NH0GG69V80	P228472C	3
0	690	100	NH0GG69V100	Q228473C	3
0	690	125	NH0GG69V125	R228474C	3
0	690	160	NH0GG69V160	S228475C	3
1	690	16	NH1GG69V16	T228476C	3
1	690	20	NH1GG69V20	V228477C	3
1	690	25	NH1GG69V25	W228478C	3
1	690	32	NH1GG69V32	X228479C	3
1	690	35	NH1GG69V35	Y228480C	3
1	690	40	NH1GG69V40	Z228481C	3
1	690	50	NH1GG69V50	A228482C	3
1	690	63	NH1GG69V63	B228483C	3
1	690	80	NH1GG69V80	C228484C	3
1	690	100	NH1GG69V100	D228485C	3
1	690	125	NH1GG69V125	E228486C	3
1	690	160	NH1GG69V160	F228487C	3
1	690	200	NH1GG69V200	G228488C	3
1	690	224	NH1GG69V224	V233261C	3
1	690	250	NH1GG69V250	W233262C	3

# Low voltage blade-style NH fuses

Size 2 to 4a - 690VAC gG



Size	Voltage (V)	Current (A)	Cat. Number	Ref. Number	Packaging
2	690	32	NH2GG69V32	H228489C	3
2	690	35	NH2GG69V35	J228490C	3
2	690	40	NH2GG69V40	K228491C	3
2	690	50	NH2GG69V50	L228492C	3
2	690	63	NH2GG69V63	M228493C	3
2	690	80	NH2GG69V80	N228494C	3
2	690	100	NH2GG69V100	P228495C	3
2	690	125	NH2GG69V125	Q228496C	3
2	690	160	NH2GG69V160	R228497C	3
2	690	200	NH2GG69V200	S228498C	3
2	690	224	NH2GG69V224	T228499C	3
2	690	250	NH2GG69V250	V228500C	3
2	690	300	NH2GG69V300	W228501C	3
2	690	315	NH2GG69V315	X228502C	3
2	690	355	NH2GG69V355	Y228503C	3
3	690	250	NH3GG69V250	Z228504A	1
3	690	300	NH3GG69V300	A228505A	1
3	690	315	NH3GG69V315	B228506A	1
3	690	355	NH3GG69V355	C228507A	1
3	690	400	NH3GG69V400	D228508A	1
3	690	425	NH3GG69V425	E228509A	1
3	690	500	NH3GG69V500	F228510A	1

## Full contact blades



Size	Voltage (V)	Current (A)	Cat. Number	Ref. Number	Packaging
4	690	400	NH4GG69V400-8	N214004A	1
4	690	500	NH4GG69V500-8	Y215025A	1
4	690	630	NH4GG69V630-8	E215537A	1
4	690	800	NH4GG69V800-8	K216554A	1

## Screw contact



Size	Voltage (V)	Current (A)	Cat. Number	Ref. Number	Packaging
4a	690	400	NH4AGG69V400-8	W217070A	1
4a	690	500	NH4AGG69V500-8	H217587A	1
4a	690	630	NH4AGG69V630-8	W222107A	1
4a	690	800	NH4AGG69V800-8	M222858A	1

# Low voltage blade-style NH fuses

Size 0 to 4 with striker - 500 to 690VAC gG



H216690



R223000



X214656



N219271

Size	Current (A)	Voltage (V)	Cat. number	Ref. number	Breaking Capacity	Packaging
0	32	690	NH0GG69V32P-2	P213637C	80kA - 690V	3
0	35	690	NH0GG69V35P-2	S214146C	80kA - 690V	3
0	40	690	NH0GG69V40P-2	W214655C	80kA - 690V	3
0	50	690	NH0GG69V50P-2	B215166C	80kA - 690V	3
0	63	690	NH0GG69V63P-2	D215674C	80kA - 690V	3
0	80	690	NH0GG69V80P-2	J216185C	80kA - 690V	3
0	100	690	NH0GG69V100P-2	H216690C	80kA - 690V	3
0	125	500	NH0GG50V125P-2	V217207C	120kA - 500V	3
0	160	500	NH0GG50V160-2	A217718C	120kA - 500V	3
0	200	500	NH0GG50V200P-2	K218233C	120kA - 500V	3
1	80	690	NH1GG69V80P-2	Y218751C	80kA - 690V	3
1	100	690	NH1GG69V100P-2	M219270C	80kA - 690V	3
1	125	690	NH1GG69V125P-2	P219801C	80kA - 690V	3
1	160	690	NH1GG69V160P-2	Z222478C	80kA - 690V	3
1	200	690	NH1GG69V200P-2	R223000C	80kA - 690V	3
1	224	500	NH1GG50V224P-2	Y200788C	120kA - 500V	3
1	250	500	NH1GG50V250P-2	Q201333C	120kA - 500V	3
1	315	500	NH1GG50V315P-2	Z201847C	120kA - 500V	3
1	355	500	NH1GG50V355P-2	W211067C	120kA - 500V	3
2	125	690	NH2GG69V125P-2	W212102C	80kA - 690V	3
2	160	690	NH2GG69V160P-2	L212622C	80kA - 690V	3
2	200	690	NH2GG69V200P-2	Y213139C	80kA - 690V	3
2	224	690	NH2GG69V224P-2	Q213638C	80kA - 690V	3
2	250	690	NH2GG69V250P-2	T214147C	80kA - 690V	3
2	315	690	NH2GG69V315P-2	X214656C	80kA - 690V	3
2	355	500	NH2GG69V355P-2	E215675C	120kA - 500V	3
2	400	500	NH2GG50V400P-2	K216186C	120kA - 500V	3
2	500	500	NH2GG50V500P-2	W217208C	120kA - 500V	3
3	315	690	NH3GG69V315P-2	B217719C	80kA - 690V	3
3	355	690	NH3GG69V355P-2	L218234C	80kA - 690V	3
3	400	690	NH3GG69V400P-2	Z218752C	80kA - 690V	3
3	500	690	NH3GG69V500P-2	N219271C	80kA - 690V	3
3	630	500	NH3GG50V630P-2	Q219802C	120kA - 500V	3
4	500	690	NH4GG69V500P-2	S1000079A	80kA-690V	1
4	630	690	NH4GG69V630P-2	T1000080A	80kA-690V	1
4	800	690	NH4GG69V800P-2	V1000081A	80kA-690V	1
4	1000	500	NH4GG50V1000P-2	W1000082A	120kA-500V	1
4	1250	500	NH4GG50V1250P-2	X1000083A	120kA-500V	1

NH 690VAC gG Fuses with striker

# Low voltage blade-style NH fuses

## Size 000 - 500VAC aM



Size	Current (A)	Voltage (V)	Cat. number	Ref. number	Packaging
000	2	500	NH000AM50V2	K232493C	3
000	4	500	NH000AM50V4	L232494C	3
000	6	500	NH000AM50V6	M232495C	3
000	10	500	NH000AM50V10	N232496C	3
000	16	500	NH000AM50V16	P232497C	3
000	20	500	NH000AM50V20	Q232498C	3
000	25	500	NH000AM50V25	R232499C	3
000	32	500	NH000AM50V32	S232500C	3
000	35	500	NH000AM50V35	T232501C	3
000	40	500	NH000AM50V40	V232502C	3
000	50	500	NH000AM50V50	W232503C	3
000	63	500	NH000AM50V63	X232504C	3
000	80	500	NH000AM50V80	C227863C	3

## Size 00 - 500VAC aM



Size	Current (A)	Voltage (V)	Cat. number	Ref. number	Packaging
00	100	500	NH00AM50V100	Y232505C	3
00	125	500	NH00AM50V125	Z232506C	3
00	160	500	NH00AM50V160	J227869C	3

## Size 0 - 500VAC aM



Size	Current (A)	Voltage (V)	Cat. number	Ref. number	Packaging
0	100	500	NH0AM50V100	A232507C	3
0	125	500	NH0AM50V125	B232508C	3
0	160	500	NH0AM50V160	C232509C	3
0	200	500	NH0AM50V200	A227884C	3

## Size 1 - 500VAC aM



Size	Current (A)	Voltage (V)	Cat. number	Ref. number	Packaging
1	100	500	NH1AM50V100	D232510C	3
1	125	500	NH1AM50V125	E232511C	3
1	160	500	NH1AM50V160	F232512C	3
1	200	500	NH1AM50V200	G232513C	3
1	224	500	NH1AM50V224	H232514C	3
1	250	500	NH1AM50V250	J232515C	3
1	315	500	NH1AM50V315	K227962C	3

## Size 2 - 500VAC aM



Size	Current (A)	Voltage (V)	Cat. number	Ref. number	Packaging
2	250	500	NH2AM50V250	K232516C	3
2	315	500	NH2AM50V315	L232517C	3
2	355	500	NH2AM50V355	M232518C	3
2	400	500	NH2AM50V400	N232519C	3
2	500	500	NH2AM50V500	C227978C	3

## Size 3 - 500VAC aM



Size	Current (A)	Voltage (V)	Cat. number	Ref. number	Packaging
3	315	500	NH3AM50V315	P232520A	1
3	355	500	NH3AM50V355	Q232521A	1
3	400	500	NH3AM50V400	R232522A	1
3	425	500	NH3AM50V425	S232523A	1
3	450	500	NH3AM50V450	T232524A	1
3	500	500	NH3AM50V500	V232525A	1
3	630	500	NH3AM50V630	M227987A	1

## Size 4a - 500VAC aM



Size	Current (A)	Voltage (V)	Cat. number	Ref. number	Packaging
4a	500	500	NH4AAM50V500-8	R233557A	1
4a	630	500	NH4AAM50V630-8	S233558A	1
4a	800	500	NH4AAM50V800-8	T233559A	1
4a	1000	500	NH4AAM50V1000-8	V233560A	1
4a	1250	500	NH4AAM50V1250-8	W233561A	1

## Size 4 - 500VAC aM



Size	Current (A)	Voltage (V)	Cat. number	Ref. number	Packaging
4	400	500	NH4AM50V400-8	P233555A	1
4	500	500	NH4AM50V500-8	Q233556A	1
4	630	500	NH4AM50V630-8	E222115A	1
4	800	500	NH4AM50V800-8	V222865A	1
4	1000	500	NH4AM50V1000-8	S219137A	1
4	1250	500	NH4AM50V1250-8	V219668A	1

# Low voltage blade-style NH fuses

## Size 000 - 690VAC aM



Size	Current (A)	Voltage (V)	Cat. number	Ref. number	Packaging
000	2	690	NH000AM69V2	P227851C	3
000	4	690	NH000AM69V4	Q227852C	3
000	6	690	NH000AM69V6	R227853C	3
000	10	690	NH000AM69V10	S227854C	3
000	16	690	NH000AM69V16	T227855C	3
000	20	690	NH000AM69V20	V227856C	3
000	25	690	NH000AM69V25	W227857C	3
000	32	690	NH000AM69V32	X227858C	3
000	35	690	NH000AM69V35	Y227859C	3
000	40	690	NH000AM69V40	Z227860C	3
000	50	690	NH000AM69V50	A227861C	3
000	63	690	NH000AM69V63	B227862C	3
000	Neutral		NH00NEUTRAL	Z218269J	10
000	Pulling handle		NHHANDLE	P215592A	1

## Size 00 - 690VAC aM



Size	Current (A)	Voltage (V)	Cat. number	Ref. number	Packaging
00	50	690	NH00AM69V50	D227864C	3
00	63	690	NH00AM69V63	E227865C	3
00	80	690	NH00AM69V80	F227866C	3
00	100	690	NH00AM69V100	G227867C	3
00	125	690	NH00AM69V125	H227868C	3
00	Neutral		NH00NEUTRAL	Z218269J	10
00	Pulling handle		NHHANDLE	P215592A	1

## Size 0 - 690VAC aM



Size	Current (A)	Voltage (V)	Cat. Number	Ref. Number	Packaging
0	6	690	NH0AM69V6	K227870C	3
0	10	690	NH0AM69V10	L227871C	3
0	16	690	NH0AM69V16	M227872C	3
0	20	690	NH0AM69V20	N227873C	3
0	25	690	NH0AM69V25	P227874C	3
0	32	690	NH0AM69V32	Q227875C	3
0	35	690	NH0AM69V35	R227876C	3
0	40	690	NH0AM69V40	S227877C	3
0	50	690	NH0AM69V50	T227878C	3
0	63	690	NH0AM69V63	V227879C	3
0	80	690	NH0AM69V80	W227880C	3
0	100	690	NH0AM69V100	X227881C	3
0	125	690	NH0AM69V125	Y227882C	3
0	160	690	NH0AM69V160	Z227883C	3
0	Neutral		NH0NEUTRAL	Z219304J	10
0	Pulling handle		NHHANDLE	P215592A	1

## Size 1 - 690VAC aM



Size	Current (A)	Voltage (V)	Cat. number	Ref. number	Packaging
1	16	690	NH1AM69V16	B227885C	3
1	20	690	NH1AM69V20	C227886C	3
1	25	690	NH1AM69V25	D227887C	3
1	32	690	NH1AM69V32	E227888C	3
1	35	690	NH1AM69V35	F227889C	3
1	40	690	NH1AM69V40	G227890C	3
1	50	690	NH1AM69V50	H227891C	3
1	63	690	NH1AM69V63	J227892C	3
1	80	690	NH1AM69V80	K227893C	3
1	100	690	NH1AM69V100	L227894C	3
1	125	690	NH1AM69V125	M227895C	3
1	160	690	NH1AM69V160	N227896C	3
1	200	690	NH1AM69V200	P227897C	3
1	224	690	NH1AM69V224	Q227898C	3
1	250	690	NH1AM69V250	R227899C	3
1	Neutral		NH1NEUTRAL	A219834E	5
1	Pulling handle		NHHANDLE	P215592A	1



## Size 2 - 690VAC aM



Size	Current (A)	Voltage (V)	Cat. number	Ref. Number	Packaging
2	35	690	NH2AM69V35	L227963C	3
2	40	690	NH2AM69V40	M227964C	3
2	50	690	NH2AM69V50	N227965C	3
2	63	690	NH2AM69V63	P227966C	3
2	80	690	NH2AM69V80	Q227967C	3
2	100	690	NH2AM69V100	R227968C	3
2	125	690	NH2AM69V125	S227969C	3
2	160	690	NH2AM69V160	T227970C	3
2	200	690	NH2AM69V200	V227971C	3
2	224	690	NH2AM69V224	W227972C	3
2	250	690	NH2AM69V250	X227973C	3
2	300	690	NH2AM69V300	Y227974C	3
2	315	690	NH2AM69V315	Z227975C	3
2	355	690	NH2AM69V355	A227976C	3
2	400	690	NH2AM69V400	B227977C	3
2	Neutral		NH2NEUTRAL	N222514E	5
2	Pulling handle		NHHANDLE	P215592A	1

## Size 3 - 690VAC aM



Size	Current (A)	Voltage (V)	Cat. number	Ref. Number	Packaging
3	250	690	NH3AM69V250	D227979A	1
3	300	690	NH3AM69V300	E227980A	1
3	315	690	NH3AM69V315	F227981A	1
3	355	690	NH3AM69V355	G227982A	1
3	400	690	NH3AM69V400	H227983A	1
3	425	690	NH3AM69V425	J227984A	1
3	450	690	NH3AM69V450	K227985A	1
3	500	690	NH3AM69V500	L227986A	1
3	Neutral		NH3NEUTRAL	E223035E	5
3	Pulling handle		NHHANDLE	P215592A	1

## Size 4a - 690VAC aM



Size	Current (A)	Voltage (V)	Cat. Number	Ref. Number	Packaging
4a	500	690	NH4AAM69V500-8	X227996A	1
4a	630	690	NH4AAM69V630-8	Y227997A	1
4a	800	690	NH4AAM69V800-8	A227999A	1
4a	1000	690	NH4AAM69V1000-8	B228000A	1

## Size 4 - 690VAC aM



Size	Current (A)	Voltage (V)	Cat. Number	Ref. Number	Packaging
4	400	690	NH4AM69V400-8	Q227990A	1
4	500	690	NH4AM69V500-8	R227991A	1
4	630	690	NH4AM69V630-8	S227992A	1
4	800	690	NH4AM69V800-8	T227993A	1
4	1000	690	NH4AM69V1000-8	V227994A	1

# Low voltage blade-style NH fuses

Size 0 to 4 with striker - 500 to 690VAC aM



L216187



P219272



Y212104



M216188

Size	Current (A)	Voltage (V)	Cat. number	Ref. number	Breaking Capacity	Packaging
0	32	690	NH0AM69V32P-2	Z213140C	80kA - 690V	3
0	40	690	NH0AM69V40P-2	R213639C	80kA - 690V	3
0	50	690	NH0AM69V50P-2	V214148C	80kA - 690V	3
0	63	690	NH0AM69V63P-2	Y214657C	80kA - 690V	3
0	80	690	NH0AM69V80P-2	C215167C	80kA - 690V	3
0	100	690	NH0AM69V100P-2	F215676C	80kA - 690V	3
0	125	690	NH0AM69V125P-2	L216187C	80kA - 690V	3
0	160	690	NH0AM69V160P-2	J216691C	80kA - 690V	3
0	200	500	NH0AM50V200P-2	X217209C	120kA - 500V	3
1	80	690	NH1AM69V80P-2	C217720C	80kA - 690V	3
1	100	690	NH1AM69V100P-2	M218235C	80kA - 690V	3
1	125	690	NH1AM69V125P-2	A218753C	80kA - 690V	3
1	160	690	NH1AM69V160P-2	P219272C	80kA - 690V	3
1	200	690	NH1AM69V200P-2	B222480C	80kA - 690V	3
1	250	690	NH1AM69V250P-2	T223002C	80kA - 690V	3
1	315	500	NH1AM50V315P-2	A200790C	120kA - 500V	3
2	125	690	NH2AM69V125-2	S201335C	80kA - 690V	3
2	160	690	NH2AM69V160-2	B201849C	80kA - 690V	3
2	200	690	NH2AM69V200-2	Y211069C	80kA - 690V	3
2	224	690	NH2AM69V224P-2	P211590C	80kA - 690V	3
2	250	690	NH2AM69V250-2	Y212104C	80kA - 690V	3
2	315	690	NH2AM69V315P-2	N212624C	80kA - 690V	3
2	355	690	NH2AM69V355-2	A213141C	80kA - 690V	3
2	400	690	NH2AM69V400-2	S213640C	80kA - 690V	3
2	500	500	NH2AM50V500-2	W214149C	120kA - 500V	3
3	315	690	NH3AM69V315P-2	Z214658C	80kA - 690V	3
3	355	690	NH3AM69V355P-2	D215168C	80kA - 690V	3
3	400	690	NH3AM69V400P-2	G215677C	80kA - 690V	3
3	500	690	NH3AM69V500P-2	M216188C	80kA - 690V	3
3	630	500	NH3AM50V630P-2	K216692C	120kA - 500V	3
4	500	690	NH4AM69V500P-2	P1000076A	80kA-690V	1
4	630	690	NH4AM69V630P-2	Q1000077A	80kA-690V	1
4	800	690	NH4AM69V800P-2	R1000078A	80kA-690V	1
4	1000	690	NH4AM69V1000P-2	Y1000084A	80kA-690V	1
4	1250	500	NH4AM50V1250P-2	Z1000085A	120kA-500V	1

NH 690VAC aM Fuses with striker

# Plastic Bases for NH Fuse-links

## Approvals

- IEC 60269 Compliance
- DIN VDE 0636 part 21, 201
- DIN 43620 (dimensions)

BB	0	3	EP	R	FS
Bases	DIN size	Nb of poles	Type of contact	Type of connection and mounting type	If IP20
	00	1	EP: fuse base with square contacts	Blank: Screw connection, Screw mounting	
	0	2	PP: fuse base with clip contacts	R: Screw connection, On-rail mounting	
	1	3		B: Lug connection, Screw mounting	
	3	4		BR: Lug connection, On-rail mounting	
	4				

## Size 00 - Fuse bases for NH00 Fuse-links w/o striker



Size	Nb of Poles	Mounting type	EP Type		Packaging
			Cat. Number	Ref. Number	
00	1	Screw	BB001EP	F215170C	3
00	1	DIN rail	BB001EPR	R216192C	3
00	1	Screw	BB00EPBT	T219805C	3
00	1	DIN rail	BB001EPBR	F200795C	3
00	2	Screw	BB002EP	A217212B	2
00	2	DIN rail	BB002EPR	F218758B	2
00	2	Screw	BB002EPB	D200793B	2
00	2	DIN rail	BB002EPBR	T211594B	2
00	3	Screw	BB003EPVBLOC	W229122A	1
00	3	DIN rail	BB003EPRBLOC	V229121A	1
00	3	Screw	BB003EPB	W201338A	1
00	3	DIN rail	BB003EPBR	C212108A	1
00	4	Screw	BB004EP	S219275A	1
00	4	DIN rail	BB004EPR	Z223007A	1
00	4	Screw	BB004EPB	R211592A	1
00	4	DIN rail	BB004EPBR	M215682A	1
00		Insulating barriers	BB00CL	W212654B	2

## Size 0 - Fuse bases for NH0 Fuse-links w/o striker



Size	Nb of Poles	Mounting type	EP Type		PP Type		Packaging
			Cat. Number	Ref. Number	Cat. Number	Ref. Number	
0	1	Screw	BB01EP	B213142C	BB01PP	N216695C	3
0	1	DIN rail	BB01EPR	S216193C	BB01PPR	T218241C	3
0	2	Screw	BB02EP	C214661B	BB02PP	B217213B	2
0	2	DIN rail	BB02EPR	P216696B	BB02PPR	G218759B	2
0	3	Screw	BB03EP	G215171A	BB03PP	G217724A	1
0	3	DIN rail	BB03EPR	C217214A	BB03PPR	W219278A	1
0	4	Screw	BB04EP	Q216191A	BB04PP	R218239A	1
0	4	DIN rail	BB04EPR	J217726A	BB04PPR	H222486A	1
0		Insulating barriers	BB0CL	Z213669B	BB0CL	Z213669B	2

# Plastic Bases for NH Fuse-links

## Size 1 - Fuse bases for NH1 Fuse-links w/o striker



Size	Nb of Poles	Mounting type	PP Type		Packaging
			Cat. Number	Ref. Number	
1	1	Screw	BB11PP	E218757C	3
1	1	DIN rail	BB11PPR	A223008C	3
1	2	Screw	BB12PP	F222484B	2
1	2	DIN rail	BB12PPR	G200796B	2
1	3	Screw	BB13PP	Y223006A	1
1	3	DIN rail	BB13PPR	Y201340A	1
1	4	Screw	BB14PP	X201339A	1
1	4	DIN rail	BB14PPR	H201855A	1
1	Insulating barriers		BB1-2PPCL	J214690B	2

## Size 2 - Fuse bases for NH2 Fuse-links w/o striker



Size	Nb of Poles	Mounting type	PP Type		Packaging
			Cat. Number	Ref. Number	
2	1	Screw	BB21PP	F201853C	3
2	1	DIN rail	BB21PPR	E211075C	3
2	2	Screw	BB22PP	S211593B	2
2	2	DIN rail	BB22PPR	V211595B	2
2	3	Screw	BB23PP	B212107A	1
2	3	DIN rail	BB23PPR	D212109A	1
2	4	Screw	BB24PP	C213143A	1
2	4	DIN rail	BB24PPR	R212627A	1
2	Insulating barriers		BB1-2PPCL	J214690B	2

## Size 3 - Fuse bases for NH3 Fuse-links w/o striker



Size	Nb of Poles	Mounting type	PP Type		Packaging
			Cat. Number	Ref. Number	
3	1	Screw	BB31PP	W213643C	3
3	1	DIN rail	BB31PPR	X213644C	3
3	2	Screw	BB32PP	D214662B	2
3	2	DIN rail	BB32PPR	B214154B	2
3	3	Screw	BB33PP	H215172A	1
3	3	DIN rail	BB33PPR	F214664A	1
3	4	Screw	BB34PP	L215681A	1
3	4	DIN rail	BB34PPR	K215174A	1
3	Insulating barriers		BB3PPCL	Q215708B	2

## Size 4 - Fuse base for NH4 Fuse-links w/o striker



Size	Nb of Poles	Mounting type	Cat. Number	Ref. Number	Packaging
4	1	Screw	BB41P	W223004A	1

## Indirect touch protection fuse bases for NH Fuse-links w/o striker No microswitch possible



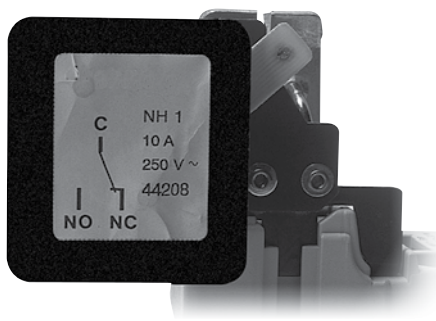
Size	Nb of Poles	Mounting type	Cat. Number	Ref. Number	Packaging
00	1	DIN rail	BB001RFS	S218240C	3
00	1	Screw	BB001FS	M216694C	3
00	3	DIN rail	BB003RFSBLOC	S229119A	1
00	3	Screw	BB003SFSBLOC	T229120A	1
0	1	DIN rail	BB01EPRFS	G226717C	3
0	1	Screw	BB01PPFS	X226708C	3
0	3	DIN rail	BB03EPRFS	J226719A	1
0	3	Screw	BB03PPFS	Z226710A	1
1	1	DIN rail	BB11PPRFS	P226724C	3
1	1	Screw	BB11FS	V219806C	3
1	3	DIN rail	BB13PPRFS	Q226725A	1
1	3	Screw	BB13PP	B226712A	1
2	1	DIN rail	BB21PPRFS	R226726C	3
2	1	Screw	BB21PPFS	C226713C	3
2	3	DIN rail	BB23PPRFS	S226727A	1
2	3	Screw	BB23PPFS	D226714A	1
3	1	DIN rail	BB31PPRFS	T226728C	3
3	1	Screw	BB31PPFS	E226715C	3
3	3	DIN rail	BB33PPRFS	V226729A	1
3	3	Screw	BB33PPFS	F226716A	1
4	1	Screw	BB4A1	E222161A	1

## Fuse bases 690V with microswitch for NH Fuse-links with striker



Size	Nb of Poles	Current (A)	Mounting type	PP Type		Packaging
				Cat. Number	Ref. Number	
0	1	160	Screw or DIN rail	BB01PPMS	T216194A	1
1	1	250	Screw or DIN rail	BB11PPMS	Q216697A	1
2	1	400	Screw or DIN rail	BB21PPMS	D217215A	1
3	1	630	Screw or DIN rail	BB31PPMS	H218760A	1

## Microswitch (sold separately)



Size	Current In (A)	Cat. number	Ref. number	Packaging
0	160	MSBB01	X219279A	1
1	250	MSBB11	Y219809A	1
2	400	MSBB21	J222487A	1
3	630	MSBB31	B223009A	1

If you are interested in ordering microswitch and NH fuse base separately:  
T218241 + X219279 same size as T216194 (size 0)

- **Microswitch for NH fuse bases in polyester material** (screw or rail fixing).
- **Microswitch operates when:**
  - fuse melts
  - no fuse-link
- **Operating voltage:** 250VAC
- **Rated current:** 10A
- **Terminal size:** 6.3x0.8mm

# Ceramic Bases for NH Fuse-links

## Approvals

- IEC 60269-2 Compliance
- DIN VDE 0636
- DIN 43620
- NFC 63210, 63211, 60200

## Ratings

- Voltage: 690VAC
- Rating: 160-1250A

BB	00	3	EB
Bases	DIN size	Nb of poles	Type of contact
	00	1	E: fuse base with square contacts
	0	3	EB: fuse base with cable connection by clamp
	1		P: fuse base with pincer contacts
	3		
	4		

- Ceramic insulating bases
- Silver plated contacts
- High spring contact pressure
- Screw mounting

## Size 00 - Fuse base for NH00 Fuse-links



Size	Nb of Poles	Current (A)	E Type		EB Type		Packaging
			Cat. Number	Ref. Number	Cat. Number	Ref. Number	
00	1	160	BB001E	Z217211K	EB001	E217722K	12
00	3	160	BB003E	D201851C	BB003EB	A211071C	3

## Size 0 - Fuse base for NH0 Fuse-links



Size	Nb of Poles	Current (A)	E Type		P Type		Packaging
			Cat. Number	Ref. Number	Cat. Number	Ref. Number	
0	1	160	BB01E	P218237D	BB01P	C218755D	4
0	3	160	BB03E	Q211591A	BB03P	Z212105A	1

## Size 1 - Fuse base for NH1 Fuse-links



Size	Nb of Poles	Current (A)	P Type		Packaging
			Cat. Number	Ref. Number	
1	1	250	BB11P	R219274C	3
1	3	250	BB13P	T213641A	1

## Size 2 - Fuse base for NH2 Fuse-links



Size	Nb of Poles	Current (A)	P Type		Packaging
			Cat. Number	Ref. Number	
2	1	400	BB12P	S219804C	3
2	3	400	BB23P	Y214151A	1



## Size 3 - Fuse base for NH3 Fuse-links



Size	Nb of Poles	Current (A)	P Type		Packaging
			Cat. Number	Ref. Number	
3	1	630	BB31P	D222482C	3
3	3	630	BB33P	B214660A	1

## Size 4 - Fuse base for NH4 Fuse-links



Size	Nb of Poles	Current (A)	P Type		Packaging
			Cat. Number	Ref. Number	
4	1	1250	BB41P	W223004A	1

## Insulating Barriers for Ceramic NH Fuse Bases



Friction Fit  
NH12CERAMWALLP

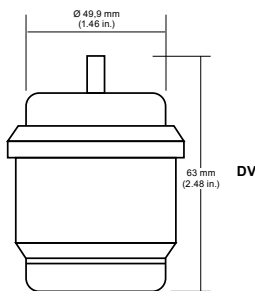
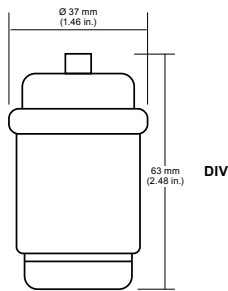
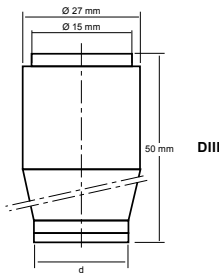
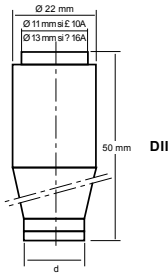
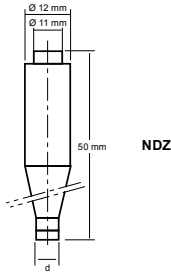


Tab Fastened  
NH00CERAMWALLE

Size	Current (A)	Friction Fit		Tab Fastened		Packaging
		Cat. Number	Ref. Number	Cat. Number	Ref. Number	
00	100	NH00CERAMWALLP	A201365J	NH00CERAMWALLE	G214182J	10
0	160	NH0CERAMWALLP	M201882J	NH0CERAMWALLE	L214692J	10
1-2	400	NH12CERAMWALLP	K211103D	NH12CERAMWALLE	Q215202D	4
3	630	NH3CERAMWALLP	Z211622B	NH3CERAMWALLE	S215710B	2
4	1250			NH4CERAMWALLE	Y216221B	2

# Low voltage D System Fuse-links

## gG D-type Fuse-links -NDZ, DII, DIII, DIV, DV



Size	Current In (A)	Voltage (V)	Color code	Cat. number	Ref. number	Packaging
NDZ	2	500	pink	NDZGG50V2	W212539M	25
NDZ	4	500	brown	NDZGG50V4	G213055M	25
NDZ	6	500	green	NDZGG50V6	C213557M	25
NDZ	10	500	red	NDZGG50V10	B214062M	25
NDZ	16	500	gray	NDZGG50V16	J214575M	25
NDZ	20	500	blue	NDZGG50V25	Q215087M	25
NDZ	25	500	yellow	NDZGG50V25	Q215593M	25
DII	2	500	pink	DIIGG50V2	Z219718M	25
DII	4	500	brown	DIIGG50V4	G222163M	25
DII	6	500	green	DIIGG50V6	B222917M	25
DII	10/6*	500	red	DIIGG50V10/6F	D213558M	25
DII	10	500	red	DIIGG50V10	K200707M	25
DII	16	500	gray	DIIGG50V16	K201765M	25
DII	20	500	blue	DIIGG50V20	A211508M	25
DII	25	500	yellow	DIIGG50V25	X212540M	25
DIII	35	500	black	DIIGG50V35	C214063M	25
DIII	50	500	white	DIIGG50V50	K214576M	25
DIII	63	500	copper	DIIGG50V63	R215088M	25
DIV	80	500	silver	DIVGG50V80	V216609J	10
DIV	100	500	red	DIVGG50V100	M217637J	10
DV	125	500	yellow	DVGG50V125	V218150J	10
DV	160	500	copper	DVGG50V160	G218667J	10
DV	200	500	blue	DVGG50V200	W219186J	10

\* with base contact stud for 6A (without VDE test mark).

Type	NDZ	DII	DIII	DIV	DV
plug diameters	E16	E27	E33	R 1 1/4	R2
d	There is a standardized diameter d for each fuse rating				

### Functions

gG industrial fuses – German DIN standard - D EN 60269-1 and 2-1 compliant.

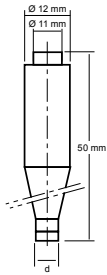
Old standard (D) on dimensions to mechanically ensure non-interchangeability of ratings. Protection for power cables and equipment except motors. Selective coordination between two fuses two ratings apart (e.g. 16A and 10A).

Being replaced by NEOZED fuses. This single curve replaces previous curves (Träge and Flink).

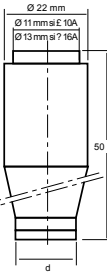
### Applications

Protection at all levels of power distribution. Mains, branch circuits, service entrance and point of use equipment.

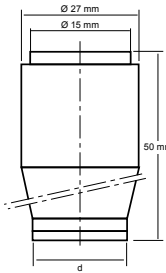
## D-flink Fuse-links 500VAC/DC - sizes NDZ, DII, DIII



NDZ



DII



DIII

Size	Voltage (V)	Current (A)	Color code	Cat. Number	Ref. Number	Packaging
NDZ	500	2	pink	NDZFK50V2	C222918M	25
NDZ	500	4	brown	NDZFK50V4	L200708M	25
NDZ	500	6	green	NDZFK50V6	A201250M	25
NDZ	500	10	red	NDZFK50V10	L201766M	25
NDZ	500	16	gray	NDZFK50V16	D207049M	25
NDZ	500	20	blue	NDZFK50V20	B211509M	25
NDZ	500	25	yellow	NDZFK50V25	Y212541M	25
DII	500	2	pink	DIIFK50V2	E213559M	25
DII	500	4	brown	DIIFK50V4	D214064M	25
DII	500	6	green	DIIFK50V6	L214577M	25
DII	500	10	red	DIIFK50V10	S215089M	25
DII	500	10/6*	red	DIIFK50V10-6F	X218152M	25
DII	500	16	gray	DIIFK50V16	A216108M	25
DII	500	20	blue	DIIFK50V20	J217128M	25
DII	500	25	yellow	DIIFK50V25	P217639M	25
DIII	500	35	black	DIIIFK50V35	J218669M	25
DIII	500	50	white	DIIIFK50V50	J222165M	25
DIII	500	63	copper	DIIIFK50V63	M200709M	25

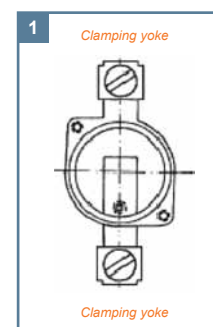
# Fusegear for D-type Fuse-links

## D fuse bases 1-pole for snap-on fastening DIN EN 60715



Size	No of Poles	Voltage (V)	Current (A)	Terminal type	with shock-proof protection-cover		w/o shock-proof protection-cover		Packaging
					Cat. Number	Ref. Number	Cat. Number	Ref. Number	
DII	1	500AC/DC	25	1	00685.110000	D211511J			10
DIII	1	500AC/DC	63	2	00686.410000	C216110J			10
DII	1	500AC/DC	25	1			00685.100000	K207055AF	15
DIII	1	500AC/DC	63	2			00686.400000	V215597AF	15

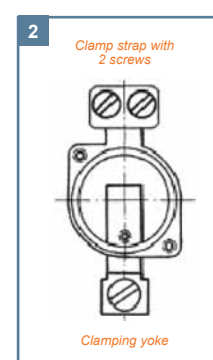
## Terminal type



## D fuse bases 1-pole for screw mounting



Size	No of Poles	Voltage (V)	Current (A)	Terminal type	with shock-proof protection-cover		w/o shock-proof protection-cover		Packaging
					Cat. Number	Ref. Number	Cat. Number	Ref. Number	
DII	1	500AC/DC	25	1	00081.110000	Z219189J			10
DIII	1	500AC/DC	63	2	00072.410000	A212543J			10
DII	1	500AC/DC	25	1			00081.100000	K218670AF	15
DIII	1	500AC/DC	63	2			00072.400000	H212021AF	15



## D-fuse bases 3-pole with synthetic cover cap, for D adapter screw system, for installation onto DIN rails to 60715 DIN EN 60715



Size	No of Poles	Voltage (V)	Current (A)	Terminal type	Cat. Number	Ref. Number	Packaging
DII	3	500AC/DC	25	1	00625.171000	N201768G	8
DIII	3	500AC/DC	63	2	00626.171000	V215091G	8

## D-fuse bases 3-pole with synthetic cover cap, for D adapter screw system, for screw-on fixing



Size	No of Poles	Voltage (V)	Current (A)	Terminal type	Cat. Number	Ref. Number	Packaging
DII	3	500AC/DC	25	1	00625.111000	C201252G	8
DIII	3	500AC/DC	63	2	00626.111000	N214579G	8

# Accessories for D fusegear



## D Insulating cover ceramic

Size	No of Poles	Length	Cat. Number	Ref. Number	Packaging
DII*	1	40 mm	00685.700000	H214068Y	30
DII	1	45 mm	00685.709000	Q214581Y	30
DII	3		00625.700000	N213061G	8
DIII*	1	50 mm	00686.700000	X215093Y	30
DIII	1	54 mm	00686.709000	X215599Y	30
DIII	3		00626.700000	J213563G	8

\* Standard length



## D Gauge pieces

Size	Current (A)	Color code	Cat. Number	Ref. Number	Packaging
NDZ	2	pink	01655.002000	B212544P	50
NDZ	4	brown	01655.004000	M213060P	50
NDZ	6	green	01655.006000	H213562P	50
NDZ	10	red	01655.010000	G214067P	50
NDZ	16	grey	01655.016000	P214580P	50



## D Screw gauge pieces

Size	Current (A)	Color code	Cat. Number	Ref. Number	Packaging
DII	2	pink	01657.002000	A219190M	25
DII	4	brown	01657.004000	D219722M	25
DII	6	green	01657.006000	L222167M	25
DII	10	red	01657.010000	F222921M	25
DII	16	grey	01657.016000	P200711M	25
DII	20	blue	01657.020000	D201253M	25
DII	25	yellow	01657.025000	P201769M	25
DIII	35	black	01658.035000	C207071M	25
DIII	50	white	01658.050000	E211512M	25
DIII	63	copper	01658.063000	J212022M	25



## D Gauge rings

Size	Current (A)	Color code	Cat. Number	Ref. Number	Packaging
DII	2	pink	01652.002000	W215092P	50
DII	4	brown	01652.004000	W215598P	50
DII	6	green	01652.006000	D216111P	50
DII	10	red	01652.010000	A216614P	50
DII	16	grey	01652.016000	M217131P	50
DII	20	blue	01652.020000	S217642P	50
DII	25	yellow	01652.025000	A218155P	50
DIII	2	pink	01653.002000	M218672P	50
DIII	4	brown	01653.004000	E219723P	50
DIII	6	green	01653.006000	M222168P	50
DIII	10	red	01653.010000	G222922P	50
DIII	16	grey	01653.016000	Q200712P	50
DIII	20	blue	01653.020000	E201254P	50
DIII	25	yellow	01653.025000	Q201770P	50
DIII	35	black	01653.035000	L207079P	50
DIII	50	white	01653.050000	F211513P	50



## D Screw caps plastic with testing hole

Size	Voltage (V)	Current (A)	Cap thread	Cat. Number	Ref. Number	Packaging
DII	500AC/DC	25	E 27	02071.000000	L201720L	20
DIII	500AC/DC	63	E 33	02072.000000	E214019L	20



## D Screw caps porcelain

Size	Voltage (V)	Current (A)	Cap thread	Cat. Number	Ref. Number	Packaging
<b>with testing hole</b>						
DII	500AC/DC	25	E 27	00590.000200	L217130L	20
DII*	500AC/DC	25	E 27	00690.000200	E218619L	20
DIII	500AC/DC	63	E 33	00591.000200	R217641L	20
DIII*	500AC/DC	63	E 33	00691.000200	B213004L	20
<b>w/o testing hole</b>						
NDZ	500AC/DC	25	E 16	00589.000000	Z216613P	50
DII*	500AC/DC	25	E 27	00690.000000	Z218108L	20
DIII*	500AC/DC	63	E 33	00691.000000	F211973L	20
<b>long design</b>						
DIII	690AC	16	E33	00605.000000	L218671M	25

\* In special steel

# Fusegear for D-type Fuse-links

## Key for D Gauge pieces



Size	Cat. Number	Ref. Number	Packaging
DII-DIII	01657.993000	E216112J	10

## D Contact protection rings



Size	Cat. Number	Ref. Number	Packaging
DII	00181.900000	K222120P	50
DIII	00182.900000	A222870AR	40

## D Adapter fittings



Size	Cat. Number	Ref. Number	Packaging
DII->DIII	00581.000000	C212545AP	24

## D Locking keys



Size	Variant	Cat. Number	Ref. Number	Packaging
D	Industry	01714.820000	K213564J	10
<b>for authorized energy supplier personnel only</b>				
D	Supply boards	01717.830000	J214069J	10

## D Locking caps

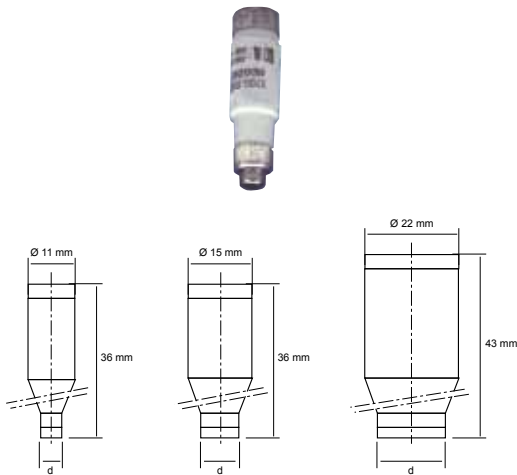


Size	Current (A)	Cap thread	Variant	Cat. Number	Ref. Number	Packaging
<b>black top, red screw pitch - for authorized energy supplier personnel only</b>						
DII	25	E 27	Supply boards	02071.800000	B216615J	10
black top, red screw pitch						
DII	25	E 33	Industry	02071.810000	N217132J	10
<b>red top, black screw pitch - for authorized energy supplier personnel only</b>						
DIII	63	E 27	Supply boards	02072.800000	T217643J	10
<b>red top, black screw pitch</b>						
DIII	63	E 33	Industry	02072.810000	B218156J	10



# Low voltage D0 System Fuse-links

## gG Neozed Fuse-links - D01, D02, D03 - 400VAC / 250VDC



Size	Current In (A)	Color code	Cat. number	Ref. number	Packaging
D01	2	pink	D01GG40V2	T214676J	10
D01	4	brown	D01GG40V4	W200809J	10
D01	6	green	D01GG40V6	B215695J	10
D01	10	red	D01GG40V10	W211090J	10
D01	13	black	D01GG40V13	C201206J	10
D01	16	gray	D01GG40V16	R223023J	10
D02	20	blue	D01GG40V20	B217742J	10
D02	25	yellow	D01GG40V25	W213160J	10
D02	35	black	D01GG40V35	R219826J	10
D02	50	white	D01GG40V50	D215191J	10
D02	63	copper	D01GG40V63	C201873J	10
D03	80	silver	D01GG40V80	L216716J	10
D03	100	red	D01GG40V100	N212647J	10

Type	D01	D02	D03
plug diameters	E14	E18	M 30x2
d	There is a standardized diameter d for each fuse rating		

## gG Neozed Fuse-links - D01, D02 - 440VAC / 250VDC Fuse-links



### For Marine application



Size	Current In (A)	Gauge ring code	Cat. number	Ref. number	Packaging
D01	2	pink	D01GG44V2	E218780P	50
D01	4	brown	D01GG44V4	V219829P	50
D01	6	green	D01GG44V6	X223028P	50
D01	10	red	D01GG44V10	S201358P	50
D02	20	blue	D02GG44V20	X212126P	50
D02	25	yellow	D02GG44V25	S213663P	50
D02	35	black	D02GG44V35	C214684P	50
D02	50	white	D02GG44V50	J215702P	50
D02	63	copper	D02GG44V63	N216718P	50

## aM Neozed Fuse-links - D02 - 400VAC / 400VDC

### Functions

gG industrial fuses – D EN 60269-1 and 2-1 compliant. New D0 standard on dimensions to mechanically ensure non-interchangeability of ratings by means of color coded gauge rings for different fuse diameters. Protection of power cables and equipment except electric motors (gG) and of electric motors (aM). Selective coordination between two fuses two ratings apart (e.g. 16A and 10A).

Size	Current (A)	Color code	Cat. number	Ref. number	Packaging
D02 aM	20	blue	D02AM44V20	H211607J	10
D02 aM	25	yellow	D02AM44V25	F212640J	10
D02 aM	35	black	D02AM44V35	J213655J	10

### Applications

Protection at all levels of power distribution. Mains, branch circuits, service entrance and point of use equipment (gG). Protection for all low voltage electrical motors with direct-on-line start (aM).

# Fusegear for D0 Fuse-links

## D0 Linocur switch disconnecter fuse D02

### D0 Linocur® switch disconnecter fuse D02 230-400VAC/65VDC

Can be sealed, for mounting on rails as per DIN EN 60715, fuse-links and gauge pieces not supplied



Size	No of Poles	Current (A)	Cat. Number	Ref. Number	Packaging
D02	1	63	05861.063000	Z1012620C	3
D02	2	63	05862.063000	J1012606B	2
D02	3	63	05863.063000	B1012622A	1
D02*	1+N	63	05861.063100	H1012628B	2
D02*	3+N	63	05863.063100	E1012602A	1

\* In the 1+N and 3+N variants, the N conductor is leading on switch-on and lagging on switch-off

### D0 Linocur® switch disconnecter fuse D02 220VDC

Can be sealed, for mounting on rails as per DIN EN 60715, fuse-links and gauge pieces not supplied



Size	No of Poles	Current (A)	Cat. Number	Ref. Number	Packaging
D02	4	63	05864.063000	L1012608A	1

The four poles must be connected in series, either two poles in the positive connection and two poles in the negative connection or all four poles in either the positive or negative connection.

### D0 Linocur® switch disconnecter fuse D02 230-400VAC/65VDC

Can be sealed, with fixed gauge pieces, with fuse-links, for mounting on rails in accordance with DIN EN 60715



Size	No of Poles	Current (A)	Cat. Number	Ref. Number	Packaging
D02	1	20	05861.020000	M1012609C	3
D02	1	25	05861.025000	A1012621C	3
D02	2	25	05862.025000	B1012760B	2
D02	3	25	05863.025000	G1012627B	2
D02	1	35	05861.035000	N1012610C	3
D02	2	35	05862.035000	D1012624B	2
D02	3	35	05863.035000	E1012625A	1
D02	1	50	05861.050000	C1012761C	3
D02	2	50	05862.050000	D1012762B	2
D02	3	50	05863.050000	P1012611A	1

\* In the 1+N and 3+N variants, the N conductor is leading on switch-on and lagging on switch-off

### D0 Linocur® switch disconnecter fuse D02 250-440VAC

For shipbuilding, can be sealed, for mounting on rails as per DIN EN 60715, fuse-links and gauge pieces not supplied



Size	No of Poles	Current (A)	Cat. Number	Ref. Number	Packaging
D02	1	63	05861.063040	H1012605C	3
D02	2	63	05862.063040	S1012614B	2
D02	3	63	05863.063040	J1012629A	1
D02*	3+N	63	05863.063140	T1012615A	1

\* In the 3+N variant, the N conductor is leading on switch-on and lagging on switch-off

# Accessories for Linocur®

## Linocur® Monitoring Devices



Variant	Description	Cat. Number	Ref. Number	Packaging
Type 1	For switch position	05860.100000	G1015203A	1
Type 2	For fuse operation	05860.200000	H1015204A	1
Type 3	For switch position and fuse operation	05860.300000	J1015205A	1

## Linocur® Screw cap



Size	Current (A)	Cat. Number	Ref. Number	Packaging
with sealing hole, w/o testing hole				
D02	63	01715.700000	K1015206J	10

## Linocur® Screw cap remover



Cat. Number	Ref. Number	Packaging
w/o bottle opener		
01716.000000	X222936A	1
with bottle opener		
01716.333000	F200726A	1

## Linocur® Locking cap



Size	Current (A)	Variant	Cat. Number	Ref. Number	Packaging
D02	63	Industry	01715.710000	L1015207J	10

## Linocur® Locking key



Size	Variant	Cat. Number	Ref. Number	Packaging
D0	Industry	01717.830000	J214069J	10

## Linocur® Reducing spring for the use of D01 fuse-links in the bayonet screw cap



Size	Cat. Number	Ref. Number	Packaging
D01	01713.700000	W1016665J	10

# Fusegear for D0 Fuse-links

## Neokit - Switchable fuse bases for D01 DIN EN 60715



Size	No of Poles	Voltage (V)	Current (A)	w/o indicator		with indicator		Packaging
				Cat. Number	Ref. Number	Cat. Number	Ref. Number	
D01	1	230AC/ 400DC	2	09490.021100	N1004376K	09490.021000	D1004390K	12
D01	1	230AC/ 400DC	4	09490.041100	P1004377K	09490.041000	E1004391K	12
D01	1	230AC/ 400DC	6	09490.061100	Q1004378K	09490.061000	F1004392K	12
D01	2	230AC/ 400DC	6	09490.062100	R1004379F	09490.062000	G1004393F	6
D01	3	230AC/ 400DC	6	09490.063100	S1004380D	09490.063000	J1004395D	4
D01	1	230AC/ 400DC	10	09490.101100	T1004381K	09490.101000	K1004396K	12
D01	2	230AC/ 400DC	10	09490.102100	V1004382F	09490.102000	L1004397F	6
D01	3	230AC/ 400DC	10	09490.103100	W1004383D	09490.103000	M1004398D	4
D01	1	230AC/ 400DC	13	09490.131100	X1004384K	09490.131000	P1004400K	12
D01	2	230AC/ 400DC	13	09490.132100	Y1004385F	09490.132000	Q1004401F	6
D01	3	230AC/ 400DC	13	09490.133100	Z1004386D	09490.133000	R1004402D	4
D01	1	230AC/ 400DC	16	09490.161100	A1004387K	09490.161000	S1004403K	12
D01	2	230AC/ 400DC	16	09490.162100	B1004388F	09490.162000	T1004404F	6
D01	3	230AC/ 400DC	16	09490.163100	C1004389D	09490.163000	W1004406D	4

## Innozed sizes D01 and D02 DIN EN 60715



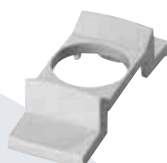
Size	No of Poles	Voltage (V)	Current (A)	w/o insulating cover		with insulating cover		Packaging
				Cat. Number	Ref. Number	Cat. Number	Ref. Number	
D01	1	230AC/ 400DC	16	02724.100000	F228257K	02724.000000	R228175K	12
D01	3	230AC/ 400DC	16	02734.100000	G228258D	02734.000000	S228176D	4
D02	1	230AC/ 400DC	63	02725.100000	K228261K	02725.000000	W228179K	12
D02	3	230AC/ 400DC	63	02735.100000	L228262D	02735.000000	X228180D	4

## Innozed sizes D01 and D02 for marine application DIN EN 60715



Size	No of Poles	Voltage (V)	Current (A)	w/o insulating cover		with insulating cover		Packaging
				Cat. Number	Ref. Number	Cat. Number	Ref. Number	
D01	1	440AC	16	02724.100040	H228259K	02724.000040	T228177K	12
D01	3	440AC	16	02734.100040	J228260D	02734.000040	V228178D	4
D02	1	440AC	63	02725.100040	M228263K	02725.000040	Y228181K	12
D02	3	440AC	63	02735.100040	N228264D	02735.000040	Z228182D	4

## Innozed Insulating covers



Size	No of Poles	Cat. Number	Ref. Number	Packaging
D01/D02	1	02718.000000	A228183AP	24
D01/D02	3	02732.000000	B228184K	12

### Neozed fuse bases w/o shock-proof protection-cover DIN EN 60715



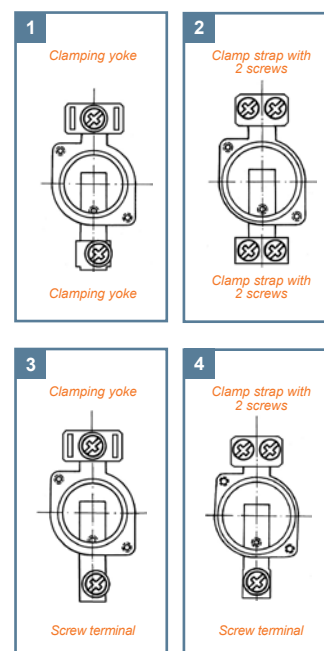
Size	No of Poles	Voltage (V)	Current (A)	Terminal type	for snap-on fastening		for screw mounting		Packaging
					Cat. Number	Ref. Number	Cat. Number	Ref. Number	
D01	1	230AC/ 400DC	16	1	01720.150000	J200660L	01720.100000	Z216061L	20
D01	1	230AC/ 400DC	16	3	01730.152000	B216063E			20
D01	3	230AC/ 400DC	16	1			01730.100000	K200661E	5
D02	1	230AC/ 400DC	63	2	01721.250000	J218623L	01721.200000	M214532L	20
D02	1	230AC/ 400DC	63	4	01721.450000	W215552L	01721.400000	F213008L	20
D02	3	230AC/ 400DC	63	2	01731.252000	Y217601E	01731.200000	F216573E	5
D02	3	230AC/ 400DC	63	4	01731.452000	M211979E	01731.400000	K206365E	5
D03	1	230AC/ 400DC	100	4	01722.450000	Q214535J	01722.400000	J213011J	10

### Neozed fuse bases for marine application w/o shock-proof protection-cover DIN EN 60715



Size	No of Poles	Voltage (V)	Current (A)	Terminal type	for snap-on fastening		Packaging
					Cat. Number	Ref. Number	
D01	1	440AC	16	1	01720.150040	D201207L	20
D01	3	440AC	16	1	01730.152040	C216570E	5
D02	1	440AC	63	2	01721.250040	M222122L	20
D02	1	440AC	63	4	01721.450040	C216064L	20
D02	3	440AC	63	2	01731.252040	A218109E	5
D02	3	440AC	63	4	01731.452040	C212499E	5

### Terminal type



### Neozed fuse bases w/o shock-proof protection-cover



Size	No of Poles	Voltage (V)	Current (A)	Terminal type	Cat. Number	Ref. Number	Packaging
D01	1	230AC/ 400DC	16	3	01720.370000	T215550L	20
D01	3	230AC/ 400DC	16	1	01730.172000	A219144E	5
D02	1	230AC/ 400DC	63	2	01721.270000	M200663L	20
D02	1	230AC/ 400DC	63	4	01721.470000	K218624L	20
D02	3	230AC/ 400DC	63	2	01731.272000	E222874E	5
D02	3	230AC/ 400DC	63	4	01731.472000	K213518E	5
D03	1	230AC/ 400DC	100	4	01722.470000	F216067J	10

### Neozed Universal fuse bases



Size	No of Poles	Voltage (V)	Current (A)	Terminal type	for snap-on fastening		for screw mounting		Packaging
					Cat. Number	Ref. Number	Cat. Number	Ref. Number	
D01	1	230AC/ 400DC	16	1	01720.180000	G213515L	01720.130000	B222871L	20
D02	1	230AC/ 400DC	63	2	01721.280000	L211978L	01721.230000	D216571L	20
D02	1	230AC/ 400DC	63	4	01721.480000	G213009L	01721.430000	Q215041L	20
D03	1	230AC/ 400DC	100	4	01722.480000	H219680J	01722.430000	K214024J	10

# Fusegear for D0 Fuse-links

## Neozed size D02 3-pole fuse bases



Size	No of Poles	Voltage (V)	Current (A)	Terminal type	for snap-on fastening		for screw mounting		Packaging
					Cat. Number	Ref. Number	Cat. Number	Ref. Number	
D02	1	230AC/ 400DC	63	2	01738.250000	B218110E	01738.200000	Z217602E	5

## Accessories for Neozed

### Neozed Insulating covers in ceramic



Size	No of Poles	Cat. Number	Ref. Number	Packaging
<b>with marking area</b>				
D01/02	1	01718.700000	V200670P	50
<b>with marking area</b>				
D01-02	3	01732.700000	M216579L	20
<b>w/o marking area</b>				
D03	1	01728.000000	V211986AR	40
<b>cover-cap</b>				
D01/02	1	01721.030000	X201730L	20

### Neozed Gauge rings



Size	Current (A)	Color Code	Cat. Number	Ref. Number	Packaging
D01	2	pink	01705.002000	J216576P	50
D01	4	brown	01705.004000	J219681P	50
D01	6	green	01705.006000	P206438P	50
D01	10	red	01705.010000	M213014P	50
D02	2	pink	01706.002000	K216577P	50
D02	4	brown	01706.004000	S222127P	50
D02	6	green	01706.006000	R211983P	50
D02	10	red	01706.010000	H216069P	50
D02	16	grey	01706.016000	Q218629P	50
D02	20	blue	01706.020000	S200668P	50
D02	25	yellow	01706.025000	R213524P	50
D02	35	black	01706.035000	J216070P	50
D02	50	white	01706.050000	R218630P	50
D03	80	silver	01707.080000	T200669L	20

### Neozed Screw caps plastic



Size	Voltage (V)	Current (A)	Cap thread	Cat. Number	Ref. Number	Packaging
<b>with testing hole</b>						
D01	400AC/400DC	16	E 14	01714.000200	E212501L	20
D02	400AC/400DC	63	E 18	01715.000200	P211981L	20
<b>w/o testing hole</b>						
D02	400AC/400DC	63	E 18	01715.000000	L206435L	20
<b>for D01 fuse-links with adapter spring</b>						
D02	400AC/400DC	63	E 18	01715.890200	M214026L	20
<b>with sealable hole &amp; testing hole</b>						
D01	400AC/400DC	16	E 14	11714.000220	R214536L	20
D02	400AC/400DC	63	E 18	11715.000220	S214537L	20

## Neozed Screw caps porcelain



Size	Voltage (V)	Current (A)	Cap thread	Cat. Number	Ref. Number	Packaging
<b>with testing hole</b>						
D01	400AC/400DC	16	E 14	01710.000200	H201211L	20
D02	400AC/400DC	63	E 18	01711.000200	T215044L	20
D03	400AC/400DC	100	M30x2	01712.000200	V215045J	10

## Neozed Gauge ring key



Size	Cat. Number	Ref. Number	Packaging
D01-D03	01708.000000	J212505A	1

## Neozed Special holding spring



Size	Voltage (V)	Cat. Number	Ref. Number	Packaging
<b>D01 fuse-links in DL-socket</b>				
D01->DL	400AC/400DC	01733.000000	J218117Q	100
<b>D01 fuse-links in D02-socket</b>				
D01->D02	400AC/400DC	01713.000000	Z215049P	50
<b>D02 fuse-links in D03-socket</b>				
D02->D03	400AC/400DC	01709.000000	P214028M	25

## Neozed Spacer



Size	Cat. Number	Ref. Number	Packaging
<b>for D02 fuse-links in D03-socket</b>			
D02->D03	01707.000000	T211985Y	30

## Neozed Screw cap remover



Cat. Number	Ref. Number	Packaging
<b>w/o bottle opener</b>		
01716.000000	X222936A	1
<b>with bottle opener</b>		
01716.333000	F200726A	1

## Neozed Locking caps



Size	Current (A)	Cap thread	Variant	Cat. Number	Ref. Number	Packaging
<b>black top, red screw pitch - for authorized energy supplier personnel only</b>						
D01	16	E 14	Supply boards	01714.800000	D212546M	25
<b>black top, red screw pitch</b>						
D01	16	E 14	Industry	01714.810000	P213062M	25
<b>red top, black screw pitch - for authorized energy supplier personnel only</b>						
D02	63	E 18	Supply boards	01715.800000	R214582M	25
<b>red top, black screw pitch</b>						
D02	63	E 18	Industry	01715.810000	Y215094M	25

## Neozed Locking keys



Size	Variant	Cat. Number	Ref. Number	Packaging
D0	Industry	01717.830000	J214069J	10
<b>for authorized energy supplier personnel only</b>				
D0	Supply boards	01714.820000	K213564J	10



# BS88 Low Voltage Fuse-links

## Offset Bolted Tag Fuse-Links (A-type) 415VAC



BTFP42V200

Voltage (V)	Current (A)	Class	Cat. Number	Ref. Number	BS Type Ref	Packaging
415	36	gG	BEIT42V36	A1019176J	A1	10
415	40	gG	BEIT42V40	B1019177J	A1	10
415	50	gG	BEIT42V50	C1019178J	A1	10
415	63	gG	BEIT42V63	D1019179J	A1	10
415	36	gG	BTSS42V36	R1019191J	A3C	10
415	40	gG	BTSS42V40	S1019192J	A3C	10
415	50	gG	BTSS42V50	T1019193J	A3C	10
415	63	gG	BTSS42V63	V1019194J	A3C	10
415	80	gG	BTSDS42V80	E1019180J	A3	10
415	100	gG	BTSDS42V100	F1019181J	A3	10
415	125	gG	BTSDS42V125	G1019182J	A3	10
415	63M80	gM	BTSDS63M80	H1019183J	A3	10
415	63M100	gM	BTSDS63M100	J1019184J	A3	10
415	100M125	gM	BTSDS100M125	K1019185J	A3	10
415	125	gG	BTIS42V125	L1019186J	A3	10
415	160	gG	BTIS42V160	M1019187J	A3	10
415	100M125	gM	BTIS42V100M125	N1019188J	A3	10
415	100M160	gM	BTIS42V100M160	Q1019190J	A3	10
415	80	gG	BTSD42V80	Y1019197J	A4C	10
415	100	gG	BTSD42V100	Z1019198J	A4C	10
415	125	gG	BTSD42V125	A1019199J	A4C	10
415	63M80	gM	BTSD42V63M80	B1019200J	A4C	10
415	63M100	gM	BTSD42V63M100	C1019201J	A4C	10
415	100M125	gM	BTSD42V100M125	D1019202J	A4C	10
415	125	gG	BTCP42V125	W1019195J	A4	10
415	160	gG	BTCP42V160	X1019196J	A4	10
415	100M125	gM	BTCP42V100M125	A226297J	A4C	10
415	100M160	gM	BTCP42V100M160	B226298J	A4C	10
415	100M200	gM	BTCP42V100M200	C226299E	A4C	5
415	125	gG	BTFP42V125	D226300E	A4XC	5
415	160	gG	BTFP42V160	E226301E	A4XC	5
415	200	gG	BTFP42V200	F226302E	A4XC	5
415	200M250	gM	BTFP42V200M250	G226303E	A4X	5
415	200M315	gM	BTFP42V200M315	H226304E	A4X	5

1. A3C, A4C represents compact dimensions with respect to BS88 / IEC60269 standards specified dimensions  
 2. A4X represents extended rating with respect to Bs88 / IEC 60269 specified ratings

## Central Bolted Tag Fuse-links (B-type) 415VAC



BTFP42V200



BTC42V100M125

Voltage (V)	Current (A)	Class	Cat. Number	Ref. Number	BS Type Ref	Packaging
415	32	gG	BTBC42V32	J226 305J	B1C	10
415	40	gG	BTBC42V40	K226306J	B1C	10
415	50	gG	BTBC42V50	L226307J	B1C	10
415	63	gG	BTBC42V63	M226308J	B1C	10
415	80	gG	BTSDC42V80	G1019205J	B1C	10
415	100	gG	BTSDC42V100	H1019206J	B1C	10
415	125	gG	BTSDC42V125	J1019207J	B1C	10
415	63M80	gM	BTSDC42V63M80	K1019208J	B1C	10
415	63M100	gM	BTSDC42V63M100	L1019209J	B1C	10
415	100M125	gM	BTSDC42V100M125	M1019210J	B1C	10
415	125	gG	BTC42V125	E1019203J	B1	10
415	160	gG	BTC42V160	F1019204J	B1	10
415	100M125	gM	BTC42V100M125	Q226311J	B1C	10
415	100M160	gM	BTC42V100M160	R226312J	B1C	10
415	100M200	gM	BTC42V100M200	S226313E	B1C	5
415	125	gG	BTF42V125	T226314E	B2C	5
415	160	gG	BTF42V160	V226315E	B2C	5
415	200	gG	BTF42V200	W226316E	B2C	5
415	200M250	gM	BTF42V200M250	X226317A	B2	1
415	200M315	gM	BTF42V200M315	Y226318A	B2	1
415	250	gG	BTKF42V250	Z226319A	B3	1
415	315	gG	BTKF42V315	A226320A	B3	1
415	315M400	gM	BTKF42V315M400	B226321A	B3	1
415	250	gG	BTKM42V250	C226322A	B3X	1
415	315	gG	BTKM42V315	D226323A	B3X	1

1. B1C, B2C represents compact dimensions with respect to BS88 / IEC60269 standards specified dimensions  
 2. B3X represents extended rating with respect to BS88 / IEC 60269 specified ratings

# BS88 Low Voltage Fuse-links

Offset Blade/Offset Tag Fuse-links (F&A-type) 415 to 550VAC



BES55V16



BNIT55V20



BNS55V20M25

Voltage (V)	Current (A)	Class	Cat. Number	Ref. Number	BS Type Ref	Packaging
550	2	gG	BNS55V2	C1006643J	F1	10
550	4	gG	BNS55V4	D1006644J	F1	10
550	6	gG	BNS55V6	E1006645J	F1	10
550	10	gG	BNS55V10	N1019211J	F1	10
550	16	gG	BNS55V16	P1019212J	F1	10
550	20	gG	BNS55V20	Q1019213J	F1	10
550	25	gG	BNS55V25	R1019214J	F1	10
550	32	gG	BNS55V32	S1019215J	F1	10
550	10M16	gM	BS55V10M16	T1019216J	F1	10
550	16M20	gM	BNS55V16M20	V1019217J	F1	10
550	20M25	gM	BNS55V20M25	W1019218J	F1	10
550	20M32	gM	BNS55V20M32	X1019219J	F1	10
550	25M32	gM	BNS55V25M32	Z1019221J	F1	10
550	10	gG	BES55V10	F1006646J	F2	10
550	16	gG	BES55V16	G1006647J	F2	10
550	20	gG	BES55V20	H1006648J	F2	10
550	25	gG	BES55V25	J1006649J	F2	10
550	32	gG	BES55V32	K1006650J	F2	10
550	36	gG	BES55V36	L1006651J	F2	10
415	40	gG	BES42V40	J226351J	F2	10
415	50	gG	BES42V50	K226352J	F2	10
415	63	gG	BES42V63	L226353J	F2	10
550	2	gG	BNIT55V2	E1006576J	A1	10
550	4	gG	BNIT55V4	F1006577J	A1	10
550	6	gG	BNIT55V6	G1006578J	A1	10
550	10	gG	BNIT55V10	B1019223J	A1	10
550	16	gG	BNIT55V16	C1019224J	A1	10
550	20	gG	BNIT55V20	D1019225J	A1	10
550	25	gG	BNIT55V25	E1019226J	A1	10
550	32	gG	BNIT55V32	F1019227J	A1	10
550	10M16	gM	BNIT55V10M16	G1019228J	A1	10
550	16M20	gM	BNIT55V16M20	H1019229J	A1	10
550	20M25	gM	BNIT55V20M25	J1019230J	A1	10
550	20M32	gM	BNIT55V20M32	K1019231J	A1	10
550	25M32	gM	BNIT55V25M32	R1019237J	A1	10
550	2	gG	BTIA55V2	S1019238J	A2C	10
550	4	gG	BTIA55V4	T1019239J	A2C	10
550	6	gG	BTIA55V6	V1019240J	A2C	10
550	10	gG	BTIA55V10	W1019241J	A2C	10
550	16	gG	BTIA55V16	X1019242J	A2C	10
550	20	gG	BTIA55V20	Y1019243J	A2C	10
550	25	gG	BTIA55V25	Z1019244J	A2C	10
550	32	gG	BTIA55V32	A1019245J	A2C	10
550	10M16	gM	BTIA55V10M16	B1019246J	A2C	10
550	16M20	gM	BTIA55V16M20	C1019247J	A2C	10
550	20M25	gM	BTIA55V20M25	D1019248J	A2C	10
550	20M32	gM	BTIA55V20M32	E1019249J	A2C	10
550	25M32	gM	BTIA55V25M32	F1019250J	A2C	10

1. A2C, represents compact dimensions with respect to BS88/ IEC60269 standards specified dimensions

## Offset Bolted Tag Fuse-links (A-type) 690VAC



BTIA69V32M63



BTIS69V63



BTIA69V20



BTCP69V63



BTIA55V32

Voltage (V)	Current (A)	Class	Cat. Number	Ref. Number	BS Type Ref	Packaging
690	2	gG	BTIA69V2	G1019251J	A2	10
690	4	gG	BTIA69V4	H1019252J	A2	10
690	6	gG	BTIA69V6	J1019253J	A2	10
690	10	gG	BTIA69V10	K1019254J	A2	10
690	16	gG	BTIA69V16	L1019255J	A2	10
690	20	gG	BTIA69V20	M1019256J	A2	10
690	25	gG	BTIA69V25	N1019257J	A2	10
690	32	gG	BTIA69V32	P1019258J	A2	10
690	10M16	gM	BTIA69V10M16	A1019751J	A2	10
690	16M20	gM	BTIA69V16M20	B1019752J	A2	10
690	20M25	gM	BTIA69V20M25	Q1019259J	A2	10
690	20M32	gM	BTIA69V20M32	R1019260J	A2	10
690	25M32	gM	BTIA69V25M32	C1019753J	A2	10
690	36	gG	BTIA69V36	S1019261J	A2	10
690	40	gG	BTIA69V40	T1019262J	A2	10
690	50	gG	BTIA69V50	V1019263J	A2	10
690	63	gG	BTIA69V63	W1019264J	A2	10
690	32M36	gM	BTIA69V32M36	A1019268J	A2	10
690	32M40	gM	BTIA69V32M40	X1019265J	A2	10
690	32M50	gM	BTIA69V32M50	Y1019266J	A2	10
690	32M63	gM	BTIA69V32M63	Z1019267J	A2	10
690	36	gG	BTIS69V36	N1006584J	A3	10
690	40	gG	BTIS69V40	P1006585J	A3	10
690	50	gG	BTIS69V50	Q1006586J	A3	10
690	63	gG	BTIS69V63	R1006587J	A3	10
690	32M36	gM	BTIS69V32M36	C1019270J	A3	10
690	32M40	gM	BTIS69V32M40	D1006598J	A3	10
690	32M50	gM	BTIS69V32M50	E1006599J	A3	10
690	32M63	gM	BTIS69V32M63	F1006600J	A3	10
690	36	gG	BTCP69V36	H1019275J	A4C	10
690	40	gG	BTCP69V40	M1006606J	A4C	10
690	50	gG	BTCP69V50	N1006607J	A4C	10
690	63	gG	BTCP69V63	J1019276J	A4C	10
690	32M36	gM	BTCP69V32M36	K1019277J	A4C	10
690	32M40	gM	BTCP69V32M40	L1019278J	A4C	10
690	32M50	gM	BTCP69V32M50	M1019279J	A4C	10
690	32M63	gM	BTCP69V32M63	N1019280J	A4C	10
690	80	gG	BTCP69V80	S1006611E	A4	5
690	100	gG	BTCP69V100	T1006612E	A4	5
690	63M80	gM	BTCP69V63M80	V1006613E	A4	5
690	63M100	gM	BTCP69V63M100	W1006614E	A4	5

1. A4C represents compact dimensions with respect to BS88/IEC60269 standards specified dimensions

# BS88 Low Voltage Fuse-links

## Central Bolted Tag Fuse Links (B&C-type) 690VAC

Voltage (V)	Current (A)	Class	Cat. Number	Ref. Number	BS Type Ref	Packaging
690	80	gG	BTC69V80	B1019775J	B1	5
690	100	gG	BTC69V100	A1006618E	B1	5
690	63M80	gM	BTC69V63M80	B1006619E	B1	5
690	63M100	gM	BTC69V63M100	C1006620E	B1	5
690	125	gG	BTF69V125	D1006621E	B2	1
690	160	gG	BTF69V160	E1006622E	B2	1
690	200	gG	BTF69V200	F1006623E	B2	1
690	125M160	gM	BTF69V125M160	G1006624E	B2	1
690	125M200	gM	BTF69V125M200	H1006625E	B2	1
690	250	gG	BTMF69V250	J1006626A	B4	1
690	315	gG	BTMF69V315	K1006627A	B4	1
690	355	gG	BTMF69V355	L1006628A	B4	1
690	400	gG	BTMF69V400	M1006629A	B4	1
690	315M400	gM	BTMF69V315M400	N1006630A	B4	1
690	250	gG	BTM69V250	P1006631A	C1	1
690	315	gG	BTM69V315	R1006633A	C1	1
690	355	gG	BTM69V355	S1006634A	C1	1
690	400	gG	BTM69V400	W1006637A	C1	1
690	450	gG	BTTM69V450	Y1006639A	C2	1
690	500	gG	BTTM69V500	Z1006640A	C2	1
690	560	gG	BTTM69V560	A1006641A	C2	1
690	630	gG	BTTM69V630	B1006642A	C2	1
690	670	gG	BTLM69V670	D1019271A	C3	1
690	710	gG	BTLM69V710	E1019272A	C3	1
690	750	gG	BTLM69V750	F1019273A	C3	1
690	800	gG	BTLM69V800	G1019274A	C3	1

1. A2C, represents compact dimensions with respect to BS88/ IEC60269 standards specified dimensions

## Fusegear range for BS88 Low Voltage Fuse-links



Voltage (V)	Current (A)	Color	Connection	Cat. Number	Ref. Number	BS Type Ref	Mersen use/ Neutral link type	Packaging
550	32	Black	Front-Front	BFF32F1	A230138F	F1	BNS55Vxx	6
550	32	Black	Back-Back	BBB32F1	N239120F	F1		6
550	32	Black	Front-Back	BFB32F1	B230139F	F1		6
550	32	Green	Front-Front	BFF32F1G	B1012553F	F1		6
550	32	Green	Back-Back	BBB32F1G	V1012547F	F1		6
550	32	Green	Front-Back	BFB32F1G	Y1012550F	F1		6
550	32	White	Front-Front	BFF32F1W	P239121F	F1	BNEUTRALF1	6
550	32	White	Back-Back	BBB32F1W	Q239122F	F1		6
550	32	White	Front-Back	BFB32F1W	R239123F	F1		6
550	32	-	-	BNEUTRALF1	D239134J	F1	-	10
550	63	Black	Front-Front	BFF63F2	S239124F	F2	BES55Vxx	6
550	63	Black	Back-Back	BBB63F2	T239125F	F2	BES42Vxx	6
550	63	Black	Front-Back	BFB63F2	V239126F	F2		6
550	63	Green	Front-Front	BFF63F2G	Z239130F	F2		6
550	63	Green	Back-Back	BBB63F2G	A239131F	F2		6
550	63	Green	Front-Back	BFB63F2G	B239132F	F2		6
550	63	White	Front-Front	BFF63F2W	W239127F	F2	BNEUTRALF2	6
550	63	White	Back-Back	BBB63F2W	X239128F	F2		6
550	63	White	Front-Back	BFB63F2W	Y239129F	F2		6
550	63	-	-	BNEUTRALF2	E239135J	F2	-	10
550	32	Black	Front-Front	BFF32A1	D239088F	A1	BNIT55Vxx	6
550	32	Black	Back-Back	BBB32A1	E239089F	A1		6
550	32	Black	Front-Back	BFB32A1	F239090F	A1		6
550	32	Green	Front-Front	BFF32A1G	K239094F	A1		6
550	32	Green	Back-Back	BBB32A1G	L239095F	A1		6
550	32	Green	Front-Back	BFB32A1G	M239096F	A1		6
550	32	White	Front-Front	BFF32A1W	G239091F	A1	BNEUTRALA1	6
550	32	White	Back-Back	BBB32A1W	H239092F	A1		6
550	32	White	Front-Back	BFB32A1W	J239093F	A1		6
550	32	-	-	BNEUTRALA1	F239136J	A1	-	10
690	32	Black	Front-Front	BFF32A2	C230140F	A2	BTIA55Vxx	6
690	32	Black	Back-Back	BBB32A2	P1012542F	A2	BTIA69Vxx	6
690	32	Black	Front-Back	BFB32A2	D230141F	A2		6
690	32	Green	Front-Front	BFF32A2G	Z1012551F	A2		6
690	32	Green	Back-Back	BBB32A2G	S1012545F	A2		6
690	32	Green	Front-Back	BFB32A2G	W1012548F	A2		6
690	32	White	Front-Front	BFF32A2W	A1012552F	A2		6
690	32	White	Back-Back	BBB32A2W	T1012546F	A2	BNEUTRALA2	6
690	32	White	Front-Back	BFB32A2W	X1012549F	A2		6
690	32	White	Front-Back	BFB32A2W	G239137J	A2		
690	63	-	-	BNEUTRALA2	F230143F	A3	-	10
690	63	Black	Front-Front	BFF63A3	V239103F	A3	BTSS42Vxx	6
690	63	Black	Back-Back	BBB63A3	G230144F	A3	BTSDS42Vxx	6
690	63	Black	Front-Back	BFB63A3	Z239107F	A3	BTSDS42Vxxx	6
690	63	Green	Front-Front	BFF63A3G	A239108F	A3	BTIS69Vxx	6
690	63	Green	Back-Back	BBB63A3G	B239109F	A3		6
690	63	Green	Front-Back	BFB63A3G	W239104F	A3		6
690	63	White	Front-Front	BFF63A3W	X239105F	A3	BNEUTRALA3	6
690	63	White	Back-Back	BBB63A3W	Y239106F	A3		6
690	63	White	Front-Back	BFB63A3W	H239138J	A3		6
690	125	-	-	BNEUTRALA3	H230145A	A4	-	10
690	125	Black	Front-Front	BFF125A4	C239110A	A4	BTSD42Vxxx	1
690	125	Black	Back-Back	BBB125A4	J230146A	A4	BTCP42Vxxx	1
690	125	Black	Front-Back	BFB125A4	K239117A	A4	BTCP69Vxxx	1
690	125	Green	Front-Front	BFF125A4G	L239118A	A4		1
690	125	Green	Back-Back	BBB125A4G	M239119A	A4		1
690	125	Green	Front-Back	BFB125A4G	D239111A	A4		1
690	125	White	Front-Front	BFF125A4W	E239112A	A4	BNEUTRALA3	1
690	125	White	Back-Back	BBB125A4W	F239113A	A4		1
690	125	White	Front-Back	BFB125A4W	J239139J	A4		1

# Master Fuses

## Master Fuse gG 690VAC & 500VAC

Master Fuse: gG fuses with very high ratings



Size	Voltage (V)	Current (A)	Cat. Number	Ref. Number	Packaging
76	690	1250	MF76GG69V1250	E302753A	1
89	690	1600	MF89GG69V1600	F302754A	1
114	690	2000	MF114GG69V2000	G302755A	1
127	690	2500	MF127GG69V2500	H302756A	1
146	500	3200	MF146GG50V3200	J302757A	1
159	500	4000	MF159GG50V4000	K302758A	1
181	500	4800	MF181GG50V4800	L302759A	1

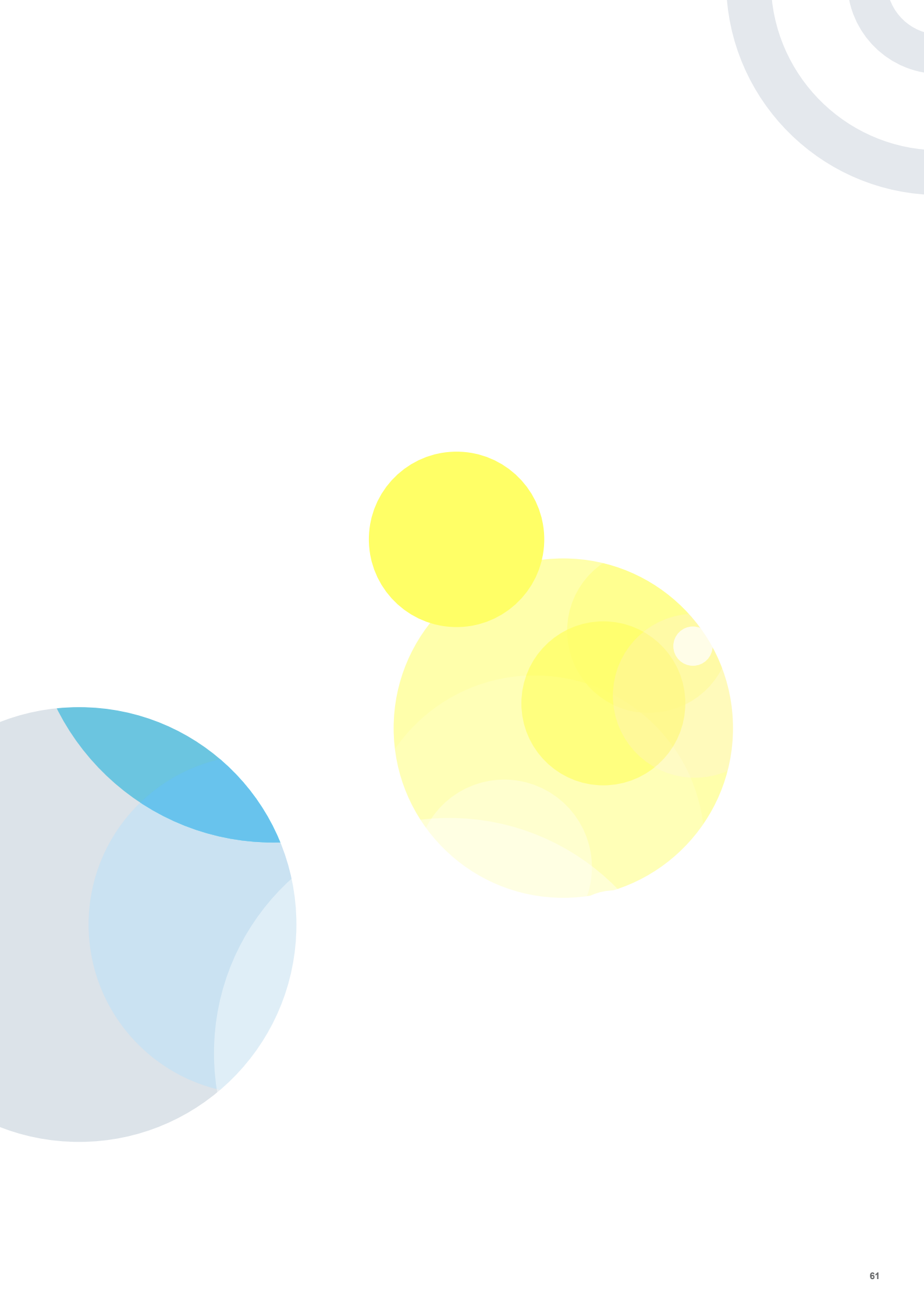
### Characteristics

- High ratings, from 1250 to 4800A
- gG class with rated voltage 690V & 500V
- Breaking capacity:
  - 160kA to 690V 50Hz (1250 to 2500A)
  - 160kA to 500V 50Hz (3200 to 4800A)

### Applications

- General protection for low voltage panels
- High power protection at 690VAC & 500VAC
- Backup for circuit breakers
- Blade fuses for power busbar assembly
- Disconnect, switch or circuit breaker isolation





# Fuses & Fusegear

## NH Fuse System

**p. 63**

MULTIBLOC® NH-fuse switch disconnecter	GP050	p. 64 to 133
MULTIVERT® NH-vertical fuse switch disconnecter	GP088	p. 134 to 185
BSL – NH-fuse rail with touch protection		p. 186 to 196
MULTIFIX® bus bar systems	GP084	p. 197 to 229



# NH Fuse System

## MULTIBLOC® NH-fuse switch disconnecter

**p. 63**

MULTIBLOC® size 000 - 100A 690VAC

p. 64 to 70

MULTIBLOC® size 00 - 160A 690VAC

p. 70 to 88

MULTIBLOC® size 1 - 250A 690VAC

p. 89 to 106

MULTIBLOC® size 2 - 400A 690VAC

p. 106 to 120

MULTIBLOC® size 3 - 630A 690VAC

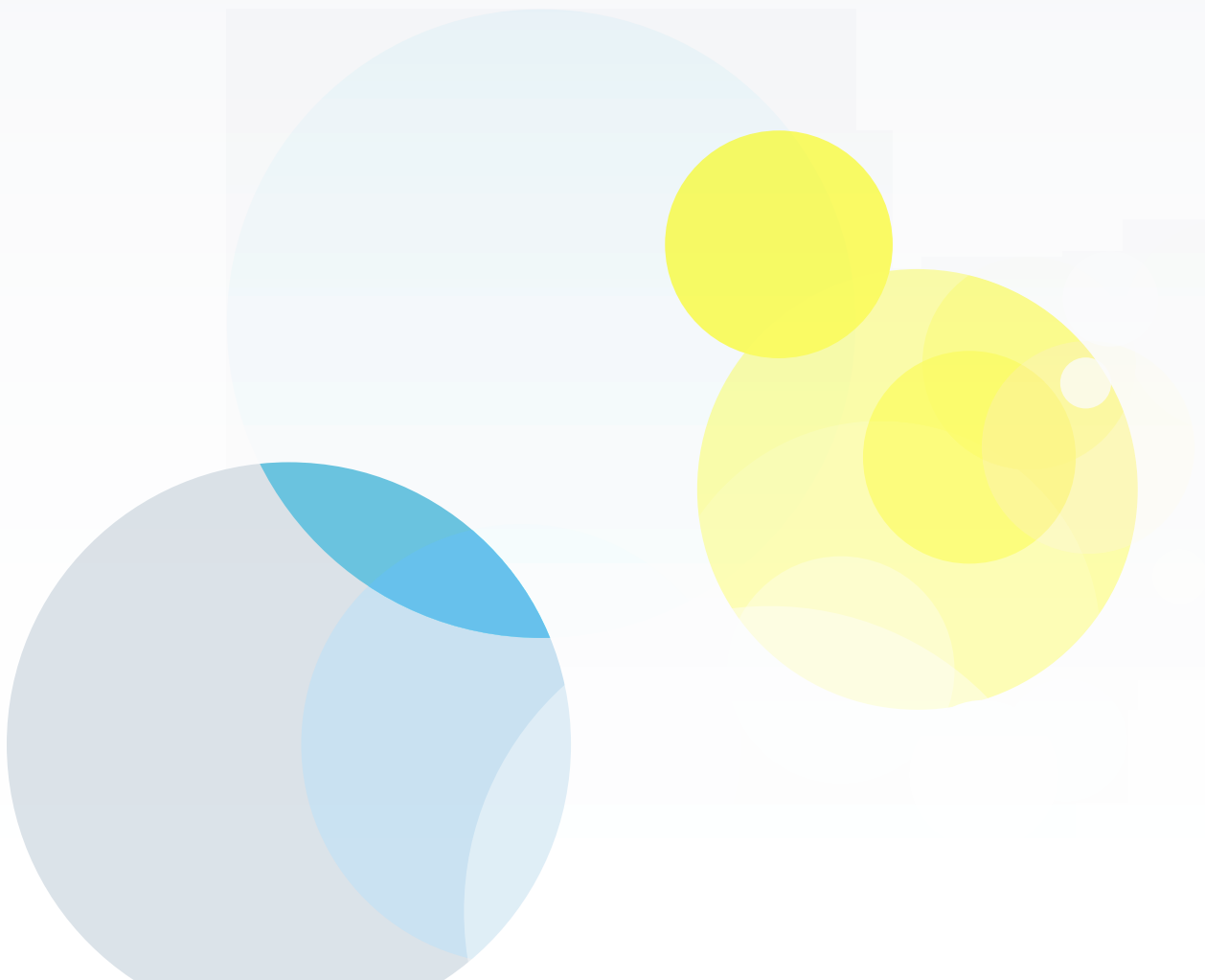
p. 120 to 130

MULTIBLOC® size 4a - 1250A

p. 130 to 131

MULTIBLOC® size 4a - 1600A

p. 131 to 133



# MULTIBLOC® size 000

## MULTIBLOC® 000.ST8

NH-fuse switch disconnecter, size 000, 100A, 690VAC, design for bottom fitting



in accordance with IEC/EN 60 947-3.

For NH-fuse links size 000 in accordance with IEC/EN 60 269-2, VDE 0636-2.

- Touch protection IP 20
- Large windows with testing holes
- Width of switch 89mm, installation depth 40mm
- Cable termination: frame clamp 1,5 - 50mm<sup>2</sup>
- Combination of several switches by using insulated bus bars
- Indicating switch for switch door position - optional



C00ST601

MULTIBLOC® 000.ST8 size 000 100A, 690VAC bottom fitting, triple pole

article number	ref. number	poles	cable termination components	weight kg <sup>1</sup>	package
C00ST601	J1002118A	3	6 frame clamps 1,5–50mm <sup>2</sup>	0.46	1 piece

## MULTIBLOC® 000.RST8

NH-fuse switch disconnecter, size 000, 100A, 690VAC, design for bus bar installation

in accordance with IEC/EN 60 947-3.

For NH-fuse links size 000 in accordance with IEC/EN 60 269-2, VDE 0636-2.

- Touch protection IP 20
- Padlocking and sealing facility
- Width of switch 54mm
- Cable termination: frame clamp 2,5 - 50mm<sup>2</sup>
- For 60mm bus bar systems
- Universally useable for bus bars with thickness of 5 - 10mm and widths of 12–30mm
- Indicating switch for switch door position - optional
- Cover shroud for cable termination - optional



1.002.571

MULTIBLOC® 000.RST8 size 000 100A, 690VAC bus bar installation, triple pole

article number	ref. number	poles	cable termination components	weight kg <sup>1</sup>	package
1.002.571	L1002166A	3	3 frame clamps 2,5-50mm <sup>2</sup> bottom terminal	0.60	1 piece
1.002.572	L1023050A	3	3 frame clamps 2,5-50mm <sup>2</sup> top terminal	0.62	1 piece

## MULTIBLOC® 000.ST8 / 000.RST8

NH-fuse switch disconnecter, size 000, 100A,  
design for bottom fitting / design for bus bar installation

Technical data in accordance with EN / IEC 60947

	000.ST8 triple pole	000.RST8 triple pole
Installation mode	bottom fitting	bus bar installation
Size	000	000
Number of poles/phases	3	3
Conventional free air thermal current with NH-fuse links $I_{th}$	100A	100A
Max. power dissipation of NH-fuse links $P_n$	7,5W	7,5W
Max. power dissipation of solid links $P_n$	1,2W	-
Utilization category to IEC/EN 60947-3 $U_e = AC 400 V; I_b = 100 A$ $U_e = AC 690 V; I_b = 100 A$ $U_e = DC 440 V; I_b = 100 A$	AC 22 B AC 21 B -	- AC 22 B DC 21 B
Rated operational voltage $U_e$	690V	690V
Rated insulation voltage $U_i$	690V	1000V
Rated impulse withstand voltage $U_{imp}$	6kV	6kV
Rated frequency	50 ... 60Hz	50 ... 60Hz
Degree of protection	IP20	IP20
Degree of pollution	3	3
Rated duty	uninterrupted duty	uninterrupted duty
Rated short circuit making capacity with fuse links $U_e = AC 400 V; I_b = 100A$ $U_e = AC 690 V; I_b = 100A$	80kA -	80kA 80kA
Power dissipation by $I_{th}$ without NH-fuse links	9W	-
<b>Cable terminal connection</b>		
Standard terminal	frame clamp 1-5-50mm <sup>2</sup>	frame clamp 2-5-50mm <sup>2</sup>
<b>Bus bar terminal connection</b>		
Bus bar system	-	60mm
Bus bar width (bus bar system = 60mm)	-	12 ... 30mm
Bus bar thickness (bus bar system = 60mm)	-	5 ... 10mm

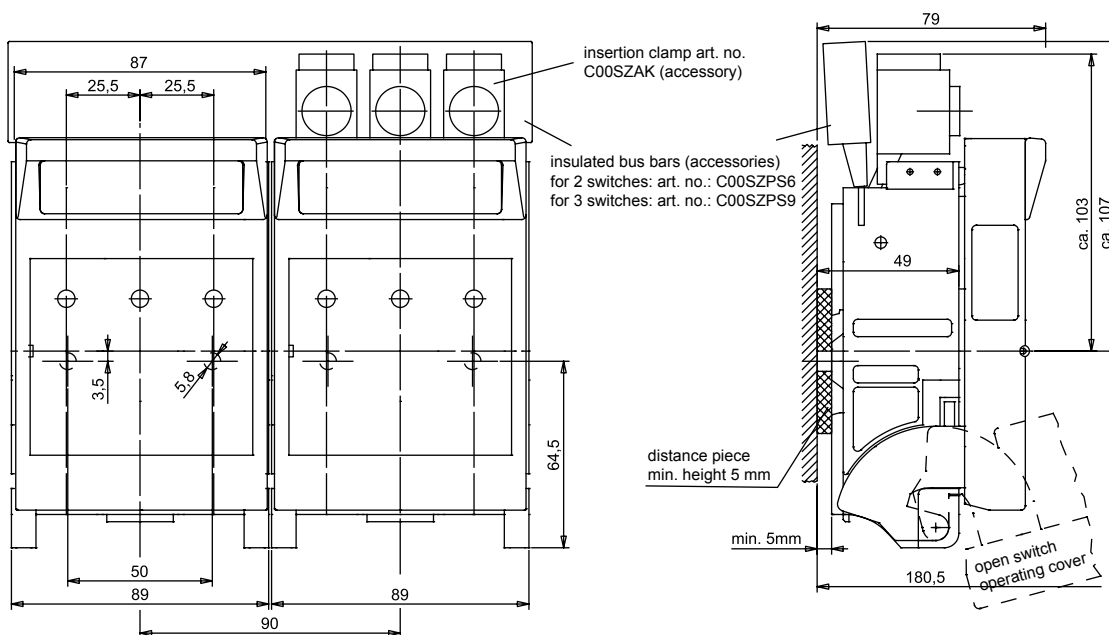


# MULTIBLOC® 000.ST8

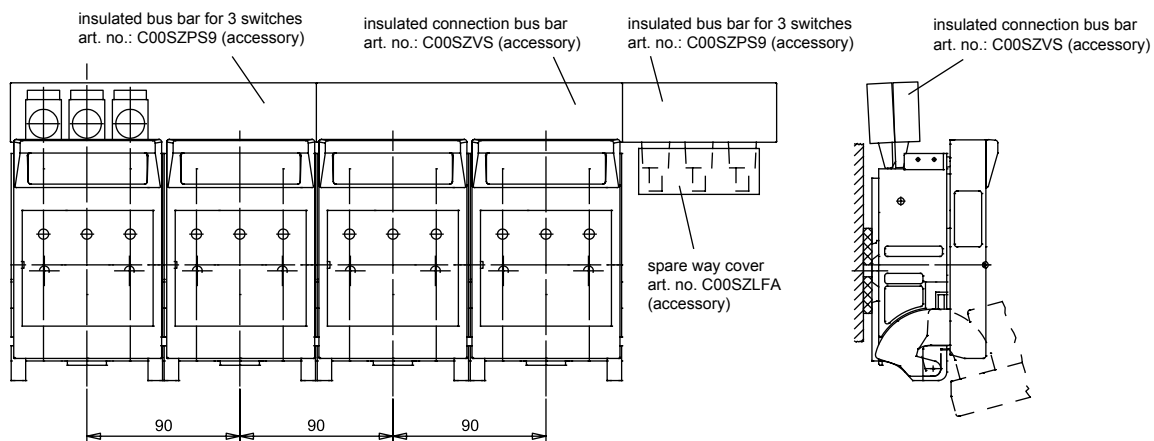
MULTIBLOC® 000.ST8 NH-fuse switch disconnecter triple pole design for bottom fitting

Dimensions  
M01096

## bottom fitting and accessories



## installation of 000.ST8 with bus bar connection



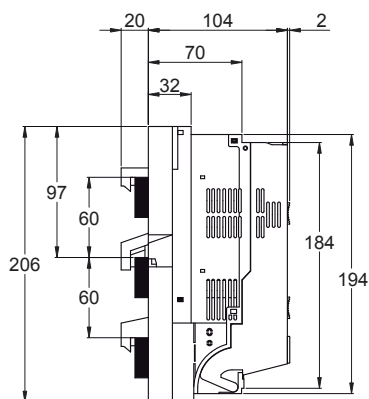
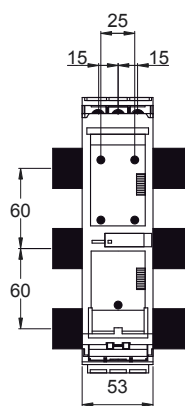


# MULTIBLOC® size 000

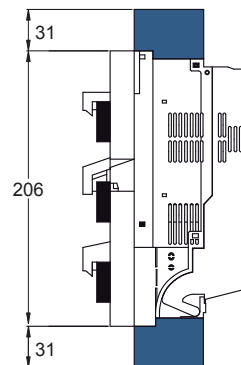
## MULTIBLOC® 000.RST8

MULTIBLOC® 000.RST8 NH-fuse switch disconnecter triple pole design  
for bus bar installation

Dimensions  
M02047



cover for cable terminal connection  
Art. Nr. 1.002.644  
(accessory)



# MULTIBLOC® size 000

## NH-fuse switch disconnecter, size 000, 100A



1.002.644



C00SZAB



C00SZDIN



C00SZHID



1.002.643



C00SZ3K



C00SZAK



C00SZPS6



C00SZPS9



C00SZVS



C00SZLFA

### Accessories

#### Cover/shrouds for cable termination

#### MULTIBLOC® 000.RST8

article number	ref. number	design	weight kg <sup>1</sup>	package
1.002.644	N1022983B	cover for cable terminal connection, 1 set = 2 pieces	0.07	1 set

#### Cover shields

#### MULTIBLOC® 000.ST8

article number	ref. number	design	weight kg <sup>1</sup>	package
C00SZAB	Q1002170A	cover shield 180 x 110 for 1switch	0.03	1 piece

#### Installation devices

#### MULTIBLOC® 000.ST8

article number	ref. number	design	weight kg <sup>1</sup>	package
C00SZDIN	Z1022970A	adapter for installation on to DIN-rails in accordance with EN 50 022, 35x7,5mm and 35x15mm for 000 ST8 triple pole	0.01	1 piece

#### Indication facilities

#### MULTIBLOC® 000.ST8 / 000.RST8

article number	ref. number	design	weight kg <sup>1</sup>	package
C00SZHID	R1022986A	indicator for switch door position micro switch, 1 change-over contact 5A, 250V for MULTIBLOC® 000.ST8 1 set = 3 pieces	0.006	1 piece
1.002.643	T1022988A	indicator for switch door position micro switch 1 change-over contact 5A, 250V for MULTIBLOC® 000.RST8 1 set = 3 pieces	0.01	1 piece

#### Varieties of cable termination

#### MULTIBLOC® 000.ST8

article number	ref. number	design	weight kg <sup>1</sup>	package
C00SZ3K	M1022959A	triple clamp per pole 2.5 up to 16mm <sup>2</sup>	0.06	1 piece
C00SZAK	B1022972A	insertion clamp 25-95mm <sup>2</sup> round solid, round stranded; 16-70mm <sup>2</sup> fine stranded	0.09	1 piece

#### Insulated bus bars

#### MULTIBLOC® 000.ST8

article number	ref. number	design	weight kg <sup>1</sup>	package
C00SZPS6	D1022974A	insulated bus bar for two MULTIBLOC® 000.ST8	0.26	5 pieces
C00SZPS9	F1022976A	insulated bus bar for three MULTIBLOC® 000.ST8	0.43	5 pieces
C00SZPS12	G1022977A	insulated bus bar for four MULTIBLOC® 000.ST8	0.60	1 piece
C00SZVS	J1022979A	insulated connection bus bar to connect two insulated bus bars	0.26	5 pieces
C00SZLFA	Q1022985A	spare way cover for three poles of insulated bus bar	0.01	5 pieces

1) weight in kg per piece or set including package

# MULTIBLOC® size 00

## MULTIBLOC® 00.ST8

NH-fuse switch disconnector, size 00, 160A, 690VAC, design for bottom fitting

in accordance with IEC/EN 60 947-3.

For NH-fuse links size 000/00 in accordance with IEC/EN 60 269-2, VDE 0636-2.

- Touch protection IP 20 - when fuse link is in test mode IP rating is maintained
- Parking position of switch operating cover even with fuse links inserted
- Modular system of cover - cover for cable termination area can be extended - optional
- Varieties of cable termination: screw, clamp strap, Al-Cu clamp, extendable for V-terminal - optional
- Padlocking and sealing of switch door cover - optional
- Indicating switch for switch door position - optional

### MULTIBLOC® 00.ST8 size 00 160A, 690VAC bottom fitting, single pole



1.000.053 1.001.817

article number	reference number	poles	cable termination components	design	weight kg <sup>1</sup>	package
1.000.053	F229292A	1	2 M8 terminal screws	-	0.32	1 piece
1.000.054	E1022998A	1	2 clamp straps Cu 4–70mm <sup>2</sup>	-	0.32	1 piece
1.000.114	F1022999A	1	2 Al/Cu clamps 1,5–70mm <sup>2</sup> round stranded, 95mm <sup>2</sup> sectoral solid	-	0.35	1 piece
1.001.817	G1023000A	1	2 M8 terminal screws	for direct installation on to bus bars with M8 screw	0.29	1 piece

### MULTIBLOC® 00.ST8 size 00 160A, 690VAC bottom fitting, double pole



1.000.139

article number	reference number	poles	cable termination components	weight kg <sup>1</sup>	package
1.000.139	G229293A	2	3 M8 terminal screws	0.62	1 piece
1.000.140	H1023001A	2	4 clamp straps Cu 4–70mm <sup>2</sup>	0.62	1 piece

### MULTIBLOC® 00.ST8 size 00 160A, 690VAC bottom fitting, quadruple pole



1.000.141



1.002.377

article number	reference number	poles	cable termination components	design	weight kg <sup>1</sup>	package
1.000.141	J1023002A	4	8 M8 terminal screws	pole 4 right side	1.04	1 piece
1.000.142	K1023003A	4	8 clamp straps Cu 4–70mm <sup>2</sup>	pole 4 right side	1.04	1 piece
1.001.575	L1023004A	4	8 M8 terminal screws	pole 4 left side	1.04	1 piece
1.002.377	T1002127A	4	8 M8 terminal screws	with ready fitted special solid link as neutral conductor in pole 4 for leading and lagging switching	1.80	1 piece
1.003.141	N1023006A	4	8 clamp straps Cu 4-70mm <sup>2</sup>	with ready fitted special solid link as neutral conductor in pole 4 for leading and lagging switching	1.80	1 piece

<sup>1</sup>) weight in kg per piece or set including package

# MULTIBLOC® 00.ST9

## NH-fuse switch disconnecter, size 00, 160A, 690VAC, design for bottom fitting

in accordance with IEC/EN 60 947-3.

For NH-fuse links size 000/00 in accordance with IEC/EN 60 269-2, VDE 0636-2.

- Touch protection IP 30
- Sealing and padlocking device integrated in switch door cover
- Installation depth 81mm
- Voltage test through holes in slidable windows directly at contacts or tags of NH-fuse links
- Parking position of switch operating cover even with fuse links inserted
- Modular system of cover - cover for cable termination area can be extended as required
- Varieties of cable termination: screw, clamp strap, Al-Cu clamp, frame clamp, extendable for V-terminal - optional
- Electronic or electro-mechanic fuse monitoring - optional
- Indicating switch for switch door position - optional
- Installation on to DIN rails in accordance with EN 60 715 - optional

### MULTIBLOC® 00.ST9 size 00 160A, 690VAC bottom fitting, triple pole



2.030.000



2.030.300



2.030.100



2.030.200

article number	reference number	poles	cable termination components	design	weight kg <sup>1</sup>	package
2.030.000	P1023007A	3	6 M8 terminal screws	-	0.75	1 piece
2.031.000	E1023044A	3	6 clamp straps Cu 4-70mm <sup>2</sup>	-	0.75	1 piece
2.032.000	G1023046A	3	6 Al/Cu clamps 1,5-70mm <sup>2</sup> round stranded, 95mm <sup>2</sup> sectoral solid	-	0.85	1 piece
2.033.000	H1023047A	3	3 frame clamps Cu 2,5-70mm <sup>2</sup> factory assembled	-	0.70	1 piece
2.034.000	J1023048A	3	3 M8 terminal screws, 3 clamp straps Cu 4-70mm <sup>2</sup>	-	0.75	1 piece
2.035.000	K1023049A	3	3 M8 terminal screws 3 Al/Cu clamps 1,5-70mm <sup>2</sup> round stranded, 95mm <sup>2</sup> sectoral solid	-	0.75	1 piece
2.030.300	D1023043A	3	6 M8 terminal screws	fixed window to protect against unauthorized connection	0.75	1 piece
2.031.300	F1023045A	3	6 clamp straps Cu 4-70mm <sup>2</sup>	fixed window to protect against unauthorized connection	0.75	1 piece
2.030.100	V1023012A	3	6 M8 terminal screws	with electronic fuse monitoring ESÜ installed	0.86	1 piece
2.030.200	C1023042A	3	6 M8 terminal screws	with electro-mechanic fuse monitoring MZS installed (galvanic isolation)	1.39	1 piece

1) weight in kg per piece or set including package

# MULTIBLOC® size 00

## MULTIBLOC® 00.RST9

in accordance with IEC/EN 60 947-3.

For NH-fuse links size 000/00 in accordance with IEC/EN 60 269-2, VDE 0636-2.

- Touch protection IP 30
- Sealing and padlocking device integrated in switch door cover
- Voltage test through holes in slidable windows directly at contacts or tags of NH-fuse links
- Suitable for top/bottom cable terminal connections
- Varieties of cable termination: screw, clamp strap, Al-Cu clamp, frame clamp, extendable for V-terminal - optional
- Varieties for 40 and 60 mm bus bar systems, snap on installation (without drilling) on to 60 mm system without tools possible
- Universally useable for bus bars with thickness of 5 and 10 mm and widths of 12–30 mm
- Installation covering bus bar carrier (max. height 14,5 mm) lateral left or right possible
- Installation depth 95 mm
- Electronic or electro-mechanic fuse monitoring - optional

Indicating switch for switch door position - optional



3.084.000



3.084.300



3.084.100



3.084.200

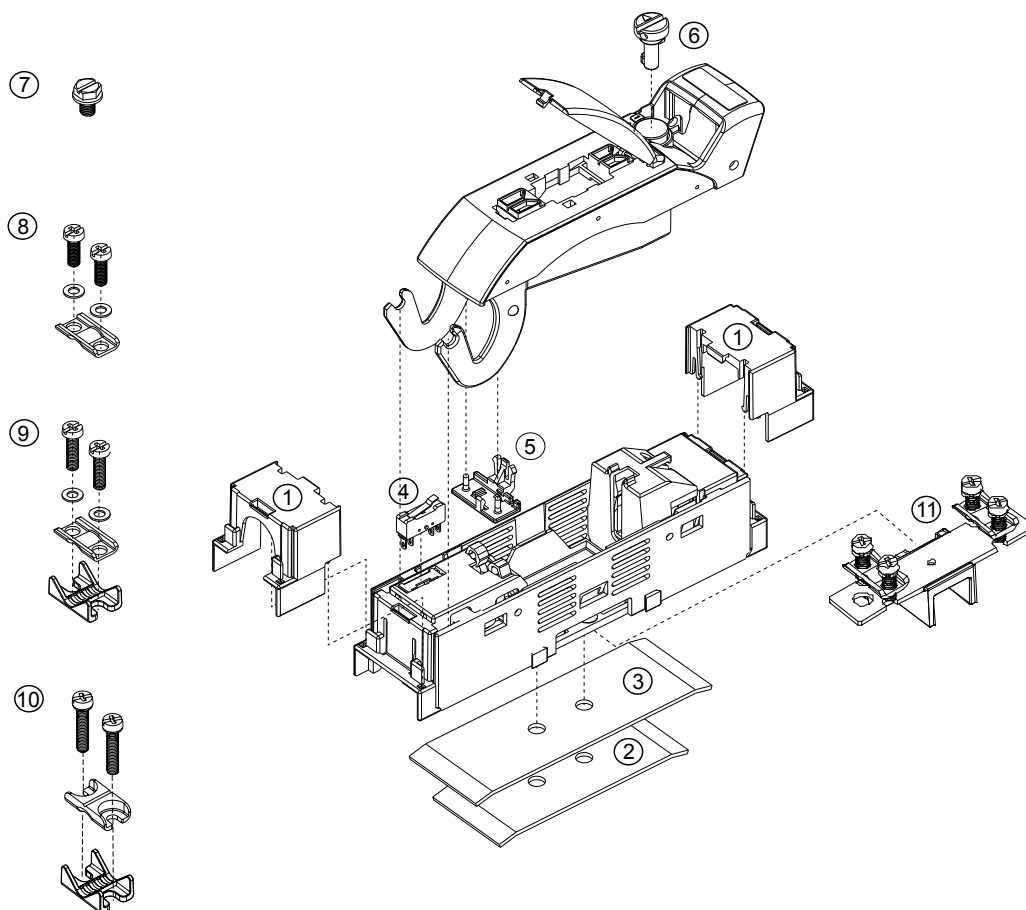
### MULTIBLOC® 00.RST9 size 00 160A, 690VAC bus bar installation, triple pole

catalog number	reference number	poles	bus bar installation	cable termination components	design	weight kg <sup>1</sup>	package
3.084.000	Z1022993A	3	60mm snap on	3 M8 terminal screws 3 clamp straps 4-70 mm <sup>2</sup>	-	0.93	1 piece
3.083.000	X1022991A	3	60mm snap on	3 frame clamps Cu 2,5-70 mm <sup>2</sup> factory assembled	-	0.88	1 piece
3.084.300	D1022997A	3	60mm snap on	3 M8 terminal screws 3 clamp straps 4-70 mm <sup>2</sup>	fixed window to protect against unauthorized connection	0.88	1 piece
3.083.300	Y1022992A	3	60mm snap on	3 frame clamps Cu 2,5-70 mm <sup>2</sup> factory assembled	fixed window to protect against unauthorized connection	0.88	1 piece
3.084.100	B1022995A	3	60mm snap on	3 M8 terminal screws 3 clamp straps 4-70 mm <sup>2</sup>	with electronic fuse monitoring ESÜ installed	0.96	1 piece
3.084.200	C1022996A	3	60mm snap on	3 M8 terminal screws 3 clamp straps 4-70 mm <sup>2</sup>	with electro-mechanic fuse monitoring MZS installed (galvanic isolation)	1.46	1 piece
2.074.000	W1022990A	3	40mm clamping bar	3 M8 terminal screws 3 clamp straps 4-70 mm <sup>2</sup>	-	1.06	1 piece

# MULTIBLOC® 00.ST8

## MULTIBLOC® 00.ST8 NH- fuse switch disconnecter single pole

E 1.000.622



no.	article number	short description
1	1.000.149	Cover for cable termination, single pole
2	1.000.151	Set for mounting on DIN rails 125mm
3	1.000.152	Set for mounting on DIN rails 150mm
4	MZ00HD	Indicating switch f.switch door position
5	1.000.150	Locking device f. windows,1 Set=3 pieces
6	1.000.155	Cover sealing device, installation set
7	00SZS	M8 terminal screw screw,1 Set = 3 pieces
8	00SZESK	Clamp strap 4 - 70mm <sup>2</sup> , set = 3 pieces
9	00SZA70	Al/Cu clamp 1-5 - 70mm <sup>2</sup> , set = 3 pieces
10	1.001.857	Al/Cu clamp 1-5 - 95mm <sup>2</sup> , set = 3 pieces
11	00SZNS	Neutral cond. support with clamp strap

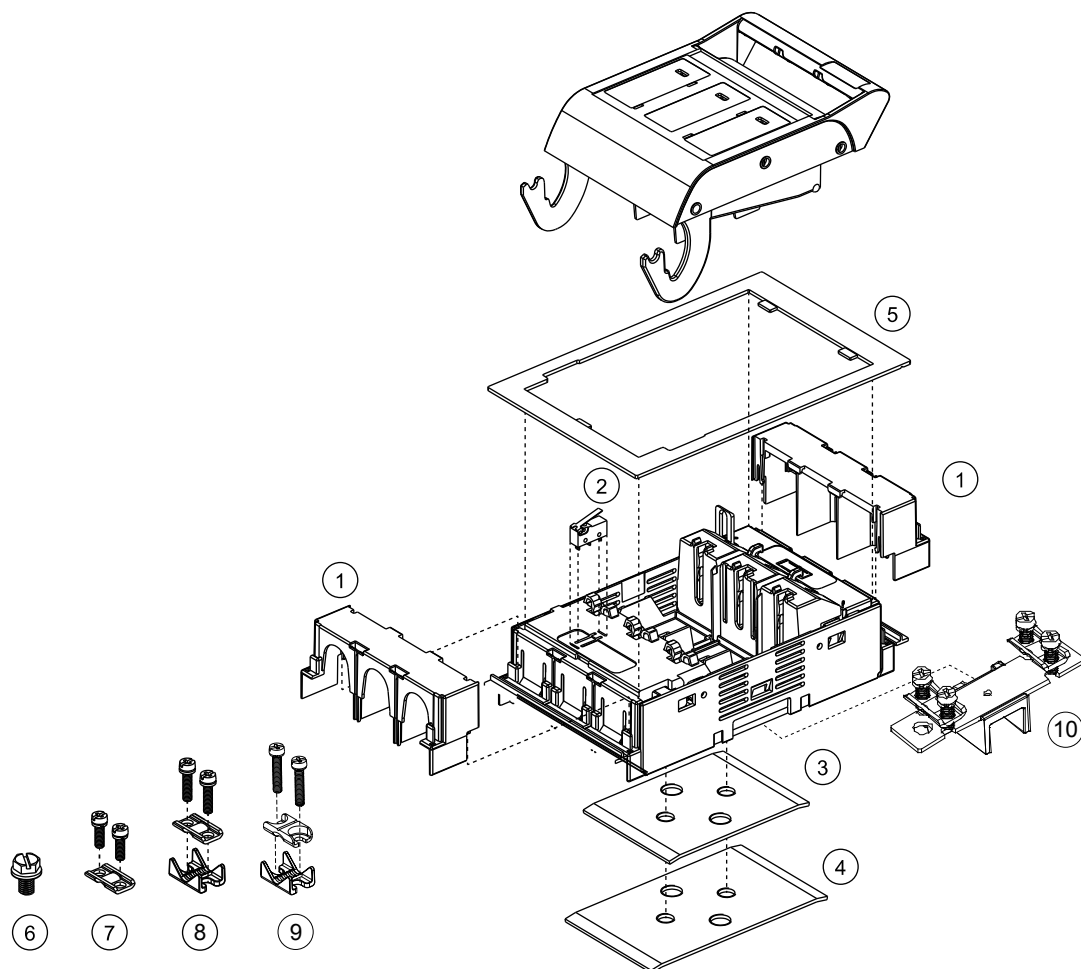
subject to alteration

# MULTIBLOC® size 00

## MULTIBLOC® 00.ST9

MULTIBLOC® 00.ST9 NH- fuse switch disconnecter triple pole design for bottom fitting

E 1.002.784



no.	article number	short description
1	1.000.148	Cover for cable termination, triple pole
2	1.000.852	indicator for switch door position
3	1.000.153	Set for mounting on DIN rails 125mm
4	1.000.154	Set for mounting on DIN rails 150mm
5	1.000.126	Cover shield for one switch
6	00SZS	M8 terminal screw screw, 1 Set = 3 pieces
7	00SZESK	Clamp strap 4 - 70mm <sup>2</sup> , set = 3 pieces
8	00SZA70	Al/Cu clamp 1-5 - 70mm <sup>2</sup> , set = 3 pieces
9	1.001.857	Al/Cu clamp 1-5 - 95mm <sup>2</sup> , set = 3 pieces
10	00SZNS	Neutral cond. support with clamp strap

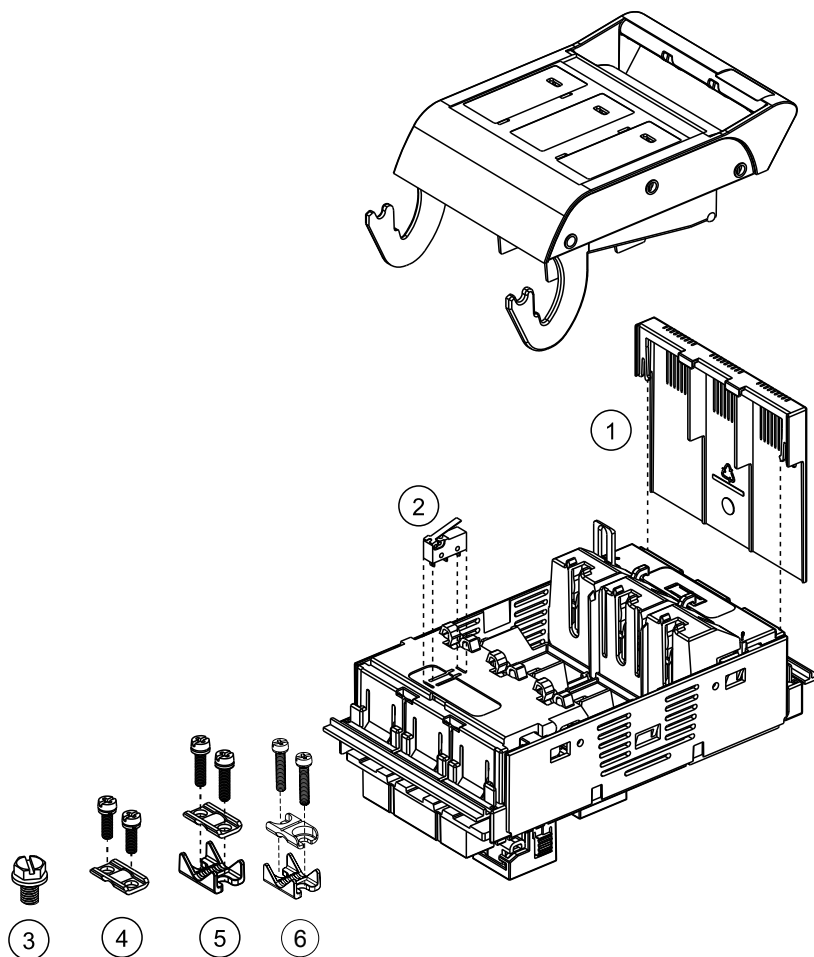
subject to alteration



# MULTIBLOC® 00.RST9

MULTIBLOC® 00.RST9 NH- fuse switch disconnecter triple pole design for bus bar installation

E 1.002.785



no.	article number	short description
1	1.003.325	bus bar touch protection
2	1.000.852	indicator for switch door position
3	00SZS	M8 terminal screw screw, 1 Set = 3 pieces
4	00SZESK	Clamp strap 4 - 70mm <sup>2</sup> , set = 3 pieces
5	00SZA70	Al/Cu clamp 1-5 - 70mm <sup>2</sup> , set = 3 pieces
6	1.001.857	Al/Cu clamp 1-5 - 95mm <sup>2</sup> , set = 3 pieces

subject to alteration

# MULTIBLOC® size 00

## MULTIBLOC® 00.ST8

NH-fuse switch disconnecter, size 00, 160A, 690VAC,  
design for bottom fitting

Technical data in accordance with EN / IEC 60947

	00.ST8 single pole	00.ST8 double pole	00.ST8 quadruple pole
Installation mode	bottom fitting	bottom fitting	bottom fitting
Size	00	00	00
Number of poles/phases	1	2	4
Conventional free air thermal current with NH-fuse links $I_{th}$	160A	160A	160A
Max. power dissipation of NH-fuse links $P_n$	12W	12W	12W
Conventional free air thermal current with solid links $I_{th}$	200A	200A	200A
Max. power dissipation of solid links $P_n$	1,2W	1,2W	1,2W
Utilization category to IEC/EN 60947-3 $U_o = AC 400 V; I_o = 160 A$ $U_o = AC 500 V; I_o = 160 A$ $U_o = AC 690 V; I_o = 125 A$ $U_o = DC 220 V; I_o = 160 A$	AC 23 B AC 22 B AC 21 B DC 22 B	AC 23 B AC 22 B AC 21 B -	AC 23 B AC 22 B AC 21 B -
Rated operational voltage $U_o$	690V	690V	690V
Rated insulation voltage $U_i$	1000V	1000V	1000V
Rated impulse withstand voltage $U_{imp}$	8kV	8kV	8kV
Rated frequency	50 ... 60Hz	50 ... 60Hz	50 ... 60Hz
Degree of protection	IP20	IP20	IP20
Degree of pollution	3	3	3
Rated duty	uninterrupted duty	uninterrupted duty	uninterrupted duty
Rated short circuit making capacity with solid links $I_{cm}$	6.2kAsw	6.2 kAsw	6.2kAsw
Rated short circuit making capacity with fuse links $U_o = AC 400 V; I_o = 160A$ $U_o = AC 500 V; I_o = 160A$ $U_o = AC 690 V; I_o = 125A$	80kA 80kA 50kA	80kA 80kA 50kA	80kA 80kA 50kA
Rated short circuit withstand current $I_{cw}$	4kA / 1 s	4kA / 1 s	4kA / 1 s
Power dissipation by $I_{th}$ without NH-fuse links	2,3W	4,6W	10,3W
Power dissipation by $I_{th}$ without solid links	3,3W	6,6W	13,3W
<b>Cable terminal connection</b>			
Standard terminal	M8	M8	M8
for cable lugs Cu max.	2x70mm <sup>2</sup>	2x70mm <sup>2</sup>	2x70mm <sup>2</sup>
for cable lugs Al max.	2x70mm <sup>2</sup>	2x70mm <sup>2</sup>	2x70mm <sup>2</sup>
for copper bars with max. dimensions	20x5mm	20x5mm	20x5mm

# MULTIBLOC® 00.ST9 / 00.RST9

NH-fuse switch disconnecter, size 00, 160A, 690VAC,  
design for bottom fitting / design for bus bar installation

Technical data in accordance with EN / IEC 60947

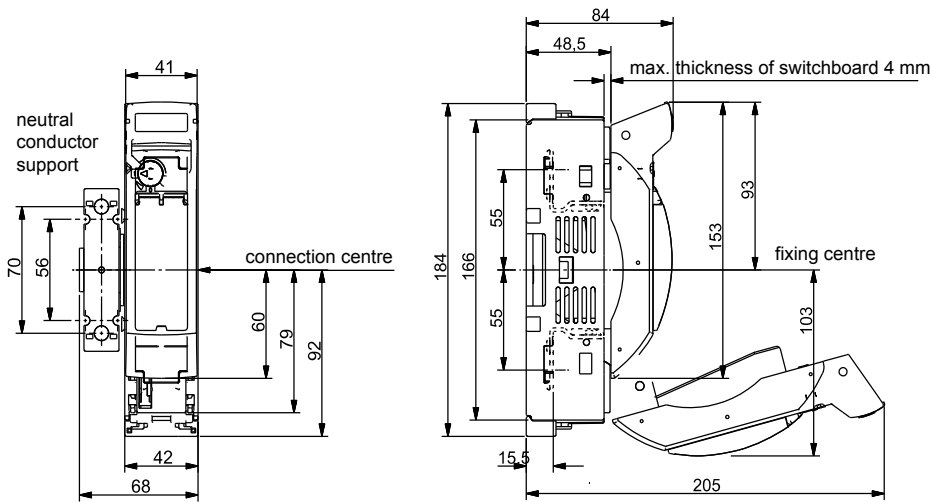
	00.ST9 triple pole	00.RST9 triple pole
Installation mode	bottom fitting	bus bar installation
Size	00	00
Number of poles/phases	3	3
Conventional free air thermal current with NH-fuse links $I_{th}$	160A	160A
Max. power dissipation of NH-fuse links $P_n$	12W	12W
Conventional free air thermal current with solid links $I_{th}$	200A	200A
Max. power dissipation of solid links $P_n$	1,2W	1,2W
Utilization category to IEC/EN 60947-3 $U_g = AC 400V; I_g = 160A$ $U_g = AC 500V; I_g = 160A$ $U_g = AC 690V; I_g = 125A$ $U_g = DC 220V; I_g = 160A$ $U_g = DC 440V; I_g = 100A$	AC 23 B AC 22 B AC 21 B DC 22 B DC 21 B	AC 23 B AC 22 B AC 21 B DC 22 B DC 21 B
Rated operational voltage $U_o$	690V	690V
Rated insulation voltage $U_i$	1000V	1000V
Rated impulse withstand voltage $U_{imp}$	8kV	8kV
Rated frequency	50 ... 60Hz	50 ... 60Hz
Degree of protection	IP30	IP30
Degree of pollution	3	3
Rated duty	uninterrupted duty	uninterrupted duty
Rated short circuit making capacity with solid links $I_{cm}$	6.2kAsw	6.2kAsw
Rated short circuit making capacity with fuse links $U_g = AC 400V; I_g = 160A$ $U_g = AC 500V; I_g = 160A$ $U_g = AC 690V; I_g = 125A$	80kA 80kA 80kA	80kA 80kA 80kA
Rated short circuit withstand current $I_{cw}$	4kA / 1 s	4kA / 1 s
Power dissipation by $I_{th}$ without NH-fuse links	7W	10W
Power dissipation by $I_{th}$ without solid links	10W	16W
<b>Cable terminal connection</b>		
Standard cable terminal	M8	M8
for cable lugs Cu max.	2x70mm <sup>2</sup>	2x70mm <sup>2</sup>
for cable lugs Al max.	2x70mm <sup>2</sup>	2x70mm <sup>2</sup>
for copper bars with max. dimensions	20x5mm	20x5mm
<b>Bus bar terminal connection</b>		
Bus bar system	-	40mm 60mm
Bus bar width (bus bar system = 40mm)	-	12mm
Bus bar thickness (bus bar system = 40mm)	-	5 ... 10mm
Bus bar width (bus bar system = 60mm)	-	12 ... 30mm
Bus bar thickness (bus bar system = 60mm)	-	5 ... 10mm

# MULTIBLOC<sup>®</sup> size 00

## MULTIBLOC<sup>®</sup> 00.ST8

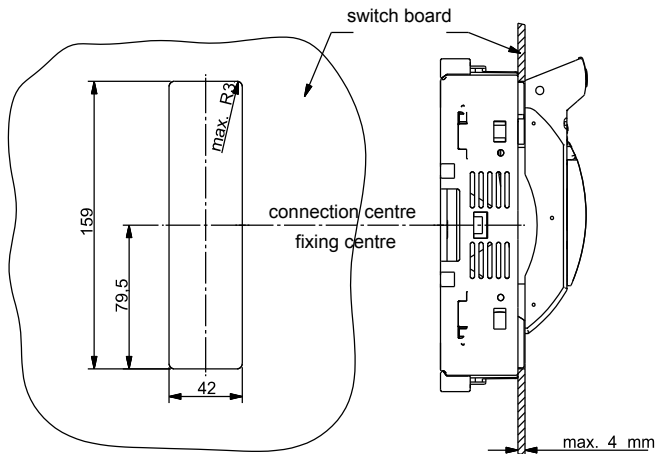
### MULTIBLOC<sup>®</sup> 00.ST8 NH-fuse switch disconnecter single pole

Dimensions  
M 01115

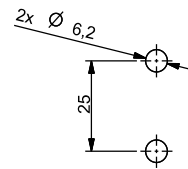


The neutral conductor art. no. 00SZNS (accessory) can be fixed on right side, left side or both sides of switch.

dimensions of switch board cut out  
for bottom fixing without cover shield



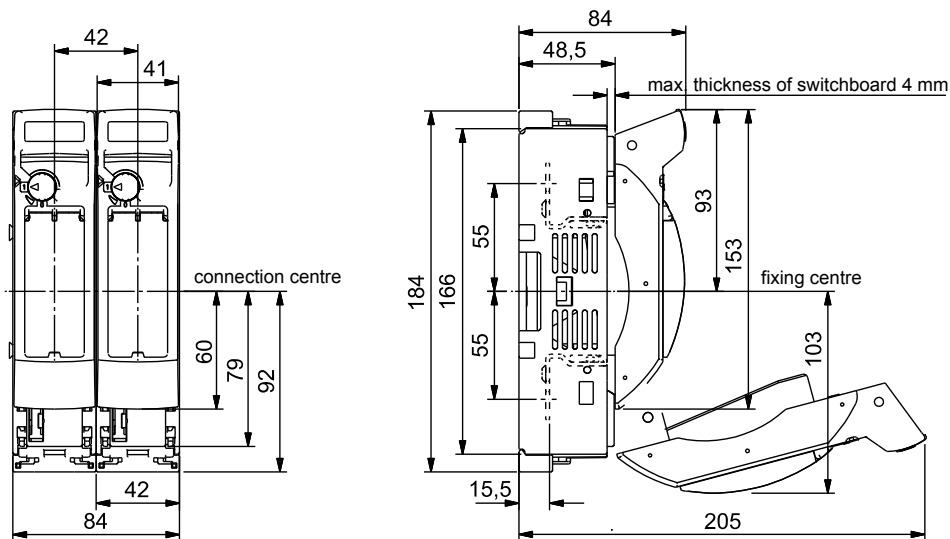
dimensions for bottom fitting



# MULTIBLOC® 00.ST8

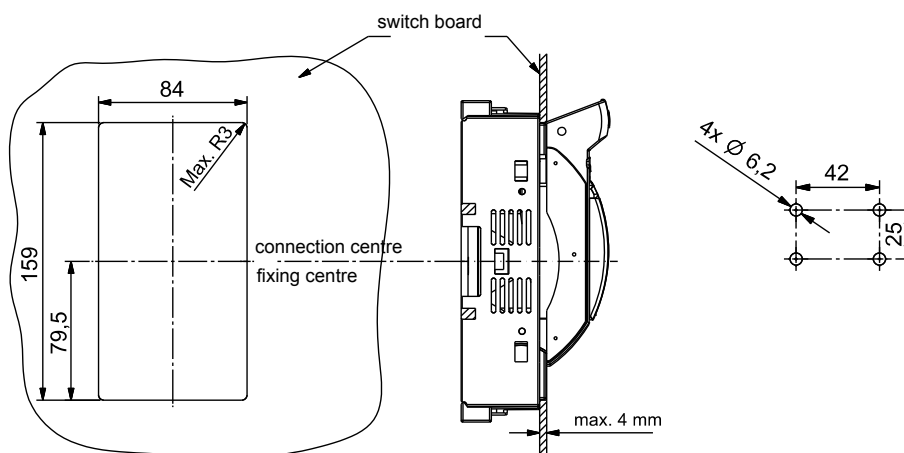
## MULTIBLOC® 00.ST8 NH-fuse switch disconnecter double pole

Dimensions  
M 01124



dimensions of switch board cut out for bottom fixing without cover shield

dimensions for bottom fitting

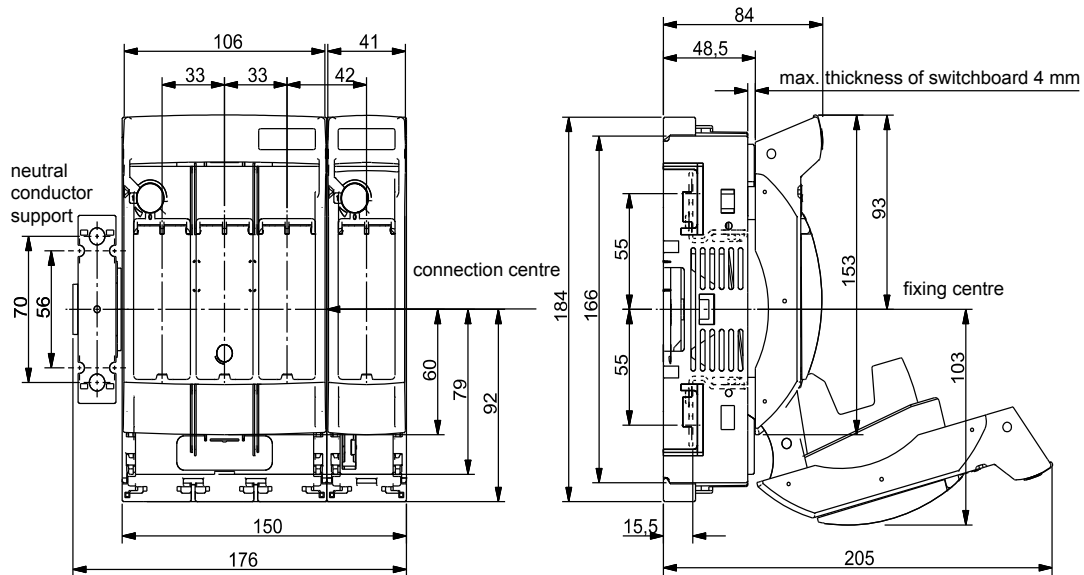


# MULTIBLOC® size 00

## MULTIBLOC® 00.ST8

### MULTIBLOC® 00.ST8 NH-fuse switch disconnecter quadruple pole

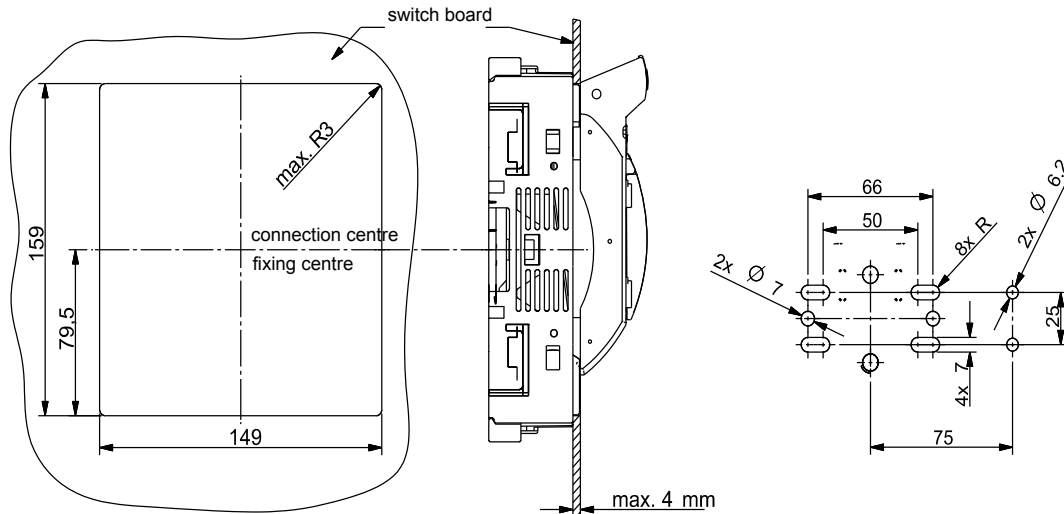
Dimensions  
M 01120



The neutral conductor art. no. 00SZNS (accessory) can be fixed on right side, left side or both sides of switch.

dimensions of switch board cut out  
for bottom fixing without cover shield

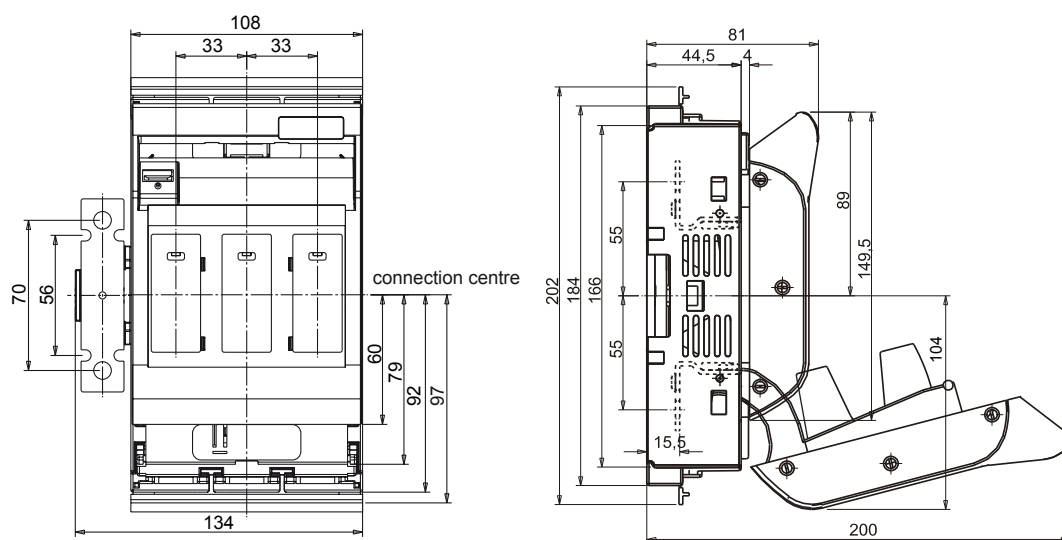
dimensions for bottom fitting



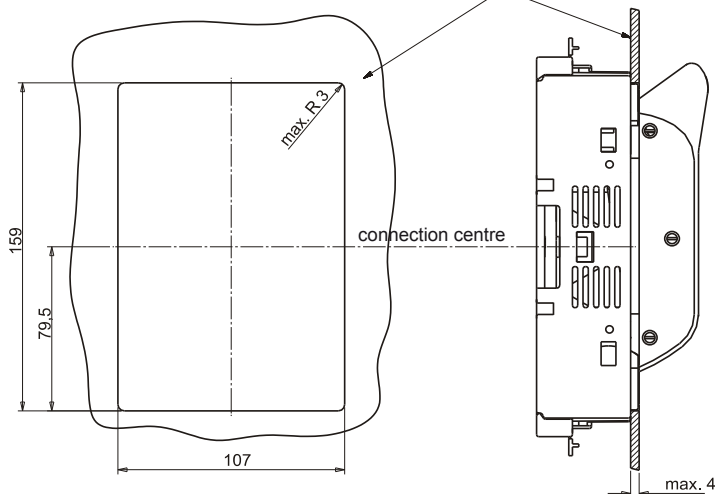
# MULTIBLOC® 00.ST9

MULTIBLOC® 00.ST9 NH-fuse switch disconnecter  
triple pole design for bottom fitting

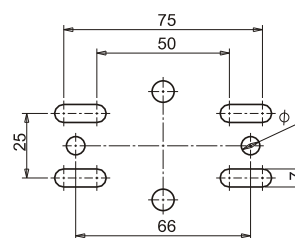
Dimensions  
M 01169



dimensions of switch board cut out for bottom fixing without cover shield



dimensions for bottom fitting



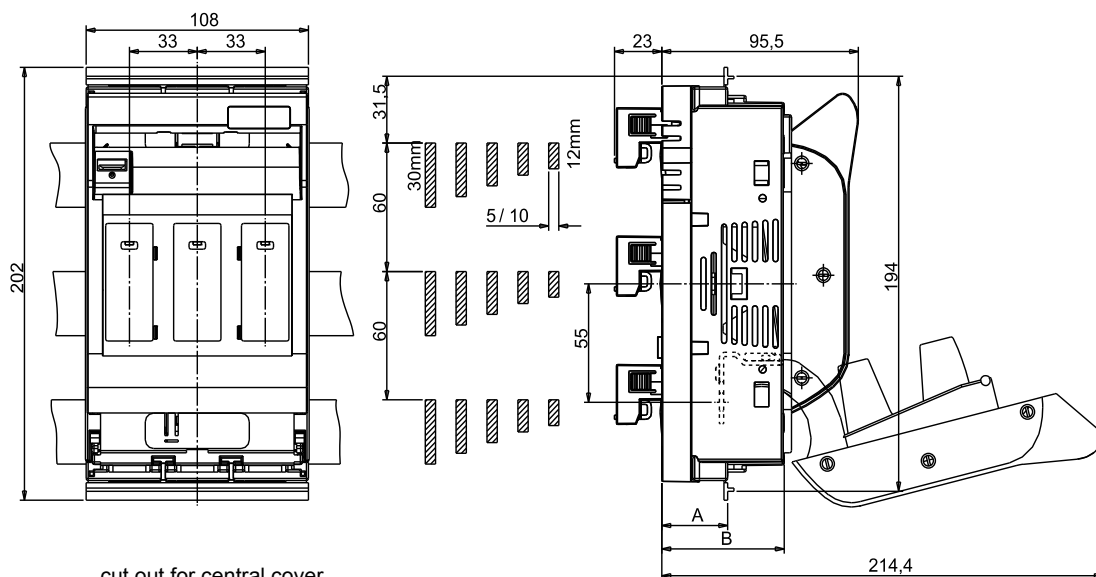
MULTIBLOC® NH-fuse switch disconnecter

# MULTIBLOC® size 00

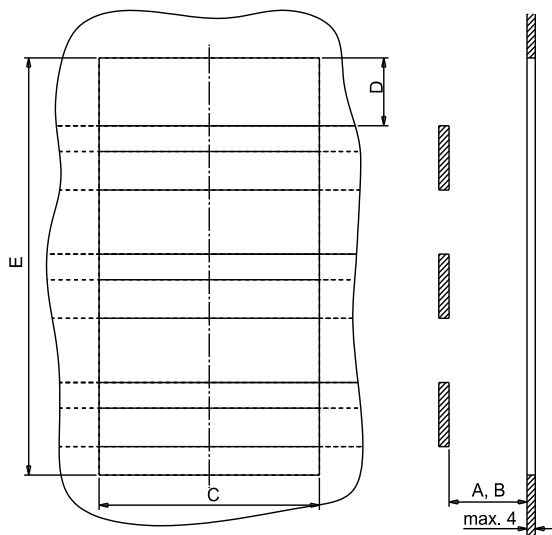
## MULTIBLOC® 00.RST9

MULTIBLOC® 00.RST9 NH-fuse switch disconnecter  
triple pole design for bus bar installation

Dimensions  
M 01170



cut out for central cover



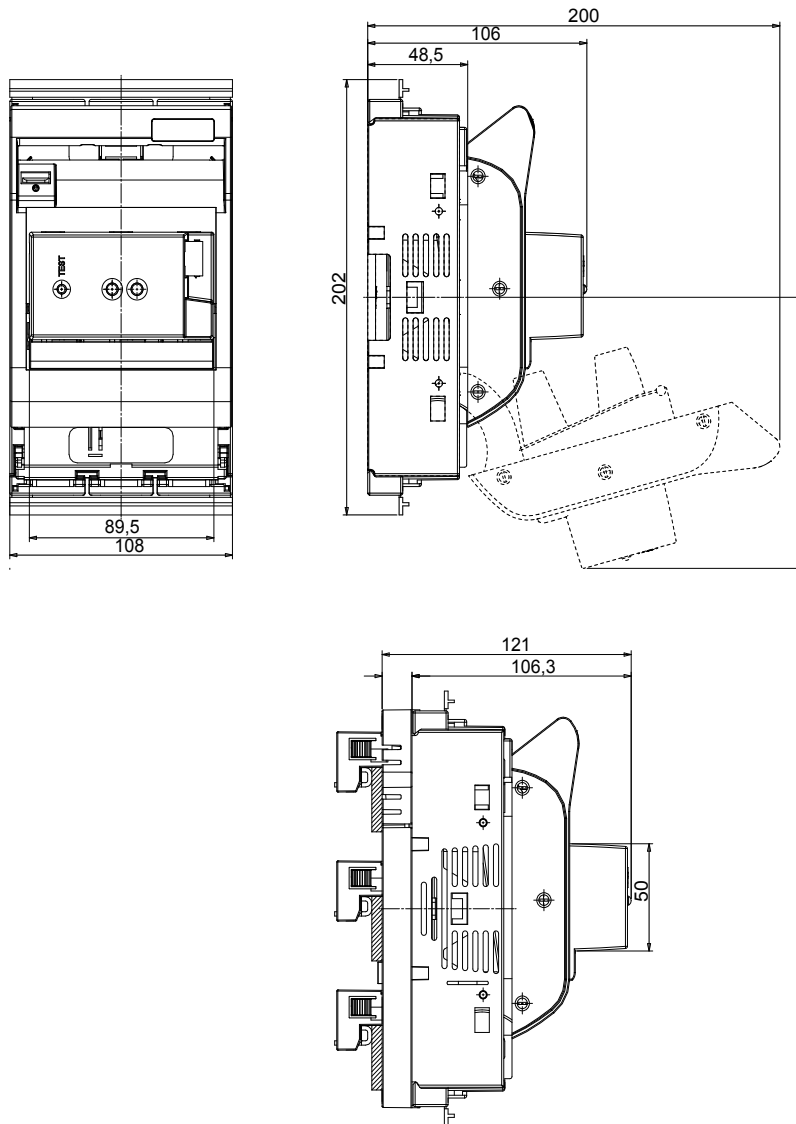
installation depth	cut out			
	C	D	E	
A	32	109	31,5	195
B	60	107	13,5	159



# MULTIBLOC® 00.ST9 / 00.RST9

MULTIBLOC® 00.ST9 and 00.RST9 triple pole  
with electronic fuse monitoring ESÜ

Dimensions  
M 01172

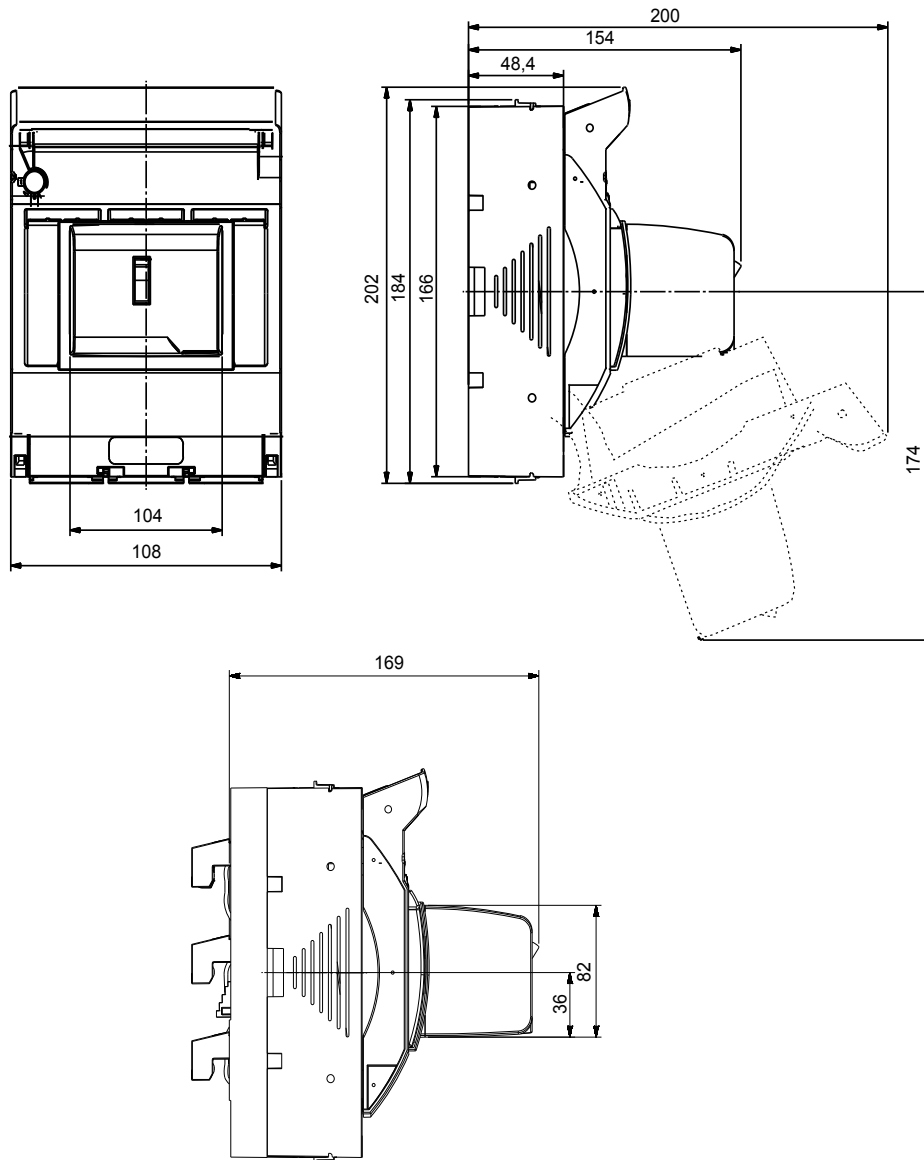


# MULTIBLOC® size 00

## MULTIBLOC® 00.ST9 / 00.RST9

MULTIBLOC® 00.ST9 and 00.RST9 triple pole  
with electro-mechanic fuse monitoring MZS

Dimensions  
M 01135c-00



# MULTIBLOC® size 00

## Cable termination size 00

Dimensions  
MA 120c

type	N	S	A	R
terminal	screw	clamp strap	Al/Cu clamp	frame clamp
cross section mm <sup>2</sup>	Cu 16-70	Cu 4-70	Cu 1,5-70	Cu 2,5-70
	Al 16-95	Al ---	Al 1,5-70 sectoral stranded Al 1,5-95 sectoral solid	Al ---
M(an) (Nm)	10	3-4	3-4	6

# MULTIBLOC® size 00

## MULTIBLOC® size 00

NH-fuse switch disconnecter, size 00, 160A

### Accessories



1.000.149

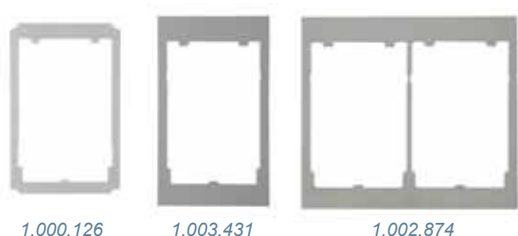
1.000.148

1.003.325

#### Cover/shrouds for cable termination

#### MULTIBLOC® size 00

article number	reference number	design	weight kg <sup>1</sup>	package
1.000.149	V229282A	cover for cable terminal connection for 00.ST8 single pole, 1 set = 2 pieces	0.02	1 set
1.000.148	W229283A	cover for cable terminal connection for 00.ST9 triple pole, 1 set = 2 pieces	0.04	1 set
1.003.325	F1023114A	bus bar touch protection for 00.RST9	0.02	1 piece



1.000.126

1.003.431

1.002.874



1.000.128

1.002.764



1.002.870

#### Cover shields

#### MULTIBLOC® size 00

article number	reference number	design	weight kg <sup>1</sup>	package
1.000.126	Y229285A	cover shield for installation in distribution units size (width x height): 123x190mm for one 00.ST9/00.RST9	0.02	1 piece
1.003.431	N1022960A	cover shield for installation in distribution units size (width x height): 123x210mm for one 00.ST9/00.RST9	-	1 piece
1.000.127	Z229286A	cover shield for installation in distribution units size (width x height): 231x190mm for two 00.ST9/00.RST9	0.05	1 piece
1.002.874	S1022964A	cover shield for installation in distribution units size (width x height): 231x210mm for two 00.ST9/00.RST9	0.05	1 piece
1.000.128	A229287A	cover shield for installation in distribution units size (width x height): 339x190mm for three 00.ST9/00.RST9	0.07	1 piece
1.002.764	T1022965A	cover shield for installation in distribution units size (width x height): 220x240mm for one 00.ST8 quadruple pole	0.09	1 piece
1.002.870	R1022963A	cover shield for installation in distribution units size (width x height) 231x210mm for one 00.ST9/00.RST9 + lateral spare way cover right side	0.09	1 piece

# MULTIBLOC® size 00

## NH-fuse switch disconnecter, size 00, 160A

### Accessories

#### Installation devices

#### MULTIBLOC® size 00



article number	reference number	design	weight kg <sup>1</sup>	package
1.000.151	B229288A	adapter for installation on to DIN-rails in accordance with EN 60 715-125mm for 00.ST8 single pole	0.08	1 piece
1.000.152	C229289A	adapter for installation on to DIN-rails in accordance with EN 60 715-150mm for 00.ST8 single pole	0.10	1 piece
1.000.153	C229887A	adapter for installation on to DIN-rails in accordance with EN 60 715-125mm for 00.ST9 triple pole	0.14	1 piece
1.000.154	D229888A	adapter for installation on to DIN-rails in accordance with EN 60 715-150mm for 00.ST9 triple pole	0.16	1 piece

#### Indication facilities

#### MULTIBLOC® size 00



article number	reference number	design	weight kg <sup>1</sup>	package
1.000.852	Q1002285A	indicator for switch door position micro switch, 1 change-over contact 5 A, 250 V	0.00	1 piece
MZ00HD	V1022989A	indicator for switch door position micro switch 1 "a" contact/ 1 "b" contact, 5 A, 250 V for MULTIBLOC® 00.ST8 1-, 2-, 4-pole	0.009	1 piece
1.000.157	S1022987A	indicator for switch door position micro switch 1 "a" contact/ 1 "b" contact, 5 A, 250 V for MULTIBLOC® 00.RST9 for 40mm bus bar system	0.01	1 piece

#### Locking and sealing devices/locking device for window

#### MULTIBLOC® 00.ST8



article number	reference number	design	weight kg <sup>1</sup>	package
1.000.150	K229296A	locking device for window for 00.ST8 1-, 2-, 4-pole and 1./2.ST8/RST8 1 set = 3 pieces	0.01	1 set

#### Locking and sealing devices/cover sealing device

#### MULTIBLOC® 00.ST8



article number	reference number	design	weight kg <sup>1</sup>	package
1.000.155	L229297A	cover sealing device-installation set for 00.ST8 1-, 2-, 4-pole and 1.ST8/RST8	0.01	1 piece

# MULTIBLOC® size 00

## MULTIBLOC® size 00

NH-fuse switch disconnecter, size 00, 160A

### Accessories

#### Varieties of cable termination

#### MULTIBLOC® size 00

article number	reference number	design	weight kg <sup>1</sup>	package
00SZS	M229298C	M8 terminal screw for switch gear size 00 1 set = 3 pieces	0.03	1 set
00SZESK	E214594C	clamp strap Cu 4–70mm <sup>2</sup> for switch gear size 00 1 set = 3 pieces	0.04	1 set
00SZA70	R211523C	Al/Cu clamp 1,5–70mm <sup>2</sup> for switch gear size 00 1 set = 3 pieces	0.08	1 set
1.001.857	P1022984C	Al/Cu clamp 1,5–95mm <sup>2</sup> round stranded for switch gear size 00 1 set = 3 pieces	0.10	1 set
1.003.433	L1022958A	triple clamp per pole 1.5 up to 16mm <sup>2</sup> 1 set = 3 pieces	-	1 piece
00SZSV6	K1022957C	V-shaped lug size 00, M8, for V-terminal clamp size 00 for switch gear size 00 with screw terminal supplementary set for V-terminal with V-terminal clamps 1 set = 3 pieces	0.13	1 set



00SZS

00SZESK



00SZA70

1.001.857



00SZSV6

1.003.433



1.000.885



1.000.886



1.000.887

#### Insulated bus bars

#### MULTIBLOC® 00.ST9

article number	reference number	design	weight kg <sup>1</sup>	package
1.000.885	C1022973A	insulated bus bar for two MULTIBLOC® 00.ST9 35mm <sup>2</sup>	0.28	1 piece
1.000.886	E1022975A	insulated bus bar for three MULTIBLOC® 00.ST9 35mm <sup>2</sup>	0.45	1 piece
1.000.887	H1022978A	insulated bus bar for five MULTIBLOC® 00.ST9 35mm <sup>2</sup>	0.82	1 piece

#### Neutral conductor

#### MULTIBLOC® size 00

article number	reference number	design	weight kg <sup>1</sup>	package
00SZNS	A1023086A	neutral conductor support for lateral installation either left or right side of MULTIBLOC® size 00 cable termination clamp strap Cu 4-70mm <sup>2</sup> round stranded/round solid	0.07	1 piece



00SZNS

# MULTIBLOC® size 1

## MULTIBLOC® 1.ST8

NH-fuse switch disconnecter, size 1, 250A, 690VAC, design for bottom fitting

in accordance with IEC/EN 60 947-3.

For NH-fuse links size 1 in accordance with IEC/EN 60 269-2, VDE 0636-2.

- Touch protection IP20 - when fuse link is in test mode IP rating is maintained
- Parking position of switch operating cover even with fuse links inserted
- Electronic or electro-mechanic fuse monitoring - optional
- Modular system of cover - cover for cable termination area can be extended as required
- Varieties of cable termination: screw, bolt, clamp strap, extendable for V-terminal - optional
- Padlocking and sealing of switch door cover - optional
- Indicating switch for switch door position - optional
- Installation on to DIN rails in accordance with EN 60 715 - optional
- Installation on to 100mm bus bar system with adapter



1.000.388 1.001.818

### MULTIBLOC® 1.ST8 size 1 250A, 690VAC bottom fitting, single pole

article number	reference number	poles	cable termination components	design	weight kg <sup>1</sup>	package
1.000.388	Q229876A	1	2 M10 terminal screws	-	1.00	1 piece
1.001.818	S1023056A	1	2 M10 terminal screws	for direct installation on to bus bars with M10 screws	0.91	1 piece



1.000.397

### MULTIBLOC® 1.ST8 size 1 250A, 690VAC bottom fitting, double pole

article number	reference number	poles	cable termination components	weight kg <sup>1</sup>	package
1.000.397	R229877A	2	4 M10 terminal screws	2.06	1 piece



1.000.299

1.002.711



1.000.831

### MULTIBLOC® 1.ST8 size 1 250A, 690VAC bottom fitting, triple pole

article number	reference number	poles	cable termination components	design	weight kg <sup>1</sup>	package
1.000.299	S229878A	3	6 M10 terminal screws	-	2.42	1 piece
1.001.239	V1023058A	3	3 clamp straps 70-150mm <sup>2</sup> 3 M10 terminal screws	-	2.42	1 piece
1.002.562	W1023059A	3	6 clamp straps 70-150mm <sup>2</sup>	-	2.42	1 piece
1.002.711	X1023060A	3	6 M10 terminal screws	with electronic fuse monitoring ESÜ installed	2.64	1 piece
1.000.831	T1023057A	3	6 M10 terminal screws	with electro-mechanic fuse monitoring MZS installed (galvanic isolation)	3.13	1 piece



1.000.405

1.002.378

### MULTIBLOC® 1.ST8 size 1 250A, 690VAC bottom fitting, quadruple pole

article number	reference number	poles	cable termination components	design	weight kg <sup>1</sup>	package
1.000.405	Y1023061A	4	8 M10 terminal screws	-	3.40	1 piece
1.002.378	V1002128A	4	8 M10 terminal screws	with ready fitted special solid link as neutral conductor in pole 4 for leading and lagging switching	3.55	1 piece

<sup>1)</sup> weight in kg per piece or set including package

# MULTIBLOC® size 1

## MULTIBLOC® 1.RST8

NH-fuse switch disconnector, size 1, 250A, 690VAC, design for bus bar installation

in accordance with IEC/EN 60 947-3.

For NH-fuse links size 1 in accordance with IEC/EN 60 269-2, VDE 0636-2.

- Touch protection IP20 - when fuse link is in test mode IP rating is maintained
- Padlocking and sealing of switch door cover - optional
- Parking position of switch operating cover even with fuse links inserted
- Indicating switch for switch door position - optional
- Electronic or electro-mechanic fuse monitoring - optional
- Cover for touch protection for direct installation on to bus bar systems - optional
- Varieties of cable termination: screw, bolt, clamp strap, extendable for V-terminal - optional
- Direct installation on to bus bar (snap on)
- Switch can still be adjusted after being snapped on to bus bars and fixed after adjustment
- Universally useable for bus bars with thickness of 5 and 10mm and widths of 12–30mm
- For 40 and 60mm bus bar systems
- Symmetrical switch - suitable for bottom/top cable terminal connections



1.000.323



1.003.134



1.000.855



1.000.936

MULTIBLOC® 1.RST8 size 1 250A, 690VAC bus bar installation, triple pole

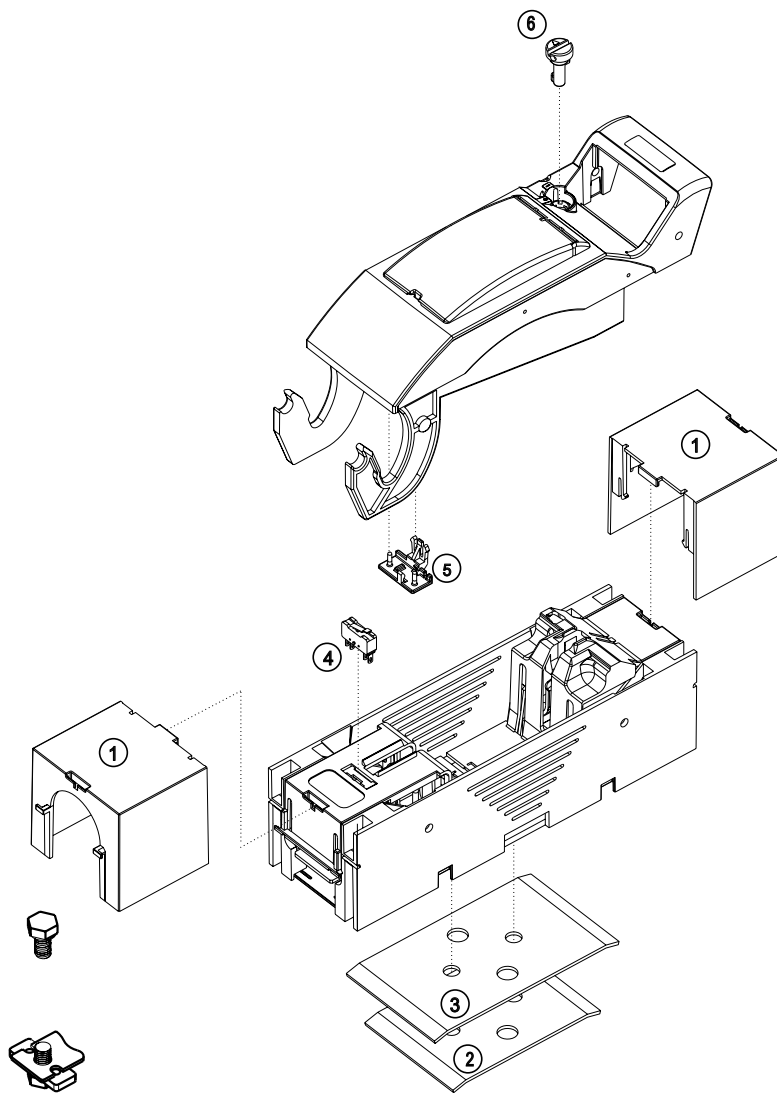
article number	reference number	poles	cable termination components	design	weight kg <sup>1</sup>	package
1.000.323	T229879A	3	3 M10 terminal screws	-	3.09	1 piece
1.001.294	Q1023054A	3	3 clamp straps 70–150mm <sup>2</sup>	-	3.06	1 piece
1.003.134	R1023055A	3	3 M10 terminal screws	with electronic fuse monitoring ESÜ installed	3.14	1 piece
1.000.855	M1023051A	3	3 M10 terminal screws	with electro-mechanic fuse monitoring MZS installed (galvanic isolation)	3.80	1 piece
1.000.936	P1023053A	3	6 M10 terminal screws	main incomer	4.68	1 piece



# MULTIBLOC® 1.ST8

## MULTIBLOC® 1.ST8 NH- fuse switch disconnecter single pole

E 1.000.411



no.	article number	short description
1	1.000.354	Cover for cable termination single pole
2	1.000.402	Set for mounting on DIN rails 125mm
3	1.000.403	Set for mounting on DIN rails 150mm
4	1.000.852	indicator for switch door position
5	1.000.150	Locking device f. windows,1 Set=3 pieces
6	1.000.155	Cover sealing device, installation set

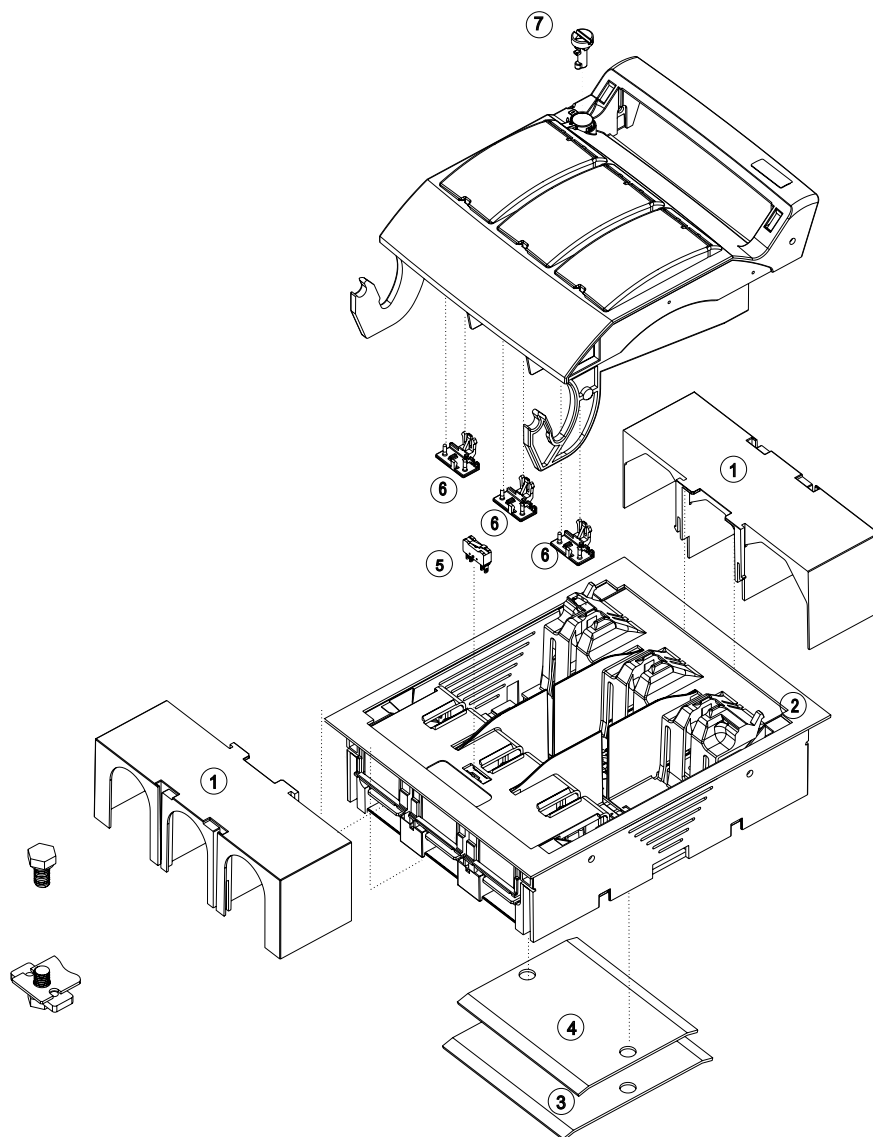
subject to alteration

# MULTIBLOC® size 1

## MULTIBLOC® 1.ST8

MULTIBLOC® 1.ST8 NH- fuse switch disconnecter triple pole design for bottom fitting

E 1.000.347



no.	article number	short description
1	1.000.382	Cover for cable termination triple pole
2	1.000.353	Cover shield, 210x260mm
3	1.000.384	Set for mounting on DIN rails 125mm,
4	1.000.383	Set for mounting on DIN rails 150mm
5	1.000.852	indicator for switch door position
6	1.000.150	Locking device f. windows,1 Set=3 pieces
7	1.000.155	Cover sealing device, installation set

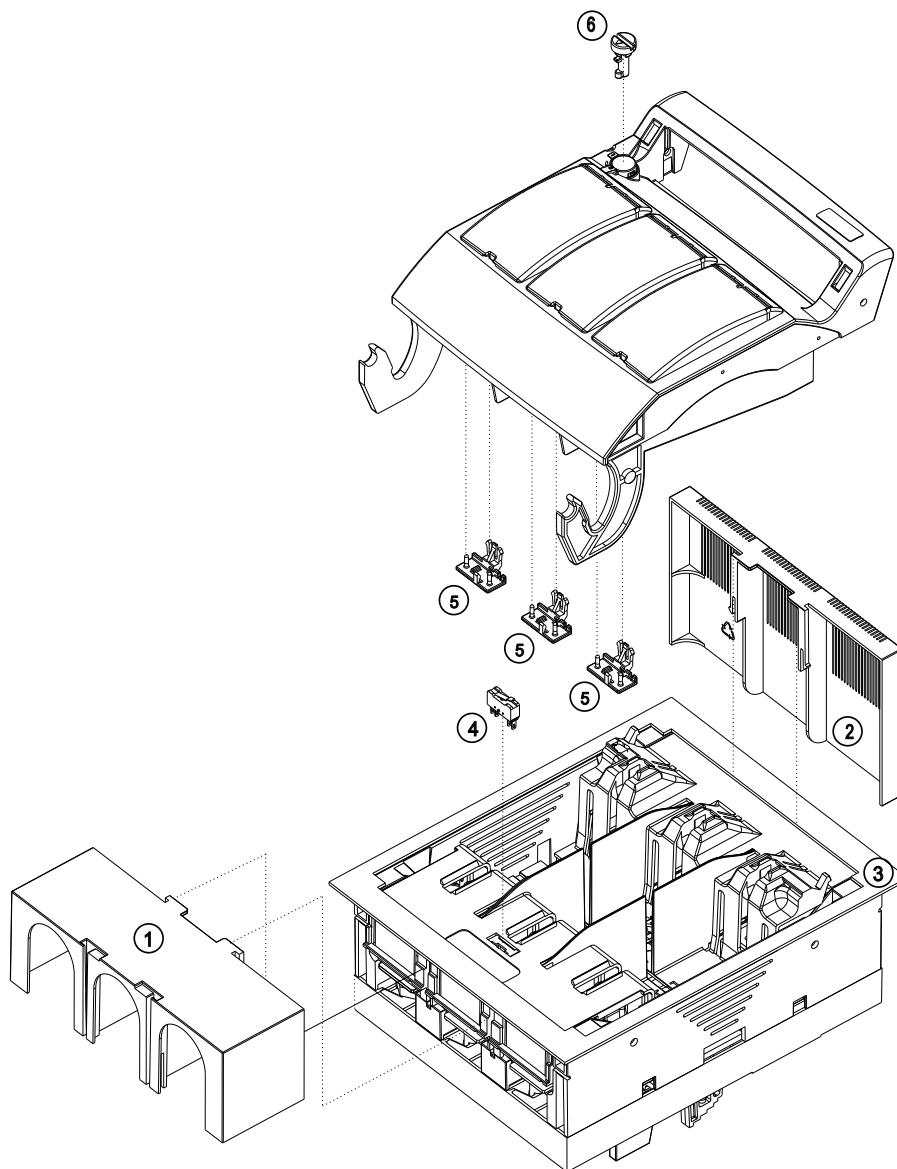
subject to alteration

MULTIBLOC® NH-fuse switch disconnecter

# MULTIBLOC® 1.RST8

MULTIBLOC® 1.RST8 NH- fuse switch disconnecter triple pole  
design for bus bar installation

E 1.000.408



no.	article number	short description
1	1.000.382	Cover for cable termination triple pole
2	1.003.329	bus bar touch protection
3	1.000.353	Cover shield, 210x260mm
4	1.000.852	indicator for switch door position
5	1.000.150	Locking device f. windows, 1 Set=3 pieces
6	1.000.155	Cover sealing device, installation set

*subject to alteration*

MULTIBLOC® NH-fuse switch disconnecter

# MULTIBLOC® size 1

## MULTIBLOC® 1.ST8

NH-fuse switch disconnecter, size 1, 250A, 690VAC, design for bottom fitting

Technical data in accordance with EN / IEC 60947

	1.ST8 single pole	1.ST8 double pole	1.ST8 triple pole	1.ST8 quadruple pole
Installation mode	bottom fitting	bottom fitting	bottom fitting	bottom fitting
Size	1	1	1	1
Number of poles/phases	1	2	3	4
Conventional free air thermal current with NH-fuse links $I_{th}$	250A	250A	250A	250A
Max. power dissipation of NH-fuse links $P_n$	23W	23W	23W	23W
Conventional free air thermal current with solid links $I_{th}$	400A	400A	400A	400A
Max. power dissipation of solid links $P_n$	2,6W	2,6W	2,6W	2,6W
Utilization category to IEC/EN 60947-3 $U_o = AC 400 V; I_o = 250 A$ $U_o = AC 500 V; I_o = 250 A$ $U_o = AC 690 V; I_o = 200 A$ $U_o = DC 220 V; I_o = 250 A$ $U_o = DC 440 V; I_o = 250 A$	AC 23 B AC 22 B AC 21 B DC 22 B -	AC 23 B AC 22 B AC 21 B DC 22 B -	AC 23 B AC 22 B AC 21 B - DC 21 B	AC 23 B AC 22 B AC 21 B - -
Rated operational voltage $U_o$	690V	690V	690V	690V
Rated insulation voltage $U_i$	1000V	1000V	1000V	1000V
Rated impulse withstand voltage $U_{imp}$	12kV	12kV	12kV	12kV
Rated frequency	50 ... 60Hz	50 ... 60Hz	50 ... 60Hz	50 ... 60Hz
Degree of protection	IP20	IP20	IP20	IP20
Degree of pollution	3	3	3	3
Rated duty	uninterrupted duty	uninterrupted duty	uninterrupted duty	uninterrupted duty
Rated short circuit making capacity with solid links $I_{cm}$	8.2kAsw	8.2kAsw	8.2kAsw	8.2kAsw
Rated short circuit making capacity with fuse links $U_o = AC 400 V; I_o = 250 A$ $U_o = AC 500 V; I_o = 250 A$ $U_o = AC 690 V; I_o = 200 A$	80kA 80kA 80kA	80kA 80kA 80kA	80kA 50kA 50kA	80kA 80kA 50kA
Rated short circuit withstand current $I_{cw}$	8kA / 1s	8kA / 1s	8kA / 1s	8kA / 1s
Power dissipation by $I_{th}$ without NH-fuse links	3,5W	7W	10W	14W
Power dissipation by $I_{th}$ without solid links	8W	16W	24W	32W
<b>Cable terminal connection</b>				
Standard terminal	M10	M10	M10	M10
for cable lugs Cu max.	2x150mm <sup>2</sup>	2x150mm <sup>2</sup>	2x150mm <sup>2</sup>	2x150mm <sup>2</sup>
for cable lugs Al max.	2x185mm <sup>2</sup>	2x185mm <sup>2</sup>	2x185mm <sup>2</sup>	2x185mm <sup>2</sup>
for copper bars with max. dimensions	30x10mm	30x10mm	30x10mm	30x10mm

# MULTIBLOC® 1.RST8

NH-fuse switch disconnecter, size 1, 250A, 690VAC, design for bus bar installation

Technical data in accordance with EN / IEC 60947

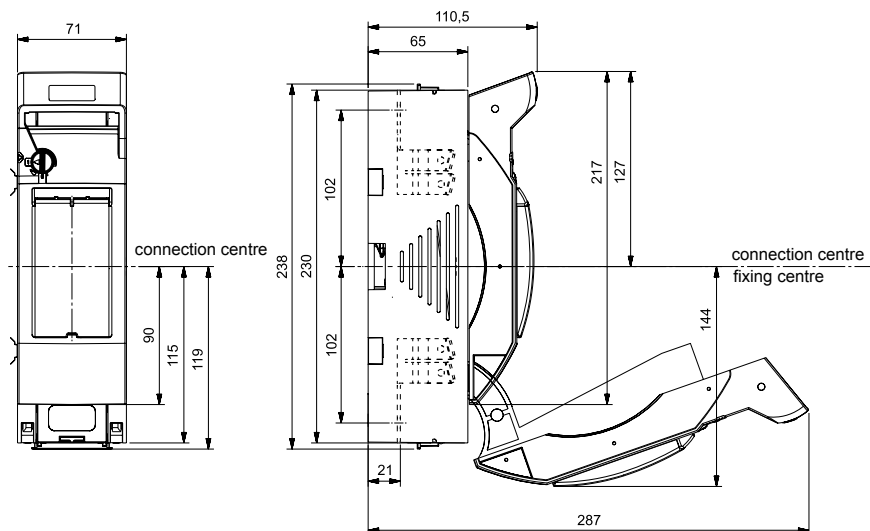
	1.RST8 triple pole
Installation mode	bus bar installation
Size	1
Number of poles/phases	3
Conventional free air thermal current with NH-fuse links $I_{th}$	250A
Max. power dissipation of NH-fuse links $P_n$	23W
Conventional free air thermal current with solid links $I_{th}$	400A
Max. power dissipation of solid links $P_n$	2.6W
Utilization category to IEC/EN 60947-3 $U_g = AC 400V; I_g = 250A$ $U_g = AC 500V; I_g = 250A$ $U_g = AC 690V; I_g = 200A$ $U_g = DC 440V; I_g = 250A$	AC 23 B AC 22 B AC 21 B DC 21 B
Rated operational voltage $U_g$	690V
Rated insulation voltage $U_i$	1000V
Rated impulse withstand voltage $U_{imp}$	12kV
Rated frequency	50 ... 60Hz
Degree of protection	IP20
Degree of pollution	3
Rated duty	uninterrupted duty
Rated short circuit making capacity with solid links $I_{cm}$	8.2kAsw
Rated short circuit making capacity with fuse links $U_g = AC 400V; I_g = 250A$ $U_g = AC 500V; I_g = 250A$ $U_g = AC 690V; I_g = 200A$	80kA 50kA 50kA
Rated short circuit withstand current $I_{cw}$	8kA / 1s
Power dissipation by $I_{th}$ without NH-fuse links	28W
<b>Cable terminal connection</b>	
Standard cable terminal	M10
for cable lugs Cu max.	2x150mm <sup>2</sup>
for cable lugs Al max.	2x185mm <sup>2</sup>
for copper bars with max. dimensions	30x10mm
<b>Bus bar terminal connection</b>	
Bus bar system	40mm 60mm
Bus bar width (bus bar system = 40mm)	12mm
Bus bar thickness (bus bar system = 40mm)	5 ... 10mm
Bus bar width (bus bar system = 60mm)	12 ... 30mm
Bus bar thickness (bus bar system = 60mm)	5 ... 10mm

# MULTIBLOC® size 1

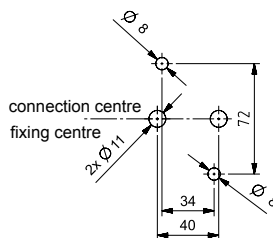
## MULTIBLOC® 1.ST8

### MULTIBLOC® 1.ST8 NH-fuse switch disconnecter single pole

Dimensions  
M01126



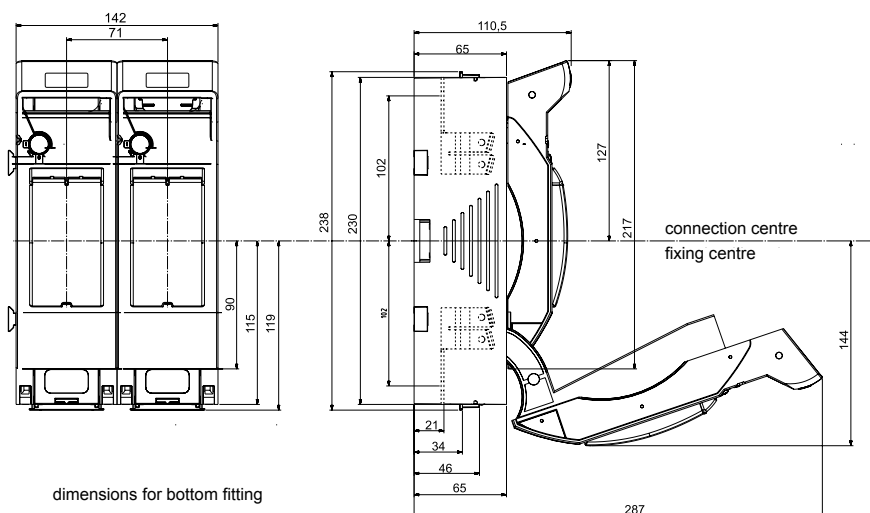
dimensions for bottom fitting



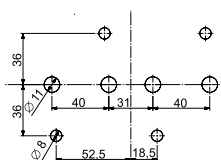
## MULTIBLOC® 1.ST8

### MULTIBLOC® 1.ST8 NH-fuse switch disconnecter double pole design for bottom fitting

Dimensions  
M01127



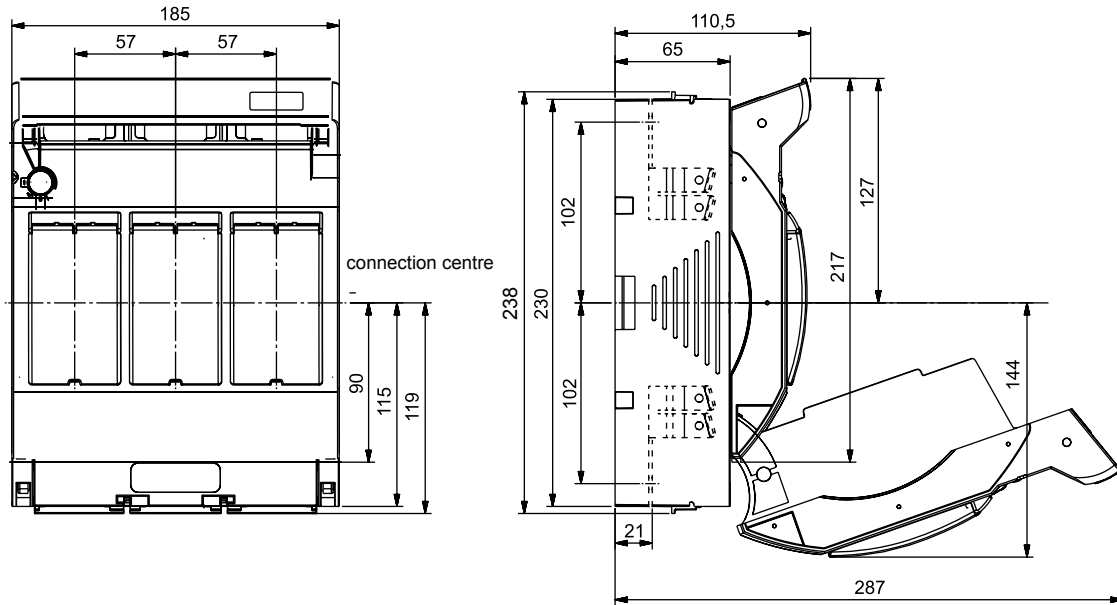
dimensions for bottom fitting



# MULTIBLOC® 1.ST8

## MULTIBLOC® 1.ST8 NH-fuse switch disconnecter triple pole design for bottom fitting

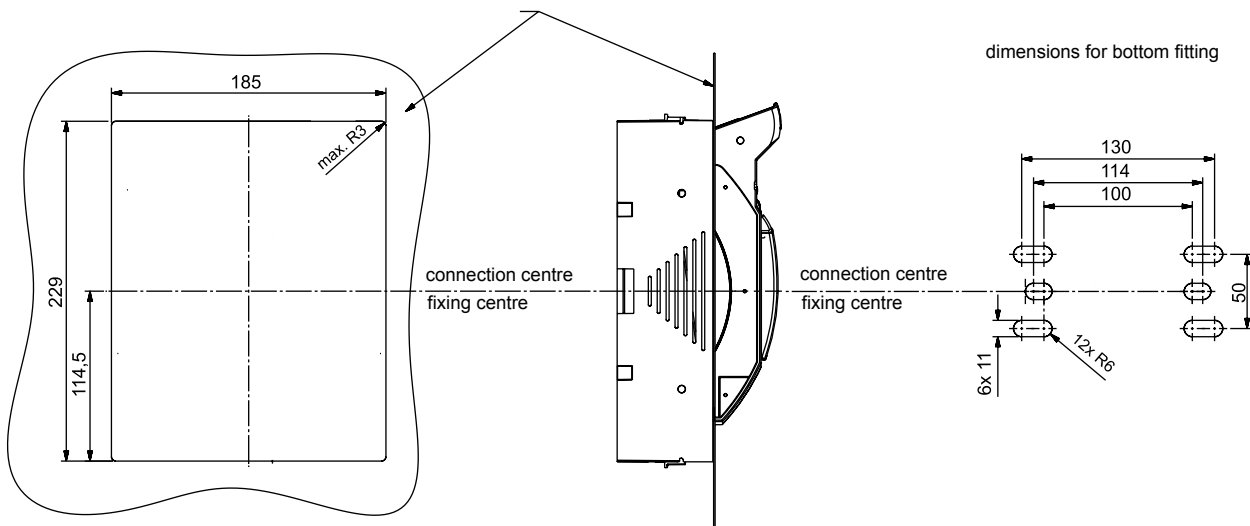
Dimensions  
M01121a



dimensions of switch board cut out for bottom fixing without cover shield

max. thickness of switch board 2mm

dimensions for bottom fitting



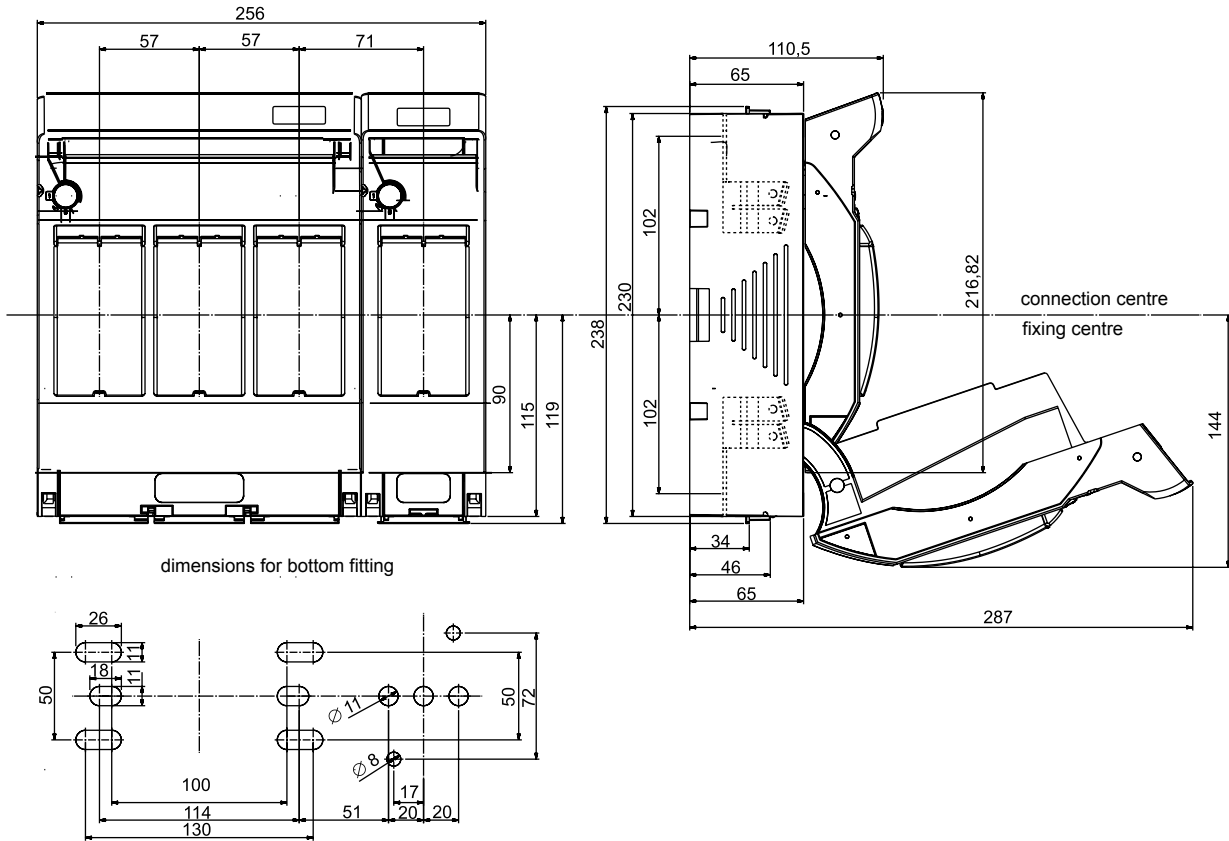
MULTIBLOC® NH-fuse switch disconnecter

# MULTIBLOC® size 1

## MULTIBLOC® 1.ST8

MULTIBLOC® 1.ST8 NH-fuse switch disconnecter quadruple pole  
design for bottom fitting

Dimensions  
M01128

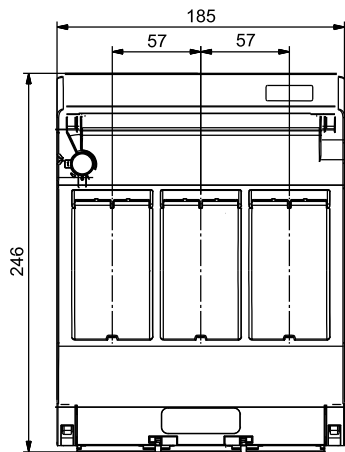




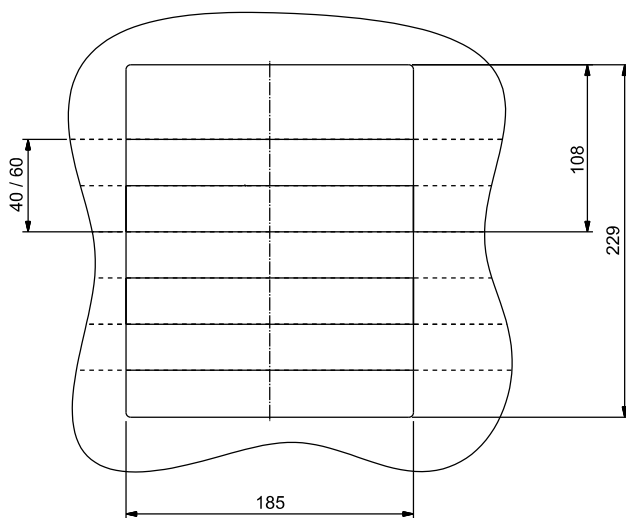
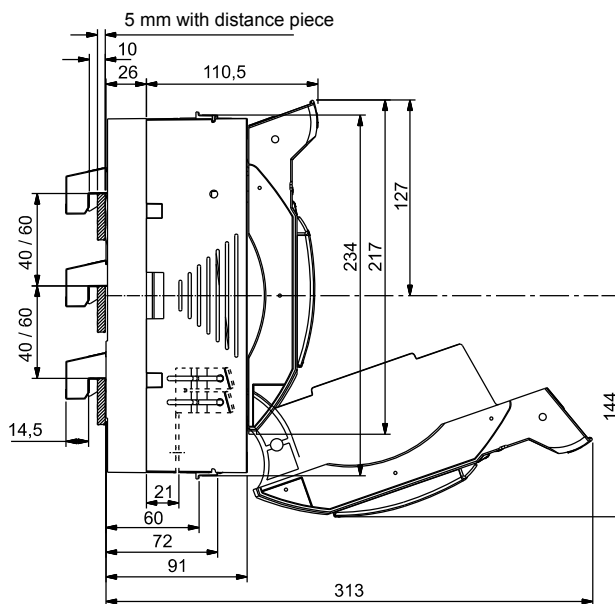
# MULTIBLOC® 1.RST8

MULTIBLOC® 1.RST8 NH-fuse switch disconnecter triple pole design for bus bar installation

Dimensions  
M01123a



switch board cut out



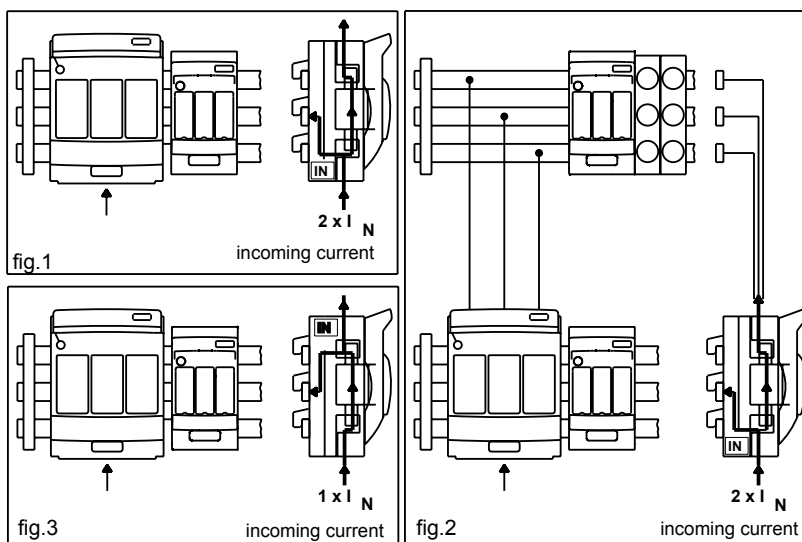
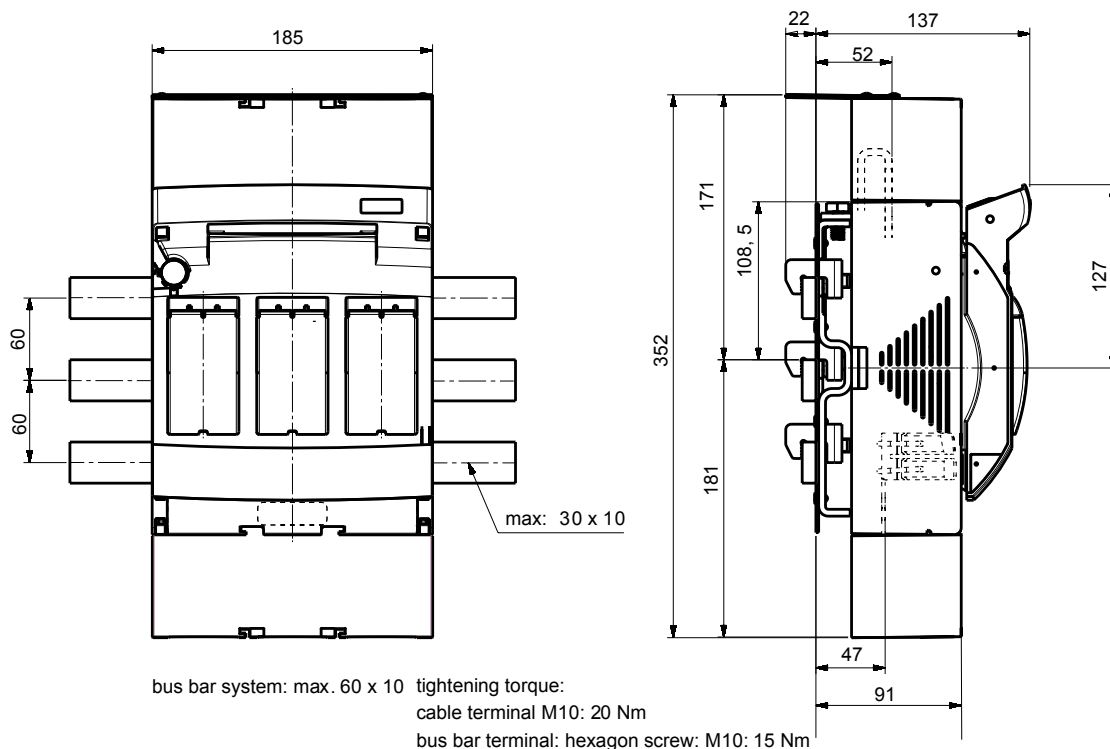
MULTIBLOC® NH-fuse switch disconnecter

# MULTIBLOC® size 1

## MULTIBLOC® 1.RST8

### MULTIBLOC® main incomer size 1

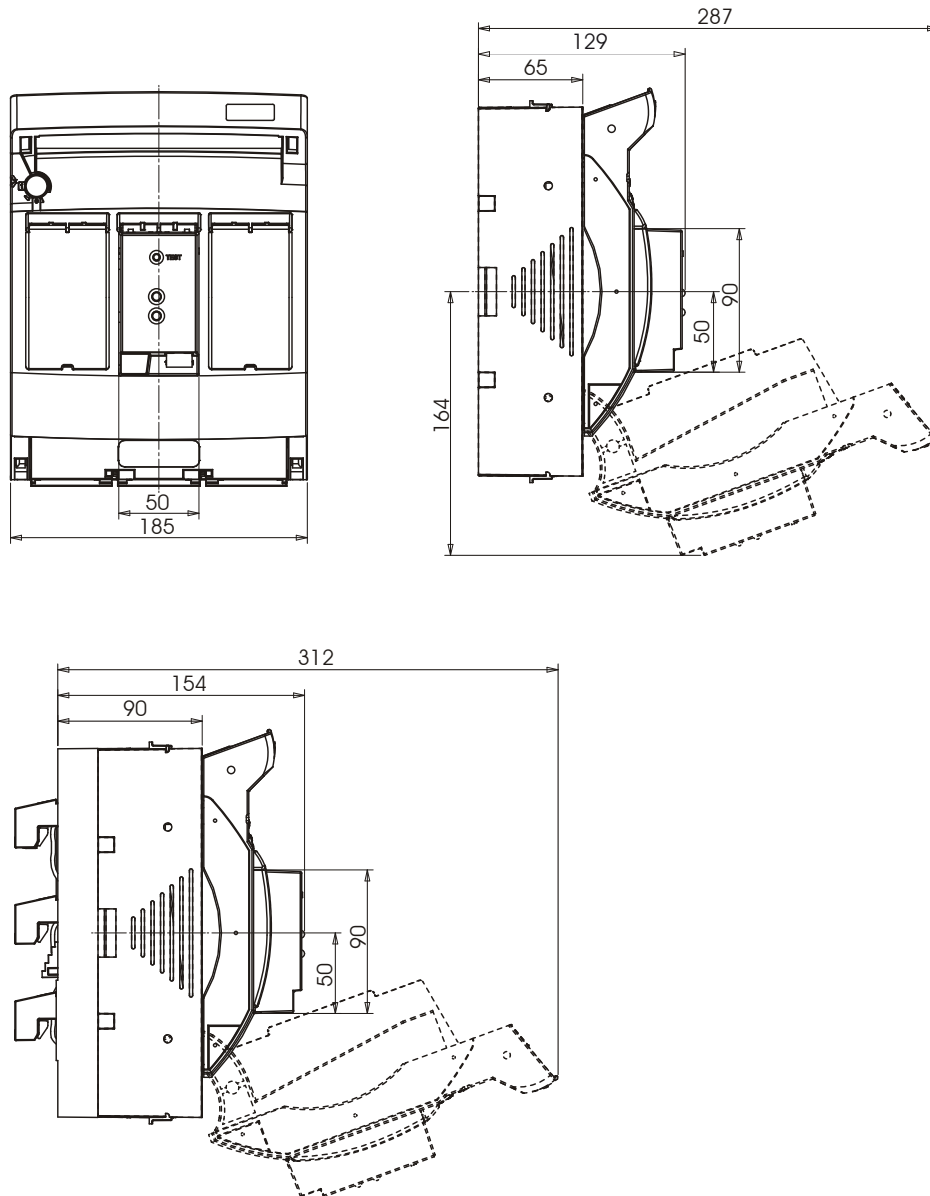
Dimensions  
M01167-1



# MULTIBLOC® 1.ST8 / 1.RST8

MULTIBLOC® 1.ST8 and 1.RST8 triple pole with electronic fuse monitoring ESÜ

Dimensions  
M01174-1

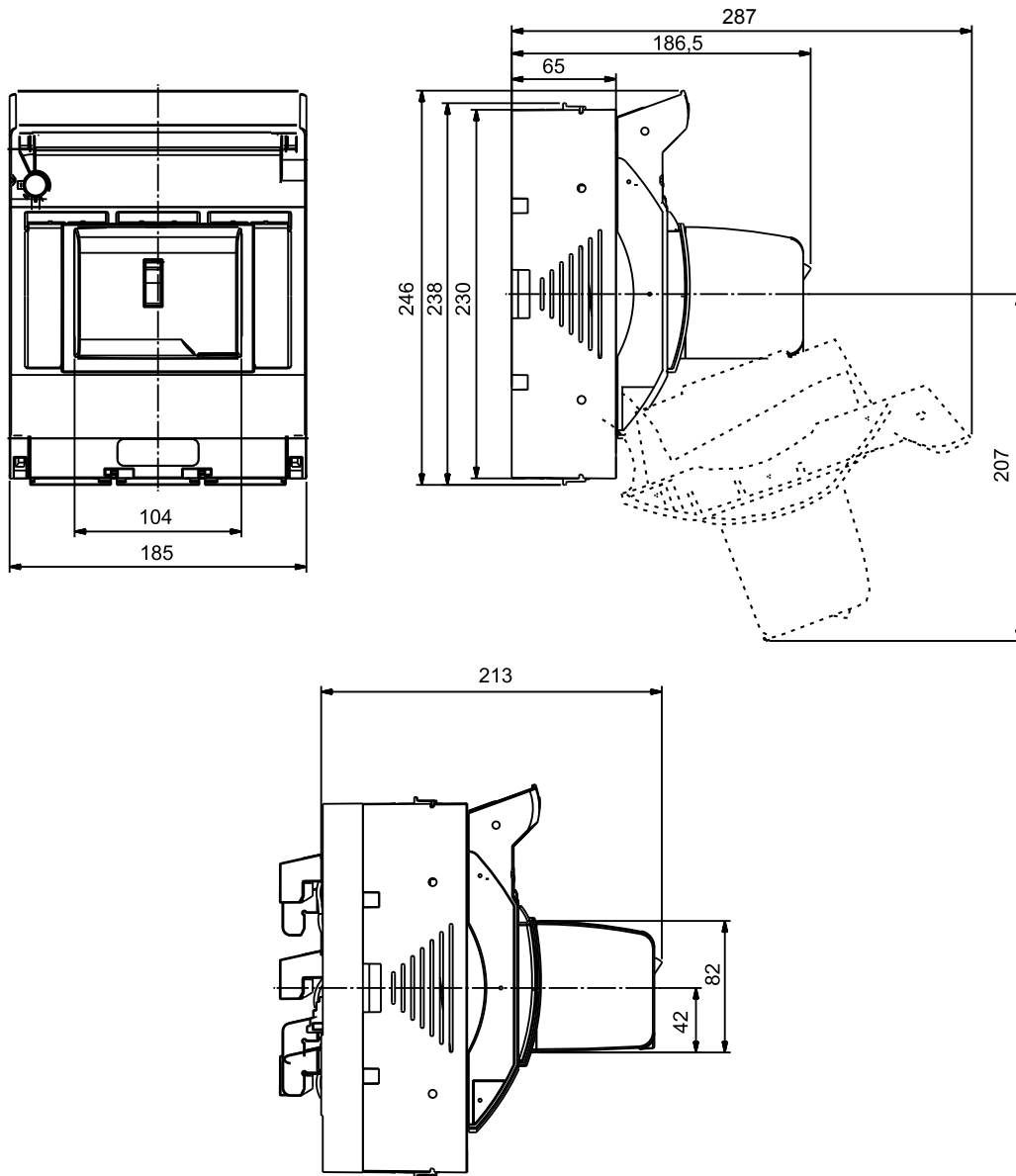


# MULTIBLOC® size 1

## MULTIBLOC® 1.ST8 / 1.RST8

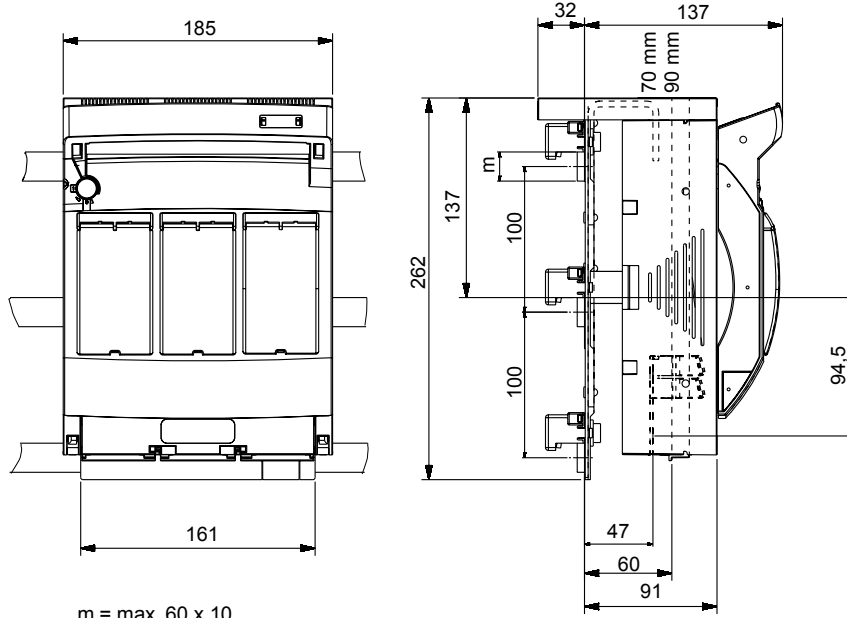
MULTIBLOC® 1.ST8 and 1.RST8 triple pole  
with electro-mechanic fuse monitoring MZS

Dimensions  
M01135-1



# MULTIBLOC® size 1

## MULTIBLOC® bus bar adapter with clamp terminal for 1.ST8



m = max. 60 x 10

tightening torque: M10: 25 Nm  
M8: 15 Nm

Dimensions  
M01151a-1

MULTIBLOC® NH-fuse switch disconnecter

# MULTIBLOC® size 1

## Cable termination size 1

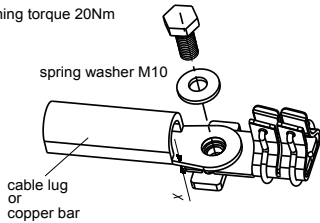
screw terminal:  
(standard)

bolt terminal:  
(standard)

terminal: clamp strap:  
(option/accessory)

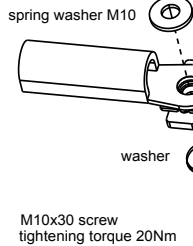
Dimensions  
MA 98e-1

M10x20 screw  
tightening torque 20Nm



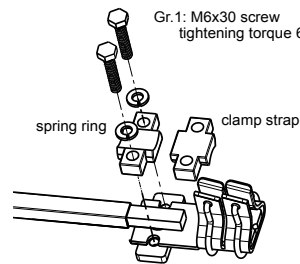
size 1: for values x smaller than 2.5 mm  
use washer in addition

M10 nut  
tightening torque 20Nm



M10x30 screw  
tightening torque 20Nm

Gr.1: M6x30 screw  
tightening torque 6Nm

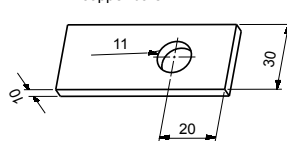


screw and bolt terminal for

cable lugs:

size 1:	DIN 46234 max. 150mm <sup>2</sup>
	DIN 46235 max. 150mm <sup>2</sup>
	DIN 46329 max. 185mm <sup>2</sup>

copper bars:



size 1:  
for round stranded conductors 70-150mm<sup>2</sup>  
for bars or laminated copper 18 x 7-18

# MULTIBLOC® size 1

## MULTIBLOC® size 1

NH-fuse switch disconnecter, size 1, 250A

### Accessories



1.000.354

1.000.382



1.003.402

1.002.592



1.003.329



1.000.353

1.002.351



1.000.383

1.000.384



1.000.402

1.000.403

### Cover/shrouds for cable termination

### MULTIBLOC® size 1

article number	reference number	design	weight kg <sup>1</sup>	package
1.000.354	W229881A	cover for cable terminal connection for 1.ST8 single pole, 1 set = 2 pieces	0.09	1 set
1.000.382	V229880A	cover for cable terminal connection for 1.ST8 triple pole, 1 set = 2 pieces	0.25	1 set
1.003.402	M1022982A	cover for cable terminal connection for 1.ST8 quadruple pole	0.12	1 piece
1.002.592	G1023437B	bus bar touch protection for bus bar adapter size 1, 1 set = 2 pieces	0.32	1 set
1.003.329	G1023115A	bus bar touch protection for 1.RST8	0.06	1 piece

### Cover shields

### MULTIBLOC® size 1

article number	reference number	design	weight kg <sup>1</sup>	package
1.000.353	Z229884A	cover shield for installation in distribution units size (width x height): 210x260mm for one 1.ST8/1.RST8 triple pole	0.07	1 piece
1.002.351	X1022968A	cover shield for installation in distribution units size (width x height): 230x283mm for one 1.ST8/1.RST8 triple pole	0.09	1 piece

### Installation devices

### MULTIBLOC® 1.ST8

article number	reference number	design	weight kg <sup>1</sup>	package
1.000.383	E229291A	adapter for installation on to DIN-rails in accordance with EN 60 715-150mm for 1.ST8 triple pole	0.28	1 piece
1.000.384	D229290A	adapter for installation on to DIN-rails in accordance with EN 60 715-125mm for 1.ST8 triple pole	0.24	1 piece
1.000.402	A229885A	adapter for installation on to DIN-rails in accordance with EN 60 715-125mm for 1.ST8 single pole	0.16	1 piece
1.000.403	B229886A	adapter for installation on to DIN-rails in accordance with EN 60 715-150mm for 1.ST8 single pole	0.19	1 piece

<sup>1</sup>) weight in kg per piece or set including package

# MULTIBLOC® size 1

## NH-fuse switch disconnecter, size 1, 250A

### Accessories



1.000.852

#### Indication facilities

#### MULTIBLOC® size 1

article number	reference number	design	weight kg <sup>1</sup>	package
1.000.852	Q1002285A	indicator for switch door position micro switch, 1 change-over contact 5 A, 250 V	0.00	1 piece



1.000.150

#### Locking and sealing devices/locking device for window

#### MULTIBLOC® size 1

article number	reference number	design	weight kg <sup>1</sup>	package
1.000.150	K229296A	locking device for window for 00.ST8 1-, 2-, 4-pole and 1/2.ST8/RST8 1 set = 3 pieces	0.01	1 set



1.000.155

#### Locking and sealing devices/cover sealing device

#### MULTIBLOC® size 1

article number	reference number	design	weight kg <sup>1</sup>	package
1.000.155	L229297A	cover sealing device-installation set for 00.ST8 1-, 2-, 4-pole and 1.ST8/RST8	0.01	1 piece



1.000.420

#### Varieties of cable termination

#### MULTIBLOC® size 1

article number	reference number	design	weight kg <sup>1</sup>	package
1.000.420	E229889C	clamp strap 70–150mm <sup>2</sup> for 1.ST8 1- 4-pole + 1.RST8, 1 set = 3 pieces	0.10	1 set
1.001.830	J1023117C	V-shaped lug size 1, M8, for V-terminal clamp size 1 for 1.ST8 1- to 4-pole + 1.RST8, supplementary set for V-terminal with use of V-clamps 1 set = 3 pieces	0.09	1 set



1.001.830

#### Adapter for installation on to bus bars with clamp terminal

#### MULTIBLOC® 1.ST8

article number	reference number	design	weight kg <sup>1</sup>	package
1.002.501	C1023088A	bus bar adapter size 1 with clamp terminal for MULTIBLOC® 1.ST8 triple pole for bus bar system 100mm	1.23	1 piece



1.002.501

# MULTIBLOC® size 2

## MULTIBLOC® 2.ST8

NH-fuse switch disconnecter, size 2, 400A, 690VAC, design for bottom fitting

in accordance with IEC/EN 60 947-3.

For NH-fuse links size 2 in accordance with IEC/EN 60 269-2, VDE 0636-2.

- Touch protection IP20 - when fuse link is in test mode IP rating is maintained
- Parking position of switch operating cover even with fuse links inserted
- Electronic or electro-mechanic fuse monitoring - optional
- Modular system of cover - cover for cable termination area can be extended as required
- Varieties of cable termination: screw, bolt, clamp strap, extendable for V-terminal - optional
- Indicating switch for switch door position - optional
- Installation on to 100mm bus bar system with adapter



1.000.504



1.002.712



1.000.832



1.001.688



1.002.379

MULTIBLOC® 2.ST8 size 2 400A, 690VAC bottom fitting, triple pole

article number	reference number	poles	cable termination components	design	weight kg <sup>1</sup>	package
1.000.504	W1002129A	3	6 M10 terminal screws	-	3.50	1 piece
1.001.240	F1023068A	3	3 clamp straps 120–240mm <sup>2</sup> 3 M10 terminal screws	-	3.50	1 piece
1.002.563	G1023069A	3	6 clamp straps 120–240mm <sup>2</sup>	-	3.50	1 piece
1.002.712	H1023070A	3	6 M10 terminal screws	with electronic fuse monitoring ESÜ installed	3.60	1 piece
1.000.832	E1023067A	3	6 M10 terminal screws	with electro-mechanic fuse monitoring MZS installed (galvanic isolation)	4.25	1 piece

MULTIBLOC® 2.ST8 size 2 400A, 690VAC bottom fitting, quadruple pole

article number	reference number	poles	cable termination components	design	weight kg <sup>1</sup>	package
1.001.688	J1023071A	4	8 M10 terminal screws	-	5.04	1 piece
1.002.379	Y1002131A	4	8 M10 terminal screws	with ready fitted special solid link as neutral conductor in pole 4 for leading and lagging switching	5.26	1 piece

<sup>1</sup>) weight in kg per piece or set including package



# MULTIBLOC® 2.RST8

## NH-fuse switch disconnecter, size 1, 250A, 690VAC, design for bus bar installation

in accordance with IEC/EN 60 947-3.

For NH-fuse links size 2 in accordance with IEC/EN 60 269-2, VDE 0636-2.

- Touch protection IP20 - when fuse link is in test mode IP rating is maintained
- Parking position of switch operating cover even with fuse links inserted
- Direct installation on to bus bar (snap on)
- Switch can still be adjusted after being snapped on to bus bars and fixed after adjustment
- For 40 and 60mm bus bar systems
- Universally useable for bus bars with thickness of 5 - 10mm and widths of 12–30mm
- Symmetrical switch - suitable for bottom/top cable terminal connections
- Varieties of cable termination: screw, bolt, clamp strap, extendable for V-terminal - optional
- Electronic or electro-mechanic fuse monitoring - optional
- Cover for touch protection for direct installation on to bus bar systems - optional

MULTIBLOC® 2.RST8 size 2 400A, 690VAC bus bar installation, triple pole

article number	reference number	poles	cable termination components	design	weight kg <sup>1</sup>	package
1.000.704	M1002167A	3	3 M10 terminal screws	-	4.77	1 piece
1.001.295	C1023065A	3	3 clamp straps 120–240mm <sup>2</sup>	-	4.61	1 piece
1.003.135	D1023066A	3	3 M10 terminal screws	with electronic fuse monitoring ESÜ installed	4.60	1 piece
1.000.856	Z1023062A	3	3 M10 terminal screws	with electro-mechanic fuse monitoring MZS installed (galvanic isolation)	5.28	1 piece
1.001.028	A1023063A	3	6 M10 terminal screws	main incomer	5.74	1 piece



1.000.704



1.003.135



1.000.856



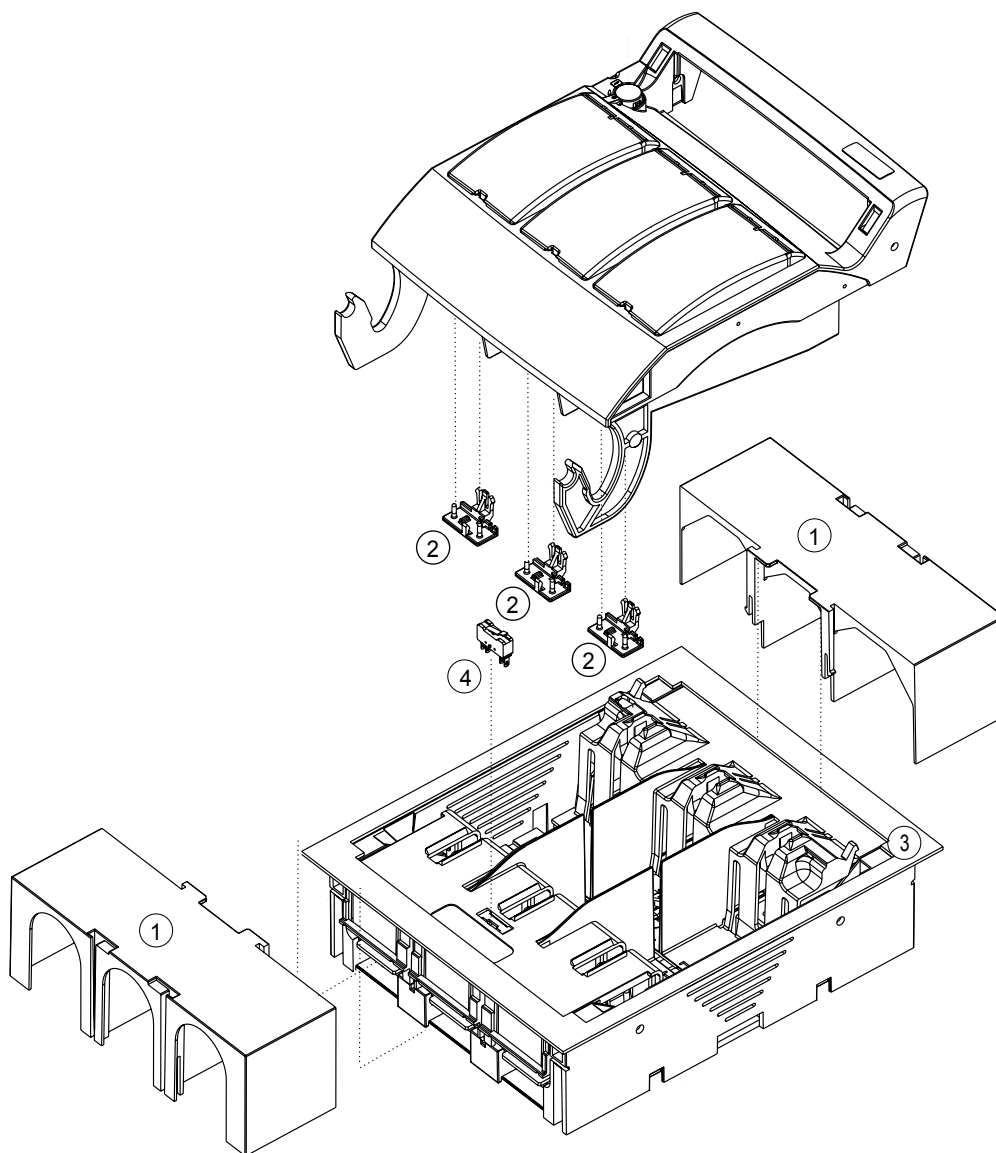
1.001.028

# MULTIBLOC® size 2

## MULTIBLOC® 2.ST8

MULTIBLOC® 2.ST8 NH- fuse switch disconnector triple pole design for bottom fitting

E 1.000.595



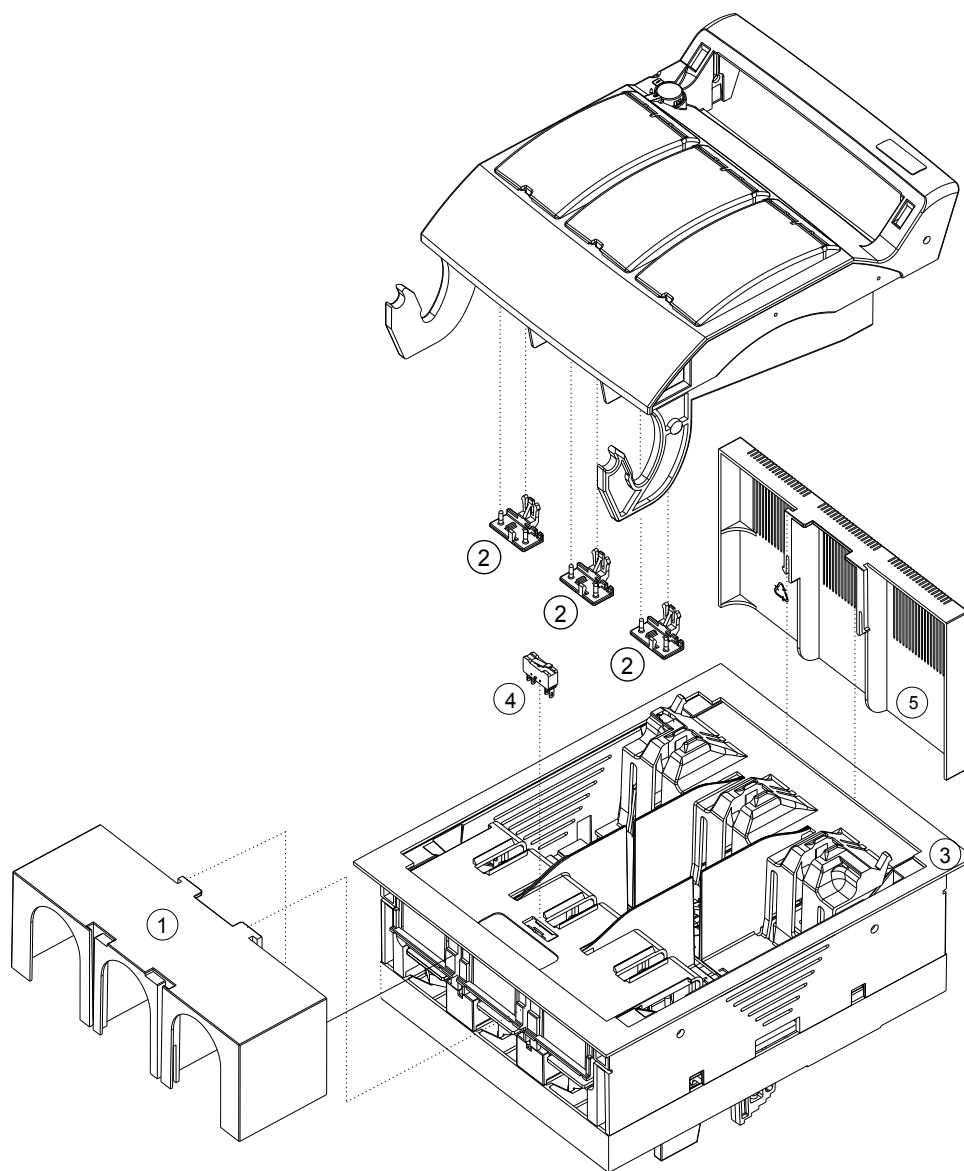
no.	article number	short description
1	1.000.861	Cover for cable termination, set = 2 pcs.
2	1.000.150	Locking device f. windows, 1 Set=3 pieces
3	1.000.863	Cover shield 230x300mm
4	1.000.852	indicator for switch door position

subject to alteration

# MULTIBLOC® 2.RST8

MULTIBLOC® 2.RST8 NH- fuse switch disconnecter triple pole design for bus bar installation

E 1.000.605



no.	article number	short description
1	1.000.861	Cover for cable termination, set = 2 pcs.
2	1.000.150	Locking device f. windows, 1 Set=3 pieces
3	1.000.863	Cover shield 230x300mm
4	1.000.852	indicator for switch door position
5	1.003.347	bus bar touch protection

*subject to alteration*

# MULTIBLOC® size 2

## MULTIBLOC® 2.ST8

NH-fuse switch disconnector, size 2, 400A, 690VAC, design for bottom fitting

Technical data in accordance with EN / IEC 60947

	2.ST8 triple pole	2.ST8 quadruple pole
Installation mode	bottom fitting	bottom fitting
Size	2	2
Number of poles/phases	3	4
Conventional free air thermal current with NH-fuse links $I_{th}$	400A	400A
Max. power dissipation of NH-fuse links $P_n$	34W	34W
Conventional free air thermal current with solid links $I_{th}$	630A	630A
Max. power dissipation of solid links $P_n$	9W	9 W
Utilization category to IEC/EN 60947-3 $U_g = AC 400V; I_g = 400A$ $U_g = AC 500V; I_g = 400A$ $U_g = AC 690V; I_g = 315A$ $U_g = DC 440V; I_g = 400A$	AC 23 B AC 22 B AC 21 B DC 21 B	AC 23 B AC 22 B AC 21 B -
Rated operational voltage $U_g$	690V	690V
Rated insulation voltage $U_i$	1000V	1000V
Rated impulse withstand voltage $U_{imp}$	12kV	12kV
Rated frequency	50 ... 60Hz	50 ... 60Hz
Degree of protection	IP20	IP20
Degree of pollution	3	3
Rated duty	uninterrupted duty	uninterrupted duty
Rated short circuit making capacity with solid links $I_{cm}$	10.6kAsw	10.6kAsw
Rated short circuit making capacity with fuse links $U_g = AC 400V; I_g = 400A$ $U_g = AC 500V; I_g = 400A$ $U_g = AC 690V; I_g = 315A$	80kA 80kA 80kA	80kA 80kA 50kA
Rated short circuit withstand current $I_{cw}$	13kA / 1s	13kA / 1s
Power dissipation by $I_{th}$ without NH-fuse links	20W	27W
Power dissipation by $I_{th}$ without solid links	50W	67W
<b>Cable terminal connection</b>		
Standard terminal	M10	M10
for cable lugs Cu max.	2x185mm <sup>2</sup>	2x185mm <sup>2</sup>
for cable lugs Al max.	2x240mm <sup>2</sup>	2x240mm <sup>2</sup>
for copper bars with max. dimensions	35x10mm	35x10mm

# MULTIBLOC® 2.RST8

## NH-fuse switch disconnecter, size 1, 250A, 690VAC, design for bus bar installation

Technical data in accordance with EN / IEC 60947

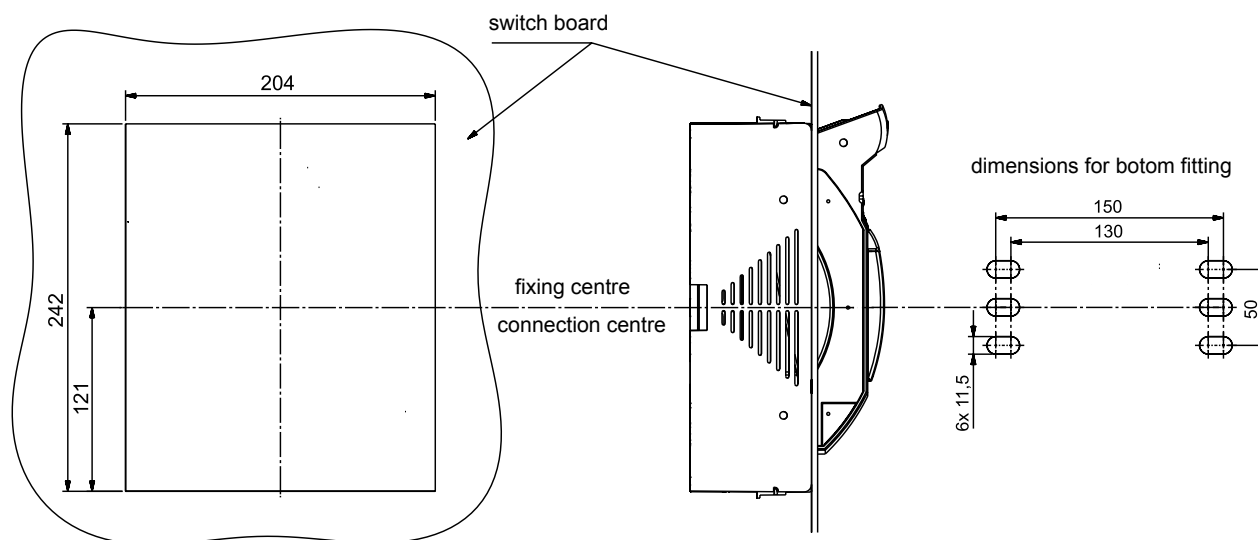
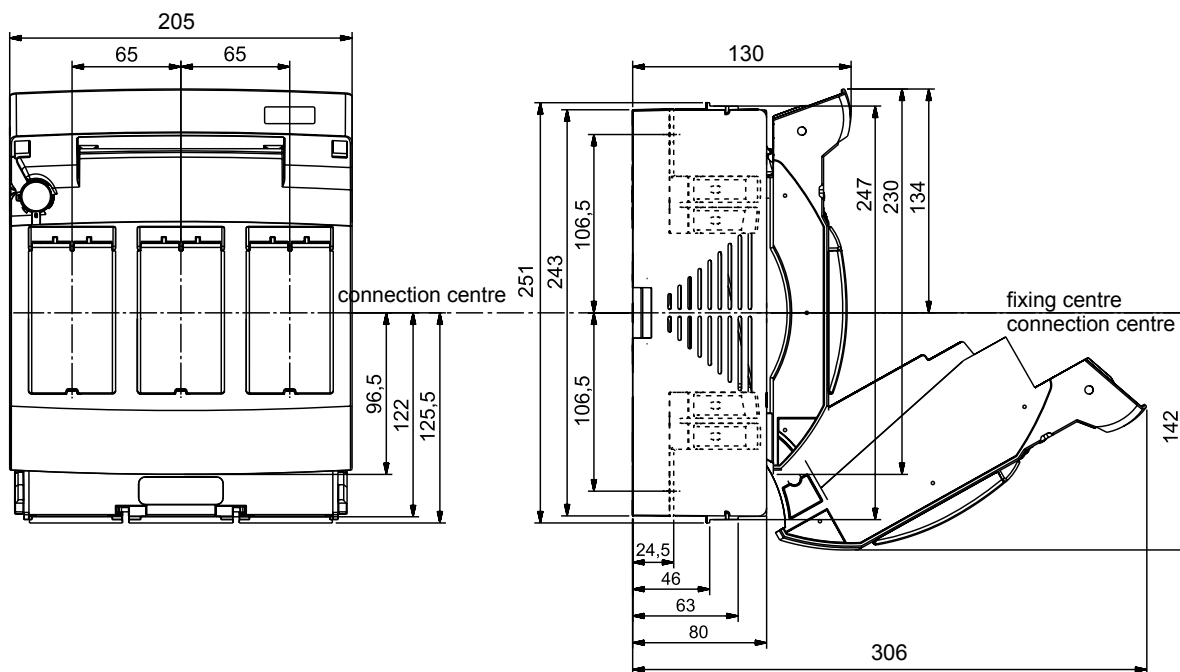
	2.RST8 triple pole
Installation mode	bus bar installation
Size	2
Number of poles/phases	3
Conventional free air thermal current with NH-fuse links $I_{th}$	400A
Max. power dissipation of NH-fuse links $P_n$	34W
Conventional free air thermal current with solid links $I_{th}$	530A
Max. power dissipation of solid links $P_n$	9W
Utilization category to IEC/EN 60947-3 $U_o = AC 400V; I_o = 400A$ $U_o = AC 500V; I_o = 400A$ $U_o = AC 690V; I_o = 315A$ $U_o = DC 440V; I_o = 400A$	AC 23 B AC 22 B AC 21 B DC 21 B
Rated operational voltage $U_o$	690V
Rated insulation voltage $U_i$	1000V
Rated impulse withstand voltage $U_{imp}$	12kV
Rated frequency	50 ... 60Hz
Degree of protection	IP20
Degree of pollution	3
Rated duty	uninterrupted duty
Rated short circuit making capacity with solid links $I_{cm}$	10.6kA <sub>sw</sub>
Rated short circuit making capacity with fuse links $U_o = AC 400V; I_o = 400A$ $U_o = AC 500V; I_o = 400A$ $U_o = AC 690V; I_o = 315A$	80kA 80kA 80kA
Rated short circuit withstand current $I_{cw}$	13kA / 1s
Power dissipation by $I_{th}$ without NH-fuse links	53W
<b>Cable terminal connection</b>	
Standard terminal	M10
for cable lugs Cu max.	2x185mm <sup>2</sup>
for cable lugs Al max.	2x240mm <sup>2</sup>
for copper bars with max. dimensions	35x10mm
<b>Bus bar terminal connection</b>	
Bus bar system	40mm 60mm
Bus bar width (bus bar system = 40mm)	12mm
Bus bar thickness (bus bar system = 40mm)	5 ... 10mm
Bus bar width (bus bar system = 60mm)	12 ... 30mm
Bus bar thickness (bus bar system = 60mm)	5 ... 10mm

# MULTIBLOC® size 2

## MULTIBLOC® 2.ST8

MULTIBLOC® 2.ST8 NH-fuse switch disconnecter triple pole design for bottom fitting

Dimensions  
M01131

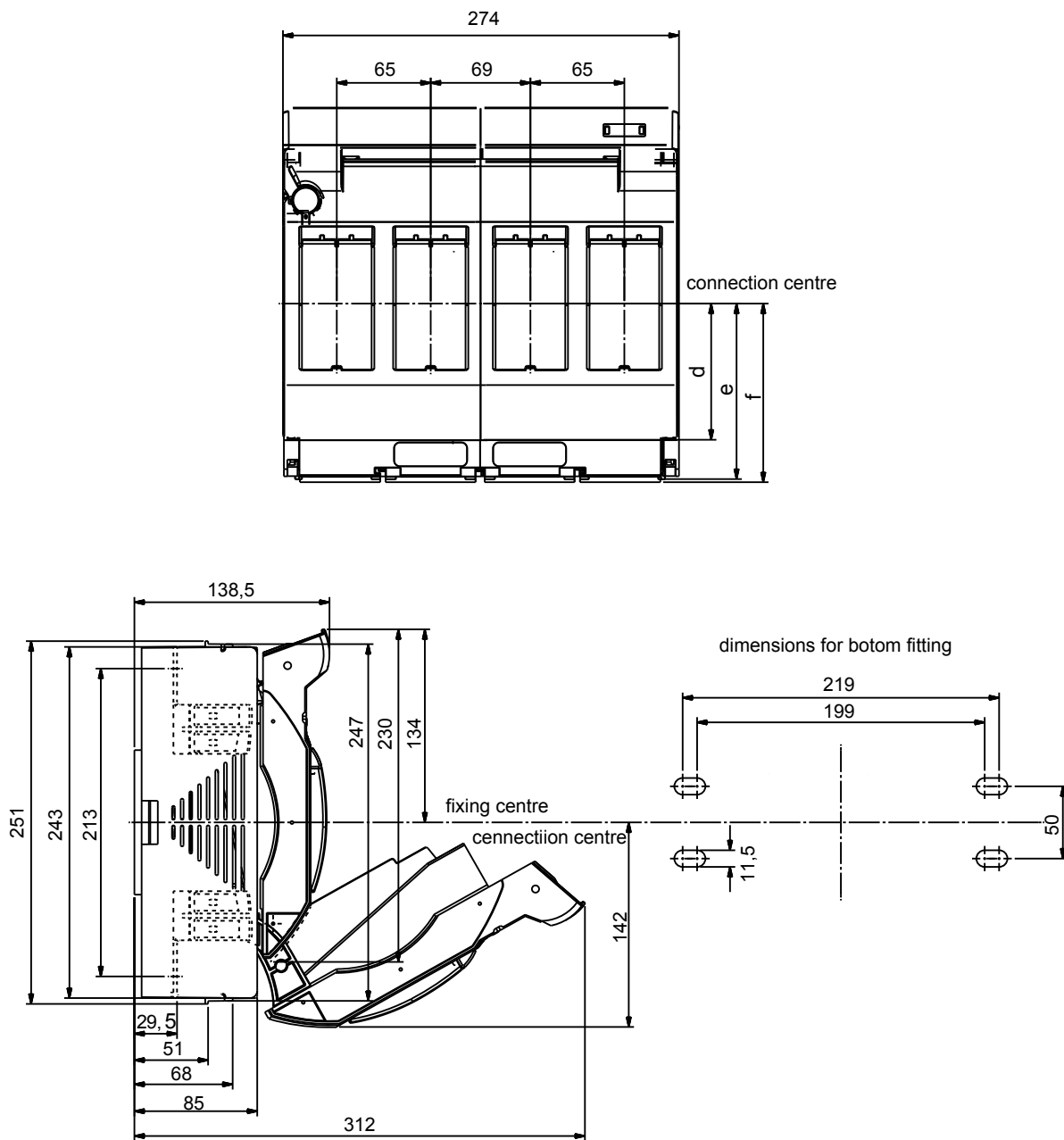


MULTIBLOC® NH-fuse switch disconnecter

# MULTIBLOC® 2.ST8

MULTIBLOC® 2.ST8 NH-fuse switch disconnecter quadruple pole design for bottom fitting

Dimensions  
M01157-2



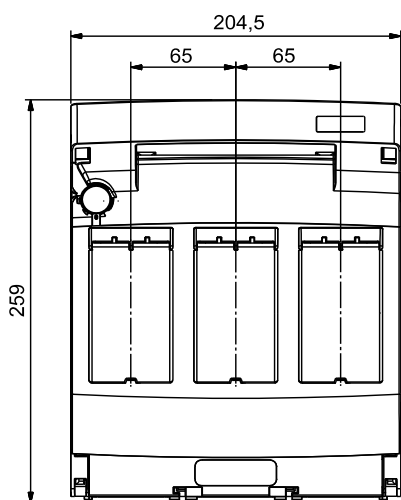
MULTIBLOC® NH-fuse switch disconnecter

# MULTIBLOC® size 2

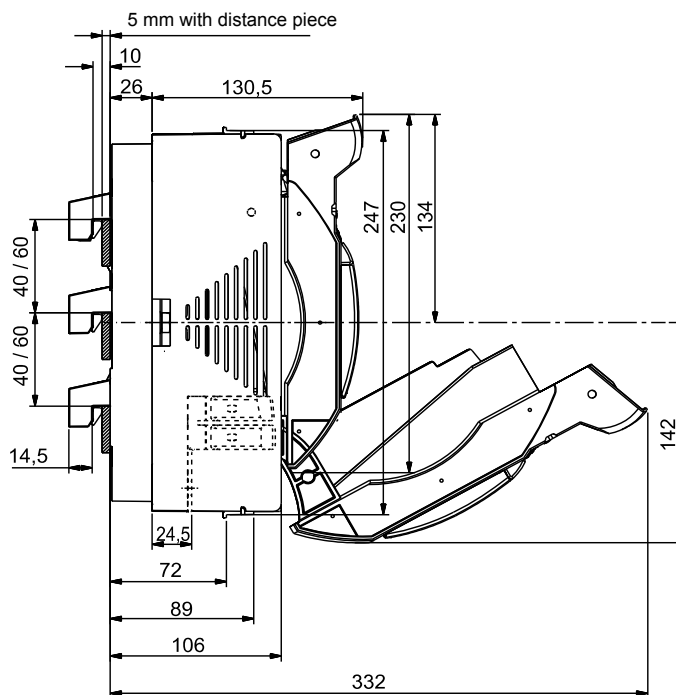
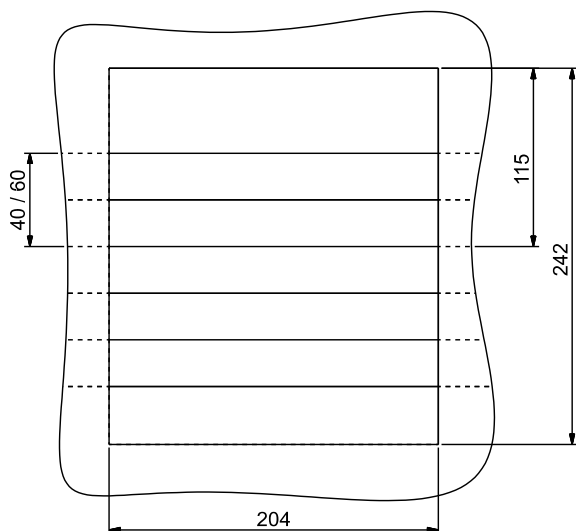
## MULTIBLOC® 2.ST8

MULTIBLOC® 2.RST8 NH-fuse switch disconnecter triple pole design for bus bar installation

Dimensions  
M01132a



cut out for central cover

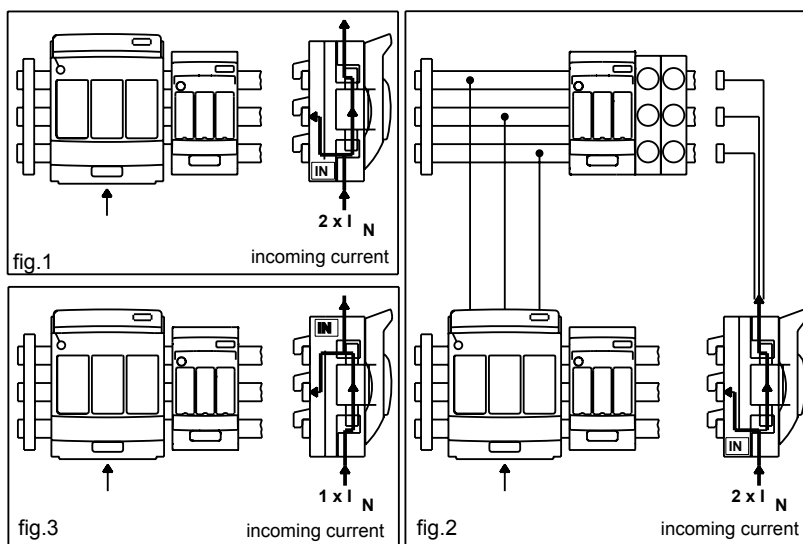
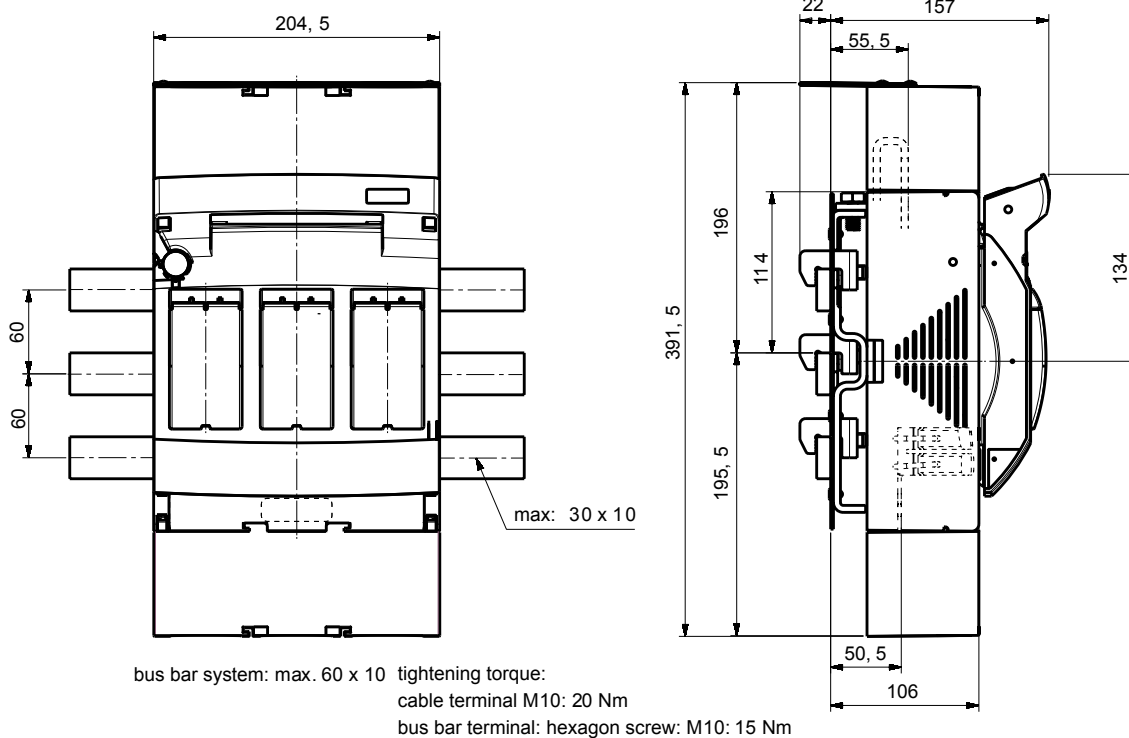




# MULTIBLOC® 2.RST8

## MULTIBLOC® main incomer size 2

Dimensions  
M01167-2

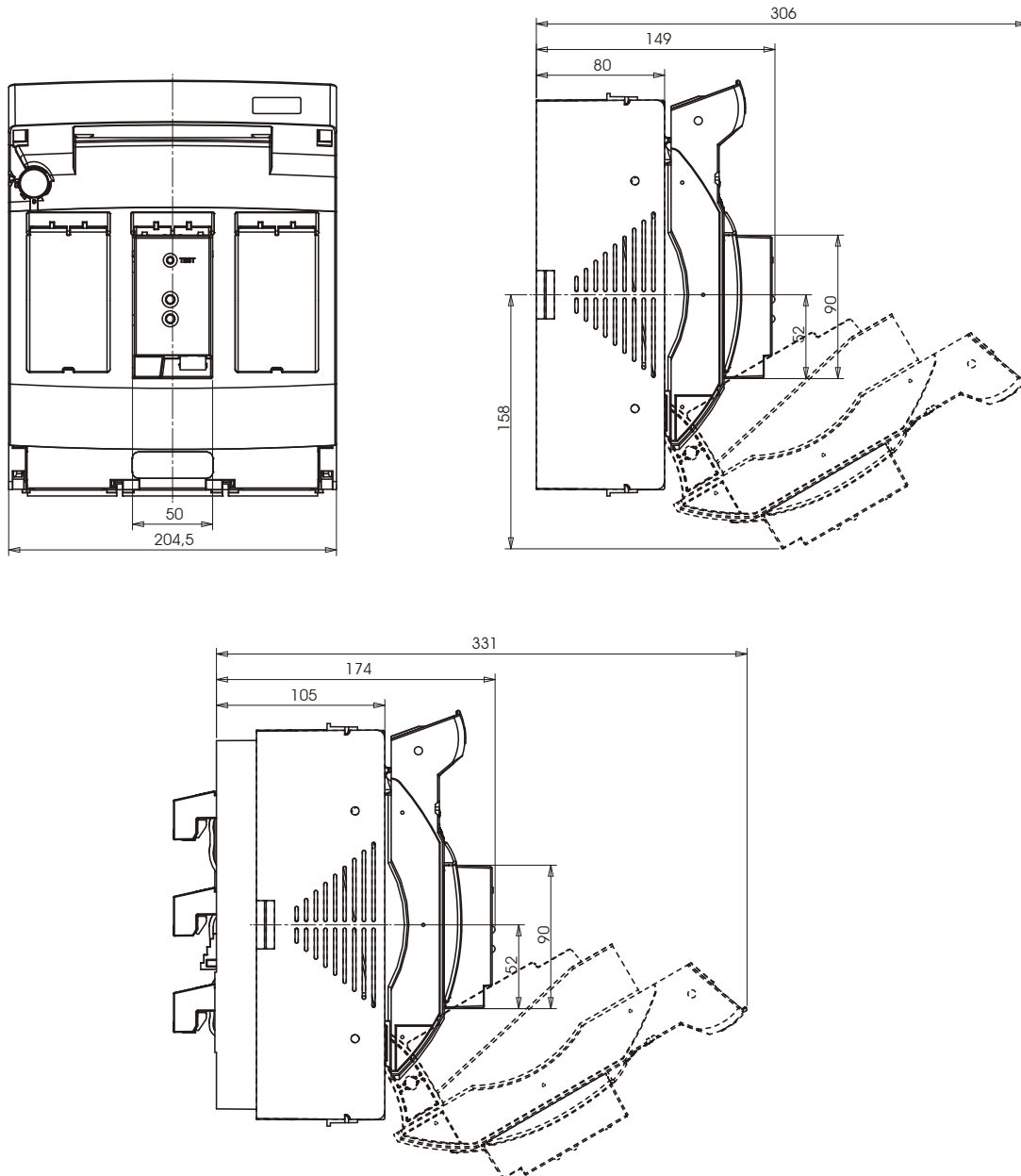


# MULTIBLOC® size 2

## MULTIBLOC® 2.RST8

MULTIBLOC® 2.ST8 and 2.RST8 triple pole with electronic fuse monitoring ESÜ

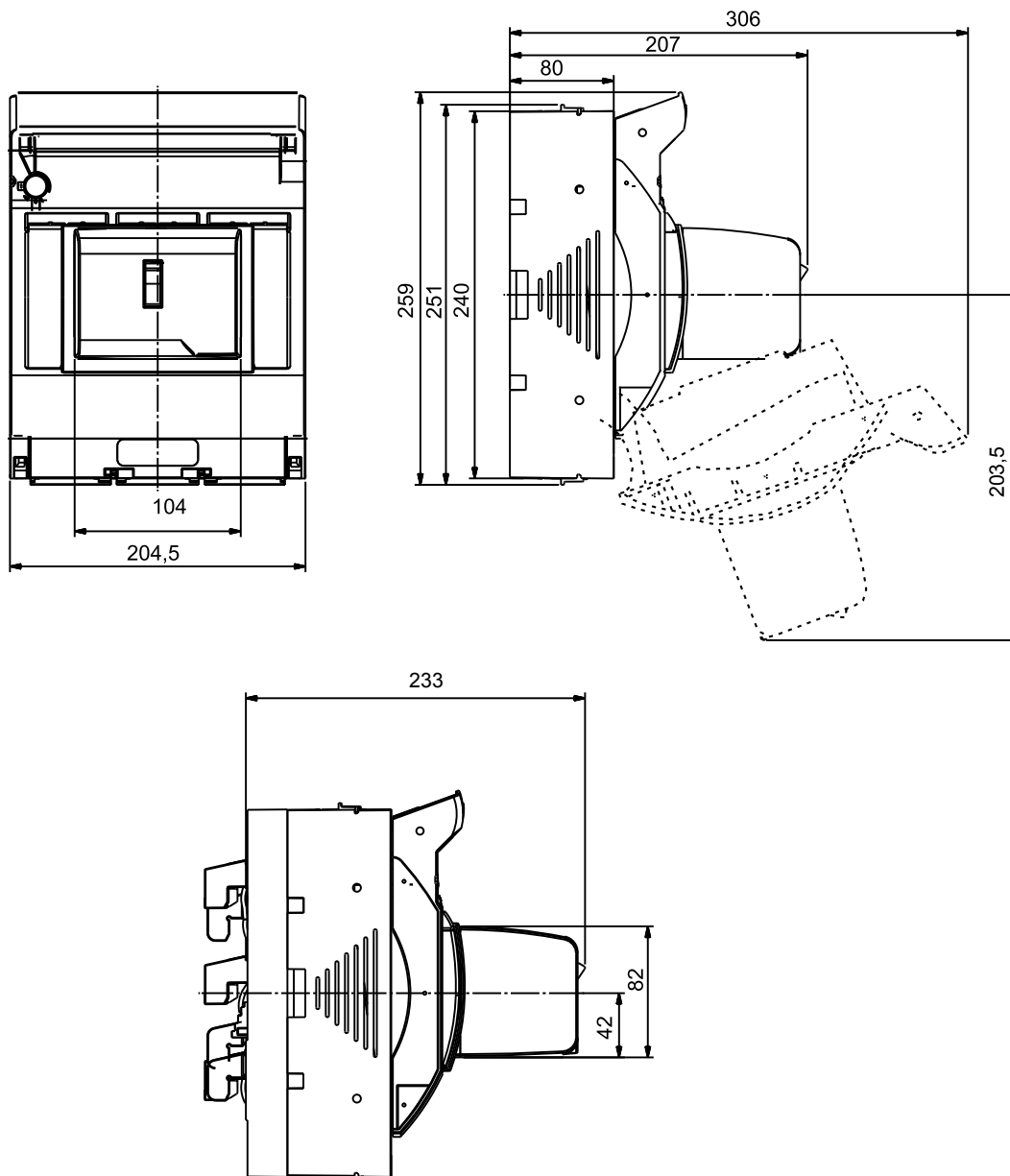
Dimensions  
M01174-2



## MULTIBLOC® 2.ST8 / 2.RST8

MULTIBLOC® 2.ST8 and 2.RST8 triple pole  
with electro-mechanic fuse monitoring MZS

Dimensions  
M01135-2

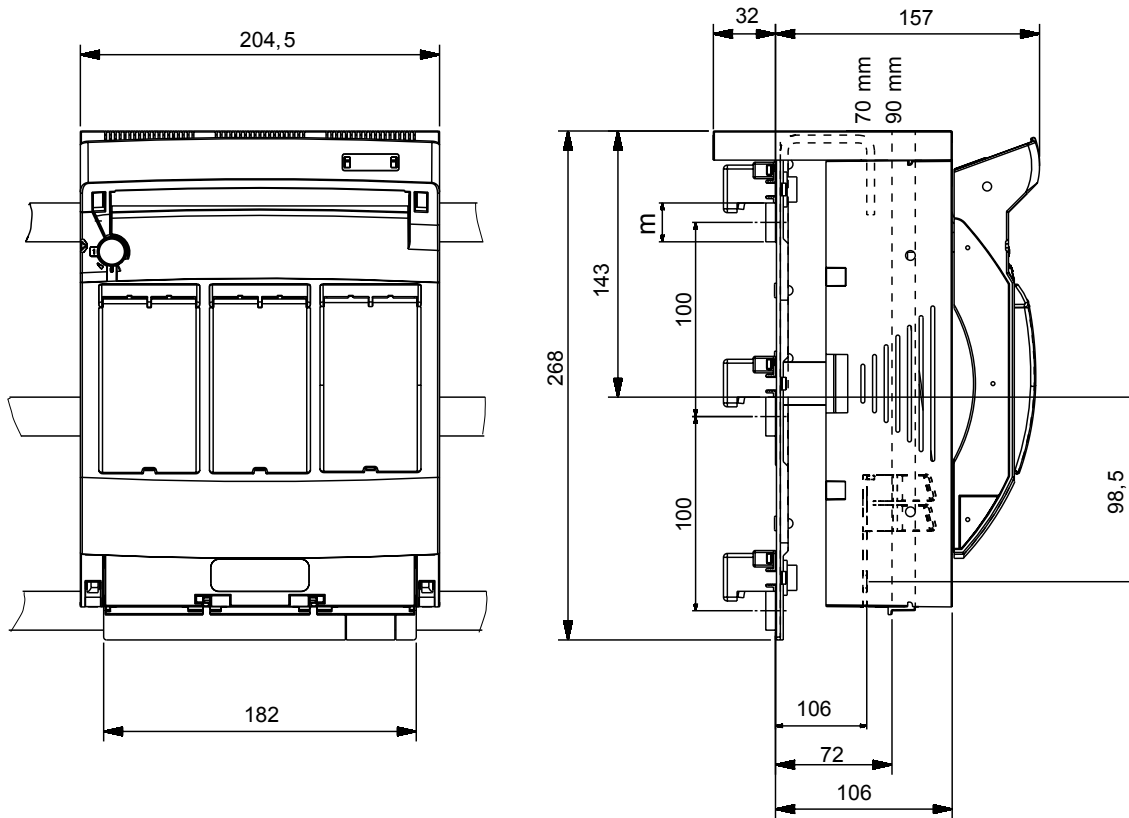


# MULTIBLOC® size 2

## MULTIBLOC® 2.ST8 / 2.RST8

MULTIBLOC® bus bar adapter with clamp terminal for 2.ST8

Dimensions  
M01151a-2

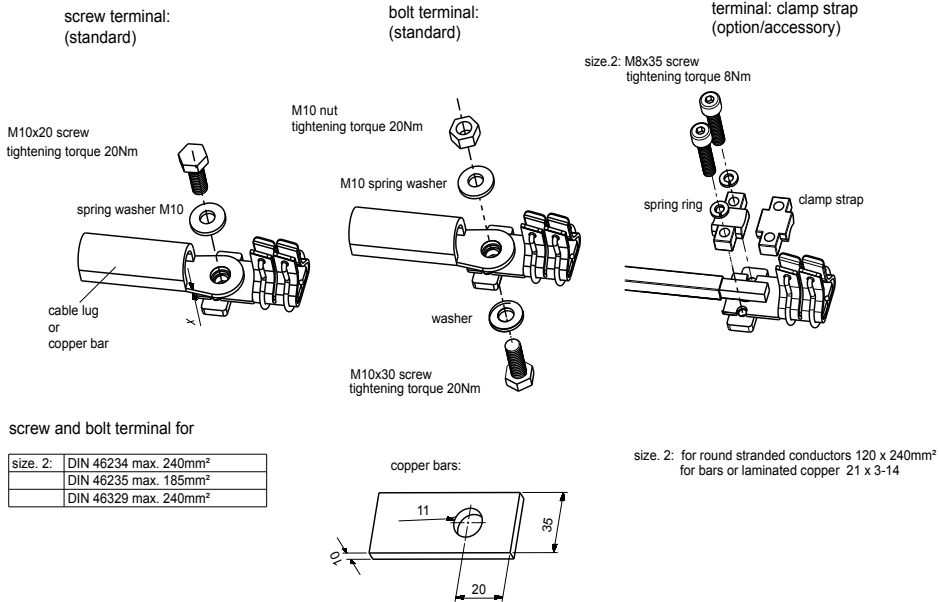


m = max. 60 x 1 0

tightening torque: M10: 25 Nm  
M8: 15 Nm

# MULTIBLOC® size 2

## Cable termination size 2



**Dimensions**  
MA 98e-2

# MULTIBLOC® size 2

## NH-fuse switch disconnecter, size 2, 400A



### Accessories

#### Cover/shrouds for cable termination

#### MULTIBLOC® size 2

article number	reference number	design	weight kg <sup>1</sup>	package
1.003.255	K1022980A	cover for cable terminal connection for 2.ST8 quadruple pole	0.14	1 piece
1.000.861	N1002168B	cover for cable terminal connection for 2.ST8 triple pole, 1 set = 2 pieces	0.22	1 set
1.002.593	J1023439B	bus bar touch protection for bus bar adapter size 2, 1 set = 2 pieces	0.35	1 set
1.003.347	H1023116A	bus bar touch protection for 2.RST8	0.08	1 piece

#### Cover shields

#### MULTIBLOC® size 2

article number	reference number	design	weight kg <sup>1</sup>	package
1.000.863	V1002174A	cover shield for installation in distribution units size (width x height): 230x300mm for one 2.ST8/2.RST8 triple pole	0.13	1 piece
1.002.352	Y1022969A	cover shield for installation in distribution units size (width x height): 234x310mm for one 2.ST8/2.RST8 triple pole	0.11	1 piece

# MULTIBLOC® size 2

## MULTIBLOC® size 2

NH-fuse switch disconnecter, size 2, 400A

### Accessories

#### Indication facilities

MULTIBLOC® size 2



1.000.852

article number	reference number	design	weight kg <sup>1</sup>	package
1.000.852	Q1002285A	indicator for switch door position micro switch, 1 change-over contact 5 A, 250 V	0.00	1 piece

#### Locking and sealing devices/locking device for window

MULTIBLOC® size 2



1.000.150

article number	reference number	design	weight kg <sup>1</sup>	package
1.000.150	K229296A	locking device for window for 00.ST8 1-, 2-, 4-pole and 1./2.ST8/RST8 1 set = 3 pieces	0.01	1 set

#### Varieties of cable termination

MULTIBLOC® size 2



1.001.237



13SZAV6

13SZAD6

article number	reference number	design	weight kg <sup>1</sup>	package
1.001.237	B1002180C	clamp strap size 2 120–240mm <sup>2</sup> , 1 set = 3 pieces	0.25	1 set
13SZAV6	K1023118C	V-terminal size 1,2,3; M12, for V-terminal clamps size 1,2,3 for MULTIBLOC® size 2 supplementary set for V-terminal with use of V-clamps 1 set = 3 pieces	0.27	1 set
13SZAD6	A1022971C	M12 terminal lugs for M12 double terminal for MULTIBLOC® size 2 and 3 1 set = 3 pieces	0.26	1 set

#### Adapter for installation on to bus bars with clamp terminal

MULTIBLOC® 2.ST8



1.002.502

article number	reference number	design	weight kg <sup>1</sup>	package
1.002.502	C1023111A	bus bar adapter size 2 with clamp terminal for MULTIBLOC® 2.ST8 triple pole for bus bar system 100mm	1.24	1 piece

# MULTIBLOC® size 3

## MULTIBLOC® 3.ST8

NH-fuse switch disconnecter, size 3, 630A, 690VAC, design for bottom fitting

in accordance with IEC/EN 60 947-3.

For NH-fuse links size 3 in accordance with IEC/EN 60 269-2, VDE 0636-2.

- Touch protection IP20 - when fuse link is in test mode IP rating is maintained
- Padlocking of switch door cover - optional
- Parking position of switch operating cover even with fuse links inserted
- Indicating switch for switch door position - optional
- Electronic or electro-mechanic fuse monitoring - optional
- Modular system of cover - cover for cable termination area can be extended as required
- Varieties of cable termination: screw, bolt, clamp strap
- Installation on to 60mm and 100mm bus bar system with adapter



1.001.125



1.002.713



1.001.150

MULTIBLOC® 3.ST8 size 3 630A, 690VAC bottom fitting, triple pole

article number	reference number	poles	cable termination components	design	weight kg <sup>1</sup>	package
1.001.125	C1002135A	3	6 M12 terminal screws	-	4.94	1 piece
1.001.241	L1023073A	3	3 clamp straps 150–300mm <sup>2</sup> 3 M12 terminal screws	-	5.13	1 piece
1.002.713	M1023074A	3	6 M12 terminal screws	with electronic fuse monitoring ESÜ installed	5.50	1 piece
1.001.150	K1023072A	3	6 M12 terminal screws	with electro-mechanic fuse monitoring MZS installed (galvanic isolation)	5.74	1 piece



1.001.904



1.002.661

MULTIBLOC® 3.ST8 size 3 630A, 690VAC bottom fitting, quadruple pole

article number	reference number	poles	cable termination components	design	weight kg <sup>1</sup>	package
1.001.904	N1023075A	4	8 M12 terminal screws	-	7.44	1 piece
1.002.661	P1023076A	4	8 M12 terminal screws	with ready fitted special solid link as neutral conductor in pole 4 for leading and lagging switching	7.71	1 piece

MULTIBLOC® NH-fuse switch disconnecter

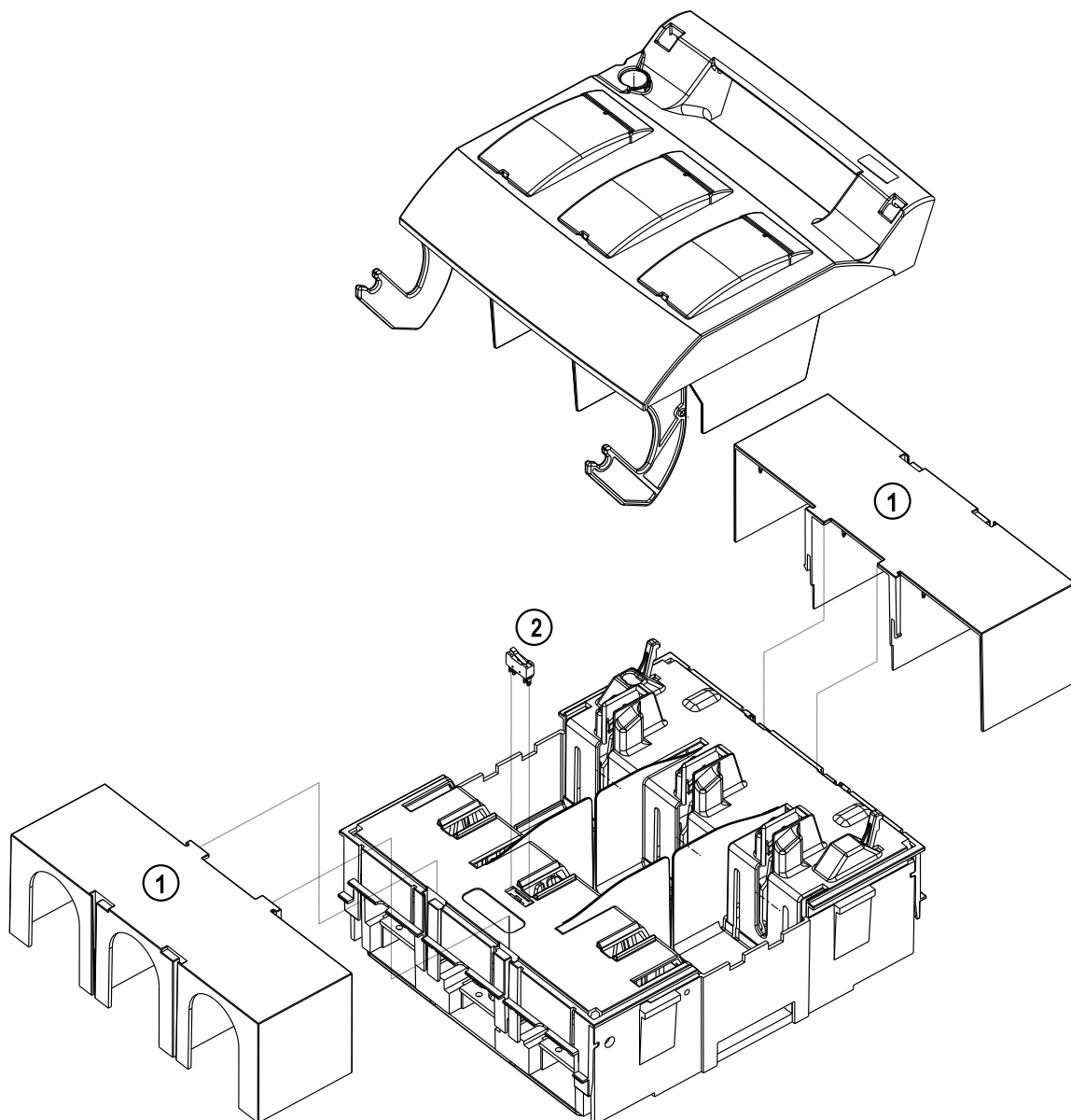
<sup>1</sup>) weight in kg per piece or set including package

# MULTIBLOC® size 3

## MULTIBLOC® 3.ST8

MULTIBLOC® 3.ST8 NH- fuse switch disconnecter triple pole design for bottom fitting

E 1.001.523



no.	article number	short description
1	1.000.893	cover for cable termination,1 set=2 pcs.
2	1.000.852	indicator for switch door position

*subject to alteration*



# MULTIBLOC® 3.ST8

NH-fuse switch disconnecter, size 3, 630A, 690VAC, design for bottom fitting

Technical data in accordance with EN / IEC 60947

	3.ST8 triple pole	3.ST8 quadruple pole
Installation mode	bottom fitting	bottom fitting
Size	3	3
Number of poles/phases	3	4
Conventional free air thermal current with NH-fuse links $I_{th}$	630A	630A
Max. power dissipation of NH-fuse links $P_n$	48W	48W
Conventional free air thermal current with solid links $I_{th}$	780A	780A
Max. power dissipation of solid links $P_n$	17,5W	17,5W
Utilization category to IEC/EN 60947-3 $U_e = AC 400 V; I_b = 630 A$ $U_e = AC 500 V; I_b = 630 A$ $U_e = AC 690 V; I_b = 500 A$	AC 23 B AC 22 B AC 21 B	AC 23 B AC 22 B AC 21 B
Rated operational voltage $U_e$	690V	690V
Rated insulation voltage $U_i$	1000V	1000V
Rated impulse withstand voltage $U_{imp}$	12kV	12kV
Rated frequency	50 ... 60Hz	50 ... 60Hz
Degree of protection	IP20	IP20
Degree of pollution	3	3
Rated duty	uninterrupted duty	uninterrupted duty
Rated short circuit making capacity with solid links $I_{cm}$	18.6kAsw	18.6kAsw
Rated short circuit making capacity with fuse links $U_e = AC 400 V; I_b = 630 A$ $U_e = AC 500 V; I_b = 630 A$ $U_e = AC 690 V; I_b = 500 A$	80kA 80kA 50kA	80kA 80kA 50kA
Rated short circuit withstand current $I_{cw}$	18kA / 1s	18kA / 1s
Power dissipation by $I_{th}$ without NH-fuse links	40W	53 W
Power dissipation by $I_{th}$ without solid links	150W	200 W
<b>Cable terminal connection</b>		
Standard terminal	M12	M12
for cable lugs Cu max.	2x240mm <sup>2</sup>	2x240mm <sup>2</sup>
for cable lugs Al max.	2x300mm <sup>2</sup>	2x300mm <sup>2</sup>
for copper bars with max. dimensions	45x10mm	45x10mm

# MULTIBLOC® size 3

## MULTIBLOC® size 3

NH-fuse switch disconnecter, size 3, 630 A

Accessories



### Cover/shrouds for cable termination

MULTIBLOC® 3.ST8

article number	reference number	design	weight (kg1)	package
1.000.893	P1002169B	cover for cable terminal connection for 3.ST8 triple pole, 1 set = 2 pieces	0.51	1 set
1.003.319	L1022981A	cover for cable terminal connection for 3.ST8 quadruple pole	0.16	1 piece



### Cover shields

MULTIBLOC® 3.ST8

article number	reference number	design	weight (kg1)	package
1.002.353	W1002175A	cover shield for installation in distribution units size (width x height): 287 x 330 mm for one 3.ST8 triple pole	1.13	1 piece



### Indication facilities

MULTIBLOC® 3.ST8

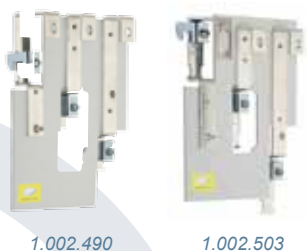
article number	reference number	design	weight (kg1)	package
1.000.852	Q1002285A	indicator for switch door position micro switch, 1 change-over contact 5 A, 250 V	0.00	1 piece



### Varieties of cable termination

MULTIBLOC® 3.ST8

article number	reference number	design	weight (kg1)	package
1.001.238	C1002181C	clamp strap size 3 150–300 mm <sup>2</sup> , 1 set = 3 pieces	0.32	1 set
13SZAD6	A1022971C	M12 terminal lugs for M12 double terminal for MULTIBLOC® size 2 and 3 1 set = 3 pieces	0.26	1 set



### Adapter for installation on to bus bars with clamp terminal

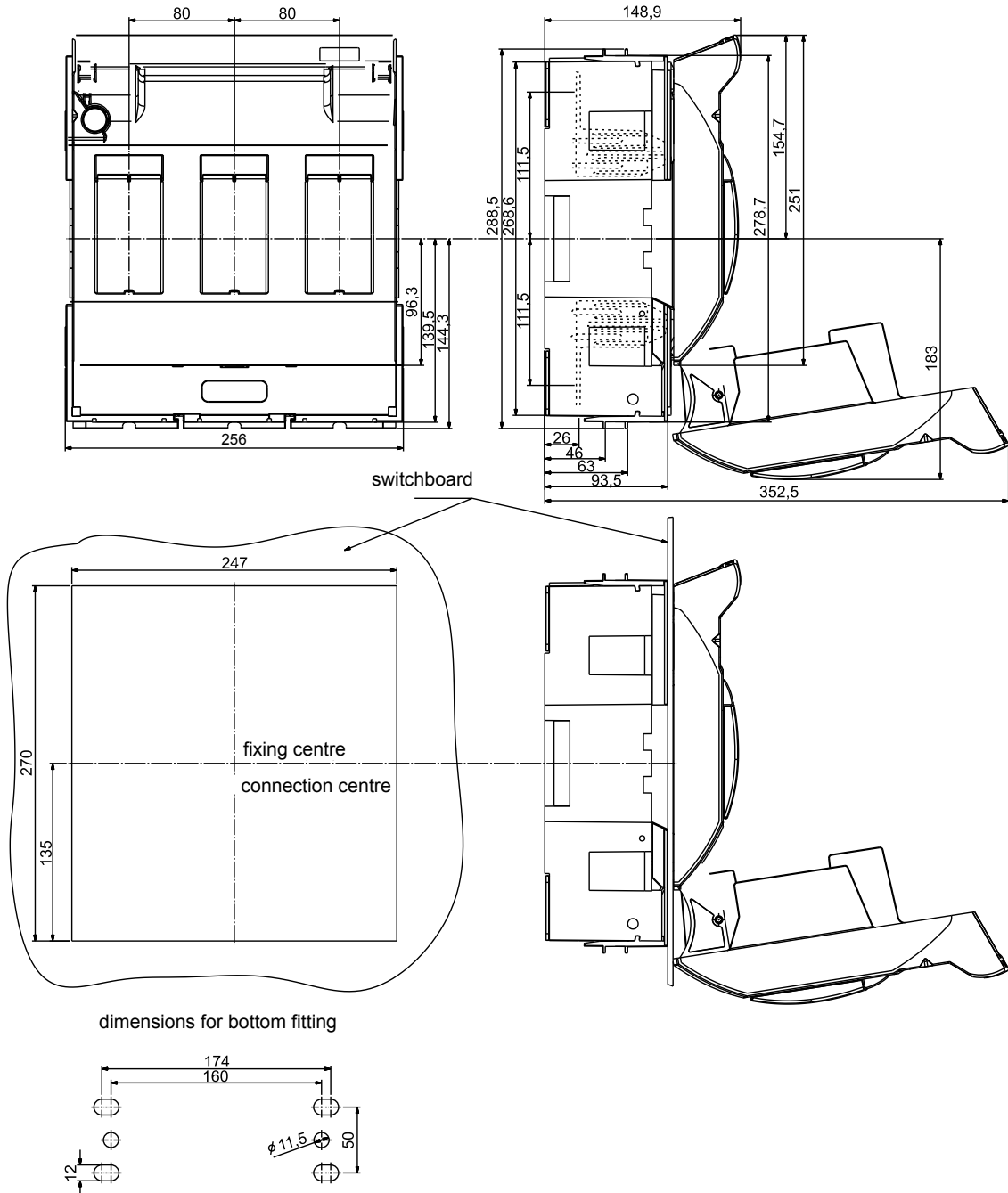
MULTIBLOC® 3.ST8

article number	reference number	design	weight (kg1)	package
1.002.490	D1023112A	bus bar adapter size 3 with clamp terminal for MULTIBLOC® 3.ST8 triple pole for bus bar system 60 mm	1.17	1 piece
1.002.503	E1023113A	bus bar adapter size 3 with clamp terminal for MULTIBLOC® 3.ST8 triple pole for bus bar system 100 mm	1.28	1 piece

# MULTIBLOC® 3.ST8

MULTIBLOC® 3.ST8 NH-fuse switch disconnecter triple pole design for bottom fitting

M01141

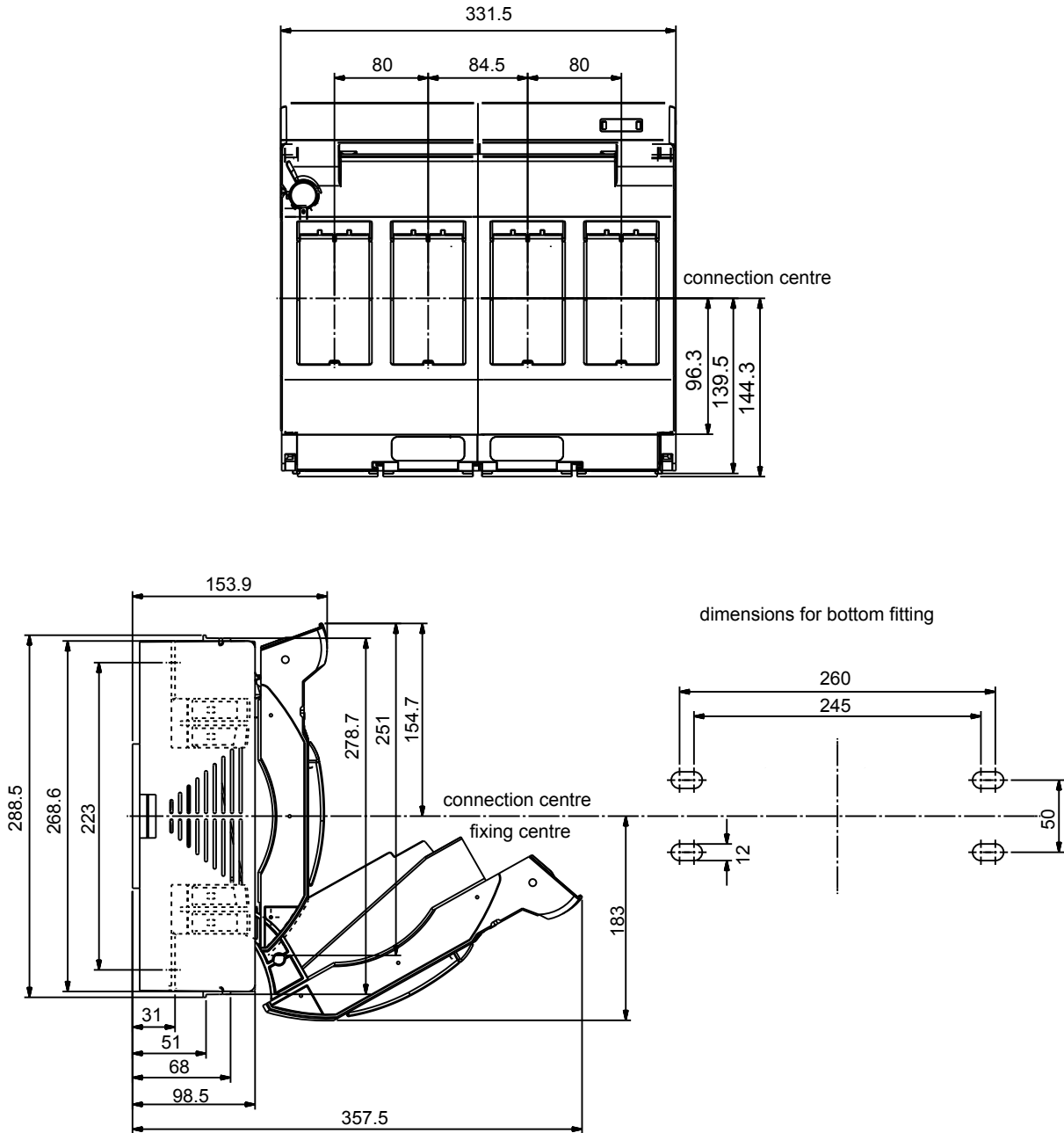


# MULTIBLOC<sup>®</sup> size 3

## MULTIBLOC<sup>®</sup> 3.ST8

MULTIBLOC<sup>®</sup> 3.ST8 NH-fuse switch disconnecter quadruple pole design for bottom fitting

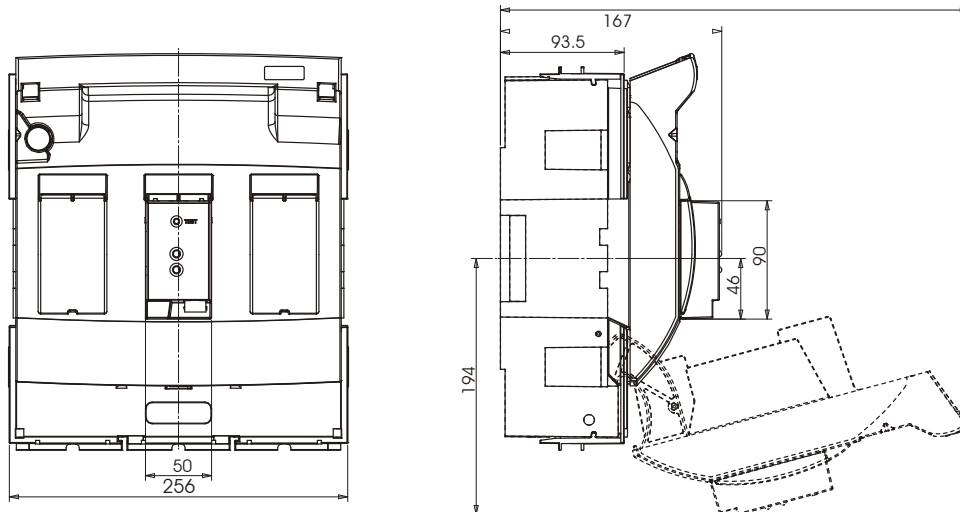
M01157-3



## MULTIBLOC® 3.ST8

MULTIBLOC® 3.ST8 triple pole with electronic fuse monitoring ESÜ

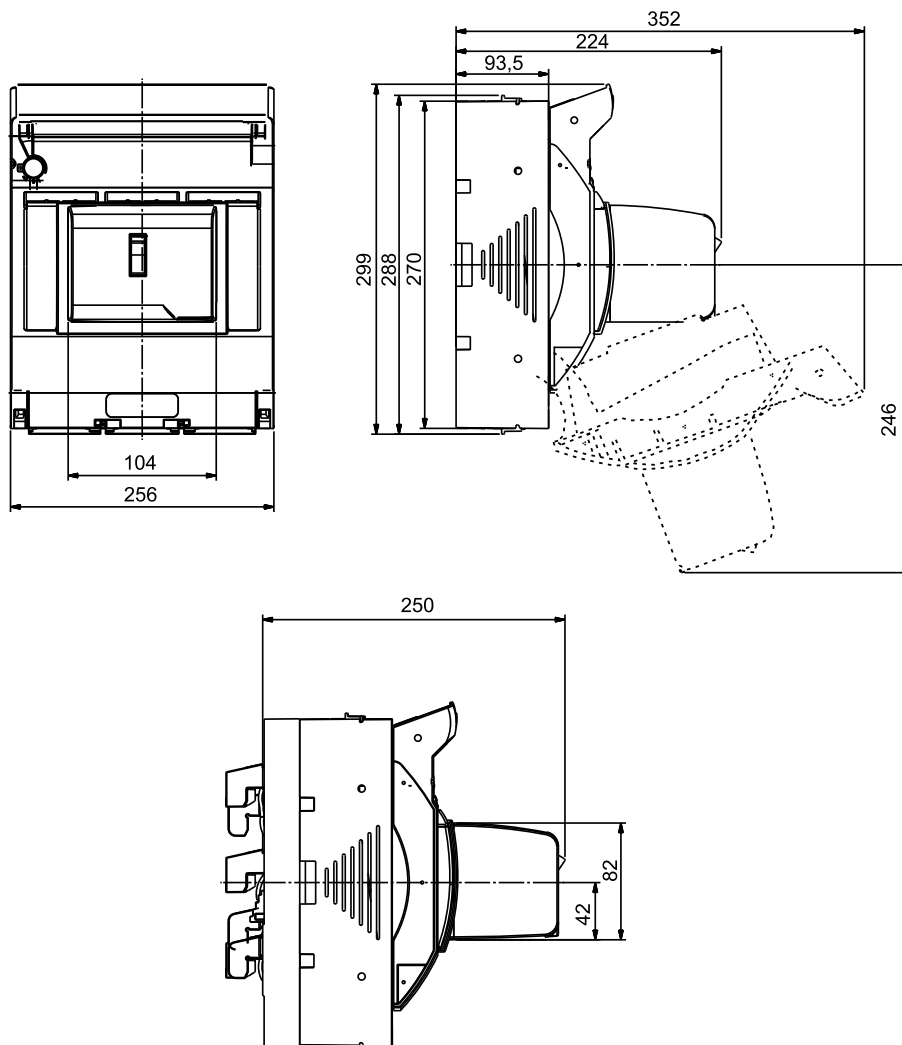
M01174-3



## MULTIBLOC® 3.ST8

MULTIBLOC® 3.ST8 triple pole with electro-mechanic fuse monitoring MZS

M01135-3

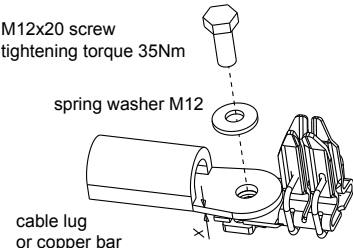
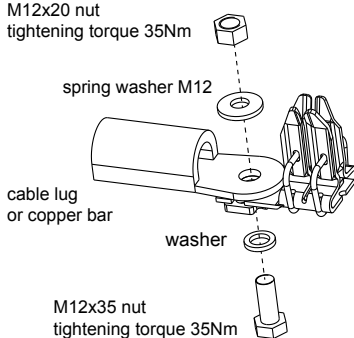
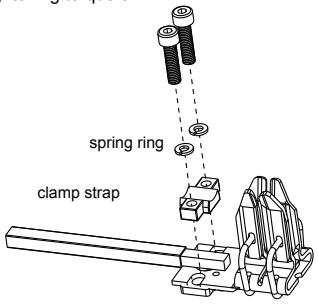
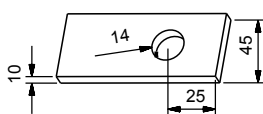




# MULTIBLOC® 3.ST8

## Cable termination size 3

MA 108e

screw terminal: (standard)	bolt terminal: (standard)	terminal: clamp strap (option / accessory)
 <p>M12x20 screw tightening torque 35Nm</p> <p>spring washer M12</p> <p>cable lug or copper bar</p> <p>for values x larger than 10 mm use M 12x35 screw plus washer in addition</p>	 <p>M12x20 nut tightening torque 35Nm</p> <p>spring washer M12</p> <p>cable lug or copper bar</p> <p>washer</p> <p>M12x35 nut tightening torque 35Nm</p>	 <p>size 3: M8x40 screw tightening torque 8 Nm</p> <p>spring ring</p> <p>clamp strap</p>
<p>size: for cable lug in accordance with DIN 46234 max. 240 mm<sup>2</sup> DIN 46235 max. 240 mm<sup>2</sup> DIN 46329 max. 300 mm<sup>2</sup></p>	 <p>14</p> <p>45</p> <p>25</p> <p>10</p>	<p>size 3: for round stranded conductors 150-300 mm<sup>2</sup> for bars or laminated copper 25 x 3 -14</p>

# MULTIBLOC® size 4a

## MULTIBLOC® 4a.ST8 - 1250A

NH-fuse switch disconnecter, size 4a, 690VAC, 1250A, 690VAC, design for bottom fitting

in accordance with IEC/EN 60 947-3.

For NH-fuse links size 4a in accordance with IEC/EN 60 269-2, VDE 0636-2.

- Touch protection IP20



1.000.083

MULTIBLOC® 4a.ST8 size 4a 1250A, 690VAC bottom fitting, single pole

article number	reference number	poles	cable termination components	weight kg <sup>1</sup>	package
1.000.083	T1023080A	1	M16 terminal screws	4.10	1 piece



1.000.089



1.000.090

MULTIBLOC® 4a.ST8 size 4a 1250A, 690VAC bottom fitting, triple pole

article number	reference number	poles	cable termination components	design	weight kg <sup>1</sup>	package
1.000.089	V1023081A	3	M16 terminal screws	single pole switching	12.50	1 piece
1.000.090	W1023082A	3	M16 terminal screws	triple pole switching	12.50	1 piece

## MULTIBLOC® 4a.ST8 - 1600A

NH-fuse switch disconnecter, size 4a, 690VAC, 1600A, 690VAC, design for bottom fitting

in accordance with IEC/EN 60 947-3.

For NH-fuse links size 4a in accordance with IEC/EN 60 269-2, VDE 0636-2.

- Touch protection IP20



1.000.084

MULTIBLOC® 4a.ST8 size 4a 1600A, 690VAC bottom fitting, single pole

article number	reference number	poles	cable termination components	weight kg <sup>1</sup>	package
1.000.084	X1023083A	1	2xM12 terminal screws	5.00	1 piece



1.000.091



1.000.092

MULTIBLOC® 4a.ST8 size 4a 1600A, 690VAC bottom fitting, triple pole

article number	reference number	poles	cable termination components	design	weight kg <sup>1</sup>	package
1.000.091	Y1023084A	3	2xM12 terminal screws	single pole switching	13.70	1 piece
1.000.092	Z1023085A	3	2xM12 terminal screws	triple pole switching	13.90	1 piece



# MULTIBLOC® 4a.ST8 - 1250A

NH-fuse switch disconnecter, size 4a, 690VAC, 1250A, 690VAC, design for bottom fitting

Technical data in accordance with EN / IEC 60947

	4a.ST8 single pole	4a.ST8 triple pole
Installation mode	bottom fitting	bottom fitting
Size	4a	4a
Number of poles/phases	1	3
Conventional free air thermal current with NH-fuse links $I_{th}$	1250A	1250A
Max. power dissipation of NH-fuse links $P_n$	115W	115W
Conventional free air thermal current with solid links $I_{th}$	1500A	1500A
Max. power dissipation of solid links $P_n$	42W	42W
Utilization category to IEC/EN 60947-3 $U_e = AC 400 V; I_b = 1250 A$ $U_e = AC 500 V; I_b = 1250 A$ $U_e = AC 690 V; I_b = 1250 A$ $U_e = DC 440 V; I_b = 1250 A$	AC 22 B AC 22 B AC 21 B DC 21 B	AC 22 B AC 22 B - DC 21 B
Rated operational voltage $U_e$	690V	690V
Rated insulation voltage $U_i$	800V	800V
Rated impulse withstand voltage $U_{imp}$	8kV	8kV
Rated frequency	50 ... 60Hz	50 ... 60Hz
Degree of protection	IP20	IP20
Degree of pollution	3	3
Rated duty	uninterrupted duty	uninterrupted duty
Rated short circuit making capacity with solid links $I_{cm}$	100kAsw	100kAsw
Rated short circuit making capacity with fuse links $U_e = AC 400 V; I_b = 1250 A$ $U_e = AC 500 V; I_b = 1250 A$ $U_e = AC 690 V; I_b = 1250 A$	50kA 50kA 50kA	50kA 50kA 50kA
Rated short circuit withstand current $I_{cw}$	50kA / 1s	50kA / 1s
Power dissipation by $I_{th}$ without NH-fuse links	55W	180W
Power dissipation by $I_{th}$ without solid links	55W	180W
<b>Cable terminal connection</b>		
Standard terminal	M16	M16
for copper bars with max. dimensions	50x10mm	50x10mm

# MULTIBLOC® size 4a

## MULTIBLOC® 4a.ST8 - 1600A

NH-fuse switch disconnector, size 4a, 690VAC, 1600A, 690VAC, design for bottom fitting

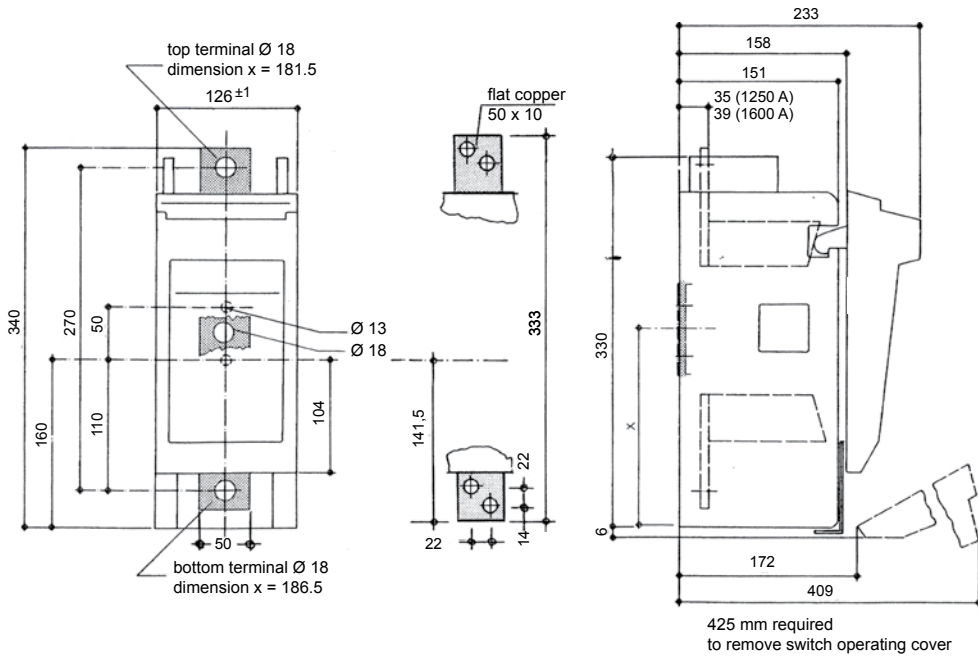
Technical data in accordance with EN / IEC 60947

	4a.ST8 single pole	4a.ST8 triple pole
Installation mode	bottom fitting	bottom fitting
Size	4a	4a
Number of poles/phases	1	3
Conventional free air thermal current with NH-fuse links $I_{th}$	1600A	1600A
Max. power dissipation of NH-fuse links $P_n$	140W	140W
Conventional free air thermal current with solid links $I_{th}$	1800A	1800A
Max. power dissipation of solid links $P_n$	42W	42W
Utilization category to IEC/EN 60947-3 $U_o = AC 400V; I_o = 1250A$ $U_o = AC 400V; I_o = 1600A$ $U_o = AC 690V; I_o = 1600A$ $U_o = DC 220V; I_o = 1600A$ $U_o = DC 440V; I_o = 1250A$	AC 22 B - AC 21 B DC 21 B DC 21 B	- AC 21 B - - -
Rated operational voltage $U_o$	690V	690V
Rated insulation voltage $U_i$	800V	800V
Rated impulse withstand voltage $U_{imp}$	8kV	8kV
Rated frequency	50 ... 60Hz	50 ... 60Hz
Degree of protection	IP20	IP20
Degree of pollution	3	3
Rated duty	uninterrupted duty	uninterrupted duty
Rated short circuit making capacity with solid links $I_{cm}$	100kAsw	100kAsw
Rated short circuit making capacity with fuse links $U_o = AC 400V; I_o = 1600A$ $U_o = AC 500V; I_o = 1600A$ $U_o = AC 690V; I_o = 1600A$	31.5kA 31.5kA 31.5kA	31.5kA 31.5kA 31.5kA
Rated short circuit withstand current $I_{cw}$	50kA / 1s	50kA / 1s
Power dissipation by $I_{th}$ without NH-fuse links	80W	270W
Power dissipation by $I_{th}$ without solid links	80W	270W
<b>Cable terminal connection</b>		
Standard cable terminal	M16	M16
for copper bars with max. dimensions	50x10mm	50x10mm

# MULTIBLOC® 4a.ST8

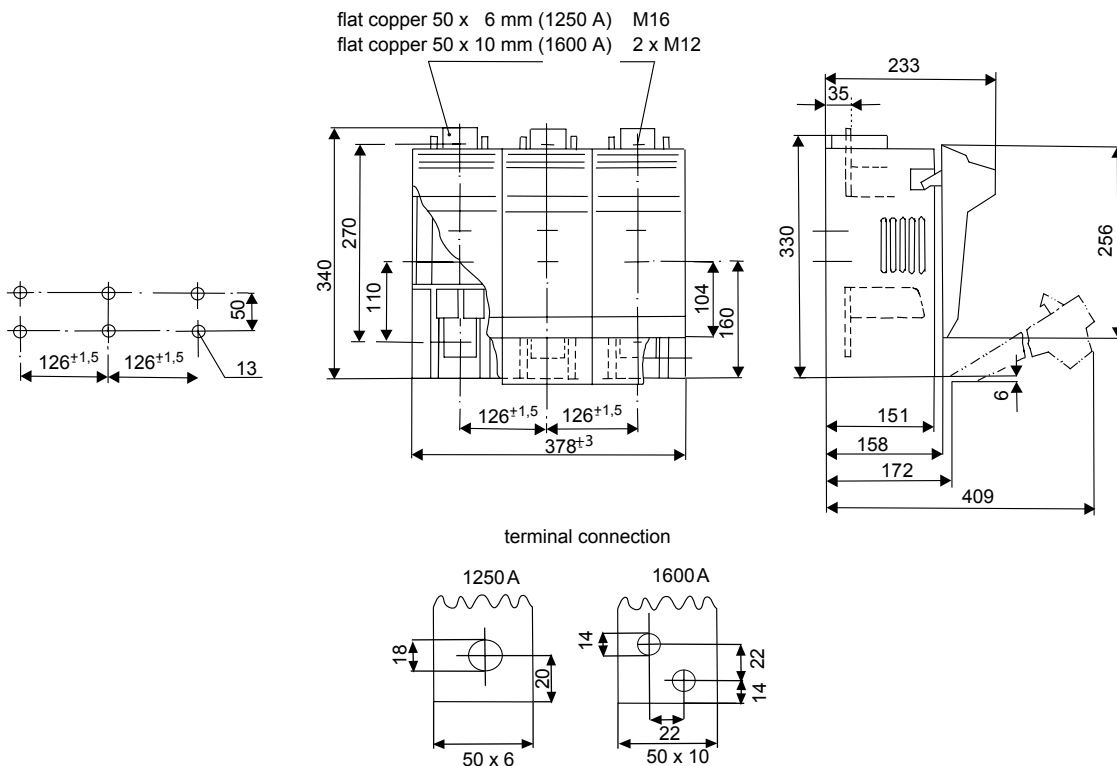
## MULTIBLOC® 4a.ST8 NH-fuse switch disconnecter single pole design for bottom fitting

M02002



## MULTIBLOC® 4a.ST8 NH-fuse switch disconnecter triple pole design for bottom fitting

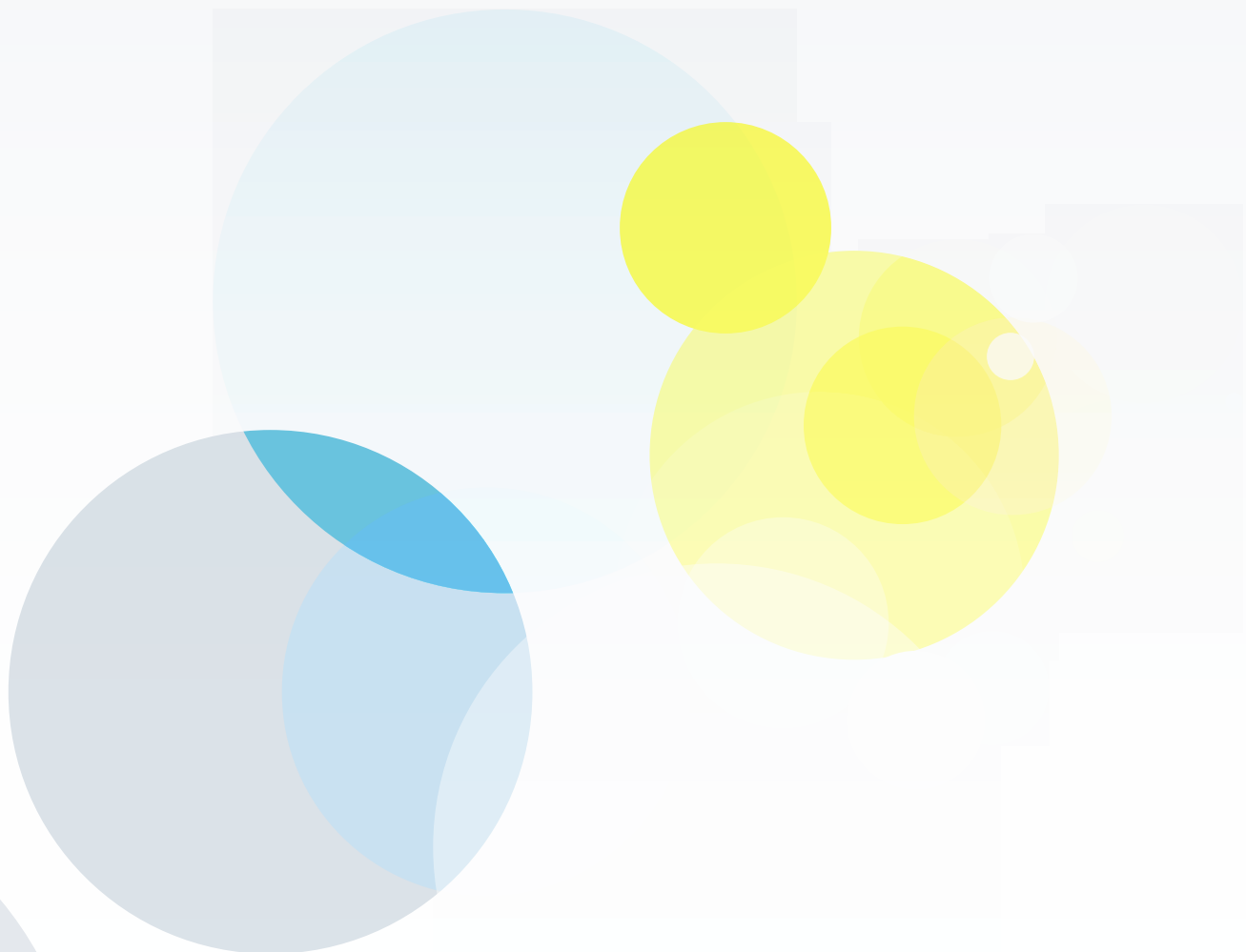
M02003a



MULTIBLOC® NH-fuse switch disconnecter

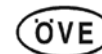
# NH Fuse System

<b>MULTIVERT® NH-vertical fuse switch disconnecter</b>	<b>p. 134</b>
MULTIVERT® size 00 - 160A 690VAC	p. 135 to 150
MULTIVERT® size 1 - 250A, size 2 - 400A, size 3 - 630A 690VAC	p. 150 to 172
MULTIVERT® NH-double vertical switch disconnecter	p. 173 to 178
MULTIVERT® main incomer	p. 179 to 180
MULTIVERT® size 4a 1250A, 1600A	p. 181 to 183
Power socket - system rails	p. 185



# MULTIVERT® 160A

## MULTIVERT® 160A/60mm 1 x triple pole switching NH-vertical fuse switch disconnecter, size 00, 160A, 690VAC



in accordance with IEC/EN 60 947-3.

For NH-fuse links size 000/00 in accordance with IEC/EN 60 269-2, VDE 0636-2.

- Installation on to 60mm bus bar system
- Design for bottom or top cable terminal connection
- Touch protection IP30 with central cover
- Parking position of switch operating cover even with fuse links inserted
- Varieties of cable termination: screw, clamp strap, AlCu clamp, frame clamp, V-terminal
- Electronic fuse monitoring or indicator for switch door position - optional



1.000.909



1.003.307

MULTIVERT® 160A		size 00	60mm bus bar system	1 x triple pole switching	
article number	reference number	cable termination components	design	weight kg <sup>1)</sup>	package
1.000.909	E1002183A	3 M8 terminal screws/3 clamp straps 4-70mm <sup>2</sup>	bottom terminal with cover shroud MZ00KH	1.45	1 piece
1.002.489	Z1023154A	3 frame clamps Cu 2,5-70mm <sup>2</sup>	bottom terminal with cover shroud MZ00KH	1.30	1 piece
1.003.140	A1023155A	3 M8 terminal screws/3 clamp straps 4-70mm <sup>2</sup>	bottom terminal MULTIVERT® 1.000.909 with cabling of instrument leads	1.50	1 piece
1.003.307	C1023157A	3 M8 terminal screws/3 clamp straps 4-70mm <sup>2</sup>	top terminal with cover shroud MZ00KH	1.50	1 piece
1.003.309	E1023159A	3 frame clamps Cu 2,5-70mm <sup>2</sup>	top terminal with cover shroud MZ00KH	1.30	1 piece
1.003.308	D1023158A	3 M8 terminal screws/3 clamp straps 4-70mm <sup>2</sup>	top terminal MULTIVERT® 1.003.307 with cabling of instrument leads	1.50	1 piece

# MULTIVERT® 160A

## MULTIVERT® 160A 1 x triple pole switching NH-vertical fuse switch disconnecter, size 00, 160A, 690VAC



in accordance with IEC/EN 60 947-3.

For NH-fuse links size 000/00 in accordance with IEC/EN 60 269-2, VDE 0636-2.

- Installation on to 100 and 185mm bus bar system
- Symmetrical switch - top/bottom cable terminal connection
- Touch protection IP30 with central cover
- Parking position of switch operating cover even with fuse links inserted
- Varieties of cable termination: screw, clamp strap, AlCu clamp, frame clamp, V-terminal
- Electronic fuse monitoring or indicator for switch door position - optional

MULTIVERT® NH-vertical fuse switch disconnecter



1.000.900



1.002.437  
rear



1.001.339

### MULTIVERT® 160A size 00 100mm bus bar system 1 x triple pole switching

article number	reference number	cable termination components	design	weight kg <sup>1)</sup>	package
1.000.900	F1002184A	3 M8 terminal screws	with cover shroud MZ00KH	1.12	1 piece
1.000.901	X1023129A	3 clamp straps Cu 4-70mm <sup>2</sup>	with cover shroud MZ00KH	1.12	1 piece
1.000.902	Z1023131A	3 Al/Cu clamps 1,5-70mm <sup>2</sup>	with cover shroud MZ00KH	1.12	1 piece
1.000.903	A1023132A	with V-terminal for V-terminal clamps size 00	with cover shroud 1.000.915	1.12	1 piece
1.000.904	B1023133A	3 frame clamps Cu 2,5-70mm <sup>2</sup>	with cover shroud MZ00KH	1.10	1 piece
1.000.905	G1002185A	3 M8 terminal screws	MULTIVERT® 1.000.900 with cabling of instrument leads	1.47	1 piece
1.000.906	C1023134A	3 clamp straps Cu 4-70mm <sup>2</sup>	MULTIVERT® 1.000.901 with cabling of instrument leads	1.47	1 piece
1.000.907	D1023135A	3 Al/Cu clamps 1,5-70mm <sup>2</sup>	MULTIVERT® 1.000.902 with cabling of instrument leads	1.47	1 piece
1.000.908	E1023136A	with V-terminal for V-terminal clamps size 00	MULTIVERT® 1.000.903 with cabling of instrument leads	1.47	1 piece
1.002.437	Y1023130A	3 frame clamps Cu 2,5-70mm <sup>2</sup>	MULTIVERT® 1.000.904 with cabling of instrument leads	1.18	1 piece

### MULTIVERT® 160A size 00 185mm bus bar system 1 x triple pole switching

article number	reference number	cable termination components	design	weight kg <sup>1)</sup>	package
1.001.339	Y1023153A	3 M8 terminal screws	including adjustment cover art.no. MZ00AAD and adapter 1.001.298	1.80	1 piece

# MULTIVERT® 160A 3 x single pole switching NH-vertical fuse switch disconnecter, size 00, 160A, 690VAC



in accordance with IEC/EN 60 947-3.

For NH-fuse links size 000/00 in accordance with IEC/EN 60 269-2, VDE 0636-2.

- Installation on to 185mm bus bar system
- Symmetrical switch - top/bottom cable terminal connection
- Touch protection IP 30 with central cover
- Parking position of switch operating cover even with fuse links inserted
- Varieties of cable termination: screw, clamp strap, AlCu clamp, frame clamp, V-terminal
- Electronic fuse monitoring or indicator for switch door position - optional

## MULTIVERT® 160A size 00 185mm 3 x single pole switching



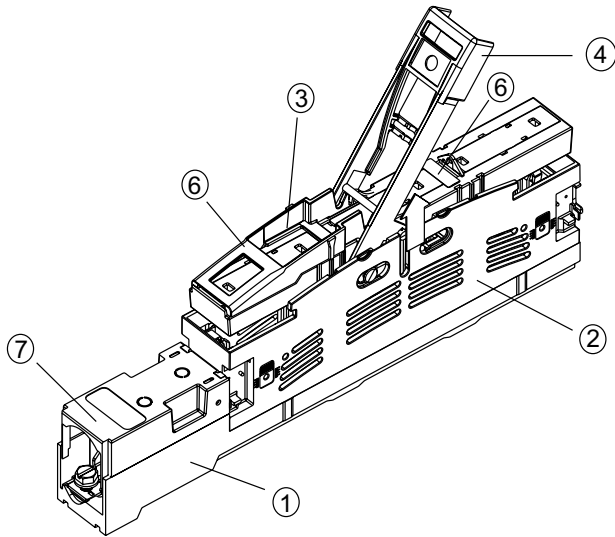
M01N0G 1.001.725

article number	reference number	cable termination components	design	weight kg <sup>1</sup>	package
M01N0G	Y228756A	3 M8 terminal screws	with cover shroud MZ00KH	1.90	1 piece
M01S0G	X1023152A	3 clamp straps Cu 4-70mm <sup>2</sup>	with cover shroud MZ00KH	1.90	1 piece
M01A0G	Q1023146A	3 Al/Cu clamps 1,5-70mm <sup>2</sup>	with cover shroud MZ00KH	1.90	1 piece
1.000.910	G1023138A	with V-terminal for V-terminal clamps size 00	with cover shroud 1.000.915	1.90	1 piece
1.001.725	M1023143A	V-terminal with 3 V-terminal clamps size 00	with cover shroud 1.000.915	1.10	1 piece
M01N0E11G	R1023147A	3 M8 terminal screws	MULTIVERT® M01N0G with cabling of instrument leads	2.25	1 piece
M01S0E11G	W1023151A	3 clamp straps Cu 4-70mm <sup>2</sup>	MULTIVERT® M01S0G with cabling of instrument leads	2.25	1 piece
M01A0E11G	P1023145A	3 Al/Cu clamps 1,5-70mm <sup>2</sup>	MULTIVERT® M01A0G with cabling of instrument leads	2.25	1 piece
1.000.911	L1023142A	with V-terminal for V-terminal clamps size 00	MULTIVERT® 1.000.910 with cabling of instrument leads	2.25	1 piece

# MULTIVERT® 160A

## MULTIVERT® 160A 1 x triple pole switching NH-vertical fuse switch disconnecter

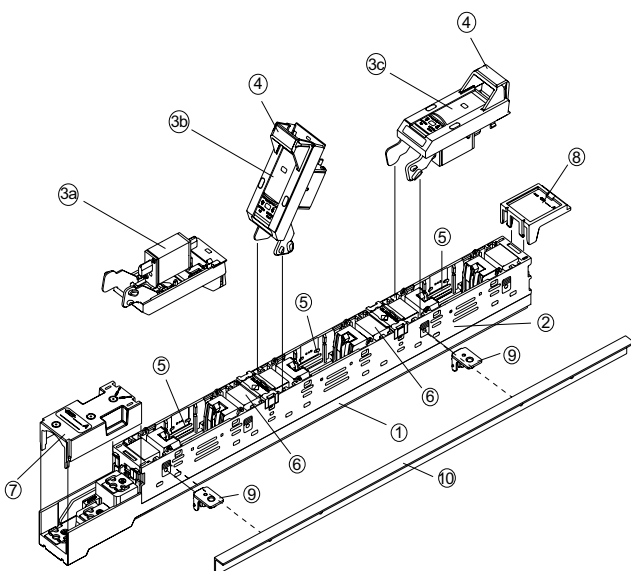
Dimensions  
E 1.000.857



no.	article number	short description
1		Main base
2		Protection cover
3		Switch operating cover
4		Handle
5		-
6		Labelling area/label
7	MZ00KH	Cover shroud 106mm

## MULTIVERT® 160A 3 x single pole switching MULTIVERT® 160A NH-vertical fuse switch disconnecter

Dimensions  
E 1.002.098



no.	article number	short description
1		Main base
2		Protection cover
3		Switch operating cover: 3a. parking position; 3b. open; 3c closed
4		Handle
5		Bus bar fixing access/protective door
6		Labelling area/label
7	MZ00KH	Cover shroud 106mm
8	MZ00BT2	Label holder
9	MZAW	Support angle, 1 set = 4 pieces
10	1.001.510	cover shield, length 605mm, set=2 pieces



# MULTIVERT® 160A

## NH-vertical fuse switch disconnecter, size 00, 160A, 690VAC

Technical data in accordance with EN / IEC 60947

	160A, 60mm 1 x triple pole switching	160A, 100mm 1 x triple pole switching	160A, 185mm 1 x triple pole switching	160A, 185mm 3 x single pole switching
Installation mode	bus bar installation	bus bar installation	bus bar installation	bus bar installation
Size	00	00	00	00
Number of poles/phases	3	3	3	3
Conventional free air thermal current with NH-fuse links $I_{th}$	160A	160A	160A	160A
Max. power dissipation of NH-fuse links $P_n$	12W	12W	12W	12W
Conventional free air thermal current with solid links $I_{th}$	250A	250A	250A	200A
Max. power dissipation of solid links $P_n$	1,2W	1,2W	1,2W	1,2W
Utilization category to IEC/EN 60947-3 $U_e = AC 400V; I_e = 160A$ $U_e = AC 500V; I_e = 160A$ $U_e = AC 690V; I_e = 100A$ $U_e = AC 690V; I_e = 125A$	AC 23 B AC 22 B AC 21 B -	AC 23 B AC 22 B AC 21 B -	AC 23 B AC 22 B AC 21 B -	AC 22 B - - AC 20 B
Rated operational voltage $U_e$	690V	690V	690V	690V
Rated insulation voltage $U_i$	1000V	1000V	1000V	1000V
Rated impulse withstand voltage $U_{imp}$	8kV	8kV	8kV	4kV
Rated frequency	50 ... 60Hz	50 ... 60Hz	50 ... 60Hz	50 ... 60Hz
Degree of protection	IP30	IP30	IP30	IP20
Degree of pollution	3	3	3	3
Rated duty	uninterrupted duty	uninterrupted duty	uninterrupted duty	uninterrupted duty
Rated short circuit making capacity with solid links $I_{cm}$	4.5kAsw	4.5kAsw	4.5kAsw	6.3kAsw
Rated short circuit making capacity with fuse links $U_e = AC 400V; I_e = 160A$ $U_e = AC 500V; I_e = 160A$ $U_e = AC 690V; I_e = 100A$	80kA 80kA 50kA	80kA 80kA 50kA	80kA 80kA 50kA	- 50kA -
Rated short circuit withstand current $I_{cw}$	4.5kA / 1s	4.5kA / 1s	4.5kA / 1s	4.2kA / 1s
Power dissipation by $I_{th}$ without NH-fuse links	20W	20W	20W	-
Power dissipation by $I_{th}$ without solid links	49W	49W	49W	-
<b>Cable terminal connection</b>				
Standard cable terminal	M8	M8	M8	M8
for cable lugs Cu max.	70mm <sup>2</sup>	70mm <sup>2</sup>	70mm <sup>2</sup>	70mm <sup>2</sup>
for cable lugs Al max.	70mm <sup>2</sup>	70mm <sup>2</sup>	70mm <sup>2</sup>	70mm <sup>2</sup>
for copper bars with max. dimensions	20x5mm	20x5mm	20x5mm	20x5mm
V-shaped lugs for V-terminal clamps	10 - 95mm <sup>2</sup>	10 - 95mm <sup>2</sup>	10 - 95mm <sup>2</sup>	10 - 95mm <sup>2</sup>
<b>Bus bar terminal connection</b>				
Standard bus bar terminal	ready fitted hooked clamps	M8	clamp terminal via adapter	M8
Hooked clamp for bus bar with thickness	10mm	5 ... 10mm	5 ... 10mm	5 ... 10mm
Bus bar system	60mm	100mm	185mm	185mm
Bus bar thickness (bus bar system = 60mm)	20 ... 30mm	-	-	-

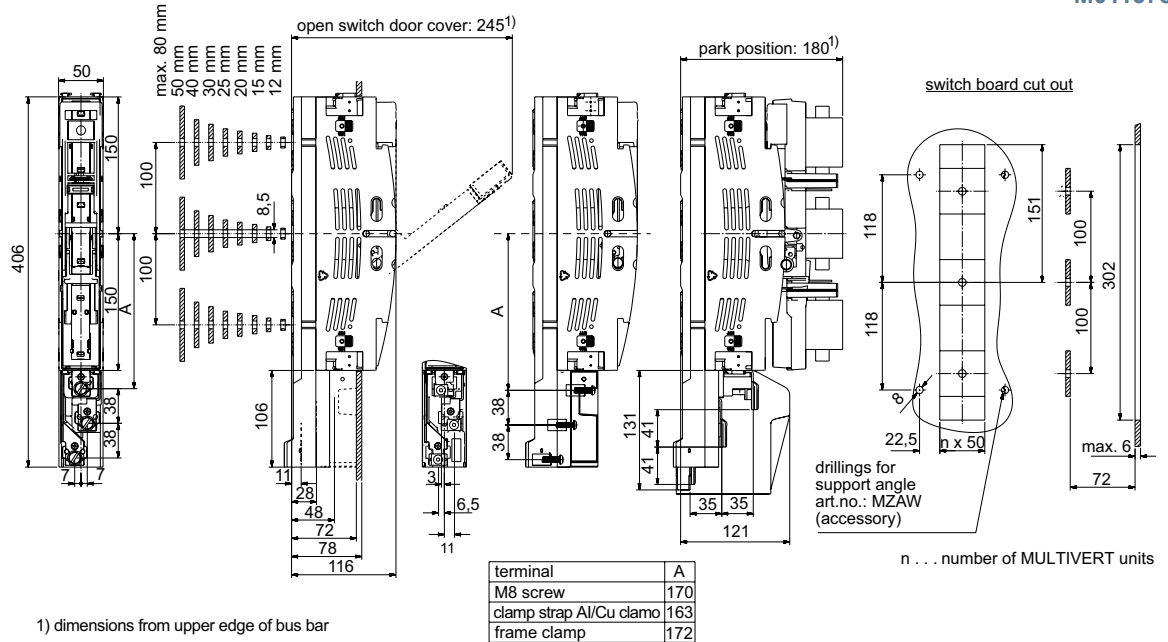
# MULTIVERT® 160A

## MULTIVERT® 160A/100mm triple pole switching

MULTIVERT® NH-vertical fuse switch disconnecter

160A/100mm direct installation with screws on to 100mm bus bar system

Dimensions  
M01137c

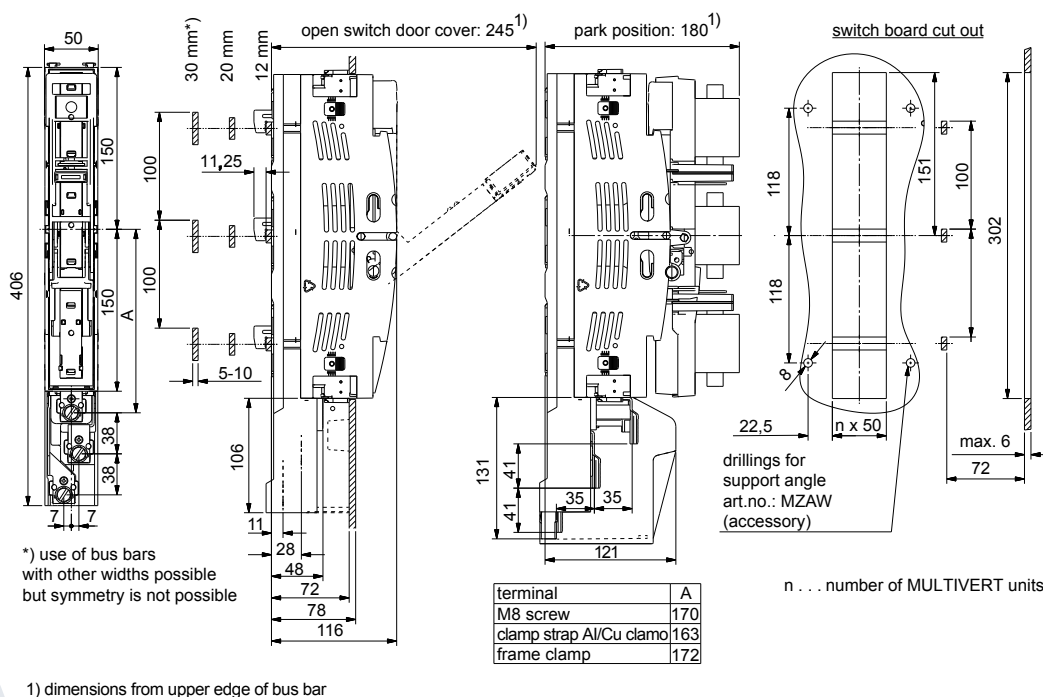


## MULTIVERT® 160A/100mm triple pole switching

MULTIVERT® NH-vertical fuse switch disconnecter

160A/100mm direct installation without drilling with hooked clamps on to 100mm bus bar system

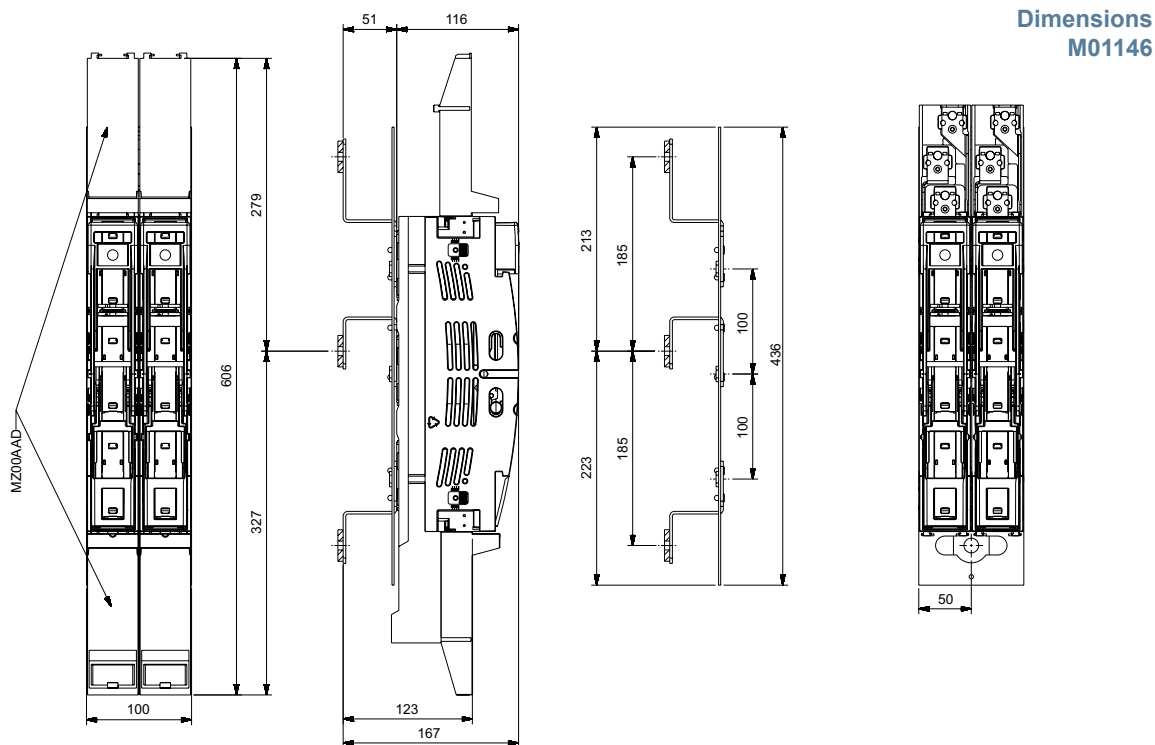
Dimensions  
M01138c



## MULTIVERT® 160A/185mm triple pole switching

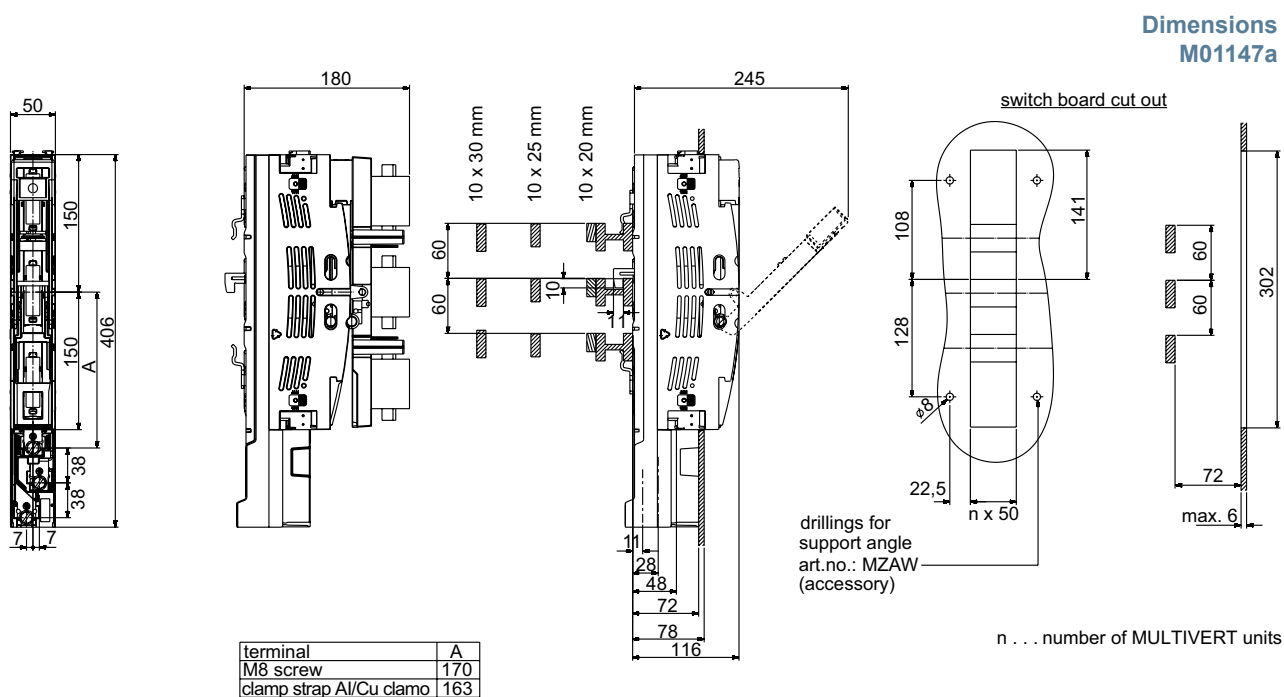
MULTIVERT® 160A/100mm NH-vertical fuse switch

disconnecter direct installation without drilling including adapter with hooked clamps for installation on to 185mm bus bar system



## MULTIVERT® 160A/60mm triple pole switching

MULTIVERT® NH-vertical fuse switch disconnecter 160A/60mm direct installation without drilling on to 60mm bus bar system



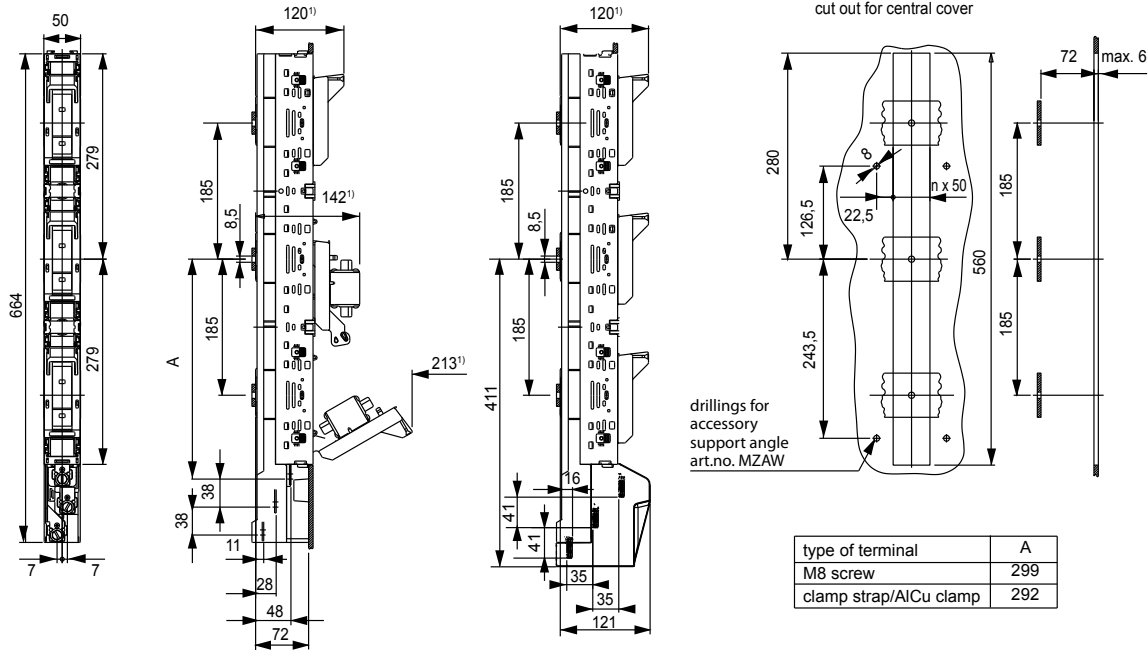
# MULTIVERT® 160A

## MULTIVERT® 160A/185mm single pole switching

MULTIVERT® 160A/185mm NH-vertical fuse switch

disconnecter direct installation with screws on to 185mm bus bar system

Dimensions  
M01092b



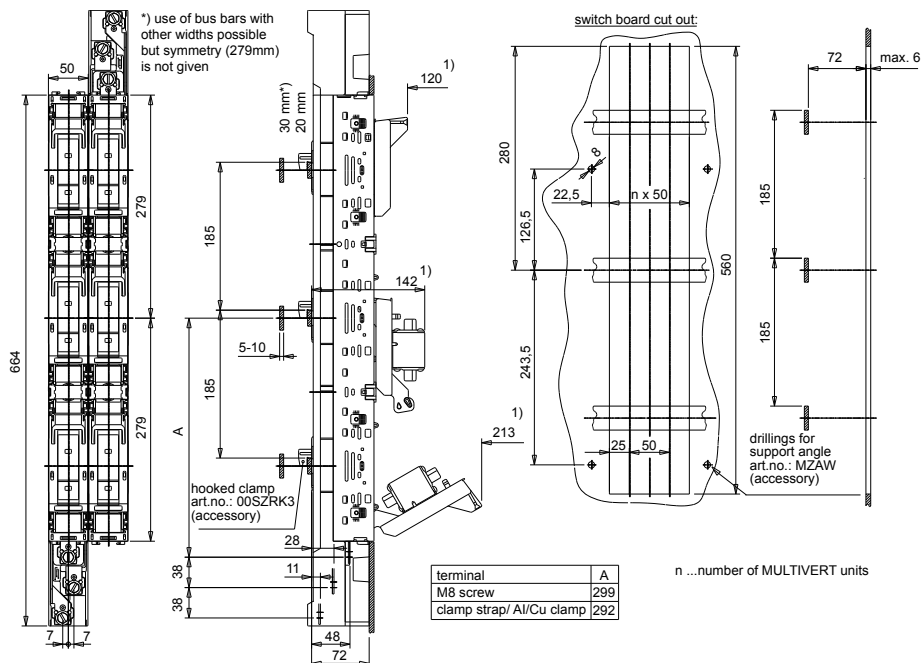
1) dimensions from upper edge of bus bar

n ... number of units

## MULTIVERT® 160A/185mm single pole switching

MULTIVERT® 160A/185mm NH-vertical fuse switch disconnecter direct installation without drilling with hooked clamps on to 185mm bus bar system

Dimensions  
M01093d



1) dimensions from upper edge of bus bar

n ... number of MULTIVERT units

# MULTIVERT® 160A

## Cable termination MULTIVERT® 160A

Dimensions  
MA107d

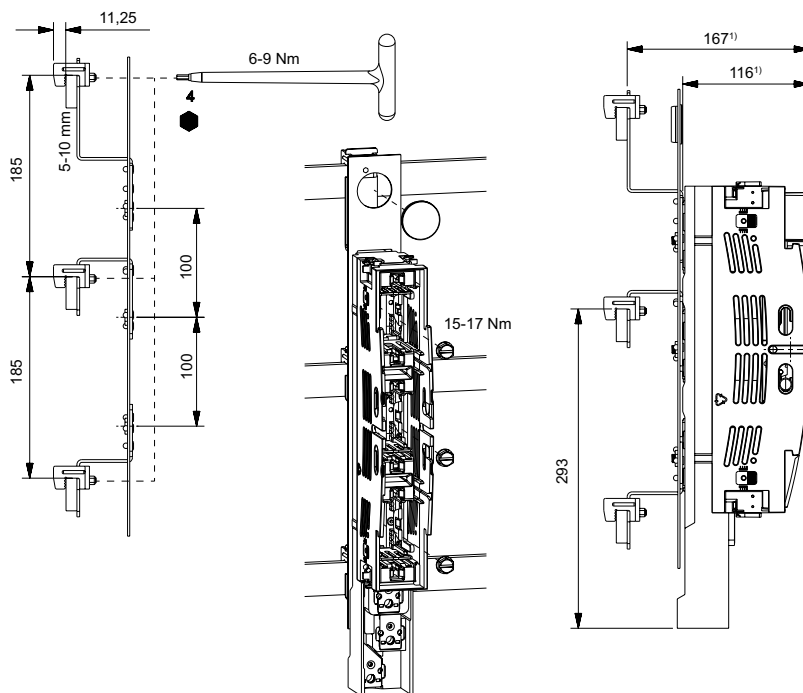
reference	N	S	A	V	R	K
article number	00SZS	00SZESK	00SZA70	00SZVK1 ((accessory))	*	1.003.433
type of terminal	screw	clamp strap	Al/Cu clamp	V-clamp	frame clamp	clamping block
cross section	Cu 16-17	Cu 4-70	Cu 1,5-70	Cu 10-50	Cu 2,5-70	Cu 1,5-16
[mm <sup>2</sup> ]	Al 16-95	-	Al 1,5-70/95 se	Al 35-70/95 se	-	-
M [Nm]	15-17	3-4	3-4	5-6	6	3,4

\*) installed on to MULTIVERT 160A, 1x triple pole switching  
art. no. 1.000.904 (for 100mm bus bar system) and art. no. 1.002.489 (for 60mm bus bar system)

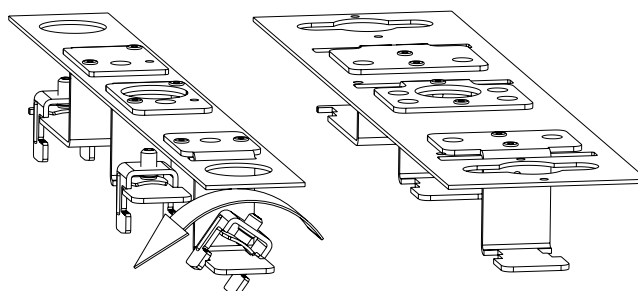
## Adapter for MULTIVERT® 160A/100mm

Adapter size 00 for direct installation without drilling on to 185mm bus bar system

Dimensions  
MA112b



1) dimensions from upper edge of bus bar



article number 1.001.298

article number 1.001.300

MULTIVERT® NH-vertical fuse switch disconnecter

# MULTIVERT® 160A

## MULTIVERT® 160A

NH-vertical fuse switch disconnector, size 00, 160A, 690VAC

### Accessories

#### MULTIVERT® 160A

#### Cover/shrouds for cable termination

article number	reference number	design	weight kg <sup>1</sup>	package
MZ00KH	F1023298A	cover shroud length 106mm for MULTIVERT®/BSL 160A	0.02	1 piece
MZ00KA	L1023464A	extended cover shroud for cover shroud MZ00KH	0.04	1 piece
1.000.915	H1023300A	cover shroud for MULTIVERT®/BSL 160A with V-terminal	0.05	1 piece
1.000.914	E1023274A	rear cover for MULTIVERT®/BSL 160A with V-terminal	0.004	1 piece
MZ00KAD	G1023299A	cover shroud length 156mm for MULTIVERT®/BSL 160A	0.06	1 piece



MZ00KH



MZ00KA



1.000.915



1.000.914



MZ00KAD

#### Indication facilities

#### MULTIVERT® 160A

article number	reference number	design	weight kg <sup>1</sup>	package
1.002.939	Y1023452A	electronic fuse monitoring ESÜ size 00 for MULTIVERT® 160A with cabling of instrument leads	0.06	1 piece
MZ00ESM	D228761A	Electronic System Monitor ESM size 00 for MULTIVERT® 160A with cabling of instrument leads	0.35	1 piece
1.000.852	Q1002285A	indicator for switch door position micro switch, 1 change-over contact 5A, 250V	0.00	1 piece
MZHD	M1023442C	indicator for switch door position 1 "a" contact/ 1 "b" contact, 5A, 250V for MULTIVERT® 160A/bus bar system 185mm 3 x single pole switching	0.01	1 piece



1.002.939



MZ00ESM



1.000.852



MZHD

# MULTIVERT® 160A

## NH-vertical fuse switch disconnecter, size 00, 160A, 690VAC

### Accessories

#### MULTIVERT® 160A

#### Varieties of cable termination



00SZS

00SZESK



00SZA70

1.001.857



00SZVK1

1.000.098

article number	reference number	design	weight kg <sup>1</sup>	package
00SZS	M229298C	M8 terminal screw for switch gear size 00 1 set = 3 pieces	0.03	1 set
00SZESK	E214594C	clamp strap Cu 4-70mm <sup>2</sup> for switch gear size 00 1 set = 3 pieces	0.04	1 set
00SZA70	R211523C	Al/Cu clamp 1,5-70mm <sup>2</sup> for switch gear size 00 1 set = 3 pieces	0.08	1 set
1.001.857	P1022984C	Al/Cu clamp 1,5-95mm <sup>2</sup> round stranded for switch gear size 00 1 set = 3 pieces	0.10	1 set
1.003.433	L1022958A	triple clamp per pole 1.5 up to 16mm <sup>2</sup> 1 set = 3 pieces	-	1 piece
00SZVK1	D1023434A	V-terminal clamp size 00, 10-70mm <sup>2</sup> round stranded, 10-95mm <sup>2</sup> round solid, 35-95mm <sup>2</sup> single stranded, 50-95mm <sup>2</sup> single solid, M = 12Nm	0.04	1 piece
1.000.098	E1023435A	insulation cap for V-terminal clamp size 00	0.002	1 piece

#### Adapter for installation on to bus bars with clamp terminal

#### MULTIVERT® 160A



1.001.289

1.001.298

1.001.300

article number	reference number	design	application	weight kg <sup>1</sup>	package
1.001.289	C1023295A	single adapter 100/185mm with increased touch protection to obtain uniform profile in height for combined installation with MULTIVERT® 250A, 400A, 630A	MULTIVERT® 160A/100mm 1x3-pole	0.56	1 piece
1.001.298	Y1023291A	double adapter 100/185mm with increased touch protection to obtain uniform profile in height for combined installation with MULTIVERT® 250A, 400A, 630A	MULTIVERT® 160A/100mm 1x3-pole	0.80	1 piece
1.001.300	Z1023292A	double adapter 185/185mm with increased touch protection to obtain uniform profile in height for combined installation with MULTIVERT® 250A, 400A, 630A	MULTIVERT® 160A/185mm 1x3-pole	0.75	1 piece

# MULTIVERT® 160A

## MULTIVERT® 160A

NH-vertical fuse switch disconnecter, size 00, 160A, 690VAC

### Accessories

#### Covers/level & system adjustment covers

#### MULTIVERT® 160A

article number	reference number	design	weight kg <sup>1</sup>	package
MZ00AAD	X214081A	2 piece adjustment, with integrated area for labeling to adapt to MULTIVERT® for 185mm bus bar system	0.10	1 set
MZ01AS	F228763A	adjustment to adapt to MULTIVERT® 250A, 400A, 630A (top terminal)	0.01	1 piece
MZAW	D218687D	support angle for support of cover plate 1 set = 4 pieces	0.03	1 set



MZ01AS



MZAW

MZ00AAD

#### Covers/spare way covers

#### MULTIVERT® 160A

article number	reference number	design	application	weight kg <sup>1</sup>	package
MZ00LPAP	B1023409A	spare way cover without level adjustment width 50mm, length 320mm for single adapter MZ00ESA and double adapter MZ00DSA including fixing material	bus bar system 100mm	0.05	1 piece
MZ01LPAP	C1023410A	spare way cover without level adjustment width 50mm, length 500mm including fixing material	bus bar system 185mm	0.06	1 piece
1.002.493	N1002283A	spare way cover width 50mm, length 630mm for covering of open installation spaces in distribution units with central cover	bus bar system 185mm	0.13	1 piece
1.002.830	E1023412A	spare way cover width 50mm, length 630mm with level adjustment 123mm for bus bar installation, set = cover + fixing set (2 distance pieces, 2 screw rivets)	bus bar system 185mm	0.20	1 set



MZ00LPAP



MZ01LPAP



1.002.493



1.002.830



# MULTIVERT® 160A

## NH-vertical fuse switch disconnecter, size 00, 160A, 690VAC

### Accessories

#### Adapter for installation on to bus bars with screw terminal

#### MULTIVERT® 160A



MZ00DSA MZ00ESA MZ00ESAECO



MZ01DSA MZ01ESA

article number	reference number	design	application	weight kg <sup>1</sup>	package
MZ00DSA	C217145A	double adapter 100/185mm with increased touch protection to obtain uniform profile in height for combined installation with MULTIVERT®/BSL 250A, 400A, 630A	MULTIVERT® 160A/100mm 1x3-pole	0.85	1 piece
MZ00ESA	Q216628A	single adapter 100/185mm with increased touch protection to obtain uniform profile in height for combined installation with MULTIVERT®/BSL 250A, 400A, 630A	MULTIVERT® 160A/100mm 1x3-pole	0.45	1 piece
MZ00ESAECO	D1023296A	Einfachadapter 100/185mm to obtain uniform profile in height for combined installation with MULTIVERT®/BSL 250A, 400A, 630A	MULTIVERT® 160A/100mm 1x3-pole	0.19	1 piece
MZ01DSA	G228764A	double adapter 185/185mm with increased touch protection to obtain uniform profile in height for combined installation with MULTIVERT®/BSL 250A, 400A, 630A	MULTIVERT® 160A/185mm 1x3-pole	0.70	1 piece
MZ01ESA	H228765A	single adapter 185/185mm (for installation of MULTIVERT®/BSL with screws M8) to obtain uniform profile in height for combined installation with MULTIVERT®/BSL 250A, 400A, 630A	MULTIVERT® 160A/185mm 1x3-pole	0.40	1 piece

#### Amperemeter units

#### MULTIVERT® 160A



1.000.106 1.000.107  
1.000.100 1.000.101

article number	reference number	design	weight kg <sup>1</sup>	package
1.000.106	R1023285A	size 00, 100A, with drag indicator, triple pole measurement (optional L1, L2, L3)	0.34	1 piece
1.000.107	S1023286A	size 00, 150A, with drag indicator, triple pole measurement (optional L1, L2, L3)	0.34	1 piece
1.000.100	K1023279A	size 00, 100A, with drag indicator, single pole measurement	0.34	1 piece
1.000.101	L1023280A	size 00, 150A, with drag indicator, single pole measurement	0.34	1 piece

#### Labelling facilities

#### MULTIVERT® 160A



MZ00BT2

article number	reference number	design	weight kg <sup>1)</sup>	package
MZ00BT2	K215611A	label holder size 00	0.01	1 piece

<sup>1)</sup> weight in kg per piece or set including package

# MULTIVERT® 160A

## MULTIVERT® 160A

NH-vertical fuse switch disconnecter, size 00, 160A, 690VAC



MZ00EM



MZEGK



00SZRK3



1.000.119 +  
1.000.123



1.000.120 +  
1.000.124

### Accessories

#### Earthing unit

#### MULTIVERT® 160A

article number	reference number	design	weight kg <sup>1</sup>	package
MZ00EM	X1024578A	earthing link size 00	0.30	1 piece
MZEGK	V1024576A	complete earthing unit including 3 pieces earthing links	5.40	1 piece

#### Installation devices/bus bar installation

#### MULTIVERT® 160A

article number	reference number	design	weight kg <sup>1</sup>	package
00SZRK3	K215105C	hooked clamp size 00, M = 5Nm 1 set = 3 pieces	0.10	1 set
1.002.646	W1023450Y	M10 insert nut, size 00 1 set = 30 pieces	0.12	1 set

#### Current transformers in combination with adapter

#### MULTIVERT® 160A

article number	reference number	design	weight kg <sup>1)</sup>	package
1.000.121	F1024609A	current transformer for adapter for single pole measurement up to 100A set = 1 piece current transformer + 3 pieces distance tubes art.no. 1.000.125 for level adjustment, 1 piece installed, 2 pieces additionally packed	0.51	1 set
1.000.123	H1024611A	current transformer for adapter for single pole measurement up to 150A set = 1 piece current transformer + 3 pieces distance tubes art.no. 1.000.125 for level adjustment, 1 piece installed, 2 pieces additionally packed	0.52	1 set
1.000.122	G1024610A	current transformer for adapter for triple pole measurement up to 100A set = 3 pieces current transformer with distance tubes art.no. 1.000.125 for level adjustment 3 pieces installed	0.78	1 set
1.000.124	J1024612A	current transformer for adapter for triple pole measurement up to 150A set = 3 pieces current transformer with distance tubes art.no. 1.000.125 for level adjustment 3 pieces installed	0.81	1 set
1.000.125	V1024599C	distance tube for adapter for level adjustment supplementary set for neighbouring MULTIVERT® without measurement to obtain uniform profile in height 1 set = 3 pieces	0.37	1 set
1.000.117	R1023446A	single adapter 100/185mm for circuit transformer	0.34	1 piece
1.000.119	A1023293A	double adapter 100/185mm for circuit transformer	0.58	1 piece
1.000.120	B1023294A	double adapter 185/185mm for circuit transformer	0.56	1 piece

<sup>1)</sup> weight in kg per piece or set including package

# MULTIVERT® 160A

NH-vertical fuse switch disconnecter, size 00, 160A, 690VAC



MZ003SW100



SZ1SW150



MZ00PR150

## Accessories

### Current transformers/external current transformers

### MULTIVERT® 160A

article number	reference number	design	weight kg <sup>1</sup>	package
MZ001SW100	C1024606A	current transformer up to 100A for single pole measurement between bus bar and MULTIVERT® set = 1 piece current transformer + 3 pieces distance tubes for level adjustment, 1 piece installed in the current transformer, 2 pieces additionally packed	0.55	1 set
MZ001SW150	E1024608A	current transformer up to 150A for single pole measurement between bus bar and MULTIVERT® set = 1 piece current transformer + 3 pieces distance tubes for level adjustment, 1 piece installed in the current transformer, 2 pieces additionally packed	0.55	1 set
MZ003SW100	B1024605A	current transformer up to 100A for triple pole measurement between bus bar and MULTIVERT® set = 3 pieces current transformer with distance tubes for level adjustment, 3 pieces installed in the current transformer	1.84	1 set
MZ003SW150	D1024607A	current transformer up to 150A for triple pole measurement between bus bar and MULTIVERT® set = 3 pieces current transformer with distance tubes for level adjustment, 3 pieces installed in the current transformer	1.85	1 set
SZ1SW100	H1024565A	current transformer up to 100A for single pole measurement between bus bars (incoming and outgoing bar)	0.32	1 piece
SZ1SW150	J1024566A	current transformer up to 150A for single pole measurement between bus bars (incoming and outgoing bar)	0.33	1 piece
MZ00PR150	R1024596C	distance tube for level adjustment, up to 150A, supplementary set for neighbouring MULTIVERT® without measurement to obtain uniform profile in height 1 set = 3 pieces	0.40	1 set

# MULTIVERT® 250A, 400A, 630A

## MULTIVERT® 250A

NH-vertical fuse switch disconnecter, size 1, 250A, 690VAC



in accordance with IEC/EN 60 947-3.

For NH-fuse links size 1 in accordance with IEC/EN 60 269-2, VDE 0636-2.

- Installation on to 185mm bus bar system  
Standard design with M 12 screws: M = ±35 3Nm  
Direct installation without drilling with hooked clamps
- Symmetrical switch - top/bottom cable terminal connection
- Touch protection IP 30 with central cover
- Varieties of cable termination: bolt, insert nut, V-terminal
- Design with integration of cabling and all instrument leads in the base for:  
Electronic fuse monitoring ESÜ , Electroic System Monitor ESM,  
electro-mechanic fuse monitoring (galvanic isolation) MZS  
and all measuring devices (e.g. ampere meter and volt meter)
- Integrated measuring transformer (optional) with unchanged installation depth



1.100.000 1.120.000

MULTIVERT® 250A size 1 185mm 3 x single pole switching

article number	reference number	cable termination components	design	weight kg <sup>1</sup>	package
1.100.000	H1002186A	3 M12 bolts	-	4.52	1 piece
1.110.000	J1023163A	3 M10 insert nuts	-	4.46	1 piece
1.120.000	K1023164A	V-terminal for V-terminal clamps size 1,2,3	-	4.38	1 piece
1.120.900	Q1023169A	V-terminal, 2 terminals per phase for V-terminal clamps size 1,2,3	-	5.50	1 piece
1.100.083	N1023167A	3 M12 bolts	MULTIVERT® 1.100.000 with integrated C.T. 250/5A, 3,75VA, class 1 for single pole measurement (ready fitted in pole 1) with cabling of instrument leads	4.60	1 piece
1.100.062	L1023165A	3 M12 bolts	MULTIVERT® 1.100.000 with integrated C.T. 250/5A, 3,75VA, class 1, calibrated, for single pole measurement (ready fitted in pole 1) with cabling of instrument leads	-	1 piece
1.100.093	P1023168A	3 M12 bolts	MULTIVERT® 1.100.000 with integrated C.T. 250/5A, 3,50VA, class 1 for triple pole measurement with cabling of instrument leads	5.30	1 piece
1.100.072	M1023166A	3 M12 bolts	MULTIVERT® 1.100.000 with integrated C.T. 250/5A, 3,50VA, class 1, calibrated, for triple pole measurement with cabling of instrument leads	-	1 piece

# MULTIVERT® 250A

NH-vertical fuse switch disconnecter, size 1, 250A, 690VAC



1.160.000 1.170.000

MULTIVERT® 250A size 1 185mm 1 x triple pole switching

article number	reference number	cable termination components	design	weight kg <sup>1</sup>	package
1.150.000	L1002189A	3 M12 bolts	-	4.67	1 piece
1.160.000	S1023171A	3 M10 insert nuts	-	4.63	1 piece
1.170.000	H1023185A	V-terminal for V-terminal clamps size 1,2,3	-	4.55	1 piece
1.170.600	K1023187A	V-terminal with 3 terminal clamps size 1,2,3	-	4.60	1 piece
1.170.900	M1023189A	V-terminal, 2 terminals per phase for V-terminal clamps size 1,2,3	-	5.80	1 piece
1.150.100	P1002192A	3 M12 bolts	MULTIVERT® 1.150.000 with cabling of instrument leads	5.10	1 piece
1.150.083	R1023193A	3 M12 bolts	MULTIVERT® 1.150.000 with integrated C.T. 250/5A, 3,75VA, class 1 for single pole measurement (ready fitted in pole 1) with cabling of instrument leads	4.80	1 piece
1.150.062	N1023190A	3 M12 bolts	MULTIVERT® 1.150.000 with integrated C.T. 250/5A, 3,75 VA, class 1, calibrated, for single pole measurement (ready fitted in pole 1) with cabling of instrument leads	-	1 piece
1.150.091	S1023194A	3 M12 bolts	MULTIVERT® 1.150.000 with integrated C.T. 100/5A, 2,00VA, class 1 for triple pole measurement with cabling of instrument leads	5.40	1 piece
1.150.093	T1023195A	3 M12 bolts	MULTIVERT® 1.150.000 with integrated C.T. 250/5A, 3,50VA, class 1 for triple pole measurement, cabling of instrument leads	5.40	1 piece
1.150.072	P1023191A	3 M12 bolts	MULTIVERT® 1.150.000 with integrated C.T. 250/5A, 3,50VA, class 1, calibrated, for triple pole measurement, cabling of instrument leads	-	1 piece

MULTIVERT® NH-vertical fuse switch disconnecter

1) weight in kg per piece or set including package

# MULTIVERT® 250A, 400A, 630A

## MULTIVERT® 400A

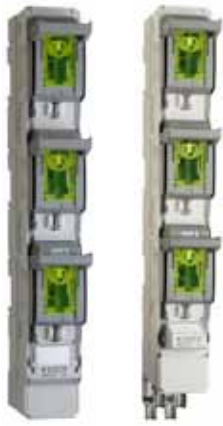
NH-vertical fuse switch disconnecter, size 2, 400A, 690VAC



in accordance with IEC/EN 60 947-3.

For NH-fuse links size 2 in accordance with IEC/EN 60 269-2, VDE 0636-2.

- Installation on to 185mm bus bar system  
Standard design with M 12 screws: M = ±35 3Nm  
Direct installation without drilling with hooked clamps
- Symmetrical switch - top/bottom cable terminal connection
- Touch protection IP30 with central cover
- Varieties of cable termination: bolt, insert nut, V-terminal
- Design with integration of cabling and all instrument leads in the base for:  
Electronic fuse monitoring ESÜ, Electroic System Monitor ESM,  
electro-mechanic fuse monitoring (galvanic isolation) MZS  
and all measuring devices (e.g. ampere meter and volt meter)
- Integrated measuring transformer (optional) with unchanged installation depth



1.210.000

1.220.900

MULTIVERT® 400A		size 2	185mm	3 x single pole switching	
article number	reference number	cable termination components	design	weight kg <sup>1</sup>	package
1.200.000	J1002187A	3 M10 bolts	-	4.60	1 piece
1.210.000	Z1023200A	3 M12 insert nuts	-	4.52	1 piece
1.220.000	A1023201A	V-terminal for V-terminal clamps size 1,2,3	-	4.38	1 piece
1.220.900	B1023202A	V-terminal, 2 terminals per phase for V-terminal clamps size 1,2,3	-	5.45	1 piece
1.200.100	Y1023199A	3 M10 bolts	MULTIVERT® 1.200.000 with cabling of instrument leads	5.10	1 piece
1.200.084	E1023205A	3 M10 bolts	MULTIVERT® 1.200.000 with integrated C.T. 400/5A, 3,75VA, class 1 for single pole measurement (ready fitted in pole 1) with cabling of instrument leads	4.70	1 piece
1.200.064	C1023203A	3 M10 bolts	MULTIVERT® 1.200.000 with integrated C.T. 400/5A, 3,75VA, class 1, calibrated, for single pole measurement (ready fitted in pole 1) with cabling of instrument leads	-	1 piece
1.200.094	F1023206A	3 M10 bolts	MULTIVERT® 1.200.000 with integrated C.T. 400/5A, 3,75VA, class 1 for triple pole measurement with cabling of instrument leads	5.40	1 piece
1.200.074	D1023204A	3 M10 bolts	MULTIVERT® 1.200.000 with integrated C.T. 400/5A, 3,75VA, class 1, calibrated, for triple pole measurement with cabling of instrument leads	-	1 piece
1.230.000	T1023218A	M12 bus bar terminal	MULTIVERT® with lateral bus bar terminals bus bar coupler switch cable terminal connection to right or left side possible	4.46	1 piece

<sup>1)</sup> weight in kg per piece or set including package

# MULTIVERT® 400A

NH-vertical fuse switch disconnecter, size 2, 400A, 690VAC



1.270.900 1.270.094



1.270.094 rear

MULTIVERT® 400A size 2 185mm 1 x triple pole switching

article number	reference number	cable termination components	design	weight kg <sup>1</sup>	package
1.250.000	M1002190A	3 M10 bolts	-	4.76	1 piece
1.260.000	G1023207A	3 M12 insert nuts	-	4.68	1 piece
1.270.000	H1023208A	V-terminal for V-terminal clamps size 1,2,3	-	4.78	1 piece
1.270.600	K1023210A	V-terminal + 3 V-terminal clamps size 1,2,3	-	4.70	1 piece
1.270.900	L1023211A	V-terminal, 2 terminals per phase for V-terminal clamps size 1,2,3	-	6.08	1 piece
1.250.100	X1002199A	3 M10 bolts	MULTIVERT® 1.250.000 with cabling of instrument leads	5.20	1 piece
1.270.100	J1023209A	V-terminal for V-terminal clamps size 1,2,3	MULTIVERT® 1.270.000 with cabling of instrument leads	5.10	1 piece
1.250.084	P1023214A	3 M10 bolts	MULTIVERT® 1.250.000 with integrated C.T. 400/5A, 3,75VA, class 1 for single pole measurement (ready fitted in pole 1) with cabling of instrument leads	4.90	1 piece
1.250.064	M1023212A	3 M10 bolts	MULTIVERT® 1.250.000 with integrated C.T. 400/5A, 3,75VA, class 1, calibrated, for single pole measurement (ready fitted in pole 1) with cabling of instrument leads	-	1 piece
1.250.094	Q1023215A	3 M10 bolts	MULTIVERT® 1.250.000 with integrated C.T. 400/5A, 3,75VA, class 1 for triple pole measurement with cabling of instrument leads	5.60	1 piece
1.250.074	N1023213A	3 M10 bolts	MULTIVERT® 1.250.000 with integrated C.T. 400/5A, 3,75VA, class 1, calibrated, for triple pole measurement with cabling of instrument leads	-	1 piece
1.270.094	S1023217A	V-terminal for V-terminal clamps size 1,2,3	MULTIVERT® 1.270.000 with integrated C.T. 400/5A, 3,75VA, class 1 for triple pole measurement with cabling of instrument leads	5.41	1 piece
1.270.074	R1023216A	V-terminal for V-terminal clamps size 1,2,3	MULTIVERT® 1.270.000 with integrated C.T. 400/5A, 3,75VA, class 1, calibrated, for triple pole measurement with cabling of instrument leads	-	1 piece
1.280.000	V1023219A	M12 bus bar terminal	MULTIVERT® with lateral bus bar terminals bus bar coupler switch cable terminal connection to right or left side possible	4.53	1 piece

MULTIVERT® NH-vertical fuse switch disconnecter

<sup>1</sup>) weight in kg per piece or set including package

# MULTIVERT® 250A, 400A, 630A

## MULTIVERT® 630A

NH-vertical fuse switch disconnector, size 3, 630A, 690VAC



in accordance with IEC/EN 60 947-3.

For NH-fuse links size 3 in accordance with IEC/EN 60 269-2, VDE 0636-2.

- Installation on to 185mm bus bar system  
Standard design with M 12 screws: M = ±35 3Nm  
Direct installation without drilling with hooked clamps
- Symmetrical switch - top/bottom cable terminal connection
- Touch protection IP 30 with central cover
- Varieties of cable termination: bolt, insert nut, V-terminal
- Design with integration of cabling and all instrument leads in the base for:  
Electronic fuse monitoring ESÜ , Electroic System Monitor ESM,  
electro-mechanic fuse monitoring (galvanic isolation) MZS  
and all measuring devices (e.g. ampere meter and volt meter)
- Integrated measuring transformer (optional) with unchanged installation depth



1.300.000

1.320.000

MULTIVERT® 630A size 3 185mm 3 x single pole switching

article number	reference number	cable termination components	design	weight kg <sup>1</sup>	package
1.300.000	K1002188A	3 M10 bolts	-	5.43	1 piece
1.310.000	W1023220A	3 M12 insert nuts	-	5.38	1 piece
1.320.000	X1023221A	V-terminal for V-terminal clamps size 1,2,3	-	5.21	1 piece
1.320.900	Y1023222A	V-terminal, 2 terminals per phase for V-terminal clamps size 1,2,3	-	6.89	1 piece
1.300.100	W1027153A	3 M10 bolts	MULTIVERT® 1.200.000 with cabling of instrument leads	5.10	1 piece
1.300.085	A1023247A	3 M10 bolts	MULTIVERT® 1.300.000 with integrated C.T. 600/5A, 5,00VA, class 1 for single pole measurement (ready fitted in pole 1) with cabling of instrument leads	5.60	1 piece
1.300.066	Z1023223A	3 M10 bolts	MULTIVERT® 1.300.000 with integrated C.T. 600/5A, 5,00VA, class 1, calibrated, for single pole measurement (ready fitted in pole 1) with cabling of instrument leads	-	1 piece
1.300.095	B1023248A	3 M10 bolts	MULTIVERT® 1.300.000 with integrated C.T. 600/5A, 5,00VA, class 1 for triple pole measurement with cabling of instrument leads	6.30	1 piece
1.300.076	Z1023246A	3 M10 bolts	MULTIVERT® 1.300.000 with integrated C.T. 600/5A, 5,00VA, class 1, calibrated, for triple pole measurement with cabling of instrument leads	-	1 piece
1.330.000	Q1023261A	M12 bus bar terminal	MULTIVERT® with lateral bus bar terminals bus bar coupler switch cable terminal connection to right or left side possible	6.10	1 piece



# MULTIVERT® 630A

NH-vertical fuse switch disconnecter, size 3, 630A, 690VAC



1.370.000

1.370.900



1.380.000

MULTIVERT® 630A size 3 185mm 1 x triple pole switching

article number	reference number	cable termination components	design	weight kg <sup>1</sup>	package
1.350.000	N1002191A	3 M10 bolts	-	5.59	1 piece
1.360.000	C1023249A	3 M12 insert nuts	-	5.52	1 piece
1.370.000	D1023250A	V-terminal for V-terminal clamps size 1,2,3	-	5.39	1 piece
1.370.900	F1023252A	V-terminal, 2 terminals per phase for V-terminal clamps size 1,2,3	-	7.05	1 piece
1.370.600	E1023251A	V-terminal + 3 V-terminal clamps	-	5.63	1 piece
1.350.100	Y1002200A	3 M10 bolts	MULTIVERT® 1.350.000 with cabling of instrument leads	6.10	1 piece
1.370.100	G1023253A	V-terminal for V-terminal clamps size 1,2,3	MULTIVERT® 1.370.000 with cabling of instrument leads	5.90	1 piece
1.350.085	K1023256A	3 M10 bolts	MULTIVERT® 1.350.000 with integrated C.T. 600/5A, 5,00VA, class 1 for single pole measurement (ready fitted in pole 1) with cabling of instrument leads	5.80	1 piece
1.350.066	H1023254A	3 M10 bolts	MULTIVERT® 1.350.000 with integrated C.T. 600/5A, 5,00VA, class 1, calibrated, for single pole measurement (ready fitted in pole 1) with cabling of instrument leads	-	1 piece
1.350.095	L1023257A	3 M10 bolts	MULTIVERT® 1.350.000 with integrated C.T. 600/5A, 5,00VA, class 1 for triple pole measurement with cabling of instrument leads	6.50	1 piece
1.350.076	J1023255A	3 M10 bolts	MULTIVERT® 1.350.000 with integrated C.T. 600/5A, 5,00VA, class 1, calibrated, for triple pole measurement with cabling of instrument leads	-	1 piece
1.370.095	P1023260A	V-terminal for V-terminal clamps size 1,2,3	MULTIVERT® 1.370.000 with integrated C.T. 600/5A, 5,00 VA, class 1 for triple pole measurement with cabling of instrument leads	6.00	1 piece
1.370.076	M1023258A	V-terminal for V-terminal clamps size 1,2,3	MULTIVERT® 1.370.000 with integrated C.T. 600/5A, 5,00VA, class 1, calibrated, for triple pole measurement with cabling of instrument leads	-	1 piece
1.380.000	R1023262A	M12 bus bar terminal	MULTIVERT® with lateral bus bar terminals bus bar coupler switch cable terminal connection to right or left side possible	4.77	1 piece

MULTIVERT® NH-vertical fuse switch disconnecter

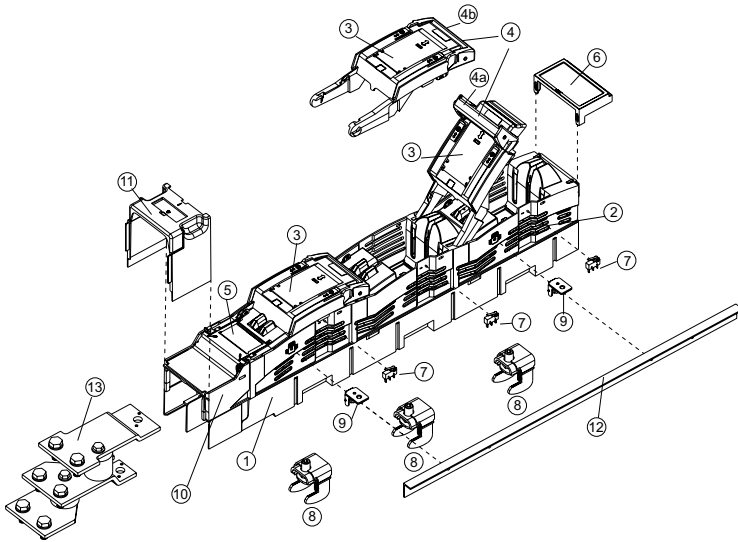
1) weight in kg per piece or set including package

# MULTIVERT® 250A, 400A, 630A

## MULTIVERT® 250A, 400A, 630A 3x single pole switching

### MULTIVERT® 250A, 400A, 630A NH-vertical fuse switch disconnecter

E 1.002.265

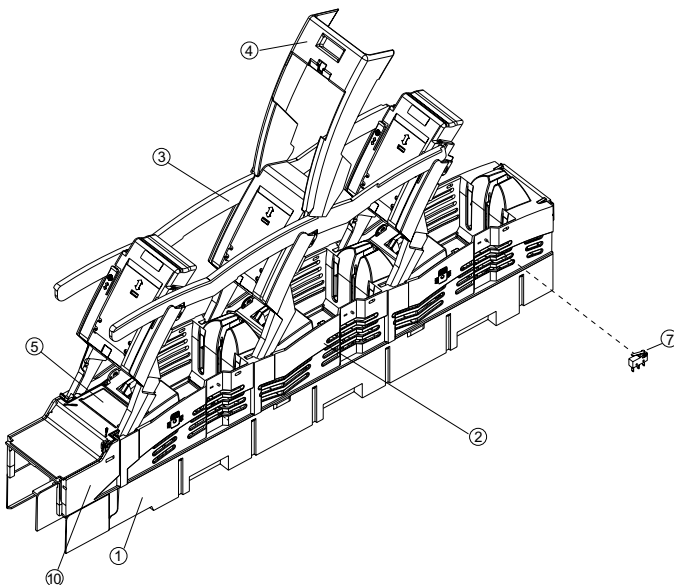


no.	article number	short description
1		Main base
2		Protection cover (removable)
3		Switch operating cover triple pole
4		Combination handle: 4a. open - switching position; 4b. Closed - installation depth 158mm
5		Labelling area (label)
6		Integrated cover shroud
7	1.000.852	indicator for switch door position
8	1.000.192	Hooked clamp, 1 set = 3 pieces
9	MZAW	Support angle, 1 set = 4 pieces
10	MZBT	Label holder
11	1.002.095	Cover shroud, bottom terminal, 70mm
12	1.001.510	cover shield, length 605mm, set=2 pieces
13	1.002.255	Supplementary set for multiple terminal

## MULTIVERT® 250A, 400A, 630A 1x triple pole switching

### MULTIVERT® 250A, 400A, 630A NH-vertical fuse switch disconnecter

E 1.002.266



no.	article number	short description
1		Main base
2		Protection cover (removable)
3		Switch operating cover triple pole
4		Handle
5		Labelling area (label)
6		Integrated cover shroud
7	1.000.852	indicator for switch door position

# MULTIVERT® 250A

## NH-vertical fuse switch disconnecter, size 1, 250A, 690VAC

Technical data in accordance with EN / IEC 60947

	250A 3 x single pole switching	250A 1 x triple pole switching
Installation mode	bus bar installation	bus bar installation
Size	1	1
Number of poles/phases	3	3
Conventional free air thermal current with NH-fuse links $I_{th}$	250A	250A
Max. power dissipation of NH-fuse links $P_n$	23W	23W
Conventional free air thermal current with solid links $I_{th}$	400A	400A
Max. power dissipation of solid links $P_n$	2,6W	2,6W
Utilization category to IEC/EN 60947-3 $U_o = AC 400V; I_o = 250A$ $U_o = AC 500V; I_o = 250A$ $U_o = AC 690V; I_o = 250A$	AC 23 B AC 23 B AC 22 B	AC 23 B AC 23 B AC 22 B
Rated operational voltage $U_o$	690V	690V
Rated insulation voltage $U_i$	1000V	1000V
Rated impulse withstand voltage $U_{imp}$	8kV	8kV
Rated frequency	50 ... 60Hz	50 ... 60Hz
Degree of protection	IP30	IP30
Degree of pollution	3	3
Rated duty	uninterrupted duty	uninterrupted duty
Rated short circuit making capacity with solid links $I_{cm}$	16kAsw	16kAsw
Rated short circuit making capacity with fuse links $U_o = AC 400V; I_o = 250A$ $U_o = AC 500V; I_o = 250A$ $U_o = AC 690V; I_o = 250A$	120kA 120kA 120kA	120kA 120kA 120kA
Power dissipation by $I_{th}$ without NH-fuse links	24W	24W
Power dissipation by $I_{th}$ without solid links	65W	65W
<b>Cable terminal connection</b>		
Standard terminal	M10	M10
for cable lugs Cu max.	300mm <sup>2</sup>	300mm <sup>2</sup>
for cable lugs Al max.	300mm <sup>2</sup>	300mm <sup>2</sup>
for copper bars with max. dimensions	40x10mm	40x10mm
V-shaped lugs for V-terminal clamps	35 - 240mm <sup>2</sup>	35 - 240mm <sup>2</sup>
<b>Bus bar terminal connection</b>		
Standard terminal	M12	M12
Hooked clamp for bus bar with thickness	5 ... 10mm	5 ... 10mm
Bus bar system	185mm	185mm

# MULTIVERT® 250A, 400A, 630A

## MULTIVERT® 400A

NH-vertical fuse switch disconnecter, size 2, 400A, 690VAC

Technical data in accordance with EN / IEC 60947

	400A 3 x single pole switching	400A 1 x triple pole switching
Installation mode	bus bar installation	bus bar installation
Size	2	2
Number of poles/phases	3	3
Conventional free air thermal current with NH-fuse links $I_n$	400A	400A
Max. power dissipation of NH-fuse links $P_n$	34W	34W
Conventional free air thermal current with solid links $I_n$	630A	630A
Max. power dissipation of solid links $P_n$	9W	9W
Utilization category to IEC/EN 60947-3 $U_o = AC 400V; I_o = 400A$ $U_o = AC 500V; I_o = 400A$ $U_o = AC 690V; I_o = 400A$	AC 23 B AC 22 B AC 21 B	AC 23 B AC 22 B AC 21 B
Rated operational voltage $U_o$	690V	690V
Rated insulation voltage $U_i$	1000V	1000V
Rated impulse withstand voltage $U_{imp}$	8kV	8kV
Rated frequency	50 ... 60Hz	50 ... 60Hz
Degree of protection	IP30	IP30
Degree of pollution	3	3
Rated duty	uninterrupted duty	uninterrupted duty
Rated short circuit making capacity with solid links $I_{cm}$	16 kA <sub>sw</sub>	16 kA <sub>sw</sub>
Rated short circuit making capacity with fuse links $U_o = AC 400V; I_o = 400A$ $U_o = AC 500V; I_o = 400A$ $U_o = AC 690V; I_o = 315A$ $U_o = AC 690V; I_o = 400A$	120kA 120kA 120kA 100kA	120kA 120kA 120kA 100kA
Power dissipation by $I_n$ without NH-fuse links	46W	46W
Power dissipation by $I_n$ without solid links	126W	126W
<b>Cable terminal connection</b>		
Standard terminal	M12	M12
for cable lugs Cu max.	300mm <sup>2</sup>	300mm <sup>2</sup>
for cable lugs Al max.	300mm <sup>2</sup>	300mm <sup>2</sup>
for copper bars with max. dimensions	40x10mm	40x10mm
V-shaped lugs for V-terminal clamps	35 - 240mm <sup>2</sup>	35 - 240mm <sup>2</sup>
<b>Bus bar terminal connection</b>		
Standard terminal	M12	M12
Hooked clamp for bus bar with thickness	5 ... 10mm	5 ... 10mm
Bus bar system	185mm	185mm

# MULTIVERT® 630A

## NH-vertical fuse switch disconnecter, size 3, 630A, 690VAC

Technical data in accordance with EN / IEC 60947

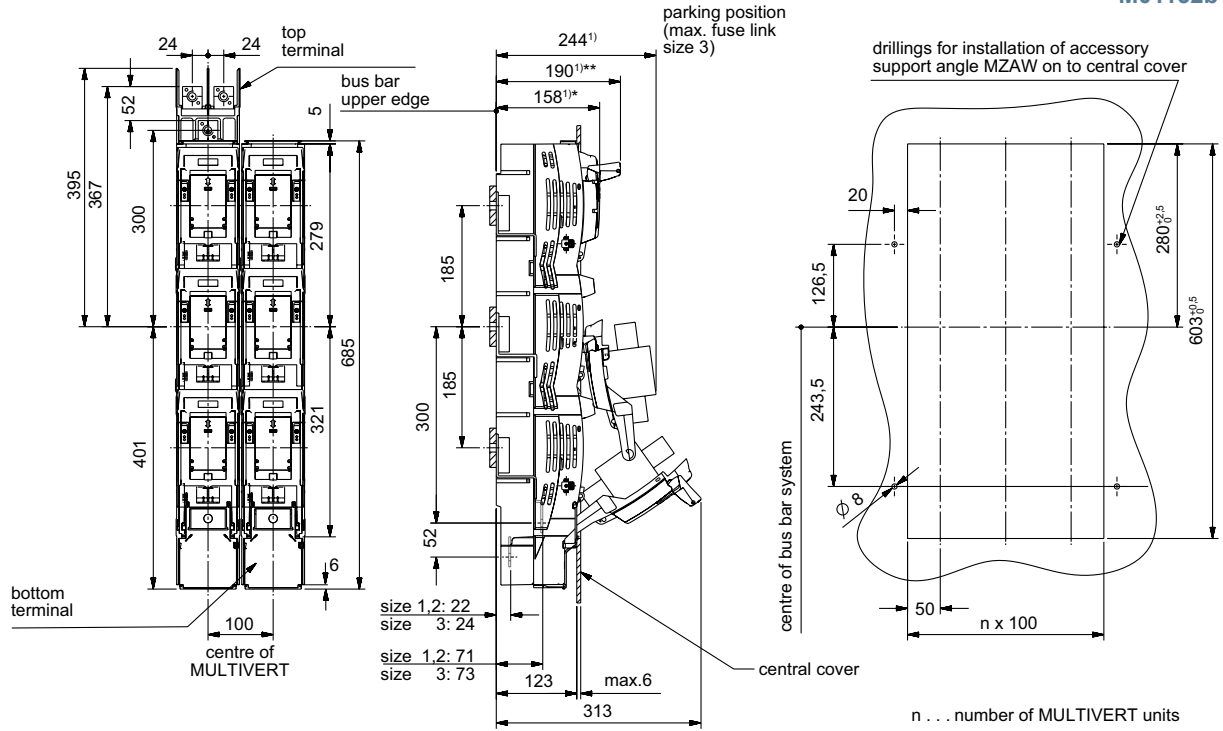
	630A 3 x single pole switching	630A 1 x triple pole switching
Installation mode	bus bar installation	bus bar installation
Size	3	3
Number of poles/phases	3	3
Conventional free air thermal current with NH-fuse links $I_n$	630A	630A
Max. power dissipation of NH-fuse links $P_n$	43W	43W
Conventional free air thermal current with solid links $I_n$	800A	800A
Max. power dissipation of solid links $P_n$	17,5W	17,5W
Utilization category to IEC/EN 60947-3 $U_o = AC 400V; I_o = 630A$ $U_o = AC 500V; I_o = 630A$ $U_o = AC 690V; I_o = 630A$	AC 23 B AC 22 B AC 21 B	AC 23 B AC 22 B AC 21 B
Rated operational voltage $U_o$	690V	690V
Rated insulation voltage $U_i$	1000V	1000V
Rated impulse withstand voltage $U_{imp}$	8kV	8kV
Rated frequency	50 ... 60Hz	50 ... 60Hz
Degree of protection	IP30	IP30
Degree of pollution	3	3
Rated duty	uninterrupted duty	uninterrupted duty
Rated short circuit making capacity with solid links $I_{cm}$	16kAsw	16kAsw
Rated short circuit making capacity with fuse links $U_o = AC 400V; I_o = 630A$ $U_o = AC 500V; I_o = 630A$ $U_o = AC 690V; I_o = 500A$	80kA 80kA 80kA	80kA 80kA 80kA
Power dissipation by $I_n$ without NH-fuse links	92W	92W
Power dissipation by $I_n$ without solid links	161W	161W
<b>Cable terminal connection</b>		
Standard terminal	M12	M12
for cable lugs Cu max.	300mm <sup>2</sup>	300mm <sup>2</sup>
for cable lugs Al max.	300mm <sup>2</sup>	300mm <sup>2</sup>
for copper bars with max. dimensions	40x10mm	40x10mm
V-shaped lugs for V-terminal clamps	35 - 240mm <sup>2</sup>	35 - 240mm <sup>2</sup>
<b>Bus bar terminal connection</b>		
Standard terminal	M12	M12
Hooked clamp for bus bar with thickness	5 ... 10mm	5 ... 10mm
Bus bar system	185mm	185mm

# MULTIVERT® 250A, 400A, 630A

## MULTIVERT® 250A, 400A, 630A single pole switching

### MULTIVERT® 250A, 400A, 630A NH-vertical fuse switch disconnecter

#### Dimensions M01152b



1) dimension from upper edge of bus bar

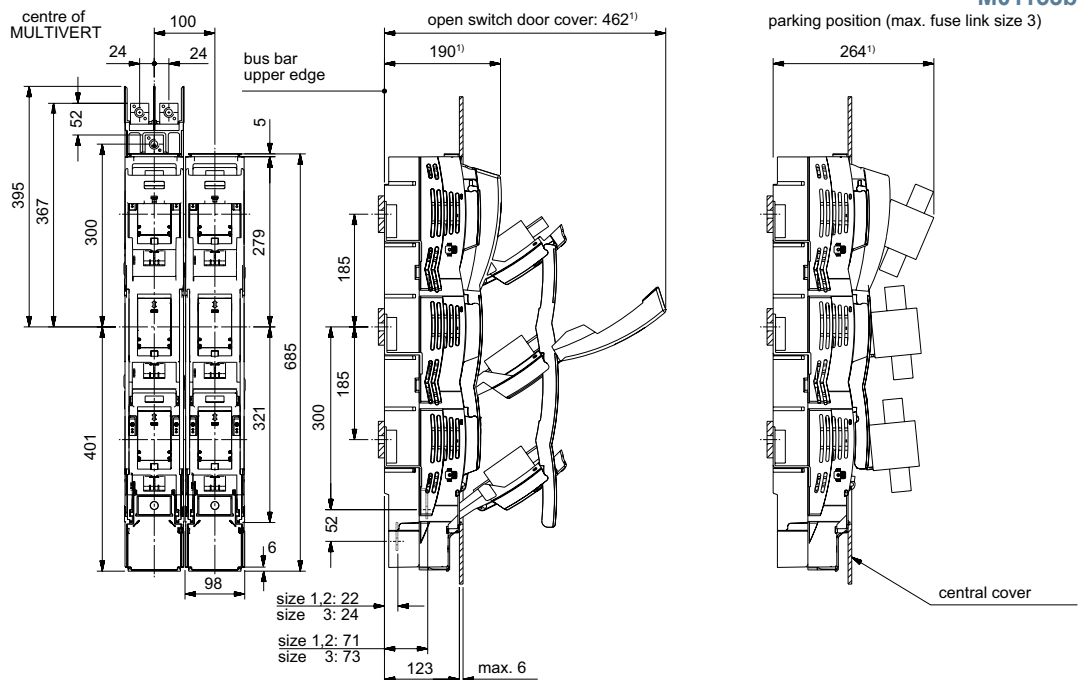
\* 158 mm handle in closed position (folded) = total installation depth of MULTIVERT

\*\* 190 mm handle in open position (fixed) = switching position

## MULTIVERT® 250A, 400A, 630A triple pole switching

### MULTIVERT® 250A, 400A, 630A NH-vertical fuse switch disconnecter

#### Dimensions M01153b

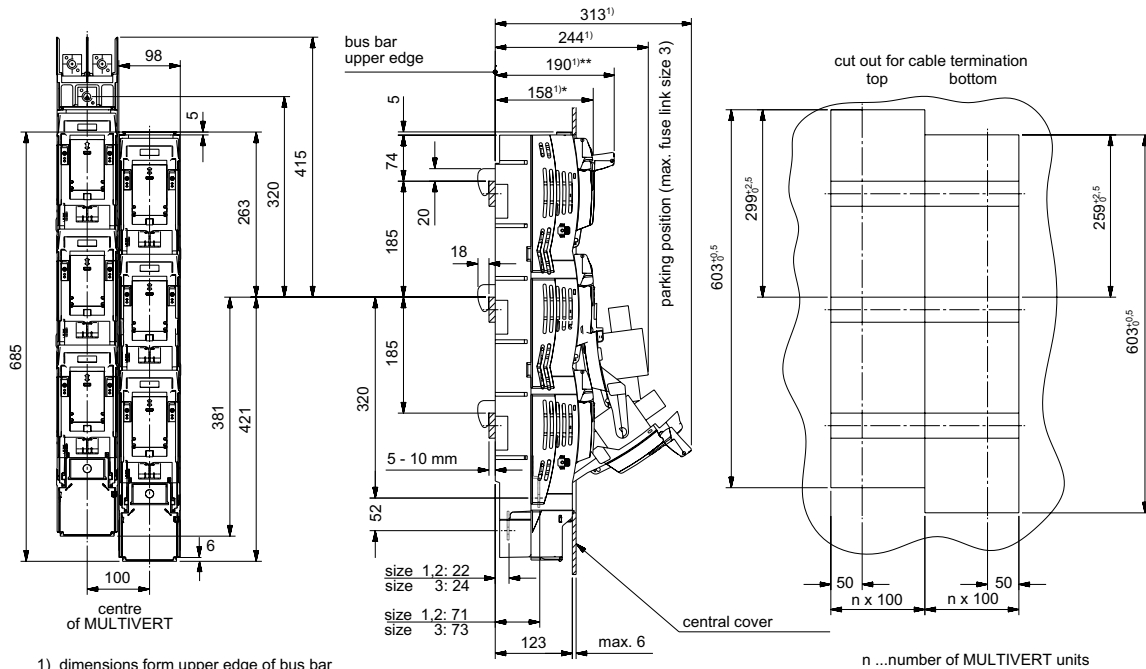


1) dimension from upper edge of bus bar

# MULTIVERT® 250A, 400A, 630A single pole switching

## MULTIVERT® 250A, 400A, 630A NH-vertical fuse switch disconnecter

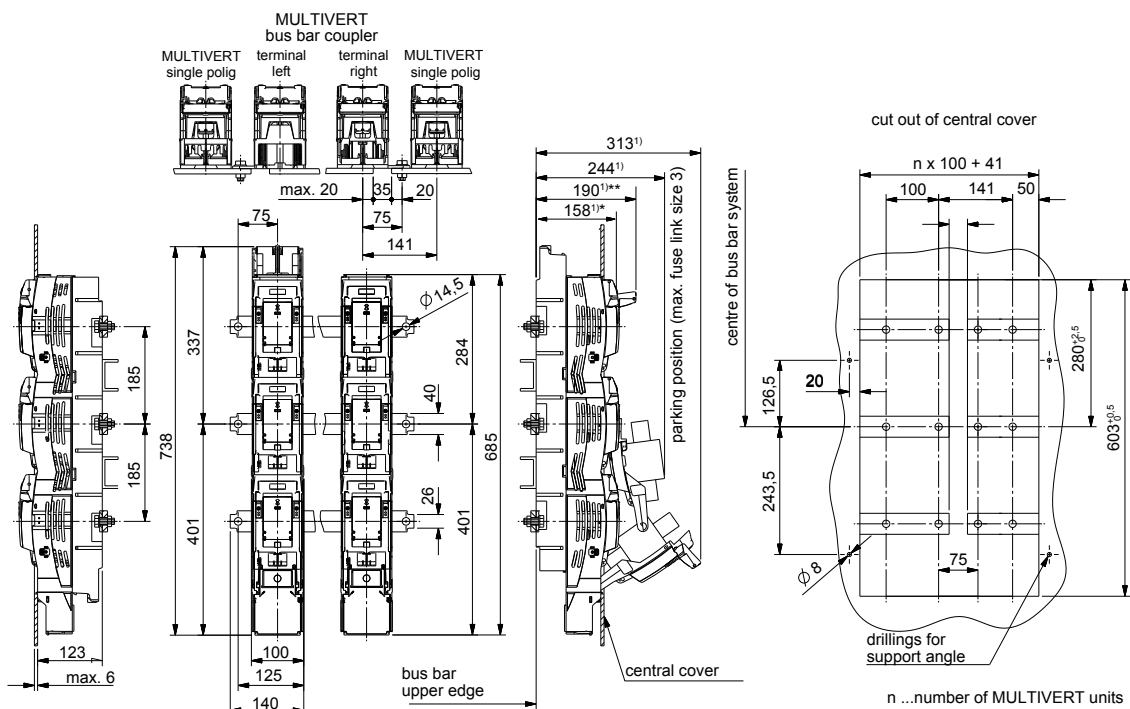
M01154b



# MULTIVERT® 250A, 400A, 630A single pole switching

## MULTIVERT® 250A, 400A, 630A bus bar coupler switch with lateral terminals

M01159a



MULTIVERT® NH-vertical fuse switch disconnecter

# MULTIVERT® 250A, 400A, 630A

## MULTIVERT® 250A, 400A, 630A

### Cable termination MULTIVERT® 250A, 400A, 630A

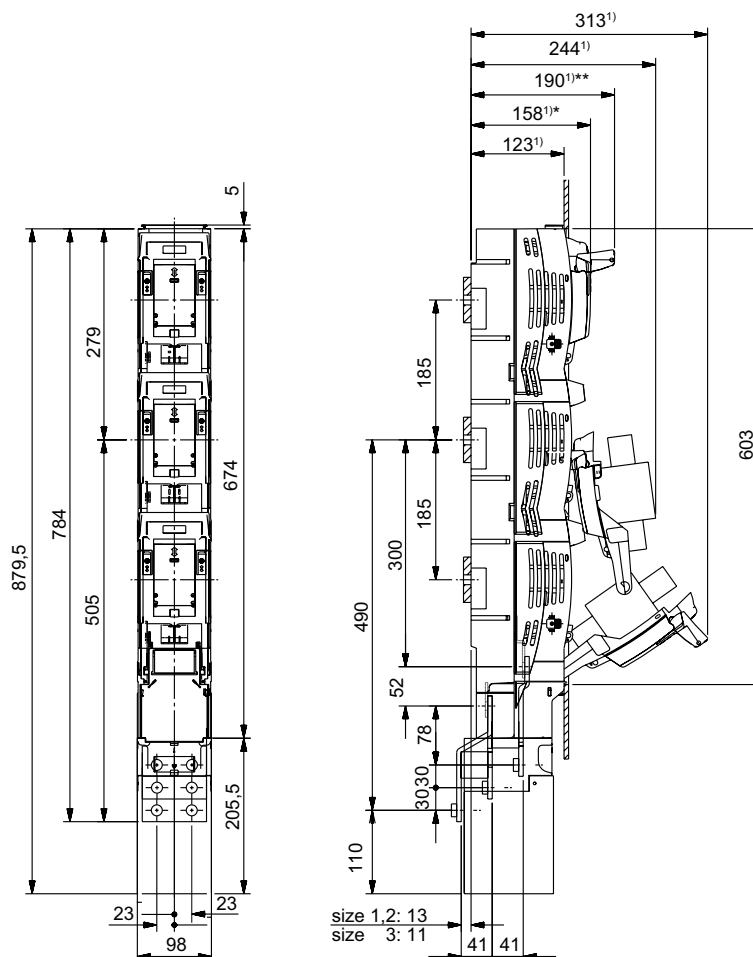
M01105b

reference	B	E	V	
type of terminal	bolt	insert nut	V-terminal	
accessory	cable lug max. width 45 mm	cable lug max. width 45 mm	V-clamp (accessory) 22SZVK4      22SZVK41	
cross section [mm <sup>2</sup> ]	max. 300	max. 300	50 - 240 sectoral solid 50 - 185 sectoral stranded 35 - 70 round stranded 35 - 50 round solid	95 - 300 sectoral solid 70 - 240 sectoral stranded 50 - 185 round stranded 70 - 240 round solid
M [Nm]	35 ±3	35 ±3	25 ±2	25 ±2

## MULTIVERT® 240A, 400A, 630A

### Cable termination MULTIVERT® 250A, 400A, 630A multiple termination

M01156a



1) dimensions form upper edge of bus bar

\* 158 mm handle in closed position (folded) = total installation depth of MULTIVERT

\*\* 190 mm handle in open position (fixed) - switching position



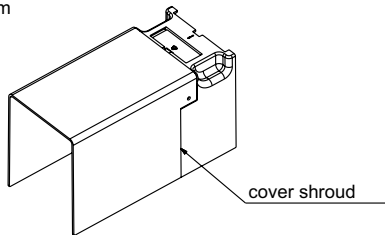
# MULTIVERT® 240A, 400A, 630A

## Cable termination MULTIVERT® 250A, 400A, 630A multiple termination

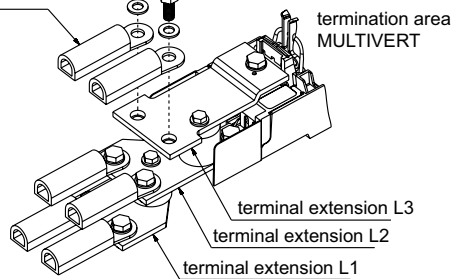
MA88f

terminal: 2 cable lugs

Cu: up to max. 300 mm<sup>2</sup> round stranded, sectoral stranded cable lugs in accordance with DIN 46235  
 Al: up to max. 300 mm<sup>2</sup> round stranded, sectoral stranded cable lugs in accordance with DIN 46329  
 M: 32-38 Nm



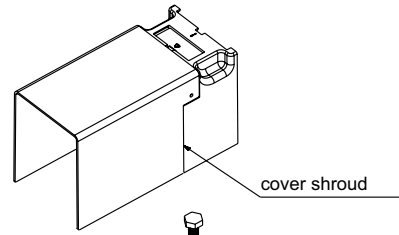
cable lugs in accordance with DIN 46235 and DIN 46329 max. width 46 mm



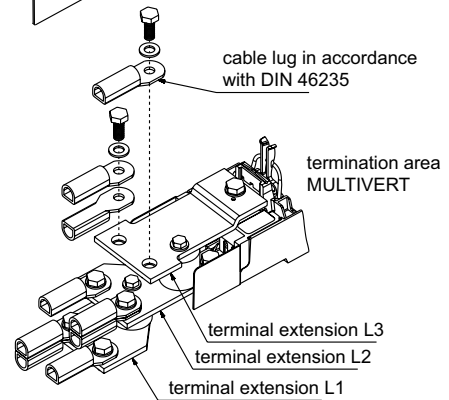
NOTE:  
 Due to safety precautions we suggest to insulate the cable lugs (185, 240 und 300 mm<sup>2</sup>).

terminal: 3 cable lugs

Cu: up to max. 150 mm<sup>2</sup> round stranded, sectoral stranded cable lugs in accordance with DIN 46235  
 M: 32-38 Nm

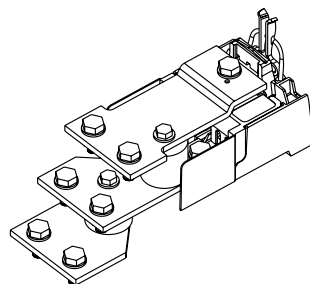


cable lug in accordance with DIN 46235



NOTE:  
 Due to safety precautions we suggest to insulate the cable lugs (95, 120 und 150 mm<sup>2</sup>).

Position of terminals



tightening torque of screws: 32 - 38 Nm

# MULTIVERT® 250A, 400A, 630A

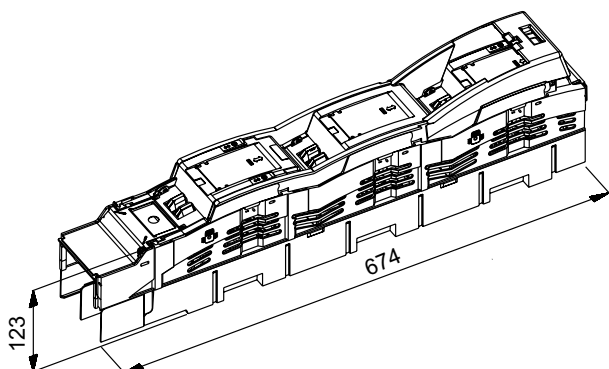
## MULTIVERT® 240A, 400A, 630A

Cover shrouds for cable termination bottom terminal MULTIVERT® 250A, 400A, 630A

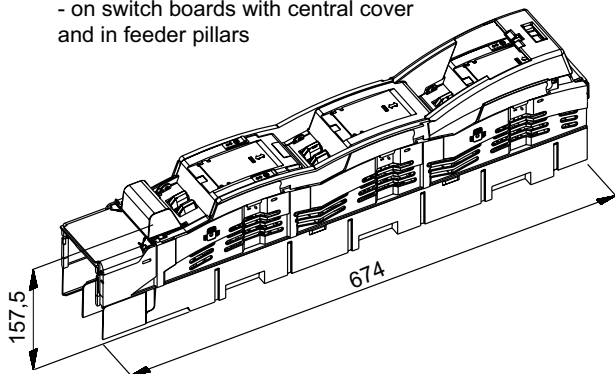
M01160a-1

### standard design: integrated shroud for bottom cable termination

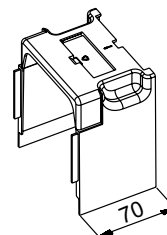
for terminal connections with cable lugs (bolt and insert nut)  
- on switch boards with central cover



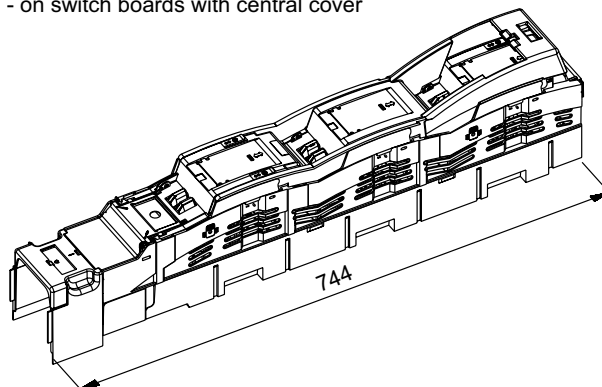
for clamp terminal connections (V-terminal)  
for special "high" clamp terminal connections (double V-clamps)  
- on switch boards with central cover  
and in feeder pillars



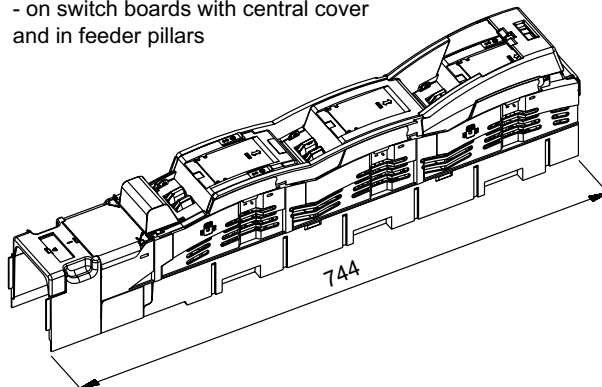
### Extension shroud for bottom cable termination article number 1.002.095 (accessory)



for extended cover  
for terminal connections with cable lugs (bolt and insert nut)  
- on switch boards with central cover



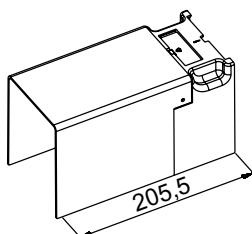
for extended cover  
for clamp terminal connections (V-terminal)  
for special "high" clamp terminal connections (double V-clamps)  
- on switch boards with central cover  
and in feeder pillars



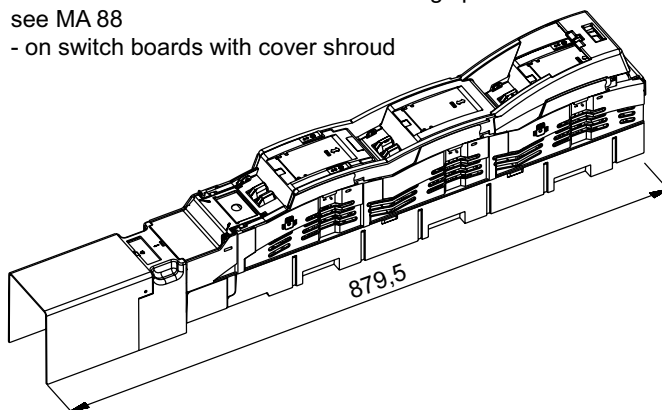
## MULTIVERT® 240A, 400A, 630A

Cover shrouds for cable termination bottom terminal MULTIVERT® 250A, 400A, 630A multiple termination

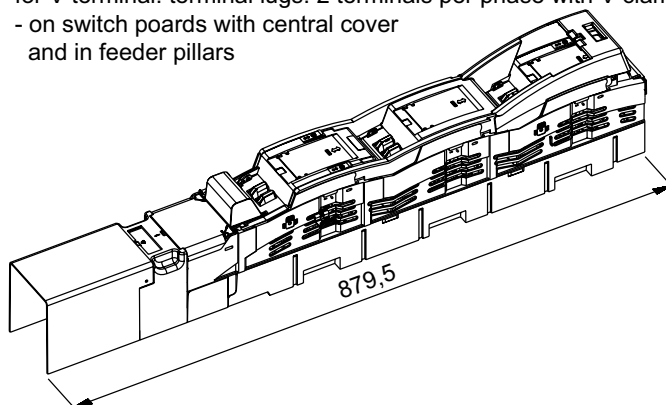
Dimensions  
M01160a-2



for application multiple terminationen  
for cable termination with 2 or 3 cable lugs/phase  
see MA 88  
- on switch boards with cover shroud



for application multiple termination  
for V-terminal: terminal lugs: 2 terminals per phase with V-clamp  
- on switch poards with central cover  
and in feeder pillars

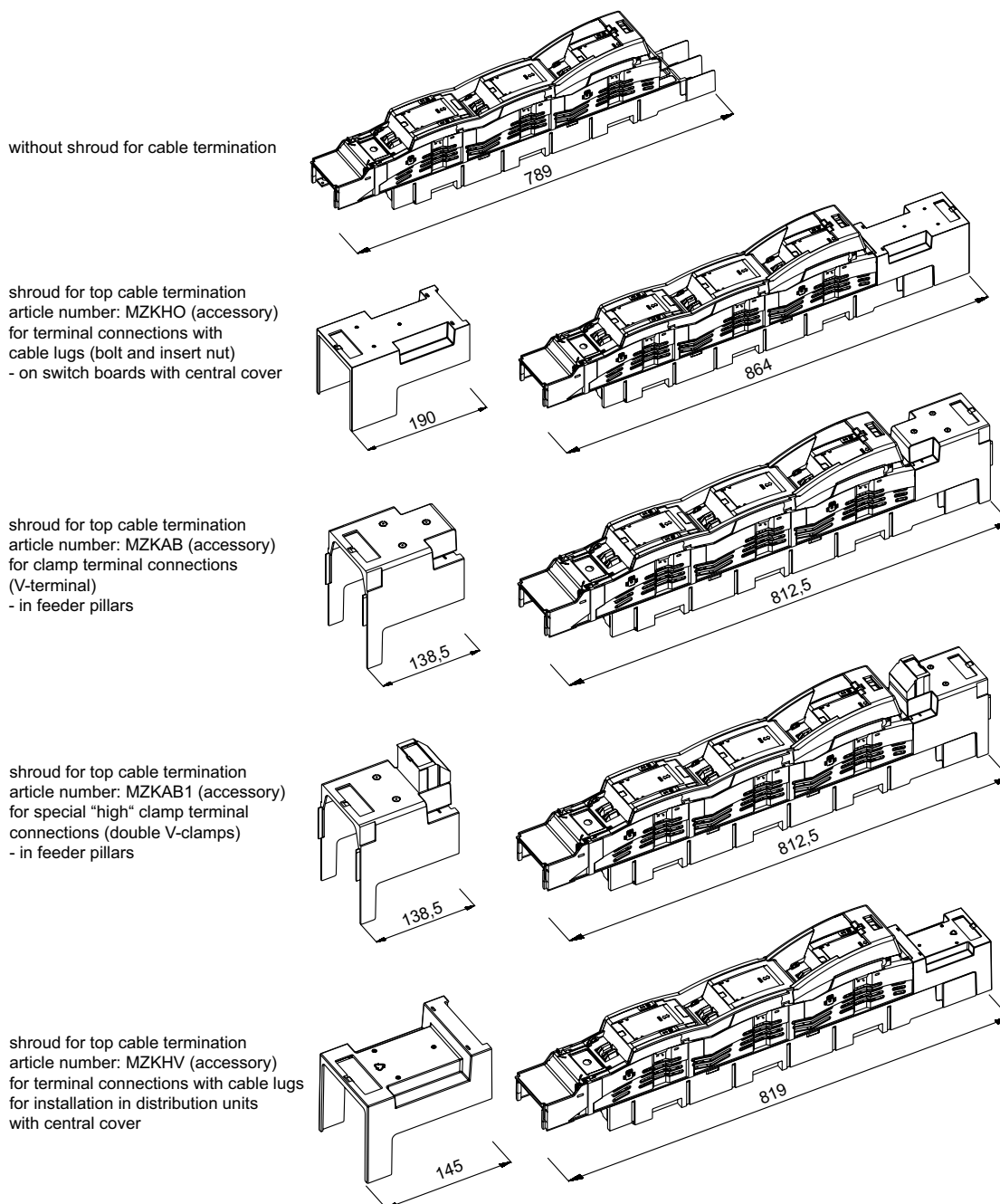


# MULTIVERT® 250A, 400A, 630A

## MULTIVERT® 240A, 400A, 630A

Cover shrouds for cable termination top terminal MULTIVERT® 250A, 400A, 630A

Dimensions  
M01160a-3



# MULTIVERT® 250A, 400A, 630A

NH-vertical fuse switch disconnecter size 1 250A, size 2 400A, size 3 630A, 690VAC

## Accessories

### Cover/shrouds for cable termination

### MULTIVERT® 250A, 400A, 630A

article number	reference number	design	application	weight kg <sup>1</sup>	package
1.002.095	J1002279A	cover shroud for extended cover length 70mm	bottom terminal	0.12	1 piece
1.002.458	N1023305A	cover shroud for multiple termination length 199,5mm	bottom terminal	0.29	1 piece
MZKAB	J1023301A	cover shroud for clamp terminal connection in feeder pillars length 138,5mm	top terminal	0.19	1 piece
MZKHO	G217655A	cover shroud for cable terminal connections with cable lugs on switchboards with central cover length 190mm	top terminal	0.12	1 piece
MZKAB1	K1023302A	cover shroud for special (high) clamp terminal connection in feeder pillars length 138,5mm	top terminal	0.10	1 piece
MZVHB	L1023303A	extended cover shroud length 257mm	top terminal	0.38	1 piece
MZKHV	A1002202A	cover shroud for installation in distribution units with central cover (height of supporting edge reduced by 16mm) length 145mm	top terminal	1.85	1 piece



1.002.095



1.002.458



MZKAB



MZKHO



MZKAB1



MZVHB



MZKHV

### Indication facilities

### MULTIVERT® 250A, 400A, 630A

article number	reference number	design	weight kg <sup>1</sup>	package
1.002.940	Z1023453A	electronic fuse monitoring ESÜ size 1,2,3 for MULTIVERT® 250A, 400A, 630A with cabling of instrument leads	0.08	1 piece
MZESM	J228766A	Electronic System Monitor ESM size 1,2,3 for MULTIVERT® 250A, 400A, 630A with cabling of instrument leads	0.40	1 piece
1.000.829	L1023418A	electro-mechanical fuse monitoring (galvanic isolation) MZS size 1,2,3 for MULTIVERT® 250A, 400A, 630A with cabling of instrument leads	0.57	1 piece
1.000.852	Q1002285A	indicator for switch door position micro switch, 1 change-over contact 5A, 250V	0.00	1 piece



1.002.940



MZESM



1.000.829



1.000.852

# MULTIVERT® 250A, 400A, 630A

## MULTIVERT® 250A, 400A, 630A

NH-vertical fuse switch disconnecter size 1 250A, size 2 400A, size 3 630A, 690VAC

### Accessories

#### Varieties of cable termination

#### MULTIVERT® 250A, 400A, 630A

article number	reference number	design	weight kg <sup>1</sup>	package
1.002.909	K1024613A	V-terminal clamp size 1,2,3, 95-240mm <sup>2</sup> single solid, 70-240mm <sup>2</sup> single stranded, 50-185mm <sup>2</sup> round stranded, 70-240mm <sup>2</sup> round solid, M = 23 -27Nm 1 set = 3 pieces	0.24	1 set
1.002.910	L1024614A	V-terminal clamp size 1,2,3, 95-300mm <sup>2</sup> single solid, 70-240mm <sup>2</sup> single stranded, 50-185mm <sup>2</sup> round stranded, 70-240mm <sup>2</sup> round solid, M = 23 -27Nm 1 set = 3 pieces	0.25	1 set
22SZVK42	Q1024618A	V-terminal clamp size 1,2,3 for 2 Leiter 50-240mm <sup>2</sup> single solid, 50-185mm <sup>2</sup> single stranded, 50-185mm <sup>2</sup> round stranded, 70-240mm <sup>2</sup> round solid M = 23-27Nm	0.17	1 piece
1.000.099	E1023436A	insulation cap for V-terminal clamp size 1,2,3	0.01	1 piece
1.003.286	Q1024595A	supplementary set for V-terminal size 1,2,3 set = 3 pieces V-clamps, cover shroud and labels for size 1, 2 and 3	0.30	1 set
1.001.667	F1023275A	adapter for double terminal L3	0.25	1 piece
1.002.255	B1024582A	supplementary set for multiple termination, bottom terminal 2 cable lugs Cu/Al: up to max. 300mm <sup>2</sup> round stranded, sectoral stranded, 3 cable lugs Cu: up to max. 150mm <sup>2</sup> round stranded, sectoral stranded, M = 32-38Nm	2.60	1 set
1.003.377	Y1024579A	supplementary set for multiple termination, top terminal 2 cable lugs Cu/Al: up to max. 300mm <sup>2</sup> round stranded, sectoral stranded, 3 cable lugs Cu: up to max. 150mm <sup>2</sup> round stranded, sectoral stranded, M = 32-38Nm	2.60	1 set



1.002.909



1.002.910



22SZVK42



1.000.099



1.003.286



1.001.667



1.002.255



1.003.377

# MULTIVERT® 250A, 400A, 630A

NH-vertical fuse switch disconnecter size 1 250A, size 2 400A, size 3 630A, 690VAC

## Accessories

### Covers/level & system adjustment covers

### MULTIVERT® 250A, 400A, 630A



article number	reference number	design	weight kg <sup>1</sup>	package
1.001.510	K1002280B	cover shield to support central cover 1 set = 2 pieces	0.15	1 set
MZA W	D218687D	support angle for support of cover plate 1 set = 4 pieces	0.03	1 set

### Covers/spare way covers

### MULTIVERT® 250A, 400A, 630A



article number	reference number	design	application	weight kg <sup>1</sup>	package
MZ01LPAP	C1023410A	spare way cover without level adjustment width 50mm, length 500mm including fixing material	bus bar system 185mm	0.06	1 piece
MZLPAP	D1023411A	spare way cover width 100mm, length 612mm including 2 pieces M12 fixing screws (distance of fixing holes 185mm)	bus bar system 185mm	0.56	1 piece
1.002.493	N1002283A	spare way cover width 50mm, length 630mm for covering of open installation spaces in distribution units with central cover	bus bar system 185mm	0.13	1 piece
1.002.492	M1002282A	spare way cover width 100mm, length 630mm for covering of open installation spaces in distribution units with central cover	bus bar system 185mm	0.20	1 piece
1.002.830	E1023412A	spare way cover width 50mm, length 630mm with level adjustment 123mm for bus bar installation, set = cover + fixing set (2 distance pieces, 2 screw rivets)	bus bar system 185mm	0.20	1 set
1.002.829	F1023413A	spare way cover width 100mm, length 630mm with level adjustment 123mm for bus bar installation set = cover + fixing set (2 distance pieces, 2 screw rivets)	bus bar system 185mm	0.27	1 set

### Amperemeter for direct frontal installation

### MULTIVERT® 250A, 400A, 630A



article number	reference number	design	weight kg <sup>1</sup>	package
1.002.294	G1023276A	size 2/3, 400 / 200 / 5A, with drag indicator, for NH-measuring fuse link, single pole measurement	0.14	1 piece
1.002.295	H1023277A	size 2/3, 600 / 300 / 5A, with drag indicator, for NH-measuring fuse link, single pole measurement	0.14	1 piece

<sup>1</sup>) weight in kg per piece or set including package



# MULTIVERT® 250A, 400A, 630A

## MULTIVERT® 250A, 400A, 630A

NH-vertical fuse switch disconnecter size 1 250A, size 2 400A, size 3 630A, 690VAC

### Accessories

#### Amperemeter units

#### MULTIVERT® 250A, 400A, 630A



article number	reference number	design	weight kg <sup>1</sup>	package
1.000.102	M1023281A	size 1, 2, 3, 250A, with drag indicator, single pole measurement	0.44	1 piece
1.000.103	N1023282A	size 2, 3, 400A, with drag indicator, single pole measurement	0.44	1 piece
1.000.104	P1023283A	size 3, 630A, with drag indicator, single pole measurement	0.44	1 piece
1.000.105	J1023278A	size 3, 1000A, with drag indicator, single pole measurement	0.44	1 piece
1.000.108	T1023287A	size 1, 2, 3, 250A, with drag indicator, triple pole measurement (optional L1, L2, L3)	0.44	1 piece
1.000.109	V1023288A	size 2, 3, 400A, with drag indicator, triple pole measurement (optional L1, L2, L3)	0.44	1 piece
1.000.110	W1023289A	size 3, 630A, with drag indicator, triple pole measurement (optional L1, L2, L3)	0.44	1 piece
1.000.111	Q1023284A	size 3, 1000A, with drag indicator, triple pole measurement (optional L1, L2, L3)	0.44	1 piece

#### Fused tee off adapter facility

#### MULTIVERT® 250A, 400A, 630A



1.200.000 + 1.002.288

article number	reference number	design	weight kg <sup>1</sup>	package
1.002.288	X1023290A	fused tee off adapter facility, length of blade contacts 106mm for NH-fuse links size 00 max. 100A, for application in MULTIVERT® 250A, 400A, 630A	0.55	1 piece

#### Labelling facilities

#### MULTIVERT® 250A, 400A, 630A



MZBT

article number	reference number	design	weight kg <sup>1</sup>	package
MZBT	B222181A	label holder size 1, 2, 3	0.03	1 piece

<sup>1</sup>) weight in kg per piece or set including package



# MULTIVERT® 250A, 400A, 630A

NH-vertical fuse switch disconnecter size 1 250A, size 2 400A, size 3 630A, 690VAC

## Accessories

### Earthing unit

### MULTIVERT® 250A, 400A, 630A



MZEK

MZEM

article number	reference number	design	weight kg <sup>1</sup>	package
MZEK	V1024576A	complete earthing unit including 3 pieces earthing links	5.40	1 piece
MZEM	W1024577A	earthing link size 1, 2, 3	0.50	1 piece

### Installation devices/bus bar installation

### MULTIVERT® 250A, 400A, 630A



1.000.192

article number	reference number	design	weight kg <sup>1</sup>	package
1.002.647	S1023447Y	M10 insert nut, size 1 1 set = 30 pieces	0.20	1 set
1.002.648	T1023448Y	M12 insert nut, size 2 and 3 1 set = 30 pieces	0.20	1 set
1.000.192	P1002284C	hooked clamp size 1, 2, 3, M = 15–20Nm hexagon socket connection (inbus) for MULTIVERT®/BSL with top or bottom terminal 1 set = 3 pieces	0.46	1 set



1.002.290



1.002.291

### NH-measuring fuse links

### MULTIVERT® 250A, 400A, 630A

article number	reference number	design	weight kg <sup>1</sup>	package
1.002.290	J1023416A	size 2, 400A C.T. current = 400/5A or 200/5A, distance between plugs 50mm	0.67	1 piece
1.002.291	K1023417A	size 3, 630A C.T. current = 600/5A or 300/5A, distance between plugs 50mm	0.94	1 piece

<sup>1</sup>) weight in kg per piece or set including package

# MULTIVERT® 250A, 400A, 630A

## MULTIVERT® 250A, 400A, 630A

NH-vertical fuse switch disconnecter size 1 250A, size 2 400A, size 3 630A, 690VAC

### Accessories

#### Current transformers/external current transformers

#### MULTIVERT® 250A, 400A, 630A

article number	reference number	design	weight kg <sup>1</sup>	package
MZ1SW250	K1024567A	current transformer up to 250A for single pole measurement set = 1 piece current transformer + 3 pieces distance tubes for level adjustment, 1 piece installed in the current transformer, 2 pieces additionally packed	0.88	1 set
MZ1SW400	N1024570A	current transformer up to 400A for single pole measurement set = 1 piece current transformer + 3 pieces distance tubes for level adjustment, 1 piece installed in the current transformer, 2 pieces additionally packed	0.89	1 set
MZ1SW600	R1024573A	current transformer up to 600A for single pole measurement set = 1 piece current transformer + 3 pieces distance tubes for level adjustment, 1 piece installed in the current transformer, 2 pieces additionally packed	1.22	1 set
MZ1SW1000	E1024562A	current transformer up to 1000A for single pole measurement set = 1 piece current transformer + 3 pieces distance tubes for level adjustment, 1 piece installed in the current transformer, 2 pieces additionally packed	1.92	1 set
MZ3SW250	M1024569A	current transformer up to 250A for triple pole measurement set = 3 pieces current transformer with distance tubes for level adjustment, 3 pieces installed in the current transformer	1.38	1 set
MZ3SW400	Q1024572A	current transformer up to 400A for triple pole measurement set = 3 pieces current transformer with distance tubes for level adjustment, 3 pieces installed in the current transformer	1.41	1 set
MZ3SW600	T1024575A	current transformer up to 600A for triple pole measurement set = 3 pieces current transformer with distance tubes for level adjustment, 3 pieces installed in the current transformer	1.43	1 set
MZ3SW1000	G1024564A	current transformer up to 1000A for triple pole measurement set = 3 pieces current transformer with distance tubes for level adjustment, 3 pieces installed in the current transformer	2.47	1 set
SZ1SW250	L1024568A	current transformer up to 250A for single pole measurement	0.43	1 piece
SZ1SW600	S1024574A	current transformer up to 600A for single pole measurement	0.40	1 piece
SZ1SW400	P1024571A	current transformer up to 400A for single pole measurement	0.46	1 piece
SZ1SW1000	F1024563A	current transformer up to 1000A for single pole measurement	0.81	1 piece
MZPR600	S1024597C	distance tube for level adjustment, up to 600A, supplementary set for neighbouring MULTIVERT® without measurement to obtain uniform profile in height 1 set = 3 pieces	0.62	1 set
MZPR1000	T1024598C	distance tube for level adjustment, up to 1000A, supplementary set for neighbouring MULTIVERT® without measurement to obtain uniform profile in height 1 set = 3 pieces	1.64	1 set



MZ3SW400



SZ1SW600



MZPR600

# MULTIVERT® NH-double vertical switch disconnecter

## MULTIVERT® NH-double vertical fuse switch disconnecter

NH-double vertical fuse switch disconnecter size 2 800A, size 3 1260A

in accordance with IEC/EN 60 947-3.

- NH-double vertical fuse switch disconnecter size 2, 800A ( 2 x 400A)
- NH-double vertical fuse switch disconnecter size 3, 1260A ( 2 x 630A)
- For NH-fuse links in accordance with IEC/EN 60 269-2, VDE 0636-2
- Installation on to 185mm bus bar system
- Suitable for top/bottom cable terminal connection
- Triple pole and single pole switching
- Multiple cable termination - design with 3 or 4 cables/pole



1.400.000

### MULTIVERT® NH-double vertical fuse switch disconnecter 800A single pole switching

article number	reference number	cable termination components	design	weight kg <sup>1</sup>	package
1.400.000	W1023266A	triple cable termination M12 bolt	for NH-fuse links size 2	11.60	1 piece
1.400.004	X1023267A	quadruple cable termination M12 bolt	for NH-fuse links size 2	12.12	1 piece



1.500.004

### MULTIVERT® NH-double vertical fuse switch disconnecter 1260A single pole switching

article number	reference number	cable termination components	design	weight kg <sup>1</sup>	package
1.500.000	S1023125A	triple cable termination M12 bolt	for NH-fuse links size 3	13.30	1 piece
1.500.004	T1023126A	quadruple cable termination M12 bolt	for NH-fuse links size 3	13.80	1 piece



1.450.000

### MULTIVERT® NH-double vertical fuse switch disconnecter 800A triple pole switching

article number	reference number	cable termination components	design	weight kg <sup>1</sup>	package
1.450.000	Y1023268A	triple cable termination M12 bolt	for NH-fuse links size 2	11.90	1 piece
1.450.004	Z1023269A	quadruple cable termination M12 bolt	for NH-fuse links size 2	12.30	1 piece



1.550.004

### MULTIVERT® NH-double vertical fuse switch disconnecter 1260A triple pole switching

article number	reference number	cable termination components	design	weight kg <sup>1</sup>	package
1.550.000	V1023127A	triple cable termination M12 bolt	for NH-fuse links size 3	13.30	1 piece
1.550.004	W1023128A	quadruple cable termination M12 bolt	for NH-fuse links size 3	13.80	1 piece

<sup>1)</sup> weight in kg per piece or set including package

# MULTIVERT® NH-double vertical switch disconnecter

## MULTIVERT® NH-double vertical switch disconnecter

NH-double vertical switch for solid links size 2 1260A, size 3 1600A

in accordance with IEC/EN 60 947-3.

- NH-double vertical switch disconnecter 2, 1260A  
NH-double vertical switch disconnecter 3, 1600A
- NH-double vertical switch disconnecter size 3, 1600A
- For NH-solid links size 2 630A and size 3 1000A
- Installation on to 185mm bus bar system
- Suitable for top/bottom cable terminal connection
- Triple pole and single pole switching
- Multiple cable termination - design with 3 or 4 cables/pole



1.400.000

MULTIVERT® NH-double vertical switch disconnecter			1260A	single pole switching	
article number	reference number	cable termination components	design	weight kg <sup>1</sup>	package
1.400.000	W1023266A	triple cable termination M12 bolt	1260A application of NH-solid links size 2, 630A, Art.Nr. 22SZSM1  800A application of NH-solid links size 2, 400A	11.60	1 piece
1.400.004	X1023267A	quadruple cable termination M12 bolt	1260A application of NH-solid links size 2, 630A, Art.Nr. 22SZSM1  800A application of NH-solid links size 2, 400A	12.12	1 piece



1.500.004

MULTIVERT® NH-double vertical switch disconnecter			1600A	single pole switching	
article number	reference number	cable termination components	design	weight kg <sup>1</sup>	package
1.500.000	S1023125A	triple cable termination M12 bolt	1600A application of NH-solid links size 3, 1000A, Art.Nr. 33SZSM2  1260A application of NH-solid links size 3, 630A	13.30	1 piece
1.500.004	T1023126A	quadruple cable termination M12 bolt	1600A application of NH-solid links size 3, 1000A, Art.Nr. 33SZSM2  1260A application of NH-solid links size 3, 630A	13.80	1 piece

# MULTIVERT® NH-double vertical switch disconnecter

NH-double vertical switch for solid links size 2 1260A, size 3 1600A



1.450.000

**MULTIVERT® NH-double vertical switch disconnecter** **1260A** **triple pole switching**

article number	reference number	cable termination components	design	weight kg <sup>1</sup>	package
1.450.000	Y1023268A	triple cable termination M12 bolt	1260A application of NH-solid links size 2, 630A, Art.Nr. 22SZSM1  800A application of NH-solid links size 2, 400A	11.90	1 piece
1.450.004	Z1023269A	quadruple cable termination M12 bolt	1260A application of NH-solid links size 2, 630A, Art.Nr. 22SZSM1  800A application of NH-solid links size 2, 400A	12.30	1 piece



1.550.004

**MULTIVERT® NH-double vertical switch disconnecter** **1600A** **triple pole switching**

article number	reference number	cable termination components	design	weight kg <sup>1</sup>	package
1.550.000	V1023127A	triple cable termination M12 bolt	1600A application of NH-solid links size 3, 1000A, Art.Nr. 33SZSM2  1260A application of NH-solid links size 3, 630A	13.30	1 piece
1.550.004	W1023128A	quadruple cable termination M12 bolt	1600A application of NH-solid links size 3, 1000A, Art.Nr. 33SZSM2  1260A application of NH-solid links size 3, 630A	13.80	1 piece

# MULTIVERT® NH-double vertical switch disconnecter

## MULTIVERT® NH-double vertical switch disconnecter

Technical data in accordance with EN / IEC 60947

	800A with fuse links	1260A with fuse links	1260A with solid links	1600A with solid links
Installation mode	bus bar installation	bus bar installation	bus bar installation	bus bar installation
Size	2	3	2	3
Number of poles/phases	2x3	2x3	2x3	2x3
Conventional free air thermal current with NH-fuse links $I_{th}$	800A	1260A	-	-
Max. power dissipation of NH-fuse links $P_n$	34W	43W	-	-
Conventional free air thermal current with solid links $I_{th}$	-	-	1260A	1600A
Max. power dissipation of solid links $P_n$	-	-	9W	17,5W
Utilization category to IEC/EN 60947-3 $U_e = AC 400V; I_o = 2 \times 400A$ $U_e = AC 400V; I_o = 2 \times 630A$ $U_e = AC 400V; I_o = 2 \times 800A$ $U_e = AC 690V; I_o = 2 \times 400A$ $U_e = AC 690V; I_o = 2 \times 630A$	AC 22 B - - AC 21 B -	- AC 22 B - - AC 21 B	- AC 21 B - - -	- - AC 22 B - -
Rated operational voltage $U_e$	500V	500V	400V	400V
Rated insulation voltage $U_i$	1000V	1000V	1000V	1000V
Rated impulse withstand voltage $U_{imp}$	8kV	8kV	8kV	8kV
Rated frequency	50 ... 60Hz	50 ... 60Hz	50 ... 60Hz	50 ... 60Hz
Degree of protection	IP20	IP20	IP20	IP20
Degree of pollution	3	3	3	3
Rated duty	uninterrupted duty	uninterrupted duty	uninterrupted duty	uninterrupted duty
Rated short circuit making capacity with solid links $I_{cm}$	-	-	16kAsw	16kAsw
Rated short circuit making capacity with fuse links $U_e = AC 500V; I_o = 2 \times 400A$ $U_e = AC 500V; I_o = 2 \times 630A$	18kA -	- 28kA	- -	- -
Rated short circuit withstand current $I_{cw}$	-	-	8kA / 1s	12kA / 1s
Power dissipation by $I_{th}$ without NH-fuse links	46W	92W	-	-
Power dissipation by $I_{th}$ without solid links	-	-	270W	340W
<b>Cable terminal connection</b>				
Standard cable terminal	3xM12	3xM12	3xM12	3xM12
for cable lugs Cu max.	300mm <sup>2</sup>	300mm <sup>2</sup>	300mm <sup>2</sup>	300mm <sup>2</sup>
for cable lugs Al max.	300mm <sup>2</sup>	300mm <sup>2</sup>	300mm <sup>2</sup>	300mm <sup>2</sup>
for copper bars with max. dimensions	-	-	60x10mm	60x10mm
<b>Bus bar terminal connection</b>				
Bus bar system	185mm	185mm	185mm	185mm



# MULTIVERT® NH-double vertical switch

## MULTIVERT® main incomer 1000A

### NH-vertical main incomers 1000A, 690VAC

in accordance with IEC/EN 60 947-3.

- Installation on to 185mm bus bar system
- Suitable for top/bottom cable terminal connection
- With installed cover shroud
- Terminal lugs for cable terminations of large cross sections - multiple termination
- With ready fitted 1000A solid links



1.762.900

#### MULTIVERT® main incomer 1000A

1 x triple pole switching

article number	reference number	cable termination components	design	weight kg <sup>1</sup>	package
1.762.900	P1023122A	M12 multiple termination Al/Cu max. 300mm <sup>2</sup> round stranded, sectoral stranded (2 cable lugs), Cu max. 150mm <sup>2</sup> round stranded, sectoral stranded (3 cable lugs), M = 32-38 Nm	with ready fitted NH-solid links 1000A	11.80	1 piece



1.712.900

#### MULTIVERT® main incomer 1000A

3 x single pole switching

article number	reference number	cable termination components	design	weight kg <sup>1</sup>	package
1.712.900	N1023121A	M12 multiple termination Al/Cu max. 300mm <sup>2</sup> round stranded, sectoral stranded (2 cable lugs), Cu max. 150mm <sup>2</sup> round stranded, sectoral stranded (3 cable lugs), M = 32-38 Nm	with ready fitted NH-solid links 1000A	11.50	1 piece

## MULTIVERT® transformer main incomer 630kVA / 910A

### NH-transformer main incomers 630kVA/910A, 690VAC

in accordance with IEC/EN 60 947-3.

- Installation on to 185mm bus bar system
- Suitable for top/bottom cable terminal connection
- With installed cover shroud
- Terminal lugs for cable terminations of large cross sections - multiple termination
- For NH-Fuse links "gTr" in accordance with IEC/EN 60 269-1, VDE 0636



MV6M301K701G

#### MULTIVERT® transformer main incomer

630kVA / 910A

1 x triple pole switching

article number	reference number	cable termination components	design	weight kg <sup>1</sup>	package
MV6M301K701G	V1023265A	M12 multiple termination Al/Cu max. 300mm <sup>2</sup> round stranded, sectoral stranded (2 cable lugs), Cu max. 150mm <sup>2</sup> round stranded, sectoral stranded (3 cable lugs), M = 32-38Nm	for NH-fuse links "gTr"	1.36	1 piece



# MULTIVERT® main incomer

## MULTIVERT® main incomer NH-vertical main incomers

Technical data in accordance with EN / IEC 60947

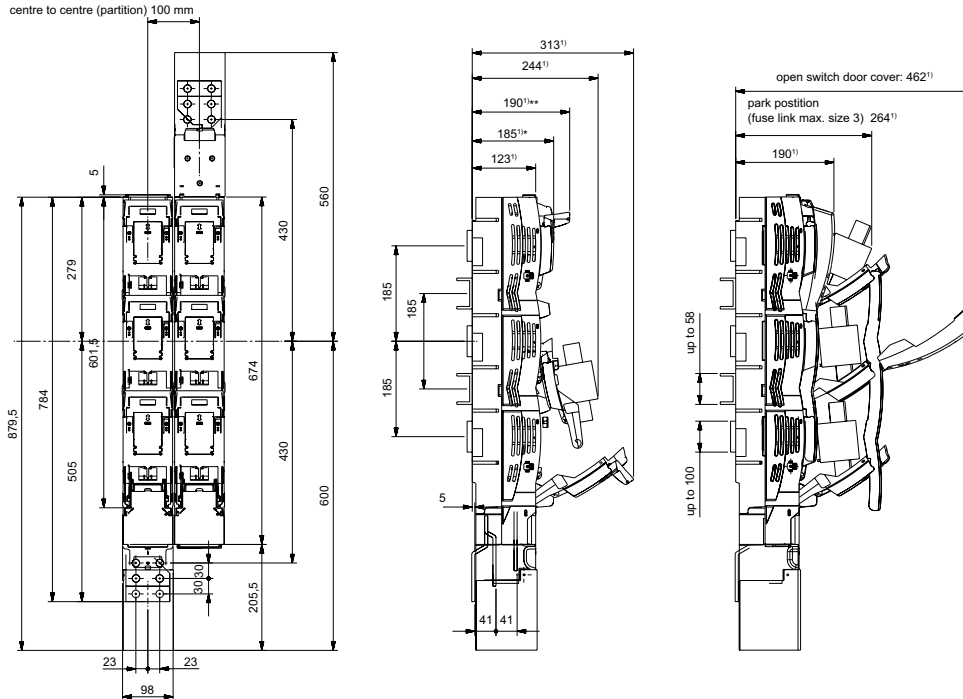
	1000A 1 x triple pole switching	1000A 3 x single pole switching	630kVA / 910A 1 x triple pole switching
Installation mode	bus bar installation	bus bar installation	bus bar installation
Size	3	3	3
Number of poles/phases	3	3	3
Conventional free air thermal current with NH-fuse links $I_{th}$	-	-	910A
Max. power dissipation of NH-fuse links $P_n$	-	-	62W
Conventional free air thermal current with solid links $I_{th}$	1000A	1000A	-
Max. power dissipation of solid links $P_n$	12W	12W	-
Utilization category to IEC/EN 60947-3 $U_e = AC 400V; I_n = 910A$ $U_e = AC 400V; I_n = 1000A$ $U_e = AC 690V; I_n = 1000A$	- AC 21 B AC 20 B	- AC 21 B AC 20 B	AC 21 B - -
Rated operational voltage $U_e$	690V	690V	690V
Rated insulation voltage $U_i$	1000V	1000V	1000V
Rated impulse withstand voltage $U_{imp}$	8kV	8kV	8kV
Rated frequency	50 ... 60Hz	50 ... 60Hz	50 ... 60Hz
Degree of protection	IP20	IP20	IP20
Degree of pollution	3	3	3
Rated duty	uninterrupted duty	uninterrupted duty	uninterrupted duty
Rated short circuit making capacity with solid links $I_{cm}$	15kAsw	15kAsw	-
Rated short circuit making capacity with fuse links $U_e = AC 400V; I_n = 910A$	-	-	35kA
Power dissipation by $I_{th}$ without NH-fuse links	-	-	129W
Power dissipation by $I_{th}$ 1000A without solid links	270W	270W	-
<b>Cable terminal connection</b>			
Standard cable terminal	2xM12	2xM12	2xM12
for cable lugs Cu max.	2x300mm <sup>2</sup> /phase 3x150mm <sup>2</sup> /phase	2x300mm <sup>2</sup> /phase 3x150mm <sup>2</sup> /phase	2x300mm <sup>2</sup> /phase 3x150mm <sup>2</sup> /phase
for cable lugs Al max.	2x300mm <sup>2</sup>	2x300mm <sup>2</sup>	2x300mm <sup>2</sup>
for copper bars with max. dimensions	80x10mm	80x10mm	80x10mm

# MULTIVERT® main incomer

## MULTIVERT® 1000A

### MULTIVERT® main incomer 1000A

Dimensions  
M01163a

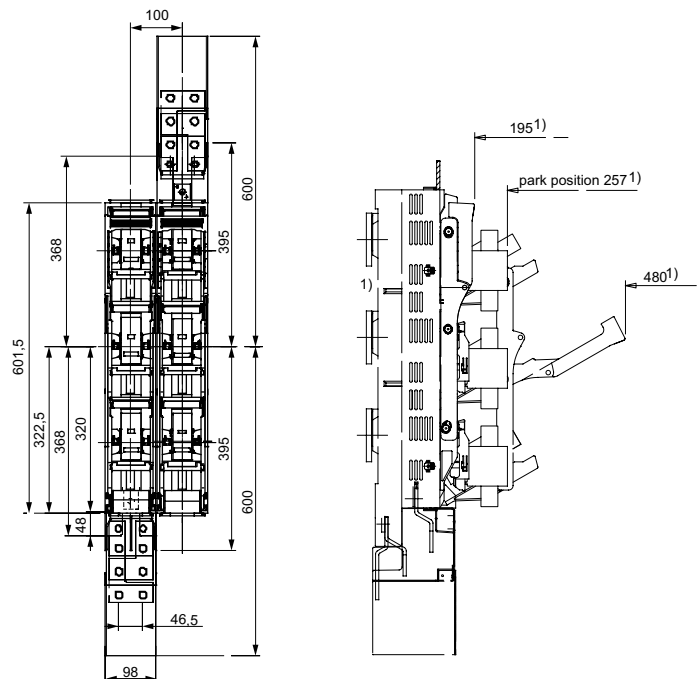


- 1) dimensions from upper edge of bus bar
- \* 158mm handle in closed position (folded) = total installation depth of MULTIVERT
- \*\* 158mm handle in open position (fixed) - switching position

## MULTIVERT® 630 kVA/910A

### MULTIVERT® transformer main incomer 630 kVA/910A

Dimensions  
M01103b



- 1) dimensions from upper edge of bus bar

# MULTIVERT® 1250A, 1600A

## MULTIVERT® 1250A

NH-vertical fuse switch disconnecter size 4a, 1250A, 690VAC

in accordance with IEC/EN 60 947-3.

For NH-fuse links size 4a in accordance with IEC/EN 60 269-2, VDE 0636-2.

- Installation on to 185mm bus bar system
- Top or bottom cable terminal connection



1.000.093 1.000.094

MULTIVERT® 1250A			size 4a	3 x single pole switching	
article number	reference number	cable termination components	design	weight kg <sup>1</sup>	package
1.000.093	A1023270A	M16 screw terminal	bottom terminal	16.40	1 piece
1.000.094	B1023271A	M16 screw terminal	top terminal	16.40	1 piece

## MULTIVERT® 1600A

NH-vertical fuse switch disconnecter size 4a, 1600A, 690VAC

in accordance with IEC/EN 60 947-3.

For NH-fuse links size 4a in accordance with IEC/EN 60 269-2, VDE 0636-2.

- Installation on to 185mm bus bar system
- Top or bottom cable terminal connection



1.000.095 1.000.096

MULTIVERT® 1600A			size 4a	3 x single pole switching	
article number	reference number	cable termination components	design	weight kg <sup>1</sup>	package
1.000.095	C1023272A	2xM12 screw terminal	bottom terminal	16.50	1 piece
1.000.096	D1023273A	2xM12 screw terminal	top terminal	16.50	1 piece

# MULTIVERT® 1250A, 1600A

## MULTIVERT® 1250A, 1600A

NH-vertical fuse switch disconnecter size 4a 1250A, 1600A, 690VAC

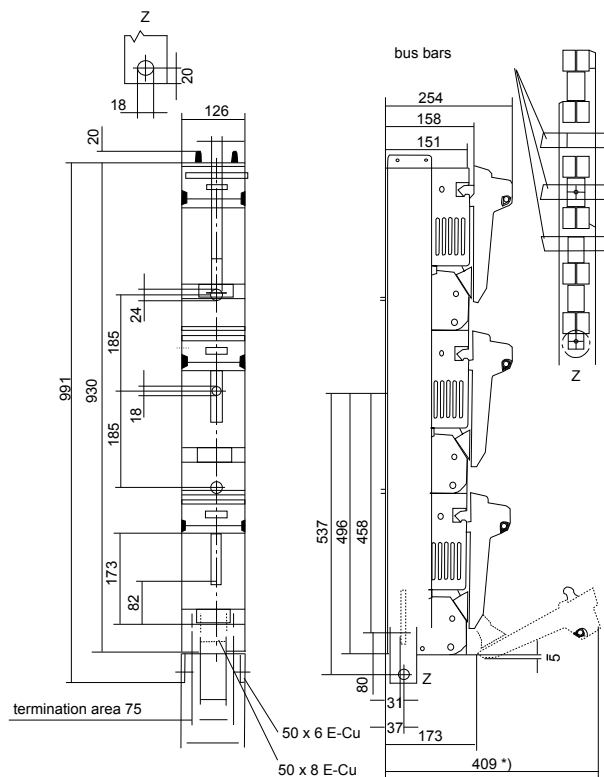
Technical data in accordance with EN / IEC 60947

	1250A 3 x single pole switching	1600A 3 x single pole switching
Installation mode	bus bar installation	bus bar installation
Size	4a	4a
Number of poles/phases	3	3
Conventional free air thermal current with NH-fuse links $I_{th}$	1250A	1600A
Max. power dissipation of NH-fuse links $P_n$	110W	140W
Conventional free air thermal current with solid links $I_{th}$	1250A	1600A
Max. power dissipation of solid links $P_n$	42W	42W
Utilization category to IEC/EN 60947-3 $U_e = AC 400V; I_e = 1600A$ $U_e = AC 500V; I_e = 1250A$	- AC 22 B	AC 21 B -
Rated operational voltage $U_e$	690V	690V
Rated insulation voltage $U_i$	1000V	1000V
Rated impulse withstand voltage $U_{imp}$	8kV	8kV
Rated frequency	50 ... 60Hz	50 ... 60Hz
Degree of protection	IP20	IP20
Degree of pollution	3	3
Rated duty	uninterrupted duty	uninterrupted duty
Rated short circuit making capacity with solid links $I_{cm}$	68kAsw	68kAsw
Rated short circuit making capacity with fuse links $U_e = AC 400V; I_e = 1600A$ $U_e = AC 690V; I_e = 1250A$	- 50kA	31.5kA -
Rated short circuit withstand current $I_{cw}$	32kA / 1s	32kA / 1s
Power dissipation by $I_{th}$ without NH-fuse links	336W	568W
Power dissipation by $I_{th}$ 1000A without solid links	336W	568W
<b>Cable terminal connection</b>		
Standard terminal	M16	2 x M12
for copper bars with max. dimensions	80x10mm	80x10mm

# MULTIVERT® 1250A, 1600A

## MULTIVERT® NH-vertical fuse switch disconnecter 1250A, 1600A

Dimensions  
M02004

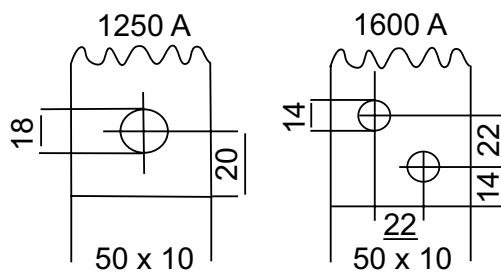


\*) to remove switch door cover 425 mm are required

# MULTIVERT® 1250A, 1600A

## Cable termination MULTIVERT® 1250A, 1600A

Dimensions  
M02040



MULTIVERT® NH-vertical fuse switch disconnecter

# MULTIVERT® 1250A, 1600A

## MULTIVERT® 1250A, 1600A

NH-vertical fuse switch disconnecter size 4a 1250A, 1600A, 690VAC

Technical data in accordance with EN / IEC 60947

	1250A 3 x single pole switching	1600A 3 x single pole switching
Installation mode	bus bar installation	bus bar installation
Size	4a	4a
Number of poles/phases	3	3
Conventional free air thermal current with NH-fuse links $I_{th}$	1250A	1600A
Max. power dissipation of NH-fuse links $P_n$	110W	140W
Conventional free air thermal current with solid links $I_{th}$	1250A	1600A
Max. power dissipation of solid links $P_n$	42W	42W
Utilization category to IEC/EN 60947-3 $U_o = AC 400V; I_o = 1600A$ $U_o = AC 500V; I_o = 1250A$	- AC 22 B	AC 21 B -
Rated operational voltage $U_o$	690V	690V
Rated insulation voltage $U_i$	1000V	1000V
Rated impulse withstand voltage $U_{imp}$	8kV	8kV
Rated frequency	50 ... 60Hz	50 ... 60Hz
Degree of protection	IP20	IP20
Degree of pollution	3	3
Rated duty	uninterrupted duty	uninterrupted duty
Rated short circuit making capacity with solid links $I_{cm}$	68 kAsw	68kAsw
Rated short circuit making capacity with fuse links $U_o = AC 400V; I_o = 1600A$ $U_o = AC 690V; I_o = 1250A$	- 50kA	31.5kA -
Rated short circuit withstand current $I_{cw}$	32kA / 1s	32kA / 1s
Power dissipation by $I_{th}$ without NH-fuse links	336W	568W
Power dissipation by $I_{th}$ 1000A without solid links	336W	568W
<b>Cable terminal connection</b>		
Standard cable terminal	M16	2xM12
for copper bars with max. dimensions	80x10mm	80x10mm

# Power socket - system rails

## Power socket - system rails

Power socket - system rails 63A, 400VAC for cable and construction site / temporary supply distribution cabinets

in accordance with DIN EN 60439-1  
 tested to VDE 0660 part 500  
 IEC 60439-1:199 + A :2004

- Installation on to 185mm bus bar system  
 M12 bus bar termination, tightening torque  $M = 35 \pm 3$  Nm
- For temporary installations up to 63A with protected connection
- One device containing back-up fuse, MCB; RCD and power sockets
- Design with power sockets for 400V and 230VAC
- System compatibility (width of device 100mm)  
 Power socket - system rails can be replaced by NH-fuse rails or NH-vertical fuse switch disconnectors (identical width of device)

Power socket - system rails 32A - 63A

230V - 400V

article number	reference number	design	weight kg <sup>1</sup>	package
1.002.760	W1024600A	D02-fuse base triple pole (pre-fuse device) RCCB 40/4/0,03 A; 2 x MCB C 16/triple pole 2 x CEE-socket 400V, 16A, 5-polig	5.50	1 piece
1.002.761	X1024601A	D02-fuse base triple pole (pre-fuse device) RCCB 40/4/0,03 A; 2 x MCB C 32/triple pole 2 x CEE-socket 400V, 32 A, 5-polig	4.60	1 piece
1.002.762	Y1024602A	D02-fuse base triple pole (pre-fuse device) RCCB 40/4/0,03 A; 4 x MCB C 16/single pole 4 x protective contact-socket 230V, 16A	4.60	1 piece
1.002.763	Z1024603A	D02-fuse base triple pole (pre-fuse device) RCCB 40/4/0,03 A; 2 x MCB C 16/single pole 2 x protective contact-socket 230V, 16A 1 x CEE-socket 400V, 1 x MCB C 16/triple pole	4.60	1 piece
1.003.145	A1024604A	D02-fuse base triple pole (pre-fuse device) RCCB 63/0,03 A 1 x CEE-socket 400V, 63A, 5-pole	4.50	1 piece



1.002.760 1.002.762



1.002.763 1.003.145

# NH Fuse System

## **BSL – NH-fuse rail with touch protection**

**p. 186**

BSL size 00, 160A 690VAC

p. 187 to 192

BSL size 1, 250A - size 2, 400A - size 3, 630A 690VAC

p. 192 to 196



# BSL 160A

## BSL 160A

### NH-fuse rail with touch protection 00, 160A, 690VAC



in accordance with IEC 60 269-1, IEC 60 269-2

for NH-fuse links size 000/00 in accordance with IEC/EN 60 269-2, VDE 0636-2.

- Installation on to 100 and 185mm bus bar system
- Dimensions of bus bars and cable terminal connections are equivalent to those of MULTIVERT®



1.002.440

#### BSL 160A size 00 for 100mm bus bar system

article number	reference number	cable termination components	design	weight kg <sup>1</sup>	package
1.002.440	R1002286A	3 M8 terminal screws	with cover shroud MZ00KH	0.83	1 piece
1.002.441	R1023423A	3 clamp straps Cu 4-70mm <sup>2</sup>	with cover shroud MZ00KH	0.88	1 piece
1.002.442	T1023425A	3 Al/Cu clamps 1,5-70mm <sup>2</sup>	with cover shroud MZ00KH	0.84	1 piece
1.002.443	V1023426A	with V-terminal for V-terminal clamps size 00	with cover shroud 1.000.915	0.88	1 piece
1.002.444	W1023427A	3 frame clamps Cu 2,5-70mm <sup>2</sup>	with cover shroud MZ00KH	0.82	1 piece



01BSLN100

#### BSL 160A size 00 for 185mm bus bar system

article number	reference number	cable termination components	design	weight kg <sup>1</sup>	package
01BSLA100	M1023419A	3 Al/Cu clamps 1,5-70mm <sup>2</sup>	with cover shroud MZ00KH	2.00	3 pieces
01BSLN100	S1002287A	3 M8 terminal screws	with cover shroud MZ00KH	2.00	1 piece
01BSLS100	P1023421A	3 clamp straps Cu 4-70mm <sup>2</sup>	with cover shroud MZ00KH	2.00	2 pieces
1.000.913	Q1023422A	with V-terminal for V-terminal clamps size 00	with cover shroud 1.000.915	2.00	4 pieces

# BSL 160A

## BSL 160A

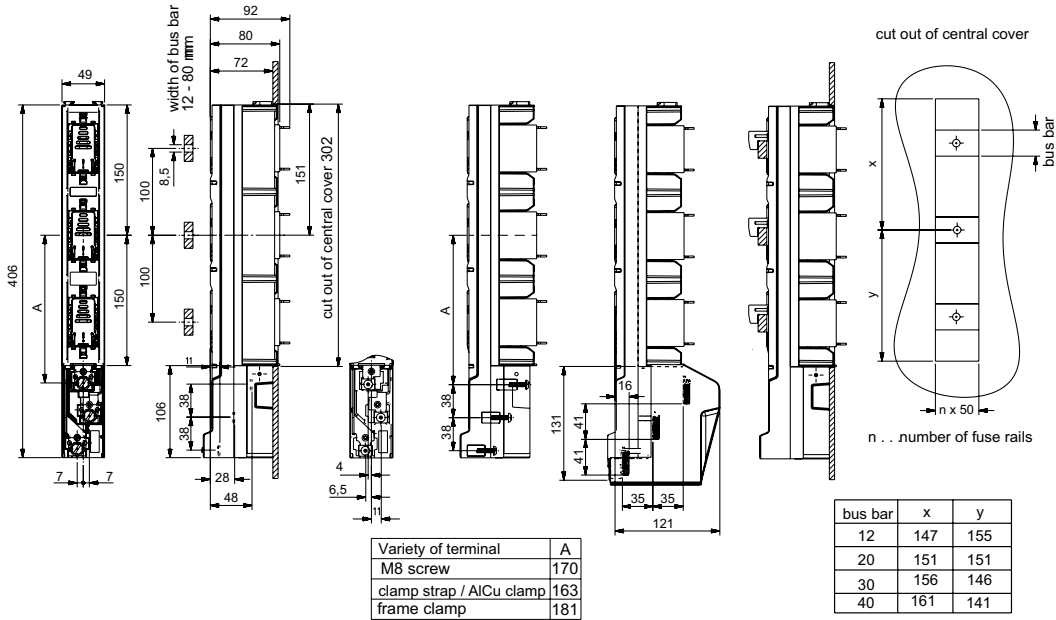
NH-fuse rail with touch protection 00, 160A, 690VAC

Technical data in accordance with EN / IEC 60269

	BSL 160A 100mm	BSL 160A 185mm
Installation mode	bus bar installation	bus bar installation
Size	00	00
Number of poles/phases	3	3
Conventional free air thermal current with NH-fuse links $I_n$	160A	160A
Max. power dissipation of NH-fuse links $P_n$	12W	12W
Conventional free air thermal current with solid links $I_n$	200A	200A
Max. power dissipation of solid links $P_n$	1,2W	1,2W
Rated operational voltage $U_e$	690V	690V
Rated insulation voltage $U_i$	1000V	1000V
Rated impulse withstand voltage $U_{imp}$	9.8kV	9.8kV
Rated frequency	50 ... 60Hz	50 ... 60Hz
Degree of protection	IP20	IP20
Degree of pollution	3	3
Rated duty	uninterrupted duty	uninterrupted duty
<b>Cable terminal connection</b>		
Standard terminal	M8	M8
for cable lugs Cu max.	70mm <sup>2</sup>	70mm <sup>2</sup>
for cable lugs Al max.	70mm <sup>2</sup>	70mm <sup>2</sup>
for copper bars with max. dimensions	20x5mm	20x5mm
V-shaped lugs for V-terminal clamps	10 - 95mm <sup>2</sup>	10 - 95mm <sup>2</sup>
<b>Bus bar terminal connection</b>		
Standard terminal	M8	M8
Hooked clamp for bus bar with thickness	5 ... 10mm	5 ... 10mm
Bus bar system	100mm	185mm

## BSL size 00 160A/100mm bus bar system

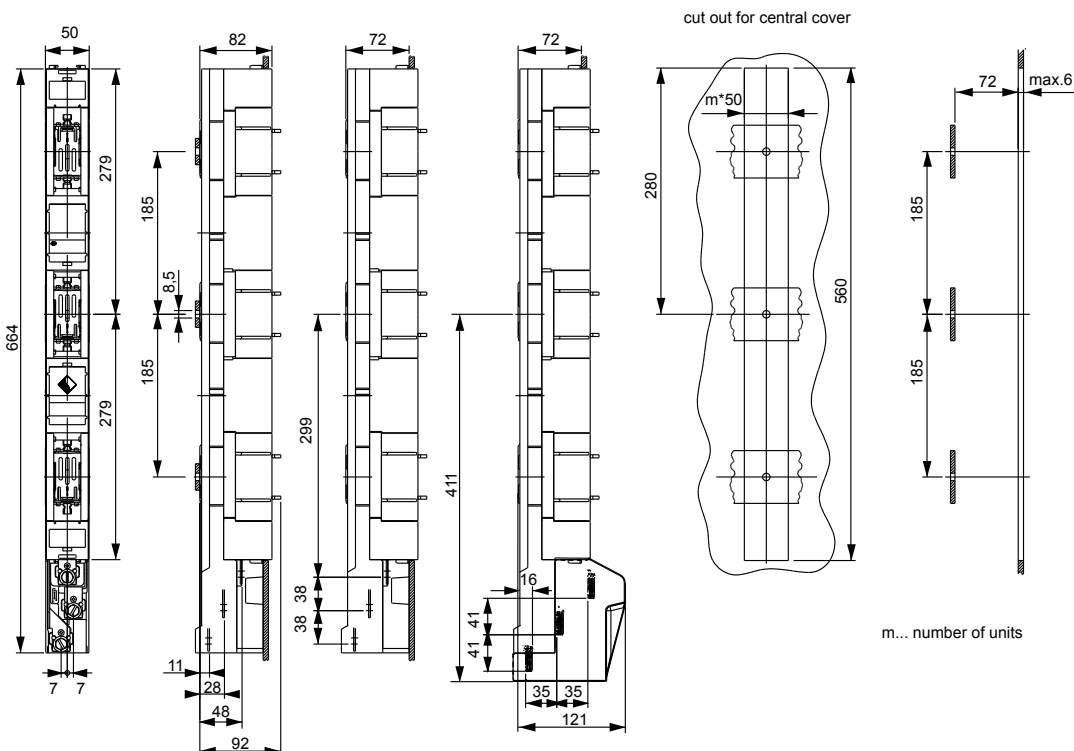
BSL size 00 160A for direct installation on to 100mm bus bar system



Dimensions  
M01062

## BSL size 00 160A/185mm bus bar system

BSL size 00 160A for direct installation on to 185mm bus bar system



Dimensions  
M01089b

# BSL 160A

## BSL 160A

NH-fuse rail with touch protection 00, 160A, 690VAC

### Accessories

#### Cover/shrouds for cable termination

BSL 160A



MZ00KH MZ00KA 1.000.915 1.000.914

article number	reference number	design	weight kg <sup>1</sup>	package
MZ00KH	F1023298A	cover shroud length 106mm for MULTIVERT®/BSL 160A	0.02	1 piece
MZ00KA	L1023464A	extended cover shroud for cover shroud MZ00KH	0.04	1 piece
1.000.915	H1023300A	Kabelcover shroud for MULTIVERT®/BSL 160A with V-terminal	0.05	1 piece
1.000.914	E1023274A	rear cover for MULTIVERT®/BSL 160A with V-terminal	0.004	1 piece

#### Varieties of cable termination

BSL 160A

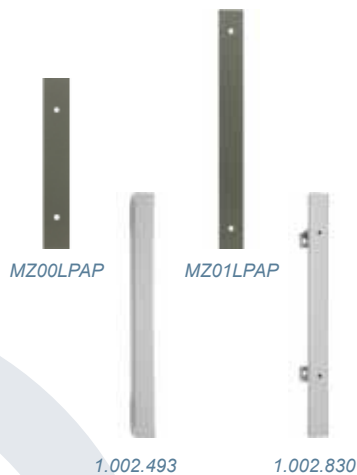


00SZS 00SZESK 00SZA70  
1.001.857 00SZVK1 1.000.098

article number	reference number	design	weight kg <sup>1</sup>	package
00SZS	M229298C	M8 terminal screw for switch gear size 00 1 set = 3 pieces	0.03	1 set
00SZESK	E214594C	clamp strap Cu 4-70mm <sup>2</sup> for switch gear size 00 1 set = 3 pieces	0.04	1 set
00SZA70	R211523C	Al/Cu clamp 1,5-70mm <sup>2</sup> for switch gear size 00 1 set = 3 pieces	0.08	1 set
1.001.857	P1022984C	Al/Cu clamp 1,5-95mm <sup>2</sup> round stranded for switch gear size 00 1 set = 3 pieces	0.10	1 set
1.003.433	L1022958A	triple clamp per pole 1.5 up to 16mm <sup>2</sup> 1 set = 3 pieces	-	1 piece
00SZVK1	D1023434A	V-terminal clamp size 00, 10-70mm <sup>2</sup> round stranded, 10-95mm <sup>2</sup> round solid, 35-95mm <sup>2</sup> single stranded, 50-95mm <sup>2</sup> single solid, M = 12Nm	0.04	1 piece
1.000.098	E1023435A	insulation cap for V-terminal clamp size 00	0.002	1 piece

#### Covers/spare way covers

BSL 160A



MZ00LPAP MZ01LPAP  
1.002.493 1.002.830

article number	reference number	design	application	weight kg <sup>1</sup>	package
MZ00LPAP	B1023409A	spare way cover without level adjustment width 50mm, length 320mm for single adapter MZ00ESA and double adapter MZ00DSA including fixing material	bus bar system 100mm	0.05	1 piece
MZ01LPAP	C1023410A	spare way cover without level adjustment width 50mm, length 500mm including fixing material	bus bar system 185mm	0.06	1 piece
1.002.493	N1002283A	spare way cover width 50mm, length 630mm for covering of open installation spaces in distribution units with central cover	bus bar system 185mm	0.13	1 piece
1.002.830	E1023412A	spare way cover width 50mm, length 630mm with level adjustment 123mm for bus bar installation, set = cover + fixing set (2 distance pieces, 2 screw rivets)	bus bar system 185mm	0.20	1 set

# BSL 160A

## NH-fuse rail with touch protection 00, 160A, 690VAC

### Accessories

#### Adapter for installation on to bus bars with screw terminal

#### BSL 160A



article number	reference number	design	application	weight kg <sup>1</sup>	package
MZ00DSA	C217145A	double adapter 100/185mm with increased touch protection to obtain uniform profile in height for combined installation with MULTIVERT®/BSL 250A, 400A, 630A	MULTIVERT® 160A/100mm 1x3-pole	0.85	1 piece
MZ00ESAECO	D1023296A	Einfachadapter 100/185mm to obtain uniform profile in height for combined installation with MULTIVERT®/BSL 250A, 400A, 630A	MULTIVERT® 160A/100mm 1x3-pole	0.19	1 piece
MZ01DSA	G228764A	double adapter 185/185mm with increased touch protection to obtain uniform profile in height for combined installation with MULTIVERT®/BSL 250A, 400A, 630A	MULTIVERT® 160A/185mm 1x3-pole	0.70	1 piece
MZ01ESA	H228765A	single adapter 185/185mm (for installation of MULTIVERT®/BSL with screws M8) to obtain uniform profile in height for combined installation with MULTIVERT®/BSL 250A, 400A, 630A	MULTIVERT® 160A/185mm 1x3-pole	0.40	1 piece



MZ00BT2

#### Labelling facilities

#### BSL 160A

article number	reference number	design	weight kg <sup>1</sup>	package
MZ00BT2	K215611A	label holder size 00	0.01	1 piece



00SZRK3

#### Installation devices/bus bar installation

#### BSL 160A

article number	reference number	design	weight kg <sup>1</sup>	package
00SZRK3	K215105C	hooked clamp size 00, M = 5Nm 1 set = 3 pieces	0.10	1 set



1.002.600



MZ00STW

#### Phase barriers

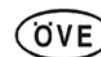
#### BSL 160A

article number	reference number	design	application	weight kg <sup>1</sup>	package
1.002.600	W1002290C	lateral phase barrier (snap on) 1 set = 3 pieces	BSL size 00 160 A/100mm	0.01	1 set
MZ00STW	V1002289C	lateral phase barrier (snap on) 1 set = 3 pieces	BSL size 00 160 A/185mm	0.03	1 set

# BSL 250A, 400A, 630A

## BSL 250A, 400A, 630A

NH-fuse rail with touch protection 1 250A, size 2 400A, size 3 630A, 690VAC



in accordance with IEC 60 269-1, IEC 60 269-2

for NH-fuse links size 1, 2, 3 in accordance with IEC/EN 60 269-2, VDE 0636-2.

- Installation on to 100 and 185mm bus bar system
- Dimensions of bus bars and cable terminal connections are equivalent to those of MULTIVERT®

BSL – NH-fuse rails with touch protection

### BSL 250A size 1 for 185mm bus bar system

article number	reference number	cable termination components	weight kg <sup>1</sup>	package
BL1B403K000	X1002291A	3 M12 bolts	3.20	1 piece
BL1E403K000	X1023428A	3 M10 insert nuts	3.10	1 piece
BL1V403K000	Y1023429A	V-terminal 35-240mm <sup>2</sup>	3.70	1 piece

### BSL 400A size 2 for 185mm bus bar system

article number	reference number	cable termination components	weight kg <sup>1</sup>	package
BL2B403K000	A1002294A	3 M12 bolts	3.80	1 piece
BL2E403K000	Z1023430A	3 M12 insert nuts	3.70	1 piece
BL2V403K000	A1023431A	V-terminal 35-240mm <sup>2</sup>	3.70	1 piece



BL2B403K000

### BSL 630A size 3 for 185mm bus bar system

article number	reference number	cable termination components	weight kg <sup>1</sup>	package
BL3B403K000	E1002298A	3 M12 bolts	4.40	1 piece
BL3E403K000	B1023432A	3 M12 insert nuts	4.20	1 piece
BL3V403K000	C1023433A	V-terminal 35-240mm <sup>2</sup>	3.70	1 piece

## BSL 250A, 400A, 630A

NH-fuse rail with touch protection 1 250A, size 2 400A, size 3 630A 690VAC

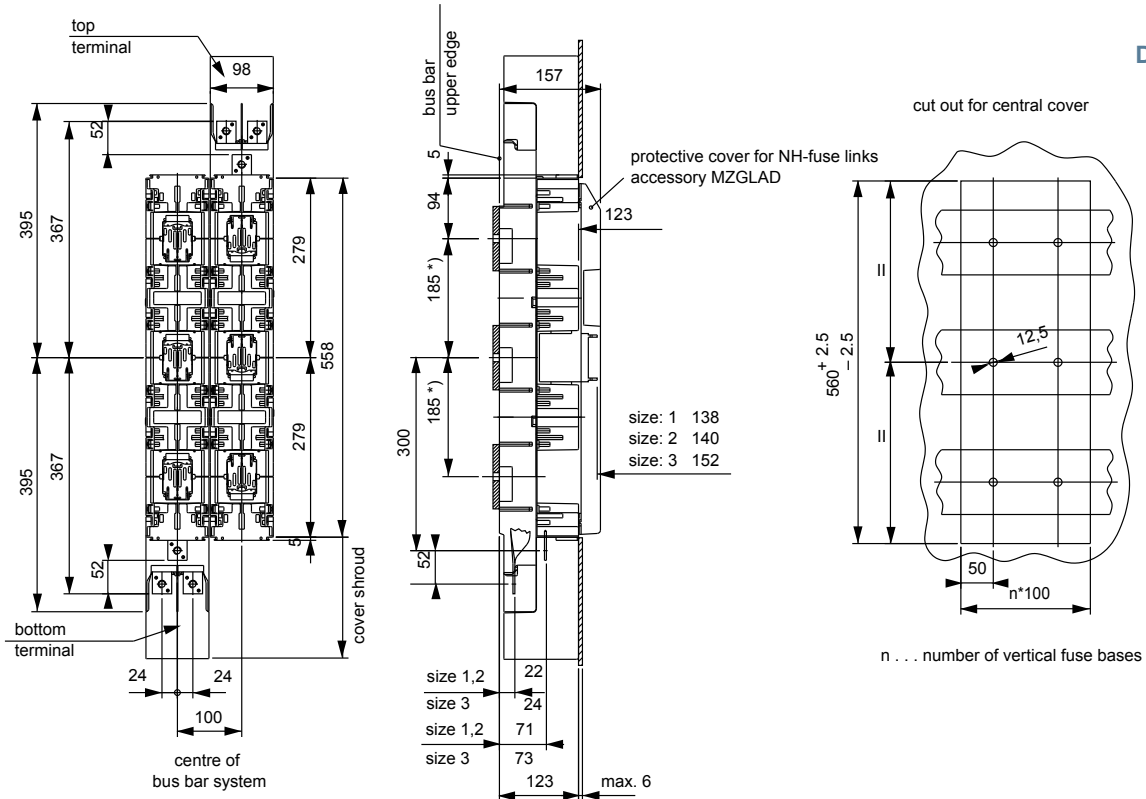
Technical data in accordance with EN / IEC 60947

	BSL 250A	BSL 400A	BSL 630A
Installation mode	bus bar installation	bus bar installation	bus bar installation
Size	1	2	3
Number of poles/phases	3	3	3
Conventional free air thermal current with NH-fuse links $I_n$	250A	400A	630A
Max. power dissipation of NH-fuse links $P_n$	32W	45W	60W
Conventional free air thermal current with solid links $I_n$	400A	630A	800A
Max. power dissipation of solid links $P_n$	65W	126W	161W
Rated operational voltage $U_o$	690V	690V	690V
Rated insulation voltage $U_i$	1000V	1000V	1000V
Rated impulse withstand voltage $U_{imp}$	9.8kV	9.8kV	9.8kV
Rated frequency	50 ... 60Hz	50 ... 60Hz	50 ... 60Hz
Degree of protection	IP20	IP20	IP20
Degree of pollution	3	3	3
Rated duty	uninterrupted duty	uninterrupted duty	uninterrupted duty
<b>Cable terminal connection</b>			
Standard terminal	M10	M12	M12
for cable lugs Cu max.	300mm <sup>2</sup>	300mm <sup>2</sup>	300mm <sup>2</sup>
for cable lugs Al max.	300mm <sup>2</sup>	300mm <sup>2</sup>	300mm <sup>2</sup>
for copper bars with max. dimensions	40x10mm	40x10mm	40x10mm
<b>Bus bar terminal connection</b>			
Hooked clamp for bus bar with thickness	5 ... 10mm	5 ... 10mm	5 ... 10mm
Bus bar system	185mm	185mm	185mm

# BSL 250A, 400A, 630A

## BSL-NH-fuse rail with touch protection 250A, 400A, 630A

BSL size 1 250A, size 2 400A, size 3 630A



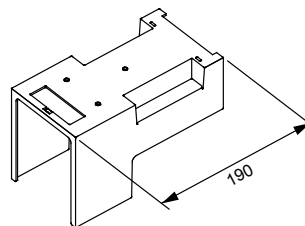
Dimensions  
M01110

\*) special design 178–210 m

## Cover shrouds for cable termination for BSL 250A, 400A, 630A

BSL size 1 250A, size 2 400A, size 3 630A

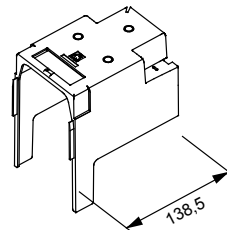
for terminal connections with cable lugs on switch boards with central cover



MZKHO

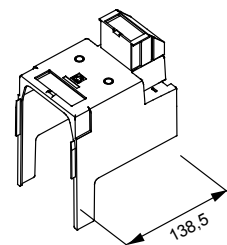
Dimensions  
M01104a

for clamp terminal connections (V-clamps, direct terminal clamps) in feeder pillars



MZKAB

for special "high" clamp terminal connection (double V-clamps, frame clamps) in feeder pillars



MZKAB1



# BSL 250A, 400A, 630A

## NH-fuse rail with touch protection 1 250A, size 2 400A, size 3 630A 690VAC

### Accessories

#### Cover/shrouds for cable termination

BSL 250A, 400A, 630A



MZKAB



MZKHO



MZKAB1

article number	reference number	design	application	weight kg <sup>1</sup>	package
MZKAB	J1023301A	cover shroud for clamp terminal connection in feeder pillars length 138,5mm	top terminal	0.19	1 piece
MZKHO	G217655A	cover shroud for cable terminal connections with cable lugs on switchboards with central cover length 190mm	top terminal	0.12	1 piece
MZKAB1	K1023302A	cover shroud for special (high) clamp terminal connection in feeder pillars length 138,5mm	top terminal	0.10	1 piece

#### Varieties of cable termination

BSL 250A, 400A, 630A



1.002.909



1.002.910



1.002.902



1.002.903



22SZVK42



1.000.099



22SZSV1



1.001.667

article number	reference number	design	weight kg <sup>1</sup>	package
1.002.909	K1024613A	V-terminal clamp size 1,2,3, 95-240mm <sup>2</sup> single solid, 70-240mm <sup>2</sup> single stranded, 50-185mm <sup>2</sup> round stranded, 70-240mm <sup>2</sup> round solid, M = 23-27Nm 1 set = 3 pieces	0.24	1 set
1.002.910	L1024614A	V-terminal clamp size 1,2,3, 95-300mm <sup>2</sup> single solid, 70-240mm <sup>2</sup> single stranded, 50-185mm <sup>2</sup> round stranded, 70-240mm <sup>2</sup> round solid, M = 23-27Nm 1 set = 3 pieces	0.25	1 set
1.002.902	M1024615C	V-terminal clamp size 1,2,3 95-240mm <sup>2</sup> single solid, 70-240mm <sup>2</sup> single stranded, 50-185mm <sup>2</sup> round stranded, 70-240mm <sup>2</sup> round solid, M= 23-27Nm, with V-lug art. no. 22SZSV1 1 set = 3 clamps + 3 lugs	0.42	1 set
1.002.903	N1024616C	V-terminal clamp size 1,2,3 95-300mm <sup>2</sup> single solid, 70-240mm <sup>2</sup> single stranded, 50-185mm <sup>2</sup> round stranded, 70-240mm <sup>2</sup> round solid, M = 23-27Nm, with V-shaped lug art. no. 22SZSV1 1 set = 3 clamps + 3 lugs	0.44	1 set
22SZVK42	Q1024618A	V-terminal clamp size 1,2,3 for 2 Leiter 50-240mm <sup>2</sup> single solid, 50-185mm <sup>2</sup> single stranded, 50-185mm <sup>2</sup> round stranded, 70-240mm <sup>2</sup> round solid M = 23-27Nm	0.17	1 piece
1.000.099	E1023436A	insulation cap for V-terminal clamp size 1,2,3	0.01	1 piece
22SZSV1	P1024617A	V-shaped terminal lug size 1,2,3; M12, for V-terminal clamp size 1,2,3 for switch gear size 1,2,3 with screw terminal (bolt, insert nut, flat terminal) supplementary for V-terminal with V-clamps	0.20	1 piece
1.001.667	F1023275A	adapter for double terminal L3	0.25	1 piece

# BSL 250A, 400A, 630A

## BSL 250A, 400A, 630A

NH-fuse rail with touch protection 1 250A, size 2 400A, size 3 630A 690VAC

### Accessories



MZ01LPAP MZLPAP 1.002.493



1.002.492 1.002.830 1.002.829



MZBC MZBT



1.000.192



MZSTW1

#### Covers/spare way covers

#### BSL 250A, 400A, 630A

article number	reference number	design	application	weight kg <sup>1</sup>	package
MZ01LPAP	C1023410A	spare way cover without level adjustment width 50mm, length 500mm including fixing material	bus bar system 185mm	0.06	1 piece
MZLPAP	D1023411A	spare way cover width 100mm, length 612mm including 2 pieces M12 fixing screws (distance of fixing holes 185mm)	bus bar system 185mm	0.56	1 piece
1.002.493	N1002283A	spare way cover width 50mm, length 630mm for covering of open installation spaces in distribution units with central cover	bus bar system 185mm	0.13	1 piece
1.002.492	M1002282A	spare way cover width 100mm, length 630mm for covering of open installation spaces in distribution units with central cover	bus bar system 185mm	0.20	1 piece
1.002.830	E1023412A	spare way cover width 50mm, length 630mm with level adjustment 123mm for bus bar installation, set = cover + fixing set (2 distance pieces, 2 screw rivets)	bus bar system 185mm	0.20	1 set
1.002.829	F1023413A	spare way cover width 100mm, length 630mm with level adjustment 123mm for bus bar installation set = cover + fixing set (2 distance pieces, 2 screw rivets)	bus bar system 185mm	0.27	1 set

#### Labelling facilities

#### BSL 250A, 400A, 630A

article number	reference number	design	weight kg <sup>1</sup>	package
MZBC	J1002302A	labelling clip	0.01	1 piece
MZBT	B222181A	label holder size 1, 2, 3	0.03	1 piece

#### Installation devices/bus bar installation

#### BSL 250A, 400A, 630A

article number	reference number	design	weight kg <sup>1</sup>	package
1.000.192	P1002284C	hooked clamp size 1, 2, 3, M = 15–20Nm hexagon socket connection (inbus) for MULTIVERT®/BSL with top or bottom terminal 1 set = 3 pieces	0.46	1 set

#### Phase barriers

#### BSL 250A, 400A, 630A

article number	reference number	design	weight kg <sup>1</sup>	package
MZSTW1	H1002301C	lateral phase barrier (snap on) 1 set = 3 pieces	0.04	1 set

# NH Fuse System

## MULTIFIX® bus bar systems

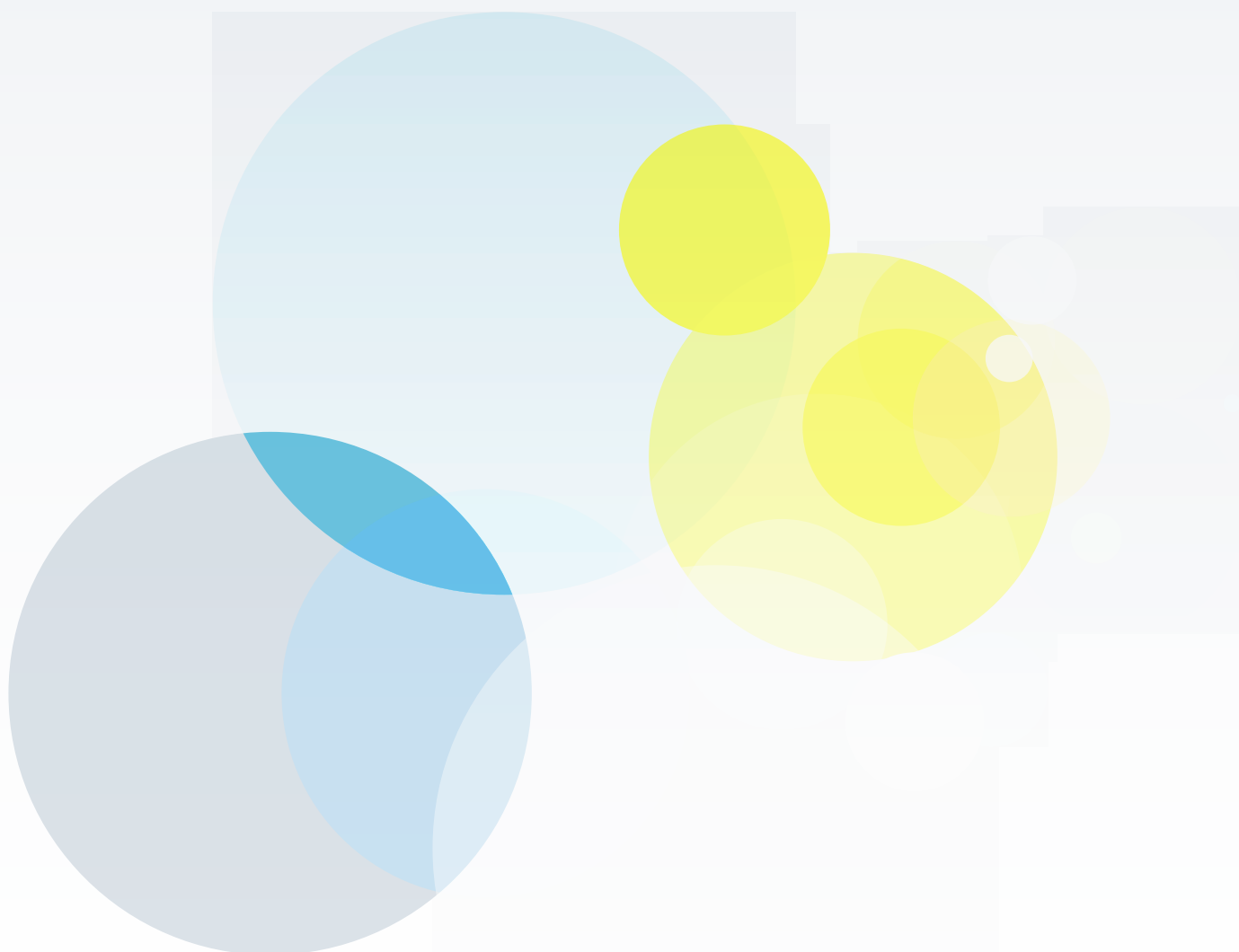
**p. 197**

MULTIFIX® 60 bus bar system 60mm

p. 198 to 228

MULTIFIX® 100 / MULTIFIX® 185 bus bar systems 100mm and 185mm

p. 229



# MULTIFIX® 60

## Universal bus bar carriers for MULTIFIX® 60 bus bar system 60mm

in accordance with IEC/EN 60439-1 and VDE 0660 Teil 500

- For bus bars with width 12 - 30mm and thickness 5 - 10mm
- Universal bus bar carrier for installation of bus bars with thickness of 5 or 10mm  
Retaining unchanged height of supporting edge
- For bus bars with width 12, 15, 20 and 30mm
- Free of halogen, phosphor, silicon and CFC  
Marked for classified recycling

MULTIFIX® 60 bus bar system 60mm



1.002.100

### Universal bus bar carriers

triple pole

article number	reference number	design	weight kg <sup>1</sup>	package
1.002.100	J1026452J	universal bus bar carrier for bus bars with width 5 and 10mm 2 internal fixing holes two 25mm self tapping fixing screws	0.12	10



1.002.101



1.002.102

### Universal bus bar carriers

single pole

article number	reference number	design	weight kg <sup>1</sup>	package
1.002.101	K1026453J	universal bus bar carrier for bus bars with width 5 and 10mm attachable to art.no. 1.002.100 left and/or right for extension to 4- or 5-pole bus bar carrier one 25mm self tapping fixing screw	0.05	10
1.002.102	L1026454J	universal bus bar carrier for bus bars with width 5 and 10mm for individual installation two 25mm self tapping fixing screws	0.04	10



1.002.103



1.002.104

### End cover for universal bus bar carrier

triple pole

article number	reference number	design	weight kg <sup>1</sup>	package
1.002.103	J1026498L	touch protection single (1x90° angle) yellow with warning label	0.01	20
1.002.104	K1026499L	touch protection with lateral cover (2x90° angle), yellow with warning label	0.02	20



1.002.105



1.002.106

### End cover for universal bus bar carrier

single pole

article number	reference number	design	weight kg <sup>1</sup>	package
1.002.105	M1026501L	touch protection single (1x90° angle) yellow with warning label	0.006	20
1.002.106	N1026502L	touch protection with lateral cover (2x90° angle), yellow with warning label	0.007	20



1.002.109

### External fixing device

article number	reference number	design	weight kg <sup>1</sup>	package
1.002.109	R1026505L	external additional fixing device for bus bar carrier triple pole art.no. 1.002.100 (with self tapping fixing screw 10mm)	0.006	20

## Universal bus bar carriers for MULTIFIX® 60 bus bar system 60mm



### Fixing screws

article number	reference number	design	weight kg <sup>1</sup>	package
1.002.107	P1026503L	self tapping fixing screw 25mm	0.004	20
1.002.108	Q1026504L	self tapping fixing screw 10mm	0.002	20



### Connection piece for bus bar carrier double pole

article number	reference number	design	weight kg <sup>1</sup>	package
1.002.110	S1026506L	connection piece for assembly of bus bar carrier double pole with two pieces bus bar carrier single pole art.no. 1.002.101	0.006	20

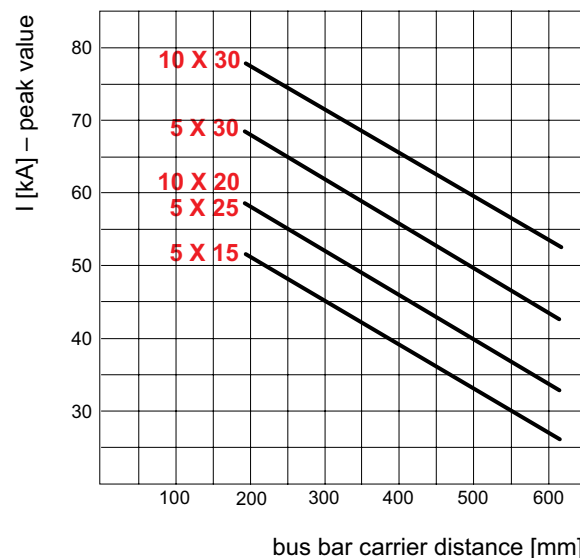
## Universal bus bar carriers for MULTIFIX® 60 bus bar system 60mm

Technical data in accordance with EN / IEC 60947

	Universal bus bar carrier
Rated operational voltage U <sub>e</sub>	690V
Track resistance/comperative tracking index	CTI 600
Fire resistance	UL 94-V0
Temperature resistance	200°C
Glow wire test	960°C

## Universal bus bar carrier Short circuit resistance for MULTIFIX® 60

SCR MF60



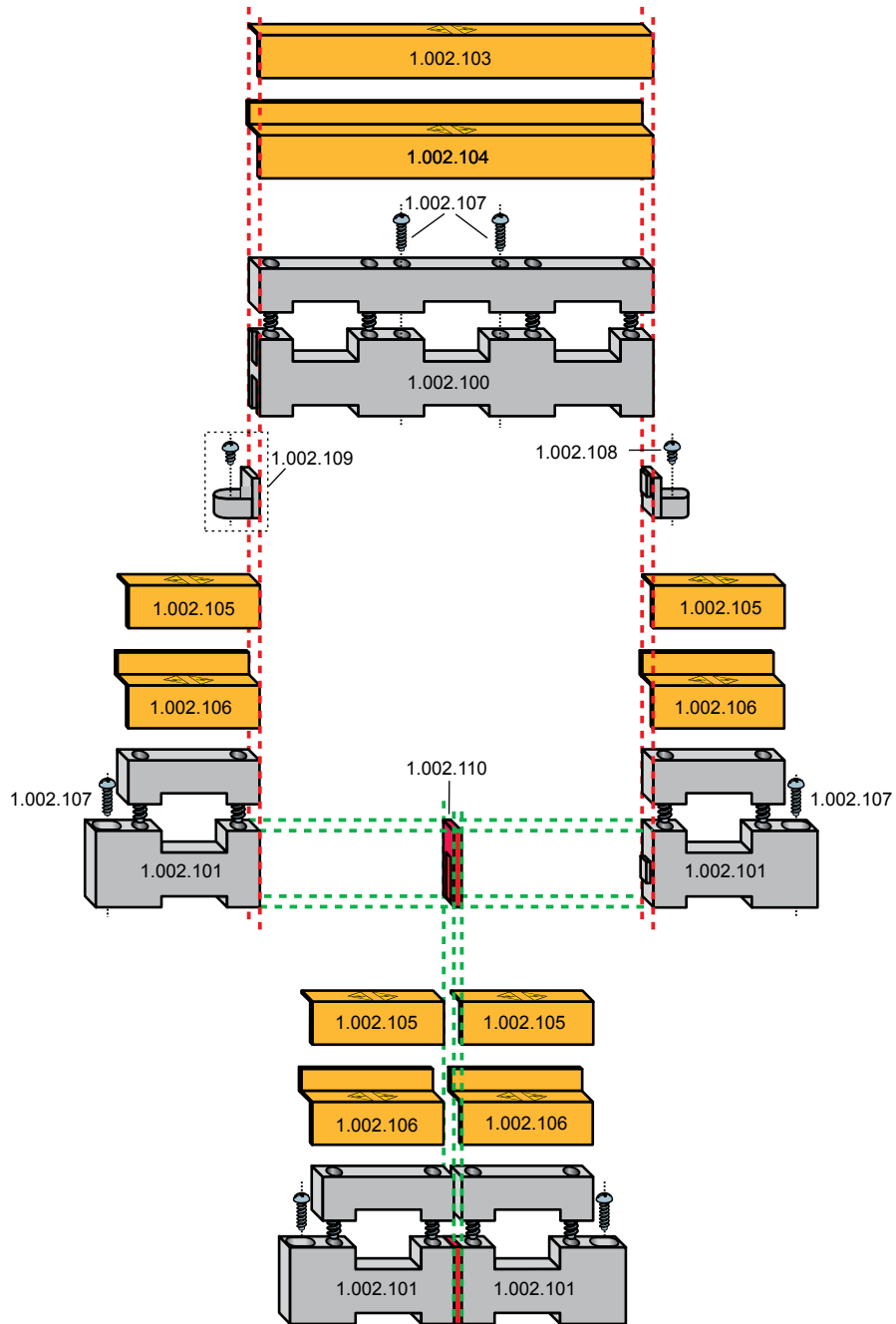
<sup>1</sup>) weight in kg per piece or set including package

# MULTIFIX® 60

## Universal bus bar carrier MULTIFIX® 60

Combinations for universal bus bar carriers MULTIFIX® 60

E 1.003.500



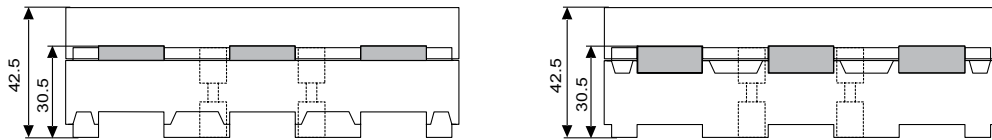
MULTIFIX® 60 bus bar system 60mm

# Universal bus bar carrier MULTIFIX® 60

Bus bar carrier for universal application for bus bars with thickness 5mm or 10mm retaining unchanged height of supporting edge

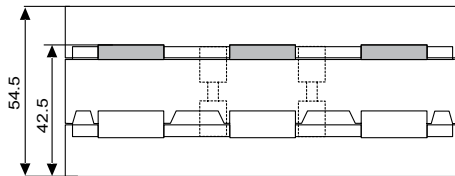
M02048

standard installation height



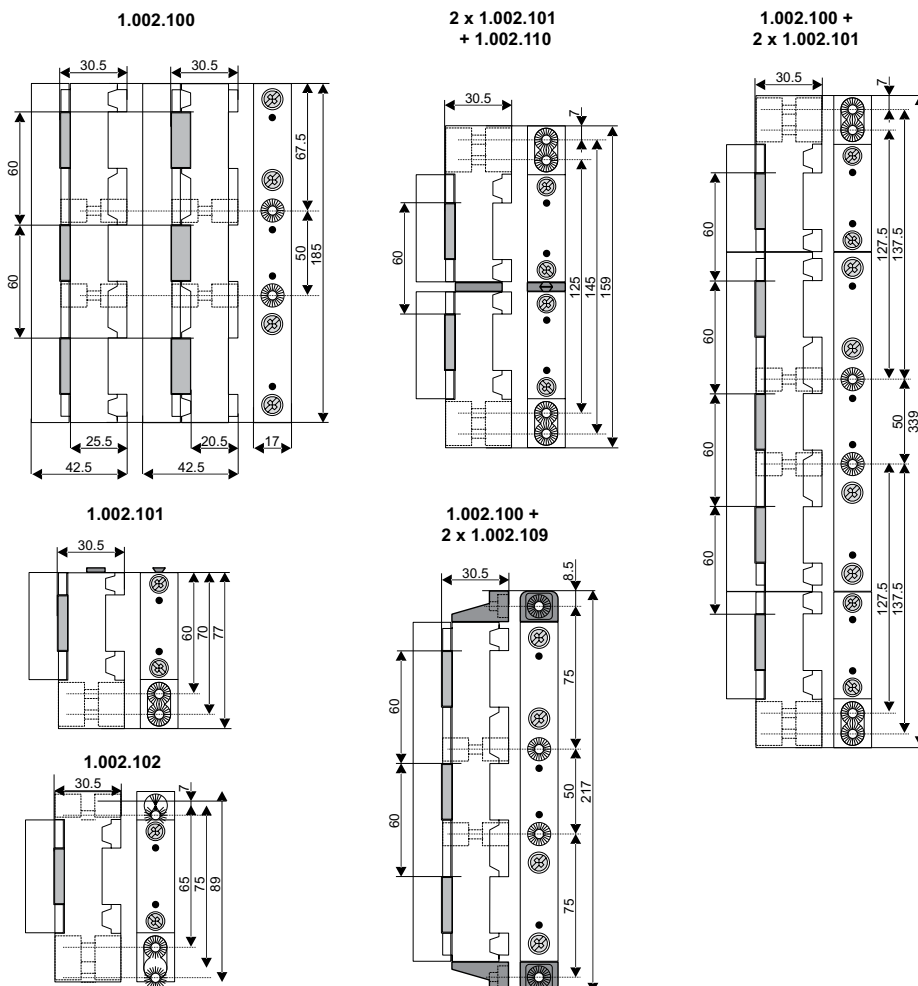
variety for special height

for additional bottom vacancy – upper part bus bar carrier is placed underneath



# Bus bar carrier for universal application single pole, double pole, triple pole, quadruple pole

M02039



# MULTIFIX® 60

## Bus bar carriers

for MULTIFIX® 60 bus bar system 60mm

in accordance with IEC/EN 60439-1 and VDE 0660 Teil 500

- For bus bars with width 30mm and thickness 10mm



1.000.752

### Bus bar carriers

triple pole

article number	reference number	design	weight kg <sup>1</sup>	package
1.000.752	P1026480J	bus bar carrier for individual installation 2 internal fixing holes + 2 external fixing holes	0.13	10



1.000.755

### Bus bar carriers

single pole

article number	reference number	design	weight kg <sup>1</sup>	package
1.000.755	Z1026443J	bus bar carrier for individual installation 2 fixing holes	0.07	10



1.000.757

### End cover for bus bar carrier

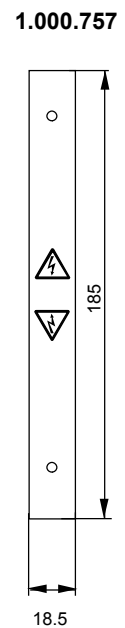
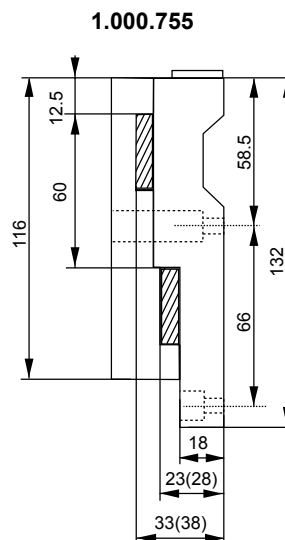
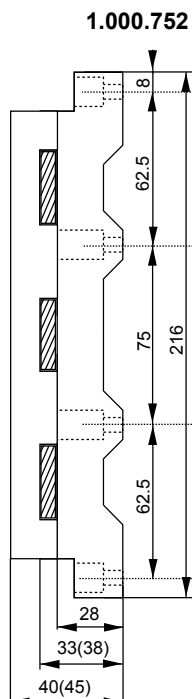
triple pole

article number	reference number	design	weight kg <sup>1</sup>	package
1.000.757	T1026461L	touch protection single (1x90° angle) yellow with warning label for bus bar carrier art.no. 1.000.752	0.01	20

## Bus bar carrier MULTIFIX® 60

Bus bar carrier for individual installation for bus bars with thickness 10mm and width 30mm

M02005a





# D02-vertical fuse bases E18

## for MULTIFIX® 60 bus bar system 60mm

in accordance with IEC/EN 60439-1 and VDE 0660 Teil 500

- Direct snap-on installation on to copper bars, width 12 - 30mm, thickness 5 - 10mm
- Touch protection to DIN 49 924 - finger proof
- Labelling area integrated directly in the fuse base to avoid mistakes in labelling during installation and maintenance
- Use of high grad steel clamps up to 25mm<sup>2</sup> with reduced power dissipation
- Rear touch protection of bus bars by top and bottom covering device
- Front touch protection cover for 27mm - standard design  
Front touch protection cover for 36mm and 54mm with extension
- Cover for bus bar carrier with touch protection cover with lateral (left or right) extended covers
- For D01- and D02-fuse links and D0-cartridge ring adapter inserts in accordance with IEC/EN 60269-3, VDE 0636-3
- Free of halogen, phosphor, silicon and CFC  
Marked for classified recycling

### D0-vertical fuse bases

triple pole

article number	reference number	Size	thread	design	weight kg <sup>1</sup>	package
1.000.758	G1026634J	D02	E18	width 27mm, fingerproof, without cover	0.15	10
1.000.759	H1026635J	D02	E18	width 27mm, fingerproof, with cover	0.16	10



1.000.758



1.000.759

### Touch protection covers for D0-fuse bases

triple pole

article number	reference number	application	design	weight kg <sup>1</sup>	package
1.000.762	A1026444J	-	width 27mm	0.01	10
1.000.763	B1026445J	left side	width 36mm, with extension	0.02	10
1.000.764	C1026446J	left side	width 54mm, with extension	0.03	10
1.000.765	D1026447J	cover pair left and right	width 2 x 36mm, with extension	0.04	10
1.000.767	E1026448J	right side	width 36mm, with extension	0.03	10
1.002.607	W1026624J	cover pair top and bottom	cover pair for top and bottom of fuse base for rear touch protection of bus bar	0.02	10



1.000.762



1.000.763



1.000.764



1.000.765



1.000.767



1.002.607

# MULTIFIX® 60

## D02-vertical fuse bases E18 for MULTIFIX® 60 bus bar system 60mm

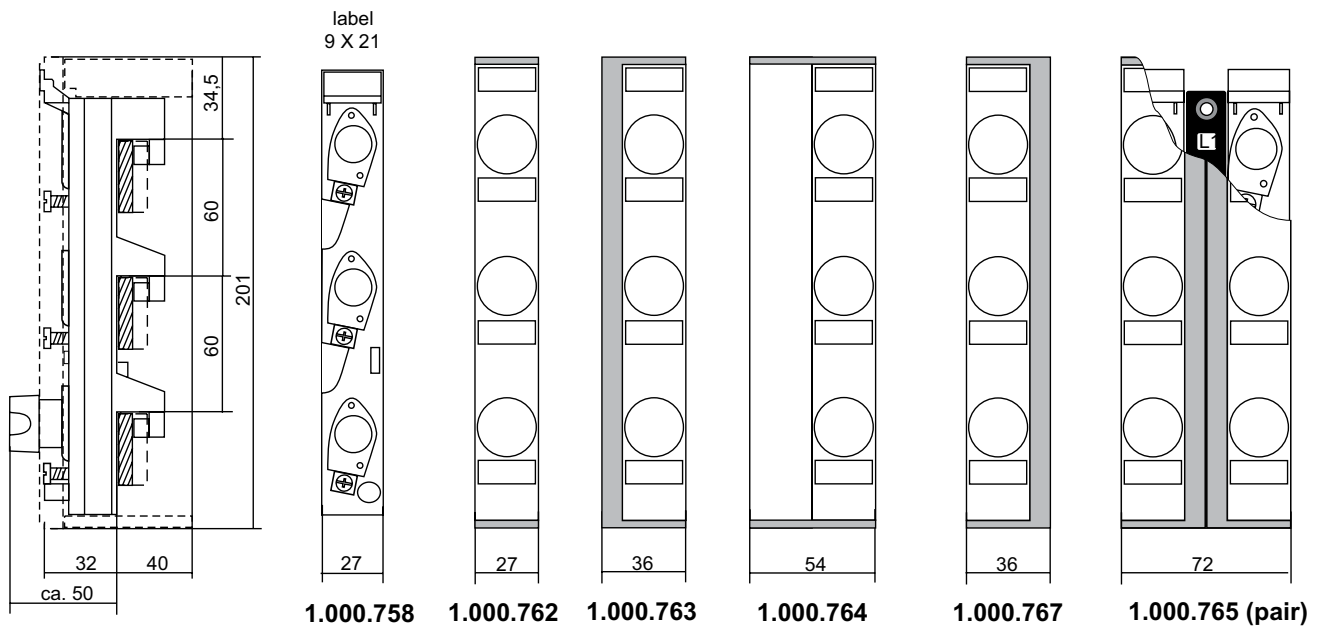
Technical data in accordance with EN / IEC 60947

	D02-vertical fuse bases
Rated operational current $I_n$	2 to 63A
Rated operational voltage $U_n$	400V
Track resistance/comperative tracking index	CTI 600
Fire resistance	UL 94-V0
Temperature resistance	200°C
Glow wire test	960°C
<b>Cable terminal connection</b>	
Standard cable terminal	cage clamp steel V2A 2-5-25mm <sup>2</sup> , 3-4Nm

## D02-vertical fuse bases

### D02-vertical fuse base E18 for direct installation (snap on) on to 60mm bus bar system

M02046a



## D-vertical fuse bases for MULTIFIX® 60 bus bar system 60mm

in accordance with IEC/EN 60439-1 and VDE 0660 Teil 500

- For bus bars with width 12 - 30mm and thickness 5 - 10mm
- For D-fuse links 2 - 63A in accordance with IEC/EN 60269-3-1 and VDE 0636 part 301 and 3011, DIN 49522 and D0-cartridge ring adapter inserts in accordance with DIN 49523
- Free of halogen, phosphor, silicon



SAS01918

### DII-vertical fuse base, E27

triple pole

article number	reference number	Size	thread	design	weight kg <sup>1</sup>	package
SAS01918	S207430J	DII	E27	without cover width 42mm, adapter ring system	0.19	10



SAS01923



SAS01922

### Covers for DII-vertical fuse base, E27

triple pole

article number	reference number	Size	thread	design	weight kg <sup>1</sup>	package
SAS01923	B211486E	DII	E27	double cover width 84mm	0.05	10
SAS01922	G213078J	DII	E27	double cover width 42mm	0.03	10



SAS01919

### DIII-vertical fuse base, E33

triple pole

article number	reference number	Size	thread	design	weight kg <sup>1</sup>	package
SAS01919	B213579J	DIII	E33	without cover width 42mm, adapter ring system	0.26	10



SAS01924



SAS01925

### Covers for DII-vertical fuse base, E33

triple pole

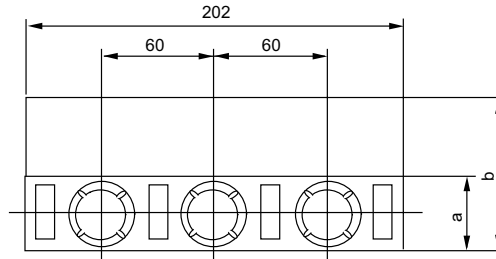
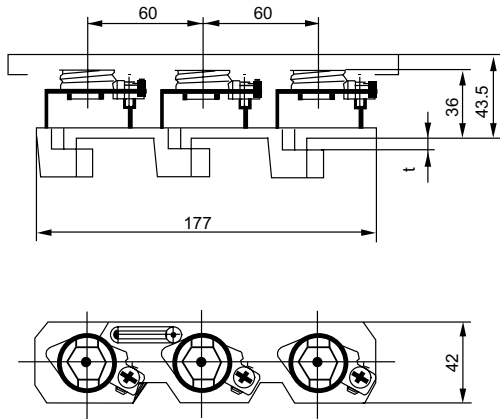
article number	reference number	Size	thread	design	weight kg <sup>1</sup>	package
SAS01924	P215615J	DIII	E33	single cover width 42mm	0.04	10
SAS01925	G218644J	DIII	E33	double cover width 84mm	0.06	10

# MULTIFIX® 60

## D-vertical fuse bases

DII and DIII-vertical fuse bases E27 and E33  
for direct installation on to 60mm bus bar system

M02007



DII a = 42 mm, b = 84 mm  
DIII a = 57 mm, b = 114 mm

t = thickness of bus bar 5 or 10 mm

## Touch protection cover caps, terminal clamp plates for MULTIFIX® 60 bus bar system 60mm

in accordance with IEC/EN 60439-1 and VDE 0660 Teil 500

- For bus bars with width 12 - 30mm and thickness 5 - 10mm
- Modular technique, individual configurations
- Range of terminal 16 - 85mm<sup>2</sup>
- Can also be used as spare way cover
- Marked for classified recycling

### Touch protection cover caps grey



article number	reference number	design	weight kg <sup>1</sup>	package
1.000.771	L1026431B	200x54x42mm, for clamps max. 1.5-35mm <sup>2</sup>	0.08	2
1.000.772	M1026432B	200x108x42mm, for clamps 16-70mm <sup>2</sup>	0.15	2
1.000.773	N1026433B	200x108x78mm, for clamps 16-185mm <sup>2</sup>	0.28	2

### Bus bar protection plates

article number	reference number	design	weight kg <sup>1</sup>	package
1.000.774	P1026434B	bus bar protection plate width 54mm	0.04	2
1.000.775	N1026479B	bus bar protection plate width 108mm	0.10	2

### Terminal clamp plates, 84x59x200mm

triple pole



article number	reference number	design	thickness of bus bar	weight kg <sup>1</sup>	package
SAS01412	E212041A	terminal clamp plate complete, 200x84x59mm for bus bars with thickness 5mm, 35-120mm <sup>2</sup>	5mm	0.43	1
SAS01414	Z211530A	terminal clamp plate complete, 200x84x59mm for bus bars with thickness 10mm, 35-120mm <sup>2</sup>	10mm	0.45	1
SAS01413	H218691A	cover for terminal clamp plate 5/10mm	-	0.13	10

<sup>1)</sup> weight in kg per piece or set including package

## Touch protection cover caps, terminal clamp plates for MULTIFIX® 60 bus bar system 60mm

### Universal terminal clamps for bus bars with a thickness of 5mm

article number	reference number	thickness of bus bar	Ø max.	max. tightening torque	terminal	A	B	C	weight kg <sup>1</sup>	package
1.000.776	K200730Q	5mm	7.5mm	3Nm	1.5 ... 16mm <sup>2</sup>	25.5mm	11.5mm	27mm	0.02	40
1.000.777	V1026432L	5mm	11mm	6Nm	1.5 ... 35mm <sup>2</sup>	26.5mm	16mm	31.5mm	0.05	20
1.000.778	W1026463L	5mm	11mm	6Nm	1.5 ... 60mm <sup>2</sup>	26.5mm	16mm	35mm	0.06	20
1.000.779	J201787M	5mm	14mm	10Nm	16 ... 70mm <sup>2</sup>	28mm	20.5mm	39mm	0.07	10
1.000.780	V207524M	5mm	17mm	10Nm	16 ... 120mm <sup>2</sup>	29mm	23.5mm	46mm	0.11	10
1.001.157	G1026450J	5mm	22mm	10Nm	16 ... 185mm <sup>2</sup>	29mm	28.5mm	49mm	0.18	10

### Universal terminal clamps for bus bars with a thickness of 10mm

article number	reference number	thickness of bus bar	Ø max.	max. tightening torque	terminal	A	B	C	weight kg <sup>1</sup>	package
1.000.781	W219209Q	10mm	7.5mm	3Nm	1.5 ... 16mm <sup>2</sup>	25.5mm	11.5mm	31.5mm	0.02	40
1.000.782	A1026490L	10mm	11mm	6Nm	1.5 ... 35mm <sup>2</sup>	28.5mm	16mm	36.5mm	0.05	20
1.000.783	B1026491L	10mm	11mm	6Nm	1.5 ... 60mm <sup>2</sup>	26.5mm	16mm	10mm	0.06	20
1.000.784	F222185M	10mm	14mm	10Nm	16 ... 70mm <sup>2</sup>	28mm	20.5mm	45.5mm	0.07	10
1.000.785	B222940M	10mm	17mm	10Nm	16 ... 120mm <sup>2</sup>	29mm	23.2mm	51 mm	0.11	10
1.001.158	H1026451J	10mm	22mm	10Nm	16 ... 185mm <sup>2</sup>	29mm	28.5mm	53mm	0.18	10

## Touch protection cover caps, terminal clamp plates for MULTIFIX® 60 bus bar system 60mm

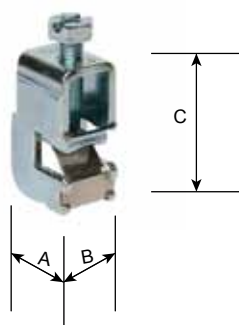
### Technical data in accordance with EN / IEC 60947

	Terminal clamp plates and touch protection
Track resistance/comperative tracking index	CTI 600
Fire resistance	UL 94-V0
Temperature resistance	200 °C
Glow wire test	960 °C

## Terminal clamps

For bus bars with thickness of 5mm and 10mm

Values A,B,C see table



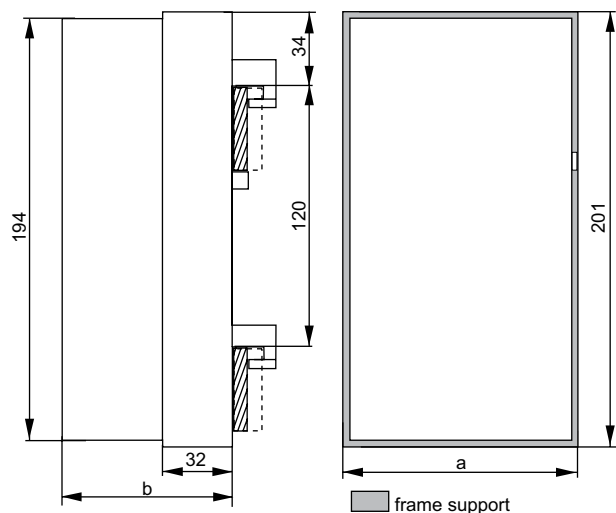
<sup>1</sup>) weight in kg per piece or set including package

# MULTIFIX® 60

## Touch protection cover caps, terminal clamp plates

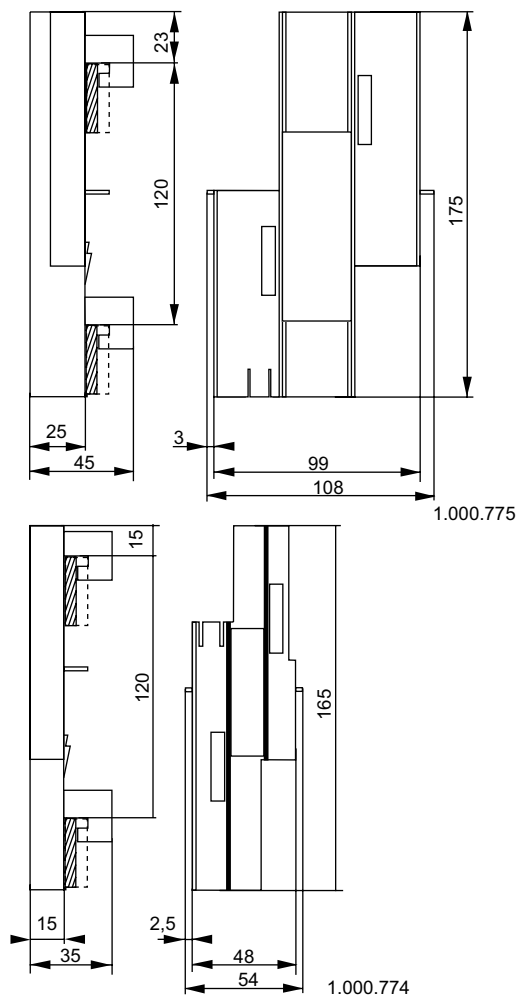
Touch protection cover caps and terminal clamps for modular technique for 60mm bus bar system

M02009



article number	dimension a	dimension b
1.000.768 / 1.000.771	54 mm	42 mm
1.000.769 / 1.000.772	108 mm	42 mm
1.000.770 / 1.000.773	108 mm	78 mm

a = width, b = depth (depth + 2 mm)



## Terminal clamp module for MULTIFIX® 60 bus bar system 60mm

in accordance with IEC/EN 60439-1 and VDE 0660 Teil 500

- For bus bars with width 20, 25 und 30mm and thickness 5 - 10mm
- Terminal clamp module for current incoming and outgoing
- Possibility to connect on to other bus bar systems
- Cable termination by frame clamp for round and flat terminals  
round terminal 7-300mm<sup>2</sup> round solid  
flat terminal 11 x 21 x 1 (x2)
- Tightening torque 40Nm

### Terminal clamp module 630A

triple pole



1.001.047

article number	reference number	design	weight kg <sup>1</sup>	package
1.001.047	V1026416A	round terminal 70-300mm <sup>2</sup> round solid	0.25	1
1.001.853	K1026430A	flat terminal 11 x 21 x 1 (x 2) round solid	1.50	1

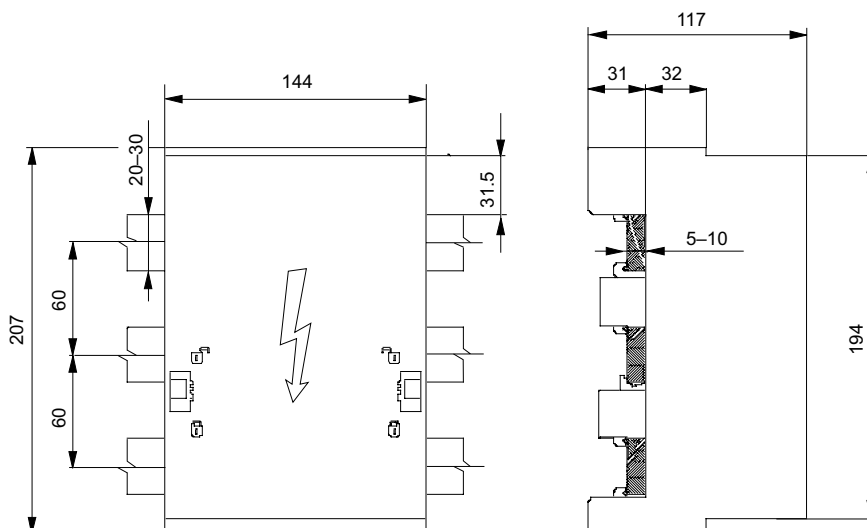
## Terminal clamp module for MULTIFIX® 60 bus bar system 60mm

Technical data in accordance with EN / IEC 60947

	Terminal module
Track resistance/comperative tracking index	CTI 600
Fire resistance	UL 94-V0
Temperature resistance	200°C
Glow wire test	960°C

## Terminal clamp module Terminal module 630A triple pole for 60mm bus bar system

M02013



<sup>1</sup>) weight in kg per piece or set including package

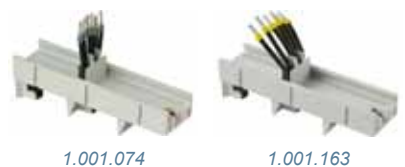
# MULTIFIX® 60

## Component adapters

for MULTIFIX® 60 bus bar system 60mm

in accordance with IEC/EN 60439-1 and VDE 0660 Teil 500

- For bus bars with width 12 - 30mm and thickness 5 - 10mm
- Modular system concept consisting of standard adapter with width of 45mm and lateral expansion parts of 9mm for individual extension in 9mm steps
- Adapter terminal cross section 4, 6, 10 and 16mm<sup>2</sup>
- Component adapter with double central terminal (2 x 3 x 4mm<sup>2</sup>, 2 x 3 x 6mm<sup>2</sup>)
- Universal supporting bars in various widths 45 to 81mm with clamp and expanding techniques top/bottom or front fixing
- Free of halogen, phosphor, silicon and CFC  
Marked for classified recycling



### Component adapters for top terminal

article number	reference number	design	nominal current	weight kg <sup>1</sup>	package
1.001.072	S1026437D	width 45mm, terminal 3x4mm <sup>2</sup>	25A	0.19	4
1.000.786	Q1026435D	width 45mm, terminal 3x6mm <sup>2</sup>	35A	0.20	4
1.001.073	V1026439D	width 45mm, terminal 3x10mm <sup>2</sup>	63A	0.23	4
1.000.787	R1026436D	width 45mm, terminal 3x16mm <sup>2</sup>	80A	0.26	4

### Component adapter double central terminal

article number	reference number	design	nominal current	weight kg <sup>1</sup>	package
1.001.074	X1026441D	width 45mm, Doppelterminal wihutig, 2 mal 3 x 4mm <sup>2</sup>	25A	0.25	4
1.001.163	Y1026442D	width 45mm, central double terminal, 2 x 3 x 6mm <sup>2</sup>	35A	0.28	4

### Component adapters without contacts

article number	reference number	design	nominal current	weight kg <sup>1</sup>	package
1.000.789	M1026478D	width 45mm, without contacts, extendable	35A	0.15	4

<sup>1)</sup> weight in kg per piece or set including package



## Component adapters for MULTIFIX® 60 bus bar system 60mm



1.000.788

### Lateral extension piece for individual expansion of the adapter

article number	reference number	design	weight kg <sup>1</sup>	package
1.000.788	C1026492L	lateral extension piece for individual expansion of the adapter in 9mm steps, can be fitted either right or left hand side of adapter	0.04	20

### Universal supporting bars for component adapter



1.000.790

1.000.791



1.000.792

1.000.793



1.000.794

article number	reference number	design	weight kg <sup>1</sup>	package
1.000.790	D1026493L	width 45mm	0.01	20
1.000.791	E1026494L	width 54mm	0.01	20
1.000.792	F1026495L	width 63mm	0.01	20
1.000.793	G1026496L	width 72mm	0.01	20
1.000.794	H1026497L	width 81mm	0.02	20

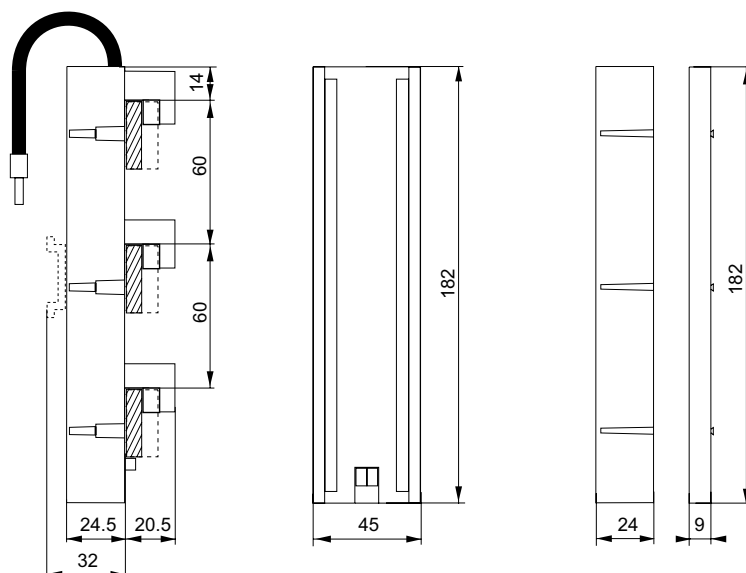
## Component adapters for MULTIFIX® 60 bus bar system 60mm

### Technical data in accordance with EN / IEC 60947

	Component adapter
Rated operational current $I_n$	25 to 80A
Track resistance/comperative tracking index	CTI 600
Fire resistance	UL 94-V0
Temperature resistance	200°C
Glow wire test	960°C

## Component adapter MULTIFIX® 60 Component adapter for direct installation on to 60mm bus bar system

M02009



1) weight in kg per piece or set including package

# MULTIFIX® 60

## TYTAN® R D02-vertical fuse switch disconnecter 63A, 400VAC triple pole

for MULTIFIX® 60 bus bar system 60mm

in accordance with IEC/EN 60439-1 and VDE 0660 Teil 500

- For bus bars with width 12 - 30mm and thickness 5 - 10mm
- For direct installation without drilling on to 60mm bus bar systems
- Ease of installation - snap in mode and automatic interlocking
- Blinking indicator for indication of operation of fuse link
- Plug technique to EN 50110-1 - installation with screw caps
- Indication of switch contact
- Padlocking and sealing facility
- Special adapter ring for the use of D01-fuse links (included in delivery)
- For D01- and D02-fuse links and D0-cartridge ring adapter inserts in accordance with IEC/EN 60269-3, VDE 0636-3



1.002.602 1.002.603

### TYTAN® R D02-vertical fuse switch disconnecter 63A, 400VAC triple pole

article number	reference number	poles	Size	design	weight kg <sup>1</sup>	package
1.002.602	M1006399C	3	D02	triple pole switching	0.35	3
1.002.603	P1006401C	3	D02	triple pole switching with neutral conductor	0.44	3
1.002.604	R1026620C	3	D02	triple pole switching with auxiliary switch	0.35	3
1.002.605	S1026621C	3	D02	triple pole switching with neutral conductor and auxiliary switch	0.44	3

### Adapter ring for D01-fuse links 2 - 16A

TYTAN® R



1.002.606

article number	reference number	design	weight kg <sup>1</sup>	package
1.002.606	Q1006402L	adapter ring for D01 fuse links 2A - 16A in TYTAN® R	0.03	12

### Extra fuse plug for D0-fuse links

TYTAN® R



1.003.160

article number	reference number	design	weight kg <sup>1</sup>	package
1.003.160	L1026615A	external fuse plug 63A, 400VAC for TYTAN® R, 1 set = 3 pieces	0.06	1

<sup>1</sup>) weight in kg per piece or set including package

# TYTAN® R D02-vertical fuse switch disconnecter 63A, 400VAC triple pole

for MULTIFIX® 60 bus bar system 60mm

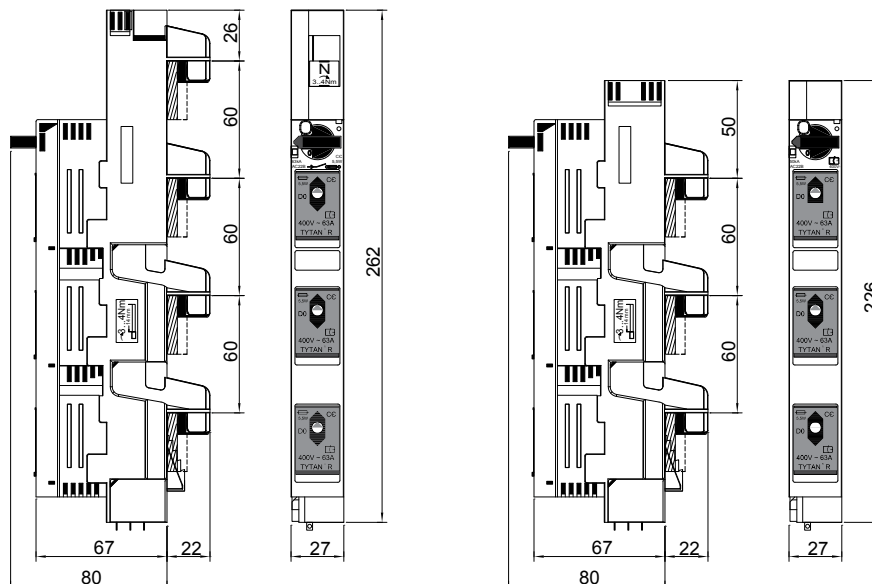
Technical data in accordance with EN / IEC 60947

	TYTAN® R
Installation mode	bus bar installation
Size	D02
Number of poles/phases	3
Conventional free air thermal current with NH-fuse links $I_{th}$	63A
Max. power dissipation of NH-fuse links $P_n$	5,5W
Utilization category to IEC/EN 60947-3 $U_e = AC 400 V; I_e = 63A$	AC 22 B
Rated operational voltage $U_e$	400V
Rated impulse withstand voltage $U_{imp}$	6kV
Rated frequency	50 ... 60Hz
Degree of protection	IP20
Degree of pollution	3
Rated duty	uninterrupted duty
<b>Cable terminal connection</b>	
Standard cable terminal	frame clamp 1-5-35mm <sup>2</sup>
<b>Bus bar terminal connection</b>	
Bus bar width (bus bar system = 60mm)	12 ... 30mm
Bus bar thickness (bus bar system = 60mm)	5 ... 10mm

## TYTAN® R

TYTAN® R D02-vertical fuse switch disconnecter triple pole switching for direct installation on to 60mm bus bar system

M02045



MULTIFIX® 60 bus bar system 60mm

# MULTIFIX® 60

## D02-verical fuse switch disconnecter 63A, 400VAC triple pole for MULTIFIX® 60 bus bar system 60mm

in accordance with IEC/EN 60439-1 and VDE 0660 Teil 500

- For bus bars with width 12 - 30mm and thickness 5 - 10mm
- For direct installation without drilling on to 60mm bus bar systems
- Ease of installation - snap in mode and automatic interlocking
- Use of standard D02-screw caps
- For D01- and D02-fuse links and D0-cartridge ring adapter inserts in accordance with IEC/EN 60269-3, VDE 0636-3

MULTIFIX® 60 bus bar system 60mm

### D02-verical fuse switch disconnecter

63A, 400VAC

triple pole



1.001.040

article number	reference number	poles	design	weight kg <sup>1</sup>	package
1.001.040	V1026600A	3	triple pole switching	0.26	1 piece

### Level adjustment to re-equip switch fo installation on to bus bars with thickness of 5mm (after having been installed on to bus bars with a thickness of 10mm)



1.001.039

article number	reference number	design	weight kg <sup>1</sup>	package
1.001.039	T1026599A	distance piece height 5mm for re-installation on to bus bars with a thickness of 5mm after dismanteling of installation on to 10mm bus bars	0.002	100

### Distance module for enhanced air circulation for high density installations



1.001.041



1.001.042

article number	reference number	design	weight kg <sup>1</sup>	package
1.001.041	W1026601A	distance module 9mm	0.01	1
1.001.042	X1026602A	distance module 9mm with extension	0.02	1

### Indicating switch for switch door position (open - closed)



1.001.043

article number	reference number	poles	design	weight kg <sup>1</sup>	package
1.001.043	Y1026603A	3	indicator for switch door position	0.008	100

# D02-vertical fuse switch disconnecter 63A, 400VAC triple pole for MULTIFIX® 60 bus bar system 60mm

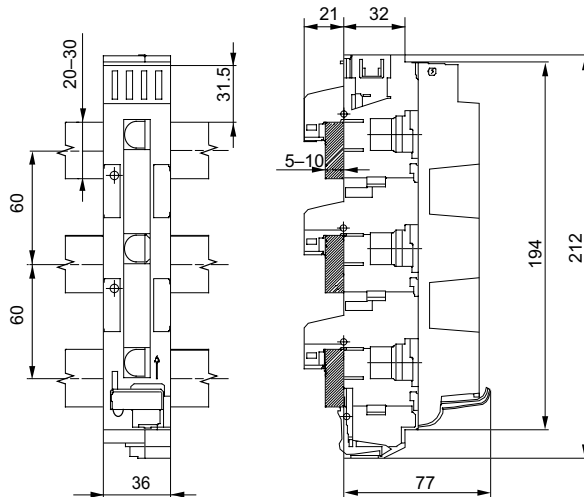
Technical data in accordance with EN / IEC 60947

	D0-vertical fuse switch
Installation mode	bus bar installation
Size	D02
Number of poles/phases	3
Conventional free air thermal current with NH-fuse links $I_n$	63A
Max. power dissipation of NH-fuse links $P_n$	5.5W
Utilization category to IEC/EN 60947-3 $U_e = AC 400V; I_b = 63A$	DC 22 B
Rated operational voltage $U_e$	400V
Rated impulse withstand voltage $U_{imp}$	8kV
Rated frequency	50 ... 60Hz
Degree of protection	IP20
Degree of pollution	3
Rated duty	uninterrupted duty
Rated short circuit making capacity with fuse links $U_e = AC 400V; I_b = 63A$	50kA
Electrical endurance (operating cycles)	300
Mechanical endurance (operating cycles)	1700
Over voltage category	III
<b>Cable terminal connection</b>	
Standard cable terminal	frame clamp 2-5-16mm <sup>2</sup> fine stranded 2-5-25mm <sup>2</sup> Cu round solid, round stranded
<b>Bus bar terminal connection</b>	
Bus bar width (bus bar system = 60mm)	20 ... 30mm
Bus bar thickness (bus bar system = 60mm)	5 ... 10mm

## D02-vertical fuse switch disconnecter MULTIFIX® 60

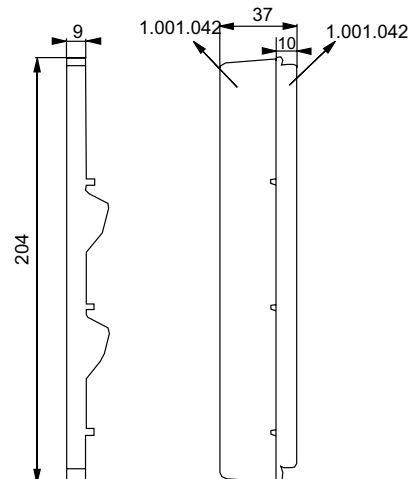
D02-vertical fuse switch disconnecter  
triple pole switching for direct installation  
on to 60mm busa bar system

M02006



Distance module for enhanced  
air circulation for high density  
installations

M02012



# MULTIFIX® 60

## MULTIBLOC® NH-fuse switch disconnecter for MULTIFIX® 60 bus bar system 60mm

in accordance with IEC/EN 60439-1 and VDE 0660 Teil 500

- For bus bars with width 12 - 30mm and thickness 5 - 10mm



1.002.571

**MULTIBLOC® 000.RST8**      size 000      100A, 690VAC      bus bar installation, triple pole

article number	reference number	poles	cable termination components	weight kg <sup>1</sup>	package
1.002.571	L1002166A	3	3 frame clamps 2,5-50mm <sup>2</sup> bottom terminal	0.60	1 piece
1.002.572	L1023050A	3	3 frame clamps 2,5-50mm <sup>2</sup> top terminal	0.62	1 piece



3.084.000



3.084.300



3.084.100



3.084.200

**MULTIBLOC® 00.RST9**      size 00      160A, 690VAC      bus bar installation, triple pole

article number	reference number	poles	bus bar installation	cable termination components	design	weight kg <sup>1</sup>	package
3.084.000	Z1022993A	3	60mm snap on	3 M8 terminal screws 3 clamp straps 4-70mm <sup>2</sup>	-	0.93	1 piece
3.083.000	X1022991A	3	60mm snap on	3 frame clamps Cu 2,5-70mm <sup>2</sup> factory assembled	-	0.88	1 piece
3.084.300	D1022997A	3	60mm snap on	3 M8 terminal screws 3 clamp straps 4-70mm <sup>2</sup>	fixed window to protect against unauthorized connection	0.88	1 piece
3.083.300	Y1022992A	3	60mm snap on	3 frame clamps Cu 2,5-70mm <sup>2</sup> factory assembled	fixed window to protect against unauthorized connection	0.88	1 piece
3.084.100	B1022995A	3	60mm snap on	3 M8 terminal screws 3 clamp straps 4-70mm <sup>2</sup>	with electronic fuse monitoring ESÜ installed	0.96	1 piece
3.084.200	C1022996A	3	60mm snap on	3 M8 terminal screws 3 clamp straps 4-70mm <sup>2</sup>	with electro-mechanic fuse monitoring MZS installed (galvanic isolation)	1.46	1 piece
2.074.000	W1022990A	3	40mm clamping bar	3 M8 terminal screws 3 clamp straps 4-70mm <sup>2</sup>	-	1.06	1 piece

MULTIFIX® 60 bus bar system 60mm

# MULTIBLOC® NH-fuse switch disconnecter

## for MULTIFIX® 60 bus bar system 60mm

### MULTIBLOC® 1.RST8 size 1 250A, 690VAC bus bar installation, triple pole

article number	reference number	poles	cable termination components	design	weight kg <sup>1</sup>	package
1.000.323	T229879A	3	3 M10 terminal screws	-	3.09	1 piece
1.001.294	Q1023054A	3	3 clamp straps 70–150mm <sup>2</sup>	-	3.06	1 piece
1.003.134	R1023055A	3	3 M10 terminal screws	with electronic fuse monitoring ESÜ installed	3.14	1 piece
1.000.855	M1023051A	3	3 M10 terminal screws	with electro-mechanic fuse monitoring MZS installed (galvanic isolation)	3.80	1 piece
1.000.936	P1023053A	3	6 M10 terminal screws	main incomer	4.68	1 piece



### MULTIBLOC® 2.RST8 size 2 400A, 690VAC bus bar installation, triple pole

article number	reference number	poles	cable termination components	design	weight kg <sup>1</sup>	package
1.000.704	M1002167A	3	3 M10 terminal screws	-	4.77	1 piece
1.001.295	C1023065A	3	3 clamp straps 120–240mm <sup>2</sup>	-	4.61	1 piece
1.003.135	D1023066A	3	3 M10 terminal screws	with electronic fuse monitoring ESÜ +	4.60	1 piece
1.000.856	Z1023062A	3	3 M10 terminal screws	with electro-mechanic fuse monitoring MZS installed (galvanic isolation)	5.28	1 piece
1.001.028	A1023063A	3	6 M10 terminal screws	main incomer	5.74	1 piece



1) weight in kg per piece or set including package

# MULTIFIX® 60

## MULTIBLOC® NH-fuse switch disconnecter for MULTIFIX® 60 bus bar system 60mm

Technical data in accordance with EN / IEC 60947

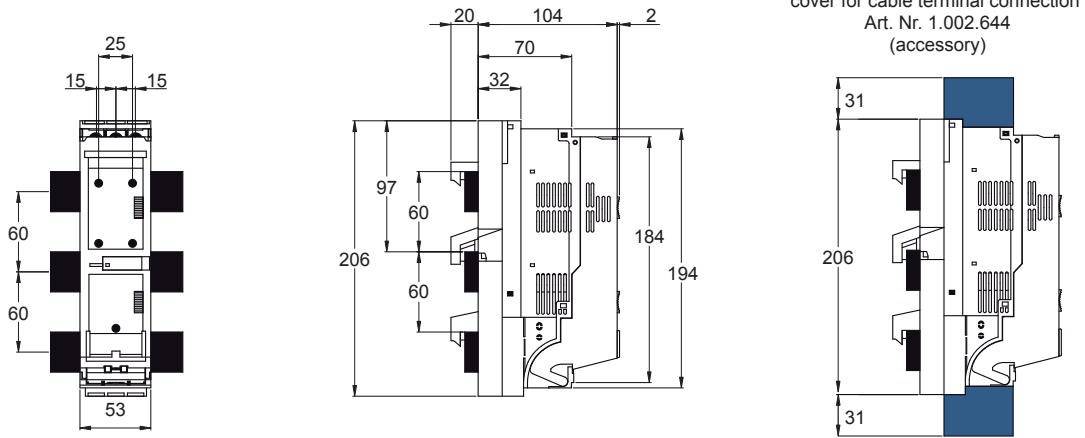
	000.RST8 triple pole	00.RST9 triple pole	1.RST8 triple pole	2.RST8 triple pole
Installation mode	bus bar installation	bus bar installation	bus bar installation	bus bar installation
Size	000	00	1	2
Number of poles/phases	3	3	3	3
Conventional free air thermal current with NH-fuse links $I_{th}$	100A	160A	250A	400A
Max. power dissipation of NH-fuse links $P_n$	7,5W	12W	23W	34W
Conventional free air thermal current with solid links $I_{th}$	-	200A	400A	530A
Max. power dissipation of solid links $P_n$	-	1,2W	2,6W	9W
Utilization category to IEC/EN 60947-3				
U <sub>e</sub> = AC 400V; I <sub>e</sub> = 160A	-	AC 23 B	-	-
U <sub>e</sub> = AC 400V; I <sub>e</sub> = 250A	-	-	AC 23 B	-
U <sub>e</sub> = AC 400V; I <sub>e</sub> = 400A	-	-	-	AC 23 B
U <sub>e</sub> = AC 500V; I <sub>e</sub> = 160A	-	AC 22 B	-	-
U <sub>e</sub> = AC 500V; I <sub>e</sub> = 250A	-	-	AC 22 B	-
U <sub>e</sub> = AC 500V; I <sub>e</sub> = 400A	-	-	-	AC 22 B
U <sub>e</sub> = AC 690V; I <sub>e</sub> = 100A	AC 22 B	-	-	-
U <sub>e</sub> = AC 690V; I <sub>e</sub> = 125A	-	AC 21 B	-	-
U <sub>e</sub> = AC 690V; I <sub>e</sub> = 200A	-	-	AC 21 B	-
U <sub>e</sub> = AC 690V; I <sub>e</sub> = 315A	-	-	-	AC 21 B
U <sub>e</sub> = DC 220V; I <sub>e</sub> = 160A	-	DC 22 B	-	-
U <sub>e</sub> = DC 440V; I <sub>e</sub> = 100A	DC 21 B	DC 21 B	-	-
U <sub>e</sub> = DC 440V; I <sub>e</sub> = 250A	-	-	DC 21 B	-
U <sub>e</sub> = DC 440V; I <sub>e</sub> = 400A	-	-	-	DC 21 B
Rated operational voltage U <sub>e</sub>	690V	690V	690V	690V
Rated insulation voltage U <sub>i</sub>	1000V	1000V	1000V	1000V
Rated impulse withstand voltage U <sub>imp</sub>	6kV	8kV	12kV	12kV
Rated frequency	50 ... 60Hz	50 ... 60Hz	50 ... 60Hz	50 ... 60Hz
Degree of protection	IP20	IP30	IP20	IP20
Degree of pollution	3	3	3	3
Rated duty	uninterrupted duty	uninterrupted duty	uninterrupted duty	uninterrupted duty
Rated short circuit making capacity with solid links I <sub>cm</sub>	-	6.2kAsw	8.2kAsw	10.6kAsw
Rated short circuit making capacity with fuse links				
U <sub>e</sub> = AC 400V; I <sub>e</sub> = 160A	-	80kA	-	-
U <sub>e</sub> = AC 400V; I <sub>e</sub> = 100A	80kA	-	-	-
U <sub>e</sub> = AC 400V; I <sub>e</sub> = 250A	-	-	80kA	-
U <sub>e</sub> = AC 400V; I <sub>e</sub> = 400A	-	-	-	80kA
U <sub>e</sub> = AC 500V; I <sub>e</sub> = 160A	-	80kA	-	-
U <sub>e</sub> = AC 500V; I <sub>e</sub> = 250A	-	-	50kA	-
U <sub>e</sub> = AC 500V; I <sub>e</sub> = 400A	-	-	-	80kA
U <sub>e</sub> = AC 690V; I <sub>e</sub> = 200A	-	-	50kA	-
U <sub>e</sub> = AC 690V; I <sub>e</sub> = 100A	80kA	-	-	-
U <sub>e</sub> = AC 690V; I <sub>e</sub> = 125A	-	80kA	-	-
U <sub>e</sub> = AC 690V; I <sub>e</sub> = 315A	-	-	-	80kA
Rated short circuit withstand current I <sub>cw</sub>	-	4kA / 1s	8kA / 1s	13kA / 1s
Power dissipation by I <sub>th</sub> without NH-fuse links	-	10W	28W	53W
Power dissipation by I <sub>th</sub> without solid links	-	16W	-	-
<b>Cable terminal connection</b>				
Standard cable terminal	frame clamp 2.5-50mm <sup>2</sup>	M8	M10	M10
for cable lugs Cu max.	-	2x70mm <sup>2</sup>	2x150mm <sup>2</sup>	2x185mm <sup>2</sup>
for cable lugs Al max.	-	2x70mm <sup>2</sup>	2x185mm <sup>2</sup>	2x240mm <sup>2</sup>
for copper bars with max. dimensions	-	20x5mm	30x10mm	35x10mm
<b>Bus bar terminal connection</b>				
Bus bar system	60mm	40mm 60mm	40mm 60mm	40mm 60mm
Bus bar width (bus bar system = 40mm)	-	12mm	12mm	12mm
Bus bar thickness (bus bar system = 40mm)	-	5 ... 10mm	5 ... 10mm	5 ... 10mm
Bus bar width (bus bar system = 60mm)	12 ... 30mm	12 ... 30mm	12 ... 30mm	12 ... 30mm
Bus bar thickness (bus bar system = 60mm)	5 ... 10mm	5 ... 10mm	5 ... 10mm	5 ... 10mm



# MULTIBLOC® 000.RST8

MULTIBLOC® 000.RST8 NH-fuse switch disconnecter triple pole design for bus bar installation

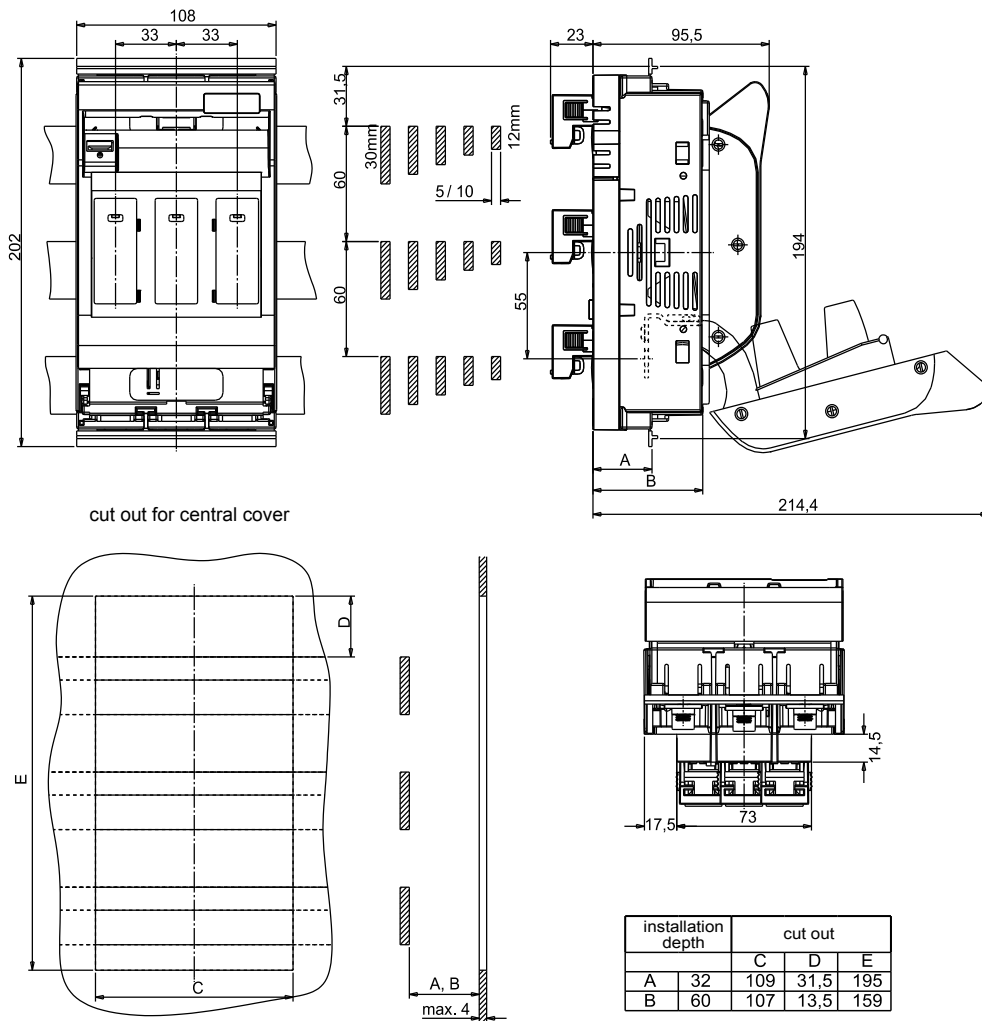
M02047



# MULTIBLOC® 00.RST9

MULTIBLOC® 00.RST9 NH-fuse switch disconnecter triple pole design for bus bar installation

M01170

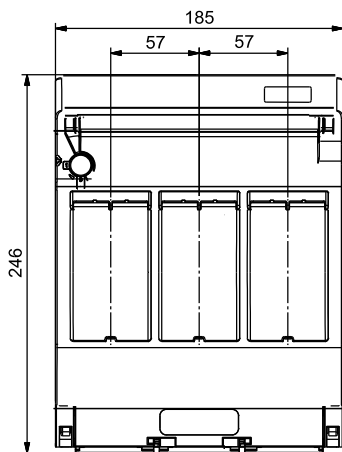


# MULTIFIX<sup>®</sup> 60

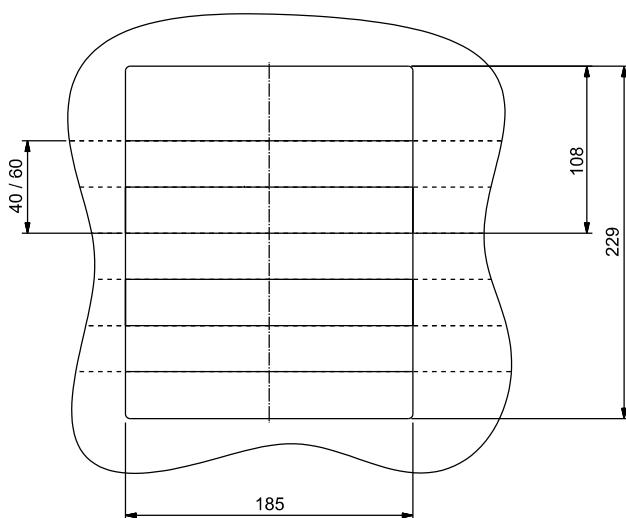
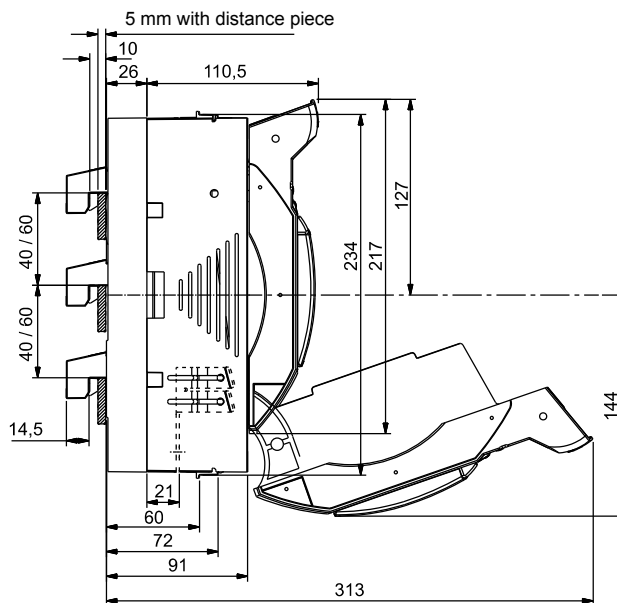
## MULTIBLOC<sup>®</sup> 1.RST8

MULTIBLOC<sup>®</sup> 1.RST8 NH-fuse switch disconnecter triple pole design for bus bar installation

M01123a



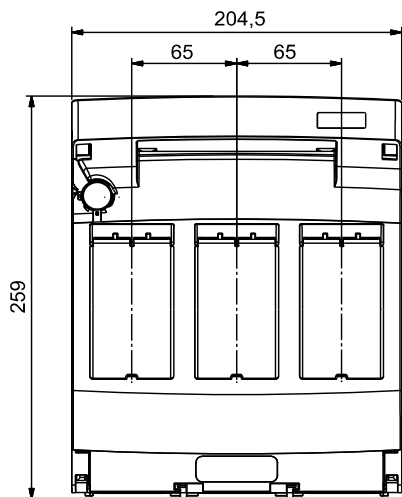
switch board cut out



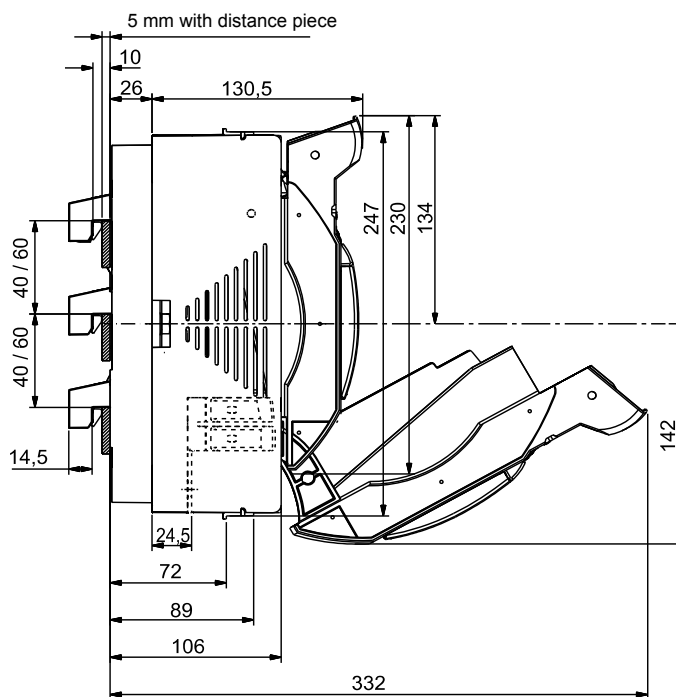
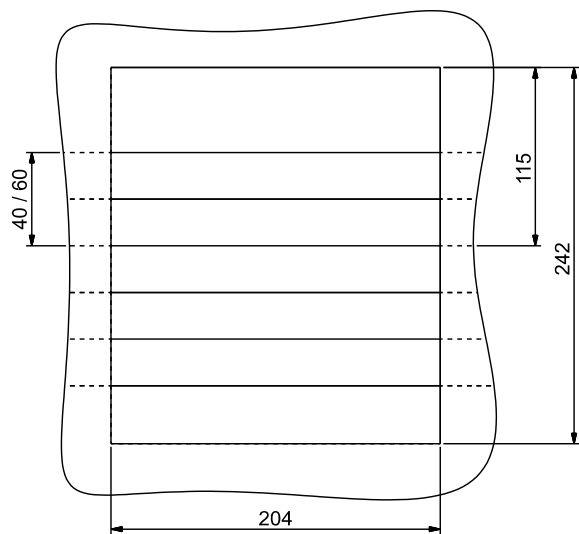
# MULTIBLOC® 2.RST8

MULTIBLOC® 2.RST8 NH-fuse switch disconnecter triple pole design for bus bar installation

M01132a



cut out for central cover



# MULTIFIX® 60

## MULTIVERT® NH-fuse switch disconnecter for MULTIFIX® 60 bus bar system 60mm

in accordance with IEC/EN 60439-1 and VDE 0660 Teil 500

- For bus bars with width 12 - 30mm and thickness 10mm
- Symmetrical switch - top/bottom cable terminal connection



1.000.909



1.003.307

MULTIVERT® 160A			size 00	60mm bus bar system	1 x triple pole switching	
article number	reference number	cable termination components	design	weight kg <sup>1</sup>	package	
1.000.909	E1002183A	3 M8 terminal screws/3 clamp straps 4-70mm <sup>2</sup>	bottom terminal with cover shroud MZ00KH	1.45	1 piece	
1.002.489	Z1023154A	3 frame clamps Cu 2,5-70mm <sup>2</sup>	bottom terminal with cover shroud MZ00KH	1.30	1 piece	
1.003.140	A1023155A	3 M8 terminal screws/3 clamp straps 4-70mm <sup>2</sup>	bottom terminal MULTIVERT® 1.000.909 with cabling of instrument leads	1.50	1 piece	
1.003.307	C1023157A	3 M8 terminal screws/3 clamp straps 4-70mm <sup>2</sup>	top terminal with cover shroud MZ00KH	1.50	1 piece	
1.003.309	E1023159A	3 frame clamps Cu 2,5-70mm <sup>2</sup>	top terminal with cover shroud MZ00KH	1.30	1 piece	
1.003.308	D1023158A	3 M8 terminal screws/3 clamp straps 4-70mm <sup>2</sup>	top terminal MULTIVERT® 1.003.307 with cabling of instrument leads	1.50	1 piece	

MULTIFIX® 60 bus bar system 60mm

# MULTIVERT® NH-fuse switch disconnecter

## for MULTIFIX® 60 bus bar system 60mm

Technical data in accordance with EN / IEC 60947

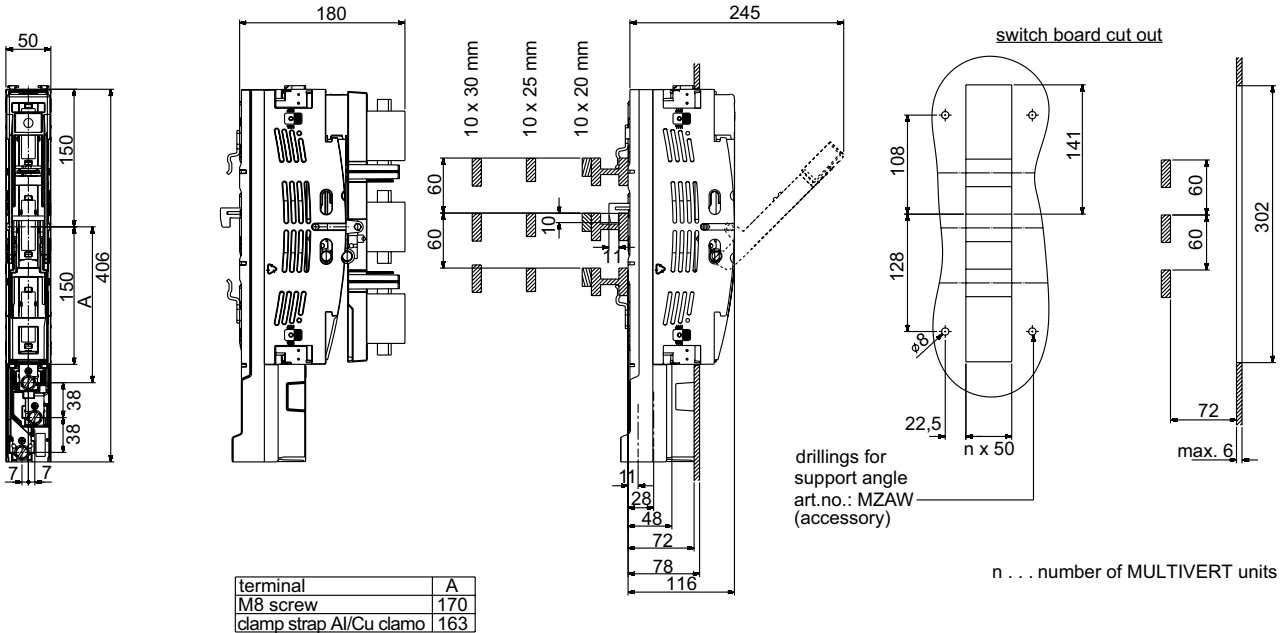
	160A, 60mm 1 x triple pole switching
Installation mode	bus bar installation
Size	00
Number of poles/phases	3
Conventional free air thermal current with NH-fuse links $I_{th}$	160A
Max. power dissipation of NH-fuse links $P_n$	12W
Conventional free air thermal current with solid links $I_{th}$	250A
Max. power dissipation of solid links $P_n$	1,2W
Utilization category to IEC/EN 60947-3 $U_o = AC 400V; I_o = 160A$ $U_o = AC 500V; I_o = 160A$ $U_o = AC 690V; I_o = 100A$	AC 23 B AC 22 B AC 21 B
Rated operational voltage $U_o$	690V
Rated insulation voltage $U_i$	1000V
Rated impulse withstand voltage $U_{imp}$	8kV
Rated frequency	50 ... 60Hz
Degree of protection	IP30
Degree of pollution	3
Rated duty	uninterrupted duty
Rated short circuit making capacity with solid links $I_{cm}$	4.5kAsw
Rated short circuit making capacity with fuse links $U_o = AC 400V; I_o = 160A$ $U_o = AC 500V; I_o = 160A$ $U_o = AC 690V; I_o = 100A$	80kA 80kA 50kA
Rated short circuit withstand current $I_{cw}$	4.5kA / 1s
Power dissipation by $I_{th}$ without NH-fuse links	20W
Power dissipation by $I_{th}$ without solid links	49W
<b>Cable terminal connection</b>	
Standard cable terminal	M8
for cable lugs Cu max.	70mm <sup>2</sup>
for cable lugs Al max.	70mm <sup>2</sup>
for copper bars with max. dimensions	20x5mm
V-shaped lugs for V-terminal clamps	10 - 95mm <sup>2</sup>
<b>Bus bar terminal connection</b>	
Standard bus bar terminal	ready fitted hooked clamps
Hooked clamp for bus bar with thickness	10mm
Bus bar system	60mm
Bus bar thickness (bus bar system = 60mm)	20 ... 30mm

# MULTIFIX® 60

## MULTIVERT® 160A/60mm

MULTIVERT® NH-vertical fuse switch disconnecter 160A/60mm for direct installation without drilling on to 60mm bus bar system

M01147a



# Covering and compartmentalizing material for MULTIFIX® 60 bus bar system 60mm

in accordance with IEC/EN 60439-1 and VDE 0660 Teil 500

- For bus bars with width 12 - 30mm and thickness 5 - 10mm
- Touch protection for supporting edge 32mm



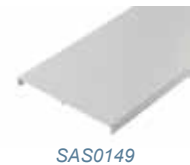
## Compartmentalized conductor frame

article number	reference number	design	weight kg <sup>1</sup>	package
1.001.075	F1026449J	compatible to bus bar carrier 1.000.752 for supporting edge 32mm (distance washer included)	0.06	10 pieces



## Insulated covers

article number	reference number	design	weight kg <sup>1</sup>	package
SAS0142	D222896E	insulated cover without slots for supporting edge 32mm	0.52	5 pieces 2 meter
SAS0143	T215573E	insulated cover with slots for supporting edge 32mm	0.52	5 pieces 2 meter
SAS0145	W218128J	lateral cover for bus bar carrier attachable to art.no. 1.001.075	0.04	10



## Cover for spare area

article number	reference number	design	thickness of bus bar	width of bus bar	weight kg <sup>1</sup>	package
SAS0148	D211488J	blanking support system for supporting edge 32mm	-	-	0.05	10 pieces 1 meter
SAS0149	F214043B	cover for spare area	5mm	12 ... 30mm	0.68	10 pieces 1 meter



## Bus bar covers

article number	reference number	thickness of bus bar	width of bus bar	weight kg <sup>1</sup>	package
1.000.931	V218173J	5mm	12 ... 30mm	0.09	10 pieces 1 meter
1.000.932	X216128J	10mm	12 ... 30mm	0.10	10 pieces 1 meter

# MULTIFIX® 60

## Plate clamps

for MULTIFIX® 60 bus bar system 60mm

in accordance with IEC/EN 60439-1 and VDE 0660 Teil 500

- For bus bars with width 12 - 30mm and thickness 5 - 10mm
- For terminal connection of flat or flexible, laminated copper bars

### Plate clamps



article number	reference number	design	weight kg <sup>1</sup>	package
SAS01205	M1026455J	for bus bars with width 12mm, inner width of clamp 25mm	0.01	10
SAS01206	N1026456J	for bus bars with width 20mm, inner width of clamp 25mm	0.21	10
SAS01586	P1026457J	for bus bars with width 20mm, inner width of clamp 30mm	0.20	10
SAS01587	Q1026458J	for bus bars with width 30mm, inner width of clamp 30mm	0.21	10
SAS01996	R1026459J	for bus bars with width 30mm, inner width of clamp 35mm	0.19	10
SAS01997	Z1026489J	for bus bars with width 20mm, inner width of clamp 40mm	0.16	10

## System cover

for MULTIFIX® 60 bus bar system 60mm

in accordance with IEC/EN 60439-1 and VDE 0660 Teil 500

- Patented cover shielding system
- Complete touch protection for installations on to 60mm bus bar system
- Supporting height 70 or 90mm
- System shielding for installation of D02-fuse systems of uniform profile in height in combination with MULTIVERT® 160A NH-vertical fuse switch disconnectors and MULTIBLOC 160A - 400A NH-horizontal fuse switch disconnectors

### D02-cover shielding set for MULTIFIX® 60 for supporting edge 70mm



article number	reference number	design	weight kg <sup>1</sup>	package
1.001.729	K1026614A	cover shield for D02-vertical fuse switch disconnector for total length of 255mm 1 set=2 lateral shields+2 coverf shields (snap on)	0.16	1 set
1.001.386	H1026612A	cover shield for D02-fuse base for total length of 255mm 1 set=2 lateral shields+2 coverf shields (snap on)	0.11	1 set
1.001.387	J1026613A	cover shield for D02-fuse base for total length of 325mm 1 set=2 lateral shields+2 coverf shields (snap on)	0.13	1 set
1.001.204	A1026421A	end shielding for total length 350mm	0.08	1 set
1.001.390	J1026429A	end shielding for total length 255mm	0.07	1 set

### Cover shields for MULTIBLOC® and MULTIVERT® for supporting edge 70mm



article number	reference number	design	weight kg <sup>1</sup>	package
1.001.200	W1026417A	cover shield for MULTIBLOC® size 00, for total length 350mm, 1 set = top cover shield + bottom cover shield	0.07	1 set
1.001.388	G1026427A	cover shield for MULTIBLOC® size 00, for total length 255mm, 1 set = top cover shield + bottom cover shield	0.04	1 set
1.001.201	X1026418A	cover shield for MULTIBLOC® size 1, for total length 350mm, 1 set = top cover shield + bottom cover shield	0.11	1 set
1.001.389	H1026428A	cover shield for MULTIBLOC® size 1, for total length 255mm, 1 set = top cover shield + bottom cover shield	0.05	1 set
1.001.202	Y1026419A	cover shield for MULTIBLOC® size 2, for total length 350mm, 1 set = top cover shield + bottom cover shield	0.12	1 set
1.001.203	Z1026420A	cover shield for MULTIVERT® 160A triple pole switching, for total length 350mm, 1 set = top cover shield + bottom cover shield	0.05	1 set

1.001.203



## System cover for MULTIFIX® 60 bus bar system 60mm

### Cover shields for MULTIBLOC® and MULTIVERT® for supporting edge 70mm



1.001.203

article number	reference number	design	weight kg <sup>1</sup>	package
1.001.200	W1026417A	cover shield for MULTIBLOC® size 00, for total length 350mm, 1 set = top cover shield + bottom cover shield	0.07	1 set
1.001.388	G1026427A	cover shield for MULTIBLOC® size 00, for total length 255mm, 1 set = top cover shield + bottom cover shield	0.04	1 set
1.001.201	X1026418A	cover shield for MULTIBLOC® size 1, for total length 350mm, 1 set = top cover shield + bottom cover shield	0.11	1 set
1.001.389	H1026428A	cover shield for MULTIBLOC® size 1, for total length 255mm, 1 set = top cover shield + bottom cover shield	0.05	1 set
1.001.202	Y1026419A	cover shield for MULTIBLOC® size 2, for total length 350mm, 1 set = top cover shield + bottom cover shield	0.12	1 set
1.001.203	Z1026420A	cover shield for MULTIVERT® 160A triple pole switching, for total length 350mm, 1 set = top cover shield + bottom cover shield	0.05	1 set

### Cover shields for MULTIBLOC® and MULTIVERT® for supporting edge 90mm



1.001.209

article number	reference number	design	weight kg <sup>1</sup>	package
1.001.205	B1026422A	cover shield for MULTIBLOC® size 00, for total length 350mm, 1 set = top cover shield + bottom cover shield	0.08	1 set
1.001.206	C1026423A	cover shield for MULTIBLOC® size 1, for total length 350mm, 1 set = top cover shield + bottom cover shield	0.11	1 set
1.001.207	E1026425A	cover shield for MULTIBLOC® size 2, for total length 350mm, 1 set = top cover shield + bottom cover shield	0.12	1 set
1.001.208	D1026424A	cover shield for MULTIBLOC® size 3, for total length 350mm, 1 set = top cover shield + bottom cover shield	0.12	1 set
1.001.209	F1026426A	cover shield for MULTIVERT® 160A triple pole switching, for total length 350mm, 1 set = top cover shield + bottom cover shield	0.05	1 set

# MULTIFIX® 60

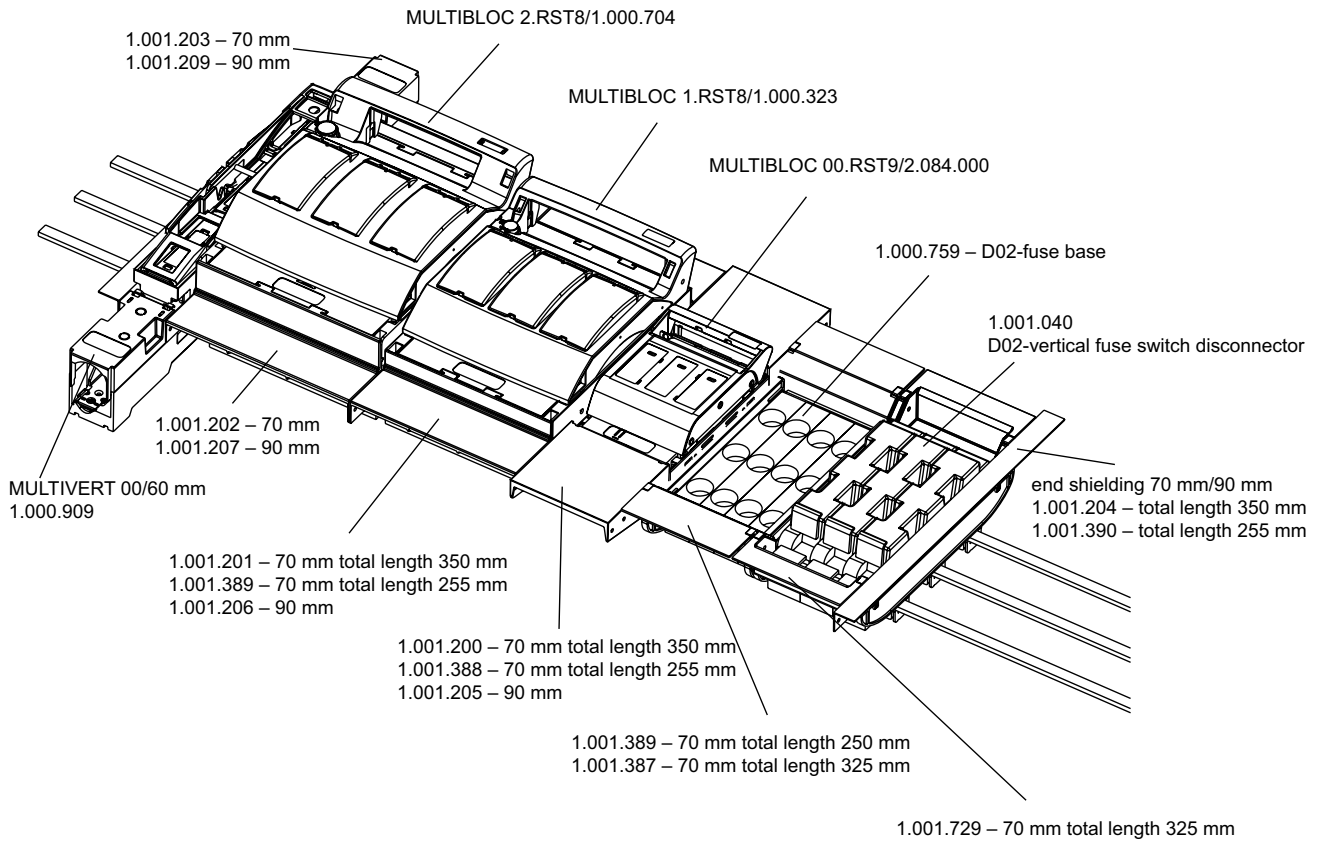
## System cover MULTIFIX® 60

Patented cover shielding system

Touch protection for supporting height 70mm or 90mm

supporting height = distance between upper edge of bus bar and supporting edge

E 1.000.713



# MULTIFIX® 100/MULTIFIX® 185

## MULTIFIX® 100/MULTIFIX® 185

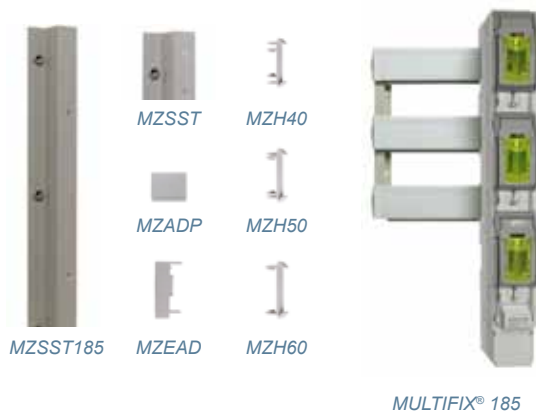
### Bus bar system 100mm and 185mm

For complete touch protection for installation on to bus bar system with 100mm and 185mm bus bar distances



#### MULTIFIX® 100 Bus Bar System 100mm

article number	reference number	design	weight kg <sup>1</sup>	package
MZSST100	H1023461A	bus bar carrier triple pole for bus bar system 100mm	0.22	1 piece
MZSST	K1023463A	bus bar carrier single pole for neutral conductor	0.10	1 piece
MZADP	L1023119A	insulated cover for bus bars max. 60mm x 10mm	-	1 piece 2-5 meter
MZEAD	E1023297A	insulated end cover for copper bars max. 60mm x 10mm	-	6 pieces
MZH40	E1023458J	cover support piece for copper bus bars 40mm x 10mm	0.01	10 pieces
MZH50	F1023459J	cover support piece for copper bus bars 50mm x 10mm	0.01	10 pieces
MZH60	G1023460J	cover support piece for copper bus bars 60mm x 10mm	0.01	10 pieces

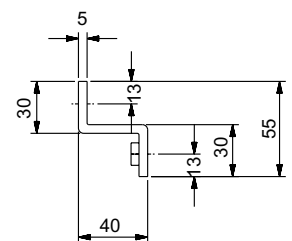
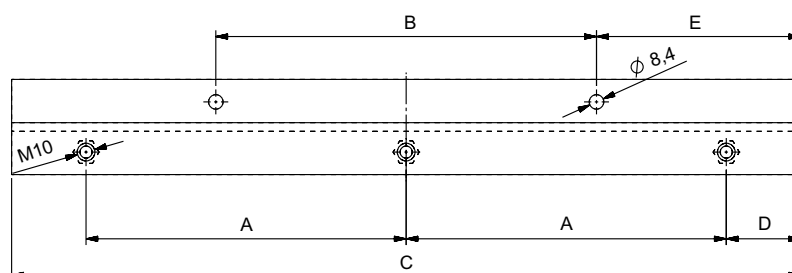


#### MULTIFIX® 185 Bus Bar System 185mm

article number	reference number	design	weight kg <sup>1</sup>	package
MZSST185	J1023462A	bus bar carrier triple pole for bus bar system 185mm	0.42	1 piece
MZSST	K1023463A	bus bar carrier single pole for neutral conductor	0.10	1 piece
MZADP	L1023119A	insulated cover for bus bars max. 60mm x 10mm	-	1 piece 2-5 meter
MZEAD	E1023297A	insulated end cover for copper bars max. 60mm x 10mm	-	6 pieces
MZH40	E1023458J	cover support piece for copper bus bars 40mm x 10mm	0.01	10 pieces
MZH50	F1023459J	cover support piece for copper bus bars 50mm x 10mm	0.01	10 pieces
MZH60	G1023460J	cover support piece for copper bus bars 60mm x 10mm	0.01	10 pieces

### Bus bar carrier for MULTIFIX® 100/MULTIFIX® 185

#### Dimensions M01161a

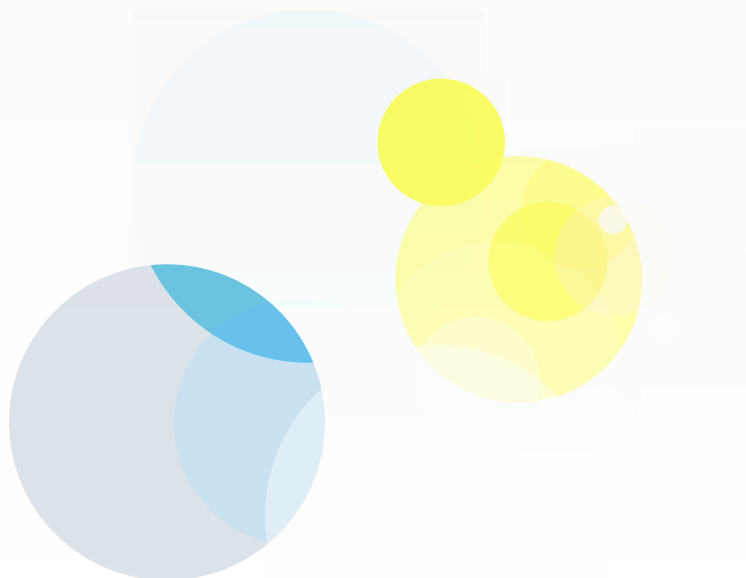


# Fuses & Fusegear

## UL CSA fuses

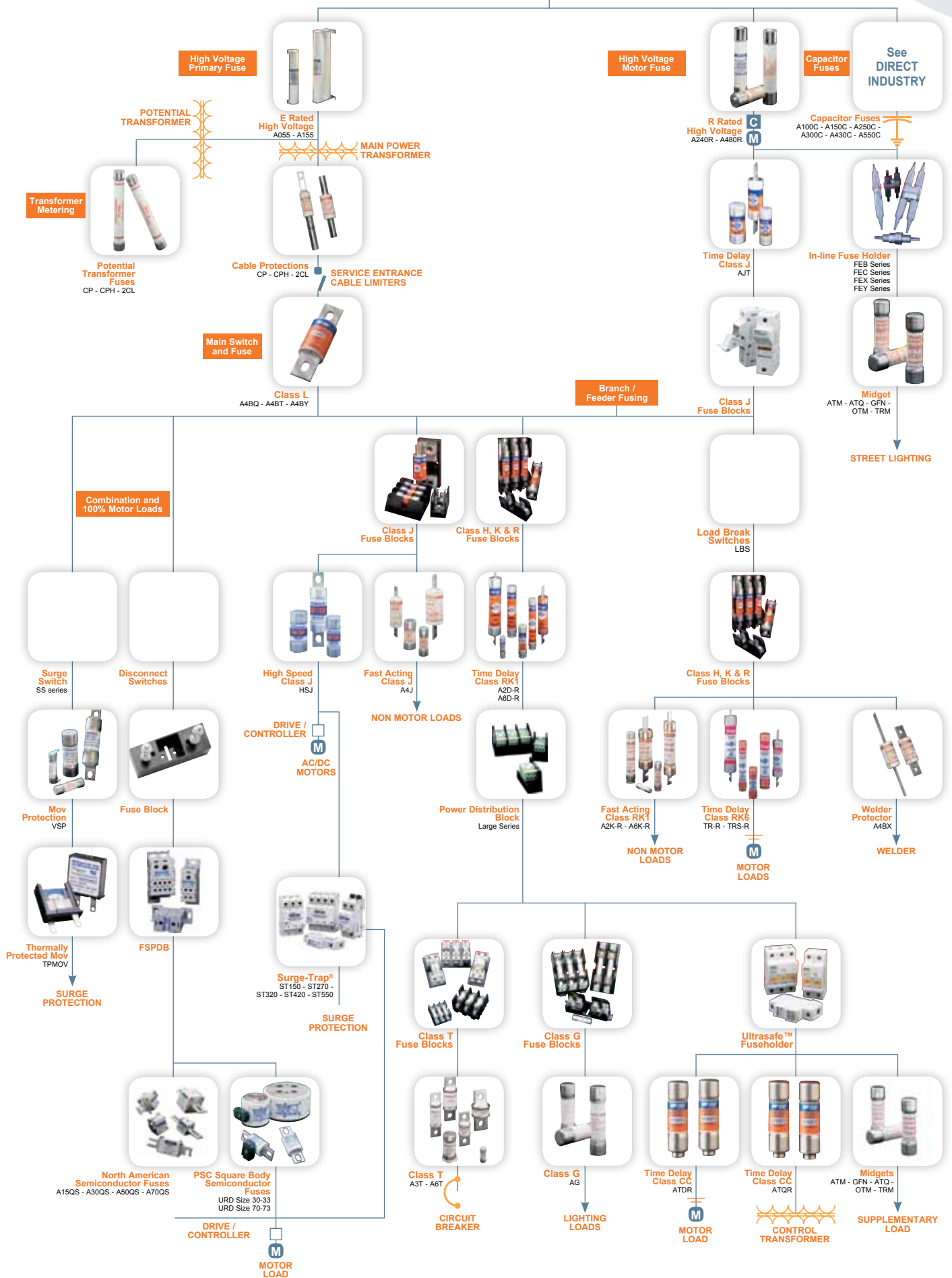
p. 230

Product Selector		p. 231
Fuses Links Class CC	GP0106	p. 232 to 234
Fuses Links Midget fuses	GP0106	p. 234 to 237
Fuses Links Class J	GP0106	p. 237 to 239
Fuses Links Class RK1	GP0106	p. 240
Fuses Links Class RK5	GP0106	p. 241 to 242
Fuses Links Class L	GP0106	p. 243
Fuses Links Class T	GP0106	p. 243
Modulostar® Fuse holders for Class CC	GP017	p. 244
Modulostar® Fuse holders for Class CC & Midget	GP017	p. 245
Modulostar® Fuse holders for Midget	GP017	p. 246
Modulostar® Fuse holders for other sizes ferrule	GP017	p. 247 to 249
FSPDB	GP105	p. 250



# Product Selector

## Product Selector



Product Selector

# Amp Trap<sup>®</sup> - Low Voltage

## ATDR (Class CC TD) - 600VAC/300VDC



Ampere Rating	Cat. Number	Ref. Number	Packaging
1/4	ATDR1/4	W200855J	10
1/2	ATDR1/2	Q223068J	10
8/10	ATDR8/10	K201397J	10
1	ATDR1	T217275J	10
1-1/8	ATDR1-1/8	Y218820J	10
1-1/4	ATDR1-1/4	J218301J	10
1-4/10	ATDR1-4/10	K219337J	10
1-1/2	ATDR1-1/2	Y217785J	10
1-6/10	ATDR1-6/10	K219866J	10
1-8/10	ATDR1-8/10	Z222547J	10
2	ATDR2	S212168J	10
2-1/4	ATDR2-1/4	T213204J	10
2-1/2	ATDR2-1/2	J212689J	10
2-8/10	ATDR2-8/10	L213703J	10
3	ATDR3	Y215232J	10
3-2/10	ATDR3-2/10	J216254J	10
3-1/2	ATDR3-1/2	C215742J	10

Ampere Rating	Cat. Number	Ref. Number	Packaging
4	ATDR4	V217276J	10
4-1/2	ATDR4-1/2	Z217786J	10
5	ATDR5	K218302J	10
6/10	ATDR5-6/10	Z218821J	10
6	ATDR6	L219338J	10
6-1/4	ATDR6-1/4	L219867J	10
7	ATDR7	A222548J	10
7-1/2	ATDR7-1/2	R223069J	10
8	ATDR8	X200856J	10
9	ATDR9	Y201915J	10
10	ATDR10	J201396J	10
12	ATDR12	X201914J	10
15	ATDR15	V211135J	10
17-1/2	ATDR17-1/2	L211656J	10
20	ATDR20	R214214J	10
25	ATDR25	V214723J	10
30	ATDR30	G216758J	10

### Ratings

- AC: 1/4 to 30A 600VAC, 200kA I.R. AC
- DC: 1/4 to 30A 300VDC, 100kA I.R. DC

### Highlights

- Time Delay
- Best Choice for Small Motor Protection
- Highly Current-Limiting
- AC & DC Rated

### Applications

- Small Motors
- Contactors
- Lighting, Heating and General Loads
- Branch Circuit Protector

### Approvals

- UL Listed to Standard 248-4
- CSA Certified to Standard C22.2 No. 248.4
- DC Listed to UL Standard 248

## ATQR (Class CC TD) - 600VAC



Ampere Rating	Cat. Number	Ref. Number	Packaging
1/10	ATQR1/10	E201921J	10
1/8	ATQR1/8	A212175J	10
15/100	ATQR15/100	S223507J	10
3/16	ATQR3/16	J222556J	10
2/10	ATQR2/10	Q216766J	10
1/4	ATQR1/4	V211664J	10
3/10	ATQR3/10	V219875J	10
4/10	ATQR4/10	D211143J	10
1/2	ATQR1/2	C211142J	10
6/10	ATQR6/10	V213711J	10
3/4	ATQR3/4	A223077J	10
8/10	ATQR8/10	L215750J	10
1	ATQR1	F218827J	10
1-1/8	ATQR1-1/8	H222555J	10
1-1/4	ATQR1-1/4	T219874J	10
1-4/10	ATQR1-4/10	Z223076J	10
1-1/2	ATQR1-1/2	T219345J	10
1-6/10	ATQR1-6/10	E200863J	10
1-8/10	ATQR1-8/10	R201403J	10
2	ATQR2	D214731J	10
2-1/4	ATQR2-1/4	K215749J	10
2-1/2	ATQR2-1/2	G215240J	10

Ampere Rating	Cat. Number	Ref. Number	Packaging
2-8/10	ATQR2-8/10	Q216260J	10
3	ATQR3	T218310J	10
3-2/10	ATQR3-2/10	V219346J	10
3-1/2	ATQR3-1/2	G218828J	10
4	ATQR4	S201404J	10
4-1/2	ATQR4-1/2	F201922J	10
5	ATQR5	W211665J	10
5-6/10	ATQR5-6/10	B212176J	10
6	ATQR6	T212698J	10
6-1/4	ATQR6-1/4	D213213J	10
7	ATQR7	B214223J	10
7-1/2	ATQR7-1/2	E214732J	10
8	ATQR8	H215241J	10
9	ATQR9	R216261J	10
10	ATQR10	S212697J	10
12	ATQR12	C213212J	10
15	ATQR15	T213710J	10
17-1/2	ATQR17-1/2	A214222J	10
20	ATQR20	D217284J	10
25	ATQR25	H217794J	10
30	ATQR30	F200864J	10

### Ratings

- AC: 1/10 to 30A 600VAC, 200kA I.R. AC
- DC: 1/10 to 30 kA 300VDC, 100kA I.R. DC

### Highlights

- Time Delay
- Best Choice for Small Transformer Protection
- Most Current-Limiting

### Applications

- Control Transformers
- Solenoids
- Inductive Loads
- Lighting, Heating and General-purpose Loads

### Approvals

- UL Listed to Standard 248-4
- CSA Certified to Standard C22.2 No. 248.4
- DC Listed to UL Standard 248

## ATMR (Class CC) - 600VAC/600VDC



Ampere Rating	Cat. Number	Ref. Number	Packaging
1/10	ATMR1/10	C217789J	10
1/8	ATMR1/8	P219341J	10
2/10	ATMR2/10	B201918J	10
1/4	ATMR1/4	C218824J	10
3/10	ATMR3/10	W214218J	10
1/2	ATMR1/2	N218305J	10
3/4	ATMR3/4	Z214727J	10
1	ATMR1	L216256J	10
1-1/4	ATMR1-1/4	Y217279J	10
1-1/2	ATMR1-1/2	K216761J	10
2	ATMR2	A200859J	10
2-1/2	ATMR2-1/2	N201400J	10
3	ATMR3	N212693J	10

Ampere Rating	Cat. Number	Ref. Number	Packaging
3-1/2	ATMR3-1/2	Y213208J	10
4	ATMR4	G215746J	10
5	ATMR5	M216257J	10
6	ATMR6	L216762J	10
7	ATMR7	Z217280J	10
8	ATMR8	D217790J	10
9	ATMR9	P218306J	10
10	ATMR10	P219870J	10
12	ATMR12	D222551J	10
15	ATMR15	V223072J	10
20	ATMR20	Z211139J	10
25	ATMR25	Q211660J	10
30	ATMR30	C215236J	10

### Ratings

- AC: 1/10 to 30A, 600VAC, 200kA I.R.
- DC: 1/10 to 30A, 600VDC, 100kA I.R.

### Highlights

- Fast Acting
- Very Current-Limiting

### Applications

- Control Circuits
- Lighting
- General Loads
- Branch Circuit Protection

### Approvals

- UL Listed to Standard 248-4
- CSA Certified to Standard C22.2No. 248.4
- DC Listed to UL Standard 248

## Recommended Fuse Holders with Box Connectors

### Modulostar Fuse holder



Nb of pole	Cat. Number w/o indicator	Ref. Number w/o indicator	Cat. Number with indicator	Ref. Number with indicator	Nb of Mod. 17.5mm	Packaging
1			USBCC1-DC24	P303015F <sup>1</sup>	1	12
1	USBCC1	H305033K	USBCC1I	P305039K	1	12
2	USBCC2	K305035F	USBCC2I	R305041F	2	6
3	USBCC3	L305036D	USBCC3I	S305042D	3	4
4	USBCC4	N305038C	USBCC4I	V305044C	4	3
1+N	USBCC1N	J305034F	USBCC1NI	Q305040F	2	6
3+N	USBCC3N	M305037C	USBCC3NI	T305043C	4	3

1): 24VDC LED


### Accessories

Description	Cat. Number	Ref. Number	Nb of Mod. 17.5mm	Maxi. RMS current (A)	Number of poles	Packaging
Kit for Multi-Phase connection links	CMS810PAK	Z233725K				12
Lock	LOCK	M223525A				1
Tag and lockout	TAGLOCKCMS810	A235773A				1
jumping bars 1 phase size 8/10*	CMS810BB1F13	T210306J	13	63	1	10
jumping bars 2 phases size 8/10*	CMS810BB2F6	V210307J	6	63	2	10
jumping bars 3 phases size 8/10*	CMS810BB3F4	W210308J	4	100	3	10
jumping bars 4 phases size 8/10*	CMS810BB4F3	X210309J	3	100	4	10
1 phase lateral incoming power supply	TBB1C	E210316P		90		50
2 & 3 phases lateral incoming power supply	TBB23C	G210318P		90		50
1 phase axial incoming power supply	TBB1A	D210315P		90		50
2 & 3 phases axial incoming power supply	TBB23A	F210317P		90		50

Note\*: It is possible to use a rigid cable 16mm<sup>2</sup> with a jumping bar 1.5mm thick.



# Amp Trap<sup>®</sup> - Low Voltage

ULTRASAFE™ USFM Fuse holder and Fuse disconnecter  for use with class CC fuse



Nb of pole	Cat. Number	Ref. Number	Fonction Fuse Holder	Fonction Fuse Discon.	Packaging
3 poles system / 45mm width	USFMCC	P302762A	w/o Indicator		1
	USFMCCM	B302796A		w/o Indicator	1
	USFMCCI	Q302763A	with Indicator		1
	USFMCCMI	R302764A		with Indicator	1

*Fuse holder is without Prebreaking Microswitch (see accessories)  
Fuse disconnecter is with mounted Prebreaking Microswitch*

## Accessories



Description	Cat. Number	Ref. Number	Nb of Mod. 17.5mm	Maxi. RMS current (A)	Number of poles	Packaging
Lock	LOCK	M223525A				1
Microswitch	USFMAC11	C302797A	1		3	1
Busbar to connect 2 modules together	USFMBB2	C264042E	2		6	
Lateral incoming power supply	TBB23C	G210318P		90		50
Axial incoming power supply	TBB23A	F210317P		90		50

## ATQ (Midget) - 500VAC



Ampere Rating	Cat. Number	Ref. Number	Packaging	Ampere Rating	Cat. Number	Ref. Number	Packaging
1/10	ATQ1/10	S211662J	10	2-1/2	ATQ2-1/2	N216764J	10
1/8	ATQ1/8	A213210J	10	2-8/10	ATQ2-8/10	R218308J	10
15/100	ATQ15/100	J215748J	10	3	ATQ3	G222554J	10
3/16	ATQ3/16	D201920J	10	3-2/10	ATQ3-2/10	D200862J	10
2/10	ATQ2/10	E218826J	10	3-1/2	ATQ3-1/2	Y223075J	10
1/4	ATQ1/4	Q212695J	10	4	ATQ4	T211663J	10
3/10	ATQ3/10	Q201402J	10	4-1/2	ATQ4-1/2	Z212174J	10
4/10	ATQ4/10	R212696J	10	5	ATQ5	B213211J	10
1/2	ATQ1/2	Y212173J	10	5-6/10	ATQ5-6/10	S213709J	10
6/10	ATQ6/10	F215239J	10	6	ATQ6	Z214221J	10
8/10	ATQ8/10	G217793J	10	6-1/4	ATQ6-1/4	C214730J	10
1	ATQ1	E217791J	10	7	ATQ7	P216765J	10
1-1/8	ATQ1-1/8	R219872J	10	8	ATQ8	C217283J	10
1-1/4	ATQ1-1/4	R219343J	10	9	ATQ9	S218309J	10
1-4/10	ATQ1-4/10	F222553J	10	10	ATQ10	R213708J	10
1-1/2	ATQ1-1/2	Q218307J	10	12	ATQ12	Y214220J	10
1-6/10	ATQ1-6/10	X223074J	10	14	ATQ14	B214729J	10
1-8/10	ATQ1-8/10	C200861J	10	15	ATQ15	E215238J	10
2	ATQ2	P216259J	10	20	ATQ20	S219344J	10
2-1/8	ATQ2-1/8	F217792J	10	25	ATQ25	S219873J	10
2-1/4	ATQ2-1/4	B217282J	10	30	ATQ30	B211141J	10

### Ratings

AC: 1/10 to 30A, 500VAC, 10kA I.R.

### Highlights

- Time Delay

### Applications

- Supplemental protection of lighting, solenoid, motor, and transformer circuits

### Approvals

- UL Listed to Standard 248-14
- CSA Certified to Standard C22.2 No. 248.14

Fuse Links Class CC

Fuse Links Midget fuses



## ATM (Midget) - 600VAC/600VDC



Ampere Rating	Cat. Number	Ref. Number	Packaging
1/10	ATM1/10	L218303J	10
1/8	ATM1/8	M219868J	10
2/10	ATM2/10	X211137J	10
1/4	ATM1/4	M219339J	10
1/2	ATM1/2	A218822J	10
3/4	ATM3/4	W213206J	10
1	ATM1	W217277J	10
1-1/2	ATM1-1/2	A217787J	10
2	ATM2	Z201916J	10
3	ATM3	L212691J	10
4	ATM4	E215744J	10

### Ratings

- AC: 1/10 to 30A, 600VAC, 100kA I.R.; 35 to 50A, 600VAC, 10kA I.R.
- DC: 1/10 to 30A, 600VDC, 100kA I.R.

### Highlights

- Fast Acting
- Special Ratings (above 30A)

Ampere Rating	Cat. Number	Ref. Number	Packaging
5	ATM5	K216255J	10
6	ATM6	J216760J	10
7	ATM7	X217278J	10
8	ATM8	B217788J	10
10	ATM10	B222549J	10
12	ATM12	Y200857J	10
15	ATM15	L201398J	10
20	ATM20	N211658J	10
25	ATM25	V212170J	10
30	ATM30	N213705J	10

### Applications

- Supplemental protection of a wide variety of circuits up to 600VAC and 600VDC with 100kA I.R.

### Approvals

- UL Listed to Standard 248-14 (1/10 to 30A)
- DC listed to UL Standard 248-14 (1/10 to 30A)
- CSA Certified to Standard C22.2 No. 248.14 (1/10 to 30A)

## TRM (Midget) - 250VAC



Ampere Rating	Cat. Number	Ref. Number	Packaging
1/10	TRM1/10	R217273J	10
15/100	TRM15/100	M223065J	10
2/10	TRM2/10	P212165J	10
1/4	TRM1/4	F218298J	10
3/10	TRM3/10	V215229J	10
4/10	TRM4/10	W217783J	10
1/2	TRM1/2	V217782J	10
6/10	TRM6/10	X222545J	10
8/10	TRM8/10	G201394J	10
1	TRM1	M214210J	10
1-1/8	TRM1-1/8	T215228J	10
1-1/4	TRM1-1/4	Q214719J	10
1-4/10	TRM1-4/10	Y215738J	10
1-6/10	TRM1-6/10	E216250J	10
1-8/10	TRM1-8/10	C216754J	10
2	TRM2	S200852J	10
2-1/4	TRM2-1/4	R211132J	10
2-1/2	TRM2-1/2	T201911J	10
2-8/10	TRM2-8/10	H211653J	10

### Ratings

- AC: 1/10 to 30A, 250VAC, 10kA I.R.; 35 to 50A, 600VAC, 10kA I.R.
- DC: 1/10 to 30A, 600VDC, 100kA I.R.

### Highlights

- Time Delay

Ampere Rating	Cat. Number	Ref. Number	Packaging
3	TRM3	H213700J	10
3-2/10	TRM3-2/10	R214720J	10
3-1/2	TRM3-1/2	N214211J	10
4	TRM4	F216251J	10
4-1/2	TRM4-1/2	D216755J	10
5	TRM5	G218299J	10
5-6/10	TRM5-6/10	W218818J	10
6	TRM6	H219335J	10
6-1/4	TRM6-1/4	H219864J	10
7	TRM7	N223066J	10
8	TRM8	T200853J	10
9	TRM9	V201912J	10
10	TRM10	V218817J	10
12	TRM12	G219334J	10
15	TRM15	W222544J	10
20	TRM20	F212686J	10
25	TRM25	Q213201J	10
30	TRM30	Z215739J	10

### Approvals

- UL Listed to Standard 248-14 (1/10 to 30A)
- CSA Certified to Standard C22.2 No. 248.14 (1/10 to 30A)

# Amp Trap<sup>®</sup> - Low Voltage

## Recommended Fuse Blocks with Box Connectors

### UltraSafe™ Fuse holder



Size	Nb of pole	Cat. Number w/o indicator	Ref. Number w/o indicator	Cat. Number with indicator	Ref. Number with indicator	Nb of Mod. 17.5mm	Packaging
10x38	N	US10N	H305056K	US10NI		1	12
10x38	1	US101	B305050K	US101I	J305057K	1	12
10x38	1			US101I-AC120	R303017K	1	12
10x38	1			US101I-DC24P(1)	Q303016K	1	12
10x38	1+N	US101N	C305051F	US101NI	K305058F	2	6
10x38	2	US102	D305052F	US102I	L305059F	2	6
10x38	3	US103	E305053D	US103I	M305060D	3	4
10x38	3+N	US103N	F305054C	US103NI	N305061C	4	3
10x38	4	US104	G305055C	US104I	P305062C	4	3

(1) 1 LED 24VDC for 1 polarity

### Accessories for US10

Description	Cat. Number	Ref. Number	Nb of Mod. 17.5mm	Maxi. RMS current (A)	Number of poles	Packaging
Kit for Multi-Phase connection links	CMS810PAK	Z233725K				12
Lock	LOCK	M223525A				1
Tag and lockout	TAGLOCKCMS810	A235773A				1
Jumping bars 1 phase size 8/10*	CMS810BB1F13	T210306J	13	63	1	10
Jumping bars 2 phases size 8/10*	CMS810BB2F6	V210307J	6	63	2	10
Jumping bars 3 phases size 8/10*	CMS810BB3F4	W210308J	4	100	3	10
Jumping bars 4 phases size 8/10*	CMS810BB4F3	X210309J	3	100	4	10
1 phase lateral incoming power supply	TBB1C	E210316P		90		50
2 & 3 phases lateral incoming power supply	TBB23C	G210318P		90		50
1 phase axial incoming power supply	TBB1A	D210315P		90		50
2 & 3 phases axial incoming power supply	TBB23A	F210317P		90		50

Note\*: It is possible to use a rigid cable 16mm<sup>2</sup> with a jumping bar 1.5mm thick.

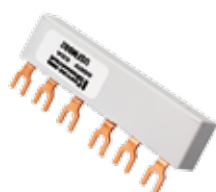
## UltraSafe™ USFMM Fuse holder and Fuse disconnecter



Cat. Number	Description
USFM10	3 pole fuse module
USFM10I	3 pole fuse module with indicators
USFM10M	3 pole fuse module with microswitch style auxiliary contact
USFM10MI	3 pole fuse module with microswitch style auxiliary contact and indicators

Pack: 1 piece  
 Fuse holder is without Prebreaking Microswitch  
 (see accessories)  
 Fuse disconnecter is with mounted Prebreaking Microswitch

### Accessories



Description	Cat. Number	Ref. Number	Number of systems interconnected	Maxi. RMS current (A)	Number of poles	Packaging
Lock	LOCK	M223525A				1
Microswitch	USFMAC11	C302797A	1		3	1
Additional Neutral			1			
Busbar to connect 2 modules together	USFMBB2		2		6	
Lateral incoming power supply	TBB23C	G210318P		90		50
Axial incoming power supply	TBB23A	F210317P	1	90		50

## A4J (Class J Fast Acting) - 600VAC / 300VDC



Ampere Rating	Cat. Number	Ref. Number	Packaging
1	A4J1	V217299J	10
3	A4J3	J219888J	10
6	A4J6	T211157J	10
10	A4J10	Z217809J	10
15	A4J15	K218325J	10
20	A4J20	X218842J	10
25	A4J25	L219361J	10
30	A4J30	A222571J	10
35	A4J35	Q223091J	10
40	A4J40	X200879J	10
45	A4J45	J201419J	10
50	A4J50	X201937J	10
60	A4J60	M211680J	10
70	A4J70	H212711J	5
80	A4J80	J213724J	5

Ampere Rating	Cat. Number	Ref. Number	Packaging
90	A4J90	R214237J	5
100	A4J100	N223089J	5
110	A4J110	V200877A	1
125	A4J125	V201935A	1
150	A4J150	R211155A	1
175	A4J175	Q212189A	1
200	A4J200	G212710A	1
225	A4J225	X215254A	1
250	A4J250	T217298A	1
300	A4J300	K219360A	1
350	A4J350	H219887A	1
400	A4J400	Z222570A	1
450	A4J450	W200878A	1
500	A4J500	W201936A	1
600	A4J600	S211156A	1

### Ratings

- AC: 1 to 600A  
600VAC, 200kA I.R.
- DC: 1 to 600A  
300VDC, 100kA I.R.

### Highlights

- Fast Acting
- Very Current-Limiting
- DC Ratings

### Applications

- Capacitors
- Loadcenters
- Panelboards
- Switchboards
- Bus Duct
- Feeder Circuits
- Circuit Breakers
- Lighting, Heating, and General Loads

### Approvals

- UL Listed to Standard 248-8.
- CSA Certified to Standard C22.2 No. 248.8
- DC Tested to UL248L limits
- IEC 269-2-1

# Amp Trap<sup>®</sup> - Low Voltage

## AJT (Class J TD) - 600VAC/500VDC



AMP-TRAP 2000



**Smart Spot Indicator  
finding an  
open fuse is faster  
than ever!**

Ampere Rating	Cat. Number	Ref. Number	Packaging
1	AJT1	X214748J	10
1-1/4	AJT1-1/4	C215765J	10
1-1/2	AJT1-1/2	B215258J	10
1-6/10	AJT1-6/10	G216275J	10
1-8/10	AJT1-8/10	H216782J	10
2	AJT2	P219364J	10
2-1/4	AJT2-1/4	A200882J	10
2-1/2	AJT2-1/2	T223094J	10
2-8/10	AJT2-8/10	M201422J	10
3	AJT3	Q211683J	10
3-2/10	AJT3-2/10	L212714J	10
3-1/2	AJT3-1/2	W212194J	10
4	AJT4	W214241J	10
4-1/2	AJT4-1/2	Y214749J	10
5	AJT5	H216276J	10
5-6/10	AJT5-6/10	J216783J	10
6	AJT6	D217813J	10
6-1/4	AJT6-1/4	P218329J	10
7	AJT7	Q219365J	10
8	AJT8	M219891J	10
9	AJT9	D222574J	10
10	AJT10	Y217302J	10
12	AJT12	C217812J	10
15	AJT15	N218328J	10
17-1/2	AJT17-1/2	A218845J	10

Ampere Rating	Cat. Number	Ref. Number	Packaging
20	AJT20	Z201939J	10
25	AJT25	X211160J	10
30	AJT30	W213229J	10
35	AJT35	M213727J	10
40	AJT40	C215259J	10
45	AJT45	D215766J	10
50	AJT50	Z217303J	10
60	AJT60	B218846J	10
70	AJT70*	L201421E*	5
80	AJT80*	W211159E*	5
90	AJT90*	V212193E*	5
100	AJT100*	B215764E*	5
110	AJT110*	F216780A*	1
125	AJT125*	A217810A*	1
150	AJT150*	Y218843A*	1
175	AJT175*	K219889A*	1
200	AJT200*	Y200880A*	1
225	AJT225*	V211158A*	1
250	AJT250*	K212713A*	1
300	AJT300*	L213726A*	1
350	AJT350*	W214747A*	1
400	AJT400*	G216781A*	1
450	AJT450*	M218327A*	1
500	AJT500*	N219363A*	1
600	AJT600*	C222573A*	1

\*For optional indicator/switch mount add EI.

For Example: AJT100EI. See table below

Note: Indicator not available for rating 1A to 7A.

### Ratings

- AC: 1 to 600A, 600VAC, 200kA I.R. (self certified for 600VAC, 300kA I.R., UL witnessed)
- DC: 1 to 600A, 500VDC, 100kA I.R.

### Highlights

- Smart Spot Indicator
- Time Delay
- Highly Current Limiting
- DC Ratings
- Optional Mechanical Indicator (70 to 600A fuses)

### Applications

- Motor Circuits
- Mains
- Feeders
- Branch Circuits
- Lighting, Heating and General Loads
- Transformers
- Control Panels
- Circuit Breaker Back-up
- Bus Duct
- Load Centers

### Approvals

#### AJT (1-600):

- UL Listed to Standard 248-8
- DC Listed to UL Standard 248
- CSA Certified to Standard C22.2 No. 248.8
- IEC 269-2-1

#### AJT (70-600) EI:

- UL Component Recognized
- DC Tested to UL Standard 248

# HSJ (High Speed Class J) - 600VAC



Ampere Rating	Cat. Number	Ref. Number	Packaging
1	HSJ1	P1026572J	10
3	HSJ3	Q1026573J	10
6	HSJ6	W1014365J	10
10	HSJ10	R1010520J	10
15	HSJ15	D235868J	10
20	HSJ20	F235870J	10
25	HSJ25	G235871J	10
30	HSJ30	H235872J	10
35	HSJ35	J235873J	10
40	HSJ40	K235874J	10
45	HSJ45	L235875J	10
50	HSJ50	M235876J	10
60	HSJ60	N235877J	10
70	HSJ70	P235878E	5
80	HSJ80	Q235879E	5

Ampere Rating	Cat. Number	Ref. Number	Packaging
90	HSJ90	R235880E	5
100	HSJ100	S235881E	5
110	HSJ110	T235882A	1
125	HSJ125	V235883A	1
150	HSJ150	X235885A	1
175	HSJ175	Y235886A	1
200	HSJ200	Z235887A	1
225	HSJ225	A235888A	1
250	HSJ250	B235889A	1
300	HSJ300	C235890A	1
350	HSJ350	D235891A	1
400	HSJ400	E235892A	1
500	HSJ500	F235893A	1
600	HSJ600	G235894A	1

## Ratings

- AC: 15-600A, 600VAC, 200kA I.R., 300kA I.R. Self Certified
- DC: 15-600A, 500VDC, 100kA I.R., L/R 10mS

## Highlights

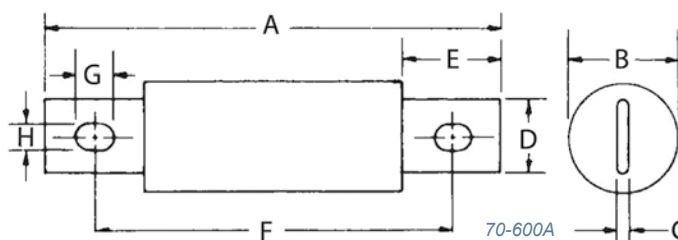
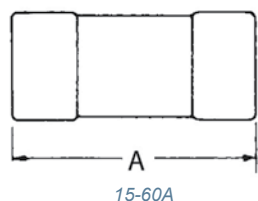
- Current-Limiting
- AC & DC Ratings
- Low I<sup>2</sup>t
- Compact Size

## Applications

- Branch Circuits
- Control Panels
- Electronic Motor
- Controllers
- Phase Controllers
- Drives
- Soft-Starters
- Solid State Relays

## Approvals

- UL Listed to Standard 248-8
- DC Listed to UL248-8
- CSA Certified to Standard C22.2 No. 248.8



Ampere Rating	A		B		C		D		E		F		G		H	
	In.	mm	In.	mm	In.	mm	In.	mm	In.	mm	In.	mm	In.	mm	In.	mm
15-30	2-1/4	57	13/16	21	-	-	-	-	-	-	-	-	-	-	-	-
31-60	2-3/8	60	1-1/16	27	-	-	-	-	-	-	-	-	-	-	-	-
61-100	4-4/8	117	1-1/8	29	1/8	3.2	3/4	19	1	25	3-5/8	92	3/8	10	9/32	7
101-200	5-3/4	146	1-5/8	41	3/16	4.8	1-1/8	29	1-3/8	35	4-3/8	111	3/8	10	9/32	7
201-400	7-1/8	181	2-1/8	54	1/4	6.3	1-5/8	41	1-7/8	48	5-1/4	133	17/32	13	13/32	10
401-600	8	203	2-1/2	64	3/8	9.5	2	51	2-1/8	54	6	152	11/16	18	17/32	13

## Recommended Fuse Blocks with Box Connectors for Class J



Ampere Rating	Cat. Number 1 pole	Ref. Number 1 pole	Packaging	Cat. Number 3 pole	Ref. Number 3 pole	Packaging
0-30	US3J1I	M212922F	6	US3J3I	K214967B	2
31-60	US6J1I	F222047F	6	US6J3I	M211381B	2
61-100	61036J	Z201640C	3	61038J	G212917A	1
101-200	62001J	D214455A	1	62003J	E214962A	1
201-400	64031J	X218543A	1	64033J	S219068A	1
401-600	6631J	P201125A	1	6633J	A201641A	1

# Amp Trap<sup>®</sup> - Low Voltage

## A2D 250V and A6D 600V (Class RK1 TD)

Fuse Links Class RK1

Ampere Rating	Cat. Number		Ref. Number		Packaging
	250V	600V	250V	600V	
1/10	A2D1/10R	A6D1/10R	Q215248J	R201932J	10
15/100	A2D15/100R	A6D15/100R	M217292J	D212707J	10
2/10	A2D2/10R	A6D2/10R	J223085J	C216271J	10
3/10	A2D3/10R	A6D3/10R	K212184J	G219357J	10
4/10	A2D4/10R	A6D4/10R	N214740J	E201415J	10
1/2	A2D1/2R	A6D1/2R	T215757J	P211153J	10
6/10	A2D6/10R	A6D6/10R	R218837J	N214234J	10
8/10	A2D8/10R	A6D8/10R	Q200873J	D216778J	10
1	A2D1R	A6D1R	Q218836J	M214233J	10
1-1/8	A2D1-1/8R	A6D1-1/8R	K213219J	V222566J	10
1-1/4	A2D1-1/4R	A6D1-1/4R	A212704J	D219883J	10
1-4/10	A2D1-4/10R	A6D1-4/10R	B213717J	L223087J	10
1-6/10	A2D1-6/10R	A6D1-6/10R	J214230J	R200874J	10
1-8/10	A2D1-8/10R	A6D1-8/10R	M214739J	D201414J	10
2	A2D2R	A6D2R	P201930J	V217805J	10
2-1/4	A2D2-1/4R	A6D2-1/4R	C219882J	T215251J	10
2-1/2	A2D2-1/2R	A6D2-1/2R	D219354J	Q214742J	10
2-8/10	A2D2-8/10R	A6D2-8/10R	S222564J	X215760J	10
3	A2D3R	A6D3R	C213718J	M223088J	10
3-2/10	A2D3-2/10R	A6D3-2/10R	E211673J	T218839J	10
3-1/2	A2D3-1/2R	A6D3-1/2R	M211515J	F218321J	10
4	A2D4R	A6D4R	A216269J	H211676J	10
4-1/2	A2D4-1/2R	A6D4-1/2R	K214231J	S200875J	10
5	A2D5R	A6D5R	S217803J	P213223J	10
5-6/10	A2D5-6/10R	A6D5-6/10R	A216775J	N212187J	10
6	A2D6R	A6D6R	T222565J	V215252J	10
6-1/4	A2D6-1/4R	A6D6-1/4R	D218319J	F213721J	10
7	A2D7R	A6D7R	K223086J	Y215761J	10
8	A2D8R	A6D8R	C201413J	R217296J	10
9	A2D9R	A6D9R	Q201931J	W217806J	10

Ampere Rating	Cat. Number		Ref. Number		Packaging
	250V	600V	250V	600V	
10	A2D10R	A6D10R	Z216268J	G211675J	10
12	A2D12R	A6D12R	Z216774J	M212186J	10
15	A2D15R	A6D15R	R217802J	N213222J	10
17-1/2	A2D17-1/2R	A6D17-1/2R	C218318J	E213720J	10
20	A2D20R	A6D20R	P200872J	C216777J	10
25	A2D25R	A6D25R	B201412J	Q217295J	10
30	A2D30R	A6D30R	B212705J	E219884J	10
35	A2D35R	A6D35R	L213220J	W222567J	10
40	A2D40R	A6D40R	R215249J	S201933J	10
45	A2D45R	A6D45R	Y215758J	Q211154J	10
50	A2D50R	A6D50R	N217293J	E212708J	10
60	A2D60R	A6D60R	E219355J	R214743J	10
70	A2D70R	A6D70R	N201929E	E218320E	5
75	A2D75R	A6D75R	L211150E	-	5
80	A2D80R	A6D80R	D211672E	S218838E	5
90	A2D90R	A6D90R	J212183E	F219356E	5
100	A2D100R	A6D100R	P215247E	N211152E	5
110	A2D110R	A6D110R	S215756A	F211674A	1
125	A2D125R	A6D125R	Y216267A	L212185A	1
150	A2D150R	A6D150R	Y216773A	C212706A	1
175	A2D175R	A6D175R	L217291A	M213221A	1
200	A2D200R	A6D200R	Q217801A	D213719A	1
225	A2D225R	A6D225R	B218317A	L214232A	1
250	A2D250R	A6D250R	P218835A	P214741A	1
300	A2D300R	A6D300R	C219353A	S215250A	1
350	A2D350R	A6D350R	B219881A	W215759A	1
400	A2D400R	A6D400R	R222563A	B216270A	1
450	A2D450R	A6D450R	H223084A	B216776A	1
500	A2D500R	A6D500R	N200871A	P217294A	1
600	A2D600R	A6D600R	A201411A	T217804A	1



**Smart Spot Indicator  
finding an open fuse  
is faster than ever!**

### Ratings

- A2D AC: 1/10 to 600A 250VAC, 200kA I.R. (self certified for 250VAC, 300kA I.R., UL witnessed)
- A6D AC: 1/10 to 600A 600VAC, 200kA I.R. (self certified for 600VAC, 300kA I.R.)

### Highlights

- SmartSpot Indicator
- Time Delay
- Current Limiting
- Plated Terminals

### Applications

- Motors
- Safety Switches
- Transformers
- Branch Circuit Protection
- Disconnects
- Control Panels
- All General-purpose Circuits

### Approvals

- UL Listed to Standard 248-12
- CSA Certified to Standard C22.2 No. 248.12

## Recommended Fuse Blocks with Box Connectors for Class RK1



Voltage (VAC)	Ampere Rating	Cat. Number 1 pole	Ref. Number 1 pole	Cat. Number 3 pole	Ref. Number 3 pole
250V	0-30	20306R	T213411J	20308R	K215956E
250V	31-60	20606R	B212383J	20608R	E214939E
250V	61-100	21036R	D201621C	21038R	M212899A
250V	101-200	22001R	R213915A	22003R	G214941A
250V	201-400	24001R	J219566A	24003R	D222022A
250V	401-600	2631R	H214942A	2633R	P215960B

Voltage (VAC)	Ampere Rating	Cat. Number 1 pole	Ref. Number 1 pole	Cat. Number 3 pole	Ref. Number 3 pole
600V	0-30	60306R	H212389J	60308R	K214438E
600V	31-60	60606R	K212391J	60608R	M214440E
600V	61-100	61036R	W204788C	61038R	Z211875A
600V	101-200	62001R	V212906A	62003R	B213924A
600V	201-400	64001R	D219055A	64003R	M222030A
600V	401-600	6631R	J216990A	6633R	E218021A



# Amp Trap<sup>®</sup> - Low Voltage - Tri Onic

## TR 250V and TRS 600V (Class RK5 TD)

Ampere Rating	250V		600V		Packaging	Ampere Rating	250V		600V		Packaging
	Cat. Num.	Ref. Num.	Cat. Num.	Ref. Num.			Cat. Num.	Ref. Num.	Cat. Num.	Ref. Num.	
1/10	TR1/10R	F222530J	TRS1/10R	W216748J	10	35	TR35R	X1027062J	TRS35R	P1027078J	10
2/10	TR2/10R	Z214198J	TRS2/10R	X216749J	10	35	TR35RID	F218804J	TRS35RID	J214207J	10
3/10	TR3/10R	C217260J	TRS3/10R	J212160J	10	40	TR40R	Y1027063J	TRS40R	Q1027079J	10
4/10	TR4/10R	Z223053J	TRS4/10R	Y216750J	10	40	TR40RID	E200840J	TRS40RID	Q217778J	10
1/2	TR1/2R	Y223052J	TRS1/2R	N217776J	10	45	TR45R	Z1027064J	TRS45R	R1027080J	10
6/10	TR6/10R	R216238J	TRS6/10R	L213197J	10	45	TR45RID	F201899J	TRS45RID	Q218813J	10
8/10	TR8/10R	T219322J	TRS8/10R	R217779J	10	50	TR50R	B1027066J	TRS50R	S1027081J	10
1	TR1R	Z212151J	TRS1R	H212159J	10	50	TR50RID	B213188J	TRS50RID	D201391J	10
1-1/8	TR1-1/8R	Q218284J	TRS1-1/8R	G212158J	10	60	TR60R	C1027067J	TRS60R	T1027082J	10
1-1/4	TR1-1/4R	E217768J	TRS1-1/4R	J211125J	10	60	TR60RID	P216742J	TRS60RID	M214716J	10
1-4/10	TR1-4/10R	E218803J	TRS1-4/10R	H213194J	10	70	TR70R	A1027111E	TRS70R	E1027115E	5
1-6/10	TR1-6/10R	R219320J	TRS1-6/10R	G214205J	10	70	TR70RID	Q219848E	TRS70RID	Y213691E	5
1-8/10	TR1-8/10R	S219850J	TRS1-8/10R	R215732J	10	75	TR75RID	E222529E	TRS75RID	P215730E	5
2	TR2R	J215725J	TRS2R	Q222539J	10	80	TR80R	B1027112E	TRS80R	F1027116E	5
2-1/4	TR2-1/2R	Q212672J	-	-	10	80	TR80RID	W223050E	TRS80RID	W216242E	5
2-1/2	TR2-8/10R	S213686J	TRS2-1/2R	J213195J	10	90	TR90R	C1027113E	TRS90R	G1027117E	5
2-8/10	TR3R	T219851J	TRS2-8/10R	S215733J	10	90	TR90RID	B200837E	TRS90RID	L217774E	5
3	TR3-2/10R	N216741J	TRS3R	P215224J	10	100	TR100R	D1027114E	TRS100R	H1027118E	5
3-2/10	TR3-1/2R	Q216237J	TRS3-2/10R	N201906J	10	100	TR100RID	K216738E	TRS100RID	D214202E	5
3-1/2	TR4R	A212152J	TRS3-1/2R	M200847J	10	110	TR110R	V1027083A	TRS110R	L1027098A	1
4	TR4-1/2R	G222531J	TRS4R	D219860J	10	110	TR110RID	B218800A	TRS110RID	K215220A	1
4-1/2	TR5R	E214709J	TRS4-1/2R	A216246J	10	125	TR125R	W1027084A	TRS125R	M1027099A	1
5	TR5-6/10R	R212673J	TRS5R	M211128J	10	125	TR125RID	N219317A	TRS125RID	N215729A	1
5-6/10	TR6R	S218286J	TRS5-6/10R	H223061J	10	150	TR150R	Z1027087A	TRS150R	N1027100A	1
6	TR6R	S218286J	TRS6R	V215735J	10	150	TR150RID	P219847A	TRS150RID	S216745A	1
6-1/4	-	-	TRS6-1/4R	K212161J	10	175	TR175R	A1027088A	TRS175R	P1027101A	1
7	TR7R	G218805J	TRS7R	Z216751J	10	175	TR175RID	D222528A	TRS175RID	K217773A	1
8	TR8R	M1027053J	TRS8R	E1027069J	10	200	TR200R	B1027089A	TRS200R	Q1027102A	1
8	TR8RID	V219852J	TRS8RID	R218814J	10	200	TR200RID	V223049A	TRS200RID	K218808A	1
9	TR9R	N1027054J	TRS9R	F1027070J	10	225	TR225R	C1027090A	TRS225R	R1027103A	1
9	TR9RID	H222532J	TRS9RID	S222541J	10	225	TR225RID	A200836A	TRS225RID	Y219855A	1
10	TR10R	P1027055J	TRS10R	G1027071J	10	250	TR250R	D1027091A	TRS250R	S1027104A	1
10	TR10RID	D200839J	TRS10RID	N218811J	10	250	TR250RID	P201378A	TRS250RID	L222535A	1
12	TR12R	Q1027056J	TRS12R	H1027072J	10	300	TR300R	E1027092A	TRS300R	T1027105A	1
12	TR12RID	S201381J	TRS12RID	B219858J	10	300	TR300RID	B201895A	TRS300RID	J200844A	1
15	TR15R	R1027057J	TRS15R	J1027073J	10	350	TR350R	F1027093A	TRS350R	V1027106A	1
15	TR15RID	D211120J	TRS15RID	B201389J	10	350	TR350RID	A211117A	TRS350RID	J201902A	1
17-1/2	TR17-1/2R	S1027058J	TRS17-1/2R	K1027074J	10	400	TR400R	G1027094A	TRS400R	W1027107A	1
17-1/2	TR17-1/2RID	S211639J	TRS17-1/2RID	K211126J	10	400	TR400RID	P211636A	TRS400RID	G211123A	1
20	TR20R	T1027059J	TRS20R	L1027075J	10	450	TR450R	H1027095A	TRS450R	X1027108A	1
20	TR20RID	D214708J	TRS20RID	P217777J	10	450	TR450RID	N218282A	TRS450RID	E212156A	1
25	TR25R	V1027060J	TRS25R	M1027076J	10	500	TR500R	J1027096A	TRS500R	Y1027109A	1
25	TR25RID	G215217J	TRS25RID	B219329J	10	500	TR500RID	C218801A	TRS500RID	W212677A	1
30	TR30R	W1027061J	TRS30R	N1027077J	10	600	TR600R	K1027097A	TRS600R	Z1027110A	1
30	TR30RID	F217769J	TRS30RID	K213196J	10	600	TR600RID	P219318A	TRS600RID	F213192A	1

ID = optional blow fuse indicator.



### Ratings:

#### TR-R

**Volts** : 250VAC  
 : 250VDC (.1-2.8A; 35-400A)  
 : 160VDC (3-30A; 450-600A)  
**Amps** : 1/10 to 600A  
**IR** : 200kA I.R. AC / 20kA I.R. DC

#### TRS-R

**Volts** : 600VAC  
 : 600VDC (.1-12A; 70-600A)  
 : 300VDC (15-60A)  
**Amps** : 1/10 to 600A  
**IR** : 200kA I.R. AC  
 : 1/10A to 60A -> I.R. 20kA  
 : 70A to 600A -> I.R. 100kA

### Applications:

- Motor circuits
- Mains
- Feeders
- Branch circuits
- Transformers
- Service entrance equipment
- General-purpose equipment

### Highlights:

- Time-delay
- Current-limiting
- AC & DC rated

### Approvals:

- UL listed to standard 248-12 File E2137
- CSA certified to standard C22.2 no. 248.12
- DC listed to UL standard 248 TRS only

# Amp Trap<sup>®</sup> - Low Voltage - Tri Onic

## TRS - RDC (Class RK5)

1 to 30A: 300VDC - 35 to 400A: 600VDC



Fuse Links Class RK5

Ampere Rating	Cat. Number	Ref. Number	Packaging
1/10	TRS1/10DC	K217267A	1
15/100	TRS15/100DC	L200846A	1
2/10	TRS2/10DC	L217268A	1
3/10	TRS3/10DC	A212681A	1
4/10	TRS4/10DC	M217269A	1
1/2	TRS1/2DC	Z218292A	1
6/10	TRS6/10DC	D213696A	1
8/10	TRS8/10DC	C218295A	1
1	TRS1RDC	Z212680A	1
1-1/8	TRS1-1/8DC	Y212679A	1
1-1/4	TRS1-1/4DC	A213693A	1
1-1/6	TRS1-1/6DC	S214205A	1
1-8/10	TRS1-1/8DC	Y216244A	1
2	TRS2RDC	G223060A	1
2-1/8	TRS2-1/8DC	Z216245A	1
2-1/4	TRS2-1/4DC	K214714A	1
2-1/2	TRS2-1/2DC	B213694A	1
3	TRS3RDC	T215734A	1
5	TRS5RDC	D211649A	1
6	TRS6RDC	B216247A	1
8	TRS8RDC	E219861A	1

Ampere Rating	Cat. Number	Ref. Number	Packaging
10	TRS10RDC	A219328A	1
12	TRS12RDC	P222538A	1
15	TRS15RDC	M201905J	10
20	TRS20RDC	P218812J	10
30	TRS30RDC	C213695J	10
35	TRS35RDC	L214715J	10
40	TRS40RDC	B218294J	10
45	TRS45RDC	C219330J	10
50	TRS50RDC	P201907J	10
60	TRS60RDC	Q215225J	10
70	TRS70RDC	E214203E	5
80	TRS80RDC	H217265E	5
90	TRS90RDC	X218290E	5
100	TRS100RDC	G214711E	5
125	TRS125RDC	V216241A	1
150	TRS150RDC	G217264A	1
175	TRS175RDC	W218289A	1
200	TRS200RDC	X219325A	1
250	TRS250RDC	D223057A	1
300	TRS300RDC	Y201386A	1
400	TRS400RDC	Y211644A	1

### Ratings

- DC: 1 to 30A 300VDC, 20kA I.R. (Consult Factory for Availability)
- DC: 35 to 400A 600VDC, 20kA I.R.

### Highlights

- Time Delay
- DC Rated

### Applications

- Mine Circuits
- Trailing Cables
- Pump Motors
- Rail Heaters

### Approvals

- MSHA Approval No. 28-26-0

## Recommended Fuse Blocks with Box Connectors for Class RK5



Ampere Rating	Cat. Number 1 pole	Ref. Number 1 pole	Packaging	Cat. Number 3 pole	Ref. Number 3 pole	Packaging
0-30	20306R	T213411J	10	20308R	K215956E	5
31-60	20606R	B212383J	10	20608R	E214939E	5
61-100	21036R	D201621C	3	21038R	M212899A	1
101-200	22001R	R213915A	1	22003R	G214941A	1
201-400	24001R	J219566A	1	24003R	D222022A	1
401-600	2631R	H214942A	1	2633R	P215960B	2

Ampere Rating	Cat. Number 1 pole	Ref. Number 1 pole	Packaging	Cat. Number 3 pole	Ref. Number 3 pole	Packaging
0-30	60306R	H212389J	10	60308R	K214438E	5
31-60	60606R	K212391J	10	60608R	M214440E	5
61-100	61036R	W204788C	3	61038R	Z211875A	1
101-200	62001R	V212906A	1	62003R	B213924A	1
201-400	64001R	D219055A	1	64003R	M222030A	1
401-600	6631R	J216990A	1	6633R	E218021A	1



# Amp Trap<sup>®</sup> - Low Voltage

## A4BQ (Class L TD) - 600VAC/500VDC



Ampere Rating	Cat. Number	Ref. Number	Packaging	Ampere Rating	Cat. Number	Ref. Number	Packaging
100	A4BQ100	J215771A	1	900	A4BQ900	W219899A	1
150	A4BQ150	X218336A	1	1000	A4BQ1000	P216282A	1
200	A4BQ200	L222581A	1	1200	A4BQ1200	R216790A	1
250	A4BQ250	H200889A	1	1350	A4BQ1350	G217310A	1
300	A4BQ300	F201945A	1	1400	A4BQ1400	L217820A	1
350	A4BQ350	Y211690A	1	1500	A4BQ1500	J218853A	1
400	A4BQ400	E213237A	1	1600	A4BQ1600	Y219372A	1
450	A4BQ450	D214248A	1	1800	A4BQ1800	V219898A	1
500	A4BQ500	F214756A	1	2000	A4BQ2000	B223101A	1
600	A4BQ600	K215772A	1	2500	A4BQ2500	V201429A	1
601	A4BQ601	H217311A	1	3000	A4BQ3000	F211168A	1
650	A4BQ650	M217821A	1	3500	A4BQ3500	E212202A	1
700	A4BQ700	Y218337A	1	4000	A4BQ4000	W213735A	1
750	A4BQ750	K218854A	1	5000	A4BQ5000	K215266A	1
800	A4BQ800	Z219373A	1	6000	A4BQ6000	Q216283A	1

### Ratings

- AC: 100 to 6000A 600VAC, 200k A I.R. (self certified for 600VAC, 300kA I.R., UL witnessed) 4-second delay at 500% rating
- Note: 100-600A ratings are non-listed
- DC: 601 to 3000A 500VDC, 100kA I.R.

### Highlights

- Time Delay
- Industry's Most Current-Limiting Class L Fuse
- Pure Silver Elements
- AC & DC Rated

### Applications

- Mains, Feeders
- Large Motors

- Lighting, Heating and General Loads
- Circuit Breaker Back-up
- DC Rated: UPS DC Links, Battery Disconnects, other DC Applications

- DC Listed to UL Standard 198L (601-3000A)
- CSA Certified to Standard C22.2 No. 248.10 (601-6000A)

### Approvals

- UL Listed to Standard 248-10 (601-6000A)

## A3T 300V and A6T 600V (Class T Fast Acting)



Ampere Rating	250V		600V		Pack.	Ampere Rating	250V		600V		Pack.
	Cat. Num.	Ref. Num.	Cat. Num.	Ref. Num.			Cat. Num.	Ref. Num.	Cat. Num.	Ref. Num.	
1	A3T1	Q212212J	A6T1	L219384J	10	110	A3T110	G218345A	A6T110	K219383A	1
3	A3T3	R214766J	A6T3	H201441J	10	125	A3T125	H219381A	A6T125	F219908A	1
6	A3T6	Y217831J	A6T6	S213249J	10	150	A3T150	D219906A	A6T150	Y222592A	1
10	A3T10	E212731J	A6T10	G219909J	10	175	A3T175	W222590A	A6T175	N223112A	1
15	A3T15	Q213247J	A6T15	Z222593J	10	200	A3T200	L223110A	A6T200	V200900A	1
20	A3T20	G213745J	A6T20	P223113J	10	225	A3T225	S200898A	A6T225	G201440A	1
25	A3T25	P214258J	A6T25	W200901J	10	250	A3T250	E201438A	A6T250	Q201954A	1
30	A3T30	V215275J	A6T30	R201955J	10	300	A3T300	N201952A	A6T300	S211179A	1
35	A3T35	W215782J	A6T35	T211180J	10	350	A3T350	Q211177A	A6T350	K211701A	1
40	A3T40	B216293J	A6T40	L211702J	10	400	A3T400	H211699A	A6T400	R212213A	1
45	A3T45	C216800J	A6T45	S212214J	10	450	A3T450	P212211A	A6T450	F212732A	1
50	A3T50	T217321J	A6T50	G212733J	10	500	A3T500	D212730A	A6T500	R213248A	1
60	A3T60	J218347J	A6T60	J213747J	10	600	A3T600	P213246A	A6T600	H213746A	1
70	A3T70	F213744E	A6T70	Q214259E	5	700	A3T700	N214257A	A6T700	S214767A	1
80	A3T80	Q214765E	A6T80	W215276E	5	800	A3T800	T215274A	A6T800	D216801A	1
90	A3T90	V215781E	A6T90	V217322E	5	1000	A3T1000	W217829A	-	-	1
100	A3T100	R217319E	R217319E	W218864E	5	1200	A3T1200	T218862A	-	-	1

### Ratings

- A3T**
- AC: 1 to 1200A 300VAC, 200kA I.R.
  - DC: 1 to 1200A 160VDC, 50kA I.R.
- A6T**
- AC: 1 to 800A 600VAC, 200kA I.R.
  - DC: 1 to 800A 300VDC, 100kA I.R.

### Highlights

- Fast Acting
- Extremely Current Limiting
- Small Physical Size
- DC Ratings

### Applications

- Loadcenters
- Panelboards
- Switchboards
- Circuit Breakers
- Metering Centers

### Approvals

- UL Listed to Standard 248-15
- CSA Certified to Standard C22.2 No. 248.15
- DC Listed to UL Standard 198L

# UltraSafe™ - Low Voltage

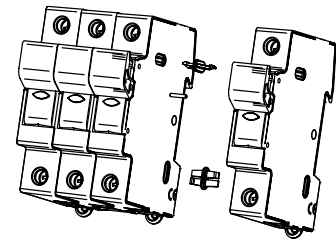
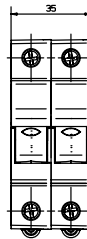
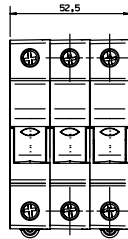
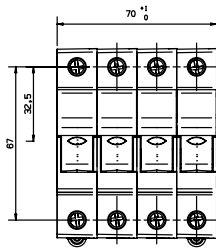
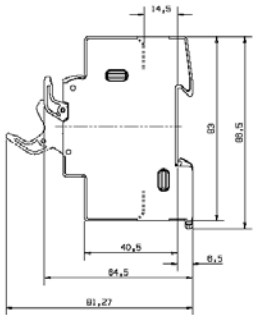
## Class CC Fuse holders - 600VAC

### UltraSafe™ Fuse holders



Nb of pole	Cat. Number w/o indicator	Ref. Number w/o indicator	Cat. Number with indicator	Ref. Number with indicator	Nb of Mod. 17.5mm	Packaging
1	USBCC1	H305033K	USBCC1I	P305039K	1	12
1	-	-	USBCC1-DC24 <sup>1)</sup>	P303015K	1	12
2	USBCC2	K305035F	USBCC2I	R305041F	2	6
3	USBCC3	L305036D	USBCC3I	S305042D	3	4
4	USBCC4	N305038C	USBCC4I	V305044C	4	3
2	USBCC1N	J305034F	USBCC1NI	Q305040F	2	6
4	USBCC3N	M305037C	USBCC3NI	T305043C	4	3

1) 2 LEDS 24V



### Accessories

Description	Cat. Number	Ref. Number	Nb of Mod. (17.5mm)	Maxi. RMS current (A)	Number of poles	Packaging
Kit for Multi-Phase connection links	CMS810PAK	Z233725K				12
Lock	LOCK	M223525A				1
Tag and lockout	TAGLOCKCMS810	A235773A				1
jumping bars 1 phase size 8/10*	CMS810BB1F13	T210306J	13	63	1	10
jumping bars 2 phases size 8/10*	CMS810BB2F6	V210307J	6	63	2	10
jumping bars 3 phases size 8/10*	CMS810BB3F4	W210308J	4	100	3	10
jumping bars 4 phases size 8/10*	CMS810BB4F3	X210309J	3	100	4	10
1 phase lateral incoming power supply	TBB1C	E210316P		90		50
2 & 3 phases lateral incoming power supply	TBB23C	G210318P		90		50
1 phase axial incoming power supply	TBB1A	D210315P		90		50
2 & 3 phases axial incoming power supply	TBB23A	F210317P		90		50

Note\*: It is possible to use a rigid cable 16mm<sup>2</sup> with a jumping bar 1.5mm thick.

# UltraSafe™ USFM Class CC - 600VAC

## UltraSafe™ Fuse holder and Fuse Disconnecter



Nb of pole	Cat. Number	Ref. Number	Fonction Fuse Holder	Fonction Fuse Discon.	Packaging
3 poles system / 45mm width	USFMCC	P302762A	w/o Indicator		1
	USFMCCM	B302796A		w/o Indicator	1
	USFMCCI	Q302763A	with Indicator		1
	USFMCCMI	R302764A		with Indicator	1

Pack: 1 piece  
 Fuse holder is without Prebreaking Microswitch (see accessories)  
 Fuse disconnecter is with mounted Prebreaking Microswitch

## Accessories



Description	Cat. Number	Ref. Number	Number of systems interconnected	Maxi. RMS current (A)	Number of poles	Packaging
Lock	LOCK	M223525A				1
Microswitch	USFMAC11	C302797A	1		3	1
Additional Neutral			1			
Busbar to connect 2 modules together	USFMBB2		2		6	
Lateral incoming power supply	TBB23C	G210318P		90		50
Axial incoming power supply	TBB23A	F210317P	1	90		50

# Midget and 10x38 Fuse holders - 690V

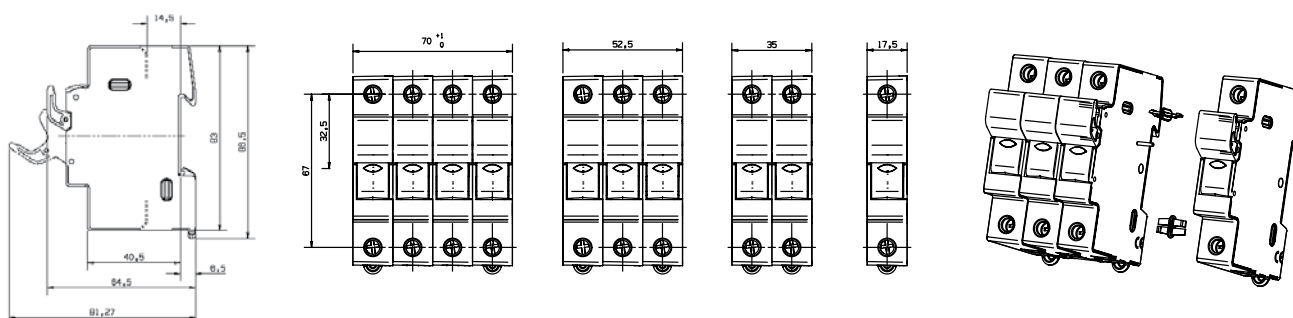
## UltraSafe™ Fuse holders



Size	Nb of pole	Cat. Number w/o indicator	Ref. Number w/o indicator	Cat. Number with indicator	Ref. Number with indicator	Nb of Mod. 17.5mm	Packaging
10x38	N	US10N	H305056K	US10NI		1	12
10x38	1	US101	B305050K	US101I	J305057K	1	12
10x38	1			US101I-AC120	R303017K	1	12
10x38	1			US101I-DC24P(1)	Q303016K	1	12
10x38	1+N	US101N	C305051F	US101NI	K305058F	2	6
10x38	2	US102	D305052F	US102I	L305059F	2	6
10x38	3	US103	E305053D	US103I	M305060D	3	4
10x38	3+N	US103N	F305054C	US103NI	N305061C	4	3
10x38	4	US104	G305055C	US104I	P305062C	4	3

(1) 1 LED 24VDC for 1 polarity

UL Recognized at 800VAC and 1000VDC



# UltraSafe™ - Low Voltage

## Accessories

Description	Cat. Number	Ref. Number	Nb of Mod. (17.5mm)	Maxi. RMS current (A)	Number of poles	Packaging
Kit for Multi-Phase connection links	CMS810PAK	Z233725K				12
Lock	LOCK	M223525A				1
Tag and lockout	TAGLOCKCMS810	A235773A				1
jumping bars 1 phase size 8/10 *	CMS810BB1F13	T210306J	13	63	1	10
jumping bars 2 phases size 8/10 *	CMS810BB2F6	V210307J	6	63	2	10
jumping bars 3 phases size 8/10 *	CMS810BB3F4	W210308J	4	100	3	10
jumping bars 4 phases size 8/10 *	CMS810BB4F3	X210309J	3	100	4	10
1 phase lateral incoming power supply	TBB1C	E210316P		90		50
2 & 3 phases lateral incoming power supply	TBB23C	G210318P		90		50
1 phase axial incoming power supply	TBB1A	D210315P		90		50
2 & 3 phases axial incoming power supply	TBB23A	F210317P		90		50

Note\*: It is possible to use a rigid cable 16mm<sup>2</sup> with a jumping bar 1.5mm thick.

## Midget and 10x38 Fuse holders - 690VAC

### UltraSafe™ Fuse holder and Fuse Disconnecter



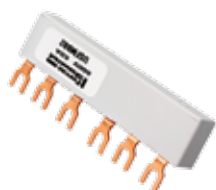
Cat. Number	Description
USFM10	3 pole fuse module
USFM10I	3 pole fuse module with indicators
USFM10M	3 pole fuse module with microswitch style auxiliary contact
USFM10MI	3 pole fuse module with microswitch style auxiliary contact and indicators

Pack: 1 piece

Fuse holder is without Prebreaking Microswitch (see accessories)

Fuse disconnecter is with mounted Prebreaking Microswitch

## Accessories



Description	Cat. Number	Ref. Number	Number of systems interconnected	Maxi. RMS current (A)	Number of poles	Packaging
Lock	LOCK	M223525A				1
Microswitch	USFMAC11	C302797A	1		3	1
Additional Neutral			1			
Busbar to connect 2 modules together	USFMBB2		2		6	
Lateral incoming power supply	TBB23C	G210318P		90		50
Axial incoming power supply	TBB23A	F210317P	1	90		50

## US14 fuse holder & fuse disconnectors

14x51 used fuses with no striker, or with indicator light or with striker  
 Recognized compliant with UL 4248 and CSA 22-2 , IEC 60947-1 & 3  
 and IEC 60269-1 & 2

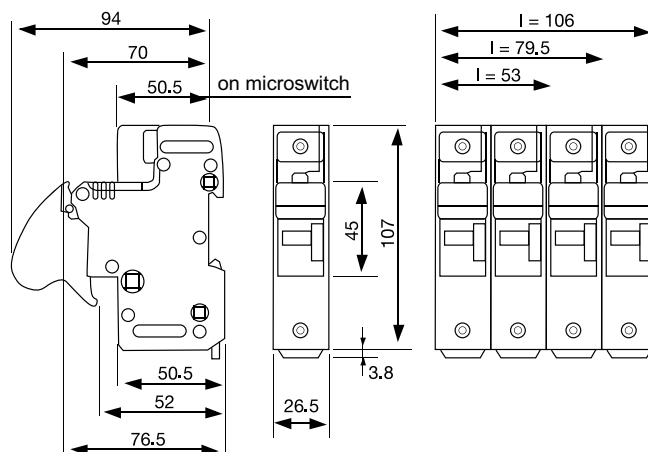


Nb of Pole	Model without indicator light ready for accessories		Model with indicator light ready for auxiliary contact		Nb of Mod. (17.5mm)	Packaging
	Cat. Number	Ref. Number	Cat. Number	Ref. Number		
1	US141	Z331153F	US141I	A331154F	1.5	6
2	US142	G331137C	US142I	H331138C	3	3
3	US143	N331143B	US143I	P331154B	4.5	2

Size	Nb of Pole	Model fitted with auxiliary contact		Model fitted with auxiliary contact & indicator light		Nb of Mod. (17.5mm)	Packaging
		Cat. Number	Ref. Number	Cat. Number	Ref. Number		
14x51	1	US141M	B331155F	US141MI	C331156F	1.5	6
14x51	2	US142M2	L331141C	US142M2I	M331142C	3	3
14x51	3	US143M	Q331145B	US143MI	S331147B	4.5	2
14x51	3+N*	US143NM	Y331152A			6	1

\* Two auxiliary microswitches (see instructions for mounting) – The auxiliary microswitch function requires use of fuses with strikers

UL Recognized at 800VAC-1000VDC  
 IEC 750VAC/DC



# UltraSafe™ - Low Voltage

## US22 fuse holder & fuse disconnectors

22x58 fuses with no striker, or with indicator light or with striker  
 Recognized compliant with UL 4248 and CSA 22-2 , IEC 60947-1 & 3  
 and IEC 60269-1 & 2

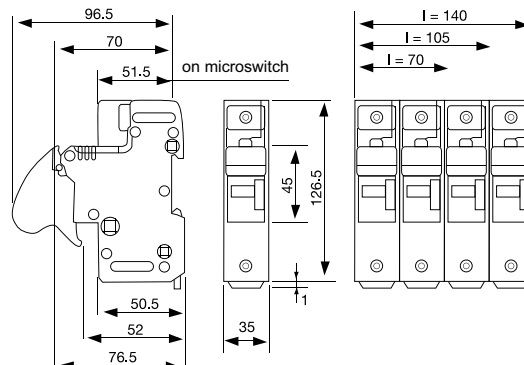


Nb of Pole	Model without indicator light ready for accessories		Model with indicator light ready for auxiliary contact		Nb of Mod. (17.5mm)	Packaging
	Cat. Number	Ref. Number	Cat. Number	Ref. Number		
1	US221	E331158F	US221I	F331159F	1.5	6
2	US222	K331163C	US222I	L331164C	3	3
3	US223	R331169B	US223I	S331170B	4.5	2

Size	Nb of Pole	Model fitted with auxiliary contact		Model fitted with auxiliary contact & indicator light		Nb of Mod. (17.5mm)	Packaging
		Cat. Number	Ref. Number	Cat. Number	Ref. Number		
22x51	1	US221M	G331160F	US221MI	Z1006203F	1.5	6
22x51	2	US222M	M331165C	US222MI	N331166C	3	3
22x51	3	US223M	T331171B	US223MI	V331172B	4.5	2

\* Two auxiliary microswitches (see instructions for mounting) – The auxiliary microswitch function requires use of fuses with strikers

UL Recognized  
 at 800VAC-1000VDC  
 IEC 750VAC/DC



## Accessories for US14, US22 series

Auxiliary contact kit  
 Y227928



Enlargement pin for auxiliary contact - F213629

Auxiliary contact assembly pin - J214138

Description	Cat. number	Ref. number	Nb of Mod. 17.5mm	Packaging
Auxiliary contact kit 1 pole US14	USMSW1	Y227928A	1.5	1
Auxiliary contact kit 3 poles US14	USMSW2	Z227929A	4.5	1
2 auxiliary contact kit 3 poles US14	USMSW3	A227930A	4.5	1
Auxiliary contact assembly pin (between 2 kits)	US1422PTH	J214138J		10*
Enlargement pin for auxiliary contact	US1422BP	F213629J		10*
Multi-pole assembly kit	US14PAK	X227927J		10*
Indicator light kit	CMS1422LHI	A225653A		1
Lock	LOCK	M223525A		1

\* 10 per bag

UltraSafe™ fuse holders for other sizes ferrule

## US27 fuse holder (without microswitch)

800VAC/DC



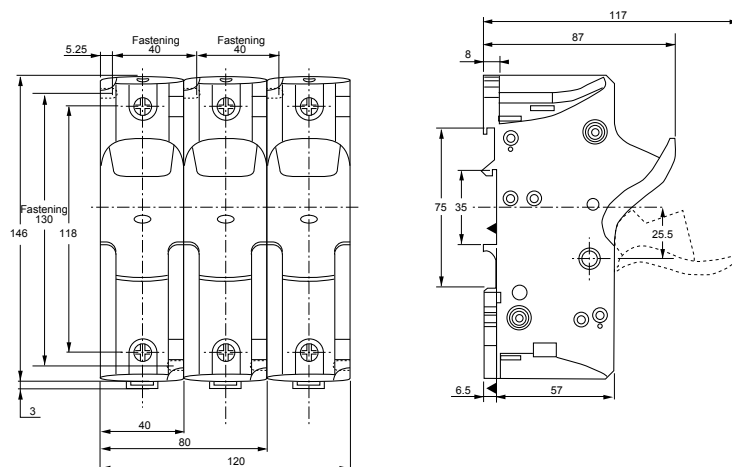
Nb of poles	Connections	Cat. number	Ref. number	Weight (g)	Packaging
1	By screw, U bolt or connector	US271I	J226420C	285	3
1 + N	By screw, U bolt or connector	US271NI	K226421A	580	1
1 + N	Ring lug connection	US271NIRING	E223518A	690	1
N	Ring lug connection	US27NIRING	F223519C	340	3
2	Ring lug connection	US272IRING	C223516A	690	1
3	By screw, U bolt or connector	US273I	M226423A	855	1
3	Ring lug connection	US273IRING	D223517A	1030	1
3 + N	By screw, U bolt or connector	US273NI	N226424A	1200	1
Assembly kit		US27PAK	H227615J		10
Microswitch*		US27W1	E227612A		1

\* for the US27 version only

## US27 fuse disconnecter (with microswitch)

800VAC/DC

Nb of poles	Connections	Cat. number	Nb of microswitches	Ref. number	Weight (g)	Packaging
1	By screw, U bolt or connector	US271MI	1	R227600C	320	3
1	Ring lug connection	US271MIRING	1	Z227607A	355	1
2	By screw, U bolt or connector	US272MI	1	S227601A	680	1
2	By screw, U bolt or connector	US272M2I	2	T227602A	600	1
2	Ring lug connection	US272M2IRING	2	B227609A	710	1



# Product offering FSPDB 1000VDC

FSPDB



Catalog Number		Ampere Rating (Based on NEC Table 310-16 for 75°C Cu wire only)	Line			Load			Short Circuit Current Rating
Aluminum (Connector rated for 90°C Cu/AL wire)	Copper (Connector rated for 75°C Cu wire only)		Wire Range		Openings	Wire Range		Openings Per Pole	
			AWG/	mm <sup>2</sup>		AWG/ kcmil	mm <sup>2</sup>		
FSPDB1A	FSPDB1C	175	2/0-#14	70-2.5	1	2/0-#14	70-2.5	1	100kA*
FSPDB2A	FSPDB2C	175	2/0-#14	70-2.5	1	#2-#14	35-2.5	4	100kA*
FSPDB3A	FSPDB3C	310	350-#6 2/0-#14	185-16 70-2.5	1	#8-#14	8-2.5	8	100kA*
FSPDB4A	FSPDB4C	335	400-#6	185-16	1	400-#6	185-16	1	100kA*
FSPDB5A	FSPDB5C	840	600-#4	300-25	2	600-#4	300-25	2	100kA*

\*Contact Mersen Technical Services at [technicalservices.nby@mersen.com](mailto:technicalservices.nby@mersen.com) for fuse type and maximum ampere required.

Multiple Wire Ratings (Same Size & Type Wires Only)			
2/0 Openings		#2 Openings	
(2) #4 AWG	(2) #10 AWG	(2) #6 AWG	(2-4) #12 AWG
(2) #6 AWG	(2) #12 AWG	(2) #8 AWG	(2-4) #14 AWG
(2) #8 AWG	(2) #14 AWG	(2-4) #10 AWG	

## Accessory

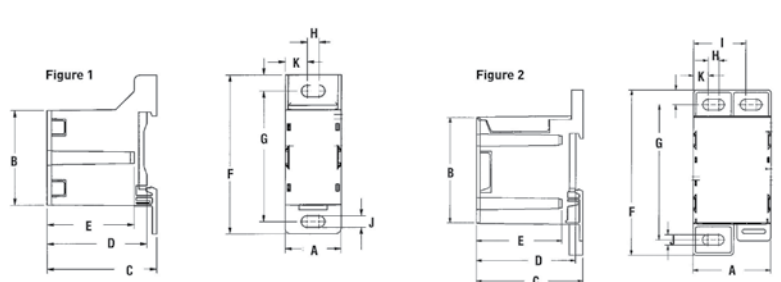
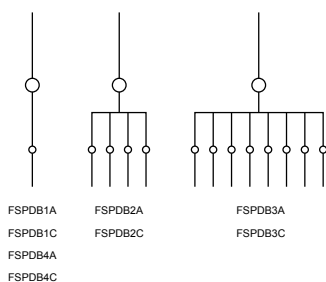
Cat. number	Description
FSPIN1	Accessory pin to form multiple pole block
FSCIM1	Circuit identification marker for 2/0 & #2 max. conductors (Qty of 100)
FSCIM2	Circuit identification marker for 350, 400 & 600 kcmil max. conductors (Qty of 100)
FSCAP1	Cap plug for spare 2/0 openings
FSCAP2	Cap plug for spare 350 kcmil openings
FSCP3	Cap plug for spare 600 kcmil opening
FSEA	Pair of end anchors

## Dimensions

Dimension	FSPDB1A FSPDB1C Figure 1		FSPDB2A FSPDB2C Figure 1		FSPDB3A FSPDB3C Figure 2		FSPDB4A FSPDB4C Figure 1		FSPDB5A FSPDB5C Figure 2	
	mm	in	mm	in	mm	in	mm	in	mm	in
A	25.4	1.00	28.4	1.12	46.9	1.85	39	1.54	72	2.84
B	43.3	1.70	57.8	2.28	64.3	2.53	108	4.25	91	3.58
C	49.5	1.95	56.0	2.21	64.3	2.53	80	3.15	80	3.15
D	45.1	1.78	51.6	2.03	59.8	2.36	75.5	2.97	-	-
E	39.4	1.55	39.4	1.55	51.5	2.03	50.1	1.97	50.1	1.97
F	72.6	2.86	87.7	3.45	100.8	3.97	145.5	5.73	145	5.71
G	59.6	2.35	74.6	2.94	82.4	3.24	120.6	4.75	127.5	5.02
H	5.3	0.21	5.1	0.20	6.5	0.26	7	0.28	3	0.12
I	-	-	-	-	31.5	1.24	-	-	52	2.04
J	5.3	0.21	6.4	0.25	6.5	0.26	6.5	0.26	6.5	0.26
K	10	0.40	11.7	0.46	8.9	0.35	16	0.63	8.5	0.34

## Approvals

- UL Recognized Component  
Guide XCFR2, File E73571
- CSA Certified: Class 6228, File 69363





# Fuses & Fusegear

## Miniature Fuses

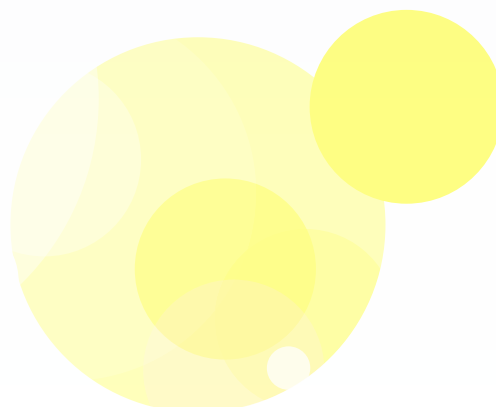
p. 251

Miniature fuses IEC Glass body	GP003	p. 252
Miniature fuses IEC Ceramic body	GP003	p. 253
Miniature fuses Glass body	GP003	p. 254 to 255

## Other Miniature fuses

- Miniature fuses with very high breaking capacity (HRC)
- Miniature fuses with axial leads

e-tech catalog on [ep-uk.mersen.com/html/e-tech-catalog.php](http://ep-uk.mersen.com/html/e-tech-catalog.php)



## 5 x 20 - 250VAC - Glass body



Ref. J090513P  
(FAST ACTING)



Ref. M090539P  
(TIME LAG)



Ref. G203763A

Size	Current (A)	Voltage (VDC)	FAST ACTING Cat. number (5SF)	FAST ACTING Ref. number (5SF)	TIME LAG Cat. number (5ST)	TIME LAG Ref. number (5ST)	Packaging
5 x 20	0,063	250	-	-	MI5ST25V0,063	D090531P	50
5 x 20	0,08	250	MI5SF25V0,08	Z090504P	MI5ST25V0,08	E090532P	50
5 x 20	0,1	250	MI5SF25V0,1	A090505P	MI5ST25V0,1	F090533P	50
5 x 20	0,125	250	MI5SF25V0,125	B090506P	MI5ST25V0,125	G090534P	50
5 x 20	0,16	250	MI5SF25V0,16	C090507P	MI5ST25V0,16	H090535P	50
5 x 20	0,2	250	MI5SF25V0,2	D090508P	MI5ST25V0,2	J090536P	50
5 x 20	0,25	250	MI5SF25V0,25	E090509P	MI5ST25V0,25	K090537P	50
5 x 20	0,315	250	MI5SF25V0,315	F090510P	MI5ST25V0,315	L090538P	50
5 x 20	0,4	250	MI5SF25V0,4	G090511P	MI5ST25V0,4	M090539P	50
5 x 20	0,5	250	MI5SF25V0,5	H090512P	MI5ST25V0,5	N090540P	50
5 x 20	0,63	250	MI5SF25V0,63	J090513P	MI5ST25V0,63	P090541P	50
5 x 20	0,8	250	MI5SF25V0,8	K090514P	MI5ST25V0,8	Q090542P	50
5 x 20	1	250	MI5SF25V1	L090515P	MI5ST25V1	R090543P	50
5 x 20	1,25	250	MI5SF25V1,25	M090516P	MI5ST25V1,25	S090544P	50
5 x 20	1,6	250	MI5SF25V1,6	N090517P	MI5ST25V1,6	T090545P	50
5 x 20	2	250	MI5SF25V2	P090518P	MI5ST25V2	V090546P	50
5 x 20	2,5	250	MI5SF25V2,5	Q090519P	MI5ST25V2,5	W090547P	50
5 x 20	3,15	250	MI5SF25V3,15	R090520P	MI5ST25V3,15	X090548P	50
5 x 20	4	250	MI5SF25V4	S090521P	MI5ST25V4	Y090549P	50
5 x 20	5	250	MI5SF25V5	T090522P	MI5ST25V5	Z090550P	50
5 x 20	6,3	250	MI5SF25V6,3	V090523P	MI5ST25V6,3	A090551P	50
5 x 20	8 <sup>(1)</sup>	250	MI5SF25V8	W090524P	MI5ST25V8	P206070P	50
5 x 20	10 <sup>(1)</sup>	250	MI5SF25V10	X090525P	MI5ST25V10	Q206071P	50
5 x 20	12,5 <sup>(1)</sup>	250	MI5SF25V12,5	W233446P	MI5ST25V12,5	Z233449P	50
5 x 20	16 <sup>(1)</sup>	250	MI5SF25V16	X233447P	MI5ST25V16	A233450P	50
5 x 20	20 <sup>(1)</sup>	250	MI5SF25V20	Y233448P	MI5ST25V20	B233451P	50
<b>Box of assorted fuses</b>			MIBOX5SF	G203763A	MIBOX5ST	H203764A	1

IEC 60127-2 sheet 2 and 3 compliant.

1) Non standard ratings. Ceramic bodies for the 12.5, 16 and 20A fuse ratings.

### Functions

Glass body dimensions 5 x 20mm.  
Low breaking capacity (35A or 10In).  
Designated as per standard  
F: FAST ACTING, T: TIME LAG.

### Applications

Protection of consumer electrical circuits and equipment, protection of intermediate PC boards in LV industrial equipment.

## Box of assorted 5 x 20 fuses



Fuses	Fuse body	Operating type	Range	Breaking Capacity	Cat. number	Ref. number
5x20 - 250V	Glass	TIME LAG	5ST	Low	MIBOX5ST	H203764A
5x20 - 250V	Glass	FAST ACTING	5SF	Low	MIBOX5SF	G203763A
5x20 - 250V	Glass	Medium TIME LAG	5SM	Low	MIBOX5SM	P233440A
5x20 - 250V	Ceramic	FAST ACTING	5HF	High	MIBOX5HF	B229863A
5x20 - 250V	Ceramic	TIME LAG	5HT	High	MIBOX5HT	C229864A

## 5 x 20 - 250VAC - Ceramic body



Ref. S095558P  
(FAST ACTING)



### Functions

5x20mm ceramic body,  
no sand filling, high breaking  
capacity (1500A).  
Designated as per standard  
F: FAST ACTING,  
T: TIME LAG.

### Applications

Protection of industrial  
electrical circuits and  
equipment. Protection of  
PC boards wired directly  
to the network (e.g. general  
power supply).

Size	Current (A)	Voltage (VAC)	FAST ACTING Cat. number (5HF)	FAST ACTING Ref. number (5HF)	TIME LAG Cat. number (5HT)	TIME LAG Ref. number (5HT)	Packaging
5 x 20	0,1 <sup>(1)</sup>	250	MI5HF25V0,1	G095548P	-	-	50
5 x 20	0,125 <sup>(1)</sup>	250	MI5HF25V0,125	H095549P	-	-	50
5 x 20	0,16 <sup>(1)</sup>	250	MI5HF25V0,16	J095550P	-	-	50
5 x 20	0,2 <sup>(1)</sup>	250	MI5HF25V0,2	Q095556P	-	-	50
5 x 20	0,25 <sup>(1)</sup>	250	MI5HF25V0,25	R095557P	MI5HT25V0,25	P085366P	50
5 x 20	0,315 <sup>(1)</sup>	250	MI5HF25V0,315	S095558P	MI5HT25V0,315	R094821P	50
5 x 20	0,4 <sup>(1)</sup>	250	MI5HF25V0,4	T095559P	MI5HT25V0,4	W094825P	50
5 x 20	0,5 <sup>(1)</sup>	250	MI5HF25V0,5	V095560P	MI5HT25V0,5	S085369P	50
5 x 20	0,63 <sup>(1)</sup>	250	MI5HF25V0,63	W095561P	MI5HT25V0,63	X094826P	50
5 x 20	0,8 <sup>(1)</sup>	250	MI5HF25V0,8	X095562P	MI5HT25V0,8	V085371P	50
5 x 20	1	250	MI5HF25V1	Y095563P	MI5HT25V1	W085372P	50
5 x 20	1,25	250	MI5HF25V1,25	C095567P	MI5HT25V1,25	X085373P	50
5 x 20	1,6	250	MI5HF25V1,6	D095568P	MI5HT25V1,6	Y085374P	50
5 x 20	2	250	MI5HF25V2	E095569P	MI5HT25V2	Z085375P	50
5 x 20	2,5	250	MI5HF25V2,5	F095570P	MI5HT25V2,5	A085376P	50
5 x 20	3,15	250	MI5HF25V3,15	G095571P	MI5HT25V3,1	B085377P	50
5 x 20	4	250	MI5HF25V4	H095572P	MI5HT25V4	C085378P	50
5 x 20	5	250	MI5HF25V5	J095573P	MI5HT25V5	D085379P	50
5 x 20	6,3	250	MI5HF25V6,3	K095574P	MI5HT25V6,3	E085380P	50
5 x 20	8 <sup>(2)</sup>	250	MI5HF25V8	J085407P	MI5HT25V8	A208357P	50
5 x 20	10 <sup>(2)</sup>	250	MI5HF25V10	K085408P	MI5HT25V10	B208358P	50
5 x 20	12	250	MI5HF25V12	G210341P			
5 x 20	12,5	250	MI5HT25V12,5	D210338P			
5 x 20	16	250	MI5HF25V16	H210342P			
5 x 20	20	250	MI5HF25V20	J210343P			
5 x 20	16	250	MI5HT25V16	E210339P			

IEC 60127-2 sheet 1 and 5 compliant.

1) Unlisted product

2) Non standard ratings



Ref. Y204951J



Ref. P204943J  
(Straight pins)



Ref. Y098967P  
(PCB mount)

## 5 x 20 fuse holders and supports

Type of support	Fuse holder Cat. Number	Fuse holder Ref. Number	Fuse cover Cat. Number	Fuse cover Ref. Number	Characteristics	Packaging
Solder-mount fuse holder	MISIPTF78	K208228J	L208229J	MICPTBSPTF76-78	Pin spacing 22,6mm	10
Solder-mount fuse holder	MISIPTF76	J208227J	L208229J	MICPTBSPTF76-78	Pin spacing 15mm	10
Solder-mount fuse holder	MISIPTF15	P204943J	S204946J	MICPT140PTF15	Straight pins (center-to-center spacing 22mm)	10
Solder-mount fuse holder	MISIPTF15B	M209012J	N085595J	MICPT140APTF15	Curved pins (center-to-center spacing 22mm)	10
Solder-mount fuse holder	MISIPTF10	N204942J			W/o anti-rotation pin (center-to-center spacing 22mm)	10
Solder-mount fuse holder	MISIPTF20	Q204944J			With anti-rotation pin (center-to-center spacing 22mm)	10
Bayonet mount fuse holder for panels	MIPUPTF30	T204947J			Solder or use 2.8x0.5mm lug	10
Bayonet mount fuse holder for PCB	MIPUPTF45	X204950J			Vertical (center-to-center spacing 10mm)	10
Bayonet mount fuse holder for PCB	MIPUPTF50	Y204951J			Horizontal (center-to-center spacing 10mm)	10
Solder-on fuse clips	MIMR5CISP	W202074P			PCB mount – 5x20 fuses	50
Solder-on fuse clips	MIMR5-6	Y098967P			PCB mount – 5x20 / 6 x 32 fuses	50
Solder-on fuse clips	MIMR5CI-S	J210550P			PCB mount – 5x20 fuses	50
Solder-on fuse clips	MIMR5CI-C	K210551P			PCB mount – 5x20 fuses	50
Modular fuse holder (Ph+N)	MIMSM250V16IP+N	K225708K			DIN rail mount – Ph+N 1 module	12

## 6 x 32 - 125 to 250VAC - Glass body - FAST ACTING



Ref. R090566P  
(FAST ACTING) 






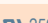




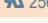









### Functions

Glass body dimensions 6x32mm.  
Designated as per standard:  
3AG, 3SF: FAST ACTING,  
3SB, 3ST: TIME LAG.

### Applications

Protection of consumer electrical circuits and equipment.  
Protection of intermediate PC boards in LV industrial equipment.

0.100 to 0.25 A, UL/CSA 248-14 compliant  
IEC 60127-2 sheet 4 compliant (low breaking capacity - 35A or 10In)  
1) Recognized to 150V  
2) Recognized to 60V  
3) Ceramic bodies for the 12.5, 16 and 20A fuse ratings.

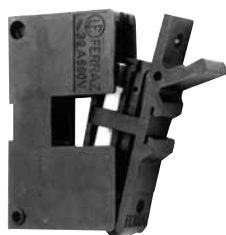
Size	Current (A)	Voltage (VAC)	Cat. number	Ref. number	Packaging
6 x 32	0,1	 250	M6AG25V0,1	D085701P	50
6 x 32	0,125	 250	M6AG25V0,125	E085702P	50
6 x 32	0,15	 250	M6AG25V0,15	F085703P	50
6 x 32	0,2	 250	M6AG25V0,2	H085705P	50
6 x 32	0,25	 250	M6AG25V0,25	J085706P	50
6 x 32	0,315	 250	M6SF25V0,315	P090564P	50
6 x 32	0,4	 250	M6SF25V0,4	Q090565P	50
6 x 32	0,5	 250	M6SF25V0,5	R090566P	50
6 x 32	0,63	 250	M6SF25V0,63	S090567P	50
6 x 32	0,8	 250	M6SF25V0,8	T090568P	50
6 x 32	1	 250	M6SF25V1	V090569P	50
6 x 32	1,25	 250	M6SF25V1,25	W090570P	50
6 x 32	1,6	 250	M6SF25V1,6	X090571P	50
6 x 32	2	 250	M6SF25V2	Y090572P	50
6 x 32	2,5	 250	M6SF25V2,5	Z090573P <sup>(1)</sup>	50
6 x 32	3,15	 250	M6SF25V3,15	A090574P <sup>(1)</sup>	50
6 x 32	4	 250	M6SF25V4	B090575P <sup>(1)</sup>	50
6 x 32	5	 250	M6SF25V5	C090576P <sup>(1)</sup>	50
6 x 32	6,3	 250	M6SF25V6,3	D090577P <sup>(2)</sup>	50
6 x 32	8	 250	M6SF25V8	E090578P <sup>(2)</sup>	50
6 x 32	10	125	M6SB12,5V10	Y207619P	50
6 x 32	12	125	M6SB12,5V12	Z207620P	50
6 x 32	16	125	M6SB12,5V16	A207621P	50

## MSM 5 fuse holder – no accessories I<sub>th</sub> max. 25A - Un 400V for 5x20 miniature fuses



Nb of pole	Model w/o blown fuse indicator light			Packaging
	Cat. number	Ref. number	Mod. number	
1	MSM51	J225707K	1	12
1+N	MSM51N	K225708K	1	12

## SI 6 fuse holder – no accessories I<sub>th</sub> max. 25A - Un 400V for 6x32 miniature fuses



M091482

N091483

Nb of pole	Model w/o blown fuse indicator light			Packaging
	Cat. number	Ref. number	Mod. number	
1	SI61	M091482J	1	10
1	SI61PRE	N091483J	1	10
1	SI61PREBSM	G082990J	1	10

## 6 x 32 - 250VAC - Glass body - TIME LAG



Ref. H085728P  
(TIME LAG)



Size	Current (A)	Voltage (VAC)	Cat. number	Ref. number	Packaging
6 x 32	0,062	250	MI6SB25V0,062	B207507P	50
6 x 32	0,08	250	MI6SB25V0,08	C207508P	50
6 x 32	0,1	250	MI6SB25V0,1	D085724P	50
6 x 32	0,125	250	MI6SB25V0,125	E085725P	50
6 x 32	0,15	250	MI6SB25V0,15	F085726P	50
6 x 32	0,175	250	MI6SB25V0,175	G085727P	50
6 x 32	0,2	250	MI6SB25V0,2	H085728P	50
6 x 32	0,25	250	MI6SB25V0,25	J085729P	50
6 x 32	0,3	250	MI6SB25V0,3	K085730P	50
6 x 32	0,375	250	MI6SB25V0,375	V087510P	50
6 x 32	0,4	250	MI6SB25V0,4	X087512P	50
6 x 32	0,5	250	MI6SB25V0,5	Y087513P	50
6 x 32	0,63	250	MI6SB25V0,6	Z087514P	50
6 x 32	0,75	250	MI6SB25V0,75	A087515P	50
6 x 32	1	250	MI6SB25V1	B087516P	50
6 x 32	1,25	250	MI6SB25V1,25	C087517P	50
6 x 32	1,5	250	MI6SB25V1,5	D087518P	50
6 x 32	1,8	250	MI6SB25V1,8	E087519P	50
6 x 32	2	250	MI6SB25V2	F087520P	50
6 x 32	2,5	250	MI6SB25V2,5	G087521P	50
6 x 32	3	250	MI6SB25V3	H087522P	50
6 x 32	4	250	MI6SB25V4	J087523P	50
6 x 32	5	250	MI6SB25V5	K087524P	50
6 x 32	6	250	MI6SB25V6	L087525P	50
6 x 32	7	250	MI6SB25V7	M087526P	50
6 x 32	8	250	MI6SB25V8	Q087529P	50
6 x 32	10	250	MI6ST25V10	F233455P <sup>(1)</sup>	50
6 x 32	12,5	250	MI6ST25V12,5	G233456P <sup>(1)</sup>	50
6 x 32	16	250	MI6ST25V16	H233457P <sup>(1)</sup>	50
6 x 32	20	250	MI6ST25V20	J233458P <sup>(1)</sup>	50

UL and CSA 248-14 compliant  
(1) IEC 60127-2 sheet 4 compliant  
(low breaking capacity - 35A or 10In)  
Recognized to 125V  
Breaking capacity:  
0.063 to 1A: 35A/250V - 10 000A/125V  
1.25 to 3A: 100A/250V - 10 000A/125V  
4 to 8A: 200A/250V - 10,000A/125V

## 6 x 32 fuse holders and supports



Ref. Y098967P  
(PCB mount)



T210536J

Type of support	Fuse holder Cat. number	Fuse holder Ref. number	Fuse cover Cat. number	Fuse cover Ref. number	Characteristics	Packaging
Bayonet mount fuse holder for panels	MIPUP5-6L	T210536J	MIBH6PU5-6	Y210540J	Panel mounting hole (ø 13, length 45mm)	10
Shock-safe fuse holder for panels	MIPU5-6IP67L	A210542J	MIBH6PU5-63P67	E210546J	Panel mounting hole: 250V/16A IP67	10
Solder-on fuse clips	MIMR6CIS	H210549P			PCB mount – 6x32 fuses	50
Screw-on clips	MIMR6VI	K091480P			PCB mount – 6x32 fuses	50
Solder-on fuse clips	MIMR5-6	Y098967P			PCB mount – 5x20 / 6x32 fuses	50

# Fuses & Fusegear

## Semiconductor fuses

p. 256

Ferrule-style Protistor® fuses	SC141	p. 257 to 260
Fuse holder for semiconductor ferrule fuses	SC141	p. 261 to 265
DIN D & DO gR fuses		p. 266
Protistor® DIN 80mm standard fuse sizes 000-00		p. 267 to 268
Protistor® DIN blade-style fuses		p. 269 to 273
Protistor® BS 88-4 fuses	SC142	p. 274 to 277
Square body Protistor® fuses	SC143	p. 278 to 286

# Protistor<sup>®</sup> fuses

10x38 gR 690VAC w/o striker    A008700



Voltage rating (V)	Current (A)	Class	Cat. number	Ref. number	Packaging
690	1	gR	FR10GR69V1	L1014563J	10
690	2	gR	FR10GR69V2	Q1014567J	10
690	2.5	gR	FR10GR69V2.5	T1014570J	10
690	3	gR	FR10GR69V3	V1014571J	10
690	4	gR	FR10GR69V4	W1014572J	10
690	6	gR	FR10GR69V6	Y1014574J	10
690	8	gR	FR10GR69V8	Z1014575J	10
690	10	gR	FR10GR69V10	A1014576J	10
690	12.5	gR	FR10GR69V12.5	C1014578J	10
690	16	gR	FR10GR69V16	D1014579J	10
690	20	gR	FR10GR69V20	E1014580J	10
690	25	gR	FR10GR69V25	F1014581J	10
690	30	gR	FR10GR69V30	G1014582J	10
690	32	gR	FR10GR69V32	H1014583J	10

14x51 gR 690VAC w/o striker    A008700



Voltage rating (V)	Current (A)	Class	New* Cat. number	New* Ref. number	Old Cat. number	Old Ref. number	Packaging
690	1	gR	FR14GR69V1	X1017195J	FR14GC69V1	E221080J	10
690	2	gR	FR14GR69V2	Y1017196J	FR14GC69V2	H081473J	10
690	4	gR	FR14GR69V4	Z1017197J	FR14GC69V4	J081474J	10
690	6	gR	FR14GR69V6	A1017198J	FR14GC69V6	T220909J	10
690	8	gR	FR14GR69V8	B1017199J	FR14GC69V8	S220908J	10
690	10	gR	FR14GR69V10	C1017200J	FR14GC69V10	R220907J	10
690	12	gR	FR14GR69V12	D1017201J	FR14GC69V12	Q220906J	10
690	16	gR	FR14GR69V16	E1017202J	FR14GC69V16	P220905J	10
690	20	gR	FR14GR69V20	F1017203J	FR14GC69V20	E220735J	10
690	25	gR	FR14GR69V25	G1017204J	FR14GC69V25	N220904J	10
690	32	gR	FR14GR69V32	H1017205J	FR14GC69V32	W220819J	10
690	40	gR	FR14GR69V40	J1017206J	FR14GC69V40	M220903J	10
690	50	gR	FR14GR69V50	K1017207J	FR14GC69V50	L220902J	10
690	63	gR	FR14GR69V63	L1017208J			10

\* New offer available in 2012

# Protistor® fuses

14x51 gR 690VAC with striker    A008700



Voltage (V)	Current (A)	Class	New* Cat. Number	New* Ref. Number	Old Cat. Number	Old Ref. Number	Packaging
690	1	gR	-	-	FR14GC69V1T	F221081	10
690	2	gR	FR14GR69V2T	D1017178	FR14GC69V2T	L081476	10
690	4	gR	FR14GR69V4T	E1017179	FR14GC69V4T	F081517	10
690	6	gR	FR14GR69V6T	F1017180	FR14GC69V6T	B220939	10
690	8	gR	FR14GR69V8T	G1017181	FR14GC69V8T	A220938	10
690	10	gR	FR14GR69V10T	H1017182	FR14GC69V10T	Z220937	10
690	12	gR	FR14GR69V12T	J1017183	FR14GC69V12T	Y220936	10
690	16	gR	FR14GR69V16T	K1017184	FR14GC69V16T	X220935	10
690	20	gR	FR14GR69V20T	L1017185	FR14GC69V20T	W220934	10
690	25	gR	FR14GR69V25T	M1017186	FR14GC69V25T	V220933	10
690	32	gR	FR14GR69V32T	Q1017189	FR14GC69V32T	V220818	10
690	40	gR	FR14GR69V40T	S1017191	FR14GC69V40T	M220949	10
690	50	gR	FR14GR69V50T	T1017192	FR14GC69V50T	N220950	10
690	63	gR	FR14GR69V63	V1017193	-	-	10

\* New offer available in 2012

14x51 aR 690VAC w/o striker    A008700



Voltage (V)	Current (A)	Class	New* Cat. Number	New* Ref. Number	Old Cat. Number	Old Ref. Number	Packaging
690	6	aR	FR14UR69V6	H1027325J	FR14UC69V6	K081475	10
690	8	aR	FR14UR69V8	J1027326J	FR14UC69V8	S093902	10
690	10	aR	FR14UR69V10	K1027327J	FR14UC69V10	T093903	10
690	12	aR	FR14UR69V12	L1027328J	FR14UC69V12	V093904	10
690	16	aR	FR14UR69V16	M1027329J	FR14UC69V16	W093905	10
690	20	aR	FR14UR69V20	N1027330J	FR14UC69V20	X093906	10
690	25	aR	FR14UR69V25	P1027331J	FR14UC69V25	Y093907	10
690	32	aR	FR14UR69V32	Q1027332J	FR14UC69V32	Z093908	10
690	40	aR	FR14UR69V40	R1027333J	FR14UC69V40	A093909	10
690	50	aR	FR14UR69V50	S1027334J	FR14UC69V50	B093910	10
690	63	aR	FR14UR69V63	T1027335J	-	-	10

\* New offer available in 2012



## 22x58 gR 690VAC w/o striker



Voltage (V)	Current (A)	Class	New Cat. Number*	New Ref. Number*	Old Cat. Number	Old Ref. Number	Packaging
690	12	gR	FR22GR69V12	W1018551J	FR22GC69V12	F232719J	10
690	16	gR	FR22GR69V16	X1018552J	FR22GC69V16	G232720J	10
690	20	gR	FR22GR69V20	Y1018553J	FR22GC69V20	C220940J	10
690	25	gR	FR22GR69V25	Z1018554J	FR22GC69V25	B220916J	10
690	32	gR	FR22GR69V32	A1018555J	FR22GC69V32	A220915J	10
690	40	gR	FR22GR69V40	B1018556J	FR22GC69V40	Z220914J	10
690	50	gR	FR22GR69V50	C1018557J	FR22GC69V50	Y220913J	10
690	63	gR	FR22GR69V63	D1018558J	FR22GC69V63	X220912J	10
690	80	gR	FR22GR69V80	E1018559J	FR22GC69V80	Y220821J	10
690	100	gR	FR22GR69V100	F1018560J	FR22GC69V100	W220911J	10
690	125	gR	FR22GR69V125	G1018561J			10
690	135	gR	FR22GR69V135	H1018562J			10

\*New offer available in 2012

## 22x58 gR 690VAC with striker



Voltage (V)	Current (A)	Class	New* Cat. Number	New* Ref. Number	Old Cat. Number	Old Ref. Number	Packaging
690	12	gRC	FR22GR69V12T	W1018620J	FR22GC69V12T		10
690	16	gRC	FR22GR69V16T	X1018621J	FR22GC69V16T		10
690	20	gRC	FR22GR69V20T	Y1018622J	FR22GC69V20T	D220734J	10
690	25	gRC	FR22GR69V25T	Z1018623J	FR22GC69V25T	G220921J	10
690	32	gRC	FR22GR69V32T	A1018624J	FR22GC69V32T	F220920J	10
690	40	gRC	FR22GR69V40T	B1018625J	FR22GC69V40T	E220919J	10
690	50	gRC	FR22GR69V50T	C1018626J	FR22GC69V50T	D220918J	10
690	63	gRC	FR22GR69V63T	D1018627J	FR22GC69V63T	C220733J	10
690	80	gRC	FR22GR69V80T	E1018628J	FR22GC69V80T	X220820J	10
690	100	gRC	FR22GR69V100T	F1018629J	FR22GC69V100T	C220917J	10
690	125	gRC	FR22GR69V125T	G1018630J	FR22GC69V125T		10
690	135	gRC	FR22GR69V135T	H1018631J	FR22GC69V135T		10

\*New offer available in 2012

## 22x58 aR 690VAC w/o striker



Voltage (V)	Current (A)	Class	New* Cat. Number	New* Ref. Number	Old Cat. Number	Old Ref. Number	Packaging
690	25	aR	FR22UR69V25	Y1027316J	FR22UD69V25	K081475J	10
690	32	aR	FR22UR69V32	Z1027317J	FR22UD69V32	S093902J	10
690	40	aR	FR22UR69V40	A1027318J	FR22UD69V40	T093903J	10
690	50	aR	FR22UR69V50	B1027319J	FR22UD69V50	V093904J	10
690	63	aR	FR22UR69V63	C1027320J	FR22UD69V63	W093905J	10
690	80	aR	FR22UR69V80	D1027321J	FR22UD69V80	X093906J	10
690	100	aR	FR22UR69V100	E1027322J	FR22UD69V100	Y093907J	10
690	125	aR	FR22UR69V125	F1027323J	FR22UD69V125	Z093908J	10
690	135	aR	FR22UR69V135	G1027324J	FR22UD69V135	A093909J	10

\*New offer available in 2012

# Protistor® fuses

## 27x60 gRB 800VAC with striker



Voltage (V)	Current (A)	Class	Cat. Number	Ref. Number	Packaging
800	8	gRB	FR27GB80V8T	R221436J	10
800	10	gRB	FR27GB80V10T	S221437J	10
800	12	gRB	FR27GB80V12T	T221438J	10
800	16	gRB	FR27GB80V16T	V221439J	10
800	20	gRB	FR27GB80V20T	W221440J	10
800	25	gRB	FR27GB80V25T	X221441J	10
800	32	gRB	FR27GB80V32T	Y221442J	10
800	40	gRB	FR27GB80V40T	Z221443J	10
800	50	gRB	FR27GB80V50T	A221444J	10
800	63	gRB	FR27GB80V63T	B221445J	10
800	80	gRB	FR27GB80V80T	C221446J	10
800	100	gRB	FR27GB80V100T	D221447J	10

## 27x60 URQ 690VAC with striker



Voltage (V)	Current (A)	Class	Cat. Number	Ref. Number	Packaging
690	50	URQ	FR27UQ69V50T	N075958J	10
690	63	URQ	FR27UQ69V63T	V076309J	10
690	80	URQ	FR27UQ69V80T	W076310J	10
690	100	URQ	FR27UQ69V100T	R078330J	10
690	125	URQ	FR27UQ69V125T	S078331J	10
690	160	URQ	FR27UQ69V160T	X076311J	10
690	200	URQ	FR27UQ69V200T	T078332J	10
690	250	URQ	FR27UQ69V250T	T076308J	10

## 20x127 URQ 2000VDC with striker



Voltage (V)	Current (A)	Class	Cat. Number	Ref. Number	Packaging
1000	6	gRB	FD20GB100V6T	Z088020J	10
1000	8	gRB	FD20GB100V8T	T088774J	10
1000	10	gRB	FD20GB100V10T	A089493J	10
1000	12	gRB	FD20GB100V12T	B089494J	10
1000	16	gRB	FD20GB100V16T	C089495J	10
1000	20	gRB	FD20GB100V20T	D089496J	10
1000	25	gRB	FD20GB100V25T	E089497J	10
1000	32	gRB	FD20GB100V32T	F089498J	10
1000	40	URQ	FD20GC100V40T	S086795J	10
1000	50	gRC	FD20GC100V50T	F086186J	10
1000	63	gRC	FD20GC100V63T	F083656J	10

# Low voltage UltraSafe™ fuse holders

IEC 60947-1 et -3, UL Recognized according to UL 4248, CSA 22.2 class 6225

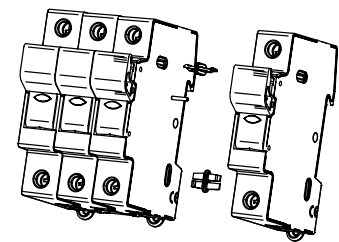
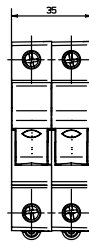
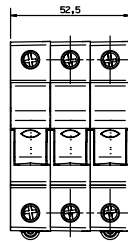
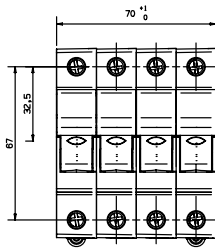
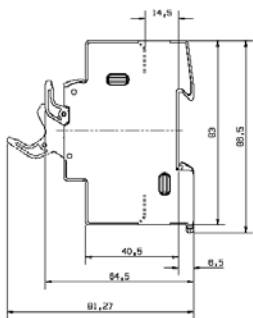
## Fuse holder and fuse disconnecter US10 IEC and UL Recognized at 690VAC/DC



Fuse holders US10 IEC 690VAC and 690VDC

Size	Nb of pole	Cat. number w/o indicator	Ref. number w/o indicator	Cat. number with indicator	Ref. number with indicator	Nb of Mod. 17,5mm	Packaging
10x38	N	US10N	H305056K	US10NI		1	12
10x38	1	US101	B305050K	US101I	J305057K	1	12
10x38	1			US101I-AC120	R303017K	1	12
10x38	1			US101I-DC24P(1)	Q303016K	1	12
10x38	1+N	US101N	C305051F	US101NI	K305058F	2	6
10x38	2	US102	D305052F	US102I	L305059F	2	6
10x38	3	US103	E305053D	US103I	M305060D	3	4
10x38	3+N	US103N	F305054C	US103NI	N305061C	4	3
10x38	4	US104	G305055C	US104I	P305062C	4	3

1) 1 LED= 24VDC 1 polarity



## Accessories for US10

Description	Cat. Number	Ref. Number	Nb of Mod. (17,5 mm)	Maxi RMS current(A)	Nb of poles	Packaging
Kit for Multi-Phase connection links	CMS810PAK	Z233725K				12
Lock	LOCK	M223525A				1
Tag and lockout	TAGLOCKCMS810	A235773A				1
Jumping bars 1 phase size 8/10*	CMS810BB1F13	T210306J	13	63	1	10
Jumping bars 2 phases size 8/10*	CMS810BB2F6	V210307J	6	63	2	10
Jumping bars 3 phases size 8/10*	CMS810BB3F4	W210308J	4	100	3	10
Jumping bars 4 phases size 8/10*	CMS810BB4F3	X210309J	3	100	4	10
1 phase lateral incoming power supply	TBB1C	E210316P		90		50
2 & 3 phases lateral incoming power supply	TBB23C	G210318P		90		50
1 phase axial incoming power supply	TBB1A	D210315P		90		50
2 & 3 phases axial incoming power supply	TBB23A	F210317P		90		50

\* It is possible to use a rigid cable 16mm<sup>2</sup> with a jumping bar 1.5mm thick.

# Low voltage UltraSafe™ fuse holders

Fuse holder and fuse disconnecter US14 IEC at 750VAC and 730VDC,   
UL Recognized at 800VAC and 1000VDC

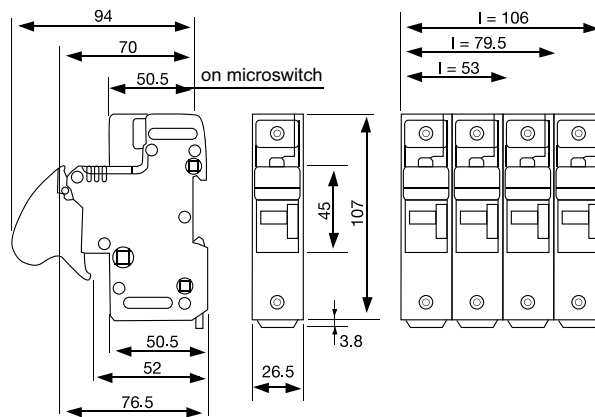


Fuse holder for semiconductor ferrule fuses

Size	Nb of pole	Model w/o indicator		Model with indicator		Nb of Mod. 17.5mm	Packaging
		Cat. number	Ref. number	Cat. number	Ref. number		
14x51	1	US141	Z331153F	US141I	A331154F	1.5	6
14x51	2	US142	G331137C	US142I	H331138C	3	3
14x51	3	US143	N331143B	US143I	P331144B	4.5	2

Size	Nb of pole	Model w/o indicator		Model with indicator		Nb of Mod. 17.5mm	Packaging
		Cat. number	Ref. number	Cat. number	Ref. number		
14x51	1	US141M	B331155F	US141MI	C331156F	1.5	6
14x51	2*	US142M	J331139C	US142MI	K331140C	3	3
14x51	3	US143M	Q331145B	US143MI	S331147B	4.5	2
14x51	3+N*	US143NM	Y331152A			6	1

\* Two auxiliary microswitches (see instructions for mounting) – The auxiliary microswitch function requires use of fuses with strikers

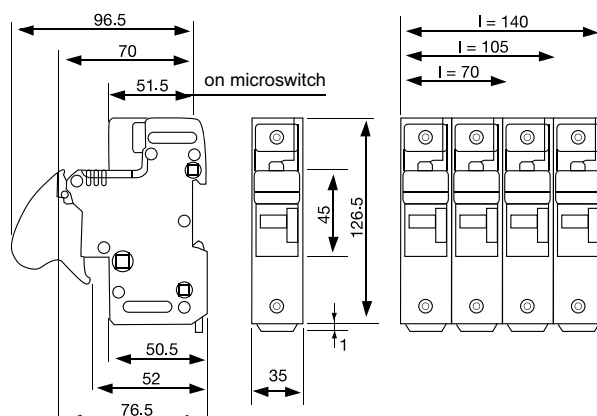


## Fuse holder and fuse disconnecter US22 IEC at 750VAC and 730VDC, UL Recognized at 800VAC and 1000VDC



Size	Nb of pole	Model w/o indicator		Model with indicator		Nb of Mod. 17.5mm	Packaging
		Cat. number	Ref. number	Cat. number	Ref. number		
22x51	1	US221	E331158F	US221I	F331159F	1.5	6
22x51	2	US222	K331163C	US222I	L331164C	3	3
22x51	3	US223	R331169B	US223I	S331170B	4.5	2

Size	Nb of pole	Model w/o indicator		Model with indicator		Nb of Mod. 17.5mm	Packaging
		Cat. number	Ref. number	Cat. number	Ref. number		
22x51	1	US221M	G331160F	US221MI	Z1006203F	1.5	6
22x51	2	US222M	M331165C	US222MI	N331166C	3	3
22x51	3	US223M	T331171B	US223MI	V331172B	4.5	2



## Accessories for US14 et US22

Description	Cat. Number	Ref. Number	Nb of Mod.	Packaging
Auxiliary contact kit 1 pole US 14	USMSW1	Y227928A	1.5	1
Auxiliary contact kit 3 poles US 14	USMSW2	Z227929A	4.5	1
2 Auxiliary contact kit 3 poles US 14	USMSW3	A227930A	4.5	1
Auxiliary contact assembly pin (between 2 kits)	US1422PTH	J214138J		10*
Elargement pin for auxiliary contact	US1422BP	F213629J		10*
Multi-pole assembly kit	US14PAK	X227927J		10*
Indicator light kit	CMS1422LHI	A225653A		1
Lock	LOCK	M223525A		1

\* It is possible to use a rigid cable 16mm<sup>2</sup> with a jumping bar 1.5mm thick.

Fuse holder for semiconductor ferrule fuses

# Low voltage UltraSafe™ fuse holders

Fuse holder and fuse disconnecter US27 IEC at 800VAC and 800VDC,  
UL Recognized at 800VAC and 800VDC

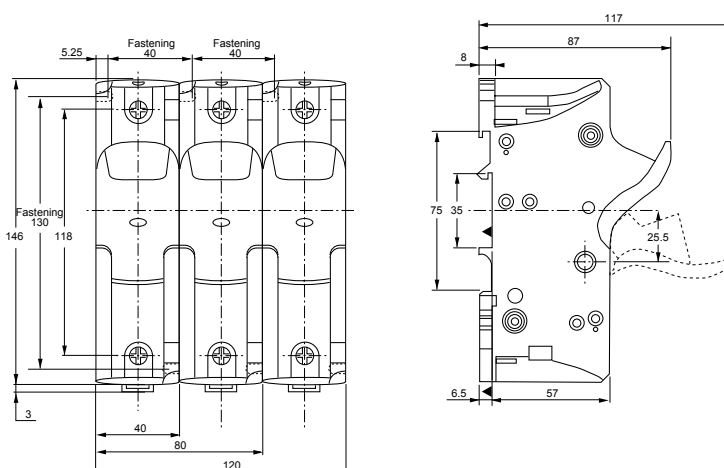


## Fuse holder US27 without microswitch

Size	Nb of Poles	Connections	Cat. Number	Ref. Number	Packaging
27x60	N	Ring lug connection	US27NIRING	F223519C	3
27x60	1	By screw, U bolt or connector	US271I	J226420C	3
27x60	1+N	By screw, U bolt or connector	US271NI	K226421A	1
27x60	1+N	Ring lug connection	US271NIRING	E223518A	1
27x60	2	Ring lug connection	US272IRING	C223516A	1
27x60	3	By screw, U bolt or connector	US273I	M226423A	1
27x60	3	Ring lug connection	US273IRING	D223517A	1
27x60	3+N	By screw, U bolt or connector	US273NI	N226424A	1

## Fuse disconnecter US27 with microswitches

Size	Nb of Poles	Nb of microswitches	Connections	Cat. Number	Ref. Number	Packaging
27x60	1	1	By screw, U bolt or connector	US271MI	R227600C	3
27x60	1	1	Ring lug connection	US271MIRING	Z227607A	1
27x60	2	1	By screw, U bolt or connector	US272MI	S227601A	1
27x60	2	2	Ring lug connection	US272M2IRING	B227609A	1



## Accessories for US27

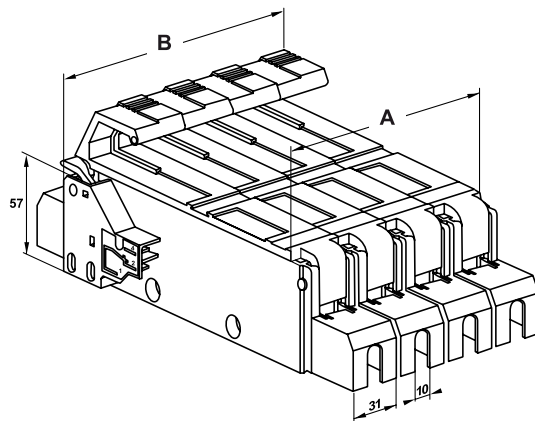
Description	Cat. Number	Ref. Number	Packaging
Assembly kit	US27PAK	H227615	10
35mm Mounting rail symmetric	RAILDINSY	J213172	40 lengths of 2m
35mm Mounting rail symmetric drilled	RAILDINSYPERF	C213672	40 lengths of 2m
35mm Mounting rail symmetric reinforced	RAILDINSYRENFZ	R215203	40 lengths of 2m
Adaptor for asymmetric DIN rail	ADAP-RASST	Q098500	20
Microswitch kit	US27W1	E227612	1

Fuse holder for semiconductor ferrule fuses

## Fuse holder PS 20x127 UL Recognized at 1500VAC/DC with or w/o microswitch



Nb of Poles	Voltage (V)	Cat. Number w/o microswitch	Ref. Number w/o microswitch	Cat. Number with microswitch	Ref. Number with microswitch	Packaging
1	63	PS201PRE	F097203C	PS201PREMCP	H097205B	C=3, B=2
2	80	PS202PRE	G097227B	PS202PREMCP	D097293B	2
3	100	PS203PRE	H097228A	PS203PREMCP	E097294A	1
4	125	PS204PRE	J097229A	PS204PREMCP	F097295A	1



Nb of Poles	A	B
1	35	50
2	69	84
3	103	118
4	137	152

# Protistor® fuses

## D - gR



Size	Voltage (V)	Current (A)	Class	Cat. Number	Ref. Number	Packaging
DII	500VAC/400VDC	2	gR	DIIGR50V2	Z212542E	5
DII	500VAC/400VDC	4	gR	DIIGR50V4	K213058E	5
DII	500VAC/400VDC	6	gR	DIIGR50V6	E214065E	5
DII	500VAC/400VDC	10	gR	DIIGR50V10	M214578E	5
DII	500VAC/400VDC	16	gR	DIIGR50V16	T215090E	5
DII	500VAC/400VDC	20	gR	DIIGR50V20	T215596E	5
DII	500VAC/400VDC	25	gR	DIIGR50V25	B216109E	5
DII	500VAC/400VDC	30	gR	DIIGR50V30	Y216612E	5
DIII	500VAC/400VDC	35	gR	DIIGR50V35	K217129E	5
DIII	500VAC/400VDC	50	gR	DIIGR50V50	Q217640E	5
DIII	500VAC/400VDC	63	gR	DIIGR50V63	Y218153E	5
DIV	500VAC/400VDC	80	gR	DIVGR50V80	B201251E	5
DIV	500VAC/400VDC	100	gR	DIVGR50V100	M201767E	5
DIV	500VAC/400VDC	125	gR	DIVGR50V125	J207054E	5
DIV	500VAC/400VDC	160	gR	DIVGR50V160	C211510E	5
DIV	500VAC/400VDC	200	gR	DIVGR50V200	G212020E	5

## NEOZED - gR



Size	Voltage (V)	Current (A)	Class	Cat. Number	Ref. Number	Packaging
D01	440VAC	2	gR	D01GR44V2	M215038P	50
D01	440VAC	4	gR	D01GR44V4	N218673P	50
D01	440VAC	6	gR	D01GR44V6	B219191P	50
D01	440VAC	10	gR	D01GR44V10	F219724P	50
D01	440VAC	16	gR	D01GR44V16	N222169P	50
D02	440VAC	20	gR	D02GR44V20	H222923M	25
D02	440VAC	25	gR	D02GR44V25	R200713M	25
D02	440VAC	35	gR	D02GR44V35	F201255M	25
D02	440VAC	50	gR	D02GR44V50	R201771M	25
D02	440VAC	63	gR	D02GR44V63	Y207113M	25
D03	440VAC	80	gR	D03GR44V80	G211514J	10
D03	440VAC	100	gR	D03GR44V100	L212024J	10

### Functions

Semi-conductor protection fuses for industry, dimensions D and D0.  
German standard DIN compliant. NF EN 60269 and -14 compliant.

### Applications

Protection for small semi-conductor equipment  
(current regulator, static relay, etc.)



## Size 000 with bracket-style with striker DIN - 690VAC GRB - URB



Voltage (V)	Current (A)	Class	Cat. Number	Ref. Number	Packaging
690	16	GRB	DN000GB69V16L	X330277C	3
690	20	GRB	DN000GB69V20L	J330173C	3
690	25	GRB	DN000GB69V25L	K330174C	3
690	32	GRB	DN000GB69V32L	L330175C	3
690	40	GRB	DN000GB69V40L	M330176C	3
690	50	GRB	DN000GB69V50L	N330177C	3
690	63	GRB	DN000GB69V63L	P330178C	3
690	80	GRB	DN000GB69V80L	Q330179C	3
690	100	GRB	DN000GB69V100L	R330180C	3
690	125	GRB	DN000GB69V125L	S330181C	3
690	80	URB	DN000UB69V80L	T330182C	3
690	100	URB	DN000UB69V100L	V330183C	3
690	125	URB	DN000UB69V125L	W330184C	3
690	160	URB	DN000UB69V160L	X330185C	3
690	200	URB	DN000UB69V200L	Y330186C	3
690	250	URB	DN000UB69V250L	Z330187C	3
690	315	URB	DN000UB69V315L	A330188C	3
690	350	URB	DN000UB69V350L	B330189C	3
690	400	URB	DN000UB69V400L	F330193C	3

## Accessories for Size 000 DIN



Type	Cat. Number	Ref. Number	Packaging
Bracket fuse holder	SI000DN80	C220710C	3
Microswitch <sup>1</sup>	MS4L2-5B6PRES	F210156	3

<sup>1)</sup> Microswitch automatically resattable, indicates fuse presence (PRES) and proper mounting.



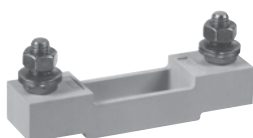
# Protistor® fuses

## Size 00 with bracket-style with striker DIN - 690VAC GRB - URB



Voltage (V)	Current (A)	Class	Cat. Number	Ref. Number	Packaging
690	16	GRB	DN00GB69V16L	S330273C	3
690	20	GRB	DN00GB69V20L	S330227C	3
690	25	GRB	DN00GB69V25L	T330228C	3
690	32	GRB	DN00GB69V32L	V330229C	3
690	40	GRB	DN00GB69V40L	W330230C	3
690	50	GRB	DN00GB69V50L	X330231C	3
690	63	GRB	DN00GB69V63L	Y330232C	3
690	80	GRB	DN00GB69V80L	Z330233C	3
690	100	GRB	DN00GB69V100L	A330234C	3
690	125	GRB	DN00GB69V125L	B330235C	3
690	160	GRB	DN00GB69V160L	C330236C	3
690	16	URB	DN00UB69V16L	V330275C	3
690	20	URB	DN00UB69V20L	T330274C	3
690	25	URB	DN00UB69V25L	M330268C	3
690	32	URB	DN00UB69V32L	N330269C	3
690	40	URB	DN00UB69V40L	P330270C	3
690	50	URB	DN00UB69V50L	Q330271C	3
690	63	URB	DN00UB69V63L	R330272C	3
690	80	URB	DN00UB69V80L	D330237C	3
690	100	URB	DN00UB69V100L	E330238C	3
690	125	URB	DN00UB69V125L	F330239C	3
690	160	URB	DN00UB69V160L	G330240C	3
690	200	URB	DN00UB69V200L	H330241C	3
690	250	URB	DN00UB69V250L	J330242C	3
690	315	URB	DN00UB69V315L	K330243C	3
690	350	URB	DN00UB69V350L	L330244C	3
690	400	URB	DN00UB69V400L	M330245C	3

## Accessories Size 00 DIN



Type	Cat. Number	Ref. Number	Packaging
Bracket fuse holder	SI00DN80	Q098040C	3
Microswitch <sup>1</sup>	MS4L2-5B6PRES	F210156	3

(1) : Microswitch automatically reslatable, indicates fuse presence (PRES) and proper mounting.  
In case of improper mounting or fuse melting this is indicated (terminal 1-4 closed) Clips 6.3mm.



Protistor® DIN 80mm standard fuse sizes 000-00

# Protistor® fuses

## Size 000 with striker - gS - 690VAC



Voltage (V)	Current (A)	Class	Cat. Number	Ref. Number	Packaging
690	16	gS	NH000GS69V16PV	P320035C	3
690	25	gS	NH000GS69V25PV	S322039C	3
690	32	gS	NH000GS69V32PV	X322043C	3
690	40	gS	NH000GS69V40PV	B322047C	3
690	50	gS	NH000GS69V50PV	F322051C	3
690	63	gS	NH000GS69V63PV	K322055C	3
690	80	gS	NH000GS69V80PV	P322059C	3
690	100	gS	NH000GS69V100PV	T322063C	3

No derating in fuse holders & switch disconnectors

## Size 00 with striker - gS - 690VAC

Voltage (V)	Current (A)	Class	Cat. Number	Ref. Number	Packaging
690	125	gS	NH00GS69V125PV	E322165C	3
690	160	gS	NH00GS69V160PV	J322169C	3

No derating in fuse holders & switch disconnectors

## Size 1 with striker - gS - 690VAC



Voltage (V)	Current (A)	Class	Cat. Number	Ref. Number	Packaging
690	100	gS	NH1GS69V100PV	V322363C	3
690	125	gS	NH1GS69V125PV	X322365C	3
690	160	gS	NH1GS69V160PV	B322369C	3
690	200	gS	NH1GS69V200PV	D322371C	3
690	250	gS	NH1GS69V250PV	H322375C	3
690	280	gS	NH1GS69V280PV	L302897C	3

No derating in fuse holders & switch disconnectors

## Size 2 with striker - gS - 690VAC



Voltage (V)	Current (A)	Class	Cat. Number	Ref. Number	Packaging
690	160	gS	NH2GS69V160PV	K322469C	3
690	200	gS	NH2GS69V200PV	M322471C	3
690	250	gS	NH2GS69V250PV	R322475C	3
690	315	gS	NH2GS69V315PV	W322479C	3
690	350	gS	NH2GS69V350PV	X322480C	3
690	400	gS	NH2GS69V400PV	A322483C	3
690	450	gS	NH2GS69V450PV	C322485C	3

No derating in fuse holders & switch disconnectors

## Size 3 with striker - gS - 690VAC



Voltage (V)	Current (A)	Class	Cat. Number	Ref. Number	Packaging
690	315	gS	NH3GS69V315PV	E322579A	1
690	350	gS	NH3GS69V350PV	F322580A	1
690	400	gS	NH3GS69V400PV	J322583A	1
690	450	gS	NH3GS69V450PV	L322585A	1
690	500	gS	NH3GS69V500PV	N322587A	1
690	550	gS	NH3GS69V550PV	P322588A	1
690	630	gS	NH3GS69V630PV	Q322589A	1

## Accessories



Extractor handle

Type	Cat. number	Ref. number	Packaging
Fuse extractor handle	NHHADEL	P215592A	1
Microswitch (6.3mm clips) sizes 000-00	MS4L2-5B6PRES	F210156C	3
Microswitch (6.3mm clips) sizes 1-2-3	MSNH2-5B6PRES	A1003214C	3
Microswitch (2.8mm clips) sizes 1-2-3	MSNH2-5B2PRES	M1002627C	3
Neutral link size 00	NH00NEUTRAL	Z218269E	5
Neutral link size 1	NH1NEUTRAL	A219834E	5
Neutral link size 2	NH2NEUTRAL	N222514E	5
Neutral link size 3	NH3NEUTRAL	E223025E	5

# Protistor® fuses

## Size 000 with striker - URD - 690 and 500VAC



Voltage (V)	Current (A)	Class	Cat. Number	Ref. Number	Packaging
690	16	URD	NH000UD69V16PV	P320035C	3
690	20	URD	NH000UD69V20PV	R320037C	3
690	25	URD	NH000UD69V25PV	T320039C	3
690	32	URD	NH000UD69V32PV	Y320043C	3
690	40	URD	NH000UD69V40PV	C320047C	3
690	50	URD	NH000UD69V50PV	G320051C	3
690	63	URD	NH000UD69V63PV	L320055C	3
690	80	URD	NH000UD69V80PV	Q320059C	3
690	100	URD	NH000UD69V100PV	V320063C	3
690	125	URD	NH000UD69V125PV	X320065C	3
690	160	URD	NH000UD69V160PV	B320069C	3
690	200	URD	NH000UD69V200PV	D320071C	3
690	250	URD	NH000UD69V250PV	H320075C	3
500	315	URD	NH000UD50V315PV	M320079C	3

## Size 00 with striker - URD - 690VAC



Voltage (V)	Current (A)	Class	Cat. Number	Ref. Number	Packaging
690	20	URD	NH00UD69V20PV	A320137C	3
690	25	URD	NH00UD69V25PV	C320139C	3
690	32	URD	NH00UD69V32PV	G320143C	3
690	40	URD	NH00UD69V40PV	L320147C	3
690	50	URD	NH00UD69V50PV	Q320151C	3
690	63	URD	NH00UD69V63PV	V320155C	3
690	80	URD	NH00UD69V80PV	Z320159C	3
690	100	URD	NH00UD69V100PV	D320163C	3
690	125	URD	NH00UD69V125PV	F320165C	3
690	160	URD	NH00UD69V160PV	K320169C	3
690	200	URD	NH00UD69V200PV	M320171C	3
690	250	URD	NH00UD69V250PV	R320175C	3
500	315	URD	NH00UD69V315PV	W320179C	3

## Size 0 with striker - URD - 690VAC



Voltage (V)	Current (A)	Class	Cat. Number	Ref. Number	Packaging
690	32	URD	NH0UD69V32PV	Q320243C	3
690	40	URD	NH0UD69V40PV	V320247C	3
690	50	URD	NH0UD69V50PV	Z320251C	3
690	63	URD	NH0UD69V63PV	D320255C	3
690	80	URD	NH0UD69V80PV	H320259C	3
690	100	URD	NH0UD69V100PV	M320263C	3
690	125	URD	NH0UD69V125PV	P320265C	3
690	160	URD	NH0UD69V160PV	T320269C	3
690	200	URD	NH0UD69V200PV	W320271C	3
690	250	URD	NH0UD69V250PV	A320275C	3
690	315	URD	NH0UD69V315PV	E320279C	3

## Size 1 with striker - URD - 690VAC



Voltage (V)	Current (A)	Class	Cat. Number	Ref. Number	Packaging
690	63	URD	NH1UD69V63PV	M320355C	3
690	80	URD	NH1UD69V80PV	K320399C	3
690	100	URD	NH1UD69V100PV	W320363C	3
690	125	URD	NH1UD69V125PV	Y320365C	3
690	160	URD	NH1UD69V160PV	C320369C	3
690	200	URD	NH1UD69V200PV	E320371C	3
690	250	URD	NH1UD69V250PV	J320375C	3
690	315	URD	NH1UD69V315PV	N320379C	3
690	350	URD	NH1UD69V350PV	P320380C	3
690	400	URD	NH1UD69V400PV	S320383C	3

## Size 2 with striker - URD - 690VAC



Voltage (V)	Current (A)	Class	Cat. Number	Ref. Number	Packaging
690	160	URD	NH2UD69V160PV	L320469C	3
690	200	URD	NH2UD69V200PV	N320471C	3
690	250	URD	NH2UD69V250PV	S320475C	3
690	315	URD	NH2UD69V315PV	X320479C	3
690	350	URD	NH2UD69V350PV	Y320480C	3
690	400	URD	NH2UD69V400PV	B320483C	3
690	450	URD	NH2UD69V450PV	D320485C	3
690	500	URD	NH2UD69V500PV	F320487C	3
690	550	URD	NH2UD69V550PV	G320488C	3
690	630	URD	NH2UD69V630PV	H320489C	3
690	700	URD	NH2UD69V700PV	J320490C	3

## Size 3 with striker - URD - 690VAC



Voltage (V)	Current (A)	Class	Cat. Number	Ref. Number	Packaging
690	315	URD	NH3UD69V315PV	F320579A	1
690	350	URD	NH3UD69V350PV	G320580A	1
690	400	URD	NH3UD69V400PV	K320583A	1
690	500	URD	NH3UD69V500PV	P320587A	1
690	550	URD	NH3UD69V550PV	Q320588A	1
690	630	URD	NH3UD69V630PV	R320589A	1
690	700	URD	NH3UD69V700PV	S320590A	1
690	800	URD	NH3UD69V800PV	T320591A	1
690	900	URD	NH3UD69V900PV	V320592A	1
690	1000	URD	NH3UD69V1000PV	W320593A	1

## Accessories



Extractor handle

Type	Cat. Number	Ref. Number	Cond.
fuse extractor handle	NHHADEL	P215592A	1
Microswitch (6.3mm clips) sizes 000-00	MS4L2-5B6PRES	F210156C	3
Microswitch (6.3mm clips) sizes 1-2-3	MSNH2-5B6PRES	A1003214C	3
Microswitch (2.8mm clips) sizes 1-2-3	MSNH2-5B2PRES	M1002627C	3
Neutral link size 00	NH00NEUTRAL	Z218269E	5
Neutral link size 1	NH1NEUTRAL	A219834E	5
Neutral link size 2	NH2NEUTRAL	N222514E	5
Neutral link size 3	NH3NEUTRAL	E223025E	5

# Protistor® - Low Voltage

## 690V URD derating in fuse holders

- 1 - Derating for plastic bases
- 2 - Derating for fingersafe fuse holder & fuse switch-disconnectors
- 3 - Derating for fused switch-disconnectors ITC
- 4 - Derating for fused switch-disconnectors ITC with finger safe protection

Protistor® DIN blade-style fuses

Size	In	1	2	3	4
000	16	1,00	1,00	1,00	1,00
000	20	1,00	1,00	1,00	1,00
000	25	1,00	1,00	1,00	1,00
000	32	1,00	1,00	1,00	1,00
000	40	1,00	1,00	1,00	1,00
000	50	1,00	1,00	0,90	0,90
000	63	1,00	1,00	0,90	0,90
000	80	1,00	0,90	0,75	0,75
000	100	1,00	0,90	0,75	0,75
000	125	1,00	0,85	0,70	0,70
000	160	0,90	0,75	0,60	0,60
000	200	0,85	0,70	0,55	0,55
000	250	0,75	0,60	0,50	0,50
000	315	0,70	0,55	0,45	0,45
00	20	1,00	1,00	1,00	1,00
00	25	1,00	1,00	1,00	1,00
00	32	1,00	1,00	1,00	1,00
00	40	1,00	1,00	1,00	1,00
00	50	1,00	1,00	1,00	1,00
00	63	1,00	1,00	1,00	1,00
00	80	1,00	0,95	0,95	0,95
00	100	1,00	0,90	0,90	0,90
00	125	1,00	0,85	0,85	0,85
00	160	0,90	0,75	0,75	0,75
00	200	0,85	0,70	0,70	0,70
00	250	0,80	0,65	0,65	0,65
00	315	0,70	0,55	0,55	0,55
0	32	1,00			
0	40	1,00			
0	50	1,00			
0	63	1,00			
0	80	0,95			
0	100	0,95			
0	125	0,85			
0	160	0,85			
0	200	0,80			
0	250	0,75			
0	315	0,65			

Size	In	1	2	3	4
1	63	1,00	0,95	1,00	1,00
1	80	0,95	0,85	0,95	0,90
1	100	0,85	0,75	0,85	0,80
1	125	0,85	0,75	0,85	0,80
1	160	0,80	0,70	0,80	0,75
1	200	0,80	0,70	0,80	0,70
1	250	0,75	0,70	0,75	0,70
1	315	0,75	0,65	0,75	0,70
1	350	0,70	0,65	0,70	0,65
1	400	0,65	0,60	0,65	0,60
2	160	0,90	0,80	0,90	0,85
2	200	0,85	0,75	0,85	0,80
2	250	0,85	0,70	0,80	0,75
2	315	0,75	0,65	0,70	0,65
2	350	0,70	0,65	0,70	0,65
2	400	0,70	0,60	0,70	0,60
2	450	0,70	0,60	0,65	0,60
2	500	0,70	0,60	0,65	0,60
2	550	0,65	0,60	0,65	0,60
2	630	0,65	0,55	0,65	0,60
2	700	0,60	0,55	0,60	0,55
3	315	0,85	0,75	0,80	0,75
3	350	0,85	0,75	0,80	0,75
3	400	0,80	0,70	0,75	0,70
3	450	0,80	0,70	0,75	0,70
3	500	0,75	0,65	0,75	0,70
3	550	0,75	0,65	0,75	0,70
3	630	0,70	0,60	0,70	0,65
3	700	0,70	0,60	0,65	0,60
3	800	0,65	0,55	0,60	0,55
3	900	0,60	0,50	0,60	0,55
3	1000	0,60	0,50	0,55	0,50

## 690V gS derating in fuse holders

Since there's no need to derate our range of Protistor(R) NH gS class fuses, all the fusegear built to NH standard can be used.

## Fuse holders and switch disconnectors for NH Protistor®



Plastic fuse bases



Plastic fuse bases  
finger safe



Ceramic fuse bases



Switch disconnector  
Linocur®



MULTIBLOC® Fuse  
switch disconnector



MULTIVERT®  
Vertical fuse switch  
disconnector



Fuse switch  
Disconnector fast  
handle

Protistor® DIN blade-style fuses

## Fuse Monitoring for Din rail mounting



- Small and compact
- No need for external supply voltage
- Fixing onto DIN Rail

Voltage (V)	Cat. number	Ref. number	Packaging
100 to 260	FM100/260RD	S236824A	1
380 to 690	FM380/690RD	T236825A	1

# Protistor® - Low Voltage

## BS88 standard - size 10 x 28 250VAC w/o striker



Voltage (V)	Current (A)	Class	Cat. Number	Ref. Number	Packaging
250	5	URE	BS10UE25V5	M082489J	10
250	6	URE	BS10UE25V6	E097478J	10
250	10	URE	BS10UE25V10	L082488J	10
250	12	URE	BS10UE25V12	P097487J	10
250	15	URE	BS10UE25V15	K082487J	10
250	20	URE	BS10UE25V20	J082486J	10
250	25	URE	BS10UE25V25	X097494J	10
250	32	URE	BS10UE25V32	N081984J	10

## BS88 standard - size 17 x 27 250VAC w/o striker



Voltage (V)	Current (A)	Class	Cat. Number	Ref. Number	Packaging
250	7	URS	BS17US25V7	M076647J	10
250	10	URS	BS17US25V10	N076648J	10
250	12	URS	BS17US25V12	P076649J	10
250	16	URS	BS17US25V16	Q076650J	10
250	20	URS	BS17US25V20	L097507J	10
250	25	URS	BS17US25V25	R076651J	10
250	30	URS	BS17US25V30	S076652J	10
250	35	URS	BS17US25V35	T076653J	10
250	50	URS	BS17US25V50	V076654J	10
250	60	URS	BS17US25V60	W076655J	10
250	75	URS	BS17US25V75	X076656J	10
250	80	URS	BS17US25V80	Z085559J	10
250	100	URS	BS17UZ25V100	Y085558J	10
250	125	URS	BS17UZ25V125	G097526J	10
250	150	URS	BS17UZ25V150	W085556J	10
250	160	URS	BS17UZ25V160	H097527J	10
250	180	URS	BS17UZ25V180	N097532J	10

## BS88 standard - size 17 x 27 250VAC with striker



Voltage (V)	Current (A)	Class	Cat. Number	Ref. Number	Packaging
250	7	URS	BS17US25V7P	P097533J	10
250	10	URS	BS17US25V10P	Q097534J	10
250	12	URS	BS17US25V12P	S097536J	10
250	16	URS	BS17US25V16P	X097540J	10
250	20	URS	BS17US25V20P	B097544J	10
250	25	URS	BS17US25V25P	D097546J	10
250	30	URS	BS17US25V30P	E097547J	10
250	35	URS	BS17US25V35P	F097548J	10
250	50	URS	BS17US25V50P	J097551J	10
250	60	URS	BS17US25V60P	H081082J	10
250	75	URS	BS17US25V75P	K097552J	10
250	80	URS	BS17US25V80P	L097553J	10
250	125	URS	BS17UZ25V125P	Q097557J	10
250	150	URS	BS17UZ25V150P	R097558J	10
250	160	URS	BS17UZ25V160P	S097559J	10



# Protistor<sup>®</sup> - Low Voltage

## BS88 standard - size 36 x 27 250VAC w/o striker



Voltage (V)	Current (A)	Class	Cat. Number	Ref. Number	Packaging
250	125	URGG	BS36UG25V125	R082470C	3
250	150	URGG	BS36UG25V150	Q082469C	3
250	200	URGG	BS36UG25V200	P082468C	3
250	250	URGG	BS36UG25V250	N082467C	3
250	300	URGG	BS36UG25V300	M082466C	3
250	350	URGG	BS36UG25V350	L082465C	3
250	400	URGG	BS36UG25V400	G075538C	3
250	450	URGG	BS36UG25V450	H075539C	3
250	500	URGG	BS36UG25V500	J075540C	3
250	525	URGG	BS36UG25V525	K075541C	3

## BS88 standard - size 36 x 27 250VAC with striker

Voltage (V)	Current (A)	Class	Cat. Number	Ref. Number	Packaging
250	50	URGG	BS36UG25V50T	F080942C	3
250	75	URGG	BS36UG25V75T	G080943C	3
250	100	URGG	BS36UG25V100T	H080944C	3
250	125	URGG	BS36UG25V125T	W082382C	3
250	150	URGG	BS36UG25V150T	V082381C	3
250	200	URGG	BS36UG25V200T	T082380C	3
250	250	URGG	BS36UG25V250T	S082379C	3
250	300	URGG	BS36UG25V300T	R082378C	3
250	350	URGG	BS36UG25V350T	Q082377C	3
250	400	URGG	BS36UG25V400T	L075542C	3
250	450	URGG	BS36UG25V450T	M075543C	3
250	500	URGG	BS36UG25V500T	N075544C	3
250	525	URGG	BS36UG25V525T	P075545C	3

## BS88 standard - size 2 x 36 x 27 250VAC w/o striker



Voltage (V)	Current (A)	Class	Cat. Number	Ref. Number	Packaging
250	300	URGH	BS236UH25V300	K082464C	3
250	350	URGH	BS236UH25V350	J082463C	3
250	400	URGH	BS236UH25V400	H082462C	3
250	500	URGH	BS236UH25V500	G082461C	3
250	600	URGH	BS236UH25V600	F082460C	3
250	700	URGH	BS236UH25V700	E082459C	3
250	800	URGH	BS236UH25V800	Q075546C	3
250	900	URGH	BS236UH25V900	R075547C	3
250	1000	URGH	BS236UH25V1000	S075548C	3
250	1050	URGH	BS236UH25V1050	T075549C	3

## BS88 standard - size 2 x 36 x 27 250VAC with striker



Voltage (V)	Current (A)	Class	Cat. Number	Ref. Number	Packaging
250	300	URGH	BS236UH25V300T	P082376C	3
250	350	URGH	BS236UH25V350T	N082375C	3
250	400	URGH	BS236UH25V400T	M082374C	3
250	500	URGH	BS236UH25V500T	L082373C	3
250	600	URGH	BS236UH25V600T	K082372C	3
250	700	URGH	BS236UH25V700T	J082371C	3
250	800	URGH	BS236UH25V800T	V075550C	3
250	900	URGH	BS236UH25V900T	R075501C	3
250	1000	URGH	BS236UH25V1000T	S075502C	3
250	1050	URGH	BS236UH25V1050T	T075503C	3

# Protistor® - Low Voltage

## BS88 standard - size 17 x 49 690VAC w/o striker



Voltage (V)	Current (A)	Class	Cat. Number	Ref. Number	Packaging
690	16	URS	BS17US69V16	G075883C	3
690	20	URS	BS17US69V20	H075884C	3
690	25	URS	BS17US69V25	J075885C	3
690	32	URS	BS17US69V32	K075886C	3
690	35	URS	BS17US69V35	L075887C	3
690	40	URS	BS17US69V40	M075888C	3
690	45	URS	BS17US69V45	N075889C	3
690	50	URS	BS17US69V50	P075890C	3
690	55	URS	BS17US69V55	Q075891C	3
690	63	URS	BS17US69V63	R075892C	3
690	75	URS	BS17US69V75	S075893C	3
690	80	URS	BS17US69V80	T075894C	3
690	12	GRB	BS17GB69V12	W220957C	3
690	16	GRB	BS17GB69V16	X220958C	3
690	20	GRB	BS17GB69V20	Y220959C	3
690	25	GRB	BS17GB69V25	Z220960C	3
690	32	GRB	BS17GB69V32	A220961C	3
690	35	GRB	BS17GB69V35	B220962C	3
690	40	GRB	BS17GB69V40	C220963C	3
690	45	GRB	BS17GB69V45	D220964C	3
690	50	GRB	BS17GB69V50	E220965C	3
690	55	GRB	BS17GB69V55	F220966C	3
690	63	GRB	BS17GB69V63	G220967C	3
690	75	GRB	BS17GB69V75	H220968C	3
690	80	GRB	BS17GB69V80	J220969C	3
690	90	GRB	BS17GB69V90	K220970C	3

for DC Voltage application, consult us

## BS88 standard - size 2 x 17 x 49 690VAC w/o striker



Voltage (V)	Current (A)	Class	Cat. Number	Ref. Number	Packaging
690	65	URT	BS217UT69V65	G075906E	5
690	75	URT	BS217UT69V75	F099572E	5
690	85	URT	BS217UT69V85	H075907E	5
690	90	URT	BS217UT69V90	A099958E	5
690	110	URT	BS217UT69V110	B099959E	5
690	140	URT	BS217UT69V140	J075908E	5
690	150	URT	BS217UT69V150	C099960E	5
690	160	URT	BS217UT69V160	K075909E	5

for DC Voltage application, consult us

## BS88 standard - size 000 690VAC w/o striker



Voltage (V)	Current (A)	Class	Cat. Number	Ref. Number	Packaging
690	20	gRB	BS000GB69V20	T330044C	3
690	25	gRB	BS000GB69V25	V330045C	3
690	32	gRB	BS000GB69V32	W330046C	3
690	40	gRB	BS000GB69V40	X330047C	3
690	50	gRB	BS000GB69V50	Z330049C	3
690	63	gRB	BS000GB69V63	A330050C	3
690	80	gRB	BS000GB69V80	N330108C	3
690	100	gRB	BS000GB69V100	H330103C	3
690	125	gRB	BS000GB69V125	P330109C	3
690	63	URB	BS000UB69V63	A330050C	3
690	75	URB	BS000UB69V75	B330051C	3
690	80	URB	BS000UB69V80	C330052C	3
690	100	URB	BS000UB69V100	D330053C	3
690	110	URB	BS000UB69V110	E330100C	3
690	125	URB	BS000UB69V125	E330054C	3
690	150	URB	BS000UB69V150	F330101C	3
690	160	URB	BS000UB69V160	F330055C	3
690	200	URB	BS000UB69V200	G330056C	3
690	250	URB	BS000UB69V250	H330057C	3
690	315	URB	BS000UB69V315	J330058C	3
690	350	URB	BS000UB50V350	X330116C	3
690	400	URB	BS000UB50V400	G330194C	3

for DC Voltage application, consult us

## BS88 standard - size 000 690VAC with striker



Voltage (V)	Current (A)	Class	Cat. Number	Ref. Number	Packaging
690	50	gRB	BZ000GB69V50	V330137C	3
690	65	gRB	BZ000GB69V65	W330138C	3
690	75	URC	BZ000UC69V75	X330139C	3
690	85	URC	BZ000UC69V85	Y330140C	3
690	90	URC	BZ000UC69V90	Z330141C	3
690	110	URC	BZ000UC69V110	A330142C	3
690	150	URC	BZ000UC69V150	B330143C	3
690	180	URC	BZ000UC69V180	C330144C	3
690	200	URD	BZ000UD69V200	D330145C	3
690	250	URD	BZ000UD69V250	E330146C	3
690	280	URC	BZ000UC69V280	F330147C	3
690	175	URC	BZ2000UC69V175	P330155C	3
690	200	URC	BZ2000UC69V200	Q330156C	3
690	235	URC	BZ2000UC69V235	R330157C	3
690	300	URC	BZ2000UC69V300	S330158C	3
690	325	URC	BZ2000UC69V325	T330159C	3
690	355	URC	BZ2000UC69V355	V330160C	3
690	400	URD	BZ2000UD69V400	W330161C	3
690	450	URC	BZ2000UC69V450	X330162C	3
690	500	URD	BZ2000UD69V500	Y330163C	3

for DC Voltage application, consult us

# Protistor® - Low Voltage

## French standard size 30 - 700VAC URD



IEC Voltage (V)	UL Voltage (V)	Current (A)	Class	Cat. number threaded terminals	Ref. number threaded terminals	Packaging
690	700	50	URD	PC30UD69V50TF	S300373C	3
690	700	63	URD	PC30UD69V63TF	M300000C	3
690	700	80	URD	PC30UD69V80TF	S300051C	3
690	700	100	URD	PC30UD69V100TF	T300052C	3
690	700	125	URD	PC30UD69V125TF	V300053C	3
690	700	160	URD	PC30UD69V160TF	W300054C	3
690	700	200	URD	PC30UD69V200TF	X300055C	3
690	700	250	URD	PC30UD69V250TF	Y300056C	3
690	700	315	URD	PC30UD69V315TF	Z300057C	3
690	700	350	URD	PC30UD69V350TF	A300058C	3
690	700	400	URD	PC30UD69V400TF	B300059C	3
690	700	450	URD	PC30UD69V450TF	V300398C	3
690	700	500	URD	PC30UD69V500TF	W300399C	3
690	700	550	URD	PC30UD69V550TF	X300400C	3

## French standard size 31 - 700VAC URD



IEC Voltage (V)	UL Voltage (V)	Current (A)	Class	Cat. number threaded terminals	Ref. number threaded terminals	Packaging
690	700	160	URD	PC31UD69V160TF	M300299C	3
690	700	200	URD	PC31UD69V200TF	N300001C	3
690	700	250	URD	PC31UD69V250TF	P300002C	3
690	700	315	URD	PC31UD69V315TF	Q300003C	3
690	700	350	URD	PC31UD69V350TF	M300046C	3
690	700	400	URD	PC31UD69V400TF	R300004C	3
690	700	450	URD	PC31UD69V450TF	S300005C	3
690	700	500	URD	PC31UD69V500TF	T300006C	3
690	700	550	URD	PC31UD69V550TF	V300007C	3
690	700	630	URD	PC31UD69V630TF	W300008C	3
690	700	700	URD	PC31UD69V700TF	X300009C	3
690	700	800	URD	PC31UD69V800TF	Y300041C	3

## Accessories for sizes 30 & 31

Type	Cat. number	Ref. number	Packaging
Microswitch	MS3V1-5	X310014A	1
Studs HC M8x30 & M8x35	STUM8x30M8x35	S098801F	6
Fuse holder for size 30-31	SITT30/31	B301232A	1

## French standard size 32 - 500 to 700VAC URD



IEC Voltage (V)	UL Voltage (V)	Current (A)	Class	Cat. number threaded terminals	Ref. number threaded terminals	Packaging
690	700	400	URD	PC32UD69V400TF	H300065C	3
690	700	450	URD	PC32UD69V450TF	J300066C	3
690	700	500	URD	PC32UD69V500TF	K300067C	3
690	700	550	URD	PC32UD69V550TF	L300068C	3
690	700	630	URD	PC32UD69V630TF	M300069C	3
690	700	700	URD	PC32UD69V700TF	N300070C	3
690	700	800	URD	PC32UD69V800TF	P300071C	3
690	700	900	URD	PC32UD69V900TF	Q300072C	3
690	700	1 000	URD	PC32UD69V1000TF	S300074C	3
600	650	1 100	URD	PC32UD60V1100TF	M300759C	3
550	600	1 250	URD	PC32UD55V1250TF	P301060C	3
500	550	1 400	URD	PC32UD50V1400TF	Q301061C	3
500	550	1 600	URD	PC32UD50V1600TF	H300893C	3
450	500	1 800	URD	PC32UD45V1800TF	R301062C	3

## French standard size 33 - 500 to 700VAC URD



IEC Voltage (V)	UL Voltage (V)	Current (A)	Class	Cat. number threaded terminals	Ref. number threaded terminals	Packaging
690	700	500	URD	PC33UD69V500TF	V300076C	3
690	700	550	URD	PC33UD69V550TF	W300077C	3
690	700	630	URD	PC33UD69V630TF	X300078C	3
690	700	700	URD	PC33UD69V700TF	Y300079C	3
690	700	800	URD	PC33UD69V800TF	Z300080C	3
690	700	900	URD	PC33UD69V900TF	A300081C	3
690	700	1000	URD	PC33UD69V1000TF	B300082C	3
690	700	1100	URD	PC33UD69V1100TF	C300083C	3
690	700	1250	URD	PC33UD69V1250TF	D300084C	3
690	700	1400	URD	PC33UD69V1400TF	E300085C	3
600	650	1500	URD	PC33UD60V1500TF	Y300585C	3
600	650	1600	URD	PC33UD60V1600TF	Z300586C	3
600	650	1800	URD	PC33UD60V1800TF	A300587C	3
550	600	2000	URD	PC33UD55V2000TF	B300588C	3
500	550	2250	URD	PC33UD50V2250TF	K300757C	3
450	500	2500	URD	PC33UD45V2500TF	L300758C	3

## Accessories for sizes 32 & 33



Type	Cat. number	Ref. number	Packaging
Microswitch	MS3V1-5	X310014A	1
Studs HC M12x85 & M12x50	STUM10x30M10x50	V098803F	6
Fuse holder for size 32-33	SITT32/33	D301234A	1

# Protistor® - Low Voltage

## German standard size 30 - 700VAC URD



IEC Voltage (V)	UL Voltage (V)	Current (A)	Class	Cat. number DIN80	Ref. number DIN80	Cat. number DIN110	Ref. number DIN110	Packaging
690	700	50	URD	PC30UD69V50A	F301926C	PC30UD69V50D1A	G301191C	3
690	700	63	URD	PC30UD69V63A	E300108C	PC30UD69V63D1A	Q300118C	3
690	700	80	URD	PC30UD69V80A	F300109C	PC30UD69V80D1A	R300119C	3
690	700	100	URD	PC30UD69V100A	G300110C	PC30UD69V100D1A	S300120C	3
690	700	125	URD	PC30UD69V125A	H300111C	PC30UD69V125D1A	T300121C	3
690	700	160	URD	PC30UD69V160A	J300112C	PC30UD69V160D1A	V300122C	3
690	700	200	URD	PC30UD69V200A	K300113C	PC30UD69V200D1A	W300123C	3
690	700	250	URD	PC30UD69V250A	L300114C	PC30UD69V250D1A	X300124C	3
690	700	315	URD	PC30UD69V315A	M300115C	PC30UD69V315D1A	Y300125C	3
690	700	350	URD	PC30UD69V350A	N300116C	PC30UD69V350D1A	Z300126C	3
690	700	400	URD	PC30UD69V400A	P300117C	PC30UD69V400D1A	A300127C	3
690	700	450	URD	PC30UD69V450A	A300403C	PC30UD69V450D1A	S300695C	3
690	700	500	URD	PC30UD69V500A	B300404C	PC30UD69V500D1A	Y301091C	3
690	700	550	URD	PC30UD69V550A	C300405C	PC30UD69V550D1A	Z301092C	3

## German standard size 31 - 700VAC URD



IEC Voltage (V)	UL Voltage (V)	Current (A)	Class	Cat. number DIN80	Ref. number DIN80	Cat. number DIN110	Ref. number DIN110	Packaging
690	700	160	URD	PC31UD69V160A	M300322C	PC31UD69V160D1A	N300323C	3
690	700	200	URD	PC31UD69V200A	Y300010C	PC31UD69V200D1A	H300019C	3
690	700	250	URD	PC31UD69V250A	Z300011C	PC31UD69V250D1A	J300020C	3
690	700	315	URD	PC31UD69V315A	A300012C	PC31UD69V315D1A	K300021C	3
690	700	350	URD	PC31UD69V350A	Q300049C	PC31UD69V350D1A	P300048C	3
690	700	400	URD	PC31UD69V400A	B300013C	PC31UD69V400D1A	L300022C	3
690	700	450	URD	PC31UD69V450A	C300014C	PC31UD69V450D1A	M300023C	3
690	700	500	URD	PC31UD69V500A	D300015C	PC31UD69V500D1A	N300024C	3
690	700	550	URD	PC31UD69V550A	E300016C	PC31UD69V550D1A	P200025C	3
690	700	630	URD	PC31UD69V630A	F300017C	PC31UD69V630D1A	Q300026C	3
690	700	700	URD	PC31UD69V700A	G300018C	PC31UD69V700D1A	R300027C	3
690	700	800	URD	PC31UD69V800A	D300406C	PC31UD69V800D1A	H300709C	3

## Accessories for sizes 30 & 31

Type	Cat. number	Ref. number	Packaging
Microswitch	MS3V1-5	X310014A	1
Fuse holder for size 30-31 DIN80	SIDN80630A	L098772A	1
Fuse holder for size 30-31 DIN110	SIDN110630A	F098031A	1

## German standard size 32 - 700VAC



IEC Voltage (V)	UL Voltage (V)	Current (A)	Class	Cat. number DIN80	Ref. number DIN80	Cat. number DIN110	Ref. number DIN110	Packaging
690	700	400	URD	PC32UD69V400A	E300177C	PC32UD69V400D1A	P300186C	3
690	700	450	URD	PC32UD69V450A	F300178C	PC32UD69V450D1A	Q300187C	3
690	700	500	URD	PC32UD69V500A	G300179C	PC32UD69V500D1A	R300188C	3
690	700	550	URD	PC32UD69V550A	H300180C	PC32UD69V550D1A	S300189C	3
690	700	630	URD	PC32UD69V630A	J300181C	PC32UD69V630D1A	T300190C	3
690	700	700	URD	PC32UD69V700A	K300182C	PC32UD69V700D1A	V300191C	3
690	700	800	URD	PC32UD69V800A	L300183C	PC32UD69V800D1A	W300192C	3
690	700	900	URD	PC32UD69V900A	M300184C	PC32UD69V900D1A	X300193C	3
690	700	1000	URD	PC32UD69V1000A	N300185C	PC32UD69V10CD1A	Y300194C	3
600	650	1100	URD	PC32UD60V1100A	W302101C	-	-	3
550	600	1250	URD	PC32UD50V1250A	G300409C	-	-	3

## German standard size 33 - 700VAC



IEC Voltage (V)	UL Voltage (V)	Current (A)	Class	Cat. number DIN80	Ref. number DIN80	Cat. number DIN110	Ref. number DIN110	Packaging
690	700	500	URD	PC33UD69V500A	G300248C	PC33UD69V500D1A	S300258C	3
690	700	550	URD	PC33UD69V550A	H300249C	PC33UD69V550D1A	T300259C	3
690	700	630	URD	PC33UD69V630A	J300250C	PC33UD69V630D1A	V300260C	3
690	700	700	URD	PC33UD69V700A	K300251C	PC33UD69V700D1A	W300261C	3
690	700	800	URD	PC33UD69V800A	L300252C	PC33UD69V800D1A	X300262C	3
690	700	900	URD	PC33UD69V900A	M300253C	PC33UD69V900D1A	Y300263C	3
690	700	1000	URD	PC33UD69V1000A	N300254C	PC33UD69V10CD1A	Z300264C	3
690	700	1100	URD	PC33UD69V1100A	P300255C	PC33UD69V11CD1A	A300265C	3
690	700	1250	URD	PC33UD69V1250A	Q300256C	PC33UD69V12CD1A	B300266C	3
690	700	1400	URD	PC33UD69V1400A	R300257C	PC33UD69V14CD1A	C300267C	3
600	650	1600	URD	PC33UD60V1600A	X301803C	PC33UD60V16CD1A	Z301437C	3

## Accessories for sizes 32 & 33



Type	Cat. number	Ref. number	Packaging
Microswitch	MS3V1-5	X310014A	1
Fuse holder for size 32-33 DIN80 <1250A	SIDN80630A	L098772A	1
Fuse holder for size 32-33 DIN 80 >1250A	SIDN801250A	F098560A	1
Fuse holder for size 30-31 DIN110<1250A	SIDN110630A	F098031A	1
Fuse holder for size 32-33 DIN 80 >1250A	SIDN1101250A	L091941A	1



# Protistor® - Low Voltage

French standard size 70 - 690VAC gRB   



Voltage (V)	Current (A)	Class	Cat. number threaded terminals	Ref. number threaded terminals	Packaging
690	50	gRB	PC70GB69V50TF	C301279C	3
690	63	gRB	PC70GB69V63TF	D301280C	3
690	80	gRB	PC70GB69V80TF	E301281C	3
690	100	gRB	PC70GB69V100TF	F301282C	3
690	125	gRB	PC70GB69V125TF	G301283C	3
690	160	gRB	PC70GB69V160TF	L301310C	3
690	200	gRB	PC70GB69V200TF	M301311C	3
690	250	gRB	PC70GB69V250TF	N301312C	3
690	315	gRB	PC70GB69V315TF	P301313C	3

French standard size 71 - 690VAC gRB   



Voltage (V)	Current (A)	Class	Cat. number threaded terminals	Ref. number threaded terminals	Packaging
690	125	gRB	PC71GB69V125TF	Q301314C	3
690	160	gRB	PC71GB69V160TF	R301315C	3
690	200	gRB	PC71GB69V200TF	S301316C	3
690	250	gRB	PC71GB69V250TF	T301317C	3
690	315	gRB	PC71GB69V315TF	N301427C	3
690	350	gRB	PC71GB69V350TF	V301318C	3
690	400	gRB	PC71GB69V400TF	W301319C	3
690	450	gRB	PC71GB69V450TF	X301320C	3
690	500	gRB	PC71GB69V500TF	S301707C	3

French standard size 72 - 690VAC gRB   



Voltage (V)	Current (A)	Class	Cat. number threaded terminals	Ref. number threaded terminals	Packaging
690	200	gRB	PC72GB69V200TF	F301328A	1
690	250	gRB	PC72GB69V250TF	G301329A	1
690	315	gRB	PC72GB69V315TF	H301330A	1
690	350	gRB	PC72GB69V350TF	W301710A	1
690	400	gRB	PC72GB69V400TF	J301331A	1
690	450	gRB	PC72GB69V450TF	X301711A	1
690	500	gRB	PC72GB69V500TF	K301332A	1
690	550	gRB	PC72GB69V550TF	L301333A	1
690	630	gRB	PC72GB69V630TF	M301334A	1
690	700	gRB	PC72GB69V700TF	Y301712A	1

French standard size 73 - 690VAC gRB   



Voltage (V)	Current (A)	Class	Cat. number threaded terminals	Ref. number threaded terminals	Packaging
690	315	gRB	PC73GB69V315TF	W301342A	1
690	350	gRB	PC73GB69V350TF	B301715A	1
690	400	gRB	PC73GB69V400TF	X301343A	1
690	450	gRB	PC73GB69V450TF	Y301344A	1
690	500	gRB	PC73GB69V500TF	C301716A	1
690	550	gRB	PC73GB69V550TF	Z301345A	1
690	630	gRB	PC73GB69V630TF	A301346A	1
690	700	gRB	PC73GB69V700TF	B301347A	1
690	800	gRB	PC73GB69V800TF	D301717A	1
690	900	gRB	PC73GB69V900TF	S301638A	1
690	1000	gRB	PC73GB69V10CTF	F301719A	1

Square body Protistor® fuses



## French standard size 70 - 1250VAC URD



Voltage (V)	Current (A)	Class	Cat. number threaded terminals	Ref. number threaded terminals	Packaging
1250	50	URD	PC70UD13C50TF	C301095C	3
1250	63	URD	PC70UD13C63TF	M300483C	3
1250	80	URD	PC70UD13C80TF	N300484C	3
1250	100	URD	PC70UD13C100TF	P300485C	3
1250	125	URD	PC70UD13C125TF	Q300486C	3
1250	160	URD	PC70UD13C160TF	R300487C	3
1250	200	URD	PC70UD13C200TF	S300488C	3
1250	250	URD	PC70UD13C250TF	T300489C	3
1200	280	URD	PC70UD12C280TF	N300714C	3
1200	315	URD	PC70UD12C315TF	V300490C	3
1100	350	URD	PC70UD11C350TF	W300491C	3
1100	400	URD	PC70UD11C400TF	E300867C	3

## French standard size 71 - 1250VAC URD



Voltage (V)	Current (A)	Class	Cat. number threaded terminals	Ref. number threaded terminals	Packaging
1250	160	URD	PC71UD13C160TF	B300749C	3
1250	200	URD	PC71UD13C200TF	Z300517C	3
1250	250	URD	PC71UD13C250TF	A300518C	3
1250	280	URD	PC71UD13C280TF	P300715C	3
1250	315	URD	PC71UD13C315TF	B300519C	3
1250	350	URD	PC71UD13C350TF	C300520C	3
1250	400	URD	PC71UD13C400TF	D300521C	3
1250	450	URD	PC71UD13C450TF	E300522C	3
1100	500	URD	PC71UD11C500TF	F300523C	3
1100	550	URD	PC71UD11C550TF	G300524C	3
1100	630	URD	PC71UD11C630TF	H300525C	3
800	900	URD	PC71UD80V900TF	N301289C	3
750	1000	URD	PC71UD75V10CTF	R301292C	3

## French standard size 72 - 1250VAC URD



Voltage (V)	Current (A)	Class	Cat. number threaded terminals	Ref. number threaded terminals	Packaging
1250	280	URD	PC72UD13C280TF	Y300493C	3
1250	315	URD	PC72UD13C315TF	Z300494C	3
1250	350	URD	PC72UD13C350TF	A300495C	3
1250	400	URD	PC72UD13C400TF	B300496C	3
1250	450	URD	PC72UD13C450TF	C300497C	3
1250	500	URD	PC72UD13C500TF	D300498C	3
1250	550	URD	PC72UD13C550TF	E300499C	3
1250	630	URD	PC72UD13C630TF	F300500C	3
1100	700	URD	PC72UD11C700TF	G300501C	3
1100	800	URD	PC72UD11C800TF	H300502C	3
1000	900	URD	PC72UD10C900TF	G300869C	3
850	1000	URD	PC72UD85V1000TF	T301294C	3

# Protistor® - Low Voltage

## French standard size 73 - 1250VAC URD



Voltage (V)	Current (A)	Class	Cat. number threaded terminals	Ref. number threaded terminals	Packaging
1250	350	URD	PC73UD13C350TF	K300504A	1
1250	375	URD	PC73UD13C375TF	C301992A	1
1250	400	URD	PC73UD13C400TF	L300505A	1
1250	450	URD	PC73UD13C450TF	M300506A	1
1250	500	URD	PC73UD13C500TF	N300507A	1
1250	550	URD	PC73UD13C550TF	P300508A	1
1250	630	URD	PC73UD13C630TF	Q300509A	1
1250	700	URD	PC73UD13C700TF	R300510A	1
1250	800	URD	PC73UD13C800TF	S300511A	1
1200	900	URD	PC73UD12C900TF	T300512A	1
1000	1000	URD	PC73UD10C1000TF	V300513A	1
1000	1100	URD	PC73UD10C11CTF	R300832A	1
950	1100	URD	PC73UD95V11CTF	W300514A	1
850	1400	URD	PC73UD85V14CTF	S300718A	1
900	1300	URD	PC73UD90V13CTF	T300696A	1

## German standard size 70 - 690VAC gRB



Voltage (V)	Current (A)	Class	Cat. number blades DIN 110	Ref. number blades DIN 110	Packaging
690	100	gRB	PC70GB69V100D1A	Q302027C	3
690	125	gRB	PC70GB69V125D1A	S302742C	3
690	160	gRB	PC70GB69V160D1A	R301591C	3
690	200	gRB	PC70GB69V200D1A	S301592C	3
690	250	gRB	PC70GB69V250D1A	Z301943C	3
690	315	gRB	PC70GB69V315D1A	J301584C	3
690	315	gRB	PC70GB69V350D1A	W302124C	3

## German standard size 71 - 690VAC gRB



Voltage (V)	Current (A)	Class	Cat. number blades DIN 110	Ref. number blades DIN 110	Packaging
690	125	gRB	PC71GB69V125D1A	B302658C	3
690	160	gRB	PC71GB69V160D1A	C302659C	3
690	200	gRB	PC71GB69V200D1A	C302682C	3
690	250	gRB	PC71GB69V250D1A	R302143C	3
690	450	gRB	PC71GB69V450D1A	R301637C	3
690	500	gRB	PC71GB69V500D1A	A301737C	3

## German standard size 72 - 690VAC gRB



Voltage (V)	Current (A)	Class	Cat. number blades DIN 110	Ref. number blades DIN 110	Packaging
690	250	gRB	PC72GB69V250D1A	T302697A	1
690	350	gRB	PC72GB69V350D1A	E302500A	1
690	400	gRB	PC72GB69V400D1A	V302215A	1
690	450	gRB	PC72GB69V450D1A	Q302671A	1
690	550	gRB	PC72GB69V550D1A	L301724A	1

## German standard size 73 - 690VAC gRB



Voltage (V)	Current (A)	Class	Cat. number blades DIN 110	Ref. number blades DIN 110	Packaging
690	500	gRB	PC73GB69V500D1A	W302216A	1
690	550	gRB	PC73GB69V550D1A	R302672A	1
690	700	gRB	PC73GB69V700D1A	F301765A	1
690	1000	gRB	PC73GB69V10CD1A	S302673A	1

## German standard size 70 - 1250VAC URD



Voltage (V)	Current (A)	Class	Cat. number blades DIN 110	Ref. number blades DIN 110	Packaging
1250	50	URD	PC70UD13C50D1A	J301906C	3
1250	63	URD	PC70UD13C63D1A	V300536C	3
1250	80	URD	PC70UD13C80D1A	W300537C	3
1250	100	URD	PC70UD13C100D1A	X300538C	3
1250	125	URD	PC70UD13C125D1A	Y300539C	3
1250	160	URD	PC70UD13C160D1A	Z300540C	3
1250	200	URD	PC70UD13C200D1A	A300541C	3
1250	250	URD	PC70UD13C250D1A	B300542C	3
1100	280	URD	PC70UD12C280D1A	J300710C	3
1100	315	URD	PC70UD12C315D1A	C300543C	3
1200	350	URD	PC70UD11C350D1A	D300544C	3
1200	400	URD	PC70UD11C400D1A	J301906C	3

## German standard size 71 - 1250VAC URD



Voltage (V)	Current (A)	Class	Cat. number blades DIN 110	Ref. number blades DIN 110	Packaging
1250	160	URD	PC71UD13C160D1A	N300553C	3
1250	200	URD	PC71UD13C200D1A	L300551C	3
1250	250	URD	PC71UD13C250D1A	M300552C	3
1250	315	URD	PC71UD13C315D1A	D300751C	3
1250	350	URD	PC71UD13C350D1A	E300545C	3
1250	400	URD	PC71UD13C400D1A	F300546C	3
1250	450	URD	PC71UD13C450D1A	G300547C	3
1100	500	URD	PC71UD11C500D1A	H300548C	3
1100	550	URD	PC71UD11C550D1A	J300549C	3
1000	630	URD	PC71UD10C630D1A	K300550C	3

# Protistor® - Low Voltage

## German standard size 72 - 1250VAC URD



Voltage rating (V)	Current rating (A)	Class	Cat. number blades DIN 110	Ref. number blades DIN 110	Packaging
1000	700	URD	PC72UD10C700D1A	Y300562C	3
1000	800	URD	PC72UD10C800D1A	Z300563C	3
1000	900	URD	PC72UD10C900D1A	H300870C	3
1100	630	URD	PC72UD11C630D1A	X300561C	3
1250	250	URD	PC72UD13C250D1A	W301595C	3
1250	280	URD	PC72UD13C280D1A	P300554C	3
1250	315	URD	PC72UD13C315D1A	Q300555C	3
1250	350	URD	PC72UD13C350D1A	R300556C	3
1250	400	URD	PC72UD13C400D1A	S300557C	3
1250	450	URD	PC72UD13C450D1A	T300558C	3
1250	500	URD	PC72UD13C500D1A	V300559C	3
1250	550	URD	PC72UD13C550D1A	W300560C	3

## German standard size 73 - 1250VAC URD



Voltage rating (V)	Current rating (A)	Class	Cat. number blades DIN 110	Ref. number blades DIN 110	Packaging
1250	350	URD	PC73UD13C350D1A	X300837A	1
1250	400	URD	PC73UD13C400D1A	K300573A	1
1250	450	URD	PC73UD13C450D1A	J300572A	1
1250	500	URD	PC73UD13C500D1A	H300571A	1
1250	550	URD	PC73UD13C550D1A	B300565A	1
1250	630	URD	PC73UD13C630D1A	C300566A	1
1200	700	URD	PC73UD12C700D1A	D300567A	1
1100	800	URD	PC73UD11C800D1A	E300568A	1
1000	900	URD	PC73UD10C900D1A	F300569A	1
900	1000	URD	PC73UD90V10CD1A	G300570A	1
1000	1000	URD	PC73UD10C10CD1A	L300574A	1
1100	1100	URD	PC73UD90V11CD1A	M300575A	1

# Fuses & Fusegear

## High Voltage Fuses

p. 287

Fuses for Street lighting - HVI distribution

MV121

p. 288 to 291

Fuses for Power Utilities - DIN

MV122

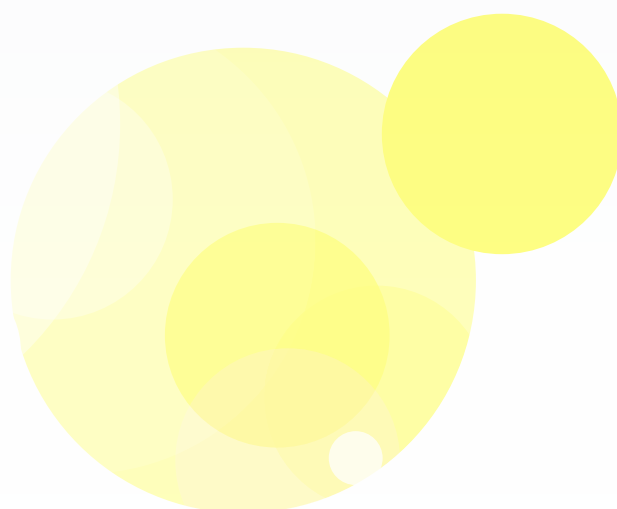
p. 292 to 295

HV fuse-links

p. 296 to 297

Other Fuses

p. 298



# Limitor<sup>®</sup> - High Voltage

## 10x85 w/o striker - 1500V



Voltage	Current (A)	Cat. number	Ref. number	Packaging
1500	0,125	FR10GC15V0,125	S093327J	10
1 500	0,16	FR10GC15V0,16	T093328J	10
1 500	0,25	FR10GC15V0,25	V093329J	10
1500	0,315	FR10GC15V0,315	W093330J	10
1 500	0,4	FR10GC15V0,4	X093331J	10
1500	0,5	FR10GC15V0,5	Z093333J	10
1500	0,63	FR10GC15V0,63	A093334J	10
1500	0,8	FR10GC15V0,8	B093335J	10
1500	1	FR10GC15V1	A093426J	10
1500	1,6	FR10GC15V1,6	B093427J	10
1500	2	FR10GC15V2	C093428J	10
1500	3,15	FR10GC15V3,15	D093429J	10
1500	4	FR10GC15V4	E093430J	10
1500	5	FR10GC15V5	Y093654J	10
1500	6,3	FR10GC15V6,3	Z093655J	10
1500	8	FR10GC15V8	A093656J	10
1500	10	FR10GC15V10	B093657J	10
1500	12	FR10GC15V12	C093658J	10
1500	16	FR10GC15V16	F093431J	10
1500	20	FR10GC15V20	L220028J	10

## 10x180 w/o striker - 3200V



Voltage	Current (A)	Cat. number	Ref. number	Packaging
3200	0,315	10GB32V0,16	F081839J	10
3200	0,5	10GB32V0,315	G081840J	10
3200	0,8	10GB32V0,5	H081841J	10
3200	1	10GB32V0,8	P089621J	10
3200	1,25	10GB32V1	R078744J	10
3200	1,6	10GB32V1,25	N081409J	10
3200	2	10GB32V1,6	Q089622J	10
3200	2,5	10GB32V2	S078745J	10
3200	3,15	10GB32V2,5	M081845J	10
3200	4	10GB32V3,15	R089623J	10
3200	5	10GB32V4	M087733J	10
3200	6	10GB32V5	S089624J	10
3200	8	10AB32V6	T089625J	10
3200	10	10AB32V8	V089626J	10
3200	12	10AB32V10	W089627J	10

## 10x180 w/o striker - 5500V



Voltage	Current (A)	Cat. number	Ref. number	Packaging
5500	0,16	10GB55V0,16	A093035J	10
5500	0,315	10GB55V0,315	B093036J	10
5500	0,5	10GB55V0,5	W081140J	10
5500	0,8	10GB55V0,8	V081139J	10
5500	1	10GB55V1	T081138J	10
5500	1,25	10GB55V1,25	N093162J	10
5500	1,6	10GB55V1,6	S081137J	10
5500	2	10GB55V2	R081136J	10
5500	2,5	10GB55V2,5	P093163J	10
5500	3,15	10GB55V3,15	Q081135J	10
5500	3,5	10GB55V3,5	P081134J	10
5500	4	10GB55V4	N081133J	10

## 36x190 - 3200V



Voltage (V)	Current (A)	Ref. Number w/o striker	Cat. Number w/o striker	Ref. Number with striker	Cat. Number with striker	Packaging
3200	2	36GD32V2	P081801A			1
3200	3,15	36GD32V3,15	Q081802A			1
3200	4	36GD32V4	R081803A			1
3200	5	36GD32V5	S081804A			1
3200	6,3	36GD32V6,3	T081805A	36GD32V6,3P	K081797A	1
3200	8	36GD32V8	V081806A	36GD32V8P	J081796A	1
3200	10	36GD32V10	W081807A	36GD32V10P	H081795A	1
3200	12	36GD32V12	X081808A	36GD32V12P	G081794A	1
3200	16	36GD32V16	Y081809A	36GD32V16P	F081793A	1
3200	20	36GD32V20	Z081810A	36GD32V20P	E081792A	1
3200	25	36GD32V25	A081811A	36GD32V25P	D081791A	1
3200	32	36GD32V32	B081812A	36GD32V32P	C081790A	1
3200	40	36GD32V40	C081813A	36GD32V40P	B081789A	1
3200	50	36GD32V50	D081814A	36GD32V50P	A081788A	1
3200	63	36GD32V63	L081798A	36GD32V63P	Z081787A	1
3200	80	36GD32V80	M081799A	36GD32V80P	Y081786A	1
3200	100	36GD32V100	N081800A	36GD32V100P	X081785A	1

## 36x250 - 5500V



Voltage (V)	Current (A)	Ref. Number w/o striker	Cat. Number w/o striker	Ref. Number with striker	Cat. Number with striker	Packaging
5500	2	36GB55V2	V081622A			1
5500	3,15	36GB55V20	A081397A			1
5500	4	36GB55V4	T081621A			1
5500	5	36GB55V5	S081620A			1
5500	6	36GB55V6	R081619A	36GB55V6P	G081610A	1
5500	8	36GB55V8	Q081618A	36GB55V8P	F081609A	1
5500	10	36GB55V10	P081617A	36GB55V10P	E081608A	1
5500	12	36GB55V12	N081616A	36GB55V12P	D081607A	1
5500	16	36GB55V16	M081615A	36GB55V16P	C081606A	1
5500	20	36GJB55V20	L081614A	36GJB55V20P	E078802A	1
5500	25	36GJB55V25	Q078789A	36GJB55V25P	F078803A	1
5500	32	36GJB55V32	R078790A	36GJB55V32P	G078804A	1
5500	40	36GJB55V40	S078791A	36GJB55V40P	H078805A	1
5500	50	36GJB55V50	T078792A	36GJB55V50P	J078806A	1
5500	63	36AJB55V63	V078793A	36AJB55V63P	K078807A	1
5500	75	36AJB55V75	W078794A	36AJB55V75P	L078808A	1

# Limitor<sup>®</sup> - High Voltage

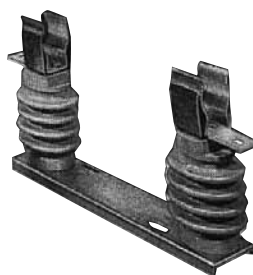
## 55x259 - 5500V



Voltage (V)	Current (A)	Ref. Number w/o striker	Cat. Number w/o striker	Ref. Number with striker	Cat. Number with striker	Packaging
5500	2	55GD55V2	S081505C			3
5500	3,15	55GD55V3,15	S081390C			3
5500	4	55GD55V4	R081504C			3
5500	5	55GD55V5	Q081503C			3
5500	6	55GD55V6	P081502C	55GD55V6P	A081489C	3
5500	8	55GD55V8	N081501C	55GD55V8P	Z081488C	3
5500	10	55GD55V10	M081500C	55GD55V10P	Y081487C	3
5500	12	55GD55V12	L081499C	55GD55V12P	X081486C	3
5500	16	55GD55V16	K081498C	55GD55V16P	W081485C	3
5500	20	55GD55V20	J081497C	55GD55V20P	V081484C	3
5500	25	55GD55V25	H081496C	55GD55V25P	T081483C	3
5500	32	55GD55V32	G081495C	55GD55V32P	S081482C	3
5500	40	55GD55V40	F081494C	55GD55V40P	R081481C	3
5500	50	55GD55V50	E081493C	55GD55V50P	Q081480C	3
5500	63	55GD55V63	D081492C	55GD55V63P	P081479C	3
5500	80	55GD55V80	C081491C	55GD55V80P	N081478C	3
5500	100	55GD55V100	B081490C	55GD55V100P	M081477C	3

## Fuse holders High Voltage

Size	Voltage (V)	Cat. Number	Ref. Number	Packaging
10 x 180	3200	SI50-10-180	S092706A	1
10 x 180	5500	SI85-36-190TRA	D092693A	1
36 x 190	3200	SI85-10-180	C092738A	1
36 x 250	5500	SI85-36-250	P092864A	1
55 x 259	5500	SI130-55-259	X092227A	1



## Clips

Size	Cat. Number	Ref. Number	Packaging
MR10 + ressort	MR10RESSORT	B098004L	20
MR36 + ressort	MR36R	M091275A	1
MR55 + ressort	MR55R	L078969A	1



## Signalling devices

Voltage (kV)	Nb of contacts	Cat. Number	Ref. Number	Packaging
7,2	1 NO/NF	MC1-5NFLEXQ	E092694A	1
7,2	2 NO/NF	MC1-9NFLEXQ	F092695A	1
36	1 NO/NF	MC1-5NFLEXO640E	A221927A	1
36	2 NO/NF	MC1-5NFLEXO640	K078945A	1

## Accessories

Type	Cat. Number	Ref. Number	Packaging
Microswitch (1 contact) size 36x190	MC1-5NFLEX	E098674A	1
Microswitch (1 contact) size 36x250	MC1-5NFLEX	E098674A	1
Microswitch (2 contacts) size 36x250	MC1-9NFLEXQ	F098675A	1
Microswitch (1 contact) size 55x259	MC1-5NFLEX	E092694A	1
Microswitch (2 contact) size 55x259	MC1-9NFLEXQ	F092695A	1



# High Voltage Fuse-links (HTA) Size 55x520 - UTE French utility standards compliant

Voltage (kV)	Current (A)	Part Number EDF	Cat. Number w/o striker	Ref. Number w/o striker	Cat. Number with striker	Ref. Number with striker	Packaging
12	6,3		FR120V6.3	X210240C	FR120V6.3P	D210246C	3
12	16	73.02.136	FR120V16	Y210241C	FR120V16P	E210247C	3
12	32	73.02.137	FR120V32	Z210242C	FR120V32P	F210248C	3
12	43		FR120V43	A210243C	FR120V43P	G210249C	3
12	63	73.02.138	FR120V63	B210244C	FR120V63P	H210250C	3
24	6,3	73.02.132	LOT-FR240V6,3	A210798A	LOT-FR240V6,3P	G227430A	1 set of 3 fuses
24	16	73.02.133	LOT-FR240V16	B210796A	LOT-FR240V16P	H227431A	1 set of 3 fuses
24	32		LOT-FR240V32	G226234A	LOT-FR240V32P	J227432A	1 set of 3 fuses
24	43	73.02.134	LOT-FR240V43	C210797A	LOT-FR240V43P	K227433A	1 set of 3 fuses
24	63	73.02.135	LOT-FR240V63	D210798A	LOT-FR240V63P	L227434A	1 set of 3 fuses
36	6.3		FR360V6.3	K227594C	FR360V6.3P	J227616C	3
36	10		FR360V10	L227595C	FR360V10P	K227617C	3
36	16		FR360V16	M227596C	FR360V16P	L227618C	3
36	20		FR360V20	N227597C	FR360V20P	M227619C	3
36	25		FR360V25	P227598C	FR360V25P	N227620C	3
36	32		FR360V32	Q227599C	FR360V32P	P227621C	3

*This fuses are available in 7,2kV, for more details please consult us*

Limitor® FR fuse links are applied to the protection of HV/LV distribution transformers. These current-limiting fuse links cut off fault currents before they reach their peak value. The cutting off process is totally under control inside the bulk of the fuse link. These fuse links are fast acting without any demonstration outside.

## Technical characteristics

- Rated voltage 7.2 to 36kV
- Rated current 6.3 to 63A
- Breaking capacity 12,500A
- Temperature of use: -25°C to 40°C
- Stricker operation: minimum energy of 0.5 Joule for a minimum 20mm trip

## Materials



Cylindrical envelope in F-insulation-class synthetic material



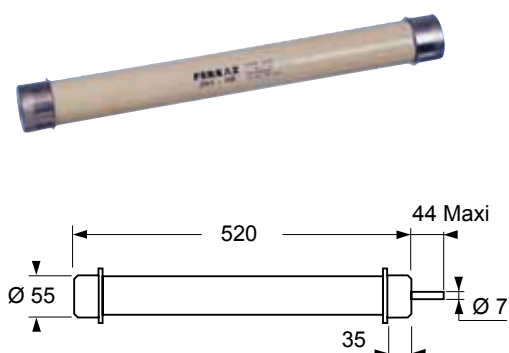
End contacts in nickel-plated aluminum



Fuse elements in high-grade silver



High-temperature-compound support for fuse elements



# Fuses for Power Utilities

Product Range Name	Standard	General Purpose category	Back-up category	Striker	Additional Thermal Striker function	Additional Controlled Power Dissipation	Switch-fuse combination dedication
Limiter®-G	IEC 60282-1 VDE 0670 T4	•		•			
Limiter®-P	IEC 60282-1 VDE 0670 T4		•	•			
Limiter®-PT	IEC 60282-1 VDE 0670 T4		•	•		•	
Limiter®-PD	IEC 60282-1 VDE 0670 T402		•	•			
Limiter®-PTD	IEC 60282-1 VDE 0670 T402		•	•		•	
Limiter®-PTS	IEC 60282-1 VDE 0670 T402		•	•	•		•



## DIN Back up fuses-links with striker According to IEC 60282-1 and VDE 0670 T4

Voltage (kV)	Current (A)	Cat. number	Ref. number	L (mm)	D (mm)	Packaging	Voltage (kV)	Current (A)	Cat. number	Ref. number	L (mm)	D (mm)	Packaging
3/7,2	2	45DB72V2P	N1000098A	192	56	1	10/17,5	20	45DB175V20P	X209320A	367	56	1
3/7,2	4	45DB72V4P	P1000099A	192	56	1	10/17,5	25	45DB175V25P	Y209321A	367	56	1
3/7,2	6,3	45DB72V6,3PD	S209293A	192	56	1	10/17,5	31,5	45DB175V32P	Z209322A	367	56	1
3/7,2	10	45DB72V10PD	T209294A	192	56	1	10/17,5	40	45DB175V40P	A209323A	367	56	1
3/7,2	16	45DB72V16PD	V209295A	192	56	1	10/17,5	50	45DB175V50P	B209324A	367	56	1
3/7,2	20	45DB72V20PD	W209296A	192	56	1	10/17,5	63	45DB175V63P	C209325A	367	56	1
3/7,2	25	45DB72V25PD	X209297A	192	56	1	10/17,5	80	45DB175V80P	D209326A	367	65	1
3/7,2	31,5	45DB72V32PD	Y209298A	192	56	1	10/17,5	100	45DB175V100P	E209327A	367	88	1
3/7,2	40	45DB72V40PD	Z209299A	192	56	1	10/24	1	45DB240V1P	A1000109A	442	56	1
3/7,2	50	45DB72V50PD	A209300A	192	56	1	10/24	2	45DB240V2P	B1000110A	442	56	1
3/7,2	63	45DB72V63P	B209301A	192	65	1	10/24	4	45DB240V4P	C1000111A	442	56	1
3/7,2	80	45DB72V80P	C209302A	192	65	1	10/24	6,3	45DB240V6,3P	S209339A	442	56	1
3/7,2	100	45DB72V100P	D209303A	192	65	1	10/24	10	45DB240V10P	T209340A	442	56	1
3/7,2	125	45DB72V125PD	Q1000100A	192	88	1	10/24	16	45DB240V16P	V209341A	442	56	1
3/7,2	160	45DB72V160P	R1000101A	192	88	1	10/24	20	45DB240V20P	W209342A	442	56	1
3/7,2	200	45DB72V200P	S1000102A	192	88	1	10/24	25	45DB240V25P	X209343A	442	56	1
6/12	1	45DB120V1P	T1000103A	292	56	1	10/24	31,5	45DB240V32P	Y209344A	442	56	1
6/12	2	45DB120V2P	V1000104A	292	56	1	10/24	40	45DB240V40P	Z209345A	442	56	1
6/12	4	45DB120V4P	W1000105A	292	56	1	10/24	50	45DB240V50P	A209346A	442	56	1
6/12	6,3	45DB120V6,3P	F209305A	292	56	1	10/24	63	45DB240V63P	B209347A	442	56	1
6/12	10	45DB120V10P	G209306A	292	56	1	10/24	80	45DB240V80P	C209348A	442	65	1
6/12	16	45DB120V16P	H209307A	292	56	1	10/24	100	45DB240V100P	D209349A	442	78	1
6/12	20	45DB120V20P	J209308A	292	56	1	10/24	125	45DB240V125P	D1000112A	442	88	1
6/12	25	45DB120V25P	K209309A	292	56	1	10/24	160	45DB240V160P	E1000113A	442	88	1
6/12	31,5	45DB120V32P	L209310A	292	56	1	10/24	200	45DB240V200P	F1000114A	442	88	1
6/12	40	45DB120V40P	M209311A	292	56	1	20/36	2	45DB360V2P	G1000115A	537	56	1
6/12	50	45DB120V50P	N209312A	292	56	1	20/36	4	45DB360V4P	H1000116A	537	56	1
6/12	63	45DB120V63P	P209313A	292	56	1	20/36	6,3	45DB360V6,3PD	S209362A	537	56	1
6/12	80	45DB120V80P	Q209314A	292	65	1	20/36	10	45DB360V10PD	T209363A	537	56	1
6/12	100	45DB120V100P	R209315A	292	65	1	20/36	16	45DB360V16PD	V209364A	537	56	1
6/12	125	45DB120V125P	X1000106A	292	88	1	20/36	20	45DB360V20PD	W209365A	537	56	1
6/12	160	45DB120V160P	Y1000107A	292	88	1	20/36	25	45DB360V25PD	X209366A	537	56	1
6/12	200	45DB120V200P	Z1000108A	292	88	1	20/36	31,5	45DB360V32PD	Y209367A	537	65	1
10/17,5	6,3	45DB175V6,3P	T209317A	367	56	1	20/36	40	45DB360V40PD	Z209368A	537	65	1
10/17,5	10	45DB175V10P	V209318A	367	56	1	20/36	50	45DB360V50PD	J1000117A	537	88	1
10/17,5	16	45DB175V16P	W209319A	367	56	1	20/36	63	45DB360V63PD	K1000118A	537	88	1

## DIN PT Back up fuses-links with controlled power dissipation According to IEC 60282-1 and VDE 0670 T4



Voltage (kV)	Current (A)	Cat. number	Ref. number	L (mm)	D (mm)	Packaging
6/12	1	45DB120V1PT	L1000119A	292	56	1
6/12	2	45DB120V2PT	M1000120A	292	56	1
6/12	4	45DB120V4PT	N1000121A	292	56	1
6/12	6,3	45DB120V6,3PT	P1000122A	292	56	1
6/12	10	45DB120V10PT	Q1000123A	292	56	1
6/12	16	45DB120V16PT	R1000124A	292	56	1
6/12	20	45DB120V20PT	S1000125A	292	56	1
6/12	25	45DB120V25PT	T1000126A	292	56	1
6/12	31,5	45DB120V32PT	V1000127A	292	56	1
6/12	40	45DB120V40PT	W1000128A	292	56	1
6/12	50	45DB120V50PT	X1000129A	292	56	1
6/12	63	45DB120V63PT	Y1000130A	292	56	1
6/12	80	45DB120V80PT	Z1000131A	292	65	1
6/12	100	45DB120V100PT	A1000132A	292	65	1
6/12	125	45DB120V125PT	B1000133A	292	88	1
6/12	160	45DB120V160PT	C1000134A	292	88	1
6/12	200	45DB120V200PT	D1000135A	292	88	1
10/24	1	45DB240V1PT	E1000136A	442	56	1
10/24	2	45DB240V2PT	F1000137A	442	56	1
10/24	4	45DB240V4PT	G1000138A	442	56	1
10/24	6,3	45DB240V6,3PT	H1000139A	442	56	1
10/24	10	45DB240V10PT	J1000140A	442	56	1
10/24	16	45DB240V16PT	K1000141A	442	56	1
10/24	20	45DB240V20PT	L1000142A	442	56	1
10/24	25	45DB240V25PT	M1000143A	442	56	1
10/24	31,5	45DB240V32PT	N1000144A	442	56	1
10/24	40	45DB240V40PT	P1000145A	442	56	1
10/24	50	45DB240V50PT	Q1000146A	442	56	1
10/24	63	45DB240V63PT	R1000147A	442	56	1
10/24	80	45DB240V80PT	S1000148A	442	65	1
10/24	100	45DB240V100PT	T1000149A	442	78	1
10/24	125	45DB240V125PT	V1000150A	442	88	1

## DIN General purpose fuses-links with striker According to IEC 60282-1 and VDE 0670 T4



Voltage (kV)	Current (A)	Cat. number	Ref. number	L (mm)	D (mm)	Packaging
6/12	6,3	45DG120V6,3P	W1000151A	292	65	1
6/12	10	45DG120V10P	X1000152A	292	65	1
6/12	16	45DG120V16P	Y1000153A	292	65	1
6/12	25	45DG120V25P	Z1000154A	292	65	1
6/12	40	45DG120V40P	A1000155A	292	78	1
6/12	50	45DG120V50P	B1000156A	292	88	1
10/24	4	45DG240V4P	C1000157A	442	78	1
10/24	6,3	45DG240V6,3P	D1000158A	442	78	1
10/24	10	45DG240V10P	E1000159A	442	78	1
10/24	16	45DG240V16P	F1000160A	442	78	1
10/24	25	45DG240V25P	G1000161A	442	88	1

# Fuses for Power Utilities

## DIN PD Back up fuses-links with striker According to IEC 60282-1 and VDE 0670 T402



Voltage (kV)	Current (A)	Cat. Number	Ref. Number	L (mm)	D (mm)	Packaging
3/7,2	6,3	45DB72V6,3PD	S209293A	192	56	1
3/7,2	10	45DB72V10PD	T209294A	192	56	1
3/7,2	16	45DB72V16PD	V209295A	192	56	1
3/7,2	20	45DB72V20PD	W209296A	192	56	1
3/7,2	25	45DB72V25PD	X209297A	192	56	1
3/7,2	31,5	45DB72V32PD	Y209298A	192	56	1
3/7,2	40	45DB72V40PD	Z209299A	192	56	1
3/7,2	50	45DB72V50PD	A209300A	192	56	1
3/7,2	63	45DB72V63PD	M1000235A	192	65	1
3/7,2	80	45DB72V80PD	N1000236A	192	65	1
3/7,2	100	45DB72V100PD	P1000237A	192	78	1
3/7,2	125	45DB72V125PD	Q1000100A	192	88	1
3/7,2	160	45DB72V160PD	Q1000238A	192	88	1
6/12	6,3	45DB120V6,3PD	R1000239A	292	56	1
6/12	10	45DB120V10PD	S1000240A	292	56	1
6/12	16	45DB120V16PD	T1000241A	292	56	1
6/12	20	45DB120V20PD	V1000242A	292	56	1
6/12	25	45DB120V25PD	W1000243A	292	56	1
6/12	31,5	45DB120V32PD	X1000244A	292	56	1
6/12	40	45DB120V40PD	Y1000245A	292	56	1
6/12	50	45DB120V50PD	Z1000246A	292	56	1
6/12	63	45DB120V63PD	A1000247A	292	65	1
6/12	80	45DB120V80PD	B1000248A	292	65	1
6/12	100	45DB120V100PD	C1000249A	292	78	1
6/12	125	45DB120V125PD	D1000250A	292	88	1
6/12	160	45DB120V160PD	E1000251A	292	88	1
10/24	6,3	45DB240V6,3PD	F1000252A	442	56	1
10/24	10	45DB240V10PD	G1000253A	442	56	1
10/24	16	45DB240V16PD	H1000254A	442	56	1
10/24	20	45DB240V20PD	J1000255A	442	56	1
10/24	25	45DB240V25PD	K1000256A	442	56	1
10/24	31,5	45DB240V32PD	L1000257A	442	56	1
10/24	40	45DB240V40PD	M1000258A	442	56	1
10/24	50	45DB240V50PD	N1000259A	442	65	1
10/24	63	45DB240V63PD	P1000260A	442	65	1
10/24	80	45DB240V80PD	Q1000261A	442	65	1
10/24	100	45DB240V100PD	R1000262A	442	88	1
20/36	6,3	45DB360V6,3PD	S209362A	537	56	1
20/36	10	45DB360V10PD	T209363A	537	56	1
20/36	16	45DB360V16PD	V209364A	537	56	1
20/36	20	45DB360V20PD	W209365A	537	56	1
20/36	25	45DB360V25PD	X209366A	537	56	1
20/36	31,5	45DB360V32PD	Y209367A	537	65	1
20/36	40	45DB360V40PD	Z209368A	537	65	1
20/36	50	45DB360V50PD	J1000117A	537	88	1
20/36	63	45DB360V63PD	K1000118A	537	88	1

## DIN PTD Back up fuses-links with controlled power dissipation According to IEC 60282-1 and VDE 0670 T402



Voltage (kV)	Current (A)	Cat. Number	Ref. Number	L (mm)	D (mm)	Packaging
10/24	31,5	45DB240V32PTD	L1000280A	442	56	1
10/24	40	45DB240V40PTD	M1000281A	442	56	1
10/24	50	45DB240V50PTD	N1000282A	442	56	1
10/24	63	45DB240V63PTD	P1000283A	442	56	1
10/24	80	45DB240V80PTD	Q1000284A	442	56	1
10/24	100	45DB240V100PTD	R1000285A	442	56	1
20/36	6,3	45DB360V6,3PTD	S1000286A	442	56	1
20/36	10	45DB360V10PTD	T1000287A	442	56	1
20/36	16	45DB360V16PTD	V1000288A	442	56	1
20/36	20	45DB360V20PTD	W1000289A	442	56	1
20/36	25	45DB360V25PTD	X1000290A	442	56	1
20/36	31,5	45DB360V32PTD	Y1000291A	442	56	1
20/36	40	45DB360V40PTD	Z1000292A	442	65	1
20/36	50	45DB360V50PTD	A1000293A	442	78	1
10/24	31,5	45DB240V32PD	L1000257A	442	56	1
10/24	40	45DB240V40PD	M1000258A	442	56	1
10/24	50	45DB240V50PD	N1000259A	442	65	1
10/24	63	45DB240V63PD	P1000260A	442	65	1
10/24	80	45DB240V80PD	Q1000261A	442	65	1
10/24	100	45DB240V100PD	R1000262A	442	88	1
20/36	6,3	45DB360V6,3PD	S209362A	537	56	1
20/36	10	45DB360V10PD	T209363A	537	56	1
20/36	16	45DB360V16PD	V209364A	537	56	1
20/36	20	45DB360V20PD	W209365A	537	56	1
20/36	25	45DB360V25PD	X209366A	537	56	1
20/36	31,5	45DB360V32PD	Y209367A	537	65	1
20/36	40	45DB360V40PD	Z209368A	537	65	1
20/36	50	45DB360V50PD	J1000117A	537	88	1
20/36	63	45DB360V63PD	K1000118A	537	88	1

# High Voltage Protection DIN Fuse Links Limitor<sup>®</sup> - PTS for switch-fuse combination

## Clips

Type	Cat. Number	Ref. Number	Packaging
MR 45 + spring	MR45R	L096472A	1
MR 45 without connection lug	MR55R	S210236B	2

## According to IEC 60282-1 and VDE 0670 T402



Voltage (kV)	Current (A)	Cat. Number	Ref. Number	L (mm)	D (mm)	Pack.
12	63	45DB120V63PTS2	M1018313A	292	65	1
12	80	45DB120V80PTS2	N1018314A	292	65	1
12	100	45DB120V100PTS2	P1018315A	292	78	1
12	125	45DB120V125PTS2	Q1018316A	292	86	1
12	100	45DB120V100PTS3	R1018327A	442	78	1
12	125	45DB120V125PTS3	S1018318A	442	78	1
12	160	45DB120V160PTS3	V1018320A	442	78	1
24	50	45DB240V50PTS	X1018322A	442	65	1
24	63	45DB240V63PTS	Y1018323A	442	65	1
24	80	45DB240V80PTS	Z1018324A	442	65	1
24	100	45DB240V100PTS	A1018325A	442	65	1
24	125	45DB240V125PTS	B1018326A	442	65	1
36	63	45DB360V63PTS	C1018327A	537	36	1
36	80	45DB360V80PTS	F1018330A	537	36	1

## Bases

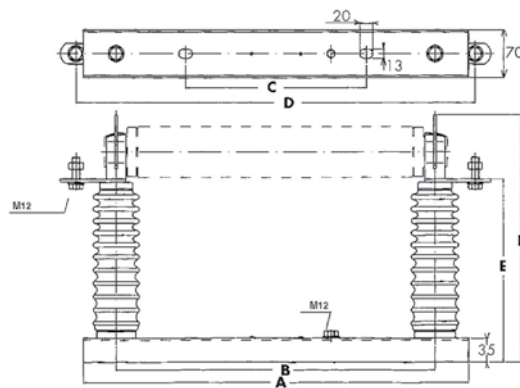
Voltage (kV)	Size	Use	Cat. Number	Ref. Number	Packaging
7,2	SI 7,2/192	Indoor	SI72V192	G209421A	1
12	SI 12/292	Indoor	SI120V292	H209422A	1
17,5	SI 17,5/292	Indoor	SI175V292	J209423A	1
24	SI 24/442	Indoor	SI240V442	K209424A	1
36	SI 36/537	Indoor	SI360V537	M209426A	1
12	SE 12/292	Outdoor	SE120V292	S210328A	1
17,5	SE 17,5/292	Outdoor	SE175V292	T210329A	1
24	SE 24/442	Outdoor	SE240V442	V210330A	1
36	SE 36/537	Outdoor	SE360V537	W210331A	1

## Bases with signalling

Voltage (kV)	Nb of contacts	Cat. Number	Ref. Number	Packaging
12/36	1 NO/NF	MC1-5NFLEXQS500	E092855A	1
12/36	2 NO/NF	MC1-9NFLEXQS500	F092856A	1

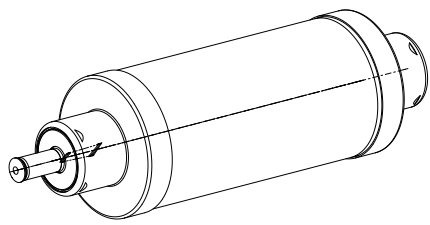
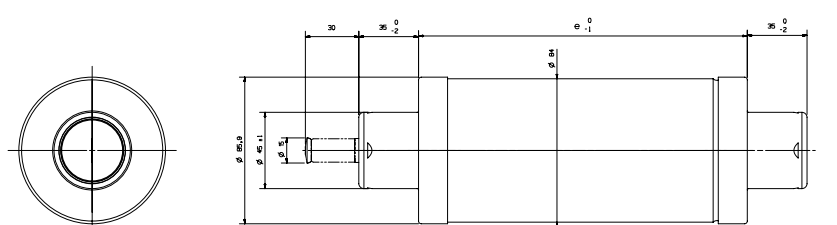
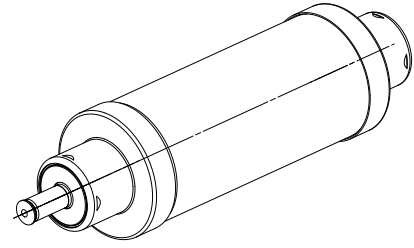
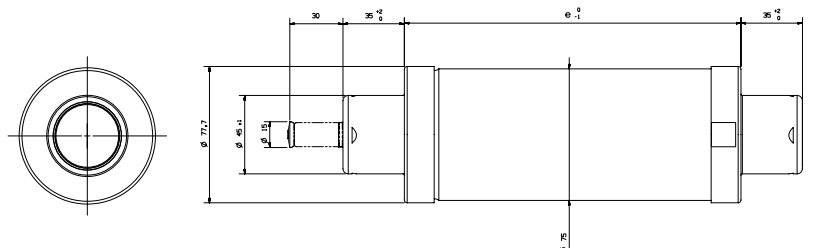
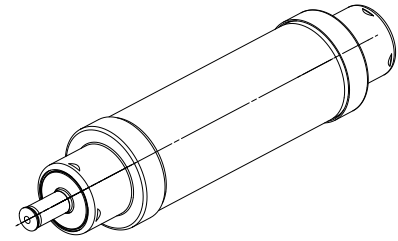
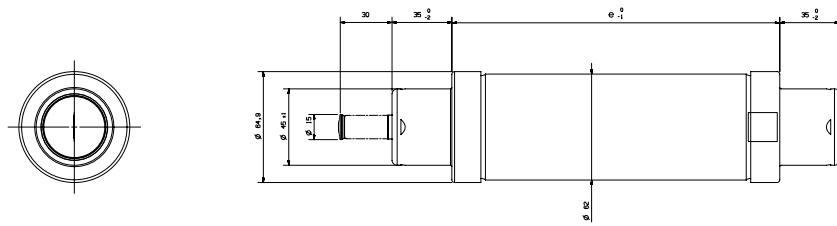
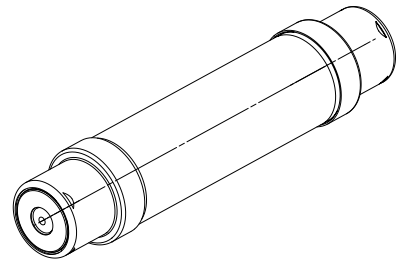
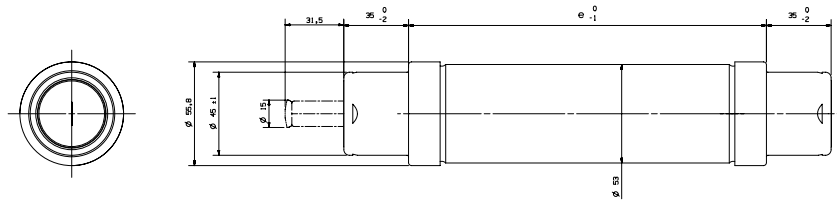
## External adaptor

Cat. Number	Ref. Number	Packaging
ADAPTOR292/442	H1026244A	1



Voltage (kV)	Length of fuse L (mm)	Size	Dielectric withstand (phase to ground)		Dimensions (mm)						Weight (kg)
			50Hz-1mn Kv Rms	1,2/50µs peak voltage	A	B	C	D	E	F	
7,2	192	SI 7,2/192	20	60	400	226	322	347	175	270	3,8
12	292	SI 12/292	28	75	424	324	200	445	175	270	4,1
17,5	292	SI 17,5/292	38	95	424	324	200	445	220	315	5,1
24	442	SI 24/442	50	125	576	476	270	597	270	365	5,5
36	537	SI 36/537	70	170	670	570	350	691	354	449	7,7
12	292	SE 12/292	28	75	424	324	200	445	261	356	7,5
17,5	292	SE 17,5/292	38	95	424	324	200	445	261	356	7,5
24	442	SE 24/442	50	125	576	476	270	597	309	404	8,8
36	537	SE 36/537	70	170	670	570	350	691	381	476	13,2

# Dimensions



Un (kV)	e - I
3 / 7,2	192
6 / 12	292
10 / 17,5	367
10 / 24	442
20 / 36	537

# External adaptor



# Other Fuses

## CNL/CNN fuses for verly low voltage batteries

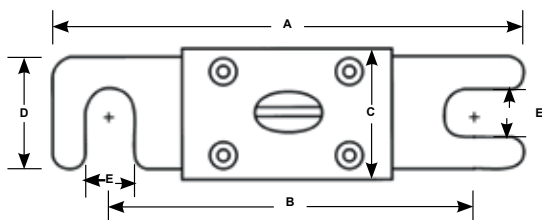


Voltage (V)	Current (A)	Fuse holder Cat. number	Fuse holder Ref. number
	35	CNL35DIN	T216332E
	40	CNL40DIN	L217360E
	50	CNL50DIN	A218385E
	60	CNL60DIN	E219424E
	80	CNL80DIN	Y219947E
	100	CNL100DIN	K201995E
	125	CNL125DIN	K211218E
	130	CNL130DIN	A211738E
32VAC & VDC	150	CNL150DIN	J212252E
	175	CNL175DIN	W212769E
PdC: 2500A	200	CNL200DIN	J213287E
	225	CNL225DIN	A213785E
	250	CNL250DIN	J214299E
	275	CNL275DIN	J214805E
	300	CNL300DIN	L215313E
	325	CNL325DIN	P215822E
	350	CNL350DIN	X216841E
	400	CNL400DIN	T217873E
	500	CNL500DIN	Q218905E
Fuse holder		SFBT36	J236287C

Voltage (V)	Current (A)	Fuse holder Cat. number	Fuse holder Ref. number
130VAC / 75VDC PdC: 2500A	10	CNN10DIN	E228831E
	35	CNN35DIN	F228832E
	40	CNN40DIN	G228833E
	50	CNN50DIN	H228834E
	60	CNN60DIN	J228835E
	80	CNN80DIN	K228836E
	90	CNN90DIN	L228837E
	100	CNN100DIN	M228838E
	125	CNN125DIN	N228839E
	150	CNN150DIN	P228840E
	175	CNN175DIN	Q228841E
	180	CNN180DIN	N229874E
	200	CNN200DIN	R228842E
	225	CNN225DIN	S228843E
	250	CNN250DIN	T228844E
	275	CNN275DIN	V228845E
130VAC / 48VDC PdC: 2500A @ 48VDC	300	CNN300DIN	W228846E
	325	CNN325DIN	X228847E
	350	CNN350DIN	Y228848E
	400	CNN400DIN	Z228849E
	500	CNN500DIN	A228850E
	600	CNN600DIN	B228851E
	700	CNN700DIN	C228852E
	800	CNN800DIN	D228853E
Fuse holder		SFBT36	J236287C

## Dimensions

	A mm	B mm	C mm	D mm	E mm
CNL DIN/CNN DIN	82	60	23 max.	20	11





# SPD

## **Surge-Trap® - IEC Standard - AC Protection p. 301**

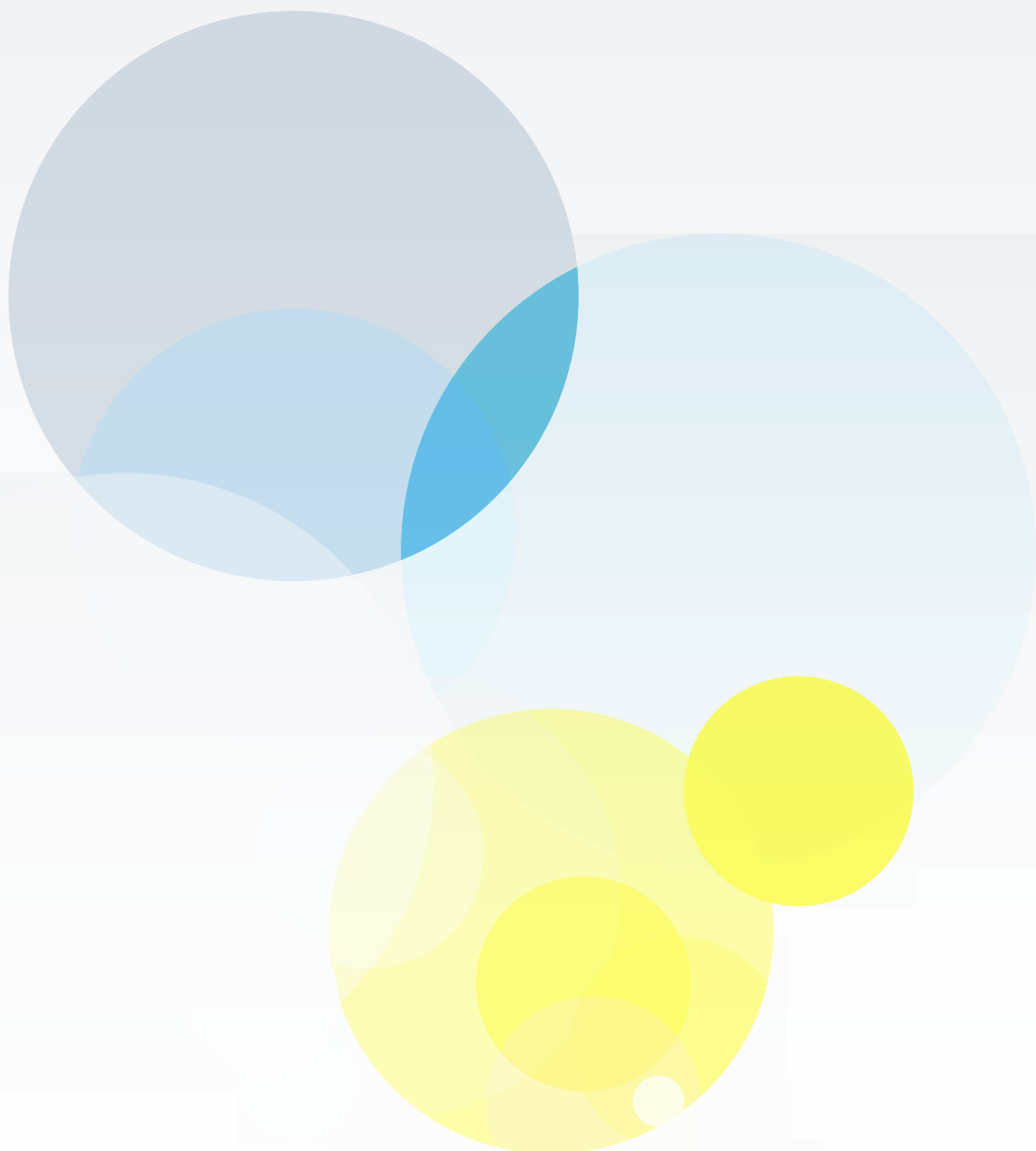
Surge-Trap® Pluggable SPDs - IEC Standard - AC Protection p. 301

Surge-Trap® Modular SPDs - IEC Standard - AC Protection p. 302

## **Surge-Trap® - IEC Standard - PV Protection p. 303**

Surge-Trap® Pluggable SPDs - IEC Standard - PV Protection p. 303

Surge-Trap® Modular SPDs - IEC Standard - PV Protection p. 304



# Choosing the Right Product is as easy as 1, 2, 3

## 1 Choose Your Industry



Agriculture



Medical



Automation



Solar Power



Telecom



Water Treatment



Wind Power

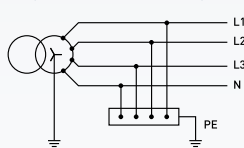


Transportation

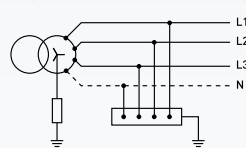
## 2 Configurations and Grounding – IEC (UL available on demand)

Single Phase  
230V  
400V

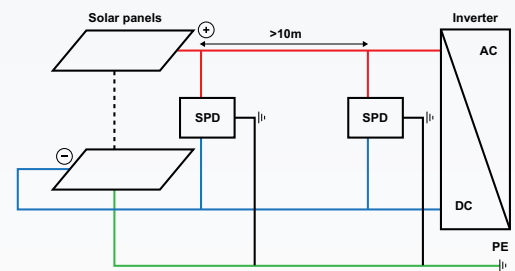
TT (neutral connected to earth)



IT (neutral isolated or via impedance)



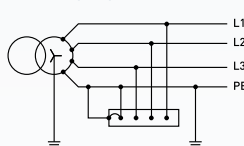
PV



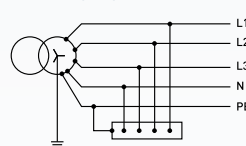
Or

Three Phase  
230/400V  
400/690V

TN-C wiring diagram



TN-S wiring diagram



## 3 Choose your Product Define the Catalog Number

Type	CATALOG NUMBER			Comments on system type
	Voltage	System Type	M	
STP - Pluggable	230	TN	Blank - No Microswitch	TN System 1 line
ST- Modular	600	IT	M - Microswitch Included	IT system 1 line
		TN1		TN System 1 phase + neutral
		TNC		TNC System 3 phase + neutral
		TNS		TNS System 3 phase + neutral
Indicates PV Only		PV		Photovoltaic DC Application



# Surge-Trap<sup>®</sup> Pluggable SPDs

## IEC Standard - AC Protection

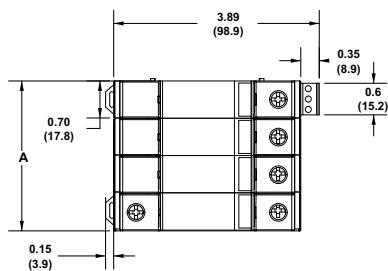


Cat. number	Ref. number	Rated Voltage (V)	No of Poles	System Type	Replacement Plug Part No
STP230TNM	H1011041C	230	1	TN	SP275E
STP400ITM	K1011043C	400	1	IT	SP510E
STP230TN1M	M1011045B	230	2	TN (1 Ph + N)	SP275E
STP230TNM	R1011049A	230/400	3	TNC (3 Ph + PEN)	SP275E
STP230TNSM	T1011051A	230/400	4	TNS (3 Ph + N)	SP275E
STP400TNM	E1029875A	400/690	3	TNC (3 Ph + PEN)	SP510HE
STP400TNSM	F1029876A	400/690	4	TNS (3 Ph + N)	SP510HE

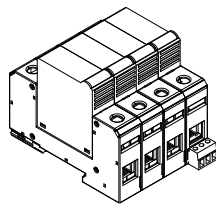
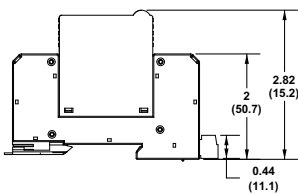
## IEC Surge-Trap<sup>®</sup> Pluggable range DIN-Rail SPD offering

Cat. number	Ref. number	Rated Voltage (V)	No of Poles	MCOV (U <sub>c</sub> ) L-PE	MCOV (U <sub>c</sub> ) L-N	MCOV (U <sub>c</sub> ) N-PE	MCOV (U <sub>c</sub> ) L-L	Voltage Protection Level (Up @ 20 kA), (kV)	Electrical strength (kV)	Freq (Hz)
STP230TNM	H1011041C	230	1	275	N/A	N/A	N/A	< 1.5	2.2	50/60
STP400ITM	K1011043C	400	1	510	N/A	N/A	N/A	< 2.0	2.2	50/60
STP230TN1M	M1011045B	230	2	275	550	275	N/A	< 1.5	2.2	50/60
STP230TNM	R1011049A	230	3	275	N/A	N/A	550	< 1.5	2.2	50/60
STP230TNSM	T1011051A	230	4	275	550	275	550	< 1.5	2.2	50/60
STP400TNM	E1029875A	400	3	510	510	N/A	1020	< 2.0	2.2	50/60
STP400TNSM	F1029876A	400	4	510	1020	510	1020	< 2.0	2.2	50/60

## Dimensional diagrams: inches and mm

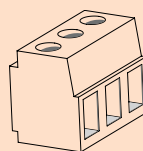


Poles	A (mm)
1	18.03
2	36.06
3	54.10
4	72.13



Cat. number	Rated Voltage (V)	Nom. Discharge Current (I <sub>n</sub> , 8/20, kA)	Max. Discharge Current (I <sub>max</sub> , 8/20, kA)	ISCCR (kA)
STP230TNM	230	20	40	25
STP400ITM	400	10	40	25
STP230TN1M	230	20	40	25
STP230TNM	230	20	40	25
STP230TNSM	230	20	40	25
STP400TNM	400	20	40	25
STP400TNSM	400	20	40	25

## Surge-Trap<sup>®</sup> Microswitch Diagram



Signal Wire Range: 0.05mm<sup>2</sup> to 1.31mm<sup>2</sup>

- Terminal Torque 0.25N.m max
- Cont. between Comm + NO = Product Offline, Not Protected
- Cont. between Comm + NC = Product Offline, Protected

Surge-Trap<sup>®</sup> Pluggable SPDs - IEC Standard - AC Protection

# Surge-Trap® Modular SPDs

## IEC Standard - AC Protection



Cat. number	Ref. number	Rated Voltage (V)	No of Poles	System Type
ST230TN	E1011061C	230	1	TN
ST400IT	G1011063C	400	1	IT
ST230TN1	J1011065B	230/400	2	TN (1 Ph + N)
ST230TNC	N1011069A	230/400	3	TNC (3 Ph + PEN)
ST230TNS	Q1011071A	230/400	4	TNS (3 Ph + N)

In option: M for microswitch, e.g: ST230TNM refer drawing

### Approvals

- IEC 61643-1 Class II
- EN 61643-11 Type 2
- RoHS Compliant

## IEC Surge-Trap® Modular range DIN-Rail SPD offering

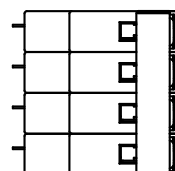
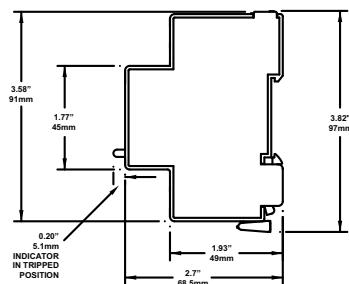
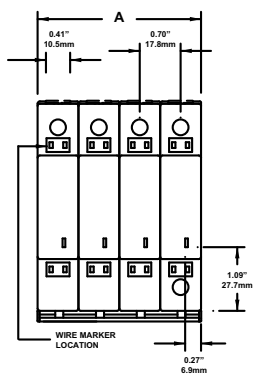
Cat. number	Ref. number	Rated Voltage (V)	No of Poles	MCOV (U <sub>c</sub> ) L-PE	MCOV (U <sub>c</sub> ) L-N	MCOV (U <sub>c</sub> ) N-PE	MCOV (U <sub>c</sub> ) L-L	Voltage Protection Level (Up @ 20 kA), (kV)	Electrical strength (kV)	Freq (Hz)
ST230TN	E1011061C	230	1	270	N/A	N/A	N/A	< 1.5	3.3	50/60
ST400IT	G1011063C	400	1	510	N/A	N/A	N/A	< 2.0	3.3	50/60
ST230TN1	J1011065B	230	2	270	540	270	N/A	< 1.5	3.3	50/60
ST230TNC	N1011069A	230	3	270	N/A	N/A	540	< 1.5	3.3	50/60
ST230TNS	Q1011071A	230	4	270	540	270	540	< 1.5	3.3	50/60

In option: M for microswitch, e.g:ST230TNM refer drawing

Cat. number	Rated Voltage (V)	Nom. Discharge Current (In, 8/20, kA)	Max. Discharge Current (Imax, 8/20, kA)	ISCCR (kA)
ST230TN	230	20	40	25
ST400IT	400	10	40	25
ST230TN1	230	20	40	25
ST230TNC	230	20	40	25
ST230TNS	230	20	40	25

In option: M for microswitch, e.g:ST230TNM refer drawing

## Dimensional diagrams: inches and mm



Poles	A (mm)
1	17.8
2	35.5
3	53.3
4	71.0

# Surge-Trap® Pluggable SPDs

## IEC Standard - PV Protection



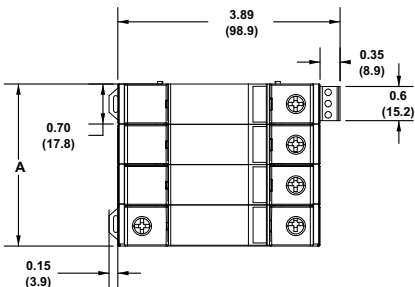
Cat. number	Ref. number	Rated Voltage (V)	No of Poles	System Type	Replacement Plug Part No
STP600YPVM	B1015750A	600VDC	3	Y	SP420PV
STP1000YPVM	C1015751A	1000VDC	3	Y	SP670PV

## IEC PV Surge-Trap® Pluggable range DIN-Rail SPD offering

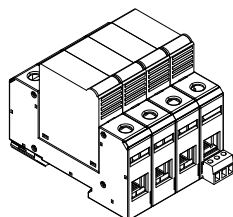
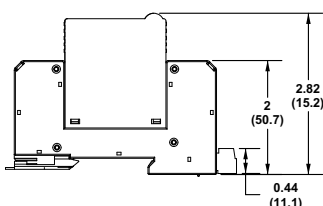
Cat. number	Ref. number	Rated Voltage (V)	No of Poles	Ucpv	Voltage Protection Level (Up @ 20 kA), (kV)	Electrical strength (kV)	Freq (Hz)
STP600YPVM	B1015750A	600VDC	3	720VDC	<2.4	2.2	DC/PV
STP1000YPVM	C1015751A	1000VDC	3	1200VDC	<4.0	2.2	DC/PV

Cat. number	Rated Voltage (V)	Nom. Discharge Current (In, 8/20, kA)	Max. Discharge Current (Imax, 8/20, kA)	ISCCR (kA)
STP600YPVM	600VDC	20	40	10kA*
STP1000YPVM	1000VDC	20	40	10kA

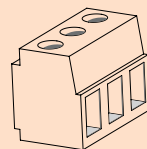
## Dimensional diagrams: inches and mm



Poles	A (mm)
1	18.03
2	36.06
3	54.10
4	72.13



### Surge-Trap® Microswitch Diagram



Signal Wire Range: 0.05mm<sup>2</sup> to 1.31mm<sup>2</sup>

- Terminal Torque 0.25N.m max
- Cont. between Comm + NO = Product Offline, Not Protected
- Cont. between Comm + NC = Product Offline, Protected

# Surge-Trap® Modular SPDs

## IEC Standard - PV Protection



Cat. Number	Ref. Number	Rated Voltage (V)	No of Poles	System Type
ST600PV	Y1007421A	600VDC	2	V
ST600YPV	G1029877A	600VDC	3	Y
ST1000PV	N1004353A	1000VDC	3	Y

In option: M for microswitch, e.g:ST600PVM refer drawing

### Approvals

- IEC 61643-1 Class II
- EN 61643-11 Type 2
- UTE C 61740-51
- pr. EN 50539-11
- UL1449 3<sup>rd</sup> edition
- ANSI/IEEE C6241
- RoHS Compliant

## IEC PV Surge-Trap® Modular range DIN-Rail SPD offering

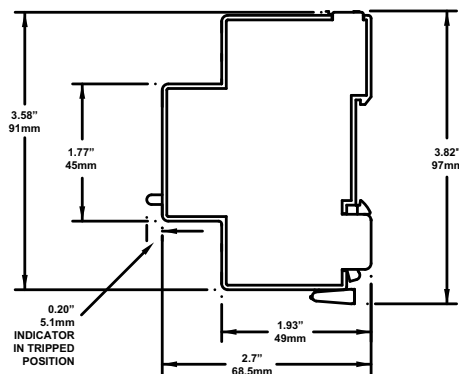
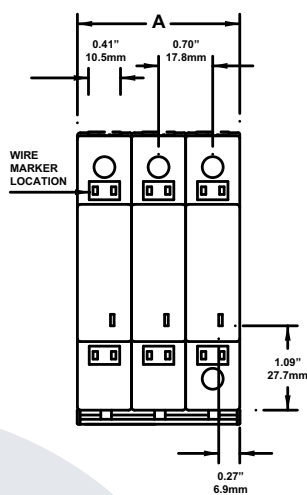
Cat. Number	Ref. Number	Rated Voltage (V)	No of Poles	Ucpv	Voltage Protection Level (Up @ 20 kA), (kV)	Electrical strength (kV)	Freq (Hz)
ST600PV	Y1007421A	600VDC	2	720VDC	<2.0	3.3	DC/PV
ST600YPV	G1029877A	600VDC	3	720VDC	<2.5	3.3	DC/PV
ST1000PV	N1004353A	1000VDC	3	1200VDC	<4	3.3	DC/PV

In option: M for microswitch, e.g:ST600PVM refer drawing

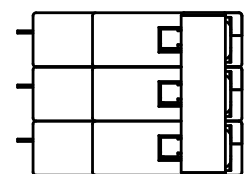
Cat. Number	Rated Voltage (V)	Nom. Discharge Current (Inom, 8/20, kA)	Max. Discharge Current (Imax, 8/20, kA)	ISCCR (kA)
ST600PV	600VDC	10	40	10kA
ST600YPV	600VDC	20	40	10kA
ST1000PV	1000VDC	10	40	10kA

In option: M for microswitch, e.g:ST600PVM refer drawing

## Dimensional diagrams: inches and mm



Poles	A (mm)
2	35.5
3	53.3



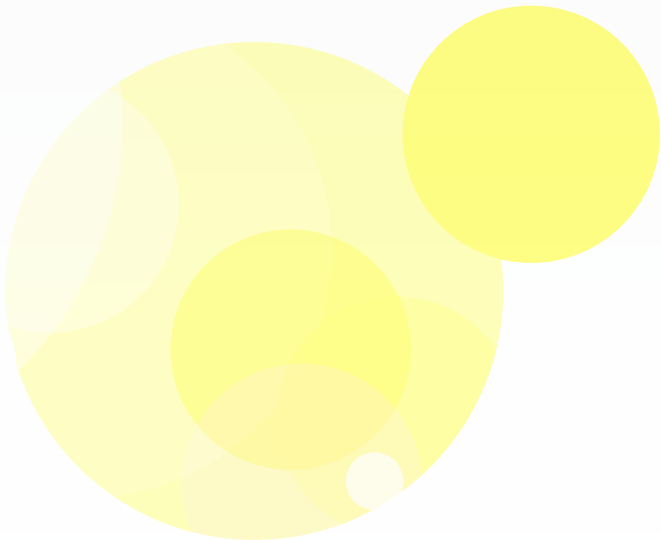
# Low Voltage switches

Fuse Switches ITC

p. 306

Switches IT

p. 308



# Fuse Switches ITC

			Fuse switch	Fuse monitoring	Fuse monitoring screw mounting from 250A or snap-on DIN rail	Blown fuse indicator	Microswitch	Padlockable black handle	Outside handle padlockable
10X38	25A	Front III	M1007618A	P229277A	T236825A	Q205289A			
		Front III+N	P1007620A	P229277A	T236825A		G210663A		
		Front VI	P1007620A	P229277A	T236825A	R205290A	G210663A		
		Side III	Q1007621A	P229277A	T236825A	Q205289A			
		Side IV	R1007622A	P229277A	T236825A	R205290A	G210663A		
14X51	50A	Front III	Y209896A	P229277A	T236825A	Z210104A			D210085A
		Front VI	Z209897A	P229277A	T236825A	A210105A			D210085A
		Side III	D209901A	P229277A	T236825A	Z210104A			D210085A
		Side IV	E209902A	P229277A	T236825A	A210105A			D210085A
22X58	125A	Front III	L210782A	P229277A	T236825A				D210085A
		Front VI	N210784A	P229277A	T236825A	A210473A			D210085A
		Front III+N	M210783A	P229277A	T236825A				D210085A
		Side III	P210785A	P229277A	T236825A				D210085A
		Side VI	R210787A	P229277A	T236825A				D210085A
		Side III+N	Q210786A	P229277A	T236825A				D210085A
DIN 00	160A	Front III	S210788A	P229277A	T236825A	E1019364A			D210085A
		Front VI	V210790A	P229277A	T236825A	F1019365A			D210085A
		Front III+N	T210789A	P229277A	T236825A	E1019364A			D210085A
		Side III	W210791A	P229277A	T236825A	E1019364A			D210085A
		Side VI	Y210793A	P229277A	T236825A	F1019365A			D210085A
		Side III+N	X210792A	P229277A	T236825A	E1019364A			D210085A
DIN size 1	250A	Front III	N1002697A	P229277A	T236825A			R1005345A	
		Front VI	S1002701A	P229277A	T236825A			R1005345A	
		Front III+N	W1002704A	P229277A	T236825A			R1005345A	
		Side III	Q1002676A	P229277A	T236825A			R1005345A	
		Side VI	S1002678A	P229277A	T236825A			R1005345A	
		Side III+N	V1002680A	P229277A	T236825A			R1005345A	
DIN Size 2	400A	Front III	Z1002707A	P229277A	T236825A			S1005346A	
		Front VI	C1002710A	P229277A	T236825A			S1005346A	
		Front III+N	F1002713A	P229277A	T236825A			S1005346A	
		Side III	W1002681A	P229277A	T236825A			S1005346A	
		Side VI	X1002682A	P229277A	T236825A			S1005346A	
		Side III+N	Y1002683A	P229277A	T236825A			S1005346A	
DIN Size 3	630A	Front III	H1002715A	P229277A	T236825A				
			K1002717A	P229277A	T236825A				
		Front III+N	M1002719A	P229277A	T236825A				



Red & Yellow handle padlockable	IP65 Red & Yellow Handle padlockable	Axe extension 130mm	Axe extension 330mm	Short terminal finger safe protection	Long terminal finger safe protection			
	S1007600A	Q1007644A	R1007645A			Front III	25A	10X38
	S1007600A	Q1007644A	R1007645A			Front III+N		
	S1007600A	Q1007644A	R1007645A			Front VI		
		Q1007644A	R1007645A			Side III		
		Q1007644A	R1007645A			Side IV		
E210086A	S1007600A	Q1007644A	R1007645A			Front III	50A	14X51
E210086A	S1007600A	Q1007644A	R1007645A			Front VI		
E210086A		Q1007644A	R1007645A			Side III		
E210086A		Q1007644A	R1007645A			Side IV		
E210086A	S1007600A	Q1007644A	R1007645A			Front III	125A	22X58
E210086A	S1007600A	Q1007644A	R1007645A			Front VI		
E210086A	S1007600A	Q1007644A	R1007645A			Front III+N		
E210086A		Q1007644A	R1007645A			Side III		
E210086A		Q1007644A	R1007645A			Side VI		
E210086A		Q1007644A	R1007645A			Side III+N		
E210086A	S1007600A	Q1007644A	R1007645A	J1019368A	G1019366A	Front III	160A	DIN 00
E210086A	S1007600A	Q1007644A	R1007645A	K1019369A	H1019367A	Front VI		
E210086A	S1007600A	Q1007644A	R1007645A	J1019368A	G1019366A	Front III+N		
E210086A		Q1007644A	R1007645A	K1019369A	H1019367A	Side III		
E210086A		Q1007644A	R1007645A	K1019369A	H1019367A	Side VI		
E210086A		Q1007644A	R1007645A	K1019369A	H1019367A	Side III+N		
	S1007600A	Q1007644A	R1007645A			Front III	250A	DIN size 1
	S1007600A	Q1007644A	R1007645A			Front VI		
	S1007600A	Q1007644A	R1007645A			Front III+N		
		Q1007644A	R1007645A			Side III		
		Q1007644A	R1007645A			Side VI		
		Q1007644A	R1007645A			Side III+N		
	S1007600A	Q1007644A	R1007645A			Front III	400A	DIN Size 2
	S1007600A	Q1007644A	R1007645A			Front VI		
	S1007600A	Q1007644A	R1007645A			Front III+N		
		Q1007644A	R1007645A			Side III		
		Q1007644A	R1007645A			Side VI		
		Q1007644A	R1007645A			Side III+N		
	S1007600A	Q1007644A	R1007645A			Front III	630A	DIN Size 3
	S1007600A	Q1007644A	R1007645A			Front VI		
	S1007600A	Q1007644A	R1007645A			Front III+N		

# Fuse Switches IT

		Switch	Fourth Pole	Fuse monitoring	Fuse monitoring screw mounting from 200A or snap-on DIN rail	Earth Pole	IP65 Black handle padlockable	Axe extension 130mm	Axe extension 330mm
25A	Front III	X1007627A	K1007639A	P229277A	T236825A	G1007636A	N1007596A	Q1007644A	R1007645A
	Front IV	Y1007628A	K1007639A	P229277A	T236825A	G1007636A	N1007596A	Q1007644A	R1007645A
	Front III Door Mounting	Z1007629A	V1015100A	P229277A	T236825A	G1007636A	N1007596A	Q1007644A	R1007645A
40A	Front III	W1010938A	K1007639A	P229277A	T236825A	G1007636A	N1007596A	Q1007644A	R1007645A
	Front IV	X1010939A	K1007639A	P229277A	T236825A	G1007636A	N1007596A	Q1007644A	R1007645A
	Front III Door Mounting	Y1010940A	V1015100A	P229277A	T236825A	G1007636A	N1007596A	Q1007644A	R1007645A
63A	Front III	A1007630A	N1007642A	P229277A	T236825A	H1007637A	N1007596A	Q1007644A	R1007645A
	Front IV	B1007631A	N1007642A	P229277A	T236825A	H1007637A	N1007596A	Q1007644A	R1007645A
	Front III Door Mounting	C1007632A	L1007640A	P229277A	T236825A	H1007637A	N1007596A	Q1007644A	R1007645A
80A	Front III	D1007633A	N1007642A	P229277A	T236825A	H1007637A	N1007596A	Q1007644A	R1007645A
	Front IV	E1007634A	N1007642A	P229277A	T236825A	H1007637A	N1007596A	Q1007644A	R1007645A
	Front III Door Mounting	F1007635A	L1007640A	P229277A	T236825A	H1007637A	N1007596A	Q1007644A	R1007645A
100A	Front III	K1014769A	J1007638A	P229277A	T236825A		N1007596A	Q1007644A	R1007645A
	Front IV	Q1014820A	J1007638A	P229277A	T236825A		N1007596A	Q1007644A	R1007645A
	Front III Door Mounting	R1014821A		P229277A	T236825A		N1007596A	Q1007644A	R1007645A
125A	Front III	S1007623A	J1007638A	P229277A	T236825A		N1007596A	Q1007644A	R1007645A
	Front IV	T1007624A	J1007638A	P229277A	T236825A		N1007596A	Q1007644A	R1007645A
200A	Front III	B1002686A		P229277A	T236825A			Q1007644A	C210107A
	Front IV	F1002690A		P229277A	T236825A			Q1007644A	C210107A
	Right Side III	G1002714A		P229277A	T236825A				
	Right Side VI	J1002716A		P229277A	T236825A				
250A	Front III	Z1002684A		P229277A	T236825A			Q1007644A	C210107A
	Front IV	M1002673A		P229277A	T236825A			Q1007644A	C210107A
	Right Side III	E1002689A		P229277A	T236825A				
	Right Side IV	G1002691A		P229277A	T236825A				
315A	Front III	R1002700A		P229277A	T236825A		T1005347A	G096997A	P097096A
	Front IV	K1002694A		P229277A	T236825A		T1005347A	G096997A	P097096A
	Right Side III	L1002695A		P229277A	T236825A				
	Right Side IV	P1002698A		P229277A	T236825A				
400A	Front III	R1002677A		P229277A	T236825A		T1005347A	G096997A	P097096A
	Front IV	P1002675A		P229277A	T236825A		T1005347A	G096997A	P097096A
	Right Side III	T1002702A		P229277A	T236825A				
	Right Side IV	X1002705A		P229277A	T236825A				
630A	Front III	C1002687A		P229277A	T236825A			G096997A	P097096A
	Front IV	J1002693A		P229277A	T236825A			G096997A	P097096A
	Right Side III	A1002708A		P229277A	T236825A				
	Right Side IV	E1002712A		P229277A	T236825A				
800A	Front III	H1002692A		P229277A	T236825A			G096997A	P097096A
	Front IV	M1002696A		P229277A	T236825A			G096997A	P097096A
	Right Side III	L1002718A		P229277A	T236825A				
	Right Side IV	N1002720A		P229277A	T236825A				

IP65 Red & Yellow handle padlockable	IP65 Red & Yellow Handle padlockable	Auxiliary contact NO Right side mounting	Auxiliary contact NC Left side mounting	Auxiliaries contacts NO/ NC Both sides mounting	Short terminal finger safe protection	Long terminal finger safe protection		
S1007600A	V1007602A	L207493A	M207494A	D210453A			Front III	25A
S1007600A	V1007602A	L207493A	M207494A	D210453A			Front IV	
S1007600A	V1007602A	L207493A	M207494A	D210453A			Front III Door Mounting	
S1007600A	V1007602A	L207493A	M207494A	D210453A			Front III	40A
S1007600A	V1007602A	L207493A	M207494A	D210453A			Front IV	
S1007600A	V1007602A	L207493A	M207494A	D210453A			Front III Door Mounting	
S1007600A	V1007602A	L207493A	M207494A	D210453A			Front III	63A
S1007600A	V1007602A	L207493A	M207494A	D210453A			Front IV	
S1007600A	V1007602A	L207493A	M207494A	D210453A			Front III Door Mounting	
S1007600A	V1007602A	L207493A	M207494A	D210453A			Front III	80A
S1007600A	V1007602A	L207493A	M207494A	D210453A			Front IV	
S1007600A	V1007602A	L207493A	M207494A	D210453A			Front III Door Mounting	
S1007600A	V1007602A	L207493A	M207494A	D210453A			Front III	100A
S1007600A	V1007602A	L207493A	M207494A	D210453A			Front IV	
S1007600A	V1007602A	L207493A	M207494A	D210453A			Front III Door Mounting	
S1007600A	V1007602A	L207493A	M207494A	D210453A			Front III	125A
S1007600A	V1007602A	L207493A	M207494A	D210453A			Front IV	
C210084A	C210084A	L207493A	M207494A		P1005320A	Q1005321A	Front III	200A
C210084A	C210084A	L207493A	M207494A		R1005322A	S1005323A	Front IV	
X1007604A	X1007604A	L207493A	M207494A		P1005320A	Q1005321A	Right Side III	
X1007604A	X1007604A	L207493A	M207494A		R1005322A	S1005323A	Right Side VI	
C210084A	C210084A	L207493A	M207494A		P1005320A	Q1005321A	Front III	250A
C210084A	C210084A	L207493A	M207494A		R1005322A	S1005323A	Front IV	
X1007604A	X1007604A	L207493A	M207494A		P1005320A	Q1005321A	Right Side III	
X1007604A	X1007604A	L207493A	M207494A		R1005322A	S1005323A	Right Side IV	
Y1005351A	Y1005351A	L207493A	M207494A		T1005324A	V1005325A	Front III	315A
Y1005351A	Y1005351A	L207493A	M207494A		W1005326A	X1005327A	Front IV	
		L207493A	M207494A		T1005324A	V1005325A	Right Side III	
		L207493A	M207494A		W1005326A	X1005327A	Right Side IV	
Y1005351A	Y1005351A	L207493A	M207494A		T1005324A	V1005325A	Front III	400A
Y1005351A	Y1005351A	L207493A	M207494A		W1005326A	X1005327A	Front IV	
		L207493A	M207494A		T1005324A	V1005325A	Right Side III	
		L207493A	M207494A		W1005326A	X1005327A	Right Side IV	
		L207493A	M207494A		Y1005328A	Z1005329A	Front III	630A
		L207493A	M207494A		A1005330A	B1005331A	Front IV	
		L207493A	M207494A		Y1005328A	Z1005329A	Right Side III	
		L207493A	M207494A		A1005330A	B1005331A	Right Side IV	
		L207493A	M207494A		Y1005328A	Z1005329A	Front III	800A
		L207493A	M207494A		A1005330A	B1005331A	Front IV	
		L207493A	M207494A		Y1005328A	Z1005329A	Right Side III	
		L207493A	M207494A		A1005330A	B1005331A	Right Side IV	

Product offering FSPDB 1000VDC	p. 311
Product offering Surge-Trap® - DC	p. 312
Product offering Helio Surge Protection Box	p. 313
Choose the right fuse	p. 314
Product offering HelioProtection® Fuse	p. 315
gPV – HP6M – 600VDC	p. 315
gPV – HP10M – 1 000VDC	p. 316
gPV – DC10 – 1 200VDC	p. 317
Product offering HelioProtection® Switch	p. 319
Product offering HelioProtection® Junction Box	p. 320
Product offering HelioProtection® Junction Box	p. 321
Product offering HelioProtection® Fuse HP10NH 1000VDC	p. 322
Product offering HelioProtection® Fuse gPV DC120-123 – 1 000VDC–1 200VDC	p. 323
Product offering HelioProtection® Fuse gPV DC120-123 – 1 000VDC–1 200VDC	p. 324
Product offering HelioProtection® Switch	p. 326
Product offering DC contactors	p. 327

# Product offering FSPDB 1000VDC



Aluminium Connector rated for 90°C Cu/Al wire		Copper Connector rated for 75°C Cu wire only		Current (A)	Line			Load			Short circuit Current Rating
Cat. Number	Ref. Number	Cat. Number	Ref. Number		Wire range (AWG)	Wire range (mm <sup>2</sup> )	Openings	Wire range (AWG/kcmil)	Wire range (mm <sup>2</sup> )	Openings per pole	
FSPDB1A	D233545C	FSPDB1C	N232795C	175	2/0-#14	70-2.5	1	2/0-#14	70-2.5	1	100kA
FSPDB2A	V232801C	FSPDB2C	P232796C	175	2/0-#14	70-2.5	1	#2-#14	35-2.5	4	100kA
FSPDB3A	W232802C	FSPDB3C	Q232797C	310	350-#6 2/0#14	185-16 70-2.5	1	#8-#14	35-2.5	8	100kA
FSPDB4A	X232803C	FSPDB4C	R232798C	335	400-#6	185-16	1	400-#6	185-16	1	100kA
FSPDB5A	Y232804C	FSPDB5C	S232799C	840	600-#4	300-25	2	600-#4	300-25	2	100kA

\*Contact Mersen Technical Services at [technicalservices.nby@mersen.com](mailto:technicalservices.nby@mersen.com) for fuse type and maximum ampere required.

## Dimensions

Multiple Wire Ratings (Same Size & Type Wires Only)			
2/0 Openings		#2 Openings	
(2) #4 AWG	(2) #10 AWG	(2) #6 AWG	(2-4) #12 AWG
(2) #6 AWG	(2) #12 AWG	(2) #8 AWG	(2-4) #14 AWG
(2) #8 AWG	(2) #14 AWG	(2-4) #10 AWG	

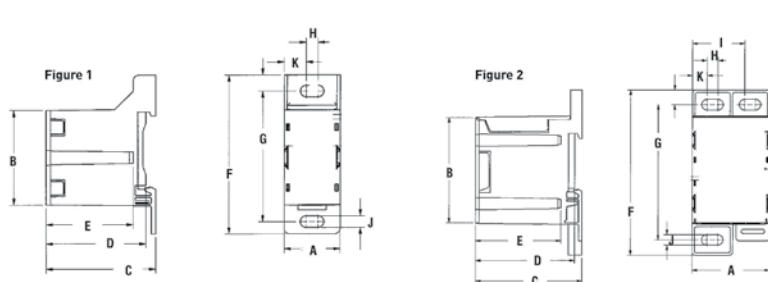
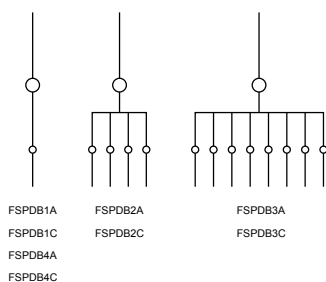
Dimension	FSPDB1A FSPDB1C Figure 1		FSPDB2A FSPDB2C Figure 1		FSPDB3A FSPDB3C Figure 2		FSPDB4A FSPDB4C Figure 1		FSPDB5A FSPDB5C Figure 2	
	mm	in	mm	in	mm	in	mm	in	mm	in
A	25.4	1.00	28.4	1.12	46.9	1.85	39	1.54	72	2.84
B	43.3	1.70	57.8	2.28	64.3	2.53	108	4.25	91	3.58
C	49.5	1.95	56.0	2.21	64.3	2.53	80	3.15	80	3.15
D	45.1	1.78	51.6	2.03	59.8	2.36	75.5	2.97	-	-
E	39.4	1.55	39.4	1.55	51.5	2.03	50.1	1.97	50.1	1.97
F	72.6	2.86	87.7	3.45	100.8	3.97	145.5	5.73	145	5.71
G	59.6	2.35	74.6	2.94	82.4	3.24	120.6	4.75	127.5	5.02
H	5.3	0.21	5.1	0.20	6.5	0.26	7	0.28	3	0.12
I	-	-	-	-	31.5	1.24	-	-	52	2.04
J	5.3	0.21	6.4	0.25	6.5	0.26	6.5	0.26	6.5	0.26
K	10	0.40	11.7	0.46	8.9	0.35	16	0.63	8.5	0.34

## Accessories

Description	Cat. number	Ref. Number	Packaging
Accessory pin to form multiple pole block	FSPIN1	Z232805J	10
Circuit identification marker for 2/0 & #2 max. conductors (Qty of 100)	FSCIM1	K233551E	5
Circuit identification marker for 350, 400 & 600 kcmil max. conductors (Qty of 100)	FSCIM2	L233552E	5
Cap plug for spare 2/0 openings	FSCAP1	A232806J	10
Cap plug for spare 350 kcmil openings	FSCAP2	M233553J	10
Cap plug for spare 600 kcmil opening	FSCAP3		
Pair of end anchors	FSEA	N233554A	1

## Approvals

- UL Recognized Component  
Guide XCFR2, File E73571
- CSA Certified: Class 6228, File 69363



# Product offering Surge-Trap® - DC

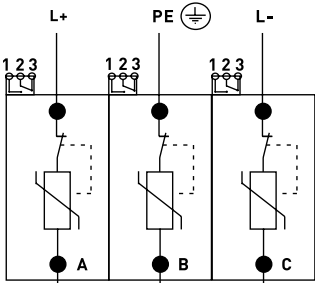


Catalog Number	Ref. number	Rated Voltage (V)	Number of poles	System Type	Replacement Plug Catalog Number
STP600YPVM	B1015750A	600	3	Y	SP350PV
STP1000YPVM	C1015751A	1000	3	Y	SP670PV
STP1200YPVM	D1015752A	1200	3	Y	SP745PV

Catalog Number	Rated Voltage (V)	Ucpv	Voltage Protection Level (Up @20kA) (kV)	Electrical Strength (kV)	Freq (Hz)	Nominal Discharge Current (Inom, 8/20, kA)	Maximum Discharge Current (Imax, 8/20, kA)	ISCW (kA)
STP600YPVM	600	720VDC	<2.4	2.2	DC/PV	20	40	10
STP1000YPVM	1000	1200VDC	<4.0	2.2	DC/PV	20	40	10
STP1200YPVM	1200	1440VDC	<4.0	2.2	DC/PV	10	40	10

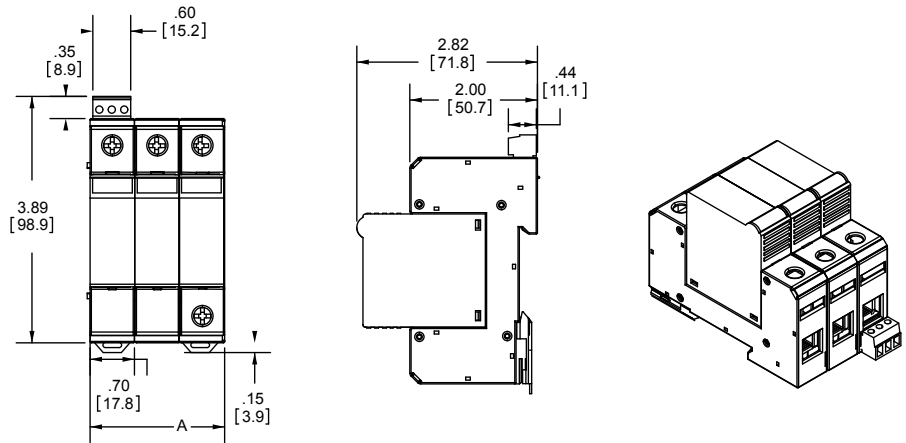
## Wiring diagram

STP600YPVM  
STP1000YPVM  
STP1200YPVM



## Dimensions

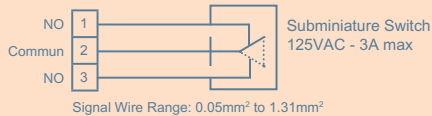
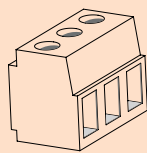
STP600YPVM  
STP1000YPVM  
STP1200YPVM



## Approvals

- IEC 61643-1
- EN 50539-11
- UTE C 61740-51
- RoHS compliant
- CE

## Surge-Trap® Microswitch Diagram



- Terminal Torque 0.25N.m max
- Cont. between Comm + NO = Product Offline, Not Protected
- Cont. between Comm + NC = Product Offline, Protected

# Product offering Helio Surge Protection Box



Avoid direct sunlight

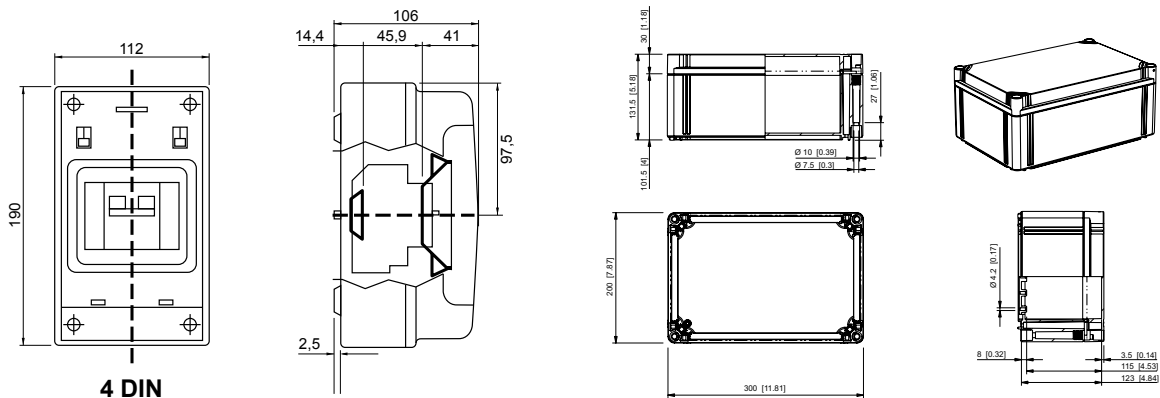
Technical specification	For 1 string
Color	RAL 7035
Degree of protection	IP66
Impact strength	6 Joule
Material base	Self-extinguishing thermoplastic
Cover	Smoked with key locking
Operating temperature	-25°C/+45°C
Size LxH (mm)	190x112x106
Standard	IEC 23-48 & 23-49 & 60670



Technical specification	For 2 to 3 strings
Color	RAL 7035
Content	Enclosure base, cover, cover screws, mounting screws
Degree of protection	IP66, IP67
Impact strength	IK 07/IK 06
Inner depth (mm)	115,0
Material base	ABS
Material, cover screws	Polyamide
Material, gasket	Polyurethane
Operating temperature	-25°C/+45°C
Outer cover height (mm)	30
Size LxH (mm)	200x300x132
Standard	EN 62208, GOST
Volume cm <sup>3</sup>	792,00
Weight (kg)	1,218

## Connections

- Standard cable gland
- Optional MC4 connector



## Define your catalog number

Box	Strings
HSPD	Surge Protective Devices (SPD)
Helio Surge Protection Box	XX
	Number of strings
	01 = 1 string
	02 = 2 strings
	03 = 3 strings
	M = microswitch
ex: HSPDSP10M02	
HSPD	SP10M
Helio Surge Protection Box	02
	Surge-Trap® Pluggable 1000VDC with microswitch
	2 strings

# Choose the right fuse

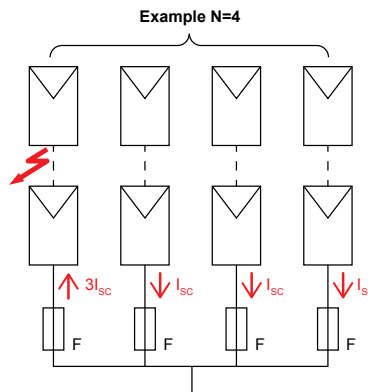
## To protect PV modules from reverse current

- 2 strings in parallel: no need for protection
- Maximum number of strings in parallel with no protection:  $N \leq (1 + I_{RM} / I_{SCSTC})^*$

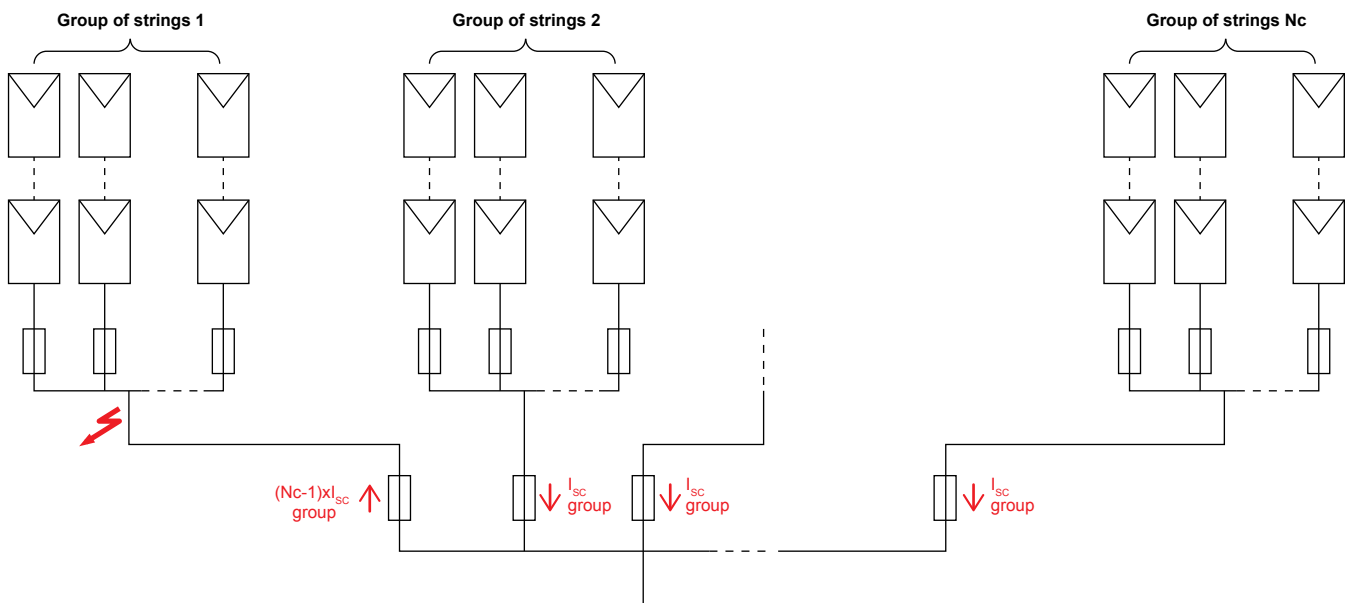
$I_{RM}$ : maximum reverse current to the module.

$I_{SCSTC}$ : module's short circuit current.

**STC: standard test conditions**  
(25°C, 1000W/m<sup>2</sup>, AM spectrum 1.5)



## To protect the wiring between groups of strings from short circuits



**Rated voltage:  $UN \geq U_{OCmax}^*$**

$U_{OCmax}$  = maximum no-load voltage.

This is the voltage at the modules' terminals in open circuit conditions for minimum operating temperature.

In practice,  $U_{OCmax} = 1.2 \times U_{OCSTC}$

**STC: standard test conditions**  
(25°C, 1000W/m<sup>2</sup>, AM spectrum 1.5)

**Type of current: dc\***

The fuses must have been designed and tested for DC use.

\* UTE Guidelines C 15-712-1



# Product offering HelioProtection® Fuse

## gPV – HP6M – 600VDC



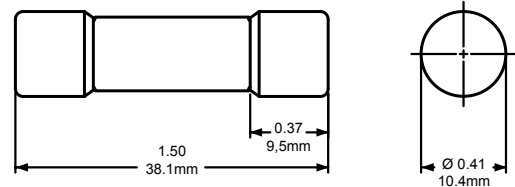
Voltage max (V)	Current (A)	Cat. Number	Ref. Number	Packaging
600VDC UL Listed CSA Certified IEC 60269-6 Approved (gPV)	1	HP6M1	L1018565J	10
	2	HP6M2	M1018566J	
	3	HP6M3	N1018567J	
	4	HP6M4	Q1018569J	
	5	HP6M5	R1018570J	
	6	HP6M6	S1018571J	
	7	HP6M7	T1018572J	
	8	HP6M8	V1018573J	
	10	HP6M10	X1018575J	
	12	HP6M12	Y1018576J	
	15	HP6M15	Z1018577J	
	20	HP6M20	A1018578J	
	25	HP6M25	K1018610J	
	30	HP6M30	L1018611J	

Minimum Breaking Capacity = 1.35In Maximum Breaking Capacity = 10kA

### Fuse holders

Nb of Poles	Voltage (V)	Cat. Number	Ref. Number	Nb of modules (17.5mm)	Indicator	Packaging
1	1000	US101HEL	D1009979K	1	No	12
1	1000	US101IHEL	Q1009461K	1	Yes	12
1	1000	USGM1HEL	P1022294K	1	No	12
1	1000	USGM1IHEL	N1022293K	1	Yes	12

### Drawing



### Watt Losses

Cat. number	70% AMP RATING (W)	80% AMP RATING (W)	100% AMP RATING (W)
HP6M1	0.14	0.19	0.31
HP6M2	0.19	0.26	0.43
HP6M3	0.64	0.85	1.4
HP6M4	0.58	0.77	1.3
HP6M5	0.65	0.87	1.4
HP6M6	0.69	0.92	1.5
HP6M7	-	-	-
HP6M8	0.92	1.23	2.0
HP6M10	0.96	1.28	2.1
HP6M12	1.12	1.49	2.5
HP6M15	0.99	1.32	2.2
HP6M20	1.25	1.67	2.8
HP6M25	1.38	1.84	3.1
HP6M30	1.5	2.0	3.3

# Product offering HelioProtection® Fuse

## gPV – HP10M – 1 000VDC



Voltage max (V)	Current (A)	Cat. Number	Ref. Number	Packaging
1000VDC UL Listed CSA Certified IEC 60269-6 Approved (gPV)	1	HP10M1	B1018579J	10
	2	HP10M2	C1018580J	
	3	HP10M3	D1018581J	
	4	HP10M4	E1018582J	
	5	HP10M5	F1018583J	
	6	HP10M6	G1018584J	
	7	HP10M7	H1018585J	
	8	HP10M8	J1018586J	
	10	HP10M10	L1018588J	
	12	HP10M12	M1018589J	
	15	HP10M15	N1018590J	
	20	HP10M20	P1018591J	
	25	HP10M25	D1023825J	
	30	HP10M30	E1023826J	

Minimum Breaking Capacity = 1.35In Maximum Breaking Capacity = 10kA

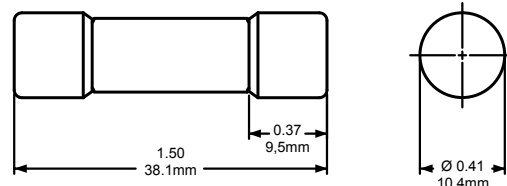
### Approvals

- CSA Component Certified C22.2
- UL Listed to Standard UL2579  
File E333668
- IEC 60269-6 Certified
- RoHS Component

### Fuse holders

Nb of Poles	Voltage (V)	Cat. Number	Ref. Number	Nb of modules (17.5mm)	Indicator	Packaging
1	1000	US101HEL	D1009979K	1	No	12
1	1000	US101HEL	Q1009461K	1	Yes	12
1	1000	USGM1HEL	P1022294K	1	No	12
1	1000	USGM1HEL	N1022293K	1	Yes	12

### Drawing



### Watt Losses

Cat. number	70% AMP RATING (W)	80% AMP RATING (W)	100% AMP RATING (W)
HP10M1	0.14	0.2	0.32
HP10M2	0.2	0.27	0.43
HP10M3	0.63	0.9	1.4
HP10M4	0.58	0.8	1.3
HP10M5	0.63	0.9	1.4
HP10M6	0.67	1.0	1.5
HP10M7	0.68	1.1	1.5
HP10M8	0.50	0.7	1.1
HP10M10	0.69	0.9	1.5
HP10M12	0.90	1.3	2.0
HP10M15	1.30	1.9	3.0
HP10M20	2.0	2.6	4.4



# Product offering HelioProtection® Fuse

## gPV – DC10 – 1 200VDC

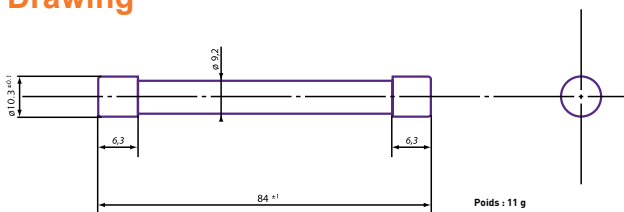
Size	Voltage Max (V) ≤ L/R 0,5ms	Current (A)	Class	Minimum Breaking Capacity (A)	Breaking capacity @ Un (kA)	Preacting I²t @1ms (A²s)	Total I²t @ Un (A²s)	Power losses End Contacts (W)		Cat. Number	Ref. Number	Packaging
								0.7In	0.8In			
10x85	1 200	8	gPV	10,4	11	180	210	1,3	1,7	DC10HEL12C8	D1014188BR	45
	1 200	10		13		400	310	1,3	1,7	DC10HEL12C10	T1012017BR	45
	1 200	12,5		16,5		180	310	1,3	1,9	DC10HEL12C12,5	X1008754BR	45
	1 200	16		21		370	680	1,5	2,1	DC10HEL12C16	Y1008755BR	45
	1 200	20		26		630	1080	1,8	2,5	DC10HEL12C20	Z1008756BR	45
	900	25		32,5		990	1680	2,2	3	DC10HEL9C25	A1008757BR	45

### Fuse clips

Type	Cat. Number	Ref. Number	Packaging
MR10 CI	MR10CIRESSORT	Y098507R	200
MR10	MR10RESSORT	B098004L	20
MR10 without compressor	MR10RESSORTSP	C098994L	20



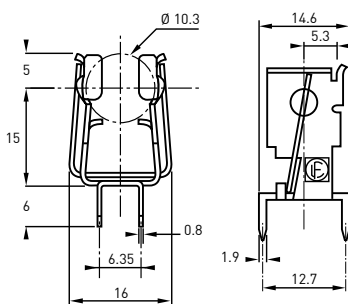
### Drawing



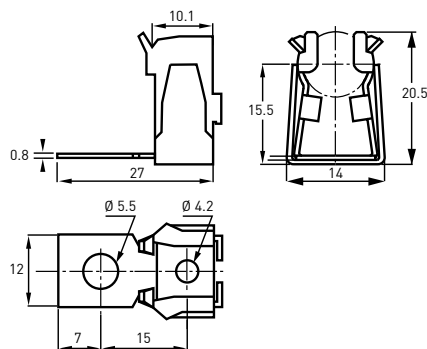
### Packaging

- Box: 45 pieces
- Pack: 95 x 82 x 70
- Weight: 520g

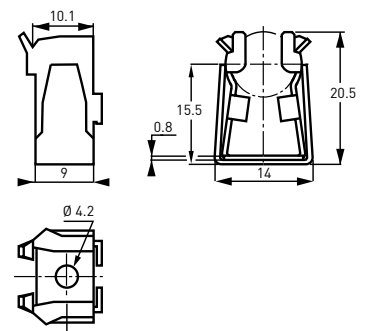
MR10 CI



MR10



MR10 without compressor



# Product Offering UltraSafe™



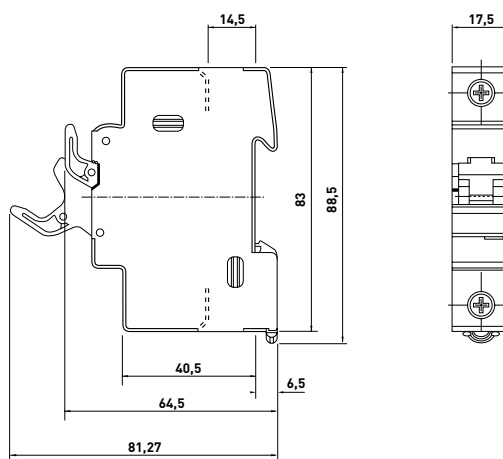
Nb of Poles	Voltage (V)	Cat. Number	Ref. Number	Nb of modules (17.5mm)	Indicator	Packaging
1	1000	US101HEL	D1009979K	1	No	12
1	1000	US101HEL	Q1009461K	1	Yes	12
1	1000	USGM1HEL	P1022294K	1	No	12
1	1000	USGM1HEL	N1022293K	1	Yes	12

Voltage DC (V)	Voltage Isolation Uimp	Current (A)	Max. power losses in the fuse-links	Fuse-links rating	Cable wire section (mm <sup>2</sup> ) recommended
1000VDC Pollution Degree 2	6kV	32A	3W	≤12	2.5
	6kV	32A	3W	16	2.5
	6kV	32A	3W	20	2.5
	6kV	32A	3W	25	4
	6kV	32A	3W	30	6

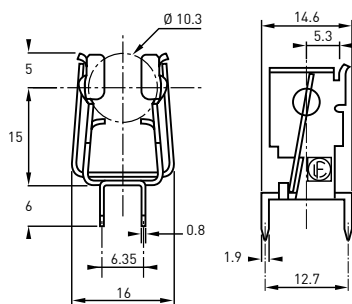
Indicator light operates between 350VDC and 1000VDC

## Fuse clips

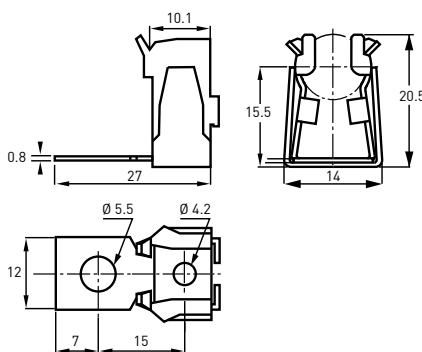
Type	Cat. Number	Ref. Number	Packaging
MR10 CI	MR10CIRESSORT	Y098507R	200
MR10	MR10RESSORT	B098004L	20
MR10 without compressor	MR10RESSORTSP	C098994L	20



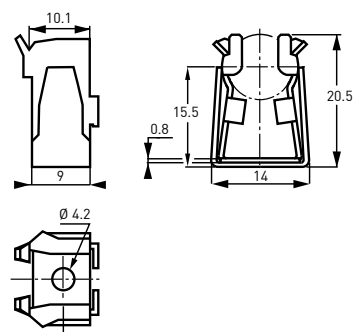
MR10 CI



MR10



MR10 without compressor



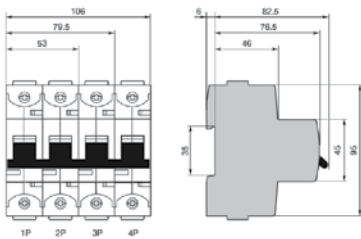
# Product offering HelioProtection® Switch



Category of use	Uoc Maximum circuit open voltage		575V	750V	920V	1200V	Insulation voltage
	Un Nominal Voltage		500V	650V	800V	1200V	
	Catalog Number	Reference Number	Rated current (A)				
DC21A	IT20HEL10CCF*	M1016427A			20		1000VDC
	IT32HEL10CCF*	A1011931A			32		
	IT40HEL10CCF*	B1011932A			40		
	IT70HEL10CCF*	E1011935A		90	70		
	IT20HEL6CCF*	P1015026A		20			
	IT32HEL6CCF*	Q1015027A		32			
	IT40HEL6CCF*	W1015032A		40			
	IT70HEL6CCF*	X1015033A	90	80			
	IT32HEL12CCF4**	K1017782A				32	
IT63HEL12CCF4**	L1017783A				63		
IT125HEL12CCF4**	M1017784A				125		

All our models of HelioProtection® switch can be equipped with a handle for door mounting.  
 \* These HelioProtection® switches are complete compact products, and are delivered already assembled with their shunts (so there's only one catalog number for the whole unit!)  
 \*\* These models can be combined with a remote tripping and an handle on the door as accessories (see below).  
 \*\* These models are also available with a 800VDC nominal voltage.

## Dimensions



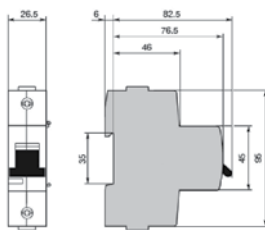
ITxxHEL10CCF4



Shunt operation release

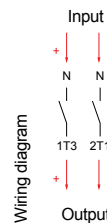
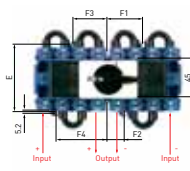
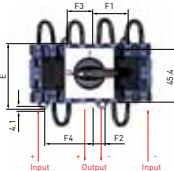


Undervoltage release

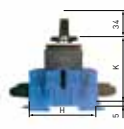
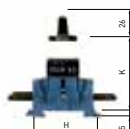
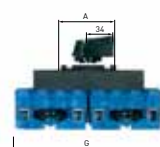
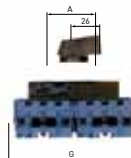


IT20HEL10CCF  
IT32HEL10CCF  
IT40HEL10CCF

IT70HEL10CCF

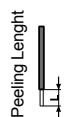
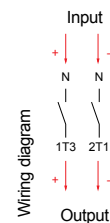


Dimensions	IT20HEL10CCF IT32HEL10CCF	IT40HEL10CCF	IT70HEL10CCF
	A	43,7	105,4
E	60	70	90
F1	32	37,5	47,5
F2	10	12,5	22,5
F3	23,5	28,5	44,5
F4	45,5	53,5	69,5
G	111	132	184
H	54	64	80
K	64	62,5	76,2
L	9	10	14



Recommended tightening torque

IT32HEL10CCF	1,25 Nm
IT32HEL10CCF	1,80 Nm



# Product offering

## HelioProtection® Junction Box

<b>HelioProtection® Junction Box</b>  <b>ABS, polycarbonate transparent cover</b>  <b>Avoid direct sunlight</b>	Number of strings	4 to 6	8 to 12
	Nominal Voltage	1000VDC	
	Wire section for the strings	4mm <sup>2</sup> reinforced isolation	
	Closed stuffing box size	PG9 (6 to 10mm)	
	Finger safe protection (IEC 60529)	IP65 (Outdoor installation)	
	Isolation Class (IEC 60364)	Class II	
	Fire and fumes class (UL94 - NFC 20-455)	V2	
	Dimensions (HxLxD)	see next page	
	Color	RAL 7035	
	Wire recommended for output	10mm <sup>2</sup> (PGxxx)	25mm <sup>2</sup> (PGxxx)
	Maximum usage temperature	-20°C to +45°C	
	Maximum storage temperature	-20°C to +70°C	
	Relative Humidity	95% Maxi	
	Maximum current	72A	100A
	Labelling	<b>WARNING: VOLTAGE OVER 50V</b> Disconnection and protection of live DC equipment <b>Do not open when live</b> <b>Wire output first</b> <b>Insert fuses and close fuse holders before wiring input</b>	
<b>Wiring &amp; connecting recommendations</b> (Use only Modulostar HelioProtection® fuse holders designed for PV DC application in our HelioProtection® Junction Box)	All connections must be made by personnel qualified to work at voltages over 50V		
	We recommend wiring the output from the box before the input to the box		
	Max tightening torque = 2.2Nm on output terminals		
	Max tightening torque = 2.2Nm on input terminals		
	All connections must be made under stable weather conditions (no rain or lightning)		




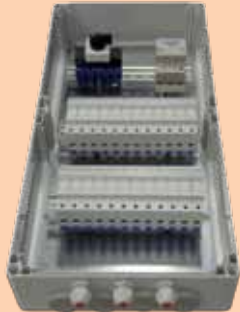

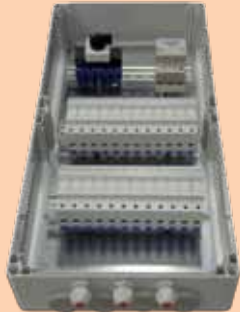

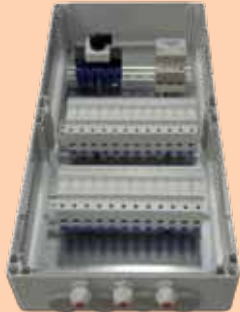
These junction boxes can be fitted with a string monitoring electronic system.



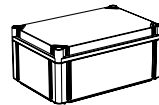
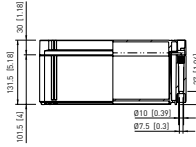
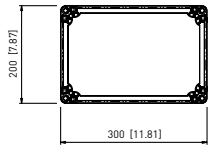
Box		Strings	Fuse holders	Surge Protective Devices	Switch-disconnectors
HJB	M	XX			
HelioProtection® Junction Box	Blank if input/output for fuse holders and SPD's all together		Blank if no indicator	Blank if no SPD	Blank if no switch
	M if	Number of strings		S if SPD Modular	1000V switch
	one input/output per string for fuse holder and SPD	04		SP if SPD Pluggable	IT25
		06	I (INDICATOR)	6 = 600VDC	IT32
		08		10 = 1000VDC	IT40
		10		M = microswitch	IT70 (70A for 1000V insulating voltage)
		12			IT70 (80A for 600V insulating voltage)
<b>ex: HJB10S6V</b>	<b>HJB</b>	<b>10</b>		<b>6V</b>	
	HelioProtection® Junction Box	input/output all together	10 strings	Surge-Trap® SPD	
				600V	
<b>ex: HJB12ISP10MIT64</b>	<b>HJB</b>	<b>12</b>	<b>I</b>	<b>SP10M</b>	<b>IT64</b>
	HelioProtection® Junction Box	input/output all together	12 strings	Fuse holder with indicator	S10M Surge-Trap® SPD
				1000V with microswitch	64A switch
<b>ex: HJBM12ISP10M</b>	<b>HJB</b>	<b>M</b>	<b>12</b>	<b>I</b>	<b>SP10M</b>
		input/output per string	12 strings	Fuse holder with indicator	Surge-Trap® SPD
				1000V with microswitch	

# Product offering HelioProtection<sup>®</sup> Junction Box

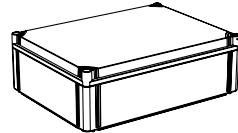
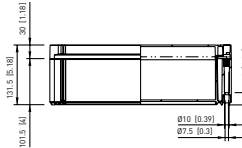
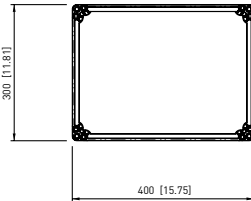


Strings	4	6	8	10	12
Modulostar HelioProtection <sup>®</sup>	 <p>200x300x132mm</p>		 <p>400x300x132mm</p>		
Modulostar HelioProtection <sup>®</sup> + Surge-Trap <sup>®</sup>	 <p>200x300x132mm</p>		 <p>400x300x132mm</p>		
Modulostar HelioProtection <sup>®</sup> + HelioProtection <sup>®</sup> switch	 <p>200x300x132mm</p>		 <p>400x300x132mm</p>		
Modulostar HelioProtection <sup>®</sup> + HelioProtection <sup>®</sup> switch + Surge-Trap <sup>®</sup>	 <p>200x300x132mm</p>		 <p>400x300x132mm</p>		

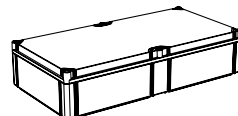
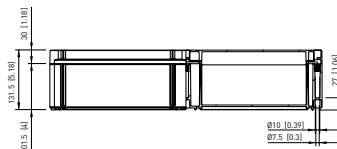
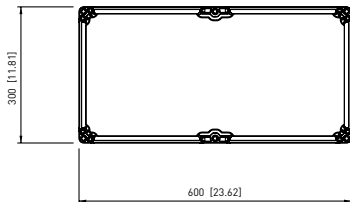
200x300x132mm



400x300x132mm



600x300x132mm



# Product offering HelioProtection® Fuse

## HP10NH 1000VDC



### Applications

- All photovoltaic applications
- Re-combiner (sub-combiner, array combiner, master combiner) applications
- Inverter DC input protection

### Benefits

- Low fault current interrupting capability
- Temperature cycle withstand capability
- Durable construction for enhanced system longevity
- High efficiency with low power losses
- Breaking capacity : 10kA (L/R = 1ms)

### Approvals

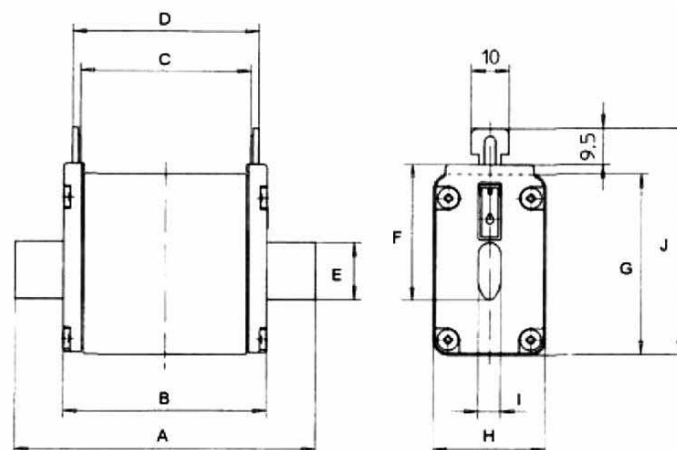
- IEC 60269-6
- UL 2579
- RoHS Component

Size	Voltage (V)	Current (A)	Class	Cat. Number	Ref. Number	Packaging
NH1	1000	50	gPV	HP10NH1GPV50	Z1028283C	3
NH1	1000	63	gPV	HP10NH1GPV63	A1028284C	3
NH1	1000	80	gPV	HP10NH1GPV80	B1028285C	3
NH1	1000	100	gPV	HP10NH1GPV100	C1028286C	3
NH1	1000	125	gPV	HP10NH1GPV125	D1028287C	3
NH1	1000	160	gPV	HP10NH1GPV160	E1028288C	3

Cat. Number	Watts Loss (W) @ In	Watts Loss (W) @ 0.7In
HP10NH1GPV50	11	4,6
HP10NH1GPV63	13	5,4
HP10NH1GPV80	14	5,8
HP10NH1GPV100	16	6,6
HP10NH1GPV125	17	7,1
HP10NH1GPV160	23	9,6

### Dimensions (mm)

A	B	C	D	E	F	G	H	I	J
135	70,8	63	68	20	40	52,5	39,5	6	64,5





# Product offering HelioProtection® Fuse

## gPV DC120-123 – 1 000VDC–1 200VDC



Size	Rated Voltage (V)	Nominal Current (A)	Class	Cat. Number EF	Ref. Number EF	Cat. Number PA	Ref. Number PA	Packaging
120	1200	50	gPV	DC120GPV12C050E	X1003993A	DC120GPV12C050P	A1025386A	1
120	1200	63	gPV	DC120GPV12C063E	Y1003994A	DC120GPV12C063P	D1025389A	1
120	1200	80	gPV	DC120GPV12C080E	Z1003995A	DC120GPV12C080P	E1025390A	1
121	1200	100	gPV	DC121GPV12C100E	A1003996A	DC121GPV12C100P	F1025391A	1
121	1200	125	gPV	DC121GPV12C125E	B1003997A	DC121GPV12C125P	G1025392A	1
121	1200	160	gPV	DC121GPV12C160E	C1003998A	DC121GPV12C160P	H1025393A	1
121	1200	200	gPV	DC121GPV12C200E	D1003999A	DC121GPV12C200P	K1025395A	1
121	1200	250	gPV	DC121GPV12C250E	E1004000A	DC121GPV12C250P	L1025396A	1
122	1100	315	gPV	DC122GPV11C315E	F1004001A	DC122GPV11C315P	M1025397A	1
123	1000	400	gPV	DC123GPV10C400E	G1004002A	DC123GPV10C400P	N1025398A	1

Size	Rated Voltage (V)	Nominal Current (A)	Pre-arcing I <sup>2</sup> t (A <sup>2</sup> s)	Clearing I <sup>2</sup> t @ Rated Voltage (A <sup>2</sup> s)	Watts Loss @ 100% In (W)	Watts Loss @ 70% In (W)
120	1200	50	204.8	1150	20	8.3
120	1200	63	364.5	2050	23	9.5
120	1200	80	755.8	4250	25	10.4
121	1200	100	933.1	5250	38	15.2
121	1200	125	1700	9570	41	16.4
121	1200	160	3414	19200	47	18.8
121	1200	200	7579	42650	52	20.8
121	1200	250	13650	76800	60	24
122	1100	315	27200	153000	67	26.8
123	1000	400	47370	266500	84	32.3

### Approvals

- IEC 60269-6
- UL Recognition pending
- RoHS Component



### Benefits

- Low fault current interrupting capability
- Temperature cycle withstand capability
- Durable construction for enhanced system longevity
- High efficiency with low power losses

### Applications

- All photovoltaic applications
- Re-combiner (sub-combiner, array combiner, master combiner) applications
- Inverter DC input protection
- Battery charge controllers

# Product offering HelioProtection® Fuse

## gPV DC120-123 – 1 000VDC–1 200VDC

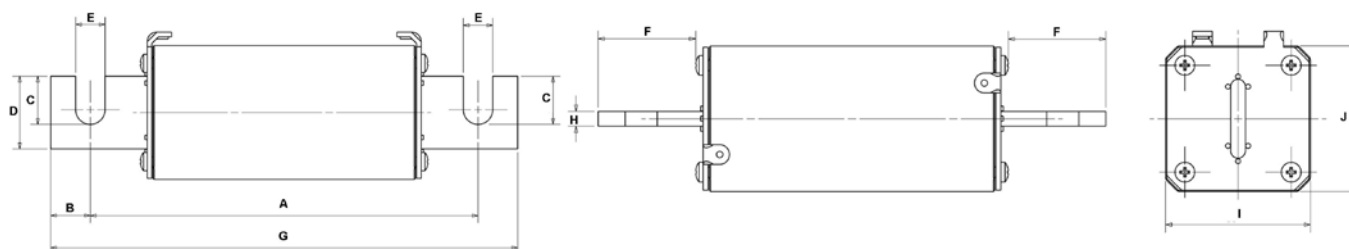
### Dimensions (mm) : EF Blades

Size	Mounting type	A	B	C	D	E	F	G	H	I	J
120	EF	156	11.7	11	18	9	28	179.4	6	39	41
121	EF	167.5	11.75	13.2	25	11.1	32	191	6	51	51
122	EF	171.4	17.5	21.25	32	13	39.6	206.4	6	59	59
123	EF	171.4	17.5	19.5	40	13	39.1	206.4	6	73	73

### Fuse-holders for EF Blades

Nb of Poles	Ui	Cat. Number	Ref. Number	Packaging
1	2500VDC	SP43120	W226247A	1
1	2500VDC	SE43121	T226245A	1
1	2500VDC	SE43122*	V226246A*	1

\*For fuses sizes 122 and 123

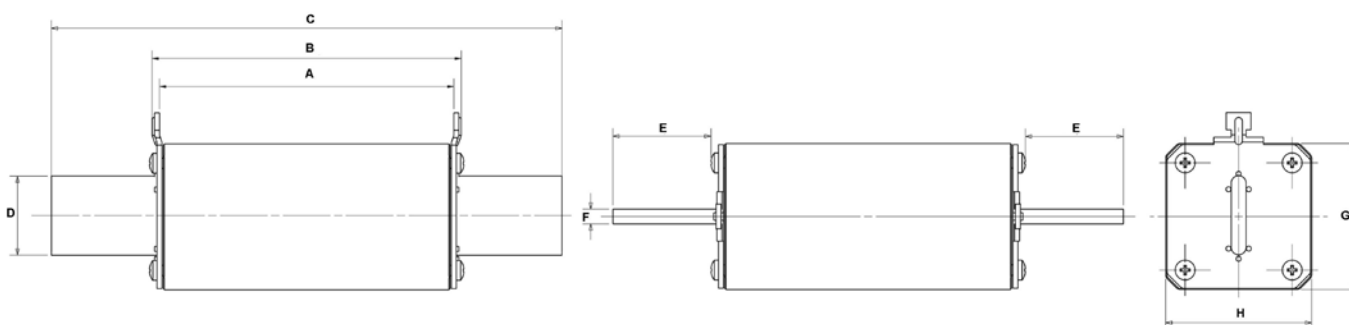


### Dimensions (mm) : PA Plain Blades

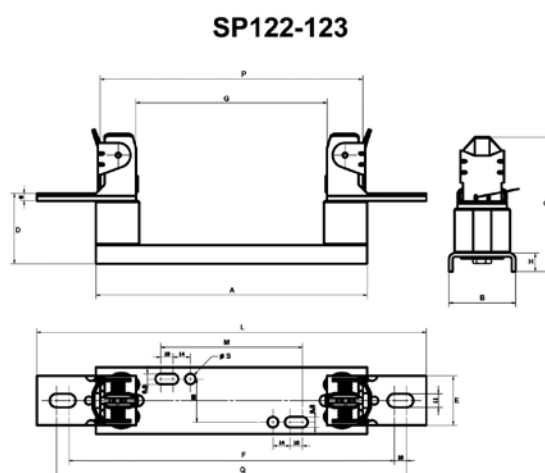
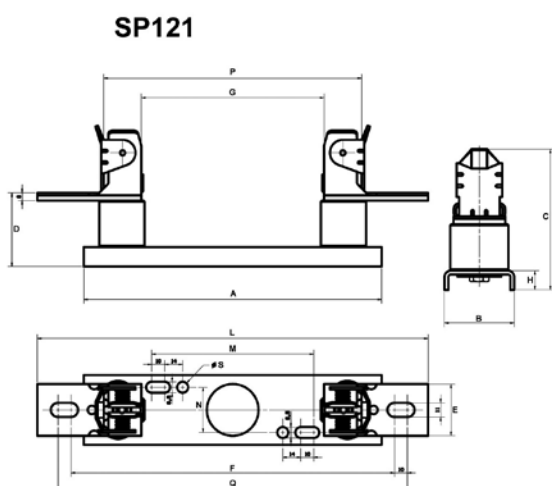
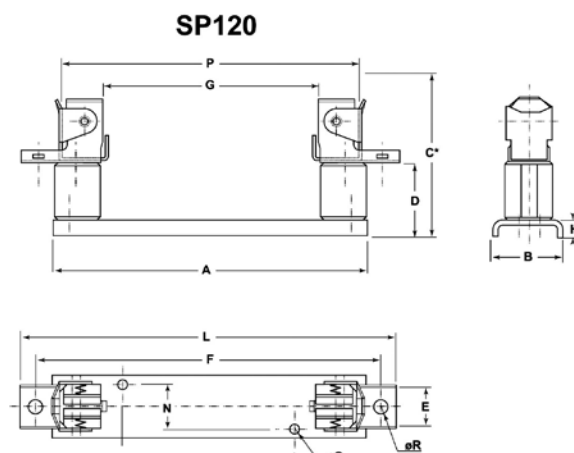
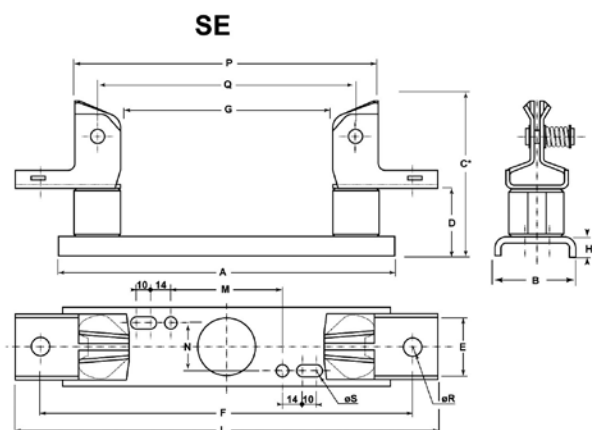
Size	Mounting type	A	B	C	D	E	F	G	H
120	PA	115	120	176.4	18	27	6	41	39
121	PA	119	125	190.4	25	31.7	6	51	51
122	PA	119	125	206.4	32	39.6	6	59	59
123	PA	119	125	206.4	40	39.1	6	73	73

### Fuse-holders for PA Plain Blades fuses

Nb of Poles	Ui	Cat. Number	Ref. Number	Packaging
1	1500VDC	SP36120	R096937A	1
1	1500VDC	SP36121	B1026353A	1
1	1500VDC	SP36122123	P1025054A	1



## Dimensions (mm) :



Cat. Number	A	B	C	D	E	F	G	H	L	M	N	P	Q	R	S
SP43120	194.5	42	125	54.5	26	214.5	134.5	10	234.5	106.5	28	184	-	8.5	5.5
SP43121	204.5	42	130	54	32	238.5	141.5	10	270.5	116.5	28	191.5	166.5	10.5	5.5
SE43122	230.5	54	140	60	42	260.5	136.5	15	296.5	77.5	35	206.5	171.5	12.5	8.5
SP36120	194.5	42	89.2	47.5	26	214.5	134.5	10	234.5	106.5	28	178.5	-	8.5	5.5
SP36121	230.5	54	109	57	40	250.5	141.5	15	302.5	125.5	35	199.5	270.5	-	8.5
SP36122123	230.5	54	109	57	40	264	155	15	316	125.5	35	213	284	-	8.5

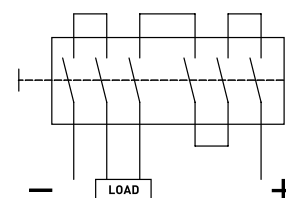
# Product offering

## HelioProtection® Switch

### Benefits

Our products are typically used as switch of isolation on a chain group of solar panels, or as main switch on a system of solar panels arriving at the inverter. They are compact, the poles are already in series and they are delivered with padlockable handle and accessories for isolation of upstream and downstream connections.

To allow to cut the Voltage of 1000VDC it is indispensable to put 6 poles in series in the installation. The upstream and downstream connections are downward to facilitate the connecting, and avoid the exits upward the cubicle (waterproofness problem).



Current (A)	Cat. Number	Ref. Number	Pre-connected	Operational voltage (V)	Open-circuit maximum voltage (V)	Rated insulation voltage (V)	Use category
160	IT160HEL75VCF	P1008241A	Yes	750	750	800	DC21B
200	IT200HEL10CCF	G1008234A	Yes	1000	1000	1000	
250	IT250HEL10CCF	H1008235A	Yes				
315	IT315HEL10CCF	J1008236A	Yes				
400	IT400HEL10CCF	M1008239A	Yes				

\* For PV application and interrupting DC

All our HelioProtection® switch are equipped with guaranteed shunts providing time savings in the mounting process.

### Features: Switch-disconnectors technical data according to IEC 60 947-3

Technical Data According to IEC 60947 for IT Switch-Disconnectors

Switch size		A	IT160	IT200	IT250	IT315	IT400
Poles in series			4	6	6	6	6
Rated insulation voltage	Pollution degree 2	V	1000	1000	1000	1000	1000
	Pollution degree 3	V	800	1000	1000	1000	1000
Dielectric strength	50 Hz 1min.	kV	10 <sup>(1)</sup>	10	10	10	10
Rated impulse with stand voltage		kV	12 <sup>(1)</sup>	12	12	12	12
Rated thermal current, DC-20	In open air, normal conditions <sup>(2)</sup>	A	200	200	250	315	400
	In enclosure 40°C	A	160	200	250	315	400
	In enclosure 60°C	A	125	180	200	280	320
...with minimum cable or bar cross section	Cu	mm <sup>2</sup>	70	95	120	185	240
Rated operational current / poles in series	750V	A	160 / 4 <sup>(A)</sup>				
DC-21B	1000V	A		200 / 6	250 / 6	315 / 6	400 / 6
Rated short-time withstand current, 1 000V, 1s	R.M.S. - value I <sub>cw</sub>	kA	4	8	8	15	15
Power loss / pole	At rated current	W	6.5	4	6.5	6.5	10
Mechanical endurance (number of operations)	Divide by 2 for operation cycles		20 000	20 000	20 000	16 000	16 000

A) Category A. 1) Pollution Degree 2. 2) Normal conditions defined in IEC 60947-1-6.1

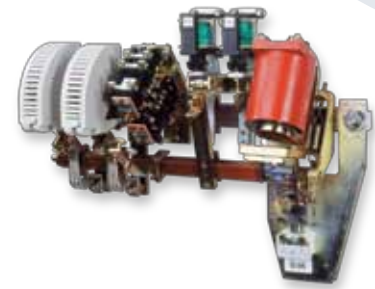
# Product offering

## DC contactors

In solar farms for power generation many inverters can operate, simultaneously or not. Connecting different solar panels to different inverters should be useful (commute from one inverter to an other, optimize power generation especially in case of low shine level).

Commuting DC voltages in the range 500V up to 1500V is necessary.

The Leblack-Elec branded modular contactors of Mersen are part of our HeliProtection® program. They are particularly well fitted to this application.



	Contactor	CBC57-80A	CBC57-150A	CBC57-200A	CBFC55-80A	CBFC55-80A	CBFC55-80A	
Maximum switch-off voltage	Pole	NO/NC	NO/NC	NO/NC	NO/NC	NO/NC	NO/NC	
	Single pole	500VDC	500VDC	500VDC	500VDC	500VDC	500VDC	
	2 pole	1000VDC	1000VDC	1000VDC	1000VDC	1000VDC	1000VDC	
Control			DC				AC	

	Contactor	CBFC75-400A	CBFC75-500A	CBFC75-630A	CBFC75-800A	CBFC75-1000A
Voltage maximale de coupure	Single Pole	500VDC	500VDC	500VDC	500VDC	NO/NC
	2 pole	1000VDC	1000VDC	1000VDC	1000VDC	1000VDC
	3 pole	2000VDC	2000VDC	2000VDC	2000VDC	2000VDC
Control		AC (DC consult us)				

For rating higher than 1000A up to 8000A consult us.

### Custom enclosures Main boxes

For large solar power applications at Mersen's we have the abilities to design and manufacture custom enclosures as per customer specifications. Supplying traction, utilities, power conversion markets, the company has the resources to design and manufacture high-power cubicles.



### High Voltage Fuse-links (HTA) Size 55x520 - UTE French utility standards compliant



Voltage (kV)	Current (A)	Part Number EDF	Cat. Number w/o striker	Ref. Number w/o striker	Cat. Number with striker	Ref. Number with striker	Packaging
12	6,3		FR120V6.3	X210240C	FR120V6.3P	D210246C	3
12	16	73.02.136	FR120V16	Y210241C	FR120V16P	E210247C	3
12	32	73.02.137	FR120V32	Z210242C	FR120V32P	F210248C	3
12	43		FR120V43	A210243C	FR120V43P	G210249C	3
12	63	73.02.138	FR120V63	B210244C	FR120V63P	H210250C	3
24	6,3	73.02.132	LOT-FR240V6,3	A210798A	LOT-FR240V6,3P	G227430A	1 set of 3 fuses
24	16	73.02.133	LOT-FR240V16	B210796A	LOT-FR240V16P	H227431A	1 set of 3 fuses
24	32		LOT-FR240V32	G226234A	LOT-FR240V32P	J227432A	1 set of 3 fuses
24	43	73.02.134	LOT-FR240V43	C210797A	LOT-FR240V43P	K227433A	1 set of 3 fuses
24	63	73.02.135	LOT-FR240V63	D210798A	LOT-FR240V63P	L227434A	1 set of 3 fuses
36	6.3		FR360V6.3	K227594C	FR360V6.3P	J227616C	3
36	10		FR360V10	L227595C	FR360V10P	K227617C	3
36	16		FR360V16	M227596C	FR360V16P	L227618C	3
36	20		FR360V20	N227597C	FR360V20P	M227619C	3
36	25		FR360V25	P227598C	FR360V25P	N227620C	3
36	32		FR360V32	Q227599C	FR360V32P	P227621C	3

This fuses are available in 7,2kV, for more details please consult us



**MERSEN**  
*Expertise, our source of energy*

**A WORLD LEADER  
 in safety & reliability  
 for electrical power**

## A GLOBAL PLAYER

Global expert in materials and equipment for extreme environments and in the safety and reliability of electrical equipment.

Mersen designs innovative solutions to address its clients' specific needs to enable them to optimize their manufacturing process in sectors such as Energy, Transportation, Electronics, Chemical, Pharmaceutical and Process Industries.

MERSEN France SB  
 S.A.S.  
 Rue Jacques de Vaucanson  
 F-69720 Saint-Bonnet-de-Mure  
 Tel : + 33 4 72 22 66 11

MERSEN Shanghai Co.  
 Ltd.  
 No.55-A6. Shu Shan Road,  
 Songjiang 201611 Shanghai  
 Tel: +8621 67602388

MERSEN USA  
 Newburyport-MA L.L.C.  
 374 Merrimac Street  
 Newburyport, MA 01950  
 Phone: 978-462-6662