

**AMERICAN**



**FITTINGS**  
*Since 1946*

PRODUCT SUBMITTAL PACKAGE APRIL 2017



## CERTIFICATE of ORIGIN and PRODUCT COMPLIANCE

AMERICAN FITTINGS Corporation, AMFICO Brand Electrical Fittings  
Manufactured in the USA, Steel and Aluminum Fittings  
Manufactured on or after January 2009

	<b>Product Group (Application)</b>	<b>Product Series - Designations</b>
Brand Name:	EMT Tubing Fittings	EC, SS including RT Rain Tight
AMFICO	Rigid IMC Conduit Fittings	NT, SNT, GB, AH, RCB, RB, CN, ER, ETR
Size Ranges:	Flexible Cord Connectors	CG, AM, UF
3/8" – 4" Trade Sizes	Flexible Metal Conduit	STR, LT, FLX, AC/MC
<i>(size varies by product series)</i>	Locknuts	L Series 1/2" -2"
Materials:		HDI Series 1/2" - 4"
Alloy Steel or Aluminum		
Construction		

This certifies that the above Product Groups and Product Series(S) meet all guidelines and provisions of the Buy American, Buy America Act provisions, America Trade Agreements Act, the American Recovery and Reinvestment Act (ARRA) and section 1605 of that act, Public Law 111-5.

We also certify that all products are UL listed, meet NEMA FB1; additionally comply with UL Standard 514-B, and Federal Specification WF-408E.

The manufacturing and assembly location for these products is at AMERICAN FITTINGS corporate headquarters in Fair Lawn, New Jersey.

Sincerely,

AMERICAN FITTINGS Corporation

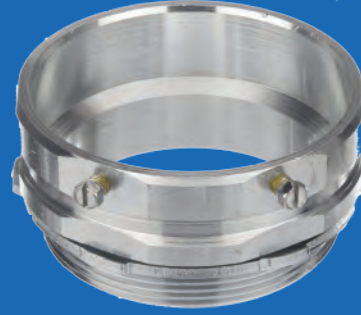
*Rachell Fischbein*

Rachell Fischbein, Authorized Signature  
VP of Operations

Dated: July 27, 2015



**EMT** Electrical Fittings  
 Specification Grade  
 Alloy Steel  
 Made in the USA



1/2" - 4"  
 Connectors & Couplings  
 Set Screw & Compression  
 RainTIGHT Fittings  
 Insulated Throats  
 Adapters to  
 Convert EMT to Rigid or Flex  
 Ground Bushings  
 Supports, Straps, Hangers

**Time to Think Beyond Government Projects!**  
 The Perfect EMT Fitting to  
 Decrease Your Labor Costs and  
 Improve Your Installations



**Products Guaranteed for Life**

**Energy Projects, Data Centers, Hospitals,  
 Infrastructure, & Industrial Facilities  
 Trust One Name,  
 AMERICAN**



**AMFICO Fittings are Alloy Steel Construction with  
 TWICE the Strength and Corrosion Resistance of  
 Die Cast and Malleable Iron**

**AMERICAN FITTINGS**  
 Corporation



*Manufactured in the USA Since 1946*

t: 800.221.5268  
 amftgs.com

© 2017 042017.1EMT

Fair Lawn, New Jersey



# AMERICAN FITTINGS

## EMT Fittings Alloy Steel Made in the USA Connectors & Couplings Compression



Since 1946

**SPEC-grade™**

UL Rated Concrete Tight When Taped  
**Size Range: 1/2" - 4" Alloy Steel**  
**EC Series Connectors & Couplings Compression**  
 UL Rated Concrete Tight When Taped  
 Rain Tight Available See EC RT Series  
 Connectors Furnished with:  
 Industrial Grade Steel Locknut Furnished

**Available:**  
 Solid Alloy Steel Construction, Precision Machined  
 EC Series: Compression Feature:  
**AMFICO EZTorque Compression Nut**  
 Zinc Plated, Chromate Finish - Colors available  
 Insulated Throat Bushing Option Available on Connectors\*



2 1/2" through 4" features AMFICO's Compact Low Profile Design

**EZ Torque™**  
 Compression Nuts

### EMT AMFICO SPEC-grade™ Connectors & Couplings Compression

Cat #	Trade Size"	Description	Box Qty.	Carton Qty	NAED UPC
EC750US	1/2	EMT Steel Compression Connector USA	50	250	66236401770
EC751US	3/4	EMT Steel Compression Connector USA	25	250	66236401771
EC752US	1	EMT Steel Compression Connector USA	20	100	66236401772
EC753US	1 1/4	EMT Steel Compression Connector USA	5	50	66236401773
EC754US	1 1/2	EMT Steel Compression Connector USA	5	25	66236401774
EC755US	2	EMT Steel Compression Connector USA	5	25	66236401775
EC756US	2 1/2	EMT Steel Compression Connector USA	-	5	66236401776
EC757US	3	EMT Steel Compression Connector USA	-	3	66236401777
EC758US	3 1/2	EMT Steel Compression Connector USA	-	3	66236401778
EC759US	4	EMT Steel Compression Connector USA	-	2	66236401779
EC760US	1/2	EMT Steel Compression Coupling USA	50	250	66236401780
EC761US	3/4	EMT Steel Compression Coupling USA	25	125	66236401781
EC762US	1	EMT Steel Compression Coupling USA	20	100	66236401782
EC763US	1 1/4	EMT Steel Compression Coupling USA	5	50	66236401783
EC764US	1 1/2	EMT Steel Compression Coupling USA	5	25	66236401784
EC765US	2	EMT Steel Compression Coupling USA	5	25	66236401785
EC766US	2 1/2	EMT Steel Compression Coupling USA	-	5	66236401786
EC767US	3	EMT Steel Compression Coupling USA	-	3	66236401787
EC768US	3 1/2	EMT Steel Compression Coupling USA	-	2	66236401788
EC769US	4	EMT Steel Compression Coupling USA	-	2	66236401789

#### Options

\* Insulated Throat Bushings Rated 105° on Connectors Available:

Add suffix "B" to above cat #'s:i.e. ECXXXXB

Color Coded Fittings Available Consult Factory for Details

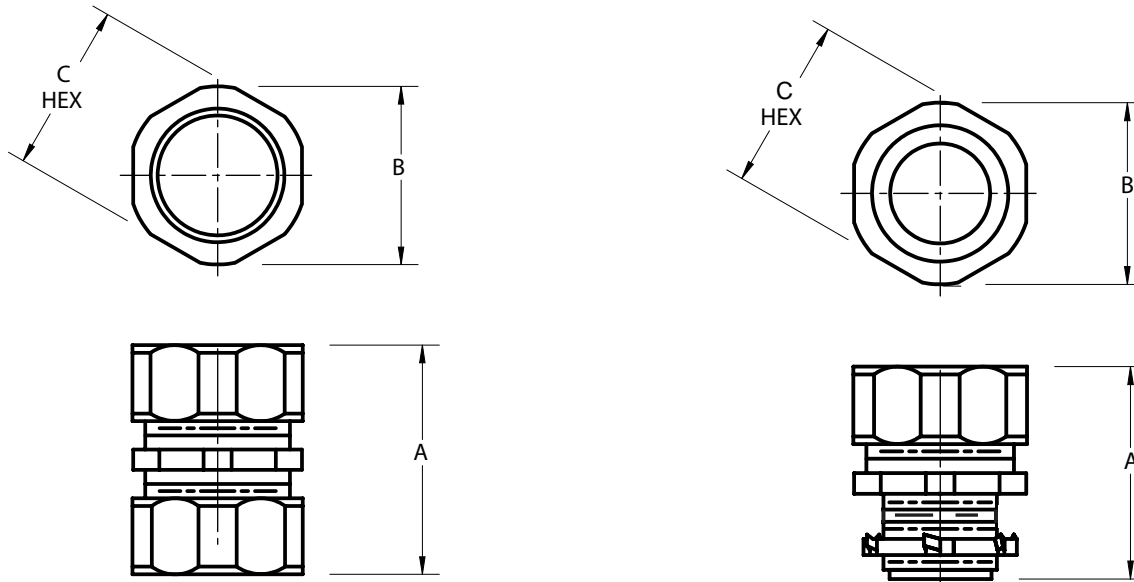
# AMERICAN FITTINGS

EMT Fittings Alloy Steel Made in the USA  
Connectors & Couplings Compression



Since 1946

## EMT AMFICO SPEC-grade™ Connectors & Couplings Compression



1/2 the Size and Weight of All Die Cast, Malleable Iron or Off Shore Steel Fittings, TWICE the Strength & Corrosion Resistance

### DIMENSION TABLE

#### Connectors

#### Couplings

Cat#	Trade Size	"A"	"B"	"C"	Wt./c	Cat#	Trade Size	"A"	"B"	"C"	Wt./c
EC750US	1/2"	1-1/8"	1"	15/16"	8	EC760US	1/2"	1-3/8"	1"	15/16"	8
EC751US	3/4"	1-3/16"	1-7/32"	1-3/16"	12	EC761US	3/4"	1-7/16"	1-7/32"	1-3/16"	13
EC752US	1"	1-5/16"	1-1/2"	1-7/16"	19	EC762US	1"	1-17/32"	1-1/2"	1-7/16"	19
EC753US	1-1/4"	1-9/16"	1-7/8"	1-13/16"	30	EC763US	1-1/4"	1-27/32"	1-7/8"	1-13/16"	30
EC754US	1-1/2"	1-11/16"	2-5/32"	2-1/16"	46	EC764US	1-1/2"	2-1/16"	2-5/32"	2-1/16"	46
EC755US	2"	1-7/8"	2-7/8"	2-9/16"	55	EC765US	2"	2-1/4"	2-7/8"	2-9/16"	60
EC756US	2-1/2"	3-1/8"	3-13/32"	3-1/4"	120	EC766US	2-1/2"	3-5/8"	3-13/32"	3-1/4"	133
EC757US	3"	3-1/16"	4"	3-29/32"	165	EC767US	3"	3-11/16"	4"	3-29/32"	171
EC758US	3-1/2"	3-1/16"	4-9/16"	4-13/32"	201	EC768US	3-1/2"	3-19/32"	4-9/16"	4-13/32"	205
EC759US	4"	3-1/16"	5-3/32"	4-29/32"	237	EC769US	4"	3-5/8"	5-3/32"	4-29/32"	238

#### Compliances:

Certified Made in the USA

UL 514B

NEMA Standard FB1

Certified for MIL-STD 810 Sinusoidal Vibrations

Federal Standard A-A-50553

UL Standards: 514B, 467

CSA Standard: C22.2 No. 18F

RoHS Compliant



- No need to disassemble AMFICO fittings prior to installation. AMFICO EMT Compression Fittings are designed so that when they come out of the carton they can be installed.

- No need for special tools to properly install AMFICO EMT fittings. AMFICO's fittings feature our EZ Torque Compression nuts with true precision machined cut steel threads, fit tight, right everytime.

# AMERICAN FITTINGS

## EMT Fittings Alloy Steel Made in the USA Couplings & Connectors Set Screw



Since 1946

**SPEC-grade™**

**Size Range:** 1/2" - 4" Alloy Steel  
**SS Series Connectors & Couplings Set Screw**  
Connectors Furnished with:  
Industrial Grade Locknut  
UL Rated Concrete Tight When Taped  
Vibration Resistant Steel Steel Screws

**Available:**  
Solid Alloy Steel Construction, Precision Machined  
1/2"- 2" 1 Screw per end; 2 1/2"- 4" 2 Screws Per End  
Zinc Plated, Chromate Finish - Colors available  
Insulated Throat Bushing Option Available on Connector\*  
UL Rated Concrete Type When Taped



### EMT AMFICO SPEC-grade™ Connectors & Couplings Set Screw

Cat #	Trade Size "	Description	Box Qty.	Carton Qty	NAED UPC
SS50US	1/2	EMT Steel Set Screw Connector USA	50	250	66236419060
SS51US	3/4	EMT Steel Set Screw Connector USA	25	125	66236419062
SS52US	1	EMT Steel Set Screw Connector USA	20	100	66236419064
SS53US	1 1/4	EMT Steel Set Screw Connector USA	5	25	66236419066
SS54US	1 1/2	EMT Steel Set Screw Connector USA	5	25	66236419068
SS55US	2	EMT Steel Set Screw Connector USA	-	20	66236419070
SS56US	2 1/2	EMT Steel Set Screw Connector USA	-	6	66236419072
SS57US	3	EMT Steel Set Screw Connector USA	-	6	66236419074
SS58US	3 1/2	EMT Steel Set Screw Connector USA	-	3	66236419076
SS59US	4	EMT Steel Set Screw Connector USA	-	3	66236419078
SS60US	1/2	EMT Steel Set Screw Coupling USA	50	250	66236419100
SS61US	3/4	EMT Steel Set Screw Coupling USA	25	125	66236419102
SS62US	1	EMT Steel Set Screw Coupling USA	10	50	66236419104
SS63US	1 1/4	EMT Steel Set Screw Coupling USA	5	25	66236419106
SS64US	1 1/2	EMT Steel Set Screw Coupling USA	5	25	66236419108
SS65US	2	EMT Steel Set Screw Coupling USA	-	20	66236419110
SS66US	2 1/2	EMT Steel Set Screw Coupling USA	-	5	66236419112
SS67US	3	EMT Steel Set Screw Coupling USA	-	3	66236419114
SS68US	3 1/2	EMT Steel Set Screw Coupling USA	-	2	66236419116
SS69US	4	EMT Steel Set Screw Coupling USA	-	2	66236419118

#### Options

\* Insulated Throat Bushings Rated 105° on Connectors Available:

Add suffix "B" to above cat #'s:i.e. ECXXXXB

Color Coded Fittings Available Consult Factory for Details

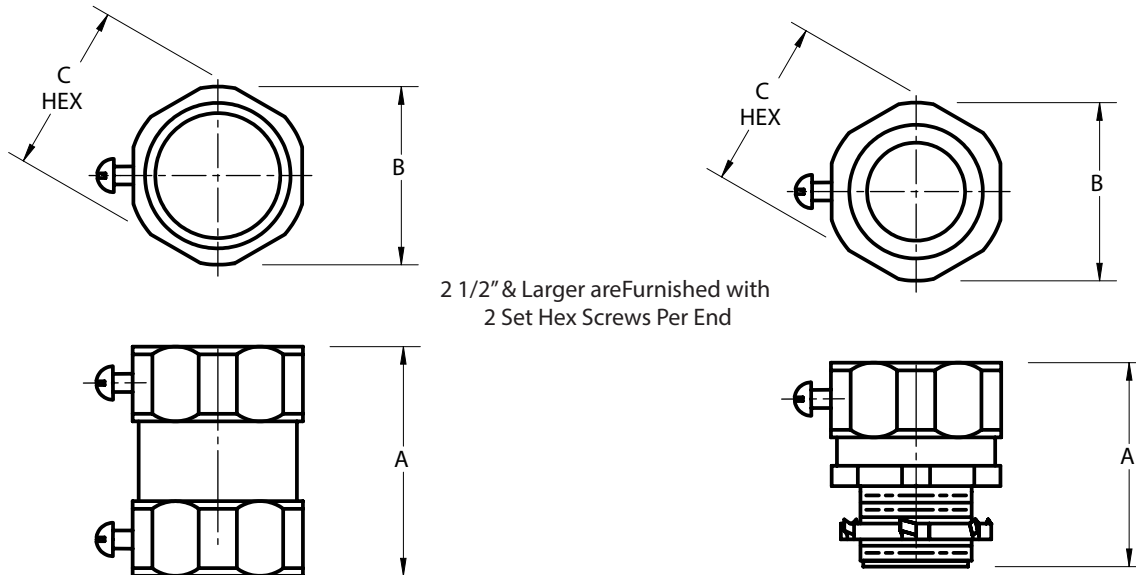
# AMERICAN FITTINGS

EMT Fittings Alloy Steel Made in the USA  
Connectors & Couplings Set Screw



Since 1946

## EMT AMFICO SPEC-grade™ Connectors & Couplings Compression



1/2 the Size and Weight of All Die Cast, Malleable Iron or Off Shore Steel Fittings, TWICE the Strength & Corrosion Resistance

### DIMENSION TABLE

#### Connectors

#### Couplings

Cat#	Trade Size	"A"	"B"	"C"	Wt./c	Cat#	Trade Size	"A"	"B"	"C"	Wt./c
SS50US	1/2"	1-5/32"	63/64"	15/16"	10	SS60US	1/2"	1-1/2"	7/8"	27/32"	10
SS51US	3/4"	1-3/16"	1-7/32"	1-11/64"	14	SS61US	3/4"	1-1/2"	1-1/8"	1-1/16"	15
SS52US	1	1-1/2"	1-1/2"	1-7/16"	23	SS62US	1	1-7/8"	1-11/32"	1-13/32"	24
SS53US	1-1/4"	1-11/16"	2-7/8"	1-13/16"	40	SS63US	1-1/4"	2-3/16"	1-3/4"	1-11/16"	44
SS54US	1-1/2"	1-29/32"	2-5/32"	2-1/16"	52	SS64US	1-1/2"	2-19/32"	2-1/32"	1-31/32"	68
SS55US	2"	2-29/32"	2-21/32"	2-9/16"	80	SS65US	2"	2-11/16"	2-1/2"	2-13/32"	90
SS56US	2-1/2"	2-3/8"	3-13/32"	3-1/4"	116	SS66US	2-1/2"	2-17/32"	3-13/32"	3-1/4"	113
SS57US	3"	2-7/16"	4"	3-29/32"	160	SS67US	3"	2-5/8"	4"	3-29/32"	127
SS58US	3-1/2"	2-7/16"	4-9/16"	4-13/32"	210	SS68US	3-1/2"	2-5/8"	4-9/16"	4-13/32"	156
SS59US	4"	2-7/16"	5-3/32"	4-29/32"	240	SS69US	4"	2-5/8"	5-3/32"	4-29/32"	172

- Steel, Zinc Plated Set Screws  
Vibration Resistant Maintain Grip & Bonding
- Accept FULL Torque without Concern for Cracking Fitting
- Tri-head screws (1/2" to 2" trade sizes) may be installed using a slotted, Phillips, or Robertson head screwdriver.
- Full Hex Head Screws (2 1/2" - 4")
- AMFICO Set Screw Fittings Are IMPOSSIBLE to CRACK

### Compliances:

Certified Made in the USA  
UL 514B  
NEMA Standard FB1  
Certified for MIL-STD 810 Sinusoidal Vibrations  
Federal Standard A-A-50553  
UL Standards: 514B, 467  
CSA Standard: C22.2 No. 18F  
RoHS Compliant



# AMERICAN FITTINGS

## EMT Rain Tight Fittings Alloy Steel Made in the USA Couplings & Connectors Compression



Since 1946

**SPEC-grade™**

**Size Range:** 1/2" - 4" Alloy Steel  
**EC RT Series UL Listed Rain Tight & Concrete Tight\*\***  
Connectors Furnished with:  
Industrial Grade Locknut and Industrial Sealing Washer  
\*\*UL Rated Concrete Tight When Taped

**Available:**  
Solid Alloy Steel Construction, Precision Machined  
EC RT Series Compression Feature:  
EZTorque Compression Nut  
Zinc Plated, Chromate Finish Nuts Colored: Gold  
Insulated Throat Bushing Option Available on Connector\*



### EMT AMFICO SPEC-grade™ RainTIGHT Connectors & Couplings Compression

Cat # *	Trade Size "	Description	Box Qty.	Carton Qty	NAED UPC
EC750USRT	1/2	EMT Steel Compression Connector RainTIGHT USA	50	250	66236401810
EC751USRT	3/4	EMT Steel Compression Connector RainTIGHT USA	25	250	66236401830
EC752USRT	1	EMT Steel Compression Connector RainTIGHT USA	20	100	66236401832
EC753USRT	1 1/4	EMT Steel Compression Connector RainTIGHT USA	5	50	66236401834
EC754USRT	1 1/2	EMT Steel Compression Connector RainTIGHT USA	5	25	66236401836
EC755USRT	2	EMT Steel Compression Connector RainTIGHT USA	5	25	66236401775
EC756USRT	2 1/2	EMT Steel Compression Connector RainTIGHT USA	0	5	66236401776
EC757USRT	3	EMT Steel Compression Connector RainTIGHT USA	0	3	66236401777
EC758USRT	3 1/2	EMT Steel Compression Connector RainTIGHT USA	0	3	66236401778
EC759USRT	4	EMT Steel Compression Connector RainTIGHT USA	0	2	66236401779
EC760USRT	1/2	EMT Steel Compression Couplings RainTIGHT USA	50	250	66236401850
EC761USRT	3/4	EMT Steel Compression Couplings RainTIGHT USA	25	125	66236401852
EC762USRT	1	EMT Steel Compression Couplings RainTIGHT USA	20	100	66236401854
EC763USRT	1 1/4	EMT Steel Compression Couplings RainTIGHT USA	5	50	66236401856
EC764USRT	1 1/2	EMT Steel Compression Couplings RainTIGHT USA	5	25	66236401858
EC765USRT	2	EMT Steel Compression Couplings RainTIGHT USA	5	25	66236401860
EC766USRT	2 1/2	EMT Steel Compression Couplings RainTIGHT USA	-	5	66236401862
EC767USRT	3	EMT Steel Compression Couplings RainTIGHT USA	-	3	66236401864
EC768USRT	3 1/2	EMT Steel Compression Couplings RainTIGHT USA	-	2	66236401866
EC769USRT	4	EMT Steel Compression Couplings RainTIGHT USA	-	2	66236401868

#### Options

\* Insulated Throat Bushings Rated 105° on Connectors Available:  
Add suffix "B" to above cat #'s:i.e. ECXXXXB  
Color Coded Fittings Available Consult Factory for Details



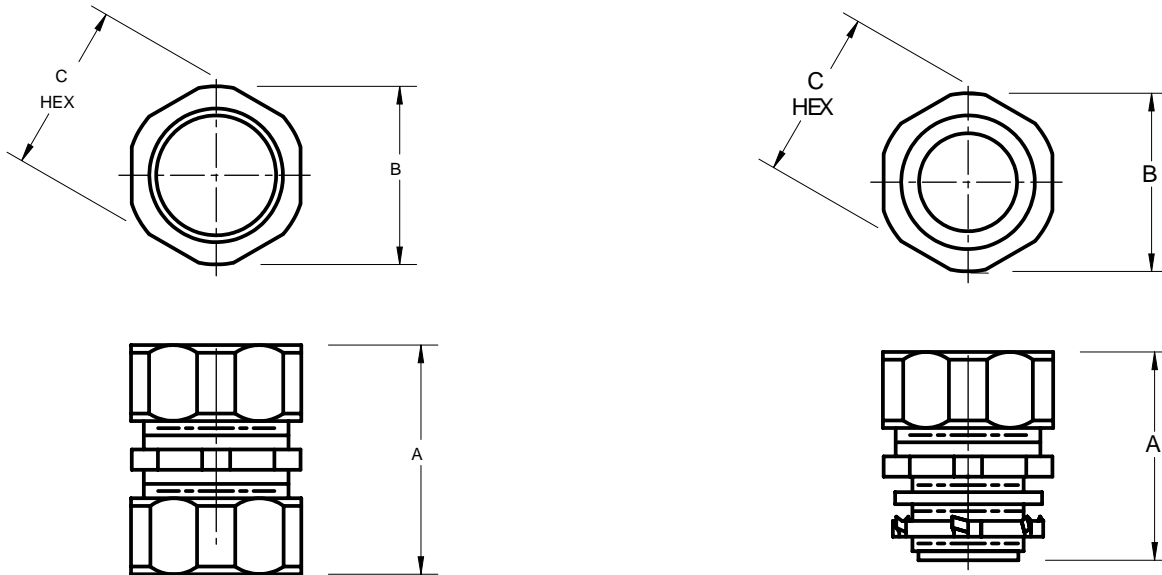
# AMERICAN FITTINGS

## EMT RainTIGHT Fittings Alloy Steel Made in the USA Connectors & Couplings Compression



Since 1946

### EMT AMFICO SPEC-grade™ RainTIGHT Connectors & Couplings Compression



1/2 the Size and Weight of All Die Cast, Malleable Iron or Off Shore Steel Fittings, TWICE the Strength & Corrosion Resistance

#### DIMENSION TABLE

##### Connectors

##### Couplings

Cat#	Trade Size	"A"	"B"	"C"	Wt./c	Cat#	Trade Size	"A"	"B"	"C"	Wt./c
EC750USRT	1/2"	1-1/8"	1"	15/16"	8	EC760USRT	1/2"	1-3/8"	1"	15/16"	8
EC751USRT	3/4"	1-3/16"	1-7/32"	1-3/16"	12	EC761USRT	3/4"	1-7/16"	1-7/32"	1-3/16"	13
EC752USRT	1	1-5/16"	1-1/2"	1-7/16"	19	EC762USRT	1	1-17/32"	1-1/2"	1-7/16"	19
EC753USRT	1-1/4"	1-9/16"	1-7/8"	1-13/16"	30	EC763USRT	1-1/4"	1-27/32"	1-7/8"	1-13/16"	30
EC754USRT	1-1/2"	1-11/16"	2-5/32"	2-1/16"	46	EC764USRT	1-1/2"	2-1/16"	2-5/32"	2-1/16"	46
EC755USRT	2"	1-7/8"	2-7/8"	2-9/16"	55	EC765USRT	2"	2-1/4"	2-7/8"	2-9/16"	60
EC756USRT	2-1/2"	3-1/8"	3-13/32"	3-1/4"	120	EC766USRT	2-1/2"	3-5/8"	3-13/32"	3-1/4"	133
EC757USRT	3"	3-1/16"	4"	3-29/32"	165	EC767USRT	3"	3-11/16"	4"	3-29/32"	171
EC758USRT	3-1/2"	3-1/16"	4-9/16"	4-13/32"	201	EC768USRT	3-1/2"	3-19/32"	4-9/16"	4-13/32"	205
EC759USRT	4"	3-1/16"	5-3/32"	4-29/32"	237	EC769USRT	4"	3-5/8"	5-3/32"	4-29/32"	238

#### Compliances:

Certified Made in the USA

UL 514B

NEMA Standard FB1

Certified for MIL-STD 810 Sinusoidal Vibrations

Federal Standard A-A-50553

UL Standards: 514B, 467

CSA Standard: C22.2 No. 18F

RoHS Compliant



- All AMFICO RT fittings are manufactured with a factory installed sealing ring (s) to ensure a fully rain tight installation. Connectors come with a sealing ring, no need for additional gaskets or silicon.

- No need to disassemble AMFICO fittings prior to installation. AMFICO Raintight Steel EMT Compression Fittings are designed so that when they come out of the carton they can be installed directly on the conduit.

- No need for special tools to properly install AMFICO EMT RT fittings. AMFICO's fittings feature our EZ Torque Compression nuts with true precision machined cut steel threads, fit tight, right everytime.

042017.1EMT

# AMERICAN FITTINGS

## EMT Fittings Alloy Steel Made in the USA

### EMT to Liquid Tight Combination Couplings



Since 1946

**SPEC-grade™**

**Size Range: 1/2" - 2"\* Alloy Steel**  
**EMT to Liquid Tight Combination Coupling**  
 Covert your EMT to liquid tight conduit with this compression coupling. Liquid type fitting on one end, EMT compression on the other.

RainTight EMT to Liquid Tight Available\*\*

**Available:**  
 Precision Machined Alloy Steel Construction  
 Zinc Plated, Chromate Finish  
 Galvanized Plating Option Available  
 Liquid Tight End Features AMFICO's  
 Uniquely Designed XL Ferrule for Positive Ground and Lock



Also Available in  
 90° & 45° Configurations

Liquid TIGHT to EMT Compression

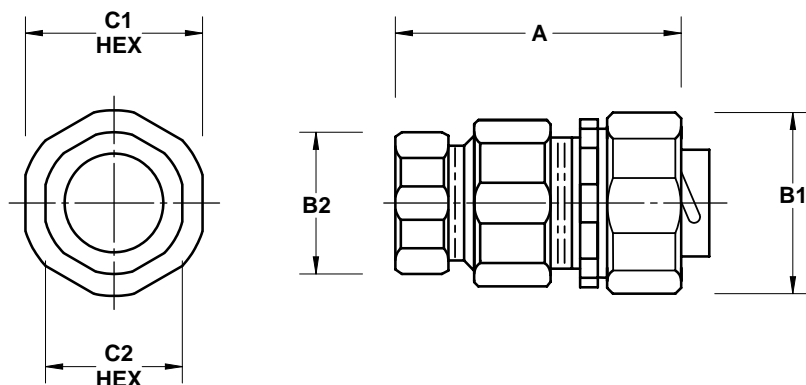
### EMT to LiquidTIGHT to Compression SPEC-grade™ Couplings 1/2" to 2"\*

Cat # **	Trade Size"	Description	Box Qty.	Carton Qty.	Wt/c.	NAED UPC
STREMT50	1/2	Combination Couplings - Liquidtight to EMT	20	100	16	66236430750
STREMT75	3/4	Combination Couplings - Liquidtight to EMT	10	100	22	66236430751
STREMT100	1	Combination Couplings - Liquidtight to EMT	5	50	40	66236430752
STREMT125	1 1/4	Combination Couplings - Liquidtight to EMT	5	25	75	66236430753
STREMT150	1 1/2	Combination Couplings - Liquidtight to EMT	5	25	98	662364 30761
STREMT200	2	Combination Couplings - Liquidtight to EMT	2	10	140	66236430762

\* Larger sizes and other configurations may be available, please consult factory

\*\* Add RT to Cat # for EMT Rain Tight Configuration

Available as 90 and 45



**Compliances:**

Certified Made in the USA  
 UL 514B  
 NEMA Standard FB1  
 Federal Standard A-A-50553  
 NEC: Class I, Division 2  
 Class II, Divisions 1 and 2  
 Class III, Divisions 1 and 2  
 UL Standards: 514B, 467  
 CSA Standard: C22.2 No. 18F



Cat # **	Trade Size	A Lght.	B1 Dia.	B2 Dia.	C1 Hex	C2 Hex
STREMT50	1/2"	1-17/32"	1-3/16"	1"	1-1/8"	15/16"
STREMT75	3/4"	1-21/32"	1-7/16"	1-7/32"	1-3/8"	1-3/16"
STREMT100	1"	1-13/16"	1-3/4"	1-1/2"	1-11/16"	1-7/16"
STREMT125	1-1/4"	2-3/4"	2-5/32"	1-7/8"	2-1/16"	1-13/16"
STREMT150	1-1/2"	3-5/32"	2-3/8"	2-5/32"	2-9/32"	2-1/16"
STREMT200	2"	3-3/8"	2-7/8"	2-7/8"	2-3/4"	2-9/16"

# AMERICAN FITTINGS

## EMT Fittings Alloy Steel Made in the USA EMT to Rigid Combination Couplings



Since 1946

**SPEC-grade™**

**Size Range: 1/2" - 2"\* Alloy Steel  
EMT to Rigid Conduit Combination Coupling**

Covert your EMT to Rigid or IMC conduit with this compression coupling. EMT compression coupling 1 end, Rigid compression coupling other end.

**Available:**  
Solid Alloy Steel Construction, Precision Machined  
ETR Series: EMT Compression - Rigid End Threaded  
Zinc Plated, Chromate Finish  
ETR RT Series UL Listed for Rain Tight \*\*



**EZ Torque™**  
Compression Nut on EMT End  
Threaded other End for Rigid Conduit



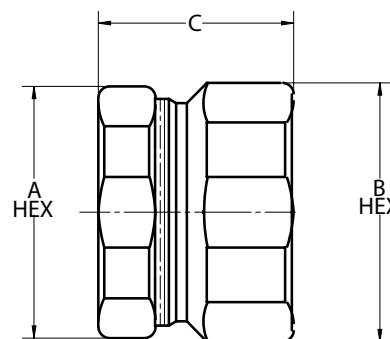
Rain Tight Fittings Feature  
Gold Color Nuts for Inspection Identification

### EMT to Rigid Conduit Coupling AMFICO SPEC-grade™ with Rain Tight Option\*

Cat # **	Trade Size "	Description	Box Qty.	Carton Qty.	Wt/c.	NAED UPC
ETR50	1/2	Steel EMT to Rigid Combination Compression Coupling	25	250	19	6623640174
ETR75	3/4	Steel EMT to Rigid Combination Compression Coupling	10	100	27	6623640174
ETR100	1	Steel EMT to Rigid Combination Compression Coupling	5	50	28	6623640174
ETR125	1 1/4	Steel EMT to Rigid Combination Compression Coupling	5	50	30	6623640175
ETR150	1 1/2	Steel EMT to Rigid Combination Compression Coupling	5	25	41	6623640175
ETR200	2	Steel EMT to Rigid Combination Compression Coupling	5	25	58	6623640175

\* For Sizes Over 2" Consult Factory

\*\* For Rain Tight Product Add "RT" to the Above Cat #.



#### Compliances:

Certified Made in the USA  
UL 514B  
NEMA Standard FB1  
Federal Standard A-A-50553  
UL Standards: 514B, 467  
RoHS Compliant



#### DIMENSION TABLE

Cat #	Trade Size "	"A" Nut OD	"B" Body OD	"C" Lgth."
ETR 50	1/2	15/16	15/16	1-1/4
ETR 75	3/4	1-11/64	1-9/32	1-9/32
ETR100	1	1-7/16	1-9/16	1-15/32
ETR125	1-1/4	1-13/16	1-13/16	1-9/16
ETR150	1-1/2	2-1/16	2-1/16	1-25/32
ETR200	2	2-9/16	2-9/16	1-7/8

\* For Sizes Over 2" Consult Factory

# AMERICAN FITTINGS

EMT Fittings Alloy Steel Made in the USA  
EMT to FMC Combination Couplings



Since 1946

## SPECflex™ Connector System

FLEX Series Industrial Flexible Metal Conduit Adapter  
Transitions FMC (Greenfield) to EMT  
Made in the USA

Solid Steel Fully Machined SPECflex™ Connector with  
AMFICO Industrial EMT Set Screw Fitting  
Fittings are Solid Steel Zinc Plated

Patent Pending Uniquely Engineered for Industrial Projects and  
OEM Product Performance  
**Superior Performance for Secure Connection and Fast Disconnect**  
**No Tools Required to Install Connector on Flex Conduit**



Greenfield to EMT Set Screw

Greenfield to EMT Compression



*Save Labor Costs on Every Connection!*

*One Piece Construction No Need to Disassemble*

Greenfield  
FMC



EMT  
Set Screw

Greenfield  
FMC



EMT  
Compression

### Compliances:

Certified Made in the USA

UL 514B

NEMA Standard FB1

Federal Standard A-A-50553

UL Standards: 514B, 467

RoHS Compliant



### Note:

SPECflex connectors are designed to work and interface with UL listed, Made in USA FMC / Greenfield conduit. We cannot guarantee fit, form, or function with non-UL off-shore conduit. Request a sample from factory to ensure compatibility.

# AMERICAN FITTINGS

EMT Fittings Alloy Steel Made in the USA  
EMT to FMC Combination Couplings



Since 1946

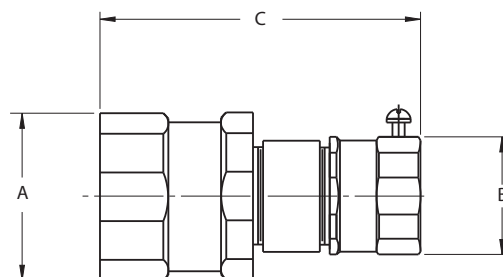
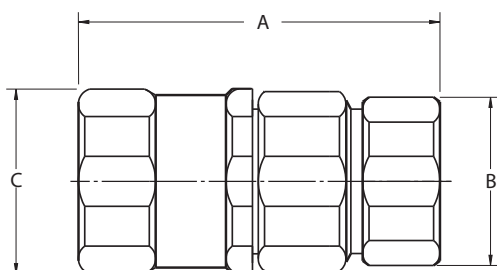
**SPEC-grade™**

**Size Range:** 1/2" - 2"\* Alloy Steel  
**FLX Series Combiation Couplings**  
Set Screw & Compression EMT  
Connector Includes  
Industrial Sealing Washer & Steel Locknut

**Available:**  
Zinc Plated, Galvanized Plating  
Insulated Throat Bushing & Steel Locknut  
Furnished on Flex Connector

## EMT to FMC Combination Couplings AMFICO SPEC-grade™ Set Screw or Compression

Cat #	Trade Size "	Description	Box Qty.	Carton Qty.	Wt/c.	NAED UPC
FLXSS 50	1/2	SPECflex Adapter EMT Set Screw to Flex USA	10	100	24	66236421507
FLXSS 75	3/4	SPECflex Adapter EMT Set Screw to Flex USA	5	50	31	66236421508
FLXSS100	1	SPECflex Adapter EMT Set Screw to Flex USA	5	50	51	66236421509
FLXSS125	1 1/4	SPECflex Adapter EMT Set Screw to Flex USA	5	25	78	66236421510
FLXSS150	1 1/2	SPECflex Adapter EMT Set Screw to Flex USA	5	25	96	66236421511
FLXSS200	2	SPECflex Adapter EMT Set Screw to Flex USA	5	10	148	66236421512
FLXEMT 50	1/2	SPECflex Adapter EMT Compression to Flex USA	25	125	21	66236421501
FLXEMT 75	3/4	SPECflex Adapter EMT Compression to Flex USA	10	100	31	66236421502
FLXEMT100	1	SPECflex Adapter EMT Compression to Flex USA	5	50	52	66236421503
FLXEMT125	1 1/4	SPECflex Adapter EMT Compression to Flex USA	5	25	69	66236421504
FLXEMT150	1 1/2	SPECflex Adapter EMT Compression to Flex USA	5	25	89	66236421505
FLXEMT200	2	SPECflex Adapter EMT Compression to Flex USA	2	10	138	66236421506



**SPECflex EMT Compression Adapters**

Cat #	Trade Size	A	B hex	C hex
FLXEMT50	1/2"	2-7/16"	15/16"	1-1/8"
FLXEMT75	3/4"	2-15/32"	1-3/16"	1-3/8"
FLXEMT100	1"	2-17/32"	1-7/16"	1-5/8"
FLXEMT125	1-1/4"	2-11/16"	1-13/16"	1-31/32"
FLXEMT150	1-1/2"	3-5/32"	2-1/16"	2-3/16"
FLXEMT200	2"	3-5/16"	2-9/16"	2-25/32"

**SPECflex EMT SET SCREW Adapters**

Cat #	Trade Size	A	B hex	C hex
FLXSS 50	1/2"	2-5/8"	15/16"	1-1/8"
FLXSS 75	3/4"	2-21/32"	1-3/16"	1-3/8"
FLXSS 100	1"	2-31/32"	1-7/16"	1-5/8"
FLXSS 125	1-1/4"	3-7/32"	1-13/16"	1-31/32"
FLXSS 150	1-1/2"	3-23/32"	2-1/16"	2-13/16"
FLXSS 200	2"	3-23-32"	2-9/16"	2-25/32"

\* For Sizes Over 2" Consult Factory

# AMERICAN FITTINGS

## EMT Bushings Alloy Steel Made in the USA Ground & Bonding Bushings Set Screw



Since 1946

**SPEC-grade™**

**Size Range:** 1/2" - 4" Alloy Steel  
**GB Series Set Screw Bushings**  
For Use with EMT Threadless Conduit  
3 Set Screws or 2 Set Screws with Lug Option

**Available:**  
Used with a locknut to terminate threadless EMT  
Aluminum Layin Grounding Lug Copper Lug Option  
Insulator Throat Bushing Prevents Damage to Wire  
Insulated Throat Bushing is UL and 150° Rated



GB Series  
Furnished with Layin Ground Lug

RCB Series - no ground

*Precision Machined from Alloy Steel for a Burrless Pull with Twice the Strength of Malleable or Iron Products*

### EMT Threadless Conduit Bushings AMFICO SPEC-grade™ 1/2" -4" with Ground Option

Cat #	Trade Size"	Description	Box Qty.	Carton Qty.	Wt/c.	NAED UPC
GB 50BNTGL	1/2	Steel Threadless Bushing w/ #14-#4 AL Ground Lug /Insulated Throat	50	250	7	662364 20009
GB 75BNTGL	3/4	Steel Threadless Bushing w/ #14-#4 AL Ground Lug /Insulated Throat	50	250	8	662364 20059
GB 75BNTGLO	3/4	Steel Threadless Bushing w/ #8-1/0 AL: Ground Lug /Insulated Throat	25	125	12	662364 20079
GB100BNTGL	1	Steel Threadless Bushing w/ #14-#4 AL Ground Lug /Insulated Throat	25	250	9	662364 20109
GB100BNTGLO	1	Steel Threadless Bushing w/ #8-1/0 AL: Ground Lug /Insulated Throat	20	100	13	662364 20129
GB125BNTGL	1 1/4	Steel Threadless Bushing w/ #14-#4 AL Ground Lug /Insulated Throat	20	100	15	662364 20159
GB125BNTGLO	1 1/4	Steel Threadless Bushing w/ #8-1/0 AL: Ground Lug /Insulated Throat	20	100	19	662364 20179
GB150BNTGL	1 1/2	Steel Threadless Bushing w/ #14-#4 AL Ground Lug /Insulated Throat	10	50	15	662364 20209
GB150BNTGLO	1 1/2	Steel Threadless Bushing w/ #8-1/0 AL: Ground Lug /Insulated Throat	10	50	20	662364 20229
GB200BNTGL	2	Steel Threadless Bushing w/ #14-#4 AL Ground Lug /Insulated Throat	10	50	21	662364 20259
GB200BNTGLO	2	Steel Threadless Bushing w/ #8-1/0 AL: Ground Lug /Insulated Throat	10	50	24	662364 20279
GB250NTBGL	2 1/2	Steel Threadless Bushing w/ #14-2/0 AL Ground Lug /Insulated Throat	5	25	64	662364 20309
GB250BNTGL250	2 1/2	Steel Threadless Bushing w/ #6-250 mcm AL Ground Lug/Insulated Throat	5	25	77	662364 20329
GB300BNTGL	3	Steel Threadless Bushing w/ #14-1/0 AL Ground Lug /Insulated Throat	5	25	77	662364 20359
GB300BNTGL250	3	Steel Threadless Bushing w/ #6-250 mcm AL Ground Lug/Insulated Throat	3	15	89	662364 20379
GB350BNTGL	3 1/2	Steel Threadless Bushing w/ #14-2/0 AL Ground Lug /Insulated Throat	3	15	91	662364 20359
GB350BNTGL250	3 1/2	Steel Threadless Bushing w/ #6-250 mcm AL Ground Lug/Insulated Throat	3	15	103	662364 20429
GB400BNTGL	4	Steel Threadless Bushing w/ #14-2/0 AL Ground Lug /Insulated Throat	3	15	94	662364 20459
GB400BNTGL250	4	Steel Threadless Bushing w/ #6-250 mcm AL Ground Lug/Insulated Throat	3	15	106	662364 20479

*For RCB Series Bushings without Ground Lug Consult Factory for Cat #.*

#### Compliances:

Certified Made in the USA

UL 514B

NEMA Standard FB1

Certified for MIL-STD 810 Sinusoidal Vibrations

Federal Standard A-A-50553

UL Standards: 514B, 467

CSA Standard: C22.2 No. 18F

RoHS Compliant



# AMERICAN FITTINGS

## LOCKnuts Alloy Steel Made in the USA

### Industrial Grade Bonding Locknuts



Since 1946

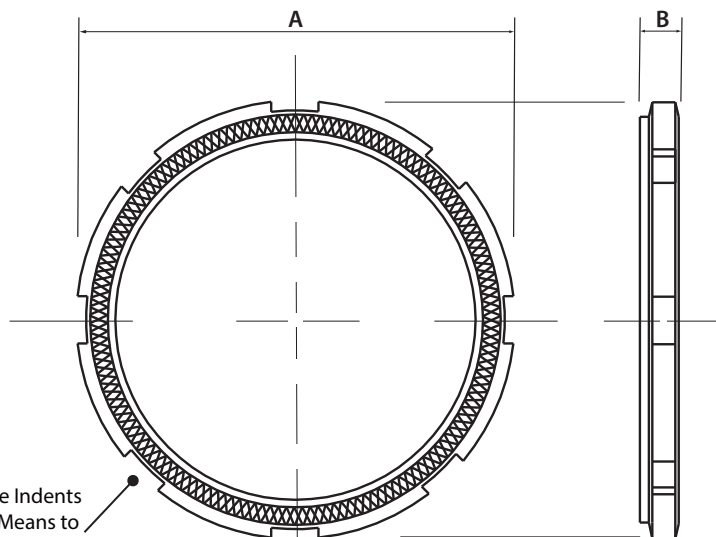
**SPEC-grade™**  
**LOCK nuts**

**Size Range: 1/2" - 4" Alloy Steel**  
**HDI Series SPECgrade Bonding LOCKnuts**  
Precisioned Machined from Alloy Bar Stock  
Fully Torque, It Will NEVER Crack Nor Deform  
Made in the USA

**Available:**  
Zinc Plated, Chromate Finish  
Galvanized Plating Option Available  
Uniquely Designed for Positive Ground and Lock



Diamond Beveled Face  
Grips Enclosure for  
Assured Bonding & Locking With  
VIBRATION PROOF Performance



Unique Circumference Indents  
Provide a EZ Failsafe Means to  
Tighten Our LOCKnut.

### AMFICO SPEC-grade™ HDI LOCKnuts 1/2"-4" Alloy Steel

Cat #	Trade Size"	"A"	"B"	Box Qty.	Carton Qty.	Wt/c	UPC Code
LN 50HDI	1/2	1.13	.13	200	2000	2	66236401500
LN 75HDI	3/4	1.39	.13	100	1000	4	66236401510
LN100HDI	1	1.69	.17	50	500	6	66236401520
LN125HDI	1 1/4	2.06	.17	50	500	14	66236401530
LN150HDI	1 1/2	2.28	.17	25	250	17	66236401540
LN200HDI	2	2.78	.17	25	250	9	66236401550
LN250HDI	2 1/2	3.39	.25	-	30	36	66236401560
LN300HDI	3	4.00	.25	-	25	55	66236401570
LN350HDI	3 1/2"	4.56	.25	-	25	78	66236401580
LN400HDI	4	5.09	.25	-	25	101	66236401590

**Compliances:**

Certified Made in the USA

UL 514B

NEMA Standard FB1

Federal Standard A-A-50553

UL Standards: 514B, 467

RoHS Compliant



*For a Wide Range of AMFICO EMT Accessories  
Please Request our Accessories Catalog or Consult Factory*



*When It Comes To Your Electrical Fittings,  
Trust One Name, AMERICAN.*

**Industrial Specification Grade Fittings**



**Rigid Conduit**  
Alloy Steel Electrical Fittings  
*Made in the USA*



WaterTIGHT Alloy Steel  
Ground Hub

*Products Engineered and Manufactured to  
Meet Your Most Demanding Environments*

**AMERICAN FITTINGS**  
Corporation



*Manufactured in the USA Since 1946*

800.221.5268  
amftgs.com

Fair Lawn, New Jersey

© 2017







Since 1946

# Rigid Conduit Fittings

## Proudly Made in the USA

### RETHINK AMERICAN

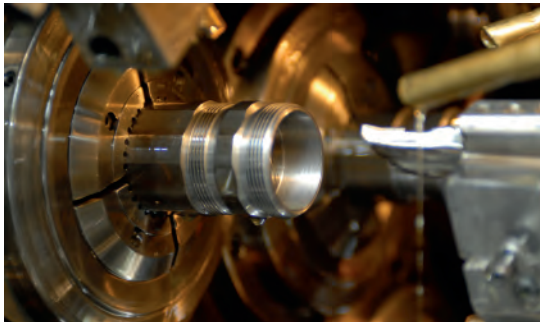
Thought of as a fittings source for Buy America jobs, you should realize our full range of industrial fittings go WELL BEYOND government work. Infrastructure to food processing, being much easier to install and always surpassing application requirements, our fittings will outperform ALL others, as will our commitment to customer service.

### AMERICAN INTEGRITY OF MATERIALS

AMERICAN FITTINGS' products are manufactured from US manufactured hot rolled alloy steel bar stock. All materials are received from the mill with certified ASTM mill test reports. This ensures the integrity of raw material for every fitting we manufacture.



Our Raw Material  
Fully Documented  
Alloy Steel Bar Stock



Precision Cutting and Machining of Every Part

### AMERICAN CONSISTENCY OF PRODUCT

If your conduit is rigid steel, why are you using inferior die cast or malleable iron fittings? Neither of these materials offers the uniformity of threads and compression, that our alloy steel provides. Our consistent centerlines provides precise alignment with enclosures and conduit. Environmental integrity and ease of installation are guaranteed with the manufacturing and machining processes we employ. No fitting found worldwide can meet the quality of AMFICO.

### AMERICAN INNOVATION

Products that install faster and perform more reliably

Our Unique Full Hex Design  
Provides Greater Torque with  
Ease of Installation



Uniformity of Centerlines  
Provide Dead Center Alignment  
on Enclosures



Fully Machined Burrless ID  
Ease of Pulling Wire



Rigid Products Certified to  
MIL-STD 810 Sinusoidal Ratings

WaterTIGHT to RainTIGHT  
Are Guarantees We Provide

### AMERICAN STRENGTH IS UNEQUALED

There is no way to get around the numbers, twice the strength of MI at a fraction of the weight. Alloy steel will outperform and outlast both die cast and malleable iron products. Alloy steel is not dependent on carbon for strength, and is naturally stronger with greater benefits in harsh conditions. Additive elements found in alloy steel make it NATURALLY corrosion resistant.

Machined Alloy Steel [Ours]	
ASTM Physical Test	Result
Tensile Strength (kpsi)	78
Yield Strength (kpsi)	70
Elongation (% in 2")	15
Brinell Hardness	163
Creep Concern *	No

Cast Malleable Iron [Theirs]	
ASTM Physical Test	Result
Tensile Strength (kpsi)	52
Yield Strength (kpsi)	33
Elongation (% in 2")	10
Brinell Hardness	110 - 124
Creep Concern *	unknown

Zinc Die Cast (Zamack # 3 -7)[Theirs]	
ASTM Physical Test	Result
Tensile Strength (kpsi)	41
Yield Strength (kpsi)	31
Elongation (% in 2")	13
Brinell Hardness	80
Creep Concern *	Yes

\* Creep (sometimes called cold flow) is the tendency of a solid material to move slowly or deform permanently under the influence of mechanical stresses. It can occur as a result of long-term exposure to high levels of stress that are still below the yield strength of the material.



Made in the USA Since 1946

RIGID - IMC CONDUIT  
Connectors / Compression Type  
Size Range: 1/2" to 5"

## Rigid-IMC Connectors Alloy Steel Compression Type - (No Thread) Rain Tight Option Size Range 1/2" - 4"

Available With or Without Insulated Throat Bushing \*\*

Industrial Specification Grade  
Solid Alloy Machined Steel, Made in the USA  
Industrial Corrosion Resistant Zinc Plated  
Industrial Galvanized Plating Available

- UL Listed Concrete Tight 2-1/2" - 4"

### Compliances:

Certified Made in the USA

UL 514B

NEMA Standard FB1

Certified for MIL-STD 810 Sinusoidal Vibrations

Federal Standard A-A-50553

UL Standards: 514B, 467

CSA Standard: C22.2 No. 18F



Featuring:  
**EZ-Torque Compression Nut**

\*\* Insulated Throat Bushing - Add Suffix "B" to Cat #; i.e. NT2750B

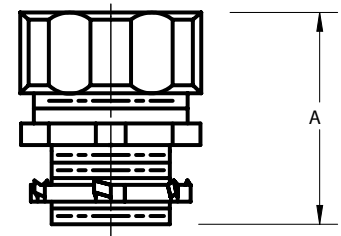
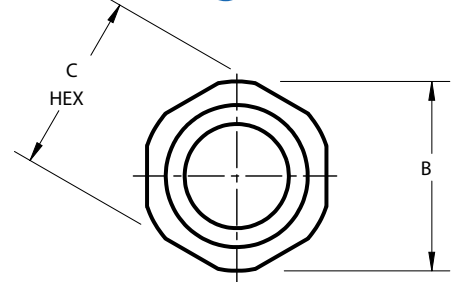
**Rain Tight** Product Available - Add Suffix "RT" to Cat #; i.e. NT2750RT

Rain Tight Furnished with Gold Tone Color Coded Nuts

**Galvanized Plating Option:** Add Suffix "G" to Cat #; i.e. NT2750G

Note: For Galvanized parts, minimum quantities may apply. Consult factory.

## SPEC-grade



RainTIGHT "RT" Connector  
Gold Tone Nuts



Standard  
Connector

### Packaging

Cat. #**	Size	Unit Ctn	Std Pkg	WT/ 100
NT2750	1/2"	25	250	13
NT2751	3/4"	20	100	20
NT2752	1"	5	50	36
NT2753	1-1/4"	5	25	48
NT2754	1-1/2"	5	25	70
NT2755	2"	5	25	100
NT2756	2-1/2"	-	5	275
NT2757	3"	-	3	333
NT2758	3-1/2"	-	3	475
NT2759	4"	-	2	547

### Dimensional Table

Cat #	A Length	B Diameter	C Hex
NT2750	1-1/2"	1-3/16"	1-1/8"
NT2751	1-5/8"	1-7/16"	1-3/8"
NT2752	1-29/32"	1-3/4"	1-11/16"
NT2753	2-1/8"	2-5/32"	2-1/16"
NT2754	2-3/8"	2-3/8"	2-9/32"
NT2755	2-1/2"	2-7/8"	2-13/16"
NT2756	3-3/8"	3-13/32"	3-1/4"
NT2757	3-7/16"	4"	3-29/32"
NT2758	3-7/16"	4-9/16"	4-13/32"
NT2759	3-7/16"	5-3/32"	4-29/32"

# AMERICAN FITTINGS Corporation



Made in the USA Since 1946

RIGID - IMC CONDUIT  
Rigid-IMC Couplings / Compression Type  
Size Range: 1/2" to 5"

## Rigid-IMC Couplings Alloy Steel

Compression Type - (No Thread) - Rain Tight Option  
Size Range: 1/2" - 4"

Industrial Specification Grade  
Solid Alloy Machined Steel, Made in the USA  
Industrial Corrosion Resistant Zinc Plated  
Industrial Galvanized Plating Available

Rain Tight Product Available - Add Suffix "RT"; i.e. NT2760RT

Rain Tight Furnished with Gold Tone Color Coded Nuts

Galvanized Plating Option: Add Suffix "G" to Cat #; i.e. NT2760G

Note: Minimum quantities may apply. Consult factory.

### Compliances:

Certified Made in the USA

UL 514B

NEMA Standard FB1

Certified for MIL-STD 810 Sinusoidal Vibrations

Federal Standard A-A-50553

UL Standards: 514B, 467

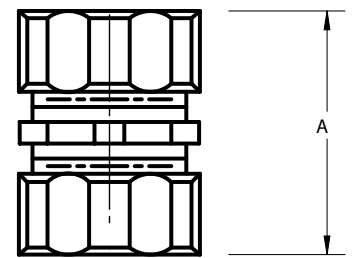
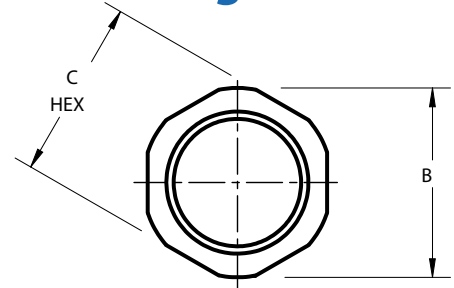
CSA Standard: C22.2 No. 18F



Featuring:

**EZ-Torque Compression Nut**

## SPEC-grade



Rain Tight Product Available - Add Suffix "RT" to Cat #; i.e. NT2750RT

Rain Tight Furnished with Gold Tone Color Coded Nuts

Galvanized Plating Option: Add Suffix "G" to Cat #; i.e. NT2750G

Note: For Galvanized parts, minimum quantities may apply. Consult factory.



RainTIGHT "RT" Coupling  
Gold Tone Nuts



Standard  
Coupling

### Packaging

Cat. # **	Size	Unit Ctn	Std Pkg
NT2760	1/2"	20	100
NT2761	3/4"	20	100
NT2762	1"	5	50
NT2763	1-1/4"	5	25
NT2764	1-1/2"	5	25
NT2765	2"	3	15
NT2766	2-1/2"	-	5
NT2767	3"	-	3
NT2768	3-1/2"	-	2
NT2769	4"	-	2

### Dimensional Table

Cat #	Size	A Length	B Diameter	C Hex	WT/100
NT2760	1/2"	1-13/16"	1-3/16"	1-1/8"	16
NT2761	3/4"	2-1/8"	1-7/16"	1-3/8"	24
NT2762	1"	2-7/16"	1-3/4"	1-11/16"	48
NT2763	1-1/4"	2-13/16"	2-5/32"	2-1/16"	64
NT2764	1-1/2"	3-1/8"	2-3/8"	2-9/32"	110
NT2765	2"	3-1/4"	2-7/8"	2-13/16"	140
NT2766	2-1/2"	4-5/16"	3-13/32"	3-1/4"	150
NT2767	3"	4-3/8"	4"	3-29/32"	192
NT2768	3-1/2"	4-3/8"	4-9/16"	4-13/32"	229
NT2769	4"	4-3/8"	5-3/32"	4-29/32"	266

rev.082016.1

AMFTGS.com

t: 800-221-5268

e: info@amftgs.com



Made in the USA Since 1946

RIGID - IMC CONDUIT  
Set Screw Alloy Steel Connector  
Size Range: 1/2" to 4"

## SPEC-grade

### Rigid-IMC Connectors Alloy steel Set Screw

Size Range 1/2" - 4"

Available With or Without Insulated Throat Bushing \*\*

Industrial Specification Grade

Solid Alloy Machined Steel, Made in the USA

Industrial Corrosion Resistant Zinc Plated

Industrial Galvanized Plating Available

#### Compliances:

Certified Made in the USA

UL 514B

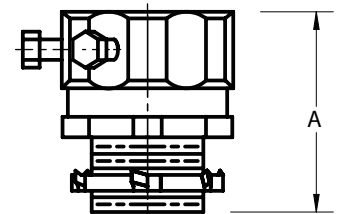
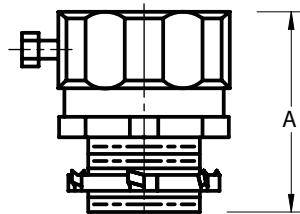
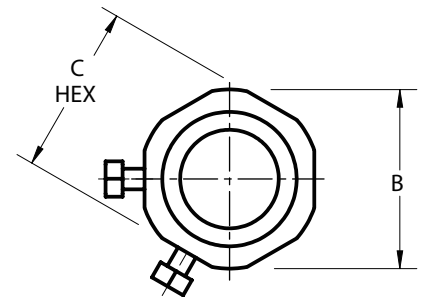
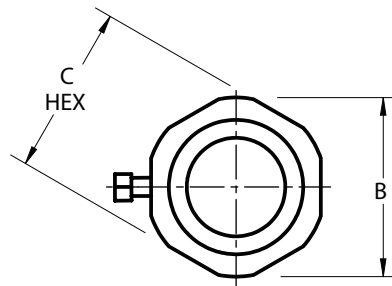
NEMA Standard FB1

Certified for MIL-STD 810 Sinusoidal Vibrations

Federal Standard A-A-50553

UL Standards: 514B, 467

CSA Standard: C22.2 No. 18F



1/2" - 2"

2-1/2" - 4"



Cat # *	Size	A Length	B Diameter	C Hex	WT/100
SNT1750	1/2"	1-3/16"	1-3/16"	1-1/8"	13
SNT1751	3/4"	1-1/4"	1-13/32"	1-11/32"	17
SNT1752	1"	1-1/2"	1-11/16"	1-5/8"	28
SNT1753	1-1/4"	1-3/4"	2-5/32"	2-1/32"	43
SNT1754	1-1/2"	1-15/16"	2-3/8"	2-9/32"	55
SNT1755	2"	2"	2-7/8"	2-25/32"	70
SNT1756	2-1/2"	2-1/2"	3-13/32"	3-1/4"	117
SNT1757	3"	2-9/16"	4"	3-29/32"	160
SNT1758	3-1/2"	2-9/16"	4-9/16"	4-13/32"	210
SNT1759	4"	2-9/16"	5-3/32"	4-29/32"	240

\* Add Suffix "B" for Insulated Throat ie: SNT1750B

Larger sizes 5" maybe available as malleable iron, consult factory

rev.082016.1

# AMERICAN FITTINGS Corporation



Made in the USA Since 1946

RIGID - IMC CONDUIT  
Set Screw Alloy Steel Coupling  
Size Range: 1/2" to 4"

## Rigid-IMC Couplings Alloy Steel Set Screw Size Range 1/2" - 4"

Industrial Specification Grade  
Solid Alloy Machined Steel, Made in the USA  
Industrial Corrosion Resistant Zinc Plated  
Industrial Galvanized Plating Available

### Compliances:

Certified Made in the USA

UL 514B

NEMA Standard FB1

Certified for MIL-STD 810 Sinusoidal Vibrations

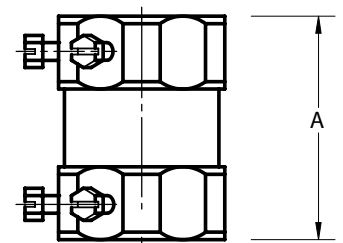
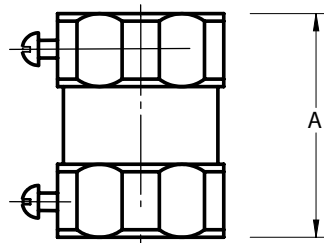
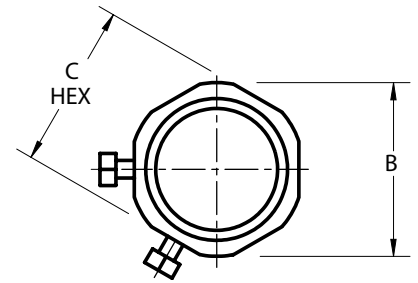
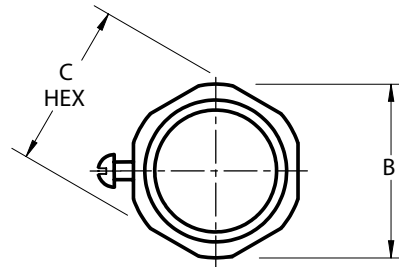
Federal Standard A-A-50553

UL Standards: 514B, 467

CSA Standard: C22.2 No. 18F



## SPEC-grade



1/2" - 2"

2-1/2" - 4"



Cat #	Size	A Length	B Diameter	C Hex	WT/100
SS60US	1/2"	1-1/2"	7/8"	27/32"	10
SS61US	3/4"	1-1/2"	1-1/8"	1-1/16"	15
SS62US	1"	1-7/8"	1-11/32"	1-13/32"	24
SS63US	1-1/4"	2-3/16"	1-3/4"	1-11/16"	44
SS64US	1-1/2"	2-19/32"	2-1/32"	1-31/32"	68
SS65US	2"	2-11/16"	2-1/2"	2-13/32"	90
SS66US	2-1/2"	2-17/32"	3-13/32"	3-1/4"	113
SS67US	3"	2-5/8"	4"	3-29/32"	127
SS68US	3-1/2"	2-5/8"	4-9/16"	4-13/32"	156
SS69US	4"	2-5/8"	5-3/32"	4-29/32"	172

\* Add Suffix "B" for Insulated Throat ie: SNT1750B

rev.082016.1

AMFTGS.com

t: 800-221-5268

e: info@amftgs.com



Made in the USA Since 1946

## SPEC-grade

### Rigid-IMC 3 Piece Ericson Coupling Alloy Steel Compression Type - Rain Tight Option Size Range: 1/2" - 4"

Industrial Specification Grade  
Solid Alloy Machined Steel, Made in the USA  
Industrial Corrosion Resistant Zinc Plated  
Industrial Galvanized Plating Available

*3-Piece Couplings Are Used To:  
Join 2 lengths of threaded conduit; the coupling  
couples conduit when conduit cannot be turned*

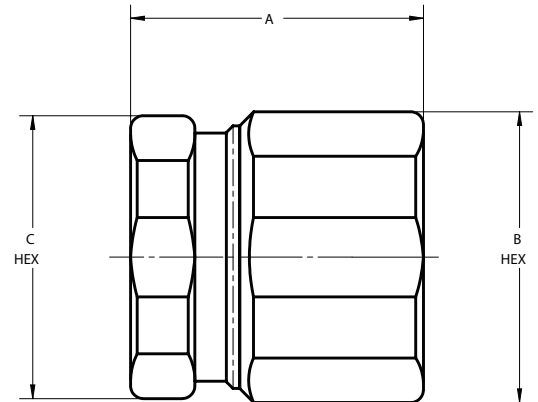
#### Compliances:

Certified Made in the USA  
UL 514B  
NEMA Standard FB1  
Certified for MIL-STD 810 Sinusoidal Vibrations  
Federal Standard A-A-50553  
UL Standards: 514B, 467  
CSA Standard: C22.2 No. 18F



**Rain Tight** Product Available - Add Suffix "RT" to Cat #; i.e. ER250RT  
Rain Tight Furnished with Gold Tone Color Coded Nuts

**Galvanized Plating Option:** Add Suffix "G" to Cat #; i.e. ER250G  
Note: For Galvanized parts, minimum quantities may apply. Consult factory.



Featuring:  
**EZ-Torque Compression Nut**



Cat. #	Size	A Length	B - hex	C - hex	Unit Ctn	Std Ctn	WT/ 100
ER50	1/2"	1-1/16	1-1/8	1-1/32	20	200	15
ER75	3/4"	1-3/32	1-11/32	1-13/64	20	100	17
ER100	1"	1-3/8	1-5/8	1-9/16	5	50	36
ER125	1-1/4"	1-11/16	2-1/32	1-61/64	5	25	52
ER150	1-1/2"	1-3/4	2-9/32	2-3/16	5	25	68
ER200	2"	1-7/8	2-25/32	2-21/32	5	25	90
ER250	2-1/2"	2-7/16	3-1/4	3-1/4	-	5	150
ER300	3"	2-7/16	3-29/32	3-29/32	-	5	180
ER350	3-1/2"	2-21/32	4-13/32	4-13/32	-	4	318
ER400	4"	2-21/32	4-29/32	4-29/32	-	2	358

Larger sizes 5" maybe available as malleable iron, consult factory



# AMERICAN FITTINGS Corporation

Made in the USA Since 1946

Industrial SPEC- grade  
Rigid / IMC Conduit  
Alloy Steel Grounding Bushings  
1/2" to 4"

## GB & RCB Series Industrial SPEC-*grade* ALLOY STEEL Bushings Manufactured in the USA

Set Screw, Threaded or Threadless with Insulated Throat \*  
With and Without Optional Ground Lug \*

Furnished with 3 Pre-Drilled Holes and Set Screws  
Unique Design Allows Ease of Installation and Orientation of Set Screw & Ground Lugs  
Solid Alloy Steel with Our AMFICO Full Hex Nut Design Permits Industrial Grade Torque without Damage to Pipe

Solid Machined Alloy Steel with an Option of Zinc Plated or Galvanized Plated

Superior Life & Performance Over Die Cast & Malleable Iron Products

Furnished with UL Component Temperature Rated 150°C Insulated Throat

Available with Option of Aluminum (Standard) Ground Lug or Copper Ground Lug \*

NO "Gimmick" Features,  
Simply the BEST and  
STRONGEST Fittings Manufactured

Precision Cut, Fully Machined Threads,  
GRIP TIGHT & RIGHT

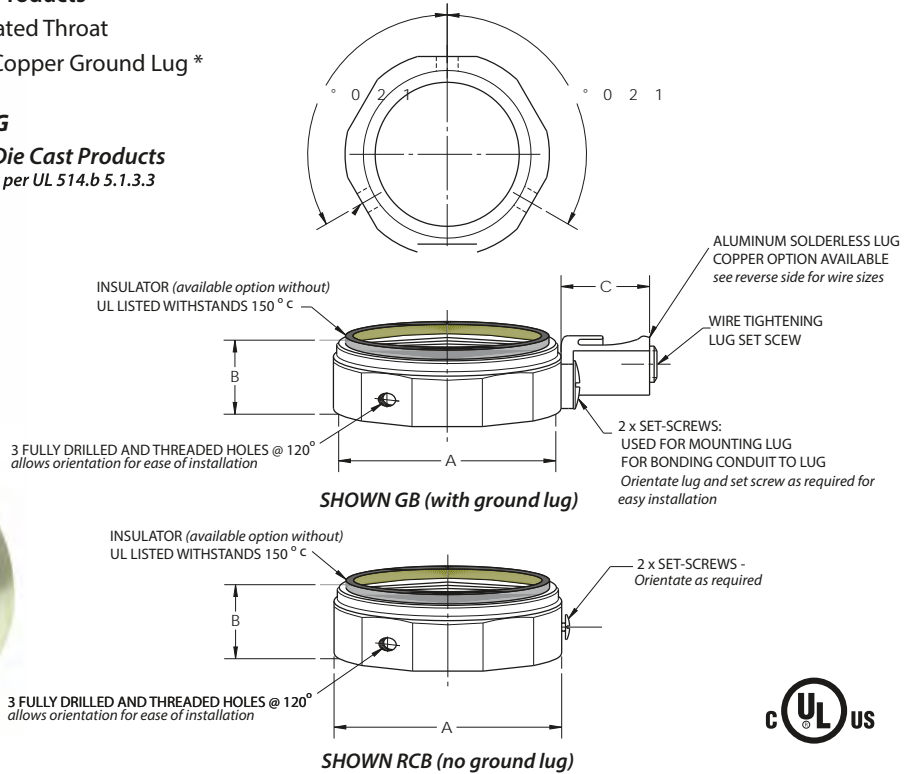
### NEVER CRACK ANOTHER BUSHING

**TWICE the Tensile Strength & Brinell Hardness of Die Cast Products**  
Zinc Plated Certified at over 600 hrs Direct Saltwater Spray Test per UL 514.b 5.1.3.3



Rigid Conduit Bushing  
With Ground Lug  
GB Series

Rigid Conduit Bushing  
Without Ground Lug  
RCB Series



### Galvanized Plating Available

Mechanically Galvanized Plating To ASTM 3695-Class 50  
Outperforms Hot Dip Galvanized Products  
Guaranteed Performance Criteria in Harsh Environments such as Below Grade Work

ALL PRODUCTS Have a 100% LIFETIME Product WARRANTY

GB Product Series WITH Grounding Lugs				SPEC- <i>grade</i> ™ RCB Product Series WITHOUT Grounding Lug				
Catalog Number	TRADE SIZE	A Outside Diameter "	B Overall Length "	C Length of Lug "	Catalog Number	TRADE SIZE	A Outside Diameter "	B Overall Length "
GB 50BGL	1/2"	1.06	.63	.75	RCB 50B	1/2"	1.06	.63
GB 75BGL	3/4"	1.22	.63	.75	RCB 75B	3/4"	1.22	.63
GB 100BGL	1"	1.50	.75	.75	RCB 100B	1"	1.50	.75
GB 125BGL	1-1/4"	1.88	.78	.75	RCB 125B	1-1/4"	1.88	.78
GB 150BGL	1-1/2"	2.16	.78	.75	RCB 150B	1-1/2"	2.16	.78
GB 200BGL	2"	2.16	.78	.75	RCB 200B	2"	2.16	.78
GB 250BGL	2-1/2"	3.39	1.05	1.10	RCB 250B	2-1/2"	3.39	1.05
GB 300BGL	3"	4.00	1.05	1.10	RCB 300B	3"	4.00	1.05
GB 350BGL	3-1/2"	4.57	1.05	1.10	RCB 350B	3-1/2"	4.57	1.05
GB 400BGL	4"	5.10	1.05	1.70	RCB 400B	4"	5.10	1.05

\* Full Product Series with Available Options Shown on Reverse Side

GB1115.R7

rev.082016.1

amftgs.com

t: 800.221.5268

e: info@amftgs.com

# AMERICAN FITTINGS

## Rigid Conduit Ground Bushings

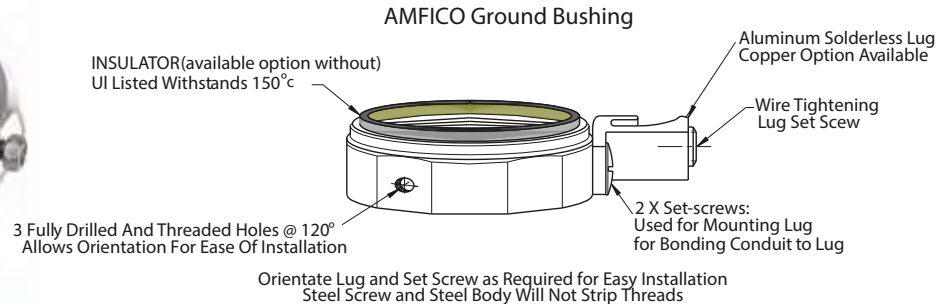


Since 1946

**SPEC-grade™**

**Size Range:** 1/2" - 4" Alloy Steel  
**GB Series: Ground Bushings**  
 For Both Rigid and IMC Conduit  
 Furnished with Insulated Throat Bushing Rated 150°  
 Standard Includes  
 Dual Rated Aluminum Layin Ground Lug,

**Available:**  
 Threaded and Threadless (NT Series) with 2 Set Screws  
 Furnished with 3 Pre-Drilled Holes to Orientate Lug  
 Zinc Plated, Galvanizing Plating Option Available  
 Copper (CU) Layin Lug Option Available  
 Alternative Lug Sizes for Additional Wire Range Available



### GB Series Options for AMFICO SPEC-grade™ Alloy Steel Grounding Bushings

Trade Size	Material	Plating Options* 1.	Configurations 2.	Insulated Throat Option 3.	Lug Options 4.	Lug Material Options 5.	Wire Range Lug Size Options 6.
1/2"	Solid Alloy Steel	Z or G	T - NT	Y	Y	AL - CU	#14 - #4
3/4"	Solid Alloy Steel	Z or G	T - NT	Y	Y	AL - CU	#14 - #4 #8 - 1/0
1"	Solid Alloy Steel	Z or G	T - NT	Y	Y	AL - CU	#14 - #4 #8 - 1/0
1 1/4"	Solid Alloy Steel	Z or G	T - NT	Y	Y	AL - CU	#14 - #4 #8 - 1/0
1 1/2"	Solid Alloy Steel	Z or G	T - NT	Y	Y	AL - CU	#14 - #4 #8 - 1/0
2"	Solid Alloy Steel	Z or G	T - NT	Y	Y	AL - CU	#14 - #4 #8 - 1/0
2 1/2"	Solid Alloy Steel	Z or G	T - NT	Y	Y	AL - CU	#14-1/0 #6-250mcm
3"	Solid Alloy Steel	Z or G	T - NT	Y	Y	AL - CU	#14-1/0 #6-250mcm
3 1/2"	Solid Alloy Steel	Z or G	T - NT	Y	Y	AL - CU	#14-1/0 #6-250mcm
4"	Solid Alloy Steel	Z or G	T - NT	Y	Y	AL - CU	#14-1/0 #6-250mcm

#### Compliances:

Certified Made in the USA  
 UL 514B  
 NEMA Standard FB1  
 Certified for MIL-STD 810 Sinusoidal Vibrations  
 Federal Standard A-A-50553  
 UL Standards: 514B, 467  
 CSA Standard: C22.2 No. 18F  
 RoHS Compliant



#### GB Series Product Options:

1. Z = Zinc or G = Galvanized
2. T = Threaded or NT = Threadless (No Threads Furnished with Set Screws)
3. Insulated Throat (Standard) Available Option for Non-Insulated Throat Check NEC to Determine Requirement
4. Bushings is Furnished with or Without Ground Lug
5. Ground Lug Material Options  
 AL = Aluminum Lug in Sizes Shown or CU = Copper Lug in Sizes Shown
6. For Lug Sizes Not Shown, Consult Factory

*For Non-Grounding Bushings See Series RCB*

Dimensional Cut Sheets Available Online at [amftgs.com](http://amftgs.com)



# AMERICAN FITTINGS

## Rigid Conduit Fittings - Ground Bushings



Since 1946

**SPEC-grade™**

**Size Range:** 1/2" - 4" Alloy Steel  
**GB Series: Ground Bushings**  
 For Both Rigid and IMC Conduit  
 Standard Product Includes:  
 3 Set Screw Holes including 1 set steel screw  
 Insulated Throat Bushing Rated 150°  
 Dual Rated Aluminum Layin Ground Lug  
 Copper Lug Option \*  
 Zinc Plated - Galvanized Plating Option\*



### Catalog Numbers for AMFICO SPEC-grade™ Alloy Steel Grounding Bushings

Cat #	Trade Size	Description	Box Qty.	Carton Qty	Wt/c.	UPC Code
GB 50BGL	1/2	Steel Threaded Bushing w/ #14 - #4 AL Ground Lug /Insulated Throat	50	250	7	662364 20003
GB 75BGL	3/4	Steel Threaded Bushing w/ #14 - #4 AL Ground Lug /Insulated Throat	50	250	8	662364 20053
GB 75BGL0	3/4	Steel Threaded Bushing w/ #8-1/0 AL Ground Lug /Insulated Throat	25	125	12	662364 20125
GB100BGL	1	Steel Threaded Bushing w/ #14 - #4 AL Ground Lug /Insulated Throat	25	250	11	662364 20103
GB100BGL0	1	Steel Threaded Bushing w/ #8-1/0 AL Ground Lug /Insulated Throat	20	100	15	662364 20125
GB125BGL	1 1/4	Steel Threaded Bushing w/ #14 - #4 AL Ground Lug /Insulated Throat	20	100	16	662364 20153
GB125BGL0	1 1/4	Steel Threaded Bushing w/ #8-1/0 AL Ground Lug /Insulated Throat	20	100	21	662364 20175
GB150BGL	1 1/2	Steel Threaded Bushing w/ #14 - #4 AL Ground Lug /Insulated Throat	10	50	20	662364 20203
GB150BGL0	1 1/2	Steel Threaded Bushing w/ #8-1/0 AL Ground Lug /Insulated Throat	10	50	25	662364 20275
GB200BGL	2	Steel Threaded Bushing w/ #14 - #4 AL Ground Lug /Insulated Throat	10	50	27	662364 20253
GB200BGL0	2	Steel Threaded Bushing w/ #8-1/0 AL Ground Lug /Insulated Throat	10	50	32	662364 20275
GB250BGL	2 1/2	Steel Threaded Bushing w/ #14 - #4 AL Ground Lug /Insulated Throat	5	25	72	662364 20303
GB250BGL250	2 1/2	Steel Threaded Bushing w/ #6-250 mcm AL Ground Lug /Insulated Throat	5	25	85	662364 20325
GB300BGL	3	Steel Threaded Bushing w/ #14-1/0 AL Ground Lug /Insulated Throat	5	25	89	662364 20353
GB300BGL250	3	Steel Threaded Bushing w/ #6-250 mcm AL Ground Lug /Insulated Throat	3	15	101	662364 20375
GB350BGL	3 1/2	Steel Threaded Bushing w/ #14-1/0 AL Ground Lug /Insulated Throat	3	15	109	662364 20403
GB350BGL250	3 1/2	Steel Threaded Bushing w/ #6-250 mcm AL Ground Lug /Insulated Throat	3	15	122	662364 20425
GB400BGL	4	Steel Threaded Bushing w/ #14-1/0 AL Ground Lug /Insulated Throat	3	15	117	662364 20453
GB400BGL250	4	Steel Threaded Bushing w/ #6-250 mcm AL Ground Lug /Insulated Throat	3	15	130	662364 20475
GB 50BNTGL	1/2	Steel Threadless Bushing w/ #14-#4 AL Ground Lug /Insulated Throat	50	250	7	662364 20009
GB 75BNTGL	3/4	Steel Threadless Bushing w/ #14-#4 AL Ground Lug /Insulated Throat	50	250	8	662364 20059
GB 75BNTGL0	3/4	Steel Threadless Bushing w/ #8-1/0 AL: Ground Lug /Insulated Throat	25	125	12	662364 20079
GB100BNTGL	1	Steel Threadless Bushing w/ #14-#4 AL Ground Lug /Insulated Throat	25	250	9	662364 20109
GB100BNTGL0	1	Steel Threadless Bushing w/ #8-1/0 AL: Ground Lug /Insulated Throat	20	100	13	662364 20129
GB125BNTGL	1 1/4	Steel Threadless Bushing w/ #14-#4 AL Ground Lug /Insulated Throat	20	100	15	662364 20159
GB125BNTGL0	1 1/4	Steel Threadless Bushing w/ #8-1/0 AL: Ground Lug /Insulated Throat	20	100	19	662364 20179
GB150BNTGL	1 1/2	Steel Threadless Bushing w/ #14-#4 AL Ground Lug /Insulated Throat	10	50	15	662364 20209
GB150BNTGL0	1 1/2	Steel Threadless Bushing w/ #8-1/0 AL: Ground Lug /Insulated Throat	10	50	20	662364 20229
GB200BNTGL	2	Steel Threadless Bushing w/ #14-#4 AL Ground Lug /Insulated Throat	10	50	21	662364 20259
GB200BNTGL0	2	Steel Threadless Bushing w/ #8-1/0 AL: Ground Lug /Insulated Throat	10	50	24	662364 20279
GB250NTBGL	2 1/2	Steel Threadless Bushing w/ #14-1/0 AL Ground Lug /Insulated Throat	5	25	64	662364 20309
GB250BNTGL250	2 1/2	Steel Threadless Bushing w/ #6-250 mcm AL Ground Lug/Insulated Throat	5	25	77	662364 20329
GB300BNTGL	3	Steel Threadless Bushing w/ #14-1/0 AL Ground Lug /Insulated Throat	5	25	77	662364 20359
GB300BNTGL250	3	Steel Threadless Bushing w/ #6-250 mcm AL Ground Lug/Insulated Throat	3	15	89	662364 20379
GB350BNTGL	3 1/2	Steel Threadless Bushing w/ #14-1/0 AL Ground Lug /Insulated Throat	3	15	91	662364 20359
GB350BNTGL250	3 1/2	Steel Threadless Bushing w/ #6-250 mcm AL Ground Lug/Insulated Throat	3	15	103	662364 20429
GB400BNTGL	4	Steel Threadless Bushing w/ #14-1/0 AL Ground Lug /Insulated Throat	3	15	94	662364 20459
GB400BNTGL250	4	Steel Threadless Bushing w/ #6-250 mcm AL Ground Lug/Insulated Throat	3	15	106	662364 20479

All Ground Bushings Are Furnished with an Insulated Throat Unless Specified Otherwise

**For Full Options Available: See GB Options Chart**

\* **For Galvanized Plating:** Add suffix "G" to cat #; i.e. GB100BGLG

Note: Minimum quantities may apply. Consult factory.

\* **For Copper Lug:** Add suffix "CU" to cat #; ie GB100BGL-CU

For Non-Grounding Bushings See Series RCB

Dimensional Cut Sheets Available Online at amftgs.com

# AMERICAN FITTINGS

## Rigid Conduit Fittings - Rigid Conduit Bushings

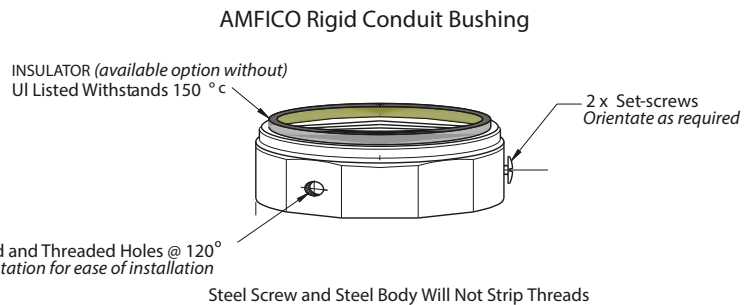


Since 1946

**SPEC-grade™**

**Size Range:** 1/2" - 4" Alloy Steel  
**RCB Series: Rigid Conduit Bushings**  
 For Both Rigid and IMC Conduit  
 Furnished With  
 3 Set Screw Holes including 1 set steel screw  
 Insulated Throat Bushing Rated 150°  
 Furnished with Insulated Throat Bushing Rated 150°


**Available:**  
 Threaded and Threadless (NT suffix shown)  
 Furnished with 3 Pre-Drilled Holes and 2 Set Screws  
 Zinc Plated, Galvanizing Plating Option Available\*  
 For Grounding Lug Option see our GB Series



### RCB Series AMFICO SPEC-grade™ Alloy Steel Rigid Conduit Bushings

Cat # *	Trade Size	Description	Box Qty.	Carton Qty	Wt/c.	UPC Code
RCB 50B	1/2	Steel Threaded Rigid Conduit Bushing /Insulated Throat	50	500	7	662364 20001
RCB 75B	3/4	Steel Threaded Rigid Conduit Bushing /Insulated Throat	50	250	7	662364 20051
RCB100B	1	Steel Threaded Rigid Conduit Bushing /Insulated Throat	25	250	10	662364 20101
RCB125B	1 1/4	Steel Threaded Rigid Conduit Bushing /Insulated Throat	20	100	16	662364 20151
RCB150B	1 1/2	Steel Threaded Rigid Conduit Bushing /Insulated Throat	10	100	20	662364 20201
RCB200B	2	Steel Threaded Rigid Conduit Bushing /Insulated Throat	10	50	26	662364 20251
RCB250B	2 1/2	Steel Threaded Rigid Conduit Bushing /Insulated Throat	5	25	70	662364 20301
RCB300B	3	Steel Threaded Rigid Conduit Bushing /Insulated Throat	5	25	85	662364 20351
RCB350B	3 1/2	Steel Threaded Rigid Conduit Bushing /Insulated Throat	3	15	104	662364 20401
RCB400B	4	Steel Threaded Rigid Conduit Bushing /Insulated Throat	3	15	115	662364 20451
RCB 50BNT	1/2	Steel Threadless Rigid Conduit Bushing /Insulated Throat	50	500	7	662364 20002
RCB 75BNT	3/4	Steel Threadless Rigid Conduit Bushing /Insulated Throat	50	250	7	662364 20052
RCB100BNT	1	Steel Threadless Rigid Conduit Bushing /Insulated Throat	25	250	10	662364 20102
RCB125BNT	1 1/4	Steel Threadless Rigid Conduit Bushing /Insulated Throat	20	100	16	662364 20152
RCB150BNT	1 1/2	Steel Threadless Rigid Conduit Bushing /Insulated Throat	10	100	20	662364 20202
RCB200BNT	2	Steel Threadless Rigid Conduit Bushing /Insulated Throat	10	50	26	662364 20252
RCB250BNT	2 1/2	Steel Threadless Rigid Conduit Bushing /Insulated Throat	5	25	70	662364 20302
RCB300BNT	3	Steel Threadless Rigid Conduit Bushing /Insulated Throat	5	25	85	662364 20352
RCB350BNT	3 1/2	Steel Threadless Rigid Conduit Bushing /Insulated Throat	3	15	104	662364 20402
RCB400BNT	4	Steel Threadless Rigid Conduit Bushing /Insulated Throat	3	15	115	662364 20452

**Compliances:**

Certified Made in the USA  
 UL 514B  
 NEMA Standard FB1  
 Certified for MIL-STD 810 Sinusoidal Vibrations  
 Federal Standard A-A-50553  
 UL Standards: 514B, 467  
 CSA Standard: C22.2 No. 18F   
 RoHS Compliant

**Options Available:**

\* **For Galvanized Plating:** Add suffix "G" to cat #; i.e. GB100BGLG  
 Note: Minimum quantities may apply. Consult factory.  
 See Suffix in Cat # for No-Threaded (Threadless) Bushings

For Grounding Bushings See GB Series

Dimensional Cut Sheets Available Online at amftgs.com

# AMERICAN FITTINGS Corporation



Made in the USA Since 1946

AMFICO Alloy Steel  
Water Tight Ground Hubs

**INDUSTRIAL  
SPEC-grade**

## Alloy Steel Watertight Ground Hubs AH Series

Size Range: 1/2" - 4"

Material: Alloy Steel - Zinc Plated

Sealing Ring: HPDE Chemical Resistant Polyethylene

Insulated Throat Bushing: UL Listed Rated 150 °C

### Options:

Galvanized Plating \*

Add Suffix "G" to cat # i.e. AH50BG

Copper Lug in lieu of Aluminum Lug

Add Suffix "CU" to GL cat # i.e. AH50BGL-CU

Chart Below Shows Various Grounding Options

### Compliances:

Certified Made in the USA



NEMA Rated Types  
3, 3R, 3, 4X, 5, 12, 13

UL 514B

NEMA Standard FB1

Federal Standard A-A-50553



Trade Size "	Cat #	Ground Options *	Trade Size "	Cat #	Grounding Options*
1/2	AH50B	Hub with TruetTIGHT Locknut	2	AH200B	Hub with TruetTIGHT Locknut
1/2	AH50B-GL	#14-#4 Lay-In Ground Lug	2	AH200B-GL	#14-#4 Lay-In Ground Lug
1/2	AH50B-GS	Ground Screw Tab on Locknut	2	AH200B-GS	Ground Screw Tab on Locknut
1/2	AH50LN	TrueTIGHT Locknut	2	AH200LN	TrueTIGHT Locknut
1/2	AH50LN-GL	TrueTIGHT Locknut with #14-#4 Lay-In Lug	2	AH200LN-GL	TrueTIGHT Locknut with #14-#4 Lay-In Lug
1/2	AH50LN-GS	TrueTIGHT Locknut with Ground Screw Tab	2	AH200LN-GS	TrueTIGHT Locknut with Ground Screw Tab
3/4	AH75B	Hub with TruetTIGHT Locknut	2 1/2	AH250B	Hub with TruetTIGHT Locknut
3/4	AH75B-GL	#14-#4 Lay-In Ground Lug	2 1/2	AH250B-GL	#8-1/0 Lay-In Ground Lug
3/4	AH75B-GS	Ground Screw Tab on Locknut	2 1/2	AH250B-GS	Ground Screw Tab on Locknut
3/4	AH75LN	TrueTIGHT Locknut	2 1/2	AH250LN	TrueTIGHT Locknut
3/4	AH75LN-GL	TrueTIGHT Locknut with #14-#4 Lay-In Lug	2 1/2	AH200LN-GL	TrueTIGHT Locknut with #8-1/0 Lay-In Lug
3/4	AH75LN-GS	TrueTIGHT Locknut with Ground Screw Tab	2 1/2	AH250LN-GS	TrueTIGHT Locknut with Ground Screw Tab
1	AH100B	Hub with TruetTIGHT Locknut	3	AH300B	Hub with TruetTIGHT Locknut
1	AH100B-GL	#14-#4 Lay-In Ground Lug	3	AH300B-GL	#8-1/0 Lay-In Ground Lug
1	AH100B-GS	Ground Screw Tab on Locknut	3	AH300B-GS	Ground Screw Tab on Locknut
1	AH100LN	TrueTIGHT Locknut	3	AH300LN	TrueTIGHT Locknut
1	AH100LN-GL	TrueTIGHT Locknut with #14-#4 Lay-In Lug	3	AH300LN-GL	TrueTIGHT Locknut with #8-1/0 Lay-In Lug
1	AH100LN-GS	TrueTIGHT Locknut with Ground Screw Tab	3	AH300LN-GS	TrueTIGHT Locknut with Ground Screw Tab
1 1/4	AH125B	Hub with TruetTIGHT Locknut	3 1/2	AH350B	Hub with TruetTIGHT Locknut
1 1/4	AH125B-GL	#14-#4 Lay-In Ground Lug	3 1/2	AH350B-GL	#8-1/0 Lay-In Ground Lug
1 1/4	AH125B-GS	Ground Screw Tab on Locknut	3 1/2	AH350B-GS	Ground Screw Tab on Locknut
1 1/4	AH125LN	TrueTIGHT Locknut	3 1/2	AH350LN	TrueTIGHT Locknut
1 1/4	AH125LN-GL	TrueTIGHT Locknut with #14-#4 Lay-In Lug	3 1/2	AH350LN-GL	TrueTIGHT Locknut with #8-1/0 Lay-In Lug
1 1/4	AH125LN-GS	TrueTIGHT Locknut with Ground Screw Tab	3 1/2	AH350LN-GS	TrueTIGHT Locknut with Ground Screw Tab
1 1/2	AH150B	Hub with TruetTIGHT Locknut	4	AH400B	Hub with TruetTIGHT Locknut
1 1/2	AH150B-GL	#14-#4 Lay-In Ground Lug	4	AH400B-GL	#8-1/0 Lay-In Ground Lug
1 1/2	AH150B-GS	Ground Screw Tab on Locknut	4	AH400B-GS	Ground Screw Tab on Locknut
1 1/2	AH150LN	TrueTIGHT Locknut	4	AH400LN	TrueTIGHT Locknut
1 1/2	AH150LN-GL	TrueTIGHT Locknut with #14-#4 Lay-In Lug	4	AH400LN-GL	TrueTIGHT Locknut with #8-1/0 Lay-In Lug
1 1/2	AH150LN-GS	TrueTIGHT Locknut with Ground Screw Tab	4	AH400LN-GS	TrueTIGHT Locknut with Ground Screw Tab

\* Galvanized Plating Available - minimum quantities may apply, please consult factory

rev.082016.1

AMFTGS.com

t: 800-221-5268

e: info@amftgs.com

© Copyright 2016 AMERICAN FITTINGS Corporation, Fair Lawn, NJ

Specifications Subject to Change Without Notice

# AMERICAN FITTINGS Corporation



Made in the USA Since 1946

AMFICO Alloy Steel  
Water Tight Ground Hubs

**INDUSTRIAL  
SPEC-grade**

## Alloy Steel Watertight Ground Hubs AH Series

Size Range: 1/2" - 4"

Material: Alloy Steel - Zinc Plated

Sealing Ring:

HPDE Chemical Resistant Polyethylene

Insulated Throat Bushing:

UL Listed Rated 150° C

### Options:

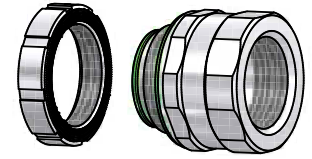
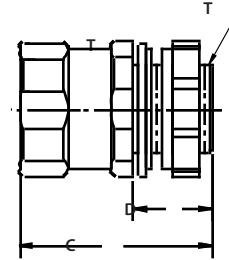
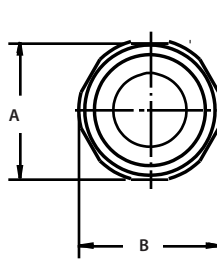
Galvanized Plating \*

Add Suffix "G" to cat # i.e. AH50BG

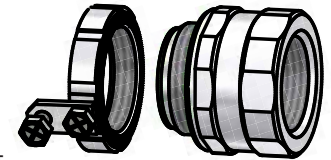
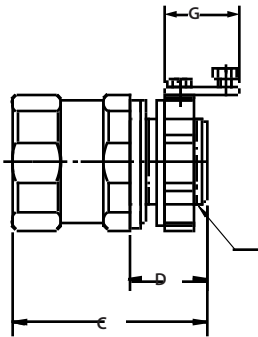
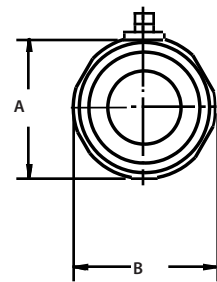
Copper Lug in lieu of Aluminum Lug

Add Suffix "CU" to GL cat # i.e. AH50BGL-CU

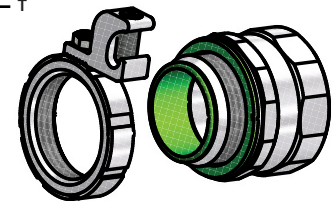
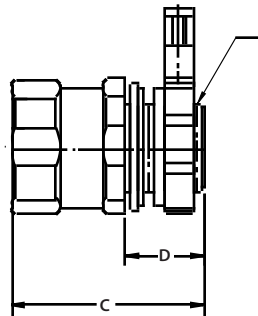
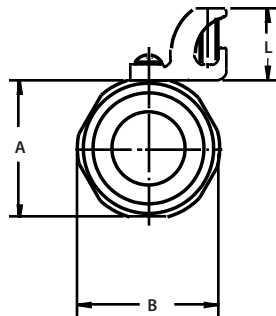
Chart Below Shows Various Grounding Options



Standard Hub  
with TrueTIGHT Locknut



Ground Hub with  
Ground Tab Screw on  
TrueTIGHT Locknut



Ground Hub with  
Lay-In Lug on  
TrueTIGHT Locknut

### Compliances:

Certified Made in the USA



NEMA Rated Types  
3, 3R, 3, 4X, 5, 12, 13

UL 514B

NEMA Standard FB1

Federal Standard A-A-50553

### AMFICO Ground Hub Dimensions

See Catalog Number Chart for Lay in Lug Wire Ranges

Trade Size"	A (hex)	B Hub Ø	C	D	G	L* Lug Hgt.	T (NPS Thread Size)
1/2"	1 -1/8"	1-3/16"	1-1/4"	3/8"	13/16"	CF	1/2"-14 NPS
3/4"	1-11/32"	1-13/32"	1-1/4"	3/8"	13/16"	CF	3/4"-14 NPS
1"	1-5/8"	1-11/16"	1-9/16"	1/2"	13/16"	CF	1"-11.5 NPS
1 1/4"	2-1/32"	2-1/8"	1-3/4"	1/2"	13/16"	CF	1 1/4"-11.5 NPS
1 1/2"	2-3/16"	2-29/32"	2"	9/16"	13/16"	CF	1 1/2"-11.5 NPS
2"	2-21/32"	2-7/8"	2-1/16"	5/8"	13/16"	CF	2"-11.5 NPS
2 1/2"	3-9/32"	3-13/32"	2-1/2"	1"	13/16"	CF	2 1/2"-8 NPS
3"	3-29/32"	4"	2-9/16"	1"	13/16"	CF	3"-8 NPS
3 1/2"	4-13/32"	4-9/16"	2-9/16"	1"	13/16"	CF	3 1/2"-8 NPS
4"	4-29/32"	5-3/32"	2-9/16"	1"	13/16"	CF	4"-8 NPS

\* Lug Height will vary based on the size lug chosen. Consult factory for lug height

AMFTGS.com

t: 800-221-5268

e: info@amftgs.com

© Copyright 2016 AMERICAN FITTINGS Corporation, Fair Lawn, NJ

Specifications Subject to Change Without Notice

rev.082016.1



Made in the USA Since 1946

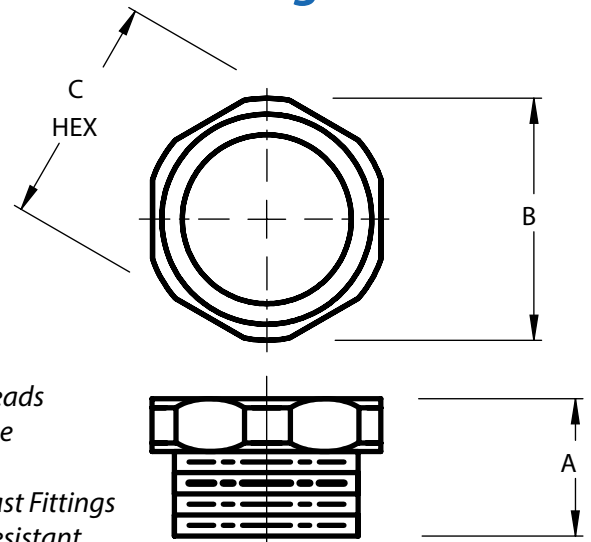
## SPEC-grade

### Rigid Conduit Chase Nipple

**Size Range: 3/8" - 2-1/2"** Larger Sizes Available Consult Factory  
Industrial Specification Grade  
Solid Alloy Steel Precision Machined  
Industrial Corrosion Resistant Zinc Plated  
Industrial Galvanized Plating Available

**Available:**

With or Without Insulated Throat \*  
Industrial Galvanized Plating Option Available \*\*



*Precision Machined Alloy Steel Threads  
Flat Hex Surface for Full Torque Value*

*Twice the Tensile Strength of Die Cast Fittings  
Alloy Steel is Naturally Corrosion Resistant*

**Compliances:**

- Certified Made in the USA
- UL 514B
- NEMA Standard FB1
- Certified for MIL-STD 810 Sinusoidal Vibrations
- Federal Standard A-A-50553
- UL Standards: 514B, 467
- CSA Standard: C22.2 No. 18F



**Galvanized Plating Option**

Guaranteed Performance Criteria in Harsh Environments such as Below Grade Work  
\*\* Add Suffix "G" to Catalog Number for Galvanized Plated Part *example; CN200G*  
Note: Minimum quantities may apply. Consult factory.



Cat # *	TRADE SIZE	'A' LENGTH	'B' DIAMETER	'C' HEX	WT/100
CN50	1/2"	9/16"	31/32"	15/16"	3
CN75	3/4"	5/8"	1-1/4"	1-3/16"	4
CN100	1"	27/32"	1-5/8"	1-9/16"	9
CN125	1-1/4"	15/16"	1-7/8"	1-13/16"	17
CN150	1-1/2"	1"	2-5/32"	2-1/16"	21
CN200	2"	1-1/16"	2-21/32"	2-9/16"	29
CN250	2-1/2"	1-1/4"	3-13/32"	3-9/32"	74

\* Add suffix "B" to cat # for insulated throat bushing

rev.082016.1

# AMERICAN FITTINGS

## Rigid Conduit Fittings -Combination Couplings



Since 1946

**SPEC-grade™**

### Rigid Conduit Combination Couplings to Liquid Tight Fitting Transition Liquid Tight Conduit to Rigid Conduit Threaded or Compression

**Available:**  
Alloy Steel Construction  
Zinc Plated,  
Galvanizing Plating Option Available  
*Consult Factory*



Rigid Threaded to Liquid Tight Conduit



Rigid Compression to Liquid Tight Conduit

*Our Liquid Tight Fittings  
Are the Finest Made*

### Rigid Conduit Compression Coupling to Liquid Tight Fitting 1/2" to 4"

Cat #	Trade Size "	Description	Box Qty.	Carton Qty	Wt/c.	UPC Code
STRNT50	1/2	Combination Couplings - Liquidtight to Rigid/IMC	20	100	16	662364 30850
STRNT75	3/4	Combination Couplings - Liquidtight to Rigid/IMC	15	75	34	662364 30860
STRNT100	1	Combination Couplings - Liquidtight to Rigid/IMC	10	100	59	662364 30870
STRNT125	1 1/4	Combination Couplings - Liquidtight to Rigid/IMC	5	25	93	662364 30880
STRNT150	1 1/2	Combination Couplings - Liquidtight to Rigid/IMC	2	20	117	662364 30890
STRNT200	2	Combination Couplings - Liquidtight to Rigid/IMC	2	10	153	662364 30900
STRNT250	2 1/2	Combination Couplings - Liquidtight to Rigid/IMC		6	274	662364 30910
STRNT300	3	Combination Couplings - Liquidtight to Rigid/IMC		6	402	662364 30920
STRNT350	3 1/2	Combination Couplings - Liquidtight to Rigid/IMC		2	448	662364 30930
STRNT400	4	Combination Couplings - Liquidtight to Rigid/IMC		2	568	662364 30940

### Rigid Conduit Female Threaded Coupling to Liquid Tight Fitting 3/8" to 2"

Cat #	Trade Size "	Description	Box Qty.	Carton Qty	Wt/c.	UPC Code
STR 38FR	3/8	Combination Couplings - Liquidtight to Rigid/IMC Thr'd	25	125	10	662364 38100
STR 50FR	1/2	Combination Couplings - Liquidtight to Rigid/IMC Thr'd	25	125	13	662364 38102
STR 75FR	3/4	Combination Couplings - Liquidtight to Rigid/IMC Thr'd	25	125	18	662364 38104
STR100FR	1	Combination Couplings - Liquidtight to Rigid/IMC Thr'd	5	50	30	662364 38106
STR125FR	1 1/4	Combination Couplings - Liquidtight to Rigid/IMC Thr'd	5	25	50	662364 38108
STR150FR	1 1/2	Combination Couplings - Liquidtight to Rigid/IMC Thr'd	5	25	64	662364 38110
STR200FR	2	Combination Couplings - Liquidtight to Rigid/IMC Thr'd	2	20	84	662364 38112

#### Compliances:

Certified Made in the USA

UL 514B

NEMA Standard FB1

Certified for MIL-STD 810 Sinusoidal Vibrations

Federal Standard A-A-50553

UL Standards: 514B, 467

CSA Standard: C22.2 No. 18F

RoHS Compliant



*For More on our Liquid Tight Products Request Our Liquid Tight Catalog*

*Dimensional Cut Sheets Available Online at amftgs.com*

AMFTGS.com

t: 800.221.5268

e:info@amftgs.com

# AMERICAN FITTINGS

## Reducing Bushings Ordinary Locations



Since 1946

**SPEC-grade™**

**Size Range:** 1/2" - 4" as shown  
 RB Series Reducing Bushings for Both Rigid and IMC Conduit  
 RB's Reduce the Trade Size of a Tapped Hole or Hub  
 Alloy Steel Construction, Zinc Plated  
 Precision Machined Cut for Integrity of Threads NPS  
 Suitable for Use in Heavy Duty Industrial Applications

**Compliances:**  
 Certified Made in the USA  
 UL 514B  
 NEMA Standard FB1  
 Certified for MIL-STD 810 Sinusoidal Vibrations  
 Federal Standard A-A-50553



AMFICO **SPEC-grade™** Alloy Steel Reducing Bushings (NPS Threads) Made in the USA

Cat # *	Trade Size"	Description	Box Qty.	Carton Qty	Wt/c.	UPC Code
RB5038	1/2 x 3/8	Steel Reducing Bushing (N.P.S. Threads)	100	1000	2	66236413002
RB7550	3/4 x 1/2	Steel Reducing Bushing (N.P.S. Threads)	100	500	14	66236413004
RB10050	1 x 1/2	Steel Reducing Bushing (N.P.S. Threads)	50	250	12	66236413006
RB10075	1 x 3/4	Steel Reducing Bushing (N.P.S. Threads)	50	250	12	66236413008
RB12550	1 1/4 x 1/2	Steel Reducing Bushing (N.P.S. Threads)	20	200	28	66236413010
RB12575	1 1/4 x 3/4	Steel Reducing Bushing (N.P.S. Threads)	20	200	22	66236413012
RB125100	1 1/4 x 1	Steel Reducing Bushing (N.P.S. Threads)	20	200	14	66236413014
RB15050	1 1/2 x 1/2	Steel Reducing Bushing (N.P.S. Threads)	10	100	42	66236413016
RB15075	1 1/2 x 3/4	Steel Reducing Bushing (N.P.S. Threads)	10	100	36	66236413018
RB150100	1 1/2 x 1	Steel Reducing Bushing (N.P.S. Threads)	10	100	28	66236413020
RB150125	1 1/2 x 1 1/4	Steel Reducing Bushing (N.P.S. Threads)	10	100	12	66236413022
RB20050	2 x 1/2	Steel Reducing Bushing (N.P.S. Threads)	5	50	84	66236413024
RB20075	2 x 3/4	Steel Reducing Bushing (N.P.S. Threads)	5	50	76	66236413026
RB200100	2 x 1	Steel Reducing Bushing (N.P.S. Threads)	5	50	68	66236413028
RB200125	2 x 1 1/4	Steel Reducing Bushing (N.P.S. Threads)	5	50	48	66236413030
RB200150	2 x 1 1/2	Steel Reducing Bushing (N.P.S. Threads)	5	50	32	66236413032
RB250100	2 1/2 x 1	Steel Reducing Bushing (N.P.S. Threads)	10	100	130	66236413038
RB250125	2 1/2 x 1 1/4	Steel Reducing Bushing (N.P.S. Threads)	10	100	140	66236413040
RB250150	2 1/2 x 1 1/2	Steel Reducing Bushing (N.P.S. Threads)	10	100	140	66236413042
RB250200	2 1/2 x 2	Steel Reducing Bushing (N.P.S. Threads)	10	100	110	66236413044
RB300125	3 x 1 1/4	Steel Reducing Bushing (N.P.S. Threads)	10	100	200	66236413052
RB300150	3 x 1 1/2	Steel Reducing Bushing (N.P.S. Threads)	10	100	240	66236413054
RB300200	3 x 2	Steel Reducing Bushing (N.P.S. Threads)	10	100	200	66236413056
RB300250	3 x 2 1/2	Steel Reducing Bushing (N.P.S. Threads)	10	100	170	66236413058
RB350150	3 1/2 x 1 1/2	Steel Reducing Bushing (N.P.S. Threads)	10	100	230	66236413068
RB350200	3 1/2 x 2	Steel Reducing Bushing (N.P.S. Threads)	10	100	230	66236413070
RB350250	3 1/2 x 2 1/2	Steel Reducing Bushing (N.P.S. Threads)	10	100	270	66236413072
RB350300	3 1/2 x 2 1/2	Steel Reducing Bushing (N.P.S. Threads)	10	100	250	66236413074
RB400200	4 x 2	Steel Reducing Bushing (N.P.S. Threads)	10	100	350	66236413084
RB400250	4 x 2 1/2	Steel Reducing Bushing (N.P.S. Threads)	10	100	380	66236413086
RB400300	4 x 3	Steel Reducing Bushing (N.P.S. Threads)	10	100	320	66236413088
RB400350	4 x 3 1/2	Steel Reducing Bushing (N.P.S. Threads)	10	100	290	66236413090

Dimensional Cut Sheets Available Online at [amftgs.com](http://amftgs.com)

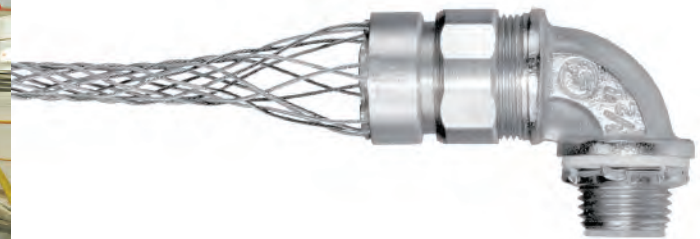
# DEMANDING CONDITIONS, DEMAND THE BEST!

The Superior Connection for  
Industrial & Processing Environments  
OEM Equipment  
Infrastructure Projects  
Alternative Energy  
Data Centers



## LiquidTIGHT

Alloy Steel Electrical Fittings  
*Made in the USA*



Products Engineered and Manufactured to  
Meet Your Most Demanding Environments

## AMERICAN FITTINGS

Corporation



*Manufactured in the USA Since 1946*

t: 800.221.5268  
amftgs.com

© 2016

Fair Lawn, New Jersey







Since 1946

# LiquidTIGHT Fittings

## Why Isn't Your Seal Tight Conduit Wearing the Best?

AMFICO's LiquidTIGHT fittings are the finest choice for flexible conduits including Seal Tight, Anaconda and other flexible conduits. These fittings are suitable for a wide range of installations where integrity of product and protection of equipment are your primary concern. Our LiquidTIGHT fittings are designed to stand up to the most demanding wet and corrosive environments, including power generation, petrochemical, paper mills, food processing, beverage, pharmaceutical plants and anywhere high performance is required.

When Failure is Not an Option, There is Only One Liquid Tight Fitting.

AMERICAN FITTINGS,

**LiquidTIGHT**, Engineered and Manufactured **RIGHT**.

### EZ-Torque

Solid Alloy Steel Precision Machined Compression Nut, Grips Tight & Right Vibration Resistant Chamfered Dome Sheds Liquids

### FOCUS ON THE DETAILS

Available With or Without Insulated Throat Bushing 105° Rated

Unique Designed Extended Length Steel Ferrule for Positive Grounding, Provides Continual Ground & Prevents Pullout On Tight Bend Conduit, Solid Cup Design Prevents Distortion



Our Exclusive Engineered Sealing & PosiGRIP Ring, Slips on Quickly & Grips the Jacket of the Cable, Assures a Perfect Moisture Seal, While Preventing Pullout Under Extreme Conditions

Solid Alloy Steel Body Precision Machine Cut Threads

Sealing Washer (Included) Provides a LiquidTIGHT Seal When Terminating the Connector in a Threadless Entry

Heavy Duty Industrial Grade Steel Locknut (Included)

Fittings made in the USA, they will exceed your expectations but not your budget.



### Compliances:

Certified Made in the USA  
UL 514B  
NEMA Standard FB1  
Federal Standard A-A-50553  
NEC: Class I, Division 2  
Class II, Divisions 1 and 2  
Class III, Divisions 1 and 2  
UL Standards: 514B, 467  
CSA Standard: C22.2 No. 18F



### FEATURES AND BENEFITS

Configurations: Straight, 90°, & 45° all with Grounding Lay In Lug Options, Wire Mesh Strain Reliefs, and Transition Adapters for Rigid Conduit or EMT

UL Rated for Wet Locations Guaranteed to Seal Out Liquids, Contaminants and Ingress of Other Fluids

Alloy Steel Construction, Outperforms and Outclasses Die Cast and Malleable Iron

Reusable Design

Full Flat Hex Surfaces on Compression Nut and Body Provides Full Torque Without Damage to Fitting

Industrial Grade Steel Locknut

Available With or Without Insulated Throat Bushing, 105°C Rated

Alloy Steel (with inherent corrosion resistance) is Industrial Grade Zinc Electroplated, Galvanized Plating Option Available

Standard Material: Alloy Steel, Aluminum and Stainless Steel Available -consult factory

# AMERICAN FITTINGS Corporation



Made in the USA Since 1946

Industrial Grade  
Alloy Steel LiquidTIGHT Fittings

**SPEC-grade**

## LiquidTIGHT Fittings Straight LT Connectors - Alloy Steel \* Zinc Plated Size Range: 3/8" - 4"

Product Group - STR

Furnished with an Industrial Grade Sealing Washer and Steel Locknut

### Available:

Straight, 90°, 45°

with Grounding Lug or Wire Mesh Strain Relief

With or Without Insulated Throat \*\*

Zinc Plated or Galvanized Plating Option Available\*\*

### Compliances:

Certified Made in the USA

UL 514B

NEMA Standard FB1

Federal Standard A-A-50553

NEC: Class I, Division 2

Class II, Divisions 1 and 2

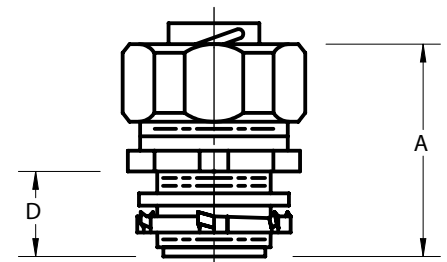
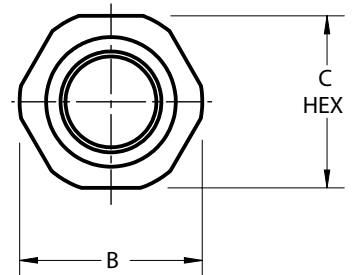
Class III, Divisions 1 and 2

UL Standards: 514B, 467

CSA Standard: C22.2 No. 18F



Featuring:  
**EZ-Torque Compression Nut**



Cat # **	Trade Size	A Length	B Diameter	C Hex	D Length of Thread	WT/100
STR38	3/8"	1-5/16"	1-3/32"	1-1/32"	19/32"	10
STR50	1/2"	1-3/8"	1-3/16"	1-1/8"	19/32"	13
STR75	3/4"	1-7/16"	1-7/16"	1-3/8"	19/32"	18
STR100	1"	1-19/32"	1-3/4"	1-11/16"	21/32"	32
STR125	1-1/4"	1-3/4"	2-5/32"	2-1/16"	11/16"	44
STR150	1-1/2"	1-31/32"	2-3/8"	2-9/32"	23/32"	66
STR200	2"	2-1/8"	2-7/8"	2-3/4"	23/32"	85
STR250	2-1/2"	3-1/16"	3-13/32"	3-1/4"	1-1/8"	133
STR300	3"	3-3/16"	4"	3-29/32"	1-1/8"	177
STR350	3-1/2"	3-3/16"	4-9/16"	4-13/32"	1-1/8"	216
STR400	4"	3-3/16"	5-3/32"	4-29/32"	1-5/8"	255
STR500	5"	5-15/32"	7"	-	1-13/16"	1150

\* For Aluminum or Stainless Steel - Consult Factory

\*\* **Insulated Throat Bushing Option:** Add Suffix "B" to cat #! ie STR50B

**Galvanized Plating Option:** Add Suffix "G" to Cat #; i.e. STR50G

Note: For Galvanized parts, minimum quantities may apply. Consult factory.

AMFTGS.com

t: 800-221-5268

e: info@amftgs.com

© Copyright 2016 AMERICAN FITTINGS Corporation, Fair Lawn, NJ Specifications • Subject to Change Without Notice

rev.082016.1

# AMERICAN FITTINGS Corporation



Made in the USA Since 1946

Industrial Grade  
Alloy Steel 90° LiquidTIGHT Fittings

## LiquidTIGHT Fittings 90° LT Connectors - Alloy Steel \* Zinc Plated

Size Range: 3/8" - 4"

Product Group - STR

Furnished with an Industrial Grade Sealing Washer and Steel Locknut

### Available:

Straight, 90°, 45°

with Grounding Lug or Wire Mesh Strain Relief

With or Without Insulated Throat \*\*

Zinc Plated or Galvanized Plating Option Available\*\*

### Compliances:

Certified Made in the USA

UL 514B

NEMA Standard FB1

Federal Standard A-A-50553

NEC: Class I, Division 2

Class II, Divisions 1 and 2

Class III, Divisions 1 and 2

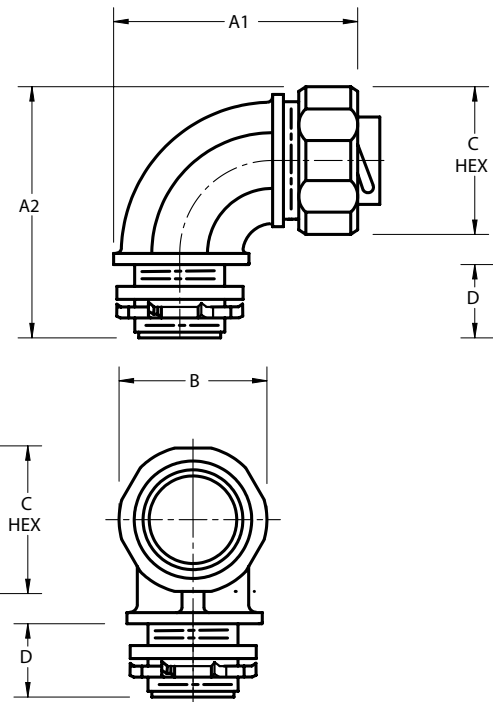
UL Standards: 514B, 467

CSA Standard: C22.2 No. 18F



Featuring:  
**EZ-Torque Compression Nut**

## SPEC-grade



CAT # **	Trade Size	A1 Length	A2 Length	B Diameter	C Hex	D Length of Thread	WT/100
STR3890	3/8"	2-1/8"	1-7/8"	1-3/32"	1-1/32"	19/32"	24
STR5090	1/2"	2-7/32"	1-7/8"	1-3/16"	1-1/8"	19/32"	24
STR7590	3/4"	2-15/32"	2-1/4"	1-7/16"	1-3/8"	19/32"	38
STR10090	1"	2-31/32"	2-3/4"	1-3/4"	1-11/16"	21/32"	70
STR12590	1-1/4"	3-9/32"	3-1/32"	2-5/32"	2-1/16"	11/16"	88
STR15090	1-1/2"	3-23/32"	3-1/4"	2-3/8"	2-9/32"	23/32"	125
STR20090	2"	4-15/16"	3-13/16"	2-7/8"	2-3/4"	23/32"	180
STR25090	2-1/2"	9"	8-1/16"	3-13/32"	3-1/4"	1-1/8"	625
STR30090	3"	10-1/2"	9-1/4"	4"	3-29/32"	1-1/8"	900
STR35090	3-1/2"	11-1/2"	10-1/2"	4-9/16"	4-13/32"	1-1/8"	1000
STR40090	4"	13-1/2"	12-1/8"	5-3/32"	4-29/32"	1-5/8"	1500

\* For Aluminum or Stainless Steel - Consult Factory

\*\* **Insulated Throat Bushing Option:** Add Suffix "B" to cat #! ie STR50B

**Galvanized Plating Option:** Add Suffix "G" to Cat #; i.e. STR50G

Note: For Galvanized parts, minimum quantities may apply. Consult factory.

rev.082016.1

AMFTGS.com

t: 800-221-5268

e: info@amftgs.com

# AMERICAN FITTINGS Corporation



Made in the USA Since 1946

Industrial Grade  
Alloy Steel 45° LiquidTIGHT Fittings

**LiquidTIGHT Fittings**  
**45° LT Connectors - Alloy Steel \* Zinc Plated**  
**Size Range: 3/8" - 4"**  
 Product Group - STR  
 Furnished with an Industrial Grade Sealing Washer and Steel Locknut

**Available:**  
 Straight, 90°, 45°  
 with Grounding Lug or Wire Mesh Strain Relief  
 With or Without Insulated Throat \*\*  
 Zinc Plated or Galvanized Plating Option Available\*\*

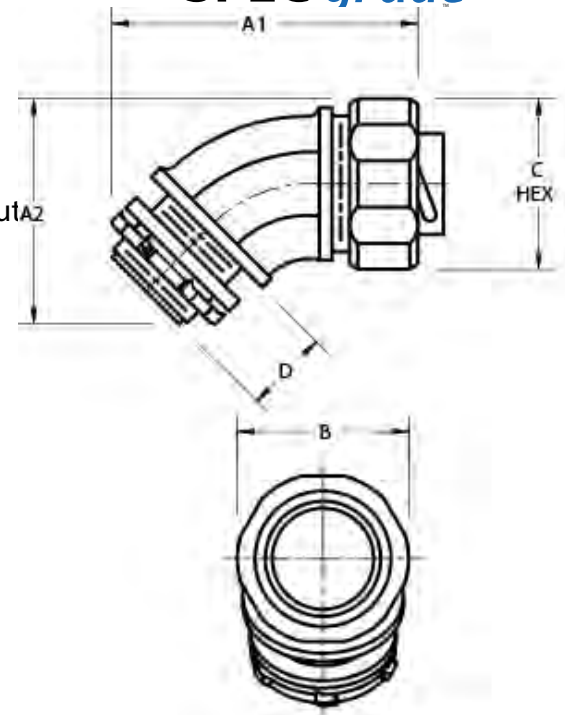
**Compliances:**

Certified Made in the USA  
 UL 514B  
 NEMA Standard FB1  
 Federal Standard A-A-50553  
 NEC: Class I, Division 2  
 Class II, Divisions 1 and 2  
 Class III, Divisions 1 and 2  
 UL Standards: 514B, 467  
 CSA Standard: C22.2 No. 18F



Featuring:  
**EZ-Torque Compression Nut**

## SPEC-grade



CAT # **	Trade Size	A1 Length	A2 Length	B Diameter	C Hex	D Length of Thread	WT/100
STR3845	3/8"	2-1/4"	1-9/16"	1-3/32"	1-1/32"	19/32"	21
STR5045	1/2"	2-1/4"	1-11/16"	1-3/16"	1-1/8"	19/32"	23
STR7545	3/4"	2-1/2"	1-31/32"	1-7/16"	1-3/8"	19/32"	32
STR10045	1"	2-13/16"	2-7/32"	1-3/4"	1-11/16"	21/32"	53
STR12545	1-1/4"	3-1/8"	2-23/32"	2-5/32"	2-1/16"	11/16"	69
STR15045	1-1/2"	3-21/32"	2-15/16"	2-3/8"	2-9/32"	23/32"	99
STR20045	2"	4-3/32"	3-3/8"	2-7/8"	2-3/4"	23/32"	152
STR25045	2-1/2"	7-3/8"	5-3/8"	3-13/32"	3-1/4"	1-1/8"	478
STR30045	3"	8-7/16"	5-7/8"	4"	3-29/32"	1-1/8"	775
STR35045	3-1/2"	9-11/32"	6-9/16"	4-9/16"	4-13/32"	1-1/8"	880
STR40045	4"	10-13/16"	7-5/16"	5-3/32"	4-29/32"	1-5/8"	1000

\* For Aluminum or Stainless Steel - Consult Factory

\*\* **Insulated Throat Bushing Option:** Add Suffix "B" to cat #! ie STR50B

**Galvanized Plating Option:** Add Suffix "G" to Cat #; i.e. STR50G

Note: For Galvanized parts, minimum quantities may apply. Consult factory.

rev.082016.1

# AMERICAN FITTINGS Corporation



Made in the USA Since 1946

Industrial Grade  
Alloy Steel Straight LiquidTIGHT  
Ground Lug Fittings

**SPEC-grade**

## LiquidTIGHT Fittings Straight LT Connectors with Ground Lug - Alloy Steel \* Zinc Plated Size Range: 3/8" - 4"

Product Group - STR

Furnished with an Industrial Grade Sealing Washer and Steel Locknut  
Aluminum Dual -Rated Layin Ground Lug - Copper Lug Available

### Available:

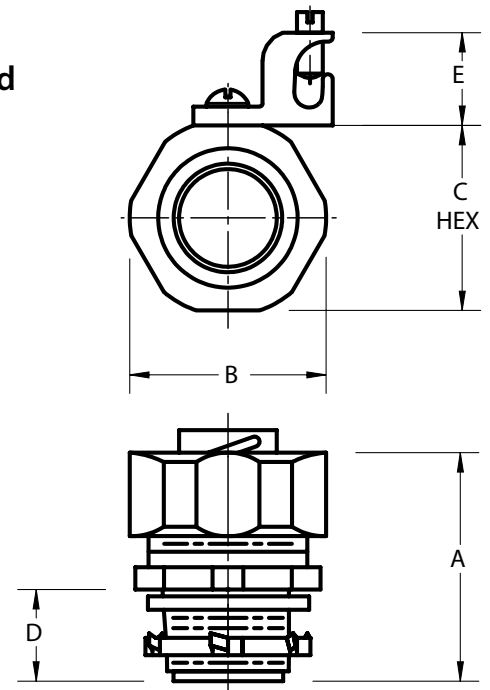
Straight, 90°, 45°  
with Grounding Lug or Wire Mesh Strain Relief  
With or Without Insulated Throat \*\*  
Zinc Plated or Galvanized Plating Option Available\*\*

### Compliances:

Certified Made in the USA  
UL 514B  
NEMA Standard FB1  
Federal Standard A-A-50553  
NEC: Class I, Division 2  
Class II, Divisions 1 and 2  
Class III, Divisions 1 and 2  
UL Standards: 514B, 467  
CSA Standard: C22.2 No. 18F



Featuring:  
**EZ-Torque Compression Nut**



CAT # **	Trade Size	A Length	B Diameter	C Hex	D Length of Thread	E Lug	WT/100
STR38GL	3/8"	1-5/16"	1-3/32"	1-1/32"	19/32"	3/4"	12
STR50GL	1/2"	1-3/8"	1-3/16"	1-1/8"	19/32"	3/4"	15
STR75GL	3/4"	1-7/16"	1-7/16"	1-3/8"	19/32"	3/4"	20
STR100GL	1"	1-19/32"	1-3/4"	1-11/16"	21/32"	3/4"	34
STR125GL	1-1/4"	1-3/4"	2-5/32"	2-1/16"	11/16"	3/4"	46
STR150GL	1-1/2"	1-31/32"	2-3/8"	2-9/32"	23/32"	3/4"	68
STR200GL	2"	2-1/8"	2-7/8"	2-3/4"	23/32"	3/4"	87
STR250GL	2-1/2"	3-1/16"	3-13/32"	3-1/4"	1-1/8"	1-3/32"	139
STR300GL	3"	3-3/16"	4"	3-29/32"	1-1/8"	1-3/32"	183
STR350GL	3-1/2"	3-3/16"	4-9/16"	4-13/32"	1-1/8"	1-11/16"	235
STR400GL	4"	3-3/16"	5-3/32"	4-29/32"	1-5/8"	1-11/16"	274

\* For Aluminum or Stainless Steel - Consult Factory

\*\* **Insulated Throat Bushing Option:** Add Suffix "B" to cat #! ie STR50B

**Galvanized Plating Option:** Add Suffix "G" to Cat #; i.e. STR50G

Note: For Galvanized parts, minimum quantities may apply. Consult factory.

rev.082016.1

AMFTGS.com

t: 800-221-5268

e: info@amftgs.com

# AMERICAN FITTINGS Corporation



Made in the USA Since 1946

Industrial Grade  
Alloy Steel 90° LiquidTIGHT Ground Lug Fittings

**SPEC-grade**

## LiquidTIGHT Fittings 90° LT Connectors with Ground Lug - Alloy Steel \* Zinc Plated Size Range: 3/8" - 4"

Product Group - STR

Furnished with an Industrial Grade Sealing Washer and Steel Locknut  
Aluminum Dual -Rated Layin Ground Lug - Copper Lug Available

### Available:

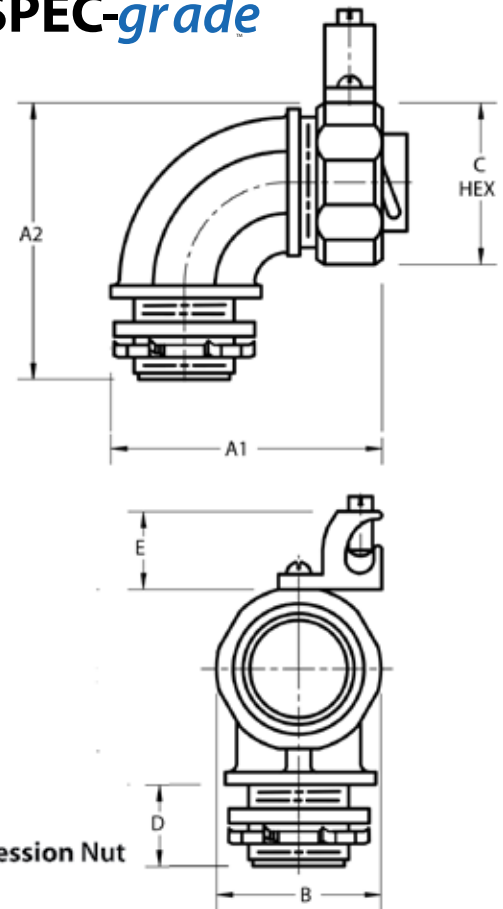
Straight, 90°, 45°  
with Grounding Lug or Wire Mesh Strain Relief  
With or Without Insulated Throat \*\*  
Zinc Plated or Galvanized Plating Option Available\*\*

### Compliances:

Certified Made in the USA  
UL 514B  
NEMA Standard FB1  
Federal Standard A-A-50553  
NEC: Class I, Division 2  
Class II, Divisions 1 and 2  
Class III, Divisions 1 and 2  
UL Standards: 514B, 467  
CSA Standard: C22.2 No. 18F



Featuring:  
**EZ-Torque Compression Nut**



CAT # **	Trade Size	A1 Length	A2 Length	B Diameter	C Hex	D Length of Thread	E Lug	WT/ 100
STR3890GL	3/8"	2-1/8"	1-7/8"	1-3/32"	1-1/32"	19/32"	3/4"	24
STR5090GL	1/2"	2-7/32"	1-7/8"	1-3/16"	1-1/8"	19/32"	3/4"	24
STR7590GL	3/4"	2-15/32"	2-1/4"	1-7/16"	1-3/8"	19/32"	3/4"	38
STR10090GL	1"	2-31/32"	2-3/4"	1-3/4"	1-11/16"	21/32"	3/4"	70
STR12590GL	1-1/4"	3-9/32"	3-1/32"	2-5/32"	2-1/16"	11/16"	3/4"	88
STR15090GL	1-1/2"	3-23/32"	3-1/4"	2-3/8"	2-9/32"	23/32"	3/4"	125
STR20090GL	2"	4-15/16"	3-13/16"	2-7/8"	2-3/4"	23/32"	3/4"	180
STR25090GL	2-1/2"	9"	8-1/16"	3-13/32"	3-1/4"	1-1/4"	1-1/32"	625
STR30090GL	3"	10-1/2"	9-1/4"	4"	3-29/32"	1-3/8"	1-1/32"	900
STR35090GL	3-1/2"	11-1/2"	10-1/2"	4-9/16"	4-13/32"	1-3/8"	1-11/16"	1000
STR40090GL	4"	13-1/2"	12-1/8"	5-3/32"	4-29/32"	1-1/2"	1-11/16"	1500

\* For Aluminum or Stainless Steel - Consult Factory

\*\* **Insulated Throat Bushing Option:** Add Suffix "B" to cat #! ie STR50B

**Galvanized Plating Option:** Add Suffix "G" to Cat #; i.e. STR50G

Note: For Galvanized parts, minimum quantities may apply. Consult factory.

rev.082016.1

# AMERICAN FITTINGS Corporation



Made in the USA Since 1946

Industrial Grade  
Alloy Steel 45° LiquidTIGHT Ground Lug Fittings

**SPEC-grade**

## LiquidTIGHT Fittings 45° LT Connectors with Ground Lug - Alloy Steel \* Zinc Plated Size Range: 3/8" - 4"

Product Group - STR

Furnished with an Industrial Grade Sealing Washer and Steel Locknut  
Aluminum Dual -Rated Layin Ground Lug - Copper Lug Available

### Available:

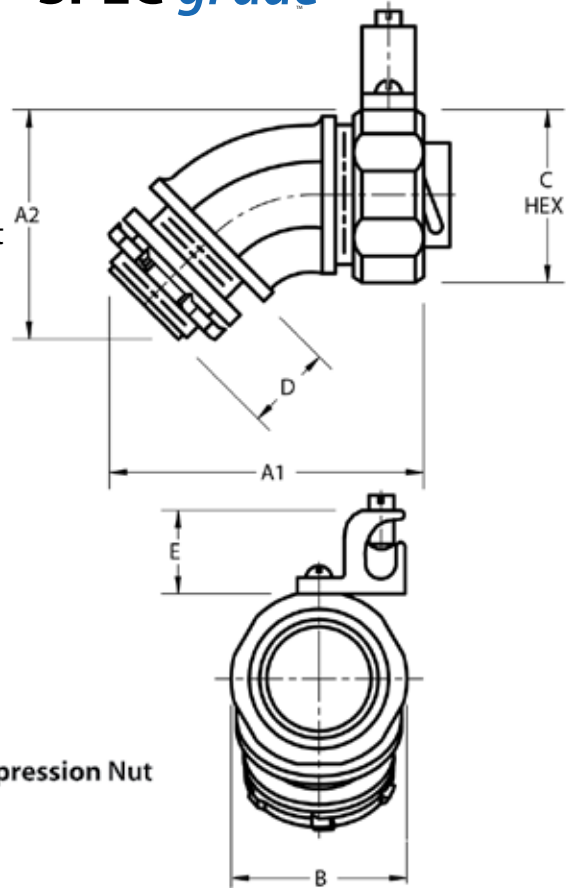
Straight, 90°, 45°  
with Grounding Lug or Wire Mesh Strain Relief  
With or Without Insulated Throat \*\*  
Zinc Plated or Galvanized Plating Option Available\*\*

### Compliances:

Certified Made in the USA  
UL 514B  
NEMA Standard FB1  
Federal Standard A-A-50553  
NEC: Class I, Division 2  
Class II, Divisions 1 and 2  
Class III, Divisions 1 and 2  
UL Standards: 514B, 467  
CSA Standard: C22.2 No. 18F



Featuring:  
**EZ-Torque Compression Nut**



CAT # **	Trade Size	A1 Length	A2 Length	B Diameter	C Hex	D Length of Thread	E Lug	WT/100
STR3845GL	3/8"	2-1/4"	1-9/16"	1-3/32"	1-1/32"	19/32"	3/4"	21
STR5045GL	1/2"	2-1/4"	1-11/16"	1-3/16"	1-1/8"	19/32"	3/4"	23
STR7545GL	3/4"	2-1/2"	1-31/32"	1-7/16"	1-3/8"	19/32"	3/4"	32
STR10045GL	1"	2-13/16"	2-7/32"	1-3/4"	1-11/16"	21/32"	3/4"	53
STR12545GL	1-1/4"	3-1/8"	2-23/32"	2-5/32"	2-1/16"	11/16"	3/4"	69
STR15045GL	1-1/2"	3-21/32"	2-15/16"	2-3/8"	2-9/32"	23/32"	3/4"	99
STR20045GL	2"	4-3/32"	3-3/7"	2-7/8"	2-3/4"	23/32"	3/4"	152
STR25045GL	2-1/2"	7-3/8"	5-3/8"	3-13/32"	3-1/4"	1-1/8"	1-1/32"	478
STR30045GL	3"	8-7/16"	5-7/8"	4"	3-29/32"	1-1/8"	1-1/32"	775
STR35045GL	3-1/2"	9-11/32"	6-9/16"	4-9/16"	4-13/32"	1-1/8"	1-11/16"	880
STR40045GL	4"	10-13/16"	7-5/16"	5-3/32"	4-29/32"	1-5/8"	1-11/16"	1000

\* For Aluminum or Stainless Steel - Consult Factory

\*\* **Insulated Throat Bushing Option:** Add Suffix "B" to cat #! ie STR50B

**Galvanized Plating Option:** Add Suffix "G" to Cat #; i.e. STR50G

Note: For Galvanized parts, minimum quantities may apply. Consult factory.

rev.082016.1

AMFTGS.com

t: 800-221-5268

e: info@amftgs.com

# AMERICAN FITTINGS

## Liquid Tight Connectors with Wire Mesh Strain Relief

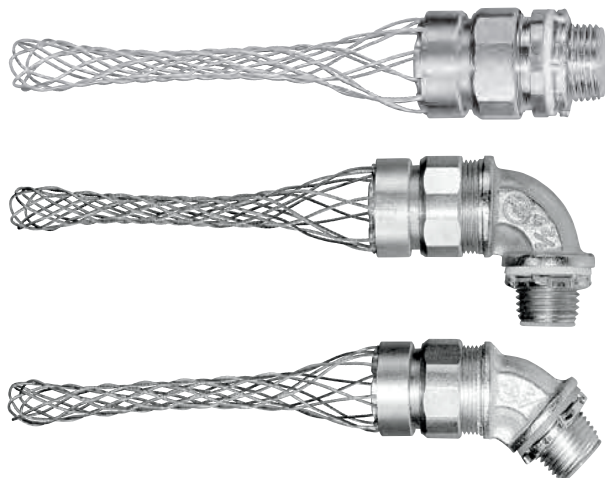


Since 1946

**SPEC-grade™**

**Size Range: 3/8" - 2"**

Liquid Tight Connector with  
Stainless Steel Wire Mesh SS Strain Relief



**Available:**

Alloy Steel Construction  
Connector Zinc Plated  
Wire Mesh Stainless Steel

**Compliances:**

Certified Made in the USA  
UL 514B  
NEMA Standard FB1  
Federal Standard A-A-50553  
NEC: Class I, Division 2  
Class II, Divisions 1 and 2  
Class III, Divisions 1 and 2  
UL Standards: 514B, 467  
CSA Standard: C22.2 No. 18F



### LiquidTIGHT Straight Connector with Wire Mesh Strain Relief

Cat #	Trade Size	Description	Carton Qty	Wt/c.	UPC Code
STR38GT	3/8	Straight Liquidtight Connectors - W/Mesh Grip	10	15	662364 30039
STR50GT	1/2	Straight Liquidtight Connectors - W/Mesh Grip	10	20	662364 30051
STR75GT	3/4	Straight Liquidtight Connectors - W/Mesh Grip	10	25	662364 30076
STR100GT	1	Straight Liquidtight Connectors - W/Mesh Grip	10	35	662364 30101
STR125GT	1 1/4	Straight Liquidtight Connectors - W/Mesh Grip	2	60	662364 30126
STR150GT	1 1/2	Straight Liquidtight Connectors - W/Mesh Grip	2	85	662364 30151
STR200GT	2	Straight Liquidtight Connectors - W/Mesh Grip	2	130	662364 30201

### LiquidTIGHT 90° Connector with Wire Mesh Strain Relief

Cat #	Trade Size	Description	Carton Qty	Wt/c.	UPC Code
STR3890GT	3/8	90° Liquidtight Connectors - W/Mesh Grip	10	25	662364 30390
STR5090GT	1/2	90° Liquidtight Connectors - W/Mesh Grip	10	25	662364 30510
STR7590GT	3/4	90° Liquidtight Connectors - W/Mesh Grip	10	40	662364 30760
STR10090GT	1	90° Liquidtight Connectors - W/Mesh Grip	10	70	662364 31010
STR12590GT	1 1/4	90° Liquidtight Connectors - W/Mesh Grip	2	95	662364 31260
STR15090GT	1 1/2	90° Liquidtight Connectors - W/Mesh Grip	2	130	662364 31510
STR20090GT	2	90° Liquidtight Connectors - W/Mesh Grip	2	195	662364 32010

### LiquidTIGHT 45° Connector with Wire Mesh Strain Relief

Cat #	Trade Size	Description	Carton Qty	Wt/c.	UPC Code
STR3845GT	3/8	45° Liquidtight Connectors - W/Mesh Grip	10	20	662364 30385
STR5045GT	1/2	45° Liquidtight Connectors - W/Mesh Grip	10	22	662364 30505
STR7545GT	3/4	45° Liquidtight Connectors - W/Mesh Grip	10	35	662364 30755
STR10045GT	1	45° Liquidtight Connectors - W/Mesh Grip	10	65	662364 31005
STR12545GT	1 1/4	45° Liquidtight Connectors - W/Mesh Grip	2	85	662364 31255
STR15045GT	1 1/2	45° Liquidtight Connectors - W/Mesh Grip	2	115	662364 31505
STR20045GT	2	45° Liquidtight Connectors - W/Mesh Grip	2	175	662364 32005

Dimensional Cut Sheets Available Online at [amftgs.com](http://amftgs.com)



# AMERICAN FITTINGS

## Liquid Tight Parking Deck Fittings



Since 1946

### SPEC-teck Alloy Steel MC Connectors

Perfect for parking decks, our industrial spec-grade connector is the RIGHT CHOICE for PVC Jacketed MC or Teck cable.

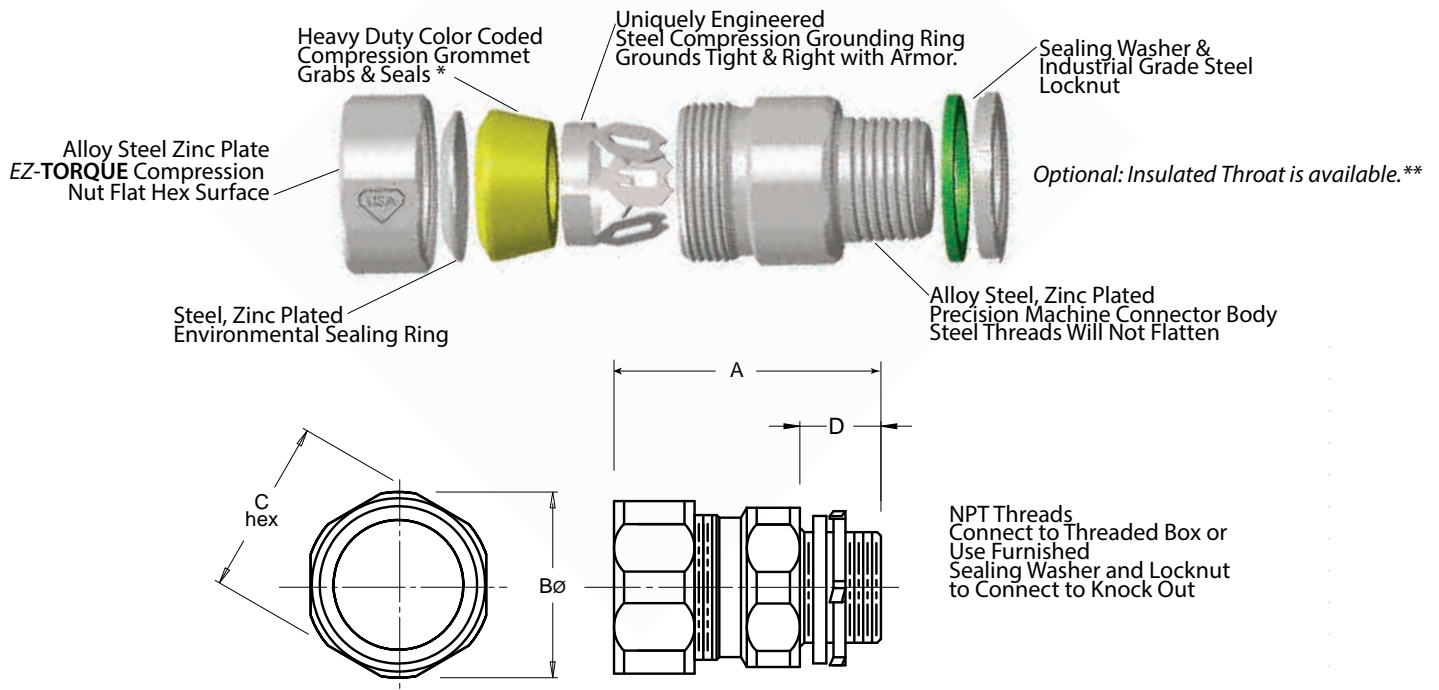
Specifically Designed for Use with PVC Jacketed MC, TECK Cable, SouthWire EZ-In Mini Cable  
One Connector Accomodates a Wide Range of Cable Sizes

#### Application:

Connector provides a unique liquid tight connection for PVC Jacketed MC Cable.  
No tools required to Install connector, simply terminate cable according to wiring instructions and snap it into place.



Each connector is furnished with three color-coded grommet sizes to accomodate different size MC cable diameters as shown below.



Cat. #	Hub Size	Range Over Jacket OD Min - Max	Grommet * Color to Use	'A' Length	'B' Diameter	'C' Hex	'D' Length	Wt Per 100
TECK50 *	1/2"	.640 - .710	Black ■	1-31/32"	1-3/16"	1-1/8"	19/32"	20
TECK50 *	1/2"	.520 - .610 (I)	Grey ■	1-31/32"	1-3/16"	1-1/8"	19/32"	20
TECK50 *	1/2"	.460 - .505	Yellow ■	1-31/32"	1-3/16"	1-1/8"	19/32"	20

\* Part is packaged with three different color coded grommets to accomodate cable ranges as shown above. (I) Grey installed.

\*\* Add Suffix "B" to cat.number for insulated throat.

Sold in cartons of 25 with each connector individually packaged with grommets and instructions.

#### Compliances:

Certified Made in the USA  
UL 514B  
NEMA Standard FB1  
Federal Standard A-A-50553  
NEC: Class I, Division 2  
Class II, Divisions 1 and 2  
Class III, Divisions 1 and 2  
UL Standards: 514B, 467  
CSA Standard: C22.2 No. 18F



#### Features:

- Truly an Industrial Specification Grade Connector, Made in the USA
- Compact Low Profile Design, Takes Up Less Room in Tight Spaces
- Alloy Steel has Natural Corrosion Resistant
- Alloy Steel TWICE the STRENGTH of All Die Cast Fittings
- Installs Without Disassembly, Simply Loosen and Slide on MC Cable
- Unique Grounding Compression Ring Fully Secures Grounding 360°
- SPEC-teck Connectors Exceeds Your Expectations Not Your Budget
- Connector is Fully Reuseable

Dimensional Cut Sheets Available Online at [amftgs.com](http://amftgs.com)

1/2" to 4"  
Made in the USA  
Solid Steel or Aluminum

# AMFITCO

## The Next Generation of Greenfield Connectors

# SPEC-*flex* connectors™

Our *flex* System is Your Solution for Electrical Runs

**GUARANTEED** to  
Save Time On Every  
Connection You Make.



Patent Pending

Straight Connectors for Enclosures or  
Use Our Adapters to Transition Your Conduit & Cable

## TURN IT ON with SPEC-*flex* connectors™



Full *flex* Connector System  
Straight Connectors, 45° & 90°  
FMC to Liquid Tight, Flexible Cord,  
EMT & Rigid Conduit



**AMERICAN FITTINGS**  
Corporation

800.221.5268  
amftgs.com

Fair Lawn, New Jersey

Saves Labor on Every Connection  
No Screw or Crimp Required to Install  
Simply, Turn It On Your FMC  
**Exceeds UL Pullout Requirements by 300%**  
No Screws to Pinch or Pierce Conduit  
Maintains Full Integrity of the Conduit  
Count On a Safe Burr-less Wire Pull  
Fully-Machined Solid Steel or Aluminum  
Furnished with Industrial Grade Steel Locknut

## Made in the USA

© 2015 AMERICAN FITTINGS

Since 1946



## SPECflex™ Connector System

Easily Transition Greenfield into Your Electrical Runs  
When You Turn On with **SPECflex**



Straight Connector  
1/2" - 4"  
FMC to Enclosure

### Avoid the Issues with Inferior Die Cast Fittings

Patent Pending, Uniquely Engineered for Industrial Projects and OEM Product Performance and Reliability

- Superior Performance for Secure Connectors and Fast Disconnect
- GripsTight, Grips Right on Every Connection
- Fittings are FULLY Reuseable, No Need to Crimp or Pinch
- 90° and 45° Adapters Used to Connect FMC to a Box or Enclosure



Sizes Available 1/2" - 2" \* Trade Sizes, in Steel or Aluminum  
Solid Steel Fully Machined FMC SPEC-flex Connectors  
Made in the USA



90° Adapter  
FMC to Enclosure



45° Adapter  
FMC to Enclosure

Furnished with Industrial Grade Locknut, Sealing Washer and Insulated Throat

## SPECflex™ ADAPTERS

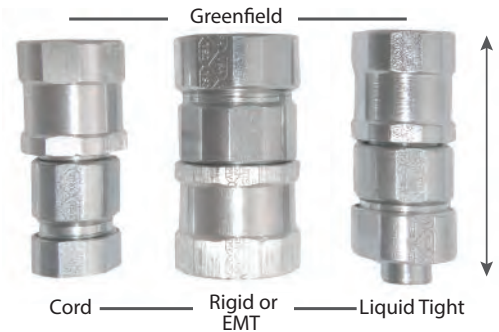
The Most Secure Connection in the Market.

### Our flex-System is Your Industrial Solution

SPEC-flex Adapters Convert Greenfield - FMC to Pipe, LT or Cord  
Industrial Products for Demanding Conditions

Adapters Used to Easily  
Transition FMC to EMT, Rigid Conduit, Portable Cord, or Liquid Tight Cable  
and Conform to UL specifications, Made in the USA

Sizes Available 1/2" - 2" \* Consult factory for larger trade sizes



Greenfield to Conduit  
Available Set Screw & Compression EMT or Rigid Conduit

### Products Guaranteed for Life

**Note:**  
SPECflex connectors are designed to work and interface with UL listed, Made in USA FMC / Greenfield conduit. We cannot guarantee fit, form, or function with non-UL off-shore conduit. Request a sample from factory to ensure capatibility.



Greenfield to LT or  
Portable Cord



**Solid Steel Fully Machined SPECflex Connector™**  
**Industrial Grade Greenfield to Enclosure Connector**  
**Made in the USA**  
**Solid Steel Zinc Plated or Aluminum**

Patent Pending  
Uniquely Engineered for Industrial Projects and OEM Product Performance  
Secure Connection and Fast Disconnect  
No Tools Required to Install on FMC  
**Exceeds UL Pull-Out Requirements by 300%**

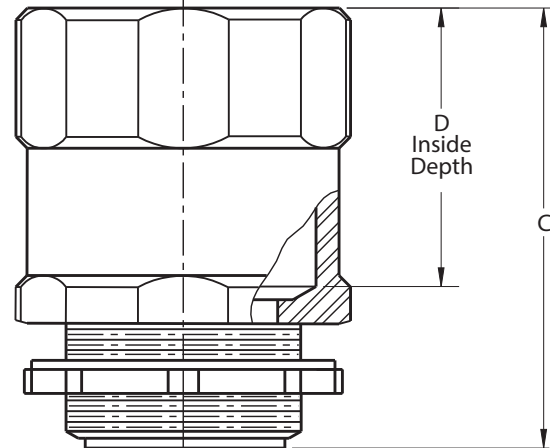
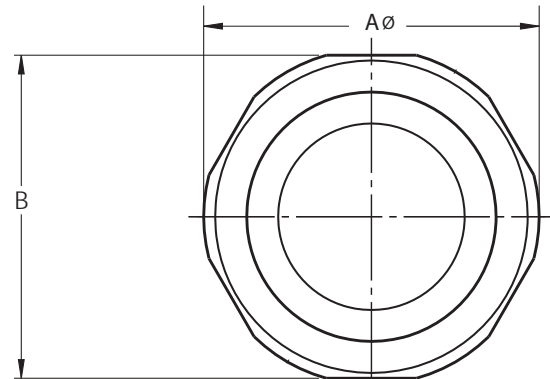
**FULL Connector System Available for Transitions from Greenfield to EMT, Rigid, LT, & Flexible Cord 90° and 45° Connectors Available**



Unique industrial grade locknut bites into any box or enclosure for full bonding and an Insulated UL Listed Throat Bushing are standard.

# SPECflex™

**Installs On Greenfield with a Few Easy Turns**  
**No Tools Required**



Furnished with N.P.S Threads

Saves Labor on Every Connection  
No Screws to Pinch or Pierce Conduit  
**Steel Construction\* NOT a Thin Wall Die Cast Fitting**  
Maintains Full Integrity of Conduit ID & OD  
Allows More Room Inside Conduit For Wire  
You Can Count-On a Safe Burr-less Wire Pull

**Note:**  
SPECflex connectors are designed to work and interface with UL listed, Made in USA FMC / Greenfield conduit. We cannot guarantee fit, form, or function with non-UL off-shore conduit.  
Request a sample from factory to ensure compatibility.

\* Steel is Zinc Plated for Full Corrosion Resistance  
\*\* Sizes over 2" Consult Factory for Cat # & Availability

FLX-AM072.B

### SPECflex Connectors

Cat #	Trade Size	Mat'l	A Ø	B hex	C	D
FLX50B	1/2"	Steel *	1-5/32"	1-1/8"	1-9/16"	1-1/16"
FLX50BAL	1/2"	Aluminum	1-5/32"	1-1/8"	1-9/16"	1-1/16"
FLX75B	3/4"	Steel *	1-7/16"	1-3/8"	1-9/16"	1-1/16"
FLX75BAL	3/4"	Aluminum	1-7/16"	1-3/8"	1-9/16"	1-1/16"
FLX100B	1"	Steel *	1-11/16"	1-5/8"	1-5/8"	1-1/16"
FLX100BAL	1"	Aluminum	1-11/16"	1-5/8"	1-5/8"	1-1/16"
FLX125B	1-1/4"	Steel *	2-1/32"	1-31/32"	1-5/8"	1-1/16"
FLX125BAL	1-1/4"	Aluminum	2-1/8"	2"	1-5/8"	1-1/16"
FLX150B	1-1/2"	Steel *	2-9/32"	2-3/16"	1-29/32"	1-1/4"
FLX150BAL	1-1/2"	Aluminum	2-9/32"	2-3/16"	1-29/32"	1-1/4"
FLX200B	2"	Steel *	2-29/32"	2-29/32"	2"	1-9/32"
FLX200BAL	2"	Aluminum	2-29/32"	2-29/32"	2"	1-9/32"

Consult with factory for fittings without insulated throat or sizes not shown.

# AMERICAN FITTINGS Corporation

Made in the USA Since 1946



Industrial SPEC-flex™  
FMC to Enclosure  
90° Conduit Adapters  
1/2" to 2"

## SPECflex™ Connector System

### FLEX Series Industrial Flexible Metal Conduit Connectors

Solid Steel Fully Machined FMC SPEC-flex Connectors  
Made in the USA

90° Adapter Used to Connect FMC to a Box or Enclosure

Patent Pending Uniquely Engineered for Industrial Projects and OEM Product Performance

Superior Performance for Secure Connectors and Fast Disconnect  
GripsTight, Grips Right on Every Connection

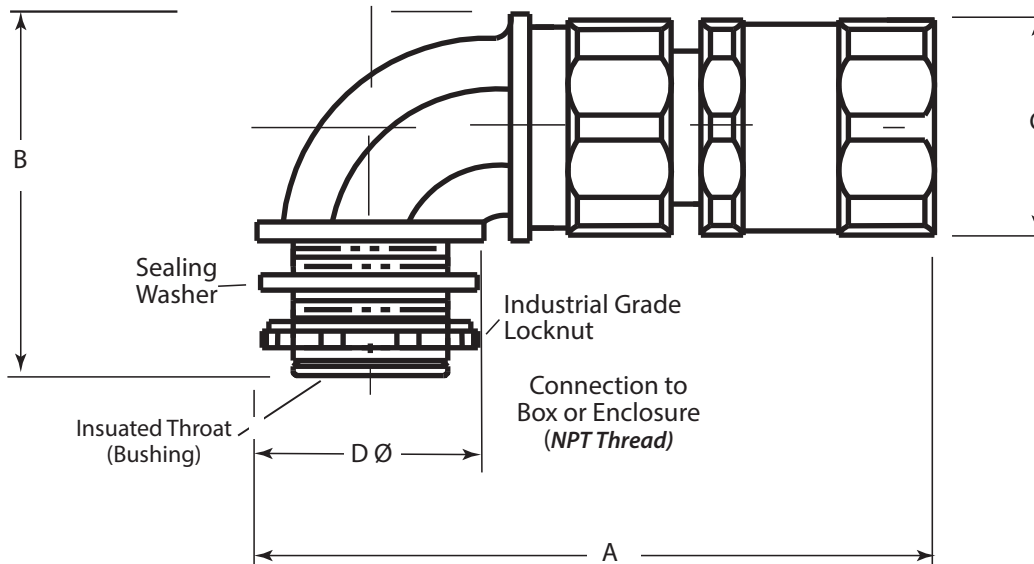
Furnished with Our Industrial Grade Locknut and Sealing Washer with an Optional UL Component Temperature Rated 150°C Insulated Throat



90° Adapter  
FMC to Enclosure  
Made in the USA

**Save Time on Every Connection!**

**Note:**  
SPECflex connectors are designed to work and interface with UL listed, Made in USA FMC / Greenfield conduit.  
We cannot guarantee fit, form, or function with non-UL off-shore conduit.  
Request a sample from factory to ensure capability.



SPECflex Industrial Grade FMC Connectors 90° Adapters

Cat #	Trade Size	A	B	C hex	E
FLX5090B	1/2"	3-3/8"	1-15/16"	1-1/8"	1-3/16"
FLX7590B	3/4"	3-19/32"	2-5/32"	1-3/8"	1-11/32"
FLX10090B	1"	4"	2-11/16"	1-5/8"	1-11/16"
FLX12590B	1 1/4"	4-5/16"	2-15/16"	1-31/32"	2"
FLX15090B	1 1/2"	5-1/16"	3-3/16"	2-3/16"	2-1/4"
FLX20090B	2"	5-21/32"	3-23/32"	2-25/32"	2-3/4"

Consult with factory for fittings without insulated throat.

FLX-Adapt AM1197.B

# AMERICAN FITTINGS Corporation

Made in the USA Since 1946



Industrial SPEC-flex™  
FMC to Enclosure  
45° Conduit Adapters  
1/2" to 2"

## SPECflex™ Connector System

### FLEX Series Industrial Flexible Metal Conduit Connectors

Solid Steel Fully Machined FMC SPEC-flex Connectors  
Made in the USA

45° Adapter Used to Connect FMC to a Box or Enclosure

Patent Pending Uniquely Engineered for Industrial Projects and OEM Product Performance

Superior Performance for Secure Connectors and Fast Disconnect  
GripsTight, Grips Right on Every Connection

Furnished with Our Industrial Grade Locknut and Sealing Washer with an Optional UL Component Temperature Rated 150°C Insulated Throat

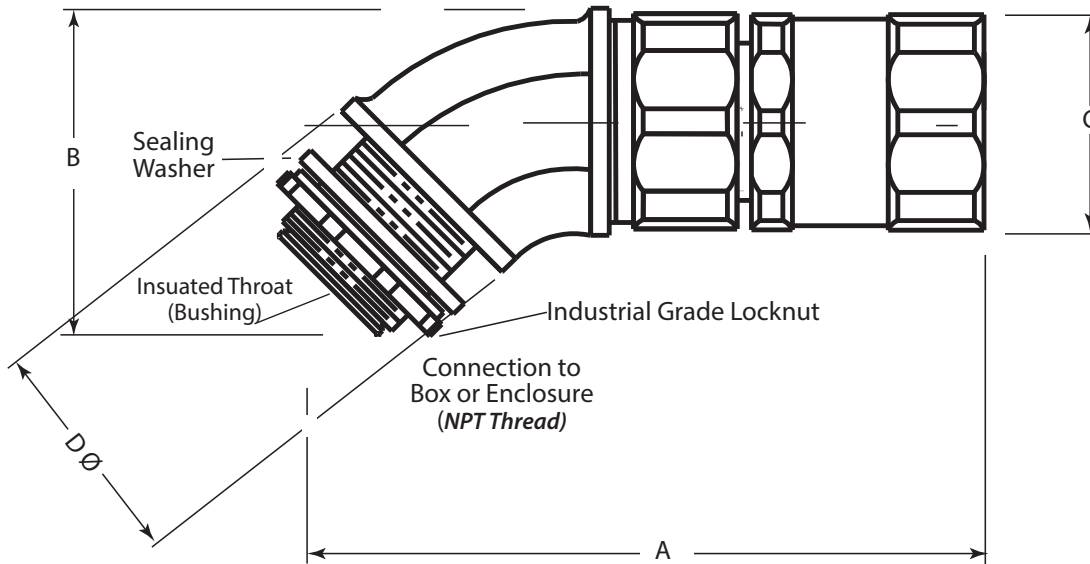
**Save Time on Every Connection!**



45° Adapter  
FMC to Enclosure  
Made in the USA



**Note:**  
SPECflex connectors are designed to work and interface with UL listed, Made in USA FMC / Greenfield conduit. We cannot guarantee fit, form, or function with non-UL off-shore conduit. Request a sample from factory to ensure capability.



SPECflex Industrial Grade FMC Connectors 45° Adapters

Cat #	Trade Size	A	B	C hex	E
FLX5045B	1/2"	3-21/32"	1-21/32"	1-1/8"	1-3/16"
FLX7545B	3/4"	3-25/32"	1-15/16"	1-3/8"	1-11/32"
FLX10045B	1"	4"	2-5/32"	1-5/8"	1-11/16"
FLX12545B	1 1/4"	4-1/4"	2-15/32"	1-31/32"	2"
FLX15045B	1 1/2"	5"	2-25/32"	2-3/16"	2-1/4"
FLX20045B	2"	5-1/2"	3-5/16"	2-25/32"	2-3/4"

Consult with factory for fittings without insulated throat.

FLX-Adapt AM1198.B

# AMERICAN FITTINGS Corporation

Made in the USA Since 1946



Industrial SPEC-flex Adapter  
FMC to Flexible Cord  
1/2" - 2"

**FLEX Series Industrial Flexible Metal Conduit Adapter  
Transitions FMC (Greenfield) to Flexible Non-Metallic Cord  
Made in the USA**

Solid Steel Fully Machined **SPECflex** Connector with  
AMFICO Industrial Grade Flexible Cord & Cable Connector

Patent Pending Uniquely Engineered for Industrial Projects and  
OEM Product Performance

**Superior Performance for Secure Connection and Fast Disconnect  
No Tools Required to Install Connector on FMC Conduit**

## SPECflex Connector System



Greenfield to Flexible Cord

**Save Time on Every Connection!**

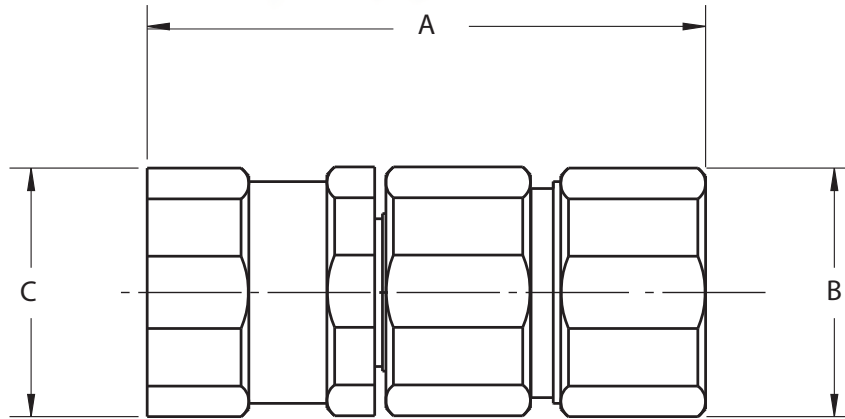


FMC (Greenfield)



Flexible Cord or Cable

**Grips Tight and Right on Every Connection**



**Note:**

SPECflex connectors are designed to work and interface with UL listed, Made in USA FMC / Greenfield conduit. We cannot guarantee fit, form, or function with non-UL off-shore conduit. Request a sample from factory to ensure capatibility.

**SPECflex Flexible Cord Adapters**

Cat #	Trade Size	A	B hex	C hex
FLXCG50	1/2"	1-5/32"	1-1/32"	1-1/8"
FLXCG75	3/4"	1-7/16"	1-9/32"	1-3/8"
FLXCG100	1"	1-11/16"	1-9/16"	1-5/8"
FLXCG125	1-1/4"	2-1/32"	1-15/16"	1-31/32"
FLXCG150	1-1/2"	2-9/32"	2-9/32"	2-3/16"
FLXCG200	2"	2-7/8"	2-25/32"	2-25/32"

FXCG-AM1194-C



**FLEX Series Industrial Flexible Metal Conduit Adapter  
Transitions FMC (Greenfield) to Liquid Tight Conduit  
Made in the USA**

Solid Steel Fully Machined **SPECflex** Connector with  
AMFICO Industrial Grade Liquid Tight Conduit Connector

Patent Pending Uniquely Engineered for Industrial Projects and  
OEM Product Performance

**Superior Performance for Secure Connection and Fast Disconnect  
No Tools Required to Install Conduit**

## SPECflex Connector System



Greenfield to Liquid Tight

**Save Time on Every Connection!**

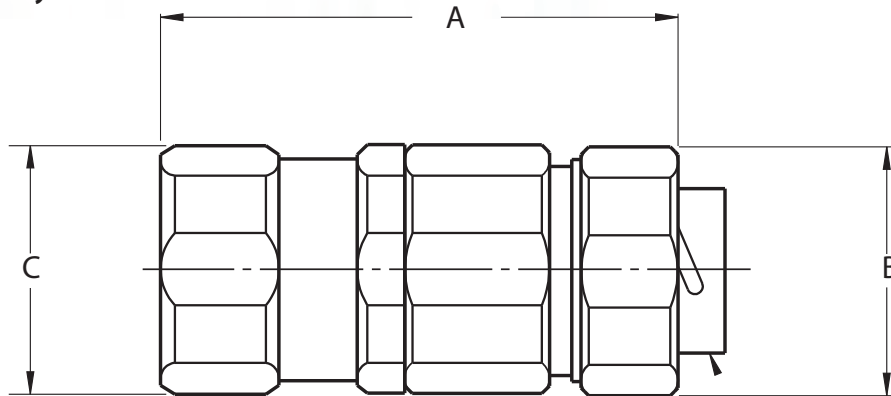


FMC Greenfield



Liquid Tight  
Conduit

**Grips Tight and Right on Every Connection**



**Note:**  
SPECflex connectors are designed to work and interface  
with UL listed, Made in USA FMC / Greenfield conduit.  
We cannot guarantee fit, form, or function with non-UL  
off-shore conduit.  
Request a sample from factory to ensure capatibility.

### SPECflex Liquid Tight Adapters

Cat #	Trade Size	A	B hex	C hex
FLXLT50	1/2"	2-7/16"	1-1/8"	1-1/8"
FLXLT75	3/4"	2-1/2"	1-3/8"	1-3/8"
FLXLT100	1"	2-9/16"	1-11/16"	1-5/8"
FLXLT125	1-1/4"	2-31/32"	2-1/16"	1-21/32"
FLXLT150	1-1/2"	3-3/8"	2-9/32"	2-3/16"
FLXLT200	2"	3-9/16"	2-25/32"	2-25/32"

FKXLT.AM1193.D





## SPECflex Connector System

FLEX Series Industrial Flexible Metal Conduit Adapter  
Transitions FMC (Greenfield) to EMT  
Made in the USA

Solid Steel Fully Machined **SPECflex** Connector with  
AMFICO Industrial EMT Set Screw Fitting  
Fittings are Solid Steel Zinc Plated

Patent Pending Uniquely Engineered for Industrial Projects and  
OEM Product Performance  
**Superior Performance for Secure Connection and Fast Disconnect**  
**No Tools Required to Install Connector on Flex Conduit**



Greenfield to EMT Set Screw

**Save Time on Every Connection!**

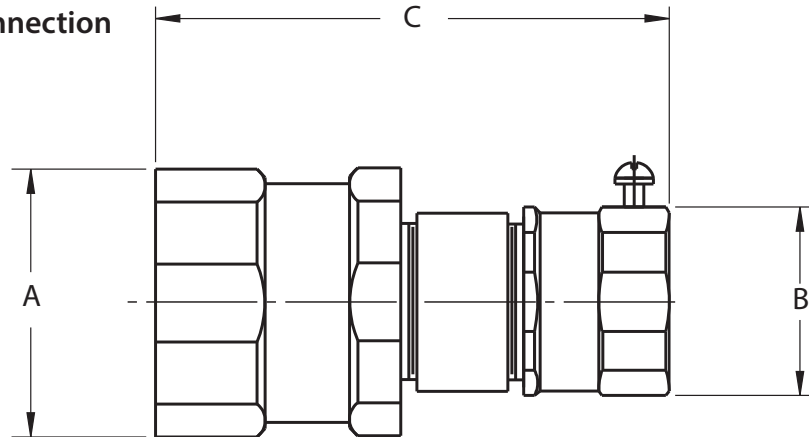


Greenfield  
FMC



EMT

**Grips Tight and Right on Every Connection**



**Note:**  
SPECflex connectors are designed to work and interface  
with UL listed, Made in USA FMC / Greenfield conduit.  
We cannot guarantee fit, form, or function with non-UL  
off-shore conduit.  
Request a sample from factory to ensure capatibility.

**SPECflex EMT SET SCREW Adapters**

Cat #	Trade Size	A	B hex	C hex
FLXSS 50	1/2"	2-5/8"	15/16"	1-1/8"
FLXSS 75	3/4"	2-21/32"	1-3/16"	1-3/8"
FLXSS 100	1"	2-31/32"	1-7/16"	1-5/8"
FLXSS 125	1-1/4"	3-7/32"	1-13/16"	1-31/32"
FLXSS 150	1-1/2"	3-23/32"	2-1/16"	2-13/16"
FLXSS 200	2"	3-23-32"	2-9/16"	2-25/32"

**Note:**  
Also available in  
Compression EMT  
Liquid Tight  
Cord Connectors

FLXEMT.SS.AM1575.B

# AMERICAN FITTINGS Corporation

Made in the USA Since 1946



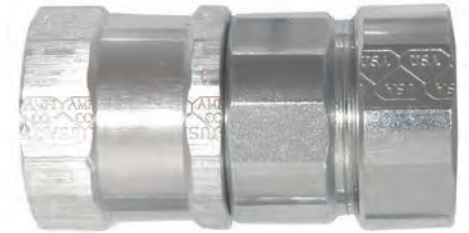
Industrial SPECflex Adapter  
FMC to EMT Compression  
1/2" - 2"

**FLEX Series Industrial Flexible Metal Conduit Adapter**  
Transitions FMC (Greenfield) to EMT  
Made in the USA

Solid Steel Fully Machined **SPECflex** Connector with  
AMFICO Industrial EMT Compression Coupling  
Fittings are Solid Steel Zinc Plated

Patent Pending Uniquely Engineered for Industrial Projects and  
OEM Product Performance  
**Superior Performance for Secure Connection and Fast Disconnect**  
**No Tools Required to Install Connector on Flex Conduit**

## SPECflex Connector System

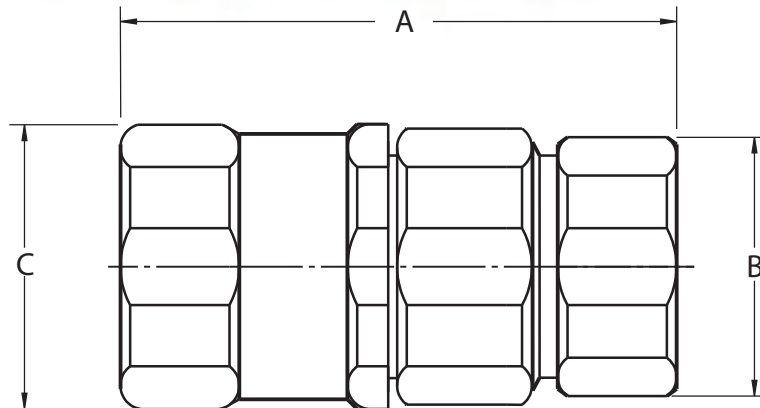


Greenfield to EMT Compression

**Save Time on Every Connection!**



**Grips Tight and Right on Every Connection**



**Note:**  
SPECflex connectors are designed to work and interface  
with UL listed, Made in USA FMC / Greenfield conduit.  
We cannot guarantee fit, form, or function with non-UL  
off-shore conduit.  
Request a sample from factory to ensure compatibility.

### SPECflex EMT Compression Adapters

Cat #	Trade Size	A	B hex	C hex
FLXEMT50	1/2"	2-7/16"	15/16"	1-1/8"
FLXEMT75	3/4"	2-15/32"	1-3/16"	1-3/8"
FLXEMT100	1"	2-17/32"	1-7/16"	1-5/8"
FLXEMT125	1-1/4"	2-11/16"	1-13/16"	1-31/32"
FLXEMT150	1-1/2"	3-5/32"	2-1/16"	2-3/16"
FLXEMT200	2"	3-5/16"	2-9/16"	2-25/32"

FLXEMT-AM1195.B

AMFTGS.com

t: 800.221.5268

e:info@amftgs.com



## SPECflex Connector System

FLEX Series Industrial Flexible Metal Conduit Adapter  
Transitions FMC (Greenfield) to Rigid / IMC Conduit  
Made in the USA

Solid Steel Fully Machined **SPECflex** Connector with  
AMFICO Industrial Rigid Conduit Set Screw Fitting  
Fittings are Solid Steel Zinc Plated

Patent Pending Uniquely Engineered for Industrial Projects and  
OEM Product Performance  
**Superior Performance for Secure Connection and Fast Disconnect**  
**No Tools Required to Install Connector on Flex Conduit**



Greenfield to Rigid Conduit Set Screw  
**Save Time on Every Connection!**

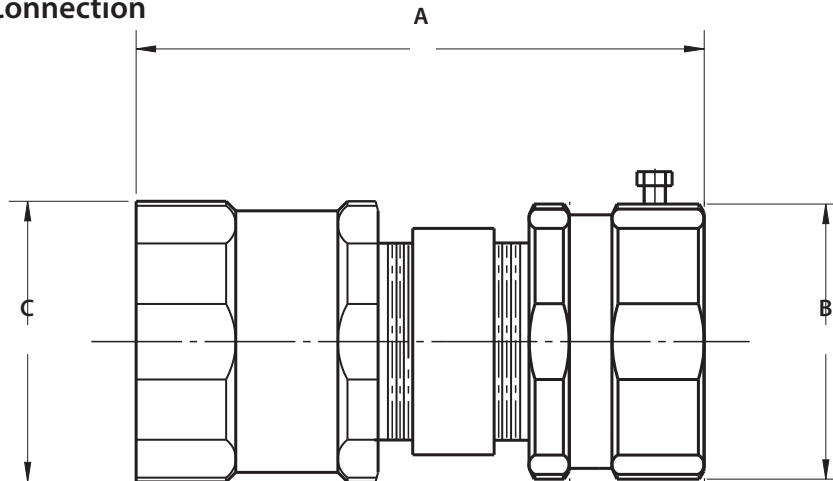


Greenfield  
FMC



Rigid / IMC  
Conduit

**Grips Tight and Right on Every Connection**



**Note:**  
SPECflex connectors are designed to work and interface  
with UL listed, Made in USA FMC / Greenfield conduit.  
We cannot guarantee fit, form, or function with non-UL  
off-shore conduit.  
Request a sample from factory to ensure compatibility.

### SPECflex to RIGID Conduit SET SCREW Adapters

Cat #	Trade Size	A	B hex	C hex
FLXSNT 50	1/2"	2-3/4"	1-1/8"	1-1/8"
FLXSNT 75	3/4"	3-25/32"	1-11/32"	1-3/8"
FLXSNT 100	1"	3-1/8"	1-5/8"	1-5/8"
FLXSNT 125	1-1/4"	3-5/16"	2-1/32"	1-31/32"
FLXSNT 150	1-1/2"	3-13/16"	2-9/32"	2-13/16"
FLXSNT 200	2"	4-1/32"	2-25/32"	2-25/32"

FLXSNT.AM11662.A

# AMERICAN FITTINGS Corporation

Made in the USA Since 1946



Industrial SPEC-flex Adapter  
FMC to Rigid Conduit Compression  
1/2" - 2"

**FLEX Series Industrial Flexible Metal Conduit Adapter  
Transitions FMC (Greenfield) to Rigid / IMC Conduit  
Made in the USA**

Solid Steel Fully Machined **SPECflex** Connector with  
AMFICO Industrial Rigid Conduit NT Compression Fitting  
Fittings are Solid Steel Zinc Plated

Patent Pending Uniquely Engineered for Industrial Projects and  
OEM Product Performance  
**Superior Performance for Secure Connection and Fast Disconnect  
No Tools Required to Install Flex Conduit**

## SPECflex Connector System



Greenfield to Rigid Conduit NT Compression  
**Save Time on Every Connection!**

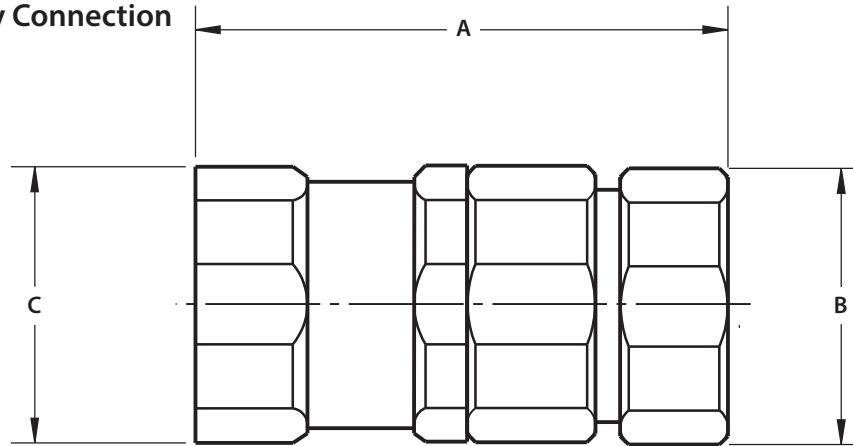


Greenfield  
FMC



Rigid / IMC  
Conduit

**Grips Tight and Right on Every Connection**



**Note:**  
SPECflex connectors are designed to work and interface  
with UL listed, Made in USA FMC / Greenfield conduit.  
We cannot guarantee fit, form, or function with non-UL  
off-shore conduit.  
Request a sample from factory to ensure compatibility.

### SPECflex to RIGID Conduit Compression NT Adapters

Cat #	Trade Size	A	B hex	C hex
FLXNT 50	1/2"	2-3/4"	1-1/8"	1-1/8"
FLXNT 75	3/4"	3-25/32"	1-11/32"	1-3/8"
FLXNT 100	1"	3-1/8"	1-5/8"	1-5/8"
FLXNT 125	1-1/4"	3-5/16"	2-1/32"	1-31/32"
FLXNT 150	1-1/2"	3-13/16"	2-9/32"	2-13/16"
FLXNT 200	2"	4-1/32"	2-25/32"	2-25/32"

FLXSNT-AM1732-A

AMFTGS.com

t: 800.221.5268

e: info@amftgs.com



Made in the USA Since 1946

Industrial SPEC-Grade Products  
Heavy Duty Alloy Steel Locknuts  
Size Range: 1/2" to 4"

Locks **TIGHT & Right**  
Tightens with Less Effort Yields Greater Torque  
Diamond Cut Provides Full Bonding

## Heavy Duty LOCKnuts Alloy Steel (HDI Series)

Solid Alloy Steel, Precision Machined with Cut Threads  
Made in the USA  
Industrial Corrosion Resistant Zinc Plated  
Industrial Galvanized Plating Available \*\*

### Compliances:

Certified Made in the USA

UL 514B

NEMA Standard FB1

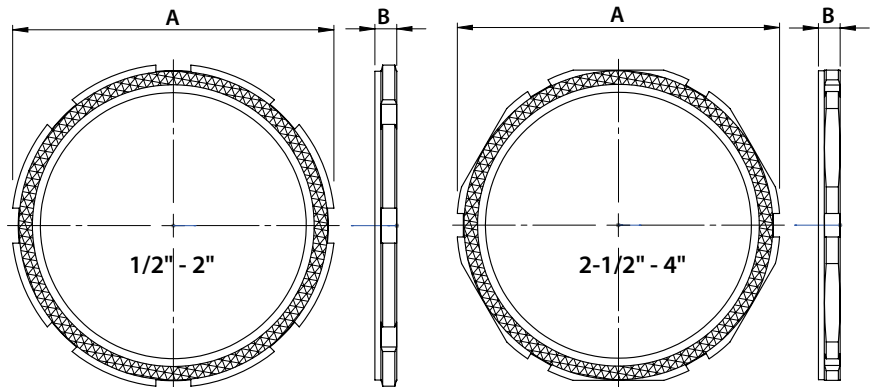
Certified for MIL-STD 810 Sinusoidal Vibrations

Federal Standard A-A-50553

UL Standards: 514B, 467



## SPEC-grade LOCKnuts™



### Dimensions

Cat #	Trade Size "	'A'	'B'
LN50HDI	1/2"	1.13	.13
LN75HDI	3/4"	1.39	.13
LN100HDI	1"	1.69	.17
LN125HDI	1-1/4"	2.06	.17
LN150HDI	1-1/2"	2.28	.17
LN200HDI	2"	2.78	.17
LN250HDI	2-1/2"	3.39	.25
LN300HDI	3"	4.00	.25
LN350HDI	3-1/2"	4.56	.25
LN400HDI	4"	5.09	.25

## SPEC-grade LOCKnuts™

Our solid alloy steel, precision machined, industrial grade locknuts feature our uniformed and uniquely designed **machined cut diamond serrations**. This assures you the ability of cutting through protective coating on boxes and enclosures to guarantee a positive engagement for bonding and grounding.

Unique **bevel tangs** and **full flat hex surfaces** for full torque values without fear of stripping threads, or cracking the locknut.

FULLY machined **precision cut inner threads** provide the fastest and an ultra secure threading to pipe or fittings. Guaranteed NOT to crack, deform, or wobble. Lays **perfectly flat and square** against your box or enclosure.



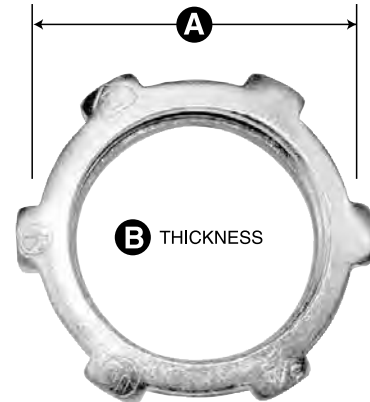
Made in the USA Since 1946

## Sealing Locknuts

- Zinc plated with PVC Molded Gasket



## SPEC-grade



## Steel - Sealing Locknuts

Cat. #	Size	Unit Ctn	Std Pkg	WT/ 100
SL1*	1/2"	100	1000	2
SL2*	3/4"	100	1000	3
SL3*	1"	50	500	2
SL4*	1-1/4"	25	250	8
SL5*	1-1/2"	25	250	8
SL6*	2"	10	100	12
SL7	2-1/2"	-	25	20
SL8	3"	-	25	20
SL9	3-1/2"	-	10	24
SL10	4"	-	10	24
SL11	5"	-	5	95
SL12	6"	-	5	125

## Dimensional Table

Cat. #	A Diameter	B Thickness
SL1	1.12	.26
SL2	1.37	.27
SL3	1.75	.28
SL4	2.06	.32
SL5	2.37	.32
SL6	2.87	.32
SL7	3.43	.32
SL8	4.12	.32
SL9	4.62	.32
SL10	5.18	.32

Rigid IMC Conduit Fittings

\*UL & CSA Listed



## Reducing Washers

- For use when a raceway is smaller in trade size than the trade size of the knockout it is designed to enter
- To be used in pairs inside and outside of the box or enclosure
- Solid steel construction for installation integrity
- Bright electro zinc finish for corrosion protection

## SPEC-grade



### Reducing Washers

Cat. #	Size	Unit Ctn	Std Pkg	WT/ 100
RW7550	3/4" x 1/2"	200	2000	1
RW10050	1" x 1/2"	100	1000	2
RW10075	1" x 3/4"	100	1000	1
RW12550	1-1/4" x 1/2"	100	1000	3
RW12575	1-1/4" x 3/4"	100	1000	2
RW125100	1-1/4" x 1"	100	1000	2
RW15050	1-1/2" x 1/2"	50	500	5
RW15075	1-1/2" x 3/4"	50	500	5
RW150100	1-1/2" x 1"	50	500	4
RW150125	1-1/2" x 1-1/4"	50	500	3
RW20050	2" x 1/2"	50	500	8
RW20075	2" x 3/4"	50	500	8
RW200100	2" x 1"	50	500	7
RW200125	2" x 1-1/4"	50	500	6
RW200150	2" x 1-1/2"	50	500	6
RW25050	2-1/2" x 1/2"	25	250	11
RW25075	2-1/2" x 3/4"	25	250	11
RW250100	2-1/2" x 1"	25	250	10
RW250125	2-1/2" x 1-1/4"	25	250	9
RW250150	2-1/2" x 1-1/2"	25	250	8
RW250200	2-1/2" x 2"	25	250	7
RW30050	3" x 1/2"	25	125	21
RW30075	3" x 3/4"	25	125	21
RW300100	3" x 1"	25	125	20
RW300125	3" x 1-1/4"	25	125	19
RW300150	3" x 1-1/2"	25	125	18
RW300200	3" x 2"	25	125	16
RW300250	3" x 2-1/2"	25	125	13



### Reducing Washers

Cat. #	Size	Unit Ctn	Std Pkg	WT/ 100
RW35050	3-1/2" x 1/2"	10	50	35
RW35075	3-1/2" x 3/4"	10	50	35
RW350100	3-1/2" x 1"	10	50	34
RW350125	3-1/2" x 1-1/4"	10	50	32
RW350150	3-1/2" x 1-1/2"	10	50	31
RW350200	3-1/2" x 2"	10	50	28
RW350250	3-1/2" x 2-1/2"	10	50	24
RW350300	3-1/2" x 3"	10	50	18
RW40050	4" x 1/2"	10	50	43
RW40075	4" x 3/4"	10	50	2
RW400100	4" x 1"	10	50	41
RW400125	4" x 1-1/4"	10	50	40
RW400150	4" x 1-1/2"	10	50	38
RW400200	4" x 2"	10	50	35
RW400250	4" x 2-1/2"	10	50	1
RW400300	4" x 3"	10	50	25
RW400350	4" x 3-1/2"	10	50	20



## Grounding Locknuts

- Threaded for Rigid/IMC conduit
- Used to insure positive bonding and fastening to a box or enclosure
- Required for installations where severe vibration is encountered
- Solid steel construction
- Zinc plated for corrosion protection



## SPEC-grade



## Grounding Locknuts

Cat. #	Size	Unit Ctn	Std Pkg	WT/100
GRL50	1/2"	100	1000	3
GRL75	3/4"	100	1000	3
GRL100	1"	50	500	5
GRL125	1-1/4"	50	250	6
GRL150	1-1/2"	25	250	9
GRL200	2"	20	200	14
GRL250	2-1/2"	-	25	16
GRL300	3"	-	20	28
GRL350	3-1/2"	-	10	36
GRL400	4"	-	10	40

## Dimensional Table

Cat. #	A Diameter	B Thickness
GRL50	1.340	.170
GRL75	1.575	.170
GRL100	1.890	.170
GRL125	2.300	.170
GRL150	2.600	.170
GRL200	3.100	.187
GRL250	3.562	.375
GRL300	4.250	.375
GRL350	4.803	.375
GRL400	5.402	.375

Rigid IMC Conduit Fittings



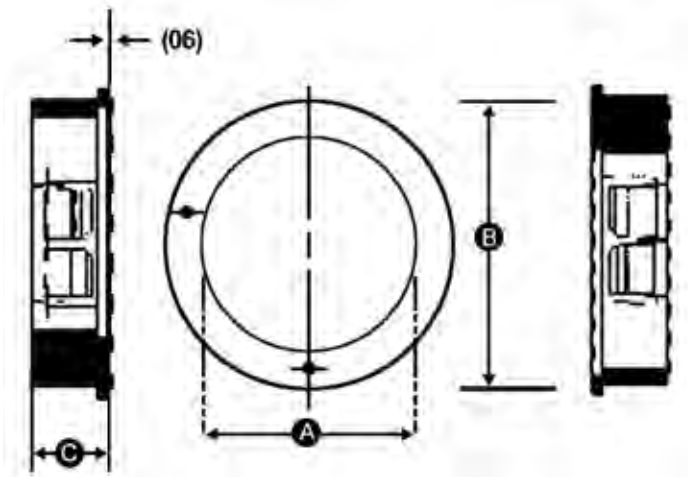


## Nylon Knockout Insulated Bushings Size Range 1/2" to 2 1/2"

- Converts pipe and box rough edge holes to smooth neat insulated holes.
- Insulates and mechanically protects wires and cables
- One piece construction with locking fingers "snap" into holes with fingertip pressure
- Material: Type 6/6 Nylon Dupont Zytel® 101
- Rated at 105° Flammability: UL94V-2
- Finish: As Molded
- Color: Black



Note: Zytel is a registered Trademark of The Dupont Company



### Nylon Knockout Insulated Bushings

Cat. #	Size	A ID ø	B Head ø	C Height	Unit Qty	Std. Pkg	WT 100
NKB50	1/2"	.750"	.953"	.406"	100	1000	1
NKB75	3/4"	.812"	1.218"	.406"	100	500	1
NKB100	1"	1.00"	1.468"	.463"	50	500	1
NKB125	1 1/4"	1.38"	1.875"	.463"	50	250	1
NKB150	1 1/2"	1.64"	2.125"	.463"	25	125	2
NKB200	2"	1.96"	2.660"	.700"	20	100	3
NKB250	2 1/2"	2.50"	3.200"	.700"	10	50	4

Rigid IMC Conduit Fittings



Made in the USA Since 1946

## Rigid EMT Steel Straps

- To securely fasten and support Rigid or Intermediate metal conduit to the mounting surface
- For use in wet or dry locations
- Bright electro zinc finish for corrosion protection



### One-Hole Rigid Type

Cat. #	Size	Unit Ctn	Std Pkg	WT/ 100
CSR251	1/4"	100	1000	2
CSR371	3/8"	100	1000	3
CSR501	1/2"	50	500	4
CSR751	3/4"	50	250	5
CSR1001	1"	50	250	8
CSR1251	1-1/4"	25	125	11
CSR1501	1-1/2"	20	100	17
CSR2001	2"	10	50	22
CSER2501	2-1/2"	-	20	42
CSER3001	3"	-	10	49
CSER3501	3-1/2"	-	10	71
CSER4001	4"	-	10	78

\*Made in the USA

### One-Hole BX Type

Cat. #	Size	Unit Ctn	Std Pkg	WT/ 100
CSBX381	12-2, 12-3, 10-2, 10-3	100	1000	1

### Two-Hole Rigid Type

Cat. #	Size	Unit Ctn	Std Pkg	WT/ 100
CSR502*	1/2"	50	500	2
CSR752*	3/4"	50	250	3
CSR1002*	1"	50	250	5
CSR1252*	1-1/4"	25	125	7
CSR1502*	1-1/2"	20	100	12
CSR2002*	2"	10	50	15
CSER2502*	2-1/2"	-	20	17
CSER3002*	3"	-	10	23
CSER3502*	3-1/2"	-	10	26
CSER4002*	4"	-	10	33



Rigid IMC Conduit Fittings

# AMERICAN FITTINGS Corporation



Made in the USA Since 1946

EMT CONDUIT  
Steel Straps: One Hole / Two Hole  
Size Range: 1/2" to 4"

## EMT Steel Straps

- To securely fasten and support EMT metal conduit to the mounting surface
- For use in wet or dry locations
- Bright electro zinc finish for corrosion protection



### One-Hole EMT Type

Cat. #	Size	Unit Ctn	Std Pkg	WT/100
CSE501	1/2"	100	1000	3
CSE751	3/4"	100	500	4
CSE1001	1"	50	250	6
CSE1251	1-1/4"	30	150	9
CSE1501	1-1/2"	25	125	13
CSE2001	2"	20	100	17
CSER2501	2-1/2"	-	20	42
CSER3001	3"	-	10	49
CSER3501	3-1/2"	-	10	71
CSER4001	4"	-	10	78

### One-Hole BX Type

Cat. #	Size	Unit Ctn	Std Pkg	WT/100
CSBX381	12-2, 12-3, 10-2, 10-3	100	1000	1

### Two-Hole EMT Type

Cat. #	Size	Unit Ctn	Std Pkg	WT/100
CSE502	1/2"	100	1000	2
CSE752	3/4"	100	500	3
CSE1002	1"	50	250	3
CSE1252	1-1/4"	30	150	6
CSE1502	1-1/2"	25	125	8
CSE2002	2"	15	75	14
CSER2502	2-1/2"	-	20	17
CSER3002	3"	-	10	23
CSER3502	3-1/2"	-	10	26
CSER4002	4"	-	10	33



EMT Conduit Fittings

AMFTGS.com

t: 800-221-5268

e: info@amftgs.com



Made in the USA Since 1946

EMT CONDUIT:  
Conduit Hangers with Bolts  
Size Range: 3/8" - 1/2" to 4"

## EMT Conduit Hangers with Bolts

- To fasten and secure EMT or rigid conduit to threaded rod, insulator supports, or directly to mounting surface
- Furnished with nut and bolt to accelerate installation
- For use in wet or dry locations
- Bright Electro Zinc finish



## Selection Table

Cat. #	Trade Size	Conduit Size		Unit / CTN	Std / Pkg	WT/100
		Rigid	EMT			
CHBOUS	0	3/8"-1/2"	1/2"	50	250	7
CHB1US	1	3/4"	3/4"	50	250	7
CHB2US	2	1"	1"	25	125	8
CHB25US	2-1/2	-	1-1/4"	20	100	11
CHB3US	3	1-1/4"	1-1/2"	20	100	11
CHB4US	4	1-1/2"	-	10	50	19
CHB5US	5	2"	2"	10	50	22
CHB6US	6	2-1/2"	2 1/2"	-	25	28
CHB7US	7	3"	3"	-	20	31
CHB8US	8	3-1/2"	3-1/2"	-	10	32
CHB9US	9	4"	4"	-	10	37

EMT Conduit Fittings