

Metering

MTR-18

Meter mounting & distribution equipment



Powering Business Worldwide



We make what matters work.*

* At Eaton, we believe that power is a fundamental part of just about everything people do. That's why we're dedicated to helping our customers find new ways to manage electrical, hydraulic and mechanical power more efficiently, safely and sustainably. To improve people's lives, the communities where we live and work, and the planet our future generations depend upon. Because this is what really matters. And we're here to make sure it works.














To learn more go to: Eaton.com/whatmatters

EAT•N

Powering Business Worldwide

We make what matters work.

Table of Contents

Table of Contents	1	
Introduction	2	
Single Meter Sockets - Without Bypass		
Overhead/Underground		
125 & 200 Amp	4 - 5	
Underground 125 & 200 Amp	6 - 7	
Meter Mains - Without Bypass		
100 & 200 Amp	10 - 12	
Breaker Data & Wiring Diagrams	13 - 15	
Single Meter Sockets - With MCC Bypass		
100 & 200 Amp	18 - 19	
Single Meter Sockets - With Safety Socket Bypass		
Single Meter Socket		
100 & 200 Amp	22 - 23	
Single Meter Socket		
100 Amp - 10K AIC	24 - 25	
Meter Mains 100 & 200 Amp -		
22K-65K AIC	26 - 27	
Meter Mains 100 Amp -		
Fusible Pullout	28 - 29	
Meter Mains Load Center		
100 Amp	30 - 31	
Meter Mains Load Center		
200 Amp - 10K AIC	32 - 33	
Meter Mains Load Center		
200 Amp - 22K-65K AIC	34 - 35	
Meter Mains Load Center		
200 Amp - Fusible Pullout	36 - 37	
Meter Mains Load Center		
200 Amp	38 - 39	
Test Block Bypass - Metering		
Breaker Data & Wiring Diagrams	40 - 44	
Test Block Bypass - Safety Socket		
Bypass Instructions	45	
Bussed Gutters & Termination Cabinets		
Universal Bussed Gutters,		
400 - 2000 Amp	48 - 49	
Bussed Gutters for TB/MTB		
Units, 400 - 800 Amp	50 - 51	
Termination Enclosures,		
100 -1200 Amp	52 - 53	
Class 320 Metering		
Single Meter Sockets, Without Bypass -		
400 Amp Max	56 - 57	
Meter Mains, With Optional		
MCC Bypass - 400 Amp Max	58 - 59	
Meter Main Load Centers, With Optional		
MCC Bypass - 400 Amp Max	60 - 61	
Class 320 Meter Breaker Data &		
Wiring Diagrams	62 - 64	
CT Metering		
Single Meter Sockets, Without Bypass -		
CT Rated	66 - 67	
Single Meter Sockets, CT Rated With		
Test Switch Bypass Provisions	68 - 69	
Meter Socket / Enclosures Combination		
Cabinets - CT Rated	70 - 71	
CT Enclosures With Lift Off Covers	72 - 73	
CT Enclosures With Hinged,		
Lift Off Doors	74 - 75	
CT Mounting Bases & Test		
Configuration Sheet	76 - 77	
CT Utility Enclosures	78	
Multiple Metering		
Group Meter Sockets, Gangable - 100 Amp		
Horizontal, Indoor Use Only	80 - 81	
Group Meter Sockets, Without Bypass -		
100 Amp Vertical	82 - 83	
Group Meter Main, Without Bypass -		
100 Amp Vertical	84 - 85	
Group Meter Sockets, Without Bypass -		
100 Amp Horizontal	86 - 87	
Group Meter Sockets, With MCC Bypass -		
100 Amp Horizontal	88 - 89	
Group Meter Sockets, Without Bypass -		
200 Amp Vertical	90 - 91	
Group Meter Sockets, With MCC Bypass -		
200 Amp Horizontal	92 - 93	
Group Meter Main, With MCC Bypass -		
100 Amp Horizontal	94 - 95	
Group Meter Main, Without Bypass -		
200 Amp Vertical	96 - 97	
Mobile Home Metering		
Mobile Home Pedestal,		
100 / 200 Amp	100 - 101	
Mobile Home Panel, 200 Amp	102 - 103	
Commercial Meter Pedestals		
Features & Applications	106	
Mounting Base Details	107	
Pad Mounted	108	
Post / Wall Mounted	109	
Pad Mounted, Unmetered	110	
Accessories		
Covers, Sealing Rings, AW & H-Base Hubs	112	
Flush Trim Kits & Overhead Conversion Kits	113	
Lug-Stud & Lug-Lug Terminal Pad Assemblies,		
Terminal Landing Pads, 5th Jaw Terminal Kits,		
Insulator	114	
Breaker Stab Assembly, Jumper Link,		
MTB Cover Kit, Test Blocks for TB Sockets,		
Class "T" Replacement Fuses	115	
Sealing Device Packages & Oil-Tight Hole Seals	116	
Ground Lug Kits, Triplex Ground Connectors,		
Touch-Up Paint	117	
Metering Data	119 - 124	
Index	125 - 128	

Introduction

Company History

In 1993, Eaton's B-Line Business acquired Circle AW. Our legacy includes a strong history of innovation, including the introduction of the first UL Listed meter socket in 1955, the first Class 320 Listed meter socket in 1981, and the first overhead to underground meter adapter in 2010.

Today, we are one of the largest manufacturers of quality meter mounting equipment in the United States, and continue to drive innovation through new product engineering and services.

Within this catalog, you will find the following products to support residential and commercial metering applications.

- Single Meter Sockets
- Meter Mains and Breakers
- CT Rated Meter Sockets, Test Switches, and Cabinets
- Group / Gang Meter Sockets
- Commercial Meter Sockets

For more information on meter mounting products, applications, or utility approvals, please refer to our website: www.eaton.com/metering.



Eaton's B-Line Business

509 West Monroe Street
Highland, Illinois 62249-0326
Phone: 800-851-7415
Fax: 800-257-4312

www.eaton.com/metering

NOTICE

Eaton's B-Line Business reserves the right to change the specifications, materials, equipment, prices or the availability of products at any time without prior notice. While every effort has been made to assure the accuracy of information contained in this catalog at the time of publication, we are not responsible for inaccuracies resulting from undetected errors or omissions.

Single Meter Sockets - Without Bypass



Single Meter Sockets, Overhead / Underground, 125 & 200 Amp	4 - 5
Single Meter Sockets, Underground, 125 & 200 Amp	6 - 7

Single Meter Sockets - Without Bypass

125 & 200 Amp

Single Meter Sockets
Without Bypass



011 (closed)



U204 (open)

Application

- Single meter position
- Receive ANSI C12.10 watthour meters
- Surface or flush mount (see chart)

Construction

- Ring type
- NEMA Type 3R
- ANSI 61 gray painted finish
- Aluminum snap ring included



Standards

- UL 414 Listed
- ANSI C12.7

Accessories

- 5th Jaw Kit - 50365
- 200A Triplex Ground - ETB200
- AW Hub

Part/UPC Number	Catalog Number	Amp Rating	Jaws	Service Type	Access	Connections		
						Line	Load	Neutral
78205142000	011	125	4	1Ø/3W	OH/UG	#14 - 2/0	#14 - 2/0	#14 - 2/0
78205142040	011 F	125	4	1Ø/3W	OH/UG	#14 - 2/0	#14 - 2/0	#14 - 2/0
79903856283	011 MS25	125	4	1Ø/3W	OH	#14 - 2/0	#14 - 2/0	#14 - 2/0
78205142045	011 MS73	125	4	1Ø/3W	OH/UG	#14 - 2/0	#14 - 2/0	#14 - 2/0
78205142050	011 SF	125	4	1Ø/3W	OH/UG	#14 - 2/0	#14 - 2/0	#14 - 2/0
78205144030	927	100	7	3Ø/4W	OH/UG	#14 - 1/0	#14 - 1/0	#14 - 2/0
78205156000	204	200	4	1Ø/3W	OH	#6 - 250MCM	#6 - 250MCM	#6 - 350MCM
78205156020	204 F	200	4	1Ø/3W	OH	#6 - 250MCM	#6 - 250MCM	#6 - 350MCM
78205156030	204 F MS73	200	4	1Ø/3W	OH	#6 - 250MCM	#6 - 250MCM	#6 - 350MCM
78205156040	204 MS68	200	4	1Ø/3W	OH	#6 - 250MCM	#6 - 250MCM	#6 - 350MCM
78205156035	204 MS68A	200	4	1Ø/3W	OH	#6 - 250MCM	#6 - 250MCM	#6 - 350MCM
78205108490	204 MS73	200	4	1Ø/3W	OH	#6 - 250MCM	#6 - 250MCM	#6 - 350MCM
78205156005	U204	200	4	1Ø/3W	UG	#6 - 250MCM	#6 - 250MCM	#6 - 350MCM
78205156045	U204 F	200	4	1Ø/3W	UG	#6 - 250MCM	#6 - 250MCM	#6 - 350MCM
78205156060	U204 F MS73	200	4	1Ø/3W	UG	#6 - 250MCM	#6 - 250MCM	#6 - 350MCM
78205156080	U204 MS21 SS	200	4	1Ø/3W	OH/UG	#6 - 250MCM	#6 - 250MCM	#6 - 350MCM
78205156070	U204 MS73	200	4	1Ø/3W	UG	#6 - 250MCM	#6 - 250MCM	#6 - 350MCM
78205156140	U207	200	7	3Ø/4W	OH/UG	#6 - 250MCM	#6 - 250MCM	#6 - 250MCM
78205156170	U207 F	200	7	3Ø/4W	UG	#6 - 250MCM	#6 - 250MCM	#6 - 250MCM
78205156180	U207 MS73	200	7	3Ø/4W	OH/UG	#6 - 250MCM	#6 - 250MCM	#6 - 250MCM

Part/UPC Number	Catalog Number	Overall Dimensions			Top Provision	Knockout Layout
		Height	Width	Depth		
78205142000	011	12"	8"	4 ⁵ / ₈ "	AW Hub	Fig. 1
78205142040	011 F	12"	8"	4 ⁵ / ₈ "	2" max KO	Fig. 1
79903856283	011 MS25	12"	8"	4 ⁵ / ₈ "	AW Hub	Fig. 1
78205142045	011 MS73	12"	8"	4 ⁵ / ₈ "	AW Hub	Fig. 1
78205142050	011 SF	12"	8"	4 ⁵ / ₈ "	2" max KO	Fig. 1
78205144030	927	17"	8"	4 ⁵ / ₈ "	AW Hub	Fig. 1
78205156000	204	15"	8"	4 ⁵ / ₈ "	AW Hub	Fig. 2
78205156020	204 F	15"	8"	6"	2" max KO	Fig. 2
78205156030	204 F MS73	15"	8"	6"	2" max KO	Fig. 2
78205156040	204 MS68	15"	8"	4 ⁵ / ₈ "	AW / 2" Hub	Fig. 2
78205156035	204 MS68A	15"	8"	4 ⁵ / ₈ "	AW / 2" Hub	Fig. 2
78205108490	204 MS73	15"	8"	4 ⁵ / ₈ "	None	Fig. 2
78205156005	U204	15"	12"	4 ⁵ / ₈ "	None	Fig. 3
78205156045	U204 F	15"	12"	6"	(2) 2" max KO	Fig. 3
78205156060	U204 F MS73	15"	12"	6"	None	Fig. 3
78205156080	U204 MS21 SS	15"	12"	4 ⁵ / ₈ "	None	Fig. 3
78205156070	U204 MS73	15"	12"	4 ⁵ / ₈ "	None	Fig. 3
78205156140	U207	18"	12"	5"	AW Hub	Fig. 4
78205156170	U207 F	18"	12"	5"	2 ¹ / ₂ " max KO	Fig. 4
78205156180	U207 MS73	18"	12"	5"	AW Hub	Fig. 4

AIC Note:
For short circuit current ratings see page 124.

Data subject to change without notice. Consult local utility for area acceptance. All dimensions are in inches.

Single Meter Sockets - Without Bypass

125 & 200 Amp

Single Meter Sockets
Without Bypass

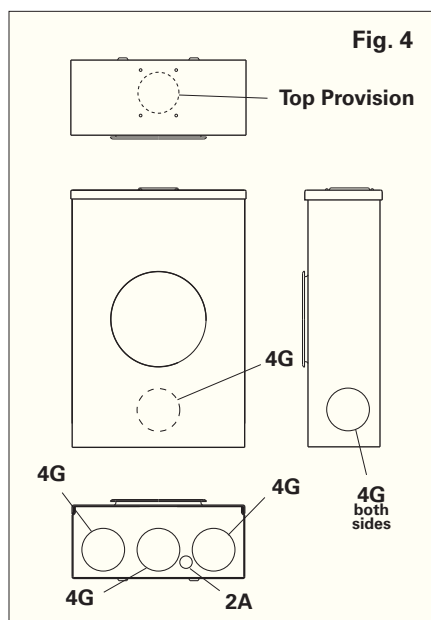
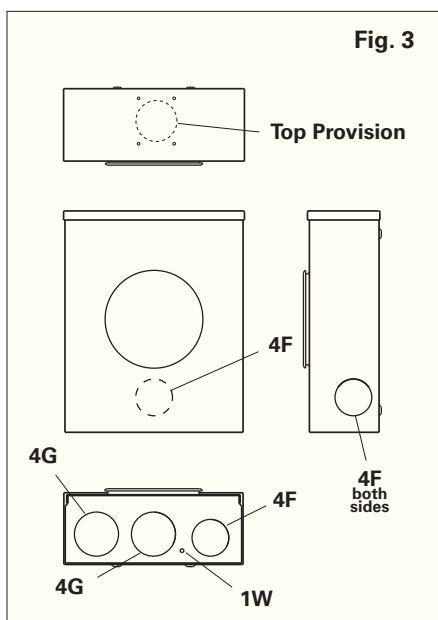
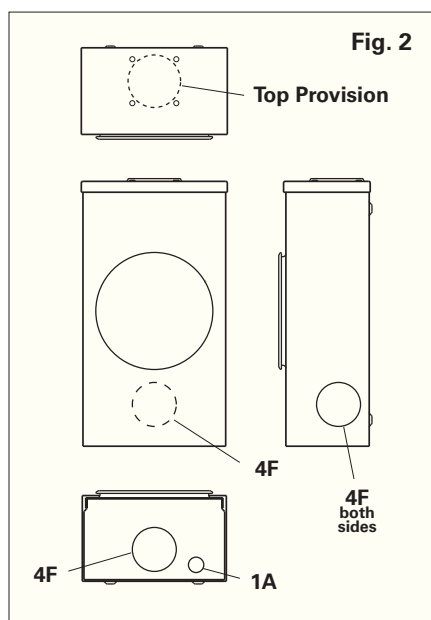
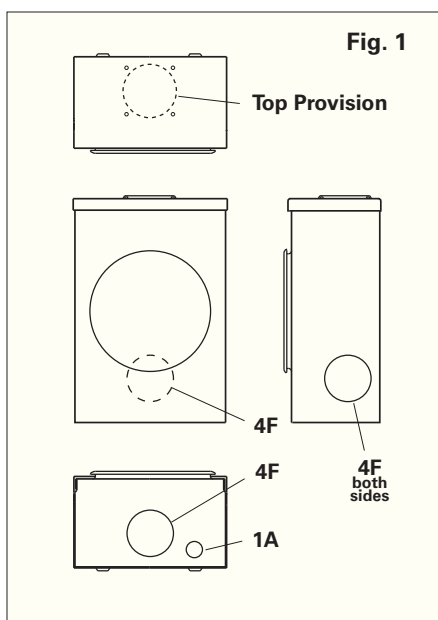
Style #	Suffixes
011	F - Flush Mount
(U) 204	MS21 - Solar Ready
(U) 207	MS25 - Top Hub Provision
927	MS68 - 2" Conduit Hub
	MS68A - MS73 + MS68
	MS73 - AL Screw Type Ring
	SF - Semi Flush Mount
	SS - Stainless Steel 304 *
	SS6 - Stainless Steel 316 *

Knockouts - Conduit Sizes

1W = 1/4"
 1A = 1/2"
 2A = 1/2" - 1/4"
 4F = 2" - 1 1/2" - 1 1/4" - 1"
 4G = 2 1/2" - 2" - 1 1/2" - 1 1/4"
 Top Provision = See Chart

* Knockouts and top provisions are not available in Stainless Steel (SS) finish

Knockout Layouts



Data subject to change without notice. Consult local utility for area acceptance. All dimensions are in inches.

Single Meter Sockets - Without Bypass

125 & 200 Amp



UG204 (closed)



UG204 (open)

Application

- Dedicated straight wire line section
- Receive ANSI C12.10 watt-hour meters
- Surface or flush mount (see chart)

Construction

- Ring type
- NEMA Type 3R
- ANSI 61 gray painted finish
- Aluminum snap ring included



Standards

- UL 414 Listed
- ANSI C12.7
- EUSERC 301A

Accessories

- 5th Jaw Kit - 50365
- AW Hub

Part/UPC Number	Catalog Number	Amp Rating	Jaws	Service Type	Access	Connections		
						Line	Load	Neutral
78205142030	U011 *	125	4	1Ø/3W	UG	#14 - 2/0	#14 - 2/0	#14 - 2/0
78205156200	UG204	200	4	1Ø/3W	UG	#6 - 350 MCM	#6 - 250 MCM	#6 - 250 MCM
78205156205	UG204 F	200	4	1Ø/3W	UG	#6 - 350 MCM	#6 - 250 MCM	#6 - 250 MCM
78205126000	UG204 F SS	200	4	1Ø/3W	UG	#6 - 350 MCM	#6 - 250 MCM	#6 - 250 MCM
78205126005	UG204 SS	200	4	1Ø/3W	UG	#6 - 350 MCM	#6 - 250 MCM	#6 - 250 MCM

Part/UPC Number	Catalog Number	Overall Dimensions			Top Provision	Knockout Layout
		Height	Width	Depth		
78205142030	U011 *	12"	12"	4 ⁵ / ₈ "	None	Fig. 1
78205156200	UG204	17"	14"	4 ⁵ / ₈ "	None	Fig. 2
78205156205	UG204 F	17"	14"	6"	2" max KO	Fig. 3
78205126000	UG204 F SS	17"	14"	6"	2" max KO	Fig. 3
78205126005	UG204 SS	17"	14"	4 ⁵ / ₈ "	None	Fig. 2

AIC Note:
For short circuit current ratings see page 124.

* NOT compliant with EUSERC 301A

Single Meter Sockets - Without Bypass

125 & 200 Amp

Single Meter Sockets
Without Bypass

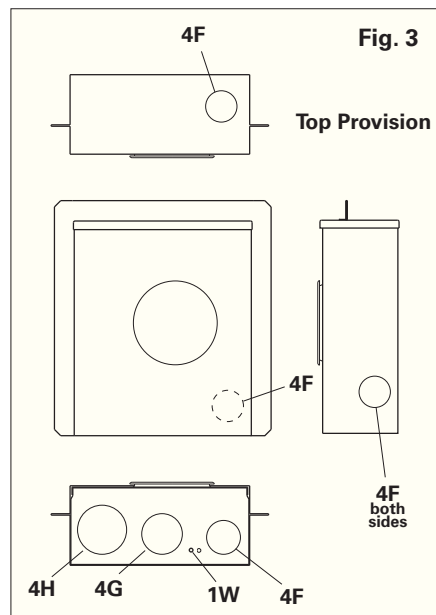
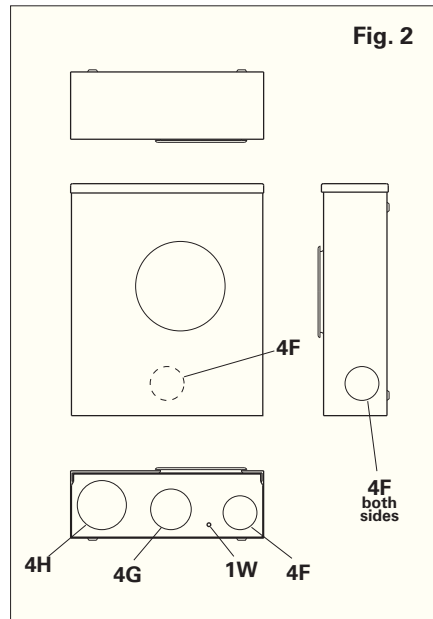
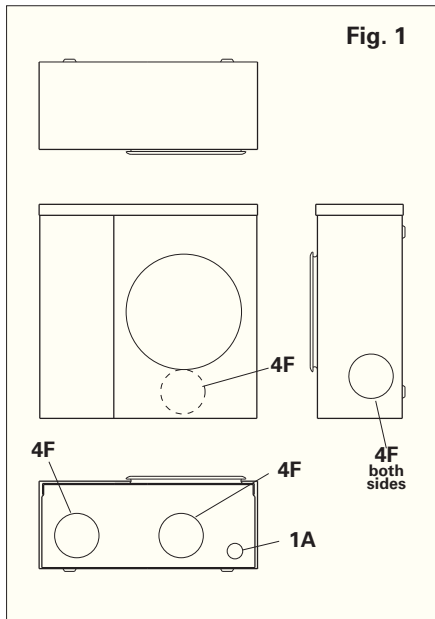
Style #	Suffixes
U011	F - Flush Mount
UG204	SS - Stainless Steel 304 *
	SS6 - Stainless Steel 316 *

Knockouts - Conduit Sizes

1A = 1/2"
 4F = 2" - 1 1/2" - 1 1/4" - 1"
 4G = 2 1/2" - 2" - 1 1/2" - 1 1/4"
 4H = 3" - 2 1/2" - 2" - 1 1/2"
 1W = 1/4"
 Top Provision = See Chart

* Knockouts and top provisions are not available in Stainless Steel (SS) finish

Knockout Layouts



Data subject to change without notice. Consult local utility for area acceptance. All dimensions are in inches.



Meter Mains
Without Bypass

Meter Mains, Without Bypass, 100 & 200 Amp 10 - 12
Breaker Data 13
Wiring Diagrams 14 - 15

Meter Mains - Without Bypass

100 & 200 Amp



1M1R (closed)



U2M2R (open)

Application

- Single meter position
- Receive ANSI C12.10 watthour meters
- Surface or flush mount (see chart)

Construction

- Ring type
- NEMA Type 3R
- ANSI 61 gray painted finish
- Aluminum snap ring included



Standards

- UL 414 Listed
- ANSI C12.7
- EUSERC 301

Accessories

- AW Hub

Meter Mains
Without Bypass

Part/UPC Number	Catalog Number	Amp Rating	Jaws	Service Type	Access	Voltage	AIC	Main Breaker		Provisions
								Main		
78205143000	1M1R	100	4	1Ø/3W	OH	120/240	10K	(1) 100A, 2P	--	
78205143020	1M1R7	100	7	3Ø/4W	OH	120/240 & 120/208	10K	(1) 100A, 3P	--	
78205143025	1M1RP	100	4	1Ø/3W	OH	120/240	10K	(1) 100A, 2P	(1) 2P	
78205158000	2M11R	200	4	1Ø/3W	OH	120/240	10K	(2) 100A, 2P	--	
78205157020	2M211R	200	4	1Ø/3W	OH	120/240	10K	(1) 200A, 2P & (2) 100A, 2P	--	
78205157010	2M25R	200	4	1Ø/3W	OH	120/240	10K	(1) 200A, 2P & (1) 50A, 2P	--	
78205157000	2M2R	200	4	1Ø/3W	OH	120/240	10K	(1) 200A, 2P	--	
78205157065	2M2R7	200	7	3Ø/4W	OH	120/240 & 120/208	10K	(1) 200A, 3P	--	
78205157005	2M2RP	200	4	1Ø/3W	OH	120/240	10K	(1) 200A, 2P	(1) 2P	
78205143060	U1M1R *	100	4	1Ø/3W	UG	120/240	10K	(1) 100A, 2P	--	
78205143080	U1M1R7 *	100	7	3Ø/4W	UG	120/240 & 120/208	10K	(1) 100A, 3P	--	
78205143090	U1M1RP *	100	4	1Ø/3W	UG	120/240	10K	(1) 100A, 2P	(1) 2P	
78205158060	U2M11R *	200	4	1Ø/3W	UG	120/240	10K	(2) 100A, 2P	--	
78205157040	U2M211R *	200	4	1Ø/3W	UG	120/240	10K	(1) 200A, 2P & (2) 100A, 2P	--	
78205157037	U2M25R *	200	4	1Ø/3W	UG	120/240	10K	(1) 200A, 2P & (1) 50A, 2P	--	
78205157030	U2M2R *	200	4	1Ø/3W	UG	120/240	10K	(1) 200A, 2P	--	
78205157085	U2M2R7 *	200	7	3Ø/4W	UG	120/240 & 120/208	10K	(1) 200A, 3P	-	
78205157035	U2M2RP *	200	4	1Ø/3W	UG	120/240	10K	(1) 200A, 2P	(1) 2P	

Part/UPC Number	Catalog Number	Connections			Overall Dimensions			Top Provision	Knockout Layout
		Line	Load	Neutral	Height	Width	Depth		
78205143000	1M1R	#14 - 2/0	MCB	#14 - 2/0	24"	8"	4 ⁵ / ₈ "	AW Hub	Fig. 1
78205143020	1M1R7	#14 - 1/0	MCB	#14 - 2/0	24"	8"	4 ⁵ / ₈ "	AW Hub	Fig. 2
78205143025	1M1RP	#14 - 2/0	MCB	#14 - 2/0	24"	8"	4 ⁵ / ₈ "	AW Hub	Fig. 1
78205158000	2M11R	#6 - 250 MCM	MCB	#6 - 250 MCM	32"	8"	4 ⁵ / ₈ "	AW Hub	Fig. 3
78205157020	2M211R	#6 - 250 MCM	MCB	#6 - 250 MCM	36"	8"	4 ⁵ / ₈ "	AW Hub	Fig. 3
78205157010	2M25R	#6 - 250 MCM	MCB	#6 - 250 MCM	32"	8"	4 ⁵ / ₈ "	AW Hub	Fig. 1
78205157000	2M2R	#6 - 250 MCM	MCB	#6 - 250 MCM	32"	8"	4 ⁵ / ₈ "	AW Hub	Fig. 2
78205157065	2M2R7	#6 - 250 MCM	MCB	#6 - 250 MCM	36"	10"	5"	AW Hub	Fig. 4
78205157005	2M2RP	#6 - 250 MCM	MCB	#6 - 250 MCM	32"	8"	4 ⁵ / ₈ "	AW Hub	Fig. 2
78205143060	U1M1R *	#14 - 2/0	MCB	#14 - 2/0	24"	14"	4 ⁵ / ₈ "	None	Fig. 5
78205143080	U1M1R7 *	#14 - 1/0	MCB	#14 - 2/0	24"	14"	4 ⁵ / ₈ "	None	Fig. 6
78205143090	U1M1RP *	#14 - 2/0	MCB	#14 - 2/0	24"	14"	4 ⁵ / ₈ "	None	Fig. 5
78205158060	U2M11R *	#6 - 250 MCM	MCB	#6 - 250 MCM	25"	14"	6"	None	Fig. 7
78205157040	U2M211R *	#6 - 250 MCM	MCB	#6 - 250 MCM	27"	14"	6"	None	Fig. 7
78205157037	U2M25R *	#6 - 250 MCM	MCB	#6 - 250 MCM	25"	14"	6"	None	Fig. 8
78205157030	U2M2R *	#6 - 250 MCM	MCB	#6 - 250 MCM	25"	14"	6"	None	Fig. 8
78205157085	U2M2R7 *	#6 - 250 MCM	MCB	#6 - 250 MCM	30"	17"	5"	None	Fig. 9
78205157035	U2M2RP *	#6 - 250 MCM	MCB	#6 - 250 MCM	25"	14"	6"	None	Fig. 8

* Only UG versions are EUSERC 301 compliant.

MCB - Main Circuit Breaker

Data subject to change without notice. Consult local utility for area acceptance. All dimensions are in inches.

Meter Mains - Without Bypass

100 & 200 Amp

Style #	Suffixes
(U) 1M1R	F - Flush Mount
1M11R	MS20 - Ring Protector
1M211R	MS43 - No Breaker Included
(U) 2M2R	SS - Stainless Steel 304 *
	SS6 - Stainless Steel 316 *

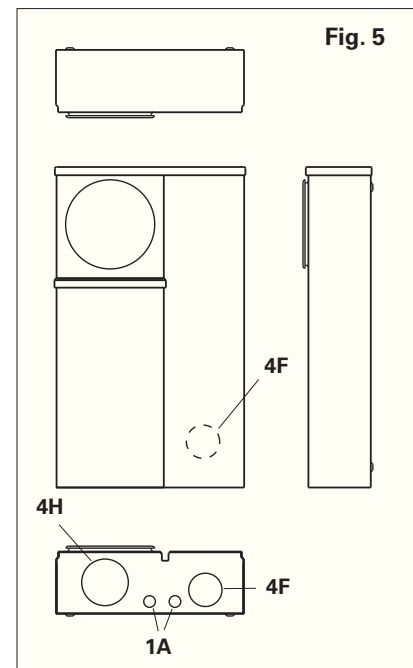
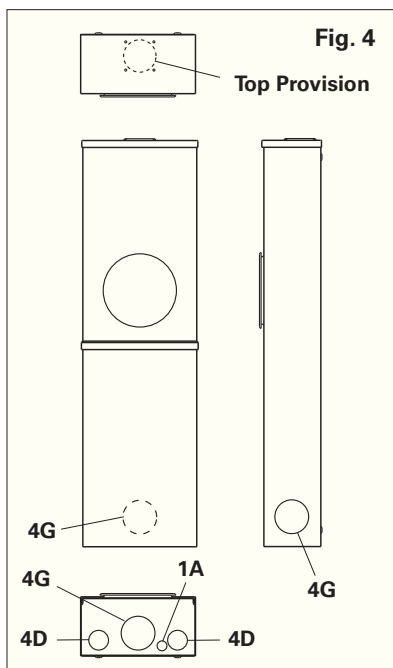
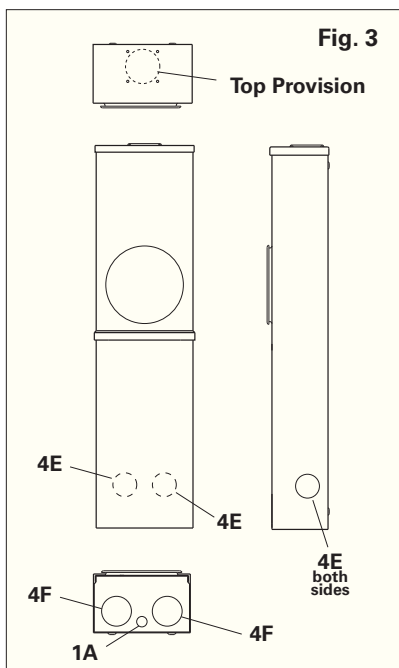
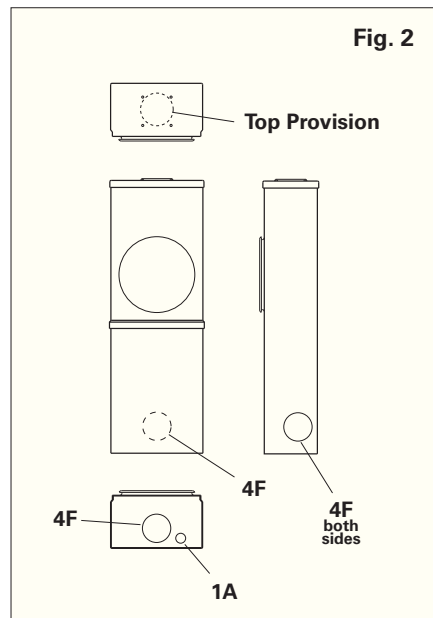
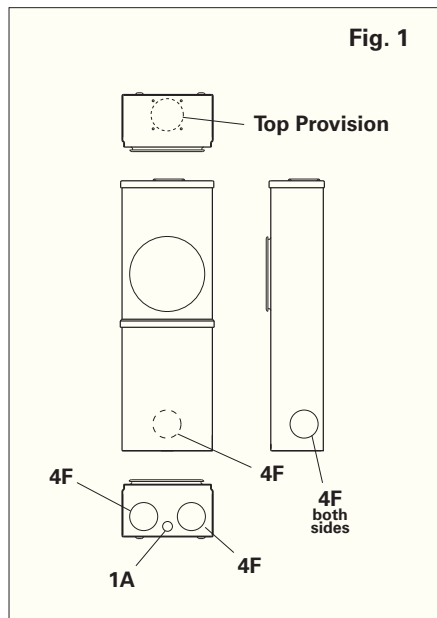
Knockouts - Conduit Sizes

1A = 1/2"
 4D = 1 1/4" - 1" - 3/4" - 1/2"
 4E = 1 1/2" - 1 1/4" - 1" - 3/4"
 4F = 2" - 1 1/2" - 1 1/4" - 1"
 4G = 2 1/2" - 2" - 1 1/2" - 1 1/4"
 4H = 3" - 2 1/2" - 2" - 1 1/2"
 Top Provision = See Chart

* Knockouts and top provisions are not available in Stainless Steel (SS) finish

Meter Mains
Without Bypass

Knockout Layouts



Data subject to change without notice. Consult local utility for area acceptance. All dimensions are in inches.

Meter Mains - Without Bypass

100 & 200 Amp

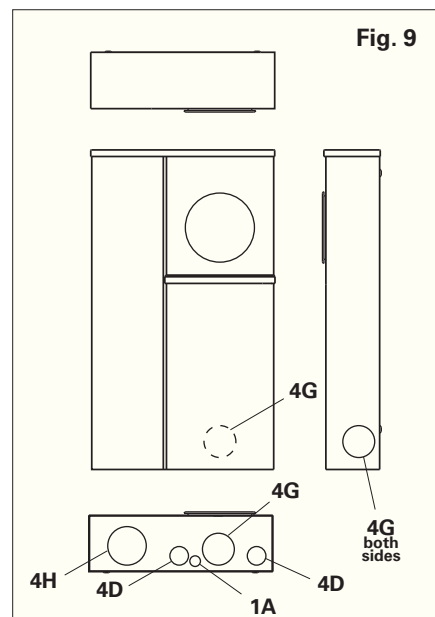
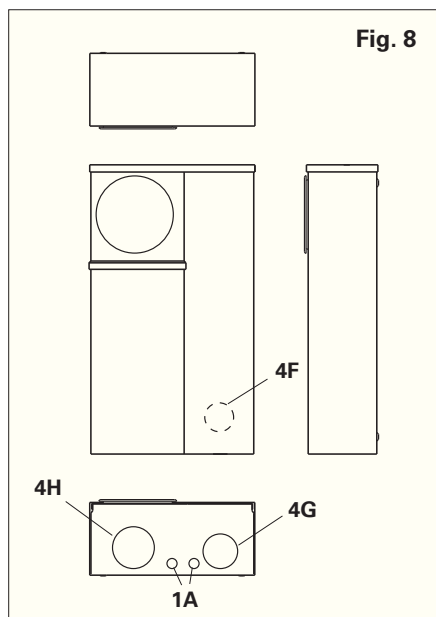
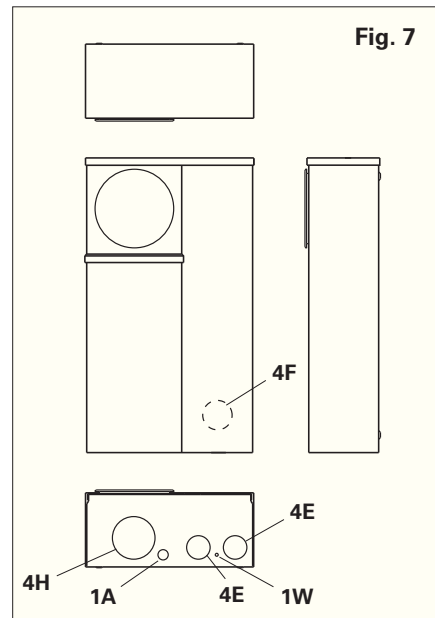
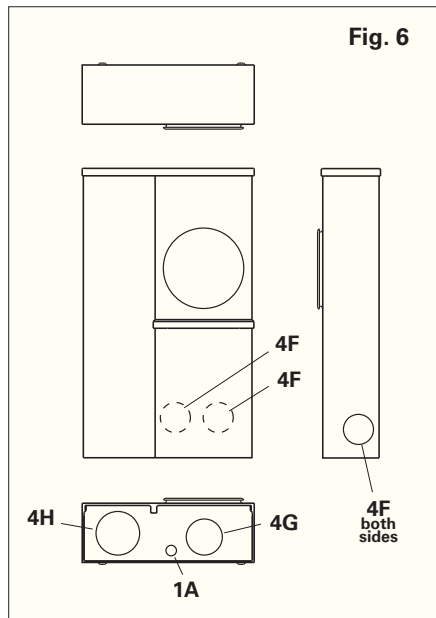
Style #	Suffixes
(U) 1M1R	F - Flush Mount
1M11R	MS20 - Ring Protector
1M211R	MS43 - No Breaker Included
(U) 2M2R	SS - Stainless Steel 304 *
	SS6 - Stainless Steel 316 *

Knockouts - Conduit Sizes

1A = 1/2"
 4D = 1 1/4" - 1" - 3/4" - 1/2"
 4E = 1 1/2" - 1 1/4" - 1" - 3/4"
 4F = 2" - 1 1/2" - 1 1/4" - 1"
 4G = 2 1/2" - 2" - 1 1/2" - 1 1/4"
 4H = 3" - 2 1/2" - 2" - 1 1/2"
 1W = 1/4"
 Top Provision = See Chart

* Knockouts and top provisions are not available in Stainless Steel (SS) finish

Knockout Layouts



Data subject to change without notice. Consult local utility for area acceptance. All dimensions are in inches.

Meter Mains - Without Bypass

Breaker Data

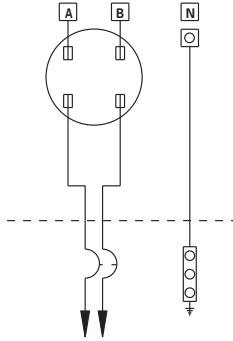
Breaker Data					
Catalog Number	B-Line Breaker #	ITE Breaker #	Ampacity	# of Poles	AIC
U1M1R	25458P	Q2100	100A	2P	10K
U1M1RP	25458P	Q2100	100A	2P	10K
U1M1R7	25460P	Q3100	100A	3P	10K
U2M2R	25508K	QR22B200	200A	2P	10K
U2M25R	25508K	QR22B200	200A	2P	10K
U2M11R	25458P	Q2100	100A	2P	10K
U2M2R7	25510K	QR23B200	200A	3P	10K
U2M2RP	25508K	QR22B200	200A	2P	10K
U2M211R	25508K	QR22B200	200A	2P	10K

Meter Mains
Without Bypass

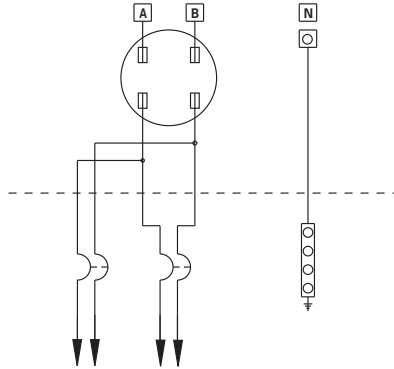
Data subject to change without notice. Consult local utility for area acceptance. All dimensions are in inches.

Meter Mains - Wiring Drawings

Meter Mains
Without Bypass

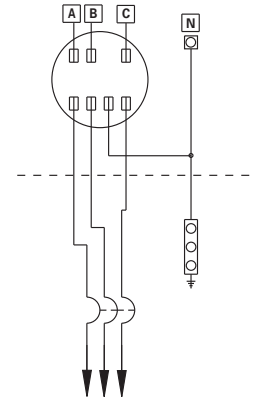


- Catalog #**
- 1M1RMS43LB
 - 1M1RF
 - 1M1R
 - 2M2R/150
 - 2M2RF
 - 2M2R

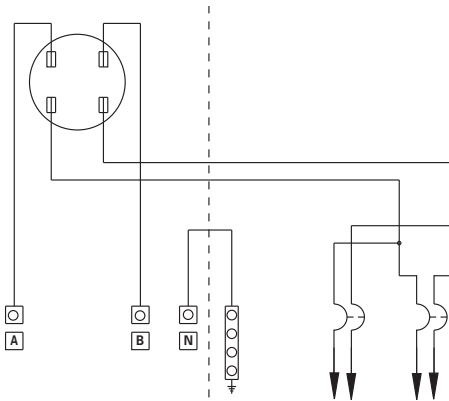


The sum of disconnects ampere rating cannot exceed 125% of the continuous ampere rating of the socket.

- Catalog #**
- 1M1RP
 - 1M1RFP
 - 2M25RP
 - 2M25R
 - 2M2RPF
 - 2M2RP
 - 2M11RF
 - 2M11R

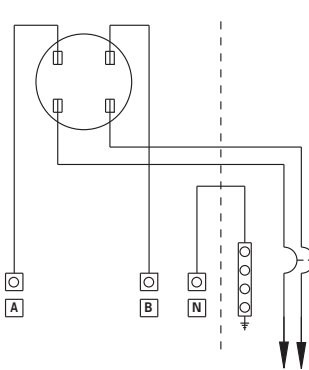


- Catalog #**
- 1M1R7MS43LB
 - 1M1R7F
 - 1M1R7
 - 2M2R7F
 - 2M2R7

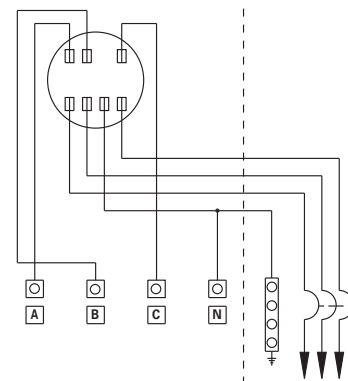


The sum of disconnects ampere rating cannot exceed 125% of the continuous ampere rating of the socket.

- Catalog #**
- U1M1RPF
 - U1M1RP
 - U2M25RF
 - U2M25R
 - U2M2RPF
 - U2M2RP
 - U2M11RF
 - U2M11R



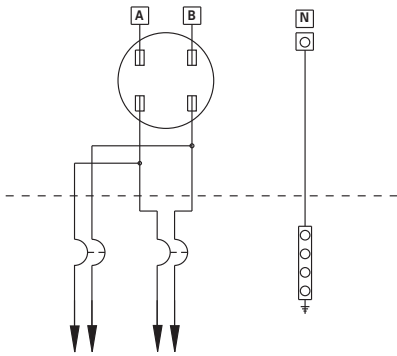
- Catalog #**
- U1M1RMS43LB
 - U1M1RF
 - U1M1R
 - U2M2RF
 - U2M2R



- Catalog #**
- U1M1R7MS43LB
 - U1M1R7F
 - U1M1R7
 - U2M2R7F
 - U2M2R7

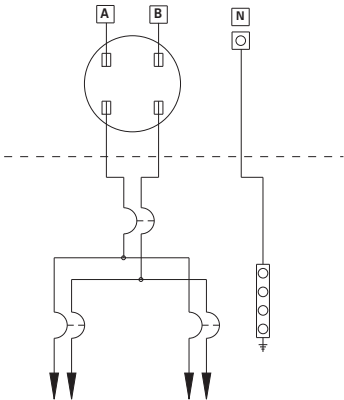
Data subject to change without notice. Consult local utility for area acceptance. All dimensions are in inches.

Meter Mains - Wiring Drawings

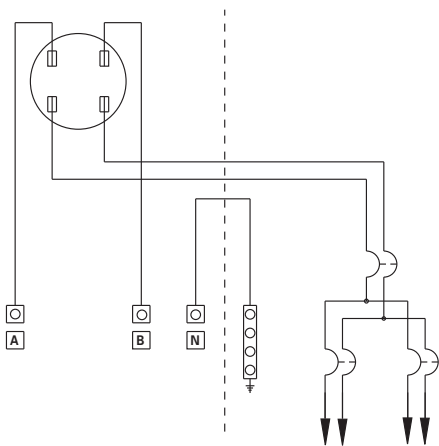


The sum of disconnects ampere rating cannot exceed 125% of the continuous ampere rating of the socket.

Catalog #
2M11RF
2M11R



Catalog #
2M211RF
2M211R



Catalog #
U2M211RF
U2M211R

**Meter Mains
 Without Bypass**

Data subject to change without notice. Consult local utility for area acceptance. All dimensions are in inches.

Single Meter Sockets - With MCC Bypass



Single Meter Sockets
With MCC Bypass

Single Meter Sockets, With MCC Bypass, 100 & 200 Amp 18 - 19

Single Meter Sockets - With MCC Bypass

100 & 200 Amp



U121314 (closed)



U121314 (open)

Application

- Manual circuit closing (link type) bypass under separate cover
- Receive ANSI C12.10 watt-hour meters
- Surface or flush mount (see chart)

Construction

- Ring type
- NEMA Type 3R
- ANSI 61 gray painted finish
- Aluminum snap ring included



Standards

- UL 414 Listed
- ANSI C12.7

Accessories

- AW Hubs

Single Meter Sockets
With MCC Bypass

Part/UPC Number	Catalog Number	Amp Rating	Jaws	Service Type	Access	Bypass	Line	Connections Load	Neutral
78205147060	U121314	100	4	1Ø/3W	OH/UG	MCC	#14 - 2/0	#14 - 2/0	#14 - 2/0
78205147062	U121314 F	100	4	1Ø/3W	OH/UG	MCC	#14 - 2/0	#14 - 2/0	#14 - 2/0
78205147070	U121315	100	5	1Ø/3W	OH/UG	MCC	#14 - 2/0	#14 - 2/0	#14 - 2/0
78205147072	U121315 F	100	5	1Ø/3W	OH/UG	MCC	#14 - 2/0	#14 - 2/0	#14 - 2/0
78205147080	U121317	100	7	3Ø/4W	OH/UG	MCC	#14 - 1/0	#14 - 2/0	#14 - 2/0
78205147082	U121317 F	100	7	3Ø/4W	OH/UG	MCC	#14 - 1/0	#14 - 2/0	#14 - 2/0
78205160000	U264	200	4	1Ø/3W	OH/UG	MCC	#6 - 250MCM	#6 - 250MCM	#6 - 250MCM
78205160060	U264 F	200	4	1Ø/3W	OH/UG	MCC	#6 - 250MCM	#6 - 250MCM	#6 - 250MCM
78205160020	U267	200	7	3Ø/4W	OH/UG	MCC	#6 - 250MCM	#6 - 250MCM	#6 - 250MCM
78205160080	U267 F	200	7	3Ø/4W	OH/UG	MCC	#6 - 250MCM	#6 - 250MCM	#6 - 250MCM

Part/UPC Number	Catalog Number	Overall Dimensions			Top Provision	Knockout Layout
		Height	Width	Depth		
78205147060	U121314	17"	9 ² / ₃ "	4 ⁵ / ₈ "	AW Hub	Fig. 1
78205147062	U121314 F	17"	9 ² / ₃ "	4 ⁵ / ₈ "	2" max KO	Fig. 1
78205147070	U121315	17"	9 ² / ₃ "	4 ⁵ / ₈ "	AW Hub	Fig. 1
78205147072	U121315 F	17"	9 ² / ₃ "	4 ⁵ / ₈ "	2" max KO	Fig. 1
78205147080	U121317	20"	9 ² / ₃ "	4 ⁵ / ₈ "	AW Hub	Fig. 1
78205147082	U121317 F	20"	9 ² / ₃ "	4 ⁵ / ₈ "	2" max KO	Fig. 1
78205160000	U264	23"	12"	4 ⁵ / ₈ "	AW Hub	Fig. 2
78205160060	U264 F	23"	12"	4 ⁵ / ₈ "	(2) 2" max KO	Fig. 2
78205160020	U267	23"	12"	4 ⁵ / ₈ "	AW Hub	Fig. 3
78205160080	U267 F	23"	12"	4 ⁵ / ₈ "	2 ¹ / ₂ " max KO	Fig. 3

AIC Note:
For short circuit current ratings see page 124.

Data subject to change without notice. Consult local utility for area acceptance. All dimensions are in inches.

Single Meter Sockets - With MCC Bypass

100 & 200 Amp

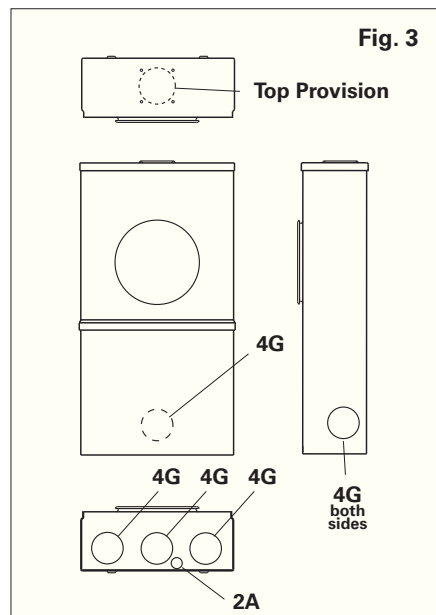
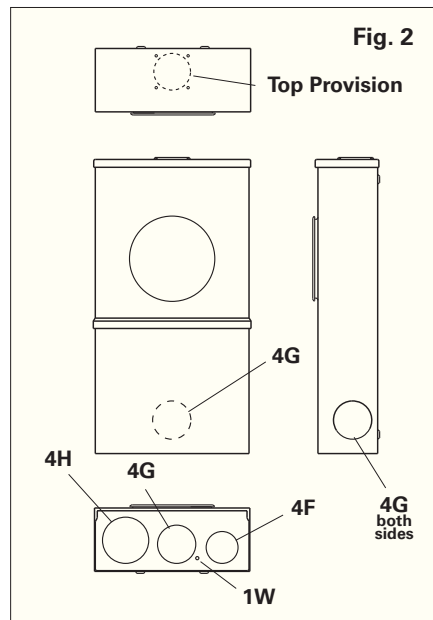
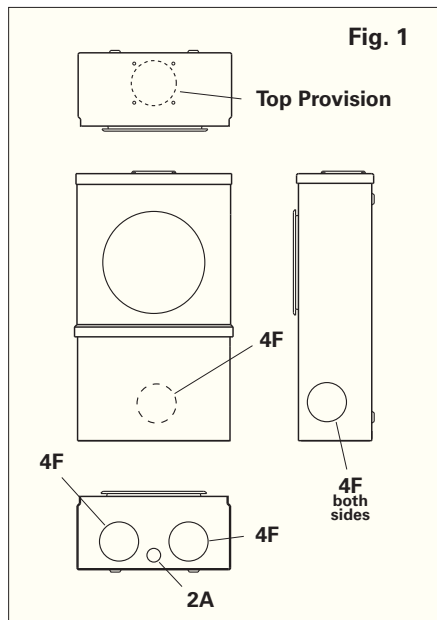
Style #	Suffixes
(U) 121314	F - Flush Mount
(U) 121315	MS20 - Ring Protector
(U) 121317	MS73 - All Screw Type Ring
(U) 264	SS - Stainless Steel 304 *
(U) 267	SS6 - Stainless Steel 316 *

Knockouts - Conduit Sizes

2A = 1/2" - 1/4"
 4F = 2" - 1 1/2" - 1 1/4" - 1"
 4G = 2 1/2" - 2" - 1 1/2" - 1 1/4"
 4H = 3" - 2 1/2" - 2" - 1 1/2"
 1W = 1/4"
 Top Provision = See Chart

* Knockouts and top provisions are not available in Stainless Steel (SS) finish

Knockout Layouts



Data subject to change without notice. Consult local utility for area acceptance. All dimensions are in inches.

Single Meter Sockets - With Safety Socket Bypass



Single Meter Sockets
With Safety Socket Bypass

Single Meter Sockets, With Safety Socket Bypass, 100 & 200 Amp	22 - 23
Single Meter Sockets, With Safety Socket Bypass, 100 Amp - 10K AIC	24 - 25
Meter Mains, With Safety Socket Bypass, 100 & 200 Amp - 22K-65K AIC	26 - 27
Meter Mains, With Safety Socket Bypass, 100 Amp - Fusible Pullout	28 - 29
Meter Mains Load Center With Safety Socket Bypass, 100 Amp	30 - 31
Meter Mains Load Center With Safety Socket Bypass, 200 Amp - 10K AIC	32 - 33
Meter Mains Load Center With Safety Socket Bypass, 200 Amp - 22K-65K AIC	34 - 35
Meter Mains Load Center With Safety Socket Bypass, 200 Amp - Fused Pullout	36 - 37
Meter Mains Load Center With Safety Socket Bypass, 200 Amp	38 - 39
Test Block Bypass - Metering Breaker Data	40
Wiring Diagrams	41 - 44
Test Block Bypass - Safety Socket Bypass Instructions	45

Single Meter Sockets - With Safety Socket Bypass

100 & 200 Amp



117TB (closed)



117TB (open)

Application

- Safety socket bypass (test block bypass) under separate cover
- Receive ANSI C12.10 watt-hour meters
- Surface mount

Construction

- Ring type
- NEMA Type 3R
- ANSI 61 gray painted finish
- Aluminum snap ring included



Standards

- UL 414 Listed
- ANSI C12.7
- EUSERC 304 & 305

Accessories

- 5th Jaw Kit - 50371
- Bussed Gutters - see page 50
- AW Hubs

Single Meter Sockets
With Safety Socket Bypass

Part/UPC Number	Catalog Number	Amp Rating	Jaws	Service Type	Access	Bypass	Connections		
							Line	Load	Neutral
78205147005	114 TB *	100	4	1Ø/3W	OH/UG	TB	#14 - 2/0	14 - 2/0	#14 - 1/0
78205147025	115 TB *	100	5	3Ø/3W	OH/UG	TB	#14 - 2/0	14 - 2/0	#14 - 1/0
78205147030	117 TB *	100	7	3Ø/4W	OH/UG	TB	#14 - 2/0	14 - 2/0	#14 - 1/0
78205159005	124 TB **	200	4	1Ø/3W	OH/UG	TB	#6 - 250 MCM	#6 - 250 MCM	1/0 - 250 MCM
78205159025	125 TB **	200	5	3Ø/3W	OH/UG	TB	#6 - 250 MCM	#6 - 250 MCM	1/0 - 250 MCM
78205159035	127 TB **	200	7	3Ø/4W	OH/UG	TB	#6 - 250 MCM	#6 - 250 MCM	1/0 - 250 MCM

Part/UPC Number	Catalog Number	Overall Dimensions			Top Provision	Knockout Layout
		Height	Width	Depth		
78205147005	114 TB *	24"	12"	4 ⁵ / ₈ "	AW Hub	Fig. 1
78205147025	115 TB *	24"	12"	4 ⁵ / ₈ "	AW Hub	Fig. 1
78205147030	117 TB *	24"	12"	4 ⁵ / ₈ "	AW Hub	Fig. 1
78205159005	124 TB **	30"	14"	6"	AW Hub	Fig. 2
78205159025	125 TB **	30"	14"	6"	AW Hub	Fig. 2
78205159035	127 TB **	30"	14"	6"	AW Hub	Fig. 2

* 100 Amp units compliant with EUSERC 304

** 200 Amp units compliant with EUSERC 305

Data subject to change without notice. Consult local utility for area acceptance. All dimensions are in inches.

Single Meter Sockets - With Safety Socket Bypass

100 & 200 Amp

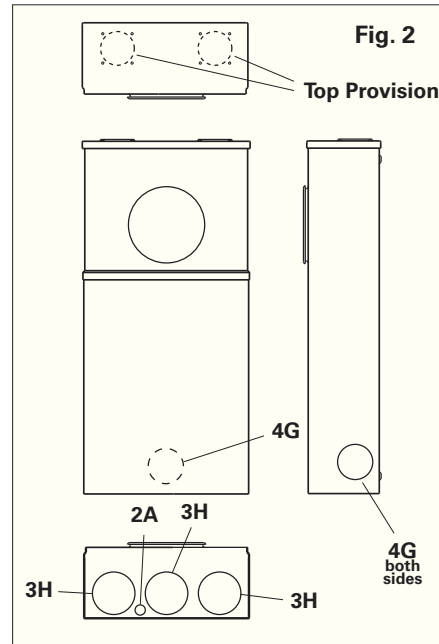
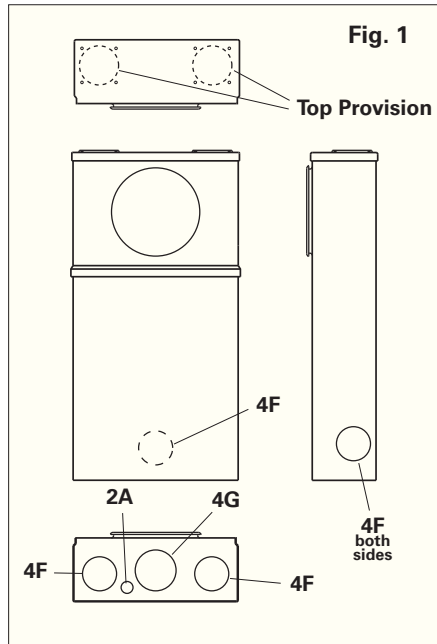
Style #	Suffixes
114 TB	F - Flush Mount
115 TB	MS20 - Ring Protector
117 TB	MS28 - Barriers on both sides of test block
124 TB	SS - Stainless Steel 304 *
125 TB	SS6 - Stainless Steel 316 *
127 TB	

Knockouts - Conduit Sizes

2A = 1/2" - 1/4"
 4F = 2" - 1 1/2" - 1 1/4" - 1"
 4G = 2 1/2" - 2" - 1 1/2" - 1 1/4"
 3H = 3" - 2 1/2" - 2"
 Top Provision = See Chart

* Knockouts and top provisions are not available in Stainless Steel (SS) finish

Knockout Layouts



Single Meter Sockets
 With Safety Socket Bypass

Meter Mains - With Safety Socket Bypass

100 Amp - 10K AIC



214 MTB (closed)



U214 MTB (open)

Application

- Combination meter/main with safety socket (test block) bypass
- Factory installed breaker
- Receive ANSI C12.10 watt-hour meters
- Surface mount

Construction

- Ring type
- NEMA Type 3R
- ANSI 61 gray painted finish
- Aluminum snap ring included



Standards

- UL 67 Listed
- ANSI C12.7
- EUSERC 305A

Accessories

- 5th Jaw Kit - 50371
- Bussed Gutters - see page 50
- AW Hubs

Single Meter Sockets
With Safety Socket Bypass

Part/UPC Number	Catalog Number	Amp Rating	Jaws	Service Type	Access	Main Breaker			
						Voltage	AIC	Main	Bypass
78205145022	214 MTB	100	4	1Ø/3W	OH	120/240	10K	(1) 100A, 2P	TB
78205145032	214 MTB MS15	100	4	1Ø/3W	OH	240/480	10K	(1) 100A, 2P	TB
78205145052	215 MTB	100	5	3Ø/3W	OH	240*	10K	(1) 100A, 3P	TB
78205145060	215 MTB MS15	100	5	3Ø/3W	OH	480*	10K	(1) 100A, 3P	TB
78205145072	217 MTB	100	7	3Ø/4W	OH	120/240 & 120/208	10K	(1) 100A, 3P	TB
78205145078	217 MTB MS15	100	7	3Ø/4W	OH	277/480	10K	(1) 100A, 3P	TB
78205145012	U214 MTB	100	4	1Ø/3W	OH/UG	120/240	10K	(1) 100A, 2P	TB
78205145112	U214 MTB MS15	100	4	1Ø/3W	OH/UG	240/480	10K	(1) 100A, 2P	TB
78205145142	U215 MTB	100	5	3Ø/3W	OH/UG	240*	10K	(1) 100A, 3P	TB
78205145150	U215 MTB MS15	100	5	3Ø/3W	OH/UG	480*	10K	(1) 100A, 3P	TB
78205145152	U217 MTB	100	7	3Ø/4W	OH/UG	120/240 & 120/208	10K	(1) 100A, 3P	TB
78205145158	U217 MTB MS15	100	7	3Ø/4W	OH/UG	277/480	10K	(1) 100A, 2P	TB

* For a 208/120V or 480/277V, order a 4 jaw unit and a 5th jaw kit

Part/UPC Number	Catalog Number	Connections			Overall Dimensions			Top Provision	Knockout Layout
		Line	Load	Neutral	Height	Width	Depth		
78205145022	214 MTB	#14 - 2/0	MCB	#14 - 1/0	38"	12"	4 ⁵ / ₈ "	AW Hub	Fig. 1
78205145032	214 MTB MS15	#14 - 2/0	MCB	#14 - 1/0	38"	12"	4 ⁵ / ₈ "	AW Hub	Fig. 1
78205145052	215 MTB	#14 - 2/0	MCB	#14 - 1/0	38"	12"	4 ⁵ / ₈ "	AW Hub	Fig. 1
78205145060	215 MTB MS15	#14 - 2/0	MCB	#14 - 1/0	38"	12"	4 ⁵ / ₈ "	AW Hub	Fig. 1
78205145072	217 MTB	#14 - 2/0	MCB	#14 - 1/0	38"	12"	4 ⁵ / ₈ "	AW Hub	Fig. 1
78205145078	217 MTB MS15	#14 - 2/0	MCB	#14 - 1/0	38"	12"	4 ⁵ / ₈ "	AW Hub	Fig. 1
78205145012	U214 MTB	#14 - 2/0	MCB	#14 - 1/0	24"	18"	4 ⁵ / ₈ "	AW Hub	Fig. 2
78205145112	U214 MTB MS15	#14 - 2/0	MCB	#14 - 1/0	24"	18"	4 ⁵ / ₈ "	AW Hub	Fig. 2
78205145142	U215 MTB	#14 - 2/0	MCB	#14 - 1/0	24"	18"	4 ⁵ / ₈ "	AW Hub	Fig. 2
78205145150	U215 MTB MS15	#14 - 2/0	MCB	#14 - 1/0	24"	18"	4 ⁵ / ₈ "	AW Hub	Fig. 2
78205145152	U217 MTB	#14 - 2/0	MCB	#14 - 1/0	24"	18"	4 ⁵ / ₈ "	AW Hub	Fig. 2
78205145158	U217 MTB MS15	#14 - 2/0	MCB	#14 - 1/0	24"	18"	4 ⁵ / ₈ "	AW Hub	Fig. 2

MCB - Main Circuit Breaker

Data subject to change without notice. Consult local utility for area acceptance. All dimensions are in inches.

Meter Mains - With Safety Socket Bypass

100 Amp - 10K AIC

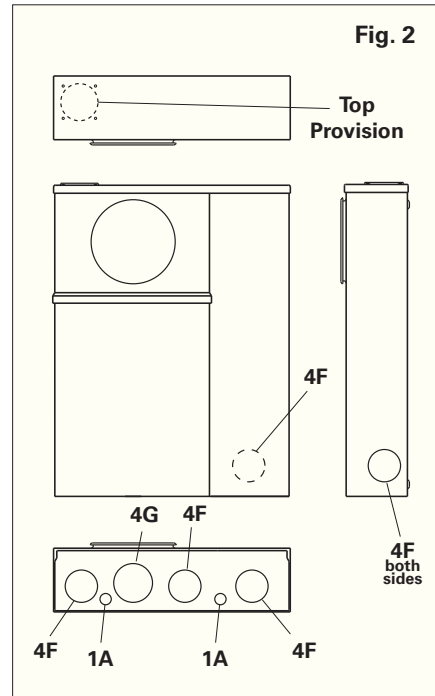
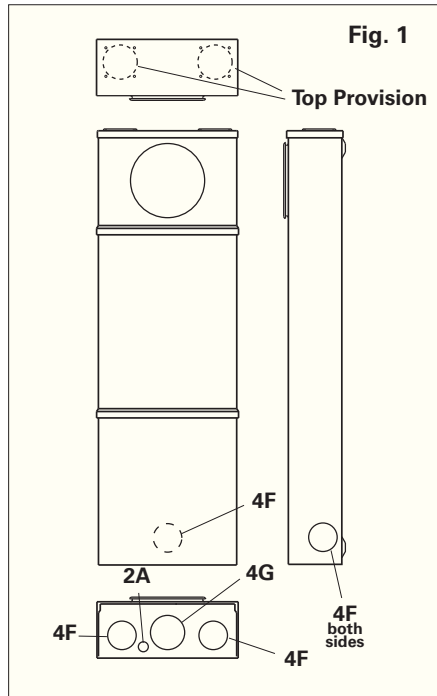
Style #	Suffixes
(U) 214 MTB	MS15 - 480V Breaker
(U) 215 MTB	MS43 - No Breaker Included
(U) 217 MTB	SS - Stainless Steel 304 *
	SS6 - Stainless Steel 316 *

Knockouts - Conduit Sizes

1A = 1/2"
 2A = 1/2" - 1/4"
 4F = 2" - 1 1/2" - 1 1/4" - 1"
 4G = 2 1/2" - 2" - 1 1/2" - 1 1/4"
 Top Provision = See Chart

* Knockouts and top provisions are not available in Stainless Steel (SS) finish

Knockout Layouts



Note: Top hubs to be used for line feed only.

Single Meter Sockets
 With Safety Socket Bypass

Meter Mains - With Safety Socket Bypass

100 & 200 Amp - 22K - 65K AIC



214 MTBH (open)



U214 MTBH (open)

Application

- Combination meter/main with safety socket (test block) bypass
- Factory installed breaker
- Receive ANSI C12.10 watt-hour meters
- Surface mount

Construction

- Ring type
- NEMA Type 3R
- ANSI 61 gray painted finish
- Aluminum snap ring included



Standards

- UL 67 Listed
- ANSI C12.7
- EUSERC 305A

Accessories

- 5th Jaw Kit - 50371
- Bussed Gutters - see page 50
- AW Hubs

Part/UPC Number	Catalog Number	Amp Rating	Jaws	Service Type	Access	Voltage	Main Breaker AIC	Main	Bypass
78205145030	214 MTBH	100	4	1Ø/3W	OH	120/240	65K	(1) 100A, 2P	TB
78205159300	214 MTBH MS15	100	4	1Ø/3W	OH	240/480	42K	(1) 100A, 2P	TB
78205145028	214 MTBH MS45	100	4	1Ø/3W	OH	120/240	22K	(1) 100A, 2P	TB
78205145058	215 MTBH	100	5	3Ø/3W	OH	240*	65K	(1) 100A, 3P	TB
78205159302	215 MTBH MS15	100	5	3Ø/3W	OH	480*	42K	(1) 100A, 3P	TB
78205145056	215 MTBH MS45	100	5	3Ø/3W	OH	240*	22K	(1) 100A, 3P	TB
78205145076	217 MTBH	100	7	3Ø/4W	OH	120/240 & 120/208	65K	(1) 100A, 3P	TB
78205159304	217 MTBH MS15	100	7	3Ø/4W	OH	480/277	42K	(1) 100A, 3P	TB
78205145074	217 MTBH MS45	100	7	3Ø/4W	OH	120/240 & 120/208	22K	(1) 100A, 3P	TB
78205145110	U214 MTBH	100	4	1Ø/3W	OH/UG	120/240	65K	(1) 100A, 2P	TB
78205159200	U214 MTBH MS15	100	4	1Ø/3W	OH/UG	240/480	42K	(1) 100A, 2P	TB
78205145108	U214 MTBH MS45	100	4	1Ø/3W	OH/UG	120/240	22K	(1) 100A, 2P	TB
78205145148	U215 MTBH	100	5	3Ø/3W	OH/UG	240*	65K	(1) 100A, 3P	TB
78205159202	U215 MTBH MS15	100	5	3Ø/3W	OH/UG	480*	42K	(1) 100A, 3P	TB
78205145146	U215 MTBH MS45	100	5	3Ø/3W	OH/UG	240*	22K	(1) 100A, 3P	TB
78205145156	U217 MTBH	100	7	3Ø/4W	OH/UG	120/240 & 120/208	65K	(1) 100A, 3P	TB
78205159204	U217 MTBH MS15	100	7	3Ø/4W	OH/UG	480/277	42K	(1) 100A, 3P	TB
78205145154	U217 MTBH MS45	100	7	3Ø/4W	OH/UG	120/240 & 120/208	22K	(1) 100A, 3P	TB

* For a 208/120V or 480/277V, order a 4 jaw unit and a 5th jaw kit

Part/UPC Number	Catalog Number	Line	Connections Load	Neutral	Height	Overall Dimensions Width	Depth	Top Provision	Knockout Layout
78205145030	214 MTBH	#14 - 2/0	MCB	#14 - 1/0	38"	12"	4 ⁵ / ₈ "	AW Hub	Fig. 1
78205159300	214 MTBH MS15	#14 - 2/0	MCB	#14 - 1/0	38"	12"	4 ⁵ / ₈ "	AW Hub	Fig. 1
78205145028	214 MTBH MS45	#14 - 2/0	MCB	#14 - 1/0	38"	12"	4 ⁵ / ₈ "	AW Hub	Fig. 1
78205145058	215 MTBH	#14 - 2/0	MCB	#14 - 1/0	38"	12"	4 ⁵ / ₈ "	AW Hub	Fig. 1
78205159302	215 MTBH MS15	#14 - 2/0	MCB	#14 - 1/0	38"	12"	4 ⁵ / ₈ "	AW Hub	Fig. 1
78205145056	215 MTBH MS45	#14 - 2/0	MCB	#14 - 1/0	38"	12"	4 ⁵ / ₈ "	AW Hub	Fig. 1
78205145076	217 MTBH	#14 - 2/0	MCB	#14 - 1/0	38"	12"	4 ⁵ / ₈ "	AW Hub	Fig. 1
78205159304	217 MTBH MS15	#14 - 2/0	MCB	#14 - 1/0	38"	12"	4 ⁵ / ₈ "	AW Hub	Fig. 1
78205145074	217 MTBH MS45	#14 - 2/0	MCB	#14 - 1/0	38"	12"	4 ⁵ / ₈ "	AW Hub	Fig. 1
78205145110	U214 MTBH	#14 - 2/0	MCB	#14 - 1/0	24"	18"	4 ⁵ / ₈ "	AW Hub	Fig. 2
78205159200	U214 MTBH MS15	#14 - 2/0	MCB	#14 - 1/0	24"	18"	4 ⁵ / ₈ "	AW Hub	Fig. 2
78205145108	U214 MTBH MS45	#14 - 2/0	MCB	#14 - 1/0	24"	18"	4 ⁵ / ₈ "	AW Hub	Fig. 2
78205145148	U215 MTBH	#14 - 2/0	MCB	#14 - 1/0	24"	18"	4 ⁵ / ₈ "	AW Hub	Fig. 2
78205159202	U215 MTBH MS15	#14 - 2/0	MCB	#14 - 1/0	24"	18"	4 ⁵ / ₈ "	AW Hub	Fig. 2
78205145146	U215 MTBH MS45	#14 - 2/0	MCB	#14 - 1/0	24"	18"	4 ⁵ / ₈ "	AW Hub	Fig. 2
78205145156	U217 MTBH	#14 - 2/0	MCB	#14 - 1/0	24"	18"	4 ⁵ / ₈ "	AW Hub	Fig. 2
78205159204	U217 MTBH MS15	#14 - 2/0	MCB	#14 - 1/0	24"	18"	4 ⁵ / ₈ "	AW Hub	Fig. 2
78205145154	U217 MTBH MS45	#14 - 2/0	MCB	#14 - 1/0	24"	18"	4 ⁵ / ₈ "	AW Hub	Fig. 2

MCB - Main Circuit Breaker

Data subject to change without notice. Consult local utility for area acceptance. All dimensions are in inches.

Single Meter Sockets With Safety Socket Bypass

Meter Mains - With Safety Socket Bypass

100 & 200 Amp - 22K - 65K AIC

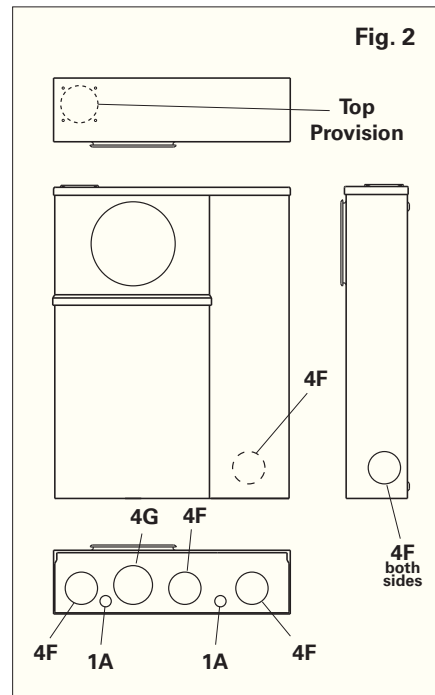
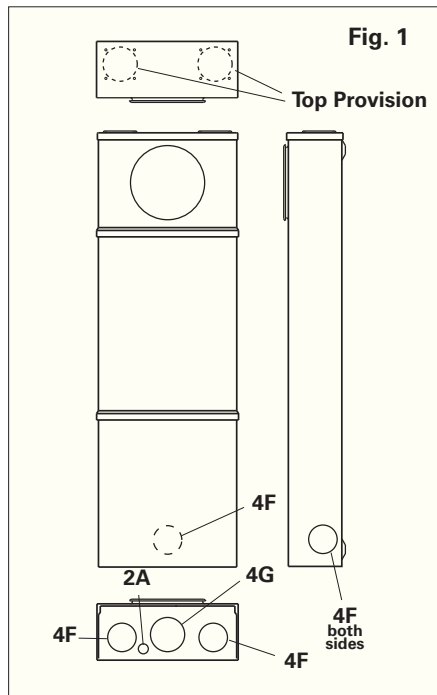
Style #	Suffixes
(U) 214 MTBH	MS15 - 480V Breaker
(U) 215 MTBH	MS43 - No Breaker Included
(U) 217 MTBH	MS45 - 22K AIC Rated Breaker
	SS - Stainless Steel 304 *
	SS6 - Stainless Steel 316 *

Knockouts - Conduit Sizes

1A = 1/2"
 2A = 1/2" - 1/4"
 4F = 2" - 1 1/2" - 1 1/4" - 1"
 4G = 2 1/2" - 2" - 1 1/2" - 1 1/4"
 Top Provision = See Chart

* Knockouts and top provisions are not available in Stainless Steel (SS) finish

Knockout Layouts



Note: Top hubs to be used for line feed only.

Single Meter Sockets
 With Safety Socket Bypass

Meter Mains - With Safety Socket Bypass

100 Amp - Fusible Pullout



214 MTBP (open)



U214 MTBP (open)

Application

- Combination meter/main with safety socket (test block) bypass
- Factory installed fused pullout ("T" fuses included)
- Receive ANSI C12.10 watt-hour meters
- Surface mount

Construction

- Ring type
- NEMA Type 3R
- ANSI 61 gray painted finish
- Aluminum snap ring included



Standards

- UL 67 Listed
- ANSI C12.7
- EUSERC 305A

Accessories

- 5th Jaw Kit - 50371
- Bussed Gutters - see page 50
- AW Hubs

Single Meter Sockets
With Safety Socket Bypass

Part/UPC Number	Catalog Number	Amp Rating	Jaws	Service Type	Access	Main Breaker		Bypass
						Voltage	AIC	
78205148000	214 MTBP	100	4	1Ø/3W	OH	120/240	200K	(1) 100A, 2P TB
78205152000	214 MTBP MS15	100	4	1Ø/3W	OH	240/480	200K	(1) 100A, 2P TB
78205148020	215 MTBP	100	5	3Ø/3W	OH	240*	200K	(1) 100A, 3P TB
78205152010	215 MTBP MS15	100	5	3Ø/3W	OH	480*	200K	(1) 100A, 3P TB
78205148030	217 MTBP	100	7	3Ø/4W	OH	120/240 & 120/208	200K	(1) 100A, 3P TB
78205152020	217 MTBP MS15	100	7	3Ø/4W	OH	480/277	200K	(1) 100A, 3P TB
78205148080	U214 MTBP	100	4	1Ø/2W	OH/UG	120/240	200K	(1) 100A, 2P TB
78205152060	U214 MTBP MS15	100	4	1Ø/2W	OH/UG	240/480	200K	(1) 100A, 2P TB
78205148100	U215 MTBP	100	5	3Ø/3W	OH/UG	240*	200K	(1) 100A, 3P TB
78205152070	U215 MTBP MS15	100	5	3Ø/3W	OH/UG	480*	200K	(1) 100A, 3P TB
78205148110	U217 MTBP	100	7	3Ø/4W	OH/UG	120/240 & 120/208	200K	(1) 100A, 3P TB
78205152100	U217 MTBP MS15	100	7	3Ø/4W	OH/UG	480/277	200K	(1) 100A, 3P TB

* For a 208/120V or 480/277V, order a 4 jaw unit and a 5th jaw kit

Part/UPC Number	Catalog Number	Connections			Overall Dimensions			Top Provision	Knockout Layout
		Line	Load	Neutral	Height	Width	Depth		
78205148000	214 MTBP	#14 - 2/0	Main Fuse	#14 - 1/0	38"	12"	4 ⁵ / ₈ "	AW Hub	Fig. 1
78205152000	214 MTBP MS15	#14 - 2/0	Main Fuse	#14 - 1/0	38"	12"	4 ⁵ / ₈ "	AW Hub	Fig. 1
78205148020	215 MTBP	#14 - 2/0	Main Fuse	#14 - 1/0	38"	12"	4 ⁵ / ₈ "	AW Hub	Fig. 1
78205152010	215 MTBP MS15	#14 - 2/0	Main Fuse	#14 - 1/0	38"	12"	4 ⁵ / ₈ "	AW Hub	Fig. 1
78205148030	217 MTBP	#14 - 2/0	Main Fuse	#14 - 1/0	38"	12"	4 ⁵ / ₈ "	AW Hub	Fig. 1
78205152020	217 MTBP MS15	#14 - 2/0	Main Fuse	#14 - 1/0	38"	12"	4 ⁵ / ₈ "	AW Hub	Fig. 1
78205148080	U214 MTBP	#14 - 2/0	Main Fuse	#14 - 1/0	24"	18"	4 ⁵ / ₈ "	AW Hub	Fig. 2
78205152060	U214 MTBP MS15	#14 - 2/0	Main Fuse	#14 - 1/0	24"	18"	4 ⁵ / ₈ "	AW Hub	Fig. 2
78205148100	U215 MTBP	#14 - 2/0	Main Fuse	#14 - 1/0	24"	18"	4 ⁵ / ₈ "	AW Hub	Fig. 2
78205152070	U215 MTBP MS15	#14 - 2/0	Main Fuse	#14 - 1/0	24"	18"	4 ⁵ / ₈ "	AW Hub	Fig. 2
78205148110	U217 MTBP	#14 - 2/0	Main Fuse	#14 - 1/0	24"	18"	4 ⁵ / ₈ "	AW Hub	Fig. 2
78205152100	U217 MTBP MS15	#14 - 2/0	Main Fuse	#14 - 1/0	24"	18"	4 ⁵ / ₈ "	AW Hub	Fig. 2

Data subject to change without notice. Consult local utility for area acceptance. All dimensions are in inches.

Meter Mains - With Safety Socket Bypass

100 Amp - Fusible Pullout

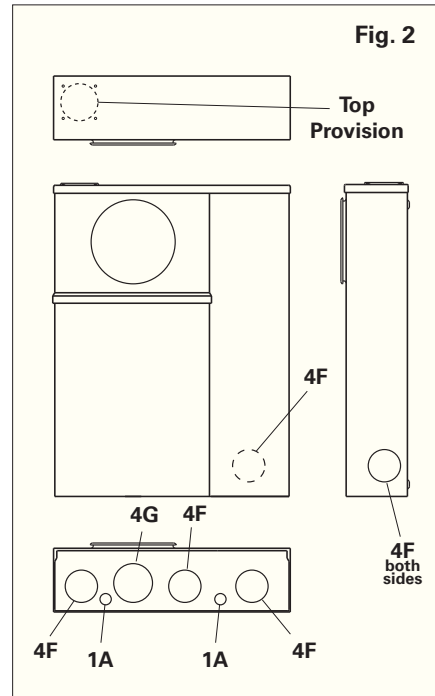
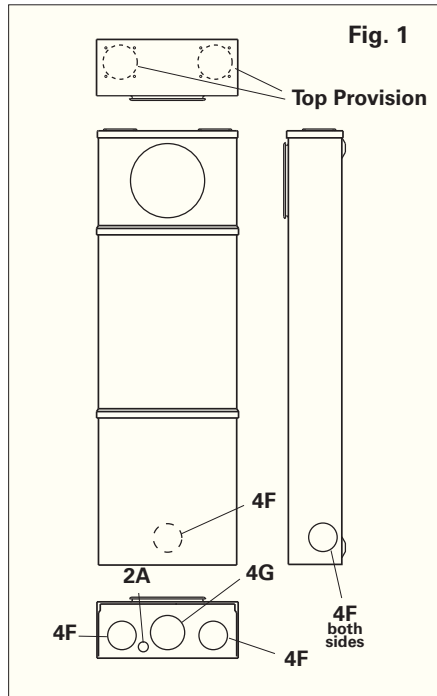
Style #	Suffixes
(U) 214 MTBP	P - Pullout Fuse
(U) 215 MTBP	MS15 - 480V Breaker
(U) 217 MTBP	MS43 - No Breaker Included
	SS - Stainless Steel 304 *
	SS6 - Stainless Steel 316 *

Knockouts - Conduit Sizes

1A = 1/2"
 2A = 1/2" - 1/4"
 4F = 2" - 1 1/2" - 1 1/4" - 1"
 4G = 2 1/2" - 2" - 1 1/2" - 1 1/4"
 Top Provision = See Chart

* Knockouts and top provisions are not available in Stainless Steel (SS) finish

Knockout Layouts



Note: Top hubs to be used for line feed only.

Single Meter Sockets
 With Safety Socket Bypass

Meter Main Load Center - With Safety Socket Bypass

100 Amp



U214 MTBL (closed)



U214 MTBL (open)

Application

- Combination meter/main/loadcenter with safety socket (test block) bypass
- Factory installed breakers / fused pullout ("T" fuses included)
- Receive ANSI C12.10 watt-hour meters
- Surface mount



Construction

- Ring type
- NEMA Type 3R
- ANSI 61 gray painted finish
- Aluminum snap ring included

Standards

- UL 67 Listed
- ANSI C12.7

Accessories

- 5th Jaw Kit - 50371
- Bussed Gutters - see page 50
- AW Hubs

Single Meter Sockets
With Safety Socket Bypass

Part/UPC Number	Catalog Number	Amp Rating	Jaws	Service Type	Access	Voltage	Main Breaker			
							AIC	Main	Loadcenter	Bypass
78205170126	U214 MTBL	100	4	1Ø/3W	OH/UG	120/240	10K	(1) 100A, 2P	12/24	TB
78205170128	U214 MTBPL	100	4	1Ø/3W	OH/UG	120/240	10K	(1) 100A, 2P	12/24	TB
78205170130	U215 MTBL	100	5	3Ø/3W	OH/UG	240*	10K	(1) 100A, 3P	18/36	TB
78205170132	U215 MTBPL	100	5	3Ø/3W	OH/UG	240*	10K	(1) 100A, 3P	18/36	TB
78205170134	U217 MTBL	100	7	3Ø/4W	OH/UG	120/240 & 120/208	10K	(1) 100A, 3P	18/36	TB
78205170136	U217 MTBPL	100	7	3Ø/4W	OH/UG	120/208	10K	(1) 100A, 3P	18/36	TB

* For a 208/120V, order a 4 jaw unit and a 5th jaw kit

Part/UPC Number	Catalog Number	Line	Connections		Height	Overall Dimensions			Top Provision	Knockout Layout
			Load	Neutral		Width	Depth			
78205170126	U214 MTBL	#14 - 2/0	MCB	#14 - 1/0	24"	20"	4 ⁵ / ₈ "	AW Hub	Fig. 1	
78205170128	U214 MTBPL	#14 - 2/0	Main Fuse	#14 - 1/0	26"	28"	4 ⁵ / ₈ "	AW Hub	Fig. 2	
78205170130	U215 MTBL	#14 - 2/0	MCB	#14 - 1/0	26"	28"	4 ⁵ / ₈ "	AW Hub	Fig. 2	
78205170132	U215 MTBPL	#14 - 2/0	Main Fuse	#14 - 1/0	26"	28"	4 ⁵ / ₈ "	AW Hub	Fig. 2	
78205170134	U217 MTBL	#14 - 2/0	MCB	#14 - 1/0	26"	28"	4 ⁵ / ₈ "	AW Hub	Fig. 2	
78205170136	U217 MTBPL	#14 - 2/0	Main Fuse	#14 - 1/0	26"	28"	4 ⁵ / ₈ "	AW Hub	Fig. 2	

MCB - Main Circuit Breaker

Data subject to change without notice. Consult local utility for area acceptance. All dimensions are in inches.

Meter Main Load Center - With Safety Socket Bypass

100 Amp

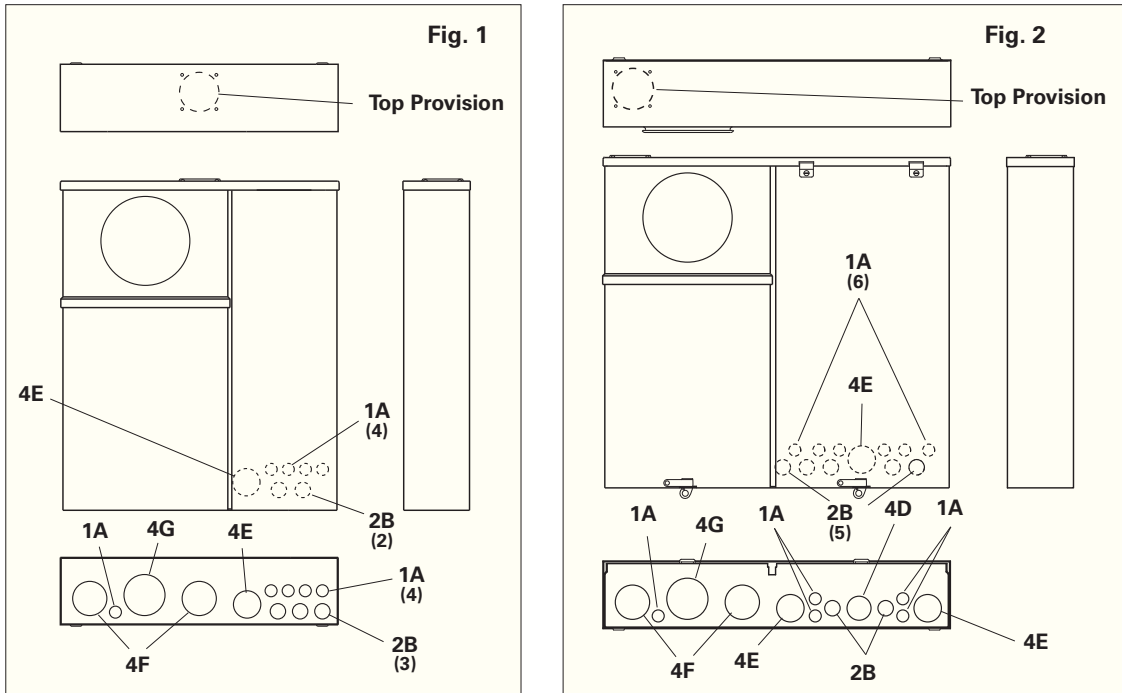
Style #	Suffixes
U214 MTBL	P - Pullout Fuse
U214 MTBPL	MS43 - No Breaker Included
U215 MTBL	SS - Stainless Steel 304 *
U215 MTBPL	SS6 - Stainless Steel 316 *
U217 MTBL	
U217 MTBPL	

Knockouts - Conduit Sizes

1A = 1/2"
 2B = 3/4" - 1/2"
 4D = 1 1/4" - 1" - 3/4" - 1/2"
 4E = 1 1/2" - 1 1/4" - 1" - 3/4"
 4F = 2" - 1 1/2" - 1 1/4" - 1"
 4G = 2 1/2" - 2" - 1 1/2" - 1 1/4"
 Top Provision = See Chart

* Knockouts and top provisions are not available in Stainless Steel (SS) finish

Knockout Layouts



Note: Top hubs to be used for line feed only.

Single Meter Sockets
 With Safety Socket Bypass

Meter Main Load Center - With Safety Socket Bypass

200 Amp - 10K AIC



224 MTB (open)



U224 MTB (open)

Application

- Combination meter/main with safety socket (test block) bypass
- Factory installed breaker
- Receive ANSI C12.10 watt-hour meters
- Surface mount

Construction

- Ring type
- NEMA Type 3R
- ANSI 61 gray painted finish
- Aluminum snap ring included



Standards

- UL 67 Listed
- ANSI C12.7
- EUSERC 305A

Accessories

- 5th Jaw Kit - 50371
- Bussed Gutters - see page 50
- AW Hubs

Single Meter Sockets
With Safety Socket Bypass

Part/UPC Number	Catalog Number	Amp Rating	Jaws	Service Type	Access	Main Breaker			
						Voltage	AIC	Main	Bypass
78205159065	224 MTB	200	4	1Ø/3W	OH	120/240	10K	(1) 200A, 2P	TB
78205159085	225 MTB	200	5	3Ø/3W	OH	240*	10K	(1) 200A, 3P	TB
78205159095	227 MTB	200	7	3Ø/4W	OH	120/240 & 120/208	10K	(1) 200A, 3P	TB
78205170141	U224 M11TB	200	4	1Ø/3W	OH/UG	120/240	10K	(2) 100A, 2P	TB
78205159125	U224 MTB	200	4	1Ø/3W	OH/UG	120/240	10K	(1) 200A, 2P	TB
78205159145	U225 MTB	200	5	3Ø/3W	OH/UG	240*	10K	(1) 200A, 3P	TB
78205159155	U227 MTB	200	7	3Ø/4W	OH/UG	120/240 & 120/208	10K	(1) 200A, 3P	TB

* For a 208/120V, order a 4 jaw unit and a 5th jaw kit

Part/UPC Number	Catalog Number	Connections			Overall Dimensions			Top Provision	Knockout Layout
		Line	Load	Neutral	Height	Width	Depth		
78205159065	224 MTB	#6 - 250 MCM	MCB	#6 - 250 MCM	48"	14"	6"	AW Hub	Fig. 1
78205159085	225 MTB	#6 - 250 MCM	MCB	#6 - 250 MCM	48"	14"	6"	AW Hub	Fig. 1
78205159095	227 MTB	#6 - 250 MCM	MCB	#6 - 250 MCM	48"	14"	6"	AW Hub	Fig. 1
78205170141	U224 M11TB	#6 - 250 MCM	MCB	#6 - 250 MCM	30"	22"	6"	AW Hub	Fig. 3
78205159125	U224 MTB	#6 - 250 MCM	MCB	#6 - 250 MCM	30"	22"	6"	AW Hub	Fig. 2
78205159145	U225 MTB	#6 - 250 MCM	MCB	#6 - 250 MCM	30"	22"	6"	AW Hub	Fig. 2
78205159155	U227 MTB	#6 - 250 MCM	MCB	#6 - 250 MCM	30"	22"	6"	AW Hub	Fig. 2

MCB - Main Circuit Breaker

Data subject to change without notice. Consult local utility for area acceptance. All dimensions are in inches.

Meter Main Load Center - With Safety Socket Bypass

200 Amp - 10K AIC

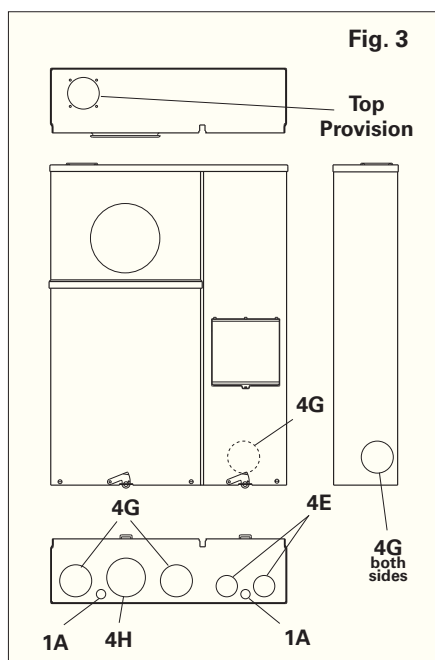
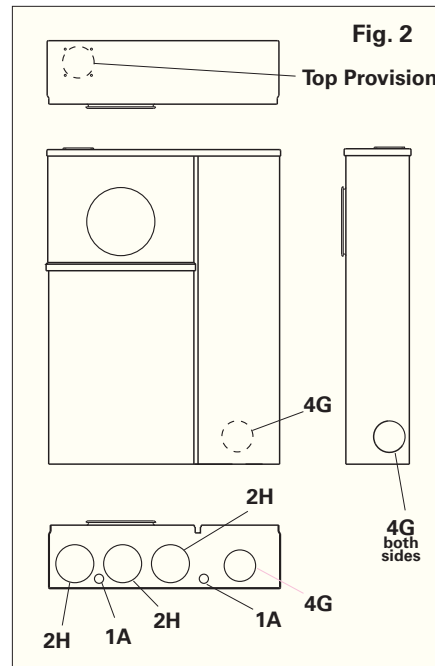
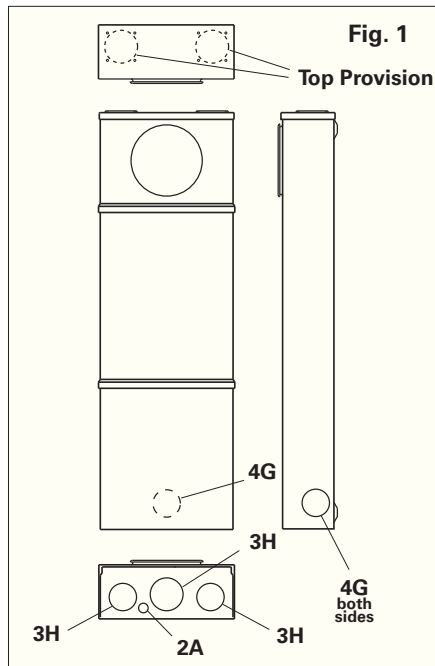
Style #	Suffixes
(U) 224 MTB	MS43 - No Breaker Included
(U) 224 M11TB	SS - Stainless Steel 304 *
(U) 225 MTB	SS6 - Stainless Steel 316 *
(U) 227 MTB	

Knockouts - Conduit Sizes

1A = 1/2"
2A = 1/2" - 1/4"
4E = 1 1/2" - 1 1/4" - 1" - 3/4"
4G = 2 1/2" - 2" - 1 1/2" - 1 1/4"
2H = 3" - 2 1/2"
3H = 3" - 2 1/2" - 2"
4H = 3" - 2 1/2" - 2" - 1 1/2"
Top Provision = See Chart

Knockout Layouts

* Knockouts and top provisions are not available in Stainless Steel (SS) finish



Note: Top hubs to be used for line feed only.

Data subject to change without notice. Consult local utility for area acceptance. All dimensions are in inches.

Meter Main - With Safety Socket Bypass

200 Amp - 22K-42K AIC



224 MTBH (open)



U224 MTBH (open)

Application

- Combination meter/main with safety socket (test block) bypass
- Factory installed breaker
- Receive ANSI C12.10 watt-hour meters
- Surface mount

Construction

- Ring type
- NEMA Type 3R
- ANSI 61 gray painted finish
- Aluminum snap ring included



Standards

- UL 67 Listed
- ANSI C12.7
- EUSERC 305A

Accessories

- 5th Jaw Kit - 50371
- Bussed Gutters - see page 50
- AW Hubs

Single Meter Sockets
With Safety Socket Bypass

Part/UPC Number	Catalog Number	Amp Rating	Jaws	Service Type	Access	Voltage	Main Breaker		
							AIC	Main	Bypass
78205159081	224 MTBH	200	4	1Ø/3W	OH	120/240	42K	(1) 200A, 2P	TB
78205159306	224 MTBH MS15	200	4	1Ø/3W	OH	240/480	22K	(1) 200A, 2P	TB
78205159079	224 MTBH MS45	200	4	1Ø/3W	OH	120/240	22K	(1) 200A, 2P	TB
78205159091	225 MTBH	200	5	3Ø/3W	OH	240*	42K	(1) 200A, 3P	TB
78205159308	225 MTBH MS15	200	5	3Ø/3W	OH	480*	22K	(1) 200A, 3P	TB
78205159089	225 MTBH MS45	200	5	3Ø/3W	OH	240*	22K	(1) 200A, 3P	TB
78205159159	227 MTBH	200	7	3Ø/4W	OH	120/240 & 120/208	42K	(1) 200A, 3P	TB
78205159310	227 MTBH MS15	200	7	3Ø/4W	OH	480/277	22K	(1) 200A, 3P	TB
78205159097	227 MTBH MS45	200	7	3Ø/4W	OH	120/240 & 120/208	22K	(1) 200A, 3P	TB
78205159141	U224 MTBH	200	4	1Ø/3W	OH/UG	120/240	42K	(1) 200A, 2P	TB
78205159206	U224 MTBH MS15	200	4	1Ø/3W	OH/UG	240/480	22K	(1) 200A, 2P	TB
78205159139	U224 MTBH MS45	200	4	1Ø/3W	OH/UG	120/240	22K	(1) 200A, 2P	TB
78205159151	U225 MTBH	200	5	3Ø/3W	OH/UG	240*	42K	(1) 200A, 3P	TB
78205159208	U225 MTBH MS15	200	5	3Ø/3W	OH/UG	480*	22K	(1) 200A, 3P	TB
78205159149	U225 MTBH MS45	200	5	3Ø/3W	OH/UG	240*	22K	(1) 200A, 3P	TB
78205159159	U227 MTBH	200	7	3Ø/4W	OH/UG	120/240 & 120/208	42K	(1) 200A, 3P	TB
78205159210	U227 MTBH MS15	200	7	3Ø/4W	OH/UG	480/277	22K	(1) 200A, 3P	TB
78205159157	U227 MTBH MS45	200	7	3Ø/4W	OH/UG	120/240 & 120/208	22K	(1) 200A, 3P	TB

* For a 208/120V or 480/277V, order a 4 jaw unit and a 5th jaw kit

Part/UPC Number	Catalog Number	Connections		Overall Dimensions			Top Provision	Knockout Layout
		Line	Neutral	Height	Width	Depth		
78205159081	224 MTBH	#6 - 250 MCM	MCB #6 - 250 MCM	48"	14"	6"	AW Hub	Fig. 1
78205159306	224 MTBH MS15	#6 - 250 MCM	MCB #6 - 250 MCM	48"	14"	6"	AW Hub	Fig. 1
78205159079	224 MTBH MS45	#6 - 250 MCM	MCB #6 - 250 MCM	48"	14"	6"	AW Hub	Fig. 1
78205159091	225 MTBH	#6 - 250 MCM	MCB #6 - 250 MCM	48"	14"	6"	AW Hub	Fig. 1
78205159308	225 MTBH MS15	#6 - 250 MCM	MCB #6 - 250 MCM	48"	14"	6"	AW Hub	Fig. 1
78205159089	225 MTBH MS45	#6 - 250 MCM	MCB #6 - 250 MCM	48"	14"	6"	AW Hub	Fig. 1
78205159159	227 MTBH	#6 - 250 MCM	MCB #6 - 250 MCM	48"	14"	6"	AW Hub	Fig. 1
78205159310	227 MTBH MS15	#6 - 250 MCM	MCB #6 - 250 MCM	48"	14"	6"	AW Hub	Fig. 1
78205159097	227 MTBH MS45	#6 - 250 MCM	MCB #6 - 250 MCM	48"	14"	6"	AW Hub	Fig. 1
78205159141	U224 MTBH	#6 - 250 MCM	MCB #6 - 250 MCM	30"	22"	6"	AW Hub	Fig. 2
78205159206	U224 MTBH MS15	#6 - 250 MCM	MCB #6 - 250 MCM	30"	22"	6"	AW Hub	Fig. 2
78205159139	U224 MTBH MS45	#6 - 250 MCM	MCB #6 - 250 MCM	30"	22"	6"	AW Hub	Fig. 2
78205159151	U225 MTBH	#6 - 250 MCM	MCB #6 - 250 MCM	30"	22"	6"	AW Hub	Fig. 2
78205159208	U225 MTBH MS15	#6 - 250 MCM	MCB #6 - 250 MCM	30"	22"	6"	AW Hub	Fig. 2
78205159149	U225 MTBH MS45	#6 - 250 MCM	MCB #6 - 250 MCM	30"	22"	6"	AW Hub	Fig. 2
78205159159	U227 MTBH	#6 - 250 MCM	MCB #6 - 250 MCM	30"	22"	6"	AW Hub	Fig. 2
78205159210	U227 MTBH MS15	#6 - 250 MCM	MCB #6 - 250 MCM	30"	22"	6"	AW Hub	Fig. 2
78205159157	U227 MTBH MS45	#6 - 250 MCM	MCB #6 - 250 MCM	30"	22"	6"	AW Hub	Fig. 2

MCB - Main Circuit Breaker

Data subject to change without notice. Consult local utility for area acceptance. All dimensions are in inches.

Meter Main - With Safety Socket Bypass

200 Amp - 22K-65K AIC

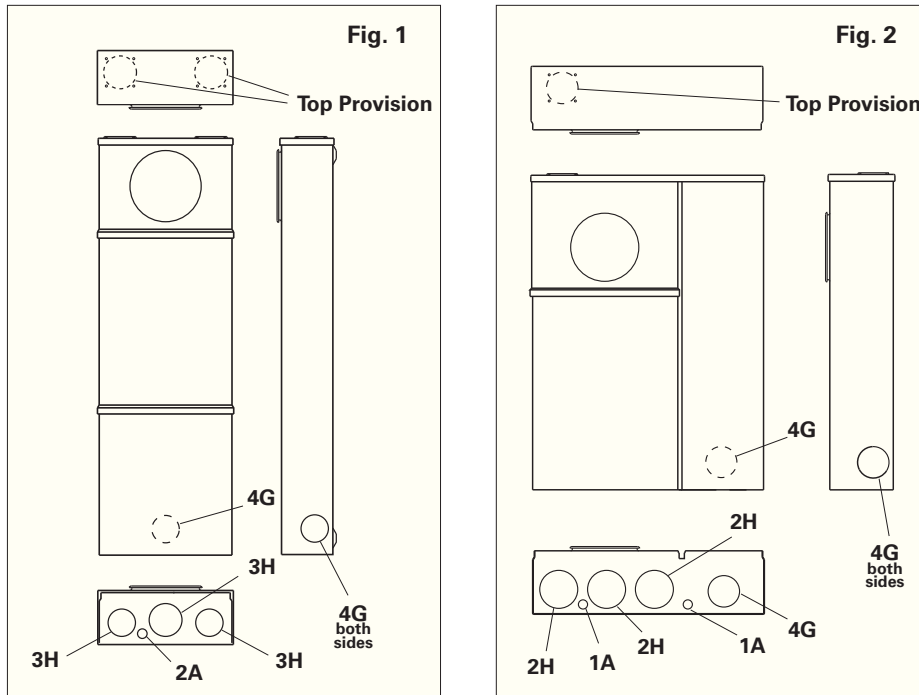
Style #	Suffixes
(U) 224 MTBH	MS15 - 480V Breaker
(U) 225 MTBH	MS43 - No Breaker Included
(U) 227 MTBH	MS45 - 22K AIC Rated Breaker
	SS - Stainless Steel 304 *
	SS6 - Stainless Steel 316 *

Knockouts - Conduit Sizes

1A = 1/2"
 2A = 1/2" - 1/4"
 4G = 2 1/2" - 2" - 1 1/2" - 1 1/4"
 2H = 3" - 2 1/2"
 3H = 3" - 2 1/2" - 2"
 Top Provision = See Chart

* Knockouts and top provisions are not available in Stainless Steel (SS) finish

Knockout Layouts



Note: Top hubs to be used for line feed only.

Single Meter Sockets
 With Safety Socket Bypass

Meter Main - With Safety Socket Bypass

200 Amp - Fusible Pullout



224 MTBP (open)



U224 MTBP (open)

Application

- Combination meter/main with safety socket (test block) bypass
- Factory installed breaker
- Receive ANSI C12.10 watt-hour meters
- Surface mount

Construction

- Ring type
- NEMA Type 3R
- ANSI 61 gray painted finish
- Aluminum snap ring included



Standards

- UL 67 Listed
- ANSI C12.7
- EUSERC 305A

Accessories

- 5th Jaw Kit - 50371
- Bussed Gutters - see page 50
- AW Hubs

Single Meter Sockets
With Safety Socket Bypass

Part/UPC Number	Catalog Number	Amp Rating	Jaws	Service Type	Access	Main Breaker			
						Voltage	AIC	Main	Bypass
78205161000	224 MTBP	200	4	1Ø/3W	OH	120/240	200K	(1) 200A, 2P	TB
78205163000	224 MTBP MS15	200	4	1Ø/3W	OH	240/480	200K	(1) 200A, 2P	TB
78205161080	225 MTBP	200	5	3Ø/3W	OH	240*	200K	(1) 200A, 3P	TB
78205107971	225 MTBP MS15	200	5	3Ø/3W	OH	480*	200K	(1) 200A, 3P	TB
78205161100	227 MTBP	200	7	3Ø/4W	OH	120/240 & 120/208	200K	(1) 200A, 3P	TB
78205163020	227 MTBP MS15	200	7	3Ø/4W	OH	480/277	200K	(1) 200A, 3P	TB
78205162000	U224 MTBP	200	4	1Ø/3W	OH/UG	120/240	200K	(1) 200A, 2P	TB
78205163040	U224 MTBP MS15	200	4	1Ø/3W	OH/UG	240/480	200K	(1) 200A, 2P	TB
78205162080	U225 MTBP	200	5	3Ø/3W	OH/UG	240*	200K	(1) 200A, 3P	TB
78205163050	U225 MTBP MS15	200	5	3Ø/3W	OH/UG	480*	200K	(1) 200A, 3P	TB
78205162100	U227 MTBP	200	7	3Ø/4W	OH/UG	120/240 & 120/208	200K	(1) 200A, 3P	TB
78205163060	U227 MTBP MS15	200	7	3Ø/4W	OH/UG	480/277	200K	(1) 200A, 3P	TB

* For a 208/120V or 480/277V, order a 4 jaw unit and a 5th jaw kit

Part/UPC Number	Catalog Number	Connections			Height	Overall Dimensions			Top Provision	Knockout Layout
		Line	Load	Neutral		Width	Depth			
78205161000	224 MTBP	#6 - 250 MCM	Main Fuse	#6 - 250 MCM	48"	14"	6"	AW Hub	Fig. 1	
78205163000	224 MTBP MS15	#6 - 250 MCM	Main Fuse	#6 - 250 MCM	48"	14"	6"	AW Hub	Fig. 1	
78205161080	225 MTBP	#6 - 250 MCM	Main Fuse	#6 - 250 MCM	48"	14"	6"	AW Hub	Fig. 1	
78205107971	225 MTBP MS15	#6 - 250 MCM	Main Fuse	#6 - 250 MCM	48"	14"	6"	AW Hub	Fig. 1	
78205161100	227 MTBP	#6 - 250 MCM	Main Fuse	#6 - 250 MCM	48"	14"	6"	AW Hub	Fig. 1	
78205163020	227 MTBP MS15	#6 - 250 MCM	Main Fuse	#6 - 250 MCM	48"	14"	6"	AW Hub	Fig. 1	
78205162000	U224 MTBP	#6 - 250 MCM	Main Fuse	#6 - 250 MCM	30"	22"	6"	AW Hub	Fig. 2	
78205163040	U224 MTBP MS15	#6 - 250 MCM	Main Fuse	#6 - 250 MCM	30"	22"	6"	AW Hub	Fig. 2	
78205162080	U225 MTBP	#6 - 250 MCM	Main Fuse	#6 - 250 MCM	30"	22"	6"	AW Hub	Fig. 2	
78205163050	U225 MTBP MS15	#6 - 250 MCM	Main Fuse	#6 - 250 MCM	30"	22"	6"	AW Hub	Fig. 2	
78205162100	U227 MTBP	#6 - 250 MCM	Main Fuse	#6 - 250 MCM	30"	22"	6"	AW Hub	Fig. 2	
78205163060	U227 MTBP MS15	#6 - 250 MCM	Main Fuse	#6 - 250 MCM	30"	22"	6"	AW Hub	Fig. 2	

Data subject to change without notice. Consult local utility for area acceptance. All dimensions are in inches.

Meter Main - With Safety Socket Bypass

200 Amp - Fusible Pullout

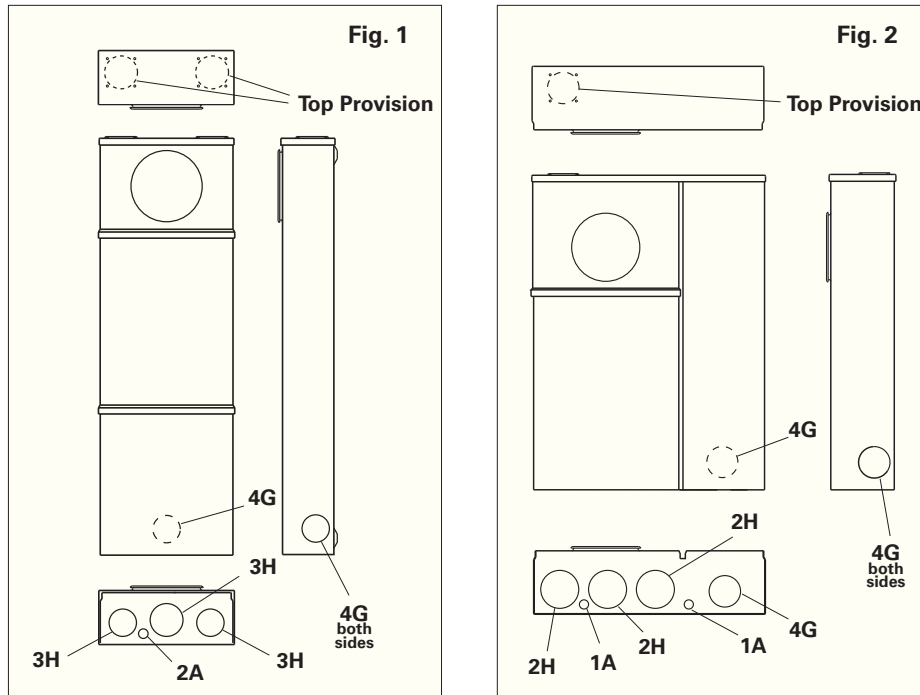
Style #	Suffixes
(U) 224 MTBP	P - Pullout Fuse
(U) 225 MTBP	MS15 - 480V Breaker
(U) 227 MTBP	MS43 - No Breaker Included
	SS - Stainless Steel 304 *
	SS6 - Stainless Steel 316 *

Knockouts - Conduit Sizes

1A = 1/2"
 2A = 1/2" - 1/4"
 4G = 2 1/2" - 2" - 1 1/2" - 1 1/4"
 2H = 3" - 2 1/2"
 3H = 3" - 2 1/2" - 2"
 Top Provision = See Chart

* Knockouts and top provisions are not available in Stainless Steel (SS) finish

Knockout Layouts



Note: Top hubs to be used for line feed only.

Single Meter Sockets
 With Safety Socket Bypass

Meter Main Loadcenter - With Safety Socket Bypass

200 Amp



U224 MTBL (closed)



U224 MTBL (open)

Application

- Combination meter/main/loadcenter with safety socket (test block) bypass
- Factory installed breakers / fusible pullout ("T" fuses included)
- Receive ANSI C12.10 watthour meters
- Surface mount



Construction

- Ring type
- NEMA Type 3R
- ANSI 61 gray painted finish
- Aluminum snap ring included

Standards

- UL 67 Listed
- ANSI C12.7
- EUSERC 305A

Single Meter Sockets
With Safety Socket Bypass

Part/UPC Number	Catalog Number	Amp Rating	Jaws	Service Type	Access	Main Breaker				
						Voltage	AIC	Main	Loadcenter	Bypass
78205170138	U224 MTBL	200	4	1Ø/3W	0H/UG	120/240	10K	(1) 200A, 2P	20/40	TB
78205170140	U224 MTBPL	200	4	1Ø/3W	0H/UG	120/240	100K	(1) 200A, 2P	20/40	TB
78205170142	U225 MTBL	200	5	3Ø/3W	0H/UG	240*	10K	(1) 200A, 3P	24/42	TB
78205170144	U225 MTBPL	200	5	3Ø/3W	0H/UG	240*	100K	(1) 200A, 3P	24/42	TB
78205170146	U227 MTBL	200	7	3Ø/4W	0H/UG	120/240 & 120/208	10K	(1) 200A, 3P	24/42	TB
78205170148	U227 MTBPL	200	7	3Ø/4W	0H/UG	120/240 & 120/208	100K	(1) 200A, 3P	24/42	TB

* For a 208/120V, order a 4 jaw unit and a 5th jaw kit

Part/UPC Number	Catalog Number	Connections			Overall Dimensions			Top Provision	Knockout Layout
		Line	Load	Neutral	Height	Width	Depth		
78205170138	U224 MTBL	#6 - 250 MCM	MCB	#6 - 250 MCM	30"	27"	6"	AW Hub	Fig. 1
78205170140	U224 MTBPL	#6 - 250 MCM	Main Fuse	#6 - 250 MCM	30"	27"	6"	AW Hub	Fig. 1
78205170142	U225 MTBL	#6 - 250 MCM	MCB	#6 - 250 MCM	32"	27"	6"	AW Hub	Fig. 1
78205170144	U225 MTBPL	#6 - 250 MCM	Main Fuse	#6 - 250 MCM	32"	27"	6"	AW Hub	Fig. 1
78205170146	U227 MTBL	#6 - 250 MCM	MCB	#6 - 250 MCM	32"	27"	6"	AW Hub	Fig. 1
78205170148	U227 MTBPL	#6 - 250 MCM	Main Fuse	#6 - 250 MCM	32"	27"	6"	AW Hub	Fig. 1

MCB - Main Circuit Breaker

Data subject to change without notice. Consult local utility for area acceptance. All dimensions are in inches.

Meter Main Loadcenter - With Safety Socket Bypass

200 Amp

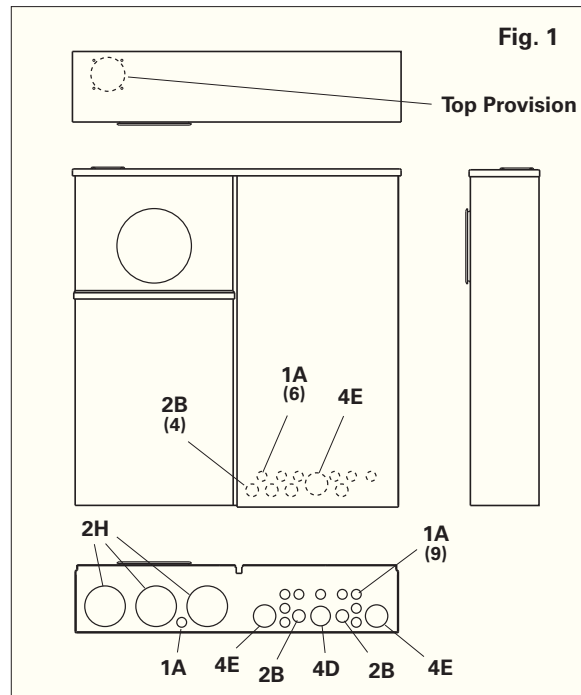
Style #	Suffixes
U224 MTBL	P - Pullout Fuse
U224 MTBPL	MS43 - No Breaker Included
U225 MTBL	SS - Stainless Steel 304 *
U225 MTBPL	SS6 - Stainless Steel 316 *
U227 MTBL	
U227 MTBPL	

Knockouts - Conduit Sizes

1A = 1/2"
 2B = 3/4" - 1/2"
 4D = 1 1/4" - 1" - 3/4" - 1/2"
 4E = 1 1/2" - 1 1/4" - 1" - 3/4"
 2H = 3" - 2 1/2"
 Top Provision = See Chart

* Knockouts and top provisions are not available in Stainless Steel (SS) finish

Knockout Layouts



Note: Top hubs to be used for line feed only.

Single Meter Sockets
 With Safety Socket Bypass

Test Block Bypass - Metering Breaker Data

Main Breaker Data

Catalog Number	B-Line Breaker #	ITE Breaker #	Ampacity	Voltage	# of Poles	AIC
U214MTB	25458P	Q2100	100A	240	2P	10K
U215MTB	25460P	Q3100	100A	240	3P	10K
U217MTB	25460P	Q3100	100A	240	3P	10K
U214MTBHMS45	25464P	Q2100H	100A	240	2P	22K
U215MTBHMS45	25466P	Q3100H	100A	240	3P	22K
U217MTBHMS45	25466P	Q3100H	100A	240	3P	22K
U214MTBH	25470P	Q2100HH	100A	240	2P	65K
U215MTBH	25472P	Q3100HH	100A	240	3P	65K
U217MTBH	25472P	Q3100HH	100A	240	3P	65K
U214MTBMS15	25534N	ED42B100	100A	480	2P	10K
U215MTBMS15	25536N	ED43B100	100A	480	3P	10K
U217MTBMS15	25536N	ED43B100	100A	480	3P	10K
U214MTBHMS15	25544N	HED42B100	100A	480	2P	42K
U215MTBHMS15	25546N	HED43B100	100A	480	3P	42K
U217MTBHMS15	25546N	HED43B100	100A	480	3P	42K
U214MTBL	25458P	Q2100	100A	240	2P	10K
U215MTBL	25460P	Q3100	100A	240	3P	10K
U217MTBL	25460P	Q3100	100A	240	3P	10K
U224MTB	25508K	QR22B200	200A	240	2P	10K
U225MTB	25510K	QR23B200	200A	240	3P	10K
U227MTB	25510K	QR23B200	200A	240	3P	10K
U224MTBHMS45	25512K	QRH22B200H	200A	240	2P	22K
U225MTBHMS45	25514K	QRH23B200H	200A	240	3P	22K
U227MTBHMS45	25514K	QRH23B200H	200A	240	3P	22K
U224MTBH	25516K	QR22B200H	200A	240	2P	42K
U225MTBH	25518K	QR23B200H	200A	240	3P	42K
U227MTBH	25518K	QR23B200H	200A	240	3P	42K
U224MTBHMS15	25552J	FXD62B200	200A	480	2P	22K
U225MTBHMS15	25554J	FXD63B200	200A	480	3P	22K
U227MTBHMS15	25554J	FXD63B200	200A	480	3P	22K

Main Pullout Data

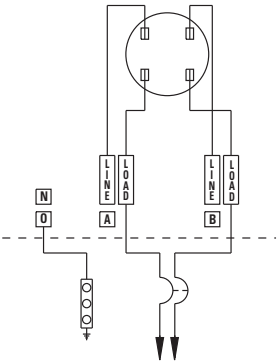
Catalog Number	B-Line Breaker #	Boltswitch Pullout #	Ampacity	Voltage	# of Poles	AIC
U214MTBP	20404A	PT323-2P	100A	240	2P	200K
U215MTBP	20404B	PT323	100A	240	3P	200K
U217MTBP	20404B	PT323	100A	240	3P	200K
U214MTBPMS15	20404E	PT363-2P	100A	480	2P	200K
U215MTBPMS15	20404F	PT363	100A	480	3P	200K
U217MTBPMS15	20404F	PT363	100A	480	3P	200K
U224MTBP	20404C	PT324-2P	200A	240	2P	200K
U225MTBP	20404D	PT324	200A	240	3P	200K
U227MTBP	20404D	PT324	200A	240	3P	200K
U224MTBPMS15	20404G	PT364-2P	200A	480	2P	200K
U225MTBPMS15	20404H	PT364	200A	480	3P	200K
U227MTBPMS15	20404H	PT364	200A	480	3P	200K

Main Pullout Data

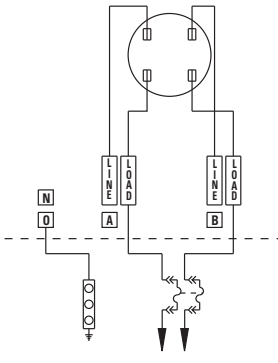
Catalog Number	B-Line Breaker #	ITE Pullout #	Ampacity	Voltage	# of Poles	AIC
U214MTBPL	25050A	TFP223	100A	240	2P	100K
U215MTBPL	25051A	TFP323	100A	240	3P	100K
U217MTBPL	25051A	TFP323	100A	240	3P	100K
U224MTBPL	25052A	TFP224	200A	240	2P	100K
U225MTBPL	25053A	TFP324	200A	240	3P	100K
U227MTBPL	25053A	TFP324	200A	240	3P	100K

Data subject to change without notice. Consult local utility for area acceptance. All dimensions are in inches.

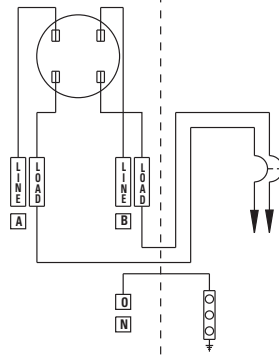
Test Block Bypass - Wiring Diagrams



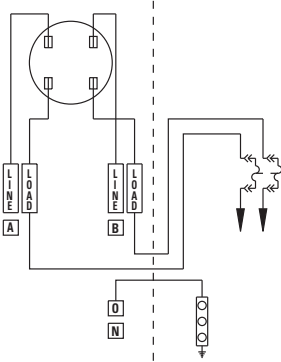
- Catalog #**
- 214MTB
 - 214MTBHMS45
 - 214MTBH
 - 214MTBMS15
 - 214MTBHMS15
 - 224MTB
 - 224MTBHMS45
 - 224MTBH
 - 224MTBMS15



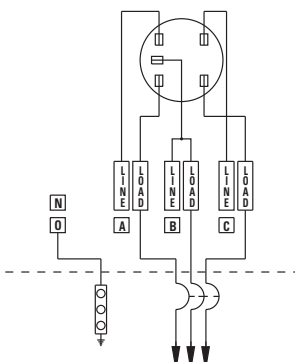
- Catalog #**
- 214MTBP
 - 214MTBPMS15
 - 224MTBP
 - 224MTBPMS15



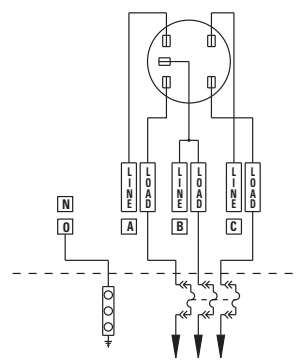
- Catalog #**
- U214MTB
 - U214MTBMS15
 - U214MTBHMS15
 - U214MTBH
 - U214MTBHMS45
 - U224MTB
 - U224MTBH
 - U224MTBHMS45



- Catalog #**
- U214MTBP
 - U214MTBPMS15
 - U224MTBP
 - U224MTBPMS15



- Catalog #**
- 215MTB
 - 215MTBMS15
 - 215MTBHMS15
 - 215MTBH
 - 215MTBHMS45
 - 225MTB
 - 225MTBH
 - 225MTBHMS45

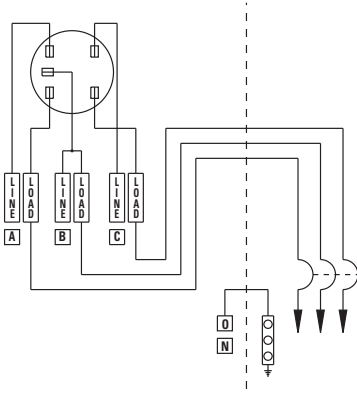


- Catalog #**
- 215MTBP
 - 215MTBPMS15
 - 225MTBP
 - 225MTBPMS15

Single Meter Sockets
With Safety Socket Bypass

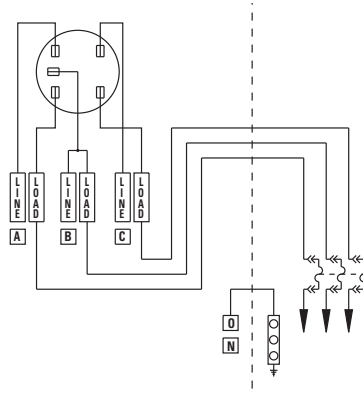
Data subject to change without notice. Consult local utility for area acceptance. All dimensions are in inches.

Test Block Bypass - Wiring Diagrams



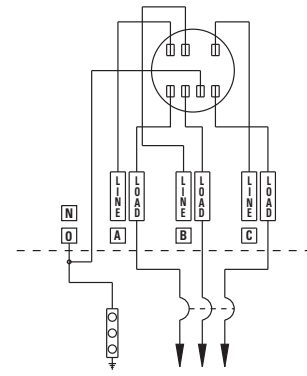
Catalog #

U215MTB
U215MTBMS15
U215MTBHMS15
U215MTBH
U215MTBHMS45
U225MTB
U225MTBH
U225MTBHMS45
U225MTBHMS15



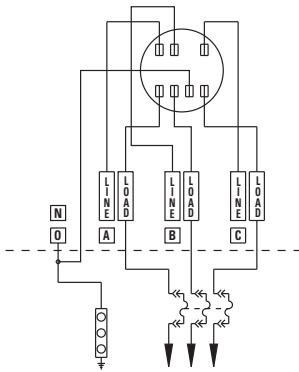
Catalog #

U215MTBP
U215MTBPMS15
U225MTBP
U225MTBPMS15



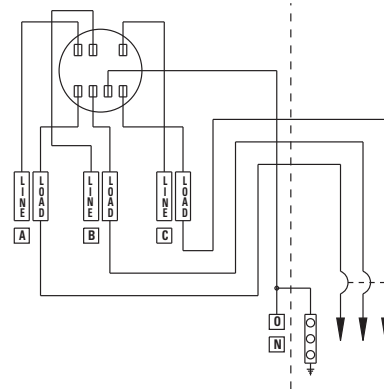
Catalog #

U217MTB
U217MTBMS15
U217MTBHMS15
U217MTBH
U217MTBHMS45
U227MTB
U227MTBH
U227MTBHMS45
U227MTBHMS15



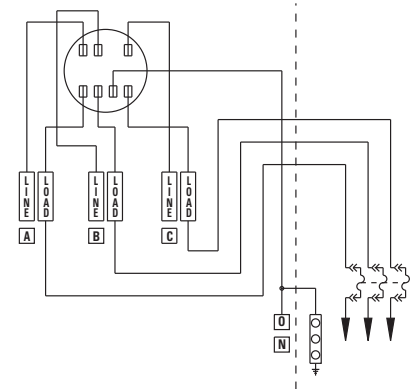
Catalog #

217MTBP
217MTBPMS15
227MTBP
227MTBPMS15



Catalog #

U217MTB
U217MTBMS15
U217MTBHMS15
U217MTBH
U217MTBHMS45
U227MTB
U227MTBMS15
U227MTBH
U227MTBHMS45



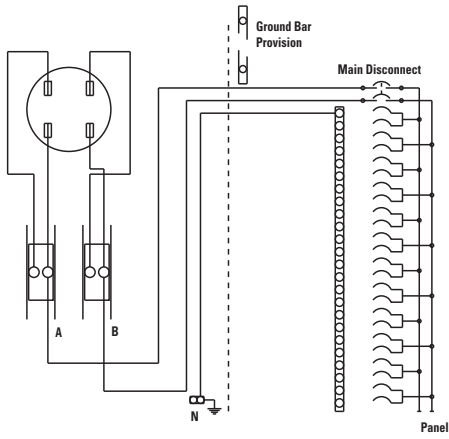
Catalog #

U217MTBP
U217MTBPMS15
U227MTBP
U227MTBPMS15

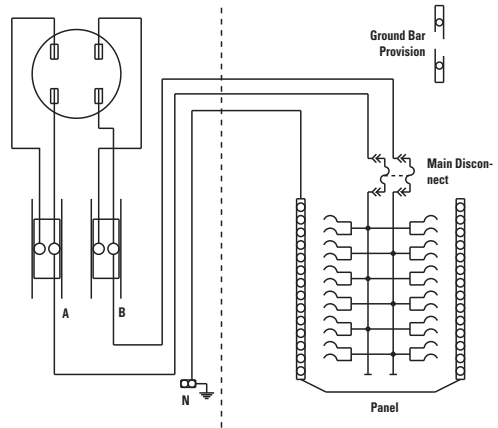
Data subject to change without notice. Consult local utility for area acceptance. All dimensions are in inches.

Single Meter Sockets
With Safety Socket Bypass

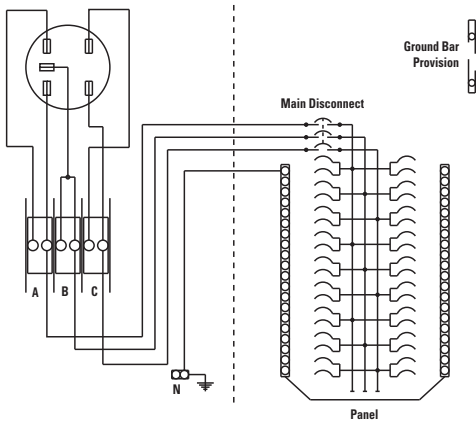
Test Block Bypass - Wiring Diagrams



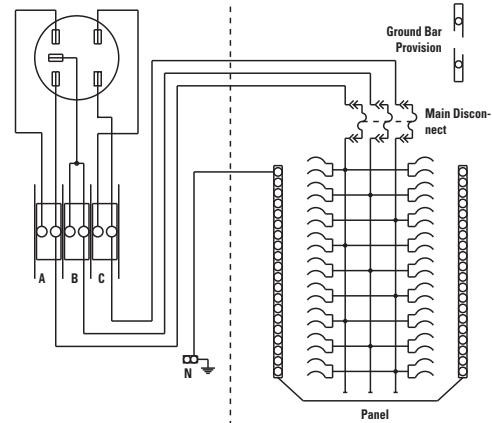
Catalog #
U214MTBL



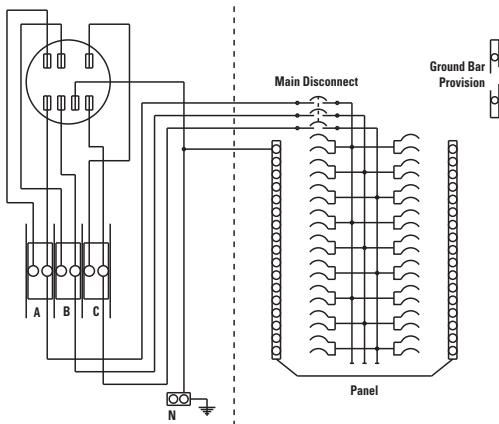
Catalog #
U214MTBPL



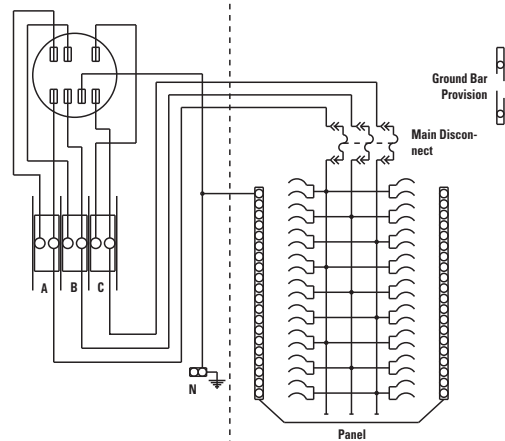
Catalog #
U215MTBL



Catalog #
U215MTBPL



Catalog #
U217MTBL

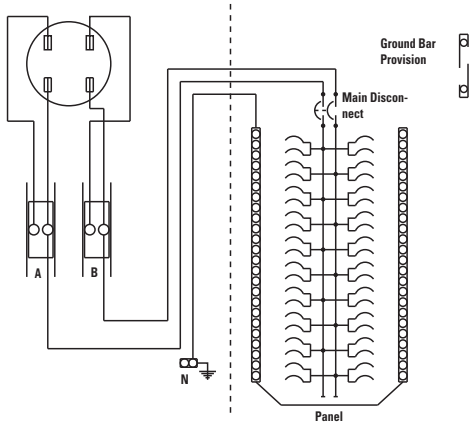


Catalog #
U217MTBPL

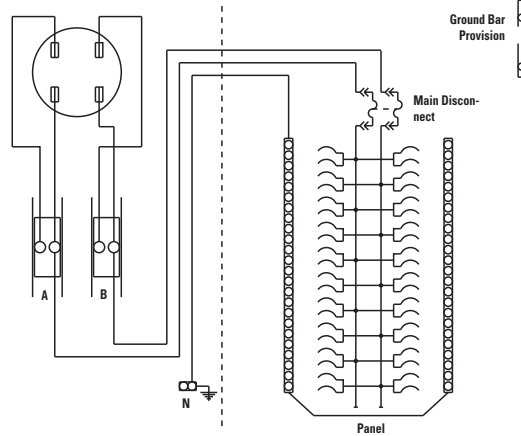
Single Meter Sockets
With Safety Socket Bypass

Data subject to change without notice. Consult local utility for area acceptance. All dimensions are in inches.

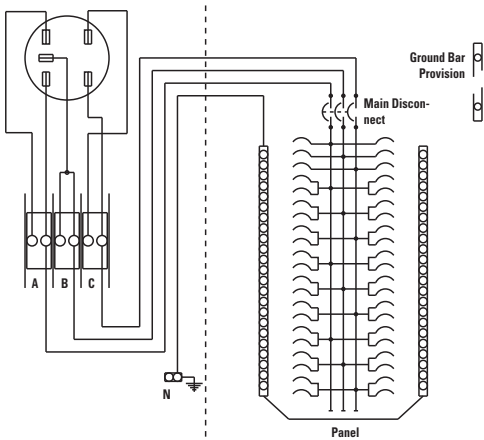
Test Block Bypass - Wiring Diagrams



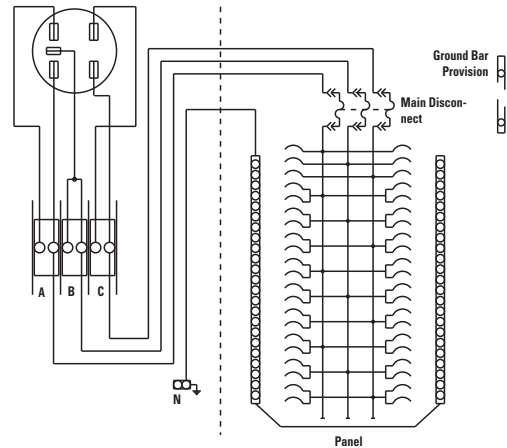
Catalog #
U224MTBL



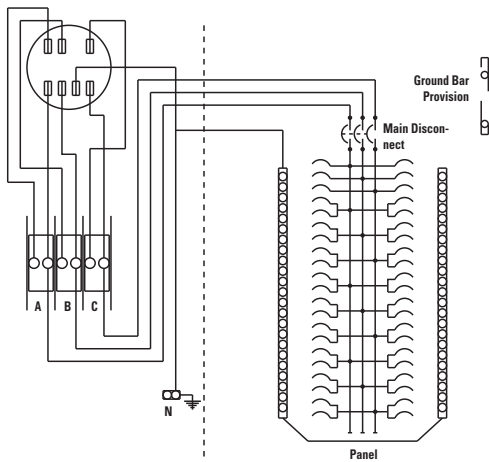
Catalog #
U224MTBPL



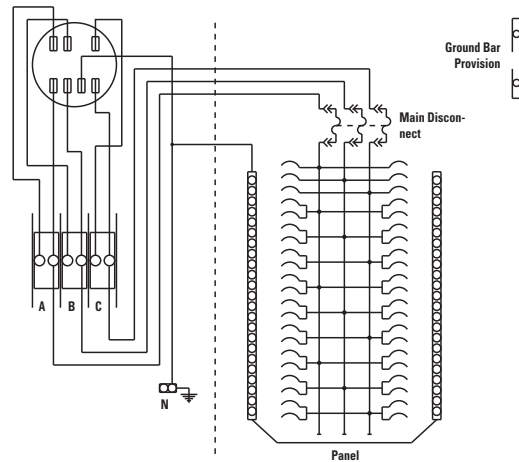
Catalog #
U225MTBL



Catalog #
U225MTBPL



Catalog #
U227MTBL



Catalog #
U227MTBPL

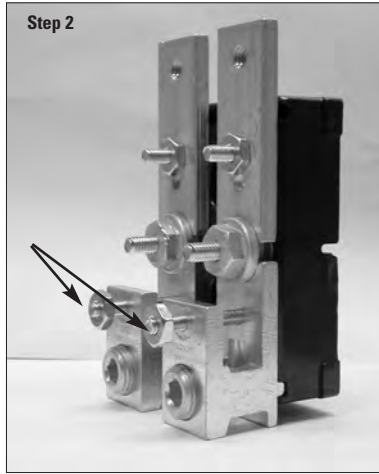
Data subject to change without notice. Consult local utility for area acceptance. All dimensions are in inches.

Test Block Bypass - Safety Socket Bypass Instructions

This procedure should be performed **ONLY BY QUALIFIED UTILITY PERSONNEL**



Step 1
Test Block in normal operation. All screw terminals are in the closed position and tightened to the required torque specification.



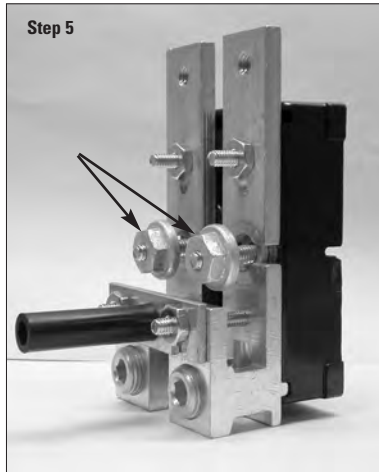
Step 2
Loosen Terminal Bypass Nuts.



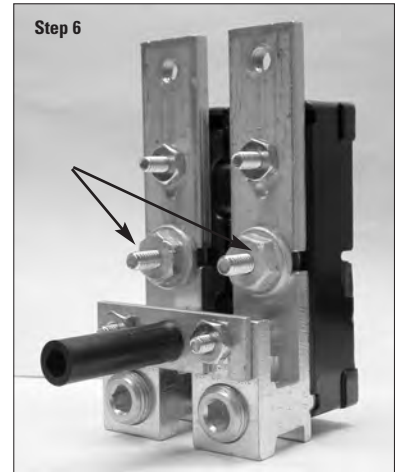
Step 3
Picture shows the "Bypass Link" used to bypass the meter. (Normally supplied by utility)



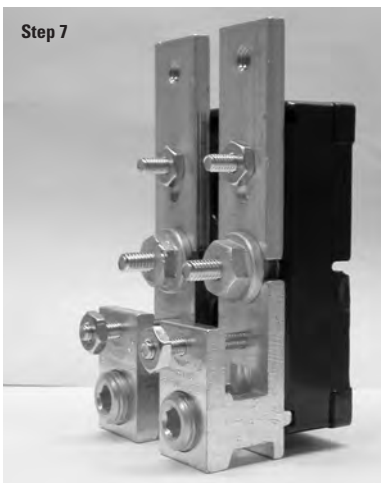
Step 4
Install Bypass Link as shown and tighten the Terminal Bypass Nuts to required torque specifications.



Step 5
With Bypass Link securely in place, loosen Circuit Closing Nuts. All current and voltage potential has now been isolated from the socket. Meter may now be safely removed from socket.



Step 6
After meter has been replaced, securely tighten the Circuit Closing Nut to required torque specification.



Step 7
Loosen Terminal Bypass Nuts and remove Bypass Link. Meter is now energized.

**Torque table for
100 & 200 Amp units.**

Circuit Closing Nuts: 60 in-lbs
Terminal Bypass Nuts: 45 in-lbs



Step 8
Tighten Terminal Bypass Nuts.

Single Meter Sockets
With Safety Socket Bypass

Data subject to change without notice. Consult local utility for area acceptance.

Bussed Gutters & Termination Cabinets



Universal Bussed Gutters, 400 -2000 Amp	48 - 49
Bussed Gutters for TB/MTB Units, 400 -800 Amp	50 - 51
Termination Enclosures, 100 -1200 Amp	52 - 53

Universal Bussed Gutters

400 - 2000 Amp



R1060HEE (closed)



R1060HEE (open)



Application

- With KOs for ganging TB/MTB units under a common feed
- Surface mount

Construction

- NEMA Type 3R
- ANSI 61 gray painted finish
- Aluminum bussing

Standards

- UL 1773 Listed

Bussed Gutters & Termination Cabinets

Part/UPC Number	Catalog Number	Buss Amps	Service Type	AIC	Line	Connections Load	Neutral	Overall Height	Overall Width	Overall Depth	Knockout Layout
78205118055	R1024 HC	400	1Ø/3W	10K	#4 - 600 MCM	See Note *	#4 - 600 MCM	22"	24"	6"	Fig. 1
78205118065	R1036 HC	400	1Ø/3W	10K	#4 - 600 MCM	See Note *	#4 - 600 MCM	22"	36"	6"	Fig. 1
78205118075	R1048 HC	400	1Ø/3W	10K	#4 - 600 MCM	See Note *	#4 - 600 MCM	22"	48"	6"	Fig. 1
78205118085	R1060 HC	400	1Ø/3W	10K	#4 - 600 MCM	See Note *	#4 - 600 MCM	22"	60"	6"	Fig. 1
78205118095	R1072 HC	400	1Ø/3W	10K	#4 - 600 MCM	See Note *	#4 - 600 MCM	22"	72"	6"	Fig. 1
78205118115	R1036 HD	600	1Ø/3W	10K	(2) #4 - 600 MCM	See Note *	(2) #4 - 600 MCM	22"	36"	6"	Fig. 1
78205118125	R1048 HD	600	1Ø/3W	10K	(2) #4 - 600 MCM	See Note *	(2) #4 - 600 MCM	22"	48"	6"	Fig. 1
78205118135	R1060 HD	600	1Ø/3W	10K	(2) #4 - 600 MCM	See Note *	(2) #4 - 600 MCM	22"	60"	6"	Fig. 1
78205118145	R1072 HD	600	1Ø/3W	10K	(2) #4 - 600 MCM	See Note *	(2) #4 - 600 MCM	22"	72"	6"	Fig. 1
78205118325	R1048 HE	800	1Ø/3W	10K	(3) #4 - 600 MCM	See Note *	(3) #4 - 600 MCM	22"	48"	6"	Fig. 1
78205118335	R1060 HE	800	1Ø/3W	10K	(3) #4 - 600 MCM	See Note *	(3) #4 - 600 MCM	22"	60"	6"	Fig. 1
78205118345	R1072 HE	800	1Ø/3W	10K	(3) #4 - 600 MCM	See Note *	(3) #4 - 600 MCM	22"	72"	6"	Fig. 1
78205118215	R1024 HCC	400	3Ø/4W	10K	#4 - 600 MCM	See Note *	#4 - 600 MCM	22"	24"	6"	Fig. 1
78205118225	R1036 HCC	400	3Ø/4W	10K	#4 - 600 MCM	See Note *	#4 - 600 MCM	22"	36"	6"	Fig. 1
78205118235	R1048 HCC	400	3Ø/4W	10K	#4 - 600 MCM	See Note *	#4 - 600 MCM	22"	48"	6"	Fig. 1
78205118245	R1060 HCC	400	3Ø/4W	10K	#4 - 600 MCM	See Note *	#4 - 600 MCM	22"	60"	6"	Fig. 1
78205118255	R1072 HCC	400	3Ø/4W	10K	#4 - 600 MCM	See Note *	#4 - 600 MCM	22"	72"	6"	Fig. 1
78205108075	R1096 HCC	400	3Ø/4W	10K	#4 - 600 MCM	See Note *	#4 - 600 MCM	22"	96"	6"	Fig. 1
78205118275	R1036 HDD	600	3Ø/4W	10K	(2) #4 - 600 MCM	See Note *	(2) #4 - 600 MCM	28 1/2"	36"	6"	Fig. 1
78205118285	R1048 HDD	600	3Ø/4W	10K	(2) #4 - 600 MCM	See Note *	(2) #4 - 600 MCM	28 1/2"	48"	6"	Fig. 1
78205118295	R1060 HDD	600	3Ø/4W	10K	(2) #4 - 600 MCM	See Note *	(2) #4 - 600 MCM	28 1/2"	60"	6"	Fig. 1
78205118305	R1072 HDD	600	3Ø/4W	10K	(2) #4 - 600 MCM	See Note *	(2) #4 - 600 MCM	28 1/2"	72"	6"	Fig. 1
78205131978	R1096 HDD	600	3Ø/4W	10K	(2) #4 - 600 MCM	See Note *	(2) #4 - 600 MCM	28 1/2"	96"	6"	Fig. 1
78205118150	R10120 HDD	600	3Ø/4W	10K	(2) #4 - 600 MCM	See Note *	(2) #4 - 600 MCM	28 1/2"	120"	6"	Fig. 1
78205118375	R1048 HEE	800	3Ø/4W	10K	(3) #4 - 600 MCM	See Note *	(3) #4 - 600 MCM	28 1/2"	48"	6"	Fig. 1
78205118385	R1060 HEE	800	3Ø/4W	10K	(3) #4 - 600 MCM	See Note *	(3) #4 - 600 MCM	28 1/2"	60"	6"	Fig. 1
78205118395	R1072 HEE	800	3Ø/4W	10K	(3) #4 - 600 MCM	See Note *	(3) #4 - 600 MCM	28 1/2"	72"	6"	Fig. 1
78205118401	R1096 HEE	800	3Ø/4W	10K	(3) #4 - 600 MCM	See Note *	(3) #4 - 600 MCM	28 1/2"	96"	6"	Fig. 1
78205118160	R10120 HEE	800	3Ø/4W	10K	(3) #4 - 600 MCM	See Note *	(3) #4 - 600 MCM	28 1/2"	120"	6"	Fig. 1
78205131970	R1060 HFF	1200	3Ø/4W	10K	(4) #4 - 600 MCM	See Note *	(4) #4 - 600 MCM	36"	60"	6"	Fig. 1
78205131972	R1072 HFF	1200	3Ø/4W	10K	(4) #4 - 600 MCM	See Note *	(4) #4 - 600 MCM	36"	72"	6"	Fig. 1
78205118200	R1096 HFF	1200	3Ø/4W	10K	(4) #4 - 600 MCM	See Note *	(4) #4 - 600 MCM	36"	96"	6"	Fig. 1
78205118170	R10120 HFF	1200	3Ø/4W	10K	(4) #4 - 600 MCM	See Note *	(4) #4 - 600 MCM	36"	120"	6"	Fig. 1
78205131974	R1072 HGG	1600	3Ø/4W	10K	(6) #4 - 600 MCM	See Note *	(6) #4 - 600 MCM	36"	72"	8"	Fig. 1
78205118205	R1096 HGG	1600	3Ø/4W	10K	(6) #4 - 600 MCM	See Note *	(6) #4 - 600 MCM	36"	96"	8"	Fig. 1
78205118190	R10120 HGG	1600	3Ø/4W	10K	(6) #4 - 600 MCM	See Note *	(6) #4 - 600 MCM	36"	120"	8"	Fig. 1
78205131976	R1072 HHH	2000	3Ø/4W	10K	(6) #4 - 600 MCM	See Note *	(6) #4 - 600 MCM	36"	72"	8"	Fig. 1
78205118210	R1096 HHH	2000	3Ø/4W	10K	(6) #4 - 600 MCM	See Note *	(6) #4 - 600 MCM	36"	96"	8"	Fig. 1
78205118195	R10120 HHH	2000	3Ø/4W	10K	(6) #4 - 600 MCM	See Note *	(6) #4 - 600 MCM	36"	120"	8"	Fig. 1

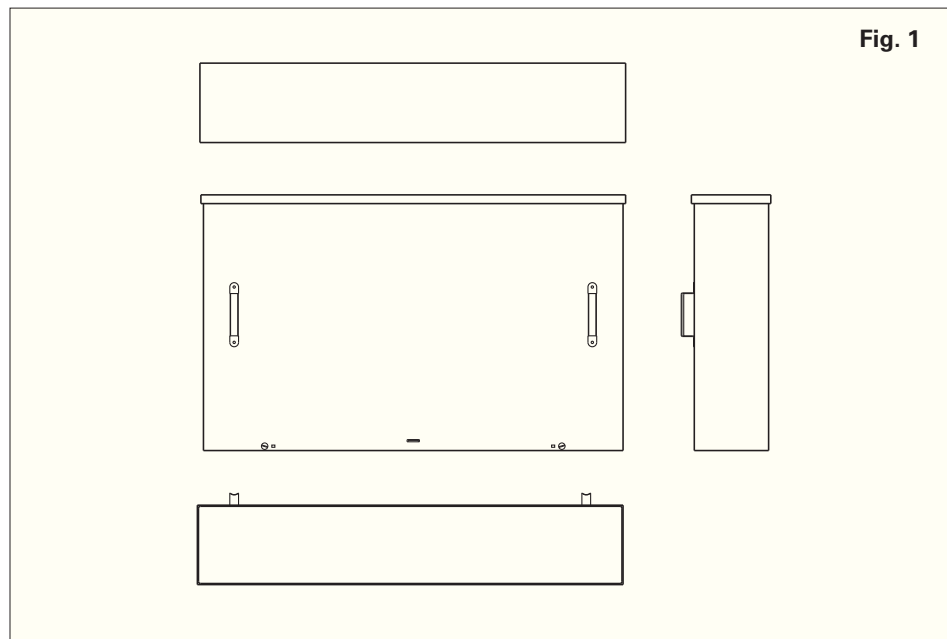
Note: * 5/16" mounting holes for load lugs - single location per phase per foot of width.

Note: Every 600 MCM lug barrel will accept (2) 1/0 - 250 MCM cables

Data subject to change without notice. Consult local utility for area acceptance. All dimensions are in inches.

Style #	Suffixes
R1024	SS - Stainless Steel 304
R1036	SS6 - Stainless Steel 316
R1048	/CU - Copper Buss
R1060	
R1072	
R1096	
R10120	

Layouts



All cabinets 60" and wider have two (2) doors.
Cabinets 48" wide and 28¹/₂" tall also have two (2) doors.

Bussed Gutters - For TB/MTB Units

400 - 800 Amp



R1123HCC (closed)



R1123HCC (open)



Application

- Used as a distribution point for multiple load applications under a common feed
- Surface mount

Construction

- NEMA Type 3R
- ANSI 61 gray painted finish
- Aluminum bussing

Standards

- UL 1773 Listed

Bussed Gutters & Termination Cabinets

Part/UPC Number	Catalog Number	Buss Amps	Service Type	Positions	Connections			Overall Dimensions			Knockout Layout
					Line	Load	Neutral	Height	Width	Depth	
78205157083	R1122 HC	400	1Ø/3W	2	#4 - 600 MCM	#6 - 600 MCM	#4 - 600 MCM	13"	28 ³ / ₈ "	6"	Fig. 1
78205157087	R1123 HC	400	1Ø/3W	3	#4 - 600 MCM	#6 - 600 MCM	#4 - 600 MCM	13"	42 ³ / ₄ "	6"	Fig. 2
78205157089	R1123 HD	600	1Ø/3W	3	(2) #4 - 600 MCM	#6 - 600 MCM	(2) #4 - 600 MCM	22"	42 ³ / ₄ "	6"	Fig. 2
78205157091	R1124 HD	600	1Ø/3W	4	(2) #4 - 600 MCM	#6 - 600 MCM	(2) #4 - 600 MCM	22"	57"	6"	Fig. 3
78205157107	R1125 HD	600	1Ø/3W	5	(2) #4 - 600 MCM	#6 - 600 MCM	(2) #4 - 600 MCM	22"	71 ¹ / ₄ "	6"	Fig. 4
78205157111	R1126 HD	600	1Ø/3W	6	(2) #4 - 600 MCM	#6 - 600 MCM	(2) #4 - 600 MCM	22"	85 ⁵ / ₈ "	6"	Fig. 5
78205157093	R1124 HE	800	1Ø/3W	4	(3) #4 - 600 MCM	#6 - 600 MCM	(3) #4 - 600 MCM	22"	57"	6"	Fig. 3
78205157109	R1125 HE	800	1Ø/3W	5	(3) #4 - 600 MCM	#6 - 600 MCM	(3) #4 - 600 MCM	22"	71 ¹ / ₄ "	6"	Fig. 4
78205157113	R1126 HE	800	1Ø/3W	6	(3) #4 - 600 MCM	#6 - 600 MCM	(3) #4 - 600 MCM	22"	85 ⁵ / ₈ "	6"	Fig. 5
78205157097	R1122 HCC	400	3Ø/4W	2	#4 - 600 MCM	#6 - 600 MCM	#4 - 600 MCM	22"	28 ³ / ₈ "	6"	Fig. 1
78205157099	R1123 HCC	400	3Ø/4W	3	#4 - 600 MCM	#6 - 600 MCM	#4 - 600 MCM	22"	42 ³ / ₄ "	6"	Fig. 2
78205157101	R1123 HDD	600	3Ø/4W	3	(2) #4 - 600 MCM	#6 - 600 MCM	(2) #4 - 600 MCM	22"	42 ³ / ₄ "	6"	Fig. 2
78205157103	R1124 HDD	600	3Ø/4W	4	(2) #4 - 600 MCM	#6 - 600 MCM	(2) #4 - 600 MCM	22"	57"	6"	Fig. 3
78205157115	R1125 HDD	600	3Ø/4W	5	(2) #4 - 600 MCM	#6 - 600 MCM	(2) #4 - 600 MCM	22"	71 ¹ / ₄ "	6"	Fig. 4
78205157119	R1126 HDD	600	3Ø/4W	6	(2) #4 - 600 MCM	#6 - 600 MCM	(2) #4 - 600 MCM	22"	85 ⁵ / ₈ "	6"	Fig. 5
78205157103	R1124 HEE	800	3Ø/4W	4	(3) #4 - 600 MCM	#6 - 600 MCM	(3) #4 - 600 MCM	28 ¹ / ₂ "	57"	6"	Fig. 3
78205157117	R1125 HEE	800	3Ø/4W	5	(3) #4 - 600 MCM	#6 - 600 MCM	(3) #4 - 600 MCM	28 ¹ / ₂ "	71 ¹ / ₄ "	6"	Fig. 4
78205157121	R1126 HEE	800	3Ø/4W	6	(3) #4 - 600 MCM	#6 - 600 MCM	(3) #4 - 600 MCM	28 ¹ / ₂ "	85 ⁵ / ₈ "	6"	Fig. 5

Notes:

- All TB/MTB bussed gutters are rated at 10K AIC.
- All units have (1) #6 -250 MCM ground lug secured to the neutral.
- Every 600 MCM lug barrel will accept (2) 1/0 - 250 MCM cables.

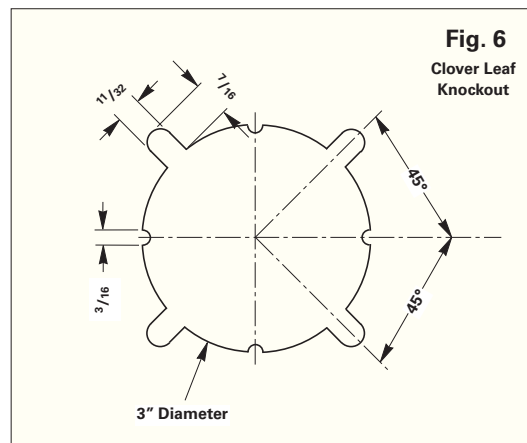
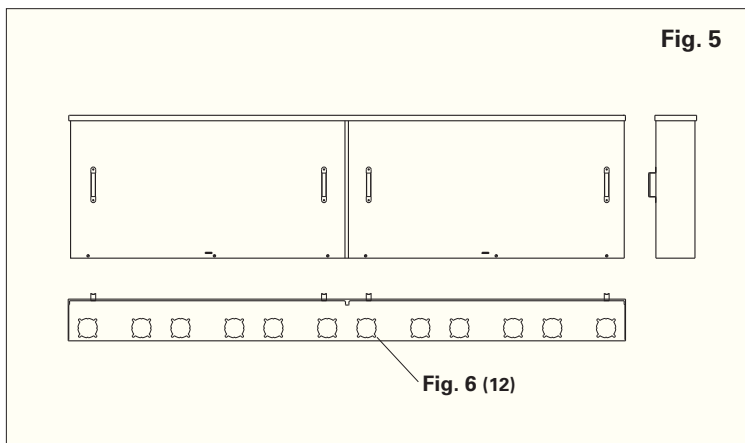
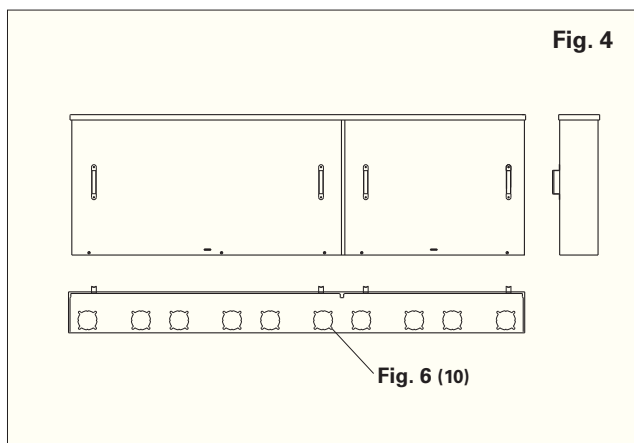
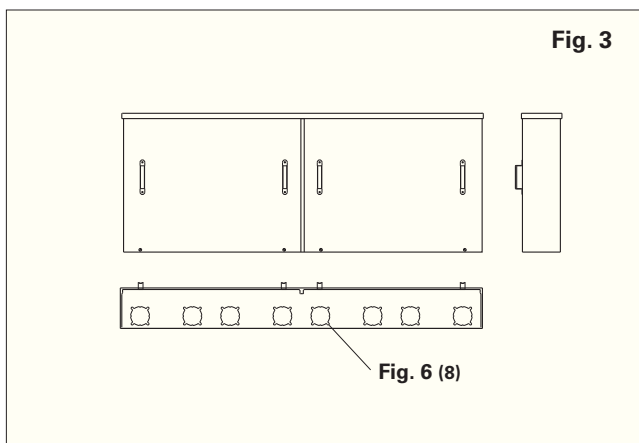
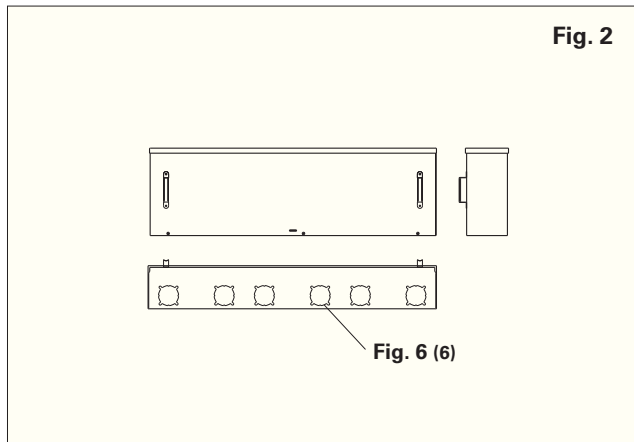
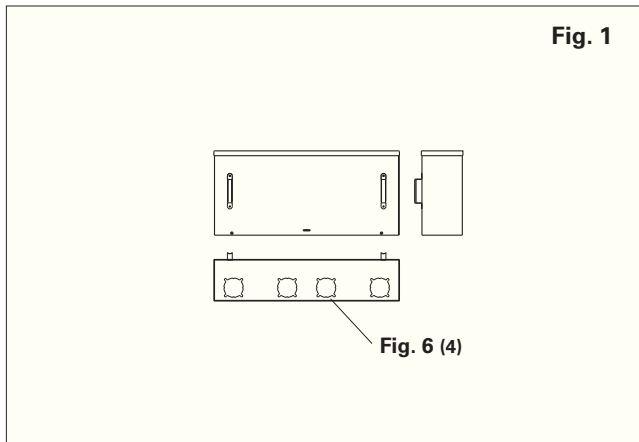
Data subject to change without notice. Consult local utility for area acceptance. All dimensions are in inches.

Bussed Gutters - For TB/MTB Units

400 - 800 Amps

Style #	Suffixes
R1122	SS - Stainless Steel 304
R1123	SS6 - Stainless Steel 316
R1124	/CU - Copper Buss
R1125	
R1126	

Knockout Layouts



Bussed Gutters & Termination Cabinets

Data subject to change without notice. Consult local utility for area acceptance. All dimensions are in inches.

Termination Enclosures

100 - 1200 Amp



R9000EE (closed)



R9000EE (open)

Application

- For termination of utility supply cables
- Used as a termination point before bussed gutters in underground applications
- Surface mount

Construction

- NEMA Type 3R
- ANSI 61 gray painted finish
- Aluminum bussing
- Removable door with sealing provision and lifting handles



Standards

- UL 1773 Listed
- EUSERC 343
- EUSERC 343A

Bussed Gutters & Termination Cabinets

Part/UPC Number	Catalog Number	Amp Rating	Service Type	Access	AIC	Phase & Neutral Connections		Overall Dimensions			Knockout Layout
						Line	Load	Height	Width	Depth	
78205153196	R9007 A	100	1Ø or 3Ø/3W	UG	10K	#14 - 2/0	#14 - 2/0	8"	12"	4"	Fig. 1
78205158183	R9000 B	200	1Ø or 3Ø/3W	UG	10K	#6 - 250 MCM	#6 - 250 MCM	26"	12"	6"	Fig. 1
78205153189	R9000 BB	200	3Ø/4W	UG	10K	#6 - 250 MCM	#6 - 250 MCM	26"	16"	6"	Fig. 1
78205153184	R9000 C	400	1Ø or 3Ø/3W	UG	42K	2 Studs / Ø	#6 - 600 MCM	44"	12"	7"	Fig. 1
78205153190	R9000 CC	400	3Ø/4W	UG	42K	2 Studs / Ø	#6 - 600 MCM	44"	18"	7"	Fig. 1
78205153186	R9000 E	800	1Ø or 3Ø/3W	UG	65K	4 Studs / Ø	(3) #4 - 600 MCM	52"	18"	11"	Fig. 1
78205153192	R9000 EE	800	3Ø/4W	UG	65K	4 Studs / Ø	(3) #4 - 600 MCM	52"	26"	11"	Fig. 1
78205153188	R9000 F	1200	1Ø or 3Ø/3W	UG	65K	6 Studs / Ø	(4) #4 - 600 MCM	52"	24"	11"	Fig. 1
78205153194	R9000 FF	1200	3Ø/4W	UG	65K	6 Studs / Ø	(4) #4 - 600 MCM	52"	36"	11"	Fig. 1
78205107197	R9000 CL	400	1Ø or 3Ø/3W	OH/UG	42K	#4 - 600 MCM	#4 - 600 MCM	44"	12"	7"	Fig. 1
78205107200	R9000 CCL	400	3Ø/4W	OH/UG	42K	#4 - 600 MCM	#4 - 600 MCM	44"	18"	7"	Fig. 1
78205107198	R9000 EL	800	1Ø or 3Ø/3W	OH/UG	65K	(3) #4 - 600 MCM	(3) #4 - 600 MCM	52"	18"	11"	Fig. 1
78205107201	R9000 EEL	800	3Ø/4W	OH/UG	65K	(3) #4 - 600 MCM	(3) #4 - 600 MCM	52"	26"	11"	Fig. 1
78205107199	R9000 FL	1200	1Ø or 3Ø/3W	OH/UG	65K	(4) #4 - 600 MCM	(4) #4 - 600 MCM	52"	24"	11"	Fig. 1
78205107202	R9000 FFL	1200	3Ø/4W	OH/UG	65K	(4) #4 - 600 MCM	(4) #4 - 600 MCM	52"	36"	11"	Fig. 1

Notes:

UG units comply with EUSERC 343A.

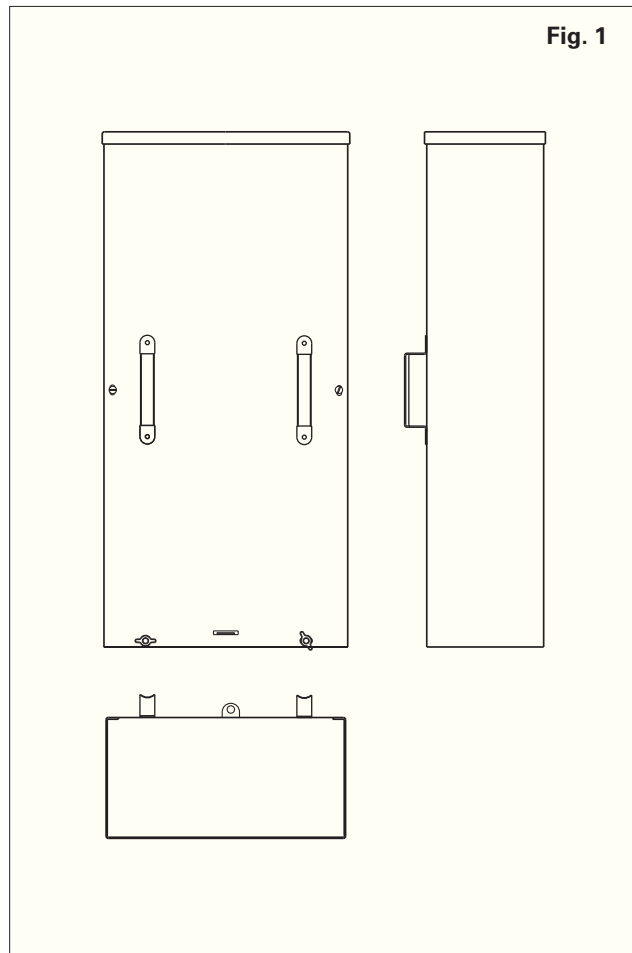
OH/UG units comply with EUSERC 343.

Every 600 MCM lug barrel will accept (2) 1/0 - 250 MCM cables.

Data subject to change without notice. Consult local utility for area acceptance. All dimensions are in inches.

Style #	Suffixes
R9000	SS - Stainless Steel 304 SS6 - Stainless Steel 316

Layouts



52" tall cabinets have two (2) overlapping doors as shown on the R9000EE photo (page 52)

Notes



Single Meter Sockets, Without Bypass - 400 Amp Max	56 - 57
Meter Mains, With Optional MCC Bypass - 400 Amp Max	58 - 59
Meter Main Load Centers, With Optional MCC Bypass - 400 Amp Max	60 - 61
Class 320 - Meter Breaker Data	62
Class 320 - Wiring Diagrams	63 - 64

Single Meter Sockets - With Bypass

400 Amp Max



324N (open)



324C (open)



Application

- Manual circuit closing bypass (link bypass) under separate cover
- Receive ANSI C12.10 watthour meters
- Surface mount

Construction

- NEMA Type 3R
- ANSI 61 gray painted finish
- Aluminum snap ring included

Standards

- UL 414 Listed
- ANSI C12.7
- EUSERC 302

Accessories

- Flush Trim Kit - FK1432 or FK2432
- H Hubs

Part/UPC Number	Catalog Number	Max Amp Rating	Jaws	Service Type	Access	Bypass
78205162220	324C *	400	4	1Ø/3W	UG	MCC
78205162210	324N **	400	4	1Ø/3W	OH/UG	MCC

Part/UPC Number	Catalog Number	Line	Connections		Overall Dimensions			Top Provision	Knockout Layout
			Load	Neutral	Height	Width	Depth		
78205162220	324C *	Studs	(1) #4 - 600 MCM or (2) 1/0 - 250 MCM	Studs	32"	24"	6"	None	Fig. 1
78205162210	324N **	(1) #4 - 600 MCM or (2) 1/0 - 250 MCM	(1) #4 - 600 MCM or (2) 1/0 - 250 MCM	(1) #4 - 600 MCM or (2) 1/0 - 250 MCM	32"	14"	6"	H Hub	Fig. 2

* Complies with EUSERC 302A

** Complies with EUSERC 302B

Single Meter Sockets - Without Bypass

400 Amp Max

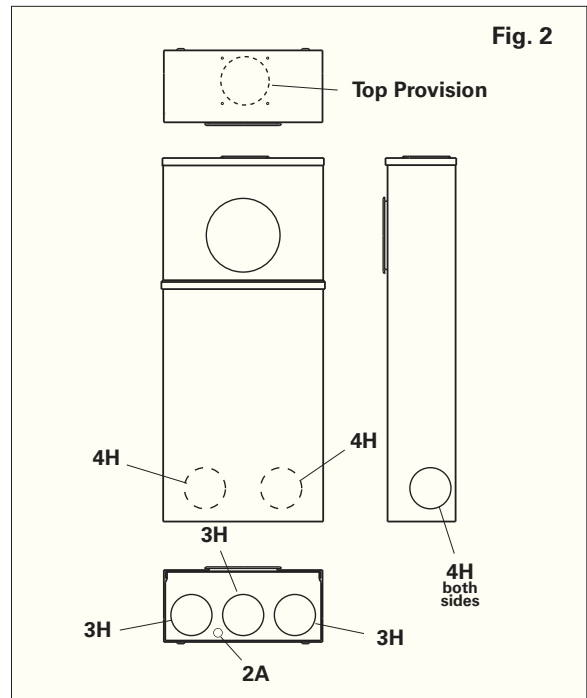
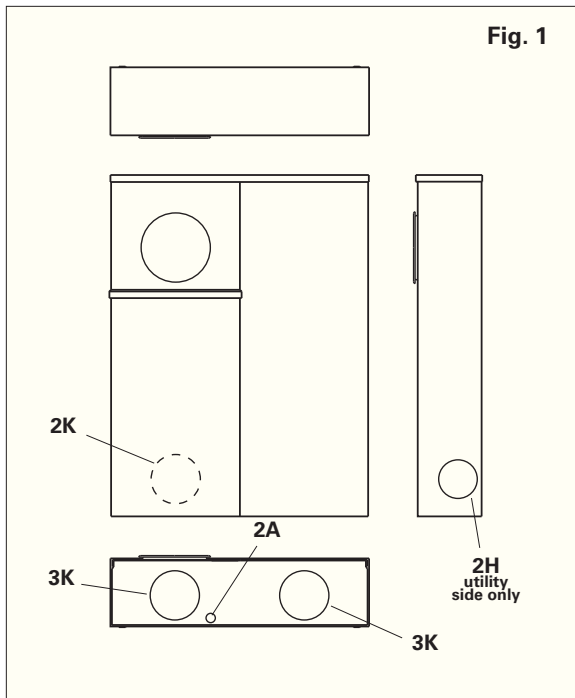
Style #	Suffixes
324C	SS - Stainless Steel 304 *
324N	SS6 - Stainless Steel 316 *

Knockouts - Conduit Sizes

2A = 1/2" - 1/4"
 2H = 3" - 2 1/2"
 3H = 3" - 2 1/2" - 2"
 4H = 3" - 2 1/2" - 2" - 1 1/2"
 2K = 4" - 3 1/2"
 3K = 4" - 3 1/2" - 3"
 Top Provision = See Chart

* Knockouts and top provisions are not available in Stainless Steel (SS) finish

Knockout Layouts



Class 320 Metering

Data subject to change without notice. Consult local utility for area acceptance. All dimensions are in inches.

Meter Mains - With Optional MCC Bypass

400 Amp Max



U404MC (closed)



U404MC (open)

Application

- Combination meter/main with optional manual circuit closing (link type) bypass
- Factory installed breaker
- Receive ANSI C12.10 watt-hour meters
- Surface mount

Construction

- NEMA Type 3R
- ANSI 61 gray painted finish
- Aluminum snap ring included
- Removable door with sealing provision and lifting handles



Standards

- UL 67 Listed
- ANSI C12.7
- EUSERC 302

Accessories

- Flush Trim Kit - FK2438
- Overhead Adapter - CK8326

Part/UPC Number	Catalog Number	Max Amp Rating	Jaws	Service Type	Access	Voltage	Main Breaker AIC	Main	Bypass
78205181515	U4042MC	400	4	1Ø/3W	UG	120/240	10K	(2) 200A, 2P	--
78205181517	U4042MCC	400	4	1Ø/3W	UG	120/240	10K	(2) 200A, 2P	MCC
78205181525	U404MC	400	4	1Ø/3W	UG	120/240	22K	(1) 400A, 2P	--
78205181530	U404MCC	400	4	1Ø/3W	UG	120/240	22K	(1) 400A, 2P	MCC

Part/UPC Number	Catalog Number	Connections			Overall Dimensions			Top Provision	Knockout Layout
		Line	Load	Neutral	Height	Width	Depth		
78205181515	U4042MC	Studs	MCB	#6 - 250 MCM	38"	24"	6"	None	Fig. 1
78205181517	U4042MCC	Studs	MCB	#6 - 250 MCM	38"	24"	6"	None	Fig. 1
78205181525	U404MC	Studs	MCB	#6 - 600 MCM	38"	24"	6"	None	Fig. 2
78205181530	U404MCC	Studs	MCB	#6 - 600 MCM	38"	24"	6"	None	Fig. 2

Meter Mains - With Optional MCC Bypass

400 Amp Max

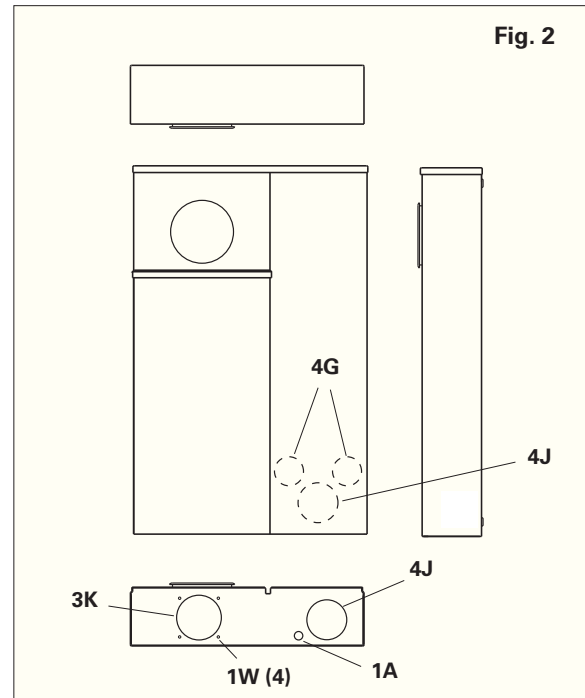
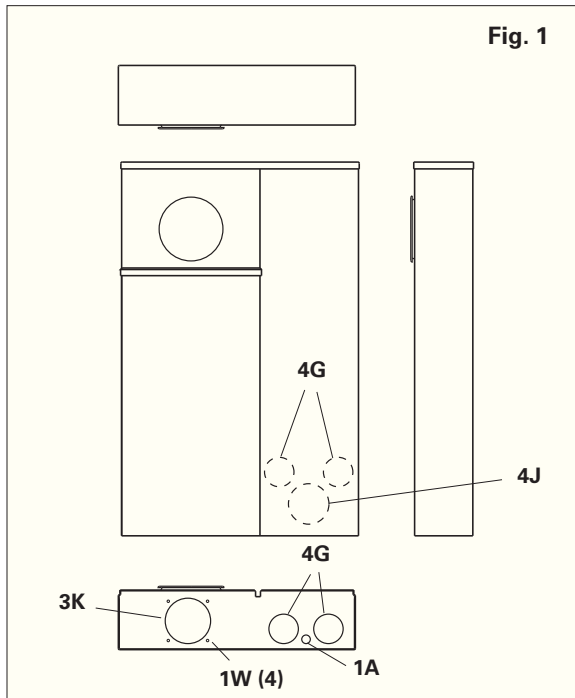
Style #	Suffixes
U404	MC - No bypass
U4042	MCC - MCC bypass
	SS - Stainless Steel 304 *
	SS6 - Stainless Steel 316 *

Knockouts - Conduit Sizes

- 1W = 1/4"
- 1A = 1/2"
- 4G = 2 1/2" - 2" - 1 1/2" - 1 1/4"
- 4J = 3 1/2" - 3" - 2 1/2" - 2"
- 3K = 4" - 3 1/2" - 3"
- Top Provision = See Chart

* Knockouts and top provisions are not available in Stainless Steel (SS) finish

Knockout Layouts



Class 320 Metering

Data subject to change without notice. Consult local utility for area acceptance. All dimensions are in inches.

Meter Main Loadcenters - With Optional MCC Bypass

400 Amp Max



U4041123MC (closed)



U4041123MC (open)

Application

- Combination meter/main/loadcenter with optional manual circuit closing (link type) bypass
- Factory installed breaker
- Receive ANSI C12.10 wathour meters
- Surface mount

Construction

- NEMA Type 3R
- ANSI 61 gray painted finish
- Aluminum snap ring included
- Removable door with sealing provision and lifting handles

Standards

- UL 67 Listed
- ANSI C12.7
- EUSERC 302



Part/UPC Number	Catalog Number	Max Amp Rating	Jaws	Service Type	Access	Main Breaker		Provisions	Loadcenter	Bypass
						Voltage	AIC			
78205157072	U40411230MC	400	4	1Ø/3W	UG	120/240	22K (1) 200A, 2P	(2) 100A	20/40	--
78205157074	U40411230MCC	400	4	1Ø/3W	UG	120/240	22K (1) 200A, 2P	(2) 100A	20/40	MCC
78205119923	U4042208MC	400	4	1Ø/3W	UG	120/240	22K (1) 200A, 2P	(1) 200A	8	--
78205120682	U4042208MCC	400	4	1Ø/3W	UG	120/240	22K (1) 200A, 2P	(1) 200A	8	MCC
78205177210	U4042230MC	400	4	1Ø/3W	UG	120/240	22K (1) 200A, 2P	(1) 200A	20/40	--
78205177220	U4042230MCC	400	4	1Ø/3W	UG	120/240	22K (1) 200A, 2P	(1) 200A	20/40	MCC
78205177230	U404430MC	400	4	1Ø/3W	UG	120/240	22K (1) 400A, 2P	--	30	--
78205177240	U404430MCC	400	4	1Ø/3W	UG	120/240	22K (1) 400A, 2P	--	30	MCC

Part/UPC Number	Catalog Number	Connections		Height	Overall Dimensions		Top Provision	Knockout Layout
		Line	Neutral		Width	Depth		
78205157072	U40411230MC	Studs	MCB #6 - 250 MCM	38"	30"	6"	None	Fig. 1
78205157074	U40411230MCC	Studs	MCB #6 - 250 MCM	38"	30"	6"	None	Fig. 1
78205119923	U4042208MC	Studs	MCB #6 - 250 MCM	38"	30"	6"	None	Fig. 2
78205120682	U4042208MCC	Studs	MCB #6 - 250 MCM	38"	30"	6"	None	Fig. 2
78205177210	U4042230MC	Studs	MCB #6 - 250 MCM	38"	30"	6"	None	Fig. 1
78205177220	U4042230MCC	Studs	MCB #6 - 250 MCM	38"	30"	6"	None	Fig. 1
78205177230	U404430MC	Studs	MCB #6 - 250 MCM	47"	34"	6"	None	Fig. 3
78205177240	U404430MCC	Studs	MCB #6 - 250 MCM	47"	34"	6"	None	Fig. 3

Class 320 Metering

Data subject to change without notice. Consult local utility for area acceptance. All dimensions are in inches.

Meter Main Loadcenters - With Optional MCC Bypass

400 Amp Max

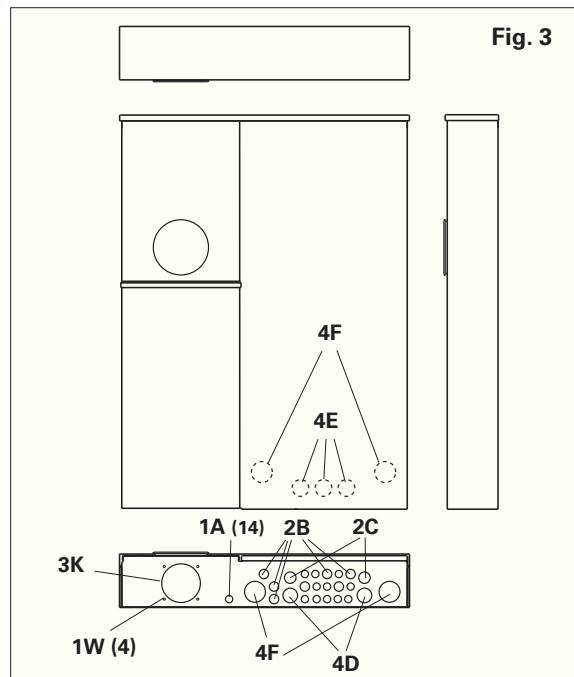
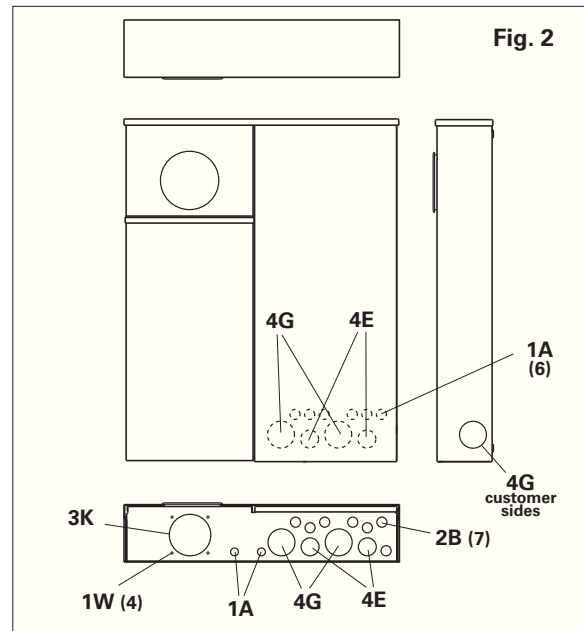
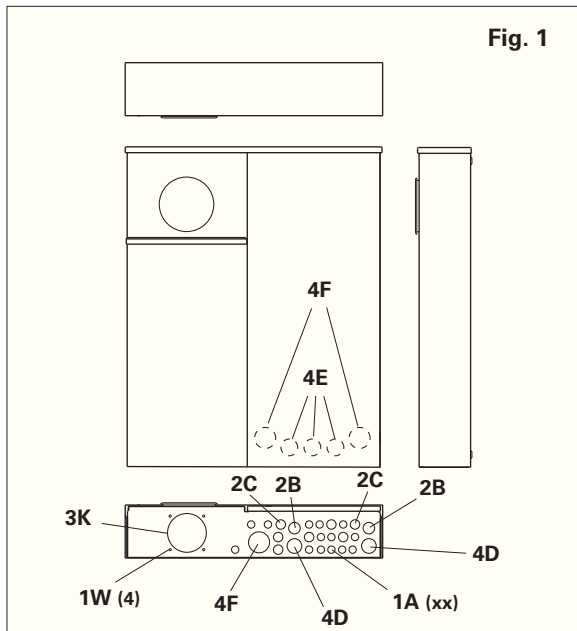
Style #	Suffixes
U404430	MC - No bypass
U4042208	MCC - MCC bypass
U4042230	SS - Stainless Steel 304 *
U40411230	SS6 - Stainless Steel 316 *

Knockouts - Conduit Sizes

- 1A = 1/2"
- 2B = 3/4" - 1/2"
- 2C = 1" - 3/4"
- 4D = 1 1/4" - 1" - 3/4" - 1/2"
- 4E = 1 1/2" - 1 1/4" - 1" - 3/4"
- 4F = 2" - 1 1/2" - 1 1/4" - 1"
- 4G = 2 1/2" - 2" - 1 1/2" - 1 1/4"
- 3K = 4" - 3 1/2" - 3"
- 1W = 1/4"

* Knockouts and top provisions are not available in Stainless Steel (SS) finish

Knockout Layouts



Data subject to change without notice. Consult local utility for area acceptance. All dimensions are in inches.

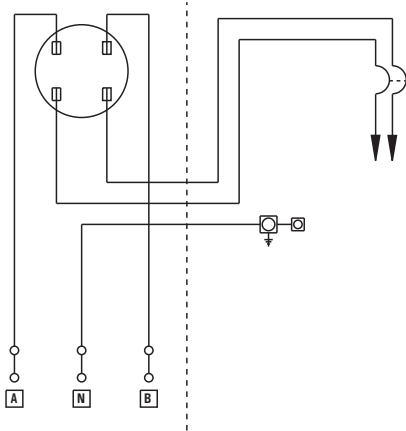
Class 320 - Meter Breaker Data

Main Breaker Data

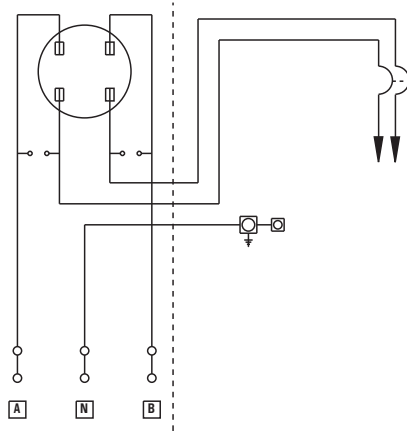
Catalog Number	B-Line Breaker #	ITE Breaker #	Ampacity	# of Poles	AIC
U404MC/MCC	25564F	JXD22B400	400A	2P	22K
U4042MC/MCC	25582A	QN2200	200A	2P	10K
U40411230MC/MCC	25585A	MBK200A	200A	2P	22K
U4042230MC/MCC	25585A	MBK200A	200A	2P	22K
U404430MC/MCC	25564F	JXD22B400	400A	2P	22K
U4042208MC	--	MBK200A	200A	2P	22K
U4042208MCC	--	MBK200A	200A	2P	22K

Breaker Provision Data

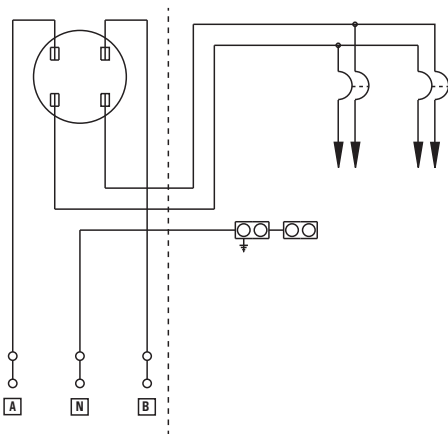
Catalog Number	B-Line Breaker #	ITE Breaker #	Ampacity	# of Poles	AIC
U40411230MC/MCC	25458P	Q2100	100A	2P	10K
U4042230MC/MCC	25583A	QN2200H	200A	2P	22K
	25582A	QN2200	200A	2P	10K
U4042208MC/MCC	25583A	QN2200H	200A	2P	22K
	25582A	QN2200	200A	2P	10K



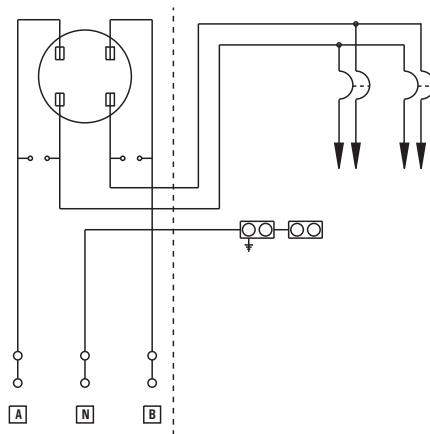
Catalog #
U404MC



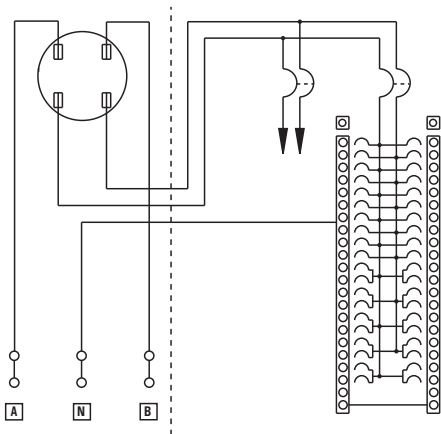
Catalog #
U404MCC



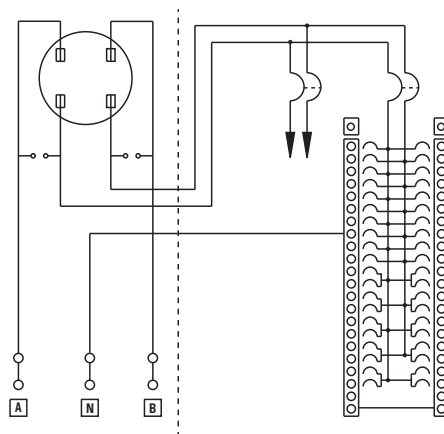
Catalog #
U4042MC



Catalog #
U4042MCC



Catalog #
U404223MC

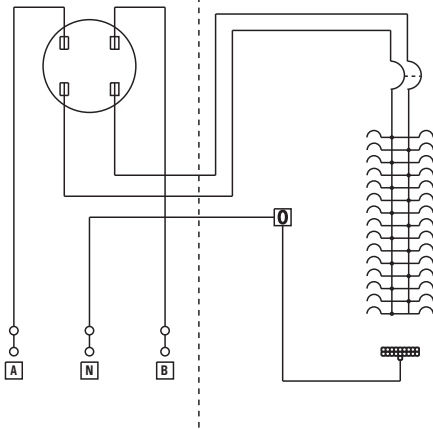


Catalog #
U404223MCC

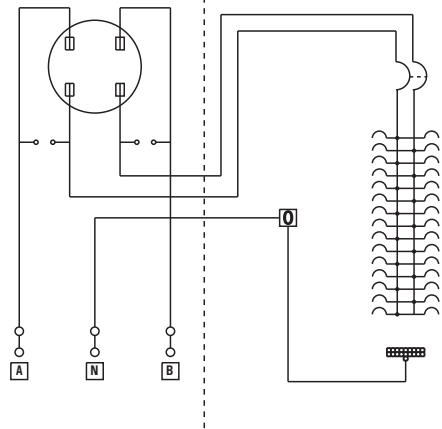
Class 320 Metering

Data subject to change without notice. Consult local utility for area acceptance. All dimensions are in inches.

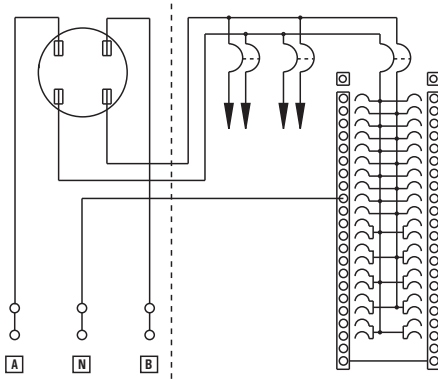
Class 320 - Wiring Diagrams



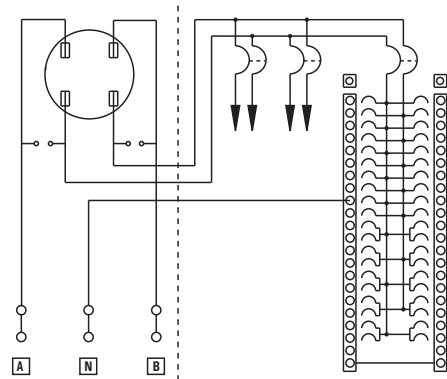
Catalog #
U404430MC



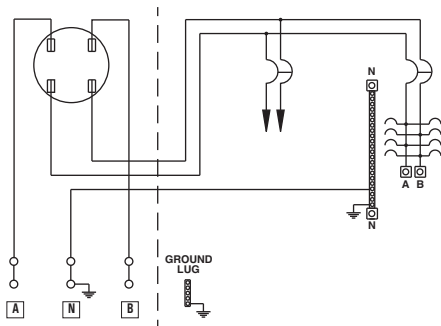
Catalog #
U404430MCC



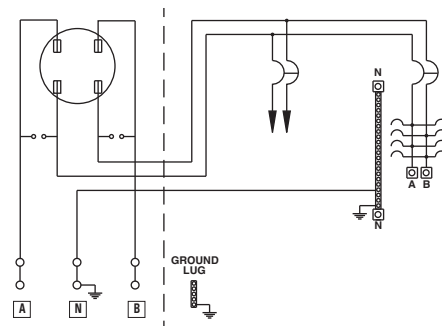
Catalog #
U40411230MC



Catalog #
U40411230MCC



Catalog #
U4042208MC



Catalog #
U4042208MCC



Single Meter Sockets, Without Bypass - CT Rated	66 - 67
Single Meter Sockets, CT Rated With Test Switch Bypass Provision	68 - 69
Meter Socket / Enclosure Combination Cabinets - CT Rated	70 - 71
CT Enclosures With Lift Off Covers	72 - 73
CT Enclosures With Hinged, Lift Off Doors	74 - 75
CT Mounting Bases	76
CT Mounting Bases - Test Configuration Sheet	77
CT Utility Enclosures	78

Single Meter Sockets - Without Bypass

CT Rated



051HS-13 (closed)



051HS-13 (open)

Application

- Receive ANSI C12.10 watt-hour meters
- Overhead and underground feed (see chart)
- Surface mount

Construction

- Ring type
- NEMA Type 3R
- ANSI 61 gray painted finish
- Aluminum snap ring included



Standards

- UL 414 Listed
- ANSI C12.7

Accessories

- AW Hub
- Screw Type Ring - 25016D

Part/UPC Number	Catalog Number	Amp Rating	Jaws	Service Type	Access	Connections		
						Line	Load	Neutral
78205168494	924	20	4	1Ø	OH/UG	#14 - #10	#14 - #10	#14 - #10
78205144010	925	20	5	1Ø	OH/UG	#14 - #10	#14 - #10	#14 - #10
78205144020	926	20	6	1Ø	OH/UG	#14 - #10	#14 - #10	#14 - #10
78205144040	928	20	8	1Ø or 3Ø	OH/UG	#14 - #10	#14 - #10	#14 - #10
78205144045	051HS-13	20	13	3Ø	OH/UG	#14 - #10	#14 - #10	#14 - #10
78205144050	051HS-15	20	15	3Ø	OH/UG	#14 - #10	#14 - #10	#14 - #10
78205102085	924 MS77	20	4	1Ø	OH/UG	#14 - #10	#14 - #10	#14 - #10

Part/UPC Number	Catalog Number	Overall Dimensions			Top Provision	Knockout Layout
		Height	Width	Depth		
78205168494	924	12"	8"	4 ⁵ / ₈ "	AW Hub	Fig. 1
78205144010	925	12"	8"	4 ⁵ / ₈ "	AW Hub	Fig. 1
78205144020	926	12"	8"	4 ⁵ / ₈ "	AW Hub	Fig. 1
78205144040	928	12"	8"	4 ⁵ / ₈ "	AW Hub	Fig. 1
78205144045	051HS-13	12"	8"	4 ⁵ / ₈ "	AW Hub	Fig. 1
78205144050	051HS-15	12"	8"	4 ⁵ / ₈ "	AW Hub	Fig. 1
78205102085	924 MS77	12"	8"	4 ⁵ / ₈ "	AW Hub	Fig. 1

Single Meter Sockets - Without Bypass

CT Rated

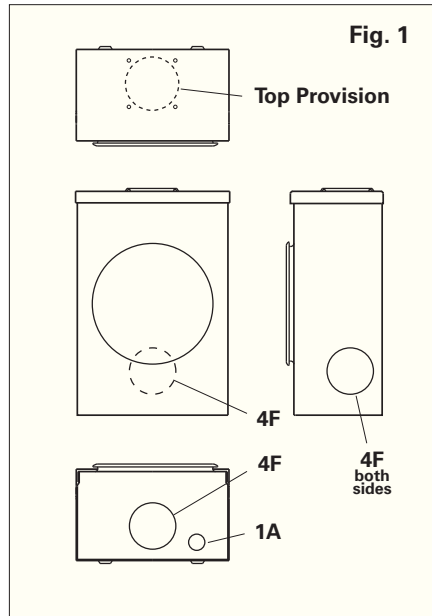
Style #	Suffixes
924	MS77 - 1" Conduit Hub
925	SS - Stainless Steel 304 *
926	SS6 - Stainless Steel 316 *
928	
051HS	

Knockouts - Conduit Sizes

1A = 1/2"
4F = 2" - 1 1/2" - 1 1/4" - 1"
Top Provision ≠ See Chart

* Knockouts and top provisions are not available in Stainless Steel (SS) finish

Knockout Layouts



Data subject to change without notice. Consult local utility for area acceptance. All dimensions are in inches.

Single Meter Sockets

CT Rated With Test Switch Provision



121413 (closed)



121413 (open)

Application

- Test switch section under separate cover
- Test switch perch included
- Receive ANSI C12.10 watt-hour meters
- Overhead and underground feed (see chart)
- Surface mount

Construction

- Ring type
- NEMA Type 3R
- ANSI 61 gray painted finish
- Aluminum snap ring included



Standards

- UL 414 Listed
- ANSI C12.7
- EUSERC 339

Accessories

- AW Hub
- Screw Type Ring - 25016D

Part/UPC Number	Catalog Number	Amp Rating	Jaws	Service Type	Access	Connections		
						Line	Load	Neutral
78205146000	12144	20	4	1Ø	OH/UG	#14 - #10	#14 - #10	#14 - #10
78205146010	12145	20	5	1Ø	OH/UG	#14 - #10	#14 - #10	#14 - #10
78205146020	12146	20	6	1Ø	OH/UG	#14 - #10	#14 - #10	#14 - #10
78205144640	12148	20	8	1Ø or 3Ø	OH/UG	#14 - #10	#14 - #10	#14 - #10
78205144650	121413	20	13	3Ø	OH/UG	#14 - #10	#14 - #10	#14 - #10
78205144065	121415	20	15	3Ø	OH/UG	#14 - #10	#14 - #10	#14 - #10
78205146070	1214208 *	20	8	1Ø or 3Ø	OH/UG	#14 - #10	#14 - #10	#14 - #10
78205146060	1214213 *	20	13	3Ø	OH/UG	#14 - #10	#14 - #10	#14 - #10
78205180265	1214215 *	20	15	3Ø	OH/UG	#14 - #10	#14 - #10	#14 - #10

Part/UPC Number	Catalog Number	Overall Dimensions			Top Provision	Knockout Layout
		Height	Width	Depth		
78205146000	12144	20"	12"	4 ⁵ / ₈ "	AW Hub	Fig. 1
78205146010	12145	20"	12"	4 ⁵ / ₈ "	AW Hub	Fig. 1
78205146020	12146	20"	12"	4 ⁵ / ₈ "	AW Hub	Fig. 1
78205144640	12148	20"	12"	4 ⁵ / ₈ "	AW Hub	Fig. 1
78205144650	121413	20"	12"	4 ⁵ / ₈ "	AW Hub	Fig. 1
78205144065	121415	20"	12"	4 ⁵ / ₈ "	AW Hub	Fig. 1
78205146070	1214208 *	20"	24 ³ / ₈ "	4 ⁵ / ₈ "	AW Hub	Fig. 2
78205146060	1214213 *	20"	24 ³ / ₈ "	4 ⁵ / ₈ "	AW Hub	Fig. 2
78205180265	1214215 *	20"	24 ³ / ₈ "	4 ⁵ / ₈ "	AW Hub	Fig. 2

* Not EUSERC 339 compliant.

Single Meter Sockets

CT Rated With Test Switch Provision

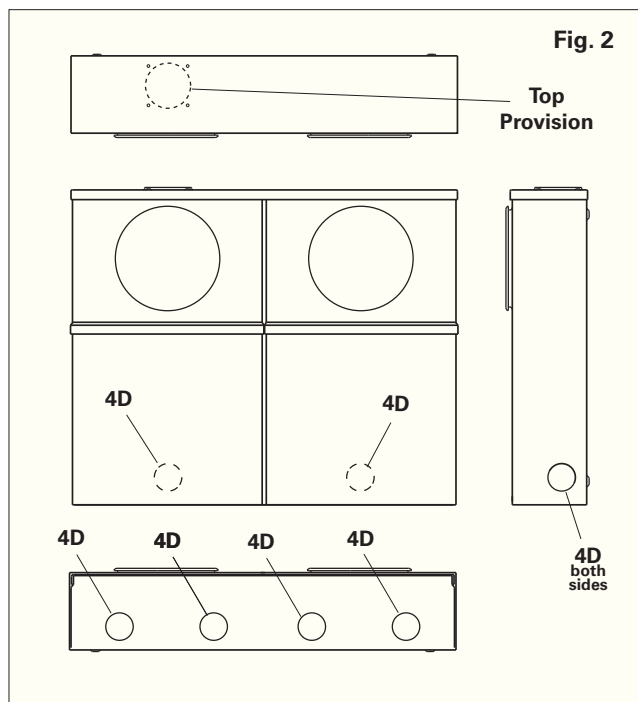
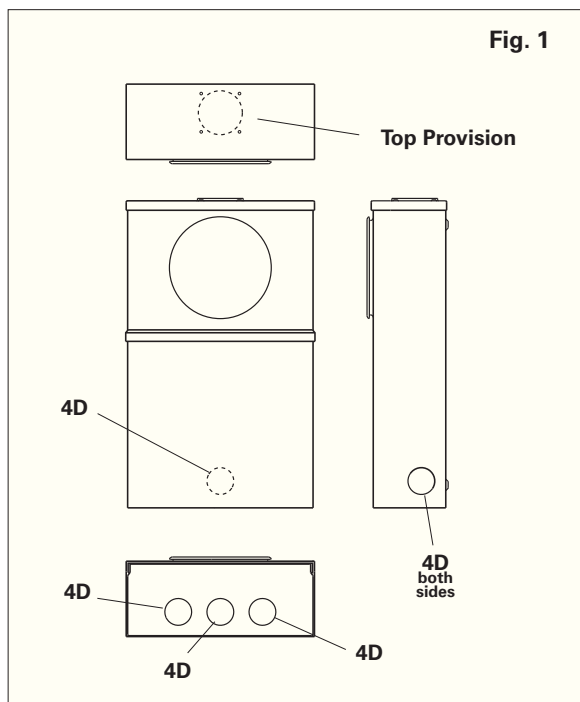
Style #	Suffixes
12144	F - Flush Mount
12145	MS20 - Ring Protector
12146	SS - Stainless Steel 304 *
12148	SS6 - Stainless Steel 316 *
121413	
121415	
1214208	
1214213	
1214215	

Knockouts - Conduit Sizes

4D = 1 1/4" - 1" - 3/4" - 1/2"
Top Provision = See Chart

* Knockouts and top provisions are not available in Stainless Steel (SS) finish

Knockout Layouts



Test Switch Perch Instructions



To offset test switch perch so that additional space is available for the use of a test switch cover, see instructions below.

1. Remove (4) screws that hold the perch to the enclosure (see Drawing 1)
2. Flip perch over as shown (see Drawing 2)
3. Now use the screws you removed in step one and screw the perch to the enclosure, torque screws to 35 in/lbs. (see Drawing 3)

Data subject to change without notice. Consult local utility for area acceptance. All dimensions are in inches.

Meter Socket / Enclosure Combination Cabinets

CT Rated



U122013 (closed)



U122013 (open)

Application

- Removable test switch perch included
- Includes provisions to install model 6019/6067 CT mounts
- Receive ANSI C12.10 watt-hour meters
- Overhead and/or underground feed (see chart)
- Surface mount

Construction

- Ring type
- NEMA Type 3R
- ANSI 61 gray painted finish
- Aluminum snap ring included



Standards

- UL 414 Listed
- ANSI C12.7
- EUSERC 313
- EUSERC 314

Part/UPC Number	Catalog Number	Amp Rating	Jaws	Service Type	Access	Connections		
						Line	Load	Neutral
78205150030	121814	20	4	1Ø	OH/UG	#14 - #10	#14 - #10	#14 - #10
78205150040	121815	20	5	1Ø	OH/UG	#14 - #10	#14 - #10	#14 - #10
78205150020	121816	20	6	1Ø	OH/UG	#14 - #10	#14 - #10	#14 - #10
78205150050	121818	20	8	1Ø	OH/UG	#14 - #10	#14 - #10	#14 - #10
78205150080	122013	20	13	3Ø	OH/UG	#14 - #10	#14 - #10	#14 - #10
78205122735	122015	20	15	3Ø	OH/UG	#14 - #10	#14 - #10	#14 - #10
78205150090	122018	20	8	1Ø or 3Ø	OH/UG	#14 - #10	#14 - #10	#14 - #10
78205149000	U121814 *	20	4	1Ø	UG	#14 - #10	#14 - #10	#14 - #10
78205149010	U121815 *	20	5	1Ø	UG	#14 - #10	#14 - #10	#14 - #10
78205149020	U121816 *	20	6	1Ø	UG	#14 - #10	#14 - #10	#14 - #10
78205149030	U121818 *	20	8	1Ø or 3Ø	UG	#14 - #10	#14 - #10	#14 - #10
78205149040	U122013 *	20	13	3Ø	UG	#14 - #10	#14 - #10	#14 - #10
78205149045	U122015 *	20	15	3Ø	UG	#14 - #10	#14 - #10	#14 - #10
78205149050	U122018 *	20	8	1Ø or 3Ø	UG	#14 - #10	#14 - #10	#14 - #10

Part/UPC Number	Catalog Number	Overall Dimensions			L Dimension	Top Provision	Knockout Layout
		Height	Width	Depth			
78205150030	121814	42"	24"	11"	15 ¹¹ / ₁₆ "	H Hub	Fig. 1
78205150040	121815	42"	24"	11"	15 ¹¹ / ₁₆ "	H Hub	Fig. 1
78205150020	121816	42"	24"	11"	15 ¹¹ / ₁₆ "	H Hub	Fig. 1
78205150050	121818	42"	24"	11"	15 ¹¹ / ₁₆ "	H Hub	Fig. 1
78205150080	122013	42"	36"	11"	15 ¹¹ / ₁₆ "	H Hub	Fig. 2
78205122735	122015	42"	36"	11"	15 ¹¹ / ₁₆ "	H Hub	Fig. 2
78205150090	122018	42"	36"	11"	15 ¹¹ / ₁₆ "	H Hub	Fig. 2
78205149000	U121814 *	52"	24"	11"	25 ¹¹ / ₁₆ "	None	Fig. 1
78205149010	U121815 *	52"	24"	11"	25 ¹¹ / ₁₆ "	None	Fig. 1
78205149020	U121816 *	52"	24"	11"	25 ¹¹ / ₁₆ "	None	Fig. 1
78205149030	U121818 *	52"	24"	11"	25 ¹¹ / ₁₆ "	None	Fig. 1
78205149040	U122013 *	52"	36"	11"	25 ¹¹ / ₁₆ "	None	Fig. 2
78205149045	U122015 *	52"	36"	11"	25 ¹¹ / ₁₆ "	None	Fig. 2
78205149050	U122018 *	52"	36"	11"	25 ¹¹ / ₁₆ "	None	Fig. 2

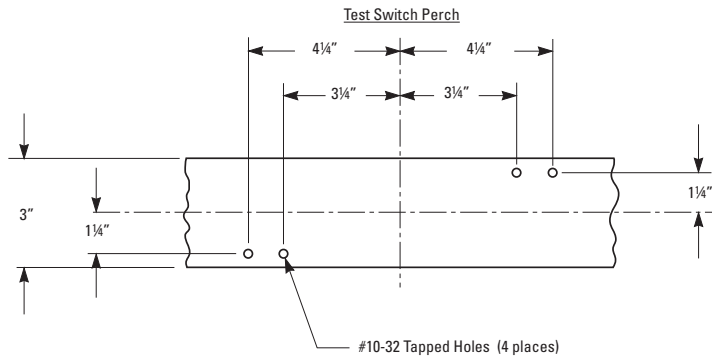
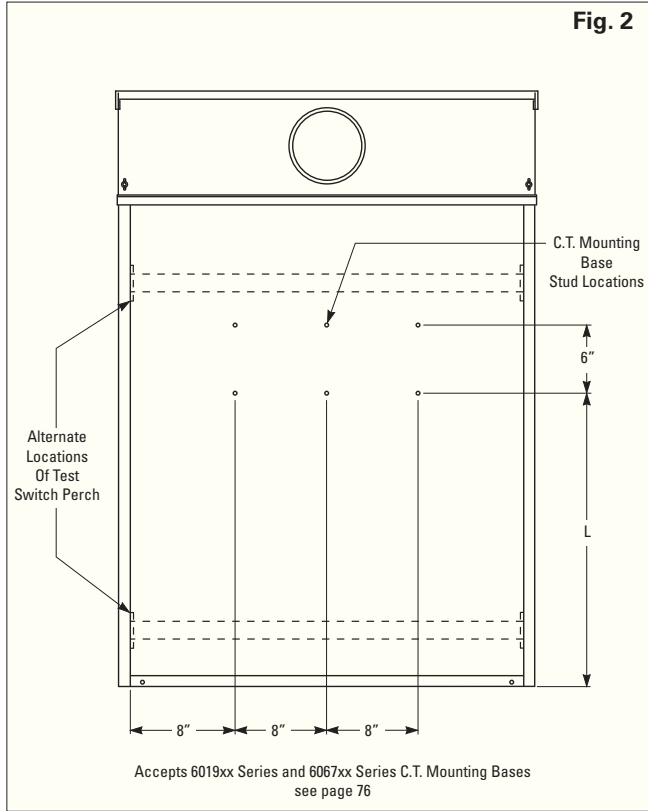
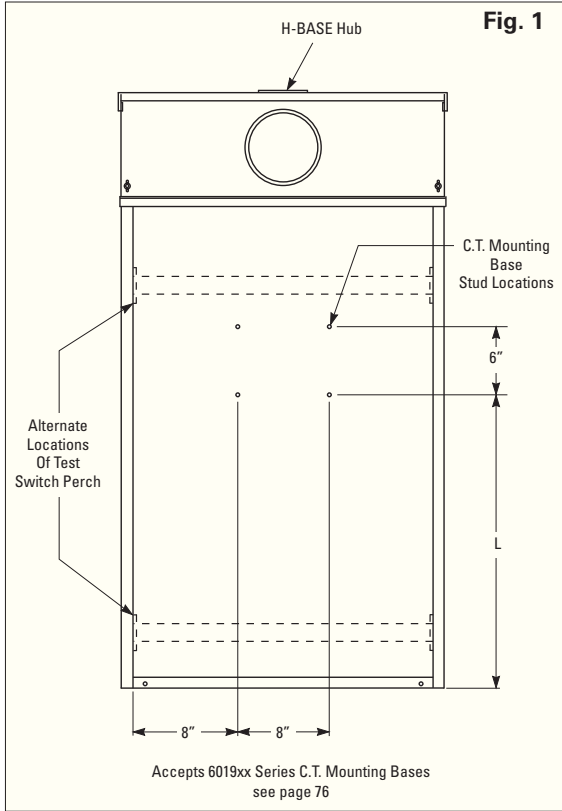
* Items beginning with "U" comply with EUSERC 314, all other items comply with EUSERC 313.

Data subject to change without notice. Consult local utility for area acceptance. All dimensions are in inches.

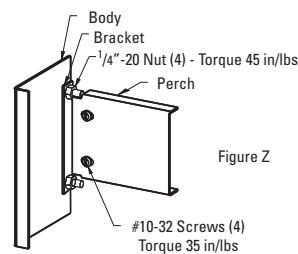
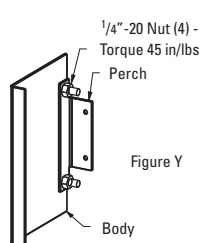
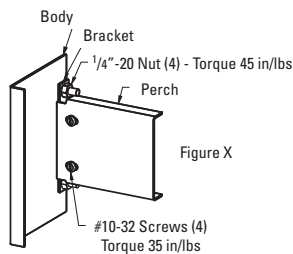
Meter Socket / Enclosure Combination Cabinets

Style #	Suffixes
(U) 121814	SS - Stainless Steel 304
(U) 121815	SS6 - Stainless Steel 316
(U) 121816	
(U) 121818	
(U) 122013	
(U) 122015	
(U) 122018	

CT Rated



Test Switch Perch Instructions



This enclosure is assembled with the test switch installed at a factory offset distance from the cover. If a greater offset is desired, follow these instructions:

1. Loosen and remove the screws holding the perch to the bracket, remove the perch. Loosen and remove the nuts on the bracket studs. (See Figure X)
2. Remove and rotate the brackets 180 degrees and relocate back onto bracket studs. (See Figure Y) Then fasten the nuts back on the bracket studs and torque them to 45 in/lbs.
3. Place the perch on the brackets and fasten with the screws, and torque screws to 35 in/lbs. (See Figure Z)

Data subject to change without notice. Consult local utility for area acceptance. All dimensions are in inches.

CT Enclosures With Lift Off Covers



18249 RTCT (closed)



18249 RTCT (open)

Application

- Designed to house ANSI C12.11 current transformers
- Includes provision to install model 6019/6067 CT mounts
- Surface mount

Construction

- Enclosure has mounting holes on back of body
- Covers include padlock provision, utility sealing provisions, wing nuts, and lifting handles
- Enclosures over 36" wide and 42" tall have two overlapping covers
- NEMA Type 3R
- ANSI 61 gray painted finish



Standards

- UL 414 Listed
- EUSERC 316

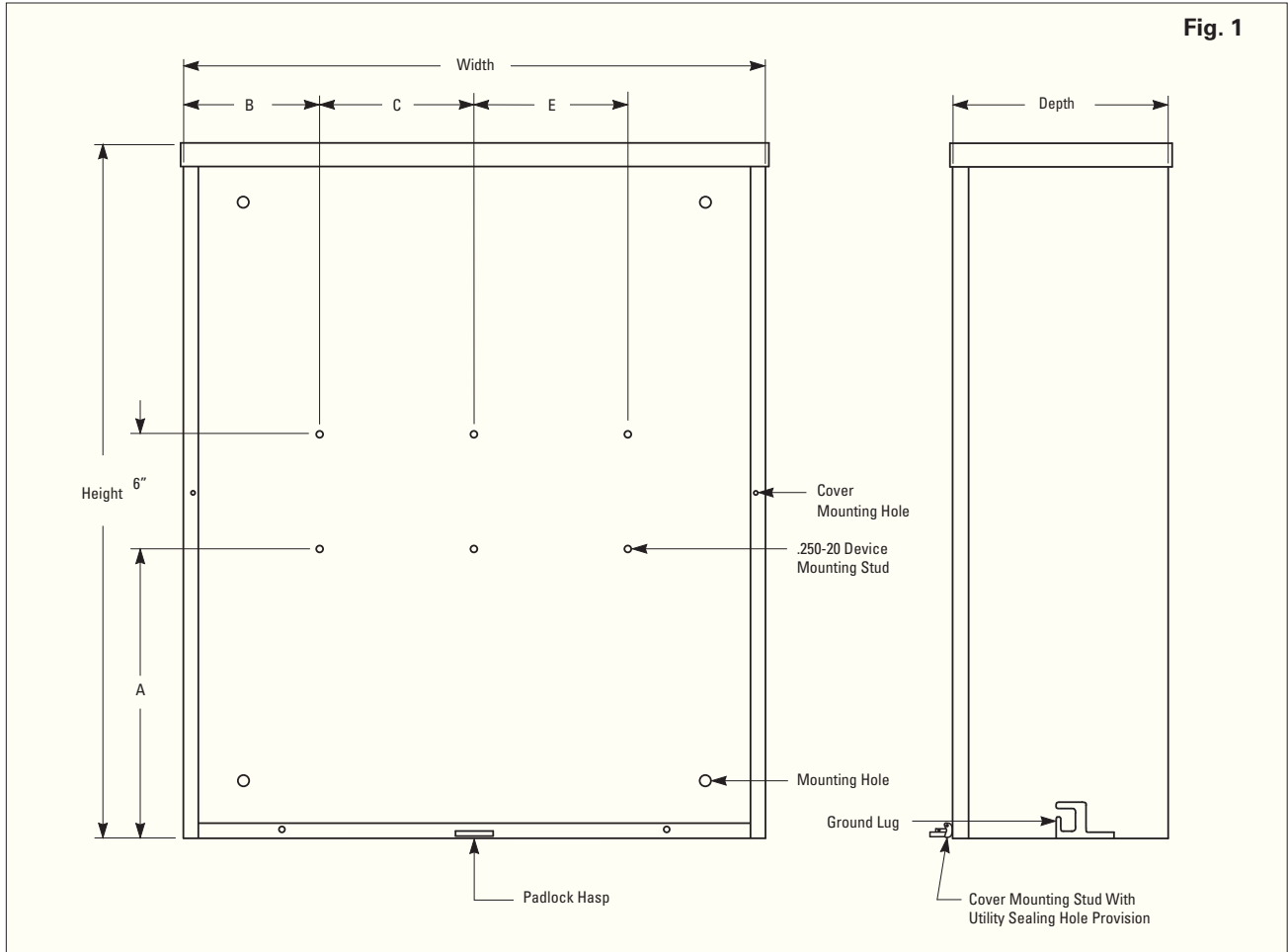
Part/UPC Number	Catalog Number	Service Type	Use With Mounting Base	Overall Dimensions			Knockout Layout
				Height	Width	Depth	
78205137005	18249 RTCT	1Ø	6019	24"	18"	9"	Fig. 1
78205137020	242411 RTCT	1Ø	6019	24"	24"	11"	Fig. 1
78205137030	243011 RTCT	1Ø	6019	30"	24"	11"	Fig. 1
78205137025	24329 RTCT	1Ø	6019	32"	24"	9"	Fig. 1
78205137070	243611 RTCT	1Ø	6019	36"	24"	11"	Fig. 1
78205144811	244811 RTCT	1Ø	6019	48"	24"	11"	Fig. 1
78205137070	303011 RTCT	1Ø or 3Ø	6019 or 6067	30"	30"	11"	Fig. 1
78205137080	303611 RTCT	1Ø or 3Ø	6019 or 6067	36"	30"	11"	Fig. 1
78205130113	303614 RTCT	1Ø or 3Ø	6019 or 6067	36"	30"	14"	Fig. 1
78205137090	363611 RTCT	1Ø or 3Ø	6019 or 6067	36"	36"	11"	Fig. 1
78205137100	364211 RTCT	1Ø or 3Ø	6019 or 6067	42"	36"	11"	Fig. 1
78205137110	364811 RTCT	1Ø or 3Ø	6019 or 6067	48"	36"	11"	Fig. 1
78205137200	364814 RTCT	1Ø or 3Ø	6019 or 6067	48"	36"	14"	Fig. 1
78205124211	424211 RTCT	1Ø or 3Ø	6019 or 6067	42"	42"	11"	Fig. 1
78205140872	484811 RTCT	1Ø or 3Ø	6019 or 6067	48"	48"	11"	Fig. 1

Part/UPC Number	Catalog Number	A	B	C	E
78205137005	18249 RTCT	--	--	--	--
78205137020	242411 RTCT	9"	8"	8"	--
78205137030	243011 RTCT	12"	8"	8"	--
78205137025	24329 RTCT	--	--	--	--
78205137070	243611 RTCT	15"	8"	8"	--
78205144811	244811 RTCT	21"	8"	8"	--
78205137070	303011 RTCT	12"	7"	8"	8"
78205137080	303611 RTCT	15"	7"	8"	8"
78205130113	303614 RTCT	15"	7"	8"	8"
78205137090	363611 RTCT	15"	10"	8"	8"
78205137100	364211 RTCT	18"	10"	8"	8"
78205137110	364811 RTCT	21"	10"	8"	8"
78205137200	364814 RTCT	21"	10"	8"	8"
78205124211	424211 RTCT	18"	13"	8"	8"
78205140872	484811 RTCT	--	--	--	--

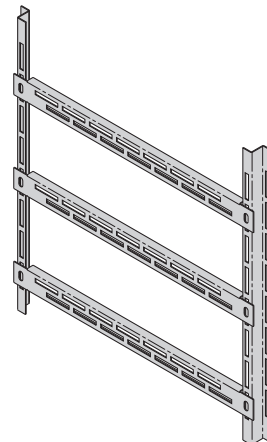
Data subject to change without notice. Consult local utility for area acceptance. All dimensions are in inches.

CT Enclosures With Lift Off Covers

Style #	Suffixes
xxxxxx RTCT	MS40 - Mounting studs for 415 H - Universal CT Rack
	SS - Stainless Steel 304
	SS6 - Stainless Steel 316



415 H
Universal CT Rack



CT Enclosures With Hinged, Lift Off Doors



363611 HRTCT (closed)



363611 HRTCT (open)



Application

- Designed to house ANSI C12.11 current transformers
- Includes provision to install model 6019/6067 CT mounts
- Surface mount

Construction

- Enclosure has mounting holes on back of body
- Covers include utility sealing provisions, wing nuts, and lifting handles
- DD parts include master/slave style overlapping doors
- NEMA Type 3R
- Wash and phosphate undercoat
- ANSI 61 gray painted finish

Standards

- UL 414 Listed
- EUSERC 316

Accessories

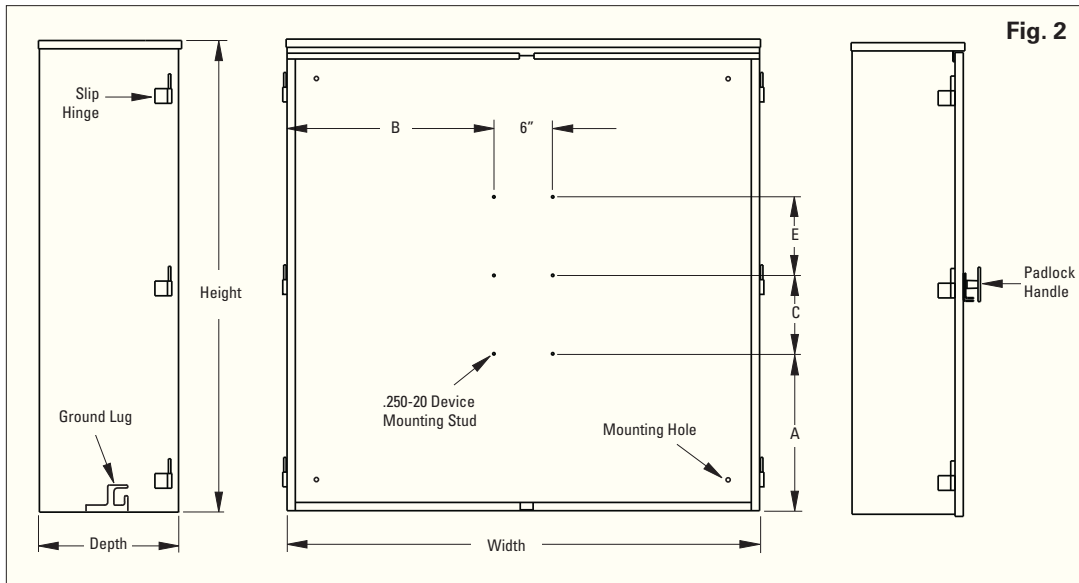
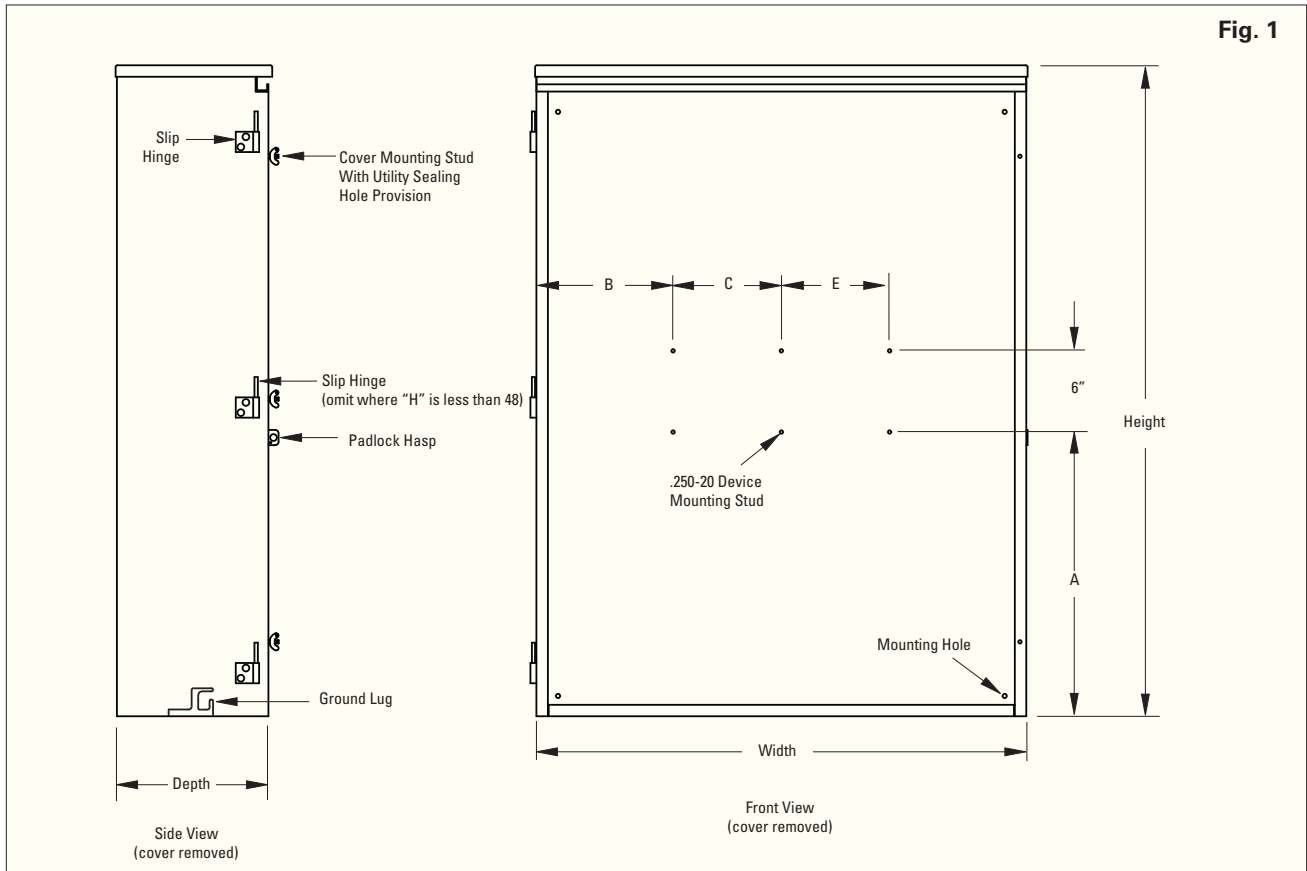
- Door stop kit - DSTOPK

Part/UPC Number	Catalog Number	Service Type	Use With Mounting Base	Height	Overall Dimensions Width	Depth	Knockout Layout
78205180295	203611 HRTCT	1Ø	6019	36"	20"	11"	Fig. 1
78205180435	243011 HRTCT	1Ø	6019	30"	24"	11"	Fig. 1
78205180436	244811 HRTCT	1Ø or 3Ø	6019 or 6067	48"	24"	11"	Fig. 1
78205180445	303611 HRTCT	1Ø or 3Ø	6019 or 6067	36"	30"	11"	Fig. 1
78205180446	304811 HRTCT	1Ø or 3Ø	6019 or 6067	48"	30"	11"	Fig. 1
78205180455	363611 HRTCT	1Ø or 3Ø	6019 or 6067	36"	36"	11"	Fig. 1
78205180456	364811 HRTCT	1Ø or 3Ø	6019 or 6067	48"	36"	11"	Fig. 1
78205105532	484814 DDHRTCT	1Ø or 3Ø	6019 or 6067	48"	48"	14"	Fig. 2

Part/UPC Number	Catalog Number	A	B	C	E
78205180295	203611 HRTCT	--	--	--	--
78205180435	243011 HRTCT	12"	8"	8"	--
78205180436	244811 HRTCT	21"	8"	8"	--
78205180445	303611 HRTCT	15"	7"	8"	8"
78205180446	304811 HRTCT	21"	7"	8"	8"
78205180455	363611 HRTCT	15"	10"	8"	8"
78205180456	364811 HRTCT	21"	10"	8"	8"
78205105532	484814 DDHRTCT	16"	21"	8"	8"

CT Enclosures With Hinged, Lift Off Doors

Style #	Suffixes
xxxxxx HRTCT	MS40 - Mounting studs for 415 H - Universal CT Rack
xxxxxx DDHRTCT	
	SS - Stainless Steel 304
	SS6 - Stainless Steel 316



Note: Mounting base hardware not provided

Data subject to change without notice. Consult local utility for area acceptance. All dimensions are in inches.

CT Mounting Bases



6019 HE



6019 HELS



6019 HEL



Application

- For use with CT rated enclosures
- For use with ANSI C12.11 bar type current transformers

Construction

- Bar mounts are 1/2" studs on 1 3/4" centers (line & load)

Standards

- UL 414 Listed
- ANSI C12.7
- EUSERC 328A (6019 stud/stud)
- EUSERC 328B (6019 lug/lug)
- EUSERC 329A (6067 stud/stud)
- EUSERC 329B (6067 lug/lug)

Part/UPC Number	Catalog Number	Amp Rating	# of C.T. Provisions	Service Type	Access	AIC	Phase / Neutral Conductors Line	Neutral Conductors Load
78205137750	6019 A	400	2	1Ø or 3Ø/3W	OH/UG	10K	Studs	Studs
78205137755	6019 E	800	2	1Ø or 3Ø/3W	OH/UG	10K	Studs	Studs
78205140822	6019 HA	400	2	1Ø or 3Ø/3W	OH/UG	50K	Studs	Studs
78205108761	6019 HAL	400	2	1Ø or 3Ø/3W	OH/UG	50K	(3) #4 - 600 MCM*	(3) #4 - 600 MCM*
78205111459	6019 HALS	400	2	1Ø or 3Ø/3W	OH/UG	50K	Studs	(3) #4 - 600 MCM*
78205140826	6019 HE	800	2	1Ø or 3Ø/3W	OH/UG	50K	Studs	Studs
78205108608	6019 HEL	800	2	1Ø or 3Ø/3W	OH/UG	50K	(3) #4 - 600 MCM	(3) #4 - 600 MCM
78205111461	6019 HELS	800	2	1Ø or 3Ø/3W	OH/UG	50K	Studs	(3) #4 - 600 MCM
78205137760	6067 A	400	3	3Ø/4W	OH/UG	10K	Studs	Studs
78205137765	6067 EE	800	3	3Ø/4W	OH/UG	10K	Studs	Studs
78205140776	6067 HA	400	3	3Ø/4W	OH/UG	50K	Studs	Studs
78205108698	6067 HAL	400	3	3Ø/4W	OH/UG	50K	(3) #4 - 600 MCM*	(3) #4 - 600 MCM*
78205111452	6067 HALS	400	3	3Ø/4W	OH/UG	50K	Studs	(3) #4 - 600 MCM*
78205140780	6067 HEE	800	3	3Ø/4W	OH/UG	50K	Studs	Studs
78205107177	6067 HEEL	800	3	3Ø/4W	OH/UG	50K	(3) #4 - 600 MCM	(3) #4 - 600 MCM
78205111464	6067 HEELS	800	3	3Ø/4W	OH/UG	50K	Studs	(3) #4 - 600 MCM

Note: * Neutral Lug is one barrel only

Note: Every 600 MCM lug barrel will accept (2) 1/0-250 MCM cables

Test Switch Configuration Sheet

Application

- Current transformer metering
- Customizable configurations

Construction

- BMC mounting base
- Tin and nickel plating
- Color coded handles

Standards

- UL Recognized component
- ANSI C12.9



Name _____

Company Name _____

Address _____

Phone _____

Email _____



Poles

Configuration

Switch (KS, SH, CN, TB, X)

Bussing (B, S)

Ganged Handles (Y, N)

Barrier (Y, N)

Handle Color (R, B)

45° Stops (Y, N)

1	2	3	4	5	6	7	8	9	10

Special Features

- Cover Yes No
- Base Size 7 Pole 10 Pole
- No. of Poles 4 7 10 Other
- Plating None Tin Nickel

Keys

Switches

KS	SH	CN	TB	X
Knife Switch	Knife Switch with shunt	Current Switch with Test Jack	Thru Bar	Unused Space

Bussing

- B** Bypass
- S** Short

Handle Color

- R** Red
- B** Black

- Other options and arrangements are available. Please contact the factory for a full product line.
- Test Switched are available mounted and wired. Contact factory for details.

For online form, see www.eaton.com/testswitch.

Send completed form to customer service at Eaton's B-Line Business. See address information on back cover.

Data subject to change without notice. Consult local utility for area acceptance. All dimensions are in inches.

CT Utility Enclosures

Application

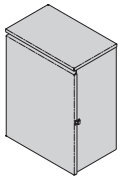
- Used for split core CT applications

Construction

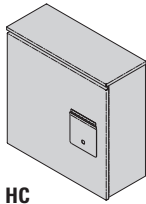
- NEMA Type 3R
- ANSI 61 gray painted finish
- 3/4" wood back panel installed

Standards

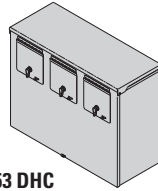
- Not UL Listed



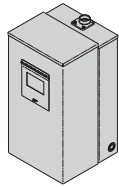
345 HC (shown)
351 HC



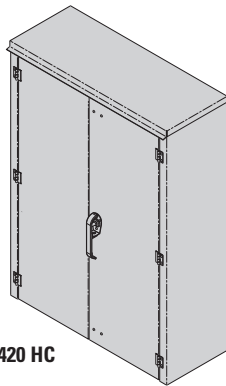
352 HC



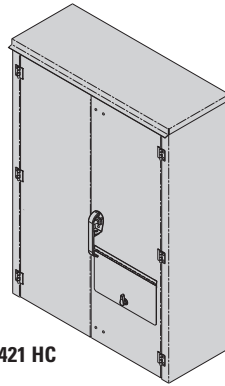
353 DHC



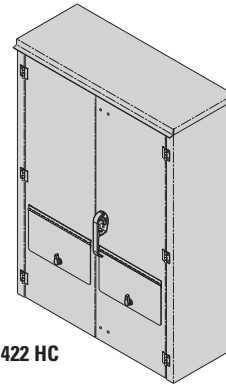
360 HC



420 HC



421 HC



422 HC

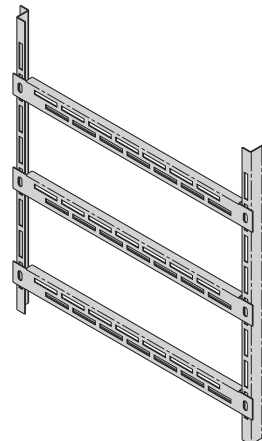
Utility Enclosures

Part/UPC Number	Catalog Number	Overall Dimensions			Doors	Meter Viewing Window	Special	Layout
		Height	Width	Depth				
78205138000	345 HC	24"	18"	11"	Single, Hinged	--	For "A" Base Metering	Fig. 1
78205138020	351 HC	30"	24"	11"	Single, Hinged	--	For "A" Base Metering	Fig. 1
78205138030	352 HC	28"	28"	11"	Single, Hinged	1, Hinged	--	Fig. 2
78205138041	353 DHC	24"	30"	12"	Single, Lift Off	3, Hinged	--	Fig. 3
78205138090	360 HC	24"	14"	10"	Single, Lift Off	1, Hinged	w/ Pole Mount Brackets	Fig. 4
78205138050	420 HC	48"	34"	13"	Double, Hinged	--	3-Pt Latching Handle	Fig. 5a
78205138070	421 HC	48"	34"	13"	Double, Hinged	1, Hinged	3-Pt Latching Handle	Fig. 5b
78205138080	422 HC	48"	34"	13"	Double, Hinged	2, Hinged	3-Pt Latching Handle	Fig. 5c

Universal CT Equipment Mounting Racks

Part/UPC Number	Catalog Number	Overall Dimensions	
		Height	Width
78205138060	415	33"	36"
78205138065	415 H	26"	28"

415 H





Group Meter Sockets, Gangable - 100 Amp Horizontal, Indoor Use Only	80 - 81
Group Meter Sockets, Without Bypass - 100 Amp Vertical	82 - 83
Group Meter Main, Without Bypass - 100 Amp Vertical	84 - 85
Group Meter Sockets, Without Bypass - 100 Amp Horizontal	86 - 87
Group Meter Sockets, With MCC Bypass - 100 Amp Horizontal	88 - 89
Group Meter Sockets, Without Bypass - 200 Amp Vertical	90 - 91
Group Meter Sockets, With MCC Bypass - 200 Amp Horizontal	92 - 93
Group Meter Main, With MCC Bypass - 100 Amp Horizontal	94 - 95
Group Meter Main, Without Bypass - 200 Amp Vertical	96 - 97

Group Meter Sockets - Gangable

100 Amp Horizontal - Indoor Use Only

Multiple Metering



172 HSHDB (closed)



172 HSHDB (open)

Application

- For horizontal ganging of meter sockets - 6 position maximum 225A main buss
- Receive ANSI C12.10 watt-hour meters
- Surface mount

Construction

- Ring type
- NEMA Type 1
- ANSI 61 gray painted finish
- Aluminum snap ring included



Standards

- UL 414 Listed
- ANSI C12.7

Accessories

- 5th Jaw Kit - 50365
- Screw Type Ring - 25016D

Part/UPC Number	Catalog Number	Number of Positions	Buss Amps	Amp Rating	Jaws	Service Type	Access
78205140010	171 HS	1	225	100	4	1Ø/3W	0H/UG
78205140170	172 HSHDB	2	225	100	4	1Ø/3W	0H/UG
78205140180	173 HSHDB	3	225	100	4	1Ø/3W	0H/UG
78205140190	174 HSHDB	4	225	100	4	1Ø/3W	0H/UG

Part/UPC Number	Catalog Number	Connections			Overall Dimensions			Knockout Layout
		Line	Load	Neutral	Height	Width	Depth	
78205140010	171 HS	#14 - 2/0	#14 - 2/0	#14 - 1/0	12"	12"	4 ⁵ / ₈ "	Fig. 1
78205140170	172 HSHDB	#6 - 250 MCM	#14 - 2/0	#6 - 250 MCM	12"	24"	4 ⁵ / ₈ "	Fig. 2
78205140180	173 HSHDB	#6 - 250 MCM	#14 - 2/0	#6 - 250 MCM	12"	36"	4 ⁵ / ₈ "	Fig. 3
78205140190	174 HSHDB	#6 - 250 MCM	#14 - 2/0	#6 - 250 MCM	12"	48"	4 ⁵ / ₈ "	Fig. 4

Equipment Accessories

Part/UPC Number	Catalog Number	Description
78205140280	171 E	End Closure w/ KO's
78205140250	171 EXT	Extension Pull Box
78205140260	LK171B	Connecting Link Kit

AIC Note:
For short circuit current ratings see page 124.

Data subject to change without notice. Consult local utility for area acceptance. All dimensions are in inches.

Group Meter Sockets - Gangable

100 Amp - Indoor Use Only

Style #	Suffixes
171	SS - Stainless Steel 304 *
172	SS6 - Stainless Steel 316 *
173	
174	

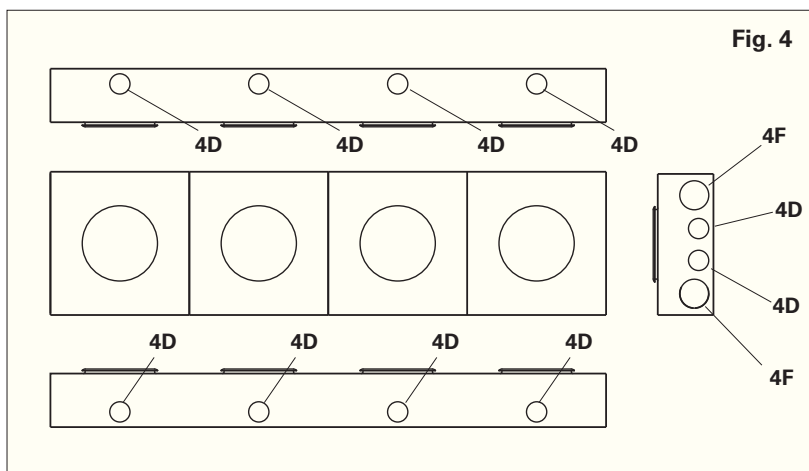
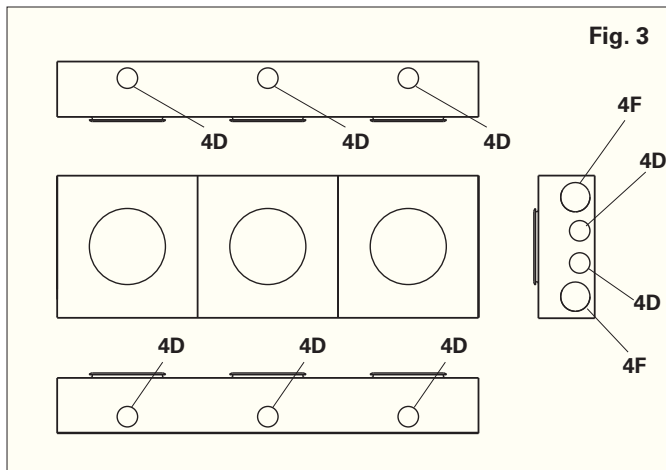
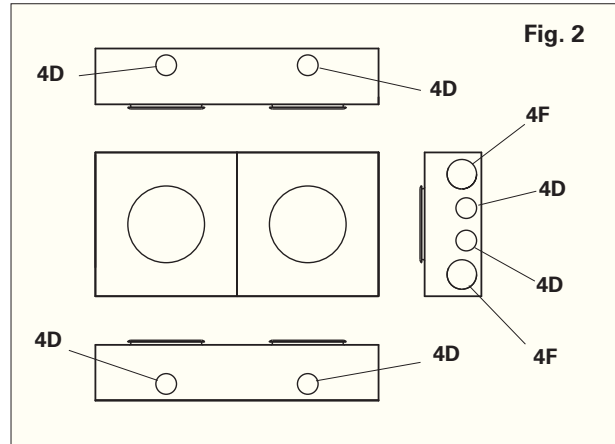
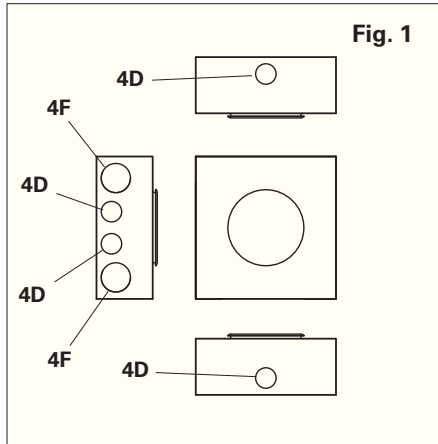
Knockouts - Conduit Sizes

4D = 1 1/4" - 1" - 3/4" - 1/2"
 4F = 2" - 1 1/2" - 1 1/4" - 1"

* Knockouts and top provisions are not available in Stainless Steel (SS) finish

Multiple Metering

Knockout Layouts



Data subject to change without notice. Consult local utility for area acceptance. All dimensions are in inches.

Group Meter Sockets - Without Bypass

100 Amp Vertical

Multiple Metering



014 (closed)



014 (open)

Application

- For vertical ganging of meter sockets - 6 position maximum 225A main buss
- Receive ANSI C12.10 watthour meters
- Overhead or underground feed (see chart)
- Surface mount

Construction

- Ring type
- NEMA Type 3R
- ANSI 61 gray painted finish
- Aluminum snap ring included



Standards

- UL 414 Listed
- ANSI C12.7

Accessories

- 5th Jaw Kit - 50365
- AW Hubs & H Hubs

Part/UPC Number	Catalog Number	Number of Positions	Buss Amps	Amp Rating	Jaws	Service Type	Access
78205141370	012	2	225	100	4	1Ø/3W	OH/UG
78205141380	013	3	225	100	4	1Ø/3W	OH/UG
78205141395	014	4	225	100	4	1Ø/3W	OH/UG
78205141480	014 H	4	400	100	3	1Ø/3W	OH/UG
78205141475	015	5	225	100	4	1Ø/3W	OH/UG
78205141490	015 H	5	400	100	4	1Ø/3W	OH/UG
78205143149	016	6	225	100	4	1Ø/3W	OH/UG
78205141500	016 H	6	400	100	4	1Ø/3W	OH/UG

AIC Note:
For short circuit current ratings see page 124.

Part/UPC Number	Catalog Number	Connections			Overall Dimensions			Top Provision	Knockout Layout
		Line	Load	Neutral	Height	Width	Depth		
78205141370	012	#6 - 250 MCM	#14 - 2/0	#6 - 250 MCM	21 ¹ / ₂ "	14"	4 ⁵ / ₈ "	AW Hub	Fig. 1
78205141380	013	#6 - 250 MCM	#14 - 2/0	#6 - 250 MCM	30"	14"	4 ⁵ / ₈ "	AW Hub	Fig. 2
78205141395	014	#6 - 250 MCM	#14 - 2/0	#6 - 250 MCM	21 ¹ / ₂ "	24 ¹ / ₃ "	4 ⁵ / ₈ "	AW Hub	Fig. 3
78205141480	014 H	#6 - 600 MCM	#14 - 2/0	#6 - 600 MCM	21 ¹ / ₂ "	32 ¹ / ₂ "	4 ⁵ / ₈ "	H Hub	Fig. 4
78205141475	015	#6 - 250 MCM	#14 - 2/0	#6 - 250 MCM	21 ¹ / ₂ "	32 ¹ / ₂ "	4 ⁵ / ₈ "	AW Hub	Fig. 5
78205141490	015 H	#6 - 600 MCM	#14 - 2/0	#6 - 600 MCM	21 ¹ / ₂ "	32 ¹ / ₂ "	4 ⁵ / ₈ "	H Hub	Fig. 6
78205143149	016	#6 - 250 MCM	#14 - 2/0	#6 - 250 MCM	30"	24 ¹ / ₃ "	4 ⁵ / ₈ "	AW Hub	Fig. 5
78205141500	016 H	#6 - 600 MCM	#14 - 2/0	#6 - 600 MCM	30"	32 ¹ / ₂ "	6"	H Hub	Fig. 6

Data subject to change without notice. Consult local utility for area acceptance. All dimensions are in inches.

Group Meter Sockets - Without Bypass

100 Amp Vertical

Style #	Suffixes
012	SS - Stainless Steel 304 *
013	SS6 - Stainless Steel 316 *
014	
015	
016	

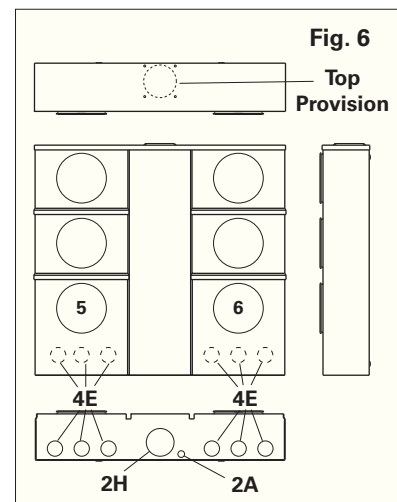
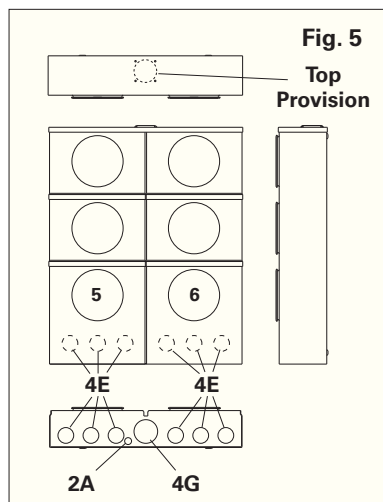
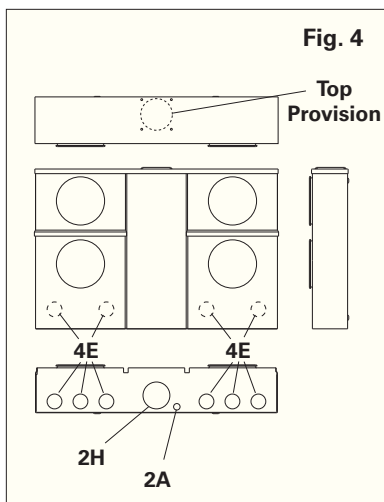
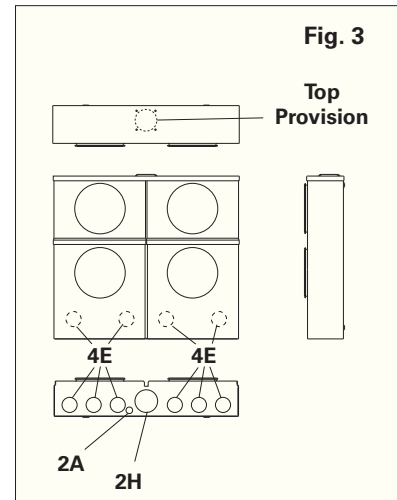
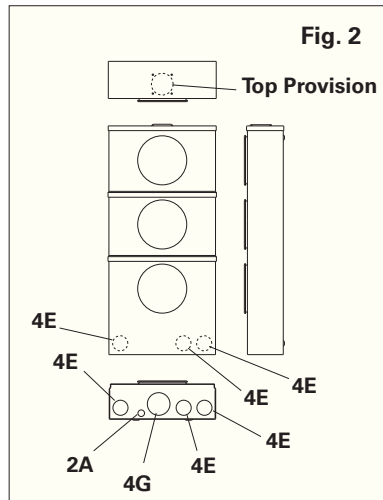
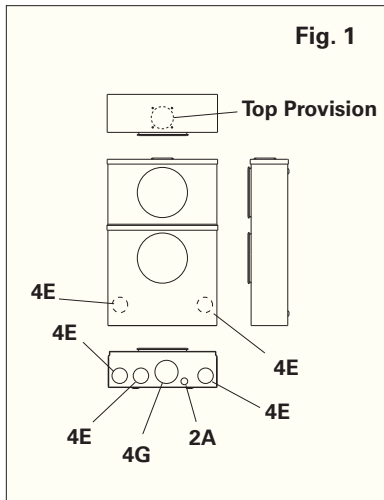
Knockouts - Conduit Sizes

2A = 1/2" - 1/4"
 4E = 1 1/2" - 1 1/4" - 1" - 3/4"
 4G = 2 1/2" - 2" - 1 1/2" - 1 1/4"
 2H = 3" - 2 1/2"
 Top Provision = See Chart

* Knockouts and top provisions are not available in Stainless Steel (SS) finish

Multiple Metering

Knockout Layouts



Data subject to change without notice. Consult local utility for area acceptance. All dimensions are in inches.

Group Meter Main - Without Bypass

100 Amp Vertical

Multiple Metering



2012 MS60 (closed)



2012 MS60 (open)

Application

- For vertical multi-meter/mains installations - 6 position maximum 225A and 400A main buss
- Main breaker provisions - breakers not included
- Receive ANSI C12.10 watt-hour meters
- Overhead or underground feed (see chart)
- Surface or flush mount (see chart)

Construction

- Ring type
- NEMA Type 3R
- ANSI 61 gray painted finish
- Aluminum snap ring included



Standards

- UL 414 Listed
- ANSI C12.7
- EUSERC 342

Accessories

- 5th Jaw Kit - 50365
- AW Hubs

Part/UPC Number	Catalog Number	Number of Positions	Buss Amps	Amp Rating	Jaws	Service Type	Access	AIC	Main Breaker Provision
78205164115	2014	4	400	100	4	1Ø/3W	UG	10K	(4) 2P
78205164135	2015	5	400	100	4	1Ø/3W	UG	10K	(5) 2P
78205164165	2016	6	400	100	4	1Ø/3W	UG	10K	(6) 2P
78205164245	2012 F	2	225	100	4	1Ø/3W	UG	10K	(2) 2P
78205164085	2012 MS60	2	225	100	4	1Ø/3W	OH/UG	10K	(2) 2P
78205164255	2013 F	3	225	100	4	1Ø/3W	UG	10K	(3) 2P
78205164095	2013 MS60	3	225	100	4	1Ø/3W	OH/UG	10K	(3) 2P
78205164265	2014 F	4	400	100	4	1Ø/3W	UG	10K	(4) 2P
78205164275	2015 F	5	400	100	4	1Ø/3W	UG	10K	(5) 2P
78205164285	2016 F	6	400	100	4	1Ø/3W	UG	10K	(6) 2P

Part/UPC Number	Catalog Number	Connections			Overall Dimensions			Top Provision	Knockout Layout
		Line	Buss Load	Neutral	Height	Width	Depth		
78205164115	2014	Studs	MCB	Studs	34"	32"	6"	None	Fig. 3
78205164135	2015	Studs	MCB	Studs	39½"	32"	6"	None	Fig. 4
78205164165	2016	Studs	MCB	Studs	39½"	32"	6"	None	Fig. 4
78205164245	2012 F	Studs	MCB	Studs	34"	22"	6"	None	Fig. 1
78205164085	2012 MS60	#6 - 250 MCM	MCB	#6 - 250 MCM	34"	22"	6"	AW Hub	Fig. 1
78205164255	2013 F	Studs	MCB	Studs	39½"	22"	6"	None	Fig. 2
78205164095	2013 MS60	#6 - 250 MCM	MCB	#6 - 250 MCM	39½"	22"	6"	AW Hub	Fig. 2
78205164265	2014 F	Studs	MCB	Studs	34"	32"	6"	None	Fig. 3
78205164275	2015 F	Studs	MCB	Studs	39½"	32"	6"	None	Fig. 4
78205164285	2016 F	Studs	MCB	Studs	39½"	32"	6"	None	Fig. 4

MCB - Main Circuit Breaker

Data subject to change without notice. Consult local utility for area acceptance. All dimensions are in inches.

Group Meter Main - Without Bypass

100 Amp Vertical

Style #	Suffixes
2012	F - Flush Mount
2013	MS60 - AW Hub for OH Access
2014	SS - Stainless Steel 304 *
2015	SS6 - Stainless Steel 316 *
2016	

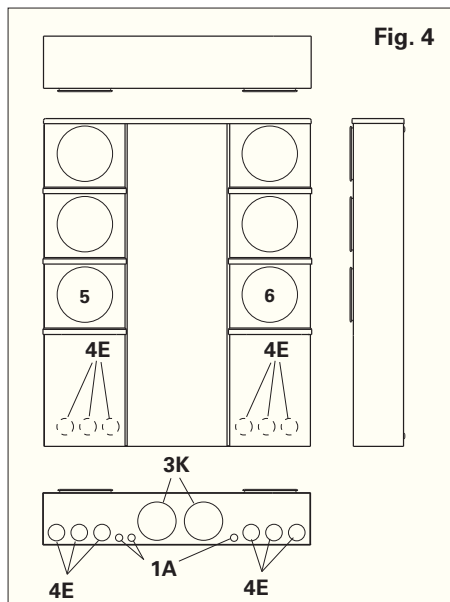
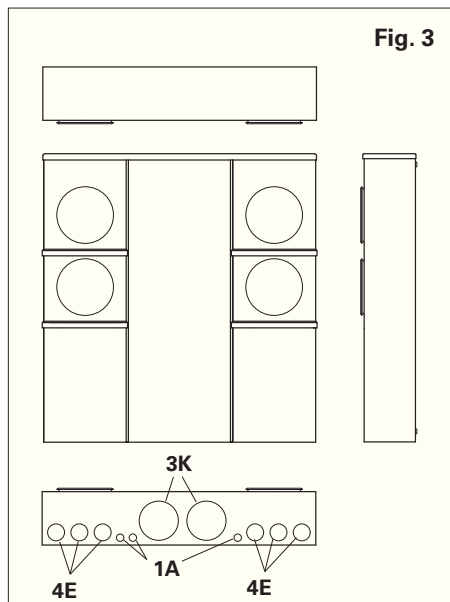
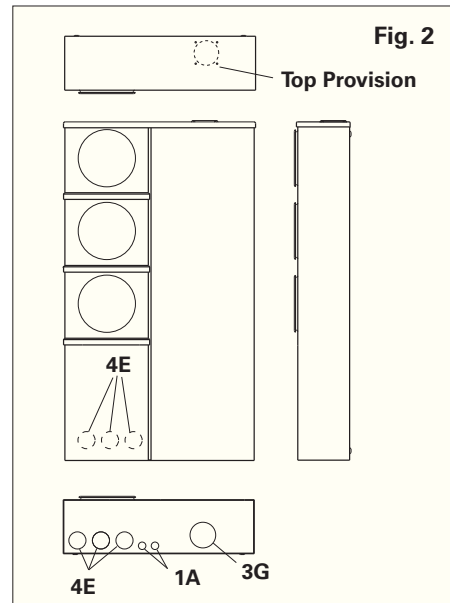
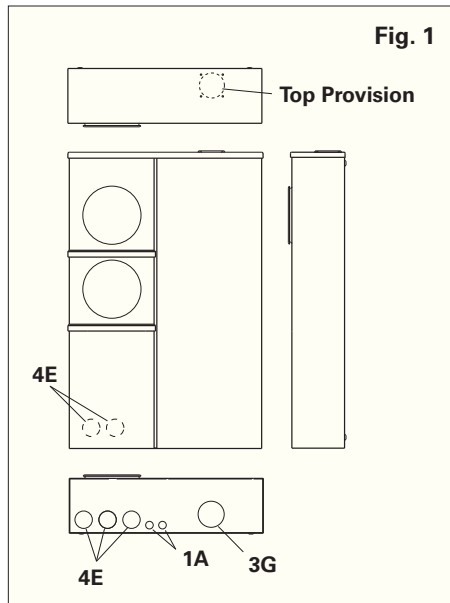
Knockouts - Conduit Sizes

1A = 1/2"
 4E = 1 1/2" - 1 1/4" - 1" - 3/4"
 3G = 2 1/2" - 2" - 1 1/2"
 3K = 4" - 3 1/2" - 3"
 Top Provision = See Chart

* Knockouts and top provisions are not available in Stainless Steel (SS) finish

Multiple Metering

Knockout Layouts



Data subject to change without notice. Consult local utility for area acceptance. All dimensions are in inches.

Group Meter Sockets - Without Bypass

100 Amp Horizontal

Multiple Metering



H012 (closed)



H012 (open)

Application

- For horizontal multi-meter installations - 4 position maximum 225A main buss
- Receive ANSI C12.10 watt-hour meters
- Overhead or underground feed (see chart)
- Surface mount

Construction

- Ring type
- NEMA Type 3R
- ANSI 61 gray painted finish
- Aluminum snap ring included



Standards

- UL 414 Listed
- ANSI C12.7

Accessories

- 5th Jaw Kit - 50365
- AW Hubs

Part/UPC Number	Catalog Number	Number of Positions	Buss Amps	Amp Rating	Jaws	Service Type	Access
78205141112	H012	2	225	100	4	1Ø/3W	0H/UG
78205141113	H013	3	225	100	7	1Ø/3W	0H/UG
78205141114	H014	4	225	100	4	1Ø/3W	0H/UG

Part/UPC Number	Catalog Number	Connections			Height	Overall Dimensions			Top Provision	Knockout Layout
		Line	Buss Load	Neutral		Width	Depth			
78205141112	H012	#6 - 250 MCM	#14 - 2/0	#6 - 250 MCM	12"	26 ¹ / ₂ "	4 ⁵ / ₈ "	AW Hub	Fig. 1	
78205141113	H013	#6 - 250 MCM	#14 - 2/0	#6 - 250 MCM	12"	34 ³ / ₄ "	4 ⁵ / ₈ "	AW Hub	Fig. 2	
78205141114	H014	#6 - 250 MCM	#14 - 2/0	#6 - 250 MCM	12"	43"	4 ⁵ / ₈ "	AW Hub	Fig. 3	

AIC Note:
For short circuit current ratings see page 124.

Group Meter Sockets - Without Bypass

100 Amp Horizontal

Style #	Suffixes
H012	SS - Stainless Steel 304 *
H013	SS6 - Stainless Steel 316 *
H014	

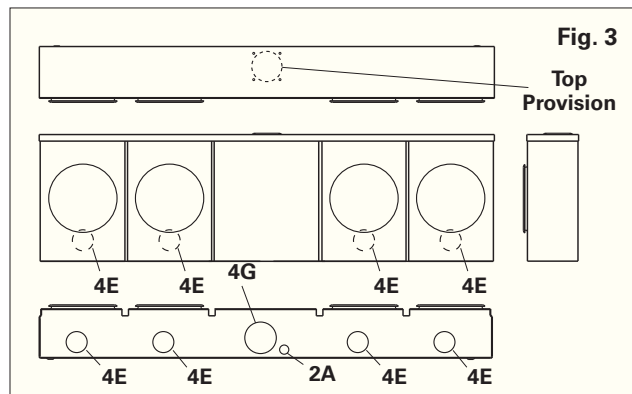
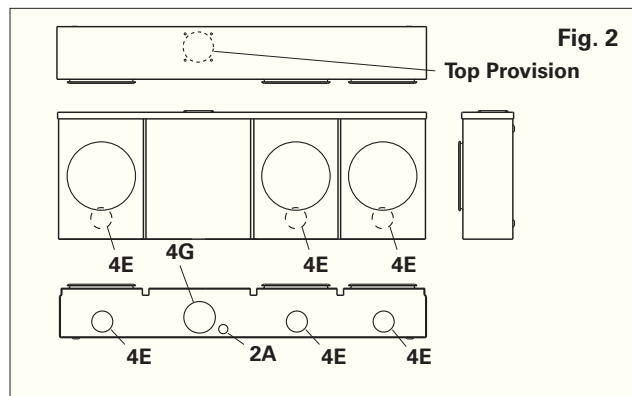
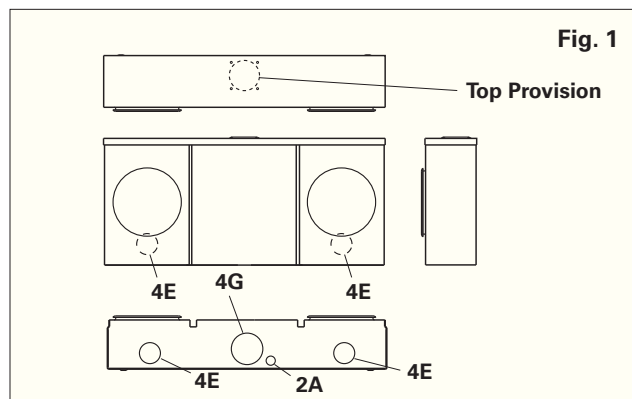
Knockouts - Conduit Sizes

2A = 1/2" - 1/4"
 4E = 1 1/2" - 1 1/4" - 1" - 3/4"
 4G = 2 1/2" - 2" - 1 1/2" - 1 1/4"
 Top Provision = See Chart

* Knockouts and top provisions are not available in Stainless Steel (SS) finish

Multiple Metering

Knockout Layouts



Data subject to change without notice. Consult local utility for area acceptance. All dimensions are in inches.

Group Meter Sockets - With MCC Bypass

100 Amp Horizontal

Multiple Metering



142 MCC (closed)



Application

- For horizontal multi-meter installations - 4 position maximum
- Manual circuit closing (link type) bypasses under separate sealable covers
- 225A main buss
- Receive ANSI C12.10 watt-hour meters
- Overhead or underground feed (see chart)
- Surface mount

Construction

- Ring type
- NEMA Type 3R
- ANSI 61 gray painted finish
- Aluminum snap ring included

Standards

- UL 414 Listed
- ANSI C12.7

Accessories

- 5th Jaw Kit - 50365
- AW Hubs

Part/UPC Number	Catalog Number	Number of Positions	Buss Amps	Amp Rating	Jaws	Service Type	Access	Bypass
78205107766	142 MCC	2	225	100	4	1Ø/3W	OH/UG	MCC
78205107767	143 MCC	3	225	100	4	1Ø/3W	OH/UG	MCC
78205107768	144 MCC	4	225	100	4	1Ø/3W	OH/UG	MCC

Part/UPC Number	Catalog Number	Connections			Height	Overall Dimensions			Top Provision	Knockout Layout
		Line	Load	Neutral		Width	Depth			
78205107766	142 MCC	#6 - 250 MCM	#14 - 2/0	#6 - 250 MCM	17"	26 ¹ / ₂ "	4 ⁵ / ₈ "	AW Hub	Fig. 1	
78205107767	143 MCC	#6 - 250 MCM	#14 - 2/0	#6 - 250 MCM	17"	34 ³ / ₄ "	4 ⁵ / ₈ "	AW Hub	Fig. 2	
78205107768	144 MCC	#6 - 250 MCM	#14 - 2/0	#6 - 250 MCM	17"	43"	4 ⁵ / ₈ "	AW Hub	Fig. 3	

AIC Note:
For short circuit current ratings see page 124.

Group Meter Sockets - With MCC Bypass

100 Amp Horizontal

Style #	Suffixes
142 MCC	SS - Stainless Steel 304 *
143 MCC	SS6 - Stainless Steel 316 *
144 MCC	

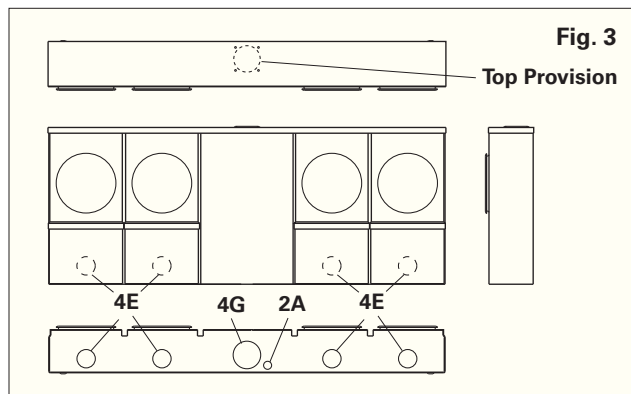
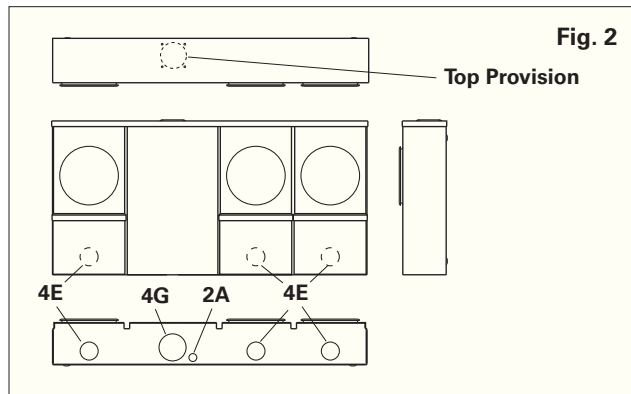
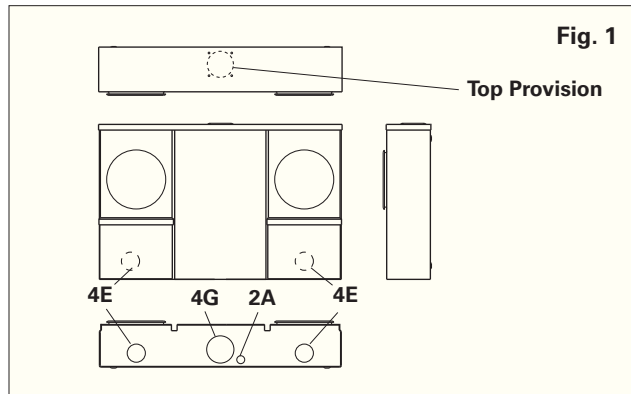
Knockouts - Conduit Sizes

2A = 1/2" - 1/4"
 4E = 1 1/2" - 1 1/4" - 1" - 3/4"
 4G = 2 1/2" - 2" - 1 1/2" - 1 1/4"
 Top Provision = See Chart

* Knockouts and top provisions are not available in Stainless Steel (SS) finish

Multiple Metering

Knockout Layouts



Data subject to change without notice. Consult local utility for area acceptance. All dimensions are in inches.

Group Meter Sockets - Without Bypass

200 Amp Vertical

Multiple Metering



202 H (closed)



202 H (open)

Application

- For vertical multi-meter installations - 4 position maximum 400A main buss
- Receive ANSI C12.10 watt-hour meters
- Overhead or underground feed (see chart)
- Surface mount

Construction

- Ring type
- NEMA Type 3R
- ANSI 61 gray painted finish
- Aluminum snap ring included



Standards

- UL 414 Listed
- ANSI C12.7
- EUSERC 342

Accessories

- 5th Jaw Kit - 50365
- H Hubs

Part/UPC Number	Catalog Number	Number of Positions	Buss Amps	Amp Rating	Jaws	Service Type	Access
78205155060	202 H	2	400	200	4	1Ø/3W	0H/UG
78205155070	203 H	3	400	200	4	1Ø/3W	0H/UG
78205155080	204 H	4	400	200	4	1Ø/3W	0H/UG

Part/UPC Number	Catalog Number	Connections			Height	Overall Dimensions		Top Provision	Knockout Layout
		Line	Load	Neutral		Width	Depth		
78205155060	202 H	#4 - 600 MCM	#6 - 250 MCM	#4 - 600 MCM	32"	14"	6"	H Hub	Fig. 1
78205155070	203 H	#4 - 600 MCM	#4 - 250 MCM	#6 - 600 MCM	32"	28 ¹ / ₄ "	6"	H Hub	Fig. 2
78205155080	204 H	#4 - 600 MCM	#4 - 250 MCM	#6 - 600 MCM	32"	28 ¹ / ₄ "	6"	H Hub	Fig. 3

AIC Note:
For short circuit current ratings see page 124.

Data subject to change without notice. Consult local utility for area acceptance. All dimensions are in inches.

Group Meter Sockets - Without Bypass

200 Amp Vertical

Style #	Suffixes
202	SS - Stainless Steel 304 *
202 H	SS6 - Stainless Steel 316 *
203 H	
204 H	

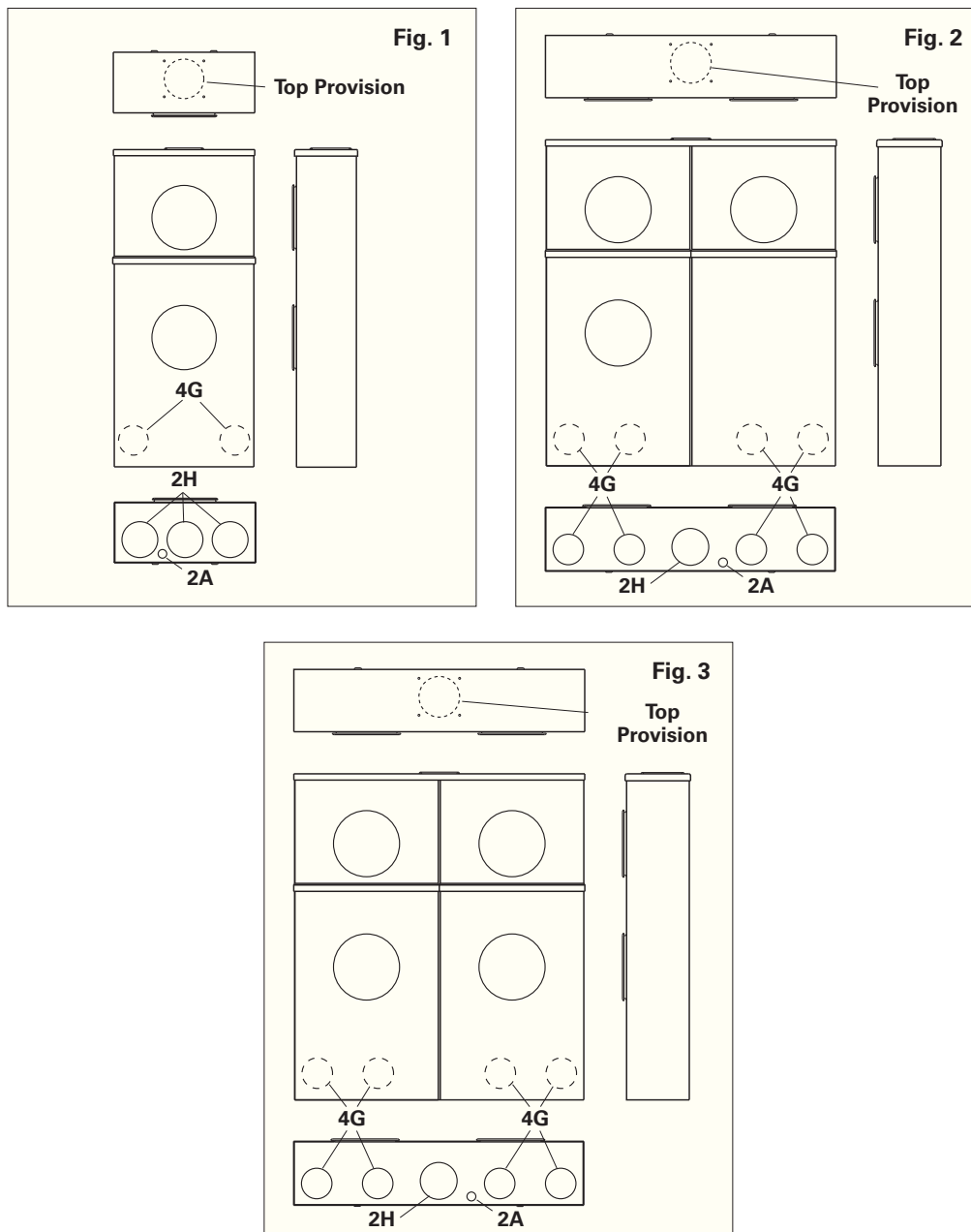
Knockouts - Conduit Sizes

2A = 1/2" - 1/4"
 4G = 2 1/2" - 2" - 1 1/2" - 1 1/4"
 2H = 3" - 2 1/2"
 Top Provision = See Chart

* Knockouts and top provisions are not available in Stainless Steel (SS) finish

Multiple Metering

Knockout Layouts



Data subject to change without notice. Consult local utility for area acceptance. All dimensions are in inches.

Group Meter Sockets - With MCC Bypass

200 Amp Horizontal

Multiple Metering



242 MCC (closed)



242 MCC (open)



Application

- For horizontal multi-meter installations - 6 position maximum
- Manual circuit closing (link type) bypasses under separate sealable covers
- 400A main buss
- Receive ANSI C12.10 watt-hour meters
- Overhead or underground feed (see chart)
- Surface mount

Construction

- Ring type
- NEMA Type 3R
- ANSI 61 gray painted finish
- Aluminum snap ring included

Standards

- UL 414 Listed
- ANSI C12.7

Accessories

- 5th Jaw Kit - 50365
- H Hubs

Part/UPC Number	Catalog Number	Number of Positions	Buss Amps	Amp Rating	Jaws	Service Type	Access	Bypass
78205107296	242 MCC	2	400	200	4	1Ø/3W	0H/UG	MCC
78205107297	243 MCC	3	400	200	4	1Ø/3W	0H/UG	MCC
78205107298	244 MCC	4	400	200	4	1Ø/3W	0H/UG	MCC
78205107299	245 MCC	5	400	200	4	1Ø/3W	0H/UG	MCC
78205107300	246 MCC	6	400	200	4	1Ø/3W	0H/UG	MCC

Part/UPC Number	Catalog Number	Connections			Overall Dimensions	Top Provision	Knockout Layout
		Line	Load	Neutral			
78205107296	242 MCC	#4 - 600 MCM	#6 - 250 MCM	#4 - 600 MCM	23" Height 30" Width 4 ⁵ / ₈ " Depth	H Hub	Fig. 1
78205107297	243 MCC	#4 - 600 MCM	#6 - 250 MCM	#4 - 600 MCM	23" Height 40" Width 4 ⁵ / ₈ " Depth	H Hub	Fig. 2
78205107298	244 MCC	#4 - 600 MCM	#6 - 250 MCM	#4 - 600 MCM	23" Height 50" Width 4 ⁵ / ₈ " Depth	H Hub	Fig. 3
78205107299	245 MCC	#4 - 600 MCM	#6 - 250 MCM	#4 - 600 MCM	23" Height 60" Width 4 ⁵ / ₈ " Depth	H Hub	Fig. 4
78205107300	246 MCC	#4 - 600 MCM	#6 - 250 MCM	#4 - 600 MCM	23" Height 70" Width 4 ⁵ / ₈ " Depth	H Hub	Fig. 5

AIC Note:
For short circuit current ratings see page 124.

Data subject to change without notice. Consult local utility for area acceptance. All dimensions are in inches.

Group Meter Sockets - With MCC Bypass

200 Amp Horizontal

Style #	Suffixes
242 MCC	SS - Stainless Steel 304 *
243 MCC	SS6 - Stainless Steel 316 *
244 MCC	
245 MCC	
246 MCC	

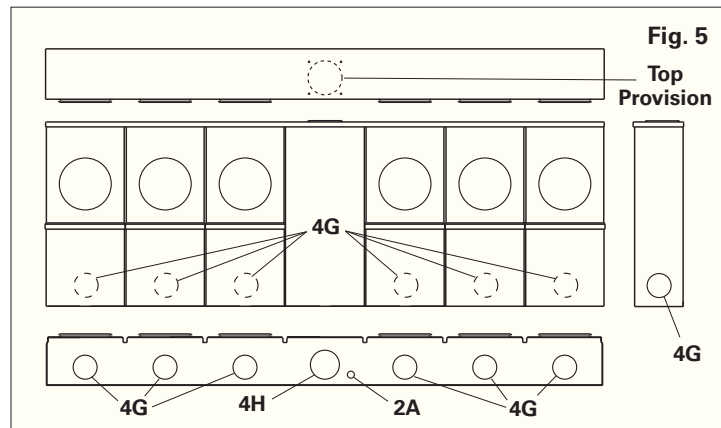
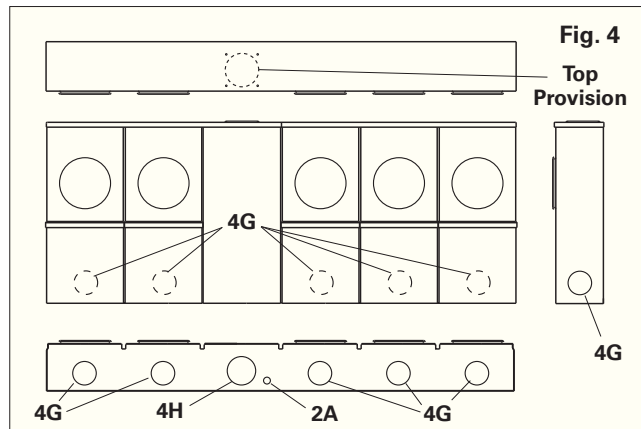
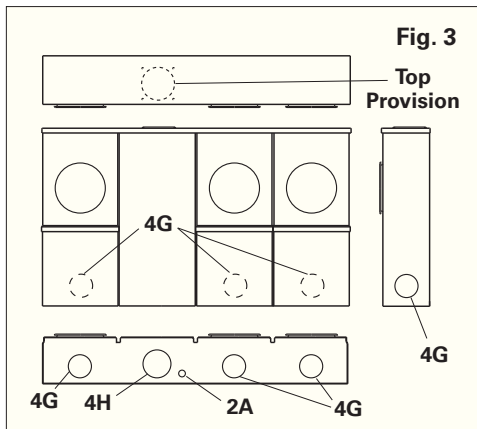
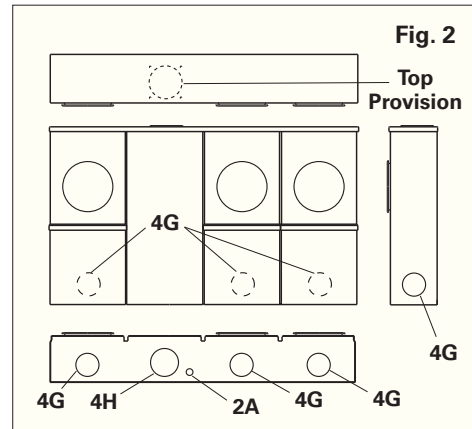
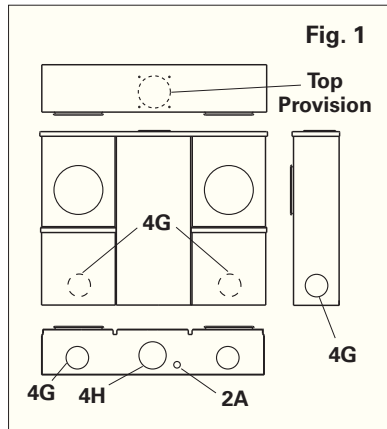
Knockouts - Conduit Sizes

2A = 1/2" - 1/4"
 4G = 2 1/2" - 2" - 1 1/2" - 1 1/4"
 4H = 3" - 2 1/2" - 2" - 1 1/2"
 Top Provision = See Chart

* Knockouts and top provisions are not available in Stainless Steel (SS) finish

Multiple Metering

Knockout Layouts



Data subject to change without notice. Consult local utility for area acceptance. All dimensions are in inches.

Group Meter Main - With MCC Bypass

100 Amp Horizontal

Multiple Metering



152 MCCM
(closed)



152 MCCM
(open)

Application

- For horizontal multi-meter/mains installations - 4 position maximum
- Manual circuit closing (link type) bypasses under separate sealable covers
- 225A main buss
- Factory installed breakers
- Receive ANSI C12.10 watt-hour meters
- Overhead or underground feed (see chart)
- Surface mount

Construction

- Ring type
- NEMA Type 3R
- ANSI 61 gray painted finish
- Aluminum snap ring included

Standards

- UL 67 Listed
- ANSI C12.7



Part/UPC Number	Catalog Number	Number of Positions	Buss Amps	Amp Rating	Jaws	Service Type	Access	Main Breaker			
								Voltage	AIC	Main	Bypass
78205107770	152 MCCM	2	225	100	4	1Ø/3W	OH/UG	120/240	10K	(2) 100A, 2P	MCC
78205107771	153 MCCM	3	225	100	4	1Ø/3W	OH/UG	120/240	10K	(3) 100A, 2P	MCC
78205107774	154 MCCM	4	225	100	4	1Ø/3W	OH/UG	120/240	10K	(4) 100A, 2P	MCC

Part/UPC Number	Catalog Number	Connections			Overall Dimensions			Top Provision	Knockout Layout
		Line	Load	Neutral	Height	Width	Depth		
78205107770	152 MCCM	#6 - 250 MCM	MCB	#6 - 250 MCM	28 ¹ / ₂ "	26 ¹ / ₂ "	4 ⁵ / ₈ "	AW Hub	Fig. 1
78205107771	153 MCCM	#6 - 250 MCM	MCB	#6 - 250 MCM	28 ¹ / ₂ "	34 ³ / ₄ "	4 ⁵ / ₈ "	AW Hub	Fig. 2
78205107774	154 MCCM	#6 - 250 MCM	MCB	#6 - 250 MCM	28 ¹ / ₂ "	43"	4 ⁵ / ₈ "	AW Hub	Fig. 3

MCB - Main Circuit Breaker

Data subject to change without notice. Consult local utility for area acceptance. All dimensions are in inches.

Group Meter Main - With MCC Bypass

100 Amp Horizontal

Style #	Suffixes
152 MCCM	SS - Stainless Steel 304 *
153 MCCM	SS6 - Stainless Steel 316 *
154 MCCM	

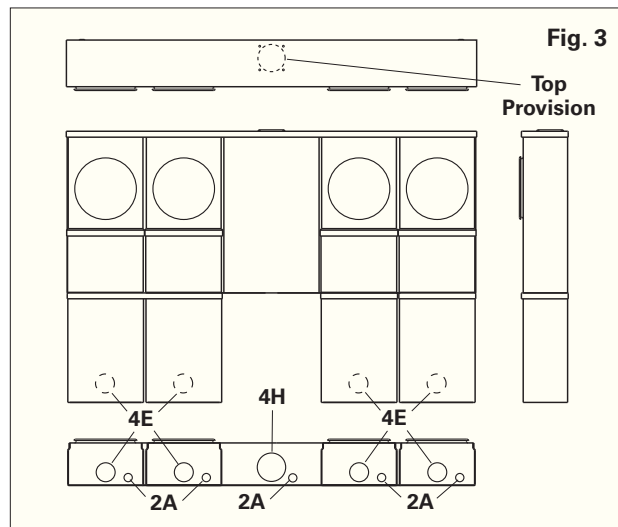
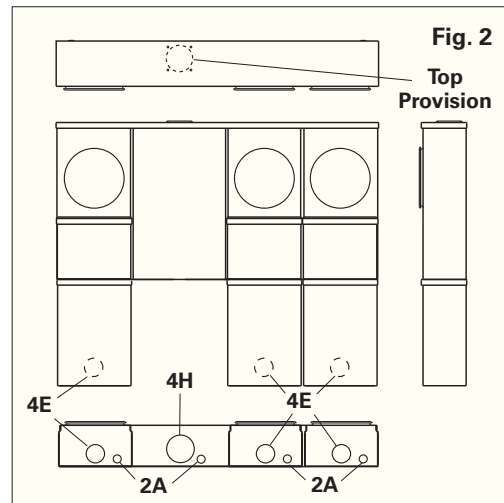
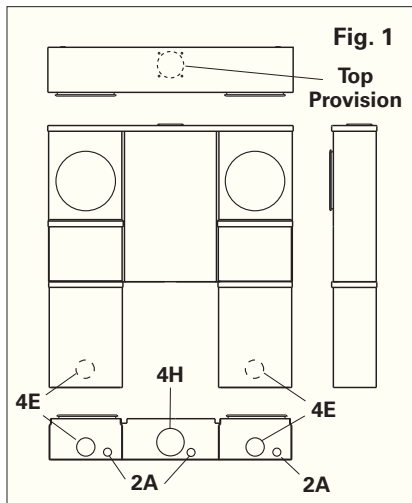
Knockouts - Conduit Sizes

2A = 1/2" - 1/4"
 4E = 1 1/2" - 1 1/4" - 1" - 3/4"
 4H = 3" - 2 1/2" - 2" - 1 1/2"
 Top Provision = See Chart

* Knockouts and top provisions are not available in Stainless Steel (SS) finish

Multiple Metering

Knockout Layouts



Data subject to change without notice. Consult local utility for area acceptance. All dimensions are in inches.

Group Meter Main - Without Bypass

200 Amp Vertical

Multiple Metering



2222 (closed)



2222 (open)

Application

- For vertical multi-meter/mains installations - 4 position maximum
- 400A main buss
- Factory installed breakers
- Receive ANSI C12.10 watthour meters
- Overhead or underground feed (see chart)
- Surface mount

Construction

- Ring type
- NEMA Type 3R
- ANSI 61 gray painted finish
- Aluminum snap ring included

Standards

- UL 67 Listed
- ANSI C12.7

Accessories

- 5th Jaw Kit - 50365
- Screw Type Ring - 26016D



Part/UPC Number	Catalog Number	Number of Positions	Buss Amps	Amp Rating	Jaws	Service Type	Access	Main Breaker		
								Voltage	AIC	Main
78205161519	2222	2	400	200	4	1Ø/3W	OH/UG	120/240	10K	(2) 200A, 2P
79903854901	2223	3	400	200	4	1Ø/3W	OH/UG	120/240	10K	(3) 200A, 2P
79903854902	2224	4	600	200	4	1Ø/3W	OH/UG	120/240	10K	(4) 200A, 2P

Part/UPC Number	Catalog Number	Connections			Height	Overall Dimensions			Top Provision	Knockout Layout
		Line	Load	Neutral		Width	Depth			
78205161519	2222	Studs	MCB	#6 - 250 MCM	48"	26 ⁵ / ₈ "	6"	None	Fig. 1	
79903854901	2223	Studs	MCB	#6 - 250 MCM	48"	40 ³ / ₄ "	6"	None	Fig. 2	
79903854902	2224	Studs	MCB	#6 - 250 MCM	48"	40 ³ / ₄ "	6"	None	Fig. 2	

MCB - Main Circuit Breaker

Data subject to change without notice. Consult local utility for area acceptance. All dimensions are in inches.

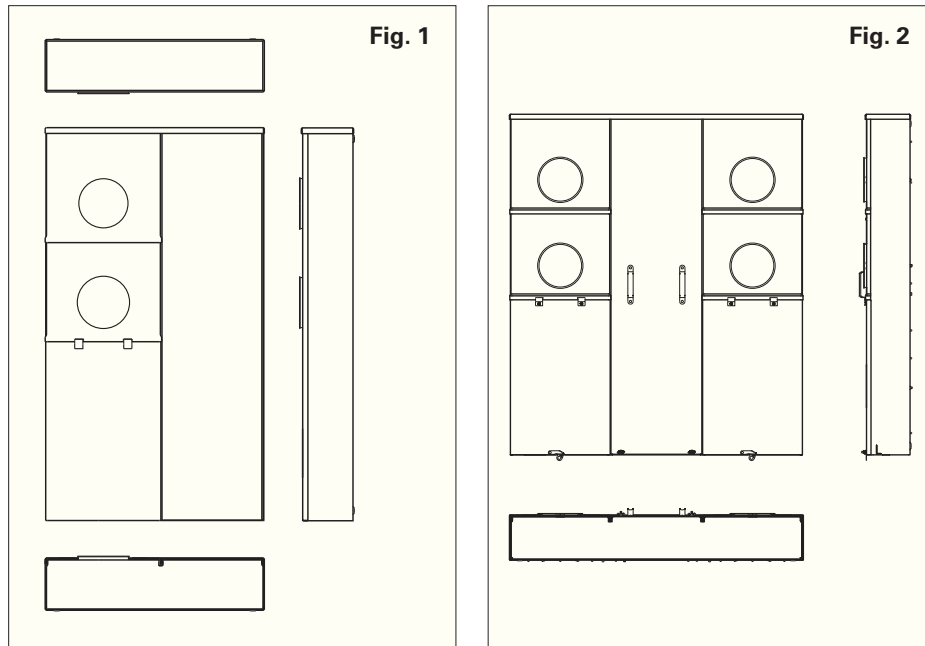
Group Meter Main - Without Bypass

200 Amp Vertical

Style #	Suffixes
2222	SS - Stainless Steel 304
2223	SS6 - Stainless Steel 316
2224	

Multiple Metering

Layouts



Data subject to change without notice. Consult local utility for area acceptance. All dimensions are in inches.



Mobile Home
Metering

Mobile Home Pedestal, 100/200 Amp	100 - 101
Mobile Home Panel, 200 Amp	102 - 103

Mobile Home Pedestal

100/200 Amp



M2M200PPD (closed)



M2M200PPD (open)

Application

- Direct bury design for mobile home applications
- Isolated compartments for customer equipment, circuit breakers, and metering service
- Hinged disconnect cover with padlock provision
- Louvered line section for ventilation
- Separate load exit enclosure
- Provisions for additional breakers
- Receive ANSI C12.10 watt-hour meters
- Underground feed



Construction

- Ring type
- NEMA Type 3R
- ANSI 61 gray painted finish
- Aluminum snap ring included

Standards

- UL 67 Listed
- ANSI C12.7
- EUSERC 307

Accessories

- Load exit enclosure - 3245 Kit (see Fig. 2)

Mobile Home
Metering

Part/UPC Number	Catalog Number	Amp Rating	Jaws	Service Type	Access	Main Breaker			
						Voltage	AIC	Main	Provisions
78205137400	M1M100PD	125	4	1Ø/3W	UG	120/240	10K	(1) 100A, 2P	(1) 100A
78205105591	M1M100PD MS66	100	4	1Ø/3W	UG	120/240	10K	(1) 100A, 2P	(1) 100A
78205137425	M1M125PD	125	4	1Ø/3W	UG	120/240	10K	(1) 125A, 2P	(1) 100A
78205113005	M1M125PD MS66	125	4	1Ø/3W	UG	120/240	10K	(1) 125A, 2P	(1) 100A
78205117765	M1M150PD MS67	150	4	1Ø/3W	UG	120/240	10K	(1) 150A, 2P	(1) 100A
78205117766	M1M175PD MS67	175	4	1Ø/3W	UG	120/240	10K	(1) 175A, 2P	(1) 100A
78205137435	M2M150PD	150	4	1Ø/3W	UG	120/240	10K	(1) 150A, 2P	(1) 100A
78205137445	M2M175PD	175	4	1Ø/3W	UG	120/240	10K	(1) 175A, 2P	(1) 100A
78205137610	M2M200PD	200	4	1Ø/3W	UG	120/240	10K	(1) 200A, 2P	(1) 100A
78205137620	M2M200PD MS67	200	4	1Ø/3W	UG	120/240	10K	(1) 200A, 2P	(1) 100A
78205137630	M2M200PPD	200	4	1Ø/3W	UG	120/240	10K	(1) 200A, 2P	(2) 100A
78205137640	M2M200PPD MS67	200	4	1Ø/3W	UG	120/240	10K	(1) 200A, 2P	(2) 100A

Part/UPC Number	Catalog Number	Connections			Overall Dimensions			Top Provision	Knockout Layout
		Line	Load	Neutral	Height	Width	Depth		
78205137400	M1M100PD	#6 - 350 MCM	MCB	#6 - 350 MCM	78"	10"	4 ⁵ / ₈ "	None	Fig. 1
78205105591	M1M100PD MS66	Studs	MCB	#6 - 350 MCM	78"	10"	4 ⁵ / ₈ "	None	Fig. 1
78205137425	M1M125PD	#6 - 350 MCM	MCB	#6 - 350 MCM	78"	10"	4 ⁵ / ₈ "	None	Fig. 1
78205113005	M1M125PD MS66	Studs	MCB	#6 - 350 MCM	78"	10"	4 ⁵ / ₈ "	None	Fig. 1
78205117765	M1M150PD MS67	Studs	MCB	#6 - 350 MCM	78"	10"	4 ⁵ / ₈ "	None	Fig. 1
78205117766	M1M175PD MS67	Studs	MCB	#6 - 350 MCM	78"	10"	4 ⁵ / ₈ "	None	Fig. 1
78205137435	M2M150PD	#6 - 250 MCM	MCB	#6 - 350 MCM	78"	10"	4 ⁵ / ₈ "	None	Fig. 1
78205137445	M2M175PD	#6 - 250 MCM	MCB	#6 - 350 MCM	78"	10"	4 ⁵ / ₈ "	None	Fig. 1
78205137610	M2M200PD	#6 - 250 MCM	MCB	#6 - 350 MCM	78"	10"	4 ⁵ / ₈ "	None	Fig. 1
78205137620	M2M200PD MS67	Studs	MCB	#6 - 350 MCM	78"	10"	4 ⁵ / ₈ "	None	Fig. 1
78205137630	M2M200PPD	#6 - 250 MCM	MCB	#6 - 350 MCM	78"	10"	4 ⁵ / ₈ "	None	Fig. 1
78205137640	M2M200PPD MS67	Studs	MCB	#6 - 350 MCM	78"	10"	4 ⁵ / ₈ "	None	Fig. 1

MCB - Main Circuit Breaker

Data subject to change without notice. Consult local utility for area acceptance. All dimensions are in inches.

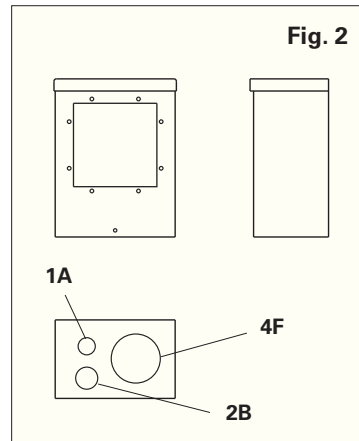
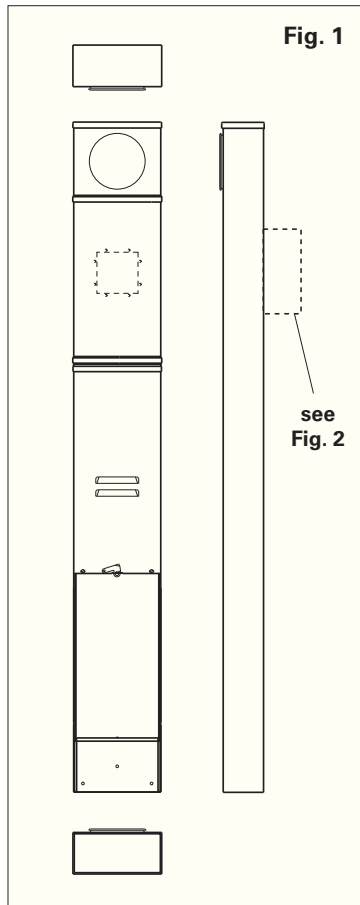
Style #	Suffixes
M1M1xxPD	MS66 - Studs replace line side connectors
M2M1xxPD	
M2M2xxPD	MS67 - Studs replace line side connectors
M2M2xxPDD	
	SS - Stainless Steel 304 *
	SS6 - Stainless Steel 316 *

Knockouts - Conduit Sizes
1A = 1/2"
2B = 3/4" - 1/2"
4F = 2" - 1 1/2" - 1 1/4" - 1"

* Knockouts and top provisions are not available in Stainless Steel (SS) finish

Mobile Home Metering

Knockout Layouts



Mobile Home Panel

200 Amp



U2M200P (closed)



U2M200P (open)

Application

- Designed for mobile home applications
- Provisions for additional breakers
- Receive ANSI C12.10 watt-hour meters
- Overhead or underground feed (see chart)
- Surface mount

Construction

- Ring type
- NEMA Type 3R
- ANSI 61 gray painted finish
- Aluminum snap ring included

Standards

- UL 67 Listed
- ANSI C12.7

Accessories

- Flush Trim Kit - FK 1430
- AW Hubs



Mobile Home
Metering

Part/UPC Number	Catalog Number	Amp Rating	Jaws	Service Type	Access	Voltage	Main Breaker		
							AIC	Main	Provisions
78205157310	U2M200	200	4	1Ø/3W	OH/UG	120/240	10K	(1) 200A, 2P	--
78205157315	U2M200P	200	4	1Ø/3W	OH/UG	120/240	10K	(1) 200A, 2P	(1) 2P
78205157320	U2M200PP	200	4	1Ø/3W	OH/UG	120/240	10K	(1) 200A, 2P	(2) 2P

Part/UPC Number	Catalog Number	Connections			Overall Dimensions			Top Provision	Knockout Layout
		Line	Load	Neutral	Height	Width	Depth		
78205157310	U2M200	#6 - 250 MCM	MCB	#6 - 250 MCM	30"	14"	4 ⁵ / ₈ "	AW Hub	Fig. 1
78205157315	U2M200P	#6 - 250 MCM	MCB	#6 - 250 MCM	30"	14"	4 ⁵ / ₈ "	AW Hub	Fig. 1
78205157320	U2M200PP	#6 - 250 MCM	MCB	#6 - 250 MCM	30"	14"	4 ⁵ / ₈ "	AW Hub	Fig. 1

MCB - Main Circuit Breaker

Data subject to change without notice. Consult local utility for area acceptance. All dimensions are in inches.

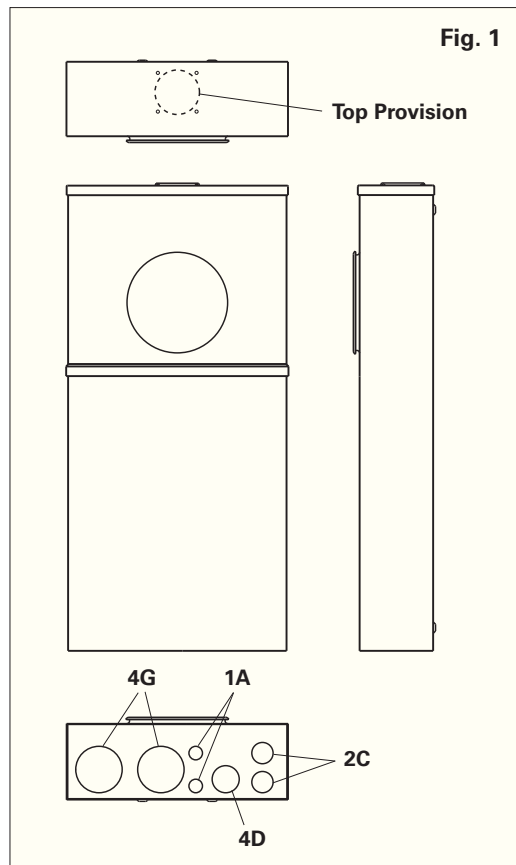
Style #	Suffixes
U2M200	SS - Stainless Steel 304 *
U2M200P	SS6 - Stainless Steel 316 *
U2M200PP	

Knockouts - Conduit Sizes

1A = 1/2"
 2C = 1" - 3/4"
 4D = 1 1/4" - 1" - 3/4" - 1/2"
 4G = 2 1/2" - 2" - 1 1/2" - 1 1/4"
 Top Provision = See Chart

* Knockouts and top provisions are not available in Stainless Steel (SS) finish

Knockout Layouts





Commercial Metering Pedestals - Features & Applications	106
Commercial Metering Pedestals - Mounting Base Details	107
Commercial Metering Pedestals - Pad Mounted	108
Commercial Metering Pedestals - Post/Wall Mounted	109
Commercial Metering Pedestals - Pad Mounted, Unmetered	110

Commercial Meter Pedestals - Features & Applications

Post, Wall, or Pad Mounted Pedestals with Isolated Components for Utility Metering



Name _____

Company Name _____

Address _____

Phone _____

Email _____

Typical Application

- Street & highway lighting
- Traffic signal controller metering
- Irrigation control systems
- Park & recreation facilities
- Golf course lighting
- Sign lighting

Construction

- NEMA Type 3R
- UL Listed
- ANSI 12.7
- EUSERC #308 Compliant (CMP4xxx MC1)

Service conductor terminations and customer's equipment can be factory customized to meet specific job requirements

Commercial Metering Pedestal - Customization Form

Enclosure Mounting Type _____	
Supply Voltage _____	Service _____
Supply Amperage _____	Short Circuit Rating _____
Meter Bypass: Safety Socket (Test Block) <input type="checkbox"/> Manual Circuit Closing <input type="checkbox"/> No Bypass <input type="checkbox"/>	
Disconnect: Main Circuit Breaker <input type="checkbox"/> Class "T" Fused Pullout <input type="checkbox"/>	
Distribution: Circuit Panelboard _____ None <input type="checkbox"/>	
Finish: Light Gray (ANSI 61) <input type="checkbox"/> Light Green <input type="checkbox"/> Federal Brown <input type="checkbox"/> Light Gray (ANSI 49) <input type="checkbox"/> White <input type="checkbox"/> Other _____	
Controls:	
<input type="checkbox"/> Switch: HOA (Hand-Off-Auto) _____ Test Switch _____	
<input type="checkbox"/> Photo-Electric Cell: In Window _____ Field Installed _____	
<input type="checkbox"/> Time Clock: 24 Hour _____ 7 Day _____ Electronic _____ Mechanical _____	
<input type="checkbox"/> Lighting Contractor: Amps _____ Poles _____ Control Voltage _____	
<input type="checkbox"/> Thermostat: Electronic _____ Mechanical _____	
<input type="checkbox"/> Cabinet Heater: Watts _____	<input type="checkbox"/> Control Transformer: Amps _____
<input type="checkbox"/> Duplex Receptacles: _____	<input type="checkbox"/> Terminal Block _____

For online form, see www.eaton.com/cmp.

Send completed form to customer service at Eaton's B-Line Business. See address information on back cover.

Data subject to change without notice. Consult local utility for area acceptance. All dimensions are in inches.

Installation Instructions for CMP-4000 Series

Meter pedestals are designed for pad-mount installation.
Two methods can be used to install pedestals on a concrete pad.

Method 1. Use pre-fabricated mounting base assembly.

Cat. No. MB1515 - Suitable for 15" wide x 15" deep pedestals.

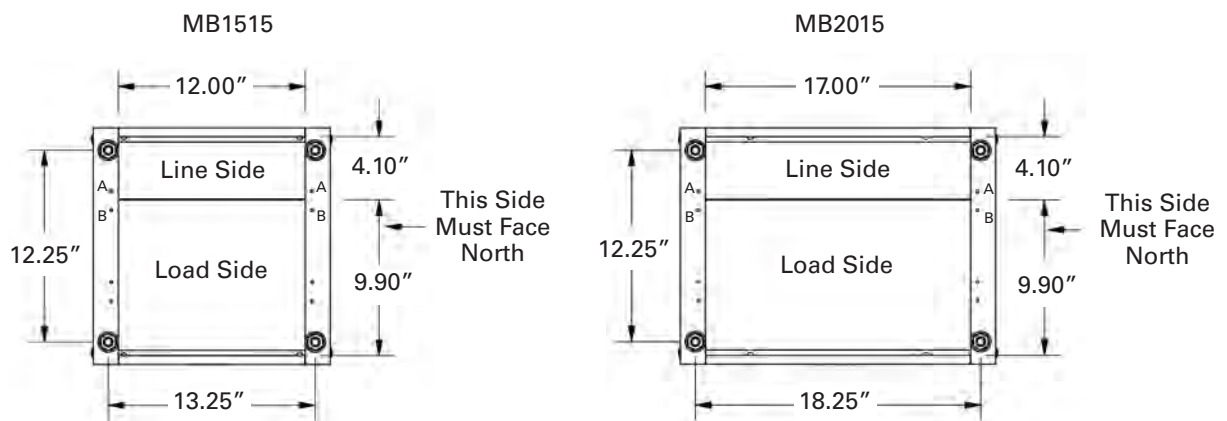
Cat. No. MB2015 - Suitable for 20" wide x 15" deep pedestals.

Install mounting base assembly flush with top surface of concrete pad, allowing mounting studs to reach above pad. Locate line and load conduits in the designated areas as shown on drawings below.

Note: Barrier position 'B' for legacy B-Line series CMP alignment.

Caution:

Pedestals with photo-electric controls - right hand side must be facing to the North.(See drawings below)



Method 2. Use anchor bolts ($\frac{5}{8}$ " dia.) pre-cast in concrete pad. Mounting hole dimensions are shown above for MB1515 (15" x 15") and MB2015 (20" x 15") pedestals. Locate line and load conduits the same as in Method 1.

Commercial Meter Pedestals - Pad Mounted



CMP4111MC-1



Application

- Utility meter, main disconnect and distribution panel
- Receive ANSI C12.10 watt-hour meters

Construction

- Ring type
- NEMA Type 3R
- ANSI 61 gray painted finish
- Separate sealable utility termination and meter compartments
- Padlockable disconnect and distribution section
- Underground feed

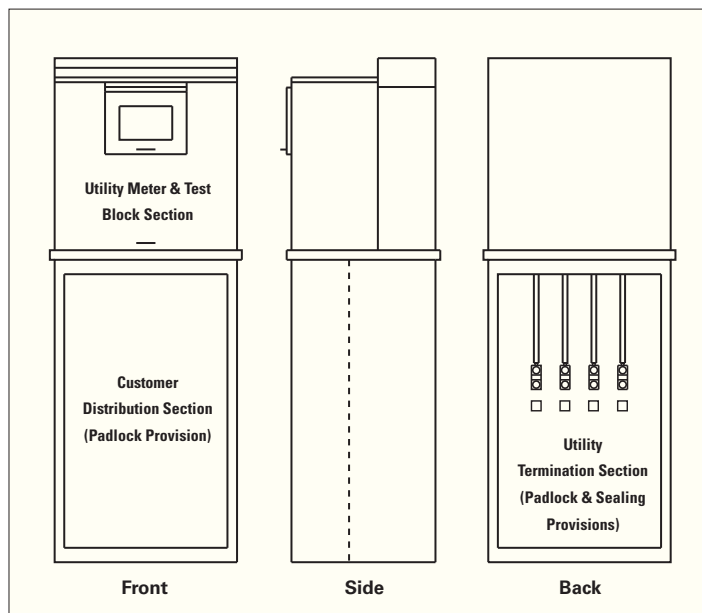
Standards

- UL Listed
- ANSI C12.7
- EUSERC #308

Accessories

- 5th jaw kit - 50365 (single phase)
- Filler plate kit - 25139
- Class T fusible pullouts
- Controls, see page 106

Catalog Number	Amp Rating	Jaws	Service Type	Bypass	Voltage	Distribution		Type	Mounting Pad	Width	Dimensions	
						Main Breaker	Branches				Depth	Height
CMP4111MC-1	100	4	1Ø,3W	TB	240	100A,2P	12	Plug-In	MB1515	15"	17 1/2"	54"
CMP4111MCH-1	100	4	1Ø,3W	TB	480	100A,2P	14	Bolt-On	MB2015	20"	17 1/2"	54"
CMP4121MC-1	200	4	1Ø,3W	TB	240	200A,2P	12	Plug-In	MB1515	15"	17 1/2"	54"
CMP4121MCH-1	200	4	1Ø,3W	TB	480	200A,2P	18	Bolt-On	MB2015	20"	17 1/2"	54"
CMP4411MC-1	100	7	3Ø,4W	TB	240	100A,3P	12	Plug-In	MB1515	15"	17 1/2"	54"
CMP4411MCH-1	100	7	3Ø,4W	TB	480	100A,3P	12	Bolt-On	MB2015	20"	17 1/2"	54"
CMP4421MC-1	200	7	3Ø,4W	TB	240	200A,3P	12	Plug-In	MB1515	15"	17 1/2"	54"
CMP4421MCH-1	200	7	3Ø,4W	TB	480	200A,3P	18	Bolt-On	MB2015	20"	17 1/2"	54"



Data subject to change without notice. Consult local utility for area acceptance. All dimensions are in inches.

Commercial Meter Pedestals - Post/Wall Mounted



CMP4111M

Application

- Utility meter, main disconnect and distribution panel
- Receive ANSI C12.10 watthour meters

Construction

- Ring type
- NEMA Type 3R
- ANSI 61 gray painted finish
- Separate sealable utility termination and meter compartments
- Padlockable disconnect and distribution section
- Underground feed

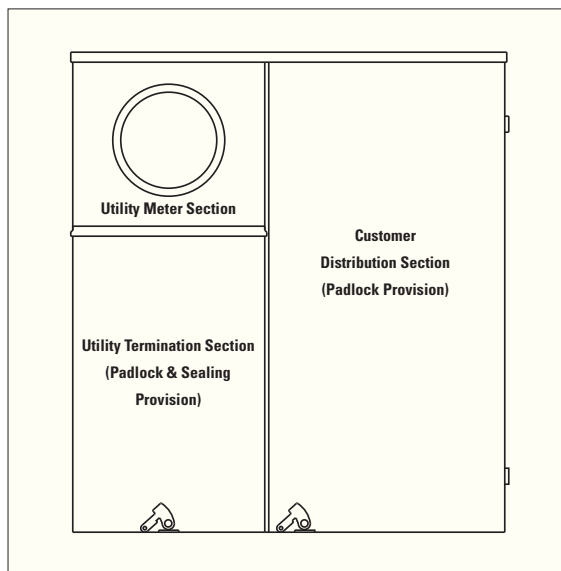
Standards

- UL Listed
- ANSI C12.7

Accessories

- 5th jaw kit - 50365 (single phase)
- Filler plate kit - 25139
- Class T fusible pullouts
- Controls, see page 106

Catalog Number	Amp Rating	Jaws	Service Type	Bypass	Voltage	Distribution		Type	Dimensions		
						Main Breaker	Branches		Width	Depth	Height
CMP4111M	100	4	1Ø,3W	--	240	100A,2P	12	Plug-In	32"	8"	32"
CMP4111MC	100	4	1Ø,3W	TB	240	100A,2P	12	Plug-In	32"	8"	32"
CMP4111MCH	100	4	1Ø,3W	TB	480	100A,2P	14	Bolt-On	32"	8"	38"
CMP4121M	200	4	1Ø,3W	--	240	200A,2P	12	Plug-In	32"	8"	38"
CMP4121MC	200	4	1Ø,3W	TB	240	200A,2P	12	Plug-In	32"	8"	38"
CMP4121MCH	200	4	1Ø,3W	TB	480	200A,2P	18	Bolt-On	32"	8"	38"
CMP4411M	100	7	3Ø,4W	--	240	100A,3P	12	Plug-In	32"	8"	32"
CMP4411MC	100	7	3Ø,4W	TB	240	100A,3P	12	Plug-In	32"	8"	32"
CMP4411MCH	100	7	3Ø,4W	TB	480	100A,3P	12	Bolt-On	32"	8"	32"
CMP4421M	200	7	3Ø,4W	--	240	200A,3P	12	Plug-In	32"	8"	32"
CMP4421MC	200	7	3Ø,4W	TB	240	200A,3P	12	Plug-In	32"	8"	32"
CMP4421MCH	200	7	3Ø,4W	TB	480	200A,3P	18	Bolt-On	32"	8"	38"



Data subject to change without notice. Consult local utility for area acceptance. All dimensions are in inches.

Commercial Meter Pedestals - Pad Mounted, Unmetered



CUP4111

Application

- Utility meter, main disconnect and distribution panel

Construction

- Ring type
- NEMA Type 3R
- ANSI 61 gray painted finish
- Separate sealable utility termination and meter compartments
- Padlockable disconnect and distribution section
- Underground feed

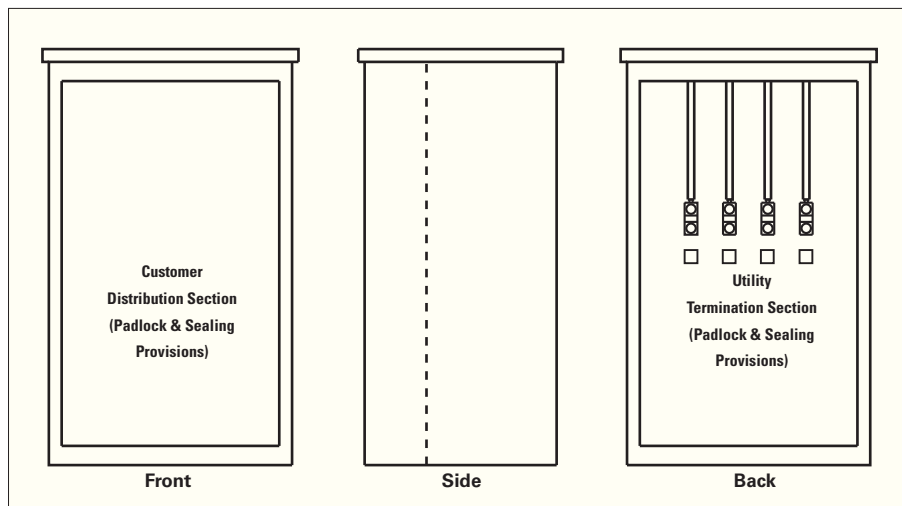
Standards

- UL Listed
- ANSI C12.7

Accessories

- 5th jaw kit - 50365 (single phase)
- Filler plate kit - 25139
- Class T fusible pullouts
- Controls, see page 106

Catalog Number	Amp Rating	Service Type	Bypass	Distribution			Mounting Pad	Dimensions			
				Voltage	Main Breaker	Branches		Type	Width	Depth	Height
CUP4111	100	1Ø,3W	TB	240	100A,2P	12	Plug-In	MB1515	15"	17 1/2"	32"
CUP4111H	100	1Ø,3W	TB	480	100A,2P	14	Bolt-On	MB2015	20"	17 1/2"	32"
CUP4121	200	1Ø,3W	TB	240	200A,2P	12	Plug-In	MB1515	15"	17 1/2"	32"
CUP4121H	200	1Ø,3W	TB	480	200A,2P	18	Bolt-On	MB2015	20"	17 1/2"	32"
CUP4411	100	3Ø,4W	TB	240	100A,3P	12	Plug-In	MB1515	15"	17 1/2"	32"
CUP4411H	100	3Ø,4W	TB	480	100A,3P	12	Bolt-On	MB2015	20"	17 1/2"	32"
CUP4421	200	3Ø,4W	TB	240	200A,3P	12	Plug-In	MB1515	15"	17 1/2"	32"
CUP4421H	200	3Ø,4W	TB	480	200A,3P	18	Bolt-On	MB2015	20"	17 1/2"	32"



Data subject to change without notice. Consult local utility for area acceptance. All dimensions are in inches.



Covers & Sealing Rings	112
AW & H-Base Hubs	112
Door Stops, Flush Trim Kits & Overhead Conversion Kits	113
Lug-Stud & Lug-Lug Terminal Pad Assemblies	114
Terminal Landing Pads, 5th Jaw Terminal Kits, Insulator	114
Breaker Stab Assembly, Jumper Link, MTB Cover Kit	115
Test Blocks for TB Sockets	115
Class "T" Replacement Fuses for MTBP & MTBPL Units	115
Sealing Device Packages & Oil-Tight Hole Seals	116
Ground Lug Kits, Triplex Ground Connectors, Touch-Up Paint	117

Data subject to change without notice. Consult local utility for area acceptance. All dimensions are in inches.



25016A
25016B (shown)



25162



26016D

Covers & Sealing Rings

Catalog Number	Description
30420	Steel Cover For Socket Opening
25162	Clear Lexan Cover For Socket Opening
25016A	Aluminum Snap Type Sealing Ring
25016B	Stainless Steel Snap Type Sealing Ring
25016D	Anodized Aluminum Screw Type Sealing Ring



AW200



AW CAP

AW Hubs

Interchangeable gasketless hubs for conduit sizes 1" through 2 1/2" per ANSI C12.7. All hubs are threaded and secured by bolting hub to top of meter enclosure with tapped holes in enclosure.

Catalog Number	Hub Description
AW CAP	Cap
AW100	1" Conduit Size
AW125	1 1/4" Conduit Size
AW150	1 1/2" Conduit Size
AW200	2" Conduit Size
AW250	2 1/2" Conduit Size



H7



H10

H-Base Hubs

Interchangeable gasketless hubs for conduit sizes 2" through 4" per ANSI C12.7. All hubs are threaded and secured by bolting hub to top of meter enclosure with tapped holes in enclosure.

Catalog Number	Hub Description
H7	Adapter From Large H-Base Hub To AW Hub
H10	Closure Plate
H30	3" Conduit Size
H35	3 1/2" Conduit Size
H40	4" Conduit Size

Data subject to change without notice. Consult local utility for area acceptance. All dimensions are in inches.

Door Stops

Door stop kits are intended for a single door wall-mount enclosures that has a minimum width of 16 inches. The kit is designed to mount at the top or bottom of the door opening. When properly installed the door can be held open approximately 135°. Tools are not necessary to affix or release the stop. When not in use the assembly folds and locks neatly away. Each kit contains detailed mounting instructions and all the necessary hardware for field assembly.



Catalog Number	Description
DSTOPK	Door stop kit

Flush Trim Kits

Flush trim kits are used to change a meter enclosure from a surface mount to a semi-flush. Kits include all necessary hardware and instructions for field installation.

Catalog Number	Fits Enclosures
FK1432	14 x 32
FK2432	24 x 32
FK2438	24 x 38
FK3038	30 x 38
FK3447	34 x 47
FK1421A	14 x 21 ^{1/2}
FK1430	14 x 30
FK2421A	24 x 21 ^{1/2}
FK2430A	24 x 30
FK3221A	32 x 21
FK3230	32 x 30
FK2832A	28 x 32 ^{1/2}

Overhead Conversion Kit

Overhead conversion kits are used on the U404 series to convert meter enclosure from underground to overhead feed. Kit is constructed with knockouts, an H-base hub provision and sealable utility cover. The kit includes (3) mechanical lugs to convert line side stud termination to mechanical termination: stud spacing 1^{3/4}" center to center.

Wire range per lug: (1) 4 AWG – 600 kcmil
or (2) 1 AWG – 250 kcmil
or (2) 2 AWG – 3/0 AWG

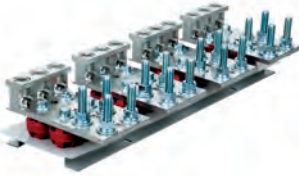
Catalog Number	Size (Height x Width x Depth)
CK8326	32" x 8" x 6"



Data subject to change without notice. Consult local utility for area acceptance. All dimensions are in inches.



R9002EE
shown



R9002_ Series

Lug - Stud Terminal Pad Assemblies *UL Listed

Each pad comes complete with insulator.

Catalog Number	Max Amperes	Phase & Neutral Conductor	
		Line	Load
R9002C	400 Amp	2 Studs / Ø	(1) 4 AWG- 600 kcmil or (2) 1/0 - 250 kcmil
R9002CC	400 Amp	2 Studs / Ø	(1) 4 AWG- 600 kcmil or (2) 1/0 - 250 kcmil
R9002E	800 Amp	4 Studs / Ø	(3) 4 AWG- 600 kcmil or (6) 1/0 - 250 kcmil
R9002EE	800 Amp	4 Studs / Ø	(3) 4 AWG- 600 kcmil or (6) 1/0 - 250 kcmil
R9002F	1200 Amp	6 Studs / Ø	(4) 4 AWG- 600 kcmil or (8) 1/0 - 250 kcmil
R9002FF	1200 Amp	6 Studs / Ø	(4) 4 AWG- 600 kcmil or (8) 1/0 - 250 kcmil



R9002EEL
shown



R9002_L Series

Lug - Lug Terminal Pad Assemblies *UL Listed

Each pad comes complete with insulator.

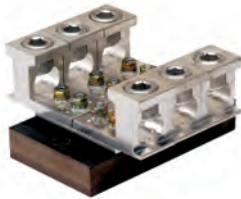
Catalog Number	Max Amperes	Phase & Neutral Conductor	
		Line	Load
R9002CL	400 Amp	(1) 4 AWG- 600 kcmil or (2) 1/0 - 250 kcmil	
R9002CCL	400 Amp	(1) 4 AWG- 600 kcmil or (2) 1/0 - 250 kcmil	
R9002EL	800 Amp	(3) 4 AWG- 600 kcmil or (6) 1/0 - 250 kcmil	
R9002EEL	800 Amp	(3) 4 AWG- 600 kcmil or (6) 1/0 - 250 kcmil	
R9002FL	1200 Amp	(4) 4 AWG- 600 kcmil or (8) 1/0 - 250 kcmil	
R9002FFL	1200 Amp	(4) 4 AWG- 600 kcmil or (8) 1/0 - 250 kcmil	

Terminal Landing Pads *Not UL Listed

Each pad comes complete with insulator.



9005E shown



9005_ Series

Catalog Number	Max Amperes	Max Incoming/Outgoing Conductors
9005B	200 Amp	(1) 250 kcmil
9005BB	200 Amp	(1) 250 kcmil
9005C	400 Amp	(1) 600 kcmil or (2) 250 kcmil
9005D	600 Amp	(2) 600 kcmil or (4) 250 kcmil
9005E	800 Amp	(3) 600 kcmil or (6) 250 kcmil
9005F	1200 Amp	(4) 600 kcmil or (8) 250 kcmil

5th Jaw Terminal Kits



50371



50365

Catalog Number	Description
50371	100 Amp & 200 AMP, 1Ø, 3W Applications
50365	100 Amp & 200 AMP, 1Ø, 3W Applications



25104

Miscellaneous

Catalog Number	Description
25104	Insulator - Red Poly-Glass 1 3/8" H x 1 3/8" D, 3/8" Thread

Data subject to change without notice. Consult local utility for area acceptance. All dimensions are in inches.



20212A



20213A

Breaker Stab Assembly

Catalog Number	Description
20212A	2-Pole
20213A	3-Pole



SJ-100

Jumper Link

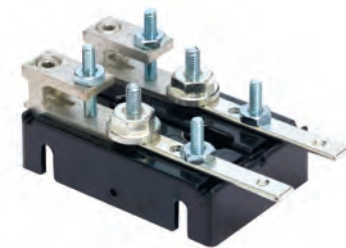
Catalog Number	Description
SJ-100	100 & 200 Ampere Jumper Link



25439

Cover Kit

Catalog Number	Description
25439	Replacement Breaker Cover - 5" wide
25440	Replacement Breaker Cover - 6 ³ / ₈ " wide



20252A

Test Blocks For TB Sockets

Catalog Number	Description
20252A	100 Amp, 2-Pole Test Block
20250C	100 Amp, 2-Pole Test Block With Barriers
20252B	200 Amp, 2-Pole Test Block
20251C	200 Amp, 2-Pole Test Block With Barriers
20258A	100 Amp, 2-Pole With Lugs On Both Ends
20258B	200 Amp, 2-Pole With Lugs On Both Ends

Data subject to change without notice. Consult local utility for area acceptance. All dimensions are in inches.

Accessories

Sealing Device Packages



Sealing hardware devices are used as replacement pieces for various enclosures and wireway. All hardware is plated.

Catalog Number	Description	Quantity
SEALS	Wire Seal Screw	10
SEALWN	Wire Seal Wing Nut	10
SEALC	Wire Seal Clip	10



Oil-Tight Hole Seals

Protects knockout openings and extra pushbutton or conduit openings from dirt, oil, dust and water. Each hole seal has oil-resistant gasketing and plated stud and wing nut. Available in steel finished with ANSI 61 polyester powder or unpainted stainless steel.

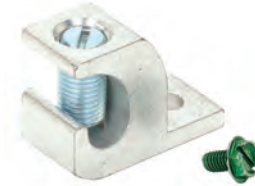


Catalog Numbers		Application	Max. Hole Diameter	Hole Seal Diameter
Steel	Stainless			
SPBG	SPBGSS	Miniature Oil-Tight Pushbutton	0.88	1.22
SPB	SPBSS	Standard Oil-Tight Pushbutton	1.25	1.75
S050	S050SS	1/2" Conduit Holes	0.88	1.38
S075	S075SS	3/4" Conduit Holes	1.06	1.56
S100	S100SS	1" Conduit Holes	1.38	1.88
S125	S125SS	1 1/4" Conduit Holes	1.69	2.19
S150	S150SS	1 1/2" Conduit Holes	2.00	2.50
S200	S200SS	2" Conduit Holes	2.50	3.00
S250		2 1/2" Conduit Holes	3.00	3.50
S300		3" Conduit Holes	3.62	4.12
S350		3 1/2" Conduit Holes	4.12	4.62
S400		4" Conduit Holes	4.62	5.12

Data subject to change without notice. Consult local utility for area acceptance. All dimensions are in inches.

Ground Lug Kits

Grounding Lug Kits are intended to provide a means for equipment grounding for most enclosures. Lug sizes 1/0 and above have a "J" shaped design to lay-in wire and cable. The lug top and fastener are colored green to meet NEC standards for grounding fastener devices.



10184B

Catalog Number	Wire Range	Fastener
10184 A	#6 - #14 AWG CU/AL	#10-32
10184 B	1/0 - #14 AWG CU/AL	#10-32
10184 C	250 kcmil - 1/0 CU/AL	1/4"-20



10184C



10184A

Triplex Ground Connectors



Catalog Number	Description
ETB200	For 200A Lay-In Lugs

Touch-Up Paint



Touch-up paint can be used to repair the finish of panels and enclosures. Paint is available in ANSI 61, ANSI 49 and White Enamel in 12oz. spray cans.

Catalog Number	Paint Color
84032	ANSI 49 Gray
84033	White Enamel
84034	ANSI 61 Gray

84032

Data subject to change without notice. Consult local utility for area acceptance. All dimensions are in inches.

Energization of Electrical Equipment

Before energizing

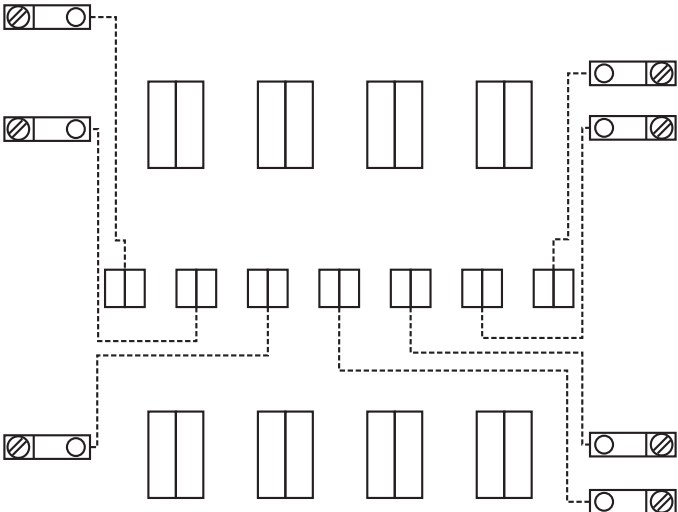
- 1) Give equipment a thorough visual examination to determine that:
 - A) Proper clearances have been maintained
 - B) All connections have been made
 - C) Equipment is clean and dry
- 2) Make a thorough physical examination to verify:
 - A) Tightness of all bolted connections – see table
 - B) Manually operate all circuit breakers, switches, relays, etc.
 - C) Check rigidity of all mountings, bus bars and components
- 3) All switches and circuit breakers should be in the off position
- 4) Mount covers and close doors

Recommend Torque Requirements

Screw Type	Screw Size	Torque	Tolerances
Slotted or Phillips	#10-32	30 in.-lbs.	5 in.-lbs.
	#12-24	38 in.-lbs.	5 in.-lbs.
	1/4"-20	45 in.-lbs.	5 in.-lbs.
	5/16"-18	60 in.-lbs.	5 in.-lbs.
Hex Head	1/4"-20	72 in.-lbs.	10 in.-lbs.
	5/16"-18	85 in.-lbs.	10 in.-lbs.
	3/8"-16	175 in.-lbs.	15 in.-lbs.
	7/16"-14	399 in.-lbs.	20 in.-lbs.
	1/2"-13	375 in.-lbs.	25 in.-lbs.

*Use 80-in.-lbs. when threaded in aluminum bus connection.

Internal Potential Wiring of 13, 14, & 15 Jaw Sockets

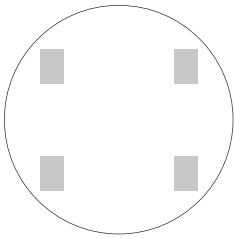


Front View

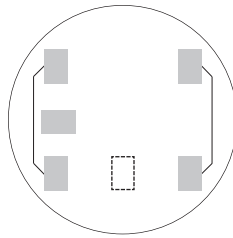
Data subject to change without notice. Consult local utility for area acceptance. All dimensions are in inches.

Metering Data

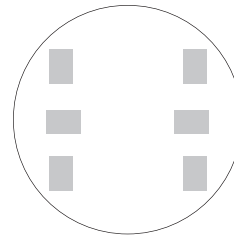
Location of Socket Jaws



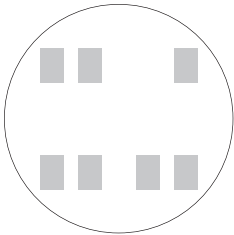
4-Terminal
Form 1S & 2S



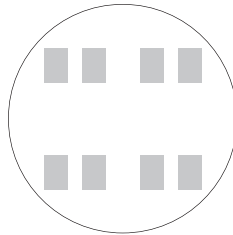
5-Terminal
Form 3S



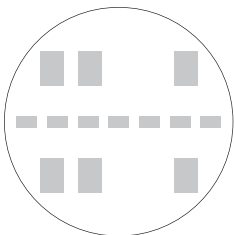
6-Terminal
Form 4S



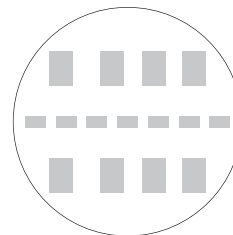
7-Terminal
Form 14S, 15S,
16S, 17S, 24S



8-Terminal
Form 5S, 35S, 45S

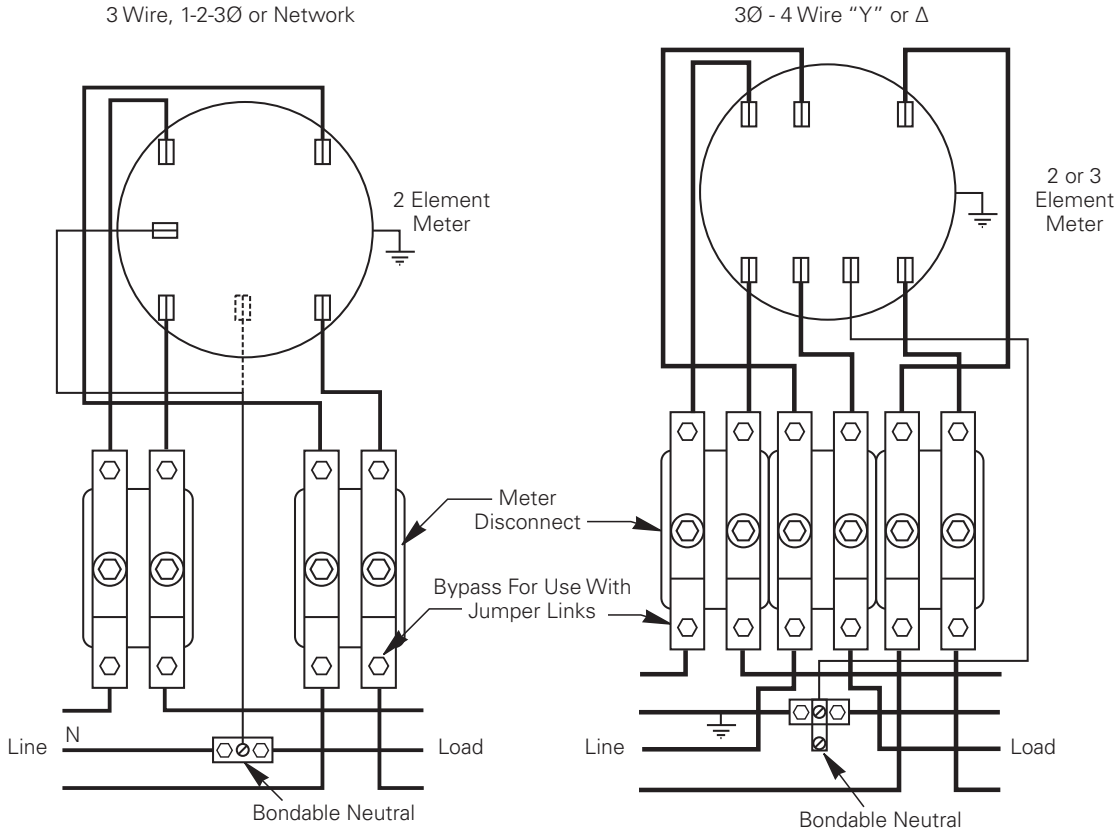


13-Terminal
Form 6S, 8S, 9S,
10S, 29S, 36S, 46S

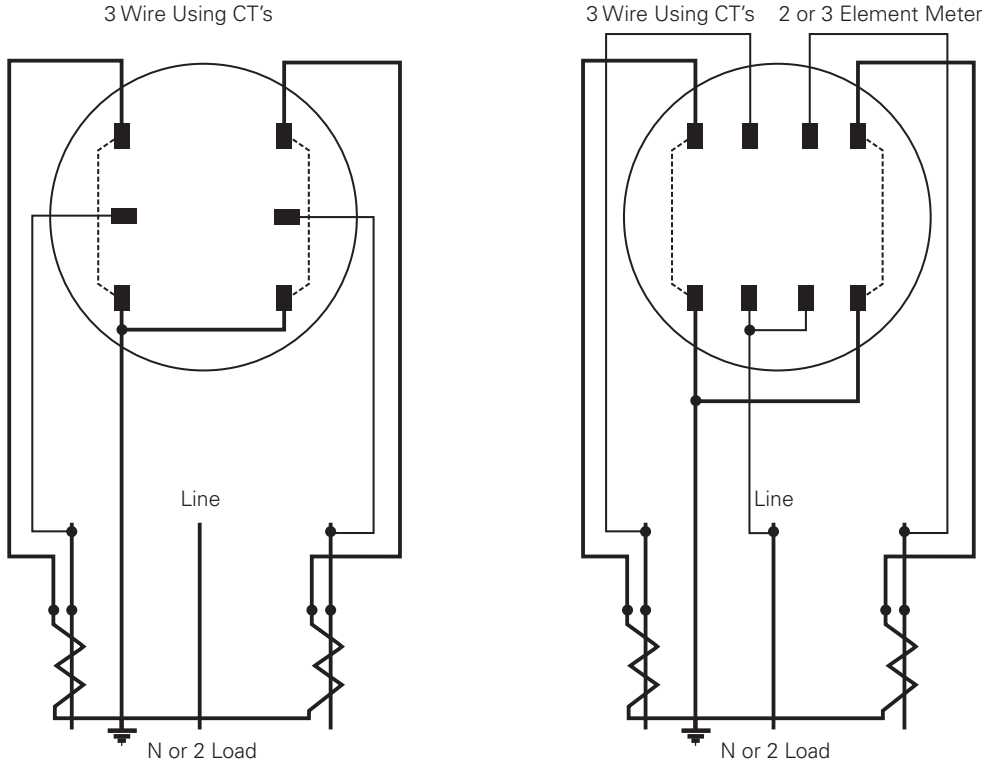


15-Terminal
Form 11S, 39S, 76S

With Safety Test By-Pass Blocks



Current Transformer Installations



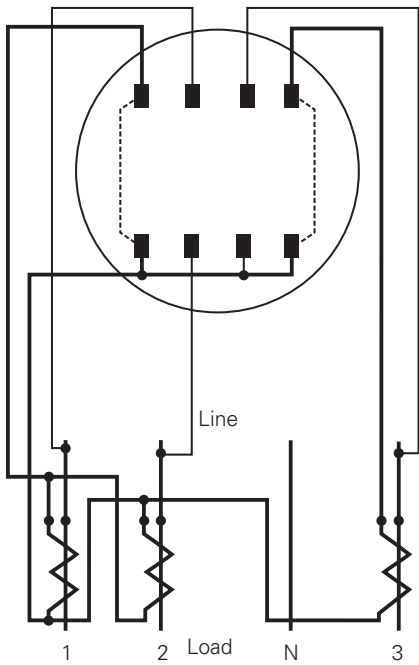
Data subject to change without notice. Consult local utility for area acceptance. All dimensions are in inches.

Metering Data

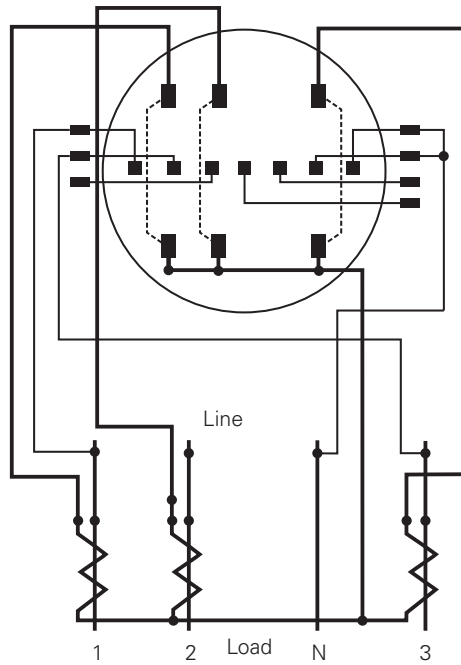
Wiring Diagrams

Current Transformer Installations

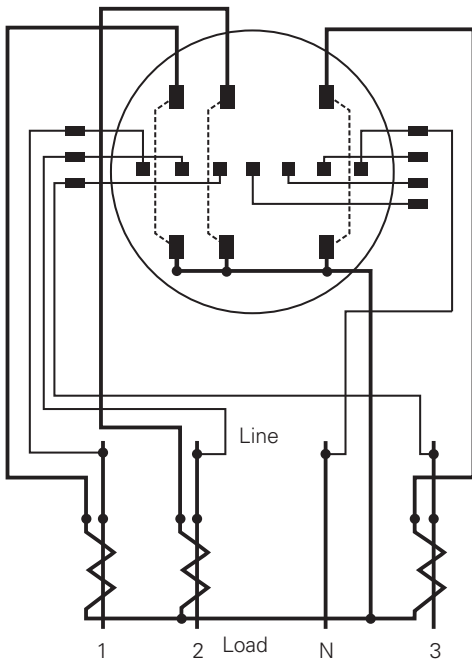
3Ø - 4Wire "Y" Using CT's
2 or 3 Element Meter



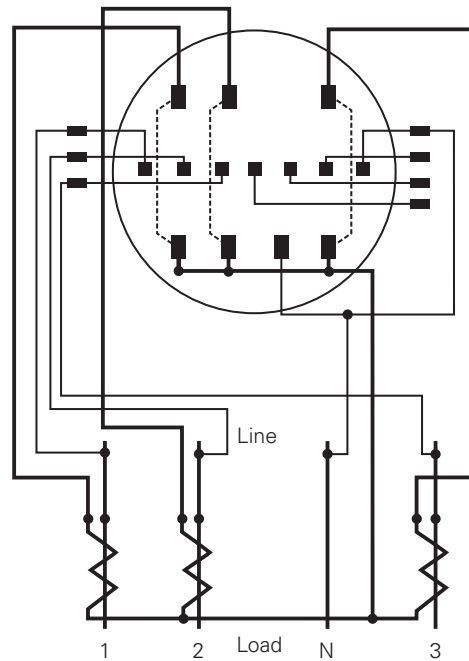
3Ø - 4Wire "Y" or Δ Using CT's
2 or 3 Element Meter



3Ø - 4Wire Δ Using CT's
2 Element Meter



3Ø - 4Wire Δ Using CT's
3 Element Meter



Energization of Electrical Equipment

Bonding Jumper

Ampere Rating Not Exceeding	Size of Main Bonding Jumper (Minimum) ^{a,b,c}		Cross Section of Main Bonding Jumper in Square Inches (Minimum) ^{a,b,c}		Grounded Service Conductor (Minimum)	
	Copper	Aluminum	Copper	Aluminum	Copper	Aluminum
	90	8	6	0.013 ^d	0.021 ^d	8
100	6	4	0.021 ^d	0.033 ^d	6	4
125	6	4	0.021 ^d	0.033 ^d	6	4
150	6	4	0.021 ^e	0.033 ^e	6	4
200	4	2	0.033 ^e	0.052 ^e	4	4
300	2	1/0	0.052 ^{f,g}	0.083 ^{f,g}	4	1/0
400	1/0 ^h	3/0 ^h	0.083 ^{g,h}	0.132 ^{g,h}	1/0	3/0 ^h
500	0	3/0	0.083	0.132	1/0	3/0
600	2/0	4/0	0.105	0.166	2/0	4/0
800	2/0	4/0	0.105	0.166	2/0	4/0
1000	3/0	250 kcmil	0.132	0.196	3/0	250 kcmil
1200	250 kcmil	300 kcmil	0.196	0.196	250 kcmil	250 kcmil
1600	300 kcmil	400 kcmil	0.236	0.314	300 kcmil	400 kcmil
2000	400 kcmil	500 kcmil	0.314	0.393	400 kcmil	500 kcmil

^a The cross section may be reduced to 12.5 percent of the total cross section of the largest main service conductor(s) of the same material (copper or aluminum) for any phase on equipment rated 1200 amperes and above.

^b For equipment rated 1200 amperes or more and that has wiring terminals intended to connect service conductor wires sized larger than 600 kcmil copper or 750 kcmil aluminum, the cross section of the main bonding jumper shall be at least 12.5 percent of the the total cross section of the largest main service entrance conductor(s) of the same material (copper or aluminum) for any phase.

^c SI Equivalents:

^d A No. 8 (4.2 mm diameter) or larger brass or No. 10 (4.8mm diameter) or larger steel screw may be used.

^e A No. 10 or larger brass or steel screw may be used.

^f A No. 10 or larger brass screw may be used.

^g A 1/4 inch (6.4mm) diameter or larger brass or steel screw may be used.

^h When the ampere rating is 400 and the wire terminal connectors for the main service conductors are rated for two No. 3/0 AWG copper or two No. 250 kcmil aluminum conductor, but will not accept a 600 kcmil conductor, these values may be reduced to No. 2 AWG (0.052 square inch) copper or No. 0 AWG (0.083 square inch) aluminum.

Wire Size, AWG	Min. Cross Section (MM ²)	Wire Size	Min. Cross Section (MM ²)
8	8.4	4/0	107
6	13.3	250 kcmil	126
4	21.2	200 kcmil	152
2	33.6	400 kcmil	203
1/0	53.5	500 kcmil	253
2/0	67.4	600 kcmil	304
3/0	85.0	750 kcmil	380

Data subject to change without notice. Consult local utility for area acceptance. All dimensions are in inches.

Metering Data

Short Circuit Current Ratings

The meter sockets shown in this section have certain short circuit current ratings when used in conformance with the tables below:

When used in conjunction with fuse or breaker	This meter socket is rated for use on a circuit capable of delivering not more than	At Volts Max.
Class 100 Meter Sockets		
100Amp class J, T, RK1 or RK5 fuse	100,000 RMS Symmetrical Amperes	600
100Amp Siemens type "HQP" circuit breaker	65,000* RMS Symmetrical Amperes	240
100Amp Westinghouse type "QHPX" circuit breaker	42,000* RMS Symmetrical Amperes	240
100Amp listed circuit breaker	25,000* RMS Symmetrical Amperes	240
Class 200 Meter Sockets		
200Amp class J or T fuse	200,000 RMS Symmetrical Amperes	600
200Amp class RK-1 fuse	42,000 RMS Symmetrical Amperes	480
200Amp Siemens type "HFD6" circuit breaker	42,000* RMS Symmetrical Amperes	240
200Amp Siemens type "HQR2" circuit breaker	42,000* RMS Symmetrical Amperes	240
200Amp Siemens type "QRH2" circuit breaker	22,000* RMS Symmetrical Amperes	240
200Amp West. type "CAH" circuit breaker	22,000* RMS Symmetrical Amperes	240
125Amp listed circuit breaker (1Ø only)	22,000* RMS Symmetrical Amperes	240
200Amp listed circuit breaker	18,000* RMS Symmetrical Amperes	240
Class 320 Meter Sockets		
400Amp class J or T fuse	100,000* RMS Symmetrical Amperes	600
400Amp listed circuit breaker	18,000* RMS Symmetrical Amperes	240
125Amp listed circuit breaker	22,000* RMS Symmetrical Amperes	240
200Amp listed circuit breaker	18,000* RMS Symmetrical Amperes	240

*Not in excess of the circuit breaker interrupting rating

Note: This table does not apply to meter-breaker units or to CT rated sockets

Part Number	Page	Part Number	Page	Part Number	Page
011	4	214 MTBH	26	924 MS77	66
011 MS25	4	214 MTBH MS15	26	925	66
011 MS73	4	214 MTBH MS45	26	926	66
011 SF	4	214 MTBP	28	927	4
011F	4	214 MTBP MS15	28	928	66
012	82	215 MTB	24	2012 F	84
013	82	215 MTB MS15	24	2012 MS60	84
014	82	215 MTBH	26	2013 F	84
014 H	82	215 MTBH MS15	26	2013 MS60	84
015	82	215 MTBH MS45	26	2014	84
015 H	82	215 MTBP	28	2014 F	84
016	82	215 MTBP MS15	28	2015	84
016 H	82	217 MTB	24	2015 F	84
051HS-13	66	217 MTB MS15	24	2016	84
051HS-15	66	217 MTBH	26	2016 F	84
1M1R	10	217 MTBH MS15	26	2222	96
1M1R7	10	217 MTBH MS45	26	2223	96
1M1RP	10	217 MTBP	28	2224	96
2M2R	10	217 MTBP MS15	28	6019 A	76
2M2R7	10	224 MTB	32	6019 E	76
2M2RP	10	224 MTBH	34	6019 HA	76
2M11R	10	224 MTBH MS15	34	6019 HAL	76
2M25R	10	224 MTBH MS45	34	6019 HALS	76
2M211R	10	224 MTBP	36	6019 HE	76
114TB	22	224 MTBP MS15	36	6019 HEL	76
115TB	22	225 MTB	32	6019 HELS	76
117TB	22	225 MTBH	34	6067 A	76
124TB	22	225 MTBH MS15	34	6067 E	76
125TB	22	225 MTBH MS45	34	6067 HA	76
127TB	22	225 MTBP	36	6067 HAL	76
142 MCC	88	225 MTBP MS15	36	6067 HALS	76
143 MCC	88	227 MTB	32	6067 HEE	76
144 MCC	88	227 MTBH	34	6067 HEEL	76
152 MCCM	94	227 MTBH MS15	34	6067 HEELS	76
153 MCCM	94	227 MTBH MS45	34	10184 A	117
154 MCCM	94	227 MTBP	36	10184 B	117
171 E	80	227 MTBP MS15	36	10184 C	117
171 EXT	80	242 MCC	92	12144	68
171 HS	80	243 MCC	92	12145	68
172 HSHDB	80	244 MCC	92	12146	68
173 HSHDB	80	245 MCC	92	12148	68
174 HSHDB	80	246 MCC	92	18249 RTCT	72
202 H	90	324C	56	20212A	115
203 H	90	324N	56	20213A	115
204	4	345 HC	78	20250C	115
204 F	4	351 HC	78	20251C	115
204 F MS73	4	352 HC	78	20252A	115
204 H	90	353 DHC	78	20252B	115
204 MS68	4	360 HC	78	20258A	115
204 MS68A	4	420 HC	78	20258B	115
204 MS73	4	421 HC	78	24329 RTCT	72
214 MTB	24	422 HC	78	25016A	112
214 MTB MS15	24	924	66	25016B	112

Index

Part Number	Page	Part Number	Page	Part Number	Page
25016D	112	AW150	112	H40	112
25104	114	AW200	112	LK171B	80
25162	112	AW250	112	M1M100PD	100
25439	115	CK8326	113	M1M100PD MS66	100
25440	115	CMP4111M	109	M1M125PD	100
30420	112	CMP4111MC	109	M1M125PD MS66	100
50365	114	CMP4111MC-1	108	M1M150PD MS67	100
50371	114	CMP4111MCH	109	M1M175PD MS67	100
84032	117	CMP4111MCH-1	108	M2M150PD	100
84033	117	CMP4121M	109	M2M175PD	100
84034	117	CMP4121MC	109	M2M200PD	100
9005B	114	CMP4121MC-1	108	M2M200PD MS67	100
9005BB	114	CMP4121MCH	109	M2M200PPD	100
9005C	114	CMP4121MCH-1	108	M2M200PPD MS67	100
9005D	114	CMP4411M	109	R1024 HC	48
9005E	114	CMP4411MC	109	R1024 HCC	48
9005F	114	CMP4411MC-1	108	R1036 HC	48
121413	68	CMP4411MCH	109	R1036 HCC	48
121415	68	CMP4411MCH-1	108	R1036 HD	48
121814	70	CMP4421M	109	R1036 HDD	48
121815	70	CMP4421MC	109	R1048 HC	48
121816	70	CMP4421MC-1	108	R1048 HCC	48
121818	70	CMP4421MCH	109	R1048 HD	48
122013	70	CMP4421MCH-1	108	R1048 HDD	48
122015	70	CUP4111	110	R1048 HE	48
122018	70	CUP4111H	110	R1048 HEE	48
203611 HRTCT	74	CUP4121	110	R1060 HC	48
242411 RTCT	72	CUP4121H	110	R1060 HCC	48
243011 HRTCT	74	CUP4411	110	R1060 HD	48
243011 RTCT	72	CUP4411H	110	R1060 HDD	48
243611 RTCT	72	CUP4421	110	R1060 HE	48
244811 HRTCT	74	CUP4421H	110	R1060 HEE	48
244811 RTCT	72	DSTOPK	113	R1060 HFF	48
303011 RTCT	72	ETB200	117	R1072 HC	48
303611 HRTCT	74	FK1421A	113	R1072 HCC	48
303611 RTCT	72	FK1430	113	R1072 HD	48
303614 RTCT	72	FK1432	113	R1072 HDD	48
304811 HRTCT	74	FK2421A	113	R1072 HE	48
363611 HRTCT	74	FK2430A	113	R1072 HEE	48
363611 RTCT	72	FK2432	113	R1072 HFF	48
364211 RTCT	72	FK2438	113	R1072 HGG	48
364811 HRTCT	74	FK2832A	113	R1072 HHH	48
364811 RTCT	72	FK3038	113	R1096 HCC	48
364814 RTCT	72	FK3221A	113	R1096 HDD	48
424211 RTCT	72	FK3230	113	R1096 HEE	48
484811 RTCT	72	FK3447	113	R1096 HFF	48
484814 DDHRTCT	74	H012	86	R1096 HGG	48
1214208	68	H013	86	R1096 HHH	48
1214213	68	H014	86	R1122 HC	50
1214215	68	H7	112	R1122 HCC	50
AW CAP	112	H10	112	R1123 HC	50
AW100	112	H30	112	R1123 HCC	50
AW125	112	H35	112	R1123 HD	50

Part Number	Page	Part Number	Page	Part Number	Page
R1123 HDD	50	S0250	116	U215 MTBPL	30
R1124 HD	50	S0300	116	U215 MTBP MS15	28
R1124 HDD	50	S0350	116	U217 MTB	24
R1124 HE	50	S0400	116	U217 MTB MS15	24
R1124 HEE	50	S050	116	U217 MTBH	26
R1125 HD	50	S050SS	116	U217 MTBH MS15	26
R1125 HDD	50	S075	116	U217 MTBH MS45	26
R1125 HE	50	S075SS	116	U217 MTBL	30
R1125 HEE	50	SEALC	116	U217 MTBP	28
R1126 HD	50	SEALS	116	U217 MTBPL	30
R1126 HDD	50	SEALWN	116	U217 MTBP MS15	28
R1126 HE	50	SJ-100	115	U224 M11TB	32
R1126 HEE	50	SPB	116	U224 MTB	32
R9000 B	52	SPBG	116	U224 MTBH	34
R9000 BB	52	SPBGSS	116	U224 MTBH MS15	34
R9000 C	52	SPBSS	116	U224 MTBH MS45	34
R9000 CC	52	U011	6	U224 MTBL	38
R9000 CCL	52	U1M1R	10	U224 MTBP	36
R9000 CL	52	U1M1R7	10	U224 MTBPL	38
R9000 E	52	U1M1RP	10	U224 MTBP MS15	36
R9000 EE	52	U2M11R	10	U225 MTB	32
R9000 EEL	52	U2M200	102	U225 MTBH	34
R9000 EL	52	U2M200P	102	U225 MTBH MS15	34
R9000 F	52	U2M200PP	102	U225 MTBH MS45	34
R9000 FF	52	U2M211R	10	U225 MTBL	38
R9000 FFL	52	U2M25R	10	U225 MTBP	36
R9000 FL	52	U2M2R	10	U225 MTBPL	38
R9002C	114	U2M2R7	10	U225 MTBP MS15	36
R9002CC	114	U2M2RP	10	U227 MTB	32
R9002CCL	114	U204	4	U227 MTBH	34
R9002CL	114	U204 MS21 SS	4	U227 MTBH MS15	34
R9002E	114	U204 F	4	U227 MTBH MS45	34
R9002EE	114	U204 F MS73	4	U227 MTBL	38
R9002EEL	114	U204 MS73	4	U227 MTBP	36
R9002EL	114	U207	4	U227 MTBPL	38
R9002F	114	U207 F	4	U227 MTBP MS15	36
R9002FF	114	U207 F MS73	4	U264	18
R9002FFL	114	U214 MTB	24	U264 F	18
R9002FL	114	U214 MTB MS15	24	U267	18
R9007 A	52	U214 MTBH	26	U267 F	18
R10120 HDD	48	U214 MTBH MS15	26	U404MC	58
R10120 HEE	48	U214 MTBH MS45	26	U404MCC	58
R10120 HFF	48	U214 MTBL	30	U4042MC	58
R10120 HGG	48	U214 MTBP	28	U4042MCC	58
R10120 HHH	48	U214 MTBPL	30	U121314	18
S0100	116	U214 MTBP MS15	28	U121314 F	18
S0100SS	116	U215 MTB	24	U121315	18
S0125	116	U215 MTB MS15	24	U121315 F	18
S0125SS	116	U215 MTBH	26	U121317	18
S0150	116	U215 MTBH MS15	26	U121317 F	18
S0150SS	116	U215 MTBH MS45	26	U121814	70
S0200	116	U215 MTBL	30	U121815	70
S0200SS	116	U215 MTBP	28	U121816	70

Index

Part Number	Page	Part Number	Page	Part Number	Page
U121818	70				
U122013	70				
U122015	70				
U122018	70				
U404430MC	60				
U404430MC	60				
U4042208MC	60				
U4042208MC	60				
U4042230MC	60				
U4042230MC	60				
U40411230MC	60				
U40411230MCC	60				
UG204	6				
UG204 F	6				
UG204 F SS	6				
UG204 SS	6				

Eaton's B-Line Business reserves the right to make changes to the specifications, materials, equipment, prices, or the availability of products at any time without prior notice. While every effort has been made to assure the accuracy of information contained in this catalog at the time of publication, we cannot accept responsibility for inaccuracies resulting from undetected errors or omissions.

U.S. Customer Service Center is staffed Monday through Friday from 7 a.m. to 5:00 p.m. Central Standard Time. For additional information, visit www.eaton.com/metering.

Eaton
509 West Monroe Street
Highland, IL 62249
United States
Phone: (800) 851-7415
www.cooperbline.com/contactus

Eaton
5925 McLaughlin Road
Mississauga, ON L5R 1B8
Canada
Phone: (800) 569-3660
www.cooperbline.com/contactca

Eaton
1000 Eaton Boulevard
Cleveland, OH 44122
United States
Eaton.com

B-Line Division
509 West Monroe Street
Highland, IL 62249
Phone: 800-851-7415
Fax: 618-654-1917
www.bline.com

© 2018 Eaton
All Rights Reserved
Printed in USA
Publication No. CA307009EN
June 2018 00M (MTR-18)

Eaton is a registered trademark
All other trademarks are property
of their respective owners.

