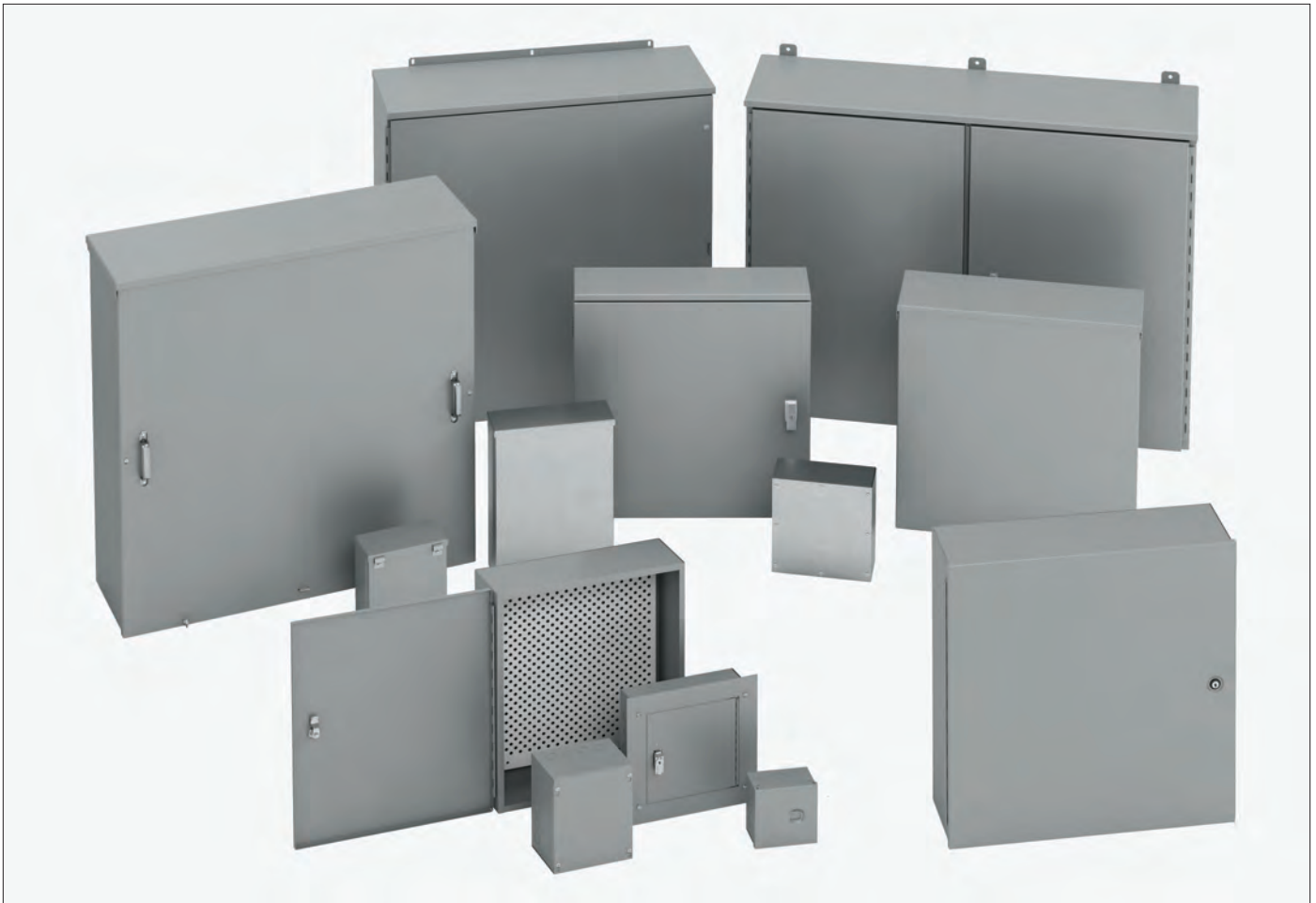


# Type 1, 3, & 3R Enclosures



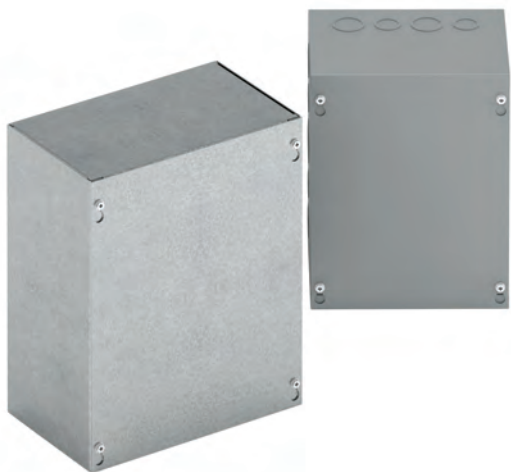
Type 1, 3, & 3R Enclosures

Junction Boxes Type 1 Screw Cover .....	50-53
Junction Boxes Type 1 Hinge Cover .....	54-55
Junction Boxes Type 3R Screw Cover .....	56-57
Junction Boxes Type 3R Hinge Cover .....	58-59
Junction Boxes Type 3 Screw Cover Gasketed .....	60-61
Junction Boxes Type 3 Weatherproof Screw Cover .....	62-63
Panel Enclosures Type 1 Small .....	64-65
Panel Enclosures Type 1 Medium .....	66-67
Panel Enclosures Type 1 Large .....	68-69
Panel Enclosures Type 1 Locking Hinge Cover w/Perforated Panel .....	70-71
Panel Enclosures Type 3R Small Continuous Hinge Cover .....	72-73
Panel Enclosures Type 3R Large Continuous Hinge Cover .....	74-75
Panel Enclosures Type 3R Double-Door .....	76-77
Utility Cabinets Type 1 Telephone Cabinets .....	78-80
Utility Cabinets Type 3R Telephone Cabinets .....	81-82
Utility Cabinets Type 3R Screw Cover Current Transformer Cabinets .....	83-85
Utility Cabinets Type 3R Hinge Cover Current Transformer Cabinets .....	86-87

# Type 1, 3, & 3R Enclosures

## Junction Boxes Type 1 Screw Cover - Painted & Galvanized Data and Illustration Sheet

Type 1, 3, & 3R Enclosures



### Application

- Used as wiring boxes, junction and pull boxes
- Protects against contact with enclosed equipment

### Standards

- UL 50 listed, Type 1
- CSA C22.2 No. 40 certified, Type 1
- Conforms to NEMA standard for Type 1

### Finish

- Wash and phosphate undercoat or galvanized steel
- ANSI 61 gray acrylic electrocoat finish

### Accessories

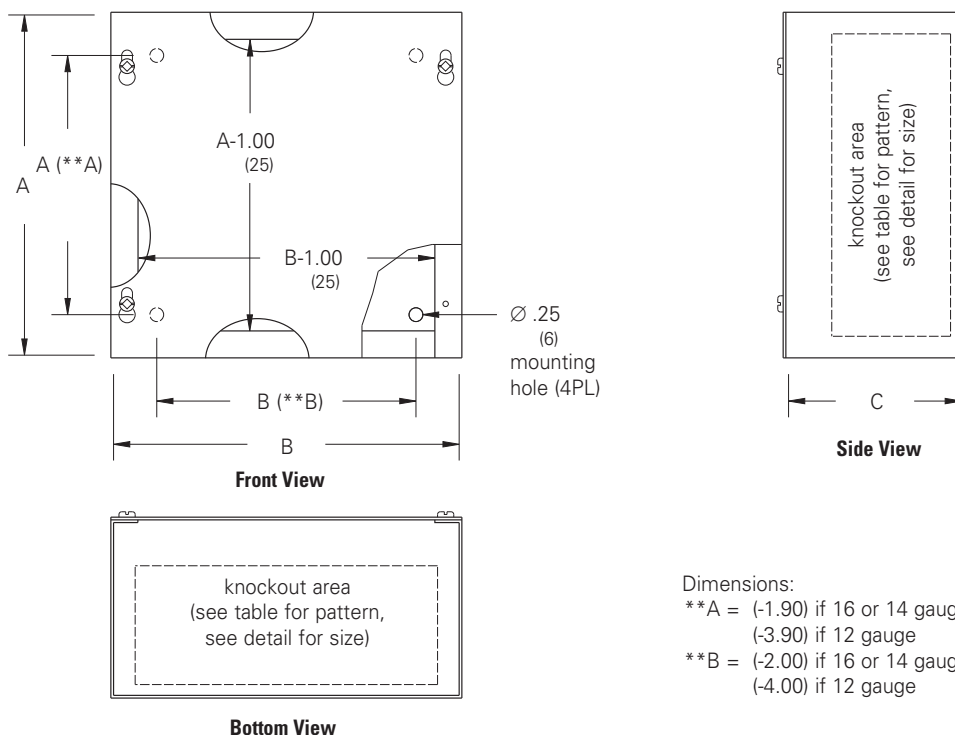
- Ground lug kit
- Touch-up paint
- See Accessories section

### Construction

- Enclosure and cover are fabricated from code gauge steel or galvanized steel, (see table)
- Enclosure body has mounting holes on the back
- Enclosures are available with or without knockouts on the sides, top and bottom ends
- Cover is secured to the body with plated pan head combo screws
- Keyhole slots provided in the cover allow easy access to the inside without removing the screws
- Hole provision for optional ground lug kit
- Ground screw provided

### Discount Schedule: A2

### Subclass: AN0 (painted) & AX1 (galvanized)



**Notes:** We can provide special sizes, finishes and other modifications. Consult the factory for your special requirements.  
Dimensions are in inches. Millimeters shown are for reference only. Data subject to change without notice.

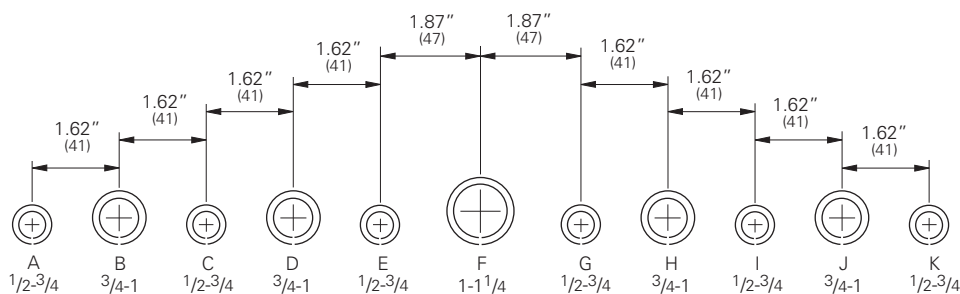
## Junction Boxes Type 1 Screw Cover - Painted & Galvanized

Catalog Number

Subclass: ANO - Painted & AX1 - Galvanized

Enclosure Catalog Number				Enclosure Size		Gauge	Knockout Pattern Each Side	Knockout Pattern Top & Bottom
Painted		Galvanized		Height x Width x Depth A x B x C				
KO	No KO	KO	No KO	in.	mm			
443 SC	443 SC NK	443 SCGV	443 SCGV NK	4.00 x 4.00 x 3.00	102 x 102 x 76	16	(C D)	(C D)
444 SC	444 SC NK	444 SCGV	444 SCGV NK	4.00 x 4.00 x 4.00	102 x 102 x 102	16	(C D)	(C D)
644 SC	644 SC NK	644 SCGV	644 SCGV NK	6.00 x 4.00 x 4.00	152 x 102 x 102	16	(C D E)	(C D)
663 SC	663 SC NK	663 SCGV	663 SCGV NK	6.00 x 6.00 x 3.00	152 x 152 x 76	16	(C D E)	(C D E)
664 SC	664 SC NK	664 SCGV	664 SCGV NK	6.00 x 6.00 x 4.00	152 x 152 x 102	16	(C D E)	(C D E)
863 SC	863 SC NK	863 SCGV	863 SCGV NK	8.00 x 6.00 x 4.300	203 x 152 x 76	16	(G H I J)	(C D E)
864 SC	864 SC NK	864 SCGV	864 SCGV NK	8.00 x 6.00 x 4.00	203 x 152 x 102	16	(G H I J)	(C D E)
884 SC	884 SC NK	884 SCGV	884 SCGV NK	8.00 x 8.00 x 4.00	203 x 203 x 102	16	(G H I J)	(G H I J)
--	1064 SC NK	--	1064 SCGV NK	10.00 x 6.00 x 4.00	254 x 152 x 102	16	--	--
1084 SC	1084 SC NK	1084 SCGV	1084 SCGV NK	10.00 x 8.00 x 4.00	254 x 203 x 102	16	(G H I J)	(G H I J)
10104 SC	10104 SC NK	10104 SCGV	10104 SCGV NK	10.00 x 10.00 x 4.00	254 x 254 x 102	16	(G H I J)	(G H I J)
1264 SC	1264 SC NK	--	1264 SCGV NK	12.00 x 6.00 x 4.00	305 x 152 x 102	16	(D E F G H)	(C D E)
1284 SC	1284 SC NK	1284 SCGV	1284 SCGV NK	12.00 x 8.00 x 4.00	305 x 203 x 102	16	(D E F G H)	(G H I J)
12104 SC	12104 SC NK	12104 SCGV	12104 SCGV NK	12.00 x 10.00 x 4.00	305 x 254 x 102	16	(D E F G H)	(D E F G H)
12124 SC	12124 SC NK	12124 SCGV	12124 SCGV NK	12.00 x 12.00 x 4.00	305 x 305 x 102	16	(D E F G H)	(D E F G H)
--	15154 SC NK	15154 SCGV	--	15.00 x 15.00 x 4.00	381 x 381 x 102	16	(C D E F G H I)	(C D E F G H I)
16124 SC	16124 SC NK	16124 SCGV	16124 SCGV NK	16.00 x 12.00 x 4.00	406 x 305 x 102	16	(C D E F G H I)	(D E F G H)
16164 SC	16164 SC NK	16164 SCGV	--	16.00 x 16.00 x 4.00	406 x 406 x 102	16	(C D E F G H I)	(C D E F G H I)
18124 SC	18124 SC NK	18124 SCGV	18124 SCGV NK	18.00 x 12.00 x 4.00	457 x 305 x 102	16	(B C D E F G H I J)	(D E F G H)
--	18154 SC NK	18154 SCGV	--	18.00 x 15.00 x 4.00	457 x 381 x 102	16	(B C D E F G H I J)	(C D E F G H I)
18184 SC	18184 SC NK	18184 SCGV	18184 SCGV NK	18.00 x 18.00 x 4.00	457 x 457 x 102	16	(B C D E F G H I J)	(B C D E F G H I J)
24124 SC	24124 SC NK	24124 SCGV	--	24.00 x 12.00 x 4.00	610 x 305 x 102	16	(B C D E F G H I J)	(D E F G H)
--	24184 SC NK	24184 SCGV	--	24.00 x 18.00 x 4.00	610 x 457 x 102	16	(B C D E F G H I J)	(B C D E F G H I J)
24244 SC	24244 SC NK	24244 SCGV	24244 SCGV NK	24.00 x 24.00 x 4.00	610 x 610 x 102	14	(B C D E F G H I J)	(B C D E F G H I J)
--	30184 SC NK	30184 SCGV	30184 SCGV NK	30.00 x 18.00 x 4.00	762 x 457 x 102	16	(B C D E F G H I J)	(B C D E F G H I J)
30244 SC	30244 SC NK	30244 SCGV	30244 SCGV NK	30.00 x 24.00 x 4.00	762 x 610 x 102	14	(B C D E F G H I J)	(B C D E F G H I J)
-	30304 SC NK	-	30304 SCGV NK	30.00 x 30.00 x 4.00	762 x 762 x 102	12	--	--

Type 1, 3, & 3R Enclosures



### Conduit Sizes

### Knockout Detail

Note: See table for applicable knockout pattern.

Notes: Dimensions are in inches. Millimeters shown are for reference only. Data subject to change without notice.

# Type 1, 3, & 3R Enclosures

## Junction Boxes

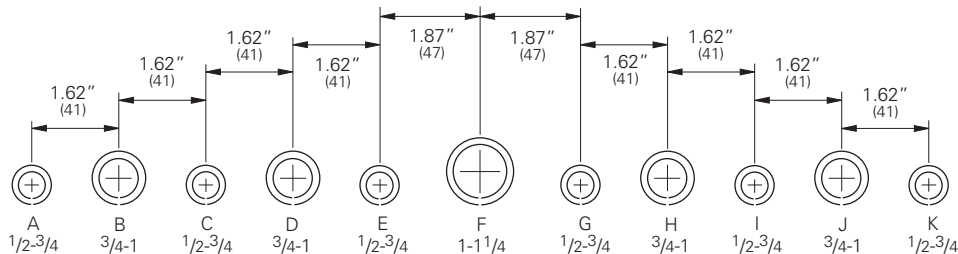
### Type 1 Screw Cover - Painted & Galvanized

Catalog Number

Subclass: ANO - Painted & AX1 - Galvanized

Type 1, 3, & 3R Enclosures

Enclosure Catalog Number				Enclosure Size		Gauge	Knockout Pattern	Knockout Pattern
Painted		Galvanized		Height x Width x Depth				
KO	No KO	KO	No KO	in.	mm			
666 SC	666 SC NK	666 SCGV	666 SCGV NK	6.00 x 6.00 x 6.00	152 x 152 x 152	16	(CDE)	(CDE)
866 SC	866 SC NK	866 SCGV	866 SCGV NK	8.00 x 6.00 x 6.00	203 x 152 x 152	16	(GHIJ)	(CDE)
886 SC	886 SC NK	886 SCGV	886 SCGV NK	8.00 x 8.00 x 6.00	203 x 203 x 152	16	(GHIJ)	(GHIJ)
1086 SC	1086 SC NK	1086 SCGV	1086 SCGV NK	10.00 x 8.00 x 6.00	254 x 203 x 152	16	(DEFGH)	(GHIJ)
10106 SC	10106 SC NK	10106 SCGV	10106 SCGV NK	10.00 x 10.00 x 6.00	254 x 254 x 152	16	(DEFGH)	(DEFGH)
--	1266 SC NK	--	--	12.00 x 6.00 x 6.00	305 x 152 x 152	16	--	--
--	1286 SC NK	--	1286 SCGV NK	12.00 x 8.00 x 6.00	305 x 203 x 152	16	--	--
12106 SC	12106 SC NK	12106 SCGV	12106 SCGV NK	12.00 x 10.00 x 6.00	305 x 254 x 152	16	(DEFGH)	(DEFGH)
12126 SC	12126 SC NK	12126 SCGV	12126 SCGV NK	12.00 x 12.00 x 6.00	305 x 305 x 152	16	(DEFGH)	(DEFGH)
--	15156 SC NK	--	15156 SCGV NK	15.00 x 15.00 x 6.00	381 x 381 x 152	16	--	--
16126 SC	16126 SC NK	16126 SCGV	16126 SCGV NK	16.00 x 12.00 x 6.00	406 x 305 x 152	16	(CDEFGHI)	(DEFGH)
16166 SC	16166 SC NK	16166 SCGV	16166 SCGV NK	16.00 x 16.00 x 6.00	406 x 406 x 152	16	(CDEFGHI)	(BCDEFGHIJ)
18126 SC	18126 SC NK	18126 SCGV	18126 SCGV NK	18.00 x 12.00 x 6.00	457 x 305 x 152	16	(BCDEFGHIJ)	(DEFGH)
--	18156 SC NK	--	18156 SCGV NK	18.00 x 15.00 x 6.00	457 x 381 x 152	16	--	--
18186 SC	18186 SC NK	18186 SCGV	18186 SCGV NK	18.00 x 18.00 x 6.00	457 x 457 x 152	16	(BCDEFGHIJ)	(BCDEFGHIJ)
--	24126 SC NK	--	24126 SCGV NK	24.00 x 12.00 x 6.00	610 x 305 x 152	16	--	--
24186 SC	24186 SC NK	24186 SCGV	24186 SCGV NK	24.00 x 18.00 x 6.00	610 x 457 x 152	16	(BCDEFGHIJ)	(BCDEFGHIJ)
--	24206 SC NK	--	24206 SCGV NK	24.00 x 20.00 x 6.00	610 x 508 x 152	14	--	--
24246 SC	24246 SC NK	24246 SCGV	24246 SCGV NK	24.00 x 24.00 x 6.00	610 x 610 x 152	14	(BCDEFGHIJ)	(BCDEFGHIJ)
--	30186 SC NK	--	30186 SCGV NK	30.00 x 18.00 x 6.00	762 x 457 x 152	16	--	--
30246 SC	30246 SC NK	30246 SCGV	30246 SCGV NK	30.00 x 24.00 x 6.00	762 x 610 x 152	14	(BCDEFGHIJ)	(BCDEFGHIJ)
--	30306 SC NK	--	30306 SCGV NK	30.00 x 30.00 x 6.00	762 x 762 x 152	12	--	--
36246 SC	36246 SC NK	--	36246 SCGV NK	36.00 x 24.00 x 6.00	914 x 310 x 152	14	(BCDEFGHIJ)	(BCDEFGHIJ)
--	36306 SC NK	--	36306 SCGV NK	36.00 x 30.00 x 6.00	914 x 762 x 152	12	--	--
--	36366 SC NK	--	36366 SCGV NK	36.00 x 36.00 x 6.00	914 x 914 x 152	12	--	--
--	48366 SC NK	--	48366 SCGV NK	48.00 x 36.00 x 6.00	1219 x 914 x 152	12	--	--
--	48486 SC NK	--	48486 SCGV NK	48.00 x 48.00 x 6.00	1219 x 1219 x 152	12	--	--
888 SC	888 SC NK	888 SCGV	888 SCGV NK	8.00 x 8.00 x 8.00	203 x 203 x 203	16	(GHIJ)	(GHIJ)
--	10108 SC NK	--	10108 SCGV NK	10.00 x 10.00 x 8.00	254 x 254 x 203	16	--	--
12128 SC	12128 SC NK	--	12128 SCGV NK	12.00 x 12.00 x 8.00	305 x 305 x 203	16	(DEFGH)	(DEFGH)
16128 SC	16128 SC NK	--	16128 SCGV NK	16.00 x 12.00 x 8.00	406 x 305 x 203	16	(CDEFGHI)	(DEFGH)
18128 SC	18128 SC NK	--	18128 SCGV NK	18.00 x 12.00 x 8.00	457 x 305 x 203	16	(BCDEFGHIJ)	(DEFGH)
18188 SC	18188 SC NK	--	18188 SCGV NK	18.00 x 18.00 x 8.00	457 x 457 x 203	16	(BCDEFGHIJ)	(BCDEFGHIJ)
24128 SC	24128 SC NK	--	24128 SCGV NK	24.00 x 12.00 x 8.00	610 x 305 x 203	16	(BCDEFGHIJ)	(DEFGH)
24188 SC	24188 SC NK	--	24188 SCGV NK	24.00 x 18.00 x 8.00	610 x 457 x 203	16	(BCDEFGHIJ)	(BCDEFGHIJ)
--	24208 SC NK	--	24208 SCGV NK	24.00 x 20.00 x 8.00	610 x 508 x 203	14	--	--
24248 SC	24248 SC NK	--	24248 SCGV NK	24.00 x 24.00 x 8.00	610 x 610 x 203	14	(BCDEFGHIJ)	(BCDEFGHIJ)
30248 SC	30248 SC NK	30248 SCGV	30248 SCGV NK	30.00 x 24.00 x 8.00	762 x 610 x 203	14	(BCDEFGHIJ)	(BCDEFGHIJ)
--	30308 SC NK	--	30308 SCGV NK	30.00 x 30.00 x 8.00	762 x 762 x 203	12	--	--
36248 SC	36248 SC NK	--	36248 SCGV NK	36.00 x 24.00 x 8.00	914 x 610 x 203	14	(BCDEFGHIJ)	(BCDEFGHIJ)
--	36308 SC NK	--	36308 SCGV NK	36.00 x 30.00 x 8.00	914 x 762 x 203	14	--	--
--	36368 SC NK	--	36368 SCGV NK	36.00 x 36.00 x 8.00	914 x 914 x 203	14	--	--



**Conduit Sizes Knockout Detail - Note:** See table for applicable knockout pattern.

**Notes:** Dimensions are in inches. Millimeters shown are for reference only. Data subject to change without notice.

## Junction Boxes Type 1 Screw Cover - Painted & Galvanized

Catalog Number

Subclass: ANO - Painted & AX1 - Galvanized

Enclosure Catalog Number				Enclosure Size			Gauge	Knockout Pattern	Knockout Pattern
Painted		Galvanized		Height x Width x Depth A x B x C				Each Side	Top & Bottom
KO	No KO	KO	No KO	in.	mm				
--	121210 SC NK	--	121210 SCGV NK	12.00 x 12.00 x 10.00	305 x 305 x 254		16	--	--
181810 SC	181210 SC NK	--	181210 SCGV NK	18.00 x 12.00 x 10.00	457 x 305 x 254		16	ⓀⓁⓁⓁⓁⓁⓁⓁⓁⓁⓁ	ⓁⓁⓁⓁⓁⓁ
181810 SC	181810 SC NK	--	181810 SCGV NK	18.00 x 18.00 x 10.00	457 x 457 x 254		16	ⓀⓁⓁⓁⓁⓁⓁⓁⓁⓁⓁ	ⓀⓁⓁⓁⓁⓁⓁⓁⓁⓁⓁ
--	241210 SC NK	--	241210 SCGV NK	24.00 x 12.00 x 10.00	610 x 305 x 254		16	--	--
241810 SC	241810 SC NK	--	241810 SCGV NK	24.00 x 18.00 x 10.00	610 x 457 x 254		16	ⓀⓁⓁⓁⓁⓁⓁⓁⓁⓁⓁ	ⓀⓁⓁⓁⓁⓁⓁⓁⓁⓁⓁ
242410 SC	242410 SC NK	--	242410 SCGV NK	24.00 x 24.00 x 10.00	610 x 610 x 254		14	ⓀⓁⓁⓁⓁⓁⓁⓁⓁⓁⓁ	ⓀⓁⓁⓁⓁⓁⓁⓁⓁⓁⓁ
--	302410 SC NK	--	302410 SCGV NK	30.00 x 24.00 x 10.00	762 x 610 x 254		14	--	--
--	303010 SC NK	--	303010 SCGV NK	30.00 x 30.00 x 10.00	762 x 762 x 254		14	--	--
--	362410 SC NK	--	362410 SCGV NK	36.00 x 24.00 x 10.00	914 x 610 x 254		14	--	--
--	363610 SC NK	--	363610 SCGV NK	36.00 x 36.00 x 10.00	914 x 914 x 254		12	--	--
--	121212 SC NK	--	121212 SCGV NK	12.00 x 12.00 x 12.00	305 x 305 x 305		16	--	--
181812 SC	181812 SC NK	--	181812 SCGV NK	18.00 x 18.00 x 12.00	457 x 457 x 305		16	ⓀⓁⓁⓁⓁⓁⓁⓁⓁⓁⓁ	ⓀⓁⓁⓁⓁⓁⓁⓁⓁⓁⓁ
241212 SC	241212 SC NK	--	241212 SCGV NK	24.00 x 12.00 x 12.00	610 x 305 x 305		16	ⓀⓁⓁⓁⓁⓁⓁⓁⓁⓁⓁ	ⓁⓁⓁⓁⓁⓁ
241812 SC	241812 SC NK	--	241812 SCGV NK	24.00 x 18.00 x 12.00	610 x 457 x 305		16	ⓀⓁⓁⓁⓁⓁⓁⓁⓁⓁⓁ	ⓀⓁⓁⓁⓁⓁⓁⓁⓁⓁⓁ
242412 SC	242412 SC NK	--	242412 SCGV NK	24.00 x 24.00 x 12.00	610 x 610 x 305		14	ⓀⓁⓁⓁⓁⓁⓁⓁⓁⓁⓁ	ⓀⓁⓁⓁⓁⓁⓁⓁⓁⓁⓁ
302412 SC	302412 SC NK	--	302412 SCGV NK	30.00 x 24.00 x 12.00	762 x 610 x 305		14	ⓀⓁⓁⓁⓁⓁⓁⓁⓁⓁⓁ	ⓀⓁⓁⓁⓁⓁⓁⓁⓁⓁⓁ
--	303012 SC NK	--	303012 SCGV NK	30.00 x 30.00 x 12.00	762 x 762 x 305		12	--	--
362412 SC	362412 SC NK	--	362412 SCGV NK	36.00 x 24.00 x 12.00	914 x 610 x 305		14	ⓀⓁⓁⓁⓁⓁⓁⓁⓁⓁⓁ	ⓀⓁⓁⓁⓁⓁⓁⓁⓁⓁⓁ
--	363612 SC NK	--	363612 SCGV NK	48.00 x 48.00 x 12.00	1219 x 1219 x 305		12	--	--
--	484812 SC NK	--	484812 SCGV NK	48.00 x 48.00 x 12.00	1219 x 1219 x 305		12	--	--
--	303016 SC NK	--	--	30.00 x 30.00 x 16.00	762 x 762 x 406		12	--	--
--	363616 SC NK	--	363616 SCGV NK	48.00 x 48.00 x 16.00	1219 x 1219 x 406		12	--	--
--	484816 SC NK	--	484816 SCGV NK	48.00 x 48.00 x 16.00	1219 x 1219 x 405		12	--	--

Type 1, 3, & 3R Enclosures

## Type 1 Flush & Surface Covers - Painted & Galvanized

Catalog Number

Subclass: ANO - Painted & AX1 - Galvanized

Optional Flush Covers		Flush Cover Size		Fits Enclosure			Replacement Surface Covers		Surface Cover Size		Fits Enclosure			
Catalog Number				A x B			Catalog Number				A x B			
Painted	Galvanized	in.	mm	in.	mm		Gauge	Painted	Galvanized	in.	mm	in.	mm	Gauge
44 SCF	--	5.50 x 5.50	140 x 140	4.00 x 4.00	102 x 102		16	--	--	--	--	--	--	--
66 SCF	--	7.50 x 7.50	191 x 191	6.00 x 6.00	152 x 152		16	66 SCS	--	6.09 x 6.09	155 x 155	6.00 x 6.00	152 x 152	16
86 SCF	--	9.50 x 7.50	241 x 191	8.00 x 6.00	203 x 152		16	--	--	--	--	--	--	--
88 SCF	--	9.50 x 9.50	241 x 241	8.00 x 8.00	203 x 203		16	88 SCS	--	8.09 x 8.09	205 x 205	8.00 x 8.00	203 x 203	16
108 SCF	--	11.50 x 9.50	292 x 241	10.00 x 8.00	254 x 203		16	--	--	--	--	--	--	--
1010 SCF	--	11.50 x 11.50	292 x 292	10.00 x 10.00	254 x 254		16	1010 SCS	--	10.09 x 10.09	256 x 256	10.00 x 10.00	254 x 254	16
128 SCF	--	13.50 x 11.50	343 x 241	12.00 x 8.00	305 x 203		16	--	--	--	--	--	--	--
1212 SCF	--	13.50 x 13.50	343 x 343	12.00 x 12.00	305 x 305		16	1212 SCS	--	12.09 x 12.09	307 x 307	12.00 x 12.00	305 x 305	16
1616 SCF	--	17.50 x 17.50	445 x 445	16.00 x 16.00	406 x 406		14	--	--	--	--	--	--	--
1812 SCF	--	19.50 x 13.50	495 x 343	18.00 x 12.00	457 x 305		14	--	--	--	--	--	--	--
1818 SCF	--	19.50 x 19.50	495 x 495	18.00 x 18.00	457 x 457		14	1818 SCS	--	18.09 x 18.09	459 x 459	18.00 x 18.00	457 x 457	16
2418 SCF	--	25.50 x 19.50	648 x 495	24.00 x 18.00	610 x 457		12	--	--	--	--	--	--	--
2424 SCF	--	25.50 x 24.50	648 x 622	24.00 x 24.00	610 x 610		12	2424 SCS	--	24.09 x 24.09	612 x 612	24.00 x 24.00	610 x 610	14

Notes: Dimensions are in inches. Millimeters shown are for reference only. Data subject to change without notice.

# Type 1, 3, & 3R Enclosures

## Junction Boxes Type 1 Hinge Cover Data Sheet and Catalog Number



Type 1, 3, & 3R Enclosures

### Application

- Used as wiring boxes, junction and pull boxes
- Protects against contact with enclosed equipment

### Standards

- UL 50 listed, Type 1
- CSA C22.2 No. 40 certified, Type 1
- Conforms to NEMA standard for Type 1

### Finish

- Wash and phosphate undercoat
- ANSI 61 gray acrylic electrocoat finish

### Accessories

- Ground lug kit
- Touch-up paint
- See Accessories section

### Construction

- Enclosure and cover are fabricated from (16) gauge steel
- Enclosure body has mounting holes on the back
- Enclosures are available with or without knockouts on the sides, top and bottom ends
- Removable cover is secured to the body with T-Slot hinges on one side and a friction dimple catch on the opposite side
- Cover is furnished with a recessed pull ring for opening convenience
- Hole provision for optional ground lug kit
- Ground screw provided

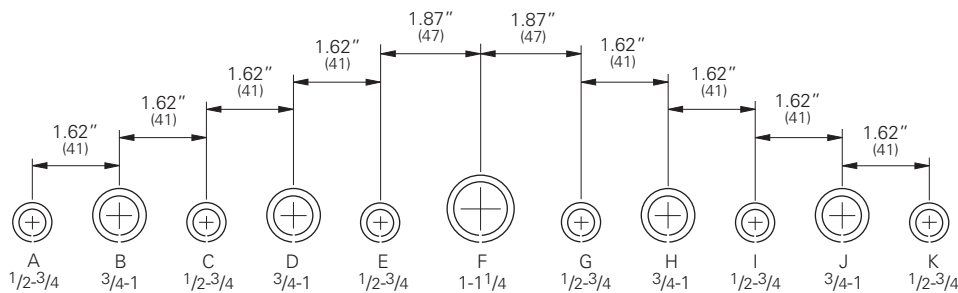
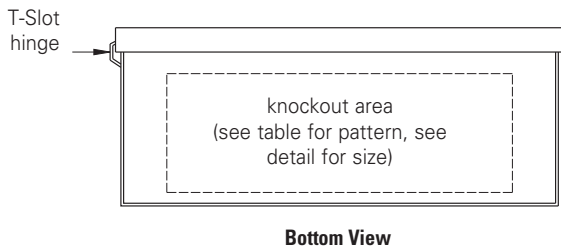
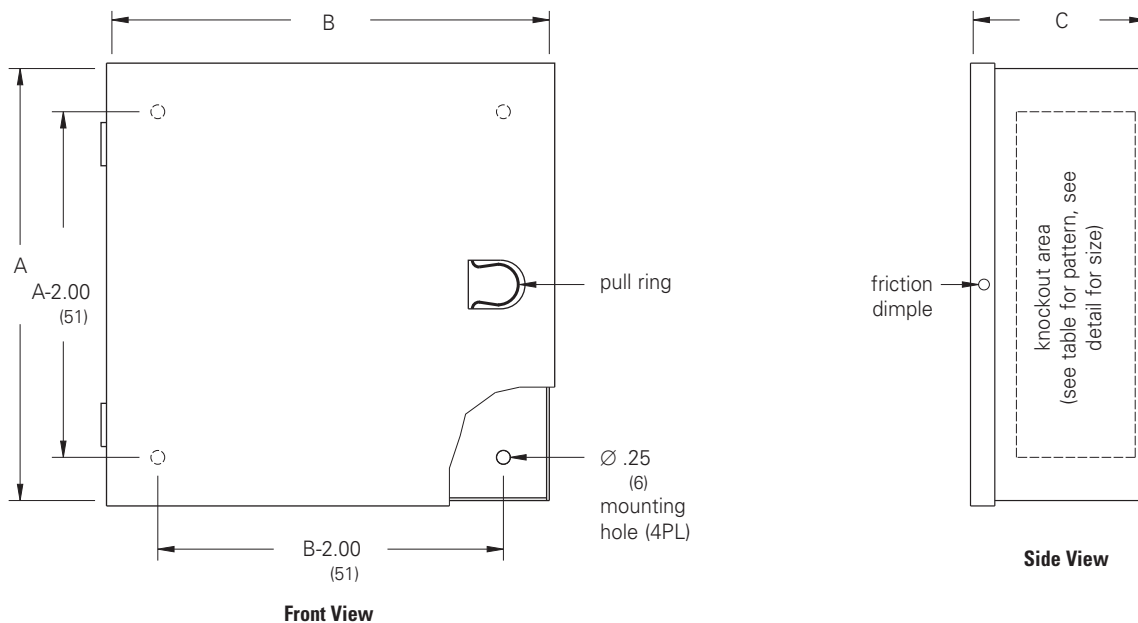
### Discount Schedule: A2

### Subclass: A00

Enclosure Catalog Number	Enclosure Size Height x Width x Depth A x B x C		Knockout Pattern	Knockout Pattern
	in.	mm	Each Side	Top & Bottom
664 HC	6.00 x 6.00 x 4.00	152 x 152 x 102	CDE	CDE
864 HC	8.00 x 6.00 x 4.00	203 x 152 x 102	GHIJ	CDE
884 HC	8.00 x 8.00 x 4.00	203x x 203 x 102	GHIJ	GHIJ
1084 HC	10.00 x 8.00 x 4.00	254 x 203 x 102	DEFGH	GHIJ
10104 HC	10.00 x 10.00 x 4.00	254 x 254 x 102	DEFGH	DEFGH
1284 HC	12.00 x 8.00 x 4.00	305 x 203 x 102	DEFGH	GHIJ
12104 HC	12.00 x 10.00 x 4.00	305 x 254 x 102	DEFGH	DEFGH
12124 HC	12.00 x 12.00 x 4.00	305 x 305 x 102	DEFGH	DEFGH
18124 HC	18.00 x 12.00 x 4.00	457 x 305 x 102	BCDEFGHIJ	DEFGH
666 HC	6.00 x 6.00 x 6.00	152 x 152 x 152	CDE	CDE
886 HC	8.00 x 8.00 x 6.00	203 x 203 x 152	GHIJ	GHIJ
1086 HC	10.00 x 8.00 x 6.00	254 x 203 x 152	DEFGH	GHIJ
10106 HC	10.00 x 10.00 x 6.00	254 x 254 x 152	DEFGH	DEFGH
12106 HC	12.00 x 10.00 x 6.00	305 x 254 x 152	DEFGH	DEFGH
12126 HC	12.00 x 12.00 x 6.00	305 x 305 x 152	DEFGH	DEFGH
16126 HC	16.00 x 12.00 x 6.00	406 x 305 x 152	CDEFGHI	DEFGH
16166 HC	16.00 x 16.00 x 6.00	406 x 406 x 152	CDEFGHI	CDEFGHI
18126 HC	18.00 x 12.00 x 6.00	457 x 305 x 152	BCDEFGHIJ	DEFGH
18186 HC	18.00 x 18.00 x 6.00	457 x 457 x 152	BCDEFGHIJ	BCDEFGHIJ
24186 HC	24.00 x 18.00 x 6.00	610 x 457 x 152	BCDEFGHIJ	BCDEFGHIJ
24246 HC	24.00 x 24.00 x 6.00	610 x 610 x 152	BCDEFGHIJ	BCDEFGHIJ
30246 HC	30.00 x 24.00 x 6.00	762 x 610 x 152	BCDEFGHIJ	BCDEFGHIJ
36246 HC	36.00 x 24.00 x 6.00	914 x 610 x 152	BCDEFGHIJ	BCDEFGHIJ
36248 HC	36.00 x 24.00 x 8.00	914 x 610 x 203	BCDEFGHIJ	BCDEFGHIJ

**Notes:** We can provide special sizes, finishes and other modifications. Consult the factory for your special requirements.  
Dimensions are in inches. Millimeters shown are for reference only. Data subject to change without notice.

## Junction Boxes Type 1 Hinge Cover Illustration Sheet



### Knockout Detail

**Note:** See table for applicable knockout pattern.

**Notes:** Dimensions are in inches. Millimeters shown are for reference only. Data subject to change without notice.

# Type 1, 3, & 3R Enclosures

## Junction Boxes Type 3R Screw Cover - Painted & Galvanized Data and Illustration Sheet

Type 1, 3, & 3R Enclosures



### Application

- Used as wiring boxes, junction and pull boxes
- Protects against falling rain, sleet and external ice formation

### Standards

- UL 50 listed, Type 3R
- CSA C22.2 No. 40 certified, Type 3R
- Conforms to NEMA standard for Type 3R

### Finish

- Wash and phosphate undercoat
- ANSI 61 gray acrylic electrocoat finish

### Accessories

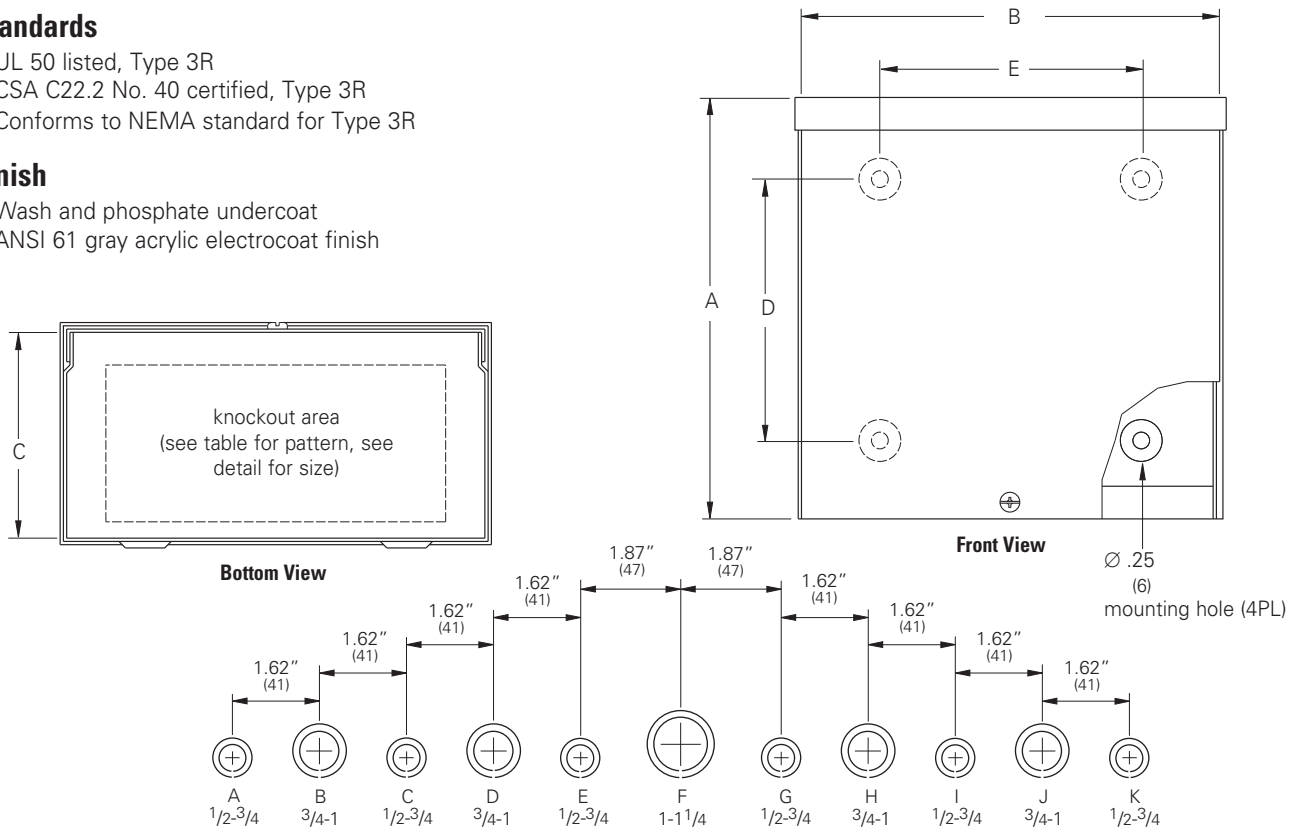
- Touch-up paint
- See Accessories section

### Construction

- Enclosure and cover are fabricated from code gauge galvaneal steel for painted or galvanized steel, (see table, page 57)
- Enclosure body has embossed mounting holes on the back
- Available with or without knockouts on the bottom end of enclosures less than 30 inches wide
- Cover is held secure by sliding it under the top end flange and fastening it with plated screws on the bottom end flange, (larger sizes use two studs and wing nuts)

### Discount Schedule: A2

### Subclass: AS0 & Z60



### Conduit Sizes

### Knockout Detail

**Note:** See table for applicable knockout pattern.

**Notes:** We can provide special sizes, finishes and other modifications. Consult the factory for your special requirements. Dimensions are in inches. Millimeters shown are for reference only. Data subject to change without notice.



## Junction Boxes - Type 3R Screw Cover - Painted & Galvanized Catalog Number Subclass: AS0 (painted) & Z60 (galvanized)

Type 1, 3, &amp; 3R Enclosures

Enclosure Catalog Number				Enclosure Size Height x Width x Dept		D		E		Gauge	Knockout Pattern  Bottom
Painted		Galvanized		A x B x C							
KO	No KO	KO	No KO	in.	mm	in.	mm	in.	mm		
444 RTSC	444 RTSC NK	444 RTSCGV	--	4.00 x 4.00 x 4.00	102 x 102 x 102	1.50	38	1.81	46	16	(C D)
644 RTSC	644 RTSC NK	--	--	6.00 x 4.00 x 4.00	152 x 102 x 102	3.50	89	1.81	46	16	(C D)
664 RTSC	664 RTSC NK	664 RTSCGV	664 RTSCGV NK	6.00 x 6.00 x 4.00	152 x 152 x 102	3.50	89	3.81	97	16	(C D E)
864 RTSC	864 RTSC NK	--	--	8.00 x 6.00 x 4.00	203 x 152 x 102	5.50	140	3.81	97	16	(C D E)
884 RTSC	884 RTSC NK	884 RTSCGV	884 RTSCGV NK	8.00 x 8.00 x 4.00	203 x 203 x 102	5.50	140	5.81	148	16	(G H I J)
1084 RTSC	1084 RTSC NK	--	--	10.00 x 8.00 x 4.00	254 x 203 x 102	7.50	191	5.81	148	16	(G H I J)
10104 RTSC	10104 RTSC NK	10104 RTSCGV	10104 RTSCGV NK	10.00 x 10.00 x 4.00	254 x 254 x 102	7.50	191	7.81	198	16	(D E F G H)
1284 RTSC	1284 RTSC NK	--	--	12.00 x 8.00 x 4.00	305 x 203 x 102	9.50	241	5.81	148	16	(G H I J)
12104 RTSC	12104 RTSC NK	--	--	12.00 x 10.00 x 4.00	305 x 254 x 102	9.50	241	7.81	198	16	(D E F G H)
12124 RTSC	12124 RTSC NK	12124 RTSCGV	12124 RTSCGV NK	12.00 x 12.00 x 4.00	305 x 305 x 102	9.50	241	9.81	249	16	(D E F G H)
15124 RTSC	--	--	--	15.00 x 12.00 x 4.00	381 x 305 x 102	12.50	318	9.81	249	16	(D E F G H)
16124 RTSC	16124 RTSC NK	--	--	16.00 x 12.00 x 4.00	406 x 305 x 102	13.50	343	9.81	249	16	(D E F G H)
16164 RTSC	16164 RTSC NK	--	--	16.00 x 16.00 x 4.00	406 x 406 x 102	13.50	343	13.81	351	16	(C D E F G H I)
18124 RTSC	--	--	--	18.00 x 12.00 x 4.00	457 x 305 x 102	15.50	394	9.81	249	16	(D E F G H)
18184 RTSC	18184 RTSC NK	--	--	18.00 x 18.00 x 4.00	457 x 457 x 102	15.50	394	15.81	402	16	(B C D E F G H I J)
24244 RTSC	24244 RTSC NK	--	--	24.00 x 24.00 x 4.00	610 x 610 x 102	21.50	546	21.56	548	14	(B C D E F G H I J)
666 RTSC	666 RTSC NK	666 RTSCGV	666 RTSCGV NK	6.00 x 6.00 x 6.00	152 x 152 x 152	3.50	89	3.81	97	16	(C D E)
866 RTSC	866 RTSC NK	--	--	8.00 x 6.00 x 6.00	203 x 152 x 152	5.50	140	3.81	97	16	(C D E)
886 RTSC	886 RTSC NK	886 RTSCGV	886 RTSCGV NK	8.00 x 8.00 x 6.00	203 x 203 x 152	5.50	140	5.81	148	16	(G H I J)
1086 RTSC	1086 RTSC NK	--	--	10.00 x 8.00 x 6.00	254 x 203 x 152	7.50	191	5.81	148	16	(G H I J)
10106 RTSC	10106 RTSC NK	10106 RTSCGV	10106 RTSCGV NK	10.00 x 10.00 x 6.00	254 x 254 x 152	7.50	191	7.81	198	16	(D E F G H)
1286 RTSC	--	--	--	12.00 x 8.00 x 6.00	305 x 203 x 152	9.50	241	5.81	148	16	(G H I J)
12106 RTSC	12106 RTSC NK	--	--	12.00 x 10.00 x 6.00	305 x 254 x 152	9.50	241	7.81	198	16	(D E F G H)
12126 RTSC	12126 RTSC NK	12126 RTSCGV	12126 RTSCGV NK	12.00 x 12.00 x 6.00	305 x 305 x 152	9.50	241	9.81	249	16	(D E F G H)
16126 RTSC	16126 RTSC NK	--	--	16.00 x 12.00 x 6.00	406 x 305 x 152	13.50	343	9.81	249	16	(D E F G H)
16166 RTSC	16166 RTSC NK	--	--	16.00 x 16.00 x 6.00	406 x 406 x 152	13.50	343	13.81	351	16	(C D E F G H I)
18126 RTSC	18126 RTSC NK	--	18126 RTSCGV NK	18.00 x 12.00 x 6.00	457 x 305 x 152	15.50	394	9.81	249	16	(D E F G H)
18186 RTSC	18186 RTSC NK	18186 RTSCGV	18186 RTSCGV NK	18.00 x 18.00 x 6.00	457 x 457 x 152	15.50	394	15.81	402	16	(B C D E F G H I J)
24126 RTSC	24126 RTSC NK	--	--	24.00 x 12.00 x 6.00	610 x 305 x 152	21.50	546	9.81	249	16	(D E F G H)
24186 RTSC	24186 RTSC NK	--	--	24.00 x 18.00 x 6.00	610 x 457 x 152	21.50	546	15.81	402	16	(B C D E F G H I J)
24246 RTSC	24246 RTSC NK	--	24246 RTSCGV NK	24.00 x 24.00 x 6.00	610 x 610 x 152	21.50	546	21.56	548	14	(B C D E F G H I J)
--	36366 RTSC NK	--	--	36.00 x 36.00 x 6.00	914 x 914 x 152	33.50	851	33.56	852	12	--
10108 RTSC	10108 RTSC NK	--	10108 RTSCGV NK	10.00 x 10.00 x 8.00	254 x 254 x 203	7.50	191	7.81	198	16	(D E F G H)
12128 RTSC	12128 RTSC NK	--	12128 RTSCGV NK	12.00 x 12.00 x 8.00	305 x 305 x 203	9.50	241	9.81	249	16	(D E F G H)
18128 RTSC	18128 RTSC NK	--	--	18.00 x 12.00 x 8.00	457 x 305 x 203	15.50	394	9.81	249	16	(D E F G H)
18188 RTSC	18188 RTSC NK	--	18188 RTSCGV NK	18.00 x 18.00 x 8.00	457 x 457 x 203	15.50	394	15.81	402	16	(B C D E F G H I J)
24168 RTSC	24168 RTSC NK	--	--	24.00 x 16.00 x 8.00	610 x 406 x 203	21.50	546	13.81	351	16	(C D E F G H I)
24188 RTSC	24188 RTSC NK	--	--	24.00 x 18.00 x 8.00	610 x 457 x 203	21.50	546	15.81	402	16	(B C D E F G H I J)
24248 RTSC	24248 RTSC NK	--	24248 RTSCGV NK	24.00 x 24.00 x 8.00	610 x 610 x 203	21.50	546	21.56	548	14	(B C D E F G H I J)
--	36368 RTSC NK	--	--	36.00 x 36.00 x 8.00	914 x 914 x 203	35.50	851	33.56	852	12	--
121210 RTSC	121210 RTSC NK	--	--	12.00 x 12.00 x 10.00	305 x 305 x 254	9.50	241	9.81	249	16	(D E F G H)
181210 RTSC	--	--	--	18.00 x 12.00 x 10.00	457 x 305 x 254	15.50	394	9.81	249	16	(D E F G H)
181810 RTSC	181810 RTSC NK	--	--	18.00 x 18.00 x 10.00	457 x 457 x 254	15.50	394	15.81	402	16	(B C D E F G H I J)
241810 RTSC	241810 RTSC NK	--	--	24.00 x 18.00 x 10.00	610 x 457 x 254	21.50	546	15.81	402	16	(B C D E F G H I J)
242410 RTSC	242410 RTSC NK	--	242410 RTSCGV NK	24.00 x 24.00 x 10.00	610 x 610 x 254	21.50	546	21.56	548	14	(B C D E F G H I J)
302410 RTSC	302410 RTSC NK	--	--	30.00 x 24.00 x 10.00	762 x 610 x 254	27.50	699	21.56	548	14	(B C D E F G H I J)
--	303010 RTSC NK	--	--	30.00 x 30.00 x 10.00	762 x 762 x 254	27.50	699	27.56	700	12	--
242412 RTSC	242412 RTSC NK	--	242412 RTSCGV NK	24.00 x 24.00 x 12.00	610 x 610 x 305	21.50	546	21.56	548	14	(B C D E F G H I J)
302412 RTSC	302412 RTSC NK	--	--	30.00 x 24.00 x 12.00	762 x 610 x 305	27.50	699	21.56	548	14	(B C D E F G H I J)
--	303012 RTSC NK	--	--	30.00 x 30.00 x 12.00	762 x 762 x 305	27.50	699	27.56	700	14	--
362412 RTSC	362412 RTSC NK	--	--	36.00 x 24.00 x 12.00	914 x 610 x 305	33.50	851	21.56	548	14	(B C D E F G H I J)
--	363012 RTSC NK	--	--	36.00 x 30.00 x 12.00	914 x 762 x 305	33.50	851	27.56	700	12	--
--	363612 RTSC NK	--	363612 RTSCGV NK	36.00 x 36.00 x 12.00	914 x 914 x 305	33.50	851	33.56	852	12	--

Notes: Dimensions are in inches. Millimeters shown are for reference only. Data subject to change without notice.

# Type 1, 3, & 3R Enclosures

## Junction Boxes Type 3R Hinge Cover Data Sheet and Catalog Number

Type 1, 3, & 3R Enclosures



### Application

- Used as wiring boxes, junction and pull boxes
- Protects against falling rain, sleet and external ice formation

### Standards

- UL 50 listed, Type 3R
- CSA C22.2 No. 40 certified, Type 3R
- Conforms to NEMA standard for Type 3R

### Finish

- Wash and phosphate undercoat
- ANSI 61 gray acrylic electrocoat finish

### Accessories

- Touch-up paint
- See Accessories section

### Construction

- Enclosure and door are fabricated from code gauge galvaneal steel, (see table)
- Enclosure body has embossed mounting holes on the back
- Available with or without knockouts on the bottom end of enclosures less than 30 inches wide
- Cover is secured to the top end with galvanized, detachable formed hinges on sizes up to and including 24188
- Cover can be held in the open position by sliding it into notches on body
- Cover has padlock hasp and sealing hole provisions at the bottom

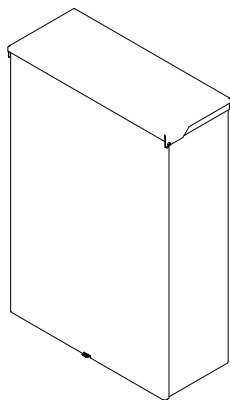
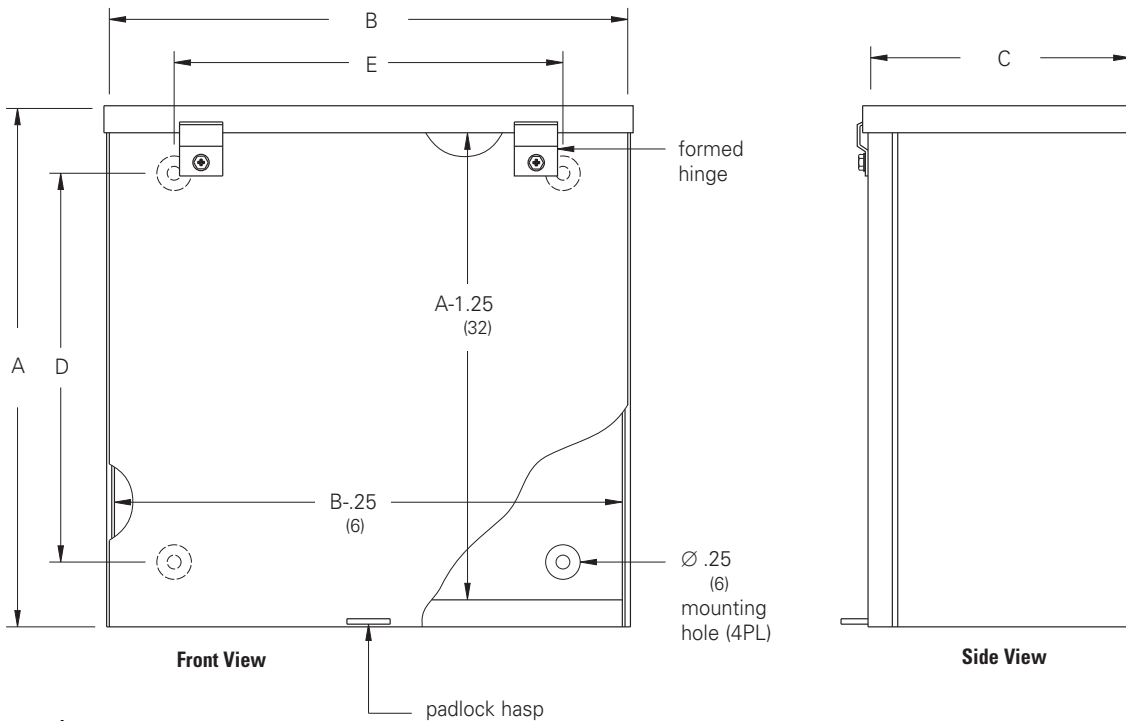
### Discount Schedule: A2

### Subclass: AT0

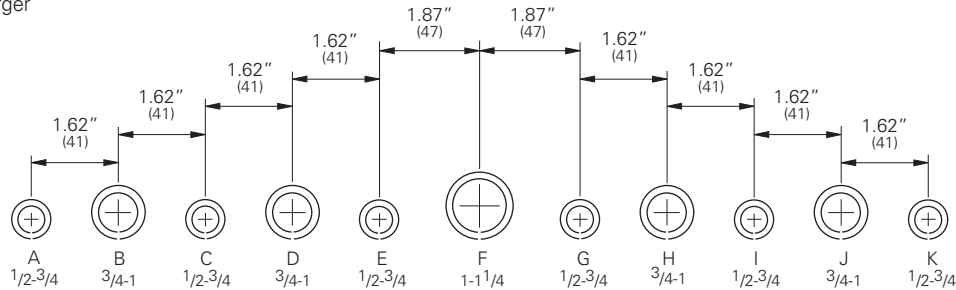
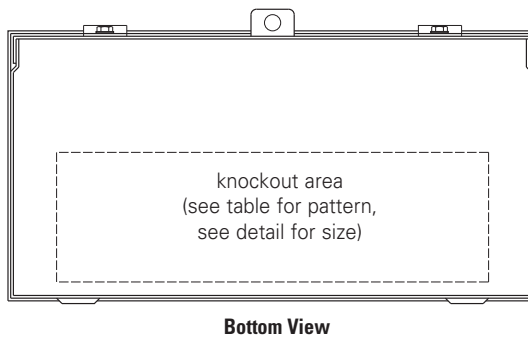
Enclosure Catalog Number		Enclosure Size				Gauge	Bottom		
Height x Width x Depth		D	E	Knockout Pattern					
KO	No KO				A x B x C			in.	mm
644 RTHC	644 RTHC NK	6.00 x 4.00 x 4.00	152 x 102 x 102	3.00	76	2.00	51	16	(C D)
664 RTHC	664 RTHC NK	6.00 x 6.00 x 4.00	152 x 152 x 102	3.00	76	4.00	102	16	(C D E)
864 RTHC	864 RTHC NK	8.00 x 6.00 x 4.00	203 x 152 x 102	5.00	127	4.00	102	16	(C D E)
884 RTHC	884 RTHC NK	8.00 x 8.00 x 4.00	203 x 203 x 102	5.00	127	5.00	127	16	(G H I J)
10104 RTHC	10104 RTHC NK	10.00 x 10.00 x 4.00	254 x 254 x 102	7.00	178	6.50	165	16	(D E F G H)
12124 RTHC	12124 RTHC NK	12.00 x 12.00 x 4.00	305 x 305 x 102	9.00	229	8.50	216	16	(D E F G H)
1286 RTHC	1286 RTHC NK	12.00 x 8.00 x 6.00	305 x 203 x 152	9.00	229	5.00	127	16	(G H I J)
12106 RTHC	12106 RTHC NK	12.00 x 10.00 x 6.00	305 x 254 x 152	9.00	229	6.50	165	16	(D E F G H)
12126 RTHC	12126 RTHC NK	12.00 x 12.00 x 6.00	305 x 305 x 152	9.00	229	8.50	216	16	(D E F G H)
18126 RTHC	18126 RTHC NK	18.00 x 12.00 x 6.00	457 x 305 x 152	15.00	381	8.50	216	16	(D E F G H)
12128 RTHC	12128 RTHC NK	12.00 x 12.00 x 8.00	305 x 305 x 203	9.00	229	8.50	216	16	(D E F G H)
18188 RTHC	18188 RTHC NK	18.00 x 18.00 x 8.00	457 x 457 x 203	15.00	381	14.50	368	16	(B C D E F G H I J)
24188 RTHC	24188 RTHC NK	24.00 x 18.00 x 8.00	610 x 457 x 203	21.00	533	14.50	368	16	(B C D E F G H I J)
24248 RTHC	24248 RTHC NK	24.00 x 24.00 x 8.00	610 x 610 x 203	21.00	533	19.50	495	14	(B C D E F G H I J)
242410 RTHC	242410 RTHC NK	24.00 x 24.00 x 10.00	610 x 610 x 254	21.00	533	20.00	508	14	(B C D E F G H I J)
362410 RTHC	362410 RTHC NK	36.00 x 24.00 x 10.00	914 x 610 x 254	33.00	838	20.00	508	14	(B C D E F G H I J)
-	363012 RTHC NK	36.00 x 30.00 x 12.00	914 x 762 x 305	33.00	838	26.00	508	12	--

**Notes:** We can provide special sizes, finishes and other modifications. Consult the factory for your special requirements. Dimensions are in inches. Millimeters shown are for reference only. Data subject to change without notice.

## Junction Boxes Type 3R Hinge Cover Illustration Sheet



Cover style on 24248 and larger



### Conduit Sizes

### Knockout Detail

**Note:** See table for applicable knockout pattern.

**Notes:** Dimensions are in inches. Millimeters shown are for reference only. Data subject to change without notice.

# Type 1, 3, & 3R Enclosures

## Junction Boxes Type 3 Screw Cover - Gasketed Data Sheet

Type 1, 3, & 3R Enclosures



### Application

- Used as wiring boxes, junction and pull boxes
- Intended for indoor or outdoor use
- Protects against windblown dust, rain, sleet, external ice formation and dripping non-corrosive liquids

### Standards

- UL 508A listed, Type 3 and Type 12
- Conforms to NEMA standard for Type 3 and Type 12

### Finish

- Bright galvanized finish
- Zinc-rich coating over all external welds

### Accessories

- Ground lug kit
- See Accessories section

### Construction

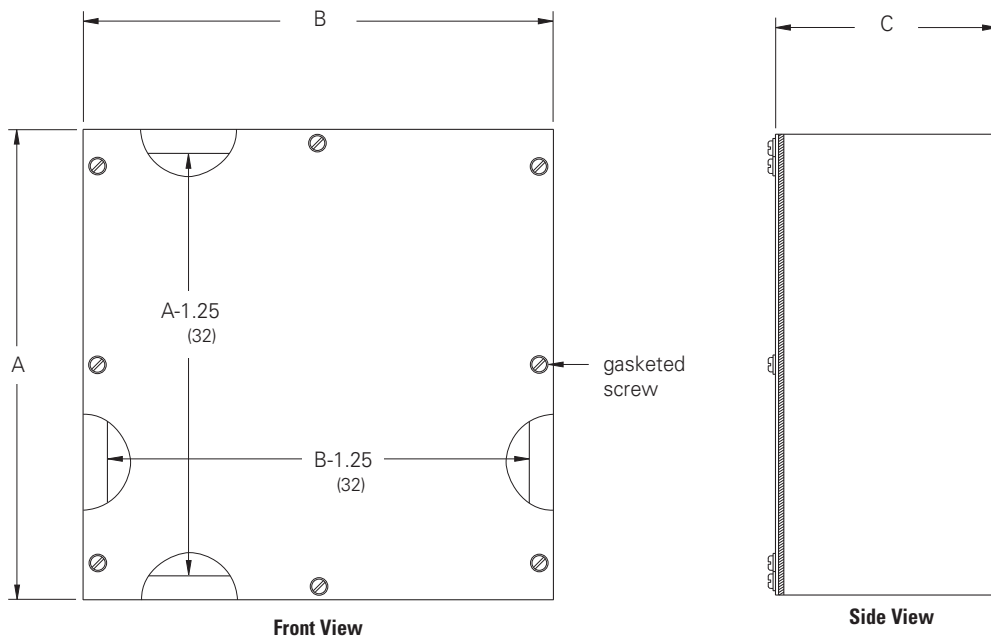
- Enclosure and cover are fabricated from galvanized steel, (see table, page 61)
- All continuous welded seams are finished smooth
- Enclosure standard without knockouts
- Cover is attached with gasketed screws
- Cover has a fixed, oil and water resistant gasket
- #10-32 weldnut is furnished for optional ground lug kit
- Ground screw provided

### Discount Schedule: A2

### Subclass: AR0

**Notes:** We can provide special sizes, finishes and other modifications. Consult the factory for your special requirements.

## Junction Boxes Type 3 Screw Cover - Gasketed Illustration Sheet and Catalog Number



Type 1, 3, & 3R Enclosures

Enclosure Catalog Number	Enclosure Size Height x Width x Depth		Body Gauge	Cover Gauge
	A x B x C			
	in.	mm		
444 SCG	4.00 x 4.00 x 4.00	102 x 102 x 102	14	14
664 SCG	6.00 x 6.00 x 4.00	152 x 152 x 102	14	14
864 SCG	8.00 x 6.00 x 4.00	203 x 152 x 102	14	12
884 SCG	8.00 x 8.00 x 4.00	203 x 203 x 102	14	12
1084 SCG	10.00 x 8.00 x 4.00	254 x 203 x 102	14	12
10104 SCG	10.00 x 10.00 x 4.00	254 x 254 x 102	14	12
12124 SCG	12.00 x 12.00 x 4.00	305 x 305 x 102	14	12
666 SCG	6.00 x 6.00 x 6.00	152 x 152 x 152	14	12
886 SCG	8.00 x 8.00 x 6.00	203 x 203 x 152	14	12
10106 SCG	10.00 x 10.00 x 6.00	254 x 254 x 152	14	12
12106 SCG	12.00 x 10.00 x 6.00	305 x 254 x 152	14	12
12126 SCG	12.00 x 12.00 x 6.00	305 x 305 x 152	14	12
16126 SCG	16.00 x 12.00 x 6.00	406 x 305 x 152	14	12
16166 SCG	16.00 x 16.00 x 6.00	406 x 406 x 152	14	10
18186 SCG	18.00 x 18.00 x 6.00	457 x 457 x 152	14	10
20166 SCG	20.00 x 16.00 x 6.00	508 x 406 x 152	14	10
24246 SCG	24.00 x 24.00 x 6.00	610 x 610 x 152	14	10
12128 SCG	12.00 x 12.00 x 8.00	305 x 305 x 203	14	10
20208 SCG	20.00 x 20.00 x 8.00	508 x 508 x 203	14	10
24208 SCG	24.00 x 20.00 x 8.00	610 x 508 x 203	14	10
24248 SCG	24.00 x 24.00 x 8.00	610 x 610 x 203	14	10
242412 SCG	24.00 x 24.00 x 12.00	610 x 610 x 305	14	10
303012 SCG	30.00 x 30.00 x 12.00	762 x 762 x 305	14	10
363612 SCG	36.00 x 36.00 x 12.00	914 x 914 x 305	14	10

**Notes:** Dimensions are in inches. Millimeters shown are for reference only. Data subject to change without notice.

# Type 1, 3, & 3R Enclosures

## Junction Boxes Type 3 Weatherproof Screw Cover Data Sheet

Type 1, 3, & 3R Enclosures



### Application

- Used as wiring boxes, junction and pull boxes
- Protects against windblown dust, rain, sleet and external ice formation

### Standards

- UL 50 listed, Type 3 and Type 12, (unless noted)
- CSA C22.2 No. 40 certified, Type 3 and Type 12
- Conforms to NEMA standard for Type 3 and Type 12

### Finish

- Wash and phosphate undercoat
- ANSI 61 gray polyester powder finish

### Accessories

- Ground lug kit
- Touch-up paint
- See Accessories section

### Construction

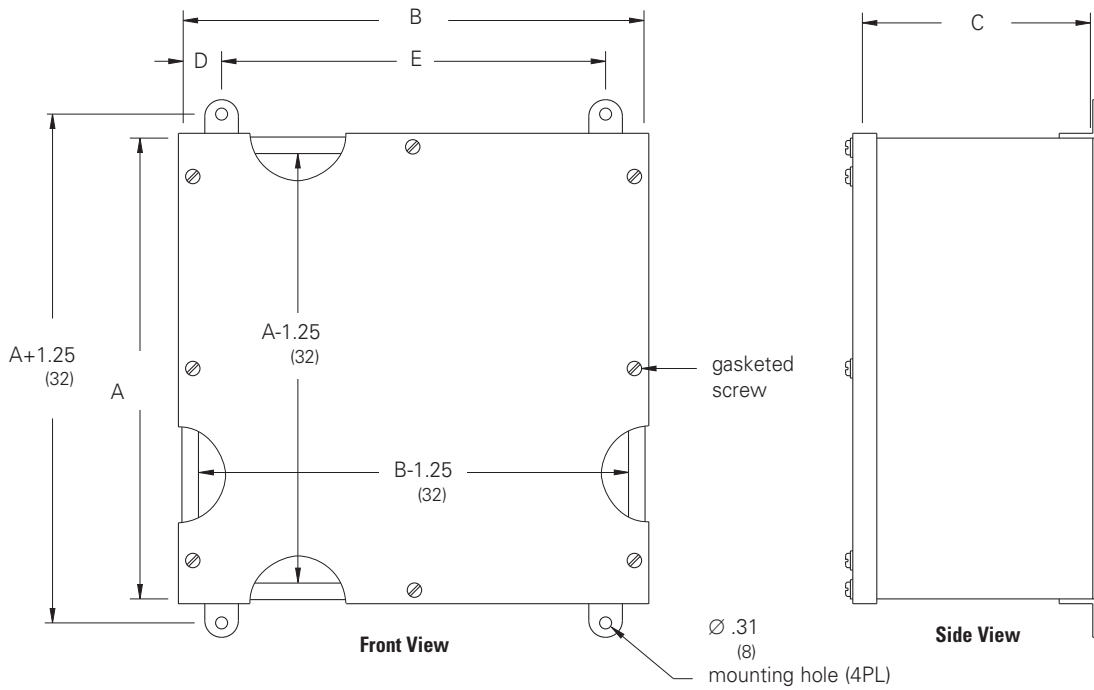
- Enclosure and door are fabricated from steel, (see table, page 63)
- All continuous welded seams are finished smooth
- Enclosure standard without knockouts
- Cover is attached with gasketed screws
- Cover has flanged sides which secure a fixed, water and ice-resistant gasket
- #10-32 weld stud is furnished for optional ground lug kit
- External mounting feet are provided for secure wall mounting

### Discount Schedule: A2

### Subclass: AR0

**Notes:** We can provide special sizes, finishes and other modifications. Consult the factory for your special requirements.

## Junction Boxes Type 3 Weatherproof Screw Cover Illustration Sheet and Catalog Number



Type 1, 3, & 3R Enclosures

Enclosure Catalog Number	Enclosure Size Height x Width x Depth A x B x C		D		E		Gauge
	in.	mm	in.	mm	in.	mm	
444 WPSC*	4.00 x 4.00 x 4.00	102 x 102 x 102	2.00	51	-	-	16
644 WPSC*	6.00 x 4.00 x 4.00	152 x 102 x 102	2.00	51	-	-	16
664 WPSC	6.00 x 6.00 x 4.00	152 x 152 x 102	1.00	25	4.00	102	16
864 WPSC	8.00 x 6.00 x 4.00	203 x 152 x 102	1.00	25	4.00	102	16
884 WPSC	8.00 x 8.00 x 4.00	203 x 203 x 102	1.00	25	6.00	152	16
1084 WPSC	10.00 x 8.00 x 4.00	254 x 203 x 102	1.00	25	6.00	152	16
10104 WPSC	10.00 x 10.00 x 4.00	254 x 254 x 102	1.00	25	8.00	203	16
12124 WPSC	12.00 x 12.00 x 4.00	305 x 305 x 102	1.00	25	10.00	254	16
18184 WPSC	18.00 x 18.00 x 4.00	457 x 457 x 102	1.00	25	16.00	406	16
666 WPSC	6.00 x 6.00 x 6.00	152 x 152 x 152	1.00	25	4.00	102	16
886 WPSC	8.00 x 8.00 x 6.00	203 x 203 x 152	1.00	25	6.00	152	16
10106 WPSC	10.00 x 10.00 x 6.00	254 x 254 x 152	1.00	25	8.00	203	16
1286 WPSC	12.00 x 8.00 x 6.00	305 x 203 x 152	1.00	25	6.00	152	16
12126 WPSC	12.00 x 12.00 x 6.00	350 x 305 x 152	1.00	25	10.00	254	16
16126 WPSC	16.00 x 12.00 x 6.00	381 x 305 x 152	1.00	25	10.00	254	16
18126 WPSC	18.00 x 12.00 x 6.00	457 x 305 x 152	1.00	25	10.00	254	16
18186 WPSC	18.00 x 18.00 x 6.00	457 x 457 x 152	1.00	25	16.00	406	16
24186 WPSC	24.00 x 18.00 x 6.00	610 x 457 x 152	1.00	25	16.00	406	16
24246 WPSC	24.00 x 24.00 x 6.00	610 x 610 x 152	1.00	25	22.00	559	14
12128 WPSC	12.00 x 12.00 x 8.00	305 x 305 x 203	1.00	25	10.00	254	16
18188 WPSC	18.00 x 18.00 x 8.00	457 x 457 x 203	1.00	25	16.00	406	16
24248 WPSC	24.00 x 24.00 x 8.00	610 x 610 x 203	1.00	25	22.00	559	14
302410 WPSC	30.00 x 24.00 x 10.00	762 x 610 x 254	1.00	25	22.00	559	14

\* UL 508A listed, Type 3 and Type 12

Notes: Dimensions are in inches. Millimeters shown are for reference only. Data subject to change without notice.

# Type 1, 3, & 3R Enclosures

## Panel Enclosures Type 1 Small Data Sheet

Type 1, 3, & 3R Enclosures



### Application

- Houses electrical controls and instruments in an environment which does not require oil or dust tight specifications
- Protects against contact with enclosed equipment

### Standards

- UL 50 listed, Type 1
- CSA C22.2 No. 40 certified, Type 1
- Conforms to NEMA standard for Type 1

### Finish

- Wash and phosphate undercoat
- ANSI 61 gray polyester powder finish

### Accessories

- Panels
- Terminal blocks
- Type 1 flush lock
- Touch-up paint
- #8-32 self tapping screw (10168)
- See Accessories section

### Construction

- Enclosure and cover are fabricated from (16) gauge steel
- Enclosure body has mounting holes on the back which are accessible with or without the optional panel installed
- Cover is secured to the body with a continuous hinge on one side and flush latch on the opposite side
- Flush latch is designed to operate with either coin or screwdriver
- #10-32 provisions for mounting optional panel
- No knockouts
- Ground stud provided on door

### Discount Schedule: C2

### Subclass: D70

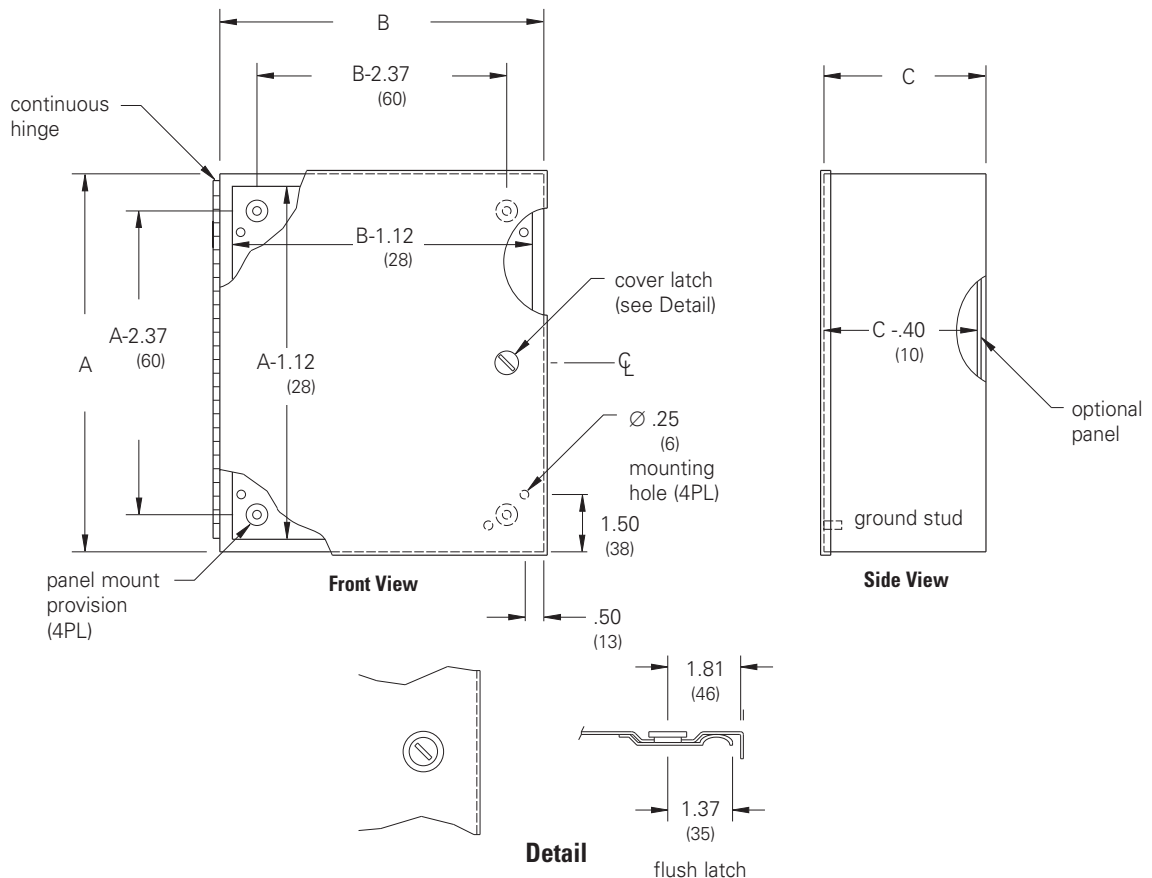
**Notes:** We can provide special sizes, finishes and other modifications. Consult the factory for your special requirements.



## Panel Enclosures Type 1 Small Illustration Sheet and Catalog Number

Enclosure Catalog Number	Enclosure Size Height x Width x Depth A x B x C		Panel Catalog Number		Panel Size	
	in.	mm	Solid	Perforated	Height in.	Width mm
664-1	6.00 x 6.00 x 4.00	152 x 152 x 102	N66P	N66PP	4.25 x 4.25	108 x 108
864-1	8.00 x 6.00 x 4.00	203 x 152 x 102	N86P	N86PP	6.25 x 4.25	159 x 108
884-1	8.00 x 8.00 x 4.00	203 x 203 x 102	N88P	N88PP	6.25 x 6.25	159 x 159
1084-1	10.00 x 8.00 x 4.00	254 x 203 x 102	N108P	N108PP	8.25 x 6.25	210 x 159
10104-1	10.00 x 10.00 x 4.00	254 x 254 x 102	N1010P	N1010PP	8.25 x 8.25	210 x 210
12104-1	12.00 x 10.00 x 4.00	305 x 254 x 102	N1210P	N1210PP	10.25 x 8.25	260 x 210
12124-1	12.00 x 12.00 x 4.00	305 x 305 x 102	N1212P	N1212PP	10.25 x 10.25	260 x 260
14124-1	14.00 x 12.00 x 4.00	356 x 305 x 102	N1412P	N1412PP	12.25 x 10.25	311 x 260
866-1	8.00 x 6.00 x 6.00	203 x 152 x 152	N86P	N86PP	6.25 x 4.25	159 x 108
886-1	8.00 x 8.00 x 6.00	203 x 203 x 152	N88P	N88PP	6.25 x 6.25	159 x 159
1086-1	10.00 x 8.00 x 6.00	254 x 203 x 152	N108P	N108PP	8.25 x 6.25	210 x 159
10106-1	10.00 x 10.00 x 6.00	254 x 254 x 152	N1010P	N1010PP	8.25 x 8.25	210 x 210
12106-1	12.00 x 10.00 x 6.00	305 x 254 x 152	N1210P	N1210PP	10.25 x 8.25	260 x 210
12126-1	12.00 x 12.00 x 6.00	305 x 305 x 152	N1212P	N1212PP	10.25 x 10.25	260 x 260
14126-1	14.00 x 12.00 x 6.00	356 x 305 x 152	N1412P	N1412PP	12.25 x 10.25	311 x 260
20126-1	20.00 x 12.00 x 6.00	508 x 305 x 152	N2012P	N2012PP	18.25 x 10.25	464 x 260
12128-1	12.00 x 12.00 x 8.00	305 x 305 x 203	N1212P	N1212PP	10.25 x 10.25	260 x 260
14128-1	14.00 x 12.00 x 8.00	356 x 305 x 203	N1412P	N1412PP	12.25 x 10.25	311 x 260

Type 1, 3, & 3R Enclosures



**Notes:** Dimensions are in inches. Millimeters shown are for reference only. Data subject to change without notice.

# Type 1, 3, & 3R Enclosures

## Panel Enclosures Type 1 Medium Data and Illustration Sheet

Type 1, 3, & 3R Enclosures



### Application

- Houses electrical controls and instruments in an environment which does not require oil and dust tight specifications
- Protects against contact with enclosed equipment

### Standards

- UL 50 listed, Type 1
- CSA C22.2 No. 40 certified, Type 1
- Conforms to NEMA standard for Type 1

### Finish

- Wash and phosphate undercoat
- ANSI 61 gray polyester powder finish
- Optional panels have a white polyester powder finish

### Accessories

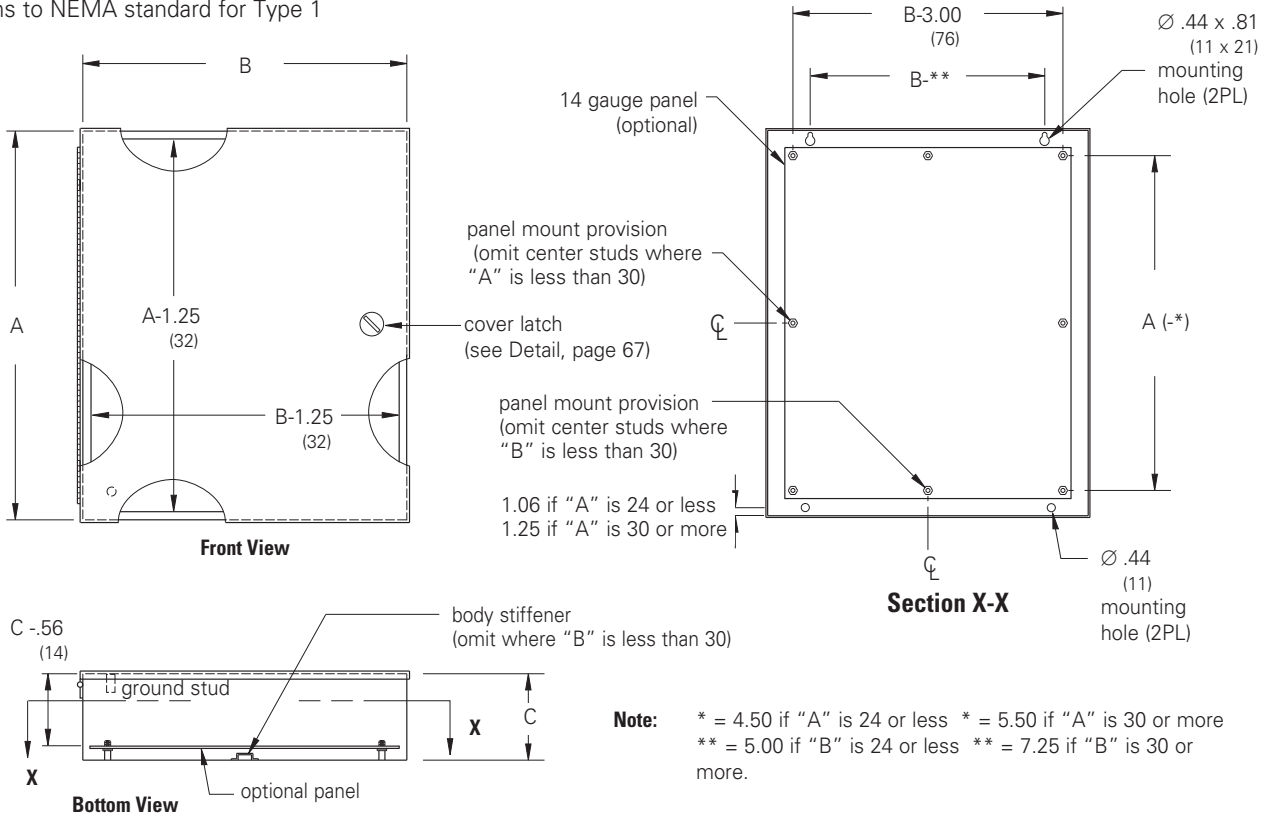
- Panels
- Terminal blocks
- Type 1 flush lock
- Type 1 security latch inserts
- Touch-up paint
- See Accessories section
- #8-32 self tapping screw (10168)

### Construction

- Enclosure and door are fabricated from code gauge steel, (see table, page 67)
- Enclosure body has mounting holes on the back which are accessible with or without the optional panel installed
- Door is secured to the body with a continuous hinge on one side and a flush latch mounted to the opposite side
- Flush latch is designed to operate with either coin or screwdriver
- .375-16 provisions for mounting optional panel
- No knockouts
- Ground stud provided on door

### Discount Schedule: C2

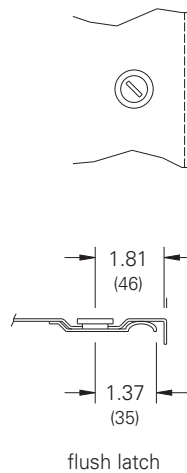
### Subclass: D80



**Notes:** We can provide special sizes, finishes and other modifications. Consult the factory for your special requirements. Dimensions are in inches. Millimeters shown are for reference only. Data subject to change without notice.

## Panel Enclosures Type 1 Medium Illustration Sheet and Catalog Number

Enclosure  Catalog Number	Enclosure Size Height x Width x Depth		Gauge	Panel Catalog Number A x B x C		Panel Size Height x Width	
	in.	mm		Solid	Perforated	in.	mm
	16126-1	16.00 x 12.00 x 6.62		406 x 305 x 168	16	AW1612-1P	AW1612-1PP
16166-1	16.00 x 16.00 x 6.62	406 x 406 x 168	16	AW1616-1P	AW1616-1PP	13.00 x 14.50	330 x 368
16206-1	16.00 x 20.00 x 6.62	406 x 508 x 168	16	AW1620-1P	AW1620-1PP	13.00 x 18.50	330 x 470
20166-1	20.00 x 16.00 x 6.62	508 x 406 x 168	16	AW2016-1P	AW2016-1PP	17.00 x 14.50	432 x 368
20206-1	20.00 x 20.00 x 6.62	508 x 508 x 168	14	AW2020-1P	AW2020-1PP	17.00 x 18.50	432 x 470
24166-1	24.00 x 16.00 x 6.62	610 x 406 x 168	14	AW2416-1P	AW2416-1PP	21.00 x 14.50	533 x 368
24206-1	24.00 x 20.00 x 6.62	610 x 508 x 168	14	AW2420-1P	AW2420-1PP	21.00 x 18.50	533 x 470
24246-1	24.00 x 24.00 x 6.62	610 x 610 x 168	14	AW2424-1P	AW2424-1PP	21.00 x 22.50	533 x 572
30206-1	30.00 x 20.00 x 6.62	762 x 508 x 168	14	AW3020-1P	AW3020-1PP	26.00 x 18.50	660 x 470
30246-1	30.00 x 24.00 x 6.62	762 x 610 x 168	14	AW3024-1P	AW3024-1PP	26.00 x 22.50	660 x 572
36246-1	36.00 x 24.00 x 6.62	914 x 610 x 168	14	AW3624-1P	AW3624-1PP	32.00 x 22.50	813 x 572
36306-1	36.00 x 30.00 x 6.62	914 x 762 x 168	14	AW3630-1P	AW3630-1PP	32.00 x 28.50	813 x 724
16128-1	16.00 x 12.00 x 8.62	406 x 305 x 219	16	AW1612-1P	AW1612-1PP	13.00 x 10.50	330 x 267
20168-1	20.00 x 16.00 x 8.62	508 x 406 x 219	16	AW2016-1P	AW2016-1PP	17.00 x 14.50	432 x 368
20208-1	20.00 x 20.00 x 8.62	508 x 508 x 219	14	AW2020-1P	AW2020-1PP	17.00 x 18.50	432 x 470
20248-1	20.00 x 24.00 x 8.62	508 x 610 x 219	14	AW2024-1P	AW2024-1PP	17.00 x 22.50	432 x 572
24208-1	24.00 x 20.00 x 8.62	610 x 508 x 219	14	AW2420-1P	AW2420-1PP	21.00 x 18.50	533 x 470
24248-1	24.00 x 24.00 x 8.62	610 x 610 x 219	14	AW2424-1P	AW2424-1PP	21.00 x 22.50	533 x 572
30208-1	30.00 x 20.00 x 8.62	762 x 508 x 219	14	AW3020-1P	AW3020-1PP	26.00 x 18.50	660 x 470
30248-1	30.00 x 24.00 x 8.62	762 x 610 x 219	14	AW3024-1P	AW3024-1PP	26.00 x 22.50	660 x 572
30308-1	30.00 x 30.00 x 8.62	762 x 762 x 219	14	AW3030-1P	AW3030-1PP	26.00 x 28.50	660 x 724
36248-1	36.00x24.00x8.62	914 x 610 x 219	14	AW3624-1P	AW3624-1PP	32.00 x 22.50	813 x 572
36308-1	36.00x30.00x8.62	914 x 762 x 219	14	AW3630-1P	AW3630-1PP	32.00 x 28.50	813 x 724
42248-1	42.00x24.00x8.62	1067 x 610 x 219	14	AW4224-1P	AW4224-1PP	38.00 x 22.50	965 x 572
242010-1	24.00x20.00x10.62	610 x 508 x 270	14	AW2420-1P	AW2420-1PP	21.00 x 18.50	533 x 470
302410-1	30.00x24.00x10.62	762 x 610 x 270	14	AW3024-1P	AW3024-1PP	26.00 x 22.50	660 x 572
242012-1	24.00x20.00x12.62	610 x 508 x 321	14	AW2420-1P	AW2420-1PP	21.00 x 18.50	533 x 470
242412-1	24.00x24.00x12.62	610 x 610 x 321	14	AW2424-1P	AW2424-1PP	21.00 x 22.50	533 x 572
302412-1	30.00x24.00x12.62	762 x 610 x 321	14	AW3024-1P	AW3024-1PP	26.00 x 22.50	660 x 572
363012-1	36.00x30.00x12.62	914 x 762 x 321	14	AW3630-1P	AW3630-1PP	32.00 x 28.50	813 x 724



**Detail**

**Notes:** Dimensions are in inches. Millimeters shown are for reference only. Data subject to change without notice.

# Type 1, 3, & 3R Enclosures

## Panel Enclosures Type 1 Large Data Sheet

Type 1, 3, & 3R Enclosures



### Application

- Houses electrical controls and instruments in an environment which does not require oil and dust tight specifications
- Protects against contact with enclosed equipment

### Standards

- UL 50 Listed, Type 1
- CSA C22.2 No. 40 certified, Type 1
- Conforms to NEMA Standard for Type 1

### Finish

- Wash and phosphate undercoat
- ANSI 61 gray polyester powder finish
- Optional panels have a white polyester powder finish

### Accessories

- Panels
- Terminal blocks
- Type 1 flush lock
- Swing panel kits
- Window kits
- Touch-up paint

### Construction

- Enclosure and door are fabricated from (14) gauge steel
- Enclosure body has mounting holes on the back which are accessible with or without the optional panel installed
- Door is secured to the body with a heavy-duty continuous hinge on one side and slotted flush latches on the opposite side
- Body has stiffener for extra rigidity
- Slotted flush latch is designed to operate with either a coin or a screwdriver
- .375-16 provisions for mounting optional panels
- No knockouts
- Ground stud provided on door

### Discount Schedule: C2

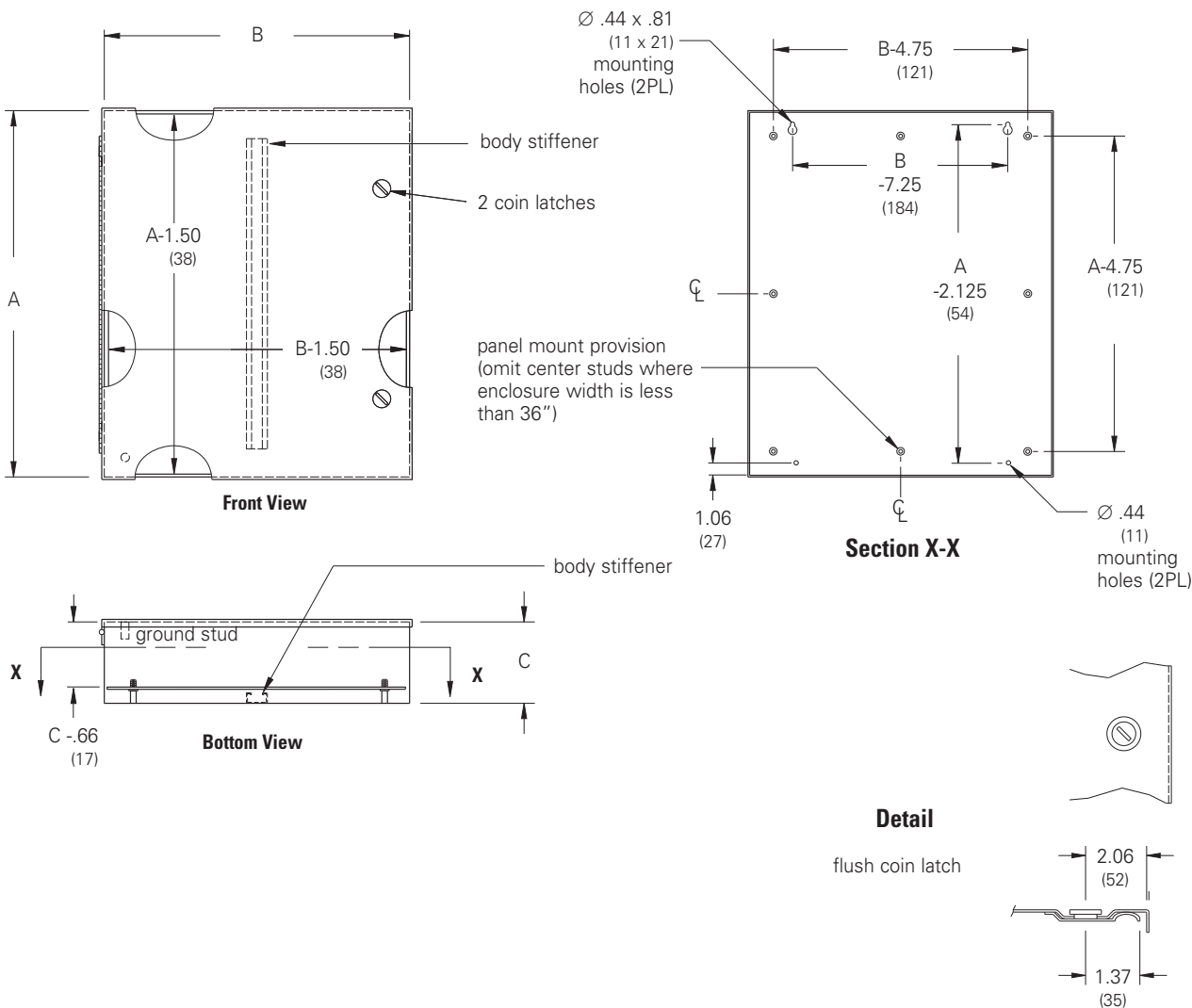
### Subclass: D80

**Notes:** We can provide special sizes, finishes and other modifications. Consult the factory for your special requirements.

## Panel Enclosures Type 1 Large Illustration Sheet and Catalog Number

Type 1, 3, & 3R Enclosures

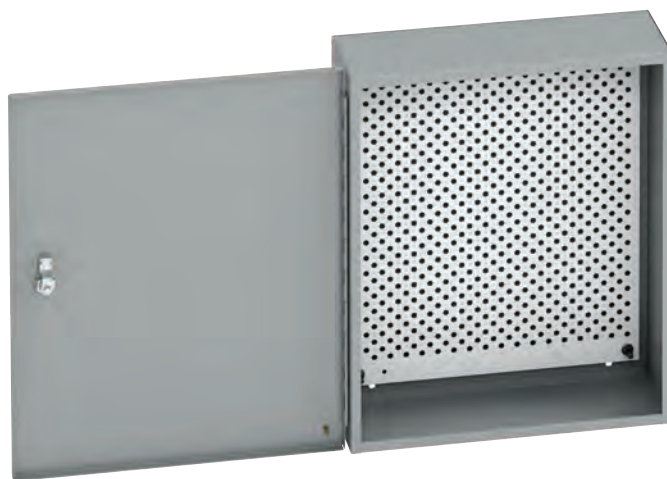
Enclosure Catalog Number	Enclosure Size Height x Width x Depth A x B x C		Panel Catalog Number	Panel Size Height x Width	
	in.	mm		in.	mm
42309-1	42.00 x 30.00 x 9.25	1067 x 762 x 235	AW4230P	38.87 x 26.87	987 x 682
42369-1	42.00 x 36.00 x 9.25	1067 x 914 x 235	AW4236P	38.87 x 32.87	987 x 835
48369-1	48.00 x 36.00 x 9.25	1219 x 914 x 235	AW4836P	44.87 x 32.87	1140 x 835
483611-1	48.00 x 36.00 x 11.25	1219 x 914 x 286	AW4836P	44.87 x 32.87	1140 x 835
423013-1	42.00 x 30.00 x 13.25	1067 x 762 x 337	AW4230P	38.87 x 26.87	987 x 682
423613-1	42.00 x 36.00 x 13.25	1067 x 914 x 337	AW4236P	38.87 x 32.87	987 x 835
483613-1	48.00 x 36.00 x 13.25	1219 x 914 x 337	AW4836P	44.87 x 32.87	1140 x 835
483617-1	48.00 x 36.00 x 17.25	1219 x 914 x 438	AW4836P	44.87 x 32.87	1140 x 835



**Notes:** Dimensions are in inches. Millimeters shown are for reference only. Data subject to change without notice.

# Type 1, 3, & 3R Enclosures

## Panel Enclosures Type 1 Locking Hinge Cover With Perforated Panel Data Sheet and Catalog Number



Type 1, 3, & 3R Enclosures

### Application

- Houses electrical and electronic controls and instruments in an environment which does not require oil, dust, or water tight specifications
- Protects against contact with enclosed equipment

### Standards

- UL 50 listed, Type 1
- CSA C22.2 No. 40 certified, Type 1
- Conforms to NEMA standard for Type 1

### Finish

- Wash and phosphate undercoat
- ANSI 61 gray acrylic electro-coat finish

### Accessories

- Touch-up paint (84034)
- Self-tapping screws (10168)

### Construction

- Covers and bodies are fabricated from code gauge steel (see below)
- Includes panel grounding hardware kit
- Cover has keyed quarter-turn lock, two (2) keys are included
- Includes removable 16 gauge white perforated panel
- Enclosure body has mounting holes on the back which are accessible with or without the panel installed
- Cover is secured to the body with a continuous hinge on one side and a flush latch on the opposite side
- Ground stud provided on door

### Discount Schedule: C2

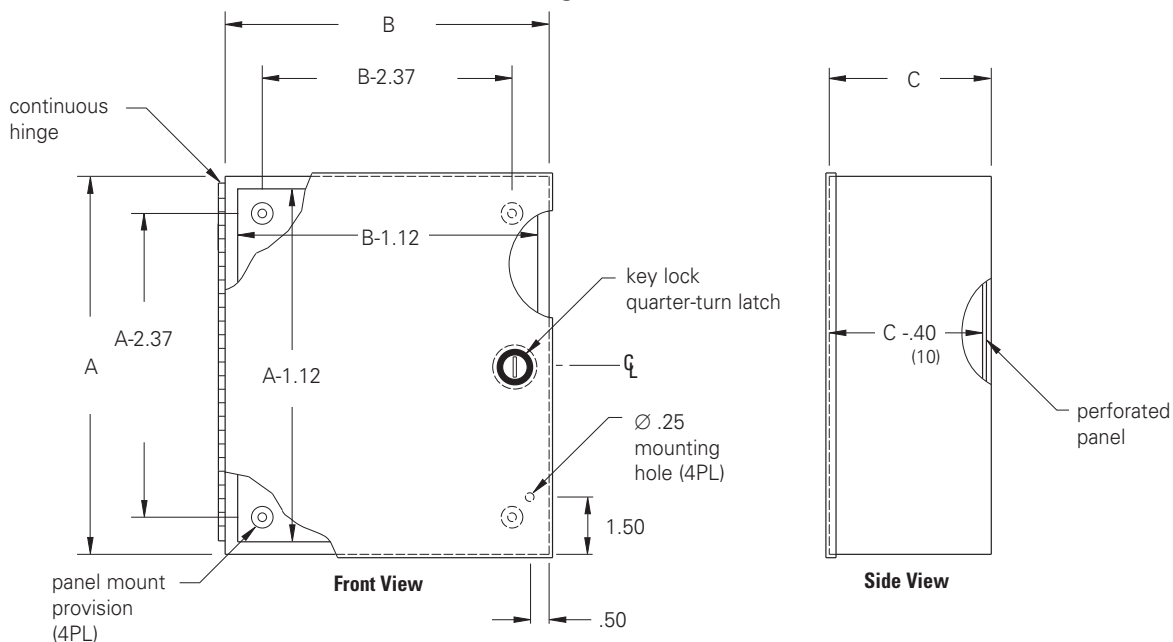
### Subclass: D85

Catalog Number	Height x Depth x Length A x B x C		Gauge		Perforated Panel Size	
	in.	mm	in.	mm	in.	mm
12126-1PP	12.00 x 12.00 x 6.00	305 x 305 x 152	16	1.4	10.25 x 10.25	260.3 x 260.3
16126-1PP	16.00 x 12.00 x 6.00	406 x 305 x 152	16	1.4	13.00 x 10.50	260.3 x 260.3
20166-1PP	20.00 x 16.00 x 6.00	508 x 406 x 152	16	1.4	17.00 x 14.50	431.8 x 368.3
24206-1PP	24.00 x 20.00 x 6.00	610 x 508 x 152	14	1.9	21.00 x 18.50	533.4 x 469.9
36246-1PP	36.00 x 24.00 x 6.00	914 x 610 x 152	14	1.9	32.00 x 22.50	812.8 x 571.5
36306-1PP	36.00 x 30.00 x 6.00	914 x 762 x 152	14	1.9	32.00 x 28.50	812.8 x 723.9

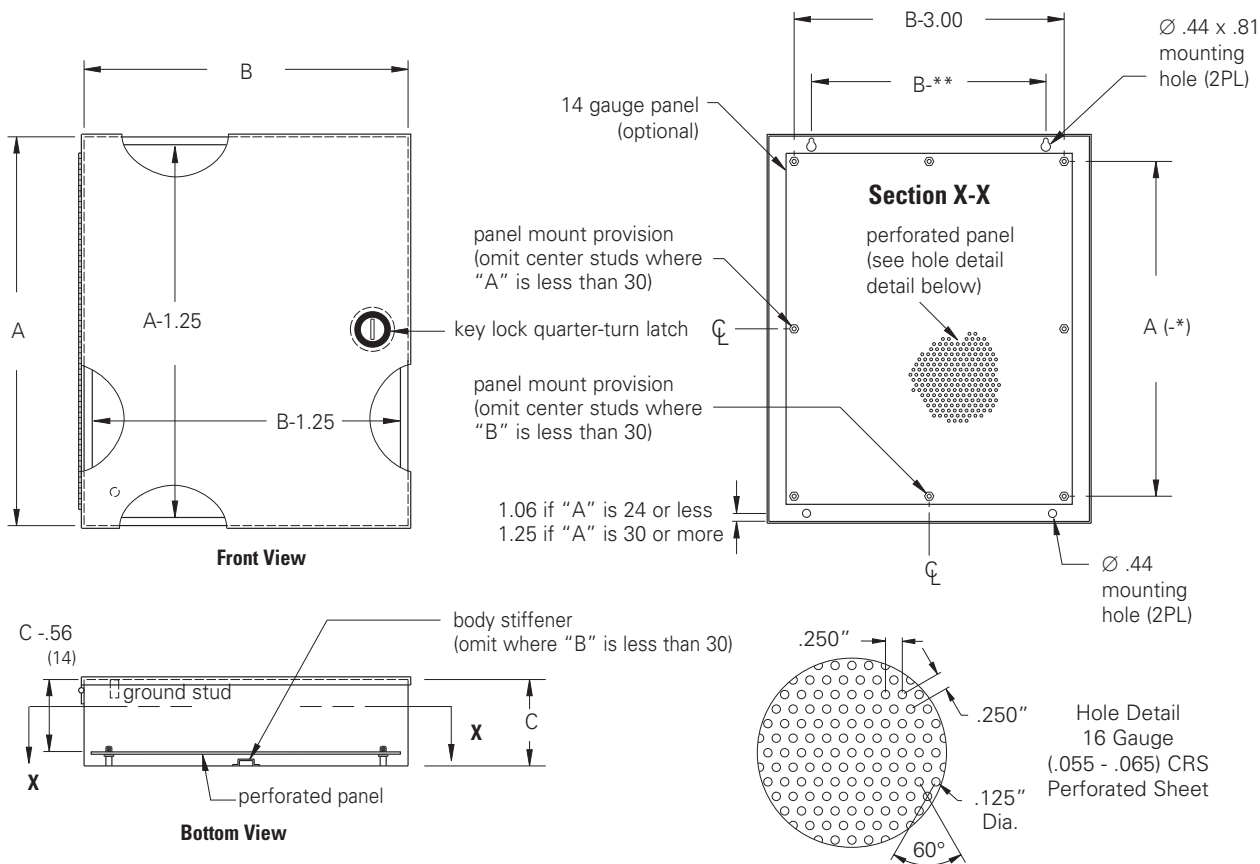
**Notes:** We can provide special sizes, finishes and other modifications. Consult the factory for your special requirements. Dimensions are in inches. Millimeters shown are for reference only. Data subject to change without notice.

## Panel Enclosures Type 1 Locking Hinge Cover With Perforated Panel Illustration Sheet

**Drawings for 12126-1PP**



**Drawings for 16126-1PP, 20166-1PP, 24206-1PP, 36246-1PP, 36306-1PP**



**Note:** \* = 4.50 if "A" is 24 or less \* = 5.50 if "A" is 30 or more  
\*\* = 5.00 if "B" is 24 or less \*\* = 7.25 if "B" is 30 or more.

**Notes:** Dimensions are in inches. Millimeters shown are for reference only. Data subject to change without notice.

# Type 1, 3, & 3R Enclosures

## Panel Enclosures Type 3R Small Continuous Hinge Cover Data Sheet and Catalog Number

Type 1, 3, & 3R Enclosures



### Application

- Used as wiring boxes, junction and pull boxes
- Protects against falling rain, sleet and external ice formation

### Standards

- UL 50 listed, Type 3R
- CSA C22.2 No. 40 certified, Type 3R
- Conforms to NEMA standard for Type 3R

### Finish

- Wash and phosphate undercoat
- ANSI 61 gray polyester powder finish

### Accessories

- Panels
- Touch-up paint
- #10-32 self tapping screw (10168)
- See Accessories section

### Construction

- Enclosure and cover are fabricated from (16) gauge galvaneal steel
- Knockouts are furnished on bottom end
- Cover is secured to the body with a continuous hinge and stainless steel pin on one side and a padlock draw pull catch on the opposite side
- #10-32 weldnuts are furnished for mounting optional panel
- External mounting feet are provided for secure wall mounting
- Ground stud provided on door

### Discount Schedule: A2

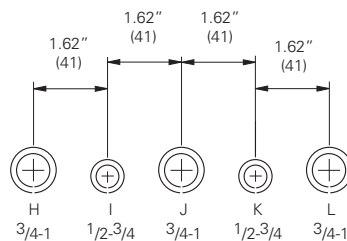
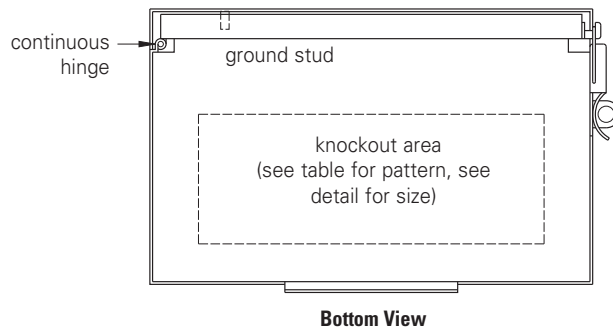
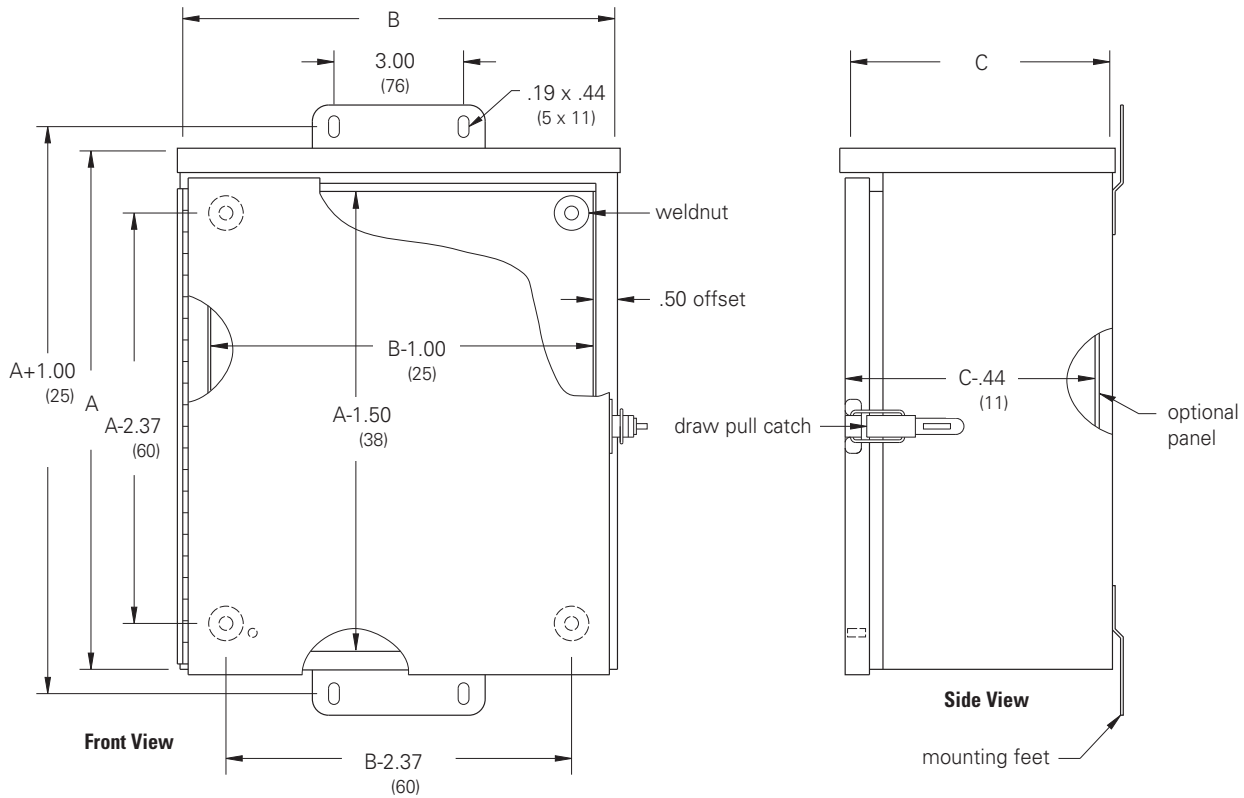
### Subclass: AU0

Enclosure Catalog Number	Enclosure Size Height x Width x Depth A x B x C		Knockout Pattern Bottom	Panel Catalog Number		Panel Height x Width	
	in.	mm		Solid	Perforated	in.	mm
644 RHC	6.00 x 4.00 x 4.00	152 x 102 x 102	(I J)	N64P	N64PP	4.25 x 2.25	108 x 57
664 RHC	6.00 x 6.00 x 4.00	152 x 152 x 102	(I J K)	N66P	N66PP	4.25 x 4.25	108 x 108
864 RHC	8.00 x 6.00 x 4.00	203 x 152 x 102	(I J K)	N86P	N86PP	6.25 x 4.25	159 x 108
884 RHC	8.00 x 8.00 x 4.00	203 x 203 x 102	(I J K L)	N88P	N88PP	6.25 x 6.25	159 x 159
886 RHC	8.00 x 8.00 x 6.00	203 x 203 x 152	(I J K L)	N88P	N88PP	6.25 x 6.25	159 x 159
1086 RHC	10.00 x 8.00 x 6.00	254 x 203 x 152	(I J K L)	N108P	N108PP	8.25 x 6.25	210 x 159
12106 RHC	12.00 x 10.00 x 6.00	305 x 254 x 152	(H I J K L)	N1210P	N1210PP	10.25 x 8.25	260 x 210
12126 RHC	12.00 x 12.00 x 6.00	305 x 305 x 152	(H I J K L)	N1212P	N1212PP	10.25 x 10.25	260 x 260
121210 RHC	12.00 x 12.00 x 10.00	305 x 305 x 254	(H I J K L)	N1212P	N1212PP	10.25 x 10.25	260 x 260

**Notes:** We can provide special sizes, finishes and other modifications. Consult the factory for your special requirements.



## Panel Enclosures Type 3R Small Continuous Hinge Cover Illustration Sheet



### Conduit Sizes

### Knockout Detail

**Note:** See table for applicable knockout pattern.

**Notes:** Dimensions are in inches. Millimeters shown are for reference only. Data subject to change without notice.

# Type 1, 3, & 3R Enclosures

## Panel Enclosures Type 3R Large Continuous Hinge Cover Data Sheet and Catalog Number



Type 1, 3, & 3R Enclosures

### Application

- Used as wiring boxes, junction and pull boxes
- Protects against falling rain, sleet and external ice formation

### Standards

- UL 50 listed, Type 3R
- CSA C22.2 No. 40 certified, Type 3R
- Conforms to NEMA standard for Type 3R

### Construction

- Enclosure and door are fabricated from code gauge galvaneal steel, (see below)
- Enclosure standard without knockouts
- Door is secured to the body with a continuous hinge and stainless steel pin on one side and captive screws on the opposite side
- Door has padlock hasp with sealing hole provision
- .375-16 collar studs are furnished for mounting optional panel
- External mounting feet are provided for secure wall mounting
- Ground stud provided on door

### Finish

- Wash and phosphate undercoat
- ANSI 61 gray polyester powder finish

### Accessories

- Panels
- Touch-up paint
- See Accessories section

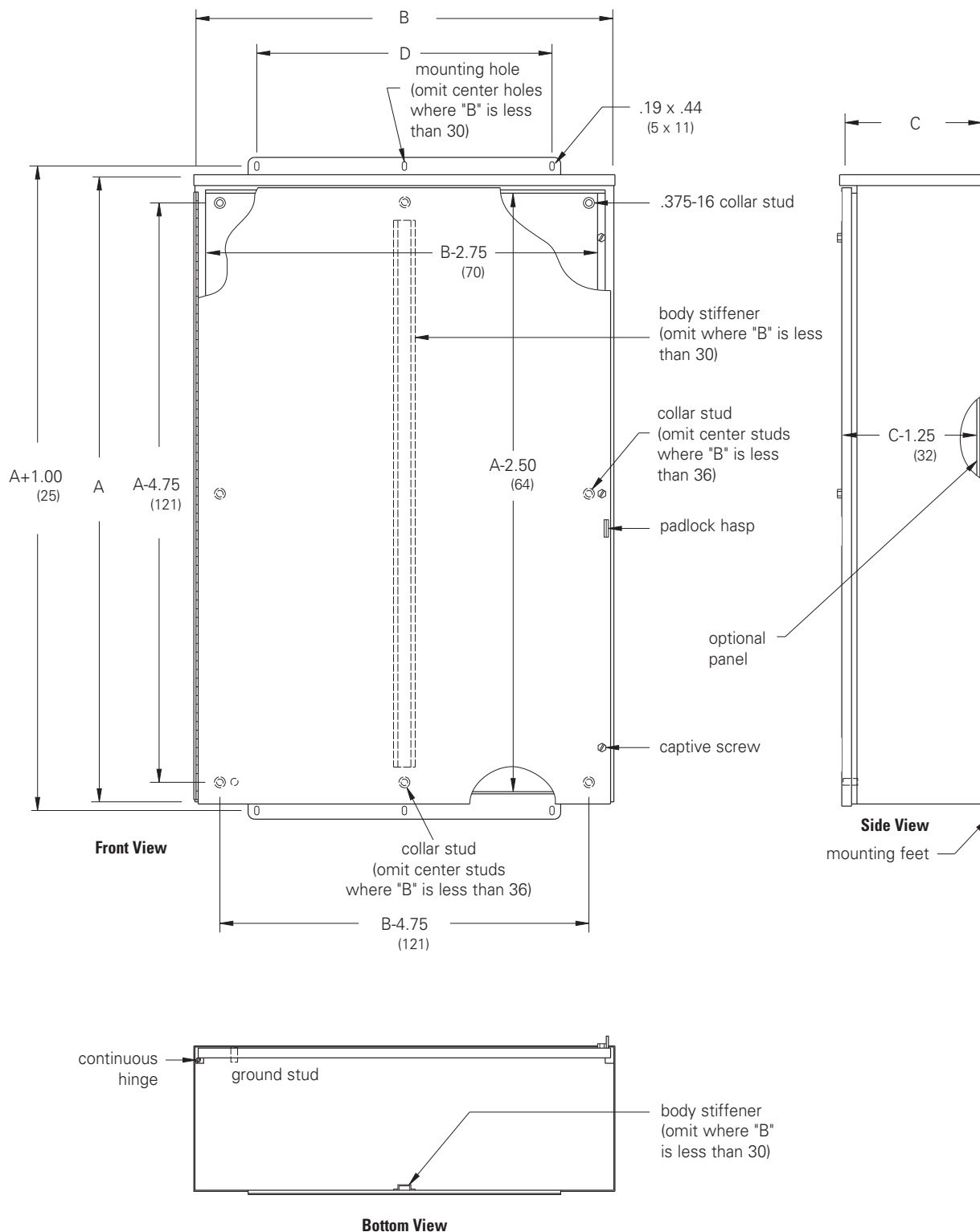
### Discount Schedule: A2

### Subclass: AU0

Enclosure Catalog Number	Enclosure Size Height x Width x Depth A x B x C		D		Gauge	Panel Catalog Number	Panel Size	
	in.	mm	in.	mm			Height in.	x Width mm
16126RHC	16.00 x 12.00 x 6.00	406 x 305 x 152	5.00	127	16	N1612P	13.00 x 9.00	330 x 229
16166RHC	16.00 x 16.00 x 6.00	406 x 406 x 152	9.00	229	16	N1616P	13.00 x 13.00	330 x 330
18186RHC	18.00 x 18.00 x 6.00	457 x 457 x 152	13.00	330	16	N1818P	15.00 x 15.00	381 x 381
181810RHC	18.00 x 18.00 x 10.00	457 x 457 x 254	13.00	330	16	N1818P	15.00 x 15.00	381 x 381
20166RHC	20.00 x 16.00 x 6.00	508 x 406 x 152	9.00	229	16	N2016P	17.00 x 13.00	432 x 330
20208RHC	20.00 x 20.00 x 8.00	508 x 508 x 203	13.00	330	16	N2020P	17.00 x 17.00	432 x 432
24208RHC	24.00 x 20.00 x 8.00	610 x 508 x 203	13.00	330	16	N2420P	20.87 x 16.87	530 x 428
24248RHC	24.00 x 24.00 x 8.00	610 x 610 x 203	17.00	432	14	N2424P	20.87 x 20.87	530 x 530
242410RHC	24.00 x 24.00 x 10.00	610 x 610 x 254	17.00	432	14	N2424P	20.87 x 20.87	530 x 530
30248RHC	30.00 x 24.00 x 8.00	762 x 610 x 203	17.00	432	14	N3024P	26.87 x 20.87	682 x 530
302410RHC	30.00 x 24.00 x 10.00	762 x 610 x 254	17.00	432	14	N3024P	26.87 x 20.87	682 x 530
30308RHC	30.00 x 30.00 x 8.00	762 x 762 x 203	17.00	432	14	N3030P	26.87 x 26.87	682 x 682
303012RHC	30.00 x 30.00 x 12.00	762 x 762 x 305	27.00	432	14	N3030P	26.87 x 26.87	682 x 682
303016RHC	30.00 x 30.00 x 16.00	762 x 762 x 406	27.00	432	14	N3030P	26.87 x 26.87	682 x 682
362412RHC	36.00 x 24.00 x 12.00	914 x 610 x 305	17.00	432	14	N3624P	32.87 x 20.87	835 x 530
363012RHC	36.00 x 30.00 x 12.00	914 x 762 x 305	27.00	432	14	N3630P	32.87 x 26.87	835 x 682
363610RHC	36.00 x 36.00 x 10.00	914 x 914 x 254	27.00	432	14	N3636P	32.87 x 32.87	835 x 835
363612RHC	36.00 x 36.00 x 12.00	914 x 914 x 305	27.00	432	14	N3636P	32.87 x 32.87	835 x 835
423012RHC	42.00 x 30.00 x 12.00	1067 x 762 x 305	27.00	432	14	N4230P	38.87 x 26.87	987 x 682
423612RHC	42.00 x 36.00 x 12.00	1067 x 914 x 305	27.00	432	14	N4236P	38.87 x 32.87	987 x 835
483612RHC	48.00 x 36.00 x 12.00	1219 x 914 x 305	27.00	432	14	N4836P	44.87 x 32.87	1140 x 835
483616RHC	48.00 x 36.00 x 16.00	1219 x 914 x 406	27.00	432	14	N4836P	44.87 x 32.87	1140 x 835
603612RHC	60.00 x 36.00 x 12.00	1524 x 914 x 305	27.00	432	14	N6036P	56.87 x 32.87	1444 x 835

**Notes:** We can provide special sizes, finishes and other modifications. Consult the factory for your special requirements.  
Dimensions are in inches. Millimeters shown are for reference only. Data subject to change without notice.

## Panel Enclosures Type 3R Large Continuous Hinge Cover Illustration Sheet



Type 1, 3, & 3R Enclosures

**Notes:** Dimensions are in inches. Millimeters shown are for reference only. Data subject to change without notice.

# Type 1, 3, & 3R Enclosures

## Panel Enclosures Type 3R Double-Door Enclosures Data Sheet and Catalog Number

Type 1, 3, & 3R Enclosures



### Application

- Used as wiring boxes, junction and pull boxes
- Protects against falling rain, sleet and external ice formation

### Standards

- UL 50 listed, Type 3R
- CSA C22.2 No. 40 certified, Type 3R
- Conforms to NEMA standard for Type 3R

### Finish

- Wash and phosphate undercoat
- ANSI 61 gray polyester powder finish

### Accessories

- Panels
- Type 3R door handle
- Touch-up paint
- See Accessories section

### Construction

- Enclosure and door are fabricated from (12) gauge steel
- Removable center post for complete front access
- Doors are secured to the body with a heavy-duty continuous hinge and stainless steel hinge pin with center locating 3-point padlocking handle mechanism which closes the right side door over the left
- .375-16 collar studs are furnished for mounting optional panel
- External mounting feet are provided for secure wall mounting
- No knockouts
- Ground stud provided on each door

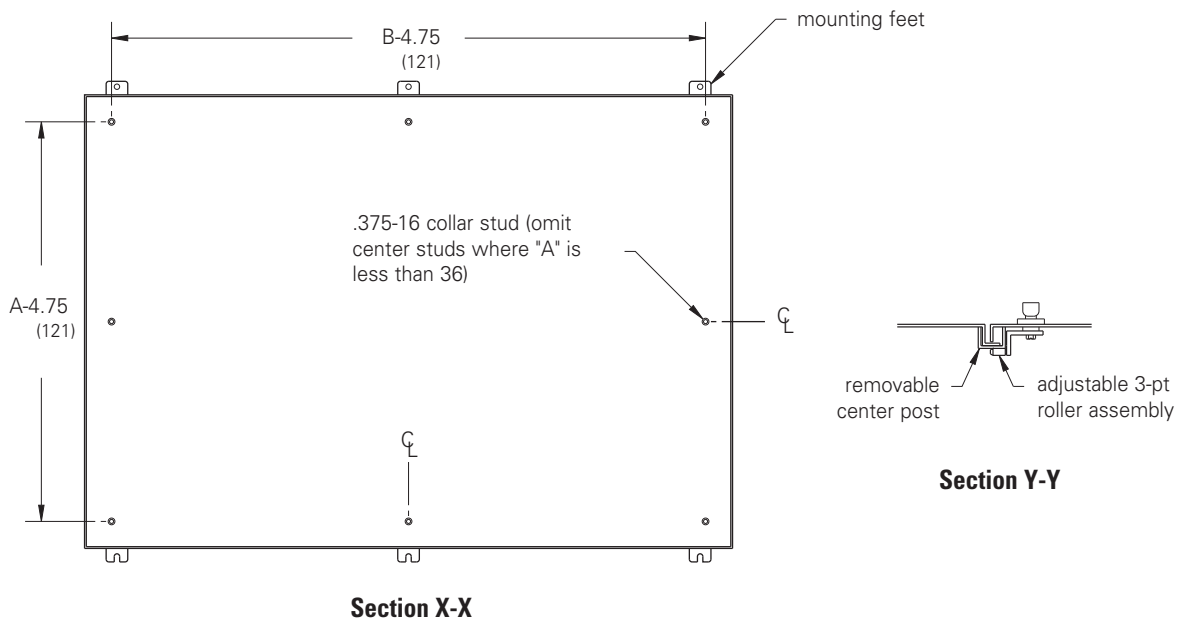
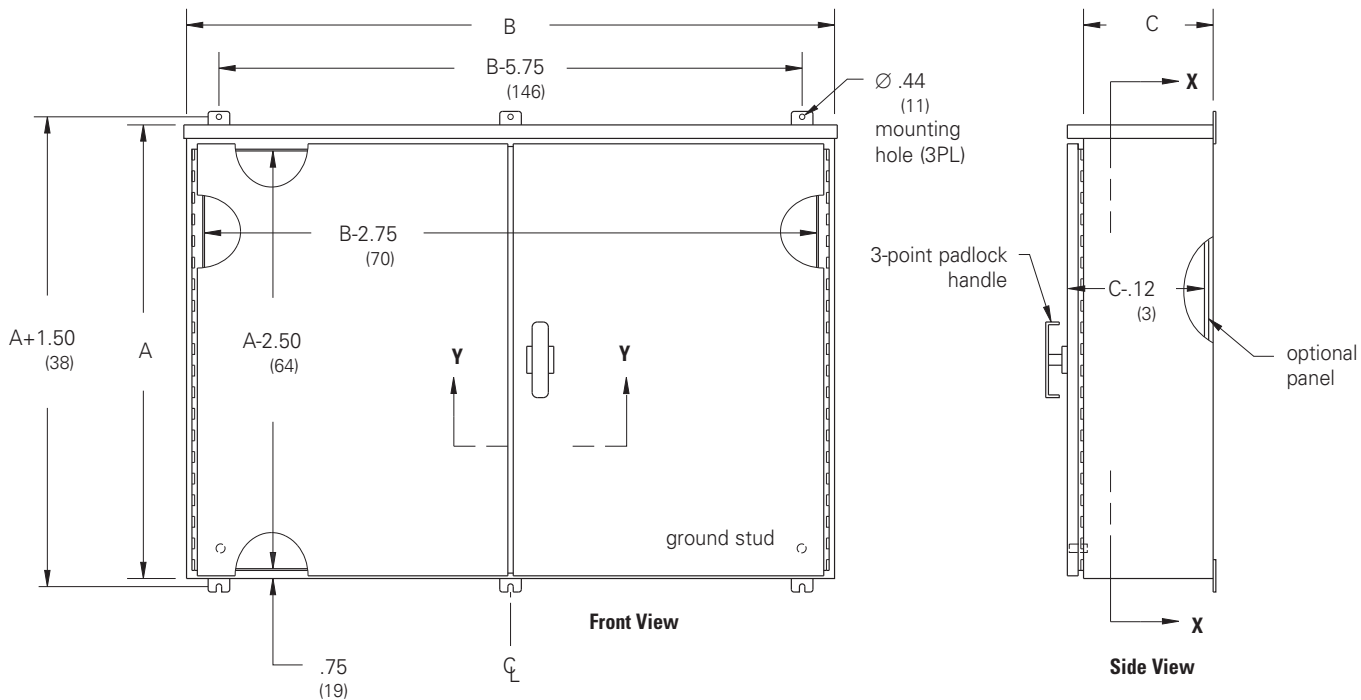
### Discount Schedule: A2

### Subclass: AU0

Enclosure Catalog Number	Enclosure Size Height x Width x Depth A x B x C		Panel Catalog Number	Panel Size Height x Width	
	in.	mm		in.	mm
304212DRHC	30.00 x 42.00 x 12.00	762 x 1067 x 305	N4230P	26.87 x 38.87	682 x 987
364812DRHC	36.00 x 48.00 x 12.00	914 x 1219 x 305	N4836P	32.87 x 44.87	835 x 1140
303616DRHC	30.00 x 36.00 x 16.00	762 x 914 x 406	N3630P	26.87 x 32.87	682 x 835
364216DRHC	36.00 x 42.00 x 16.00	914 x 1067 x 406	N4236P	32.87 x 38.87	835 x 987

**Notes:** We can provide special sizes, finishes and other modifications. Consult the factory for your special requirements. Dimensions are in inches. Millimeters shown are for reference only. Data subject to change without notice.

## Panel Enclosures Type 3R Double-Door Enclosures Illustration Sheet

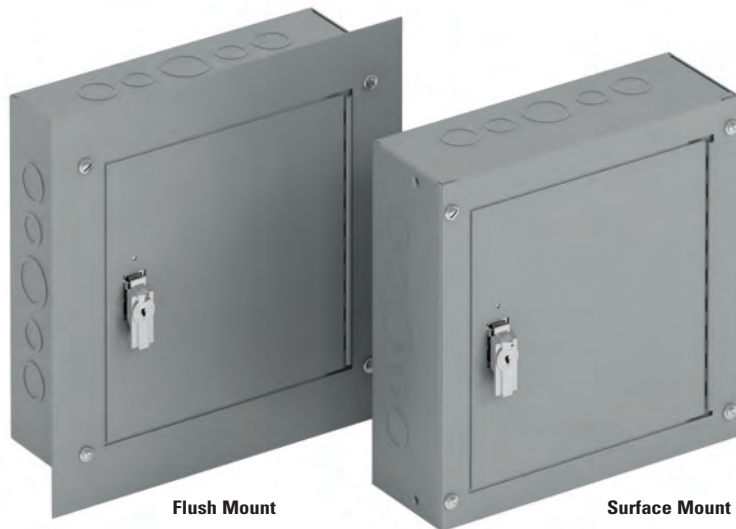


**Notes:** Dimensions are in inches. Millimeters shown are for reference only. Data subject to change without notice.

# Type 1, 3, & 3R Enclosures

## Utility Cabinets Type 1 Telephone Cabinets Data Sheet

Type 1, 3, & 3R Enclosures



### Application

- Houses electrical controls and instruments
- Used as wiring boxes, junction boxes, pull boxes, telephone and communication cable termination and spare fuse cabinet
- Protects against contact with enclosed equipment

### Standards

- UL 50 listed, Type 1
- CSA C22.2 No. 40 certified, Type 1
- Conforms to NEMA standard for Type 1

### Finish

- Wash and phosphate undercoat
- ANSI 61 gray acrylic electrocoat finish

### Accessories

- Locks and latches
- Ground lug kit
- Terminal blocks
- Wood back boards, barriers and shelves
- Touch-up paint
- See Accessories section

### Construction

- Cabinet and trim covers are fabricated from code gauge steel, (see page 80)
- Cabinet body has mounting holes on the back
- Knockouts on sides, top and bottom ends are standard on cabinets 24 inches wide or smaller, (see Type 1 Screw Cover Enclosures for knockout configuration) (see pages 50 - 53)
- Cabinets are available without knockouts
- Surface or flush mounting
- Doors have either a continuous or heavy-duty butt hinge
- Double-door construction on trim covers fitting cabinets when wider than 24 inches
- Tumbler lock with key furnished on single-door trim cover less than 48 inches high
- T-handle 3-pt lock with key furnished on 48" high single-door and all double-door trim covers
- Directory card holder on all trim covers wider than 18 inches
- Trim covers can be ordered separately and used with Type 1 Screw Cover Enclosures, (see page 80)
- Cupped washer and bright finish oval head screw used to protect trim cover finish and improve appearance

### Discount Schedule: A2

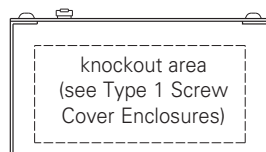
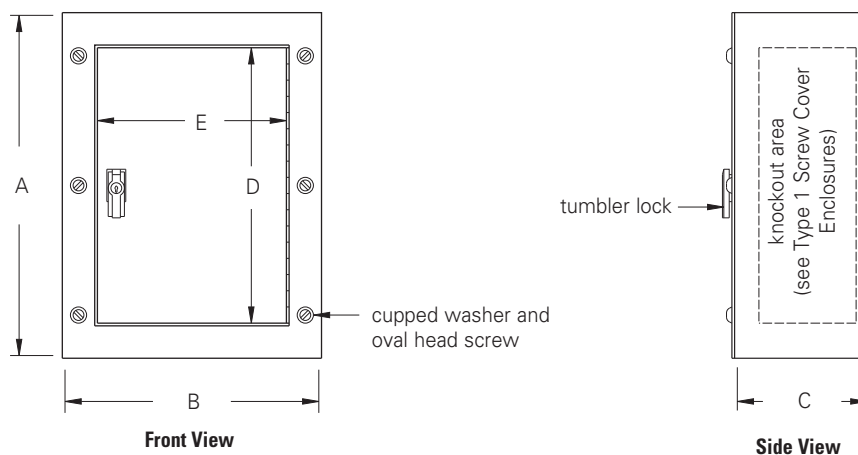
### Subclass: A00

**Notes:** We can provide special sizes, finishes and other modifications. Consult the factory for your special requirements.

## Utility Cabinets Type 1 Telephone Cabinets

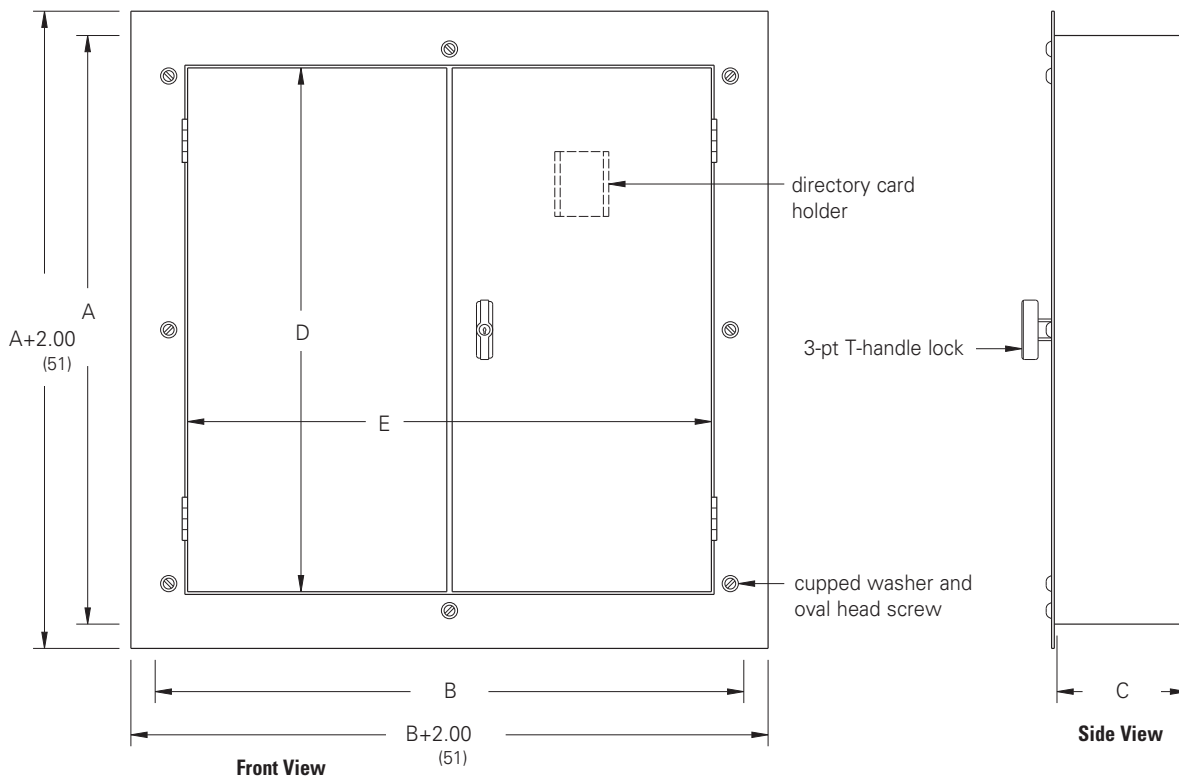
### Illustration Sheet

See page 80 for catalog numbers and dimensions



**Typical Single Door**  
(surface mount)

**Note:** Knockouts are standard on cabinets 24 inches wide and smaller.  
(See Type 1 Screw Cover Enclosures for KO configuration). (see pages 50 - 53)



**Typical Double Door**  
(flush mount)

**Notes:** Dimensions are in inches. Millimeters shown are for reference only. Data subject to change without notice.

# Type 1, 3, & 3R Enclosures

## Utility Cabinets Type 1 Telephone Cabinets Catalog Number

Type 1, 3, & 3R Enclosures

Cabinet Depth	Cabinet Catalog Number (includes trim cover)		Cabinet Size Height x Width x Depth A x B x C			Gauge	Trim Cover Catalog Number (trim cover only - does not include cabinet)				Door Opening <sup>(1)</sup>		
	Surface	Flush	in.	mm	Surface		Gauge	Flush	Gauge	Height D		Width E	
										in.	mm	in.	mm
4	884 TCS	884 TCF	8.00 x 8.00 x 4.00	203 x 203 x 102	16	88 TCS	16	88 TCF	14	5	127	5	127
	10104 TCS	10104 TCF	10.00 x 10.00 x 4.00	254 x 254 x 102	16	1010 TCS	16	1010 TCF	14	6	152	6	152
	1284 TCS	1284 TCF	12.00 x 8.00 x 4.00	305 x 203 x 102	16	128 TCS	16	128 TCF	14	8	203	5	127
	12104 TCS	12104 TCF	12.00 x 10.00 x 4.00	305 x 254 x 102	16	1210 TCS	16	1210 TCF	14	8	203	6	152
	12124 TCS	12124 TCF	12.00 x 12.00 x 4.00	305 x 305 x 102	16	1212 TCS	16	1212 TCF	14	8	203	8	203
	16124 TCS	16124 TCF	16.00 x 12.00 x 4.00	406 x 305 x 102	16	1612 TCS	16	1612 TCF	14	12	305	8	203
	18124 TCS	18124 TCF	18.00 x 12.00 x 4.00	457 x 305 x 102	16	1812 TCS	16	1812 TCF	14	14	356	8	203
	18154 TCS	18154 TCF	18.00 x 15.00 x 4.00	457 x 381 x 102	16	1815 TCS	16	1815 TCF	14	14	356	11	279
	18184 TCS	18184 TCF	18.00 x 18.00 x 4.00	457 x 457 x 102	16	1818 TCS	16	1818 TCF	12	14	356	14	356
	24124 TCS	24124 TCF	24.00 x 12.00 x 4.00	610 x 305 x 102	16	2412 TCS	16	2412 TCF	12	19	483	8	203
	24184 TCS	24184 TCF	24.00 x 18.00 x 4.00	610 x 457 x 102	16	2418 TCS	14	2418 TCF	12	19	483	14	356
	24244 TCS	24244 TCF	24.00 x 24.00 x 4.00	610 x 610 x 102	14	2424 TCS	14	2424 TCF	12	19	483	19	483
	30154 TCS	30154 TCF	30.00 x 15.00 x 4.00	762 x 381 x 102	16	3015 TCS	14	3015 TCF	12	25	635	11	279
	30184 TCS	30184 TCF	30.00 x 18.00 x 4.00	762 x 457 x 102	16	3018 TCS	14	3018 TCF	12	25	635	14	356
	30244 TCS	30244 TCF	30.00 x 24.00 x 4.00	762 x 610 x 102	14	3024 TCS	14	3024 TCF	12	25	635	19	483
	30304 TCS NK	30304 TCF NK	30.00 x 30.00 x 4.00	762 x 762 x 102	12	3030 TCS	12	3030 TCF	12	25	635	25	635
	36244 TCS	36244 TCF	36.00 x 24.00 x 4.00	914 x 610 x 102	14	3624 TCS	14	3624 TCF	12	31	787	19	483
	36304 TCS NK	36304 TCF NK	36.00 x 30.00 x 4.00	914 x 762 x 102	12	3630 TCS	12	3630 TCF	12	31	787	25	635
	36364 TCS NK	36364 TCF NK	36.00 x 36.00 x 4.00	914 x 914 x 102	12	3636 TCS	12	3636 TCF	12	31	787	31	787
	48244 TCS	48244 TCF	48.00 x 24.00 x 4.00	1219 x 610 x 102	14	4824 TCS	12	4824 TCF	12	43	1092	19	483
48364 TCS NK	48364 TCF NK	48.00 x 36.00 x 4.00	1219 x 914 x 102	12	4836 TCS	10	4836 TCF	10	43	1092	31	787	
48484 TCS NK	48484 TCF NK	48.00 x 48.00 x 4.00	1219 x 1219 x 102	12	4848 TCS	10	4848 TCF	10	43	1092	43	1092	
6	10106 TCS	10106 TCF	10.00 x 10.00 x 6.00	254 x 254 x 152	16	1010 TCS	16	1010 TCF	14	6	152	6	152
	1286 TCS	1286 TCF	12.00 x 8.00 x 6.00	305 x 203 x 152	16	128 TCS	16	128 TCF	14	8	203	5	127
	12106 TCS	12106 TCF	12.00 x 10.00 x 6.00	305 x 254 x 152	16	1210 TCS	16	1210 TCF	14	8	203	6	152
	12126 TCS	12126 TCF	12.00 x 12.00 x 6.00	305 x 305 x 152	16	1212 TCS	16	1212 TCF	14	8	203	8	203
	16126 TCS	16126 TCF	16.00 x 12.00 x 6.00	406 x 305 x 152	16	1612 TCS	16	1612 TCF	14	12	305	8	203
	18126 TCS	18126 TCF	18.00 x 12.00 x 6.00	457 x 305 x 152	16	1812 TCS	16	1812 TCF	14	14	356	8	203
	18156 TCS	18156 TCF	18.00 x 15.00 x 6.00	457 x 381 x 152	16	1815 TCS	16	1815 TCF	14	14	356	11	279
	18186 TCS	18186 TCF	18.00 x 18.00 x 6.00	457 x 457 x 152	16	1818 TCS	16	1818 TCF	12	14	356	14	356
	24126 TCS	24126 TCF	24.00 x 12.00 x 6.00	610 x 305 x 152	16	2412 TCS	16	2412 TCF	12	19	483	8	203
	24186 TCS	24186 TCF	24.00 x 18.00 x 6.00	610 x 457 x 152	16	2418 TCS	14	2418 TCF	12	19	483	14	356
	24246 TCS	24246 TCF	24.00 x 24.00 x 6.00	610 x 610 x 152	14	2424 TCS	14	2424 TCF	12	19	483	19	483
	30156 TCS	30156 TCF	30.00 x 15.00 x 6.00	762 x 381 x 152	16	3015 TCS	14	3015 TCF	12	25	635	11	279
	30186 TCS	30186 TCF	30.00 x 18.00 x 6.00	762 x 457 x 152	16	3018 TCS	14	3018 TCF	12	25	635	14	356
	30246 TCS	30246 TCF	30.00 x 24.00 x 6.00	762 x 610 x 152	14	3024 TCS	14	3024 TCF	12	25	635	19	483
	30306 TCS NK	30306 TCF NK	30.00 x 30.00 x 6.00	762 x 762 x 152	12	3030 TCS	12	3030 TCF	12	25	635	25	635
	36246 TCS	36246 TCF	36.00 x 24.00 x 6.00	914 x 610 x 152	14	3624 TCS	14	3624 TCF	12	31	787	19	483
	36306 TCS NK	36306 TCF NK	36.00 x 30.00 x 6.00	914 x 762 x 152	12	3630 TCS	12	3630 TCF	12	31	787	25	635
	36366 TCS NK	36366 TCF NK	36.00 x 36.00 x 6.00	914 x 914 x 152	12	3636 TCS	12	3636 TCF	12	31	787	31	787
	48246 TCS	48246 TCF	48.00 x 24.00 x 6.00	1219 x 610 x 152	14	4824 TCS	12	4824 TCF	12	43	1092	19	483
	48366 TCS NK	48366 TCF NK	48.00 x 36.00 x 6.00	1219 x 914 x 152	12	4836 TCS	10	4836 TCF	10	43	1092	31	787
48486 TCS NK	48486 TCF NK	48.00 x 48.00 x 6.00	1219 x 1219 x 152	12	4848 TCS	10	4848 TCF	10	43	1092	43	1092	

(1) Door opening is approximate.

Notes: Dimensions are in inches. Millimeters shown are for reference only. Data subject to change without notice.



## Utility Cabinets Type 3R Telephone Cabinets Data Sheet and Catalog Number



### Application

- Used as telephone and communication cable termination and spare fuse cabinets
- Protects against falling rain, sleet and external ice formation

### Standards

- UL 1863 listed, Type 3R
- Conforms to NEMA standard for Type 3R

### Finish

- Wash and phosphate undercoat
- ANSI 61 gray acrylic electrocoat finish

### Accessories

- Locks
- Terminal blocks
- Wood back boards, barriers and shelves
- Touch-up paint
- See Accessories section

### Construction

- Cabinet and door are fabricated from code gauge galvaneal steel, (see table, page 81)
- Cabinet body has embossed mounting holes on the back
- Knockouts are standard on bottom end
- Door is secured to the body with heavy-duty butt hinges on one side and a T-handle lock with key on the opposite side

### Discount Schedule: A2

### Subclass: A00

Cabinet  Catalog Number	Cabinet Size Height x Width x Depth A x B x C		Gauge	Knockout Pattern  Bottom
	in.	mm		
664 RTC	6.00 x 6.00 x 4.00	152 x 152 x 102	18	(C D E)
884 RTC	8.00 x 8.00 x 4.00	203 x 203 x 102	18	(G H I J)
12124 RTC	12.00 x 12.00 x 4.00	305 x 305 x 102	18	(D E F G H)
12126 RTC	12.00 x 12.00 x 6.00	305 x 305 x 152	18	(D E F G H)
18126 RTC	18.00 x 12.00 x 6.00	457 x 305 x 152	18	(D E F G H)
18186 RTC	18.00 x 18.00 x 6.00	457 x 457 x 152	16	(B C D E F G H I J)
24126 RTC	24.00 x 12.00 x 6.00	610 x 305 x 152	18	(D E F G H)
24186 RTC	24.00 x 18.00 x 6.00	610 x 457 x 152	16	(B C D E F G H I J)
24246 RTC	24.00 x 24.00 x 6.00	610 x 610 x 152	14	(B C D E F G H I J)
30246 RTC	30.00 x 24.00 x 6.00	762 x 610 x 152	14	(B C D E F G H I J)
36246 RTC	36.00 x 24.00 x 6.00	914 x 610 x 152	14	(B C D E F G H I J)
12128 RTC	12.00 x 12.00 x 8.00	305 x 305 x 203	18	(D E F G H)
18188 RTC	18.00 x 18.00 x 8.00	457 x 457 x 203	16	(B C D E F G H I J)
24248 RTC	24.00 x 24.00 x 8.00	610 x 610 x 203	14	(B C D E F G H I J)

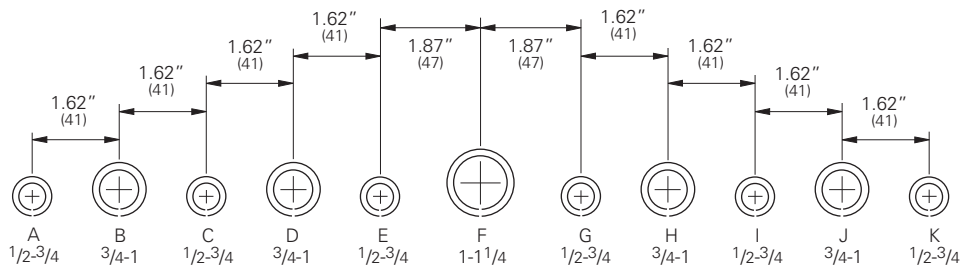
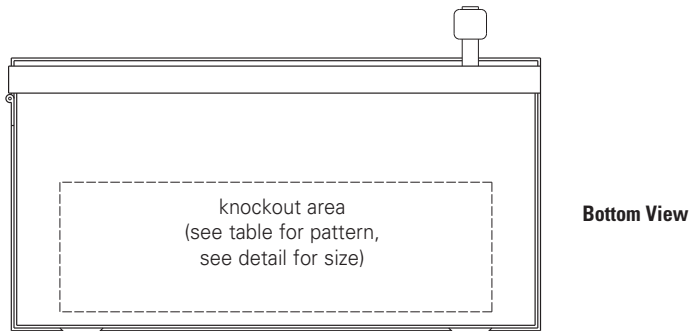
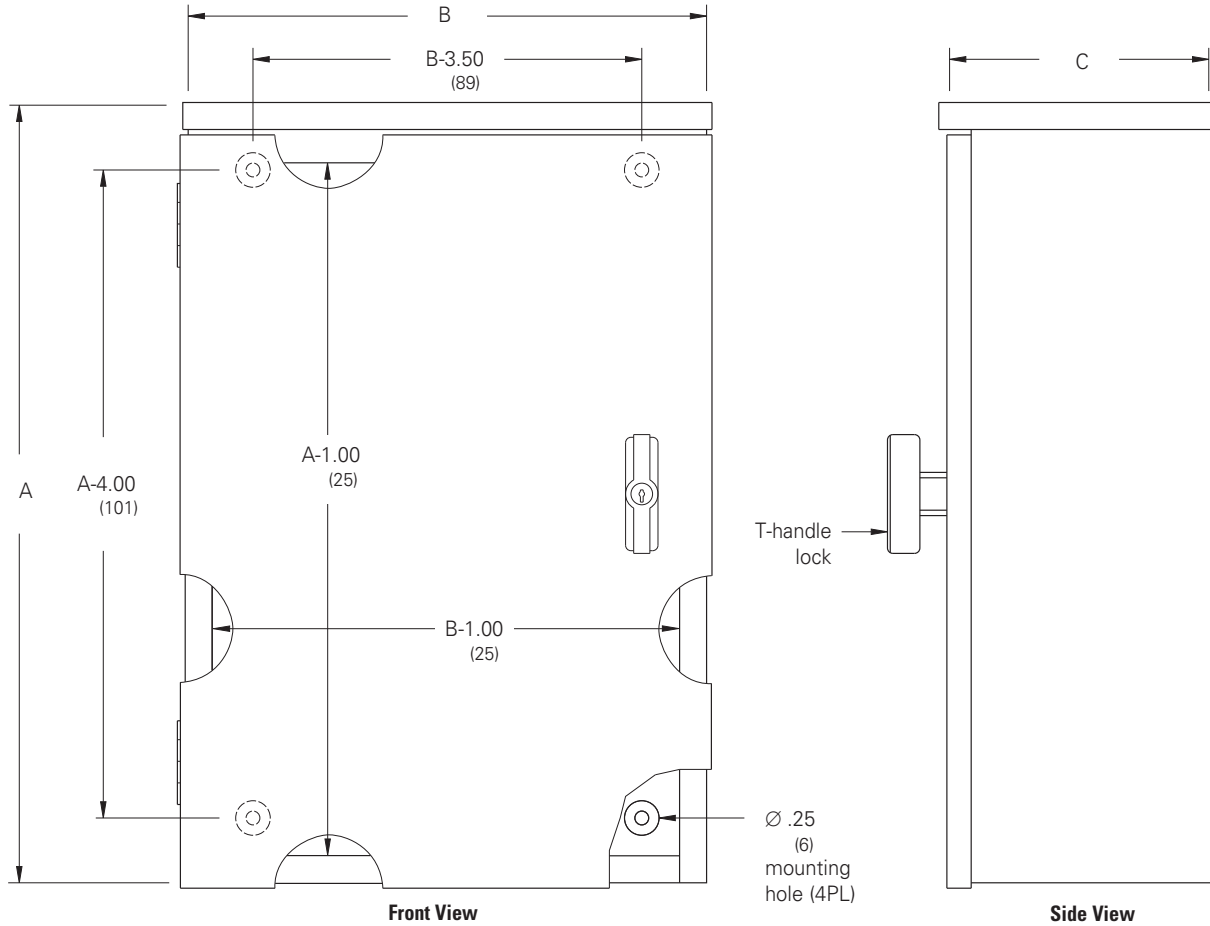
See page 82 for dimensional drawings

**Notes:** We can provide special sizes, finishes and other modifications. Consult the factory for your special requirements. Dimensions are in inches. Millimeters shown are for reference only. Data subject to change without notice.

# Type 1, 3, & 3R Enclosures

## Utility Cabinets Type 3R Telephone Cabinets Illustration Sheet

Type 1, 3, & 3R Enclosures



### Conduit Sizes

### Knockout Detail

**Note:** See table for applicable knockout pattern.

**Notes:** Dimensions are in inches. Millimeters shown are for reference only. Data subject to change without notice.

## Utility Cabinets Type 3R Screw Cover Current Transformer Cabinets Data Sheet



### Application

- Designed to house current transformers
- Used as wiring boxes, junction and pull boxes
- Protects against falling rain, sleet and external ice formation

### Standards

- UL 414 listed, Type 3R
- Conforms to NEMA standard for Type 3R

### Finish

- Wash and phosphate undercoat
- ANSI 61 gray acrylic electrocoat finish

### Accessories

- Touch-up paint
- See Accessories section

### Construction

- Enclosure and cover are fabricated from code gauge galvaneal steel, (see table, page 84)
- Enclosure body has mounting holes on the back
- .250-20 mounting studs are furnished on the enclosure body of most sizes for utility current transformer mounting equipment, (see drawing, page 85)
- Cover is held secure by sliding it under the top end flange and fastening it to the bottom end and side flanges
- Cover mounting studs and wing nuts have a utility sealing hole provision as well as a padlocking provision for sealing the cover to the enclosure
- Enclosures 36 inches wide x 42 inches high and larger have two overlapping covers
- Fixed cover handles
- A ground lug is mounted on the inside bottom end of each cabinet

### Discount Schedule: B9

### Subclass: AV0

**Notes:** We can provide special sizes, finishes and other modifications. Consult the factory for your special requirements.

# Type 1, 3, & 3R Enclosures

## Utility Cabinets Type 3R Screw Cover Current Transformer Cabinets Catalog Number

Type 1, 3, & 3R Enclosures

Enclosure Catalog Number	Enclosure Size Height x Width x Depth		Gauge	D		E		F		G	
	in.	A x B x C mm		in.	mm	in.	mm	in.	mm	in.	mm
18249 RTCT	24.00	18.00 x 9.00 610 x 457 x 229	16	-	-	-	-	-	-	-	-
24329 RTCT	32.00	24.00 x 9.00 813 x 610 x 229	14	-	-	-	-	-	-	-	-
242411 RTCT	24.00	24.00 x 11.00 610 x 610 x 279	14	9.00	229	8.00	203	8.00	203	-	-
243011 RTCT	30.00	24.00 x 11.00 762 x 610 x 279	14	12.00	305	8.00	203	8.00	203	-	-
243611 RTCT	36.00	24.00 x 11.00 914 x 610 x 279	14	15.00	381	8.00	203	8.00	203	-	-
244811 RTCT	48.00	24.00 x 11.00 1219 x 610 x 279	14	21.00	533	8.00	203	8.00	203	-	-
303011 RTCT	30.00	30.00 x 11.00 762 x 762 x 279	12	12.00	305	7.00	178	8.00	203	8.00	203
303611 RTCT	36.00	30.00 x 11.00 914 x 762 x 279	12	15.00	381	7.00	178	8.00	203	8.00	203
363611 RTCT	36.00	36.00 x 11.00 914 x 914 x 279	12	15.00	381	10.00	254	8.00	203	8.00	203
364211 RTCT	42.00	36.00 x 11.00 1067 x 914 x 279	12	18.00	457	10.00	254	8.00	203	8.00	203
364811 RTCT	48.00	36.00 x 11.00 1219 x 914 x 279	12	21.00	533	10.00	254	8.00	203	8.00	203
424211 RTCT	42.00	42.00 x 11.00 1067 x 1067 x 279	12	18.00	457	13.00	330	8.00	203	8.00	203
* 484811 RTCT	48.00	48.00 x 11.00 1219 x 1219 x 279	12	-	-	-	-	-	-	-	-
303614 RTCT	36.00	30.00 x 14.00 914 x 762 x 356	12	15.00	381	7.00	178	8.00	203	8.00	203
364814 RTCT	48.00	36.00 x 14.00 1219 x 914 x 356	12	21.00	533	10.00	254	8.00	203	8.00	203

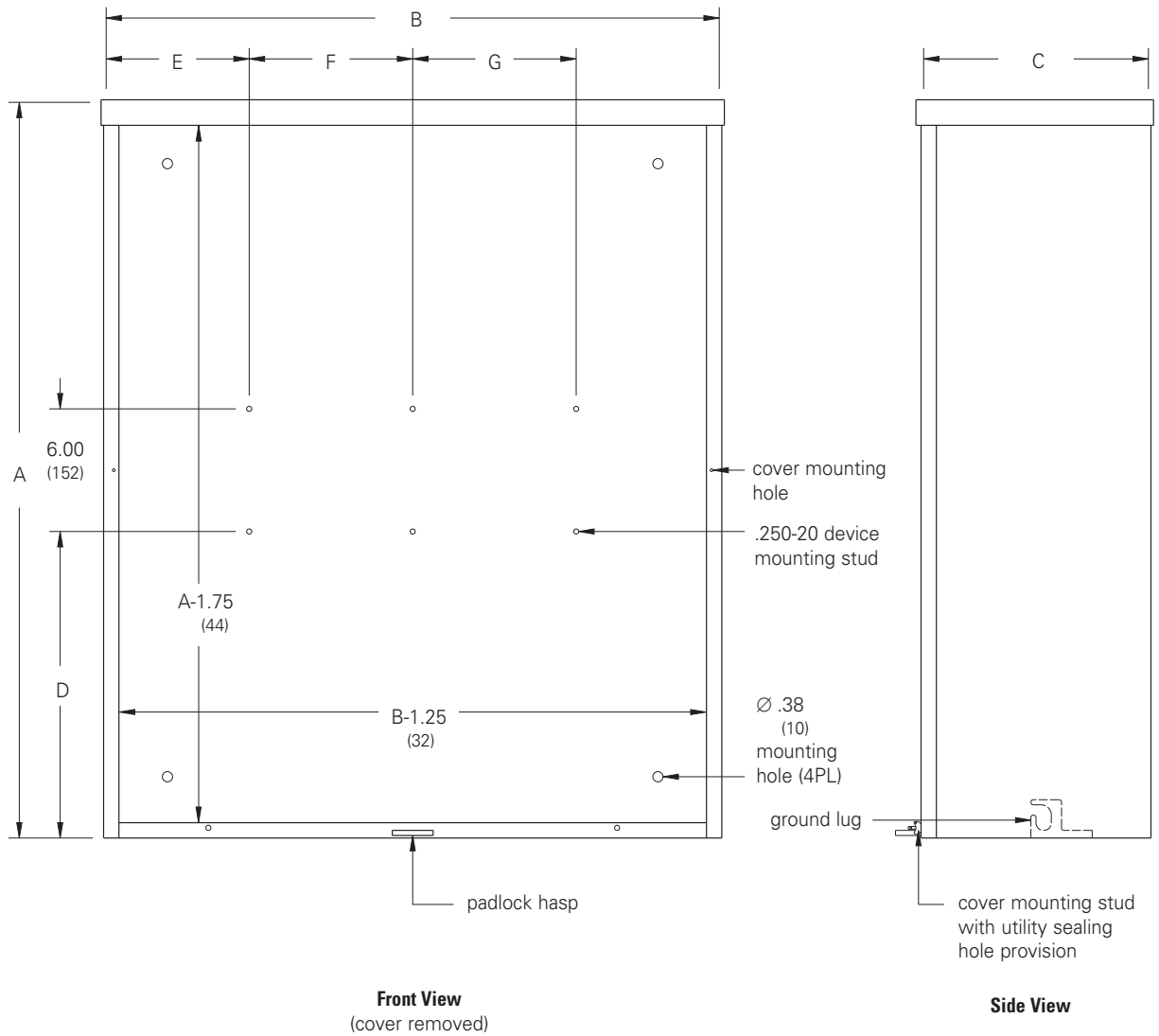
Consult the local Utility for area acceptance.

\* Mounting studs not included.

See page 85 for dimensional drawings

**Notes:** Dimensions are in inches. Millimeters shown are for reference only. Data subject to change without notice.

## Utility Cabinets Type 3R Screw Cover Current Transformer Cabinets Illustration Sheet



Type 1, 3, & 3R Enclosures

**Notes:** Dimensions are in inches. Millimeters shown are for reference only. Data subject to change without notice.

# Type 1, 3, & 3R Enclosures

## Utility Cabinets Type 3R Hinge Cover Current Transformer Cabinets Data Sheet

Type 1, 3, & 3R Enclosures



### Application

- Designed to house current transformers
- Used as wiring boxes, junction and pull boxes
- Protects against falling rain, sleet and external ice formation

### Standards

- UL 414 listed, Type 3R
- Conforms to NEMA standard for Type 3R

### Finish

- Wash and phosphate undercoat
- ANSI 61 gray acrylic electrocoat finish

### Accessories

- Touch-up paint
- See Accessories section

### Construction

- Enclosure and cover are fabricated from code gauge galvaneal steel, (see table, page 87)
- Enclosure body has mounting holes on the back
- .250-20 mounting studs are furnished on the enclosure body of most sizes for utility current transformer mounting equipment, (see drawing, page 87)
- Covers are secured to the body with a heavy-duty slip-hinge on the left side and mounting studs and wing nuts with utility sealing hole provisions on the opposite side
- Covers are completely removable when in the open position
- Fixed door handles
- A ground lug is mounted on the inside bottom end of each cabinet

### Discount Schedule: B9

### Subclass: AV0

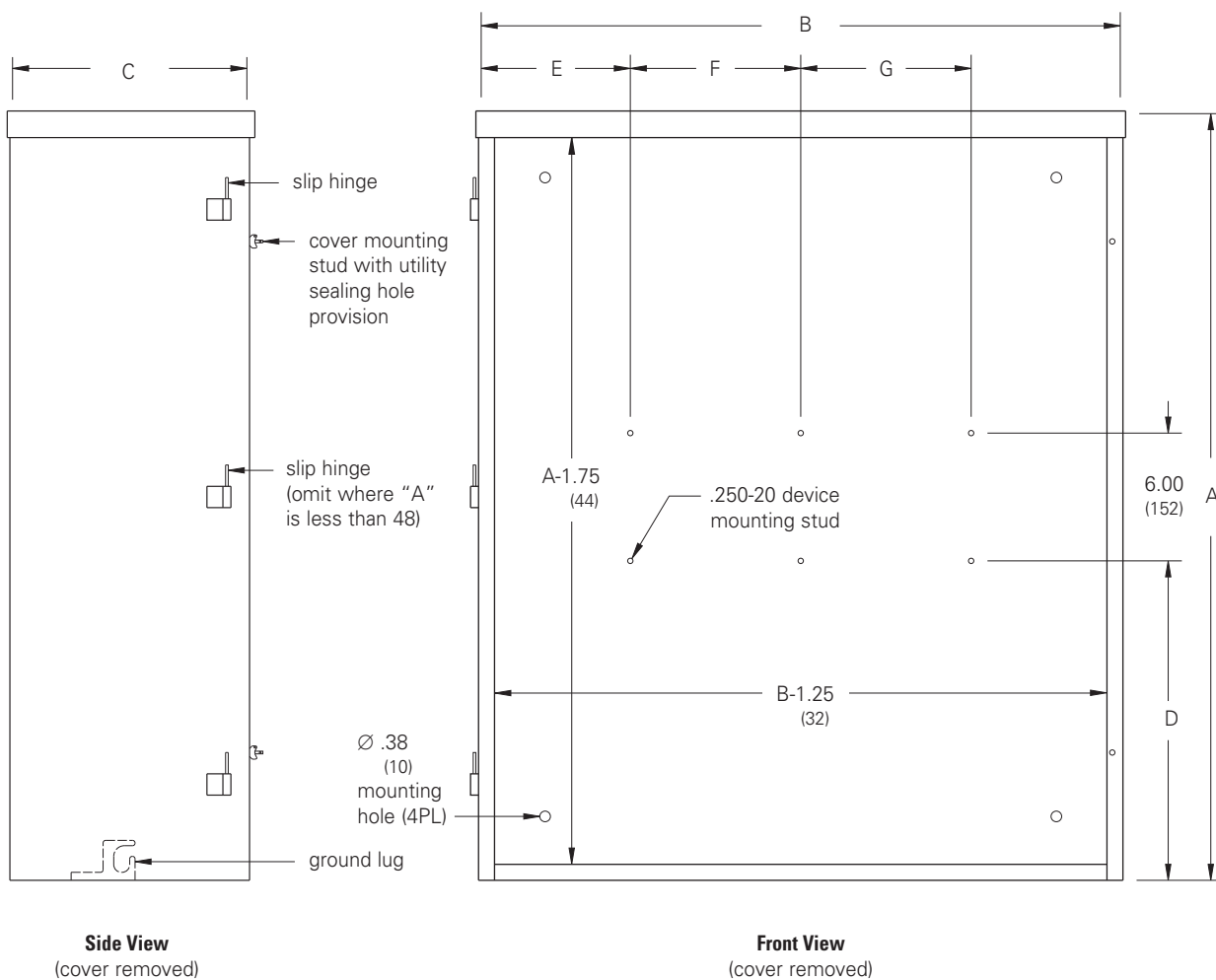
**Notes:** We can provide special sizes, finishes and other modifications. Consult the factory for your special requirements.

## Utility Cabinets Type 3R Hinge Cover Current Transformer Cabinets Illustration Sheet and Catalog Number

Enclosure Catalog Number	Enclosure Size Height x Width x Depth A x B x C		Gauge	D		E		F		G	
	in.	mm		in.	mm	in.	mm	in.	mm	in.	mm
203611 HRTCT	36.00	914	14	-	-	-	-	-	-	-	-
243011 HRTCT	30.00	762	14	12.00	305	8.00	203	8.00	203	-	-
244811 HRTCT	48.00	1219	14	21.00	533	8.00	203	8.00	203	-	-
303611 HRTCT	36.00	914	12	15.00	381	7.00	178	8.00	203	8.00	203
304811 HRTCT	48.00	1219	12	21.00	533	7.00	178	8.00	203	8.00	203
363611 HRTCT	36.00	914	12	15.00	381	10.00	254	8.00	203	8.00	203
364811 HRTCT	48.00	1219	12	21.00	533	10.00	254	8.00	203	8.00	203

Consult the local Utility for area acceptance.

Type 1, 3, & 3R Enclosures



**Notes:** Dimensions are in inches. Millimeters shown are for reference only. Data subject to change without notice.

