

Quazite[®]

UNDERGROUND ENCLOSURES

CATALOG - QZ-1B



Underground Enclosures Performance Specifications

Enclosures, boxes and covers are required to conform to all test provisions of the most current ANSI/SCTE 77 "Specification For Underground Enclosure Integrity" for Tier____ (specify Tier 5, 8, 15 and/or 22) applications. When multiple "Tiers" are specified the boxes must physically accommodate and structurally support compatible covers while possessing the highest Tier rating. All covers are required to have the Tier level rating embossed on the surface. In no assembly can the cover design load exceed the design load of the box. Independent third party verification or test reports stamped by a registered Professional Engineer certifying that all test provisions of this specification have been met are required with each submittal.



Underground Enclosures Performance Specification 2
 Introduction to Quazite® Enclosures4-8
 Engineering 4
 Quality Assurance4
 Advantages5
 What is Polymer Concrete?5
 What is FRP?5
 The Product Line6-7
 EZ Auger™ Bolt Technology7
 ANSI/SCTE 77, UL Listing, ETL, NEC9-12
 Testing Requirements for ANSI/SCTE 779

Enclosure Selection10-18

ANSI TIER Selection and Placement 10-11
 Using the Selection Guide12
 UL Listed & ETL Listed Enclosures12
 Enclosure Sizes13
 Enclosure Styles14-15
 Load Ratings16
 ANSI/SCTE 77 Three Position Testing17
 Cover Styles18
 Logos and Options19

Enclosure Drawings21 thru 131

6" x 8" PC Style22
 6" x 8" FRP Straight Wall Style23
 8" x 8" PC Style24
 8" x 18" PC Style25
 10" x 15" PT Style26
 10" x 15" FRP Straight Wall Style27
 10" x 15" FRP Flared Wall Style28
 11" x 18" PG Style29
 11" x 18" FRP Straight Wall Style30
 11" x 18" FRP Flared Wall Style31
 11" x 18" PC Style32
 11" x 20" PG Style33
 11" x 21" FRP Straight Wall Style34
 11" x 32" FRP Straight Wall Style35
 11" x 32" FRP Flared Wall Style36
 12" x 12" PC Style37
 12" x 12" PX Style38
 12" x 12" FRP Straight Wall Style39
 12" x 12" FRP Flared Wall Style40
 13" x 24" PG Style39
 13" x 24" PD Style41
 13" x 24" FRP Straight Wall Style43
 13" x 24" FRP Flared Wall Style44
 13" x 24" PC Style45
 13" x 24" PT Style46
 15" x 17" FRP Straight Wall Style47
 15" x 17" FRP Flared Wall Style48
 15" x 27" FRP Straight Wall Style49
 15" x 27" FRP Flared Wall Style50
 16" x 22" FRP Straight Wall Style51
 16" x 22" FRP Flared Wall Style52
 17" x 30" PG Style53-54
 17" x 30" PD Style55
 17" x 30" FRP Straight Wall Style56
 17" x 30" FRP Flared Wall Style57-58
 17" x 30" PC Style59
 17" x 30" PT Style60
 24" x 24" PG Style61

24" x 24" FRP Straight Wall Style62
 24" x 36" PG Style63-64
 24" x 36" PD Style65
 24" x 36" FRP Straight Wall Style66-67
 24" x 36" FRP Flared Wall Style68-69
 24" x 60" FRP Flared Wall Style70
 30" x 48" PG Style70-71
 30" x 48" PD Style72
 30" x 48" FRP Straight Wall Style73-75
 30" x 48" FRP Flared Wall Style76-77
 30" x 48" FRP Corrugated Wall Style78-79
 30" x 60" PG Style80
 30" x 60" FRP Straight Wall Style81-82
 30" x 60" FRP Corrugated Wall Style83-84
 36" x 36" PG Style85
 36" x 36" FRP Straight Wall Style86-87
 36" x 60" PG Style88-89
 36" x 60" FRP Straight Wall Style90-91
 36" x 60" FRP Corrugated Wall Style92-93
 36" x 72" PG Style94
 36" x 72" FRP Straight Wall Style95
 36" x 72" FRP Corrugated Wall Style96-97
 36" x 96" FRP Corrugated Wall Style98-99
 48" x 48" PG Style100
 48" x 48" FRP Corrugated Wall Style101-102
 48" x 48" FRP Round Cover Corrugated Wall Style ...103-104
 48" x 72" PG Style105
 48" x 72" FRP Corrugated Wall Style106-107
 48" x 78" FRP Corrugated Wall Style108-109
 48" x 96" PG Style110
 48" x 96" FRP Corrugated Wall Style111-112
 48" x 144" FRP Corrugated Wall Style113-114
 78" x 96" FRP Corrugated Wall Style115-116
 96" x 96" FRP Corrugated Wall Style117-118
 2000 Round FRP Style119
 2700 Round FRP Style120
 27" Round Polymer Concrete Style121-122
 3200 Round FRP Style123
 3900 Round FRP Style124
 39" Round Polymer Concrete Style125-126
 5" x 16" Median Barrier Enclosure127
 10" x 12" Jersey Style Median Barrier Enclosure.....128
 Replacement Covers129
 Cell Site Enclosure130
 Communications Cabinet Foundations Information131

Special Options and Applications132-151

Cover Options132-134
 Logos.....132
 EZ Auger™ Upgrade Kits135
 Polymer Concrete Enclosure Options136-137
 Box Options138-139
 Color Options140
 Typical FRP Features and Detail141-143
 Installation, Small Enclosure144
 Installation, Large Enclosure145
 Hole Cutting Instructions146
 EZ Nut Instructions147
 Concrete Collar Application148
 Internal Bracing150-151
 Catalog Numbering System152-155
 Terms and Conditions156-158
 Contact Information Back Cover



Quazite® Enclosures — Built to Protect. Built to Last.

Strength and performance have been the hallmarks of Quazite® for more than 40 years. The industry leader for applications in non-deliberate traffic areas, Quazite® polymer concrete and fiberglass reinforced polymer (FRP) products have revolutionized the utility and construction industries. Quazite® Enclosures provides rugged and cost-effective protection for potentially dangerous equipment while providing peace of mind for utilities, contractors, and engineers around the world.

The premier American manufacturer of ANSI Tier-rated, in-ground polymer concrete and FRP enclosures, vaults, and handholes for electrical, communications, fiber, water, and gas, Quazite® products offer a number of advantages over enclosures made from conventional materials. When unyielding reliability is not an option, Quazite® Enclosures are the product of choice.

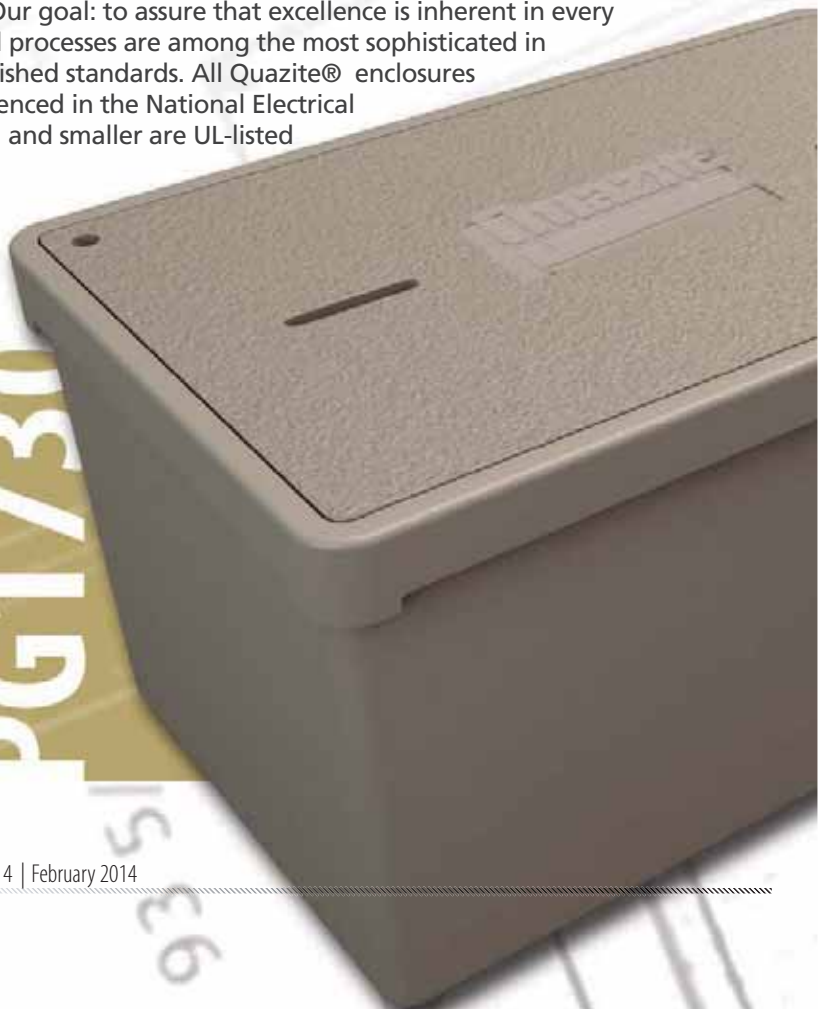
Committed Engineers — Cutting-Edge Expertise.

Valued advisors throughout the industry, the Quazite® team of registered professional engineers provide the support you need to include specifications, custom product design, electronic CAD files, and accessory options. With this dedicated team of seasoned experts, you're assured the in-depth product knowledge, engineering expertise, and enclosure experience you've come to expect from the name you know and trust.

Given the reputation of our engineering team, we've long been held to a higher standard, and we wouldn't want it any other way. We pride ourselves not just on superior product design and manufacturing, but also on the ability to devise and help implement custom solutions as well. We know it's not enough to simply turn out high-quality material; our goal is to meet and exceed our customers' needs.

Assuring Excellence — The Quality Process.

For Quazite® Enclosures, quality assurance is more than just a feel-good term; it's a sophisticated, process-inspired approach driven by our dedicated professionals. Our goal: to assure that excellence is inherent in every aspect of the manufacturing process. Our quality control processes are among the most sophisticated in the industry, with all materials strictly adhering to established standards. All Quazite® enclosures meet or exceed the ANSI/SCTE 77 test provisions as referenced in the National Electrical Code. Most polymer concrete enclosures sized 30" x 48" and smaller are UL-listed to the ANSI National Standard.



Quazite® Enclosures — A Distinct Advantage.

High-quality aggregates combined with a polymer resin system make up the superior Quazite® brand. It is mixed, molded, and cured to form a powerful cross-linked bond, and then reinforced with fiberglass to give it additional strength and rigidity. Fiberglass-reinforced polymers (FRPs), a special combination of polymer concrete, and fiber-reinforced concrete are added to produce a remarkable product that boasts a myriad of advantages over common concrete. It's stronger, weighs less, better able to withstand freeze-thaw cycles, more corrosion-resistant, and easier to handle. This makes Quazite® Enclosures superior .

- Lightweight – with 1/10 to 1/3 the weight of concrete.
- High-strength – compressive, flexural, and tensile strengths are three to five times higher than traditional concrete.
- Reduced Installation Costs – easy to handle, no special equipment required.
- Stable Under Freeze/Thaw Conditions
- Impact Resistant – tested per ASTM D-2444.
- Low Water Absorption – less than 1% per ASTM D-570.
- Corrosion-Resistant – resists alkalines, acids, weathering, and other forms of deteriorations.
- Cost-Effective – outperforms conventional materials for longer service and lower life cycle costs.
- Nonflammable – will not support combustion.
- Nonconductive – no grounding required for the box or cover.

One Stop — Product Breadth.

Our comprehensive product offering is tailored to ensure your application requirements are met, no matter what. Based on your design style preference, Quazite® offers both monolithic polymer concrete and fiberglass-reinforced polymer products. Both are superior performers.

What is Polymer Concrete?

Polymer concrete is made from select-grade aggregates in combination with a polymer resin system. When combined through a process of mixing, molding, and curing, an extremely powerful cross-linked bond is formed. Precast polymer concrete is reinforced with fiberglass to give it additional strength and rigidity.

What is FRP?

Fiberglass-reinforced polymer, also called FRP, is a special combination of polymer concrete and fiber-reinforced plastic. This hybrid construction delivers a high strength, lightweight, abrasion-resistant product that is protected from ultraviolet rays.

The Product Line



QUAZITE® has a broad product line for the underground industry.

Enclosures

For use as splice boxes, pull boxes or equipment enclosures for any application requiring easy access to an underground service (i.e. electrical, communications, commercial, industrial, water, gas, etc.). Available in a large variety of sizes and styles with either standard, heavy duty or optional overlapping covers. No grounding is required for the box or cover. Fits flush with sidewalk or grass area. Covers are skid resistant. Replacement covers and meter lids, hardware, inserts and grade adjustable extensions are available options. Boxes and covers are ANSI/SCTE 77 compliant for intended applications.



Electrical Equipment and Telecommunications Cabinet Pads

Used under transformers and telephone cabinets to add stability, prevent corrosion of metal cabinets, provide a fire break, and protect cabinets from damage caused by mowing equipment. Available as a solid pad or as a Splitt-Pad® for easy retrofits.

Box Pads and Traffic Signal Cabinet Bases

Polymer concrete and FRP box pads and traffic signal cabinet bases eliminate forming and pouring and are lightweight, resulting in easy handling and a lower installed cost. Excavation and installation of the entire unit can be done in one day.



Built Tough. Built Your Way.

Quazite® Enclosures offers your project a variety of design possibilities and custom options.

- **Size Selection** – In addition to a wide range of standard sizes and styles, the Quazite® engineers can modify products to meet your specifications. If your application requires additional sizes, just ask.
- **Composite Design** – Our experienced staff is available to assist in the development of specifications and design of products.
- **Custom Accessories** – We offer many options, including racking and struts, knockouts, holes, logos, terminators, gaskets, and pulling eyes to name just a few. Please turn to the Special Accessories section of this catalog for a complete listing.
- **Custom Parts** – Extensive experience enables our engineers to produce new, custom-designed parts to meet your exact specifications.

With more than four decades in the underground enclosure business, our staff has the experience and expertise to assist with practically any application requiring precast polymer concrete or fiberglass reinforced polymer products. With Quazite® manufacturing and distribution centers located in Lenoir City, Tennessee; Juarez, Mexico; and Palatka, Florida, nationwide service and prompt delivery of Quazite® products are guaranteed.

Excellence – Exceeding Standards.

Quazite® enclosures adhere to guidelines for national standards and testing process, including those set forth by the American National Standards Institute (ANSI), the National Electric Code (NEC), Underwriters Laboratories, Inc. (UL), and Intertek Group (ETL).

EZ Auger™ Bolt Technology

In order to provide the highest level performance, Quazite® has introduced EZ Auger™ Bolt System as standard on Polymer Concrete enclosures.

- EZ Auger uses specially shaped threads on both the bolt & the nut to provide trouble free installation and bore thru accumulated debris.
- EZ Auger has been extensively field tested in a wide variety of locations and environments throughout the country.
- EZ Auger bolts are fabricated from corrosion resistant stainless steel and are supplied for both 3/8" and 1/2" applications.
- Hex head EZ Auger bolt is standard. Penta head is available for enhanced security.
- EZ Auger bolts must be used with enclosure that is fitted with EZ Auger nuts.
- EZ Auger bolt system kits are available to upgrade most existing Quazite POLYMER CONCRETE enclosures. Kits are listed in the "Special Options & Applications" section of this catalog.



Superior Solutions – Special Options & Applications.

Quazite® doesn't just turn out products; it produces solutions. With more than 40 years in the underground enclosures business, Quazite® understands there's no such thing as one-size-fits-all. Our registered professional engineers know that sometimes it takes more than just the basic package to get the job done right. That's why we offer a wide array of options and applications for boxes and covers.

Hubbell Enclosures maintains a large inventory of Quazite enclosures to serve the customer needs.



1/2" PULL

9 3/8" (238)

ER LOGO –

QUAZITE
C STAINLE
OLT W/W CC

1/4" (19)

ER LOGO

QUAZITE LOGO

.5 COEFFICIENT OF FRICTION



NEC & Underground Enclosures

The National Electric Code states in article 314.30 that enclosures "...shall be designed and installed to withstand all loads likely to be imposed..." and addresses issues related to enclosure size, wiring entries, enclosures without bottoms, and bonding requirements for covers. "

The code references the ANSI/SCTE 77 "Specification for Underground Enclosure Integrity" National Standard, which outlines various tests that enclosures must pass to meet the standard. ANSI/SCTE 77 also provides load charts with Tier ratings to help users determine the appropriate enclosure to select based on the loadings expected in the application.

Quazite® – UL-Listed to ANSI Standard.

All Quazite® polymer concrete enclosures meet or exceed the test provisions of ANSI/SCTE 77 2010, and most polymer concrete enclosures sized 30" x 48" and smaller are UL-Listed to the ANSI National Standard as referenced in the 2005, 2008, and 2011 NEC. ETL listed FRP enclosures are available upon request. To achieve this, Quazite® enclosures must pass numerous material and product performance tests before they can meet ANSI/SCTE 77 2010.

Testing Requirements for ANSI/SCTE 77 2010

- Three-Position Load Testing to simulate actual application performance
- UV Degradation per ASTM G-154
- Fire Resistance per RUS 7CFR 1755.910 (PE-91)
- Chemical Resistance per ASTM D-543
- Water Absorption per ASTM D-570
- Impact Resistance per ASTM D2444
- Accelerated service per ASTM D-756, procedure E

Note: Quazite® recommends testing by third party organizations such as UL or ETL to verify that enclosures meet all test provisions of ANSI/SCTE 77.

Quazite® – Peace of Mind.

Quazite® enclosures have undergone rigorous physical, environmental, and internal equipment-protection tests, and have been found by UL to meet the requirements required by the ANSI Standard. By adhering to the NEC, ANSI, and UL requirements, in the enclosure-selection process, users are ensured long service life. Quazite® enclosures offer not only improved manageability and cost-efficiency over other enclosures, but peace of mind as well.

National Fire Protection Agency, 2005, 2008, & 2011 National Electric Code.

Subsequent to the issuance of the 2005 NEC, ANSI approved an updated version of the standard, ANSI/SCTE 77 2010.




The latest copy of the standard may be purchased from ANSI. It may also be viewed in PDF form on SCTE's website at <http://www.scte.org/documents/pdf/Standards/ANSI%20SCTE%2077%202010.pdf> .

“ANSI Tier” Selection and Placement in Non-Deliberate Vehicular Traffic Applications

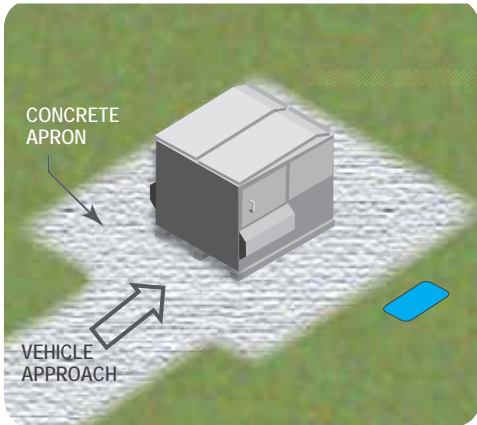
Working Together to Increase Safety & Reliability

The ANSI standard defines loading requirements for enclosures based upon anticipated loads and separates these requirements into Tier levels defined by application. This visual aid helps in determining the correct Tier level of enclosures. If you have any questions, our engineering department is here to help.

The enclosures shown in these sketches have been color coded to indicate the proper Tier level required for the application.

-  Pedestrian/Tier 5
-  Tier 8
-  Tier 15 or 22

SELECTION MAP



TRASH RECEPTACLE APPLICATION

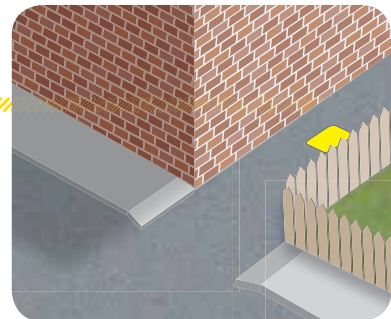
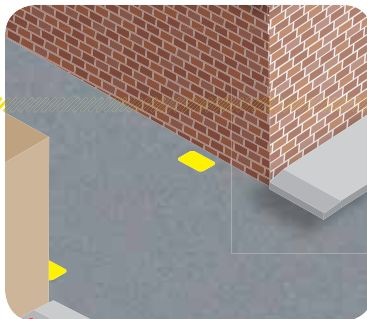
(NON-DELIBERATE TRAFFIC)

Where there is a trash receptacle, place the enclosure away from the concrete that the receptacle is set on. Even though the traffic expected on the receptacle's concrete apron is occasional, it is deliberate because the traffic is both intentional and heavy in nature. Correct placement will ensure the wheels of the truck will not roll over the enclosure.

DUAL LANE ALLEY

(NON-DELIBERATE TRAFFIC)

In a single lane alleyway, the enclosure should be placed in the center of the alleyway. This minimizes the possibility of the enclosure being run over. In a dual lane alleyway, the enclosure should be placed as close to the building as possible. Traditionally, two vehicles will not be in the alleyway at the same time, so chances of the enclosure being run over are minimal. Knowledge of the location and expected traffic patterns should be used to determine if traffic will be deliberate or non-deliberate.



RESIDENTIAL

(NON-DELIBERATE TRAFFIC)

Enclosures may be placed in grassy areas, sidewalks or in areas next to a structure or pole where it is unlikely a vehicle will run over it. Do not place enclosures in the street or driveway where traffic is anticipated and deliberate.



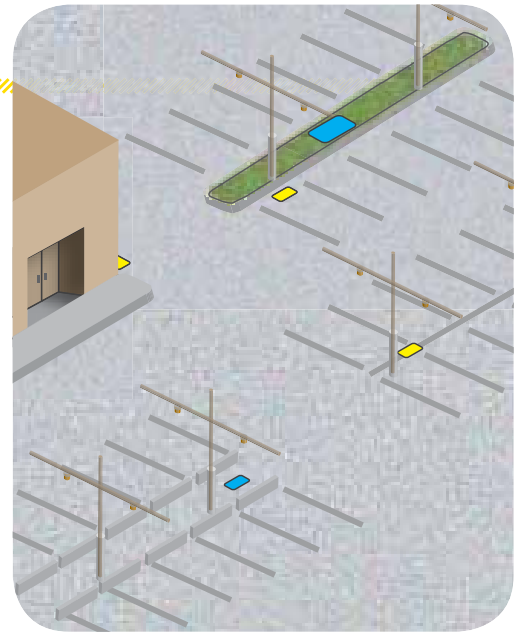
“ANSI Tier” Selection and Placement in Non-Deliberate Vehicular Traffic Applications

PARKING LOTS

(NON-DELIBERATE TRAFFIC)

Enclosure applications:

- In the front center of a parking space so that vehicle tires will straddle the enclosure.
- In the grassy area where the parking lot ends.
- Alongside and close to the lighting poles.
- Between parking curbs where the possibility of running over the enclosure is remote. This enclosure could be placed anywhere between the parking curbs.
- Along the building but not in front of a door or pick up area where vehicular traffic is expected.



SELECTION MAP



DIVIDED HIGHWAY

(NON-DELIBERATE TRAFFIC)

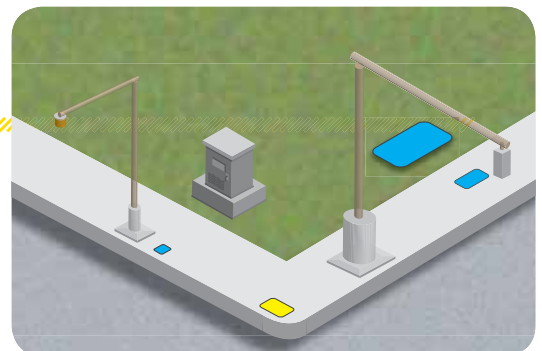
On a divided highway, place the enclosure in any area that is not paved and where deliberate traffic is not expected. They can be placed in the grassy median or off the shoulder of the highway.

NOTE: The paved shoulder of the highway is normally considered a deliberate traffic location because it may be used as a breakdown lane or as an actual traffic lane in times of construction. Therefore, an enclosure should never be placed in the paved shoulder of a road or in the road itself. The enclosure should be placed off the shoulder, in the grassy areas.

SIDEWAY & GRASSY AREA

(NON-DELIBERATE TRAFFIC)

An enclosure can be placed in any grassy area and in most sidewalks. However, an enclosure should not be placed in a sidewalk where a driveway crosses over the sidewalk.



Enclosure Selection Guide

Using The Selection Guide

The steps outlined in this guide will help you determine which Quazite® enclosure best meets your needs and requirements. This handbook will guide you through the decision-making process and enable you to determine the proper enclosure, no matter your needs. *UL-tested enclosures are highlighted throughout this guide to assist in identification.* Detailed product information follows the selection guide. All Quazite® products are listed here by size and style, along with dimensions and ordering information. For more information, or for answers to questions, call your local Hubbell Power Systems representative. Detailed product drawings can be viewed at our website: www.quazite.com

Blue copy areas indicate UL Listing

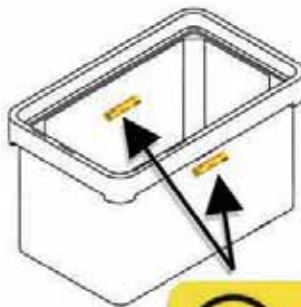
To Select the Enclosure You Need for Your Application:

1. Determine UL - ETL Requirements
2. Determine Size
3. Determine Style
4. Determine Load Rating
5. Determine Logos and Options

1 UL Listed Enclosures & ETL Listed Enclosures

Determine if a UL listed enclosure or an ETL listed enclosure is required for your installation. Federally funded electrical and telecom projects, as well as many state and municipal projects, generally require the use of a UL Listed product whenever one is available.

Most QUAZITE® polymer concrete underground handhole enclosures in sizes through 30" x 48" and smaller are agency listed. These products are clearly marked with the UL label on both the box and underneath the cover. Special order boxes with holes (or mouseholes, etc.) may qualify for UL listing as long as the holes do not exceed more than 25% of the area of each sidewall and as long as the holes do not cut into a structural reinforcing rib, corner, or box lip.



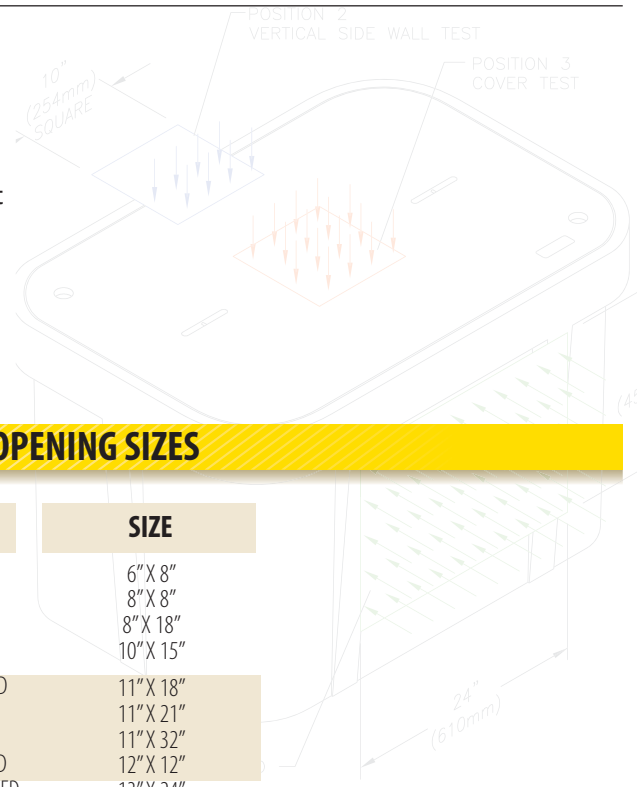
Highlighted areas indicate UL Listing



Enclosure Selection Guide

2 Size Selection— Precise Proportions.

Using the chart below, you can easily determine the most suitable enclosure size and style for your specific need.

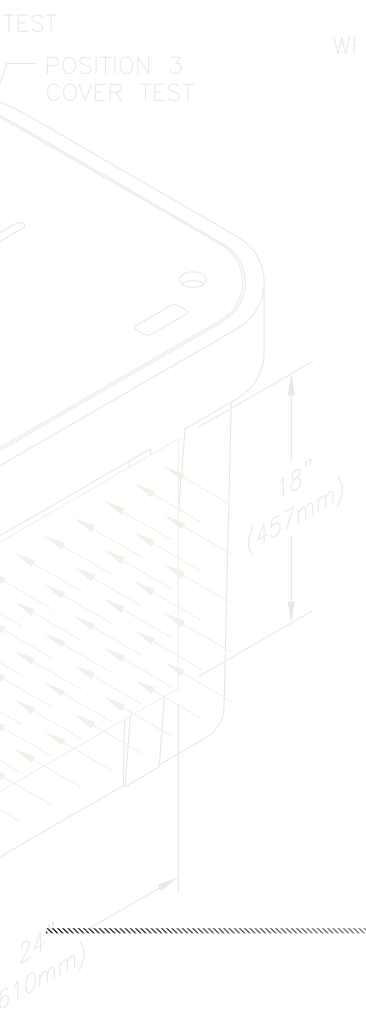


WHT

SELECTION GUIDE

BOX AND COVER OPENING SIZES

STYLE AVAILABLE	SIZE
PC & FRP-STRAIGHT	6" X 8"
PC	8" X 8"
PC	8" X 18"
PT, FRP-STRAIGHT, FRP-FLARED	10" X 15"
PG, PC, FRP-STRAIGHT, FRP-FLARED	11" X 18"
FRP-STRAIGHT	11" X 21"
FRP-STRAIGHT & FRP-FLARED	11" X 32"
PC, PX, FRP-STRAIGHT, FRP-FLARED	12" X 12"
PG, PC, PT, FRP-STRAIGHT, FRP-FLARED	13" X 24"
FRP-STRAIGHT & FRP-FLARED	15" X 17"
FRP-STRAIGHT & FRP-FLARED	15" X 27"
FRP-STRAIGHT & FRP-FLARED	16" X 22"
PG, PC, PT, FRP-STRAIGHT, FRP-FLARED	17" X 30"
PG & FRP-STRAIGHT	24" X 24"
PG, PD, FRP-STRAIGHT, FRP-FLARED	24" X 36"
FRP-FLARED	24" X 60"
PG, PD, FRP-CORRUGATED, FRP-STRAIGHT, FRP-FLARED	30" X 48"
PG, FRP-CORRUGATED, FRP-STRAIGHT	30" X 60"
PG & FRP-STRAIGHT	36" X 36"
PG, FRP-CORRUGATED, FRP-STRAIGHT	36" X 60"
PG, FRP-CORRUGATED, FRP-STRAIGHT	36" X 72"
FRP-CORRUGATED	36" X 96"
PG & FRP-CORRUGATED	48" X 48"
PG & FRP-CORRUGATED	48" X 72"
FRP-CORRUGATED	48" X 78"
PG & FRP-CORRUGATED	48" X 96"
FRP-CORRUGATED	48" X 144"
FRP-CORRUGATED	78" X 96"
FRP-CORRUGATED	96" X 96"
ROUND STYLE	SIZE
FRP	20"
PR & FRP	27"
FRP	32"
PR & FRP	39"



Enclosure Selection Guide

3 Style Guide – Tailored Product Variety.

We offer a wide variety of box styles in order to meet your most specialized enclosure needs. Each style offers specific strengths and assets for diverse functionality



• PG Style

Straight sides allow for easy adjustment of box should the grade level change. Used for a variety of purposes, such as a splice box, pull box, equipment enclosure, or for any application requiring easy access to an underground service. PG boxes are stackable for increased depth.



• PC Style

Straight sides allow for easy adjustment of box should the grade level change. All PC boxes are stackable and are available with gasketing.



• PX Style

PX Styles are excellent for service box assemblies and offer flared design to prevent frost heave. PX boxes are also nestable for compact storage.



• PT Style

The flared design prevents frost heave, and covers are interchangeable with many precast concrete parts. PT boxes are also nestable for compact storage.



• PD Style

These enclosures feature a 1 degree flare for maximum strength. Flared design optimizes internal volume and minimizes frost heave.

Enclosure Selection Guide

FRP Style

This style features a unique combination of polymer concrete and fiber-reinforced polymer. FRP styles are available in both flared and straight wall designs. FRP flared wall styles are nestable for compact storage.



Corrugated Style

A special combination of polymer concrete and fiber-reinforced polymer along with the corrugated walls give this style design flexibility, added strength and durability. Adjust to grade option is also available.



PR Style

This polymer concrete round enclosure can prevent a cover from falling into the box.



FRP Round Style

This round enclosure features a unique combination of polymer concrete and fiber-reinforced polymer. The shape also prevents a cover from falling into the box.



Enclosure Selection Guide

4 Load Ratings – Steadfast Reliability

Quazite® underground enclosures are designed to meet or exceed the tier load requirements set forth in the American National Standards Institute’s ANSI/SCTE 77 2010 “Specification for Underground Enclosure Integrity.” ANSI tier designations represent the minimum allowable load requirements in the industry to ensure underground enclosures are always secure and reliable.

The ANSI application tier number relates to a nominal design load multiplied by 1,000 pounds. For example, Tier 8 is 8 x 1,000 pounds, or 8,000 lbs. All ANSI tier loadings will have a corresponding test load, which is 50% greater than the design load. The maximum deflection at the indicated design load shall be a half-inch for vertical tests and a quarter-inch per foot of length for lateral tests.

Application Tiers & Static Vertical Wheel Load Ratings per ANSI/SCTE 77 2010 “Specification for Underground Enclosure Integrity”

NOTE — Quazite® products are not intended for use in deliberate traffic areas.

Application Tiers	Loading Requirements				UL Listed to meet ANSI 77 Requirements ²
Tier 5 Sidewalk applications with a safety factor for occasional non-deliberate vehicular traffic	Vertical	Design Load	22.2 kN 33.3 kN	5,000 lbs. 7,500 lbs.	PC 13"x24" or PC 17"x30" style enclosure and cover assemblies with standard covers (CA) and standard covers w/o bolts (WA) .
	Lateral	Design Load	28.7 kPa 43.1 kPa	600 lbs./sq. ft. 900 lbs./sq. ft.	
TIER 8 Sidewalk applications with a safety factor for non-deliberate vehicular traffic	Vertical	Design Load	35.6 kN 53.4 kN	8000 lbs. 12,000 lbs.	PG and PT style enclosure and cover assemblies up to 30"x 48" and PC style in sizes 6"x 8", 8"x18", 11"x18" and 12"x12" with standard covers (CA) and standard covers w/o bolts (WA) .
	Lateral	Design Load	28.7 kPa 43.1 kPa	600 lbs./sq. ft. 900 lbs./sq. ft.	
TIER 15 Driveway, parking lot, and off-roadway applications subject to occasional non-deliberate heavy vehicular traffic	Vertical	Design Load	66.7 kN 100.1 kN	15,000 lbs. 22,500 lbs.	PG, PT and PC style enclosure and cover assemblies up to 30"x48" with heavy duty covers (HA) .
	Lateral	Design Load	38.3 kPa 57.5 kPa	800 lbs./sq. ft. 1,200 lbs./sq. ft.	
TIER 22 Driveway, parking lot, and off-roadway applications subject to occasional non-deliberate heavy vehicular traffic	Vertical	Design Load	100.1 kN 150.1 kN	22,500 lbs. 33,750 lbs.	PC, PD, PG and PT style enclosure and cover assemblies up to 30"x 48" with extra heavy duty covers (HH) .
	Lateral	Design Load	38.3 kPa 57.5 kPa	800 lbs./sq. ft. 1,200 lbs./sq. ft.	

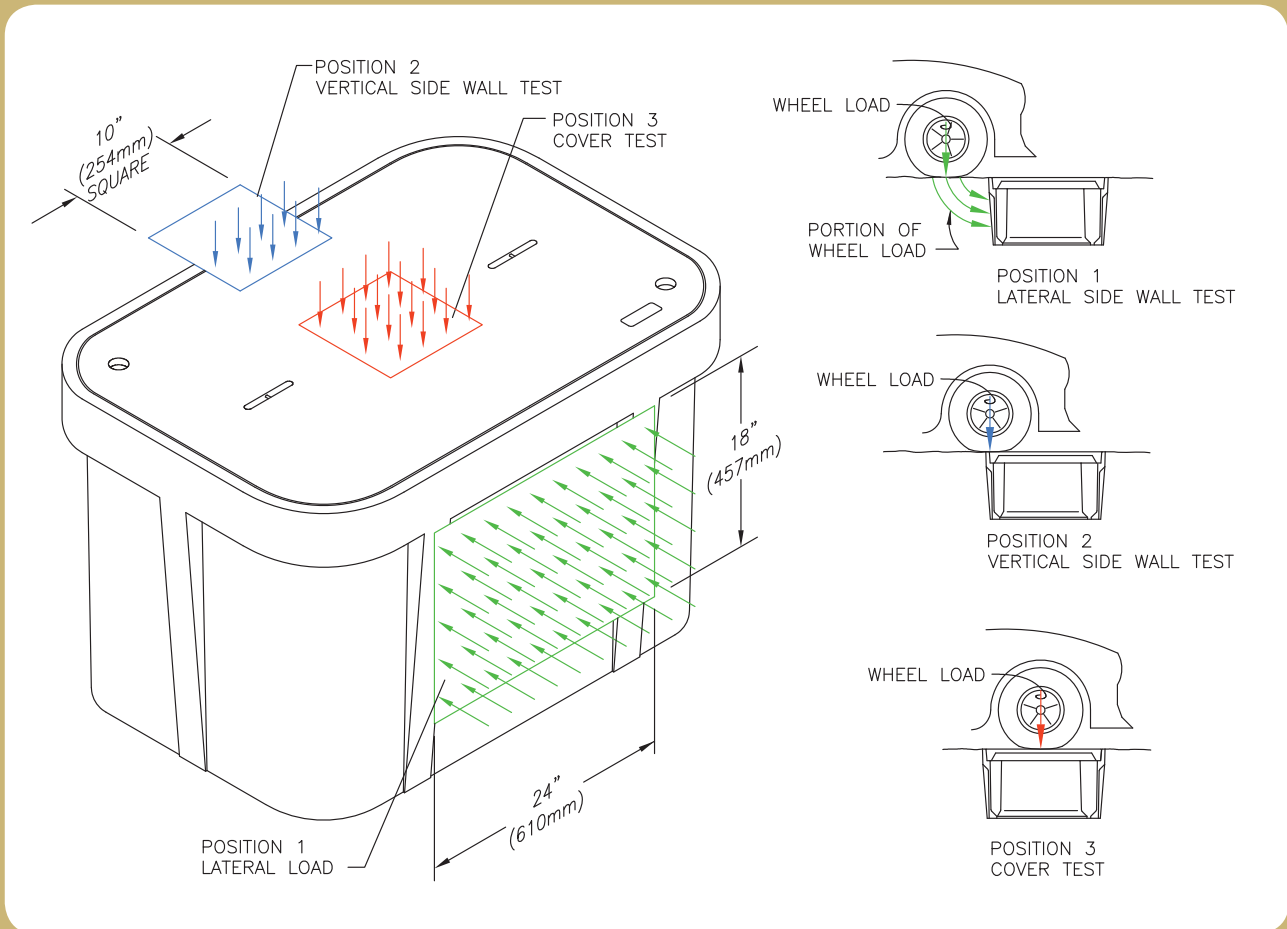
AASHTO H-20
 Deliberate vehicular traffic applications ONLY. Quazite® does not currently offer any enclosures for this application tier.

Certified precast concrete, cast iron or other AASHTO recognized materials.*
 *There are no AASHTO design or test provisions for polymer composites. Therefore there is no recognized method of testing for qualification. Applying other material testing methods to polymer composites is not recognized by AASHTO.
BUYER BEWARE!

Three-Position Testing – Proven Endurance.

A key requirement outlined in ANSI/SCTE 77 2010 is three-position testing for enclosures. Three-position testing is a method to verify product performance, and is accomplished by test loading at three pre-designated critical points. Quazite products have been tested at each of the three positions and all have met or surpassed requirements.

- The latest copy of the standard may be purchased from ANSI. It may also be viewed in PDF form on SCTE's website at <http://www.scte.org/documents/pdf/Standards/ANSI%20SCTE%2077%202010.pdf>



Enclosure Selection Guide

Cover Styles

Covers can be selected based on box styles and application needs.

Tier 5/Tier 8

Standard covers are specifically designed for sidewalk applications. Covers are available with and without bolts.

Tier 15

Heavy-duty covers are designed for driveways, parking lots, and off-roadway applications where they may be subject to occasional non-deliberate vehicular traffic. Covers are available with and without bolts.

Tier 22

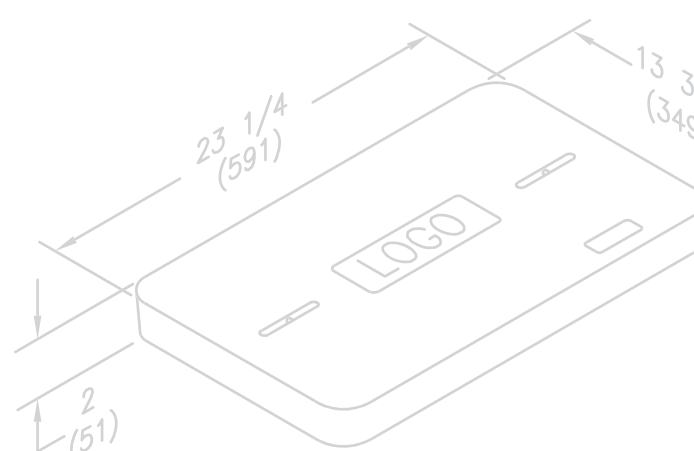
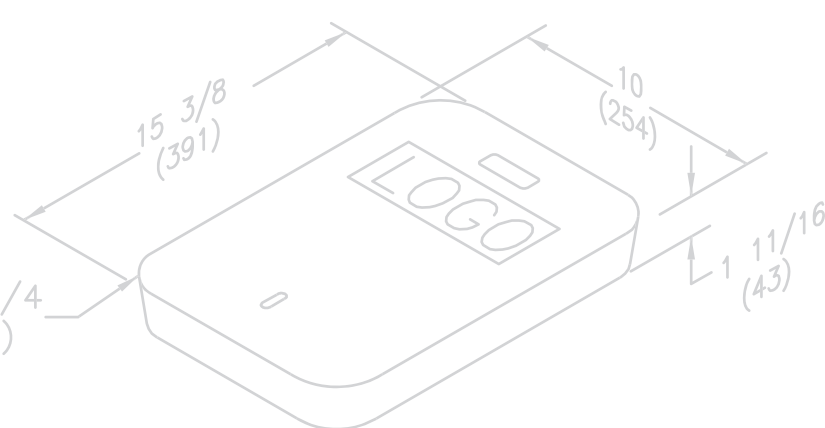
Extra heavy duty covers are designed for driveways, parking lots, and off-road applications where they may be subject to occasional non-deliberate traffic by heavy vehicles. Covers are available with and without bolts.

NOTE: In no assembly can the cover design load exceed the design load of the box.

PG1
33#



PG1
32#



5 Determine Logos and Options

Most commonly used cover logos are shown below.

Custom Logos are available. Contact your Quazite/Hubbell Representative.

Options are listed in Section titled - "Special Options & Applications."

LOGOS

POLYMER CONCRETE STYLE LOGOS	FRP & CORRUGATED STYLE LOGOS	DESCRIPTION
09	009	BLANK
10	010	CATV
12	012	COMMUNICATIONS
14	014	CONTROLS
17	017	ELECTRIC
21	021	FIBER OPTICS
22	022	FIRE ALARM
23	023	GAS
24	024	GROUND
26	026	HIGH VOLTAGE
29	029	LIGHTING
36	036	SECURITY
38	038	SIGNAL
40	040	STATE TRAFFIC SIGNAL
41	041	STREET LIGHTING
42	042	TELECOM
43	043	TELEPHONE
44	044	TRAFFIC
45	045	TRAFFIC CONTROL
46	046	TRAFFIC SIGNAL
48	048	TV
50	050	WATER
57	057	EMERGENCY
65	065	ILLUMINATION
81	081	DANGER HIGH VOLTAGE
84	084	POWER
92	092	TELECOMMUNICATIONS
3A	03A	DOT
6B	06B	INSTRUMENTATION
ZA	0ZA	IRRIGATION
K91	K91	RECLAIMED WATER
KH1	KH1	FIBEROPTIC

3/8" STAINLESS STEEL
HEX HEAD BOLT
W/WASHER (2)



2" (51)

1/4" (86)

1 3/4" (44)

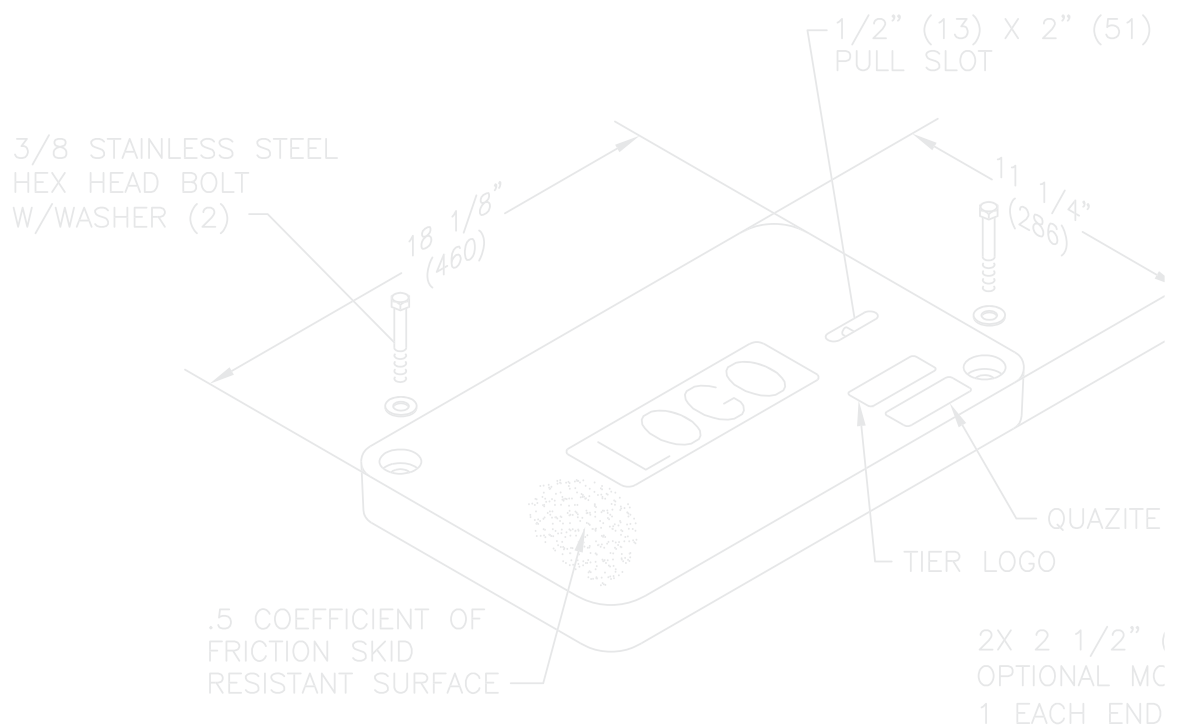
.5 COEF
FRICTION
RESISTA



QUAZITE LOGO

2 1/2" (64) X 4
ADDITIONAL MOUSEHOLE
EACH END

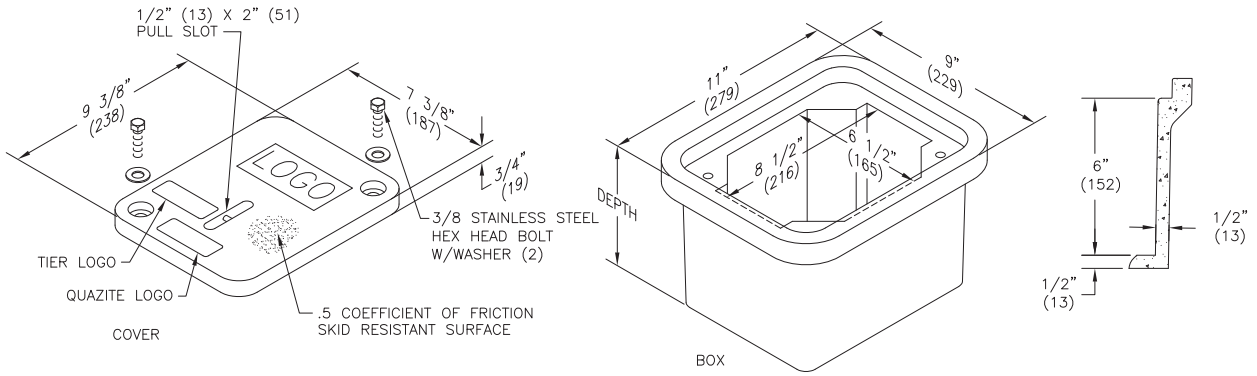
DRAWINGS & TABLES



Dimensions / Data

6" x 8" PC Style Polymer Concrete (Stackable) Assembly

Hex Head Bolts are Standard



ENCLOSURE DRAWINGS

Covers

	DESCRIPTION	TIER	DESIGN / TEST LOAD #	WEIGHT #	PALLET QTY	PART NO.
	W/ 2 Bolts	15	15,000 / 22,500	4	40	PC0608HA00**
	Gasketed w/4 bolts	15	15,000 / 22,500	4	40	PC0608HG00**

Replace ** with a logo code found on page 18.

NOTE: Gasketed covers and bolt grommets must be used with a gasketed box. Gaskets reduce the inflow of fluids but do not make the enclosure water tight.

Boxes

	DESCRIPTION	DEPTH	TIER	DESIGN / TEST LOAD #	WEIGHT #	PALLET QTY	PART NO.
	Standard Open Bottom	6 3/4"	15	15,000/22,500	14	160	PC0608BA06
	Solid Bottom	7 1/4"	15	15,000/22,500	15	160	PC0608DA06

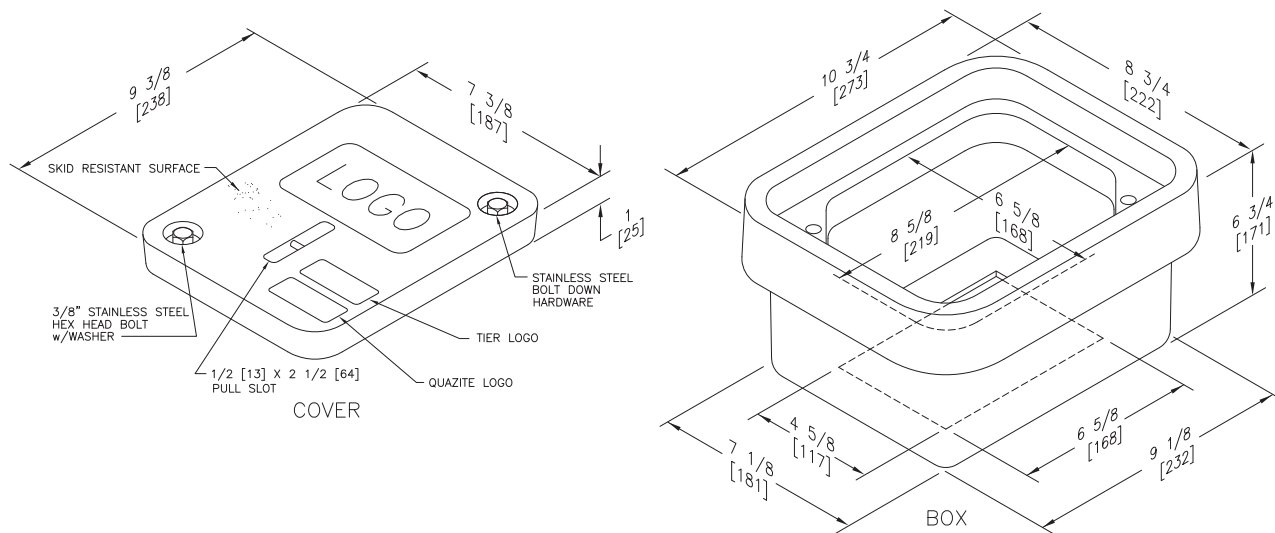
To order gasketed boxes, replace the letter "A" with the letter "G".

NOTE: Gasketed covers and bolt grommets must be used with a gasketed box. Gaskets reduce the inflow of fluids but do not make the enclosure water tight.

Dimensions / Data

6" x 8" FRP Straight Wall

Hex Head Bolts are Standard



Covers

DESCRIPTION	TIER	DESIGN / TEST LOAD #	WEIGHT #	PALLET QTY	PART NO.
W/ 2 Bolts	8	8,000 / 12,000	5	300	C30060801A***
No Bolts	8	8,000 / 12,000	5	300	C00060801A***

Replace *** with a logo code found on page 18.

Boxes

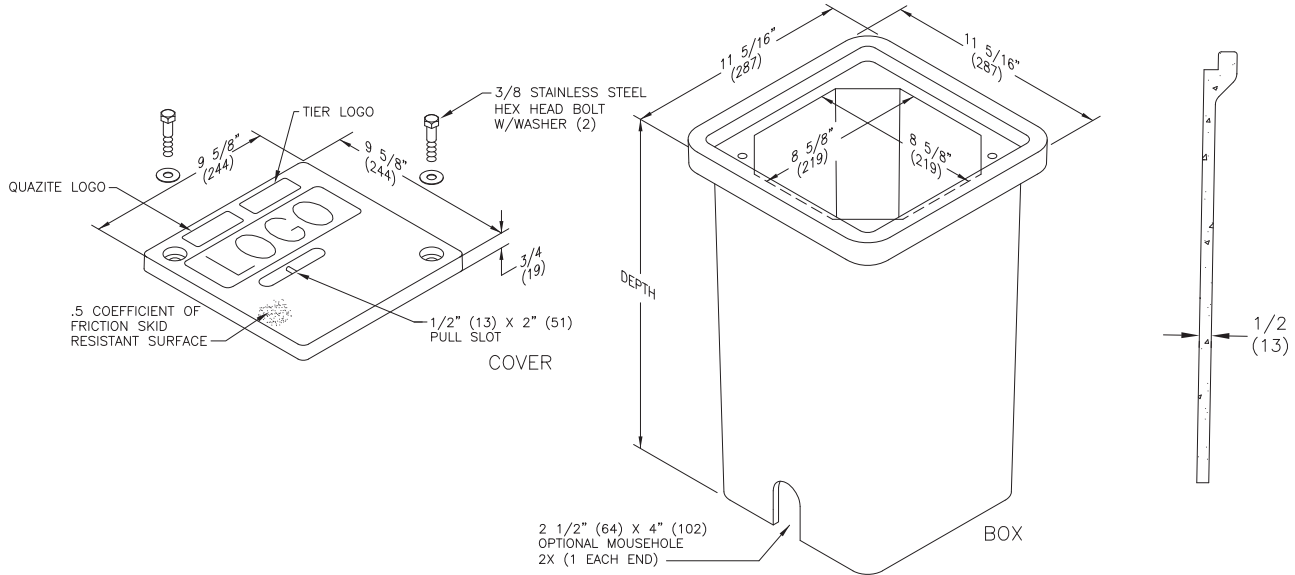
DESCRIPTION	DEPTH	TIER	DESIGN / TEST LOAD #	WEIGHT #	PALLET QTY	PART NO.
Standard Open	12"	8	8,000 / 12,000	6	64	B33060806A
Solid Bottom	12"	8	8,000 / 12,000	6.5	64	B33060806B

To order gasketed boxes, replace the last character with "G".

NOTE: Gasket reduce the inflow of fluids but do not make the enclosure water tight.

Dimensions / Data

8" x 8" PC Style Polymer Concrete (Stackable) Assembly

Hex Head Bolts are Standard


Covers

	DESCRIPTION	TIER	DESIGN / TEST LOAD #	WEIGHT #	PALLET QTY	PART NO.
UL	W/ 2 Bolts	15	15,000 / 22,500	6	36	PC0808HA00**
UL	Gasketed W/ 2 Bolts	15	15,000 / 22,500	6	36	PC0808HG00**

Replace ** with a logo code found on page 18.

NOTE: Gasketed covers and bolt grommets must be used with a gasketed box. Gaskets reduce the inflow of fluids but do not make the enclosure water tight.

Boxes

	DESCRIPTION	DEPTH	TIER	DESIGN / TEST LOAD #	WEIGHT #	PALLET QTY	PART NO.
UL	Standard Open Bottom	12"	15	15,000/22,500	25	36	PC0808BA12
UL		18"	15	15,000/22,500	36	24	PC0808BA18
UL	Solid Bottom	18 1/2"	15	15,000/22,500	42	24	PC0808DA18

To order boxes with 2 standard mouseholes, replace the letter "A" with the letter "B".

To order gasketed boxes, replace the letter "A" with the letter "G".

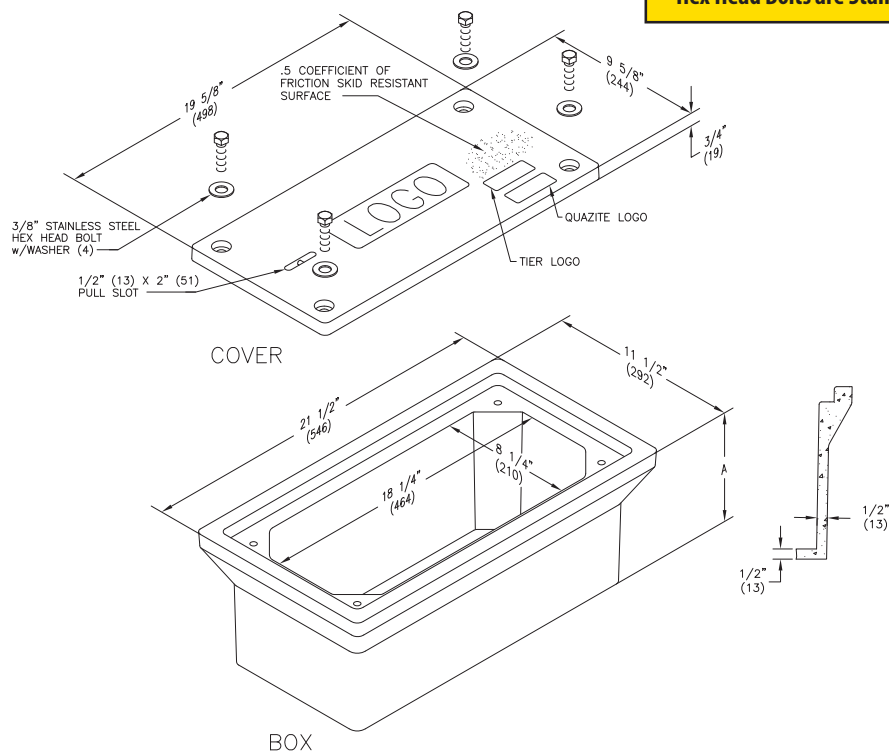
NOTE: Gasketed covers and bolt grommets must be used with a gasketed box. Gaskets reduce the inflow of fluids but do not make the enclosure water tight.

ENCLOSURE DRAWINGS

Dimensions / Data

8" x 18" PC Style Polymer Concrete (Stackable) Assembly

Hex Head Bolts are Standard



Covers

DESCRIPTION	TIER	DESIGN / TEST LOAD #	WEIGHT #	PALLET QTY	PART NO.
W/ 4 Bolts	8	8,000 / 12,000	11	20	PC0818CA00**
No Bolts	8	8,000 / 12,000	11	20	PC0818WA00**
W/ 4 Bolts	15	15,000 / 22,500	11	20	PC0818HA00**

Replace ** with a logo code found on page 18.

To order gasketed covers replace the letter "A" with the letter "G".

NOTE: Gasketed covers and bolt grommets must be used with a gasketed box. Gaskets reduce the inflow of fluids but do not make the enclosure water tight.

Boxes

DESCRIPTION	DEPTH	TIER	DESIGN / TEST LOAD #	WEIGHT #	PALLET QTY	PART NO.
Standard Open Bottom	7"	15	15,000/22,500	25	20	PC0818BA07
Standard Open Bottom	8"	15	15,000/22,500	27	20	PC0818BA08
Solid Bottom	7 1/2"	15	15,000/22,500	32	20	PC0818DA07
Solid Bottom	8 1/2"	15	15,000/22,500	35	20	PC0818DA08

To order boxes with 2 standard mouseholes, replace the letter "A" with the letter "B".

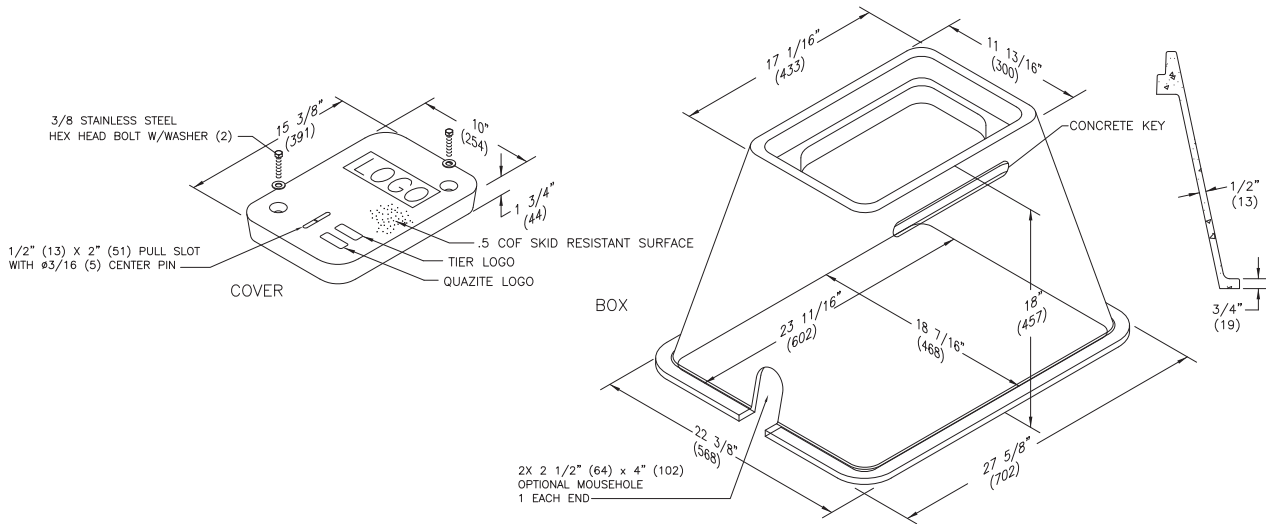
To order gasketed boxes, replace the letter "A" with the letter "G".

NOTE: Gasketed covers and bolt grommets must be used with a gasketed box. Gaskets reduce the inflow of fluids but do not make the enclosure water tight.

Dimensions / Data

10" x 15" PT Style Polymer Concrete (Nestable) Assembly

Hex Head Bolts are Standard



ENCLOSURE DRAWINGS

Covers

DESCRIPTION	TIER	DESIGN / TEST LOAD #	WEIGHT #	PALLET QTY	PART NO.
W/ 2 Bolts	8	8,000 / 12,000	20	40	PG1015CA00**
W/ 2 Bolts	15	15,000 / 22,500	20	40	PG1015HA00**
No Bolts	8	8,000 / 12,000	20	40	PG1015WA00**

To order gasketed covers, replace the letter "A" with the letter "G".
 Replace ** with a logo code found on page 18.
 NOTE: Gasketed covers and bolt grommets must be used with a gasketed box. Gaskets reduce the inflow of fluids but do not make the enclosure water tight.

Boxes

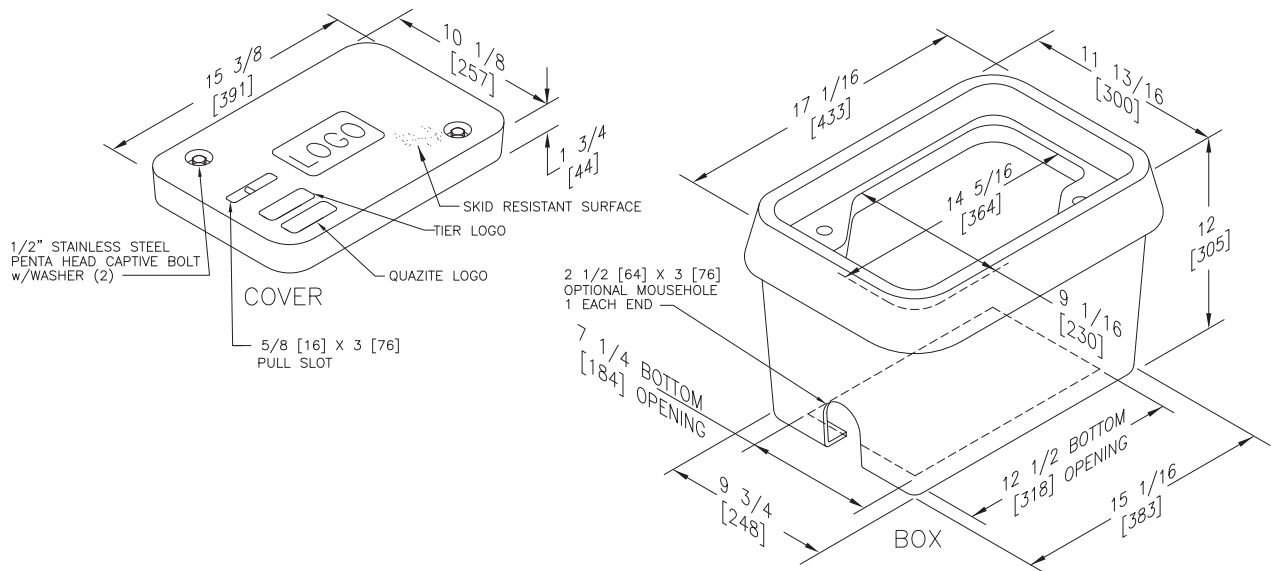
DESCRIPTION	DEPTH	TIER	DESIGN / TEST LOAD #	WEIGHT #	PALLET QTY	PART NO.
Standard Open Bottom	18"	15	15,000/22,500	70	5	PT1015BA18

To order boxes with 2 standard mouseholes, replace the letter "A" with the letter "B".
 To order gasketed boxes, replace the letter "A" with the letter "G".
 NOTE: Gasketed covers and bolt grommets must be used with a gasketed box. Gaskets reduce the inflow of fluids but do not make the enclosure water tight.

Dimensions / Data

10" x 15" FRP Straight Wall

Penta Head Bolts are Standard



Covers

DESCRIPTION	TIER	DESIGN / TEST LOAD #	WEIGHT #	PALLET QTY	PART NO.
W/ 2 Bolts	8	8,000 / 12,000	17	100	C10101502A***
W/ 2 Bolts	15	15,000 / 22,500	19	100	C12101502A***
No Bolts	8	8,000 / 12,000	17	100	C00101502A***
No Bolts, W/CI Reader, Over 90	5	5,000 / 7,500	20	100	C08101502C009
No Bolts, W/CI Reader, Under 90	5	5,000 / 7,500	20	100	C08101502D009

Replace *** with a logo code found on page 18.

Boxes

DESCRIPTION	DEPTH	TIER	DESIGN / TEST LOAD #	WEIGHT #	PALLET QTY	PART NO.
Standard Open Bottom	12"	8	8,000 / 12,000	24	25	B13101512A
	12"	15	15,000 / 22,500	27	25	B14101512A
Solid Bottom	12"	8	8,000 / 12,000	28	25	B13101512B
	12"	15	15,000 / 22,500	31	25	B14101512B

To order boxes with 2 standard mouseholes, replace the last character with "M".

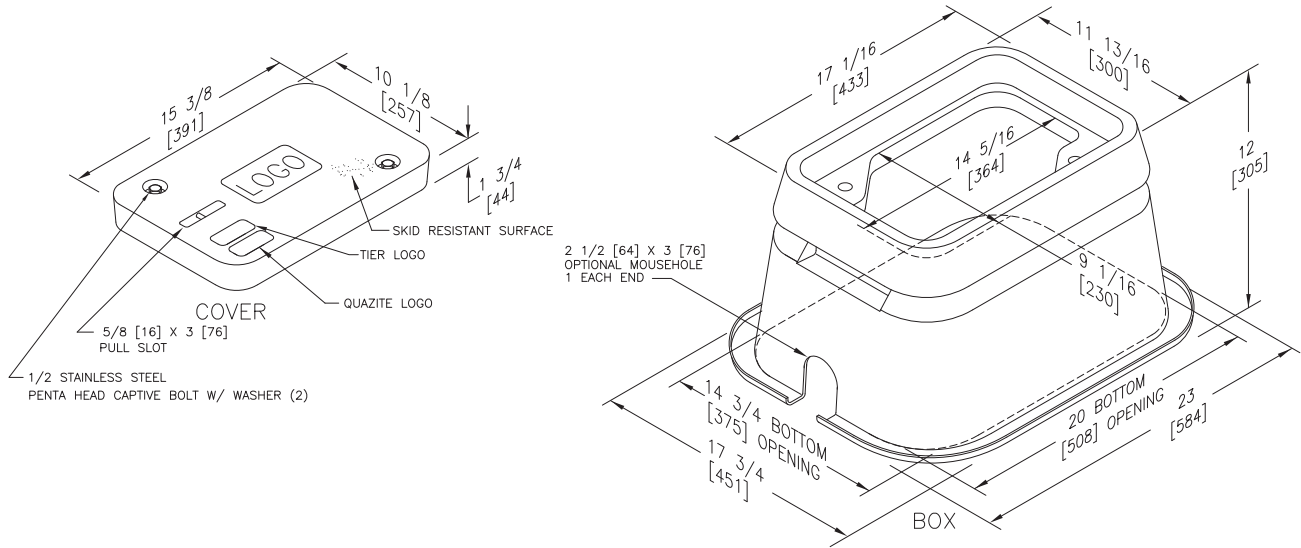
To order gasketed boxes, replace the last character with "G".

NOTE: Gasket reduce the inflow of fluids but do not make the enclosure water tight.

Dimensions / Data

10" x 15" FRP Flared

Penta Head Bolts are Standard



ENCLOSURE DRAWINGS

Covers

DESCRIPTION	TIER	DESIGN / TEST LOAD #	WEIGHT #	PALLET QTY	PART NO.
W/ 2 Bolts	8	8,000 / 12,000	17	100	C10101502A***
W/ 2 Bolts	15	15,000 / 22,500	19	100	C12101502A***
No Bolts	8	8,000 / 12,000	17	100	C00101502A***
No Bolts, W/CI Reader, Over 90	5	5,000 / 7,500	20	100	C08101502C009
No Bolts, W/CI Reader, Under 90	5	5,000 / 7,500	20	100	C08101502D009

Replace *** with a logo code found on page 18.

Boxes

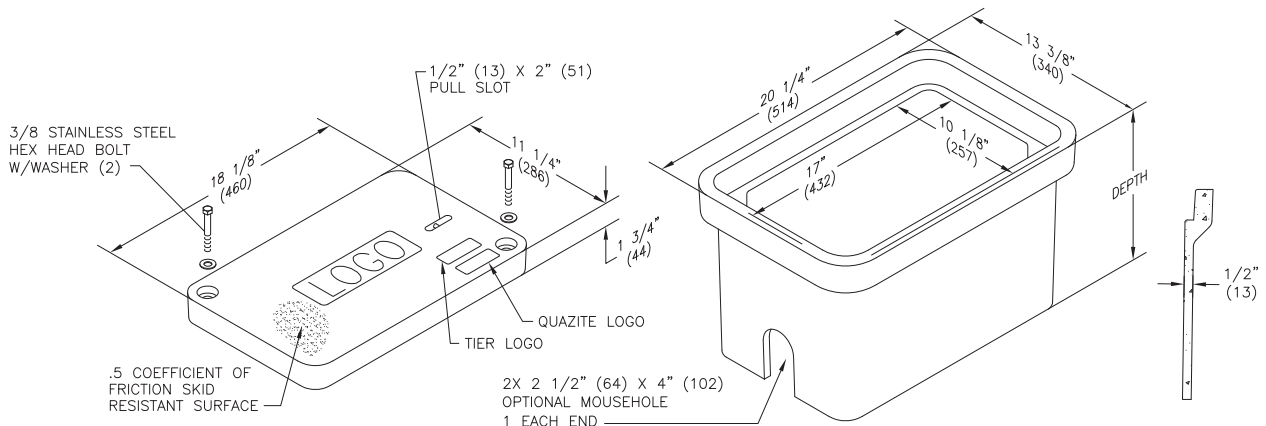
DESCRIPTION	DEPTH	TIER	DESIGN / TEST LOAD #	WEIGHT #	PALLET QTY	PART NO.
Standard Open Bottom	12"	8	8,000 / 12,000	22	50	B10101512A
	18"		8,000 / 12,000	36	20	B10101518A
	12"	15	15,000 / 22,500	25	50	B12101512A
	18"		15,000 / 22,500	38	20	B12101518A

To order boxes with 2 standard mouseholes, replace the last character with "M".
 To order gasketed boxes, replace the last character with "G".
 Gaskets reduce the inflow of fluids but do not make the enclosure water tight.
 NOTE: Cover rating cannot exceed box rating.

Dimensions / Data

11"x 18" PG Style Polymer Concrete (Stackable) Assembly

Hex Head Bolts are Standard



Covers

	DESCRIPTION	TIER	DESIGN / TEST LOAD #	WEIGHT #	PALLET QTY	PART NO.
UL	W/ 2 Bolts	8	8,000 / 12,000	27	40	PG1118CA00**
UL	W/ 2 Bolts	15	15,000 / 22,500	27	40	PG1118HA00**
UL	No Bolts	8	8,000 / 12,000	27	40	PG1118WA00**
UL	W/ 2 Bolts	22	22,500 / 33,750	27	40	PG1118HH00**

To order gasketed covers, replace the letter "A" with the letter "G".

Replace ** with a logo code found on page 18.

NOTE: Gasketed covers and bolt grommets must be used with a gasketed box. Gaskets reduce the inflow of fluids but do not make the enclosure water tight.

Boxes

	DESCRIPTION	DEPTH	TIER	DESIGN / TEST LOAD #	WEIGHT #	PALLET QTY	PART NO.
UL	Standard Open Bottom	12"	22	22,500 / 33,750	40	30	PG1118BA12
UL		18"		22,500 / 33,750	53	24	PG1118BA18
UL	Solid Bottom	12 1/2"	22	22,500 / 33,750	43	30	PG1118DA12
UL		18 1/2"		22,500 / 33,750	60	24	PG1118DA18
UL	Footed Box	12 1/2"	22	22,500 / 33,750	41	30	PG1118JA12
UL		18 1/2"		22,500 / 33,750	55	24	PG1118JA18

To order boxes with 2 standard mouseholes, replace the letter "A" with the letter "B".

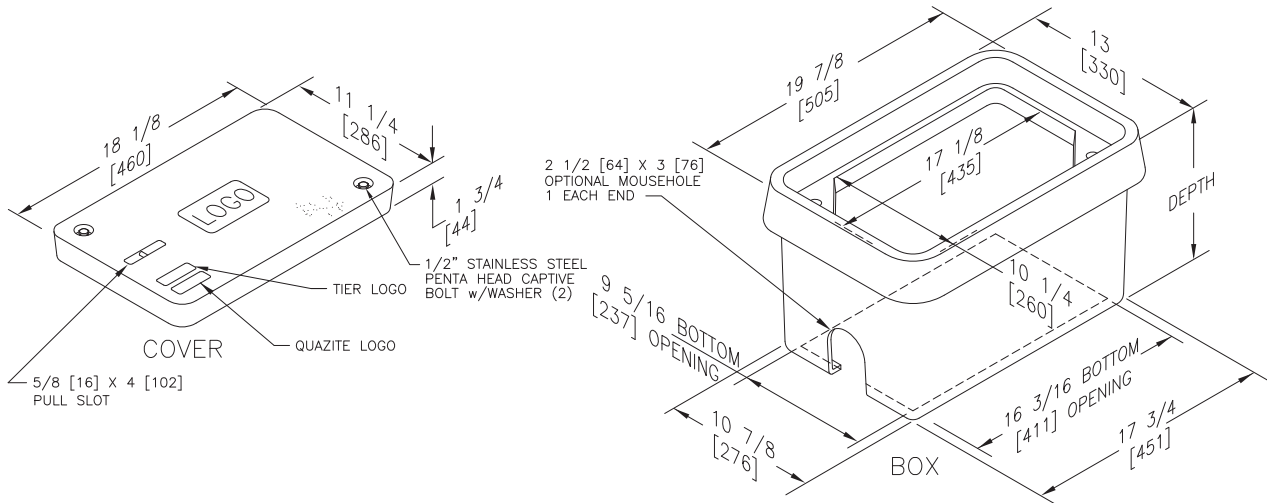
To order gasketed boxes, replace the letter "A" with the letter "G".

NOTE: Gasketed covers and bolt grommets must be used with a gasketed box. Gaskets reduce the inflow of fluids but do not make the enclosure water tight.

Dimensions / Data

11" x 18" FRP Straight Wall

Penta Head Bolts are Standard



Covers

DESCRIPTION	TIER	DESIGN / TEST LOAD #	WEIGHT #	PALLET QTY	PART NO.
W/ 2 Bolts	8	8,000 / 12,000	21	100	C10111802A***
W/ 2 Bolts	15	15,000 / 22,500	23	100	C12111802A***
No Bolts	8	8,000 / 12,000	21	100	C00111802A***
W/ 2 Bolts	22	22,500 / 33,750	23	100	C16111802A***
No Bolts, W/CI Reader, Over 90	5	5,000 / 7,500	26	100	C08111802C009
No Bolts, W/CI Reader, Under 90	5	5,000 / 7,500	26	100	C08111802D009

Replace *** with a logo code found on page 18.

Boxes

DESCRIPTION	DEPTH	TIER	DESIGN / TEST LOAD #	WEIGHT #	PALLET QTY	PART NO.
Standard Open Bottom	12"	8	8,000/12,000	25	25	B13111812A
	18"		8,000/12,000	29	20	B13111818A
	12"	15	15,000/22,500	28	25	B14111812A
	18"		15,000/22,500	32	20	B14111818A
	12"	22	22,500/33,750	28	25	B16111812A
	18"		22,500/33,750	32	20	B16111818A
Solid Bottom	12"	8	8,000/12,000	27	25	B13111812B
	18"		8,000/12,000	31	20	B13111818B
	12"	15	15,000/22,500	30	25	B14111812B
	18"		15,000/22,500	34	20	B14111818B
	12"	22	22,500/33,750	30	25	B16111812B
	18"		22,500/33,750	34	20	B16111818B

To order boxes with 2 standard mouseholes, replace the last character with "M".

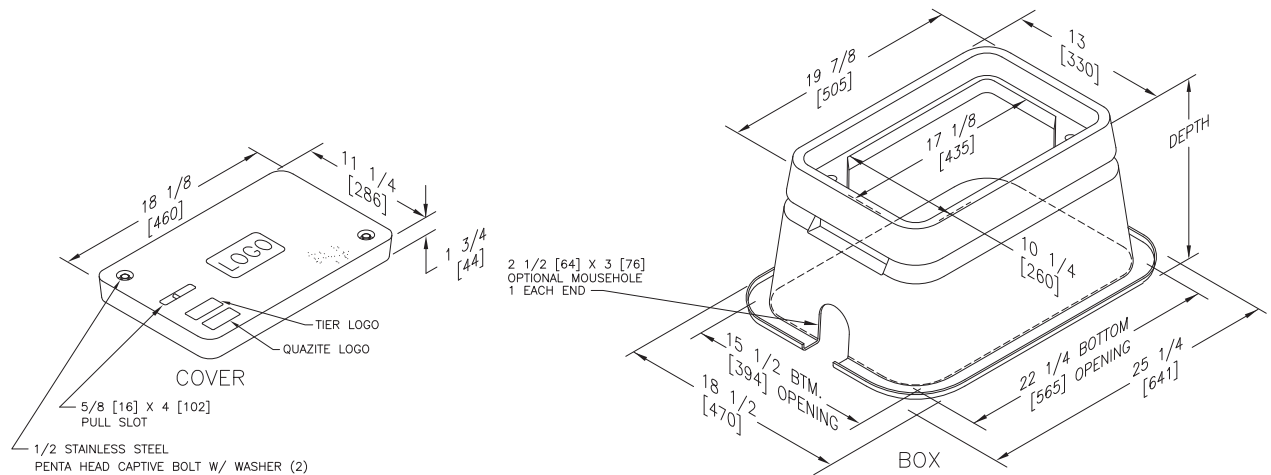
To order gasketed boxes, replace the last character with "G".

NOTE: Gasket reduce the inflow of fluids but do not make the enclosure water tight.

Dimensions / Data

11" x 18" Flared Wall Style FRP (Nestable) Assembly

Penta Head Bolts are Standard



Covers

DESCRIPTION	TIER	DESIGN / TEST LOAD #	WEIGHT #	PALLET QTY	PART NO.
W/ 2 Bolts	8	8,000 / 12,000	21	100	C10111802A***
W/ 2 Bolts	15	15,000 / 22,500	23	100	C12111802A***
No Bolts	8	8,000 / 12,000	21	100	C00111802A***
W/ 2 Bolts	22	22,500 / 33,750	23	100	C16111802A***
No Bolts, W/CI Reader, Over 90	5	5,000 / 7,500	26	100	C08111802C009
No Bolts, W/CI Reader, Under 90	5	5,000 / 7,500	26	100	C08111802D009

Replace *** with a logo code found on page 18.

Boxes

DESCRIPTION	DEPTH	TIER	DESIGN / TEST LOAD #	WEIGHT #	PALLET QTY	PART NO.
Standard Open Bottom	12"	8	8,000 / 12,000	25	50	B10111812A
	18"		8,000 / 12,000	29	40	B10111818A
	12"	15	15,000 / 22,500	28	50	B12111812A
	18"		15,000 / 22,500	32	40	B12111818A
	12"	22	22,500 / 33,750	28	50	B19111812A
	18"		22,500 / 33,750	32	40	B19111818A

To order boxes with 2 standard mouseholes, replace the last character with "M".

To order gasketed boxes, replace the last character with "G".

Gaskets reduce the inflow of fluids but do not make the enclosure water tight.

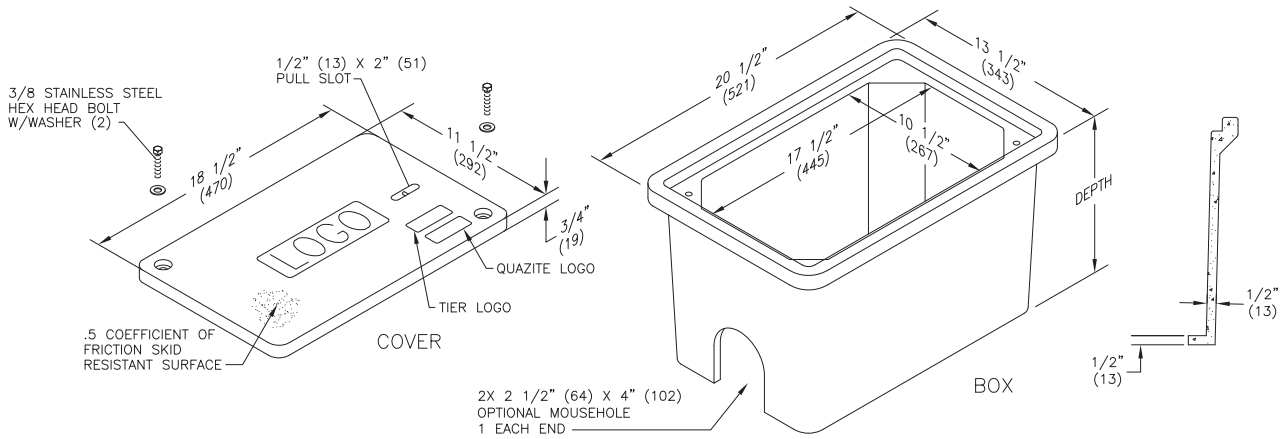
NOTE: Cover rating cannot exceed box rating.

ENCLOSURE DRAWINGS

Dimensions / Data

11" x 18" PC Style Polymer Concrete (Stackable) Assembly

Hex Head Bolts are Standard



Covers

DESCRIPTION	TIER	DESIGN / TEST LOAD #	WEIGHT #	PALLET QTY	PART NO.
Ⓛ W/ 2 Bolts	8	8,000 / 12,000	13	40	PC1118CA00**
Ⓛ Gasketed W/ 4 Bolts	8	8,000 / 12,000	13	40	PC1118CG00**
Ⓛ No Bolts	8	8,000 / 12,000	13	40	PC1118WA00**

Replace ** with a logo code found on page 18.
 NOTE: Gasketed covers and bolt grommets must be used with a gasketed box. Gaskets reduce the inflow of fluids but do not make the enclosure water tight.

Boxes

DESCRIPTION	DEPTH	TIER	DESIGN / TEST LOAD #	WEIGHT #	PALLET QTY	PART NO.
Ⓛ Standard Open Bottom	12"	15	15,000 / 22,500	37	24	PC1118BA12
	18"					
Ⓛ Solid Bottom	12 1/2"	15	15,000 / 22,500	45	24	PC1118DA12
	18 1/2"					
Ⓛ Footed Box	12 1/2"	15	15,000 / 22,500	37	24	PC1118JA12
	18 1/2"					

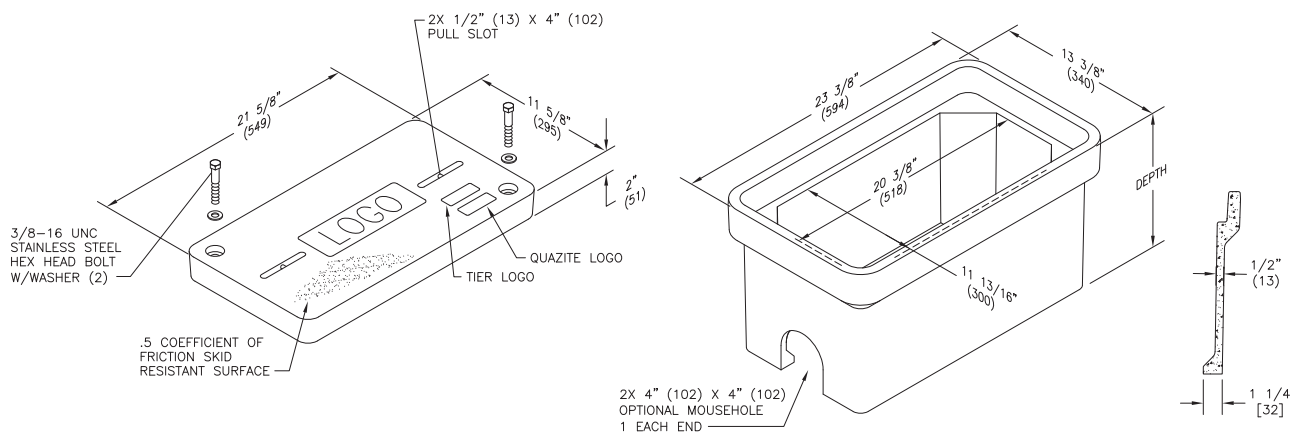
To order boxes with 2 standard mouseholes, replace the letter "A" with the letter "B".
 To order gasketed boxes, replace the letter "A" with the letter "G".
 NOTE: Gasketed covers and bolt grommets must be used with a gasketed box. Gaskets reduce the inflow of fluids but do not make the enclosure water tight.

ENCLOSURE DRAWINGS

Dimensions / Data

11" x 20" PG Style Polymer Concrete (Stackable) Assembly

Hex Head Bolts are Standard



Covers

DESCRIPTION	TIER	DESIGN / TEST LOAD #	WEIGHT #	PALLET QTY	PART NO.
W/ 2 Bolts	8	8,000 / 12,000	28	30	PG1120CA00**
W/ 2 Bolts	15	15,000 / 22,500	38	30	PG1120HA00**
No Bolts	8	8,000 / 12,000	28	30	PG1120WA00**
W/ 2 Bolts	22	22,500 / 33,750	38	30	PG1120HH00**

To order gasketed covers, replace the letter "A" with the letter "G".
 Replace ** with a logo code found on page 18.
 NOTE: Gasketed covers and bolt grommets must be used with a gasketed box. Gaskets reduce the inflow of fluids but do not make the enclosure water tight.

Boxes

DESCRIPTION	DEPTH	TIER	DESIGN / TEST LOAD #	WEIGHT #	PALLET QTY	PART NO.
Standard Open Bottom	12"	22	22,500 / 33,750	50	20	PG1120BA12
	18"		22,500 / 33,750	69	16	PG1120BA18
Solid Bottom	12 1/2"	22	22,500 / 33,750	58	20	PG1120DA12
	18 1/2"		22,500 / 33,750	77	16	PG1120DA18

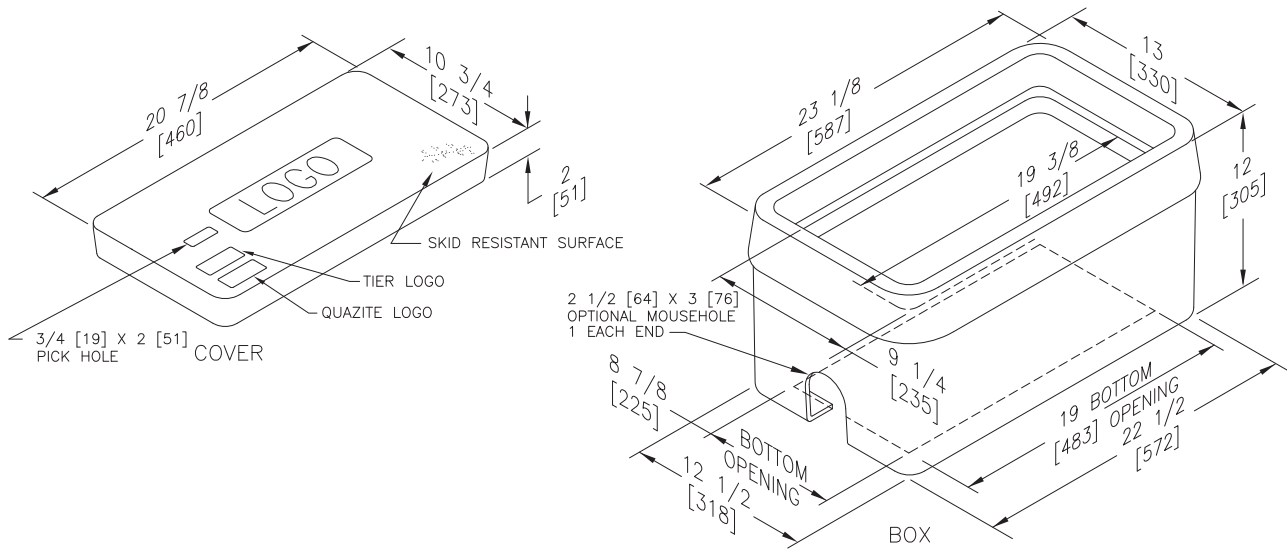
To order boxes with 2 standard mouseholes, replace the letter "A" with the letter "B".
 To order gasketed boxes, replace the letter "A" with the letter "G".
 NOTE: Gasketed covers and bolt grommets must be used with a gasketed box. Gaskets reduce the inflow of fluids but do not make the enclosure water tight.

ENCLOSURE DRAWINGS

Dimensions / Data

11" x 21" FRP Straight Wall

Penta Head Bolts are Standard



ENCLOSURE DRAWINGS

Covers

DESCRIPTION	TIER	DESIGN / TEST LOAD #	WEIGHT #	PALLET QTY	PART NO.
No Bolts	8	8,000 / 12,000	27	100	C00112102A***
No Bolts	15	15,000 / 22,500	27	100	C02112102A***
No Bolts, w/CI Reader, Over 90	5	5,000 / 7,500	32	100	C08112102C009
No Bolts, w/CI Reader, Under 90	5	5,000 / 7,500	32	100	C08112102D009

Replace *** with a logo code found on page 18.

Boxes

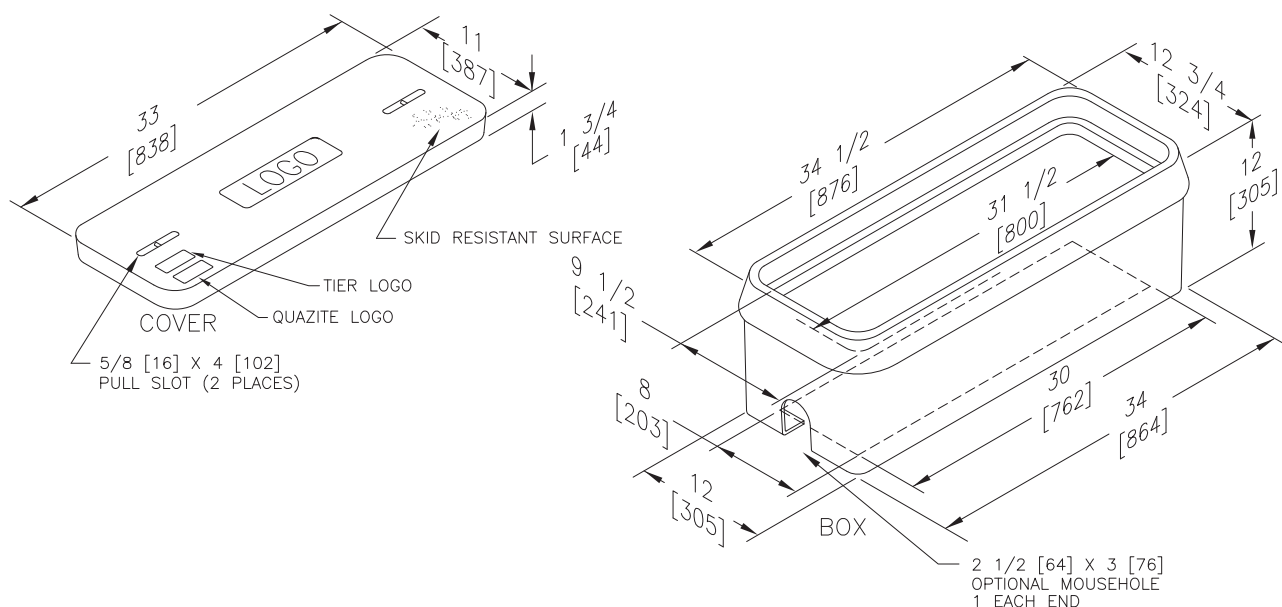
DESCRIPTION	DEPTH	TIER	DESIGN / TEST LOAD #	WEIGHT #	PALLET QTY	PART NO.
Standard Open Bottom	12"	8	8,000/12,000	30	25	B03112112A
	12"	15	15,000/22,500	34	25	B04112112A
Solid Bottom	12"	8	8,000/12,000	32	25	B03112112B
	12"	15	15,000/22,500	36	25	B04112112B

To order boxes with 2 standard mouseholes, replace the last character with "M".

Dimensions / Data

11" x 32" FRP Straight Wall

Penta Head Bolts are Standard



Covers

DESCRIPTION	TIER	DESIGN / TEST LOAD #	WEIGHT #	PALLET QTY	PART NO.
No Bolts	8	8,000 / 12,000	40	100	C00113202A***
No Bolts	15	15,000 / 22,500	43	100	C02113202A***
No Bolts, W/CI Reader, Over 90	5	5,000 / 7,500	45	100	C08113202C009
No Bolts, W/CI Reader, Under 90	5	5,000 / 7,500	45	100	C08113202D009

Replace *** with a logo code found on page 18.

Boxes

DESCRIPTION	DEPTH	TIER	DESIGN / TEST LOAD #	WEIGHT #	PALLET QTY	PART NO.
Standard Open Bottom	12"	8	8,000/12,000	40	16	B03113212A
	12"	15	15,000/22,500	44	16	B04113212A
Solid Bottom	12"	8	8,000/12,000	42	16	B03113212B
	12"	15	15,000/22,500	46	16	B04113212B

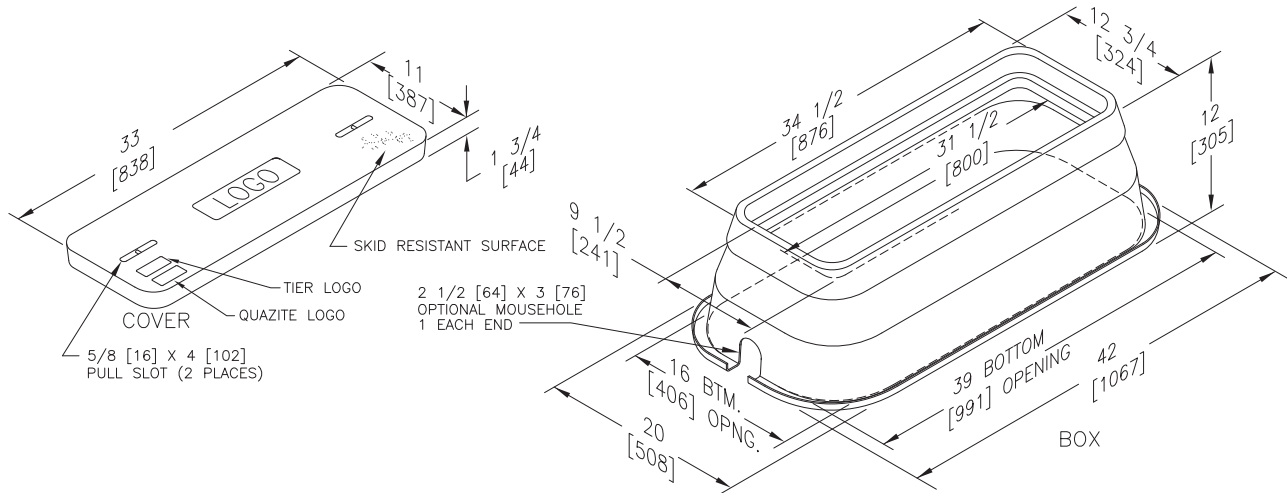
To order boxes with 2 standard mouseholes, replace the last character with "M".

ENCLOSURE DRAWINGS

Dimensions / Data

11" x 32" Flared Wall Style FRP (Nestable) Assembly

Penta Head Bolts are Standard



ENCLOSURE DRAWINGS

Covers

DESCRIPTION	TIER	DESIGN / TEST LOAD #	WEIGHT #	PALLET QTY	PART NO.
No Bolts	8	8,000 / 12,000	40	100	C00113202A***
No Bolts, W/CI Reader, Over 90	5	5,000 / 7,500	45	100	C08113202C009
No Bolts, W/CI Reader, Under 90	5	5,000 / 7,500	45	100	C08113202D009

Replace *** with a logo code found on page 18.

Boxes

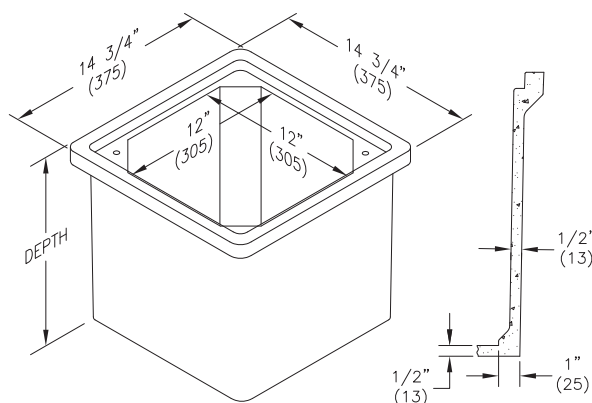
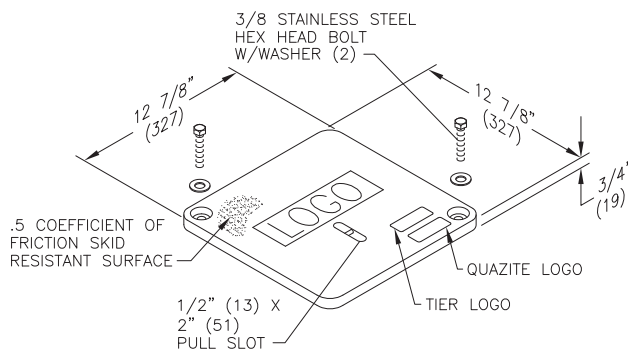
DESCRIPTION	DEPTH	TIER	DESIGN / TEST LOAD #	WEIGHT #	PALLET QTY	PART NO.
Standard Open Bottom	12"	8	8,000 / 12,000	40	16	B00113212A

To order boxes with 2 standard mouseholes, replace the last character with "M".

Dimensions / Data

12" x 12" PC Style Polymer Concrete (Stackable) Assembly

Hex Head Bolts are Standard



Covers

	DESCRIPTION	TIER	DESIGN / TEST LOAD #	WEIGHT #	PALLET QTY	PART NO.
	W/ 2 Bolts	8	8,000 / 12,000	12	60	PC1212CA00**
	W/ 2 Bolts	15	15,000 / 22,500	12	60	PC1212HA00**
	No Bolts	8	8,000 / 12,000	12	60	PC1212WA00**

To order gasketed covers, replace the letter "A" with the letter "G".

Gasketed covers are with 4 bolts.

Replace ** with a logo code found on page 18.

NOTE: Gasketed covers and bolt grommets must be used with a gasketed box. Gaskets reduce the inflow of fluids but do not make the enclosure water tight.

Boxes

	DESCRIPTION	DEPTH	TIER	DESIGN / TEST LOAD #	WEIGHT #	PALLET QTY	PART NO.
	Standard Open Bottom	12"	15	15,000 / 22,500	36	30	PC1212BA12
	Solid Bottom	12 1/2"	15	15,000 / 22,500	41	30	PC1212DA12

To order gasketed boxes, replace the letter "A" with the letter "G".

Gaskets reduce the inflow of fluids but do not make the enclosure water tight.

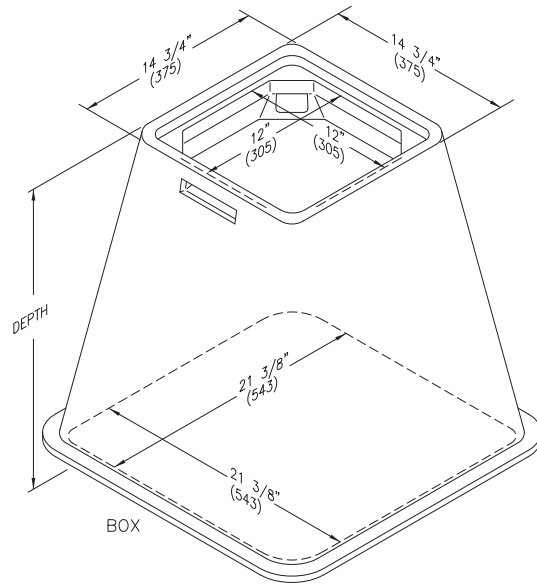
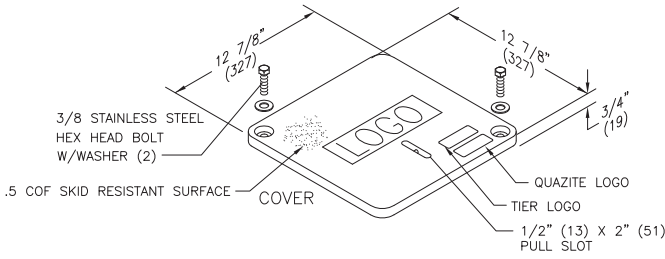
NOTE: Gasketed covers and bolt grommets must be used with a gasketed box. Gaskets reduce the inflow of fluids but do not make the enclosure water tight.

ENCLOSURE DRAWINGS

Dimensions / Data

12" x 12" PX Style Polymer Concrete (Nestable) Assembly

Hex Head Bolts are Standard



ENCLOSURE DRAWINGS

Covers

	DESCRIPTION	TIER	DESIGN / TEST LOAD #	WEIGHT #	PALLET QTY	PART NO.
UL	W/ 2 Bolts	8	8,000 / 12,000	20	60	PC1212CA00**
UL	W/ 2 Bolts	15	15,000 / 22,500	20	60	PC1212HA00**
UL	No Bolts	8	8,000 / 12,000	20	60	PC1212WA00**

To order gasketed covers, replace the letter "A" with the letter "G".

Gasketed covers are with 4 bolts.

Replace ** with a logo code found on page 18.

NOTE: Gasketed covers and bolt grommets must be used with a gasketed box. Gaskets reduce the inflow of fluids but do not make the enclosure water tight.

Boxes

	DESCRIPTION	DEPTH	TIER	DESIGN / TEST LOAD #	WEIGHT #	PALLET QTY	PART NO.
UL	Standard Open Bottom	24"	15	15,000 / 22,500	85	5	PX1212BA24

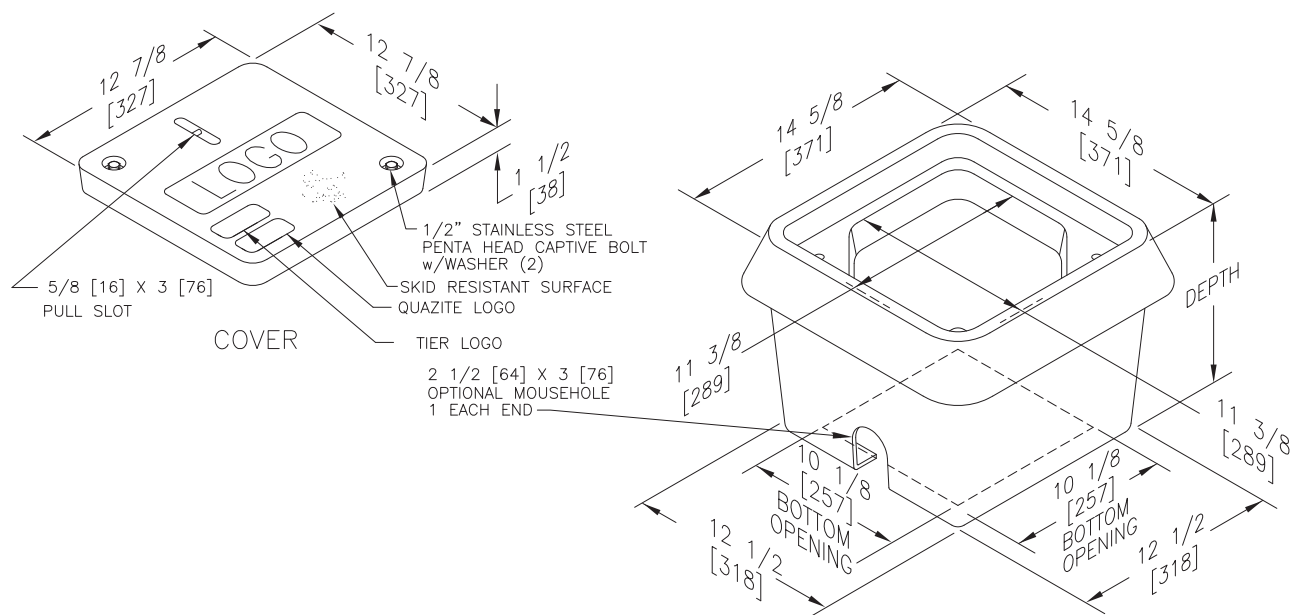
To order gasketed boxes, replace the letter "A" with the letter "G".

NOTE: Gasketed covers and bolt grommets must be used with a gasketed box. Gaskets reduce the inflow of fluids but do not make the enclosure water tight.

Dimensions / Data

12" x 12" FRP Straight Wall

Penta Head Bolts are Standard



Covers

DESCRIPTION	TIER	DESIGN / TEST LOAD #	WEIGHT #	PALLET QTY	PART NO.
W/ 2 Bolts	8	8,000 / 12,000	14	100	C10121202A***
W/ 2 Bolts	15	15,000 / 22,500	15	100	C12121202A***
No Bolts	8	8,000 / 12,000	14	100	C00121202A***
W/ 2 Bolts	22	22,500 / 33,750	15	100	C16121202A***

Replace *** with a logo code found on page 18.

Boxes

DESCRIPTION	DEPTH	TIER	DESIGN / TEST LOAD #	WEIGHT #	PALLET QTY	PART NO.
Standard Open Bottom	12"	8	8,000 / 12,000	26	30	B13121212A
	12"	15	15,000 / 22,500	30	30	B14121212A
	12"	22	22,500 / 33,750	30	30	B16121212A
Solid Bottom	12"	8	8,000 / 12,000	27	30	B13121212B
	12"	15	15,000 / 22,500	31	30	B14121212B
	12"	22	22,500 / 33,750	31	30	B16121212B

To order boxes with 2 standard mouseholes, replace the last character with "M".

To order gasketed boxes, replace the last character with "G".

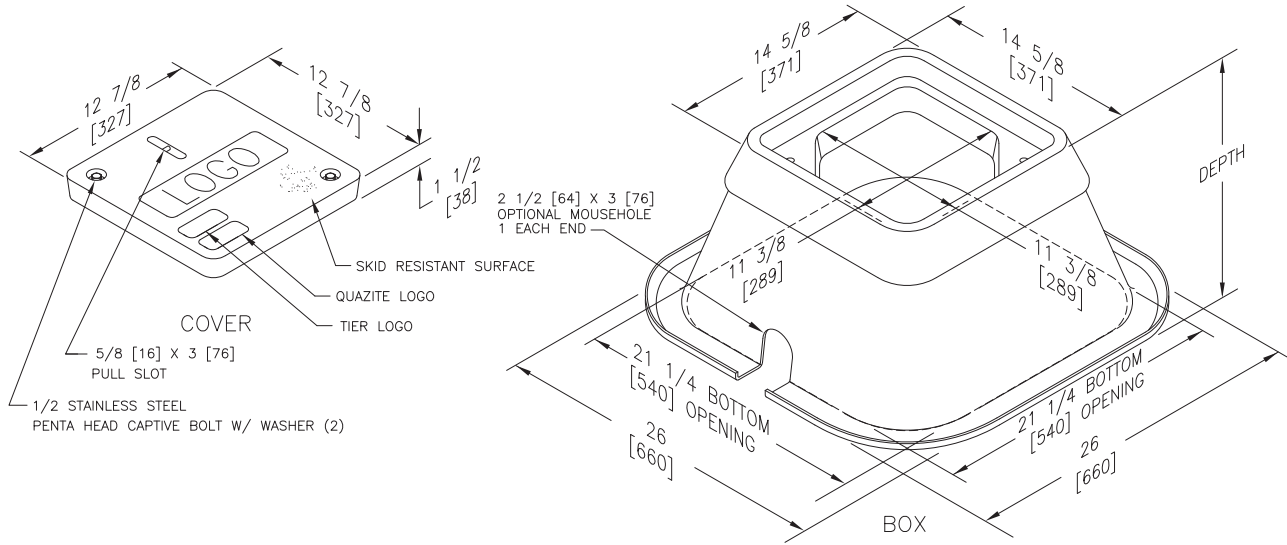
NOTE: Gasket reduce the inflow of fluids but do not make the enclosure water tight.

ENCLOSURE DRAWINGS

Dimensions / Data

12" x 12" FRP Flared

Penta Head Bolts are Standard



ENCLOSURE DRAWINGS

Covers

DESCRIPTION	TIER	DESIGN / TEST LOAD #	WEIGHT #	PALLET QTY	PART NO.
W/ 2 Bolts	8	8,000 / 12,000	27	100	C10121202A***
W/ 2 Bolts	15	15,000 / 22,500	27	100	C12121202A***
No Bolts	8	8,000 / 12,000	27	100	C00121202A***

Replace *** with a logo code found on page 18.

Boxes

DESCRIPTION	DEPTH	TIER	DESIGN / TEST LOAD #	WEIGHT #	PALLET QTY	PART NO.
Standard Open Bottom	12"	8	8,000 / 12,000	28	10	B10121212A
	24"		8,000 / 12,000	45	10	B10121224A
	12"	15	15,000 / 22,500	32	10	B12121212A
	24"		15,000 / 22,500	51	10	B12121224A

To order boxes with 2 standard mouseholes, replace the last character with "M".

To order gasketed boxes, replace the last character with "G".

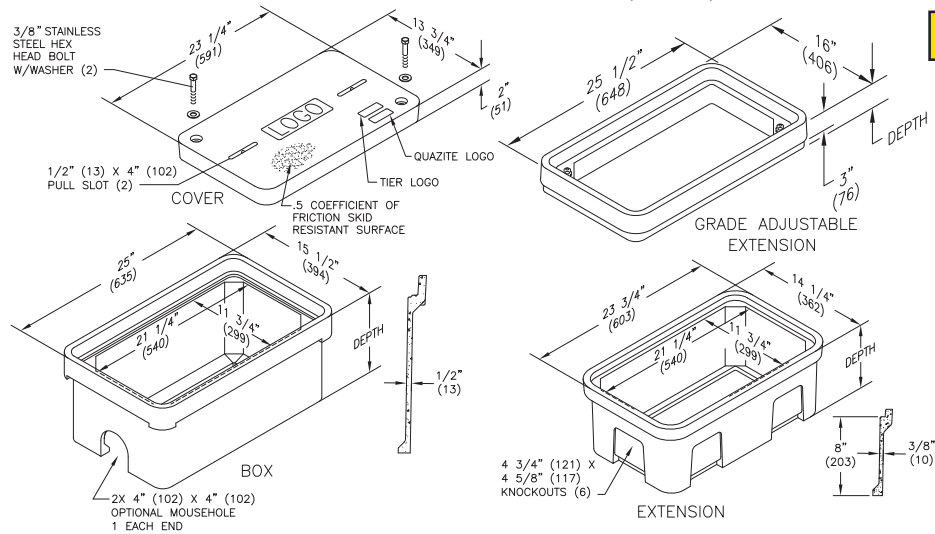
Gaskets reduce the inflow of fluids but do not make the enclosure water tight.

NOTE: Cover rating cannot exceed box rating.

Dimensions / Data

13" x 24" PG Style Polymer Concrete (Stackable) Assembly

Hex Head Bolts are Standard



Covers

	DESCRIPTION	TIER	DESIGN / TEST LOAD #	WEIGHT #	PALLET QTY	PART NO.
UL	W/ 2 Bolts	8	8,000 / 12,000	33	30	PG1324CA00**
UL	W/ 2 Bolts	15	15,000 / 22,500	51	30	PG1324HA00**
UL	W/ 2 Bolts	22	22,500 / 33,750	54	30	PG1324HH00**
UL	No Bolts	8	8,000 / 12,000	33	30	PG1324WA00**

To order gasketed covers, replace the letter "A" with the letter "G".

Replace ** with a logo code found on page 18.

NOTE: Gasketed covers and bolt grommets must be used with a gasketed box. Gaskets reduce the inflow of fluids but do not make the enclosure water tight.

Boxes

	DESCRIPTION	DEPTH	TIER	DESIGN / TEST LOAD #	WEIGHT #	PALLET QTY	PART NO.
UL	Standard Open Bottom	12"	22	22,500 / 33,700	53	20	PG1324BA12
		18"		22,500 / 33,700	72	16	PG1324BA18
		24"		22,500 / 33,700	91	12	PG1324BA24
UL	Solid Bottom	12 1/2"	22	22,500 / 33,700	63	20	PG1324DA12
		18 1/2"		22,500 / 33,700	85	16	PG1324DA18
		24 1/2"		22,500 / 33,700	107	12	PG1324DA24

To order boxes with 2 standard mouseholes, replace the letter "A" with the letter "B".

To order gasketed boxes, replace the letter "A" with the letter "G".

Extensions (for use under box only, one per box)

DESCRIPTION	DEPTH	TIER	DESIGN / TEST LOAD #	WEIGHT #	PALLET QTY	PART NO.
8" - Open Bottom	8 3/4"	22	22,500 / 33,750	25	24	PG1324EA08
8" - Solid Bottom	9 1/4"	22	22,500 / 33,750	35	24	PG1324RA08

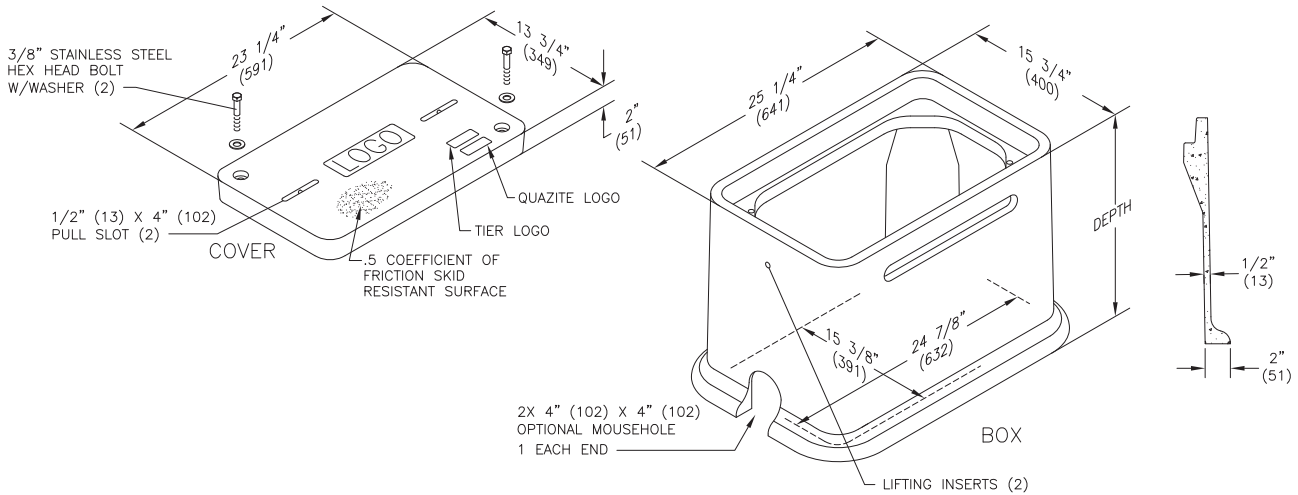
Grade Adjustable Extension (for use on top of box only, one per box)

DESCRIPTION	DEPTH	TIER	DESIGN / TEST LOAD #	WEIGHT #	PALLET QTY	PART NO.
3" Top Extension	5 1/8"	22	22,500 / 33,750	37	24	PG1324ED03

Dimensions / Data

13" x 24" PD Style Polymer Concrete (Stackable) Assembly

Hex Head Bolts are Standard



ENCLOSURE DRAWINGS

Covers

	DESCRIPTION	TIER	DESIGN / TEST LOAD #	WEIGHT #	PALLET QTY	PART NO.
	W/ 2 Bolts	8	8,000 / 12,000	33	30	PG1324CA00**
	W/ 2 Bolts	15	15,000 / 22,500	51	30	PG1324HA00**
	W/ 2 Bolts	22	22,500 / 33,750	54	30	PG1324HH00**
	No Bolts	8	8,000 / 12,000	33	30	PG1324WA00**

Replace ** with a logo code found on page 18.
To order gasketed covers, replace the letter "A" with the letter "G".

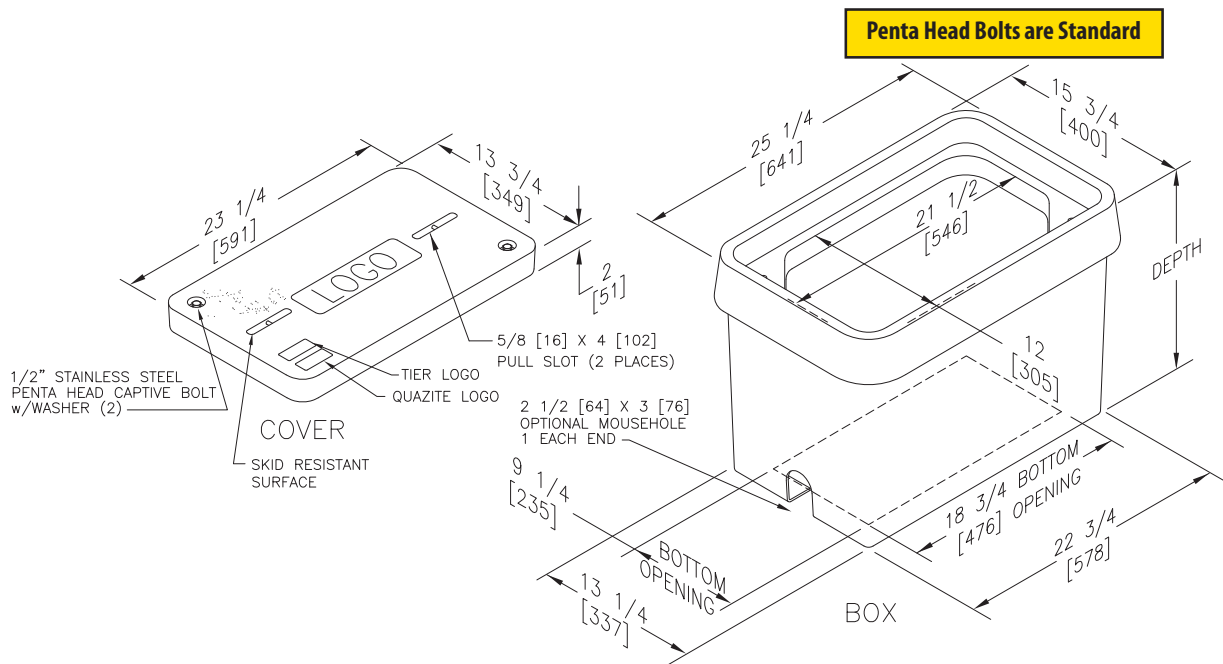
Boxes

	DESCRIPTION	DEPTH	TIER	DESIGN / TEST LOAD #	WEIGHT #	PALLET QTY	PART NO.
	Standard Open Bottom	18"	22	22,500 / 33,750	104	4	PD1324BA18
	Solid Bottom	26"	22	22,500 / 33,750	133	4	PD1324BA26

To order boxes with 2 standard mouseholes, replace the letter "A" with the letter "B".
To order gasketed boxes, replace the letter "A" with the letter "G".
NOTE: Gasketed covers and bolt grommets must be used with a gasketed box. Gaskets reduce the inflow of fluids but do not make the enclosure water tight.

Dimensions / Data

13"x 24" FRP Straight Wall



Covers

DESCRIPTION	TIER	DESIGN / TEST LOAD #	WEIGHT #	PALLET QTY	PART NO.
W/ 2 Bolts	8	8,000 / 12,000	26	50	C10132402A***
W/ 2 Bolts	15	15,000 / 22,500	40	50	C12132402A***
No Bolts	8	8,000 / 12,000	26	50	C00132402A***
W/ 2 Bolts	22	22,500 / 33,750	40	50	C16132402A***
No Bolts, W/CI Reader, Over 90	5	5,000 / 7,500	30	50	C08132402C009
No Bolts, W/CI Reader, Under 90	5	5,000 / 7,500	30	50	C08132402D009

Replace *** with a logo code found on page 18.

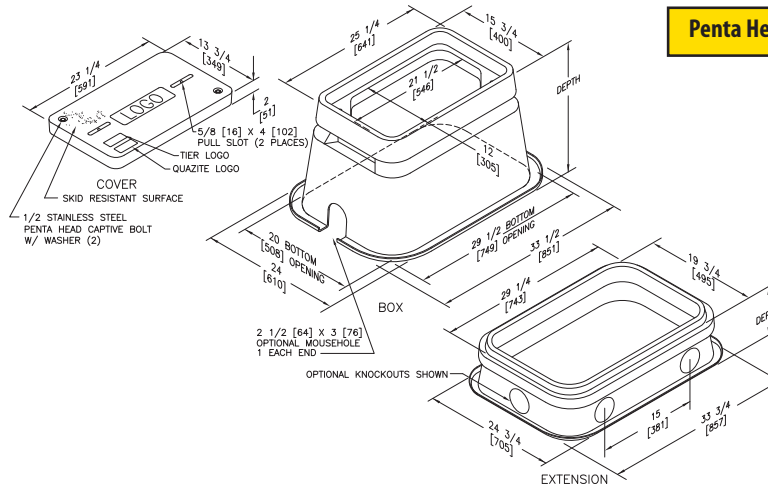
Boxes

DESCRIPTION	DEPTH	TIER	DESIGN / TEST LOAD #	WEIGHT #	PALLET QTY	PART NO.
Standard Open Bottom	12"	8	8,000 / 12,000	38	20	B13132412A
	18"			44	16	B13132418A
	12"	15	15,000 / 22,500	42	20	B14132412A
	18"			50	16	B14132418A
Solid Bottom	12"	22	22,500 / 33,750	42	20	B16132412A
	18"			52	16	B16132418A
	12"	8	8,000 / 12,000	40	20	B13132412B
	18"			46	16	B13132418B
	12"	15	15,000 / 22,500	44	20	B14132412B
	18"			52	16	B14132418B
12"	22	22,500 / 33,750	44	20	B16132412B	

To order boxes with 2 standard mouseholes, replace the last character with "M".
 To order gasketed boxes, replace the last character with "G".
 Gasket reduce the inflow of fluids but do not make the enclosure water tight.
 NOTE: Cover rating cannot exceed box rating.

Dimensions / Data

13" x 24" Flared Wall Style FRP (Nestable) Assembly



Penta Head Bolts are Standard

Covers

DESCRIPTION	TIER	DESIGN / TEST LOAD #	WEIGHT #	PALLET QTY	PART NO.
W/ 2 Bolts	8	8,000 / 12,000	26	50	C10132402A***
W/ 2 Bolts	15	15,000 / 22,500	40	50	C12132402A***
No Bolts	8	8,000 / 12,000	26	50	C00132402A***
W/ 2 Bolts	22	22,500 / 33,750	40	50	C16132402A***
No Bolts, W/CI Reader, Over 90	5	5,000 / 7,500	30	50	C08132402C009
No Bolts, W/CI Reader, Under 90	5	5,000 / 7,500	30	50	C08132402D009

Replace *** with a logo code found on page 18.

Boxes

DESCRIPTION	DEPTH	TIER	DESIGN / TEST LOAD #	WEIGHT #	PALLET QTY	PART NO.
Standard Open Bottom	12"	8	8,000 / 12,000	38	16	B10132412A
	18"		8,000 / 12,000	44	16	B10132418A
	24"		8,000 / 12,000	52	10	B10132424A
	12"	15	15,000 / 22,500	42	16	B12132412A
	18"		15,000 / 22,500	50	16	B12132418A
	24"		15,000 / 22,500	58	10	B12132424A
	12"	22	22,500 / 33,750	42	16	B19132412A
	18"		22,500 / 33,750	50	16	B19132418A
24"	22,500 / 33,750		58	10	B19132424A	

To order boxes with 2 standard mouseholes, replace the last character with "M".
 To order gasketed boxes, replace the last character with "G".
 Gaskets reduce the inflow of fluids but do not make the enclosure water tight.
 NOTE: Cover rating cannot exceed box rating.

Extensions

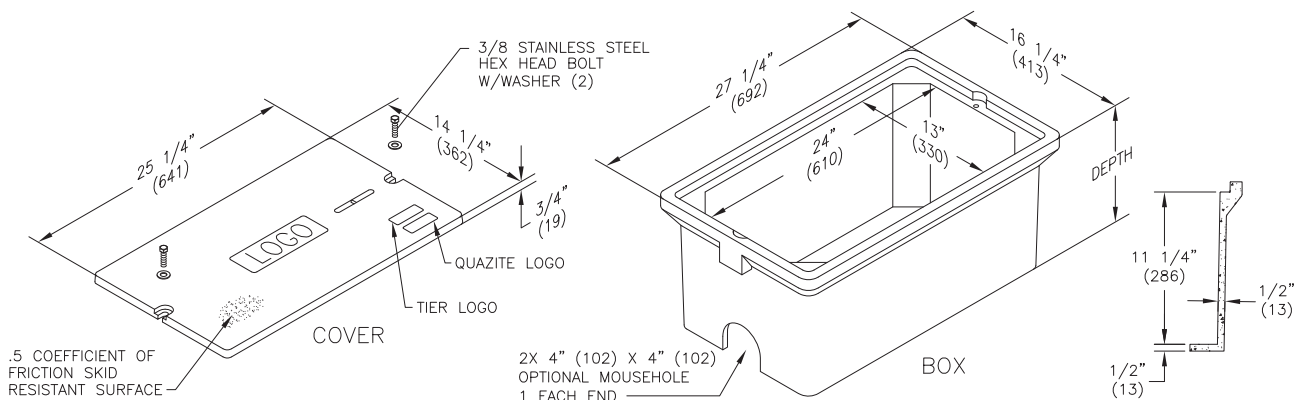
DESCRIPTION	DEPTH	TIER	DESIGN / TEST LOAD #	WEIGHT #	PALLET QTY	PART NO.
8" - Tier 8	8"	8	8,000 / 12,000	33	12	E00132408A
8" - Tier 15	8"	15	15,000 / 22,500	38	12	E02132408A

To order boxes with 2 standard mouseholes, replace the last character with "M".
 To order gasketed boxes, replace the last character with "G".

Dimensions / Data

13" x 24" PC Style Polymer Concrete (Stackable) Assembly

Hex Head Bolts are Standard



Covers

	DESCRIPTION	TIER	DESIGN / TEST LOAD #	WEIGHT #	PALLET QTY	PART NO.
UL	W/ 2 Bolts	5	5,000 / 7,500	23	40	PC1324CA00**
UL	No Bolts	5	5,000 / 7,500	23	40	PC1324WA00**

To order gasketed covers, replace the letter "A" with the letter "G".

Replace ** with a logo code found on page 18.

NOTE: Gasketed covers and bolt grommets must be used with a gasketed box. Gaskets reduce the inflow of fluids but do not make the enclosure water tight.

Boxes

	DESCRIPTION	DEPTH	TIER	DESIGN / TEST LOAD #	WEIGHT #	PALLET QTY	PART NO.
UL	Standard Open Bottom	12"	5	5,000 / 7,500	50	20	PC1324BA12
UL	Solid Bottom	12 1/2"	5	5,000 / 7,500	60	20	PC1324DA12
UL	Footed Box	12 1/2"	5	5,000 / 7,500	57	20	PC1324JA12

To order boxes with 2 standard mouseholes, replace the letter "A" with the letter "B".

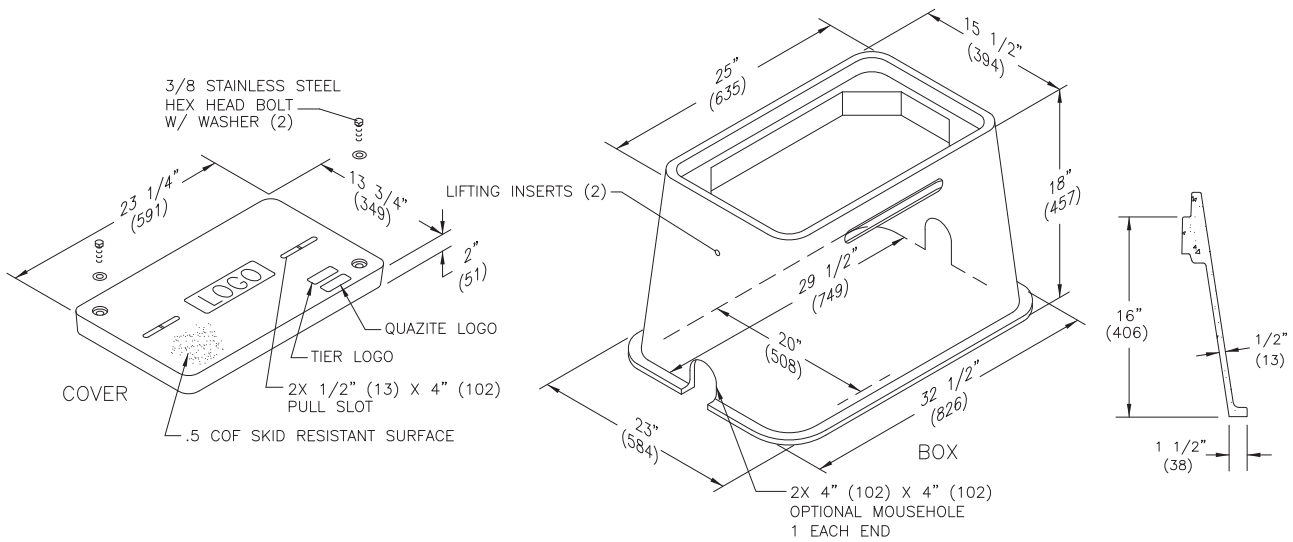
To order gasketed boxes, replace the letter "A" with the letter "G".

NOTE: Gasketed covers and bolt grommets must be used with a gasketed box. Gaskets reduce the inflow of fluids but do not make the enclosure water tight.

Dimensions / Data

13" x 24" PT Style Polymer Concrete (Nestable) Assembly

Hex Head Bolts are Standard



ENCLOSURE DRAWINGS

Covers

	DESCRIPTION	TIER	DESIGN / TEST LOAD #	WEIGHT #	PALLET QTY	PART NO.
UL	W/ 2 Bolts	8	8,000 / 12,000	32	30	PT1324CA00**
UL	W/ 2 Bolts	15	15,000 / 22,500	49	30	PT1324HA00**

To order gasketed covers, replace the letter "A" with the letter "G".
 Replace ** with a logo code found on page 18.
 NOTE: Gasketed covers and bolt grommets must be used with a gasketed box. Gaskets reduce the inflow of fluids but do not make the enclosure water tight.

Boxes

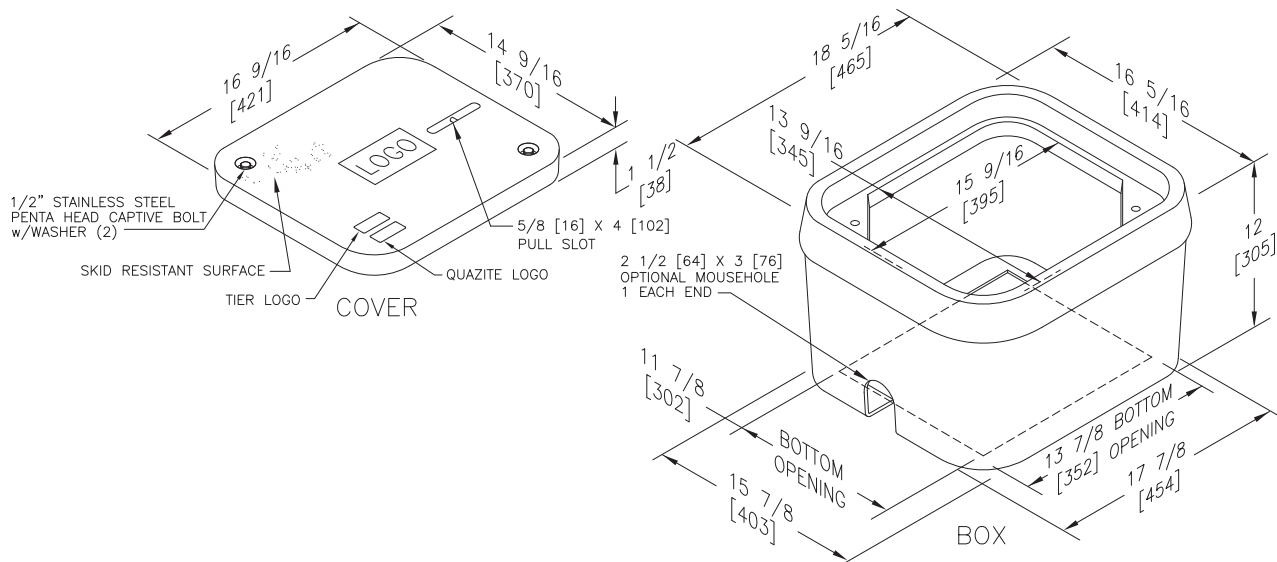
	DESCRIPTION	DEPTH	TIER	DESIGN / TEST LOAD #	WEIGHT #	PALLET QTY	PART NO.
UL	Standard Open Bottom	18"	15	15,000 / 22,500	97	5	PT1324BA18

To order boxes with 2 standard mouseholes, replace the letter "A" with the letter "B".
 To order gasketed boxes, replace the letter "A" with the letter "G".
 NOTE: Gasketed covers and bolt grommets must be used with a gasketed box. Gaskets reduce the inflow of fluids but do not make the enclosure water tight.

Dimensions / Data

15" x 17" FRP Straight Wall

Penta Head Bolts are Standard



Covers

DESCRIPTION	TIER	DESIGN / TEST LOAD #	WEIGHT #	PALLET QTY	PART NO.
W/ 2 Bolts	8	8,000 / 12,000	22	100	C10151702A***
W/ 2 Bolts	15	15,000 / 22,500	25	100	C12151702A***
No Bolts	8	8,000 / 12,000	22	100	C00151702A***
No Bolts	15	15,000 / 22,500	25	100	C02151702A***
No Bolts, w/CI Reader, Over 90	5	5,000 / 7,500	30	100	C08151702E009
No Bolts, w/CI Reader, Under 90	5	5,000 / 7,500	30	100	C08151702F009

Replace *** with a logo code found on page 18.

Boxes

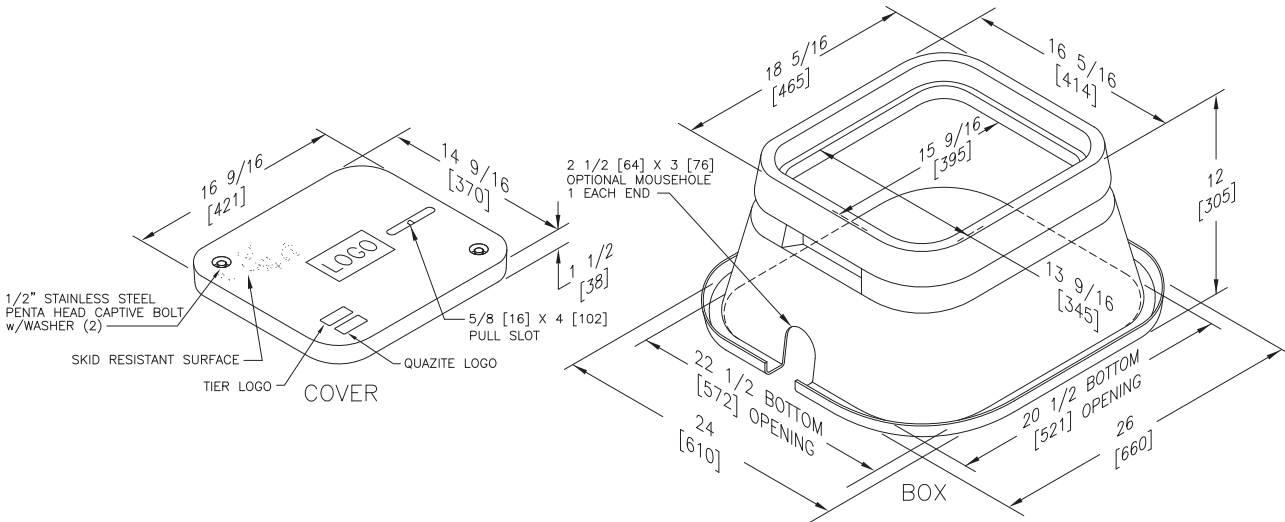
DESCRIPTION	DEPTH	TIER	DESIGN / TEST LOAD #	WEIGHT #	PALLET QTY	PART NO.
Standard Open Bottom	12"	8	8,000 / 12,000	24	20	B13151712A
	12"	15	15,000 / 22,500	28	20	B14151712A
Open Bottom, No Bolts	12"	8	8,000 / 12,000	24	20	B03151712A
	12"	15	15,000 / 22,500	28	20	B04151712A
Solid Bottom	12"	8	8,000 / 12,000	26	20	B13151712B
	12"	15	15,000 / 22,500	30	20	B14151712B

To order boxes with 2 standard mouseholes, replace the last character with "M".
 To order gasketed boxes, replace the last character with "G".
 Gasket reduce the inflow of fluids but do not make the enclosure water tight.
 NOTE: Cover rating cannot exceed box rating.

Dimensions / Data

15" x 17" FRP Flared

Penta Head Bolts are Standard



ENCLOSURE DRAWINGS

Covers

DESCRIPTION	TIER	DESIGN / TEST LOAD #	WEIGHT #	PALLET QTY	PART NO.
W/ 2 Bolts	8	8,000 / 12,000	22	100	C10151702A***
W/ 2 Bolts	15	15,000 / 22,500	25	100	C12151702A***
No Bolts	8	8,000 / 12,000	22	100	C00151702A***
No Bolts, w/CI Reader, Over 90	5	5,000 / 7,500	27	100	C08151702E009
No Bolts, w/CI Reader, Under 90	5	5,000 / 7,500	27	100	C08151702F009

Replace *** with a logo code found on page 18.

Boxes

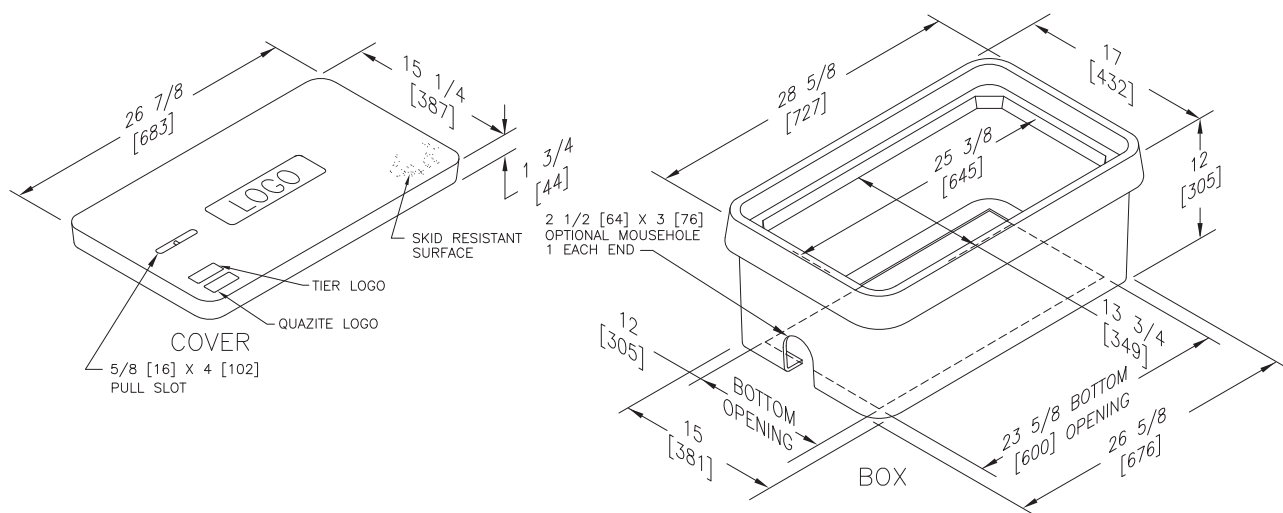
DESCRIPTION	DEPTH	TIER	DESIGN / TEST LOAD #	WEIGHT #	PALLET QTY	PART NO.
Standard Open Bottom	12"	8	8,000 / 12,000	24	20	B10151712A
	12"	15	15,000 / 22,500	28	20	B12151712A

To order with 2 standard mouseholes, replace the last character with "M".
 To order gasketed boxes, replace the letter "A" with the letter "G".
 NOTE: Gasket reduce the inflow of fluids but do not make the enclosure water tight.
 NOTE: Cover rating cannot exceed box rating.

Dimensions / Data

15" x 27" FRP Straight Wall

Penta Head Bolts are Standard



Covers

DESCRIPTION	TIER	DESIGN / TEST LOAD #	WEIGHT #	PALLET QTY	PART NO.
No Bolts	8	8,000 / 12,000	22	50	C00152702A***
No Bolts, w/CI Reader, Over 90	5	5,000 / 7,500	27	50	C08152702E009
No Bolts, w/CI Reader, Under 90	5	5,000 / 7,500	27	50	C08152702F009

Replace *** with a logo code found on page 18.

Boxes

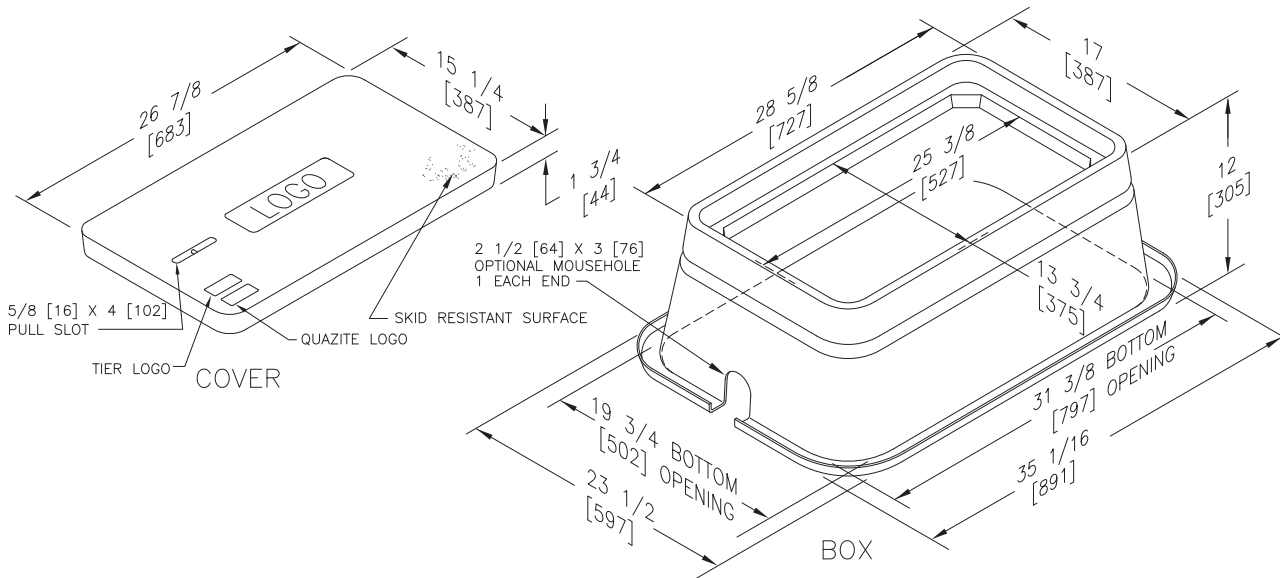
DESCRIPTION	DEPTH	TIER	DESIGN / TEST LOAD #	WEIGHT #	PALLET QTY	PART NO.
Standard Open Bottom	12"	8	8,000 / 12,000	32	10	B03152712A
Solid Bottom	12"	8	8,000 / 12,000	34	10	B03152712B

To order with 2 standard mouseholes, replace the last character with "M".
 NOTE: Cover rating cannot exceed box rating.

Dimensions / Data

15" x 27" FRP Flared

Penta Head Bolts are Standard



ENCLOSURE DRAWINGS

Covers

DESCRIPTION	TIER	DESIGN / TEST LOAD #	WEIGHT #	PALLET QTY	PART NO.
No Bolts	8	8,000 / 12,000	22	50	C00152702A***
No Bolts, w/CI Reader, Over 90	5	5,000 / 7,500	27	50	C08152702E009
No Bolts, w/CI Reader, Under 90	5	5,000 / 7,500	27	50	C08152702F009

Replace *** with a logo code found on page 18.

Boxes

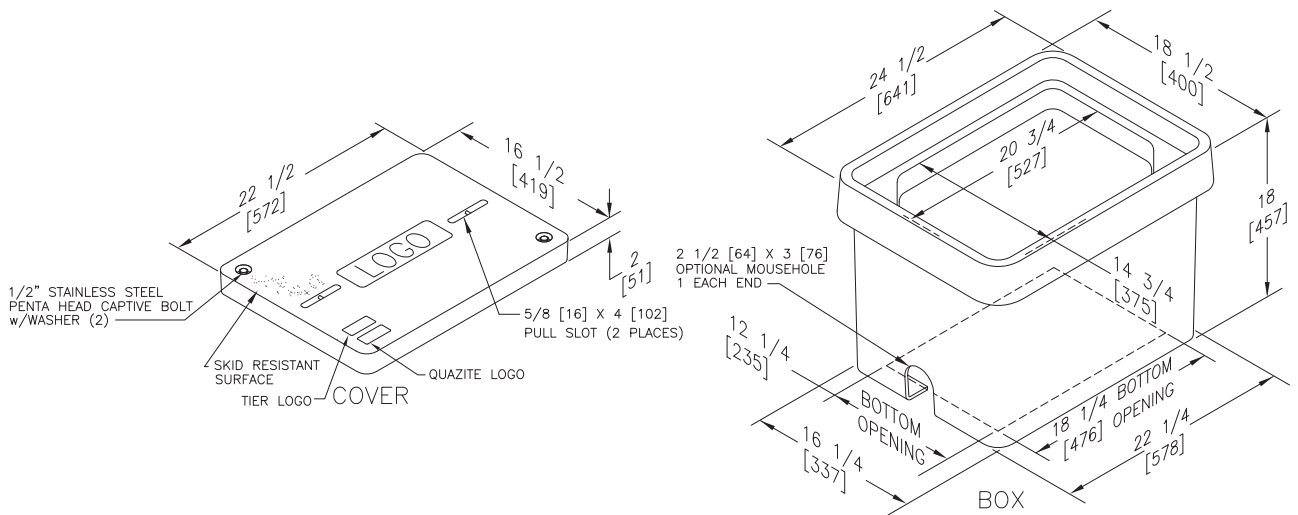
DESCRIPTION	DEPTH	TIER	DESIGN / TEST LOAD #	WEIGHT #	PALLET QTY	PART NO.
Standard Open Bottom	12"	8	8,000 / 12,000	32	10	B00152712A

To order with 2 standard mouseholes, replace the last character with "M".
NOTE: Cover rating cannot exceed box rating.

Dimensions / Data

16" x 22" FRP Straight Wall

Penta Head Bolts are Standard



Covers

DESCRIPTION	TIER	DESIGN / TEST LOAD #	WEIGHT #	PALLET QTY	PART NO.
W/ 2 Bolts	8	8,000 / 12,000	29	50	C10162202A***
W/ 2 Bolts	15	15,000 / 22,500	34	50	C12162202A***
No Bolts	8	8,000 / 12,000	29	50	C00162202A***
No Bolts	15	15,000 / 22,500	34	50	C02162202A***

Replace *** with a logo code found on page 18.

Boxes

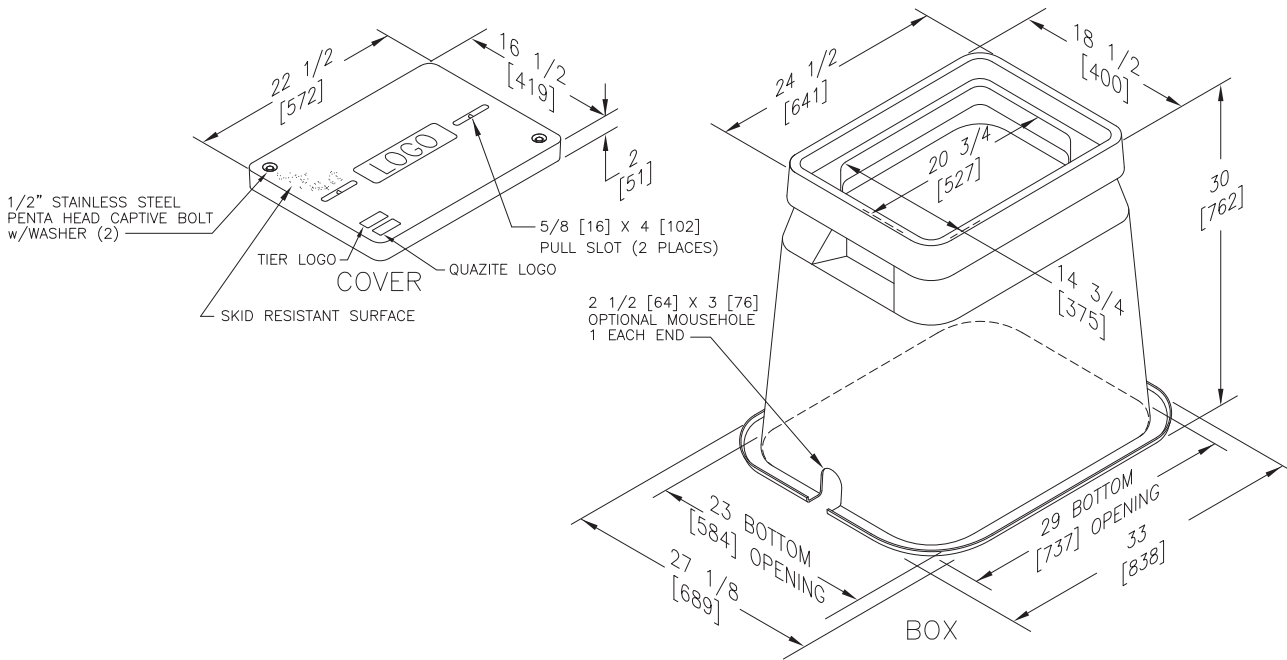
DESCRIPTION	DEPTH	TIER	DESIGN / TEST LOAD #	WEIGHT #	PALLET QTY	PART NO.
Standard Open Bottom	18"	8	8,000 / 12,000	42	9	B13162218A
	18"	15	15,000 / 22,500	52	9	B14162218A
No Bolts	18"	8	8,000 / 12,000	42	9	B03162218A
No Bolts	18"	15	15,000 / 22,500	42	9	B04162218A
Solid Bottom	18"	8	8,000 / 12,000	46	9	B13162218B
	18"	15	15,000 / 22,500	56	9	B14162218B
No Bolts	18"	8	8,000 / 12,000	42	9	B03162218B
No Bolts	18"	15	15,000 / 22,500	42	9	B04162218B

To order boxes with 2 standard mouseholes, replace the letter "A" with letter "B".
 NOTE: Gasket reduce the inflow of fluids but do not make the enclosure water tight.
 NOTE: Cover rating cannot exceed box rating.

Dimensions / Data

16" x 22" FRP Flared

Penta Head Bolts are Standard



ENCLOSURE DRAWINGS

Covers

DESCRIPTION	TIER	DESIGN / TEST LOAD #	WEIGHT #	PALLET QTY	PART NO.
W/ 2 Bolts	8	8,000 / 12,000	29	50	C10162202A***
W/ 2 Bolts	15	15,000 / 22,500	34	50	C12162202A***
No Bolts	8	8,000 / 12,000	29	50	C00162202A***
No Bolts	15	15,000 / 22,500	34	50	C02162202A***

Replace *** with a logo code found on page 18.

Boxes

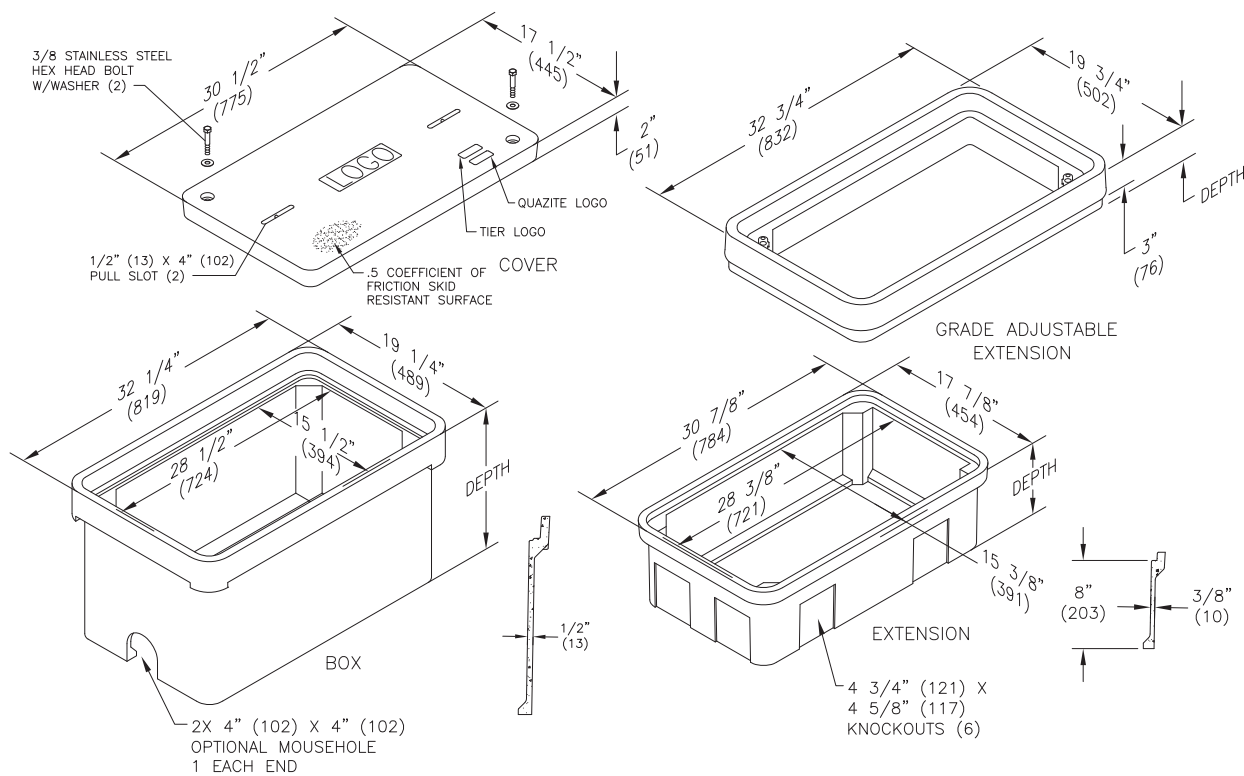
DESCRIPTION	DEPTH	TIER	DESIGN / TEST LOAD #	WEIGHT #	PALLET QTY	PART NO.
Standard Open Bottom	30"	8	8,000 / 12,000	66	10	B10162230A
	30"	15	15,000 / 22,500	76	10	B12162230A
No Bolt	30"	8	8,000 / 12,000	66	10	B00162230A
	30"	15	15,000 / 22,500	66	10	B02162230A

To order boxes with 2 standard mouseholes, replace the letter "A" with letter "B".
 NOTE: Gasket reduce the inflow of fluids but do not make the enclosure water tight.
 NOTE: Cover rating cannot exceed box rating.

Dimensions / Data

17" x 30" PG Style Polymer Concrete (Stackable) Assembly

Hex Head Bolts are Standard



ENCLOSURE DRAWINGS

Covers

	DESCRIPTION	TIER	DESIGN / TEST LOAD #	WEIGHT #	PALLET QTY	PART NO.
	W/ 2 Bolts	8	8,000 / 12,000	52	20	PG1730CA00**
	W/ 2 Bolts	15	15,000 / 22,500	83	20	PG1730HA00**
	W/ 2 Bolts	22	22,500 / 33,750	83	20	PG1730HH00**
	No Bolts	8	8,000 / 12,000	52	20	PG1730WA00**

To order gasketed covers, replace the letter "A" with the letter "G".

Replace ** with a logo code found on page 18.

NOTE: Gasketed covers and bolt grommets must be used with a gasketed box. Gaskets reduce the inflow of fluids but do not make the enclosure water tight.

Dimensions / Data 17" x 30" PG Style Polymer Concrete (Stackable) Assembly (Continued)

Hex Head Bolts are Standard

Boxes (Box depths 22" thru 30" must be used as bottom of any stack)

DESCRIPTION	DEPTH	TIER	DESIGN / TEST LOAD #	WEIGHT #	PALLET QTY	PART NO.
Standard Open Bottom	12"	22	22,500 / 33,750	67	10	PG1730BA12
	18"		22,500 / 33,750	94	8	PG1730BA18
	22"		22,500 / 33,750	106	6	PG1730BA22
	24"		22,500 / 33,750	122	6	PG1730BA24
	30"		22,500 / 33,750	144	4	PG1730BA30
Solid Bottom	12 1/2"	22	22,500 / 33,750	85	10	PG1730DA12
	18 1/2"		22,500 / 33,750	112	8	PG1730DA18
	22 1/2"		22,500 / 33,750	124	6	PG1730DA22
	24 1/2"		22,500 / 33,750	137	6	PG1730DA24
	30 1/2"		22,500 / 33,750	150	4	PG1730DA30

To order boxes with 2 standard mouseholes, replace the letter "A" with the letter "B".

To order gasketed boxes, replace the letter "A" with the letter "G".

NOTE: Gasketed cover and bolt grommets must be used with a gasketed box. Gaskets reduce the inflow of fluids but do not make the enclosure water tight.

Bottom Extensions (for use under 12" and 18" boxes only, one per box)

DESCRIPTION	DEPTH	TIER	DESIGN / TEST LOAD #	WEIGHT #	PALLET QTY	PART NO.
Open bottom	8 3/4"	22	22,500 / 33,750	36	12	PG1730EA08
Solid bottom	9 1/4"	22	22,500 / 33,750	55	12	PG1730RA08

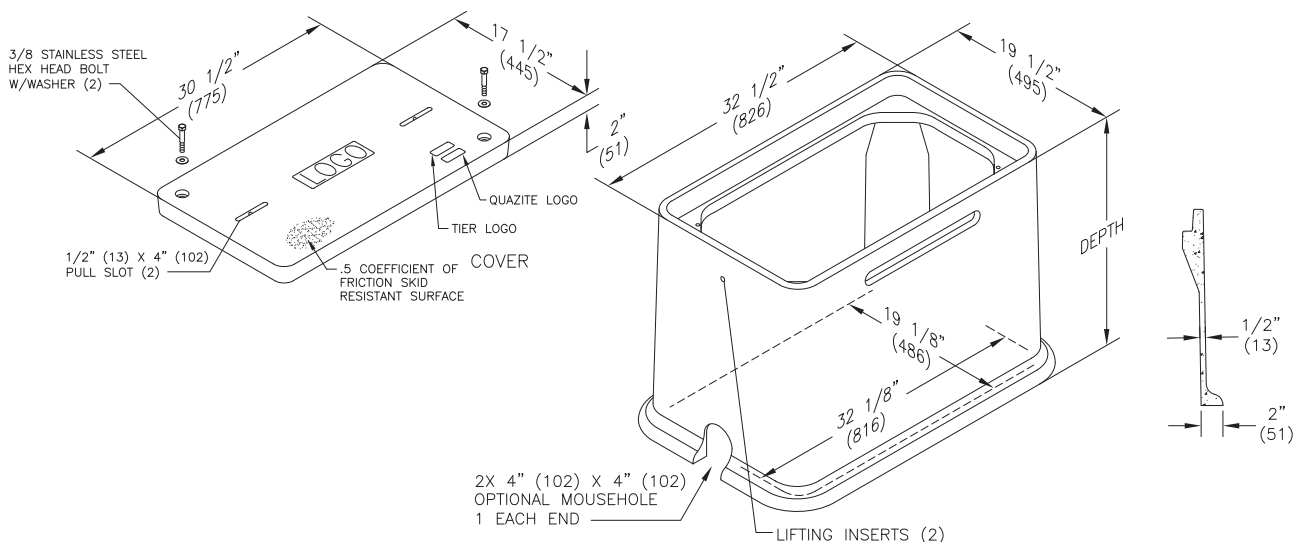
Grade Adjustable Extension (for use on top of box only, one per box)

DESCRIPTION	DEPTH	TIER	DESIGN / TEST LOAD #	WEIGHT #	PALLET QTY	PART NO.
3" Top extension	5 1/8"	22	22,500 / 33,750	48	12	PG1730ED03

Dimensions / Data

17" x 30" PD Style Polymer Concrete (Stackable) Assembly

Hex Head Bolts are Standard



Covers

	DESCRIPTION	TIER	DESIGN / TEST LOAD #	WEIGHT #	PALLET QTY	PART NO.
UL	W/ 2 Bolts	8	8,000 / 12,000	52	20	PG1730CA00**
UL	W/ 2 Bolts	15	15,000 / 22,500	83	20	PG1730HA00**
UL	W/ 2 Bolts	22	22,500 / 33,750	83	20	PG1730HH00**
UL	No Bolts	8	8,000 / 12,000	52	20	PG1730WA00**

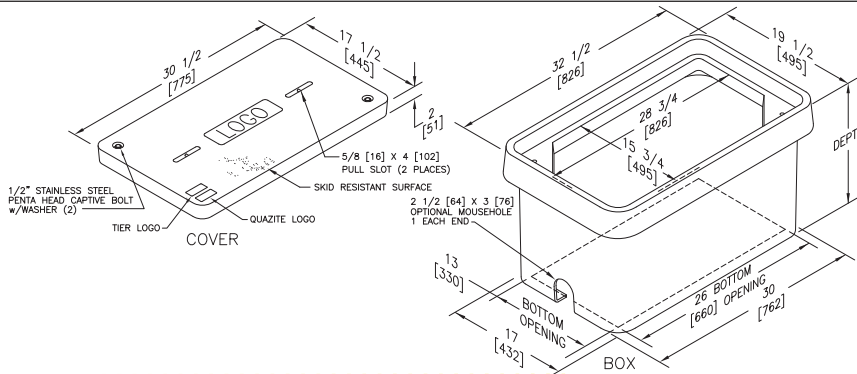
To order gasketed covers, replace the letter "A" with the letter "G".
 Replace ** with a logo code found on page 18.

Boxes

	DESCRIPTION	DEPTH	TIER	DESIGN / TEST LOAD #	WEIGHT #	PALLET QTY	PART NO.
UL	Standard Open Bottom	18"	22	22,500 / 33,750	129	4	PD1730BA18
UL	Solid Bottom	26"	22	22,500 / 33,750	166	4	PD1730BA26

To order boxes with 2 standard mouseholes, replace the letter "A" with the letter "B".
 To order gasketed boxes, replace the letter "A" with the letter "G".
 NOTE: Gasketed covers and bolt grommets must be used with a gasketed box. Gaskets reduce the inflow of fluids but do not make the enclosure water tight.

ENCLOSURE DRAWINGS



Penta Head Bolts are Standard

Covers

DESCRIPTION	TIER	DESIGN / TEST LOAD #	WEIGHT #	PALLET QTY	PART NO.
W/ 2 Bolts	8	8,000 / 12,000	27	50	C10173002A***
W/ 2 Bolts	15	15,000 / 22,500	27	50	C12173002A***
No Bolts	8	8,000 / 12,000	27	50	C00173002A***
No Bolts	15	15,000 / 22,500	27	50	C02173002A***
W/ 2 Bolts	22	22,500 / 33,750	27	50	C16173002A***
No Bolts, W/CI Reader, Over 90	5	5,000 / 7,500	53	50	C08173003E009
No Bolts, W/CI Reader, Under 90	5	5,000 / 7,500	53	50	C08173003F009
W/2 Bolts, W/CI Reader, Over 90	5	5,000 / 7,500	53	50	C18173003E009
W/2 Bolts, W/CI Reader, Under 90	5	5,000 / 7,500	53	50	C18173003F009

Replace *** with a logo code found on page 18.

Boxes

DESCRIPTION	DEPTH	TIER	DESIGN / TEST LOAD #	WEIGHT #	PALLET QTY	PART NO.	
Standard Open Bottom	12"	8	8,000 / 12,000	46	10	B13173012A	
	18"		8,000 / 12,000	58	9	B13173018A	
	22"		8,000 / 12,000	68	8	B13173022A	
	30"		8,000 / 12,000	88	6	B13173030A	
	12"	15	15,000 / 22,500	50	10	B14173012A	
	18"		15,000 / 22,500	62	9	B14173018A	
	22"		15,000 / 22,500	74	8	B14173022A	
	30"		15,000 / 22,500	94	6	B14173030A	
Solid Bottom	12"	22	22,500 / 33,750	50	10	B16173012A	
	18"		22,500 / 33,750	62	9	B16173018A	
	12"		8	8,000 / 12,000	51	10	B13173012B
	18"			8,000 / 12,000	63	9	B13173018B
	22"	8,000 / 12,000		73	8	B13173022B	
	30"	8,000 / 12,000		93	6	B13173030B	
	12"	15	15,000 / 22,500	55	10	B14173012B	
	18"		15,000 / 22,500	67	9	B14173018B	
22"	15,000 / 22,500		79	8	B14173022B		
30"	15,000 / 22,500		99	6	B14173030B		
	12"	22	22,500 / 33,750	55	10	B16173012B	
	18"		22,500 / 33,750	67	9	B16173018B	

To order boxes with 2 standard mouseholes, replace the last character with "M".
 To order gasketed boxes, replace the last character with "G".
 NOTE: Gasket reduce the inflow of fluids but do not make the enclosure water tight.
 NOTE: Cover rating cannot exceed box rating.

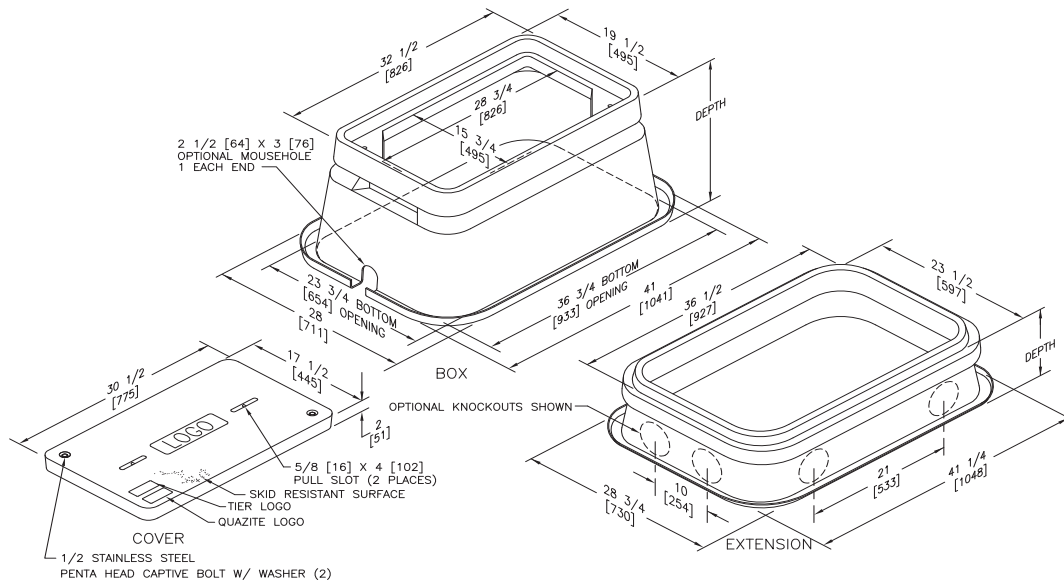
ENCLOSURE DRAWINGS



Dimensions / Data

17" x 30" Flared Wall Style FRP (Nestable) Assembly

Penta Head Bolts are Standard



Covers

DESCRIPTION	TIER	DESIGN / TEST LOAD #	WEIGHT #	PALLET QTY	PART NO.
W/ 2 Bolts	8	8,000 / 12,000	47	50	C10173002A***
W/ 2 Bolts	15	15,000 / 22,500	51	50	C12173002A***
No Bolts	8	8,000 / 12,000	47	50	C00173002A***
No Bolts	15	15,000 / 22,500	51	50	C02173002A***
W/ 2 Bolts	22	22,500 / 33,750	51	50	C16173002A***
No Bolts, W/CI Reader, Over 90	5	5,000 / 7,500	53	50	C08173003E009
No Bolts, W/CI Reader, Under 90	5	5,000 / 7,500	53	50	C08173003F009
W/2 Bolts, W/CI Reader, Over 90	5	5,000 / 7,500	53	50	C18173003E009
W/2 Bolts, W/CI Reader, Under 90	5	5,000 / 7,500	53	50	C18173003F009

Replace *** with a logo code found on page 18.

ENCLOSURE DRAWINGS

Dimensions / Data

17" x 30" Flared Wall Style FRP (Nestable) Assembly (Continued)

Penta Head Bolts are Standard

Boxes

DESCRIPTION	DEPTH	TIER	DESIGN / TEST LOAD #	WEIGHT #	PALLET QTY	PART NO.
Standard Open Bottom	12"	8	8,000 / 12,000	46	10	B10173012A
	18"		8,000 / 12,000	58	10	B10173018A
	22"		8,000 / 12,000	68	10	B10173022A
	24"		8,000 / 12,000	78	10	B10173024A
	30"		8,000 / 12,000	88	10	B10173030A
	34"		8,000 / 12,000	96	8	B10173034A
	12"	15	15,000 / 22,500	50	10	B12173012A
	18"		15,000 / 22,500	64	10	B12173018A
	22"		15,000 / 22,500	74	10	B12173022A
	24"		15,000 / 22,500	84	10	B12173024A
	30"		15,000 / 22,500	94	10	B12173030A
	34"		15,000 / 22,500	102	8	B12173034A
	12"	22	22,500 / 33,750	50	10	B19173012A
	18"		22,500 / 33,750	64	10	B19173018A
	22"		22,500 / 33,750	74	10	B19173022A
	24"		22,500 / 33,750	84	10	B19173024A
	30"		22,500 / 33,750	94	10	B19173030A

To order boxes with 2 standard mouseholes, replace the last character with "M".
 To order gasketed boxes, replace the last character with "G".
 Gaskets reduce the inflow of fluids but do not make the enclosure water tight.
 NOTE: Cover rating cannot exceed box rating.

Extensions

DESCRIPTION	DEPTH	TIER	DESIGN / TEST LOAD #	WEIGHT #	PALLET QTY	PART NO.
8" - Tier 8	8"	8	8,000 / 12,000	39	12	E00173008A
8" - Tier 15	8"	15	15,000 / 22,500	45	12	E02173008A
16" - Tier 8	16"	8	8,000 / 12,000	42	8	E00173016A
16" - Tier 15	16"	15	15,000 / 22,500	48	8	E02173016A

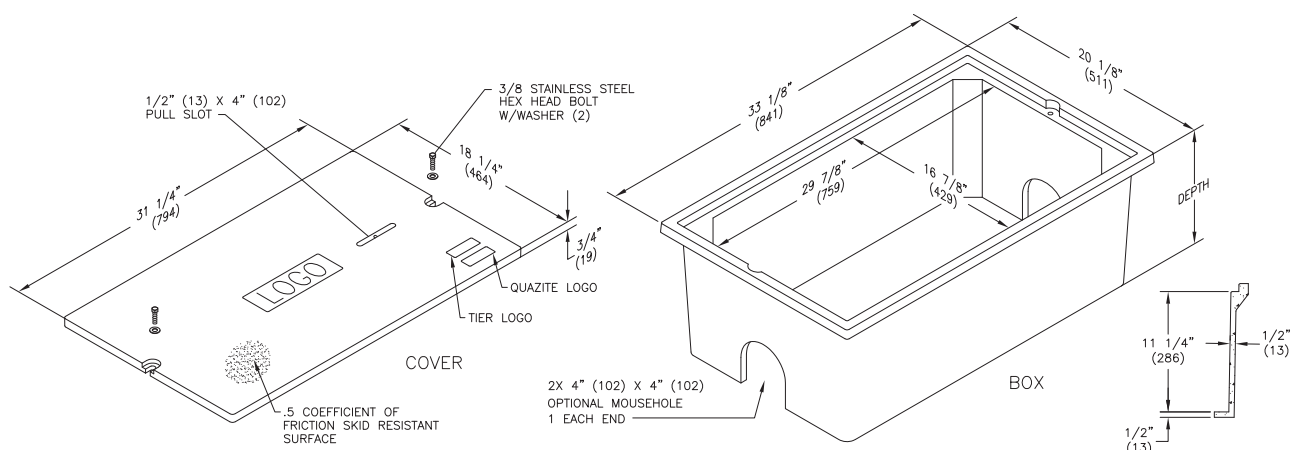
To order boxes with 2 standard mouseholes, replace the last character with "M".
 To order gasketed boxes, replace the last character with "G".

ENCLOSURE DRAWINGS

Dimensions / Data

17" x 30" PC Style Polymer Concrete (Stackable) Assembly

Hex Head Bolts are Standard



Covers

	DESCRIPTION	TIER	DESIGN / TEST LOAD #	WEIGHT #	PALLET QTY	PART NO.
UL	W/ 2 Bolts	5	5,000 / 7,500	33	30	PC1730CA00**
UL	No Bolts	5	5,000 / 7,500	33	30	PC1730WA00**

To order gasketed covers, replace the letter "A" with the letter "G".

Replace ** with a logo code found on page 18.

NOTE: Gasketed covers and bolt grommets must be used with a gasketed box. Gaskets reduce the inflow of fluids but do not make the enclosure water tight.

Boxes

	DESCRIPTION	DEPTH	TIER	DESIGN / TEST LOAD #	WEIGHT #	PALLET QTY	PART NO.
UL	Standard Open Bottom	12"	5	5,000 / 7,500	58	10	PC1730BA12
UL	Solid Bottom	12 1/2"	5	5,000 / 7,500	83	10	PC1730DA12
UL	Footed Box	12 1/2"	5	5,000 / 7,500	67	10	PC1730JA12

To order boxes with 2 standard mouseholes, replace the letter "A" with the letter "B".

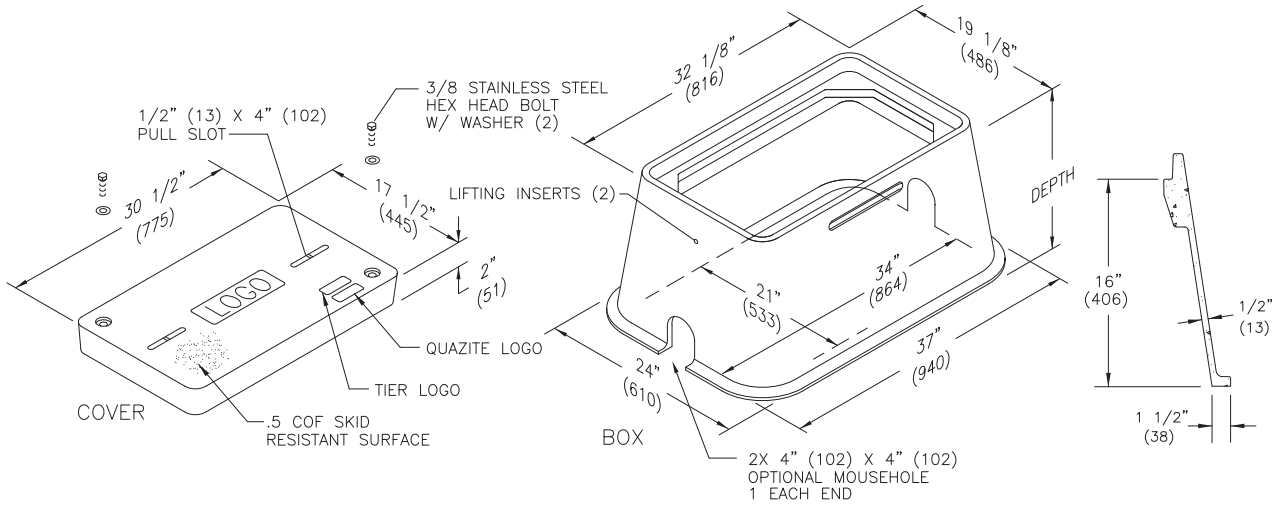
To order gasketed boxes, replace the letter "A" with the letter "G".

NOTE: Gasketed covers and bolt grommets must be used with a gasketed box. Gaskets reduce the inflow of fluids but do not make the enclosure water tight.

Dimensions / Data

17" x 30" PT Style Polymer Concrete (Nestable) Assembly

Hex Head Bolts are Standard



Covers

	DESCRIPTION	TIER	DESIGN / TEST LOAD #	WEIGHT #	PALLET QTY	PART NO.
UL	W/ 2 Bolts	8	8,000 / 12,000	52	20	PT1730CA00**
UL	W/ No Bolts	8	8,000 / 12,000	52	20	PT1730WA0009
UL	W/ 2 Bolts	15	15,000 / 22,500	83	20	PT1730HA00**

To order gasketed covers, replace the letter "A" with the letter "G".

Replace ** with a logo code found on page 18.

NOTE: Gasketed covers and bolt grommets must be used with a gasketed box. Gaskets reduce the inflow of fluids but do not make the enclosure water tight.

Boxes

	DESCRIPTION	DEPTH	TIER	DESIGN / TEST LOAD #	WEIGHT #	PALLET QTY	PART NO.
UL	Standard Open Bottom	18"	15	15,000 / 22,500	126	5	PT1730BA18

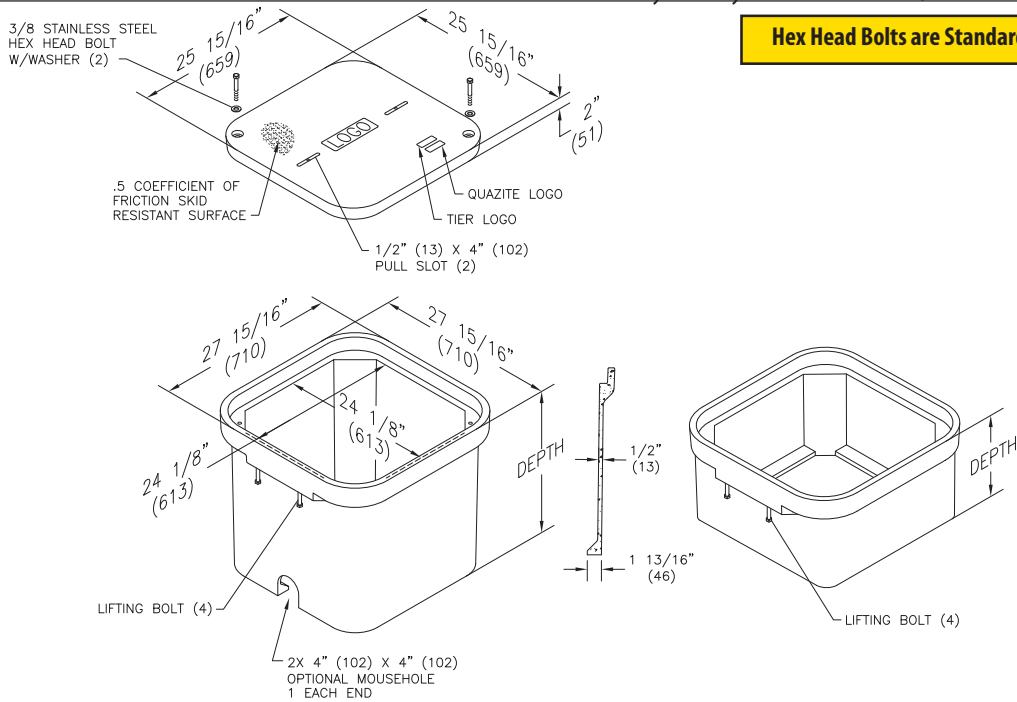
To order boxes with 2 standard mouseholes, replace the letter "A" with the letter "B".

To order gasketed boxes, replace the letter "A" with the letter "G".

NOTE: Gasketed covers and bolt grommets must be used with a gasketed box. Gaskets reduce the inflow of fluids but do not make the enclosure water tight.

Dimensions / Data

24" x 24" PG Style Polymer Concrete (Stackable) Assembly



Covers

	DESCRIPTION	TIER	DESIGN / TEST LOAD #	WEIGHT #	PALLET QTY	PART NO.
	W/ 2 Bolts	8	8,000 / 12,000	70	10	PG2424CA00**
	W/ 2 Bolts	15	15,000 / 22,500	100	10	PG2424HA00**
	No Bolts	8	8,000 / 12,000	70	10	PG2424WA00**
	W/ 2 Bolts	22	22,500 / 33,750	100	10	PG2424HH00**

To order gasketed covers, replace the letter "A" with the letter "G".

Replace ** with a logo code found on page 18.

NOTE: Gasketed covers and bolt grommets must be used with a gasketed box. Gaskets reduce the inflow of fluids but do not make the enclosure water tight.

Boxes

	DESCRIPTION	DEPTH	TIER	DESIGN / TEST LOAD #	WEIGHT #	PALLET QTY	PART NO.
	Standard Open Bottom	24"	22	22,500 / 33,750	165	2	PG2424BA24
	Solid Bottom	24 1/2"	22	22,500 / 33,750	185	2	PG2424DA24

To order boxes with 2 standard mouseholes, replace the letter "A" with the letter "B".

To order gasketed boxes, replace the letter "A" with the letter "G".

NOTE: Gasketed covers and bolt grommets must be used with a gasketed box. Gaskets reduce the inflow of fluids but do not make the enclosure water tight.

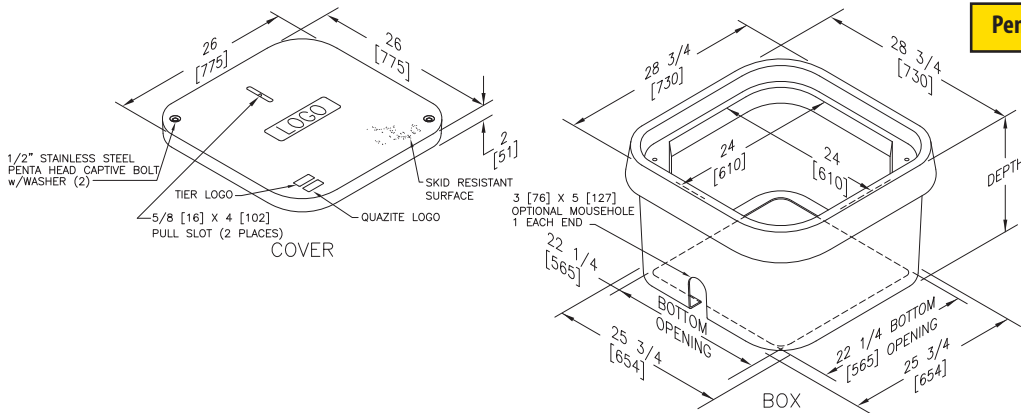
Extensions (Stackable - can be used as a top or bottom extension)

DESCRIPTION	DEPTH	TIER	DESIGN / TEST LOAD #	WEIGHT #	PALLET QTY	PART NO.
Open Bottom	8"	15	15,000 / 22,500	71	8	PG2424EA06
Open Bottom	14"	15	15,000 / 22,500	112	6	PG2424EA12
Solid Bottom	8 1/2"	15	15,000 / 22,500	96	8	PG2424RA06
Solid Bottom	14 1/2"	15	15,000 / 22,500	130	6	PG2424RA12

Dimensions / Data

24" x 24" FRP Straight Wall

Penta Head Bolts are Standard



Covers

DESCRIPTION	TIER	DESIGN / TEST LOAD #	WEIGHT #	PALLET QTY	PART NO.
W/ 2 Bolts	8	8,000 / 12,000	70	20	C10242402A***
W/ 2 Bolts	15	15,000 / 22,500	100	20	C12242402A***
No Bolts	8	8,000 / 12,000	70	20	C00242402A***
W/ 2 Bolts	22	22,500 / 33,750	100	20	C16242402A***

Replace *** with a logo code found on page 18.

Boxes

DESCRIPTION	DEPTH	TIER	DESIGN / TEST LOAD #	WEIGHT #	PALLET QTY	PART NO.		
Standard Open Bottom	12"	8	8,000 / 12,000	74	9	B13242412A		
	18"		8,000 / 12,000	78	5	B13242418A		
	24"		8,000 / 12,000	83	5	B13242424A		
	Standard Open Bottom	12"	15	15,000 / 22,500	77	9	B14242412A	
		18"		15,000 / 22,500	84	5	B14242418A	
		24"		15,000 / 22,500	92	5	B14242424A	
		Standard Open Bottom	12"	22	22,500 / 33,750	77	9	B16242412A
			18"		22,500 / 33,750	84	5	B16242418A
			24"		22,500 / 33,750	92	5	B16242424A
Solid Bottom	12"	8	8,000 / 12,000	81	9	B13242412B		
	18"		8,000 / 12,000	85	5	B13242418B		
	24"		8,000 / 12,000	90	5	B13242424B		
	Solid Bottom	12"	15	15,000 / 22,500	84	9	B14242412B	
		18"		15,000 / 22,500	91	5	B14242418B	
		24"		15,000 / 22,500	99	5	B14242424B	
		Solid Bottom	12"	22	22,500 / 33,750	84	9	B16242412B
			18"		22,500 / 33,750	91	5	B16242418B
			24"		22,500 / 33,750	99	5	B16242424B

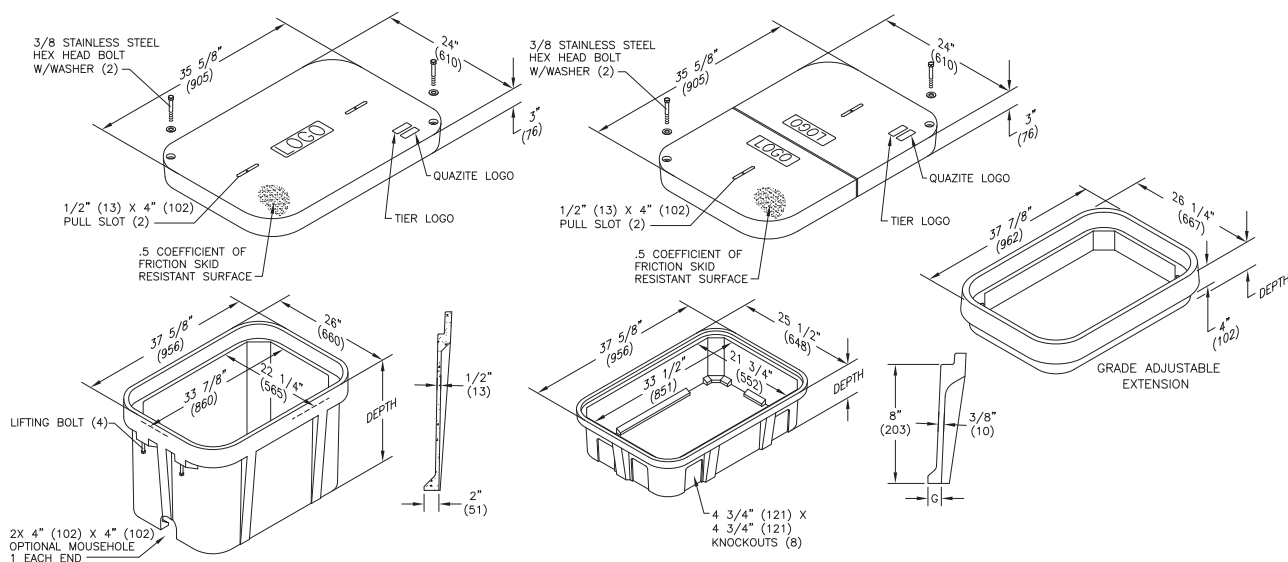
To order boxes with 2 standard mouseholes, replace the last character with "M".
 To order gasketed boxes, replace the last character with "G".
 NOTE: Gasket reduce the inflow of fluids but do not make the enclosure water tight.
 NOTE: Cover rating cannot exceed box rating.

ENCLOSURE DRAWINGS

Dimensions / Data

24" x 36" PG Style Polymer Concrete (Stackable) Assembly

Hex Head Bolts are Standard



Covers

	DESCRIPTION	TIER	DESIGN / TEST LOAD #	WEIGHT #	PALLET QTY	PART NO.
UL	W/ 2 Bolts	8	8,000 / 12,000	100	10	PG2436CA00**
	2 piece w/2 Bolts	8	8,000 / 12,000	122	10	PG2436CS00**
UL	W/ 2 Bolts	15	15,000 / 22,500	115	10	PG2436HA00**
UL	2 piece w/2 Bolts	15	15,000 / 22,500	122	10	PG2436HS00**
UL	W/ 2 Bolts	22	22,500 / 33,750	122	10	PG2436HH00**
UL	No Bolts	8	8,000 / 12,000	100	10	PG2436WA00**

To order gasketed covers, replace the letter "A" with the letter "G".

Replace ** with a logo code found on page 18.

NOTE: Gasketed covers and bolt grommets must be used with a gasketed box. Gaskets reduce the inflow of fluids but do not make the enclosure water tight.

Dimensions / Data 24" x 36" PG Style Polymer Concrete (Stackable) Assembly (Continued)

Hex Head Bolts are Standard

Boxes (Box depths 24" thru 42" must be used as bottom of any stack)

DESCRIPTION	DEPTH	TIER	DESIGN / TEST LOAD #	WEIGHT #	PALLET QTY	PART NO.
Standard Open Bottom	18"	22	22,500 / 33,750	141	4	PG2436BA18
	24"		22,500 / 33,750	180	3	PG2436BA24
	30"		22,500 / 33,750	196	2	PG2436BA30
	36"		22,500 / 33,750	254	2	PG2436BA36
	42"		22,500 / 33,750	293	1	PG2436BA42
Solid Bottom	18 1/2"	22	22,500 / 33,750	171	4	PG2436DA18
	24 1/2"		22,500 / 33,750	228	3	PG2436DA24
	30 1/2"		22,500 / 33,750	238	2	PG2436DA30
	36 1/2"		22,500 / 33,750	282	2	PG2436DA36
	42 1/2"		22,500 / 33,750	321	1	PG2436DA42

To order boxes with 2 standard mouseholes, replace the letter "A" with the letter "B".
 To order gasketed boxes, replace the letter "A" with the letter "G".
 NOTE: 24" thru 42" boxes must be used as bottom on any stack.
 NOTE: Gasketed covers and bolt grommets must be used with a gasketed box. Gaskets reduce the inflow of fluids but do not make the enclosure water tight.

Bottom Extensions (for use under 12" and 18" boxes only, one per box)

DESCRIPTION	DEPTH	TIER	DESIGN / TEST LOAD #	WEIGHT #	PALLET QTY	PART NO.
Open bottom	8 3/4"	22	22,500 / 33,750	81	6	PG2436EA08
Solid bottom	9 1/4"	22	22,500 / 33,750	95	6	PG2436RA08

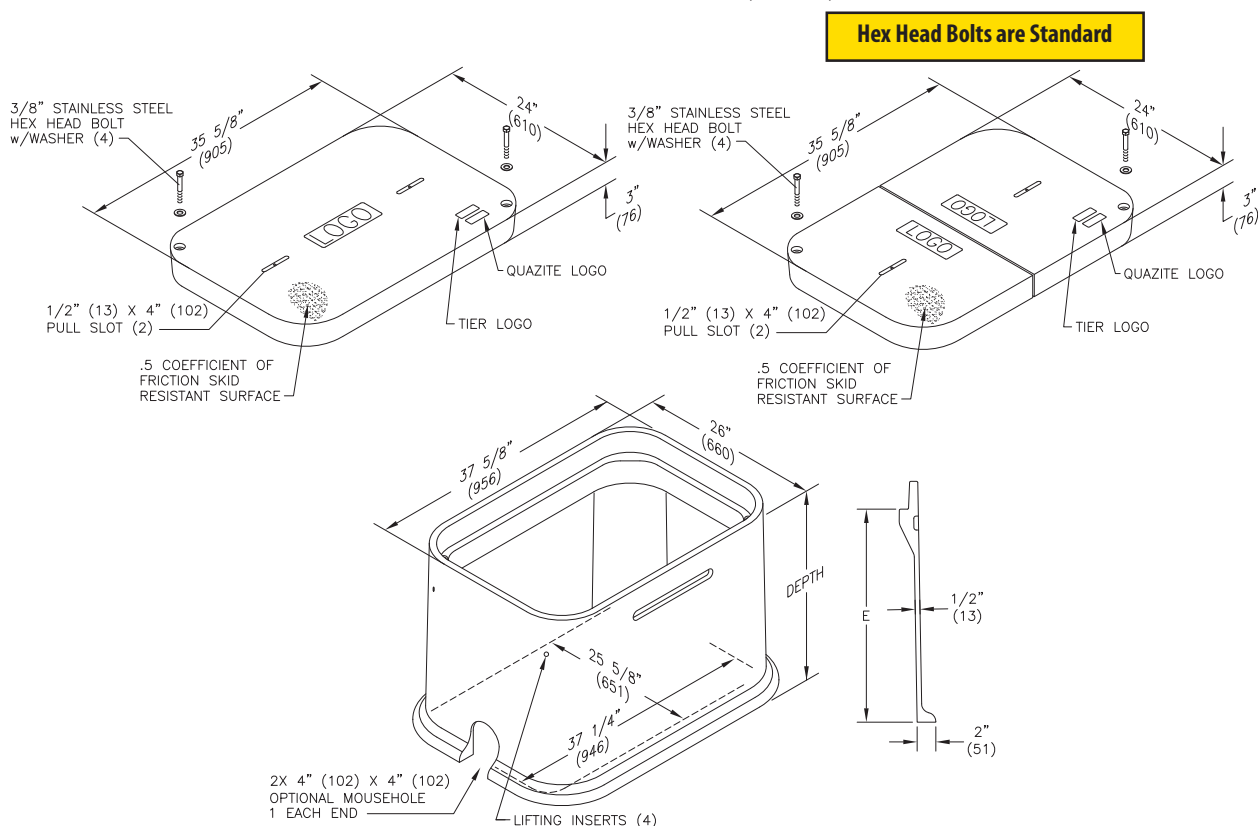
Grade Adjustable Extension

DESCRIPTION	DEPTH	TIER	DESIGN / TEST LOAD #	WEIGHT #	PALLET QTY	PART NO.
4" top extension, 1/2 thread	7 1/8"	22	22,500 / 33,750	80	6	PG2436ED04
4" top extension, 3/8 thread	7 1/8"	22	22,500 / 33,750	80	6	PG2436E503

ENCLOSURE DRAWINGS

Dimensions / Data

24" x 36" PD Style Polymer Concrete (Stackable) Assembly



Covers

	DESCRIPTION	TIER	DESIGN / TEST LOAD #	WEIGHT #	PALLET QTY	PART NO.
UL	W/ 2 Bolts	8	8,000 / 12,000	100	10	PG2436CA00**
	2 piece w/2 Bolts	8	8,000 / 12,000	122	10	PG2436CS00**
UL	W/ 2 Bolts	15	15,000 / 22,500	115	10	PG2436HA00**
UL	2 piece w/2 Bolts	15	15,000 / 22,500	122	10	PG2436HS00**
UL	W/ 2 Bolts	22	22,500 / 33,750	122	10	PG2436HH00**
UL	No Bolts	8	8,000 / 12,000	100	10	PG2436WA00**

To order gasketed covers, replace the letter "A" with the letter "G".

Replace ** with a logo code found on page 18.

NOTE: Gasketed covers and bolt grommets must be used with a gasketed box. Gaskets reduce the inflow of fluids but do not make the enclosure water tight.

Boxes

	DESCRIPTION	DEPTH	TIER	DESIGN / TEST LOAD #	WEIGHT #	PALLET QTY	PART NO.
UL	Standard Open Bottom	18"	22	22,500 / 33,750	159	2	PD2436BA18
UL		26"	22	22,500 / 33,750	199	2	PD2436BA26
		48"	22	22,500 / 33,750	313	1	PD2436BA48

To order boxes with 2 standard mouseholes, replace the letter "A" with the letter "B".

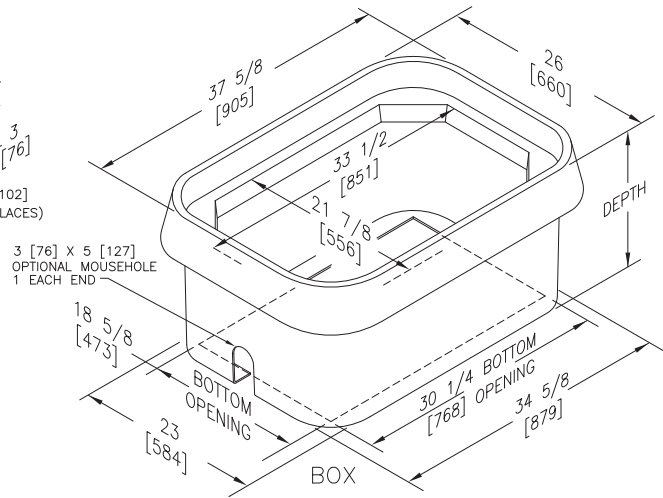
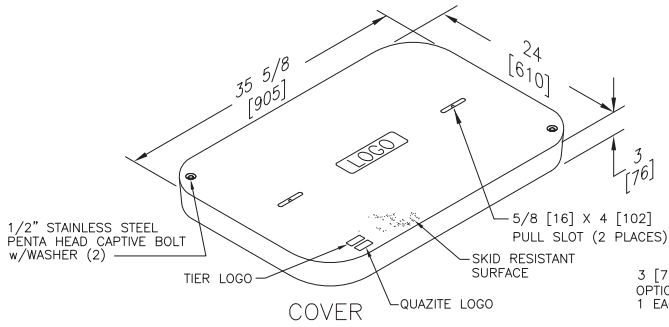
To order gasketed boxes, replace the letter "A" with the letter "G".

NOTE: Gasketed covers and bolt grommets must be used with a gasketed box. Gaskets reduce the inflow of fluids but do not make the enclosure water tight.

Dimensions / Data

24" x 36" FRP Straight Wall

Penta Head Bolts are Standard



ENCLOSURE DRAWINGS

Covers

DESCRIPTION	TIER	DESIGN / TEST LOAD #	WEIGHT #	PALLET QTY	PART NO.
W/ 2 Bolts	8	8,000 / 12,000	86	20	C10243603A***
W/ 2 Bolts	15	15,000 / 22,500	94	20	C12243603A***
No Bolts	8	8,000 / 12,000	86	20	C00243603A***
W/ 2 Bolts	22	22,500 / 33,750	94	20	C16243603A***
No Bolts, W/CI Reader, Over 90	5	5,000 / 7,500	89	20	C08243602E009
No Bolts, W/CI Reader, Under 90	5	5,000 / 7,500	89	20	C08243602F009
W/2 Bolts, W/CI Reader, Over 90	5	5,000 / 7,500	89	20	C18243602E009
W/2 Bolts, W/CI Reader, Under 90	5	5,000 / 7,500	89	20	C18243602F009

Replace *** with a logo code found on page 18.

Dimensions / Data

24" x 36" FRP Straight Wall (Continued)

Penta Head Bolts are Standard

Boxes

DESCRIPTION	DEPTH	TIER	DESIGN / TEST LOAD #	WEIGHT #	PALLET QTY	PART NO.
Standard Open Bottom	18"	8	8,000 / 12,000	100	6	B13243618A
	24"		8,000 / 12,000	109	5	B13243624A
	30"		8,000 / 12,000	118	4	B13243630A
	18"	15	15,000 / 22,500	105	6	B14243618A
	24"		15,000 / 22,500	114	5	B14243624A
	30"		15,000 / 22,500	123	4	B14243630A
	18"	22	22,500 / 33,750	105	6	B16243618A
	24"		22,500 / 33,750	114	5	B16243624A
	30"		22,500 / 33,750	123	4	B16243630A
Solid Bottom	18"	8	8,000 / 12,000	107	6	B13243618B
	24"		8,000 / 12,000	116	5	B13243624B
	30"		8,000 / 12,000	125	4	B13243630B
	18"	15	15,000 / 22,500	112	6	B14243618B
	24"		15,000 / 22,500	121	5	B14243624B
	30"		15,000 / 22,500	130	4	B14243630B
	18"	22	22,500 / 33,750	112	6	B16243618B
	24"		22,500 / 33,750	121	5	B16243624B
	30"		22,500 / 33,750	130	4	B16243630B

To order boxes with 2 standard mouseholes, replace the last character with "M".

To order gasketed boxes, replace the last character with "G".

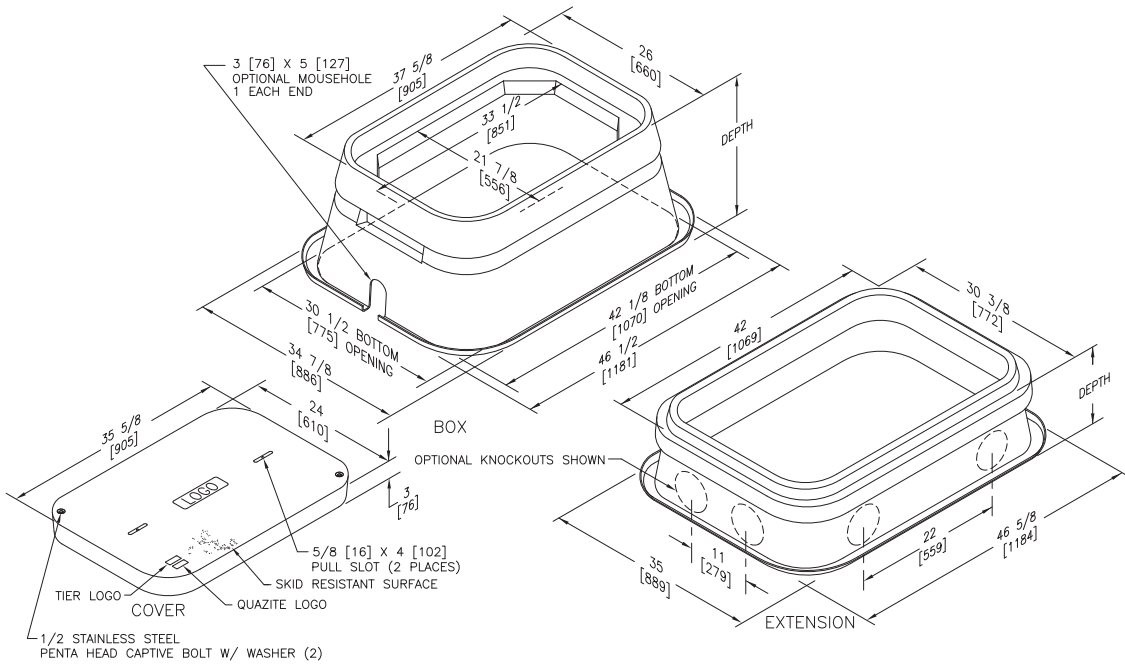
NOTE: Gasket reduce the inflow of fluids but do not make the enclosure water tight.

NOTE: Cover rating cannot exceed box rating.

Dimensions / Data

24" x 36" Flared Wall Style FRP (Nestable) Assembly

Penta Head Bolts are Standard



ENCLOSURE DRAWINGS

Covers

DESCRIPTION	TIER	DESIGN / TEST LOAD #	WEIGHT #	PALLET QTY	PART NO.
W/ 2 Bolts	8	8,000 / 12,000	86	20	C10243603A***
W/ 2 Bolts	15	15,000 / 22,500	94	20	C12243603A***
No Bolts	8	8,000 / 12,000	86	20	C00243603A***
W/ 2 Bolts	22	22,500 / 33,750	94	20	C16243603A***
No Bolts, W/CI Reader, Over 90	5	5,000 / 7,500	89	20	C08243602E009
No Bolts, W/CI Reader, Under 90	5	5,000 / 7,500	89	20	C08243602F009
W/2 Bolts, W/CI Reader, Over 90	5	5,000 / 7,500	89	20	C18243602E009
W/2 Bolts, W/CI Reader, Under 90	5	5,000 / 7,500	89	20	C18243602F009

Replace *** with a logo code found on page 18.

Dimensions / Data

24" x 36" Flared Wall Style FRP (Nestable) Assembly (Continued)

Penta Head Bolts are Standard

Boxes						
DESCRIPTION	DEPTH	TIER	DESIGN / TEST LOAD #	WEIGHT #	PALLET QTY	PART NO.
Standard Open Bottom	18"	8	8,000 / 12,000	100	5	B10243618A
	24"		8,000 / 12,000	109	5	B10243624A
	30"		8,000 / 12,000	118	5	B10243630A
	36"		8,000 / 12,000	124	4	B10243636A
	42"		8,000 / 12,000	127	3	B10243642A
	48"		8,000 / 12,000	133	3	B10243648A
	18"	15	15,000 / 22,500	105	5	B12243618A
	24"		15,000 / 22,500	114	5	B12243624A
	30"		15,000 / 22,500	123	5	B12243630A
	36"		15,000 / 22,500	129	4	B12243636A
	42"		15,000 / 22,500	132	3	B12243642A
	48"		15,000 / 22,500	138	3	B12243648A
	18"	22	22,500 / 33,750	105	5	B19243618A
	24"		22,500 / 33,750	114	5	B19243624A

To order boxes with 2 standard mouseholes, replace the last character with "M".
 To order gasketed boxes, replace the last character with "G".
 Gaskets reduce the inflow of fluids but do not make the enclosure water tight.
 NOTE: Cover rating cannot exceed box rating.

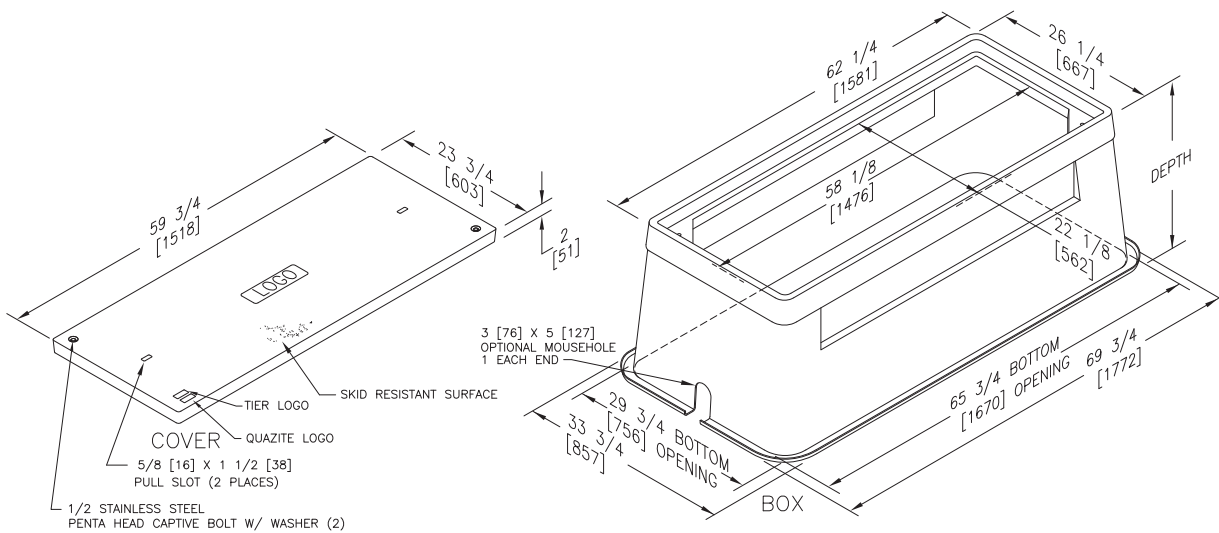
Extensions						
DESCRIPTION	DEPTH	TIER	DESIGN / TEST LOAD #	WEIGHT #	PALLET QTY	PART NO.
8" - Tier 8	8"	8	8,000 / 12,000	46	6	E00243608A
8" - Tier 15	8"	15	15,000 / 22,500	46	6	E02243608A
16" - Tier 8	16"	8	8,000 / 12,000	55	5	E00243616A
16" - Tier 15	16"	15	15,000 / 22,500	63	5	E02243616A

ENCLOSURE DRAWINGS

Dimensions / Data

24" x 60" Flared Wall Style FRP (Nestable) Assembly

Penta Head Bolts are Standard



ENCLOSURE DRAWINGS

Covers

DESCRIPTION	TIER	DESIGN / TEST LOAD #	WEIGHT #	PALLET QTY	PART NO.
W/ 2 Bolts	5	5,000 / 7,500	65	10	C18246002A***
No Bolts	5	5,000 / 7,500	65	10	C08246002A***

Replace *** with a logo code found on page 18.

Boxes

DESCRIPTION	DEPTH	TIER	DESIGN / TEST LOAD #	WEIGHT #	PALLET QTY	PART NO.
Standard Open Bottom	24"	5	5,000 / 7,500	115	5	B18246024A

To order boxes with two standard mouse holes, replace the last character with "M".

To order gasketed boxes, replace the last character with "G".

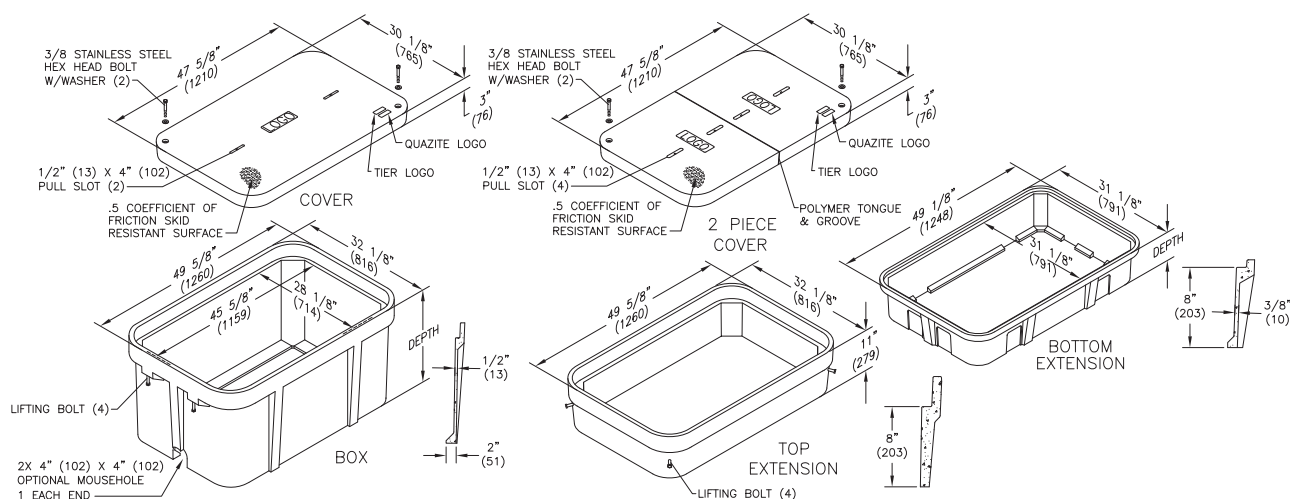
Gaskets reduce the inflow of fluids but do not make the enclosure water tight.

NOTE: Cover rating cannot exceed box rating.

Dimensions / Data

30" x 48" PG Style Polymer Concrete (Stackable) Assembly

Hex Head Bolts are Standard



Covers

	DESCRIPTION	TIER	DESIGN / TEST LOAD #	WEIGHT #	PALLET QTY	PART NO.
UL	W/ 2 Bolts	8	8,000 / 12,000	159	10	PG3048CA00**
	2 piece w/2 Bolts	8	8,000 / 12,000	181	10	PG3048CS00**
UL	W/ 2 Bolts	15	15,000 / 22,500	206	10	PG3048HA00**
UL	2 piece w/2 Bolts	15	15,000 / 22,500	206	10	PG3048HS00**
UL	W/ 2 Bolts	22	22,500 / 33,750	220	10	PG3048HH00**
UL	No Bolts	8	8,000 / 12,000	159	10	PG3048WA00**

To order gasketed covers, replace the letter "A" with the letter "G".

Replace ** with a logo code found on page 18.

NOTE: Gasketed covers and bolt grommets must be used with a gasketed box. Gaskets reduce the inflow of fluids but do not make the enclosure water tight.

Dimensions / Data 30" x 48" PG Style Polymer Concrete (Stackable) Assembly (Continued)

Hex Head Bolts are Standard

Boxes (Box depths 24" thru 48" must be used as bottom of any stack)

	DESCRIPTION	DEPTH	TIER	DESIGN / TEST LOAD #	WEIGHT #	PALLET QTY	PART NO.
 	Standard Open Bottom	18"	22	22,500 / 33,750	185	4	PG3048BA18
		24"		22,500 / 33,750	236	3	PG3048BA24
		36"		22,500 / 33,750	343	2	PG3048BA36
		48"		22,500 / 33,750	450	1	PG3048BA48
 	Solid Bottom	18 1/2"	22	22,500 / 33,750	220	4	PG3048DA18
		24 1/2"		22,500 / 33,750	287	3	PG3048DA24
		36 1/2"		22,500 / 33,750	394	2	PG3048DA36
		48"		22,500 / 33,750	501	1	PG3048DA48

To order boxes with 2 standard mouseholes, replace the letter "A" with the letter "B".
 To order gasketed boxes, replace the letter "A" with the letter "G".
 NOTE: Gasketed covers and bolt grommets must be used with a gasketed box. Gaskets reduce the inflow of fluids but do not make the enclosure water tight.

Top Extension

DESCRIPTION	DEPTH	TIER	DESIGN / TEST LOAD #	WEIGHT #	PALLET QTY	PART NO.
Open bottom	11"	22	22,500 / 33,750	100	8	PG3048EA11

Bottom Extensions (for use under 18" box only, one per box)

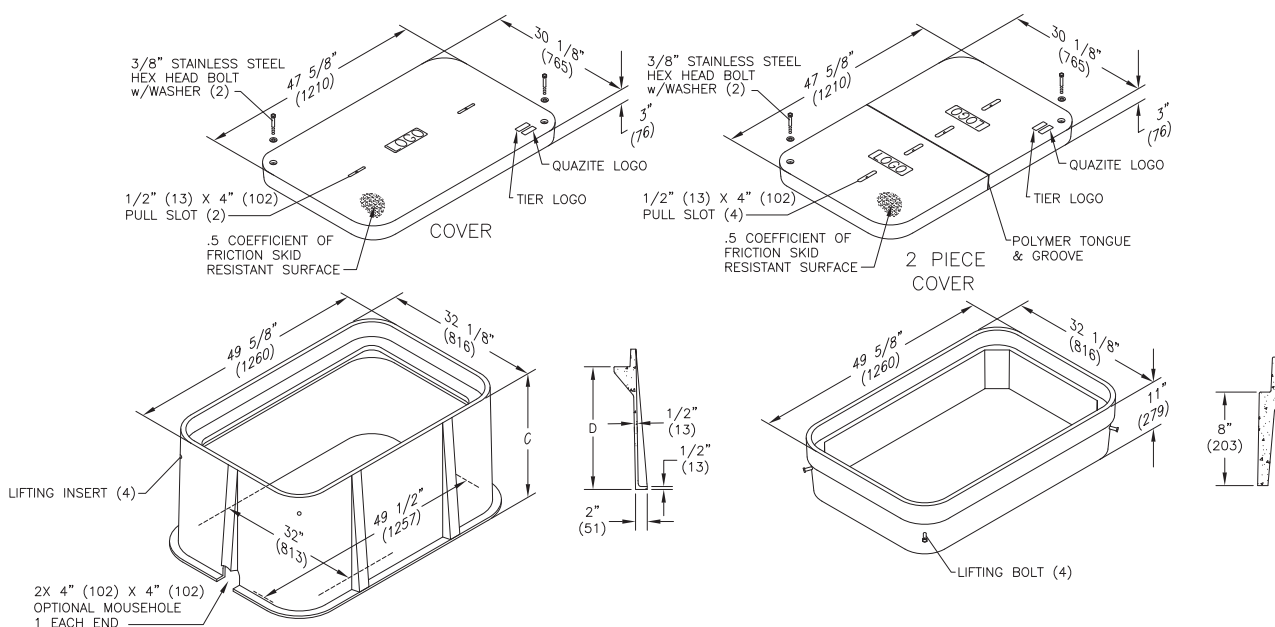
DESCRIPTION	DEPTH	TIER	DESIGN / TEST LOAD #	WEIGHT #	PALLET QTY	PART NO.
Open bottom	8 3/4"	22	22,500 / 33,750	102	8	PG3048EA08
Solid bottom	9 1/4"	22	22,500 / 33,750	151	8	PG3048RA08

ENCLOSURE DRAWINGS

Dimensions / Data

30" x 48" PD Style Polymer Concrete (Nestable) Assembly

Hex Head Bolts are Standard



Covers

	DESCRIPTION	TIER	DESIGN / TEST LOAD #	WEIGHT #	PALLET QTY	PART NO.
UL	W/ 2 Bolts	8	8,000 / 12,000	159	10	PG3048CA00**
	2 piece w/2 Bolts	8	8,000 / 12,000	181	10	PG3048CS00**
UL	W/ 2 Bolts	15	15,000 / 22,500	206	10	PG3048HA00**
UL	2 piece w/2 Bolts	15	15,000 / 22,500	206	10	PG3048HS00**
UL	W/ 2 Bolts	22	22,500 / 33,750	220	10	PG3048HH00**
UL	No Bolts	8	8,000 / 12,000	159	10	PG3048WA00**

To order gasketed covers, replace the letter "A" with the letter "G".

Replace ** with a logo code found on page 18.

NOTE: Gasketed covers and bolt grommets must be used with a gasketed box. Gaskets reduce the inflow of fluids but do not make the enclosure water tight.

Boxes

	DESCRIPTION	DEPTH	TIER	DESIGN / TEST LOAD #	WEIGHT #	PALLET QTY	PART NO.
UL	Standard Open Bottom	24"	22	22,500 / 33,750	286	2	PD3048BA24
UL		48"	22	22,500 / 33,750	614	1	PD3048BA48

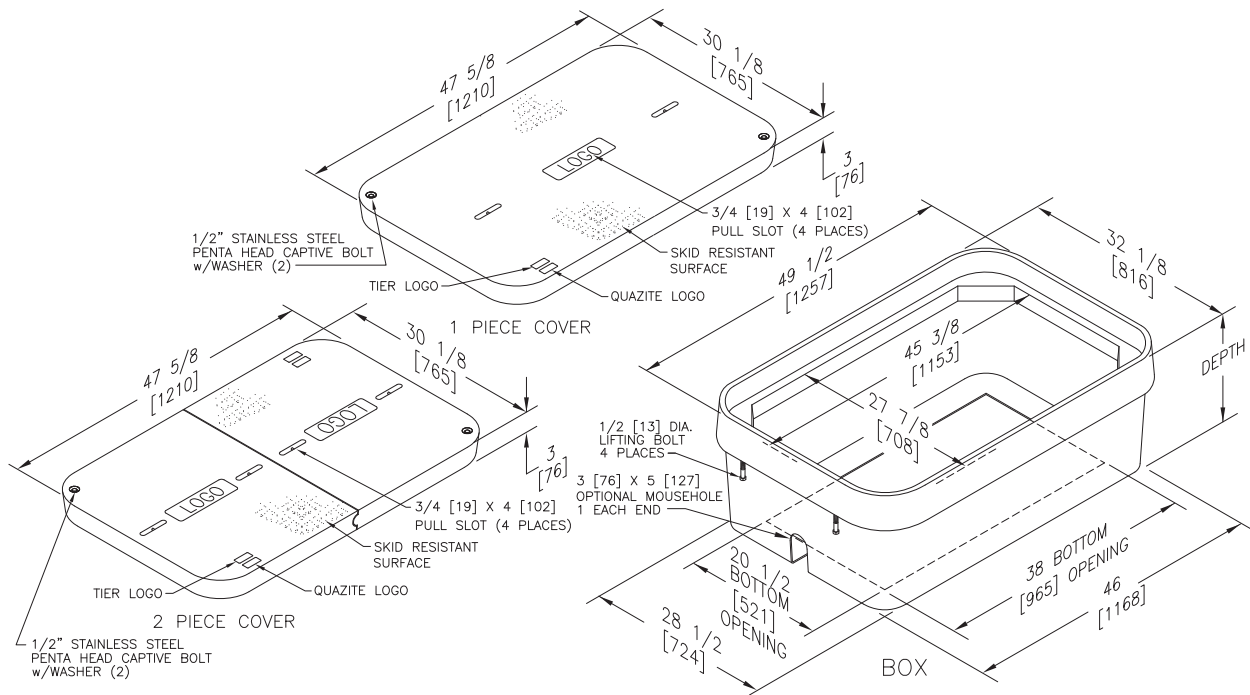
Top Extension

	DESCRIPTION	DEPTH	TIER	DESIGN / TEST LOAD #	WEIGHT #	PALLET QTY	PART NO.
	Open bottom	11"	22	22,500 / 33,750	100	8	PG3048EA11

Dimensions / Data

30" x 48" FRP Straight Wall

Penta Head Bolts are Standard



ENCLOSURE DRAWINGS

Covers

DESCRIPTION	TIER	DESIGN / TEST LOAD #	WEIGHT #	PALLET QTY	PART NO.
2 Piece W/ 2 Bolts	8	8,000 / 12,000	165	10	C10304803A***
2 Piece W/ 2 Bolts	15	15,000 / 22,500	225	10	C12304803A***
2 Piece No Bolts	8	8,000 / 12,000	165	10	C00304803A***
2 Piece W/ 2 Bolts	22	22,500 / 33,750	225	10	C16304803A***
1 Piece W/ 2 Bolts	8	8,000 / 12,000	165	10	C10304803Y***
1 Piece W/ 2 Bolts	15	15,000 / 22,500	225	10	C12304803Y***
No Bolts, W/CI Reader, Over 90	5	5,000 / 7,500	168	10	C08304802E009
No Bolts, W/CI Reader, Under 90	5	5,000 / 7,500	168	10	C08304802F009
W/2 Bolts, W/CI Reader, Over 90	5	5,000 / 7,500	168	10	C18304802E009
W/2 Bolts, W/CI Reader, Under 90	5	5,000 / 7,500	168	10	C18304802F009

Replace *** with a logo code found on page 18.

Dimensions / Data

30" x 48" FRP Straight Wall (Continued)

Penta Head Bolts are Standard

Boxes						
DESCRIPTION	DEPTH	TIER	DESIGN / TEST LOAD #	WEIGHT #	PALLET QTY	PART NO.
Standard Open Bottom	18"	8	8,000 / 12,000	130	6	B13304818A
	24"		8,000 / 12,000	148	5	B13304824A
	36"		8,000 / 12,000	160	4	B13304836A
	18"	15	15,000 / 22,500	135	6	B14304818A
	24"		15,000 / 22,500	153	5	B14304824A
	36"		15,000 / 22,500	170	4	B14304836A
	18"	22	22,500 / 33,750	135	6	B16304818A
	24"		22,500 / 33,750	153	5	B16304824A
	36"		22,500 / 33,750	170	4	B16304836A
Solid Bottom	18"	8	8,000 / 12,000	140	6	B13304818B
	24"		8,000 / 12,000	158	5	B13304824B
	36"		8,000 / 12,000	170	4	B13304836B
	18"	15	15,000 / 22,500	140	6	B14304818B
	24"		15,000 / 22,500	158	5	B14304824B
	36"		15,000 / 22,500	170	4	B14304836B
	18"	22	22,500 / 33,750	140	6	B16304818B
	24"		22,500 / 33,750	158	5	B16304824B
	22"		22,500 / 33,750	170	4	B16304836B

To order boxes with 2 standard mouseholes, replace the last character with "M".

To order gasketed boxes, replace the last character with "G".

NOTE: Gasket reduce the inflow of fluids but do not make the enclosure water tight.

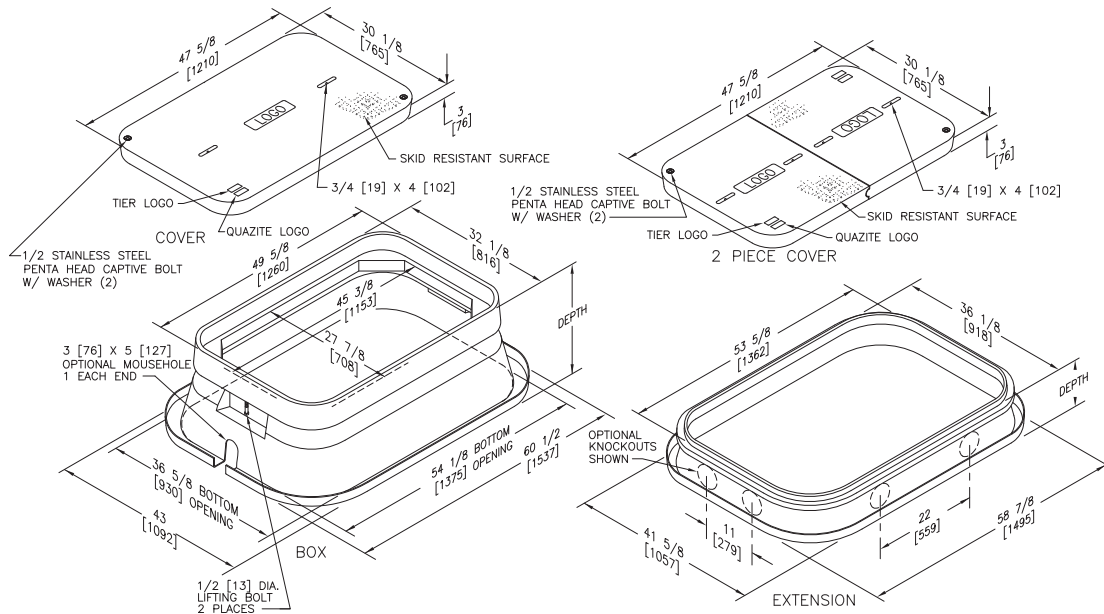
NOTE: Cover rating cannot exceed box rating.

ENCLOSURE DRAWINGS

Dimensions / Data

30" x 48" Flared Wall Style FRP (Nestable) Assembly

Penta Head Bolts are Standard



ENCLOSURE DRAWINGS

Covers

DESCRIPTION	TIER	DESIGN / TEST LOAD #	WEIGHT #	PALLET QTY	PART NO.
2 piece w/2 bolts	8	8,000 / 12,000	165	10	C10304803A***
2 piece w/2 bolts	15	15,000 / 22,500	225	10	C12304803A***
2 piece w/no bolts	8	8,000 / 12,000	165	10	C00304803A***
2 piece w/2 bolts	22	22,500 / 33,750	225	10	C16304803A***
1 piece w/2 bolts	8	8,000 / 12,000	165	10	C10304803Y***
1 piece w/2 bolts	15	15,000 / 22,500	225	10	C12304803Y***
No Bolts, W/CI Reader, Over 90	5	5,000 / 7,500	168	10	C08304802E009
No Bolts, W/CI Reader, Under 90	5	5,000 / 7,500	168	10	C08304802F009
W/2 Bolts, W/CI Reader, Over 90	5	5,000 / 7,500	168	10	C18304802E009
W/2 Bolts, W/CI Reader, Under 90	5	5,000 / 7,500	168	10	C18304802F009

Replace *** with a logo code found on page 18.

Dimensions / Data

30" x 48" Flared Wall Style FRP (Nestable) Assembly (Continued)

Penta Head Bolts are Standard

Boxes

DESCRIPTION	DEPTH	TIER	DESIGN / TEST LOAD #	WEIGHT #	PALLET QTY	PART NO.
Standard Open Bottom	18"	8	8,000 / 12,000	145	5	B10304818A
	24"		8,000 / 12,000	155	5	B10304824A
	30"		8,000 / 12,000	175	5	B10304830A
	36"		8,000 / 12,000	190	4	B10304836A
	18"	15	15,000 / 22,500	150	5	B12304818A
	24"		15,000 / 22,500	160	5	B12304824A
	30"		15,000 / 22,500	180	5	B12304830A
	36"		15,000 / 22,500	200	4	B12304836A
	18"	22	22,500 / 33,750	150	5	B19304818A
	24"		22,500 / 33,750	160	5	B19304824A
	30"		22,500 / 33,750	180	5	B19304830A
	36"		22,500 / 33,750	200	4	B19304836A

To order boxes with 2 standard mouseholes, replace the last character with "M".
 To order gasketed boxes, replace the last character with "G".
 Gaskets reduce the inflow of fluids but do not make the enclosure water tight. One piece covers are recommended when using gaskets.
 NOTE: Cover rating cannot exceed box rating.

Extensions

DESCRIPTION	DEPTH	TIER	DESIGN / TEST LOAD #	WEIGHT #	PALLET QTY	PART NO.
8" - Tier 8	8"	8	8,000 / 12,000	55	5	E00304808A
8" - Tier 15	8"	15	15,000 / 22,500	65	5	E02304808A
16" - Tier 8	16"	8	8,000 / 12,000	100	3	E00304816A
16" - Tier 15	16"	15	15,000 / 22,500	110	3	E02304816A

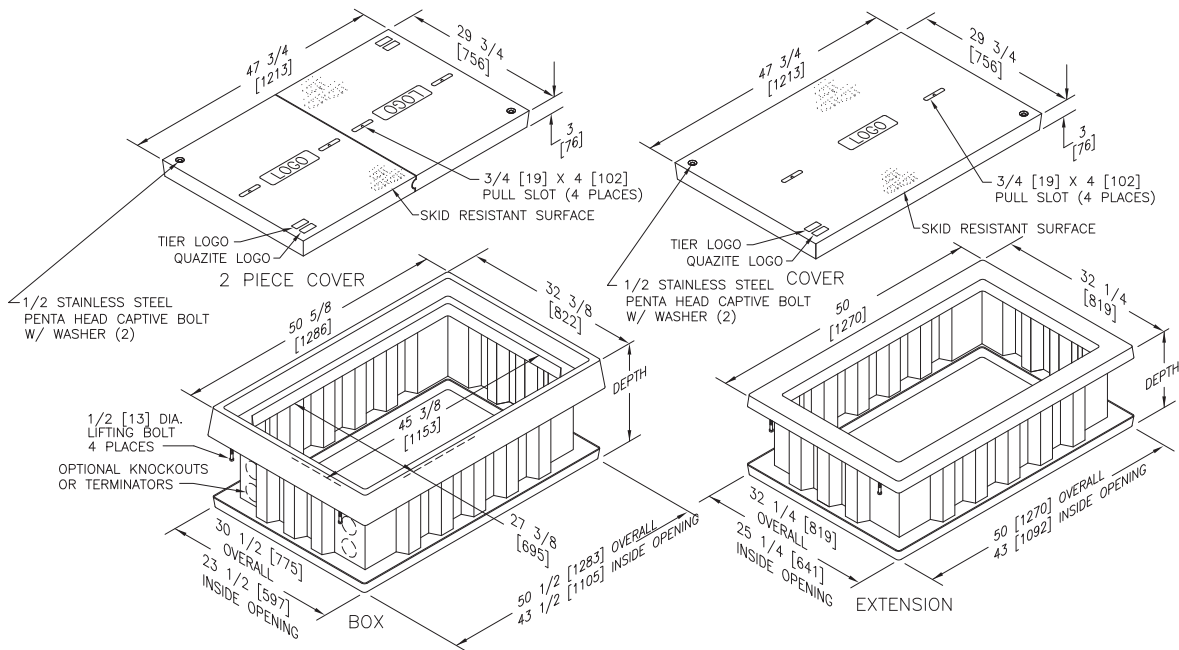
NOTE: Cover rating cannot exceed box rating.

ENCLOSURE DRAWINGS

Dimensions / Data

30" x 48" Corrugated Wall Style Assembly

Penta Head Bolts are Standard



Covers

DESCRIPTION	TIER	DESIGN / TEST LOAD #	WEIGHT #	PALLET QTY	PART NO.
2 piece w/2 bolts	8	8,000 / 12,000	165	3	C1A304803A***
2 piece w/no bolts	8	8,000 / 12,000	165	3	C0A304803A***
2 piece w/2 bolts	15	15,000 / 22,500	220	3	C1B304803A***
2 piece w/2 bolts	22	22,500 / 33,750	225	3	C1C304803A***
1 piece w/2 bolts	8	8,000 / 12,000	165	3	C1A304803V***
1 piece w/2 bolts	15	15,000 / 22,500	225	3	C1B304803V***
No Bolts, W/CI Reader, Over 90	5	5,000 / 7,500	168	3	C0E304802E009
No Bolts, W/CI Reader, Under 90	5	5,000 / 7,500	168	3	C0E304802F009
W/2 Bolts, W/CI Reader, Over 90	5	5,000 / 7,500	168	3	C1E304802E009
W/2 Bolts, W/CI Reader, Under 90	5	5,000 / 7,500	168	3	C1E304802F009

Replace *** with a logo code found on page 18.

ENCLOSURE DRAWINGS

Dimensions / Data

30" x 48" Corrugated Wall Style Assembly (Continued)

Penta Head Bolts are Standard

Boxes						
DESCRIPTION	DEPTH	TIER	DESIGN / TEST LOAD #	WEIGHT #	PALLET QTY	PART NO.
Standard Open Bottom	18"	8	8,000 / 12,000	190	1	B1A304818A
	24"		8,000 / 12,000	199	1	B1A304824A
	30"		8,000 / 12,000	209	1	B1A304830A
	36"		8,000 / 12,000	218	1	B1A304836A
	48"		8,000 / 12,000	236	1	B1A304848A
Standard Open Bottom	18"	15	15,000 / 22,500	190	1	B1B304818A
	24"		15,000 / 22,500	199	1	B1B304824A
	30"		15,000 / 22,500	209	1	B1B304830A
	36"		15,000 / 22,500	218	1	B1B304836A
	48"		15,000 / 22,500	236	1	B1B304848A
Standard Open Bottom	18"	22	22,500 / 33,750	190	1	B1C304818A
	24"		22,500 / 33,750	199	1	B1C304824A
	30"		22,500 / 33,750	209	1	B1C304830A
	36"		22,500 / 33,750	218	1	B1C304836A
	48"		22,500 / 33,750	236	1	B1C304848A

To order boxes with an integral bottom, replace the last character with "B".
 To order gasketed boxes, replace the last character with "G".
 To order adjust-to-grade boxes, replace the last character with "W".
 Gaskets reduce the inflow of fluids but do not make the enclosure water tight. One piece covers are recommended when using gaskets.
 NOTE: Cover rating cannot exceed box rating.

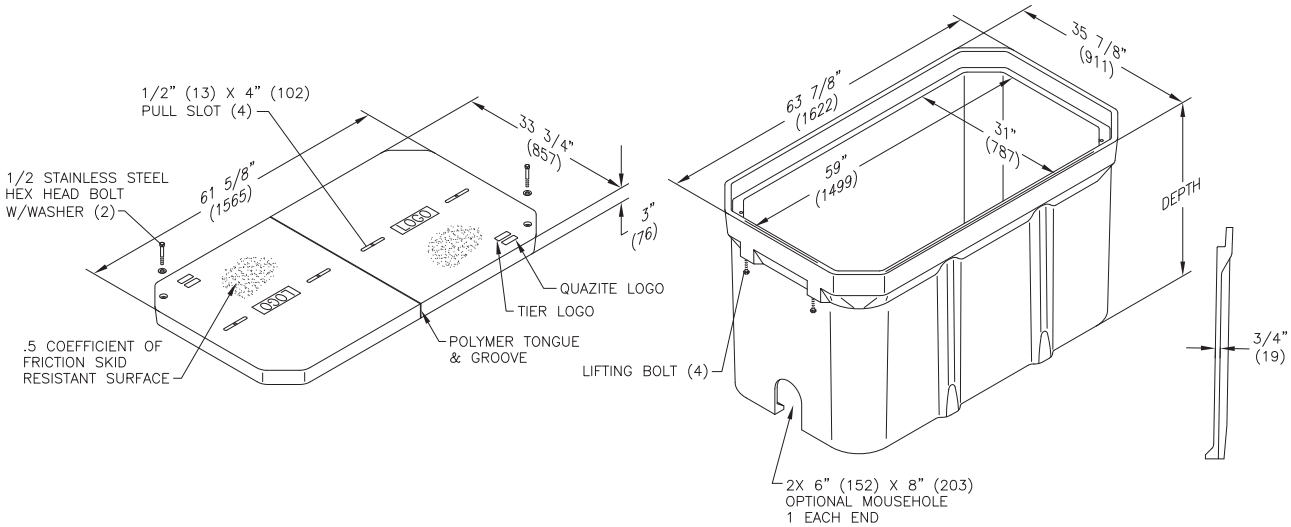
Extensions						
DESCRIPTION	DEPTH	TIER	DESIGN / TEST LOAD #	WEIGHT #	PALLET QTY	PART NO.
Standard Open Bottom	8"	8	8,000 / 12,000	105	1	E0A304808A
	12"		8,000 / 12,000	111	1	E0A304812A
	18"		8,000 / 12,000	120	1	E0A304818A
	24"		8,000 / 12,000	129	1	E0A304824A
Standard Open Bottom	8"	15	15,000 / 22,500	105	1	E0B304808A
	12"		15,000 / 22,500	111	1	E0B304812A
	18"		15,000 / 22,500	120	1	E0B304818A
	24"		15,000 / 22,500	129	1	E0B304824A
Standard Open Bottom	8"	22	22,500 / 33,750	105	1	E0C304808A
	12"		22,500 / 33,750	111	1	E0C304812A
	18"		22,500 / 33,750	120	1	E0C304818A
	24"		22,500 / 33,750	129	1	E0C304824A

ENCLOSURE DRAWINGS

Dimensions / Data

30" x 60" PG Style Polymer Concrete (Stackable) Assembly

Hex Head Bolts are Standard



Covers

DESCRIPTION	TIER	DESIGN / TEST LOAD #	WEIGHT #	PALLET QTY	PART NO.
Lightweight 2 Bolts	5	5,000 / 7,500	228	10	LG3060CA00**
W/ 2 Bolts	15	15,000 / 22,500	346	10	PG3060HA00**
W/ 2 Bolts	22	22,500 / 33,750	368	10	PG3060HH00**
Lightweight No bolts	5	5,000 / 7,500	228	10	LG3060WA00**

Replace ** with a logo code found on page 18.

Boxes (Box depths 30" and 36" must be used as bottom of any stack)

DESCRIPTION	DEPTH	TIER	DESIGN / TEST LOAD #	WEIGHT #	PALLET QTY	PART NO.
Standard Open Bottom	21"	22	22,500 / 33,750	350	4	PG3060BA21
	30"		22,500 / 33,750	492	3	PG3060BA30
	36"		22,500 / 33,750	565	2	PG3060BA36
Solid Bottom	21 1/2"	22	22,500 / 33,750	420	4	PG3060DA21
	30 1/2"		22,500 / 33,750	532	3	PG3060DA30
	36 1/2"		22,500 / 33,750	601	2	PG3060DA36

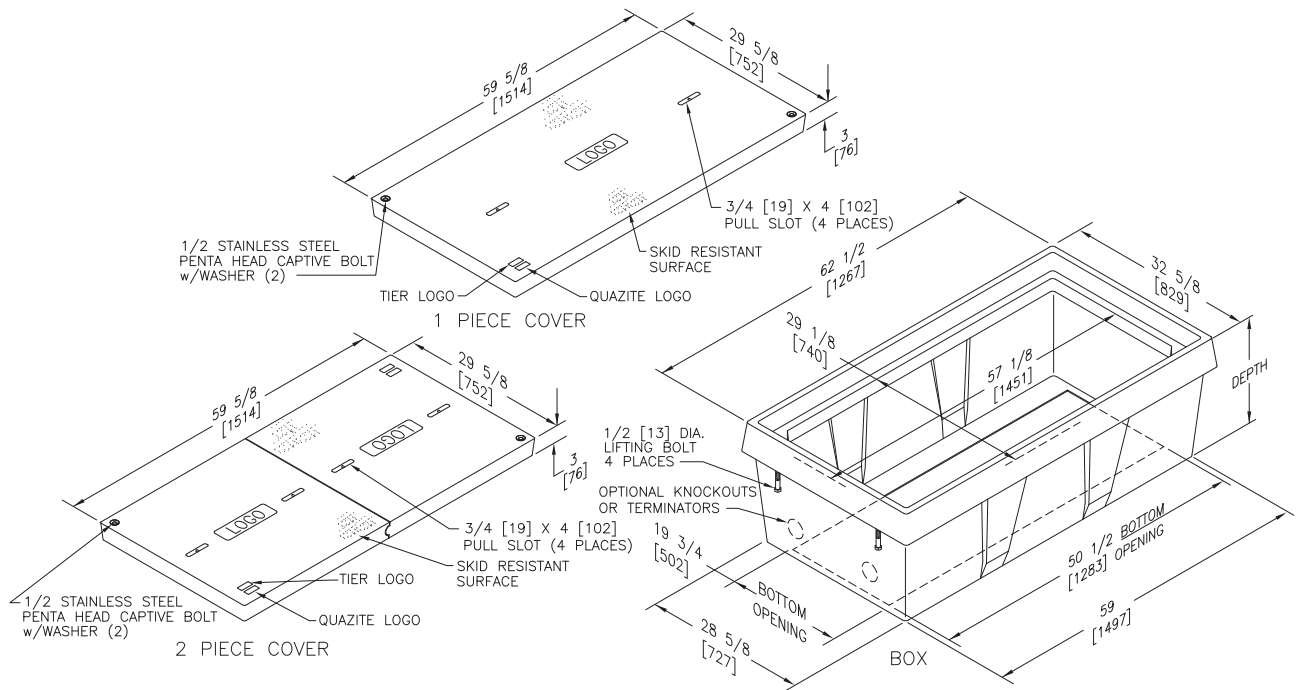
To order boxes with 2 standard mouseholes, replace the letter "A" with the letter "B".

ENCLOSURE DRAWINGS

Dimensions / Data

30" x 60" FRP Straight Wall

Penta Head Bolts are Standard



ENCLOSURE DRAWINGS

Covers

DESCRIPTION	TIER	DESIGN / TEST LOAD #	WEIGHT #	PALLET QTY	PART NO.
2 Piece W/ 2 Bolts	8	8,000 / 12,000	208	10	C1A306003A***
2 Piece W/ 2 Bolts	15	15,000 / 22,500	268	10	C1B306003A***
2 Piece No Bolts	8	8,000 / 12,000	208	10	COA306003A***
2 Piece W/ 2 Bolts	22	22,500 / 33,750	268	10	C1C306003A***
1 Piece W/ 2 Bolts	8	8,000 / 12,000	208	10	C1A306003Y***
1 Piece W/ 2 Bolts	15	15,000 / 22,500	268	10	C1B306003Y***
W/2 Bolts, W/CI Reader, Over 90	5	5,000 / 7,500	211	10	C1E306003E009
W/2 Bolts, W/CI Reader, Under 90	5	5,000 / 7,500	211	10	C1E306003F009

Replace *** with a logo code found on page 18.

Dimensions / Data

30" x 60" FRP Straight Wall (Continued)

Penta Head Bolts are Standard

Boxes

DESCRIPTION	DEPTH	TIER	DESIGN / TEST LOAD #	WEIGHT #	PALLET QTY	PART NO.
Standard Open Bottom	18"	8	8,000 / 12,000	195	1	B13306018A
	30"		8,000 / 12,000	220	1	B13306030A
	36"		8,000 / 12,000	235	1	B13306036A
	48"		8,000 / 12,000	255	1	B13306048A
	18"	15	15,000 / 22,500	251	1	B14306018A
	30"		15,000 / 22,500	271	1	B14306030A
	36"		15,000 / 22,500	286	1	B14306036A
	48"		15,000 / 22,500	306	1	B14306048A
	18"	22	22,500 / 33,750	251	1	B16306018A
	30"		22,500 / 33,750	271	1	B16306030A
	36"		22,500 / 33,750	286	1	B16306036A
	48"		22,500 / 33,750	306	1	B16306048A
Solid Bottom	18"	8	8,000 / 12,000	210	1	B13306018B
	30"		8,000 / 12,000	235	1	B13306030B
	36"		8,000 / 12,000	250	1	B13306036B
	48"		8,000 / 12,000	270	1	B13306048B
	18"	15	15,000 / 22,500	266	1	B14306018B
	30"		15,000 / 22,500	286	1	B14306030B
	36"		15,000 / 22,500	301	1	B14306036B
	48"		15,000 / 22,500	321	1	B14306048B
	18"	22	22,500 / 33,750	266	1	B16306018B
	30"		22,500 / 33,750	286	1	B16306030B
	36"		22,500 / 33,750	301	1	B16306036B
	48"		22,500 / 33,750	321	1	B16306048B

To order boxes with 2 standard mouseholes, replace the last character with "M".

To order gasketed boxes, replace the last character with "G".

NOTE: Gasket reduce the inflow of fluids but do not make the enclosure water tight.

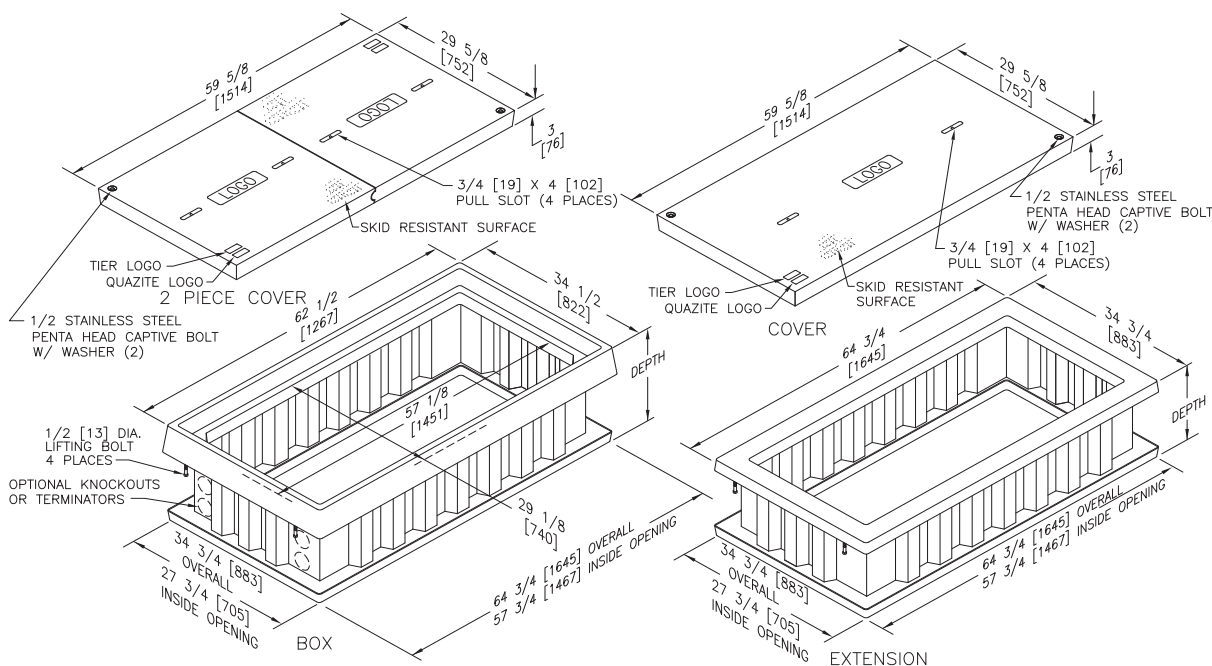
NOTE: Cover rating cannot exceed box rating.

ENCLOSURE DRAWINGS

Dimensions / Data

30" x 60" Corrugated Wall Style Assembly

Penta Head Bolts are Standard



Covers

DESCRIPTION	TIER	DESIGN / TEST LOAD #	WEIGHT #	PALLET QTY	PART NO.
2 piece w/2 bolts	8	8,000 / 12,000	208	1	C1A306003A***
2 piece w/no bolts	8	8,000 / 12,000	208	1	COA306003A***
2 piece w/2 bolts	15	15,000 / 22,500	268	1	C1B306003A***
2 piece w/2 bolts	22	22,500 / 33,750	268	1	C1C306003A***
1 piece w/2 bolts	8	8,000 / 12,000	208	1	C1A306003Y***
1 piece w/2 bolts	15	15,000 / 22,500	268	1	C1B306003Y***
W/2 Bolts, W/CI Reader, Over 90	5	5,000 / 7,500	211	1	C1E306003E009
W/2 Bolts, W/CI Reader, Under 90	5	5,000 / 7,500	211	1	C1E306003F009

Replace *** with a logo code found on page 18.

Penta Head Bolts are Standard

Boxes						
DESCRIPTION	DEPTH	TIER	DESIGN / TEST LOAD #	WEIGHT #	PALLET QTY	PART NO.
Standard Open Bottom	18"	8	8,000 / 12,000	229	1	B1A306018A
	24"		8,000 / 12,000	240	1	B1A306024A
	30"		8,000 / 12,000	251	1	B1A306030A
	36"		8,000 / 12,000	263	1	B1A306036A
	48"		8,000 / 12,000	286	1	B1A306048A
Standard Open Bottom	18"	15	15,000 / 22,500	229	1	B1B306018A
	24"		15,000 / 22,500	240	1	B1B306024A
	30"		15,000 / 22,500	251	1	B1B306030A
	36"		15,000 / 22,500	263	1	B1B306036A
	48"		15,000 / 22,500	286	1	B1B306048A
Standard Open Bottom	18"	22	22,500 / 33,750	229	1	B1C306018A
	24"		22,500 / 33,750	240	1	B1C306024A
	30"		22,500 / 33,750	251	1	B1C306030A
	36"		22,500 / 33,750	263	1	B1C306036A
	48"		22,500 / 33,750	286	1	B1C306048A

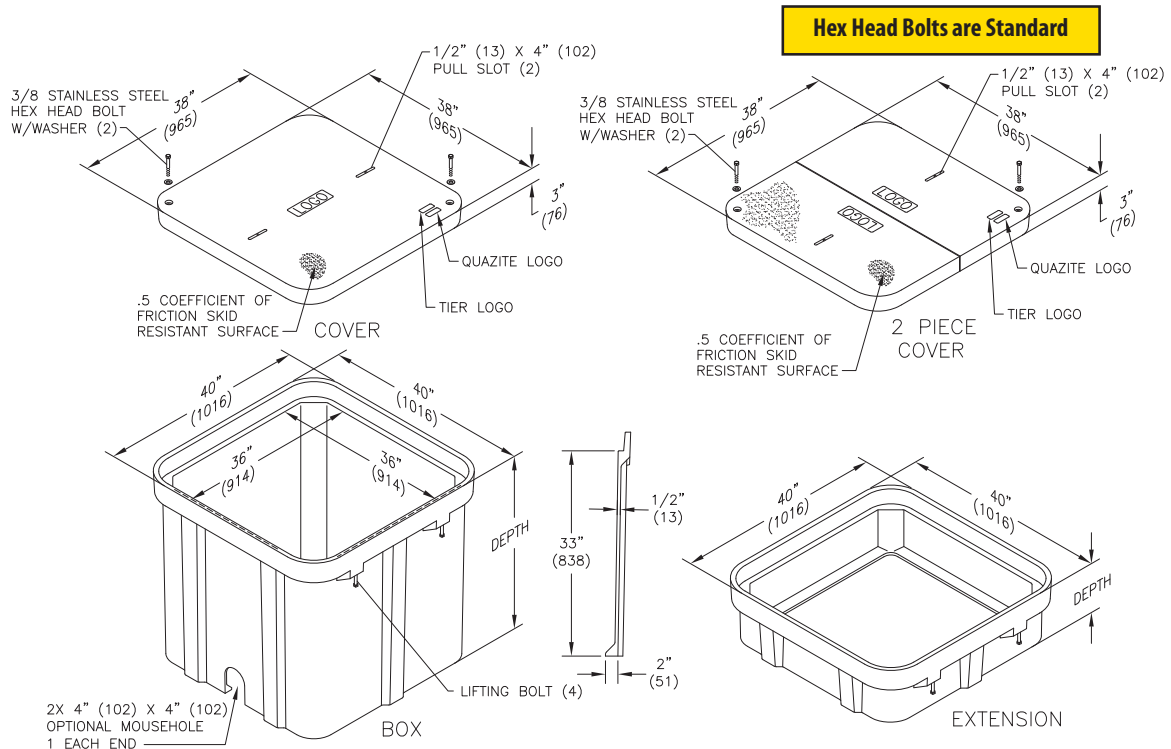
To order boxes with an integral bottom, replace the last character with "B".
 To order adjust-to-grade boxes, replace the last character with "W".
 NOTE: Cover rating cannot exceed box rating.

Extensions						
DESCRIPTION	DEPTH	TIER	DESIGN / TEST LOAD #	WEIGHT #	PALLET QTY	PART NO.
Standard Open Bottom	8"	8	8,000 / 12,000	131	1	E0A306008A
	12"		8,000 / 12,000	139	1	E0A306012A
	18"		8,000 / 12,000	150	1	E0A306018A
	24"		8,000 / 12,000	161	1	E0A306024A
Standard Open Bottom	8"	15	15,000 / 22,500	131	1	E0B306008A
	12"		15,000 / 22,500	139	1	E0B306012A
	18"		15,000 / 22,500	150	1	E0B306018A
	24"		15,000 / 22,500	161	1	E0B306024A
Standard Open Bottom	8"	22	22,500 / 33,750	131	1	E0C306008A
	12"		22,500 / 33,750	139	1	E0C306012A
	18"		22,500 / 33,750	150	1	E0C306018A
	24"		22,500 / 33,750	161	1	E0C306024A

ENCLOSURE DRAWINGS

Dimensions / Data

36" x 36" PG Style Polymer Concrete (Stackable) Assembly



Covers

	DESCRIPTION	TIER	DESIGN / TEST LOAD #	WEIGHT #	PALLET QTY	PART NO.
UL	W/ 2 Bolts	8	8,000 / 12,000	174	10	PG3636CA00**
	2 piece w/2 Bolts	8	8,000 / 12,000	220	10	PG3636CS00**
UL	W/ 2 Bolts	15	15,000 / 22,500	220	10	PG3636HA00**
UL	2 piece w/2 Bolts	15	15,000 / 22,500	220	10	PG3636HS00**
UL	W/ 2 Bolts	22	22,500 / 33,750	330	10	PG3636HH00**
UL	No Bolts	8	8,000 / 12,000	174	10	PG3636WA00**

To order gasketed covers, replace the letter "A" with the letter "G".

Replace ** with a logo code found on page 18.

NOTE: Gasketed covers and bolt grommets must be used with a gasketed box. Gaskets reduce the inflow of fluids but do not make the enclosure water tight.

Boxes

	DESCRIPTION	DEPTH	TIER	DESIGN / TEST LOAD #	WEIGHT #	PALLET QTY	PART NO.
UL	Standard Open Bottom	36"	22	22,500 / 33,750	367	2	PG3636BA36
UL	Solid Bottom	36 1/2"		22,500 / 33,750	407	2	PG3636DA36

To order boxes with 2 standard mouseholes, replace the letter "A" with the letter "B".

To order gasketed boxes, replace the letter "A" with the letter "G".

NOTE: Gasketed covers and bolt grommets must be used with a gasketed box. Gaskets reduce the inflow of fluids but do not make the enclosure water tight.

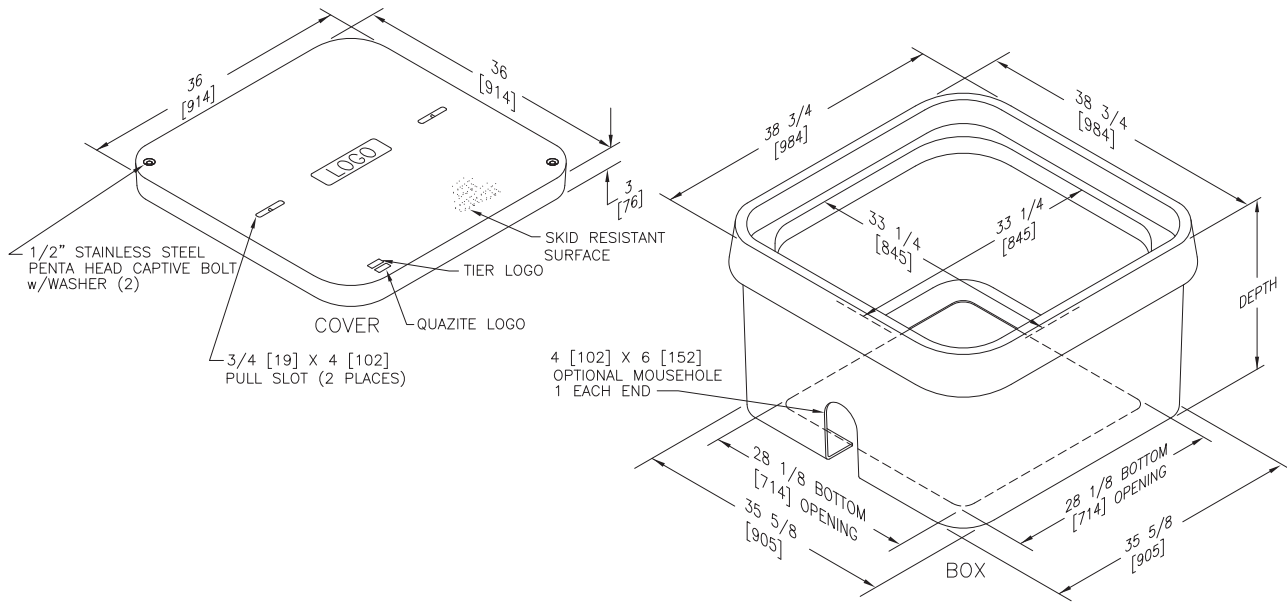
Top Extensions

	DESCRIPTION	DEPTH	TIER	DESIGN / TEST LOAD #	WEIGHT #	PALLET QTY	PART NO.
	Open bottom	12"	22	22,500 / 33,750	129	6	PG3636EA12

Dimensions / Data

36" x 36" FRP Straight Wall

Penta Head Bolts are Standard



ENCLOSURE DRAWINGS

Covers

DESCRIPTION	TIER	DESIGN / TEST LOAD #	WEIGHT #	PALLET QTY	PART NO.
W/ 2 Bolts	8	8,000 / 12,000	140	50	C10363603A***
W/ 2 Bolts	15	15,000 / 22,500	170	50	C12363603A***
No Bolts	8	8,000 / 12,000	140	50	C00363603A***
W/ 2 Bolts	22	22,500 / 33,750	170	50	C16363603A***

Replace *** with a logo code found on page 18.

Dimensions / Data

36" x 36" FRP Straight Wall (Continued)

Penta Head Bolts are Standard

Boxes

DESCRIPTION	DEPTH	TIER	DESIGN / TEST LOAD #	WEIGHT #	PALLET QTY	PART NO.
Standard Open Bottom	18"	8	8,000 / 12,000	130	10	B13363618A
	24"		8,000 / 12,000	140	10	B13363624A
	30"		8,000 / 12,000	150	10	B13363630A
	36"		8,000 / 12,000	160	10	B13363636A
	48"		8,000 / 12,000	180	10	B13363648A
	18"	15	15,000 / 22,500	140	10	B14363618A
	24"		15,000 / 22,500	150	10	B14363624A
	30"		15,000 / 22,500	160	10	B14363630A
	36"		15,000 / 22,500	165	10	B14363636A
	48"		15,000 / 22,500	185	10	B14363648A
	18"	22	22,500 / 33,750	140	10	B16363618A
	24"		22,500 / 33,750	150	10	B16363624A
	30"		22,500 / 33,750	160	10	B16363630A
	36"		22,500 / 33,750	165	10	B16363636A
	48"		22,500 / 33,750	185	10	B16363648A
Solid Bottom	18"	8	8,000 / 12,000	140	10	B13363618B
	24"		8,000 / 12,000	150	10	B13363624B
	30"		8,000 / 12,000	160	10	B13363630B
	36"		8,000 / 12,000	170	10	B13363636B
	48"		8,000 / 12,000	190	10	B13363648B
	18"	15	15,000 / 22,500	150	10	B14363618B
	24"		15,000 / 22,500	160	10	B14363624B
	30"		15,000 / 22,500	170	10	B14363630B
	36"		15,000 / 22,500	175	10	B14363636B
	48"		15,000 / 22,500	195	10	B14363648B
	18"	22	22,500 / 33,750	150	10	B16363618B
	24"		22,500 / 33,750	160	10	B16363624B
	30"		22,500 / 33,750	170	10	B16363630B
	36"		22,500 / 33,750	175	10	B16363636B
	48"		22,500 / 33,750	195	10	B16363648B

To order boxes with 2 standard mouseholes, replace the last character with "M".

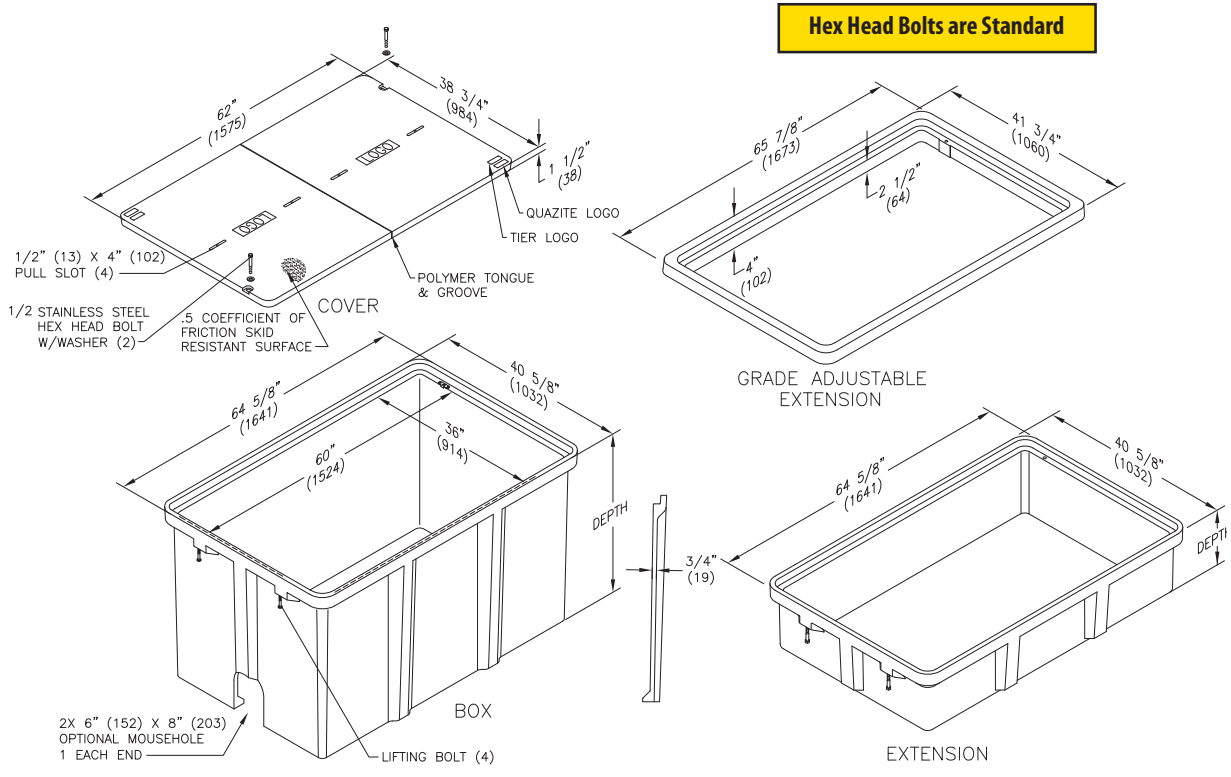
To order gasketed boxes, replace the last character with "G".

NOTE: Gasket reduce the inflow of fluids but do not make the enclosure water tight.

NOTE: Cover rating cannot exceed box rating.

Dimensions / Data

36" x 60" PG Style Polymer Concrete (Stackable) Assembly



Covers

DESCRIPTION	TIER	DESIGN / TEST LOAD #	WEIGHT #	PALLET QTY	PART NO.
Lightweight 2 Bolts	5	5,000 / 7,500	222	10	LG3660CA00**
W/ 2 Bolts	15	15,000 / 22,500	384	10	PG3660HA00**
W/ 2 Bolts	22	22,500 / 33,750	470	10	PG3660HH00**
Lightweight No bolts	5	5,000 / 7,500	222	10	LG3660WA00**

Replace ** with a logo code found on page 18.

Boxes (Box depths 31" and 36" must be used as bottom of any stack)

DESCRIPTION	DEPTH	TIER	DESIGN / TEST LOAD #	WEIGHT #	PALLET QTY	PART NO.
Standard Open Bottom	19"	22	22,500 / 33,750	381	4	PG3660BA19
	24"		22,500 / 33,750	397	3	PG3660BA24
	31"		22,500 / 33,750	481	2	PG3660BA31
	36"		22,500 / 33,750	647	2	PG3660BA36
Solid Bottom	19 1/2"	22	22,500 / 33,750	479	4	PG3660DA19
	24 1/2"		22,500 / 33,750	495	3	PG3660DA24
	31 1/2"		22,500 / 33,750	590	2	PG3660DA31
	36 1/2"		22,500 / 33,750	738	2	PG3660DA36

To order boxes with 2 standard mouseholes, replace the letter "A" with the letter "B".

ENCLOSURE DRAWINGS

Dimensions / Data 36" x 60" PG Style Polymer Concrete (Stackable) Assembly (Continued)

Grade Adjustable Extension

DESCRIPTION	DEPTH	TIER	DESIGN / TEST LOAD #	WEIGHT #	PALLET QTY	PART NO.
Top extension	2 1/2"	22	22,500 / 33,750	116	6	PG3660ED03

Bottom Extensions

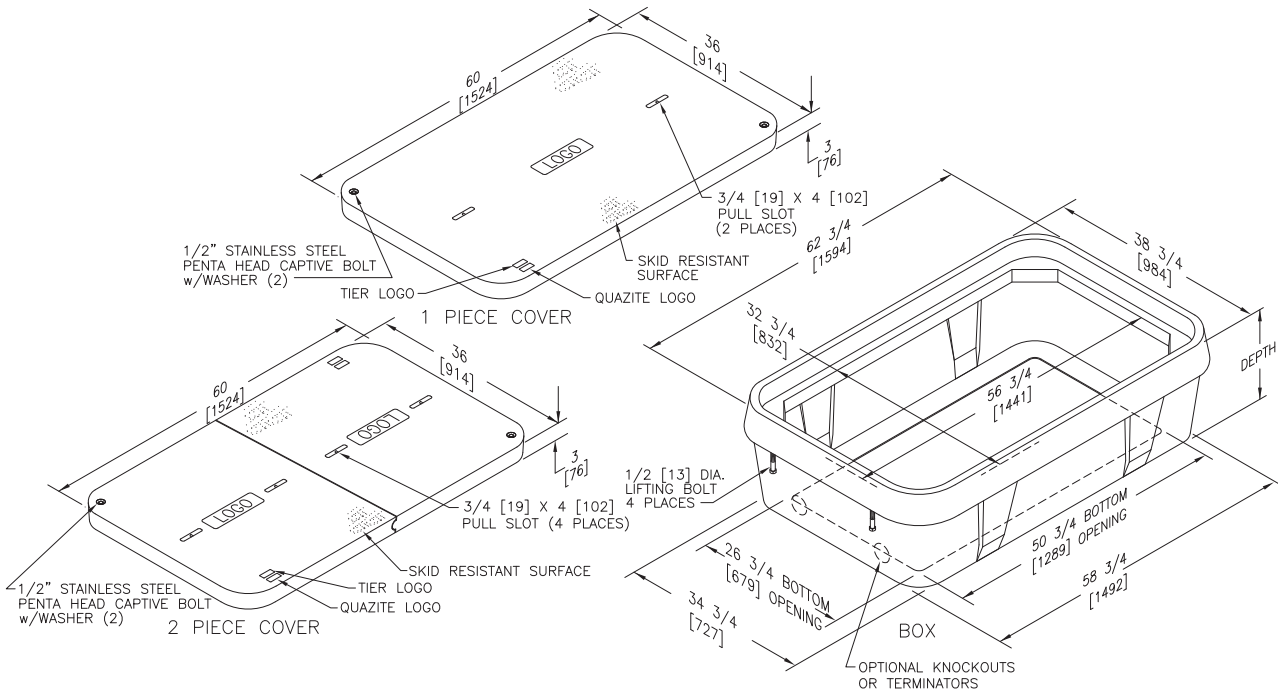
DESCRIPTION	DEPTH	TIER	DESIGN / TEST LOAD #	WEIGHT #	PALLET QTY	PART NO.
Open bottom	11 1/2"	22	22,500 / 33,750	200	6	PG3660EA12



Dimensions / Data

36" x 60" FRP Straight Wall

Penta Head Bolts are Standard



ENCLOSURE DRAWINGS

Covers

DESCRIPTION	TIER	DESIGN / TEST LOAD #	WEIGHT #	PALLET QTY	PART NO.
2 Piece W/ 2 Bolts	8	8,000 / 12,000	273	10	C10366003A***
2 Piece W/ 2 Bolts	15	15,000 / 22,500	333	10	C12366003A***
2 Piece No Bolts	8	8,000 / 12,000	273	10	C00366003A***
2 Piece W/ 2 Bolts	22	22,500 / 33,750	333	10	C16366003A***
1 Piece W/ 2 Bolts	8	8,000 / 12,000	273	10	C10366003Y***
1 Piece W/ 2 Bolts	15	15,000 / 22,500	333	10	C12366003Y***

Replace *** with a logo code found on page 18.

Dimensions / Data

36" x 60" FRP Straight Wall (Continued)

Penta Head Bolts are Standard

Boxes

DESCRIPTION	DEPTH	TIER	DESIGN / TEST LOAD #	WEIGHT #	PALLET QTY	PART NO.
Standard Open Bottom	18"	8	8,000 / 12,000	212	1	B13366018A
	24"		8,000 / 12,000	222	1	B13366024A
	30"		8,000 / 12,000	236	1	B13366030A
	36"		8,000 / 12,000	260	1	B13366036A
	48"		8,000 / 12,000	308	1	B13366048A
	18"	15	15,000 / 22,500	237	1	B14366018A
	24"		15,000 / 22,500	247	1	B14366024A
	30"		15,000 / 22,500	261	1	B14366030A
	36"		15,000 / 22,500	285	1	B14366036A
	48"		15,000 / 22,500	333	1	B14366048A
	18"	22	22,500 / 33,750	237	1	B16366018A
	24"		22,500 / 33,750	247	1	B16366024A
	30"		22,500 / 33,750	261	1	B16366030A
	36"		22,500 / 33,750	285	1	B16366036A
	48"		22,500 / 33,750	333	1	B16366048A
Solid Bottom	18"	8	8,000 / 12,000	230	1	B13366018B
	24"		8,000 / 12,000	240	1	B13366024B
	30"		8,000 / 12,000	254	1	B13366030B
	36"		8,000 / 12,000	278	1	B13366036B
	48"		8,000 / 12,000	326	1	B13366048B
	18"	15	15,000 / 22,500	255	1	B14366018B
	24"		15,000 / 22,500	265	1	B14366024B
	30"		15,000 / 22,500	279	1	B14366030B
	36"		15,000 / 22,500	303	1	B14366036B
	48"		15,000 / 22,500	351	1	B14366048B
	18"	22	22,500 / 33,750	255	1	B16366018B
	24"		22,500 / 33,750	265	1	B16366024B
	30"		22,500 / 33,750	279	1	B16366030B
	36"		22,500 / 33,750	303	1	B16366036B
	48"		22,500 / 33,750	351	1	B16366048B

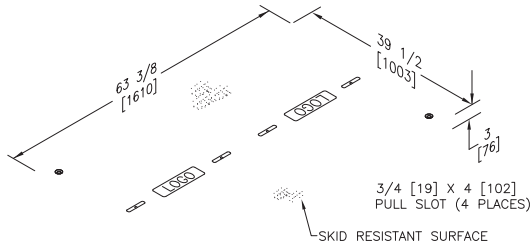
To order boxes with 2 standard mouseholes, replace the last character with "M".
 To order gasketed boxes, replace the last character with "G".
 NOTE: Gasket reduce the inflow of fluids but do not make the enclosure water tight.
 NOTE: Cover rating cannot exceed box rating.

ENCLOSURE DRAWINGS

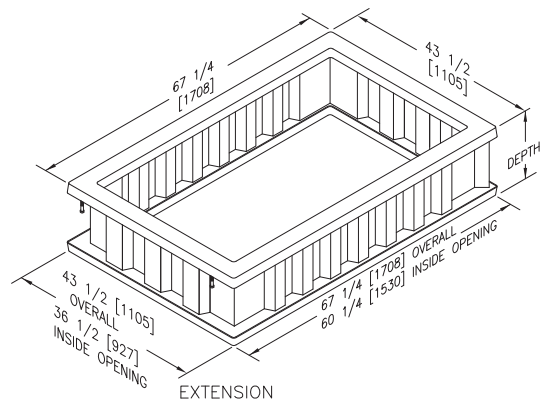


Dimensions / Data

36" x 60" Corrugated Wall Style Assembly



2 PIECE COVER



ENCLOSURE DRAWINGS

Covers

DESCRIPTION	TIER	DESIGN / TEST LOAD #	WEIGHT #	PALLET QTY	PART NO.
2 Piece W/ 2 Bolts	8	8,000 / 12,000	273	1	C1A366003A***
2 Piece No Bolts	8	8,000 / 12,000	273	1	COA366003A***
2 Piece W/ 2 Bolts	15	15,000 / 22,500	333	1	C1B366003A***
2 Piece W/ 2 Bolts	22	22,500 / 33,750	333	1	C1C366003A***
1 Piece w/2 Bolts	8	8,000 / 12,000	273	1	C1A366003Y***
1 Piece w/2 Bolts	15	15,000 / 22,500	333	1	C1B366003Y***