

Corrosion-Resistant Enclosures

Isolating critical controls from harsh environments is a job no one performs better than Hoffman. Select from a wide variety of materials, sizes, and designs to meet your specifications. From food and beverage packaging to pharmaceutical and cleanroom environments and from water treatment applications to petrochemical, Hoffman's innovative enclosure solutions ensure reliable performance in a range of extreme conditions.



Corrosion-Resistant Enclosures

INDEX

Aluminum

Clamp Cover Type 4X NFAL Junction Boxes	CR-152
COMLINE® Wall-Mounted Enclosure Accessories	CR-158
COMLINE® Wall-Mounted Enclosures	CR-156
COMPACT® Type 4X Enclosure Accessories	CR-148
COMPACT® Type 4X Enclosures	CR-146
Continuous Hinge CHAL Junction Boxes	CR-150
Continuous Hinge Type 4X Enclosures	CR-154

Nonmetallic

Fiberglass Enclosure Accessories, ULTRX®	CR-194
Fiberglass Enclosures, ULTRX® Type 4X	CR-192
Fiberglass Hinged Cover Type 4X Enclosures	CR-168
Fiberglass Single-Door Free-Standing Type 4X Enclosures	CR-198
Fiberglass Two-Door Free-Standing Type 4X Enclosures	CR-202
Fiberglass Type 4X Enclosures for Flange-Mounted Disconnects	CR-188
Fiberglass Type 4X Overlapping Cover Enclosures	CR-172
Fiberglass Type 4X Small Enclosures	CR-164
Fiberglass Type 4X Wall-Mounted Enclosures	CR-184
Fiberglass Type 4X Wall-Mounted Enclosures with 3-Point Latch	CR-182
Polyester Enclosures, PolyPro™ Type 4X	CR-160
QLINE® D Polycarbonate and ABS Enclosure Accessories	CR-210
QLINE® D Polycarbonate and ABS Enclosures Selection Matrix	CR-212
QLINE® D Polycarbonate and ABS Type 4X and Type 6 Enclosures	CR-206
QLINE® D Polycarbonate Type 4X Pushbutton Enclosures	CR-204
QLINE® E Polycarbonate and ABS Type 4X and Type 6 Enclosures	CR-214
QLINE® E Polycarbonate Enclosure Accessories	CR-218
QLINE® I Polycarbonate and ABS Type 4X Enclosures	CR-220
QLINE® I Polycarbonate Enclosure Accessories	CR-228

Stainless Steel

Cable Tray	CR-134
Ceiling Mount Enclosures	CR-6
Clamp Cover Type 4X NFSS Junction Boxes	CR-4
CONCEPT® Console	CR-24
CONCEPT® Type 4X Disconnect Wall-Mounted Enclosure	CR-54
CONCEPT® Type 4X Wall-Mounted Enclosures	CR-36
CONCEPT® Type 4X Wall-Mounted Enclosures with Additional Latches	CR-32
Consolets	CR-22

Continuous Hinge Type 4X CHNFSS Junction Boxes	CR-2
Disconnect Enclosure Accessories	CR-118
Flange-Mounted Disconnects, Heavy-Duty Free-Standing Type 4X Enclosures for	CR-108
Flange-Mounted Disconnects, Two-Door Type 4X Enclosures for	CR-98
Floor-Mounted Two-Door Type 4X General Purpose Enclosures	CR-76
Floor-Mounted Type 12 Two-Door Enclosures	CR-78
Floor-Mounted Type 4X Disconnect Enclosures, General Purpose Two-Door	CR-104
Flush-Mount Pharmaceutical Enclosures, PharmaPro™	CR-8
Free-Standing One- and Two-Door Type 4X Enclosures with Three-Point Latch	CR-82
Free-Standing Type 12 Enclosures	CR-88
Free-Standing Type 12 Enclosures Accessory Selection Guide	CR-90
Free-Standing Type 4X Enclosures	CR-80
INLINE® Instrumentation Enclosure Accessories	CR-16
INLINE® Instrumentation Enclosures	CR-12
INLINE® Landscape Instrumentation Enclosure Accessories	CR-20
INLINE® Landscape Instrumentation Enclosures	CR-18
PROLINE® Operator Interface Enclosures	CR-120
PROLINE-PC Package	CR-126
PROLINE-SY Package	CR-130
Pushbutton Enclosures, 30.5mm and 22.5mm	CR-28
Pushbutton Enclosures, Extra-Deep 22.5mm	CR-30
Pushbutton Enclosures, Extra-Deep 30.5 mm	CR-26
Replacement Doors with POWERGLIDE® Handle for Type 4X Wall-Mounted Enclosures	CR-52
Two-Door Floor-Mounted Type 4X Enclosures	CR-74
Two-Door Floor-Mounted Type 4X Enclosures with 3-Point Latch	CR-72
Two-Door Wall-Mounted Type 12 Enclosures	CR-50
Two-Door Wall-Mounted Type 4X Enclosures	CR-48
Type 4X Enclosures	CR-44
Type 4X Enclosures for Flange-Mounted Disconnects	CR-66
Type 4X Wall-Mounted Enclosures with 3-Point Latch	CR-42
Watershed® Free-Standing Disconnect Enclosures	CR-114
Watershed® Free-Standing Enclosures	CR-96
Watershed® Wall-Mounted Enclosures	CR-70
Watershed® Wall-Mounted Disconnect Enclosures	CR-62

Stainless Steel Continuous Hinge Type 4X CHNFSS Junction Boxes



Application

Provides unmatched protection for housing electrical components in highly corrosive environments. This enclosure is used in indoor and outdoor settings that are frequently wet or have constant exposure to water, other liquids, or contaminants.

Construction

- 16 or 14 gauge Type 304 or 316L stainless steel
- Seams continuously welded and ground smooth; no holes or knockouts
- Seamless foam-in-place gasket assures watertight and dusttight seal
- Stainless steel screws and clamps assure watertight seal
- Door removed by pulling stainless steel continuous hinge pin
- Weldnuts provided for mounting optional panels and terminal block kits
- Bonding provision on door and body

Finish

Enclosures are unpainted. Cover and sides of body have smooth #4 brushed finish. Optional mild steel panels are painted white. Optional conductive panels are available.

Industry Standards

UL 50, File No. E27567: Type 3R, 4, 4X, and 12 (see Table)
UL 508A, File No. E61997: Type 3R, 4, 4X and 12 (see Table)
NEMA/EEMAC Type 3R, 4, 4X, 12, and 13
JIC standard EGP-I-1967
CSA File No. 42184: Type 4, 4X, and 12
IEC 60529, IP66
Meets Type 3RX requirements

Accessories

Corrosion Inhibitors
Fast Operating Junction Box Clamp
Lock Kit
Panels
Swing-Out Panel Kit
Terminal Block Kit Assembly
Window Kit

Modification Services Program

You can customize this product to your unique requirements by specifying from these options:

- Enclosure height, width, depth
- Holes and cutouts in body, doors, subpanels
- Tapped holes in subpanels
- Fasteners, mounting channel in enclosure and subpanel
- Mounting (adds and deletes)
- Doors
- Subpanels
- Windows
- Standard accessories

To order, contact your local Hoffman sales representative.

NOTE: For information about modifications outside the scope of the Modification Services program, contact your Hoffman sales representative.

Standard Sizes Stainless Steel Continuous Hinge Type 4X CHNFSS Junction Boxes

Catalog Number	A x B x C in. (mm)	Type	Body Ga.	Cover Ga.	Steel Panel Catalog Number ^c	Conductive Panel Catalog Number ^c	Panel Size D x E in. (mm)	Mounting G x H in. (mm)	Overall L x W in. (mm)	F in. (mm)	J in. (mm)	N in. (mm)	T in. (mm)	V in. (mm)	Y in. (mm)
A6044CHNFSS ^a	6.00 x 4.00 x 4.00 (152 x 102 x 102)	304	16	16	A6P4	A6P4G	4.88 x 2.88 (124 x 73)	6.75 x 2.00 (171 x 51)	7.50 x 4.94 (191 x 125)	3.50 (89)	3.62 (92)	2.38 (60)	3.00 (76)	0.31 (8)	0.56 (14)
A6044CHNFSS6 ^a	6.00 x 4.00 x 4.00 (152 x 102 x 102)	316L	16	16	A6P4	A6P4G	4.88 x 2.88 (124 x 73)	6.75 x 2.00 (171 x 51)	7.50 x 4.94 (191 x 125)	3.50 (89)	3.62 (92)	2.38 (60)	3.00 (76)	0.3 (8)	0.56 (14)
A606CHNFSS ^b	6.00 x 6.00 x 4.00 (152 x 152 x 102)	304	16	16	A6P6	A6P6G	4.88 x 4.88 (124 x 124)	6.75 x 4.00 (171 x 102)	7.50 x 6.94 (191 x 176)	3.50 (89)	3.62 (92)	2.38 (60)	5.00 (127)	0.31 (8)	0.56 (14)
A606CHNFSS6 ^b	6.00 x 6.00 x 4.00 (152 x 152 x 102)	316L	16	16	A6P6	A6P6G	4.88 x 4.88 (124 x 124)	6.75 x 4.00 (171 x 102)	7.50 x 6.94 (191 x 176)	3.50 (89)	3.62 (92)	2.38 (60)	5.00 (127)	0.31 (8)	0.56 (14)
A8064CHNFSS ^b	8.00 x 6.00 x 4.00 (203 x 152 x 102)	304	14	16	A8P6	A8P6G	6.75 x 4.88 (171 x 124)	8.75 x 4.00 (222 x 102)	9.50 x 6.94 (241 x 176)	3.50 (89)	3.62 (92)	1.38 (35)	5.00 (127)	0.25 (6)	0.62 (16)
A8064CHNFSS6 ^b	8.00 x 6.00 x 4.00 (203 x 152 x 102)	316L	14	16	A8P6	A8P6G	6.75 x 4.88 (171 x 124)	8.75 x 4.00 (222 x 102)	9.50 x 6.94 (241 x 176)	3.50 (89)	3.62 (92)	1.38 (35)	5.00 (127)	0.25 (6)	0.62 (16)
A1008CHNFSS ^b	10.00 x 8.00 x 4.00 (254 x 203 x 102)	304	14	16	A10P8	A10P8G	8.75 x 6.88 (222 x 175)	10.75 x 6.00 (273 x 152)	11.50 x 8.94 (292 x 227)	3.50 (89)	3.62 (92)	1.38 (35)	7.00 (178)	0.25 (6)	0.62 (16)
A1008CHNFSS6 ^b	10.00 x 8.00 x 4.00 (254 x 203 x 102)	316L	14	16	A10P8	A10P8G	8.75 x 6.88 (222 x 175)	10.75 x 6.00 (273 x 152)	11.50 x 8.94 (292 x 227)	3.50 (89)	3.62 (92)	1.38 (35)	7.00 (178)	0.25 (6)	0.62 (16)
A12106CHNFSS ^b	12.00 x 10.00 x 6.00 (305 x 254 x 152)	304	14	16	A12P10	A12P10G	10.75 x 8.88 (273 x 225)	12.75 x 8.00 (324 x 203)	13.50 x 10.94 (343 x 278)	5.50 (140)	5.62 (143)	2.38 (60)	9.00 (229)	0.25 (6)	0.62 (16)
A12106CHNFSS6 ^b	12.00 x 10.00 x 6.00 (305 x 254 x 152)	316L	14	16	A12P10	A12P10G	10.75 x 8.88 (273 x 225)	12.75 x 8.00 (324 x 203)	13.50 x 10.94 (343 x 278)	5.50 (140)	5.62 (143)	2.38 (60)	9.00 (229)	0.25 (6)	0.62 (16)
A1212CHNFSS ^b	12.00 x 12.00 x 6.00 (305 x 305 x 152)	304	14	16	A12P12	A12P12G	10.75 x 10.88 (273 x 276)	12.75 x 10.00 (324 x 254)	13.50 x 12.94 (343 x 329)	5.50 (140)	5.62 (143)	2.38 (60)	11.00 (279)	0.25 (6)	0.62 (16)
A1212CHNFSS6 ^b	12.00 x 12.00 x 6.00 (305 x 305 x 152)	316L	14	16	A12P12	A12P12G	10.75 x 10.88 (273 x 276)	12.75 x 10.00 (324 x 254)	13.50 x 12.94 (343 x 329)	5.50 (140)	5.62 (143)	2.38 (60)	11.00 (279)	0.25 (6)	0.62 (16)

Stainless Steel Continuous Hinge Type 4X CHNFSS Junction Boxes

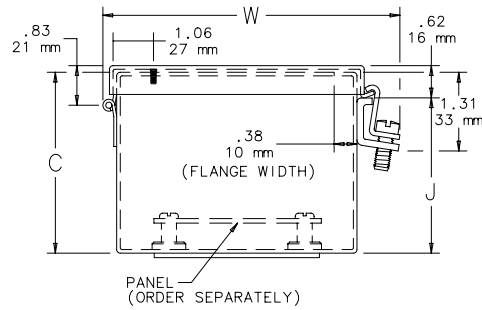
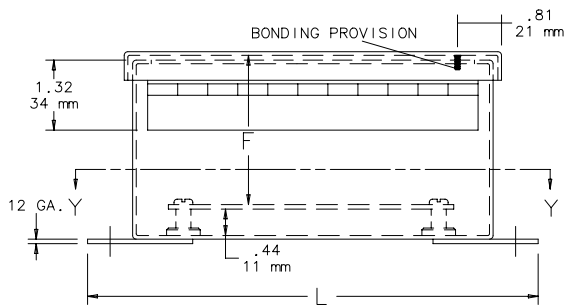
Standard Sizes Stainless Steel Continuous Hinge Type 4X CHNFSS Junction Boxes (Cont.)

Catalog Number	A x B x C in. (mm)	Type	Body Ga.	Cover Ga.	Steel Panel Catalog Number ^c	Conductive Panel Catalog Number ^c	Panel Size D x E in. (mm)	Mounting G x H in. (mm)	Overall L x W in. (mm)	F in. (mm)	J in. (mm)	N in. (mm)	T in. (mm)	V in. (mm)	Y in. (mm)
A1412CHNFSS^b	14.00 x 12.00 x 6.00 (356 x 305 x 152)	304	14	16	A14P12	A14P12G	12.75 x 10.88 (324 x 276)	14.75 x 10.00 (375 x 254)	15.50 x 12.94 (394 x 329)	5.50 (140)	5.62 (143)	2.38 (60)	11.00 (279)	0.25 (6)	0.62 (16)
A1412CHNFSS6^b	14.00 x 12.00 x 6.00 (356 x 305 x 152)	316L	14	16	A14P12	A14P12G	12.75 x 10.88 (324 x 276)	14.75 x 10.00 (375 x 254)	15.50 x 12.94 (394 x 329)	5.50 (140)	5.62 (143)	2.38 (60)	11.00 (279)	0.25 (6)	0.62 (16)
A1614CHNFSS^b	16.00 x 14.00 x 6.00 (406 x 356 x 152)	304	14	16	A16P14	A16P14G	14.75 x 12.88 (375 x 327)	16.75 x 12.00 (425 x 305)	17.50 x 14.94 (445 x 379)	5.50 (140)	5.62 (143)	2.38 (60)	13.00 (330)	0.25 (6)	0.62 (16)
A1614CHNFSS6^b	16.00 x 14.00 x 6.00 (406 x 356 x 152)	316L	14	16	A16P14	A16P14G	14.75 x 12.88 (375 x 327)	16.75 x 12.00 (425 x 305)	17.50 x 14.94 (445 x 379)	5.50 (140)	5.62 (143)	2.38 (60)	13.00 (330)	0.25 (6)	0.62 (16)

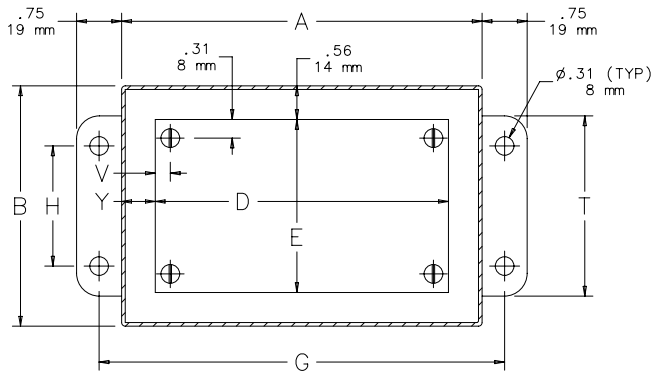
^a UL 508A

^b UL 50

^c Purchase panels separately. Optional stainless steel, composite, and aluminum panels are available for most sizes.

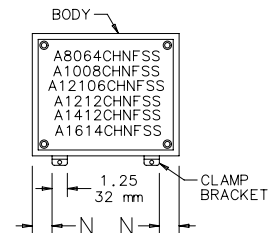
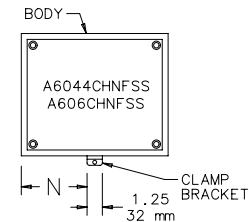


- NOTE: 1. Optional panels are 14 gauge steel, conductive steel, or stainless steel.
2. Panel screws are #10-32 pan head.



SECTION Y-Y

Clamp Bracket Locations



C2540-C

Corrosion-Resistant
Enclosures

Stainless Steel Clamp Cover Type 4X NFSS Junction Boxes



Industry Standards

UL 50, File No. E27567: Type 3R, 4, 4X, and I2
UL 508A, File No. E61997: Type 3R, 4, 4X and I2
NEMA/EEMAC Type 3R, 4, 4X, I2, and I3
CSA File No. 42184: Type 4, 4X, and I2
IEC 60529, IP66

Meets Type 3RX requirements

Accessories

See also Accessories chapter.

Corrosion Inhibitors
Fast Operating Junction Box Clamp
Panels
Swing-Out Panel Kit
Terminal Block Kit Assembly
Window Kit

Application

Provides unmatched protection for housing electrical components in highly corrosive environments. This enclosure is used in indoor and outdoor settings that are frequently wet or have constant exposure to water, other liquids, or contaminants.

Construction

- 16 or 14 gauge Type 304 or 316L stainless steel
- Seams continuously welded and ground smooth; no holes or knockouts
- Seamless foam-in-place gasket assures watertight and dusttight seal
- Stainless steel screws and clamps assure watertight seal
- Weldnuts provided for mounting optional panels and terminal block kits in size 6.00 x 4.00 in. (152 x 102mm) and larger
- Bonding provision on door and body.

Finish

Enclosures are unpainted. Cover and sides of body have smooth #4 brushed finish. Optional mild steel panels are painted white. Optional conductive panels are available.

Modification Services Program

You can customize this product to your unique requirements by specifying from these options:

- Enclosure height, width, depth
- Holes and cutouts in body, doors, subpanels
- Tapped holes in subpanels
- Fasteners, mounting channel in enclosure and subpanel
- Mounting (adds and deletes)
- Doors
- Subpanels
- Windows
- Standard accessories

To order, contact your local Hoffman sales representative.

NOTE: For information about modifications outside the scope of the Modification Services program, contact your Hoffman sales representative.

Standard Sizes Stainless Steel Clamp Cover Type 4X NFSS Junction Boxes

Catalog Number	A x B x C in. (mm)	Body Ga.	Cover Ga.	Steel Panel Catalog Number ^d	Conductive Steel Panel Catalog Number ^d	Panel Size D x E in. (mm)	Mounting G x H in. (mm)	Overall L x W in. (mm)	F in. (mm)	J in. (mm)	M in. (mm)	N in. (mm)	T in. (mm)	V in. (mm)	Y in. (mm)
A404NFSS ^a	4.00 x 4.00 x 3.00 (102 x 102 x 76)	16	16	No Panel	No Panel	No Panel	4.75 x 2.00 (121 x 51)	5.50 x 5.38 (140 x 137)	—	2.56 (65)	1.38 (35)	1.38 (35)	3.00 (76)	—	—
A404NFSS6 ^{a,c}	4.00 x 4.00 x 3.00 (102 x 102 x 76)	16	16	No Panel	No Panel	No Panel	4.75 x 2.00 (121 x 51)	5.50 x 5.38 (140 x 137)	—	2.56 (65)	1.38 (35)	1.38 (35)	3.00 (76)	—	—
A6044NFSS ^a	6.00 x 4.00 x 4.00 (152 x 102 x 102)	16	16	A6P4	A6P4G	4.88 x 2.88 (124 x 73)	6.75 x 2.00 (171 x 51)	7.50 x 5.38 (191 x 137)	3.50 (89)	3.56 (90)	1.38 (35)	1.38 (35)	3.00 (76)	0.31 (8)	0.56 (14)
A6044NFSS6 ^{a,c}	6.00 x 4.00 x 4.00 (152 x 102 x 102)	16	16	A6P4	A6P4G	4.88 x 2.88 (124 x 73)	6.75 x 2.00 (171 x 51)	7.50 x 5.38 (191 x 137)	3.50 (89)	3.56 (90)	1.38 (35)	1.38 (35)	3.00 (76)	0.31 (8)	0.56 (14)
A606NFSS ^b	6.00 x 6.00 x 4.00 (152 x 152 x 102)	16	16	A6P6	A6P6G	4.88 x 4.88 (124 x 124)	6.75 x 4.00 (171 x 102)	7.50 x 7.38 (191 x 187)	3.50 (89)	3.56 (90)	2.38 (60)	1.38 (35)	5.00 (127)	0.31 (8)	0.56 (14)
A606NFSS6 ^{b,c}	6.00 x 6.00 x 4.00 (152 x 152 x 102)	16	16	A6P6	A6P6G	4.88 x 4.88 (124 x 124)	6.75 x 4.00 (171 x 102)	7.50 x 7.38 (191 x 187)	3.50 (89)	3.56 (90)	2.38 (60)	1.38 (35)	5.00 (127)	0.31 (8)	0.56 (14)
A8064NFSS ^b	8.00 x 6.00 x 4.00 (203 x 152 x 102)	14	16	A8P6	A8P6G	6.75 x 4.88 (171 x 124)	8.75 x 4.00 (222 x 102)	9.50 x 7.38 (241 x 187)	3.50 (89)	3.56 (90)	—	1.38 (35)	5.00 (127)	0.25 (6)	0.62 (16)
A8064NFSS6 ^{b,c}	8.00 x 6.00 x 4.00 (203 x 152 x 102)	14	16	A8P6	A8P6G	6.75 x 4.88 (171 x 124)	8.75 x 4.00 (222 x 102)	9.50 x 7.38 (241 x 187)	3.50 (89)	3.56 (90)	—	1.38 (35)	5.00 (127)	0.25 (6)	0.62 (16)
A1008NFSS ^b	10.00 x 8.00 x 4.00 (254 x 203 x 102)	14	16	A10P8	A10P8G	8.75 x 6.88 (222 x 175)	10.75 x 6.00 (273 x 152)	11.50 x 9.38 (292 x 238)	3.50 (89)	3.56 (90)	—	1.38 (35)	7.00 (178)	0.25 (6)	0.62 (16)
A1008NFSS6 ^{b,c}	10.00 x 8.00 x 4.00 (254 x 203 x 102)	14	16	A10P8	A10P8G	8.75 x 6.88 (222 x 175)	10.75 x 6.00 (273 x 152)	11.50 x 9.38 (292 x 238)	3.50 (89)	3.56 (90)	—	1.38 (35)	7.00 (178)	0.25 (6)	0.62 (16)
A12106NFSS ^b	12.00 x 10.00 x 6.00 (305 x 254 x 152)	14	16	A12P10	A12P10G	10.75 x 8.88 (273 x 225)	12.75 x 8.00 (324 x 203)	13.50 x 11.38 (343 x 289)	5.50 (140)	5.56 (141)	—	2.38 (60)	9.00 (229)	0.25 (6)	0.62 (16)
A12106NFSS6 ^{b,c}	12.00 x 10.00 x 6.00 (305 x 254 x 152)	14	16	A12P10	A12P10G	10.75 x 8.88 (273 x 225)	12.75 x 8.00 (324 x 203)	13.50 x 11.38 (343 x 289)	5.50 (140)	5.56 (141)	—	2.38 (60)	9.00 (229)	0.25 (6)	0.62 (16)

Stainless Steel Clamp Cover Type 4X NFSS Junction Boxes

Standard Sizes Stainless Steel Clamp Cover Type 4X NFSS Junction Boxes (Cont.)

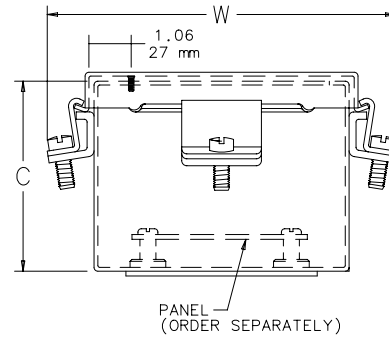
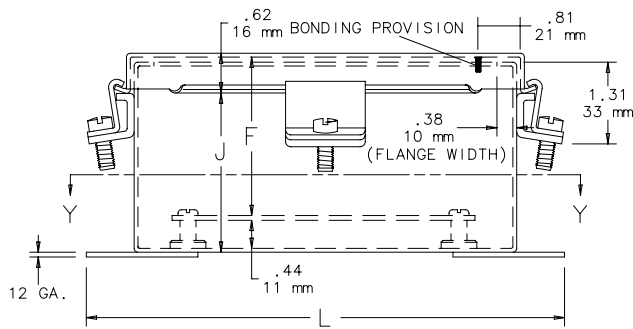
Catalog Number	A x B x C in. (mm)	Body Ga.	Cover Ga.	Steel Panel Catalog Number ^d	Conductive Steel Panel Catalog Number ^d	Panel Size D x E in. (mm)	Mounting G x H in. (mm)	Overall L x W in. (mm)	F in. (mm)	J in. (mm)	M in. (mm)	N in. (mm)	T in. (mm)	V in. (mm)	Y in. (mm)
A1412NFSS ^b	14.00 x 12.00 x 6.00 (356 x 305 x 152)	14	16	A14P12	A14P12G	12.75 x 10.88 (324 x 276)	14.75 x 10.00 (375 x 254)	15.50 x 13.38 (394 x 340)	5.50 (140)	5.56 (141)	—	2.38 (60)	11.00 (279)	0.25 (6)	0.62 (16)
A1412NFSS6 ^{b,c}	14.00 x 12.00 x 6.00 (356 x 305 x 152)	14	16	A14P12	A14P12G	12.75 x 10.88 (324 x 276)	14.75 x 10.00 (375 x 254)	15.50 x 13.38 (394 x 340)	5.50 (140)	5.56 (141)	—	2.38 (60)	11.00 (279)	0.25 (6)	0.62 (16)
A1614NFSS ^b	16.00 x 14.00 x 6.00 (406 x 356 x 152)	14	16	A16P14	A16P14G	14.75 x 12.88 (375 x 327)	16.75 x 12.00 (425 x 305)	17.50 x 15.38 (445 x 391)	5.50 (140)	5.56 (141)	—	2.38 (60)	13.00 (330)	0.25 (6)	0.62 (16)
A1614NFSS6 ^{b,c}	16.00 x 14.00 x 6.00 (406 x 356 x 152)	14	16	A16P14	A16P14G	14.75 x 12.88 (375 x 327)	16.75 x 12.00 (425 x 305)	17.50 x 15.38 (445 x 391)	5.50 (140)	5.56 (141)	—	2.38 (60)	13.00 (330)	0.25 (6)	0.62 (16)

^a UL 508A.

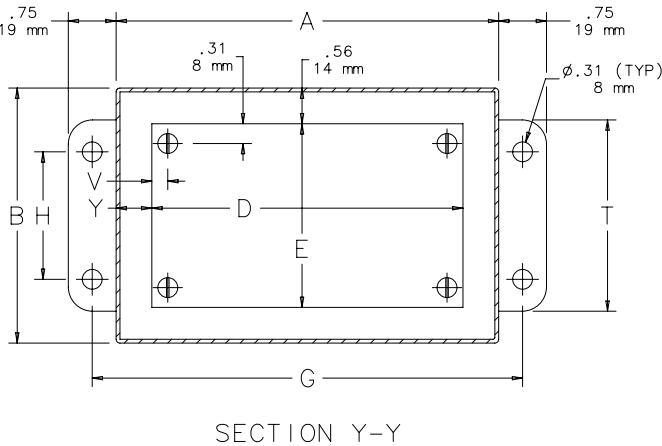
^b UL 50.

^c "6" at end of catalog number indicates 316L stainless steel

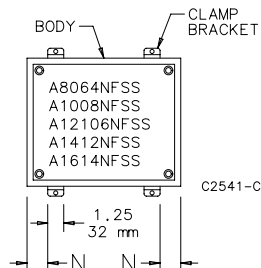
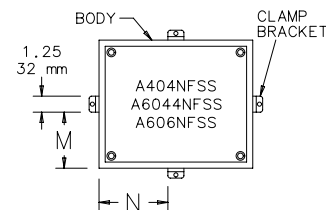
^d Purchase panels separately. Optional stainless steel, composite, and aluminum panels are available for most sizes.



NOTE: I. Purchase panels separately. Optional stainless steel, composite, and aluminum panels are available for most sizes.



Clamp Bracket Locations



Ceiling-Mounted Stainless Steel Enclosures



Application

This innovative stainless steel control enclosure has a unique door design that does not allow fluid to pool when the enclosure is mounted on the ceiling. Water seepage from the door also is eliminated. These features help maintain a sanitary environment and speed process changeovers. The enclosure is intended for indoor use in environments that frequently are wet or have consistent exposure to cleaning fluids.

Features

- Seamless foam-in-place gasket assures watertight and dusttight seal
- Stainless steel screws assure watertight seal
- Weldnuts provided for mounting optional panels and terminal block kits

Construction

- 16 or 14 gauge Type 304 stainless steel
- Seams continuously welded and ground smooth

Finish

Door and sides of body have smooth #4 brushed finish. Optional stainless steel panels are unpainted. Optional mild steel panels are white.

Industry Standards

UL 508A, File No. E61997: Type 3R, 4, 4X, and I2
NEMA/EEMAC Type 3R, 4, 4X, and I2
CSA File No. 42186: Type 3R, 4, 4X, and I2
Meets Type 3RX requirements

Accessories

Corrosion Inhibitors
Panels (see table)
Swing-Out Panel Kit
Terminal Block Kit Assembly

Modification Services Program

You can customize this product to your unique requirements by specifying from these options:

- Holes and cutouts in body, doors, subpanels
- Tapped holes in subpanels
- Fasteners, mounting channel in enclosure and subpanel
- Mounting (adds and deletes)
- Subpanels
- Standard accessories

To order, contact your local Hoffman sales representative.

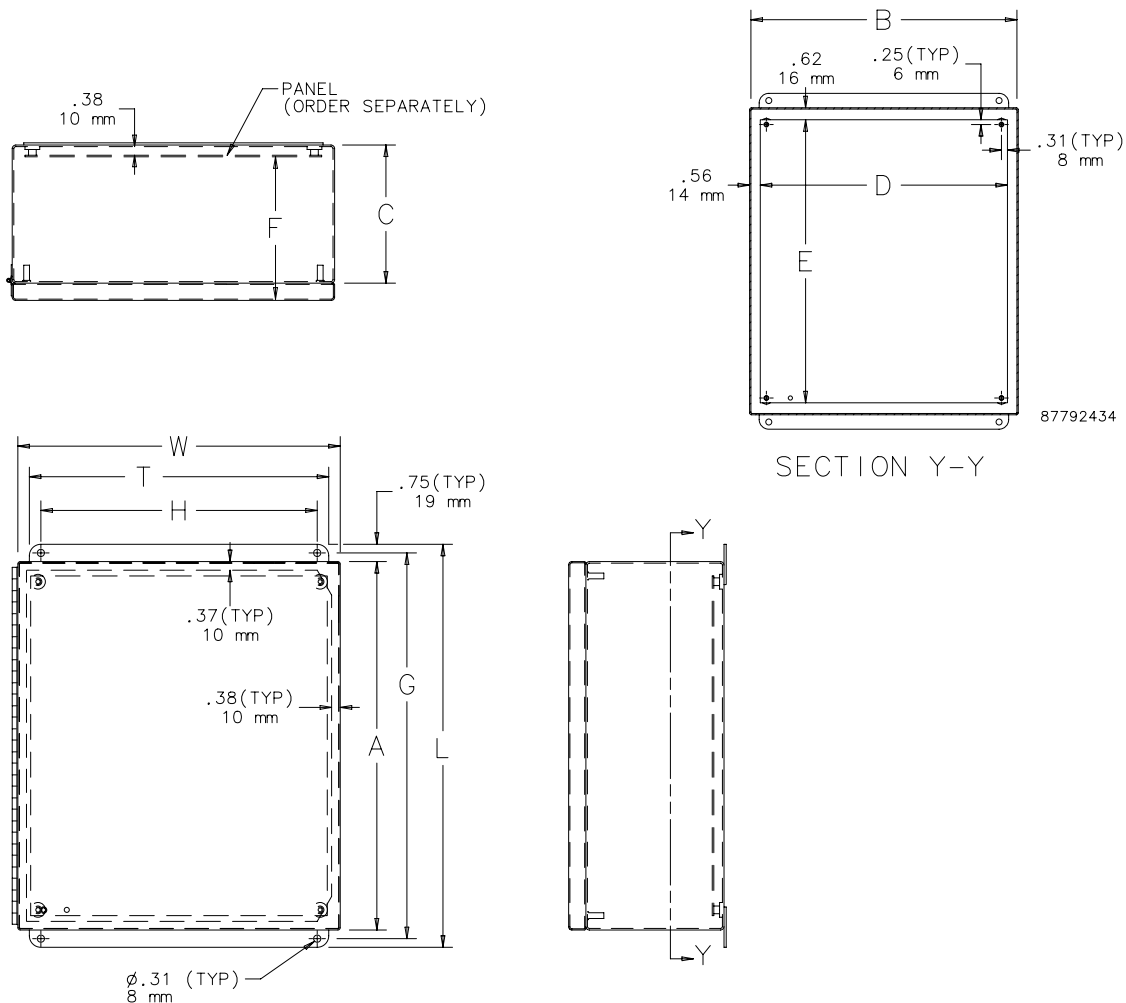
NOTE: For information about modifications outside the scope of the Modification Services program, contact your Hoffman sales representative.

Ceiling-Mounted Stainless Steel Enclosures

Standard Sizes Ceiling-Mounted Stainless Steel Enclosures

Catalog Number	A x B x C in. (mm)	Body Gauge	Cover Gauge	Stainless Steel Panel Catalog No.	Mild Steel Panel Catalog No.	Panel Size D x E in. (mm)	Mounting G x H in. (mm)	Overall L x W in. (mm)	F in. (mm)	T in. (mm)	V in. (mm)	Y in. (mm)
A6044CMSS	6.00 x 4.00 x 4.00 (152 x 102 x 102)	16	16	A6P4SS	A6P4	4.88 x 2.00 (124 x 51)	6.75 x 2.00 (171 x 51)	7.50 x 4.24 (191 x 108)	4.18 (106)	3.00 (76)	0.31 (8)	0.56 (14)
A606CMSS	6.00 x 6.00 x 4.00 (152 x 152 x 102)	16	16	A6P6SS	A6P6	4.88 x 4.88 (124 x 124)	6.75 x 4.00 (171 x 102)	7.50 x 6.24 (191 x 158)	4.18 (106)	5.00 (127)	0.31 (8)	0.56 (14)
A8064CMSS	8.00 x 6.00 x 4.00 (203 x 152 x 102)	14	16	A8P6SS	A8P6	6.75 x 4.88 (171 x 124)	8.75 x 4.00 (222 x 102)	9.50 x 6.24 (241 x 158)	4.18 (106)	5.00 (127)	0.25 (6)	0.63 (16)
A1008CMSS	10.00 x 8.00 x 4.00 (254 x 203 x 102)	14	16	A10P8SS	A10P8	8.75 x 6.88 (222 x 175)	10.75 x 6.00 (273 x 152)	11.50 x 8.24 (292 x 209)	4.18 (106)	7.00 (178)	0.25 (6)	0.63 (16)
A12106CMSS	12.00 x 10.00 x 6.00 (305 x 254 x 152)	14	16	A12P10SS	A12P10	10.75 x 8.88 (273 x 225)	12.75 x 8.00 (324 x 203)	13.50 x 10.26 (343 x 260)	6.18 (157)	9.00 (229)	0.25 (6)	0.63 (16)
A1212CMSS	12.00 x 12.00 x 6.00 (305 x 305 x 152)	14	16	A12P12SS	A12P12	10.75 x 10.88 (273 x 276)	12.75 x 10.00 (324 x 254)	13.50 x 12.24 (343 x 311)	6.18 (157)	11.00 (279)	0.25 (6)	0.63 (16)
A1412CMSS	14.00 x 12.00 x 6.00 (356 x 305 x 152)	14	16	A14P12SS	A14P12	12.75 x 10.88 (324 x 276)	14.75 x 10.00 (375 x 254)	15.50 x 12.24 (394 x 311)	6.18 (157)	11.00 (279)	0.25 (6)	0.63 (16)
A1614CMSS	16.00 x 14.00 x 6.00 (407 x 356 x 152)	14	16	A16P14SS	A16P14	14.75 x 12.88 (375 x 327)	16.75 x 12.00 (425 x 305)	17.50 x 14.24 (445 x 362)	6.18 (157)	13.00 (330)	0.25 (6)	0.63 (16)

Corrosion-Resistant Enclosures



PharmaPro™ Flush-Mount Pharmaceutical Enclosures



Application

Stainless steel flush-mount Type 4X enclosures are ideal for wall-mounting in pharmaceutical manufacturing environments where dust, bacteria, and other undesirable materials might accumulate.

Features

- Specifically designed for pharmaceutical industry—flush mounting and flat surfaces eliminate areas where contaminants can accumulate
- Low RA value of PharmaPro Finish minimizes surface crevices, allowing for a thorough wipe-down
- Enclosure does not protrude into the manufacturing area
- Patent-pending mounting system included

Construction

- Enclosure body manufactured from 14 gauge Type 304 stainless steel
- Mounting flange manufactured from 10 gauge Type 316L stainless steel
- Screw cover and hinged door manufactured from 12 gauge Type 316L stainless steel
- Seams continuously welded and ground smooth
- Type 316L stainless steel lift-off hinges used with hinged door
- Type 316L stainless steel slotted oval head fasteners used with screw cover
- Stainless steel quarter-turn latches used with hinged door
- FDA-approved gasket
- Grounding stud on body, bonding provision on cover or door

Finish

PharmaPro Finish applied to cover, door, and mounting flange

Industry Standards

UL 508A, File No. E61997: Type 4, 4X, 12, 13
cUL C22.2 No. 94, File No. E61997: Type 4, 4X, 12, 13
NEMA/EEMAC Type 4, 4X, 12, 13
IEC 60529, IP66

Patents

Patent-pending mounting system is included with each enclosure. Mounting system can be used on either block or stud walls.

Accessories

Corrosion Inhibitors
Panels

Modification Services Program

You can customize this product to your unique requirements by specifying from these options:

- Holes and cutouts in body, doors, subpanels
- Tapped holes in subpanels
- Standard accessories

To order, contact your local Hoffman sales representative.

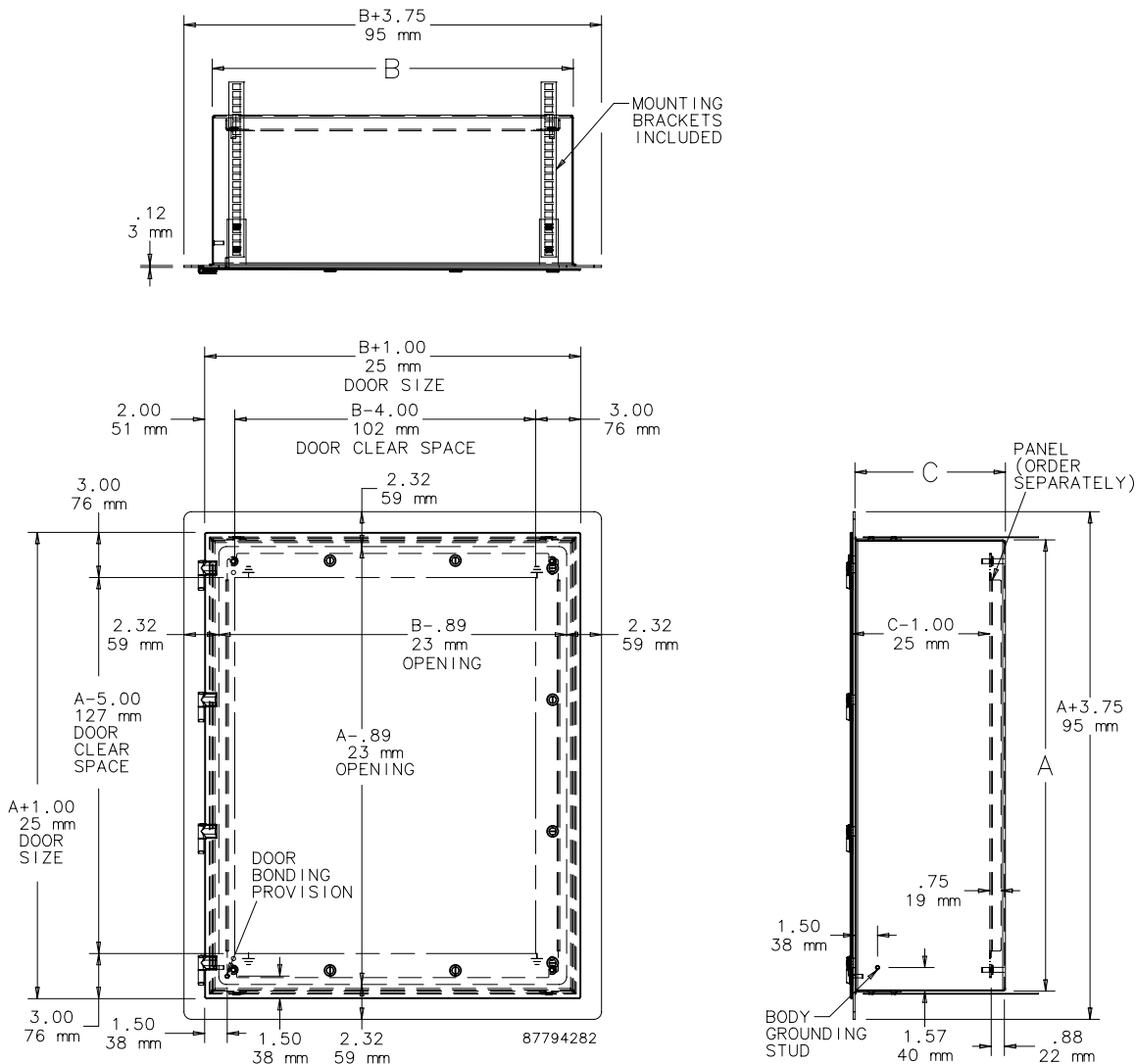
NOTE: For information about modifications outside the scope of the Modification Services program, contact your Hoffman sales representative.

PharmaPro™ Flush-Mount Pharmaceutical Enclosures

**Corrosion-Resistant
Enclosures**

Standard Sizes Hinged-Door PharmaPro Flush-Mount Pharmaceutical Enclosures

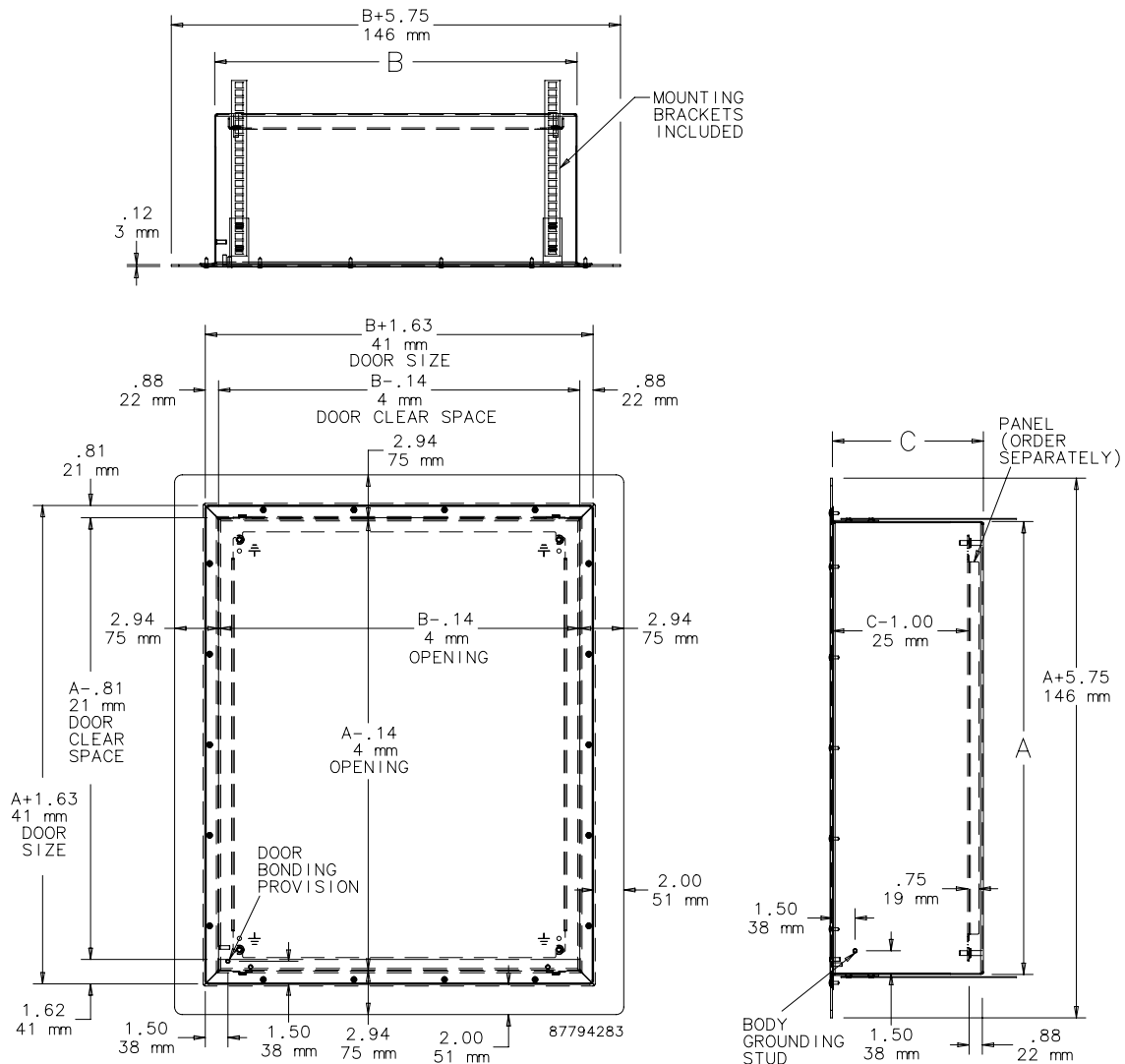
Catalog Number	A x B x C in. (mm)	Door Gauge	Body Gauge	Size of Mounting Hole (in.)	Size of Mounting Hole (mm)	Panel Catalog Number	Latches Qty.
AFM20144SS	20.00 x 14.00 x 4.00 (508 x 356 x 102)	12	14	21.00 x 15.00	533 x 381	CP2014	3
AFM20204SS	20.00 x 20.00 x 4.00 (508 x 508 x 102)	12	14	21.00 x 21.00	533 x 533	CP2020	5
AFM12126SS	12.00 x 12.00 x 6.00 (305 x 305 x 152)	12	14	13.00 x 13.00	330 x 330	CP1212	2
AFM16126SS	16.00 x 12.00 x 6.00 (406 x 305 x 152)	12	14	17.00 x 13.00	432 x 330	CP1612	3
AFM20166SS	20.00 x 16.00 x 6.00 (508 x 406 x 152)	12	14	21.00 x 17.00	533 x 432	CP2016	5
AFM20206SS	20.00 x 20.00 x 6.00 (508 x 508 x 152)	12	14	21.00 x 21.00	533 x 533	CP2020	5
AFM24206SS	24.00 x 20.00 x 6.00 (610 x 508 x 152)	12	14	25.00 x 21.00	635 x 533	CP2420	5
AFM24248SS	24.00 x 24.00 x 8.00 (610 x 610 x 203)	12	14	25.00 x 25.00	635 x 635	CP2424	7
AFM30248SS	30.00 x 24.00 x 8.00 (762 x 610 x 203)	12	14	21.00 x 25.00	533 x 635	CP3024	8
AFM242010SS	24.00 x 20.00 x 10.00 (610 x 508 x 254)	12	14	25.00 x 21	635 x 533	CP2420	5
AFM302410SS	30.00 x 24.00 x 10.00 (762 x 610 x 254)	12	14	31.00 x 25.00	787 x 635	CP3024	8



PharmaPro™ Flush-Mount Pharmaceutical Enclosures

Standard Sizes Screw-Cover PharmaPro Flush-Mount Pharmaceutical Enclosures

Catalog Number	A x B x C in. (mm)	Door Gauge	Body Gauge	Size of Mounting Hole (in.)	Size of Mounting Hole (mm)	Panel Catalog Number	Latches Qty.
AFMSC20124SS	20.00 x 12.00 x 4.00 (508 x 305 x 102)	12	14	22.50 x 14.25	565 x 362	CP2012	NA
AFMSC20204SS	20.00 x 20.00 x 4.00 (508 x 508 x 102)	12	14	22.25 x 22.25	565 x 565	CP2020	NA
AFMSC12126SS	12.00 x 12.00 x 6.00 (305 x 305 x 152)	12	14	14.25 x 14.25	362 x 362	CP1212	NA
AFMSC16126SS	16.00 x 12.00 x 6.00 (406 x 305 x 152)	12	14	18.25 x 14.25	464 x 362	CP1612	NA
AFMSC20166SS	20.00 x 16.00 x 6.00 (508 x 406 x 152)	12	14	22.25 x 18.25	565 x 464	CP2016	NA
AFMSC20206SS	20.00 x 20.00 x 6.00 (508 x 508 x 152)	12	14	22.25 x 22.25	565 x 565	CP2020	NA
AFMSC24206SS	24.00 x 20.00 x 6.00 (610 x 508 x 152)	12	14	26.25 x 22.25	667 x 565	CP2420	NA
AFMSC24248SS	24.00 x 24.00 x 8.00 (610 x 610 x 203)	12	14	26.25 x 26.25	667 x 667	CP2424	NA
AFMSC30248SS	30.00 x 24.00 x 8.00 (762 x 610 x 203)	12	14	32.25 x 26.25	819 x 667	CP3024	NA
AFMSC242010SS	24.00 x 20.00 x 10.00 (610 x 508 x 254)	12	14	26.25 x 22.25	667 x 565	CP2420	NA
AFMSC302410SS	30.00 x 24.00 x 10.00 (762 x 610 x 254)	12	14	32.25 x 26.25	819 x 667	C3024	NA



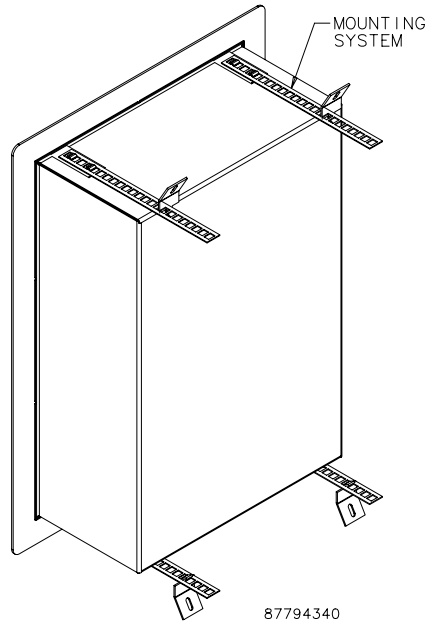
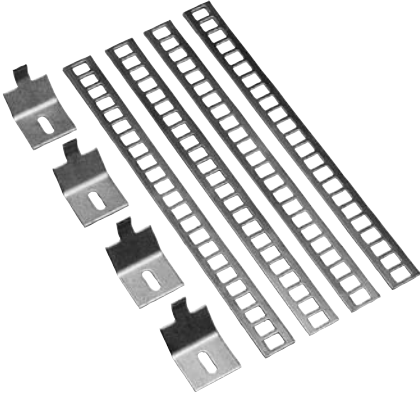
PharmaPro™ Flush-Mount Pharmaceutical Enclosures

STAINLESS STEEL

**Bulletin
A20S**

Mounting System

Patent-pending adjustable-depth mounting system is included with each enclosure. Mounting system can be used on either block or stud walls.



**Corrosion-Resistant
Enclosures**

INLINE® Stainless Steel Instrumentation Enclosures



Application

INLINE enclosures house and protect sensitive electrical or electronic components from harsh, dirty environments. For use in installations where dirt, dust, oil, water, or other contaminants are present. Streamlined styling, flush latching, and an attractive, durable finish complement high-tech electronic equipment. INLINE window enclosures are uniquely suited to protect field bus components and other instrumentation devices.

Construction

- 16 or 14 gauge Type 304 or 316L stainless steel
- Seams continuously welded and ground smooth
- Body flange trough excludes liquids and contaminants; flange directs liquids away from the enclosure opening
- Large perimeter opening facilitates component installation, maintenance, or conversion
- Fastening holes in back of body for direct mounting or optional external mounting brackets
- Seamless foam-in-place gasket on standard models provides oiltight and dusttight seal against contaminants
- M6 bonding provision on cover
- M6 grounding stud on body
- Furnished hardware kit consists of panel mounting screws, grounding hardware, and sealing washers for wall-mounting holes
- Installation instructions for enclosure and accessories are provided
- Optional 12 gauge (2.7mm) panels are available

INLINE Screw Cover Enclosures

- Captivated Type 316 stainless steel cover screws with sealing bushings made of a durable composite material
- Integral compression stops maintain optimal gasket compression

INLINE Hinged-Door Enclosures

- 180-degree door opening
- Removable hinge pins (Type 316 stainless steel)
- Standard self-grounding, quarter-turn Type 316 stainless steel latch system with double seal provides maximum protection against contamination

INLINE Window Door Enclosures

- 3/16-inch (4.8mm) clear polycarbonate window is mounted flush with cover surface
- 180-degree door opening
- Removable Type 316 stainless steel hinge pins
- Standard self-grounding, slotted, quarter-turn Type 316 stainless steel latch system with double seal provides maximum protection against contamination

Finish

Enclosures are unpainted. Cover and body have smooth #4 brushed finish. Optional mild steel panels are painted white. Optional conductive panels are available.

Industry Standards

Mounting brackets required to meet UL/CSA external mounting requirements.

INLINE Screw Cover Enclosure

UL 508A, File No. E61997: Type 4, 4X, and 12
NEMA/EEMAC Type 4, 4X, and 12
CSA File No. 42186: Type 4, 4X, and 12
VDE IP66
IEC 60529, IP66

INLINE Hinged-Door Enclosures

UL 508A, File No. E61997: Type 4, 4X, and 12
NEMA/EEMAC Type 4, 4X, and 12
CSA File No. 42186: Type 4, 4X, and 12
VDE IP66
IEC 60529, IP66

INLINE Window Door Enclosures

UL 508A, File No. E61997: Type 4, 4X, and 12
NEMA/EEMAC Type 4, 4X and 12
CSA File No. 42186: Type 4, 4X, and 12
VDE IP66
IEC 60529, IP55

Patents

This product is covered by the following patent:
US 5,683,005

Accessories

DIN Rail or Panel Mounting Bracket
DIN3 Rails
Grounding Kit
Key Inserts
Mounting Bracket Kit
Panels
Wing Knob Latch

Modification Services Program

You can customize this product to your unique requirements by specifying from these options:

- Holes and cutouts in body, doors, subpanels
- Tapped holes in subpanels
- Fasteners, mounting channel in enclosure and subpanel
- Mounting (adds and deletes)
- Doors
- Subpanels
- Standard accessories

To order, contact your local Hoffman sales representative.

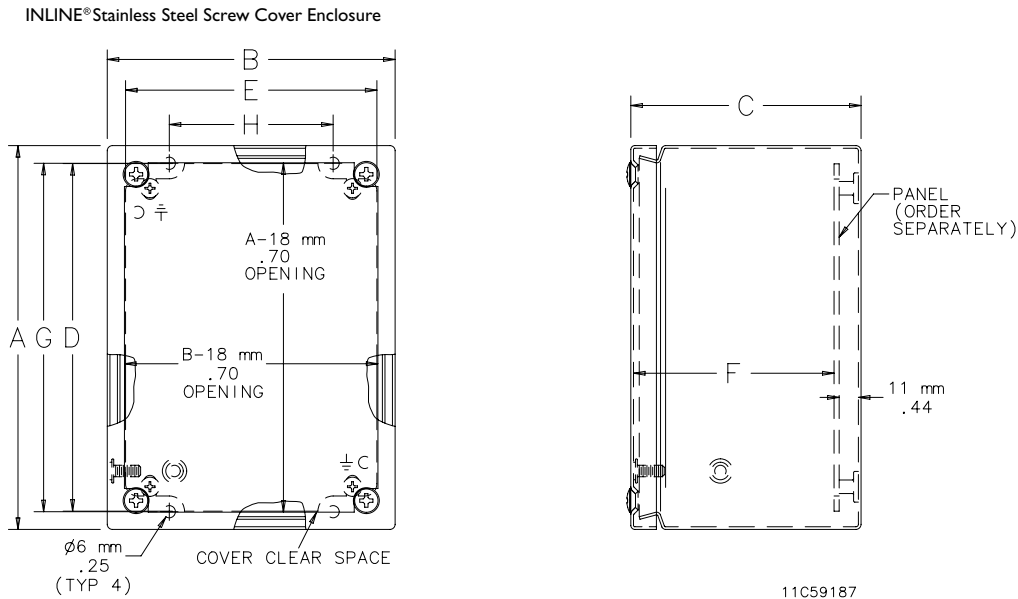
NOTE: For information about modifications outside the scope of the Modification Services program, contact your Hoffman sales representative.

INLINE® Stainless Steel Instrumentation Enclosures

Standard Sizes INLINE Stainless Steel Screw Cover Instrumentation Enclosures

Catalog Number	A x B x C mm (in.)	Stainless Steel Type	Steel Panel Catalog Number	Conductive Panel Catalog Number	Panel Size D x E (mm)	Panel Size D x E (in.)	Mounting G x H (mm)	Mounting G x H (in.)	F (mm)	F (in.)
LSC151512SS	150 x 150 x 120 (5.91 x 5.91 x 4.72)	304	LP1515	LP1515G	131 x 131	5.16 x 5.16	132 x 85	5.20 x 3.35	105	4.13
LSC151512SS6	150 x 150 x 120 (5.91 x 5.91 x 4.72)	316L	LP1515	LP1515G	131 x 131	5.16 x 5.16	132 x 85	5.20 x 3.35	105	4.13
LSC201512SS	200 x 150 x 120 (7.87 x 5.91 x 4.72)	304	LP2015	LP2015G	181 x 131	7.13 x 5.16	182 x 85	7.17 x 3.35	105	4.13
LSC201512SS6	200 x 150 x 120 (7.87 x 5.91 x 4.72)	316L	LP2015	LP2015G	181 x 131	7.13 x 5.16	182 x 85	7.17 x 3.35	105	4.13
LSC252015SS	250 x 200 x 150 (9.84 x 7.87 x 5.91)	304	LP2520	LP2520G	231 x 181	9.09 x 7.13	232 x 135	9.13 x 5.31	135	5.31
LSC252015SS6	250 x 200 x 150 (9.84 x 7.87 x 5.91)	316L	LP2520	LP2520G	231 x 181	9.09 x 7.13	232 x 135	9.13 x 5.31	135	5.31
LSC302515SS	300 x 250 x 150 (11.81 x 9.84 x 5.91)	304	LP3025	LP3025G	281 x 231	11.06 x 9.09	282 x 185	11.10 x 7.28	135	5.31
LSC302515SS6	300 x 250 x 150 (11.81 x 9.84 x 5.91)	316L	LP3025	LP3025G	281 x 231	11.06 x 9.09	282 x 185	11.10 x 7.28	135	5.31
LSC353020SS	350 x 300 x 200 (13.78 x 11.81 x 7.87)	304	LP3530	LP3530G	331 x 281	13.03 x 11.06	332 x 235	13.07 x 9.25	185	7.28
LSC353020SS6	350 x 300 x 200 (13.78 x 11.81 x 7.87)	316L	LP3530	LP3530G	331 x 281	13.03 x 11.06	332 x 235	13.07 x 9.25	185	7.28

Purchase panels separately.



- NOTE:
1. Panels are 2.7mm (12 gauge) steel or conductive steel.
 2. Panel screws are M5-0.8 pan head.
 3. Rear mounting holes will accommodate M6-1.0 or 1/4-20 UNC mounting screws (supplied by customer).

INLINE® Stainless Steel Instrumentation Enclosures

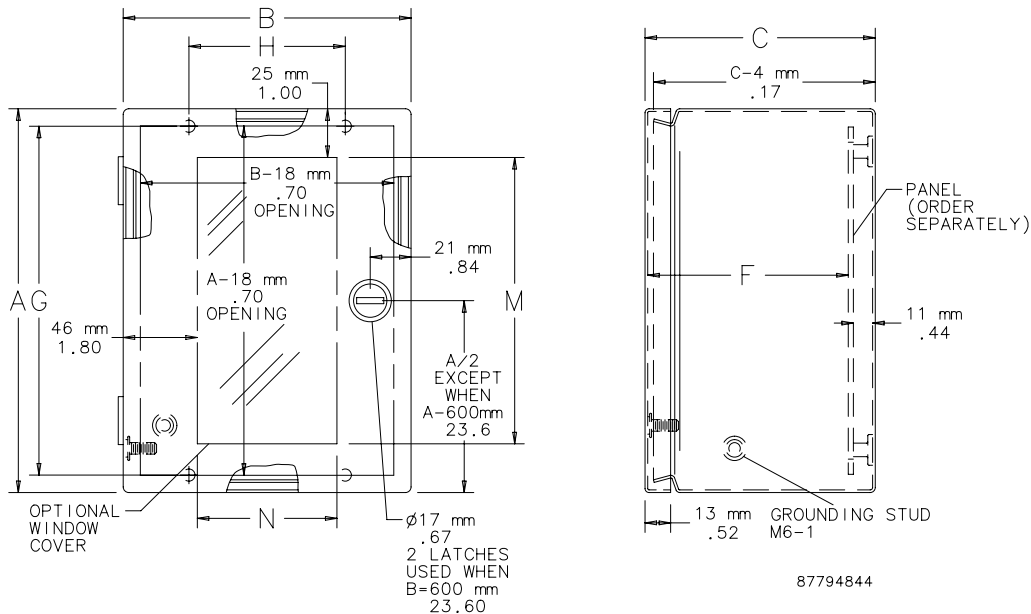
Bulletin
A54S

Standard Sizes INLINE Stainless Steel Hinged Door Instrumentation Enclosures

Catalog Number	A x B x C mm (in.)	Stainless Steel Type	Steel Panel Catalog Number	Conductive Panel Catalog Number	Panel Size D x E mm (in.)	Mounting G x H (mm)	Mounting G x H (in.)	F (mm)	F (in.)
LHC151512SS	150 x 150 x 120 (5.91 x 5.91 x 4.72)	304	LP1515	LP1515G	131 x 131 (5.16 x 5.16)	132 x 85	5.20 x 3.35	105	(4.13)
LHC151512SS6	150 x 150 x 120 (5.91 x 5.91 x 4.72)	316L	LP1515	LP1515G	131 x 131 (5.16 x 5.16)	132 x 85	5.20 x 3.35	105	(4.13)
LHC201512SS	200 x 150 x 120 (7.87 x 5.91 x 4.72)	304	LP2015	LP2015G	181 x 131 (7.13 x 5.16)	182 x 85	7.17 x 3.35	105	(4.13)
LHC201512SS6	200 x 150 x 120 (7.87 x 5.91 x 4.72)	316L	LP2015	LP2015G	181 x 131 (7.13 x 5.16)	182 x 85	7.17 x 3.35	105	(4.13)
LHC252015SS	250 x 200 x 150 (9.84 x 7.87 x 5.91)	304	LP2520	LP2520G	231 x 181 (9.09 x 7.13)	232 x 135	9.13 x 5.31	135	(5.31)
LHC252015SS6	250 x 200 x 150 (9.84 x 7.87 x 5.91)	316L	LP2520	LP2520G	231 x 181 (9.09 x 7.13)	232 x 135	9.13 x 5.31	135	(5.31)
LHC302515SS	300 x 250 x 150 (11.81 x 9.84 x 5.91)	304	LP3025	LP3025G	281 x 231 (11.06 x 9.09)	282 x 185	11.10 x 7.28	135	(5.31)
LHC302515SS6	300 x 250 x 150 (11.81 x 9.84 x 5.91)	316L	LP3025	LP3025G	281 x 231 (11.06 x 9.09)	282 x 185	11.10 x 7.28	135	(5.31)
LHC353020SS	350 x 300 x 200 (13.78 x 11.81 x 7.87)	304	LP3530	LP3530G	331 x 281 (13.03 x 11.06)	332 x 235	13.07 x 9.25	185	(7.28)
LHC353020SS6	350 x 300 x 200 (13.78 x 11.81 x 7.87)	316L	LP3530	LP3530G	331 x 281 (13.03 x 11.06)	332 x 235	13.07 x 9.25	185	(7.28)

Purchase panels separately.

INLINE® Stainless Steel Hinged Door and Window Door Enclosure



NOTE: Hinged on "B" side of enclosure when B = 400 mm or 600 mm.

INLINE® Stainless Steel Instrumentation Enclosures

Standard Sizes INLINE Stainless Steel Window Door Instrumentation Enclosures

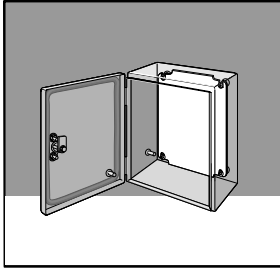
Catalog Number	A x B x C mm (in.)	Stainless Steel Type	Steel Panel Catalog No.	Conductive Panel Catalog No.	Panel Size D x E (mm)	Panel Size D x E (in.)	Mounting G x H (mm)	Mounting G x H (in.)	Window Size M x N (mm)	Window Size M x N (in.)	F (mm)	F (in.)
LWC201512SS	200 x 150 x 120 (7.87 x 5.91 x 4.72)	304	LP2015	LP2015G	181 x 131	7.13 x 5.16	182 x 85	7.17 x 3.35	149 x 65	5.87 x 2.56	101	3.98
LWC201512SS6	200 x 150 x 120 (7.87 x 5.91 x 4.72)	316L	LP2015	LP2015G	181 x 131	7.13 x 5.16	182 x 85	7.17 x 3.35	149 x 65	5.87 x 2.56	101	3.98
LWC252015SS	250 x 200 x 150 (9.84 x 7.87 x 5.91)	304	LP2520	LP2520G	231 x 181	9.09 x 7.13	232 x 135	9.13 x 5.31	199 x 115	7.83 x 4.53	131	5.16
LWC252015SS6	250 x 200 x 150 (9.84 x 7.87 x 5.91)	316L	LP2520	LP2520G	231 x 181	9.09 x 7.13	232 x 135	9.13 x 5.31	199 x 115	7.83 x 4.53	131	5.16
LWC302515SS	300 x 250 x 150 (11.81 x 9.84 x 5.91)	304	LP3025	LP3025G	281 x 231	11.06 x 9.09	281 x 185	11.06 x 7.28	249 x 165	9.80 x 6.50	131	5.16
LWC302515SS6	300 x 250 x 150 (11.81 x 9.84 x 5.91)	316L	LP3025	LP3025G	281 x 231	11.06 x 9.09	281 x 185	11.06 x 7.28	249 x 165	9.80 x 6.50	131	5.16
LWC204015SS	200 x 400 x 150 (7.87 x 15.75 x 5.91)	304	LP2040	LP2040G	181 x 381	7.13 x 15.00	182 x 335	7.17 x 13.19	115 x 349	4.53 x 13.74	131	5.16
LWC204015SS6	200 x 400 x 150 (7.87 x 15.75 x 5.91)	316L	LP2040	LP2040G	181 x 381	7.13 x 15.00	182 x 335	7.17 x 13.19	115 x 349	4.53 x 13.74	131	5.16
LWC206015SS	200 x 600 x 150 (7.87 x 23.62 x 5.91)	304	LP2060	LP2060G	181 x 581	7.13 x 22.87	182 x 535	7.17 x 21.06	115 x 549	4.53 x 21.61	131	5.16
LWC206015SS6	200 x 600 x 150 (7.87 x 23.62 x 5.91)	316L	LP2060	LP2060G	181 x 581	7.13 x 22.87	182 x 535	7.17 x 21.06	115 x 549	4.53 x 21.61	131	5.16

Purchase panels separately.

Corrosion-Resistant Enclosures

INLINE® Stainless Steel Enclosure Accessories

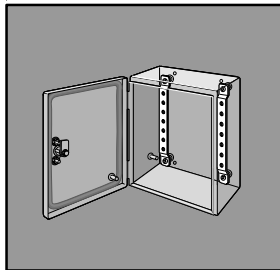
INLINE Enclosure Panels



Panels are 12 gauge white-painted or plated steel. Ground hole is labeled. Sized for M6 fastener.

Catalog Number	Material	Panel Size D x E (mm)	Fits INLINE Enclosure Size (mm)
LP1515	Painted Steel	131 x 131	150 x 150
LP1515G	Galvanized	131 x 131	150 x 150
LP2015	Painted Steel	181 x 131	200 x 150
LP2015G	Galvanized	181 x 131	200 x 150
LP2520	Painted Steel	231 x 181	250 x 200
LP2520G	Galvanized	231 x 181	250 x 200
LP3025	Painted Steel	281 x 231	300 x 250
LP3025G	Galvanized	281 x 231	300 x 250
LP3530	Painted Steel	331 x 281	350 x 300
LP3530G	Galvanized	331 x 281	350 x 300
LP2040	Painted Steel	181 x 381	200 x 400
LP2040G	Galvanized	181 x 381	200 x 400
LP2060	Painted Steel	181 x 581	200 x 600
LP2060G	Galvanized	181 x 581	200 x 600

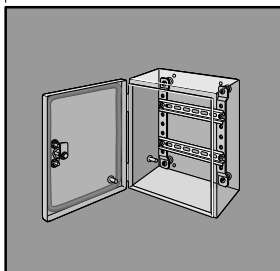
DIN Rail or Panel Mounting Brackets



Use as a mounting framework to install DIN rails or a panel. Bracket is offset for additional space in front of or behind mounted equipment. Plated 12 gauge steel. Mounting hardware included. Brackets are required for DIN3 type rails. Patent: US 5,683,005

Catalog Number	Fits INLINE Enclosure
LMK15	when A or B = 150mm
LMK20	when A or B = 200mm
LMK25	when A or B = 250mm
LMK30	when A or B = 300mm
LMK35	when A or B = 350mm

DIN3 Type Rails



Rails furnish mounting surfaces for DIN3 mount snap-on devices. Rails attach vertically or horizontally to mounting brackets. Kit includes 4 rails and installation instructions. DIN3 Rail Mounting Brackets are required in order to mount rails.

Catalog Number	Fits INLINE Enclosure
LDR3P15	when A or B = 150mm
LDR3P20	when A or B = 200mm
LDR3P25	when A or B = 250mm
LDR3P30	when A or B = 300mm
LDR3P35	when A or B = 350mm
LDR3P40	when A or B = 400mm
LDR3P60	when A or B = 600mm

Key Inserts



Key Inserts can be substituted for the standard quarter-turn latch on hinged cover and window cover enclosures. Inserts are Type 316 stainless steel.

Catalog Number	Description
LLKSM7SS	Square 7mm
LLKSM8SS	Square 8mm
LLKDBM3SS	Double Bit 3mm
LLKSSS	Slotted Screw

INLINE® Stainless Steel Enclosure Accessories

Bulletin
A54SY

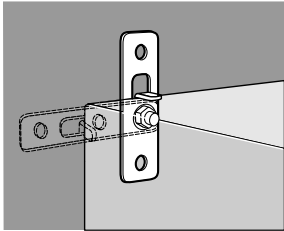
Wing Knob Latch



Wing Knob Latch can replace the standard slotted quarter-turn latch on all hinged cover and window cover enclosures. Latch is black die-cast zinc. Reduces type rating from 4 to 12. Does not maintain Type 4X rating. Two keys and installation instructions are furnished.

Catalog Number	Product Weight (lb.)
LLKWK	0.2

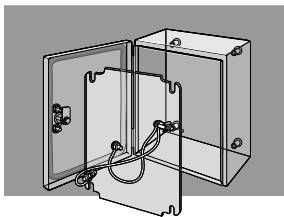
Mounting Bracket Kit



Type 316 stainless steel brackets are field installable. Brackets are rated to Type 4X. All hardware is included. Four brackets per kit.

Catalog Number	Description
LMFKSS	Type 316L stainless steel mounting bracket kit

Grounding Kit



Grounding Kit provides a means of attaching a grounding conductor to the enclosure. Kit consists of two copper wires with a ring terminal at each end. Wires are insulated. All installation hardware and instructions are included.

Catalog Number
LLGK

Corrosion-Resistant
Enclosures

INLINE® Stainless Steel Landscape Instrumentation Enclosures



Application

Landscape INLINE Stainless Steel Instrumentation Enclosures are sized to house a variety of field bus components. They protect sensitive electrical or electronic components in installations where dirt, dust, oil, water, or other contaminants are present. Both solid and window door models are available. Optional DIN rail brackets and panels provide component mounting options. Type 304 stainless steel is suitable for installation in food service and pharmaceutical applications, as well as in corrosive environments. Streamlined styling and flush latching complete the package.

Construction

- 14 gauge stainless steel body; 16 gauge stainless steel door
- Seams continuously welded and ground smooth
- Body flange trough excludes liquids and contaminants; flange directs liquids away from the enclosure opening
- Large opening facilitates component installation, maintenance, or conversion
- Mounting brackets are spot-welded to top and bottom of enclosure
- Mounting brackets have predrilled mounting holes; custom holes can be drilled for mounting flexibility
- Seamless foam-in-place gasket provides oiltight and dusttight seal against contaminants
- M6 ground stud with base flange on body
- M6 bonding provision with base flange on door
- Enclosure includes panel mounting screws and grounding hardware
- Hinged door with removable hinge pins and self-grounding quarter-turn latch system with double seal against contamination
- Door opens 180 degrees
- Window door models include 3/16 in. (4.8mm) clear polycarbonate window mounted flush with door surface

Finish

Type 304 stainless steel with #4 brushed finish. Back is not brushed. Optional mild steel panels are painted white. Optional conductive panels are available.

Industry Standards

UL 508A, File Number E61997: Type 4, 4X, and 12
NEMA/EEMAC Type 4, 4X, and 12
CSA File Number 42186: Type 4, 4X, and 12
VDE IP66
IEC 60529, IP66

Patents

This product is covered by the following patent:
US 5,683,005

Accessories

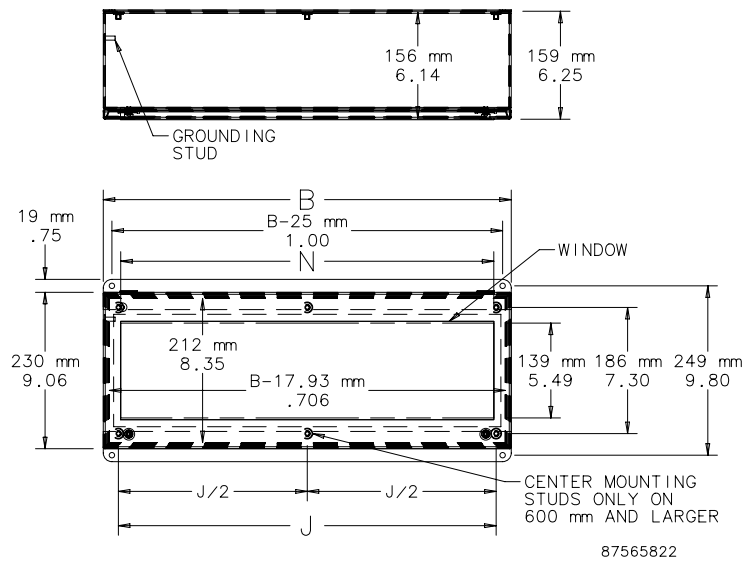
DIN Mounting Brackets
DIN3 Rails
Grounding Kit
Key Inserts
Panels
Wing Knob Latch

INLINE® Stainless Steel Landscape Instrumentation Enclosures

Standard Sizes INLINE® Stainless Steel Landscape Instrumentation Enclosures

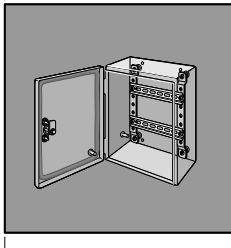
Catalog Number	A x B x C mm (in.)	Window N (mm)	Window N (in.)	Mtg. Holes H (mm)	Mtg. Holes H (in.)	Mtg. Studs J (mm)	Mtg. Studs J (in.)	Clear Space Above Panel (mm)	Clear Space Above Panel (in.)
LHC233116SS	230 x 310 x 155 (9.06 x 12.20 x 6.10)	—	—	281	11.08	265	10.45	140	5.51
LWC233116SS	230 x 310 x 155 (9.06 x 12.20 x 6.10)	259	10.20	281	11.08	265	10.45	140	5.51
LHC234616SS	230 x 460 x 155 (9.06 x 18.11 x 6.10)	—	—	431	16.99	416	16.36	140	5.51
LWC234616SS	230 x 460 x 155 (9.06 x 18.11 x 6.10)	409	16.11	431	16.99	416	16.36	140	5.51
LHC236016SS	230 x 600 x 155 (9.06 x 23.62 x 6.10)	—	—	571	22.50	556	21.88	140	5.51
LWC236016SS	230 x 600 x 155 (9.06 x 23.62 x 6.10)	549	21.62	571	22.50	556	21.88	140	5.51
LHC237716SS	230 x 770 x 155 (9.06 x 30.31 x 6.10)	—	—	741	29.19	726	28.57	140	5.51
LWC237716SS	230 x 770 x 155 (9.06 x 30.31 x 6.10)	719	28.31	741	29.19	726	28.57	140	5.51
LHC239316SS	230 x 930 x 155 (9.06 x 36.61 x 6.10)	—	—	896	35.29	881	34.67	140	5.51
LWC239316SS	230 x 930 x 155 (9.06 x 36.61 x 6.10)	874	34.42	896	35.29	881	34.67	140	5.51

Corrosion-Resistant Enclosures



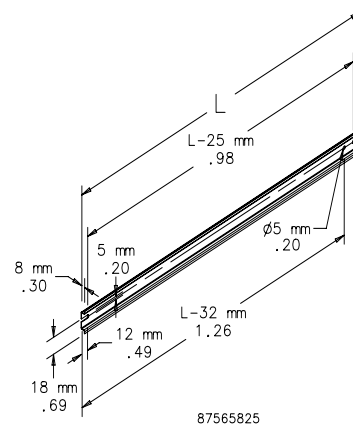
INLINE® Landscape Stainless Steel Enclosure Accessories

DIN3 Rails

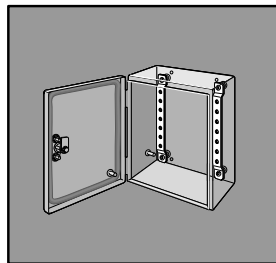


DIN3 rails, which provide mounting for DIN3 snap-on I/O modules, mount horizontally on the DIN mounting bracket. These symmetric-profile TS35/7.5 rails are made of 20 gauge plated steel. DIN mounting brackets are required in order to mount rails.

Catalog Number	Fits INLINE Enc.	L(mm)	L (in.)	Pkg. Qty
LDR3P31	when A or B = 310mm	285	11.22	4
LDR3P46	when A or B = 460mm	435	17.13	4
LDR3P60	when A or B = 600mm	575	22.64	4
LDR3P77	when A or B = 770mm	745	29.33	4
LDR3P93	when A or B = 930mm	900	36.43	4



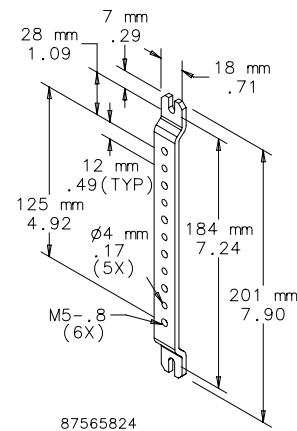
DIN Mounting Brackets



Reversible mounting brackets are 12 gauge plated steel. Attach to studs on enclosure. M5 tapped mounting holes for DIN Rail mounting flexibility. Can also be used to mount panels where additional space behind the panel is required. Hardware for mounting the brackets to the enclosure and for mounting the rails or panel to the brackets is included.

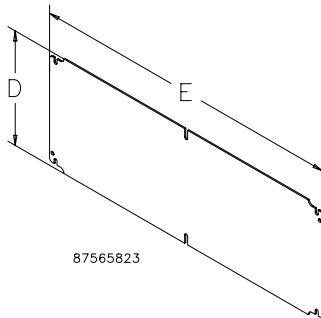
Catalog Number	Description	Pkg. Qty.
LMK23 ^a	DIN Mounting Brackets	2

^a 600mm and longer enclosures require two sets of brackets for mounting panels.



INLINE® Landscape Stainless Steel Enclosure Accessories

Panels



Panels are 12 gauge steel with a white polyester powder paint finish. They include a labeled ground hole sized for an M6 screw. Panels mount on studs provided in the enclosure or to optional DIN mounting brackets.

Catalog Number	D (mm)	D (in.)	E (mm)	E (in.)
LP2331	211	8.31	291	11.46
LP2346	211	8.31	441	17.36
LP2360	211	8.31	581	22.87
LP2377	211	8.31	751	29.57
LP2393	211	8.31	906	35.67

Corrosion-Resistant Enclosures

Optional Components Selection Guide

Solid Cover Enclosure Catalog Number	Window Cover Enclosure Catalog Number	Panel Catalog Number	DIN Rail Catalog Number	DIN Rail or Panel Mounting Bracket Catalog Number
LHC233116SS	LWC233116SS	LP2331	LDR3P31	LMK23
LHC234616SS	LWC234616SS	LP2346	LDR3P46	LMK23
LHC236016SS	LWC236016SS	LP2360	LDR3P60	LMK23 ^a
LHC237716SS	LWC237716SS	LP2377	LDR3P77	LMK23 ^a
LHC239316SS	LWC239316SS	LP2393	LDR3P93	LMK23 ^a

^a 600mm and longer enclosures require two sets of brackets for mounting panels.

Stainless Steel Consolets



Application

Designed to house a variety of electronic control or instrumentation devices, consolets provide protection from dust, dirt, oil, and water. Flexible design allows for mounting on either of two sides, creating control surfaces of 30 degrees or 60 degrees. Consolets can be mounted on desktops, pedestals, or other flat surfaces.

See Operator Interface chapter for related mild steel enclosures.

Construction

- Type 304 stainless steel
- Seams continuously welded and ground smooth; no holes or knockouts
- Captivated cover screws thread into sealed wells
- Control panel attached with continuous hinge along bottom edge
- Oil-resistant gasket and adhesive
- Bonding provision on door.

Finish

Stainless steel enclosures are unpainted. Cover and sides of body have smooth #4 brushed finish.

Industry Standards

UL 508A, File Number E61997: Type I2 and I3
NEMA/EEMAC Type I2
CSA File Number 42186: Type I2
IEC 60529, IP65

Accessories

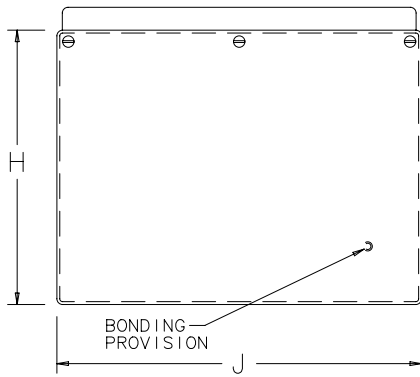
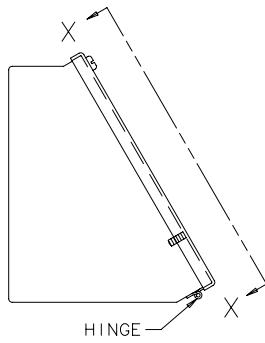
Bases
Corrosion Inhibitors
Mounting Bracket Kits
Pedestals
Window Kit

Standard Sizes Stainless Steel Consolets

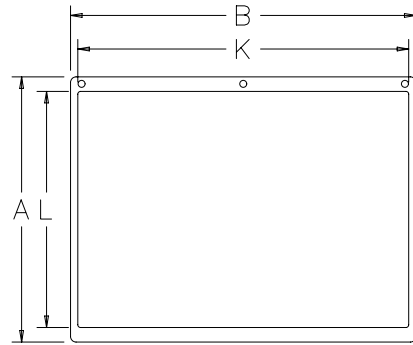
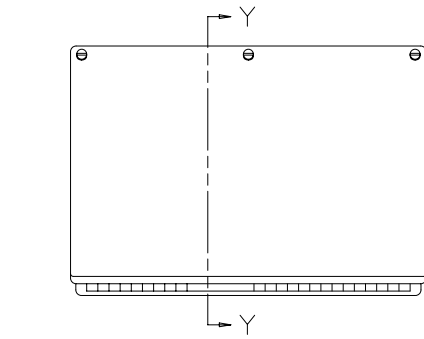
Catalog Number	A x B x C in. (mm)	E (in.)	E (mm)	H (in.)	H (mm)	J (in.)	J (mm)	K (in.)	K (mm)	L (in.)	L (mm)	N (in.)	N (mm)
C8C8SS	8.00 x 8.00 x 7.09 (203 x 203 x 180)	5.62	143	8.28	210	8.28	210	7.50	191	6.62	168	7.44	189
C8C12SS	8.00 x 12.00 x 7.09 (203 x 305 x 180)	5.62	143	8.28	210	12.28	312	11.50	292	6.62	168	7.44	189
C8C16SS	8.00 x 16.00 x 7.09 (203 x 406 x 180)	5.62	143	8.28	210	16.28	414	15.50	394	6.62	168	7.44	189
C8C20SS	8.00 x 20.00 x 7.09 (203 x 508 x 180)	5.62	143	8.28	210	20.28	515	19.50	495	6.62	168	7.44	189
C12C12SS	12.00 x 12.00 x 9.09 (305 x 305 x 231)	7.62	194	12.28	312	12.28	312	11.50	292	10.62	270	10.91	277
C12C16SS	12.00 x 16.00 x 9.09 (305 x 406 x 231)	7.62	194	12.28	312	16.28	414	15.50	394	10.62	270	10.91	277
C12C20SS	12.00 x 20.00 x 9.09 (305 x 508 x 231)	7.62	194	12.28	312	20.28	515	19.50	495	10.62	270	10.91	277
C12C24SS	12.00 x 24.00 x 9.09 (305 x 610 x 231)	7.62	194	12.28	312	24.28	617	23.50	597	10.62	270	10.91	277
C16C16SS	16.00 x 16.00 x 11.09 (406 x 406 x 282)	9.62	244	16.28	414	16.28	414	15.50	394	14.62	371	14.38	365
C16C20SS	16.00 x 20.00 x 11.09 (406 x 508 x 282)	9.62	244	16.28	414	20.28	515	19.50	495	14.62	371	14.38	365
C16C24SS	16.00 x 24.00 x 11.09 (406 x 610 x 282)	9.62	244	16.28	414	24.28	617	23.50	597	14.62	371	14.38	365
C16C30SS	16.00 x 30.00 x 11.09 (406 x 762 x 282)	9.62	244	16.28	414	30.28	769	29.50	749	14.62	371	14.38	365
C16C36SS	16.00 x 36.00 x 11.09 (406 x 914 x 282)	9.62	244	16.28	414	36.28	922	35.50	902	14.62	371	14.38	365
C20C20SS	20.00 x 20.00 x 13.09 (508 x 508 x 332)	11.62	295	20.28	515	20.28	515	18.62	473	18.62	473	17.84	453
C20C24SS	20.00 x 24.00 x 13.09 (508 x 610 x 332)	11.62	295	20.28	515	24.28	617	22.62	575	18.62	473	17.84	453
C20C30SS	20.00 x 30.00 x 13.09 (508 x 762 x 332)	11.62	295	20.28	515	30.28	769	28.62	727	18.62	473	17.84	453

Stainless Steel Consolets

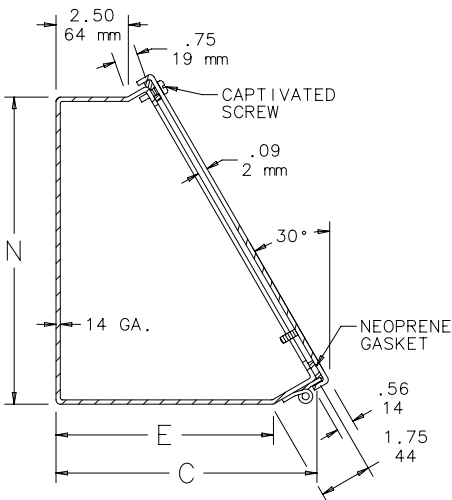
Corrosion-Resistant
Enclosures



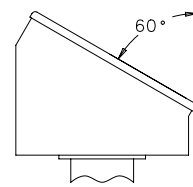
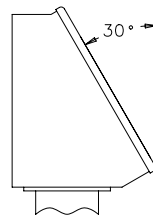
VIEW X-X



VIEW X-X
with cover removed



SECTION Y-Y



87794845

CONCEPT® Stainless Steel Console



Application

Designed to house electrical and electronic controls, instruments, and components. Heavy-duty construction provides protection from dust, dirt, oil, and water. Pushbuttons, pilot lights, meters, switches, etc., can be mounted on the sloping control panel. Interior components can be mounted on stationary panels located on sides and back of enclosure.

Construction

- 14 gauge Type 304 stainless steel one-piece construction
- All seams continuously welded and ground smooth
- Ergonomically designed for sitting or standing operation (lower profile allows operator unrestricted view of control process)
- Solid bottom
- 20° slope top cover for 38.00-inch (965mm) tall console or 30° top cover for 48.00-inch (1219mm) console
- Quarter-turn stainless steel latches hold top cover securely closed
- Stops hold top cover open at 90°
- Integral water-shedding trough
- Optional back panel mounted on collar studs
- Optional side panels (mounted to collar studs) expand equipment mounting space

- Tool-to-open 3-point latch on front access door; door is removable and reversible; 170° full-access opening
- Seamless foam-in-place gasket provides a watertight and dusttight seal
- Bonding provision on door. Grounding stud on body.
- Provision for data pocket on lower front door.

Finish

Enclosures are unpainted. Sides, top, and back have smooth #4 brushed finish. Optional mild steel panels are painted white. Optional conductive panels are available.

Industry Standards

UL 508A, File No. E61997: Type 3R, 4, 4X, and 12
NEMA Type 3R, 4, 4X, 12, and 13
CSA File No. 42186: Type 4, 4X, and 12
Meets Type 3RX requirements

Accessories

Data Pocket
Door Stop Kit
Handles and Latches
Key Inserts
Panels
Rack Angles
Thermal Accessories

Modification Services Program

You can customize this product to your unique requirements by specifying from these options:

- Enclosure height, width, depth
- Holes and cutouts in body, doors, subpanels
- Tapped holes in subpanels
- Fasteners, mounting channel in enclosure and subpanel
- Mounting (adds and deletes)
- Doors
- Subpanels
- Thermal management (louvers, fans, filters)
- Windows
- Standard accessories

To order, contact your local Hoffman sales representative.

NOTE: For information about modifications outside the scope of the Modification Services program, contact your Hoffman sales representative.

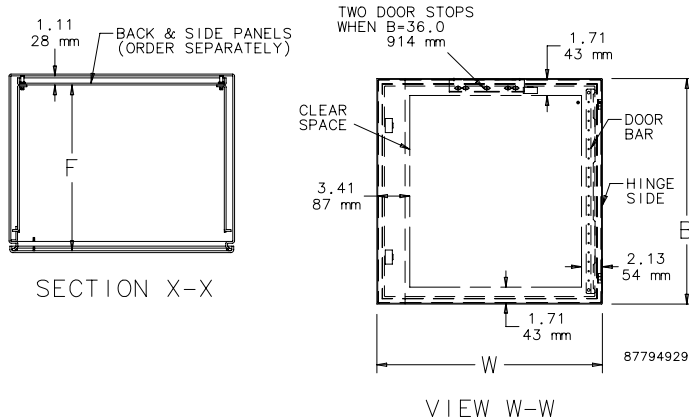
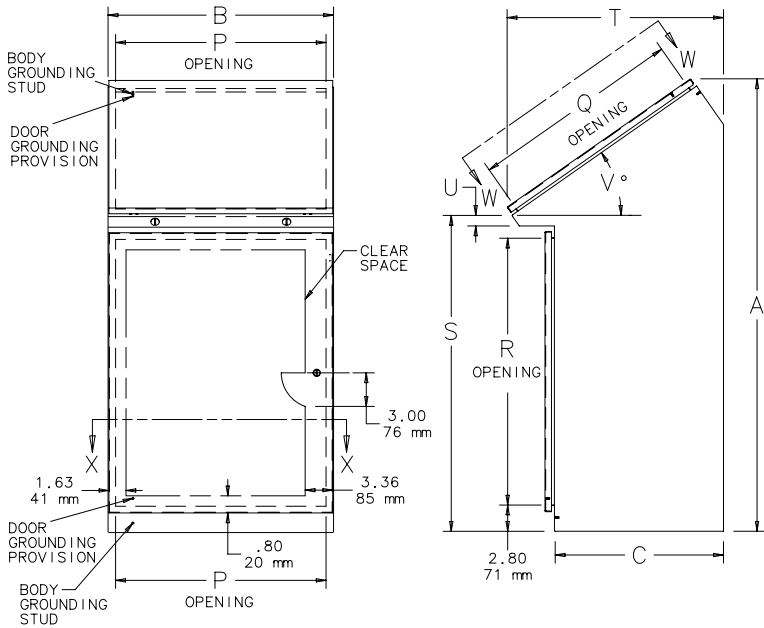
Standard Sizes CONCEPT® Stainless Steel Console

Catalog Number	A x B x C in. (mm)	Back Panel Catalog No.	Back Panel Height x Width in. (mm)	F in. (mm)	P in. (mm)	Q in. (mm)	R in. (mm)	S in. (mm)	T in. (mm)	U in. (mm)	V	W in. (mm)	Data Pocket
CFC382416SS	38.00 x 24.00 x 15.00 (965 x 610 x 381)	CP3624	34.20 x 22.20 (869 x 564)	14.57 (370)	22.40 (569)	18.40 (467)	22.37 (568)	30.44 (773)	19.82 (503)	3.79 (96)	20°	20.00 (508)	Small
CFC383616SS	38.00 x 36.00 x 15.00 (965 x 914 x 381)	CP3636	34.20 x 34.20 (869 x 869)	14.57 (370)	34.40 (874)	18.40 (467)	22.37 (568)	30.44 (773)	19.82 (503)	3.79 (96)	20°	20.00 (508)	Large
CFC482423SS	48.00 x 24.00 x 18.00 (1219 x 610 x 457)	CP2442	40.20 x 22.20 (1021 x 564)	17.57 (446)	22.40 (569)	23.36 (593)	28.35 (720)	35.35 (898)	23.84 (606)	2.54 (64)	30°	24.00 (610)	Large
CFC483623SS	48.00 x 36.00 x 18.00 (1219 x 914 x 457)	CP4236	40.20 x 34.20 (1021 x 869)	17.57 (446)	34.40 (874)	23.36 (593)	28.35 (720)	35.35 (898)	23.84 (606)	2.54 (64)	30°	24.00 (610)	Large

Order Back Panel and Data Pocket separately.

CONCEPT® Stainless Steel Console

Bulletin
CIS



Caster Kit



Order two swivel caster kits or one swivel caster kit plus one stationary caster kit.

Height = 3.72 in. (94mm)

Wheel diameter = 3.00 in. (76mm)

Load rating each = 210 lb. (95kg)

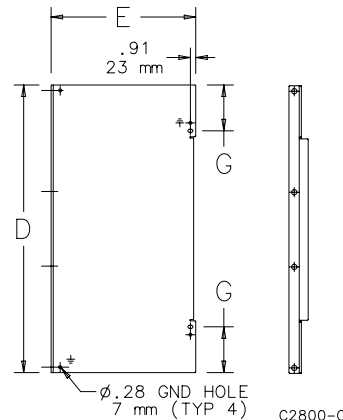
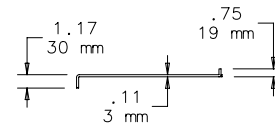
Catalog Number	Description
AC4M6ST	Caster kit, stationary (2 casters per kit)
AC4M6SV	Caster kit, swivel (2 casters per kit)
CCPK15	Caster plate kit, 15 inch, (2 plates per kit)
CCPK18	Caster plate kit, 18 inch, (2 plates per kit)

Order two swivel caster kits or one swivel caster kit plus one stationary caster kit.

Side Panels



One panel per kit. Two kits required if a panel is needed on each side.



Catalog Number	D (in.)	D (mm)	E (in.)	E (mm)	G (in.)	G (mm)
CPC3816	27.15	690	13.65	347	4.33	110
CPC4823	31.57	802	16.65	423	3.54	40

Extra-Deep 30.5mm Pushbutton Stainless Steel Enclosures



See Operator Interface chapter for related mild steel enclosures.

Application

Designed to hold 30.5mm oiltight pushbuttons, switches, and pilot lights. Enclosures provide protection against dirt, dust, oil, and water. Extra deep design accommodates additional contact blocks for push buttons.

Construction

- 14 gauge bodies, 16 gauge covers Type 304 or 316L stainless steel
- Seams continuously welded and ground smooth
- Captivated cover screws thread into sealed wells
- Bonding provision on door. Grounding stud on body.
- 4-way pushbutton holes accept all brands of oiltight pushbuttons, switches, and pilot lights
- Enclosures 6.00 x 4.00 x 4.75 in. (152 x 102 x 121mm) and larger have internal detachable hinge to hold cover open during wiring, yet permit immediate removal
- Oil-resistant gasket and adhesive

Finish

Stainless steel enclosures are unpainted; cover and sides of body have smooth #4 brushed finish.

Industry Standards

UL 508A, File Number E61997: Type 4, 4X and 12
NEMA/EEMAC Type 4X, 12 and 13
JIC Standard EGP-I-1967
CSA File Number 42186: Type 4, 4X, and 12
IEC 60529, IP66

Accessories

Corrosion Inhibitors
Oil-Tight Hole Seals
Pedestals
Tamper Resistant Screws

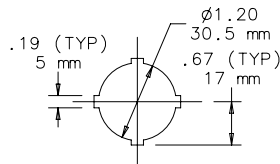
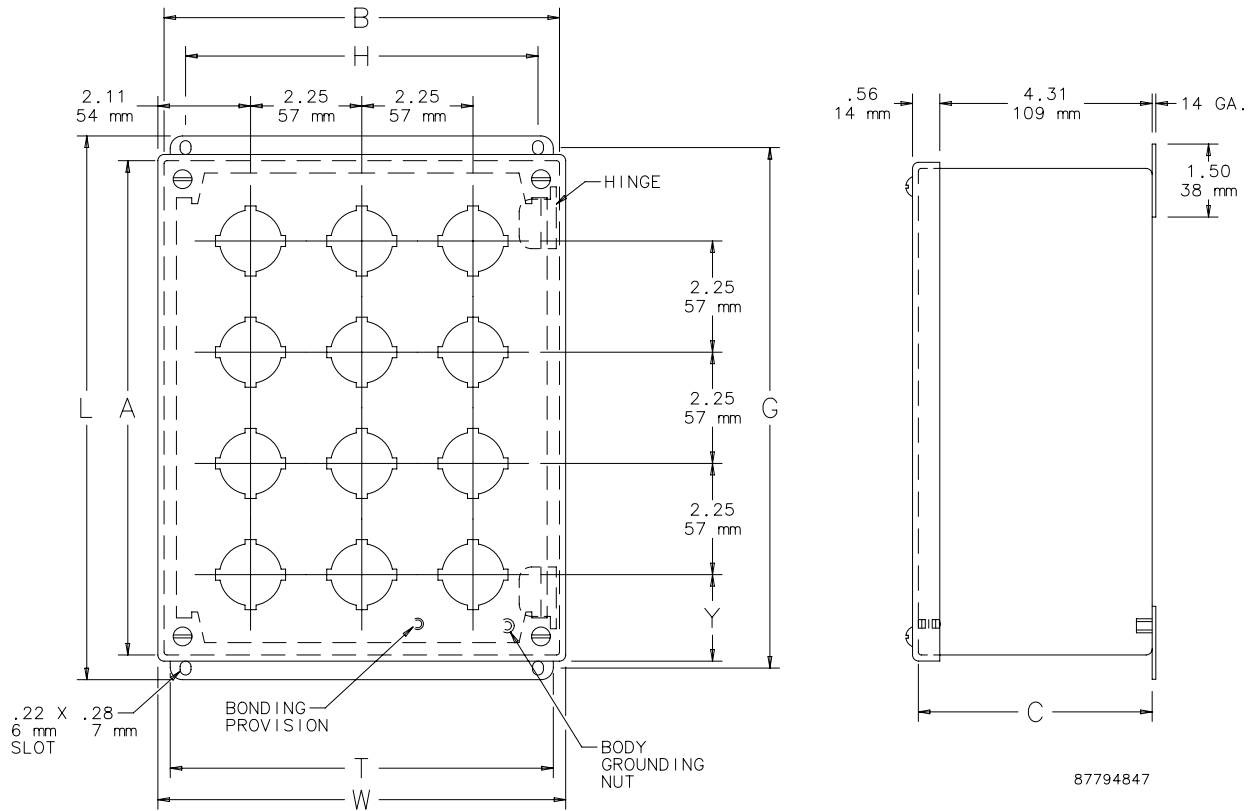
Standard Sizes Extra-Deep 30.5mm Pushbutton Stainless Steel Enclosures

Catalog Number	A x B x C in. (mm)	Stainless Steel Type	Gauge	Number of Holes	Mounting G x H (in.)	Mounting G x H (mm)	Overall L x W (in.)	Overall L x W (mm)	T (in.)	T (mm)	Y (in.)	Y (mm)
E1PBXSS	4.00 x 4.00 x 4.75 (102 x 102 x 121)	304	16	1	4.50 x 3.12	114 x 79	5.00 x 4.22	127 x 107	3.75	95	2.11	54
E2PBXSS	6.00 x 4.00 x 4.75 (152 x 102 x 121)	304	14	2	6.50 x 3.12	165 x 79	7.00 x 4.22	178 x 107	3.75	95	1.98	50
E3PBXSS	8.00 x 4.00 x 4.75 (203 x 102 x 121)	304	14	3	8.50 x 3.12	216 x 79	9.00 x 4.22	229 x 107	3.75	95	1.86	47
E4PBXSS	10.00 x 4.00 x 4.75 (254 x 102 x 121)	304	14	4	10.50 x 3.12	267 x 79	11.00 x 4.22	279 x 107	3.75	95	1.73	44
E16PBXSS	11.75 x 10.75 x 4.75 (298 x 273 x 121)	304	14	16	12.25 x 9.88	311 x 251	12.75 x 10.97	324 x 279	10.50	267	2.61	66
E16PBXSS6	11.75 x 10.75 x 4.75 (298 x 273 x 121)	316L	14	16	12.25 x 9.88	311 x 251	12.75 x 10.97	324 x 279	10.50	267	2.61	66

Extra-Deep 30.5mm Pushbutton Stainless Steel Enclosures

Bulletin
PBIS

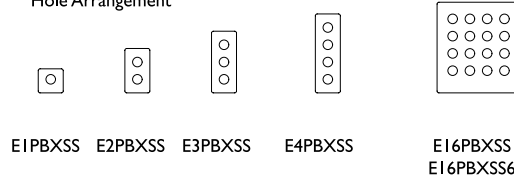
**Corrosion-Resistant
Enclosures**



30.5mm 4-WAY

NOTE: Cover bonding provision location varies based on pushbutton pattern.

Hole Arrangement



30.5mm and 22.5mm Pushbutton Stainless Steel Enclosures



Application

Designed to hold 30.5mm or 22.5mm oiltight pushbuttons, switches, and pilot lights. Enclosures provide protection against dirt, dust, oil, and water.

See Operator Interface chapter for related mild steel enclosures.

Construction

- 14 gauge bodies, 16 gauge covers Type 304 or Type 316L stainless steel
- Seams continuously welded and ground smooth
- Captivated cover screws thread into sealed wells
- Bonding provision on door. Grounding stud on body.
- 4-way pushbutton holes accept all brands of oiltight pushbuttons, switches, and pilot lights
- Enclosures with more than one column of pushbutton holes have internal detachable hinge to hold cover open during wiring, yet permit immediate removal
- Oil-resistant gasket and adhesive

Finish

Stainless steel enclosures are unpainted; cover and sides of body have smooth #4 brushed finish.

Industry Standards

UL 508A, File Number E61997: Type 4, 4X, and 12
NEMA/EEMAC Type 4X, 12, and 13
JIC Standard EGP-1-1967
CSA File Number 42186: Type 4, 4X, and Type 12
IEC 60529, IP66

Accessories

Corrosion Inhibitors
Oil-Tight Hole Seals
Pedestals
Tamper Resistant Screws

Standard Sizes 30.5mm and 22.5mm Pushbutton Stainless Steel Enclosures

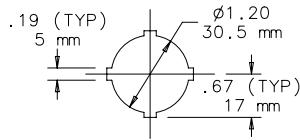
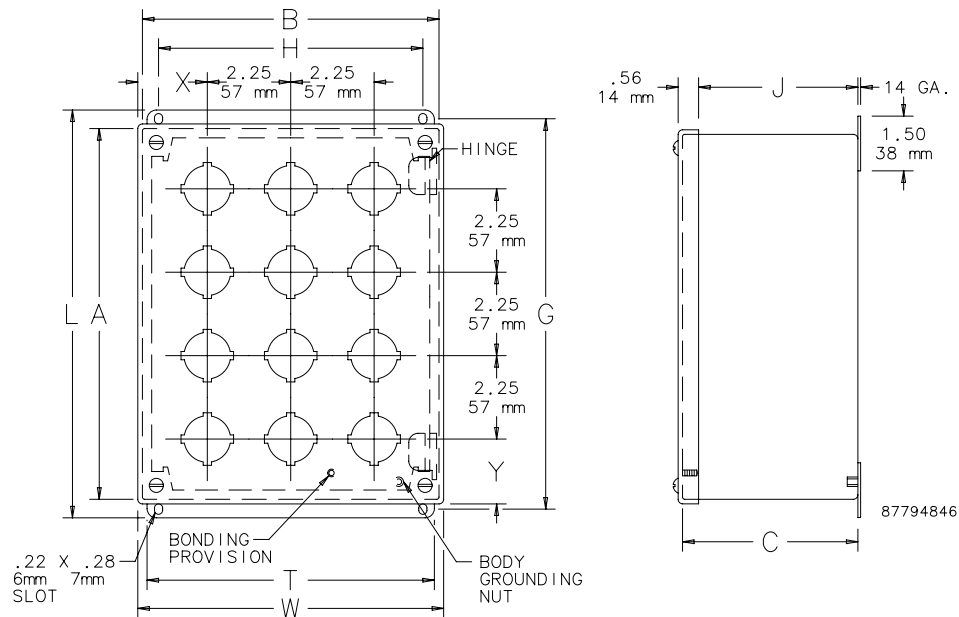
Catalog Number	A x B x C in. (mm)	Hole Size	Stainless Steel Type	Gauge	No. of Holes	Mounting G x H (in.)	Mounting G x H (mm)	Overall L x W (in.)	Overall L x W (mm)	J (in.)	J (mm)	T (in.)	T (mm)	X (in.)	X (mm)	Y (in.)	Y (mm)
E1PBSS	3.50 x 3.25 x 2.75 (89 x 83 x 70)	30.5mm	304	16	1	4.00 x 2.38	102 x 60	4.50 x 3.47	114 x 88	2.31	59	3.00	76	1.73	47	1.86	47
E1PBSS6	3.50 x 3.25 x 2.75 (89 x 83 x 70)	30.5mm	316L	16	1	4.00 x 2.38	102 x 60	4.50 x 3.47	114 x 88	2.31	59	3.00	76	1.73	47	1.86	47
E1PBGSS	3.50 x 3.25 x 2.75 (89 x 83 x 70)	22.5mm	304	16	1	4.00 x 2.38	102 x 60	4.50 x 3.47	114 x 88	2.31	59	3.00	76	1.73	47	1.86	47
E2PBSS	5.75 x 3.25 x 2.75 (146 x 83 x 70)	30.5mm	304	16	2	6.25 x 2.38	159 x 60	6.75 x 3.47	171 x 88	2.31	59	3.00	76	1.73	44	1.86	47
E2PBSS6	5.75 x 3.25 x 2.75 (146 x 83 x 70)	30.5mm	316L	16	2	6.25 x 2.38	159 x 60	6.75 x 3.47	171 x 88	2.31	59	3.00	76	1.73	44	1.86	47
E2PBGSS	5.75 x 3.25 x 2.75 (146 x 83 x 70)	22.5mm	304	16	2	6.25 x 2.38	159 x 60	6.75 x 3.47	171 x 88	2.31	59	3.00	76	1.73	44	1.86	47
E3PBSS	8.00 x 3.25 x 2.75 (203 x 83 x 70)	30.5mm	304	14	3	8.50 x 2.38	216 x 60	9.00 x 3.47	229 x 88	2.31	59	3.00	76	1.73	44	1.86	47
E3PBSS6	8.00 x 3.25 x 2.75 (203 x 83 x 70)	30.5mm	316L	14	3	8.50 x 2.38	216 x 60	9.00 x 3.47	229 x 88	2.31	59	3.00	76	1.73	44	1.86	47
E3PBGSS	8.00 x 3.25 x 2.75 (203 x 83 x 70)	22.5mm	304	14	3	8.50 x 2.38	216 x 60	9.00 x 3.47	229 x 88	2.31	59	3.00	76	1.73	44	1.86	47
E4PBSS	10.25 x 3.25 x 2.75 (260 x 83 x 70)	30.5mm	304	14	4	10.75 x 2.38	273 x 60	11.25 x 3.47	286 x 88	2.31	59	3.00	76	1.73	44	1.86	47
E4PBSS6	10.25 x 3.25 x 2.75 (260 x 83 x 70)	30.5mm	316L	14	4	10.75 x 2.38	273 x 60	11.25 x 3.47	286 x 88	2.31	59	3.00	76	1.73	44	1.86	47
E4PBGSS	10.25 x 3.25 x 2.75 (260 x 83 x 70)	22.5mm	304	14	4	10.75 x 2.38	273 x 60	11.25 x 3.47	286 x 88	2.31	59	3.00	76	1.73	44	1.86	47
E6PBSS	9.50 x 6.25 x 3.00 (241 x 159 x 76)	30.5mm	304	14	6	10.00 x 5.38	254 x 137	10.50 x 6.47	267 x 164	2.56	65	6.00	152	2.11	54	2.61	66
E6PBSS6	9.50 x 6.25 x 3.00 (241 x 159 x 76)	30.5mm	316L	14	6	10.00 x 5.38	254 x 137	10.50 x 6.47	267 x 164	2.56	65	6.00	152	2.11	54	2.61	66
E6PBGSS	9.50 x 6.25 x 3.00 (241 x 159 x 76)	22.5mm	304	14	6	10.00 x 5.38	254 x 137	10.50 x 6.47	267 x 164	2.56	65	6.00	152	2.11	54	2.61	66

30.5mm and 22.5mm Pushbutton Stainless Steel Enclosures

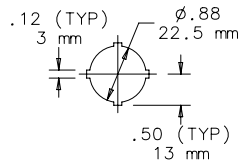
Standard Sizes 30.5mm and 22.5mm Pushbutton Stainless Steel Enclosures (Cont.)

Catalog Number	A x B x C in. (mm)	Hole Size	Stainless Steel Type	Gauge	No. of Holes	Mounting G x H (in.)	Mounting G x H (mm)	Overall L x W (in.)	Overall L x W (mm)	J (in.)	J (mm)	T (in.)	T (mm)	X (in.)	X (mm)	Y (in.)	Y (mm)
E9PBSS	9.50 x 8.50 x 3.00 (241 x 216 x 76)	30.5mm	304	14	9	10.00 x 7.62	254 x 194	10.50 x 8.72	267 x 221	2.56	65	8.25	210	2.11	54	2.61	66
E9PBSS6	9.50 x 8.50 x 3.00 (241 x 216 x 76)	30.5mm	316L	14	9	10.00 x 7.62	254 x 194	10.50 x 8.72	267 x 221	2.56	65	8.25	210	2.11	54	2.61	66
E9PBGSS	9.50 x 8.50 x 3.00 (241 x 216 x 76)	22.5mm	304	14	9	10.00 x 7.62	254 x 194	10.50 x 8.72	267 x 221	2.56	65	8.25	210	2.11	54	2.61	66
E12PBSS	11.75 x 8.50 x 3.00 (298 x 216 x 76)	30.5mm	304	14	12	12.25 x 7.62	311 x 194	12.75 x 8.72	324 x 221	2.56	65	8.25	210	2.11	54	2.61	66
E12PBSS6	11.75 x 8.50 x 3.00 (298 x 216 x 76)	30.5mm	316L	14	12	12.25 x 7.62	311 x 194	12.75 x 8.72	324 x 221	2.56	65	8.25	210	2.11	54	2.61	66
E12PBGSS	11.75 x 8.50 x 3.00 (298 x 216 x 76)	22.5mm	304	14	12	12.25 x 7.62	311 x 194	12.75 x 8.72	324 x 221	2.56	65	8.25	210	2.11	54	2.61	66

Corrosion-Resistant Enclosures



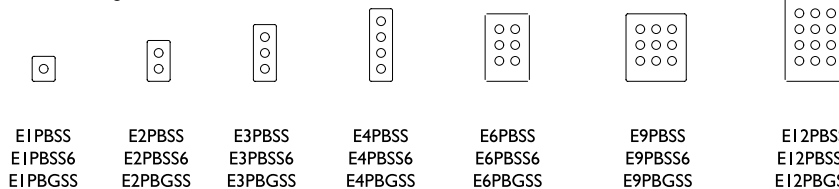
30.5mm 4-WAY



22.5mm 4-WAY

NOTE: Cover bonding provision location varies based on pushbutton pattern.

Hole Arrangement



Extra-Deep 22.5mm Pushbutton Stainless Steel Enclosures



Application

Designed to hold 22.5mm oiltight pushbuttons, switches, and pilot lights. Enclosures provide protection against dust, dirt, oil, and water. Stainless steel enclosures also afford a high degree of protection in areas that may be regularly hosed down or are otherwise exposed to wet conditions.

Construction

- Type 304, 16 or 14 gauge stainless steel enclosures
- Seams continuously welded and ground smooth
- Captivated stainless steel cover screws thread into sealed wells
- Enclosures 8.50 x 4.00 x 4.75 in. (216 x 102 x 121mm) and larger have internal detachable hinge to hold cover open during wiring, yet permit immediate removal
- Bonding provision on door. Grounding stud on body.
- Oil-resistant gasket provides an effective seal

Finish

Enclosures are unpainted; covers and sides of body have a smooth #4 brushed finish.

Industry Standards

UL 508A, File Number E61997: Type 4, 4X, and 12
NEMA/EEMAC Type 4X, 12, and 13
CSA File Number 42186: Type 4, 4X, and 12
IEC 60529, IP66

Accessories

Oil-Tight Hole Seals
Pedestals
Tamper Resistant Screws

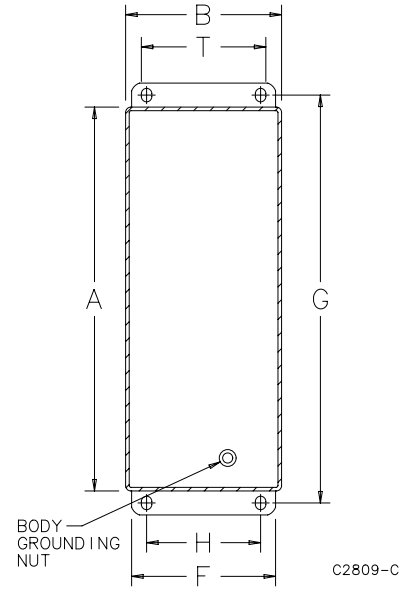
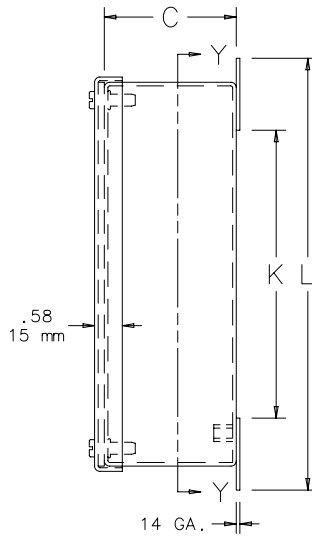
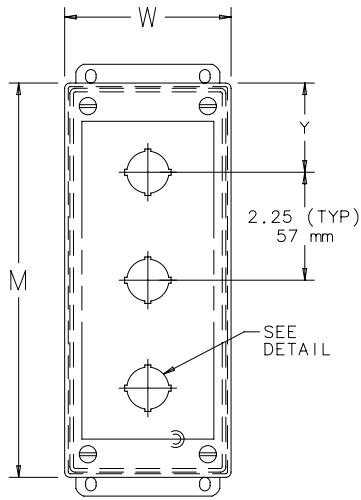
Standard Sizes 22.5mm Pushbutton Stainless Steel Enclosures

Catalog Number	Gauge	Holes	A x B x C in. (mm)	Mounting G x H (in.)	Mounting G x H (mm)	Overall L x W (in.)	Overall L x W (mm)	F (in.)	F (mm)	K (in.)	K (mm)	M (in.)	M (mm)	T (in.)	T (mm)	V (in.)	V (mm)	Y (in.)	Y (mm)
E1PBGXSS	16	1	4.00 x 4.00 x 4.75 (102 x 102 x 121)	4.50 x 3.13	114 x 80	5.00 x 4.22	127 x 107	3.75	95	2.00	51	4.22	85	3.34	85	5.00	127	—	—
E2PBGXSS	14	2	6.00 x 4.00 x 4.75 (152 x 102 x 121)	6.50 x 3.13	165 x 80	7.00 x 4.22	178 x 107	3.75	95	4.00	102	6.22	158	3.34	85	5.00	127	1.98	50
E3PBGXSS	14	3	8.00 x 4.00 x 4.75 (203 x 102 x 121)	8.50 x 3.13	216 x 80	9.00 x 4.22	229 x 107	3.75	95	6.00	152	8.22	209	3.34	85	5.00	127	1.86	47
E4PBGXSS	14	4	10.00 x 4.00 x 4.75 (254 x 102 x 121)	10.50 x 3.13	267 x 80	11.00 x 4.22	270 x 107	3.75	95	8.00	203	10.22	260	3.34	85	5.00	127	1.73	44

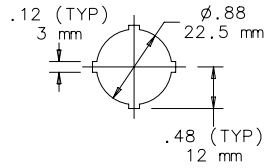
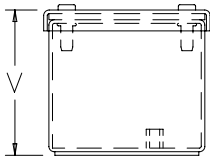
Extra-Deep 22.5mm Pushbutton Stainless Steel Enclosures

Bulletin
PBIS

Corrosion-Resistant
Enclosures



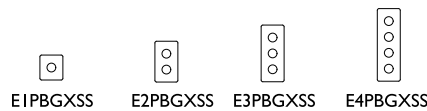
SECTION Y-Y



22.5mm 4-WAY

NOTE: Cover bonding provision location varies based on pushbutton pattern.

Hole Arrangement



CONCEPT[®] Stainless Steel Type 4X Wall-Mounted Enclosures with Additional Latches



Application

The CONCEPT stainless steel enclosure, with quarter-turn latching on three sides of enclosure door is a perfect fit for mounting electrical or high-tech electronic equipment in a variety of indoor and outdoor settings. It is typically used in the following applications where corrosion-resistant protection is needed: food processing plants, pharmaceutical manufacturing facilities, petrochemical plants, pulp and paper processing, and water treatment facilities.

Construction

- Manufactured from 16 or 14 gauge Type 304 or 316L stainless steel
- Seams continuously welded and ground smooth
- Minimum-width body flange provides maximum door opening
- 90° body flange trough excludes liquids and contaminants
- Stainless steel quarter-turn latches with flush slotted insert provided on three sides of enclosure door. Optional handles and inserts are available.
- Integral door ramp to properly align door and gasket to body frame
- Panel mounting studs fit optional CONCEPT panels and other accessories
- Mounting holes in back of body for direct mounting or for optional external mounting brackets
- Stainless steel hidden hinges promote clean, aesthetic appearance
- Standard full access door opening
- Doors are interchangeable and easily removable by pulling captive hinge pins
- Door bars furnished for extra rigidity
- Provision on door for thermoplastic data pocket
- Provision on door for optional doorstop kit
- Seamless foam-in-place gasket provides oiltight and dusttight seal against contaminants
- Self-grounding latch system with double seal provides maximum protection against leakage
- Bonding provision on door. Grounding stud on body.
- Furnished hardware kit consists of panel mounting nuts, panel grounding hardware, and sealing washers for wall-mounting holes
- Installation instructions for enclosure and accessories provided

Finish

Enclosures are unpainted. Door and body have smooth #4 brushed finish. Optional mild steel panels are painted white. Optional conductive panels are available.

Industry Standards

Mounting brackets required to meet UL/CSA external mounting requirements.

UL 508A, File No.E61997: Type 3R, 4, 4X, 12

NEMA/EEMAC Type 3R, 4, 4X, 12, 13

cUL C22.2 No.26, File Number E61997: Type 3R, 4, 4X, 12

IEC 60529, IP66

Meets Type 3RX requirements

Patents

This product is covered by the following patents:

US D360,345

DE 9405854.7

US 5,509,703

US 5,666,695

Other patents pending.

Accessories

Corrosion Inhibitors
Data Pocket
DIN3 Rails
Door Stop Kit
Lighting Kits
Mounting Brackets
Panels (see table)
Panels, NEMA
Terminal Block Kit Assembly
Thermal Accessories

Modification Services Program

You can customize this product to your unique requirements by specifying from these options:

- Enclosure height, width, depth
- Holes and cutouts in body, doors, subpanels
- Tapped holes in subpanels
- Fasteners, mounting channel in enclosure and subpanel
- Mounting (adds and deletes)
- Doors
- Subpanels
- Thermal management (louvers, fans, filters)
- Windows
- Standard accessories
- Drip shield

To order, contact your local Hoffman sales representative.

NOTE: For information about modifications outside the scope of the Modification Services program, contact your Hoffman sales representative.

CONCEPT® Stainless Steel Type 4X Wall-Mounted Enclosures with Additional Latches

Standard Sizes CONCEPT® Stainless Steel Type 4X Wall-Mounted Enclosures

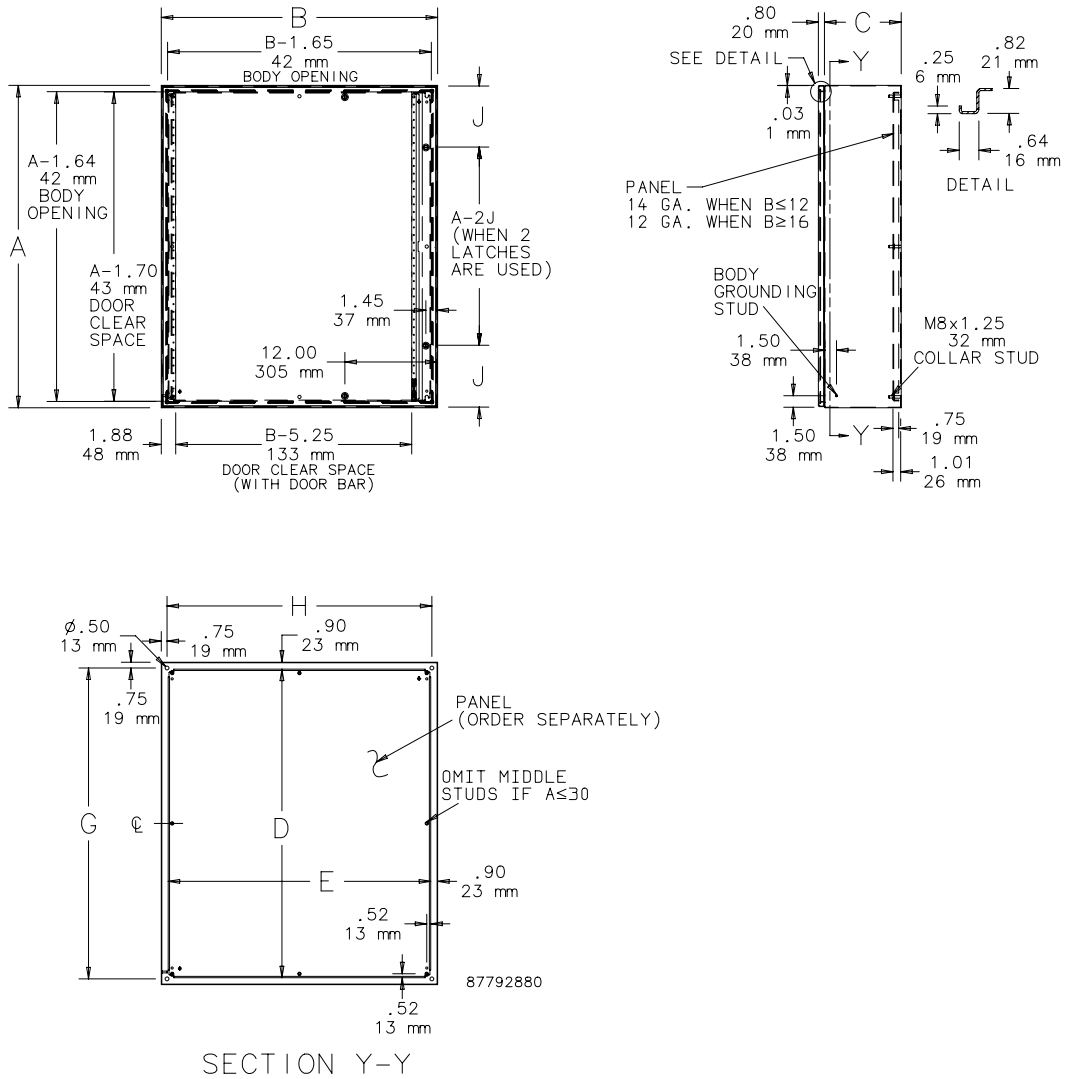
Catalog Number	A x B x C in. (mm)	Stain- less Steel Type	Door Ga.	Body Ga.	CONCEPT Panel Catalog Number	Conduc- tive Panel Catalog Number	Panel Size D x E (in.)	Panel Size D x E (mm)	Mounting G x G (in.)	Mounting G x G (mm)	Latch- es Qty.	Style	J (in.)	J (mm)
CSD363610SSR	36.00 x 36.00 x 10.00 (914 x 914 x 254)	304	14	14	CP3636	CP3636G	34.20 x 34.20	869 x 869	34.50 x 34.50	876 x 876	4	1/4-turn	10.00	254
CSD363610SS6R	36.00 x 36.00 x 10.00 (914 x 914 x 254)	316L	14	14	CP3636	CP3636G	34.20 x 34.20	869 x 869	34.50 x 34.50	876 x 876	4	1/4-turn	10.00	254
CSD423610SSR	42.00 x 36.00 x 10.00 (1067 x 914 x 254)	304	14	14	CP4236	CP4236G	40.20 x 34.20	1021 x 869	40.50 x 34.50	1029 x 876	4	1/4-turn	13.00	330
CSD423610SS6R	42.00 x 36.00 x 10.00 (1067 x 914 x 254)	316L	14	14	CP4236	CP4236G	40.20 x 34.20	1021 x 869	40.50 x 34.50	1029 x 876	4	1/4-turn	13.00	330
CSD483610SSR	48.00 x 36.00 x 10.00 (1219 x 914 x 254)	304	14	14	CP4836	CP4836G	46.20 x 34.20	1173 x 869	46.50 x 34.50	1181 x 876	4	1/4-turn	14.00	356
CSD483610SS6R	48.00 x 36.00 x 10.00 (1219 x 914 x 254)	316L	14	14	CP4836	CP4836G	46.20 x 34.20	1173 x 869	46.50 x 34.50	1181 x 876	4	1/4-turn	14.00	356
CSD603610SSR	60.00 x 36.00 x 10.00 (1524 x 914 x 254)	304	14	14	CP6036	CP6036G	58.20 x 34.20	1478 x 869	58.50 x 34.50	1486 x 876	4	1/4-turn	17.00	432
CSD603610SS6R	60.00 x 36.00 x 10.00 (1524 x 914 x 254)	316L	14	14	CP6036	CP6036G	58.20 x 34.20	1478 x 869	58.50 x 34.50	1486 x 876	4	1/4-turn	17.00	432
CSD363612SSR	36.00 x 36.00 x 12.00 (914 x 914 x 305)	304	14	14	CP3636	CP3636G	34.20 x 34.20	869 x 869	34.50 x 34.50	876 x 876	4	1/4-turn	10.00	254
CSD363612SS6R	36.00 x 36.00 x 12.00 (914 x 914 x 305)	316L	14	14	CP3636	CP3636G	34.20 x 34.20	869 x 869	34.50 x 34.50	876 x 876	4	1/4-turn	10.00	254
CSD423612SSR	42.00 x 36.00 x 12.00 (1067 x 914 x 305)	304	14	14	CP4236	CP4236G	40.20 x 34.20	1021 x 869	40.50 x 34.50	1029 x 876	4	1/4-turn	13.00	330
CSD423612SS6R	42.00 x 36.00 x 12.00 (1067 x 914 x 305)	316L	14	14	CP4236	CP4236G	40.20 x 34.20	1021 x 869	40.50 x 34.50	1029 x 876	4	1/4-turn	13.00	330
CSD483612SSR	48.00 x 36.00 x 12.00 (1219 x 914 x 305)	304	14	14	CP4836	CP4836G	46.20 x 34.20	1173 x 869	46.50 x 34.50	1181 x 876	4	1/4-turn	14.00	356
CSD483612SS6R	48.00 x 36.00 x 12.00 (1219 x 914 x 305)	316L	14	14	CP4836	CP4836G	46.20 x 34.20	1173 x 869	46.50 x 34.50	1181 x 876	4	1/4-turn	14.00	356
CSD603612SSR	60.00 x 36.00 x 12.00 (1524 x 914 x 305)	304	14	14	CP6036	CP6036G	58.20 x 34.20	869 x 462	58.50 x 34.50	1486 x 876	4	1/4-turn	17.00	402
CSD603612SS6R	60.00 x 36.00 x 12.00 (1524 x 914 x 305)	316L	14	14	CP6036	CP6036G	58.20 x 34.20	869 x 462	58.50 x 34.50	1486 x 876	4	1/4-turn	17.00	402
CSD723612SSR	72.00 x 36.00 x 12.00 (1829 x 914 x 305)	304	14	14	CP7236	—	70.20 x 34.20	1783 x 462	70.50 x 34.50	1791 x 876	4	1/4-turn	23.00	584
CSD723616SSR	72.00 x 36.00 x 16.00 (1829 x 914 x 406)	304	14	14	CP7236	—	70.20 x 34.20	1783 x 462	70.50 x 34.50	1791 x 876	4	1/4-turn	23.00	584

Optional NEMA style steel and stainless steel panels require conversion kit catalog number CCPM4.

Corrosion-Resistant
Enclosures

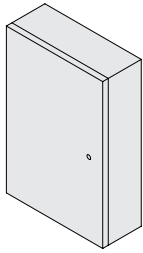
CONCEPT® Stainless Steel Type 4X Wall-Mounted Enclosures with Additional Latches

CONCEPT Stainless Steel Type 4X Wall-Mount Enclosures Drawing

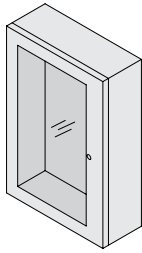


CONCEPT® Stainless Steel Type 4X Wall-Mounted Enclosures with Additional Latches

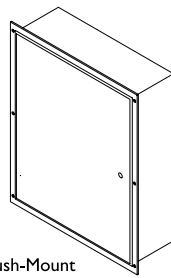
The CONCEPT Enclosure Group Accessory Selection Guide



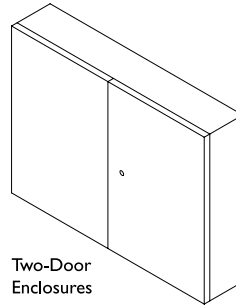
Steel or
Stainless Steel
Enclosures



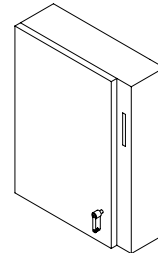
Steel or Stainless
Steel Window-
Door Enclosures



Flush-Mount
Enclosures



Two-Door
Enclosures



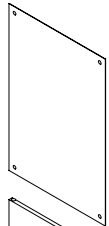
Steel or
Stainless Steel
Disconnect
Enclosures

87794901

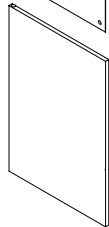
Corrosion-Resistant
Enclosures

(See Accessories: CONCEPT® Enclosure Accessories.)

Internal Accessories



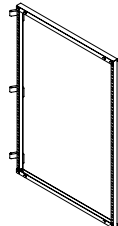
Steel Panels



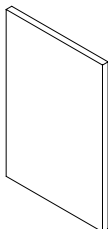
Swing-Out
Panel



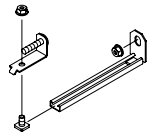
Panel
Conversion
Kit



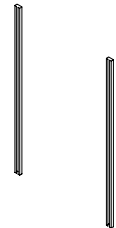
Swing-Out
Rack Frame



Dead Front
Kit



Adjustable
Depth Panel
Mounting
Kit



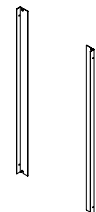
Mounting
Channels



DIN3 Rail
Kit

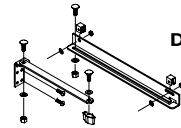


Grid Straps



Rack
Mounting
Angles

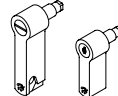
Door Accessories



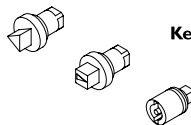
Door Stop Kit



Data Pocket

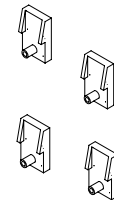


Handles and
Latches

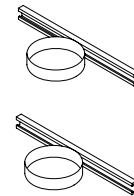


Key Inserts

External Accessories



Mounting
Bracket
Kit



Pole
Mounting
Kits

11C59754

Stainless steel strap with
galvanized unistrut.

CONCEPT® Stainless Steel Type 4X Wall-Mounted Enclosures



Application

The CONCEPT stainless steel enclosure, with its streamlined design and Type 4X rating, is a perfect fit for mounting electrical or high-tech electronic equipment in a variety of indoor and outdoor settings. It is typically used in the following areas where corrosion-resistant protection is needed: food processing plants, pharmaceutical manufacturing facilities, petrochemical plants, pulp and paper processing, and water treatment facilities.

Construction

- Manufactured from 16 or 14 gauge Type 304 or 316L stainless steel
- Seams continuously welded and ground smooth
- Minimum-width body flange provides maximum door opening
- Body flange trough excludes liquids and contaminants
- Panel mounting studs fit optional CONCEPT panels and other accessories
- Mounting holes in back of body for direct mounting or for optional external mounting brackets
- Type 304 stainless steel hidden hinges promote clean aesthetic appearance
- Standard full-access door opening
- Doors are interchangeable and easily removable by pulling captive hinge pins
- Provision on door (except window door style) for thermoplastic data pocket
- Provision on door (except window door style) for optional doorstop kit
- Quarter-turn latches (or a 3-point latch system on larger enclosures) furnished with flush slotted insert. Optional handles or inserts are available.
- Seamless foam-in-place gasket provides oiltight and dusttight seal against contaminants
- Self-grounding latch system with double seal provides maximum protection against leakage
- Bonding provision on door. Grounding stud on body.
- Furnished hardware kit consists of panel-mounting nuts, panel-grounding hardware, and sealing washers for wall-mounting holes
- Installation instructions for enclosure and accessories are provided

Finish

Enclosures are unpainted. Door and body have smooth #4 brushed finish. Optional mild steel panels are painted white. Optional conductive panels are available.

Industry Standards

Mounting brackets required to meet UL/CSA external mounting requirements.

UL 508A, File No. E61997: Type 3R, 4, 4X, and 12

NEMA/EEMAC Type 3R, 4, 4X, 12, and 13

CSA File No. 42186: Type 4, 4X, and 12

VDE IP66

IEC 60529, IP66

Meets Type 3RX requirements

Patents

This product covered by the following patents:

US 360,345

DE 9405854.7

US 5,509,703

US 5,666,695

Other patents pending.

Accessories

Corrosion Inhibitors
Data Pocket
DIN3 Rails
Door Stop Kit
Lighting Kits
Mounting Brackets
Panels
Panels, NEMA
Terminal Block Kit Assembly
Thermal Accessories

Data Pockets for Solid Door Enclosures

- No pocket when enclosure B dimension = 12.00 in. (305mm)
- Small pocket when enclosure A dimension <30.00 in. (762mm) and B dimension is between 12 in. (305mm) and 20.00 in. (508mm)
- Large pocket when enclosure A dimension >30.00 in. (762mm) and B dimension is >20.00 in. (508mm)

Modification Services Program

You can customize this product to your unique requirements by specifying from these options:

- Enclosure height, width, depth
- Holes and cutouts in body, doors, subpanels
- Tapped holes in subpanels
- Fasteners, mounting channel in enclosure and subpanel
- Mounting (adds and deletes)
- Doors
- Subpanels
- Thermal management (louvers, fans, filters)
- Windows
- Standard accessories
- Drip shield

To order, contact your local Hoffman sales representative.

NOTE: For information about modifications outside the scope of the Modification Services program, contact your Hoffman sales representative.

CONCEPT® Stainless Steel Type 4X Wall-Mounted Enclosures

Standard Sizes CONCEPT® Stainless Steel Single-Door Wall-Mount Enclosures

Catalog Number	A x B x C in. (mm)	Stain- less Steel Type	Door Ga.	Body Ga.	CONCEPT Panel Catalog Number	Conductive Panel Catalog Number	Panel Size D x E (in.)	Panel Size D x E (mm)	Mounting G x H (in.)	Mounting G x H (mm)	Latch (qty)	Latch (style)	J (in.)	J (mm)
CSD12126SS	12.00 x 12.00 x 6.00 (305 x 305 x 152)	304	16	16	CP1212	CP1212G	10.20 x 10.20	259 x 259	10.50 x 10.50	267 x 267	1	1/4-turn	6.00	152
CSD12126SS6	12.00 x 12.00 x 6.00 (305 x 305 x 152)	316L	16	16	CP1212	CP1212G	10.20 x 10.20	259 x 259	10.50 x 10.50	267 x 267	1	1/4-turn	6.00	152
CSD16126SS	16.00 x 12.00 x 6.00 (406 x 305 x 152)	304	16	16	CP1612	CP1612G	14.20 x 10.20	361 x 259	14.50 x 10.50	368 x 267	1	1/4-turn	8.00	203
CSD16126SS6	16.00 x 12.00 x 6.00 (406 x 305 x 152)	316L	16	16	CP1612	CP1612G	14.20 x 10.20	361 x 259	14.50 x 10.50	368 x 267	1	1/4-turn	8.00	203
CSD16166SS	16.00 x 16.00 x 6.00 (406 x 406 x 152)	304	16	16	CP1616	CP1616G	14.20 x 14.20	361 x 361	14.50 x 14.50	368 x 368	1	1/4-turn	8.00	203
CSD16166SS6	16.00 x 16.00 x 6.00 (406 x 406 x 152)	316L	16	16	CP1616	CP1616G	14.20 x 14.20	361 x 361	14.50 x 14.50	368 x 368	1	1/4-turn	8.00	203
CSD20166SS	20.00 x 16.00 x 6.00 (508 x 406 x 152)	304	16	16	CP2016	CP2016G	18.20 x 14.50	462 x 361	18.50 x 14.50	470 x 368	1	1/4-turn	10.00	254
CSD20166SS6	20.00 x 16.00 x 6.00 (508 x 406 x 152)	316L	16	16	CP2016	CP2016G	18.20 x 14.50	462 x 361	18.50 x 14.50	470 x 368	1	1/4-turn	10.00	254
CSD20206SS	20.00 x 20.00 x 6.00 (508 x 508 x 152)	304	16	16	CP2020	CP2020G	18.20 x 18.20	462 x 462	18.50 x 18.50	470 x 470	1	1/4-turn	10.00	254
CSD20206SS6	20.00 x 20.00 x 6.00 (508 x 508 x 152)	316L	16	16	CP2020	CP2020G	18.20 x 18.20	462 x 462	18.50 x 18.50	470 x 470	1	1/4-turn	10.00	254
CSD16128SS	16.00 x 12.00 x 8.00 (406 x 305 x 203)	304	16	16	CP1612	CP1612G	14.20 x 10.20	361 x 259	14.50 x 10.50	368 x 267	1	1/4-turn	8.00	203
CSD16128SS6	16.00 x 12.00 x 8.00 (406 x 305 x 203)	316L	16	16	CP1612	CP1612G	14.20 x 10.20	361 x 259	14.50 x 10.50	368 x 267	1	1/4-turn	8.00	203
CSD16168SS	16.00 x 16.00 x 8.00 (406 x 406 x 203)	304	16	16	CP1616	CP1616G	14.20 x 14.20	361 x 361	14.50 x 14.50	368 x 368	1	1/4-turn	8.00	203
CSD16168SS6	16.00 x 16.00 x 8.00 (406 x 406 x 203)	316L	16	16	CP1616	CP1616G	14.20 x 14.20	361 x 361	14.50 x 14.50	368 x 368	1	1/4-turn	8.00	203
CSD16208SS	16.00 x 20.00 x 8.00 (406 x 508 x 203)	304	16	16	CP2016	CP2016G	18.20 x 14.20	462 x 361	14.50 x 18.50	368 x 470	1	1/4-turn	8.00	203
CSD16208SS6	16.00 x 20.00 x 8.00 (406 x 508 x 203)	316L	16	16	CP2016	CP2016G	18.20 x 14.20	462 x 361	14.50 x 18.50	368 x 470	1	1/4-turn	8.00	203
CSD20168SS	20.00 x 16.00 x 8.00 (508 x 406 x 203)	304	16	16	CP2016	CP2016G	18.20 x 14.20	462 x 361	18.50 x 14.50	470 x 368	1	1/4-turn	10.00	254
CSD20168SS6	20.00 x 16.00 x 8.00 (508 x 406 x 203)	316L	16	16	CP2016	CP2016G	18.20 x 14.20	462 x 361	18.50 x 14.50	470 x 368	1	1/4-turn	10.00	254
CSD20208SS	20.00 x 20.00 x 8.00 (508 x 508 x 203)	304	16	16	CP2020	CP2020G	18.20 x 18.20	462 x 462	18.50 x 18.50	470 x 470	1	1/4-turn	10.00	254
CSD20208SS6	20.00 x 20.00 x 8.00 (508 x 508 x 203)	316L	16	16	CP2020	CP2020G	18.20 x 18.20	462 x 462	18.50 x 18.50	470 x 470	1	1/4-turn	10.00	254
CSD24168SS	24.00 x 16.00 x 8.00 (610 x 406 x 203)	304	16	16	CP2416	CP2416G	22.20 x 14.20	564 x 361	22.50 x 14.50	572 x 368	1	1/4-turn	12.00	305
CSD24168SS6	24.00 x 16.00 x 8.00 (610 x 406 x 203)	316L	16	16	CP2416	CP2416G	22.20 x 14.20	564 x 361	22.50 x 14.50	572 x 368	1	1/4-turn	12.00	305
CSD24208SS	24.00 x 20.00 x 8.00 (610 x 508 x 203)	304	16	16	CP2420	CP2420G	22.20 x 18.20	564 x 462	22.50 x 18.50	572 x 470	1	1/4-turn	12.00	305
CSD24208SS6	24.00 x 20.00 x 8.00 (610 x 508 x 203)	316L	16	16	CP2420	CP2420G	22.20 x 18.20	564 x 462	22.50 x 18.50	572 x 470	1	1/4-turn	12.00	305
CSD24248SS	24.00 x 24.00 x 8.00 (610 x 610 x 203)	304	14	16	CP2424	CP2424	22.20 x 22.20	564 x 564	22.50 x 22.50	572 x 572	2	1/4-turn	5.00	127
CSD24248SS6	24.00 x 24.00 x 8.00 (610 x 610 x 203)	316L	14	16	CP2424	CP2424G	22.20 x 22.20	564 x 564	22.50 x 22.50	572 x 572	2	1/4-turn	5.00	127
CSD30248SS	30.00 x 24.00 x 8.00 (762 x 610 x 203)	304	14	16	CP3024	CP3024G	28.20 x 22.20	716 x 564	28.50 x 22.50	724 x 572	2	1/4-turn	5.00	127
CSD30248SS6	30.00 x 24.00 x 8.00 (762 x 610 x 203)	316L	14	16	CP3024	CP3024G	28.20 x 22.20	716 x 564	28.50 x 22.50	724 x 572	2	1/4-turn	5.00	127
CSD30308SS	30.00 x 30.00 x 8.00 (762 x 762 x 203)	304	14	14	CP3030	CP3030G	28.20 x 28.20	716 x 716	28.50 x 28.50	724 x 724	2	1/4-turn	5.00	127
CSD30308SS6	30.00 x 30.00 x 8.00 (762 x 762 x 203)	316L	14	14	CP3030	CP3030G	28.20 x 28.20	716 x 716	28.50 x 28.50	724 x 724	2	1/4-turn	5.00	127
CSD36248SS	36.00 x 24.00 x 8.00 (914 x 610 x 203)	304	14	16	CP3624	CP3624G	34.20 x 22.20	869 x 564	34.50 x 22.50	876 x 572	2	1/4-turn	5.00	127
CSD36248SS6	36.00 x 24.00 x 8.00 (914 x 610 x 203)	316L	14	16	CP3624	CP3624G	34.20 x 22.20	869 x 564	34.50 x 22.50	876 x 572	2	1/4-turn	5.00	127
CSD36308SS	36.00 x 30.00 x 8.00 (914 x 762 x 203)	304	14	14	CP3630	CP3630G	34.20 x 28.20	869 x 716	34.50 x 28.50	876 x 724	2	1/4-turn	5.00	127
CSD36308SS6	36.00 x 30.00 x 8.00 (914 x 762 x 203)	316L	14	14	CP3630	CP3630G	34.20 x 28.20	869 x 716	34.50 x 28.50	876 x 724	2	1/4-turn	5.00	127

Corrosion-Resistant
Enclosures

CONCEPT® Stainless Steel Type 4X Wall-Mounted Enclosures

Standard Sizes CONCEPT® Stainless Steel Single-Door Wall-Mount Enclosures (Cont.)

Catalog Number	A x B x C in. (mm)	Stain- less Steel Type	Door Ga.	Body Ga.	CONCEPT Panel Catalog Number	Conductive Panel Catalog Number	Panel Size D x E (in.)	Panel Size D x E (mm)	Mounting G x H (in.)	Mounting G x H (mm)	Latch (qty)	Latch (style)	J (in.)	J (mm)
CSD161210SS	16.00 x 12.00 x 10.00 (406 x 305 x 254)	304	16	16	CP1612	CP1612G	14.20 x 10.20	361 x 259	14.50 x 10.50	368 x 267	1	1/4-turn	8.00	203
CSD161210SS6	16.00 x 12.00 x 10.00 (406 x 305 x 254)	316L	16	16	CP1612	CP1612G	14.20 x 10.20	361 x 259	14.50 x 10.50	368 x 267	1	1/4-turn	8.00	203
CSD161610SS	16.00 x 16.00 x 10.00 (406 x 406 x 254)	304	16	16	CP1616	CP1616G	14.20 x 14.20	361 x 361	14.50 x 14.50	368 x 368	1	1/4-turn	8.00	203
CSD161610SS6	16.00 x 16.00 x 10.00 (406 x 406 x 254)	316L	16	16	CP1616	CP1616G	14.20 x 14.20	361 x 361	14.50 x 14.50	368 x 368	1	1/4-turn	8.00	203
CSD162010SS	16.00 x 20.00 x 10.00 (406 x 508 x 254)	304	16	16	CP2016	CP2016G	18.20 x 14.20	462 x 361	14.50 x 18.50	368 x 470	1	1/4-turn	8.00	203
CSD162010SS6	16.00 x 20.00 x 10.00 (406 x 508 x 254)	316L	16	16	CP2016	CP2016G	18.20 x 14.20	462 x 361	14.50 x 18.50	368 x 470	1	1/4-turn	8.00	203
CSD201610SS	20.00 x 16.00 x 10.00 (508 x 406 x 254)	304	16	16	CP2016	CP2016G	18.20 x 14.20	462 x 361	18.50 x 14.50	470 x 368	1	1/4-turn	10.00	254
CSD201610SS6	20.00 x 16.00 x 10.00 (508 x 406 x 254)	316L	16	16	CP2016	CP2016G	18.20 x 14.20	462 x 361	18.50 x 14.50	470 x 368	1	1/4-turn	10.00	254
CSD202010SS	20.00 x 20.00 x 10.00 (508 x 508 x 254)	304	16	16	CP2020	CP2020G	18.20 x 18.20	462 x 462	18.50 x 18.50	470 x 470	1	1/4-turn	10.00	254
CSD202010SS6	20.00 x 20.00 x 10.00 (508 x 508 x 254)	316L	16	16	CP2020	CP2020G	18.20 x 18.20	462 x 462	18.50 x 18.50	470 x 470	1	1/4-turn	10.00	254
CSD202410SS	20.00 x 24.00 x 10.00 (508 x 610 x 254)	304	16	16	CP2420	CP2420G	22.20 x 18.20	464 x 462	18.50 x 22.50	470 x 572	1	1/4-turn	10.00	254
CSD202410SS6	20.00 x 24.00 x 10.00 (508 x 610 x 254)	316L	16	16	CP2420	CP2420G	22.20 x 18.20	464 x 462	18.50 x 22.50	470 x 572	1	1/4-turn	10.00	254
CSD241610SS	24.00 x 16.00 x 10.00 (610 x 406 x 254)	304	16	16	CP2416	CP2416G	22.20 x 14.20	564 x 361	22.50 x 14.50	572 x 368	1	1/4-turn	12.00	305
CSD241610SS6	24.00 x 16.00 x 10.00 (610 x 406 x 254)	316L	16	16	CP2416	CP2416G	22.20 x 14.20	564 x 361	22.50 x 14.50	572 x 368	1	1/4-turn	12.00	305
CSD242010SS	24.00 x 20.00 x 10.00 (610 x 508 x 254)	304	16	16	CP2420	CP2420G	22.20 x 18.20	564 x 462	22.50 x 18.50	572 x 470	1	1/4-turn	12.00	305
CSD242010SS6	24.00 x 20.00 x 10.00 (610 x 508 x 254)	316L	16	16	CP2420	CP2420G	22.20 x 18.20	564 x 462	22.50 x 18.50	572 x 470	1	1/4-turn	12.00	305
CSD242410SS	24.00 x 24.00 x 10.00 (610 x 610 x 254)	304	14	16	CP2424	CP2424G	22.20 x 22.20	564 x 564	22.50 x 22.50	572 x 572	2	1/4-turn	5.00	127
CSD242410SS6	24.00 x 24.00 x 10.00 (610 x 610 x 254)	316L	14	16	CP2424	CP2424	22.20 x 22.20	564 x 564	22.50 x 22.50	572 x 572	2	1/4-turn	5.00	127
CSD243010SS	24.00 x 30.00 x 10.00 (610 x 762 x 254)	304	14	16	CP3024	CP3024G	28.20 x 22.20	716 x 564	22.50 x 28.50	572 x 724	2	1/4-turn	5.00	127
CSD243010SS6	24.00 x 30.00 x 10.00 (610 x 762 x 254)	316L	14	16	CP3024	CP3024G	28.20 x 22.20	716 x 564	22.50 x 28.50	572 x 724	2	1/4-turn	5.00	127
CSD302010SS	30.00 x 20.00 x 10.00 (762 x 508 x 254)	304	14	16	CP3020	CP3020G	28.20 x 18.20	716 x 462	28.50 x 18.50	724 x 470	2	1/4-turn	5.00	127
CSD302010SS6	30.00 x 20.00 x 10.00 (762 x 508 x 254)	316L	14	16	CP3020	CP3020G	28.20 x 18.20	716 x 462	28.50 x 18.50	724 x 470	2	1/4-turn	5.00	127
CSD302410SS	30.00 x 24.00 x 10.00 (762 x 610 x 254)	304	14	16	CP3024	CP3024G	28.20 x 22.20	716 x 564	28.50 x 22.50	724 x 572	2	1/4-turn	5.00	127
CSD302410SS6	30.00 x 24.00 x 10.00 (762 x 610 x 254)	316L	14	16	CP3024	CP3024G	28.20 x 22.20	716 x 564	28.50 x 22.50	724 x 572	2	1/4-turn	5.00	127
CSD303010SS	30.00 x 30.00 x 10.00 (762 x 762 x 254)	304	14	14	CP3030	CP3030G	28.20 x 28.20	716 x 716	28.50 x 28.50	724 x 724	2	1/4-turn	5.00	127
CSD303010SS6	30.00 x 30.00 x 10.00 (762 x 762 x 254)	316L	14	14	CP3030	CP3030G	28.20 x 28.20	716 x 716	28.50 x 28.50	724 x 724	2	1/4-turn	5.00	127
CSD362410SS	36.00 x 24.00 x 10.00 (914 x 610 x 254)	304	14	16	CP3624	CP3624G	34.20 x 22.20	869 x 564	34.50 x 22.50	876 x 572	2	1/4-turn	5.00	127
CSD362410SS6	36.00 x 24.00 x 10.00 (914 x 610 x 254)	316L	14	16	CP3624	CP3624G	34.20 x 22.20	869 x 564	34.50 x 22.50	876 x 572	2	1/4-turn	5.00	127
CSD363010SS	36.00 x 30.00 x 10.00 (914 x 762 x 254)	304	14	14	CP3630	CP3630G	34.20 x 28.20	869 x 716	34.50 x 28.50	876 x 724	2	1/4-turn	5.00	127
CSD363010SS6	36.00 x 30.00 x 10.00 (914 x 762 x 254)	316L	14	14	CP3630	CP3630G	34.20 x 28.20	869 x 716	34.50 x 28.50	876 x 724	2	1/4-turn	5.00	127
CSD482410SS	48.00 x 24.00 x 10.00 (1220 x 610 x 254)	304	14	14	CP4824	CP4824G	46.20 x 22.20	1173 x 564	46.50 x 22.50	1181 x 572	1	3-point	24.00	610
CSD482410SS6	48.00 x 24.00 x 10.00 (1220 x 610 x 254)	316L	14	14	CP4824	CP4824G	46.20 x 22.20	1173 x 564	46.50 x 22.50	1181 x 572	1	3-point	24.00	610

CONCEPT® Stainless Steel Type 4X Wall-Mounted Enclosures

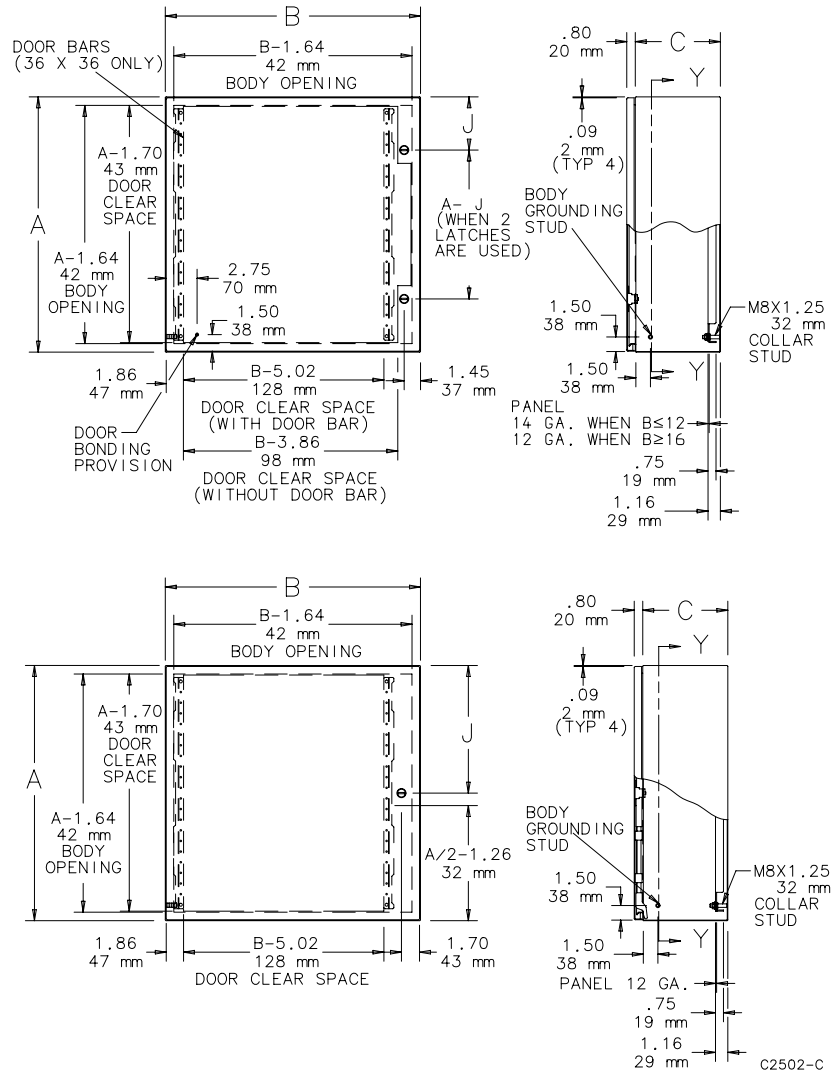
Corrosion-Resistant Enclosures

Standard Sizes CONCEPT® Stainless Steel Single-Door Wall-Mount Enclosures (Cont.)

Catalog Number	A x B x C in. (mm)	Stain- less Steel Type	Door Ga.	Body Ga.	CONCEPT Panel Catalog Number	Conductive Panel Catalog Number	Panel Size D x E (in.)	Panel Size D x E (mm)	Mounting G x H (in.)	Mounting G x H (mm)	Latch (qty)	Latch (style)	J (in.)	J (mm)
CSD202012SS	20.00 x 20.00 x 12.00 (508 x 508 x 305)	304	14	14	CP2020	CP2020G	18.20 x 18.20	462 x 462	18.50 x 18.50	470 x 470	1	1/4-turn	10.00	254
CSD202012SS6	20.00 x 20.00 x 12.00 (508 x 508 x 305)	316L	14	14	CP2020	CP2020G	18.20 x 18.20	462 x 462	18.50 x 18.50	470 x 470	1	1/4-turn	10.00	254
CSD242412SS	24.00 x 24.00 x 12.00 (610 x 610 x 305)	304	14	14	CP2424	CP2424G	22.20 x 22.20	564 x 564	22.50 x 22.50	572 x 572	2	1/4-turn	5.00	127
CSD242412SS6	24.00 x 24.00 x 12.00 (610 x 610 x 305)	316L	14	14	CP2424	CP2424G	22.20 x 22.20	564 x 564	22.50 x 22.50	572 x 572	2	1/4-turn	5.00	127
CSD302412SS	30.00 x 24.00 x 12.00 (762 x 610 x 305)	304	14	14	CP3024	CP3024G	28.20 x 22.20	716 x 564	28.50 x 22.50	724 x 572	2	1/4-turn	5.00	127
CSD302412SS6	30.00 x 24.00 x 12.00 (762 x 610 x 305)	316L	14	14	CP3024	CP3024G	28.20 x 22.20	716 x 564	28.50 x 22.50	724 x 572	2	1/4-turn	5.00	127
CSD362412SS	36.00 x 24.00 x 12.00 (914 x 610 x 305)	304	14	14	CP3624	CP3624G	34.20 x 22.20	869 x 564	34.50 x 22.50	876 x 572	2	1/4-turn	5.00	127
CSD362412SS6	36.00 x 24.00 x 12.00 (914 x 610 x 305)	316L	14	14	CP3624	CP3624G	34.20 x 22.20	869 x 564	34.50 x 22.50	876 x 572	2	1/4-turn	5.00	127
CSD363012SS	36.00 x 30.00 x 12.00 (914 x 762 x 305)	304	14	14	CP3630	CP3630G	34.20 x 28.20	869 x 716	34.50 x 28.50	876 x 724	2	1/4-turn	5.00	127
CSD363012SS6	36.00 x 30.00 x 12.00 (914 x 762 x 305)	316L	14	14	CP3630	CP3630G	34.20 x 28.20	869 x 716	34.50 x 28.50	876 x 724	2	1/4-turn	5.00	127

Purchase panels separately.

Optional NEMA style steel and stainless steel panels require conversion kit catalog number CCPM4.



CONCEPT® Stainless Steel Type 4X Wall-Mounted Enclosures

Standard Sizes CONCEPT® Stainless Steel Single-Door Wall-Mounted Enclosures with Windows

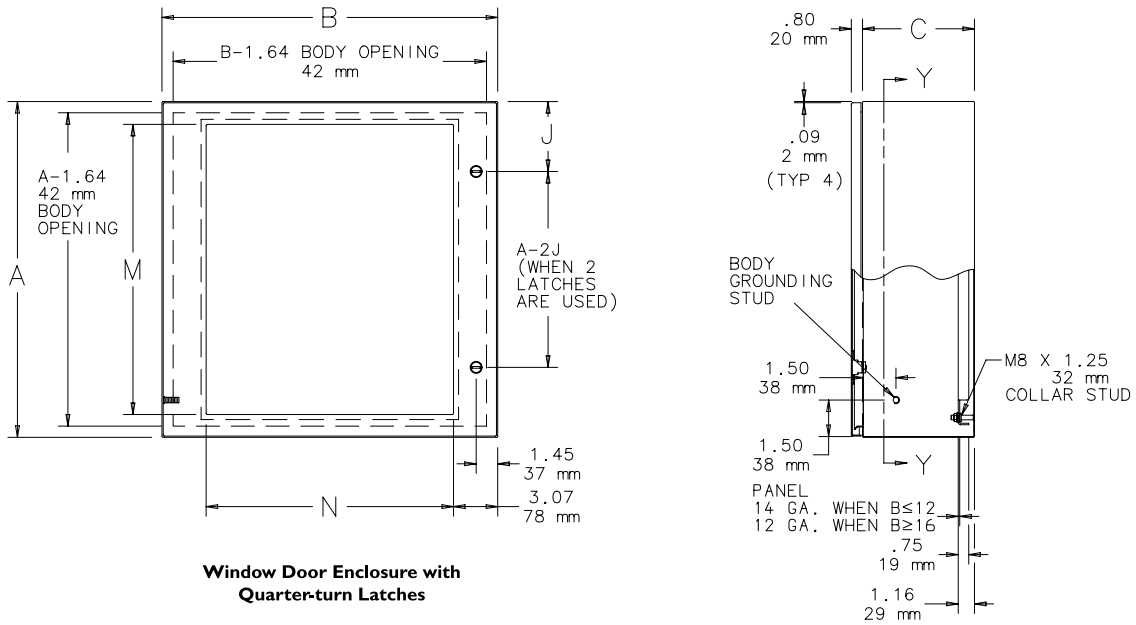
Type 304 Catalog Number	Door Ga.	Body Ga.	A x B x C in. (mm)	CONCEPT Panel Catalog Number	Conductive Panel Catalog Number	Panel Size D x E (in.)	Panel Size D x E (mm)	Mtg. G x H (in.)	Mtg. G x H (mm)	Window Size M x N (in.)	Window Size M x N (mm)	Latch qty	Latch style	J in. (mm)
CSD12126WSS	16	16	12.00 x 12.00 x 6.00 (305 x 305 x 152)	CP1212	CP1212G	10.20 x 10.20	259 x 259	10.50 x 10.50	267 x 267	8.74 x 7.10	222 x 180	1	1/4-turn	6.00 (152)
CSD16126WSS	16	16	16.00 x 12.00 x 6.00 (406 x 305 x 152)	CP1612	CP1612G	14.20 x 10.20	361 x 259	14.50 x 10.50	368 x 267	12.74 x 7.10	324 x 180	1	1/4-turn	8.00 (203)
CSD20166WSS	16	16	20.00 x 16.00 x 6.00 (508 x 406 x 152)	CP2016	CP2016G	18.20 x 14.20	462 x 361	18.50 x 14.50	470 x 368	16.74 x 11.10	425 x 282	1	1/4-turn	10.00 (254)
CSD20206WSS	16	16	20.00 x 20.00 x 6.00 (508 x 508 x 152)	CP2020	CP2020G	18.20 x 18.20	462 x 462	18.50 x 18.50	470 x 470	16.74 x 15.10	425 x 384	1	1/4-turn	10.00 (254)
CSD20168WSS	16	16	20.00 x 16.00 x 8.00 (508 x 406 x 203)	CP2016	CP2016G	18.20 x 14.20	462 x 361	18.50 x 14.50	470 x 368	16.74 x 11.10	425 x 282	1	1/4-turn	10.00 (254)
CSD20208WSS	16	16	20.00 x 20.00 x 8.00 (508 x 508 x 203)	CP2020	CP2020G	18.20 x 18.20	462 x 462	18.50 x 18.50	470 x 470	16.74 x 15.10	425 x 384	1	1/4-turn	10.00 (254)
CSD24208WSS	16	16	24.00 x 20.00 x 8.00 (610 x 508 x 203)	CP2420	CP2420G	22.20 x 18.20	564 x 462	22.50 x 18.50	572 x 470	20.74 x 15.10	527 x 384	1	1/4-turn	12.00 (305)
CSD24248WSS	14	16	24.00 x 24.00 x 8.00 (610 x 610 x 203)	CP2424	CP2424G	22.20 x 22.20	564 x 564	22.50 x 22.50	572 x 572	20.74 x 17.68	527 x 449	2	1/4-turn	5.00 (127)
CSD30248WSS	14	16	30.00 x 24.00 x 8.00 (762 x 610 x 203)	CP3024	CP3024G	28.20 x 22.20	716 x 564	28.50 x 22.50	724 x 572	26.74 x 17.68	679 x 449	2	1/4-turn	5.00 (127)
CSD161210WSS	16	16	16.00 x 12.00 x 10.00 (406 x 305 x 203)	CP1612	CP1612G	14.20 x 10.20	361 x 259	14.50 x 10.50	368 x 267	12.74 x 7.10	324 x 180	1	1/4-turn	8.00 (203)
CSD201610WSS	16	16	20.00 x 16.00 x 10.00 (508 x 406 x 203)	CP2016	CP2016G	18.20 x 14.20	462 x 361	18.50 x 14.50	470 x 368	16.74 x 11.10	425 x 282	1	1/4-turn	10.00 (254)
CSD202010WSS	16	16	20.00 x 20.00 x 10.00 (508 x 508 x 203)	CP2020	CP2020G	18.20 x 18.20	462 x 462	18.50 x 18.50	470 x 470	16.74 x 15.10	425 x 384	1	1/4-turn	10.00 (254)
CSD242010WSS	16	16	24.00 x 20.00 x 10.00 (610 x 508 x 203)	CP2420	CP2420G	22.20 x 18.20	564 x 462	22.50 x 18.50	572 x 470	20.74 x 15.10	527 x 384	1	1/4-turn	12.00 (305)
CSD242410WSS	14	16	24.00 x 24.00 x 10.00 (610 x 610 x 203)	CP2424	CP2424G	22.20 x 22.20	564 x 564	22.50 x 22.50	572 x 572	20.74 x 17.68	527 x 449	2	1/4-turn	5.00 (127)
CSD302410WSS	14	16	30.00 x 24.00 x 10.00 (762 x 610 x 203)	CP3024	CP3024G	28.20 x 22.20	716 x 564	28.50 x 22.50	724 x 572	26.74 x 17.68	679 x 449	2	1/4-turn	5.00 (127)
CSD202012WSS	14	16	20.00 x 20.00 x 12.00 (508 x 508 x 305)	CP2020	CP2020G	18.20 x 18.20	462 x 462	18.50 x 18.50	470 x 470	16.74 x 15.10	425 x 384	1	1/4-turn	10.00 (254)
CSD302412WSS	14	16	30.00 x 24.00 x 12.00 (762 x 610 x 305)	CP3024	CP3024G	28.20 x 22.20	716 x 564	28.50 x 22.50	724 x 572	26.74 x 17.68	679 x 449	2	1/4-turn	5.00 (127)

Purchase panels separately.

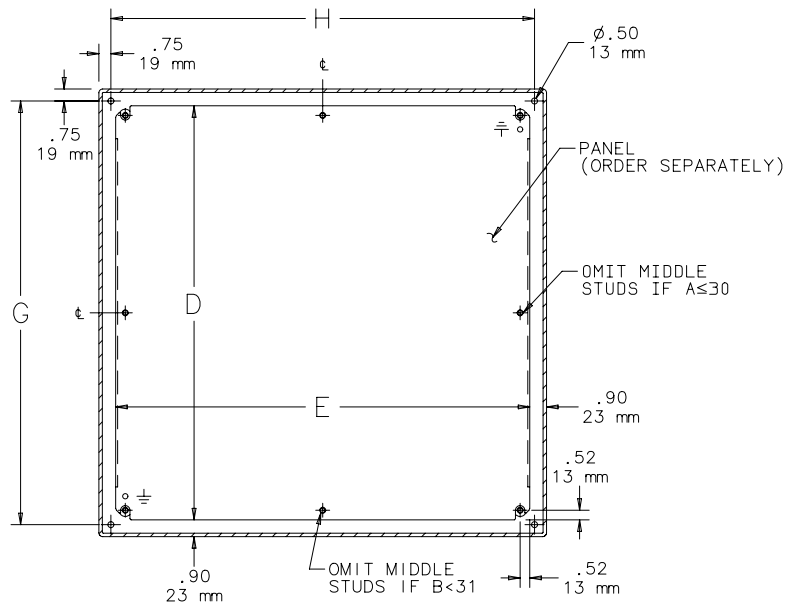
Optional NEMA style steel and stainless steel panels require conversion kit catalog number CCPM4.

CONCEPT[®] Stainless Steel Type 4X Wall-Mounted Enclosures

CONCEPT[®] Stainless Steel Single-Door Wall-Mount Enclosures with Windows



**Window Door Enclosure with
Quarter-turn Latches**



C2503-C

Stainless Steel Type 4X Wall-Mounted Enclosures with 3-Point Latch



Application

These single-door stainless steel enclosures provide industry-leading protection for housing electrical components and controls in washdown or corrosive environments. Hoffman's exclusive type 316L stainless steel small POWERGLIDE® padlocking handle and internal 3-point latching combine ease of access with security. These enclosures are well-suited for indoor and outdoor applications that are frequently wet or exposed to other corrosive agents. Typical applications include petrochemical plants; pulp and paper processing; water treatment facilities; and various food, packaging, and pharmaceutical applications.

Enclosures are available in both Type 304 and 316L stainless steel in a wide variety of standard sizes. Type 316L stainless steel provides additional corrosion protection for more demanding environments and applications.

Construction

- 14 gauge Type 304 or 316L stainless steel bodies and doors
- Seams continuously welded and ground smooth; no holes or knockouts
- Seamless foam-in-place gasket assures watertight and dusttight seal
- Rolled lip around three sides of door and all sides of enclosure opening excludes liquids and contaminants
- Internal 3-point latch and Type 316L stainless steel padlocking POWERGLIDE handle assure security and a watertight seal while still allowing convenient access
- Door removed by pulling stainless steel continuous hinge pin
- Data pocket is high-impact thermoplastic
- Collar studs provided for mounting optional panels
- Exterior hardware on Type 316L stainless steel enclosures matches enclosure material
- Bonding provision on door. Grounding stud on body.

Finish

Enclosures are unpainted. Door, sides, top, and bottom have smooth #4 brushed finish. Handle is electropolished. Optional mild steel panels are painted white. Optional conductive and stainless steel panels are available.

Industry Standards

UL 508A, File No. E61997: Type 3R, 4, 4X, and 12
NEMA/EEMAC Type 3R, 4, 4X, 12, and 13
JIC standard EGP-I-1967
cUL CSA-C22.2 No. 94
IEC 60529, IP66
Meets Type 3RX requirements

Patents

Patents pending.

Accessories

Electrical Interlocks
Lighting Packages
Panel Support Kit
Panels (see table)
Rack Mounting Angle Kit
Swing-Out Panel Kit
Terminal Block Kit Assembly
Thermal Accessories
Window Kit

Modification Services Program

You can customize this product to your unique requirements by specifying from these options:

- Enclosure height, width, depth
- Holes and cutouts in body, doors, subpanels
- Tapped holes in subpanels
- Fasteners, mounting channel in enclosure and subpanel
- Mounting (adds and deletes)
- Doors
- Subpanels
- Thermal management (louvers, fans, filters)
- Windows
- Standard accessories
- Drip shield

To order, contact your local Hoffman sales representative.

NOTE: For information about modifications outside the scope of the Modification Services program, contact your Hoffman sales representative.

Standard Sizes Stainless Steel Type 4X Wall-Mount Enclosures with 3-Point Latch

Catalog Number	A x B x C (in.)	A x B x C (mm)	Stainless Steel Type	F (in.)	F (mm)	Steel Panel Catalog Number	Conductive Panel Catalog Number	Stainless Steel Panel Catalog Number	Panel Size D x E (in.)	Panel Size D x E (mm)	Data Pocket
A24H2006SSLP3PT	24.00 x 20.00 x 6.00	610 x 508 x 152	304	3.00	76	A24P20	A24P20G	A24P20SS6	21.00 x 17.00	533 x 432	Small
A24H2006SS6LP3PT	24.00 x 20.00 x 6.00	610 x 508 x 152	316L	3.00	76	A24P20	A24P20G	A24P20SS6	21.00 x 17.00	533 x 432	Small
A24H2008SSLP3PT	24.00 x 20.00 x 8.00	610 x 508 x 203	304	3.00	76	A24P20	A24P20G	A24P20SS6	21.00 x 17.00	533 x 432	Small
A24H2008SS6LP3PT	24.00 x 20.00 x 8.00	610 x 508 x 203	316L	3.00	76	A24P20	A24P20G	A24P20SS6	21.00 x 17.00	533 x 432	Small
A24H2408SSLP3PT	24.00 x 24.00 x 8.00	610 x 610 x 203	304	3.00	76	A24P24	A24P24G	A24P24SS6	21.00 x 21.00	533 x 533	Small
A24H2408SS6LP3PT	24.00 x 24.00 x 8.00	610 x 610 x 203	316L	3.00	76	A24P24	A24P24G	A24P24SS6	21.00 x 21.00	533 x 533	Small
A30H2408SSLP3PT	30.00 x 24.00 x 8.00	762 x 610 x 203	304	3.00	76	A30P24	A30P24G	A30P24SS6	27.00 x 21.00	686 x 533	Large
A30H2408SS6LP3PT	30.00 x 24.00 x 8.00	762 x 610 x 203	316L	3.00	76	A30P24	A30P24G	A30P24SS6	27.00 x 21.00	686 x 533	Large
A30H3008SSLP3PT	30.00 x 30.00 x 8.00	762 x 762 x 203	304	3.00	76	A30P30	A30P30G	A30P30SS6	27.00 x 27.00	686 x 686	Large
A30H3008SS6LP3PT	30.00 x 30.00 x 8.00	762 x 762 x 203	316L	3.00	76	A30P30	A30P30G	A30P30SS6	27.00 x 27.00	686 x 686	Large
A36H2408SSLP3PT	36.00 x 24.00 x 8.00	914 x 610 x 203	304	3.00	76	A36P24	A36P24G	A36P24SS6	33.00 x 21.00	838 x 533	Large
A36H2408SS6LP3PT	36.00 x 24.00 x 8.00	914 x 610 x 203	316L	3.00	76	A36P24	A36P24G	A36P24SS6	33.00 x 21.00	838 x 533	Large

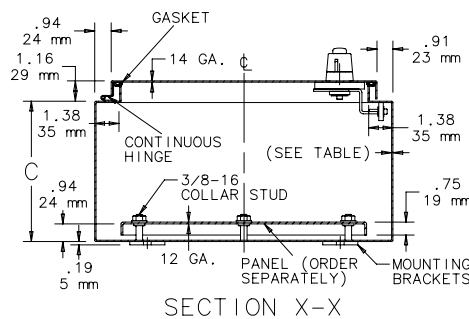
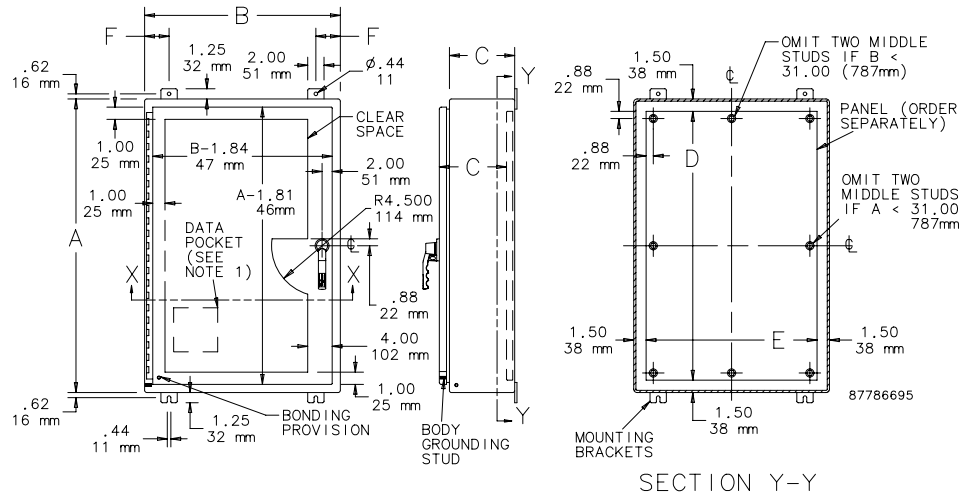
Stainless Steel Type 4X Wall-Mounted Enclosures with 3-Point Latch

Corrosion-Resistant Enclosures

Standard Sizes Stainless Steel Type 4X Wall-Mounted Enclosures with 3-Point Latch (Cont.)

Catalog Number	A x B x C (in.)	A x B x C (mm)	Stainless Steel Type	F (in.)	F (mm)	Steel Panel Catalog Number	Conductive Panel Catalog Number	Stainless Steel Panel Catalog Number	Panel Size D x E (in.)	Panel Size D x E (mm)	Data Pocket
A36H3008SSLP3PT	36.00 x 30.00 x 8.00	914 x 762 x 203	304	3.00	76	A36P30	A36P30G	A36P30SS6	33.00 x 27.00	838 x 686	Large
A36H3008SS6LP3PT	36.00 x 30.00 x 8.00	914 x 762 x 203	316L	3.00	76	A36P30	A36P30G	A36P30SS6	33.00 x 27.00	838 x 686	Large
A48H3608SSLP3PT	48.00 x 36.00 x 8.00	1219 x 914 x 203	304	3.00	76	A48P36	A48P36G	A48P36SS6	45.00 x 33.00	1143 x 838	Large
A48H3608SS6LP3PT	48.00 x 36.00 x 8.00	1219 x 914 x 203	316L	3.00	76	A48P36	A48P36G	A48P36SS6	45.00 x 33.00	1143 x 838	Large
A24H2010SSLP3PT	24.00 x 20.00 x 10.00	610 x 508 x 254	304	3.00	76	A24P20	A24P20G	A24P20SS6	21.00 x 17.00	533 x 432	Small
A24H2010SS6LP3PT	24.00 x 20.00 x 10.00	610 x 508 x 254	316L	3.00	76	A24P20	A24P20G	A24P20SS6	21.00 x 17.00	533 x 432	Small
A36H3010SSLP3PT	36.00 x 30.00 x 10.00	914 x 762 x 254	304	3.00	76	A36P30	A36P30G	A36P30SS6	33.00 x 27.00	838 x 686	Large
A36H3010SS6LP3PT	36.00 x 30.00 x 10.00	914 x 762 x 254	316L	3.00	76	A36P30	A36P30G	A36P30SS6	33.00 x 27.00	838 x 686	Large
A42H3010SSLP3PT	42.00 x 30.00 x 10.00	1067 x 762 x 254	304	3.00	76	A42P30	A42P30G	A42P30SS6	39.00 x 27.00	991 x 686	Large
A48H3610SSLP3PT	48.00 x 36.00 x 10.00	1219 x 914 x 254	304	3.00	76	A48P36	A48P36G	A48P36SS6	45.00 x 33.00	1143 x 838	Large
A48H3610SS6LP3PT	48.00 x 36.00 x 10.00	1219 x 914 x 254	316L	3.00	76	A48P36	A48P36G	A48P36SS6	45.00 x 33.00	1143 x 838	Large
A24H2412SSLP3PT	24.00 x 24.00 x 12.00	610 x 610 x 305	304	3.00	76	A24P24	A24P24G	A24P24SS6	21.00 x 21.00	533 x 533	Small
A24H2412SS6LP3PT	24.00 x 24.00 x 12.00	610 x 610 x 305	316L	3.00	76	A24P24	A24P24G	A24P24SS6	21.00 x 21.00	533 x 533	Small
A30H2412SSLP3PT	30.00 x 24.00 x 12.00	760 x 610 x 305	304	3.00	76	A30P24	A30P24G	A30P24SS6	27.00 x 21.00	686 x 533	Large
A30H2412SS6LP3PT	30.00 x 24.00 x 12.00	760 x 610 x 305	316L	3.00	76	A30P24	A30P24G	A30P24SS6	27.00 x 21.00	686 x 533	Large
A36H3012SSLP3PT	36.00 x 30.00 x 12.00	914 x 762 x 305	304	3.00	76	A36P30	A36P30G	A36P30SS6	33.00 x 27.00	838 x 686	Large
A36H3012SS6LP3PT	36.00 x 30.00 x 12.00	914 x 762 x 305	316L	3.00	76	A36P30	A36P30G	A36P30SS6	33.00 x 27.00	838 x 686	Large
A36H3612SSLP3PT	36.00 x 36.00 x 12.00	914 x 914 x 305	304	3.00	76	A36P36	A36P36G	A36P36SS6	33.00 x 33.00	838 x 838	Large
A36H3612SS6LP3PT	36.00 x 36.00 x 12.00	914 x 914 x 305	316L	3.00	76	A36P36	A36P36G	A36P36SS6	33.00 x 33.00	838 x 838	Large
A42H3610SSLP3PT	42.00 x 36.00 x 12.00	1067 x 914 x 305	304	3.00	76	A42P36	A42P36G	A42P36SS6	39.00 x 33.00	991 x 838	Large
A48H3612SSLP3PT	48.00 x 36.00 x 12.00	1219 x 914 x 305	304	3.00	76	A48P36	A48P36G	A48P36SS6	45.00 x 33.00	1143 x 838	Large
A48H3612SS6LP3PT	48.00 x 36.00 x 12.00	1219 x 914 x 305	316L	3.00	76	A48P36	A48P36G	A48P36SS6	45.00 x 33.00	1143 x 838	Large
A60H3612SSLP3PT	60.00 x 36.00 x 12.00	1524 x 914 x 305	304	3.00	76	A60P36	A60P36G	A60P36SS6	57.00 x 33.00	1448 x 838	Large
A60H3612SS6LP3PT	60.00 x 36.00 x 12.00	1524 x 914 x 305	316L	3.00	76	A60P36	A60P36G	A60P36SS6	57.00 x 33.00	1448 x 838	Large
A48H3616SSLP3PT	48.00 x 36.00 x 16.00	1219 x 914 x 406	304	3.00	76	A48P36	A48P36G	A48P36SS6	45.00 x 33.00	1143 x 838	Large
A48H3616SS6LP3PT	48.00 x 36.00 x 16.00	1219 x 914 x 406	316L	3.00	76	A48P36	A48P36G	A48P36SS6	45.00 x 33.00	1143 x 838	Large
A60H3616SSLP3PT	60.00 x 36.00 x 16.00	1524 x 914 x 406	304	3.00	76	A60P36	A60P36G	A60P36SS6	57.00 x 33.00	1448 x 838	Large
A60H3616SS6LP3PT	60.00 x 36.00 x 16.00	1524 x 914 x 406	316L	3.00	76	A60P36	A60P36G	A60P36SS6	57.00 x 33.00	1448 x 838	Large

Purchase panels separately. Optional composite and aluminum panels are available for most sizes.



NOTE: Removable data pocket included (see table for size). Large data pocket 12.00 x 12.00 (305mm x 305mm); small data pocket 6.00 x 6.00 (152mm x 152mm).

Stainless Steel Type 4X Enclosures

Bulletin
A4S



Application

Provides unmatched protection for housing electrical components in highly corrosive environments. This enclosure is used in indoor and outdoor settings that are frequently wet or have constant exposure to water, other liquids, or contaminants.

A wide variety of Type 316L stainless steel enclosures are available for applications requiring the additional protection of Type 316L material.

Construction

- 14 gauge Type 304 or Type 316L stainless steel bodies and doors
- Seams continuously welded and ground smooth; no holes or knockouts
- Seamless foam-in-place gasket assures watertight and dusttight seal
- Rolled lip around three sides of door and all sides of enclosure opening excludes liquids and contaminants
- Stainless steel door clamp assembly assures watertight seal
- Hasp and staple for padlocking
- Door removed by pulling stainless steel continuous hinge pin
- Data pocket is high-impact thermoplastic
- Collar studs provided for mounting optional panels
- Exterior hardware on Type 316L stainless steel enclosures matches enclosure material
- Bonding provision on Door. Grounding stud on body.

Finish

Enclosures are unpainted. Door, sides, top, and bottom have smooth #4 brushed finish. Optional mild steel panels are painted white. Optional conductive and stainless steel panels are available.

Industry Standards

UL 508A, File No. E61997: Type 3R, 4, 4X, and 12
NEMA/EEMAC Type 3, 3R, 4, 4X, 12, and 13
JIC standard EGP-1-1967
CSA File No. 42186: Type 4, 4X, and 12
IEC 60529, IP66

Meets Type 3RX requirements

Accessories

Electrical Interlocks
Fast Operating Clamp Assembly
Lighting Packages
Panel Support Kit
Panels
Rack Mounting Angle Kit
Swing-Out Panel Kit
Terminal Block Kit Assembly
Thermal Accessories
Window Kit

Modification Services Program

You can customize this product to your unique requirements by specifying from these options:

- Enclosure height, width, depth
- Holes and cutouts in body, doors, subpanels
- Tapped holes in subpanels
- Fasteners, mounting channel in enclosure and subpanel
- Mounting (adds and deletes)
- Doors
- Subpanels
- Thermal management (louvers, fans, filters)
- Windows
- Standard accessories
- Drip shield

To order, contact your local Hoffman sales representative.

NOTE: For information about modifications outside the scope of the Modification Services program, contact your Hoffman sales representative.

Stainless Steel Type 4X Enclosures

Standard Sizes Stainless Steel Type 4X Enclosures

Catalog Number	A x B x C in. (mm)	Stainless Steel Type	Steel Panel Catalog Number	Conductive Steel Panel Catalog Number	Stainless Steel Panel Catalog Number	Panel Size D x E (in.)	Panel Size D x E (mm)	F (in)	F (mm)	Clamps Qty.	Data Pocket
A16H1206SSLP	16.00 x 12.00 x 6.00 (406 x 305 x 152)	304	A16P12	A16P12G	A16P12SS6	13.00 x 9.00	330 x 229	1.25	32	4	Small
A16H1206SS6LP	16.00 x 12.00 x 6.00 (406 x 305 x 152)	316L	A16P12	A16P12G	A16P12SS6	13.00 x 9.00	330 x 229	1.25	32	4	Small
A16H1606SSLP	16.00 x 16.00 x 6.00 (406 x 406 x 152)	304	A16P16	A16P16G	A16P16SS6	13.00 x 13.00	330 x 330	3.00	76	4	Small
A16H1606SS6LP	16.00 x 16.00 x 6.00 (406 x 406 x 152)	316L	A16P16	A16P16G	A16P16SS6	13.00 x 13.00	330 x 330	3.00	76	4	Small
A16H2006SSLP	16.00 x 20.00 x 6.00 (406 x 508 x 152)	304	A20P16	A20P16G	A20P16SS6	17.00 x 13.00	432 x 330	3.00	76	4	Small
A16H2006SS6LP	16.00 x 20.00 x 6.00 (406 x 508 x 152)	316L	A20P16	A20P16G	A20P16SS6	17.00 x 13.00	432 x 330	3.00	76	4	Small
A20H1606SSLP	20.00 x 16.00 x 6.00 (508 x 406 x 152)	304	A20P16	A20P16G	A20P16SS6	17.00 x 13.00	432 x 330	3.00	76	4	Small
A20H1606SS6LP	20.00 x 16.00 x 6.00 (508 x 406 x 152)	316L	A20P16	A20P16G	A20P16SS6	17.00 x 13.00	432 x 330	3.00	76	4	Small
A20H2006SSLP	20.00 x 20.00 x 6.00 (508 x 508 x 152)	304	A20P20	A20P20G	A20P20SS6	17.00 x 17.00	432 x 432	3.00	76	4	Small
A20H2006SS6LP	20.00 x 20.00 x 6.00 (508 x 508 x 152)	316L	A20P20	A20P20G	A20P20SS6	17.00 x 17.00	432 x 432	3.00	76	4	Small
A24H2006SSLP	24.00 x 20.00 x 6.00 (610 x 508 x 152)	304	A24P20	A24P20G	A24P20SS6	21.00 x 17.00	533 x 432	3.00	76	5	Small
A24H2006SS6LP	24.00 x 20.00 x 6.00 (610 x 508 x 152)	316L	A24P20	A24P20G	A24P20SS6	21.00 x 17.00	533 x 432	3.00	76	5	Small
A24H2406SSLP	24.00 x 24.00 x 6.00 (610 x 610 x 152)	304	A24P24	A24P24G	A24P24SS6	21.00 x 21.00	533 x 533	3.00	76	5	Small
A24H2406SS6LP	24.00 x 24.00 x 6.00 (610 x 610 x 152)	316L	A24P24	A24P24G	A24P24SS6	21.00 x 21.00	533 x 533	3.00	76	5	Small
A16H1208SSLP	16.00 x 12.00 x 8.00 (406 x 305 x 203)	304	A16P12	A16P12G	A16P12SS6	13.00 x 9.00	330 x 229	1.25	32	4	Small
A16H1208SS6LP	16.00 x 12.00 x 8.00 (406 x 305 x 203)	316L	A16P12	A16P12G	A16P12SS6	13.00 x 9.00	330 x 229	1.25	32	4	Small
A20H1608SSLP	20.00 x 16.00 x 8.00 (508 x 406 x 203)	304	A20P16	A20P16G	A20P16SS6	17.00 x 13.00	432 x 330	3.00	76	4	Small
A20H1608SS6LP	20.00 x 16.00 x 8.00 (508 x 406 x 203)	316L	A20P16	A20P16G	A20P16SS6	17.00 x 13.00	432 x 330	3.00	76	4	Small
A20H2008SSLP	20.00 x 20.00 x 8.00 (508 x 508 x 203)	304	A20P20	A20P20G	A20P20SS6	17.00 x 17.00	432 x 432	3.00	76	4	Small
A20H2008SS6LP	20.00 x 20.00 x 8.00 (508 x 508 x 203)	316L	A20P20	A20P20G	A20P20SS6	17.00 x 17.00	432 x 432	3.00	76	4	Small
A20H2408SSLP	20.00 x 24.00 x 8.00 (508 x 610 x 203)	304	A24P20	A24P20G	A24P20SS6	21.00 x 17.00	533 x 432	3.00	76	5	Small
A20H2408SS6LP	20.00 x 24.00 x 8.00 (508 x 610 x 203)	316L	A24P20	A24P20G	A24P20SS6	21.00 x 17.00	533 x 432	3.00	76	5	Small
A24H1608SSLP	24.00 x 16.00 x 8.00 (610 x 406 x 203)	304	A24P16	A24P16G	A24P16SS6	21.00 x 13.00	533 x 330	3.00	76	4	Small
A24H1608SS6LP	24.00 x 16.00 x 8.00 (610 x 406 x 203)	316L	A24P16	A24P16G	A24P16SS6	21.00 x 13.00	533 x 330	3.00	76	4	Small
A24H2008SSLP	24.00 x 20.00 x 8.00 (610 x 508 x 203)	304	A24P20	A24P20G	A24P20SS6	21.00 x 17.00	533 x 432	3.00	76	5	Small
A24H2008SS6LP	24.00 x 20.00 x 8.00 (610 x 508 x 203)	316L	A24P20	A24P20G	A24P20SS6	21.00 x 17.00	533 x 432	3.00	76	5	Small
A24H2408SSLP	24.00 x 24.00 x 8.00 (610 x 610 x 203)	304	A24P24	A24P24G	A24P24SS6	21.00 x 21.00	533 x 533	3.00	76	5	Small
A24H2408SS6LP	24.00 x 24.00 x 8.00 (610 x 610 x 203)	316L	A24P24	A24P24G	A24P24SS6	21.00 x 21.00	533 x 533	3.00	76	5	Small
A24H3008SSLP	24.00 x 30.00 x 8.00 (610 x 762 x 203)	304	A30P24	A30P24G	A30P24SS6	27.00 x 21.00	686 x 533	3.00	76	7	Large
A24H3008SS6LP	24.00 x 30.00 x 8.00 (610 x 762 x 203)	316L	A30P24	A30P24G	A30P24SS6	27.00 x 21.00	686 x 533	3.00	76	7	Large
A30H2008SSLP	30.00 x 20.00 x 8.00 (762 x 508 x 203)	304	A30P20	A30P20G	A30P20SS6	27.00 x 17.00	686 x 432	3.00	76	5	Small
A30H2008SS6LP	30.00 x 20.00 x 8.00 (762 x 508 x 203)	316L	A30P20	A30P20G	A30P20SS6	27.00 x 17.00	686 x 432	3.00	76	5	Small
A30H2408SSLP	30.00 x 24.00 x 8.00 (762 x 610 x 203)	304	A30P24	A30P24G	A30P24SS6	27.00 x 21.00	686 x 533	3.00	76	5	Large
A30H2408SS6LP	30.00 x 24.00 x 8.00 (762 x 610 x 203)	316L	A30P24	A30P24G	A30P24SS6	27.00 x 21.00	686 x 533	3.00	76	5	Large
A30H3008SSLP	30.00 x 30.00 x 8.00 (762 x 762 x 203)	304	A30P30	A30P30G	A30P30SS6	27.00 x 27.00	686 x 686	3.00	76	7	Large
A30H3008SS6LP	30.00 x 30.00 x 8.00 (762 x 762 x 203)	316L	A30P30	A30P30G	A30P30SS6	27.00 x 27.00	686 x 686	3.00	76	7	Large
A36H2408SSLP	36.00 x 24.00 x 8.00 (914 x 610 x 203)	304	A36P24	A36P24G	A36P24SS6	33.00 x 21.00	838 x 533	3.00	76	5	Large
A36H2408SS6LP	36.00 x 24.00 x 8.00 (914 x 610 x 203)	316L	A36P24	A36P24G	A36P24SS6	33.00 x 21.00	838 x 533	3.00	76	5	Large
A36H3008SSLP	36.00 x 30.00 x 8.00 (914 x 762 x 203)	304	A36P30	A36P30G	A36P30SS6	33.00 x 27.00	838 x 686	3.00	76	7	Large
A36H3008SS6LP	36.00 x 30.00 x 8.00 (914 x 762 x 203)	316L	A36P30	A36P30G	A36P30SS6	33.00 x 27.00	838 x 686	3.00	76	7	Large
A42H3608SSLP	42.00 x 36.00 x 8.00 (1067 x 914 x 203)	304	A42P36	A42P36G	A42P36SS6	39.00 x 33.00	991 x 838	3.00	76	8	Large
A42H3608SS6LP	42.00 x 36.00 x 8.00 (1067 x 914 x 203)	316L	A42P36	A42P36G	A42P36SS6	39.00 x 33.00	991 x 838	3.00	76	8	Large
A48H3608SSLP	48.00 x 36.00 x 8.00 (1219 x 914 x 203)	304	A48P36	A48P36G	A48P36SS6	45.00 x 33.00	1143 x 838	3.00	76	8	Large
A48H3608SS6LP	48.00 x 36.00 x 8.00 (1219 x 914 x 203)	316L	A48P36	A48P36G	A48P36SS6	45.00 x 33.00	1143 x 838	3.00	76	8	Large
A20H1610SSLP	20.00 x 16.00 x 10.00 (508 x 406 x 254)	304	A20P16	A20P16G	A20P16SS6	17.00 x 13.00	432 x 330	3.00	76	4	Small
A20H1610SS6LP	20.00 x 16.00 x 10.00 (508 x 406 x 254)	316L	A20P16	A20P16G	A20P16SS6	17.00 x 13.00	432 x 330	3.00	76	4	Small
A24H2010SSLP	24.00 x 20.00 x 10.00 (610 x 508 x 254)	304	A24P20	A24P20G	A24P20SS6	21.00 x 17.00	533 x 432	3.00	76	5	Small
A24H2010SS6LP	24.00 x 20.00 x 10.00 (610 x 508 x 254)	316L	A24P20	A24P20G	A24P20SS6	21.00 x 17.00	533 x 432	3.00	76	5	Small
A30H2410SSLP	30.00 x 24.00 x 10.00 (762 x 610 x 254)	304	A30P24	A30P24G	A30P24SS6	27.00 x 21.00	686 x 533	3.00	76	5	Large
A30H2410SS6LP	30.00 x 24.00 x 10.00 (762 x 610 x 254)	316L	A30P24	A30P24G	A30P24SS6	27.00 x 21.00	686 x 533	3.00	76	5	Large
A36H2410SSLP	36.00 x 24.00 x 10.00 (914 x 610 x 254)	304	A36P24	A36P24G	A36P24SS6	33.00 x 21.00	838 x 533	3.00	76	5	Large
A36H2410SS6LP	36.00 x 24.00 x 10.00 (914 x 610 x 254)	316L	A36P24	A36P24G	A36P24SS6	33.00 x 21.00	838 x 533	3.00	76	5	Large
A36H3010SSLP	36.00 x 30.00 x 10.00 (914 x 762 x 254)	304	A36P30	A36P30G	A36P30SS6	33.00 x 27.00	838 x 686	3.00	76	7	Large
A36H3010SS6LP	36.00 x 30.00 x 10.00 (914 x 762 x 254)	316L	A36P30	A36P30G	A36P30SS6	33.00 x 27.00	838 x 686	3.00	76	7	Large
A42H3010SSLP	42.00 x 30.00 x 10.00 (1067 x 762 x 254)	304	A42P30	A42P30G	A42P30SS6	39.00 x 27.00	991 x 686	3.00	76	8	Large
A42H3010SS6LP	42.00 x 30.00 x 10.00 (1067 x 762 x 254)	316L	A42P30	A42P30G	A42P30SS6	39.00 x 27.00	991 x 686	3.00	76	8	Large
A48H3610SSLP	48.00 x 36.00 x 10.00 (1219 x 914 x 254)	304	A48P36	A48P36G	A48P36SS6	45.00 x 33.00	1143 x 838	3.00	76	8	Large
A48H3610SS6LP	48.00 x 36.00 x 10.00 (1219 x 914 x 254)	316L	A48P36	A48P36G	A48P36SS6	45.00 x 33.00	1143 x 838	3.00	76	8	Large
A24H2412SSLP	24.00 x 24.00 x 12.00 (610 x 610 x 305)	304	A24P24	A24P24G	A24P24SS6	21.00 x 21.00	533 x 533	3.00	76	5	Small
A24H2412SS6LP	24.00 x 24.00 x 12.00 (610 x 610 x 305)	316L	A24P24	A24P24G	A24P24SS6	21.00 x 21.00	533 x 533	3.00	76	5	Small

Corrosion-Resistant Enclosures

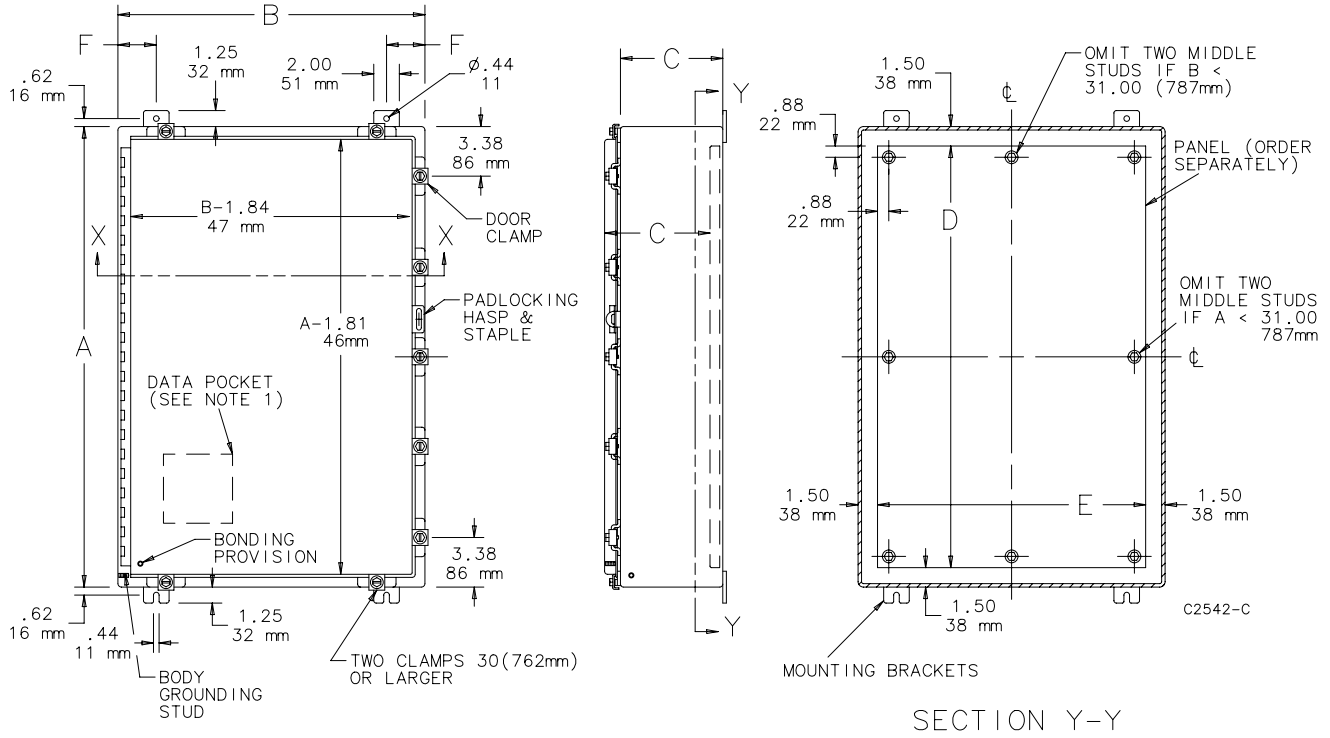
Stainless Steel Type 4X Enclosures

Standard Sizes Stainless Steel Type 4X Enclosures

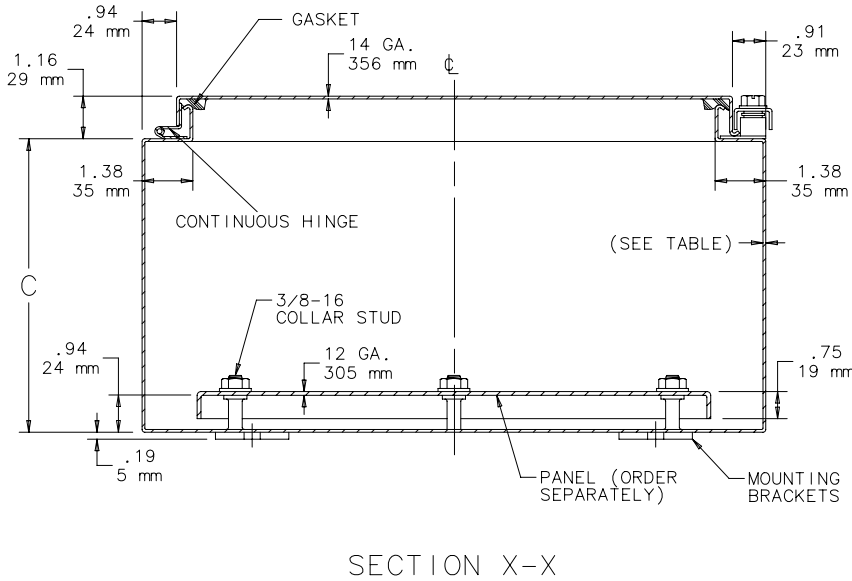
Catalog Number	A x B x C in. (mm)	Stainless Steel Type	Steel Panel Catalog Number	Conductive Steel Panel Catalog Number	Stainless Steel Panel Catalog Number	Panel Size D x E (in.)	Panel Size D x E (mm)	F (in)	F (mm)	Clamps Qty.	Data Pocket
A30H2412SSLP	30.00 x 24.00 x 12.00 (762 x 610 x 305)	304	A30P24	A30P24G	A30P24SS6	27.00 x 21.00	686 x 533	3.00	76	5	Large
A30H2412SS6LP	30.00 x 24.00 x 12.00 (762 x 610 x 305)	316L	A30P24	A30P24G	A30P24SS6	27.00 x 21.00	686 x 533	3.00	76	5	Large
A36H3012SSLP	36.00 x 30.00 x 12.00 (914 x 762 x 305)	304	A36P30	A36P30G	A36P30SS6	33.00 x 27.00	838 x 686	3.00	76	7	Large
A36H3012SS6LP	36.00 x 30.00 x 12.00 (914 x 762 x 305)	316L	A36P30	A36P30G	A36P30SS6	33.00 x 27.00	838 x 686	3.00	76	7	Large
A36H3612SSLP	36.00 x 36.00 x 12.00 (914 x 914 x 305)	304	A36P36	A36P36G	A36P36SS6	33.00 x 33.00	838 x 838	3.00	76	7	Large
A36H3612SS6LP	36.00 x 36.00 x 12.00 (914 x 914 x 305)	316L	A36P36	A36P36G	A36P36SS6	33.00 x 33.00	838 x 838	3.00	76	7	Large
A48H3612SSLP	48.00 x 36.00 x 12.00 (1219 x 914 x 305)	304	A48P36	A48P36G	A48P36SS6	45.00 x 33.00	1143 x 838	3.00	76	8	Large
A48H3612SS6LP	48.00 x 36.00 x 12.00 (1219 x 914 x 305)	316L	A48P36	A48P36G	A48P36SS6	45.00 x 33.00	1143 x 838	3.00	76	8	Large
A60H3612SSLP	60.00 x 36.00 x 12.00 (1524 x 914 x 305)	304	A60P36	A60P36G	A60P36SS6	57.00 x 33.00	1448 x 838	3.00	76	9	Large
A60H3612SS6LP	60.00 x 36.00 x 12.00 (1524 x 914 x 305)	316L	A60P36	A60P36G	A60P36SS6	57.00 x 33.00	1448 x 838	3.00	76	9	Large
A30H2416SSLP	30.00 x 24.00 x 16.00 (762 x 610 x 406)	304	A30P24	A30P24G	A30P24SS6	27.00 x 21.00	686 x 533	3.00	76	5	Large
A30H2416SS6LP	30.00 x 24.00 x 16.00 (762 x 610 x 406)	316L	A30P24	A30P24G	A30P24SS6	27.00 x 21.00	686 x 533	3.00	76	5	Large
A36H3016SSLP	36.00 x 30.00 x 16.00 (914 x 762 x 406)	304	A36P30	A36P30G	A36P30SS6	33.00 x 27.00	838 x 686	3.00	76	7	Large
A36H3016SS6LP	36.00 x 30.00 x 16.00 (914 x 762 x 406)	316L	A36P30	A36P30G	A36P30SS6	33.00 x 27.00	838 x 686	3.00	76	7	Large
A48H3616SSLP	48.00 x 36.00 x 16.00 (1219 x 914 x 406)	304	A48P36	A48P36G	A48P36SS6	45.00 x 33.00	1143 x 838	3.00	76	8	Large
A48H3616SS6LP	48.00 x 36.00 x 16.00 (1219 x 914 x 406)	316L	A48P36	A48P36G	A48P36SS6	45.00 x 33.00	1143 x 838	3.00	76	8	Large
A60H3616SSLP	60.00 x 36.00 x 16.00 (1524 x 914 x 406)	304	A60P36	A60P36G	A60P36SS6	57.00 x 33.00	1448 x 838	3.00	76	9	Large
A60H3616SS6LP	60.00 x 36.00 x 16.00 (1524 x 914 x 406)	316L	A60P36	A60P36G	A60P36SS6	57.00 x 33.00	1448 x 838	3.00	76	9	Large

Purchase panels separately. Optional composite and aluminum panels are available for most sizes.

Stainless Steel Type 4X Enclosures



- NOTES: 1. Removable data pocket included (see table for size). Large data pocket 12.00 x 12.00 (305mm x 305mm); small data pocket 6.00 x 6.00 (152mm x 152mm).
2. Maximum spacing between door clamps is 15.00 (382mm).



Stainless Steel Two-Door Wall-Mounted Type 4X Enclosures



Application

These two-door wall-mount enclosures provide industry-leading protection for components or complex mounting configurations in highly-corrosive environments. Three-point latching with the Hoffman POWERGLIDE® padlocking handles and a foam-in-place gasket combine convenience with security. They are well-suited for use in petrochemical plants; pulp and paper processing; water treatment facilities; and food, pharmaceutical, and packaging applications.

Construction

- 14 gauge Type 304 stainless steel
- Seams continuously welded and ground smooth; no holes or knockouts
- Removable center post for easy panel installation
- Flange trough collar around all sides of enclosure door opening excludes liquids and contaminants
- External mounting brackets
- Heavy-duty 3-point latching mechanism operated by Type 316L stainless steel POWERGLIDE padlocking handles
- Latch rods have rollers for easier door closing
- Doors easily removed by pulling heavy gauge continuous hinge pin
- Data pocket is high-impact thermoplastic
- Seamless foam-in-place one-piece gasket provides oil and dusttight seal against contaminants
- Collar studs provided for mounting optional panels
- Bonding provisions on doors. Grounding studs on body.

Finish

Enclosures are unpainted. Sides and body have smooth #4 brushed finish. Optional mild steel panels are painted white. Optional conductive panels are available.

Industry Standards

UL 508A, File No. E61997: Type 3R, 4, 4X, and 12
 cUL CSA C22.2 No. 94, File Number E61997: Type 3R, 4, 4X, and 12
 NEMA Type 3, 3R, 4, 4X, 12, and 13
 JIC standard EGP-1-1967
 IEC 60529, IP66
 Meets Type 3RX requirements

Accessories

See Accessories for accessory specifications.

Electrical Interlocks
 Floor Stand Kit
 Lighting Kit
 Panel Support Kit
 Panels
 Terminal Block Kit Assembly
 Thermal Accessories
 Window Kit

Modification Services Program

You can customize this product to your unique requirements by specifying from these options:

- Enclosure height, width, depth
- Holes and cutouts in body, doors, subpanels
- Tapped holes in subpanels
- Fasteners, mounting channel in enclosure and subpanel
- Mounting (adds and deletes)
- Doors
- Subpanels
- Thermal management (louvers, fans, filters)
- Windows
- Standard accessories
- Drip shield

To order, contact your local Hoffman sales representative.

NOTE: For information about modifications outside the scope of the Modification Services program, contact your Hoffman sales representative.

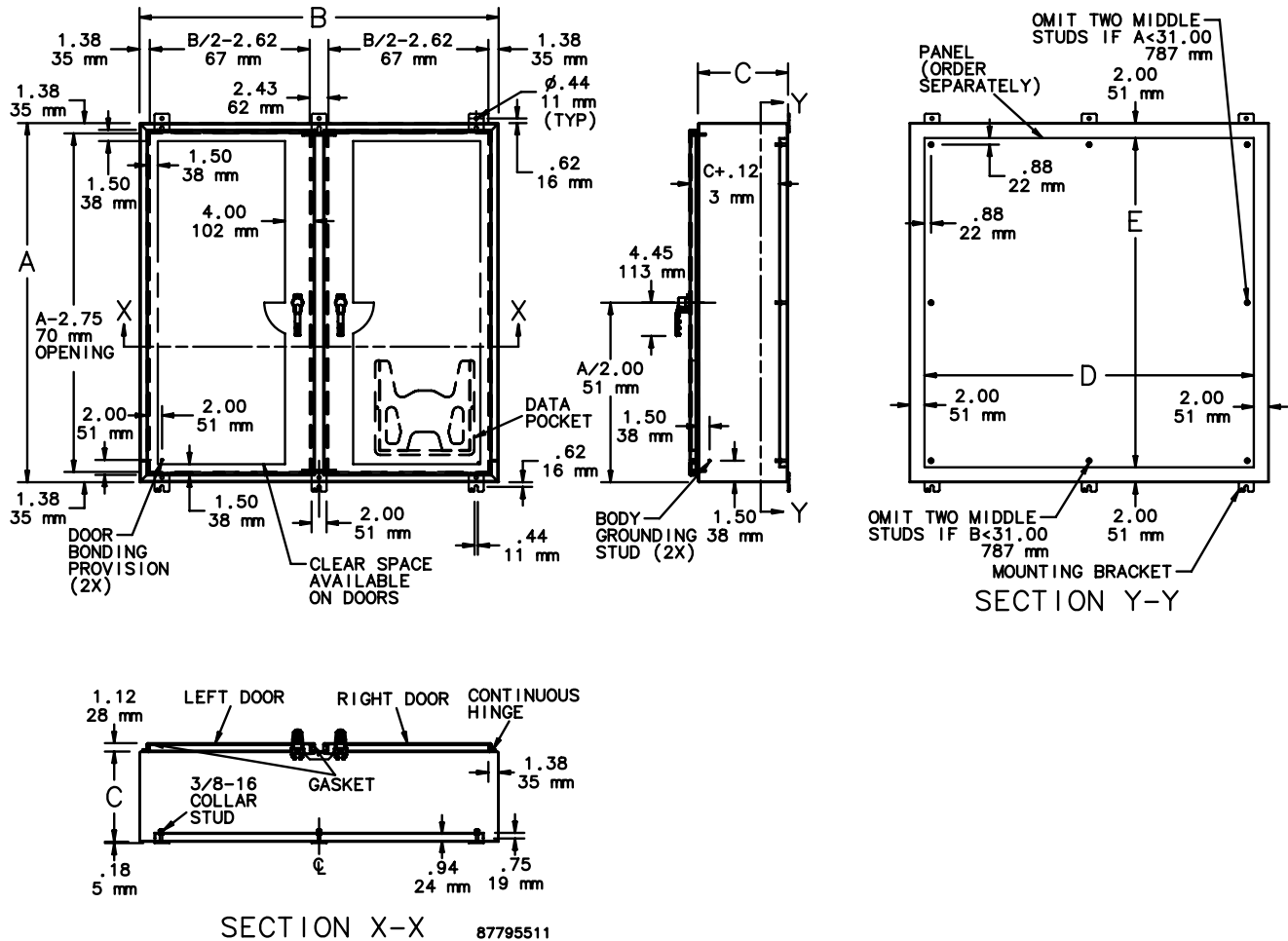
Stainless Steel Two-Door Wall-Mounted Type 4X Enclosures

**Corrosion-Resistant
Enclosures**

Standard Sizes Stainless Steel Two-Door Wall-Mounted Type 4X Enclosures

Catalog Number	A x B x C in. (mm)	Mild Steel Panel Catalog Number	Conductive Panel Catalog Number	Panel Gauge	Panel Size D x E (in.)	Panel Size D x E (mm)	Y (in.)	Y (mm)
A24H4208WFSSLP3PT	24.00 x 42.00 x 8.00 (610 x 1067 x 203)	A42P24	A42P24G	12	39.00 x 21.00	991 x 533	1.50	38
A24H4808WFSSLP3PT	24.00 x 48.00 x 8.00 (610 x 1219 x 203)	A48P24	A48P24G	12	45.00 x 21.00	1143 x 533	1.50	38
A30H4210WFSSLP3PT	30.00 x 42.00 x 10.00 (762 x 1067 x 254)	A42P30	A42P30G	12	39.00 x 27.00	991 x 686	1.50	38
A30H4810WFSSLP3PT	30.00 x 48.00 x 10.00 (762 x 1219 x 254)	A48P30	A48P30G	12	45.00 x 27.00	1143 x 686	1.50	38
A30H6010WFSSLP3PT	30.00 x 60.00 x 10.00 (762 x 1524 x 254)	A60P30	A60P30G	12	57.00 x 27.00	1448 x 686	1.50	38
A36H4212WFSSLP3PT	36.00 x 42.00 x 12.00 (914 x 1067 x 305)	A42P36	A42P36G	12	39.00 x 33.00	991 x 838	1.50	38
A36H4812WFSSLP3PT	36.00 x 48.00 x 12.00 (914 x 1219 x 305)	A48P36	A48P36G	12	45.00 x 33.00	1143 x 838	1.50	38
A36H6012WFSSLP3PT	36.00 x 60.00 x 12.00 (914 x 1524 x 305)	A60P36	A60P36G	12	57.00 x 33.00	1448 x 838	1.50	38
A42H4212WFSSLP3PT	42.00 x 42.00 x 12.00 (1067 x 1067 x 305)	A42P42	A42P42G	12	39.00 x 39.00	991 x 991	1.50	38
A42H4812WFSSLP3PT	42.00 x 48.00 x 12.00 (1067 x 1219 x 305)	A48P42	A48P42G	12	45.00 x 39.00	1143 x 991	1.50	38
A42H6012WFSSALP3PT	42.00 x 60.00 x 12.00 (1067 x 1524 x 305)	A60BFP42	A60BFP42G	10	56.00 x 38.00	1422 x 965	2.00	51
A48H4812WFSSLP3PT	48.00 x 48.00 x 12.00 (1219 x 1219 x 305)	A48P48	A48P48G	10	44.00 x 44.00	1118 x 1118	2.00	51

Purchase panels separately. Optional stainless steel panels are available for most sizes.
Enclosure backs for A42H4212WFSSLP3PT, A42H4812WFSSLP3PT, and A42H6012WFSSALP3PT have internal stiffeners.
Back of A48H4812WFSSLP3PT is 10 gauge.



Stainless Steel Two-Door Wall-Mounted Type I2 Enclosures



Application

Intended for use housing electrical and electronic controls, instruments, components, and associated wiring, these enclosures incorporate double-hinged doors that provide convenient access. Three-point latching and sealing provide protection from dust, dirt, oil, and water.

Construction

- 14 gauge Type 304 stainless steel
- Seams continuously welded and ground smooth; no holes or knockouts
- Body stiffeners in larger enclosures for extra rigidity
- Rolled lip around all sides of enclosure door opening excludes liquids and contaminants
- Gasketed overlapping doors eliminate need for center post
- External mounting brackets
- Plated steel 3-point latching mechanism and keylocking handle
- Latch rods have rollers for easier door closing
- Doors easily removed by pulling heavy-gauge continuous hinge pin
- Data pocket is high-impact thermoplastic
- Collar studs provided for mounting optional panels
- Bonding provision on doors. Grounding studs on body.

Finish

Enclosures are unpainted. Sides and body have smooth #4 brushed finish. Optional mild steel panels are painted white. Optional conductive panels are available.

Industry Standards

UL 508A, File No. E61997: Type I2
NEMA/EEMAC Type I2
JIC standard EGP-1-1967
CSA File No. 42186: Type I2
IEC 60529, IP55

Accessories

Electrical Interlocks
Floor Stand Kit
Lighting Kit
Mounting Brackets
Panel Support Kit
Panels
Terminal Block Kit Assembly
Thermal Accessories
Window Kit

Modification Services Program

You can customize this product to your unique requirements by specifying from these options:

- Enclosure height, width, depth
- Holes and cutouts in body, doors, subpanels
- Tapped holes in subpanels
- Fasteners, mounting channel in enclosure and subpanel
- Mounting (adds and deletes)
- Doors
- Subpanels
- Thermal management (louvers, fans, filters)
- Windows
- Standard accessories
- Drip shield

To order, contact your local Hoffman sales representative.

NOTE: For information about modifications outside the scope of the Modification Services program, contact your Hoffman sales representative.

Standard Sizes Stainless Steel Two-Door Wall-Mounted Type I2 Enclosures

Catalog Number	A x B x C in. (mm)	Panel Catalog Number	Conductive Panel Catalog Number	Panel Gauge	Panel Size D x E (in.)	Panel Size D x E (mm)	Y (in.)	Y (mm)
A244208WFSSLP	24.00 x 42.00 x 8.00 (610 x 1067 x 203)	A42P24	A42P24G	12	39.00 x 21.00	991 x 533	1.50	38
A244808WFSSLP	24.00 x 48.00 x 8.00 (610 x 1219 x 203)	A48P24	A48P24G	12	45.00 x 21.00	1143 x 533	1.50	38
A304210WFSSLP	30.00 x 42.00 x 10.00 (762 x 1067 x 254)	A42P30	A42P30G	12	39.00 x 27.00	991 x 686	1.50	38
A304810WFSSLP	30.00 x 48.00 x 10.00 (762 x 1219 x 254)	A48P30	A48P30G	12	45.00 x 27.00	1143 x 686	1.50	38
A306010WFSSLP	30.00 x 60.00 x 10.00 (762 x 1524 x 254)	A60P30	A60P30G	12	57.00 x 27.00	1448 x 686	1.50	38
A364212WFSSLP	36.00 x 42.00 x 12.00 (914 x 1067 x 305)	A42P36	A42P36G	12	39.00 x 33.00	991 x 838	1.50	38
A364812WFSSLP	36.00 x 48.00 x 12.00 (914 x 1219 x 305)	A48P36	A48P36G	12	45.00 x 33.00	1143 x 838	1.50	38
A366012WFSSLP	36.00 x 60.00 x 12.00 (914 x 1524 x 305)	A60P36	A60P36G	12	57.00 x 33.00	1448 x 838	1.50	38
A424212WFSSLP	42.00 x 42.00 x 12.00 (1067 x 1067 x 305)	A42P42	A42P42G	12	39.00 x 39.00	991 x 991	1.50	38
A424812WFSSLP	42.00 x 48.00 x 12.00 (1067 x 1219 x 305)	A48P42	A48P42G	12	45.00 x 39.00	1143 x 991	1.50	38
A426012WFSSALP	42.00 x 60.00 x 12.00 (1067 x 1524 x 305)	A60BFP42	A60BFP42G	10	56.00 x 38.00	1422 x 965	2.00	51
A484812WFSSLP	48.00 x 48.00 x 12.00 (1219 x 1219 x 305)	A48P48	A48P48G	10	44.00 x 44.00	1118 x 1118	2.00	51

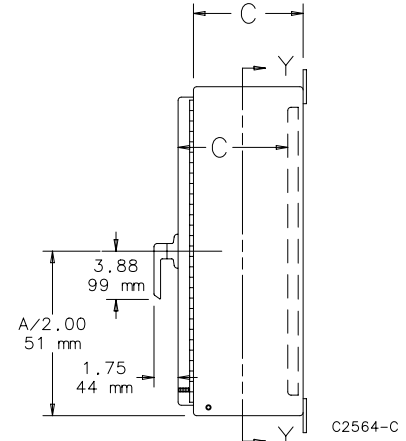
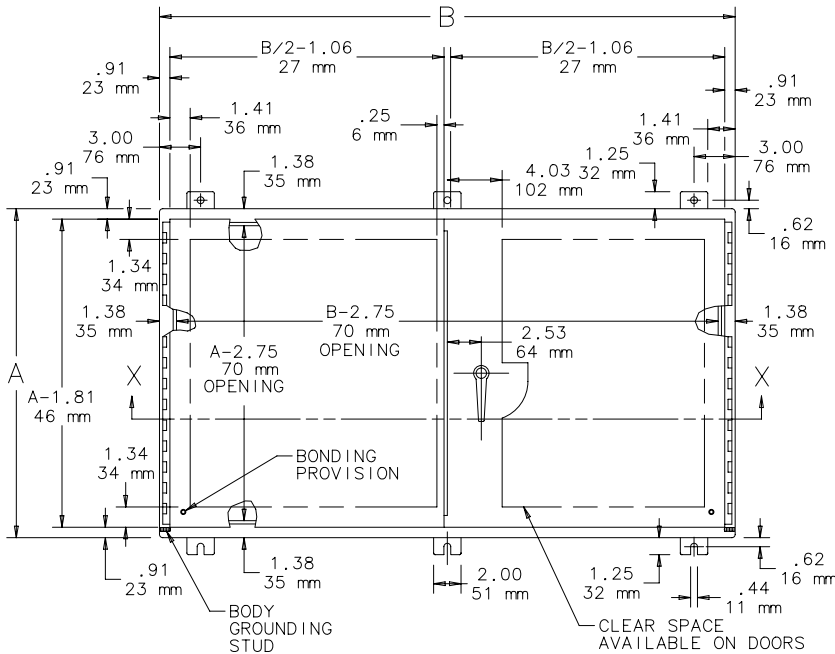
Purchase panels separately. Optional stainless steel and aluminum panels are available for most sizes.

A424212WFSSLP, A424812WFSSLP, A426012WFSSALP enclosure backs have internal stiffeners.

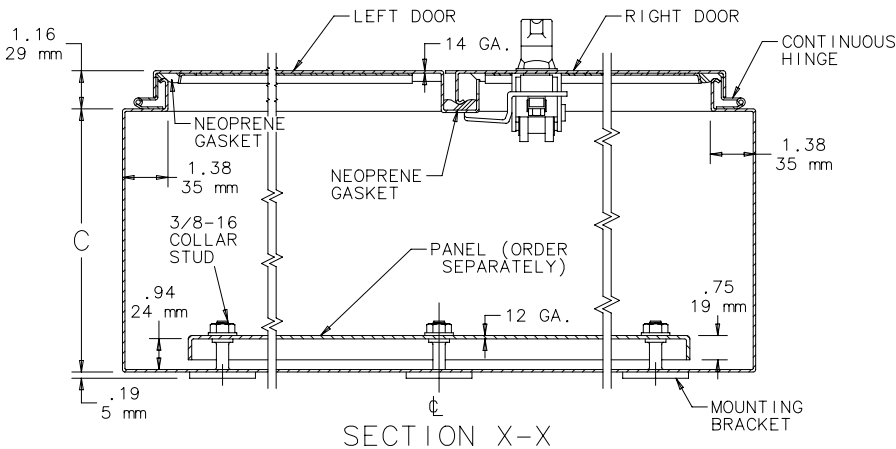
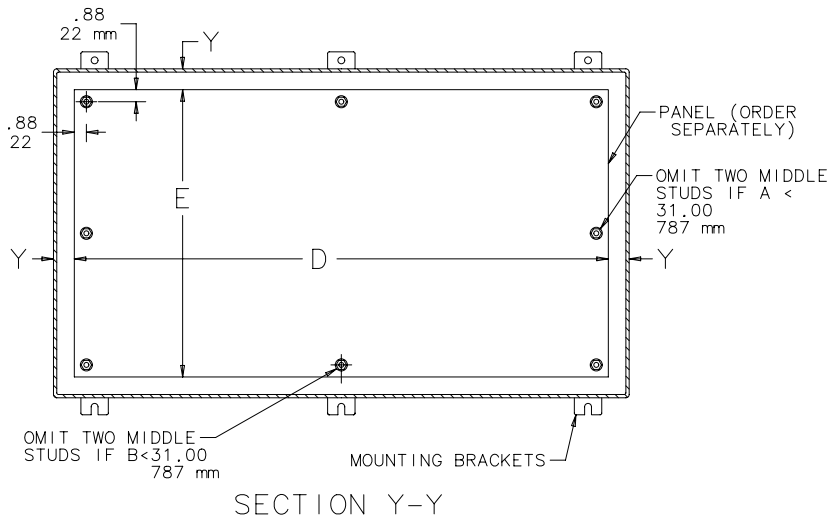
A484812WFSSLP back is 10 gauge.

Stainless Steel Two-Door Wall-Mounted Type I2 Enclosures

Corrosion-Resistant
Enclosures



NOTE: Right door has large removable 12.00 x 12.00 (305mm x 305mm) data pocket. Exception: 24 x 24 inch and 24 x 28 inch sizes have small 6.00 x 6.00 (152mm x 152mm) data pocket.



Replacement Doors with **POWERGLIDE®** Handle for Type 4X Wall-Mounted Enclosures



Application

These doors maintain an enclosure's Type 4X rating and are ideal for corrosive enclosure installations that require frequent access and the security of a padlocking handle. Suitable applications include water, pulp and paper, petroleum and chemical processing, and certain food, packaging, and pharmaceutical applications.

Construction

- 14 gauge Type 304 or Type 316L stainless steel material
- Seamless foam-in-place gasket
- Type 316L stainless steel POWERGLIDE handle
- Internal 3-point latching hardware installed
- Data pocket is high-impact thermoplastic
- Hinge halves and stainless steel hinge pin
- Bonding provision

Finish

The door has a smooth #4 brushed finish on the exterior. The Type 316L stainless steel handle is electropolished.

Industry Standards

Maintains Type 4X industry standards when properly installed on a Hoffman SSLP or SSLP3PT stainless steel wall-mount enclosure.

Patents

Patent pending.

Modification Services Program

You can customize this product to your unique requirements by specifying from these options:

- Door size
- Holes and cutouts

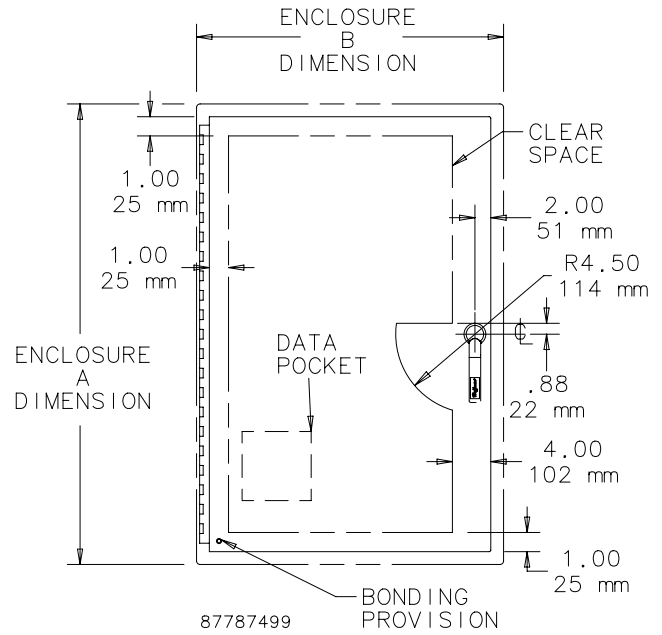
To order, contact your local Hoffman sales representative.

NOTE: For information about modifications outside the scope of the Modification Services program, contact your Hoffman sales representative.

Replacement Doors with POWERGLIDE® Handle for Type 4X Wall-Mounted Enclosures

Standard Sizes Replacement Doors with POWERGLIDE Handle for Type 4X Wall-Mounted Enclosures

Catalog Number
Z24208SS3PT
Z24208SS63PT
Z24248SS3PT
Z24248SS63PT
Z30248SS3PT
Z30248SS63PT
Z30308SS3PT
A30308SS63PT
Z36248SS3PT
Z36248SS63PT
Z36308SS3PT
Z36308SS63PT
Z36368SS3PT
Z36368SS63PT
Z48368SS3PT
Z48368SS63PT
Z60368SS3PT
Z60368SS63PT



Corrosion-Resistant Enclosures

CONCEPT® Stainless Steel Type 4X Disconnect Wall-Mounted Enclosure



Application

Designed to house the following:

Allen-Bradley

- Bulletin 1494V disconnect switches with flange-mounted variable-depth operating mechanisms and Bulletin 1494V flange-mounted variable-depth operating mechanisms for circuit breakers
- Bulletin 140U flexible cable operating mechanisms for 140U molded case circuit breakers
- Bulletin 1494C cable-operated disconnect switches with flange-mounted handles
- Bulletin 194RC cable-operated flange-mounted handles for use with the NFPA 79 compliant 194R IEC rotary disconnect switches

Allen-Bradley Bulletin 1494V-R1, -R2, and -W2 operating handles and Allen-Bradley Bulletin 1494F disconnect devices or Bulletin 1494D circuit breaker operators will NOT fit these enclosures.

ABB Controls flange-mounted variable-depth operating mechanisms for disconnects and circuit breakers

Eaton Cutler-Hammer Type C361 flange-mounted variable-depth operating mechanisms with disconnect switches and Type C371 flange-mounted variable-depth operating mechanisms for circuit breakers. Also Flex Shaft™ handle mechanisms for circuit breakers.

General Electric Type STDA flange handles and variable-depth operating mechanisms for disconnect switches and circuit breakers. Also Spectra Flex™ cable operators for circuit breakers.

Siemens ITE Max-Flex™ flange-mounted variable-depth operating handle for disconnect switches and circuit breakers as well as some fixed-depth operators for disconnect switches

Schneider Square D® Class 9422 disconnect switches with flange-mounted variable-depth operating mechanisms or cable mechanisms and Class 9422 flange-mounted variable-depth operating mechanisms or cable mechanisms for circuit breakers

These enclosures will NOT accept Square D Class 9422 bracket-mounted disconnect devices, Class 9422TG1, or TG2 devices.

Construction

- 16 or 14 gauge Type 304 or 316L stainless steel
- Seams continuously welded and ground smooth
- Door opening flange trough excludes liquids and contaminants.
- Holes provided in body for mounting disconnect operating handle and operating mechanism

- Panel mounting studs fit optional CONCEPT panels and other accessories (purchase panels separately)
- Mounting holes in back of body for direct mounting or for optional external mounting brackets
- Stainless steel hidden hinges promote clean, aesthetic appearance
- Standard full-access door opening
- Doors are interchangeable and easily removable by pulling captive hinge pins
- Door bar on hinge side for wire management and grounding
- Provisions on door for optional high-impact thermoplastic data pocket
- Seamless foam-in-place gasket provides oiltight and dusttight seal against contaminants
- Latching system interlocks with the disconnect handle for added safety
- Unique integral door handle with tool-to-open feature and padlock option installed on door
- Self-grounding latch system with double seal provides maximum protection against leakage
- Bonding provision on door. Grounding stud on body.

Finish

Stainless steel enclosures are unpainted. Sides and body have smooth #4 brushed finish. Optional mild steel panels are painted white. Optional conductive panels are available. Handle is die-cast with black textured polyester powder paint.

Industry Standards

NOTE: Mounting brackets required to meet UL/cUL external mounting requirement.

UL 508A, File No. E61997: Type 3R, 4, 4X, and 12
NEMA/EEMAC Type 3R, 4, 4X, 12, and 13
cUL: C22.2 No. 26, File Number E61997: Type 3R, 4, 4X, and 12
IEC 60529, IP66

Meets Type 3RX requirements

Accessories

Blank Adapter Plate
Corrosion Inhibitors
Electric Heater
Fan Cooling Products
Handles and Inserts
Lighting Kit
Mounting Brackets
Panels
Window Kit

Modification Services Program

You can customize this product to your unique requirements by specifying from these options:

- Drip shield
- Enclosure height, width, depth
- Holes and cutouts in body, door, subpanels
- Tapped holes in subpanels
- Fasteners, mounting channel in enclosure and subpanel
- Mounting (adds and deletes)
- Doors
- Subpanels
- Thermal management (louvers, fans, filters)
- Windows
- Standard accessories

To order, contact your local Hoffman sales representative.

NOTE: For information about modifications outside the scope of the Modification Services program, contact your Hoffman sales representative.

CONCEPT® Stainless Steel Type 4X Disconnect Wall-Mounted Enclosure

Furnished with Enclosure

1. Cover interlock bracket welded to door
2. Door latching system (2-point or 3-point) installed on door
3. Instructions to locate and install disconnect
4. Hardware kit consisting of padlocking door handle, panel mounting nuts, grounding hardware, and sealing washers for mounting holes

NOTE: Consult Space Occupied by Disconnect drawing to determine whether the disconnect device you are using will fit the enclosure size you have selected.

Ordering

The disconnect switch, operating handle, and operating mechanism must be ordered separately. See Technical Information in the Hoffman Specifier's Guide for wire bend space available when various manufacturers' disconnect switches are installed, or Disconnect Ordering Information at hoffmanonline.com for disconnect ordering guidelines and wire bend space available. Check the enclosure dimension drawings to make sure the chosen disconnect switch will fit in the enclosure.

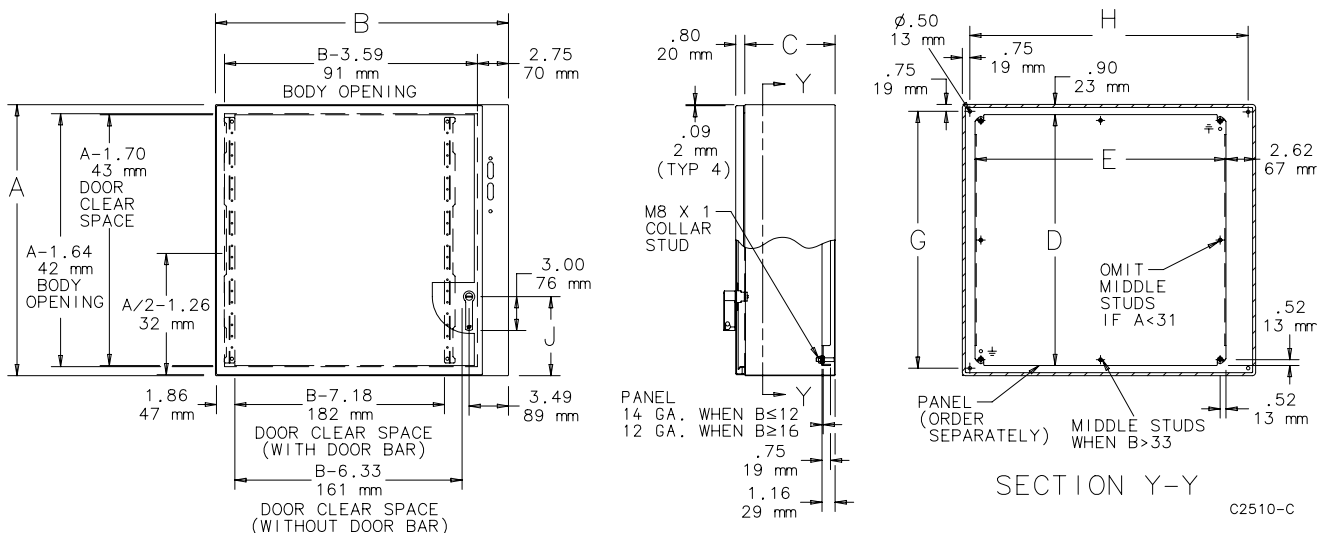
Corrosion-Resistant Enclosures

Standard Sizes CONCEPT® Stainless Steel Type 4X Disconnect Wall-Mounted Enclosure

Catalog Number	A x B x C in. (mm)	Stainless Steel Type	Door Ga.	Body Ga.	CONCEPT Panel Catalog Number	Conductive Panel Catalog Number	Panel Size D x E (in.)	Panel Size D x E (mm)	Mounting G x H (in.)	Mounting G x H (mm)	Latch style	J (in.)	J (mm)
CDSC20228SS	20.00 x 22.00 x 8.00 (508 x 559 x 203)	304	14	16	CP2020	CP2020G	18.20 x 18.20	462 x 462	18.50 x 20.50	470 x 521	1 - 2 point	5.00	127
CDSC20228SS6	20.00 x 22.00 x 8.00 (508 x 559 x 203)	316L	14	16	CP2020	CP2020G	18.20 x 18.20	462 x 462	18.50 x 20.50	470 x 521	1 - 2 point	5.00	127
CDSC24228SS	24.00 x 22.00 x 8.00 (610 x 559 x 203)	304	14	16	CP2420	CP2420G	22.20 x 18.20	564 x 462	22.50 x 20.50	572 x 521	1 - 2 point	6.00	152
CDSC24228SS6	24.00 x 22.00 x 8.00 (610 x 559 x 203)	316L	14	16	CP2420	CP2420G	22.20 x 18.20	564 x 462	22.50 x 20.50	572 x 521	1 - 2 point	6.00	152
CDSC24268SS	24.00 x 26.00 x 8.00 (610 x 660 x 203)	304	14	16	CP2424	CP2424G	22.20 x 22.20	564 x 564	22.50 x 24.50	572 x 622	1 - 2 point	6.00	152
CDSC24268SS6	24.00 x 26.00 x 8.00 (610 x 660 x 203)	316L	14	16	CP2424	CP2424G	22.20 x 22.20	564 x 564	22.50 x 24.50	572 x 622	1 - 2 point	6.00	152
CDSC30268SS	30.00 x 26.00 x 8.00 (762 x 660 x 203)	304	14	16	CP3024	CP3024G	28.20 x 24.50	716 x 564	28.50 x 24.50	724 x 622	1 - 2 point	6.00	152
CDSC30268SS6	30.00 x 26.00 x 8.00 (762 x 660 x 203)	316L	14	16	CP3024	CP3024G	28.20 x 24.50	716 x 564	28.50 x 24.50	724 x 622	1 - 2 point	6.00	152
CDSC36268SS	36.00 x 26.00 x 8.00 (914 x 660 x 203)	304	14	14	CP3624	CP3624G	32.20 x 22.20	869 x 564	34.50 x 24.50	876 x 622	1 - 2 point	6.00	152
CDSC36268SS6	36.00 x 26.00 x 8.00 (914 x 660 x 203)	316L	14	14	CP3624	CP3624G	32.20 x 22.20	869 x 564	34.50 x 24.50	876 x 622	1 - 2 point	6.00	152

Enclosure doors have 2 quarter-turn latches and a handle with 2- or 3-point latch. Purchase panels separately. Optional plated CONCEPT panels available. Optional NEMA style and stainless steel panels require conversion kit catalog number CCPM4.

CONCEPT® Stainless Steel Type 4X Disconnect Wall-Mounted Enclosure Dimension Drawing



Rev. A 1/08

Disconnect Mounting Space

Disconnects will occupy space on panel shown by dimensions E1, F1, and G1. Wiring space W1 is available when disconnect is installed in the enclosure.

E1 = 4.75 in. (121mm) when C = 8.00 in. (203mm)

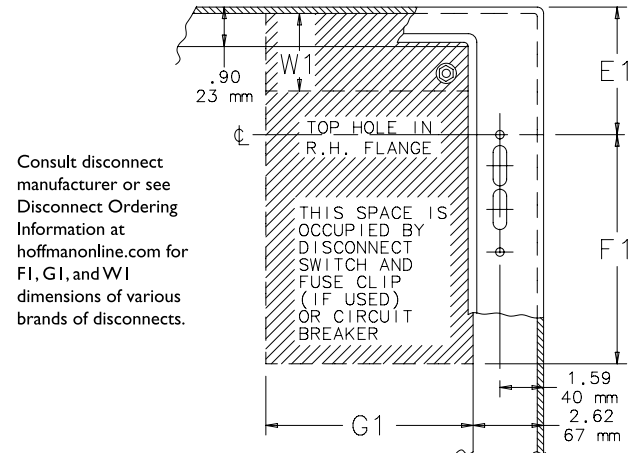
E1 = 11.62 in. (294mm) when C = 12.00 in. (305mm)

W1 = Wiring Space

Refer to *National Electrical Code*®, 2005 article 430-10(b) for wiring space required for line side conductors to be connected to disconnect.

Verify your application to determine whether wiring space is adequate.

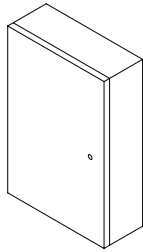
Space Occupied by Disconnect Diagram



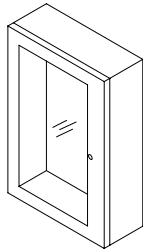
87794971

CONCEPT® Stainless Steel Type 4X Disconnect Wall-Mounted Enclosure

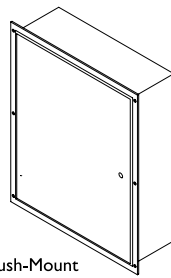
CONCEPT Stainless Steel Wall-Mounted Disconnect Enclosures Accessory Selection Guide



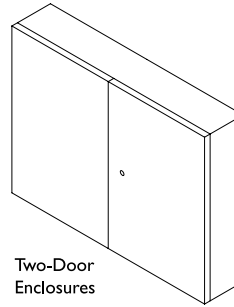
Steel or
Stainless Steel
Enclosures



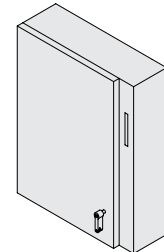
Steel or Stainless
Steel Window-
Door Enclosures



Flush-Mount
Enclosures



Two-Door
Enclosures



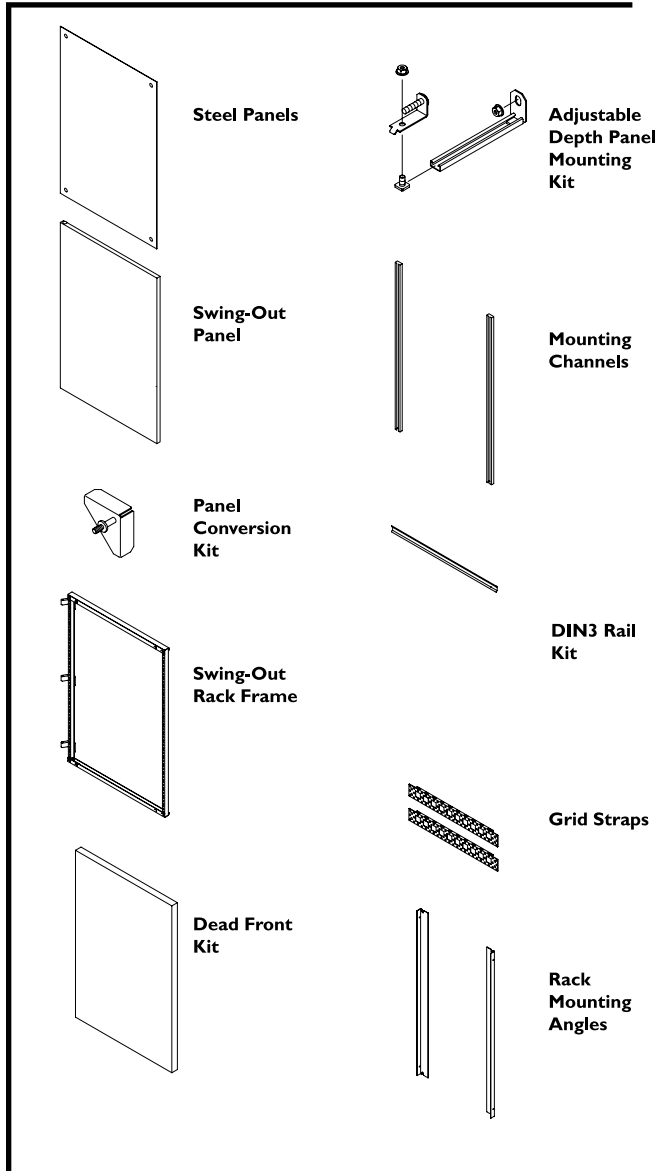
Steel or
Stainless Steel
Disconnect
Enclosures

87795200

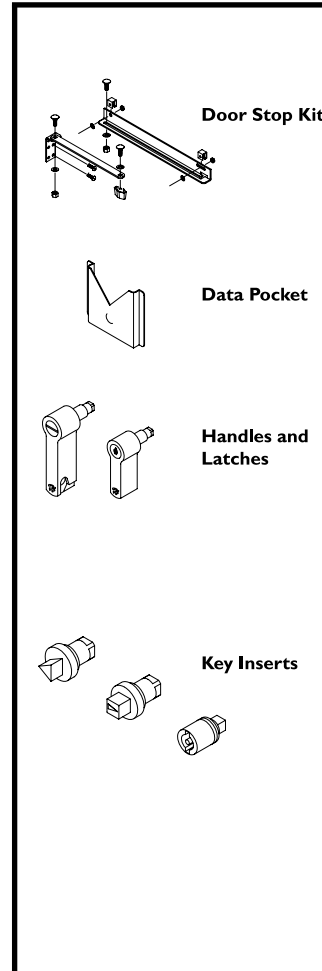
(See General Accessories: CONCEPT® Enclosure Accessories for details.)

Corrosion-Resistant
Enclosures

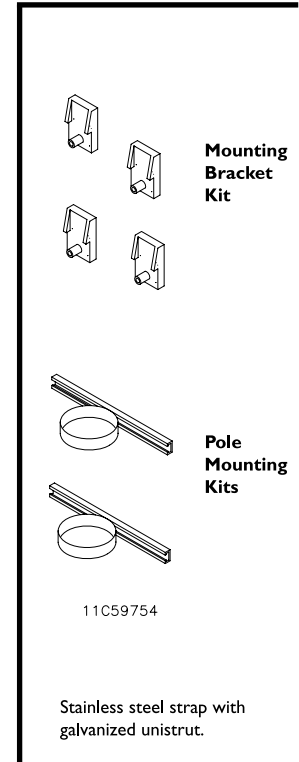
Internal Accessories



Door Accessories



External Accessories



CONCEPT® Stainless Steel Type 4X Disconnect Wall-Mounted Enclosure



Application

Designed to house the following:

Allen-Bradley

- Bulletin 1494V disconnect switches with flange-mounted variable-depth operating mechanisms and Bulletin 1494V flange-mounted variable-depth operating mechanisms for circuit breakers
- Bulletin 140U flexible cable operating mechanisms for 140U molded case circuit breakers
- Bulletin 1494C cable-operated disconnect switches with flange-mounted handles
- Bulletin 194RC cable-operated flange-mounted handles for use with the NFPA 79 compliant 194R IEC rotary disconnect switches

Allen-Bradley Bulletin 1494V-R1, -R2, and -W2 operating handles and Allen-Bradley Bulletin 1494F disconnect devices or Bulletin 1494D circuit breaker operators will NOT fit these enclosures.

ABB Controls flange-mounted variable-depth operating mechanisms for disconnects and circuit breakers.

Eaton Cutler-Hammer Type C361 flange-mounted variable-depth operating mechanisms with disconnect switches and Type C371 flange-mounted variable-depth operating mechanisms for circuit breakers. Also Flex Shaft™ handle mechanisms for circuit breakers.

General Electric Type STDA flange handles and variable-depth operating mechanisms for disconnect switches and circuit breakers. Also Spectra Flex™ cable operators for circuit breakers.

Siemens ITE Max-Flex™ flange-mounted variable-depth operating handle for disconnect switches and circuit breakers as well as some fixed-depth operators for disconnect switches

Schneider Square D® Class 9422 disconnect switches with flange-mounted variable-depth operating mechanisms or cable mechanisms and Class 9422 flange-mounted variable-depth operating mechanisms or cable mechanisms for circuit breakers
These enclosures will NOT accept Square D Class 9422 bracket-mounted disconnect devices, Class 9422TG1, or TG2 devices.

Construction

- 16 or 14 gauge Type 304 or 316L stainless steel
- Seams continuously welded and ground smooth
- 90° body flange trough excludes liquids and contaminants
- Stainless steel quarter-turn latches with flush slotted insert provided on three sides of the enclosure door. Optional handles and inserts are available.
- Integral door ramp to properly align door and gasket to body flange
- Holes provided in body for mounting disconnect operating handle and operating mechanism

- Panel mounting studs fit optional CONCEPT panels and other accessories (purchase panels separately)
- Mounting holes in back of body for direct mounting or for optional external mounting brackets
- Stainless steel hidden hinges promote clean, aesthetic appearance
- Standard full-access door opening
- Doors are interchangeable and easily removable by pulling captive hinge pins
- Door bars furnished for wire management, grounding, and extra rigidity
- Provisions on door for optional high-impact thermoplastic data pocket
- Seamless foam-in-place gasket provides oiltight and dusttight seal against contaminants
- Door latching system interlocks with the disconnect handle for added safety
- Unique integral door handle with tool-to-open feature and padlock option installed on door
- Self-grounding latch system with double seal provides maximum protection against leakage
- Bonding provision on door. Grounding stud on body.

Finish

Stainless steel enclosures are unpainted. Sides and body have smooth #4 brushed finish. Optional mild steel panels are painted white. Optional conductive panels are available. Handle is die-cast with black textured polyester powder paint.

Industry Standards

NOTE: Mounting brackets required to meet UL/cUL external mounting requirement.

UL 508A, File No. E61997: Type 3R, 4, 4X, and 12
NEMA/EEMAC Type 3R, 4, 4X, 12, and 13
cUL: C22.2 No. 26, File Number E61997: Type 3R, 4, 4X, and 12
IEC 60529, IP66

Meets Type 3RX requirements

Accessories

Blank Adapter Plate
Corrosion Inhibitors
Electric Heater
Fan Cooling Products
Lighting Kit
Mounting Brackets
Panels
Window Kit

Modification Services Program

You can customize this product to your unique requirements by specifying from these options:

- Drip shield
- Enclosure height, width, depth
- Holes and cutouts in body, door, subpanels
- Tapped holes in subpanels
- Fasteners, mounting channel in enclosure and subpanel
- Mounting (adds and deletes)
- Doors
- Subpanels
- Thermal management (louvers, fans, filters)
- Windows
- Standard accessories

To order, contact your local Hoffman sales representative.

NOTE: For information about modifications outside the scope of the Modification Services program, contact your Hoffman sales representative.

CONCEPT® Stainless Steel Type 4X Disconnect Wall-Mounted Enclosure

Ordering

Consult the Technical Information section for wire bend information and hoffmanonline.com for disconnect manufacturer information. Disconnect switch (or circuit breakers), operating handle, and operating mechanism are not furnished with the enclosure.

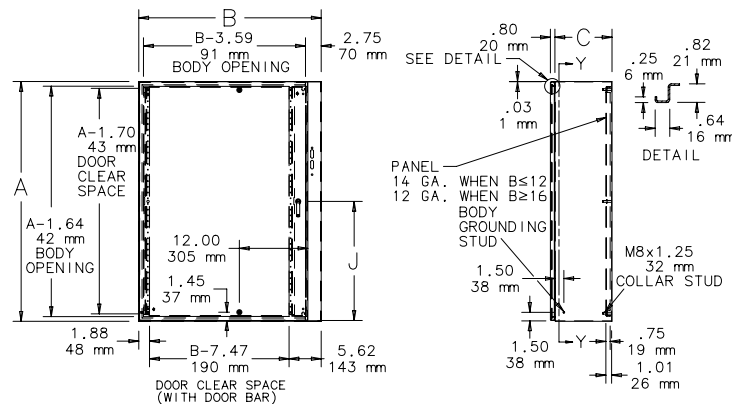
Furnished with Enclosure

1. Cover interlock bracket welded to door
2. Door latching system (2-point or 3-point) installed on door
3. Instructions to locate and install disconnect
4. Hardware kit consisting of padlocking door handle, panel mounting nuts, grounding hardware, and sealing washers for mounting holes

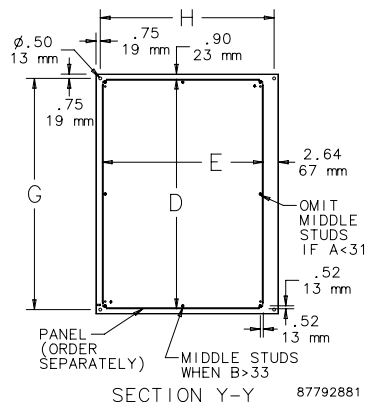
Standard Sizes CONCEPT® Stainless Steel Type 4X Disconnect Wall-Mounted Enclosure

Catalog Number	A x B x C in. (mm)	Stainless Steel Type	Door Ga.	Body Ga.	CONCEPT Panel Catalog Number	Conductive Panel Catalog Number	Panel Size D x E (in.)	Panel Size D x E (mm)	Mounting G x H (in.)	Mounting G x H (mm)	Latch style	J (in.)	J (mm)
CDSC36328SSR	36.00 x 32.00 x 8.00 (914 x 813 x 203)	304	14	14	CP3630	CP3630G	34.20 x 28.20	869 x 716	34.50 x 30.50	869 x 775	1 - 2-point	6.00	152
CDSC36328SS6R	36.00 x 32.00 x 8.00 (914 x 813 x 203)	316L	14	14	CP3630	CP3630G	34.20 x 28.20	869 x 716	34.50 x 30.50	869 x 775	1 - 2-point	6.00	152
CDSC423212SSR	42.00 x 32.00 x 12.00 (1067 x 813 x 305)	304	14	14	CP4230	CP4230G	40.20 x 28.20	1021 x 716	40.50 x 30.50	1029 x 775	1 - 3-point	21.00	533
CDSC423212SS6R	42.00 x 32.00 x 12.00 (1067 x 813 x 305)	316L	14	14	CP4230	CP4230G	40.20 x 28.20	1021 x 716	40.50 x 30.50	1029 x 775	1 - 3-point	21.00	533
CDSC423812SSR	42.00 x 38.00 x 12.00 (1067 x 965 x 305)	304	14	14	CP4236	CP4236G	40.20 x 34.20	1021 x 869	40.50 x 36.50	1029 x 927	1 - 3-point	21.00	533
CDSC423812SS6R	42.00 x 38.00 x 12.00 (1067 x 965 x 305)	316L	14	14	CP4236	CP4236G	40.20 x 34.20	1021 x 869	40.50 x 36.50	1029 x 927	1 - 3-point	21.00	533
CDSC483812SSR	48.00 x 38.00 x 12.00 (1219 x 965 x 305)	304	14	14	CP4836	CP4836G	46.20 x 34.20	1173 x 869	46.50 x 36.50	1181 x 927	1 - 3-point	24.00	610
CDSC483812SS6R	48.00 x 38.00 x 12.00 (1219 x 965 x 305)	316L	14	14	CP4836	CP4836G	46.20 x 34.20	1173 x 869	46.50 x 36.50	1181 x 927	1 - 3-point	24.00	610
CDSC603812SSR	60.00 x 38.00 x 12.00 (1524 x 965 x 305)	304	14	14	CP6036	CP6036G	58.20 x 34.20	1478 x 869	58.50 x 36.50	1486 x 927	1 - 3-point	30.00	762
CDSC603812SS6R	60.00 x 38.00 x 12.00 (1524 x 965 x 305)	316L	14	14	CP6036	CP6036G	58.20 x 34.20	1478 x 869	58.50 x 36.50	1486 x 927	1 - 3-point	30.00	762

Enclosure doors have 2 quarter-turn latches and a handle with 2- or 3-point latch. Purchase panels separately.



NOTE: Door has provision for data pocket. Use large data pocket when A=30.00 (762mm) or more and B=22.00 (559mm) or more.



CONCEPT® Stainless Steel Type 4X Disconnect Wall-Mounted Enclosure

Disconnect Mounting Space

Disconnects will occupy space on panel shown by dimensions E1, F1, and G1. Wiring space W1 is available when disconnect is installed in the enclosure.

E1 = 4.75 in. (121mm) when C = 8.00 in. (203mm)

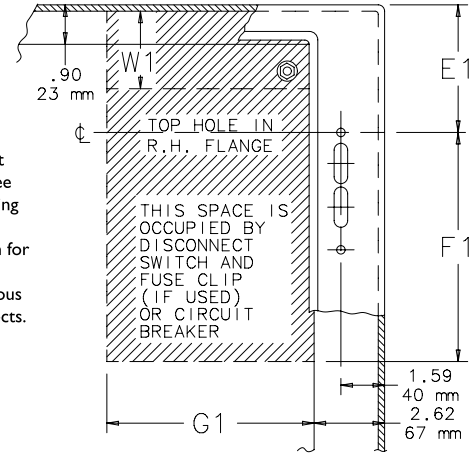
E1 = 11.62 in. (294mm) when C = 12.00 in. (305mm)

W1 = Wiring Space

Refer to *National Electrical Code*®, 2005 article 430-10(b) for wiring space required for line side conductors to be connected to disconnect. **Verify your application to determine whether wiring space is adequate.**

Space Occupied by Disconnect Diagram

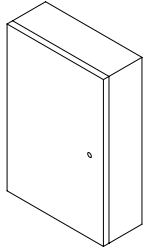
Consult disconnect manufacturer or see Disconnect Ordering Information at hoffmanonline.com for F1, G1, and W1 dimensions of various brands of disconnects.



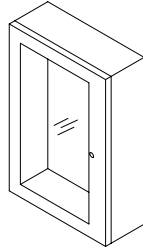
87794971

CONCEPT® Stainless Steel Type 4X Disconnect Wall-Mounted Enclosure

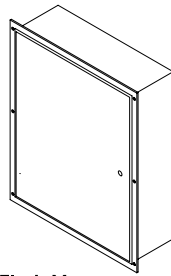
CONCEPT Stainless Steel Wall-Mounted Disconnect Enclosures Accessory Selection Guide



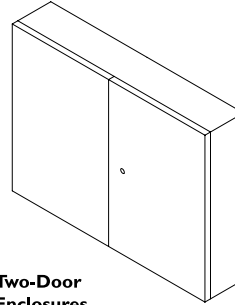
Steel or
Stainless Steel
Enclosures



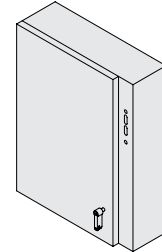
Steel or Stainless
Steel Window-
Door Enclosures



Flush-Mount
Enclosure



Two-Door
Enclosures



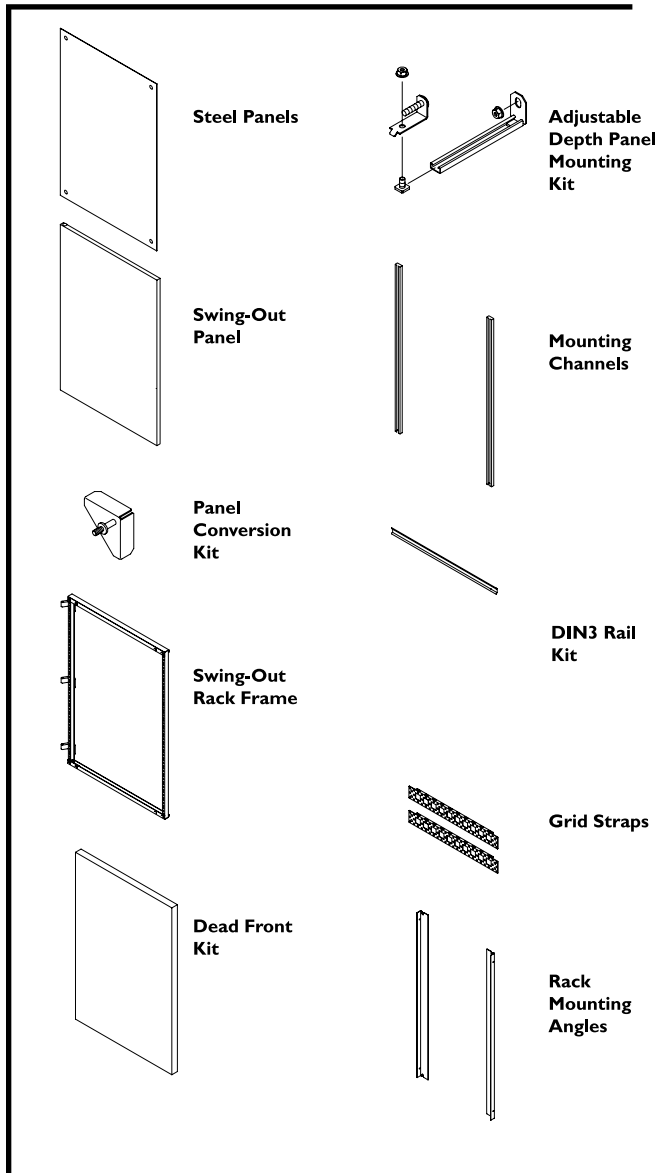
Steel or
Stainless Steel
Disconnect
Enclosures

87795200

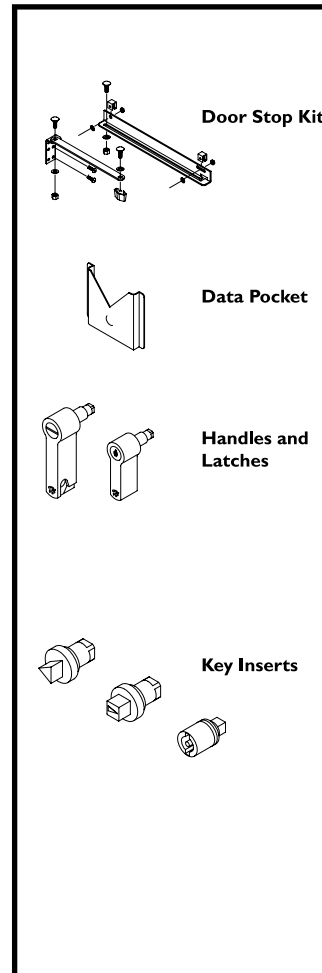
(See Accessories: CONCEPT® Enclosure Accessories for details.)

Corrosion-Resistant
Enclosures

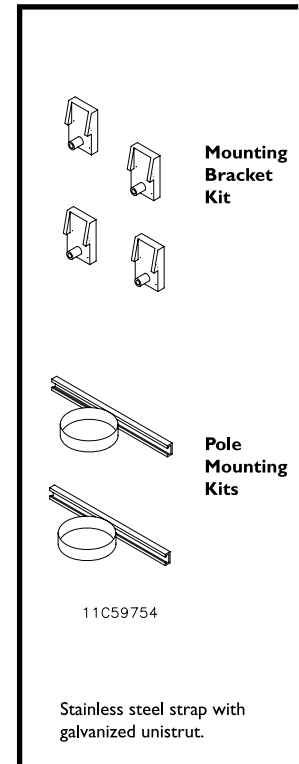
Internal Accessories



Door Accessories



External Accessories



Watershed® Wall-Mounted Disconnect Enclosures



Application

The Hoffman Watershed stainless steel wall-mount disconnect enclosure, with its unique design and Type 4X rating, is a perfect fit for mounting electrical or high-voltage electronic equipment in a variety of indoor and outdoor settings. Its unique features are specifically designed for use in sanitary washdown production environments like food, beverage, or pharmaceutical processing. However, these same features also are useful in petrochemical plants, pulp and paper facilities, and water treatment plants.

Allen-Bradley

- Bulletin 1494V disconnect switches with flange-mounted variable-depth operating mechanisms and Bulletin 1494V flangemounted variable-depth operating mechanisms for circuit breakers.
- Bulletin 140U flexible cable operating mechanisms for 140U molded case circuit breakers.
- Bulletin 1494C cable-operated disconnect switches with flange-mounted handles
- Bulletin 194RC cable-operated flange-mounted handles for use with the NFPA 79 compliant 194R IEC rotary disconnect switches

Allen-Bradley Bulletin 1494V-R1, -R2, and -W2 operating handles and Allen-Bradley Bulletin 1494F disconnect devices or Bulletin 1494D circuit breaker operators will not fit these enclosures.

ABB Controls flange-mounted variable-depth operating mechanisms for disconnect switches and circuit breakers.

Eaton Cutler-Hammer Type C361 disconnect switches and operator mechanisms. Flex Shaft™ handle operators for circuit breakers.

General Electric Type STDA flange handles and variable depth operating mechanisms for disconnect switches and circuit breakers. Also Spectra Flex™ cable operators for circuit breakers.

Siemens ITE Max-Flex™ flange-mounted variable-depth operating handle for disconnect switches and circuit breakers as well as some fixed depth operators for disconnect switches.

Schneider Square D® disconnect switches and circuit breakers used with Class 9422 flange-mounted variable-depth operating mechanisms or cable mechanisms.

These enclosures will NOT accept Class 9422 bracket-mounted disconnect devices or Class 9422TGI or TG2 devices.

Construction

- Manufactured from 14 gauge Type 304 stainless steel
- Seams continuously welded and ground smooth
- Smooth Type 304 stainless steel lift-off bullet-style hinges
- Hinges are shielded by door edges
- Hinged side of door has provisions to allow direct flushing of hinge area
- 20-degree sloped top facilitates runoff of water and cleaning solutions and prevents the placement of objects on the top of the enclosure
- 170-degree door opening
- Door edges are sloped 20 degrees at top and bottom edges to facilitate runoff
- Slanted flange trough collar prevents pooling of fluids along the top edge of the enclosure opening
- Stainless steel quarter-turn latches furnished with flush slotted insert
- Seamless foam-in-place one-piece gasket provides an oiltight, watertight, and dusttight seal against contaminants
- Self-grounding latch system with double seal provides maximum protection against leakage
- Bonding provision on door. Grounding stud on body.
- Panel studs fit optional NEMA size panels
- Preferred cutout on right flange provides mounting for most disconnect operators
- Mounting holes in back of body for direct mounting or for optional stand-off kit
- Furnished hardware kit consists of panel mounting nuts, grounding hardware, and sealing washers for wall-mounting holes

Finish

Stainless steel enclosures are unpainted. External surfaces have a #4 brushed finish. Optional mild steel panels are painted white. Optional conductive panels are available.

Industry Standards

NOTE: Mounting brackets required to meet UL/cUL external mounting requirement.

NSF Criteria C-2

UL 508A, File Number E61997: Type 4, 4X, 12

cUL CSA C22.2 No. 26, File Number E61997: Type 4, 4X, 12

NEMA/EEMAC Type 4, 4X, 12

IEC 60529, IP66

Meets Type 3RX requirements

Accessories

Mounting Bracket Kit
Panels
Stand-off Kit
Handle Kit
Latch Kit

Ordering

The disconnect switch, operating handle, and operating mechanism must be ordered separately. See Technical Information in the Hoffman Specifier's Guide for wire bend space available when various manufacturers' disconnect switches are installed, or Disconnect Ordering Information at hoffmanonline.com for disconnect ordering guidelines and wire bend space available. Check the enclosure dimension drawings to make sure the chosen disconnect switch will fit in the enclosure.

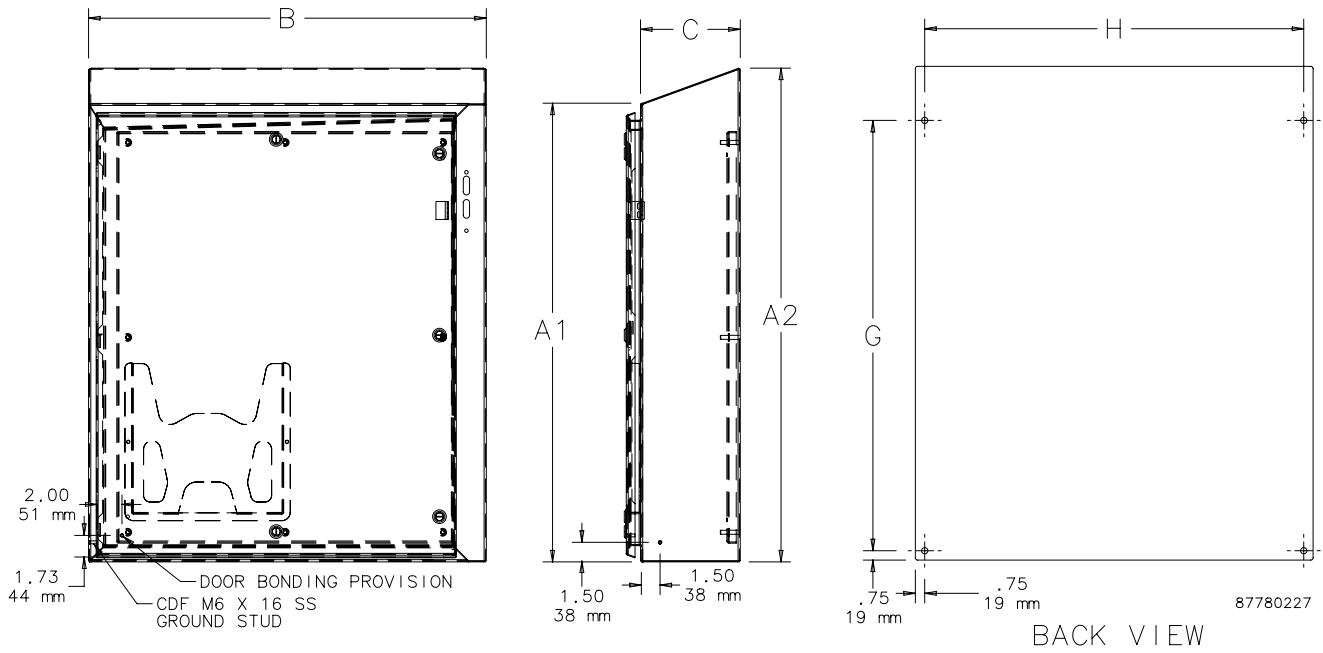
Watershed® Wall-Mounted Disconnect Enclosures

Standard Sizes Watershed Wall-Mount Disconnect Enclosures

Catalog Number	Nominal Dimensions A x B x C in. (mm)	A1= Front (in.)	A1= Front (mm)	A2= Back (in.)	A2= Back (mm)	B= Width (in.)	B= Width (mm)	C= Depth (in.)	C= Depth (mm)	G (in.)	G (mm)	H (in.)	H (mm)	Latch Qty.	Panel Catalog Number	Conductive Panel Catalog Number
WS24HS2508SS	24.00 x 25.00 x 8.00 (610 x 635 x 203)	24.53	623	27.44	697	25.89	658	8.00	203	22.50	572	24.39	620	4	A24P24	A24P24G
WS30HS2508SS	30.00 x 25.00 x 8.00 (762 x 635 x 203)	30.53	775	33.44	849	25.89	658	8.00	203	28.50	724	24.39	620	4	A30P24	A30P24G
WS36HS3108SS	36.00 x 31.00 x 8.00 (914 x 787 x 203)	36.70	932	39.58	1005	31.89	810	8.00	203	34.50	876	30.39	772	5	A36P30	A36P30G
WS48HS3716SS	48.00 x 37.00 x 16.00 (1219 x 940 x 406)	48.86	1241	54.66	1388	37.89	962	16.00	406	46.50	1181	36.39	924	5	A48P36	A48P36G
WS60HS3716SS	60.00 x 37.00 x 16.00 (1524 x 940 x 406)	60.87	1546	66.66	1693	37.89	962	16.00	406	58.50	1486	36.39	924	5	A60P36	A60P36G

Purchase panels separately. Optional Stainless steel, composite, and aluminum panels available for most sizes.

Corrosion-Resistant Enclosures



Disconnect Mounting Space

Disconnects will occupy space on panel shown by dimensions EI, FI, and GI in diagram. Wiring space WI is available when disconnect is installed in the enclosure.

EI = 4.75 in. (121mm) when C = 8.00 in. (203mm)

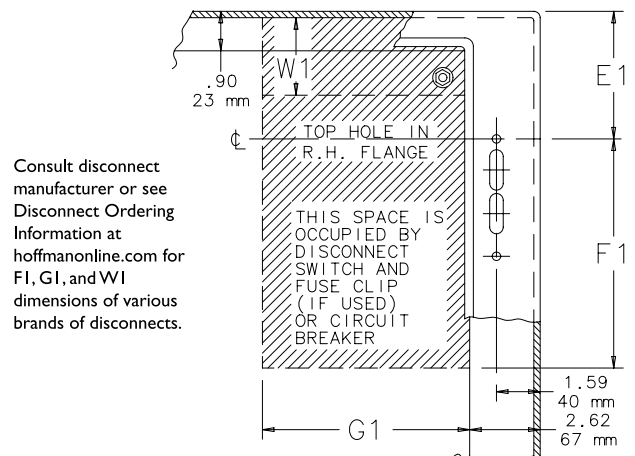
EI = 11.62 in. (294mm) when C = 16.00 in. (406mm)

WI = Wiring space. See Technical Information for wire bend space.

Refer to *National Electrical Code*®, 2005 article 430-10(B) for wiring space required for line side conductors to be connected to disconnect.

Verify your application to determine if wiring space is adequate.

Disconnect Mounting Space Drawing



87794971

A complete assembly consists of:

1. An enclosure.
2. A panel (order separately).
3. A preferred operator adapter (see Disconnect Enclosure Accessories in the Disconnect Enclosure chapter to order the correct operator adapter for the brand and type of disconnect being used). Door hardware is furnished with enclosure.
4. A disconnect device. Be sure to match the disconnect you are using with the correct enclosure size.

Consult the *Technical Information* section for wire bend information and hoffmanonline.com for disconnect manufacturer information. Disconnect switch (or circuit breakers), operating handle, and operating mechanism are not furnished with enclosures.

Watershed® Wall-Mounted Disconnect Enclosures

Optional Components

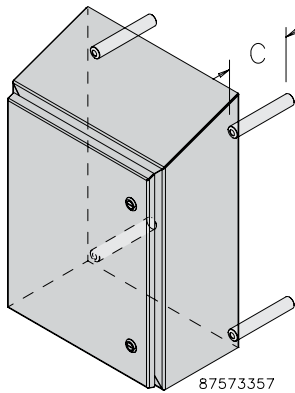


Mounting Bracket Kit

Type 304 stainless steel brackets can be field installed. Brackets are rated to Type 4X. All hardware is included. Four brackets per kit.

NOTE: Top brackets must be mounted to the sides of enclosure.

Catalog Number	Description
CMFKSS	Stainless steel mounting bracket kit



Stand-off Kit

Stand-offs provide space between wall-mount enclosure and wall for better washdown accessibility. Stainless steel standoffs are rated to Type 4X. All hardware is included. Four stand-offs per kit.

Catalog Number	C (in.)	C (mm)
WSSOK1SS	1.00	25
WSSOK2SS	2.00	51
WSSOK4SS	4.00	102
WSSOK6SS	6.00	152



Padlocking Handle Kit

Type 304 stainless steel padlocking handle is for use on Watershed wall-mounted enclosures.

Catalog Number	Description
WSHPL	Stainless steel padlocking handle



Padlocking Latch Kit

Type 304 stainless steel padlocking latch is for use on Watershed wall-mounted enclosures.

Catalog Number	Description
WSLPL	Stainless steel padlocking latch kit

Stainless Steel Type 4X Enclosures for Flange-Mounted Disconnects



Application

Designed to house the following:

Allen-Bradley

- Bulletin 1494V disconnect switches with flange-mounted variable-depth operating mechanisms and Bulletin 1494V flange-mounted variable-depth operating mechanisms for circuit breakers
- Bulletin 140U flexible cable operating mechanisms for 140U molded case circuit breakers
- Bulletin 1494C cable-operated disconnect switches with flange-mounted handles
- Bulletin 194RC cable-operated flange-mounted handles for use with the NFPA 79 compliant 194R IEC rotary disconnect switches

Allen-Bradley Bulletin 1494V-R1, -R2, and -W2 operating handles and Allen-Bradley Bulletin 1494F disconnect devices or Bulletin 1494D circuit breaker operators will NOT fit these enclosures.

ABB Controls flange-mounted variable-depth operating mechanisms for disconnect switches and circuit breakers

Eaton Cutler-Hammer Type C361 flange-mounted variable-depth operating mechanisms with disconnect switches and Type C371 flange-mounted variable-depth operating mechanisms for circuit breakers. Flex Shaft™ handle operators for circuit breakers.

General Electric Type STDA flange handles and variable-depth operating mechanisms for disconnect switches and circuit breakers. Also Spectra Flex™ cable operators for circuit breakers.

Siemens ITE Max-Flex™ flange-mounted variable-depth operating handle for disconnect switches and circuit breakers as well as some fixed-depth operators for disconnect switches

Square D® Class 9422 disconnect switches with flange-mounted variable-depth operating mechanisms or cable mechanisms and Class 9422 flange-mounted variable-depth operating mechanisms or cable mechanisms for circuit breakers.

Bulletin A19 enclosures will NOT accept Square D Class 9422 bracket-mounted disconnect devices, 9422TGI or TG2 devices.

Construction

- 14 gauge Type 304 or Type 316L stainless steel
- Seams continuously welded and ground smooth
- External mounting brackets
- Rolled lip around all sides of enclosure opening excludes liquids and contaminants
- All exterior hardware is stainless steel
- Stainless steel door clamps on three sides of door for watertight seal; additional door hardware not required
- Door removed by pulling stainless steel continuous hinge pin
- Data pocket is high-impact thermoplastic

- Seamless foam-in-place gasket assures watertight and dusttight seal
- Collar studs provided for mounting optional panels
- Holes provided in body for mounting disconnect operating handle and operating mechanism
- Bonding provision on door. Ground stud on body.
- All exterior hardware on Type 316L enclosures matches the enclosure material
- Bracket welded to door to attach disconnect door catch (interlock)
- Includes instructions for installing disconnect switches, circuit breakers, and operating mechanisms

Finish

Stainless steel enclosures are unpainted. Sides and body have smooth #4 brushed finish. Optional mild steel panels are painted white. Optional conductive panels are available.

Industry Standards

UL 508A, File No. E61997: Type 3R, 4, 4X, and 12
NEMA/EEMAC Type 3, 3R, 4, 4X, 12, and 13
JIC standard EGP-1-1967
CSA File No. 42186: Type 4, 4X, and 12
IEC 60529, IP66

Meets Type 3RX requirements

Accessories

Blank Adapter Plate
Corrosion Inhibitors
Electric Heater
Electrical Interlocks
Floor Stand Kit
Lighting Kit
Mounting Brackets
Panels
Terminal Block Kit Assembly
Window Kit

Ordering

The disconnect switch, operating handle, and operating mechanism must be ordered separately. See Technical Information in the Hoffman Specifier's Guide for wire bend space available when various manufacturers' disconnect switches are installed, or Disconnect Ordering Information at hoffmanonline.com for disconnect ordering guidelines and wire bend space available. Check the enclosure dimension drawings to make sure the chosen disconnect switch will fit in the enclosure.

Modification Services Program

You can customize this product to your unique requirements by specifying from these options:

- Enclosure height, width, depth
- Holes and cutouts in body, doors, subpanels
- Tapped holes in subpanels
- Fasteners, mounting channel in enclosure and subpanel
- Mounting (adds and deletes)
- Doors
- Subpanels
- Thermal management (louvers, fans, filters)
- Windows
- Standard accessories
- Drip shield

To order, contact your local Hoffman sales representative.

NOTE: For information about modifications outside the scope of the Modification Services program, contact your Hoffman sales representative.

Stainless Steel Type 4X Enclosures for Flange-Mounted Disconnects

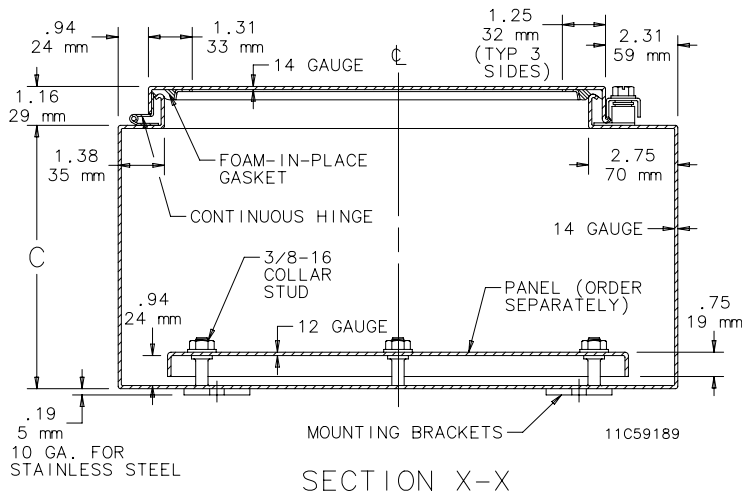
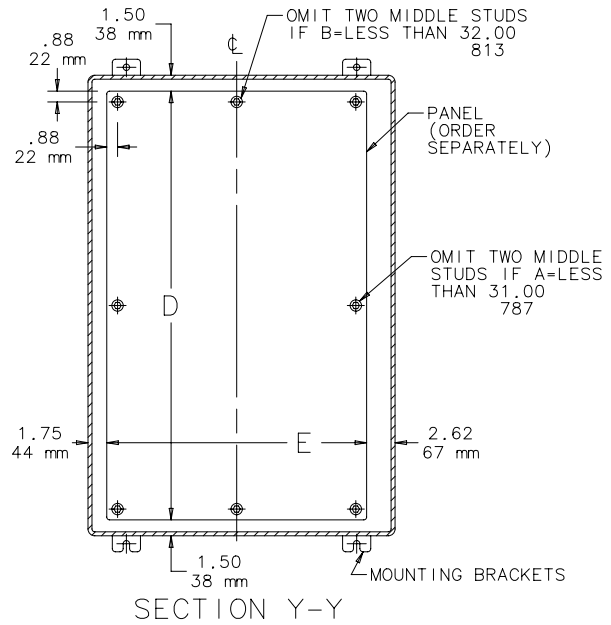
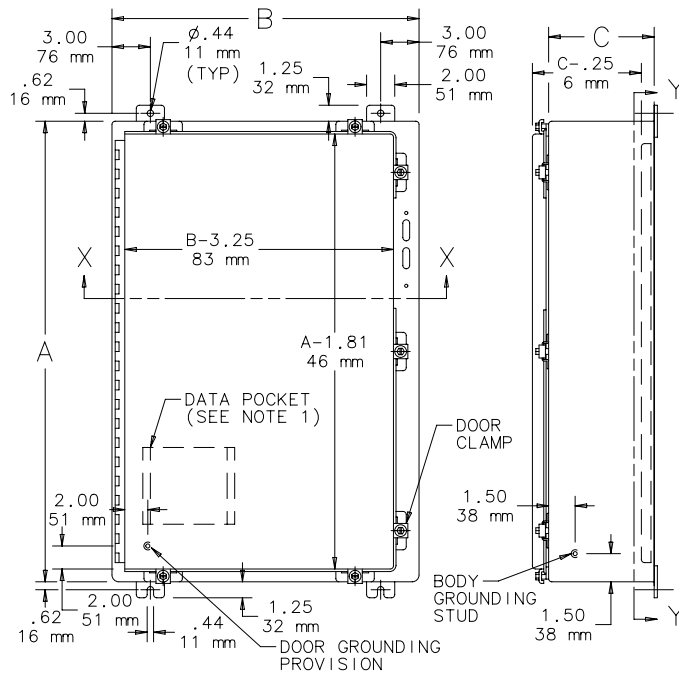
Standard Sizes Stainless Steel Type 4X Enclosures for Flange-Mounted Disconnects

Catalog Number	A x B x C in. (mm)	Stainless Steel Type	Panel Catalog Number	Conductive Panel Catalog Number	Panel Size D x E (in.)	Panel Size D x E (mm)	Data Pocket	Number of Clamps
A24HS2108SSLP	24.00 x 21.38 x 8.00 (610 x 543 x 203)	304	A24P20	A24P20G	21.00 x 17.00	533 x 432	Small	5
A24HS2108SS6LP	24.00 x 21.38 x 8.00 (610 x 543 x 203)	316L	A24P20	A24P20G	21.00 x 17.00	533 x 432	Small	5
A24HS2508SSLP	24.00 x 25.38 x 8.00 (610 x 645 x 203)	304	A24P24	A24P24G	21.00 x 21.00	533 x 533	Small	5
A24HS2508SS6LP	24.00 x 25.38 x 8.00 (610 x 645 x 203)	316L	A24P24	A24P24G	21.00 x 21.00	533 x 533	Small	5
A30HS2508SSLP	30.00 x 25.38 x 8.00 (762 x 645 x 203)	304	A30P24	A30P24G	27.00 x 21.00	686 x 533	Large	5
A30HS2508SS6LP	30.00 x 25.38 x 8.00 (762 x 645 x 203)	316L	A30P24	A30P24G	27.00 x 21.00	686 x 533	Large	5
A36HS2508SSLP	36.00 x 25.38 x 8.00 (914 x 645 x 203)	304	A36P24	A36P24G	33.00 x 21.00	838 x 533	Large	5
A36HS2508SS6LP	36.00 x 25.38 x 8.00 (914 x 645 x 203)	316L	A36P24	A36P24G	33.00 x 21.00	838 x 533	Large	5
A36HS3108SSLP	36.00 x 31.38 x 8.00 (914 x 797 x 203)	304	A36P30	A36P30G	33.00 x 27.00	838 x 686	Large	7
A36HS3108SS6LP	36.00 x 31.38 x 8.00 (914 x 797 x 203)	316L	A36P30	A36P30G	33.00 x 27.00	838 x 686	Large	7
A42HS3112SSLP	42.00 x 31.38 x 12.00 (1067 x 797 x 305)	304	A42P30	A42P30G	39.00 x 27.00	991 x 686	Large	10
A42HS3112SS6LP	42.00 x 31.38 x 12.00 (1067 x 797 x 305)	316L	A42P30	A42P30G	39.00 x 27.00	991 x 686	Large	10
A42HS3712SSLP	42.00 x 37.38 x 12.00 (1067 x 949 x 305)	304	A42P36	A42P36G	39.00 x 33.00	991 x 838	Large	10
A42HS3712SS6LP	42.00 x 37.38 x 12.00 (1067 x 949 x 305)	316L	A42P36	A42P36G	39.00 x 33.00	991 x 838	Large	10
A48HS3712SSLP	48.00 x 37.38 x 12.00 (1219 x 949 x 305)	304	A48P36	A48P36G	45.00 x 33.00	1143 x 838	Large	10
A48HS3712SS6LP	48.00 x 37.38 x 12.00 (1219 x 949 x 305)	316L	A48P36	A48P36G	45.00 x 33.00	1143 x 838	Large	10
A60HS3712SSLP	60.00 x 37.38 x 12.00 (1524 x 949 x 305)	304	A60P36	A60P36G	57.00 x 33.00	1448 x 838	Large	11
A60HS3712SS6LP	60.00 x 37.38 x 12.00 (1524 x 949 x 305)	316L	A60P36	A60P36G	57.00 x 33.00	1448 x 838	Large	11

Purchase panels separately. Optional stainless steel, composite, or aluminum panels are available for most sizes

Corrosion-Resistant
Enclosures

Stainless Steel Type 4X Enclosures for Flange-Mounted Disconnects



- NOTE:**
1. Removable data pocket included. See table for size. Large data pocket is 12.00 x 12.00 (305mm x 305mm)
 2. The number of door clamps is dependent on size of enclosure. Clamps are furnished along three sides of door.
 3. Mild steel and conductive panels are 12 gauge steel.

Stainless Steel Type 4X Enclosures for Flange-Mounted Disconnects

Bulletin
A19S

Disconnect Mounting Space

Disconnects will occupy space on panel shown by dimensions E1, F1 and G1. Wiring space W1 is available when disconnect is installed in the enclosure.

E1 = 8.62 in. (219mm) when C = 8.00 in. (203mm)

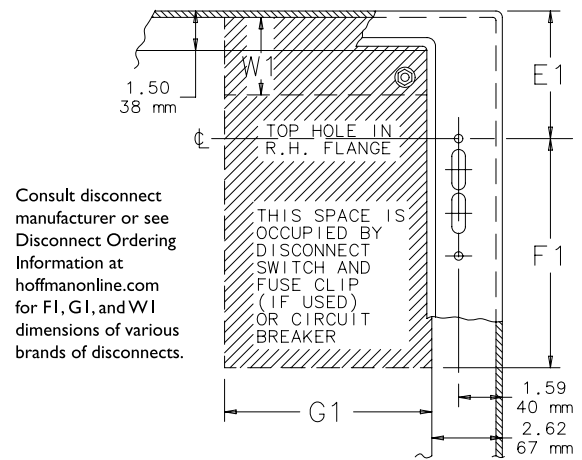
E1 = 11.62 in. (295mm) when C = 12.00 in. (305mm)

W1 = Wiring Space

Refer to *National Electrical Code*®, 2005 article 430-10(b) for wiring space required for line side conductors to be connected to disconnect.

Verify your application to determine whether wiring space is adequate.

Space Occupied by Disconnect Diagram



87794927

**Corrosion-Resistant
Enclosures**



Application

The Hoffman Watershed stainless steel enclosure, with its unique design and Type 4X rating, is a perfect fit for mounting electrical or high-tech electronic equipment in a variety of indoor and outdoor settings. Its unique features are specifically designed for use in sanitary washdown production environments like food, beverage, or pharmaceutical processing. However, these same features also are useful in petrochemical plants, pulp and paper facilities, and water treatment plants.

Construction

- Manufactured from 14 gauge Type 304 stainless steel
- Seams continuously welded and ground smooth
- Smooth Type 304 stainless steel lift-off bullet-style hinges
- Hinges are shielded by cover edges
- Hinged side of cover has provisions to allow direct flushing of hinge area
- 20° sloped top facilitates runoff of water and cleaning solutions and prohibits the placement of objects on the top of the enclosure
- 170° door opening

- Door edges are sloped 20° at top and bottom edges to facilitate runoff
- Slanted flange trough collar prohibits pooling of fluids along the top edge of the enclosure opening
- Stainless steel quarter-turn latches furnished with flush slotted insert
- Seamless foam-in-place one-piece gasket provides oiltight and dusttight seal against contaminants
- Self-grounding latch system with double seal provides maximum protection against leakage
- Bonding provision on door. Grounding stud on body.
- Panel studs fit optional NEMA style panels
- Mounting holes in back of body for direct mounting or for optional stand-off kit
- Furnished hardware kit consists of panel mounting nuts, grounding hardware, and sealing washers for wall-mounting holes

Finish

Stainless steel enclosures are unpainted. External surfaces have a #4 brushed finish. Optional mild steel panels are painted white. Optional stainless steel and conductive panels are available.

Industry Standards

Mounting brackets required to meet UL/cUL external mounting requirement.
NSF Criteria C-2
UL 508A, File Number E61997: Type 4, 4X, 12
cUL C22.2 No. 26, File Number E61997: Type 4, 4X, 12
NEMA/EEMAC Type 4, 4X, 12
IEC 60529, IP66

Patents

Patent pending.

Accessories

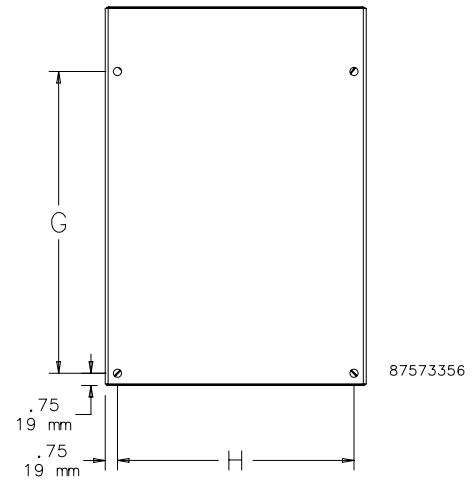
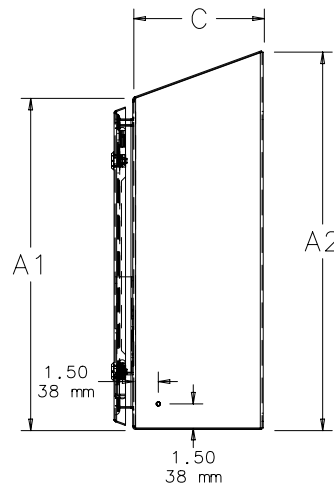
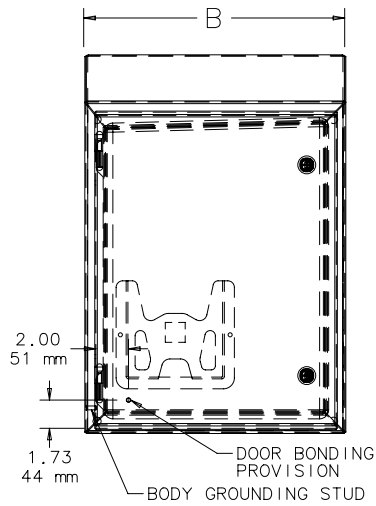
Mounting Bracket Kit
Panels
Stand-off Kit
Handle Kit
Latch Kit

Standard Sizes Watershed Wall-Mounted Enclosures

Catalog Number	Nominal Dimensions A x B x C in. (mm)	A1 (in.)	A1 (mm)	A2 (in.)	A2 (mm)	B (in.)	B (mm)	C (in.)	C (mm)	G (in.)	G (mm)	H (in.)	H (mm)	Latch Qty	Panel Catalog Number	Conductive Panel Catalog Number
WS161208SS	16.00 x 12.00 x 8.00 (406 x 305 x 203)	16.20	411	19.10	485	12.00	305	8.00	203	14.50	368	10.50	267	2	A16P12	A16P12G
WS161608SS	16.00 x 16.00 x 8.00 (406 x 406 x 203)	16.30	414	19.20	488	16.00	406	8.00	203	14.50	368	14.50	368	2	A16P16	A16P16G
WS201608SS	20.00 x 16.00 x 8.00 (508 x 406 x 203)	20.30	516	23.20	589	16.00	406	8.00	203	18.50	470	14.50	368	2	A20P16	A20P16G
WS202008SS	20.00 x 20.00 x 8.00 (508 x 508 x 203)	20.40	518	23.31	592	20.00	508	8.00	203	18.50	470	18.50	470	2	A20P20	A20P20G
WS242008SS	24.00 x 20.00 x 8.00 (610 x 508 x 203)	24.40	620	27.31	694	20.00	508	8.00	203	22.50	572	18.50	470	2	A24P20	A24P20G
WS242408SS	24.00 x 24.00 x 8.00 (610 x 610 x 203)	24.51	623	27.41	696	24.00	610	8.00	203	22.50	572	22.50	572	4	A24P24	A24P24G
WS302408SS	30.00 x 24.00 x 8.00 (762 x 610 x 203)	30.51	785	33.41	849	24.00	610	8.00	203	28.50	724	22.50	572	4	A30P24	A30P24G
WS303008SS	30.00 x 30.00 x 8.00 (762 x 762 x 203)	30.67	779	33.57	853	30.00	762	8.00	203	28.50	724	28.50	724	4	A30P30	A30P30G
WS363008SS	36.00 x 30.00 x 8.00 (914 x 762 x 203)	36.67	931	39.57	1005	30.00	762	8.00	203	34.50	876	28.50	724	5	A36P30	A36P30G
WS201612SS	20.00 x 16.00 x 12.00 (508 x 406 x 305)	20.30	516	24.66	626	16.00	406	12.00	305	18.50	470	14.50	368	2	A20P16	A20P16G
WS202012SS	20.00 x 20.00 x 12.00 (508 x 508 x 305)	20.40	518	24.76	629	20.00	508	12.00	305	18.50	470	18.50	470	2	A20P20	A20P20G
WS242412SS	24.00 x 24.00 x 12.00 (610 x 610 x 305)	24.51	623	28.87	733	24.00	610	12.00	305	22.50	572	22.50	572	4	A24P24	A24P24G
WS302412SS	30.00 x 24.00 x 12.00 (762 x 610 x 305)	30.51	775	34.87	886	24.00	610	12.00	305	28.50	724	22.50	572	4	A30P24	A30P24G
WS363012SS	36.00 x 30.00 x 12.00 (914 x 762 x 305)	36.67	931	41.03	1042	30.00	762	12.00	305	34.50	876	28.50	724	5	A36P30	A36P30G
WS363612SS	36.00 x 36.00 x 12.00 (914 x 914 x 305)	36.82	935	41.18	1046	36.00	914	12.00	305	34.50	876	34.50	876	5	A36P36	A36P36G
WS363016SS	36.00 x 30.00 x 16.00 (914 x 762 x 406)	36.82	935	42.64	1083	30.00	762	16.00	406	34.50	876	28.50	724	5	A36P30	A36P30
WS483616SS	48.00 x 36.00 x 16.00 (1219 x 914 x 406)	48.82	1240	54.64	1388	36.00	914	16.00	406	46.50	1181	34.50	876	5	A48P36	A48P36G
WS603616SS	60.00 x 36.00 x 16.00 (1524 x 914 x 406)	60.82	1545	66.64	1693	36.00	914	16.00	406	58.50	1486	34.50	876	5	A60P36	A60P36G

Purchase panels separately. Optional stainless steel, conductive, or aluminum panels are available.
WS603616SS back is 10 gauge stainless steel.

Watershed® Wall-Mounted Enclosures



BACK VIEW

Optional Components

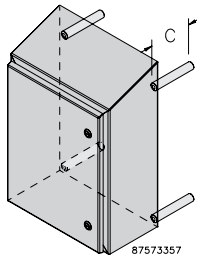


Mounting Bracket Kit

Type 304 stainless steel brackets can be field installed. Brackets are rated to Type 4X. All hardware is included. Four brackets per kit.

NOTE: Top brackets must be mounted to the sides of enclosure.

Catalog Number	Description
GMFKSS	Stainless steel mounting bracket kit



Stand-off Kit

Stand-offs provide space between wall-mount enclosure and wall for better washdown accessibility. Stainless steel standoffs are rated to Type 4X. All hardware is included. Four stand-offs per kit.

Catalog Number	C (in.)	C (mm)
WSS0K1SS	1.00	25
WSS0K2SS	2.00	51
WSS0K4SS	4.00	102
WSS0K6SS	6.00	152



Padlocking Handle Kit

Type 304 stainless steel padlocking handle is for use on Watershed wall-mounted enclosures.

Catalog Number	Description
WSHPL	Stainless steel padlocking handle



Padlocking Latch Kit

Type 304 stainless steel padlocking latch is for use on Watershed wall-mounted enclosures.

Catalog Number	Description
WSLPL	Stainless steel padlocking latch kit

Stainless Steel Two-Door Floor-Mounted Type 4X Enclosures with 3-Point Latch



Application

These two-door enclosures provide industry-leading protection for large components or complex mounting configurations in highly-corrosive environments. Three-point latching with the Hoffman POWERGLIDE® padlocking handles and a foam-in-place gasket combine convenience with security. They are well-suited for use in petrochemical plants; pulp and paper processing; water treatment facilities; and food, pharmaceutical, and packaging applications.

Construction

- Manufactured from 12 gauge Type 304 or 316L stainless steel
- Backs are 10 or 12 gauge stainless steel with x-form stiffeners
- Seams continuously welded and ground smooth; no holes or knockouts
- Removable centerpost for easy panel installation
- Collar studs provided for mounting optional panels
- Panel supports included
- Heavy-duty lifting eyes are Type 316L stainless steel
- Heavy-duty 3-point latching mechanism operated by Type 316L stainless steel POWERGLIDE padlocking handles
- Body flange trough collar excludes liquids and contaminants
- Heavy-duty stainless steel continuous hinges support each door
- Bonding provision on doors. Grounding studs on body.
- Accessory mounting channel provided in enclosure top

- Data pocket is high-impact thermoplastic
- 12 in. (305mm) removable floor stands are bolted to enclosure
- Seamless foam-in-place one-piece gasket provides oiltight and dusttight seal against contaminants
- External hardware manufactured of Type 316L stainless steel

Finish

Enclosures are unpainted. Front, sides, top, and back have smooth #4 brushed finish. Optional mild steel panels are painted white. Optional conductive panels are available.

Industry Standards

UL 508A, File No. E61997: Type 3R, 4, 4X, and 12
cUL C22.2 No. 26, File No. E61997: Type 3R, 4, 4X, and 12
NEMA Type 3, 3R, 4, 4X, 12, and 13
JIC standard EGP-1-1967
IEC 60529, IP66

Meets Type 3RX requirements

Accessories

Corrosion Inhibitors
Electric Heater
Electrical Interlocks
Lighting Kits
Panel Support Kit
Panels
Window Kits

Modification Services Program

You can customize this product to your unique requirements by specifying from these options:

- Enclosure height, width, depth
- Holes and cutouts in body, doors, subpanels
- Tapped holes in subpanels
- Fasteners, mounting channel in enclosure and subpanel
- Mounting (adds and deletes)
- Doors
- Subpanels
- Thermal management (louvers, fans, filters)
- Windows
- Standard accessories
- Drip shield

To order, contact your local Hoffman sales representative.

NOTE: For information about modifications outside the scope of the Modification Services program, contact your Hoffman sales representative.

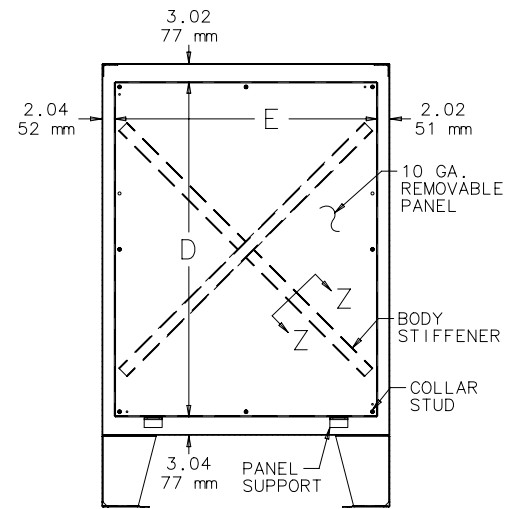
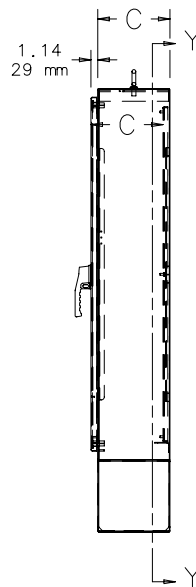
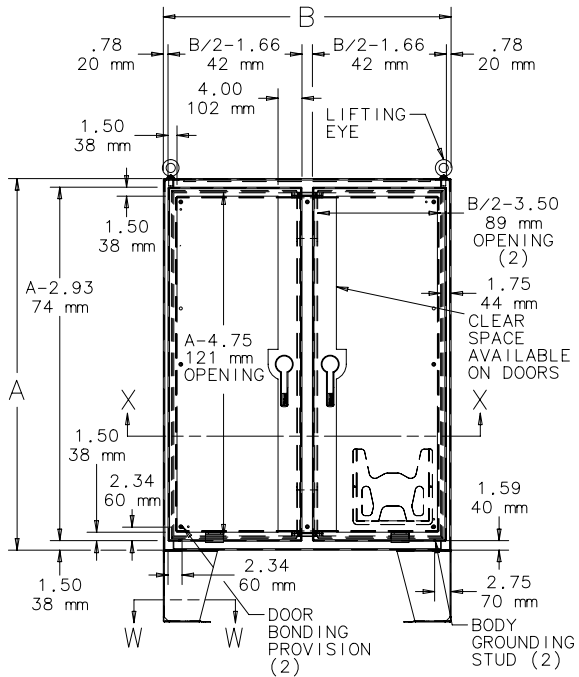
Standard Sizes Stainless Steel Two-Door Floor-Mounted Type 4X Enclosures with 3-Point Latch

Catalog Number	A x B x C in. (mm)	Stainless Steel Type	Panel Catalog Number	Conductive Panel Catalog Number	Panel Size D (in.)	Panel Size D (mm)	Panel Size E (in.)	Panel Size E (mm)
A62H4812SSLP3PT	62.06 x 48.06 x 12.06 (1576 x 1221 x 306)	304	A60P48	A60P48G	56.00	1422	44.00	1118
A62H4812SS6LP3PT	62.06 x 48.06 x 12.06 (1576 x 1221 x 306)	316L	A60P48	A60P48G	56.00	1422	44.00	1118
A62H6012SSLP3PT	62.06 x 60.06 x 12.06 (1576 x 1526 x 306)	304	A60P60	A60P60G	56.00	1422	56.00	1422
A62H6012SS6LP3PT	62.06 x 60.06 x 12.06 (1576 x 1526 x 306)	316L	A60P60	A60P60G	56.00	1422	56.00	1422
A74H6012SSLP3PT	74.06 x 60.06 x 12.06 (1881 x 1526 x 306)	304	A72P60	A72P60G	68.00	1727	56.00	1422
A74H6012SS6LP3PT	74.06 x 60.06 x 12.06 (1881 x 1526 x 306)	316L	A72P60	A72P60G	68.00	1727	56.00	1422
A74H7212SSLP3PT	74.06 x 72.06 x 12.06 (1881 x 1830 x 306)	304	A72P72	A72P72G	68.00	1727	68.00	1727
A74H7212SS6LP3PT	74.06 x 72.06 x 12.06 (1881 x 1830 x 306)	316L	A72P72	A72P72G	68.00	1727	68.00	1727
A62H4818SSLP3PT	62.06 x 48.06 x 18.06 (1576 x 1221 x 459)	304	A60P48	A60P48G	56.00	1422	44.00	1118
A62H4818SS6LP3PT	62.06 x 48.06 x 18.06 (1576 x 1221 x 459)	316L	A60P48	A60P48G	56.00	1422	44.00	1118
A74H7224SSLP3PT	74.06 x 72.06 x 24.06 (1881 x 1830 x 611)	304	A72P72	A72P72G	68.00	1727	68.00	1727
A74H7224SS6LP3PT	74.06 x 72.06 x 24.06 (1881 x 1830 x 611)	316L	A72P72	A72P72G	68.00	1727	68.00	1727

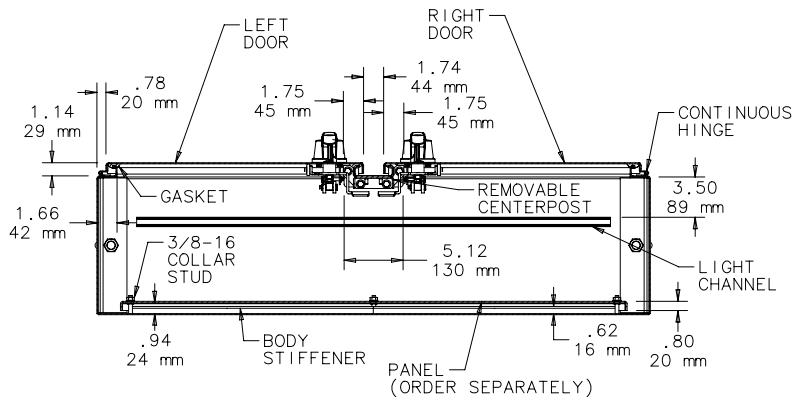
Purchase panels separately.

Stainless Steel Two-Door Floor-Mounted Type 4X Enclosures with 3-Point Latch

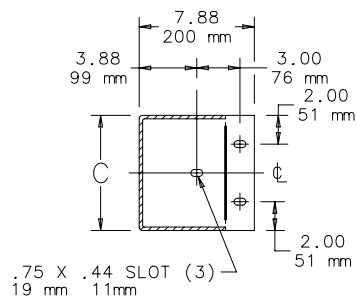
**Corrosion-Resistant
Enclosures**



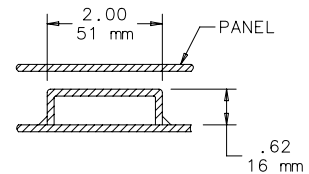
SECTION Y-Y



SECTION X-X



SECTION W-W

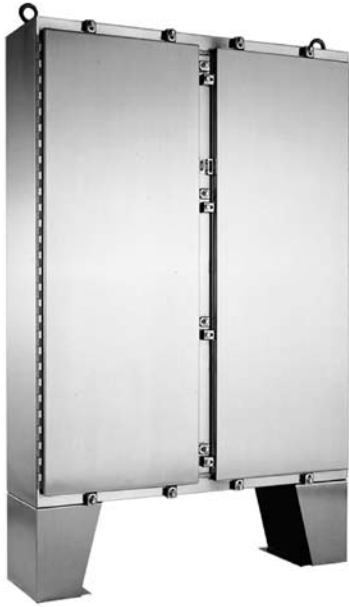


SECTION Z-Z

87784698

Stainless Steel Two-Door Floor-Mounted Type 4X Enclosures

Bulletin
A4SL



Application

This two-door enclosure provides industry-leading protection for systems incorporating large components or complex mounting configurations in highly-corrosive environments. It is typically used in food processing plants, pharmaceutical manufacturing facilities, petrochemical plants, pulp and paper processing, and water treatment facilities.

Construction

- 12 gauge Type 304 or 316L stainless steel
- Seams continuously welded and ground smooth; no holes or knockouts
- Backs are 10 or 12 gauge stainless steel with X-form stiffeners
- Removable centerpost for easy panel installation
- Panel supports
- Heavy-duty lifting eyes are Type 316L stainless steel
- Stainless steel screws and clamps on three sides of each door assure watertight seal
- Rolled lip around three sides of door and along top of enclosure opening excludes liquids and contaminants
- Heavy-gauge stainless steel continuous hinge
- Data pocket is high-impact thermoplastic
- 12-in. (305mm) floor stands are welded to enclosure
- Hasp and staple for padlocking
- Seamless foam-in-place gasket provides oiltight and dusttight seal against contaminants

- Collar studs provided for mounting optional panels
- External hardware manufactured of Type 316 stainless steel
- Bonding provision on doors. Grounding studs on body.
- Accessory mounting channel provided in enclosure top
- Type 316L stainless steel lifting eyes

Finish

Enclosures are unpainted. Front, sides, top, and back have smooth #4 brushed finish. Optional mild steel panels are painted white. Optional conductive panels are available.

Industry Standards

UL 508A, File No. E61997: Type 3R, 4, 4X, and I2
NEMA Type 3, 3R, 4, 4X, I2, and I3
JIC standard EGP-1-1967
CSA File No. 42186: Type 4, 4X, and I2
IEC 60529, IP66

Meets Type 3RX requirements

Accessories

Corrosion Inhibitors
Electric Heater
Electrical Interlocks
Lighting Kit
Panel Support Kit
Panels
Toggle Latch
Window Kit

Modification Services Program

You can customize this product to your unique requirements by specifying from these options:

- Enclosure height, width, depth
- Holes and cutouts in body, doors, subpanels
- Tapped holes in subpanels
- Fasteners, mounting channel in enclosure and subpanel
- Mounting (adds and deletes)
- Doors
- Subpanels
- Thermal management (louvers, fans, filters)
- Windows
- Standard accessories
- Drip shield

To order, contact your local Hoffman sales representative.

NOTE: For information about modifications outside the scope of the Modification Services program, contact your Hoffman sales representative.

Standard Sizes Stainless Steel Two-Door Floor-Mounted Type 4X Enclosures

Catalog Number	A x B x C in. (mm)	Stainless Steel Type	Panel Catalog Number	Conductive Panel Catalog Number	Panel Size D x E (in.)	Panel Size D x E (mm)	Number of Clamps
A62H4812SSLP	62.06 x 48.06 x 12.06 (1576 x 1221 x 306)	304	A60P48	A60P48G	56.00 x 44.00	1422 x 1118	16
A62H4812SS6LP	62.06 x 48.06 x 12.06 (1576 x 1221 x 306)	316L	A60P48	A60P48G	56.00 x 44.00	1422 x 1118	16
A62H6012SSLP	62.06 x 60.06 x 12.06 (1576 x 1526 x 306)	304	A60P60	A60P60G	56.00 x 56.00	1422 x 1422	16
A62H6012SS6LP	62.06 x 60.06 x 12.06 (1576 x 1526 x 306)	316L	A60P60	A60P60G	56.00 x 56.00	1422 x 1422	16
A74H6012SSLP	74.06 x 60.06 x 12.06 (1881 x 1526 x 306)	304	A72P60	A72P60G	68.00 x 56.00	1727 x 1422	18
A74H6012SS6LP	74.06 x 60.06 x 12.06 (1881 x 1526 x 306)	316L	A72P60	A72P60G	68.00 x 56.00	1727 x 1422	18
A74H7212SSLP ^a	74.06 x 72.06 x 12.06 (1881 x 1830 x 306)	304	A72P72	A72P72G	68.00 x 68.00	1727 x 1727	18
A74H7212SS6LP ^a	74.06 x 72.06 x 12.06 (1881 x 1830 x 306)	316L	A72P72	A72P72G	68.00 x 68.00	1727 x 1727	18
A74H7224SSLP ^a	74.06 x 72.06 x 24.06 (1881 x 1830 x 611)	304	A72P72	A72P72G	68.00 x 68.00	1727 x 1727	18
A74H7224SS6LP ^a	74.06 x 72.06 x 24.06 (1881 x 1830 x 611)	316L	A72P72	A72P72G	68.00 x 68.00	1727 x 1727	18

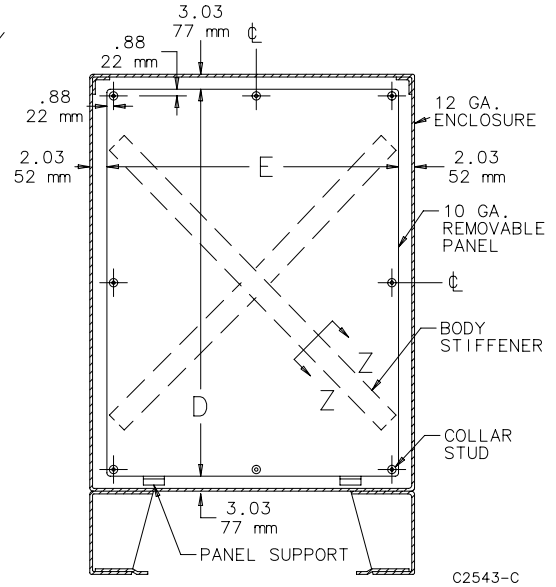
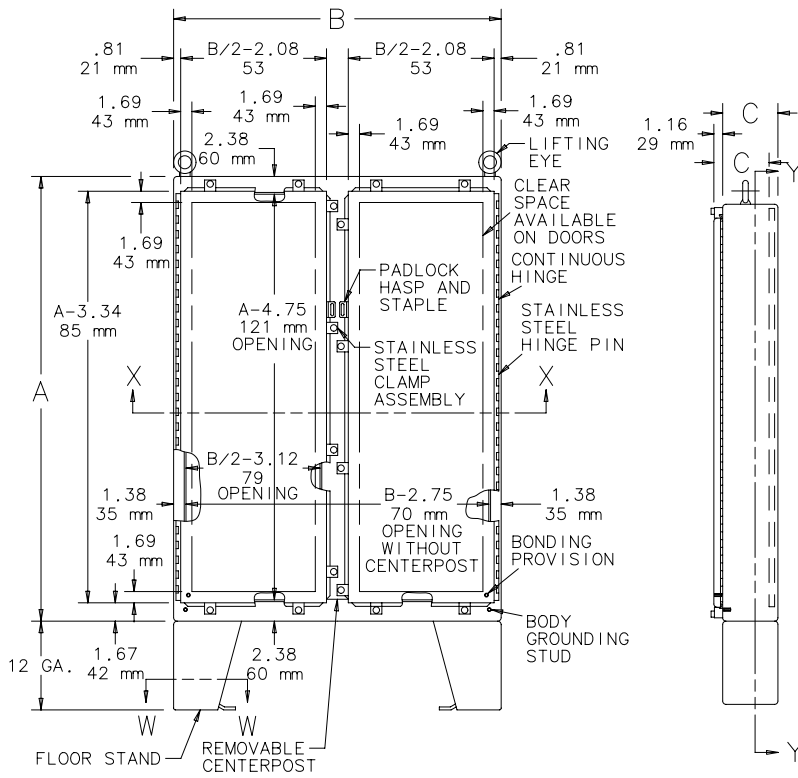
Purchase panels separately.

^a A74H7212SSLP, A74H7212SS6LP, A74H7224SSLP, and A74H7224SS6LP have 10 gauge back.

Stainless Steel Two-Door Floor-Mounted Type 4X Enclosures

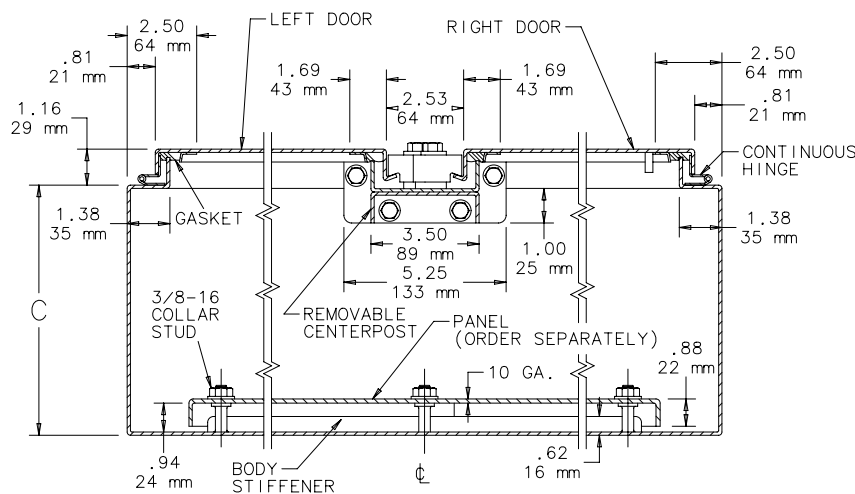
Bulletin
A4SL

**Corrosion-Resistant
Enclosures**

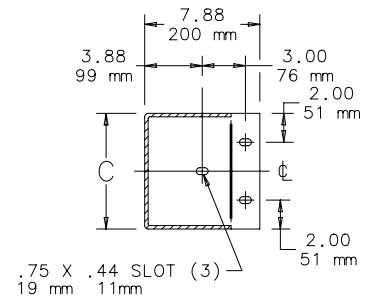


SECTION Y-Y

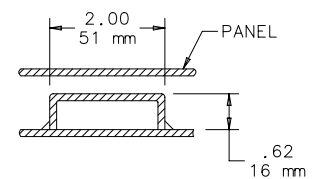
NOTE: Right door has removable 12.00 x 12.00 (305mm x 305mm) data pocket.



SECTION X-X
(LIFTING ANGLES NOT SHOWN)



SECTION W-W



SECTION Z-Z

General Purpose Stainless Steel Two-Door Floor-Mounted Type 4X Enclosures



Application

This two-door stainless steel enclosure with quarter-turn latches is designed to house electronic controls and components. It provides protection from noncorrosive or mildly-corrosive elements in both indoor and outdoor environments. Typical applications are in the food and beverage, packaging, water, petroleum, and chemical processing industries.

Construction

- 14 gauge doors and 12 gauge body from Type 304 stainless steel
- 10 gauge Type 304 stainless steel back for added strength
- Seams continuously welded and ground smooth
- Flange trough collar on all four sides of door openings
- Seamless foam-in-place one-piece gasket provides water-, oil-, and dusttight seal against contaminants
- Black die-cast quarter-turn latches with slotted insert provided on three sides of each door
- Concealed die-cast hinges provide 180° door opening and allow easy door removal and cleaning of hinge area
- Bolt-on 12-inch-high stainless steel floor stands
- Heavy-duty Type 316L stainless steel lifting eyes
- Collar studs on inside of enclosure back for mounting optional panels
- Removable centerpost for easy panel installation
- Bonding provisions on doors. Grounding studs on body.

- Data pocket is high-impact plastic attached with pressure-sensitive adhesive
- No interior stiffeners to obstruct component mounting
- Accessory mounting channel provided in enclosure top

Finish

Stainless steel enclosures are unpainted. External surfaces of front, sides, top, and bottom have a #4 finish. Interior welds are not finished. Optional mild steel panels are painted white. Optional conductive panels are available.

Industry Standards

UL 508A, File No. E61997: Type 3R, 4, 4X, and 12
NEMA/EEMAC: Type 3R, 4, 4X, and 12
JIC standards EGP-1-1967
cUL CSA C22.2 No.26, File No. E61997: Type 3R, 4, 4X, and 12
IEC 60529, IP66
Meets Type 3RX requirements

Accessories

Corrosion Inhibitors
Electric Heater
Electrical Interlocks
Lighting Kit
Panel Support Kit
Panels (see table)
Window Kit

Modification Services Program

You can customize this product to your unique requirements by specifying from these options:

- Enclosure height, width, depth
- Holes and cutouts in body, doors, subpanels
- Tapped holes in subpanels
- Fasteners, mounting channel in enclosure and subpanel
- Mounting (adds and deletes)
- Doors
- Subpanels
- Thermal management (louvers, fans, filters)
- Windows
- Standard accessories
- Drip shield

To order, contact your local Hoffman sales representative.

NOTE: For information about modifications outside the scope of the Modification Services program, contact your Hoffman sales representative.

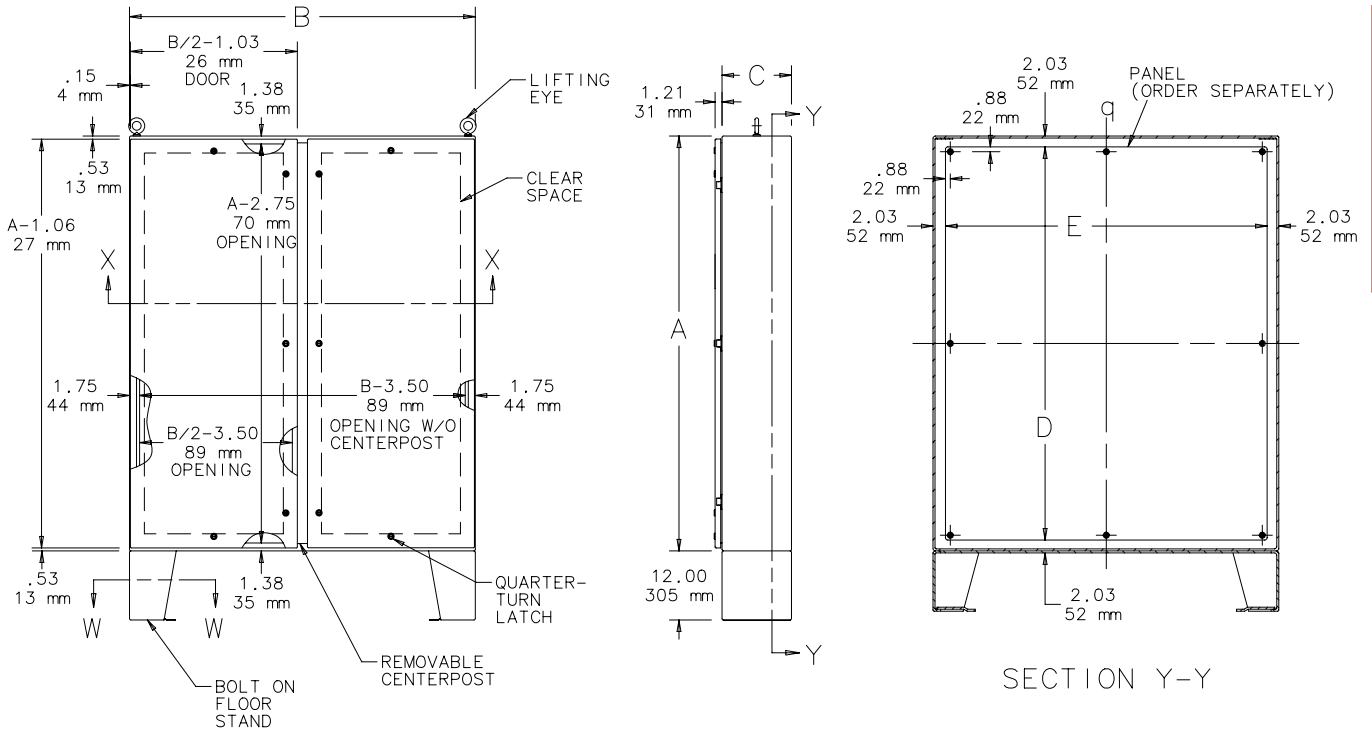
Standard Sizes General Purpose Stainless Steel Two-Door Floor-Mounted Type 4X Enclosures

Catalog Number	A x B x C in. (mm)	Panel Catalog Number	Conductive Panel Catalog Number	Panel Size D x E (in.)	Panel Size D x E (mm)	Number of Latches
A60H4812SSLPQT	60.06 x 48.06 x 12.06 (1526 x 1221 x 306)	A60P48	A60P48G	56.00 x 44.00	1422 x 1118	10
A60H6012SSLPQT	60.06 x 60.06 x 12.06 (1526 x 1526 x 306)	A60P60	A60P60G	56.00 x 56.00	1422 x 1422	10
A72H6012SSLPQT	72.06 x 60.06 x 12.06 (1830 x 1526 x 306)	A72P60	A72P60G	68.00 x 56.00	1727 x 1422	10
A72H7212SSLPQT	72.06 x 72.06 x 12.06 (1830 x 1830 x 306)	A72P72	A72P72G	68.00 x 68.00	1727 x 1727	10
A60H4818SSLPQT	60.06 x 48.06 x 18.06 (1526 x 1221 x 459)	A60P48	A60P48G	56.00 x 44.00	1422 x 1118	10
A60H6018SSLPQT	60.06 x 60.06 x 18.06 (1526 x 1526 x 459)	A60P60	A60P60G	56.00 x 56.00	1422 x 1422	10
A72H6018SSLPQT	72.06 x 60.06 x 18.06 (1830 x 1526 x 459)	A72P60	A72P60G	68.00 x 56.00	1727 x 1422	10
A72H7218SSLPQT	72.06 x 72.06 x 18.06 (1830 x 1830 x 459)	A72P72	A72P72G	68.00 x 68.00	1727 x 1727	10
A72H7224SSLPQT	72.06 x 72.06 x 24.06 (1830 x 1830 x 611)	A72P72	A72P72G	68.00 x 68.00	1727 x 1727	10

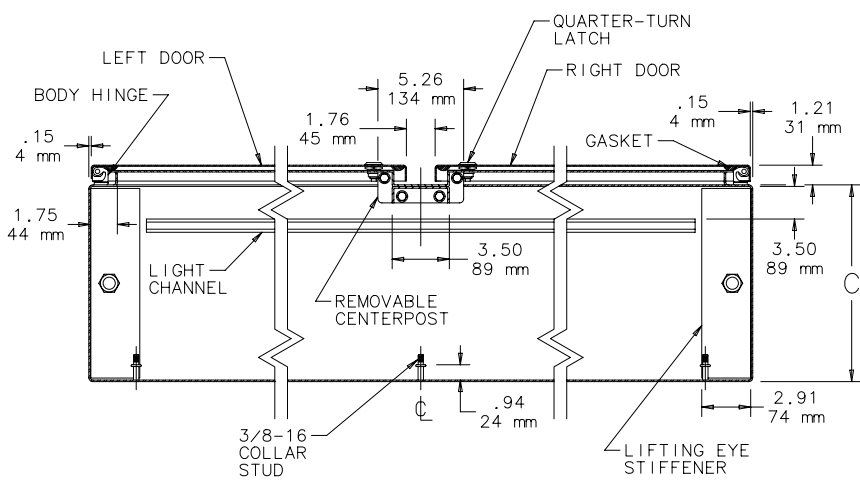
Purchase panels separately.

General Purpose Stainless Steel Two-Door Floor-Mounted Type 4X Enclosures

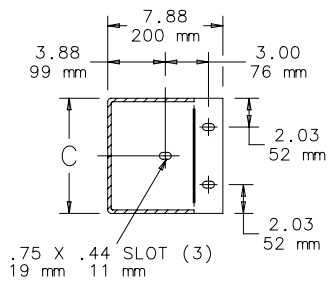
Corrosion-Resistant Enclosures



SECTION Y-Y



SECTION X-X



SECTION W-W

87780208

Stainless Steel Two-Door Floor-Mounted Type 12 Enclosures



Application

Designed to house systems incorporating large components or complex mounting configurations. Three-point latching and sealing provide industry-leading protection from dust, dirt, oil, and water.

Construction

- 12 or 14 gauge Type 304 stainless steel
- 12 gauge enclosures have 10 gauge backs
- Seams continuously welded and ground smooth; no holes or knockouts
- Strong, rigid construction with body stiffeners
- Gasketed overlapping doors eliminate need for center post
- Plated steel 3-point latching mechanism and key-locking handle
- Latch rods have rollers for easier door-closing
- Heavy-gauge continuous hinges support each door
- Data pocket, provided on door with 3-point latches, is high-impact thermoplastic
- 12-in. (305mm) floor stands are welded to enclosure
- Heavy-duty lifting eyes are Type 316L stainless steel
- Panel supports
- Collar studs for mounting optional panel
- Bonding provision on doors. Grounding studs on body.
- Accessory mounting channel provided in enclosure top

Finish

Enclosures are unpainted. Front, sides, top, and back have smooth #4 brushed finished. Optional mild steel panels are painted white. Optional conductive panels are available.

Industry Standards

UL 508A, File No. E61997: Type 12
NEMA/EEMAC Type 12
JIC standard EGP-1-1967
CSA File No. 42186: Type 12
IEC 60529, IP55

Accessories

Door Stop Kit
Drip Shield Kit
Electrical Interlocks
Enclosure Stabilizers
Folding Shelf
Lighting Kits
Panel Support Kit
Panels
Window Kits

Modification Services Program

You can customize this product to your unique requirements by specifying from these options:

- Enclosure height, width, depth
- Holes and cutouts in body, doors, subpanels
- Tapped holes in subpanels
- Fasteners, mounting channel in enclosure and subpanel
- Mounting (adds and deletes)
- Doors
- Subpanels
- Thermal management (louvers, fans, filters)
- Windows
- Standard accessories
- Drip shield

To order, contact your local Hoffman sales representative.

NOTE: For information about modifications outside the scope of the Modification Services program, contact your Hoffman sales representative.

Standard Sizes Stainless Steel Two-Door Floor-Mounted Type 12 Enclosures

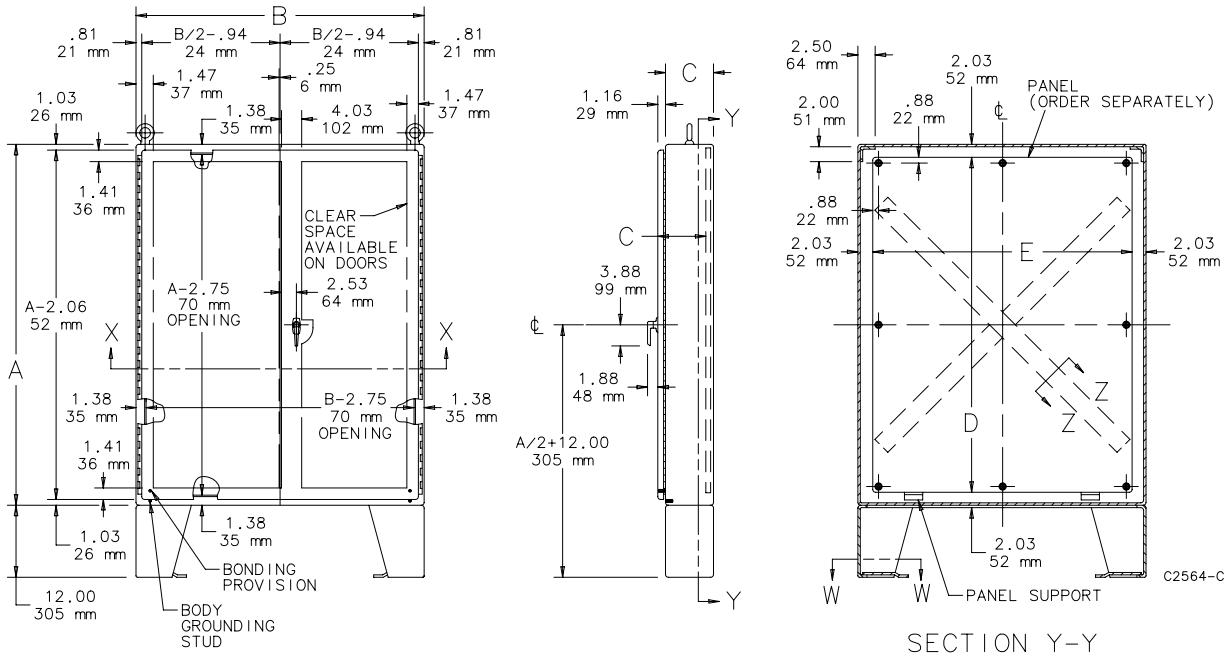
Catalog Number	A x B x C in. (mm)	Gauge	Panel Catalog Number	Galvanized Panel Catalog Number	Panel Gauge	Panel Size D x E (in.)	Panel Size D x E (mm)	Stiffener (Body)
A544208SSLP	54.00 x 42.00 x 8.00 (1372 x 1067 x 203)	14	A54P42	A54P42G	12	50.00 x 38.00	1270 x 965	3
A604808SSLP	60.06 x 48.06 x 8.06 (1526 x 1221 x 205)	12	A60P48	A60P48G	10	56.00 x 44.00	1422 x 1118	1 (X-form)
A604810SSLP	60.06 x 48.06 x 10.06 (1526 x 1221 x 256)	12	A60P48	A60P48G	10	56.00 x 44.00	1422 x 1118	1 (X-form)
A606010SSLP	60.06 x 60.06 x 10.06 (1526 x 1526 x 256)	12	A60P60	A60P60G	10	56.00 x 56.00	1422 x 1422	1 (X-form)
A726010USSLP	72.06 x 60.06 x 10.06 (1830 x 1526 x 256)	12	A72P60	A72P60G	10	68.00 x 56.00	1727 x 1422	1 (X-form)
A727210USSLP	72.06 x 72.06 x 10.06 (1830 x 1830 x 256)	12	A72P72	A72P72G	10	68.00 x 68.00	1727 x 1727	1 (X-form)
A604812SSLP	60.06 x 48.06 x 12.06 (1526 x 1221 x 306)	12	A60P48	A60P48G	10	56.00 x 44.00	1422 x 1118	1 (X-form)
A606012SSLP	60.06 x 60.06 x 12.06 (1526 x 1526 x 306)	12	A60P60	A60P60G	10	56.00 x 56.00	1422 x 1422	1 (X-form)
A726012USSLP	72.06 x 60.06 x 12.06 (1830 x 1526 x 306)	12	A72P60	A72P60G	10	68.00 x 56.00	1727 x 1422	1 (X-form)
A727212USSLP	72.06 x 72.06 x 12.06 (1830 x 1830 x 306)	12	A72P72	A72P72G	10	68.00 x 68.00	1727 x 1727	1 (X-form)
A604816SSLP	60.06 x 48.06 x 16.06 (1526 x 1221 x 408)	12	A60P48	A60P48G	10	56.00 x 44.00	1422 x 1118	1 (X-form)
A606016SSLP	60.06 x 60.06 x 16.06 (1526 x 1526 x 408)	12	A60P60	A60P60G	10	56.00 x 56.00	1422 x 1422	1 (X-form)
A726016USSLP	72.06 x 60.06 x 16.06 (1830 x 1526 x 408)	12	A72P60	A72P60G	10	68.00 x 56.00	1727 x 1422	1 (X-form)
A727216USSLP	72.06 x 72.06 x 16.06 (1830 x 1830 x 408)	12	A72P72	A72P72G	10	68.00 x 68.00	1727 x 1727	1 (X-form)
A604820SSLP	60.06 x 48.06 x 20.06 (1526 x 1221 x 510)	12	A60P48	A60P48G	10	56.00 x 44.00	1422 x 1118	1 (X-form)
A726020USSLP	72.06 x 60.06 x 20.06 (1830 x 1526 x 510)	12	A72P60	A72P60G	10	68.00 x 56.00	1727 x 1422	1 (X-form)
A727220USSLP	72.06 x 72.06 x 20.06 (1830 x 1830 x 510)	12	A72P72	A72P72G	10	68.00 x 68.00	1727 x 1727	1 (X-form)

Stainless Steel Two-Door Floor-Mounted Type 12 Enclosures

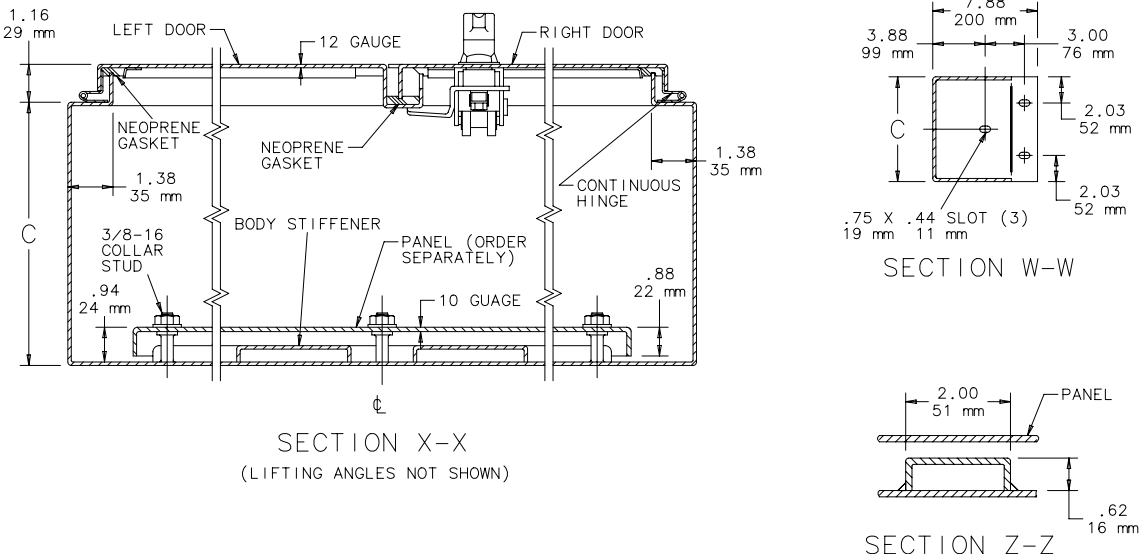
Standard Sizes Stainless Steel Two-Door Floor-Mounted Type 12 Enclosures (Cont.)

Catalog Number	A x B x C in. (mm)	Gauge	Panel Catalog Number	Galvanized Panel Catalog Number	Panel Gauge	Panel Size D x E (in.)	Panel Size D x E (mm)	Stiffener (Body)
A604824SSLP	60.06 x 48.06 x 24.06 (1526 x 1221 x 611)	12	A60P48	A60P48G	10	56.00 x 44.00	1422 x 1118	1 (X-form)
A606024SSLP	60.06 x 60.06 x 24.06 (1526 x 1526 x 611)	12	A60P60	A60P60G	10	56.00 x 56.00	1422 x 1422	1 (X-form)
A726024USSLP	72.06 x 60.06 x 24.06 (1830 x 1526 x 611)	12	A72P60	A72P60G	10	68.00 x 56.00	1727 x 1422	1 (X-form)
A727224USSLP	72.06 x 72.06 x 24.06 (1830 x 1830 x 611)	12	A72P72	A72P72G	10	68.00 x 68.00	1727 x 1727	1 (X-form)

A544208SSLP has rolled lip around door opening and 14 gauge back.
Purchase panels separately.



NOTE: Right door has removable 12.00 x 12.00 (305mm x 305mm) data pocket.



Stainless Steel Free-Standing Type 4X Enclosures



Application

This single-door enclosure provides industry-leading protection for systems incorporating large components or complex mounting configurations in highly-corrosive environments. The addition of 19-inch rack-mounting accessories makes these enclosures ideal for providing rugged protection for sensitive rack-mounted components in harsh industrial environments. The enclosure is typically used in food-processing plants, pharmaceutical manufacturing facilities, petrochemical plants, and waste-water treatment facilities.

Construction

- 12 gauge Type 304 or 316L stainless steel
- Seams continuously welded and ground smooth; no holes or knockouts
- Mounting channels welded horizontally to interior body sides at top, bottom, and center
- Panels and rack mounting angles can be mounted anywhere along channels
- Rolled lip around three sides of door and along top of enclosure opening excludes liquids and contaminants
- Stainless steel door clamps on three sides of door assure watertight seal
- Heavy-gauge stainless steel continuous hinge
- Stainless steel hinge pin
- Stainless steel hasp and staple provided for padlocking
- Data pocket is high-impact thermoplastic
- Heavy-duty lifting eyes are Type 316L stainless steel
- Oil-resistant door gasket
- Bonding provision on door. Grounding stud on body.
- Accessory mounting channel provided in enclosure top

Finish

Enclosures are unpainted. Front, sides, top, and back have smooth #4 brushed finish. Optional steel panels, swing-out panels, side-mounted panels, rack-mounting frames, heavy-duty panel supports, and center panel supports are painted white. Optional full, half, and side-mounted conductive panels are available.

Industry Standards

UL 508A, File No. E61997: Type 3R, 4, 4X, and I2
 NEMA Type 3, 3R, 4, 4X, I2, and I3
 JIC standard EGP-1-1967
 CSA File No. 42186: Type 4, 4X, and I2
 E.I.A. RS-310-D
 IEC 60529, IP66
 Meets Type 3RX requirements

Accessories

Casters
 Clamping Nut Kit
 Corrosion Inhibitors
 Drip Shield Kit
 Electrical Interlocks
 Lighting Kits
 Panels
 Toggle Latches
 Window Kits

Modification Services Program

You can customize this product to your unique requirements by specifying from these options:

- Enclosure height, width, depth
- Holes and cutouts in body, doors, subpanels
- Tapped holes in subpanels
- Fasteners, mounting channel in enclosure and subpanel
- Mounting (adds and deletes)
- Doors
- Subpanels
- Thermal management (louvers, fans, filters)
- Windows
- Standard accessories
- Drip shield

To order, contact your local Hoffman sales representative.

NOTE: For information about modifications outside the scope of the Modification Services program, contact your Hoffman sales representative.

Stainless Steel Free-Standing Type 4X Enclosures

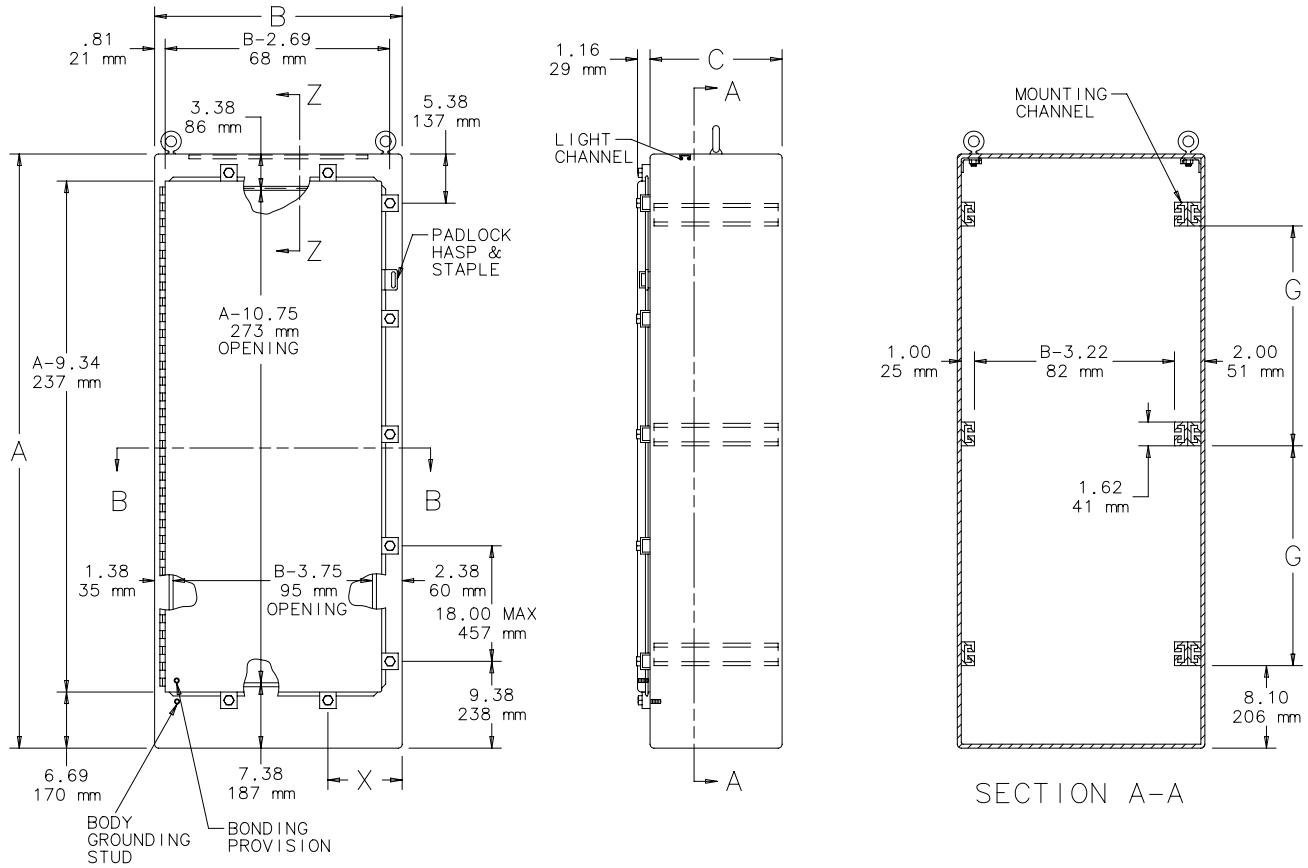
Bulletin
A4SL

Standard Sizes Stainless Steel Free-Standing Type 4X Enclosures

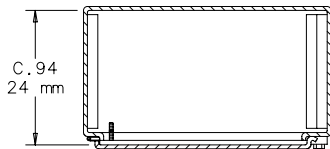
Catalog Number	A x B x C in. (mm)	Stainless Steel Type	X (in.)	X (mm)	G (in.)	G (mm)
A72H2518SSFS	72.06 x 25.06 x 18.06 (1830 x 637 x 459)	304	6.38	162	29.12	740
A72H2518SS6FS	72.06 x 25.06 x 18.06 (1830 x 637 x 459)	316L	6.38	162	29.12	740
A72H3124SSFS	72.06 x 31.06 x 24.06 (1830 x 789 x 611)	304	8.38	213	29.12	740
A72H3124SS6FS	72.06 x 31.06 x 24.06 (1830 x 789 x 611)	316L	8.38	213	29.12	740
A72H3724SSFS	72.06 x 37.06 x 24.06 (1830 x 941 x 611)	304	10.38	264	29.12	740
A72H3724SS6FS	72.06 x 37.06 x 24.06 (1830 x 941 x 611)	316L	10.38	264	29.12	740

Purchase panels and accessories separately. See pages CR-90 through CR-95 for accessories. (Refer to similar size Type 12 enclosures.)

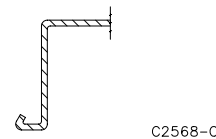
Corrosion-Resistant Enclosures



- NOTE:
1. Maximum spacing between clamps is 18.00 (457mm). See General Accessories chapter for section views A-A and B-B showing accessories.
 2. Removable data pocket is 12.00 x 12.00 (305mm x 305mm).



SECTION B-B



SECTION Z-Z

Stainless Steel Free-Standing One- and Two-Door Type 4X Enclosures with Three-Point Latch



Application

Designed to house systems incorporating large components or complex mounting configurations. Three-point latching and sealing provide industry-leading protection from dust, dirt, oil, and water. These enclosures are used in machine tool applications for housing motor starters, drives, contactors, and PLCs, as well as a wide variety of other electrical and electronic equipment. The addition of 19-inch rack-mounting accessories makes these enclosures ideal for providing rugged protection for sensitive rack-mounted components in harsh industrial environments. These enclosures are used extensively in automotive, pulp and paper, wood products, textile, and similar industries.

Four styles are available to provide maximum flexibility:

1. Single-Door Single-Access Enclosures (single door on front)
2. Single-Door Dual-Access Enclosures (single door on front and rear)
3. Two-Door Single-Access Enclosures (doors close on a removable centerpost)
4. Two-Door Dual-Access Enclosures (doors close on a removable centerpost on front and rear)

Construction

- 12 gauge Type 304 stainless steel
- Seams continuously welded and ground smooth; no holes or knockouts
- Two-door enclosures provided with a removable centerpost for easy panel installation
- Stiffeners welded to back of two-door single-access enclosures maintain flatness and increase rigidity
- Heavy-duty lifting eyes are Type 316L stainless steel
- Heavy-duty three-point latching mechanism operated by Type 316L stainless steel POWERGLIDE® padlocking handle
- Seamless foam-in-place gasket assures a watertight and dusttight seal
- Body flange trough collar excludes liquids and contaminants
- Latch rods have rollers for easier door closing
- Heavy-gauge continuous hinges support each door
- High-impact thermoplastic data pocket provided with each enclosure

- Mounting channels welded horizontally to interior body sides at top, bottom, and center
- Optional panels and rack mounting angles can be mounted anywhere along channels
- Bonding provision on door. Grounding stud on body.
- Accessory mounting channel provided in enclosure top

Finish

Enclosures are unpainted. Cover, sides, top, and bottom have smooth #4 brushed finish. Optional steel panels, swing-out panels, side-mounted panels, rack-mounting frames, heavy-duty panel supports, and center panel supports are white. Optional full, half, and side-mounted conductive panels are available.

Industry Standards

UL 508A, File No. E61997: Type 3R, 4, 4X, and 12
NEMA/EEMAC Type 3, 3R, 4, 4X, 12, and 13
E.I.A. RS-310-D
cUL File No. E61997: Type 3R, 4, 4X, and 12
IEC 60529, IP66

Meets Type 3RX requirements

Patents

US 5,634,357
D 385,7683

Accessories

Casters
Clamping Nut Kits
Electrical Interlocks
Floor Stand Kits
Folding Shelves
Lighting Kits
Panel Support Kits
Panels
Window Kits

Modification Services Program

You can customize this product to your unique requirements by specifying from these options:

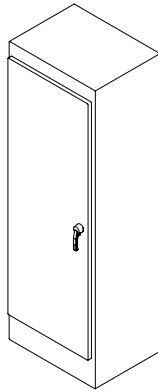
- Enclosure height, width, depth
- Holes and cutouts in body, doors, subpanels
- Tapped holes in subpanels
- Fasteners, mounting channel in enclosure and subpanel
- Mounting (adds and deletes)
- Doors
- Subpanels
- Thermal management (louvers, fans, filters)
- Windows
- Standard accessories
- Drip shield

To order, contact your local Hoffman sales representative.

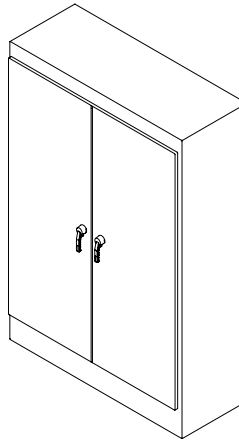
NOTE: For information about modifications outside the scope of the Modification Services program, contact your Hoffman sales representative.

Stainless Steel Free-Standing One- and Two-Door Type 4X Enclosures with Three-Point Latch

Free-Standing Enclosure Group Accessory Selection Guide



Stainless Steel
Free-Standing Type 4X
Single-Door Enclosures
(Single-Access or Dual-Access)

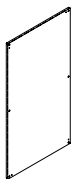
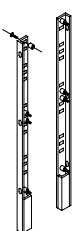

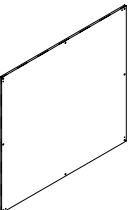
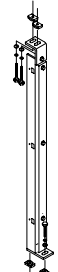

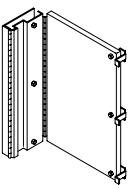
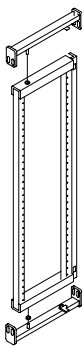
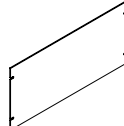
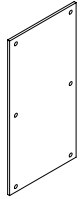

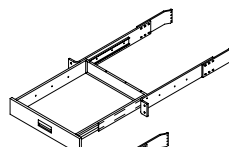
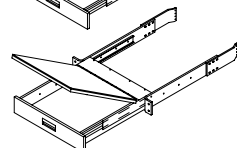
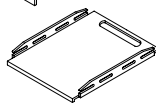
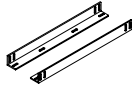


Stainless Steel
Free-Standing Type 4X
Two-Door Enclosures
(Single-Access or Dual-Access)

87795187

Internal Accessories

To select an accessory for the enclosure, see the Free-Standing Accessories charts.

	Panel for Single-Door Enclosures		Heavy Duty Panel Supports		Rack Mounting Angles
	Panel for Two-Door Enclosures		Center Panel Support		Clip Nut Package
	Swing-Out Panel		Swing-Out Rack Mounting Frame		Rack Panel
	Side-Mounted Panel		Screw Package		Drawer
			Writing Surface for Drawers		Shelf
			Guides		

87576783

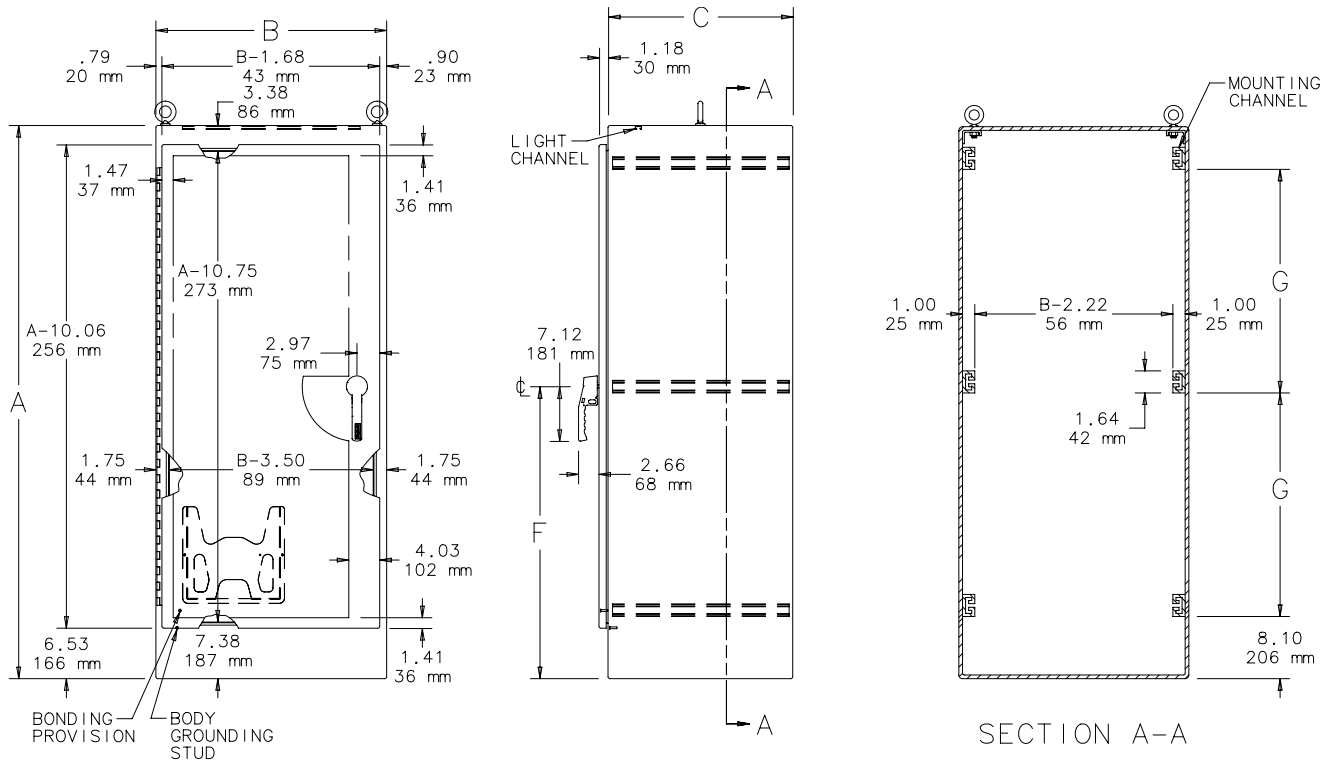
Stainless Steel Free-Standing One- and Two-Door Type 4X Enclosures with Three-Point Latch

Rev. A 10/07

Standard Sizes Single-Door Single Access Stainless Steel Free-Standing Type 4X Enclosures with Three-Point Latch

Catalog Number	A x B x C in. (mm)	F (in.)	F (mm)	G (in.)	G (mm)
A602418SSFSN4	60.06 x 24.06 x 18.06 (1526 x 611 x 459)	32.03	814	23.12	587
A722418SSFSN4	72.06 x 24.06 x 18.06 (1830 x 611 x 459)	38.03	966	29.12	740
A723018SSFSN4	72.06 x 30.06 x 18.06 (1830 x 764 x 459)	38.03	966	29.12	740
A723618SSFSN4	72.06 x 36.06 x 18.06 (1830 x 916 x 459)	38.03	966	29.12	740
A902420SSFSN4	90.06 x 24.06 x 20.06 (2288 x 611 x 510)	47.03	1195	38.12	968
A903620SSFSN4	90.06 x 36.06 x 20.06 (2288 x 916 x 510)	47.03	1195	38.12	968
A603624SSFSN4	60.06 x 36.06 x 24.06 (1526 x 916 x 611)	32.03	814	23.12	587
A722424SSFSN4	72.06 x 24.06 x 24.06 (1830 x 611 x 611)	38.03	966	29.12	740
A723024SSFSN4	72.06 x 30.06 x 24.06 (1830 x 764 x 611)	38.03	966	29.12	740
A723624SSFSN4	72.06 x 36.06 x 24.06 (1830 x 916 x 611)	38.03	966	29.12	740
A903624SSFSN4	90.06 x 36.06 x 24.06 (2288 x 916 x 611)	47.03	1195	38.12	968
A723630SSFSN4	72.06 x 36.06 x 30.06 (1830 x 916 x 764)	38.03	966	29.12	740
A723636SSFSN4	72.06 x 36.06 x 36.06 (1830 x 916 x 916)	38.03	966	29.12	740
A903636SSFSN4	90.06 x 36.06 x 36.06 (2288 x 916 x 916)	47.03	1195	38.12	968

Purchase panels and accessories separately. See pages CR-90 through CR-95 for accessories. (Refer to similar size Type 12 enclosures.)



87576784

- NOTES:
- Four lifting eyes are furnished if C=30.06 (764mm) or more.
 - See General Accessories chapter for section views A-A and B-B showing accessories.
 - Removable 12.00 x 12.00 (305mm x 305mm) data pocket.

Stainless Steel Free-Standing One- and Two-Door Type 4X Enclosures with Three-Point Latch

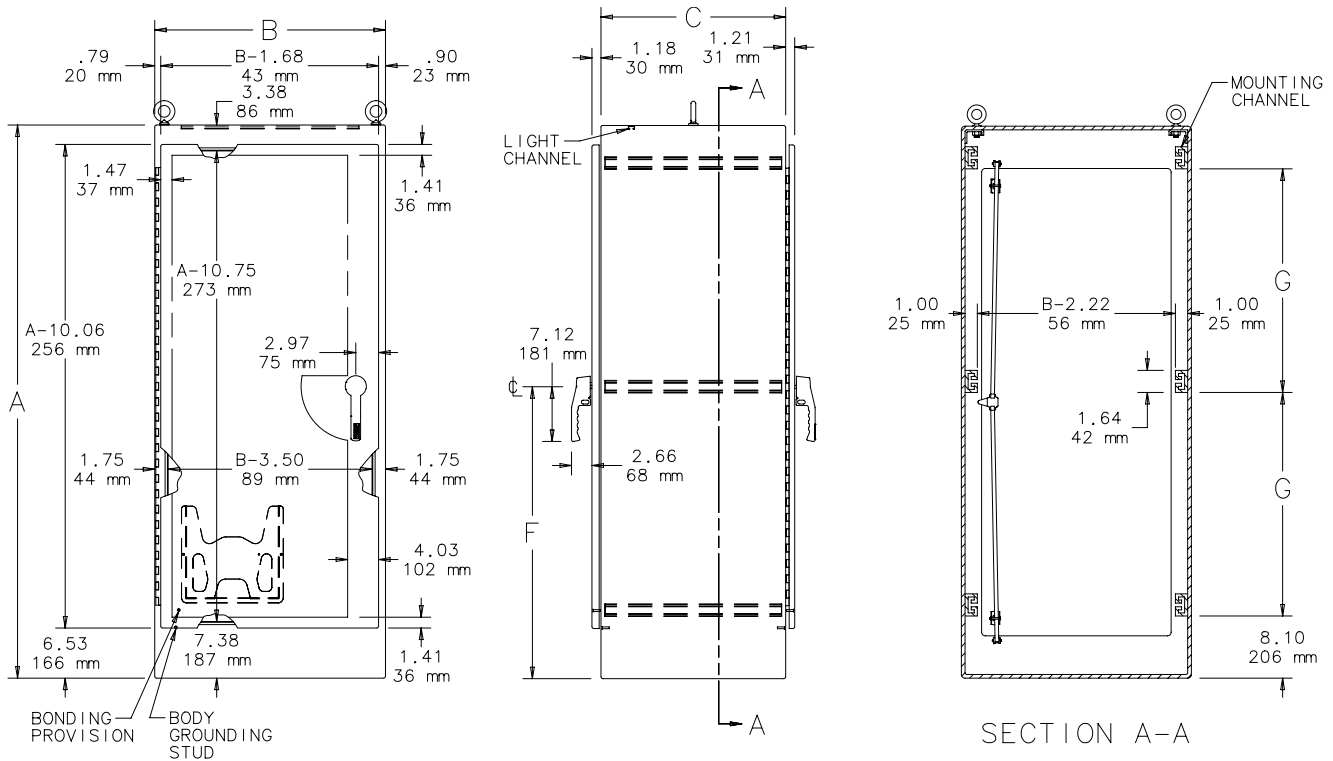
Rev. A 10/07

Standard Sizes Single-Door Dual Access Stainless Steel Free-Standing Type 4X Enclosures with Three-Point Latch

Catalog Number	A x B x C in. (mm)	F (in.)	F (mm)	G (in.)	G (mm)
A722424SSFSDAN4	72.06 x 24.06 x 24.06 (1830 x 611 x 611)	38.03	966	29.12	740
A723024SSFSDAN4	72.06 x 30.06 x 24.06 (1830 x 764 x 611)	38.03	966	29.12	740
A723624SSFSDAN4	72.06 x 36.06 x 24.06 (1830 x 916 x 611)	38.03	966	29.12	740
A903624SSFSDAN4	90.06 x 36.06 x 24.06 (2288 x 916 x 611)	47.03	1195	38.12	968
A722430SSFSDAN4	72.06 x 24.06 x 30.06 (1830 x 611 x 764)	38.03	966	29.12	740
A722436SSFSDAN4	72.06 x 24.06 x 36.06 (1830 x 611 x 916)	38.03	966	29.12	740
A723636SSFSDAN4	72.06 x 36.06 x 36.06 (1830 x 916 x 916)	38.03	966	29.12	740
A903636SSFSDAN4	90.06 x 36.06 x 36.06 (2288 x 916 x 916)	47.03	1195	38.12	968

Purchase panels and accessories separately. See pages CR-90 through CR-95 for accessories. (Refer to similar size Type 12 enclosures.)

Corrosion-Resistant
Enclosures



87576785

- NOTES:
1. Four lifting eyes are furnished if C=30.06 (764mm) or more.
 2. See General Accessories chapter for section views A-A and B-B showing accessories.
 3. Removable 12.00 x 12.00 (305mm x 305mm) data pocket.

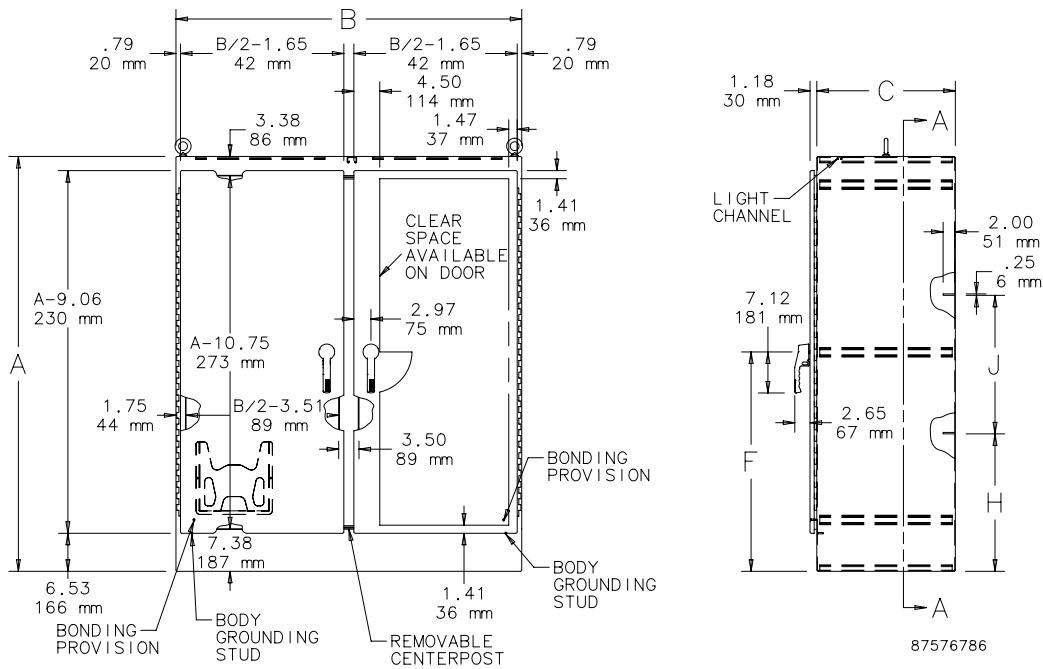
Stainless Steel Free-Standing One- and Two-Door Type 4X Enclosures with Three-Point Latch

Rev. A 10/07

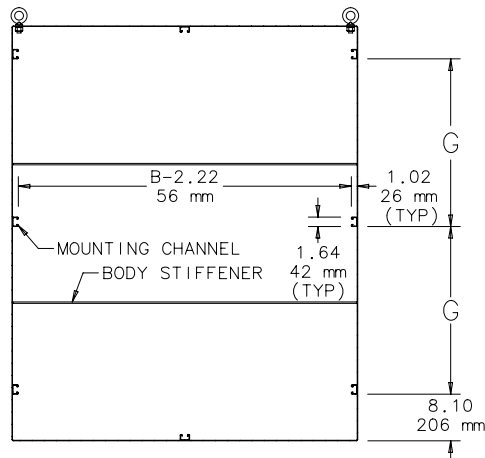
Standard Sizes Two-Door Single Access Stainless Steel Free-Standing Type 4X Enclosures with Three-Point Latch

Catalog Number	A x B x C in. (mm)	F (in.)	F (mm)	G (in.)	G (mm)	H (in.)	H (mm)	J (in.)	J (mm)
A604818SSFSDN4	60.06 x 48.06 x 18.06 (1526 x 1221 x 472)	32.03	814	23.12	587	19.88	505	20.03	509
A724818SSFSDN4	72.06 x 48.06 x 18.06 (1830 x 1221 x 472)	38.03	966	29.12	740	23.88	607	24.03	610
A726018SSFSDN4	72.06 x 60.06 x 18.06 (1830 x 1526 x 472)	38.03	966	29.12	740	23.88	607	24.03	610
A727218SSFSDN4	72.06 x 72.06 x 18.06 (1830 x 1830 x 472)	38.03	966	29.12	740	23.88	607	24.03	610
A904820SSFSDN4	90.06 x 48.06 x 20.06 (2288 x 1221 x 510)	47.03	1195	38.12	968	29.88	759	30.03	763
A907220SSFSDN4	90.06 x 72.06 x 20.06 (2288 x 1830 x 510)	47.03	1195	38.12	968	29.88	759	30.03	763
A724824SSFSDN4	72.06 x 48.06 x 24.06 (1830 x 1221 x 611)	38.03	966	29.12	740	23.88	607	24.03	610
A726024SSFSDN4	72.06 x 60.06 x 24.06 (1830 x 1526 x 611)	38.03	966	29.12	740	23.88	607	24.03	610
A727224SSFSDN4	72.06 x 72.06 x 24.06 (1830 x 1830 x 611)	38.03	966	29.12	740	23.88	607	24.03	610
A907224SSFSDN4	90.06 x 72.06 x 24.06 (2288 x 1830 x 611)	47.03	1195	38.12	968	29.88	759	30.03	763
A726036SSFSDN4	72.06 x 60.06 x 36.06 (1830 x 1526 x 916)	38.03	966	29.12	740	23.88	607	24.03	610
A907236SSFSDN4	90.06 x 72.06 x 36.06 (2288 x 1830 x 916)	47.03	1195	38.12	968	29.88	759	30.03	763

Purchase panels and accessories separately. See pages CR-90 through CR-95 for accessories. (Refer to similar size Type 12 enclosures.)



- NOTES:
1. Four lifting eyes are furnished if C=30.06 (764mm) or more.
 2. See General Accessories chapter for section views A-A and B-B showing accessories.
 3. Removable 12.00 x 12.00 (305mm x 305mm) data pocket.
 4. Enclosure backs are 10 gauge.



SECTION A-A

Stainless Steel Free-Standing One- and Two-Door Type 4X Enclosures with Three-Point Latch

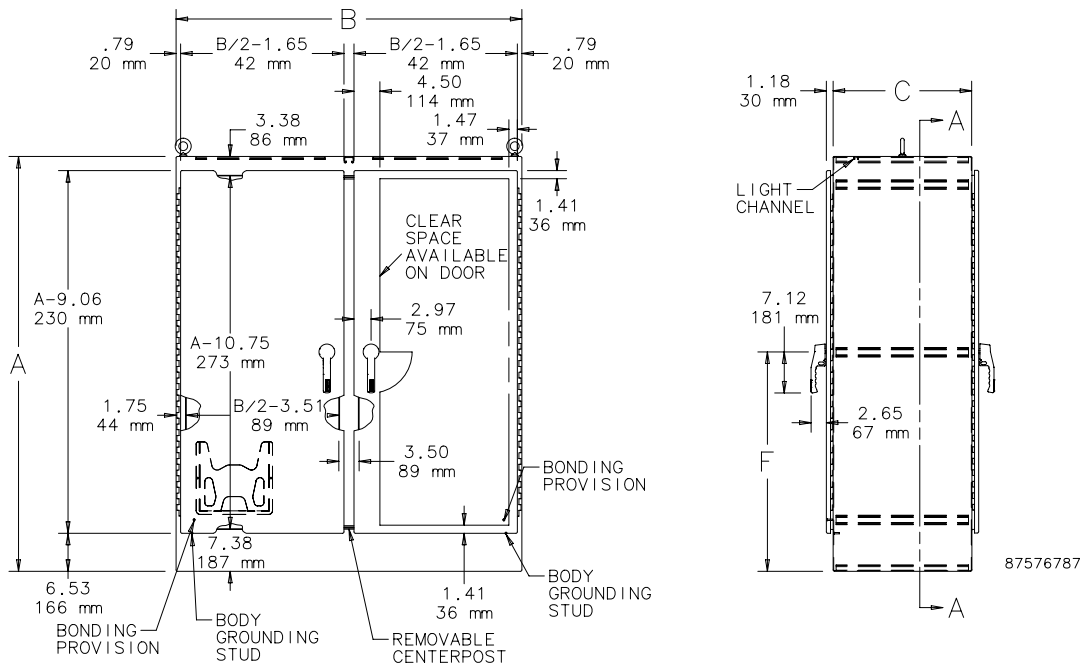
Rev. A 10/07

Standard Sizes Two-Door Dual Access Stainless Steel Free-Standing Type 4X Enclosures with Three-Point Latch

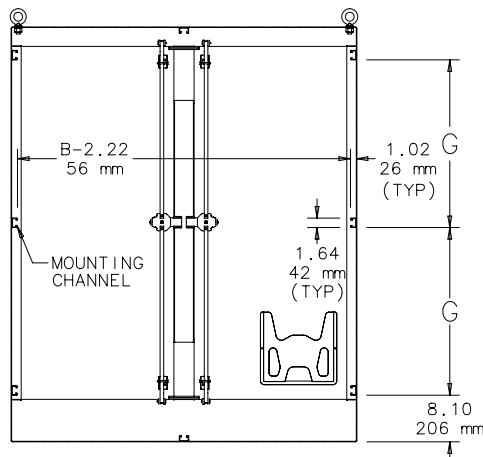
Catalog Number	A x B x C in. (mm)	F (in.)	F (mm)	G (in.)	G (mm)
A724824SSFSDADN4	72.06 x 48.06 x 24.06 (1830 x 1221 x 611)	38.03	966	29.12	740
A726024SSFSDADN4	72.06 x 60.06 x 24.06 (1830 x 1526 x 611)	38.03	966	29.12	740
A727224SSFSDADN4	72.06 x 72.06 x 24.06 (1830 x 1830 x 611)	38.03	966	29.12	740
A907224SSFSDADN4	90.06 x 72.06 x 24.06 (2288 x 1830 x 611)	47.03	1195	38.12	968
A726036SSFSDADN4	72.06 x 60.06 x 36.06 (1830 x 1526 x 916)	38.03	966	29.12	740

Purchase panels and accessories separately. See pages CR-90 through CR-95 for accessories. (Refer to similar size Type 12 enclosures.)

Corrosion-Resistant
Enclosures



- NOTES:
- Four lifting eyes are furnished if C=30.06 (764mm) or more.
 - See General Accessories chapter for section views A-A and B-B showing accessories.
 - Removable 12.00 x 12.00 (305mm x 305mm) data pocket.



SECTION A-A

Stainless Steel Free-Standing Type 12 Enclosures

**Bulletin
A30S**



Application

Designed to house systems incorporating large components or complex mounting configurations. Three-point latching and sealing provide industry-leading protection from dust, dirt, oil, and water. These enclosures are used in machine tool applications for housing motor starters, drives, contactors, and PLCs, as well as a wide variety of other electrical and electronic equipment. The addition of 19-inch rack-mounting accessories makes these enclosures ideal for providing rugged protection for sensitive rack-mounted components in harsh industrial environments. These enclosures are used extensively in automotive, pulp and paper, wood products, textile, and similar industries.

Construction

- 12 gauge Type 304 stainless steel
- Seams continuously welded and ground smooth; no holes or knockouts
- Stiffeners welded to back of enclosures maintain flatness and increase rigidity
- Heavy-duty lifting eyes are Type 316L stainless steel
- Plated steel 3-point latching and keylocking handle
- Latch rods have rollers for easier door closing
- Heavy-gauge continuous hinges support each door
- Data pocket, provided on door(s) with 3-point latches, is high-impact thermoplastic
- Mounting channels welded horizontally to interior body sides at top, bottom, and center

- Optional panels and rack-mounting angles can be mounted anywhere along channels
- Oil-resistant door gasket attached with oil-resistant adhesive and held in place with steel retaining strips
- Bonding provision on door. Grounding studs on body.
- Accessory mounting channel provided in enclosure top

Finish

Enclosures are unpainted. Cover, sides, top, and bottom have smooth #4 brushed finish. Optional steel panels, swing-out panels, side-mounted panels, rack-mounting frames, heavy-duty panel supports, and center panel supports are painted white. Optional full, half, and side-mounted conductive panels are available.

Industry Standards

UL 508A, File No. E61997: Type 12
NEMA/EEMAC Type 12
E.I.A. RS-310-D
CSA File No. 42186: Type 12
IEC 60529, IP55

Accessories

Casters
Clamping Nut Kit
Electrical Interlocks
Floor Stand Kit
Folding Shelf
Lighting Kit
Panel Support Kit
Panels
Window Kit

Modification Services Program

You can customize this product to your unique requirements by specifying from these options:

- Enclosure height, width, depth
- Holes and cutouts in body, doors, subpanels
- Tapped holes in subpanels
- Fasteners, mounting channel in enclosure and subpanel
- Mounting (adds and deletes)
- Doors
- Subpanels
- Thermal management (louvers, fans, filters)
- Windows
- Standard accessories
- Drip shield

To order, contact your local Hoffman sales representative.

NOTE: For information about modifications outside the scope of the Modification Services program, contact your Hoffman sales representative.

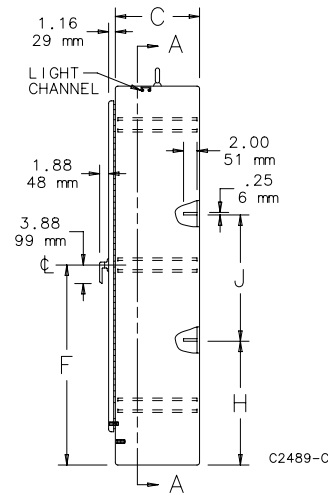
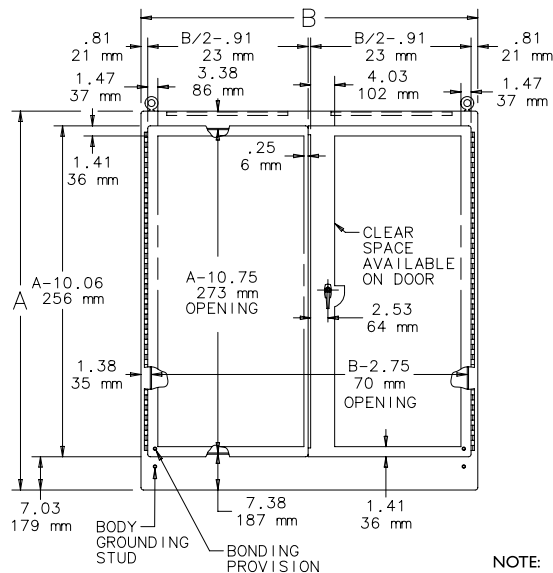
Stainless Steel Free-Standing Type 12 Enclosures

**Corrosion-Resistant
Enclosures**

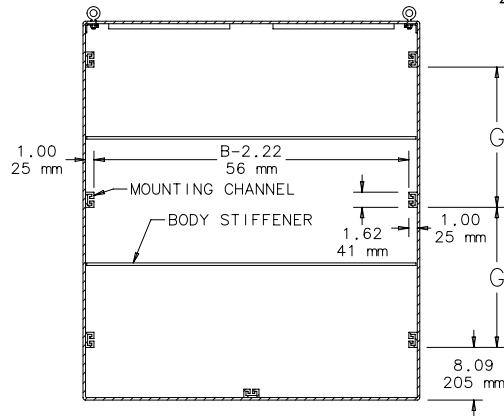
Standard Sizes Stainless Steel Two-Door Single-Access Free-Standing Type 12 Enclosures

Catalog Number	A x B x C in. (mm)	F (in.)	F (mm)	G (in.)	G (mm)	H (in.)	H (mm)	J (in.)	J (mm)
A604818SSFSD	60.06 x 48.06 x 18.06 (1526 x 1221 x 472)	32.03	814	23.12	587	19.88	505	20.03	509
A724818SSFSD	72.06 x 48.06 x 18.06 (1830 x 1221 x 472)	38.03	966	29.12	740	23.88	607	24.03	610
A724824SSFSD	72.06 x 48.06 x 24.06 (1830 x 1221 x 611)	38.03	966	29.12	740	23.88	607	24.03	610
A726018SSFSD	72.06 x 60.06 x 18.06 (1830 x 1526 x 472)	38.03	966	29.12	740	23.88	607	24.03	610
A726024SSFSD	72.06 x 60.06 x 24.06 (1830 x 1526 x 611)	38.03	966	29.12	740	23.88	740	23.88	607
A726036SSFSD	72.06 x 60.06 x 36.06 (1830 x 1526 x 916)	38.03	966	29.12	740	23.88	607	24.03	610
A727218SSFSD	72.06 x 72.06 x 18.06 (1830 x 1830 x 472)	38.03	966	29.12	740	23.88	607	24.03	610
A727224SSFSD	72.06 x 72.06 x 24.06 (1830 x 1830 x 611)	38.03	966	29.12	740	23.88	607	24.03	610
A904820SSFSD	90.06 x 48.06 x 20.06 (2288 x 1221 x 510)	47.03	1195	38.12	968	29.88	759	30.03	763
A907220SSFSD	90.06 x 72.06 x 20.06 (2288 x 1830 x 510)	47.03	1195	38.12	968	29.88	759	30.03	763
A907224SSFSD	90.06 x 72.06 x 24.06 (2288 x 1830 x 611)	47.03	1195	38.12	968	29.88	759	30.03	763
A907236SSFSD	90.06 x 72.06 x 36.06 (2288 x 1830 x 916)	47.03	1195	38.12	968	29.88	759	30.03	763

Purchase panels and accessories separately. See pages CR-90 through CR-95 for accessories. (Refer to similar size Type 12 enclosures.)



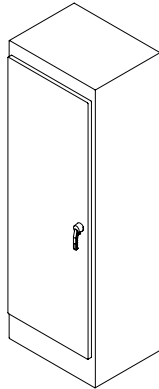
- NOTE:
1. Four lifting eyes are furnished if C=30.06 (764mm) or more.
 2. See General Accessories chapter for section view A-A showing accessories.
 3. Removable 12.00 x 12.00 (305MM x 305MM) data pocket.
 4. Enclosure backs are 10 gauge.



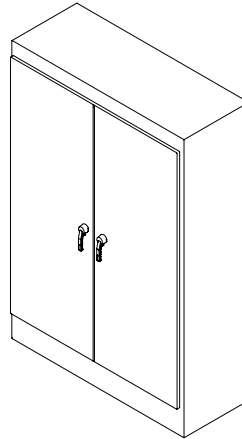
SECTION A-A

Stainless Steel Free-Standing Type 12 Enclosures Accessory Selection Guide

Stainless Steel Free-Standing Enclosure Group Accessory Selection Guide



**Stainless Steel
Free-Standing Type 4X
Single-Door Enclosures**
(Single-Access or Dual-Access)



**Stainless Steel
Free-Standing Type 4X
Two-Door Enclosures**
(Single-Access or Dual-Access)

87795187

(See Accessories for Details)

Internal Accessories

	Panel for Single-Door Enclosures		Heavy Duty Panel Supports		Rack Mounting Angles for 19- and 24-inch Equipment
	Panel for Two-Door Enclosures		Center Panel Support		Clip Nut Package
	Rack Panels for 19- and 24-inch Equipment		Screw Package		12-Inch Rack Mounted Drawer
	Swing-Out Panel		Writing Surface for Drawers		14-inch Rack Mounted Shelf
	Side-Mounted Panel		Guides for Rack Mounted Equipment		

C2586-C

To select an accessory for an enclosure, see the following Free-Standing Enclosure Accessory tables.

Stainless Steel Free-Standing Type 12 Enclosures Accessory Selection Guide

**Type 12 Free-Standing Enclosures
Accessory Selection**

(See Accessories for Details)

Panels

Catalog Number		Description	Panel Size
Steel			
A60P24F1	A60P24F1G	Full Panel	48.00 x 20.00 (1219 x 508)
A60P24F2	A60P24F2G	Half Panel	24.88 x 20.00 (632 x 508)
A72P24F1	A72P24F1G	Full Panel	60.00 x 20.00 (1524 x 508)
A72P24F2	A72P24F2G	Half Panel	30.88 x 20.00 (784 x 508)
A90P24F1	A90P24F1G	Full Panel	78.00 x 20.00 (1981 x 508)
A90P24F2	A90P24F2G	Half Panel	39.00 x 20.00 (1013 x 508)
A72P30F1	A72P30F1G	Full Panel	60.00 x 26.00 (1524 x 660)
A72P30F2	A72P30F2G	Half Panel	30.88 x 26.00 (784 x 660)
A60P36F1	A60P36F1G	Full Panel	48.00 x 32.00 (1219 x 813)
A60P36F2	A60P36F2G	Half Panel	24.88 x 32.00 (632 x 813)
A72P36F1	A72P36F1G	Full Panel	60.00 x 32.00 (1524 x 813)
A72P36F2	A72P36F2G	Half Panel	30.88 x 32.00 (784 x 813)
A90P36F1	A90P36F1G	Full Panel	78.00 x 32.00 (1981 x 813)
A90P36F2	A90P36F2G	Half Panel	39.88 x 32.00 (1013 x 813)

Swing-Out Panels

Catalog Number	Description	Panel Size
A72SP24F3	Full Panel	60.00 x 18.81 (1524 x 478)
A72SP24F4	Half Panel ^c	30.88 x 18.81 (784 x 478)
A72SP30F3	Full Panel	60.00 x 24.81 (1524 x 630)
A72SP30F4	Half Panel ^c	30.88 x 24.81 (784 x 630)
A72SP36F3	Full Panel	60.00 x 30.81 (1524 x 783)
A72SP36F4	Half Panel ^c	30.88 x 30.81 (784 x 783)
A90SF36F3	Full Panel	78.00 x 30.81 (1981 x 783)
A90SP36F4	Half Panel ^c	39.88 x 30.81 (1013 x 783)

Side-Mounted Panels

Catalog Number	Conductive	Description	Panel Size
A60SMP14	A60SMP14G	14" Wide Panel (356mm)	48.00 x 14.00 (1219 x 356)
A72SMP14	A72SMP14G	14" Wide Panel (356mm)	60.00 x 14.00 (1524 x 356)
A90SMP14	A90SMP14G	14" Wide Panel (356mm)	78.00 x 14.00 (1981 x 356)
A72SMP20	A72SMP20G	20" Wide Panel (508mm)	60.00 x 20.00 (1524 x 508)
A90SMP20	A90SMP20G	20" Wide Panel (508mm)	78.00 x 20.00 (1981 x 508)

Millimeter dimensions are in ().

^aRequires heavy duty panel supports ^bRequires center panel supports ^cFits in top half or bottom half of enclosure ^dWill not fit if other panels are also installed in same enclosure

Stainless Steel Free-Standing Type 12 Enclosures Accessory Selection Guide

Type 12 Free-Standing Enclosures Rack Mounting Accessory Selection

(See Accessories for Details)

Rack Mounting Angles L-Style (Type RP) for 19- and 24-inch Equipment

Catalog Number	Description	For Rack Size	No. Units ^d	Angle Length
A60FP24F5	2 Full-Length Angles	19 in. (483mm)	28	49.00 (1245)
A60FP24F6	2 Half-Length Angles	19 in. (483mm)	15	26.25 (677)
A72RP24F5	2 Full-Length Angles	19 in. (483mm)	35	61.25 (1556)
A72RP24F6	2 Half-Length Angles	19 in. (483mm)	18	31.50 (800)
A90RP24F5	2 Full-Length Angles	19 in. (483mm)	45	78.75 (2000)
A90RP24F6	2 Half-Length Angles	19 in. (483mm)	23	40.25 (1022)
A72RP30F5	2 Full-Length Angles	24 in. (610mm)	35	61.25 (1556)
A72RP30F6	2 Half-Length Angles	24 in. (610mm)	18	31.50 (800)

Single-Door Single-Access Enclosures		Single-Door Dual-Access Enclosures		Two-Door Single-Access Enclosures	
A602418SFS	•	A722424SSFS	•	A604818SSFS	•
A723018SFS	•	A723024SSFS	•	A724818SSFS	•
A723618SFS	•	A723624SSFS	•	A726018SSFS	•
A902420SFS	•	A903624SFS	•	A727218SSFS	•
A903620SFS	•	A723024SFS	•	A726024SSFS	•
A903624SFS	•	A723624SFS	•	A904820SSFS	•
A603624SFS	•	A722424SFS	•	A907220SSFS	•
A603624SFS	•	A723024SFS	•	A724824SSFS	•
A723630SSFS	•	A722430SSFS	•	A907224SSFS	•
A723636SSFS	•	A722436SSFS	•	A726036SSFS	•
A903636SSFS	•	A723636SSFS	•	A907236SSFS	•

Rack Mounting Angles U-Style (Type RA) for 19- and 24-inch Equipment

Catalog Number	Description	For Rack Size	No. Units ^d	Angle Length
A60RA19TH	2 Full-Length Angles	19 in. (483mm)	28	49.00 (1245)
A72RA19TH	2 Full-Length Angles	19 in. (483mm)	35	61.25 (1556)
A90RA19TH	2 Full-Length Angles	19 in. (483mm)	45	78.75 (2000)
A72RA24TH	2 Full-Length Angles	24 in. (610mm)	35	61.25 (1556)

Clip Nut Package

Catalog Number	Description	Size	Fits
AN1032	Clip Nut (Pkg of 20)	#10-32 Zinc-Plated	RA Type Mnt Angles

19-inch Swing-Out Rack Mounting Frames

Catalog Number	Description	For Rack Size	No. Units ^d	Panel Space
A7230S0F19	Full Swing-Out Frame	19 in. (483)	33	57.88 (1470)
A7236S0F19	Full Swing-Out Frame	19 in. (483)	33	57.88 (1470)
A9036S0F19	Full Swing-Out Frame	19 in. (483)	43	75.36 (1915)

Millimeter dimensions are in ().

^aRequires 2 sets U-style (Type RA) rack mounting angles for installation

^bRequires center panel support(s) for installation

^cRequires swing-out rack mounting frame or rack angles

^dUnit = 1.75 inches (44mm)

Stainless Steel Free-Standing Type 12 Enclosures Accessory Selection Guide

**Type 12 Free-Standing Enclosures
Rack Mounting Accessory Selection**
(See Accessories for Details)

Rack Panels for 19- and 24-inch Equipment

Catalog Number	Aluminum	Steel	Rack Panel Size	Number of Units ^d
P19RP1UA	P19RP1U		19.00 x 1.75 (483 x 44)	1
P19RP2UA	P19RP2U		19.00 x 3.50 (483 x 89)	2
P19RP3UA	P19RP3U		19.00 x 5.25 (483 x 133)	3
P19RP4UA	P19RP4U		19.00 x 7.00 (483 x 178)	4
P19RP5UA	P19RP5U		19.00 x 8.75 (483 x 222)	5
P19RP6UA	P19RP6U		19.00 x 10.50 (483 x 267)	6
P19RP7UA	P19RP7U		19.00 x 12.25 (483 x 311)	7
P19RP8UA	P19RP8U		19.00 x 14.00 (483 x 356)	8
	P19RP9U		19.00 x 15.75 (483 x 400)	9
	P19RP10U		19.00 x 17.50 (483 x 445)	10
P19RP11UA	P19RP11U		19.00 x 19.25 (483 x 489)	11
P19RP12UA	P19RP12U		19.00 x 21.00 (483 x 533)	12
	P19RP16U		19.00 x 22.75 (483 x 578)	16
P24RP2UA	P24RP2U		24.00 x 3.50 (610 x 89)	2
P24RP3UA	P24RP3U		24.00 x 5.25 (610 x 133)	3
P24RP4UA	P24RP4U		24.00 x 7.00 (610 x 178)	4
	P24RP5U		24.00 x 8.75 (610 x 222)	5
P24RP6UA	P24RP6U		24.00 x 10.50 (610 x 267)	6
P24RP8UA	P24RP8U		24.00 x 14.00 (610 x 356)	8

Screw Package

Catalog Number	Description	Size
AS1032	Nickel-Plated Screw (Pkg. of 20)	#10-32 x .75 Truss Head

19- and 24-inch Rack-Mounted Drawers

Catalog Number	Description	For Rack Size	No. Units ^d	Drawer Depth
A19DR2U	Pull-Out Drawer	19 in. (483mm)	2	3.50 (89)
A19DR4U	Pull-Out Drawer	19 in. (483mm)	4	7.00 (178)
DL329DR	Pull-Out Drawer	24 in. (610mm)	2	3.50 (89)
DL729DR	Pull-Out Drawer	24 in. (610mm)	4	7.00 (178)

Millimeter dimensions are in ().

^aRequires 2 sets U-style (Type RA) rack mounting angles for installation ^bRequires center panel support(s) for installation ^cRequires swing-out rack mounting frame or rack angles ^dunit = 1.75 inches (44mm)

Catalog Number	Single-Door Single-Access Enclosures		Single-Door Dual-Access Enclosures		Two-Door Single-Access Enclosures	
	Aluminum	Steel	Aluminum	Steel	Aluminum	Steel
A602418SSFS						
A722418SSFS						
A723018SSFS						
A723618SSFS						
A902420SSFS						
A903620SSFS						
A603624SSFS						
A722424SSFS						
A723024SSFS						
A723624SSFS						
A903624SSFS						
A722424SSFSDA						
A723024SSFSDA						
A723624SSFSDA						
A903624SSFSDA						
A722430SSFSDA						
A722436SSFSDA						
A723636SSFSDA						
A903636SSFSDA						
A604818SSFS						
A724818SSFS						
A726018SSFS						
A727218SSFS						
A904820SSFS						
A907220SSFS						
A724824SSFS						
A726024SSFS						
A727224SSFS						
A907224SSFS						
A726036SSFS						
A727236SSFS						
A907236SSFS						

Stainless Steel Free-Standing Type I2 Enclosures Accessory Selection Guide

Corrosion-Resistant Enclosures

Type I2 Free-Standing Enclosures Rack Mounting Accessory Selection

(See Accessories for Details)

Writing Surfaces

Catalog Number	Description	Fits Drawer
A19WSDR	Hinged Surface	A19DR2U, A19DR4U
DL29WS	Hinged Surface	DL329DR, DL729DR

Single-Door Single-Access Enclosures		Single-Door Dual-Access Enclosures						Two-Door Single-Access Enclosures																			
A602418SSFS	A722418SSFS	A723018SSFS	A723618SSFS	A902420SSFS	A903620SSFS	A603624SSFS	A723024SSFS	A723624SSFS	A903624SSFS	A722424SSFS ^a	A723024SSFS ^a	A723624SSFS ^a	A903624SSFS ^a	A604818SSFS	A724818SSFS	A726018SSFS	A727218SSFS	A904820SSFS	A907220SSFS	A724824SSFS	A726024SSFS	A727224SSFS	A907224SSFS	A726036SSFS	A727236SSFS	A907236SSFS	A907244SSFS

I9- and 24-inch Rack-Mounted Shelves

Catalog Number	Description	For Rack Size	Number of Units ^d
A19SHP6	Pull-Out Shelf	19 in. (483)	2
DL29SHP	Pull-Out Shelf	24 in. (610)	2
A19SH6	Fixed Shelf	19 in. (483)	1
DL29SH	Fixed Shelf	24 in. (610)	1

A602418SSFS	A722418SSFS	A723018SSFS	A723618SSFS	A902420SSFS	A903620SSFS	A603624SSFS	A723024SSFS	A723624SSFS	A903624SSFS	A722424SSFS ^a	A723024SSFS ^a	A723624SSFS ^a	A903624SSFS ^a	A604818SSFS	A724818SSFS	A726018SSFS	A727218SSFS	A904820SSFS	A907220SSFS	A724824SSFS	A726024SSFS	A727224SSFS	A907224SSFS	A726036SSFS	A727236SSFS	A907236SSFS	A907244SSFS
-------------	-------------	-------------	-------------	-------------	-------------	-------------	-------------	-------------	-------------	--------------------------	--------------------------	--------------------------	--------------------------	-------------	-------------	-------------	-------------	-------------	-------------	-------------	-------------	-------------	-------------	-------------	-------------	-------------	-------------

Guides for Rack-Mounted Shelves

Catalog Number	Description	Number of Units ^d
AG1U6	Chassis Guides (2)	1
AG1U8	Chassis Guides (2)	1

A602418SSFS	A722418SSFS	A723018SSFS	A723618SSFS	A902420SSFS	A903620SSFS	A603624SSFS	A723024SSFS	A723624SSFS	A903624SSFS	A722424SSFS ^a	A723024SSFS ^a	A723624SSFS ^a	A903624SSFS ^a	A604818SSFS	A724818SSFS	A726018SSFS	A727218SSFS	A904820SSFS	A907220SSFS	A724824SSFS	A726024SSFS	A727224SSFS	A907224SSFS	A726036SSFS	A727236SSFS	A907236SSFS	A907244SSFS
-------------	-------------	-------------	-------------	-------------	-------------	-------------	-------------	-------------	-------------	--------------------------	--------------------------	--------------------------	--------------------------	-------------	-------------	-------------	-------------	-------------	-------------	-------------	-------------	-------------	-------------	-------------	-------------	-------------	-------------

Millimeter dimensions are in ().

^aRequires 2 sets U-style (Type RA) rack mounting angles for installation

^bRequires center panel support(s) for installation

^cRequires swing-out rack mounting frame or rack angles

^d1 unit = 1.75 inches (44mm)



- Hinged side of cover has provisions to allow direct flushing of hinge area
- 20° sloped top facilitates runoff of water and cleaning solutions and prohibits the placement of objects on the top of the enclosure
- 170° door opening
- Door edges are sloped 20° at top and bottom edges to facilitate runoff
- Slanted flange trough collar prohibits pooling of fluids along the top edge of the enclosure opening
- Three-point latching operated by Type 316L POWERGLIDE® padlocking stainless steel handles
- Seamless foam-in-place one-piece gasket provides oiltight and dusttight seal against contaminants
- Bonding provision on doors. Grounding studs on body.
- Accessory mounting channel provided in enclosure top
- Panel studs fit optional NEMA style panels
- Mounting holes in bottom of enclosure for direct mounting or for optional sanitary legs and stainless steel floor stands
- Furnished hardware kit consists of panel mounting nuts, grounding hardware, and hole seals for mounting holes

Finish

Stainless steel enclosures are unpainted. External surfaces have a #4 brushed finish. Optional mild steel panels are painted white. Optional conductive panels are available.

Application

The Hoffman Watershed stainless steel free-standing enclosure, with its unique design and Type 4X rating, is a perfect fit for mounting electrical or high-tech electronic equipment in a variety of indoor and outdoor settings. Its unique features are specifically designed for use in sanitary washdown production environments like food, beverage, or pharmaceutical processing. However, these same features also are useful in petrochemical plants, pulp and paper facilities, and wastewater treatment plants.

Construction

- Manufactured from 12 gauge Type 304 stainless steel with 10 gauge Type 304 stainless steel back
- Seams continuously welded and ground smooth
- Smooth Type 304 stainless steel lift-off bullet-style hinges
- Hinges are shielded by cover edges

Industry Standards

NSF Criteria C-2
UL 508A, File Number E61997: Type 4, 4X, 12
cUL C22.2 No. 26, File Number E61997: Type 4, 4X, 12
NEMA/EEMAC Type 4, 4X, 12
IEC 60529, IP66

Patents

US 5,634,357
Patent pending on enclosure.

Accessories

Floor-Stand Kit
Panels
Sanitary Leg Kit

Standard Sizes Watershed Free-Standing Enclosures

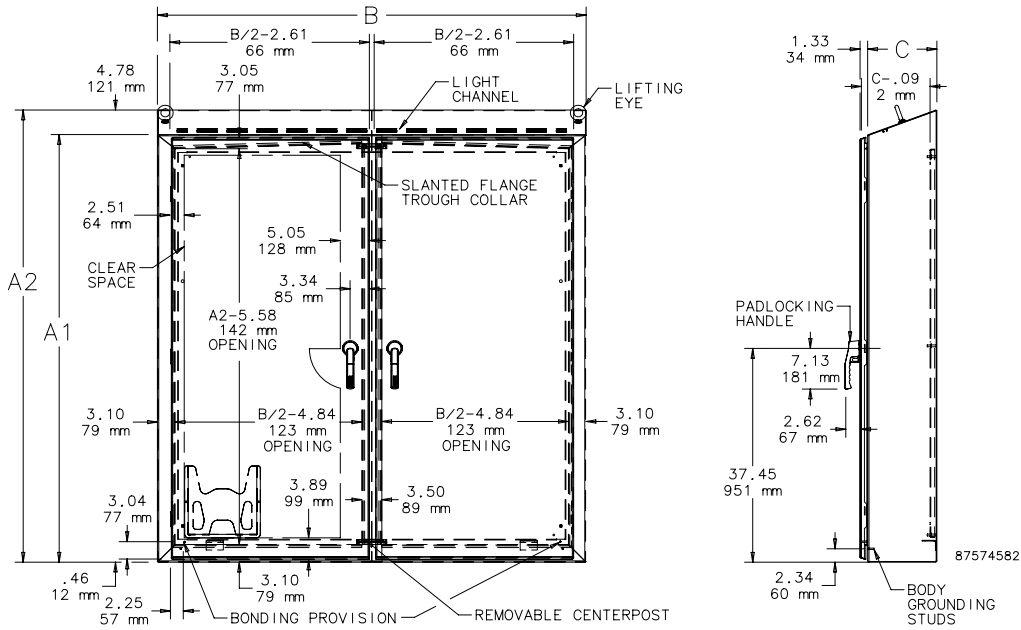
Catalog Number	Nominal Dimensions A x B x C in. (mm)	A1=Front (in.)	A1=Front (mm)	A2=Back (in.)	A2=Back (mm)	B=Width (in.)	B=Width (mm)	C=Depth (in.)	C=Depth (mm)	Panel Catalog Number	Conductive Panel Catalog Number
WS625112SS	62.00 x 51.00 x 12.00 (1575 x 1295 x 305)	62.81	1595	67.20	1700	51.09	1298	12.12	308	A60P48	A60P48G
WS625118SS	62.00 x 51.00 x 18.00 (1575 x 1295 x 457)	62.81	1595	67.20	1700	51.09	1298	18.12	460	A60P48	A60P48G
WS626312SS	62.00 x 63.00 x 12.00 (1575 x 1600 x 305)	62.81	1595	67.20	1700	63.09	1602	12.12	308	A60P60	A60P60G
WS626318SS	62.00 x 63.00 x 18.00 (1575 x 1600 x 457)	62.81	1595	67.20	1700	63.09	1602	18.12	460	A60P60	A60P60G
WS746312SS	74.00 x 63.00 x 12.00 (1880 x 1600 x 305)	74.81	1900	79.20	2012	63.09	1602	12.12	308	A72P60	A72P60G
WS746318SS	74.00 x 63.00 x 18.00 (1880 x 1600 x 457)	74.81	1900	81.38	2067	63.09	1602	18.12	460	A72P60	A72P60G
WS747512SS	74.00 x 75.00 x 12.00 (1880 x 1905 x 305)	74.81	1900	79.20	2012	75.09	1907	12.12	308	A72P72	A72P72G
WS747518SS	74.00 x 75.00 x 18.00 (1880 x 1905 x 457)	74.81	1900	81.38	2067	75.09	1907	18.12	460	A72P72	A72P72G
WS747524SS	74.00 x 75.00 x 24.00 (1880 x 1905 x 610)	74.81	1900	83.57	2123	75.09	1907	24.12	613	A72P72	A72P72G

Purchase panels separately.

Watershed® Free-Standing Enclosures

Bulletin
WS2

Corrosion-Resistant Enclosures



Stainless Steel Watershed Free-Standing Sanitary Leg Kits



Sanitary leg kits provide space between the enclosure and the floor for better washdown accessibility. Available with fixed or independently adjustable legs. Adjustable leg shown. Four legs per kit. Maintains UL/cUL Type 4X rating when properly installed on a Hoffman Type 4X enclosure.



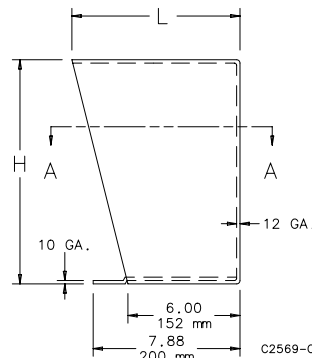
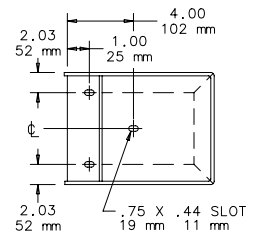
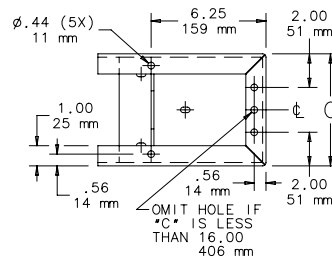
87574583

Catalog Number	Description	Size (in.)	Size (mm)
WSASKSS	Adj. Sanitary Leg Kit	11.50-12.50	292-318
WSFLKSS	Fixed Sanitary Leg Kit	12.00	305

Stainless Steel Watershed Free-Standing Floor Stand Kit

Use to raise free-standing enclosure. To install, drill holes in the bottom of the enclosure and bolt the floor stands to the enclosure. Each kit includes two stands. Type 304 stainless steel. Maintains UL/cUL Type 4X rating when properly installed on a Hoffman Type 4X enclosure.

Catalog Number	H (in.)	H (mm)	C (in.)	C (mm)	L (in.)	L (mm)
AFK1212SS	12.00	305	12.00	305	9.09	231
AFK1218SS	12.00	305	18.00	459	9.09	231
AFK1224SS	12.00	305	24.06	611	9.09	231



Two-Door Stainless Steel Type 4X Enclosures for Flange-Mounted Disconnects



Application

Designed to house the following flange-mounted disconnect switches and circuit breakers:

Allen-Bradley

- Bulletin 1494V disconnect switches with flange-mounted variable-depth operating mechanisms and Bulletin 1494V flange-mounted variable-depth operating mechanisms for circuit breakers
- Bulletin 140U flexible cable operating mechanisms for 140U molded case circuit breakers
- Bulletin 1494C cable-operated disconnect switches with flange-mounted handles
- Bulletin 194RC cable-operated flange-mounted handles for use with the NFPA 79 compliant 194R IEC rotary disconnect switches

Allen-Bradley Bulletin 1494V-R1, -R2, and -W2 operating handles and Allen-Bradley Bulletin 1494F disconnect devices or Bulletin 1494D circuit breaker operators will NOT fit these enclosures.

ABB Controls flange-mounted variable-depth operating mechanisms for disconnect switches and circuit breakers

Eaton Cutler-Hammer Type C361 disconnect switches and operator mechanisms, and Type C371 circuit breakers and circuit breaker operating mechanisms. Flex Shaft™ handle operators for circuit breakers.

General Electric Type STDA flange handles and variable-depth operating mechanisms for disconnect switches and circuit breakers. Also Spectra Flex™ cable operators for circuit breakers.

Siemens ITE Max-Flex™ flange-mounted variable-depth operating handle for disconnect switches and circuit breakers as well as some fixed depth operators for disconnect switches.

Schneider Square D® disconnect switches and circuit breakers used with Class 9422 flange-mounted variable-depth operating mechanisms or cable mechanisms.

These enclosures will NOT receive Class 9422 bracket-mounted disconnect devices, Class 9422TG1, or TG2 devices.

Construction

- 12 gauge stainless steel doors, sides, bottom, and top; 10 gauge stainless steel back
- Seams continuously welded and ground smooth

- Body stiffeners in larger enclosures for extra rigidity
- Body flange trough collar excludes liquids and contaminants
- Removable center posts permit easy panel installation
- Heavy-gauge continuous hinges
- Rollers on ends of latch rods for easier door closing
- Heavy-duty lifting eyes are Type 316L stainless steel
- Data pocket is high-impact thermoplastic
- 15-inch floor stands are welded to enclosure
- Seamless foam-in-place gasket provides oiltight and dusttight seal against contaminants
- Panel supports
- Collar studs provided for mounting optional panels
- Heavy-duty 3-point latching mechanism operated by Type 316L stainless steel POWERGLIDE® padlocking handle on all doors
- Master door is right-hand door on X enclosures and left-hand door on CPX enclosures
- Patented Type 316L stainless steel handle with defeater on master door
- Patented Type 316L stainless steel handle (non-defeater) on slave door
- Mechanical interlock operated by master door prevents slave door from being opened first; doors can be closed in any order.
- Preferred cutout on right flange of centerpost provides mounting for most disconnect operators
- Bonding provision on doors. Grounding studs on body.
- Accessory mounting channel provided in enclosure top

Finish

Stainless steel enclosures are unpainted. Sides and body have smooth #4 brushed finish. Optional mild steel panels are painted white. Optional conductive panels are available.

Industry Standards

UL 508A, File No. E61997: Type 3R, 4, 4X, and 12
NEMA/EEMAC: Type 3R, 4, 4X, and 12
JIC standards EGP-1-1967
CSA File No. 42186: Type 4, 4X, and 12
IEC 60529, IP66

Meets Type 3RX requirements

Patents

US 5,634,357
D 385,7683

Accessories

Blank Adapter Plate
Cooling Products
Corrosion Inhibitors
Electric Heaters
Lighting Kits
Operator Adapters
Panels
Window Kits

Ordering

Order the disconnect switch, operating handle, and operating mechanism separately. See Technical Information chapter for wire bend space available when various manufacturers' disconnect switches are installed, or Disconnect Ordering Information at hoffmanonline.com for disconnect ordering guidelines and wire bend space available. Check the enclosure dimension drawings to make sure the chosen disconnect switch will fit in the enclosure.

An operator adapter for the brand and type of disconnect switch being used must be ordered with the enclosure. See Operator Adapters in Accessories to select the proper operator adapter.

Two-Door Stainless Steel Type 4X Enclosures for Flange-Mounted Disconnects

Modification Services Program

You can customize this product to your unique requirements by specifying from these options:

- Enclosure height, width, depth
- Holes and cutouts in body, doors, subpanels
- Tapped holes in subpanels
- Fasteners, mounting channel in enclosure and subpanel
- Mounting (adds and deletes)
- Doors
- Subpanels
- Thermal management (louvers, fans, filters)
- Windows
- Standard accessories
- Drip shield

To order, contact your local Hoffman sales representative.

NOTE: For information about modifications outside the scope of the Modification Services program, contact your Hoffman sales representative.

A complete assembly consists of:

1. An enclosure
2. A panel
3. An operator adapter (see Disconnect Enclosure Accessories to select the correct operator adapter for the brand and type of disconnect being used.) Please note: door hardware is furnished with enclosure.
4. A disconnect device.

Consult the Technical Information chapter of this catalog for wire bend information and hoffmanonline.com for disconnect manufacturer information. Disconnect switch (or circuit breakers), operating handle, and operating mechanism are not furnished with enclosure.

Two-Door Stainless Steel Type 4X Enclosures for Flange-Mounted Disconnects

Standard Sizes Two-Door Stainless Steel Type 4X, 4, and I2 Enclosures with Provision for Disconnect Operator on Right Flange

Catalog Number	A x B x C in. (mm)	Panel Catalog Number	Conductive Panel Catalog Number	Panel Size D x E (in.)	Panel Size D x E (mm)
A60X4912SSLPN4	60.12 x 49.75 x 12.12 (1527 x 1264 x 308)	A60P48	A60P48G	56.00 x 44.00	1422 x 1118
A60X6112SSLPN4	60.12 x 61.75 x 12.12 (1527 x 1568 x 308)	A60P60	A60P60G	56.00 x 56.00	1422 x 1422
A72X6112SSLPN4	72.12 x 61.75 x 12.12 (1832 x 1568 x 308)	A72P60	A72P60G	68.00 x 56.00	1727 x 1422
A72X7312SSLPN4	72.12 x 73.75 x 12.12 (1832 x 1873 x 308)	A72P72	A72P72G	68.00 x 68.00	1727 x 1727
A60X4918SSLPN4	60.12 x 49.75 x 18.12 (1527 x 1264 x 460)	A60P48	A60P48G	56.00 x 44.00	1422 x 1118
A60X6118SSLPN4	60.12 x 61.75 x 18.12 (1527 x 1568 x 460)	A60P60	A60P60G	56.00 x 56.00	1422 x 1422
A72X6118SSLPN4	72.12 x 61.75 x 18.12 (1832 x 1568 x 460)	A72P60	A72P60G	68.00 x 56.00	1727 x 1422
A72X7318SSLPN4	72.12 x 73.75 x 18.12 (1832 x 1873 x 460)	A72P72	A72P72G	68.00 x 68.00	1727 x 1727
A72X7324SSLPN4	72.12 x 73.75 x 24.12 (1832 x 1873 x 613)	A72P72	A72P72G	68.00 x 68.00	1727 x 1727

Purchase panels separately.

Standard Sizes Two-Door Stainless Steel Type 4X, 4, and I2 Enclosures with Provision for Disconnect Operator on Centerpost

Catalog Number	A x B x C in. (mm)	Panel Catalog Number	Conductive Panel Catalog Number	Panel Size D x E (in.)	Panel Size D x E (mm)
A60CPX4812SSLPN4	60.12 x 48.5 x 12.12 (1527 x 1232 x 308)	A60P48	A60P48G	56.00 x 44.00	1422 x 1118
A60CPX6012SSLPN4	60.12 x 60.5 x 12.12 (1527 x 1537 x 308)	A60P60	A60P60G	56.00 x 56.00	1422 x 1422
A72CPX7212SSLPN4	72.12 x 72.5 x 12.12 (1832 x 1842 x 308)	A72P72	A72P72G	68.00 x 68.00	1727 x 1727
A72CPX7218SSLPN4	72.12 x 72.5 x 18.12 (1832 x 1842 x 460)	A72P72	A72P72G	68.00 x 68.00	1727 x 1727

Purchase panels separately.

Two-Door Stainless Steel Type 4X Enclosures for Flange-Mounted Disconnects

All 24.12-inch (613mm) and deeper enclosures using short connecting rods in the following models require a Hoffman platform assembly, catalog number ADSCPA, purchased separately.

- ABB Controls flange-operated devices
- Eaton Cutler-Hammer C361 devices
- Eaton Cutler-Hammer C371 mechanisms which use C371E, F, G, K operating mechanism
- General Electric Type TDA devices (see next paragraph for option)
- Schneider Square D® Class 9422 devices (see next paragraph for option)

The platform assembly can be omitted if long connecting rods are ordered in place of short connecting rods.

- For Eaton Cutler-Hammer operating mechanisms C371E and C371F order catalog number C371CS1 connecting rod. For C371G and C371K order catalog number C371CS2 connecting rod.
- For General Electric devices, order catalog number TDSR extended length drive rod
- For Schneider Square D devices, order catalog number 9422-R2 extra long operating rod(s). Some devices require two rods. Consult factory for space occupied on panel when platform is used.

Disconnect Mounting Space

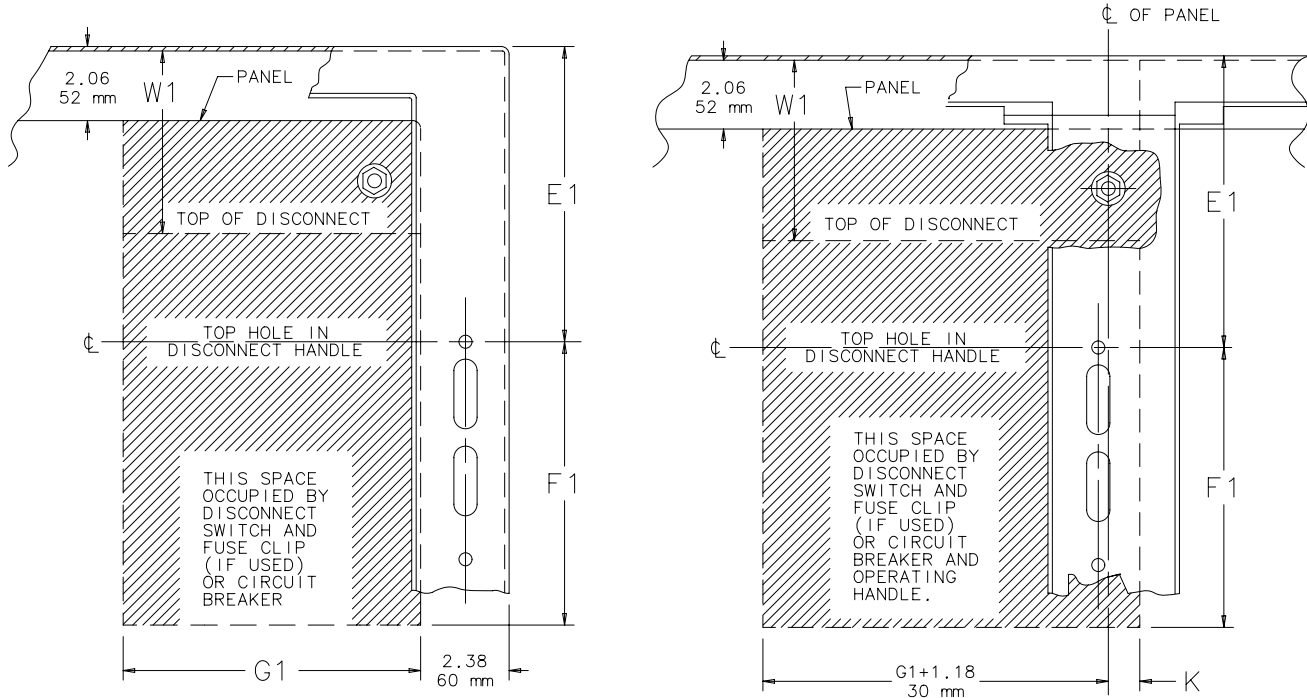
Disconnects will occupy space on panel shown by dimensions E1, F1, G1, and K. Wiring Space W1 is available when disconnect is installed in the enclosure. See the Technical Information section of this catalog for E1 Spacing by Enclosure Height for various disconnect switch manufacturers.

Refer to *National Electrical Code*®, 2005 article 430-10(b) for wiring space required for line side conductors to be connected to disconnect.

Verify your application to determine if wiring space is adequate.

Space Occupied by Disconnect

Space Occupied by Disconnect

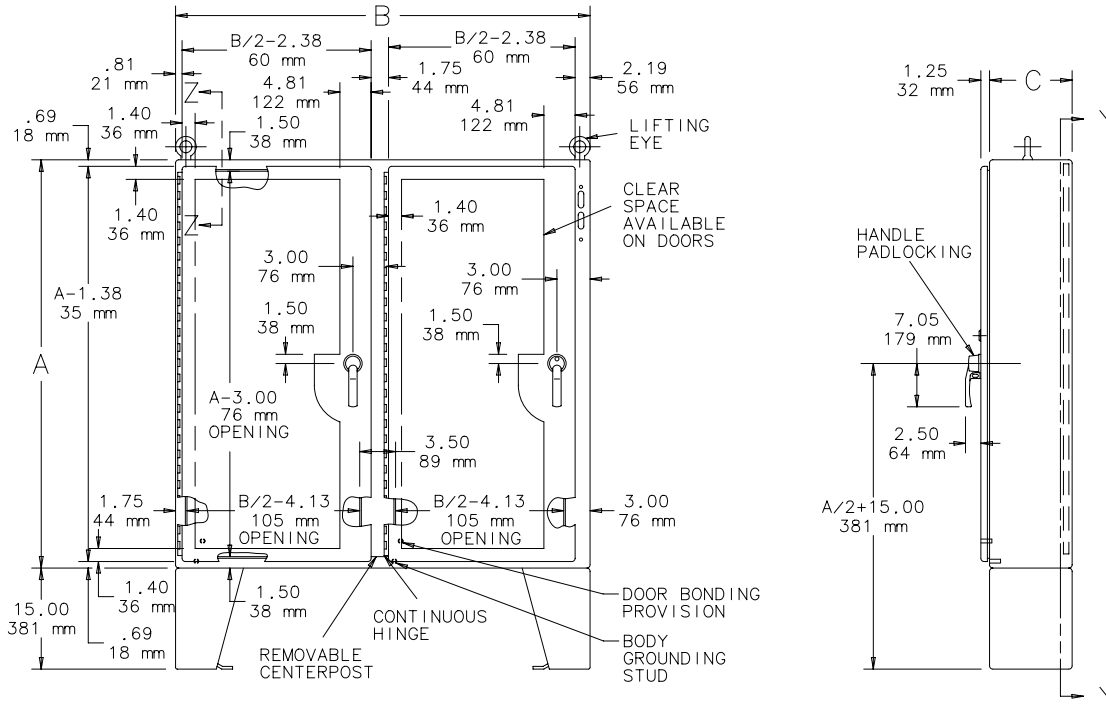


11C59193

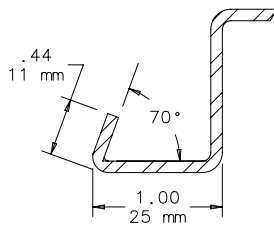
Consult disconnect manufacturer or see Disconnect Ordering Information at hoffmanonline.com for F1, G1, and W1 dimensions of various brands of disconnects.

Two-Door Stainless Steel Type 4X Enclosures for Flange-Mounted Disconnects

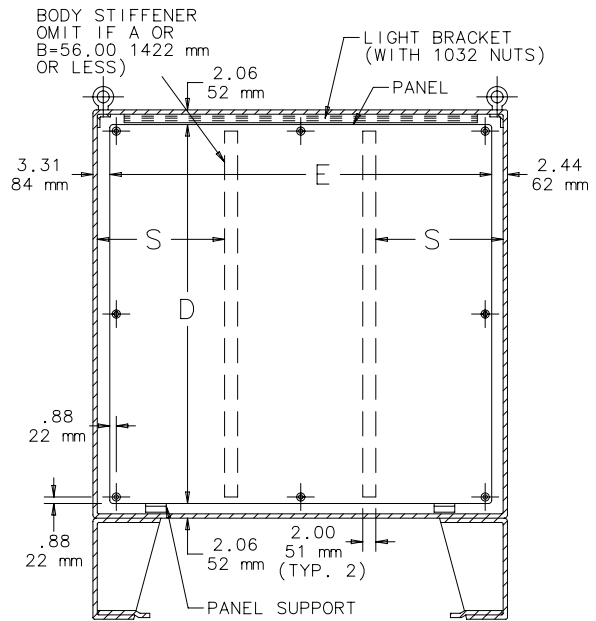
Disconnect Operator on the Right Flange Drawing



- NOTES: 1. Optional panels are 10 gauge steel. Right door is master door.
2. Right door includes removable 12.00 x 12.00 (305mm x 305mm) data pocket.



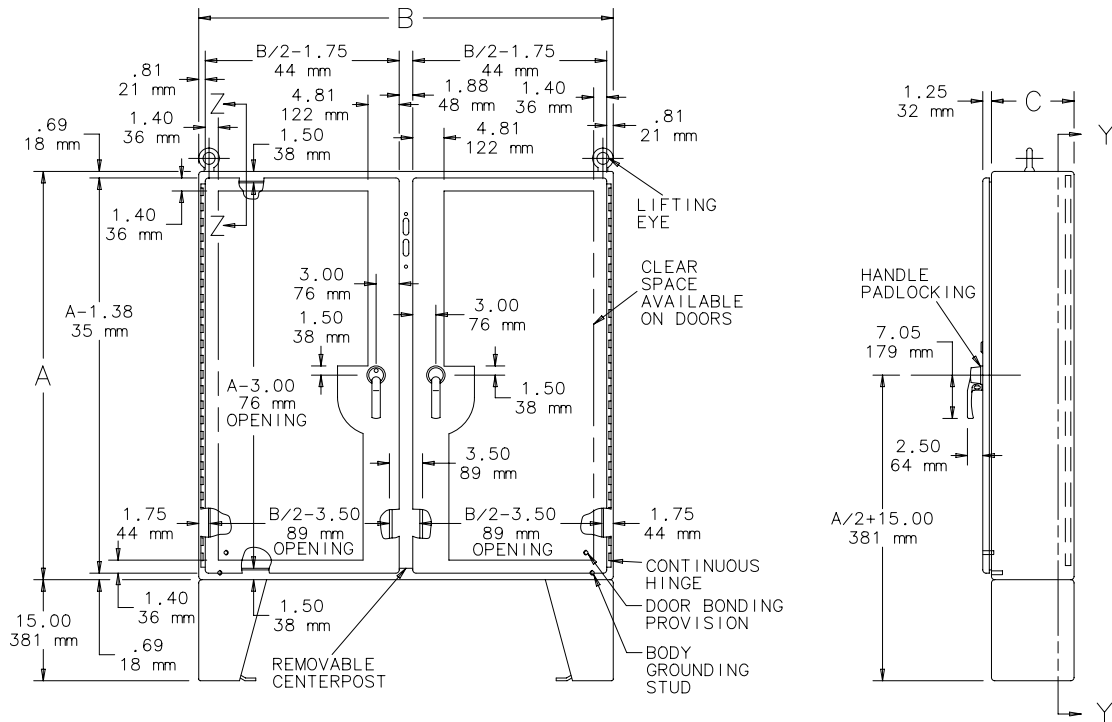
SECTION Z-Z



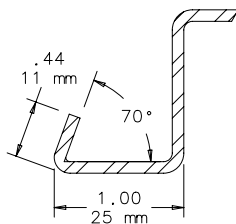
SECTION Y-Y

Two-Door Stainless Steel Type 4X Enclosures for Flange-Mounted Disconnects

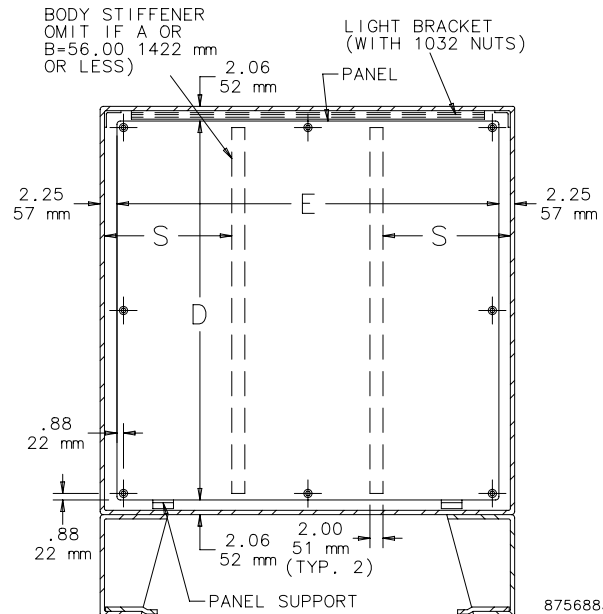
Disconnect Operator on the Centerpost Flange Drawing



- NOTES: 1. Optional panels are 10 gauge steel. Left door is master door.
2. Right door includes removable 12.00 x 12.00 (305mm x 305mm) data pocket.



SECTION Z-Z



SECTION Y-Y

87568838

Corrosion-Resistant
Enclosures

General Purpose Stainless Steel Two-Door Floor-Mounted Type 4X Disconnect Enclosures



Application

This disconnect enclosure is designed to house electronic controls and components. It provides protection from noncorrosive or mildly corrosive elements in both indoor and outdoor environments. Typical applications are in the food and beverage, packaging, water, petroleum, and chemical processing industries. Designed to house the most popular disconnect switches and circuit breakers. Designed to house the following flange-mounted disconnect switches and circuit breakers:

Allen-Bradley

- Bulletin 1494V disconnect switches with flange-mounted variable-depth operating mechanisms and Bulletin 1494V flange-mounted variable-depth operating mechanisms for circuit breakers
- Bulletin 140U flexible cable operating mechanisms for 140U molded case circuit breakers
- Bulletin 1494C cable-operated disconnect switches with flange-mounted handles
- Bulletin 194RC cable-operated flange-mounted handles for use with the NFPA 79 compliant 194R IEC rotary disconnect switches

Allen-Bradley Bulletin 1494V-R1, -R2, and -W2 operating handles and Allen-Bradley Bulletin 1494F disconnect devices or Bulletin 1494D circuit breaker operators will NOT fit these enclosures.

ABB Controls flange-mounted variable-depth operating mechanisms for disconnect switches and circuit breakers.

Eaton Cutler-Hammer Type C361 disconnect switches and operator mechanisms. Flex Shaft™ handle operators for circuit breakers.

General Electric Type STDA flange handles and variable-depth operating mechanisms for disconnect switches and circuit breakers. Also Spectra Flex™ cable operators for circuit breakers.

Siemens ITE Max-Flex™ flange-mounted variable-depth operating handle for disconnect switches and circuit breakers as well as some fixed-depth operators for disconnect switches.

Schneider Square D® disconnect switches and circuit breakers used with Class 9422 flange-mounted variable-depth operating mechanisms or cable mechanisms.

These enclosures will NOT accept Class 9422 bracket-mounted disconnect devices or Class 9422TG1 or TG2 devices.

Features

- Seams continuously welded and ground smooth
- Seamless foam-in-place one-piece gasket provides water-, oil-, and dust-tight seal against contaminants
- Heavy-duty three-point latching mechanism on each door, operated by Hoffman's black die-cast POWERGLIDE® padlocking handle. Black die-cast quarter-turn latches with slotted insert provided on the top and bottom of each door.
- Master door is far right-hand door on all enclosures
- Master door handle provided with integral screwdriver defeater
- Mechanical interlock activated by master door prevents slave door from being opened first. Doors can be closed in any order
- Concealed die-cast hinges provide 180-degree door opening and allow easy door removal and cleaning of hinge area
- Bolt-on 15-in.-high stainless steel floor stands
- Heavy-duty Type 316L stainless steel lifting eyes
- Collar studs on inside of enclosure back for optional mounting panels
- Removable centerpost for easy panel installation
- Bonding provisions on doors and ground studs on body
- No interior stiffeners to obstruct component mounting
- Provisions for mounting optional fluorescent light packages

Construction

- 14 gauge doors and 12 gauge body from Type 304 stainless steel
- 10 gauge Type 304 stainless steel back for added strength
- Flange trough collar on all four sides of door openings
- Data pocket is high-impact plastic attached with pressure-sensitive adhesive
- Preferred cutout on right-hand flange provides mounting for most disconnect operators

Finish

Stainless steel enclosures are unpainted. External surfaces finished; front, sides, top, and bottom have a #4 brushed finish. Interior welds are not finished. Optional panels have white or conductive finish.

Industry Standards

UL508A, File No. E61997; Type 3R, 4, 4X, and 12
NEMA/EEMAC: Type 3R, 4, 4X, and 12
JIC standards EGP-1-1967
cUL CSA C22.2 No.26, File No. E61997; Type 3R, 4, 4X, and 12
IEC 60529, IP66

Meets Type 3RX requirements

Accessories

Corrosion Inhibitors
Electric Heaters
Electrical Interlocks
Lighting Kits
Panel Support Kits
Panels (see table)
Window Kits

Ordering

The disconnect switch, operating handle, and operating mechanism must be ordered separately. See Technical Information in the Hoffman Specifier's Guide for wire bend space available when various manufacturers' disconnect switches are installed, or Disconnect Ordering Information at hoffmanonline.com for disconnect ordering guidelines and wire bend space available. Check the enclosure dimension drawings to make sure the chosen disconnect switch will fit in the enclosure.

General Purpose Stainless Steel Two-Door Floor-Mounted Type 4X Disconnect Enclosures

Modification Services Program

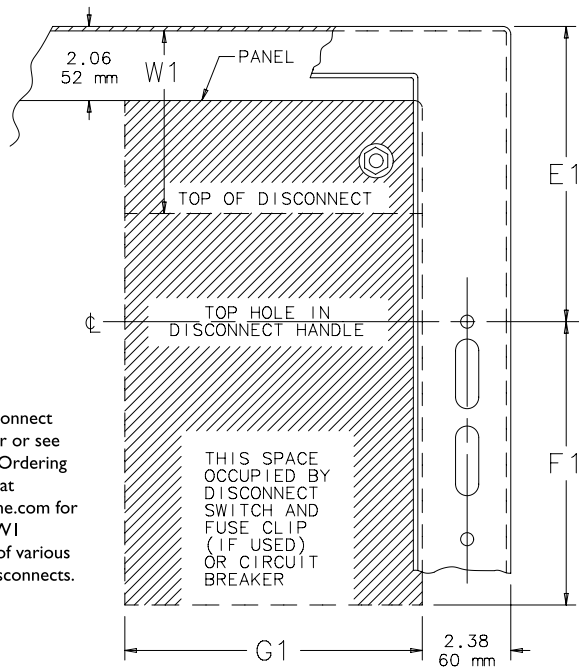
You can customize this product to your unique requirements by specifying from these options:

- Enclosure height, width, depth
- Holes and cutouts in body, doors, subpanels
- Tapped holes in subpanels
- Fasteners, mounting channel in enclosure and subpanel
- Mounting (adds and deletes)
- Doors
- Subpanels
- Thermal management (louvers, fans, filters)
- Windows
- Standard accessories
- Drip shield

To order, contact your local Hoffman sales representative.

NOTE: For information about modifications outside the scope of the Modification Services program, contact your Hoffman sales representative.

Disconnect Mounting Space Diagram



Consult disconnect manufacturer or see Disconnect Ordering Information at hoffmanonline.com for F1, G1, and W1 dimensions of various brands of disconnects.

87792440

Disconnect Mounting Space

Disconnects will occupy space on panel shown by dimensions E1, F1, and G1. Wiring space W1 is available when disconnect is installed in the enclosure.

E1 = 8.62 in. (219mm) when C = 8.00 in. (203mm)

E1 = 11.62 in. (295mm) when C = 12.00 in. (305mm)

W1 = Wiring Space. See Appendix A, Technical Information, for wire bend space.

Refer to *National Electrical Code*®, 2005 article 430.10(B) for wiring space required for line side conductors to be connected to disconnect.

Verify your application to determine if wiring space is adequate.

All 24.12-inch (613mm) and deeper enclosures using short connecting rods by the following manufacturers require a Hoffman platform assembly, catalog number ADSCPA, purchased separately.

- ABB Controls flange-operated devices
- Eaton Cutler-Hammer C361 devices
- Eaton Cutler-Hammer C371 mechanisms which use C371E, F, G, K operating mechanism (see next paragraph for option)
- General Electric Type TDA devices (see next paragraph for option)
- Schneider Square D® Class 9422 devices (see next paragraph for option)

The platform assembly can be omitted if long connecting rods are ordered in place of short connecting rods.

- For Eaton Cutler-Hammer operating mechanisms C371E and C371F order catalog number C371CS1 connecting rod. For C371G and C371K order catalog number C371CS2 connecting rod.
- For General Electric devices, order catalog number TDSR extended length drive rod
- For Schneider Square D devices, order catalog number 9422-R2 extra long operating rod(s). Some devices require two rods.

Consult factory for space occupied on panel when platform is used.

Be sure to match the disconnect device you are using with the correct enclosure size.

A complete assembly consists of:

1. An enclosure
2. A panel
3. An operator adapter (see Disconnect Enclosure Accessories to select the correct operator adapter for the brand and type of disconnect being used.) Please note: door hardware is furnished with enclosure.
4. A disconnect device.

Consult the *Technical Information* chapter of this catalog for wire bend information and hoffmanonline.com for disconnect manufacturer information. Disconnect switch (or circuit breakers), operating handle, and operating mechanism are not furnished with enclosure.

General Purpose Stainless Steel Two-Door Floor-Mounted Type 4X Disconnect Enclosures

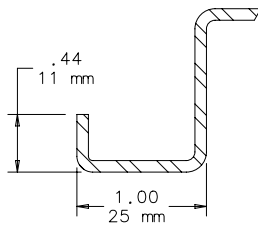
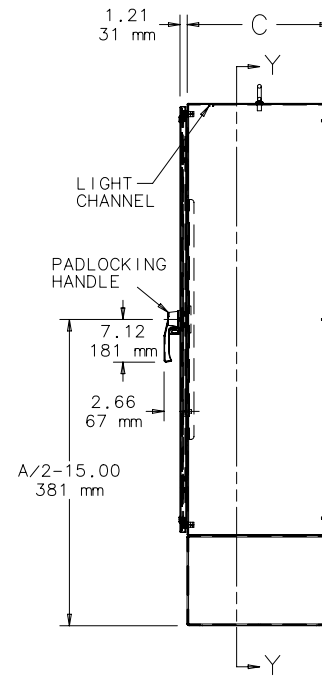
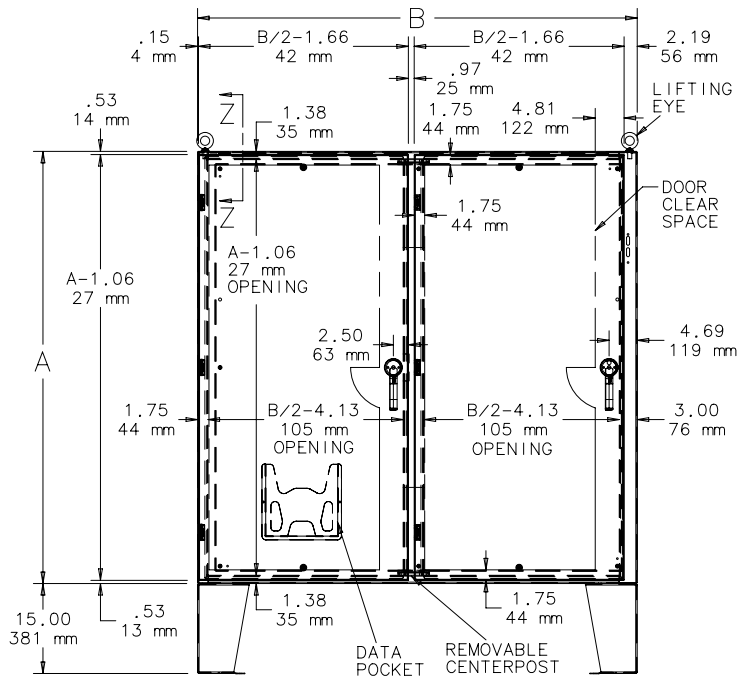
Standard Sizes General Purpose Stainless Steel Two-Door Floor-Mount Type 4X Disconnect Enclosures

Catalog Number	A x B x C in. (mm)	Panel Catalog Number	Conductive Panel Catalog Number	Panel Size D x E (in.)	Panel Size D x E (mm)	Number of 1/4-turn Latches
A60HX4912SSLPQT	60.06 x 49.31 x 12.06 (1526 x 1253 x 306)	A60P48	A60P48G	56.00 x 44.00	1422 x 1118	4
A60HX6112SSLPQT	60.06 x 61.31 x 12.06 (1526 x 1557 x 306)	A60P60	A60P60G	56.00 x 56.00	1422 x 1422	4
A72HX6112SSLPQT	72.06 x 61.31 x 12.06 (1830 x 1557 x 306)	A72P60	A72P60G	68.00 x 56.00	1727 x 1422	4
A72HX7312SSLPQT	72.06 x 73.31 x 12.06 (1830 x 1862 x 306)	A72P72	A72P72G	68.00 x 68.00	1727 x 1727	4
A60HX4918SSLPQT	60.06 x 49.31 x 18.06 (1526 x 1253 x 459)	A60P48	A60P48G	56.00 x 44.00	1422 x 1118	4
A60HX6118SSLPQT	60.06 x 61.31 x 18.06 (1526 x 1557 x 459)	A60P60	A60P60G	56.00 x 56.00	1422 x 1422	4
A72HX6118SSLPQT	72.06 x 61.31 x 18.06 (1830 x 1557 x 459)	A72P60	A72P60G	68.00 x 56.00	1727 x 1422	4
A72HX7318SSLPQT	72.06 x 73.31 x 18.06 (1830 x 1862 x 459)	A72P72	A72P72G	68.00 x 68.00	1727 x 1727	4
A72HX7324SSLPQT	72.06 x 73.31 x 24.06 (1830 x 1862 x 611)	A72P72	A72P72G	68.00 x 68.00	1727 x 1727	4

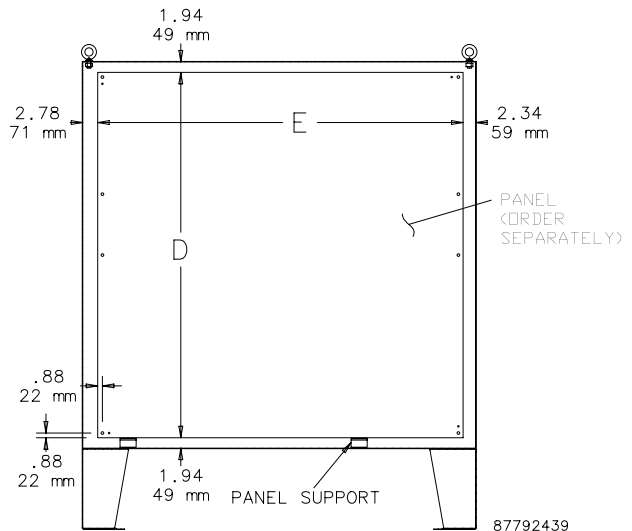
Purchase panels separately

General Purpose Stainless Steel Two-Door Floor-Mounted Type 4X Disconnect Enclosures

Corrosion-Resistant
Enclosures



SECTION Z-Z



SECTION Y-Y

Stainless Steel Heavy-Duty Free-Standing Type 4X Enclosures for Flange-Mounted Disconnects



Application

Designed to house the following flange-mounted disconnect switches and circuit breakers:

Allen-Bradley

- Bulletin 1494V disconnect switches with flange-mounted variable-depth operating mechanisms and Bulletin 1494V flange-mounted variable-depth operating mechanisms for circuit breakers
- Bulletin 140U flexible cable operating mechanisms for 140U molded case circuit breakers
- Bulletin 1494C cable-operated disconnect switches with flange-mounted handles
- Bulletin 194RC cable-operated flange-mounted handles for use with the NFPA 79 compliant 194R IEC rotary disconnect switches

Allen-Bradley Bulletin 1494V-R1, -R2, and -W2 operating handles and Allen-Bradley Bulletin 1494F disconnect devices or Bulletin 1494D circuit breaker operators will NOT fit these enclosures.

ABB Controls flange-mounted variable-depth operating mechanisms for disconnect switches and circuit breakers.

Eaton Cutler-Hammer Type C361 disconnect switches and operator mechanisms. Flex Shaft™ handle operators for circuit breakers.

General Electric Type STDA flange handles and variable-depth operating mechanisms for disconnect switches and circuit breakers. Also Spectra Flex™ cable operators for circuit breakers.

Siemens ITE Max-Flex™ flange-mounted variable-depth operating handle for disconnect switches and circuit breakers as well as some fixed-depth operators for disconnect switches.

Schneider Square D® disconnect switches and circuit breakers used with Class 9422 flange-mounted variable-depth operating mechanisms or cable mechanisms. These enclosures will NOT receive Class 9422 bracket-mounted disconnect devices or Class 9422TG1 or TG2 devices.

Construction

- 12 gauge stainless steel doors, sides, bottom, and top; 10 gauge stainless steel back
- Seams continuously welded and ground smooth
- Body stiffeners in larger enclosures for extra rigidity
- Body flange trough collar excludes liquids and contaminants
- Heavy-duty lifting eyes anchor into reinforced top
- Removable centerposts permit easy panel installation
- Heavy-gauge continuous hinges
- Heavy-duty 3-point latching mechanism operated by Type 316L stainless steel POWERGLIDE® padlocking handle on all doors
- Ends of latch rods have rollers for easier door closing

- Panel supports
- Data pocket is high-impact thermoplastic
- Seamless foam-in-place gasket provides oiltight and dusttight seal against contaminants
- Removable 10 gauge steel panels mount on collar studs
- Primary door is far right-hand door on all enclosures
- Patented Type 316L stainless steel handle with defeater on primary door
- Patented Type 316L stainless steel handle (non-defeater) on subordinate door
- Mechanical interlock activated by primary door prevents subordinate doors from being opened first. Doors can be closed in any order.
- Preferred cutout on right flange provides mounting for most disconnect operators
- Bonding provision on doors. Grounding studs on body.
- Accessory mounting channel provided in enclosure top

Finish

Stainless steel enclosures are unpainted. Sides and body have smooth #4 brushed finish. White mild steel panels are furnished with enclosure. Optional conductive panels are available.

Industry Standards

UL 508A, File No. E61997: Type 3R, 4, 4X, and 12
NEMA/EEMAC Type 3R, Type 4, 4X, and 12
JIC standards EGP-1-1967 and EMP-1-1967
CSA File No. 42186: Type 4, 4X, and 12
IEC 60529, IP66

Meets Type 3RX requirements

Patents

US 5,634,357
D 385,7683

Accessories

Blank Adapter Plate
Corrosion Inhibitors
Electric Heater
Cooling Products
Floor Stand Kits
Lighting Kits
Operator Adapters
Panels
Window Kits

A complete assembly consists of:

1. An enclosure
2. A panel
3. An operator adapter (see Disconnect Enclosure Accessories to select the correct operator adapter for the brand and type of disconnect being used.) Please note: door hardware is furnished with enclosure.
4. A disconnect device.

Consult the Technical Information chapter of this catalog for wire bend information and hoffmanonline.com for disconnect manufacturer information. Disconnect switch (or circuit breakers), operating handle, and operating mechanism are not furnished with enclosure.

Ordering

Consult Space Occupied by Disconnect drawing to determine whether the disconnect device you are using will fit the enclosure size you have selected.

Stainless Steel Heavy-Duty Free-Standing Type 4X Enclosures for Flange-Mounted Disconnects

Rev. A 10/07

Modification Services Program

You can customize this product to your unique requirements by specifying from these options:

- Enclosure height, width, depth
- Holes and cutouts in body, doors, subpanels
- Tapped holes in subpanels
- Fasteners, mounting channel in enclosure and subpanel
- Mounting (adds and deletes)
- Doors

- Subpanels
- Thermal management (louvers, fans, filters)
- Windows
- Standard accessories
- Drip shield

To order, contact your local Hoffman sales representative.

NOTE: For information about modifications outside the scope of the Modification Services program, contact your Hoffman sales representative.

Corrosion-Resistant Enclosures

Standard Sizes Stainless Steel Heavy-Duty Free-Standing Type 4X Single-Door Enclosures for Flange-Mounted Disconnects

Catalog Number	A x B x C in. (mm)	Panel Catalog Number	Conductive Panel Catalog Number	Panel Size (in.)	Panel Size (mm)
A72XM2818SSN4	72.12 x 28.25 x 18.12 (1832 x 718 x 460)	A72PM28	A72PM28G	60.00 x 21.75	1524 x 552
A72XM3418SSN4	72.12 x 34.25 x 18.12 (1832 x 870 x 460)	A72PM34	A72PM34G	60.00 x 27.75	1524 x 705
A72XM4018SSN4	72.12 x 40.25 x 18.12 (1832 x 1022 x 460)	A72PM40	A72PM40G	60.00 x 33.75	1524 x 857
A84XM4018SSN4	84.12 x 40.25 x 18.12 (2137 x 1022 x 460)	A84PM40	A84PM40G	72.00 x 33.75	1829 x 857
A90XM4018SSN4	90.12 x 40.25 x 18.12 (2289 x 1022 x 460)	A90PM40	A90PM40G	78.00 x 33.75	1981 x 857
A90XM4020SSN4	90.12 x 40.25 x 20.12 (2289 x 1022 x 511)	A90PM40	A90PM40G	78.00 x 33.75	1981 x 857
A84XM4024SSN4	84.12 x 40.25 x 24.12 (2137 x 1022 x 613)	A84PM40	A84PM40G	72.00 x 33.75	1829 x 857
A90XM4024SSN4	90.12 x 40.25 x 24.12 (2289 x 1022 x 613)	A90PM40	A90PM40G	78.00 x 33.75	1981 x 857

White mild steel panels are furnished with enclosures. Purchase conductive panels separately.

Standard Sizes Stainless Steel Heavy-Duty Free-Standing Type 4X Two-Door Enclosures for Flange-Mounted Disconnects

Catalog Number	A x B x C in. (mm)	Panel Catalog Number	Conductive Panel Catalog Number	Panel Size (in.)	Panel Size (mm)
A72XM5418SSN4	72.12 x 54.50 x 18.12 (1832 x 1384 x 460)	A72PM54	A72PM54G	60.00 x 48.00	1524 x 1219
A72XM6618SSN4	72.12 x 66.50 x 18.12 (1832 x 1689 x 460)	A72PM66	A72PM66G	60.00 x 60.00	1524 x 1524
A72XM7818SSN4	72.12 x 78.50 x 18.12 (1832 x 1994 x 460)	A72PM78	A72PM78G	60.00 x 72.00	1524 x 1829
A84XM7818SSN4	84.12 x 78.50 x 18.12 (2137 x 1994 x 460)	A84PM78	A84PM78G	72.00 x 72.00	1829 x 1829
A90XM7818SSN4	90.12 x 78.50 x 18.12 (2289 x 1994 x 460)	A90PM78	A90PM78G	78.00 x 72.00	1981 x 1829
A90XM7820SSN4	90.12 x 78.50 x 20.12 (2289 x 1994 x 511)	A90PM78	A90PM78G	78.00 x 72.00	1981 x 1829
A72XM7824SSN4	72.12 x 78.50 x 24.12 (1832 x 1994 x 613)	A72PM78	A72PM78G	60.00 x 72.00	1524 x 1829
A84XM7824SSN4	84.12 x 78.50 x 24.12 (2137 x 1994 x 613)	A84PM78	A84PM78G	72.00 x 72.00	1829 x 1829
A90XM7824SSN4	90.12 x 78.50 x 24.12 (2289 x 1994 x 613)	A90PM78	A90PM78G	78.00 x 72.00	1981 x 1829

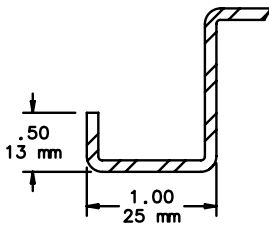
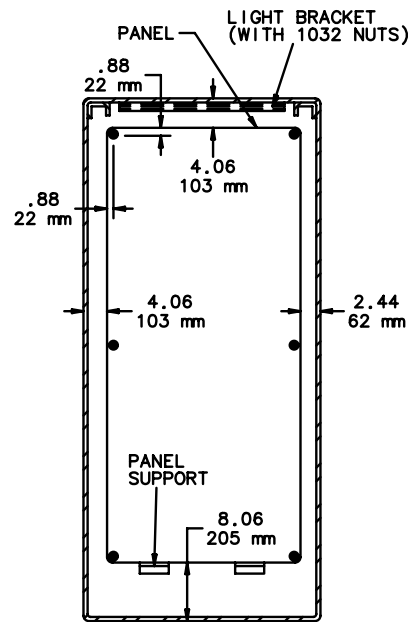
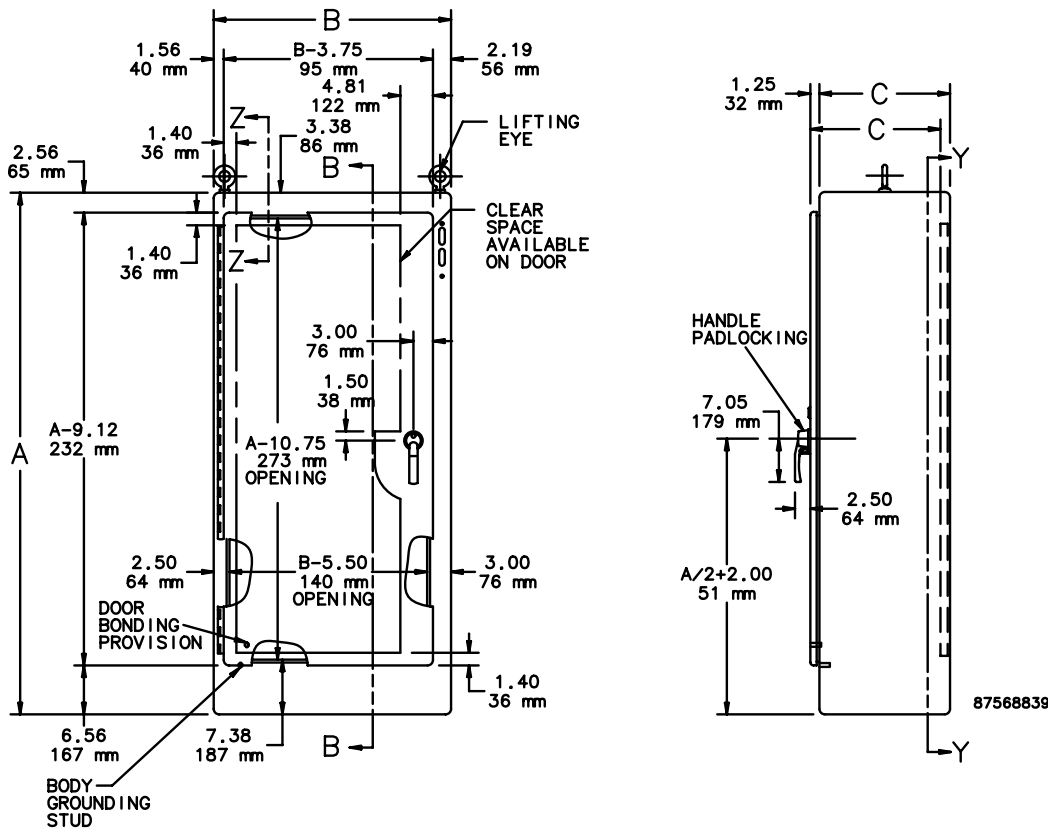
White mild steel panels are furnished with enclosures. Purchase conductive panels separately.

Standard Sizes Stainless Steel Heavy-Duty Free-Standing Type 4X Three-Door Enclosures for Flange-Mounted Disconnects

Catalog Number	A x B x C in. (mm)	Large Panel Catalog No.	Conductive Large Panel Catalog No.	No. () and Size of Panels (in.)	No. () and Size of Panels (mm)	Small Panel Catalog No.	Conductive Small Panel Catalog No.	No. () and Size of Panels (in.)	No. () and Size of Panels (mm)
A72XM3E018SSN4	72.12x100.75x18.12 (1832x2559x460mm)	A72PM66	A72PM66G	(1) 60.00 x 60.00	(1) 1524 x 1524	A72PM34	A72PM34G	(1) 60.00 x 27.75	(1) 1524 x 705
A72XM3E18SSN4	72.12x118.75x18.12 (1832x3016x460mm)	A72PM78	A72PM78G	(1) 60.00 x 72.00	(1) 1524 x 1829	A72PM40	A72PM40G	(1) 60.00 x 33.75	(1) 1524 x 857
A84XM3E18SSN4	84.12x118.75x18.12 (2137x3016x460mm)	A84PM78	A84PM78G	(1) 72.00 x 72.00	(1) 1829 x 1829	A84PM40	A84PM40G	(1) 72.00 x 33.75	(1) 1829 x 857
A84XM3E24SSN4	84.12x118.75x24.12 (2137x3016x613mm)	A84PM78	A84PM78G	(1) 72.00 x 72.00	(1) 1829 x 1829	A84PM40	A84PM40G	(1) 72.00 x 33.75	(1) 1829 x 857
A90XM3E24SSN4	90.12x118.75x24.12 (2289x3016x613mm)	A90PM78	A90PM78G	(1) 78.00 x 72.00	(1) 1981 x 1829	A90PM40	A90PM40G	(1) 78.00 x 33.75	(1) 1981 x 857

White mild steel panels are furnished with enclosures. Purchase conductive panels separately.

Stainless Steel Heavy-Duty Free-Standing Type 4X Enclosures for Flange-Mounted Disconnects

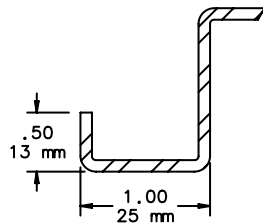
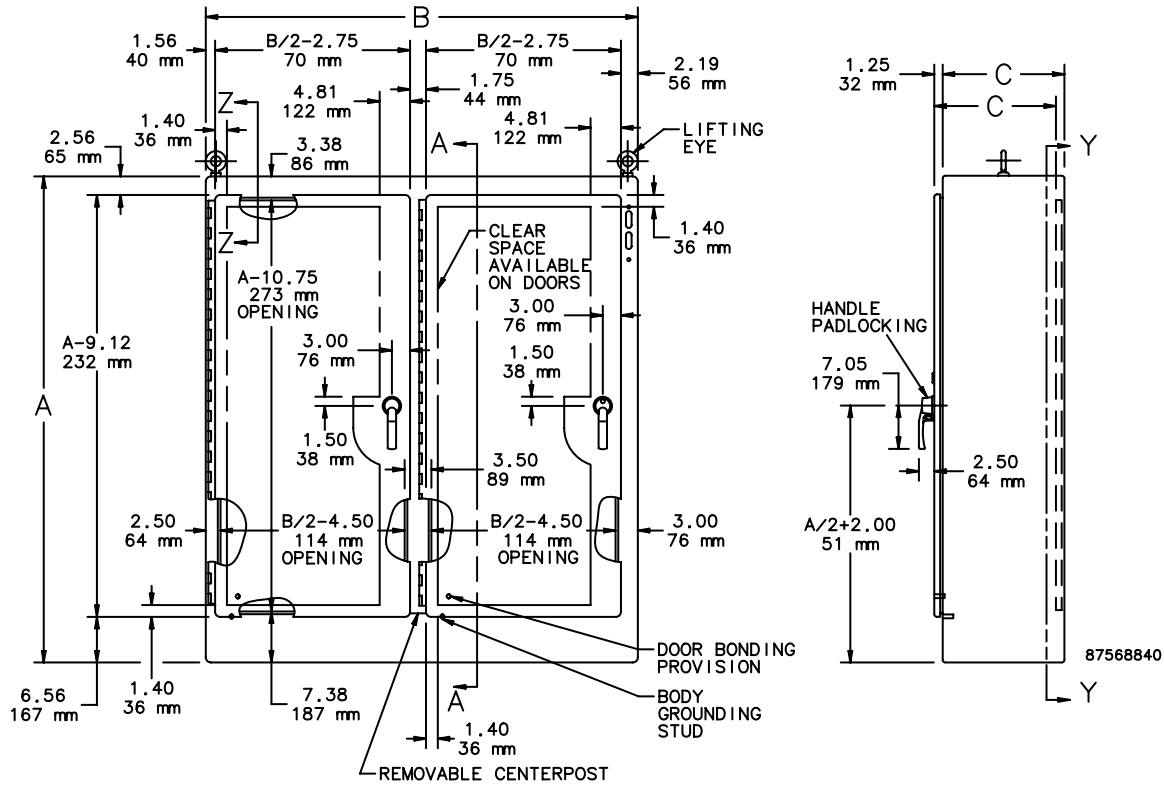


SECTION Z-Z

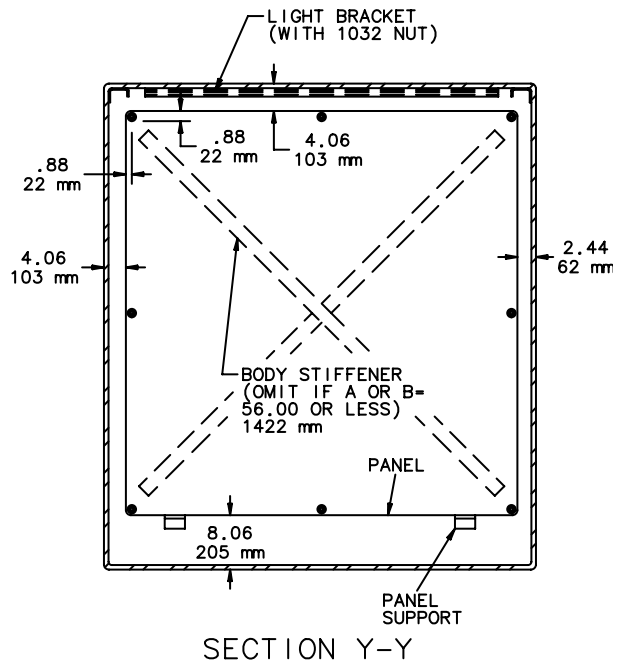
SECTION Y-Y

Stainless Steel Heavy-Duty Free-Standing Type 4X Enclosures for Flange-Mounted Disconnects

Corrosion-Resistant
Enclosures

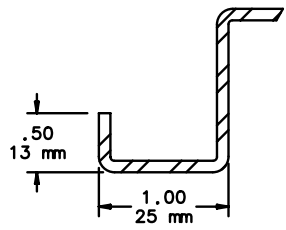
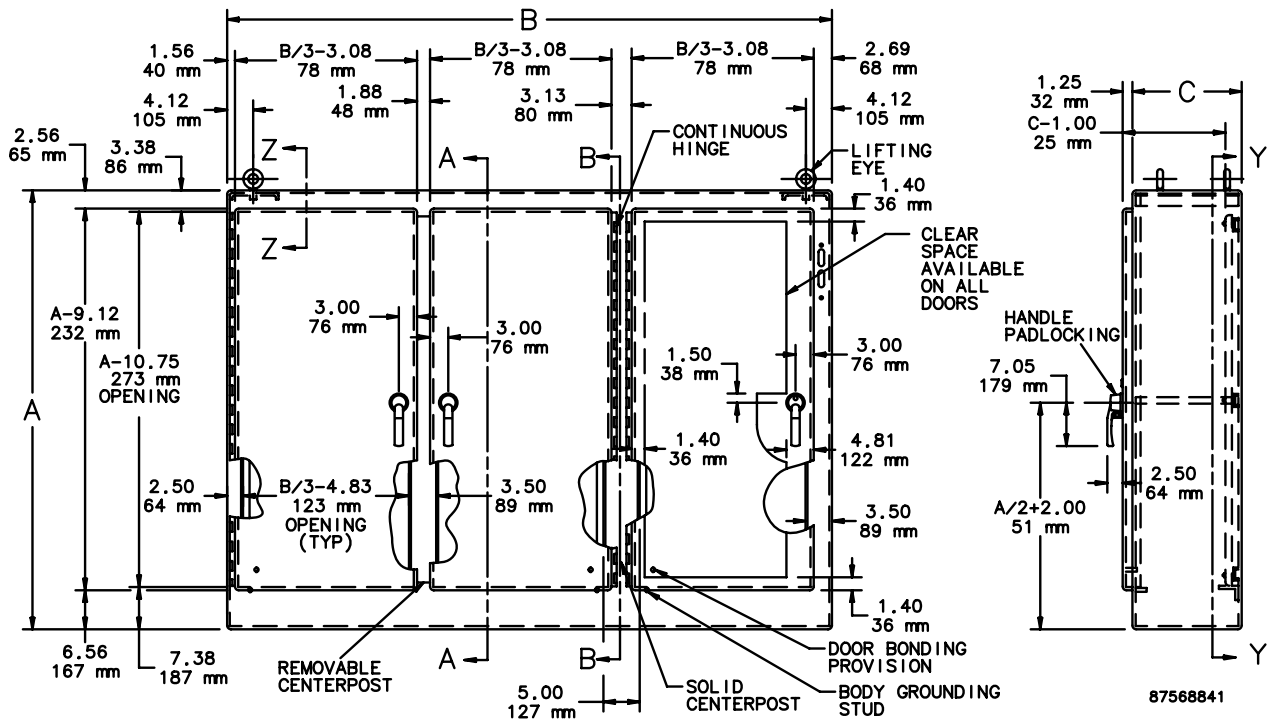


SECTION Z-Z

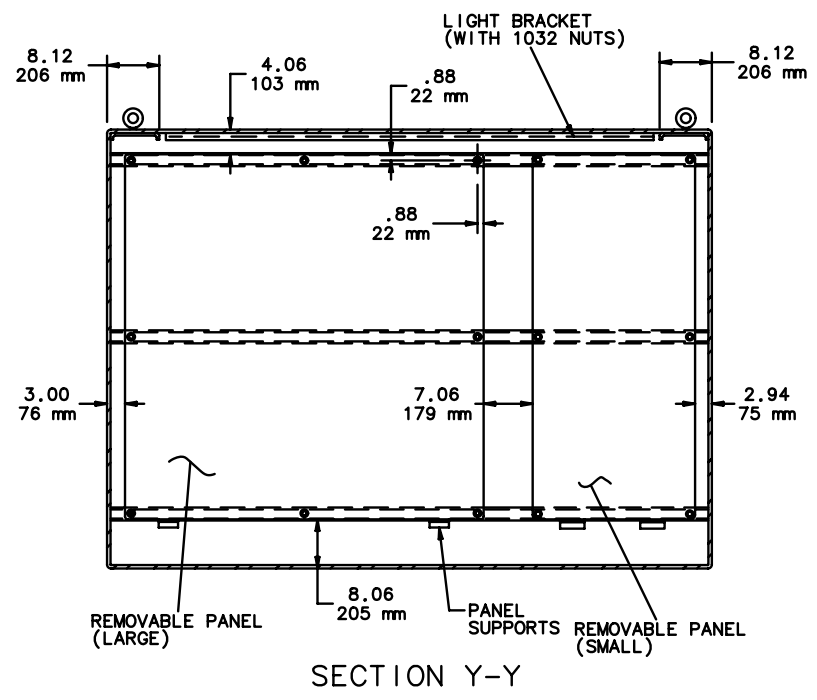


SECTION Y-Y

Stainless Steel Heavy-Duty Free-Standing Type 4X Enclosures for Flange-Mounted Disconnects



SECTION Z-Z



SECTION Y-Y

Stainless Steel Heavy-Duty Free-Standing Type 4X Enclosures for Flange-Mounted Disconnects

Corrosion-Resistant Enclosures

Disconnect Mounting Space

Disconnects will occupy space on panel shown by dimensions EI, F, and GI in the diagram. Wiring space WI is available when disconnect is installed in the enclosure.

See the Technical Information section for EI Spacing by Enclosure Height for various disconnect switch manufacturers.

Refer to *National Electrical Code*®, 2005 article 430-10(b) for wiring space required for line side conductors to be connected to disconnect.

Verify your application to determine if wiring space is adequate.

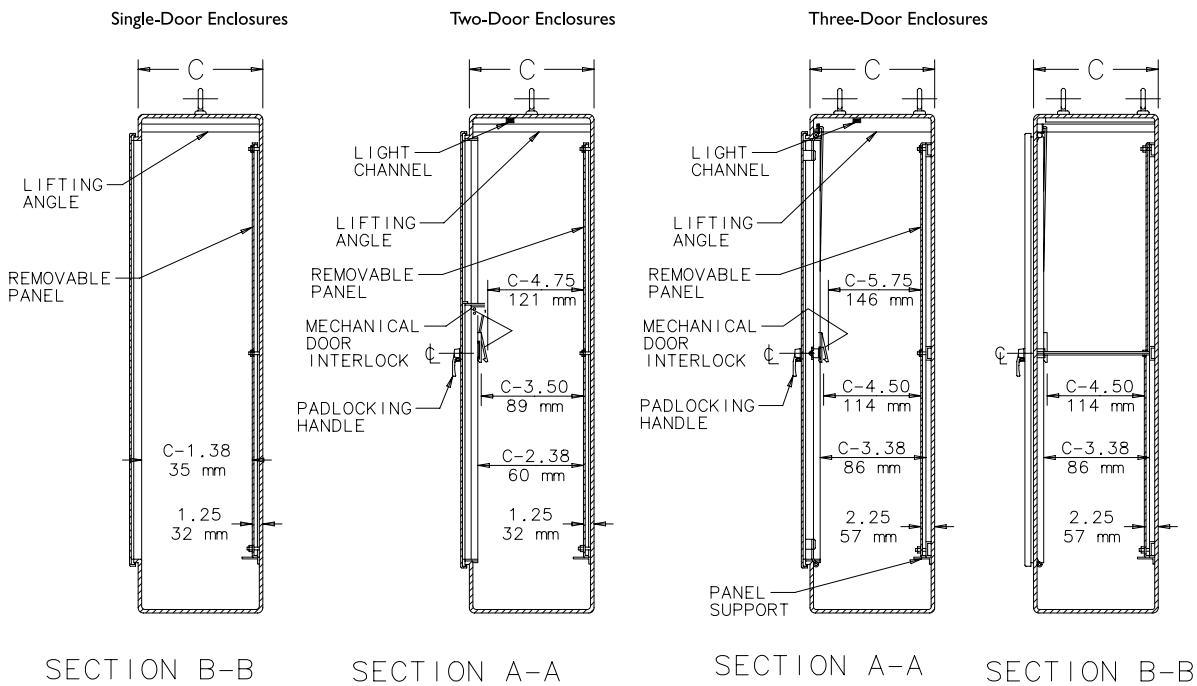
All 24.12-inch (613mm) and deeper enclosures using short connecting rods in the following models require a Hoffman platform assembly, catalog number ADSCPA, purchased separately.

- ABB Controls flange-operated devices
- Eaton Cutler-Hammer C361 devices

- Eaton Cutler-Hammer C371 mechanisms which use C371E, F, G, K operating mechanism
- General Electric Type TDA devices (see next paragraph for option)
- Schneider Square D® Class 9422 devices (see next paragraph for option)

The platform assembly can be omitted if long connecting rods are ordered in place of short connecting rods.

- For Eaton Cutler-Hammer operating mechanisms C371E and C371F order catalog number C371CSI connecting rod. For C371G and C371K order catalog number C371CS2 connecting rod.
- For General Electric devices, order catalog number TDSR extended length drive rod
- For Schneider Square D devices, order catalog number 9422-R2 extra long operating rod(s). Some devices require two rods. Consult factory for space occupied on panel when platform is used.

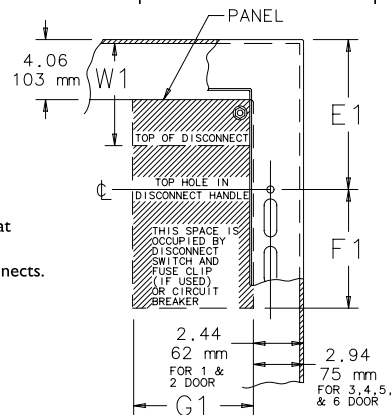


Space behind removable centerpost

Space behind removable centerpost

Space behind solid centerpost

Consult disconnect manufacturer or see Disconnect Ordering Information at hoffmanonline.com for FI, GI, and WI dimensions of various brands of disconnects.



11C59198

Watershed® Free-Standing Disconnect Enclosures



Application

The Hoffman Watershed stainless steel free-standing disconnect enclosure, with its unique design and type 4X rating, is a perfect fit for mounting electrical or high-tech electronic equipment in settings such as sanitary washdown production environments, petrochemical plants, pulp and paper facilities, and water treatment plants. Designed to house the following flange-mounted disconnect switches and circuit breakers:

Allen-Bradley

- Bulletin 1494V disconnect switches with flange-mounted variable-depth operating mechanisms and Bulletin 1494V flange-mounted variable-depth operating mechanisms for circuit breakers
- Bulletin 140U flexible cable operating mechanisms for 140U molded case circuit breakers
- Bulletin 1494C cable-operated disconnect switches with flange-mounted handles
- Bulletin 194RC cable-operated flange-mounted handles for use with the NFPA 79 compliant 194R IEC rotary disconnect switches

Allen-Bradley Bulletin 1494V-R1, -R2, and -W2 operating handles and Allen-Bradley Bulletin 1494F disconnect devices or Bulletin 1494D circuit breaker operators will NOT fit these enclosures.

ABB Controls flange-mounted variable-depth operating mechanisms for disconnect switches and circuit breakers.

Eaton Cutler-Hammer Type C361 disconnect switches and operator mechanisms. Flex Shaft™ handle operators for circuit breakers.

General Electric Type STDA flange handles and variable-depth operating mechanisms for disconnect switches and circuit breakers. Also Spectra Flex™ cable operators for circuit breakers.

Siemens ITE Max-Flex™ flange-mounted variable-depth operating handle for disconnect switches and circuit breakers as well as some fixed-depth operators for disconnect switches.

Schneider Square D® disconnect switches and circuit breakers used with Class 9422 flange-mounted variable-depth operating mechanisms or cable mechanisms.

These enclosures will NOT receive Class 9422 bracket-mounted disconnect devices or Class 9422TG1 or TG2 devices.

Construction

- Manufactured from 12 gauge Type 304 stainless steel; back is 10 gauge
- Seams continuously welded and ground smooth
- Smooth Type 304 stainless steel lift-off bullet-style hinges
- Hinges are shielded by door edges
- Hinged side of door has provisions to allow direct flushing of hinge area
- 20-degree sloped top facilitates runoff of water and cleaning solutions and prohibits placement of objects on top of enclosure
- 170-degree door opening
- Door edges are sloped 20 degrees at top and bottom edges to facilitate runoff
- Slanted flange trough collar prohibits pooling of fluids along the top edge of the enclosure opening
- Heavy-duty three-point latching mechanism operated by a Type 316L stainless steel POWERGLIDE® padlocking handle on all doors
- Master door has patented POWERGLIDE handle with integral screwdriver defeater
- Mechanical interlock activated by master door prevents slave doors from being opened first. Doors can be closed in any order.
- Master door is far right-hand door on all enclosures
- Seamless foam-in-place one-piece gasket provides an airtight, watertight, and dusttight seal against contaminants
- Bonding provision on door. Grounding stud on body.
- Accessory mounting channel provided in enclosure top
- Heavy-duty lifting eyes are Type 316 stainless steel
- Removable centerpost permits easy panel installation
- Panel studs accept optional NEMA-size panels
- Preferred cutout on right flange provides mounting for most disconnect operators
- Mounting holes in bottom of enclosure for direct mounting or for optional sanitary legs or stainless steel floor stands
- Furnished hardware kit consists of panel mounting nuts, grounding hardware, and hole seals for bottom mounting holes
- Ends of latch rods have rollers for easier

Finish

Stainless steel enclosures are unpainted. External surfaces have a #4 brushed finish. Optional mild steel panels are painted white. Optional conductive panels are available.

Industry Standards

NSF Criteria C-2
UL 508A, File Number E61997: Type 3, 3R, 4, 4X, and I2
cUL C22.2 No. 26, File Number E61997: Type 3R, 4, 4X, and I2
NEMA/EEMAC: Type 3R, 4, 4X, and I2
IEC 60529, IP66

Meets Type 3RX requirements

Patents

US 5,634,357
Other patents pending

Accessories

Floor Stand Kit
Panels
Preferred Operator Adapter Kit
Sanitary Leg Kit

Watershed® Free-Standing Disconnect Enclosures

A complete assembly consists of:

1. An enclosure
2. A panel
3. An operator adapter (see Disconnect Enclosure Accessories to select the correct operator adapter for the brand and type of disconnect being used.) Please note: door hardware is furnished with enclosure.
4. A disconnect device.

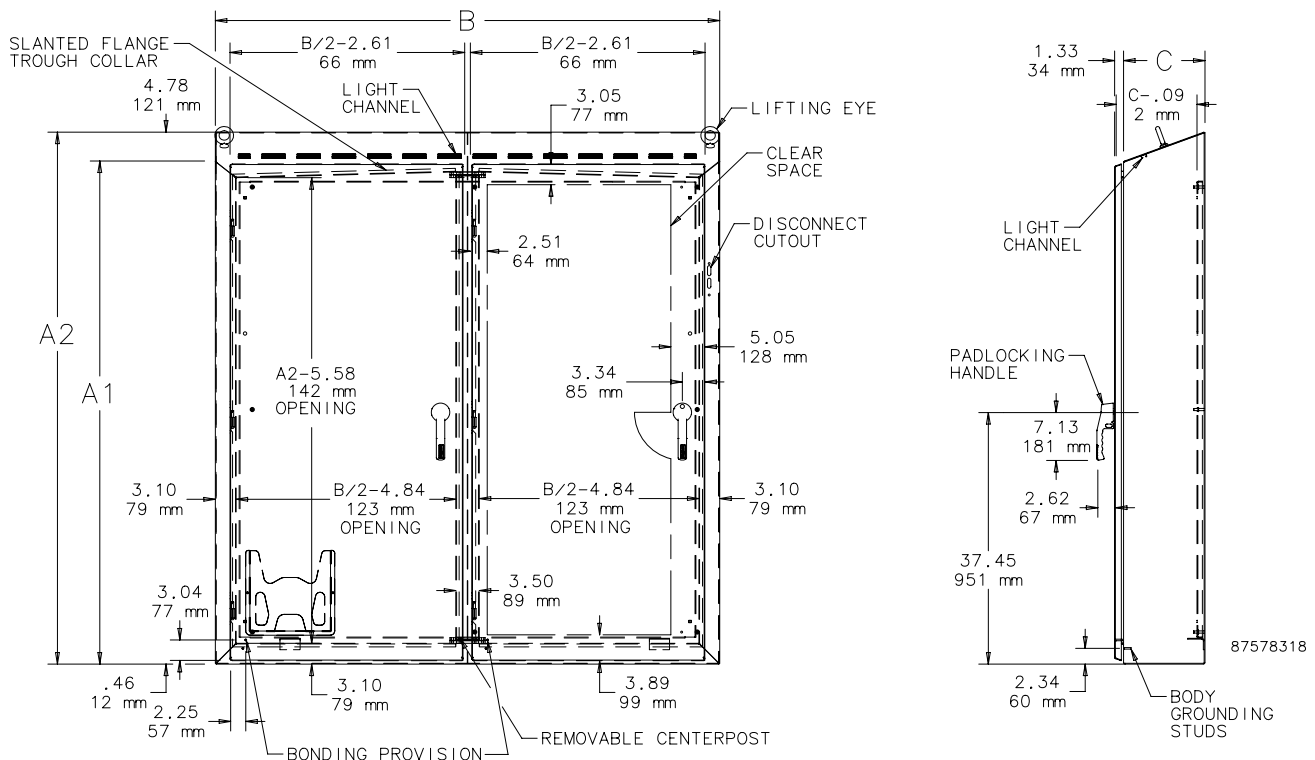
Consult the Technical Information chapter of this catalog for wire bend information and hoffmanonline.com for disconnect manufacturer information. Disconnect switch (or circuit breakers), operating handle, and operating mechanism are not furnished with enclosure.

Corrosion-Resistant Enclosures

Standard Sizes Watershed Free-Standing Disconnect Enclosures

Catalog Number	Nominal Dimensions A x B x C in. (mm)	A1=Front (in.)	A1=Front (mm)	A2=Back (in.)	A2=Back (mm)	B=Width (in.)	B=Width (mm)	C=Depth (in.)	C=Depth (mm)	Panel Catalog Number	Conductive Panel Catalog Number
WS62XM5112SS	62.00 x 51.00 x 12.00 (1575 x 1295 x 305)	62.81	1595	67.20	1707	51.09	1298	12.12	308	A60P48	A60P48G
WS62XM5118SS	62.00 x 51.00 x 18.00 (1575 x 1295 x 457)	62.81	1595	67.20	1707	51.09	1298	18.12	460	A60P48	A60P48G
WS62XM6312SS	62.00 x 63.00 x 12.00 (1575 x 1600 x 305)	62.81	1595	67.20	1707	63.09	1602	12.12	305	A60P60	A60P60G
WS62XM6318SS	62.00 x 63.00 x 18.00 (1575 x 1602 x 457)	62.81	1595	67.20	1707	63.09	1602	18.12	460	A60P60	A60P60G
WS74XM6312SS	74.00 x 63.00 x 12.00 (1880 x 1600 x 305)	74.81	1900	79.20	2012	63.09	1602	12.12	305	A72P60	A72P60G
WS74XM6318SS	74.00 x 63.00 x 18.00 (1880 x 1600 x 457)	74.81	1900	81.38	2067	63.09	1602	18.12	460	A72P60	A72P60G
WS74XM7512SS	74.00 x 75.00 x 12.00 (1880 x 1905 x 305)	74.81	1900	79.20	2012	75.09	1907	12.12	305	A72P72	A72P72G
WS74XM7518SS	74.00 x 75.00 x 18.00 (1880 x 1905 x 457)	74.81	1900	81.38	2067	75.09	1907	18.12	460	A72P72	A72P72G
WS74XM7524SS	74.00 x 75.00 x 24.00 (1880 x 1905 x 610)	74.81	1900	83.57	2123	75.09	1907	24.12	613	A72P72	A72P72G

Purchase panels separately.



Watershed® Free-Standing Disconnect Enclosures

All 24.12-inch (613mm) and deeper enclosures using short connecting rods by the following manufacturers require a Hoffman platform assembly, catalog number ADSCPA, purchased separately.

- ABB Controls flange-operated devices
- Eaton Cutler-Hammer C361 devices
- Eaton Cutler-Hammer C371 mechanisms which use C371E, F, G, K operating mechanism (see next paragraph for option)
- General Electric Type TDA devices (see next paragraph for option)
- Schneider Square D® Class 9422 devices (see next paragraph for option)

The platform assembly can be omitted if long connecting rods are ordered in place of short connecting rods.

- For Eaton Cutler-Hammer operating mechanisms C371E and C371F order catalog number C371CS1 connecting rod. For C371G and C371K order catalog number C371CS2 connecting rod.
- For General Electric devices, order catalog number TDSR extended length drive rod
- For Schneider Square D devices, order catalog number 9422-R2 extra long operating rod(s). Some devices require two rods. Consult factory for space occupied on panel when platform is used.

Disconnect Mounting Space

Disconnects will occupy space on panel shown by dimensions E1, F1, and G1 in diagram. Wiring space W1 is available when disconnect is installed in the enclosure.

E1 = 8.62 in. (219mm) when C = 8.00 in. (203mm)

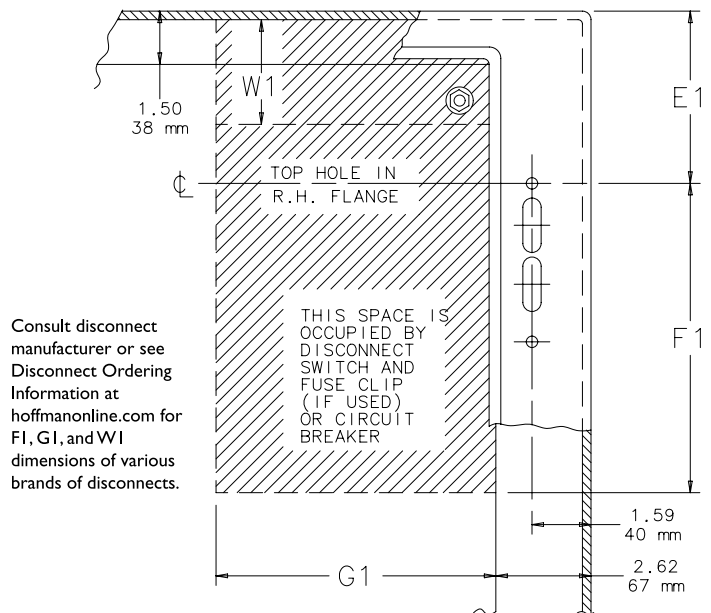
E1 = 11.62 in. (295mm) when C = 12.00 in. (305mm)

W1 = Wiring Space. See Technical Information for wire bend space.

Refer to *National Electrical Code*® 2005 article 430.10(B) for wiring space required for line side conductors to be connected to disconnect. Verify your application to determine if wiring space is adequate.

NOTE: Be sure to match the disconnect device you are using with the correct enclosure size.

Disconnect Mounting Space Diagram



87578356

Watershed® Free-Standing Disconnect Enclosures

Accessories

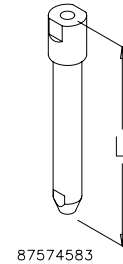
Corrosion-Resistant Enclosures



Sanitary Leg Kits

Sanitary leg kits provide space between the enclosure and the floor for better washdown accessibility. Available with fixed or independently adjustable legs. Adjustable leg shown. Four legs per kit. Maintains UL/cUL Type 4X rating when properly installed on a Hoffman Type 4X enclosure.

Catalog Number	Description	Size (in.)	Size (mm)
WSASLKSS	Adjustable Sanitary Leg Kit	11.50–12.50	292–318
WSFSKLSS	Fixed Sanitary Leg Kit	12.00	305

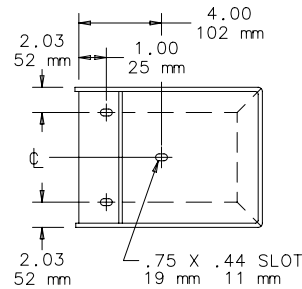
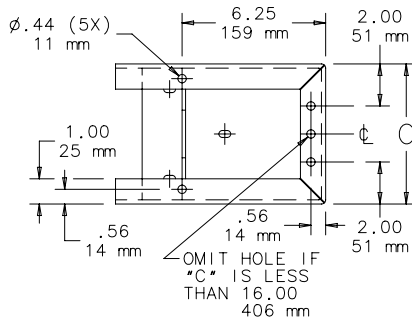


87574583

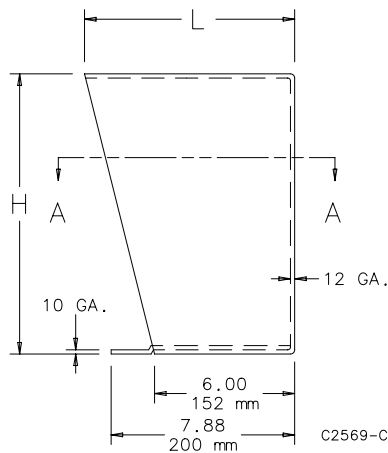
Floor-Stand Kit

Use to raise free-standing enclosure. To install, drill holes in the bottom of the enclosure and bolt the floor stands to the enclosure. Each kit includes two stands. Type 304 stainless steel. Maintains UL/cUL Type 4X rating when properly installed on a Hoffman Type 4X enclosure

Catalog Number	H (in.)	H (mm)	C (in.)	C (mm)	L (in.)	L (mm)
AFK1212SS	12.00	305	12.06	306	9.09	231
AFK1218SS	12.00	305	18.06	459	9.09	231
AFK1224SS	12.00	305	24.06	611	9.09	231



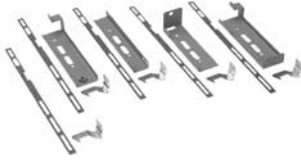
SECTION A-A



Accessories for Stainless Steel Free-Standing or Floor-Mounted Disconnect Enclosures

Rev. C 1/08

Operator Adapters for Preferred Cutouts



Used on all Hoffman disconnect enclosures with preferred cutout for disconnect. An operator adapter is required to install a disconnect in bulletins A21S4, A28S4, and WS2D Hoffman enclosures that have a preferred

cutout. Operator adapters include components needed to interlock the master door with the disconnect operating mechanism. Panel drilling and installation instructions are furnished with each operator adapter. Each brand and type of disconnect requires a different operator adapter. Be sure to select the proper operator adapter and enclosure for the disconnect that you have selected.

Catalog Number	Brand and Type of Operator
APCABVA	Allen-Bradley 1494V
APCCHVA	Eaton Cutler-Hammer C361, C371 and C371 Flex Shaft™
APCGETDA	General Electric STDA
APCITE	Siemens ITE Max-Flex™
APCSDA	Schneider Square D® Class 9422 (variable-depth and cable mechanism)

Blank Adapter Plate

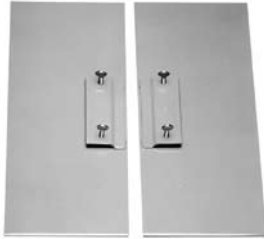


Used to cover flange cutouts in disconnect enclosures when disconnects are not installed. Hoffman adapter plates are made from heavy gauge Type 304 stainless steel and have an oil-resistant gasket to maintain the dusttight and oiltight qualities of the enclosure. The plates have a #4 brushed finish. All necessary mounting hardware and instructions are included.

Catalog Number	For Enclosure Bulletin Number
A2128BAPSS	A19S, CWS, A21S4, A28S4, and WS2D with preferred cutouts

Disconnect Enclosure Accessories

Enclosure Stabilizers



Prevents injury to workers by stabilizing floor-mounted enclosures which are not bolted down. To install, slip the stabilizer under the floor stand and tighten two thumb screws. Made from .19-inch (5mm) steel plate. Bright orange finish. For temporary installations only. Do not use for permanent mounting.

Catalog Number	Description
AENST	Two stabilizers

**Corrosion-Resistant
Enclosures**

Platform Assembly

The Platform Assembly is a 6.00 in. (152mm) high spacer that is required with all 24.12 in. (613mm) and deeper disconnect enclosures when short connecting rods are used with the following disconnect models.

- ABB Controls flange-operated devices
- Eaton Cutler-Hammer C361 devices
- Eaton Cutler-Hammer C371 mechanisms which use C371E, F, G, K operating mechanism (see next paragraph for option)
- General Electric Type TDA devices
- Schneider Square D® Class 9422 devices

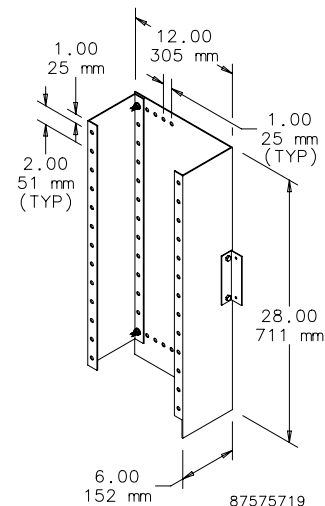
Consult factory for space occupied on panel when platform is used.

Ordering

The platform assembly can be omitted if long connecting rods are ordered in place of short connecting rods.

- For Eaton Cutler-Hammer Operating mechanisms C371E and C371F, order catalog number C371CSI connecting rod.
- For C371G and C371K, order catalog number C371CS2 connecting rod.
- For General Electric devices, order catalog number TDSR extended length drive rod.
- For SchneiderSquare D devices, order catalog number 9422-R2 extra long operating rod(s). Some devices require two rods.

Catalog Number	Description
ADSCPA	Set of 4 rods and mounting hardware



PROLINE[®] Stainless Steel Operator Interface Enclosures

PROLINE Stainless Steel Operator Interface Enclosures provide a comprehensive system for housing operator interface computers and related control devices in corrosive environment. With these enclosures you can develop a customized solution that meets your application's requirements exactly, including UL/CSA Type 4X protection.



Sizes: PROLINE Stainless Steel Operator Interface Enclosures fit most popular operator interface models. The basic enclosure has an ergonomically sloped front that positions the screen for easy viewing.

Accessories: The front of the enclosure can be completed with a solid cover, solid door, or window door. A solid cover or access door can be selected for the back. Solid or cutout bases for pedestal mounting are available. Handle and locking options are offered for all doors.

Available with an additional front opening to accommodate several accessory front options.

Equipment Mounting: Grid straps, rack angles, and panels are available for all enclosure sizes. Large front and rear openings provide easy access.

Enclosure Mounting: The PROLINE system includes several optional mounting methods: stainless steel pendant arms systems, stainless steel pedestals, and stainless steel bases. Systems can also be placed on tables, desks, or flat surfaces.

Protection From the Harshest Environment: PROLINE Stainless Steel Operator Interface Enclosures meet tough UL and CSA Type 4X standards (IP 66). Enclosures are constructed of Type 304 stainless steel with stainless steel external hardware. Foam-in-place gasketing provides a tight, consistent seal.

Industry Standards

UL 508A, File Number E61997

CSA File Number 42186

IEC 60529

- Stainless steel sloped tops are UL and CSA Type 4, 4X, and I2, IP66
- Stainless steel front, rear, and bottom options are UL and CSA Type 4, 4X, and I2, IP66

Patents

This product is covered by the following patents:

US 5,380,083

US 5,388,903

US 5,292,189

US 5,407,263

US 391,143

PROLINE® Stainless Steel Operator Interface Enclosures

PROLINE Operator Interface Enclosure System

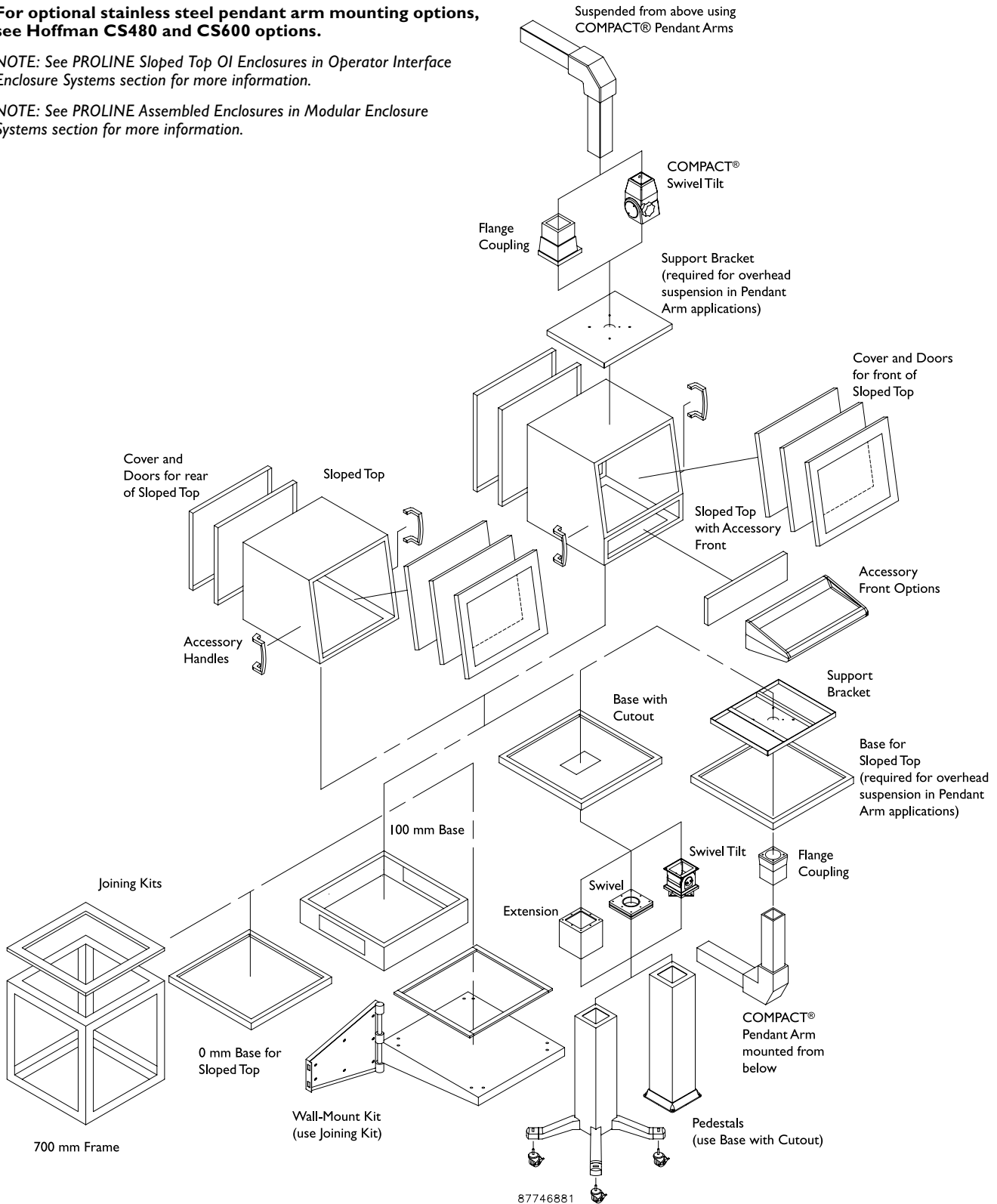
Numerous PROLINE Components are available in stainless steel.

For optional stainless steel pendant arm mounting options, see Hoffman CS480 and CS600 options.

NOTE: See PROLINE Sloped Top OI Enclosures in Operator Interface Enclosure Systems section for more information.

NOTE: See PROLINE Assembled Enclosures in Modular Enclosure Systems section for more information.

Corrosion-Resistant Enclosures



PROLINE® Stainless Steel Operator Interface Enclosures

Sloped Top

Full front opening for door/cover options has a 5-degree slope. Rear opening(s) for door and cover options. Optional PROLINE frame shelf or PROLINE grid system is recommended to provide a stationary platform for supporting deep equipment. The open bottom is suitable for joining the top to a 700mm-tall PROLINE frame. The bottom of the 600mm x 600mm sizes can be joined through a cutout base to a pedestal or pendant arm system. A support bracket accessory allows the 600mm x 600mm sizes to be suspended from an overhanging pendant arm. Sloped top enclosures are Type 304 stainless steel.



NOTE: See PROLINE Sloped Top OI Enclosures in Operator Interface Enclosure Systems section for more information and drawings.

Catalog Number	A x B x C mm (in.)	Description	Nominal Size A x B x C (mm)	Front Opening E x G mm (in.)	Rear Opening F x H mm (in.)	D mm (in.)	Internal Mounting J mm (in.)	Internal Mounting K mm (in.)	Product Weight (lb)
PST766SS	27.85x23.94x21.34 (707x608x542mm)	Stainless Steel	700 x 600 x 600	641 x 536 (25.22 x 21.11)	636 x 536 (25.02 x 21.11)	481 (18.92)	525 (20.67)	525 (20.67)	68.0

Sloped Top with Accessory Front

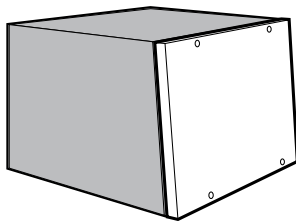
Enclosure is available in two heights: 500mm and 700mm. Upper front opening for door/cover options has a 5-degree slope. Lower section is suitable for keyboard or other front options. Rear opening(s) for door and cover options. The internal mounting hole pattern accommodates most PROLINE internal accessories. Optional PROLINE frame shelf or PROLINE grid system provides a stationary platform for supporting deep equipment. The open bottom is suitable for joining the top to a 700mm PROLINE frame. The bottom of the 600mm x 600mm sizes can be joined through a cutout base to a pedestal or pendant arm system. A support bracket accessory allows the 600mm x 600mm size to be suspended from an overhanging pendant arm. Sloped tops with accessory front are Type 304 stainless steel.



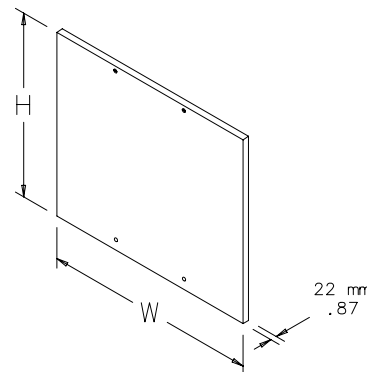
NOTE: See PROLINE Sloped Top OI Enclosures in Operator Interface Enclosure Systems section for more information and drawings.

Catalog Number	A x B x C mm (in.)	Description	Nominal Size A x B x C (mm)	Front Opening E x G mm (in.)	Rear Opening F x H mm (in.)	D mm (in.)	Internal Mounting J mm (in.)	Internal Mounting K mm (in.)	Product Weight (lb)
PST5A66SS	682 x 608 x 542 (26.85 x 23.94 x 21.34)	Stainless Steel	500A x 600 x 600	440 x 536 (17.31 x 21.11)	611 x 536 (24.04 x 21.11)	498 (19.61)	500 (19.69)	500 (19.69)	70.0
PST7A66SS	882 x 608 x 542 (34.72 x 23.94 x 21.34)	Stainless Steel	700A x 600 x 600	641 x 536 (25.22 x 21.11)	811 x 536 (31.91 x 21.11)	481 (18.92)	700 (27.56)	700 (27.56)	85.0

Covers for Upper Front of PROLINE Sloped Tops



Solid 16 gauge Type 304 stainless steel covers are secured to the front opening of a PROLINE sloped top with semi-flush cover screws along the top and bottom cover edges. Ground stud and mounting hardware are included. Seamless foam-in-place gasket assures a watertight and dusttight seal. Optional tamper-resistant cover screws are available.



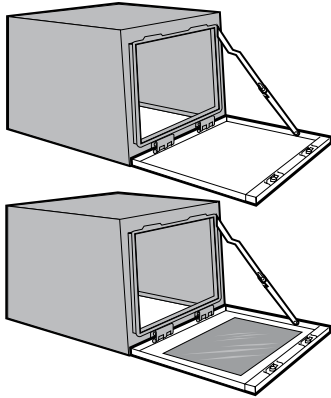
NOTE: See PROLINE Sloped Top OI Enclosures in Operator Interface Enclosure Systems section for more information.

87799047

Catalog Number	Description	Cover Size H x W (mm)	Cover Size H x W (in.)	Product Weight (lb)
PCS56FSS	Stainless Steel	506 x 592	19.93 x 23.30	19.5
PCS58FSS	Stainless Steel	506 x 792	19.93 x 31.17	23.0
PCS76FSS	Stainless Steel	707 x 592	27.84 x 23.30	19.5

PROLINE® Stainless Steel Operator Interface Enclosures

Doors for Upper Front of PROLINE Sloped Tops



Solid 16 gauge Type 304 stainless steel doors are available with or without windows. Doors are hinged at lower edge and have quarter-turn latches. A stop arm assembly holds the door at 95 degrees (horizontal) from its closed position. Standard latch and insert options are available. Ground stud and mounting hardware are included. Seamless polyurethane foam-in-place gasket assures watertight and dusttight seal.

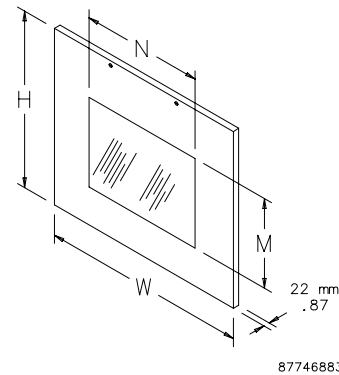
Window doors feature a maximum size polycarbonate

or glass window .25 inch thick with a smoke gray tint. Window is field-replaceable.

NOTE: See PROLINE Sloped Top OI Enclosures in Operator Interface Enclosure Systems section for more information.

Window Doors for Upper Front

Catalog Number	Description	Door Size H x W (mm)	Door Size H x W (in.)	Window Size M x N (mm)	Window Size M x N (in.)	Product Weight
PDW56FSS	Stainless Steel	504 x 592	19.86 x 23.30	362 x 432	14.25 x 17.00	21.5
PDW58FSS	Stainless Steel	504 x 592	19.86 x 23.30	362 x 635	14.25 x 25.00	24.0
PDW76FSS	Stainless Steel	705 x 592	27.77 x 23.30	559 x 432	22.00 x 17.00	20.5

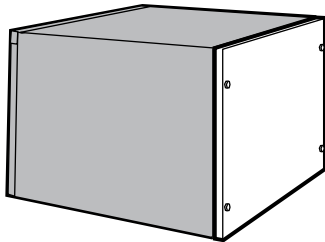


87746883

Solid Doors for Upper Front

Catalog Number	Description	Door Size H x W (mm)	Door Size H x W (in.)	Product Weight
PDS56FSS	Stainless Steel	504 x 592	19.86 x 23.30	21.5
PDS58FSS	Stainless Steel	504 x 792	19.86 x 31.17	24.0
PDS76FSS	Stainless Steel	705 x 592	27.77 x 23.30	20.5

Covers for Rear of PROLINE Sloped Tops

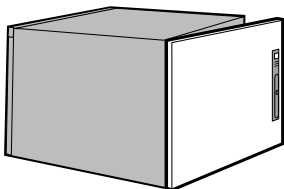


Solid 16 gauge Type 304 stainless steel cover fits rear opening of PROLINE sloped tops and is secured with semi-flush cover screws along right and left cover edges. Use PROLINE frame shelf or PROLINE grid straps to support the operator interface. Seamless foam-in-place gasket assures watertight

and dusttight seal. Ground stud and mounting hardware are included. Optional tamper-resistant screws are available.

NOTE: See PROLINE Sloped Top OI Enclosures in Operator Interface Enclosure Systems section for more information.

Doors for Rear of PROLINE Sloped Tops

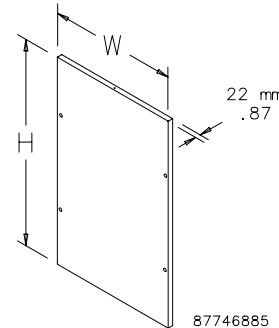


Solid 16 gauge Type 304 stainless steel rear doors are side-hinged. The hinges are hidden and provide 130-degree door swing. Optional PROLINE 180-degree hinge kit is available (see Accessories below). Doors can be hinged from left or right.

Door includes two point latching with a flush slotted quarter turn insert. Standard PROLINE handle and insert options are available for retrofit (see Accessories for Solid Rear Doors in Operator Interface Enclosure section). Use PROLINE frame shelf or PROLINE grid straps to support the operator interface. Ground stud and mounting hardware are included. Seamless foam-in-place gasket assures a watertight and dusttight seal.

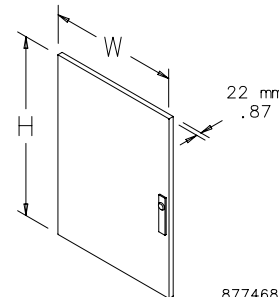
NOTE: See PROLINE Sloped Top OI Enclosures in Operator Interface Enclosure Systems section for more information.

Catalog Number	Description	Cover Size H x W (mm)	Cover Size H x W (in.)	Product Weight (lb)
PCS76RSS	Stainless steel	596 x 706	23.47 x 27.79	23.0
PCS5A6RSS	Stainless steel	679 x 597	26.75 x 23.51	21.0
PCS7A6RSS	Stainless steel	879 x 596	34.62 x 23.47	24.0



87746885

Catalog Number	Description	Door Size H x W (mm)	Door Size H x W (in.)	Product Weight (lb)
PDS76RSS	Stainless Steel	706 x 592	27.79 x 23.30	19.5
PDS5A6RSS	Stainless Steel	679 x 592	26.75 x 23.30	19.0
PDS7A6RSS	Stainless Steel	879 x 592	34.62 x 23.30	25.0



87746886

Corrosion-Resistant Enclosures

PROLINE® Stainless Steel Operator Interface Enclosures

PROLINE Solid Rear Door Accessories

Accessories listed here are designed for use with PROLINE Sloped Top rear doors. See PROLINE Accessories in the Modular Enclosure Systems section.

Stainless Steel Pedestal

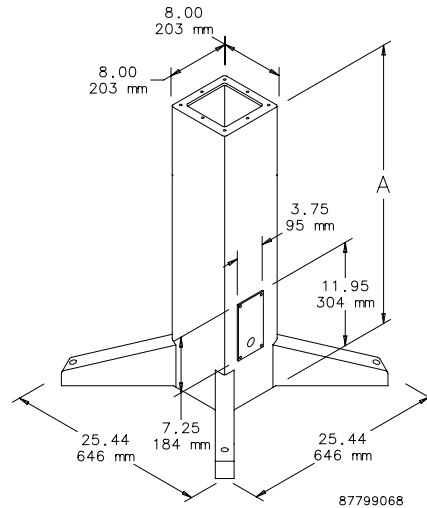


Pedestal is 36 inches (914mm) tall and provides optimal viewing and operating height. Tube is 14 gauge Type 304 one-piece construction. Legs are 7 gauge Type 304 for rigidity. Cable access plate and leg levelers are included. Leg levelers can be removed for anchoring pedestal to floor. Pedestal has smooth vertical brushed finish.

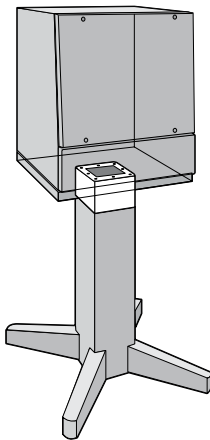
NOTE: Pedestal will accept pedestal accessories that are not stainless steel. These include swivel tilt, swivel, and angle adapters.

Catalog Number	Description
Key Inserts	
PK0TM7	7mm triangle
PK0TM8	8mm triangle
PK0TM65	CNOMO
PK0SM7	7mm square
PK0SM8	8mm square
PK0DBK3	Double-bit with 3mm pin
PK0DB	Daimler Benz
PK0ATT	AT & T
Flush Handle	
PSHKB	One handle and two keys
Data Pockets	
ADP1	Small data pocket
ADP2	Large data pocket

Catalog Number	A	Description
AP36SS	36.0 (914)	Stainless steel



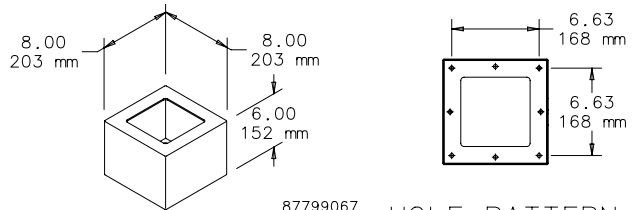
Stainless Steel Extension



Pedestal extension can be ordered separately to provide additional 6 inches (152mm) of height for standing position. Extension is 14 gauge Type 304 stainless steel with a smooth brushed finish.

NOTE: Extension will accept pedestal accessories that are not stainless steel. These include swivel tilt, swivel, and angle adapters.

Catalog Number	Description
APE6SS	Stainless steel



HOLE PATTERN

C2703-C

Selection Matrix Pedestals and Pedestal Accessories

	PST766SS	PST5A66SS	PST7A66SS
Stainless Steel Pedestal^a			
AP36SS	•	•	•
Pedestal Accessory^a			
APE6SS	•	•	•

^a Pedestals and pedestal accessory are designed to be used with PBSK66SS

PROLINE[®] Stainless Steel Operator Interface Enclosures

Accessory Front Options



A variety of keyboard compartments and shelves, control compartments, and writing surfaces is available in Type 304 stainless steel. Each one is designed to fit into the accessory front opening of the PROLINE OI sloped top. An access cover is available for applications not requiring a keyboard or controls.

An integrated elastomer keyboard/mouse combination is available on some models of the keyboard shelf accessory. The keyboard has 101 keys. Supplied cables are compatible with AT and PS/2 connections.

See *Modular Enclosure Systems chapter* for keyboard accessory dimensions.

Internal and External Accessories

Numerous accessories are available for mounting equipment inside PROLINE frames and sloped tops. These include panels, shelves, and rack mounting accessories. There are also external accessories such as door handles and base options. A summary list follows.

For more detailed information on each of these products, see the indexes to *Modular Enclosure Systems and General Accessories*.

- Full Subpanel
- Partial Subpanel
- Side-Mounting Kit for Subpanels
- Swing-Out Panel Mounting Kit
- Frame Shelves
- Frame Brackets
- Panel Interface Connector
- Grounding Bar System
- Grid System
- Rack Angles
- Accessories for Rack Angles
- Base Accessories
- Door Accessories
- Legs
- Casters

Access Covers	Description	Fits	Weight (lb)
PCSA6SS	Stainless Steel	600	9.2
PCSA8SS	Stainless Steel	800	9.80

Console Compartments	Description	Fits	Weight (lb)
PCDS6SS	Stainless steel	600	40.9
PCDS8SS	Stainless steel	800	44.0

20° Control Compartments	Description	Fits	Weight (lb)
PC20A6SS	Stainless steel	600	27.0
PC20A8SS	Stainless Steel	800	29.0

Keyboard Shelves with Integrated Keyboard/Mouse	Description	Fits	Weight (lb)
PEKBM6SS	Stainless steel with keyboard	800	25.0

Corrosion-Resistant Enclosures

Stainless Steel PROLINE-PC Package

Bulletin
P20, P20S, P20PC



Application

This enclosure offers effective protection for computer systems in industrial environments. Three separate compartments within the enclosure can be used to protect computer monitors, keyboards, CPUs, printers, and other peripheral equipment.

The 19-inch diagonal top window door, hinged on the left, offers viewing access for a variety of monitor sizes and has a small flush swing handle with keylock for system security.

The vented frame shelf in the top compartment is constructed of 16 gauge steel and is finished with RAL 7035 textured light gray polyester powder paint.

The PROLINE® keyboard compartment includes a locking feature, an angled palm rest, a cable access port for wiring, and integral mouse pad holders for left-handed or right-handed persons.

The bottom compartment includes a solid door hinged on the left with a small flush swing handle with keylocking. This compartment can be used to install computer equipment, panel mounted equipment, or rack mounted control systems.

The frame is enclosed with solid sides, a solid top, and a 100mm solid base.

A rear mounted solid door with a keylocking flush swing handle offers rear access to the computer equipment and wiring.

Finish

External components have a smooth #4 brushed finish. External doors, sides, top, and base are Type 304 stainless steel. Keyboard compartment has RAL 9005 textured black polyester powder paint finish.

Industry Standards

UL 508A, File No. E61997: Type 12
NEMA Type 12
CSA File No. 42186: Type 12
IEC 60529, IP55
VDE IP55

Accessories

Accessory Fronts
Casters
Covers
Data Pocket
Doors
Grid Straps and Fasteners
Handle Kit
Handles and Latches
Key Inserts
180° Hinge Kit
Panels
Rack Angles

Modification Services Program

You can customize this product to your unique requirements by specifying from these options:

- Holes and cutouts in body, doors, subpanels
- Tapped holes in subpanels
- Fasteners, mounting channel in enclosure and subpanel
- Mounting (adds and deletes)
- Doors
- Subpanels
- Thermal management (louvers, fans, filters)
- Windows
- Standard accessories

To order, contact your local Hoffman sales representative.

NOTE: For information about modifications outside the scope of the Modification Services program, contact your Hoffman sales representative.

For more information, see PROLINE Assembled Enclosures in the Modular Enclosures chapter.

Stainless Steel PROLINE-PC Package

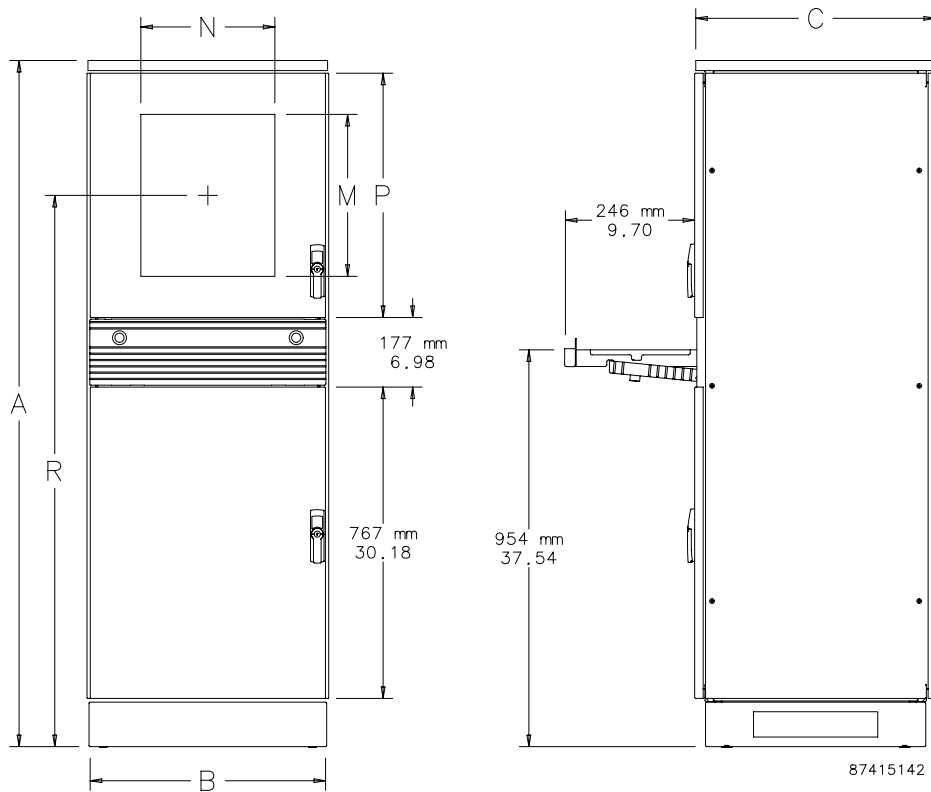
Bulletin
P20, P20S, P20PC

Standard Sizes Stainless Steel PROLINE-PC Package

Catalog Number	A ^a x B x C mm (in.)	M (mm)	M (in.)	N (mm)	N (in.)	P (mm)	P (in.)	R (mm)	R (in.)	Top Door Height (mm)	Top Door Height (in.)	Top Door Width (mm)	Top Door Width (in.)	Bottom Door Height (mm)	Bottom Door Height (in.)	Bottom Door Width (mm)	Bottom Door Width (in.)
PPC1666SS	1688 x 608 x 599 (66.46 x 23.94 x 23.58)	343	13.50	365	14.40	585	23.06	1363	53.66	558	21.98	536	21.11	738	29.09	536	21.11

^a 100mm solid base is included in A dimension.

Corrosion-Resistant Enclosures



Stainless Steel PROLINE-PC Package

Bulletin
P20, P20S, P20PC

Summary of Components Included in Assembled PROLINE-PC Packages

Component	Quantity	Catalog Number
Frame, steel	1	PFPC1666
Solid top, stainless steel	1	PT66SS
Solid door (bottom), stainless steel	1	PDS86SS
Window door (top), stainless steel	1	PDWT86PCSS
Solid side, stainless steel	2	PSS166SS
Solid door (rear), stainless steel	1	PDS166SS
Solid base (100mm), stainless steel	1	PB166SS
Black painted keyboard compartment	1	PKBC6R

Additional Stainless Steel Components Available for PROLINE-PC Enclosure

Component	Catalog Number
Access cover	PCSA6SS
Window door (top)	PDWT86PCSS
Window door (bottom)	PDWG86SS
Solid cover (top)	PCST86PCSS
Solid cover (bottom)	PCS86SS
Solid door (top)	PDST86PCSS
Solid door (bottom)	PDS86SS
Consolet compartment (middle front)	PCDS6SS

Stainless Steel PROLINE-PC Package

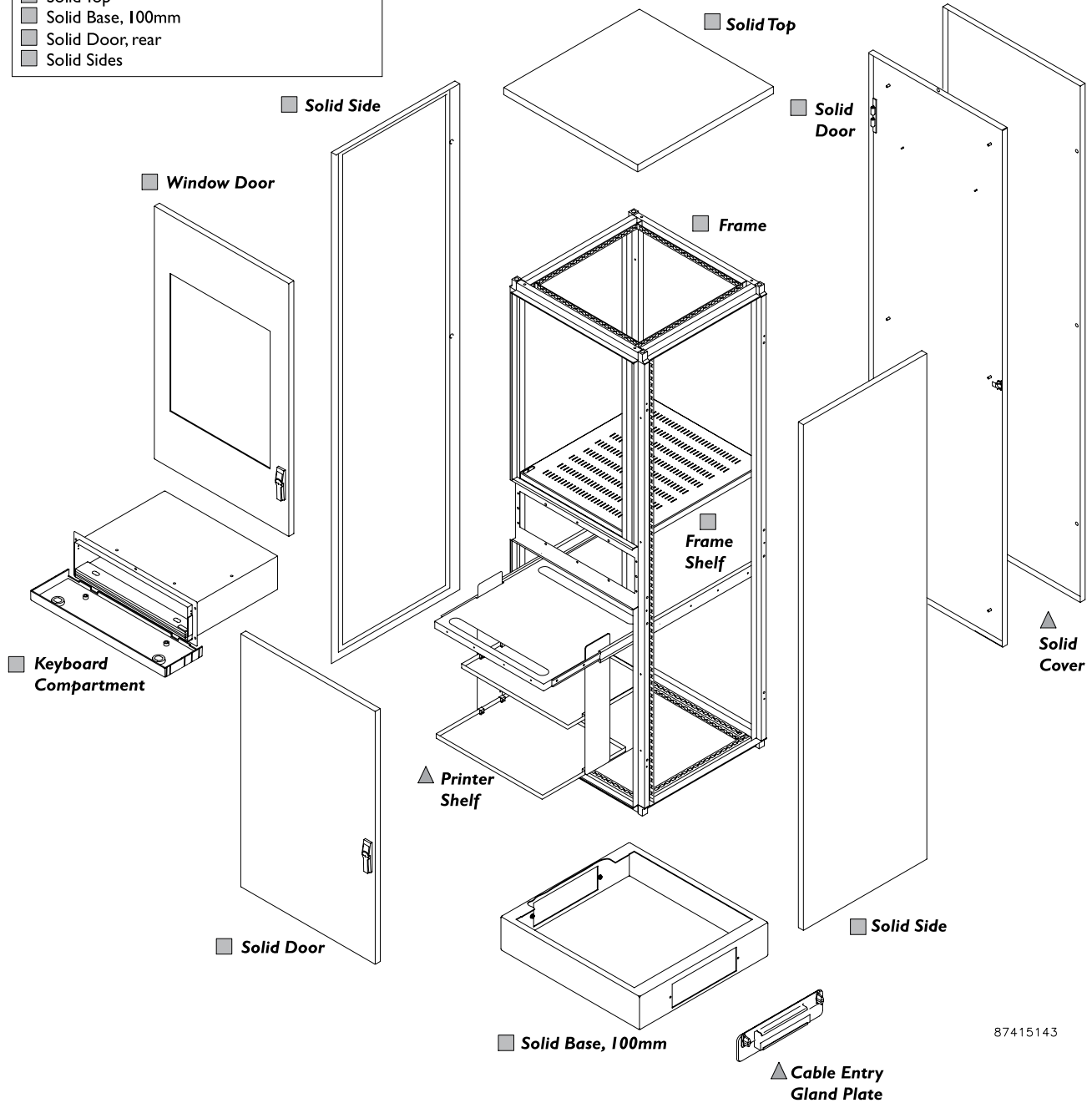
Bulletin
P20, P20S, P20PC

Corrosion-Resistant Enclosures

- **Standard Configuration**
- Frame
 - Frame Shelf, top compartment
 - Keyboard Compartment
 - Window Door, top front
 - Solid Door, bottom front
 - Solid Top
 - Solid Base, 100mm
 - Solid Door, rear
 - Solid Sides

- ▲ **Optional Components**
- A optional components may be ordered separately. Components labeled **▲** may be included in an **▲** configuration.

NOTE:
PFPC____ frames have three front openings for top, center, and bottom modular components.



87415143

Stainless Steel PROLINE-SY Package

Bulletin
P20SY



Application

This enclosure is designed to protect many industrial operator interface systems. Two separate compartments within the enclosure can be used to protect panel- or rack-mounted control systems, operator interface packages, and a variety of other electronic control components.

- The top compartment is open and can accommodate a variety of front cover and door options
- Internal grid straps are factory-installed in top compartment to provide support for operator interfaces
- The bottom door is hinged on the left and has an attractive keylocking flush swing handle
- The solid rear door permits rear access to equipment and wiring and includes a keylocking pushbutton handle
- Standard external components include solid sides, solid top, and a 100mm solid base

Order cover, door, or window door for top front to complete the enclosure. Solid covers with pre-fabricated operator interface cutouts are available; consult Hoffman for ordering information.

Finish

Stainless steel enclosures are unpainted. External components have a smooth #4 brushed finish.

External doors, sides, top, and base are Type 304 stainless steel.

Industry Standards

UL 508A, File No. E61997: Type 12
NEMA Type 12
CSA File No. 42186: Type 12
IEC 60529, IP55
VDE IP55

Accessories

Casters
Covers
Data Pocket
Doors
Grid Straps and Fasteners
Handle Kit
Handles and Latches
Key Inserts
180° Hinge Kit
Panels
Rack Angles

Modification Services Program

You can customize this product to your unique requirements by specifying from these options:

- Holes and cutouts in body, doors, subpanels
- Tapped holes in subpanels
- Fasteners, mounting channel in enclosure and subpanel
- Mounting (adds and deletes)
- Doors
- Subpanels
- Thermal management (louvers, fans, filters)
- Windows
- Standard accessories

To order, contact your local Hoffman sales representative.

NOTE: For information about modifications outside the scope of the Modification Services program, contact your Hoffman sales representative.

For more information, see PROLINE Assembled Enclosures in the Modular Enclosures chapter.

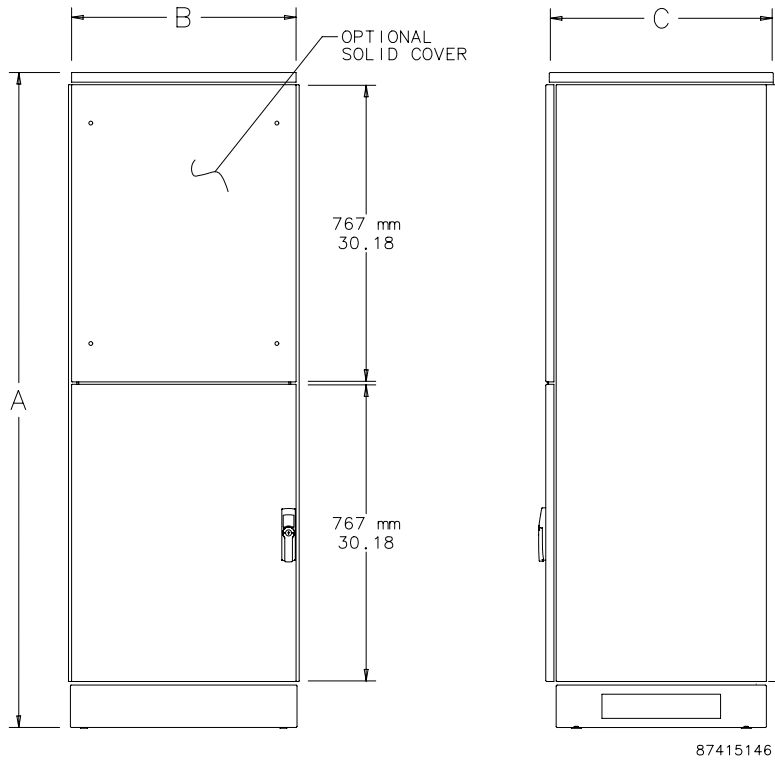
Stainless Steel PROLINE-SY Package

Bulletin
P20SY

Standard Sizes Stainless Steel PROLINE-SY Package

Catalog Number	A x B x C mm (in.)
PSY1666SS	1688 x 608 x 599 (66.46 x 23.94 x 23.58)

Corrosion-Resistant
Enclosures



Stainless Steel PROLINE-SY Package

Summary of Components Included in Assembled PROLINE-SY Package

Component	Quantity	Catalog Number
Frame	1	PFSY1666
Solid top, stainless steel	1	PT66SS
Solid door (rear), stainless steel	1	PDS166SS
Solid door (bottom), stainless steel	1	PDS86SS
Solid base (100mm), stainless steel	1	PB066SS
Solid side, stainless steel	2	PSS166SS
Flush pushbutton handle (keylock)	1	PFHKBL
Small flush swing handle	1	PSHKBL
Grid system strap	1	PGH3S7
Grid system strap	1	PGH3S6

Additional Stainless Steel Components Available for PROLINE-SY Package

Component	Catalog Number
Solid doors (top/bottom)	PDS86SS
Window doors (top/bottom)	PDWG86SS
Solid covers	PCS86SS

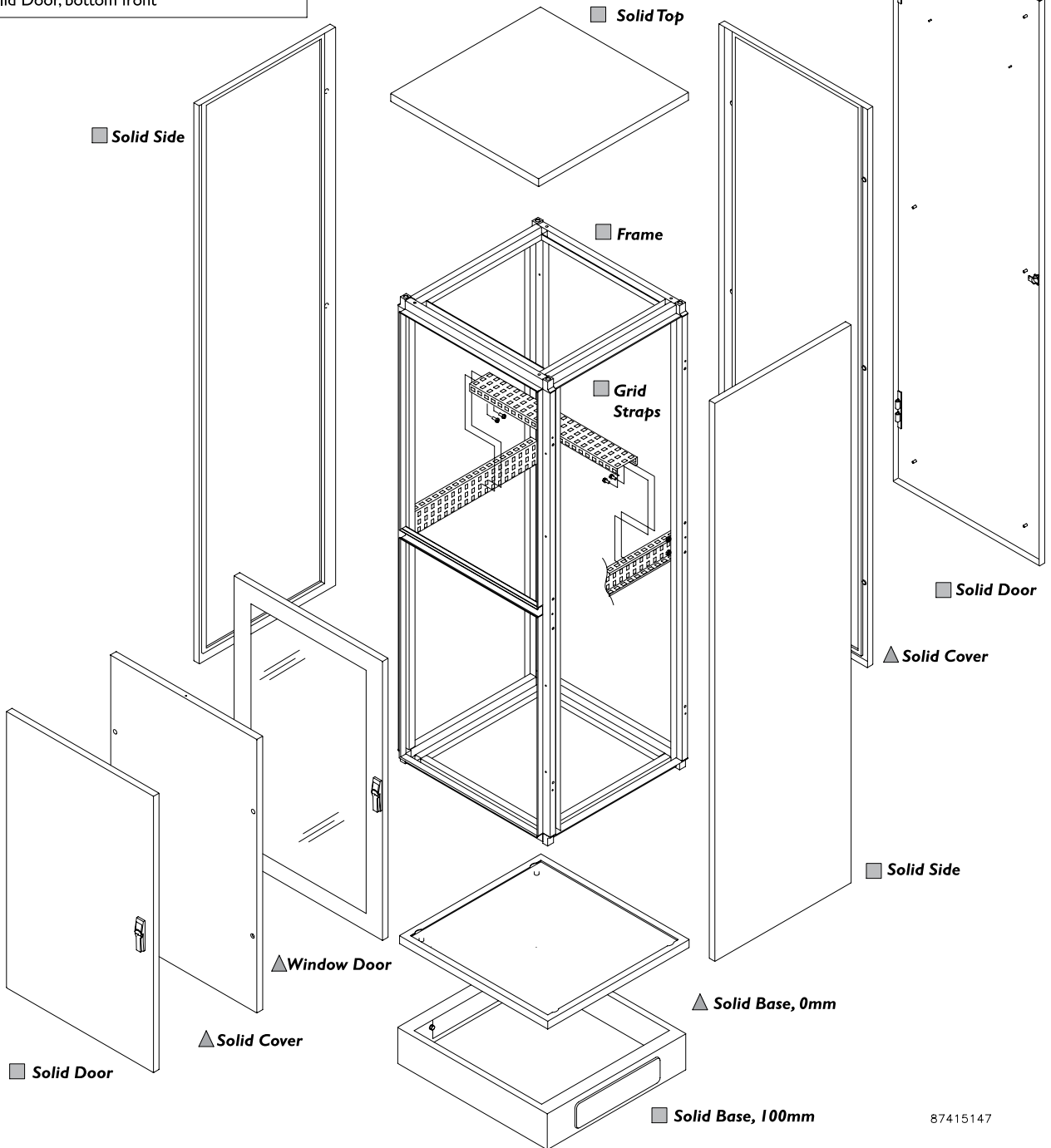
Stainless Steel PROLINE-SY Package

Bulletin
P20SY

- **Standard Configuration**
- Frame
 - Grid Straps, top compartment
 - Solid Top
 - Solid Base, 100mm
 - Solid Door, rear
 - Solid Sides
 - Solid Door, bottom front

- ▲ **Optional Components**
- A optional components may be ordered separately. Components labeled **A-T-O** may be included in an **A-T-O** configuration.

NOTE:
PFSY____ frames have two front openings for top and bottom modular components.



Corrosion-Resistant Enclosures

87415147

Stainless Steel Cable Tray

Rev. A 6/07



Application

The Stainless Steel cable tray is designed to protect rated cabling from dust, water and debris. Custom runs can be created by using standard catalog items. All straight sections and fittings are completely open from the top or on one side, so cabling can be laid along an entire cable tray run—no need to “pull through” required with this design. A complete selection of fittings and straight sections is available in five sizes:

HIA	2.00 in. x 2.00 in.	(51mm x 51mm)
HIB	3.00 in. x 3.00 in.	(76mm x 76mm)
HIC	4.00 in. x 4.00 in.	(102mm x 102mm)
HID	4.00 in. x 6.00 in.	(102mm x 152mm)
HIE	6.00 in. x 6.00 in.	(152mm x 152mm)

Features

- Dividers are adjustable to provide two separate width sections - dividers not available for 2.00 in. x 2.00 in. configurations.
- Open top or side for cabling access
- Perforations in the bottom of fittings and straight sections allow for water drainage after washdown
- Flat cover and 20-degree sloped cover models available
- Connecting hardware is included with each model

Construction

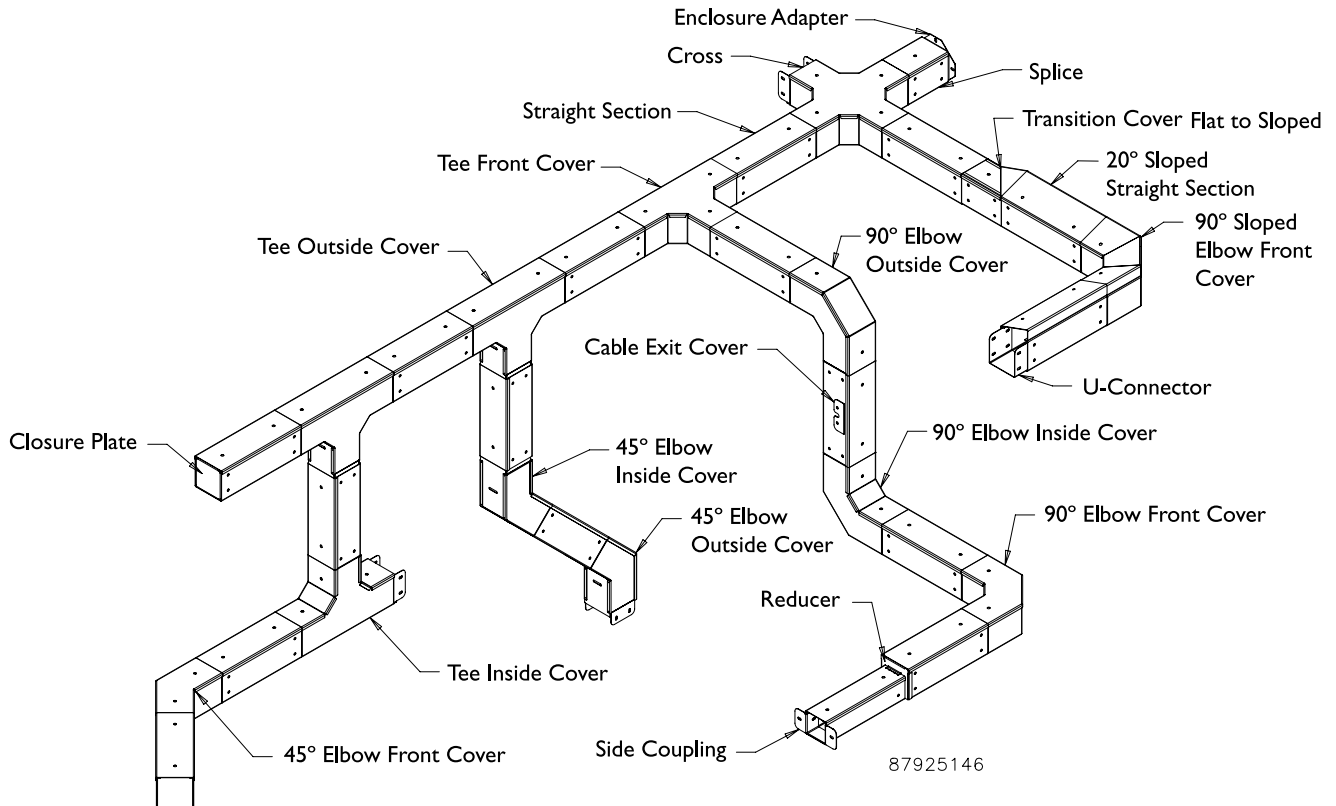
- 18 gauge stainless steel
- Quarter-turn latches

Finish

Smooth brushed finish.

Industry Standards

UL Type I

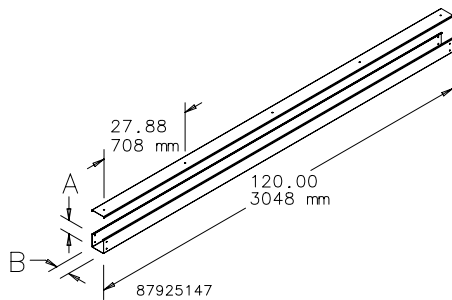
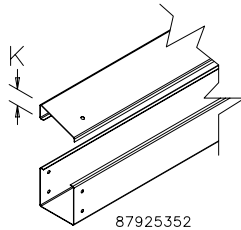


Stainless Steel Cable Tray

Rev. A 6/07

Straight Section

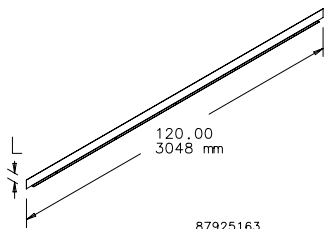
Straight sections are available in 10-foot lengths with or without perforations. Available with a 20-degree sloped cover in some sizes. One U-connector and hardware is supplied with each straight section.



Straight Section Catalog Number	Description	A (in.)	A (mm)	B (in.)	B (mm)	K (in.)	K (mm)
CT22120SS	Standard	2.00	51	2.00	51	—	—
CT33120SS	Standard	3.00	76	3.00	76	—	—
CT44120SS	Standard	4.00	102	4.00	102	—	—
CT46120SS	Standard	4.00	102	6.00	152	—	—
CT66120SS	Standard	6.00	152	6.00	152	—	—
CT22P120SS	Perforated	2.00	51	2.00	51	—	—
CT33P120SS	Perforated	3.00	76	3.00	76	—	—
CT44P120SS	Perforated	4.00	102	4.00	102	—	—
CT46P120SS	Perforated	4.00	102	6.00	152	—	—
CT66P120SS	Perforated	6.00	152	6.00	152	—	—
CTS33120SS	Sloped Top	3.00	76	3.00	76	1.06	27
CTS44120SS	Sloped Top	4.00	102	4.00	102	1.42	36
CTS46120SS	Sloped Top	4.00	102	6.00	152	2.16	55
CTS66120SS	Sloped Top	6.00	152	6.00	152	2.16	55
CTS33P120SS	Slope Top Perforated	3.00	76	3.00	76	1.06	27
CTS44P120SS	Slope Top Perforated	4.00	102	4.00	102	1.42	36
CTS46P120SS	Slope Top Perforated	4.00	102	6.00	152	2.16	55
CTS66P120SS	Slope Top Perforated	6.00	152	6.00	152	2.16	55

Corrosion-Resistant Enclosures

Divider Straight Section



Used to divide one straight section into two sections.

Catalog Numbers	L (in.)	L (mm)
CT33DSS	2.13	54
CT44DSS	3.13	79
CT46DSS	3.13	79
CT66DSS	5.13	130

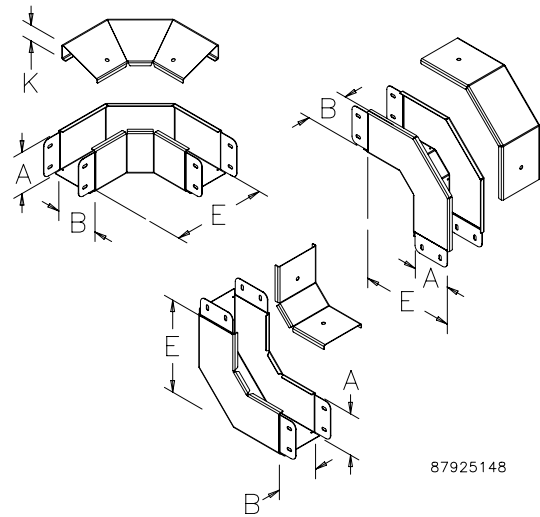
Stainless Steel Cable Tray

Rev. A 6/07

90-degree Elbows



Available with or without perforations in three cover options: front, inside, and outside. Used wherever a 90-degree transition is required. Available with a 20-degree sloped cover in some sizes (Front Cover only).



87925148

90-degree Elbow Catalog Number	Description	A (in.)	A (mm)	B (in.)	B (mm)	E (in.)	E (mm)	K (in.)	K (mm)
CT22EFC90SS	Front Cover	2.00	51	2.00	51	6.00	152	—	—
CT33EFC90SS	Front Cover	3.00	76	3.00	76	7.00	178	—	—
CT44EFC90SS	Front Cover	4.00	102	4.00	102	9.00	229	—	—
CT46EFC90SS	Front Cover	4.00	102	6.00	152	11.00	279	—	—
CT66EFC90SS	Front Cover	6.00	152	6.00	152	11.00	279	—	—
CT22EIC90SS	Inside Cover	2.00	51	2.00	51	6.00	152	—	—
CT33EIC90SS	Inside Cover	3.00	76	3.00	76	7.00	178	—	—
CT44EIC90SS	Inside Cover	4.00	102	4.00	102	9.00	229	—	—
CT46EIC90SS	Inside Cover	4.00	102	6.00	152	11.00	279	—	—
CT66EIC90SS	Inside Cover	6.00	152	6.00	152	11.00	279	—	—
CT22EOC90SS	Outside Cover	2.00	51	2.00	51	6.00	152	—	—
CT33EOC90SS	Outside Cover	3.00	76	3.00	76	7.00	178	—	—
CT44EOC90SS	Outside Cover	4.00	102	4.00	102	9.00	229	—	—
CT46EOC90SS	Outside Cover	4.00	102	6.00	152	11.00	279	—	—
CT66EOC90SS	Outside Cover	6.00	152	6.00	152	11.00	279	—	—
CT22PEFC90SS	Front Cover Perforated	2.00	51	2.00	51	6.00	152	—	—
CT33PEFC90SS	Front Cover Perforated	3.00	76	3.00	76	7.00	178	—	—
CT44PEFC90SS	Front Cover Perforated	4.00	102	4.00	102	9.00	229	—	—
CT46PEFC90SS	Front Cover Perforated	4.00	102	5.00	127	11.00	279	—	—
CT66PEFC90SS	Front Cover Perforated	6.00	152	5.00	127	11.00	279	—	—
CTS33EFC90SS	Front Cover Sloped	3.00	76	3.00	76	7.00	178	1.06	27
CTS44EFC90SS	Front Cover Sloped	4.00	102	4.00	102	9.00	229	1.42	36
CTS46EFC90SS	Front Cover Sloped	4.00	102	6.00	152	11.00	279	2.16	55
CTS66EFC90SS	Front Cover Sloped	6.00	152	6.00	152	11.00	279	2.16	55
CTS33PEFC90SS	Front Cover Sloped Perforated	3.00	76	3.00	76	7.00	178	1.06	27
CTS44PEFC90SS	Front Cover Sloped Perforated	4.00	102	4.00	102	9.00	229	1.42	36
CTS46PEFC90SS	Front Cover Sloped Perforated	4.00	102	6.00	152	11.00	279	2.16	55
CTS66PEFC90SS	Front Cover Sloped Perforated	6.00	152	6.00	152	11.00	279	2.16	55

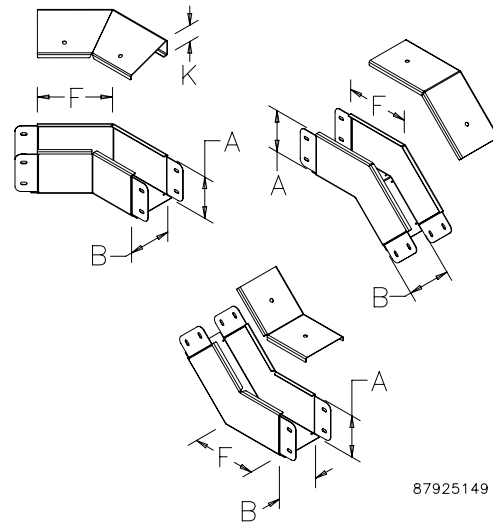
Stainless Steel Cable Tray

Rev. A 6/07

45-degree Elbows



Available with or without perforations in three cover options: front, inside, and outside. Used wherever a 45-degree transition is required. Available with a 20-degree sloped cover in some sizes (Front Cover only).



87925149

Corrosion-Resistant Enclosures

45-degree Elbow Catalog Number	Description	A (in.)	A (mm)	B (in.)	B (mm)	F (in.)	F (mm)	K (in.)	K (mm)
CT22EFC45SS	Front Cover	2.00	51	2.00	51	4.57	116	—	—
CT33EFC45SS	Front Cover	3.00	76	3.00	76	4.98	127	—	—
CT44EFC45SS	Front Cover	4.00	102	4.00	102	5.96	151	—	—
CT46EFC45SS	Front Cover	4.00	102	6.00	152	6.79	173	—	—
CT66EFC45SS	Front Cover	6.00	152	6.00	152	6.79	173	—	—
CT22EIC45SS	Inside Cover	2.00	51	2.00	51	4.57	116	—	—
CT33EIC45SS	Inside Cover	3.00	76	3.00	76	4.98	127	—	—
CT44EIC45SS	Inside Cover	4.00	102	4.00	102	5.96	151	—	—
CT46EIC45SS	Inside Cover	4.00	102	6.00	152	6.79	173	—	—
CT66EIC45SS	Inside Cover	6.00	152	6.00	152	6.79	173	—	—
CT22E0C45SS	Outside Cover	2.00	51	2.00	51	4.57	116	—	—
CT33E0C45SS	Outside Cover	3.00	76	3.00	76	4.98	127	—	—
CT44E0C45SS	Outside Cover	4.00	102	4.00	102	5.96	151	—	—
CT46E0C45SS	Outside Cover	4.00	102	6.00	152	6.79	173	—	—
CT66E0C45SS	Outside Cover	6.00	152	6.00	152	6.79	173	—	—
CT22PEFC45SS	Front Cover Perforated	2.00	51	2.00	51	4.57	116	—	—
CT33PEFC45SS	Front Cover Perforated	3.00	76	3.00	76	4.98	127	—	—
CT44PEFC45SS	Front Cover Perforated	4.00	102	4.00	102	5.96	151	—	—
CT46PEFC45SS	Front Cover Perforated	4.00	102	6.00	152	6.79	173	—	—
CT66PEFC45SS	Front Cover Perforated	6.00	152	6.00	152	6.79	173	—	—
CTS33EFC45SS	Front Cover Sloped	3.00	76	3.00	76	4.98	127	1.06	27
CTS44EFC45SS	Front Cover Sloped	4.00	102	4.00	102	5.96	151	1.42	36
CTS46EFC45SS	Front Cover Sloped	4.00	102	6.00	152	6.79	173	2.16	55
CTS66EFC45SS	Front Cover Sloped	6.00	152	6.00	152	6.79	173	2.16	55
CTS33PEFC45SS	Front Cover Sloped Perforated	3.00	76	3.00	76	4.98	127	1.06	27
CTS44PEFC45SS	Front Cover Sloped Perforated	4.00	102	4.00	102	5.96	151	1.42	36
CTS46PEFC45SS	Front Cover Sloped Perforated	4.00	102	6.00	152	6.79	173	2.16	55
CTS66PEFC45SS	Front Cover Sloped Perforated	6.00	152	6.00	152	6.79	173	2.16	55

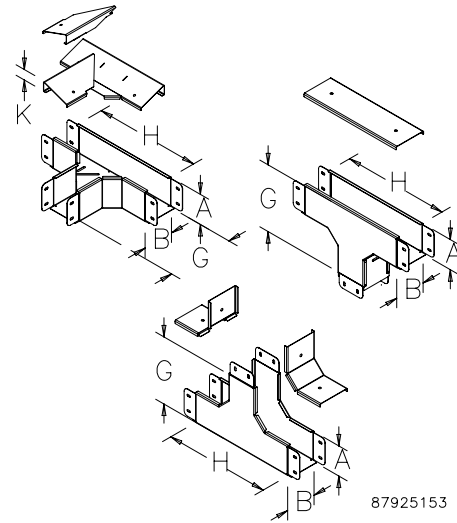
Stainless Steel Cable Tray

Rev. A 6/07

90-degree Tee



Available with or without perforations in three cover options: front, inside, and outside. Used wherever two 90-degree transitions are required. Available with a 20-degree sloped cover in some sizes (Front Cover only). Sloped front cover kit includes both left and right sloped covers to create any configuration.



87925153

Catalog Numbers	Description	A (in.)	A (mm)	B (in.)	B (mm)	G (in.)	G (mm)	H (in.)	H (mm)	K (in.)	K (mm)
CT22TFCSS	Front Cover	2.00	51	2.00	51	6.00	152	10.00	254	—	—
CT33TFCSS	Front Cover	3.00	76	3.00	76	7.00	178	11.00	279	—	—
CT44TFCSS	Front Cover	4.00	102	4.00	102	9.00	229	14.00	356	—	—
CT46TFCSS	Front Cover	4.00	102	6.00	152	11.00	279	16.00	406	—	—
CT66TFCSS	Front Cover	6.00	152	6.00	152	11.00	279	16.00	406	—	—
CT22TICSS	Inside Cover	2.00	51	2.00	51	6.00	152	10.00	254	—	—
CT33TICSS	Inside Cover	3.00	76	3.00	76	7.00	178	11.00	279	—	—
CT44TICSS	Inside Cover	4.00	102	4.00	102	9.00	229	14.00	356	—	—
CT46TICSS	Inside Cover	4.00	102	6.00	152	11.00	279	16.00	406	—	—
CT66TICSS	Inside Cover	6.00	152	6.00	152	11.00	279	16.00	406	—	—
CT22TOCSS	Outside Cover	2.00	51	2.00	51	6.00	152	10.00	254	—	—
CT33TOCSS	Outside Cover	3.00	76	3.00	76	7.00	178	11.00	279	—	—
CT44TOCSS	Outside Cover	4.00	102	4.00	102	9.00	229	14.00	356	—	—
CT46TOCSS	Outside Cover	4.00	102	6.00	152	11.00	279	16.00	406	—	—
CT66TOCSS	Outside Cover	6.00	152	6.00	152	11.00	279	16.00	406	—	—
CT22PTFCSS	Front Cover Perforated	2.00	51	2.00	51	6.00	152	10.00	254	—	—
CT33PTFCSS	Front Cover Perforated	3.00	76	3.00	76	7.00	178	11.00	279	—	—
CT44PTFCSS	Front Cover Perforated	4.00	102	4.00	102	9.00	229	14.00	356	—	—
CT46PTFCSS	Front Cover Perforated	4.00	102	6.00	152	11.00	279	16.00	406	—	—
CT66PTFCSS	Front Cover Perforated	6.00	152	6.00	152	11.00	279	16.00	406	—	—
CTS33TFCSS	Front Cover Sloped	3.00	76	3.00	76	7.00	178	11.00	279	1.06	27
CTS44TFCSS	Front Cover Sloped	4.00	102	4.00	102	9.00	229	14.00	356	1.42	36
CTS46TFCSS	Front Cover Sloped	4.00	102	6.00	152	11.00	279	16.00	406	2.16	55
CTS66TFCSS	Front Cover Sloped	6.00	152	6.00	152	11.00	279	16.00	406	2.16	55
CTS33PTFCSS	Front Cover Sloped Perforated	3.00	76	3.00	76	7.00	178	11.00	279	1.06	27
CTS44PTFCSS	Front Cover Sloped Perforated	4.00	102	4.00	102	9.00	229	14.00	356	1.42	36
CTS46PTFCSS	Front Cover Sloped Perforated	4.00	102	6.00	152	11.00	279	16.00	406	2.16	55
CTS66PTFCSS	Front Cover Sloped Perforated	6.00	152	6.00	152	11.00	279	16.00	406	2.16	55

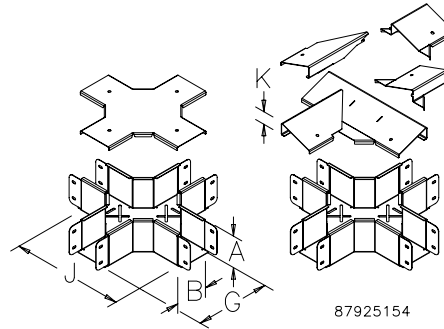
Stainless Steel Cable Tray

Rev. A 6/07

Cross



Available with or without perforations. Used where there are four branches. Available with 20-degree sloped cover in some sizes. Kit includes both left and right sloped covers to create any configuration. Both tops open 90-degrees. Elbow and top open tee dividers can be used.



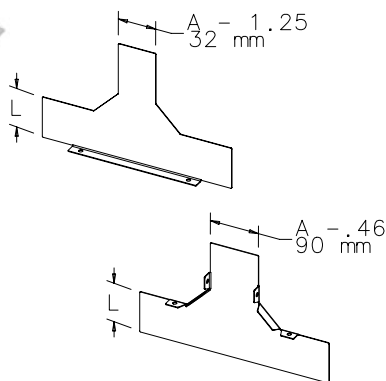
Corrosion-Resistant Enclosures

Catalog Numbers	Description	A (in.)	A (mm)	B (in.)	B (mm)	G (in.)	G (mm)	J (in.)	J (mm)	K (in.)	K (mm)
CT22CSS	Standard	2.00	51	2.00	51	6.00	152	10.00	254	—	—
CT33CSS	Standard	3.00	76	3.00	76	7.00	178	11.00	279	—	—
CT44CSS	Standard	4.00	102	4.00	102	9.00	229	14.00	356	—	—
CT46CSS	Standard	4.00	102	6.00	152	11.00	279	16.00	406	—	—
CT66CSS	Standard	6.00	152	6.00	152	11.00	279	16.00	406	—	—
CT22PCSS	Perforated	2.00	51	2.00	51	6.00	152	10.00	254	—	—
CT33PCSS	Perforated	3.00	76	3.00	76	7.00	178	11.00	279	—	—
CT44PCSS	Perforated	4.00	102	4.00	102	9.00	229	14.00	356	—	—
CT46PCSS	Perforated	4.00	102	6.00	152	11.00	279	16.00	406	—	—
CT66PCSS	Perforated	6.00	152	6.00	152	11.00	279	16.00	406	—	—
CTS33CSS	Sloped Top	3.00	76	3.00	76	7.00	178	11.00	279	1.06	27
CTS44CSS	Sloped Top	4.00	102	4.00	102	9.00	229	14.00	356	1.42	36
CTS46CSS	Sloped Top	4.00	102	6.00	152	11.00	279	16.00	406	2.16	55
CTS66CSS	Sloped Top	6.00	152	6.00	152	11.00	279	16.00	406	2.16	55
CTS33PCSS	Slope Top Perforated	3.00	76	3.00	76	7.00	178	11.00	279	1.06	27
CTS44PCSS	Slope Top Perforated	4.00	102	4.00	102	9.00	229	14.00	356	1.42	36
CTS46PCSS	Slope Top Perforated	4.00	102	6.00	152	11.00	279	16.00	406	2.16	55
CTS66PCSS	Slope Top Perforated	6.00	152	6.00	152	11.00	279	16.00	406	2.16	55

Divider 90-degree Tee



Used to divide a 90-degree tee into two sections.



87925167

Catalog Numbers	Fits Cable Tray Size (in.)	Description	L (in.)	L (mm)
CT33DTFCSS	3.00 x 3.00	Front Cover	2.13	54
CT44DTFCSS	4.00 x 4.00	Front Cover	3.13	79
CT46DTFCSS	4.00 x 6.00	Front Cover	3.13	79
CT66DTFCSS	6.00 x 6.00	Front Cover	5.13	130
CT33DTICSS	3.00 x 3.00	Inside Cover	2.13	54
CT44DTICSS	4.00 x 4.00 4.00 x 6.00	Inside Cover	3.13	79
CT66DTICSS	6.00 x 6.00	Inside Cover	5.13	130
CT33DTCSS	3.00 x 3.00	Outside Cover	2.13	54
CT44DTCSS	4.00 x 4.00 4.00 x 6.00	Outside Cover	3.13	79
CT66DTCSS	6.00 x 6.00	Outside Cover	5.13	130

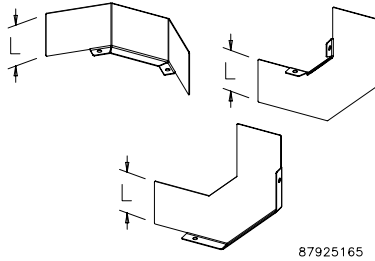
Stainless Steel Cable Tray

Rev. A 6/07

Divider 90-degree Elbow



Used to divide a 90-degree elbow into two sections.



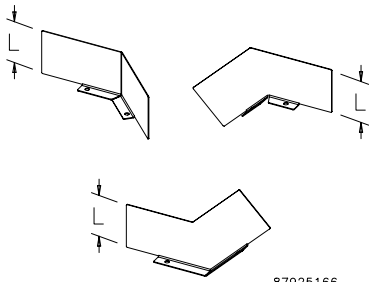
87925165

Catalog Numbers	Fits Cable Tray Size (in.)	Description	L (in.)	L (mm)
CT33DEFC90SS	3.00 x 3.00	Front Cover	2.13	54
CT44DEFC90SS	4.00 x 4.00	Front Cover	3.13	79
CT46DEFC90SS	4.00 x 6.00	Front Cover	3.13	79
CT66DEFC90SS	6.00 x 6.00	Front Cover	5.13	130
CT33DEIC90SS	3.00 x 3.00	Inside Cover	2.13	54
CT44DEIC90SS	4.00 x 4.00 4.00 x 6.00	Inside Cover	3.13	79
CT66DEIC90SS	6.00 x 6.00	Inside Cover	5.13	130
CT33DEOC90SS	3.00 x 3.00	Outside Cover	2.13	54
CT44DEOC90SS	4.00 x 4.00 4.00 x 6.00	Outside Cover	3.13	79
CT66DEOC90SS	6.00 x 6.00	Outside Cover	5.13	130

Divider 45-degree Elbow



Used to divide a 45-degree elbow into two sections.



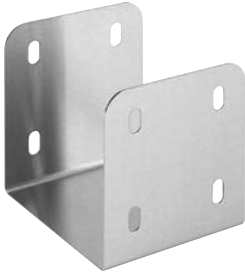
87925166

Catalog Numbers	Fits Cable Tray Size (in.)	Description	L (in.)	L (mm)
CT33DEFC45SS	3.00 x 3.00	Front Cover	2.13	54
CT44DEFC45SS	4.00 x 4.00	Front Cover	3.13	79
CT46DEFC45SS	4.00 x 6.00	Front Cover	3.13	79
CT66DEFC45SS	6.00 x 6.00	Front Cover	5.13	130
CT33DEIC45SS	3.00 x 3.00	Inside Cover	2.13	54
CT44DEIC45SS	4.00 x 4.00 4.00 x 6.00	Inside Cover	3.13	79
CT66DEIC45SS	6.00 x 6.00	Inside Cover	5.13	130
CT33DEOC45SS	3.00 x 3.00	Outside Cover	2.13	54
CT44DEOC45SS	4.00 x 4.00 4.00 x 6.00	Outside Cover	3.13	79
CT66DEOC45SS	6.00 x 6.00	Outside Cover	5.13	130

Stainless Steel Cable Tray

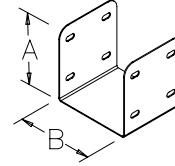
Rev. A 6/07

U-Connector



Used to connect two female sections.

Catalog Numbers	A (in.)	A (mm)	B (in.)	B (mm)
CT22UCSS	2.00	51	2.00	51
CT33UCSS	3.00	76	3.00	76
CT44UCSS	4.00	102	4.00	102
CT46UCSS	4.00	102	6.00	152
CT66UCSS	6.00	152	6.00	152



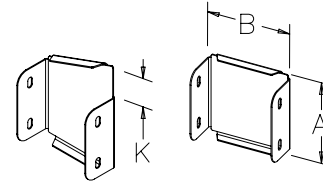
87925155

Corrosion-Resistant Enclosures

Closure Plate



Closes the end of a cable tray section or run. Available with 20-degree slope in some sizes (left slope shown).



87925156

Catalog Numbers	Description	A (in.)	A (mm)	B (in.)	B (mm)	K (in.)	K (mm)
CT22CPSS	Standard	2.00	51	2.00	51	—	—
CT33CPSS	Standard	3.00	76	3.00	76	—	—
CT44CPSS	Standard	4.00	102	4.00	102	—	—
CT46CPSS	Standard	4.00	102	6.00	152	—	—
CT66CPSS	Standard	6.00	152	6.00	152	—	—
CTS33CPRSS	Sloped Right	3.00	76	3.00	76	—	—
CTS33CPLSS	Sloped Left	4.00	102	4.00	102	—	—
CTS44CPRSS	Sloped Right	4.00	102	6.00	152	1.42	36
CTS44CPLSS	Sloped Left	6.00	152	6.00	152	1.42	36
CTS46CPRSS	Sloped Right	3.00	76	3.00	76	2.16	55
CTS46CPLSS	Sloped Left	4.00	102	4.00	102	2.16	55
CTS66CPRSS	Sloped Right	4.00	102	6.00	152	2.16	55
CTS66CPLSS	Sloped Left	6.00	152	6.00	152	2.16	55

Stainless Steel Cable Tray

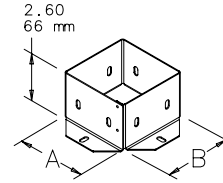
Rev. A 6/07

Enclosure Adapter



Allows the cable tray to be securely connected to an enclosure.

Catalog Numbers	A (in.)	A (mm)	B (in.)	B (mm)
CT22AESS	2.00	51	2.00	51
CT33AESS	3.00	76	3.00	76
CT44AESS	4.00	102	4.00	102
CT46AESS	4.00	102	6.00	152
CT66AESS	6.00	152	6.00	152

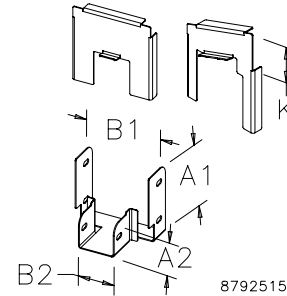


87925157

Reducer



Used to reduce to a smaller size of cable tray. Available with 20-degree slope in some sizes (right slope shown). All reducers preserve the lay-in feature of the system.



87925158

Catalog Numbers	Description	A1 (in.)	A1 (mm)	B1 (in.)	B1 (mm)	A2 (in.)	A2 (mm)	B2 (in.)	B2 (mm)	K (in.)	K (mm)
CT3322RSS	3x3-2x2 Standard	3.00	76	3.00	76	2.00	51	2.00	51	—	—
CT4433RSS	4x4-3x3 Standard	4.00	102	4.00	102	3.00	76	3.00	76	—	—
CT4422RSS	4x4-2x2 Standard	4.00	102	4.00	102	2.00	51	2.00	51	—	—
CT4644RSS	4x6-4x4 Standard	4.00	102	6.00	152	4.00	102	4.00	102	—	—
CT4633RSS	4x6-3x3 Standard	4.00	102	6.00	152	3.00	76	3.00	76	—	—
CT6622RSS	6x6-2x2 Standard	6.00	152	6.00	152	2.00	51	2.00	51	—	—
CT6646RSS	6x6-4x6 Standard	6.00	152	6.00	152	4.00	102	6.00	152	—	—
CT6644RSS	6x6-4x4 Standard	6.00	152	6.00	152	4.00	102	4.00	102	—	—
CT6633RSS	6x6-3x3 Standard	6.00	152	6.00	152	3.00	76	3.00	76	—	—
CTS4433RRSS	4x4-3x3 Sloped Right	4.00	102	4.00	102	3.00	76	3.00	76	1.42	36
CTS4433RLSS	4x4-3x3 Sloped Left	4.00	102	4.00	102	3.00	76	3.00	76	1.42	36
CTS4644RRSS	4x6-4x4 Sloped Right	4.00	102	6.00	152	4.00	102	4.00	102	2.16	55
CTS4644RLSS	4x6-4x4 Sloped Left	4.00	102	6.00	152	4.00	102	4.00	102	2.16	55
CTS4633RRSS	4x6-3x3 Sloped Right	4.00	102	6.00	152	3.00	76	3.00	76	2.16	55
CTS4633RLSS	4x6-3x3 Sloped Left	4.00	102	6.00	152	3.00	76	3.00	76	2.16	55
CTS6646RRSS	6x6-4x6 Sloped Right	6.00	152	6.00	152	4.00	102	6.00	152	2.16	55
CTS6646RLSS	6x6-4x6 Sloped Left	6.00	152	6.00	152	4.00	102	6.00	152	2.16	55
CTS6644RRSS	6x6-4x4 Sloped Right	6.00	152	6.00	152	4.00	102	4.00	102	2.16	55
CTS6644RLSS	6x6-4x4 Sloped Left	6.00	152	6.00	152	4.00	102	4.00	102	2.16	55
CTS6633RRSS	6x6-3x3 Sloped Right	6.00	152	6.00	152	3.00	76	3.00	76	2.16	55
CTS6633RLSS	6x6-3x3 Sloped Left	6.00	152	6.00	152	3.00	76	3.00	76	2.16	55

Stainless Steel Cable Tray

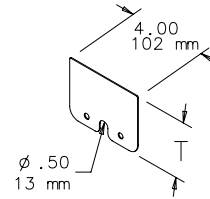
Rev. A 6/07

Cable Exit Cover



Covers cables that exit the side of the cable tray. Will cover a keyhole or slot used to pass the cable through.

Catalog Numbers	T (in.)	T (mm)
CT2233CEC	1.50	38
CT4466CEC	3.00	76



87925159

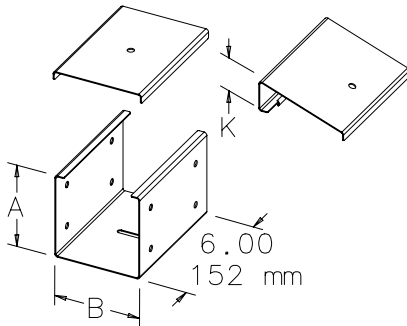
Corrosion-Resistant Enclosures

Straight Section Splice



Used to connect two fittings with male offsets. Available with 20-degree slope in some sizes.

Catalog Numbers	Description	A (in.)	A (mm)	B (in.)	B (mm)	K (in.)	K (mm)
CT22SPSS	Standard	2.00	51	2.00	51	—	—
CT33SPSS	Standard	3.00	76	3.00	76	—	—
CT44SPSS	Standard	4.00	102	4.00	102	—	—
CT46SPSS	Standard	4.00	102	6.00	152	—	—
CT66SPSS	Standard	6.00	152	6.00	152	—	—
CT22PSPSS	Perforated	2.00	51	2.00	51	—	—
CT33PSPSS	Perforated	3.00	76	3.00	76	—	—
CT44PSPSS	Perforated	4.00	102	4.00	102	—	—
CT46PSPSS	Perforated	4.00	102	6.00	152	—	—
CT66PSPSS	Perforated	6.00	152	6.00	152	—	—
CTS33SPSS	Sloped Top	3.00	76	3.00	76	1.06	27
CTS44SPSS	Sloped Top	4.00	102	4.00	102	1.42	36
CTS46SPSS	Sloped Top	4.00	102	6.00	152	2.16	55
CTS66SPSS	Sloped Top	6.00	152	6.00	152	2.16	55
CTS33PSPSS	Sloped Top Perforated	3.00	76	3.00	76	1.06	27
CTS44PSPSS	Sloped Top Perforated	4.00	102	4.00	102	1.42	36
CTS46PSPSS	Sloped Top Perforated	4.00	102	6.00	152	2.16	55
CTS66PSPSS	Sloped Top Perforated	6.00	152	6.00	152	2.16	55

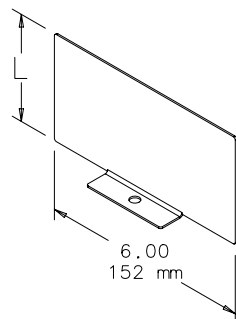


87925160

Divider Straight Section Splice



Used to divide a straight section splice into two sections.



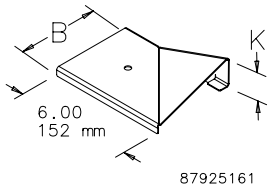
87925164

Catalog Numbers	Fits Cable Tray Size	L (in.)	L (mm)
CT33DSPSS	3.00 x 3.00	2.13	54
CT44DSPSS	4.00 x 4.00	3.13	79
CT66DSPSS	4.00 x 6.00	5.13	130

Stainless Steel Cable Tray

Rev. A 6/07

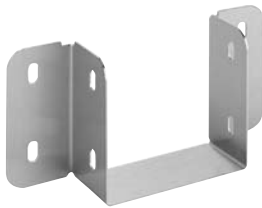
Transition Cover



Transitions from sloped to standard cable tray. Available with right- and left-hand slope. Will fit the Splice (order separately) or anywhere on a straight section. (Right slope shown.)

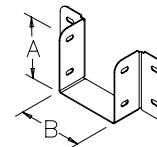
Catalog Numbers	Description	Fits Cable Tray Size	B (in.)	B (mm)	K (in.)	K (mm)
CTS33TCRSS	Transition Cover Sloped to Flat Right Hand	3 x 3	3.00	76	1.06	27
CTS33TCLSS	Transition Cover Sloped to Flat Left Hand	3.00 x 3.00	3.00	76	1.06	27
CTS44TCRSS	Transition Cover Sloped to Flat Right Hand	4.00 x 4.00	4.00	102	1.42	36
CTS44TCLSS	Transition Cover Sloped to Flat Left Hand	4.00 x 4.00	4.00	102	1.42	36
CTS46TCRSS	Transition Cover Sloped to Flat Right Hand	4.00 x 6.00 6 x 6	6.00	152	2.16	55
CTS46TCLSS	Transition Cover Sloped to Flat Left Hand	4.00 x 6.00 6 x 6	6.00	152	2.16	55

Side Coupling



Used to connect straight sections or fittings to the side of a cable tray run. A cutout will be required in the side of the cable tray.

Catalog Numbers	A (in.)	A (mm)	B (in.)	B (mm)
CT22SCSS	2.00	51	2.00	51
CT33SCSS	3.00	76	3.00	76
CT44SCSS	4.00	102	4.00	102
CT46SCSS	4.00	102	6.00	152
CT66SCSS	6.00	152	6.00	152



87925162

Fastener Package

1/4-20 stainless steel fasteners used to connect cable tray components.

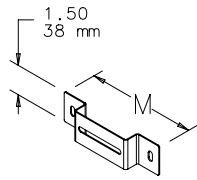
Catalog Numbers	Screws	Nuts
CT1420SS	100	100

Stainless Steel Cable Tray

Bulletin
F23

Rev. A 6/07

Hanger Bracket



87925170

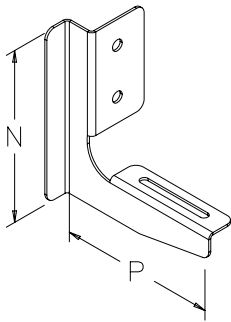
Used to support a cable tray run.

Catalog Numbers	M (in.)	M (mm)
CT22HB	3.58	91
CT33HB	4.58	116
CT44HB	5.58	142
CT66HB	7.58	193

Corrosion-Resistant Enclosures

L-Bracket

Used to support a cable tray run. Can be mounted to a vertical Unistrut® channel.

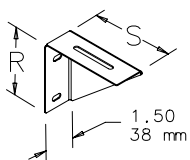


87925169

Catalog Numbers	N (in.)	N (mm)	P (in.)	P (mm)
CT22LB	3.00	76	2.75	70
CT33LB	4.00	102	3.75	95
CT44LB	5.00	127	4.81	122
CT66LB	7.64	194	8.00	203

Wall Bracket

Used to support a cable tray run.



87925168

Catalog Numbers	R (in.)	R (mm)	S (in.)	S (mm)
CT22WB	1.55	39	2.25	57
CT33WB	2.55	65	3.25	83
CT44WB	3.55	90	4.25	108
CT66WB	5.55	141	6.25	159

COMPACT® Aluminum Type 4X Enclosures



Construction

- Cast aluminum; no welded seams or sharp corners
- Captivated cover screws are stainless steel
- Cover screws placed outside sealed area
- Two to four grounding screws located on enclosure back wall
- Oil-resistant O-ring gasket with tongue-and-groove construction
- Threaded internal bosses provided for mounting optional panels, rails, and other components
- Mounting holes provided in corners outside of gasketed area

Finish

RAL 7042 gray finish inside and out. Optional conductive panels available.

Industry Standards

UL 508A, File No. E61997: Type 4, 4X, 12, and 13
NEMA/EEMAC Type 4, 4X, 12, and 13
CSA File No. 42186: Type 4, 4X, 12, and 13
IEC 60529, IP66

Accessories

DIN Type Rails
Hinge Kit
Mounting Bracket Kit
Panels

Application

Designed as an instrument housing or junction box for electrical, electronic, or pneumatic components in indoor and outdoor applications. Aluminum is particularly durable and well-suited for use in areas where corrosion problems exist.

Standard Sizes COMPACT® Aluminum Type 4X Enclosures

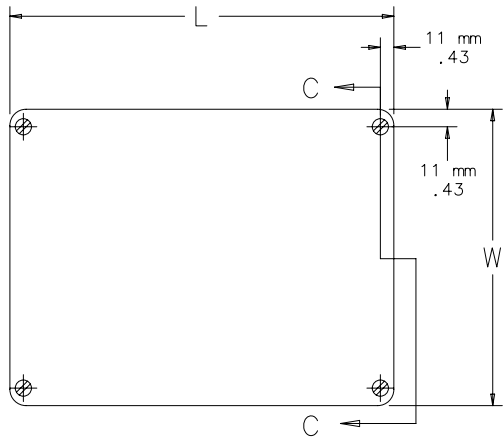
Catalog Number	Internal Dimensions A x B x C mm (in.)	External Dimensions L x W mm (in.)	Conductive Panel Catalog Number	Panel Size D x E mm (in.)	Mounting G x H mm (in.)	F mm (in.)	J mm (in.)	K mm (in.)	M mm (in.)	N mm (in.)	T mm (in.)
CCA886	67 x 72 x 47 (2.64 x 2.83 x 1.85)	75 x 80 (2.95 x 3.15)	CCAP88	64 x 69 (2.52 x 2.72)	52 x 63 (2.05 x 2.48)	41 (1.61)	41 (1.61)	13 (0.51)	30 (1.18)	48 (1.89)	4 (0.16)
CCA1286	116 x 71 x 51 (4.57 x 2.8 x 2.01)	125 x 80 (4.92 x 3.15)	CCAP128	114 x 69 (4.49 x 2.72)	52 x 113 (2.05 x 4.45)	45 (1.77)	42 (1.65)	15 (0.59)	30 (1.18)	48 (1.89)	4 (0.16)
CCA1886	167 x 72 x 47 (6.57 x 2.83 x 1.85)	175 x 80 (6.89 x 3.15)	CCAP188	164 x 69 (6.46 x 2.72)	52 x 163 (2.05 x 6.42)	41 (1.61)	41 (1.61)	13 (0.51)	30 (1.18)	48 (1.89)	4 (0.16)
CCA12128	112 x 112 x 72 (4.41 x 4.41 x 2.83)	122 x 122 (4.80 x 4.80)	CCAP1212	109 x 108 (4.29 x 4.25)	82 x 106 (3.23 x 4.17)	631 (2.48)	60 (2.36)	20 (0.79)	52 (2.05)	—	4 (0.16)
CCA22128	210 x 112 x 72 (8.27 x 4.41 x 2.83)	220 x 122 (8.66 x 4.80)	CCAP2212	204 x 108 (8.03 x 4.25)	82 x 204 (3.23 x 8.03)	63 (2.48)	60 (2.36)	20 (0.79)	52 (2.05)	—	4 (0.16)
CCA16169	149 x 149 x 82 (5.87 x 5.87 x 3.23)	160 x 160 (6.30 x 6.30)	CCAP1616	146 x 146 (5.75 x 5.75)	110 x 140 (4.33 x 5.51)	73 (2.87)	70 (2.76)	201 (0.79)	76 (2.99)	—	4 (0.16)
CCA26169	249 x 149 x 82 (9.8 x 5.87 x 3.23)	260 x 160 (10.23 x 6.30)	CCAP2616	246 x 146 (9.69 x 5.75)	110 x 240 (4.33 x 9.45)	73 (2.87)	70 (2.76)	20 (0.79)	76 (2.99)	—	4 (0.16)
CCA36169	349 x 149 x 82 (13.74 x 5.87 x 3.23)	360 x 160 (14.17 x 6.30)	CCAP3616	346 x 146 (13.62 x 5.75)	110 x 340 (4.33 x 13.39)	73 (2.87)	70 (2.76)	20 (0.79)	76 (2.99)	—	4 (0.16)
CCA202311	189 x 218 x 103 (7.44 x 8.58 x 4.06)	200 x 230 (7.87 x 9.06)	CCAP2023	185 x 215 (7.28 x 8.46)	180 x 180 (7.09 x 7.09)	93 (3.66)	90 (3.54)	20 (0.79)	80 (3.15)	144 (5.67)	4 (0.16)
CCA332311	319 x 218 x 102 (12.54 x 8.58 x 4.02)	330 x 230 (12.99 x 9.06)	CCAP3323	315 x 215 (12.40 x 8.46)	180 x 310 (7.09 x 12.21)	93 (3.66)	90 (3.54)	20 (0.79)	80 (3.15)	144 (5.67)	4 (0.16)
CCA332318	319 x 219 x 172 (12.56 x 8.62 x 6.77)	330 x 230 (12.99 x 9.06)	CCAP3323	315 x 215 (12.40 x 8.46)	180 x 310 (7.09 x 12.21)	162 (6.38)	160 (6.30)	20 (0.79)	100 (3.94)	144 (5.67)	4 (0.16)

Purchase panels separately.

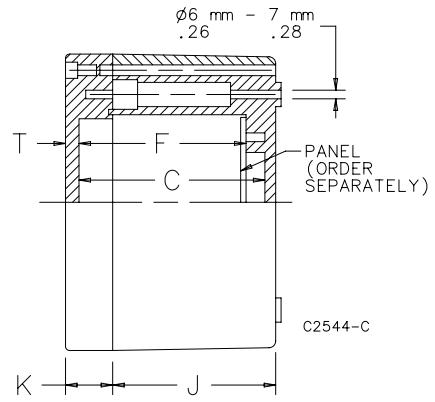
CCA886, CCA1286, and CCA1886 enclosures have only two mounting holes.

COMPACT® Aluminum Type 4X Enclosures

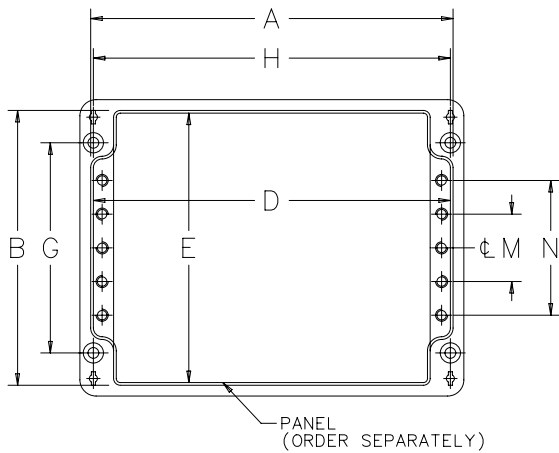
**Corrosion-Resistant
Enclosures**



TOP VIEW



SECTION C-C



TOP VIEW WITH COVER REMOVED

COMPACT® Aluminum Type 4X Enclosure Accessories

Hinge Kit



Made of die-cast aluminum. Angle rotation approximately 170 degrees. Mounting template and stainless steel hardware included. Two hinges per kit.

Catalog Number	Bulletin Number
CCAHK	CC1

Mounting Bracket Kits



Mounting Bracket Kits are available in stainless steel or composite material. Kit includes 4 brackets and mounting hardware.

Catalog Number	Description	Bulletin Number
CCAMF12	Two brackets	CA1
CCAMF16	Two brackets	CA1
CCAMF31	Four brackets	CA1

Panels



Made of plated steel. Permits electro-mechanical components to be mounted inside the enclosure.

Catalog Number	Panel Size D x E (in.)	Panel Size D x E (mm)	Bulletin Number
CCAP88	2.52 x 2.72	64 x 69	CA1P
CCAP128	4.49 x 2.72	114 x 69	CA1P
CCAP188	6.46 x 2.72	164 x 69	CA1P
CCAP1212	4.29 x 4.26	109 x 108	CA1P
CCAP2212	8.04 x 4.26	204 x 108	CA1P
CCAP1616	5.75 x 5.75	146 x 146	CA1P
CCAP2616	9.69 x 5.75	246 x 146	CA1P
CCAP3613	13.63 x 5.75	346 x 146	CA1P
CCAP2023	7.29 x 8.47	185 x 215	CA1P
CCAP3323	12.41 x 8.47	315 x 215	CA1P
CCAP6031	23.05 x 11.58	585 x 294	CA1P

DIN Type Rails



DIN Type Rails receive terminal blocks, relays, switches, filters, timers, and various other electrical and electronic components. Lengths fit size of enclosure. Depending on the type of clamp, TS-15-(S1) or TS-35-(S2) rail is used. All DIN rails made of plated steel.

Catalog Number	Bulletin Number
CCADR8S1	CA1
CCADR12S1	CA1
CCADR18S1	CA1
CCADR12S2	CA1
CCADR22S2	CA1
CCADR16S2	CA1
CCADR26S2	CA1
CCADR36S2	CA1
CCADR20S2	CA1
CCADR33S2	CA1
CCADR40S2	CA1
CCADR60S2	CA1

COMPACT® Aluminum Type 4X Enclosure Accessories

Accessory Selection Matrix Aluminum Type 4X Enclosures

Catalog Number	CCA886	CCA1286	CCA1886	CCA12128	CCA22128	CCA16169	CCA26169	CCA36169	CCA202311	CCA332311	CCA332318
Hinge Kit											
CCAHK				•	•	•	•	•	•	•	•
Mounting Bracket Kit											
CCAMF12				•	•						
CCAMF16						•		•			
CCAMF31									•	•	•
Panels											
CCAP88	•										
CCAP128		•									
CCAP188			•								
CCAP1212				•							
CCAP2212					•						
CCA01616						•					
CCAP2616							•				
CCAP3616								•			
CCAP2023									•		
CCAP3323										•	•
DIN Type Rails											
CCADR8S1	•										
CCADR12S1		•									
CCADR18S1			•								
CCADR12S2				•							
CCADR22S2					•						
CCADR16S2						•					
CCADR26S2							•				
CCADR36S2								•			
CCADR20S2									•		
CCADR33S2										•	•

Corrosion-Resistant Enclosures

Aluminum Continuous Hinge CHAL Junction Boxes



Application

Designed as an instrument housing or junction box for electrical, electronic, or pneumatic components. It is ideal for applications where a lightweight box is required.

Construction

- Type 5052 H-32 aluminum .080-inch (2 millimeters) thick
- Seams continuously welded and ground smooth; no holes or knockouts
- Stainless steel screws and clamps secure cover and assure dusttight seal
- Cover removed by pulling stainless steel continuous hinge pin
- Oil-resistant gasket and adhesive
- Weldnuts furnished for mounting optional panels and terminal block kits

Finish

Enclosures are unpainted. Cover and sides of body have smooth brushed finish. Optional aluminum panels are unpainted. Optional steel panels are white. Optional conductive panels available.

Industry Standards

UL 50, File No. E27567: Type 12 and 13
NEMA/EEMAC Type 12 and 13
CSA File No. 42184: Type 12
IEC 60529, IP65

Accessories

Corrosion Inhibitors
Electrical Interlocks
Fast Operating Junction Box Clamp
Lock Kit
Panels
Swing-Out Panel Kit
Terminal Block Kit Assembly
Window Kit
Wiring Duct

Modification Services Program

You can customize this product to your unique requirements by specifying from these options:

- Enclosure height, width, depth
- Holes and cutouts in body, doors, subpanels
- Tapped holes, fasteners in enclosure or subpanel
- Mounting
- Doors
- Subpanels
- Windows
- Standard accessories

To order, contact your local Hoffman sales representative.

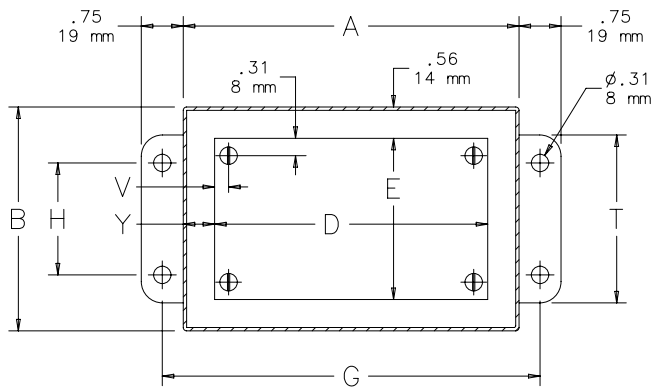
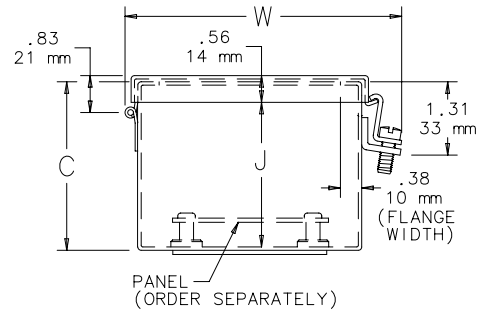
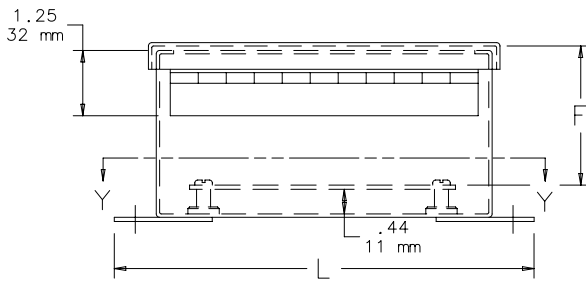
NOTE: For information about modifications outside the scope of the Modification Services program, contact your Hoffman sales representative.

Standard Sizes Aluminum Continuous Hinge CHAL Junction Boxes

Catalog Number	A x B x C in. (mm)	Aluminum Panel Catalog Number	Steel Panel Catalog Number	Conductive Panel Catalog Number	Panel Size D x E in. (mm)	Mounting G x H in. (mm)	Overall L x W in. (mm)	F in. (mm)	J in. (mm)	P in. (mm)	T in. (mm)	V in. (mm)	Y in. (mm)
A606CHAL	6.00 x 6.00 x 4.00 (152 x 152 x 102)	A6P6AL	A6P6	A6P6G	4.88 x 4.88 (124 x 124)	6.75 x 4.00 (171 x 102)	7.50 x 6.94 (191 x 176)	3.50 (89)	3.56 (90)	2.38 (60)	5.00 (127)	0.31 (8)	0.56 (14)
A8064CHAL	8.00 x 6.00 x 4.00 (203 x 152 x 102)	A8P6AL	A8P6	A8P6G	6.75 x 4.88 (171 x 124)	8.75 x 4.00 (222 x 102)	9.50 x 6.94 (241 x 176)	3.50 (89)	3.56 (90)	3.38 (86)	5.00 (127)	0.25 (6)	0.62 (16)
A1008CHAL	10.00 x 8.00 x 4.00 (254 x 203 x 102)	A10P8AL	A10P8	A10P8G	8.75 x 6.88 (222 x 175)	10.75 x 6.00 (273 x 152)	11.50 x 8.94 (292 x 227)	3.50 (89)	3.56 (90)	1.50 (38)	7.00 (178)	0.25 (6)	0.62 (16)
A12106CHAL	12.00 x 10.00 x 6.00 (305 x 254 x 152)	A12P10AL	A12P10	A12P10G	10.75 x 8.88 (273 x 225)	12.75 x 8.00 (324 x 203)	13.50 x 10.94 (343 x 278)	5.50 (140)	5.56 (141)	2.00 (51)	9.00 (229)	0.25 (6)	0.62 (16)
A1412CHAL	14.00 x 12.00 x 6.00 (356 x 305 x 152)	A14P12AL	A14P12	A14P12G	12.75 x 10.88 (324 x 276)	14.75 x 10.00 (375 x 254)	15.50 x 12.94 (394 x 329)	5.50 (140)	5.56 (141)	3.00 (76)	11.00 (279)	0.25 (6)	0.62 (16)
A1614CHAL	16.00 x 14.00 x 6.00 (406 x 356 x 152)	A16P14AL	A16P14	A16P14G	14.75 x 12.88 (375 x 327)	16.75 x 12.00 (425 x 305)	17.50 x 14.94 (445 x 379)	5.50 (140)	5.56 (141)	1.50 (38)	13.00 (330)	0.25 (6)	0.62 (16)

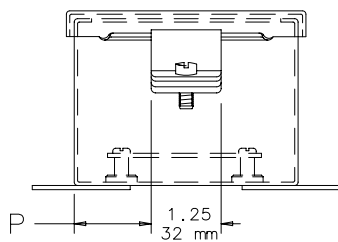
Purchase panels separately. Optional stainless steel, composite, and aluminum panels are also available for most sizes.

Aluminum Continuous Hinge CHAL Junction Boxes

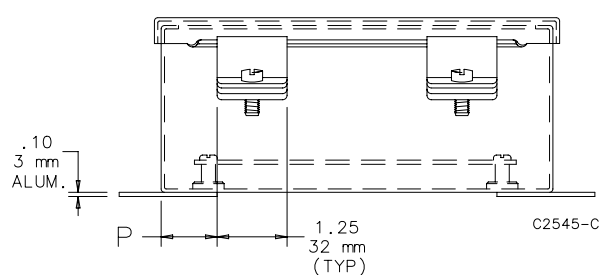


SECTION Y-Y

- NOTES: 1. Aluminum panels are .080 in. (2mm) thick.
2. Steel panels are 14 gauge.
3. Stainless steel panel screws are #10-32 pan head.



View showing clamp end of box when one clamp is used.



View showing clamp end of box when two clamps are used. When $A > 8.00$ (203 mm), use two clamps.

Aluminum Clamp Cover Type 4X NFAL Junction Boxes



Industry Standards

UL 50, File No. E27567: Type 3R, 4, 4X, and I2
UL 508A, File No. E61997: Type 3R, 4, 4X, and I2
NEMA/EEMAC Type 3R, 4, 4X, I2, and I3
CSA File No. 42184: Type 4, 4X, and I2
IEC 60529, IP66

Meets Type 3RX requirements

Accessories

Corrosion Inhibitors
Electrical Interlocks
Fast Operating Junction Box Clamp
Panels
Swing-Out Panel Kit
Terminal Block Kit Assembly
Window Kit
Wiring Duct

Application

This lightweight enclosure provides long-lasting protection for housing electrical components in highly-corrosive environments. It is used in both indoor and outdoor settings that are frequently wet or have constant exposure to water, other liquids, or contaminants.

Construction

- Type 5052 H-32 aluminum, 0.080 in. (2mm) thick
- Seams continuously welded and ground smooth; no holes or knockouts
- Stainless steel screws and clamps on four sides of cover assure watertight seal
- Oil-resistant gasket and adhesive
- Weldnuts provided for mounting optional panels

Finish

Enclosures are unpainted. Cover and sides of body have smooth brushed finish. Optional aluminum panels are unpainted. Optional steel panels are painted white. Optional conductive panels are available.

Modification Services Program

You can customize this product to your unique requirements by specifying from these options:

- Enclosure height, width, depth
- Holes and cutouts in body, doors, subpanels
- Tapped holes, fasteners in enclosure or subpanel
- Mounting
- Doors
- Subpanels
- Windows
- Standard accessories

To order, contact your local Hoffman sales representative.

NOTE: For information about modifications outside the scope of the Modification Services program, contact your Hoffman sales representative.

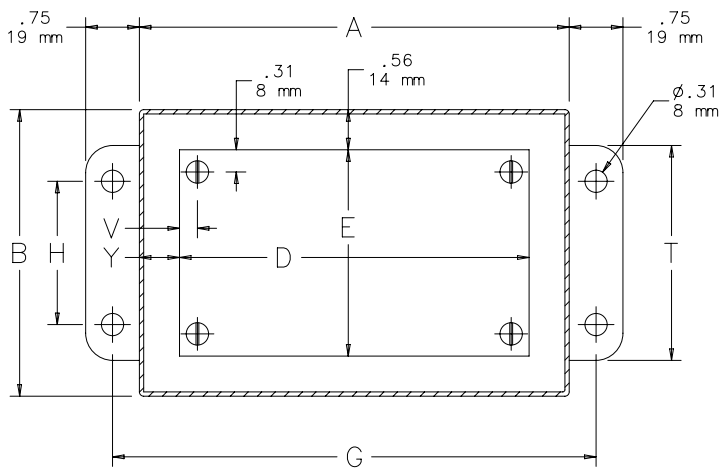
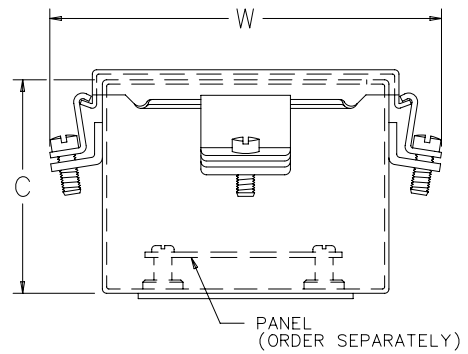
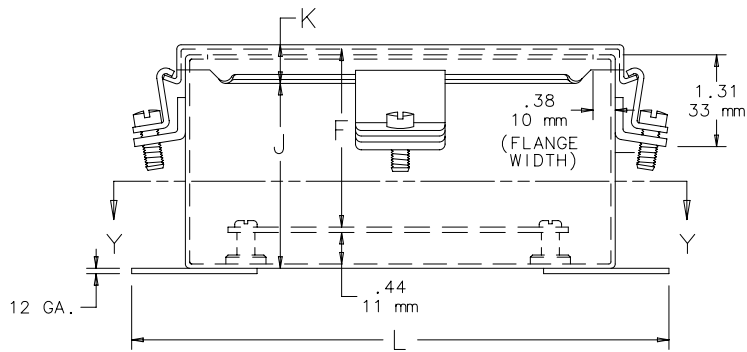
Standard Sizes Aluminum Clamp Cover Type 4X NFAL Junction Boxes

Catalog Number	A x B x C in. (mm)	Aluminum Panel Catalog Number	Steel Panel Catalog Number	Conductive Panel Catalog Number	Panel Size D x E in. (mm)	Mounting G x H in. (mm)	Overall L x W in. (mm)	F in. (mm)	J in. (mm)	M in. (mm)	N in. (mm)	T in. (mm)	V in. (mm)	Y in. (mm)
A604NFAL	6.00 x 4.00 x 3.00 (152 x 102 x 76)	A6P4AL	A6P4	A6P4G	4.88 x 2.88 (124 x 73)	6.75 x 2.00 (171 x 51)	7.50 x 5.38 (191 x 137)	2.50 (64)	2.50 (64)	1.38 (35)	2.38 (60)	3.00 (76)	0.31 (8)	0.56 (14)
A806NFAL	8.00 x 6.00 x 3.50 (203 x 152 x 89)	A8P6AL	A8P6	A8P6G	6.75 x 4.88 (171 x 124)	8.75 x 4.00 (222 x 102)	9.50 x 7.38 (241 x 187)	3.00 (76)	3.00 (76)	2.38 (60)	3.38 (86)	5.00 (127)	0.25 (6)	0.62 (16)
A606NFAL	6.00 x 6.00 x 4.00 (152 x 152 x 102)	A6P6AL	A6P6	A6P6G	4.88 x 4.88 (124 x 124)	6.75 x 4.00 (171 x 102)	7.50 x 7.38 (191 x 187)	3.50 (89)	3.50 (89)	2.38 (60)	2.38 (60)	5.00 (127)	0.31 (8)	0.56 (14)
A1008NFAL	10.00 x 8.00 x 4.00 (254 x 203 x 102)	A10P8AL	A10P8	A10P8G	8.75 x 6.88 (222 x 175)	10.75 x 6.00 (273 x 152)	11.50 x 9.38 (292 x 238)	3.50 (89)	3.50 (89)	3.38 (86)	1.00 (25)	7.00 (178)	0.25 (6)	0.62 (16)
A1210NFAL	12.00 x 10.00 x 5.00 (305 x 254 x 127)	A12P10AL	A12P10	A12P10G	10.75 x 8.88 (273 x 225)	12.75 x 8.00 (324 x 203)	13.50 x 11.38 (343 x 289)	4.50 (114)	4.50 (114)	2.00 (51)	1.50 (38)	9.00 (229)	0.25 (6)	0.62 (16)
A1412NFAL	14.00 x 12.00 x 6.00 (356 x 305 x 152)	A14P12AL	A14P12	A14P12G	12.75 x 10.88 (324 x 276)	14.75 x 10.00 (375 x 254)	15.50 x 13.38 (394 x 340)	5.50 (140)	5.50 (140)	2.00 (51)	3.00 (76)	11.00 (279)	0.25 (6)	0.62 (16)
A1614NFAL	16.00 x 14.00 x 6.00 (406 x 356 x 152)	A16P14AL	A16P14	A16P14G	14.75 x 12.88 (375 x 327)	16.75 x 12.00 (425 x 305)	17.50 x 15.38 (445 x 391)	5.50 (140)	5.50 (140)	3.00 (76)	1.50 (38)	13.00 (330)	0.25 (6)	0.62 (16)

Purchase panels separately. Optional stainless steel, composite, and aluminum panels are available for most sizes. A604NFAL and A806NFAL are UL 508A. The rest are UL 50.

Aluminum Clamp Cover Type 4X NFAL Junction Boxes

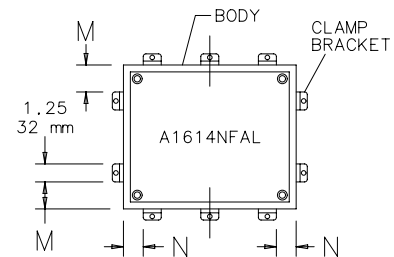
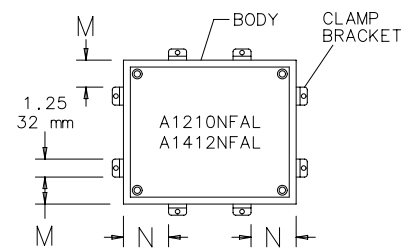
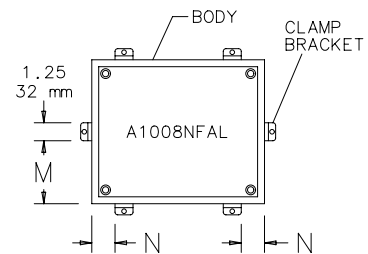
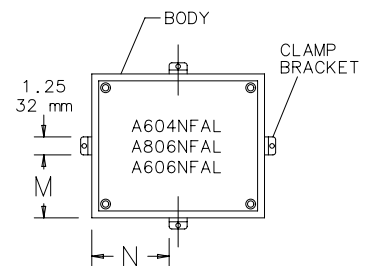
Corrosion-Resistant
Enclosures



SECTION Y-Y

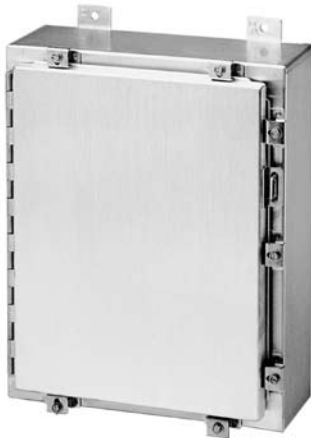
- NOTES:
1. Aluminum panels are .080 (2mm) thick.
 2. Steel panels are 14 gauge.
 3. Stainless steel panel screws are #10-32 pan head.

Clamp Bracket Locations



C2546-C

Aluminum Continuous Hinge Type 4X Enclosures



Application

This light-weight enclosure provides long-lasting protection for electrical components in highly-corrosive environments. It is used in both indoor and outdoor settings that are frequently wet or have constant exposure to water, other liquids, or contaminants. Suitable for use in petrochemical plants, sewage plants, marine environments, and similar installations.

Construction

- Type 5052 H-32 aluminum
- Seams continuously welded and ground smooth; no holes or knockouts
- Door stiffeners provided in larger enclosures for extra rigidity
- Rolled lip around three sides of door and all sides of enclosure opening excludes liquids and contaminants
- Stainless steel door clamp assembly assures watertight seal
- Door is easily removed by pulling stainless steel continuous hinge pin
- Data pocket is high-impact thermoplastic
- Hasp and staple for padlocking
- Panel screws are stainless steel
- Tapped pads provided for mounting optional panels
- Oil-resistant gasket and adhesive

Finish

Enclosures are unpainted. Door fronts have smooth brushed finish. Optional steel panels are painted white. Optional stainless steel, aluminum, conductive, and composite panels are unpainted.

Industry Standards

UL 508A, File No. E61997: Type 3R, 4, 4X, and I2
NEMA/EEMAC Type 3R, 4, 4X, I2, and I3
CSA File No. 42186: Type 4, 4X, and I2
IEC 60529, IP66
Meets Type 3RX requirements

Accessories

Corrosion Inhibitors
Electrical Interlocks
Fast Operating Clamp Assembly
Lighting Kit
Panel Support Kit
Panels
Rack Mounting Angle Kit
Swing-Out Panel Kit
Terminal Block Kit Assembly
Window Kit
Wiring Duct

Modification Services Program

You can customize this product to your unique requirements by specifying from these options:

- Enclosure height, width, depth
- Holes and cutouts in body, doors, subpanels
- Tapped holes, fasteners in enclosure or subpanel
- Mounting
- Doors
- Subpanels
- Structural changes
- Environmental control (louvers, fans, filters)
- Windows
- Standard accessories

To order, contact your local Hoffman sales representative.

NOTE: For information about modifications outside the scope of the Modification Services program, contact your Hoffman sales representative.

Standard Sizes Aluminum Continuous Hinge Type 4X Enclosures

Catalog Number	A x B x C in. (mm)	Aluminum Panel Catalog Number	Steel Panel Catalog Number	Conductive Panel Catalog Number	Panel Size D x E (in.)	Panel Size D x E (mm)	F (in.)	F (mm)	No. of Clamps
A16H1206ALLP	16.00 x 12.00 x 6.00 (406 x 305 x 152)	A16P12AL	A16P12	A16P12G	13.00 x 9.00	330 x 229	1.25	32	4
A20H1606ALLP	20.00 x 16.00 x 6.00 (508 x 406 x 152)	A20P16AL	A20P16	A20P16G	17.00 x 13.00	432 x 330	3.00	76	4
A20H2006ALLP	20.00 x 20.00 x 6.00 (508 x 508 x 152)	A20P20AL	A20P20	A20P20G	17.00 x 17.00	432 x 432	3.00	76	4
A24H2006ALLP	24.00 x 20.00 x 6.00 (610 x 508 x 152)	A24P20AL	A24P20	A24P20G	21.00 x 17.00	533 x 432	3.00	76	5
A16H1608ALLP	16.00 x 16.00 x 8.00 (406 x 406 x 203)	A16P16AL	A16P16	A16P16G	13.00 x 13.00	330 x 330	3.00	76	4
A24H2408ALLP	24.00 x 24.00 x 8.00 (610 x 610 x 203)	A24P24AL	A24P24	A24P24G	21.00 x 21.00	533 x 533	3.00	76	5
A30H2408ALLP	30.00 x 24.00 x 8.00 (762 x 610 x 203)	A30P24AL	A30P24	A30P24G	27.00 x 21.00	686 x 533	3.00	76	5
A36H2408ALLP	36.00 x 24.00 x 8.00 (914 x 610 x 203)	A36P24AL	A36P24	A36P24G	33.00 x 21.00	838 x 533	3.00	76	5
A36H3008ALLP	36.00 x 30.00 x 8.00 (914 x 762 x 203)	A36P30AL	A36P30	A36P30G	33.00 x 27.00	838 x 686	3.00	76	7
A48H3608ALLP	48.00 x 36.00 x 8.00 (1219 x 914 x 203)	A48P36AL	A48P36	A48P36G	45.00 x 33.00	1143 x 838	3.00	76	8

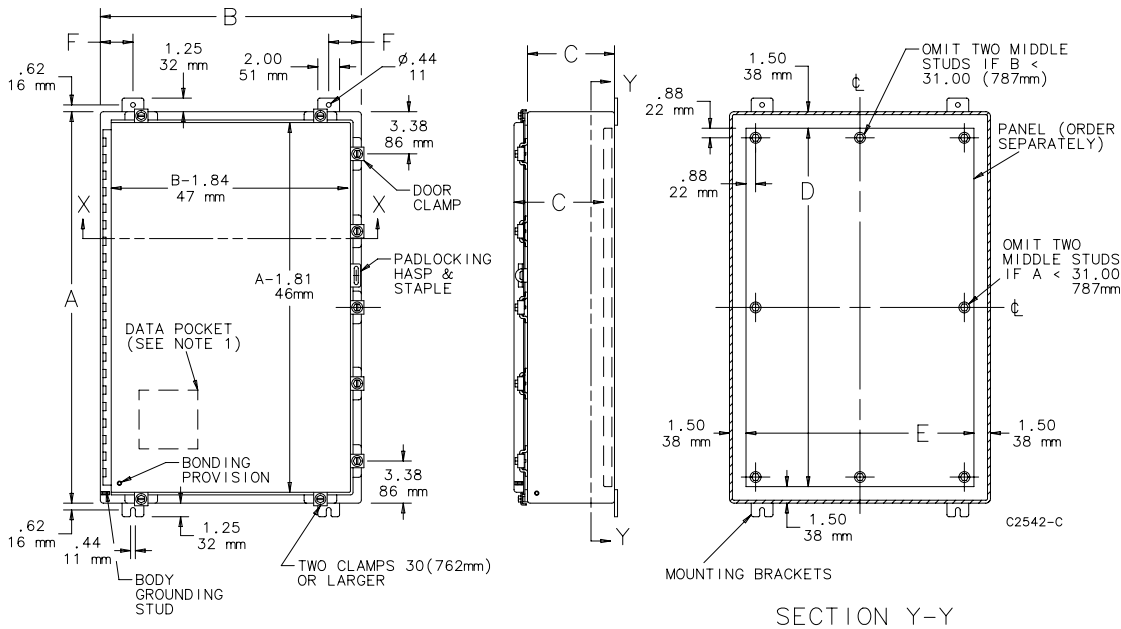
Aluminum Continuous Hinge Type 4X Enclosures

Corrosion-Resistant Enclosures

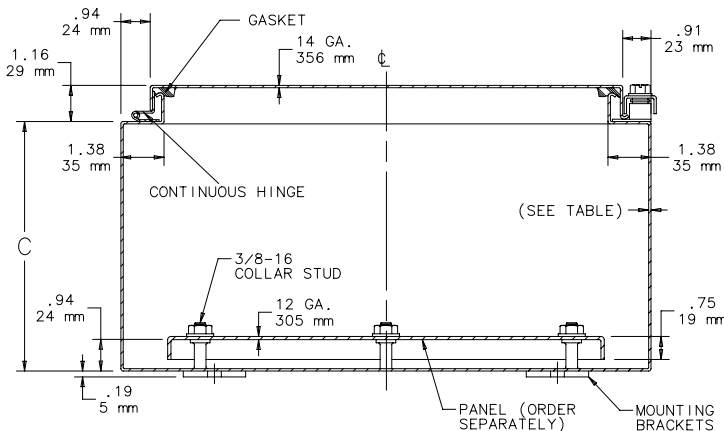
Standard Sizes Aluminum Continuous Hinge Type 4X Enclosures (Cont.)

Catalog Number	A x B x C in. (mm)	Aluminum Panel Catalog Number	Steel Panel Catalog Number	Conductive Panel Catalog Number	Panel Size D x E (in.)	Panel Size D x E (mm)	F (in.)	F (mm)	No. of Clamps
A20H1610ALLP	20.00 x 16.00 x 10.00 (508 x 406 x 254)	A20P16AL	A20P16	A20P16G	17.00 x 13.00	432 x 330	3.00	76	4
A24H2010ALLP	24.00 x 20.00 x 10.00 (610 x 508 x 254)	A24P20AL	A24P20	A24P20G	21.00 x 17.00	533 x 432	3.00	76	5
A30H2412ALLP	30.00 x 24.00 x 12.00 (762 x 610 x 305)	A30P24AL	A30P24	A30P24G	27.00 x 21.00	686 x 533	3.00	76	5
A36H3012ALLP	36.00 x 30.00 x 12.00 (914 x 762 x 305)	A36P30AL	A36P30	A36P30G	33.00 x 27.00	838 x 686	3.00	76	7
A60H3612ALLP	60.00 x 36.00 x 12.00 (1524 x 914 x 305)	A60P36AL	A60P36	A60P36G	57.00 x 33.00	1448 x 838	3.00	76	9

Purchase panels separately.



- NOTES: 1. Removable data pocket included (see table for size). Large data pocket 12.00 x 12.00 (305mm x 305mm); small data pocket 6.00 x 6.00 (152mm x 152mm).
2. Maximum spacing between door clamps is 15.00 (382mm).



SECTION X-X

Data Pockets for Enclosures

A in. (mm)	B in. (mm)	Pocket
Any	12.00 (305)	None
<30.00 (762)	>12.00 and <20.00 (305) (508)	Small
>30.00 (762)	>20.00 (508)	Large

COMLINE® Aluminum Wall-Mounted Enclosures



Shown with
optional
sunshield

Application

Lightweight, corrosion-resistant aluminum enclosure provides long-lasting protection for housing electrical components in both indoor and extreme outdoor environments. Designed for rooftop or tower-mounted telecom applications. Suitable for use with DataCom and industrial applications and in petrochemical plants, sewage plants, marine environments, and similar installations.

Features

- COMLINE is suitable for use indoors or out.
- Foam-in-place gasket provides an excellent environmental seal
- 1- or 3-point latching (screwdriver slot), depending on door size, provides a tight, secure door seal
- Door stop/wind latch holds door in place during service, making installation easier and safer
- Two door/hinge styles available:
 - Removable door with hidden hinge and retained hinge pin. Maximum door load 50 lbs. (22.7kg)
 - Heavy duty continuous hinge door. Maximum door load 150 lbs. (68.0kg)
- Optional solar shield top helps keep enclosure interior cool when installed outdoors

Construction

- Type 5052-H32 aluminum. Covers are .080 in. or .100 in. thick depending on size; bodies are .080 in. thick.
- Seams continuously welded and ground smooth for a finished appearance
- Bonding provision on door. Ground stud on body.

Finish

RAL 7035 textured light gray polyester powder finish inside and out.

Industry Standards

UL 508A, Type 3, 3R, 4, 4X, 12
CSA Type 3, 3R, 4, 4X, 12
NEMA/EEMAC Type 3, 3R, 4, 4X, 12
IEC 60529, IP66

Designed to meet NEBS-Telcordia GR487, GR63, IEC 48D

Meets Type 3RX requirements

Accessories

Door Stop Kit
Handle Options
Mounting Bracket Kit
Mounting Panel
Pole Mounting Kit
Rack Angles
Screw Package
Solar Shield Top

Modification Services Program

You can customize this product to your unique requirements by specifying from these options:

- Enclosure height, width, depth
- Over 100 standard finish colors and textures
- Holes and cutouts in body, doors, subpanels
- Tapped holes, fasteners, mounting channel in enclosure or subpanel
- Tapped holes, fasteners in enclosure or subpanel
- Mounting
- Doors
- Subpanels
- Structural changes
- Environmental control (louvers, fans, filters)
- Windows
- Standard accessories
- Solar shields

To order, contact your local Hoffman sales representative.

NOTE: For information about modifications outside the scope of the Modification Services program, contact your Hoffman sales representative.

Standard Sizes COMLINE Aluminum Wall-Mount Enclosures

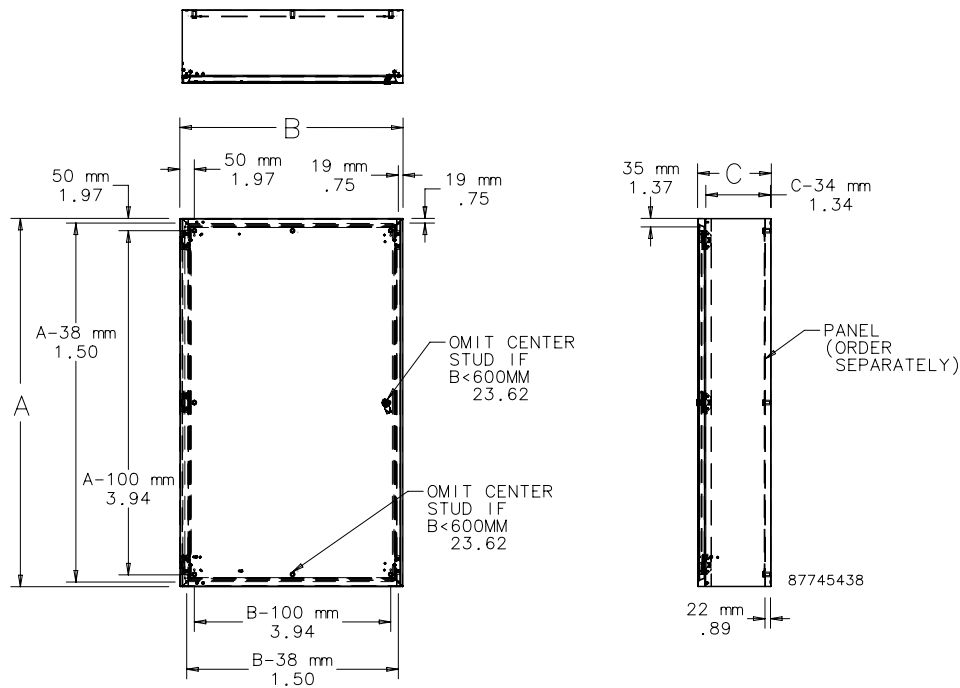
Catalog Number	A x B x C in. (mm)	Hinge Type	Latch Points	Door Thickness (in.)	Std. Pkg. Lbs.
ECL303015	11.80 x 11.80 x 5.90 (300 x 300 x 150)	Hidden	1	.080	9.0
ECL303015CH	11.80 x 11.80 x 5.90 (300 x 300 x 150)	Continuous	1	.080	9.0
ECL403015	15.70 x 11.80 x 5.90 (400 x 300 x 150)	Hidden	1	.080	10.0
ECL403015CH	15.70 x 11.80 x 5.90 (400 x 300 x 150)	Continuous	1	.080	10.0
ECL404015	15.70 x 15.70 x 5.90 (400 x 400 x 150)	Hidden	1	.080	12.0
ECL404015CH	15.70 x 15.70 x 5.90 (400 x 400 x 150)	Continuous	1	.080	12.0
ECL404020	15.70 x 15.70 x 7.90 (400 x 400 x 200)	Hidden	1	.080	13.0
ECL404020CH	15.70 x 15.70 x 7.90 (400 x 400 x 200)	Continuous	1	.080	13.0
ECL504020	19.70 x 15.70 x 7.90 (500 x 400 x 200)	Hidden	1	.080	15.0
ECL504020CH	19.70 x 15.70 x 7.90 (500 x 400 x 200)	Continuous	1	.080	15.0

Standard Sizes COMLINE Aluminum Wall-Mount Enclosures (Cont.)

Catalog Number	A x B x C in. (mm)	Hinge Type	Latch Points	Door Thickness (in.)	Std. Pkg. Lbs.
ECL505020	19.70 x 19.70 x 7.90 (500 x 500 x 200)	Hidden	1	.080	17.0
ECL505020CH	19.70 x 19.70 x 7.90 (500 x 500 x 200)	Continuous	1	.080	17.0
ECL605020	23.60 x 19.70 x 7.90 (600 x 500 x 200)	Hidden	3	.100	19.0
ECL605020CH	23.60 x 19.70 x 7.90 (600 x 500 x 200)	Continuous	3	.100	19.0
ECL606020	23.60 x 23.60 x 7.90 (600 x 600 x 200)	Hidden	3	.100	23.0
ECL606020CH	23.60 x 23.60 x 7.90 (600 x 600 x 200)	Continuous	3	.100	23.0
ECL806020	31.50 x 23.60 x 7.90 (800 x 600 x 200)	Hidden	3	.100	27.0
ECL806020CH	31.50 x 23.60 x 7.90 (800 x 600 x 200)	Continuous	3	.100	27.0
ECL1006030	39.40 x 23.60 x 11.80 (1000 x 600 x 300)	Hidden	3	.100	35.0
ECL1006030CH	39.40 x 23.60 x 11.80 (1000 x 600 x 300)	Continuous	3	.100	35.0
ECL1209030	47.20 x 35.40 x 11.80 (1200 x 900 x 300)	Hidden	3	.100	55.0
ECL1209030CH	47.20 x 35.40 x 11.80 (1200 x 900 x 300)	Continuous	3	.100	55.0
ECL1509030	59.10 x 35.40 x 11.80 (1500 x 900 x 300)	Hidden	3	.100	78.0
ECL1509030CH	59.10 x 35.40 x 11.80 (1500 x 900 x 300)	Continuous	3	.100	78.0

Includes vertical door stiffener. Additional door stop required to meet NEBS-Telcordia 487 door restrainer requirements.
All the above enclosures must have mounting feet installed to meet UL Type 3, UL Type 4, and UL Type 4X ratings.

Corrosion-Resistant Enclosures



COMLINE Mounting Panel



Provides a mounting surface in the back of the COMLINE enclosure for surface mount components. Mill finish aluminum.

Catalog Number	Fits A x B (mm)	Height (mm)	Height (in.)	Width (mm)	Width (in.)	Whip Wt. Std. Pkg. Lbs.
EP3030AL	300 x 300	226	8.90	226	8.90	1.5
EP4030AL	400 x 300	326	12.84	226	8.90	2.0
EP4040AL	400 x 400	326	12.84	326	12.94	2.5
EP5040AL	500 x 400	426	16.78	326	12.94	3.0
EP5050AL	500 x 500	426	16.78	426	16.78	4.0
EP6050AL	600 x 500	526	20.71	426	16.78	5.0
EP6060AL	600 x 600	526	20.71	526	20.71	6.0
EP8060AL	800 x 600	726	28.59	526	20.71	8.0
EP10060AL	1000 x 600	926	36.46	526	20.71	10.0
EP12090AL	1200 x 900	1126	44.33	826	32.52	15.0
EP15090AL	1500 x 900	1426	56.15	826	32.52	24.0

Rack Angles

Rack Angles allow for mounting 19 inch rack equipment in 600mm wide enclosures. Plated 14 gauge steel with .281-inch (7mm) diameter holes (thru-hole type). Twenty M5 screws and 20 clip nuts included for mounting rack angles to enclosure and for mounting equipment to rack angles.

Catalog Number	Fits A (mm)	Fits A (in.)	Ship Wt. Std. Pkg. Lbs.
ERA196TH	600	23.62	2.5
ERA198TH	800	31.50	4.0
ERA1910TH	1000	39.37	7.0

Door Stop Kit



Door Stop Kit secures doors in the open position. Self-actuating. Mounts to top or bottom of door. Stainless steel and aluminum material. Mounting hardware included. Patent: 6,292,978 (U.S.) Other patents pending.

Catalog Number	Ship Wt. Std. Pkg. Lbs.
EDSK	1.0

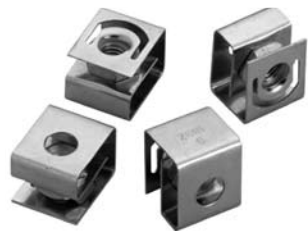
Handle Options



Handle Options can be padlocked for added security. Kit includes handle and mounting hardware.

Catalog Number	Description	Ship Wt. Std. Pkg. Lbs.
ELHP	Padlocking L-Handle	1.0
EPL4	Padlocking Quarter-Turn with key	1.0
DL36	Locking wing nut with 2 keys, silver finish	

Clip Nut Package



Twenty plated clip nuts will fit all rack mounting angles with .281-inch (7mm) diameter holes (thru-hole type).

Catalog Number	Description	Pkg. Qty.	Fits	Bulletin No.
AN1032	Clip Nut 10-32	20	.281 diameter mounting holes	A80
ANM5	Clip Nut M5 (Metric)	20	.281 diameter mounting holes	X20

Mounting Bracket Kits



Mounting Bracket Kits are available in stainless steel or composite material. Kit includes 4 brackets and mounting hardware. Bulletin Number: A80

Catalog Number	Material
CMFKSS	Stainless Steel
CMTGFT	Polycarbonate

Solar Shield Top

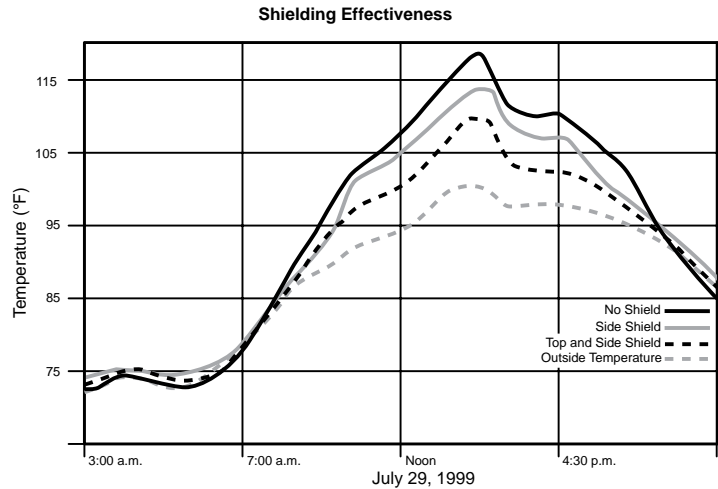


Solar Shield Top provides a vented area on top of the enclosure to absorb solar heating effects and help keep enclosure cool. Also provides a drip shield to keep liquids away from the door sealing surface. Aluminum with RAL 7035 textured light gray finish inside and out. Maintains enclosure rating. Includes mounting hardware.
Bulletin Number: DCOMY

Shielding Effectiveness

Hoffman has researched the thermal effects of solar radiation on our products. In our continuing research, we have found that shielding is an effective, low cost method of reducing solar heat gain in outdoor electrical/electronics applications. We tested enclosures with and without top-shielding and the results showed a 25% reduction in temperature when a top shield was installed.

Catalog Number	Fits B x C (mm)	Ship Wt. Std. Pkg. Lbs.
ESSH3015	300 x 150	3.0
ESSH4015	400 x 150	4.0
ESSH4020	400 x 200	4.0
ESSH5020	500 x 200	5.0
ESSH6020	600 x 200	5.0
ESSH6030	600 x 300	6.0
ESSH9030	900 x 300	8.0



Screw Package



Screw Package includes plated oval-head screws with black nylon finishing washers in each package. Screws attach rack panels and rack mounted equipment to rack mounting angles.

Catalog Number	Description	Ship Wt. Std. Pkg. Lbs.	Bulletin No.
AS1032	Screw 10-32 x 3/4 (pkg. of 20)	1.0	A80
AS1032250	Screw 10-32 x 3/4 (pkg. of 250)	3.0	DACCY
ASM5	Screw 1 (Metric) M5x20 (pkg. of 20)	1.0	X20

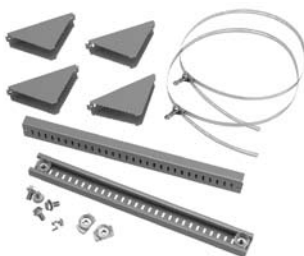
Single-Sided Shelves



Mount to 19 in. rack angles to house voice/data networking equipment. 30 lb. (13.6 kg) load rating. RAL 9005 black finish.
Bulletin Number: DACCY

Catalog Number	W (in.)	W (mm)	D (in.)	D (mm)
ESH198	19.00	483	8.00	203
ESH1917	19.00	483	17.00	432

Pole Mounting Kit

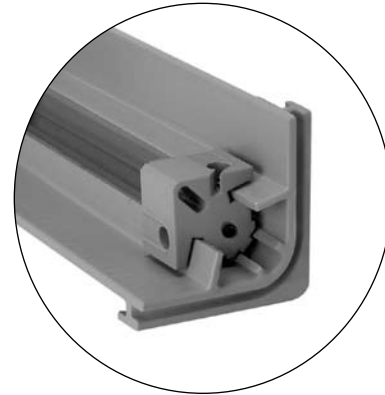


Enables enclosures to be mounted to poles of various sizes and shapes. Simply attach the plated steel channel bar to the mounting holes at the back of the enclosure and wrap the stainless steel strap around the pole and through the bar. Kit includes two mounting channels, two straps suitable for 3 in. to 12 in. diameter pole, and mounting hardware.

Catalog Number	Fits Enclosure
CPMK12	when B = 12.00 in. (305mm)
CPMK16	when B = 16.00 in. (406mm)
CPMK20	when B = 20.00 in. (508mm)
CPMK24	when B = 24.00 in. (610mm)
CPMK30	when B = 30.00 in. (762mm)

Bulletin Number: CWY

Available in Mid-2007



Internal rail system detail

Application

Designed to safely house electrical and electronic controls in indoor and outdoor applications. Provides excellent corrosion protection against a wide range of common chemical agents. Provides flame resistance and excellent ultraviolet protection while maintaining a high environmental seal. These enclosures are suitable for use in industries including petroleum and chemical processing, waste water processing, pulp and paper, outdoor monitoring, and many other applications.

Features

- Overlapping tongue and groove raised cover
- Removable snap hinge cover
- Molded layout grid on inside of cover (solid door models)
- Screw cover and non-metallic snap-down latch provisions provided
- Solid and window door options

Construction

- Polyester non-glass-filled (PBT) material
- Bolt-on continuous top and bottom mounting provisions
- External snap-together body/door hinge provisions
- Type 4-rated gasket
- Infinite Panel height adjustment rails in top five inches of enclosure
- Embosses for rear panel mounting

Finish

RAL 7035 light gray textured finish inside and out.

Industry Standards

UL 508A, File No. E61997: Type 4, 4X, 12, 13
NEMA/EEMAC Type 4, 4X, 12, 13
Enclosure flammability evaluated per UL 508A
Window flammability evaluated per UL 508A
CSA File No. 42186: Type 4, 4X, 12, 13
IEC 60529, IP66

Accessories

Panels
Aluminum Swing-Out Panel
Stainless Steel Quick-Release Latches
Panel Blocks (for mounting)

Modification Services Program

You can customize this product to your unique requirements by specifying from these options:

- Holes and Cutouts
- Panels
- Aluminum Swing-out Panels
- Tapped Holes and Fasteners in Panels
- Stainless Steel Quick-Release Latches
- Colors
- Customer branding
- Holes and cutouts
- Optional materials

For details, see Modification Services at hoffmanonline.com. To order, contact your local Hoffman sales representative.

NOTE: For information about modifications outside the scope of the Modification Services program, contact your Hoffman sales representative.

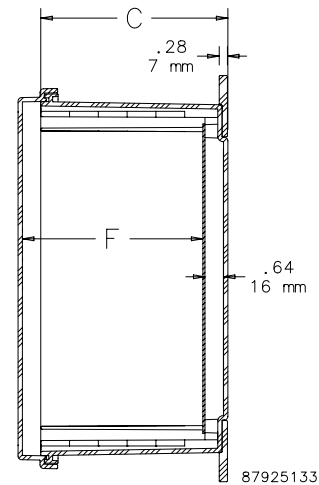
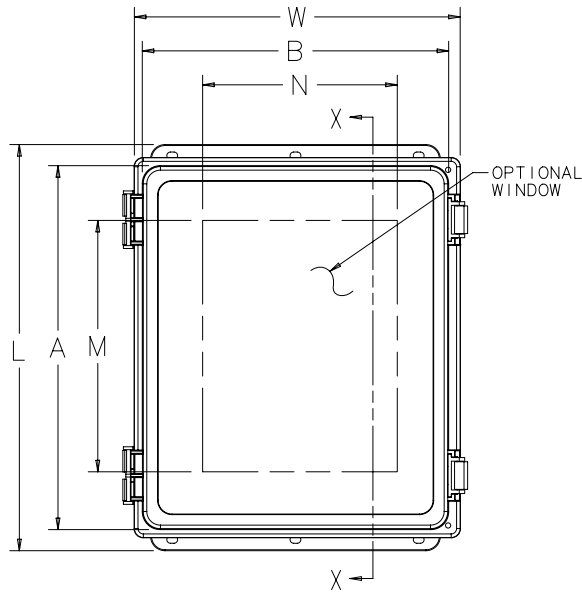
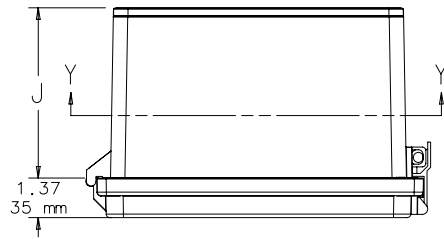
PolyPro™ Type 4X Polyester Enclosures

POLYESTER

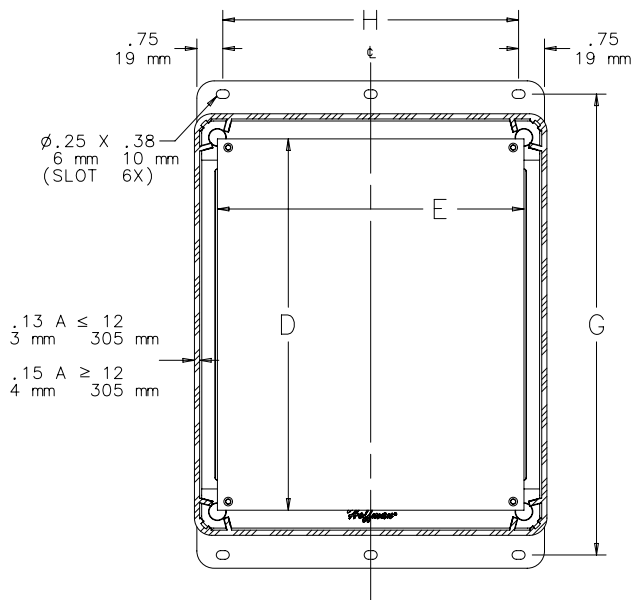
Bulletin
PCR

Available in Mid-2007

**Corrosion-Resistant
Enclosures**



SECTION X-X



SECTION Y-Y

PolyPro™ Type 4X Polyester Enclosures

Standard Sizes PolyPro Type 4X Polyester Enclosures

Available in Mid-2007

Enclosure Catalog Number		Enclosure Size A x B x C in. (mm)	Aluminum Panel Catalog Number ^a	Panel Size D X E in. (mm)	F in. (mm)	G in. (mm)	H in. (mm)	J in. (mm)	L in. (mm)	M ^b in. (mm)	N ^b in. (mm)	W in. (mm)
Solid Door	Window Door											
A644PHC	A644PHCW	6.12 x 4.12 x 4.38 (155 x 105 x 111)	A6P4AL	4.88 x 2.88 (124 x 73)	4.32 (110)	7.38 (187)	2.56 (65)	3.91 (99)	8.15 (207)	4.25 (108)	2.25 (57)	5.23 (133)
A664PHC	A664PHCW	6.12 x 6.12 x 4.38 (155 x 155 x 111)	A6P6AL	4.88 x 4.88 (124 x 124)	4.32 (110)	7.38 (187)	4.56 (116)	3.91 (99)	8.15 (207)	4.25 (108)	4.25 (108)	7.23 (184)
A864PHC	A864PHCW	8.12 x 6.12 x 4.38 (206 x 155 x 111)	A8P6AL	6.75 x 4.88 (171 x 124)	4.32 (110)	9.38 (238)	4.56 (116)	3.91 (99)	10.15 (258)	6.25 (159)	4.25 (108)	7.23 (184)
A884PHC	A884PHCW	8.12 x 8.12 x 4.38 (206 x 206 x 111)	A8P8AL	6.75 x 6.88 (171 x 175)	4.32 (110)	9.38 (238)	6.56 (167)	3.91 (99)	10.15 (258)	6.25 (159)	6.25 (159)	9.23 (234)
A1084PCH	A1084PCHW	10.12 x 8.12 x 4.38 (257 x 155 x 111)	A10P8AL	8.75 x 6.88 (222 x 175)	4.32 (110)	11.38 (289)	6.56 (167)	3.91 (99)	12.15 (309)	8.25 (210)	6.25 (159)	9.23 (234)
A10106PHC	A10106PHCW	10.05 x 10.05 x 6.38 (255 x 255 x 162)	A10P10AL	8.75 x 8.88 (222 x 226)	6.32 (161)	11.31 (287)	8.56 (217)	5.91 (150)	12.08 (307)	8.25 (210)	8.25 (210)	11.23 (285)
A12106PHC	A12106PHCW	12.08 x 10.08 x 6.35 (307 x 255 x 161)	A12P10AL	10.75 x 8.88 (273 x 226)	6.27 (159)	13.34 (339)	8.56 (217)	5.91 (150)	14.08 (358)	10.25 (260)	8.25 (210)	11.32 (288)
A14128PHC	A14128PHCW	14.02 x 12.01 x 8.35 (356 x 305 x 212)	A14P12AL	12.75 x 10.88 (324 x 276)	8.27 (210)	15.27 (388)	10.56 (268)	7.91 (201)	16.04 (407)	12.25 (311)	10.25 (260)	13.32 (339)
A16148PHC	A16148PHCW	16.02 x 14.01 x 8.35 (407 x 356 x 212)	A16P14AL	14.75 x 12.88 (375 x 327)	8.27 (210)	17.27 (439)	12.56 (319)	7.91 (201)	18.04 (458)	14.25 (362)	12.25 (311)	15.32 (389)
A181610PHC	A181610PHCW	17.95 x 15.94 x 10.35 (456 x 405 x 263)	A18P16AL	16.75 x 14.88 (425 x 378)	10.27 (261)	19.2 (488)	14.56 (370)	9.91 (252)	19.97 (507)	16.25 (413)	14.25 (362)	17.32 (440)

^a Purchase panels separately. Panels are available in aluminum, mild steel, stainless steel, conductive and composite materials.

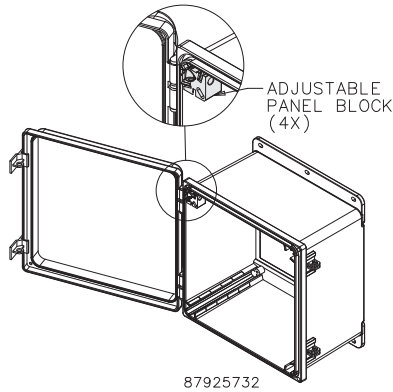
^b Window door enclosures only.

PolyPro™ Type 4X Polyester Enclosures

Rev. A 5/07

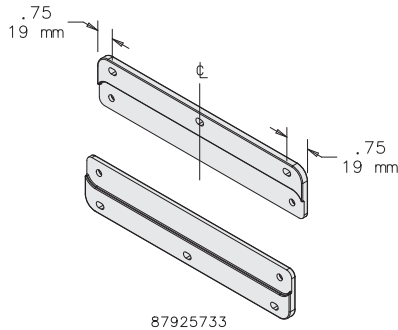
Optional Accessories

Adjustable Panel Block Kit



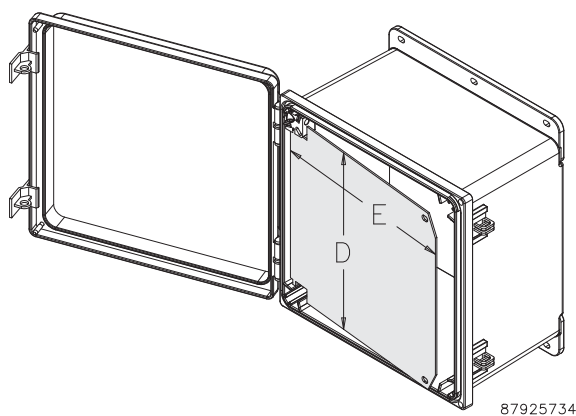
Catalog Number	Qty
APNLBLK	4

Polyester Mounting Bracket Kits



Catalog Number	Description	Qty
APOLYFT4	4 in.	2
APOLYFT6	6 in.	2
APOLYFT8	8 in.	2
APOLYFT10	10 in.	2
APOLYFT12	12 in.	2
APOLYFT14	14 in.	2
APOLYFT16	16 in.	2

Swing-out Panels



Catalog Number	D x E (in.)	D x E (mm)
A64PSWPNL	5.00 x 3.62	127 x 92
A66PSWPNL	5.00 x 5.62	127 x 143
A86PSWPNL	7.00 x 5.62	178 x 143
A88PSWPNL	7.00 x 7.62	178 x 194
A108PSWPNL	9.00 x 7.62	229 x 194
A1010PSWPNL	9.00 x 9.62	229 x 244
A1210PSWPNL	11.00 x 9.62	279 x 244
A1412PSWPNL	13.00 x 11.62	330 x 295
A1614PSWPNL	15.00 x 13.62	381 x 346
A1816PSWPNL	17.00 x 15.62	432 x 397

Type 316 Stainless Steel Quick-Release Latch

Catalog Number	Qty
AQLRSS6	2

Corrosion-Resistant Enclosures

Fiberglass Type 4X Small Enclosures



Application

Designed for use as a junction box or instrument housing in both indoor and outdoor settings. The enclosure is used in highly-corrosive environments typically found in oil refineries, chemical processing plants, waste water treatment, marine installations, pulp and paper processing, and electroplating plants.

Construction

- Molded fiberglass polyester material has excellent temperature and chemical resistance qualities and exhibits outstanding physical properties
- Fiberglass material is easily punched, drilled, filed, or sawed
- Seamless foam-in-place gasket assures watertight and dusttight seal
- Threaded internal bosses provided for mounting optional panels and terminal block kits
- Scratch-resistant polycarbonate windows are permanently bonded in place
- Screw cover enclosures have easily removable covers attached to body with internal plated steel hinges. Cover securely fastens to the body with four captivated Type 316 stainless steel cover screws.
- Enclosures with quick-release latches have corrosion-resistant polyester hinges and polyester latches with a Type 316L stainless steel bail. Attached with Type 316 stainless steel screws. A Type 316L stainless steel padlock hasp is furnished with each enclosure.
- Sealing washers are furnished with enclosure

Fiberglass Mounting Bracket Kit



Bracket is molded from fiberglass reinforced polyester. Kit includes four brackets, hardware, and installation instructions. Mounting hole dimensions with mounting brackets installed are $[G + 2.50(64\text{mm})] \times [H + .50(13\text{mm})]$.

See tables for *G* and *H* dimensions.

Threaded Panel Extenders



Threaded Panel Extenders are made of plated steel and designed to raise the panel mounting surface. Extenders attach to threaded internal pads. Male and female thread size is #10. Each kit contains 4 extenders.

Bulletin Number: A80

Finish

Fiberglass material is light gray inside and out. Optional steel panels are painted white. Optional stainless steel, aluminum, and composite panels are unpainted.

Industry Standards

Mounting brackets required to meet UL/CSA external mounting requirements.
UL 508A, File No. E61997: Type 3, 3R, 4, 4X, 12, and 13
NEMA/EEMAC Type 3, 3R, 4, 4X, 12, and 13
Enclosure flammability rating per UL 508A
Window flammability rating per UL 508A
CSA File No. 42186: Type 3R, 4, 4X, and 12
IEC 60529, IP66
Meets Type 3RX requirements

Accessories

Frameless Window Kit
Panels
Stainless Steel Window Kit
Terminal Block Kit Assembly
Ventilators
Standard Accessories

Modification Services Program

You can customize this product to your unique requirements by specifying from these options:

- Holes and cutouts in body, doors, panels
- Tapped holes, fasteners in subpanel
- Mounting Brackets
- Panels
- Thermal Accessories
- Threaded Panel Extenders
- Windows Kits
- Standard accessories

To order, contact your local Hoffman sales representative.

NOTE: For information about modifications outside the scope of the Modification Services program, contact your Hoffman sales representative.

Catalog Number	Bulletin Number
A50MFKR	A50Y

Catalog Number	Length (inch)	Length (mm)
APE050	0.50	13
APE100	1.00	25

Fiberglass Type 4X Small Enclosures

Corrosion-Resistant Enclosures

Standard Sizes Fiberglass Type 4X Small Solid Screw Cover

Catalog Number	Inside Dimensions A x B x C in. (mm)	Panel Catalog Number	Aluminum Panel Catalog Number	Panel Size D x E in. (mm)	Mounting G x H in. (mm)	Overall L x W in. (mm)	F in. (mm)	J in. (mm)	K in. (mm)	V in. (mm)	X in. (mm)	Y in. (mm)
A645JFGR	5.50 x 4.00 x 4.94 (140 x 102 x 125)	No Panel	No Panel	No Panel	4.75 x 2.00 (121 x 51)	6.00 x 4.50 (152 x 114)	4.41 (112)	4.13 (105)	1.00 (25)	—	4.22 (107)	3.59 (91)
A845JFGR	7.50 x 4.00 x 4.94 (191 x 102 x 125)	A6P4	A6P4AL	4.88 x 2.88 (124 x 73)	6.75 x 2.00 (171 x 51)	8.00 x 4.50 (203 x 114)	4.41 (112)	4.13 (105)	1.00 (25)	0.31 (8)	6.22 (158)	3.59 (91)
A865JFGR	7.50 x 6.00 x 5.19 (191 x 152 x 132)	A6P6	A6P6AL	4.88 x 4.88 (124 x 124)	6.75 x 4.00 (171 x 102)	8.00 x 6.50 (203 x 165)	4.66 (118)	4.38 (111)	1.00 (25)	0.31 (8)	6.22 (158)	5.59 (142)
A1066JFGR	9.50 x 6.00 x 5.69 (241 x 152 x 145)	A8P6	A8P6AL	6.75 x 4.88 (171 x 124)	8.75 x 4.00 (222 x 102)	10.00 x 6.50 (254 x 165)	5.16 (131)	4.63 (118)	1.25 (32)	0.25 (6)	8.12 (206)	5.50 (140)
A1287JFGR	11.50 x 8.00 x 6.69 (292 x 203 x 170)	A10P8	A10P8AL	8.75 x 6.88 (222 x 175)	10.75 x 6.00 (273 x 152)	12.00 x 8.50 (305 x 216)	6.16 (156)	5.13 (130)	1.75 (44)	0.25 (6)	9.97 (253)	7.34 (186)
A14107JFGR	13.50 x 10.00 x 7.19 (343 x 254 x 183)	A12P10	A12P10AL	10.75 x 8.88 (273 x 226)	12.75 x 8.00 (324 x 203)	14.00 x 10.50 (356 x 267)	6.66 (169)	5.63 (143)	1.75 (44)	0.25 (6)	11.97 (304)	9.34 (237)
A16128JFGR	15.50 x 12.00 x 8.19 (394 x 305 x 208)	A14P12	A14P12AL	12.75 x 10.88 (324 x 276)	14.75 x 10.00 (375 x 254)	16.00 x 12.50 (406 x 318)	7.66 (195)	6.13 (156)	2.25 (57)	0.25 (6)	13.78 (350)	11.16 (283)
A18149JFGR	17.50 x 14.00 x 8.69 (445 x 356 x 221)	A16P14	A16P14AL	14.75 x 12.88 (375 x 327)	16.75 x 12.00 (425 x 305)	18.00 x 14.50 (457 x 368)	8.16 (207)	6.63 (168)	2.25 (57)	0.25 (6)	15.78 (401)	13.16 (334)

Purchase panels separately. Optional stainless steel, aluminum, and composite material panels available for most sizes.

Standard Sizes Fiberglass Type 4X Small Solid Cover with Quick-Release Latches

Catalog Number	Inside Dimensions A x B x C in. (mm)	Panel Catalog Number	Aluminum Panel Catalog Number	Panel Size D x E in. (mm)	Mounting G x H in. (mm)	Overall L x W in. (mm)	F in. (mm)	J in. (mm)	K in. (mm)	V in. (mm)	X in. (mm)	Y in. (mm)	No. of Latches
A645JFGQRR	5.50 x 4.00 x 5.02 (140 x 102 x 128)	No Panel	No Panel	No Panel	4.75 x 2.00 (121 x 51)	6.00 x 5.39 (152 x 137)	4.50 (114)	4.13 (105)	1.00 (25)	—	4.22 (107)	3.59 (91)	1
A845JFGQRR	7.50 x 4.00 x 5.02 (191 x 102 x 128)	A6P4	A6P4AL	4.88 x 2.88 (124 x 73)	6.75 x 2.00 (171 x 51)	8.00 x 5.39 (203 x 137)	4.50 (114)	4.13 (105)	1.00 (25)	.31 (8)	6.22 (158)	3.59 (91)	1
A865JFGQRR	7.50 x 6.00 x 5.28 (191 x 152 x 134)	A6P6	A6P6AL	4.88 x 4.88 (124 x 124)	6.75 x 4.00 (171 x 102)	8.00 x 7.39 (203 x 188)	4.75 (121)	4.38 (111)	1.00 (25)	.31 (8)	6.22 (158)	5.59 (142)	2
A1066JFGQRR	9.50 x 6.00 x 5.78 (241 x 152 x 147)	A8P6	A8P6AL	6.75 x 4.88 (171 x 124)	8.75 x 4.00 (222 x 102)	10.00 x 7.39 (254 x 188)	5.25 (133)	4.63 (118)	1.25 (32)	0.25 (6)	8.12 (206)	5.50 (140)	2
A1287JFGQRR	11.50 x 8.00 x 6.78 (292 x 203 x 172)	A10P8	A10P8AL	8.75 x 6.88 (222 x 175)	10.75 x 6.00 (273 x 152)	12.00 x 9.39 (305 x 239)	6.25 (159)	5.13 (130)	1.75 (44)	0.25 (6)	9.97 (253)	7.34 (186)	2
A14107JFGQRR	13.50 x 10.00 x 7.28 (343 x 254 x 185)	A12P10	A12P10AL	10.75 x 8.88 (273 x 226)	12.75 x 8.00 (324 x 203)	14.00 x 11.39 (256 x 289)	6.75 (171)	5.63 (143)	1.75 (44)	0.25 (6)	11.97 (304)	9.34 (237)	2
A16128JFGQRR	15.50 x 12.00 x 8.28 (394 x 305 x 210)	A14P12	A14P12AL	12.75 x 10.88 (324 x 276)	14.75 x 10.00 (375 x 254)	16.00 x 13.39 (406 x 340)	7.75 (197)	6.13 (156)	2.25 (57)	0.25 (6)	13.78 (350)	11.16 (283)	2
A18149JFGQRR	17.50 x 14.00 x 8.78 (445 x 356 x 223)	A16P14	A16P14AL	14.75 x 12.88 (375 x 327)	16.75 x 12.00 (425 x 305)	18.00 x 15.39 (457 x 391)	8.25 (210)	6.63 (168)	2.25 (57)	0.25 (6)	15.78 (401)	13.16 (334)	2

Purchase panels separately. Optional stainless steel, aluminum, and composite material panels available for most sizes.

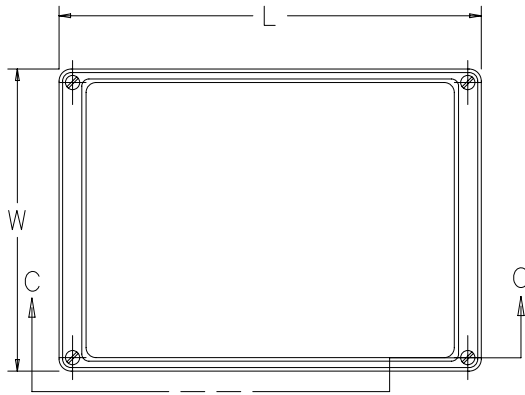
Standard Sizes Fiberglass Type 4X Small Enclosures with Windows

Catalog Number	Inside Dimensions A x B x C in. (mm)	Panel Catalog Number	Aluminum Panel Catalog Number	Panel Size D x E in. (mm)	Mounting G x H in. (mm)	Overall L x W in. (mm)	Window Size M x N in. (mm)	F in. (mm)	J in. (mm)	K in. (mm)	V in. (mm)	No. of Latches
A865JFGQRPWR	7.50 x 6.00 x 5.03 (191 x 152 x 128)	A6P6	A6P6AL	4.88 x 4.88 (124 x 124)	6.75 x 4.00 (171 x 102)	8.00 x 7.39 (203 x 188)	4.55 x 4.00 (116 x 102)	4.52 (115)	4.38 (111)	1.00 (25)	0.31 (8)	1
A1066JFGQRPWR	9.50 x 6.00 x 5.53 (241 x 152 x 140)	A8P6	A8P6AL	6.75 x 4.88 (171 x 124)	8.75 x 4.00 (222 x 102)	10.00 x 7.39 (254 x 188)	6.55 x 4.00 (166 x 102)	5.00 (127)	4.63 (118)	1.25 (32)	0.25 (6)	2
A1287JFGQRPWR	11.50 x 8.00 x 6.53 (292 x 203 x 166)	A10P8	A10P8AL	8.75 x 6.88 (222 x 175)	10.75 x 6.00 (273 x 152)	12.00 x 9.39 (305 x 239)	8.25 x 5.84 (210 x 148)	6.00 (152)	5.13 (130)	1.75 (44)	0.25 (6)	2
A14107JFGQRPWR	13.50 x 10.00 x 7.03 (343 x 254 x 179)	A12P10	A12P10AL	10.75 x 8.88 (273 x 226)	12.75 x 8.00 (324 x 203)	14.00 x 11.39 (253 x 289)	10.28 x 6.84 (261 x 174)	6.52 (166)	5.63 (143)	1.75 (44)	0.25 (6)	2
A16128JFGQRPWR	15.50 x 12.00 x 8.03 (394 x 305 x 204)	A14P12	A14P12AL	12.75 x 10.88 (324 x 276)	14.75 x 10.00 (375 x 254)	16.00 x 13.39 (406 x 340)	12.34 x 9.10 (313 x 231)	7.52 (191)	6.13 (156)	2.25 (57)	0.25 (6)	2
A18149JFGQRPWR	17.50 x 14.00 x 8.53 (445 x 356 x 217)	A16P14	A16P14AL	14.75 x 12.88 (375 x 327)	16.75 x 12.00 (425 x 305)	18.00 x 15.39 (457 x 391)	14.45 x 11.06 (367 x 281)	8.00 (203)	6.63 (168)	2.25 (57)	0.25 (6)	2

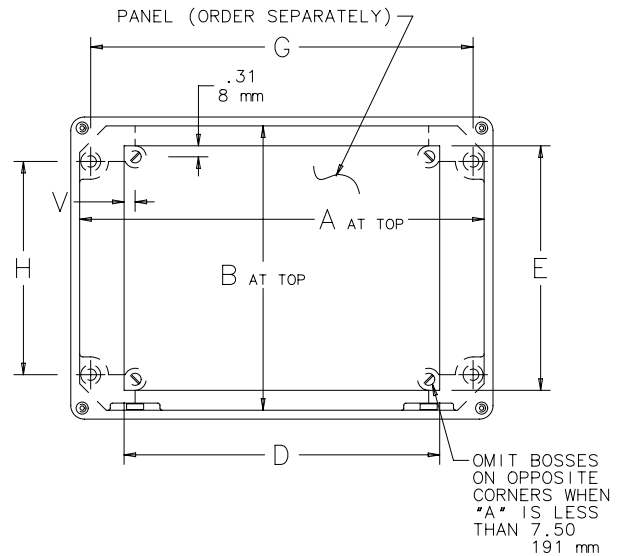
Purchase panels separately. Optional stainless steel, aluminum, and composite material panels available for most sizes.

Fiberglass Type 4X Small Enclosures

Solid Screw Cover Enclosure

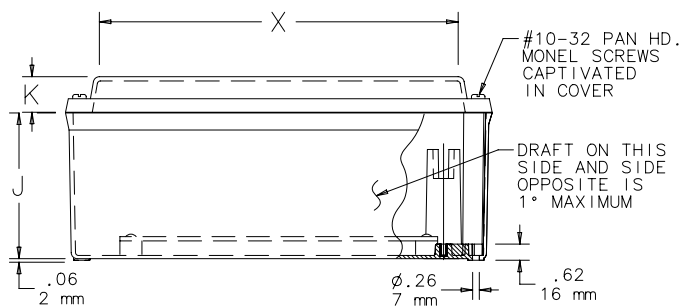


TOP VIEW WITH COVER

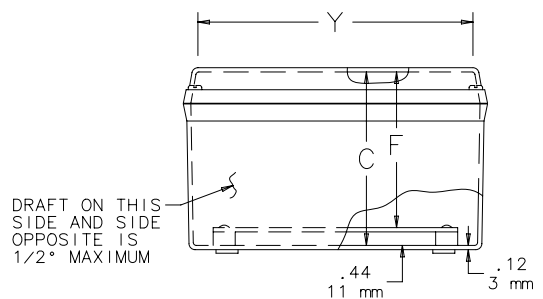


TOP VIEW WITH COVER REMOVED

NOTE: Panel screws have #10-32 threads.



SECTION C-C



END VIEW

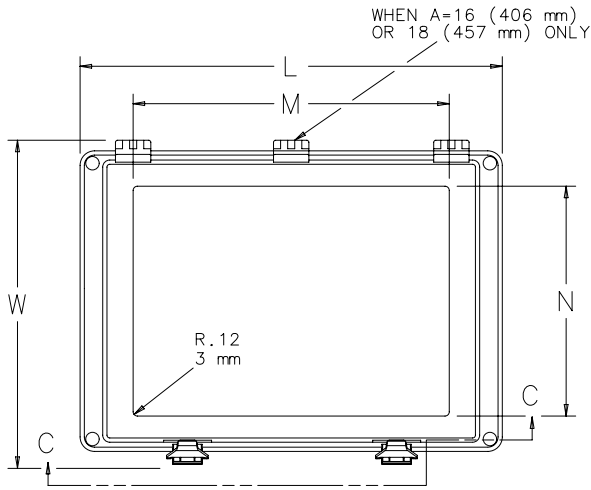
C2549-C

Fiberglass Type 4X Small Enclosures

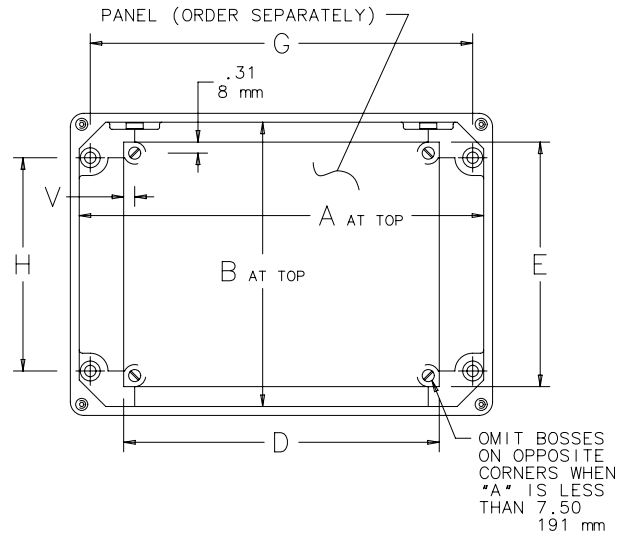
Bulletin
A50

Corrosion-Resistant Enclosures

Quick-Release Solid Cover Enclosure and Window Cover Enclosure

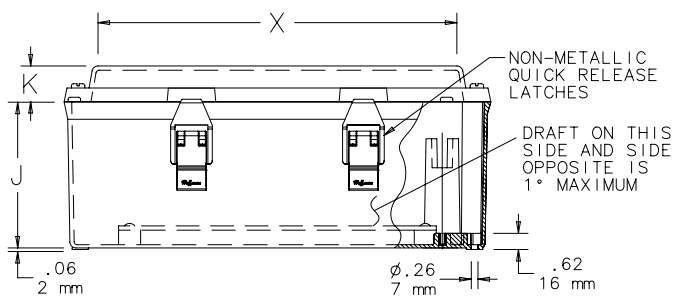


TOP VIEW WITH COVER

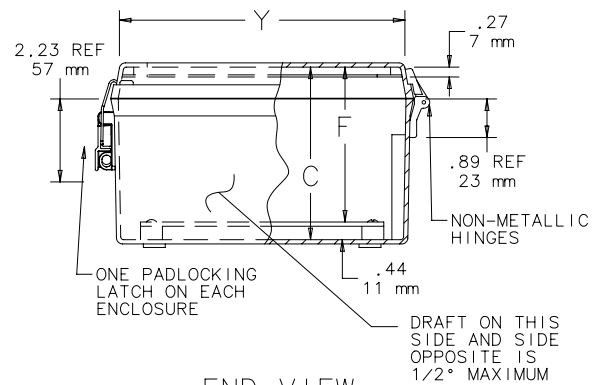


TOP VIEW WITH COVER REMOVED

- NOTE: 1. Panel screws have #10-32 threads.
2. Hinged cover opens 200° maximum.



SECTION C-C



END VIEW

C2550-C

Fiberglass Hinged Cover Type 4X Enclosures



Application

Designed for use as a junction box or instrument housing in both indoor and outdoor settings. The enclosure is used in highly-corrosive environments typically found in oil refineries, chemical processing plants, waste water treatment, marine installations, pulp and paper processing, and electroplating plants. The efficient design and simple construction create a low-cost, durable, and aesthetic enclosure.

Construction

- Molded fiberglass polyester has outstanding chemical and temperature resistance qualities and exhibits excellent weatherability and physical properties
- Fiberglass is easily punched, drilled, filed, or sawed
- Seamless foam-in-place gasket assures watertight and dusttight seal
- Polyester mounting brackets and stainless steel attachment screws are provided with each enclosure
- Scratch-resistant polycarbonate windows are permanently bonded in place
- Molded-in-place threaded brass inserts and plated steel screws are provided for mounting optional panels and terminal block kits
- Removable hinged cover attached to body with Type 316 stainless steel hinge pin
- Screw cover enclosures are secured with two captivated Type 316 stainless steel slotted cross point cover screws
- Enclosures with patented quick-release latches have corrosion-resistant polyester latches located in corners that provide unobstructed access to enclosure
- Hinge pin and bail are corrosion-resistant Type 316 stainless steel
- Padlock provisions included in each latch

Finish

Fiberglass material is light gray inside and out. Optional steel panels are painted white. Optional stainless steel, aluminum, conductive, and composite panels are unpainted.

Industry Standards

UL 508A, File No. E61997: Type 4, 4X, 12, and 13
NEMA/EEMAC Type 4, 4X, 12, and 13
Enclosure flammability rating per UL 508A
Window flammability rating per UL 508A
CSA File No. 42186: Type 4, 4X, 12, and 13
IEC 60529, IP66

Accessories

Panels
Threaded Panel Extenders
Quick-Release Latch Kit
Swing-Out Panel Kit
Terminal Block Kit Assembly
Ventilators

Modification Services Program

You can customize this product to your unique requirements by specifying from these options:

- Colors
- Holes and cutouts in body, doors, panels
- Tapped holes, fasteners in subpanel
- Mounting Brackets
- Panels
- Thermal Accessories
- Threaded Panel Extenders
- Windows Kits
- Standard accessories

To order, contact your local Hoffman sales representative.

NOTE: For information about modifications outside the scope of the Modification Services program, contact your Hoffman sales representative.

Fiberglass Hinged Cover Type 4X Enclosures

Corrosion-Resistant Enclosures

Standard Sizes Fiberglass Hinged Solid Cover Type 4X Enclosures

Catalog Number	A x B x C in. (mm)	Type	Panel Catalog Number ^a	Panel Size D x E in. (mm)	Mounting G x H in. (mm)	Overall L x W in. (mm)	F in. (mm)	J in. (mm)	K in. (mm)	O in. (mm)	P in. (mm)	Q in. (mm)	R in. (mm)	T in. (mm)	U in. (mm)
A664CHSCFG	6.00 x 6.00 x 4.00 (152 x 152 x 102)	Screw Cover	A6P6 A6P6AL	4.88 x 4.88 (124 x 124)	6.94 x 4.00 (176 x 102)	6.50 x 6.50 (165 x 165)	3.45 (88)	3.25 (83)	1.00 (25)	4.25 (108)	4.25 (108)	5.64 (143)	5.12 (130)	0.12 (3)	5.64 (143)
A664CHQRFG	6.00 x 6.00 x 4.00 (152 x 152 x 102)	Quick- Release	A6P6 A6P6AL	4.88 x 4.88 (124 x 124)	6.94 x 4.00 (176 x 102)	6.50 x 6.50 (165 x 165)	3.45 (88)	3.25 (83)	1.00 (25)	4.25 (108)	4.25 (108)	5.64 (143)	5.12 (130)	0.12 (3)	5.64 (143)
A864CHSCFG	8.00 x 6.00 x 4.00 (203 x 152 x 102)	Screw Cover	A8P6 A8P6AL	6.75 x 4.88 (171 x 124)	8.94 x 4.00 (227 x 102)	8.50 x 6.50 (216 x 165)	3.45 (88)	3.25 (83)	1.00 (25)	4.25 (108)	6.25 (159)	7.64 (194)	7.12 (181)	0.12 (3)	5.64 (143)
A864CHQRFG	8.00 x 6.00 x 4.00 (203 x 152 x 102)	Quick- Release	A8P6 A8P6AL	6.75 x 4.88 (171 x 124)	8.94 x 4.00 (227 x 102)	8.50 x 6.50 (216 x 165)	3.45 (88)	3.25 (83)	1.00 (25)	4.25 (108)	6.25 (159)	7.64 (194)	7.12 (181)	0.12 (3)	5.64 (143)
A1086CHSCFG	10.00 x 8.00 x 6.00 (254 x 203 x 152)	Screw Cover	A10P8 A10P8AL	8.75 x 6.88 (222 x 175)	10.94 x 6.00 (278 x 152)	10.50 x 8.50 (267 x 216)	5.45 (138)	4.94 (125)	1.31 (33)	6.25 (159)	8.25 (210)	9.61 (244)	9.12 (232)	0.12 (3)	7.61 (193)
A1086CHQRFG	10.00 x 8.00 x 6.00 (254 x 203 x 152)	Quick- Release	A10P8 A10P8AL	8.75 x 6.88 (222 x 175)	10.94 x 6.00 (278 x 152)	10.50 x 8.50 (267 x 216)	5.45 (138)	4.94 (125)	1.31 (33)	6.25 (159)	8.25 (210)	9.61 (244)	9.12 (232)	0.12 (3)	7.61 (193)
A12106CHSCFG	12.00 x 10.00 x 6.00 (305 x 254 x 152)	Screw Cover	A12P10 A12P10AL	10.75 x 8.88 (273 x 226)	12.94 x 8.00 (329 x 203)	12.50 x 10.50 (318 x 267)	5.45 (138)	4.69 (119)	1.56 (40)	8.25 (210)	10.25 (260)	11.58 (294)	11.12 (282)	0.12 (3)	9.58 (243)
A12106CHQRFG	12.00 x 10.00 x 6.00 (305 x 254 x 152)	Quick- Release	A12P10 A12P10AL	10.75 x 8.88 (273 x 226)	12.94 x 8.00 (329 x 203)	12.50 x 10.50 (318 x 267)	5.45 (138)	4.69 (119)	1.56 (40)	8.25 (210)	10.25 (260)	11.58 (294)	11.12 (282)	0.12 (3)	9.58 (243)
A14128CHSCFG	14.00 x 12.00 x 8.00 (356 x 305 x 203)	Screw Cover	A14P12 A14P12AL	12.75 x 10.88 (324 x 276)	14.94 x 10.00 (379 x 254)	14.55 x 12.55 (370 x 319)	7.45 (189)	6.50 (165)	1.81 (46)	10.25 (260)	12.25 (311)	13.59 (345)	13.12 (333)	0.15 (4)	11.59 (294)
A14128CHQRFG	14.00 x 12.00 x 8.00 (356 x 305 x 203)	Quick- Release	A14P12 A14P12AL	12.75 x 10.88 (324 x 276)	14.94 x 10.00 (379 x 254)	14.55 x 12.55 (370 x 319)	7.45 (189)	6.50 (165)	1.81 (46)	10.25 (260)	12.25 (311)	13.59 (345)	13.12 (333)	0.15 (4)	11.59 (294)
A16148CHSCFG	16.00 x 14.00 x 8.00 (406 x 356 x 203)	Screw Cover	A16P14 A16P14AL	14.75 x 12.88 (375 x 327)	16.94 x 12.00 (430 x 305)	16.55 x 14.55 (420 x 370)	7.45 (189)	6.23 (158)	2.08 (53)	12.25 (311)	14.25 (362)	15.56 (395)	15.12 (384)	0.15 (4)	13.56 (344)
A16148CHQRFG	16.00 x 14.00 x 8.00 (406 x 356 x 203)	Quick- Release	A16P14 A16P14AL	14.75 x 12.88 (375 x 327)	16.94 x 12.00 (430 x 305)	16.55 x 14.55 (420 x 370)	7.45 (189)	6.23 (158)	2.08 (53)	12.25 (311)	14.25 (362)	15.56 (395)	15.12 (384)	0.15 (4)	13.56 (344)
A181610CHSCFG	18.00 x 16.00 x 10.00 (457 x 406 x 254)	Screw Cover	A18P16 A18P16AL	16.75 x 14.88 (425 x 378)	18.94 x 14.00 (481 x 356)	18.58 x 16.58 (472 x 421)	9.45 (240)	7.66 (195)	2.66 (68)	14.25 (362)	16.25 (413)	17.53 (445)	17.12 (435)	0.16 (4)	15.53 (394)
A181610CHQRFG	18.00 x 16.00 x 10.00 (457 x 406 x 254)	Quick- Release	A18P16 A18P16AL	16.75 x 14.88 (425 x 378)	18.94 x 14.00 (481 x 356)	18.58 x 16.58 (472 x 421)	9.45 (240)	7.66 (195)	2.66 (68)	14.25 (362)	16.25 (413)	17.53 (445)	17.12 (435)	0.16 (4)	15.53 (394)

^aPurchase panels separately. Panel catalog numbers ending in AL are aluminum. Optional stainless steel, conductive, and composite material panels available for most sizes.

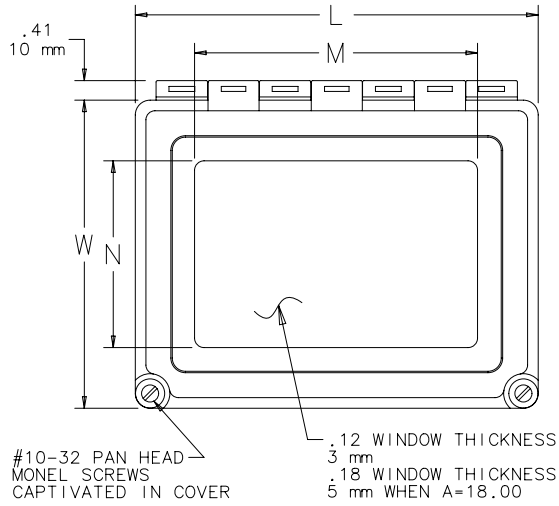
Standard Sizes Fiberglass Hinged Window Cover Type 4X Enclosures

Catalog Number	A x B x C in. (mm)	Type	Panel Catalog Number ^a	Panel Size D x E in. (mm)	Mounting G x H in. (mm)	Overall L x W in. (mm)	F in. (mm)	J in. (mm)	K in. (mm)	M in. (mm)	N in. (mm)	O in. (mm)	P in. (mm)	Q in. (mm)	R in. (mm)	T in. (mm)	U in. (mm)
A664CHSCFGW	6.00 x 6.00 x 4.00 (152 x 152 x 102)	Screw Cover	A6P6 A6P6AL	4.88 x 4.88 (124 x 124)	6.94 x 4.00 (176 x 102)	6.50 x 6.50 (165 x 165)	3.45 (88)	3.25 (83)	1.00 (25)	4.25 (108)	4.25 (108)	4.25 (108)	4.25 (108)	5.64 (143)	5.12 (130)	0.12 (3)	5.64 (143)
A664CHQRFGW	6.00 x 6.00 x 4.00 (152 x 152 x 102)	Quick- Release	A6P6 A6P6AL	4.88 x 4.88 (124 x 124)	6.94 x 4.00 (176 x 102)	6.50 x 6.50 (165 x 165)	3.45 (88)	3.25 (83)	1.00 (25)	4.25 (108)	4.25 (108)	4.25 (108)	4.25 (108)	5.64 (143)	5.12 (130)	0.12 (3)	5.64 (143)
A864CHSCFGW	8.00 x 6.00 x 4.00 (203 x 152 x 102)	Screw Cover	A8P6 A8P6AL	6.75 x 4.88 (171 x 124)	8.94 x 4.00 (227 x 102)	8.50 x 6.50 (216 x 165)	3.45 (88)	3.25 (83)	1.00 (25)	6.25 (159)	8.25 (210)	9.61 (244)	9.12 (181)	0.12 (3)	5.64 (143)		
A864CHQRFGW	8.00 x 6.00 x 4.00 (203 x 152 x 102)	Quick- Release	A8P6 A8P6AL	6.75 x 4.88 (171 x 124)	8.94 x 4.00 (227 x 102)	8.50 x 6.50 (216 x 165)	3.45 (88)	3.25 (83)	1.00 (25)	6.25 (159)	8.25 (210)	9.61 (244)	9.12 (181)	0.12 (3)	5.64 (143)		
A1086CHSCFGW	10.00 x 8.00 x 6.00 (254 x 203 x 152)	Screw Cover	A10P8 A10P8AL	8.75 x 6.88 (222 x 175)	10.94 x 6.00 (278 x 152)	10.50 x 8.50 (267 x 216)	5.45 (138)	4.94 (125)	1.31 (33)	8.25 (210)	10.25 (260)	11.58 (294)	11.12 (232)	0.12 (3)	7.61 (193)		
A1086CHQRFGW	10.00 x 8.00 x 6.00 (254 x 203 x 152)	Quick- Release	A10P8 A10P8AL	8.75 x 6.88 (222 x 175)	10.94 x 6.00 (278 x 152)	10.50 x 8.50 (267 x 216)	5.45 (138)	4.94 (125)	1.31 (33)	8.25 (210)	10.25 (260)	11.58 (294)	11.12 (232)	0.12 (3)	7.61 (193)		
A12106CHSCFGW	12.00 x 10.00 x 6.00 (305 x 254 x 152)	Screw Cover	A12P10 A12P10AL	10.75 x 8.88 (273 x 226)	12.94 x 8.00 (329 x 203)	12.50 x 10.50 (318 x 267)	5.45 (138)	4.69 (119)	1.56 (40)	10.25 (260)	12.25 (311)	13.59 (345)	13.12 (333)	0.12 (3)	9.58 (243)		
A12106CHQRFGW	12.00 x 10.00 x 6.00 (305 x 254 x 152)	Quick- Release	A12P10 A12P10AL	10.75 x 8.88 (273 x 226)	12.94 x 8.00 (329 x 203)	12.50 x 10.50 (318 x 267)	5.45 (138)	4.69 (119)	1.56 (40)	10.25 (260)	12.25 (311)	13.59 (345)	13.12 (333)	0.12 (3)	9.58 (243)		
A14128CHSCFGW	14.00 x 12.00 x 8.00 (356 x 305 x 203)	Screw Cover	A14P12 A14P12AL	12.75 x 10.88 (324 x 276)	14.94 x 10.00 (379 x 254)	14.55 x 12.55 (370 x 319)	7.45 (189)	6.50 (165)	1.81 (46)	12.25 (311)	14.25 (362)	15.56 (395)	15.12 (384)	0.15 (4)	11.59 (294)		
A14128CHQRFGW	14.00 x 12.00 x 8.00 (356 x 305 x 203)	Quick- Release	A14P12 A14P12AL	12.75 x 10.88 (324 x 276)	14.94 x 10.00 (379 x 254)	14.55 x 12.55 (370 x 319)	7.45 (189)	6.50 (165)	1.81 (46)	12.25 (311)	14.25 (362)	15.56 (395)	15.12 (384)	0.15 (4)	11.59 (294)		
A16148CHSCFGW	16.00 x 14.00 x 8.00 (406 x 356 x 203)	Screw Cover	A16P14 A16P14AL	14.75 x 12.88 (375 x 327)	16.94 x 12.00 (430 x 305)	16.55 x 14.55 (420 x 370)	7.45 (189)	6.23 (158)	2.08 (53)	14.25 (362)	16.25 (413)	17.53 (445)	17.12 (435)	0.15 (4)	13.56 (344)		
A16148CHQRFGW	16.00 x 14.00 x 8.00 (406 x 356 x 203)	Quick- Release	A16P14 A16P14AL	14.75 x 12.88 (375 x 327)	16.94 x 12.00 (430 x 305)	16.55 x 14.55 (420 x 370)	7.45 (189)	6.23 (158)	2.08 (53)	14.25 (362)	16.25 (413)	17.53 (445)	17.12 (435)	0.15 (4)	13.56 (344)		
A181610CHSCFGW	18.00 x 16.00 x 10.00 (457 x 406 x 254)	Screw Cover	A18P16 A18P16AL	16.75 x 14.88 (425 x 378)	18.94 x 14.00 (481 x 356)	18.58 x 16.58 (472 x 421)	9.45 (240)	7.66 (195)	2.66 (68)	16.25 (413)	18.25 (464)	19.56 (499)	19.12 (487)	0.16 (4)	15.53 (394)		
A181610CHQRFGW	18.00 x 16.00 x 10.00 (457 x 406 x 254)	Quick- Release	A18P16 A18P16AL	16.75 x 14.88 (425 x 378)	18.94 x 14.00 (481 x 356)	18.58 x 16.58 (472 x 421)	9.45 (240)	7.66 (195)	2.66 (68)	16.25 (413)	18.25 (464)	19.56 (499)	19.12 (487)	0.16 (4)	15.53 (394)		

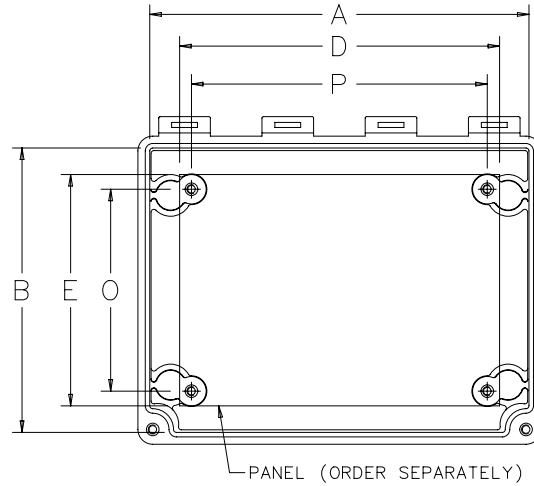
^aPurchase panels separately. Panel catalog numbers ending in AL are aluminum. Optional stainless steel, conductive, and composite material panels available for most sizes.

Fiberglass Hinged Cover Type 4X Enclosures

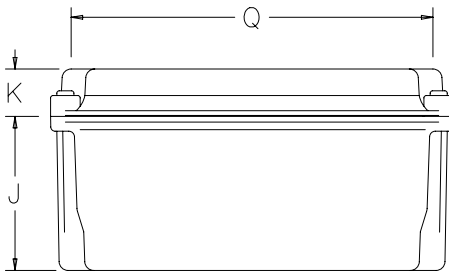
Fiberglass Hinged Solid Cover Type 4X Enclosures



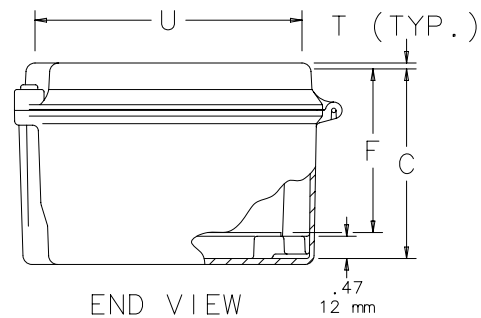
TOP VIEW



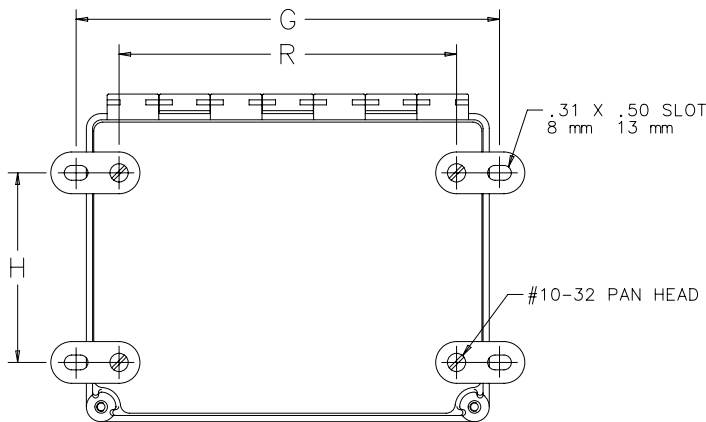
TOP VIEW WITH COVER REMOVED



SIDE VIEW

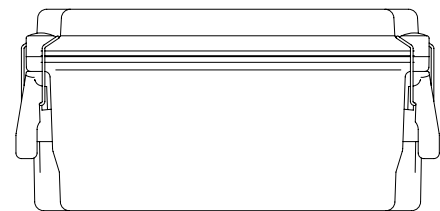


END VIEW



BOTTOM VIEW

- NOTE: 1. Panel screws have #10-32 threads.
2. Mounting brackets are .16 (4mm) thick.



SIDE VIEW
(QUICK-RELEASE COVER ENCLOSURE)

C2567-C

Fiberglass Hinged Cover Type 4X Enclosures

Bulletin
A48

Threaded Panel Extenders



Threaded Panel Extenders are made of plated steel and designed to raise the panel mounting surface. Extenders attach to threaded internal pads. Male and female thread size is #10. Each kit contains 4 extenders.

Bulletin Number: A80

Catalog Number	Length (inch)	Length (mm)
APE050	0.50	13
APE100	1.00	25

**Corrosion-Resistant
Enclosures**

Quick-Release Latch Kit



Two fiberglass-reinforced gray polyester latches with Type 316L stainless steel bail and screw hole plugs are included in each package. Supplied with Bulletin A48 quick-release enclosures and available for DataCom Fiberglass Hinged Cover Type 4X WiFi Cabinet. Kit converts screw cover enclosures to quick-release without modification. No tools needed to install. Padlocking provision is included.

Catalog Number	Description	Kit Quantity
AL48	Quick-Release Latch Kit	2

Swing-Out Panel Kit



The Swing-Out Panel Kit provides an attractive, yet cost-effective, solution for installing front-mounted panels in DataCom Fiberglass Hinged Cover Type 4X WiFi, Bulletin A48, and Bulletin HJ enclosures. No drilling required.

Catalog Number	Fits Enclosure A x B (in.)
A6SPK6C	6.00 x 6.00
A8SPK6C	8.00 x 6.00
A10SPK8C	10.00 x 8.00
A12SPK10C	12.00 x 10.00
A16SPK14C	16.00 x 14.00
A18SPK16C	18.00 x 16.00
A14SPK12C	14.00 x 12.00

Fiberglass Type 4X Overlapping Cover Enclosures



Application

The HJ series of fiberglass enclosures includes an overlapping cover and the integral mounting brackets often required in petrochemical, water treatment, and other corrosive environments. Choices of door style and door fasteners and a wide range of sizes provide application flexibility.

Construction

- Made from corrosion-resistant hot compression molded fiberglass-reinforced polyester
- Overlapping solid and window cover models are available in both flat and raised door versions
- Windows are clear polycarbonate
- Cover fastening options include screws or padlockable Type 316 stainless steel latches
- Type 304 stainless steel piano hinges on hinged models
- Integral mounting brackets
- Fifty-four models available in seven different sizes
- Capable of withstanding continuous temperatures from -58°F (-50°C) up to 302°F (150°C)
- Enclosures protect equipment and operators from indirect electrical contact

Finish

Fiberglass material is RAL 7035 light gray inside and out. Optional steel panels are painted white. Optional stainless steel, aluminum, conductive, and composite panels are unpainted.

Industry Standards

UL 508A, File Number E54315: Type 3, 3R, 4, 4X, I2, I3
NEMA/EEMAC Type 3, 3R, 4, 4X, I2, I3
CSA File Number 36508: Type 3, 3R, 4, 4X, I2, I3
IEC 60529, IP66
Enclosure Flammability Rating per UL 508A
Meets Type 3RX requirements

Accessories

Panels
Terminal Kit Assembly
Ventilators
A48 Swing Out Panel Kit

Modification Services Program

You can customize this product to your unique requirements by specifying from these options:

- Colors
- Holes and cutouts in body, doors, panels
- Tapped holes, fasteners in subpanel
- Mounting Brackets
- Panels
- Thermal Accessories
- Threaded Panel Extenders
- Windows Kits
- Standard accessories

To order, contact your local Hoffman sales representative.

NOTE: For information about modifications outside the scope of the Modification Services program, contact your Hoffman sales representative.

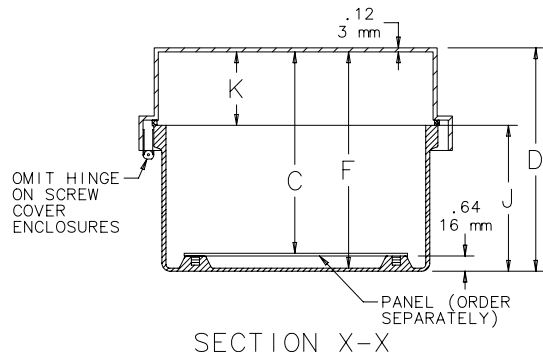
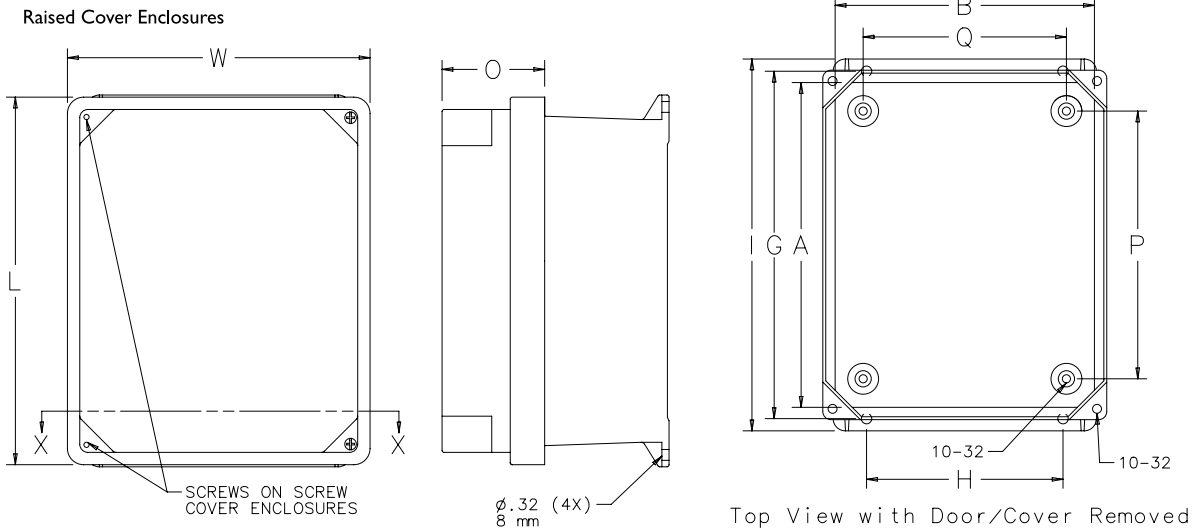
Fiberglass Type 4X Overlapping Cover Enclosures

Standard Sizes Raised Solid Screw Cover and Raised Solid Hinged Screw Cover Fiberglass Type 4X Enclosures

Catalog Number	Internal Dimensions A x B x C in. (mm)	Door Fasteners	L in. (mm)	W in. (mm)	D in. (mm)	O in. (mm)	K in. (mm)	G in. (mm)	H in. (mm)	P in. (mm)	Q in. (mm)	J in. (mm)	F in. (mm)	I in. (mm)	Panel Catalog Number ³	Panel Size in. (mm)
RHJ1008HWLG	10.00 x 8.00 x 6.19 (254 x 203 x 157)	Hinged, 2 screws	11.31 (287)	9.31 (276)	6.93 (176)	3.15 (80)	2.27 (58)	10.75 (273)	6.02 (153)	8.25 (210)	6.24 (158)	4.54 (115)	6.61 (168)	11.52 (293)	A10P8 A10P8AL	8.75 x 6.88 (222 x 102)
RHJ1008WLG	10.00 x 8.00 x 6.19 (254 x 203 x 157)	4 screws	11.31 (287)	9.31 (276)	6.93 (176)	3.15 (80)	2.27 (58)	10.75 (273)	6.02 (153)	8.25 (210)	6.24 (158)	4.54 (115)	6.61 (168)	11.52 (293)	A10P8 A10P8AL	8.75 x 6.88 (222 x 102)
RHJ1210HWLG	12.00 x 10.00 x 6.37 (305 x 254 x 162)	Hinged, 2 screws	13.30 (338)	11.29 (211)	7.10 (180)	3.15 (80)	2.27 (58)	12.75 (324)	8.01 (203)	10.25 (260)	8.25 (210)	4.71 (120)	6.77 (172)	13.51 (343)	A12P10 A12P10AL	10.75 x 8.88 (273 x 226)
RHJ1210WLG	12.00 x 10.00 x 6.37 (305 x 254 x 162)	4 screws	13.30 (338)	11.29 (211)	7.10 (180)	3.15 (80)	2.27 (58)	12.75 (324)	8.01 (203)	10.25 (260)	8.25 (210)	4.71 (120)	6.77 (172)	13.51 (343)	A12P10 A12P10AL	10.75 x 8.88 (273 x 226)
RHJ1412HWLG	14.00 x 12.00 x 7.37 (356 x 305 x 187)	Hinged, 2 screws	15.21 (389)	13.30 (338)	8.19 (208)	3.27 (83)	2.39 (61)	14.75 (375)	10.00 (254)	12.25 (311)	10.24 (260)	5.68 (144)	7.87 (200)	15.50 (394)	A14P12 A14P12AL	12.75 x 10.88 (324 x 276)
RHJ1412WLG	14.00 x 12.00 x 7.37 (356 x 305 x 187)	4 screws	15.32 (389)	13.30 (338)	8.19 (208)	3.27 (83)	2.39 (61)	14.75 (375)	10.00 (254)	12.25 (311)	10.24 (260)	5.68 (144)	7.87 (200)	15.50 (394)	A14P12 A14P12AL	12.75 x 10.88 (324 x 276)
RHJ1614HWLG	16.00 x 14.00 x 7.37 (406 x 356 x 187)	Hinged, 2 screws	17.31 (440)	15.30 (289)	8.19 (208)	3.27 (83)	2.39 (61)	16.73 (425)	12.00 (305)	14.25 (362)	12.24 (311)	5.68 (144)	7.87 (200)	17.52 (445)	A16P14 A16P14AL	14.75 x 12.88 (375 x 327)
RHJ1614WLG	16.00 x 14.00 x 7.37 (406 x 356 x 187)	4 screws	17.31 (440)	15.30 (289)	8.19 (208)	3.27 (83)	2.39 (61)	16.73 (425)	12.00 (305)	14.25 (362)	12.24 (311)	5.68 (144)	7.87 (200)	17.52 (445)	A16P14 A16P14AL	14.75 x 12.88 (375 x 327)
RHJ1816HWLG	18.00 x 16.00 x 10.25 (457 x 406 x 260)	Hinged, 2 screws	19.32 (491)	17.31 (440)	11.07 (281)	3.27 (83)	2.39 (61)	18.74 (476)	12.00 (305)	16.25 (413)	14.25 (362)	8.56 (217)	10.83 (275)	19.50 (495)	A18P16 A18P16AL	16.75 x 14.88 (425 x 378)
RHJ1816WLG	18.00 x 16.00 x 10.25 (457 x 406 x 260)	4 screws	19.32 (491)	17.31 (440)	11.07 (281)	3.27 (83)	2.39 (61)	18.74 (476)	12.00 (305)	16.25 (413)	14.25 (362)	8.56 (217)	10.83 (275)	19.50 (495)	A18P16 A18P16AL	16.75 x 14.88 (425 x 378)

Corrosion-Resistant Enclosures

³Purchase panels separately. Panel catalog numbers ending in AL are aluminum. Optional stainless steel, and composite material panels available for most sizes.



Fiberglass Type 4X Overlapping Cover Enclosures

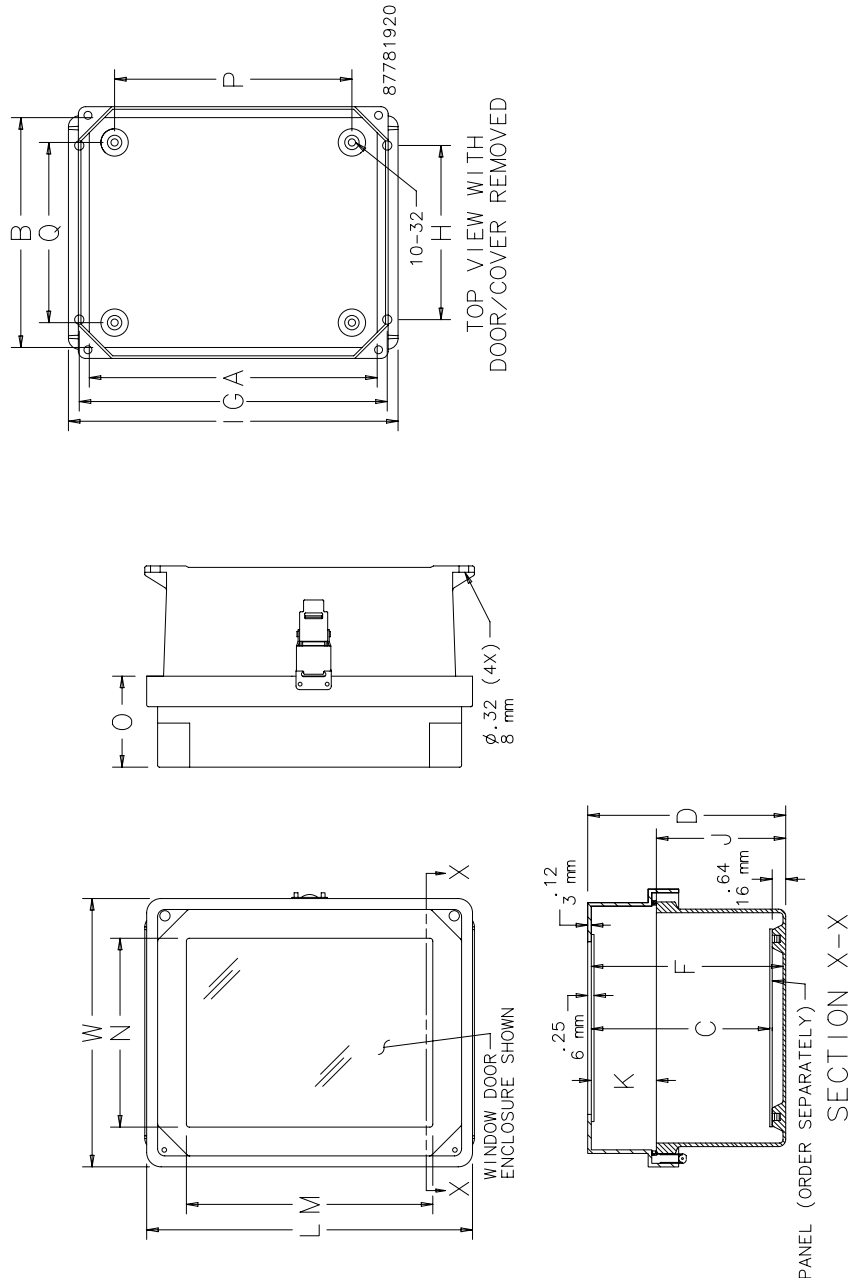
Standard Sizes Raised Solid Hinged and Raised Window Hinged Cover Fiberglass Type 4X Enclosures with Latches

Catalog Number	Internal Dimensions A x B x C in. (mm)	No. of Latches	L in. (mm)	W in. (mm)	D in. (mm)	O in. (mm)	K in. (mm)	G in. (mm)	H in. (mm)	P in. (mm)	Q in. (mm)	J in. (mm)	F in. (mm)	I in. (mm)	Window Size M x N in. (mm)	Panel Catalog Number ^a	Panel Size in. (mm)
RHJ1008HWPL1LG	10.00 x 8.00 x 6.19 (254 x 203 x 157)	1	11.31 (287)	9.31 (238)	6.93 (176)	3.15 (80)	2.27 (58)	10.75 (273)	6.02 (153)	8.25 (210)	6.24 (158)	4.54 (115)	6.61 (168)	11.52 (296)	—	A10P8 A10P8AL	8.75 x 6.88 (222 x 102)
RHJ1210HWPL2LG	12.00 x 10.00 x 6.37 (305 x 254 x 162)	2	13.30 (338)	11.29 (287)	7.10 (180)	3.15 (80)	2.27 (58)	12.75 (324)	8.01 (203)	10.58 (260)	8.25 (210)	4.71 (120)	6.77 (172)	13.51 (343)	—	A12P10 A12P10AL	10.75 x 8.88 (273 x 226)
RHJ1412HWPL2LG	14.00 x 12.00 x 7.37 (356 x 305 x 187)	2	15.32 (389)	13.30 (338)	8.19 (208)	3.27 (83)	2.39 (61)	14.75 (375)	10.00 (254)	12.25 (311)	10.24 (260)	5.68 (144)	7.87 (200)	15.50 (394)	—	A14P12 A14P12AL	12.75 x 10.88 (324 x 276)
RHJ1614HWPL2LG	16.00 x 14.00 x 7.37 (406 x 356 x 187)	2	17.31 (440)	15.30 (389)	8.19 (208)	3.27 (83)	2.39 (61)	16.73 (425)	12.00 (305)	14.25 (362)	12.24 (311)	5.68 (144)	7.87 (200)	17.52 (445)	—	A16P14 A16P14AL	14.75 x 12.88 (375 x 327)
RHJ1816HWPL2LG	18.00 x 16.00 x 10.25 (457 x 406 x 260)	2	19.32 (491)	17.31 (440)	11.07 (281)	3.27 (83)	2.39 (61)	18.74 (476)	12.00 (305)	16.25 (413)	14.25 (362)	8.56 (217)	10.83 (275)	19.50 (495)	—	A18P16 A18P16AL	16.75 x 14.88 (425 x 378)
RHJB1008HWPL1LG	10.00 x 8.00 x 6.19 (254 x 203 x 157)	1	11.31 (287)	9.31 (238)	6.93 (176)	3.15 (80)	2.27 (58)	10.75 (273)	6.02 (153)	8.25 (210)	6.24 (158)	4.54 (115)	6.61 (168)	11.52 (293)	8.00 x 6.00 (203 x 152)	A10P8 A10P8AL	8.75 x 6.88 (222 x 102)
RHJB1210HWPL2LG	12.00 x 10.00 x 6.37 (305 x 254 x 162)	2	13.30 (338)	11.29 (287)	7.10 (180)	3.15 (80)	2.27 (58)	12.75 (324)	8.01 (203)	10.25 (260)	8.25 (210)	4.71 (120)	6.77 (172)	13.51 (343)	10.00 x 8.00 (254 x 203)	A12P10 A12P10AL	10.75 x 8.88 (273 x 226)
RHJB1412HWPL2LG	14.00 x 12.00 x 7.37 (356 x 305 x 187)	2	15.32 (389)	13.30 (338)	8.19 (208)	3.27 (83)	2.39 (61)	14.75 (375)	10.00 (254)	12.25 (311)	10.24 (260)	5.68 (144)	7.87 (200)	15.50 (394)	12.00 x 10.00 (305 x 254)	A14P12 A14P12AL	12.75 x 10.88 (324 x 276)
RHJB1614HWPL2LG	16.00 x 14.00 x 7.37 (406 x 356 x 187)	2	17.31 (440)	15.30 (389)	8.19 (208)	3.27 (83)	2.39 (61)	16.73 (425)	12.00 (305)	14.25 (362)	12.24 (311)	5.68 (144)	7.87 (200)	17.52 (445)	14.00 x 12.00 (356 x 605)	A16P14 A16P14AL	14.75 x 12.88 (375 x 327)

^aPurchase panels separately. Panel catalog numbers ending in AL are aluminum. Optional stainless steel, and composite material panels available for most sizes.

Fiberglass Type 4X Overlapping Cover Enclosures

Raised Cover- Window Enclosures



Fiberglass Type 4X Overlapping Cover Enclosures

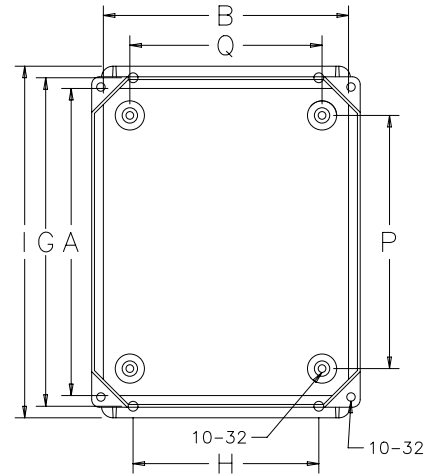
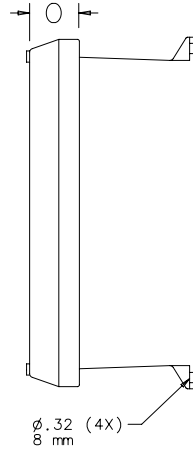
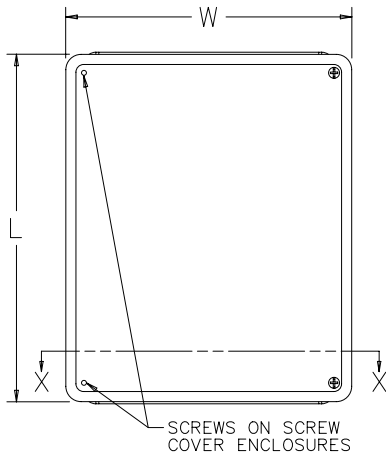
Standard Sizes Flat Solid Screw Cover and Flat Solid Hinged Screw Cover Fiberglass Type 4X Enclosures

Catalog Number	Internal Dimensions A x B x C in. (mm)	Door Fasteners	L in. (mm)	W in. (mm)	D in. (mm)	O in. (mm)	K in. (mm)	G in. (mm)	H in. (mm)	P in. (mm)	Q in. (mm)	J in. (mm)	F in. (mm)	I in. (mm)	Panel Catalog Number ^a	Panel Size in. (mm)
HJ606HWLG	6.00 x 6.00 x 4.10 (152 x 152 x 104)	Hinged, 2 screws	7.31 (186)	7.31 (186)	4.96 (126)	1.38 (35)	0.50 (13)	6.77 (172)	4.01 (102)	4.26 (108)	4.25 (108)	4.34 (110)	4.64 (118)	7.52 (191)	A6P6 A6P6AL	4.88 x 4.88 (124 x 124)
HJ606WLG	6.00 x 6.00 x 4.10 (152 x 152 x 104)	4 screws	7.31 (186)	7.31 (186)	4.96 (126)	1.38 (35)	0.50 (13)	6.77 (172)	4.01 (102)	4.26 (108)	4.25 (108)	4.34 (110)	4.64 (118)	7.52 (191)	A6P6 A6P6AL	4.88 x 4.88 (124 x 124)
HJ806HWLG	8.00 x 6.00 x 4.10 (203 x 152 x 104)	Hinged, 2 screws	9.30 (236)	7.31 (186)	4.96 (126)	1.77 (45)	1.65 (42)	8.74 (222)	4.01 (102)	6.25 (159)	4.25 (108)	3.19 (81)	4.64 (118)	9.50 (241)	A8P6 A8P6AL	6.75 x 4.88 (171 x 124)
HJ806WLG	8.00 x 6.00 x 4.10 (203 x 152 x 104)	4 screws	9.30 (236)	7.31 (186)	4.96 (126)	1.77 (45)	1.65 (42)	8.74 (222)	4.01 (102)	6.26 (159)	4.25 (108)	3.19 (81)	4.64 (118)	9.50 (241)	A8P6 A8P6AL	6.75 x 4.88 (171 x 124)
HJ1008HWLG	10.00 x 8.00 x 4.59 (254 x 203 x 117)	Hinged, 2 screws	11.31 (287)	9.31 (236)	5.43 (138)	1.77 (45)	1.65 (42)	10.75 (273)	6.02 (153)	8.25 (210)	3.24 (158)	3.55 (93)	5.12 (130)	11.52 (293)	A10P8 A10P8AL	8.75 x 6.88 (222 x 102)
HJ1008WLG	10.00 x 8.00 x 4.59 (254 x 203 x 117)	4 screws	11.31 (287)	9.31 (236)	5.43 (138)	1.77 (45)	1.65 (42)	10.75 (273)	6.02 (153)	8.25 (210)	3.24 (158)	3.88 (93)	5.12 (130)	11.52 (293)	A10P8 A10P8AL	8.75 x 6.88 (222 x 102)
HJ1210HWLG	12.00 x 10.00 x 4.74 (305 x 254 x 120)	Hinged, 2 screws	13.30 (338)	11.29 (287)	5.58 (142)	1.77 (45)	1.65 (42)	12.75 (324)	8.01 (203)	10.25 (260)	8.25 (210)	3.81 (97)	5.24 (133)	5.24 (133)	A12P10 A12P10AL	10.75 x 8.88 (273 x 226)
HJ1210WLG	12.00 x 10.00 x 4.74 (305 x 254 x 120)	4 screws	13.30 (338)	11.29 (287)	5.58 (142)	1.77 (45)	1.65 (42)	12.75 (324)	8.01 (203)	10.25 (260)	8.25 (210)	3.81 (97)	5.24 (133)	5.24 (133)	A12P10 A12P10AL	10.75 x 8.88 (273 x 226)
HJ1412HWLG	14.00 x 12.00 x 5.74 (356 x 305 x 146)	Hinged, 2 screws	15.32 (389)	13.30 (338)	6.70 (170)	1.77 (45)	1.65 (42)	14.75 (375)	10.00 (254)	12.25 (311)	10.24 (260)	4.93 (125)	6.38 (162)	15.50 (394)	A14P12 A14P12AL	12.75 x 10.88 (324 x 276)
HJ1412WLG	14.00 x 12.00 x 5.74 (356 x 305 x 146)	4 screws	15.32 (389)	13.30 (338)	6.70 (170)	1.77 (45)	1.65 (42)	14.75 (375)	10.00 (254)	12.25 (311)	10.24 (260)	4.93 (125)	6.38 (162)	15.50 (394)	A14P12 A14P12AL	12.75 x 10.88 (324 x 276)
HJ1614HWLG	16.00 x 14.00 x 5.74 (406 x 356 x 146)	Hinged, 2 screws	17.31 (440)	15.30 (389)	6.70 (170)	1.77 (45)	1.65 (42)	16.75 (425)	12.00 (305)	14.25 (362)	12.24 (311)	4.93 (125)	6.38 (162)	14.52 (445)	A16P14 A16P14AL	14.75 x 12.88 (375 x 327)
HJ1614WLG	16.00 x 14.00 x 5.74 (406 x 356 x 146)	4 screws	17.31 (440)	15.30 (389)	6.70 (170)	1.77 (45)	1.65 (42)	16.73 (425)	12.00 (305)	14.25 (362)	12.24 (311)	4.93 (125)	6.83 (162)	17.52 (445)	A16P14 A16P14AL	14.75 x 12.88 (375 x 327)
HJ1816HWLG	18.00 x 16.00 x 8.62 (457 x 406 x 219)	Hinged, 2 screws	19.31 (490)	17.31 (440)	9.58 (243)	1.77 (45)	1.65 (42)	18.74 (476)	12.00 (305)	16.25 (413)	14.25 (362)	7.81 (198)	9.25 (235)	19.50 (495)	A18P16 A18P16AL	16.75 x 14.88 (425 x 378)
HJ1816WLG	18.00 x 16.00 x 8.62 (457 x 406 x 219)	4 screws	19.31 (490)	17.31 (440)	9.58 (243)	1.77 (45)	1.65 (42)	18.47 (476)	12.00 (305)	16.25 (413)	14.25 (362)	7.81 (198)	9.25 (235)	19.50 (495)	A18P16 A18P16AL	16.75 x 14.88 (375 x 378)

^aPurchase panels separately. Panel catalog numbers ending in AL are aluminum. Optional stainless steel, and composite material panels available for most sizes.

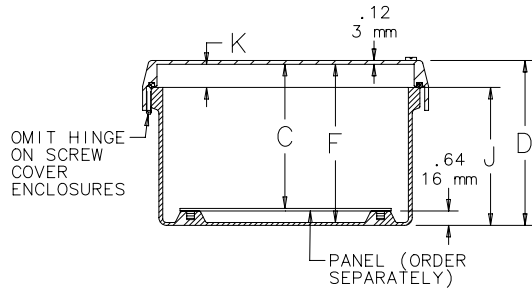
Fiberglass Type 4X Overlapping Cover Enclosures

Solid Cover Enclosures



Top View with Door/Cover Removed

87575746



SECTION X-X

Fiberglass Type 4X Overlapping Cover Enclosures

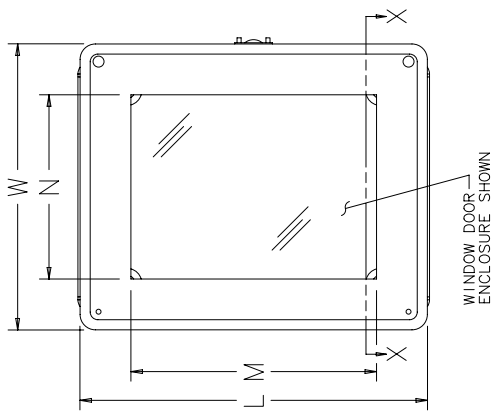
Standard Sizes Flat Solid Hinged Cover and Flat Window Hinged Cover Fiberglass Type 4X Enclosures with Latches

Catalog Number	Internal Dimensions A x B x C in. (mm)	No. of Latches	L in. (mm)	W in. (mm)	D in. (mm)	O in. (mm)	K in. (mm)	G in. (mm)	H in. (mm)	P in. (mm)	Q in. (mm)	J in. (mm)	F in. (mm)	I in. (mm)	Window Size M x N in. (mm)	Panel Catalog Number ^a	Panel Size in. (mm)
HJB06HWPL1LG	6.00 x 6.00 x 4.10 (152 x 152 x 104)	1	7.31 (186)	7.31 (186)	4.96 (126)	1.38 (35)	0.50 (13)	6.77 (172)	4.01 (102)	4.26 (108)	4.25 (105)	4.34 (110)	4.64 (118)	7.52 (191)	—	A6P6 A6P6AL	4.88 x 4.88 (124 x 124)
HJB06HWPL1LG	8.00 x 6.00 x 4.10 (203 x 152 x 104)	1	9.30 (276)	7.31 (186)	4.96 (126)	1.77 (45)	1.65 (42)	8.74 (222)	4.01 (102)	6.26 (159)	4.25 (105)	3.19 (81)	4.64 (118)	9.50 (241)	—	A8P6 A8P6AL	6.75 x 4.88 (171 x 124)
HJT008HWPL1LG	10.00 x 8.00 x 4.59 (254 x 203 x 117)	1	11.31 (287)	9.31 (236)	5.43 (138)	1.77 (45)	1.65 (42)	10.75 (276)	6.02 (153)	8.25 (210)	6.24 (158)	3.66 (93)	5.12 (130)	11.52 (293)	—	A10P8 A10P8AL	8.75 x 6.88 (222 x 102)
HJT1210HWPL2LG	12.00 x 10.00 x 4.74 (305 x 254 x 120)	2	13.30 (338)	11.29 (287)	5.58 (142)	1.77 (45)	1.65 (42)	12.75 (324)	8.01 (203)	10.25 (260)	8.25 (210)	3.81 (97)	5.25 (133)	13.51 (343)	—	A12P10 A12P10AL	10.75 x 8.88 (273 x 226)
HJT1412HWPL2LG	14.00 x 12.00 x 5.74 (356 x 305 x 146)	2	15.32 (389)	13.30 (338)	6.70 (170)	1.77 (45)	1.65 (42)	14.75 (375)	10.00 (254)	12.25 (311)	10.24 (260)	4.93 (125)	6.38 (162)	15.50 (394)	—	A14P12 A14P12AL	12.75 x 10.88 (324 x 276)
HJT1614HWPL2LG	16.00 x 14.00 x 5.74 (406 x 356 x 146)	2	17.31 (440)	15.30 (389)	6.70 (170)	1.77 (45)	1.65 (42)	16.73 (425)	12.00 (305)	14.25 (362)	12.24 (311)	4.93 (125)	6.38 (162)	17.52 (445)	—	A16P14 A16P14AL	14.75 x 12.88 (375 x 327)
HJT1816HWPL2LG	18.00 x 16.00 x 8.62 (457 x 406 x 219)	2	19.31 (490)	17.31 (440)	9.58 (243)	1.77 (45)	1.65 (42)	18.74 (476)	12.00 (305)	16.25 (413)	14.25 (362)	7.81 (198)	9.25 (235)	19.50 (495)	—	A18P16 A18P16AL	16.75 x 14.88 (425 x 378)
HJB06HWPL1LG	6.00 x 6.00 x 4.10 (152 x 152 x 104)	1	7.31 (186)	7.31 (186)	4.96 (126)	1.38 (35)	0.50 (13)	6.77 (172)	4.01 (102)	4.25 (108)	4.25 (108)	4.34 (110)	4.64 (118)	7.52 (191)	4.00 x 4.00 (102 x 102)	A6P6 A6P6AL	4.88 x 4.88 (124 x 124)
HJB06HWPL1LG	8.00 x 6.00 x 4.10 (203 x 152 x 104)	1	9.30 (276)	7.31 (186)	4.96 (126)	1.77 (45)	1.65 (42)	8.74 (222)	4.01 (102)	6.26 (159)	4.25 (108)	3.19 (81)	4.64 (118)	9.50 (241)	6.00 x 4.00 (152 x 102)	A8P6 A8P6AL	6.75 x 1.88 (171 x 124)
HJT008HWPL1LG	10.00 x 8.00 x 4.59 (254 x 203 x 117)	1	11.31 (287)	9.31 (236)	5.43 (138)	1.77 (45)	1.65 (42)	10.75 (276)	6.02 (153)	8.25 (210)	6.24 (158)	3.66 (93)	5.12 (130)	11.52 (293)	8.00 x 6.00 (203 x 152)	A10P8 A10P8AL	8.75 x 6.88 (222 x 102)
HJT1210HWPL2LG	12.00 x 10.00 x 4.74 (305 x 254 x 120)	2	13.30 (338)	11.29 (287)	5.58 (142)	1.77 (45)	1.65 (42)	12.75 (324)	8.01 (203)	10.25 (260)	8.25 (210)	3.81 (97)	5.25 (133)	13.51 (343)	10.00 x 8.00 (254 x 203)	A12P10 A12P10AL	10.75 x 8.88 (273 x 226)
HJT1412HWPL2LG	14.00 x 12.00 x 5.74 (356 x 305 x 146)	2	15.32 (389)	13.30 (338)	6.70 (170)	1.77 (45)	1.65 (42)	14.75 (375)	10.00 (254)	12.25 (311)	10.24 (260)	4.93 (125)	6.38 (162)	15.50 (394)	12.00 x 10.00 (305 x 254)	A14P12 A14P12AL	12.75 x 10.88 (324 x 276)
HJT1614HWPL2LG	16.00 x 14.00 x 5.74 (406 x 356 x 146)	2	17.31 (440)	15.30 (389)	6.70 (170)	1.77 (45)	1.65 (42)	16.73 (425)	12.00 (305)	14.25 (362)	12.24 (311)	4.93 (125)	6.38 (162)	17.52 (445)	14.00 x 12.00 (356 x 305)	A16P14 A16P14AL	14.75 x 12.88 (375 x 327)
HJT1816HWPL2LG	18.00 x 16.00 x 8.62 (457 x 406 x 219)	2	19.31 (490)	17.31 (440)	9.58 (243)	1.77 (45)	1.65 (42)	18.74 (476)	12.00 (305)	16.25 (413)	14.25 (362)	7.81 (198)	9.25 (235)	19.50 (495)	16.00 x 14.00 (406 x 356)	A18P16 A18P16AL	16.75 x 14.88 (425 x 378)

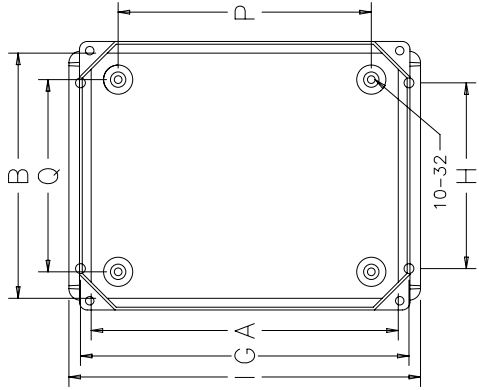
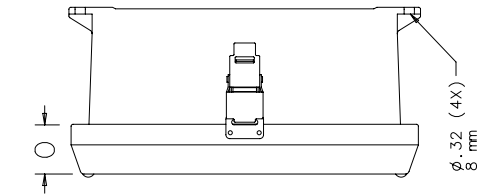
^aPurchase panels separately. Panel catalog numbers ending in AL are aluminum. Optional stainless steel, and composite material panels available for most sizes.

Fiberglass Type 4X Overlapping Cover Enclosures

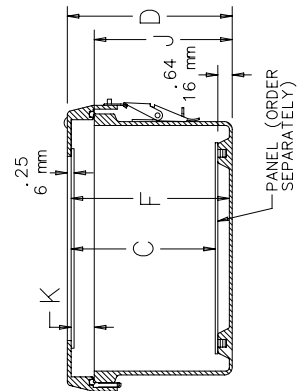
Flat Cover Window Enclosures



WINDOW DOOR ENCLOSURE SHOWN



Top View with Door/Cover Removed
87781921



SECTION X-X

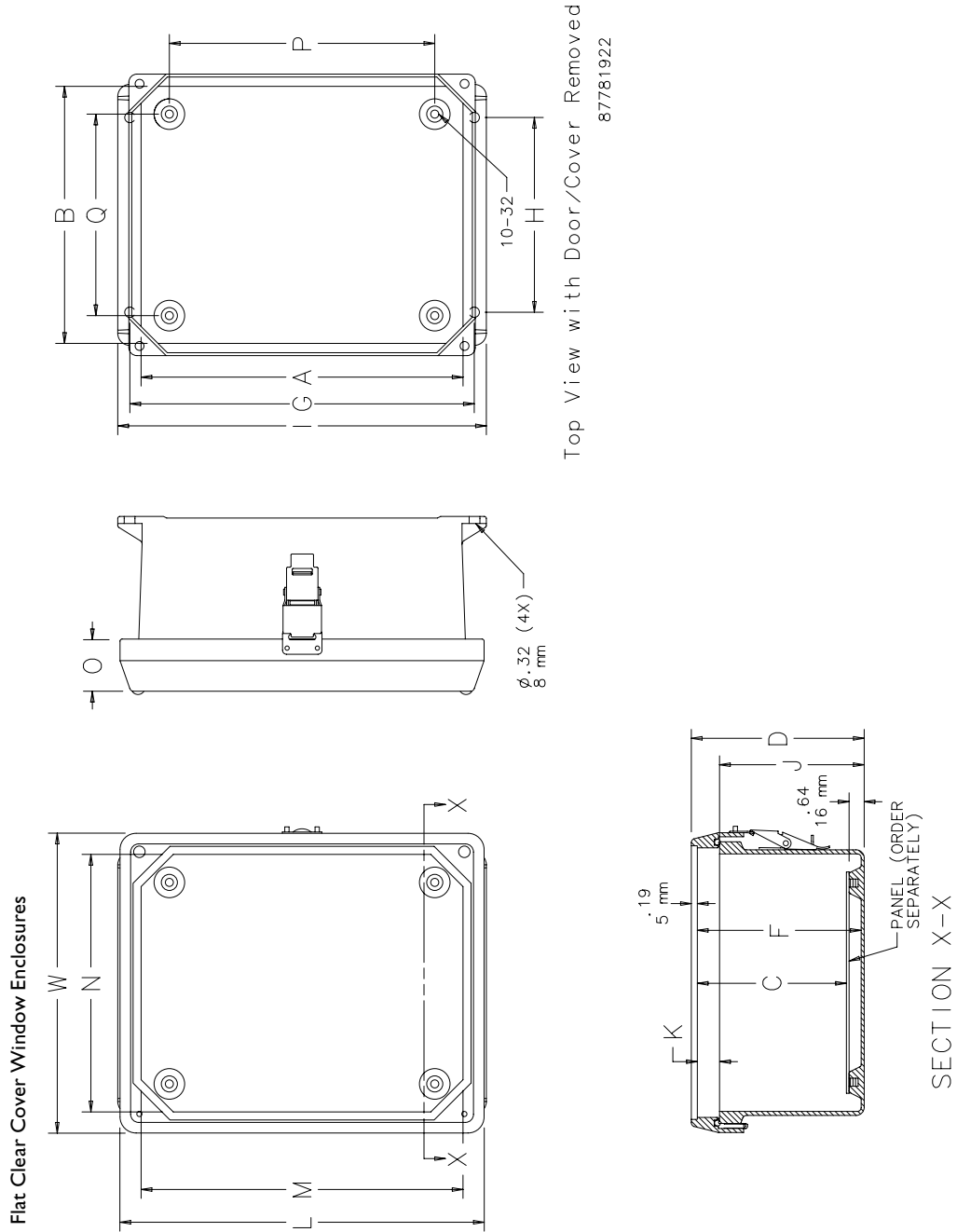
Fiberglass Type 4X Overlapping Cover Enclosures

Standard Sizes Flat Clear Window Hinged Cover Fiberglass Type 4X Enclosures with Latches

Catalog Number	Internal Dimensions A x B x C in. (mm)	No. of Latches	L in. (mm)	W in. (mm)	D in. (mm)	O in. (mm)	K in. (mm)	G in. (mm)	H in. (mm)	P in. (mm)	Q in. (mm)	J in. (mm)	F in. (mm)	I in. (mm)	Window Size M x N in. (mm)	Panel Catalog Number ^a	Panel Size in. (mm)
CHJ606HWPL1LG	6.00 x 6.00 x 4.10 (152 x 152 x 104)	1	7.31 (186)	7.31 (186)	4.96 (126)	1.38 (35)	0.50 (13)	6.77 (172)	4.01 (102)	4.26 (108)	4.25 (108)	4.34 (110)	4.64 (118)	7.52 (191)	6.00 x 6.00 (152 x 152)	A6P6 A6P6AL	4.88 x 4.88 (124 x 124)
CHJ806HWPL1LG	8.00 x 6.00 x 4.10 (203 x 152 x 104)	1	9.30 (276)	7.31 (186)	4.96 (126)	1.77 (45)	1.65 (42)	8.74 (222)	4.01 (102)	6.26 (159)	4.25 (108)	4.34 (110)	4.64 (118)	9.50 (241)	8.00 x 6.00 (203 x 152)	A8P6 A8P6AL	6.75 x 4.88 (171 x 124)
CHJ1008HWPL1LG	10.00 x 8.00 x 4.59 (254 x 203 x 117)	1	11.31 (287)	9.31 (236)	5.43 (138)	1.77 (45)	1.65 (42)	10.75 (273)	6.02 (153)	8.25 (210)	6.24 (158)	3.66 (93)	5.12 (130)	11.52 (293)	10.00 x 8.00 (254 x 203)	A10P8 A10P8AL	8.75 x 6.88 (222 x 102)
CHJ1210HWPL2LG	12.00 x 10.00 x 4.74 (305 x 254 x 120)	2	13.30 (338)	11.29 (287)	5.58 (142)	1.77 (45)	1.65 (42)	12.75 (324)	8.01 (203)	10.25 (260)	8.25 (210)	3.81 (97)	5.24 (133)	13.51 (343)	12.00 x 10.00 (305 x 254)	A12P10 A12P10AL	10.75 x 8.88 (273 x 226)
CHJ1412HWPL2LG	14.00 x 12.00 x 5.74 (356 x 305 x 146)	2	15.32 (389)	13.30 (338)	6.70 (170)	1.77 (45)	1.65 (42)	14.75 (375)	10.00 (254)	12.25 (311)	10.24 (260)	4.93 (125)	6.38 (162)	15.50 (394)	14.00 x 12.00 (356 x 305)	A14P12 A14P12AL	12.75 x 10.88 (324 x 276)
CHJ1614HWPL2LG	16.00 x 14.00 x 5.74 (406 x 356 x 146)	2	17.31 (440)	15.30 (389)	6.70 (170)	1.77 (45)	1.65 (42)	16.73 (425)	12.00 (305)	14.25 (362)	12.24 (311)	4.93 (125)	6.38 (162)	17.52 (445)	16.00 x 14.00 (406 x 356)	A16P14 A16P14AL	14.75 x 12.88 (375 x 327)
CHJ1816HWPL2LG	18.00 x 16.00 x 8.62 (457 x 406 x 219)	2	19.31 (490)	17.31 (440)	9.58 (243)	1.77 (45)	1.65 (42)	18.74 (476)	12.00 (305)	16.25 (413)	14.25 (362)	7.81 (198)	9.25 (235)	19.50 (495)	18.00 x 16.00 (457 x 406)	A18P16 A18P16AL	16.75 x 14.88 (425 x 378)

^aPurchase panels separately. Panel catalog numbers ending in AL are aluminum. Optional stainless steel, and composite material panels available for most sizes.

Fiberglass Type 4X Overlapping Cover Enclosures



Fiberglass Type 4X Wall-Mounted Enclosures with 3-Point Latch



Application

These single-door fiberglass enclosures provide industry-leading protection for housing electrical components and controls in washdown or corrosive environments. Hoffman's exclusive Type 316L stainless steel POWERGLIDE[®] padlocking handle and internal 3-point latching combine ease of access with security. These enclosures are well-suited for indoor and outdoor applications that are frequently wet or exposed to other corrosive agents. Typical applications include petrochemical plants, pulp and paper processing, and water treatment facilities.

Construction

- Fiberglass-reinforced material has excellent temperature and chemical resistance qualities and exhibits outstanding physical properties
- Internal 3-point latch and Type 316L stainless steel padlocking POWERGLIDE handle assure security and a water-tight seal while still allowing convenient access
- Seams are sealed; no holes or knockouts
- Seamless foam-in-place gasket assures watertight and dusttight seal
- Fiberglass material is easily punched, drilled, filed, or sawed
- Data pocket is high-impact thermoplastic
- Copper-flashed steel collar studs for mounting optional panels and terminal block kits

Finish

Fiberglass enclosure is gray inside and out. Handle is Type 316L stainless steel electropolished. Optional steel panels are painted white. Optional stainless steel, aluminum, and composite panels available in select sizes.

Industry Standards

UL 508A, File No. E61997: Type 3, 3R, 4, 4X, I2, and I3
NEMA/EEMAC Type 3, 3R, 4, 4X, I2, and I3
Enclosure flammability rating per UL 508A
cUL CSA-C22.2 No. 94: Type 3, 3R, 4, 4X, I2, and I3
IEC 60529, IP66

Meets Type 3RX requirements

Patents

Patent pending

Accessories

Panels
Stainless Steel Window Kits
Terminal Block Kit Assembly
Thermal Accessories

Modification Services Program

You can customize this product to your unique requirements by specifying from these options:

- Colors
- Holes and cutouts in body, doors, subpanels
- Subpanels
- Environmental controls (louvers, fans, filters)
- Windows
- Standard accessories

To order, contact your local Hoffman sales representative.

NOTE: For information about modifications outside the scope of the Modification Services program, contact your Hoffman sales representative.

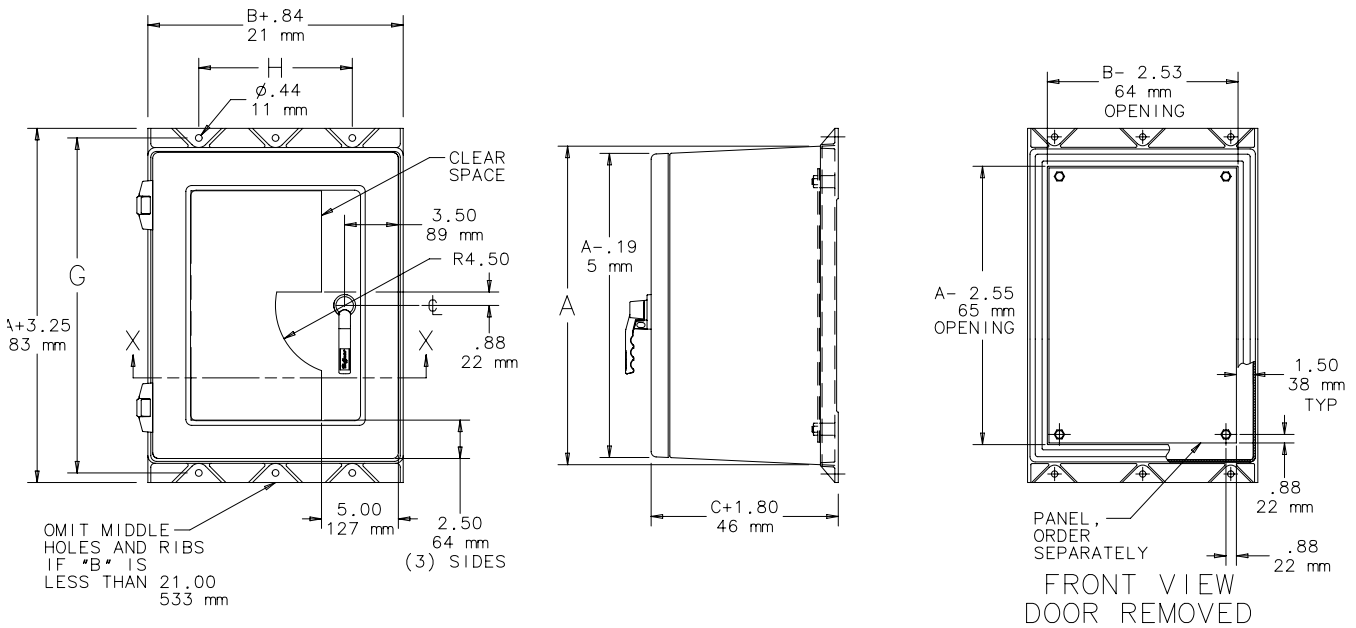
Fiberglass Type 4X Wall-Mounted Enclosures with 3-Point Latch

Corrosion-Resistant Enclosures

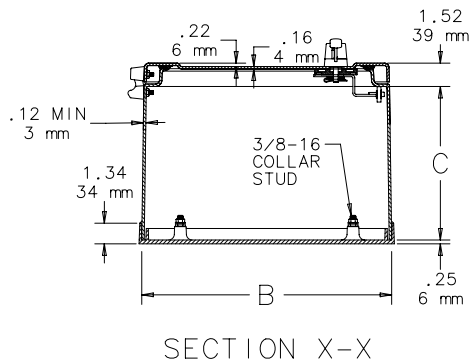
Standard Sizes Fiberglass Type 4X Wall-Mount Enclosures with 3-Point Latch

Catalog Number	A x B x C in. (mm)	Panel Catalog Number	Conductive Panel Catalog Number	Panel Size Height (in.)	Panel Size Height (mm)	Panel Size Width (in.)	Panel Size Width (mm)	Mounting G (inch)	Mounting G (mm)	Mounting H (in.)	Mounting H (mm)
A24H2006GQRLP3PT	24.25 x 20.25 x 6.00 (616 x 514 x 203)	A24P20	A24P20G	21.00	533	17.00	432	25.86	657	14.00	356
A20H2008GQRLP3PT	20.19 x 20.25 x 8.00 (513 x 514 x 203)	A20P20	A20P20G	17.00	432	17.00	432	21.81	554	14.00	356
A24H2008GQRLP3PT	24.25 x 20.25 x 8.00 (616 x 514 x 203)	A24P20	A24P20G	21.00	533	17.00	432	25.86	657	14.00	356
A24H2408GQRLP3PT	24.19 x 20.25 x 8.00 (614 x 614 x 203)	A24P24	A24P24	21.00	533	21.00	533	25.81	656	18.00	457
A30H2408GQRLP3PT	30.25 x 24.25 x 8.00 (768 x 616 x 203)	A30P24	A30P24G	27.00	686	21.00	533	31.95	812	18.00	457
A36H3008GQRLP3PT	36.25 x 20.25 x 8.00 (921 x 768 x 203)	A36P30	A36P30G	33.00	838	27.00	686	37.58	955	24.00	610
A24H2010GQRLP3PT	24.25 x 20.25 x 10.00 (616 x 514 x 254)	A24P20	A24P20G	21.00	533	17.00	432	25.86	657	14.00	356
A30H2410GQRLP3PT	30.25 x 24.25 x 10.00 (768 x 616 x 254)	A30P24	A30P24G	27.00	686	21.00	533	31.95	812	18.00	457
A24H2412GQRLP3PT	24.19 x 24.19 x 12.00 (614 x 614 x 305)	A24P24	A24P24G	21.00	533	21.00	533	25.81	656	18.00	457
A30H2412GQRLP3PT	30.25 x 24.25 x 12.00 (768 x 616 x 305)	A30P24	A30P24G	27.00	686	21.00	533	31.95	812	18.00	457
A36H3012GQRLP3PT	36.25 x 30.25 x 12.00 (921 x 768 x 305)	A36P30	A36P30G	33.00	838	27.00	686	37.58	955	24.00	610

Purchase panels separately. Optional stainless steel, composite, and aluminum panels available for most sizes.



87786694



NOTE: Large data pocket provision when A=30.00 (762mm) or more. Data pocket is furnished but not installed. Large data pocket is 12.00 x 12.00 (305mm x 305mm); small data pocket is 6.00 x 6.00 (152mm x 152mm).

Fiberglass Type 4X Wall-Mounted Enclosures



- Integral Type 316L stainless steel padlocking hasp with each enclosure
- Data pocket is high-impact thermoplastic
- Copper-flashed steel collar studs for mounting optional panels and terminal block kits

Finish

Fiberglass enclosure is light gray inside and out. Optional steel panels are painted white. Optional aluminum, conductive, stainless steel, and composite panels are unpainted.

Industry Standards

UL 508A, File No. E61997: Type 3, 3R, 4, 4X, 12, and 13
NEMA/EEMAC Type 3, 3R, 4, 4X, 12, and 13
Enclosure flammability rating per UL 508A
CSA File No. 42186: Type 3, 3R, 4, 4X, 12, and 13
IEC 60529, IP66

Meets Type 3RX requirements

Accessories

Frameless Window Kit
Panels
Stainless Steel Window Kit
Terminal Block Kit Assembly

Application

Designed to insulate and house electrical and electronic controls, instruments, and components in highly-corrosive environments indoors or outdoors. Ideal for use in petrochemical, water treatment, and electroplating facilities.

Construction

- Fiberglass-reinforced material has excellent temperature and chemical resistance qualities and exhibits outstanding physical properties
- Seams are sealed; no holes or knockouts
- Seamless foam-in-place gasket assures watertight and dusttight seal
- Fiberglass material is easily punched, drilled, filed, or sawed
- Hinges and quick-release latches are fiberglass-reinforced polyester

Modification Services Program

You can customize this product to your unique requirements by specifying from these options:

- Depth changes
- Colors
- Holes and cutouts in body, doors, subpanels
- Subpanels
- Environmental control (louvers, fans, filters)
- Windows
- Standard accessories

To order, contact your local Hoffman sales representative.

NOTE: For information about modifications outside the scope of the Modification Services program, contact your Hoffman sales representative.

Standard Sizes Fiberglass Type 4X Wall-Mount Enclosures

Catalog Number	A x B x C in. (mm)	Panel Catalog Number	Conductive Panel Catalog Number	Panel Size (in.)	Panel Size (mm)	Mounting G x H (in.)	Mounting G x H (mm)	No. of Latches	Additional "C" Dimensions Available (in.)
A20H1606GQRLP	20.19 x 16.25 x 6.00 (513 x 413 x 152)	A20P16	A20P16G	17.00 x 13.00	432 x 330	21.81 x 10.00	554 x 254	4	—
A20H2006GQRLP	20.19 x 20.25 x 6.00 (513 x 514 x 152)	A20P20	A20P20G	17.00 x 17.00	432 x 432	21.81 x 14.00	554 x 356	4	—
A24H2006GQRLP	24.25 x 20.25 x 6.00 (616 x 514 x 152)	A24P20	A24P20G	21.00 x 17.00	533 x 432	25.86 x 14.00	657 x 356	4	—
A30H2406GQRLP	30.25 x 24.25 x 6.00 (768 x 616 x 152)	A30P24	A30P24G	27.00 x 21.00	686 x 533	31.95 x 18.00	812 x 457	5	—
A20H1608GQRLP	30.25 x 16.25 x 8.00 (768 x 413 x 203)	A20P16	A20P16G	17.00 x 13.00	432 x 330	21.81 x 10.00	554 x 254	4	—
A20H2008GQRLP	20.19 x 20.25 x 8.00 (513 x 514 x 203)	A20P20	A20P20G	17.00 x 17.00	432 x 432	21.81 x 14.00	554 x 356	4	—
A24H2008GQRLP	24.25 x 20.25 x 8.00 (616 x 514 x 203)	A24P20	A24P20G	21.00 x 17.00	533 x 432	25.86 x 14.00	657 x 356	4	—
A24H2408GQRLP	24.19 x 24.19 x 8.00 (614 x 614 x 203)	A24P24	A24P24G	21.00 x 21.00	533 x 533	25.81 x 18.00	656 x 457	4	—
A30H2408GQRLP	30.25 x 24.25 x 8.00 (768 x 616 x 203)	A30P24	A30P24G	27.00 x 21.00	686 x 533	31.95 x 18.00	812 x 457	5	—
A36H3008GQRLP	36.25 x 30.25 x 8.00 (921 x 768 x 203)	A36P30	A36P30G	33.00 x 27.00	838 x 686	37.58 x 24.00	955 x 610	5	—
A20H1610GQRLP	20.19 x 16.25 x 10.00 (513 x 413 x 254)	A20P16	A20P16G	17.00 x 13.00	432 x 330	21.81 x 10.00	554 x 254	4	—
A20H2010GQRLP	20.19 x 20.25 x 10.00 (513 x 514 x 254)	A20P20	A20P20G	17.00 x 17.00	432 x 432	21.81 x 14.00	554 x 356	4	—

Fiberglass Type 4X Wall-Mounted Enclosures

Standard Sizes Fiberglass Type 4X Wall-Mount Enclosures (Cont.)

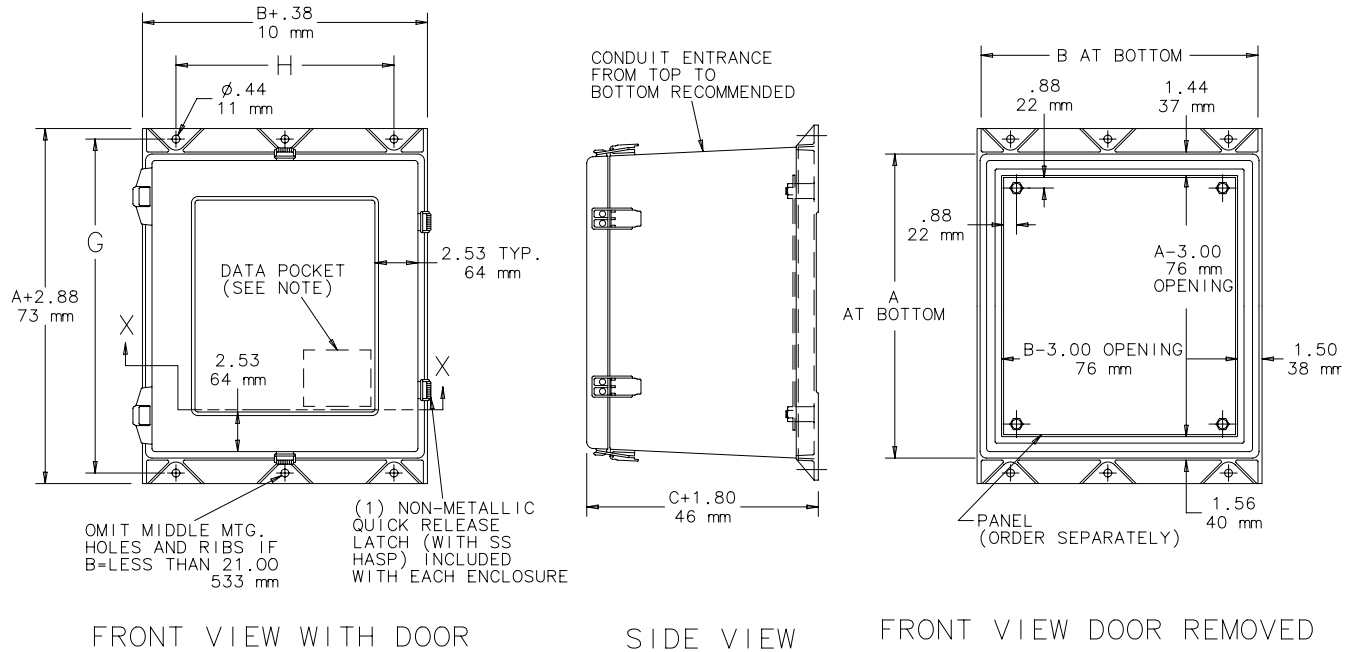
Catalog Number	A x B x C in. (mm)	Panel Catalog Number	Conductive Panel Catalog Number	Panel Size (in.)	Panel Size (mm)	Mounting G x H (in.)	Mounting G x H (mm)	No. of Latches	Additional "C" Dimensions Available (in.)
A24H2010GQRLP	24.25 x 20.25 x 10.00 (616 x 514 x 254)	A24P20	A24P20G	21.00 x 17.00	533 x 432	25.86 x 14.00	657 x 356	4	—
A30H2410GQRLP	30.25 x 24.25 x 10.00 (768 x 616 x 254)	A30P24	A30P24G	27.00 x 21.00	686 x 533	31.95 x 18.00	812 x 457	5	—
A20H1612GQRLP	20.19 x 16.25 x 12.00 (513 x 413 x 305)	A20P16	A20P16G	17.00 x 13.00	432 x 330	21.81 x 10.00	554 x 254	4	—
A20H2012GQRLP	20.19 x 20.25 x 12.00 (513 x 514 x 305)	A20P20	A20P20G	17.00 x 17.00	432 x 432	21.81 x 14.00	554 x 356	4	—
A24H2012GQRLP	24.25 x 20.25 x 12.00 (616 x 514 x 305)	A24P20	A24P20G	21.00 x 17.00	533 x 432	25.86 x 14.00	657 x 356	4	11.00 (279)
A24H2412GQRLP	24.19 x 24.19 x 12.00 (614 x 614 x 305)	A24P24	A24P24G	21.00 x 21.00	533 x 533	25.81 x 18.00	656 x 457	4	—
A30H2412GQRLP	30.25 x 24.25 x 12.00 (768 x 616 x 305)	A30P24	A30P24G	27.00 x 21.00	686 x 533	31.95 x 18.00	812 x 457	5	—
A36H3012GQRLP	36.25 x 30.25 x 12.00 (921 x 768 x 305)	A36P30	A36P30G	33.00 x 27.00	838 x 686	37.58 x 24.00	955 x 610	5	—
A36H3612GQRLP	36.25 x 36.25 x 12.00 (921 x 921 x 305)	A36P36	A36P36G	33.00 x 33.00	838 x 838	37.58 x 30.00	955 x 762	7	—
A48H3612GQRLP	48.25 x 36.25 x 12.00 (1226 x 921 x 305)	A48P36	A48P36G	45.00 x 33.00	1143 x 838	49.56 x 30.00	1259 x 762	8	—
A60H3612GQRLP	60.25 x 36.25 x 12.00 (1530 x 921 x 305)	A60P36	A60P36G	57.00 x 33.00	1448 x 838	61.58 x 30.00	1564 x 762	8	—
A24H2016GQRLP	24.25 x 20.25 x 16.00 (616 x 514 x 406)	A24P20	A24P20G	21.00 x 17.00	533 x 432	25.86 x 14.00	657 x 356	4	14.00 (356)
A24H2416GQRLP	24.19 x 24.19 x 16.00 (614 x 614 x 406)	A24P24	A24P24G	21.00 x 21.00	533 x 533	25.81 x 18.00	656 x 457	4	6.00, 10.00, 14.00 (152, 254, 356)
A30H2416GQRLP	30.25 x 24.25 x 16.00 (768 x 616 x 406)	A30P24	A30P24G	27.00 x 21.00	686 x 533	31.95 x 18.00	812 x 457	5	—
A48H3616GQRLP	48.25 x 36.25 x 16.00 (1226 x 921 x 406)	A48P36	A48P36G	45.00 x 33.00	1143 x 838	49.56 x 30.00	1259 x 762	8	—
A60H3616GQRLP	60.25 x 36.25 x 16.00 (1530 x 922 x 406)	A60P36	A60P36G	57.00 x 33.00	1448 x 838	61.65 x 30.00	1566 x 762	8	—
A20H1620GQRLP	20.19 x 16.25 x 20.00 (513 x 413 x 508)	A20P16	A20P16G	17.00 x 13.00	432 x 330	21.81 x 10.00	554 x 254	4	14.00, 16.00, 18.00 (356, 406, 457)
A20H2020GQRLP	20.19 x 20.25 x 20.00 (513 x 514 x 508)	A20P20	A20P20G	17.00 x 17.00	432 x 432	21.81 x 14.00	554 x 356	4	14.00, 16.00, 18.00 (356, 406, 457)
A24H2020GQRLP	24.25 x 20.25 x 20.00 (616 x 514 x 508)	A24P20	A24P20G	21.00 x 17.00	533 x 432	25.86 x 14.00	657 x 356	4	14.00, 16.00, 18.00 (356, 406, 457)
A24H2420GQRLP	24.19 x 24.19 x 20.00 (614 x 614 x 508)	A24P24	A24P24G	21.00 x 21.00	533 x 533	25.81 x 18.00	656 x 457	4	18.00 (457)
A30H2420GQRLP	30.25 x 24.25 x 20.00 (768 x 616 x 508)	A30P24	A30P24G	27.00 x 21.00	686 x 533	31.95 x 18.00	812 x 457	5	14.00, 16.00, 18.00 (356, 406, 457)
A36H3020GQRLP	36.25 x 30.25 x 20.00 (921 x 768 x 508)	A36P30	A36P30G	33.00 x 27.00	838 x 686	37.72 x 24.00	958 x 610	5	—
A48H3620GQRLP	48.25 x 36.25 x 20.00 (1226 x 921 x 508)	A48P36	A48P36G	45.00 x 33.00	1143 x 838	49.72 x 30.00	1263 x 762	8	—
A24H2024GQRLP	24.25 x 20.25 x 24.00 (616 x 514 x 610)	A24P20	A24P20G	21.00 x 17.00	533 x 432	25.86 x 14.00	657 x 356	4	22.00 (559)
A24H2424GQRLP	24.19 x 24.19 x 24.00 (614 x 614 x 610)	A24P24	A24P24G	21.00 x 21.00	533 x 533	25.81 x 18.00	656 x 457	4	22.00 (559)
A30H2424GQRLP	30.25 x 24.25 x 24.00 (768 x 616 x 610)	A30P24	A30P24G	27.00 x 21.00	686 x 533	31.95 x 18.00	812 x 457	5	22.00 (559)

Purchase panels separately. Optional stainless steel, composite, and aluminum panels are available for most sizes.

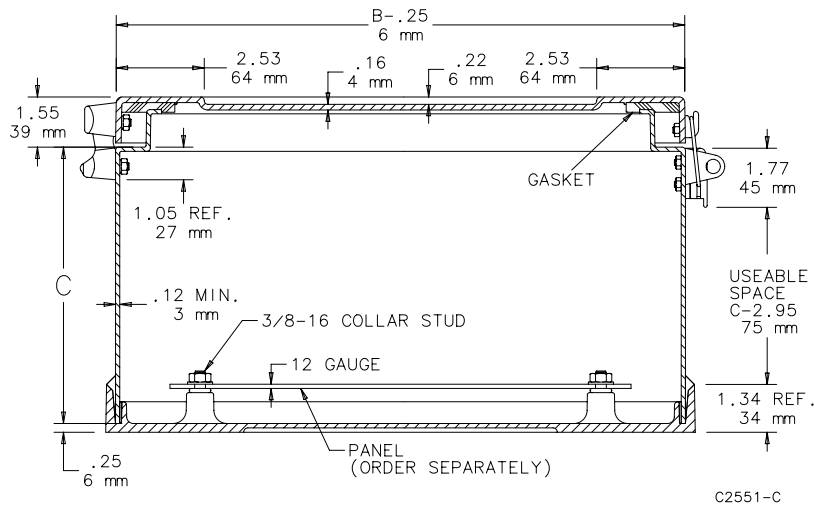
Corrosion-Resistant
Enclosures

Fiberglass Type 4X Wall-Mounted Enclosures

Fiberglass Type 4X Wall-Mount Enclosures 36 x 30 or Smaller Drawing



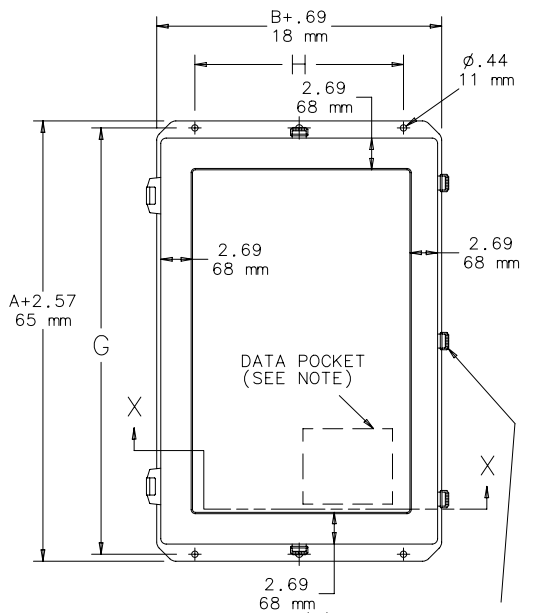
NOTE: Enclosure A36H3020GQRLP still is manufactured according to the drawing of enclosures 36 x 36 or larger.



Fiberglass Type 4X Wall-Mounted Enclosures

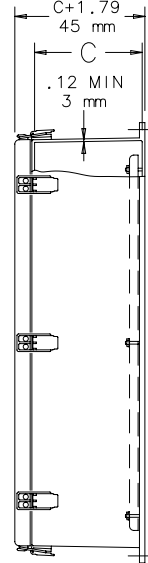
Fiberglass Type 4X Wall-Mount Enclosures 36 x 36 or Larger Drawing

Corrosion-Resistant Enclosures

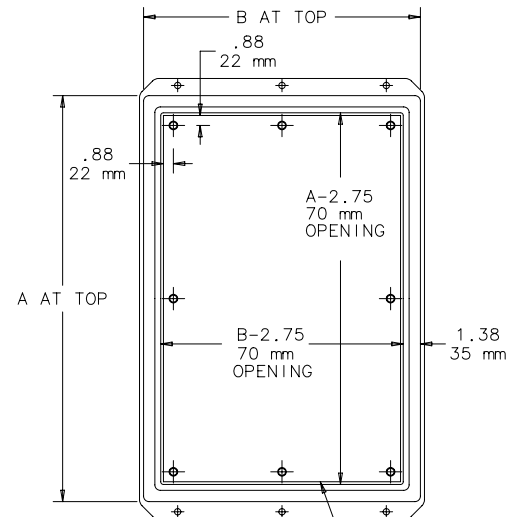


(1) NON-METALIC QUICK RELEASE LATCH (WITH S.S. HASP) INCLUDED WITH EACH ENCLOSURE.

FRONT VIEW WITH DOOR



SIDE VIEW

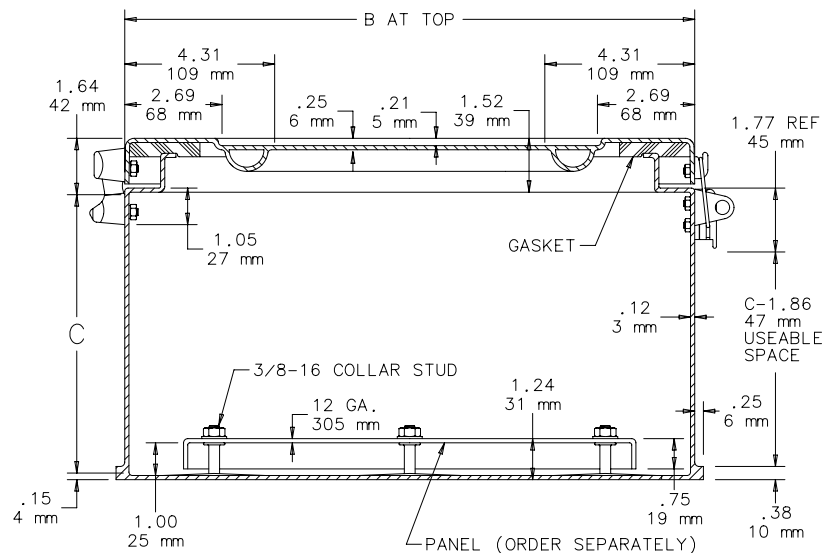


PANEL (ORDER SEPARATELY)

FRONT VIEW WITH DOOR REMOVED

*1.38 (35mm) = 1.81 (46mm) on A48H3620GQRLP and A36H3020GQRLP only.
*2.75 (70mm) = 3.62 (92mm) on A48H3620GQRLP and A36H3020GQRLP only.

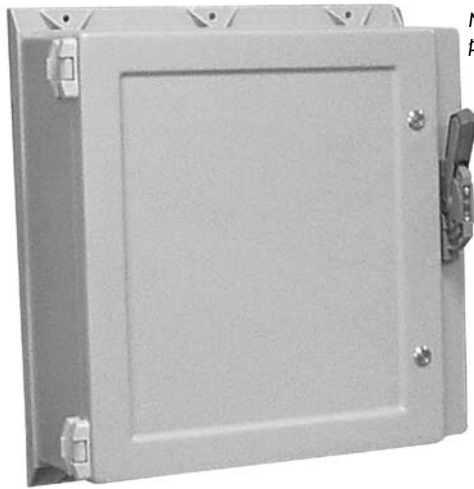
NOTE: Large data pocket provision when A=30.00 (762mm) or more. Data pocket is furnished but not installed. Large data pocket is 12.00 x 12.00 (305mm x 305mm); small data pocket is 6.00 x 6.00 (152mm x 152mm).



SECTION X-X

C2552-C

Fiberglass Type 4X Enclosures for Flange-Mounted Disconnects



NOTE: Handle not provided with enclosure

Application

Designed to insulate and house electrical and electronic controls, instruments, and components in highly-corrosive environments indoors or outdoors. Ideal for use in petrochemical plants, sewage plants, and electroplating plants. Designed to house the following:

Allen-Bradley

- Bulletin 1494V disconnect switches with flange-mounted variable-depth operating mechanisms and Bulletin 1494V flange-mounted variable-depth operating mechanisms for circuit breakers
- Bulletin 140U flexible cable operating mechanisms for 140U molded case circuit breakers
- Bulletin 1494C cable-operated disconnect switches with flange-mounted handles
- Bulletin 194RC cable-operated flange-mounted handles for use with the NFPA 79 compliant 194R IEC rotary disconnect switches

Allen-Bradley Bulletin 1494V-R1, -R2, and -W2 operating handles and Allen-Bradley Bulletin 1494F disconnect devices or Bulletin 1494D circuit breaker operators will NOT fit these enclosures.

ABB Controls flange-mounted variable-depth operating mechanisms for disconnect switches and circuit breakers.

Eaton Cutler-Hammer Type C361 flange-mounted variable depth operating mechanisms with disconnect switches and Type C371 flange-mounted variable-depth operating mechanisms for circuit breakers. Flex Shaft™ handle operators for circuit breakers.

General Electric Type STDA flange handles and variable-depth operating mechanisms for disconnect switches and circuit breakers. Also Spectra Flex™ cable operators for circuit breakers.

Siemens ITE Max-Flex™ flange-mounted variable-depth operating handle for disconnect switches and circuit breakers as well as some fixed-depth operators for disconnect switches.

Schneider Square D® Class 9422 disconnect switches with flange-mounted variable-depth operating mechanisms or cable mechanisms and Class 9422 flange-mounted variable-depth operating mechanisms or cable mechanisms for circuit breakers.

These enclosures will NOT accept Square D Class 9422 bracket-mounted disconnect devices, 9422TG1 or TG2 devices.

Construction

- Fiberglass-reinforced material has excellent temperature and chemical resistance qualities and exhibits outstanding physical properties
- Seams are sealed; no holes or knockouts
- Seamless foam-in-place gasket assures watertight and dusttight seal

- Fiberglass material is easily drilled, filed, or sawed
- Hinges are fiberglass-reinforced polyester
- Doors are secured with Type 304 stainless steel slotted quarter-turn latches
- Data pocket is high-impact thermoplastic
- Copper flashed steel collar studs for mounting optional panels and terminal block kits
- Holes provided in body for mounting disconnect operating handle and operating mechanism
- Internal grounding provisions for quarter-turn latches
- Includes bracket affixed to door for attaching disconnect door catch (interlock) and instructions for installing disconnects

Finish

Fiberglass material is light gray inside and out. Optional steel panels are painted white. Optional stainless steel, aluminum, conductive, and composite panels are unpainted.

Industry Standards

UL 508A, File No. E61997: Type 3, 3R, 4, 4X, 12, and 13
Enclosure flammability rating per UL 508A
cUL CSA-C22.2 No 94, File No. E61997: Type 3, 3R, 4, 4X, 12, and 13
NEMA/EEMAC Type 3, 3R, 4, 4X, 12, and 13
IEC 60529, IP66

Meets Type 3RX requirements

Accessories

Frameless Window Kit
Panels
Stainless Steel Window Kit
Terminal Block Kit Assembly
Thermal Accessories
Wiring Duct

Modification Services Program

You can customize this product to your unique requirements by specifying from these options:

- Colors
- Depth change
- Holes and cutouts in body, doors, subpanels
- Subpanels
- Environmental control (louvers, fans, filters)
- Windows
- Standard accessories

To order, contact your local Hoffman sales representative.

NOTE: For information about modifications outside the scope of the Modification Services program, contact your Hoffman sales representative.

Ordering

Consult the Technical Information section for wire bend information and hoffmanonline.com for disconnect manufacturer information. Disconnect switch (or circuit breakers), operating handle, and operating mechanism are not furnished with the enclosure.

Furnished with enclosure:

1. Bracket affixed to door for attaching disconnect door catch (interlock)
2. Instructions to locate and install disconnect switches, circuit breakers, and operating mechanisms

Consult the Technical Information section for wire bend information and www.hoffmanonline.com for disconnect manufacturer information. Disconnect switch (or circuit breakers), operating handle, and operation mechanism are not furnished with enclosure.

Fiberglass Type 4X Enclosures for Flange-Mounted Disconnects

Standard Sizes Fiberglass Type 4X Enclosures for Flange-Mounted Disconnects

Catalog Number	A x B x C in. (mm)	Panel Catalog Number	Conductive Panel Catalog Number	Panel Size (in.)	Panel Size (mm)	Mounting G x H (in.)	Mounting G x H (mm)	Number of Latches
A20HS1610GQRLP	20.19 x 16.25 x 10.00 (513 x 413 x 254)	A20P16	A20P16G	17.00 x 13.00	432 x 330	21.81 x 10.00	554 x 254	2
A24HS2008GQRLP	24.25 x 20.25 x 8.00 (616 x 514 x 203)	A24P20	A24P20G	21.00 x 17.00	533 x 432	25.86 x 14.00	657 x 356	2
A24HS2408GQRLP	24.19 x 24.19 x 8.00 (614 x 614 x 203)	A24P24	A24P24G	21.00 x 21.00	533 x 533	25.81 x 18.00	656 x 457	2
A24HS2412GQRLP	24.19 x 24.19 x 12.00 (614 x 614 x 305)	A24P24	A24P24G	21.00 x 21.00	533 x 533	25.81 x 18.00	656 x 457	2
A30HS2412GQRLP	30.25 x 24.25 x 12.00 (768 x 616 x 305)	A30P24	A30P24G	27.00 x 21.00	686 x 533	31.95 x 18.00	812 x 457	2
A36HS3012GQRLP	36.25 x 30.25 x 12.00 (921 x 768 x 305)	A36P30	A36P30G	33.00 x 27.00	838 x 686	37.58 x 24.00	955 x 610	4
A48HS3612GQRLP	48.25 x 36.25 x 12.00 (1226 x 921 x 305)	A48P36	A48P36G	45.00 x 33.00	1143 x 838	49.58 x 30.00	1259 x 762	5
A60HS3612GQRLP	60.25 x 36.25 x 12.00 (1530 x 921 x 305)	A60P36	A60P36G	57.00 x 33.00	1448 x 838	61.58 x 30.00	1564 x 762	5

Purchase panels separately. Optional stainless steel, composite, and aluminum panels available for most sizes. See General Accessories.
No additional "C" dimensions available.

Disconnect Mounting Space

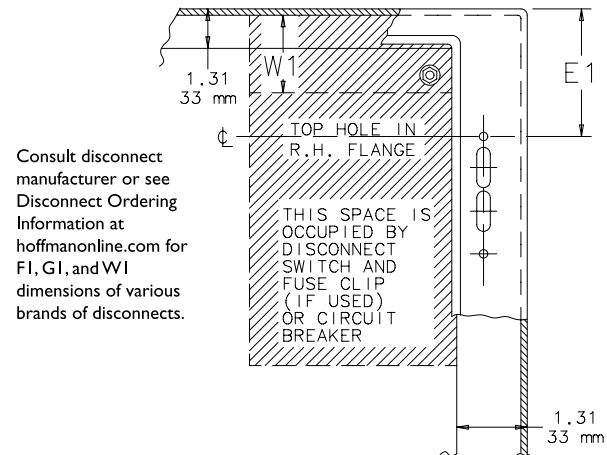
Disconnects will occupy space on panel shown in Disconnect Mounting Space Diagram. Wiring space WI is available when disconnect is installed in the enclosure.

Refer to *NATIONAL ELECTRICAL CODE*® 2005 article 430-10(b) for wiring space required for line side conductors to be connected to disconnect. Verify your application to determine whether wiring space is adequate.

E1 = 8.62 in. (219mm) when
A < 30.00 in. (768mm) and
C = 8.00 in. (203mm),
10.00 in. (254mm), or
12.00 in. (305mm)

E1 = 11.62 in. (295mm) when
A > 30.00 in. (768mm) and
C = 12.00 in. (305mm)

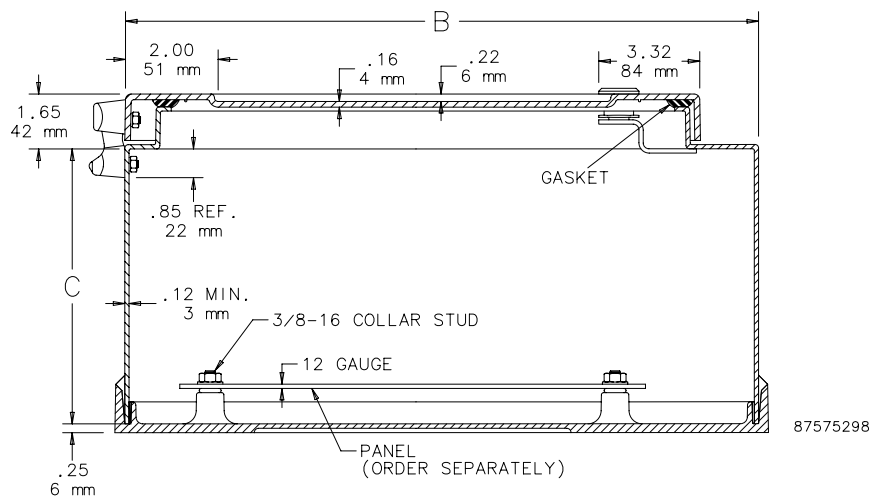
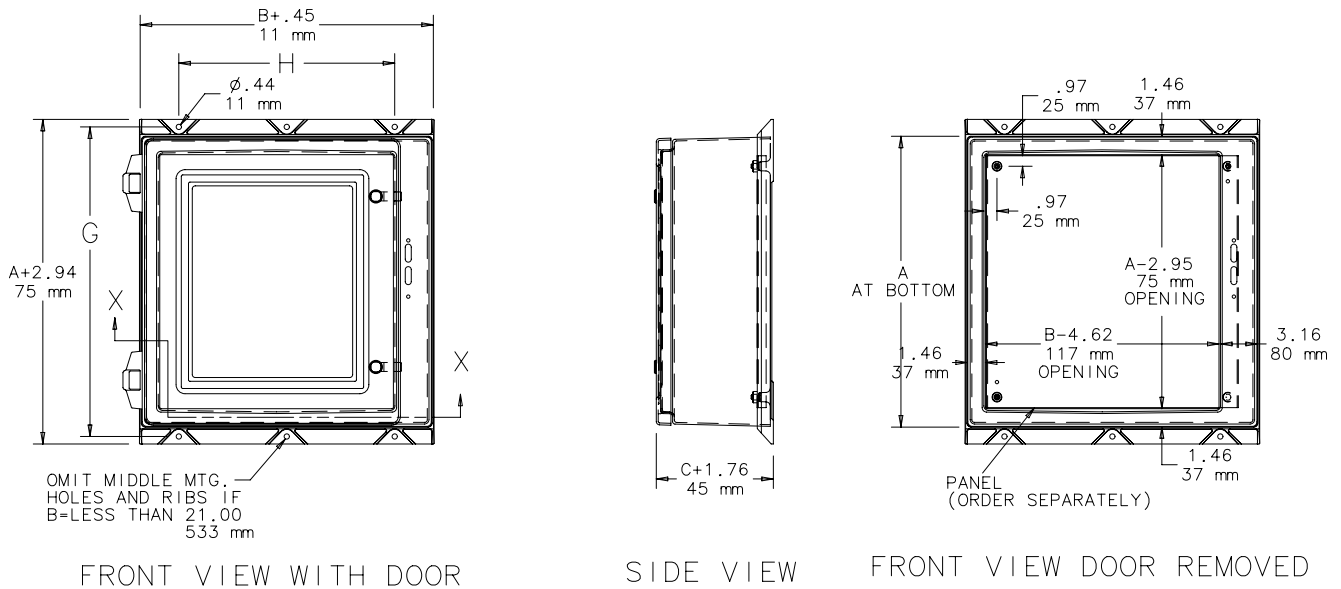
WI = Wiring Space. See Technical Information, for wire bend space.



87575299

Fiberglass Type 4X Enclosures for Flange-Mounted Disconnects

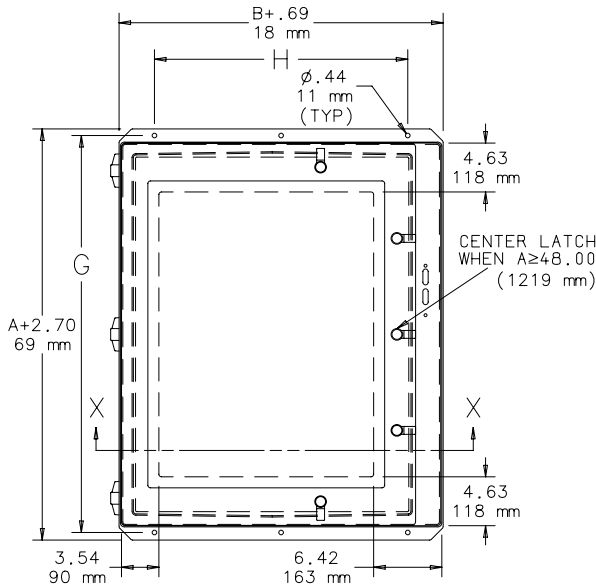
Type 4X Flange-Mounted Disconnect Enclosures 30 x 24 or Smaller Drawing



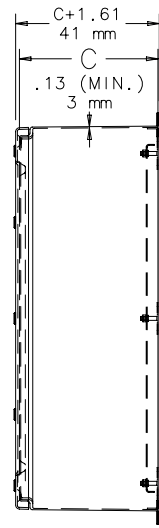
Fiberglass Type 4X Enclosures for Flange-Mounted Disconnects

Type 4X Flange-Mounted Disconnect Enclosures 36 x 30 or Larger Drawing

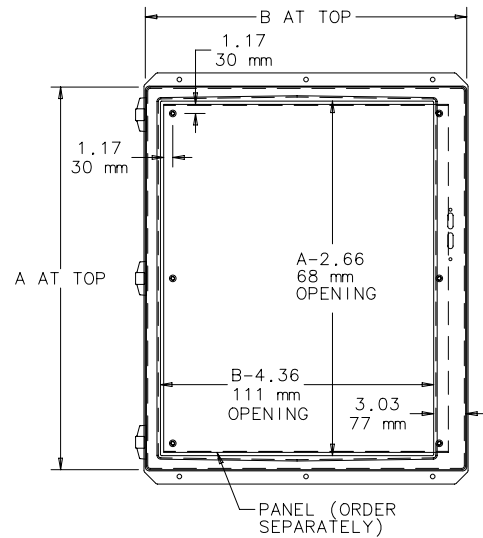
Corrosion-Resistant Enclosures



Front View With Door

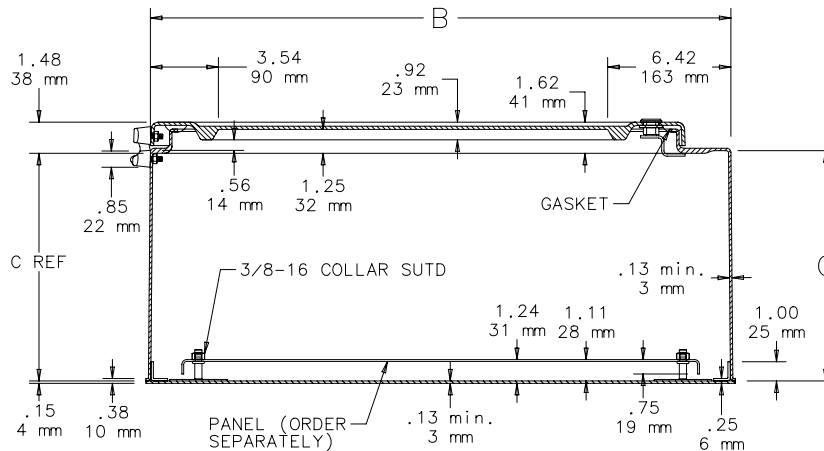


Side View



Front View Door Removed

- NOTE: 1. Large data pocket provision when A=30.00 (762mm) or more. Data pocket is furnished but not installed. Large data pocket is 12.00 x 12.00 (305mm x 305mm); small data pocket is 6.00 x 6.00 (152mm x 152mm).
2. Internal grounding provisions on the latch side(s) of the internal body flange.



SECTION X-X

87575484

ULTRX® Type 4X Fiberglass Enclosures



- Molded bosses on door provide additional mounting provisions
- Integral mounting rails provide infinite panel adjustment front to back
- Optional data pocket is high-impact thermoplastic

Finish

Exterior surface painted light gray acrylic enamel for enhanced UV protection. Optional steel panels are painted white. Optional stainless steel, aluminum, conductive, and composite panels are unpainted.

Industry Standards

UL 508A, File No. E61997: Type 3, 3R, 4, 4X, I2, and I3
NEMA/EEMAC Type 3, 3R, 4, 4X, I2, and I3
Enclosure flammability rating per UL 508A
CSA File No. 42186: Type 3, 3R, 4, 4X, I2, and I3
IEC 60529, IP66

Meets Type 3RX requirements

Application

This stylized world-class enclosure is a highly effective corrosion-resistant housing for electrical and electronic controls. It provides outstanding protection against atmospheric and marine corrosion in indoor or outdoor settings, including petrochemical plants, water treatment facilities, pulp and paper processing, and electroplating plants. A window cover enclosure is also available, providing easy visual inspection of interior components.

Construction

- Molded fiberglass-reinforced material has excellent temperature and chemical resistance qualities and exhibits outstanding physical properties, including high-impact resistance
- Fiberglass is easily punched, drilled, filed, or sawed
- Seamless foam-in-place gasket assures watertight and dust-tight seal
- Enclosure may be rotated 180 degrees for left and right hinging
- Molded-in drip shields are standard with each enclosure
- Impact-resistant polycarbonate window is permanently bonded in place
- Fiberglass mounting brackets and stainless steel attachment screws are provided with each enclosure
- Unique hinge design allows for standard 180 degree door opening with a maximum opening of 270 degrees
- Door hinges are replaceable
- Patented Type 316 stainless steel quarter-turn latch. Optional keylocking or padlocking handle available
- Molded-in DIN bosses

Patents

This product is covered by the following patent:
US 5,481,889

Accessories

Data Pocket
DIN Type Rails
Electric Heaters
Lighting Packages
Panels
Rack Angles
Terminal Block Kit Assemblies
Touch-Up Paint (ATPFG)
Window Kits
Wiring Duct
ULTRX Accessories

Modification Services Program

You can customize this product to your unique requirements by specifying from these options:

- Colors
- Subpanels
- Holes and cutouts in body, doors, subpanels
- Environmental control (louvers, fans, filters)
- Standard accessories

To order, contact your local Hoffman sales representative.

NOTE: For information about modifications outside the scope of the Modification Services program, contact your Hoffman sales representative.

Standard Sizes ULTRX Type 4X Fiberglass Enclosures

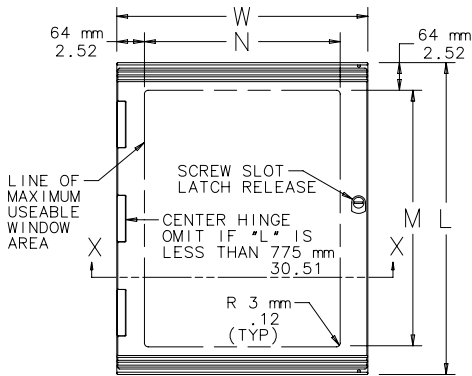
Catalog Number ^a	External Dimensions	Internal Dimensions	Panel Catalog Number	Conductive Panel Catalog Number	Panel Size D x E	Mounting G x H	Window Size M x N	F	J	K	P	Q	R	S	T
	L x W mm (in.)	A x B x C mm (in.)													
UU504020	513 x 413 (20.20 x 16.26)	496 x 396 x 220 (19.53 x 15.59 x 8.66)	A20P16	A20P16G	432 x 330 (17.00 x 12.99)	359 x 459 (14.13 x 18.07)	—	186 (7.32)	297 (11.69)	19 (0.75)	64 (2.52)	63 (2.48)	58 (2.28)	286 (11.26)	387 (15.24)
UU504020W	513 x 413 (20.20 x 16.26)	496 x 396 x 220 (19.53 x 15.59 x 8.66)	A20P16	A20P16G	439 x 330 (17.00 x 12.99)	359 x 459 (14.13 x 18.07)	386 x 286 (15.20 x 11.26)	186 (7.32)	297 (11.69)	19 (0.75)	64 (2.52)	63 (2.48)	58 (2.28)	286 (11.26)	387 (15.24)
UU606020	625 x 612 (24.61 x 24.09)	608 x 595 x 220 (23.94 x 23.43 x 8.66)	A24P24	A24P24G	533 x 533 (20.98 x 20.98)	559 x 572 (22.01 x 22.52)	—	186 (7.32)	500 (19.68)	21 (0.83)	62 (2.44)	68 (2.68)	56 (2.20)	489 (19.25)	489 (19.25)
UU606020W	625 x 612 (24.61 x 24.09)	608 x 595 x 220 (23.94 x 23.43 x 8.66)	A24P24	A24P24G	533 x 533 (20.98 x 20.98)	559 x 572 (22.01 x 22.52)	498 x 486 (19.61 x 19.13)	186 (7.32)	500 (19.68)	21 (0.83)	62 (2.44)	68 (2.68)	56 (2.20)	489 (19.25)	489 (19.25)
UU605025	625 x 513 (24.61 x 20.20)	608 x 496 x 270 (23.94 x 19.53 x 10.63)	A24P20	A24P20G	533 x 432 (20.98 x 17.00)	457 x 570 (17.99 x 22.44)	—	239 (9.41)	400 (15.75)	21 (0.83)	63 (2.48)	68 (2.68)	56 (2.20)	387 (15.24)	489 (19.25)
UU605025W	625 x 513 (24.61 x 20.20)	608 x 496 x 270 (23.94 x 19.53 x 10.63)	A24P20	A24P20G	533 x 432 (20.98 x 17.00)	457 x 570 (17.99 x 22.44)	498 x 386 (19.61 x 15.20)	239 (9.41)	400 (15.75)	21 (0.83)	63 (2.48)	68 (2.68)	56 (2.20)	387 (15.24)	489 (19.25)

ULTRX® Type 4X Fiberglass Enclosures

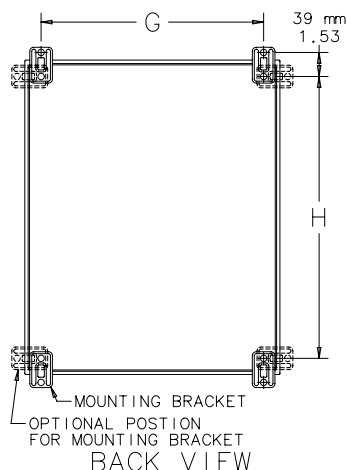
Standard Sizes ULTRX Type 4X Fiberglass Enclosures (Cont.)

Catalog Number ^a	External Dimensions L x W mm (in.)	Internal Dimensions A x B x C mm (in.)	Panel Catalog Number	Conduc-tive Panel Catalog Number	Panel Size D x E mm (in.)	Mounting G x H mm (in.)	Window Size M x N mm (in.)	F mm (in.)	J mm (in.)	K mm (in.)	P mm (in.)	Q mm (in.)	R mm (in.)	S mm (in.)	T mm (in.)
UU504030	513 x 412 (20.20 x 16.22)	496 x 395 x 321 (19.53 x 15.55 x 12.64)	A20P16	A20P16G	432 x 330 (17.00 x 12.99)	355 x 455 (13.98 x 17.91)	—	287 (11.30)	300 (11.81)	19 (0.75)	64 (2.52)	63 (2.48)	56 (2.20)	286 (11.26)	387 (15.24)
UU504030W	513 x 412 (20.20 x 16.22)	496 x 395 x 321 (19.53 x 15.55 x 12.64)	A20P16	A20P16G	432 x 330 (17.00 x 12.99)	355 x 455 (13.98 x 17.91)	386 x 286 (15.20 x 11.26)	287 (11.30)	300 (11.81)	19 (0.75)	64 (2.52)	63 (2.48)	56 (2.20)	286 (11.26)	387 (15.24)
UU606030	625 x 612 (24.61 x 24.09)	608 x 595 x 321 (23.94 x 23.43 x 12.64)	A24P24	A24P24G	533 x 533 (20.98 x 20.98)	555 x 568 (21.85 x 22.36)	—	287 (11.30)	500 (19.68)	21 (0.83)	62 (2.44)	68 (2.68)	56 (2.20)	489 (19.25)	489 (19.25)
UU606030W	625 x 612 (24.61 x 24.09)	608 x 595 x 321 (23.94 x 23.43 x 12.64)	A24P24	A24P24G	533 x 533 (20.98 x 20.98)	555 x 568 (21.85 x 22.36)	498 x 486 (19.61 x 19.13)	287 (11.30)	500 (19.68)	21 (0.83)	62 (2.44)	68 (2.68)	56 (2.20)	489 (19.25)	489 (19.25)
UU756030	775 x 612 (30.51 x 24.09)	758 x 595 x 321 (29.84 x 23.43 x 12.64)	A30P24	A30P24G	686 x 533 (27.01 x 20.98)	555 x 718 (21.85 x 28.27)	—	287 (11.30)	500 (19.68)	21 (0.83)	62 (2.44)	67 (2.64)	56 (2.20)	489 (19.25)	641 (25.24)
UU756030W	775 x 612 (30.51 x 24.09)	758 x 595 x 321 (29.84 x 23.43 x 12.64)	A30P24	A30P24G	686 x 533 (27.01 x 20.98)	555 x 718 (21.85 x 28.27)	648 x 486 (25.51 x 19.13)	287 (11.30)	500 (19.68)	21 (0.83)	62 (2.44)	67 (2.64)	56 (2.20)	489 (19.25)	641 (25.24)
UU1008030	1025 x 825 (40.35 x 32.48)	1008 x 808 x 321 (39.68 x 31.81 x 12.64)	A40P30	A40P30G	940 x 737 (37.01 x 29.02)	768 x 968 (30.24 x 38.11)	—	287 (11.30)	700 (27.56)	23 (0.91)	67 (2.64)	65 (2.56)	62 (2.44)	692 (27.24)	895 (35.24)
UU1008030W	1025 x 825 (40.35 x 32.48)	1008 x 808 x 321 (39.68 x 31.81 x 12.64)	A40P30	A40P30G	940 x 737 (37.01 x 29.02)	768 x 968 (30.24 x 38.11)	898 x 698 (35.35 x 27.48)	287 (11.30)	700 (27.56)	23 (0.91)	67 (2.64)	65 (2.56)	62 (2.44)	692 (27.24)	895 (35.24)
UU606040	625 x 612 (24.61 x 24.09)	608 x 595 x 421 (23.94 x 23.43 x 16.57)	A24P24	A24P24G	533 x 533 (20.98 x 20.98)	555 x 568 (21.85 x 22.36)	—	387 (15.24)	500 (19.68)	21 (0.83)	62 (2.44)	68 (2.68)	56 (2.20)	489 (19.25)	489 (19.25)
UU606040W	625 x 612 (24.61 x 24.09)	608 x 595 x 421 (23.94 x 23.43 x 16.57)	A24P24	A24P24G	533 x 533 (20.98 x 20.98)	555 x 568 (21.85 x 22.36)	498 x 486 (19.61 x 19.13)	387 (15.24)	500 (19.68)	21 (0.83)	62 (2.44)	68 (2.68)	56 (2.20)	489 (19.25)	489 (19.25)
UU756040	775 x 612 (30.51 x 24.09)	758 x 595 x 421 (29.84 x 23.43 x 16.57)	A30P24	A30P24G	686 x 533 (27.01 x 20.98)	555 x 718 (21.85 x 28.27)	—	387 (15.24)	500 (19.68)	21 (0.83)	62 (2.44)	67 (2.64)	56 (2.20)	489 (19.25)	641 (25.24)
UU756040W	775 x 612 (30.51 x 24.09)	758 x 595 x 421 (29.84 x 23.43 x 16.57)	A30P24	A30P24G	686 x 533 (27.01 x 20.98)	555 x 718 (21.85 x 28.27)	648 x 486 (25.51 x 19.13)	387 (15.24)	500 (19.68)	21 (0.83)	62 (2.44)	67 (2.64)	56 (2.20)	489 (19.25)	641 (25.24)

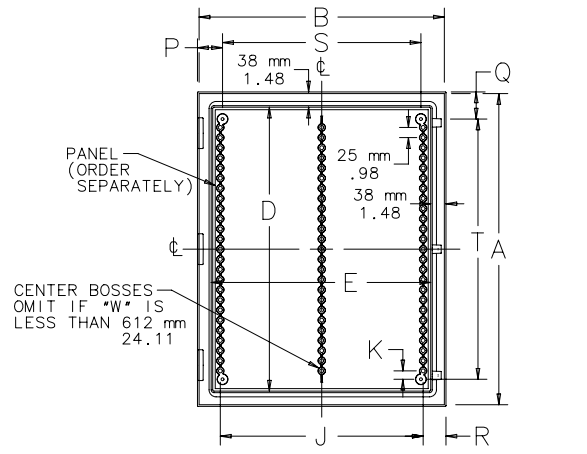
^aCatalog numbers ending in W have windows in the door.



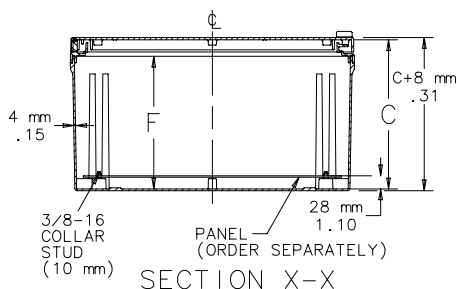
FRONT VIEW



BACK VIEW



FRONT VIEW WITH DOOR REMOVED

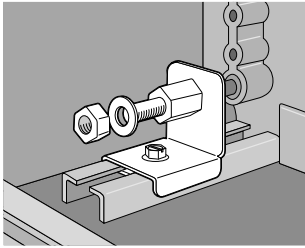


SECTION X-X

C2553-C

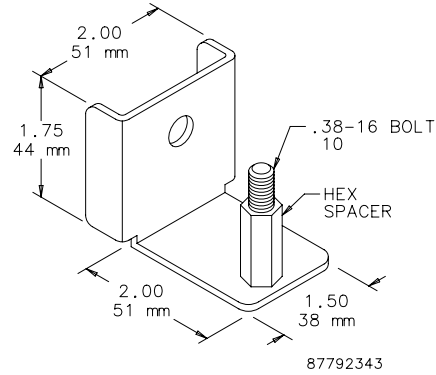
Corrosion-Resistant
Enclosures

ULTRX Panel Bracket Kit

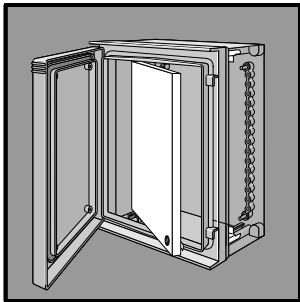


Panel Bracket Kit is used with steel panels and permits panel adjustment from front to rear. Fits all ULTRX sizes. Mounts on integrally molded body rail. Brackets are plated steel. All mounting hardware is included.

Catalog Number	Description	Pkg. Qty.
UUPB	ULTRX Panel Bracket Kit	4



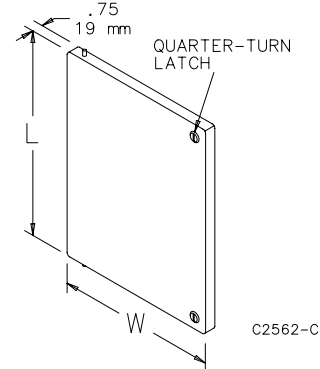
ULTRX Swing-Out Panel



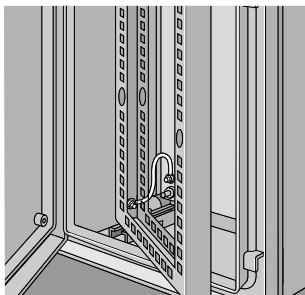
Swing-Out Panel (14 or 16 gauge) installs front-mounted panels in ULTRX fiberglass enclosures. Developed primarily to complement window door units, the front-mounted swing panel is suited for any application that requires a display of gauges, dials, or any type of control equipment monitor. Easy installation; no drilling required. Fully adjustable front to rear. Panel and mounting hardware included.

NOTE: Swing-out panel will not slide all the way forward in 400mm deep enclosures. Consult factory for more information.

Catalog Number	Fits Enclosure A x B (mm)	L (mm)	L (in.)	W (mm)	W (in.)
UU5040SP	496 x 395	432	17.01	330	12.99
UU6050SP	608 x 496	536	21.10	432	17.00
UU6060SP	608 x 595	533	20.98	533	20.98
UU7560SP	758 x 595	686	27.01	533	20.98
UU10080SP	1008 x 808	935	36.80	737	29.00



ULTRX Grounding Device



Grounding Device provides a means of attaching a grounding conductor to an ULTRX swing-out panel or swing-out frame. All installation hardware and instructions are included.

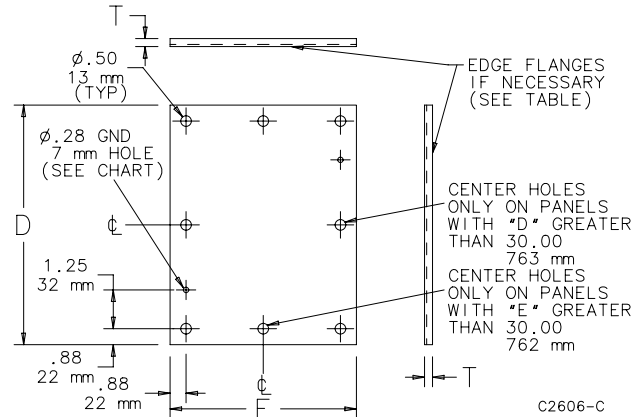
Catalog Number	Description
UUGK	Grounding Device

Panels for Type 3R, 4, 4X, 12, and 13 Enclosures

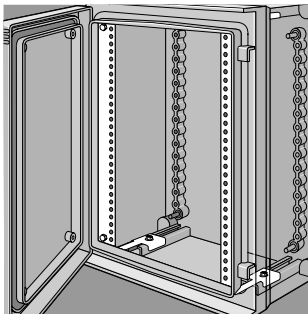
Steel panels are 12 gauge and have a white finish. Panel mounting hardware is furnished with all enclosures which accept these panels.

Catalog Number	Panel Thickness (ga.) or Flange Thickness (T)	Panel Size D x E (in.)	Panel Size D x E (mm)	Number of Holes	Edge Flanges
A20P16	12 ga.	17.00 x 13.00	432 x 330	4	None
A24P20	0.75 (19)	21.00 x 17.00	533 x 432	4	2
A24P24	0.75 (19)	21.00 x 21.00	533 x 533	4	2
A24P24WD ^a	0.75 (19)	21.00 x 21.00	533 x 533	4	—
A30P24	0.75 (19)	27.00 x 21.00	686 x 533	4	2
A40P30	0.75 (19)	37.00 x 29.00	940 x 737	4	4

^a Panel catalog number with "WD" is wood.

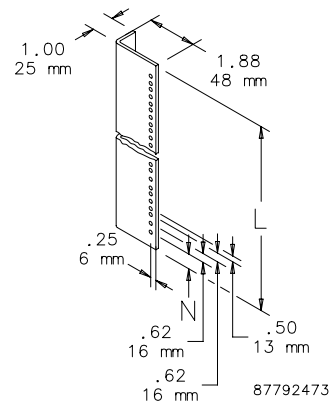


ULTRX Rack Angles (Type RA)

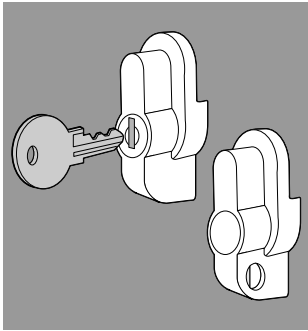


Pairs of full-length rack mounting angles are available for mounting 19-inch (483mm) rack-mounted equipment. Type RA angles are 14 gauge steel with mounting holes .281-inch (7mm) in diameter and spaced per EIA standard RS-310-D (universal spacing). Use clip nut package (ANI032) to provide tapped holes at desired locations. Angles and mounting hardware are plated steel. Mounting hardware is furnished.

Catalog Number	Fits A x B (mm)	Fits A x B (in.)	L (mm)	L (in.)	N (mm)	N (in.)	Units	Pkg. Qty.
UURA6060	610 x 610	24.00 x 24.00	552	21.75	10	.38	12	2
UURA7560	762 x 610	30.00 x 24.00	705	27.75	19	.75	15	2



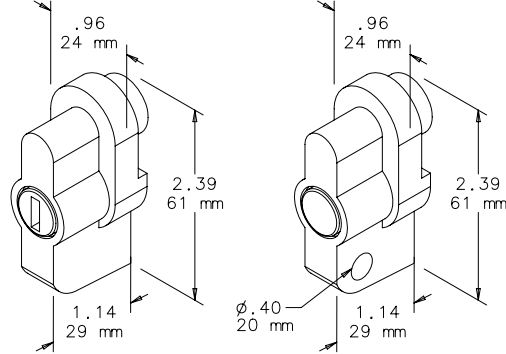
ULTRX Keylock Kit and Padlock Kit



Keylock Kit or pushbutton style Padlock Kit is easily inserted in latch hole to prevent unauthorized personnel from gaining access to enclosure contents. Each kit is fully assembled for easy installation in the field. Type 316 stainless steel construction.

Catalog Number	Description
UUHKL	Keylock Kit
UUHPL	Padlock Kit

UUHKL: Internal key components are not stainless steel.
 UUHPL: Handles maintain UL 508A, 508 Type 3, 4, 4X, and 12 when properly installed on a Hoffman enclosure. Set up for 1/4-inch or 3/8-inch padlock.

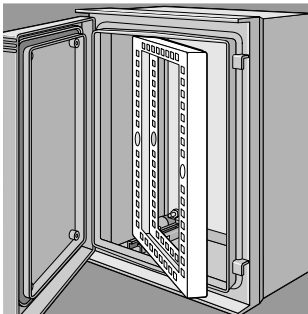


Keylock Kit

Padlock Kit

87792346

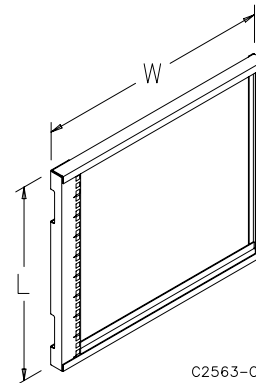
ULTRX Swing Frame



Swing Frame provides 19-inch rack-mounting capabilities with U-Style (Type RA) mounting hole pattern. Quarter-turn latch has 100° swing. Adjustable mounting provision. 14 gauge plated steel. Mounting hardware included. Swing frame maintains enclosure rating if properly installed in a Hoffman enclosure.

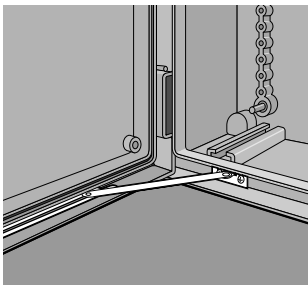
NOTE: Swing Frame will not slide all the way forward in 400mm-deep enclosures. Consult factory for more information.

Catalog Number	Fits A x B (mm)	Fits A x B (in.)	L (mm)	L (in.)	W (mm)	W (in.)	Units
UU6060SF	610 x 610	24.00 x 24.00	540	21.25	535	21.08	11
UU7560SF	762 x 610	30.00 x 24.00	687	27.05	535	21.08	14



C2563-C

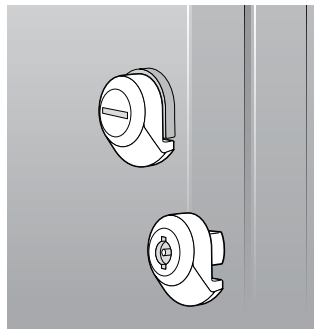
ULTRX Door Stop Kit



Door Stop Kit limits door to 120-degree opening. Field installable on all sizes of ULTRX enclosures. Type 304 stainless steel construction.

Catalog Number
UUUS

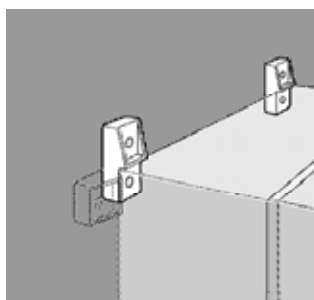
ULTRX Key Insert



Inserts can be substituted for the standard quarter-turn latch. Inserts are Type 316 stainless steel.

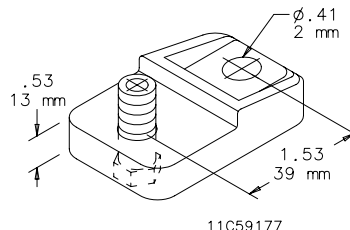
Catalog Number	Insert Type
UUL3DB	Double-bit 3mm
UULSC	Screw driver slot

ULTRX Mounting Bracket Kit



Kit is field installable. Corrosion-resistant fiberglass material is rated Type 4X. Type 316 stainless steel mounting hardware is included. Four mounting brackets per kit. Maintains UL 508A, 508 Type 3, 3R, 4, 4X, and I3 ratings.

Catalog Number
UUMF



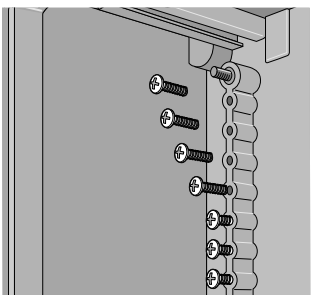
ULTRX Screw Insert Kit



Brass threaded inserts (10-32) with plated screws. Used on door bosses and DIN bosses. Four inserts and four screws per kit.

Catalog Number	Description	Kit Qty.
UUMH2	Screw Insert Kit	4 inserts and 4 screws

ULTRX Self-Tapping Screws



Plated screws (1/4-15x.88) are designed to mount panels and accessories to DIN bosses on back of enclosure. Ten screws per package.

Catalog Number	Description	Package Qty.
UUMH1	Self-Tapping Screws	10

Fiberglass Single-Door Free-Standing Type 4X Enclosures



Application

Designed to insulate and house electrical and electronic controls, instruments, and components in highly-corrosive environments indoors or outdoors. Ideal for use in oil refineries and chemical processing plants, waste water treatment, pulp and paper processing, and marine installations, electroplating plants, agricultural environments, and food or animal processing plants.

Construction

- Fiberglass-reinforced polyester material has excellent temperature and chemical resistance and exhibits outstanding physical properties
- Seams are sealed; no holes or knockouts
- Fiberglass material is easily punched, drilled, filed, or sawed
- Models have either a 3-point latching system with handle or stainless steel captivated door screws
- Seamless foam-in-place gasket assures watertight and dusttight seal
- Painted steel top, bottom, and side internal reinforcements standard; stainless steel corner reinforcements optional
- Heavy-duty Type 316 stainless steel lifting eyes
- Accessory mounting channels attached horizontally to interior body sides at top, bottom, and center. Painted mounting channels standard; stainless steel optional.
- Panels and rack-mounting angles can be mounted anywhere along corner channels
- Hinges are corrosion-resistant fiberglass with no exposed metal parts
- Large, high-impact thermoplastic data pocket (12.00 x 12.00 in. or 305 x 305mm) is provided
- Molded-in drip shield
- Patented Type 316L stainless steel POWERGLIDE® handle on handle versions
- Material is halogen free

Finish

Fiberglass enclosure is gray inside and out. Optional mild steel panels are painted white. Optional conductive panels are available.

Industry Standards

UL 508A, File No. E61997: Type 3, 3R, 4, 4X, and I2
cUL C22.2 No. 14 File No. E61997: Type 3, 3R, 4, 4X, and I2
NEMA Type 3, 3R, 4, 4X, I2, and I3
Enclosure flammability rating per UL 508
E.I.A. RS-310-D
IEC 60529, IP66
Meets Type 3RX requirements

Patents

This product is covered by the following patent:
US 5,634,357

Accessories

Bottom Support Kit
(required when using Casters or Floor-Stand Kit)
Casters
Electric Heater
Floor Stand Kit
Folding Shelf
Free-Stand Accessories
Panels
Rack Panels
Window Kit
Wiring Duct

Modification Services Program

You can customize this product to your unique requirements by specifying from these options:

- Colors
- Holes and cutouts in body, doors, subpanels
- Tapped holes, fasteners in subpanel
- Subpanels
- Environmental control (louvers, fans, filters)
- Standard accessories

To order, contact your local Hoffman sales representative.

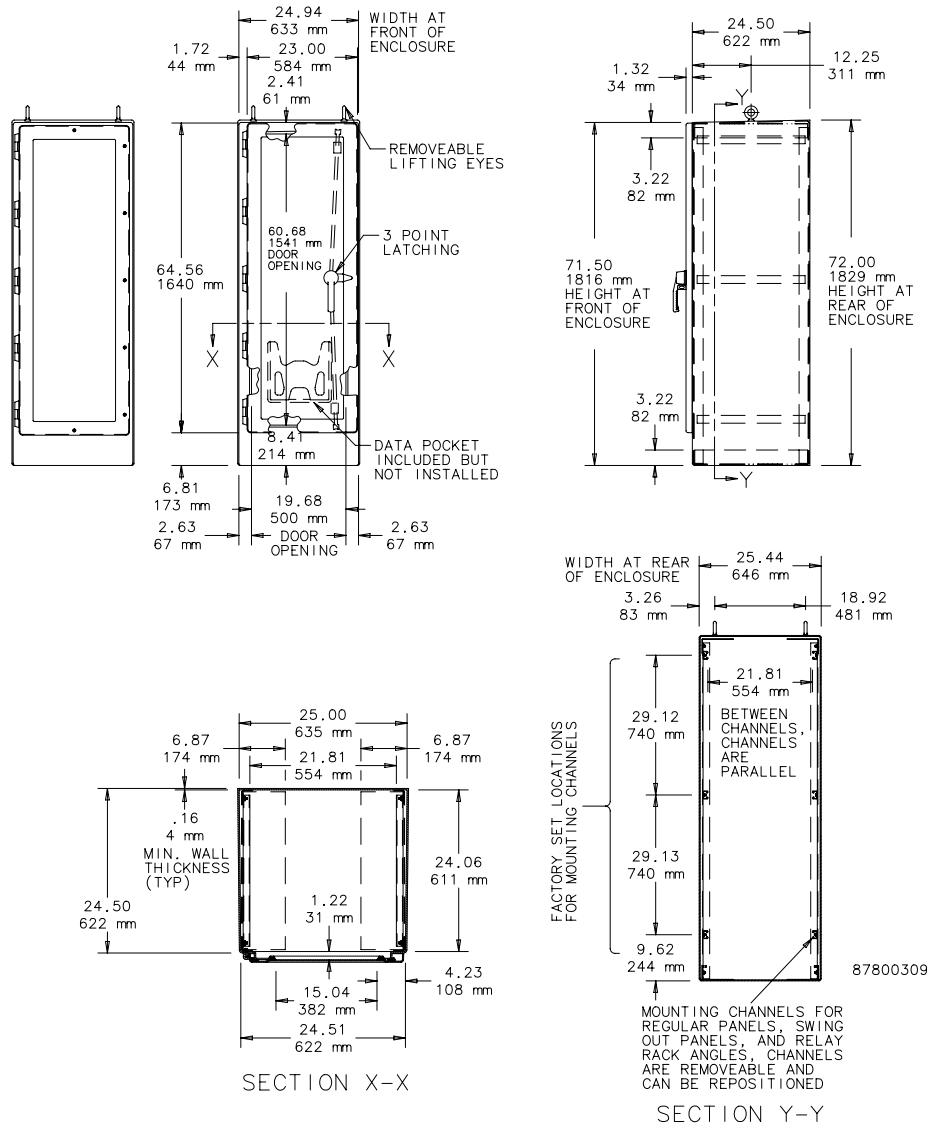
NOTE: For information about modifications outside the scope of the Modification Services program, contact your Hoffman sales representative.

Fiberglass Single-Door Free-Standing Type 4X Enclosures

Standard Sizes Fiberglass Single-Door Free-Standing Type 4X Enclosures

Catalog Number	A x B x C in. (mm)	Description	Estimated Ship Wt. (lb.)	Estimated Ship Wt. (kg)
A722525FGFS	72.00 x 25.00 x 24.50 (1829 x 635 x 622)	Stainless steel captivated door screws	215	97.5
A722525FGFS3PT	72.00 x 25.00 x 24.50 (1829 x 635 x 622)	3-point latching system/Type 316L stainless steel POWERGLIDE® handle	215	97.5

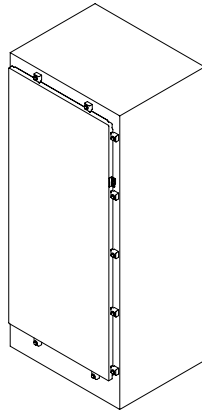
Corrosion-Resistant Enclosures



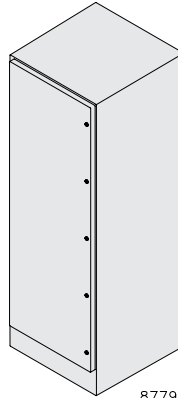
NOTE: Door opens 175°.

Fiberglass Single-Door Free-Standing Type 4X Enclosures

Fiberglass Single-Door Free-Standing Type 4X Enclosures Accessories Selection



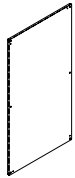
Free-Standing Type 4X Single-Door Enclosure



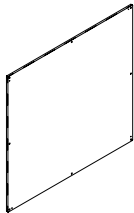
Free-Standing Fiberglass Type 4X Enclosure

87794179

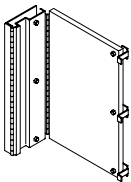
Internal Accessories



Panel for Single-Door Enclosures



Panel for Two-Door Enclosures



Swing-Out Panel



Side-Mounted Panel



Heavy Duty Panel Supports



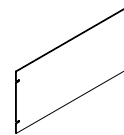
Center Panel Support



Rack Mounting Angles for 19- and 24-inch Equipment



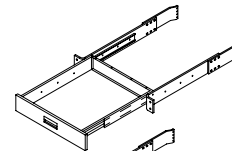
Clip Nut Package



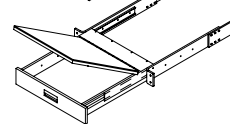
Rack Panels for 19- and 24-inch Equipment



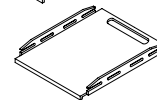
Screw Package



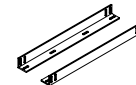
12-Inch Rack Mounted Drawer



Writing Surface for Drawers



14-inch Rack Mounted Shelf



Guides for Rack Mounted Equipment

C2586-C

Fiberglass Single-Door Free-Standing Type 4X Enclosures

Corrosion-Resistant Enclosures

Accessory Selection Fiberglass Single-Door Free-Standing Type 4X Enclosures (For details, see General Accessories)

Item	Catalog Number		Description	Size	
	Steel	Conductive Panels		inch	mm
Panels	A72P24F1	A72P24F1G	Full Panel	60.00 x 20.00	1524 x 508
	A72P24F2	A72P24F2G	Half Panel	30.88 x 20.00	784 x 508
Swing-Out Panels	A72SP24F3	—	Full Swing-Out Panel	60.00 x 18.19	1524 x 462
	A72SP24F4 ^a	—	Half Swing-Out Panel ^a	30.88 x 18.19	784 x 462
Side-Mounted Panels	A72SMP14	A72SMP14G	14.00 in. (356mm) Wide Panel	60.00 x 14.00	1524 x 356
	A72SMP20	A72SMP20G	20.00 in. (508mm) Wide Panel	60.00 x 20.00	1524 x 508
Clamping Nuts	APS1420CN	—	1/4-20 Clamping Nut (Pkg. of 20)	—	—
	APS51618CN	—	5/16-18 Clamping Nut (Pkg. of 20)	—	—
Casters	DMCKC ^b	—	Set of Four Casters ^b	4.00 x 3.00	102 x 76
Inside Bottom Support	A17SUPPORT1	—	Enclosure bottom support allows installation of casters or floor-stand kits.	23.70 x 23.25	602 x 591

Purchase panels and accessories separately.

^a Fits in top or bottom half of enclosure.

^b Requires Bottom Support.

Bottom Support Kits

Catalog Number	Description
A17SUPPORT1	Inside Bottom Support—Enclosure bottom support to allow option of installing casters or floor stand kits.

Rack Mounting Accessory Selection Single-Door Free-Standing Type 4X Enclosures (For details, see General Accessories)

Item	Catalog Number		Description	Size		Units ^a
				inch	mm	
Rack Mounting Angles (Type RP)	A72RP24F5		Two Full-Length Angles	61.25 (Length)	1556	35
	A72RP24F6		Two Half-Length Angles	31.50 (Length)	800	18
Rack Mounting Angles (Type RA)	A60RA19TH		Two Full-Length Angles	49.00 (Length)	1245	28
	A72RA19TH		Two Full-Length Angles	61.25 (Length)	1556	35
Clip Nut Package	AN1032		#10-32 Zinc-Plated (Pkg 20)	Fits U-Style (Type RA) Rack Mounting Angle		—
Rack Panels	Aluminum	Steel				
	P19RP1UA	P19RP1UP		19.00 x 1.75	483 x 44	1
	P19RP2UA	P19RP2UP		19.00 x 3.50	483 x 89	2
	P19RP3UA	P19RP3UP		19.00 x 5.25	483 x 133	3
	P19RP4UA	P19RP4UP		19.00 x 7.00	483 x 178	4
	P19RP5UA	P19RP5UP		19.00 x 8.75	483 x 222	5
	P19RP6UA	P19RP6UP		19.00 x 10.50	483 x 267	6
	P19RP7UA	P19RP7UP		19.00 x 12.25	483 x 311	7
	P19RP8UA	P19RP8UP		19.00 x 14.00	483 x 356	8
	—	P19RP9UP		19.00 x 15.75	483 x 400	9
	—	P19RP10UP		19.00 x 17.50	483 x 445	10
	P19RP11UA	P19RP11UP		19.00 x 19.25	483 x 489	11
	P19RP12UA	P19RP12UP		19.00 x 21.00	483 x 533	12
	—	P19RP16UP		19.00 x 28.00	483 x 711	16
Screw Package	AS1032		10-32 Truss Head Nickel-Plated (Pkg. of 20)			—
Drawers ^b	A19DR2U		Pull-Out Drawer	3.47 (Depth)	88	2
	A19DR4U		Pull-Out Drawer	6.97 (Depth)	177	4
Writing Surface for Drawers	A19SWDR		Hinged Surface	Fits Drawer A19DR2U and A19DR4U		—
Shelves	A19SHP6		Pull-Out Shelf			2
	A19SH5		Fixed Shelf			1
	A19SH6		Fixed Shelf			1
Guides	AG1U6		Chassis Guide (set of two)			1

Purchase panels and accessories separately.

^a 1 unit = 1.75 inches (44mm)

^b Requires two sets of Type RA Rack Mounting Angles for installation.

Fiberglass Two-Door Free-Standing Type 4X Enclosures



Application

Designed to insulate and house electrical and electronic controls, instruments, and components in highly-corrosive environments indoors or outdoors. Ideal for use in oil refineries and chemical processing plants, waste water treatment, pulp and paper processing, and marine installations, electroplating plants, agricultural environments, and food or animal processing plants.

Construction

- Fiberglass-reinforced polyester material has excellent temperature and chemical resistance and exhibits outstanding physical properties
- Seams are sealed; no holes or knockouts
- Fiberglass material is easily punched, drilled, filed, or sawed
- Models have either a 3-point latching system with handle or stainless steel captivated door screws
- Patented Type 316 stainless steel POWERGLIDE® handle on handle versions
- Stainless steel captivated door screws on screw versions
- Seamless foam-in-place gasket assures a watertight and dusttight seal
- Painted steel top, bottom, and side internal reinforcements standard; stainless steel corner reinforcements optional
- Solid centerpost (not removable) has heavy-gauge stiffener
- Heavy duty Type 316 stainless steel lifting eyes
- Hinges are corrosion-resistant fiberglass with no exposed metal parts
- Large data pocket (12.00 x 12.00 in. or 305 x 305mm) is high-impact thermoplastic
- Molded-in drip shield
- Material is halogen free

Finish

Fiberglass enclosure is gray inside and out. White painted mild steel panels are included. Optional conductive panels are available.

Industry Standards

UL 508A, File No. E61997: Type 3, 3R, 4, 4X, and 12
cUL C22.2 No 14 File No. E61997: Type 3, 3R, 4, 4X, and 12
NEMA Type 3, 3R, 4, 4X, 12, and 13
Enclosure flammability rating per UL 508A
IEC 60529, IP66
Meets Type 3RX requirements

Patents

This product is covered by the following patent:
US 5,634,357

Accessories

Bottom Support Kit (required if using Casters, Floor-Stand Kit, or Unistrut Mounting Kit)
Casters
Electric Heater
Floor-Stand Kit
Folding Shelf
Free-Stand Accessories
Unistrut Mounting Kit (must also use Bottom Support Kit)
Window Kit
Wiring Duct

Modification Services Program

You can customize this product to your unique requirements by specifying from these options:

- Colors
- Holes and cutouts in body, doors, subpanels
- Tapped holes, fasteners in subpanel
- Subpanels
- Environmental control (louvers, fans, filters)
- Standard accessories

To order, contact your local Hoffman sales representative.

NOTE: For information about modifications outside the scope of the Modification Services program, contact your Hoffman sales representative.

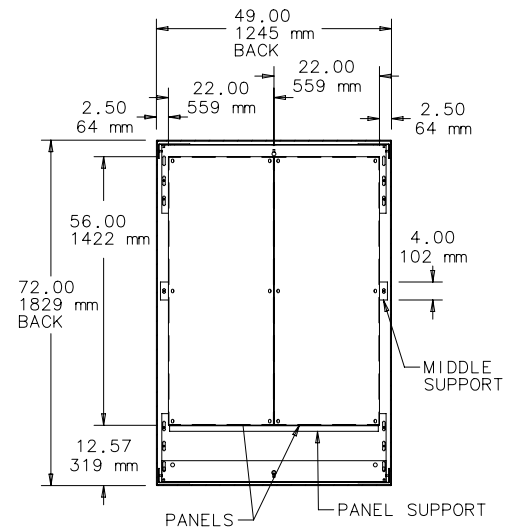
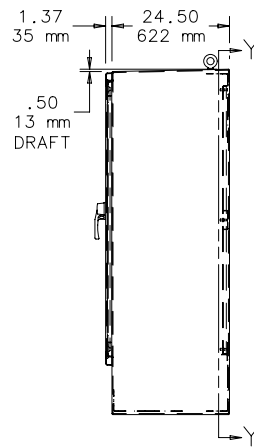
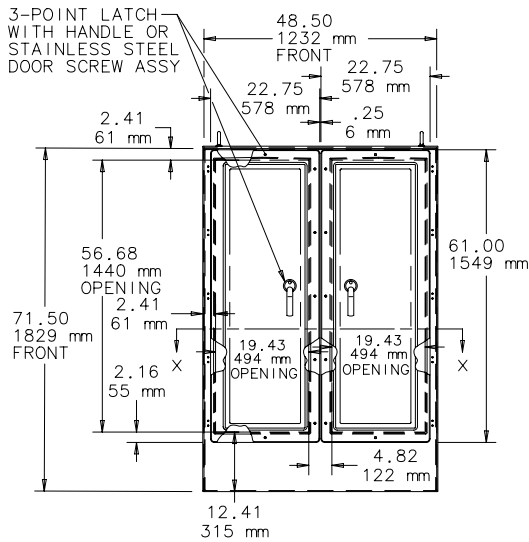
Fiberglass Two-Door Free-Standing Type 4X Enclosures

Standard Sizes Fiberglass Two-Door Free-Standing Type 4X Enclosures

Catalog Number	A x B x C in. (mm)	Number of Panels	Panel Size (in.)	Panel Size (mm)
A724925FG	72.00 x 49.00 x 24.50 (1829 x 1245 x 622)	2	56.00 x 22.00	1422 x 559
A724925FGFS3PT	72.00 x 49.00 x 24.50 (1830 x 1245 x 622)	2	56.00 x 22.00	1422 x 559

Bottom Support Kits

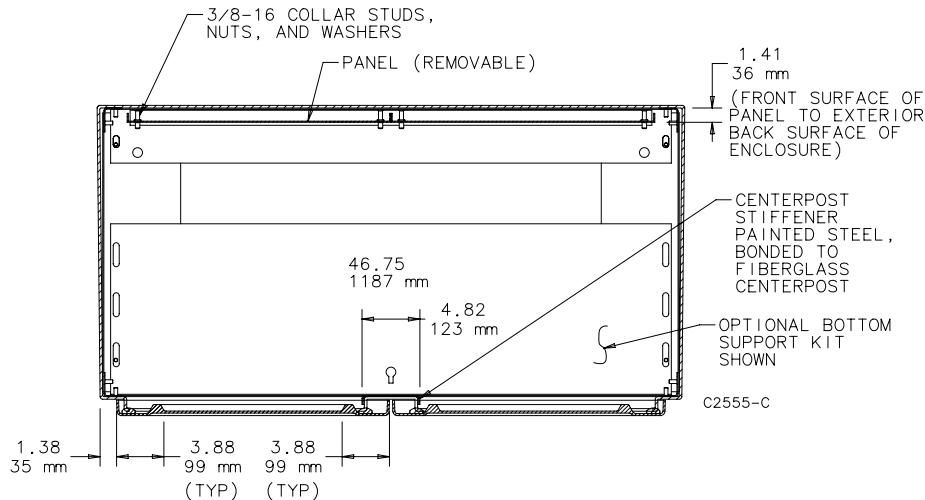
Catalog Number	Description
A17SUPPORT2	Inside Bottom Support—Enclosure bottom support to allow option of installing casters or floor stand kits.
A17UNISTRUT	Bolt-On Unistrut Channel (8 channels)—Painted steel unistrut for accessory mounting



SECTION Y-Y

- NOTE:
- Upper, middle, and lower supports as well as centerpost stiffener are steel.
 - Optional Bottom Support Kit required when installing Caster, Floor-Stand Kit, or Unistrut Mounting Kit.

- NOTE: Section Y-Y shown with the optional Bottom Support Kit and Unistrut Mounting Kit accessories installed.



SECTION X-X

QLINE® D Polycarbonate Type 4X Pushbutton Enclosures



Application

Contoured body with flush cover screws provides an attractive, contemporary appearance. Enclosures are designed to insulate and house 30.5mm or 22.5mm pushbuttons in wet, dusty, and/or corrosive environments.

Construction

- High-impact polycarbonate material is used for both body and cover
- Polycarbonate material is easily punched, drilled, filed, or sawed
- Straight side walls permit ganging of multiple enclosures
- Cross-point captivated cover screws are stainless steel
- Mounting holes molded directly adjacent to cover screws
- Cover screws protected by removable caps that are both aesthetic and provide tamper resistance
- Molded internal pads for mounting optional panels, rails, or other components
- Seamless foam-in-place gasket assures watertight and dusttight seal
- Screws provided for mounting optional panel
- Mounting hardware furnished
- Material is halogen free

Finish

Polycarbonate enclosure material is RAL 7035 light gray inside and out. Optional panels are unpainted plated steel.

Industry Standards

UL 508A, File Number E61997: Type 4, 4X, I2, and I3
NEMA/EEMAC Type 4, 4X, and I2
CSA File Number 42186: Type 4, 4X, and I2
Enclosure flammability rating per UL 508A
IEC 60529, IP67

Accessories

DIN Rails
Hardware Kit
Hinge Kit
Mounting Foot Kit

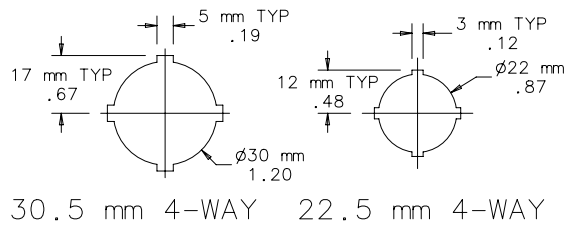
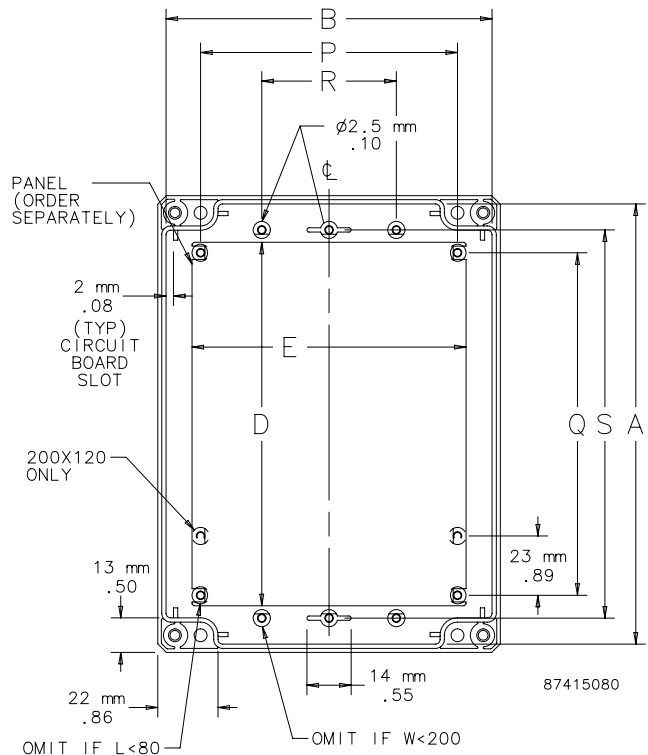
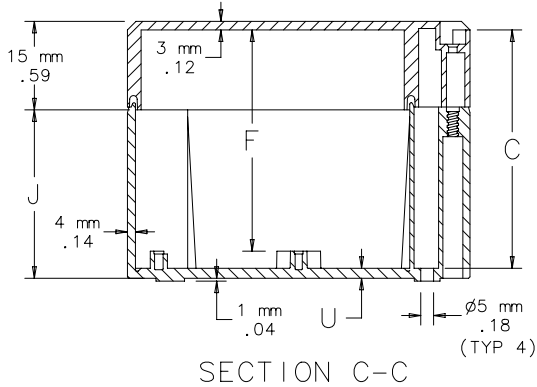
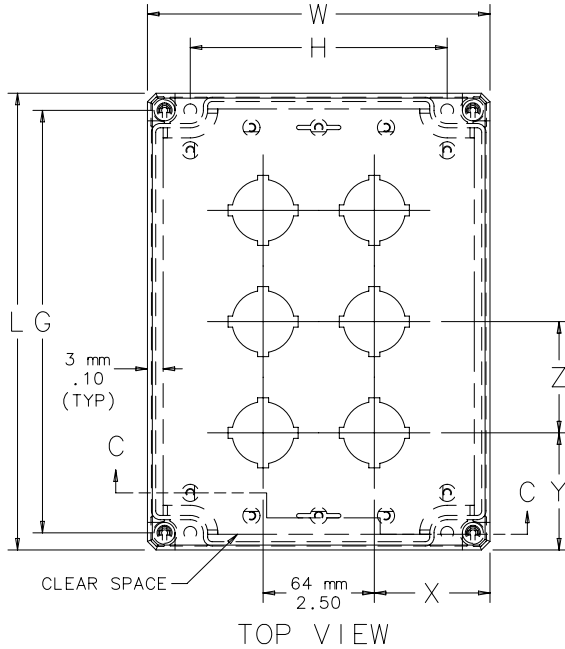
Standard Sizes QLINE D Polycarbonate Type 4X Pushbutton Enclosures

Catalog Number	Internal Dimensions A x B x C mm (in.)	Hole Size (mm)	External Dimensions L x W mm (in.)	Panel Catalog Number	Panel Size D x E mm (in.)	Mounting G x H mm (in.)	F mm (in.)	J mm (in.)	P mm (in.)	Q mm (in.)	R mm (in.)	S mm (in.)	U mm (in.)	X mm (in.)	Y mm (in.)	Z mm (in.)
Q1PBPCD	75 x 73 x 79 (2.95 x 2.87 x 3.11)	30.5	82 x 80 (3.23 x 3.15)	Q88PD	68 x 55 (2.68 x 2.17)	70 x 50 (2.76 x 1.97)	72 (2.83)	70 (2.76)	58 (2.28)	44 (1.73)	—	58 (2.28)	3 (0.12)	40 (1.57)	41 (1.61)	?
Q1PBPCDM	75 x 73 x 79 (2.95 x 2.87 x 3.11)	22.5	82 x 80 (3.23 x 3.15)	Q88PD	68 x 55 (2.68 x 2.17)	70 x 50 (2.76 x 1.97)	72 (2.83)	70 (2.76)	58 (2.28)	44 (1.73)	—	58 (2.28)	3 (0.12)	40 (1.57)	41 (1.61)	?
Q2PBPCDM	113 x 73 x 79 (4.45 x 2.87 x 3.11)	22.5	120 x 80 (4.72 x 3.15)	Q128PD	91 x 65 (3.58 x 2.56)	108 x 50 (4.25 x 1.97)	72 (2.83)	70 (2.76)	58 (2.28)	82 (3.22)	—	96 (3.78)	3 (0.12)	40 (1.57)	36 (1.42)	48 (1.89)
Q2PBPCD	153 x 73 x 79 (6.02 x 2.87 x 3.11)	30.5	160 x 80 (6.30 x 3.15)	Q168PD	131 x 65 (5.16 x 2.56)	148 x 50 (5.83 x 1.97)	72 (2.83)	70 (2.76)	58 (2.28)	122 (4.80)	—	136 (5.35)	3 (0.12)	40 (1.57)	48 (1.89)	64 (2.52)
Q3PBPCDM	153 x 73 x 79 (6.02 x 2.87 x 3.11)	22.5	160 x 80 (6.30 x 3.15)	Q168PD	131 x 65 (5.16 x 2.56)	148 x 50 (5.83 x 1.97)	72 (2.83)	70 (2.76)	58 (2.28)	122 (4.80)	—	136 (5.35)	3 (0.12)	40 (1.57)	32 (1.26)	48 (1.89)
Q3PBPCD	193 x 113 x 79 (7.60 x 4.45 x 3.11)	30.5	200 x 120 (7.87 x 4.72)	Q2012PD	170 x 100 (6.69 x 3.94)	188 x 90 (7.40 x 3.54)	72 (2.83)	70 (2.76)	90 (3.54)	160 (6.30)	40 (1.57)	176 (6.93)	3 (0.12)	60 (2.36)	36 (1.42)	64 (2.52)
Q4PBPCD	193 x 113 x 79 (7.60 x 4.45 x 3.11)	30.5	200 x 120 (7.87 x 4.72)	Q2012PD	170 x 100 (6.69 x 3.94)	188 x 90 (7.40 x 3.54)	72 (2.83)	70 (2.76)	90 (3.54)	160 (6.30)	40 (1.57)	176 (6.93)	3 (0.12)	28 (1.10)	68 (2.68)	64 (2.52)
Q4PBPCDM	193 x 113 x 79 (7.60 x 4.45 x 3.11)	22.5	200 x 120 (7.87 x 4.72)	Q2012PD	170 x 100 (6.69 x 3.94)	188 x 90 (7.40 x 3.54)	72 (2.83)	70 (2.76)	90 (3.54)	160 (6.30)	40 (1.57)	176 (6.93)	3 (0.12)	60 (2.36)	28 (1.10)	48 (1.89)
Q6PBPCD	233 x 153 x 84 (9.17 x 6.02 x 3.29)	30.5	240 x 160 (9.45 x 6.30)	Q2416PD	211 x 148 (8.31 x 5.83)	228 x 130 (8.98 x 5.12)	78 (3.07)	75 (2.95)	138 (5.43)	202 (7.95)	75 (2.95)	215 (8.46)	4 (0.16)	48 (1.89)	56 (2.20)	64 (2.52)

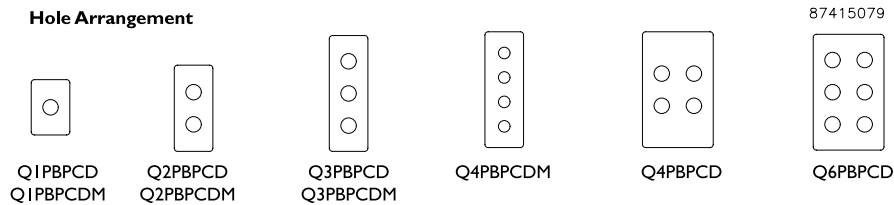
Purchase panels separately.

QLINE® D Polycarbonate Type 4X Pushbutton Enclosures

**Corrosion-Resistant
Enclosures**



QLINE D Polycarbonate Type 4X Pushbutton Hole Arrangement Drawing



QLINE® D Polycarbonate and ABS Type 4X and Type 6 Enclosures



Application

Designed for use as insulated electrical junction boxes, terminal wiring boxes, instrument housings, electrical control boxes, and push-button housings in wet, dusty, and/or corrosive environments that may also be subjected to occasional submersion.

The ABD series of enclosures provides the same features and similar physical properties as its polycarbonate counterpart, the PCD series of enclosures, but at a lower cost.

Construction

- Body is impact-resistant polycarbonate for PCD series and ABS for ABD series
- Opaque and clear covers are impact-resistant polycarbonate for PCD series and ABS for ABD series
- Polycarbonate material is easily punched, drilled, filed, or sawed
- Straight side walls permit ganging of multiple enclosures
- Cross-point captivated cover screws are stainless steel
- Mounting holes molded directly adjacent to cover screws
- Cover screws protected by removable caps that are aesthetic and provide tamper resistance
- Molded internal pads for mounting optional panels, rails, and other components
- Panel mounting feature on both body and cover
- Seamless foam-in-place gasket assures watertight and dusttight seal

- Screws provided for mounting optional panel
- Material is halogen free

Finish

Polycarbonate and ABS enclosures are light gray (RAL 7035) inside and out. Optional panels are plated steel.

Industry Standards

Polycarbonate Enclosure

UL 508A, File No. E61997: Type 4, 4X, 6, 12, and 13
NEMA/EEMAC Type 4, 4X, 6, 12, and 13
CSA File No. 42186: Type 4, 4X, 6, 12, and 13
Enclosure flammability rating per UL 508A
IEC 60529, IP67

ABS Enclosure

NEMA/EEMAC Type 4, 4X, 6, 12, and 13
Enclosure flammability rating UL94-HB
IEC 60529, IP67

Accessories

DIN Rails
Hardware Kit
Hinge Kit
Mounting Bracket Kit

Modification Services Program

You can customize this product to your unique requirements by specifying from these options:

- Colors
- Holes and cutouts in body, doors, subpanels
- Doors
- Subpanels
- Standard accessories

To order, contact your local Hoffman sales representative.

NOTE: For information about modifications outside the scope of the Modification Services program, contact your Hoffman sales representative.

Standard Sizes QLINE D Polycarbonate and ABS Type 4X and Type 6 Enclosures

Catalog Number	Internal Dimensions A x B x C mm (in.)	Material	Cover Style	External Dimensions L x W mm (in.)	Panel Catalog No.	Panel Size D x E mm (in.)	Mtg. G x H mm (in.)	F mm (in.)	J mm (in.)	K mm (in.)	P mm (in.)	Q mm (in.)	R mm (in.)	S mm (in.)	U mm (in.)
Q554PCD	50 x 48 x 31 (1.97 x 1.89 x 1.22)	Polycarbonate	Opaque	55 x 53 (2.17 x 2.09)	—	—	43 x 41 (1.69 x 1.61)	28 (1.10)	25 (0.98)	10 (0.39)	16 (0.63)	—	—	—	2 (0.08)
Q554ABD	50 x 48 x 31 (1.97 x 1.89 x 1.22)	ABS	Opaque	55 x 53 (2.17 x 2.09)	—	—	43 x 41 (1.69 x 1.61)	28 (1.10)	25 (0.98)	10 (0.39)	16 (0.63)	—	—	—	2 (0.08)
Q554PCDCC	50 x 48 x 31 (1.97 x 1.89 x 1.22)	Polycarbonate	Clear	55 x 53 (2.17 x 2.09)	—	—	43 x 41 (1.69 x 1.61)	28 (1.10)	25 (0.98)	10 (0.39)	16 (0.63)	—	—	—	2 (0.08)
Q554ABDCC	50 x 48 x 31 (1.97 x 1.89 x 1.22)	ABS	Clear	55 x 53 (2.17 x 2.09)	—	—	43 x 41 (1.69 x 1.61)	28 (1.10)	25 (0.98)	10 (0.39)	16 (0.63)	—	—	—	2 (0.08)
Q886PCD	76 x 73.5 x 49 (2.96 x 2.89 x 1.93)	Polycarbonate	Opaque	82 x 80 (3.23 x 3.15)	Q88PD	68 x 55 (2.68 x 2.17)	70 x 50 (2.76 x 1.97)	42 (1.65)	40 (1.57)	15 (0.59)	58 (2.28)	44 (1.73)	—	58 (2.28)	3 (0.12)
Q886ABD	76 x 74 x 49 (2.99 x 2.91 x 1.93)	ABS	Opaque	82 x 80 (3.23 x 3.15)	Q88PD	68 x 55 (2.68 x 2.17)	70 x 50 (2.76 x 2.17)	42 (1.65)	40 (1.57)	15 (0.59)	58 (2.28)	44 (1.73)	—	58 (2.28)	3 (0.12)

QLINE® D Polycarbonate and ABS Type 4X and Type 6 Enclosures

Standard Sizes QLINE D Polycarbonate and ABS Type 4X and Type 6 Enclosures (Cont.)

Catalog Number	Internal Dimensions A x B x C mm (in.)	Material	Cover Style	External Dimensions L x W mm (in.)	Panel Catalog No.	Panel Size D x E mm (in.)	Mtg. G x H mm (in.)	F mm (in.)	J mm (in.)	K mm (in.)	P mm (in.)	Q mm (in.)	R mm (in.)	S mm (in.)	U mm (in.)
Q886PCDCC	76 x 74 x 49 (2.99 x 2.91 x 1.93)	Polycarbonate	Clear	82 x 80 (3.23 x 3.15)	Q88PD	68 x 55 (2.68 x 2.17)	70 x 50 (2.76 x 2.17)	42 (1.65)	40 (1.57)	15 (0.59)	58 (2.28)	44 (1.73)	—	58 (2.28)	3 (0.12)
Q886ABDCC	76 x 74 x 49 (2.99 x 2.91 x 1.93)	ABS	Clear	82 x 80 (3.23 x 3.15)	Q88PD	68 x 55 (2.68 x 2.17)	70 x 50 (2.76 x 2.17)	42 (1.65)	40 (1.57)	15 (0.59)	58 (2.28)	44 (1.73)	—	58 (2.28)	3 (0.12)
Q1286PCD	114 x 74 x 49 (4.49 x 2.91 x 1.93)	Polycarbonate	Opaque	120 x 80 (4.72 x 3.15)	Q128PD	91 x 65 (3.58 x 2.56)	108 x 50 (4.25 x 1.97)	42 (1.65)	40 (1.57)	15 (0.59)	58 (2.28)	82 (3.23)	—	96 (3.78)	3 (0.12)
Q1286ABD	114 x 74 x 49 (4.49 x 2.91 x 1.93)	ABS	Opaque	120 x 80 (4.72 x 3.15)	Q128PD	91 x 65 (3.58 x 2.56)	108 x 50 (4.25 x 1.97)	42 (1.65)	40 (1.57)	15 (0.59)	58 (2.28)	82 (3.23)	—	96 (3.78)	3 (0.12)
Q1286PCDCC	114 x 74 x 49 (4.49 x 2.91 x 1.93)	Polycarbonate	Clear	120 x 80 (4.72 x 3.15)	Q128PD	91 x 65 (3.58 x 2.56)	108 x 50 (4.25 x 1.97)	42 (1.65)	40 (1.57)	15 (0.59)	58 (2.28)	82 (3.23)	—	96 (3.78)	3 (0.12)
Q1286ABDCC	114 x 74 x 49 (4.49 x 2.91 x 1.93)	ABS	Clear	120 x 80 (4.72 x 3.15)	Q128PD	91 x 65 (3.58 x 2.56)	108 x 50 (4.25 x 1.97)	42 (1.65)	40 (1.57)	15 (0.59)	58 (2.28)	82 (3.23)	—	96 (3.78)	3 (0.12)
Q1686PCD	154 x 74 x 49 (6.06 x 2.91 x 1.93)	Polycarbonate	Opaque	160 x 80 (6.30 x 3.15)	Q168PD	131 x 65 (5.16 x 2.56)	148 x 50 (5.83 x 1.97)	42 (1.65)	40 (1.57)	15 (0.59)	58 (2.28)	122 (4.80)	—	136 (5.35)	3 (0.12)
Q1686ABD	154 x 74 x 49 (6.06 x 2.91 x 1.93)	ABS	Opaque	160 x 80 (6.30 x 3.15)	Q168PD	131 x 65 (5.16 x 2.56)	148 x 50 (5.83 x 1.97)	42 (1.65)	40 (1.57)	15 (0.59)	58 (2.28)	122 (4.80)	—	136 (5.35)	3 (0.12)
Q1686PCDCC	154 x 74 x 49 (6.06 x 2.91 x 1.93)	Polycarbonate	Clear	160 x 80 (6.30 x 3.15)	Q168PD	131 x 65 (5.16 x 2.56)	148 x 50 (5.83 x 1.97)	42 (1.65)	40 (1.57)	15 (0.59)	58 (2.28)	122 (4.80)	—	136 (5.35)	3 (0.12)
Q1686ABDCC	154 x 74 x 49 (6.06 x 2.91 x 1.93)	ABS	Clear	160 x 80 (6.30 x 3.15)	Q168PD	131 x 65 (5.16 x 2.56)	148 x 50 (5.83 x 1.97)	42 (1.65)	40 (1.57)	15 (0.59)	58 (2.28)	122 (4.80)	—	136 (5.35)	3 (0.12)
Q12126PCD	116 x 114 x 49 (4.57 x 4.49 x 1.93)	Polycarbonate	Opaque	122 x 120 (4.80 x 4.72)	Q1212PD	105 x 93 (4.13 x 3.66)	110 x 90 (4.33 x 3.54)	42 (1.65)	40 (1.57)	15 (0.59)	98 (3.86)	84 (3.31)	—	98 (3.86)	3 (0.12)
Q12126ABD	116 x 114 x 49 (4.57 x 4.49 x 1.93)	ABS	Opaque	122 x 120 (4.80 x 4.72)	Q1212PD	105 x 93 (4.13 x 3.66)	110 x 90 (4.33 x 3.54)	42 (1.65)	40 (1.57)	15 (0.59)	98 (3.86)	84 (3.31)	—	98 (3.86)	3 (0.12)
Q12126PCDCC	116 x 114 x 49 (4.57 x 4.49 x 1.93)	Polycarbonate	Clear	122 x 120 (4.80 x 4.72)	Q1212PD	105 x 93 (4.13 x 3.66)	110 x 90 (4.33 x 3.54)	42 (1.65)	40 (1.57)	15 (0.59)	98 (3.86)	84 (3.31)	—	98 (3.86)	3 (0.12)
Q12126ABDCC	116 x 114 x 49 (4.57 x 4.49 x 1.93)	ABS	Clear	122 x 120 (4.80 x 4.72)	Q1212PD	105 x 93 (4.13 x 3.66)	110 x 90 (4.33 x 3.54)	42 (1.65)	40 (1.57)	15 (0.59)	98 (3.86)	84 (3.31)	—	98 (3.86)	3 (0.12)
Q20158PCD	193 x 143 x 69 (7.60 x 5.63 x 2.72)	Polycarbonate	Opaque	200 x 150 (7.87 x 5.91)	Q2015PD	170 x 128 (6.69 x 5.04)	188 x 120 (7.40 x 4.72)	62 (2.44)	60 (2.36)	15 (0.59)	118 (4.65)	160 (6.30)	118 (4.65)	176 (6.93)	3 (0.12)
Q20158ABD	193 x 143 x 69 (7.60 x 5.63 x 2.72)	ABS	Opaque	200 x 150 (7.87 x 5.91)	Q2015PD	170 x 128 (6.69 x 5.04)	188 x 120 (7.40 x 4.72)	62 (2.44)	60 (2.36)	15 (0.59)	118 (4.65)	160 (6.30)	118 (4.65)	176 (6.93)	3 (0.12)
Q20158PCDCC	193 x 143 x 69 (7.60 x 5.63 x 2.72)	Polycarbonate	Clear	200 x 150 (7.87 x 5.91)	Q2015PD	170 x 128 (6.69 x 5.04)	188 x 120 (7.40 x 4.72)	62 (2.44)	60 (2.36)	15 (0.59)	118 (4.65)	160 (6.30)	118 (4.65)	176 (6.93)	3 (0.12)
Q20158ABDCC	193 x 143 x 69 (7.60 x 5.63 x 2.72)	ABS	Clear	200 x 150 (7.87 x 5.91)	Q2015PD	170 x 128 (6.69 x 5.04)	188 x 120 (7.40 x 4.72)	62 (2.44)	60 (2.36)	15 (0.59)	118 (4.65)	160 (6.30)	118 (4.65)	176 (6.93)	3 (0.12)
Q889PCD	76 x 74 x 79 (2.99 x 2.91 x 3.11)	Polycarbonate	Opaque	82 x 80 (3.23 x 3.15)	Q88PD	68 x 55 (2.68 x 2.17)	70 x 50 (2.76 x 1.97)	72 (2.83)	70 (2.76)	15 (0.59)	58 (2.28)	44 (1.73)	37 (1.46)	58 (2.28)	3 (0.12)
Q889ABD	76 x 74 x 79 (2.99 x 2.91 x 3.11)	ABS	Opaque	82 x 80 (3.23 x 3.15)	Q88PD	68 x 55 (2.68 x 2.17)	70 x 50 (2.76 x 1.97)	72 (2.83)	70 (2.76)	15 (0.59)	58 (2.28)	44 (1.73)	37 (1.46)	58 (2.28)	3 (0.12)
Q889PCDCC	76 x 74 x 79 (2.99 x 2.91 x 3.11)	Polycarbonate	Clear	82 x 80 (3.23 x 3.15)	Q88PD	68 x 55 (2.68 x 2.17)	70 x 50 (2.76 x 1.97)	72 (2.83)	70 (2.76)	15 (0.59)	58 (2.28)	44 (1.73)	37 (1.46)	58 (2.28)	3 (0.12)
Q889ABDCC	76 x 74 x 79 (2.99 x 2.91 x 3.11)	ABS	Clear	82 x 80 (3.23 x 3.15)	Q88PD	68 x 55 (2.68 x 2.17)	70 x 50 (2.76 x 1.97)	72 (2.83)	70 (2.76)	15 (0.59)	58 (2.28)	44 (1.73)	37 (1.46)	58 (2.28)	3 (0.12)
Q1289PCD	113 x 73 x 79 (4.45 x 2.87 x 3.11)	Polycarbonate	Opaque	120 x 80 (4.72 x 3.15)	Q128PD	91 x 65 (3.58 x 2.56)	108 x 50 (4.25 x 1.97)	72 (2.83)	70 (2.76)	15 (0.59)	58 (2.28)	82 (3.23)	—	96 (3.78)	3 (0.12)
Q1289ABD	113 x 73 x 79 (4.45 x 2.87 x 3.11)	ABS	Opaque	120 x 80 (4.72 x 3.15)	Q128PD	91 x 65 (3.58 x 2.56)	108 x 50 (4.25 x 1.97)	72 (2.83)	70 (2.76)	15 (0.59)	58 (2.28)	82 (3.23)	—	96 (3.78)	3 (0.12)
Q1289PCDCC	113 x 73 x 79 (4.45 x 2.87 x 3.11)	Polycarbonate	Clear	120 x 80 (4.72 x 3.15)	Q128PD	91 x 65 (3.58 x 2.56)	108 x 50 (4.25 x 1.97)	72 (2.83)	70 (2.76)	15 (0.59)	58 (2.28)	82 (3.23)	—	96 (3.78)	3 (0.12)
Q1289ABDCC	113 x 73 x 79 (4.45 x 2.87 x 3.11)	ABS	Clear	120 x 80 (4.72 x 3.15)	Q128PD	91 x 65 (3.58 x 2.56)	108 x 50 (4.25 x 1.97)	72 (2.83)	70 (2.76)	15 (0.59)	58 (2.28)	82 (3.23)	—	96 (3.78)	3 (0.12)
Q1689PCD	153 x 73 x 79 (6.02 x 2.87 x 3.11)	Polycarbonate	Opaque	160 x 80 (6.30 x 3.15)	Q168PD	131 x 65 (5.16 x 2.56)	148 x 50 (5.83 x 1.97)	72 (2.83)	70 (2.76)	15 (0.59)	58 (2.28)	122 (4.80)	—	136 (5.35)	3 (0.12)
Q1689ABD	153 x 73 x 79 (6.02 x 2.87 x 3.11)	ABS	Opaque	160 x 80 (6.30 x 3.15)	Q168PD	131 x 65 (5.16 x 2.56)	148 x 50 (5.83 x 1.97)	72 (2.83)	70 (2.76)	15 (0.59)	58 (2.28)	122 (4.80)	—	136 (5.35)	3 (0.12)
Q1689PCDCC	153 x 73 x 79 (6.02 x 2.87 x 3.11)	Polycarbonate	Clear	160 x 80 (6.30 x 3.15)	Q168PD	131 x 65 (5.16 x 2.56)	148 x 50 (5.83 x 1.97)	72 (2.83)	70 (2.76)	15 (0.59)	58 (2.28)	122 (4.80)	—	136 (5.35)	3 (0.12)
Q1689ABDCC	153 x 73 x 79 (6.02 x 2.87 x 3.11)	ABS	Clear	160 x 80 (6.30 x 3.15)	Q168PD	131 x 65 (5.16 x 2.56)	148 x 50 (5.83 x 1.97)	72 (2.83)	70 (2.76)	15 (0.59)	58 (2.28)	122 (4.80)	—	136 (5.35)	3 (0.12)
Q12129PCD	116 x 114 x 79 (4.57 x 4.49 x 3.11)	Polycarbonate	Opaque	122 x 120 (4.80 x 4.72)	Q1212PD	105 x 93 (4.13 x 3.66)	110 x 90 (4.33 x 3.54)	72 (2.83)	70 (2.76)	15 (0.59)	98 (3.86)	84 (3.31)	97 (3.82)	98 (3.86)	3 (0.12)
Q12129ABD	116 x 114 x 79 (4.57 x 4.49 x 3.11)	ABS	Opaque	122 x 120 (4.80 x 4.72)	Q1212PD	105 x 93 (4.13 x 3.66)	110 x 90 (4.33 x 3.54)	72 (2.83)	70 (2.76)	15 (0.59)	98 (3.86)	84 (3.31)	97 (3.82)	98 (3.86)	3 (0.12)
Q12129PCDCC	116 x 114 x 79 (4.57 x 4.49 x 3.11)	Polycarbonate	Clear	122 x 120 (4.80 x 4.72)	Q1212PD	105 x 93 (4.13 x 3.66)	110 x 90 (4.33 x 3.54)	72 (2.83)	70 (2.76)	15 (0.59)	98 (3.86)	84 (3.31)	97 (3.82)	98 (3.86)	3 (0.12)
Q12129ABDCC	116 x 114 x 79 (4.57 x 4.49 x 3.11)	ABS	Clear	122 x 120 (4.80 x 4.72)	Q1212PD	105 x 93 (4.13 x 3.66)	110 x 90 (4.33 x 3.54)	72 (2.83)	70 (2.76)	15 (0.59)	98 (3.86)	84 (3.31)	97 (3.82)	98 (3.86)	3 (0.12)

Corrosion-Resistant Enclosures

QLINE® D Polycarbonate and ABS Type 4X and Type 6 Enclosures

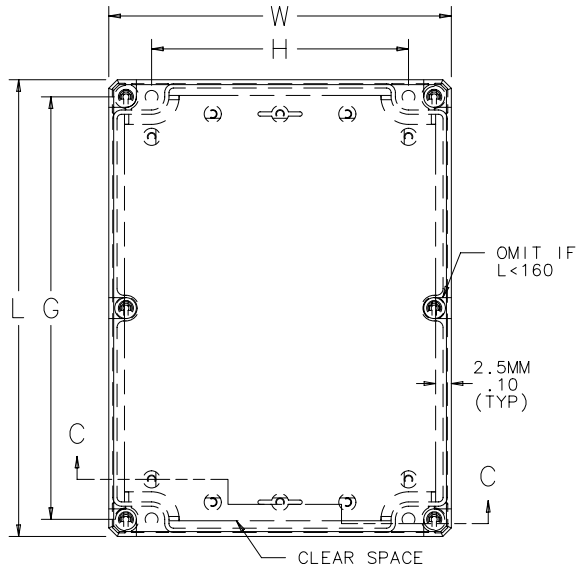
Standard Sizes QLINE D Polycarbonate and ABS Type 4X and Type 6 Enclosures (Cont.)

Catalog Number	Internal Dimensions A x B x C mm (in.)	Material	Cover Style	External Dimensions L x W mm (in.)	Panel Catalog No.	Panel Size D x E mm (in.)	Mtg. G x H mm (in.)	F mm (in.)	J mm (in.)	K mm (in.)	P mm (in.)	Q mm (in.)	R mm (in.)	S mm (in.)	U mm (in.)
Q20129PCD	193 x 113 x 79 (7.60 x 4.45 x 3.11)	Polycarbonate	Opaque	200 x 120 (7.87 x 4.72)	Q2012PD	170 x 100 (6.69 x 3.94)	188 x 90 (7.40 x 3.54)	72 (2.83)	70 (2.76)	15 (0.59)	90 (3.54)	160 (6.30)	40 (1.57)	176 (6.93)	3 (0.12)
Q20129ABD	193 x 113 x 79 (7.60 x 4.45 x 3.11)	ABS	Opaque	200 x 120 (7.87 x 4.72)	Q2012PD	170 x 100 (6.69 x 3.94)	188 x 90 (7.40 x 3.54)	72 (2.83)	70 (2.76)	15 (0.59)	90 (3.54)	160 (6.30)	40 (1.57)	176 (6.93)	3 (0.12)
Q20129PCDCC	193 x 113 x 79 (7.60 x 4.45 x 3.11)	Polycarbonate	Clear	200 x 120 (7.87 x 4.72)	Q2012PD	170 x 100 (6.69 x 3.94)	188 x 90 (7.40 x 3.54)	72 (2.83)	70 (2.76)	15 (0.59)	90 (3.54)	160 (6.30)	40 (1.57)	176 (6.93)	3 (0.12)
Q20129ABDCC	193 x 113 x 79 (7.60 x 4.45 x 3.11)	ABS	Clear	200 x 120 (7.87 x 4.72)	Q2012PD	170 x 100 (6.69 x 3.94)	188 x 90 (7.40 x 3.54)	72 (2.83)	70 (2.76)	15 (0.59)	90 (3.54)	160 (6.30)	40 (1.57)	176 (6.93)	3 (0.12)
Q30239PCD	293 x 223 x 79 (11.54 x 8.87 x 3.11)	Polycarbonate	Opaque	300 x 230 (11.81 x 9.05)	Q3023PD	265 x 210 (10.43 x 8.27)	288 x 200 (11.34 x 7.87)	73 (2.87)	55 (2.17)	30 (1.18)	198 (7.80)	255 (10.04)	160 (6.30)	275 (10.83)	4 (0.16)
Q30239ABD	293 x 223 x 79 (11.54 x 8.87 x 3.11)	ABS	Opaque	300 x 230 (11.81 x 9.05)	Q3023PD	265 x 210 (10.43 x 8.27)	288 x 200 (11.34 x 7.87)	73 (2.87)	55 (2.17)	30 (1.18)	198 (7.80)	255 (10.04)	160 (6.30)	275 (10.83)	4 (0.16)
Q30239PCDCC	293 x 223 x 79 (11.54 x 8.87 x 3.11)	Polycarbonate	Clear	300 x 230 (11.81 x 9.05)	Q3023PD	265 x 210 (10.43 x 8.27)	288 x 200 (11.34 x 7.87)	73 (2.87)	55 (2.17)	30 (1.18)	198 (7.80)	255 (10.04)	160 (6.30)	275 (10.83)	4 (0.16)
Q30239ABDCC	293 x 223 x 79 (11.54 x 8.87 x 3.11)	ABS	Clear	300 x 230 (11.81 x 9.05)	Q3023PD	265 x 210 (10.43 x 8.27)	288 x 200 (11.34 x 7.87)	73 (2.87)	55 (2.17)	30 (1.18)	198 (7.80)	255 (10.04)	160 (6.30)	275 (10.83)	4 (0.16)
Q16129PCD	153 x 113 x 84 (6.02 x 4.45 x 3.31)	Polycarbonate	Opaque	160 x 120 (6.30 x 4.72)	Q1612PD	130 x 100 (5.12 x 3.94)	148 x 90 (5.83 x 3.54)	78 (3.07)	60 (2.36)	30 (1.18)	90 (3.54)	120 (4.72)	—	136 (5.35)	3 (0.12)
Q16129ABD	153 x 113 x 84 (6.02 x 4.45 x 3.31)	ABS	Opaque	160 x 120 (6.30 x 4.72)	Q1612PD	130 x 100 (5.12 x 3.94)	148 x 90 (5.83 x 3.54)	78 (3.07)	60 (2.36)	30 (1.18)	90 (3.54)	120 (4.72)	—	136 (5.35)	3 (0.12)
Q16129PCDCC	153 x 113 x 84 (6.02 x 4.45 x 3.31)	Polycarbonate	Clear	160 x 120 (6.30 x 4.72)	Q1612PD	130 x 100 (5.12 x 3.94)	148 x 90 (5.83 x 3.54)	78 (3.07)	60 (2.36)	30 (1.18)	90 (3.54)	120 (4.72)	—	136 (5.35)	3 (0.12)
Q16129ABDCC	153 x 113 x 84 (6.02 x 4.45 x 3.31)	ABS	Clear	160 x 120 (6.30 x 4.72)	Q1612PD	130 x 100 (5.12 x 3.94)	148 x 90 (5.83 x 3.54)	78 (3.07)	60 (2.36)	30 (1.18)	90 (3.54)	120 (4.72)	—	136 (5.35)	3 (0.12)
Q24169PCD	233 x 153 x 84 (9.17 x 6.02 x 3.31)	Polycarbonate	Opaque	240 x 160 (9.45 x 6.30)	Q2416PD	211 x 148 (8.31 x 5.83)	228 x 130 (8.98 x 5.12)	78 (3.07)	75 (2.95)	15 (0.59)	138 (5.43)	202 (7.95)	75 (2.95)	215 (8.46)	4 (0.16)
Q24169ABD	233 x 153 x 84 (9.17 x 6.02 x 3.31)	ABS	Opaque	240 x 160 (9.45 x 6.30)	Q2416PD	211 x 148 (8.31 x 5.83)	228 x 130 (8.98 x 5.12)	78 (3.07)	75 (2.95)	15 (0.59)	138 (5.43)	202 (7.95)	75 (2.95)	215 (8.46)	4 (0.16)
Q24169PCDCC	233 x 153 x 84 (9.17 x 6.02 x 3.31)	Polycarbonate	Clear	240 x 160 (9.45 x 6.30)	Q2416PD	211 x 148 (8.31 x 5.83)	228 x 130 (8.98 x 5.12)	78 (3.07)	75 (2.95)	15 (0.59)	138 (5.43)	202 (7.95)	75 (2.95)	215 (8.46)	4 (0.16)
Q24169ABDCC	233 x 153 x 84 (9.17 x 6.02 x 3.31)	ABS	Clear	240 x 160 (9.45 x 6.30)	Q2416PD	211 x 148 (8.31 x 5.83)	228 x 130 (8.98 x 5.12)	78 (3.07)	75 (2.95)	15 (0.59)	138 (5.43)	202 (7.95)	75 (2.95)	215 (8.46)	4 (0.16)
Q302311PCD	293 x 223 x 104 (11.54 x 8.78 x 4.09)	Polycarbonate	Opaque	300 x 230 (11.81 x 9.06)	Q3023PD	265 x 210 (10.43 x 8.27)	288 x 200 (11.34 x 7.87)	98 (3.86)	55 (2.17)	55 (2.17)	198 (7.80)	255 (10.04)	160 (6.30)	275 (10.83)	4 (0.16)
Q302311ABD	293 x 223 x 104 (11.54 x 8.78 x 4.09)	ABS	Opaque	300 x 230 (11.81 x 9.06)	Q3023PD	265 x 210 (10.43 x 8.27)	288 x 200 (11.34 x 7.87)	98 (3.86)	55 (2.17)	55 (2.17)	198 (7.80)	255 (10.04)	160 (6.30)	275 (10.83)	4 (0.16)
Q302311PCDCC	293 x 223 x 104 (11.54 x 8.78 x 4.09)	Polycarbonate	Clear	300 x 230 (11.81 x 9.06)	Q3023PD	265 x 210 (10.43 x 8.27)	288 x 200 (11.34 x 7.87)	98 (3.86)	55 (2.17)	55 (2.17)	198 (7.80)	255 (10.04)	160 (6.30)	275 (10.83)	4 (0.16)
Q302311ABDCC	293 x 223 x 104 (11.54 x 8.78 x 4.09)	ABS	Clear	300 x 230 (11.81 x 9.06)	Q3023PD	265 x 210 (10.43 x 8.27)	288 x 200 (11.34 x 7.87)	98 (3.86)	55 (2.17)	55 (2.17)	198 (7.80)	255 (10.04)	160 (6.30)	275 (10.83)	4 (0.16)
Q241612PCD	233 x 153 x 114 (9.17 x 6.02 x 4.49)	Polycarbonate	Opaque	240 x 160 (9.45 x 6.30)	Q2416PD	211 x 148 (8.31 x 5.83)	228 x 130 (8.98 x 5.12)	108 (4.25)	75 (2.95)	45 (1.77)	75 (2.95)	202 (7.95)	75 (2.95)	215 (8.46)	4 (0.16)
Q241612ABD	233 x 153 x 114 (9.17 x 6.02 x 4.49)	ABS	Opaque	240 x 160 (9.45 x 6.30)	Q2416PD	211 x 148 (8.31 x 5.83)	228 x 130 (8.98 x 5.12)	108 (4.25)	75 (2.95)	45 (1.77)	75 (2.95)	202 (7.95)	75 (2.95)	215 (8.46)	4 (0.16)
Q241612PCDCC	233 x 153 x 114 (9.17 x 6.02 x 4.49)	Polycarbonate	Clear	240 x 160 (9.45 x 6.30)	Q2416PD	211 x 148 (8.31 x 5.83)	228 x 130 (8.98 x 5.12)	108 (4.25)	75 (2.95)	45 (1.77)	75 (2.95)	202 (7.95)	75 (2.95)	215 (8.46)	4 (0.16)
Q241612ABDCC	233 x 153 x 114 (9.17 x 6.02 x 4.49)	ABS	Clear	240 x 160 (9.45 x 6.30)	Q2416PD	211 x 148 (8.31 x 5.83)	228 x 130 (8.98 x 5.12)	108 (4.25)	75 (2.95)	45 (1.77)	75 (2.95)	202 (7.95)	75 (2.95)	215 (8.46)	4 (0.16)

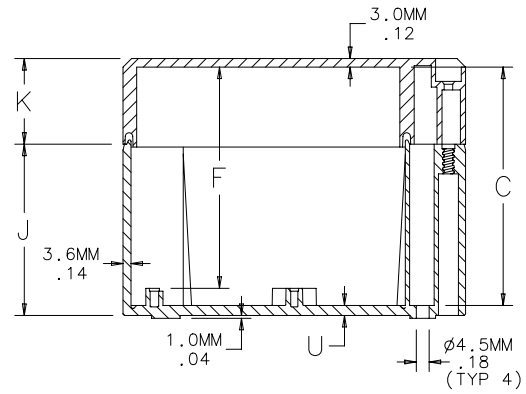
Purchase panels separately.

QLINE® D Polycarbonate and ABS Type 4X and Type 6 Enclosures

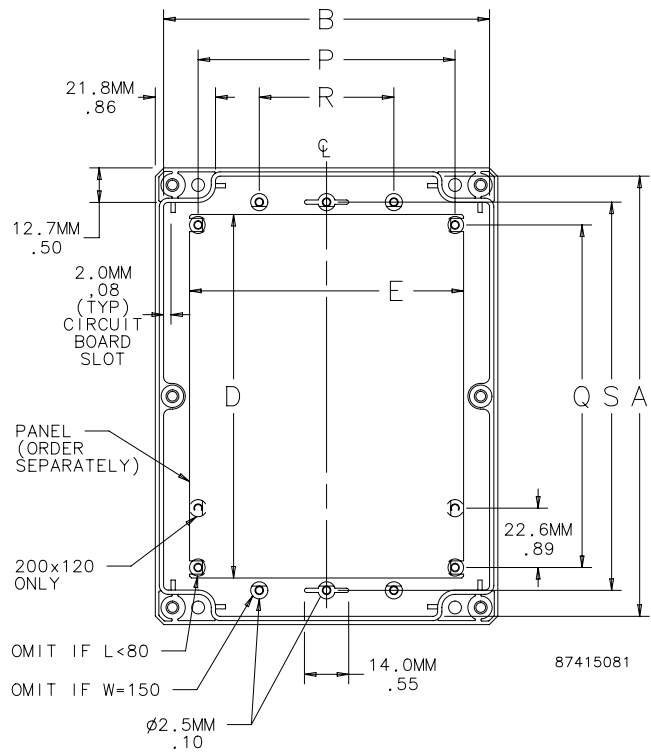
Corrosion-Resistant
Enclosures



TOP VIEW



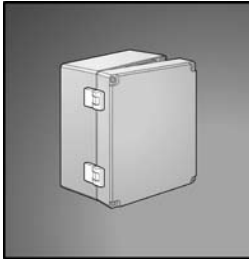
SECTION C-C



TOP VIEW WITH COVER REMOVED

QLINE[®] D Polycarbonate and ABS Enclosure Accessories

QLINE D Hinge Kit

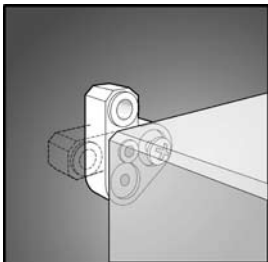


Hinge Kit includes two polyamide hinges, eight M4 self-tapping plated screws, eight flat washers, and drilling templates.

NOTE: Hinge Kit meets Type 4 requirements.

Catalog Number
QDEHK

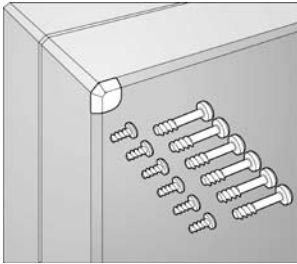
QLINE D Mounting Bracket Kit



Mounting Bracket Kit has four polycarbonate brackets and four M4 self-tapping plated screws. Kit is field installable. Maintains listed ratings for enclosure.

Catalog Number
QDMFK

QLINE D Hardware Kit

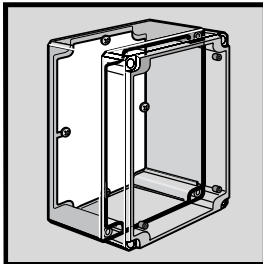


Hardware Kit includes six M4 self-tapping stainless steel cover screws, six M4 self-tapping plated panel screws, and six removable plastic caps that fit over the screws to provide tamper resistance as well as a clean aesthetic appearance. This kit is offered as a replacement kit for lost or damaged hardware originally furnished with the enclosure.

Catalog Number
QDHK

**Corrosion-Resistant
Enclosures**

QLINE D Panels



Catalog Number	Panel Size D x E (mm)	Panel Size D x E (in.)	Mounting G x H (mm)	Mounting G x H (in.)
Q88PD	68 x 55	2.68 x 2.17	70 x 50	2.76 x 1.97
Q128PD	91 x 65	3.58 x 2.56	108 x 50	4.25 x 1.97
Q168PD	131 x 65	5.16 x 2.56	148 x 50	5.83 x 1.97
Q1212PD	105 x 93	4.13 x 3.66	110 x 90	4.33 x 3.54
Q1612PD	130 x 100	5.12 x 3.94	148 x 90	5.83 x 3.54
Q2012PD	170 x 100	6.69 x 3.94	188 x 90	7.40 x 3.54
Q2015PD	170 x 128	6.69 x 5.04	188 x 120	7.40 x 4.72
Q2416PD	211 x 148	8.31 x 5.83	228 x 130	8.98 x 5.12
Q3023PD	265 x 210	10.43 x 8.27	288 x 200	11.34 x 7.87

QLINE® D Polycarbonate and ABS Enclosures Selection Matrix

Accessory Selection Matrix QLINE D Polycarbonate and ABS Type 4X and Type 6 Enclosures

External Dimensions		Enclosures				Accessories			
		Opaque Cover Polycarbonate	Opaque Cover ABS	Clear Cover Polycarbonate	Clear Cover ABS	Panel	Hinge Kit	Mounting Bracket Kit	Hardware Kit
L	W								
55	53	Q554PCD	Q554ABD	Q554PCDCC	Q554ABDCC				
65	53	Q754PCD	Q754ABD	Q754PCDCC	Q754ABDCC				
82	80	Q886PCD	Q886ABD	Q886PCDCC	Q886ABDCC	Q88PC			
82	80	Q889PCD	Q889ABD	Q889PCDCC	Q889ABDCC	Q88PC			
120	80	Q1286PCD Q1286PCEMC	Q1286ABD	Q1286PCDCC	Q1286ABDCC	Q128PD			
120	80	Q1289PCD Q1289PCEMC	Q1289ABD	Q1289PCDCC	Q1289ABDCC	A128PD			
160	80	Q1686PCD	Q1686ABD	Q1686PCDCC	Q1686ABDCC	Q168PD			
160	80	Q1689PCD Q1689PCEMC	Q1689ABD	A1689PCDCC	Q1689ABDCC	Q168PD			
122	120	Q12126PCD	Q12126ABD	Q12126PCDCC	Q12126ABDCC	Q1212PD			
122	120	Q12129PCD	Q12129ABD	Q12129PCDCC	Q12129ABDCC	Q1212PD	QDEHK	QDMFK	QDHK
160	120	Q16129PCD Q16129PCEMC	Q16129ABD	Q16129PCDCC	Q16129ABDCC	Q1612PD			
200	120	Q20128PCD	Q20128ABD	Q20128PCDCC	Q20128ABDCC	Q2012PD			
200	120	Q20129PCD Q20129PCEMC	Q20129ABD	Q20129PCDCC	Q20129ABDCC	Q2012PD			
200	150	Q20158PCD	Q20158ABD	Q20158PCDCC	Q20158ABDCC	Q2015PD			
240	160	Q24169PCD Q24169PCEMC	Q24169ABD	Q24169PCDCC	Q24169ABDCC	Q2416PD			
240	160	Q241612PCD	Q241612ABD	Q241612PCDCC	Q241612ABDCC	Q2416PD			
300	230	Q30239PCD	Q30239ABD	Q30239PCDCC	Q30239ABDCC	Q3023PD			
300	230	Q302311PCD	Q302311ABD	Q302311PCDCC	Q302311ABDCC	Q3023PD			

QLINE® D Polycarbonate and ABS Enclosures Selection Matrix

Accessory Selection Matrix QLINE D Polycarbonate Type 4X and Type 6 Pushbutton Enclosures

External Dimensions		Enclosures		Accessories			
		30.5mm Hole	22.5mm Hole	Panel	Hinge Kit	Mounting Bracket Kit	Hardware Kit
L	W						
82	80	Q1PBPCD	Q1PBPCDM	Q88PD	QDEHK	QDMFK	QDHK
120	80		Q2PBPCDM	Q128PD			
160	80	Q2PBPCD		Q168PD			
160	80		Q3PBPCDM	Q168PD			
200	120	Q3PBPCD		Q2012PD			
200	120	Q4PBPCD		Q2012PD			
200	120		Q4PBPCDM	Q2012PD			
240	160	Q6PBPCD		Q2416PD			

Corrosion-Resistant Enclosures

QLINE® E Polycarbonate and ABS Type 4X and Type 6 Enclosures



- Molded internal pads for mounting optional panels, rails, and other components
- Seamless foam-in-place gasket assures watertight and dusttight seal
- Material is halogen free

Finish

Polycarbonate and ABS enclosure material is RAL 7035 light gray inside and out. Optional panels are plated steel.

Industry Standards

Polycarbonate Enclosure

UL 508A, File No. E61997: Type 4, 4X, 6, 12, and 13
NEMA/EEMAC Type 4, 4X, 6, 12, and 13
CSA File No. 42186: Type 4, 4X, 12, and 13
Enclosure flammability rating per UL 508A
IEC 60529, IP67

ABS Enclosure

NEMA/EEMAC Type 4, 4X, 6, 12, and 13
Enclosure flammability rating UL94-HB
IEC 60529, IP67

Application

Contoured body with flush cover screws provides an attractive and contemporary appearance. Enclosures can be used as insulated electrical junction boxes, terminal wiring boxes, instrument housings, and as housings for electrical controls in wet, dusty, and/or corrosive environments that may also be subject to occasional submersion.

The ABE series of enclosures provides the same features and similar physical properties as its polycarbonate counterpart, the PCE series of enclosures, but at a lower cost.

Construction

- Body is impact-resistant polycarbonate for PCE series and ABS for ABE series
- Opaque and clear covers are impact-resistant polycarbonate for PCE, opaque covers are ABS for ABE series
- Polycarbonate and ABS material is easily punched, drilled, filed, or sawed
- Cross-point flush cover screws are strong, durable polyamide
- Cover includes a molded-in wire lead hole
- Mounting tracks along body side walls for PC card installation

Accessories

Brass Insert Kit
DIN Rails
Hardware Kit
Hinge Kit
Mounting Bracket Kit

Modification Services Program

You can customize this product to your unique requirements by specifying from these options:

- Colors
- Holes and cutouts in body, doors, subpanels
- Doors
- Subpanels
- Standard accessories

To order, contact your local Hoffman sales representative.

NOTE: For information about modifications outside the scope of the Modification Services program, contact your Hoffman sales representative.

Standard Sizes QLINE E Polycarbonate and ABS Type 4X and Type 6 Enclosures

Catalog Number	Internal Dimensions A x B x C mm (in.)	Material	Cover Style	External Dimensions L x W mm (in.)	Panel Catalog Number	Panel Size D x E mm (in.)	Mounting G x H mm (in.)	F mm (in.)	K mm (in.)	P mm (in.)	Q mm (in.)	S mm (in.)
Q1388PCE	119 x 69 x 67 (4.69 x 2.72 x 2.64)	Polycarbonate	Opaque	125 x 75 (4.92 x 2.95)	Q138PE	98 x 48 (3.86 x 1.89)	110 x 60 (4.33 x 2.36)	61 (2.40)	25 (0.98)	40 (1.57)	75 (2.95)	90 (3.54)
Q1388ABE	119 x 69 x 67 (4.69 x 2.72 x 2.64)	ABS	Opaque	125 x 75 (4.92 x 2.95)	Q138PE	98 x 48 (3.86 x 1.89)	110 x 60 (4.33 x 2.36)	61 (2.40)	25 (0.98)	40 (1.57)	75 (2.95)	90 (3.54)
Q1388PCECC	119 x 69 x 67 (4.69 x 2.72 x 2.64)	Polycarbonate	Clear	125 x 75 (4.92 x 2.95)	Q138PE	98 x 48 (3.86 x 1.89)	110 x 60 (4.33 x 2.36)	61 (2.40)	25 (0.98)	40 (1.57)	75 (2.95)	90 (3.54)
Q1388ABECC	119 x 69 x 67 (4.69 x 2.72 x 2.64)	ABS	Clear	125 x 75 (4.92 x 2.95)	Q138PE	98 x 48 (3.86 x 1.89)	110 x 60 (4.33 x 2.36)	61 (2.40)	25 (0.98)	40 (1.57)	75 (2.95)	90 (3.54)
Q13138PCE	119 x 119 x 67 (4.69 x 4.69 x 2.64)	Polycarbonate	Opaque	125 x 125 (4.92 x 4.92)	Q1313PE	98 x 98 (3.86 x 3.86)	110 x 110 (4.33 x 4.33)	61 (2.40)	25 (0.98)	90 (3.54)	75 (2.95)	90 (3.54)
Q13138ABE	119 x 119 x 67 (4.69 x 4.69 x 2.64)	ABS	Opaque	125 x 125 (4.92 x 4.92)	Q1313PE	98 x 98 (3.86 x 3.86)	110 x 110 (4.33 x 4.33)	61 (2.40)	25 (0.98)	90 (3.54)	75 (2.95)	90 (3.54)
Q13138PCECC	119 x 119 x 67 (4.69 x 4.69 x 2.64)	Polycarbonate	Clear	125 x 125 (4.92 x 4.92)	Q1313PE	98 x 98 (3.86 x 3.86)	110 x 110 (4.33 x 4.33)	61 (2.40)	25 (0.98)	90 (3.54)	75 (2.95)	90 (3.54)
Q13138ABECC	119 x 119 x 67 (4.69 x 4.69 x 2.64)	ABS	Clear	125 x 125 (4.92 x 4.92)	Q1313PE	98 x 98 (3.86 x 3.86)	110 x 110 (4.33 x 4.33)	61 (2.40)	25 (0.98)	90 (3.54)	75 (2.95)	90 (3.54)

QLINE® E Polycarbonate and ABS Type 4X and Type 6 Enclosures

Standard Sizes QLINE E Polycarbonate and ABS Type 4X and Type 6 Enclosures (Cont.)

Catalog Number	Internal Dimensions A x B x C mm (in.)	Material	Cover Style	External Dimensions L x W mm (in.)	Panel Catalog Number	Panel Size D x E mm (in.)	Mounting G x H mm (in.)	F mm (in.)	K mm (in.)	P mm (in.)	Q mm (in.)	S mm (in.)
Q18138PCE	169 x 119 x 67 (6.65 x 4.69 x 2.64)	Polycarbonate	Opaque	175 x 125 (6.89 x 4.92)	Q1813PE	148 x 98 (5.83 x 3.86)	160 x 110 (6.30 x 4.33)	61 (2.40)	25 (0.98)	90 (3.54)	100 (3.94)	140 (5.51)
Q18138ABE	169 x 119 x 67 (6.65 x 4.69 x 2.64)	ABS	Opaque	175 x 125 (6.89 x 4.92)	Q1813PE	148 x 98 (5.83 x 3.86)	160 x 110 (6.30 x 4.33)	61 (2.40)	25 (0.98)	90 (3.54)	100 (3.94)	140 (5.51)
Q18138PCECC	169 x 119 x 67 (6.65 x 4.69 x 2.64)	Polycarbonate	Clear	175 x 125 (6.89 x 4.92)	Q1813PE	148 x 98 (5.83 x 3.86)	160 x 110 (6.30 x 4.33)	61 (2.40)	25 (0.98)	90 (3.54)	100 (3.94)	140 (5.51)
Q18138ABECC	169 x 119 x 67 (6.65 x 4.69 x 2.64)	ABS	Clear	175 x 125 (6.89 x 4.92)	Q1813PE	148 x 98 (5.83 x 3.86)	160 x 110 (6.30 x 4.33)	61 (2.40)	25 (0.98)	90 (3.54)	100 (3.94)	140 (5.51)
Q18188PCE	169 x 169 x 67 (6.65 x 6.65 x 2.64)	Polycarbonate	Opaque	175 x 175 (6.89 x 6.89)	Q1818PE	148 x 148 (5.83 x 5.83)	160 x 160 (6.30 x 6.30)	61 (2.40)	25 (0.98)	140 (5.51)	125 (4.92)	140 (5.51)
Q18188ABE	169 x 169 x 67 (6.65 x 6.65 x 2.64)	ABS	Opaque	175 x 175 (6.89 x 6.89)	Q1818PE	148 x 148 (5.83 x 5.83)	160 x 160 (6.30 x 6.30)	61 (2.40)	25 (0.98)	140 (5.51)	125 (4.92)	140 (5.51)
Q18188PCECC	169 x 169 x 67 (6.65 x 6.65 x 2.64)	Polycarbonate	Clear	175 x 175 (6.89 x 6.89)	Q1818PE	148 x 148 (5.83 x 5.83)	160 x 160 (6.30 x 6.30)	61 (2.40)	25 (0.98)	140 (5.51)	125 (4.92)	140 (5.51)
Q18188ABECC	169 x 169 x 67 (6.65 x 6.65 x 2.64)	ABS	Clear	175 x 175 (6.89 x 6.89)	Q1818PE	148 x 148 (5.83 x 5.83)	160 x 160 (6.30 x 6.30)	61 (2.40)	25 (0.98)	140 (5.51)	125 (4.92)	140 (5.51)
Q25188PCE	244 x 169 x 67 (9.61 x 6.65 x 2.64)	Polycarbonate	Opaque	250 x 175 (9.84 x 6.89)	Q2518PE	223 x 148 (8.78 x 5.83)	235 x 160 (9.25 x 6.30)	61 (2.40)	25 (0.98)	139 (5.47)	202 (7.95)	215 (8.46)
Q25188ABE	244 x 169 x 67 (9.61 x 6.65 x 2.64)	ABS	Opaque	250 x 175 (9.84 x 6.89)	Q2518PE	223 x 148 (8.78 x 5.83)	235 x 160 (9.25 x 6.30)	61 (2.40)	25 (0.98)	139 (5.47)	202 (7.95)	215 (8.46)
Q25188PCECC	244 x 169 x 67 (9.61 x 6.65 x 2.64)	Polycarbonate	Clear	250 x 175 (9.84 x 6.89)	Q2518PE	223 x 148 (8.78 x 5.83)	235 x 160 (9.25 x 6.30)	661 (2.40)1	25 (0.98)	139 (5.47)	202 (7.95)	215 (8.46)
Q25188ABECC	244 x 169 x 67 (9.61 x 6.65 x 2.64)	ABS	Clear	250 x 175 (9.84 x 6.89)	Q2518PE	223 x 148 (8.78 x 5.83)	235 x 160 (9.25 x 6.30)	61 (2.40)	25 (0.98)	139 (5.47)	202 (7.95)	215 (8.46)
Q13810PCE	119 x 69 x 92 (4.69 x 2.72 x 3.62)	Polycarbonate	Opaque	125 x 75 (4.92 x 2.95)	Q138PE	98 x 48 (3.86 x 1.89)	110 x 60 (4.33 x 2.36)	86 (3.39)	50 (1.97)	40 (1.57)	75 (2.95)	90 (3.54)
Q13810ABE	119 x 69 x 92 (4.69 x 2.72 x 3.62)	ABS	Opaque	125 x 75 (4.92 x 2.95)	Q138PE	98 x 48 (3.86 x 1.89)	110 x 60 (4.33 x 2.36)	86 (3.39)	50 (1.97)	40 (1.57)	75 (2.95)	90 (3.54)
Q13810PCECC	119 x 69 x 92 (4.69 x 2.72 x 3.62)	Polycarbonate	Clear	125 x 75 (4.92 x 2.95)	Q138PE	98 x 48 (3.86 x 1.89)	110 x 60 (4.33 x 2.36)	86 (3.39)	50 (1.97)	40 (1.57)	75 (2.95)	90 (3.54)
Q13810ABECC	119 x 69 x 92 (4.69 x 2.72 x 3.62)	ABS	Clear	125 x 75 (4.92 x 2.95)	Q138PE	98 x 48 (3.86 x 1.89)	110 x 60 (4.33 x 2.36)	86 (3.39)	50 (1.97)	40 (1.57)	75 (2.95)	90 (3.54)
Q131310PCE	119 x 119 x 92 (4.69 x 4.69 x 3.62)	Polycarbonate	Opaque	125 x 125 (4.92 x 4.92)	Q1313PE	98 x 98 (3.86 x 3.86)	110 x 110 (4.33 x 4.33)	86 (3.39)	50 (1.97)	90 (3.54)	75 (2.95)	90 (3.54)
Q131310ABE	119 x 119 x 92 (4.69 x 4.69 x 3.62)	ABS	Opaque	125 x 125 (4.92 x 4.92)	Q1313PE	98 x 98 (3.86 x 3.86)	110 x 110 (4.33 x 4.33)	86 (3.39)	50 (1.97)	90 (3.54)	75 (2.95)	90 (3.54)
Q131310PCECC	119 x 119 x 92 (4.69 x 4.69 x 3.62)	Polycarbonate	Clear	125 x 125 (4.92 x 4.92)	Q1313PE	98 x 98 (3.86 x 3.86)	110 x 110 (4.33 x 4.33)	86 (3.39)	50 (1.97)	90 (3.54)	75 (2.95)	90 (3.54)
Q131310ABECC	119 x 119 x 92 (4.69 x 4.69 x 3.62)	ABS	Clear	125 x 125 (4.92 x 4.92)	Q1313PE	98 x 98 (3.86 x 3.86)	110 x 110 (4.33 x 4.33)	86 (3.39)	50 (1.97)	90 (3.54)	75 (2.95)	90 (3.54)
Q181310PCE	169 x 119 x 92 (6.65 x 4.69 x 3.62)	Polycarbonate	Opaque	175 x 125 (6.89 x 4.92)	Q1813PE	148 x 98 (5.83 x 3.86)	160 x 110 (6.30 x 4.33)	86 (3.39)	50 (1.97)	90 (3.54)	100 (3.94)	140 (5.51)
Q181310ABE	169 x 119 x 92 (6.65 x 4.69 x 3.62)	ABS	Opaque	175 x 125 (6.89 x 4.92)	Q1813PE	148 x 98 (5.83 x 3.86)	160 x 110 (6.30 x 4.33)	86 (3.39)	50 (1.97)	90 (3.54)	100 (3.94)	140 (5.51)
Q181310PCECC	169 x 119 x 92 (6.65 x 4.69 x 3.62)	Polycarbonate	Clear	175 x 125 (6.89 x 4.92)	Q1813PE	148 x 98 (5.83 x 3.86)	160 x 110 (6.30 x 4.33)	86 (3.39)	50 (1.97)	90 (3.54)	100 (3.94)	140 (5.51)
Q181310ABECC	169 x 119 x 92 (6.65 x 4.69 x 3.62)	ABS	Clear	175 x 125 (6.89 x 4.92)	Q1813PE	148 x 98 (5.83 x 3.86)	160 x 110 (6.30 x 4.33)	86 (3.39)	50 (1.97)	90 (3.54)	100 (3.94)	140 (5.51)
Q181810PCE	169 x 169 x 92 (6.65 x 6.65 x 3.62)	Polycarbonate	Opaque	175 x 175 (6.89 x 6.89)	Q1818PE	148 x 148 (5.83 x 5.83)	160 x 160 (6.30 x 6.30)	86 (3.39)	50 (1.97)	140 (5.51)	125 (4.92)	140 (5.51)
Q181810ABE	169 x 169 x 92 (6.65 x 6.65 x 3.62)	ABS	Opaque	175 x 175 (6.89 x 6.89)	Q1818PE	148 x 148 (5.83 x 5.83)	160 x 160 (6.30 x 6.30)	86 (3.39)	50 (1.97)	140 (5.51)	125 (4.92)	140 (5.51)
Q181810PCECC	169 x 169 x 92 (6.65 x 6.65 x 3.62)	Polycarbonate	Clear	175 x 175 (6.89 x 6.89)	Q1818PE	148 x 148 (5.83 x 5.83)	160 x 160 (6.30 x 6.30)	86 (3.39)	50 (1.97)	140 (5.51)	125 (4.92)	140 (5.51)
Q181810ABECC	169 x 169 x 92 (6.65 x 6.65 x 3.62)	ABS	Clear	175 x 175 (6.89 x 6.89)	Q1818PE	148 x 148 (5.83 x 5.83)	160 x 160 (6.30 x 6.30)	86 (3.39)	50 (1.97)	140 (5.51)	125 (4.92)	140 (5.51)
Q251810PCE	244 x 169 x 92 (9.61 x 6.65 x 3.62)	Polycarbonate	Opaque	250 x 175 (9.84 x 6.89)	Q2518PE	223 x 148 (8.78 x 5.83)	235 x 160 (9.25 x 6.30)	86 (3.39)	50 (1.97)	139 (5.47)	202 (7.95)	215 (8.46)
Q251810ABE	244 x 169 x 92 (9.61 x 6.65 x 3.62)	ABS	Opaque	250 x 175 (9.84 x 6.89)	Q2518PE	223 x 148 (8.78 x 5.83)	235 x 160 (9.25 x 6.30)	86 (3.39)	50 (1.97)	139 (5.47)	202 (7.95)	215 (8.46)
Q251810PCECC	244 x 169 x 92 (9.61 x 6.65 x 3.62)	Polycarbonate	Clear	250 x 175 (9.84 x 6.89)	Q2518PE	223 x 148 (8.78 x 5.83)	235 x 160 (9.25 x 6.30)	86 (3.39)	50 (1.97)	139 (5.47)	202 (7.95)	215 (8.46)
Q251810ABECC	244 x 169 x 92 (9.61 x 6.65 x 3.62)	ABS	Clear	250 x 175 (9.84 x 6.89)	Q2518PE	223 x 148 (8.78 x 5.83)	235 x 160 (9.25 x 6.30)	86 (3.39)	50 (1.97)	139 (5.47)	202 (7.95)	215 (8.46)

Corrosion-Resistant Enclosures

QLINE® E Polycarbonate and ABS Type 4X and Type 6 Enclosures

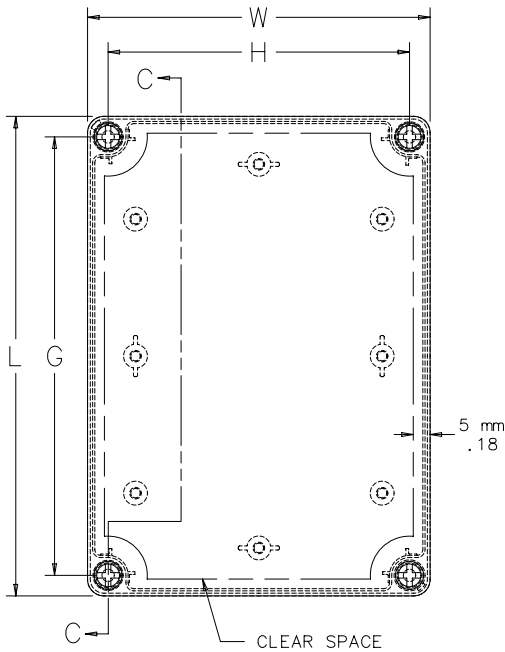
Standard Sizes QLINE E Polycarbonate and ABS Type 4X and Type 6 Enclosures (Cont.)

Catalog Number	Internal Dimensions A x B x C mm (in.)	Material	Cover Style	External Dimensions L x W mm (in.)	Panel Catalog Number	Panel Size D x E mm (in.)	Mounting G x H mm (in.)	F mm (in.)	K mm (in.)	P mm (in.)	Q mm (in.)	S mm (in.)
Q13813PCE	119 x 69 x 117 (4.69 x 2.72 x 4.61)	Polycarbonate	Opaque	125 x 75 (4.92 x 2.95)	Q138PE	98 x 48 (3.86 x 1.89)	110 x 60 (4.33 x 2.36)	111 (4.37)	75 (2.95)	40 (1.57)	75 (2.95)	90 (3.54)
Q13813ABE	119 x 69 x 117 (4.69 x 2.72 x 4.61)	ABS	Opaque	125 x 75 (4.92 x 2.95)	Q138PE	98 x 48 (3.86 x 1.89)	110 x 60 (4.33 x 2.36)	111 (4.37)	75 (2.95)	40 (1.57)	75 (2.95)	90 (3.54)
Q13813PCECC	119 x 69 x 117 (4.69 x 2.72 x 4.61)	Polycarbonate	Clear	125 x 75 (4.92 x 2.95)	Q138PE	98 x 48 (3.86 x 1.89)	110 x 60 (4.33 x 2.36)	111 (4.37)	75 (2.95)	40 (1.57)	75 (2.95)	90 (3.54)
Q13813ABECC	119 x 69 x 117 (4.69 x 2.72 x 4.61)	ABS	Clear	125 x 75 (4.92 x 2.95)	Q138PE	98 x 48 (3.86 x 1.89)	110 x 60 (4.33 x 2.36)	111 (4.37)	75 (2.95)	40 (1.57)	75 (2.95)	90 (3.54)
Q131313PCE	119 x 119 x 117 (4.69 x 4.69 x 4.61)	Polycarbonate	Opaque	125 x 125 (4.92 x 4.92)	Q1313PE	98 x 98 (3.86 x 3.86)	110 x 110 (4.33 x 4.33)	111 (4.37)	75 (2.95)	90 (3.54)	75 (2.95)	90 (3.54)
Q131313ABE	119 x 119 x 117 (4.69 x 4.69 x 4.61)	ABS	Opaque	125 x 125 (4.92 x 4.92)	Q1313PE	98 x 98 (3.86 x 3.86)	110 x 110 (4.33 x 4.33)	111 (4.37)	75 (2.95)	90 (3.54)	75 (2.95)	90 (3.54)
Q131313PCECC	119 x 119 x 117 (4.69 x 4.69 x 4.61)	Polycarbonate	Clear	125 x 125 (4.92 x 4.92)	Q1313PE	98 x 98 (3.86 x 3.86)	110 x 110 (4.33 x 4.33)	111 (4.37)	75 (2.95)	90 (3.54)	75 (2.95)	90 (3.54)
Q131313ABECC	119 x 119 x 117 (4.69 x 4.69 x 4.61)	ABS	Clear	125 x 125 (4.92 x 4.92)	Q1313PE	98 x 98 (3.86 x 3.86)	110 x 110 (4.33 x 4.33)	111 (4.37)	75 (2.95)	90 (3.54)	75 (2.95)	90 (3.54)
Q181813PCE	169 x 119 x 117 (6.65 x 4.69 x 4.61)	Polycarbonate	Opaque	175 x 125 (6.89 x 4.92)	Q1813PE	148 x 98 (5.83 x 3.86)	160 x 110 (6.30 x 4.33)	111 (4.37)	75 (2.95)	90 (3.54)	100 (3.94)	140 (5.51)
Q181813ABE	169 x 119 x 117 (6.65 x 4.69 x 4.61)	ABS	Opaque	175 x 125 (6.89 x 4.92)	Q1813PE	148 x 98 (5.83 x 3.86)	160 x 110 (6.30 x 4.33)	111 (4.37)	75 (2.95)	90 (3.54)	100 (3.94)	140 (5.51)
Q181813PCECC	169 x 119 x 117 (6.65 x 4.69 x 4.61)	Polycarbonate	Clear	175 x 125 (6.89 x 4.92)	Q1813PE	148 x 98 (5.83 x 3.86)	160 x 110 (6.30 x 4.33)	111 (4.37)	75 (2.95)	90 (3.54)	100 (3.94)	140 (5.51)
Q181813ABECC	169 x 119 x 117 (6.65 x 4.69 x 4.61)	ABS	Clear	175 x 125 (6.89 x 4.92)	Q1813PE	148 x 98 (5.83 x 3.86)	160 x 110 (6.30 x 4.33)	111 (4.37)	75 (2.95)	90 (3.54)	100 (3.94)	140 (5.51)
Q181813PCE	169 x 169 x 117 (6.65 x 6.65 x 4.61)	Polycarbonate	Opaque	175 x 175 (6.89 x 6.89)	Q1818PE	148 x 148 (5.83 x 5.83)	160 x 160 (6.30 x 6.30)	111 (4.37)	75 (2.95)	140 (5.51)	125 (4.92)	140 (5.51)
Q181813ABE	169 x 169 x 117 (6.65 x 6.65 x 4.61)	ABS	Opaque	175 x 175 (6.89 x 6.89)	Q1818PE	148 x 148 (5.83 x 5.83)	160 x 160 (6.30 x 6.30)	111 (4.37)	75 (2.95)	140 (5.51)	125 (4.92)	140 (5.51)
Q181813PCECC	169 x 169 x 117 (6.65 x 6.65 x 4.61)	Polycarbonate	Clear	175 x 175 (6.89 x 6.89)	Q1818PE	148 x 148 (5.83 x 5.83)	160 x 160 (6.30 x 6.30)	111 (4.37)	75 (2.95)	140 (5.51)	125 (4.92)	140 (5.51)
Q181813ABECC	169 x 169 x 117 (6.65 x 6.65 x 4.61)	ABS	Clear	175 x 175 (6.89 x 6.89)	Q1818PE	148 x 148 (5.83 x 5.83)	160 x 160 (6.30 x 6.30)	111 (4.37)	75 (2.95)	140 (5.51)	125 (4.92)	140 (5.51)
Q181815PCE	169 x 119 x 142 (6.65 x 4.69 x 5.59)	Polycarbonate	Opaque	175 x 125 (6.89 x 4.92)	Q1813PE	148 x 98 (5.83 x 3.86)	160 x 110 (6.30 x 4.33)	136 (5.35)	100 (3.94)	90 (3.54)	100 (3.94)	140 (5.51)
Q181815ABE	169 x 119 x 142 (6.65 x 4.69 x 5.59)	ABS	Opaque	175 x 125 (6.89 x 4.92)	Q1813PE	148 x 98 (5.83 x 3.86)	160 x 110 (6.30 x 4.33)	136 (5.35)	100 (3.94)	90 (3.54)	100 (3.94)	140 (5.51)
Q181815PCECC	169 x 119 x 142 (6.65 x 4.69 x 5.59)	Polycarbonate	Clear	175 x 125 (6.89 x 4.92)	Q1813PE	148 x 98 (5.83 x 3.86)	160 x 110 (6.30 x 4.33)	136 (5.35)	100 (3.94)	90 (3.54)	100 (3.94)	140 (5.51)
Q181815ABECC	169 x 119 x 142 (6.65 x 4.69 x 5.59)	ABS	Clear	175 x 125 (6.89 x 4.92)	Q1813PE	148 x 98 (5.83 x 3.86)	160 x 110 (6.30 x 4.33)	136 (5.35)	100 (3.94)	90 (3.54)	100 (3.94)	140 (5.51)
Q181815PCE	169 x 169 x 142 (6.65 x 6.65 x 5.59)	Polycarbonate	Opaque	175 x 175 (6.89 x 6.89)	Q1818PE	148 x 148 (5.83 x 5.83)	160 x 160 (6.30 x 6.30)	136 (5.35)	100 (3.94)	140 (5.51)	125 (4.92)	140 (5.51)
Q181815ABE	169 x 169 x 142 (6.65 x 6.65 x 5.59)	ABS	Opaque	175 x 175 (6.89 x 6.89)	Q1818PE	148 x 148 (5.83 x 5.83)	160 x 160 (6.30 x 6.30)	136 (5.35)	100 (3.94)	140 (5.51)	125 (4.92)	140 (5.51)
Q181815PCECC	169 x 169 x 142 (6.65 x 6.65 x 5.59)	Polycarbonate	Clear	175 x 175 (6.89 x 6.89)	Q1818PE	148 x 148 (5.83 x 5.83)	160 x 160 (6.30 x 6.30)	136 (5.35)	100 (3.94)	140 (5.51)	125 (4.92)	140 (5.51)
Q181815ABECC	169 x 169 x 142 (6.65 x 6.65 x 5.59)	ABS	Clear	175 x 175 (6.89 x 6.89)	Q1818PE	148 x 148 (5.83 x 5.83)	160 x 160 (6.30 x 6.30)	136 (5.35)	100 (3.94)	140 (5.51)	125 (4.92)	140 (5.51)
Q251815PCE	244 x 169 x 142 (9.61 x 6.65 x 5.59)	Polycarbonate	Opaque	250 x 175 (9.84 x 6.89)	Q2518PE	223 x 148 (8.78 x 5.83)	235 x 160 (9.25 x 6.30)	136 (5.35)	100 (3.94)	139 (5.47)	202 (7.95)	215 (8.46)
Q251815ABE	244 x 169 x 142 (9.61 x 6.65 x 5.59)	ABS	Opaque	250 x 175 (9.84 x 6.89)	Q2518PE	223 x 148 (8.78 x 5.83)	235 x 160 (9.25 x 6.30)	136 (5.35)	100 (3.94)	139 (5.47)	202 (7.95)	215 (8.46)
Q251815PCECC	244 x 169 x 142 (9.61 x 6.65 x 5.59)	Polycarbonate	Clear	250 x 175 (9.84 x 6.89)	Q2518PE	223 x 148 (8.78 x 5.83)	235 x 160 (9.25 x 6.30)	136 (5.35)	100 (3.94)	139 (5.47)	202 (7.95)	215 (8.46)
Q251815ABECC	244 x 169 x 142 (9.61 x 6.65 x 5.59)	ABS	Clear	250 x 175 (9.84 x 6.89)	Q2518PE	223 x 148 (8.78 x 5.83)	235 x 160 (9.25 x 6.30)	136 (5.35)	100 (3.94)	139 (5.47)	202 (7.95)	215 (8.46)

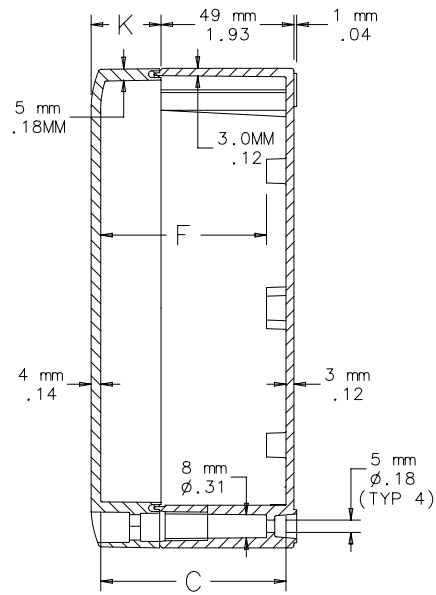
Purchase panels separately.

QLINE® E Polycarbonate and ABS Type 4X and Type 6 Enclosures

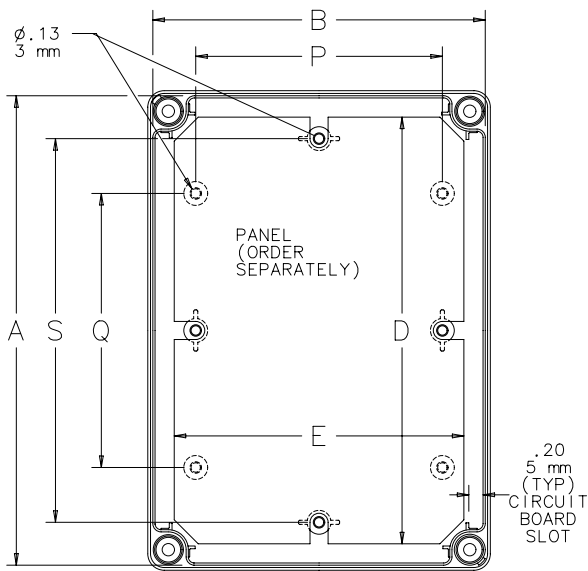
**Corrosion-Resistant
Enclosures**



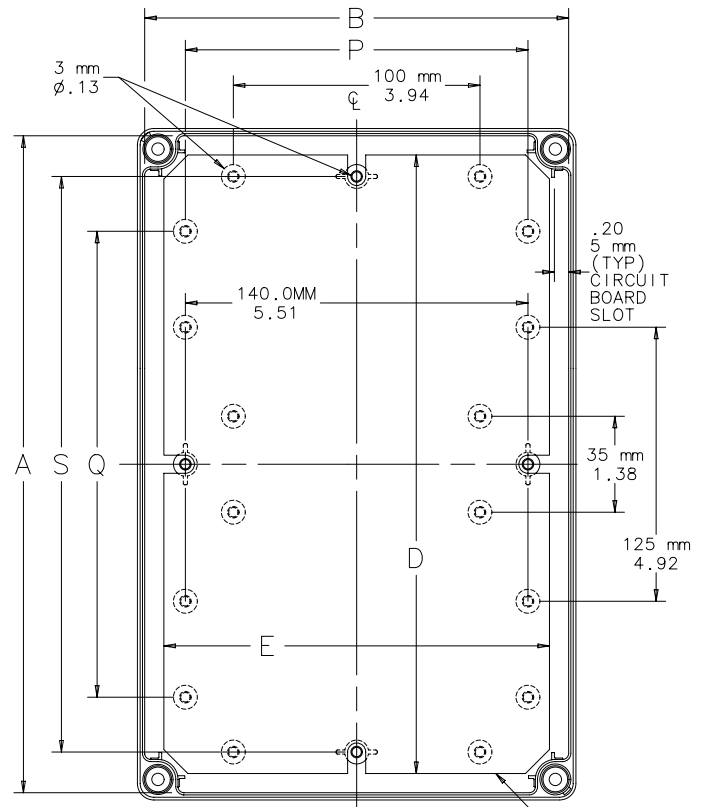
TOP VIEW



SECTION C-C



TOP VIEW WITH
COVER REMOVED

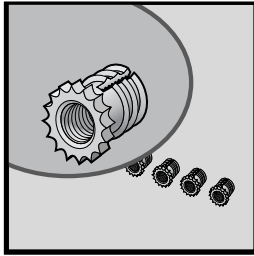


TOP VIEW WITH COVER
REMOVED (WHEN L=250)

87415077

QLINE® E Polycarbonate Enclosure Accessories

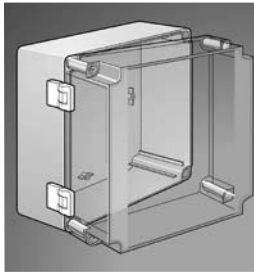
QLINE E Brass Inserts



Self-tapping brass inserts fit into molded pads in the bottom of the enclosure. Inserts have an M2 internal machine screw thread and M4 self-tapping external thread. Four inserts per package.

Catalog Number	Description
QEBI	M2 thread inserts

QLINE E Hinge Kit

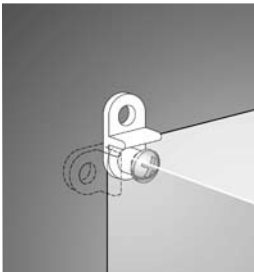


Includes two polyamide hinges, eight M4 self-tapping zinc plated screws, eight flat washers, and drilling template.

NOTE: Kit might not meet Type 4 requirements and should, therefore, be verified by customer.

Catalog Number	Description
QDEHK	Hinge Kit

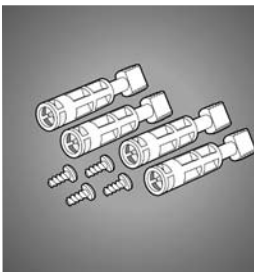
QLINE E Mounting Bracket Kit



Mounting Bracket Kit fits all QLINE Series E enclosure sizes. No modification to the enclosure is required for installation. Maintains listed ratings. Kit includes four polycarbonate brackets and four M4 self-tapping, plated screws.

Catalog Number
QEMFK

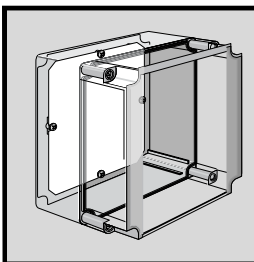
QLINE E Hardware Kit



Four cross-point polyamide cover screws and four M4 self-tapping plated screws used to mount optional panels, rails, and other components. This kit is offered as a replacement kit for lost or damaged hardware originally furnished with the enclosure.

Catalog Number	Description	Fits QLINE Enclosure
QEHK35	35mm screw	when C = 67mm, 117mm, or 142mm
QEHK60	60mm screw	when C = 92mm

QLINE E Panels



Catalog Number	Panel Size D x E (mm)	Panel Size D x E (in.)
Q1313PE	98 x 98	3.86 x 3.86
Q138PE	98 x 48	3.86 x 1.89
Q1813PE	148 x 98	5.83 x 3.86
Q1818PE	148 x 148	5.83 x 5.83
Q2518PE	223 x 148	8.78 x 5.83

Accessory Selection Matrix QLINE E Polycarbonate and ABS Type 4X and Type 6 Enclosures

External Dimensions		Enclosures				Accessories				
		Opaque Cover Polycarbonate	Opaque Cover ABS	Clear Cover Polycarbonate	Clear Cover ABS	Panel	Brass Inserts	Hinge Kit	Mounting Bracket Kit	Hardware Kit
L	W									
125	75	Q1388PCE Q1388PCEMC	Q1388ABE	Q1388ABECC	Q1388ABECC	Q138PE	QEBI	QDEHK	QEMFK	QEHK35
125	75	Q13810PCE	Q13810ABE	Q13810PCECC	Q1810ABECC	Q138PE				QEHK60
125	75	Q13813PCE	Q13813ABE	Q13813PCECC	Q13813ABECC	Q138PE				QEHK35
125	125	Q13138PCE Q13138PCEMC	Q13138ABE	Q13138PCECC	Q13138ABECC	Q1313PE				QEHK35
125	125	Q131310PCE Q131310PCEMC	Q131310ABE	Q131310PCECC	Q131310ABECC	Q1313PE				QEHK60
125	125	Q131313PCE	Q131313ABE	Q131313PCECC	Q131313ABECC	Q1313PE				QEHK35
175	125	Q18138PCE Q18138PCEMC	Q18138ABE	Q18138PCECC	Q18138ABECC	Q1813PE				QEHK35
175	125	Q181310PCE Q181310PCEMC	Q181310ABE	Q181310PCECC	Q181310ABECC	Q1813PE				QEHK60
175	125	Q181313PCE	Q181313ABE	Q181313PCECC	Q181313ABECC	Q1813PE				QEHK35
175	175	Q18188PCE Q18188PCEMC	Q18188ABE	Q18188PCECC	Q18188ABECC	Q1818PE				QEHK35
175	175	Q181810PCE	Q181810ABE	Q181810PCECC	Q181810ABECC	Q1818PE				QEHK60
175	175	Q181813PCE	Q181813ABE	Q181813PCECC	Q181813ABECC	Q1818PE				QEHK35
250	175	Q25188PCE Q25188PCEMC	Q25188ABE	Q25188PCECC	Q25188ABECC	Q2518PE				QEHK35
250	175	Q251810PCE	Q251810ABE	Q251813PCECC	Q251813ABECC	Q2518PE				QEHK60
250	175	Q251815PCE	Q251815ABE	Q251815PCECC	Q251815ABECC	Q2518PE				QEHK35

**Corrosion-Resistant
Enclosures**

QLINE[®] I Polycarbonate and ABS Type 4X Enclosures



Application

Designed for use as insulated electrical junction boxes, terminal wiring boxes, instrument housings, electrical control boxes, and pushbutton housings in wet, dusty, and corrosive environments. Clear cover provides easy visual inspection of interior components.

The ABI series of enclosures provides the same features and similar physical properties as its polycarbonate counterpart, the PCI enclosure, but at a lower cost.

Construction

- Body is impact-resistant polycarbonate for PCI series and ABS for ABI series
- Opaque and clear covers are impact-resistant polycarbonate for PCI, opaque covers are ABS for ABI series
- Polycarbonate and ABS material is easily punched, drilled, filed, or sawed
- Mounting holes molded directly under cover screws
- Molded internal pads for mounting optional panels, rails, and other components
- Molded internal rails for mounting adjustable-depth panel kit
- Screws provided for mounting optional panel
- Optional extension rings are molded polycarbonate
- Cover includes a molded-in hole for wire lead
- Seamless foam-in-place gasket assures watertight and dust-tight seal
- Material is halogen free

Screw cover enclosures have easily-removable covers attached to body with strong, durable polyamide cross-point cover screws.

Enclosures with quick-release latches have polycarbonate hinges and polyester latches with a padlock provision.

Finish

Polycarbonate and ABS enclosure material is RAL 7035 light gray inside and out. Optional panels are plated steel.

Industry Standards

Polycarbonate Enclosure

UL 508A, File No. E61997: Type 4, 4X, 12, and 13
NEMA/EEMAC Type 4, 4X, 12, and 13
CSA File No. 42186: Type 4, 4X, 12, and 13
Enclosure flammability rating per UL 508A
IEC 60529, IP66

ABS Enclosure

NEMA/EEMAC Type 4, 4X, 12, and 13
Enclosure flammability rating UL94-HB
IEC 60529, IP66

Accessories

Bottom Cover Kit
Brass Insert Kit
Cover Screw Kit
Extension Ring
Hardware Kit
Hinge Kit
Mounting Bracket Kit
Panel Depth Fitting

Modification Services Program

You can customize this product to your unique requirements by specifying from these options:

- Colors
- Holes and cutouts in body, doors, subpanels
- Doors
- Subpanels
- Standard accessories
- Adjustable-depth swing panels

To order, contact your local Hoffman sales representative.

NOTE: For information about modifications outside the scope of the Modification Services program, contact your Hoffman sales representative.

QLINE® I Polycarbonate and ABS Type 4X Enclosures

Rev. A 10/07

Standard Sizes QLINE I Polycarbonate and ABS Type 4X Screw Cover Enclosures

Catalog Number	Internal Dimensions A x B x C mm (in.)	Material	Cover Style	External Dimensions L x W mm (in.)	Panel Catalog Number	Panel Size D x E mm (in.)	Extension Ring Catalog Number	Mounting G x H mm (in.)	F mm (in.)	P mm (in.)	Q mm (in.)	R mm (in.)	S mm (in.)	T mm (in.)	U mm (in.)	Y mm (in.)	Z mm (in.)
Q202013PCI	188 x 188 x 123 (7.40 x 7.40 x 4.84)	Polycarbonate	Opaque	200 x 200 (7.87 x 7.87)	Q2020PI	160 x 160 (6.30 x 6.30)	Q2020EXTI	180 x 180 (7.09 x 7.09)	(4.53)	(5.91)	(5.91)	(5.51)	(5.51)	(4.72)	(4.33)	100 (3.94)	100 (3.94)
Q202013ABI	188 x 188 x 123 (7.40 x 7.40 x 4.84)	ABS	Opaque	200 x 200 (7.87 x 7.87)	Q2020PI	160 x 160 (6.30 x 6.30)	Q2020EXTI	180 x 180 (7.09 x 7.09)	(4.53)	(5.91)	(5.91)	(5.51)	(5.51)	(4.72)	(4.33)	100 (3.94)	100 (3.94)
Q202013PCI	188 x 188 x 123 (7.40 x 7.40 x 4.84)	Polycarbonate	Clear	200 x 200 (7.87 x 7.87)	Q2020PI	160 x 160 (6.30 x 6.30)	Q2020EXTI	180 x 180 (7.09 x 7.09)	(4.53)	(5.91)	(5.91)	(5.51)	(5.51)	(4.72)	(4.33)	100 (3.94)	100 (3.94)
Q202013ABIC	188 x 188 x 123 (7.40 x 7.40 x 4.84)	ABS	Clear	200 x 200 (7.87 x 7.87)	Q2020PI	160 x 160 (6.30 x 6.30)	Q2020EXTI	180 x 180 (7.09 x 7.09)	(4.53)	(5.91)	(5.91)	(5.51)	(5.51)	(4.72)	(4.33)	100 (3.94)	100 (3.94)
Q302013PCI	288 x 188 x 123 (11.34 x 7.40 x 4.84)	Polycarbonate	Opaque	300 x 200 (11.81 x 7.87)	Q3020PI	260 x 160 (10.24 x 6.30)	Q3020EXTI	280 x 180 (11.02 x 7.09)	(4.53)	(5.91)	(9.84)	(5.51)	(9.45)	(4.72)	(8.27)	200 (7.87)	200 (7.87)
Q302013ABI	288 x 188 x 123 (11.34 x 7.40 x 4.84)	ABS	Opaque	300 x 200 (11.81 x 7.87)	Q3020PI	260 x 160 (10.24 x 6.30)	Q3020EXTI	280 x 180 (11.02 x 7.09)	(4.53)	(5.91)	(9.84)	(5.51)	(9.45)	(4.72)	(8.27)	200 (7.87)	200 (7.87)
Q302013PCI	288 x 188 x 123 (11.34 x 7.40 x 4.84)	Polycarbonate	Clear	300 x 200 (11.81 x 7.87)	Q3020PI	260 x 160 (10.24 x 6.30)	Q3020EXTI	280 x 180 (11.02 x 7.09)	(4.53)	(5.91)	(9.84)	(5.51)	(9.45)	(4.72)	(8.27)	200 (7.87)	200 (7.87)
Q302013ABIC	288 x 188 x 123 (11.34 x 7.40 x 4.84)	ABS	Clear	300 x 200 (11.81 x 7.87)	Q3020PI	260 x 160 (10.24 x 6.30)	Q3020EXTI	280 x 180 (11.02 x 7.09)	(4.53)	(5.91)	(9.84)	(5.51)	(9.45)	(4.72)	(8.27)	200 (7.87)	200 (7.87)
Q402013PCI	388 x 188 x 123 (15.28 x 7.40 x 4.84)	Polycarbonate	Opaque	400 x 200 (15.75 x 7.87)	Q4020PI	360 x 160 (14.17 x 6.30)	Q4020EXTI	380 x 180 (14.96 x 7.09)	(4.53)	(5.91)	(13.78)	(5.51)	(13.39)	(4.72)	(12.20)	300 (11.81)	300 (11.81)
Q402013ABI	388 x 188 x 123 (15.28 x 7.40 x 4.84)	ABS	Opaque	400 x 200 (15.75 x 7.87)	Q4020PI	360 x 160 (14.17 x 6.30)	Q4020EXTI	380 x 180 (14.96 x 7.09)	(4.53)	(5.91)	(13.78)	(5.51)	(13.39)	(4.72)	(12.20)	300 (11.81)	300 (11.81)
Q402013PCI	388 x 188 x 123 (15.28 x 7.40 x 4.84)	Polycarbonate	Clear	400 x 200 (15.75 x 7.87)	Q4020PI	360 x 160 (14.17 x 6.30)	Q4020EXTI	380 x 180 (14.96 x 7.09)	(4.53)	(5.91)	(13.78)	(5.51)	(13.39)	(4.72)	(12.20)	300 (11.81)	300 (11.81)
Q402013ABIC	388 x 188 x 123 (15.28 x 7.40 x 4.84)	ABS	Clear	400 x 200 (15.75 x 7.87)	Q4020PI	360 x 160 (14.17 x 6.30)	Q4020EXTI	380 x 180 (14.96 x 7.09)	(4.53)	(5.91)	(13.78)	(5.51)	(13.39)	(4.72)	(12.20)	300 (11.81)	300 (11.81)
Q303013PCI	288 x 288 x 123 (11.34 x 11.34 x 4.84)	Polycarbonate	Opaque	300 x 300 (11.81 x 11.81)	Q3030PI	260 x 260 (10.24 x 10.24)	Q3030EXTI	280 x 280 (11.02 x 11.02)	(4.53)	(9.84)	(9.84)	(9.45)	(9.45)	(8.66)	(8.27)	200 (7.87)	200 (7.87)
Q303013ABI	288 x 288 x 123 (11.34 x 11.34 x 4.84)	ABS	Opaque	300 x 300 (11.81 x 11.81)	Q3030PI	260 x 260 (10.24 x 10.24)	Q3030EXTI	280 x 280 (11.02 x 11.02)	(4.53)	(9.84)	(9.84)	(9.45)	(9.45)	(8.66)	(8.27)	200 (7.87)	200 (7.87)
Q303013PCI	288 x 288 x 123 (11.34 x 11.34 x 4.84)	Polycarbonate	Clear	300 x 300 (11.81 x 11.81)	Q3030PI	260 x 260 (10.24 x 10.24)	Q3030EXTI	280 x 280 (11.02 x 11.02)	(4.53)	(9.84)	(9.84)	(9.45)	(9.45)	(8.66)	(8.27)	200 (7.87)	200 (7.87)
Q303013ABIC	288 x 288 x 123 (11.34 x 11.34 x 4.84)	ABS	Clear	300 x 300 (11.81 x 11.81)	Q3030PI	260 x 260 (10.24 x 10.24)	Q3030EXTI	280 x 280 (11.02 x 11.02)	(4.53)	(9.84)	(9.84)	(9.45)	(9.45)	(8.66)	(8.27)	200 (7.87)	200 (7.87)
Q403013PCI	388 x 288 x 123 (15.28 x 11.34 x 4.84)	Polycarbonate	Opaque	400 x 300 (15.75 x 11.81)	Q4030PI	360 x 260 (14.17 x 10.24)	Q4030EXTI	380 x 280 (14.96 x 11.02)	(4.53)	(9.84)	(13.78)	(9.45)	(13.39)	(8.66)	(12.20)	300 (11.81)	300 (11.81)
Q403013ABI	388 x 288 x 123 (15.28 x 11.34 x 4.84)	ABS	Opaque	400 x 300 (15.75 x 11.81)	Q4030PI	360 x 260 (14.17 x 10.24)	Q4030EXTI	380 x 280 (14.96 x 11.02)	(4.53)	(9.84)	(13.78)	(9.45)	(13.39)	(8.66)	(12.20)	300 (11.81)	300 (11.81)
Q403013PCI	388 x 288 x 123 (15.28 x 11.34 x 4.84)	Polycarbonate	Clear	400 x 300 (15.75 x 11.81)	Q4030PI	360 x 260 (14.17 x 10.24)	Q4030EXTI	380 x 280 (14.96 x 11.02)	(4.53)	(9.84)	(13.78)	(9.45)	(13.39)	(8.66)	(12.20)	300 (11.81)	300 (11.81)
Q403013ABIC	388 x 288 x 123 (15.28 x 11.34 x 4.84)	ABS	Clear	400 x 300 (15.75 x 11.81)	Q4030PI	360 x 260 (14.17 x 10.24)	Q4030EXTI	380 x 280 (14.96 x 11.02)	(4.53)	(9.84)	(13.78)	(9.45)	(13.39)	(8.66)	(12.20)	300 (11.81)	300 (11.81)

**Corrosion-Resistant
Enclosures**

Standard Sizes QLINE I Polycarbonate and ABS Type 4X Screw Cover Enclosures (Cont.)

Catalog Number	Internal Dimensions A x B x C mm (in.)	Material	Cover Style	External Dimensions L x W mm (in.)	Panel Catalog Number	Panel Size D x E mm (in.)	Extension Ring Catalog Number	Mounting G x H mm (in.)	F mm (in.)	P mm (in.)	Q mm (in.)	R mm (in.)	S mm (in.)	T mm (in.)	U mm (in.)	Y mm (in.)	Z mm (in.)
0603013PCI	588 x 288 x 123 (23.15 x 11.34 x 4.84)	Polycarbonate	Opaque	600 x 300 (23.62 x 11.81)	06030PI	560 x 260 (22.05 x 10.24)	06030EXTI	580 x 280 (22.83 x 11.02)	115 (4.53)	250 (9.84)	550 (21.65)	240 (9.45)	540 (21.26)	220 (8.66)	510 (20.08)	200 (7.87)	500 (19.69)
0603013ABI	588 x 288 x 123 (23.15 x 11.34 x 4.84)	ABS	Opaque	600 x 300 (23.62 x 11.81)	06030PI	560 x 260 (22.05 x 10.24)	06030EXTI	580 x 280 (22.83 x 11.02)	115 (4.53)	250 (9.84)	550 (21.65)	240 (9.45)	540 (21.26)	220 (8.66)	510 (20.08)	200 (7.87)	500 (19.69)
0603013PICC	588 x 288 x 123 (23.15 x 11.34 x 4.84)	Polycarbonate	Clear	600 x 300 (23.62 x 11.81)	06030PI	560 x 260 (22.05 x 10.24)	06030EXTI	580 x 280 (22.83 x 11.02)	115 (4.53)	250 (9.84)	550 (21.65)	240 (9.45)	540 (21.26)	220 (8.66)	510 (20.08)	200 (7.87)	500 (19.69)
0603013ABICC	588 x 288 x 123 (23.15 x 11.34 x 4.84)	ABS	Clear	600 x 300 (23.62 x 11.81)	06030PI	560 x 260 (22.05 x 10.24)	06030EXTI	580 x 280 (22.83 x 11.02)	115 (4.53)	250 (9.84)	550 (21.65)	240 (9.45)	540 (21.26)	220 (8.66)	510 (20.08)	200 (7.87)	500 (19.69)
0604013PCI	588 x 388 x 123 (23.15 x 15.28 x 4.84)	Polycarbonate	Opaque	600 x 400 (23.62 x 15.75)	06040PI	560 x 360 (22.05 x 14.17)	06040EXTI	580 x 380 (22.83 x 14.96)	115 (4.53)	350 (13.78)	550 (21.65)	340 (13.39)	540 (21.26)	320 (12.60)	510 (20.08)	300 (11.81)	500 (19.69)
0604013ABI	588 x 388 x 123 (23.15 x 15.28 x 4.84)	ABS	Opaque	600 x 400 (23.62 x 15.75)	06040PI	560 x 360 (22.05 x 14.17)	06040EXTI	580 x 380 (22.83 x 14.96)	115 (4.53)	350 (13.78)	550 (21.65)	340 (13.39)	540 (21.26)	320 (12.60)	510 (20.08)	300 (11.81)	500 (19.69)
0604013PICC	588 x 388 x 123 (23.15 x 15.28 x 4.84)	Polycarbonate	Clear	600 x 400 (23.62 x 15.75)	06040PI	560 x 360 (22.05 x 14.17)	06040EXTI	580 x 380 (22.83 x 14.96)	115 (4.53)	350 (13.78)	550 (21.65)	340 (13.39)	540 (21.26)	320 (12.60)	510 (20.08)	300 (11.81)	500 (19.69)
0604013ABICC	588 x 388 x 123 (23.15 x 15.28 x 4.84)	ABS	Clear	600 x 400 (23.62 x 15.75)	06040PI	560 x 360 (22.05 x 14.17)	06040EXTI	580 x 380 (22.83 x 14.96)	115 (4.53)	350 (13.78)	550 (21.65)	340 (13.39)	540 (21.26)	320 (12.60)	510 (20.08)	300 (11.81)	500 (19.69)
0202018PCI	188 x 188 x 173 (7.40 x 7.40 x 6.81)	Polycarbonate	Opaque	200 x 200 (7.87 x 7.87)	02020PI	160 x 160 (6.30 x 6.30)	02020EXTI	180 x 180 (7.09 x 7.09)	65 (2.56)	150 (5.91)	150 (5.91)	140 (5.51)	140 (5.51)	120 (4.72)	110 (4.33)	100 (3.94)	100 (3.94)
0202018ABI	188 x 188 x 173 (7.40 x 7.40 x 6.81)	ABS	Opaque	200 x 200 (7.87 x 7.87)	02020PI	160 x 160 (6.30 x 6.30)	02020EXTI	180 x 180 (7.09 x 7.09)	65 (2.56)	150 (5.91)	150 (5.91)	140 (5.51)	140 (5.51)	120 (4.72)	110 (4.33)	100 (3.94)	100 (3.94)
0202018PICC	188 x 188 x 173 (7.40 x 7.40 x 6.81)	Polycarbonate	Clear	200 x 200 (7.87 x 7.87)	02020PI	160 x 160 (6.30 x 6.30)	02020EXTI	180 x 180 (7.09 x 7.09)	65 (2.56)	150 (5.91)	150 (5.91)	140 (5.51)	140 (5.51)	120 (4.72)	110 (4.33)	100 (3.94)	100 (3.94)
0202018ABICC	188 x 188 x 173 (7.40 x 7.40 x 6.81)	ABS	Clear	200 x 200 (7.87 x 7.87)	02020PI	160 x 160 (6.30 x 6.30)	02020EXTI	180 x 180 (7.09 x 7.09)	65 (2.56)	150 (5.91)	150 (5.91)	140 (5.51)	140 (5.51)	120 (4.72)	110 (4.33)	100 (3.94)	100 (3.94)
0302018PCI	288 x 188 x 173 (11.34 x 7.40 x 6.81)	Polycarbonate	Opaque	300 x 200 (11.81 x 7.87)	03020PI	260 x 160 (10.24 x 6.30)	03020EXTI	280 x 180 (11.02 x 7.09)	65 (2.56)	150 (5.91)	250 (9.84)	140 (5.51)	240 (9.45)	120 (4.72)	110 (4.33)	100 (3.94)	200 (7.87)
0302018ABI	288 x 188 x 173 (11.34 x 7.40 x 6.81)	ABS	Opaque	300 x 200 (11.81 x 7.87)	03020PI	260 x 160 (10.24 x 6.30)	03020EXTI	280 x 180 (11.02 x 7.09)	65 (2.56)	150 (5.91)	250 (9.84)	140 (5.51)	240 (9.45)	120 (4.72)	110 (4.33)	100 (3.94)	200 (7.87)
0302018PICC	288 x 188 x 173 (11.34 x 7.40 x 6.81)	Polycarbonate	Clear	300 x 200 (11.81 x 7.87)	03020PI	260 x 160 (10.24 x 6.30)	03020EXTI	280 x 180 (11.02 x 7.09)	65 (2.56)	150 (5.91)	250 (9.84)	140 (5.51)	240 (9.45)	120 (4.72)	110 (4.33)	100 (3.94)	200 (7.87)
0302018ABICC	288 x 188 x 173 (11.34 x 7.40 x 6.81)	ABS	Clear	300 x 200 (11.81 x 7.87)	03020PI	260 x 160 (10.24 x 6.30)	03020EXTI	280 x 180 (11.02 x 7.09)	65 (2.56)	150 (5.91)	250 (9.84)	140 (5.51)	240 (9.45)	120 (4.72)	110 (4.33)	100 (3.94)	200 (7.87)
0402018PCI	388 x 188 x 173 (15.28 x 7.40 x 6.81)	Polycarbonate	Opaque	400 x 200 (15.75 x 7.87)	04020PI	360 x 160 (14.17 x 6.30)	04020EXTI	380 x 180 (14.96 x 7.09)	65 (2.56)	150 (5.91)	350 (13.78)	140 (5.51)	340 (13.39)	120 (4.72)	310 (12.20)	100 (3.94)	300 (11.81)
0402018ABI	388 x 188 x 173 (15.28 x 7.40 x 6.81)	ABS	Opaque	400 x 200 (15.75 x 7.87)	04020PI	360 x 160 (14.17 x 6.30)	04020EXTI	380 x 180 (14.96 x 7.09)	65 (2.56)	150 (5.91)	350 (13.78)	140 (5.51)	340 (13.39)	120 (4.72)	310 (12.20)	100 (3.94)	300 (11.81)
0402018PICC	388 x 188 x 173 (15.28 x 7.40 x 6.81)	Polycarbonate	Clear	400 x 200 (15.75 x 7.87)	04020PI	360 x 160 (14.17 x 6.30)	04020EXTI	380 x 180 (14.96 x 7.09)	65 (2.56)	150 (5.91)	350 (13.78)	140 (5.51)	340 (13.39)	120 (4.72)	310 (12.20)	100 (3.94)	300 (11.81)
0402018ABICC	388 x 188 x 173 (15.28 x 7.40 x 6.81)	ABS	Clear	400 x 200 (15.75 x 7.87)	04020PI	360 x 160 (14.17 x 6.30)	04020EXTI	380 x 180 (14.96 x 7.09)	65 (2.56)	150 (5.91)	350 (13.78)	140 (5.51)	340 (13.39)	120 (4.72)	310 (12.20)	100 (3.94)	300 (11.81)

QLINE® I Polycarbonate and ABS Type 4X Enclosures

Rev. A 10/07

Standard Sizes QLINE I Polycarbonate and ABS Type 4X Screw Cover Enclosures (Cont.)

Catalog Number	Internal Dimensions A x B x C mm (in.)	Material	Cover Style	External Dimensions L x W mm (in.)	Panel Catalog Number	Panel Size D x E mm (in.)	Extension Ring Catalog Number	Mounting G x H mm (in.)	F mm (in.)	P mm (in.)	Q mm (in.)	R mm (in.)	S mm (in.)	T mm (in.)	U mm (in.)	Y mm (in.)	Z mm (in.)
Q303018PCCI	288 x 288 x 173 (11.34 x 11.34 x 6.81)	Polycarbonate	Opaque	300 x 300 (11.81 x 11.81)	Q3030PI	260 x 260 (10.24 x 10.24)	Q3030EXTI	280 x 280 (11.02 x 11.02)	165 (6.50)	250 (9.84)	250 (9.84)	240 (9.45)	240 (9.45)	220 (8.66)	210 (8.27)	200 (7.87)	200 (7.87)
Q303018ABI	288 x 288 x 173 (11.34 x 11.34 x 6.81)	ABS	Opaque	300 x 300 (11.81 x 11.81)	Q3030PI	260 x 260 (10.24 x 10.24)	Q3030EXTI	280 x 280 (11.02 x 11.02)	165 (6.50)	250 (9.84)	250 (9.84)	240 (9.45)	240 (9.45)	220 (8.66)	210 (8.27)	200 (7.87)	200 (7.87)
Q303018PCCIC	288 x 288 x 173 (11.34 x 11.34 x 6.81)	Polycarbonate	Clear	300 x 300 (11.81 x 11.81)	Q3030PI	260 x 260 (10.24 x 10.24)	Q3030EXTI	280 x 280 (11.02 x 11.02)	165 (6.50)	250 (9.84)	250 (9.84)	240 (9.45)	240 (9.45)	220 (8.66)	210 (8.27)	200 (7.87)	200 (7.87)
Q303018ABICC	288 x 288 x 173 (11.34 x 11.34 x 6.81)	ABS	Clear	300 x 300 (11.81 x 11.81)	Q3030PI	260 x 260 (10.24 x 10.24)	Q3030EXTI	280 x 280 (11.02 x 11.02)	165 (6.50)	250 (9.84)	250 (9.84)	240 (9.45)	240 (9.45)	220 (8.66)	210 (8.27)	200 (7.87)	200 (7.87)
Q403018PCCI	388 x 288 x 173 (15.28 x 11.34 x 6.81)	Polycarbonate	Opaque	400 x 300 (15.75 x 11.81)	Q4030PI	360 x 260 (14.17 x 10.24)	Q4030EXTI	380 x 280 (14.96 x 11.02)	165 (6.50)	250 (9.84)	350 (13.78)	240 (9.45)	240 (9.45)	220 (8.66)	310 (12.20)	200 (7.87)	300 (11.81)
Q403018ABI	388 x 288 x 173 (15.28 x 11.34 x 6.81)	ABS	Opaque	400 x 300 (15.75 x 11.81)	Q4030PI	360 x 260 (14.17 x 10.24)	Q4030EXTI	380 x 280 (14.96 x 11.02)	165 (6.50)	250 (9.84)	350 (13.78)	240 (9.45)	240 (9.45)	220 (8.66)	310 (12.20)	200 (7.87)	300 (11.81)
Q403018PCCIC	388 x 288 x 173 (15.28 x 11.34 x 6.81)	Polycarbonate	Clear	400 x 300 (15.75 x 11.81)	Q4030PI	360 x 260 (14.17 x 10.24)	Q4030EXTI	380 x 280 (14.96 x 11.02)	165 (6.50)	250 (9.84)	350 (13.78)	240 (9.45)	240 (9.45)	220 (8.66)	310 (12.20)	200 (7.87)	300 (11.81)
Q403018ABICC	388 x 288 x 173 (15.28 x 11.34 x 6.81)	ABS	Clear	400 x 300 (15.75 x 11.81)	Q4030PI	360 x 260 (14.17 x 10.24)	Q4030EXTI	380 x 280 (14.96 x 11.02)	165 (6.50)	250 (9.84)	350 (13.78)	240 (9.45)	240 (9.45)	220 (8.66)	310 (12.20)	200 (7.87)	300 (11.81)
Q603018PCCI	588 x 288 x 173 (23.15 x 11.34 x 6.81)	Polycarbonate	Opaque	600 x 300 (23.62 x 11.81)	Q6030PI	560 x 260 (22.05 x 10.24)	Q6030EXTI	580 x 280 (22.83 x 11.02)	165 (6.50)	250 (9.84)	550 (21.65)	240 (9.45)	240 (9.45)	220 (8.66)	510 (20.08)	200 (7.87)	500 (19.69)
Q603018ABI	588 x 288 x 173 (23.15 x 11.34 x 6.81)	ABS	Opaque	600 x 300 (23.62 x 11.81)	Q6030PI	560 x 260 (22.05 x 10.24)	Q6030EXTI	580 x 280 (22.83 x 11.02)	165 (6.50)	250 (9.84)	550 (21.65)	240 (9.45)	240 (9.45)	220 (8.66)	510 (20.08)	200 (7.87)	500 (19.69)
Q603018PCCIC	588 x 288 x 173 (23.15 x 11.34 x 6.81)	Polycarbonate	Clear	600 x 300 (23.62 x 11.81)	Q6030PI	560 x 260 (22.05 x 10.24)	Q6030EXTI	580 x 280 (22.83 x 11.02)	165 (6.50)	250 (9.84)	550 (21.65)	240 (9.45)	240 (9.45)	220 (8.66)	510 (20.08)	200 (7.87)	500 (19.69)
Q603018ABICC	588 x 288 x 173 (23.15 x 11.34 x 6.81)	ABS	Clear	600 x 300 (23.62 x 11.81)	Q6030PI	560 x 260 (22.05 x 10.24)	Q6030EXTI	580 x 280 (22.83 x 11.02)	165 (6.50)	250 (9.84)	550 (21.65)	240 (9.45)	240 (9.45)	220 (8.66)	510 (20.08)	200 (7.87)	500 (19.69)
Q604018PCCI	588 x 388 x 173 (23.15 x 15.28 x 6.81)	Polycarbonate	Opaque	600 x 400 (23.62 x 15.75)	Q6040PI	560 x 360 (22.05 x 14.17)	Q6040EXTI	580 x 380 (22.83 x 14.96)	165 (6.50)	350 (13.78)	550 (21.65)	340 (13.39)	340 (13.39)	320 (12.60)	510 (20.08)	300 (11.81)	500 (19.69)
Q604018ABI	588 x 388 x 173 (23.15 x 15.28 x 6.81)	ABS	Opaque	600 x 400 (23.62 x 15.75)	Q6040PI	560 x 360 (22.05 x 14.17)	Q6040EXTI	580 x 380 (22.83 x 14.96)	165 (6.50)	350 (13.78)	550 (21.65)	340 (13.39)	340 (13.39)	320 (12.60)	510 (20.08)	300 (11.81)	500 (19.69)
Q604018PCCIC	588 x 388 x 173 (23.15 x 15.28 x 6.81)	Polycarbonate	Clear	600 x 400 (23.62 x 15.75)	Q6040PI	560 x 360 (22.05 x 14.17)	Q6040EXTI	580 x 380 (22.83 x 14.96)	165 (6.50)	350 (13.78)	550 (21.65)	340 (13.39)	340 (13.39)	320 (12.60)	510 (20.08)	300 (11.81)	500 (19.69)
Q604018ABICC	588 x 388 x 173 (23.15 x 15.28 x 6.81)	ABS	Clear	600 x 400 (23.62 x 15.75)	Q6040PI	560 x 360 (22.05 x 14.17)	Q6040EXTI	580 x 380 (22.83 x 14.96)	165 (6.50)	350 (13.78)	550 (21.65)	340 (13.39)	340 (13.39)	320 (12.60)	510 (20.08)	300 (11.81)	500 (19.69)

Purchase panels and extension rings separately.

**Corrosion-Resistant
Enclosures**

QLINE® I Polycarbonate and ABS Type 4X Enclosures

Rev. A 10/07

Standard Sizes QLINE I Polycarbonate and ABS Type 4X Enclosures with Quick-Release Latches

Catalog Number	Internal Dimensions A x B x C mm (in.)	Material	Cover Style	External Dimensions L x W mm (in.)	Panel Catalog Number	Panel Size D x E mm (in.)	Mounting G x H mm (in.)	F mm (in.)	P mm (in.)	Q mm (in.)	R mm (in.)	S mm (in.)	T mm (in.)	U mm (in.)	Y mm (in.)	Z mm (in.)
Q202013PCIQRR	188 x 188 x 123 (7.40 x 7.40 x 4.84)	Polycarbonate	Opaque	200 x 200 (7.87 x 7.87)	Q2020PI	160 x 160 (6.30 x 6.30)	180 x 180 (7.09 x 7.09)	115 (4.53)	150 (5.91)	150 (5.91)	140 (5.51)	140 (5.51)	120 (4.72)	110 (4.33)	100 (3.94)	100 (3.94)
Q202013PCIQRCCR	188 x 188 x 123 (7.40 x 7.40 x 4.84)	Polycarbonate	Clear	200 x 200 (7.87 x 7.87)	Q2020PI	160 x 160 (6.30 x 6.30)	180 x 180 (7.09 x 7.09)	115 (4.53)	150 (5.91)	150 (5.91)	140 (5.51)	140 (5.51)	120 (4.72)	110 (4.33)	100 (3.94)	100 (3.94)
Q302013PCIQRR	288 x 188 x 123 (11.34 x 7.40 x 4.84)	Polycarbonate	Clear	300 x 200 (11.81 x 7.87)	Q3020PI	260 x 160 (10.24 x 6.30)	280 x 180 (11.02 x 7.09)	115 (4.53)	150 (5.91)	250 (9.84)	140 (5.51)	240 (9.45)	120 (4.72)	210 (8.27)	100 (3.94)	200 (7.87)
Q302013PCIQRCCR	288 x 188 x 123 (11.34 x 7.40 x 4.84)	Polycarbonate	Opaque	300 x 200 (11.81 x 7.87)	Q3020PI	260 x 160 (10.24 x 6.30)	280 x 180 (11.02 x 7.09)	115 (4.53)	150 (5.91)	250 (9.84)	140 (5.51)	240 (9.45)	120 (4.72)	210 (8.27)	100 (3.94)	200 (7.87)
Q402013PCIQRR	388 x 188 x 123 (15.28 x 7.40 x 4.84)	Polycarbonate	Opaque	400 x 200 (15.75 x 7.87)	Q4020PI	360 x 160 (14.17 x 6.30)	380 x 180 (14.96 x 7.09)	115 (4.53)	150 (5.91)	350 (13.78)	140 (5.51)	340 (13.39)	120 (4.72)	310 (12.20)	100 (3.94)	300 (11.81)
Q402013PCIQRCCR	388 x 188 x 123 (15.28 x 7.40 x 4.84)	Polycarbonate	Clear	400 x 200 (15.75 x 7.87)	Q4020PI	360 x 160 (14.17 x 6.30)	380 x 180 (14.96 x 7.09)	115 (4.53)	150 (5.91)	350 (13.78)	140 (5.51)	340 (13.39)	120 (4.72)	310 (12.20)	100 (3.94)	300 (11.81)
Q303013PCIQRR	288 x 288 x 123 (11.34 x 11.34 x 4.84)	Polycarbonate	Opaque	300 x 300 (11.81 x 11.81)	Q3030PI	260 x 260 (10.24 x 10.24)	280 x 280 (11.02 x 11.02)	115 (4.53)	250 (9.84)	250 (9.84)	240 (9.45)	240 (9.45)	220 (8.66)	210 (8.27)	200 (7.87)	200 (7.87)
Q303013PCIQRCCR	288 x 288 x 123 (11.34 x 11.34 x 4.84)	Polycarbonate	Clear	300 x 300 (11.81 x 11.81)	Q3030PI	260 x 260 (10.24 x 10.24)	280 x 280 (11.02 x 11.02)	115 (4.53)	250 (9.84)	250 (9.84)	240 (9.45)	240 (9.45)	220 (8.66)	210 (8.27)	200 (7.87)	200 (7.87)
Q403013PCIQRR	388 x 288 x 123 (15.28 x 11.34 x 4.84)	Polycarbonate	Opaque	400 x 300 (15.75 x 11.81)	Q4030PI	360 x 260 (14.17 x 10.24)	380 x 280 (14.96 x 11.02)	115 (4.53)	250 (9.84)	350 (13.78)	240 (9.45)	340 (13.39)	120 (4.72)	310 (12.20)	200 (7.87)	300 (11.81)
Q403013PCIQRCCR	388 x 288 x 123 (15.28 x 11.34 x 4.84)	Polycarbonate	Clear	400 x 300 (15.75 x 11.81)	Q4030PI	360 x 260 (14.17 x 10.24)	380 x 280 (14.96 x 11.02)	115 (4.53)	250 (9.84)	350 (13.78)	240 (9.45)	340 (13.39)	120 (4.72)	310 (12.20)	200 (7.87)	300 (11.81)
Q603013PCIQRR	588 x 288 x 123 (23.15 x 11.34 x 4.84)	Polycarbonate	Opaque	600 x 300 (23.62 x 11.81)	Q6030PI	560 x 260 (22.05 x 10.24)	580 x 280 (22.83 x 11.02)	115 (4.53)	250 (9.84)	550 (21.65)	240 (9.45)	540 (21.26)	220 (8.66)	510 (20.08)	200 (7.87)	500 (19.69)
Q603013PCIQRCCR	588 x 288 x 123 (23.15 x 11.34 x 4.84)	Polycarbonate	Clear	600 x 300 (23.62 x 11.81)	Q6030PI	560 x 260 (22.05 x 10.24)	580 x 280 (22.83 x 11.02)	115 (4.53)	250 (9.84)	550 (21.65)	240 (9.45)	540 (21.26)	220 (8.66)	510 (20.08)	200 (7.87)	500 (19.69)
Q604013PCIQRR	588 x 388 x 123 (23.15 x 15.28 x 4.84)	Polycarbonate	Opaque	600 x 400 (23.62 x 15.75)	Q6040PI	560 x 360 (22.05 x 14.17)	580 x 380 (22.83 x 14.96)	115 (4.53)	350 (13.78)	550 (21.65)	340 (13.39)	540 (21.26)	320 (12.60)	510 (20.08)	300 (9.84)	500 (19.69)
Q604013PCIQRCCR	588 x 388 x 123 (23.15 x 15.28 x 4.84)	Polycarbonate	Clear	600 x 400 (23.62 x 15.75)	Q6040PI	560 x 360 (22.05 x 14.17)	580 x 380 (22.83 x 14.96)	115 (4.53)	350 (13.78)	550 (21.65)	340 (13.39)	540 (21.26)	320 (12.60)	510 (20.08)	300 (9.84)	500 (19.69)
Q202018PCIQRR	188 x 188 x 173 (7.40 x 7.40 x 6.81)	Polycarbonate	Opaque	200 x 200 (7.87 x 7.87)	Q2020PI	160 x 160 (6.30 x 6.30)	180 x 180 (7.09 x 7.09)	115 (4.53)	150 (5.91)	150 (5.91)	140 (5.51)	140 (5.51)	120 (4.72)	110 (4.33)	100 (3.94)	100 (3.94)
Q202018PCIQRCCR	188 x 188 x 173 (7.40 x 7.40 x 6.81)	Polycarbonate	Clear	200 x 200 (7.87 x 7.87)	Q2020PI	160 x 160 (6.30 x 6.30)	180 x 180 (7.09 x 7.09)	115 (4.53)	150 (5.91)	150 (5.91)	140 (5.51)	140 (5.51)	120 (4.72)	110 (4.33)	100 (3.94)	100 (3.94)
Q302018PCIQRR	288 x 188 x 173 (11.34 x 7.40 x 6.81)	Polycarbonate	Opaque	300 x 200 (11.81 x 7.87)	Q3020PI	260 x 160 (10.24 x 6.30)	280 x 180 (11.02 x 7.09)	115 (4.53)	150 (5.91)	250 (9.84)	140 (5.51)	240 (9.45)	120 (4.72)	210 (8.27)	100 (3.94)	200 (7.87)
Q302018PCIQRCCR	288 x 188 x 173 (11.34 x 7.40 x 6.81)	Polycarbonate	Clear	300 x 200 (11.81 x 7.87)	Q3020PI	260 x 160 (10.24 x 6.30)	280 x 180 (11.02 x 7.09)	115 (4.53)	150 (5.91)	250 (9.84)	140 (5.51)	240 (9.45)	120 (4.72)	210 (8.27)	100 (3.94)	200 (7.87)
Q402018PCIQRR	388 x 188 x 173 (15.28 x 7.40 x 6.81)	Polycarbonate	Opaque	400 x 200 (15.75 x 7.87)	Q4020PI	360 x 160 (14.17 x 6.30)	380 x 180 (14.96 x 7.09)	115 (4.53)	150 (5.91)	350 (13.78)	140 (5.51)	340 (13.39)	120 (4.72)	310 (12.20)	100 (3.94)	300 (11.81)
Q402018PCIQRCCR	388 x 188 x 173 (15.28 x 7.40 x 6.81)	Polycarbonate	Clear	400 x 200 (15.75 x 7.87)	Q4020PI	360 x 160 (14.17 x 6.30)	380 x 180 (14.96 x 7.09)	115 (4.53)	150 (5.91)	350 (13.78)	140 (5.51)	340 (13.39)	120 (4.72)	310 (12.20)	100 (3.94)	300 (11.81)

QLINE® I Polycarbonate and ABS Type 4X Enclosures

Rev. A 10/07

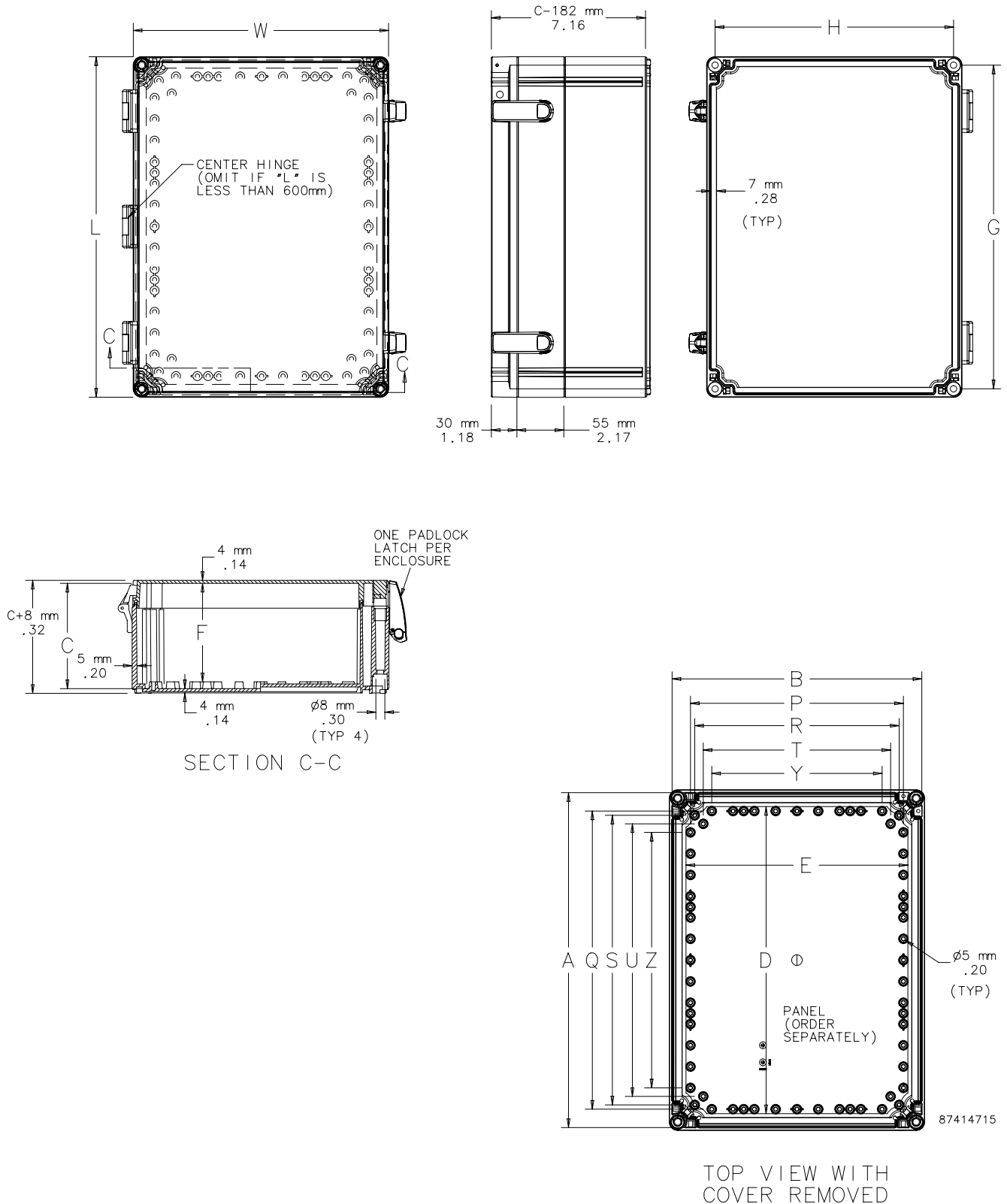
Standard Sizes QLINE I Polycarbonate and ABS Type 4X Enclosures with Quick-Release Latches (Cont.)

Catalog Number	Internal Dimensions A x B x C mm (in.)	Material	Cover Style	External Dimensions L x W mm (in.)	Panel Catalog Number	Panel Size D x E mm (in.)	Mounting G x H mm (in.)	F mm (in.)	P mm (in.)	Q mm (in.)	R mm (in.)	S mm (in.)	T mm (in.)	U mm (in.)	Y mm (in.)	Z mm (in.)
Q303018PCIQRR	288 x 288 x 173 (11.34 x 11.34 x 6.81)	Polycarbonate	Opaque	300 x 300 (11.81 x 11.81)	Q3030PI	260 x 260 (10.24 x 10.24)	280 x 280 (11.02 x 11.02)	165 (6.50)	250 (9.84)	250 (9.84)	240 (9.45)	240 (9.45)	220 (8.66)	210 (8.27)	200 (7.87)	200 (7.87)
Q303018PCIQRCCR	288 x 288 x 173 (11.34 x 11.34 x 6.81)	Polycarbonate	Clear	300 x 300 (11.81 x 11.81)	Q3030PI	260 x 260 (10.24 x 10.24)	280 x 280 (11.02 x 11.02)	165 (6.50)	250 (9.84)	250 (9.84)	240 (9.45)	240 (9.45)	220 (8.66)	210 (8.27)	200 (7.87)	200 (7.87)
Q403018PCIQRR	388 x 288 x 173 (15.28 x 11.34 x 6.81)	Polycarbonate	Opaque	400 x 300 (15.75 x 11.81)	Q4030PI	360 x 260 (14.17 x 10.24)	380 x 280 (14.96 x 11.02)	165 (6.50)	250 (9.84)	350 (13.78)	240 (9.45)	240 (9.45)	220 (8.66)	310 (12.20)	200 (7.87)	300 (11.81)
Q403018PCIQRCCR	388 x 288 x 173 (15.28 x 11.34 x 6.81)	Polycarbonate	Clear	400 x 300 (15.75 x 11.81)	Q4030PI	360 x 260 (14.17 x 10.24)	380 x 280 (14.96 x 11.02)	165 (6.50)	250 (9.84)	350 (13.78)	240 (9.45)	240 (9.45)	220 (8.66)	310 (12.20)	200 (7.87)	300 (11.81)
Q603018PCIQRR	588 x 288 x 173 (23.15 x 11.34 x 6.81)	Polycarbonate	Opaque	600 x 300 (23.62 x 11.81)	Q6030PI	560 x 260 (22.05 x 10.24)	580 x 280 (22.83 x 11.02)	165 (6.50)	250 (9.84)	550 (21.65)	240 (9.45)	240 (9.45)	220 (8.66)	510 (20.08)	200 (7.87)	500 (19.69)
Q603018PCIQRCCR	588 x 288 x 173 (23.15 x 11.37 x 6.81)	Polycarbonate	Clear	600 x 300 (23.62 x 11.81)	Q6030PI	560 x 260 (22.05 x 10.24)	580 x 280 (22.83 x 11.02)	165 (6.50)	250 (9.84)	550 (21.65)	240 (9.45)	240 (9.45)	220 (8.66)	510 (20.08)	200 (7.87)	500 (19.69)
Q604018PCIQRR	588 x 388 x 173 (23.15 x 15.28 x 6.81)	Polycarbonate	Opaque	600 x 400 (23.62 x 15.75)	Q6040PI	560 x 360 (22.05 x 14.17)	580 x 380 (22.83 x 14.96)	165 (6.50)	350 (13.78)	550 (21.65)	340 (13.39)	340 (13.39)	320 (12.60)	510 (20.08)	300 (11.81)	500 (19.69)
Q604018PCIQRCCR	588 x 388 x 173 (23.15 x 15.28 x 6.81)	Polycarbonate	Clear	600 x 400 (23.62 x 15.75)	Q6040PI	560 x 360 (22.05 x 14.17)	580 x 380 (22.83 x 14.96)	165 (6.50)	350 (13.78)	550 (21.65)	340 (13.39)	340 (13.39)	320 (12.60)	510 (20.08)	300 (11.81)	500 (19.69)

Purchase panels separately.

QLINE® I Polycarbonate and ABS Type 4X Enclosures

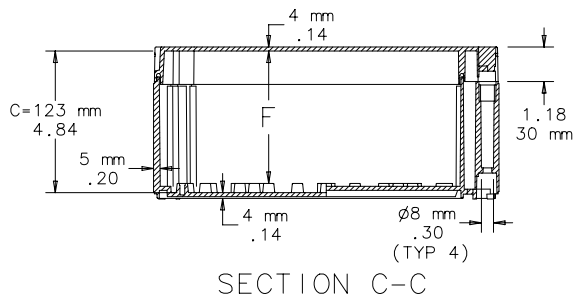
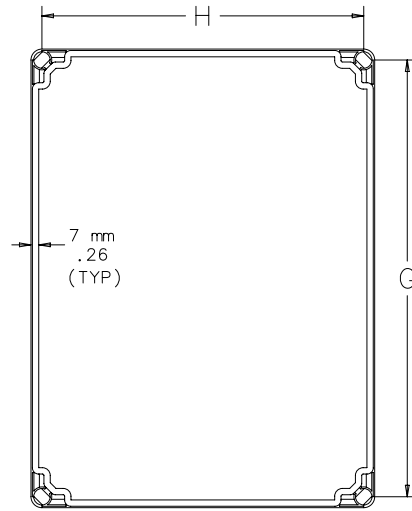
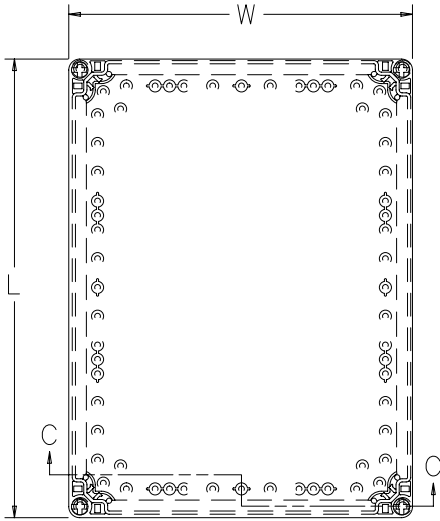
QLINE I Polycarbonate and ABS Type 4X Enclosures with Quick-Release Latches Dimension Drawing



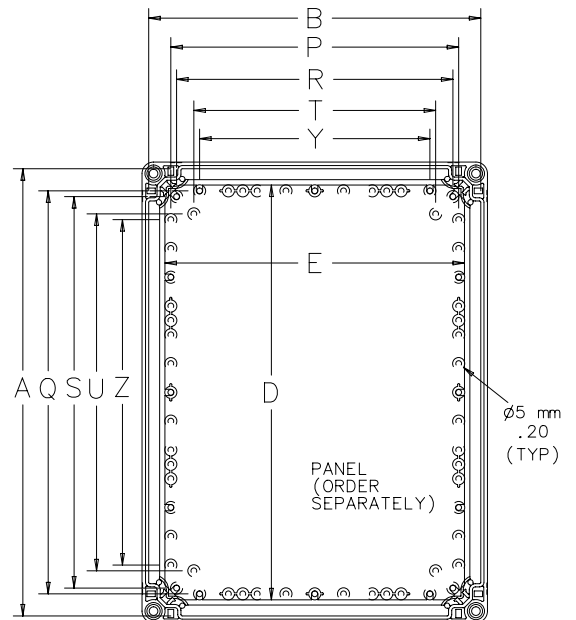
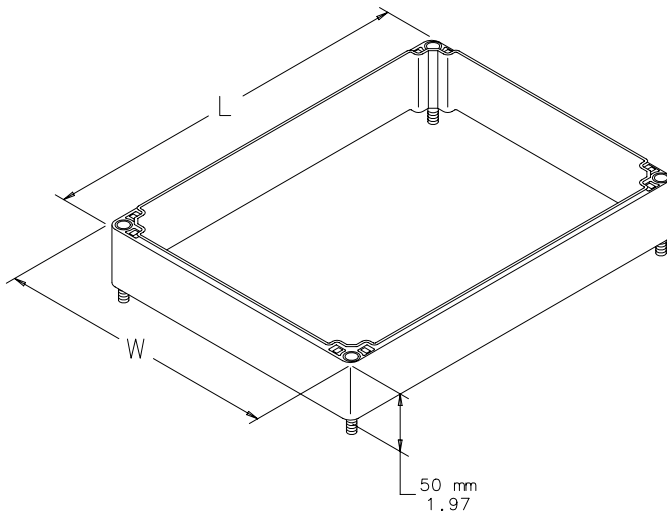
QLINE® I Polycarbonate and ABS Type 4X Enclosures

Corrosion-Resistant
Enclosures

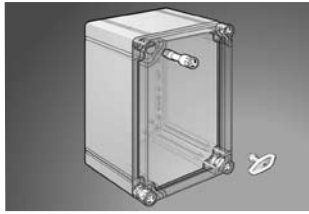
QLINE I Polycarbonate and ABS Type 4X Screw Cover Enclosures Dimension Drawing



NOTE: Panel screws are M5 pan head.



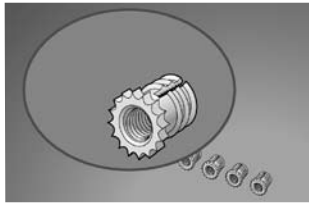
QLINE I Cover Screw Kit



Screws are polyamide. Wing-head-style screws provide rapid access to enclosure interior without requiring special tools to open. Kit includes four polyamide cover screws. Tamper-resistant screws have molded 3mm double-bit drive; kit includes four screws and one key.

Catalog Number	Description
QITSK	wing-head screw
QIWHSK	3mm tamper-resistant double-bit

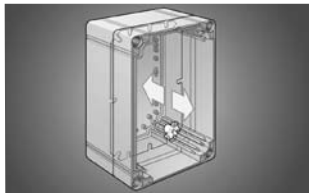
QLINE I Brass Insert Kit



Four M5 self-tapping brass inserts screw into molded pads in bottom of enclosure. Inserts have M3 internal thread.

Catalog Number
QBIK

QLINE I Panel Depth Fitting



Panel Depth Fitting attaches to corner molded rails of enclosure to facilitate full-range front-to-back panel adjustment. Package includes four polyamide fittings and plated screws.

Catalog Number
QIPDF

QLINE I Swing Panel



Adjustable-depth aluminum swing panels, for use in QLINE I polycarbonate enclosures, provide a convenient way to install controls and instruments near enclosure body opening while providing access and security. Suitable applications include water, pulp and paper, petroleum and chemical processing, food, packaging, and pharmaceutical applications.

Catalog Number	Fits Enclosure Size A x B (mm)	Fits Enclosure Size A x B (in.)	Hinged Side of Enclosure	Panel Dimension D x E (mm)	Panel Dimension D x E (in.)
QIHFP22A	200 x 200	7.87 x 7.87	200	186 x 180	7.32 x 7.09
QIHFP23A	300 x 200	11.81 x 7.87	200	186 x 280	7.32 x 11.02
QIHFP32A	300 x 200	11.81 x 7.87	300	286 x 180	11.26 x 7.09
QIHFP42A	400 x 200	15.75 x 7.87	400	386 x 180	15.20 x 7.09
QIHFP33A	300 x 300	11.81 x 11.81	300	286 x 280	11.26 x 11.02
QIHFP43A	400 x 300	15.75 x 11.81	400	386 x 280	15.20 x 11.02
QIHFP63A	600 x 300	23.62 x 11.81	600	586 x 280	23.07 x 11.02
QIHFP64A	600 x 400	23.62 x 15.75	600	586 x 380	23.07 x 14.96

QLINE I Hinge Kit

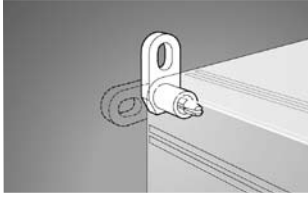


Hinge Kit includes two polyamide hinges, eight M4 self-tapping plated screws, eight flat washers, and drilling template.

NOTE: Hinge Kit meets Type 4 requirements. Three hinges required for 600mm sides.

Catalog Number
QIHK

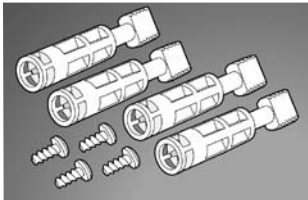
QLINE I Mounting Bracket Kit



Mounting Bracket Kit has four polycarbonate brackets and four M3 self-tapping, plated screws. Kit is field installable. Maintains listed ratings for enclosure.

Catalog Number
QIMFK

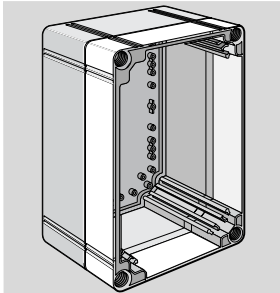
QLINE I Hardware Kit



Hardware Kit includes four polyamide cover screws and four M5 self-tapping, plated panel screws. This kit is offered as a replacement kit for lost or damaged hardware originally furnished with the enclosure.

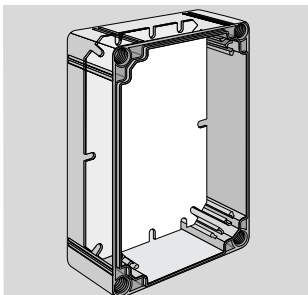
Catalog Number	Description
QIHK424	42mm screws

QLINE I Extension Rings



Catalog Number
Q2020EXTI
Q3020EXTI
Q3030EXTI
Q4020EXTI
Q4030EXTI
Q6030EXTI
Q6040EXTI

QLINE I Panels



Catalog Number	Panel Size D x E (mm)	Panel Size D x E (in.)
Q2020PI	160 x 160	6.30 x 6.30
Q3020PI	260 x 160	10.24 x 6.30
Q3030PI	260 x 260	10.24 x 10.24
Q4020PI	360 x 160	14.17 x 6.30
Q4030PI	360 x 260	14.17 x 10.24
Q6030PI	560 x 360	22.05 x 14.17
Q6040PI	260 x 260	10.24 x 10.24

QLINE® I Polycarbonate Enclosure Accessories

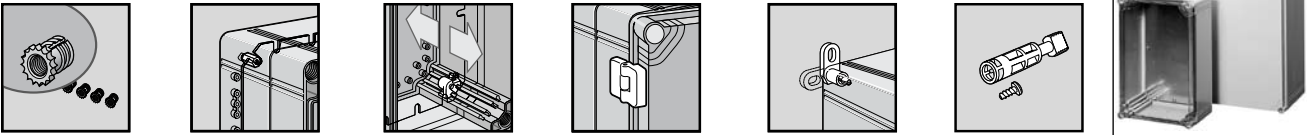
Accessory Selection Matrix QLINE I Polycarbonate and ABS Type 4X Enclosures

External Dimensions		Enclosures				Accessories		
		Opaque Cover Polycarbonate	Opaque Cover ABS	Clear Cover Polycarbonate	Clear Cover ABS	Panel	Extension Ring ^a	Cover Screw Kit
L	W							
200	200	Q202013PCI Q202013PCIQR Q202013PCEMC	Q202013ABI	Q202013PICCC Q202013PCIQRCC	Q202013ABICC	Q2020PI	Q2020EXTI	QIWSK or QITSK
200	200	Q202018PCI Q202018PCIQR	Q202018ABI	Q202018PICCC Q202018PCIQRCC	Q202018ABICC	Q2020PI	Q2020EXTI	
300	200	Q302013PCI Q302013PCIQR Q302013PCEMC	Q302013ABI	Q302013PICCC Q302013PCIQRCC	Q302013ABICC	Q3020PI	Q3020EXTI	
300	200	Q302018PCI Q302018PCIQR	Q302018ABI	Q302018PICCC Q302018PCIQRCC	Q302018ABICC	Q3020PI	Q3020EXTI	
400	200	Q402013PCI Q402013PCIQR Q402013PCEMC	Q402013ABI	Q402013PICCC Q402013PCIQRCC	Q402013ABICC	Q4020PI	Q4020EXTI	
400	200	Q402018PCI Q402018PCIQR	Q402018ABI	Q402018PICCC Q402018PCIQRCC	Q402018ABICC	Q4020PI	Q4020EXTI	
300	300	Q303013PCI Q303013PCIQR Q303013PCEMC	Q303013ABI	Q303013PICCC Q303013PCIQRCC	Q303013ABICC	Q3030PI	Q3030EXTI	
300	300	Q303018PCI Q303018PCIQR	Q303018ABI	Q303018PICCC Q303018PCIQRCC	Q303018ABICC	Q3030PI	Q3030EXTI	
400	300	Q403013PCI Q403013PCIQR	Q403013ABI	Q403013PICCC Q403013PCIQRCC	Q403013ABICC	Q4030PI	Q4030EXTI	
400	300	Q403018PCI Q403018PCIQR	Q403018ABI	Q403018PICCC Q403018PCIQRCC	Q403018ABICC	Q4030PI	Q4030EXTI	
600	300	Q603013PCI Q603013PCIQR	Q603013ABI	Q603013PICCC Q603013PCIQRCC	Q603013ABICC	Q6030PI	Q6030EXTI	
600	300	Q603018PCI Q603018PCIQR	Q603018ABI	Q603018PICCC Q603018PCIQRCC	Q603018ABICC	Q6030PI	Q6030EXTI	
600	400	Q604013PCI Q604013PCIQR	Q604013ABI	Q604013PICCC Q604013PCIQRCC	Q604013ABICC	Q6040PI	Q6040EXTI	
600	400	Q604018PCI Q604018PCIQR	Q604018ABI	Q604018PICCC Q604018PCIQRCC	Q604018ABICC	Q6040PI	Q6040EXTI	

^aNot suitable for enclosures with quick-release latches

QLINE® I Polycarbonate Enclosure Accessories

Accessory Selection Matrix QLINE I Polycarbonate and ABS Type 4X Enclosures

						External Dimensions		
						L	W	
QBIK	QIPE15, QIPE20 OR QIPE30	QIPDF	QIHK	QIMFK	QIHK42	200	200	
						200	200	
						300	200	
						300	200	
						400	200	
						400	200	
							300	300
							300	300
							400	300
							400	300
							600	300
							600	300
							600	400
							600	400

Corrosion-Resistant Enclosures