

Fuse Blocks & Holders

“Finger-safe” IEC, Traditional, Panel Mount... You name the block, we’ve got it in stock.



Your problem:

You need a range of standard fuse blocks to meet industrial requirements. You need DIN-rail mounting fuse holders that save space and conform with today’s “Finger-safe” IEC standards. You need panel-mount fuse holders, blocks that safely handle stress on conductors, accessories to make pulling fuses safer.

Our solution: Mersen’s extensive line of fuses is matched by our line of fuseblocks. Need a durable Class H, K, or R block? We’ve got configurations that accept nearly all 250 and 600V power fuses. How about Class CC or Class J IEC-style holders? Turn to our popular UltraSafe™ models for the small footprints, blown-fuse indicators, and finger-safe changeouts you want. The same goes for traditional Class J blocks, space-saving “SJ” blocks, 600V Class CC and midget dimension holders, and a dozen other fuse holder solutions.

Want more information fast? For more technical or application-specific information, please call our Fuse Block experts, at 978-462-6662; 416-252-9371 in Canada; or visit our website at ep.mersen.com.

H Fuse Blocks & Holders

- UltraSafe™ USCC & USM H2
- UltraSafe™ USBB Bus Bar System . H4
- UltraSafe™ USGCC &USGM H6
- UltraSafe™ USFM H8
- UltraSafe™ US3J & US6J..... H10
- UltraSafe™ US14 & US22 H12
- UltraSafe™ US15M1HEL for PV H16
- Open Style Class J & SJ Series H17
- Open Style Midget & Class CC H21
- Open Style Class H, K & R H23
- Open Style Class T H30
- Open Style Class G..... H35
- Open Style Miniature..... H37
- In-Line Fuse Holders / FEB, FEC, FEX, FEY Series - Midget/Class CC H38
- Panel Mount Fuse Holders / GPM Series..... H42
- Semiconductor Fuse Blocks / P243/P266/P292 H49
- Modular Semiconductor Fuse Blocks / 1SC/1MSC H50
- Semiconductor Fuse Holders / 703, U705, U710 Series..... H51
- Ferrule Fuse Holders / PS20x127.. H53
- Fuse Bases / NH Dimension H55
- HPBB 1000V DC Size NH Open Style Fuse Blocks..... H58
- Dead Front Fuse Covers / DFC H59
- Fuse Block Accessories / DFC3M, DFC3LP & DRM H61
- Ferrule Fuse Clips / PC Board Mount Fuse Clips H62

USCC & USM UltraSafe™ Fuseholders

UltraSafe modular fuseholders for midget and class CC fuses

Mersen UltraSafe Modular Fuseholders introduce a new level of safety for Class CC (USCC) and Midget 1-1/2" x 13/32" (USM) AC and DC-rated fuses up to 30 amperes. UltraSafe holders qualify as "Finger-safe" under IEC and DIN standards to an IP20 grade of protection, including fuse changing (with the flick of a finger). UltraSafe holders are available in 1, 2, 3 or 4 poles, with or without visual blown-fuse indicators in each pole. Multi-pole units can also be field assembled by ordering pin-tie handles.

UltraSafe holders save up to 15% mounting space and any combination can be snapped onto 35mm DIN-rail for extra savings in panel building time. UltraSafe holders with Class CC fuses chosen for Type "2" No Damage protection give one of the safest protection packages in the industry. UltraSafe body material is tough and durable polyamide, with exceptional insulating properties.

Highlights:

- IP20 Finger-Safe (touch safe)
- Optional visual blown fuse Indicator lights
- DIN-rail mounting
- Compact footprint
- Quick, tool-free, easy fuse change outs

Applications:

- All circuits up to 600 volts for motors, control circuits, transformers, etc...
- DC circuits up to 1000VDC including photovoltaic applications
- Non-load disconnect

Recommended Fuse Usage:

- **USM use with:**
ATQ, ATM*, A6Y-2B, A25Z-2, TRM, OTM, A13X-2, A60Q-2, DCT*, HP6M, HP10M
- **USCC use with:**
ATDR, ATMR*, ATQR

* Recommended for DC applications

Additional Specifications:

Terminal screws: Phillips/slot head

Suggested screw torque: 14.75 in-lbs.

Wire range: #14 to 6 AWG (2.5 to 16mm²) single conductor
: #14 to 10 AWG (2.5 to 5.0 mm²) dual conductor

Wire type: 60/75/90°C solid/stranded copper

Connector type: Pressure plate

Load-break disconnect: No

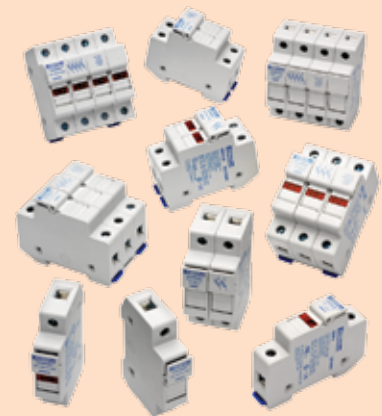
Environmental: RoHS compliant, lead free

Operating temperature: -40° to 85°C

Watts loss: 3W or less

Flammability rating: UL 94-V0

Optional Blown Fuse Indicator Lens Color: Red



Ratings:

USM (Midget 10x38mm Fuses)

Volts : 800VAC Maximum
: 1000VDC Maximum

Amps : 30A Maximum

SCCR : 200kA AC
: 100kA DC

USCC (Class CC Fuses)

Volts : 600VAC / DC Maximum

Amps : 30A Maximum

SCCR : 200kA

Min. voltage to operate indicator light: 90VAC, 115VDC [Less than 0.7 mA leakage current at 600V]

USM1IHEL minimum indicator operating voltage: 350VDC

Approvals:

- UL Listed to Standard 4248-4 (class CC) and 4248-1 (midget), File E52283
- UL Listed to standard 4248-18 (photovoltaic), File E347822
- CSA Certified C22.2
- IEC 60269-2-1 and 60947-3 Compliant (USM only)



MERSEN

USCC & USM UltraSafe™ Fuseholders

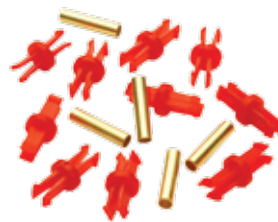
Catalog Numbers:

Fuse Type	Ampere Rating	Voltage Rating		Visual Indication	No. of Poles	Catalog Number
		AC	DC			
Class CC	30	600	600	No	1	USCC1
	30	600	600	No	2	USCC2
	30	600	600	No	3	USCC3
	30	600	600	No	4	USCC4
	30	600	600	No	3+N	USCC3N
	30	600	600	Yes	1	USCC1I
	30	600	600	Yes	2	USCC2I
	30	600	600	Yes	3	USCC3I
	30	600	600	Yes	4	USCC4I
	30	600	600	Yes	3+N	USCC3IN
	30	120	-	Yes	1	USCC1-AC120
	30	300	-	Yes	1	USCC1-AC300
	30	-	24	Yes	1	USCC1-DC24
Midget (10 x 38mm) (1-1/2" x 13/32")	30	800	1000	No	1	USM1
	30	800	1000	No	2	USM2
	30	800	1000	No	3	USM3
	30	800	1000	No	4	USM4
	30	800	1000	No	3+N	USM3N
	30	600	600	Yes	1	USM1I
	30	600	600	Yes	2	USM2I
	30	600	600	Yes	3	USM3I
	30	600	600	Yes	4	USM4I
	30	600	600	Yes	3+N	USM3IN
	30	120	-	Yes	1	USM1I-AC120
	30	-	24	Yes	1	USM1I-DC24
	Photovoltaic	32	-	1000	No	1
Midget	32	-	1000	Yes	1	USM1IHEL

IEC Ratings for USM: 690VAC / 1000VDC, 32A, 50kA SCCR
 CSA Ratings for USM: 750VAC / 1000VDC, 30A

Catalog Numbers—Accessories:

Accessories Catalog No.	Description
USN	1-Pole with Integral Neutral Link
USPTH	Pin-tie Accessory for 12-Poles



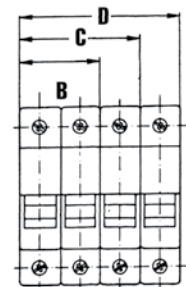
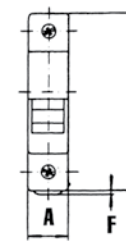
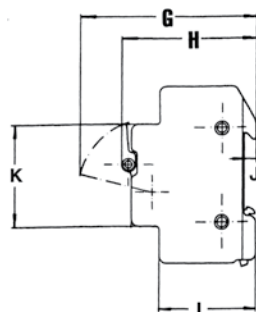
USPTH Pin-Tie Accessory



USM1 with USPTH Pin-Ties

Dimensions

Dimension	mm	In	Dimension	mm	In
A	17.5	0.69	G	78.0	3.07
B	35.0	1.38	H	59.0	2.32
C	52.5	2.07	I	42.5	1.67
D	70.0	2.76	J	5.0	0.20
E	78.0	3.07	K	45.0	1.77
F	2.5	0.10			



For the most current product performance data visit ep.mersen.com and use catalog search.

USBB UltraSafe™ Bus Bar System

Bus bar systems for use with UltraSafe class CC (USCC) and midget (USM) fuseholders.

Mersen USBB UltraSafe bus bar systems are intended for use with UltraSafe Class CC (USCC) and Midget (USM) fuseholders. The USBB delivers safe and reliable combination of circuits in a compact design. Bus bar systems reduce installation time when compared to wire solutions, offer space savings and deliver touch-safe, shock resistant solutions to panel builders and designers. 1-, 2-, and 3-phase designs available.

Highlights:

- Decrease installation time compared to wire solutions
- Save panel space with compact design and footprint
- Reduce shock hazards with touch-safe cover (included)
- Environmentally conscious, RoHS compliant and lead free
- Cuttable design offers flexibility

Applications:

- UL 508 panels
- Solar string combiner boxes
- Control panels
- Power distribution panels

Catalog Numbers

Bus Bar (1-, 2-, and 3-phase)

Catalog No.	Phase	Poles	Cross Section	Pitch	Material
USBB1PH25K4	1	4	25mm ²	17.8mm	Copper
USBB1PH25K6		6			
USBB1PH25K8		8			
USBB1PH25K12		12			
USBB2PH25K4	2	4	25mm ²	17.8mm	Copper
USBB2PH25K6		6			
USBB2PH25K8		8			
USBB2PH25K10		10			
USBB3PH25K6	3	6	25mm ²	17.8mm	Copper
USBB3PH25K9		9			
USBB3PH25K12		12			
USBB3PH25K15		15			

Feeder Terminal

Catalog No.	Wire Range	Wire Type	Torque
USBBC1	10 - 1/0 AWG	60°C Cu	50 lb-in
USBBESB1	14 - 1 AWG	75°C Cu	35 lb-in

Protective Cover

Catalog No.	Qty per Unit
USBBPC	5

End Caps

Catalog No.	Qty per Unit
USBB1PHEC	1 set*
USBB23PHEC	1 pc

* 50 pc. minimum order quantity



Ratings:

USBB Bus Bar

Volts	: 600VAC
	: 1000VDC
Amps	: 100A (End Feed)
	: 200A (Center Feed)
SCCR	: 10kA
	: 100kA (with 200A J Fuse)

USBB Feeder Terminal

Volts	: 600VAC
	: 1000VDC
Amps	: 115A Maximum
SCCR	: 10kA
	: 100kA (with 200A J Fuse)

Approvals:

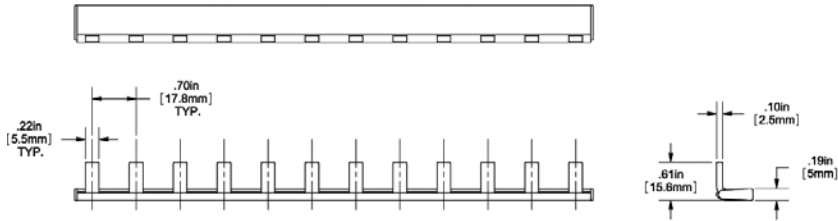
- UL Listed to Standard 508, File E348854
- IEC Compliant



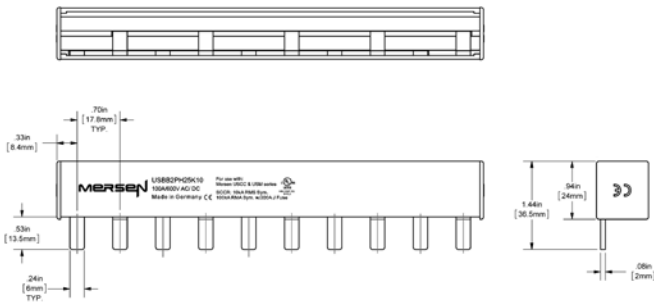
USBB UltraSafe™ Bus Bar System

Dimensions

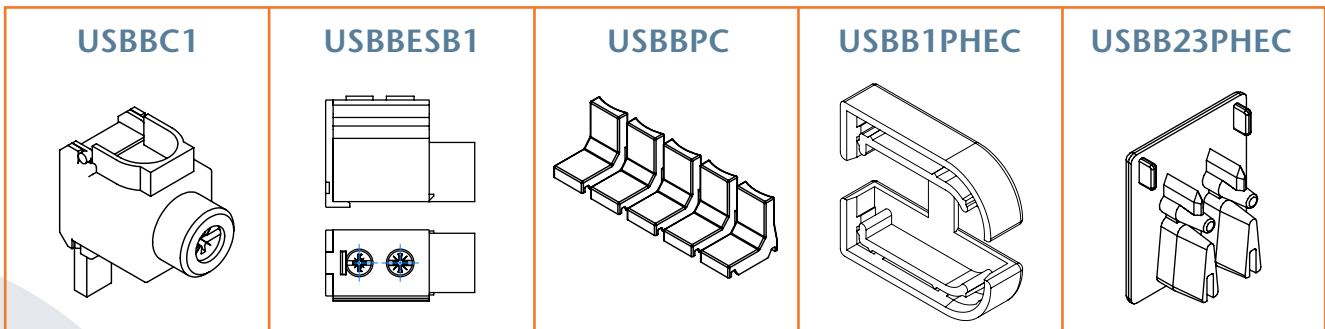
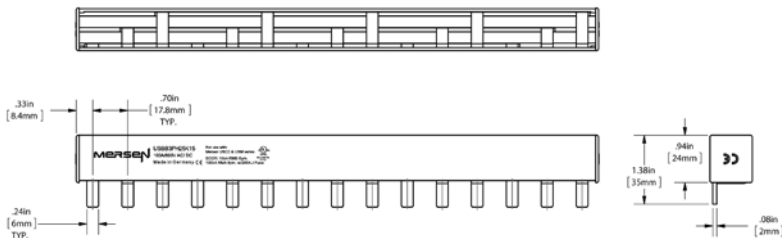
1-Phase Bus Bar – USBB1PH25K(4,6,8,12)



2-Phase Bus Bar – USBB2PH25K(4,6,8,10)



3-Phase Bus Bar – USBB3PH25K(6,9,12,15)



USGCC & USGM UltraSafe™ Fuseholders

Innovative UltraSafe class CC and midget fuseholders with screw-less, spring pressure, wire termination technology.

Mersen's new USGCC & USGM series fuseholders deliver the ultimate ease-of-use, time (labor) saving and reliable solution available in the marketplace. Mersen is the first manufacturer to offer screw-less, spring pressure, wire termination technology into a power fuseholder, delivering the best of both technologies to its customers. Now you can experience the combined benefits of safety, ease-of-use, labor savings and reliability of UltraSafe fuseholders and spring pressure technology.

Highlights:

- Equipped with industry proven, patented WAGO CAGE CLAMP® technology (over 25 years of field experience and acceptance)
- Reduce wire installation time by up to 75%
- Highly reliable, maintenance free wire contact
- Secure, vibration proof, corrosion resistant, temperature cycling resistant, cost saving wire connection
- Quick, tool-free, easy fuse change-outs
- IP20 finger-safe protection
- Option visual blown fuse indicator
- DIN-rail mounting
- Compact footprint
- Environmentally conscious, RoHS compliant and lead free

Additional Specifications:

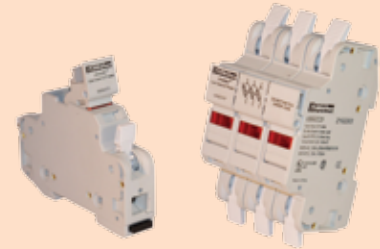
- Screw-less, spring pressure terminals: WAGO CAGE CLAMP®
- Wire Range : #14 to 6 AWG (2.5 to 16mm²) Single Conductor
: #14 to 10 AWG (2.5 to 5.0 mm²) Dual Conductor
- Wire Type : 60/75/90°C Solid/Stranded Copper
: Can be used with wire ferrules
- Wire Strip Length: 12-13 mm (0.49 in)
- Load-Break Disconnect: No
- Environmental: RoHS compliant, Lead Free
- Operating Temperature: -40 to +85°C
- Watts Loss: 3W or less
- Flammability Rating: UL 94-V0
- Optional Blown Fuse Indicator Lens Color: Red

Applications:

- All circuits up to 750VAC / 1000VDC for power control, power distribution and power electronics
- Non-load disconnect

Recommended Fuse Usage:

- **USGM** use with Midget Fuses: ATQ, ATM, TRM, OTM, A60Q-2, DCT-2
- **USGCC** use with Class CC Fuses: ATDR, ATQR, ATMR
- **USGM-HEL** use with **Photovoltaic Fuses: HP6M, HP10M**



Ratings:

USGM (Midget 10x38mm Fuses)

Volts : 750VAC maximum
: 1000VDC maximum

Amps : 30A maximum

SCCR : 200kA AC
: 100kA DC

USGCC (Class CC Fuses)

Volts : 600VAC / DC maximum

Amps : 30A maximum

SCCR : 200kA

*Min voltage to operate indicator light:
90VAC, 115VDC [Less than 0.7 mA leakage
current at 600V]*

*USGM1IHEL minimum indicator operating
voltage: 350VDC*

Approvals:

- UL Listed to Standard 4248-4 (Class CC) and 4248-1 (Midget), File E52283
- UL Listed to Standard 4248-18 (Photovoltaic), File E347822
- CSA Certified C22.2
- IEC Compliant (USGM only)



MERSEN

USGCC & USGM UltraSafe™ Fuseholders

Catalog Numbers

Fuse Type	Ampere Rating	Voltage Rating		Visual Indication	No. of Poles	Catalog Number
		AC	DC			
Class CC	30	600	600	No	1	USGCC1
	30	600	600	No	2	USGCC2
	30	600	600	No	3	USGCC3
	30	600	600	No	4	USGCC4
	30	600	600	No	3 + N	USGCC3N
	30	600	600	Yes	1	USGCC1I
	30	600	600	Yes	2	USGCC2I
	30	600	600	Yes	3	USGCC3I
	30	600	600	Yes	4	USGCC4I
	30	600	600	Yes	3 + N	USGCC3IN
	30	-	24	Yes	1	USGCC1I-DC24
Midget (10 x 38mm) (1-1/2" x 13/32")	30	750	1000	No	1	USGM1
	30	750	1000	No	2	USGM2
	30	750	1000	No	3	USGM3
	30	750	1000	No	4	USGM4
	30	750	1000	No	3 + N	USGM3N
	30	600	600	Yes	1	USGM1I
	30	600	600	Yes	2	USGM2I
	30	600	600	Yes	3	USGM3I
	30	600	600	Yes	4	USGM4I
	30	600	600	Yes	3 + N	USGM3IN
	30	-	24	Yes	1	USGM1I-DC24
Photovoltaic	32	-	1000	No	1	USGM1HEL
Midget	32	-	1000	Yes	1	USGM1IHEL

Catalog Numbers - Accessories

Catalog No.	Description
USGN	1-Pole with Integral Neutral Link
USPTH	Pin-Tie Accessory for 12-Poles
USTP	Test Plug, 2 x 500mm (0.079 x 17.7 in), Red
USWMB0	WMB Markers, blank, 10 x 10 strips
USWMB1	WMB Markers, pre-marked 1-10, x10 strips
USCMA	Continuous Marking Strip Adapter (1 needed per pole)
USCM0*	Continuous Marking Strips, blank, 10 x 10 strips
USCM1*	Continuous Marking Strips, pre-marked 1-10, x10 strips

* USCMA required for use with USCM0 and USCM1

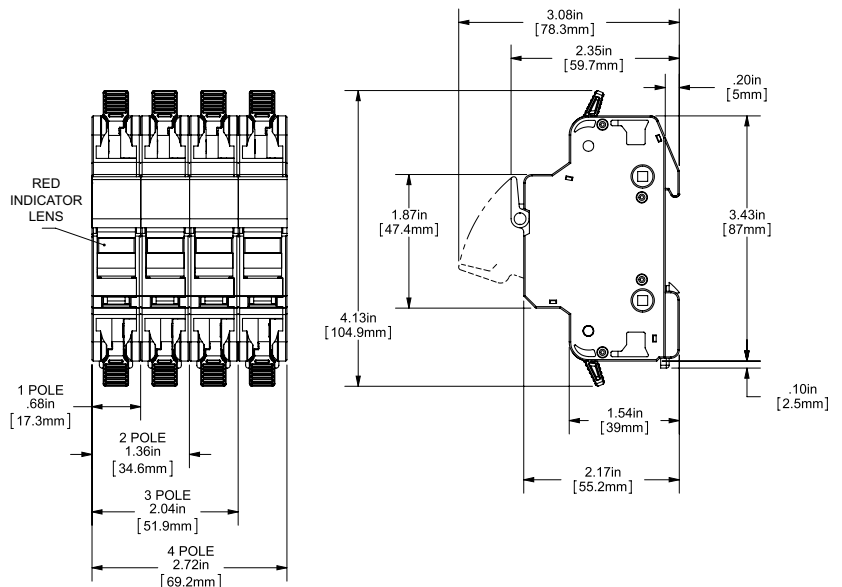


Continuous marking strip and adaptors



WMB Marker System

Dimensions



USFM UltraSafe™ Fuse Modules

UltraSafe 3-pole fuse modules for midget and class CC fuses

Mersen UltraSafe™ Fuse Modules have a unique, compact design suited for use with 45mm wide IEC contactors. These modules also offer other features not found on other Class CC and midget UltraSafe fuse holders such as an auxiliary contact option. When the auxiliary is wired to an adjacent contactor the load is dropped out by the contactor immediately once someone tries to open the fuse extractor handle. Additionally, the fuse module features padlock capabilities, compact busbars for line side terminations, and tool free removal from DIN-rail. Yet the fuse modules still incorporate well known UltraSafe features such as IP20 protection, easy operating fuse extraction handles and an open fuse visual indication option.

Highlights:

- Dedicated 3-pole fuse module
- Finger-safe
- Compact footprint with 45mm width
- Auxiliary contact option (1NO/1NC)
- Ability to padlock in OPEN position with 1/4" shank diameter
- DIN-rail mount with tool free removal
- Quick, easy fuse change
- Optional indicator lights

Recommended Fuse Usage:

- USM use with:
ATQ, ATM*, A6Y-2B, A25Z-2, TRM, OTM, A13X-2, A60Q-2, DCT*
- USCC use with:
ATDR, ATMR*, ATQR

* Recommended for DC applications

Applications:

- Primarily for motor circuits to replace circuit breakers for higher SCCR ratings
- Other circuits up to 600 volts for control circuits, transformers, etc.
- Non-load disconnect
- Padlock compliance



Ratings:

USFMCC (Class CC Fuses)

Volts : 600VAC / DC :
Amps : 30A Maximum
SCCR : 200kA

USFM10 (Midget 10x38mm Fuses)

Volts : 600VAC / DC
Amps : 30A Maximum
SCCR : 100kA

Min. voltage to operate indicator light: 90VAC, 115VDC [Less than 0.7 mA leakage current at 600V]

Approvals:

USFMCC (Class CC Fuses)

- UL Listed, guide IZLT, File E52283
- CSA Certified C22.2, class 6225 01, File 32169

USFM10 (Midget 10x38mm Fuses)

- UL Recognized Component, guide IZLT2, File E52283
- CSA Certified C22.2, Class 6225 01, File 32169
- IEC Certified 60269-1, 60947-3 (690VAC, 32A, 120kA)



MERSEN

USFM UltraSafe™ Fuse Modules

Catalog Numbers and Descriptions:

For use with Class CC Fuses

Catalog No.	Description
USFMCC	3 pole fuse module
USFMCCI	3 pole fuse module with indicators
USFMCCM	3 pole fuse module with microswitch style auxiliary contact
USFMCCMI	3 pole fuse module with microswitch style auxiliary contact and indicators



USFMAC11

For use with Midget and 10x38mm UL and IEC Fuses

Catalog No.	Description
USFM10	3 pole fuse module
USFM10I	3 pole fuse module with indicators
USFM10M	3 pole fuse module with microswitch style auxiliary contact
USFM10MI	3 pole fuse module with microswitch style auxiliary contact and indicators



USFMBB2

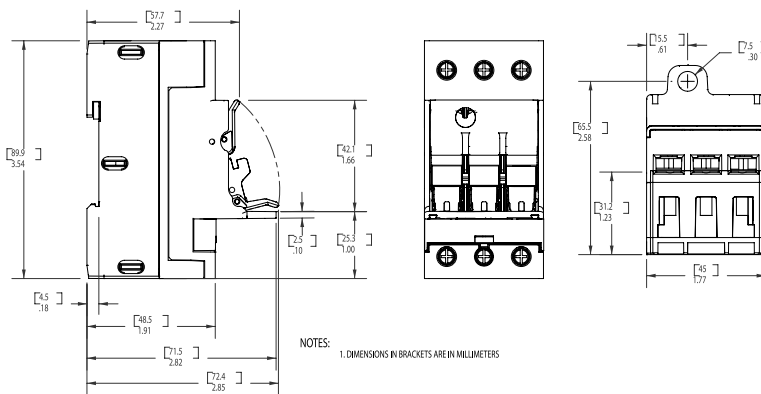
Accessories

Catalog No.	Description
USFMAC11	1NO (late make)/NC (early break) auxiliary contact
USFMBB2	Busbar to connect 2 modules together
USFMBB3	Busbar to connect 3 modules together
USFMBB4	Busbar to connect 4 modules together
USFMBB5	Busbar to connect 5 modules together
USFMBBC1	Busbar connector terminal



USFMBBC1

Dimensions



Additional specifications:

Terminal screws: Pozidriv#2

Suggested screw torque: 13 Lbs-in (1.5 N-m)

Connector type: Pressure plate

Wire range: #10 to #16 AWG (1-4 mm²)

75°C solid/stranded Cu only

Load-break disconnect: No (when auxiliary contact is installed in fuse module and properly wired to adjacent IEC contactor the load will be dropped out prior to disconnection between fuse and clip inside holder upon operation of the fuse extractor handle).

US3J & US6J UltraSafe™ Class J Fuse Holders

UltraSafe™ modular fuse holders for class J fuses

Mersen UltraSafe Modular 600 Volt Fuse Holders for Class J fuses introduce a new level of safety and ease for installing or replacing Class J fuses. UltraSafe holders qualify as “finger-safe” to an IP20 grade of protection under IEC standards. The US3J accommodates 30A Class J or 22 x 58 mm French Ferrule* fuses. The US6J is for 60A Class J fuses. UltraSafe holders are available in compact 1, 2, or 3 pole units, with or without blown-fuse indicators in each pole. Multi-pole units can also be made up in the field by using the multiple-pole Assembly Kits. All units have provisions for locking in the open position for safety during fuse changeouts or equipment servicing. US3J and US6J holders can be snap-mounted to 35 mm DIN-rail and they have a unique latch which will stay open to allow re-positioning of the holder in the future. UltraSafe body material is tough and durable polyamide.

**Holder not UL listed when installed with French Ferrule fuses.*

Highlights

- Finger-safe IP20 protection
- Optional indicator lights
- DIN-rail mount
- Compact footprint
- Quick, easy fuse change

Applications:

- 600 volt motors, transformers, lighting, heating, control circuits, general loads
- Non-load disconnect

Recommended Fuse Usage:

US3J, US6J use with AJT, A4J, HSJ



Ratings:

- Volts** : 600VAC/DC
Amps : US3J - 30A Maximum
 : US6J - 60A Maximum
SCCR : 200kA

*Min. voltage to operate indicator light:
90VAC, 115VDC [Less than 0.7 mA leakage
current at 600V]*

Approvals:

- UL Listed, guide IZLT File E52283
- CSA Certified C22.2, class 6225 01, File 32169
- IEC certified 60269-1, 60947-3



US3J & US6J UltraSafe™ Class J Fuse Holders

Catalog Numbers

Catalog No. W/O Indicator	Catalog No. W/ Indicator	Description	Fuse Type	Voltage Rating		Ampere Rating	No. of Poles	Certifications
				AC	DC			
US3J1	US3J1I	1-Pole 30A Class J UltraSafe Fuse Holder	Class J	600V	600V	30A	1	UL Listed CSA Approved IEC Certified
US3J2	US3J2I	2-Pole 30A Class J UltraSafe Fuse Holder					2	
US3J3	US3J3I	3-Pole 30A Class J UltraSafe Fuse Holder					3	
US6J1	US6J1I	1-Pole 60A Class J UltraSafe Fuse Holder				60A	1	
US6J2	US6J2I	2-Pole 60A Class J UltraSafe Fuse Holder					2	
US6J3	US6J3I	3-Pole 60A Class J UltraSafe Fuse Holder					3	

Catalog Numbers – Accessories

Accessories Catalog No.	Description
US3JN	1-Pole Neutral 30A Class J UltraSafe Fuse Holder
US3JPAK	Pin Tie Assembly Kit, 6-Poles, for use with US3J
US6JN	1-Pole Neutral 60A Class J UltraSafe Fuse Holder
US6JPAK	Pin Tie Assembly Kit, 6-Poles, for use with US6J

Additional specifications:

Terminal screws: Phillips/slot head

Suggested screw torque: 30A - 35 in.-lbs. 60A - 45 in.-lbs.

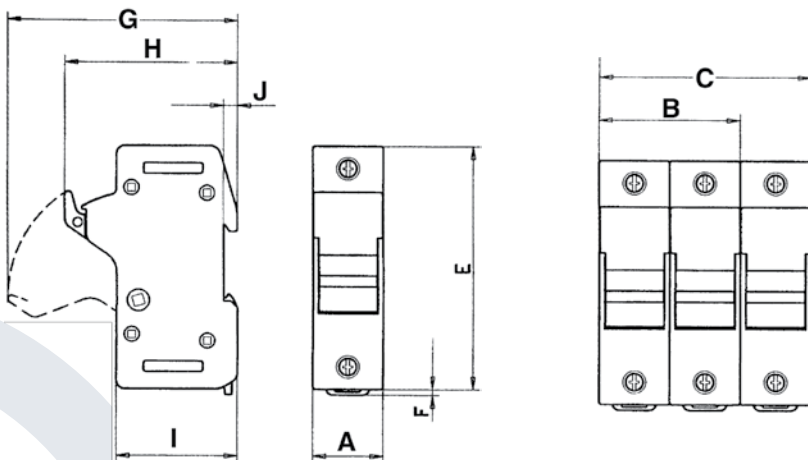
Connector type: Pressure plate

Wire range: #2 to #14 (solid/stranded Cu)

Load-break disconnect: No

Dimensions

Dimension	US3J		US6J	
	mm	In	mm	In
A	32.5	1.28	40	1.57
B	65	2.56	80	3.15
C	97.5	3.84	120	4.72
E	114	4.49	122	4.80
F	3	0.12	3	0.12
G	106	4.17	115	4.53
H	80	3.15	89	3.50
I	56	2.20	62	2.44
J	6.5	0.26	6.5	0.26



US14 & US22

750 Volt UltraSafe™ Fuse Holders

UltraSafe modular fuse holders for 14 x 51 and 22 x 58mm fuses

Mersen UltraSafe™ modular 750 volt Fuse Holders offer the highest levels of safety and features for 14 x 51 mm and 22 x 58 mm fuses. Like all UltraSafe holders, they qualify as “finger-safe” to an IP20 grade of protection under IEC standards, including fuse changing (with the flick of a finger). The US14 and US22 ranges are available in 1, 2 or 3 pole units, with or without blown-fuse indicator lights in each pole.

These holders come standard with a mechanical indicator that shows fuse presence. If a striker fuse is used, this mechanical indicator will also indicate a blown fuse. Microswitches can be supplied with the holders (or ordered separately for field installation) to allow remote communication. These holders also feature padlocking capabilities, DIN-rail mounting with our unique latching system to allow re-positioning, and the capability to be joined as multiple poles in the field.

Highlights:

- Finger-safe
- Optional indicator lights
- Optional microswitches
- DIN-rail mount
- Compact footprint
- Quick, easy fuse change

Applications:

- All circuits up to 750 volts using semiconductor fuses for protection of small inverters, UPS systems, motor drives, etc.
- No-load disconnect
- IP20 requirements

Recommended Fuse Usage:

- US14 use with 14 x 51mm: A70QS, A70P, URC, URD
- US22 use with 22 x 58 mm: A70QS, URD



Ratings:

- Volts** : 750VAC/DC
- Amps** : 50A (14 x 51 mm)
: 125A (22 x 58 mm)
- SCCR** : 200kA

Approvals:

- All UltraSafe fuse holders meet the requirements of UL4248
- UL Recognized Component guide IZLT2, File E52283
- CSA Certified C22.2, class 6225, File 32169
- IEC Compliant (60269-1, 60947-3)



US14 & US22

750 Volt UltraSafe™ Fuse Holders

Catalog Numbers and Descriptions - For use with 14 x 51 mm Fuses up to 50A

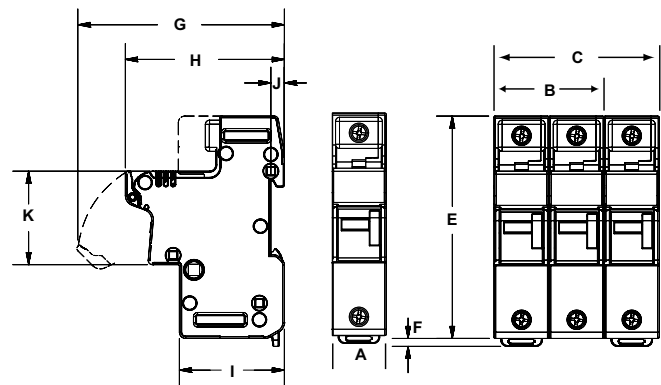
Catalog No.	Description
US141	1 Pole
US142	2 Pole
US143	3 Pole
US141I	1 Pole with Indicator
US142I	2 Pole with Indicators
US143I	3 Pole with Indicators
US141M	1 Pole with Microswitch
US142M	2 Pole with Microswitch
US143M	3 Pole with Microswitch
US143M2	3 Pole with 2 Microswitches
US141MI	1 Pole with Microswitch & Indicator
US142MI	2 Pole with Microswitch & Indicators
US143MI	3 Pole with Microswitch & Indicators
US143M2I	3 Pole with 2 Microswitches & Indicators
US141N	1 Pole - Neutral
US14PAK	Accessory - Multi-pole Assembly Kit
US14S1P	Accessory - 1 Pole Microswitch
US14S3P	Accessory - 3 Pole Microswitch
US14S3P2	Accessory - 3 Pole, 2 Microswitches

Catalog Numbers and Descriptions - For use with 22 x 58 mm Fuses up to 125A

Catalog No.	Description
US221	1 Pole
US222	2 Pole
US223	3 Pole
US221I	1 Pole with Indicator
US222I	2 Pole with Indicators
US223I	3 Pole with Indicators
US221M	1 Pole with Microswitch
US222M	2 Pole with Microswitch
US223M	3 Pole with Microswitch
US223M2	3 Pole with 2 Microswitches
US221MI	1 Pole with Microswitch & Indicator
US222MI	2 Pole with Microswitch & Indicators
US223MI	3 Pole with Microswitch & Indicators
US223M2I	3 Pole with 2 Microswitches & Indicators
US22N	1 Pole - Neutral
US22PAK	Accessory - Multi-pole Assembly Kit
US22S1P	Accessory - 1 Pole Microswitch
US22S3P	Accessory - 3 Pole Microswitch
US22S3P2	Accessory - 3 Pole, 2 Microswitches

Dimensions

Dimension	US14		US22	
	mm	In	mm	In
A	26.5	1.04	35.0	1.38
B	53.0	2.09	70.0	2.76
C	79.5	3.13	105.0	4.13
E	107.0	4.21	124.0	4.88
F	3.80	0.15	3.80	0.15
G	94.0	3.70	103.0	4.06
H	76.5	3.01	76.5	3.01
I	50.5	1.98	50.5	1.98
J	6.50	0.26	6.5	0.26
K	45.0	1.77	45.0	1.77



Additional Specifications:

Terminal screws: Phillips/slot head

Suggested screw torque: 50A - 35 lbs.-in. 125A - 45 lbs.-in.

Connector type: Pressure Plate

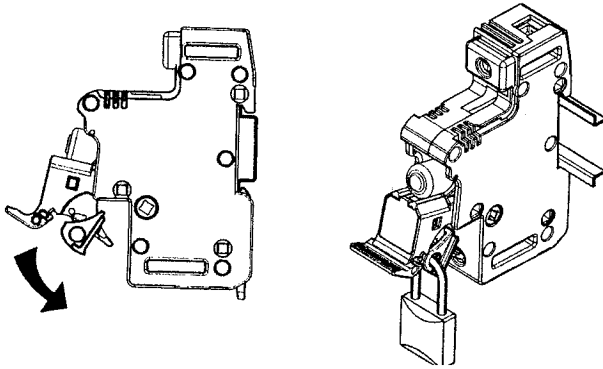
Wire range: US14 #2 to #14 (solid/stranded Cu), US22 1/0 to #14 (solid/stranded Cu)

Load-break disconnect: No

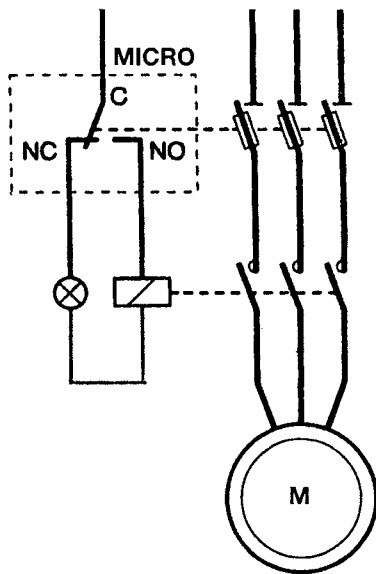
US14 & US22

750 Volt UltraSafe™ Fuse Holders

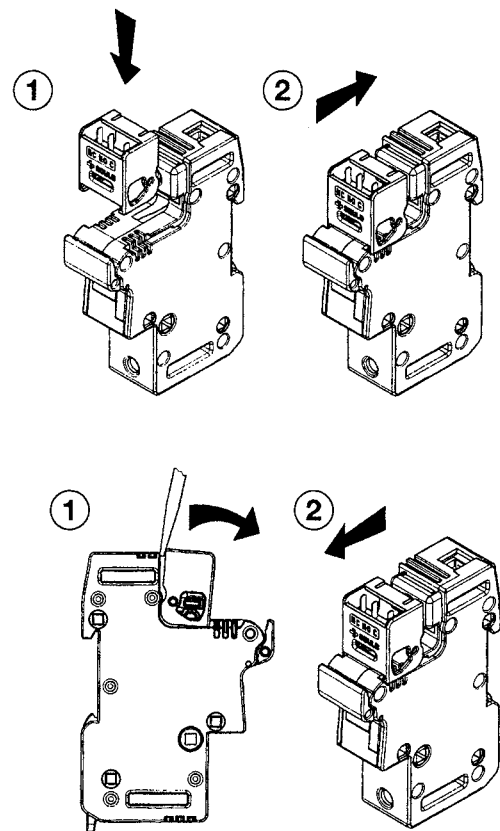
Lock installation



Microswitch mounting instructions(*)



Assembly



Auxilliary microswitch characteristics

(*) Microswitch functions

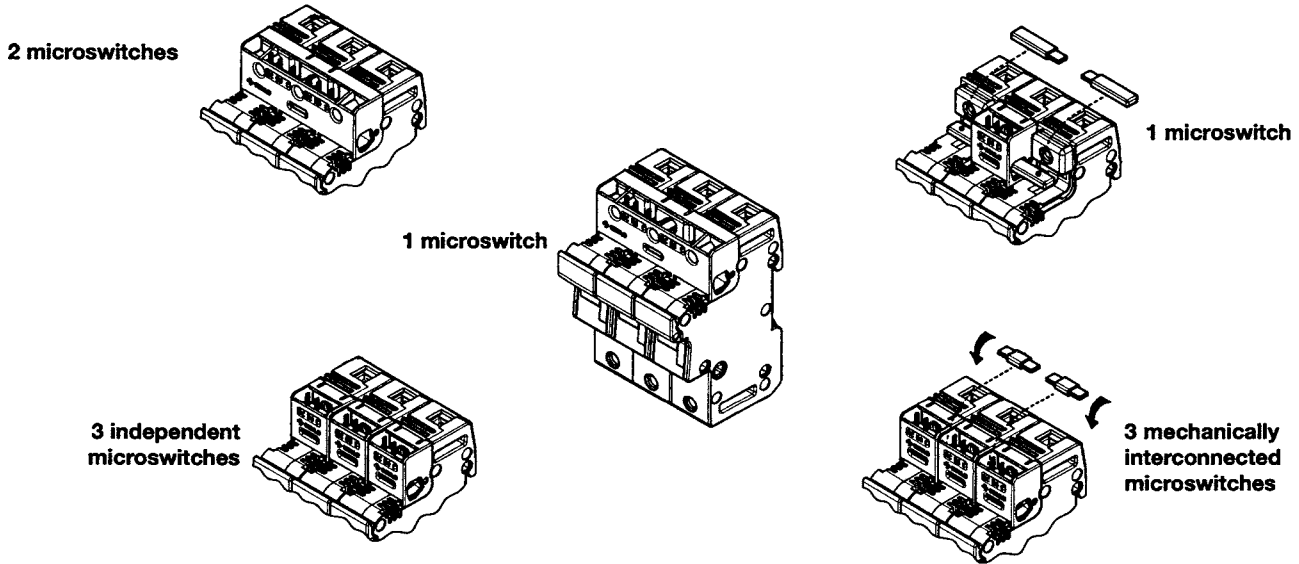
Blown fuse:	Fuse holder containing fuse with striker sends message when fuse blown	Nominal current and interrupting rating(1) at 250V	6A 3A 0,3A 0,1A	AC12 AC13 AC14 DC12/13/14
Prebreaking:	When fuse holder opens	Nominal current and interrupting rating(1) at 12 V and 24 V	6A 5A 2A 0,6A	DC12/DC13 AC13 AC14/DC13 DC14
Presence:	Sends message or not depending on fuse presence			

(1) According IEC947-5 Standard

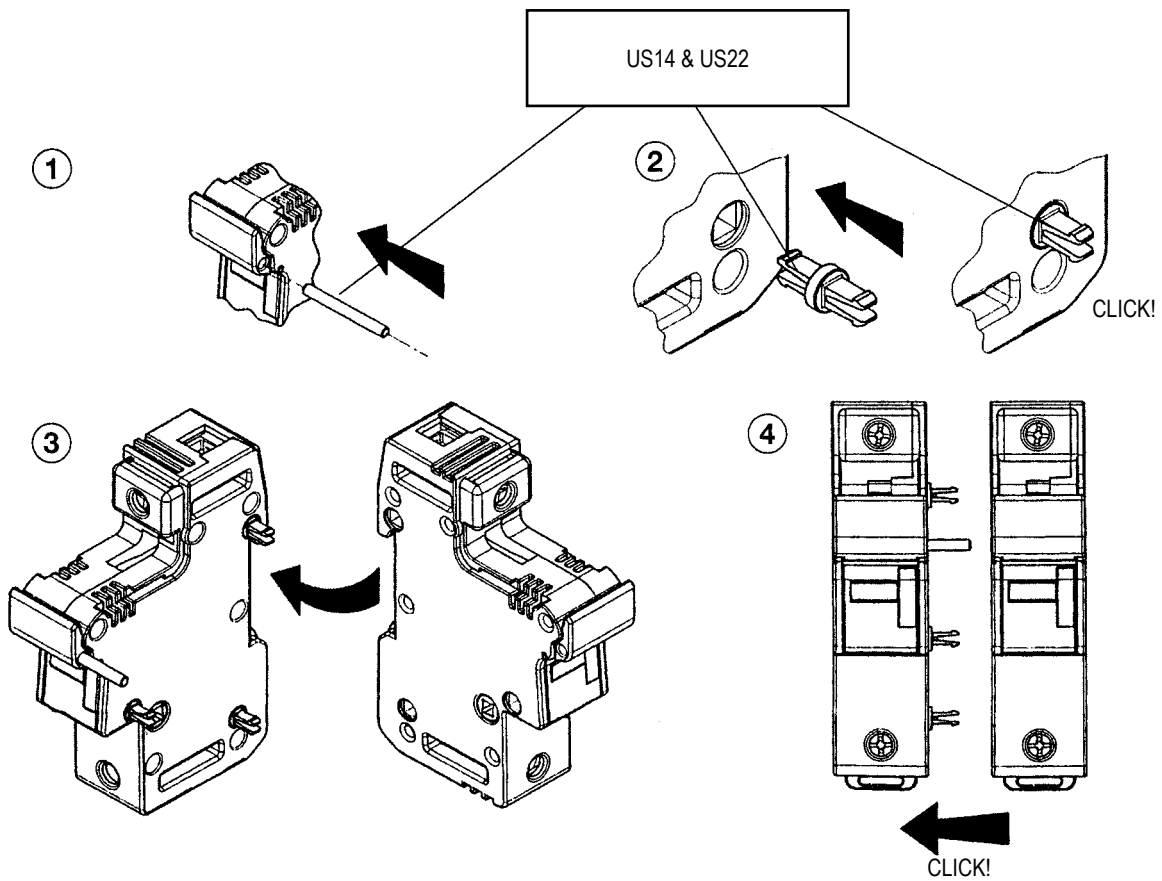
US14 & US22

750 Volt UltraSafe™ Fuse Holders

Microswitch options



Fuse holder assembly



US15M1HEL UltraSafe™ Fuse Holders for PV Applications

Touch-safe design increases user safety

Mersen UltraSafe modular fuse holders introduce the next level of safety for Photovoltaic applications for 10x85mm fuses. UltraSafe fuse holders are finger safe up to an IP20 grade of protection, and the 10x85mm features a pull out, pivoting fuse carrier.

The US15M1HEL is designed with terminals to accept standard stock busbar eliminating the need for custom combed bus bar, saving cost, time and simplifying installation. The body features industry leading UL94V0 material, providing superior flammability rating with exceptional durability.

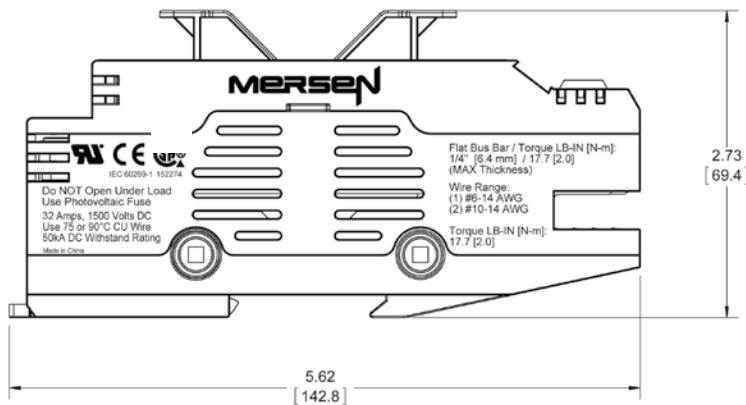
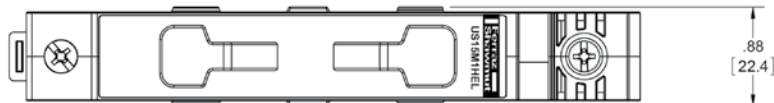
Features/Benefits:

- Bus bar termination clamp
- UL94V0 Material Flammability Rating
- Wire terminal for use with 90°C wire
- Wire range: 6-14 stranded, 10-14 solid.
Copper wire only.
- IP20 Finger Safe
- Din Rail Mounting
- Recommended fuse usage: HP15M

Applications:

- All photovoltaic applications
- Combiner box applications

Dimensions:



Ratings:

Volts : 1500VDC Maximum

Amps : 32A Maximum

SCCR : 50kA

Approvals:

- UL Recognized Component, evaluated to UL 4248-18



CLASS J 600 Volt Fuse Blocks

Mersen Class J fuse blocks accommodate all Class J fuses.


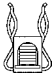












A choice of screw, pressure plate, box and special order stud connectors fit a wide range of stranded or solid copper or aluminum conductors. Insulators are either molded glass-filled polycarbonate (GFPC) or phenolic with verified dielectric strength in excess of 2500V. 30A, 60A and the new 100A SJ fuse blocks feature a unique adder block configuration which can be snapped onto 1-, 2-, or 3-pole blocks to form multi-pole segmented blocks of as many poles as desired. All fuse clips are made of high conductivity tin-plated copper, with a choice of spring-reinforced or non-spring reinforced clips. Space saving options are now available in the 30A and 100A configurations which are noted in the product selection tables.



Recommended Fuse Usage:

- Class J Blocks (600V) use with AJT, A4J, HSJ

Clip & Connector Types:

30A & 60A Clips	Connectors	Connectors	Connectors	Connectors
Spring Reinforced 	Non-spring Reinforced 30A & 60A Box 	Spring Reinforced 30A & 60A Box 	Spring Reinforced 100A Box 	Spring Reinforced 400A Box Side Clip 
Non-spring Reinforced 	Non-spring Reinforced 30A Screw 	Spring Reinforced 30A Screw 	Spring Reinforced 100A Box Side Clip 	Spring Reinforced 400A Box In-line Clip 
	Non-spring Reinforced 30A Pressure Plate 	Spring Reinforced 30A Pressure Plate 	Spring Reinforced 200A Box Side Clip 	Spring Reinforced 600A Box In-line Clip 

Ratings:

Volts : 600VAC / DC

Amps : 30A, 60A, 100A,
: 200A, 400A, 600A

SCCR : 200kA

Approvals:

- All class J fuse blocks meet the requirements of UL4248 (formerly UL512)
- UL listed Guide IZLT, File E52283
- CSA certified class 6225, File 32169



CLASS J 600 Volt Fuse Blocks

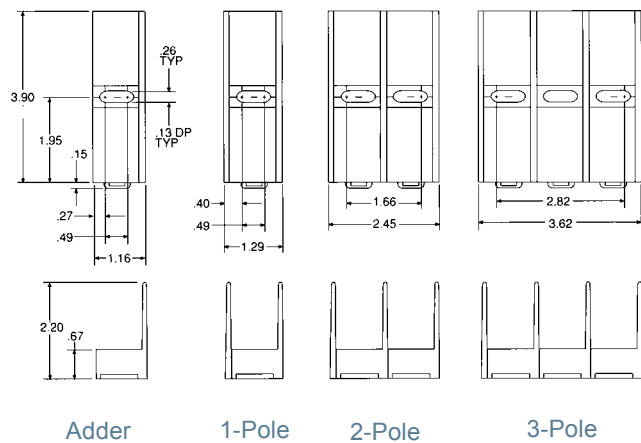
600 Volt, 30 & 60 Ampere Class J Fuse Blocks

Ampere Rating	Poles	Connectors		Catalog Number		Connector Torque In - lb
		Types	Wire Range	Non-Spring Reinforced	Spring Reinforced	
30 GFPC Insulator	ADDER	BOX	Al/Cu #2-14	60300J	60305SJ	35
	1			60301J	60306SJ	
	2			60302J	60307SJ	
	3			60303J	60308SJ	
	ADDER	SCREW	Cu* #4-14	60310J	60315SJ	20
	1			60311J	60316SJ	
	2			60312J	60317SJ	
	3			60313J	60318SJ	
	ADDER	PRESSURE PLATE	Cu* #4-14	60320J	60325SJ	20
	1			60321J	60326SJ	
	2			60322J	60327SJ	
	3			60323J	60328SJ	
	ADDER	BOX	Cu* #4-14	-	60355SJ	35
	1			-	60356SJ	
	2			-	60357SJ	
3	-			60358SJ		
60 GFPC Insulator	ADDER	BOX	Al/Cu #2-14	60600J	60605J	45
	1			60601J	60606J	
	2			60602J	60607J	
	3			60603J	60608J	
	ADDER	BOX	Cu* #4-14	-	60655J	45
	1			-	60656J	
	2			-	60657J	
3	-	60658J				

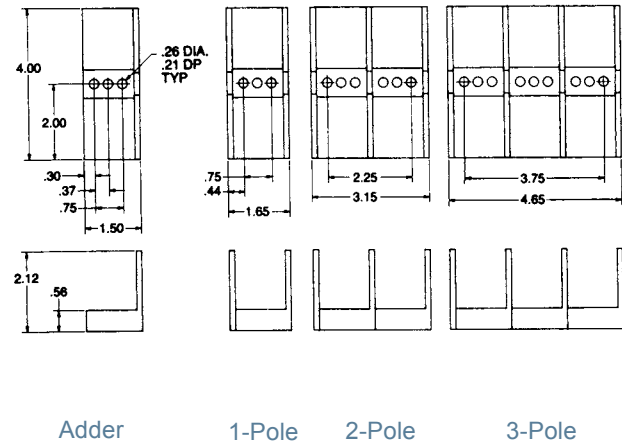
Note: To convert 30A "SJ" adder pole to single pole use end barrier cat # U09372. To convert 30A or 60A standard J adder pole to single use pole use end barrier cat # U09617. Recommended mounting screws for all 30A and 60A fuse blocks: 1/4" (0.250" dia).

*Fuses have copper box connectors and clips and are for copper wires only. These are specifically designed with the same coefficient of expansion as copper wire for improved heat cycling and meet or exceed OEM "no aluminum" specifications.

Dimensions for 30A Space Saving "SJ" Style Fuse Blocks



Dimensions for 30A and 60A Standard Class J Style Fuse Blocks

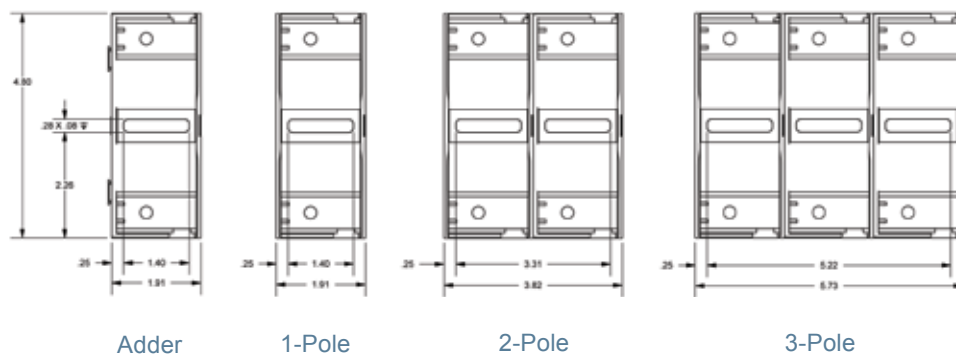


CLASS J 600 Volt Fuse Blocks

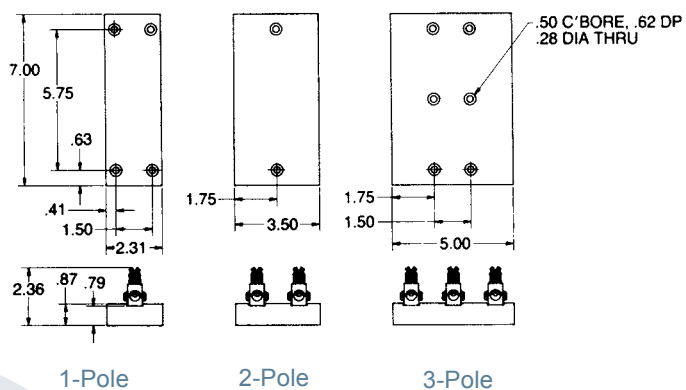
600 Volt, 100 Ampere Class J Fuse Blocks

Ampere Rating	Poles	Connectors		Catalog Number	Connector Torque In - lb
		Type	Wire Range	Spring Reinforced	
100 GFCP Insulator	Adder			61005SJ	
	1	Box	Al/Cu	61006SJ	100 (Al)
	2	Side Clip	2/0-#6	61007SJ	60 (Cu)
	3			61008SJ	
	1	Box	Al/Cu 2/0-#6	61036J	120
	2			61037J	
	3			61038J	
	1	Box	Cu* 2/0-#12	61006J	50
	2			61007J	
3	61008J				

Dimensions for 100A Space Saving "SJ" Style Fuse Blocks



Dimensions for 100A Standard Class J Style Fuse Blocks



CLASS J 600 Volt Fuse Blocks

600 Volt, 200, 400 & 600 Ampere Class J Fuse Blocks

Ampere Rating	Poles	Connector		Catalog No.	Fig.	Connector Torque In - lb
		Type	Wire Range			
200 Phenolic Insulator	1	Box	Al/Cu	62001J	1	375
	3	Side-Clip	350kcmil-#6	62003J	2	
	1	Box	Cu**	62051J	1	275
	3	Side-Clip	350kcmil-#6	62053J	2	
400 Phenolic Insulator	1	Box*	Al/Cu	64001J	3	375
	3	Side-Clip	1000-250kcmil	64003J	4	
	1	Box	Al/Cu	64031J	5	275
	3	In-Line Clip	(2) 350kcmil-#4	64033J	6	
	1	Box*	Cu**	64051J	3	375
	3	Side-Clip	1000-250kcmil	64053J	4	
1	Box	Cu**	64061J	5	275	
3	In-Line Clip	(2) 350kcmil-#6	64063J	6		
600 Phenolic Insulator	1	Box	Al/Cu	6631J	7	500
	3	In-Line Clip	(2) 500kcmil-#4	6633J	8	
	1	Box	Cu**	6661J	7	375
	3	In-Line Clip	(2) 500kcmil-#4	6663J	8	

* Not UL Listed or CSA Certified

** Fuse blocks have copper box connectors and clips and are for copper wires only. These are specifically designed with the same coefficient of expansion as copper wire for improved heat cycling and meet or exceed OEM "no aluminum" specifications.

Recommended mounting screws:
All 200A, 400A & 600A -
5/16" (.313" dia.)

Dimensions

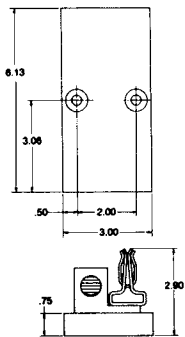


Figure 1

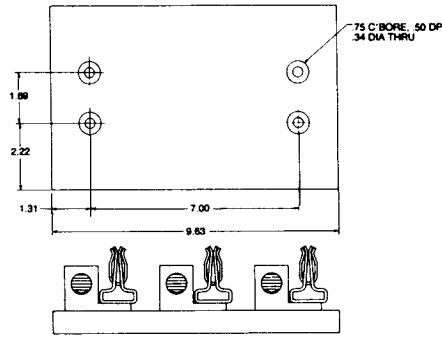


Figure 2

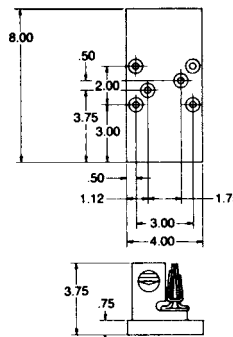


Figure 3

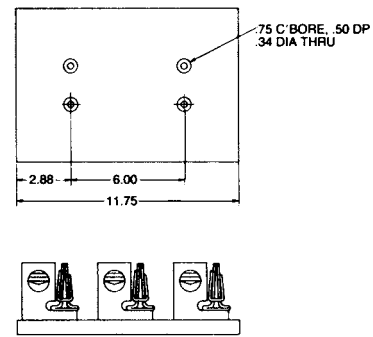


Figure 4

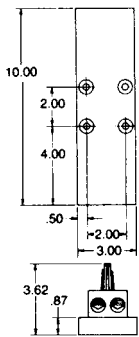


Figure 5

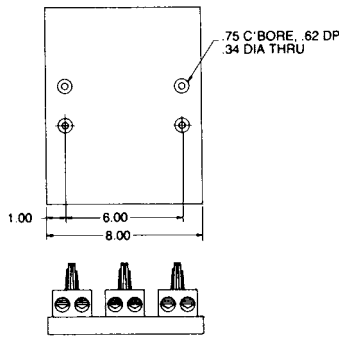


Figure 6

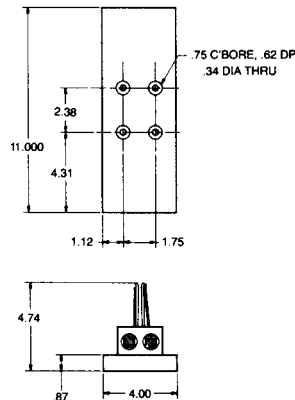


Figure 7

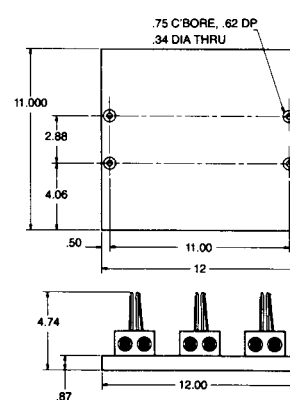


Figure 8

MIDGET & CLASS CC

600 Volt Fuse Blocks

600 Volt midget and Class CC fuse blocks

Mersen midget fuse blocks accommodate all 30 ampere 1-1/2" x 13/32" midget fuses. Class CC fuse blocks accommodate all 30 ampere Class CC fuses. A choice of box, screw, or pressure-plate connectors fit a wide range of stranded or solid copper wire. Insulators are glass-filled polycarbonate (GFPC) with verified dielectric strength in excess of 2500V. Fuse blocks feature a unique adder block which can be snapped onto 1-, 2- or 3-pole blocks to form multi-pole segmented blocks of as many poles as desired. All fuse clips are made of high conductivity tin-plated copper alloy.

Recommended Fuse Usage:

Midget Fuse Block use with ATQ, ATM, A6Y-2B, A25Z-2, TRM, OTM, A15QS-2, GFN, GGU, A60Q-2, DCT

Class CC Fuse Block use with ATDR, ATMR, ATQR

Clip & Connector Types

30A MIDGET/CC

COPPER BOX
CONNECTOR



SCREW WITH DOUBLE
QUICK-CONNECTS



PRESSURE PLATE
WITH DOUBLE QUICK-
CONNECTS



PRESSURE PLATE WITH
DOUBLE QUICK-CONNECTS
(CLASS CC REJECTION END)



Ratings:

Midget Block

Volts : 600VAC / DC

Amps : 30A Maximum

SCCR : 100kA (depending on fuse I.R.)

: 10kA (when using quick connect terminal)

Class CC Block

Volts : 600VAC / DC

Amps : 30A Maximum

SCCR : 200kA

: 10kA (when using quick connect terminal)

Temperature/flammability GFPC insulators rated 125°C, 94V-0 flammability.

Approvals:

All fuse blocks meet the requirements of UL 4248

Midget Block

- UL recognized component guide IZLT2, File E52283
- CSA certified class 6225, File 32169

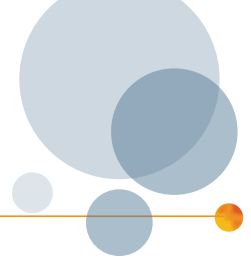
Class CC Block

- UL listed, guide IZLT, File E52283
- CSA certified class 6225, File 32169



MIDGET & CLASS CC

600 Volt Fuse Blocks



600 Volt, 30A Midget and Class CC Fuse Blocks

Type	Connector		Poles*	Catalog No.			Torque In - lb
	Wire Range	Midget		Listing	Class CC	Listing	
Screw w/ double quick connects at both ends	Cu #10-14	ADDER	30310		30310R		20
		1	30311	UL Rec.	30311R	UL	
		2	30312	&	30312R	&	
		3	30313	CSA	30313R	CSA	
Pressure plate (sems) w/ double quick connects at both ends	Cu #10-14	ADDER	30320		30320R		20
		1	30321	UL Rec.	30321R	UL	
		2	30322	&	30322R	&	
		3	30323	CSA	30323R	CSA	
Copper box	Cu #6-14	ADDER	30350		30350R		35
		1	30351	UL Rec.	30351R	UL	
		2	30352	&	30352R	&	
		3	30353	CSA	30353R	CSA	
			30354		30354R		

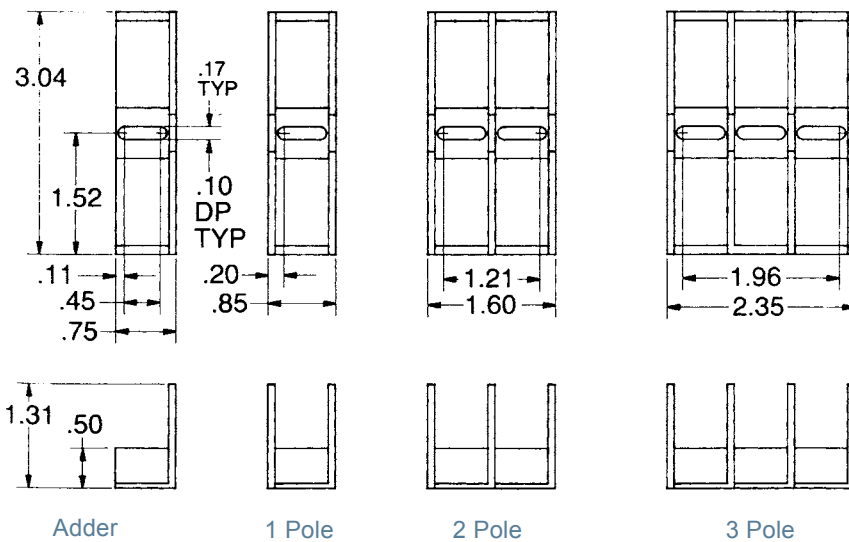
Note: To convert Midget or Class CC adder pole to single pole, use end barrier #U09301.

* Available in any number of poles. Replace last digit in Catalog Number with number of poles needed.

Example: 303112 is a 12-pole screw/double QC connector Midget Fuse Block. Total width of N poles = (N x .76) + .08 inches. 12 poles = (12 x .76") + .08" = 9.20".

Recommended mounting screws for all Midget and Class CC fuse blocks: #8 (.164" dia.)

Dimensions



CLASS H, K & R

250 & 600 Volt Fuse Blocks

250 & 600V Class H, K & R Fuse Blocks

Mersen Class H, K and R fuse blocks accommodate all Class H, K and R 250 and 600V power fuses. A choice of screw, pressure plate, box and special order stud connectors fit a wide range of stranded or solid copper or aluminum wire. Insulators are either molded glass-filled polycarbonate (GFPC) or phenolic with verified dielectric strength in excess of 2500V. 30, 60 and 100A fuse blocks feature a unique adder block which can be snapped onto 1-, 2- or 3-pole blocks to form multi-pole segmented blocks of as many poles as desired. All fuse clips are made of high conductivity tin-plated copper, with a choice of spring reinforced or non-spring reinforced clips in 30A and 60A. Clips 100A and above are spring reinforced.

Recommended Fuse Usage:

Class R Blocks (250V) use with A2D-R, A2K-R, TR-R

Class R Blocks (600V) use with A6D-R, A6K-R, TRS-R

Class H & K Blocks (250V) use with OT, RF, A2Y types 1 & 3 OTN, CRN, NRN

Class H & K Blocks (600V) use with OTS, RFS, A6Y types 1 & 3 CRS, NRS

Clip & Connector Types

30A & 60A Clips	Connectors	Connectors
Spring Reinforced Class R 	Non-Spring Reinforced 30A & 60A Box 	Spring Reinforced 30A & 60A Box 
Class H & K 	Non-Spring 30A Screw 	Spring 30A Screw (R) 
Non-Spring Reinforced 	Non-Spring 30A Pressure Plate 	Spring 30A Screw 
		Spring Reinforced 30A Pressure Plate 
Connectors		
Spring Reinforced 100A Box 	Spring Reinforced 400A Box In-Line Clip 	
Spring 200A Box Side Clip 	Spring 400A Box Side Clip 	



Ratings:

Volts : 250VAC / DC

: 600VAC / DC

Amps : 30A, 60A, 100A, 200A,
400A, 600A

SCCR: : 10kA with class H fuses
: 50kA with class K fuses
: 200kA with class R fuses

Approvals:

- All fuse blocks meet the requirements of UL 4248
- UL listed, guide IZLT, File E52283
- UL recognized component guide IZLT2, file E52283
- CSA certified class 6225, File 32169



CLASS H, K & R 250 & 600 Volt Fuse Blocks

250 Volt, 30 & 60 Ampere Class H, K and R Fuse Blocks

Ampere Rating	Poles	Connector		Catalog No.			Fig.	Connector Torque In - lb
		Type	Wire Range	Class H & K Non-Spring Reinforced	Class H K Spring enforced	Class R Spring Reinforced		
30 GFPC Insulator	ADDER	BOX	Al/Cu #2-14	20300	20305	20305R	1	35
	1			20301*	20306*	20306R*	2	
	2			20302	20307	20307R	3	
	3			20303	20308	20308R	4	
	ADDER	SCREW	Cu #10-14	20310	20315	20315R	1	20
	1			20311*	20316*	20316R*	2	
	2			20312	20317	20317R	3	
	3			20313	20318	20318R	4	
	ADDER	PRESSURE PLATE	Cu #10-14	20320	20325	20325R	1	20
	1			20321*	20326*	20326R*	2	
	2			20322	20327	20327R	3	
	3			20323	20328	20328R	4	
ADDER	BOX	Cu** #4-14	-	20355	20355R	1	35	
1			-	20356*	20356R*	2		
2			-	20357	20357R	3		
3			-	20358	20358R	4		
60 GFPC Insulator	ADDER	BOX	Al/Cu #2-14	20600	20605	20605R	5	45
	1			20601	20606	20606R	6	
	2			20602	20607	20607R	7	
	3			20603	20608	20608R	8	
	ADDER	BOX	Cu** #4-14	-	20655	20655R	5	45
	1			-	20656	20656R	6	
	2			-	20657	20657R	7	
	3			-	20658	20658R	8	

Note: To convert 30A adder pole to single pole, use end barrier #U09322. To convert 60A adder pole to single pole, use end barrier #U09365.

* 1-pole, 30A block does not accept adder pole.

** Fuse blocks have copper box connectors and clips and are for copper wires only. These are specifically designed with the same coefficient of expansion as copper wire for improved heat cycling and meet or exceed OEM "no aluminum" specifications.

Recommended mounting screws for all 30A and 60A fuse blocks: #10 (.190" dia.)

Dimensions

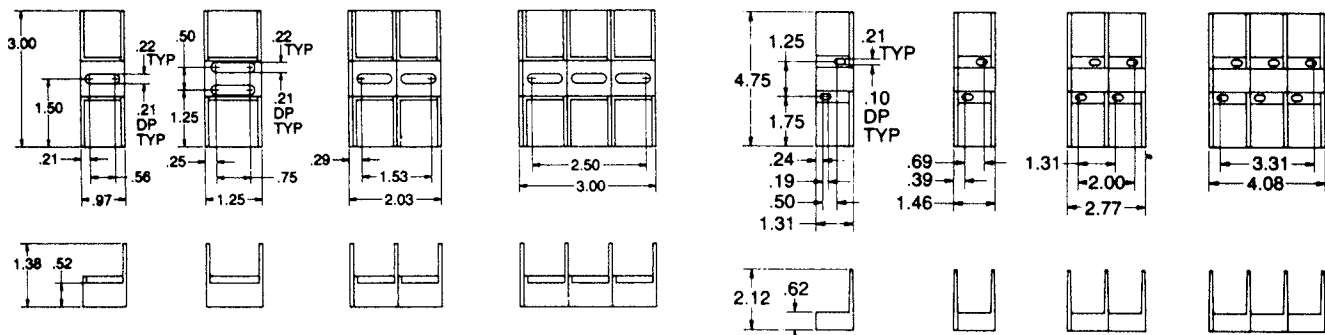


Figure 1

Figure 2

Figure 3

Figure 4

Figure 5

Figure 6

Figure 7

Figure 8

CLASS H, K & R 250 & 600 Volt Fuse Blocks

250 Volt, 100 & 200 Ampere Class H, K and R Fuse Blocks

Ampere Rating	Poles	Connector		Catalog No.		Fig.	Connector Torque In - lb	
		Type	Wire Range	Class H & K Spring Reinforced	Class R Spring Reinforced			
100 GFPC Insulator	ADDER	Box	Al/Cu 2/0-#6	21035	21035R	1	120	
	1			21036	21036R	2		
	2			21037	21037R	3		
	3			21038	21038R	4		
	ADDER	Box	Cu* 2/0-#12	21005	21005R	1	50	
	1			21006	21006R	2		
	2			21007	21007R	3		
	3			21008	21008R	4		
	200 Phenolic Insulator	1	Box Side-Clip	AL/Cu	22001	22001R	5	375
		3	Clip	350kcmil-#6	22003	22003R	6	
1		Box Side-Clip	Cu*	22051	22051R	5	275	
3		Clip	350kcmil-#6	22053	22053R	6		

Note: To convert 100A adder pole to single pole, use end barrier #U09363.

*Fuse blocks have copper box connectors and clips and are for copper wires only. These are specifically designed with the same coefficient of expansion as copper wire for improved heat cycling and meet or exceed OEM "no aluminum" specifications.

Recommended mounting screws:

- All 100A-1/4" (.250" dia.)
- 200A, 1-pole - #10 (.190" dia.)
- 200A, 3-pole - 5/16" (.313" dia.)

Dimensions

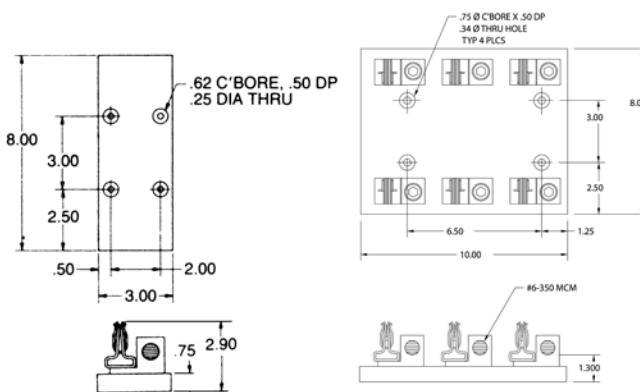
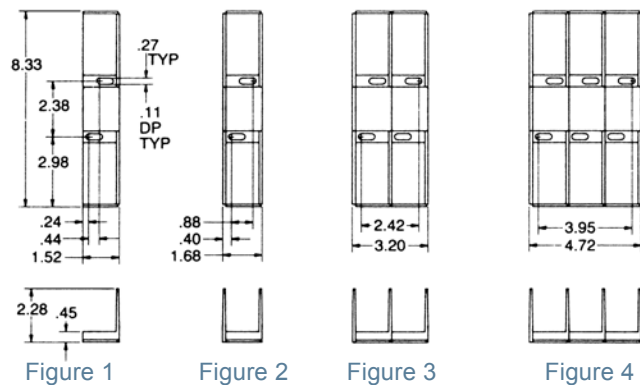


Figure 5

Figure 6

For the most current product performance data visit ep.mersen.com and use catalog search.

CLASS H, K & R 250 & 600 Volt Fuse Blocks

250 Volt, 400 & 600 Ampere Class H, K and R Fuse Blocks

Ampere Rating	Poles	Connector		Catalog No.		Fig.	Connector Torque In - lb
		Type	Wire Range	Class H & K Spring Reinforced	Class R Spring Reinforced		
400 Phenolic Insulator	1	Box*	Al/Cu	24001	24001R	1	375
	3	Side-Clip	1000-250kcmil	24003	24003R	2	
	1	Box*	Cu**	24051	24051R	1	375
	3	Side-Clip	1000-250kcmil	24053	24053R	2	
	1	Box	Al/Cu	24031	24031R	3	275
	3	In-Line Clip	(2) 350kcmil-#4	24033	24033R	4	
1	Box	Al/Cu	24061	24061R	3	275	
3	In-Line Clip	(2) 350kcmil-#6	24033	24033R	4		
600 Phenolic Insulator	1	Box	Al/Cu	2631	2631R	5	500
	3	In-Line Clip	(2) 500kcmil-#4	2633	2633R	6	
	1	Box	Cu**	2661	2661R	5	375
	3	In-Line Clip	(2) 500kcmil-#4	2663	2663R	6	

*Not UL Listed or CSA Certified

**Fuse blocks have copper box connectors and clips and are for copper wires only. These are specifically designed with the same coefficient of expansion as copper wire for improved heat cycling and meet or exceed OEM "no aluminum" specifications.

Recommended mounting screws for all 400A and 600A fuse blocks: 5/16 (.313" dia.)

Dimensions

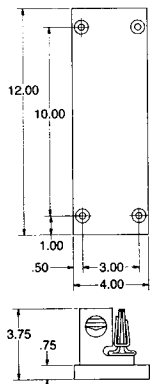


Figure 1

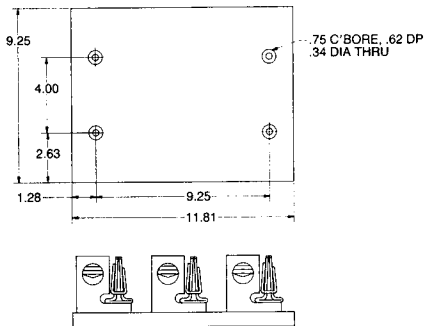


Figure 2

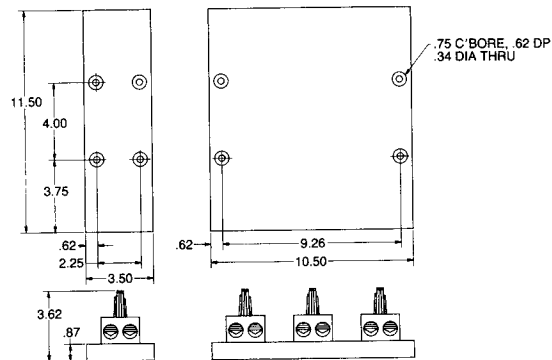


Figure 3

Figure 4

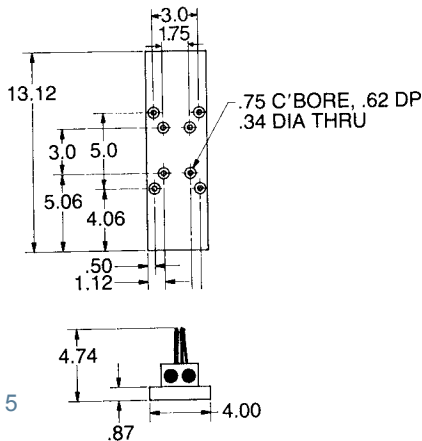


Figure 5

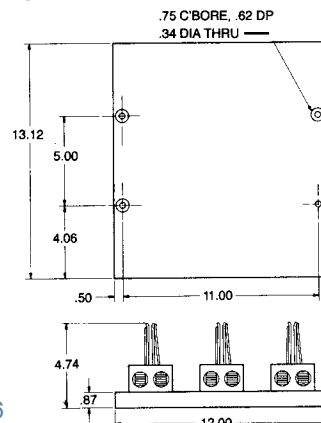


Figure 6

CLASS H, K & R 250 & 600 Volt Fuse Blocks

600 Volt, 30 & 60 Ampere Class H, K and R Fuse Blocks

Ampere Rating	Poles	Connector		Catalog No.			Fig.	Connector Torque In - lb
		Type	Wire Range	Class H & K Non-Spring Reinforced	Class H & K Spring Reinforced	Class R Spring Reinforced		
30 GFPC Insulator	ADDER	Box	Al/Cu #2-14	60300	60305	60305R	1	35
	1			60301	60306	60306R	2	
	2			60302	60307	60307R	3	
	3			60303	60308	60308R	4	
	ADDER	Screw	Cu #10-14	60310	60315	60315R	1	20
	1			60311	60316	60316R	2	
	2			60312	60317	60317R	3	
	3			60313	60318	60318R	4	
	ADDER	Pressure Plate	Cu #10-14	60320	60325	60325R	1	20
	1			60321	60326	60326R	2	
	2			60322	60327	60327R	3	
	3			60323	60328	60328R	4	
ADDER	Box	Cu* #4-14	-	60355	60355R	1	35	
1			-	60356	60356R	2		
2			-	60357	60357R	3		
3			-	60358	60358R	4		
60 GFPC Insulator	ADDER	Box	Al/Cu #2-14	60600	60605	60605R	1	45
	1			60601	60606	60606R	2	
	2			60602	60607	60607R	3	
	3			60603	60608	60608R	4	
	ADDER	Box	Cu* #4-14	-	60655	60655R	1	45
	1			-	60656	60656R	2	
2	-			60657	60657R	3		
3	-	60658	60658R	4				

Note: To convert 30A or 60A adder pole to single pole, use end barrier #U09361.

* Fuse blocks have copper box connectors and clips and are for copper wires only. These are specifically designed with the same coefficient of expansion as copper wire for improved heat cycling and meet or exceed OEM "no aluminum" specifications.

Recommended mounting screws for all 30A and 60A fuse blocks: 1/4" (.250" dia.)

Dimensions

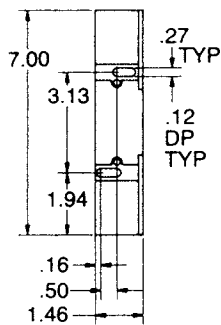


Figure 1

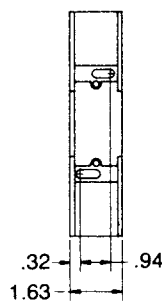


Figure 2

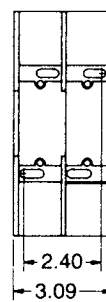


Figure 3

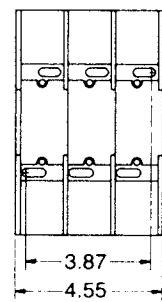
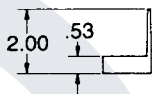


Figure 4



CLASS H, K & R 250 & 600 Volt Fuse Blocks

600 Volt, 100 & 200 Ampere Class H, K and R Fuse Blocks

Ampere Rating	Poles	Connector		Catalog No.		Fig.	Connector Torque In - lb
		Type	Wire Range	Class H & K Spring Reinforced	Class R Spring Reinforced		
100 Insulator	ADDER 1 3	Box	Al/Cu 2/0-#6	61035	61035R	1	120
				61036	61036R	2	
				61038	61038R	3	
	ADDER 1 3	Box	Cu* 2/0-#12	61005	61005R	1	50
				61006	61006R	2	
				61008	61008R	3	
200 Insulator	1 3	Box Side-Clip	Al/Cu 350kcmil-#6	62001	62001R	4	375
				62003	62003R	5	
	1 3	Box Side-Clip	Cu* 350kcmil-#6	62051	62051R	4	275
				62053	62053R	5	

* Fuse blocks have copper box connectors and clips and are for copper wires only. These are specifically designed with the same coefficient of expansion as copper wire for improved heat cycling and meet or exceed OEM "no aluminum" specifications.

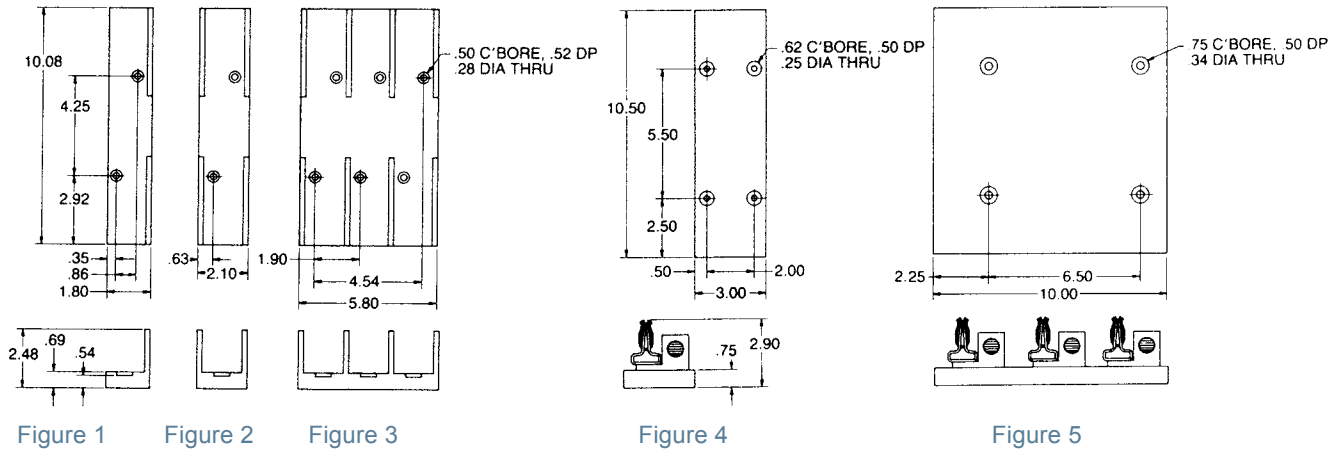
Recommended mounting screws:

All 100A-1/4" (.250" dia.)

200A, 1-pole - #10 (.190" dia.)

200A, 3-pole - 5/16" (.313" dia.)

Dimensions



CLASS H, K & R 250 & 600 Volt Fuse Blocks

600 Volt, 400 & 600 Ampere Class H, K and R Fuse Blocks

Ampere Rating	Poles	Connector		Catalog No.		Fig.	Connector Torque In - lb
		Type	Wire Range	Class H & K Spring Reinforced	Class R Spring Reinforced		
400 Phenolic Insulator	1	Box*	Al/Cu	64001	64001R	1	375
	3	Side-Clip	1000-250kcmil	64003	64003R	2	
	1	Box*	Cu**	64051	64051R	1	375
	3	Side-Clip	1000-250kcmil	64053	64053R	2	
	1	Box	Al/Cu	64031	64031R	3	275
	3	In-Line Clip	(2) 350kcmil-#4	64033	64033R	4	
600 Phenolic Insulator	1	Box	Al/Cu	6631	6631R	5	500
	3	In-Line Clip	(2) 500kcmil-#4	6633	6633R	6	
	1	Box	Cu**	6661	6661R	5	375
	3	In-Line Clip	(2) 500kcmil-#4	6663	6663R	6	

*Not UL Listed or CSA Certified

**Fuse blocks have copper box connectors and clips and are for copper wires only. These are specifically designed with the same coefficient of expansion as copper wire for improved heat cycling and meet or exceed OEM "no aluminum" specifications.

Recommended mounting screws for all 400A and 600A fuse blocks: 5/16 (.313" dia.)

Dimensions

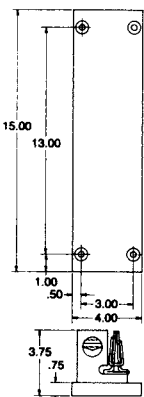


Figure 1

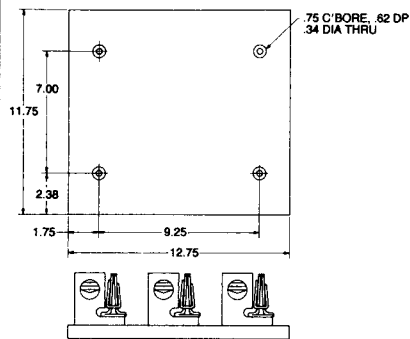


Figure 2

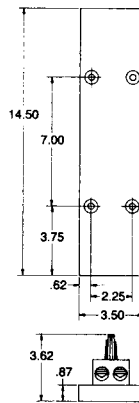


Figure 3

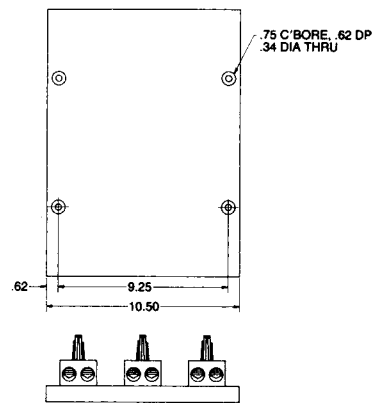


Figure 4

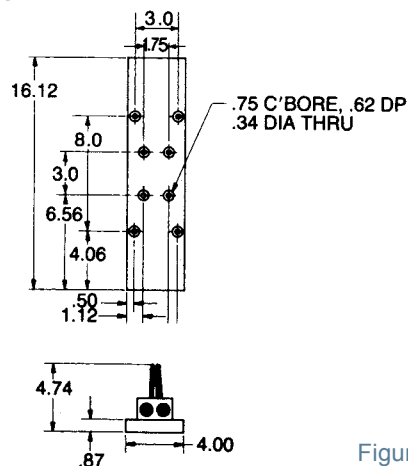


Figure 5

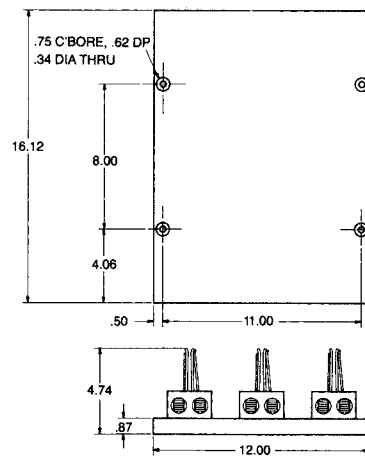


Figure 6

CLASS T 300 & 600 Volt Fuse Blocks

300 & 600V Class T Fuse Blocks

Mersen Class T fuse blocks accommodate Class T fuses up to 600A. Insulators are either durable, glass-filled polycarbonate (GFPC) or phenolic with verified dielectric strength in excess of 2500V. Mersen is the only manufacturer to offer Class T blocks with copper connectors.

Features/Benefits:




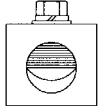

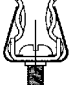

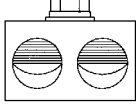
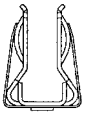

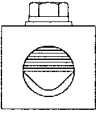
- Unique integral DIN-rail adapters for 600V, 30 & 60A blocks
- Full barrier design (30 & 60A) increases pole to pole safety
- Unique adder-block design (30 & 60A) for design flexibility
- Spring reinforcing standard for all 30 & 60A clips
- Features high conductivity copper alloy fuse clips
- Cool running high amperage (100 - 600A) connectors
- Copper connectors available 30 - 600A

Recommended Fuse Usage:

Class T Blocks (300V) use with A3T

Class T Blocks (600V) use with A6T

Clip & Connector Types

Spring Reinforced 30A & 60A Clips	Connectors for Spring Reinforced 30A & 60A Clips	Connectors	Connectors
300V - 30A 600V - 30A 	30A - 60A Box 	100A Box Side Clip 	400A Box 
300V - 60A 	30A - 60A Screw 	100A Box 	600A Box 
600V - 60A 	30A - 60A Pressure Plate 	200A Box 	



Ratings:

Volts : 300VAC / DC

: 600VAC / DC

Amps : 30A, 60A, 100A, 200A,
400A, 600A

SCCR : 200kA

Approvals:

- All fuse blocks meet the requirements of UL 4248
- UL listed, guide IZLT, File E52283
- UL recognized component guide IZLT2, file E52283
- CSA certified class 6225, File 32169



CLASS T 300 & 600 Volt Fuse Blocks

300 Volt, 30 & 60 Ampere Class T Fuse Blocks

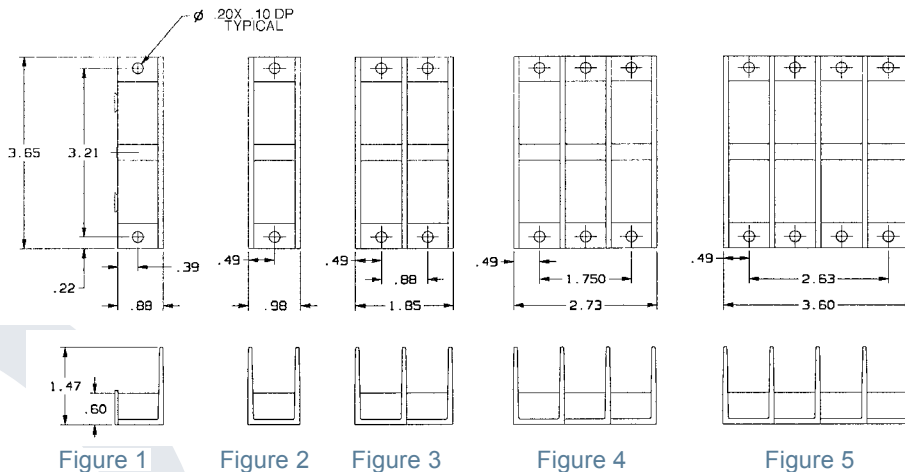
Ampere Rating	Poles	Connector		Catalog No.	Fig.	Connector Torque In - lb
		Type	Wire Range			
30 GFPC Insulator	ADDER	Box	Al/Cu #2-14	30305T	1	35
	1			30306T	2	
	2			30307T	3	
	3			30308T	4	
	4			30309T	5	
	ADDER	Screw	Cu #10-14	30315T	1	20
	1			30316T	2	
	2			30317T	3	
	3			30318T	4	
	4			30319T	5	
	ADDER	Pressure Plate	Cu #10-14	30325T	1	20
	1			30326T	2	
	2			30327T	3	
	3			30328T	4	
	4			30329T	5	
	ADDER	Box	Cu* #4-14	30355T	1	35
	1			30356T	2	
	2			30357T	3	
	3			30358T	4	
	4			30359T	5	
ADDER	Screw	Cu #10-14	30615T**	1	20	
1			30616T**	2		
2			30617T**	3		
3			30618T**	4		
4			30619T**	5		
60 GFPC Insulator	ADDER	Box	Al/Cu #2-14	30605T	1	45
	1			30606T	2	
	2			30607T	3	
	3			30608T	4	
	4			30609T	5	
	ADDER	Box	Cu* #4-14	30655T	1	45
	1			30656T	2	
	2			30657T	3	
	3			30658T	4	
	4			30659T	5	

*Fuse blocks have copper box connectors and clips and are for copper wires only. These are specifically designed with the same coefficient of expansion as copper wire for improved heat cycling and meet or exceed OEM "no aluminum" specifications.

** UL Component Recognized

Recommended base mounting screws: #10 (.190" dia.)

Dimensions



CLASS T 300 & 600 Volt Fuse Blocks

300 Volt, 100, 200, 400 & 600 Ampere Class T Fuse Blocks

Ampere Rating	Poles	Connector		Catalog No.	Fig.	Connector Torque In - lb	
		Type	Wire Range			Connector	Fuse Bolt
100 Phenolic Insulator	1	Box	Cu*	31001T	1	50	72
	2		2/0-#12	31002T	2		
	3			31003T	3		
200 Phenolic Insulator	1	Box	Al/Cu	32031T	4	275	132
	3		350 kcmil-#6	32033T	5		
	1		Cu*	32051T	4		
400 Phenolic Insulator	3	Box	350 kcmil-#6	32053T	5	600	228
	1		Al/Cu	34031T	6		
	3		600 kcmil-#2	34033T	7		
600 Phenolic Insulator	1	Box	Cu*	34051T	6	375	228
	3		600 kcmil-#2	34053T	7		
	1		Al/Cu	36031T	8		
1	Box	Cu*	36051T	8			
			(2) 600 kcmil-#2				
			Cu*				
			(2) 600 kcmil-#2				

† Note: Height includes nominal fuse blade thickness

Recommended base mounting screws:

100A & 200A, #10 (.190" dia.)

400A & 600A, 1/4" (.250" dia.)

Note: * Fuse blocks have copper box connectors and are for copper wires only. These are specifically designed with the same coefficient of expansion as copper wire for improved heat cycling and meet or exceed OEM "no aluminum" specifications.

Dimensions

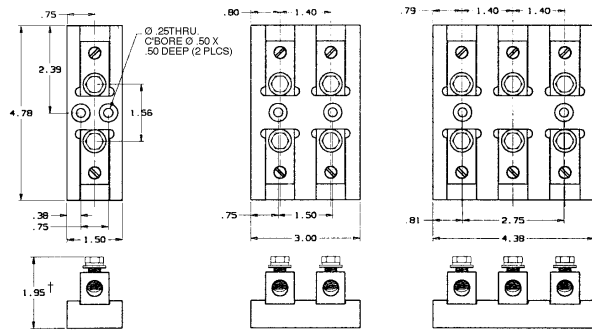


Figure 1

Figure 2

Figure 3

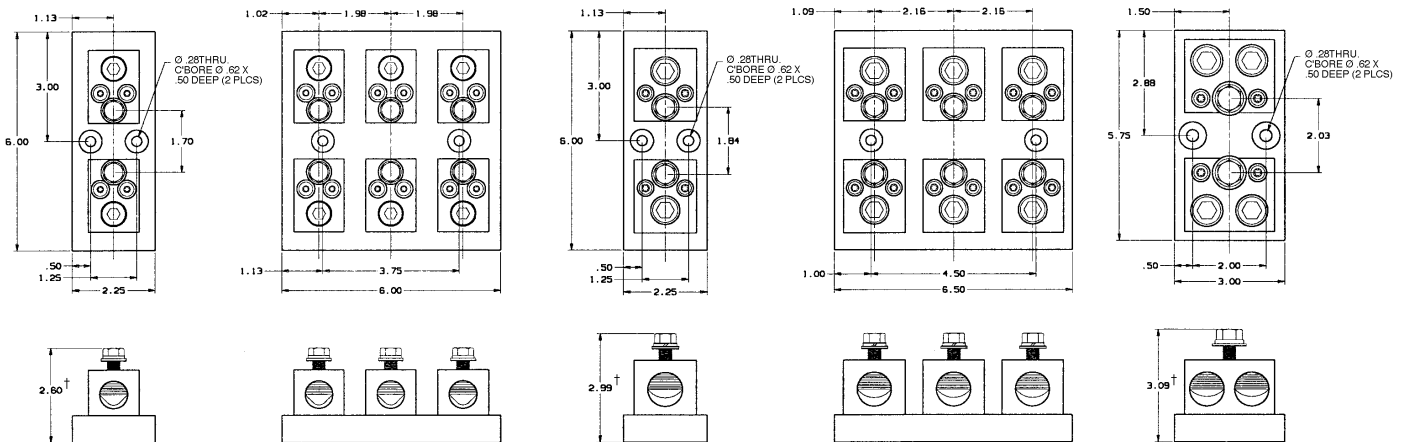


Figure 4

Figure 5

Figure 6

Figure 7

Figure 8

CLASS T 300 & 600 Volt Fuse Blocks

600 Volt, 30 & 60 Ampere Class T Fuse Blocks

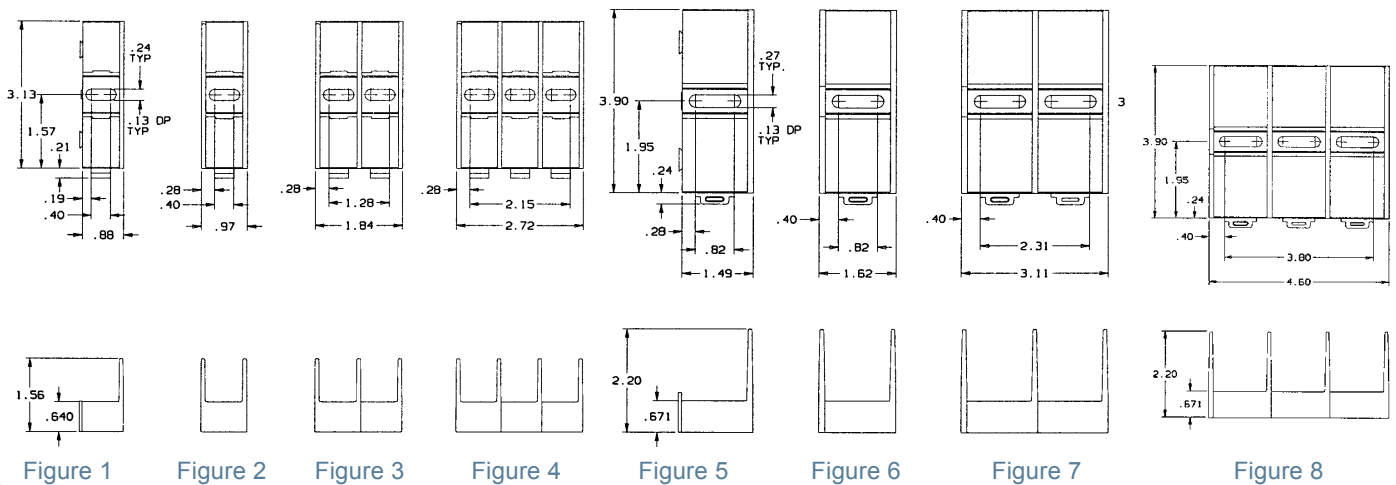
Ampere Rating	Poles	Connector		Catalog No.	Fig.	Connector Torque In - lb
		Type	Wire Range			
30 GFPC Insulator	ADDER	Box	Al/Cu #2-14	60305T	1	35
	1			60306T	2	
	2			60307T	3	
	3			60308T	4	
	ADDER	Screw	Cu #10-14	60315T	1	20
	1			60316T	2	
	2			60317T	3	
	3			60318T	4	
	ADDER	Pressure Plate	Cu #10-14	60325T	1	20
	1			60326T	2	
	2			60327T	3	
	3			60328T	4	
ADDER	Box	Cu* #4-14	60355T	1	35	
1			60356T	2		
2			60357T	3		
3			60358T	4		
60 GFPC Insulator	ADDER	Screw	Cu #10-14	60615T**	5	20
	1			60616T**	6	
	2			60617T**	7	
	3			60618T**	8	
	ADDER	Box	Al/Cu #2-14	60605T	5	45
	1			60606T	6	
	2			60607T	7	
	3			60608T	8	
	ADDER	Box	Cu* #4-14	60655T	5	45
	1			60656T	6	
	2			60657T	7	
	3			60658T	8	

*Fuse blocks have copper box connectors and clips and are for copper wires only. These are specifically designed with the same coefficient of expansion as copper wire for improved heat cycling and meet or exceed OEM "no aluminum" specifications.

** UL Component Recognized

Recommended mounting screws:
30A, #10 (.190" dia.)
60A, 1/4 " (.250" dia.)

Dimensions



CLASS T 300 & 600 Volt Fuse Blocks

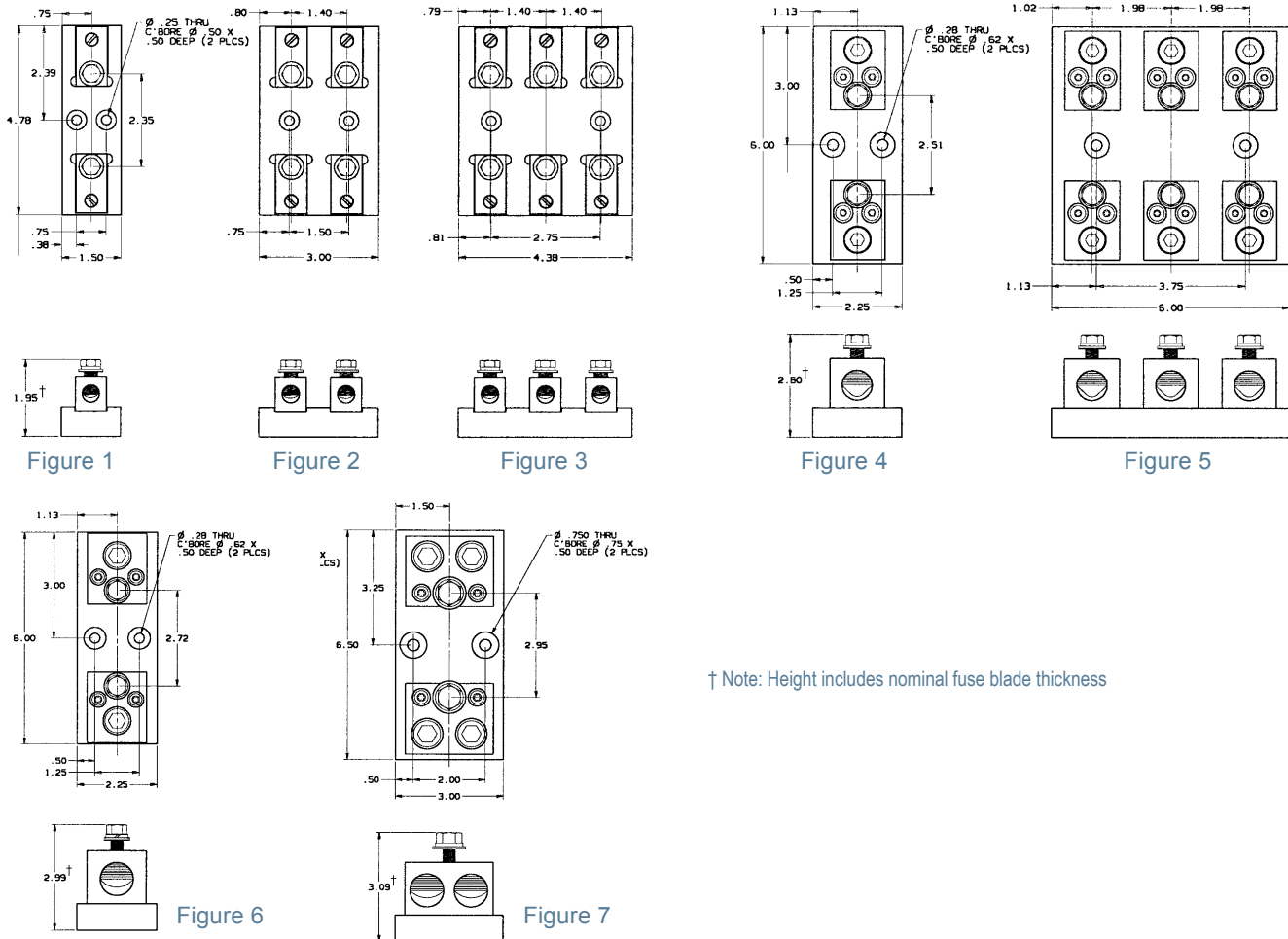
600 Volt, 100, 200, 400 & 600 Ampere Class T Fuse Blocks

Ampere Rating	Poles	Connector		Catalog No. Spring Reinforced	Fig.	Torque (In - Lbs)	
		Type	Wire Range			Connector	Fuse Bolt
100	1	BOX	Al/Cu	61031T	1	120	72
	2			61032T	2		
	3			61033T	3		
Phenolic Insulator	1	BOX	Cu*	61051T	1	50	72
	2			61052T	2		
	3			61053T	3		
200	1	BOX	Al/Cu	62031T	4	275	132
	3			62033T	5		
	3			350 kcmil-#6	62033T		
Phenolic Insulator	1	BOX	Cu*	62051T	4	275	132
	3			62053T	5		
	3			350 kcmil-#6	62053T		
400	1	BOX	Al/Cu	64031T	6	600	228
	1			64051T	6		
Phenolic Insulator	1	BOX	Cu*	64031T	6	600	228
	1			64051T	6		
600	1	BOX	Al/Cu	66031T	7	600	360
	1			66051T	7		
Phenolic Insulator	1	BOX	Cu*	66031T	7	600	360
	1			66051T	7		

Note: Fuse blocks have copper box connectors and are for copper wires only. These are specifically designed with the same coefficient of expansion as copper wire for improved heat cycling and meet or exceed OEM "no aluminum" specifications.

Recommended base mounting screws:
 100A & 200A, #10 (.190" dia.)
 400A & 600A, 1/4" (.250" dia.)

Dimensions



CLASS G 480 & 600 Volt Fuse Blocks

480 & 600V Class G Fuse Blocks

Mersen Class G fuse blocks accommodate all 15, 20, 30 and 60 ampere Class G fuses. A choice of box, screw or pressure-plate connectors fit a wide range of stranded or solid copper wire. Insulators are glass-filled polycarbonate (GFPC) with verified dielectric strength in excess of 2500V. Fuse blocks feature a unique adder block which can be snapped onto 1-, 2-, or 3-pole blocks to form multi-pole segmented blocks of as many poles as desired. All fuse clips are made of high conductivity tin-plated copper alloy.




Features/Benefits:

- Unique integral DIN-rail adapters for 15, 20 & 30A blocks
- Unique adder-block design (all ampere ratings) for design flexibility
- Spring reinforcing standard for 60A clips
- Features high conductivity copper alloy fuse clips

Recommended Fuse Usage:

Class G Blocks use with AG

Clip & Connector Types

15, 20, 30, 60A	15, 20, 30A	15, 20, 30A
COPPER BOX CONNECTOR OR ALUMINUM BOX CONNECTOR	SCREW WITH DOUBLE QUICK-CONNECTS	PRESSURE PLATE WITH DOUBLE-QUICK CONNECTS
		



Ratings:

Volts : 600VAC (15, 20A)
 : 480VAC (30, 60A)
Amps : 15A, 20A, 30A, 60A
SCCR: : 100kA
 : 10kA (when using quick connects)

Temperature/Flammability:
 GFPC insulators rated 125°C RTI,
 94V-0 flammability

Approvals:

All fuse blocks meet the requirements of UL 4248

- UL Listed guide IZLT, File E52283
- CSA Certified class 6225, File 32169



CLASS G 480 & 600 Volt Fuse Blocks

600 Volt, 15 & 20 Ampere; 480 Volt 30 & 60 Ampere Class G Fuse Blocks

Ampere Rating	Poles	Connector		Catalog No.	Fig.	Torque (In - Lbs)
		Type	Wire Range			
15 GFPC Insulator	ADDER 1 2 3	Screw w Double Quick Connects at Both Ends	Cu #10-14	40110G	1	20
				40111G	2	
				40112G	3	
				40113G	4	
	ADDER 1 2 3	Pressure Plate (SEMS) w Double Quick Connects at Both Ends	Cu #10-14	40120G	1	20
				40121G	2	
40122G				3		
40123G				4		
20 GFPC Insulator	ADDER 1 2 3	Screw w Double Quick Connects at Both Ends	Cu #10-14	40210G	1	20
				40211G	2	
				40212G	3	
				40213G	4	
	ADDER 1 2 3	Pressure Plate (SEMS) w Double Quick Connects at Both Ends	Cu #10-14	40220G	1	20
				40221G	2	
40222G				3		
40223G				4		
30 GFPC Insulator	ADDER 1 2 3	Screw w Double Quick Connects at Both Ends	Cu #10-14	40310G	1	20
				40311G	2	
				40312G	3	
				40313G	4	
	ADDER 1 2 3	Pressure Plate (SEMS) w Double Quick Connects at Both Ends	Cu #10-14	40320G	1	20
				40321G	2	
40322G				3		
40323G				4		
ADDER 1 2 3	Copper Box	Cu #6-14	40350G	1	35	
			40351G	2		
			40352G	3		
			40353G	4		
60 GFPC Insulator	ADDER 1 2 3	Aluminum Box	Al/Cu #2-14	40605G	5	45
				40606G	6	
				40607G	7	
				40608G	8	
	ADDER 1 2 3	Copper Box	Cu #4-14	40655G	5	45
				40656G	6	
40657G				7		
40658G				8		

Dimensions

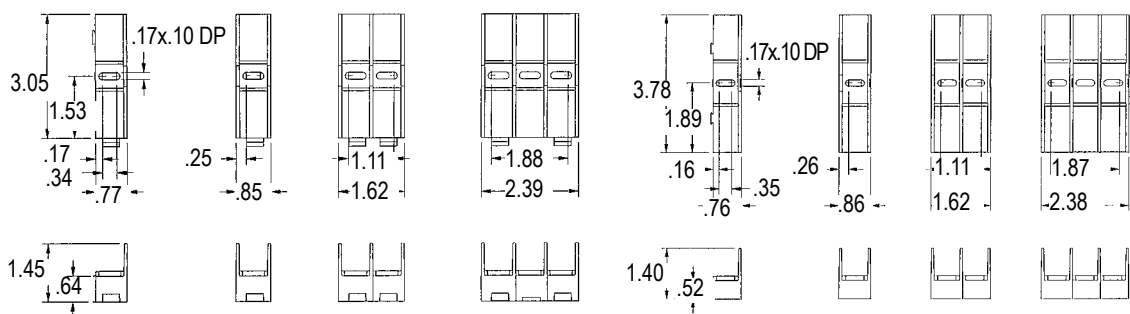


Figure 1

Figure 2

Figure 3

Figure 4

Figure 5

Figure 6

Figure 7

Figure 8

Miniature Fuse Blocks

5X20QC1 & 6X32QC1 Single Pole Fuse Blocks

The 5X20QC1 single pole fuse blocks are for 5mm x 20mm fuses featuring tin-plated clips, a polyester insulator and 3/16" quick-connect terminals. The 6X32QC1 single pole fuse blocks are for 1/4" x 1-1/4" fuses and have tin-plated phosphor bronze clips, a phenolic insulator and 1/4" quick-connect terminals.

Features/Benefits:

5X20QC1

Single Pole Fuse Block
for 5mm x 20mm fuses

- Tin plated clips
- Polyester insulator
- 3/16" quick-connect terminals
- Rated 15A, 250V
- UL recognized

6X32QC1

Single Pole Fuse Block for
1/4" x 1-1/4" fuses

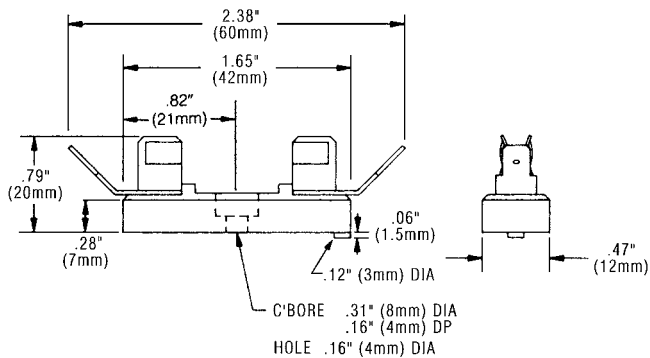
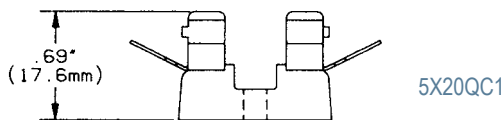
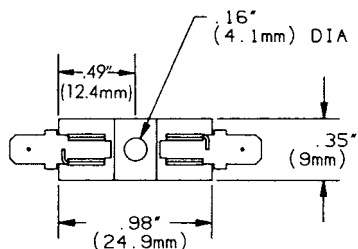
- Tin plated phosphor bronze clips
- Phenolic insulator
- 1/4" quick-connect terminals
- Rated 30A, 250V - UL Recognized

Recommended Fuse Usage:

5X20QC1 use with GGM, GGA, GSA, GSB, GDG

6X32QC1 use with GSA, GDL, GGC, GAB

Dimensions:



Ratings:

5X20QC1:

Volts: 250V

Amps : 15A

6X32QC1:

Volts: 250V

Amps : 30A

Approvals:

- UL Recognized



FEB, FEC, FEX, FEY

600 Volt In-Line Fuse Holders

Mersen's complete line of single and dual pole in-line fuse holders accommodate either 1-1/2" x 13/32" (10x38mm) midget or Class CC fuses. The fuse holders are designed for quick installation. Securing nuts or screws are captive thus speeding installation by reducing the need to locate and assemble loose components in the field. Three internal O-rings per pole seal the fuse holder providing a water-resistant compartment for the fuse. The captive O-rings are colored (blue for single pole and red for dual pole) for quick detection. Optional cone shaped insulator boots can be slipped on to provide a watertight seal (breakaway versions come with boots standard). Both single and dual pole versions have an optional breakaway feature which safely disconnects the load in case of a pole knockdown. Fuses remain safely encapsulated within the watertight fuse holder on the load side. Once the pole has been reinstalled the fuse holder can be easily reconnected.

Applications:

- Street lighting
- Parking lot lighting
- Traffic signaling
- Sports lighting
- Boats and marinas
- Humid/corrosive environments

Highlights:

- Breakaway version quickly disconnects line side during pole knockdown in compliance with state and federal highway commission standards
- 3 O-rings per pole for water tight applications
- Colored O-rings for quick detection
- Single and dual poles
- Accepts midget or Class CC fuses
- Wide assortment of terminal variations
- High heat, impact resistant insulator
- Captive nut or screw for quick installations
- Polarized dual pole provides simultaneous disconnection
- Permanently installed neutral versions quickly identified by white nuts
- Tulip fuse clip for improved contact and low losses
- Environmentally friendly-no lead solder used
- Highly visible catalog number even with insulation boots installed
- Wire gauge size identified on insulation boots for quick, accurate trimming
- Time delay for motor starting and transformer inrush

Recommended Fuse Usage:

FEB and FEX holders use with:

Midget (1-1/2" x 13/32", 10 x 38mm): ATQ, ATM, TRM, OTM, GGU, GFN, A13X-2, A25Z-2, A60Q-2, A6Y-2B

FEC and FEY holders use with:

Class CC: ATDR, ATMR, ATQR



Ratings:

- Volts:** : 600VAC / DC
Amps : 30A Maximum
SCCR : 200kA (Class CC Fuses)
: 100kA (Midget Fuses)

Temperature Rating 155° C

Approvals:

- UL Listed Class CC Guide IZLT, File E52283
- UL Recognized Component Midget Guide IZLT2, File E52283
- CSA Certified Class CC and Midget Class 6225, File 32169



FEB, FEC, FEX, FEY 600 Volt In-Line Fuse Holders

Catalog Numbering System

Family	Load Terminal		Line Terminal		Option
FEB-	1	1	1	1	-BA

Nomenclature Legend

Family	Description	Load or Line Terminal Type						Option Description	
		Terminal End View	Terminal	Type	Wire	No. Per	Solid		Stranded
FEB	Single pole midget		11	Cu Crimp	#8-#12	1	Yes	Yes	BA (breakaway version equipped with breakaway stud, breakaway boot, and insulating boots for both line and load sides)
FEC	Single pole Class CC		11	Cu Crimp	#12-#14	2	Yes	Yes	
FEX	Dual Pole midget		21	Cu Crimp	#10	2	Yes	Yes	
FEY	Dual pole Class CC		21	Cu Crimp	#6	1	Yes	Yes	
					#4	1	Yes	No	
FEBN	Single pole neutral		31	Cu Crimp	#10	2	Yes	Yes	
					#4	1	No	Yes	
			41	Cu Crimp	#6	2	Yes	Yes	
					#2	1	No	Yes	
			81	Cu single Set Screw	#2-#12	1	Yes	Yes	
			91	Cu Double Set Screw	#2-#12	1 each	Yes	Yes	
			82	Al single Set Screw	#2-#12	1	Yes	Yes	
			92	Al double Set Screw	#2-#12	1 each	Yes	Yes	
			S	Cu Stud	N/A	1	N/A	N/A	

Notes:

1. Non-breakaway units do not include insulator boots. These optional cone shaped boots are available to provide a watertight installation. The insulator boots are designed to form a watertight seal over conductors, but due to varying wire insulation sizes it is suggested that tape wrap be utilized for best results.

FSB1 = Single conductor boot (used to cover all crimp type & single set screw terminals)

FSB2 = Double conductor boot (used to cover all double set screw (Y-type) terminals)

Insulator boot trimming instructions: Locate wire gage size to be utilized marking on the boot and cut just beneath it.

2. Tightening torque for single and double set screw terminations: 35 lbs.-in.

3. Tightening torque for dual pole fastening screw: 10-15 lbs.-in.

4. FEBN versions have a permanently mounted dummy fuse for neutral applications.

FEB, FEC, FEX, FEY 600 Volt In-Line Fuse Holders

Mersen In-Line Fuse Holder Family - Typical Combination Chart

Midget 10x38mm	Midget 10x38mm Breakaway	Class CC	Class CC Breakaway	Midget 10x38mm Dual Pole	Midget 10x38mm Dual Pole Breakaway	Class CC Dual Pole	Class CC Dual Pole Breakaway
FEB-11-11	FEB-11-11-BA	FEC-11-11	FEC-11-11-BA	FEX-11-11	FEX-11-11-BA	FEY-11-11	FEY-11-11-BA
FEB-11-21	FEB-11-21-BA	FEC-11-21	FEC-11-21-BA	FEX-11-21	FEX-11-21-BA	FEY-11-21	FEY-11-21-BA
FEB-11-31				FEX-11-31		FEY-11-31	
FEB-11-41	FEB-11-41-BA			FEX-11-41	FEX-11-41-BA	FEY-11-41	
	FEB-11-81-BA						
FEB-11-82	FEB-11-82-BA						
FEB-11-91	FEB-11-91-BA	FEC-11-91	FEC-11-91-BA				FEY-11-91-BA
FEB-11-92	FEB-11-92-BA						
FEB-11-S							
FEB-21-11							
FEB-21-21	FEB-21-21-BA	FEC-21-21	FEC-21-21-BA	FEX-21-21	FEX-21-21-BA	FEY-21-21	FEY-21-21-BA
FEB-21-91	FEB-21-91-BA						
FEB-31-31	FEB-31-31-BA						
FEB-41-41	FEB-41-41-BA						
FEB-81-81	FEB-81-81-BA	FEC-81-81	FEC-81-81-BA	FEX-81-81			FEY-81-81-BA
FEB-81-91	FEB-81-91-BA			FEX-81-91	FEX-81-91-BA	FEY-81-91	
FEB-81-S							
FEB-82-82	FEB-82-82-BA						
FEB-82-92	FEB-82-92-BA						
	FEB-91-91-BA				FEX-81-91-BA		
FEBN-11-11	FEBN-11-11-BA						
FEBN-11-91	FEBN-11-91-BA						
FEBN-81-81	FEBN-81-81-BA						
FEB-SS							
					FEX-81-91-BA		

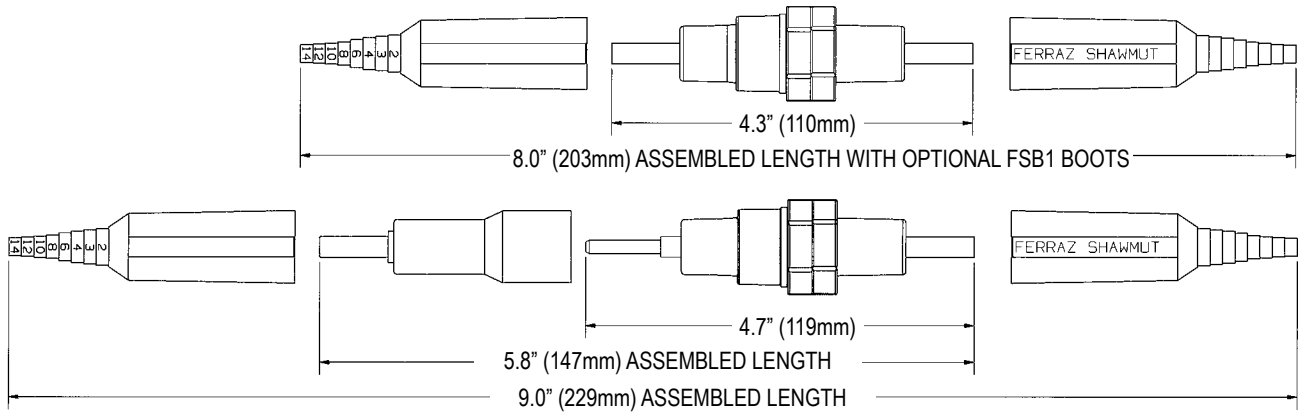
Note: Consult factory for other configurations.

Crimping Tools Reference Chart, the following crimping tools (or equivalent) are recommended:

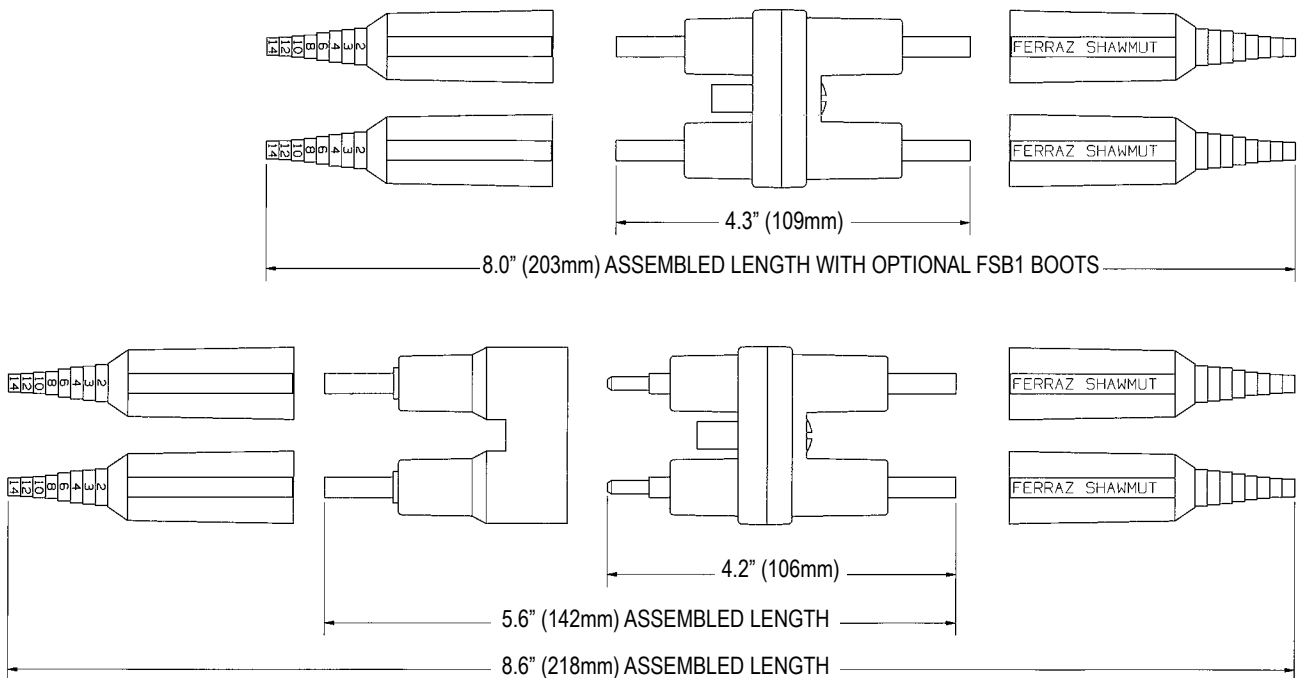
Terminal Type	FCI-Burndy	T&B
1	Y8MRB-1	WT-111M
2	Y2MR	TBM2/TBM5 BLUE DIE, WT-115-A DIE O
3	Y2MR	TBM2/TBM5 GREY DIE, WT-115-A DIE E
4	Y2MR	TBM2/TBM5 BROWN DIE, WT-115-A DIE F

FEB, FEC, FEX, FEY 600 Volt In-Line Fuse Holders

FEB and FEC, Non-Breakaway and Breakaway Assembly Drawings



FEX and FEY, Non-Breakaway and Breakaway Assembly Drawings



GPM SERIES Panel Mount Fuse Holders

Mersen GPM panel mount fuse holders are in sizes to accommodate Class CC and midget (1-1/2" x 13/32") fuses. All 30A holders have glass-filled thermoplastic insulators for extra dependability and trouble-free installation. Patented design allows same body to accept screw or bayonet knob. Flange design allows front or rear mounting.

Catalog Numbers & Descriptions

Catalog No.	Fig.	Cap Type	Amps	Volts	Fuse Type	Terminal Type
GPM-S	1	Screw Knob	30	600	1-1/2" x 13/32"	1/4" Quick-connect/ Solder
GPM-S90	2	Screw Knob	30	600	1-1/2" x 13/32"	1/4" Quick-connect/ Solder, Right Angle
GPM-SRR	1	Screw Knob	30	600	Class CC	1/4" Quick-connect/ Solder
GPM-SRR90	2	Screw Knob	30	600	Class CC	1/4" Quick-connect/ Solder, Right Angle
GPM-B	1	1/4 Turn Bayonet Knob	30	600	1-1/2" x 13/32"	1/4" Quick-connect/ Solder
GPM-B90	2	1/4 Turn Bayonet Knob	30	600	1-1/2" x 13/32"	1/4" Quick-connect/ Solder, Right Angle
GPM-BRR	1	1/4 Turn Bayonet Knob	30	600	Class CC	1/4" Quick-connect/ Solder
GPM-BRR90	2	1/4 Turn Bayonet Knob	30	600	Class CC	1/4" Quick-connect/ Solder, Right Angle
GPM-WT	1	Water-tight Screw Knob	30	600	1-1/2" x 13/32"	1/4" Quick-connect/ Solder
GPM-WT90	2	Water-tight Screw Knob	30	600	1-1/2" x 13/32"	1/4" Quick-connect/ Solder, Right Angle
GPM-WTR	1	Water-tight Screw Knob	30	600	Class CC	1/4" Quick-connect/ Solder
GPM-WTR90	2	Water-tight Screw Knob	30	600	Class CC	1/4" Quick-connect/ Solder, Right Angle



Ratings:

- Volts** : 600VAC / DC
- Amps** : 30A Maximum
- SCCR** : 200kA (Class CC Fuses)
: 100kA (Midget Fuses)

Approvals:

- UL Recognized, guide IZLT2, File E52283
- CSA Certified - C22.2, class 6225, File 32169

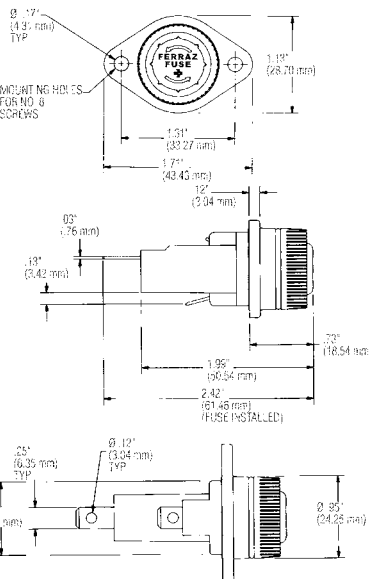


Figure 1

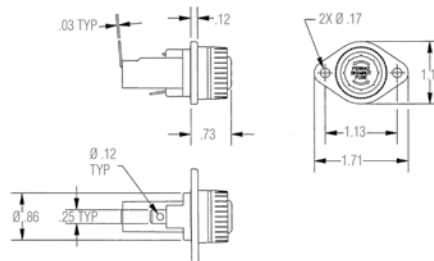


Figure 2

Recommended Fuse Usage:

GPM Fuse Holders will accommodate these Mersen fuses:

- GPM-SRR, GPM-BRR, GPM-WTR:** ATQR, ATDR, ATMR,
- GPM-SRR90, GPM-BRR90, GPM-WTR90:** ATQR, ATDR, ATMR,
- GPM-S, GPM-B, GPM-WT:** ATQ, ATM, TRM, OTM, GGU, A13X-2, A25Z-2, A60Q-2, A6Y-2B,
- GPM-S90, GPM-B90, GPM-WT90:** ATQ, ATM, TRM, OTM, GGU, A13X-2, A25Z-2, A60Q-2, A6Y-2B

GPM SERIES Panel Mount Fuse Holders

Mersen GPM panel mount fuse holders will accommodate 1/4" x 1-1/4" 3AG fuses and 5mm x 20mm fuses; most are approved by U.L. and CSA. Cap and body material is bakelite or polycarbonate and function as a screw-in or bayonet style closure. Finger-grip or screwdriver slots are available. All holders are rated for up to 250 volts with amp ratings ranging from 3A to 15A.

Catalog No.	Cap Type	Volts	Amps	Fuse Size	Terminal Type	Approvals
GPM-A	Finger-grip/Screw-in	250	10	5mm x 20mm	Solder	UR/CSA
GPM-A1	Finger-grip/Screw-in	250	10	5mm x 20mm	Solder	
GPM-A2	Finger-grip/Screw-in	250	10	5mm x 20mm	Solder	UR/CSA
GPM-A3	Finger-grip/Screw-in	250	3	5mm x 20mm	Solder	UR/CSA
GPM-A4	Finger-grip/Screw-in	250	6.3	5mm x 20mm	Solder, right angle	
GPM-A5	Screwdriver Slot	250	10	5mm x 20mm	Solder	
GPM-A6	Screwdriver Slot	250	6.3	5mm x 20mm	Solder, right angle	UR/CSA
GPM-A8	Screwdriver Slot	250	10	5mm x 20mm	Solder, right angle	UR/CSA
GPM-A9	Screwdriver Slot	250	6.3	5mm x 20mm	Solder, right angle	UR/CSA
GPM-A10	Screwdriver Slot	250	6.3	5mm x 20mm	3/16" Solder/QC	UR/CSA
GPM-A11	Screwdriver Slot	250	10	5mm x 20mm	Solder, right angle	UR/CSA

Recommended Fuse Usage:

GPM-A: GGM, GGA, GSB, GSC, GDG, GSD, GSF

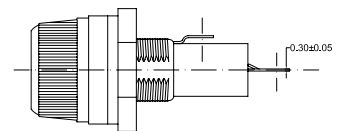
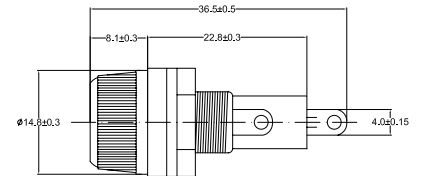
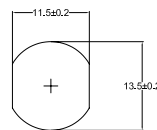
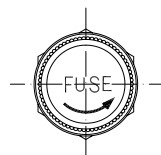
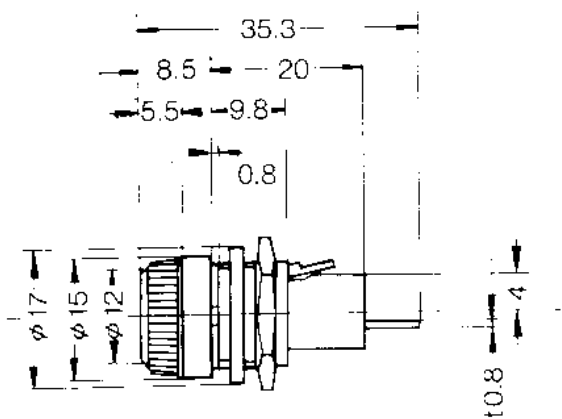
All dimensions mm's



GPM-A



GPM-A1



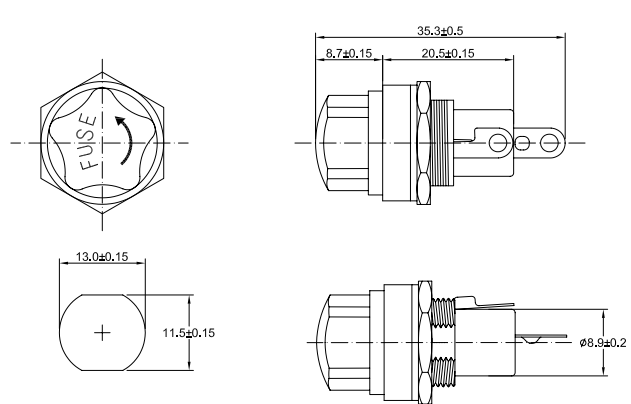
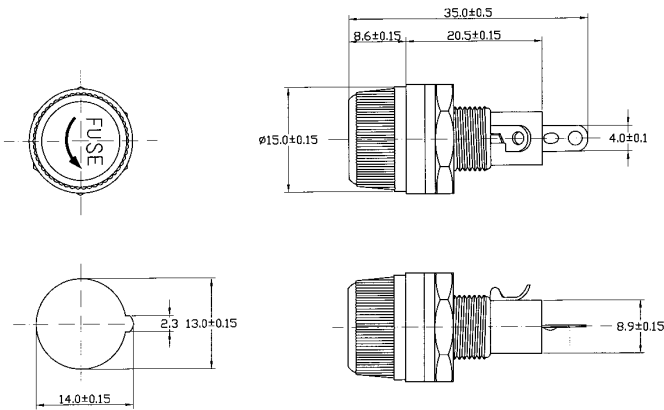
GPM SERIES Panel Mount Fuse Holders



GPM-A2



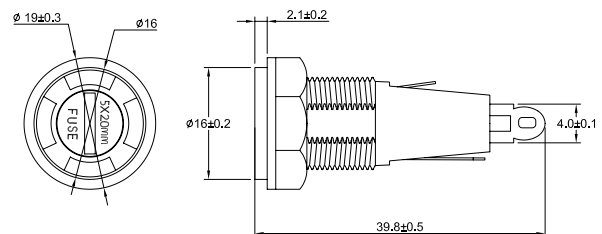
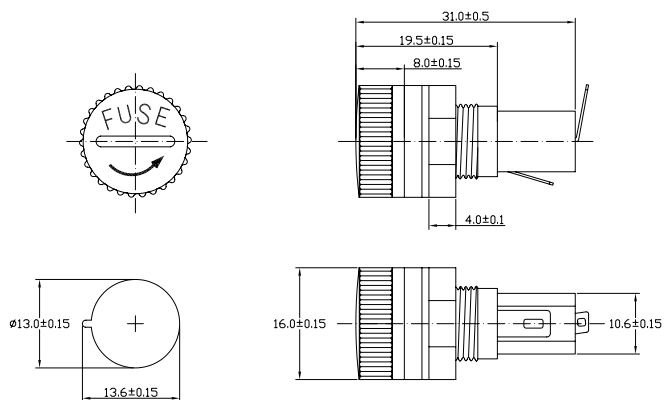
GPM-A3



GPM-A4



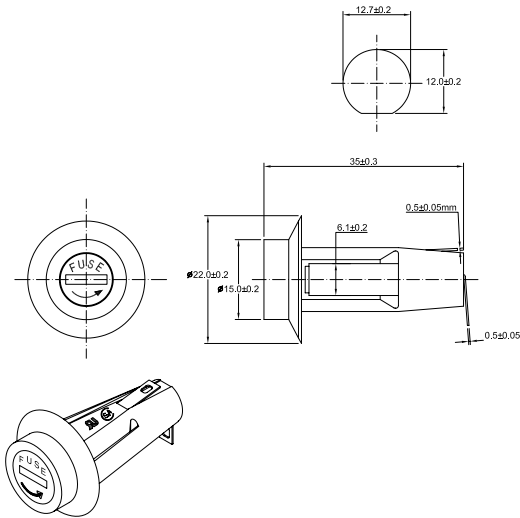
GPM-A5



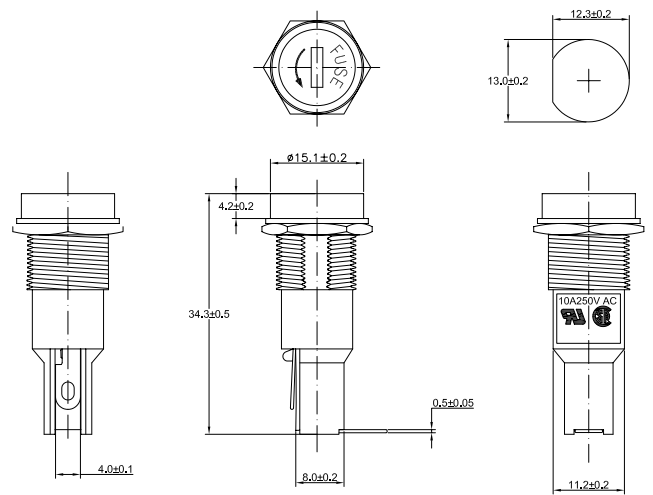
GPM SERIES Panel Mount Fuse Holders



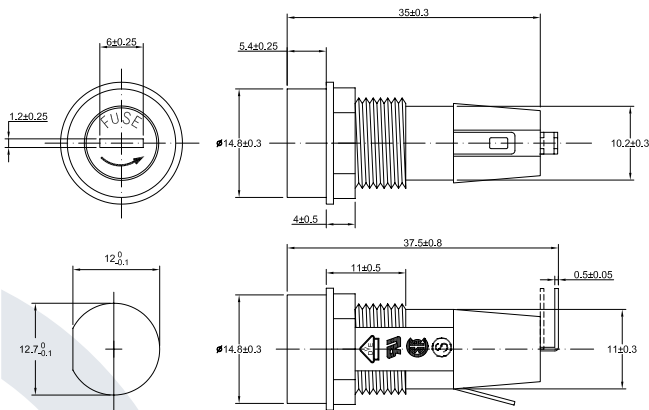
GPM-A6



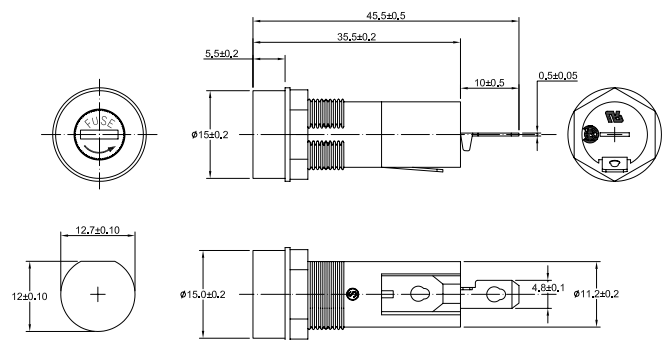
GPM-A8



GPM-A9



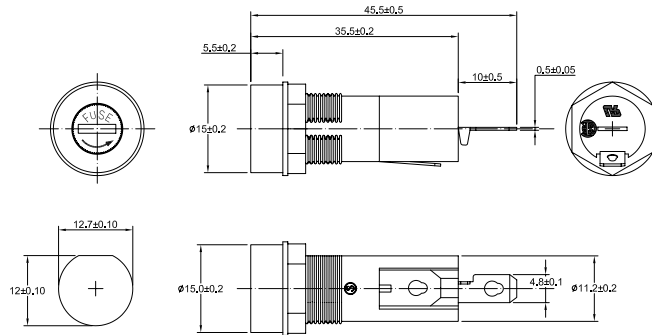
GPM-A10



GPM SERIES Panel Mount Fuse Holders



GPM-A11



Catalog No.	Cap Type	Volts	Amps	Fuse Size	Terminal Type	Approvals
GPM-G	Finger-grip/Screw-in	250	15	3AG	3/16" Solder/QC	UR/CSA
GPM-G1	Finger-grip/Screw-in	250	10	3AG	3/16" Solder/QC	UR/CSA
GPM-G2	Finger-grip/Screw-in	250	10	3AG	Solder	
GPM-G3	Screwdriver Slot	250	10	3AG	Solder	UR/CSA
GPM-G5	Finger-grip/Bayonet	250	10	3AG	1/4" Solder/QC	UR/CSA
GPM-G6	Finger-grip/Bayonet	250	10	3AG	Solder	UR/CSA
GPM-G7	Screwdriver Slot	250	15	3AG	3/16" Solder/QC	UR/CSA
GPM-G8	Finger-grip/Screw-in	250	15	3AG	Quick-connect	

Recommended Fuse Usage:

GPM-G: GGC, GDL, GSA, GAB

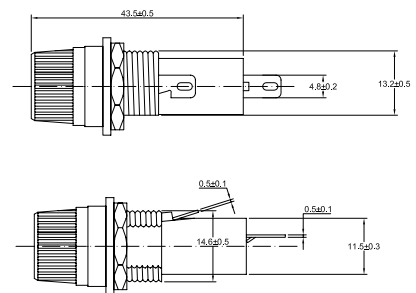
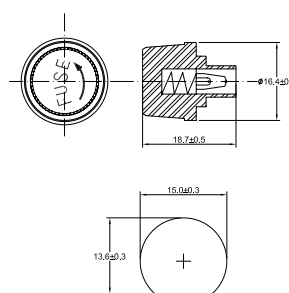
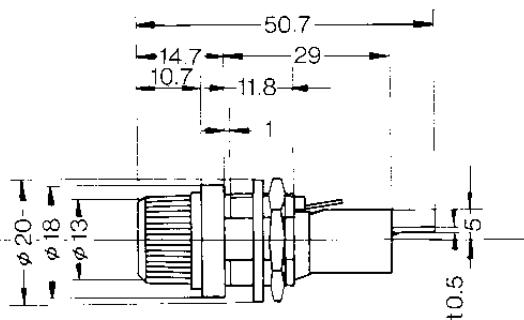
All dimensions mm's



GPM-G



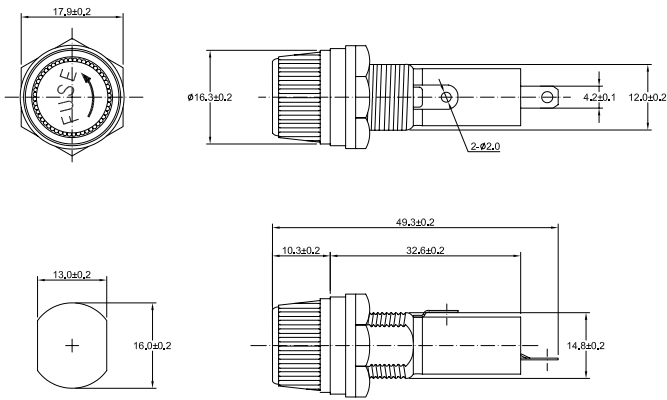
GPM-G1



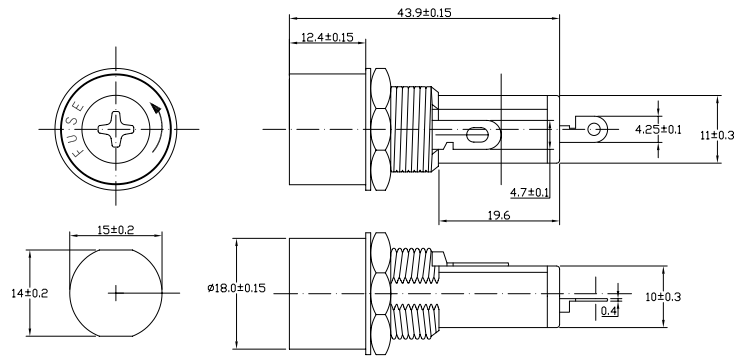
GPM SERIES Panel Mount Fuse Holders



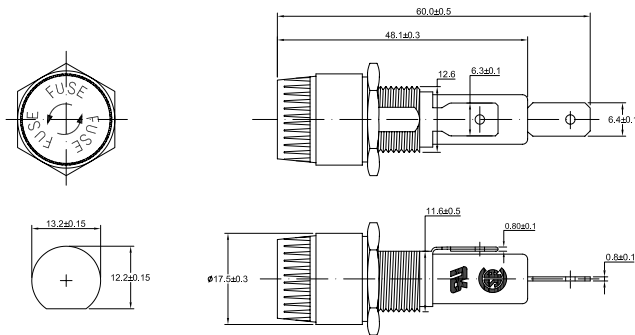
GPM-G2



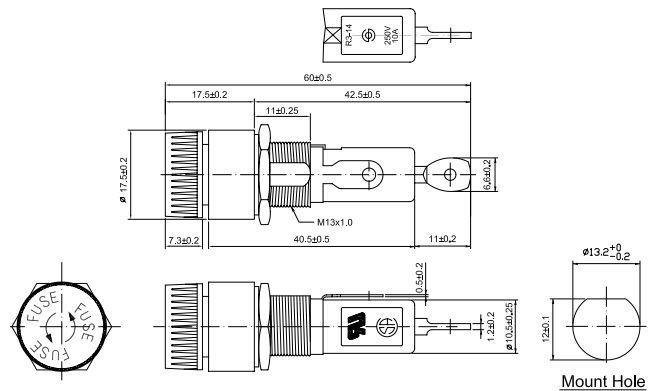
GPM-G3



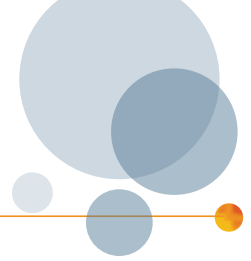
GPM-G5



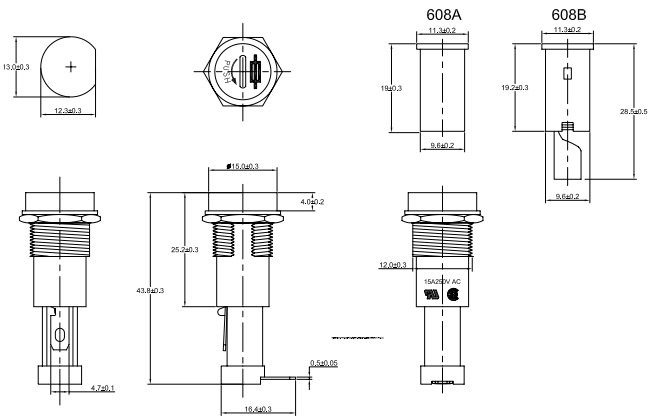
GPM-G6



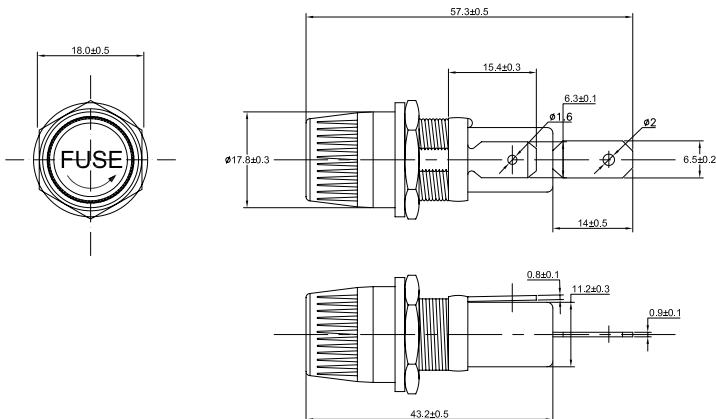
GPM SERIES Panel Mount Fuse Holders



GPM-G7



GPM-G8



P243/P266/P292 Fuse Blocks

Fuse Blocks for Semiconductor Fuses

Mersen P243 and P266 series fuse blocks for Form 101 fuses are glass-filled polycarbonate or laminated phenolic insulator blocks with studs to accommodate bolt-in fuses. The P292 series has a laminated phenolic insulator base with fuse clips. All studs, clips and mounting hardware are tin or zinc plated.

Dimensions

For Use with	Amps	Catalog No.	Fig.	Dimensions - Inches						Stud Size	Torque (in lbs)
				A	B	C	D	E	F		
A13X, A15QS	70-450	P243D	2	4.40	1.50	2.79	2.20	2.06	1.17	1/4-20	36
A13X, A15QS	500-600	P243G	2	4.40	1.50	2.79	2.20	2.44	0.98	5/16-18	84
A25X, A25Z, A30QS	35-60	P243G	2	4.40	1.50	2.79	2.20	2.44	0.98	5/16-18	84
A25X, A25Z, A30QS	70-200	P243	1	4.50	1.50	2.50	2.25	2.38	1.06	1/4-20	36
A25X, A25Z, A30QS	225-600	P243G	2	4.40	1.50	2.79	2.20	2.44	0.98	5/16-18	84
A50P	35-60	P243G	2	4.40	1.50	2.79	2.20	2.44	0.98	5/16-18	84
A50P, A50QS	70-200	P243E	2	4.40	1.50	2.79	2.20	2.88	0.76	1/4-20	36
A50P, A50QS	225-600	P266C	1	6.00	2.00	3.00	3.00	3.28	1.36	3/8-16	180
A60X, A60Z, A70QS-4	35-200	P243C	2	4.40	1.50	2.79	2.20	3.62	0.39	1/4-20	36
A60X, A60Z, A70QS-4	225-600	P266A	1	6.00	2.00	3.00	3.00	4.06	0.97	3/8-16	180
A70P, A70Q, A70QS-4	35-100	P243C	2	4.40	1.50	2.79	2.20	3.62	0.39	1/4-20	36
A70QS-4K	125-200	P266A	1	6.00	2.00	3.00	3.00	4.06	0.97	3/8-16	180
A70P, A70Q	125-400	P266A	1	6.00	2.00	3.00	3.00	4.06	0.97	3/8-16	180
A70P, A70Q, A70QS-4K	450-600	P266F	1	8.00	2.50	3.00	4.00	5.09	1.45	3/8-16	180
A100P	35-100	P266G	1	6.00	2.00	2.50	3.00	4.25	0.88	1/4-20	36
A100P	125-400	P266L	1	6.00	2.00	3.00	3.00	4.66	0.67	3/8-16	180
A120X	1-30	P292	3	-	-	-	-	-	-	-	-
A30QS	700-800	FH25F4	1	6.00	2.00	3.00	3.00	2.66	1.67	3/8-16	144
A50QS	700-800	FH50F4	1	8.00	2.50	3.00	4.00	4.21	1.84	1/2-13	360
A50QS	900-1000	FH50F5	1	8.00	2.50	3.00	4.50	4.97	1.50	1/2-13	360
A70QS-4K	450-600	FH70F3	1	8.00	2.50	3.00	4.00	5.09	1.91	1/2-13	360



Ratings:

Amps : 1 to 1000A

Clip Type : 1200VAC or less

Stud Type : 1000VAC or less

I

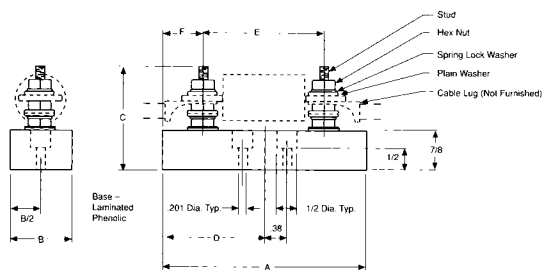


Figure 1

Note: FH Blocks are 1" thick.

* Not UL or CSA Certified

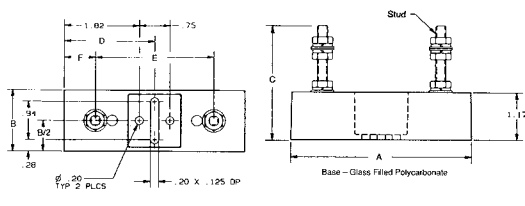


Figure 2

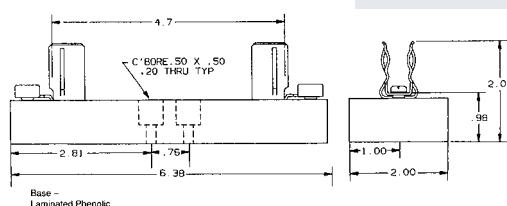


Figure 3

Approvals:

- UL Recognized Component guide IZLT2 File E52283
- CSA Certified C22.2, class 6225, File 32169



1SC/1MSC

Modular Semiconductor Fuse Blocks

Mersen 1SC and 1MSC semiconductor fuse blocks feature modular mounting that offers greater flexibility in adjusting to various fuse lengths. Both stud type and integral box connector versions are offered to allow for user preference of wire terminations. The integral box connector versions also provide for greater heat dissipation. Mounting hardware is supplied with the blocks.

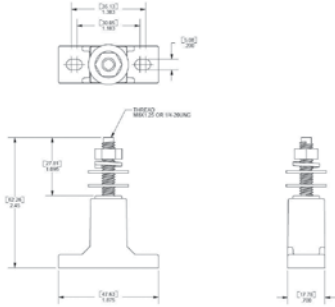


Figure 1

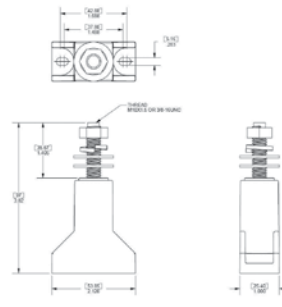


Figure 2

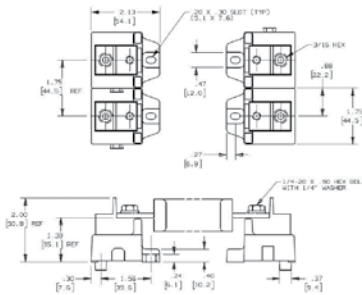


Figure 3

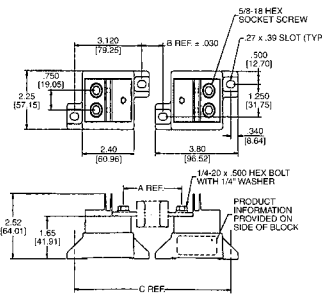


Figure 4

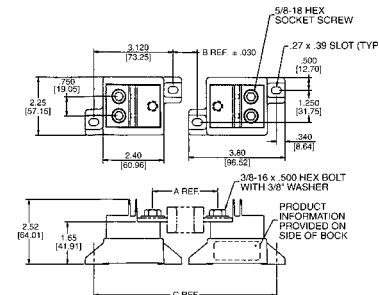


Figure 5

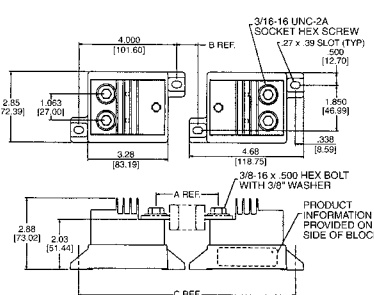


Figure 6

Ratings:

1SC

Volts : 1000V
Amps : 800A Maximum
SCCR : 200kA

1MSC

Volts : 600V
Amps : 600A Maximum
SCCR : 200kA

Approvals:

- UL Recognized Component
- File for 1SC: E52283
- File for 1MSC: E35113



Dimensions

Catalog No.	Voltage Rating	Ampere Rating	UR	Connector		Hardware		Tightning Torque (lb.-in.)			Fig.
				Type	Wire Range	Bolt	Washer	Cable	Fuse	Mounting	
1SC250	1,000	400	Yes	1/4" Stud	—	—	—	60	60	25	1
1SC375	1,000	800	Yes	3/8" Stud	—	—	—	190	190	50	2
1MSC101	600	100	Yes	Al Box	Al/Cu 2/0 - #6	1/4"	0.655"	120	70	25	3
1MSC102	600	400	Yes	Al Box	Al/Cu (2) 250kcmil - #6	1/4"	0.655"	275	120	25	4
1MSC103	600	400	Yes	Al Box	Al/Cu (2) 250kcmil - #6	3/8"	0.900"	275	120	25	5
1MSC104	600	600	Yes	Al Box	Al/Cu (2) 500kcmil - #6	3/8"	0.900"	375	170	25	6
1SCM8	1,000	400	Yes	M8 Stud	—	—	—	60	60	25	1
1SCM10	1,000	800	Yes	M10 Stud	—	—	—	190	190	50	2

All part numbers are sold in pairs

*Consult Factory

703,U705,U710

Semiconductor Fuse Holders

750V Semiconductor Fuse Holders

Mersen semiconductor fuse holders feature open face styles. Each version is rated 750 volts and accommodates 14 x 51 mm or 22 x 58 mm fuses. 703, U705 and U710 holders feature Mersen's unique adder-block design which can be snapped onto 1-, 2-, or 3-pole blocks to form multi-pole segmented blocks of as many poles as desired. A choice of box, screw or pressure plate connectors is offered to fit a wide range of standard or solid copper wire. All versions have verified dielectric strengths in excess of 2500V. A patented built-in DIN-rail adapter on the U710 blocks adds further design versatility. All fuse clips are made of high conductivity tin-plated copper with spring reinforced clips.

Highlights:

- Thermoplastic bases
- DIN-rail (U710) or Screw Mount
- Adder block design

Applications:

- All circuits up to 750 volts using semiconductor fuses for protection of small inverters, UPS systems, motor drives, etc.

Recommended Fuse Usage:

703 use with 14x51mm A70QS, A70P, URD

U705 use with 14x51mm A70QS, A70P, URD

U710 use with 22x58mm A70QS, URD, up to 100A



Ratings:

Volts : 750V

Amps : 30A (703)

: 50A (U7050)

: 100A (U7100)

SCCR : 200kA dependent on fuse I.R.

Approvals:

- UL Recognized component guide IZLT2, File E52283
- CSA Certified class 6225, File 32169



703,U705,U710 Semiconductor Fuse Holders

750 Volt Fuse Holders for 14 x 51mm & 22 x 58 mm Fuses

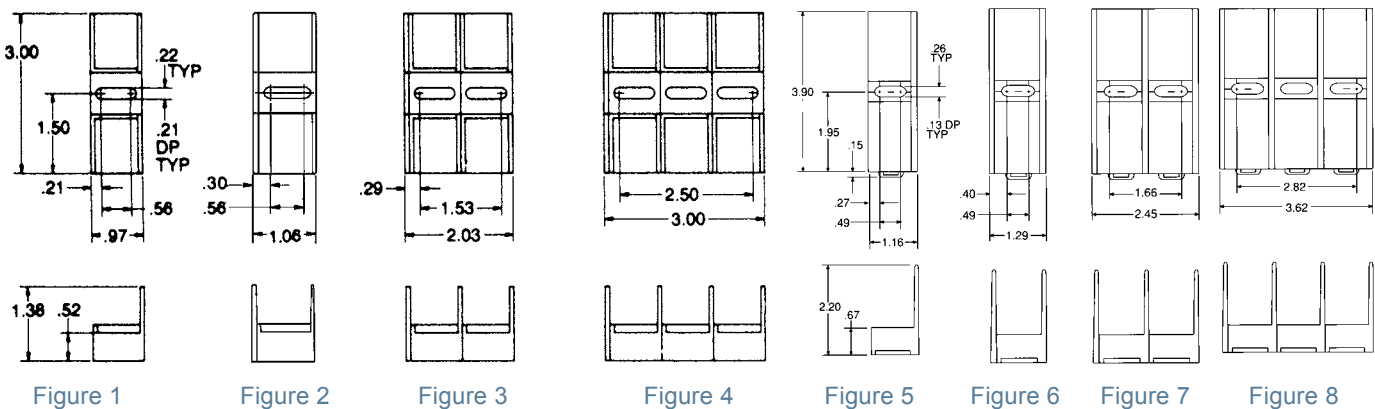
Catalog No.	Fuse Size	Ampacity Rating	Poles	Connector		Figure	Connector Torque (In-Lb)
				Type	Wire Range		
U70505	14 x 51	50	Adder	Box	Al/Cu #2-14	1	35
U70506			1			2	
U70507			2			3	
U70508			3			4	
70315	14 x 51	30	Adder	Screw	Cu #10-14	1	20
70316			1			2	
70317			2			3	
70318			3			4	
70325	14 x 51	30	Adder	Pressure Plate	Cu #10-14	1	20
70326			1			2	
70327			2			3	
70328			3			4	
70355	14 x 51	30	Adder	Box	Cu* #4-14	1	35
70356			1			2	
70357			2			3	
70358			3			4	
U71005	22 x 58	100	Adder	Box	Al/Cu #2-14	5	35
U71006			1			6	
U71007			2			7	
U71008			3			8	

*Copper box connectors and clips-for copper wires only.

Note: To convert 30A adder pole to single pole, use end barrier #U09322 100A adder pole to single pole, use end barrier #U09372.

Recommended mounting screws; #10 (.190"dia)

Dimensions



PS 20x127 Ferrule Fuse Holders and No-Load Disconnectors

Highlights:

- Solid assembly offers good thermal and mechanical withstand rating
- Fuse mounting in holders or no-load disconnectors with or without open fuse indicating microswitches
- Phenolic resin models for basic applications, fiber-glass polyester for applications in corrosive atmospheres or applications for traction
- Voltage = 1,500 V and 2,500 V

Dielectric withstand tests

	R.M.S. voltage 1 mn 50/60 Hz	Impulse voltage 1.2/50 s (IEC 694 et CEI 60)
Between close phases and phase and ground	6kV(1) - 10 kV(2)	12 kV(1) - 20 kV(2)
Between phases and microswitch	12 kV	

Connecting with 16mm² max. width, 5mm max. thick terminal

(1) Basic model

Max. temperature (°C)/ Relative humidity (%): 20 °C/95% - 40°C/80% - 50°C/50%

(2) Salt spray-proof model

Moist tropical and equatorial climate or corrosive atmosphere.



Ratings:

Volts	: 1,500V
	: 2,500V
SCCR	: 42kA AC
	: 55kA DC

Approvals:

- UL Recognized component
File E113357



Dimensions

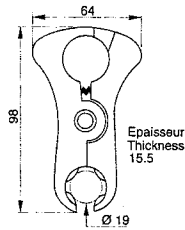
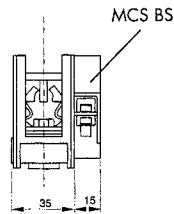
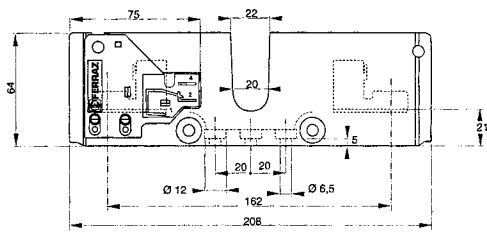
Description	Insulation voltage rating Ui AC 50/60 Hz or DC	Fuse current rating I _N (A)	Maximum operating current of fuse (A)					Advised copper wire size mm ²	Fire and fumes class NF F 16-101 and 102 and UL
			1000 V gLB	=1000 V gRC	=1000 V gRB	=1500 V gRB	=1500 V gRD		
PSI 20X127	1500 V without terminal covers	50		50	No Operating Limit		10	basic model 12-F1 UL 94 V1	
PSI 20X127 PRE	2500 V with terminal covers and only salt spray-proof model	63	80	56					
PSII 20X127 PRE		80	90						
PSIII 20X127 PRE		100	100						
PSIV 20X127 PRE		125							

Connecting with 50 mm² max. cable with copper terminals or with a 15 x 8 max. rigid or flexible bar.

PS 20x127

Ferrule Fuse Holders and No-Load Disconnectors

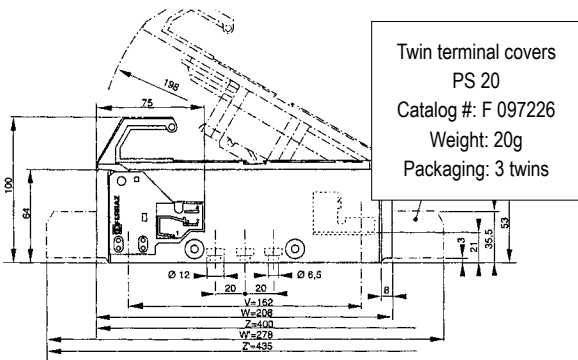
Fuse Holders and Accessories



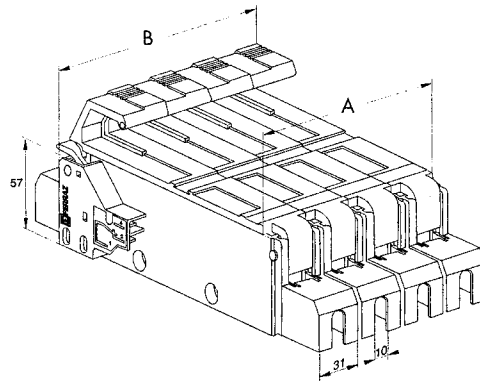
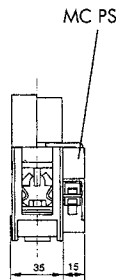
Description	Catalog No.	Weight (g)	Packaging
PSI 20x127	X 097310	260	3 pieces
PSI 20x127 + MCS BS	X 220130	290	2 pieces

PMCP 20+22
Catalog #: K 100036
Weight: 40g
Packaging: 1

Fuse non-load Disconnectors and Accessories



Twin terminal covers
PS 20
Catalog #: F 097226
Weight: 20g
Packaging: 3 twins



V: Connecting distance between centers
W: Clip for rail mounting in two positions
Y: Space factor with a 90° fuse carrier position
Z: Without terminal cover, space factor with a 180° fuse

carrier position
Z: With terminal cover, space factor with 180° fuse carrier position

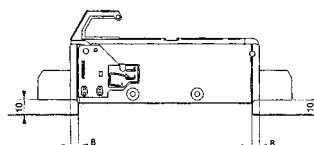
Description (basic model)	Catalog No.
PSI 20x127 PRE	F097203
PSII 20x127 PRE	G097227
PSIII 20x127 PRE	H097228
PSIV 20x127 PRE	J097229
PSI 20 x 127 PRE+MC PS	H097205
PSII 20 x 127 PRE+MC PS	D097293
PSIII 20 x 127 PRE+MC PS	E097294
PSIV 20 x 127 PRE+MC PS	F097295

No. of Poles	A	B
1	35	50
2	69	84
3	103	118
4	137	152

Preisolating and blown fuse indicating microswitch features	
Microswitch rated current	Non-inductive circuit interrupting rating
3A - 50 Hz	3A - 50 Hz
3A - DC	3A - DC

Reliable minimum operating voltage/current:
10V - 10mA
Connecting with 6.35 mm lug

Distances when mounting on a conductive board @ Ui = 2500 VAC



Description (salt spray-proof model)	Ref. No.
PSI 20x127 PRE BS	G097204
PSII 20x127 PRE BS	L097231
PSIII 20x127 PRE BS	T097261
PSIV 20x127 PRE BS	C097292
PSI 20 x 127 PRE BS+MC PS	J097206
PSII 20 x 127 PRE BS+MC PS	G097296
PSIII 20 x 127 PRE BS+MC PS	H097297
PSIV 20 x 127 PRE BS+MC PS	J097298

NH DIMENSION Fuse Bases

690V plastic fuse bases for NH fuses

- Polyester insulating bases
- Silver plated contacts
- High pressure spring contacts
- Screw or rail mount

Type 00-EP* – Fuse Bases for NH-00 Fuses without striker

Poles	Screw Connector						
	Discontinued Catalog No.	Screw Mt.			Rail Mt.		
		New Ref. No.	New Catalog No.	Catalog No.	New Ref. No.	New Catalog No.	Std. Pack
1	41002-G	F215170	BB001EP	42002-G	R216192	BB001EPR	3
2	41012-G	A217212	BB002EP	42012-G	F218758	BB002EPR	2
3	41016-G	W229122	BB003EPVBLOC	42016-G	V229121	BB003EPRBLOC	1
4	41019-G	S219275	BB004EP	42019-G	Z223007	BB004EPR	1

Poles	Pressure Plate Connector						
	Discontinued Catalog No.	Screw Mt.			Rail Mt.		
		New Ref. No.	New Catalog No.	Catalog No.	New Ref. No.	New Catalog No.	Std. Pack
1	41102-G	T219805	BB00EPBT	42102-G	F200795	BB001EPBR	3
2	41112-G	D200793	BB002EPB	42112-G	T211594	BB002EPBR	2
3	41114-G	W201338	BB003EPB	42114-G	C212108	BB003EPBR	1
4	41119-G	R211592	BB004EPB	42119-G	M215682	BB004EPBR	1

* EP bases have square contacts.



BB001EP

Connection Detail

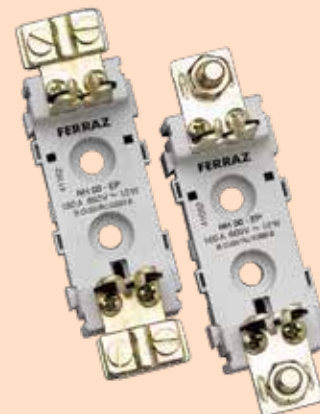
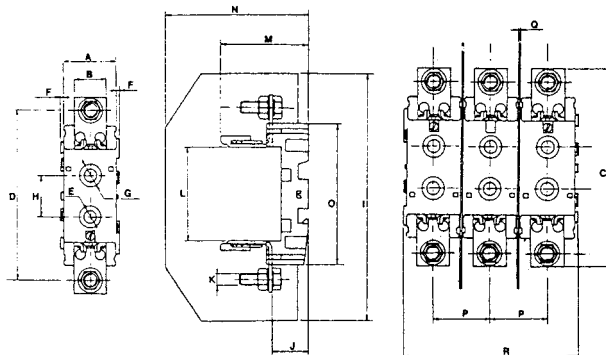


Screw

Clamp

Dimensions

	00-EP		00-EP
A	32	J	21.5
B	20	K	8
C	117	L	56
D	100	M	52
E	8	N	85
F	2	O	84
G	14	P	34
H	25	Q	1
I	145	R	104



Ratings:

Volts : 690VAC

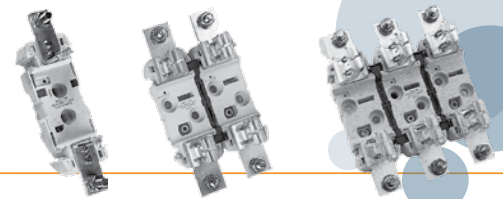
Amps : 160 to 1250A

Approvals:

Designed to meet standards:

- IEC 60269
- DIN VDE 0636-21 & 201
- DIN 43620

NH DIMENSION Fuse Bases



Type 0-EP* – Fuse Bases for NH-0 Fuses without striker

BB01EPR

BB12PP

BB23PP

Poles	Mounting Style					
	Discontinued Cat. No.	Screw New Reference No.	New Catalog No.	Discontinued Cat. No.	DIN-Rail New Reference No.	New Catalog No.
1	41202-G	B213142	BB01EP	42202-G	S216193	BB01EPR
2	41212-G	C214661	BB02EP	42212-G	P216696	BB02EPR
3	41214-G	G215171	BB03EP	42214-G	C217214	BB03EPR
4	41219-G	Q216191	BB04EP	42219-G	J217726	BB04EPR

* EP bases have square contacts. PP bases have pincer contacts.

Type 0-PP – Fuse Bases for NH-0 Fuses w/o striker

Poles	Discontinued Cat. No.	New Reference No.	New Catalog No.	Discontinued Cat. No.	New Reference No.	New Catalog No.
1	41302-G	N216695	BB01PP	42302-G	T218241	BB01PPR
2	41312-G	B217213	BB02PP	42312-G	G218759	BB02PPR
3	41314-G	G217724	BB03PP	42314-G	W219278	BB03PPR
4	41319-G	R218239	BB04PP	42319-G	H222486	BB04PPR

Type 1-PP – Fuse Bases for NH-1 Fuses w/o striker

Poles	Discontinued Cat. No.	New Reference No.	New Catalog No.	Discontinued Cat. No.	New Reference No.	New Catalog No.
1	41402-G	E218757	BB11PP	42402-G	A223008	BB11PPR
2	41412-G	F222484	BB12PP	42412-G	G200796	BB12PPR
3	41414-G	Y223006	BB13PP	42414-G	Y201340	BB13PPR
4	41419-G	X201339	BB14PP	42419-G	H201855	BB14PPR

Type 2-PP – Fuse Bases for NH-2 Fuses w/o striker

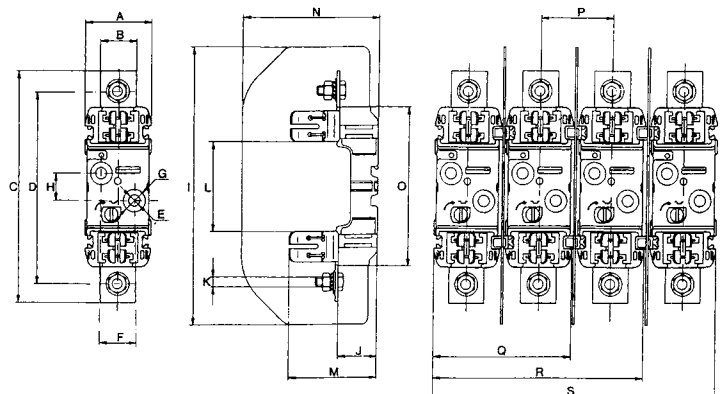
Poles	Discontinued Cat. No.	New Reference No.	New Catalog No.	Discontinued Cat. No.	New Reference No.	New Catalog No.
1	41502-G	F201853	BB21PP	42502-G	E211075	BB21PPR
2	41512-G	S211593	BB22PP	42512-G	V211595	BB22PPR
3	41514-G	B212107	BB23PP	42514-G	D212109	BB23PPR
4	41519-G	C213143	BB24PP	42519-G	R212627	BB24PPR

Type 3-PP – Fuse Bases for NH-3 Fuses w/o striker

Poles	Discontinued Cat. No.	New Reference No.	New Catalog No.	Discontinued Cat. No.	New Reference No.	New Catalog No.
1	41602-G	W213643	BB31PP	42602-G	X213644	BB31PPR
2	41612-G	D214662	BB32PP	42612-G	B214154	BB32PPR
3	41614-G	H215172	BB33PP	42614-G	F214664	BB33PPR
4	41619-G	L215681	BB34PP	42619-G	K215174	BB34PPR

Dimensions of Polyester Fuse Bases for NH Fuses

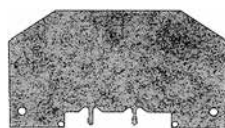
	0-EP	0-PP	1-PP	2-PP	3-PP
A	46	46	60	60	60
B	20	25	32	35	40
C	168	168	209	225	241
D	150.5	150.5	176	201	210
E	7.5	7.5	10.5	10.5	10.5
F	-	-	30	30	30
G	14.5	14.5	20.5	20.5	20.5
H	25	25	25	25	25
I	185	185	250	250	270
J	29	29	35	35	35
K	M8	M8	M10	M10	M12
L	74	75	81	81	81
M	59	61	71	89	103
N	95	95	122.5	122.5	142.5
O	122	122	146	146	146
P	48.5	48.5	65.5	65.5	81.5
Q	94	94	125.5	125.5	141.5
R	142	142	191	191	223
S	190	190	256.5	256.5	304.5



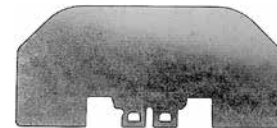
NH DIMENSION Fuse Bases

Insulating Barriers for Plastic NH Fuse Bases

Size	Rated Current (A)	Discontinued Catalog No.	New Ref. No.	New Cat. No.	Std. Pack
00	100	44502-G	W212654	BB00CL	2
0	160	44504-G	Z213669	BB0CL	2
1-2	400	44510-G	J214690	BB1-2PPCL	2
3	630	44512-G	Q215708	BB3PPCL	2



BB00CL



BB1-2PPCL

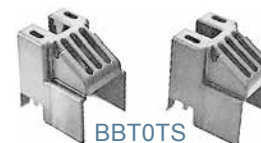
*Not for use with W229122 and V229121. Use B233865.

Separators

Size	Rated Current (A)	Discontinued Catalog No.	New Ref. No.	New Cat. No.	Std. Pack
0	160	44604-G	V216724	BBPAK0	2
1-2	400	44610-G	N217753	BBPAK1-2	2



BBPAK1-2



BBT0TS

Fuse Shields

Size	Rated Current (A)	Discontinued Catalog No.	New Ref. No.	New Cat. No.	Std. Pack
00	100	44802-G	G213170	BB00COV	3
0	160	44804-G	F214181	BB0COV	3
1-2	400	44810-G	K214691	BB1-2COV	3
3	630	44812-G	R215709	BB3COV	2



BB00COV

Terminal Shields

Size	Rated Current (A)	Discontinued Catalog No.	New Ref. No.	New Cat. No.	Std. Pack
00	100	44702-G	M222513	BB00TS	6
0	160	44704-G	K200822	BB0TS	6
1-2	400	44710-G	Y211621	BB2TS	6

One Cable – Terminal for NH Bases

Base Size	Cable Size (mm)		Discontinued Catalog No.	New Ref. No.	New Cat. No.	Std. Pack
	Max.	Min.				
00	50	6	45421-G	Q217755	BORNEABF50	60
00-0	95	10	45423-G	A218270	BORNEABF95	50
1	150	16	45425-G	N218788	BORNEABF150	30
2-3	240	50	45427-G	A219305	BORNEABF240	15



BORNEABF150

Two Cable – Terminal for NH Bases

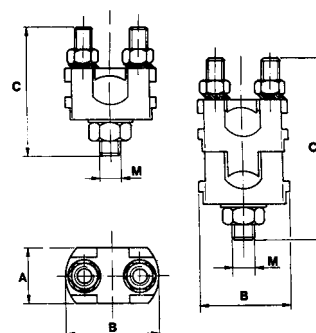
Base Size	Cable 1 (Size mm)		Cable 2 (Size mm)		Discontinued Catalog No.	New Ref. No.	New Cat. No.	Std. Pack
	Max.	Min.	Max.	Min.				
00	50	6	50	6	45431-G	B219835	BORNEABF50D	60
00-0	95	10	95	10	45433-G	P222515	BORNEABF95D	30
1	150	25	150	16	45435-G	F223036	BORNEABF150D	20
2-3	240	95	240	50	45437-G	B201366	BORNEABF240D	5



BORNEABF150D

Dimensions of Terminals

Discontinued Catalog No.	New Cat. No.	A	B	C	M
45421-G	BORNEABF50	18	26	34	6
45423-G	BORNEABF95	24	35	52	8
45425-G	BORNEABF150	26	41	58	10
45427-G	BORNEABF240	36	53	68	12
45431-G	BORNEABF50D	18	26	39	6
45433-G	BORNEABF95D	24	35	82	8
45435-G	BORNEABF150D	26	41	84	10
45437-G	BORNEABF240D	36	53	98	12



HPBB 1000V DC Size NH Open Style Fuse Blocks

Mersen size NH fuse blocks for use with HP10NH HelioProtection® Photovoltaic series fuses

1000VDC rated and designed specifically for Mersen's HP10NH series of photovoltaic fuses. These polyester fuse blocks are available in single pole configurations with or without finger-safe covers. Fuse blocks come standard with M10 stud connectors for ease of wire termination. All fuse clips are silver-plated copper and fuse clips are spring re-enforced for superior conductivity. Select Mersen's brand of innovative HelioProtection® products to meet your stringent photovoltaic application requirements.

Features:

- 1000VDC rated
- Polyester insulating base
- Silver plated contacts
- M10 stud wire terminals
- Optional finger-safe covers
- DIN-rail or screw mounting

Applications:

- Re-combiner box (sub-combiner, array combiner, master combiner) applications
- Inverter DC input
- Battery charge controllers

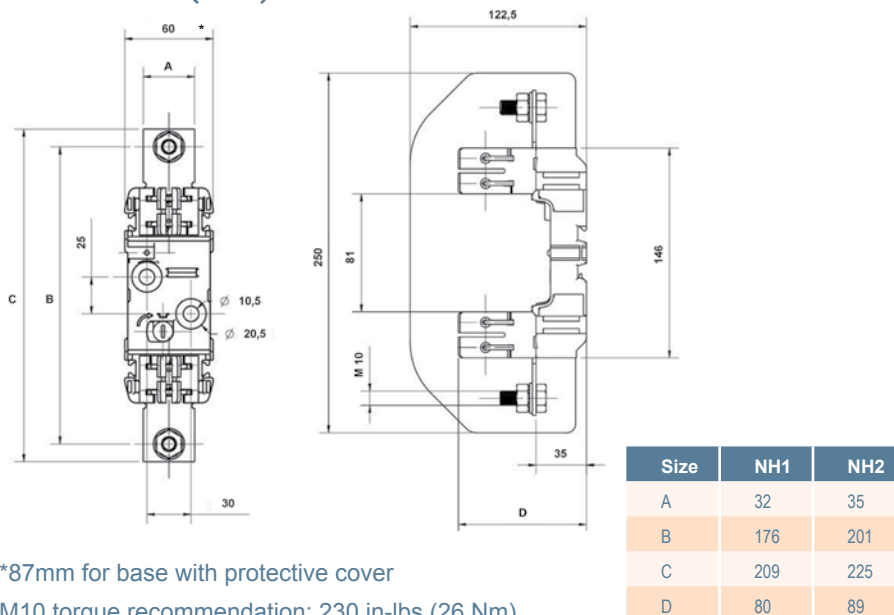
Recommended Fuse Usage:

- Mersen HP10NH series HelioProtection Photovoltaic Fuses

Catalog Numbers - Fuse Block

Catalog Number	Reference Number	No. of Poles	For use with	Description
HPBB11PPR	A1030607	1	NH1	Open Style
HPBB11PPRFS	K1032916			Open Style with Protective Cover
HPBB21PPR	C1037509	1	NH2	Open Style
HPBB21PPRFS	D1037510			Open Style with Protective Cover

Dimensions (mm)



*87mm for base with protective cover

M10 torque recommendation: 230 in-lbs (26 Nm)



Ratings:

Volts : 1000VDC
Amps : 315A max
SCCR : 50kA

Approvals:

- IEC 60269-2-1 Certification
- Pending: UL Listed to Standard 4248-18, File E347822



DFC SERIES Dead-Front Fuse Covers

Mersen DFC dead-front fuse covers snap on to individual fuses installed in fuse blocks, covering exposed live clips and terminals and reducing accidental contact by personnel. They are sized to fit Class G, H, J, K, R, CC or midget fuses for increased safety and (optional) open-fuse indication. All DFC dead-front fuse covers are reusable when a fuse is replaced – simply detach from the open fuse and re-attach to the new replacement fuse. On indicator models an orange indicator light will illuminate to indicate an open fuse. DFC fuse cover ends can be easily cut to accommodate existing wiring, safety switches or special installations. A blank label is provided with each DFC to write in circuit or fuse information.

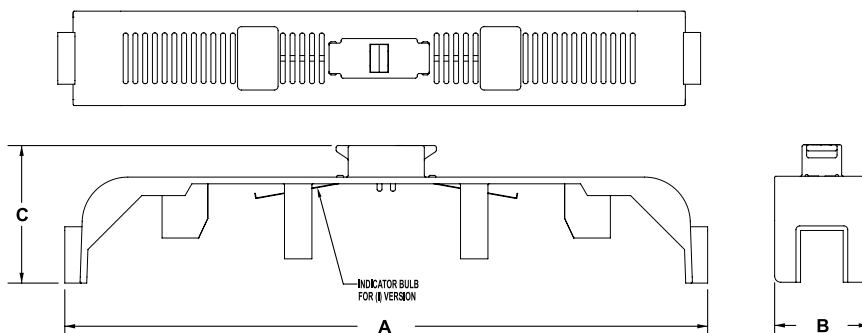
Features/Benefits:

- Innovative design provides dead-front electrical safety to personnel
- Optional orange indicator light shows open fuse
- Many sizes to fit virtually all popular fuses/fuse blocks
- Reusable with no changes or additional cost
- Labels provided for write-in identification
- Thermoplastic flammability rating of UL 94-V2
- Low leakage current <0.6 mA at 600V

Catalog Numbers & Dimensions

Catalog Numbers		Fuses Accomodated			Dimensions (inches)		
Non-indicating	indicating	Amps	Volts	Class	A	B	C
DFC-1	DFC-1I	0-30	600	J	4.68	1.36	1.97
DFC-2	DFC-2I	0-30	600	R, K, H	7.45	1.35	1.80
DFC-3	DFC-3I	65-100	600	J	7.57	1.30	2.20
DFC-4	DFC-4I	65-100	250	R, K, H	8.73	1.40	2.02
DFC-5	DFC-5I	35-60	600	R, K, H	7.46	1.35	2.00
DFC-6	DFC-6I	35-60	600	J	4.64	1.40	2.17
DFC-7	DFC-7I	0-30	600	Midget, CC, G	3.71	0.69	1.37
DFC-8	DFC-8I	65-100	600	R, K, H	10.55	1.55	2.26
DFC-9	DFC-9I	0-30	250	R, K, H	3.71	0.85	1.55
DFC-10	DFC-10I	0-30	600	SJ	4.56	1.06	2.02
DFC-11	DFC-11I	65-100	600	SJ	5.52	1.7	2.04
DFC-12	DFC-12I	110-200	600	J	6.63	3.03	2.86
DFC-13	DFC-13I	35-60	250	R, K, H	5.20	1.12	1.92

WARNING: To avoid electrical shock, TURN POWER OFF before installing, removing or servicing.



Ratings:

Non-Indicating

Volts : 0 to 600VAC / DC

Amps : Fits fuses rated 0 to 200A

Indicating

Volts : 90 to 600VAC

: 115 to 600VDC

Amps : Fits fuses rated 0 to 200A

Approvals:

- UL Listed (All except midget size) guide JDVS, File E90426
- UL Recognized Component (midget) guide JDVS2, File E90426
- CSA Certified class 6228, File 70159



DFC SERIES Dead-Front Fuse Covers

Fuses and Fuse Blocks for use with DFC

Fuse	Fuse Block	DFC	Fuse	Fuse Block	DFC
AG(0-30)	40xxxG	-7I, -7	A6K(35-60)R	606xxR	-5I, -5
AJT(1-30)	603xxJ	-1I, -1	A6K(70-100)R	610xxR	-8I, -8
AJT(1-30)	603xxSJ	10I, -10	A6Y(0-30)-2B	303xx	-7I, -7
AJT(35-60)	606xxJ	-6I, -6	A60Q(0-30)-2	303xx	-7I, -7
AJT(70-100)	610xxJ	-3I, -3	A60X(0-30)-1	603xx	-1I, -1
AJT(70-100)	6100xxSJ	-11I, -11	A70P(10-30)-1	203xx	-9I, -9
AJT(110-200)	620xxJ	-12I, -12	GFN(0-30)	303xx	-7I, -7
ATDR(0-30)	303xxR	-7I, -7	GGU(0-30)	303xx	-7I, -7
ATM(0-30)	303xx	-7I, -7	HSJ(15-30)	603xxSJ	-10I, -10
ATMR(0-30)	303xxR	-7I, -7	HSJ(70-100)	6100xxSJ	-11I, -11
ATQ(0-30)	303xx	-7I, -7	HSJ(110-200)	620xxJ	-12I, -12
ATQR(0-30)	303xxR	-7I, -7	OT(0-30)	203xx	-9I, -9
A13X(1-30)-2	303xx	-7I, -7	OT(35-60)	206xx	-13I, -13
A2D(0-30)R	203xxR	-9I, -9	OT(65-100)	210xx	-4I, -4
A2D(35-60)R	206xxR	-13I, -13	OTM(0-30)	303xx	-7I, -7
A2D(65-100)R	210xxR	-4I, -4	OTS(0-30)	603xx	-2I, -2
A2K(0-30)R	203xxR	-9I, -9	OTS(35-60)	606xx	-5I, -5
A2K(35-60)R	206xxR	-13I, -13	OTS(65-100)	610xx	-8I, -8
A2K(70-100)R	210xxR	-4I, -4	RF(0-30)	203xx	-9I, -9
A2Y(0-30)	203xx	-9I, -9	RF(35-60)	206xx	-13I, -13
A2Y(35-60)	206xx	-13I, -13	RF(65-100)	210xx	-4I, -4
A2Y(70-100)	210xx	-4I, -4	RFS(0-30)	603xx	-2I, -2
A25X(1-30)-1	203xx	-9I, -9	RFS(35-60)	606xx	-5I, -5
A25Z(1-30)-2	303xx	-7I, -7	RFS(65-100)	610xx	-8I, -8
A4J(1-30)	603xxJ	-1I, -1	TR(0-30)R	203xx	-9I, -9
A4J(1-30)	603xxSJ	-10I, -10	TR(35-60)R	206xx	-13I, -13
A4J(35-60)	606xxJ	-6I, -6	TR(70-100)R	210xx	-4I, -4
A4J(70-100)	610xxJ	-3I, -3	TRM(0-30)	303xx	-7I, -7
A4J(70-100)	6100xxSJ	-11I, -11	TRS(0-30)R	603xxR	-2I, -2
A4J(110-200)	620xxJ	-12I, -12	TRS(35-60)R	606xxR	-5I, -5
A50P(10-30)	203xx	-9I, -9	TRS(65-100)R	610xxR	-8I, -8
A6D(0-30)R	603xxR	-2I, -2	TRS(35-60)RDC	606xxR	-5I, -5
A6D(35-60)R	606xxR	-5I, -5	TRS(70-100)RDC	610xxR	-8I, -8
A6D(70-100)R	610xxR	-8I, -8			
A6K(0-30)R	603xxR	-2I, -2			

Note: DFC Covers fit single pole blocks and each pole of multi-pole blocks. Consult factory for data sheets of DFC trim instructions for safety switches.

WARNING: To avoid electrical shock, TURN POWER OFF before installing, removing or servicing.

DFC3M/DFC3LP/DRM

Fuse Block Accessories

DFC3M safety puller protects personnel, covers live parts

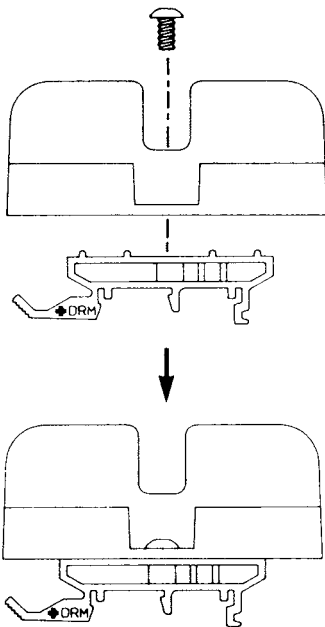
The DFC3M safety puller is intended to hold and safely enclose 1-1/2" x 13/32" midget or Class CC fuses for insertion or removal from fuse clips, making fuse installation easy and safe without the use of a standard fuse puller. The DFC3M is made of clear polycarbonate, so the fuse can be identified when installed in a 303 series fuse block.

DFC3LP safety puller holds fuse, protects personnel, and saves space

The DFC3LP holds and safely encloses 1-1/2" x 13/32" midget or class CC fuse, similar to the DFC3M, but with a lower profile in height so it takes less room where space is restricted. The DFC3LP is made of clear polycarbonate so the fuse can be seen after installation in a fuse block such as the Mersen 303 series.

DRM adapts 303 series midget and class CC fuse blocks to DIN-rail

The DIN-rail adapter, DRM, provides quick mounting for all Mersen 303 series midget and class CC fuse blocks to all symmetrical 35mm DIN or asymmetrical 32mm "G" rail. A DRM adapter is attached to each pole with the screw provided. The DRM is molded of black polycarbonate and is mounted or dismounted from the rail simply by depressing the finger pull.



FUSE CLIPS

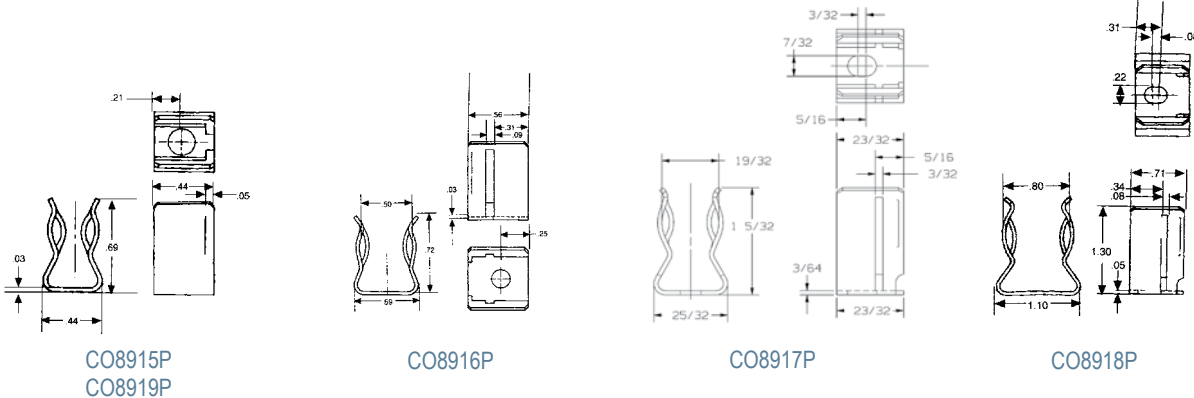
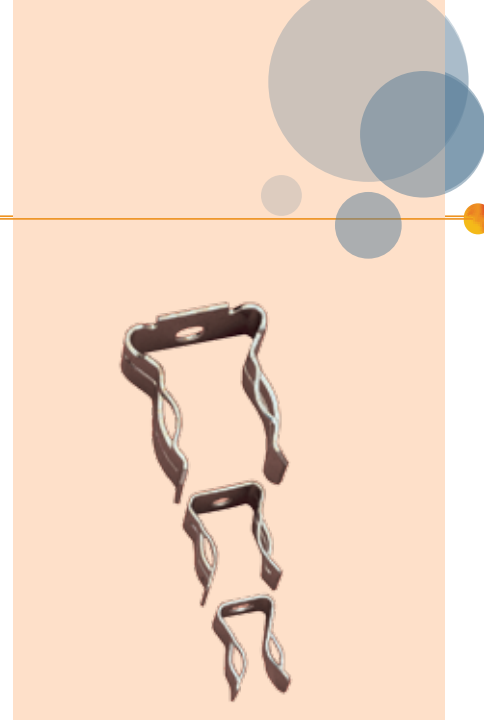
For Ferrule Fuses/PC Board Mount

30A & 60A Ferrule - Fuse Clips

Fuse Clips for 30 & 60 Ampere Ferrule-type Fuses

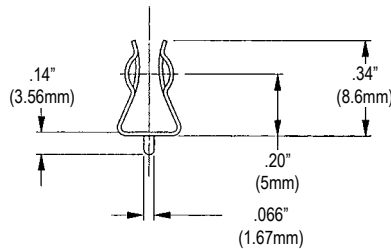
Cat. No.	For Fuse Rating/Size			Mounting Details	
	Volts	Amps (max)	Ferrule Dia.	Hole Size	Screw Size
C08915P	600	30	13/32"	.72 dia.	#8
C08919P	600	30	13/32"	.196 dia.	#10
C08916P	250	30	9/16"	.172 dia.	#8
C08917P	250	60	13/16"	.22 X .30"	#10
	600	30	13/16"	.22 X .30"	#10
C08918P	600	60	1-1/16"	.22 X .30"	#10

All clips are UL recognized: guide IZLT2, file E52283
 All clips are tin-plated copper alloy, non-spring reinforced.



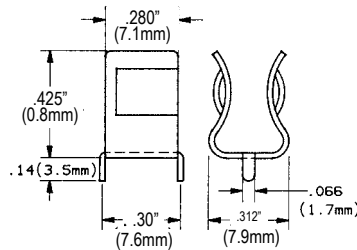
SDC5 PC BOARD clips

- PC board mount fuse clip
- For 5mm diameter fuses
- Tin plated hard brass



SDC6 PC BOARD clips

- PC board mount fuse clip
- For 1/4" diameter fuses
- Tin plated hard brass



SDC7 PC BOARD clips

- PC board mount fuse clip
- For 13/32" diameter fuses
- Tin plated hard brass

