



TABLE OF CONTENTS

Fiberglass Reinforced Polyester & Polycarbonate Enclosures • Premium Accessories • www.alliedmoulded.com



What's new?

Allied Moulded Products, Inc. (Allied Moulded) is the Contractor's Choice of nonmetallic electrical boxes and enclosures in today's residential, commercial and industrial markets. Leveraging more than half-a-century of experience, Allied Moulded has grown to become the benchmark of quality within the electrical industry. Our recent achievement of ISO 9001:2008 certification is a testament to our company-wide commitment to providing our customers with a quality product. Our full-service molding operation includes expertise in compression and injection molding, using thermoset and thermoplastic materials, as well as our unique resin transfer molding process. Utilizing a modern, automated assembly process, we are pleased to provide our customers with a superior product at a competitive price. **Our unrelenting focus on service, delivery, value, innovation and technology in everything we make and do, has made us who we are today.**

HMI Cover Kits

Pg.
134

Allied Moulded's new HMI cover kits are designed to provide protection for instruments or electronics requiring routine attention or detail. The cover kit features a strong and rigid design, mounting securely to the outside of any enclosure, and makes accessibility to electronic components easy. Available in two sizes, HMI cover kits are UL® recognized and maintain a NEMA 4X seal with the use of a Formed-In-Place (FIP) polyurethane gasket system, and is well suited for outdoor applications. Multiple cover latching options are also available, including a hinge screw, tamper proof screw, and snap latch model. All are available in solid opaque or polycarbonate thermoplastic clear covers.



Inspection Windows

Pg.
132

Allied Moulded's new inspection window kits are designed to provide visibility and easy viewing access to equipment and components installed in an enclosure, while maintaining ratings up through NEMA Type 4X. The window kit features a strong and rigid design, securely mounting to the outside of most enclosure designs. The window kit is conveniently sized at 6" x 6" to allow for sufficient viewing space in any required application.



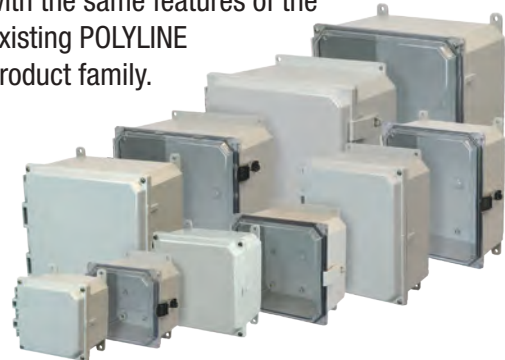
New POLYLINE® Sizes

Pg.
86

The POLYLINE® AMP Series of injection-molded products are made from polycarbonate thermoplastic, and have been available for several years. Allied Moulded is continually expanding this series with additional sizes. Most recently, the following sizes have been added:

- 8" x 8" x 4" (base P/N AMP884)
- 10" x 8" x 2" (base P/N AMP1082)
- 12" x 10" x 4" (base P/N AMP1204)
- 16" x 14" x 8" (base P/N AMP1648)
- 18" x 16" x 10" (base P/N AMP1860)

Each of these new sizes are being offered with the same features of the existing POLYLINE product family.



**ALLIED
MOULDED
PRODUCTS, Inc.**

222 N Union Street
Bryan, OH 43506 USA
www.alliedmoulded.com

Phone: (419) 636-4217
Toll-free: (800) 722-2679
Fax: (800) 237-7269

Industry Standards	2
Conformance to Industry Standards	2
International Standards	3
ULTRAGUARD® Material Formulation	4
The Fiberglass Advantage	6
Material Performance Comparison	7

AM Series Fiberglass Enclosures

Features & Benefits	8
Small Junction Boxes	10
Pushbutton Enclosures	12
JIC Sized Flat Cover Junction Boxes.	18

AM-R Series Fiberglass Enclosures

Features & Benefits	34
JIC Sized Raised Cover Junction Boxes	36

AMHD-R Heavy Duty Solar Battery Box

AMHD1860RLF	52
-----------------------	----

ULTRALINE® AMU Series Fiberglass Enclosures

Features & Benefits	54
JIC Sized Junction Boxes	56

POLYLINE® AMP Series Polycarbonate Enclosures

Features & Benefits	86
JIC Sized Junction Boxes	88

Control Series Fiberglass Enclosures

Features & Benefits	104
Product Options	106
Control XL	114

Empire Series Fiberglass Enclosures

Features & Benefits	116
Wall Mount	118
AMEC (compression molded, wall mount).	122
Freestanding Units	124

Accessories

Back Panels	128
Hinged Front Panels	129
Inspection Windows	132
HMI Cover Kits	134
ULTRAPLUG® Hole Plugs	136
Pole Mount Kits	137
Keylock Kits	138
Pull-Type Handle	138
Print Pocket	139
Enclosure Vent Kits	139
Exhaust Filter Kits.	139
Cord Grips	140
Accessory Kits (latches & mounting hardware).	141

Modifications | Specialty Products

Modifications Overview	142
Modifications Request Form	144
Choosing the Right Enclosure	145
Technical Specifications	146
Resources.	149

Index | Part Search

Index	150
-----------------	-----



Industry Standards

Enclosure Ratings

In order to assist in the selection of an enclosure, rating classifications have been established by the National Electrical Manufacturers Association (NEMA). These ratings identify the ability of the enclosure to provide a degree of protection against incidental contact with the enclosed equipment and protection to the enclosed equipment from environmental elements such as dirt, dust, water and other corrosive agents. Underwriters Laboratories (UL) and the Canadian Standards Association (CSA) are widely recognized testing organizations that perform enclosure product testing to these standards and provide regular follow up service to ensure that manufacturers conform to established product and manufacturing specifications.

These ratings, however, are intended to be used only as a guide. To ensure a proper choice, it is recommended that an assessment of the application and environment be conducted before product selection.

- NEMA 1** - Indoor use to provide a degree of protection against falling dirt.
- NEMA 2** - Indoor use to provide a degree of protection against limited amounts of falling water and dirt.
- NEMA 3** - Indoor or outdoor use to provide a degree of protection against falling dirt, rain, sleet, snow and windblown dust; and that will be undamaged by the external formation of ice on the enclosure.
- NEMA 3R** - Indoor or outdoor use to provide a degree of protection against falling dirt, rain, sleet and snow; and that will be undamaged by the external formation of ice on the enclosure.
- NEMA 4** - Indoor or outdoor use to provide a degree of protection against falling dirt, rain, sleet, snow, windblown dust, splashing water, hose-directed water; and that will be undamaged by the external formation of ice on the enclosure.
- NEMA 4X** - Indoor or outdoor use to provide a degree of protection against falling dirt, rain, sleet, snow, windblown dust, splashing water, hose-directed water and corrosion; and that will be undamaged by the external formation of ice on the enclosure.
- NEMA 6P** - Indoor or outdoor use primarily to provide a degree of protection against the entry of water during occasional temporary submersion at a limited depth.
- NEMA 12** - Indoor use to provide a degree of protection against falling dirt; circulating dust, lint, fibers and flyings; and dripping and light splashing of liquids.
- NEMA 13** - Indoor use to provide a degree of protection against falling dirt; circulating dust, lint, fibers and flyings; and spraying and seepage of water, oil and non-corrosive coolants.

Conformance To Industry Standards

Industrial enclosures manufactured by Allied Moulded Products and bearing the UL and CSA labels have been tested and certified to the following standards:

- UL 50..... Enclosures For Electrical Equipment
- UL 50E..... Enclosures For Electrical Equipment, Environmental Considerations
- UL 508A..... Industrial Control Panels
- UL 746C Polymeric Materials – Use In electrical Equipment Evaluations
- CSA-C22 No. 14..... Industrial Control Equipment
- CAN/CSA-C22 No. 94.... Special Purpose Enclosures

Allied Moulded Products enclosures series AMU, AM, AMP and AM-R maximum size 30 x 24 x 10 are certified:

- UL Types 1, 2, 3, 3R, 4, 4X, 12, and 13
- CSA Types 1, 2, 3, 3R, 4, 4X, 12 and 13
- NEMA Types 1, 2, 3, 3R, 4, 4X, 12 and 13

AMP, AM and AM-R JIC flat and raised cover models sizes 14" x 12" x 6" and smaller (excluding AM743 and AM943) and all AMU models utilizing covers secured with four mounting screws (excluding window covers) are UL and CSA listed Type 6P.

Allied Moulded Products enclosures series AM sizes 36 x 30 x 12 and larger are certified:

- UL Types 1, 4, and 4X
- CSA Types 1, 4, and 4X
- NEMA Types 1, 4, and 4X

AM, AMP and AMU series meet IEC60529 Type IP66. Models rated NEMA 6P meet IEC60529 Type IP68 submersible up to 24 hours at a depth of 6 feet (1.8meters)



International Standards IP Protection Classification Data

The first digit character represents the degree of protection against a person's contact with live parts and the protection of the equipment against the ingress of solid foreign bodies. The second digit represents the degree of protection against the ingress of liquids. Both of these values are represented in ascending value with the larger number equaling the greatest protection.

First Digit		Second Digit	
IP	Test	IP	Test
0	No protection	0	No protection
1	Protection against solid bodies larger than 50 mm (for example accidentally touching with the hand)	1	Protection against vertical water drops and condensation
2	Protection against solid bodies larger than 12 mm (for example a finger)	2	Protection against water drops up to 15" from the vertical
3	Protection against solid bodies larger than 2.5 mm (tools, wires)	3	Protected against rain up to 60° from the vertical
4	Protection against solid bodies larger than 1mm (tools, wires)	4	Protected against water splashing from a hose from all directions
5	Protection against dust (no harmful deposits)	5	Protected against water sprayed from a hose from all directions
6	Complete protection against dust	6	Protected against powerful water jets
		7	Protected against the effects of immersion
		8	Protected against effects of prolonged immersion under pressure

General Enclosure Specifying Guidelines

	304 SS	316 SS	Painted CS	Polycarbonate	Compression FRP	Gelcoat FRP	Custom PVC
Cost	4	5	1	2	3	4	4
Weight	5	5	5	2	3	3	2
Impact (flex)	N/A	N/A	N/A	4	3	3	2
Flex Strength (rigidity)	N/A	N/A	N/A	13,000 psi	23,000 psi	33,400 psi	10,500 psi
MFG Process Type	Fabricated sheet	Fabricated sheet	Fabricated sheet	Injection Mold	Compression Mold	Open Mold	Fabricated Sheet
Size Limits	Custom NL	Custom NL	Custom NL	up to 18" Max	up to 36" max	36" up to 90"	Custom NL
Outdoor Corrosion (rating)	NEMA 4	NEMA 4X	NEMA 4	NEMA 4X	NEMA 4X	NEMA 4X	NEMA 4

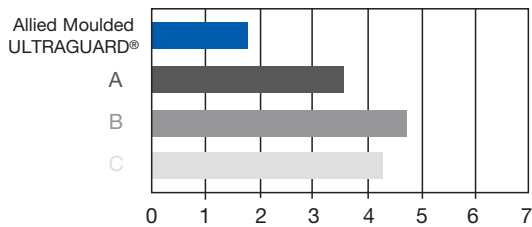
Note: Those categories containing rating numbers are based on 1 as low and 5 as high.

ULTRAGUARD® is Allied Moulded's proprietary fiberglass reinforced polyester (FRP) material formulation. Our **Materials Research and Development** laboratory successfully optimized ingredients to create a formulation with the ability to resist the effects of UV degradation. The formulation was developed through the effective use of UV absorbers that provide protection by physically absorbing light in specific ranges of wavelengths, HALS (Hindered Amine Light Stabilizers), and antioxidants. Together, all three classes of stabilizers provide specific protection to modes of failure associated with outdoor exposure.

ULTRAGUARD® Versus The Competition

Allied Moulded's ULTRAGUARD formulation outperformed materials used by three leading fiberglass enclosure manufacturers. The following four key areas were benchmarked, with ULTRAGUARD easily coming out on top:

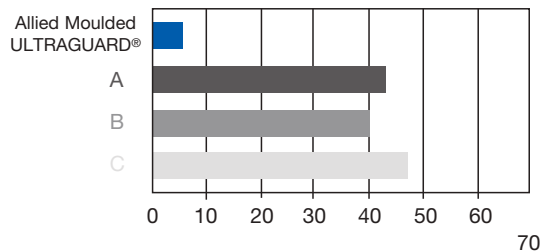
Yellowing



Yellowing

- Delta b change from original
- 48-60% improvement over leading competitive enclosure manufacturers

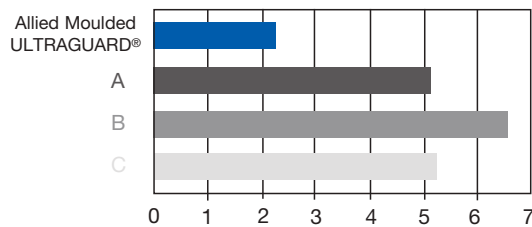
Change in Gloss



Change In Gloss

- Percent (%) change from original
- 76-80% improvement over leading competitive enclosure manufacturers

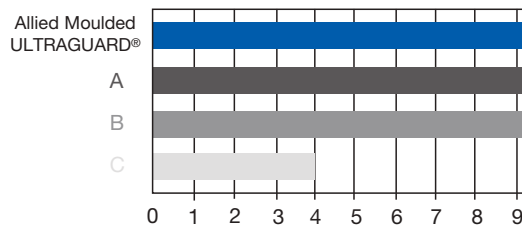
Discoloration



Discoloration

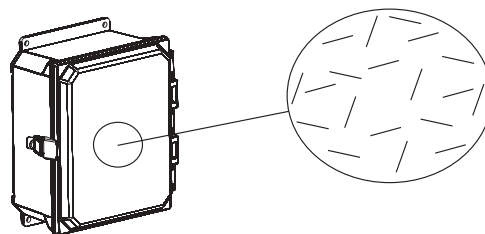
- Delta E change from original
- 56-68% improvement over leading competitive enclosure manufacturers

Fiberbloom Resistance



Fiberbloom resistance

- Change in aesthetics and texture
- 60% improvement over one competitor
- Equivalent results compared to two remaining competitors

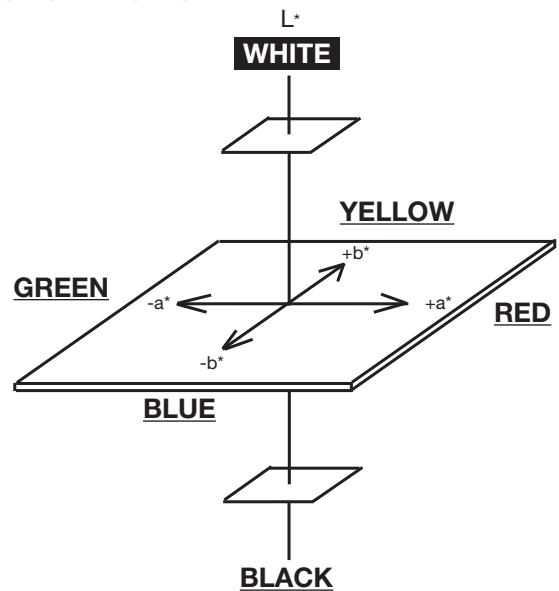


ULTRAGUARD® - How It Benefits Customers

Allied Moulded's ULTRAGUARD formulation, while retaining its already robust structural integrity, has an enhanced surface finish with improved aesthetics. Based upon customer feedback, Allied Moulded recognized an increased number of customer applications requiring outdoor capability and the related challenges to nonmetallic enclosure designs. This is why Allied Moulded chooses to invest in continuous improvement of our material formulations. Customer applications often require enclosures to be mounted on expensive systems where aesthetic appearance is critical. Changes in enclosure color, texture, and gloss in these applications are not acceptable. Fiberbloom, for example, not only is aesthetically unattractive, but can also be a safety issue if people come in physical contact with the enclosure surface. Literally defined, fiberbloom is degradation of the polyester compound surface during long-term outdoor exposure, resulting in the eventual exposure of glass fibers. Fiberbloom does not affect the structural integrity or NEMA rating of the enclosures.

ULTRAGUARD® - How The Results Were Proven

Allied Moulded's Materials R&D lab team accepted the continuous improvement project challenge of finding a synergistic combination of compounds that would improve material resistance to color change, gloss change, surface degradation, and exposure of surface glass particles. Our team successfully met the challenge of maintaining standard material characteristics: UL 94 5VA flame test standards and RoHS directive (Restriction of Hazardous Substances). The formulation does not contain antimony or halogens, which reduce the risk of smoke borne toxicity. Allied Moulded's research and development lab replaced subjective test results found in normal field testing with objective test results that were achieved with industry accepted lab equipment. Internal lab tests and outsourced, third-party, independent lab testing (by Q-lab Weathers Research Service) was conducted with a QUV accelerated weathering tester. Gloss readings were recorded using a BYK Micro Tri-Gloss machine and color data was recorded using a Hunter Lab ColorQuest sphere instrument. All test results were obtained and reported per ASTM and ISO standards.



L* a* b* Color Space - Instrumental color readings utilize three numbers to describe a color baseline.

ULTRAGUARD® - Versus Steel Enclosures

There are many factors to consider when choosing an enclosure. Nonmetallic enclosures have proven to be a great alternative to steel enclosures in harsh environment applications. Properties that make the ULTRAGUARD FRP enclosures a prominent solution include their light weight, non-corrosive nature, ease of modification, resistance to dents, and inherent protection of seal integrity.



Scan to learn more



THE FIBERGLASS ADVANTAGE

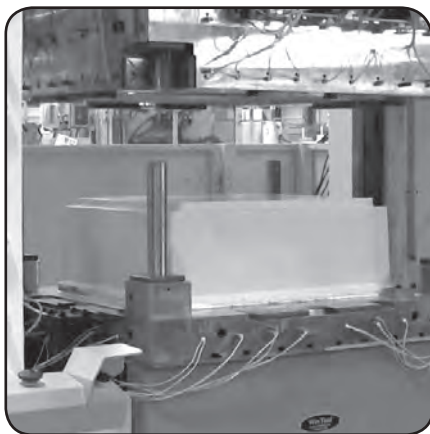
FIBERGLASS REINFORCED POLYESTER (FRP)

The Superior Enclosure Material

Allied Moulded fiberglass enclosures are fabricated from our own proprietary ULTRAGUARD® formulation. This material provides superior performance and protective properties in a wide variety of environments.

Beyond Meeting Standards to Exceeding Expectations

Of course, Allied Moulded fiberglass enclosures are designed and regularly tested to meet stringent UL® and CSA® specifications, but we don't stop there. Our full line of corrosion-resistant, maintenance-free fiberglass enclosures is designed to provide optimum protection in the harshest environments, from water treatment facilities and irrigation systems to oil refineries and chemical processing plants.



Outperforming the Alternatives

Fiberglass reinforced polyester (FRP) offers significant benefits over metal enclosures such as carbon and stainless steel.

Compare them and you'll discover that fiberglass reinforced polyester enclosures are:

- Lighter and easier to handle
- Strong enough to hold up under extreme conditions
- Equal to stainless steel in corrosion and chemical resistance, and far better than carbon steel
- Non-conductive—an electrical insulator rather than electrical conductor
- Much easier to punch, drill or saw
- Less expensive to ship

Allied Moulded enclosures also outperform other nonmetallic alternatives in areas such as:

- Chemical resistance
- Protection against degradation due to UV exposure
- Resistance to extreme temperatures
- Flame retardant properties

Take the time to compare the cost, quality and performance of our fiberglass reinforced polyester products and you'll see why we say Allied Moulded has the superior enclosure solutions.

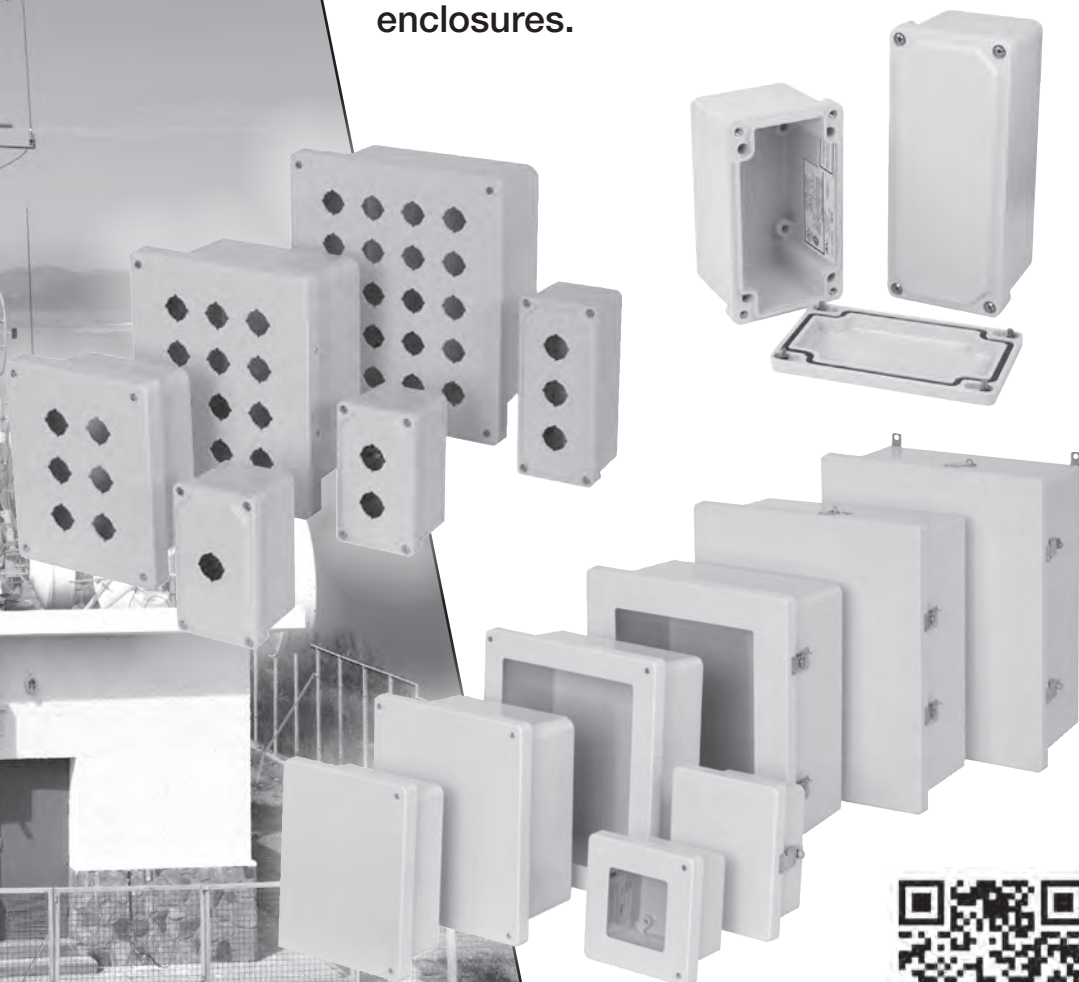
Performance Comparison of Enclosure Materials

	Fiberglass	Stainless Steel	Carbon Steel	PVC	Polycarbonate
Corrosive Resistance	Excellent	Excellent	Poor	Excellent	Fair
Chemical Resistance	Excellent	Excellent	Poor	Very Good	Good
Relative Cost	Low	High	Low to Moderate	Low	Low to Moderate
Drilling, Punching & Cutting	Very Easy	Extremely Hard	Hard	Very Easy	Easy
Dielectric Strength	Electrical Insulator	Electrical Conductor	Electrical Conductor	Electrical Insulator	Electrical Insulator
Weight	Light	Heavy	Heavy	Light	Light

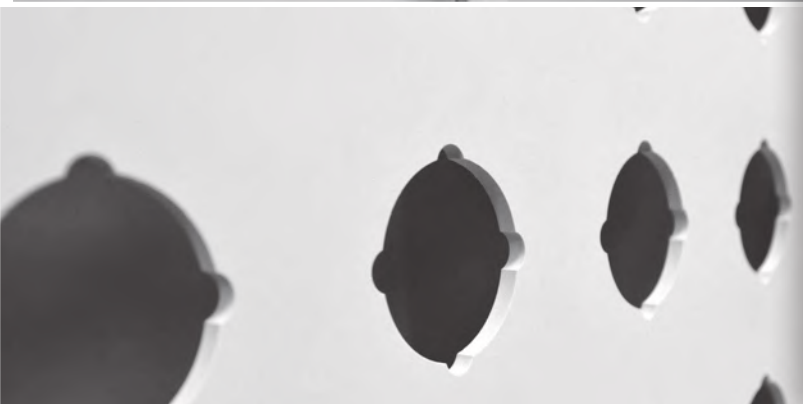
AM SERIES - FRP

AM Series boxes are designed to insulate and protect controls and components in both indoor and outdoor applications and are especially well suited for high temperature or corrosive environments. They feature flat covers with a variety of latching options that allow you to provide the level of security and ease of access needed for each application.

The AM Series offers a wide variety of sizes and configurations including small junction boxes, inline pushbutton enclosures in one, two, or three-hole configurations and two hole sizes, and standard JIC size enclosures.



Scan to learn more



AM Series Features & Benefits

- Molded ULTRAGUARD® fiberglass reinforced polyester (FRP) material construction for durability
- Continuous 316 stainless steel hinge
- Formed-In-Place (FIP) polyurethane gasket system
- Matching flat cover
- 316 stainless steel hardware and mounting feet
- Mounting panel inserts for optional back panel
- UV stabilized for outdoor use

AM Series Specifications

- Non-corrosive
- Non-conductive
- Standard RAL 7035 light gray color
- Temperature-resistant
- Fire-resistant
- Rated NEMA 1, 2, 3, 3R, 4, 4X, 12, 13
- UL® listed
- CSA certified
- Compliant with RoHS directive

Accessories

- Back panels available in painted carbon steel, aluminum, fiberglass, or galvanized steel
- ULTRAPLUG® hole plugs
- Pole mount kits
- HMI cover kits
- Inspection windows
- UV resistant polycarbonate viewing windows

Modifications

We are pleased to modify any of our standard products to fit your needs with:

- Custom holes and cutouts
- Custom size polycarbonate viewing windows
- Molded-in color matching
- Hinge installed on short side
- EMI/RFI shielding
- Factory-supplied silk screening

For complete details on factory modifications including a modification request form, see pages 142-144.

www.alliedmoulded.com

Small Junction Boxes:

Lift-Off Screw Cover

- **Solid/Opaque**



PRODUCT INFORMATION

Application

- Designed for use as electrical junction boxes, terminal wiring boxes, instrumentation housings and electrical control enclosures
- Especially well suited for high temperature or corrosive environments
- Protects from dirt, dust, oil, and water
- For use with industrial control equipment

Standards

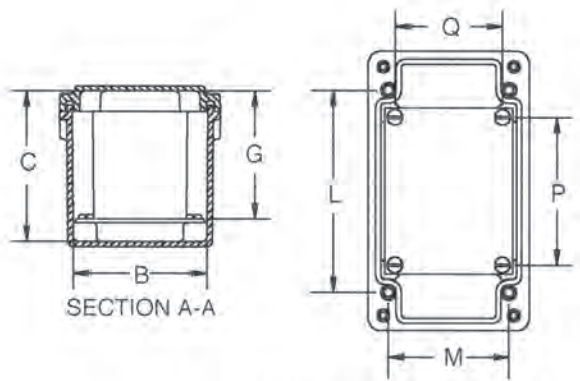
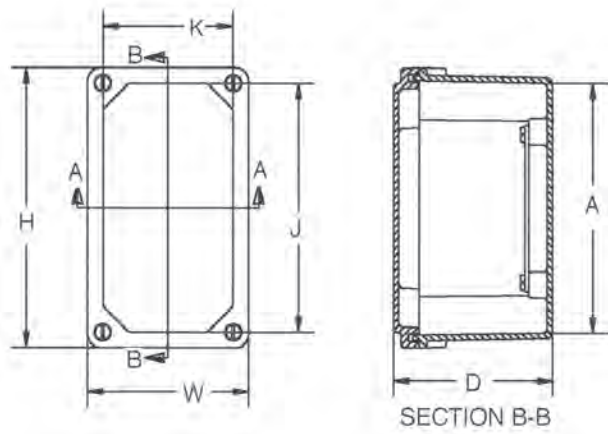
- UL 50 and UL 50E Types 1, 2, 3, 3R, 4, 4X, 12 and 13
- CSA C22.2 No. 94 Types 1, 2, 3, 3R, 4, 4X, 12 and 13
- Complies with:
 - NEMA Types 1, 2, 3, 3R, 4, 4X, 12 and 13
 - IEC 60529 Type IP66
 - RoHS directive

Construction

- Rugged, molded ULTRAGUARD® fiberglass reinforced polyester material construction with reinforced corners
- Two sizes: 7" x 4" x 3" and 9" x 4" x 3"
- 316 stainless steel captive cover screws
- Formed-In-Place (FIP) polyurethane gasket system encased in continuous channel
- 316 stainless steel wall mounting feet with 10-32 stainless steel screws included
- #10-32 threaded brass inserts for optional back panel installation
- UV stabilized for outdoor use

Accessories & Modifications

- Optional back panels
- Custom holes and cutouts
- Custom size polycarbonate viewing windows
- Molded-in color matching
- EMI/RFI shielding
- Factory-supplied silk screening



TOP VIEW WITH COVER REMOVED
(SHOWN WITH OPTIONAL BACK PANEL)

Part No.	Overall			Inside				Panel Sizes								
	H	W	D	A	B	C	G	Ht.	Wid.	P/N	J	K	L	M	P	Q
AM743	6.74	3.95	3.88	6.01	3.26	3.63	3.08	4.00	3.13	PA74 PF74	6.13	3.31	4.88	2.94	3.56	2.63
	171mm	100mm	98mm	153mm	83mm	92mm	78mm	102mm	80mm		156mm	84mm	124mm	75mm	90mm	67mm
*AM743SF	6.74	3.95	3.88	6.01	3.26	3.63	3.08	4.00	3.13	PA74 PF74	6.13	3.31	4.88	2.94	3.56	2.63
	171mm	100mm	98mm	153mm	83mm	92mm	78mm	102mm	80mm		156mm	84mm	124mm	75mm	90mm	67mm
AM943	8.99	3.93	3.88	8.26	3.26	3.63	3.08	6.25	3.13	PA94 PF94	8.31	3.31	7.13	2.94	5.81	2.63
	228mm	100mm	98mm	210mm	83mm	92mm	78mm	159mm	80mm		211mm	84mm	181mm	75mm	148mm	67mm
*AM943SF	8.99	3.93	3.88	8.26	3.26	3.63	3.08	6.25	3.13	PA94 PF94	8.31	3.31	7.13	2.94	5.81	2.63
	228mm	100mm	98mm	210mm	83mm	92mm	78mm	159mm	80mm		211mm	84mm	181mm	75mm	148mm	67mm

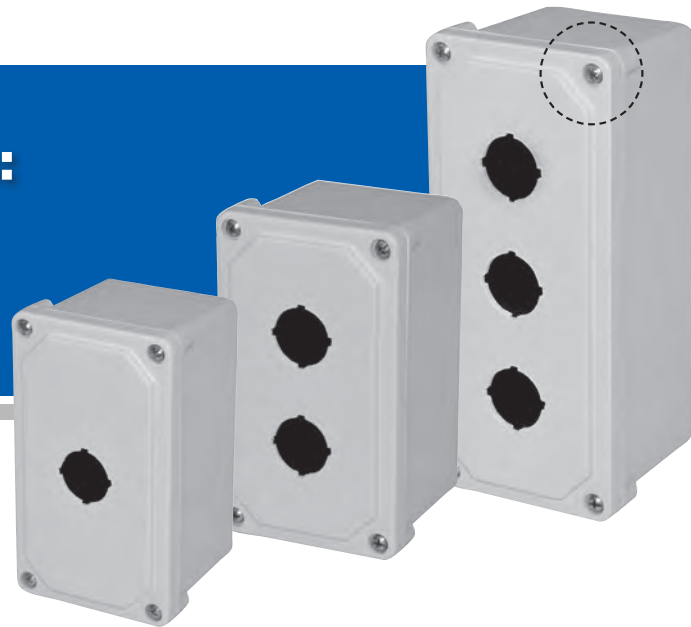
All dimensions are in inches unless otherwise noted
 *Available with or without stainless steel mounting feet. Suffix "SF" denotes box without mounting feet.
 Additional back panels found on page 128

Data subject to change without notice



Pushbutton Enclosures: Inline Lift-Off Screw Cover

- **Solid/Opaque**



PRODUCT INFORMATION

Application

- Designed to insulate and house pushbuttons and switches in applications that require a human-machine interface
- Especially well suited for high temperature or corrosive environments
- Protects from dirt, dust, oil, and water
- For use with industrial control equipment

Standards

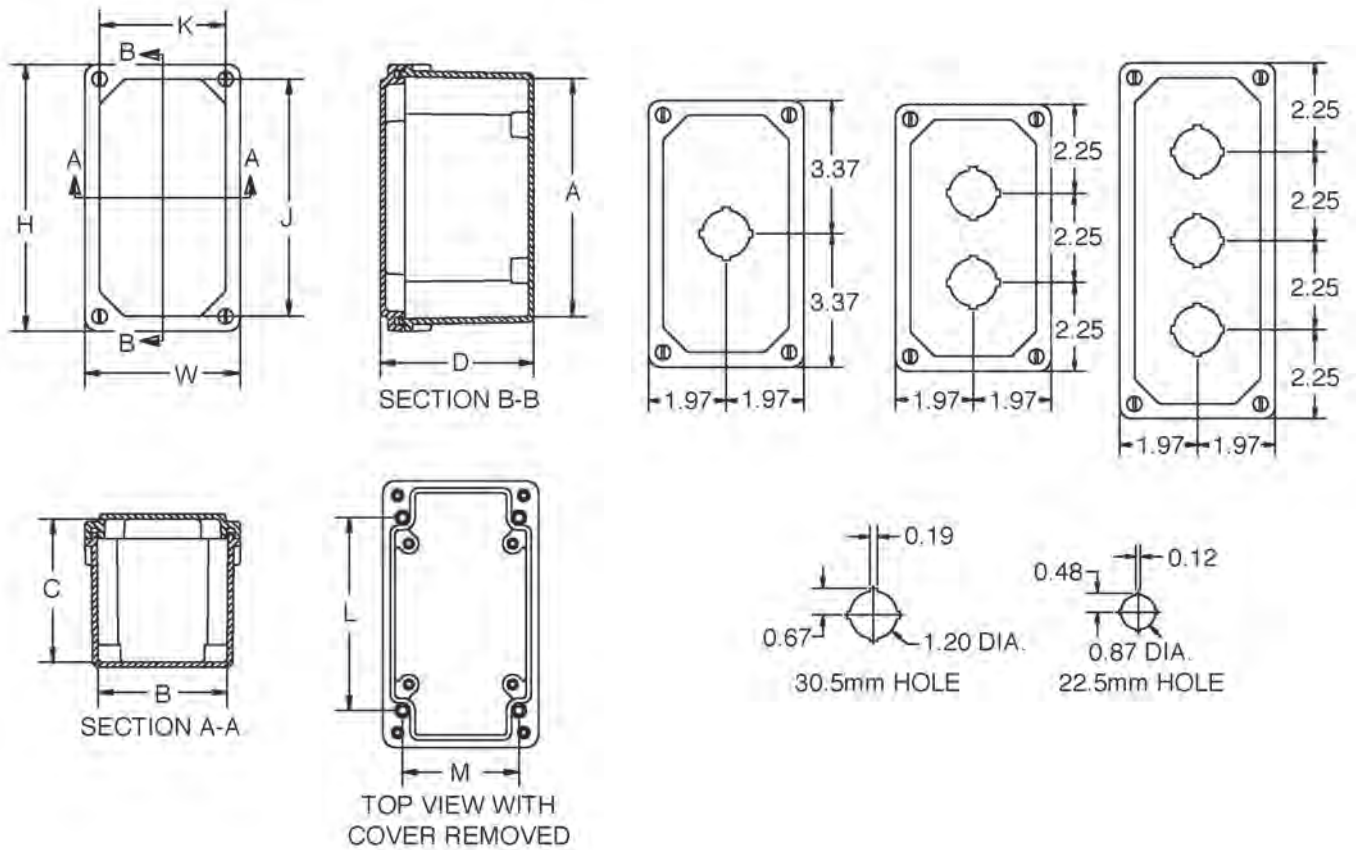
- UL 50 and UL 50E Types 1, 2, 3, 3R, 4, 4X, 12 and 13
- CSA C22.2 No. 94 Types 1, 2, 3, 3R, 4, 4X, 12 and 13
- Complies with:
 - NEMA Types 1, 2, 3, 3R, 4, 4X, 12 and 13
 - IEC 60529 Type IP66
 - RoHS directive

Construction

- Rugged, molded ULTRAGUARD® fiberglass reinforced polyester material construction with reinforced corners
- Available with either 30.5mm or 22.5mm holes
- 316 stainless steel captive cover screws
- Formed-In-Place (FIP) polyurethane gasket system encased in continuous channel
- Grounding strap included
- UV stabilized for outdoor use

Accessories & Modifications

- Molded-in color matching
- EMI/RFI shielding
- Factory-supplied silk screening



Part No.	Overall			Inside							Holes	Size
	H	W	D	A	B	C	J	K	L	M		
AM1PB	6.74	3.95	3.88	6.01	3.26	3.63	6.13	3.31	4.88	2.94	1	1.20
	171mm	100mm	98mm	153mm	83mm	92mm	156mm	84mm	124mm	75mm	1	30.5mm
AM1PB22	6.74	3.95	3.88	6.01	3.26	3.63	6.13	3.31	4.88	2.94	1	.87
	171mm	100mm	98mm	153mm	83mm	92mm	156mm	84mm	124mm	75mm	1	22.5mm
AM2PB	6.74	3.95	3.88	6.01	3.26	3.63	6.13	3.31	4.88	2.94	2	1.20
	171mm	100mm	98mm	153mm	83mm	92mm	156mm	84mm	124mm	75mm	2	30.5mm
AM2PB22	6.74	3.95	3.88	6.01	3.26	3.63	6.13	3.31	4.88	2.94	2	.87
	171mm	100mm	98mm	153mm	83mm	92mm	156mm	84mm	124mm	75mm	2	22.5mm
AM3PB	8.99	3.93	3.88	8.26	3.26	3.63	8.31	3.31	7.13	2.94	3	1.20
	228mm	100mm	98mm	210mm	83mm	92mm	211mm	84mm	181mm	75mm	3	30.5mm
AM3PB22	8.99	3.93	3.88	8.26	3.26	3.63	8.31	3.31	7.13	2.94	3	.87
	228mm	100mm	98mm	210mm	83mm	92mm	211mm	84mm	181mm	75mm	3	22.5mm

All dimensions are in inches unless otherwise noted
Note: Mounting feet are not included as standard.

Data subject to change without notice



Pushbutton Enclosures: Multi-Hole Lift-Off Screw Cover

- **Solid/Opaque**



PRODUCT INFORMATION

Application

- Designed to insulate and house pushbuttons and switches in applications that require a human-machine interface
- Especially well suited for high temperature or corrosive environments
- Protects from dirt, dust, oil, and water
- For use with industrial control equipment

Standards

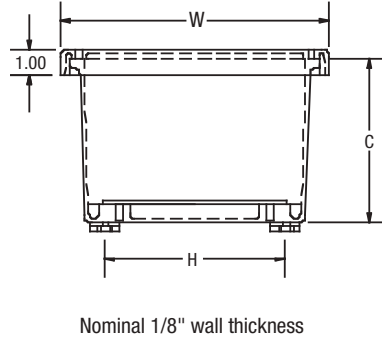
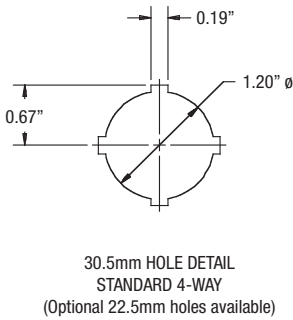
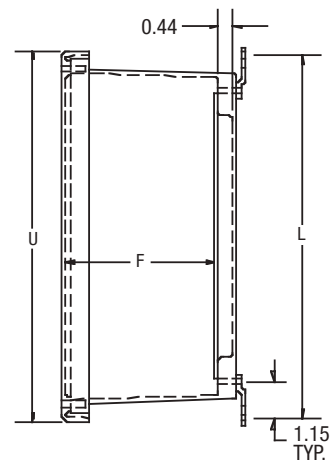
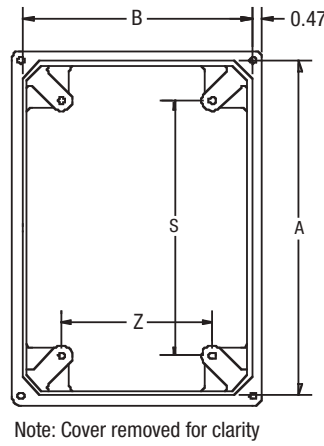
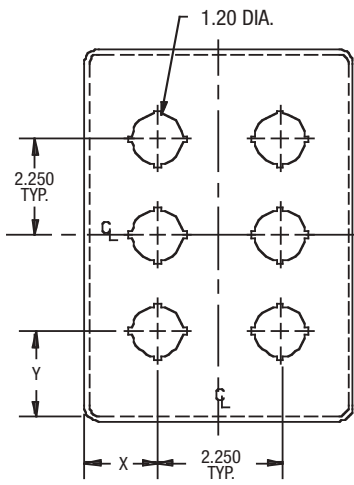
- UL 50 and UL 50E Types 1, 2, 3, 3R, 4, 4X, 12 and 13
- CSA C22.2 No. 94 Types 1, 2, 3, 3R, 4, 4X, 12 and 13
- Complies with:
 - NEMA Types 1, 2, 3, 3R, 4, 4X, 12 and 13
 - IEC 60529 Type IP66
 - RoHS directive

Construction

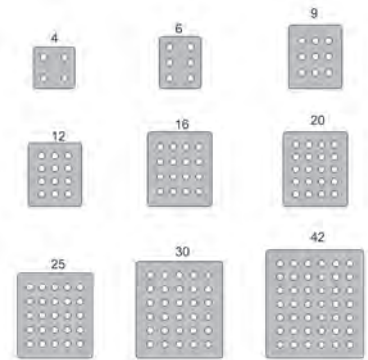
- Constructed to requirements of CSA Enc. 5 based on standard component cutout
- Strong, molded ULTRAGUARD® fiberglass reinforced polyester material construction with matching flat cover
- 316 stainless steel captive cover screws
- Formed-In-Place (FIP) polyurethane gasket system encased in continuous channel
- 316 stainless steel wall mounting feet with 10-32 stainless steel screws included
- #10-32 threaded brass inserts for optional back panel installation
- Standard 30.5mm hole size
- UV stabilized for outdoor use

Accessories & Modifications

- Optional back panels
- Molded-in color matching
- EMI/RFI shielding
- Factory-supplied silk screening
- Optional 22.5mm holes (add "22" suffix to part number)



Pushbutton Arrangements



Note: To order product with 22.5mm holes, please add "22" suffix to part number (e.g., AM664HP422) and contact customer service for lead times.

Part No.	Box Size			Usable Depth	Panel Boss Centers		Panel Sizes			Foot Mount Centers		Cover Size		No. of Holes	X		Y
	A	B	C		F	S	Z	Ht.	Wid.	P/N	H	L	U		W	X	
AM664P4	6.10	6.10	4.18	3.76	4.25	4.25	4.81	4.81	PL66 PLA66	5.01	7.32	7.69	7.69	4	2.72	2.72	
	155mm	155mm	106mm	95mm	108mm	108mm	122mm	122mm		127mm	186mm	195mm	195mm		69mm	69mm	
AM864P6	8.00	6.13	4.14	3.71	6.25	4.25	6.75	4.88	PL86 PLA86	5.02	9.20	9.59	7.71	6	2.72	2.55	
	203mm	156mm	105mm	94mm	159mm	108mm	171mm	124mm		127mm	234mm	244mm	196mm		69mm	65mm	
AM1084P9	10.14	8.26	4.13	3.68	8.25	6.25	8.75	6.88	PL108 PLA108	7.01	11.19	11.73	9.90	9	2.68	3.62	
	258mm	210mm	105mm	93mm	210mm	159mm	222mm	175mm		178mm	284mm	299mm	251mm		68mm	92mm	
AM1086P9	10.14	8.26	6.13	5.68	8.25	6.25	8.75	6.88	PL108 PLA108	7.01	11.19	11.73	9.85	9	2.68	3.62	
	258mm	210mm	156mm	144mm	210mm	159mm	222mm	175mm		178mm	284mm	298mm	250mm		68mm	92mm	
AM1086P12	10.14	8.26	6.13	5.68	8.25	6.25	8.75	6.88	PL108 PLA108	7.01	11.19	11.73	9.85	12	2.68	2.49	
	258mm	210mm	156mm	144mm	210mm	159mm	222mm	175mm		178mm	284mm	298mm	250mm		68mm	63mm	
AM1206P16	12.14	10.26	6.13	5.68	10.25	8.25	10.75	8.88	PL120 PLA120	9.03	13.19	13.73	11.85	16	2.55	3.49	
	308mm	261mm	156mm	144mm	260mm	210mm	273mm	225mm		229mm	335mm	349mm	301mm		65mm	89mm	
AM1206P20	12.14	10.26	6.13	5.68	10.25	8.25	10.75	8.88	PL120 PLA120	9.03	13.19	13.73	11.85	20	2.55	2.37	
	308mm	261mm	156mm	144mm	260mm	210mm	273mm	225mm		229mm	335mm	349mm	301mm		65mm	60mm	
AM1426P25	14.14	12.26	6.13	5.71	12.25	10.25	12.75	10.88	PL142 PLA142	11.03	15.19	15.73	13.85	25	2.43	3.37	
	359mm	312mm	156mm	145mm	311mm	260mm	324mm	276mm		280mm	386mm	399mm	352mm		62mm	86mm	
AM1648P30	16.27	14.40	8.13	7.68	14.25	12.25	14.75	12.88	P164 PA164	13.01	17.19	17.87	15.99	30	3.50	3.31	
	413mm	366mm	207mm	195mm	362mm	311mm	375mm	327mm		330mm	437mm	454mm	406mm		89mm	84mm	
AM1868P42	18.40	16.40	8.13	7.69	16.25	14.25	16.88	14.88	P186 PA186	14.97	19.28	20.00	18.00	42	3.38	3.25	
	467mm	417mm	207mm	195mm	413mm	362mm	429mm	378mm		380mm	490mm	508mm	457mm		86mm	83mm	

All dimensions are in inches unless otherwise noted

Data subject to change without notice

Enclosure base part numbers come standard with 4 separately bagged feet (ex. AM664P4)
Additional back panels found on page 128



Pushbutton Enclosures: Multi-Hole Hinged Screw Cover

- **Solid/Opaque**



PRODUCT INFORMATION

Application

- Designed to insulate and house pushbuttons and switches in applications that require a human-machine interface
- Especially well suited for high temperature or corrosive environments
- Protects from dirt, dust, oil, and water
- For use with industrial control equipment

Standards

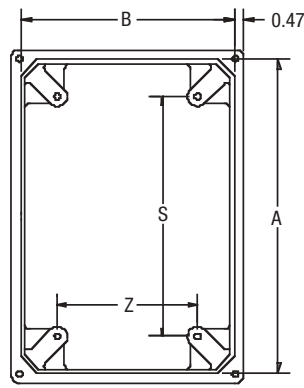
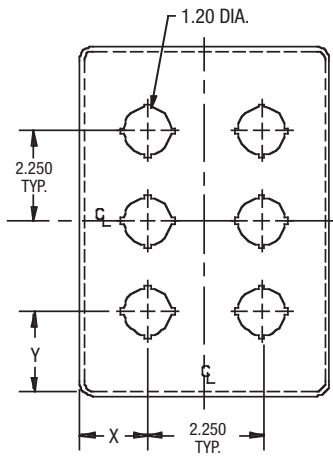
- UL 50 and UL 50E Types 1, 2, 3, 3R, 4, 4X, 12 and 13
- CSA C22.2 No. 94 Types 1, 2, 3, 3R, 4, 4X, 12 and 13
- Complies with:
 - NEMA Types 1, 2, 3, 3R, 4, 4X, 12 and 13
 - IEC 60529 Type IP66
 - RoHS directive

Construction

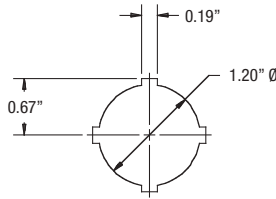
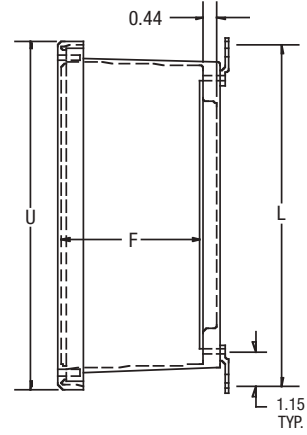
- Constructed to requirements of CSA Enc. 5 based on standard component cutout
- Strong, molded ULTRAGUARD® fiberglass reinforced polyester material construction with matching flat cover
- 316 stainless steel captive cover screws
- Continuous 316 stainless steel hinge
- Formed-In-Place (FIP) polyurethane gasket system encased in continuous channel
- 316 stainless steel wall mounting feet with 10-32 stainless steel screws included
- #10-32 threaded brass inserts for optional back panel installation
- Standard 30.5mm hole size
- UV stabilized for outdoor use

Accessories & Modifications

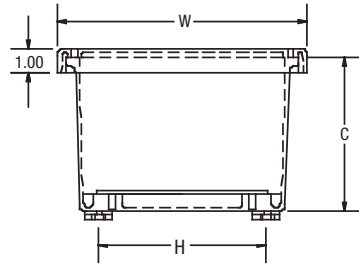
- Optional back panels
- Molded-in color matching
- EMI/RFI shielding
- Factory-supplied silk screening
- Optional 22.5mm holes (add "22" suffix to part number)



Note: Cover removed for clarity

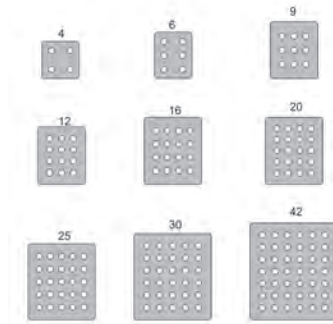


30.5mm HOLE DETAIL
STANDARD 4-WAY
(Optional 22.5mm holes available)



Nominal 1/8" wall thickness

Pushbutton Arrangements



Note: To order product with 22.5mm holes, please add "22" suffix to part number (e.g., AM664HP422) and contact customer service for lead times.

Part No.	Box Size			Usable Depth	Panel Boss Centers		Panel Sizes			Foot Mount Centers		Cover Size		No. of Holes	Hole Spacing	
	A	B	C		F	S	Z	Ht.	Wid.	P/N	H	L	U		W	X
AM664HP4	6.10	6.10	4.18	3.76	4.25	4.25	4.81	4.81	PL66 PLA66	5.01	7.32	7.69	7.69	4	2.72	2.72
	155mm	155mm	106mm	95mm	108mm	108mm	122mm	122mm		127mm	186mm	195mm	195mm		69mm	69mm
AM864HP6	8.00	6.13	4.14	3.71	6.25	4.25	6.75	4.88	PL86 PLA86	5.02	9.20	9.59	7.71	6	2.72	2.55
	203mm	156mm	105mm	94mm	159mm	108mm	171mm	124mm		127mm	234mm	244mm	196mm		69mm	65mm
AM1084HP9	10.14	8.26	4.13	3.68	8.25	6.25	8.75	6.88	PL108 PLA108	7.01	11.19	11.73	9.90	9	2.68	3.62
	258mm	210mm	105mm	93mm	210mm	159mm	222mm	175mm		178mm	284mm	299mm	251mm		68mm	92mm
AM1086HP9	10.14	8.26	6.13	5.68	8.25	6.25	8.75	6.88	PL108 PLA108	7.01	11.19	11.73	9.85	9	2.68	3.62
	258mm	210mm	156mm	144mm	210mm	159mm	222mm	175mm		178mm	284mm	298mm	250mm		68mm	92mm
AM1086HP12	10.14	8.26	6.13	5.68	8.25	6.25	8.75	6.88	PL108 PLA108	7.01	11.19	11.73	9.85	12	2.68	2.49
	258mm	210mm	156mm	144mm	210mm	159mm	222mm	175mm		178mm	284mm	298mm	250mm		68mm	63mm
AM1206HP16	12.14	10.26	6.13	5.68	10.25	8.25	10.75	8.88	PL120 PLA120	9.03	13.19	13.73	11.85	16	2.55	3.49
	308mm	261mm	156mm	144mm	260mm	210mm	273mm	225mm		229mm	335mm	349mm	301mm		65mm	89mm
AM1206HP20	12.14	10.26	6.13	5.68	10.25	8.25	10.75	8.88	PL120 PLA120	9.03	13.19	13.73	11.85	20	2.55	2.37
	308mm	261mm	156mm	144mm	260mm	210mm	273mm	225mm		229mm	335mm	349mm	301mm		65mm	60mm
AM1426HP25	14.14	12.26	6.13	5.71	12.25	10.25	12.75	10.88	PL142 PLA142	11.03	15.19	15.73	13.85	25	2.43	3.37
	359mm	312mm	156mm	145mm	311mm	260mm	324mm	276mm		280mm	386mm	399mm	352mm		62mm	86mm
AM1648HP30	16.27	14.40	8.13	7.68	14.25	12.25	14.75	12.88	P164 PA164	13.01	17.19	17.87	15.99	30	3.50	3.31
	413mm	366mm	207mm	195mm	362mm	311mm	375mm	327mm		330mm	437mm	454mm	406mm		89mm	84mm
AM1868HP42	18.40	16.40	8.13	7.69	16.25	14.25	16.88	14.88	P186 PA186	14.97	19.28	20.00	18.00	42	3.38	3.25
	467mm	417mm	207mm	195mm	413mm	362mm	429mm	378mm		380mm	490mm	508mm	457mm		86mm	83mm

All dimensions are in inches unless otherwise noted

Enclosure base part numbers come standard with 4 separately bagged feet (ex. AM664HP4)

Additional back panels found on page 128

Data subject to change without notice



JIC Size Junction Boxes:

Lift-Off Screw Cover

- **Solid/Opaque**



PRODUCT INFORMATION

Application

- Designed to insulate and protect controls and components in both indoor and outdoor applications often found in oil refineries, waste water treatment equipment, chemical plants, and many other applications
- Especially well suited for high temperature or corrosive environments
- Protects from dirt, dust, oil, and water
- For use with industrial control equipment

Standards

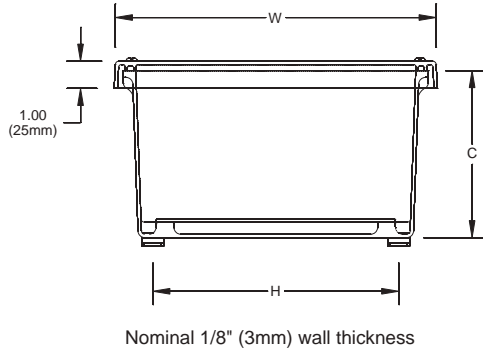
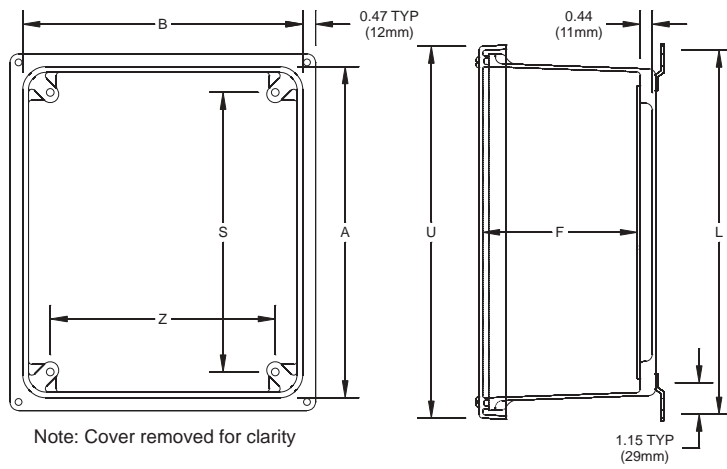
- UL 50 and UL 50E Types 1, 2, 3, 3R, 4, 4X, (6P for sizes 6"x6" up through 14"x12"), 12 and 13
- CSA C22.2 No. 94 Types 1, 2, 3, 3R, 4, 4X, (6P for sizes 6"x6" up through 14"x12"), 12 and 13
- Complies with:
 - NEMA Types 1, 2, 3, 3R, 4, 4X, (6P for sizes 6"x6" up through 14"x12"), 12 and 13
 - IEC 60529 Type IP66 and units rated 6P are IP68 submersible up to 24 hours at a depth of 6 feet (1.8 meters)
 - RoHS directive

Construction

- Strong, molded ULTRAGUARD® fiberglass reinforced polyester material construction with matching flat cover
- 316 stainless steel captive cover screws
- Formed-In-Place (FIP) polyurethane gasket system encased in continuous channel
- 316 stainless steel wall mounting feet with 10-32 stainless steel screws included
- #10-32 threaded brass inserts for optional back panel installation
- JIC sizes
- ULTRAGUARD® fiberglass material is easily punched, drilled, or sawed
- UV stabilized for outdoor use

Accessories & Modifications

- Optional back panels
- Custom holes and cutouts
- Custom size polycarbonate viewing windows
- Molded-in color matching
- EMI/RFI shielding
- Factory-supplied silk screening



Part No.	Box Size			Usable Depth	Panel Boss Centers		Panel Sizes		Foot Mount Centers	Cover Size			
	A	B	C		F	S	Z	Ht.		Wid.	P/N	H	L
AM664	6.10	6.10	4.18	3.76	4.25	4.25	4.81	4.81	PL66 PLA66	5.01	7.32	7.69	7.69
	155mm	155mm	106mm	95mm	108mm	108mm	122mm	122mm		127mm	186mm	195mm	195mm
AM864	8.00	6.13	4.14	3.71	6.25	4.25	6.75	4.88	PL86 PLA86	5.02	9.20	9.59	7.71
	203mm	156mm	105mm	94mm	159mm	108mm	171mm	124mm		127mm	234mm	244mm	196mm
AM1084	10.14	8.26	4.13	3.68	8.25	6.25	8.75	6.88	PL108 PLA108	7.01	11.19	11.73	9.90
	258mm	210mm	105mm	93mm	210mm	159mm	222mm	175mm		178mm	284mm	299mm	251mm
AM1086	10.14	8.26	6.13	5.68	8.25	6.25	8.75	6.88	PL108 PLA108	7.01	11.19	11.73	9.85
	258mm	210mm	156mm	144mm	210mm	159mm	222mm	175mm		178mm	284mm	298mm	250mm
AM1206	12.14	10.26	6.13	5.68	10.25	8.25	10.75	8.88	PL120 PLA120	9.01	13.19	13.73	11.85
	308mm	261mm	156mm	144mm	260mm	210mm	273mm	225mm		229mm	335mm	349mm	301mm
★ AM1224	12.14	12.14	4.13	3.73	10.25	10.25	10.75	10.75	PL122 PLA122	11.01	13.32	13.72	13.72
	308mm	308mm	105mm	95mm	260mm	260mm	273mm	273mm		280mm	338mm	348mm	348mm
★ AM1226	12.14	12.14	6.13	5.73	10.25	10.25	10.75	10.75	PL122 PLA122	11.01	13.32	13.72	13.72
	308mm	308mm	156mm	145mm	260mm	260mm	273mm	273mm		280mm	338mm	348mm	348mm
AM1426	14.14	12.26	6.13	5.71	12.25	10.25	12.75	10.88	PL142 PLA142	11.03	15.19	15.73	13.85
	359mm	312mm	156mm	145mm	311mm	260mm	324mm	276mm		280mm	386mm	399mm	352mm
AM1648	16.27	14.40	8.13	7.68	14.25	12.25	14.75	12.88	P164 PA164	13.01	17.19	17.87	15.99
	413mm	366mm	207mm	195mm	362mm	311mm	375mm	327mm		330mm	437mm	454mm	406mm
AM1868	18.40	16.40	8.13	7.69	16.25	14.25	16.88	14.88	P186 PA186	14.97	19.28	20.00	18.00
	467mm	417mm	207mm	195mm	413mm	362mm	429mm	378mm		380mm	490mm	508mm	457mm
AM2068	20.00	16.00	8.13	7.68	17.81	13.81	18.44	14.44	P206 PA206	14.54	20.84	21.59	17.59
	508mm	406mm	207mm	195mm	452mm	351mm	468mm	367mm		369mm	529mm	548mm	447mm

All dimensions are in inches unless otherwise noted
 Sizes 6" x 6" up through 14" x 12" are rated 6P (IP68)

Data subject to change without notice

Enclosure base part numbers come standard with 4 separately bagged feet (ex. AM664)
 Additional back panels found on page 128

★Coming Q4 – 2016



JIC Size Junction Boxes:

Lift-Off Screw Cover

- *Window*



PRODUCT INFORMATION

Application

- Designed to insulate and protect controls and components in both indoor and outdoor applications often found in oil refineries, waste water treatment equipment, chemical plants, and many other applications
- Especially well suited for high temperature or corrosive environments
- Protects from dirt, dust, oil, and water
- For use with industrial control equipment
- Window unit provides viewing area for instrumentation or equipment

Standards

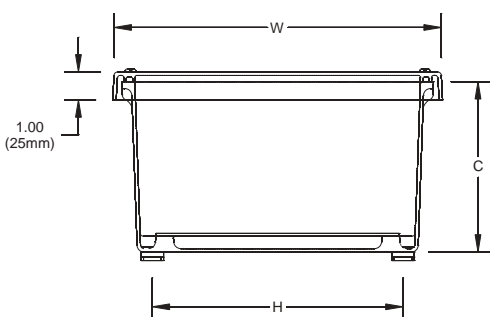
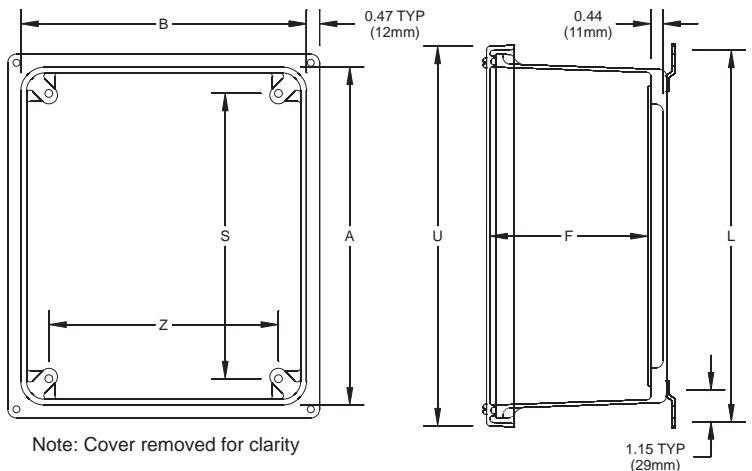
- UL 50 and UL 50E Types 1, 2, 3, 3R, 4, 4X, 12 and 13
- CSA C22.2 No. 94 Types 1, 2, 3, 3R, 4, 4X, 12 and 13
- Complies with:
 - NEMA Types 1, 2, 3, 3R, 4, 4X, 12 and 13
 - IEC 60529 Type IP66
 - RoHS directive

Construction

- Strong, molded ULTRAGUARD® fiberglass reinforced polyester material construction with matching flat cover
- 316 stainless steel captive cover screws
- Formed-In-Place (FIP) polyurethane gasket system encased in continuous channel
- 316 stainless steel wall mounting feet with 10-32 stainless steel screws included
- UV resistant polycarbonate viewing window
- #10-32 threaded brass inserts for optional back panel installation
- JIC sizes
- ULTRAGUARD® fiberglass material is easily punched, drilled, or sawed
- UV stabilized for outdoor use

Accessories & Modifications

- Optional back panels
- Custom holes and cutouts
- Molded-in color matching
- EMI/RFI shielding
- Factory-supplied silk screening



Nominal 1/8" (3mm) wall thickness

Part No.	Box Size			Usable Depth	Panel Boss Centers			Panel Sizes			Foot Mount Centers		Cover Size		Window Dimension (Height x Width)
	A	B	C		F	S	Z	Ht.	Wid.	P/N	H	L	U	W	
AM664W	6.10	6.10	4.18	3.65	4.25	4.25	4.81	4.81	PL66 PLA66	5.01	7.32	7.69	7.69	4.25 x 4.25	
	155mm	155mm	106mm	93mm	108mm	108mm	122mm	122mm		127mm	186mm	195mm	195mm	108mm x 108mm	
AM864W	8.00	6.13	4.14	3.60	6.25	4.25	6.75	4.88	PL86 PLA86	5.02	9.20	9.59	7.71	6.25 x 4.25	
	203mm	156mm	105mm	91mm	159mm	108mm	171mm	124mm		127mm	234mm	244mm	196mm	159mm x 108mm	
AM1084W	10.14	8.26	4.13	3.57	8.25	6.25	8.75	6.88	PL108 PLA108	7.01	11.19	11.73	9.90	8.38 x 6.50	
	258mm	210mm	105mm	91mm	210mm	159mm	222mm	175mm		178mm	284mm	299mm	251mm	213mm x 165mm	
AM1086W	10.14	8.26	6.13	5.57	8.25	6.25	8.75	6.88	PL108 PLA108	7.01	11.19	11.73	9.85	8.38 x 6.50	
	258mm	210mm	156mm	141mm	210mm	159mm	222mm	175mm		178mm	284mm	298mm	250mm	213mm x 165mm	
AM1206W	12.14	10.26	6.13	5.58	10.25	8.25	10.75	8.88	PL120 PLA120	9.01	13.19	13.73	11.85	10.38 x 8.50	
	308mm	261mm	156mm	142mm	260mm	210mm	273mm	225mm		229mm	335mm	349mm	301mm	264mm x 216mm	
★ AM1224W	12.14	12.14	4.13	3.62	10.25	10.25	10.75	10.75	PL122 PLA122	11.01	13.32	13.72	13.72	10.38 x 10.38	
	308mm	308mm	105mm	92mm	260mm	260mm	273mm	273mm		280mm	338mm	348mm	348mm	264mm x 264mm	
★ AM1226W	12.14	12.14	6.13	5.62	10.25	10.25	10.75	10.75	PL122 PLA122	11.01	13.32	13.72	13.72	10.38 x 10.38	
	308mm	308mm	156mm	143mm	260mm	260mm	273mm	273mm		280mm	338mm	348mm	348mm	264mm x 264mm	
AM1426W	14.14	12.26	6.13	5.60	12.25	10.25	12.75	10.88	PL142 PLA142	11.03	15.19	15.73	13.85	12.38 x 10.50	
	359mm	312mm	156mm	142mm	311mm	260mm	324mm	276mm		280mm	386mm	399mm	352mm	314mm x 267mm	
AM1648W	16.27	14.40	8.13	7.58	14.25	12.25	14.75	12.88	P164 PA164	13.01	17.19	17.87	15.99	13.00 x 11.00	
	413mm	366mm	207mm	192mm	362mm	311mm	375mm	327mm		330mm	437mm	454mm	406mm	330mm x 279mm	
AM1868W	18.40	16.40	8.13	7.58	16.25	14.25	16.88	14.88	P186 PA186	14.97	19.28	20.00	18.00	14.00 x 12.00	
	467mm	417mm	207mm	192mm	413mm	362mm	429mm	378mm		380mm	490mm	508mm	457mm	356mm x 305mm	
AM2068W	20.00	16.00	8.13	7.58	17.81	13.81	18.44	14.44	P206 PA206	14.54	20.84	21.59	17.59	15.00 x 11.00	
	508mm	406mm	207mm	192mm	452mm	351mm	468mm	367mm		369mm	529mm	548mm	447mm	381mm x 279mm	

All dimensions are in inches unless otherwise noted
 Enclosure base part numbers come standard with 4 separately bagged feet (ex. AM664W)
 Additional back panels found on page 128
 ★Coming Q4 – 2016
 Data subject to change without notice



JIC Size Junction Boxes: Hinged Screw Cover

- **Solid/Opaque**



PRODUCT INFORMATION

Application

- Designed to insulate and protect controls and components in both indoor and outdoor applications often found in oil refineries, waste water treatment equipment, chemical plants, and many other applications
- Especially well suited for high temperature or corrosive environments
- Protects from dirt, dust, oil, and water
- For use with industrial control equipment

Standards

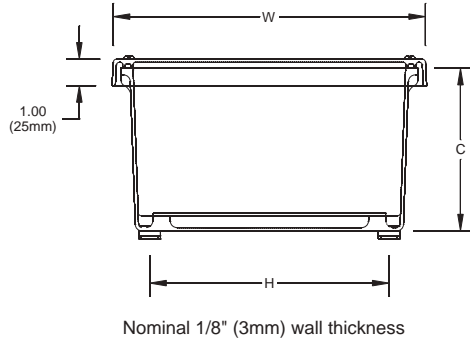
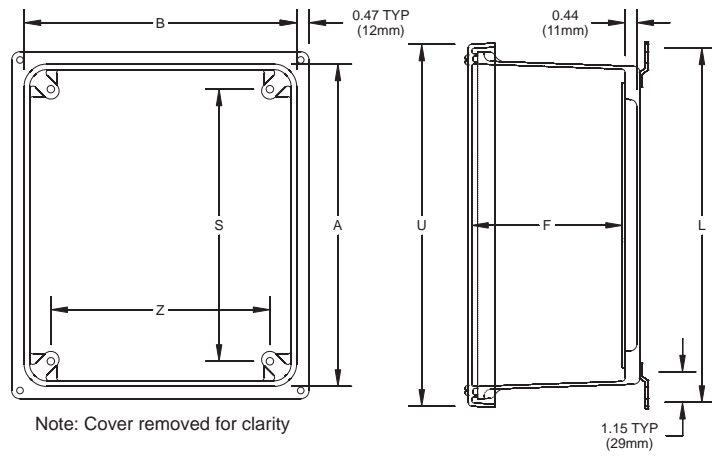
- UL 50 and UL 50E Types 1, 2, 3, 3R, 4, 4X, 12 and 13
- CSA C22.2 No. 94 Types 1, 2, 3, 3R, 4, 4X, 12 and 13
- Complies with:
 - NEMA Types 1, 2, 3, 3R, 4, 4X, 12 and 13
 - IEC 60529 Type IP66
 - RoHS directive

Construction

- Strong, molded ULTRAGUARD® fiberglass reinforced polyester material construction with matching flat cover
- 316 stainless steel captive cover screws
- Continuous 316 stainless steel hinge
- Formed-In-Place (FIP) polyurethane gasket system encased in continuous channel
- 316 stainless steel wall mounting feet with 10-32 stainless steel screws included
- #10-32 threaded brass inserts for optional back panel installation
- JIC sizes
- ULTRAGUARD® fiberglass material is easily punched, drilled, or sawed
- UV stabilized for outdoor use

Accessories & Modifications

- Optional back panels
- Custom holes and cutouts
- Custom size polycarbonate viewing windows
- Hinge installed on short side
- Molded-in color matching
- EMI/RFI shielding
- Factory-supplied silk screening



Part No.	Box Size			Usable Depth F	Panel Boss Centers		Panel Sizes			Foot Mount Centers		Cover Size	
	A	B	C		S	Z	Ht.	Wid.	P/N	H	L	U	W
AM664H	6.10	6.10	4.18	3.76	4.25	4.25	4.81	4.81	PL66 PLA66	5.01	7.32	7.69	7.69
	155mm	155mm	106mm	95mm	108mm	108mm	122mm	122mm		127mm	186mm	195mm	195mm
AM864H	8.00	6.13	4.14	3.71	6.25	4.25	6.75	4.88	PL86 PLA86	5.02	9.20	9.59	7.71
	203mm	156mm	105mm	94mm	159mm	108mm	171mm	124mm		127mm	234mm	244mm	196mm
AM1084H	10.14	8.26	4.13	3.68	8.25	6.25	8.75	6.88	PL108 PLA108	7.01	11.19	11.73	9.90
	258mm	210mm	105mm	93mm	210mm	159mm	222mm	175mm		178mm	284mm	299mm	251mm
AM1086H	10.14	8.26	6.13	5.68	8.25	6.25	8.75	6.88	PL108 PLA108	7.01	11.19	11.73	9.85
	258mm	210mm	156mm	144mm	210mm	159mm	222mm	175mm		178mm	284mm	298mm	250mm
AM1206H	12.14	10.26	6.13	5.68	10.25	8.25	10.75	8.88	PL120 PLA120	9.01	13.19	13.73	11.85
	308mm	261mm	156mm	144mm	260mm	210mm	273mm	225mm		229mm	335mm	349mm	301mm
★ AM1224H	12.14	12.14	4.13	3.73	10.25	10.25	10.75	10.75	PL122 PLA122	11.01	13.32	13.72	13.72
	308mm	308mm	105mm	95mm	260mm	260mm	273mm	273mm		280mm	338mm	348mm	348mm
★ AM1226H	12.14	12.14	6.13	5.73	10.25	10.25	10.75	10.75	PL122 PLA122	11.01	13.32	13.72	13.72
	308mm	308mm	156mm	145mm	260mm	260mm	273mm	273mm		280mm	338mm	348mm	348mm
AM1426H	14.14	12.26	6.13	5.71	12.25	10.25	12.75	10.88	PL142 PLA142	11.03	15.19	15.73	13.85
	359mm	312mm	156mm	145mm	311mm	260mm	324mm	276mm		280mm	386mm	399mm	352mm
AM1648H	16.27	14.40	8.13	7.68	14.25	12.25	14.75	12.88	P164 PA164	13.01	17.19	17.87	15.99
	413mm	366mm	207mm	195mm	362mm	311mm	375mm	327mm		330mm	437mm	454mm	406mm
AM1868H	18.40	16.40	8.13	7.69	16.25	14.25	16.88	14.88	P186 PA186	14.97	19.28	20.00	18.00
	467mm	417mm	207mm	195mm	413mm	362mm	429mm	378mm		380mm	490mm	508mm	457mm
AM2068H	20.00	16.00	8.13	7.68	17.81	13.81	18.44	14.44	P206 PA206	14.54	20.84	21.59	17.59
	508mm	406mm	207mm	195mm	452mm	351mm	468mm	367mm		369mm	529mm	548mm	447mm

All dimensions are in inches unless otherwise noted
 Enclosure base part numbers come standard with 4 separately bagged feet (ex. AM664H)
 Additional back panels found on page 128
 ★Coming Q4 – 2016

Data subject to change without notice



JIC Size Junction Boxes: Hinged Screw Cover

• Window



PRODUCT INFORMATION

Application

- Designed to insulate and protect controls and components in both indoor and outdoor applications often found in oil refineries, waste water treatment equipment, chemical plants, and many other applications
- Especially well suited for high temperature or corrosive environments
- Protects from dirt, dust, oil, and water
- For use with industrial control equipment
- Window unit provides viewing area for instrumentation or equipment

Standards

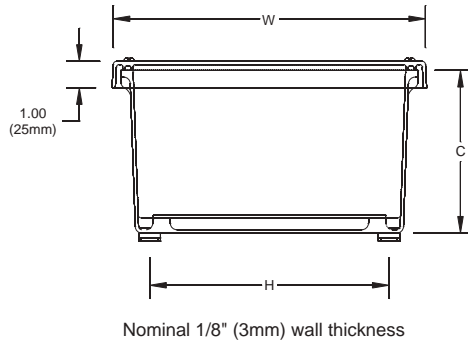
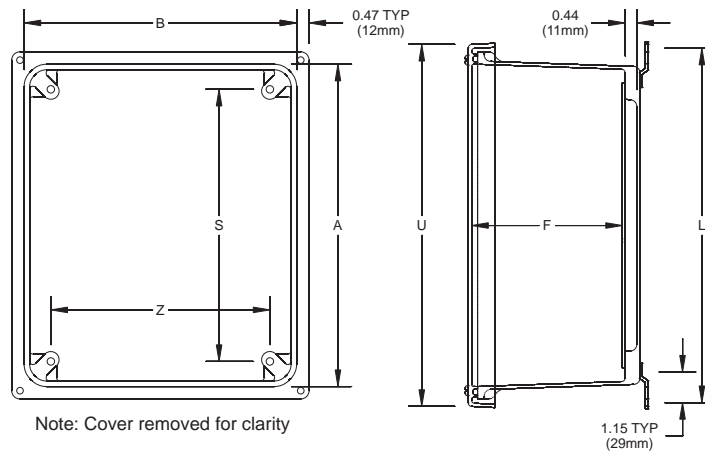
- UL 50 and UL 50E Types 1, 2, 3, 3R, 4, 4X, 12 and 13
- CSA C22.2 No. 94 Types 1, 2, 3, 3R, 4, 4X, 12 and 13
- Complies with:
 - NEMA Types 1, 2, 3, 3R, 4, 4X, 12 and 13
 - IEC 60529 Type IP66
 - RoHS directive

Construction

- Strong, molded ULTRAGUARD® fiberglass reinforced polyester material construction with matching flat cover
- 316 stainless steel captive cover screws
- Continuous 316 stainless steel hinge
- Formed-In-Place (FIP) polyurethane gasket system encased in continuous channel
- 316 stainless steel wall mounting feet with 10-32 stainless steel screws included
- UV resistant polycarbonate viewing window
- #10-32 threaded brass inserts for optional back panel installation
- JIC sizes
- ULTRAGUARD® fiberglass material is easily punched, drilled, or sawed
- UV stabilized for outdoor use

Accessories & Modifications

- Optional back panels
- Custom holes and cutouts
- Hinge installed on short side
- Molded-in color matching
- EMI/RFI shielding
- Factory-supplied silk screening



Part No.	Box Size			Usable Depth	Panel Boss Centers			Panel Sizes			Foot Mount Centers		Cover Size		Window Dimension (Height x Width)
	A	B	C		F	S	Z	Ht.	Wid.	P/N	H	L	U	W	
AM664HW	6.10	6.10	4.18	3.65	4.25	4.25	4.81	4.81	PL66 PLA66	5.01	7.32	7.69	7.69	4.25 x 4.25	
	155mm	155mm	106mm	93mm	108mm	108mm	122mm	122mm		127mm	186mm	195mm	195mm	108mm x 108mm	
AM864HW	8.00	6.13	4.14	3.60	6.25	4.25	6.75	4.88	PL86 PLA86	5.02	9.20	9.59	7.71	6.25 x 4.25	
	203mm	156mm	105mm	91mm	159mm	108mm	171mm	124mm		127mm	234mm	244mm	196mm	159mm x 108mm	
AM1084HW	10.14	8.26	4.13	3.57	8.25	6.25	8.75	6.88	PL108 PLA108	7.01	11.19	11.73	9.90	8.38 x 6.50	
	258mm	210mm	105mm	91mm	210mm	159mm	222mm	175mm		178mm	284mm	299mm	251mm	213mm x 165mm	
AM1086HW	10.14	8.26	6.13	5.57	8.25	6.25	8.75	6.88	PL108 PLA108	7.01	11.19	11.73	9.85	8.38 x 6.50	
	258mm	210mm	156mm	141mm	210mm	159mm	222mm	175mm		178mm	284mm	298mm	250mm	213mm x 165mm	
AM1206HW	12.14	10.26	6.13	5.58	10.25	8.25	10.75	8.88	PL120 PLA120	9.01	13.19	13.73	11.85	10.38 x 8.50	
	308mm	261mm	156mm	142mm	260mm	210mm	273mm	225mm		229mm	335mm	349mm	301mm	264mm x 216mm	
★ AM1224HW	12.14	12.14	4.13	3.62	10.25	10.25	10.75	10.75	PL122 PLA122	11.01	13.32	13.72	13.72	10.38 x 10.38	
	308mm	308mm	105mm	92mm	260mm	260mm	273mm	273mm		280mm	338mm	348mm	348mm	264mm x 264mm	
★ AM1226HW	12.14	12.14	6.13	5.62	10.25	10.25	10.75	10.75	PL122 PLA122	11.01	13.32	13.72	13.72	10.38 x 10.38	
	308mm	308mm	156mm	143mm	260mm	260mm	273mm	273mm		280mm	338mm	348mm	348mm	264mm x 264mm	
AM1426HW	14.14	12.26	6.13	5.60	12.25	10.25	12.75	10.88	PL142 PLA142	11.03	15.19	15.73	13.85	12.38 x 10.50	
	359mm	312mm	156mm	142mm	311mm	260mm	324mm	276mm		280mm	386mm	399mm	352mm	314mm x 267mm	
AM1648HW	16.27	14.40	8.13	7.58	14.25	12.25	14.75	12.88	P164 PA164	13.01	17.19	17.87	15.99	13.00 x 11.00	
	413mm	366mm	207mm	192mm	362mm	311mm	375mm	327mm		330mm	437mm	454mm	406mm	330mm x 279mm	
AM1868HW	18.40	16.40	8.13	7.58	16.25	14.25	16.88	14.88	P186 PA186	14.97	19.28	20.00	18.00	14.00 x 12.00	
	467mm	417mm	207mm	192mm	413mm	362mm	429mm	378mm		380mm	490mm	508mm	457mm	356mm x 305mm	
AM2068HW	20.00	16.00	8.13	7.58	17.81	13.81	18.44	14.44	P206 PA206	14.54	20.84	21.59	17.59	15.00 x 11.00	
	508mm	406mm	207mm	192mm	452mm	351mm	468mm	367mm		369mm	529mm	548mm	447mm	381mm x 279mm	

All dimensions are in inches unless otherwise noted

Data subject to change without notice

Enclosure base part numbers come standard with 4 separately bagged feet (ex. AM664HW)

Additional back panels found on page 128

★ Coming Q4 - 2016



JIC Size Junction Boxes: Snap Latch Hinged Cover

- **Solid/Opaque**



PRODUCT INFORMATION

Application

- Designed to insulate and protect controls and components in both indoor and outdoor applications often found in oil refineries, waste water treatment equipment, chemical plants, and many other applications
- Especially well suited for high temperature or corrosive environments
- Protects from dirt, dust, oil, and water
- For use with industrial control equipment

Standards

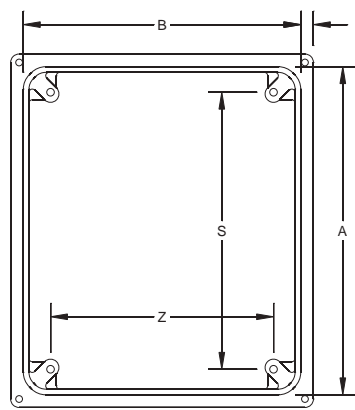
- UL 50 and UL 50E Types 1, 2, 3, 3R, 4, 4X, 12 and 13
- CSA C22.2 No. 94 Types 1, 2, 3, 3R, 4, 4X, 12 and 13
- Complies with:
 - NEMA Types 1, 2, 3, 3R, 4, 4X, 12 and 13
 - IEC 60529 Type IP66
 - RoHS directive

Construction

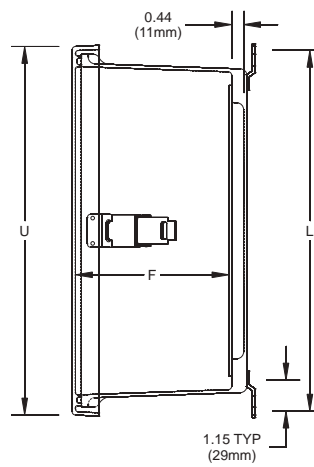
- Strong, molded ULTRAGUARD® fiberglass reinforced polyester material construction with matching flat cover
- 316 stainless steel snap latches feature padlock hasp
- Continuous 316 stainless steel hinge
- Formed-In-Place (FIP) polyurethane gasket system encased in continuous channel
- 316 stainless steel wall mounting feet with 10-32 stainless steel screws included
- #10-32 threaded brass inserts for optional back panel installation
- JIC sizes
- ULTRAGUARD® fiberglass material is easily punched, drilled, or sawed
- UV stabilized for outdoor use

Accessories & Modifications

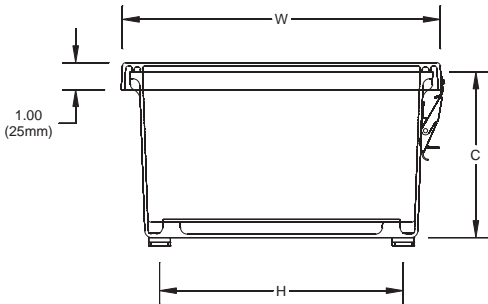
- Optional back panels
- Custom holes and cutouts
- Custom size polycarbonate viewing windows
- Hinge installed on short side
- Molded-in color matching
- EMI/RFI shielding
- Factory-supplied silk screening



Note: Cover removed for clarity

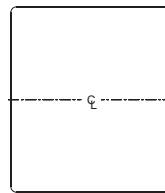


LATCH LOCATIONS

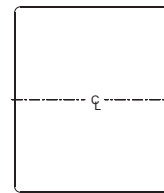


Nominal 1/8" (3mm) wall thickness

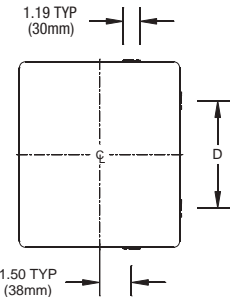
For use on
6x6x4
8x6x4
10x8x4,6



For use on
12x10x6 D=8.00 (203mm)
12x12x4,6 D=8.00 (203mm)
14x12x6 D=8.54 (217mm)
16x14x8 D=8.54 (217mm)



For use on
18x16x8 D=6.50 (165mm)
20x16x8 D=10.52 (267mm)



Part No.	Box Size			Usable Depth F	Panel Boss Centers		Panel Sizes			Foot Mount Centers		Cover Size	
	A	B	C		S	Z	Ht.	Wid.	P/N	H	L	U	W
AM664L	6.10	6.10	4.18	3.76	4.25	4.25	4.81	4.81	PL66 PLA66	5.01	7.32	7.69	7.69
	155mm	155mm	106mm	95mm	108mm	108mm	122mm	122mm		127mm	186mm	195mm	195mm
AM864L	8.00	6.13	4.14	3.71	6.25	4.25	6.75	4.88	PL86 PLA86	5.02	9.20	9.59	7.71
	203mm	156mm	105mm	94mm	159mm	108mm	171mm	124mm		127mm	234mm	244mm	196mm
AM1084L	10.14	8.26	4.13	3.68	8.25	6.25	8.75	6.88	PL108 PLA108	7.01	11.19	11.73	9.90
	258mm	210mm	105mm	93mm	210mm	159mm	222mm	175mm		178mm	284mm	299mm	251mm
AM1086L	10.14	8.26	6.13	5.68	8.25	6.25	8.75	6.88	PL108 PLA108	7.01	11.19	11.73	9.85
	258mm	210mm	156mm	144mm	210mm	159mm	222mm	175mm		178mm	284mm	298mm	250mm
AM1206L	12.14	10.26	6.13	5.68	10.25	8.25	10.75	8.88	PL120 PLA120	9.01	13.19	13.73	11.85
	308mm	261mm	156mm	144mm	260mm	210mm	273mm	225mm		229mm	335mm	349mm	301mm
★ AM1224L	12.14	12.14	4.13	3.73	10.25	10.25	10.75	10.75	PL122 PLA122	11.01	13.32	13.72	13.72
	308mm	308mm	105mm	95mm	260mm	260mm	273mm	273mm		280mm	338mm	348mm	348mm
★ AM1226L	12.14	12.14	6.13	5.73	10.25	10.25	10.75	10.75	PL122 PLA122	11.01	13.32	13.72	13.72
	308mm	308mm	156mm	145mm	260mm	260mm	273mm	273mm		280mm	338mm	348mm	348mm
AM1426L	14.14	12.26	6.13	5.71	12.25	10.25	12.75	10.88	PL142 PLA142	11.03	15.19	15.73	13.85
	359mm	312mm	156mm	145mm	311mm	260mm	324mm	276mm		280mm	386mm	399mm	352mm
AM1648L	16.27	14.40	8.13	7.68	14.25	12.25	14.75	12.88	P164 PA164	13.01	17.19	17.87	15.99
	413mm	366mm	207mm	195mm	362mm	311mm	375mm	327mm		330mm	437mm	454mm	406mm
AM1868L	18.40	16.40	8.13	7.69	16.25	14.25	16.88	14.88	P186 PA186	14.97	19.28	20.00	18.00
	467mm	417mm	207mm	195mm	413mm	362mm	429mm	378mm		380mm	490mm	508mm	457mm
AM2068L	20.00	16.00	8.13	7.68	17.81	13.81	18.44	14.44	P206 PA206	14.54	20.84	21.59	17.59
	508mm	406mm	207mm	195mm	452mm	351mm	468mm	367mm		369mm	529mm	548mm	447mm

All dimensions are in inches unless otherwise noted

Data subject to change without notice

Enclosure base part numbers come standard with 4 separately bagged feet (ex. AM664L)

Additional back panels found on page 128

★ Coming Q4 – 2016



JIC Size Junction Boxes: Snap Latch Hinged Cover

• Window



PRODUCT INFORMATION

Application

- Designed to insulate and protect controls and components in both indoor and outdoor applications often found in oil refineries, waste water treatment equipment, chemical plants, and many other applications
- Especially well suited for high temperature or corrosive environments
- Protects from dirt, dust, oil, and water
- For use with industrial control equipment
- Window unit provides viewing area for instrumentation or equipment

Standards

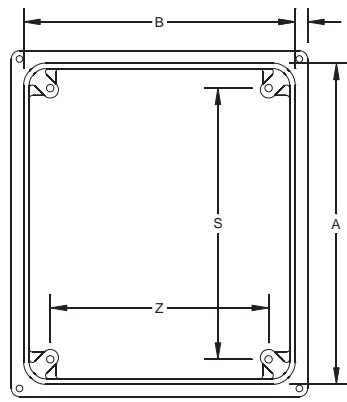
- UL 50 and UL 50E Types 1, 2, 3, 3R, 4, 4X, 12 and 13
- CSA C22.2 No. 94 Types 1, 2, 3, 3R, 4, 4X, 12 and 13
- Complies with:
 - NEMA Types 1, 2, 3, 3R, 4, 4X, 12 and 13
 - IEC 60529 Type IP66
 - RoHS directive

Construction

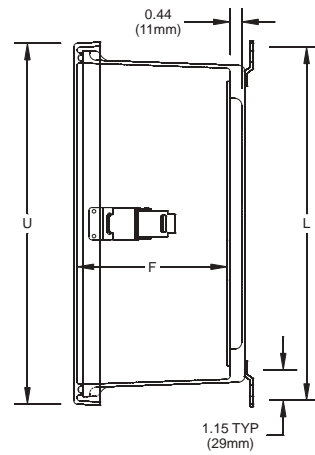
- Strong, molded ULTRAGUARD® fiberglass reinforced polyester material construction with matching flat cover
- 316 stainless steel snap latches feature padlock hasp
- Continuous 316 stainless steel hinge
- Formed-In-Place (FIP) polyurethane gasket system encased in continuous channel
- 316 stainless steel wall mounting feet with 10-32 stainless steel screws included
- UV resistant polycarbonate viewing window
- #10-32 threaded brass inserts for optional back panel installation
- JIC sizes
- ULTRAGUARD® fiberglass material is easily punched, drilled, or sawed
- UV stabilized for outdoor use

Accessories & Modifications

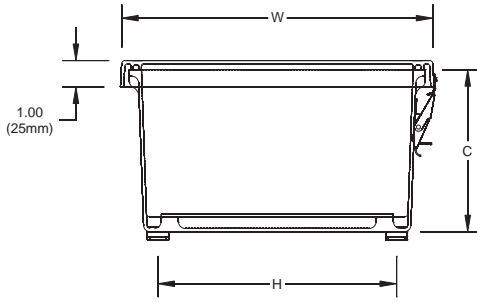
- Optional back panels
- Custom holes and cutouts
- Hinge installed on short side
- Molded-in color matching
- EMI/RFI shielding
- Factory-supplied silk screening



Note: Cover removed for clarity

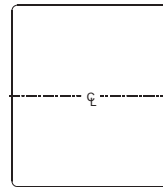


LATCH LOCATIONS

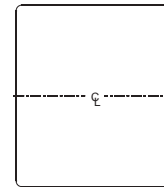


Nominal 1/8" (3mm) wall thickness

For use on
6x6x4
8x6x4
10x8x4,6

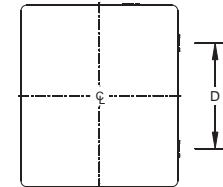


For use on
12x10x6 D=8.00 (203mm)
12x12x4,6 D=8.00 (203mm)
14x12x6 D=8.54 (217mm)
16x14x8 D=8.54 (217mm)



For use on
18x16x8 D=6.50 (165mm)
20x16x8 D=10.52 (267mm)

1.19 TYP (30mm)



1.50 TYP (38mm)

Part No.	Box Size			Usable Depth	Panel Boss Centers			Panel Sizes			Foot Mount Centers		Cover Size		Window Dimension (Height x Width)
	A	B	C		F	S	Z	Ht.	Wid.	P/N	H	L	U	W	
AM664LW	6.10	6.10	4.18	3.65	4.25	4.25	4.81	4.81	PL66 PLA66	5.01	7.32	7.69	7.69	4.25 x 4.25	
	155mm	155mm	106mm	93mm	108mm	108mm	122mm	122mm		127mm	186mm	195mm	195mm	108mm x 108mm	
AM864LW	8.00	6.13	4.14	3.60	6.25	4.25	6.75	4.88	PL86 PLA86	5.02	9.20	9.59	7.71	6.25 x 4.25	
	203mm	156mm	105mm	91mm	159mm	108mm	171mm	124mm		127mm	234mm	244mm	196mm	159mm x 108mm	
AM1084LW	10.14	8.26	4.13	3.57	8.25	6.25	8.75	6.88	PL108 PLA108	7.01	11.19	11.73	9.90	8.38 x 6.50	
	258mm	210mm	105mm	91mm	210mm	159mm	222mm	175mm		178mm	284mm	299mm	251mm	213mm x 165mm	
AM1086LW	10.14	8.26	6.13	5.57	8.25	6.25	8.75	6.88	PL108 PLA108	7.01	11.19	11.73	9.85	8.38 x 6.50	
	258mm	210mm	156mm	141mm	210mm	159mm	222mm	175mm		178mm	284mm	298mm	250mm	213mm x 165mm	
AM1206LW	12.14	10.26	6.13	5.58	10.25	8.25	10.75	8.88	PL120 PLA120	9.01	13.19	13.73	11.85	10.38 x 8.50	
	308mm	261mm	156mm	142mm	260mm	210mm	273mm	225mm		229mm	335mm	349mm	301mm	264mm x 216mm	
★ AM1224LW	12.14	12.14	4.13	3.62	10.25	10.25	10.75	10.75	PL122 PLA122	11.01	13.32	13.72	13.72	10.38 x 10.38	
★ AM1226LW	308mm	308mm	105mm	92mm	260mm	260mm	273mm	273mm		280mm	338mm	348mm	348mm	264mm x 264mm	
	AM1426LW	12.14	12.14	6.13	5.62	10.25	10.25	10.75	10.75	PL122 PLA122	11.01	13.32	13.72	13.72	10.38 x 10.38
308mm		308mm	156mm	143mm	260mm	260mm	273mm	273mm	280mm		338mm	348mm	348mm	264mm x 264mm	
AM1426LW	14.14	12.26	6.13	5.60	12.25	10.25	12.75	10.88	PL142 PLA142	11.03	15.19	15.73	13.85	12.38 x 10.50	
	359mm	312mm	156mm	142mm	311mm	260mm	324mm	276mm		280mm	386mm	399mm	352mm	314mm x 267mm	
AM1648LW	16.27	14.40	8.13	7.58	14.25	12.25	14.75	12.88	P164 PA164	13.01	17.19	17.87	15.99	13.00 x 11.00	
	413mm	366mm	207mm	192mm	362mm	311mm	375mm	327mm		330mm	437mm	454mm	406mm	330mm x 279mm	
AM1868LW	18.40	16.40	8.13	7.58	16.25	14.25	16.88	14.88	P186 PA186	14.97	19.28	20.00	18.00	14.00 x 12.00	
	467mm	417mm	207mm	192mm	413mm	362mm	429mm	378mm		380mm	490mm	508mm	457mm	356mm x 305mm	
AM2068LW	20.00	16.00	8.13	7.58	17.81	13.81	18.44	14.44	P206 PA206	14.54	20.84	21.59	17.59	15.00 x 11.00	
	508mm	406mm	207mm	192mm	452mm	351mm	468mm	367mm		369mm	529mm	548mm	447mm	381mm x 279mm	

All dimensions are in inches unless otherwise noted

Data subject to change without notice

Enclosure base part numbers come standard with 4 separately bagged feet (ex. AM664LW)

Additional back panels found on page 128

★ Coming Q4 - 2016



JIC Size Junction Boxes: Twist Latch Hinged Cover

- **Solid/Opaque**



PRODUCT INFORMATION

Application

- Designed to insulate and protect controls and components in both indoor and outdoor applications often found in oil refineries, waste water treatment equipment, chemical plants, and many other applications
- Especially well suited for high temperature or corrosive environments
- Protects from dirt, dust, oil, and water
- For use with industrial control equipment

Standards

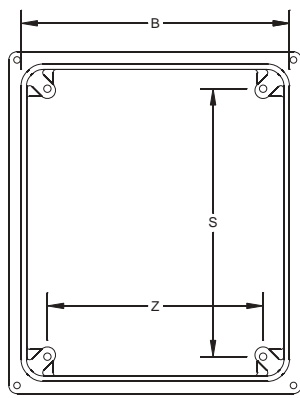
- UL 50 and UL 50E Types 1, 2, 3, 3R, 4, 4X, 12 and 13
- CSA C22.2 No. 94 Types 1, 2, 3, 3R, 4, 4X, 12 and 13
- Complies with:
 - NEMA Types 1, 2, 3, 3R, 4, 4X, 12 and 13
 - IEC 60529 Type IP66
 - RoHS directive

Construction

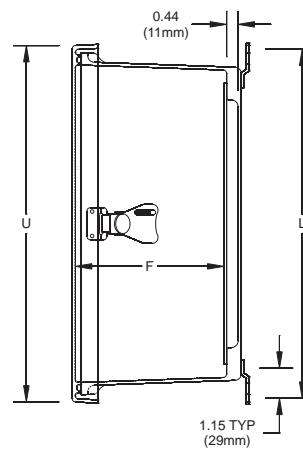
- Strong, molded ULTRAGUARD® fiberglass reinforced polyester material construction with matching flat cover
- 316 stainless steel twist latches feature padlock hasp
- Continuous 316 stainless steel hinge
- Formed-In-Place (FIP) polyurethane gasket system encased in continuous channel
- 316 stainless steel wall mounting feet with 10-32 stainless steel screws included
- #10-32 threaded brass inserts for optional back panel installation
- JIC sizes
- ULTRAGUARD® fiberglass material is easily punched, drilled, or sawed
- UV stabilized for outdoor use

Accessories & Modifications

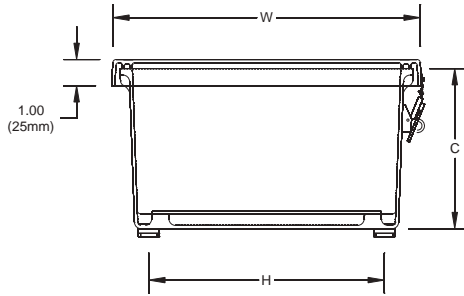
- Optional back panels
- Custom holes and cutouts
- Custom size polycarbonate viewing windows
- Hinge installed on short side
- Molded-in color matching
- EMI/RFI shielding
- Factory-supplied silk screening



Note: Cover removed for clarity

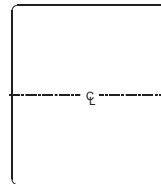


LATCH LOCATIONS

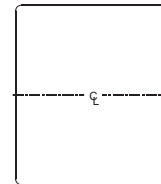


Nominal 1/8" (3mm) wall thickness

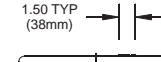
For use on
6x6x4
8x6x4
10x8x4,6



For use on
12x10x6 D=8.00 (203mm)
12x12x4.6 D=8.00 (203mm)
14x12x6 D=8.54 (217mm)
16x14x8 D=8.54 (217mm)



For use on
18x16x8 D=6.50 (165mm)
20x16x8 D=10.52 (267mm)



Part No.	Box Size			Usable Depth F	Panel Boss Centers		Panel Sizes			Foot Mount Centers		Cover Size	
	A	B	C		S	Z	Ht.	Wid.	P/N	H	L	U	W
AM664T	6.10	6.10	4.18	3.76	4.25	4.25	4.81	4.81	PL66 PLA66	5.01	7.32	7.69	7.69
	155mm	155mm	106mm	95mm	108mm	108mm	122mm	122mm		127mm	186mm	195mm	195mm
AM864T	8.00	6.13	4.14	3.71	6.25	4.25	6.75	4.88	PL86 PLA86	5.02	9.20	9.59	7.71
	203mm	156mm	105mm	94mm	159mm	108mm	171mm	124mm		127mm	234mm	244mm	196mm
AM1084T	10.14	8.26	4.13	3.68	8.25	6.25	8.75	6.88	PL108 PLA108	7.01	11.19	11.73	9.90
	258mm	210mm	105mm	93mm	210mm	159mm	222mm	175mm		178mm	284mm	299mm	251mm
AM1086T	10.14	8.26	6.13	5.68	8.25	6.25	8.75	6.88	PL108 PLA108	7.01	11.19	11.73	9.85
	258mm	210mm	156mm	144mm	210mm	159mm	222mm	175mm		178mm	284mm	298mm	250mm
AM1206T	12.14	10.26	6.13	5.68	10.25	8.25	10.75	8.88	PL120 PLA120	9.01	13.19	13.73	11.85
	308mm	261mm	156mm	144mm	260mm	210mm	273mm	225mm		229mm	335mm	349mm	301mm
★ AM1224T	12.14	12.14	4.13	3.73	10.25	10.25	10.75	10.75	PL122 PLA122	11.01	13.32	13.72	13.72
	308mm	308mm	105mm	95mm	260mm	260mm	273mm	273mm		280mm	338mm	348mm	348mm
★ AM1226T	12.14	12.14	6.13	5.73	10.25	10.25	10.75	10.75	PL122 PLA122	11.01	13.32	13.72	13.72
	308mm	308mm	156mm	145mm	260mm	260mm	273mm	273mm		280mm	338mm	348mm	348mm
AM1426T	14.14	12.26	6.13	5.71	12.25	10.25	12.75	10.88	PL142 PLA142	11.03	15.19	15.73	13.85
	359mm	312mm	156mm	145mm	311mm	260mm	324mm	276mm		280mm	386mm	399mm	352mm
AM1648T	16.27	14.40	8.13	7.68	14.25	12.25	14.75	12.88	P164 PA164	13.01	17.19	17.87	15.99
	413mm	366mm	207mm	195mm	362mm	311mm	375mm	327mm		330mm	437mm	454mm	406mm
AM1868T	18.40	16.40	8.13	7.69	16.25	14.25	16.88	14.88	P186 PA186	14.97	19.28	20.00	18.00
	467mm	417mm	207mm	195mm	413mm	362mm	429mm	378mm		380mm	490mm	508mm	457mm
AM2068T	20.00	16.00	8.13	7.68	17.81	13.81	18.44	14.44	P206 PA206	14.54	20.84	21.59	17.59
	508mm	406mm	207mm	195mm	452mm	351mm	468mm	367mm		369mm	529mm	548mm	447mm

All dimensions are in inches unless otherwise noted

Data subject to change without notice

Enclosure base part numbers come standard with 4 separately bagged feet (ex. AM664T)

Additional back panels found on page 128

★ Coming Q4 - 2016



JIC Size Junction Boxes: Twist Latch Hinged Cover

• Window



PRODUCT INFORMATION

Application

- Designed to insulate and protect controls and components in both indoor and outdoor applications often found in oil refineries, waste water treatment equipment, chemical plants, and many other applications
- Especially well suited for high temperature or corrosive environments
- Protects from dirt, dust, oil, and water
- For use with industrial control equipment
- Window unit provides viewing area for instrumentation or equipment

Standards

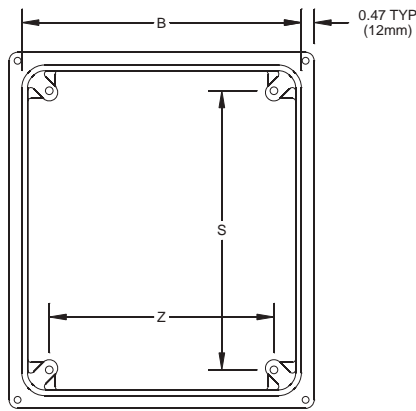
- UL 50 and UL 50E Types 1, 2, 3, 3R, 4, 4X, 12 and 13
- CSA C22.2 No. 94 Types 1, 2, 3, 3R, 4, 4X, 12 and 13
- Complies with:
 - NEMA Types 1, 2, 3, 3R, 4, 4X, 12 and 13
 - IEC 60529 Type IP66
 - RoHS directive

Construction

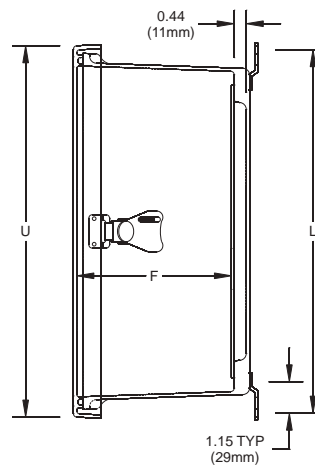
- Strong, molded ULTRAGUARD® fiberglass reinforced polyester material construction with matching flat cover
- 316 stainless steel twist latches feature padlock hasp
- Continuous 316 stainless steel hinge
- Formed-In-Place (FIP) polyurethane gasket system encased in continuous channel
- 316 stainless steel wall mounting feet with 10-32 stainless steel screws included
- UV resistant polycarbonate viewing window
- #10-32 threaded brass inserts for optional back panel installation
- JIC sizes
- ULTRAGUARD® fiberglass material is easily punched, drilled, or sawed
- UV stabilized for outdoor use

Accessories & Modifications

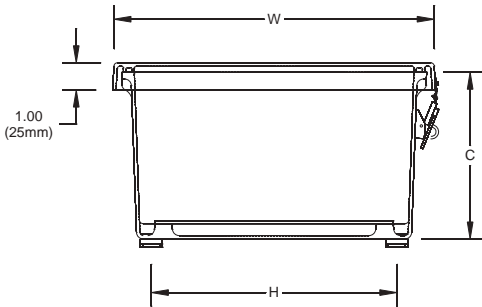
- Optional back panels
- Custom holes and cutouts
- Hinge installed on short side
- Molded-in color matching
- EMI/RFI shielding
- Factory-supplied silk screening



Note: Cover removed for clarity



LATCH LOCATIONS

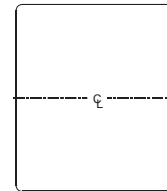
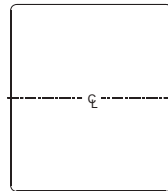


Nominal 1/8" (3mm) wall thickness

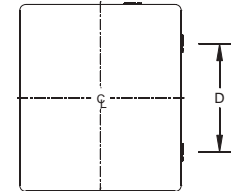
For use on
6x6x4
8x6x4
10x8x4,6

For use on
12x10x6 D=8.00 (203mm)
12x12x4,6 D=8.00 (203mm)
14x12x6 D=8.54 (217mm)
16x14x8 D=8.54 (217mm)

For use on
18x16x8 D=6.50 (165mm)
20x16x8 D=10.52 (267mm)



1.50 TYP (38mm)



1.50 (38mm)

Part No.	Box Size			Usable Depth	Panel Boss Centers		Panel Sizes		Foot Mount Centers	Cover Size		Window Dimension (Height x Width)		
	A	B	C		F	S	Z	Ht.		Wid.	H		L	U
AM664TW	6.10	6.10	4.18	3.65	4.25	4.25	4.81	4.81	PL66 PLA66	5.01	7.32	7.69	7.69	4.25 x 4.25
	155mm	155mm	106mm	93mm	108mm	108mm	122mm	122mm		127mm	186mm	195mm	195mm	108mm x 108mm
AM864TW	8.00	6.13	4.14	3.60	6.25	4.25	6.75	4.88	PL86 PLA86	5.02	9.20	9.59	7.71	6.25 x 4.25
	203mm	156mm	105mm	91mm	159mm	108mm	171mm	124mm		127mm	234mm	244mm	196mm	159mm x 108mm
AM1084TW	10.14	8.26	4.13	3.57	8.25	6.25	8.75	6.88	PL108 PLA108	7.01	11.19	11.73	9.90	8.38 x 6.50
	258mm	210mm	105mm	91mm	210mm	159mm	222mm	175mm		178mm	284mm	299mm	251mm	213mm x 165mm
AM1086TW	10.14	8.26	6.13	5.57	8.25	6.25	8.75	6.88	PL108 PLA108	7.01	11.19	11.73	9.85	8.38 x 6.50
	258mm	210mm	156mm	141mm	210mm	159mm	222mm	175mm		178mm	284mm	298mm	250mm	213mm x 165mm
AM1206TW	12.14	10.26	6.13	5.58	10.25	8.25	10.75	8.88	PL120 PLA120	9.01	13.19	13.73	11.85	10.38 x 8.50
	308mm	261mm	156mm	142mm	260mm	210mm	273mm	225mm		229mm	335mm	349mm	301mm	264mm x 216mm
★ AM1224TW	12.14	12.14	4.13	3.62	10.25	10.25	10.75	10.75	PL122 PLA122	11.01	13.32	13.72	13.72	10.38 x 10.38
	308mm	308mm	105mm	92mm	260mm	260mm	273mm	273mm		280mm	338mm	348mm	348mm	264mm x 264mm
★ AM1226TW	12.14	12.14	6.13	5.62	10.25	10.25	10.75	10.75	PL122 PLA122	11.01	13.32	13.72	13.72	10.38 x 10.38
	308mm	308mm	156mm	143mm	260mm	260mm	273mm	273mm		280mm	338mm	348mm	348mm	264mm x 264mm
AM1426TW	14.14	12.26	6.13	5.60	12.25	10.25	12.75	10.88	PL142 PLA142	11.03	15.19	15.73	13.85	12.38 x 10.50
	359mm	312mm	156mm	142mm	311mm	260mm	324mm	276mm		280mm	386mm	399mm	352mm	314mm x 267mm
AM1648TW	16.27	14.40	8.13	7.58	14.25	12.25	14.75	12.88	P164 PA164	13.01	17.19	17.87	15.99	13.00 x 11.00
	413mm	366mm	207mm	192mm	362mm	311mm	375mm	327mm		330mm	437mm	454mm	406mm	330mm x 279mm
AM1868TW	18.40	16.40	8.13	7.58	16.25	14.25	16.88	14.88	P186 PA186	14.97	19.28	20.00	18.00	14.00 x 12.00
	467mm	417mm	207mm	192mm	413mm	362mm	429mm	378mm		380mm	490mm	508mm	457mm	356mm x 305mm
AM2068TW	20.00	16.00	8.13	7.58	17.81	13.81	18.44	14.44	P206 PA206	14.54	20.84	21.59	17.59	15.00 x 11.00
	508mm	406mm	207mm	192mm	452mm	351mm	468mm	367mm		369mm	529mm	548mm	447mm	381mm x 279mm

All dimensions are in inches unless otherwise noted
Enclosure base part numbers come standard with 4 separately bagged feet (ex. AM664TW)
Additional back panels found on page 128
★ Coming Q4 - 2016

Data subject to change without notice



AM-R SERIES - FRP

The AM-R Series offers the same sizes and options as our AM series, with the added feature of a raised cover. The cover adds an additional 1-3/4" of depth to accommodate switches and other devices, and can be used with an optional hinged front panel (HFP) for maximum configuration flexibility within a single enclosure.

AM-R Series enclosures insulate and protect controls and components in both indoor and outdoor applications, including high temperature and/or corrosive environments. They are available in standard JIC sizes with a variety of latching options for any application.



Scan to learn more



AM-R Series Features & Benefits

- Molded ULTRAGUARD® fiberglass reinforced polyester (FRP) material construction for durability
- Continuous 316 stainless steel hinge
- Formed-In-Place (FIP) polyurethane gasket system
- Matching raised cover
- 316 stainless steel hardware and mounting feet
- Mounting panel inserts for optional back panel
- UV stabilized for outdoor use

AM-R Series Specifications

- Non-corrosive
- Non-conductive
- Standard RAL 7035 light gray color
- Temperature-resistant
- Fire-resistant
- Rated NEMA 1, 2, 3, 3R, 4, 4X, 12, 13
- UL® listed
- CSA certified
- Compliant with RoHS directive

Accessories

- Back panels available in painted carbon steel, aluminum, fiberglass, or galvanized steel
- Optional hinged front panels
- ULTRAPLUG® hole plugs
- Pole mount kits
- HMI cover kits
- Inspection windows
- UV resistant polycarbonate viewing windows

Modifications

We are pleased to modify any of our standard products to fit your needs with:

- Custom holes and cutouts
- Custom size polycarbonate viewing windows
- Molded-in color matching
- Hinge installed on short side
- EMI/RFI shielding
- Factory-supplied silk screening

For complete details on factory modifications including a modification request form, see pages 142-144.

www.alliedmoulded.com

JIC Size Junction Boxes:

Lift-Off Screw Cover

- **Solid/Opaque**



PRODUCT INFORMATION

Application

- Designed to insulate and protect controls and components in both indoor and outdoor applications often found in oil refineries, waste water treatment equipment, chemical plants, and many other applications
- Especially well suited for high temperature or corrosive environments
- Protects from dirt, dust, oil, and water
- For use with industrial control equipment

Standards

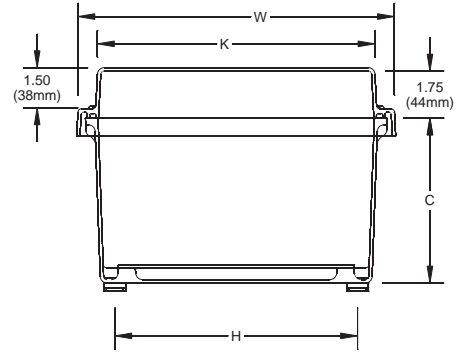
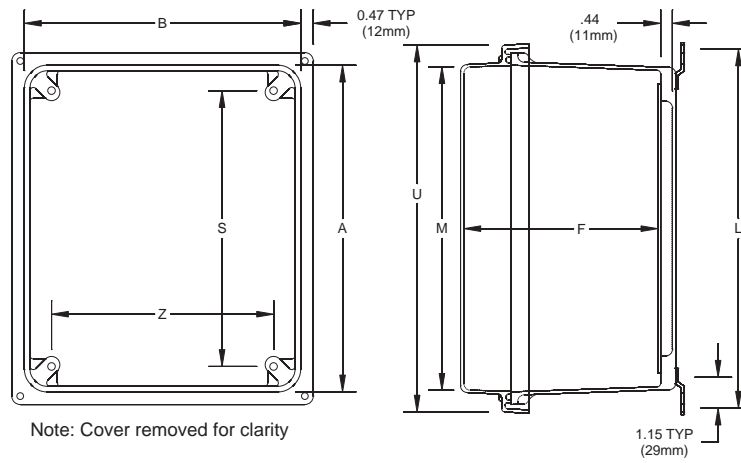
- UL 50 and UL 50E Types 1, 2, 3, 3R, 4, 4X, (6P for sizes 6"x6" up through 14"x12"), 12 and 13
- CSA C22.2 No. 94 Types 1, 2, 3, 3R, 4, 4X, (6P for sizes 6"x6" up through 14"x12"), 12 and 13
- Complies with:
 - NEMA Types 1, 2, 3, 3R, 4, 4X, (6P for sizes 6"x6" up through 14"x12"), 12 and 13
 - IEC 60529 Type IP68 submersible up to 24 hours at a depth of 6 feet (1.8 meters)
 - RoHS directive

Construction

- Strong, molded ULTRAGUARD® fiberglass reinforced polyester material construction with matching raised cover
- 316 stainless steel captive cover screws
- Formed-In-Place (FIP) polyurethane gasket system encased in continuous channel
- 316 stainless steel wall mounting feet with 10-32 stainless steel screws included
- #10-32 threaded brass inserts for optional back panel installation
- JIC sizes
- ULTRAGUARD® fiberglass material is easily punched, drilled, or sawed
- UV stabilized for outdoor use

Accessories & Modifications

- Optional back panels and hinged front panels
- Custom holes and cutouts
- Custom size polycarbonate viewing windows
- Molded-in color matching
- EMI/RFI shielding
- Factory-supplied silk screening



Nominal 1/8" (3mm) wall thickness

Part No.	Box Size			Usable Depth	Panel Boss Centers			Panel Sizes			Foot Mount Centers		Cover Size			
	A	B	C		F	S	Z	Ht.	Wid.	P/N	H	L	K	M	U	W
AM664R	6.10	6.10	4.18	5.29	4.25	4.25	4.81	4.81	PL66 PLA66	5.01	7.32	6.08	6.08	7.69	7.69	
	155mm	155mm	106mm	134mm	108mm	108mm	122mm	122mm		127mm	186mm	154mm	154mm	195mm	195mm	
AM864R	8.00	6.13	4.14	5.21	6.25	4.25	6.75	4.88	PL86 PLA86	5.02	9.20	6.11	7.98	9.59	7.71	
	203mm	156mm	105mm	132mm	159mm	108mm	171mm	124mm		127mm	234mm	155mm	203mm	244mm	196mm	
AM1084R	10.14	8.26	4.13	5.21	8.25	6.25	8.75	6.88	PL108 PLA108	7.01	11.19	8.44	10.32	11.73	9.90	
	258mm	210mm	105mm	132mm	210mm	159mm	222mm	175mm		178mm	284mm	214mm	262mm	299mm	251mm	
AM1086R	10.14	8.26	6.13	7.21	8.25	6.25	8.75	6.88	PL108 PLA108	7.01	11.19	8.44	10.32	11.73	9.85	
	258mm	210mm	156mm	183mm	210mm	159mm	222mm	175mm		178mm	284mm	214mm	262mm	298mm	250mm	
AM1206R	12.14	10.26	6.13	7.21	10.25	8.25	10.75	8.88	PL120 PLA120	9.01	13.19	10.45	12.32	13.73	11.85	
	308mm	261mm	156mm	183mm	260mm	210mm	273mm	225mm		229mm	335mm	265mm	313mm	349mm	301mm	
★ AM1224R	12.14	12.14	4.13	5.26	10.25	10.25	10.75	10.75	PL122 PLA122	11.01	13.32	12.19	12.19	13.72	13.72	
	308mm	308mm	105mm	134mm	260mm	260mm	273mm	273mm		280mm	338mm	310mm	310mm	348mm	348mm	
★ AM1226R	12.14	12.14	6.13	7.26	10.25	10.25	10.75	10.75	PL122 PLA122	11.01	13.32	12.19	12.19	13.72	13.72	
	308mm	308mm	156mm	184mm	260mm	260mm	273mm	273mm		280mm	338mm	310mm	310mm	348mm	348mm	
AM1426R	14.14	12.26	6.13	7.21	12.25	10.25	12.75	10.88	PL142 PLA142	11.03	15.19	12.45	14.32	15.73	13.85	
	359mm	312mm	156mm	183mm	311mm	260mm	324mm	276mm		280mm	386mm	316mm	364mm	399mm	352mm	
AM1648R	16.27	14.40	8.13	9.21	14.25	12.25	14.75	12.88	P164 PA164	13.01	17.19	13.86	15.73	17.87	15.99	
	413mm	366mm	207mm	234mm	362mm	311mm	375mm	327mm		330mm	437mm	352mm	400mm	454mm	406mm	
AM1868R	18.40	16.40	8.13	9.22	16.25	14.25	16.88	14.88	P186 PA186	14.97	19.28	15.86	17.86	20.00	18.00	
	467mm	417mm	207mm	234mm	413mm	362mm	429mm	378mm		380mm	490mm	403mm	454mm	508mm	457mm	
AM2068R	20.00	16.00	8.13	9.21	17.81	13.81	18.44	14.44	P206 PA206	14.54	20.84	15.43	19.43	21.59	17.59	
	508mm	406mm	207mm	234mm	452mm	351mm	468mm	367mm		369mm	529mm	392mm	494mm	548mm	447mm	

All dimensions are in inches unless otherwise noted
 Sizes 6" x 6" up through 14" x 12" are rated 6P (IP68)
 Enclosure base part numbers come standard with 4 separately bagged feet (ex. AM664R)
 Additional back panels found on page 128
 ★Coming Q4 – 2016

Data subject to change without notice



JIC Size Junction Boxes:

Lift-Off Screw Cover

- **Window**



PRODUCT INFORMATION

Application

- Designed to insulate and protect controls and components in both indoor and outdoor applications often found in oil refineries, waste water treatment equipment, chemical plants, and many other applications
- Especially well suited for high temperature or corrosive environments
- Protects from dirt, dust, oil, and water
- For use with industrial control equipment
- Window unit provides viewing area for instrumentation or equipment

Standards

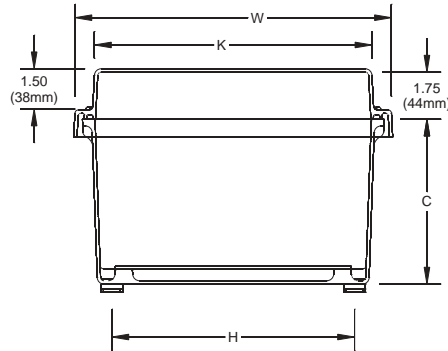
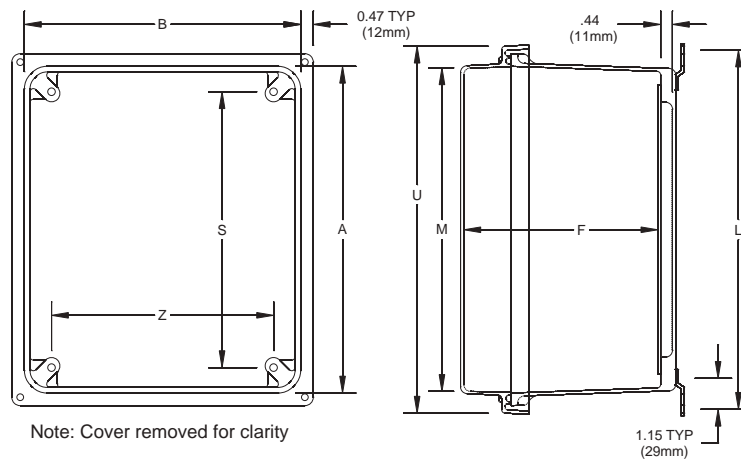
- UL 50 and UL 50E Types 1, 2, 3, 3R, 4, 4X, 12 and 13
- CSA C22.2 No. 94 Types 1, 2, 3, 3R, 4, 4X, 12 and 13
- Complies with:
 - NEMA Types 1, 2, 3, 3R, 4, 4X, 12 and 13
 - IEC 60529 Type IP66
 - RoHS directive

Construction

- Strong, molded ULTRAGUARD® fiberglass reinforced polyester material construction with matching raised cover
- 316 stainless steel captive cover screws
- Formed-In-Place (FIP) polyurethane gasket system encased in continuous channel
- 316 stainless steel wall mounting feet with 10-32 stainless steel screws included
- UV resistant polycarbonate viewing window
- #10-32 threaded brass inserts for optional back panel installation
- JIC sizes
- ULTRAGUARD® fiberglass material is easily punched, drilled, or sawed
- UV stabilized for outdoor use

Accessories & Modifications

- Optional back panels and hinged front panels
- Custom holes and cutouts
- Molded-in color matching
- EMI/RFI shielding
- Factory-supplied silk screening



Nominal 1/8" (3mm) wall thickness

Part No.	Box Size			Usable Depth	Panel Boss Centers			Panel Sizes			Foot Mount Centers		Cover Size				Window Dimension (Height x Width)
	A	B	C		F	S	Z	Ht.	Wid.	P/N	H	L	K	M	U	W	
AM664RW	6.10	6.10	4.18	5.18	4.25	4.25	4.81	4.81	PL66 PLA66	5.01	7.32	6.08	6.08	7.69	7.69	4.25 x 4.25	
	155mm	155mm	106mm	131mm	108mm	108mm	122mm	122mm		127mm	186mm	154mm	154mm	195mm	195mm	108mm x 108mm	
AM864RW	8.00	6.13	4.14	5.10	6.25	4.25	6.75	4.88	PL86 PLA86	5.02	9.20	6.11	7.98	9.59	7.71	6.25 x 4.25	
	203mm	156mm	105mm	130mm	159mm	108mm	171mm	124mm		127mm	234mm	155mm	203mm	244mm	196mm	159mm x 108mm	
AM1084RW	10.14	8.26	4.13	5.10	8.25	6.25	8.75	6.88	PL108 PLA108	7.01	11.19	8.44	10.32	11.73	9.90	8.38 x 6.50	
	258mm	210mm	105mm	130mm	210mm	159mm	222mm	175mm		178mm	284mm	214mm	262mm	299mm	251mm	213mm x 165mm	
AM1086RW	10.14	8.26	6.13	7.12	8.25	6.25	8.75	6.88	PL108 PLA108	7.01	11.19	8.44	10.32	11.73	9.85	8.38 x 6.50	
	258mm	210mm	156mm	181mm	210mm	159mm	222mm	175mm		178mm	284mm	214mm	262mm	298mm	250mm	213mm x 165mm	
AM1206RW	12.14	10.26	6.13	7.10	10.25	8.25	10.75	8.88	PL120 PLA120	9.01	13.19	10.45	12.32	13.73	11.85	10.38 x 8.50	
	308mm	261mm	156mm	180mm	260mm	210mm	273mm	225mm		229mm	335mm	265mm	313mm	349mm	301mm	264mm x 216mm	
★ AM1224RW	12.14	12.14	4.13	5.15	10.25	10.25	10.75	10.75	PL122 PLA122	11.01	13.32	12.19	12.19	13.72	13.72	10.38 x 10.38	
	308mm	308mm	105mm	131mm	260mm	260mm	273mm	273mm		280mm	338mm	310mm	310mm	348mm	348mm	264mm x 264mm	
★ AM1226RW	12.14	12.14	6.13	7.15	10.25	10.25	10.75	10.75	PL122 PLA122	11.01	13.32	12.19	12.19	13.72	13.72	10.38 x 10.38	
	308mm	308mm	156mm	182mm	260mm	260mm	273mm	273mm		280mm	338mm	310mm	310mm	348mm	348mm	264mm x 264mm	
AM1426RW	14.14	12.26	6.13	7.10	12.25	10.25	12.75	10.88	PL142 PLA142	11.03	15.19	12.45	14.32	15.73	13.85	12.38 x 10.50	
	359mm	312mm	156mm	180mm	311mm	260mm	324mm	276mm		280mm	386mm	316mm	364mm	399mm	352mm	314mm x 267mm	
AM1648RW	16.27	14.40	8.13	9.10	14.25	12.25	14.75	12.88	P164 PA164	13.01	17.19	13.86	15.73	17.87	15.99	13.00 x 11.00	
	413mm	366mm	207mm	231mm	362mm	311mm	375mm	327mm		330mm	437mm	352mm	400mm	454mm	406mm	330mm x 279mm	
AM1868RW	18.40	16.40	8.13	9.11	16.25	14.25	16.88	14.88	P186 PA186	14.97	19.28	15.86	17.86	20.00	18.00	14.00 x 12.00	
	467mm	417mm	207mm	231mm	413mm	362mm	429mm	378mm		380mm	490mm	403mm	454mm	508mm	457mm	356mm x 305mm	
AM2068RW	20.00	16.00	8.13	9.10	17.81	13.81	18.44	14.44	P206 PA206	14.54	20.84	15.43	19.43	21.59	17.59	15.00 x 11.00	
	508mm	406mm	207mm	231mm	452mm	351mm	468mm	367mm		369mm	529mm	392mm	494mm	548mm	447mm	381mm x 279mm	

All dimensions are in inches unless otherwise noted
 Enclosure base part numbers come standard with 4 separately bagged feet (ex. AM664RW)
 Additional back panels found on page 128
 ★Coming Q4 – 2016

Data subject to change without notice



JIC Size Junction Boxes: Hinged Screw Cover

- **Solid/Opaque**



PRODUCT INFORMATION

Application

- Designed to insulate and protect controls and components in both indoor and outdoor applications often found in oil refineries, waste water treatment equipment, chemical plants, and many other applications
- Especially well suited for high temperature or corrosive environments
- Protects from dirt, dust, oil, and water
- For use with industrial control equipment

Standards

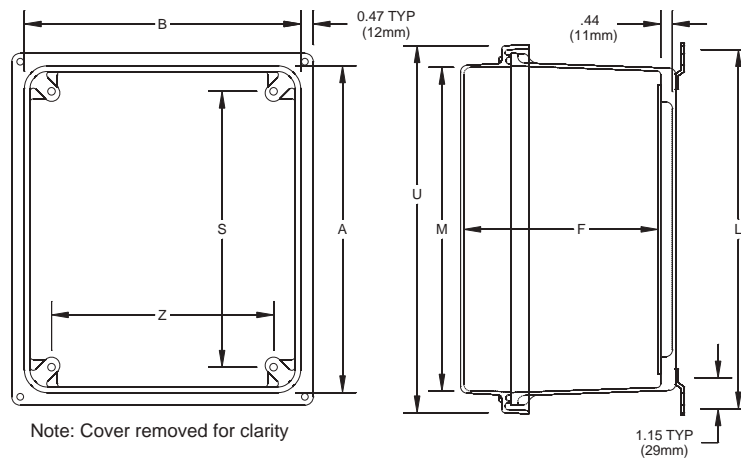
- UL 50 and UL 50E Types 1, 2, 3, 3R, 4, 4X, 12 and 13
- CSA C22.2 No. 94 Types 1, 2, 3, 3R, 4, 4X, 12 and 13
- Complies with:
 - NEMA Types 1, 2, 3, 3R, 4, 4X, 12 and 13
 - IEC 60529 Type IP66
 - RoHS directive

Construction

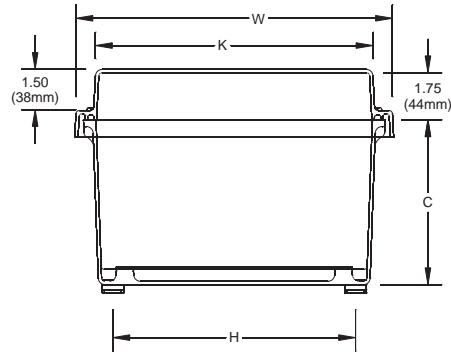
- Strong, molded ULTRAGUARD® fiberglass reinforced polyester material construction with matching raised cover
- 316 stainless steel captive cover screws
- Continuous 316 stainless steel hinge
- Formed-In-Place (FIP) polyurethane gasket system encased in continuous channel
- 316 stainless steel wall mounting feet with 10-32 stainless steel screws included
- #10-32 threaded brass inserts for optional back panel installation
- JIC sizes
- ULTRAGUARD® fiberglass material is easily punched, drilled, or sawed
- UV stabilized for outdoor use

Accessories & Modifications

- Optional back panels and hinged front panels
- Custom holes and cutouts
- Custom size polycarbonate viewing windows
- Hinge installed on short side
- Molded-in color matching
- EMI/RFI shielding
- Factory-supplied silk screening



Note: Cover removed for clarity



Nominal 1/8" (3mm) wall thickness

Part No.	Box Size			Usable Depth	Panel Boss Centers			Panel Sizes			Foot Mount Centers		Cover Size			
	A	B	C		F	S	Z	Ht.	Wid.	P/N	H	L	K	M	U	W
AM664RH	6.10	6.10	4.18	5.29	4.25	4.25	4.81	4.81	PL66	5.01	7.32	6.08	6.08	7.69	7.69	
	155mm	155mm	106mm	134mm	108mm	108mm	122mm	122mm	PLA66	127mm	186mm	154mm	154mm	195mm	195mm	
AM864RH	8.00	6.13	4.14	5.21	6.25	4.25	6.75	4.88	PL86	5.02	9.20	6.11	7.98	9.59	7.71	
	203mm	156mm	105mm	132mm	159mm	108mm	171mm	124mm	PLA86	127mm	234mm	155mm	203mm	244mm	196mm	
AM1084RH	10.14	8.26	4.13	5.21	8.25	6.25	8.75	6.88	PL108	7.01	11.19	8.44	10.32	11.73	9.90	
	258mm	210mm	105mm	132mm	210mm	159mm	222mm	175mm	PLA108	178mm	284mm	214mm	262mm	299mm	251mm	
AM1086RH	10.14	8.26	6.13	7.21	8.25	6.25	8.75	6.88	PL108	7.01	11.19	8.44	10.32	11.73	9.85	
	258mm	210mm	156mm	183mm	210mm	159mm	222mm	175mm	PLA108	178mm	284mm	214mm	262mm	298mm	250mm	
AM1206RH	12.14	10.26	6.13	7.21	10.25	8.25	10.75	8.88	PL120	9.01	13.19	10.45	12.32	13.73	11.85	
	308mm	261mm	156mm	183mm	260mm	210mm	273mm	225mm	PLA120	229mm	335mm	265mm	313mm	349mm	301mm	
★ AM1224RH	12.14	12.14	4.13	5.26	10.25	10.25	10.75	10.75	PL122	11.01	13.32	12.19	12.19	13.72	13.72	
	308mm	308mm	105mm	134mm	260mm	260mm	273mm	273mm	PLA122	280mm	338mm	310mm	310mm	348mm	348mm	
★ AM1226RH	12.14	12.14	6.13	7.26	10.25	10.25	10.75	10.75	PL122	11.01	13.32	12.19	12.19	13.72	13.72	
	308mm	308mm	156mm	184mm	260mm	260mm	273mm	273mm	PLA122	280mm	338mm	310mm	310mm	348mm	348mm	
AM1426RH	14.14	12.26	6.13	7.21	12.25	10.25	12.75	10.88	PL142	11.03	15.19	12.45	14.32	15.73	13.85	
	359mm	312mm	156mm	183mm	311mm	260mm	324mm	276mm	PLA142	280mm	386mm	316mm	364mm	399mm	352mm	
AM1648RH	16.27	14.40	8.13	9.21	14.25	12.25	14.75	12.88	P164	13.01	17.19	13.86	15.73	17.87	15.99	
	413mm	366mm	207mm	234mm	362mm	311mm	375mm	327mm	PA164	330mm	437mm	352mm	400mm	454mm	406mm	
AM1868RH	18.40	16.40	8.13	9.22	16.25	14.25	16.88	14.88	P186	14.97	19.28	15.86	17.86	20.00	18.00	
	467mm	417mm	207mm	234mm	413mm	362mm	429mm	378mm	PA186	380mm	490mm	403mm	454mm	508mm	457mm	
AM2068RH	20.00	16.00	8.13	9.21	17.81	13.81	18.44	14.44	P206	14.54	20.84	15.43	19.43	21.59	17.59	
	508mm	406mm	207mm	234mm	452mm	351mm	468mm	367mm	PA206	369mm	529mm	392mm	494mm	548mm	447mm	

All dimensions are in inches unless otherwise noted

Data subject to change without notice

Enclosure base part numbers come standard with 4 separately bagged feet (ex. AM664RH)

Additional back panels found on page 128

★Coming Q4 – 2016



JIC Size Junction Boxes: Hinged Screw Cover

• Window



PRODUCT INFORMATION

Application

- Designed to insulate and protect controls and components in both indoor and outdoor applications often found in oil refineries, waste water treatment equipment, chemical plants, and many other applications
- Especially well suited for high temperature or corrosive environments
- Protects from dirt, dust, oil, and water
- For use with industrial control equipment
- Window unit provides viewing area for instrumentation or equipment

Standards

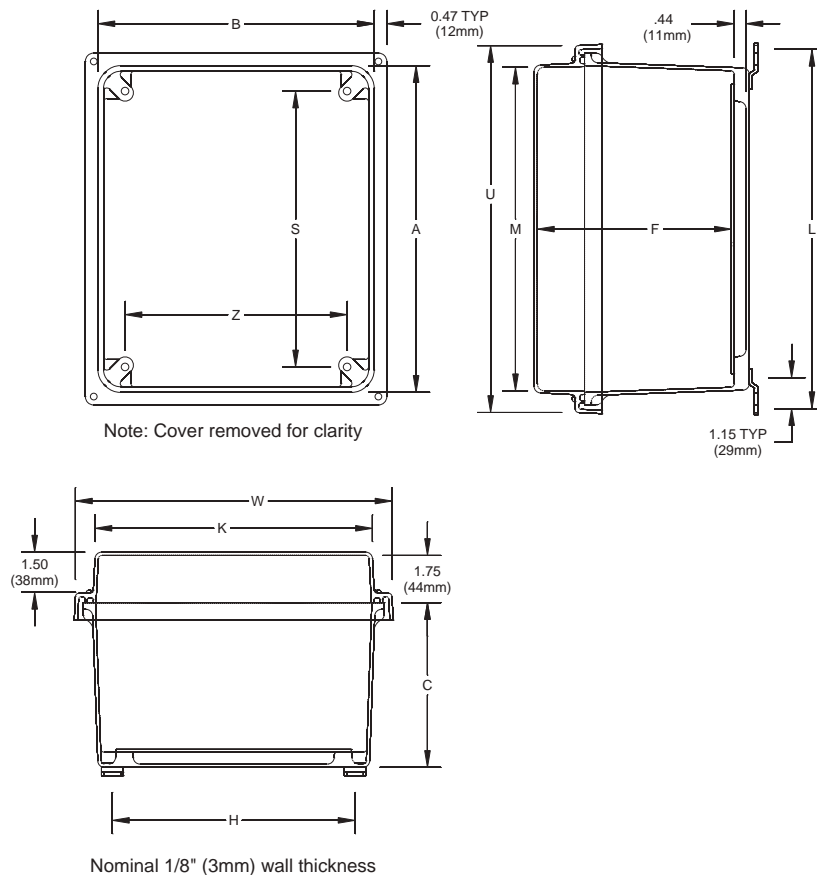
- UL 50 and UL 50E Types 1, 2, 3, 3R, 4, 4X, 12 and 13
- CSA C22.2 No. 94 Types 1, 2, 3, 3R, 4, 4X, 12 and 13
- Complies with:
 - NEMA Types 1, 2, 3, 3R, 4, 4X, 12 and 13
 - IEC 60529 Type IP66
 - RoHS directive

Construction

- Strong, molded ULTRAGUARD® fiberglass reinforced polyester material construction with matching raised cover
- 316 stainless steel captive cover screws
- Continuous 316 stainless steel hinge
- Formed-In-Place (FIP) polyurethane gasket system encased in continuous channel
- 316 stainless steel wall mounting feet with 10-32 stainless steel screws included
- UV resistant polycarbonate viewing window
- #10-32 threaded brass inserts for optional back panel installation
- JIC sizes
- ULTRAGUARD® fiberglass material is easily punched, drilled, or sawed
- UV stabilized for outdoor use

Accessories & Modifications

- Optional back panels and hinged front panels
- Custom holes and cutouts
- Hinge installed on short side
- Molded-in color matching
- EMI/RFI shielding
- Factory-supplied silk screening



Part No.	Box Size			Usable Depth	Panel Boss Centers		Panel Sizes			Foot Mount Centers		Cover Size				Window Dimension (Height x Width)
	A	B	C		F	S	Z	Ht.	Wid.	P/N	H	L	K	M	U	
AM664RHW	6.10	6.10	4.18	5.18	4.25	4.25	4.81	4.81	PL66 PLA66	5.01	7.32	6.08	6.08	7.69	7.69	4.25 x 4.25
	155mm	155mm	106mm	131mm	108mm	108mm	122mm	122mm		127mm	186mm	154mm	154mm	195mm	195mm	108mm x 108mm
AM864RHW	8.00	6.13	4.14	5.10	6.25	4.25	6.75	4.88	PL86 PLA86	5.02	9.20	6.11	7.98	9.59	7.71	6.25 x 4.25
	203mm	156mm	105mm	130mm	159mm	108mm	171mm	124mm		127mm	234mm	155mm	203mm	244mm	196mm	159mm x 108mm
AM1084RHW	10.14	8.26	4.13	5.10	8.25	6.25	8.75	6.88	PL108 PLA108	7.01	11.19	8.44	10.32	11.73	9.90	8.38 x 6.50
	258mm	210mm	105mm	130mm	210mm	159mm	222mm	175mm		178mm	284mm	214mm	262mm	299mm	251mm	213mm x 165mm
AM1086RHW	10.14	8.26	6.13	7.12	8.25	6.25	8.75	6.88	PL108 PLA108	7.01	11.19	8.44	10.32	11.73	9.85	8.38 x 6.50
	258mm	210mm	156mm	181mm	210mm	159mm	222mm	175mm		178mm	284mm	214mm	262mm	298mm	250mm	213mm x 165mm
AM1206RHW	12.14	10.26	6.13	7.10	10.25	8.25	10.75	8.88	PL120 PLA120	9.01	13.19	10.45	12.32	13.73	11.85	10.38 x 8.50
	308mm	261mm	156mm	180mm	260mm	210mm	273mm	225mm		229mm	335mm	265mm	313mm	349mm	301mm	264mm x 216mm
★ AM1224RHW	12.14	12.14	4.13	5.15	10.25	10.25	10.75	10.75	PL122 PLA122	11.01	13.32	12.19	12.19	13.72	13.72	10.38 x 10.38
	308mm	308mm	105mm	131mm	260mm	260mm	273mm	273mm		280mm	338mm	310mm	310mm	348mm	348mm	264mm x 264mm
★ AM1226RHW	12.14	12.14	6.13	7.15	10.25	10.25	10.75	10.75	PL122 PLA122	11.01	13.32	12.19	12.19	13.72	13.72	10.38 x 10.38
	308mm	308mm	156mm	182mm	260mm	260mm	273mm	273mm		280mm	338mm	310mm	310mm	348mm	348mm	264mm x 264mm
AM1426RHW	14.14	12.26	6.13	7.10	12.25	10.25	12.75	10.88	PL142 PLA142	11.03	15.19	12.45	14.32	15.73	13.85	12.38 x 10.50
	359mm	312mm	156mm	180mm	311mm	260mm	324mm	276mm		280mm	386mm	316mm	364mm	399mm	352mm	314mm x 267mm
AM1648RHW	16.27	14.40	8.13	9.10	14.25	12.25	14.75	12.88	P164 PA164	13.01	17.19	13.86	15.73	17.87	15.99	13.00 x 11.00
	413mm	366mm	207mm	231mm	362mm	311mm	375mm	327mm		330mm	437mm	352mm	400mm	454mm	406mm	330mm x 279mm
AM1868RHW	18.40	16.40	8.13	9.11	16.25	14.25	16.88	14.88	P186 PA186	14.97	19.28	15.86	17.86	20.00	18.00	14.00 x 12.00
	467mm	417mm	207mm	231mm	413mm	362mm	429mm	378mm		380mm	490mm	403mm	454mm	508mm	457mm	356mm x 305mm
AM2068RHW	20.00	16.00	8.13	9.10	17.81	13.81	18.44	14.44	P206 PA206	14.54	20.84	15.43	19.43	21.59	17.59	15.00 x 11.00
	508mm	406mm	207mm	231mm	452mm	351mm	468mm	367mm		369mm	529mm	392mm	494mm	548mm	447mm	381mm x 279mm

All dimensions are in inches unless otherwise noted

Data subject to change without notice

Enclosure base part numbers come standard with 4 separately bagged feet (ex. AM664RHW)

Additional back panels found on page 128

★Coming Q4 - 2016



JIC Size Junction Boxes: Snap Latch Hinged Cover

- **Solid/Opaque**



PRODUCT INFORMATION

Application

- Designed to insulate and protect controls and components in both indoor and outdoor applications often found in oil refineries, waste water treatment equipment, chemical plants, and many other applications
- Especially well suited for high temperature or corrosive environments
- Protects from dirt, dust, oil, and water
- For use with industrial control equipment

Standards

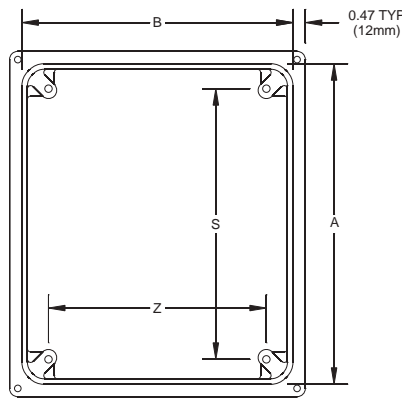
- UL 50 and UL 50E Types 1, 2, 3, 3R, 4, 4X, 12 and 13
- CSA C22.2 No. 94 Types 1, 2, 3, 3R, 4, 4X, 12 and 13
- Complies with:
 - NEMA Types 1, 2, 3, 3R, 4, 4X, 12 and 13
 - IEC 60529 Type IP66
 - RoHS directive

Construction

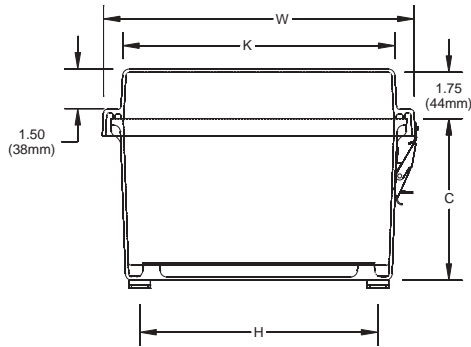
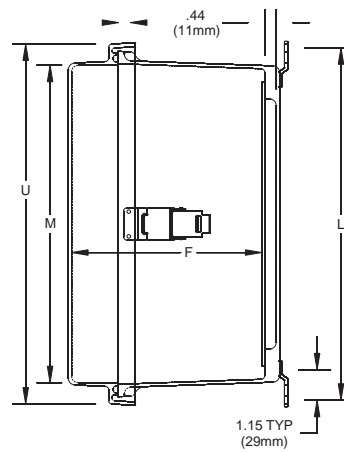
- Strong, molded ULTRAGUARD® fiberglass reinforced polyester material construction with matching raised cover
- 316 stainless steel snap latches feature padlock hasp
- Continuous 316 stainless steel hinge
- Formed-In-Place (FIP) polyurethane gasket system encased in continuous channel
- 316 stainless steel wall mounting feet with 10-32 stainless steel screws included
- #10-32 threaded brass inserts for optional back panel installation
- JIC sizes
- ULTRAGUARD® fiberglass material is easily punched, drilled, or sawed
- UV stabilized for outdoor use

Accessories & Modifications

- Optional back panels and hinged front panels
- Custom holes and cutouts
- Custom size polycarbonate viewing windows
- Hinge installed on short side
- Molded-in color matching
- EMI/RFI shielding
- Factory-supplied silk screening



Note: Cover removed for clarity



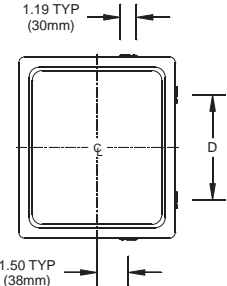
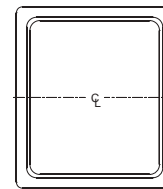
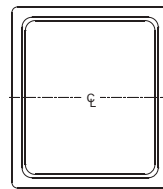
Nominal 1/8" (3mm) wall thickness

LATCH LOCATIONS

For use on
6x6x4
8x6x4
10x8x4.6

For use on
12x10x6 D=8.00 (203mm)
12x12x4.6 D=8.00 (203mm)
14x12x6 D=8.50 (216mm)
16x14x8 D=8.61 (219mm)

For use on
18x16x8 D=6.50 (165mm)
20x16x8 D=10.52 (267mm)



Part No.	Box Size			Usable Depth F	Panel Boss Centers		Panel Sizes			Foot Mount Centers		Cover Size			
	A	B	C		S	Z	Ht.	Wid.	P/N	H	L	K	M	U	W
AM664RL	6.10	6.10	4.18	5.29	4.25	4.25	4.81	4.81	PL66 PLA66	5.01	7.32	6.08	6.08	7.69	7.69
	155mm	155mm	106mm	134mm	108mm	108mm	122mm	122mm		127mm	186mm	154mm	154mm	195mm	195mm
AM864RL	8.00	6.13	4.14	5.21	6.25	4.25	6.75	4.88	PL86 PLA86	5.02	9.20	6.11	7.98	9.59	7.71
	203mm	156mm	105mm	132mm	159mm	108mm	171mm	124mm		127mm	234mm	155mm	203mm	244mm	196mm
AM1084RL	10.14	8.26	4.13	5.21	8.25	6.25	8.75	6.88	PL108 PLA108	7.01	11.19	8.44	10.32	11.73	9.90
	258mm	210mm	105mm	132mm	210mm	159mm	222mm	175mm		178mm	284mm	214mm	262mm	299mm	251mm
AM1086RL	10.14	8.26	6.13	7.21	8.25	6.25	8.75	6.88	PL108 PLA108	7.01	11.19	8.44	10.32	11.73	9.85
	258mm	210mm	156mm	183mm	210mm	159mm	222mm	175mm		178mm	284mm	214mm	262mm	298mm	250mm
AM1206RL	12.14	10.26	6.13	7.21	10.25	8.25	10.75	8.88	PL120 PLA120	9.01	13.19	10.45	12.32	13.73	11.85
	308mm	261mm	156mm	183mm	260mm	210mm	273mm	225mm		229mm	335mm	265mm	313mm	349mm	301mm
★ AM1224RL	12.14	12.14	4.13	5.26	10.25	10.25	10.75	10.75	PL122 PLA122	11.01	13.32	12.19	12.19	13.72	13.72
	308mm	308mm	105mm	134mm	260mm	260mm	273mm	273mm		280mm	338mm	310mm	310mm	348mm	348mm
★ AM1226RL	12.14	12.14	6.13	7.26	10.25	10.25	10.75	10.75	PL122 PLA122	11.01	13.32	12.19	12.19	13.72	13.72
	308mm	308mm	156mm	184mm	260mm	260mm	273mm	273mm		280mm	338mm	310mm	310mm	348mm	348mm
AM1426RL	14.14	12.26	6.13	7.21	12.25	10.25	12.75	10.88	PL142 PLA142	11.03	15.19	12.45	14.32	15.73	13.85
	359mm	312mm	156mm	183mm	311mm	260mm	324mm	276mm		280mm	386mm	316mm	364mm	399mm	352mm
AM1648RL	16.27	14.40	8.13	9.21	14.25	12.25	14.75	12.88	P164 PA164	13.01	17.19	13.86	15.73	17.87	15.99
	413mm	366mm	207mm	234mm	362mm	311mm	375mm	327mm		330mm	437mm	352mm	400mm	454mm	406mm
AM1868RL	18.40	16.40	8.13	9.22	16.25	14.25	16.88	14.88	P186 PA186	14.97	19.28	15.86	17.86	20.00	18.00
	467mm	417mm	207mm	234mm	413mm	362mm	429mm	378mm		380mm	490mm	403mm	454mm	508mm	457mm
AM2068RL	20.00	16.00	8.13	9.21	17.81	13.81	18.44	14.44	P206 PA206	14.54	20.84	15.43	19.43	21.59	17.59
	508mm	406mm	207mm	234mm	452mm	351mm	468mm	367mm		369mm	529mm	392mm	494mm	548mm	447mm

All dimensions are in inches unless otherwise noted

Data subject to change without notice

Enclosure base part numbers come standard with 4 separately bagged feet (ex. AM664RL)

Additional back panels found on page 128

★ Coming Q4 – 2016



JIC Size Junction Boxes: Snap Latch Hinged Cover

• Window



PRODUCT INFORMATION

Application

- Designed to insulate and protect controls and components in both indoor and outdoor applications often found in oil refineries, waste water treatment equipment, chemical plants, and many other applications
- Especially well suited for high temperature or corrosive environments
- Protects from dirt, dust, oil, and water
- For use with industrial control equipment
- Window unit provides viewing area for instrumentation or equipment

Standards

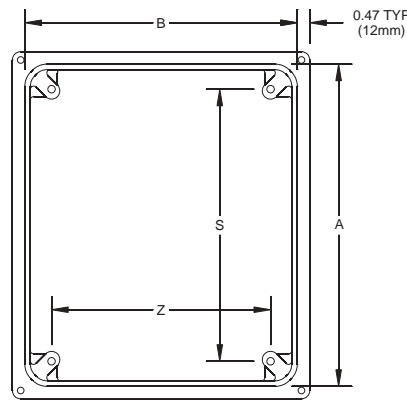
- UL 50 and UL 50E Types 1, 2, 3, 3R, 4, 4X, 12 and 13
- CSA C22.2 No. 94 Types 1, 2, 3, 3R, 4, 4X, 12 and 13
- Complies with:
 - NEMA Types 1, 2, 3, 3R, 4, 4X, 12 and 13
 - IEC 60529 Type IP66
 - RoHS directive

Construction

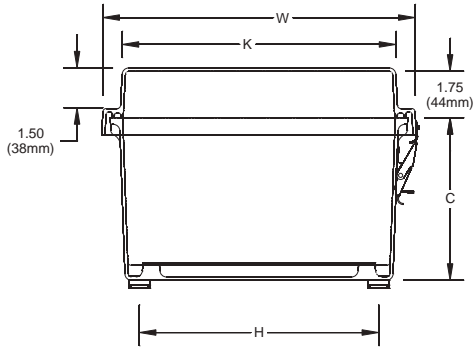
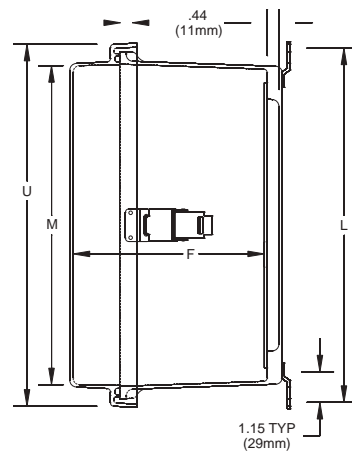
- Strong, molded ULTRAGUARD® fiberglass reinforced polyester material construction with matching raised cover
- 316 stainless steel snap latches feature padlock hasp
- Continuous 316 stainless steel hinge
- Formed-In-Place (FIP) polyurethane gasket system encased in continuous channel
- 316 stainless steel wall mounting feet with 10-32 stainless steel screws included
- UV resistant polycarbonate viewing window
- #10-32 threaded brass inserts for optional back panel installation
- JIC sizes
- ULTRAGUARD® fiberglass material is easily punched, drilled, or sawed
- UV stabilized for outdoor use

Accessories & Modifications

- Optional back panels and hinged front panels
- Custom holes and cutouts
- Hinge installed on short side
- Molded-in color matching
- EMI/RFI shielding
- Factory-supplied silk screening

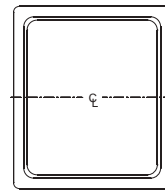


Note: Cover removed for clarity



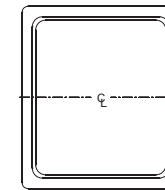
Nominal 1/8" (3mm) wall thickness

For use on
6x6x4
8x6x4
10x8x4,6



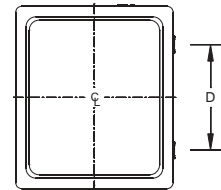
LATCH LOCATIONS

For use on
12x10x6 D=8.00 (203mm)
12x12x4,6 D=8.00 (203mm)
14x12x6 D=8.50 (216mm)
16x14x8 D=8.61 (219mm)



For use on
18x16x8 D=6.50 (165mm)
20x16x8 D=10.52 (267mm)

1.19 TYP (30mm)



1.50 TYP (38mm)

Part No.	Box Size			Usable Depth	Panel Boss Centers		Panel Sizes		Foot Mount Centers	Cover Size				Window Dimension (Height x Width)		
	A	B	C		F	S	Z	Ht.		Wid.	P/N	H	L		K	M
AM664RLW	6.10	6.10	4.18	5.18	4.25	4.25	4.81	4.81	PL66 PLA66	5.01	7.32	6.08	6.08	7.69	7.69	4.25 x 4.25
	155mm	155mm	106mm	131mm	108mm	108mm	122mm	122mm		127mm	186mm	154mm	154mm	195mm	195mm	108mm x 108mm
AM864RLW	8.00	6.13	4.14	5.10	6.25	4.25	6.75	4.88	PL86 PLA86	5.02	9.20	6.11	7.98	9.59	7.71	6.25 x 4.25
	203mm	156mm	105mm	130mm	159mm	108mm	171mm	124mm		127mm	234mm	155mm	203mm	244mm	196mm	159mm x 108mm
AM1084RLW	10.14	8.26	4.13	5.10	8.25	6.25	8.75	6.88	PL108 PLA108	7.01	11.19	8.44	10.32	11.73	9.90	8.38 x 6.50
	258mm	210mm	105mm	130mm	210mm	159mm	222mm	175mm		178mm	284mm	214mm	262mm	299mm	251mm	213mm x 165mm
AM1086RLW	10.14	8.26	6.13	7.12	8.25	6.25	8.75	6.88	PL108 PLA108	7.01	11.19	8.44	10.32	11.73	9.85	8.38 x 6.50
	258mm	210mm	156mm	181mm	210mm	159mm	222mm	175mm		178mm	284mm	214mm	262mm	298mm	250mm	213mm x 165mm
AM1206RLW	12.14	10.26	6.13	7.10	10.25	8.25	10.75	8.88	PL120 PLA120	9.01	13.19	10.45	12.32	13.73	11.85	10.38 x 8.50
	308mm	261mm	156mm	180mm	260mm	210mm	273mm	225mm		229mm	335mm	265mm	313mm	349mm	301mm	264mm x 216mm
★ AM1224RLW	12.14	12.14	4.13	5.15	10.25	10.25	10.75	10.75	PL122 PLA122	11.01	13.32	12.19	12.19	13.72	13.72	10.38 x 10.38
	308mm	308mm	105mm	131mm	260mm	260mm	273mm	273mm		280mm	338mm	310mm	310mm	348mm	348mm	264mm x 264mm
★ AM1226RLW	12.14	12.14	6.13	7.15	10.25	10.25	10.75	10.75	PL122 PLA122	11.01	13.32	12.19	12.19	13.72	13.72	10.38 x 10.38
	308mm	308mm	156mm	182mm	260mm	260mm	273mm	273mm		280mm	338mm	310mm	310mm	348mm	348mm	264mm x 264mm
AM1426RLW	14.14	12.26	6.13	7.10	12.25	10.25	12.75	10.88	PL142 PLA142	11.03	15.19	12.45	14.32	15.73	13.85	12.38 x 10.50
	359mm	312mm	156mm	180mm	311mm	260mm	324mm	276mm		280mm	386mm	316mm	364mm	399mm	352mm	314mm x 267mm
AM1648RLW	16.27	14.40	8.13	9.10	14.25	12.25	14.75	12.88	P164 PA164	13.01	17.19	13.86	15.73	17.87	15.99	13.00 x 11.00
	413mm	366mm	207mm	231mm	362mm	311mm	375mm	327mm		330mm	437mm	352mm	400mm	454mm	406mm	330mm x 279mm
AM1868RLW	18.40	16.40	8.13	9.11	16.25	14.25	16.88	14.88	P186 PA186	14.97	19.28	15.86	17.86	20.00	18.00	14.00 x 12.00
	467mm	417mm	207mm	231mm	413mm	362mm	429mm	378mm		380mm	490mm	403mm	454mm	508mm	457mm	356mm x 305mm
AM2068RLW	20.00	16.00	8.13	9.10	17.81	13.81	18.44	14.44	P206 PA206	14.54	20.84	15.43	19.43	21.59	17.59	15.00 x 11.00
	508mm	406mm	207mm	231mm	452mm	351mm	468mm	367mm		369mm	529mm	392mm	494mm	548mm	447mm	381mm x 279mm

All dimensions are in inches unless otherwise noted

Data subject to change without notice

Enclosure base part numbers come standard with 4 separately bagged feet (ex. AM664RLW)

Additional back panels found on page 128

★Coming Q4 - 2016



JIC Size Junction Boxes: Twist Latch Hinged Cover

- **Solid/Opaque**



PRODUCT INFORMATION

Application

- Designed to insulate and protect controls and components in both indoor and outdoor applications often found in oil refineries, waste water treatment equipment, chemical plants, and many other applications
- Especially well suited for high temperature or corrosive environments
- Protects from dirt, dust, oil, and water
- For use with industrial control equipment

Standards

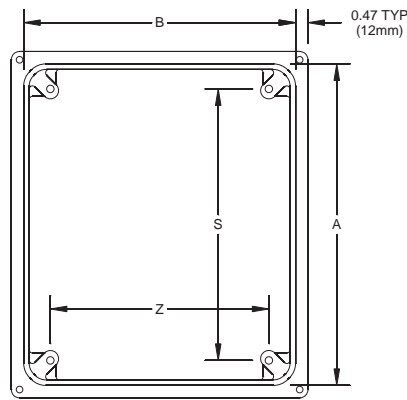
- UL 50 and UL 50E Types 1, 2, 3, 3R, 4, 4X, 12 and 13
- CSA C22.2 No. 94 Types 1, 2, 3, 3R, 4, 4X, 12 and 13
- Complies with:
 - NEMA Types 1, 2, 3, 3R, 4, 4X, 12 and 13
 - IEC 60529 Type IP66
 - RoHS directive

Construction

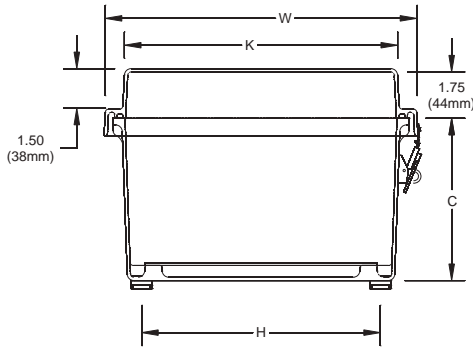
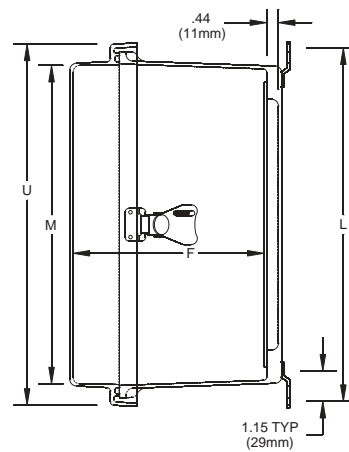
- Strong, molded ULTRAGUARD® fiberglass reinforced polyester material construction with matching raised cover
- 316 stainless steel twist latches feature padlock hasp
- Continuous 316 stainless steel hinge
- Formed-In-Place (FIP) polyurethane gasket system encased in continuous channel
- 316 stainless steel wall mounting feet with 10-32 stainless steel screws included
- #10-32 threaded brass inserts for optional back panel installation
- JIC sizes
- ULTRAGUARD® fiberglass material is easily punched, drilled, or sawed
- UV stabilized for outdoor use

Accessories & Modifications

- Optional back panels and hinged front panels
- Custom holes and cutouts
- Custom size polycarbonate viewing windows
- Hinge installed on short side
- Molded-in color matching
- EMI/RFI shielding
- Factory-supplied silk screening

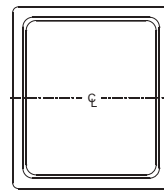


Note: Cover removed for clarity



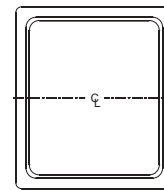
Nominal 1/8" (3mm) wall thickness

For use on
6x6x4
8x6x4
10x8x4,6



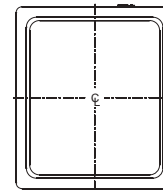
LATCH LOCATIONS

For use on
12x10x6 D=8.00 (203mm)
12x12x4,6 D=8.00 (203mm)
14x12x6 D=8.54 (217mm)
16x14x8 D=8.54 (217mm)



For use on
18x16x8 D=6.50 (165mm)
20x16x8 D=10.52 (267mm)

1.50 TYP (38mm)



Part No.	Box Size			Usable Depth F	Panel Boss Centers		Panel Sizes			Foot Mount Centers		Cover Size			
	A	B	C		S	Z	Ht.	Wid.	P/N	H	L	K	M	U	W
AM664RT	6.10	6.10	4.18	5.29	4.25	4.25	4.81	4.81	PL66 PLA66	5.01	7.32	6.08	6.08	7.69	7.69
	155mm	155mm	106mm	134mm	108mm	108mm	122mm	122mm		127mm	186mm	154mm	154mm	195mm	195mm
AM864RT	8.00	6.13	4.14	5.21	6.25	4.25	6.75	4.88	PL86 PLA86	5.02	9.20	6.11	7.98	9.59	7.71
	203mm	156mm	105mm	132mm	159mm	108mm	171mm	124mm		127mm	234mm	155mm	203mm	244mm	196mm
AM1084RT	10.14	8.26	4.13	5.21	8.25	6.25	8.75	6.88	PL108 PLA108	7.01	11.19	8.44	10.32	11.73	9.90
	258mm	210mm	105mm	132mm	210mm	159mm	222mm	175mm		178mm	284mm	214mm	262mm	299mm	251mm
AM1086RT	10.14	8.26	6.13	7.21	8.25	6.25	8.75	6.88	PL108 PLA108	7.01	11.19	8.44	10.32	11.73	9.85
	258mm	210mm	156mm	183mm	210mm	159mm	222mm	175mm		178mm	284mm	214mm	262mm	298mm	250mm
AM1206RT	12.14	10.26	6.13	7.21	10.25	8.25	10.75	8.88	PL120 PLA120	9.01	13.19	10.45	12.32	13.73	11.85
	308mm	261mm	156mm	183mm	260mm	210mm	273mm	225mm		229mm	335mm	265mm	313mm	349mm	301mm
★ AM1224RT	12.14	12.14	4.13	5.26	10.25	10.25	10.75	10.75	PL122 PLA122	11.01	13.32	12.19	12.19	13.72	13.72
	308mm	308mm	105mm	134mm	260mm	260mm	273mm	273mm		280mm	338mm	310mm	310mm	348mm	348mm
★ AM1226RT	12.14	12.14	6.13	7.26	10.25	10.25	10.75	10.75	PL122 PLA122	11.01	13.32	12.19	12.19	13.72	13.72
	308mm	308mm	156mm	184mm	260mm	260mm	273mm	273mm		280mm	338mm	310mm	310mm	348mm	348mm
AM1426RT	14.14	12.26	6.13	7.21	12.25	10.25	12.75	10.88	PL142 PLA142	11.03	15.19	12.45	14.32	15.73	13.85
	359mm	312mm	156mm	183mm	311mm	260mm	324mm	276mm		280mm	386mm	316mm	364mm	399mm	352mm
AM1648RT	16.27	14.40	8.13	9.21	14.25	12.25	14.75	12.88	P164 PA164	13.01	17.19	13.86	15.73	17.87	15.99
	413mm	366mm	207mm	234mm	362mm	311mm	375mm	327mm		330mm	437mm	352mm	400mm	454mm	406mm
AM1868RT	18.40	16.40	8.13	9.22	16.25	14.25	16.88	14.88	P186 PA186	14.97	19.28	15.86	17.86	20.00	18.00
	467mm	417mm	207mm	234mm	413mm	362mm	429mm	378mm		380mm	490mm	403mm	454mm	508mm	457mm
AM2068RT	20.00	16.00	8.13	9.21	17.81	13.81	18.44	14.44	P206 PA206	14.54	20.84	15.43	19.43	21.59	17.59
	508mm	406mm	207mm	234mm	452mm	351mm	468mm	367mm		369mm	529mm	392mm	494mm	548mm	447mm

All dimensions are in inches unless otherwise noted

Data subject to change without notice

Enclosure base part numbers come standard with 4 separately bagged feet (ex. AM664RT)

Additional back panels found on page 128

★Coming Q4 – 2016



JIC Size Junction Boxes: Twist Latch Hinged Cover

• Window



PRODUCT INFORMATION

Application

- Designed to insulate and protect controls and components in both indoor and outdoor applications often found in oil refineries, waste water treatment equipment, chemical plants, and many other applications
- Especially well suited for high temperature or corrosive environments
- Protects from dirt, dust, oil, and water
- For use with industrial control equipment
- Window unit provides viewing area for instrumentation or equipment

Standards

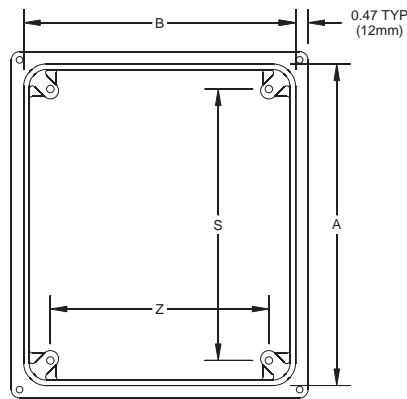
- UL 50 and UL 50E Types 1, 2, 3, 3R, 4, 4X, 12 and 13
- CSA C22.2 No. 94 Types 1, 2, 3, 3R, 4, 4X, 12 and 13
- Complies with:
 - NEMA Types 1, 2, 3, 3R, 4, 4X, 12 and 13
 - IEC 60529 Type IP66
 - RoHS directive

Construction

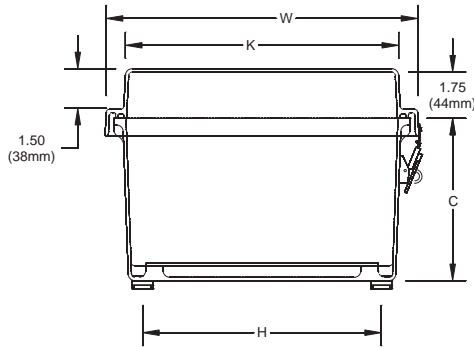
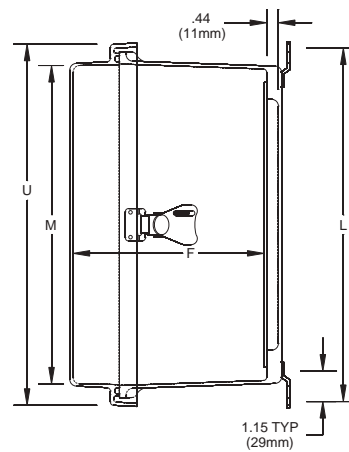
- Strong, molded ULTRAGUARD® fiberglass reinforced polyester material construction with matching raised cover
- 316 stainless steel twist latches feature padlock hasp
- Continuous 316 stainless steel hinge
- Formed-In-Place (FIP) polyurethane gasket system encased in continuous channel
- 316 stainless steel wall mounting feet with 10-32 stainless steel screws included
- UV resistant polycarbonate viewing window
- #10-32 threaded brass inserts for optional back panel installation
- JIC sizes
- ULTRAGUARD® fiberglass material is easily punched, drilled, or sawed
- UV stabilized for outdoor use

Accessories & Modifications

- Optional back panels and hinged front panels
- Custom holes and cutouts
- Hinge installed on short side
- Molded-in color matching
- EMI/RFI shielding
- Factory-supplied silk screening



Note: Cover removed for clarity



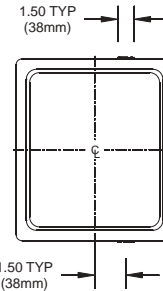
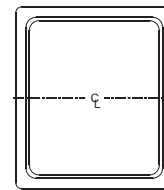
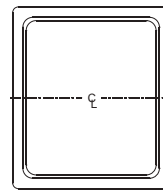
Nominal 1/8" (3mm) wall thickness

LATCH LOCATIONS

For use on
6x6x4
8x6x4
10x8x4,6

For use on
12x10x6 D=8.00 (203mm)
12x12x4,6 D=8.00 (203mm)
14x12x6 D=8.54 (217mm)
16x14x8 D=8.54 (217mm)

For use on
18x16x8 D=6.50 (165mm)
20x16x8 D=10.52 (267mm)



Part No.	Box Size			Usable Depth	Panel Boss Centers		Panel Sizes		Foot Mount Centers		Cover Size				Window Dimension (Height x Width)	
	A	B	C		F	S	Z	Ht.	Wid.	P/N	H	L	K	M		U
AM664RTW	6.10	6.10	4.18	5.18	4.25	4.25	4.81	4.81	PL66 PLA66	5.01	7.32	6.08	6.08	7.69	7.69	4.25 x 4.25
	155mm	155mm	106mm	131mm	108mm	108mm	122mm	122mm		127mm	186mm	154mm	154mm	195mm	195mm	108mm x 108mm
AM864RTW	8.00	6.13	4.14	5.10	6.25	4.25	6.75	4.88	PL86 PLA86	5.02	9.20	6.11	7.98	9.59	7.71	6.25 x 4.25
	203mm	156mm	105mm	130mm	159mm	108mm	171mm	124mm		127mm	234mm	155mm	203mm	244mm	196mm	159mm x 108mm
AM1084RTW	10.14	8.26	4.13	5.10	8.25	6.25	8.75	6.88	PL108 PLA108	7.01	11.19	8.44	10.32	11.73	9.90	8.38 x 6.50
	258mm	210mm	105mm	130mm	210mm	159mm	222mm	175mm		178mm	284mm	214mm	262mm	299mm	251mm	213mm x 165mm
AM1086RTW	10.14	8.26	6.13	7.12	8.25	6.25	8.75	6.88	PL108 PLA108	7.01	11.19	8.44	10.32	11.73	9.85	8.38 x 6.50
	258mm	210mm	156mm	181mm	210mm	159mm	222mm	175mm		178mm	284mm	214mm	262mm	298mm	250mm	213mm x 165mm
AM1206RTW	12.14	10.26	6.13	7.10	10.25	8.25	10.75	8.88	PL120 PLA120	9.01	13.19	10.45	12.32	13.73	11.85	10.38 x 8.50
	308mm	261mm	156mm	180mm	260mm	210mm	273mm	225mm		229mm	335mm	265mm	313mm	349mm	301mm	264mm x 216mm
★ AM1224RTW	12.14	12.14	4.13	5.15	10.25	10.25	10.75	10.75	PL122 PLA122	11.01	13.32	12.19	12.19	13.72	13.72	10.38 x 10.38
	308mm	308mm	105mm	131mm	260mm	260mm	273mm	273mm		280mm	338mm	310mm	310mm	348mm	348mm	264mm x 264mm
★ AM1226RTW	12.14	12.14	6.13	7.15	10.25	10.25	10.75	10.75	PL122 PLA122	11.01	13.32	12.19	12.19	13.72	13.72	10.38 x 10.38
	308mm	308mm	156mm	182mm	260mm	260mm	273mm	273mm		280mm	338mm	310mm	310mm	348mm	348mm	264mm x 264mm
AM1426RTW	14.14	12.26	6.13	7.10	12.25	10.25	12.75	10.88	PL142 PLA142	11.03	15.19	12.45	14.32	15.73	13.85	12.38 x 10.50
	359mm	312mm	156mm	180mm	311mm	260mm	324mm	276mm		280mm	386mm	316mm	364mm	399mm	352mm	314mm x 267mm
AM1648RTW	16.27	14.40	8.13	9.10	14.25	12.25	14.75	12.88	P164 PA164	13.01	17.19	13.86	15.73	17.87	15.99	13.00 x 11.00
	413mm	366mm	207mm	231mm	362mm	311mm	375mm	327mm		330mm	437mm	352mm	400mm	454mm	406mm	330mm x 279mm
AM1868RTW	18.40	16.40	8.13	9.11	16.25	14.25	16.88	14.88	P186 PA186	14.97	19.28	15.86	17.86	20.00	18.00	14.00 x 12.00
	467mm	417mm	207mm	231mm	413mm	362mm	429mm	378mm		380mm	490mm	403mm	454mm	508mm	457mm	356mm x 305mm
AM2068RTW	20.00	16.00	8.13	9.10	17.81	13.81	18.44	14.44	P206 PA206	14.54	20.84	15.43	19.43	21.59	17.59	15.00 x 11.00
	508mm	406mm	207mm	231mm	452mm	351mm	468mm	367mm		369mm	529mm	392mm	494mm	548mm	447mm	381mm x 279mm

All dimensions are in inches unless otherwise noted

Data subject to change without notice

Enclosure base part numbers come standard with 4 separately bagged feet (ex. AM664RTW)

Additional back panels found on page 128

★Coming Q4 – 2016



Heavy Duty Solar Battery Box: Snap Latch Hinged Cover

- *Solid/Opaque*



PRODUCT INFORMATION

Application

- Designed to insulate and house solar storage batteries for various telemetry applications in outdoor locations
- Especially well suited for high temperature or corrosive environments
- Protects from dirt, dust, oil, and water

Standards

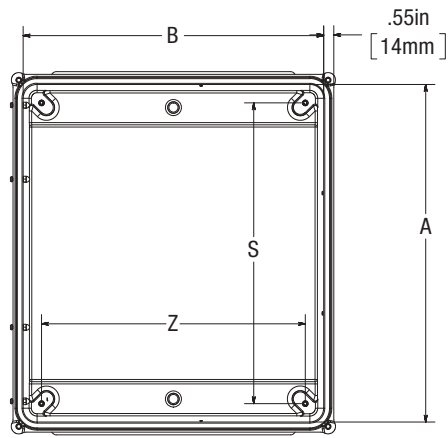
- UL50 and UL 50E Types 1, 2, 3, 3R, 4, 4X, 12 and 13
- CSA C22.2 No. 94 Types 1, 2, 3, 3R, 4, 4X, 12 and 13
- Complies with:
 - Nema Types 1, 2, 3, 3R, 4, 4X, 12 and 13
 - IEC 60529 Type IP66
 - RoHS directive

Construction

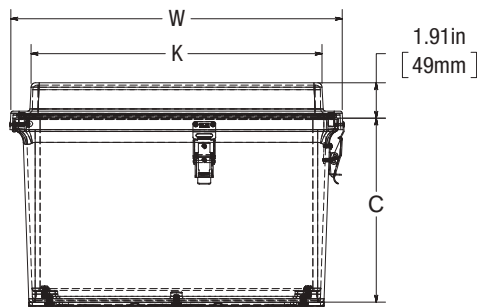
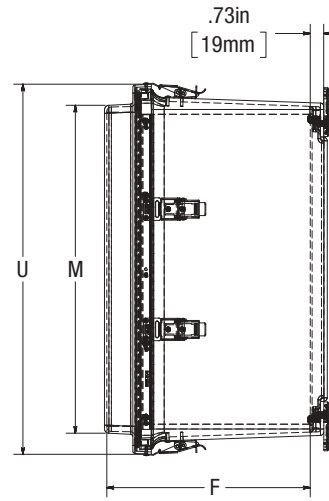
- Strong, molded ULTRAGUARD® fiberglass reinforced polyester material construction with matching raised cover
- 316 stainless steel snap latches feature padlock hasp
- Continuous 316 stainless steel hinge
- Formed-In-Place (FIP) polyurethane gasket system encased in continuous channel
- Polycarbonate flanges installed with (4) 316 series stainless steel screws
- #10-32 threaded brass inserts are installed for optional back panel
- ULTRAGUARD® fiberglass material is easily punched, drilled, or sawed
- UV stabilized for outdoor use

Accessories & Modifications

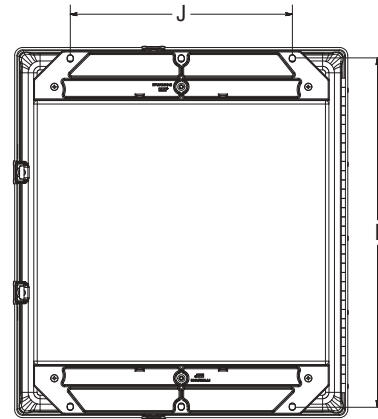
- Optional back panels
- Pole mount kits available
- Custom holes and cutouts
- Custom size polycarbonate viewing windows
- Molded-in color matching
- EMI/RFI shielding
- Factory-supplied silk screening



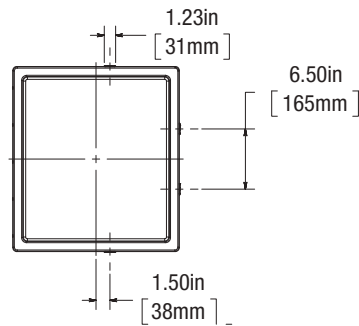
NOTE: REMOVED COVER FOR CLARITY



Nominal .200" (5mm) wall thickness



LATCH LOCATIONS



Part No.	Box Size			Usable Depth	Panel Boss Centers		Panel Sizes			Flange Mount Centers		Cover Size			
	A	B	C		F	S	Z	Ht.	Wid.	P/N	J	I	K	M	U
AMHD1860RLF	18.24	16.24	10.13	11.01	16.25	14.25	16.88	14.88	P186 PA186	12.00	18.88, 18.76	15.22	17.72	19.91	17.91
	463mm	412mm	257mm	280mm	413mm	362mm	429mm	378mm		305mm	480mm, 477mm	387mm	450mm	506mm	455mm

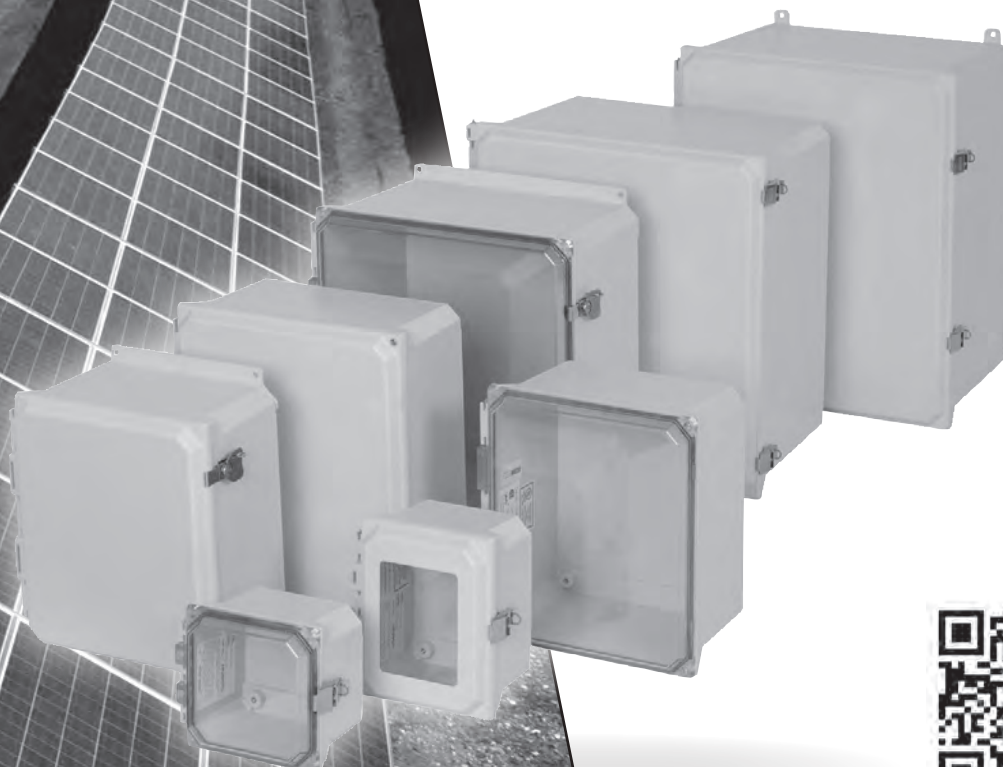
All dimensions are in inches unless otherwise noted
Additional back panels found on page 128

Data subject to change without notice



ULTRALINE® - FRP**ULTRALINE®**

The ULTRALINE® AMU series fiberglass product family from Allied Moulded was developed primarily for OEM (Original Equipment Manufacturer) panel builder applications requiring JIC sizes. These enclosures offer features such as patented multi-mounting capabilities, field installable HFPU (hinged front panel ULTRALINE) accessories, and clear polycarbonate covers for instrumentation applications. ULTRALINE has a more modern exterior design in a flush, cover-to-base contour which many system integrators prefer for improved system aesthetics. Available sizes include 6" x 6" x 4" (152mm x 152mm x 102mm) up through 20" x 16" x 10" (508mm x 406mm x 254mm).



Scan to learn more



AMU Series Features & Benefits

- Molded ULTRAGUARD® fiberglass reinforced polyester (FRP) material construction for durability
- Cover to base design - flush, aesthetically pleasing and more modern architecture
- Patented (US Pat. No. 7,572,975) multi-mounting capability
 - Out-of-the-box polycarbonate flange design (factory installed)
 - Optional polycarbonate foot mount brackets for multi-directional mounting (vertical or horizontal positioning)
 - 316 stainless steel foot/flange mounting screws
- Solid opaque or clear polycarbonate cover options
- Partial molded hinges with 316 stainless steel secure hinge pin – no wall penetrations
- Formed-In-Place (FIP) polyurethane gasket system
- Mounting panel inserts for optional back panel
- UV stabilized for outdoor use

AMU Series Specifications

- Non-corrosive
- Non-conductive
- Standard RAL 7035 light gray color
- Temperature-resistant
- Fire-resistant
- Rated NEMA 1, 2, 3, 3R, 4, 4X, 12 and 13
- UL® listed
- CSA certified
- Compliant with RoHS directive

Accessories

- Back panels available in painted carbon steel, aluminum, fiberglass, or galvanized steel
- Optional hinged front panels
- ULTRAPLUG® hole plugs
- Pole mount kits
- HMI cover kits
- Inspection windows
- UV resistant polycarbonate viewing windows

Modifications

We are pleased to modify any of our standard products to fit your needs with:

- Custom holes and cutouts
- Custom size polycarbonate viewing windows
- Hinge installed on short side
- EMI/RFI shielding
- Factory-supplied silk screening

For complete details on factory modifications including a modification request form, see pages 142-144.

www.alliedmoulded.com

JIC Size Junction Boxes:

Lift-Off Screw Cover

- Solid/Opaque



PRODUCT INFORMATION

Application

- Designed to insulate and protect controls and components in both indoor and outdoor applications often found in oil refineries, waste water treatment equipment, chemical plants, and many other applications
- Especially well suited for high temperature or corrosive environments
- Protects from dirt, dust, oil, and water
- For use with industrial control equipment

Standards

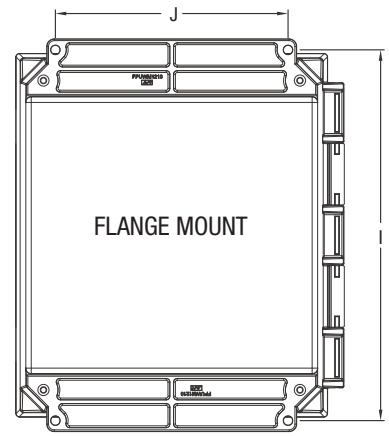
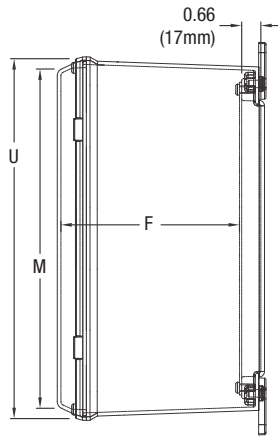
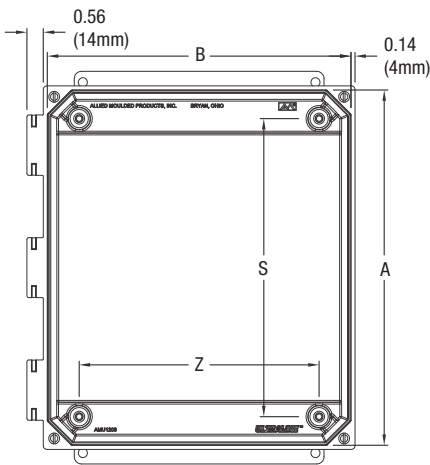
- UL 50 and UL 50E Types 1, 2, 3, 3R, 4, 4X, 6P, 12 and 13
- CSA C22.2 No. 94 Types 1, 2, 3, 3R, 4, 4X, 6P, 12 and 13
- Complies with:
 - NEMA Types 1, 2, 3, 3R, 4, 4X, 6P, 12 and 13
 - IEC 60529 Type IP68 submersible up to 24 hours at a depth of 6 feet (1.8 meters)
 - RoHS directive

Construction

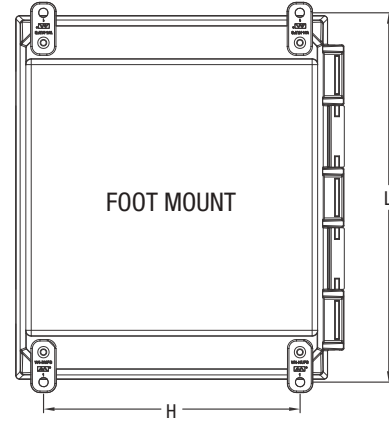
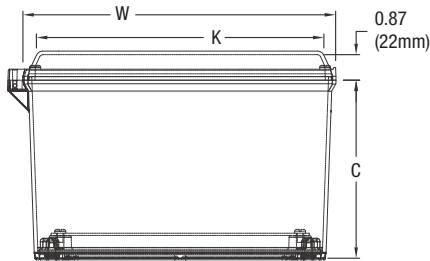
- Compression molded fiberglass reinforced polyester construction with flush, solid/ opaque cover
- Allied Moulded ULTRAGUARD® fiberglass reinforced polyester material formulation - UV stabilized for outdoor use
- Opaque cover, base, feet, flanges – Light gray color (RAL 7035)
Note: foot models mounting hardware supplied in a bag. Flanged models are pre-assembled
- 316 stainless steel captive cover screws
- Formed-In-Place (FIP) polyurethane gasket system encased in continuous channel
- 316 stainless steel foot/flange mounting hardware
- #10-32 threaded brass inserts are installed for back panel mounting

Accessories & Modifications

- Optional back panels and hinged front panels
- Custom holes and cutouts
- Custom size polycarbonate viewing windows
- Molded-in color matching
- EMI/RFI shielding
- Factory-supplied silk screening



Note: Cover Removed for Clarity



*Nom. Wall Thickness: .13 (3mm)
 16" size: .14 (4mm)
 18" & 20" sizes: .19 (5mm)

Part No.	Box Size			Usable Depth	Panel Boss Centers		Back Panel Size			Flange Mount Centers		Foot Mount Centers		Cover Size			
	A	B	C		F	S	Z	Ht.	Wid.	P/N	J	I	H	L	K	M	W
AMU664 AMU664F	6.04	6.26	4.12	4.09	4.25	4.25	4.81	4.81	PL66 PLA66	4.00	6.88, 6.75	4.91	6.75	5.89	5.67	6.72	6.50
	153mm	159mm	105mm	103mm	108mm	108mm	122mm	122mm		102mm	175, 171mm	125mm	171mm	150mm	144mm	171mm	165mm
AMU864 AMU864F	8.06	6.28	4.13	4.11	6.25	4.25	6.75	4.88	PL86 PLA86	4.00	8.88, 8.75	4.91	8.75	5.89	7.67	6.72	8.50
	205mm	160mm	105mm	104mm	159mm	108mm	171mm	124mm		102mm	222, 226mm	125mm	222mm	150mm	195mm	171mm	216mm
AMU1084 AMU1084F	10.05	8.27	4.13	4.12	8.25	6.25	8.75	6.88	PL108 PLA108	6.00	10.75	6.91	10.75	7.89	9.67	8.72	10.50
	255mm	210mm	105mm	105mm	210mm	159mm	222mm	175mm		152mm	273mm	176mm	273mm	200mm	246mm	221mm	267mm
AMU1206 AMU1206F	12.05	10.27	6.13	6.12	10.25	8.25	10.75	8.88	PL120 PLA120	8.00	12.75	8.82	12.70	9.89	11.67	10.72	12.50
	306mm	261mm	156mm	155mm	260mm	210mm	273mm	226mm		203mm	324mm	224mm	323mm	251mm	296mm	272mm	318mm
AMU1426 AMU1426F	14.05	12.27	6.13	6.11	12.25	10.25	12.75	10.88	PL142 PLA142	10.01	14.75, 14.62	10.82	14.70	11.89	13.67	12.72	14.50
	357mm	312mm	156mm	155mm	311mm	260mm	324mm	276mm		254mm	375, 371mm	275mm	373mm	302mm	347mm	323mm	368mm
AMU1648 AMU1648F	16.05	14.27	8.14	8.09	14.25	12.25	14.75	12.88	P164 PA164	12.00	16.75	11.47	16.91	13.89	15.67	14.72	16.50
	408mm	362mm	207mm	205mm	362mm	311mm	375mm	327mm		305mm	425mm	291mm	430mm	353mm	398mm	374mm	419mm
AMU1860 AMU1860F	18.12	16.34	10.13	10.10	16.26	14.25	16.88	14.88	P186 PA186	12.00	18.88, 18.76	13.72	19.16	16.14	17.92	16.97	18.75
	460mm	415mm	257mm	257mm	413mm	362mm	429mm	378mm		305mm	480, 477mm	348mm	487mm	410mm	455mm	431mm	476mm
AMU2060 AMU2060F	19.87	16.09	10.14	10.09	17.81	13.81	18.44	14.44	P206 PA206	10.00	21.28	13.16	20.53	15.89	19.67	16.72	20.50
	505mm	409mm	257mm	256mm	452mm	351mm	468mm	367mm		254mm	541mm	334mm	521mm	404mm	500mm	425mm	521mm

All dimensions are in inches unless otherwise noted

"I" dimensions with multiple numbers indicate slotted holes

All sizes 6" x 6" x 4" up through 20" x 16" x 10" are rated 6P (IP68)

Enclosure base part numbers come standard with 4 separately bagged feet (ex. AMU664)

Part numbers with "F" signify factory installed flanges (ex. AMU664F)

Additional back panels found on page 128

Data subject to change without notice



JIC Size Junction Boxes:

Lift-Off Screw Cover

- Window



PRODUCT INFORMATION

Application

- Designed to insulate and protect controls and components in both indoor and outdoor applications often found in oil refineries, waste water treatment equipment, chemical plants, and many other applications
- Especially well suited for high temperature or corrosive environments
- Protects from dirt, dust, oil, and water
- For use with industrial control equipment
- Clear/polycarbonate viewing window, used in applications where critical electronic equipment must be visible and protected from the elements

Standards

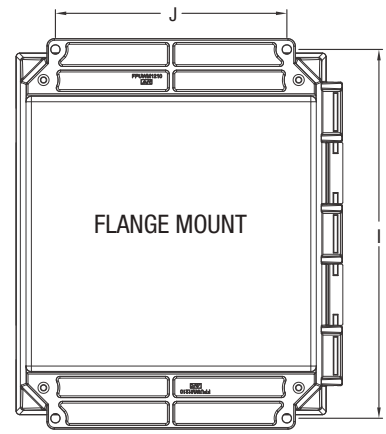
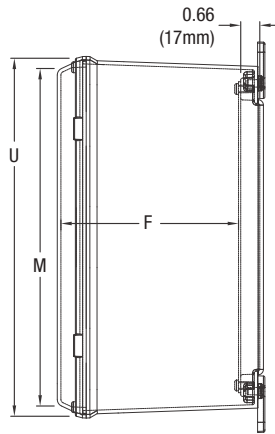
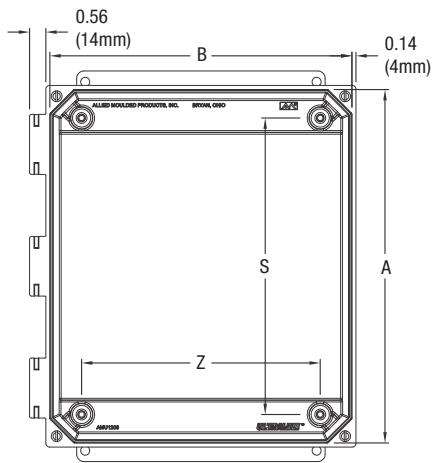
- UL 50 and UL 50E Types 1, 2, 3, 3R, 4, 4X, 12 and 13
- CSA C22.2 No. 94 Types 1, 2, 3, 3R, 4, 4X, 12 and 13
- Complies with:
 - NEMA Types 1, 2, 3, 3R, 4, 4X, 12 and 13
 - IEC 60529 Type IP66
 - RoHS directive

Construction

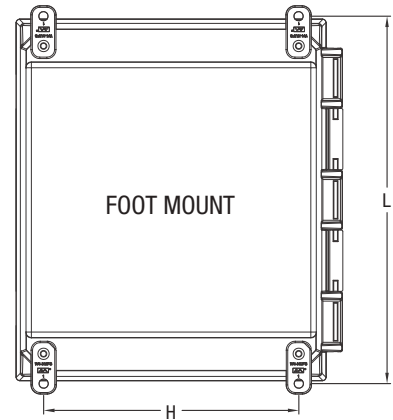
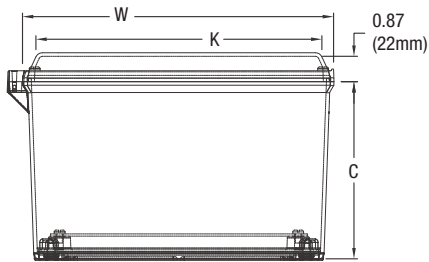
- Compression molded fiberglass reinforced polyester construction with flush, polycarbonate viewing window cover
- Allied Moulded ULTRAGUARD® fiberglass reinforced polyester material formulation - UV stabilized for outdoor use
- Opaque cover, base, feet, flanges – Light gray color (RAL 7035)
- Note: foot models mounting hardware supplied in a bag. Flanged models are pre-assembled*
- 316 stainless steel captive cover screws
- Formed-In-Place (FIP) polyurethane gasket system encased in continuous channel
- 316 stainless steel foot/flange mounting hardware
- #10-32 threaded brass inserts are installed for back panel mounting

Accessories & Modifications

- Optional back panels and hinged front panels
- Custom holes and cutouts
- Molded-in color matching
- EMI/RFI shielding
- Factory-supplied silk screening



Note: Cover Removed for Clarity



*Nom. Wall Thickness: .13 (3mm)
 16" size: .14 (4mm)
 18" & 20" sizes: .19 (5mm)

Part No.	Box Size			Usable Depth	Panel Boss Centers			Back Panel Size			Flange Mount Centers		Foot Mount Centers		Cover Size				Window Dim. (H x W)
	A	B	C		F	S	Z	Ht.	Wid.	P/N	J	I	H	L	K	M	W	U	
AMU664W	6.04	6.26	4.13	3.99	4.25	4.25	4.81	4.81	PL66 PLA66	4.00	6.88, 6.75	4.91	6.75	5.89	5.67	6.72	6.50	3.50 x 3.50	
AMU664WF	153mm	159mm	105mm	101mm	108mm	108mm	122mm	122mm		102mm	175, 171mm	125mm	171mm	150mm	144mm	171mm	165mm	89mm x 89mm	
AMU864W	8.06	6.28	4.13	4.00	6.25	4.25	6.75	4.88	PL86 PLA86	4.00	8.88, 8.75	4.91	8.75	5.89	7.67	6.72	8.50	5.25 x 4.00	
AMU864WF	205mm	160mm	105mm	102mm	159mm	108mm	171mm	124mm		102mm	222, 226mm	125mm	222mm	150mm	144mm	171mm	216mm	133mm x 102mm	
AMU1084W	10.05	8.27	4.13	4.00	8.25	6.25	8.75	6.88	PL108 PLA108	6.00	10.75	6.91	10.75	7.89	9.67	8.72	10.50	6.25 x 4.25	
AMU1084WF	255mm	210mm	105mm	102mm	210mm	159mm	222mm	175mm		152mm	273mm	176mm	273mm	200mm	246mm	221mm	267mm	159mm x 108mm	
AMU1206W	12.05	10.27	6.13	6.00	10.25	8.25	10.75	8.88	PL120 PLA120	8.00	12.75	8.82	12.70	9.89	11.67	10.72	12.50	8.38 x 6.50	
AMU1206WF	306mm	261mm	156mm	153mm	260mm	210mm	273mm	228mm		203mm	324mm	224mm	323mm	251mm	296mm	272mm	318mm	213mm x 165mm	
AMU1426W	14.05	12.27	6.13	6.00	12.25	10.25	12.75	10.88	PL142 PLA142	10.01	14.75, 14.62	10.82	14.70	11.89	13.67	12.72	14.50	10.38 x 8.51	
AMU1426WF	357mm	312mm	156mm	152mm	311mm	260mm	324mm	276mm		254mm	375, 371mm	275mm	373mm	302mm	347mm	323mm	368mm	264mm x 216mm	
AMU1648W	16.05	14.27	8.14	7.99	14.25	12.25	14.75	12.88	P164 PA164	12.00	16.75	11.47	16.91	13.89	15.67	14.72	16.50	12.38 x 10.50	
AMU1648WF	408mm	362mm	207mm	203mm	362mm	311mm	375mm	327mm		305mm	425mm	291mm	430mm	353mm	398mm	374mm	419mm	314mm x 267mm	
AMU1860W	18.12	16.34	10.13	10.00	16.26	14.26	16.88	14.88	P186 PA186	12.00	18.88, 18.76	13.72	19.16	16.14	17.92	16.97	18.75	13.00 x 11.00	
AMU1860WF	460mm	415mm	257mm	254mm	413mm	362mm	429mm	378mm		305mm	480, 477mm	348mm	487mm	410mm	455mm	431mm	476mm	330mm x 267mm	
AMU2060W	19.87	16.09	10.14	9.99	17.81	13.81	18.44	14.44	P206 PA206	10.00	21.28	13.16	20.53	15.89	19.67	16.72	20.50	14.00 x 12.00	
AMU2060WF	505mm	409mm	257mm	254mm	452mm	351mm	468mm	367mm		254mm	540mm	334mm	521mm	404mm	500mm	425mm	521mm	356mm x 305mm	

All dimensions are in inches unless otherwise noted

"I" dimensions with multiple numbers indicate slotted holes

Enclosure base part numbers come standard with 4 separately bagged feet (ex. AMU664W)

Part numbers with "F" signify factory installed flanges (ex. AMU664WF)

Additional back panels found on page 128

Data subject to change without notice



JIC Size Junction Boxes:

Lift-Off Screw Cover

- Clear Polycarbonate



PRODUCT INFORMATION

Application

- Designed to insulate and protect controls and components in both indoor and outdoor applications often found in oil refineries, waste water treatment equipment, chemical plants, and many other applications
- Especially well suited for high temperature or corrosive environments
- Protects from dirt, dust, oil, and water
- For use with industrial control equipment
- Clear/polycarbonate instrumentation cover, used in applications where critical electronic equipment must be visible and protected from the elements

Standards

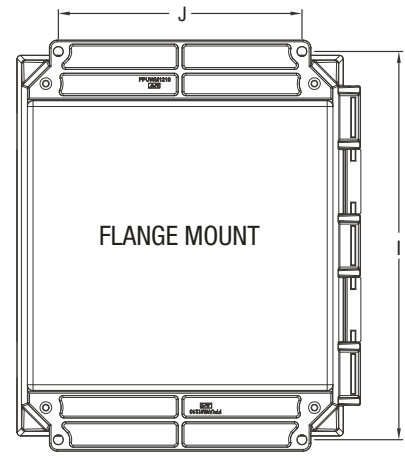
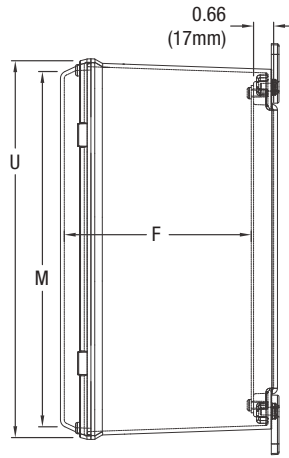
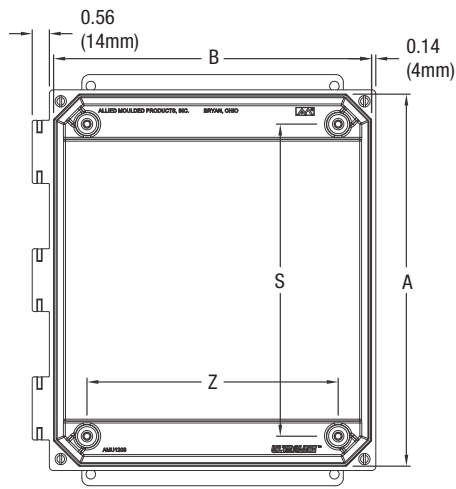
- UL 50 and UL 50E Types 1, 2, 3, 3R, 4, 4X, 6P, 12 and 13
- CSA C22.2 No. 94 Types 1, 2, 3, 3R, 4, 4X, 6P, 12 and 13
- Complies with:
 - NEMA Types 1, 2, 3, 3R, 4, 4X, 6P, 12 and 13
 - IEC 60529 Type IP68 submersible up to 24 hours at a depth of 6 feet (1.8 meters)
 - RoHS directive

Construction

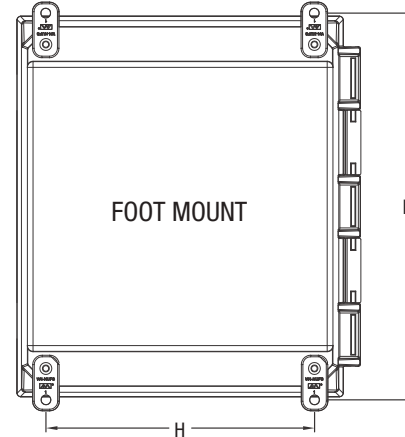
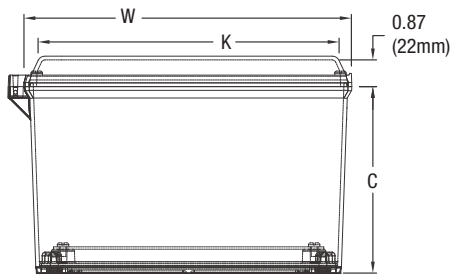
- Compression molded fiberglass reinforced polyester construction with flush, clear polycarbonate cover
- Allied Moulded ULTRAGUARD® fiberglass reinforced polyester material formulation - UV stabilized for outdoor use
- Enclosure base, feet, flanges – Light gray color (RAL 7035)
Note: foot models mounting hardware supplied in a bag. Flanged models are pre-assembled
- 316 stainless steel captive cover screws
- Formed-In-Place (FIP) polyurethane gasket system encased in continuous channel
- 316 stainless steel foot/flange mounting hardware
- #10-32 threaded brass inserts are installed for back panel mounting

Accessories & Modifications

- Optional back panels and hinged front panels
- Custom holes and cutouts
- Molded-in color matching
- EMI/RFI shielding
- Factory-supplied silk screening



Note: Cover Removed for Clarity



*Nom. Wall Thickness: .13 (3mm)
16" size: .14 (4mm)

Part No.	Box Size			Usable Depth	Panel Boss Centers		Back Panel Size			Flange Mount Centers		Foot Mount Centers		Cover Size			
	A	B	C		F	S	Z	Ht.	Wid.	P/N	J	I	H	L	K	M	W
AMU664CC AMU664CCF	6.04 153mm	6.26 159mm	4.12 105mm	4.09 103mm	4.25 108mm	4.25 108mm	4.81 122mm	4.81 122mm	PL66 PLA66	4.00 102mm	6.88, 6.75 175, 171mm	4.91 125mm	6.75 171mm	5.89 150mm	5.67 144mm	6.72 171mm	6.50 165mm
AMU864CC AMU864CCF	8.06 205mm	6.28 160mm	4.13 105mm	4.11 104mm	6.25 159mm	4.25 108mm	6.75 171mm	4.88 124mm	PL86 PLA86	4.00 102mm	8.88, 8.75 222, 226mm	4.91 125mm	8.75 222mm	5.89 150mm	7.67 195mm	6.72 171mm	8.50 216mm
AMU1084CC AMU1084CCF	10.05 255mm	8.27 210mm	4.13 105mm	4.12 105mm	8.25 210mm	6.25 159mm	8.75 222mm	6.88 175mm	PL108 PLA108	6.00 152mm	10.75 273mm	6.91 176mm	10.75 273mm	7.89 200mm	9.67 246mm	8.72 221mm	10.50 267mm
AMU1206CC AMU1206CCF	12.05 306mm	10.27 261mm	6.13 156mm	6.12 155mm	10.25 260mm	8.25 210mm	10.75 273mm	8.88 226mm	PL120 PLA120	8.00 203mm	12.75 324mm	8.82 224mm	12.70 323mm	9.89 251mm	11.67 296mm	10.72 272mm	12.50 318mm
AMU1426CC AMU1426CCF	14.05 357mm	12.27 312mm	6.13 156mm	6.11 155mm	12.25 311mm	10.25 260mm	12.75 324mm	10.88 276mm	PL142 PLA142	10.01 254mm	14.75, 14.62 375, 371mm	10.82 275mm	14.70 373mm	11.89 302mm	13.67 347mm	12.72 323mm	14.50 368mm
AMU1648CC AMU1648CCF	16.05 408mm	14.27 362mm	8.14 207mm	8.09 205mm	14.25 362mm	12.25 311mm	14.75 375mm	12.88 327mm	P164 PA164	12.00 305mm	16.75 425mm	11.47 291mm	16.91 430mm	13.89 353mm	15.67 398mm	14.72 374mm	16.50 419mm

All dimensions are in inches unless otherwise noted

Data subject to change without notice

"I" dimensions with multiple numbers indicate slotted holes

All sizes 6" x 6" x 4" up through 16" x 14" x 8" are rated 6P (IP68)

Enclosure base part numbers come standard with 4 separately bagged feet (ex. AMU664CC)

Part numbers with "F" signify factory installed flanges (ex. AMU664CCF)

Additional back panels found on page 128



JIC Size Junction Boxes: Hinged Screw Cover

- Solid/Opaque



PRODUCT INFORMATION

Application

- Designed to insulate and protect controls and components in both indoor and outdoor applications often found in oil refineries, waste water treatment equipment, chemical plants, and many other applications
- Especially well suited for high temperature or corrosive environments
- Protects from dirt, dust, oil, and water
- For use with industrial control equipment

Standards

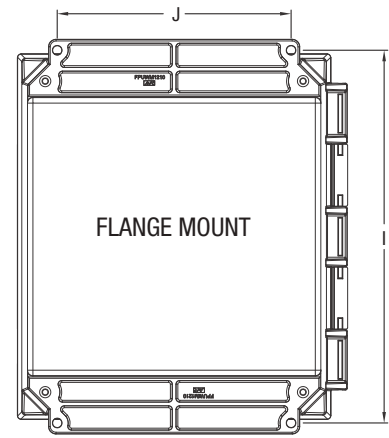
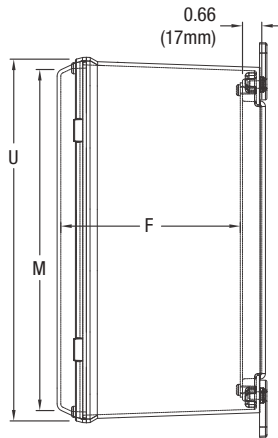
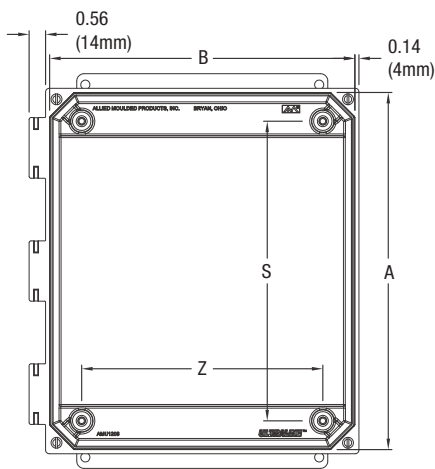
- UL 50 and UL 50E Types 1, 2, 3, 3R, 4, 4X, 12 and 13
- CSA C22.2 No. 94 Types 1, 2, 3, 3R, 4, 4X, 12 and 13
- Complies with:
 - NEMA Types 1, 2, 3, 3R, 4, 4X, 12 and 13
 - IEC 60529 Type IP66
 - RoHS directive

Construction

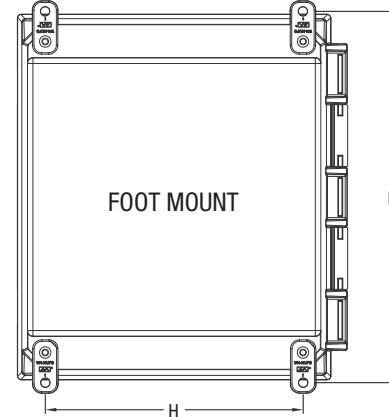
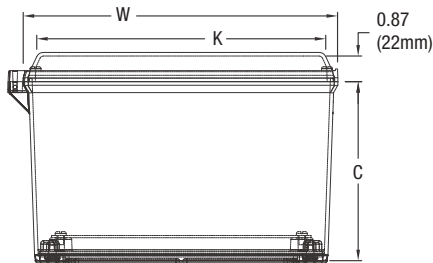
- Compression molded fiberglass reinforced polyester construction with flush, solid/ opaque cover
- Allied Moulded ULTRAGUARD® fiberglass reinforced polyester material formulation - UV stabilized for outdoor use
- Opaque cover, base, feet, flanges – Light gray color (RAL 7035)
Note: foot models mounting hardware supplied in a bag. Flanged models are pre-assembled
- 316 stainless steel captive cover screws
- Formed-In-Place (FIP) polyurethane gasket system encased in continuous channel
- 316 stainless steel hinge pin and foot/flange mounting hardware
- #10-32 threaded brass inserts are installed for back panel mounting

Accessories & Modifications

- Optional back panels and hinged front panels
- Custom holes and cutouts
- Custom size polycarbonate viewing windows
- Molded-in color matching
- EMI/RFI shielding
- Factory-supplied silk screening



Note: Cover Removed for Clarity



*Nom. Wall Thickness: .13 (3mm)
 16" size: .14 (4mm)
 18" & 20" sizes: .19 (5mm)

Part No.	Box Size			Usable Depth	Panel Boss Centers		Back Panel Size			Flange Mount Centers		Foot Mount Centers		Cover Size			
	A	B	C		F	S	Z	Ht.	Wid.	P/N	J	I	H	L	K	M	W
AMU664H AMU664HF	6.04	6.26	4.12	4.09	4.25	4.25	4.81	4.81	PL66 PLA66	4.00	6.88, 6.75	4.91	6.75	5.89	5.67	6.72	6.50
	153mm	159mm	105mm	103mm	108mm	108mm	122mm	122mm		102mm	175, 171mm	125mm	171mm	150mm	144mm	171mm	165mm
AMU864H AMU864HF	8.06	6.28	4.13	4.11	6.25	4.25	6.75	4.88	PL86 PLA86	4.00	8.88, 8.75	4.91	8.75	5.89	7.67	6.72	8.50
	205mm	160mm	105mm	104mm	159mm	108mm	171mm	124mm		102mm	222, 226mm	125mm	222mm	150mm	195mm	171mm	216mm
AMU1084H AMU1084HF	10.05	8.27	4.13	4.12	8.25	6.25	8.75	6.88	PL108 PLA108	6.00	10.75	6.91	10.75	7.89	9.67	8.72	10.50
	255mm	210mm	105mm	105mm	210mm	159mm	222mm	175mm		152mm	273mm	176mm	273mm	200mm	246mm	221mm	267mm
AMU1206H AMU1206HF	12.05	10.27	6.13	6.12	10.25	8.25	10.75	8.88	PL120 PLA120	8.00	12.75	8.82	12.70	9.89	11.67	10.72	12.50
	306mm	261mm	156mm	155mm	260mm	210mm	273mm	226mm		203mm	324mm	224mm	323mm	251mm	296mm	272mm	318mm
AMU1426H AMU1426HF	14.05	12.27	6.13	6.11	12.25	10.25	12.75	10.88	PL142 PLA142	10.01	14.75, 14.62	10.82	14.70	11.89	13.67	12.72	14.50
	357mm	312mm	156mm	155mm	311mm	260mm	324mm	276mm		254mm	375, 371mm	275mm	373mm	302mm	347mm	323mm	368mm
AMU1648H AMU1648HF	16.05	14.27	8.14	8.09	14.25	12.25	14.75	12.88	P164 PA164	12.00	16.75	11.47	16.91	13.89	15.67	14.72	16.50
	408mm	362mm	207mm	205mm	362mm	311mm	375mm	327mm		305mm	425mm	291mm	430mm	353mm	398mm	374mm	419mm
AMU1860H AMU1860HF	18.12	16.34	10.13	10.10	16.26	14.25	16.88	14.88	P186 PA186	12.00	18.88, 18.76	13.72	19.16	16.14	17.92	16.97	18.75
	460mm	415mm	257mm	257mm	413mm	362mm	429mm	378mm		305mm	480, 477mm	348mm	487mm	410mm	455mm	431mm	476mm
AMU2060H AMU2060HF	19.87	16.09	10.14	10.09	17.81	13.81	18.44	14.44	P206 PA206	10.00	21.28	13.16	20.53	15.89	19.67	16.72	20.50
	505mm	409mm	257mm	256mm	452mm	351mm	468mm	367mm		254mm	541mm	334mm	521mm	404mm	500mm	425mm	521mm

All dimensions are in inches unless otherwise noted

"I" dimensions with multiple numbers indicate slotted holes

Enclosure base part numbers come standard with 4 separately bagged feet (ex. AMU664H)

Part numbers with "F" signify factory installed flanges (ex. AMU664HF)

Additional back panels found on page 128

Data subject to change without notice



JIC Size Junction Boxes: Hinged Screw Cover

- Window



PRODUCT INFORMATION

Application

- Designed to insulate and protect controls and components in both indoor and outdoor applications often found in oil refineries, waste water treatment equipment, chemical plants, and many other applications
- Especially well suited for high temperature or corrosive environments
- Protects from dirt, dust, oil, and water
- For use with industrial control equipment
- Clear/polycarbonate viewing window, used in applications where critical electronic equipment must be visible and protected from the elements

Standards

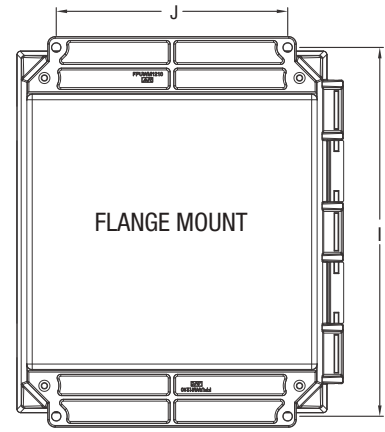
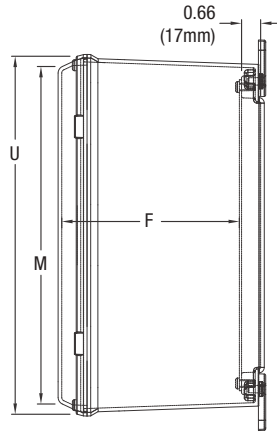
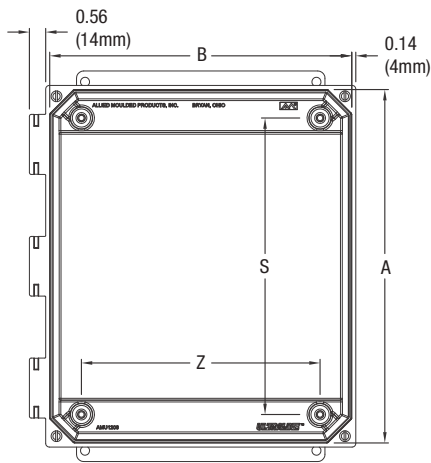
- UL 50 and UL 50E Types 1, 2, 3, 3R, 4, 4X, 12 and 13
- CSA C22.2 No. 94 Types 1, 2, 3, 3R, 4, 4X, 12 and 13
- Complies with:
 - NEMA Types 1, 2, 3, 3R, 4, 4X, 12 and 13
 - IEC 60529 Type IP66
 - RoHS directive

Construction

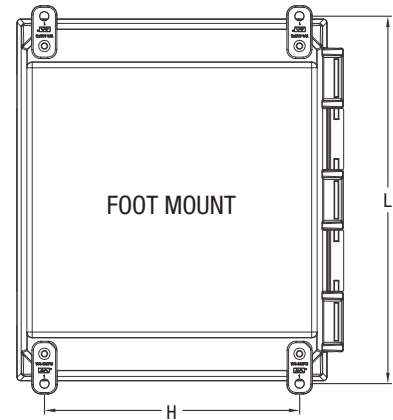
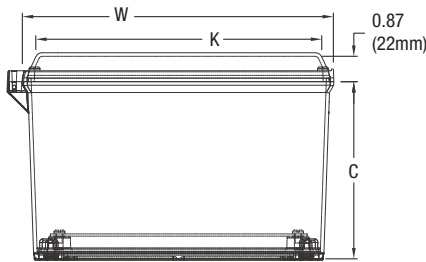
- Compression molded fiberglass reinforced polyester construction with flush, polycarbonate viewing window cover
- Allied Moulded ULTRAGUARD® fiberglass reinforced polyester material formulation - UV stabilized for outdoor use
- Opaque cover, base, feet, flanges – Light gray color (RAL 7035)
Note: foot models mounting hardware supplied in a bag. Flanged models are pre-assembled
- 316 stainless steel captive cover screws
- Formed-In-Place (FIP) polyurethane gasket system encased in continuous channel
- 316 stainless steel hinge pin and foot/flange mounting hardware
- #10-32 threaded brass inserts are installed for back panel mounting

Accessories & Modifications

- Optional back panels and hinged front panels
- Custom holes and cutouts
- Molded-in color matching
- EMI/RFI shielding
- Factory-supplied silk screening



Note: Cover Removed for Clarity



*Nom. Wall Thickness: .13 (3mm)
 16" size: .14 (4mm)
 18" & 20" sizes: .19 (5mm)

Part No.	Box Size			Usable Depth	Panel Boss Centers		Back Panel Size			Flange Mount Centers		Foot Mount Centers		Cover Size				Window Dim. (H x W)
	A	B	C		F	S	Z	Ht.	Wid.	P/N	J	I	H	L	K	M	W	
AMU664HW	6.04	6.26	4.13	3.99	4.25	4.25	4.81	4.81	PL66 PLA66	4.00	6.88, 6.75	4.91	6.75	5.89	5.67	6.72	6.50	3.50 x 3.50
AMU664HWF	153mm	159mm	105mm	101mm	108mm	108mm	122mm	122mm		102mm	175, 171mm	125mm	171mm	150mm	144mm	171mm	165mm	89mm x 89mm
AMU864HW	8.06	6.28	4.13	4.00	6.25	4.25	6.75	4.88	PL86 PLA86	4.00	8.88, 8.75	4.91	8.75	5.89	7.67	6.72	8.50	5.25 x 4.00
AMU864HWF	205mm	160mm	105mm	102mm	159mm	108mm	171mm	124mm		102mm	222, 226mm	125mm	222mm	150mm	144mm	171mm	216mm	133mm x 102mm
AMU1084HW	10.05	8.27	4.13	4.00	8.25	6.25	8.75	6.88	PL108 PLA108	6.00	10.75	6.91	10.75	7.89	9.67	8.72	10.50	6.25 x 4.25
AMU1084HWF	255mm	210mm	105mm	102mm	210mm	159mm	222mm	175mm		152mm	273mm	176mm	273mm	200mm	246mm	221mm	267mm	159mm x 108mm
AMU1206HW	12.05	10.27	6.13	6.00	10.25	8.25	10.75	8.88	PL120 PLA120	8.00	12.75	8.82	12.70	9.89	11.67	10.72	12.50	8.38 x 6.50
AMU1206HWF	306mm	261mm	156mm	153mm	260mm	210mm	273mm	226mm		203mm	324mm	224mm	323mm	251mm	296mm	272mm	318mm	213mm x 165mm
AMU1426HW	14.05	12.27	6.13	6.00	12.25	10.25	12.75	10.88	PL142 PLA142	10.01	14.75, 14.62	10.82	14.70	11.89	13.67	12.72	14.50	10.38 x 8.51
AMU1426HWF	357mm	312mm	156mm	152mm	311mm	260mm	324mm	276mm		254mm	375, 371mm	275mm	373mm	302mm	347mm	323mm	368mm	264mm x 216mm
AMU1648HW	16.05	14.27	8.14	7.99	14.25	12.25	14.75	12.88	P164 PA164	12.00	16.75	11.47	16.91	13.89	15.67	14.72	16.50	12.38 x 10.50
AMU1648HWF	408mm	362mm	207mm	203mm	362mm	311mm	375mm	327mm		305mm	425mm	291mm	430mm	353mm	398mm	374mm	419mm	314mm x 267mm
AMU1860HW	18.12	16.34	10.13	10.00	16.26	14.26	16.88	14.88	P186 PA186	12.00	18.88, 18.76	13.72	19.16	16.14	17.92	16.97	18.75	13.00 x 11.00
AMU1860HWF	460mm	415mm	257mm	254mm	413mm	362mm	429mm	378mm		305mm	480, 477mm	348mm	487mm	410mm	455mm	431mm	476mm	330mm x 267mm
AMU2060HW	19.87	16.09	10.14	9.99	17.81	13.81	18.44	14.44	P206 PA206	10.00	21.28	13.16	20.53	15.89	19.67	16.72	20.50	14.00 x 12.00
AMU2060HWF	505mm	409mm	257mm	254mm	452mm	351mm	468mm	367mm		254mm	540mm	334mm	521mm	404mm	500mm	425mm	521mm	356mm x 305mm

All dimensions are in inches unless otherwise noted

Data subject to change without notice

"I" dimensions with multiple numbers indicate slotted holes

Enclosure base part numbers come standard with 4 separately bagged feet (ex. AMU664HW)

Part numbers with "F" signify factory installed flanges (ex. AMU664HWF)

Additional back panels found on page 128



JIC Size Junction Boxes: Hinged Screw Cover

- **Clear Polycarbonate**



PRODUCT INFORMATION

Application

- Designed to insulate and protect controls and components in both indoor and outdoor applications often found in oil refineries, waste water treatment equipment, chemical plants, and many other applications
- Especially well suited for high temperature or corrosive environments
- Protects from dirt, dust, oil, and water
- For use with industrial control equipment
- Clear/polycarbonate instrumentation cover, used in applications where critical electronic equipment must be visible and protected from the elements

Standards

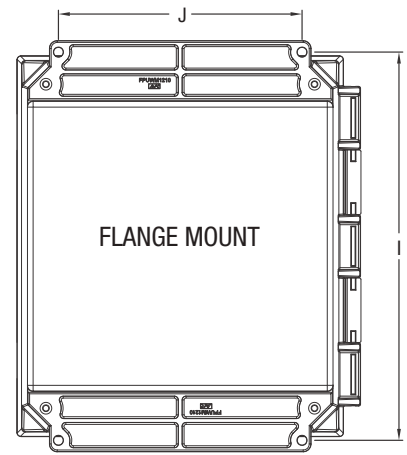
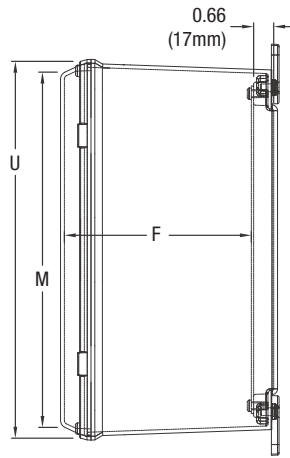
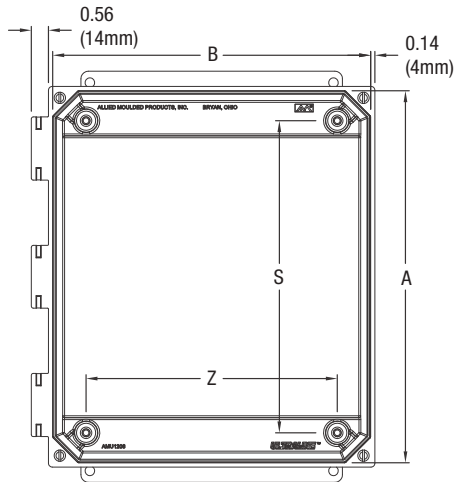
- UL 50 and UL 50E Types 1, 2, 3, 3R, 4, 4X, 12 and 13
- CSA C22.2 No. 94 Types 1, 2, 3, 3R, 4, 4X, 12 and 13
- Complies with:
 - NEMA Types 1, 2, 3, 3R, 4, 4X, 12 and 13
 - IEC 60529 Type IP66
 - RoHS directive

Construction

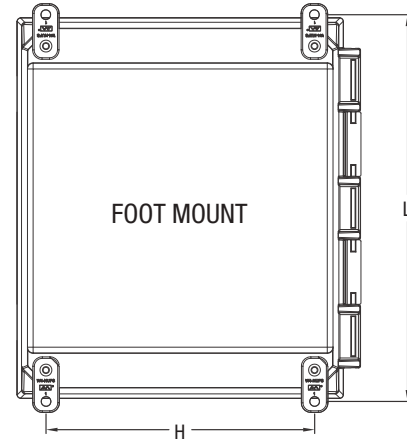
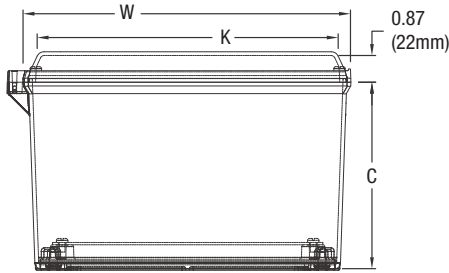
- Compression molded fiberglass reinforced polyester construction with flush, clear polycarbonate cover
- Allied Moulded ULTRAGUARD® fiberglass reinforced polyester material formulation - UV stabilized for outdoor use
- Enclosure base, feet, flanges – Light gray color (RAL 7035)
Note: foot models mounting hardware supplied in a bag. Flanged models are pre-assembled
- 316 stainless steel captive cover screws
- Formed-In-Place (FIP) polyurethane gasket system encased in continuous channel
- 316 stainless steel hinge pin and foot/flange mounting hardware
- #10-32 threaded brass inserts are installed for back panel mounting

Accessories & Modifications

- Optional back panels and hinged front panels
- Custom holes and cutouts
- Molded-in color matching
- EMI/RFI shielding
- Factory-supplied silk screening



Note: Cover Removed for Clarity



*Nom. Wall Thickness: .13 (3mm)
 16" size: .14 (4mm)

Part No.	Box Size			Usable Depth	Panel Boss Centers		Back Panel Size			Flange Mount Centers		Foot Mount Centers		Cover Size			
	A	B	C		F	S	Z	Ht.	Wid.	P/N	J	I	H	L	K	M	W
AMU664CCH	6.04	6.26	4.12	4.09	4.25	4.25	4.81	4.81	PL66 PLA66	4.00	6.88, 6.75	4.91	6.75	5.89	5.67	6.72	6.50
AMU664CCHF	153mm	159mm	105mm	103mm	108mm	108mm	122mm	122mm		102mm	175, 171mm	125mm	171mm	150mm	144mm	171mm	165mm
AMU864CCH	8.06	6.28	4.13	4.11	6.25	4.25	6.75	4.88	PL86 PLA86	4.00	8.88, 8.75	4.91	8.75	5.89	7.67	6.72	8.50
AMU864CCHF	205mm	160mm	105mm	104mm	159mm	108mm	171mm	124mm		102mm	222, 226mm	125mm	222mm	150mm	195mm	171mm	216mm
AMU1084CCH	10.05	8.27	4.13	4.12	8.25	6.25	8.75	6.88	PL108 PLA108	6.00	10.75	6.91	10.75	7.89	9.67	8.72	10.50
AMU1084CCHF	255mm	210mm	105mm	105mm	210mm	159mm	222mm	175mm		152mm	273mm	176mm	273mm	200mm	246mm	221mm	267mm
AMU1206CCH	12.05	10.27	6.13	6.12	10.25	8.25	10.75	8.88	PL120 PLA120	8.00	12.75	8.82	12.70	9.89	11.67	10.72	12.50
AMU1206CCHF	306mm	261mm	156mm	155mm	260mm	210mm	273mm	226mm		203mm	324mm	224mm	323mm	251mm	296mm	272mm	318mm
AMU1426CCH	14.05	12.27	6.13	6.11	12.25	10.25	12.75	10.88	PL142 PLA142	10.01	14.75, 14.62	10.82	14.70	11.89	13.67	12.72	14.50
AMU1426CCHF	357mm	312mm	156mm	155mm	311mm	260mm	324mm	276mm		254mm	375, 371mm	275mm	373mm	302mm	347mm	323mm	368mm
AMU1648CCH	16.05	14.27	8.14	8.09	14.25	12.25	14.75	12.88	P164 PA164	12.00	16.75	11.47	16.91	13.89	15.67	14.72	16.50
AMU1648CCHF	408mm	362mm	207mm	205mm	362mm	311mm	375mm	327mm		305mm	425mm	291mm	430mm	353mm	398mm	374mm	419mm

All dimensions are in inches unless otherwise noted

Data subject to change without notice

"I" dimensions with multiple numbers indicate slotted holes

Enclosure base part numbers come standard with 4 separately bagged feet (ex. AMU664CCH)

Part numbers with "F" signify factory installed flanges (ex. AMU664CCHF)

Additional back panels found on page 128



JIC Size Junction Boxes: Metal Snap Latch Hinged Cover

- Solid/Opaque



PRODUCT INFORMATION

Application

- Designed to insulate and protect controls and components in both indoor and outdoor applications often found in oil refineries, waste water treatment equipment, chemical plants, and many other applications
- Especially well suited for high temperature or corrosive environments
- Protects from dirt, dust, oil, and water
- For use with industrial control equipment

Standards

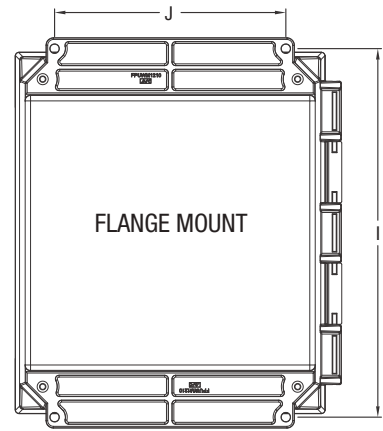
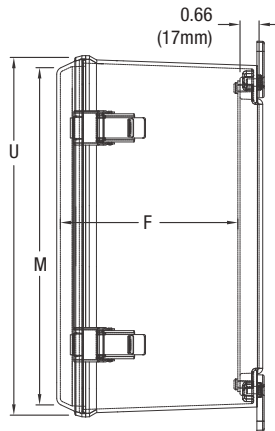
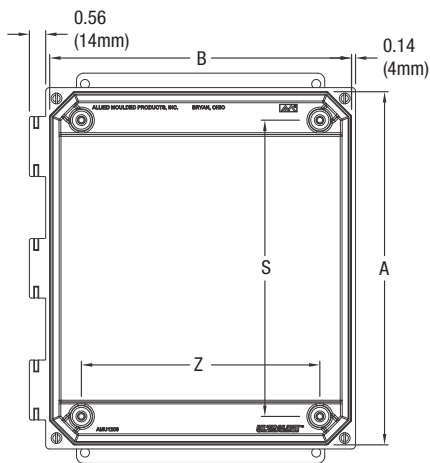
- UL 50 and UL 50E Types 1, 2, 3, 3R, 4, 4X, 12 and 13
- CSA C22.2 No. 94 Types 1, 2, 3, 3R, 4, 4X, 12 and 13
- Complies with:
 - NEMA Types 1, 2, 3, 3R, 4, 4X, 12 and 13
 - IEC 60529 Type IP66
 - RoHS directive

Construction

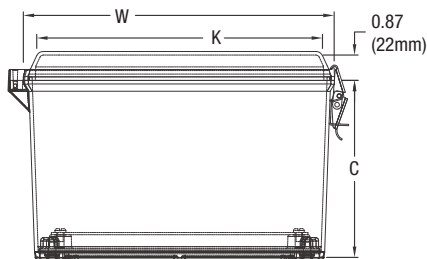
- Compression molded fiberglass reinforced polyester construction with flush, solid/ opaque cover
- Allied Moulded ULTRAGUARD® fiberglass reinforced polyester material formulation - UV stabilized for outdoor use
- Opaque cover, base, feet, flanges – Light gray color (RAL 7035)
Note: foot models mounting hardware supplied in a bag. Flanged models are pre-assembled
- 316 stainless steel snap latches feature padlock hasp
- Formed-In-Place (FIP) polyurethane gasket system encased in continuous channel
- 316 stainless steel hinge pin and foot/flange mounting hardware
- #10-32 threaded brass inserts are installed for back panel mounting

Accessories & Modifications

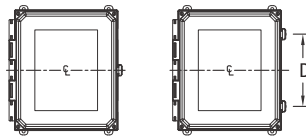
- Optional back panels and hinged front panels
- Custom holes and cutouts
- Custom size polycarbonate viewing windows
- Molded-in color matching
- EMI/RFI shielding
- Factory-supplied silk screening



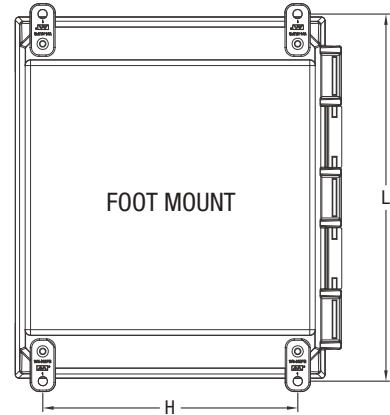
Note: Cover Removed for Clarity



LATCH LOCATIONS



- FOR USE ON
- 6x6x4
 - 8x6x4
 - 10x8x4
- FOR USE ON
- 12x10x6 D=7.50 (191mm)
 - 14x12x6 D=8.00 (203mm)
 - 16x14x8 D=9.00 (229mm)
 - 18x16x10 D=14.56 (370mm)
 - 20x16x10 D=16.81 (427mm)



*Nom. Wall Thickness: .13 (3mm)
 16" size: .14 (4mm)
 18" & 20" sizes: .19 (5mm)

Part No.	Box Size			Usable Depth	Panel Boss Centers		Back Panel Size			Flange Mount Centers		Foot Mount Centers		Cover Size			
	A	B	C		F	S	Z	Ht.	Wid.	P/N	J	I	H	L	K	M	W
AMU664L AMU664LF	6.04	6.26	4.12	4.09	4.25	4.25	4.81	4.81	PL66 PLA66	4.00	6.88, 6.75	4.91	6.75	5.89	5.67	6.72	6.50
	153mm	159mm	105mm	103mm	108mm	108mm	122mm	122mm		102mm	175, 171mm	125mm	171mm	150mm	144mm	171mm	165mm
AMU864L AMU864LF	8.06	6.28	4.13	4.11	6.25	4.25	6.75	4.88	PL86 PLA86	4.00	8.88, 8.75	4.91	8.75	5.89	7.67	6.72	8.50
	205mm	160mm	105mm	104mm	159mm	108mm	171mm	124mm		102mm	222, 226mm	125mm	222mm	150mm	195mm	171mm	216mm
AMU1084L AMU1084LF	10.05	8.27	4.13	4.12	8.25	6.25	8.75	6.88	PL108 PLA108	6.00	10.75	6.91	10.75	7.89	9.67	8.72	10.50
	255mm	210mm	105mm	105mm	210mm	159mm	222mm	175mm		152mm	273mm	176mm	273mm	200mm	246mm	221mm	267mm
AMU1206L AMU1206LF	12.05	10.27	6.13	6.12	10.25	8.25	10.75	8.88	PL120 PLA120	8.00	12.75	8.82	12.70	9.89	11.67	10.72	12.50
	306mm	261mm	156mm	155mm	260mm	210mm	273mm	226mm		203mm	324mm	224mm	323mm	251mm	296mm	272mm	318mm
AMU1426L AMU1426LF	14.05	12.27	6.13	6.11	12.25	10.25	12.75	10.88	PL142 PLA142	10.01	14.75, 14.62	10.82	14.70	11.89	13.67	12.72	14.50
	357mm	312mm	156mm	155mm	311mm	260mm	324mm	276mm		254mm	375, 371mm	275mm	373mm	302mm	347mm	323mm	368mm
AMU1648L AMU1648LF	16.05	14.27	8.14	8.09	14.25	12.25	14.75	12.88	P164 PA164	12.00	16.75	11.47	16.91	13.89	15.67	14.72	16.50
	408mm	362mm	207mm	205mm	362mm	311mm	375mm	327mm		305mm	425mm	291mm	430mm	353mm	398mm	374mm	419mm
AMU1860L AMU1860LF	18.12	16.34	10.13	10.10	16.26	14.25	16.88	14.88	P186 PA186	12.00	18.88, 18.76	13.72	19.16	16.14	17.92	16.97	18.75
	460mm	415mm	257mm	257mm	413mm	362mm	429mm	378mm		305mm	480, 477mm	348mm	487mm	410mm	455mm	431mm	476mm
AMU2060L AMU2060LF	19.87	16.09	10.14	10.09	17.81	13.81	18.44	14.44	P206 PA206	10.00	21.28	13.16	20.53	15.89	19.67	16.72	20.50
	505mm	409mm	257mm	256mm	452mm	351mm	468mm	367mm		254mm	541mm	334mm	521mm	404mm	500mm	425mm	521mm

All dimensions are in inches unless otherwise noted

"I" dimensions with multiple numbers indicate slotted holes

Enclosure base part numbers come standard with 4 separately bagged feet (ex. AMU664L)

Part numbers with "F" signify factory installed flanges (ex. AMU664LF)

Additional back panels found on page 128

Data subject to change without notice



JIC Size Junction Boxes: Metal Snap Latch Hinged Cover

• Window



PRODUCT INFORMATION

Application

- Designed to insulate and protect controls and components in both indoor and outdoor applications often found in oil refineries, waste water treatment equipment, chemical plants, and many other applications
- Especially well suited for high temperature or corrosive environments
- Protects from dirt, dust, oil, and water
- For use with industrial control equipment
- Clear/polycarbonate viewing window, used in applications where critical electronic equipment must be visible and protected from the elements

Standards

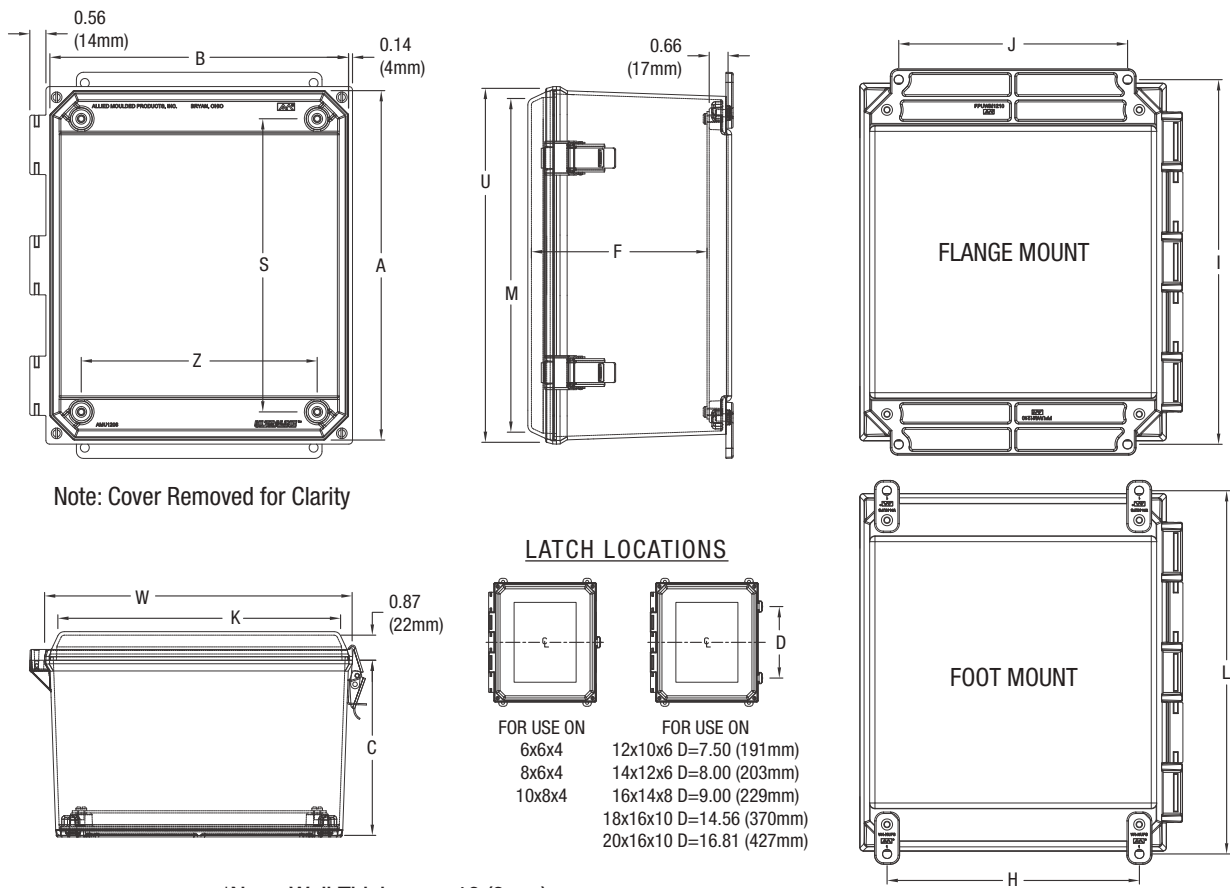
- UL 50 and UL 50E Types 1, 2, 3, 3R, 4, 4X, 12 and 13
- CSA C22.2 No. 94 Types 1, 2, 3, 3R, 4, 4X, 12 and 13
- Complies with:
 - NEMA Types 1, 2, 3, 3R, 4, 4X, 12 and 13
 - IEC 60529 Type IP66
 - RoHS directive

Construction

- Compression molded fiberglass reinforced polyester construction with flush, polycarbonate viewing window cover
- Allied Moulded ULTRAGUARD® fiberglass reinforced polyester material formulation - UV stabilized for outdoor use
- Opaque cover, base, feet, flanges – Light gray color (RAL 7035)
Note: foot models mounting hardware supplied in a bag. Flanged models are pre-assembled
- 316 stainless steel snap latches feature padlock hasp
- Formed-In-Place (FIP) polyurethane gasket system encased in continuous channel
- 316 stainless steel hinge pin and foot/flange mounting hardware
- #10-32 threaded brass inserts are installed for back panel mounting

Accessories & Modifications

- Optional back panels and hinged front panels
- Custom holes and cutouts
- Molded-in color matching
- EMI/RFI shielding
- Factory-supplied silk screening



*Nom. Wall Thickness: .13 (3mm)
 16" size: .14 (4mm)
 18" & 20" sizes: .19 (5mm)

Part No.	Box Size			Usable Depth	Panel Boss Centers		Back Panel Size			Flange Mount Centers		Foot Mount Centers		Cover Size			Window Dim. (H x W)	
	A	B	C		F	S	Z	Ht.	Wid.	P/N	J	I	H	L	K	M		W
AMU664LW AMU664LWF	6.04 153mm	6.26 159mm	4.13 105mm	3.99 101mm	4.25 108mm	4.25 108mm	4.81 122mm	4.81 122mm	PL66 PLA66	4.00 102mm	6.88, 6.75 175, 171mm	4.91 125mm	6.75 171mm	5.89 150mm	5.67 144mm	6.72 171mm	6.50 165mm	3.50 x 3.50 89mm x 89mm
AMU864LW AMU864LWF	8.06 205mm	6.28 160mm	4.13 105mm	4.00 102mm	6.25 159mm	4.25 108mm	6.75 171mm	4.88 124mm	PL86 PLA86	4.00 102mm	8.88, 8.75 222, 226mm	4.91 125mm	8.75 222mm	5.89 150mm	7.67 144mm	6.72 171mm	8.50 216mm	5.25 x 4.00 133mm x 102mm
AMU1084LW AMU1084LWF	10.05 255mm	8.27 210mm	4.13 105mm	4.00 102mm	8.25 210mm	6.25 159mm	8.75 222mm	6.88 175mm	PL108 PLA108	6.00 152mm	10.75 273mm	6.91 176mm	10.75 273mm	7.89 200mm	9.67 246mm	8.72 221mm	10.50 267mm	6.25 x 4.25 159mm x 108mm
AMU1206LW AMU1206LWF	12.05 306mm	10.27 261mm	6.13 156mm	6.00 153mm	10.25 260mm	8.25 210mm	10.75 273mm	8.88 226mm	PL120 PLA120	8.00 203mm	12.75 324mm	8.82 224mm	12.70 323mm	9.89 251mm	11.67 296mm	10.72 272mm	12.50 318mm	8.38 x 6.50 213mm x 165mm
AMU1426LW AMU1426LWF	14.05 357mm	12.27 312mm	6.13 156mm	6.00 152mm	12.25 311mm	10.25 260mm	12.75 324mm	10.88 276mm	PL142 PLA142	10.01 254mm	14.75, 14.62 375, 371mm	10.82 275mm	14.70 373mm	11.89 302mm	13.67 347mm	12.72 323mm	14.50 368mm	10.38 x 8.51 264mm x 216mm
AMU1648LW AMU1648LWF	16.05 408mm	14.27 362mm	8.14 207mm	7.99 203mm	14.25 362mm	12.25 311mm	14.75 375mm	12.88 327mm	P164 PA164	12.00 305mm	16.75 425mm	11.47 291mm	16.91 430mm	13.89 353mm	15.67 398mm	14.72 374mm	16.50 419mm	12.38 x 10.50 314mm x 267mm
AMU1860LW AMU1860LWF	18.12 460mm	16.34 415mm	10.13 257mm	10.00 254mm	16.26 413mm	14.26 362mm	16.88 429mm	14.88 378mm	P186 PA186	12.00 305mm	18.88, 18.76 480, 477mm	13.72 348mm	19.16 487mm	16.14 410mm	17.92 455mm	16.97 431mm	18.75 476mm	13.00 x 11.00 330mm x 267mm
AMU2060LW AMU2060LWF	19.87 505mm	16.09 409mm	10.14 257mm	9.99 254mm	17.81 452mm	13.81 351mm	18.44 468mm	14.44 367mm	P206 PA206	10.00 254mm	21.28 540mm	13.16 334mm	20.53 521mm	15.89 404mm	19.67 500mm	16.72 425mm	20.50 521mm	14.00 x 12.00 356mm x 305mm

All dimensions are in inches unless otherwise noted

Data subject to change without notice

"I" dimensions with multiple numbers indicate slotted holes

Enclosure base part numbers come standard with 4 separately bagged feet (ex. AMU664LW)

Part numbers with "F" signify factory installed flanges (ex. AMU664LWF)

Additional back panels found on page 128



JIC Size Junction Boxes: Metal Snap Latch Hinged Cover

- Clear Polycarbonate



PRODUCT INFORMATION

Application

- Designed to insulate and protect controls and components in both indoor and outdoor applications often found in oil refineries, waste water treatment equipment, chemical plants, and many other applications
- Especially well suited for high temperature or corrosive environments
- Protects from dirt, dust, oil, and water
- For use with industrial control equipment
- Clear/polycarbonate instrumentation cover, used in applications where critical electronic equipment must be visible and protected from the elements

Standards

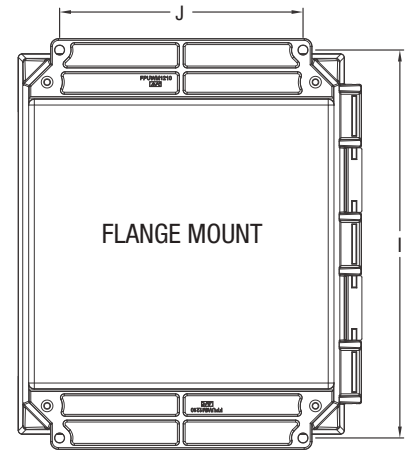
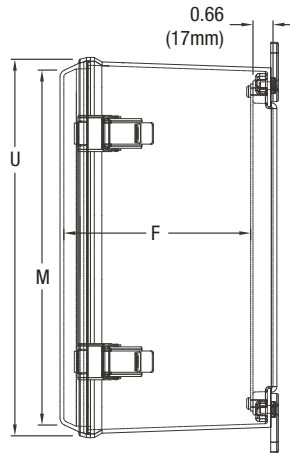
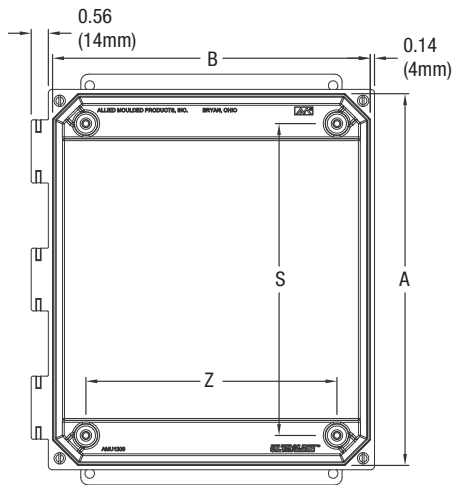
- UL 50 and UL 50E Types 1, 2, 3, 3R, 4, 4X, 12 and 13
- CSA C22.2 No. 94 Types 1, 2, 3, 3R, 4, 4X, 12 and 13
- Complies with:
 - NEMA Types 1, 2, 3, 3R, 4, 4X, 12 and 13
 - IEC 60529 Type IP66
 - RoHS directive

Construction

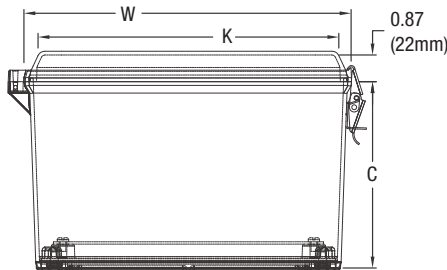
- Compression molded fiberglass reinforced polyester construction with flush, clear polycarbonate cover
- Allied Moulded ULTRAGUARD® fiberglass reinforced polyester material formulation - UV stabilized for outdoor use
- Enclosure base, feet, flanges – Light gray color (RAL 7035)
Note: foot models mounting hardware supplied in a bag. Flanged models are pre-assembled
- 316 stainless steel snap latches feature padlock hasp
- Formed-In-Place (FIP) polyurethane gasket system encased in continuous channel
- 316 stainless steel hinge pin and foot/flange mounting hardware
- #10-32 threaded brass inserts are installed for back panel mounting

Accessories & Modifications

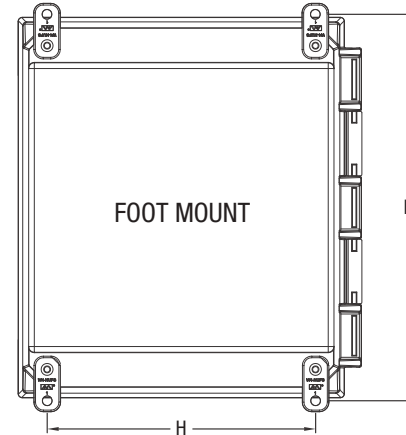
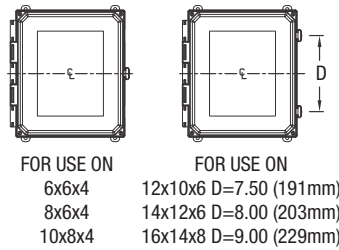
- Optional back panels and hinged front panels
- Custom holes and cutouts
- Molded-in color matching
- EMI/RFI shielding
- Factory-supplied silk screening



Note: Cover Removed for Clarity



LATCH LOCATIONS



*Nom. Wall Thickness: .13 (3mm)
 16" size: .14 (4mm)

Part No.	Box Size			Usable Depth	Panel Boss Centers		Back Panel Size			Flange Mount Centers		Foot Mount Centers		Cover Size			
	A	B	C		F	S	Z	Ht.	Wid.	P/N	J	I	H	L	K	M	W
AMU664CCL AMU664CCLF	6.04 153mm	6.26 159mm	4.12 105mm	4.09 103mm	4.25 108mm	4.25 108mm	4.81 122mm	4.81 122mm	PL66 PLA66	4.00 102mm	6.88, 6.75 175, 171mm	4.91 125mm	6.75 171mm	5.89 150mm	5.67 144mm	6.72 171mm	6.50 165mm
AMU864CCL AMU864CCLF	8.06 205mm	6.28 160mm	4.13 105mm	4.11 104mm	6.25 159mm	4.25 108mm	6.75 171mm	4.88 124mm	PL86 PLA86	4.00 102mm	8.88, 8.75 222, 226mm	4.91 125mm	8.75 222mm	5.89 150mm	7.67 195mm	6.72 171mm	8.50 216mm
AMU1084CCL AMU1084CCLF	10.05 255mm	8.27 210mm	4.13 105mm	4.12 105mm	8.25 210mm	6.25 159mm	8.75 222mm	6.88 175mm	PL108 PLA108	6.00 152mm	10.75 273mm	6.91 176mm	10.75 273mm	7.89 200mm	9.67 246mm	8.72 221mm	10.50 267mm
AMU1206CCL AMU1206CCLF	12.05 306mm	10.27 261mm	6.13 156mm	6.12 155mm	10.25 260mm	8.25 210mm	10.75 273mm	8.88 226mm	PL120 PLA120	8.00 203mm	12.75 324mm	8.82 224mm	12.70 323mm	9.89 251mm	11.67 296mm	10.72 272mm	12.50 318mm
AMU1426CCL AMU1426CCLF	14.05 357mm	12.27 312mm	6.13 156mm	6.11 155mm	12.25 311mm	10.25 260mm	12.75 324mm	10.88 276mm	PL142 PLA142	10.01 254mm	14.75, 14.62 375, 371mm	10.82 275mm	14.70 373mm	11.89 302mm	13.67 347mm	12.72 323mm	14.50 368mm
AMU1648CCL AMU1648CCLF	16.05 408mm	14.27 362mm	8.14 207mm	8.09 205mm	14.25 362mm	12.25 311mm	14.75 375mm	12.88 327mm	P164 PA164	12.00 305mm	16.75 425mm	11.47 291mm	16.91 430mm	13.89 353mm	15.67 398mm	14.72 374mm	16.50 419mm

All dimensions are in inches unless otherwise noted

Data subject to change without notice

"I" dimensions with multiple numbers indicate slotted holes

Enclosure base part numbers come standard with 4 separately bagged feet (ex. AMU664CCL)

Part numbers with "F" signify factory installed flanges (ex. AMU664CCLF)

Additional back panels found on page 128



JIC Size Junction Boxes: Nonmetal Snap Latch Hinged Cover

- **Solid/Opaque**



PRODUCT INFORMATION

Application

- Designed to insulate and protect controls and components in both indoor and outdoor applications often found in oil refineries, waste water treatment equipment, chemical plants, and many other applications
- Especially well suited for high temperature or corrosive environments
- Protects from dirt, dust, oil, and water
- For use with industrial control equipment in ordinary locations

Standards

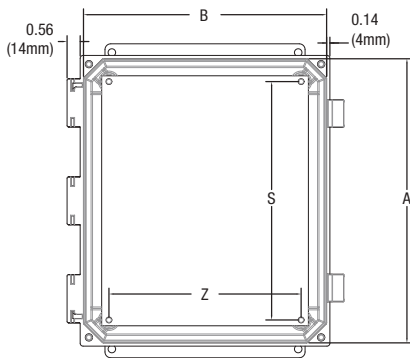
- UL 50 and UL 50E Types 1, 2, 3, 3R, 4, 4X, 12 and 13
- CSA C22.2 No. 94 Types 1, 2, 3, 3R, 4, 4X, 12 and 13
- Complies with:
 - NEMA Types 1, 2, 3, 3R, 4, 4X, 12 and 13
 - IEC 60529 Type IP66
 - RoHS directive

Construction

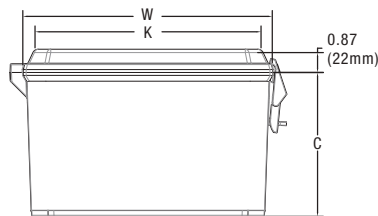
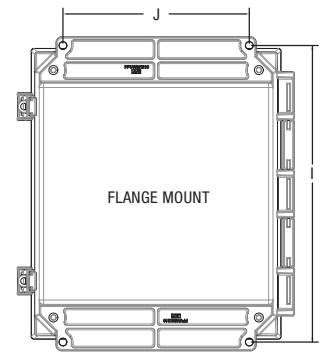
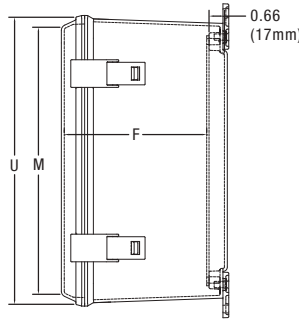
- Compression molded fiberglass reinforced polyester construction with flush, solid/ opaque cover
- Allied Moulded ULTRAGUARD® fiberglass reinforced polyester material formulation - UV stabilized for outdoor use
- Opaque cover, base, padlockable snap latches, feet, flanges – Light gray color (RAL 7035)
Note: foot models mounting hardware supplied in a bag. Flanged models are pre-assembled
- Polycarbonate lockable snap latches
- Formed-In-Place (FIP) polyurethane gasket system encased in continuous channel
- 316 stainless steel hinge pin and foot/flange mounting hardware
- #10-32 threaded brass inserts are installed for back panel mounting

Accessories & Modifications

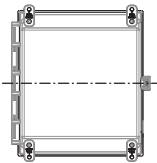
- Optional back panels and hinged front panels
- Custom holes and cutouts
- Custom size polycarbonate viewing windows
- Molded-in color matching
- EMI/RFI shielding
- Factory-supplied silk screening



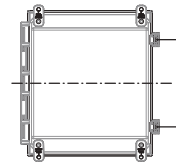
NOTE: COVER REMOVED FOR CLARITY



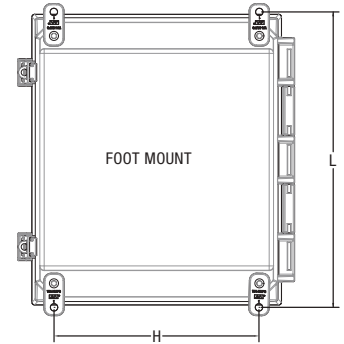
LATCH LOCATIONS



FOR USE ON
6x6x4
8x6x4
10x8x4



FOR USE ON
12x10x6 D=7.50 (199mm)
14x12x6 D=8.00 (203mm)
16x14x8 D=9.00 (229mm)
18x16x10 D=14.56 (370mm)
20x16x10 D=16.81 (427mm)



*Nom. Wall Thickness: .13 (3mm)
16" size: .14 (4mm)
18" & 20" sizes: .19 (5mm)

Part No.	Box Size			Usable Depth	Panel Boss Centers		Back Panel Size			Flange Mount Centers		Foot Mount Centers		Cover Size			
	A	B	C		F	S	Z	Ht.	Wid.	P/N	J	I	H	L	K	M	W
AMU664NL AMU664NLF	6.04	6.26	4.12	4.09	4.25	4.25	4.81	4.81	PL66 PLA66	4.00	6.88, 6.75	4.91	6.75	5.89	5.67	6.72	6.50
	153mm	159mm	105mm	103mm	108mm	108mm	122mm	122mm		102mm	175, 171mm	125mm	171mm	150mm	144mm	171mm	165mm
AMU864NL AMU864NLF	8.06	6.28	4.13	4.11	6.25	4.25	6.75	4.88	PL86 PLA86	4.00	8.88, 8.75	4.91	8.75	5.89	7.67	6.72	8.50
	205mm	160mm	105mm	104mm	159mm	108mm	171mm	124mm		102mm	222, 226mm	125mm	222mm	150mm	195mm	171mm	216mm
AMU1084NL AMU1084NLF	10.05	8.27	4.13	4.12	8.25	6.25	8.75	6.88	PL108 PLA108	6.00	10.75	6.91	10.75	7.89	9.67	8.72	10.50
	255mm	210mm	105mm	105mm	210mm	159mm	222mm	175mm		152mm	273mm	176mm	273mm	200mm	246mm	221mm	267mm
AMU1206NL AMU1206NLF	12.05	10.27	6.13	6.12	10.25	8.25	10.75	8.88	PL120 PLA120	8.00	12.75	8.82	12.70	9.89	11.67	10.72	12.50
	306mm	261mm	156mm	155mm	260mm	210mm	273mm	226mm		203mm	324mm	224mm	323mm	251mm	296mm	272mm	318mm
AMU1426NL AMU1426NLF	14.05	12.27	6.13	6.11	12.25	10.25	12.75	10.88	PL142 PLA142	10.01	14.75, 14.62	10.82	14.70	11.89	13.67	12.72	14.50
	357mm	312mm	156mm	155mm	311mm	260mm	324mm	276mm		254mm	375, 371mm	275mm	373mm	302mm	347mm	323mm	368mm
AMU1648NL AMU1648NLF	16.05	14.27	8.14	8.09	14.25	12.25	14.75	12.88	P164 PA164	12.00	16.75	11.47	16.91	13.89	15.67	14.72	16.50
	408mm	362mm	207mm	205mm	362mm	311mm	375mm	327mm		305mm	425mm	291mm	430mm	353mm	398mm	374mm	419mm
AMU1860NL AMU1860NLF	18.12	16.34	10.13	10.10	16.26	14.25	16.88	14.88	P186 PA186	12.00	18.88, 18.76	13.72	19.16	16.14	17.92	16.97	18.75
	460mm	415mm	257mm	257mm	413mm	362mm	429mm	378mm		305mm	480, 477mm	348mm	487mm	410mm	455mm	431mm	476mm
AMU2060NL AMU2060NLF	19.87	16.09	10.14	10.09	17.81	13.81	18.44	14.44	P206 PA206	10.00	21.28	13.16	20.53	15.89	19.67	16.72	20.50
	505mm	409mm	257mm	256mm	452mm	351mm	468mm	367mm		254mm	541mm	334mm	521mm	404mm	500mm	425mm	521mm

All dimensions are in inches unless otherwise noted

"I" dimensions with multiple numbers indicate slotted holes

Enclosure base part numbers come standard with 4 separately bagged feet (ex. AMU664NL)

Part numbers with "F" signify factory installed flanges (ex. AMU664NLF)

Additional back panels found on page 128

Data subject to change without notice



JIC Size Junction Boxes: Nonmetal Snap Latch Hinged Cover

- Window



PRODUCT INFORMATION

Application

- Designed to insulate and protect controls and components in both indoor and outdoor applications often found in oil refineries, waste water treatment equipment, chemical plants, and many other applications
- Especially well suited for high temperature or corrosive environments
- Protects from dirt, dust, oil, and water
- For use with industrial control equipment
- Clear/polycarbonate viewing window, used in applications where critical electronic equipment must be visible and protected from the elements

Standards

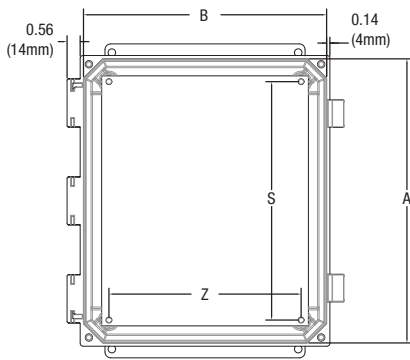
- UL 50 and UL 50E Types 1, 2, 3, 3R, 4, 4X, 12 and 13
- CSA C22.2 No. 94 Types 1, 2, 3, 3R, 4, 4X, 12 and 13
- Complies with:
 - NEMA Types 1, 2, 3, 3R, 4, 4X, 12 and 13
 - IEC 60529 Type IP66
 - RoHS directive

Construction

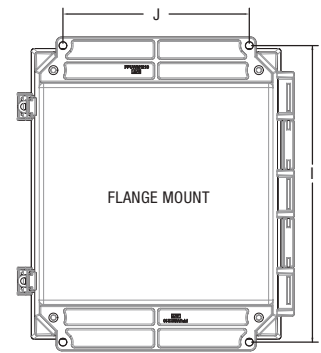
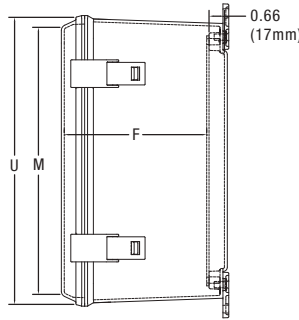
- Compression molded fiberglass reinforced polyester construction with flush, polycarbonate viewing window cover
- Allied Moulded ULTRAGUARD® fiberglass reinforced polyester material formulation - UV stabilized for outdoor use
- Opaque cover, base, padlockable snap latches, feet, flanges – Light gray color (RAL 7035)
Note: foot models mounting hardware supplied in a bag. Flanged models are pre-assembled
- Polycarbonate lockable snap latches
- Formed-In-Place (FIP) polyurethane gasket system encased in continuous channel
- 316 stainless steel hinge pin and foot/flange mounting hardware
- #10-32 threaded brass inserts are installed for back panel mounting

Accessories & Modifications

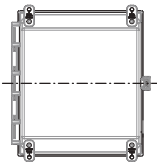
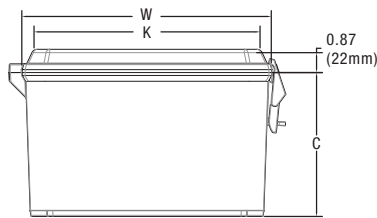
- Optional back panels and hinged front panels
- Custom holes and cutouts
- Molded-in color matching
- EMI/RFI shielding
- Factory-supplied silk screening



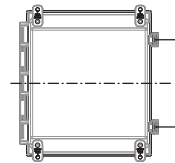
NOTE: COVER REMOVED FOR CLARITY



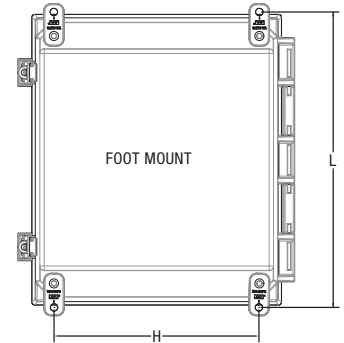
LATCH LOCATIONS



FOR USE ON
6x6x4
8x6x4
10x8x4



FOR USE ON
12x10x6 D=7.50 (199mm)
14x12x6 D=8.00 (203mm)
16x14x8 D=9.00 (229mm)
18x16x10 D=14.56 (370mm)
20x16x10 D=16.81 (427mm)



*Nom. Wall Thickness: .13 (3mm)
16" size: .14 (4mm)
18" & 20" sizes: .19 (5mm)

Part No.	Box Size			Usable Depth	Panel Boss Centers			Back Panel Size			Flange Mount Centers		Foot Mount Centers		Cover Size				Window Dim. (H x W)
	A	B	C		F	S	Z	Ht.	Wid.	P/N	J	I	H	L	K	M	W	U	
AMU664NLW	6.04	6.26	4.13	3.99	4.25	4.25	4.81	4.81	PL66	4.00	6.88, 6.75	4.91	6.75	5.89	5.67	6.72	6.50	3.50 x 3.50	
AMU664NLWF	153mm	159mm	105mm	101mm	108mm	108mm	122mm	122mm	PLA66	102mm	175, 171mm	125mm	171mm	150mm	144mm	171mm	165mm	89mm x 89mm	
AMU864NLW	8.06	6.28	4.13	4.00	6.25	4.25	6.75	4.88	PL86	4.00	8.88, 8.75	4.91	8.75	5.89	7.67	6.72	8.50	5.25 x 4.00	
AMU864NLWF	205mm	160mm	105mm	102mm	159mm	108mm	171mm	124mm	PLA86	102mm	222, 226mm	125mm	222mm	150mm	144mm	171mm	216mm	133mm x 102mm	
AMU1084NLW	10.05	8.27	4.13	4.00	8.25	6.25	8.75	6.88	PL108	6.00	10.75	6.91	10.75	7.89	9.67	8.72	10.50	6.25 x 4.25	
AMU1084NLWF	255mm	210mm	105mm	102mm	210mm	159mm	222mm	175mm	PLA108	152mm	273mm	176mm	273mm	200mm	246mm	221mm	267mm	159mm x 108mm	
AMU1206NLW	12.05	10.27	6.13	6.00	10.25	8.25	10.75	8.88	PL120	8.00	12.75	8.82	12.70	9.89	11.67	10.72	12.50	8.38 x 6.50	
AMU1206NLWF	306mm	261mm	156mm	153mm	260mm	210mm	273mm	226mm	PLA120	203mm	324mm	224mm	323mm	251mm	296mm	272mm	318mm	213mm x 165mm	
AMU1426NLW	14.05	12.27	6.13	6.00	12.25	10.25	12.75	10.88	PL142	10.01	14.75, 14.62	10.82	14.70	11.89	13.67	12.72	14.50	10.38 x 8.51	
AMU1426NLWF	357mm	312mm	156mm	152mm	311mm	260mm	324mm	276mm	PLA142	254mm	375, 371mm	275mm	373mm	302mm	347mm	323mm	368mm	264mm x 216mm	
AMU1648NLW	16.05	14.27	8.14	7.99	14.25	12.25	14.75	12.88	P164	12.00	16.75	11.47	16.91	13.89	15.67	14.72	16.50	12.38 x 10.50	
AMU1648NLWF	408mm	362mm	207mm	203mm	362mm	311mm	375mm	327mm	PA164	305mm	425mm	291mm	430mm	353mm	398mm	374mm	419mm	314mm x 267mm	
AMU1860NLW	18.12	16.34	10.13	10.00	16.26	14.26	16.88	14.88	P186	12.00	18.88, 18.76	13.72	19.16	16.14	17.92	16.97	18.75	13.00 x 11.00	
AMU1860NLWF	460mm	415mm	257mm	254mm	413mm	362mm	429mm	378mm	PA186	305mm	480, 477mm	348mm	487mm	410mm	455mm	431mm	476mm	330mm x 267mm	
AMU2060NLW	19.87	16.09	10.14	9.99	17.81	13.81	18.44	14.44	P206	10.00	21.28	13.16	20.53	15.89	19.67	16.72	20.50	14.00 x 12.00	
AMU2060NLWF	505mm	409mm	257mm	254mm	452mm	351mm	468mm	367mm	PA206	254mm	540mm	334mm	521mm	404mm	500mm	425mm	521mm	356mm x 305mm	

All dimensions are in inches unless otherwise noted

Data subject to change without notice

"I" dimensions with multiple numbers indicate slotted holes

Enclosure base part numbers come standard with 4 separately bagged feet (ex. AMU664NLW)

Part numbers with "F" signify factory installed flanges (ex. AMU664NLWF)

Additional back panels found on page 128



JIC Size Junction Boxes: Nonmetal Snap Latch Hinged Cover

- Clear Polycarbonate



PRODUCT INFORMATION

Application

- Designed to insulate and protect controls and components in both indoor and outdoor applications often found in oil refineries, waste water treatment equipment, chemical plants, and many other applications
- Especially well suited for high temperature or corrosive environments
- Protects from dirt, dust, oil, and water
- For use with industrial control equipment
- Clear/polycarbonate instrumentation cover, used in applications where critical electronic equipment must be visible and protected from the elements

Standards

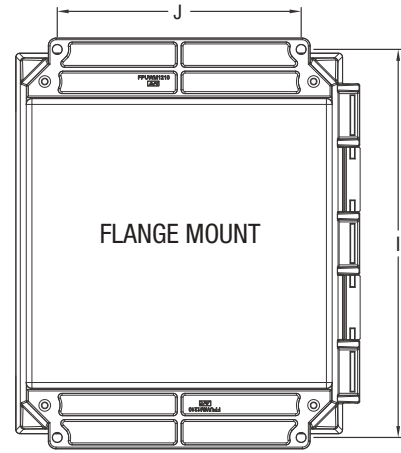
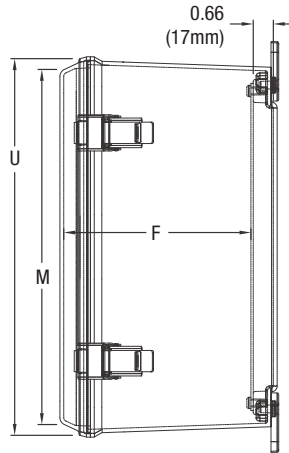
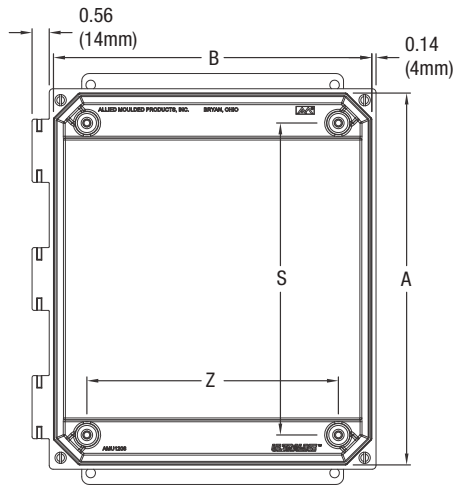
- UL 50 and UL 50E Types 1, 2, 3, 3R, 4, 4X, 12 and 13
- CSA C22.2 No. 94 Types 1, 2, 3, 3R, 4, 4X, 12 and 13
- Complies with:
 - NEMA Types 1, 2, 3, 3R, 4, 4X, 12 and 13
 - IEC 60529 Type IP66
 - RoHS directive

Construction

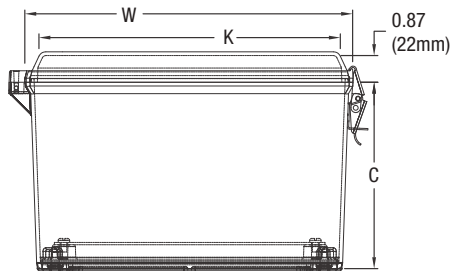
- Compression molded fiberglass reinforced polyester construction with flush, clear polycarbonate cover
- Allied Moulded ULTRAGUARD® fiberglass reinforced polyester material formulation - UV stabilized for outdoor use
- Opaque cover, base, padlockable snap latches, feet, flanges – Light gray color (RAL 7035)
Note: foot models mounting hardware supplied in a bag. Flanged models are pre-assembled
- Polycarbonate lockable snap latches
- Formed-In-Place (FIP) polyurethane gasket system encased in continuous channel
- 316 stainless steel hinge pin and foot/flange mounting hardware
- #10-32 threaded brass inserts are installed for back panel mounting

Accessories & Modifications

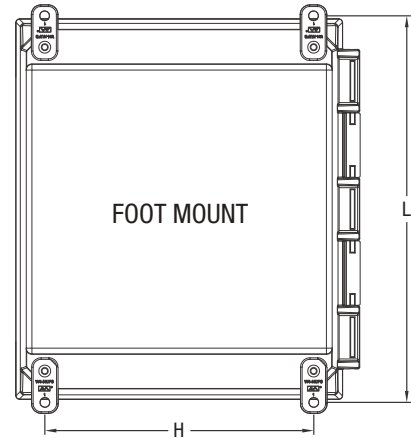
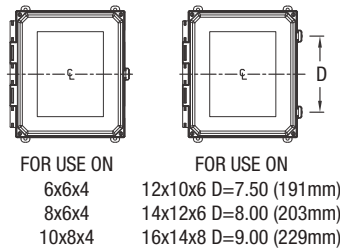
- Optional back panels and hinged front panels
- Custom holes and cutouts
- Molded-in color matching
- EMI/RFI shielding
- Factory-supplied silk screening



Note: Cover Removed for Clarity



LATCH LOCATIONS



*Nom. Wall Thickness: .13 (3mm)
16" size: .14 (4mm)

Part No.	Box Size			Usable Depth	Panel Boss Centers			Back Panel Size			Flange Mount Centers		Foot Mount Centers		Cover Size			
	A	B	C		F	S	Z	Ht.	Wid.	P/N	J	I	H	L	K	M	W	U
AMU664CCNL AMU664CCNLF	6.04 153mm	6.26 159mm	4.12 105mm	4.09 103mm	4.25 108mm	4.25 108mm	4.81 122mm	4.81 122mm	PL66 PLA66	4.00 102mm	6.88, 6.75 175, 171mm	4.91 125mm	6.75 171mm	5.89 150mm	5.67 144mm	6.72 171mm	6.50 165mm	
AMU864CCNL AMU864CCNLF	8.06 205mm	6.28 160mm	4.13 105mm	4.11 104mm	6.25 159mm	4.25 108mm	6.75 171mm	4.88 124mm	PL86 PLA86	4.00 102mm	8.88, 8.75 222, 226mm	4.91 125mm	8.75 222mm	5.89 150mm	7.67 195mm	6.72 171mm	8.50 216mm	
AMU1084CCNL AMU1084CCNLF	10.05 255mm	8.27 210mm	4.13 105mm	4.12 105mm	8.25 210mm	6.25 159mm	8.75 222mm	6.88 175mm	PL108 PLA108	6.00 152mm	10.75 273mm	6.91 176mm	10.75 273mm	7.89 200mm	9.67 246mm	8.72 221mm	10.50 267mm	
AMU1206CCNL AMU1206CCNLF	12.05 306mm	10.27 261mm	6.13 156mm	6.12 155mm	10.25 260mm	8.25 210mm	10.75 273mm	8.88 226mm	PL120 PLA120	8.00 203mm	12.75 324mm	8.82 224mm	12.70 323mm	9.89 251mm	11.67 296mm	10.72 272mm	12.50 318mm	
AMU1426CCNL AMU1426CCNLF	14.05 357mm	12.27 312mm	6.13 156mm	6.11 155mm	12.25 311mm	10.25 260mm	12.75 324mm	10.88 276mm	PL142 PLA142	10.01 254mm	14.75, 14.62 375, 371mm	10.82 275mm	14.70 373mm	11.89 302mm	13.67 347mm	12.72 323mm	14.50 368mm	
AMU1648CCNL AMU1648CCNLF	16.05 408mm	14.27 362mm	8.14 207mm	8.09 205mm	14.25 362mm	12.25 311mm	14.75 375mm	12.88 327mm	P164 PA164	12.00 305mm	16.75 425mm	11.47 291mm	16.91 430mm	13.89 353mm	15.67 398mm	14.72 374mm	16.50 419mm	

All dimensions are in inches unless otherwise noted

Data subject to change without notice

"I" dimensions with multiple numbers indicate slotted holes

Enclosure base part numbers come standard with 4 separately bagged feet (ex. AMU664CCNL)

Part numbers with "F" signify factory installed flanges (ex. AMU664CCNLF)

Additional back panels found on page 128



JIC Size Junction Boxes: Twist Latch Hinged Cover

- Solid/Opaque



PRODUCT INFORMATION

Application

- Designed to insulate and protect controls and components in both indoor and outdoor applications often found in oil refineries, waste water treatment equipment, chemical plants, and many other applications
- Especially well suited for high temperature or corrosive environments
- Protects from dirt, dust, oil, and water
- For use with industrial control equipment in ordinary locations

Standards

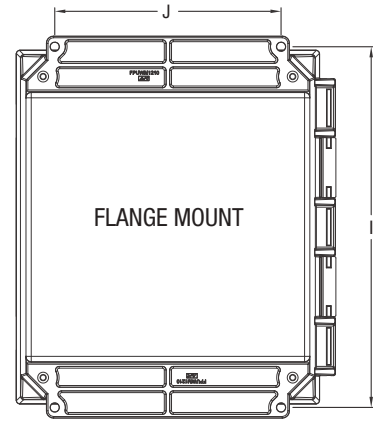
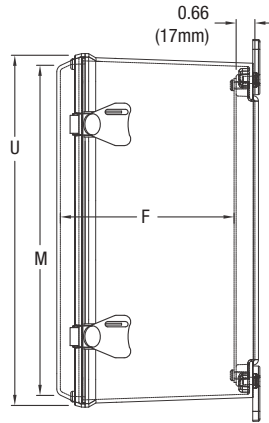
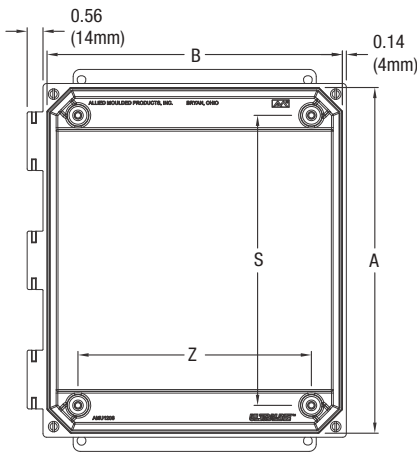
- UL 50 and UL 50E Types 1, 2, 3, 3R, 4, 4X, 12 and 13
- CSA C22.2 No. 94 Types 1, 2, 3, 3R, 4, 4X, 12 and 13
- Complies with:
 - NEMA Types 1, 2, 3, 3R, 4, 4X, 12 and 13
 - IEC 60529 Type IP66
 - RoHS directive

Construction

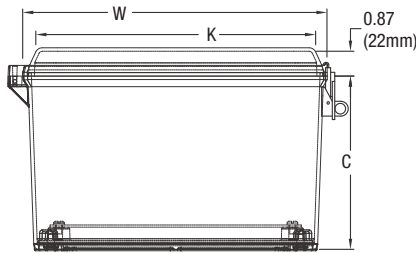
- Compression molded fiberglass reinforced polyester construction with flush, solid/ opaque cover
- Allied Moulded ULTRAGUARD® fiberglass reinforced polyester material formulation - UV stabilized for outdoor use
- Opaque cover, base, feet, flanges – Light gray color (RAL 7035)
- Note: foot models mounting hardware supplied in a bag. Flanged models are pre-assembled*
- 316 stainless steel twist latches feature padlock hasp
- Formed-In-Place (FIP) polyurethane gasket system encased in continuous channel
- 316 stainless steel hinge pin and foot/flange mounting hardware
- #10-32 threaded brass inserts are installed for back panel mounting

Accessories & Modifications

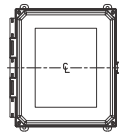
- Optional back panels and hinged front panels
- Custom holes and cutouts
- Custom size polycarbonate viewing windows
- Molded-in color matching
- EMI/RFI shielding
- Factory-supplied silk screening



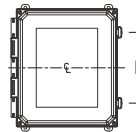
Note: Cover Removed for Clarity



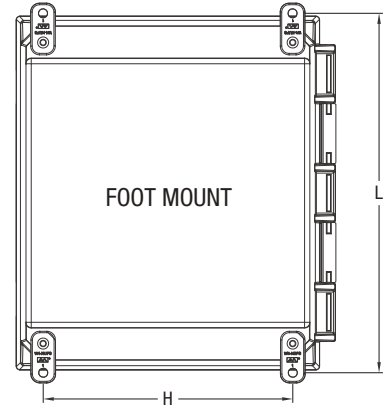
LATCH LOCATIONS



FOR USE ON
6x6x4
8x6x4
10x8x4



FOR USE ON
12x10x6 D=7.50 (191mm)
14x12x6 D=8.00 (203mm)
16x14x8 D=9.00 (229mm)
18x16x10 D=14.56 (370mm)
20x16x10 D=16.81 (427mm)



*Nom. Wall Thickness: .13 (3mm)
16" size: .14 (4mm)
18" & 20" sizes: .19 (5mm)

Part No.	Box Size			Usable Depth	Panel Boss Centers		Back Panel Size			Flange Mount Centers		Foot Mount Centers		Cover Size			
	A	B	C		F	S	Z	Ht.	Wid.	P/N	J	I	H	L	K	M	W
AMU664T AMU664TF	6.04	6.26	4.12	4.09	4.25	4.25	4.81	4.81	PL66 PLA66	4.00	6.88, 6.75	4.91	6.75	5.89	5.67	6.72	6.50
	153mm	159mm	105mm	103mm	108mm	108mm	122mm	122mm		102mm	175, 171mm	125mm	171mm	150mm	144mm	171mm	165mm
AMU864T AMU864TF	8.06	6.28	4.13	4.11	6.25	4.25	6.75	4.88	PL86 PLA86	4.00	8.88, 8.75	4.91	8.75	5.89	7.67	6.72	8.50
	205mm	160mm	105mm	104mm	159mm	108mm	171mm	124mm		102mm	222, 226mm	125mm	222mm	150mm	195mm	171mm	216mm
AMU1084T AMU1084TF	10.05	8.27	4.13	4.12	8.25	6.25	8.75	6.88	PL108 PLA108	6.00	10.75	6.91	10.75	7.89	9.67	8.72	10.50
	255mm	210mm	105mm	105mm	210mm	159mm	222mm	175mm		152mm	273mm	176mm	273mm	200mm	246mm	221mm	267mm
AMU1206T AMU1206TF	12.05	10.27	6.13	6.12	10.25	8.25	10.75	8.88	PL120 PLA120	8.00	12.75	8.82	12.70	9.89	11.67	10.72	12.50
	306mm	261mm	156mm	155mm	260mm	210mm	273mm	226mm		203mm	324mm	224mm	323mm	251mm	296mm	272mm	318mm
AMU1426T AMU1426TF	14.05	12.27	6.13	6.11	12.25	10.25	12.75	10.88	PL142 PLA142	10.01	14.75, 14.62	10.82	14.70	11.89	13.67	12.72	14.50
	357mm	312mm	156mm	155mm	311mm	260mm	324mm	276mm		254mm	375, 371mm	275mm	373mm	302mm	347mm	323mm	368mm
AMU1648T AMU1648TF	16.05	14.27	8.14	8.09	14.25	12.25	14.75	12.88	P164 PA164	12.00	16.75	11.47	16.91	13.89	15.67	14.72	16.50
	408mm	362mm	207mm	205mm	362mm	311mm	375mm	327mm		305mm	425mm	291mm	430mm	353mm	398mm	374mm	419mm
AMU1860T AMU1860TF	18.12	16.34	10.13	10.10	16.26	14.25	16.88	14.88	P186 PA186	12.00	18.88, 18.76	13.72	19.16	16.14	17.92	16.97	18.75
	460mm	415mm	257mm	257mm	413mm	362mm	429mm	378mm		305mm	480, 477mm	348mm	487mm	410mm	455mm	431mm	476mm
AMU2060T AMU2060TF	19.87	16.09	10.14	10.09	17.81	13.81	18.44	14.44	P206 PA206	10.00	21.28	13.16	20.53	15.89	19.67	16.72	20.50
	505mm	409mm	257mm	256mm	452mm	351mm	468mm	367mm		254mm	541mm	334mm	521mm	404mm	500mm	425mm	521mm

All dimensions are in inches unless otherwise noted

Data subject to change without notice

"I" dimensions with multiple numbers indicate slotted holes

Enclosure base part numbers come standard with 4 separately bagged feet (ex. AMU664T)

Part numbers with "F" signify factory installed flanges (ex. AMU664TF)

Additional back panels found on page 128



JIC Size Junction Boxes:

Twist Latch Hinged Cover

- Window



PRODUCT INFORMATION

Application

- Designed to insulate and protect controls and components in both indoor and outdoor applications often found in oil refineries, waste water treatment equipment, chemical plants, and many other applications
- Especially well suited for high temperature or corrosive environments
- Protects from dirt, dust, oil, and water
- For use with industrial control equipment
- Clear/polycarbonate viewing window, used in applications where critical electronic equipment must be visible and protected from the elements

Standards

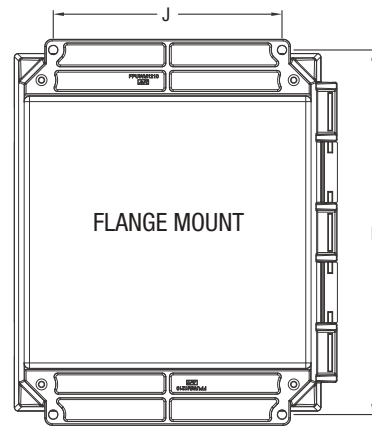
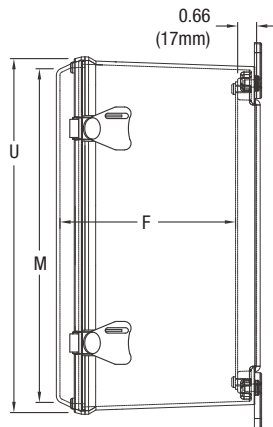
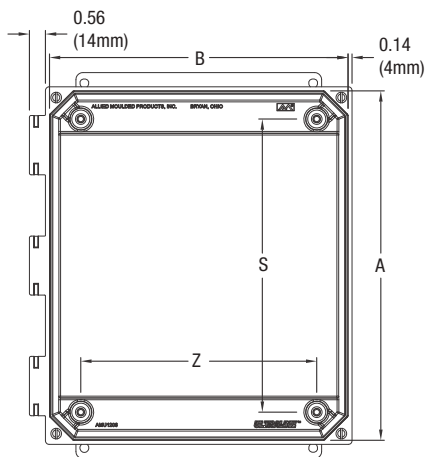
- UL 50 and UL 50E Types 1, 2, 3, 3R, 4, 4X, 12 and 13
- CSA C22.2 No. 94 Types 1, 2, 3, 3R, 4, 4X, 12 and 13
- Complies with:
 - NEMA Types 1, 2, 3, 3R, 4, 4X, 12 and 13
 - IEC 60529 Type IP66
 - RoHS directive

Construction

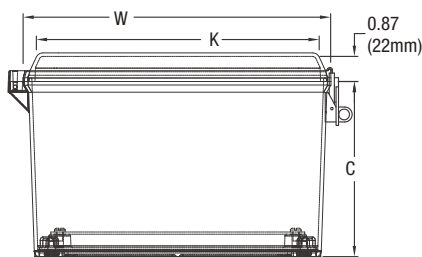
- Compression molded fiberglass reinforced polyester construction with flush, polycarbonate viewing window cover
- Allied Moulded ULTRAGUARD® fiberglass reinforced polyester material formulation - UV stabilized for outdoor use
- Opaque cover, base, padlockable snap latches, feet, flanges – Light gray color (RAL 7035)
Note: foot models mounting hardware supplied in a bag. Flanged models are pre-assembled
- 316 stainless steel twist latches feature padlock hasp
- Formed-In-Place (FIP) polyurethane gasket system encased in continuous channel
- 316 stainless steel hinge pin and foot/flange mounting hardware
- #10-32 threaded brass inserts are installed for back panel mounting

Accessories & Modifications

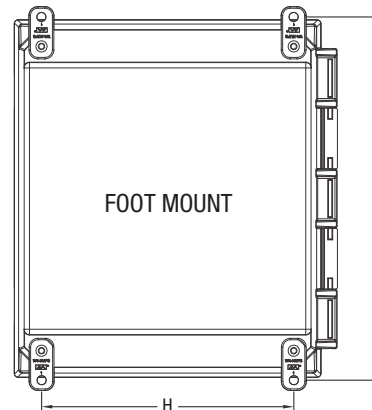
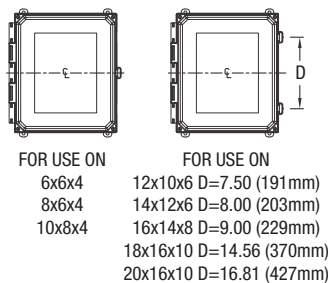
- Optional back panels and hinged front panels
- Custom holes and cutouts
- Molded-in color matching
- EMI/RFI shielding
- Factory-supplied silk screening



Note: Cover Removed for Clarity



LATCH LOCATIONS



*Nom. Wall Thickness: .13 (3mm)
 16" size: .14 (4mm)
 18" & 20" sizes: .19 (5mm)

Part No.	Box Size			Usable Depth	Panel Boss Centers		Back Panel Size			Flange Mount Centers		Foot Mount Centers		Cover Size				Window Dim. (H x W)
	A	B	C		F	S	Z	Ht.	Wid.	P/N	J	I	H	L	K	M	W	
AMU664TW	6.04	6.26	4.13	3.99	4.25	4.25	4.81	4.81	PL66 PLA66	4.00	6.88, 6.75	4.91	6.75	5.89	5.67	6.72	6.50	3.50 x 3.50
AMU664TWF	153mm	159mm	105mm	101mm	108mm	108mm	122mm	122mm		102mm	175, 171mm	125mm	171mm	150mm	144mm	171mm	165mm	89mm x 89mm
AMU864TW	8.06	6.28	4.13	4.00	6.25	4.25	6.75	4.88	PL86 PLA86	4.00	8.88, 8.75	4.91	8.75	5.89	7.67	6.72	8.50	5.25 x 4.00
AMU864TWF	205mm	160mm	105mm	102mm	159mm	108mm	171mm	124mm		102mm	222, 226mm	125mm	222mm	150mm	144mm	171mm	216mm	133mm x 102mm
AMU1084TW	10.05	8.27	4.13	4.00	8.25	6.25	8.75	6.88	PL108 PLA108	6.00	10.75	6.91	10.75	7.89	9.67	8.72	10.50	6.25 x 4.25
AMU1084TWF	255mm	210mm	105mm	102mm	210mm	159mm	222mm	175mm		152mm	273mm	176mm	273mm	200mm	246mm	221mm	267mm	159mm x 108mm
AMU1206TW	12.05	10.27	6.13	6.00	10.25	8.25	10.75	8.88	PL120 PLA120	8.00	12.75	8.82	12.70	9.89	11.67	10.72	12.50	8.38 x 6.50
AMU1206TWF	306mm	261mm	156mm	153mm	260mm	210mm	273mm	226mm		203mm	324mm	224mm	323mm	251mm	296mm	272mm	318mm	213mm x 165mm
AMU1426TW	14.05	12.27	6.13	6.00	12.25	10.25	12.75	10.88	PL142 PLA142	10.01	14.75, 14.62	10.82	14.70	11.89	13.67	12.72	14.50	10.38 x 8.51
AMU1426TWF	357mm	312mm	156mm	152mm	311mm	260mm	324mm	276mm		254mm	375, 371mm	275mm	373mm	302mm	347mm	323mm	368mm	264mm x 216mm
AMU1648TW	16.05	14.27	8.14	7.99	14.25	12.25	14.75	12.88	P164 PA164	12.00	16.75	11.47	16.91	13.89	15.67	14.72	16.50	12.38 x 10.50
AMU1648TWF	408mm	362mm	207mm	203mm	362mm	311mm	375mm	327mm		305mm	425mm	291mm	430mm	353mm	398mm	374mm	419mm	314mm x 267mm
AMU1860TW	18.12	16.34	10.13	10.00	16.26	14.26	16.88	14.88	P186 PA186	12.00	18.88, 18.76	13.72	19.16	16.14	17.92	16.97	18.75	13.00 x 11.00
AMU1860TWF	460mm	415mm	257mm	254mm	413mm	362mm	429mm	378mm		305mm	480, 477mm	348mm	487mm	410mm	455mm	431mm	476mm	330mm x 267mm
AMU2060TW	19.87	16.09	10.14	9.99	17.81	13.81	18.44	14.44	P206 PA206	10.00	21.28	13.16	20.53	15.89	19.67	16.72	20.50	14.00 x 12.00
AMU2060TWF	505mm	409mm	257mm	254mm	452mm	351mm	468mm	367mm		254mm	540mm	334mm	521mm	404mm	500mm	425mm	521mm	356mm x 305mm

All dimensions are in inches unless otherwise noted
 "I" dimensions with multiple numbers indicate slotted holes
 Enclosure base part numbers come standard with 4 separately bagged feet (ex. AMU664TW)
 Part numbers with "F" signify factory installed flanges (ex. AMU664TWF)
 Additional back panels found on page 128

Data subject to change without notice



JIC Size Junction Boxes:

Twist Latch Hinged Cover

- Clear Polycarbonate



PRODUCT INFORMATION

Application

- Designed to insulate and protect controls and components in both indoor and outdoor applications often found in oil refineries, waste water treatment equipment, chemical plants, and many other applications
- Especially well suited for high temperature or corrosive environments
- Protects from dirt, dust, oil, and water
- For use with industrial control equipment
- Clear/polycarbonate instrumentation cover, used in applications where critical electronic equipment must be visible and protected from the elements

Standards

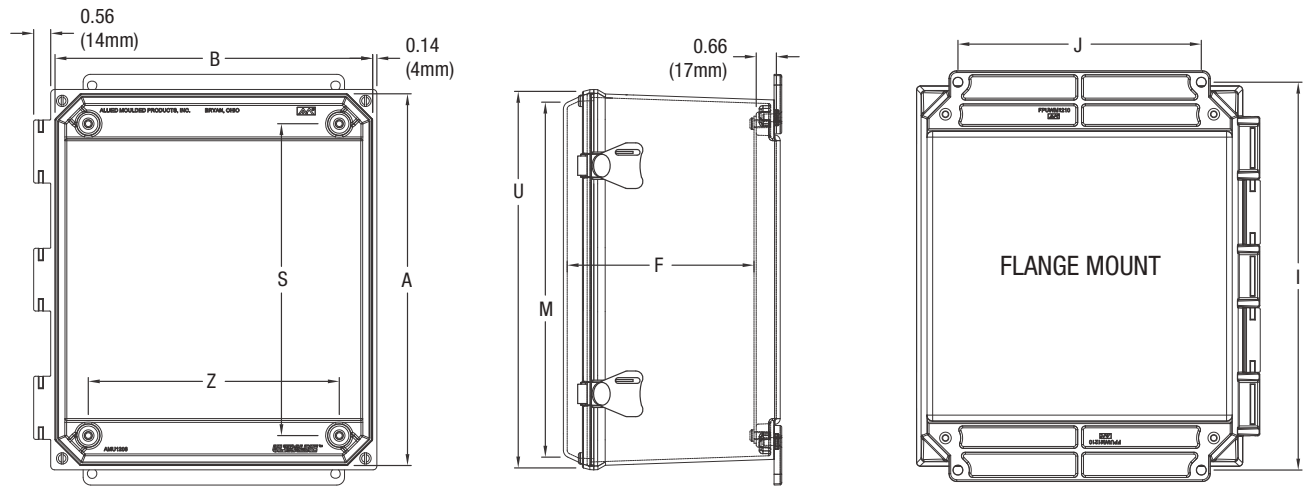
- UL 50 and UL 50E Types 1, 2, 3, 3R, 4, 4X, 12 and 13
- CSA C22.2 No. 94 Types 1, 2, 3, 3R, 4, 4X, 12 and 13
- Complies with:
 - NEMA Types 1, 2, 3, 3R, 4, 4X, 12 and 13
 - IEC 60529 Type IP66
 - RoHS directive

Construction

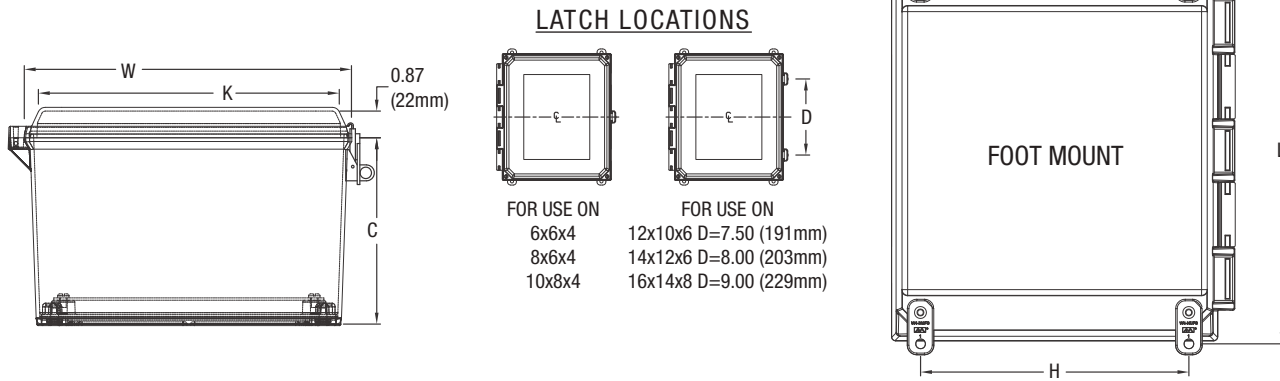
- Compression molded fiberglass reinforced polyester construction with flush, clear polycarbonate cover
- Allied Moulded ULTRAGUARD® fiberglass reinforced polyester material formulation - UV stabilized for outdoor use
- Enclosure base, feet, flanges – Light gray color (RAL 7035)
Note: foot models mounting hardware supplied in a bag. Flanged models are pre-assembled
- 316 stainless steel twist latches feature padlock hasp
- Formed-In-Place (FIP) polyurethane gasket system encased in continuous channel
- 316 stainless steel hinge pin and foot/flange mounting hardware
- #10-32 threaded brass inserts are installed for back panel mounting

Accessories & Modifications

- Optional back panels and hinged front panels
- Custom holes and cutouts
- Molded-in color matching
- EMI/RFI shielding
- Factory-supplied silk screening



Note: Cover Removed for Clarity



*Nom. Wall Thickness: .13 (3mm)
 16" size: .14 (4mm)

Part No.	Box Size			Usable Depth	Panel Boss Centers		Back Panel Size			Flange Mount Centers		Foot Mount Centers		Cover Size			
	A	B	C		F	S	Z	Ht.	Wid.	P/N	J	I	H	L	K	M	W
AMU664CCT AMU664CCTF	6.04 153mm	6.26 159mm	4.12 105mm	4.09 103mm	4.25 108mm	4.25 108mm	4.81 122mm	4.81 122mm	PL66 PLA66	4.00 102mm	6.88, 6.75 175, 171mm	4.91 125mm	6.75 171mm	5.89 150mm	5.67 144mm	6.72 171mm	6.50 165mm
AMU864CCT AMU864CCTF	8.06 205mm	6.28 160mm	4.13 105mm	4.11 104mm	6.25 159mm	4.25 108mm	6.75 171mm	4.88 124mm	PL86 PLA86	4.00 102mm	8.88, 8.75 222, 226mm	4.91 125mm	8.75 222mm	5.89 150mm	7.67 195mm	6.72 171mm	8.50 216mm
AMU1084CCT AMU1084CCTF	10.05 255mm	8.27 210mm	4.13 105mm	4.12 105mm	8.25 210mm	6.25 159mm	8.75 222mm	6.88 175mm	PL108 PLA108	6.00 152mm	10.75 273mm	6.91 176mm	10.75 273mm	7.89 200mm	9.67 246mm	8.72 221mm	10.50 267mm
AMU1206CCT AMU1206CCTF	12.05 306mm	10.27 261mm	6.13 156mm	6.12 155mm	10.25 260mm	8.25 210mm	10.75 273mm	8.88 226mm	PL120 PLA120	8.00 203mm	12.75 324mm	8.82 224mm	12.70 323mm	9.89 251mm	11.67 296mm	10.72 272mm	12.50 318mm
AMU1426CCT AMU1426CCTF	14.05 357mm	12.27 312mm	6.13 156mm	6.11 155mm	12.25 311mm	10.25 260mm	12.75 324mm	10.88 276mm	PL142 PLA142	10.01 254mm	14.75, 14.62 375, 371mm	10.82 275mm	14.70 373mm	11.89 302mm	13.67 347mm	12.72 323mm	14.50 368mm
AMU1648CCT AMU1648CCTF	16.05 408mm	14.27 362mm	8.14 207mm	8.09 205mm	14.25 362mm	12.25 311mm	14.75 375mm	12.88 327mm	P164 PA164	12.00 305mm	16.75 425mm	11.47 291mm	16.91 430mm	13.89 353mm	15.67 398mm	14.72 374mm	16.50 419mm

All dimensions are in inches unless otherwise noted

Data subject to change without notice

"I" dimensions with multiple numbers indicate slotted holes

Enclosure base part numbers come standard with 4 separately bagged feet (ex. AMU664CCT)

Part numbers with "F" signify factory installed flanges (ex. AMU664CCTF)

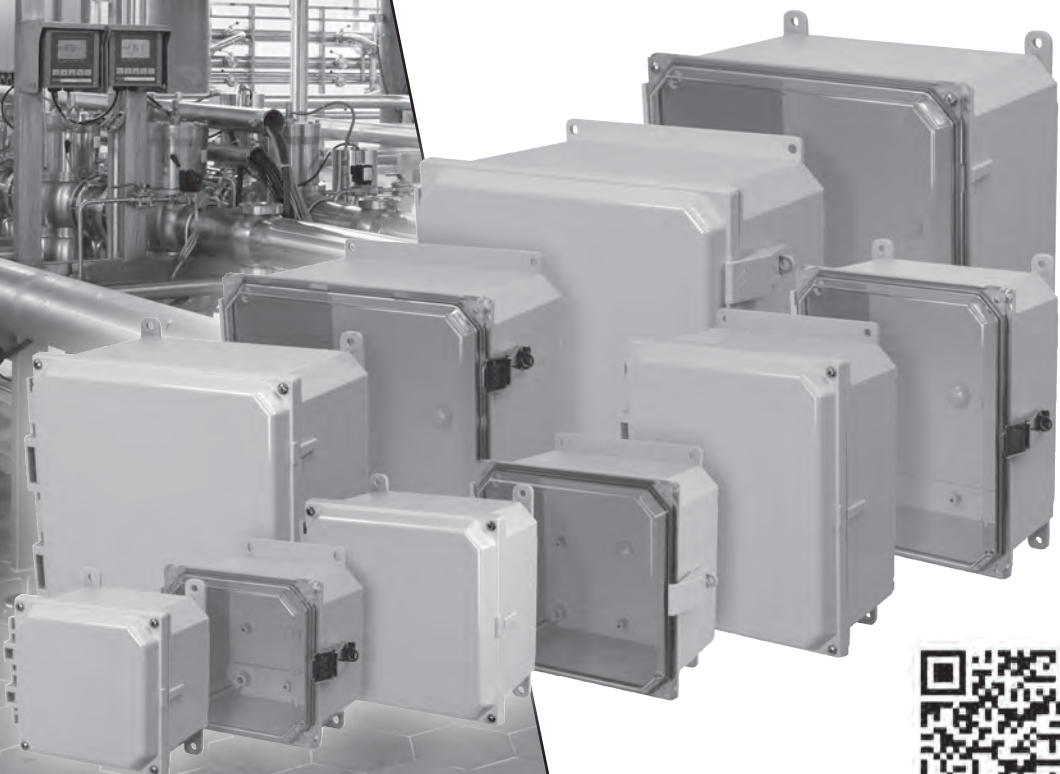
Additional back panels found on page 128



POLYLINE® - POLYCARBONATE

POLYLINE®

The AMP polycarbonate series was developed primarily for general purpose industrial applications as an alternative to steel enclosures. The design of this product group is similar to the ULTRALINE® series and includes a provision for adjustable HFPP (hinged front panel POLYLINE®) position. Additional POLYLINE® options include a clear cover, nonmetallic snap latches, and patented multi-mounting capabilities. Available sizes include 6" x 6" x 4" (152mm x 152mm x 102mm) up through 18" x 16" x 10" (457mm x 406mm x 254mm).



Scan to learn more





AMP Series Features & Benefits

- Engineering grade thermoplastic – injection molded polycarbonate
- Cover to base design - flush, aesthetically pleasing and more modern architecture
- Patented (US Pat. No. 7,572,975) multi-mounting capability
 - Out-of-the-box polycarbonate flange design (factory installed)
 - Optional polycarbonate foot mount brackets for multi-directional mounting (vertical or horizontal positioning)
 - 316 stainless steel foot/flange mounting screws
- Solid opaque or clear polycarbonate cover options
- Partial molded hinges, providing a secure cover-to-base closure with no wall penetrations
- Formed-In-Place (FIP) polyurethane gasket system
- Mounting panel inserts for optional back panel
- UV stabilized for outdoor use

AMP Series Specifications

- Non-corrosive
- Non-conductive
- Standard RAL 7035 light gray color
- Temperature-resistant
- Fire-resistant
- Rated NEMA 1, 2, 3, 3R, 4, 4X, 12 and 13
- UL® listed
- CSA certified
- Compliant with RoHS directive

Accessories

- Back panels available in painted carbon steel, or aluminum
- Optional hinged front panels
- ULTRAPLUG® hole plugs
- Pole mount kits
- HMI cover kits
- Inspection windows

Modifications

We are pleased to modify any of our standard products to fit your needs with:

- Custom holes and cutouts
- EMI/RFI shielding
- Factory-supplied silk screening

For complete details on factory modifications including a modification request form, see pages 142-144.

www.alliedmoulded.com

JIC Size Junction Boxes:

Lift-Off Screw Cover

- Solid/Opaque



PRODUCT INFORMATION

Application

- Designed to insulate and protect controls and components in both indoor and outdoor applications often found in industrial control panels, pump controls/waste water treatment, irrigation/water control, solar/wind, and chemical plants
- Light weight, impact resistant and good corrosion resistance for many industrial enclosure applications and a great alternative to metallic enclosures
- Protects from dirt, dust, and water

Standards

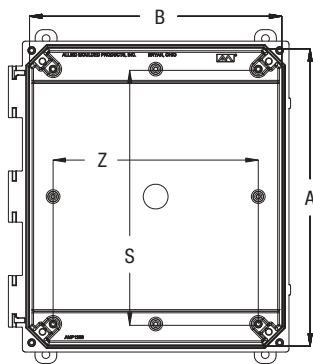
- UL 50 and UL 50E Types 1, 2, 3, 3R, 4, 4X, (6P for sizes 6" x 6" up through 14" x 12"), 12 and 13
- CSA C22.2 No. 94 Types 1, 2, 3, 3R, 4, 4X, (6P for sizes 6" x 6" up through 14" x 12"), 12 and 13
- Complies with:
 - NEMA Types 1, 2, 3, 3R, 4, 4X, (6P for sizes 6" x 6" up through 14" x 12"), 12 and 13
 - IEC 60529 Type IP68 submersible up to 24 hours at a depth of 6 feet (1.8 meters)
 - RoHS directive

Construction

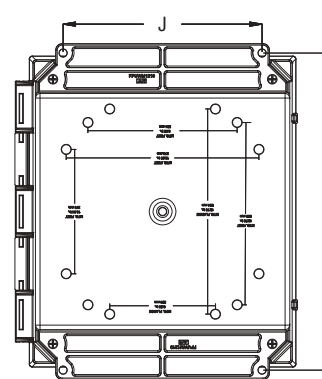
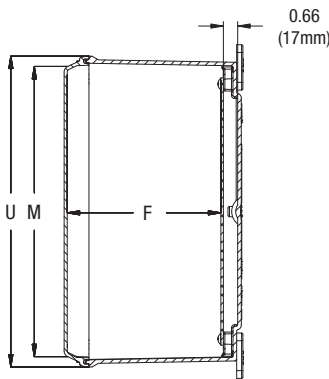
- Injection molded polycarbonate thermoplastic construction with flush, solid/opaque cover
- Opaque cover, base, feet, flanges – Light gray color (RAL 7035)
Note: foot models mounting hardware supplied in a bag. Flanged models are pre-assembled
- 316 stainless steel captive cover screws
- Formed-In-Place (FIP) polyurethane gasket system encased in continuous channel
- 316 stainless steel foot/flange mounting hardware
- Polycarbonate hinge clips (16" & 18" sizes)
- #10-32 threaded brass inserts are installed for optional back panel mounting

Accessories & Modifications

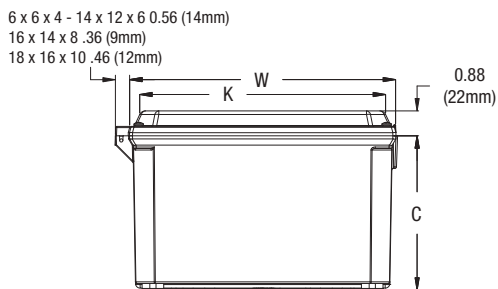
- Optional back panels and hinged front panels
- Custom holes and cutouts
- EMI/RFI shielding
- Optional foot/flange mounting hardware
- Additional molded-in mounting bosses available for directly mounting DIN rails
- Factory-supplied silk screening



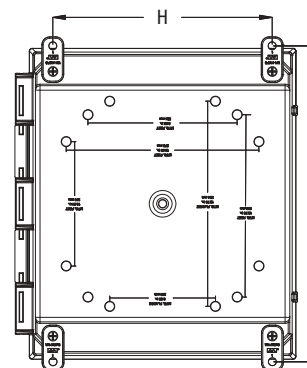
NOTE: COVER REMOVED FOR CLARITY



FLANGE MOUNT



*Nom. Wall Thickness: .14 (4mm)
14" thru 18" sizes: .19 (5mm)



FOOT MOUNT

Part No.	Box Size			Usable Depth F	Panel Boss Centers		Back Panel Size			Flange Mount Centers		Foot Mount Centers		Cover Size			
	A	B	C		S	Z	Ht.	Wid.	P/N	J	I	H	L	K	M	W	U
AMP664 AMP664F	6.03	6.26	4.08	4.06	4.25	4.25	4.81	4.81	PL66 PLA66	4.00	6.88, 6.75	4.91	6.75	5.89	5.67	6.72	6.50
	153mm	159mm	104mm	103mm	108mm	108mm	122mm	122mm		102mm	175, 171mm	125mm	171mm	150mm	144mm	171mm	165mm
AMP864 AMP864F	7.94	6.16	4.08	4.06	6.25	4.25	6.75	4.88	PL86 PLA86	4.00	8.88, 8.75	4.91	8.75	5.89	7.67	6.72	8.50
	202mm	156mm	104mm	103mm	159mm	108mm	171mm	124mm		102mm	226, 222mm	125mm	222mm	150mm	195mm	171mm	216mm
AMP884 AMP884F	7.94	8.16	4.08	4.06	6.25	6.25	6.75	6.88	PL88 PLA88	6.00	8.75	6.91	8.75	7.89	7.67	8.72	8.50
	202mm	207mm	104mm	103mm	159mm	159mm	171mm	175mm		152mm	222mm	175mm	222mm	200mm	195mm	221mm	216mm
AMP1082 AMP1082F	9.93	8.15	2.70	2.68	8.25	6.25	8.75	6.88	PL108 PLA108	6.00	10.75	6.91	10.75	7.89	9.67	8.72	10.50
	252mm	207mm	69mm	68mm	210mm	159mm	222mm	175mm		152mm	273mm	175mm	273mm	200mm	246mm	221mm	267mm
AMP1084 AMP1084F	9.93	8.15	4.08	4.06	8.25	6.25	8.75	6.88	PL108 PLA108	6.00	10.75	6.91	10.75	7.89	9.67	8.72	10.50
	252mm	207mm	104mm	103mm	210mm	159mm	222mm	175mm		152mm	273mm	175mm	273mm	200mm	246mm	221mm	267mm
★ AMP1086 AMP1086F	9.93	8.15	5.98	6.18	8.25	6.25	8.75	6.88	PL108 PLA108	6.00	10.75	6.91	10.75	7.89	9.67	8.72	10.50
	252mm	207mm	152mm	157mm	210mm	159mm	222mm	175mm		152mm	273mm	175mm	273mm	200mm	246mm	221mm	267mm
AMP1204 AMP1204F	11.93	10.15	4.08	4.16	10.25	8.25	10.75	8.88	PL120 PLA120	8.00	12.75	8.82	12.70	9.89	11.67	10.72	12.50
	303mm	258mm	104mm	106mm	260mm	210mm	273mm	225mm		203mm	324mm	224mm	323mm	251mm	296mm	272mm	318mm
AMP1206 AMP1206F	11.93	10.15	6.08	6.06	10.25	8.25	10.75	8.88	PL120 PLA120	8.00	12.75	8.82	12.70	9.89	11.67	10.72	12.50
	303mm	258mm	154mm	154mm	260mm	210mm	273mm	225mm		203mm	324mm	224mm	323mm	251mm	296mm	272mm	318mm
AMP1426 AMP1426F	13.85	12.07	6.13	5.99	12.25	10.25	12.75	10.88	PL142 PLA142	10.01	14.75, 14.62	10.82	14.70	11.89	13.67	12.72	14.50
	352mm	307mm	156mm	152mm	311mm	260mm	324mm	276mm		254mm	375, 371mm	275mm	373mm	302mm	347mm	323mm	368mm
AMP1648 AMP1648F	15.98	13.98	8.00	8.27	14.25	12.25	14.75	12.88	P164 PA164	12.00	17.75	11.47	17.91	13.68	15.63	15.04	17.23
	406mm	355mm	203mm	210mm	362mm	311mm	375mm	327mm		305mm	451mm	291mm	455mm	347mm	397mm	382mm	438mm
AMP1860 AMP1860F	18.04	16.04	10.00	10.27	16.22	14.25	16.88	14.88	P186 PA186	12.00	19.63, 19.51	13.72	19.91	15.68	17.68	17.10	19.28
	458mm	407mm	254mm	261mm	412mm	362mm	429mm	378mm		305mm	499, 496mm	349mm	506mm	398mm	454mm	434mm	490mm

All dimensions are in inches unless otherwise noted

"I" dimensions with multiple numbers indicate slotted holes

All sizes 6" x 6" x 4" up through 14" x 12" x 6" are rated 6P (IP68)

Enclosure base part numbers come standard with 4 separately bagged feet (ex. AMP664)

Part numbers with "F" signify factory installed flanges (ex. AMP664F)

Back panel specifications found on page 130

★ Coming Q4 - 2016

Data subject to change without notice



JIC Size Junction Boxes:

Lift-Off Screw Cover

- **Clear Polycarbonate**



PRODUCT INFORMATION

Application

- Designed to insulate and protect controls and components in both indoor and outdoor applications often found in industrial control panels, pump controls/waste water treatment, irrigation/water control, solar/wind, and chemical plants
- Light weight, impact resistant and good corrosion resistance for many industrial enclosure applications and a great alternative to metallic enclosures
- Protects from dirt, dust, and water

Standards

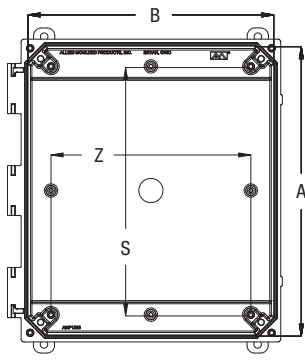
- UL 50 and UL 50E Types 1, 2, 3, 3R, 4, 4X, (6P for sizes 6" x 6" up through 14" x 12"), 12 and 13
- CSA C22.2 No. 94 Types 1, 2, 3, 3R, 4, 4X, (6P for sizes 6" x 6" up through 14" x 12"), 12 and 13
- Complies with:
 - NEMA Types 1, 2, 3, 3R, 4, 4X, (6P for sizes 6" x 6" up through 14" x 12"), 12 and 13
 - IEC 60529 Type IP68 submersible up to 24 hours at a depth of 6 feet (1.8 meters)
 - RoHS directive

Construction

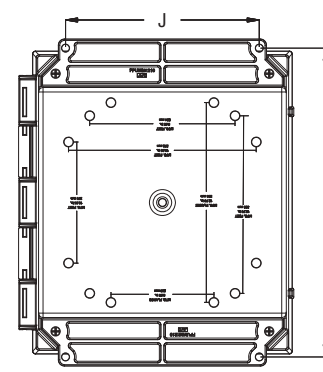
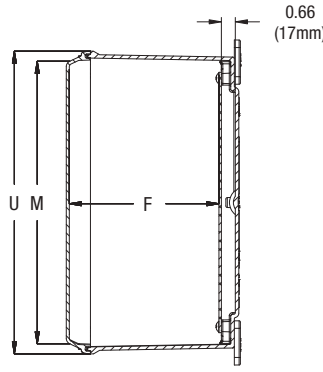
- Injection molded polycarbonate thermoplastic construction with flush, clear polycarbonate cover
- Enclosure base, feet, flanges – Light gray color (RAL 7035)
Note: foot models mounting hardware supplied in a bag. Flanged models are pre-assembled
- 316 stainless steel captive cover screws
- Formed-In-Place (FIP) polyurethane gasket system encased in continuous channel
- 316 stainless steel foot/flange mounting hardware
- Polycarbonate hinge clips (16" & 18" sizes)
- #10-32 threaded brass inserts are installed for optional back panel mounting

Accessories & Modifications

- Optional back panels and hinged front panels
- Custom holes and cutouts
- EMI/RFI shielding
- Optional foot/flange mounting hardware
- Additional molded-in mounting bosses available for directly mounting DIN rails
- Factory-supplied silk screening

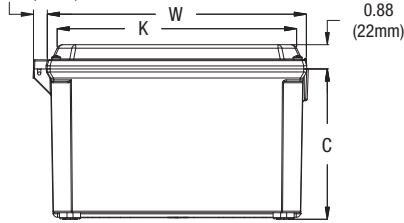


NOTE: COVER REMOVED FOR CLARITY

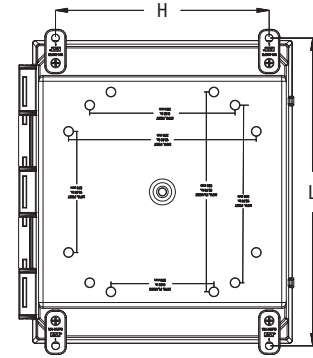


FLANGE MOUNT

6 x 6 x 4 - 14 x 12 x 6 0.56 (14mm)
16 x 14 x 8 .36 (9mm)
18 x 16 x 10 .46 (12mm)



*Nom. Wall Thickness: .14 (4mm)
14" thru 18" sizes: .19 (5mm)



FOOT MOUNT

Part No.	Box Size			Usable Depth	Panel Boss Centers			Back Panel Size			Flange Mount Centers		Foot Mount Centers		Cover Size			
	A	B	C		F	S	Z	Ht.	Wid.	P/N	J	I	H	L	K	M	W	U
AMP664CC AMP664CCF	6.03 153mm	6.26 159mm	4.08 104mm	4.06 103mm	4.25 108mm	4.25 108mm	4.81 122mm	4.81 122mm	PL66 PLA66	4.00 102mm	6.88, 6.75 175, 171mm	4.91 125mm	6.75 171mm	5.89 150mm	5.67 144mm	6.72 171mm	6.50 165mm	
AMP864CC AMP864CCF	7.94 202mm	6.16 156mm	4.08 104mm	4.06 103mm	6.25 159mm	4.25 108mm	6.75 171mm	4.88 124mm	PL86 PLA86	4.00 102mm	8.88, 8.75 226, 222mm	4.91 125mm	8.75 222mm	5.89 150mm	7.67 195mm	6.72 171mm	8.50 216mm	
AMP884CC AMP884CCF	7.94 202mm	8.16 207mm	4.08 104mm	4.06 103mm	6.25 159mm	6.25 159mm	6.75 171mm	6.88 175mm	PL88 PLA88	6.00 152mm	8.75 222mm	6.91 175mm	8.75 222mm	7.89 200mm	7.67 195mm	8.72 221mm	8.50 216mm	
AMP1082CC AMP1082CCF	9.93 252mm	8.15 207mm	2.70 69mm	2.68 68mm	8.25 210mm	6.25 159mm	8.75 222mm	6.88 175mm	PL108 PLA108	6.00 152mm	10.75 273mm	6.91 175mm	10.75 273mm	7.89 200mm	9.67 246mm	8.72 221mm	10.50 267mm	
AMP1084CC AMP1084CCF	9.93 252mm	8.15 207mm	4.08 104mm	4.06 103mm	8.25 210mm	6.25 159mm	8.75 222mm	6.88 175mm	PL108 PLA108	6.00 152mm	10.75 273mm	6.91 175mm	10.75 273mm	7.89 200mm	9.67 246mm	8.72 221mm	10.50 267mm	
★AMP1086CC AMP1086CCF	9.93 252mm	8.15 207mm	5.98 152mm	6.18 157mm	8.25 210mm	6.25 159mm	8.75 222mm	6.88 175mm	PL108 PLA108	6.00 152mm	10.75 273mm	6.91 175mm	10.75 273mm	7.89 200mm	9.67 246mm	8.72 221mm	10.50 267mm	
AMP1204CC AMP1204CCF	11.93 303mm	10.15 258mm	4.08 104mm	4.16 106mm	10.25 260mm	8.25 210mm	10.75 273mm	8.88 225mm	PL120 PLA120	8.00 203mm	12.75 324mm	8.82 224mm	12.70 323mm	9.89 251mm	11.67 296mm	10.72 272mm	12.50 318mm	
AMP1206CC AMP1206CCF	11.93 303mm	10.15 258mm	6.08 154mm	6.06 154mm	10.25 260mm	8.25 210mm	10.75 273mm	8.88 225mm	PL120 PLA120	8.00 203mm	12.75 324mm	8.82 224mm	12.70 323mm	9.89 251mm	11.67 296mm	10.72 272mm	12.50 318mm	
AMP1426CC AMP1426CCF	13.85 352mm	12.07 307mm	6.13 156mm	5.99 152mm	12.25 311mm	10.25 260mm	12.75 324mm	10.88 276mm	PL142 PLA142	10.01 254mm	14.75, 14.62 375, 371mm	10.82 275mm	14.70 373mm	11.89 302mm	13.67 347mm	12.72 323mm	14.50 368mm	
AMP1648CC AMP1648CCF	15.98 406mm	13.98 355mm	8.00 203mm	8.27 210mm	14.25 362mm	12.25 311mm	14.75 375mm	12.88 327mm	P164 PA164	12.00 305mm	17.75 451mm	11.47 291mm	17.91 455mm	13.68 347mm	15.63 397mm	15.04 382mm	17.23 438mm	
AMP1860CC AMP1860CCF	18.04 458mm	16.04 407mm	10.00 254mm	10.27 261mm	16.22 412mm	14.25 362mm	16.88 429mm	14.88 378mm	P186 PA186	12.00 305mm	19.63, 19.51 499, 496mm	13.72 349mm	19.91 506mm	15.68 398mm	17.68 454mm	17.10 434mm	19.28 490mm	

All dimensions are in inches unless otherwise noted

Data subject to change without notice

"I" dimensions with multiple numbers indicate slotted holes

All sizes 6" x 6" x 4" up through 14" x 12" x 6" are rated 6P (IP68)

Enclosure base part numbers come standard with 4 separately bagged feet (ex. AMP664CC)

Part numbers with "F" signify factory installed flanges (ex. AMP664CCF)

Back panel specifications found on page 130

★Coming Q4 - 2016



JIC Size Junction Boxes: Hinged Screw Cover

- Solid/Opaque



PRODUCT INFORMATION

Application

- Designed to insulate and protect controls and components in both indoor and outdoor applications often found in industrial control panels, pump controls/waste water treatment, irrigation/water control, solar/wind, and chemical plants
- Light weight, impact resistant and good corrosion resistance for many industrial enclosure applications and a great alternative to metallic enclosures
- Protects from dirt, dust, and water

Standards

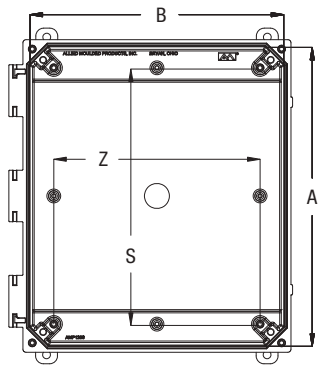
- UL 50 and UL 50E Types 1, 2, 3, 3R, 4, 4X, 12 and 13
- CSA C22.2 No. 94 Types 1, 2, 3, 3R, 4, 4X, 12 and 13
- Complies with:
 - NEMA Types 1, 2, 3, 3R, 4, 4X, 12 and 13
 - IEC 60529 Type IP66
 - RoHS directive

Construction

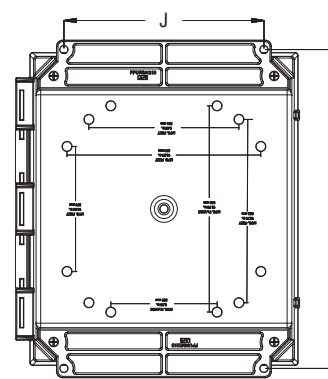
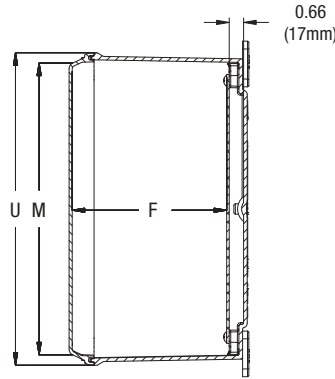
- Injection molded polycarbonate thermoplastic construction with flush, solid/opaque cover
- Opaque cover, base, feet, flanges – Light gray color (RAL 7035)
Note: foot models mounting hardware supplied in a bag. Flanged models are pre-assembled
- 316 stainless steel captive cover screws
- Formed-In-Place (FIP) polyurethane gasket system encased in continuous channel
- 316 stainless steel foot/flange mounting hardware
- 316 stainless steel hinge pin (6" – 14" sizes)
- Polycarbonate hinge clips (16" & 18" sizes)
- #10-32 threaded brass inserts are installed for optional back panel mounting

Accessories & Modifications

- Optional back panels and hinged front panels
- Custom holes and cutouts
- EMI/RFI shielding
- Optional foot/flange mounting hardware
- Additional molded-in mounting bosses available for directly mounting DIN rails
- Factory-supplied silk screening

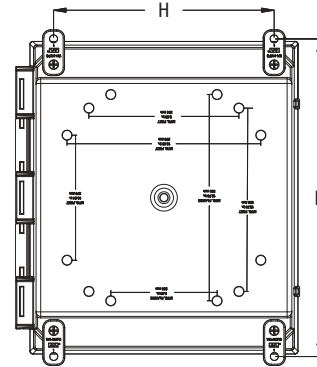
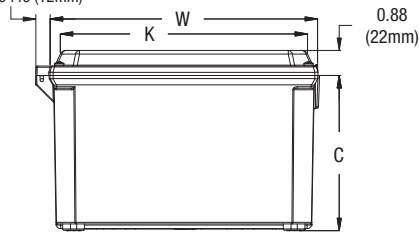


NOTE: COVER REMOVED FOR CLARITY



FLANGE MOUNT

6 x 6 x 4 - 14 x 12 x 6 0.56 (14mm)
16 x 14 x 8 .36 (9mm)
18 x 16 x 10 .46 (12mm)



FOOT MOUNT

*Nom. Wall Thickness: .14 (4mm)
14" thru 18" sizes: .19 (5mm)

Part No.	Box Size			Usable Depth	Panel Boss Centers			Back Panel Size			Flange Mount Centers		Foot Mount Centers		Cover Size			
	A	B	C		F	S	Z	Ht.	Wid.	P/N	J	I	H	L	K	M	W	U
AMP664H	6.03	6.26	4.08	4.06	4.25	4.25	4.81	4.81	PL66 PLA66	4.00	6.88, 6.75	4.91	6.75	5.89	5.67	6.72	6.50	
AMP664HF	153mm	159mm	104mm	103mm	108mm	108mm	122mm	122mm		102mm	175, 171mm	125mm	171mm	150mm	144mm	171mm	165mm	
AMP864H	7.94	6.16	4.08	4.06	6.25	4.25	6.75	4.88	PL86 PLA86	4.00	8.88, 8.75	4.91	8.75	5.89	7.67	6.72	8.50	
AMP864HF	202mm	156mm	104mm	103mm	159mm	108mm	171mm	124mm		102mm	226, 222mm	125mm	222mm	150mm	195mm	171mm	216mm	
AMP884H	7.94	8.16	4.08	4.06	6.25	6.25	6.75	6.88	PL88 PLA88	6.00	8.75	6.91	8.75	7.89	7.67	8.72	8.50	
AMP884HF	202mm	207mm	104mm	103mm	159mm	159mm	171mm	175mm		152mm	222mm	175mm	222mm	200mm	195mm	221mm	216mm	
AMP1082H	9.93	8.15	2.70	2.68	8.25	6.25	8.75	6.88	PL108 PLA108	6.00	10.75	6.91	10.75	7.89	9.67	8.72	10.50	
AMP1082HF	252mm	207mm	69mm	68mm	210mm	159mm	222mm	175mm		152mm	273mm	175mm	273mm	200mm	246mm	221mm	267mm	
AMP1084H	9.93	8.15	4.08	4.06	8.25	6.25	8.75	6.88	PL108 PLA108	6.00	10.75	6.91	10.75	7.89	9.67	8.72	10.50	
AMP1084HF	252mm	207mm	104mm	103mm	210mm	159mm	222mm	175mm		152mm	273mm	175mm	273mm	200mm	246mm	221mm	267mm	
★AMP1086H	9.93	8.15	5.98	6.18	8.25	6.25	8.75	6.88	PL108 PLA108	6.00	10.75	6.91	10.75	7.89	9.67	8.72	10.50	
AMP1086HF	252mm	207mm	152mm	157mm	210mm	159mm	222mm	175mm		152mm	273mm	175mm	273mm	200mm	246mm	221mm	267mm	
AMP1204H	11.93	10.15	4.08	4.16	10.25	8.25	10.75	8.88	PL120 PLA120	8.00	12.75	8.82	12.70	9.89	11.67	10.72	12.50	
AMP1204HF	303mm	258mm	104mm	106mm	260mm	210mm	273mm	225mm		203mm	324mm	224mm	323mm	251mm	296mm	272mm	318mm	
AMP1206H	11.93	10.15	6.08	6.06	10.25	8.25	10.75	8.88	PL120 PLA120	8.00	12.75	8.82	12.70	9.89	11.67	10.72	12.50	
AMP1206HF	303mm	258mm	154mm	154mm	260mm	210mm	273mm	225mm		203mm	324mm	224mm	323mm	251mm	296mm	272mm	318mm	
AMP1426H	13.85	12.07	6.13	5.99	12.25	10.25	12.75	10.88	PL142 PLA142	10.01	14.75, 14.62	10.82	14.70	11.89	13.67	12.72	14.50	
AMP1426HF	352mm	307mm	156mm	152mm	311mm	260mm	324mm	276mm		254mm	375, 371mm	275mm	373mm	302mm	347mm	323mm	368mm	
AMP1648H	15.98	13.98	8.00	8.27	14.25	12.25	14.75	12.88	P164 PA164	12.00	17.75	11.47	17.91	13.68	15.63	15.04	17.23	
AMP1648HF	406mm	355mm	203mm	210mm	362mm	311mm	375mm	327mm		305mm	451mm	291mm	455mm	347mm	397mm	382mm	438mm	
AMP1860H	18.04	16.04	10.00	10.27	16.22	14.25	16.88	14.88	P186 PA186	12.00	19.63, 19.51	13.72	19.91	15.68	17.68	17.10	19.28	
AMP1860HF	458mm	407mm	254mm	261mm	412mm	362mm	429mm	378mm		305mm	499, 496mm	349mm	506mm	398mm	454mm	434mm	490mm	

All dimensions are in inches unless otherwise noted
"I" dimensions with multiple numbers indicate slotted holes

Data subject to change without notice

Enclosure base part numbers come standard with 4 separately bagged feet (ex. AMP664H)

Part numbers with "F" signify factory installed flanges (ex. AMP664HF)

Back panel specifications found on page 130

★Coming Q4 - 2016



JIC Size Junction Boxes: Hinged Screw Cover

- **Clear Polycarbonate**



PRODUCT INFORMATION

Application

- Designed to insulate and protect controls and components in both indoor and outdoor applications often found in industrial control panels, pump controls/waste water treatment, irrigation/water control, solar/wind, and chemical plants
- Light weight, impact resistant and good corrosion resistance for many industrial enclosure applications and a great alternative to metallic enclosures
- Protects from dirt, dust, and water

Standards

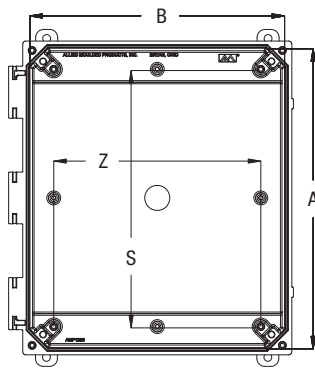
- UL 50 and UL 50E Types 1, 2, 3, 3R, 4, 4X, 12 and 13
- CSA C22.2 No. 94 Types 1, 2, 3, 3R, 4, 4X, 12 and 13
- Complies with:
 - NEMA Types 1, 2, 3, 3R, 4, 4X, 12 and 13
 - IEC 60529 Type IP66
 - RoHS directive

Construction

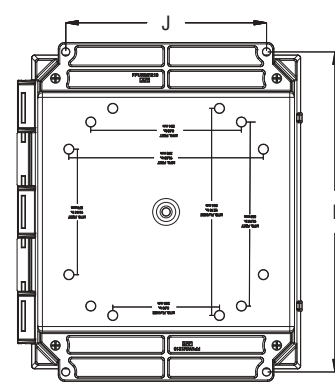
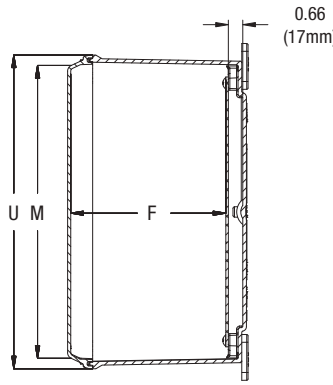
- Injection molded polycarbonate thermoplastic construction with flush, clear polycarbonate cover
- Enclosure base, feet, flanges – Light gray color (RAL 7035)
Note: foot models mounting hardware supplied in a bag. Flanged models are pre-assembled
- 316 stainless steel captive cover screws
- Formed-In-Place (FIP) polyurethane gasket system encased in continuous channel
- 316 stainless steel foot/flange mounting hardware
- 316 stainless steel hinge pin (6" – 14" sizes)
- Polycarbonate hinge clips (16" & 18" sizes)
- #10-32 threaded brass inserts are installed for optional back panel mounting

Accessories & Modifications

- Optional back panels and hinged front panels
- Custom holes and cutouts
- EMI/RFI shielding
- Optional foot/flange mounting hardware
- Additional molded-in mounting bosses available for directly mounting DIN rails
- Factory-supplied silk screening

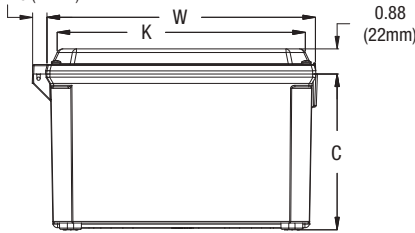


NOTE: COVER REMOVED FOR CLARITY

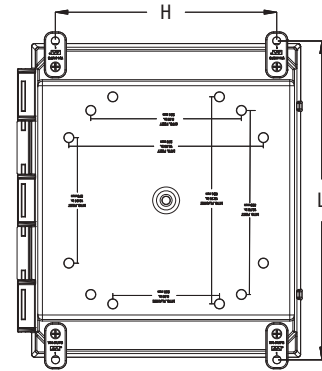


FLANGE MOUNT

6 x 6 x 4 - 14 x 12 x 6 0.56 (14mm)
16 x 14 x 8 .36 (9mm)
18 x 16 x 10 .46 (12mm)



*Nom. Wall Thickness: .14 (4mm)
14" thru 18" sizes: .19 (5mm)



FOOT MOUNT

Part No.	Box Size			Usable Depth	Panel Boss Centers			Back Panel Size			Flange Mount Centers		Foot Mount Centers		Cover Size			
	A	B	C		F	S	Z	Ht.	Wid.	P/N	J	I	H	L	K	M	W	U
AMP664CCH	6.03	6.26	4.08	4.06	4.25	4.25	4.81	4.81	PL66	4.00	6.88, 6.75	4.91	6.75	5.89	5.67	6.72	6.50	
AMP664CCHF	153mm	159mm	104mm	103mm	108mm	108mm	122mm	122mm	PLA66	102mm	175, 171mm	125mm	171mm	150mm	144mm	171mm	165mm	
AMP864CCH	7.94	6.16	4.08	4.06	6.25	4.25	6.75	4.88	PL86	4.00	8.88, 8.75	4.91	8.75	5.89	7.67	6.72	8.50	
AMP864CCHF	202mm	156mm	104mm	103mm	159mm	108mm	171mm	124mm	PLA86	102mm	226, 222mm	125mm	222mm	150mm	195mm	171mm	216mm	
AMP884CCH	7.94	8.16	4.08	4.06	6.25	6.25	6.75	6.88	PL88	6.00	8.75	6.91	8.75	7.89	7.67	8.72	8.50	
AMP884CCHF	202mm	207mm	104mm	103mm	159mm	159mm	171mm	175mm	PLA88	152mm	222mm	175mm	222mm	200mm	195mm	221mm	216mm	
AMP1082CCH	9.93	8.15	2.70	2.68	8.25	6.25	8.75	6.88	PL108	6.00	10.75	6.91	10.75	7.89	9.67	8.72	10.50	
AMP1082CCHF	252mm	207mm	69mm	68mm	210mm	159mm	222mm	175mm	PLA108	152mm	273mm	175mm	273mm	200mm	246mm	221mm	267mm	
AMP1084CCH	9.93	8.15	4.08	4.06	8.25	6.25	8.75	6.88	PL108	6.00	10.75	6.91	10.75	7.89	9.67	8.72	10.50	
AMP1084CCHF	252mm	207mm	104mm	103mm	210mm	159mm	222mm	175mm	PLA108	152mm	273mm	175mm	273mm	200mm	246mm	221mm	267mm	
★AMP1086CCH	9.93	8.15	5.98	6.18	8.25	6.25	8.75	6.88	PL108	6.00	10.75	6.91	10.75	7.89	9.67	8.72	10.50	
AMP1086CCHF	252mm	207mm	152mm	157mm	210mm	159mm	222mm	175mm	PLA108	152mm	273mm	175mm	273mm	200mm	246mm	221mm	267mm	
AMP1204CCH	11.93	10.15	4.08	4.16	10.25	8.25	10.75	8.88	PL120	8.00	12.75	8.82	12.70	9.89	11.67	10.72	12.50	
AMP1204CCHF	303mm	258mm	104mm	106mm	260mm	210mm	273mm	225mm	PLA120	203mm	324mm	224mm	323mm	251mm	296mm	272mm	318mm	
AMP1206CCH	11.93	10.15	6.08	6.06	10.25	8.25	10.75	8.88	PL120	8.00	12.75	8.82	12.70	9.89	11.67	10.72	12.50	
AMP1206CCHF	303mm	258mm	154mm	154mm	260mm	210mm	273mm	225mm	PLA120	203mm	324mm	224mm	323mm	251mm	296mm	272mm	318mm	
AMP1426CCH	13.85	12.07	6.13	5.99	12.25	10.25	12.75	10.88	PL142	10.01	14.75, 14.62	10.82	14.70	11.89	13.67	12.72	14.50	
AMP1426CCHF	352mm	307mm	156mm	152mm	311mm	260mm	324mm	276mm	PLA142	254mm	375, 371mm	275mm	373mm	302mm	347mm	323mm	368mm	
AMP1648CCH	15.98	13.98	8.00	8.27	14.25	12.25	14.75	12.88	P164	12.00	17.75	11.47	17.91	13.68	15.63	15.04	17.23	
AMP1648CCHF	406mm	355mm	203mm	210mm	362mm	311mm	375mm	327mm	PA164	305mm	451mm	291mm	455mm	347mm	397mm	382mm	438mm	
AMP1860CCH	18.04	16.04	10.00	10.27	16.22	14.25	16.88	14.88	P186	12.00	19.63, 19.51	13.72	19.91	15.68	17.68	17.10	19.28	
AMP1860CCHF	458mm	407mm	254mm	261mm	412mm	362mm	429mm	378mm	PA186	305mm	499, 496mm	349mm	506mm	398mm	454mm	434mm	490mm	

All dimensions are in inches unless otherwise noted
"I" dimensions with multiple numbers indicate slotted holes

Data subject to change without notice

Enclosure base part numbers come standard with 4 separately bagged feet (ex. AMP664CCH)

Part numbers with "F" signify factory installed flanges (ex. AMP664CCHF)

Back panel specifications found on page 130

★Coming Q4 - 2016



JIC Size Junction Boxes: Nonmetal Snap Latch Hinged Cover

- Solid/Opaque



PRODUCT INFORMATION

Application

- Designed to insulate and protect controls and components in both indoor and outdoor applications often found in industrial control panels, pump controls/waste water treatment, irrigation/water control, solar/wind, and chemical plants
- Light weight, impact resistant and good corrosion resistance for many industrial enclosure applications and a great alternative to metallic enclosures
- Protects from dirt, dust, and water

Standards

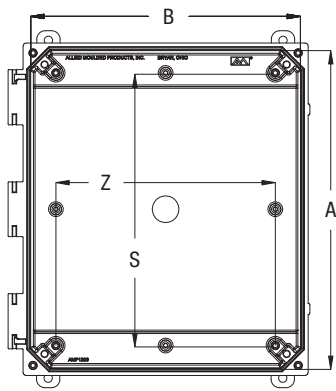
- UL 50 and UL 50E Types 1, 2, 3, 3R, 4, 4X, 12 and 13
- CSA C22.2 No. 94 Types 1, 2, 3, 3R, 4, 4X, 12 and 13
- Complies with:
 - NEMA Types 1, 2, 3, 3R, 4, 4X, 12 and 13
 - IEC 60529 Type IP66
 - RoHS directive

Construction

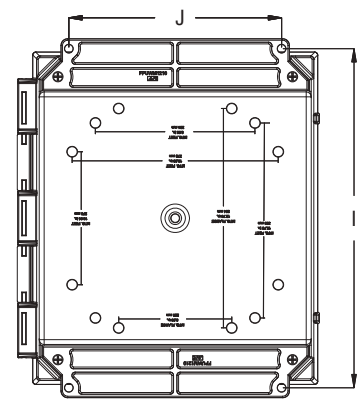
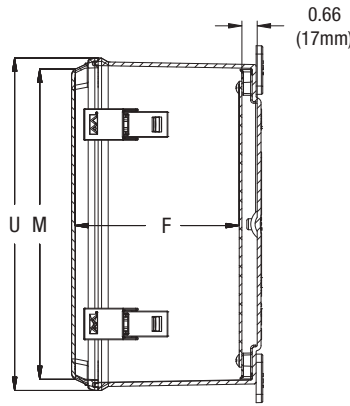
- Injection molded polycarbonate thermoplastic construction with flush, solid/opaque cover
- Opaque cover, base, padlockable snap latches, feet, flanges – Light gray color (RAL 7035)
Note: foot models mounting hardware supplied in a bag. Flanged models are pre-assembled
- Polycarbonate snap latches feature padlock hasp (AMP1082 not available)
- Formed-In-Place (FIP) polyurethane gasket system encased in continuous channel
- 316 stainless steel foot/flange mounting hardware
- 316 stainless steel hinge pin (6" – 14" sizes)
- Polycarbonate hinge clips (16" & 18" sizes)
- #10-32 threaded brass inserts are installed for optional back panel mounting

Accessories & Modifications

- Optional back panels and hinged front panels
- Custom holes and cutouts
- EMI/RFI shielding
- Optional foot/flange mounting hardware
- Additional molded-in mounting bosses available for directly mounting DIN rails
- Factory-supplied silk screening

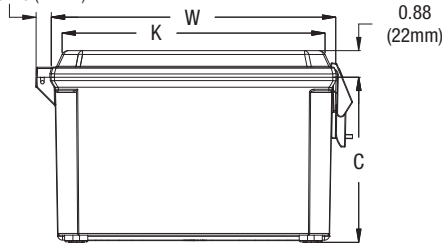


NOTE: COVER REMOVED FOR CLARITY



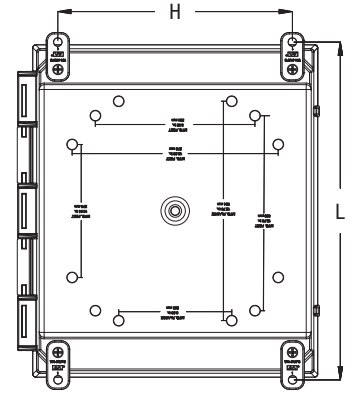
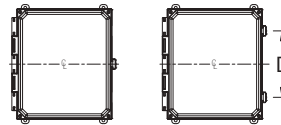
FLANGE MOUNT

6 x 6 x 4 - 14 x 12 x 6 0.56 (14mm)
 16 x 14 x 8 .36 (9mm)
 18 x 16 x 10 .46 (12mm)



LATCH LOCATIONS

FOR USE ON FOR USE ON
 6 x 6 x 4 12 x 10 x 4,6 D=7.50 (191mm)
 8 x 6 x 4 14 x 12 x 6 D=8.00 (203mm)
 8 x 8 x 4 16 x 14 x 8 D=10.5 (267mm)
 10 x 8 x 4,6 18 x 16 x 10 D=12.5 (318mm)



FOOT MOUNT

*Nom. Wall Thickness: .14 (4mm)
 14" thru 18" sizes: .19 (5mm)

Part No.	Box Size			Usable Depth	Panel Boss Centers			Back Panel Size			Flange Mount Centers		Foot Mount Centers		Cover Size			
	A	B	C		F	S	Z	Ht.	Wid.	P/N	J	I	H	L	K	M	W	U
AMP664NL AMP664NLF	6.03 153mm	6.26 159mm	4.08 104mm	4.06 103mm	4.25 108mm	4.25 108mm	4.81 122mm	4.81 122mm	PL66 PLA66	4.00 102mm	6.88, 6.75 175, 171mm	4.91 125mm	6.75 171mm	5.89 150mm	5.67 144mm	6.72 171mm	6.50 165mm	
AMP864NL AMP864NLF	7.94 202mm	6.16 156mm	4.08 104mm	4.06 103mm	6.25 159mm	4.25 108mm	6.75 171mm	4.88 124mm	PL86 PLA86	4.00 102mm	8.88, 8.75 226, 222mm	4.91 125mm	8.75 222mm	5.89 150mm	7.67 195mm	6.72 171mm	8.50 216mm	
AMP884NL AMP884NLF	7.94 202mm	8.16 207mm	4.08 104mm	4.06 103mm	6.25 159mm	6.25 159mm	6.75 171mm	6.88 175mm	PL88 PLA88	6.00 152mm	8.75 222mm	6.91 175mm	8.75 222mm	7.89 200mm	7.67 195mm	8.72 221mm	8.50 216mm	
AMP1084NL AMP1084NLF	9.93 252mm	8.15 207mm	4.08 104mm	4.06 103mm	8.25 210mm	6.25 159mm	8.75 222mm	6.88 175mm	PL108 PLA108	6.00 152mm	10.75 273mm	6.91 175mm	10.75 273mm	7.89 200mm	9.67 246mm	8.72 221mm	10.50 267mm	
★AMP1086NL AMP1086NLF	9.93 252mm	8.15 207mm	5.98 152mm	6.18 157mm	8.25 210mm	6.25 159mm	8.75 222mm	6.88 175mm	PL108 PLA108	6.00 152mm	10.75 273mm	6.91 175mm	10.75 273mm	7.89 200mm	9.67 246mm	8.72 221mm	10.50 267mm	
AMP1204NL AMP1204NLF	11.93 303mm	10.15 258mm	4.08 104mm	4.16 106mm	10.25 260mm	8.25 210mm	10.75 273mm	8.88 225mm	PL120 PLA120	8.00 203mm	12.75 324mm	8.82 224mm	12.70 323mm	9.89 251mm	11.67 296mm	10.72 272mm	12.50 318mm	
AMP1206NL AMP1206NLF	11.93 303mm	10.15 258mm	6.08 154mm	6.06 154mm	10.25 260mm	8.25 210mm	10.75 273mm	8.88 225mm	PL120 PLA120	8.00 203mm	12.75 324mm	8.82 224mm	12.70 323mm	9.89 251mm	11.67 296mm	10.72 272mm	12.50 318mm	
AMP1426NL AMP1426NLF	13.85 352mm	12.07 307mm	6.13 156mm	5.99 152mm	12.25 311mm	10.25 260mm	12.75 324mm	10.88 276mm	PL142 PLA142	10.01 254mm	14.75, 14.62 375, 371mm	10.82 275mm	14.70 373mm	11.89 302mm	13.67 347mm	12.72 323mm	14.50 368mm	
AMP1648NL AMP1648NLF	15.98 406mm	13.98 355mm	8.00 203mm	8.27 210mm	14.25 362mm	12.25 311mm	14.75 375mm	12.88 327mm	P164 PA164	12.00 305mm	17.75 451mm	11.47 291mm	17.91 455mm	13.68 347mm	15.63 397mm	15.04 382mm	17.23 438mm	
AMP1860NL AMP1860NLF	18.04 458mm	16.04 407mm	10.00 254mm	10.27 261mm	16.22 412mm	14.25 362mm	16.88 429mm	14.88 378mm	P186 PA186	12.00 305mm	19.63, 19.51 499, 496mm	13.72 349mm	19.91 506mm	15.68 398mm	17.68 454mm	17.10 434mm	19.28 490mm	

All dimensions are in inches unless otherwise noted

"I" dimensions with multiple numbers indicate slotted holes

Enclosure base part numbers come standard with 4 separately bagged feet (ex. AMP664NL)

Part numbers with "F" signify factory installed flanges (ex. AMP664NLF)

Back panel specifications found on page 130

★ Coming Q4 - 2016

Data subject to change without notice



JIC Size Junction Boxes: Nonmetal Snap Latch Hinged Cover

- Clear Polycarbonate



PRODUCT INFORMATION

Application

- Designed to insulate and protect controls and components in both indoor and outdoor applications often found in industrial control panels, pump controls/waste water treatment, irrigation/water control, solar/wind, and chemical plants
- Light weight, impact resistant and good corrosion resistance for many industrial enclosure applications and a great alternative to metallic enclosures
- Protects from dirt, dust, and water

Standards

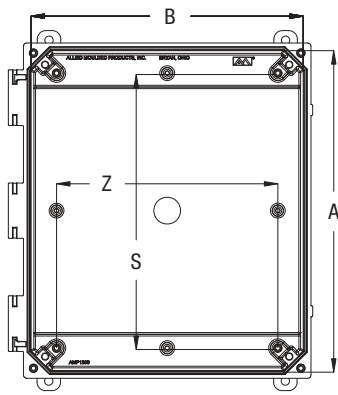
- UL 50 and UL 50E Types 1, 2, 3, 3R, 4, 4X, 12 and 13
- CSA C22.2 No. 94 Types 1, 2, 3, 3R, 4, 4X, 12 and 13
- Complies with:
 - NEMA Types 1, 2, 3, 3R, 4, 4X, 12 and 13
 - IEC 60529 Type IP66
 - RoHS directive

Construction

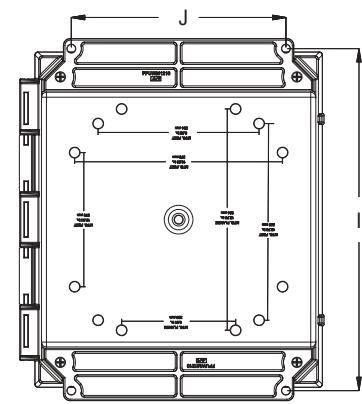
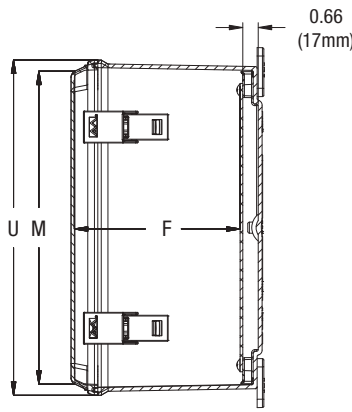
- Injection molded polycarbonate thermoplastic construction with flush, clear polycarbonate cover
- Opaque cover, base, padlockable snap latches, feet, flanges – Light gray color (RAL 7035)
Note: foot models mounting hardware supplied in a bag. Flanged models are pre-assembled
- Polycarbonate snap latches feature padlock hasp (AMP1082 not available)
- Formed-In-Place (FIP) polyurethane gasket system encased in continuous channel
- 316 stainless steel foot/flange mounting hardware
- 316 stainless steel hinge pin (6" – 14" sizes)
- Polycarbonate hinge clips (16" & 18" sizes)
- #10-32 threaded brass inserts are installed for optional back panel mounting

Accessories & Modifications

- Optional back panels and hinged front panels
- Custom holes and cutouts
- EMI/RFI shielding
- Optional foot/flange mounting hardware
- Additional molded-in mounting bosses available for directly mounting DIN rails
- Factory-supplied silk screening

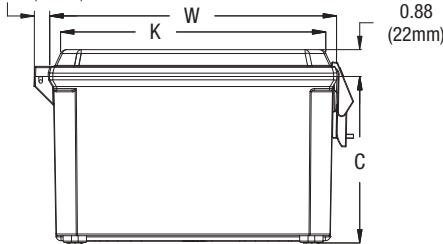


NOTE: COVER REMOVED FOR CLARITY



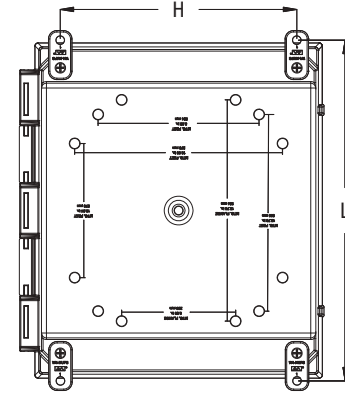
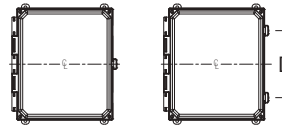
FLANGE MOUNT

6 x 6 x 4 - 14 x 12 x 6 0.56 (14mm)
 16 x 14 x 8 .36 (9mm)
 18 x 16 x 10 .46 (12mm)



LATCH LOCATIONS

FOR USE ON	FOR USE ON
6 x 6 x 4	12 x 10 x 4, 6 D=7.50 (191mm)
8 x 6 x 4	14 x 12 x 6 D=8.00 (203mm)
8 x 8 x 4	16 x 14 x 8 D=10.5 (267mm)
10 x 8 x 4, 6	18 x 16 x 10 D=12.5 (318mm)



FOOT MOUNT

*Nom. Wall Thickness: .14 (4mm)
 14" thru 18" sizes: .19 (5mm)

Part No.	Box Size			Usable Depth	Panel Boss Centers			Back Panel Size			Flange Mount Centers		Foot Mount Centers		Cover Size			
	A	B	C		F	S	Z	Ht.	Wid.	P/N	J	I	H	L	K	M	W	U
AMP664CCNL	6.03	6.26	4.08	4.06	4.25	4.25	4.81	4.81	PL66	4.00	6.88, 6.75	4.91	6.75	5.89	5.67	6.72	6.50	
AMP664CCNLF	153mm	159mm	104mm	103mm	108mm	108mm	122mm	122mm	PLA66	102mm	175, 171mm	125mm	171mm	150mm	144mm	171mm	165mm	
AMP864CCNL	7.94	6.16	4.08	4.06	6.25	4.25	6.75	4.88	PL86	4.00	8.88, 8.75	4.91	8.75	5.89	7.67	6.72	8.50	
AMP864CCNLF	202mm	156mm	104mm	103mm	159mm	108mm	171mm	124mm	PLA86	102mm	226, 222mm	125mm	222mm	150mm	195mm	171mm	216mm	
AMP884CCNL	7.94	8.16	4.08	4.06	6.25	6.25	6.75	6.88	PL88	6.00	8.75	6.91	8.75	7.89	7.67	8.72	8.50	
AMP884CCNLF	202mm	207mm	104mm	103mm	159mm	159mm	171mm	175mm	PLA88	152mm	222mm	175mm	222mm	200mm	195mm	221mm	216mm	
AMP1084CCNL	9.93	8.15	4.08	4.06	8.25	6.25	8.75	6.88	PL108	6.00	10.75	6.91	10.75	7.89	9.67	8.72	10.50	
AMP1084CCNLF	252mm	207mm	104mm	103mm	210mm	159mm	222mm	175mm	PLA108	152mm	273mm	175mm	273mm	200mm	246mm	221mm	267mm	
AMP1086CCNL	9.93	8.15	5.98	6.18	8.25	6.25	8.75	6.88	PL108	6.00	10.75	6.91	10.75	7.89	9.67	8.72	10.50	
AMP1086CCNLF	252mm	207mm	152mm	157mm	210mm	159mm	222mm	175mm	PLA108	152mm	273mm	175mm	273mm	200mm	246mm	221mm	267mm	
AMP1204CCNL	11.93	10.15	4.08	4.16	10.25	8.25	10.75	8.88	PL120	8.00	12.75	8.82	12.70	9.89	11.67	10.72	12.50	
AMP1204CCNLF	303mm	258mm	104mm	106mm	260mm	210mm	273mm	225mm	PLA120	203mm	324mm	224mm	323mm	251mm	296mm	272mm	318mm	
AMP1206CCNL	11.93	10.15	6.08	6.06	10.25	8.25	10.75	8.88	PL120	8.00	12.75	8.82	12.70	9.89	11.67	10.72	12.50	
AMP1206CCNLF	303mm	258mm	154mm	154mm	260mm	210mm	273mm	225mm	PLA120	203mm	324mm	224mm	323mm	251mm	296mm	272mm	318mm	
AMP1426CCNL	13.85	12.07	6.13	5.99	12.25	10.25	12.75	10.88	PL142	10.01	14.75, 14.62	10.82	14.70	11.89	13.67	12.72	14.50	
AMP1426CCNLF	352mm	307mm	156mm	152mm	311mm	260mm	324mm	276mm	PLA142	254mm	375, 371mm	275mm	373mm	302mm	347mm	323mm	368mm	
AMP1648CCNL	15.98	13.98	8.00	8.27	14.25	12.25	14.75	12.88	P164	12.00	17.75	11.47	17.91	13.68	15.63	15.04	17.23	
AMP1648CCNLF	406mm	355mm	203mm	210mm	362mm	311mm	375mm	327mm	PA164	305mm	451mm	291mm	455mm	347mm	397mm	382mm	438mm	
AMP1860CCNL	18.04	16.04	10.00	10.27	16.22	14.25	16.88	14.88	P186	12.00	19.63, 19.51	13.72	19.91	15.68	17.68	17.10	19.28	
AMP1860CCNLF	458mm	407mm	254mm	261mm	412mm	362mm	429mm	378mm	PA186	305mm	499, 496mm	349mm	506mm	398mm	454mm	434mm	490mm	

All dimensions are in inches unless otherwise noted
 "I" dimensions with multiple numbers indicate slotted holes

Data subject to change without notice

Enclosure base part numbers come standard with 4 separately bagged feet (ex. AMP664CCNL)

Part numbers with "F" signify factory installed flanges (ex. AMP664CCNLF)

Back panel specifications found on page 130

★ Coming Q4 - 2016



JIC Size Junction Boxes: Metal Snap Latch Hinged Cover

- Solid/Opaque



PRODUCT INFORMATION

Application

- Designed to insulate and protect controls and components in both indoor and outdoor applications often found in industrial control panels, pump controls/waste water treatment, irrigation/water control, solar/wind, and chemical plants
- Light weight, impact resistant and good corrosion resistance for many industrial enclosure applications and a great alternative to metallic enclosures
- Protects from dirt, dust, and water

Standards

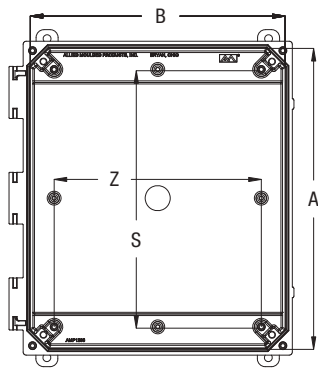
- UL 50 and UL 50E Types 1, 2, 3, 3R, 4, 4X, 12 and 13
- CSA C22.2 No. 94 Types 1, 2, 3, 3R, 4, 4X, 12 and 13
- Complies with:
 - NEMA Types 1, 2, 3, 3R, 4, 4X, 12 and 13
 - IEC 60529 Type IP66
 - RoHS directive

Construction

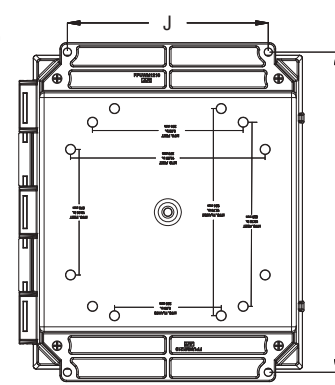
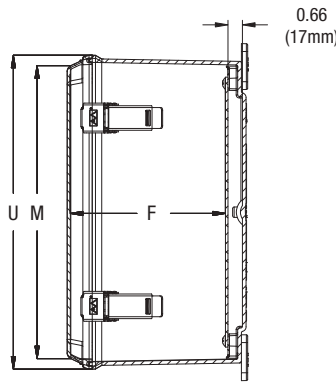
- Injection molded polycarbonate thermoplastic construction with flush, solid/opaque cover
- Opaque cover, base, feet, flanges – Light gray color (RAL 7035)
Note: foot models mounting hardware supplied in a bag. Flanged models are pre-assembled
- 316 stainless steel snap latches feature padlock hasp
- Formed-In-Place (FIP) polyurethane gasket system encased in continuous channel
- 316 stainless steel foot/flange mounting hardware
- 316 stainless steel hinge pin (6" – 14" sizes)
- Polycarbonate hinge clips (16" & 18" sizes)
- #10-32 threaded brass inserts are installed for optional back panel mounting

Accessories & Modifications

- Optional back panels and hinged front panels
- Custom holes and cutouts
- EMI/RFI shielding
- Optional foot/flange mounting hardware
- Additional molded-in mounting bosses available for directly mounting DIN rails
- Factory-supplied silk screening

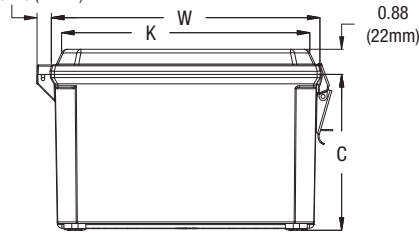


NOTE: COVER REMOVED FOR CLARITY



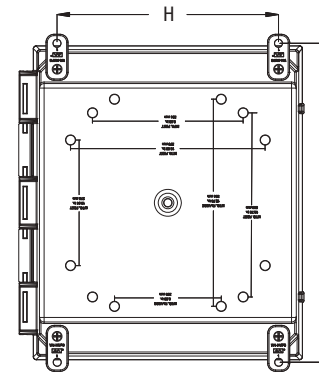
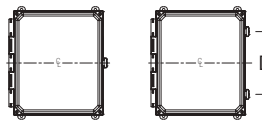
FLANGE MOUNT

- 6 x 6 x 4 - 14 x 12 x 6 0.56 (14mm)
- 16 x 14 x 8 .36 (9mm)
- 18 x 16 x 10 .46 (12mm)



LATCH LOCATIONS

- | | |
|----------------|------------------------------|
| FOR USE ON | FOR USE ON |
| 6 x 6 x 4 | 12 x 10 x 4.6 D=7.50 (191mm) |
| 8 x 6 x 4 | 14 x 12 x 6 D=8.00 (203mm) |
| 8 x 8 x 4 | 16 x 14 x 8 D=10.5 (267mm) |
| 10 x 8 x 2,4,6 | 18 x 16 x 10 D=12.5 (318mm) |



FOOT MOUNT

*Nom. Wall Thickness: .14 (4mm)
14" thru 18" sizes: .19 (5mm)

Part No.	Box Size			Usable Depth	Panel Boss Centers			Back Panel Size			Flange Mount Centers		Foot Mount Centers		Cover Size			
	A	B	C		F	S	Z	Ht.	Wid.	P/N	J	I	H	L	K	M	W	U
AMP664L	6.03	6.26	4.08	4.06	4.25	4.25	4.81	4.81	PL66	4.00	6.88, 6.75	4.91	6.75	5.89	5.67	6.72	6.50	
AMP664LF	153mm	159mm	104mm	103mm	108mm	108mm	122mm	122mm	PLA66	102mm	175, 171mm	125mm	171mm	150mm	144mm	171mm	165mm	
AMP864L	7.94	6.16	4.08	4.06	6.25	4.25	6.75	4.88	PL86	4.00	8.88, 8.75	4.91	8.75	5.89	7.67	6.72	8.50	
AMP864LF	202mm	156mm	104mm	103mm	159mm	108mm	171mm	124mm	PLA86	102mm	228, 222mm	125mm	222mm	150mm	195mm	171mm	216mm	
AMP884L	7.94	8.16	4.08	4.06	6.25	6.25	6.75	6.88	PL88	6.00	8.75	6.91	8.75	7.89	7.67	8.72	8.50	
AMP884LF	202mm	207mm	104mm	103mm	159mm	159mm	171mm	175mm	PLA88	152mm	222mm	175mm	222mm	200mm	195mm	221mm	216mm	
AMP1082L	9.93	8.15	2.70	2.68	8.25	6.25	8.75	6.88	PL108	6.00	10.75	6.91	10.75	7.89	9.67	8.72	10.50	
AMP1082LF	252mm	207mm	69mm	68mm	210mm	159mm	222mm	175mm	PLA108	152mm	273mm	175mm	273mm	200mm	246mm	221mm	267mm	
AMP1084L	9.93	8.15	4.08	4.06	8.25	6.25	8.75	6.88	PL108	6.00	10.75	6.91	10.75	7.89	9.67	8.72	10.50	
AMP1084LF	252mm	207mm	104mm	103mm	210mm	159mm	222mm	175mm	PLA108	152mm	273mm	175mm	273mm	200mm	246mm	221mm	267mm	
★AMP1086L	9.93	8.15	5.98	6.18	8.25	6.25	8.75	6.88	PL108	6.00	10.75	6.91	10.75	7.89	9.67	8.72	10.50	
AMP1086LF	252mm	207mm	152mm	157mm	210mm	159mm	222mm	175mm	PLA108	152mm	273mm	175mm	273mm	200mm	246mm	221mm	267mm	
AMP1204L	11.93	10.15	4.08	4.16	10.25	8.25	10.75	8.88	PL120	8.00	12.75	8.82	12.70	9.89	11.67	10.72	12.50	
AMP1204LF	303mm	258mm	104mm	106mm	260mm	210mm	273mm	225mm	PLA120	203mm	324mm	224mm	323mm	251mm	296mm	272mm	318mm	
AMP1206L	11.93	10.15	6.08	6.06	10.25	8.25	10.75	8.88	PL120	8.00	12.75	8.82	12.70	9.89	11.67	10.72	12.50	
AMP1206LF	303mm	258mm	154mm	154mm	260mm	210mm	273mm	225mm	PLA120	203mm	324mm	224mm	323mm	251mm	296mm	272mm	318mm	
AMP1426L	13.85	12.07	6.13	5.99	12.25	10.25	12.75	10.88	PL142	10.01	14.75, 14.62	10.82	14.70	11.89	13.67	12.72	14.50	
AMP1426LF	352mm	307mm	156mm	152mm	311mm	260mm	324mm	276mm	PLA142	254mm	375, 371mm	275mm	373mm	302mm	347mm	323mm	368mm	
AMP1648L	15.98	13.98	8.00	8.27	14.25	12.25	14.75	12.88	P164	12.00	17.75	11.47	17.91	13.68	15.63	15.04	17.23	
AMP1648LF	406mm	355mm	203mm	210mm	362mm	311mm	375mm	327mm	PA164	305mm	451mm	291mm	455mm	347mm	397mm	382mm	438mm	
AMP1860L	18.04	16.04	10.00	10.27	16.22	14.25	16.88	14.88	P186	12.00	19.63, 19.51	13.72	19.91	15.68	17.68	17.10	19.28	
AMP1860LF	458mm	407mm	254mm	261mm	412mm	362mm	429mm	378mm	PA186	305mm	499, 496mm	349mm	506mm	398mm	454mm	434mm	490mm	

All dimensions are in inches unless otherwise noted
"I" dimensions with multiple numbers indicate slotted holes

Enclosure base part numbers come standard with 4 separately bagged feet (ex. AMP664L)

Part numbers with "F" signify factory installed flanges (ex. AMP664LF)

Back panel specifications found on page 130

★ Coming Q4 - 2016

Data subject to change without notice



JIC Size Junction Boxes: Metal Snap Latch Hinged Cover

- Clear Polycarbonate



PRODUCT INFORMATION

Application

- Designed to insulate and protect controls and components in both indoor and outdoor applications often found in industrial control panels, pump controls/waste water treatment, irrigation/water control, solar/wind, and chemical plants
- Light weight, impact resistant and good corrosion resistance for many industrial enclosure applications and a great alternative to metallic enclosures
- Protects from dirt, dust, and water

Standards

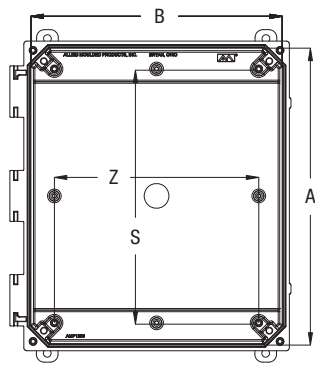
- UL 50 and UL 50E Types 1, 2, 3, 3R, 4, 4X, 12 and 13
- CSA C22.2 No. 94 Types 1, 2, 3, 3R, 4, 4X, 12 and 13
- Complies with:
 - NEMA Types 1, 2, 3, 3R, 4, 4X, 12 and 13
 - IEC 60529 Type IP66
 - RoHS directive

Construction

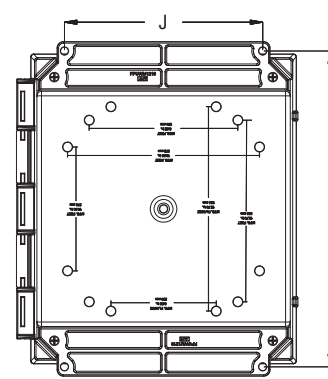
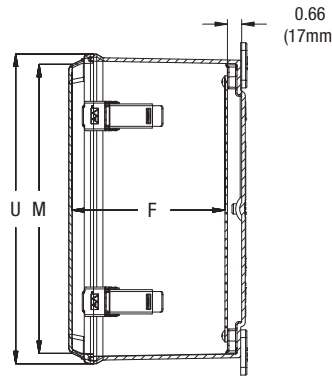
- Injection molded polycarbonate thermoplastic construction with flush, clear polycarbonate cover
- Enclosure base, feet, flanges – Light gray color (RAL 7035)
Note: foot models mounting hardware supplied in a bag. Flanged models are pre-assembled
- 316 stainless steel snap latches feature padlock hasp
- Formed-In-Place (FIP) polyurethane gasket system encased in continuous channel
- 316 stainless steel foot/flange mounting hardware
- 316 stainless steel hinge pin (6" – 14" sizes)
- Polycarbonate hinge clips (16" & 18" sizes)
- #10-32 threaded brass inserts are installed for optional back panel mounting

Accessories & Modifications

- Optional back panels and hinged front panels
- Custom holes and cutouts
- EMI/RFI shielding
- Optional foot/flange mounting hardware
- Additional molded-in mounting bosses available for directly mounting DIN rails
- Factory-supplied silk screening

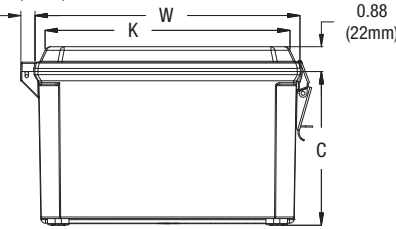


NOTE: COVER REMOVED FOR CLARITY



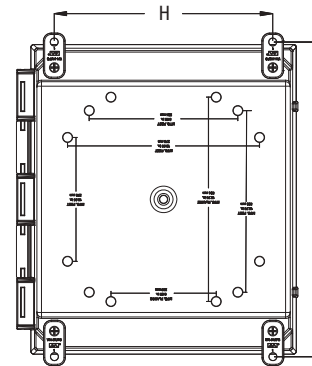
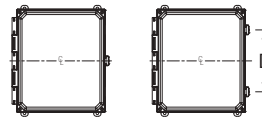
FLANGE MOUNT

6 x 6 x 4 - 14 x 12 x 6 0.56 (14mm)
16 x 14 x 8 .36 (9mm)
18 x 16 x 10 .46 (12mm)



LATCH LOCATIONS

FOR USE ON	FOR USE ON
6 x 6 x 4	12 x 10 x 4.6 D=7.50 (191mm)
8 x 6 x 4	14 x 12 x 6 D=8.00 (203mm)
8 x 8 x 4	16 x 14 x 8 D=10.5 (267mm)
10 x 8 x 2.4,6	18 x 16 x 10 D=12.5 (318mm)



FOOT MOUNT

*Nom. Wall Thickness: .14 (4mm)
14" thru 18" sizes: .19 (5mm)

Part No.	Box Size			Usable Depth	Panel Boss Centers			Back Panel Size			Flange Mount Centers		Foot Mount Centers		Cover Size			
	A	B	C		F	S	Z	Ht.	Wid.	P/N	J	I	H	L	K	M	W	U
AMP664CCL AMP664CCLF	6.03 153mm	6.26 159mm	4.08 104mm	4.06 103mm	4.25 108mm	4.25 108mm	4.81 122mm	4.81 122mm	PL66 PLA66	4.00 102mm	6.88, 6.75 175, 171mm	4.91 125mm	6.75 171mm	5.89 150mm	5.67 144mm	6.72 171mm	6.50 165mm	
AMP864CCLH AMP864CCLF	7.94 202mm	6.16 156mm	4.08 104mm	4.06 103mm	6.25 159mm	4.25 108mm	6.75 171mm	4.88 124mm	PL86 PLA86	4.00 102mm	8.88, 8.75 226, 222mm	4.91 125mm	8.75 222mm	5.89 150mm	7.67 195mm	6.72 171mm	8.50 216mm	
AMP884CCL AMP884CCLF	7.94 202mm	8.16 207mm	4.08 104mm	4.06 103mm	6.25 159mm	6.25 159mm	6.75 171mm	6.88 175mm	PL88 PLA88	6.00 152mm	8.75 222mm	6.91 175mm	8.75 222mm	7.89 200mm	7.67 195mm	8.72 221mm	8.50 216mm	
AMP1082CCL AMP1082CCLF	9.93 252mm	8.15 207mm	2.70 69mm	2.68 68mm	8.25 210mm	6.25 159mm	8.75 222mm	6.88 175mm	PL108 PLA108	6.00 152mm	10.75 273mm	6.91 175mm	10.75 273mm	7.89 200mm	9.67 246mm	8.72 221mm	10.50 267mm	
AMP1084CCL AMP1084CCLF	9.93 252mm	8.15 207mm	4.08 104mm	4.06 103mm	8.25 210mm	6.25 159mm	8.75 222mm	6.88 175mm	PL108 PLA108	6.00 152mm	10.75 273mm	6.91 175mm	10.75 273mm	7.89 200mm	9.67 246mm	8.72 221mm	10.50 267mm	
AMP1086CCL AMP1086CCLF	9.93 252mm	8.15 207mm	5.98 152mm	6.18 157mm	8.25 210mm	6.25 159mm	8.75 222mm	6.88 175mm	PL108 PLA108	6.00 152mm	10.75 273mm	6.91 175mm	10.75 273mm	7.89 200mm	9.67 246mm	8.72 221mm	10.50 267mm	
AMP1204CCL AMP1204CCLF	11.93 303mm	10.15 258mm	4.08 104mm	4.16 106mm	10.25 260mm	8.25 210mm	10.75 273mm	8.88 225mm	PL120 PLA120	8.00 203mm	12.75 324mm	8.82 224mm	12.70 323mm	9.89 251mm	11.67 296mm	10.72 272mm	12.50 318mm	
AMP1206CCL AMP1206CCLF	11.93 303mm	10.15 258mm	6.08 154mm	6.06 154mm	10.25 260mm	8.25 210mm	10.75 273mm	8.88 225mm	PL120 PLA120	8.00 203mm	12.75 324mm	8.82 224mm	12.70 323mm	9.89 251mm	11.67 296mm	10.72 272mm	12.50 318mm	
AMP1426CCL AMP1426CCLF	13.85 352mm	12.07 307mm	6.13 156mm	5.99 152mm	12.25 311mm	10.25 260mm	12.75 324mm	10.88 276mm	PL142 PLA142	10.01 254mm	14.75, 14.62 375, 371mm	10.82 275mm	14.70 373mm	11.89 302mm	13.67 347mm	12.72 323mm	14.50 368mm	
AMP1648CCL AMP1648CCLF	15.98 406mm	13.98 355mm	8.00 203mm	8.27 210mm	14.25 362mm	12.25 311mm	14.75 375mm	12.88 327mm	P164 PA164	12.00 305mm	17.75 451mm	11.47 291mm	17.91 455mm	13.68 347mm	15.63 397mm	15.04 382mm	17.23 438mm	
AMP1860CCL AMP1860CCLF	18.04 458mm	16.04 407mm	10.00 254mm	10.27 261mm	16.22 412mm	14.25 362mm	16.88 429mm	14.88 378mm	P186 PA186	12.00 305mm	19.63, 19.51 499, 496mm	13.72 349mm	19.91 506mm	15.68 398mm	17.68 454mm	17.10 434mm	19.28 490mm	

All dimensions are in inches unless otherwise noted

"I" dimensions with multiple numbers indicate slotted holes

Enclosure base part numbers come standard with 4 separately bagged feet (ex. AMP664CCL)

Part numbers with "F" signify factory installed flanges (ex. AMP664CCLF)

Back panel specifications found on page 130

★Coming Q4 - 2016

Data subject to change without notice



CONTROL SERIES

FIBERGLASS

Electrical Enclosures

The larger Control Series offers standard features as well as full-panel access and all usable panel space. In addition, the standard gray cover is available with or without a polycarbonate viewing window. Other options include removable aluminum hinged front panel and back panels.

Control Series enclosures insulate and protect controls and components against the toughest elements in the harshest environments. They are available in popular larger sizes and depths, along with standard stainless steel hinges and latches.



Scan to learn more



Control Series Features & Benefits

- Molded ULTRAGUARD® fiberglass reinforced polyester material construction for durability
- One-piece body construction provides added dimensional stability
- (2) 316 stainless steel hinges
- Formed-In-Place (FIP) polyurethane gasket system
- Matching raised cover
- 316 stainless steel hardware and mounting feet
- Mounting panel inserts for optional back panel
- UV stabilized for outdoor use

Control Series Specifications

- Non-corrosive
- Non-conductive
- Standard RAL 7035 light gray color
- Temperature-resistant
- Fire-resistant
- Rated NEMA 1, 2, 3, 3R, 4, 4X, 12, 13
- UL® listed
- CSA certified
- Compliant with RoHS directive

Accessories

- Back panels available in painted carbon steel, aluminum, fiberglass, or galvanized steel
- Aluminum hinged front panel for configuration flexibility
- ULTRAPLUG® hole plugs
- Pole mount kits
- HMI cover kits
- Inspection windows
- UV resistant polycarbonate viewing windows

Modifications

We are pleased to modify any of our standard products to fit your needs with:

- Custom holes and cutouts
- Custom size polycarbonate viewing windows
- Molded-in color matching
- EMI/RFI shielding
- Factory-supplied silk screening

For complete details on factory modifications including a modification request form, see pages 142-144.

www.alliedmoulded.com

Control Series: Snap Latch Hinged Cover

- **Solid/Opaque**



PRODUCT INFORMATION

Application

- Designed to insulate and house electrical and electronic controls, instruments or components for indoor and outdoor applications
- Especially well suited for high temperature or corrosive environments
- Protects from dirt, dust, oil, and water

Standards

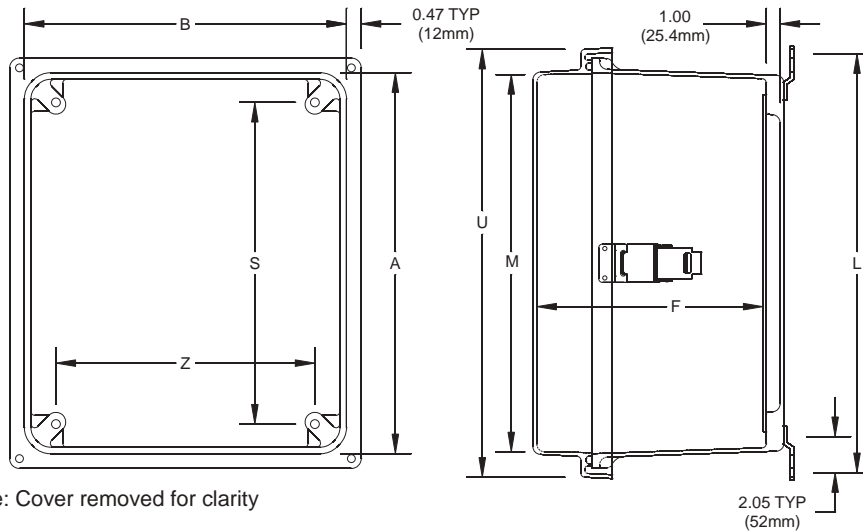
- UL 50 and UL 50E Types 1, 2, 3, 3R, 4, 4X, 12 and 13
- CSA C22.2 No. 94 Types 1, 2, 3, 3R, 4, 4X, 12 and 13
- Complies with:
 - NEMA Types 1, 2, 3, 3R, 4, 4X, 12 and 13
 - IEC 60529 Type IP66
 - RoHS directive

Construction

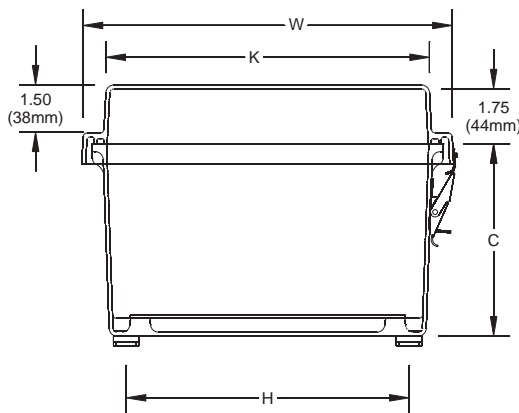
- Strong, molded ULTRAGUARD® fiberglass reinforced polyester material construction with matching raised cover
- Light gray color (RAL 7035)
- 316 stainless steel snap latches with padlock hasp
- (2) 316 stainless steel hinges
- Formed-In-Place (FIP) polyurethane gasket system encased in continuous channel
- 316 stainless steel wall mounting feet with 3/8-16 stainless steel screws included
- 3/8-16 threaded brass inserts are installed for back panel mounting
- UV stabilized for outdoor use

Accessories & Modifications

- Optional back panels and hinged front panels
- Custom holes and cutouts
- Custom size polycarbonate viewing windows
- Molded-in color matching
- EMI/RFI shielding
- Factory-supplied silk screening



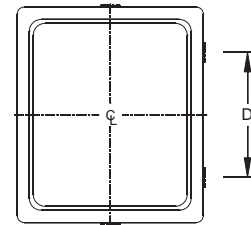
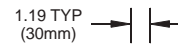
Note: Cover removed for clarity



Nominal 1/8" (3mm) wall thickness

LATCH LOCATIONS

- For use on:
- 24x20x8 D=15.00 (406mm)
 - 24x24x8 D=15.00 (406mm)
 - 30x24x8 D=19.98 (507mm)
 - 24x20x10 D=15.00 (406mm)
 - 24x24x10 D=15.00 (406mm)
 - 30x24x10 D=19.98 (507mm)



Part No.	Box Size			Usable Depth	Panel Boss Centers		Panel Sizes			Foot Mount Centers		Cover Size			
	A	B	C		F	S	Z	Ht.	Wid.	P/N	H	L	K	M	U
AM24208RL	24.00	20.00	8.13	8.67	19.25	15.25	21.00	17.00	P2420	18.75	26.85	20.16	24.16	25.59	21.59
	610mm	508mm	207mm	220mm	489mm	387mm	533mm	432mm	PA2420	476mm	682mm	512mm	614mm	650mm	548mm
AM24248RL	24.00	24.00	8.13	8.65	19.25	19.25	21.00	21.00	P2424	22.75	26.85	24.16	24.16	25.59	25.59
	610mm	610mm	207mm	220mm	489mm	489mm	533mm	533mm	PA2424	578mm	682mm	614mm	614mm	650mm	650mm
AM30248RL	30.00	24.00	8.13	8.65	25.25	19.25	27.00	21.00	P3024	22.75	32.85	24.16	30.16	31.59	25.59
	762mm	610mm	207mm	220mm	641mm	489mm	686mm	533mm	PA3024	578mm	834mm	614mm	766mm	802mm	650mm
AM24200RL	24.00	20.00	10.13	10.65	19.25	15.25	21.00	17.00	P2420	18.75	26.85	20.16	24.16	25.59	21.59
	610mm	508mm	257mm	271mm	489mm	387mm	533mm	432mm	PA2420	476mm	682mm	512mm	614mm	650mm	548mm
AM24240RL	24.00	24.00	10.13	10.65	19.25	19.25	21.00	21.00	P2424	22.75	26.85	24.16	24.16	25.59	25.59
	610mm	610mm	257mm	271mm	489mm	489mm	533mm	533mm	PA2424	578mm	682mm	614mm	614mm	650mm	650mm
AM30240RL	30.00	24.00	10.13	10.65	25.25	19.25	27.00	21.00	P3024	22.75	32.85	24.16	30.16	31.59	25.59
	762mm	610mm	257mm	271mm	641mm	489mm	686mm	533mm	PA3024	578mm	834mm	614mm	766mm	802mm	650mm

All dimensions are in inches unless otherwise noted

Data subject to change without notice

Enclosure base part numbers come standard with 4 separately bagged feet (ex. AM24208RL)

Additional back panels found on page 128



Control Series: Snap Latch Hinged Cover

• Window



PRODUCT INFORMATION

Application

- Designed to insulate and house electrical and electronic controls, instruments or components for indoor and outdoor applications
- Especially well suited for high temperature or corrosive environments
- Protects from dirt, dust, oil, and water
- Window unit provides viewing area for instrumentation or equipment

Standards

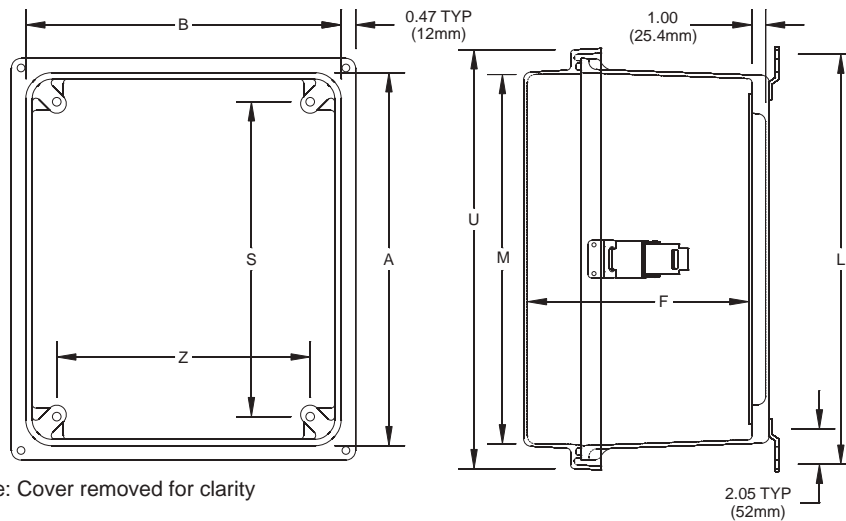
- UL 50 and UL 50E Types 1, 2, 3, 3R, 4, 4X, 12 and 13
- CSA C22.2 No. 94 Types 1, 2, 3, 3R, 4, 4X, 12 and 13
- Complies with:
 - NEMA Types 1, 2, 3, 3R, 4, 4X, 12 and 13
 - IEC 60529 Type IP66
 - RoHS directive

Construction

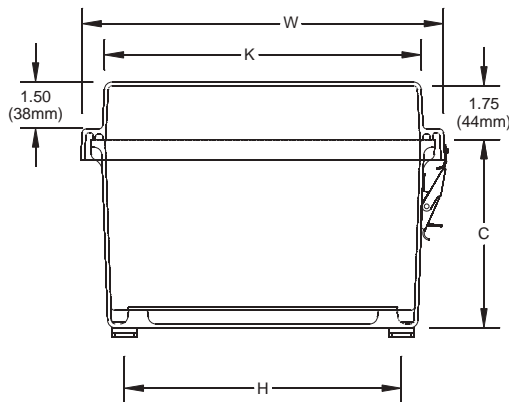
- Strong, molded ULTRAGUARD® fiberglass reinforced polyester material construction with matching viewing window cover
- Light gray color (RAL 7035)
- 316 stainless steel snap latches with padlock hasp
- (2) 316 stainless steel hinges
- Formed-In-Place (FIP) polyurethane gasket system encased in continuous channel
- 316 stainless steel wall mounting feet with 3/8-16 stainless steel screws included
- 3/8-16 threaded brass inserts are installed for back panel mounting
- UV stabilized for outdoor use

Accessories & Modifications

- Optional back panels and hinged front panels
- Custom holes and cutouts
- Custom size polycarbonate viewing windows
- Molded-in color matching
- EMI/RFI shielding
- Factory-supplied silk screening



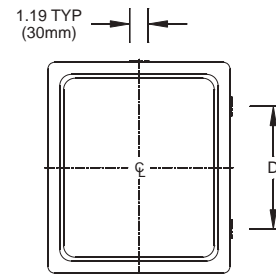
Note: Cover removed for clarity



Nominal 1/8" (3mm) wall thickness

LATCH LOCATIONS

For use on:
 24x20x8 D=15.00 (406mm) 24x20x10 D=15.00 (406mm)
 24x24x8 D=15.00 (406mm) 24x24x10 D=15.00 (406mm)
 30x24x8 D=19.98 (507mm) 30x24x10 D=19.98 (507mm)



Part No.	Box Size			Usable Depth	Panel Boss Centers			Panel Sizes			Foot Mount Centers		Cover Size				Window Dimension (Height x Width)
	A	B	C		F	S	Z	Ht.	Wid.	P/N	H	L	K	M	U	W	
AM24208RLW	24.00	20.00	8.13	8.59	19.25	15.25	21.00	17.00	P2420	18.75	26.85	20.16	24.16	25.59	21.59	16.00 x 12.00	
	610mm	508mm	207mm	218mm	489mm	387mm	533mm	432mm	PA2420	476mm	682mm	512mm	614mm	650mm	548mm	406mm x 305mm	
AM24248RLW	24.00	24.00	8.13	8.53	19.25	19.25	21.00	21.00	P2424	22.75	26.85	24.16	24.16	25.59	25.59	16.00 x 16.00	
	610mm	610mm	207mm	217mm	489mm	489mm	533mm	533mm	PA2424	578mm	682mm	614mm	614mm	650mm	650mm	406mm x 406mm	
AM30248RLW	30.00	24.00	8.13	8.54	25.25	19.25	27.00	21.00	P3024	22.75	32.85	24.16	30.16	31.59	25.59	23.00 x 17.00	
	762mm	610mm	207mm	217mm	641mm	489mm	686mm	533mm	PA3024	578mm	834mm	614mm	766mm	802mm	650mm	584mm x 432mm	
AM24200RLW	24.00	20.00	10.13	10.54	19.25	15.25	21.00	17.00	P2420	18.75	26.85	20.16	24.16	25.59	21.59	16.00 x 12.00	
	610mm	508mm	257mm	268mm	489mm	387mm	533mm	432mm	PA2420	476mm	682mm	512mm	614mm	650mm	548mm	406mm x 305mm	
AM24240RLW	24.00	24.00	10.13	10.54	19.25	19.25	21.00	21.00	P2424	22.75	26.85	24.16	24.16	25.59	25.59	16.00 x 16.00	
	610mm	610mm	257mm	268mm	489mm	489mm	533mm	533mm	PA2424	578mm	682mm	614mm	614mm	650mm	650mm	406mm x 406mm	
AM30240RLW	30.00	24.00	10.13	10.54	25.25	19.25	27.00	21.00	P3024	22.75	32.85	24.16	30.16	31.59	25.59	23.00 x 17.00	
	762mm	610mm	257mm	268mm	641mm	489mm	686mm	533mm	PA3024	578mm	834mm	614mm	766mm	802mm	650mm	584mm x 432mm	

All dimensions are in inches unless otherwise noted

Data subject to change without notice

Enclosure base part numbers come standard with 4 separately bagged feet (ex. AM24208RLW)

Additional back panels found on page 128



Control Series: Twist Latch Hinged Cover

- **Solid/Opaque**



PRODUCT INFORMATION

Application

- Designed to insulate and house electrical and electronic controls, instruments or components for indoor and outdoor applications
- Especially well suited for high temperature or corrosive environments
- Protects from dirt, dust, oil, and water

Standards

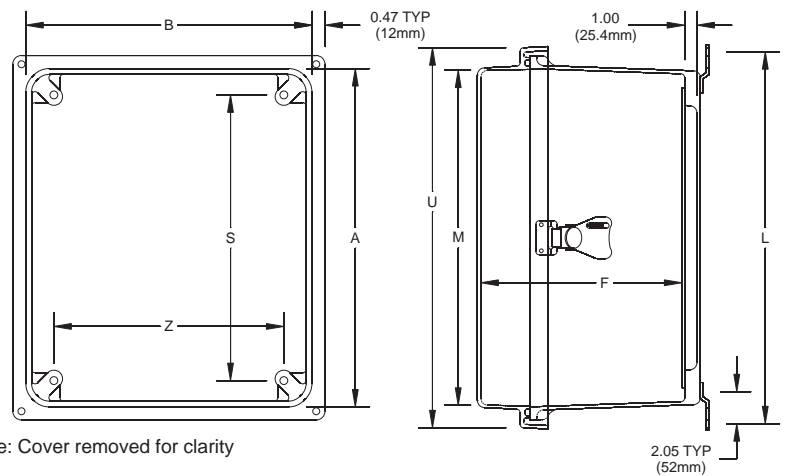
- UL 50 and UL 50E Types 1, 2, 3, 3R, 4, 4X, 12 and 13
- CSA C22.2 No. 94 Types 1, 2, 3, 3R, 4, 4X, 12 and 13
- Complies with:
 - NEMA Types 1, 2, 3, 3R, 4, 4X, 12 and 13
 - IEC 60529 Type IP66
 - RoHS directive

Construction

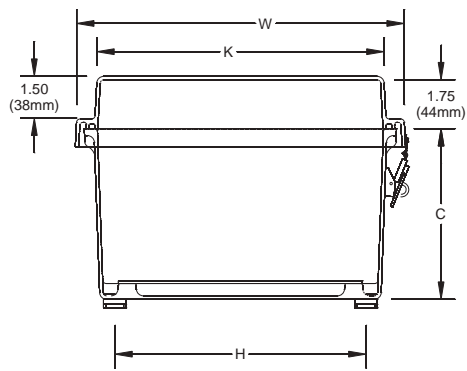
- Strong, molded ULTRAGUARD® fiberglass reinforced polyester material construction with matching raised cover
- Light gray color (RAL 7035)
- 316 stainless steel twist latches with padlock hasp
- (2) 316 stainless steel hinges
- Formed-In-Place (FIP) polyurethane gasket system encased in continuous channel
- 316 stainless steel wall mounting feet with 3/8-16 stainless steel screws included
- 3/8-16 threaded brass inserts are installed for back panel mounting
- UV stabilized for outdoor use

Accessories & Modifications

- Optional back panels and hinged front panels
- Custom holes and cutouts
- Custom size polycarbonate viewing windows
- Molded-in color matching
- EMI/RFI shielding
- Factory-supplied silk screening



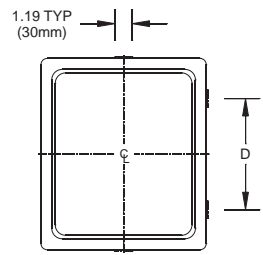
Note: Cover removed for clarity



Nominal 1/8" (3mm) wall thickness

LATCH LOCATIONS

For use on:
 24x20x8 D=15.00 (406mm) 24x20x10 D=15.00 (406mm)
 24x24x8 D=15.00 (406mm) 24x24x10 D=15.00 (406mm)
 30x24x8 D=19.98 (507mm) 30x24x10 D=19.98 (507mm)



Part No.	Box Size			Usable Depth	Panel Boss Centers			Panel Sizes			Foot Mount Centers		Cover Size			
	A	B	C		F	S	Z	Ht.	Wid.	P/N	H	L	K	M	U	W
AM24208RT	24.00	20.00	8.13	8.67	19.25	15.25	21.00	17.00	P2420 PA2420	18.75	26.85	20.16	24.16	25.59	21.59	
	610mm	508mm	207mm	220mm	489mm	387mm	533mm	432mm		476mm	682mm	512mm	614mm	650mm	548mm	
AM24248RT	24.00	24.00	8.13	8.65	19.25	19.25	21.00	21.00	P2424 PA2424	22.75	26.85	24.16	24.16	25.59	25.59	
	610mm	610mm	207mm	220mm	489mm	489mm	533mm	533mm		578mm	682mm	614mm	614mm	650mm	650mm	
AM30248RT	30.00	24.00	8.13	8.65	25.25	19.25	27.00	21.00	P3024 PA3024	22.75	32.85	24.16	30.16	31.59	25.59	
	762mm	610mm	207mm	220mm	641mm	489mm	686mm	533mm		578mm	834mm	614mm	766mm	802mm	650mm	
AM24200RT	24.00	20.00	10.13	10.65	19.25	15.25	21.00	17.00	P2420 PA2420	18.75	26.85	20.16	24.16	25.59	21.59	
	610mm	508mm	257mm	271mm	489mm	387mm	533mm	432mm		476mm	682mm	512mm	614mm	650mm	548mm	
AM24240RT	24.00	24.00	10.13	10.65	19.25	19.25	21.00	21.00	P2424 PA2424	22.75	26.85	24.16	24.16	25.59	25.59	
	610mm	610mm	257mm	271mm	489mm	489mm	533mm	533mm		578mm	682mm	614mm	614mm	650mm	650mm	
AM30240RT	30.00	24.00	10.13	10.65	25.25	19.25	27.00	21.00	P3024 PA3024	22.75	32.85	24.16	30.16	31.59	25.59	
	762mm	610mm	257mm	271mm	641mm	489mm	686mm	533mm		578mm	834mm	614mm	766mm	802mm	650mm	

All dimensions are in inches unless otherwise noted
 Enclosure base part numbers come standard with 4 separately bagged feet (ex. AM24208RT)
 Additional back panels found on page 128
 Data subject to change without notice



Control Series: Twist Latch Hinged Cover

• Window



PRODUCT INFORMATION

Application

- Designed to insulate and house electrical and electronic controls, instruments or components for indoor and outdoor applications
- Especially well suited for high temperature or corrosive environments
- Protects from dirt, dust, oil, and water
- Window unit provides viewing area for instrumentation or equipment

Standards

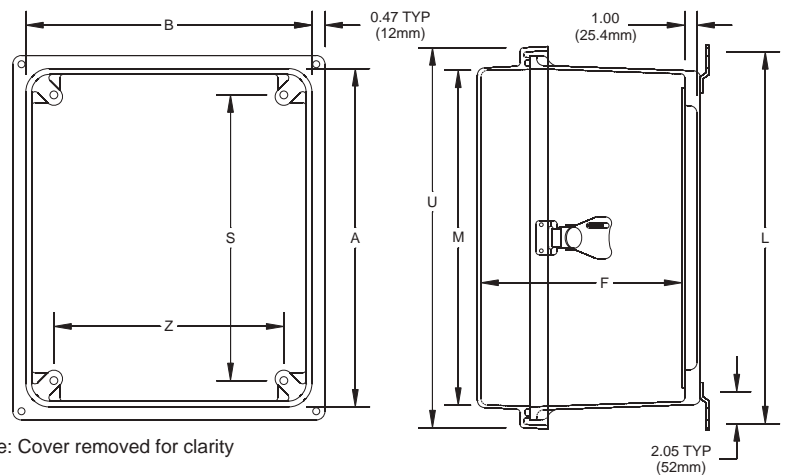
- UL 50 and UL 50E Types 1, 2, 3, 3R, 4, 4X, 12 and 13
- CSA C22.2 No. 94 Types 1, 2, 3, 3R, 4, 4X, 12 and 13
- Complies with:
 - NEMA Types 1, 2, 3, 3R, 4, 4X, 12 and 13
 - IEC 60529 Type IP66
 - RoHS directive

Construction

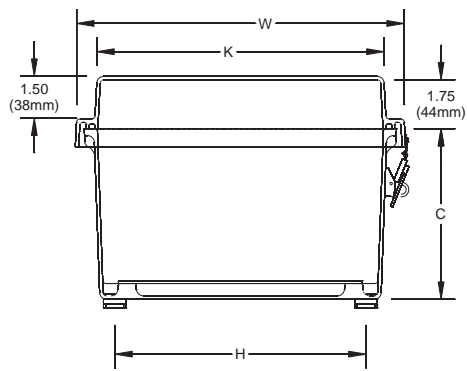
- Strong, molded ULTRAGUARD® fiberglass reinforced polyester material construction with matching viewing window cover
- Light gray color (RAL 7035)
- 316 stainless steel twist latches with padlock hasp
- (2) 316 stainless steel hinges
- Formed-In-Place (FIP) polyurethane gasket system encased in continuous channel
- 316 stainless steel wall mounting feet with 3/8-16 stainless steel screws included
- 3/8-16 threaded brass inserts are installed for back panel mounting
- UV stabilized for outdoor use

Accessories & Modifications

- Optional back panels and hinged front panels
- Custom holes and cutouts
- Molded-in color matching
- EMI/RFI shielding
- Factory-supplied silk screening



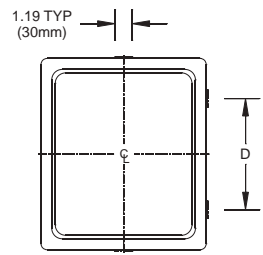
Note: Cover removed for clarity



Nominal 1/8" (3mm) wall thickness

LATCH LOCATIONS

For use on:
 24x20x8 D=15.00 (406mm) 24x20x10 D=15.00 (406mm)
 24x24x8 D=15.00 (406mm) 24x24x10 D=15.00 (406mm)
 30x24x8 D=19.98 (507mm) 30x24x10 D=19.98 (507mm)



Part No.	Box Size			Usable Depth	Panel Boss Centers		Panel Sizes			Foot Mount Centers		Cover Size				Window Dimension (Height x Width)
	A	B	C		F	S	Z	Ht.	Wid.	P/N	H	L	K	M	U	
AM24208RTW	24.00	20.00	8.13	8.59	19.25	15.25	21.00	17.00	P2420 PA2420	18.75	26.85	20.16	24.16	25.59	21.59	16.00 x 12.00
	610mm	508mm	207mm	218mm	489mm	387mm	533mm	432mm		476mm	682mm	512mm	614mm	650mm	548mm	406mm x 305mm
AM24248RTW	24.00	24.00	8.13	8.53	19.25	19.25	21.00	21.00	P2424 PA2424	22.75	26.85	24.16	24.16	25.59	25.59	16.00 x 16.00
	610mm	610mm	207mm	217mm	489mm	489mm	533mm	533mm		578mm	682mm	614mm	614mm	650mm	650mm	406mm x 406mm
AM30248RTW	30.00	24.00	8.13	8.54	25.25	19.25	27.00	21.00	P3024 PA3024	22.75	32.85	24.16	30.16	31.59	25.59	23.00 x 17.00
	762mm	610mm	207mm	217mm	641mm	489mm	686mm	533mm		578mm	834mm	614mm	766mm	802mm	650mm	584mm x 432mm
AM24200RTW	24.00	20.00	10.13	10.54	19.25	15.25	21.00	17.00	P2420 PA2420	18.75	26.85	20.16	24.16	25.59	21.59	16.00 x 12.00
	610mm	508mm	257mm	268mm	489mm	387mm	533mm	432mm		476mm	682mm	512mm	614mm	650mm	548mm	406mm x 305mm
AM24240RTW	24.00	24.00	10.13	10.54	19.25	19.25	21.00	21.00	P2424 PA2424	22.75	26.85	24.16	24.16	25.59	25.59	16.00 x 16.00
	610mm	610mm	257mm	268mm	489mm	489mm	533mm	533mm		578mm	682mm	614mm	614mm	650mm	650mm	406mm x 406mm
AM30240RTW	30.00	24.00	10.13	10.54	25.25	19.25	27.00	21.00	P3024 PA3024	22.75	32.85	24.16	30.16	31.59	25.59	23.00 x 17.00
	762mm	610mm	257mm	268mm	641mm	489mm	686mm	533mm		578mm	834mm	614mm	766mm	802mm	650mm	584mm x 432mm

All dimensions are in inches unless otherwise noted
 Enclosure base part numbers come standard with 4 separately bagged feet (ex. AM24208RTW)
 Additional back panels found on page 128
 Data subject to change without notice



Control XL Series: 3-Point Latching Handle

- Opaque/Clear



PRODUCT INFORMATION

Application

- Designed to insulate and protect controls and components in both indoor and outdoor applications often found in oil refineries, waste water treatment equipment, chemical plants, and many other applications
- Especially well suited for high temperature or corrosive environments
- Protects from dirt, dust, oil, and water
- For use with industrial control equipment
- Window unit provides viewing area for instrumentation or equipment

Standards

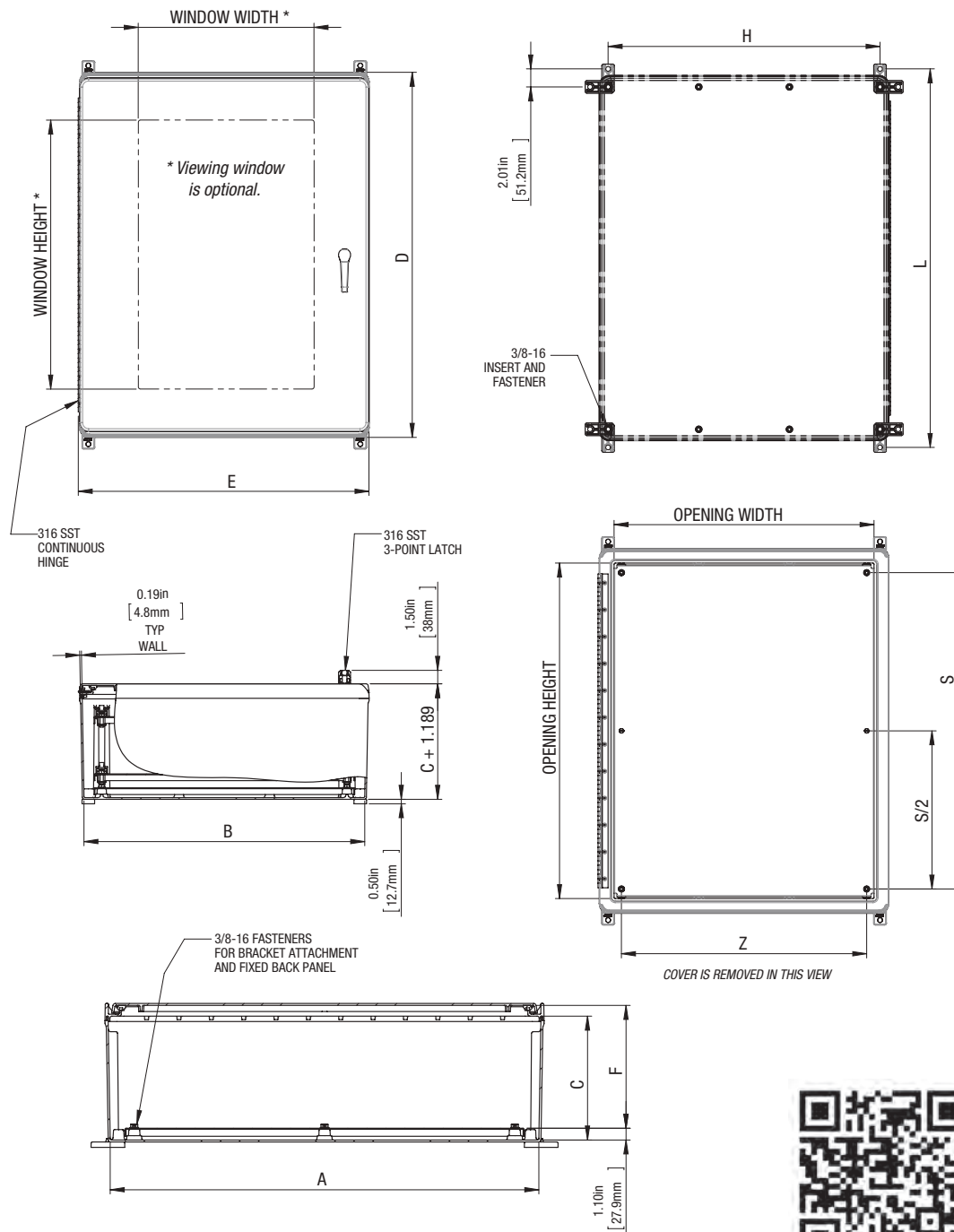
- UL 50 and UL 50E Types 1, 2, 3, 3R, 4, 4X, 12 and 13; UL 508A
- CSA C22.2 No. 94 Types 1, 2, 3, 3R, 4, 4X, 12 and 13
- Complies with:
 - NEMA Types 1, 2, 3, 3R, 4, 4X, 12 and 13
 - IEC 60529 Type IP66
 - RoHS directive

Construction

- Compression molded cover and two piece box from ULTRAGUARD® material in standard light gray RAL 7035 color
- 316 stainless steel 3-point latching handle with padlock provision
- Formed-In-Place (FIP) polyurethane gasket system provides sealing means to meet IP66/NEMA 4X rating
- Rain guard is molded into enclosure box frame top and bottom for additional protection
- Can easily be reconfigured for RH or LH door opening operation
- Mounting feet are compression molded in fiberglass material with 316 stainless steel mounting screws included
- Brass inserts are installed for mounting feet; feet can be rotated 90° for alternate mounting configurations
- Heavy duty continuous 316 stainless steel hinge

Accessories & Modifications

- Optional back panels and hinged front panels
- Custom holes and cutouts
- Custom size polycarbonate viewing windows
- Factory-supplied silk screening



Panel adjustment; (K) 6.38" (162mm)



Scan to learn more

Part No.	Box Size			Overall Box Size			Usable Depth	Foot Mount Centers		Panel Mount Centers		Enclosure Opening		Panel Sizes			Maximum Window Size	
	A	B	C	D	E	F		H	L	S	Z	Ht.	Wid.	Ht.	Wid.	P/N	Ht.	Wid.
AMXL403212L3PT	39.73	31.23	11.50	40.17	32.34	11.41	42.21	30.25	35.28	27.28	37.42	28.92	37.00	29.00	P4032 PA4032	-	-	
	1009mm	793mm	292mm	1035mm	822mm	290mm	1072mm	970mm	896mm	293mm	951mm	735mm	940mm	737mm		-	-	
AMXL403212L3PTW	39.73	31.23	11.50	40.17	32.34	11.41	42.21	30.25	35.28	27.28	37.42	28.92	37.00	29.00	P4032 PA4032	32	22	
	1009mm	793mm	292mm	1035mm	822mm	290mm	1072mm	970mm	896mm	293mm	951mm	735mm	940mm	737mm		559mm	813mm	

All dimensions are in inches unless otherwise noted

Data subject to change without notice

Enclosure base part numbers come standard with 4 separately bagged feet (ex. AMXL403212L3PT)

Additional hardware kit available for adjustable back panel option (AMADJUST-CXL)



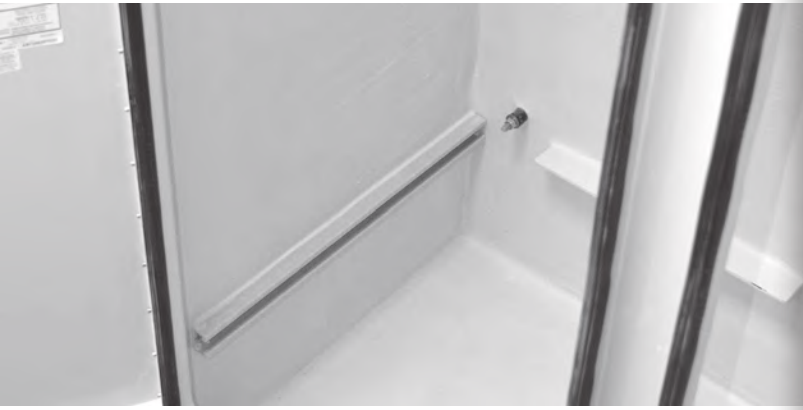
EMPIRE SERIES - FRP

Allied Moulded Empire series wall mount enclosures may be used where contractors are looking for an enclosure that is lighter in weight for easier installation and simple-to-access cabinet doors for easier service capability. Units feature optional 3-point latching cabinet doors or twist latches for convenience.

Designed for large cabinet installations for major industrial and communication applications, our freestanding Empire series cabinets are available in single and double door sizes, and feature a lockable 3-point latching door handle system, while maintaining a NEMA 4X rating.



[Scan to learn more](#)



Empire Series Features & Benefits

- Gel coat fiberglass reinforced polyester (FRP) material construction for durability
- Continuous 316 stainless steel hinge
- Flexible, self-gripping gasket compresses over flange for tight seal
- Wall mount units come with two latching options to meet NEMA Type 4X requirements:
 - 316 stainless steel twist latches with padlock hasp
 - Padlockable 3-point latching handles
- Freestanding units have padlockable 3-point latching handles which meet NEMA Type 4X requirements

Empire Series Specifications

- Non-corrosive
- Non-conductive
- Standard RAL 7035 light gray color
- Lightweight vs. stainless steel
- Temperature-resistant
- Fire-resistant
- Rated NEMA 1, 4, and 4X
- UL® listed
- CSA certified
- Compliant with RoHS directive

Accessories

- Optional white painted carbon steel back panels
- ULTRAPLUG® hole plugs
- Pole mount kits
- HMI cover kits
- Inspection Windows

Modifications

We are pleased to modify any of our standard products to fit your needs with:

- Custom holes and cutouts
- Custom size polycarbonate viewing windows
- Molded-in color matches
- EMI/RFI shielding
- Factory-supplied silk screening
- Mounting Strut

For complete details on factory modifications including a modification request form, see pages 136-138.

www.alliedmoulded.com

Empire Wall Mount Enclosures:

Twist Latch Hinged Cover

- Solid/Opaque



PRODUCT INFORMATION

Application

- Designed to insulate and house electrical and electronic controls, instruments or components for indoor and outdoor applications
- Especially well suited for high temperature or corrosive environments
- Protects from dirt, dust, oil and water

Standards

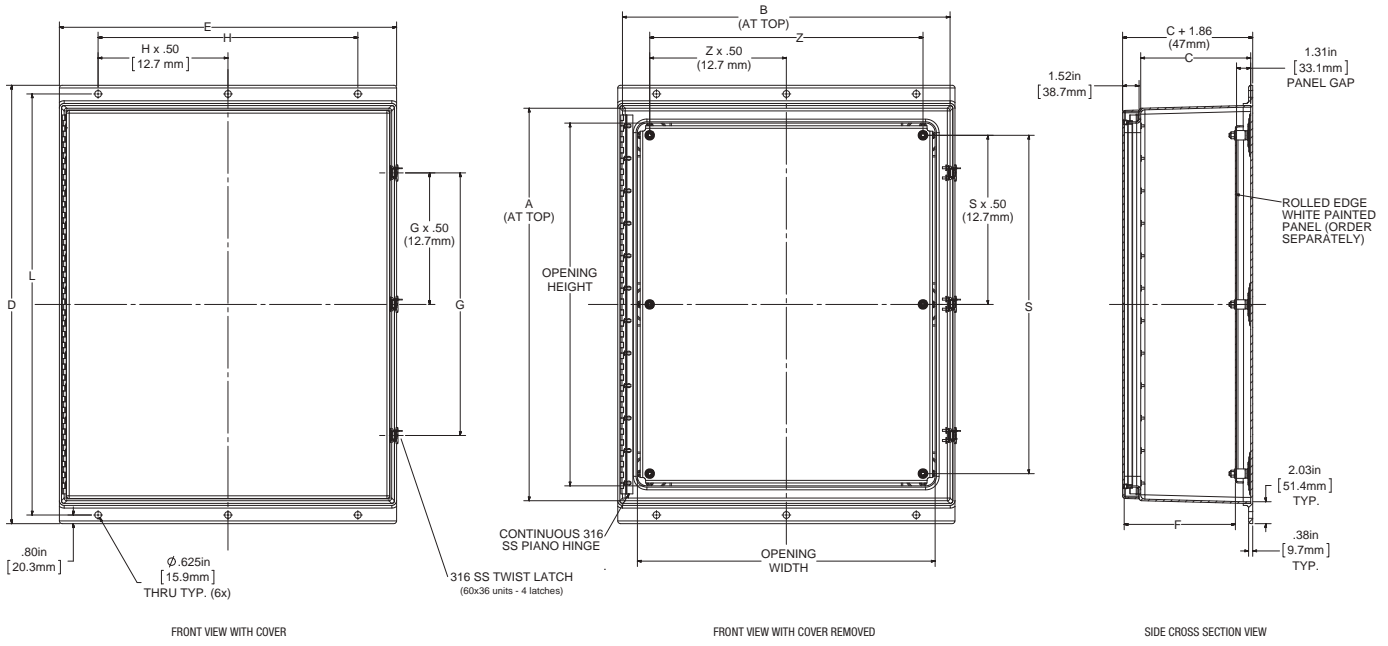
- UL 50 and UL 50E Types 1, 4, and 4X
- CSA C22.2 No. 94 Types 1, 4, and 4X
- Complies with:
 - NEMA Types 1, 4, and 4X
 - IEC 60529 Type IP66
 - RoHS directive

Construction

- Durable, corrosion resistant gel-coat fiberglass material construction
- Resin Transfer Molded (RTM) doors and box construction
- Molded-In mounting flanges
- Soft, self-gripping EPDM gasket compresses over flange for tight seal
- 316 stainless steel twist latches
- Heavy-duty continuous 316 stainless steel hinge
- Fiberglass material has UV inhibitors which provide ideal protection from outdoor weathering

Accessories & Modifications

- Optional painted carbon steel back panels
- Custom size polycarbonate viewing windows
- HMI cover kits
- Inspection windows
- Optional print pocket



LATCH LOCATIONS

FOR USE ON	FOR USE ON
36x30x12 G=24.26 (616.2mm)	48x36x12 G=36.26 (921mm)
36x30x16 G=24.26 (616.2mm)	48x36x16 G=36.26 (921mm)
36x36x12 G=24.26 (616.2mm)	60x36x12 G=48.26 (1225.80mm)
36x36x16 G=24.26 (616.2mm)	60x36x16 G=48.26 (1225.80mm)

Part No.	Box Size At Top			Overall Box Dimensions		Usable Depth F	Flange Mount		Opening		Panel Studs			Panel Size		
	A	B	C	D	E		H	L	Ht.	Wid.	Studs	S	Z	Ht.	Wid.	P/N
AM363012L	OBSOLETE - Replace with AMEC363012T (page 123)															
AM363016L	36.05	30.05	14.16	40.50	31.15	14.27	24.00	38.90	33.51	27.51	6	31.26	25.25	33.00	27.00	P3630CS
	916mm	763mm	360mm	1,029mm	791mm	362mm	610mm	988mm	851mm	699mm		794mm	641mm	838mm	686mm	
AM363612L	36.25	36.25	10.16	40.50	37.15	10.27	30.00	38.90	33.51	33.51	8	31.26	31.26	33.00	33.00	P3636CS
	921mm	921mm	258mm	1,029mm	944mm	261mm	762mm	988mm	851mm	851mm		794mm	794mm	838mm	838mm	
AM363616L	36.05	36.05	14.16	40.50	37.15	14.27	30.00	38.90	33.51	33.51	8	31.26	31.26	33.00	33.00	P3636CS
	916mm	916mm	360mm	1,029mm	944mm	362mm	762mm	988mm	851mm	851mm		794mm	794mm	838mm	838mm	
AM483612L	48.25	36.25	10.16	52.50	37.15	10.27	30.00	50.90	45.51	33.51	8	43.26	31.26	45.00	33.00	P4836CS
	1,226mm	921mm	258mm	1,334mm	944mm	261mm	762mm	1,293mm	1,156mm	851mm		1,099mm	794mm	1,143mm	838mm	
AM483616L	48.05	36.05	14.16	52.50	37.15	14.27	30.00	50.90	45.51	33.51	8	43.26	31.26	45.00	33.00	P4836CS
	1,220mm	916mm	360mm	1,334mm	944mm	362mm	762mm	1,293mm	1,156mm	851mm		1,099mm	794mm	1,143mm	838mm	
AM603612L	60.25	36.25	10.16	64.50	37.15	10.27	30.00	62.90	57.51	33.51	8	55.26	31.26	57.00	33.00	P6036CS
	1,530mm	921mm	258mm	1,638mm	944mm	261mm	762mm	1,598mm	1,461mm	851mm		1,404mm	794mm	1,448mm	838mm	
AM603616L	60.05	36.05	14.16	64.50	37.15	14.27	30.00	62.90	57.51	33.51	8	55.26	31.26	57.00	33.00	P6036CS
	1,525mm	915mm	360mm	1,638mm	944mm	362mm	762mm	1,598mm	1,461mm	851mm		1,404mm	794mm	1,448mm	838mm	

All dimensions are in inches unless otherwise noted Data subject to change without notice



Empire Wall Mount Enclosures: 3-Point Latch Hinged Cover

- **Solid/Opaque**



PRODUCT INFORMATION

Application

- Designed to insulate and house electrical and electronic controls, instruments or components for indoor and outdoor applications
- Especially well suited for high temperature or corrosive environments
- Protects from dirt, dust, oil and water

Standards

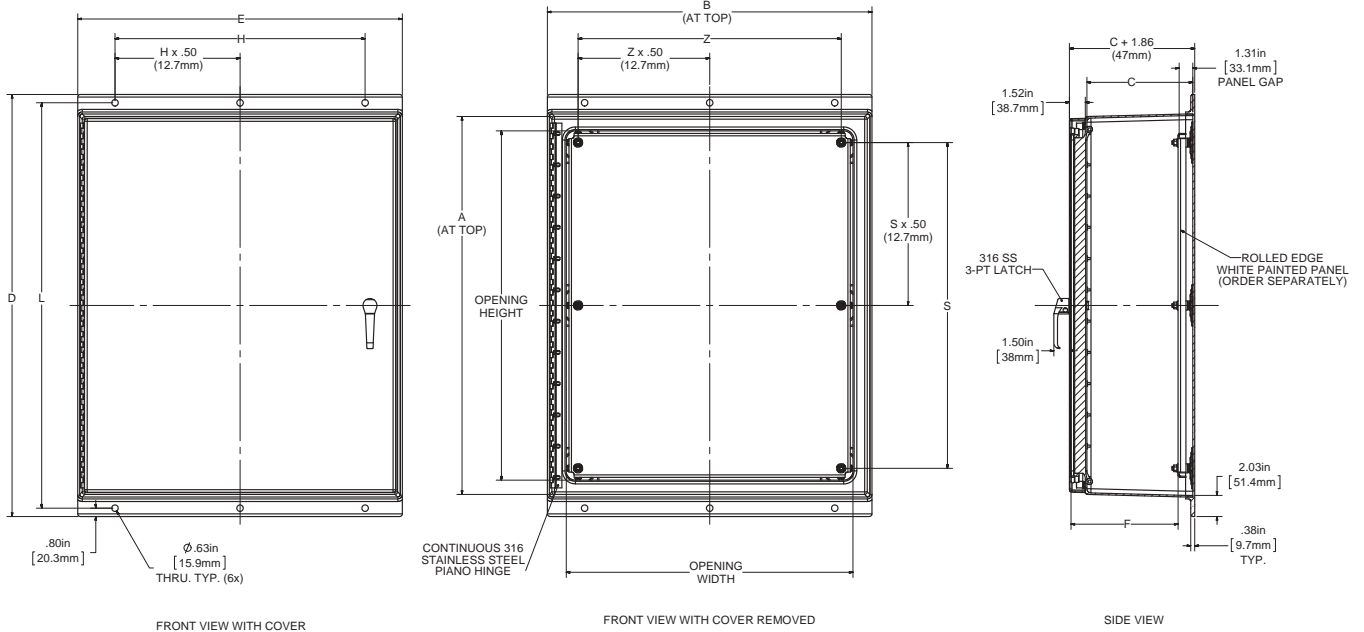
- UL 50 and UL 50E Types 1, 4, and 4X
- CSA C22.2 No. 94 Types 1, 4, and 4X
- Complies with:
 - NEMA Types 1, 4, and 4X
 - IEC 60529 Type IP66
 - RoHS directive

Construction

- Durable, corrosion resistant gel-coat fiberglass material construction
- Resin Transfer Molded (RTM) doors and box construction
- Molded-In mounting flanges
- Soft, self-gripping EPDM gasket compresses over flange for tight seal and has one 316 stainless steel 3-point latching handle with padlocking provision
- Heavy-duty continuous 316 stainless steel hinge
- Fiberglass material has UV inhibitors which provide ideal protection from outdoor weathering

Accessories & Modifications

- Optional painted carbon steel back panels
- Custom size polycarbonate viewing windows
- HMI cover kits
- Inspection windows
- Optional print pocket



NOM. .150 (3.8mm) WALL THICKNESS

Part No.	Box Size At Top			Overall Box Dimensions		Usable Depth F	Flange Mount		Opening		Panel Studs			Panel Size		
	A	B	C	D	E		H	L	Ht.	Wid.	Studs	S	Z	Ht.	Wid.	P/N
AM363012L3PT	OBSOLETE - Replace with AMEC3630123PT (page 123)															
AM363016L3PT	36.05	30.05	14.16	40.50	31.15	14.27	24.00	38.90	33.51	27.51	6	31.26	25.25	33.00	27.00	P3630CS
	916mm	763mm	360mm	1,029mm	791mm	362mm	610mm	988mm	851mm	699mm		794mm	641mm	838mm	686mm	
AM363612L3PT	36.25	36.25	10.16	40.50	37.15	10.27	30.00	38.90	33.51	33.51	8	31.26	31.26	33.00	33.00	P3636CS
	921mm	921mm	258mm	1,029mm	944mm	261mm	762mm	988mm	851mm	851mm		794mm	794mm	838mm	838mm	
AM363616L3PT	36.05	36.05	14.16	40.50	37.15	14.27	30.00	38.90	33.51	33.51	8	31.26	31.26	33.00	33.00	P3636CS
	916mm	916mm	360mm	1,029mm	944mm	362mm	762mm	988mm	851mm	851mm		794mm	794mm	838mm	838mm	
AM483612L3PT	48.25	36.25	10.16	52.50	37.15	10.27	30.00	50.90	45.51	33.51	8	43.26	31.26	45.00	33.00	P4836CS
	1,228mm	921mm	258mm	1,334mm	944mm	261mm	762mm	1,293mm	1,156mm	851mm		1,099mm	794mm	1,143mm	838mm	
AM483616L3PT	48.05	36.05	14.16	52.50	37.15	14.27	30.00	50.90	45.51	33.51	8	43.26	31.26	45.00	33.00	P4836CS
	1,220mm	916mm	360mm	1,334mm	944mm	362mm	762mm	1,293mm	1,156mm	851mm		1,099mm	794mm	1,143mm	838mm	
AM603612L3PT	60.25	36.25	10.16	64.50	37.15	10.27	30.00	62.90	57.51	33.51	8	55.26	31.26	57.00	33.00	P6036CS
	1,530mm	921mm	258mm	1,638mm	944mm	261mm	762mm	1,598mm	1,461mm	851mm		1,404mm	794mm	1,448mm	838mm	
AM603616L3PT	60.05	36.05	14.16	64.50	37.15	14.27	30.00	62.90	57.51	33.51	8	55.26	31.26	57.00	33.00	P6036CS
	1,525mm	915mm	360mm	1,638mm	944mm	362mm	762mm	1,598mm	1,461mm	851mm		1,404mm	794mm	1,448mm	838mm	

All dimensions are in inches unless otherwise noted

Data subject to change without notice



Empire Wall Mount Enclosures: Twist Latch Hinged Cover

- **Solid/Opaque**



PRODUCT INFORMATION

Application

- Designed to insulate and house electrical and electronic controls, instruments or components for indoor and outdoor applications
- Especially well suited for high temperature or corrosive environments
- Protects from dirt, dust, oil and water

Standards

- UL 50 and UL 50E Types 1, 2, 3, 3R, 4, 4X, 12 and 13
- CSA C22.2 No. 94 Types 1, 2, 3, 3R, 4, 4X, 12 and 13
- Complies with:
 - NEMA Types 1, 2, 3, 3R, 4, 4X, 12 and 13
 - IEC 60529 Type IP66
 - RoHS directive



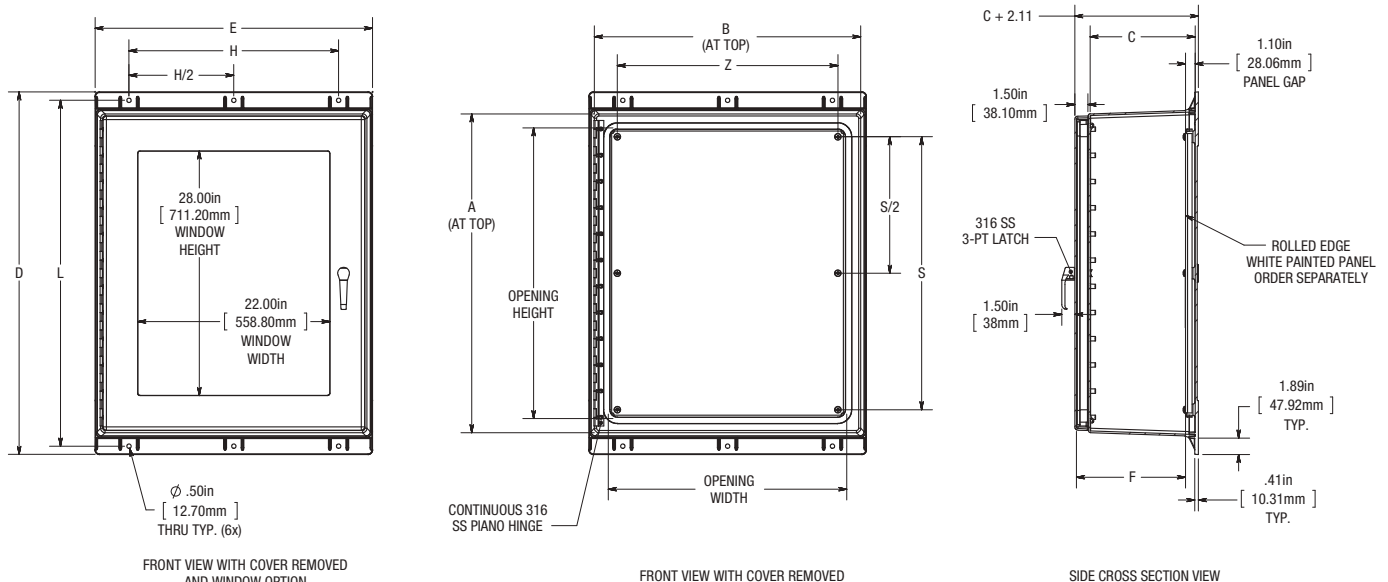
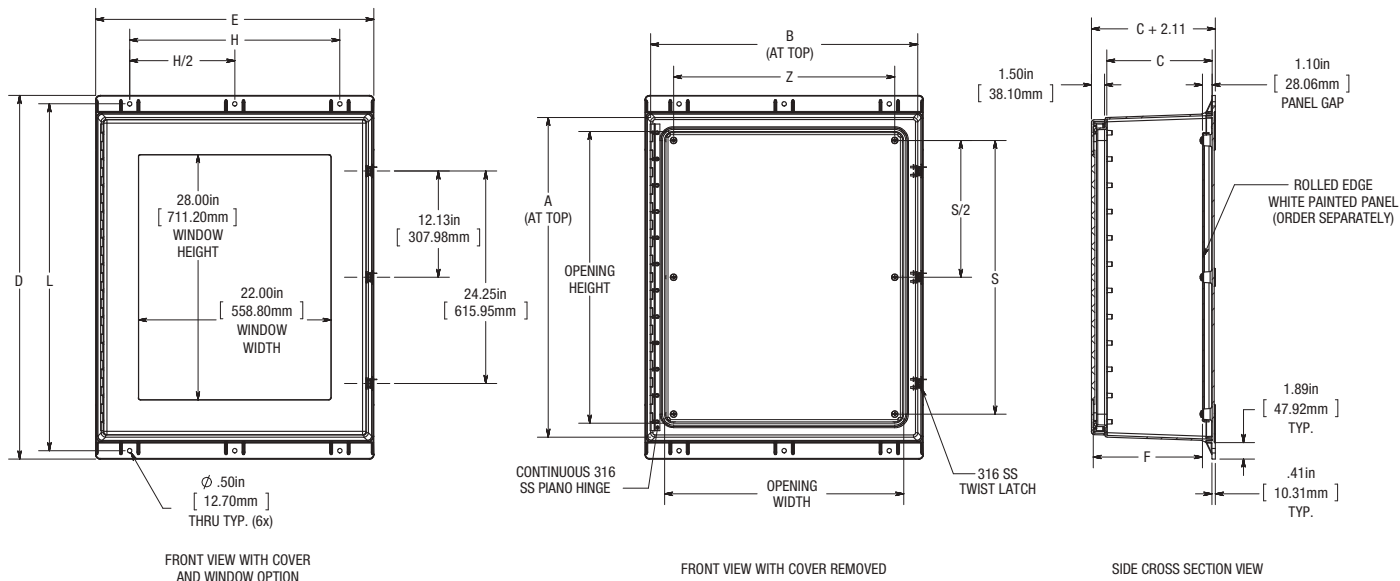
Scan to learn more

Construction

- Compression-molded cover and two piece box from ULTRAGUARD® material in standard light gray RAL 7035 color
- Optional 316 stainless steel twist latches (T) or 316 stainless steel 3-point latching handle (3PT)
- Formed-In-Place (FIP) polyurethane gasket system provides sealing means to meet IP66/NEMA 4X rating
- Integral mounting flange is compression molded in fiberglass material
- 3/8-16 threaded brass inserts are molded in for optional back panel
- 3/8-6 x .75 combo head, carbon steel-plated screws are included with each enclosure for use with the optional back panel
- Heavy-duty, continuous 316 stainless steel hinge
- Optional UV-resistant polycarbonate viewing window (W)

Accessories & Modifications

- Optional painted carbon steel back panels
- Custom size polycarbonate viewing windows
- HMI cover kits
- Inspection windows
- Optional print pocket



Part No.	Box Size At Top			Overall Box Dimensions		Usable Depth	Flange Mount		Opening		Panel Studs			Panel Size		
	A	B	C	D	E		F	H	L	Ht.	Wid.	Studs	S	Z	Ht.	Wid.
AMEC363012T	36.50	30.50	12.03	41.50	31.76	12.48	24.00	39.60	33.30	27.30	6	31.25	25.25	33.00	27.00	P3630CS
AMEC3630123PT	927mm	775mm	306mm	1054mm	807mm	317mm	610mm	1006mm	846mm	693mm		794mm	641mm	838mm	686mm	

All dimensions are in inches unless otherwise noted Data subject to change without notice

Part No.	Box Size At Top			Overall Box Dimensions		Usable Depth	Flange Mount		Opening		Panel Studs			Panel Size		
	A	B	C	D	E		F	H	L	Ht.	Wid.	Studs	S	Z	Ht.	Wid.
AMEC363012TW	36.50	30.50	12.03	41.50	31.76	12.48	24.00	39.60	33.30	27.30	6	31.25	25.25	33.00	27.00	P3630CS
AMEC3630123PTW	927mm	775mm	306mm	1054mm	807mm	317mm	610mm	1006mm	846mm	693mm		794mm	641mm	838mm	686mm	

All dimensions are in inches unless otherwise noted Data subject to change without notice
 Window sizes noted above in drawings



EMPIRE Enclosures: Free Standing Single Door

- **Solid/Opaque**



PRODUCT INFORMATION

Application

- Designed to insulate and house electrical and electronic controls, instruments or components for indoor and outdoor applications
- Especially well suited for high temperature or corrosive environments
- Protects from dirt, dust, oil and water

Standards

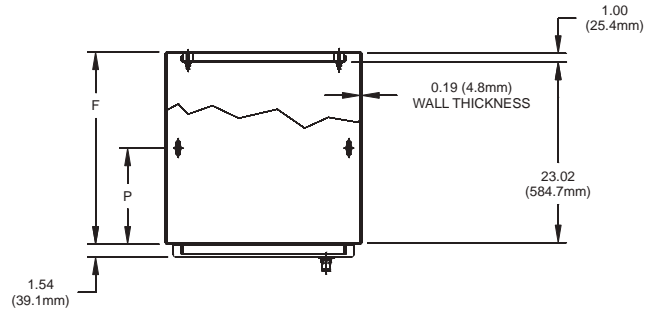
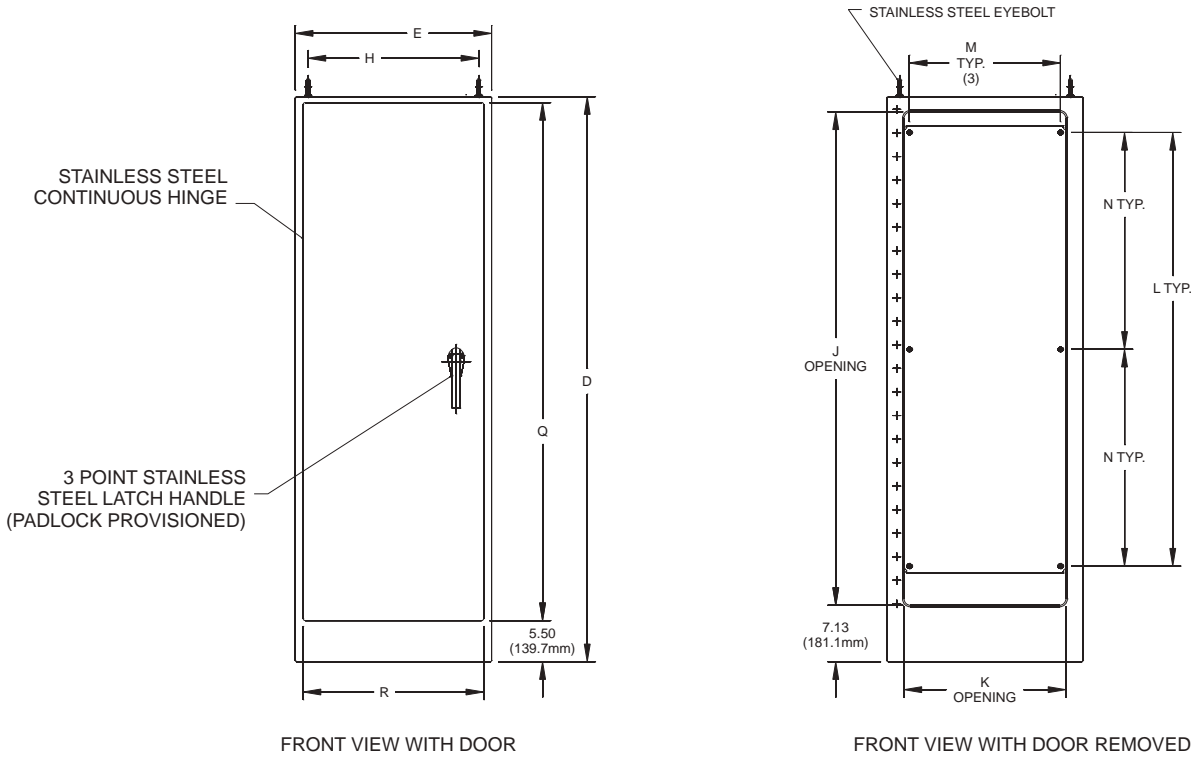
- UL 50 and UL 50E Types 1, 4, and 4X
- CSA C22.2 No. 94 Types 1, 4, and 4X
- Complies with:
 - NEMA Types 1, 4, and 4X
 - IEC 60529 Type IP66
 - RoHS directive

Construction

- Durable, corrosion resistant gel-coat fiberglass material construction
- Resin Transfer Molded (RTM) doors and hand-layup box construction
- Soft, self-gripping EPDM gasket compresses over flange for tight seal
- One 316 stainless steel 3-point latching handle with padlocking provision
- Heavy-duty continuous 316 stainless steel hinge
- Fiberglass material has UV inhibitors which provide ideal protection from outdoor weathering
- Heavy duty lifting eye bolts

Accessories & Modifications

- Optional painted carbon steel back panels
- Custom size polycarbonate viewing windows
- HMI cover kits
- Inspection windows
- Optional print pocket



Optional Carbon Steel Back Panel		
Part No.	Height	Width
P7225CS	57.00	21.00
	1448mm	533mm

Part No.	D	E	F	H	J	K	L	M	N	P	Q	R	# Panel Mount Studs
AM722525FS	72.00	25.00	24.50	21.75	62.88	20.63	55.25	19.25	27.63	12.25	66.00	23.00	6
	1829mm	635mm	622mm	552mm	1597mm	524mm	1403mm	489mm	702mm	311mm	1676mm	584mm	

All dimensions are in inches unless otherwise noted

Data subject to change without notice

EMPIRE Enclosures: Free Standing Double Door

- *Solid/Opaque*



PRODUCT INFORMATION

Application

- Designed to insulate and house electrical and electronic controls, instruments or components for indoor and outdoor applications
- Especially well suited for high temperature or corrosive environments
- Protects from dirt, dust, oil and water

Standards

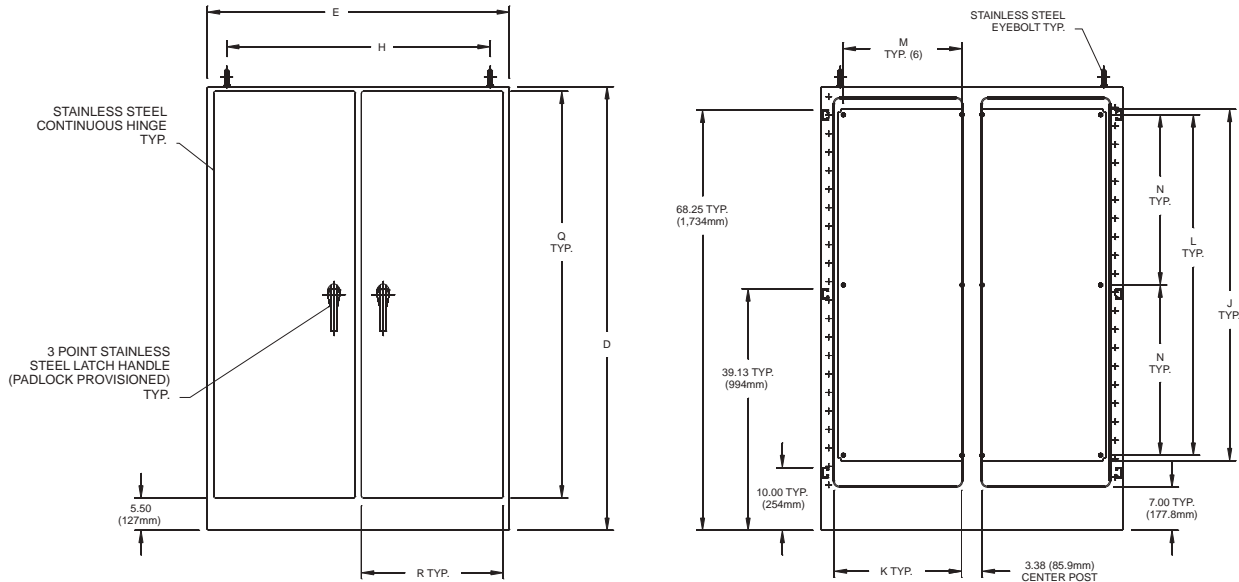
- UL 50 and UL 50E Types 1, 4, and 4X
- CSA C22.2 No. 94 Types 1, 4, and 4X
- Complies with:
 - NEMA Types 1, 4, and 4X
 - IEC 60529 Type IP66
 - RoHS directive

Construction

- Durable, corrosion resistant gel-coat fiberglass material construction
- Resin Transfer Molded (RTM) doors and hand-layup box construction
- Soft, self-gripping EPDM gasket compresses over flange for tight seal
- Two 316 stainless steel 3-point latching handles with padlocking provision
- Heavy-duty continuous 316 stainless steel hinge
- Fiberglass material has UV inhibitors which provide ideal protection from outdoor weathering
- Heavy duty lifting eye bolts
- Fiberglass mounting strut installed on side

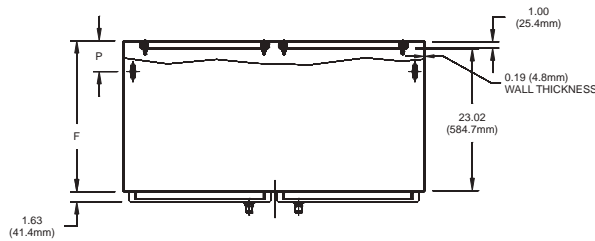
Accessories & Modifications

- Optional painted carbon steel back panels
- Custom size polycarbonate viewing windows
- HMI cover kits
- Inspection windows
- Optional print pocket



FRONT VIEW WITH DOORS

FRONT VIEW WITH DOORS REMOVED



Optional Carbon Steel Back Panel		
Part No.	Height	Width
*P7249CS	57.00	21.00
	1448mm	533mm

*Note: Consists of two separate panels

Part No.	D	E	F	H	J	K	L	M	N	P	Q	R	# Panel Mount Studs
AM724925FSDD	72.00	25.00	24.50	45.25	62.88	20.63	55.25	19.25	27.63	5.00	66.00	23.00	12
	1829mm	1245mm	622mm	1149mm	1597mm	524mm	1403mm	489mm	702mm	127mm	1676mm	584mm	

All dimensions are in inches unless otherwise noted

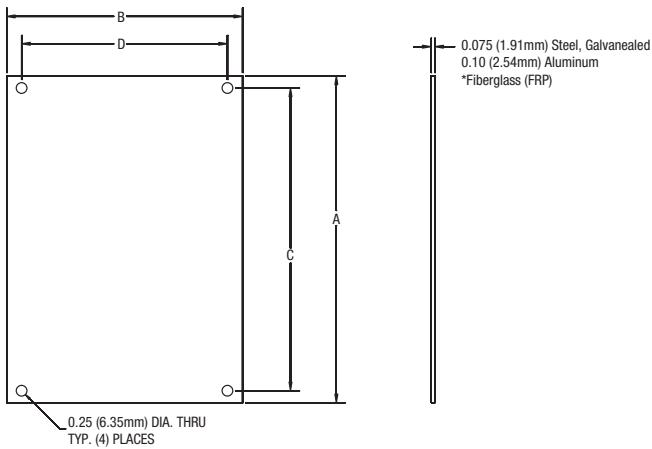
Data subject to change without notice



Back Panels

Small Junction Boxes		
Optional Aluminum / Fiberglass Back Panel		
Part No.	Height	Width
PA74, PF74	4.00	3.13
	102mm	80mm
PA94, PF94	6.25	3.13
	159mm	80mm

All dimensions are in inches unless otherwise noted. "PA" denotes aluminum, "PF" denotes fiberglass Thickness; "PA" (.100) "PF" (.125)



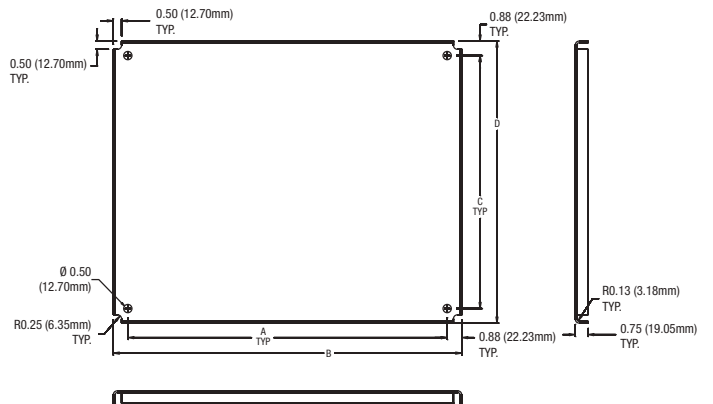
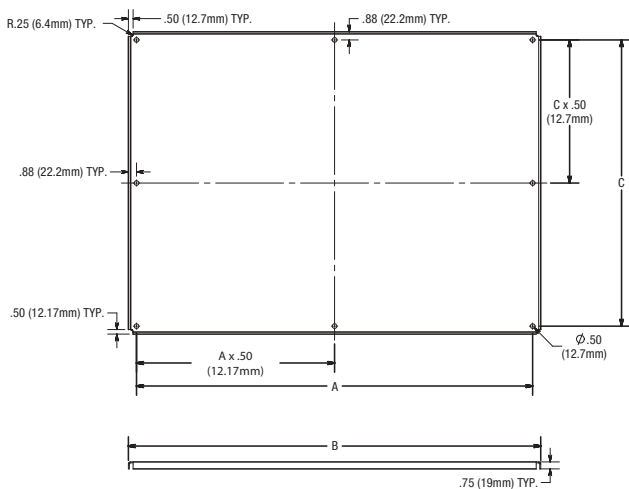
Optional Back Panel Base Part #'s	
Steel	Alum
P, PL	White Painted Carbon Steel
PA, PLA	Aluminum
PF	Fiberglass
PG	Galvannealed

AM, AMHD, AMU, AM-R Series (JIC Sizes)							
Steel	Alum	FRP	Galv	A	B	C	D
PL66 (Replaces P66)	PLA66 (Replaces PA66)	PF66	PG66	4.81	4.81	4.25	4.25
				122mm	122mm	108mm	108mm
PL86 (Replaces P86)	PLA86 (Replaces PA86)	PF86	PG86	6.75	4.88	6.25	4.25
				171mm	124mm	159mm	108mm
PL108 (Replaces P108)	PLA108 (Replaces PA108)	PF108	PG108	8.75	6.88	8.25	6.25
				222mm	175mm	210mm	159mm
PL120 (Replaces P120)	PLA120 (Replaces PA120)	PF120	PG120	10.75	8.88	10.25	8.25
				273mm	226mm	260mm	210mm
PL122	PLA122	PF122	PG122	10.75	10.75	10.25	10.25
				273mm	273mm	260mm	260mm
PL142 (Replaces P142)	PLA142 (Replaces PA142)	PF142	PG142	12.75	10.88	12.25	10.25
				324mm	276mm	311mm	260mm
P164	PA164	PF164	PG164	14.75	12.88	14.25	12.25
				375mm	327mm	362mm	311mm
P186	PA186	PF186	PG186	16.88	14.88	16.25	14.25
				429mm	378mm	413mm	362mm
P206	PA206	PF206	PG206	18.44	14.44	17.81	13.81
				468mm	367mm	452mm	351mm

Fiberglass panel thickness: (0.125") PF66, PF86, PF108; (0.187") PF120, PF142, PF164; (0.250") PF186, PF206

Control Series							
Steel	Alum	FRP	Galv	A	B	C	D
P2420	PA2420	PF2420	PG2420	19.25	21.00	15.25	17.00
				489mm	533mm	387mm	432mm
P2424	PA2424	PF2424	PG2424	19.25	21.00	19.25	21.00
				489mm	533mm	489mm	533mm
P3024	PA3024	PF3024	PG3024	25.25	27.00	19.25	21.00
				641mm	686mm	489mm	533mm

Refer to key above for back panel material type



Empire Series				
Steel	A	B	C	D
P3630CS	31.24	33.00	25.24	27.00
	793mm	838mm	641mm	686mm
P3636CS	31.24	33.00	31.24	33.00
	793mm	838mm	793mm	838mm
P4836CS	43.24	45.00	31.24	33.00
	1,098mm	1,143mm	793mm	838mm
P6036CS	55.24	57.00	31.24	33.00
	1,403mm	1,448mm	793mm	838mm

Refer to key above for back panel material type

AM-R Series: Aluminum Hinged Front Panels

HFP – Used with raised cover only

FEATURES:

- Panels designed to offer both a professional instrumentation display and a protective covering for electric wiring inside the enclosure
- Completely field-installable panel design with no required enclosure modifications
- Latch design secures panel in place with one-quarter turn
- One-half-inch adjustability up or down
- For use with raised cover enclosures from 6" x 6" through 30" x 24"
- Panel modifications available include: cut-in holes and screen printing
- Compliant with RoHS directive

AM-R Control Series	
Part No.	Panel Dim. (H x W x D)
HFP2420	23.25 x 19.375 x .09
	591mm x 492mm x 2.3mm
HFP2424	23.38 x 23.25 x .09
	594mm x 591mm x 2.3mm
HFP3024	29.25 x 23.38 x .09
	743mm x 594mm x 2.3mm



Note: Please refer to website www.alliedmoulded.com for installed HFP drawings and dimensional information.

AM-R JIC Series	
Part No.	Panel Dim. (H x W x D)
HFP66	5.60 x 5.60 x .09
	142mm x 142mm x 2.3mm
HFP86	7.50 x 5.63 x .09
	191mm x 143mm x 2.3mm
HFP108	9.50 x 7.50 x .09
	241mm x 191mm x 2.3mm
HFP120	11.50 x 9.50 x .09
	292mm x 241mm x 2.3mm
HFP122	11.50 x 11.50 x .09
	292mm x 292mm x 2.3mm
HFP142	13.50 x 11.50 x .09
	343mm x 292mm x 2.3mm
HFP164	15.50 x 13.50 x .09
	394mm x 343mm x 2.3mm
HFP186*	17.63 x 15.63 x .09
	448mm x 397mm x 2.3mm
HFP206	19.25 x 15.25 x .09
	489mm x 387mm x 2.3mm

*Standard HFP186 doesn't fit in AMHD product.

AMU Series: Aluminum Hinged Front Panels

HFPU

FEATURES:

- Panels designed to offer both a professional instrumentation display and a safety divider for electric wiring inside the enclosure
- Completely field-installable panel design. Installation instruction sheet included.
- Latch design secures panel in place with one-quarter turn
- For use with enclosures from 6" x 6" through 20" x 16"
- Panel modifications available include: cut-in holes and screen printing
- Compliant with RoHS directive



Note: Please refer to website www.alliedmoulded.com for installed HFPU drawings and dimensional information.

AMU JIC Series	
Part No.	Panel Dim. (H x W x D)
HFPU66	5.64 x 5.87 x .09
	143mm x 149mm x 2.3mm
HFPU86	7.74 x 5.91 x .09
	197mm x 150mm x 2.3mm
HFPU108	9.64 x 7.87 x .09
	245mm x 200mm x 2.3mm
HFPU120	11.50 x 9.61 x .09
	292mm x 244mm x 2.3mm
HFPU142	13.49 x 11.60 x .09
	343mm x 295mm x 2.3mm
HFPU164	15.46 x 13.58 x .09
	393mm x 345mm x 2.3mm
HFPU186	17.62 x 15.72 x .09
	448mm x 399mm x 2.3mm
HFPU206	19.38 x 15.44 x .09
	492mm x 392mm x 2.3mm

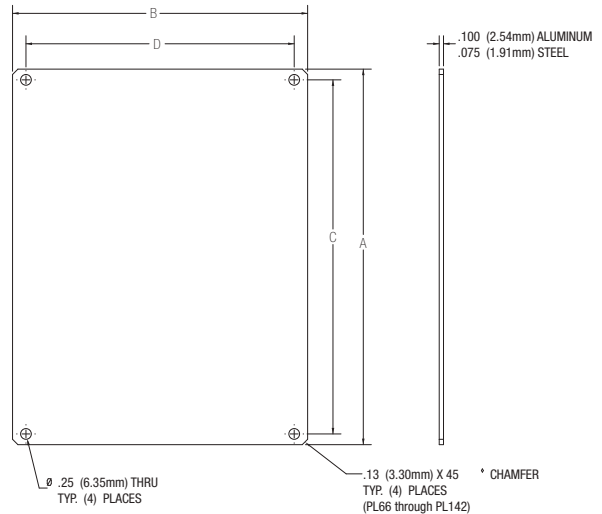
Note: Empire series panels are 0.1046" in thickness.



POLYLINE® Series Optional Back Panels:

“PL” Painted White Carbon Steel
or “PLA” Aluminum

POLYLINE® Series					
STEEL (P/N)	ALUM (P/N)	A	B	C	D
PL66	PLA66	4.81	4.81	4.25	4.25
		122mm	122mm	108mm	108mm
PL86	PLA86	6.75	4.88	6.25	4.25
		171mm	124mm	159mm	108mm
PL88	PLA88	6.75	6.88	6.25	6.25
		171mm	175mm	159mm	159mm
PL108	PLA108	8.75	6.88	8.25	6.25
		222mm	175mm	210mm	159mm
PL120	PLA120	10.75	8.88	10.25	8.25
		273mm	226mm	260mm	210mm
PL142	PLA142	12.75	10.88	12.25	10.25
		324mm	276mm	311mm	260mm
P164	PA164	14.75	12.88	14.25	12.25
		375mm	327mm	362mm	311mm
P186	PA186	16.88	14.88	16.25	14.25
		429mm	378mm	413mm	362mm

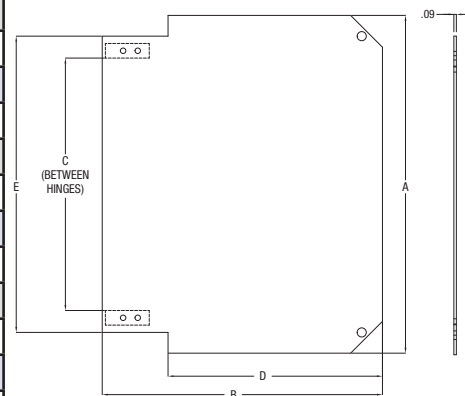


All dimensions are in inches unless otherwise noted.

POLYLINE® Series Optional Adjustable Hinged Front Panels:

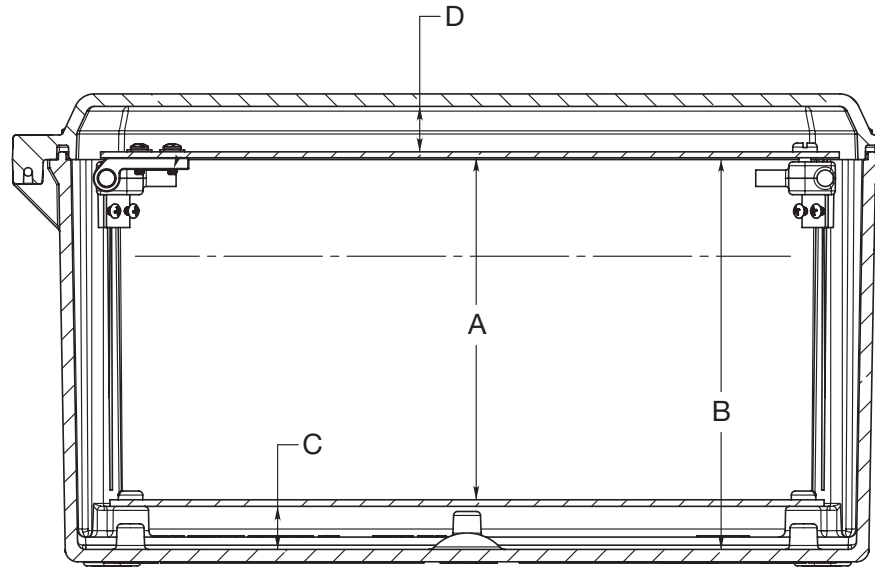
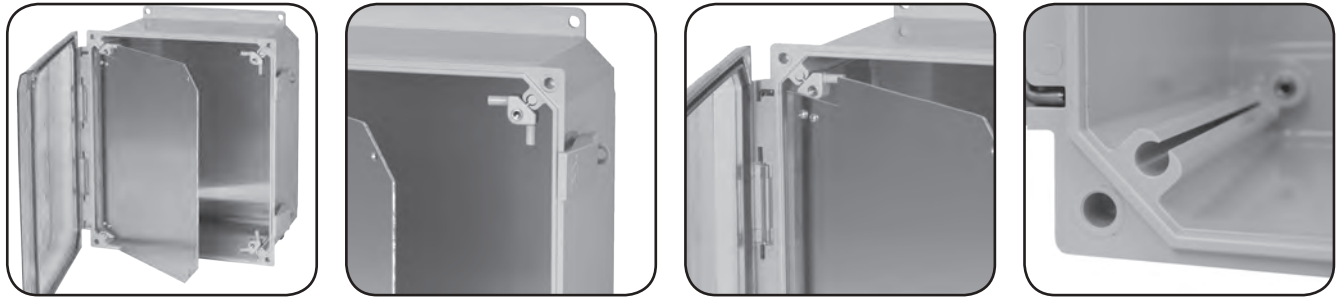
“HFPP” Aluminum Panel Systems

HFPP Kit (P/N)	Enc. Base (P/N)	A	B	C	D	E
HFPP66	AMP664	5.44	5.61	2.64	3.36	4.19
		138mm	142mm	67mm	85mm	106mm
HFPP86	AMP864	7.44	5.61	4.67	3.36	6.19
		189mm	142mm	119mm	85mm	157mm
HFPP88	AMP884	7.44	7.63	4.64	5.38	6.19
		189mm	194mm	118mm	137mm	157mm
HFPP108	AMP1084	9.43	7.63	6.63	5.38	8.18
		239mm	194mm	168mm	137mm	208mm
HFPP120	AMP1206	11.55	9.58	8.63	7.33	10.13
		293mm	243mm	219mm	186mm	257mm
HFPP142	AMP1426	13.10	11.25	10.61	9.00	11.75
		333mm	286mm	269mm	229mm	298mm
HFPP164	AMP1648	14.75	12.88	12.23	12.13	13.44
		375mm	327mm	245mm	289mm	339mm
HFPP186	AMP1860	16.88	14.88	14.19	14.13	15.44
		429mm	378mm	295mm	340mm	393mm



All dimensions are in inches unless otherwise noted.

POLYLINE® Series Adjustable Hinged Front Panels Installed:



	Enclosure Used With	Optional Aluminum Back Panel	Optional Aluminum Back Panel	Optional Steel Back Panel	Optional Steel Back Panel	Without Optional Back Panel	Optional Steel Back Panel	C=BOTTOM to Panel Mount Bosses	D=Hinged Front Panel to Inside Cover	D=Hinged Front Panel to Inside Cover
	(Base P/N)	A (MAX.)	A (MIN.)	A (MAX.)	A (MIN.)	B (MAX.)	B (MIN.)		(MIN.)	(MAX.)
HFPP66	AMP664	3.21	1.71	3.24	1.74	3.96	2.47	.66	.76	2.26
		82mm	43mm	82mm	44mm	101mm	63mm	17mm	19mm	57mm
HFPP86	AMP864	3.22	1.72	3.25	1.75	3.96	2.46	.66	.76	2.26
		82mm	44mm	83mm	44mm	101mm	62mm	17mm	19mm	57mm
HFPP88	AMP884	3.21	1.71	3.24	1.74	3.96	2.46	.66	.76	2.26
		82mm	43mm	82mm	44mm	101mm	62mm	17mm	19mm	57mm
HFPP108 HFPP120	AMP1084 AMP1204	3.21	1.71	3.24	1.74	3.96	2.46	.66	.76	2.26
		82mm	43mm	82mm	44mm	101mm	62mm	17mm	19mm	57mm
HFPP120	AMP1206	5.21	3.71	5.24	3.74	5.96	4.47	.66	.76	2.38
		132mm	94mm	133mm	95mm	151mm	114mm	17mm	19mm	60mm
HFPP142	AMP1426	5.21	3.71	5.24	3.74	5.96	4.47	.66	.76	2.19
		132mm	94mm	133mm	95mm	151mm	114mm	17mm	19mm	56mm
HFPP164	AMP1648	6.95	1.25	6.98	1.28	7.72	2.02	.66	1.19	6.89
		177mm	32mm	177mm	33mm	196mm	51mm	17mm	30mm	175mm
HFPP186	AMP1860	8.95	1.25	8.98	1.28	9.72	2.02	.66	1.19	8.89
		227mm	32mm	228mm	33mm	247mm	51mm	17mm	30mm	226mm

All dimensions are in inches unless otherwise noted

Data subject to change without notice



Inspection Windows

Allied Moulded's new inspection window kits are designed to provide visibility and easy viewing access to equipment and components installed in an enclosure, while maintaining ratings up through NEMA Type 4X. The window kit features a strong and rigid design, securely mounting to the outside of most enclosure designs. The window kit is available in three convenient sizes to allow for sufficient viewing space in any required application.

APPLICATION

- Ideal for providing a convenient viewable area not accessible to equipment and components installed inside an enclosure
- Especially well suited for high temperature or corrosive environments
- Includes mounting hole pattern for easy window installation
- Protects from UV, dirt, dust, oil and water

STANDARDS

- Recognized component for use with enclosures rated NEMA Types 1, 3, 3R, 4, 4X, 12 or 13

CONSTRUCTION

- Clear polycarbonate thermoplastic
- UV stabilized for outdoor use
- Formed-In-Place (FIP) polyurethane gasket in continuous channel
- Designed for use with wall thicknesses from 16 gauge through 1/4"
- #10-32 threaded brass inserts with plated steel mounting fasteners
- Convenient sizes for easy viewing access to a variety of enclosure applications

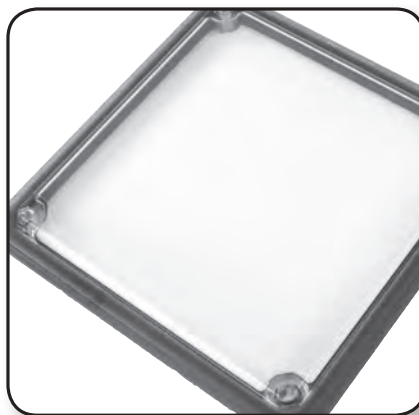


Scan to learn more about our inspection windows!



Formed-In-Place Gasket System

Polyurethane gasket system, encased in a continuous channel for maximum protection from extreme weather conditions and environments.



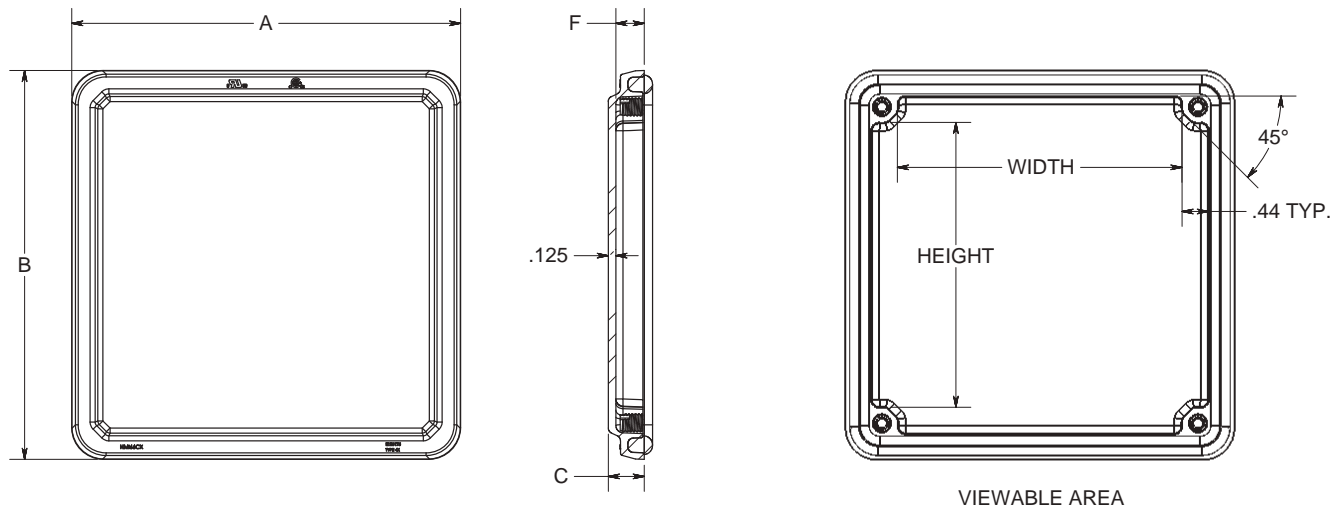
Aesthetically Pleasing Design

Uniform design with slightly raised cover plate edges for a maximum viewing area. The polycarbonate window allows for crystal clear vision inside the enclosure.



Threaded Brass Inserts

#10-32 threaded brass inserts allow the window to be securely fastened to the enclosure. No need to worry about loose connections!



Note: For use on flat surfaces of Type 1, 3, 3R, 4, 4X, 12 or 13

Part No.	Frame Size Inside Dimensions			Usable Depth F	Max Viewing Area		Nom. Wall Thickness
	A	B	C		Width	Height	
AMHMI66CX	6.5	6.5	0.6	0.47	5.64	5.64	0.125
	165mm	165mm	15mm	12mm	143mm	143mm	3mm
★ AMHMI95CX	7.25	10	0.6	0.47	5.55	9.14	0.125
	184mm	254mm	15mm	12mm	141mm	232mm	3mm
★ AMHMI138CX	9.7	14.7	0.6	0.47	8	13	0.125
	246mm	373mm	15mm	12mm	203mm	330mm	3mm

All dimensions are in inches unless otherwise noted
 ★Coming Q4 – 2016



HMI Cover Kits

Allied Moulded's new HMI cover kits are designed to provide protection for instruments or electronics requiring routine attention or detail. The cover kit features a strong and rigid design, mounting securely to the outside of any enclosure option, and makes accessibility to electronic components easy!

HMI cover kits are UL® recognized and maintain a NEMA 4X seal with the use of our Formed-In-Place (FIP) polyurethane gasket system, and is well suited for outdoor applications. Multiple cover latching options are also available, including a hinge screw, tamper proof screw, and snap latch model. All are available in solid opaque or polycarbonate thermoplastic clear covers.



APPLICATION

- Ideal for covering and protecting instruments or electronics through an enclosure wall, while maintaining all applicable standards and classifications
- No need to open the enclosure to view electronics or perform maintenance, decreasing arc flash risks and safety hazards
- Includes mounting hole pattern for easy cover kit installation
- Protects from UV, dirt, dust, oil and water

CONSTRUCTION

- Clear polycarbonate thermoplastic, or polycarbonate for opaque covers
- 316 stainless steel hinge pin
- UV stabilized for outdoor use
- Formed-In-Place (FIP) polyurethane gasket in continuous channel
- Designed for use with wall thicknesses from 16 gauge through 1/4"
- #10-32 threaded brass inserts with plated steel mounting fasteners



Scan to learn more about HMI cover kits!

STANDARDS

- Recognized component for use with enclosures rated NEMA Types 1, 3, 3R, 4, 4X, 12 or 13



Cover Latching Options

Including hinged screw cover, tamper proof screw cover, and snap latch models for secure cover installation and security for every application.



Secure Hinge Pin

Made from 316 stainless steel, keeps cover secure, protecting from outdoor elements such as UV, dirt, dust, oil, and water



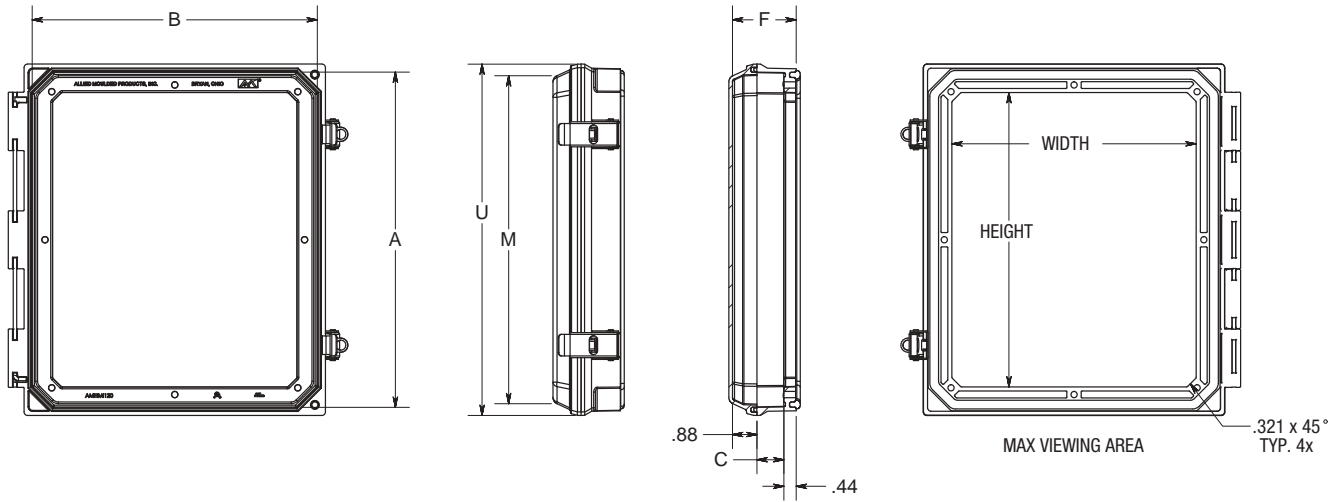
Formed-In-Place Gasket

Made with strong polyurethane, protects HMI equipment and electronics, while providing a reliable seal between cover and cover kit option

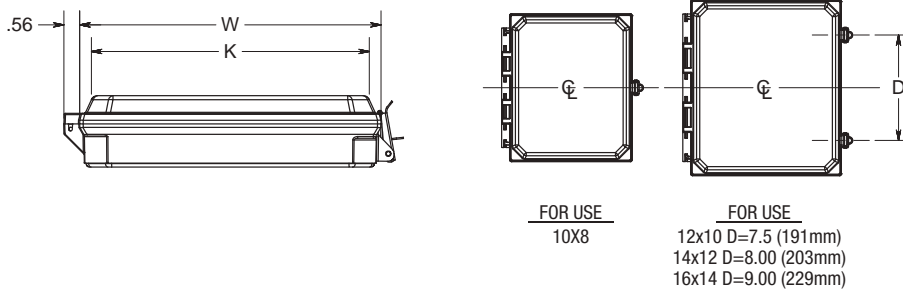


Application Driven

For use with a variety of electrical mounting or component applications, driving innovation and desired capabilities in unique markets



LATCH LOCATIONS



Part No. Configuration Options	
Part No. Suffix	Description
CCH	Clear Cover Hinge
CCHTP	Clear Cover Tamper Proof Screw
CCL	Clear Cover Snap Latch
H	Opaque Cover Hinge
HTP	Opaque Cover Hinge Tamper Proof Screw
L	Opaque Cover Snap Latch

Add the "Part No. Suffix" to the base part number below to create a complete HMI cover kit (ex. AMHMI120CCL is a 12" x 10" with a clear cover and latch)

Base Part No.	Frame Size Inside Dimensions			Usable Depth	Cover Size				Max Viewing Area		Nom. Wall Thickness
	A	B	C		F	K	M	W	U	Width	
★ AMHMI108	9.93	8.15	0.96	2.27	7.89	9.67	8.72	10.5	6.69	8.47	0.14
	252mm	207mm	24mm	58mm	200mm	246mm	221mm	267mm	170mm	215mm	4mm
AMHMI120	11.93	10.15	0.96	2.27	9.89	11.67	10.72	12.5	8.69	10.47	0.14
	303mm	258mm	24mm	58mm	251mm	296mm	272mm	318mm	221mm	266mm	4mm
AMHMI142	13.95	12.07	0.96	2.2	11.89	13.67	12.72	14.5	10.71	12.49	0.19
	354mm	307mm	24mm	56mm	302mm	347mm	323mm	368mm	272mm	317mm	5mm
★ AMHMI164	15.87	14.07	0.96	2.2	13.89	14.72	14.72	16.5	12.71	14.49	0.19
	403mm	357mm	24mm	56mm	353mm	374mm	374mm	419mm	323mm	368mm	5mm

All dimensions are in inches unless otherwise noted
 Base part number listed only. To complete part number, refer to the "Part # Suffix" chart above
 Refer to website for complete mounting hole pattern configuration
 ★Coming Q4 – 2016

Data subject to change without notice



Hole Plug Assemblies



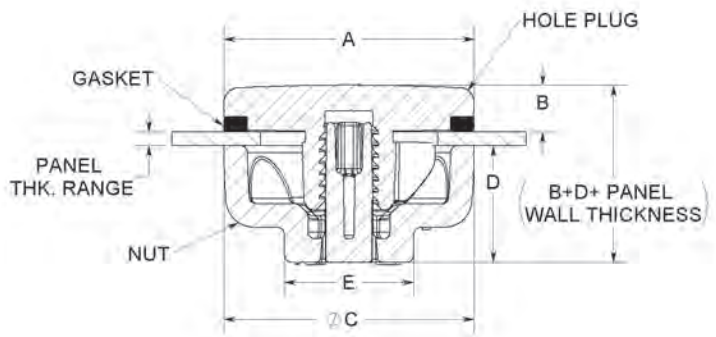
Hole Plug Features:

- Plug "Fins": self centering, anti-rotational design for fast & easy one person plug assembly and no-tools tightening
- Plug fits wide range of hole sizes without the use of restrictive hole centering spacers
- Patented design: US Patent No. 9,045,932
- Recognized component for use with UL & CSA listed enclosure products
- Molded material of construction for a wide range of chemical compatible applications (polycarbonate with neoprene/EPDM gasket)
- Assembly designed to maintain applicable NEMA/UL/CSA enclosure ratings
Note: For use on flat surface of a Type 1, 3R, 4, 4X or 12 enclosure
- Designed for use with wall thicknesses from 16 gauge through 1/4"
- Designed for use with all metallic and nonmetallic enclosure materials
- Low profile interior nut and exterior plug saves valuable panel space
- Capable of sealing unused holes ranging in size from 1/2" to 4-3/4"



Simple Install

- 1) Push/Plug
- 2) Twist-lock/Fins
- 3) Screw-tight/Nut



Scan for more information or visit ultraplug.alliedmoulded.com

Note: For use on flat surface of Types 1, 3R, 4, 4X and 12 enclosures.

P/N General Purpose Polycarbonate RAL 7035 Light Gray	P/N General Purpose Polycarbonate ANSI 61 Dark Gray	Trade Size Ref. (nom. In.)	Plugged Hole Dia. Range (In.)	Wall Thickness Range (In.)	A Plug Diameter (In.)	B Plug Head Height (In.)	C Nut Diameter (In.)	D Nut Height (In.)	E Across Flats (In.)
AMHSPL-S	AMHSPL-SGY	Pilot Light (.500)	.500-.624	.059-.250	1.120	0.235	1.060	0.500	0.545
AMHSPL	AMHSPL-GY	Pilot Light (.625)	.625-.812	.059-.250	1.120	0.235	1.060	0.500	0.545
AMHS050	AMHS050-GY	1/2" Conduit (.875) 22mm PB (.886)	.812-.937	.059-.250	1.245	0.235	1.185	0.500	0.605
AMHS075	AMHS075-GY	3/4" Conduit (1.109) 30mm PB (1.210)	1.000-1.312	.059-.250	1.620	0.235	1.560	0.500	0.945
AMHS100	AMHS100-GY	1" Conduit (1.375)	1.375-1.625	.059-.250	1.923	0.235	1.873	0.500	0.945
AMHS125	AMHS125-GY	1-1/4" Conduit (1.734)	1.687-1.875	.059-.250	2.183	0.235	2.123	0.500	1.195
AMHS150	AMHS150-GY	1-1/2" Conduit (1.984)	2.000-2.187	.059-.250	2.495	0.235	2.435	0.500	1.195
AMHS200	AMHS200-GY	2" Conduit (2.469)	2.500-2.75	.059-.250	3.120	0.235	3.060	0.750	1.291
AMHS250	AMHS250-GY	2-1/2" Conduit (2.969)	2.875-3.125	.059-.250	3.495	0.235	3.435	0.750	1.491
AMHS300	AMHS300-GY	3" Conduit (3.594)	3.500-3.750	.059-.250	4.120	0.235	4.060	0.750	1.491
AMHS350	AMHS350-GY	3-1/2" Conduit (4.125)	4.000-4.250	.059-.250	4.620	0.235	4.560	0.750	1.491
AMHS400	AMHS400-GY	4" Conduit (4.641)	4.500-4.750	.059-.250	5.120	0.235	5.060	0.750	1.491

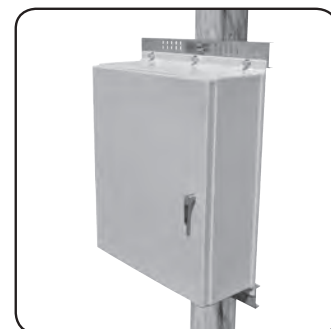
Polycarbonate (PC) can be used as a substitute for carbon steel plug applications plus many stainless steel and other nonmetallic plug applications. Please check industry standard corrosion guides for additional application assistance.



Pole Mount Kits

Allied Moulded's Pole Mount Kit offers the ability to mount enclosures including sizes 6" x 6" x 4" through 60" x 36" x 16" to any wood, plastic, or steel pole securely without excessive materials and labor.

Manufactured with the electrical contractor in mind, Allied Moulded's Pole Mount Kit provides an easy solution for all enclosures. Not only is it designed for round poles, but the pole mount kits have the capability to mount enclosures to square and rectangular pole shapes as well.



FEATURES & BENEFITS

- Nine sizes covering AM JIC, AMU JIC, AMP JIC, and Control Series enclosures
- Steel band design allows for adjustable mounting capability on pole sizes up through 15 inches in diameter
- Allied Moulded pole mount kits have the capability to mount enclosures to round, square, and rectangular pole shapes
- Fewer parts are used so minimal assembly is required for installation
- Pole mount kits offer corrosion protection for outdoor use

CONSTRUCTION

- Pole mount flange: galvanized steel; 14 gauge (.075 in.)
- Pole mount band clamps: 316 stainless steel (48 in.)
- Flange fasteners (screws, washers, and lock nuts): 316 stainless steel (#10-32)



ENCLOSURE POLE MOUNT KITS ARE USED WITH			
Kit Number	AM Series Units ¹		AMU & AMP Flange Mount Units ²
	Standard Mount	Rotated 90 Degrees	Standard Mount
AMPOLEMNT6	AM664, AM864	None	AMU(P)664, AMU(P)864
AMPOLEMNT8	AM1084, AM1086	AM864	AMP884, AMP1082, AMU(P)1084, AMP1086
AMPOLEMNT10	AM1206	AM1084, AM1086	AMP1204, AMU(P)1206
AMPOLEMNT12	AM1224, AM1226, AM1426	AM1206	AMU(P)1426
AMPOLEMNT14	AM1648	AM1224, AM1226, AM1426	AMU1648
AMPOLEMNT16	AM1868, AM2068	AM1648	AMU1860, AMHD1860, AMU2060
AMPOLEMNT20	AM2420	None	None
AMPOLEMNT24	AM2424, AM3024	AM2420	None
AMPOLEMNTEMP	AMEC363012, AM363016, AM363612, AM363616, AM483612, AM483616, AM603612, AM603616		

¹ Pole mount brackets are directly mounted to the back of the these enclosures.

² Enclosure flange is bolted through and attached to the pole mount bracket on these enclosures.



Enclosure Keylock Kits

PART NO.: AMKEYLOCKFC, AMKEYLOCKRC, and AMKEYLOCKRCHFP

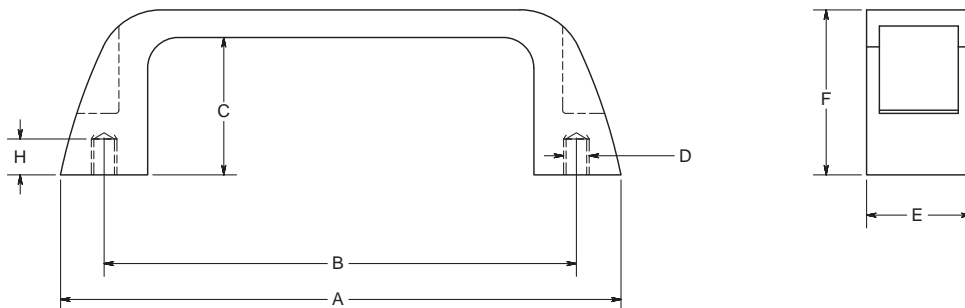
- AMKEYLOCKFC keylock assembly kit for (F)flat (C)cover enclosures 6x6 through 20x16 (AM Series)
- AMKEYLOCKRC keylock assembly kit for (R)raised (C)cover enclosures 6x6 through 30x24 (AM-R Series)
- AMKEYLOCKRCHFP keylock assembly kit for (R)raised (C)cover enclosures with a (H)hinge (F)front (P)panel installed in enclosures 10x8 through 30x24 (AM-R Series)
- Kits include: Two keys, keylock assembly, cam, dust cover, lock bracket, and hardware
- Field installable while requiring only a round hole to be cut into the cover
- Keylocks are sold with a self locking nut for tight and secure assembly
- Just a 1/4 turn rotation is required to lock the enclosure cover
- Installed keylock assemblies have been tested and pass the NEMA 4X watertight test
- Manufactured components are RoHS compliant (Restriction of Hazardous Substances)



Pull Type Handle

PART NO.: AMHDL001

- Handle: Glass fiber reinforced nylon
- Finish: Black matte
- Screws and lock washers included



Part No.	A	B	C	D	E	F	H
AMHDL001	5.47	4.61	1.34	1/4 - 20	1.02	1.61	0.35
	139mm	117mm	34mm	---	26mm	41mm	9mm

Enclosure Print Pocket

PART NO.: AMPRINTPOCKET

- Easy to install in the field
- Store prints or other important documents inside the enclosure
- Gray polystyrene print pocket for large JIC Series, Control Series, and Empire Series enclosures
- Two-sided adhesive tape pre-applied to print pocket
- Size: 9.375 in (H) x 10.375 in (W) x 1.045 in (D)
238 mm (H) x 264 mm (W) x 27 mm (D)



Enclosure Ventilation Kit

PART NO.: AMVENTSM & AMVENTLG

- Gray polyamide material
- Use with JIC Series enclosures - install two per enclosure
- Installation instruction sheet included
- Seal included in kit to ensure raintight enclosure protection
- Two vents per kit for field installation allows for sufficient air circulation and prevents condensation and moisture

Overall Dimensions:

AMVENTSM; 1 in (25 mm) x 1.125 in (29 mm) and requires .75 in (19mm) through hole

AMVENTLG; 2 in (51 mm) x 2.675 in (68 mm) and requires 1.156 in (29 mm) through hole



Enclosure Filter Kit

PART NO.: AMPFA1000, AMPFA2000, and AMPFA3000

- Three sizes covering large JIC Series, Control Series, and Empire Series enclosures
- Nonmetallic made from strong ABS-FR, self-extinguishing material (UL 94 VO)
- Snap-in design allows for hardware-free installation
- Gaskets included provide a NEMA 12 seal against the enclosure
- Filter cover comes standard in light gray RAL 7035 color
- Installation instruction sheet included
- Replaceable filter material provides for 73% filtration efficiency
- Filter density is standard 150 (g/m²)



Size Information:

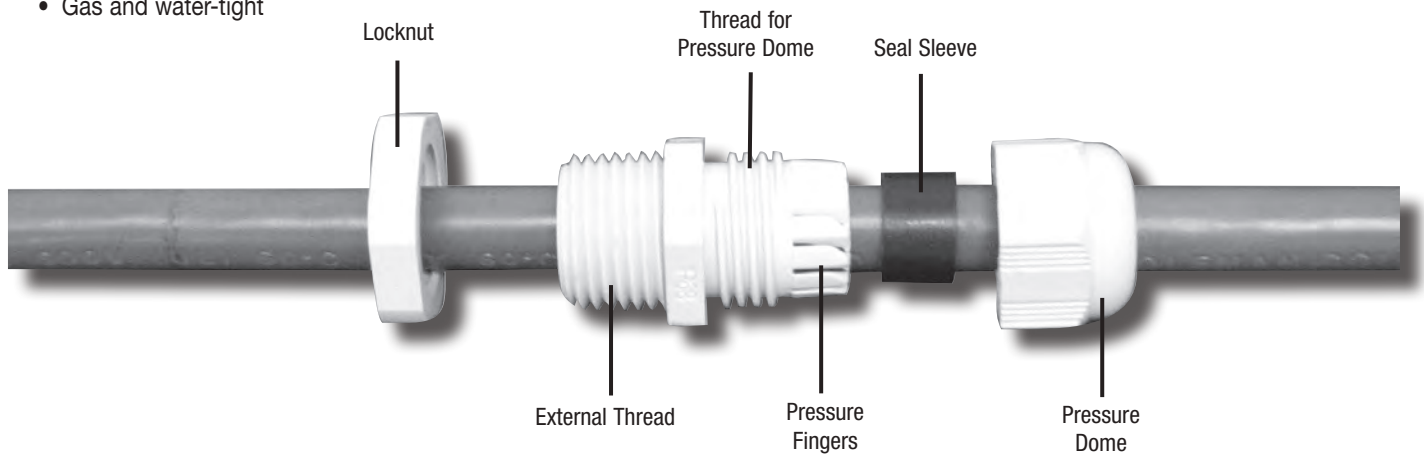
- AMPFA1000; 4.133 in (105mm) x 4.133 in (105mm) x 0.39 in (10mm)
- AMPFA2000; 5.905 in (150mm) x 5.905 in (150mm) x 1.06 in (27mm)
- AMPFA3000; 9.842 in (250mm) x 9.842 in (250mm) x 1.18 in (30mm)

Note: There are other thermal management accessories available upon request. These include: Fans, replacement filters, heaters, air-conditioners, and thermostats. Please contact factory for more information.

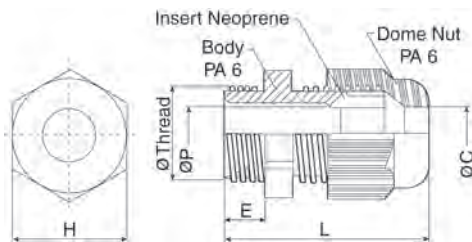


Cord Grips

- Body: Polyamide 6
- Seal: Neoprene
- Lock Nut: 25% glass fiber reinforced Polyamide 6
- Color: Light Gray
- Maximum strain relief through clamping range
- IP68 achieved without seal rings
- Trapezoidal thread with high torque guarantees tight and permanent fit of the dome nut
- Gas and water-tight
- CSA approved and UL listed
- Temp range: PA 6 -40°C to 100°C (-40°F to 212°F)
Neoprene -25°C to 100°C (-13 to 212°F)
- Recommended enclosure hole size for external thread:
NPT 1/2" 21.8mm (.8594 in); NPT 3/4" 27.4mm (1.0781 in);
NPT 1" 34.1mm (1.3438 in)

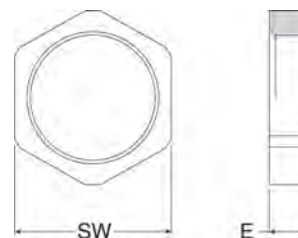


Cord Grip Dimensions



Thread Size	Part Number	Clamping Range (mm)	Package Quantity	H (mm)	E (mm)	L (mm)	Dia. C (mm)	Dia. P (mm)	Dia. NPT/M (mm)
NPT 1/2"	5308901	5 to 12	50	24	14	44	12.5	12.5	21.2
NPT 3/4"	5308902	9 to 18	50	33	15	54	18.5	18.5	26.7
NPT 1"	5308903	14 to 25	50	42	18	60	25.5	25.5	33.3

LOCK NUT DIMENSIONS				
Thread Size	Part Number	Package Quantity	Thickness E (mm)	SW (mm)
NPT 1/2"	7211486-50	50	6	27
NPT 3/4"	7211487	20	7	36
NPT 1"	7211488	20	7	41



ACCESSORY KITS

LATCH HARDWARE KITS

- Used with AM, AM-R, AMP, and AMU Series enclosures, and HMI cover kits
- Feature a multitude of snap and twist latch mechanisms
- Available for both flat and raised cover enclosures
- Nonmetallic latches match standard RAL 7035 color



LLRS-H



LLPN-H



LLKR-H316



LTPS-H

Size Range	Used With	Kit Description	Part #
6x6 thru 20x16	AM Series	316 stainless steel snap latch with keeper and hardware kit (rivot)	LLK-H316
6x6 thru 20x16	AM Series	316 stainless steel twist latch with keeper and hardware kit (rivot)	LTK-H316
6x6 thru 30x24	AM-R Series	316 stainless steel snap latch kit for raised cover (rivot, screw)	LLKR-H316
6x6 thru 30x24	AM-R Series	316 twist latch for raised cover with keeper and hardware kit (rivot, screw)	LTKR-H316
10x8x2	AMP Series	316 stainless steel reverse snap latch kit (slip-on)	LLRS-H
10x8 thru 16x14	HMI Series	316 stainless steel reverse snap latch kit (slip-on)	LLRS-H
6x6 thru 20x16	AMP / AMU Series	Polycarbonate snap latch kit (slip-on)	LLPN-H
6x6 thru 20x16	AMP / AMU Series	316 stainless steel snap latch kit (slip-on)	LLPS-H
6x6 thru 20x16	AMP / AMU Series	316 stainless steel twist latch kit (slip-on)	LTPS-H

MOUNTING FOOT / BRACKET KITS

- Used with small junction boxes, AM, AM-R, Control Series, AMU, and AMP series enclosures
- 4 screws and 4 feet per pack
- Nonmetallic feet match standard RAL 7035 color

Size Range	Used With	Kit Description	Part #
AM743 and AM943	AM743 and AM943	316 stainless steel foot kit with 4 screws, 4 washers, and 4 screws	AM4-PFSN
6x6 thru 20x16	AM / AM-R	316 stainless steel foot kit with 4 screws and 4 feet	AM4-NFS
24x20 thru 30x24	Control Series	316 stainless steel foot kit with 4 screws and 4 feet	AM4-NLFS
6x6 thru 14x12	AMU / AMP	Polycarbonate foot kit with 4 screws and 4 feet	AM4-NUFS
16x14 thru 20x10	AMU / AMP	Polycarbonate foot kit with 4 screws and 4 feet	AM4-NULFS
42"	Control XL	Fiberglass (FRP) foot kit with 4 screws and 4 feet	AM4-NXLFS



AM4-NUFS



AM4-NLFS

PANEL SCREW KITS / NONMETALLIC HINGE CLIPS

- Used with all enclosure options featuring back panel options
- Four (4) plated carbon steel screws with universal panheads
- POLYLINE® nonmetallic hinge clips available in 2-pack, and are field installable

Size Range	Used With	Kit Description	Part #
6x6 thru 20x16	JIC	Plated carbon steel back panel screw kit (#10-32)	AM4-NPS
24x20 thru 30x24	Control	Plated carbon steel back panel screw kit (3/8-16)	AM4-NLPS
16" thru 18"	Polyline®	Polycarbonate hinge clip kit (2 pack)	AMPHINGECLIP



AM4-NPS



AMPHINGECLIP

MODIFICATIONS | SPECIALTY PRODUCTS

Allied Moulded has worked hard to be your source for fast, no-hassle modifications. With complete modification services, the need for inconvenient secondary handling of your enclosure is eliminated, saving you time and money. Complete modification services include but are not limited to:

- Holes and cutouts
- Polycarbonate viewing windows
- EMI/RFI shielding
- Factory supplied silk screening
- Molded-in color matching

Because of our dedication to providing you with outstanding service, we have the lowest volume requirements on custom work in the industry and guarantee quick delivery, often in less than three weeks from receipt of your order!



[Scan to learn more](#)

Modifications / Specialty Products

Computer-Controlled CNC

We incorporate computer controlled manufacturing equipment into our operation which assures that modifications such as specialty holes and cutouts are exact to your specifications each time you order.

Custom Holes & Cutouts

Custom holes and cutouts allow for conduit entry or device mounting to meet the needs of any application. Application cutouts include:

- Pushbuttons
- Cable entry
- HMI components
- Viewport / viewing windows

EMI/RFI Shielding

Electromagnetic waves generated by electronic devices may have a negative effect on other similar devices when used in close proximity to one another. These effects, called Electromagnetic Interference (EMI) and Radio Frequency Interference (RFI) may cause malfunctions in electronic devices.

EMI/RFI shielding provides high-level protection against electromagnetic and radio frequency interference.

Silk Screen Printing

Silk screen printing is a practical, professional way to identify corporate identity or enclosure function. Print business or device names, identify important component controls, or display important logos. We simplify the process and will accommodate your application requirements.

Custom Colors

Modify your enclosures with custom colors, matched from a variety of specific Pantone numbers.

Custom Panels

Available custom metal work includes holes and cutouts on either back and hinged front panels.

www.alliedmoulded.com

For modification orders, please photocopy and complete this form, then return to Allied Moulded via mail or fax to 419-636-2450.

Date: _____ Part Number: _____ Quantity: _____

Name: _____ Company: _____

Address: _____

City: _____ State: _____ Zip: _____

Email: _____ Phone: _____

Size

H _____ x W _____ x D _____

Cover

Flush Raised Screw cover Hinged cover Hinged on short side

Latching Options

Snap latch Twist latch 3-point

Panels

Back panel required: Yes No Size: H _____ x W _____
Back panel material: Carbon steel Aluminum Fiberglass Galvannealed
Hinge front panel required: Yes No
Side Panel required: Yes No Size: H _____ x W _____

Windows

Window required: Yes No Size: H _____ x W _____
General location of window: _____

Molded-In Color

Standard Grey White Orange
 Blue Black Red
 Yellow Green
Other (please specify): _____

Other Modifications

Holes/Cutouts _____ Number; Location: _____
 Silk Screening
 EMI/RFI Shielding

Additional Information/Notes



Scan to fill out our online modifications quote form!

Submit request to: Allied Moulded Products, Inc. Fax to: 800-237-7269
For assistance or questions, call Allied Moulded at 800-722-2679 or visit www.alliedmoulded.com.



Choosing the right enclosure material for your application

Allied Moulded offers a variety of fiberglass reinforced polyester (FRP) and polycarbonate enclosures to fit your application requirements. We understand the type of enclosure is just as important to you, as it is to the protection of your equipment. We often receive questions about the best enclosure material to use. Material selection depends on several factors, including application, environment, price, aesthetics, and enclosure size.

Application

The first thing to consider when purchasing an enclosure is the application location. Where will the enclosure be used? Whether the enclosure can be used indoors or outdoors can have a major impact on the type of enclosure that will best suit your needs. Fiberglass (FRP) enclosures are often used in outdoor applications due to excellent ratings in UV protection, aesthetic protection (from yellowing), and other factors, all while providing a cost-competitive alternative to stainless steel. Polycarbonate enclosures are a good alternative to carbon steel, offering a lightweight, impact-resistant solution for indoor and outdoor applications. Both enclosure options offer long-lasting protection to interior and exterior elements and provide the security required by the application.

Chemical & Corrosion Resistance

Enclosures may be required in applications where hazardous chemicals or materials are present. Both materials offer protection against corrosive agents, with fiberglass (FRP) performing better in environments with solvents and strong alkalis. Typically, fiberglass (FRP) remains a good alternative to stainless steel, while polycarbonate remains a good alternative to carbon steel in harsh environments. Examples of corrosive environments may be waste water treatment plants, oil refineries, or livestock farms. Other factors such as dirt, dust, oil, water, ice, and snow must also be

taken into consideration. See the "Corrosion Resistance Guidelines" below for more detailed information. Visit www.alliedmoulded.com for a comprehensive corrosion resistance guide.

Price

Whether you're looking for just a few, or a few hundred enclosures, price is often a determining factor when considering which enclosure type to purchase. Fiberglass (FRP) enclosures often cost more than polycarbonate enclosures, but both offer intrinsic value when compared to steel enclosures over time. Enclosure users should consider all factors when deciding if the enclosure material and price point they choose will last in all expected conditions.

Aesthetics

We understand the way an enclosure looks is just as important as the way the enclosure performs. Engineers at Allied Moulded take pride in the development of aesthetically pleasing enclosures, while maintaining all required NEMA ratings. All fiberglass (FRP) and polycarbonate enclosures come in the standard RAL 7035 light gray color.

Sizing

The size of your enclosure is often important to your particular project, therefore sizing becomes a factor in the type of material to use. Allied Moulded polycarbonate enclosures are currently available up through an 18" size, thus if a larger enclosure is needed, a fiberglass (FRP), compression molded, or RTM enclosure material may be required.

See pages 3 and 7 for additional performance comparison of enclosure materials.

Corrosion Resistance Guidelines

	Solvents	Alkalis	Mild Acids
Examples	Cleaning Solvents Carbon Tetrachloride Isopropyl Alcohol Perchloroethylene Toluene Xylene	Ammonium Chloride Ammonium Nitrate Calcium Hydroxide Calcium Hypochlorite Magnesium Hydroxide Sodium Hypochlorite	Aluminum Chloride Boric Acid Calcium Chloride Potassium Nitrate Sea Water Sodium Nitrate Zinc Chloride
Recommended	304 SS 316 SS Compression Fiberglass Aluminum	304 SS 316 SS	Compression Fiberglass Gelcoat Fiberglass Polycarbonate 304 SS 316 SS
Satisfactory	Painted Carbon Steel Gelcoat Fiberglass	Polycarbonate Gelcoat Fiberglass Compression Fiberglass	Painted Carbon Steel
Limited Use	Polycarbonate	Painted Carbon Steel Aluminum	Aluminum

Note: This chart is only intended to be used as a general guideline for applying "typical" metal and nonmetal enclosures in chemical environments. Allied Moulded Products, Inc. recommends specific material compatibility tests for the most accurate application of enclosures. Please contact Allied Moulded customer service for specific requirements.



Physical Properties of Nonmetallic Enclosures					
Materials Typical Properties	ASTM Test Method	Compression Molded Polyester Fiberglass (SMC)	RTM Molded Polyester Fiberglass	Hand Lay-up Molded Polyester Fiberglass	Polycarbonate
Falling Dart Impact (lb - in)		300	500	450	600
Impact Strength (ft-lb/in) (Notched Izod)	D 256	15	30	30	12
IK Impact Rating (Joules)	IEC 62262	>10	>10	>10	>10
Flexural Strength (psi)	D 790	25,000	33,400	33,400	13,000
Tensile Strength (psi)	D 638	14,000	22,000	22,000	9,000
Compressive Strength (psi)	D 695	28,000	24,900	24,900	11,000
Water Absorption (%)	D 570	0.15	0.25	0.25	0.25
Specific Gravity	D 792	1.75	1.65	1.65	1.20
Shrinkage (in/in)	D 955	0.0016	0.0015	0.0015	0.007
Hardness (Barcol-Rockwell M-Shore A)	D 2583	60	62	62.5	75
Elongation (%)	D 638	2.05	2.07	2.07	7.00
Dielectric Strength (kV/in)	D 149	400	380	380	732
Arc Resistance (sec)	D 495	>180	188	>200	117
Flammability	UL 94	5VA	V-0	V-0	V-0
Heat Deflection (°F at 264 psi)	D 648	>500	428	428	266
Service Temperature (°F)		-40°F to 266°F	-40°F to 266°F	-40°F to 266°F	-31°F to 266°F
K Factor, Thermal Conductivity (BTU/hr/ft ² /°F)	D 1269E	1.68	1.68	1.68	1.25
Thermal Expansion (10 ⁻⁶ in/in °F)	D 696	20	14	12	36
UV Rating	UL 746C	(f1)	(f1)	(f1)	(f1)

Technical Specifications

NEMA Type 4X enclosures

An enclosure is a housing constructed to provide a degree of protection from accidental contact with the enclosed equipment and external environmental conditions. Electrical enclosures are available in metal and nonmetal options.

Standardizing enclosure performance is accomplished by use of rating systems of various organizations (NEMA, UL, CSA, and IEC) identifying an enclosure's ability to resist external environmental influences. These ratings have distinct differences even though they are intended to provide information in order to make a safer and informed product choice.

MATERIALS

Fiberglass Reinforced Polyester (FRP) Enclosures

All FRP enclosures are listed under UL 50, UL 50E, and UL 508A standards, (CSA standard 22.2 No. 14). This type of enclosure is suitable for both indoor and outdoor use in corrosive environments and is resistant to UV degradation. Fiberglass (FRP) material shall meet UL 746C requirements with halogen-free and self-extinguishing characteristics.

Enclosures are constructed using a hot compression-molded process using Allied Moulded's proprietary ULTRAGUARD® material formulation, with a minimum of 20% fiberglass by weight. Fiberglass reinforced polyester exhibits high impact resistance, a superior range of temperature limits, excellent dimensional stability, excellent electrical properties, and excellent moisture and overall chemical resistance.

A cold molded hand lay-up gel-coat fiberglass process and/or resin transfer mold (RTM) process, may be used for larger cabinets, and has a high impact tolerance, with excellent overall strength.

Polycarbonate Enclosures

All polycarbonate enclosures are listed under UL 50, UL 50E and UL 508A standards, (CSA standard 22.2 No. 94.1-07, 94.2-07). This type of enclosure is suitable for both indoor and outdoor use in corrosive environments and is resistant to UV degradation. Polycarbonate material shall meet UL 746C requirements with halogen-free and self-extinguishing characteristics.

Enclosure is constructed with an injection molded polycarbonate thermoplastic material. Polycarbonate material exhibits an acceptable UV rating, along with minimal shrinkage, and excellent stress rating.

ALLIED ADVANTAGES

- Any external metal parts shall be 316 stainless steel. NEMA Type 4X enclosures are fabricated and rated specifically for resistance to corrosive elements.
- Advantages of nonmetallic enclosures:
 - (1) Unlike metals, fiberglass reinforced polyester (FRP) and polycarbonate are non-corrosive.
 - (2) Enclosures are very similar, thus they require little maintenance.
 - (3) Due to their light weight, nonmetallic enclosures can be very easily handled, installed and modified.
- Fiberglass reinforced polyester (FRP) and polycarbonate enclosures are the material of choice in applications where physical strength and excellent corrosion resistance is required.

CONTINUED ON PAGE 147



Technical Specifications Continued ...

- Junction and Control enclosures may have either screw, hinged or latched covers. All cover screws and hardware; including hinges, latches and mounting feet are constructed of 316 stainless steel material. Gasket system shall be a Formed-In-Place (FIP) polyurethane for toughness and resistance to tear while maintaining a NEMA 4X and IP66 seal. All gaskets are seated in a molded channel and not glued or poured onto a flat cover surface.
- Cabinets and larger style enclosures are always provided with hinged doors. The closure systems on these cabinets will either

be a three point latching system or stainless steel twist-turn type latches. Door closure systems using a single external handle will also have three internal latch points. This handle may be key lockable or pad lockable. When using the alternative closure method of external stainless steel twist turn latches, no more than four latches shall be required to maintain NEMA Type 4X integrity. At least one latch must have a padlock provision.

316 Stainless Steel Hardware

316 Stainless Steel Hardware Standard for all Enclosures

Allied Moulded understands that not all stainless steel hardware is created equally. To endure harsh environments, a robust nonmetallic enclosure must also utilize hardware that exhibits the same corrosion-resistant properties. Many enclosure manufacturers have standardized the use of 300 series stainless steel hardware in their products, with 304 stainless steel being the most common. Allied Moulded has made the use of 316 stainless steel standard for all of its enclosure products' external hardware.

What is Stainless Steel?

According to the Specialty Steel Industry of North America (SSINA)¹, the term stainless steel applies to a group of iron based alloys containing a minimum 10.5% chromium. Other elements are added to the alloys to make different grades of stainless steel. There are many different grades that have varying corrosion resistance and other properties based on the ratio of elements used in the alloy. There are more than 50 grades of stainless steel.

Corrosion Resistant Properties

The science behind the corrosion resistant properties of the various grades of stainless steel lies in the mixture and ratios of the different elements contained in the alloys. The chromium contained in the mixture alters the oxidation process that would make raw iron rust. Instead, the chromium forms a protective layer on the surface that resists oxidation. The added nickel (Grade 304 and 316) enhances this resistance. Alloys are made even stronger by the addition of molybdenum (Grade 316), which are used in applications where acetic, sulfuric and sulfurous acids may be present.

Grade 304

Grade 304 is considered the basic stainless steel alloy. It is made up of 10% chromium and 8% nickel. As previously mentioned, it is the most common of the 300 series alloys. It has good corrosion resistance properties in most applications.

Grade 316

Grade 316 also contains chromium (18%) and nickel (10%); however, it also contains at least 2% molybdenum. The addition of this element significantly increases its pitting and corrosion resistance properties, specifically with regard to chloride (salt) pollutants, which are found in coastal areas and de-icing applications, and potash which is found in agricultural fertilizer and chemical manufacturing. It also has wide application in water/waste water treatment plants, pulp and paper mills, and other environments with aggressive corrosive agents.



FIP Gasket System

Allied Moulded's automated Formed-In-Place (FIP) polyurethane gasket system was designed to replace cord gaskets and is applied directly to the enclosure cover in a continuous channel. The new gasket provides protection from outdoor elements such as dirt, dust, oil, and water while providing a reliable seal from cover to base. The gasket will adhere to a variety of surfaces and cover finishes, allowing for a better seal and overall protection for your most critical electrical components.

EMI/RFI Specifications

- Standards governing electromagnetic compatibility commonly refer to EMI/RFI, or electromagnetic interference/radio frequency interference.
- Applicable standards used are based on MIL-STD-285 to perform attenuation measurements of EMI/RFI shielded enclosures. The applicable North American standards for the overall assembly, including internal electronics, can vary with the application in which the product is intended to be installed.
- For a complete list of applicable standards, your local testing authority (for example, UL, CSA) should be contacted.
- Such interference is caused by stray voltages and/or currents coupling between electronic systems creating undesirable effects. These undesirable effects can vary between a brief annoyance, to more serious situations, such as a phone interfering with the controls of a machine tool. With the increased emphasis on electronic technology, electromagnetic interference/radio frequency interference is a growing concern.
- Electromagnetic pulses (EMPS) may adversely affect electronic and other control systems. These disturbances may cause erratic operation, and either component failure or a reduction in component life.
- Allied Moulded can provide custom EMI/RFI shielded enclosures to meet many applications. Requests for EMI/RFI shielded enclosures should be directed to the Allied Moulded customer support group.

Properties

Shielding Material..... Copper Conductive Coating
Attenuation..... 75 dB

Sheet Resistance <.025 Ohms/Square @ 2 Mil Thick

The probes of an ohmmeter shall be placed on any area of the surface and the measured resistance shall not exceed .025 ohms.

Attenuation 75 dB

A measure of the shielding effectiveness shall be confirmed by an EMI/RFI test. Actual test data confirmed an average attenuation of 75 dB over the frequency range from .01 to 1000 Mhz.

MIL.SPEC>285

MIL.SPEC>285 is used as a general EMI/RFI test guide. A transmitting antenna is placed inside the enclosure and a receiving antenna is positioned outside. The attenuation is the dB difference between the enclosure OPEN and CLOSE FR power levels.

Weathering/UV Information

Allied Moulded's FRP enclosures are hot compression-molded using Allied Moulded's proprietary ULTRAGUARD® material formulation. All products of this type, regardless of manufacturer, are exposed to erosion when used outdoors. Due to the combined effects of environmental elements such as rain, wind and UV rays, the polyester matrix is only superficially eroded and as glass fibers become apparent, the degree of the erosion is microscopic. Please note that this superficial erosion has no effect on the physical characteristics of the enclosure whether electrical, mechanical or chemical. The slight erosion can be avoided if a surface coating such as varnish is applied.

Allied Moulded's fiberglass enclosures have been successfully used outdoors and tests on field samples support above results. (F1 rated material—suitable for outdoor use)

Painting Information

Good surface preparation is critical in painting fiberglass enclosures, since the mold release agents must be removed before painting. It is recommended that the surface be roughed by lightly rubbing with sandpaper before applying the proper primer. Degreasing the surface with an organic solvent such as alcohol or other domestic cleaning agent is required. The surface must be clean and dry prior to applying the appropriate primer and top coat (polyurethane or epoxy).

*Should you feel the need to paint polycarbonate enclosures, please check for compatibility as polycarbonate material can be attacked by industrial solvents.

Allied Moulded has the capabilities to custom mold color matches specific to your requirements.

Heat Dissipation

Information available upon request.

Reduce Arc Flash Safety Hazards

What is Arc Flash?

Arc flash explosion is often referred to as a flash of electrical current leaving its intended path, traveling from one conductor to another. Arc flash can be caused by dust, corrosion, faulty installation, condensation, and many other factors. Blast pressures can reach upwards of 2,000 lbs. / sq. ft, reach sounds of up to 140 dB, and high temperatures of up to 35,000 degrees F.

What are we doing to help?

Allied Moulded wants to ensure the safe and proper use of enclosures, and to reduce the risk and eliminate damages caused by arc flash. Our engineers developed accessories to meet these requirements when an enclosure must be accessed for maintenance or monitoring. Often, enclosures are opened to check equipment, read gauges, or perform preventive maintenance. The use of Allied Moulded's HMI Cover Kits and Inspection Windows reduces the risk of arc flash. The use of these products allows access to components without opening the enclosure.



Resources

CSA Ratings

www.csagroup.org

The CSA Group is recognized and accredited in the U.S. by the U.S. Occupational Safety and Health Administration (OSHA), which lists them as a Nationally Recognized Testing Laboratory (NRTL), enabling tests on products against the U.S. standards written or administered by organizations including the American National Standards Institute (ANSI), Underwriters Laboratories (UL), CSA Group (CSA), NSF International (NSF) and other organizations. The CSA mark shows your products have been certified by an accredited third party lab and have met applicable standards as required by North American law.

National Fire Protection Association (NFPA)

www.nfpa.org

NFPA is a global, nonprofit organization devoted to eliminating death, injury, property and economic loss due to fire, electrical and related hazards. The association delivers information and knowledge through more than 300 consensus codes and standards, research, training, education, outreach and advocacy; and by partnering with others who share an interest in furthering the NFPA mission.

National Association of Electrical Distributors (NAED)

www.naed.org

The National Association of Electrical Distributors (NAED) is the voice of the electrical distributor. They provide members with the best tools, information and assistance to help them thrive and improve the electrical distribution channel.

IEC Ratings

www.iec.ch

The international Electrotechnical Commission (IEC) standards organization prepares and publishes International Standards for all electrical, electronic and related technologies. IEC standards cover a vast range of technologies from power generation, transmission and distribution to home appliances and office equipment, semiconductors, fibre optics, batteries, solar energy, nanotechnology and marine energy as well as many others.

RoHS

www.rohsguide.com

Restriction of Hazardous Substances (RoHS), also known as Directive 2002/95/EC, originated in the European Union and restricts the use of specific hazardous materials found in electrical and electronic products.



NEMA Ratings

www.nema.org

The National Electrical Manufacturers Association (NEMA) defines standards for various grades of electrical enclosures typically used in industrial applications. Each is rated to protect against personal access to hazardous parts, and additional type-dependent designated environmental conditions. A typical NEMA rated enclosure may be rated to protect from hazards such as water, dirt, dust, oil, or chemicals, and may be rated for indoor or outdoor applications.

UL Ratings

www.ul.com

UL certifies, validates, tests, inspects, audits, advises, and trains. UL provides the knowledge and expertise to help customers navigate growing complexities across the supply chain from compliance and regulatory issues to trade challenges and market access. In this way, UL facilitates global trade and delivers peace of mind.

UL's Online Certifications Directory

You can use the UL Online Certification Directory to:

- Verify a UL Listing, Classification, or Recognition
- Verify a UL Listed product use
- Verify a UL Recognized component use
- Verify a product safety standard

UL Certified Test Lab

Underwriters Laboratories® (UL) partners with manufacturers to provide safe products to consumers through UL testing, certification and follow-up audits. UL's Data Acceptance Program (DAP) provides a means for UL to accept externally generated test data in support of UL Mark certification. Product investigations by UL typically involve testing of product samples. While UL maintains extensive test facilities, customers can also utilize their own or third-party facilities for product testing via UL's DAP.

Participating test facilities are required to have the appropriate physical resources, equipment and qualified personnel needed to conduct testing, equivalent to what would be used in UL's own laboratories for the same testing. UL offers five different types of data acceptance programs. Allied Moulded Products, Inc. is certified through the Client Test Data Program (CTDP).

After a data acceptance program is established, UL will reassess a test laboratory annually. All data submitted is thoroughly reviewed and audited by UL before being used for certification.

**Blue text indicates new part number

Catalog #	Page	Catalog #	Page	Catalog #	Page	Catalog #	Page
5308901	140	AM1224RLW	47	AM1868RW	39	AM664H	23
5308902	140	AM1224RT	49	AM1868T	31	AM664HP4	17
5308903	140	AM1224RTW	51	AM1868TW	33	AM664HW	25
7211487	140	AM1224RW	39	AM1868W	21	AM664L	27
7211488	140	AM1224T	31	AM1PB	13	AM664LW	29
7211486-50	140	AM1224TW	33	AM1PB22	13	AM664P4	15
AM1084	19	AM1224W	21	AM2068	19	AM664R	37
AM1084H	23	AM1226	19	AM2068H	23	AM664RH	41
AM1084HP9	17	AM1226H	23	AM2068HW	25	AM664RHW	43
AM1084HW	25	AM1226HW	25	AM2068L	27	AM664RL	45
AM1084L	27	AM1226L	27	AM2068LW	29	AM664RLW	47
AM1084LW	29	AM1226LW	29	AM2068R	37	AM664RT	49
AM1084P9	15	AM1226R	37	AM2068RH	41	AM664RTW	51
AM1084R	37	AM1226RH	41	AM2068RHW	43	AM664RW	39
AM1084RH	41	AM1226RHW	43	AM2068RL	45	AM664T	31
AM1084RHW	43	AM1226RL	45	AM2068RLW	47	AM664TW	33
AM1084RL	45	AM1226RLW	47	AM2068RT	49	AM664W	21
AM1084RLW	47	AM1226RT	49	AM2068RTW	51	AM722525FS	125
AM1084RT	49	AM1226RTW	51	AM2068RW	39	AM724925FSDD	127
AM1084RTW	51	AM1226RW	39	AM2068T	31	AM743	11
AM1084RW	39	AM1226T	31	AM2068TW	33	AM743SF	11
AM1084T	31	AM1226TW	33	AM2068W	21	AM864	19
AM1084TW	33	AM1226W	21	AM24200RL	107	AM864H	23
AM1084W	21	AM1426	19	AM24200RLW	109	AM864HP6	17
AM1086	19	AM1426H	23	AM24200RT	111	AM864HW	25
AM1086H	23	AM1426HP25	17	AM24200RTW	113	AM864L	27
AM1086HP12	17	AM1426HW	25	AM24208RL	107	AM864LW	29
AM1086HP9	17	AM1426L	27	AM24208RLW	109	AM864P6	15
AM1086HW	25	AM1426LW	29	AM24208RT	111	AM864R	37
AM1086L	27	AM1426P25	15	AM24208RTW	113	AM864RH	41
AM1086LW	29	AM1426R	37	AM24240RL	107	AM864RHW	43
AM1086P12	15	AM1426RH	41	AM24240RLW	109	AM864RL	45
AM1086P9	15	AM1426RHW	43	AM24240RT	111	AM864RLW	47
AM1086R	37	AM1426RL	45	AM24240RTW	113	AM864RT	49
AM1086RH	41	AM1426RLW	47	AM24248RL	107	AM864RTW	51
AM1086RHW	43	AM1426RT	49	AM24248RLW	109	AM864RW	39
AM1086RL	45	AM1426RTW	51	AM24248RT	111	AM864T	31
AM1086RLW	47	AM1426RW	39	AM24248RTW	113	AM864TW	33
AM1086RT	49	AM1426T	31	AM2PB	13	AM864W	21
AM1086RTW	51	AM1426TW	33	AM2PB22	13	AM943	11
AM1086RW	39	AM1426W	21	AM30240RL	107	AM943SF	11
AM1086T	31	AM1648	19	AM30240RLW	109	AMEC3630123PT	123
AM1086TW	33	AM1648H	23	AM30240RT	111	AMEC3630123PTW	123
AM1086W	21	AM1648HP30	17	AM30240RTW	113	AMEC363012T	123
AM1206	19	AM1648HW	25	AM30248RL	107	AMEC363012TW	123
AM1206H	23	AM1648L	27	AM30248RLW	109	AMHD1860RLF	53
AM1206HP16	17	AM1648LW	29	AM30248RT	111	AMHDL001	138
AM1206HP20	17	AM1648P30	15	AM30248RTW	113	AMHMI108CCH	135
AM1206HW	25	AM1648R	37	AM363016L	119	AMHMI108CCHTP	135
AM1206L	27	AM1648RH	41	AM363016L3PT	121	AMHMI108CCL	135
AM1206LW	29	AM1648RHW	43	AM363612L	119	AMHMI108H	135
AM1206P16	15	AM1648RL	45	AM363612L3PT	121	AMHMI108HTP	135
AM1206P20	15	AM1648RLW	47	AM363616L	119	AMHMI108L	135
AM1206R	37	AM1648RT	49	AM363616L3PT	121	AMHMI120CCH	135
AM1206RH	41	AM1648RTW	51	AM3PB	13	AMHMI120CCHTP	135
AM1206RHW	43	AM1648RW	39	AM3PB22	13	AMHMI120CCL	135
AM1206RL	45	AM1648T	31	AM483612L	119	AMHMI120H	135
AM1206RLW	47	AM1648TW	33	AM483612L3PT	121	AMHMI120HTP	135
AM1206RT	49	AM1648W	21	AM483616L	119	AMHMI120L	135
AM1206RTW	51	AM1868	19	AM483616L3PT	121	AMHMI138CX	133
AM1206RW	39	AM1868H	23	AM4-NFS	141	AMHMI142CCH	135
AM1206T	31	AM1868HP42	17	AM4-NLFS	141	AMHMI142CCHTP	135
AM1206TW	33	AM1868HW	25	AM4-NLPS	141	AMHMI142CCL	135
AM1206W	21	AM1868L	27	AM4-NPS	141	AMHMI142H	135
AM1224	19	AM1868LW	29	AM4-NUFS	141	AMHMI142HTP	135
AM1224H	23	AM1868P42	15	AM4-NULFS	141	AMHMI142L	135
AM1224HW	25	AM1868R	37	AM4-NXLFS	141	AMHMI164CCH	135
AM1224L	27	AM1868RH	41	AM4-PFSN	141	AMHMI164CCHTP	135
AM1224LW	29	AM1868RHW	43	AM603612L	119	AMHMI164CCL	135
AM1224R	37	AM1868RL	45	AM603612L3PT	121	AMHMI164H	135
AM1224RH	41	AM1868RLW	47	AM603616L	119	AMHMI164HTP	135
AM1224RHW	43	AM1868RT	49	AM603616L3PT	121	AMHMI164L	135
AM1224RL	45	AM1868RTW	51	AM664	19	AMHMI66CX	133



Catalog #	Page	Catalog #	Page	Catalog #	Page	Catalog #	Page
AMHMI95CX	133	AMP1204CC	91	AMP1860H	93	AMU1084CCL	73
AMHS050	136	AMP1204CCF	91	AMP1860HF	93	AMU1084CCLF	73
AMHS050-GY	136	AMP1204CCH	95	AMP1860L	101	AMU1084CCNL	79
AMHS075	136	AMP1204CCHF	95	AMP1860LF	101	AMU1084CCNLF	79
AMHS075-GY	136	AMP1204CCL	103	AMP1860NL	97	AMU1084CCT	85
AMHS100	136	AMP1204CCLF	103	AMP1860NLF	97	AMU1084CCTF	85
AMHS100-GY	136	AMP1204CCNL	99	AMP664	89	AMU1084F	57
AMHS125	136	AMP1204CCNLF	99	AMP664CC	91	AMU1084H	63
AMHS125-GY	136	AMP1204F	89	AMP664CCF	91	AMU1084HF	63
AMHS150	136	AMP1204H	93	AMP664CCH	95	AMU1084HW	65
AMHS150-GY	136	AMP1204HF	93	AMP664CCHF	95	AMU1084HWF	65
AMHS200	136	AMP1204L	101	AMP664CCL	103	AMU1084L	69
AMHS200-GY	136	AMP1204LF	101	AMP664CCLF	103	AMU1084LF	69
AMHS250	136	AMP1204NL	97	AMP664CCNL	99	AMU1084LW	71
AMHS250-GY	136	AMP1204NLF	97	AMP664CCNLF	99	AMU1084LWF	71
AMHS300	136	AMP1206	89	AMP664F	89	AMU1084NL	75
AMHS300-GY	136	AMP1206CC	91	AMP664H	93	AMU1084NLF	75
AMHS350	136	AMP1206CCF	91	AMP664HF	93	AMU1084NLW	77
AMHS350-GY	136	AMP1206CCH	95	AMP664L	101	AMU1084NLWF	77
AMHS400	136	AMP1206CCHF	95	AMP664LF	101	AMU1084T	81
AMHS400-GY	136	AMP1206CCL	103	AMP664NL	97	AMU1084TF	81
AMHSPL	136	AMP1206CCLF	103	AMP664NLF	97	AMU1084TW	83
AMHSPL-GY	136	AMP1206CCNL	99	AMP864	89	AMU1084TWF	83
AMHSPL-S	136	AMP1206CCNLF	99	AMP864CC	91	AMU1084W	59
AMHSPL-SGY	136	AMP1206F	89	AMP864CCF	91	AMU1084WF	59
AMKEYLOCKFC	138	AMP1206H	93	AMP864CCH	95	AMU1206	57
AMKEYLOCKRC	138	AMP1206HF	93	AMP864CCHF	95	AMU1206CC	61
AMKEYLOCKRCHF	138	AMP1206L	101	AMP864CCL	103	AMU1206CCF	61
AMP1082	89	AMP1206LF	101	AMP864CCLF	103	AMU1206CCH	67
AMP1082CC	91	AMP1206NL	97	AMP864CCNL	99	AMU1206CCHF	67
AMP1082CCF	91	AMP1206NLF	97	AMP864CCNLF	99	AMU1206CCL	73
AMP1082CCH	95	AMP1426	89	AMP864F	89	AMU1206CCLF	73
AMP1082CCHF	95	AMP1426CC	91	AMP864H	93	AMU1206CCNL	79
AMP1082CCL	103	AMP1426CCF	91	AMP864HF	93	AMU1206CCNLF	79
AMP1082CCLF	103	AMP1426CCH	95	AMP864L	101	AMU1206CCT	85
AMP1082F	89	AMP1426CCHF	95	AMP864LF	101	AMU1206CCTF	85
AMP1082H	93	AMP1426CCL	103	AMP864NL	97	AMU1206F	57
AMP1082HF	93	AMP1426CCLF	103	AMP864NLF	97	AMU1206H	63
AMP1082L	101	AMP1426CCNL	99	AMP884	89	AMU1206HF	63
AMP1082LF	101	AMP1426CCNLF	99	AMP884CC	91	AMU1206HW	65
AMP1084	89	AMP1426F	89	AMP884CCF	91	AMU1206HWF	65
AMP1084CC	91	AMP1426H	93	AMP884CCH	95	AMU1206L	69
AMP1084CCF	91	AMP1426HF	93	AMP884CCHF	95	AMU1206LF	69
AMP1084CCH	95	AMP1426L	101	AMP884CCL	103	AMU1206LW	71
AMP1084CCHF	95	AMP1426LF	101	AMP884CCLF	103	AMU1206LWF	71
AMP1084CCL	103	AMP1426NL	97	AMP884CCNL	99	AMU1206NL	75
AMP1084CCLF	103	AMP1426NLF	97	AMP884CCNLF	99	AMU1206NLF	75
AMP1084CCNL	99	AMP1648	89	AMP884F	89	AMU1206NLW	77
AMP1084CCNLF	99	AMP1648CC	91	AMP884H	93	AMU1206NLWF	77
AMP1084F	89	AMP1648CCF	91	AMP884HF	93	AMU1206T	81
AMP1084H	93	AMP1648CCH	95	AMP884L	101	AMU1206TF	81
AMP1084HF	93	AMP1648CCHF	95	AMP884LF	101	AMU1206TW	83
AMP1084L	101	AMP1648CCL	103	AMP884NL	97	AMU1206TWF	83
AMP1084LF	101	AMP1648CCLF	103	AMP884NLF	97	AMU1206W	59
AMP1084NL	97	AMP1648CCNL	99	AMPFA1000	139	AMU1206WF	59
AMP1084NLF	97	AMP1648CCNLF	99	AMPFA2000	139	AMU1426	57
AMP1086	89	AMP1648F	89	AMPFA3000	139	AMU1426CC	61
AMP1086CC	91	AMP1648H	93	AMPHINGECLIP	141	AMU1426CCF	61
AMP1086CCF	91	AMP1648HF	93	AMPOLEMNT10	137	AMU1426CCH	67
AMP1086CCH	95	AMP1648L	101	AMPOLEMNT12	137	AMU1426CCHF	67
AMP1086CCHF	95	AMP1648LF	101	AMPOLEMNT14	137	AMU1426CCL	73
AMP1086CCL	103	AMP1648NL	97	AMPOLEMNT16	137	AMU1426CCLF	73
AMP1086CCLF	103	AMP1648NLF	97	AMPOLEMNT20	137	AMU1426CCNL	79
AMP1086CCNL	99	AMP1860	89	AMPOLEMNT24	137	AMU1426CCNLF	79
AMP1086CCNLF	99	AMP1860CC	91	AMPOLEMNT6	137	AMU1426CCT	85
AMP1086F	89	AMP1860CCF	91	AMPOLEMNT8	137	AMU1426CCTF	85
AMP1086H	93	AMP1860CCH	95	AMPOLEMNTEMP	137	AMU1426F	57
AMP1086HF	93	AMP1860CCHF	95	AMPRINTPOCKET	139	AMU1426H	63
AMP1086L	101	AMP1860CCL	103	AMU1084	57	AMU1426HF	63
AMP1086LF	101	AMP1860CCLF	103	AMU1084CC	61	AMU1426HW	65
AMP1086NL	97	AMP1860CCNL	99	AMU1084CCF	61	AMU1426HWF	65
AMP1086NLF	97	AMP1860CCNLF	99	AMU1084CCH	67	AMU1426L	69
AMP1204	89	AMP1860F	89	AMU1084CCHF	67	AMU1426LF	69

STANDARDS
ULTRAGUARD®
FIBERGLASS
AM SERIES
AM-R
AMH-R
ULTRALINE®
POLYLINE®
CONTROL
EMPIRE
ACCESSORIES
MODS
TECHNICAL



**Blue text indicates new part number

Catalog #	Page	Catalog #	Page	Catalog #	Page	Catalog #	Page
AMU1426LW	71	AMU2060NLW	77	HFP122	129	PG206	128
AMU1426LWF	71	AMU2060NLWF	77	HFP142	129	PG2420	128
AMU1426NL	75	AMU2060T	81	HFP164	129	PG2424	128
AMU1426NLF	75	AMU2060TF	81	HFP186	129	PG3024	128
AMU1426NLW	77	AMU2060TW	83	HFP206	129	PG66	128
AMU1426NLWF	77	AMU2060TWF	83	HFP2420	129	PG86	128
AMU1426T	81	AMU2060W	59	HFP2424	129	PL108	128, 130
AMU1426TF	81	AMU2060WF	59	HFP3024	129	PL120	128, 130
AMU1426TW	83	AMU664	57	HFP66	129	PL122	128
AMU1426TWF	83	AMU664CC	61	HFP86	129	PL142	128, 130
AMU1426W	59	AMU664CCF	61	HFPP108	130, 131	PL66	128, 130
AMU1426WF	59	AMU664CCH	67	HFPP120	130, 131	PL86	128, 130
AMU1648	57	AMU664CCHF	67	HFPP142	130, 131	PL88	130
AMU1648CC	61	AMU664CCL	73	HFPP164	130, 131	PLA108	128, 130
AMU1648CCF	61	AMU664CCLF	73	HFPP186	130, 131	PLA120	128, 130
AMU1648CCH	67	AMU664CCNL	79	HFPP66	130, 131	PLA122	128
AMU1648CCHF	67	AMU664CCNLF	79	HFPP86	130, 131	PLA142	128, 130
AMU1648CCL	73	AMU664CCT	85	HFPP88	130, 131	PLA66	128, 130
AMU1648CCLF	73	AMU664CCTF	85	HFPU108	129	PLA86	128, 130
AMU1648CCNL	79	AMU664F	57	HFPU120	129	PLA88	130
AMU1648CCNLF	79	AMU664H	63	HFPU142	129		
AMU1648CCT	85	AMU664HF	63	HFPU164	129		
AMU1648CCTF	85	AMU664HW	65	HFPU186	129		
AMU1648F	57	AMU664HWF	65	HFPU206	129		
AMU1648H	63	AMU664L	69	HFPU66	129		
AMU1648HF	63	AMU664LF	69	HFPU86	129		
AMU1648HW	65	AMU664LW	71	LLK-H316	141		
AMU1648HWF	65	AMU664LWF	71	LLKR-H316	141		
AMU1648L	69	AMU664NL	75	LLPN-H	141		
AMU1648LF	69	AMU664NLF	75	LLPS-H	141		
AMU1648LW	71	AMU664NLW	77	LLRS-H	141		
AMU1648LWF	71	AMU664NLWF	77	LTK-H316	141		
AMU1648NL	75	AMU664T	81	LTKR-H316	141		
AMU1648NLF	75	AMU664TF	81	LTPS-H	141		
AMU1648NLW	77	AMU664TW	83	P164	128		
AMU1648NLWF	77	AMU664TWF	83	P186	128		
AMU1648T	81	AMU664W	59	P206	128		
AMU1648TF	81	AMU664WF	59	P2420	128		
AMU1648TW	83	AMU864	57	P2424	128		
AMU1648TWF	83	AMU864CC	61	P3024	128		
AMU1648W	59	AMU864CCF	61	P3630CS	128		
AMU1648WF	59	AMU864CCH	67	P3636CS	128		
AMU1860	57	AMU864CCHF	67	P4836CS	128		
AMU1860F	57	AMU864CCL	73	P6036CS	128		
AMU1860H	63	AMU864CCLF	73	P7225CS	125		
AMU1860HF	63	AMU864CCNL	79	P7249CS	127		
AMU1860HW	65	AMU864CCNLF	79	PA164	128		
AMU1860HWF	65	AMU864CCT	85	PA186	128		
AMU1860L	69	AMU864CCTF	85	PA206	128		
AMU1860LF	69	AMU864F	57	PA2420	128		
AMU1860LW	71	AMU864H	63	PA2424	128		
AMU1860LWF	71	AMU864HF	63	PA3024	128		
AMU1860NL	75	AMU864HW	65	PA74	128		
AMU1860NLF	75	AMU864HWF	65	PA94	128		
AMU1860NLW	77	AMU864L	69	PF108	128		
AMU1860NLWF	77	AMU864LF	69	PF120	128		
AMU1860T	81	AMU864LW	71	PF122	128		
AMU1860TF	81	AMU864LWF	71	PF142	128		
AMU1860TW	83	AMU864NL	75	PF164	128		
AMU1860TWF	83	AMU864NLF	75	PF186	128		
AMU1860W	59	AMU864NLW	77	PF206	128		
AMU1860WF	59	AMU864NLWF	77	PF2420	128		
AMU2060	57	AMU864T	81	PF2424	128		
AMU2060F	57	AMU864TF	81	PF3024	128		
AMU2060H	63	AMU864TW	83	PF66	128		
AMU2060HF	63	AMU864TWF	83	PF74	128		
AMU2060HW	65	AMU864W	59	PF86	128		
AMU2060HWF	65	AMU864WF	59	PF94	128		
AMU2060L	69	AMVENTLG	139	PG108	128		
AMU2060LF	69	AMVENTSM	139	PG120	128		
AMU2060LW	71	AMXL403212L3PT	115	PG122	128		
AMU2060LWF	71	AMXL403212L3PTW	115	PG142	128		
AMU2060NL	75	HFP108	129	PG164	128		
AMU2060NLF	75	HFP120	129	PG186	128		



Have you used our new website lately?

We recently updated our website to include new features and options, making it easier than ever to access the information you need, whenever you need it. Access our website on your computer, smartphone or tablet, no matter where you are!

Take a look below and find out how Allied Moulded's enhanced website can benefit you and your application needs!



- Download and save product specification pages in PDF format
- View and download high quality images for every product and accessory
- Download CAD models and 2D PDF drawing files for every product
- Find your local sales representative by entering your state or zip code in our "Find a Rep" map
- Watch unique product feature videos and installation animations
- Live chat with our customer service team during normal business hours (EST)
- Access our entire library of PDF catalog files, inspector documents and technical data information
- Use our new search function to easily navigate your way to specific part numbers and information



222 North Union Street
Bryan, Ohio 43506

P: (419) 636.4217
F: (419) 636.2450
E: sales@alliedmoulded.com
www.alliedmoulded.com



**ALLIED
MOULDED
PRODUCTS, Inc.**



Allied Moulded Products, Inc. manufactures a complete line of corrosion and UV resistant NEMA Type 4X nonmetallic (fiberglass and polycarbonate) enclosures for indoor or outdoor industrial applications. The fiberglass reinforced polyester enclosures are manufactured with ULTRAGUARD®, a proprietary material formulation offering all the advantages of nonmetallic materials including: UL® listed, RoHS compliance, increased strength, reduced weight, corrosion resistance, non-conductivity, UV resistance and ease of installation. The polycarbonate enclosures are injection-molded with polycarbonate thermoplastic, offering many of the same great features as the fiberglass enclosures, with the option of a clear cover.

Allied Moulded Brand Names: POLYLINE®, ULTRALINE®, ULTRAGUARD®, ULTRAPLUG®

Enclosure Ratings: NEMA 4X, 6P, IP66, and IP68

Enclosure Series:

Pushbutton & JIC Sizes — AM, AMHD-R, AMP, AM-R, AMU

Cabinets & Freestanding Units — Control, Control XL & Empire

TABLE OF CONTENTS



**ALLIED
MOULDED
PRODUCTS, Inc.**

222 N Union Street
Bryan, OH 43506 USA

Phone: (419) 636-4217
Toll-free: (800) 722-2679
Fax: (800) 237-7269

www.alliedmoulded.com

AVAILABLE THROUGH: